

COMMON TWIN ROTARY

PARTS SECTION

NOTES



PART NAME INDEX

RCTVUQTFGT&I 'I W&G	7
ECDNG'FTCHV'DGCO 'CUUGO DN[8
EQO DQ'FTCHV'DGCO 'CUUGO DN[:
82R'UF'G'ECDNG'VO 'TQVCT['O QY GT	32
94R'UF'G'ECDNG'VO 'TQVCT['O QY GT	34
82R'UF'G'EQO DQ'VO 'TQVCT['O QY GT	36
94R'UF'G'EQO DQ'VO 'TQVCT['O QY GT	38
82R'UF'G'VUT'TQVCT['O QY GT	3:
82R'TGCT'VO 'TQVCT['O QY GT	42
82R'TGCT'VUT'TQVCT['O QY GT	44
TGCT'TQVCT['J [FTCWN&E	46
82R'UF'G'VO 'EJ CR 'I WCTF U	48
94R'UF'G'VO 'EJ CR 'I WCTF U	4:
82R'VUT'TGCT'I WCTF U	52
VO 'O QY GT'UR&F NG'CUUGO DN[54
VUT'O QY GT'UR&F NG'CUUGO DN[56
TQVCT['F KUMCPF 'MP X&GU	58
P QV&U	59
UF'GTQVCT['ECUVGT'Y J GGN'CUUGO DN[5:
82R'VO 'TGCT'ECUVGT'Y J GGN'('5RV'CUU[62
ECUVGT'Y J GGN'CUUGO DN[64
UCHGV['UVCP F	65
5R'Z'32R 'J [FTCWN&E'E[NR'F GT'DTGCMF QY P	66
5R'Z'34R 'J [FTCWN&E'E[NR'F GT'DTGCMF QY P	67
5R'Z'3: R 'J [FTCWN&E'E[NR'F GT'DTGCMF QY P	68
TGUGTXQK'TVCP M&H&VGT'CUUGO DN[69
82R'CPF'94R'VO 'TQVCT['O QVQT'DTGCMF QY P	6:
82R'VUT'TQVCT['O QVQT'DTGCMF QY P	72
HTQP V'J [FTCWN&E'RWO R'DTGCMF QY P	74
EQQNGT'CUUGO DN[76
ECDNG*O CP WCN+N&H'XCNXG'DTGCMF QY P '/'53542	78
ECDNG*O CP WCN+N&H'XCNXG'DTGCMF QY P '/'53543	7:
ECDNG*O CP WCN+N&H'XCNXG'DTGCMF QY P '/'28724265	82
ECDNG*O CP WCN+N&H'XCNXG'DTGCMF QY P '/'28724266	84
ECDNG*O CP WCN+N&H'XCNXG'DTGCMF QY P '/'287242: 9	86
ECDNG*O CP WCN+N&H'XCNXG'DTGCMF QY P '/'287242: :	88
DTCMG'XCNXG'CUUGO DN[8:
DTCMG'XCNXG'J [FTCWN&E'UEJ GO CV&E	8;
ECDNG'FTCHV'DGCO 'VTCXGN'NQEM	92
EQO DQ'FTCHV'DGCO 'VTCXGN'NQEM	93

COMMON TWIN

PART NAME INDEX

UY KÆJ "DQZ(94
UY KÆJ "DQZ"ÆJ GO CVÆ(95
PQVGU"3(96

PARTS ORDERING GUIDE

The following instructions are offered to help eliminate needless delay and error in processing purchase orders for the equipment in this manual.

1. The Parts Section is prepared in logical sequence and grouping of parts that belong to the basic machine featured in this manual. Part Numbers and Descriptions are given to help locate the parts and quantities required.
2. The Purchase Order must indicate the **Name and Address** of the person or organization ordering the parts, **who should be charged**, and if possible, the **serial number of the machine** for which the parts are being ordered.
3. The purchase order must clearly list the **quantity of each part**, the complete and correct **part number**, and the basic **name of the part**.
4. The manufacturer reserves the right to substitute parts where applicable.
5. Some parts may be unlisted items which are special production items not normally stocked and are subject to special handling. Request a quotation for such parts before sending a purchase order.
6. The manufacturer reserves the right to change prices without prior notice.

NOTE: When ordering replacement decals, refer to the part numbers and descriptions listed in the safety section in the front of this manual.

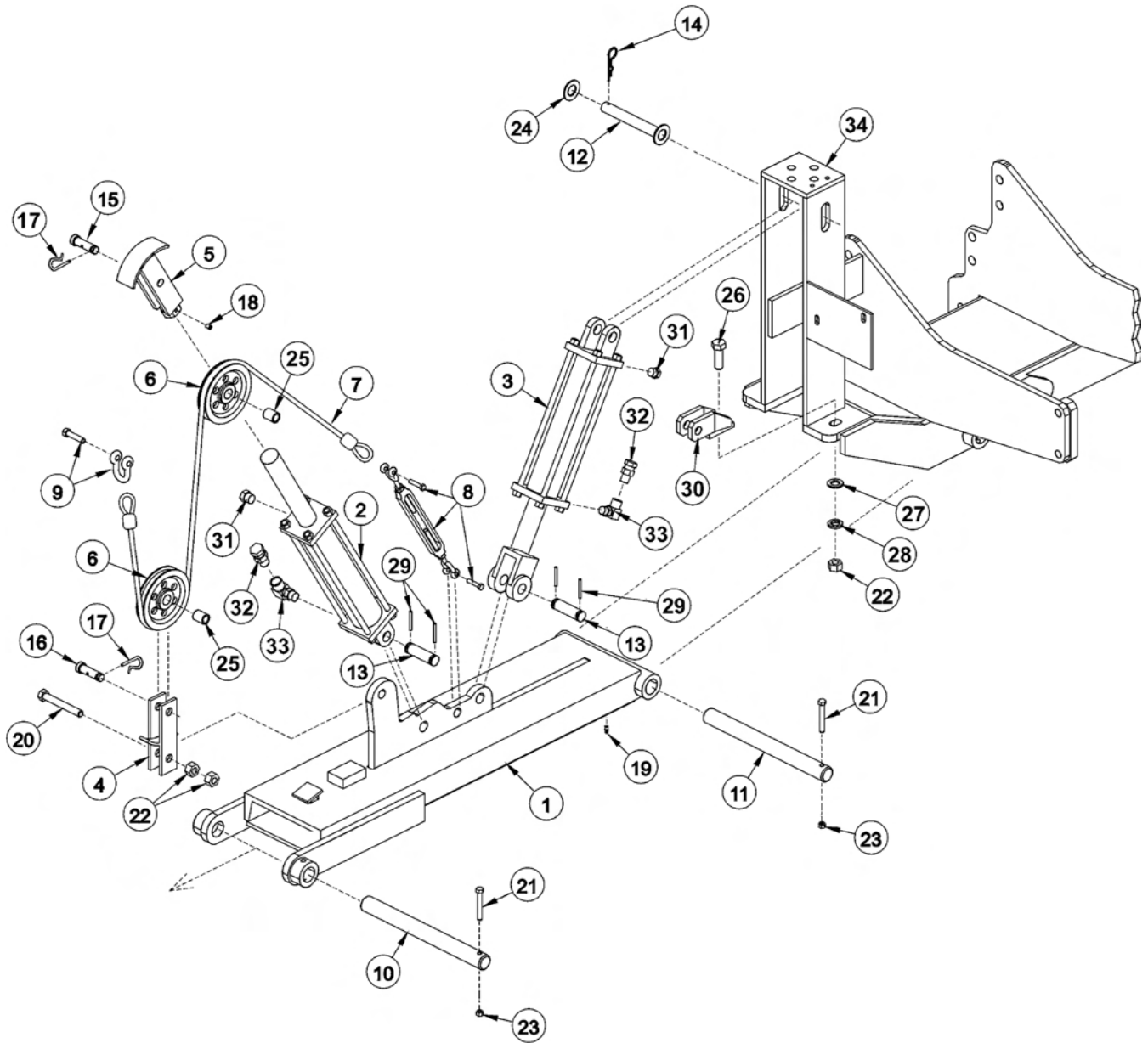


For maximum safety and to guarantee optimum product reliability, always use genuine **Tiger** replacement parts. The use of inferior replacement parts may cause premature or catastrophic failure which could result in serious injury or death.

Direct any questions regarding parts to:

Tiger Corporation
3301 N. Louise Ave.
Sioux Falls, SD 57107
1-800-843-6849
1-605-336-7900

CABLE DRAFT BEAM ASSEMBLY



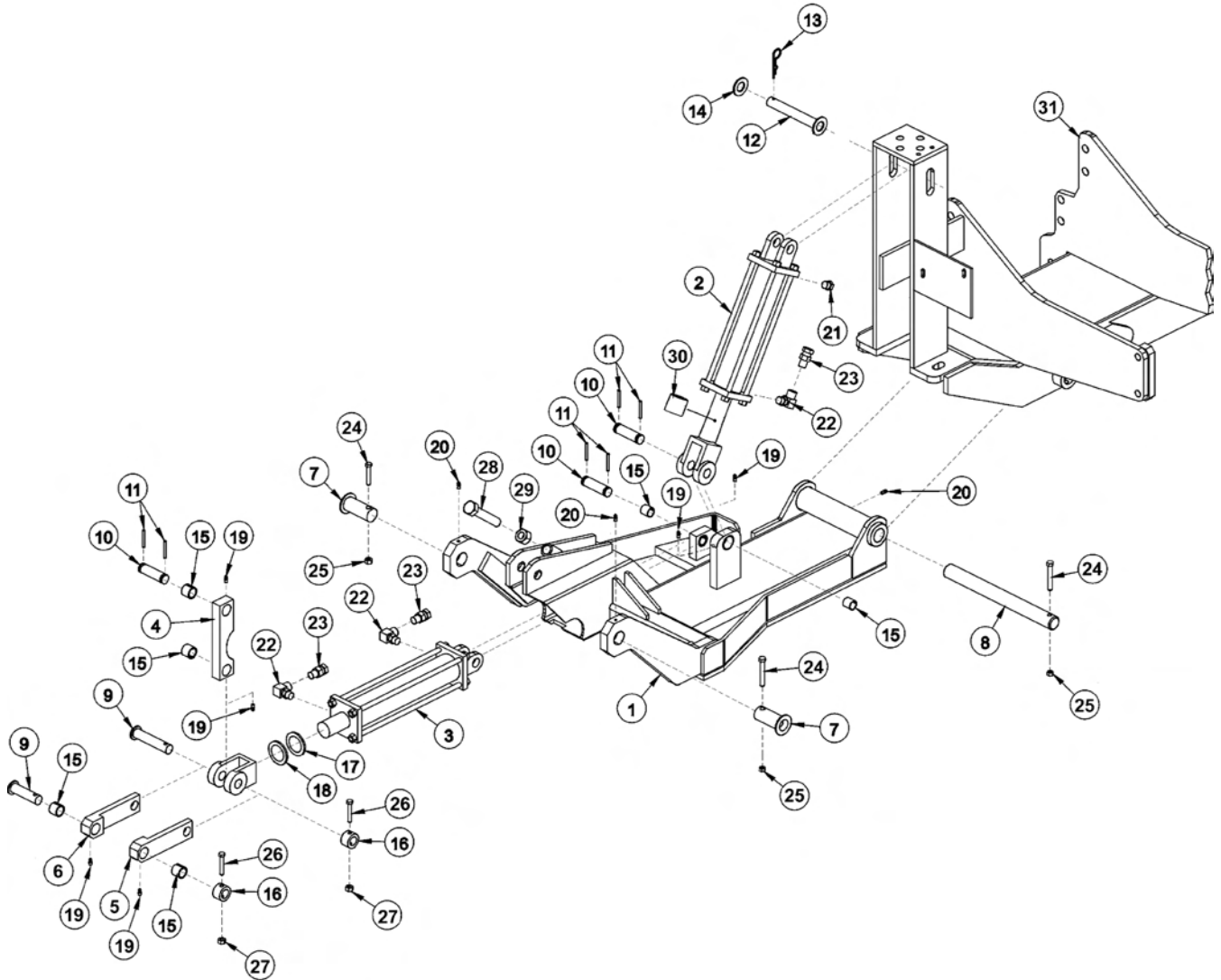
CABLE DRAFT BEAM ASSEMBLY

Continued...

ITEM	PART NO.	QTY.	DESCRIPTION
1	6T0105	-	DRAFT BEAM (STD WITH TRAVEL LOCK)
---	27241	-	DRAFT BEAM (EXTENDED 6")
2	6T0150	1	CYLINDER 3" X 18"
3	6T0151R	1	HYD. CYLINDER 3" X 10"
4	6T0100	1	LOWER SHEAVE BRACKET
5	6T0101	1	UPPER SHEAVE BRACKET
6	33768	2	SHEAVE
7	6T0110	1	LIFT CABLE (STD 1/2" X 87 1/2")
---	6T0110E	-	LIFT CABLE (EXTENDED 6")
8	6T0115	1	TURN BUCKLE
9	6T0112	1	SHACKLE WITH PIN
10	6T2999	1	OUTER DRAFT BEAM PIN 1 1/2" X 14 1/2"
11	6T3001	1	INNER DRAFT BEAM PIN 1 1/2" X 15 3/4"
12	6T3005	1	CYLINDER PIN 1" X 6 5/8"
13	TB1033	2	CLEVIS PIN 1" X 4"
14	6T3004	1	R - CLIP 3/16"
15	6T3010	1	UPPER SHEAVE PIN WITH ZERK 3/4" X 3"
16	6T3009	1	LOWER SHEAVE PIN WITH ZERK 3/4" X 2 1/2"
17	6T3020	2	R - CLIP 5/32"
18	6T2272	1	SET SCREW 3/8" X 1/2"
19	6T3211	1	GREASE ZERK 1/8" STRAIGHT
20	21837	1	CAPSCREW 3/4" X 3 1/4"
21	21688	2	CAPSCREW 7/16" X 3 1/4"
22	21825	2	HEX NUT 3/4"
23	21677	2	NYLOCK NUT 7/16"
24	22023	1	FLAT WASHER 1"
25	6T0104N	2	SHEAVE PIN BUSHING 1" OD X 3/4" ID
26	21833	1	CAPSCREW 3/4" X 2 1/4"
27	22021	1	FLAT WASHER 3/4"
28	21993	1	LOCK WASHER 3/4"
29	06537021	4	ROLL PIN
30	6T0106	1	TRAVEL LOCK BRACKET
31	6T4258	2	BREATHER 1/2"
32	34396	2	RESTRICTOR
33	34244	2	ELBOW FITTING 1/2"
34	-----	-	MAIN FRAME *REFER TO TRACTOR PARTS SECTION

COMMON TWIN

COMBO DRAFT BEAM ASSEMBLY



NOTES:

1. ITEM 30 IS USED ON THE GLAND END OF ITEM 2 (AS NEEDED)
2. ORIENTATION OF ITEMS 4,5 & 6 ARE CRITICAL

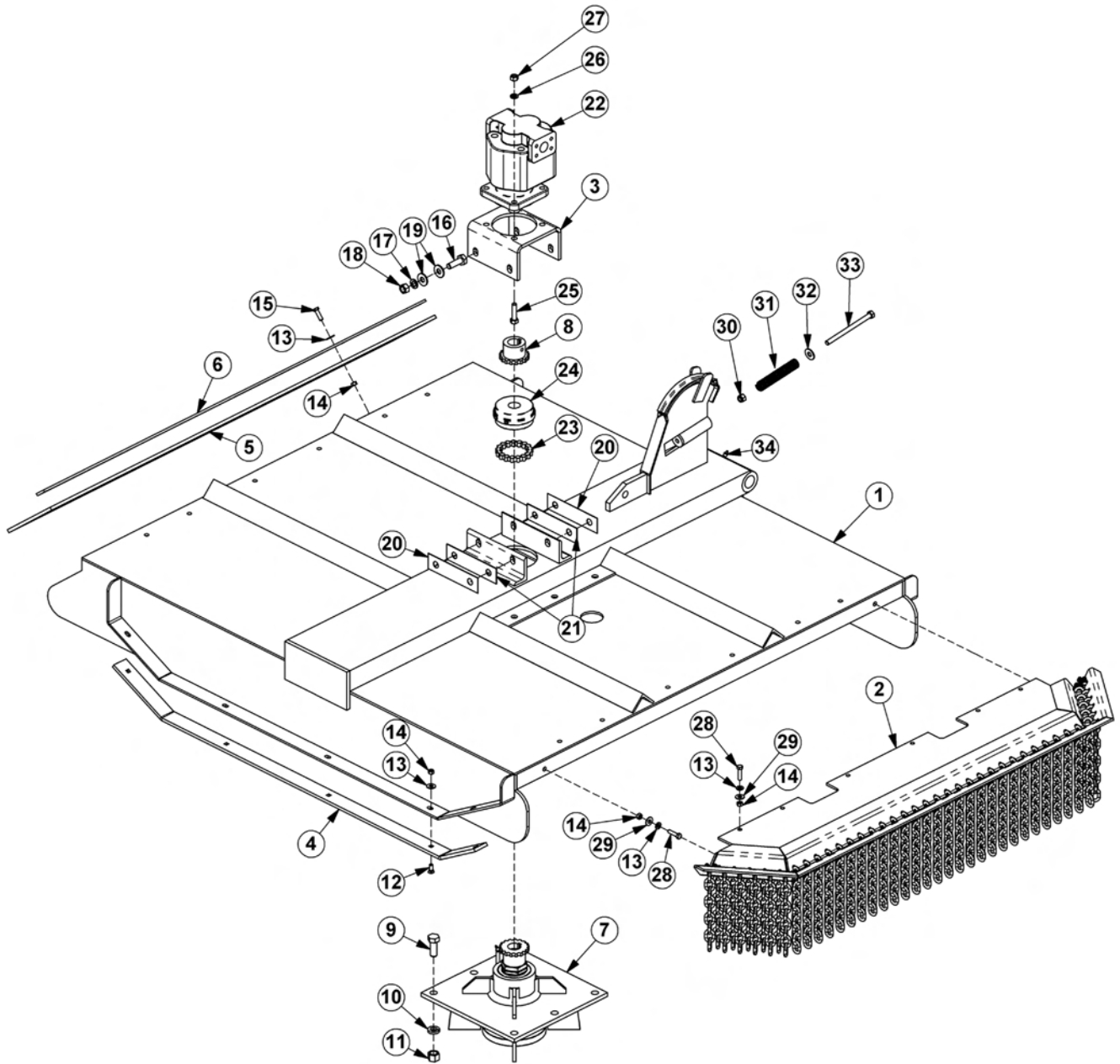
COMBO DRAFT BEAM ASSEMBLY

Continued...

ITEM	PART NO.	QTY.	DESCRIPTION
1	06350001	1	COMBO DRAFT BEAM - STD DTY ROTARY
---	31063	-	COMBO DRAFT BEAM - HVY DTY ROTARY
2	6T0151R	1	HYD. CYLINDER 3" X 10"
3	32215	1	HYD. CYLINDER 3" X 12" - STD DTY
---	25343	-	HYD. CYLINDER 3" X 12" - HVY DTY
4	TF4500A	1	PIVOT ARM
5	TF4507B	1	RIGHT LINKAGE ARM
6	TF4506B	1	LEFT LINKAGE ARM
7	30126B	2	PIN, HEAD PIVOT - STD DTY
---	TF4514A	-	PIN, HEAD PIVOT - HVY DTY
8	6T3001	1	PIN, BEAM PIVOT
9	TF4519	2	PIN, LINKAGE
10	TB1033	3	PIN, CLEVIS
11	06537021	6	ROLLPIN
12	6T3005	1	PIN, 1" W/ CAP
13	6T3004	1	R-CLIP HAIRPIN
14	6T2614	1	FLATWASHER 1"
15	TB3010	8	BUSHING 1"
16	22847	2	BOSS, LINKAGE PIN
17	22076	1	SPACER, HYD. CYLINDER 1/4"
18	22077	1	SPACER, HYD. CYLINDER 5/16"
19	6T3207	6	GREASE ZERK 1/4"
20	6T3211	3	GREASE ZERK 1/8"
21	6T4258	1	BREATHER 1/2"
22	34244	3	ELBOW FITTING 1/2"
23	34396	3	SWIVEL RESTRICTOR
24	21688	3	CAPSCREW 7/16" X 3 1/4"
25	21677	3	NYLOCK NUT 7/16"
26	21635	2	CAPSCREW 3/8" X 2 1/4"
27	21625	2	HEX NUT 3/8"
28	21831	1	CAPSCREW 3/4" X 1 3/4"
29	21825	1	HEX NUT 3/4"
30	06700095	1	CYLINDER SPACER W/SET SCREW
31	-----	-	MAIN FRAME *REFER TO TRACTOR MOUNT PAGE

COMMON TWIN

60IN SIDE CABLE TM ROTARY MOWER



COMMON TWIN

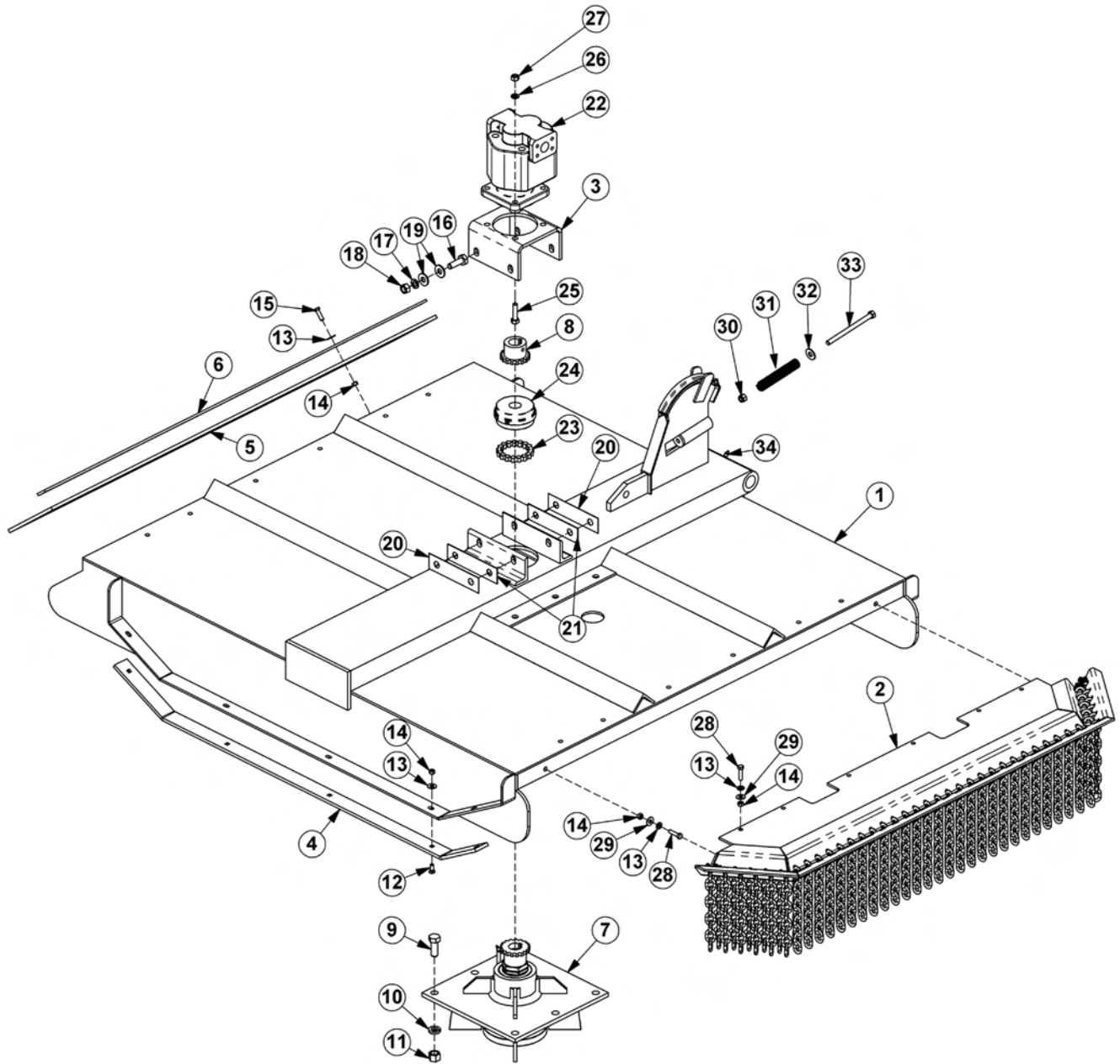
60IN SIDE CABLE TM ROTARY MOWER

Continued...

ITEM	PART NO.	QTY.	DESCRIPTION
1	32099	1	RTRY, 60" DECK, CABLE
2	31773	1	GAURD,CHAIN,FRONT,SR60
3	6T1001	1	BRKT, MOTOR MTG, 60"SIDE RTRY
4	6T0820H	2	SKID SHOE, TM60
5	22592	1	FLAP, DEFLECTOR, TM60
6	6T0823	1	BAR, FLAP, TM60
7	6T1024H5	1	SPINDLE ASSY,CPLT,HD,5/8" HOLES
8	21223	1	SPROCKET, 1-1/4" BORE
9	6T2277	6	CAPSCREW,3/4" X 2",NF
10	21993	6	LOCKWASHER,3/4",GR 8
11	6T2413	6	HEX NUT,3/4",NF,GR 8
12	6T2270	10	PLOW BOLT,3/8" X 1",NC
13	22016	29	FLATWASHER,3/8"
14	21625	29	HEX NUT,3/8",NC
15	21631	11	CAPSCREW, 3/8" X 1-1/4",NC
16	21783	4	CAPSCREW, 5/8" X 2",NC
17	21992	4	LOCKWASHER, 5/8"
18	21775	4	HEX NUT, 5/8"
19	25270	8	FLATWASHER,5/8",GR 8
20	6T0822	2	SHIM, MOTOR MOUNT, 14GA. (AS NEEDED)
21	6T0822A	2	SHIM, MOTOR MOUNT, 18 GA. (AS NEEDED)
22	6504011	1	MOTOR,(M365-2 1/4" GEAR)
23	6T1029	1	CHAIN, COUPLING
24	6T1033	1	COVER, COUPLING
25	21733	4	CAPSCREW, 1/2" X 2",NC
26	21990	4	LOCKWASHER,1/2"
27	21725	4	HEX NUT, 1/2",NC
28	21632	8	CAPSCREW,3/8" X 1-1/2",NC
29	21988	8	LOCKWASHER,3/8"
30	21727	1	NYLOCK NUT,1/2",NC
31	27005	1	SPRING,PUSHOFF,SIDE RTRY
32	22018	1	FLATWASHER,1/2",WIDE
33	21745	1	CAPSCREW,1/2" X 7",NC
34	6T3211	1	GREASE ZERK

COMMON TWIN

72IN SIDE CABLE TM ROTARY MOWER



COMMON TWIN

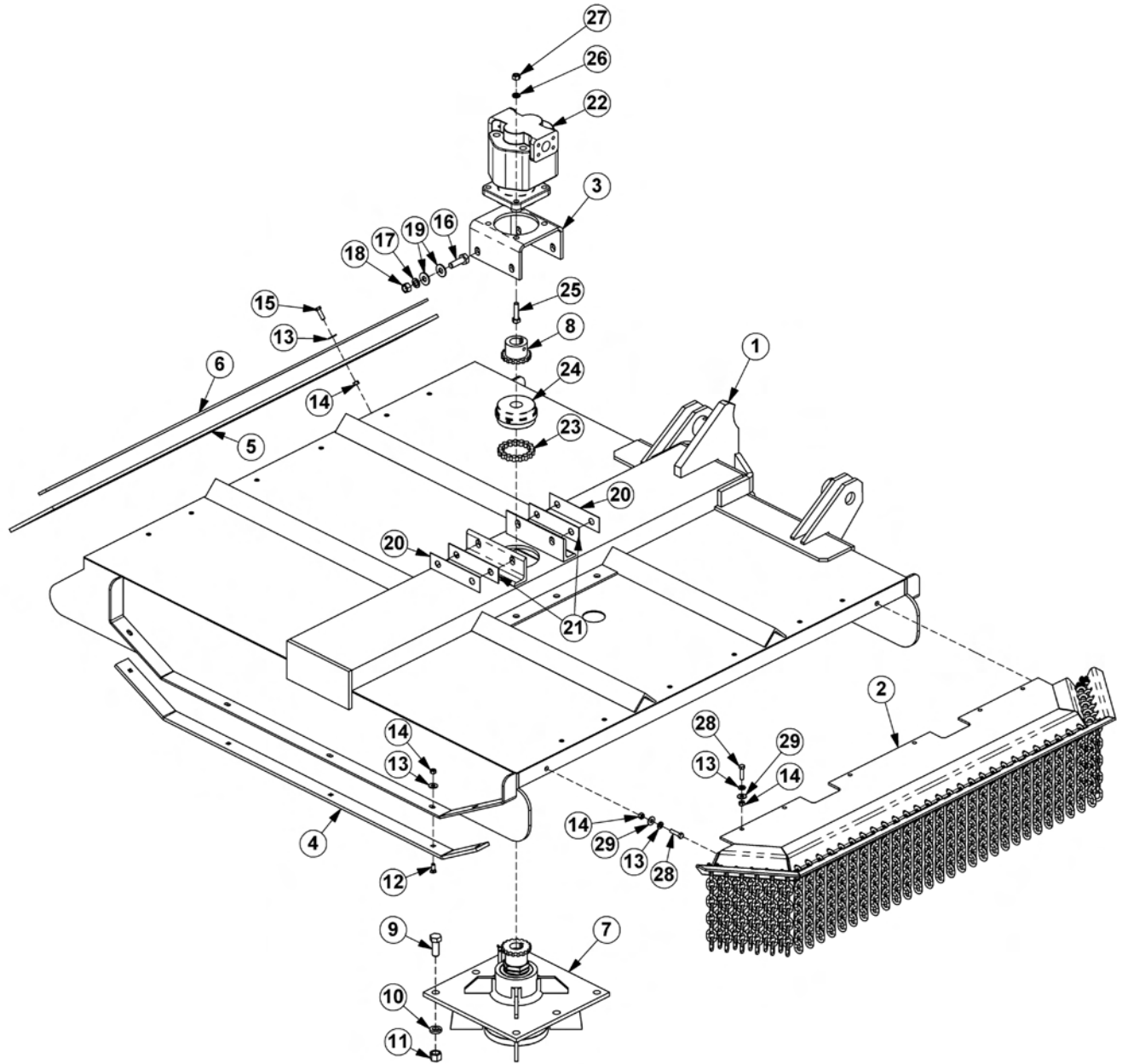
72IN SIDE CABLE TM ROTARY MOWER

Continued...

ITEM	PART NO.	QTY.	DESCRIPTION
1	21225B	1	RTRY,72" DECK, CABLE
2	31931	1	GAURD,CHAIN,FRONT,SR72
3	6T1001	1	BRKT, MOTOR MTG, 60"SIDE RTRY
4	21248	2	SKID SHOE, TM72
5	21295B	1	FLAP, DEFLECTOR, TM72
6	21242A	1	BAR, FLAP, TM72
7	6T1024H5	1	SPINDLE ASSY,CPLT,HD,5/8" HOLES
8	21223	1	SPROCKET, 1-1/4" BORE
9	6T2277	6	CAPSCREW,3/4" X 2",NF
10	21993	6	LOCKWASHER,3/4",GR 8
11	6T2413	6	HEX NUT,3/4",NF,GR 8
12	6T2270	10	PLOW BOLT,3/8" X 1",NC
13	22016	29	FLATWASHER,3/8"
14	21625	29	HEX NUT,3/8",NC
15	21631	11	CAPSCREW, 3/8" X 1-1/4",NC
16	21783	4	CAPSCREW, 5/8" X 2",NC
17	21992	4	LOCKWASHER, 5/8"
18	21775	4	HEX NUT, 5/8"
19	25270	8	FLATWASHER,5/8",GR 8
20	6T0822	2	SHIM, MOTOR MOUNT, 14GA. (AS NEEDED)
21	6T0822A	2	SHIM, MOTOR MOUNT, 18 GA. (AS NEEDED)
22	06504018	1	MOTOR,(M365-2 1/2" GEAR)
23	6T1029	1	CHAIN, COUPLING
24	6T1033	1	COVER, COUPLING
25	21733	4	CAPSCREW, 1/2" X 2",NC
26	21990	4	LOCKWASHER,1/2"
27	21725	4	HEX NUT, 1/2",NC
28	21632	8	CAPSCREW,3/8" X 1-1/2",NC
29	21988	8	LOCKWASHER,3/8"
30	21727	1	NYLOCK NUT,1/2",NC
31	27005	1	SPRING,PUSHOFF,SIDE RTRY
32	22018	1	FLATWASHER,1/2",WIDE
33	21745	1	CAPSCREW,1/2" X 7",NC
34	6T3211	1	GREASE ZERK

COMMON TWIN

60IN SIDE COMBO TM ROTARY MOWER



COMMON TWIN

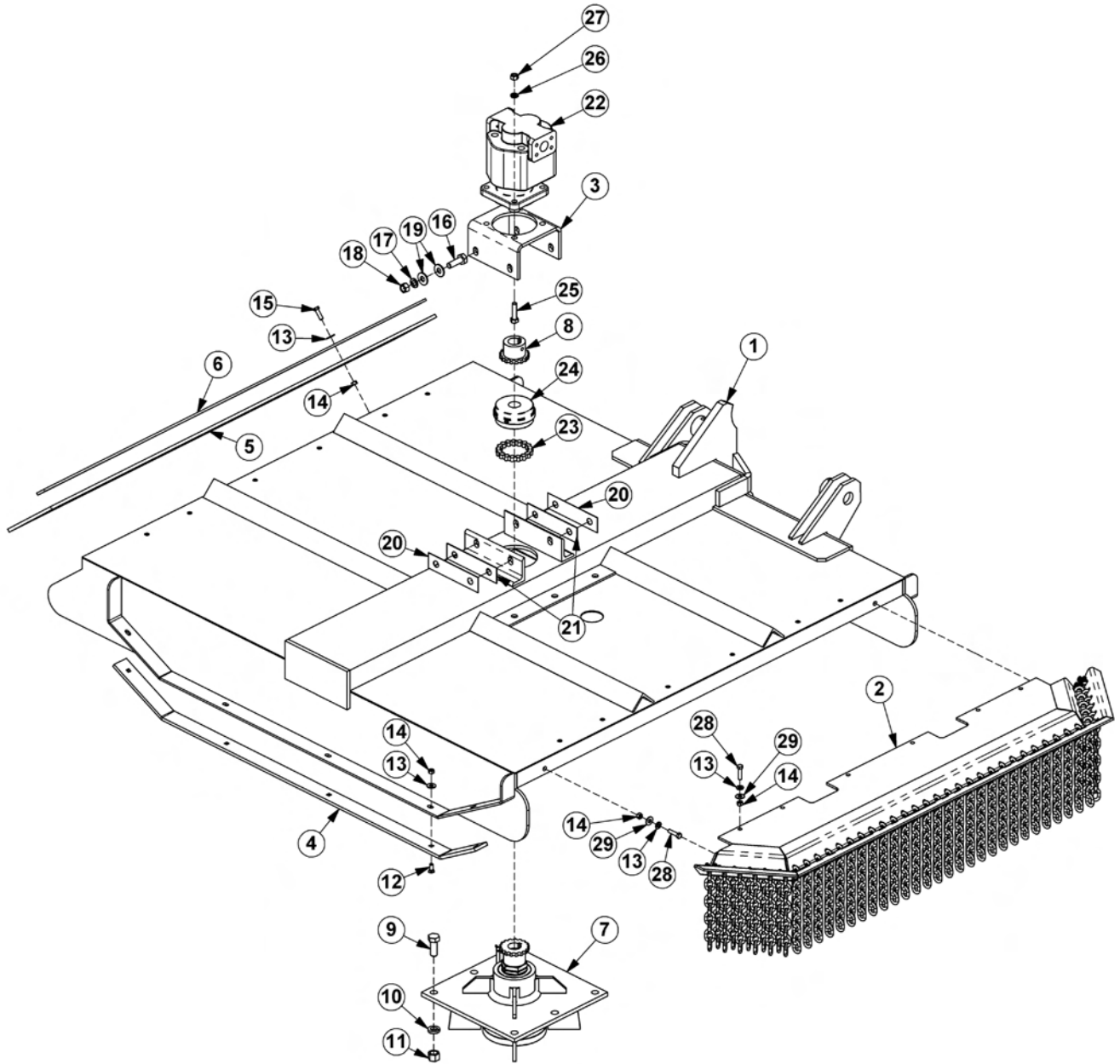
60IN SIDE COMBO TM ROTARY MOWER

Continued...

ITEM	PART NO.	QTY.	DESCRIPTION
1	30087D	1	RTRY, 60" DECK, COMBO - STD DUTY
---	32617	1	RTRY, 60" DECK, COMBO - HVY DUTY
2	31773	1	GAURD,CHAIN,FRONT,SR60
3	6T1001	1	BRKT, MOTOR MTG, 60"SIDE RTRY
4	6T0820H	2	SKID SHOE, TM60
5	22592	1	FLAP, DEFLECTOR, TM60
6	6T0823	1	BAR, FLAP, TM60
7	6T1024H5	1	SPINDLE ASSY,CPLT,HD,5/8" HOLES
8	21223	1	SPROCKET, 1-1/4" BORE
9	6T2277	6	CAPSCREW,3/4" X 2",NF
10	21993	6	LOCKWASHER,3/4",GR 8
11	6T2413	6	HEX NUT,3/4",NF,GR 8
12	6T2270	10	PLOW BOLT,3/8" X 1",NC
13	22016	29	FLATWASHER,3/8"
14	21625	29	HEX NUT,3/8",NC
15	21631	11	CAPSCREW, 3/8" X 1-1/4",NC
16	21783	4	CAPSCREW, 5/8" X 2",NC
17	21992	4	LOCKWASHER, 5/8"
18	21775	4	HEX NUT, 5/8"
19	25270	8	FLATWASHER,5/8",GR 8
20	6T0822	2	SHIM, MOTOR MOUNT, 14GA. (AS NEEDED)
21	6T0822A	2	SHIM, MOTOR MOUNT, 18 GA. (AS NEEDED)
22	06504011	1	MOTOR,(M365-2 1/4" GEAR)
23	6T1029	1	CHAIN, COUPLING
24	6T1033	1	COVER, COUPLING
25	21733	4	CAPSCREW, 1/2" X 2",NC
26	21990	4	LOCKWASHER,1/2"
27	21725	4	HEX NUT, 1/2",NC
28	21632	8	CAPSCREW,3/8" X 1-1/2",NC
29	21988	8	LOCKWASHER,3/8"

COMMON TWIN

72IN SIDE COMBO TM ROTARY MOWER



COMMON TWIN

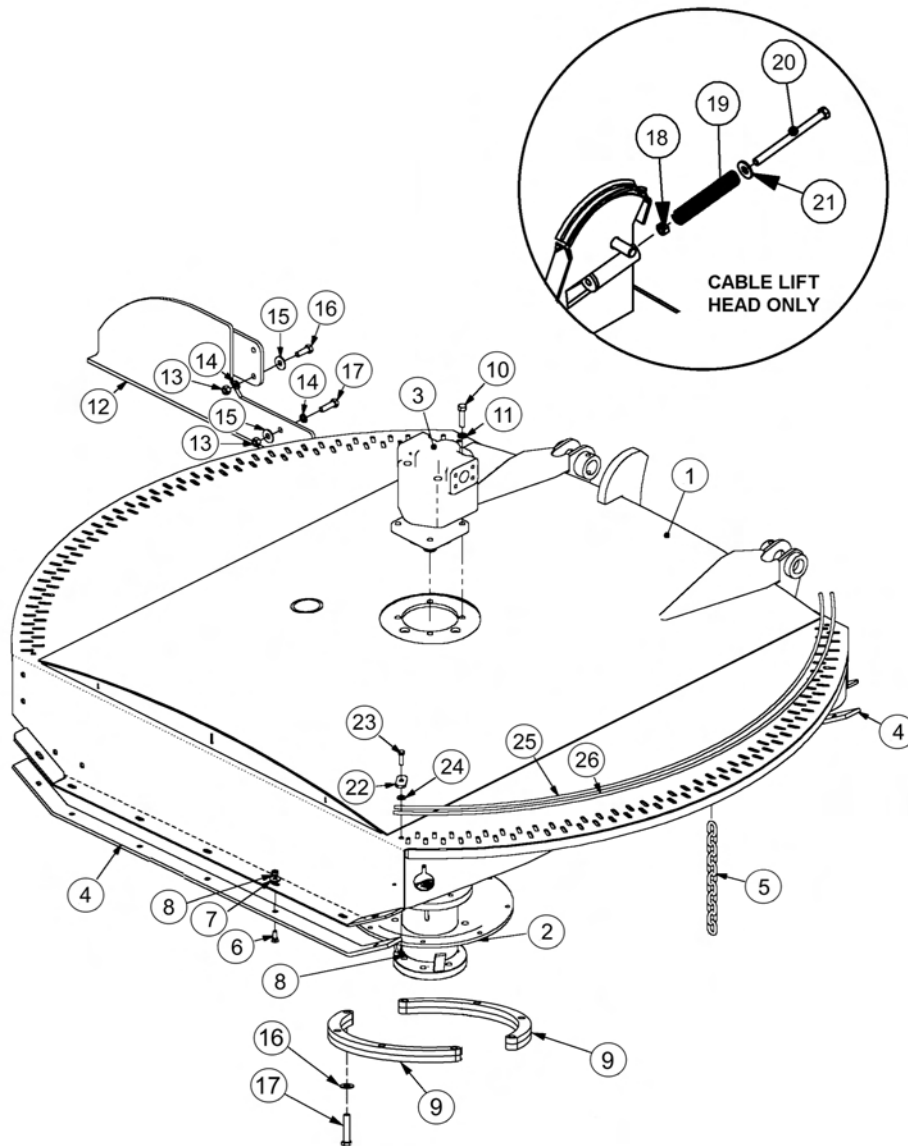
72IN SIDE COMBO TM ROTARY MOWER

Continued...

ITEM	PART NO.	QTY.	DESCRIPTION
1	34260	1	RTRY, 72" DECK, COMBO - STD DUTY
---	31408A	1	RTRY, 72" DECK, COMBO - HEAVY DUTY
2	31931	1	GUARD,CHAIN,FRONT,SR72
3	6T1001	1	BRKT, MOTOR MTG, 60"SIDE RTRY
4	21248	2	SKID SHOE, TM72
5	21295B	1	FLAP, DEFLECTOR, TM72
6	21242A	1	BAR, FLAP, TM72
7	6T1024H5	1	SPINDLE ASSY,CPLT,HD,5/8" HOLES
8	21223	1	SPROCKET, 1-1/4" BORE
9	6T2277	6	CAPSCREW,3/4" X 2",NF
10	21993	6	LOCKWASHER,3/4",GR 8
11	6T2413	6	HEX NUT,3/4",NF,GR 8
12	6T2270	10	PLOW BOLT,3/8" X 1",NC
13	22016	29	FLATWASHER,3/8"
14	21625	29	HEX NUT,3/8",NC
15	21631	11	CAPSCREW, 3/8" X 1-1/4",NC
16	21783	4	CAPSCREW, 5/8" X 2",NC
17	21992	4	LOCKWASHER, 5/8"
18	21775	4	HEX NUT, 5/8"
19	25270	8	FLATWASHER,5/8",GR 8
20	6T0822	2	SHIM, MOTOR MOUNT, 14GA. (AS NEEDED)
21	6T0822A	2	SHIM, MOTOR MOUNT, 18 GA. (AS NEEDED)
22	06504018	1	MOTOR,(M365-2 1/2" GEAR)
23	6T1029	1	CHAIN, COUPLING
24	6T1033	1	COVER, COUPLING
25	21733	4	CAPSCREW, 1/2" X 2",NC
26	21990	4	LOCKWASHER,1/2"
27	21725	4	HEX NUT, 1/2",NC
28	21632	8	CAPSCREW,3/8" X 1-1/2",NC
29	21988	8	LOCKWASHER,3/8"

COMMON TWIN

60IN SIDE TSR ROTARY MOWER



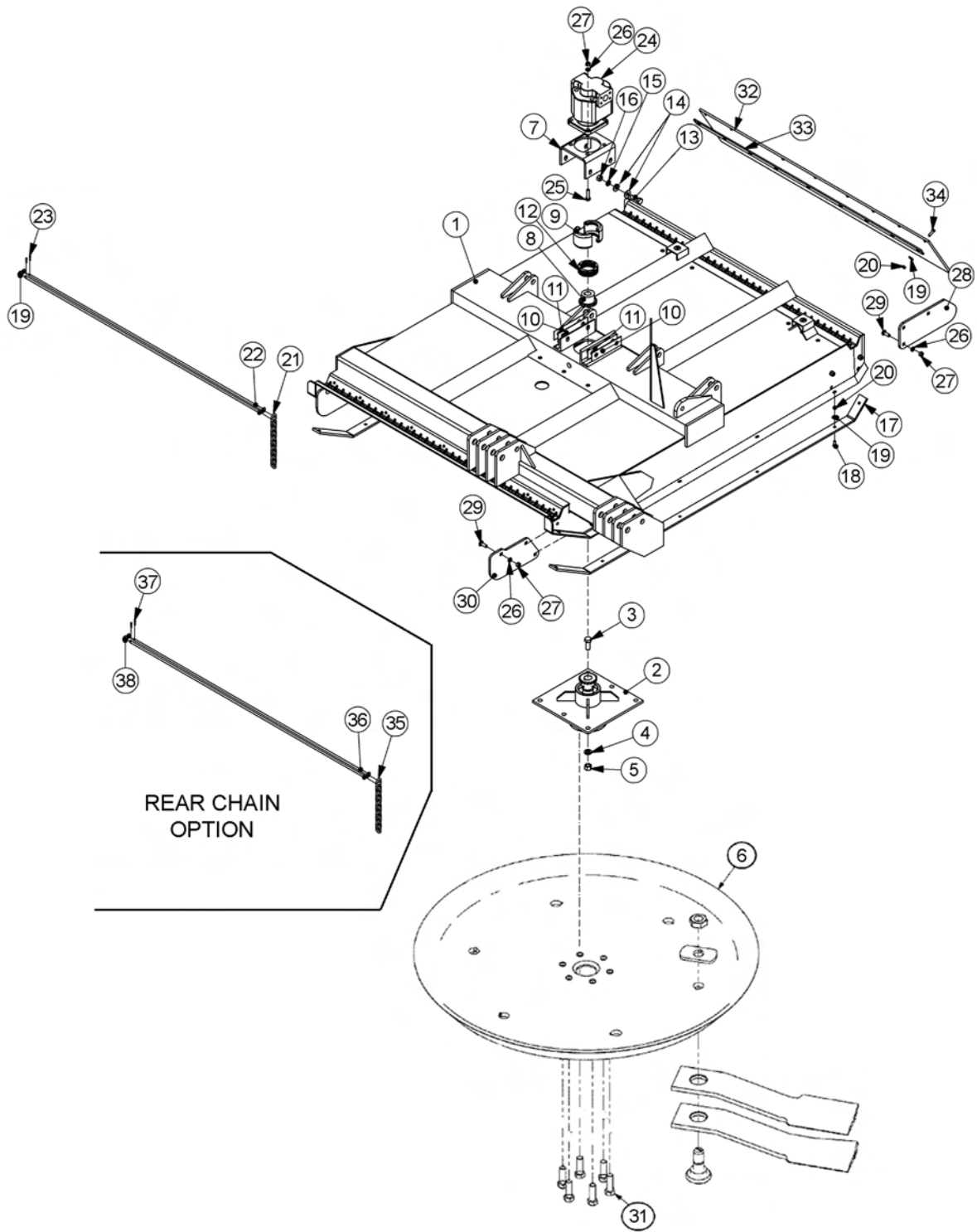
60IN SIDE TSR ROTARY MOWER

Continued...

ITEM	PART NO.	QTY.	DESCRIPTION
1	34975	1	HEAVY DUTY GRASSKAT COMBO
---	06320005	1	STD DUTY GRASSKAT COMBO
----	06320008	1	HEAVY DUTY GRASSKAT CABLE
2	34980	1	SPINDLE ASSY,TM 60"
3	06504016	1	CURRENT MOTOR,(M365-1 1/4" 14-SPLINE)
4	06410254	2	SKID,OUTBOARD,TM60
5	22992	156	CHAIN,10 LINK
6	6T2270	14	PLOW BOLT,3/8" X 1" NC
7	22016	26	FLATWASHER,3/8"
8	21625	30	HEX NUT,3/8",NC
9	06320011	2	SPACER,TSF,SPINDLE
10	6T1025	4	CAPSCREW, 1/2 X 2,GR 8,NC
11	06533006	4	FLATWASHER,1/2,SAE,GR 8
12	06370029	1	TIRE GUARD, LEFT
13	21725	8	HEX NUT, 1/2",NC
14	21990	8	LOCKWASHER, 1/2"
15	22018	8	FLATWASHER, 1/2",WIDE
16	21731	4	CAPSCREW, 1/2" X 1-1/2" NC
17	21732	4	CAPSCREW, 1/2" X 1-3/4" NC
18	21745	1	NYLOCK NUT, 1/2
19	21727	1	SPRING, PUSHOFF, SIDE RTRY
20	27005	1	CAPSCREW, 1/2 X 7,NC
21	22018	1	FLATWASHER,1/2",WIDE
22	34972	4	PLATE,CAP,CHAIN
23	21631	16	CAPSCREW, 3/8 X 1-1/4,NC
24	21988	16	LOCKWASHER, 3/8"
25	34974	2	ROD,CHAIN,INNER,TM60
26	34973	2	ROD,CHAIN,OUTER,TM60

COMMON TWIN

60IN REAR TM ROTARY MOWER



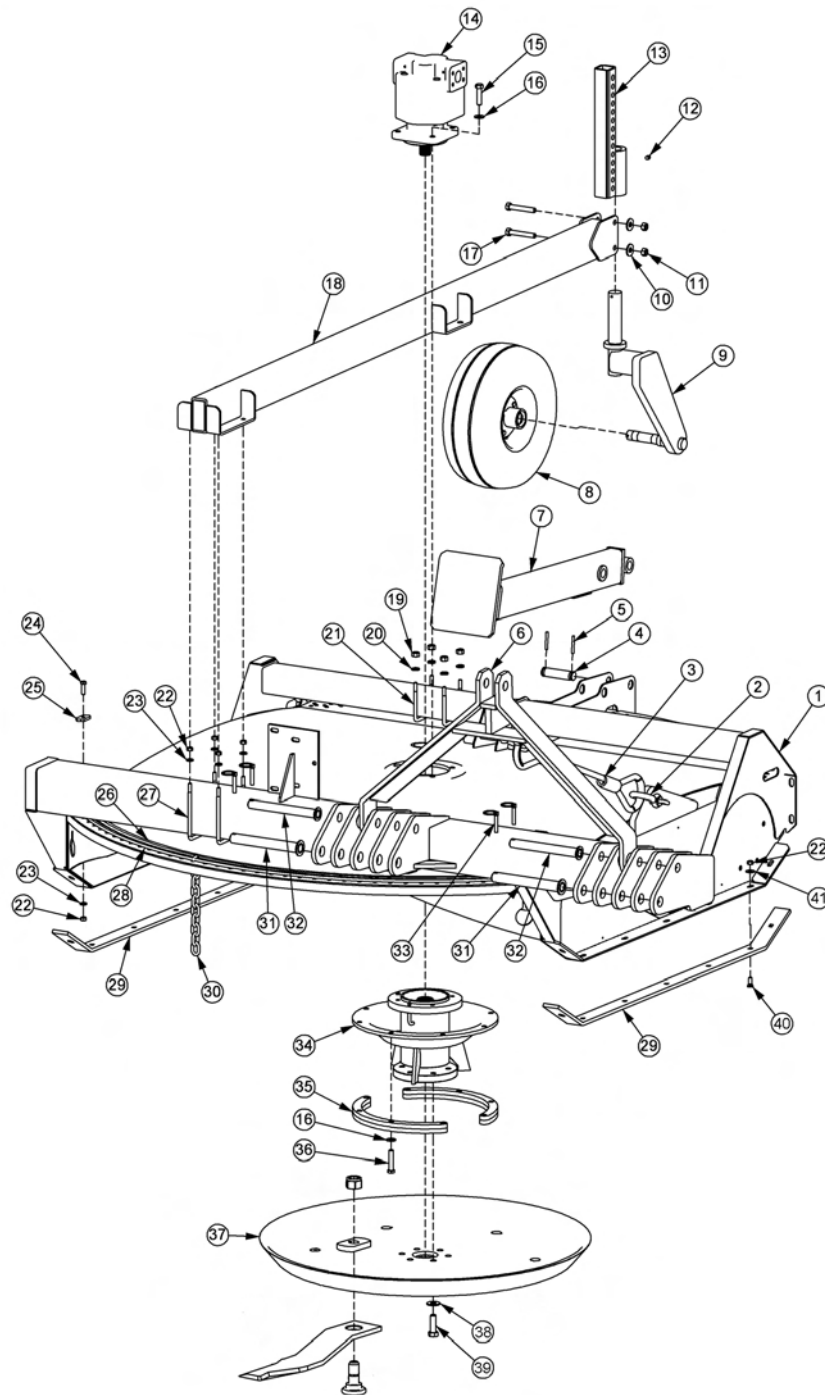
60IN REAR TM ROTARY MOWER

Continued...

ITEM	PART NO.	QTY.	DESCRIPTION
---	23003	-	REAR RTRY, 60" W/REAR CHAINS
1	32616	1	RTRY, 60" DECK, TRR
2	6T1024H5	1	SPINDLE ASSY,CPLT,HD,5/8 HOLES
3	6T2277	6	CAPSCREW, 3/4" X 2" NF
4	21993	6	LOCKWASHER,3/4",GR 8
5	6T2413	6	HEX NUT,3/4",NF,GR 8
6	-----	-	DISK *REFER TO DISK & KNIVES PAGE
7	6T1001	1	BRKT, MOTOR MTG, 60"
8	21223	1	SPROKET, 1-1/4" BORE
9	6T1033	1	COVER, COUPLING
10	6T0822	2	SHIM, MOTOR MOUNT, 14GA. (AS NEEDED)
11	6T0822A	2	SHIM, MOTOR MOUNT, 18 GA. (AS NEEDED)
12	6T1029	1	CHAIN, COUPLING
13	21783	4	CAPSCREW, 5/8" X 2",NC
14	25270	8	FLATWASHER,5/8", GR 8
15	21992	10	LOCKWASHER, 5/8"
16	21775	4	HEX NUT, 5/8"
17	23160A	2	SKID SHOE
18	6T2270	12	PLOW BOLT,3/8" X 1" NC
19	22016	21	FLATWASHER,3/8"
20	21625	21	HEX NUT,3/8",NC
21	22993	71	CHAIN, 5/16" GR30, 9 LINK
22	22054	2	ROD, CHAIN HOLDER
23	6T3028	2	COTTER PIN, 1/8" X 1"
24	06504011	1	MOTOR, (M365 - 2" GEAR)
25	21733	4	CAPSCREW, 1/2" X 2",NC
26	21990	16	LOCKWASHER, 1/2"
27	21725	16	HEX NUT, 1/2" NC
28	33656	2	PLATE,GUARD,SAFETY,REAR,RTRY
29	6T2267	12	CARRIAGE BOLT, 1/2" X 2" NF, GR8
30	33655	2	PLATE,GAURD,SAFETY,FRONT, RTRY
31	6T2290	6	CAPSCREW,5/8" X 2",NF GR 8
32	24347	1	REAR DEFLECTOR FLAP
33	24349	1	FLAP MOUNTING BAR
34	21631	9	CAPSCREW, 3/8" X 1-1/4" NC
35	22992	71	CHAIN, 5/16" GR30, 10 LINK
36	22054	2	ROD, CHAIN HOLDER
37	6T3028	2	COTTER PIN, 1/8" X 1"
38	22016	2	FLATWASHER,3/8"

COMMON TWIN

60IN REAR TSR ROTARY MOWER



ITEM	PART NO.	QTY.	DESCRIPTION
---	06741023	-	60IN TSR REAR MOWER ASSY
1	06320002	1	TRAILKAT®,60,WLDMNT
2	6T0112	2	SHACKLE,W/PIN,CPLT
3	22051	1	CABLE,LIFT,TRR,60

COMMON TWIN

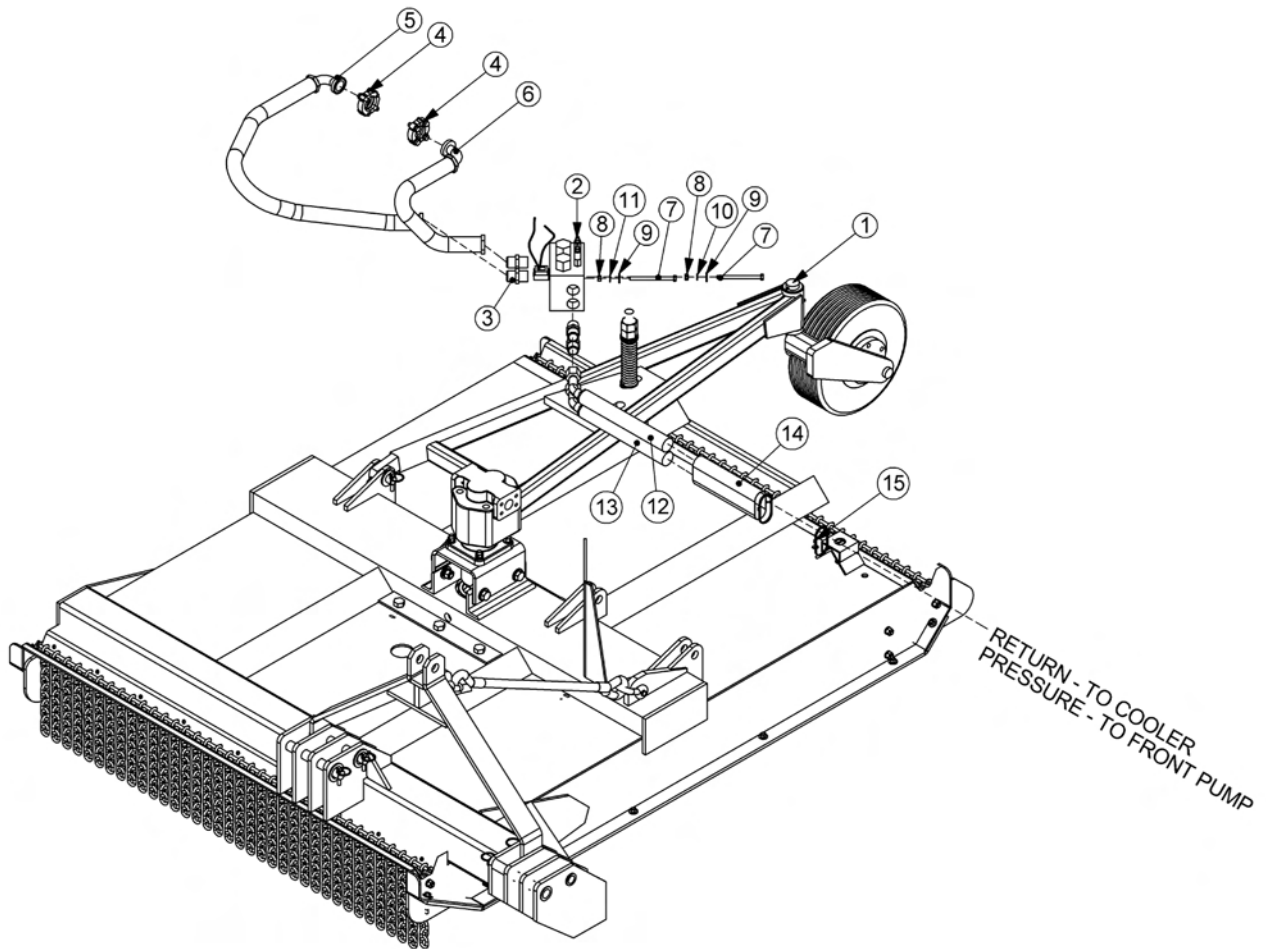
60IN REAR TSR ROTARY MOWER

Continued...

ITEM	PART NO.	QTY.	DESCRIPTION
4	06520425	2	PIN
5	06537021	4	ROLLPIN,5MM X 50MM,SS
6	21474A	1	HITCH,3PT,TRR
7	28511	1	STAND,SAFETY SUPPORT W/PAD
8	23329	1	CASTER WHL,SOLID TIRE W/SPIND
9	22057	1	SPINDLE,CASTER AXLE,ASSY
10	22018	2	FLATWASHER,1/2,WIDE
11	21725	2	HEX NUT,1/2,NC
12	6T3211	1	GREASE ZERK,1/8
13	06370003	1	CASTER ADJ,TRAILKAT
14	06504016	1	MOTOR,M365-1 1/4",SPLINE,SEALED
15	6T1025	4	CAPSCREW,1/2 X 2,NC,GR8
16	06533004	12	FLATWASHER,1/2,SAE,GR8
17	21738	2	CAPSCREW,1/2 X 3-1/4,NC
18	06370004	1	CASTER MNT,TRAILKAT
19	21700	4	HEX NUT,1/2,NF
20	21990	4	LOCKWASHER,1/2
21	06420003	2	U-BOLT,.50 X 3.25 X 5.00
22	21625	20	HEX NUT,3/8,NC
23	21988	6	LOCKWASHER,3/8
24	21631	2	CAPSCREW,3/8 X 1-1/4,NC,GR8
25	34972	2	PLATE,CAP,CHAIN
26	34974	1	ROD,CHAIN,INNER,TM60
27	06420005	2	U-BOLT,.38 X 5.63 X 6.31
28	34973	1	ROD,CHAIN,OUTER,TM60
29	06410254	2	SKID SHOE,TSR
30	22992	78	CHAIN,10 LINK
31	33698	2	PIN,1.13 X 9.00
32	33699	2	PIN,1 X 8.88
33	TF1143	4	LYNCH PIN
34	34980	1	SPINDLE ASSY,TM60
35	06320011	2	SPACER,TSR,SPINDLE
36	06530221	8	CAPSCREW,1/2 X 2-1/4,NF,GR8
37	-----	-	DISK *REFER TO DISK & KNIVES PAGE
38	25270	6	FLATWASHER,5/8",USS,GR8
39	6T2290	6	CAPSCREW,5/8" X 2",NF,GR8
40	6T2270	14	PLOW BOLT,3/8" X 1",NC
41	22016	14	FLATWASHER,3/8",GR8

COMMON TWIN

REAR ROTARY HYDRAULICS



REAR ROTARY HYDRAULICS

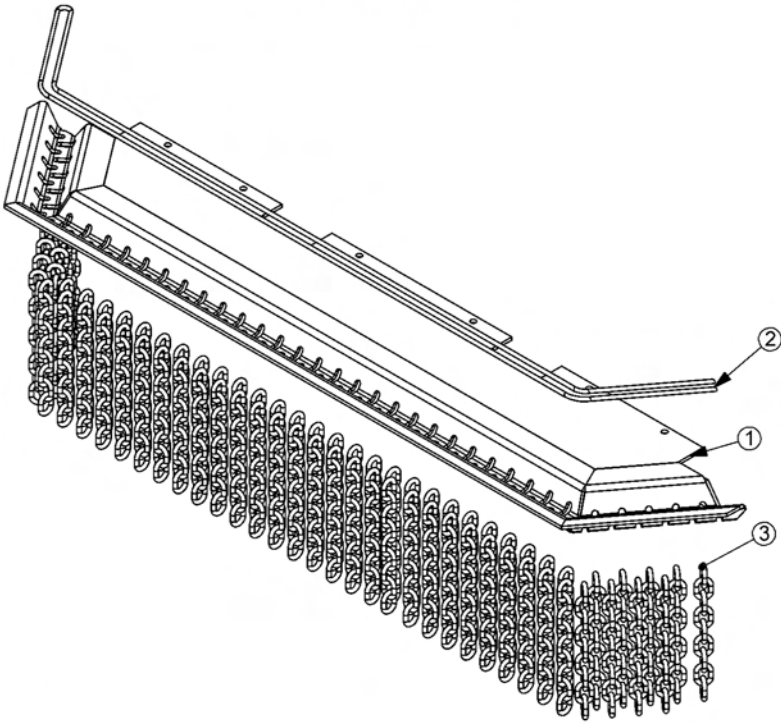
Continued...

ITEM	PART NO.	QTY.	DESCRIPTION
1	-----	-	REAR ROTARY MOWER
2	06510083	1	VALVE,BRAKE,SOL,3000PSI,METRI
3	33555	4	ADAPTER,1MORB X 1MJIC (3 FOR TSR)
---	33554	1	ELBOW,1MORB X 1MJIC,45 (TSR PRESSURE TO MOTOR)
4	TF4852	2	KIT, FLANGE, #20
5	34198	1	HOSE, 1" X 40" (TM MOWER RETURN)
---	06500087	-	HOSE, 1" X 42" (TSR MOWER RETURN)
6	34197	1	HOSE, 1" X 33" (TM MOWER PRESSURE)
---	06500086	-	HOSE, 1" X 24" (TSR MOWER PRESSURE)
7	21644	2	CAPSCREW,3/8" X 5" NC
8	21625	2	HEX NUT,3/8",NC
9	22016	2	FLATWASHER,3/8"
10	21988	1	LOCKWASHER, 3/8"
11	6T2665	1	STAR LOCKWASHER, 3/8"
12	-----	1	HOSE (RETURN)
13	-----	1	HOSE (PRESSURE)
14	33930	1	HOSE SLEEVE, TRR
15	6T1823	2	ZIP TIE, 14" STRAPS

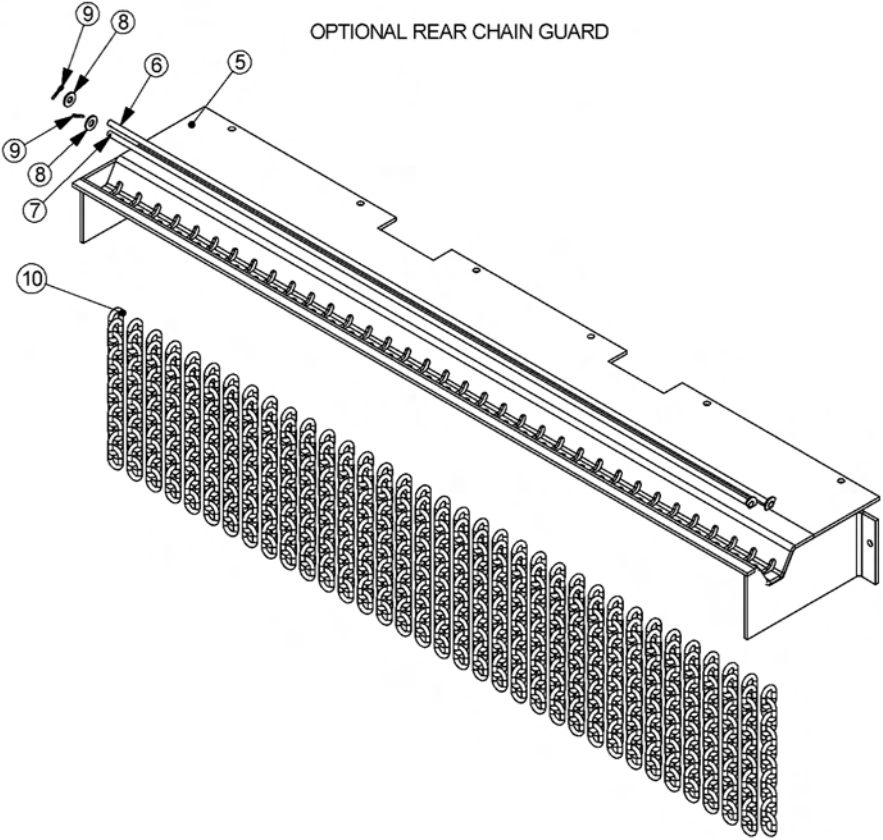
COMMON TWIN

60IN SIDE TM CHAIN GUARDS

STANDARD FRONT CHAIN GUARD



OPTIONAL REAR CHAIN GUARD



60IN SIDE TM CHAIN GUARDS

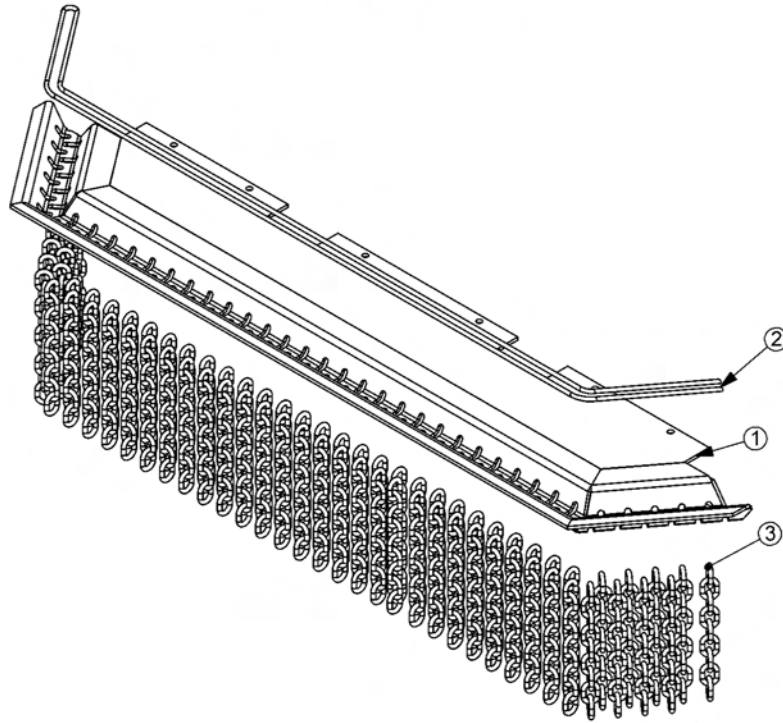
Continued...

ITEM	PART NO.	QTY.	DESCRIPTION
---	31773	-	GUARD,CHAIN,TM60,FRONT,ASSY
1	31762	1	GUARD,CHAIN,TM60,FRONT
2	28407	12	CABLE,5/16",BULK (QTY IN FEET)
3	22993	77	CHAIN,5/16",GR30,9 LINK
4	28408	4	U-BOLT,CABLE,5/16" (NOT SHOWN)
---	31774	-	GUARD,CHAIN,TM60,REAR,ASSY
5	31763	1	GUARD,CHAIN,TM60,REAR
6	31879	1	ROD,SHORT,TM60
7	31878	1	ROD,LONG,TM60
8	22016	2	FLATWASHER,3/8",GR8
9	6T3028	2	COTTER PIN,1/8" X 1"
10	22992	69	CHAIN,5/16",GR30,10 LINK

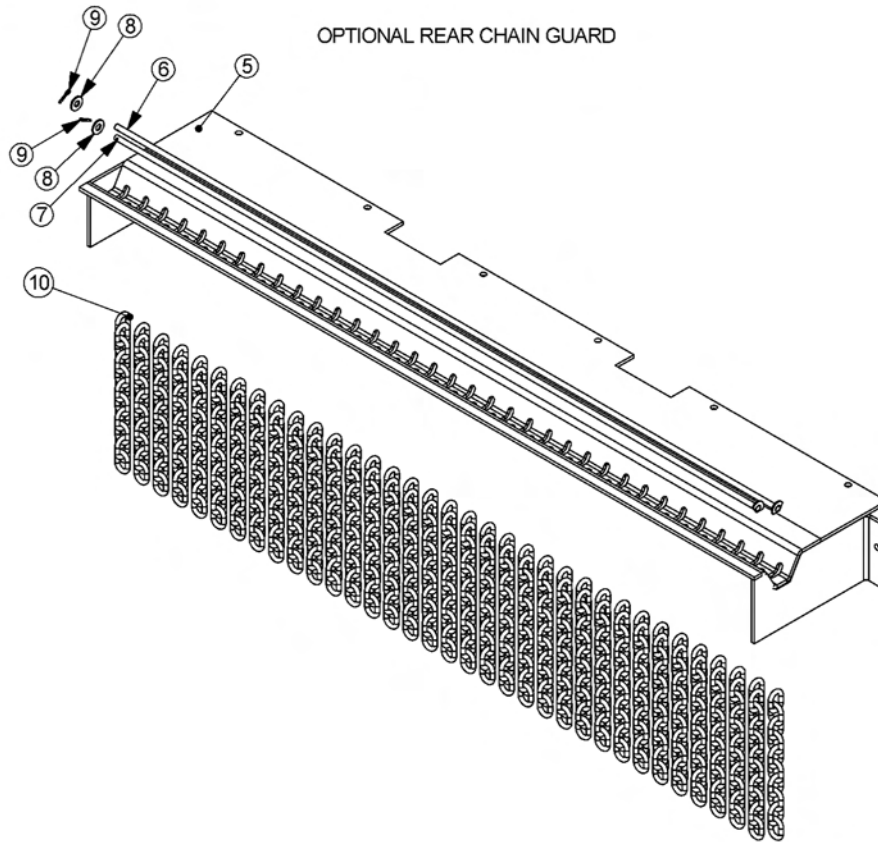
COMMON TWIN

72IN SIDE TM CHAIN GUARDS

STANDARD FRONT CHAIN GUARD



OPTIONAL REAR CHAIN GUARD



72IN SIDE TM CHAIN GUARDS

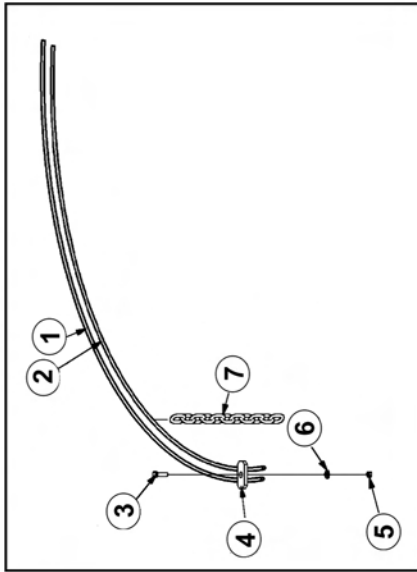
Continued...

ITEM	PART NO.	QTY.	DESCRIPTION
---	31931	-	GUARD,CHAIN,TM72,FRONT,ASSY
1	31863	1	GUARD,CHAIN,TM72,FRONT
2	28407	14	CABLE,5/16",BULK (QTY IN FEET)
3	22993	91	CHAIN,5/16",GR30,9 LINK
4	28408	4	U-BOLT,CABLE,5/16" (NOT SHOWN)
---	31932	-	GUARD,CHAIN,TM60,REAR,ASSY
5	31864	1	GUARD,CHAIN,TM60,REAR
6	31934	1	ROD,LONG,TM72
7	31933	1	ROD,SHORT,TM72
8	22016	2	FLATWASHER,3/8",GR8
9	6T3028	2	COTTER PIN,1/8" X 1"
10	22992	83	CHAIN,5/16",GR30,10 LINK

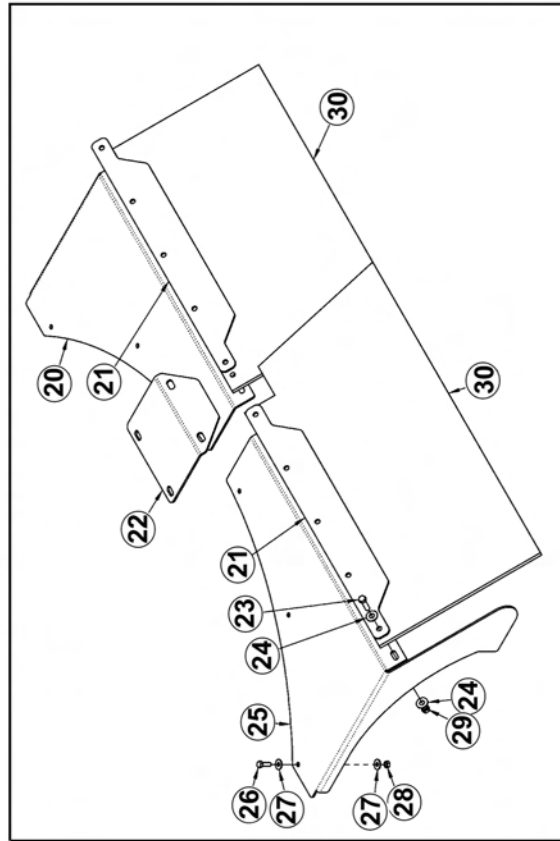
COMMON TWIN

60IN TSR REAR GUARDS

OPTIONAL REAR CHAIN GUARD



STANDARD SQUARE REAR FLAP GUARD



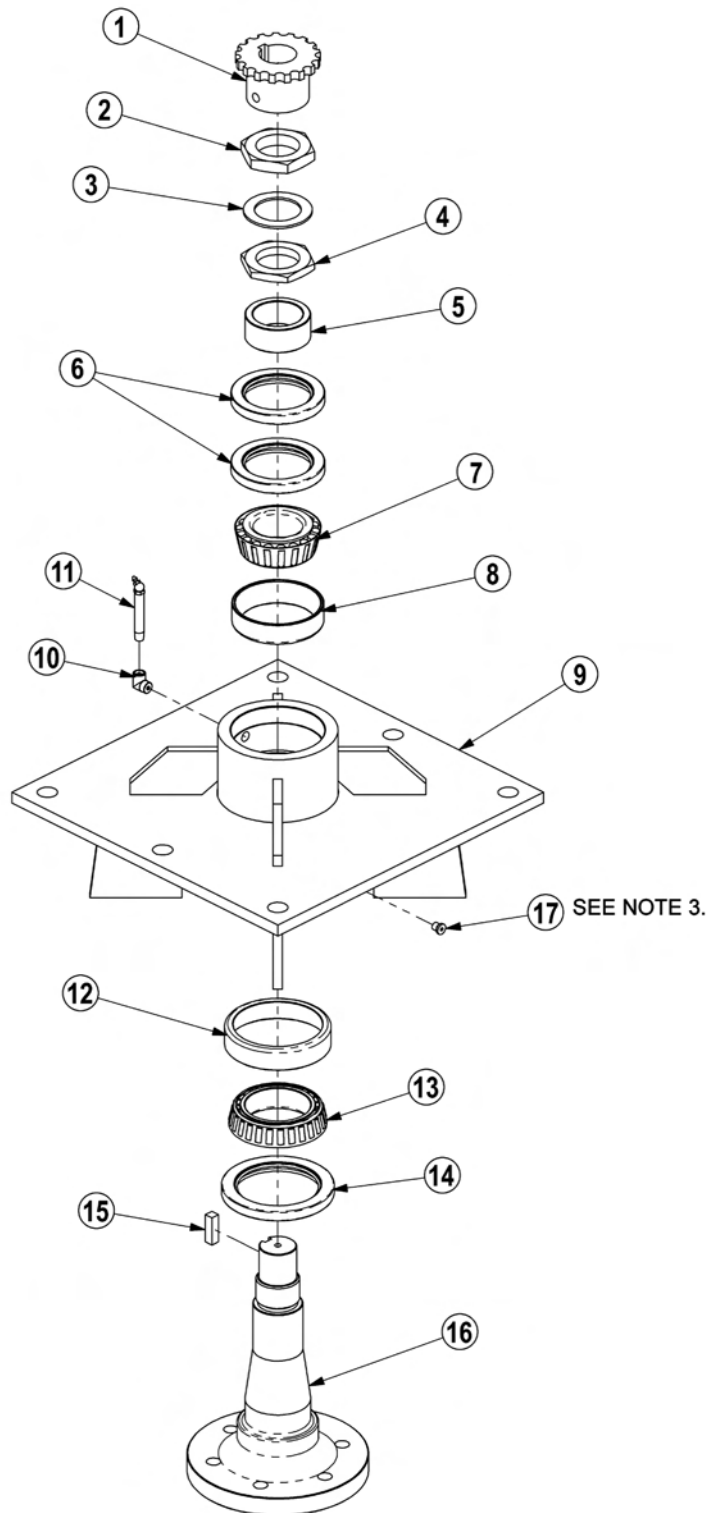
60IN TSR REAR GUARDS

Continued...

ITEM	PART NO.	QTY.	DESCRIPTION
1	34973	2	ROD,CHAIN,OUTER,TM60
2	34974	2	ROD,CHAIN,INNER,TM60
3	21631	16	CAPSCREW, 3/8 X 1-1/4,NC
4	34972	4	PLATE,CAP,CHAIN
5	21625	30	HEX NUT,3/8",NC
6	21988	16	LOCKWASHER, 3/8"
7	22992	156	CHAIN,10 LINK
20	06410947	1	MNT,FLAP,RH,EXT,TSR
21	06401184	2	STRAP,FLAP,EXT,TSR
22	06410948	1	COVER,FLAP,EXT,TSR
23	21632	10	CAPSCREW,3/8" X 1-1/2" NC
24	22016	20	FLATWASHER,3/8",GR8
25	06410946	1	MNT,FLAP,LH,EXT,TSR
26	21580	6	CAPSCREW,5/16 X 1 NC
27	22015	12	FLATWASHER,5/16
28	21577	6	NYLOCK NUT, 5/16,NC
29	21625	10	HEX NUT,3/8",NC
30	06520331	2	FLAP,EXT,TSR

COMMON TWIN

TM MOWER SPINDLE ASSEMBLY



NOTES:

1. FREEPLAY: .001" - .003"
2. GREASE: FILL WITH MOBILITH SHC 220.
3. APPLY LOCTITE "271" TO O-RING PLUG THRDS.

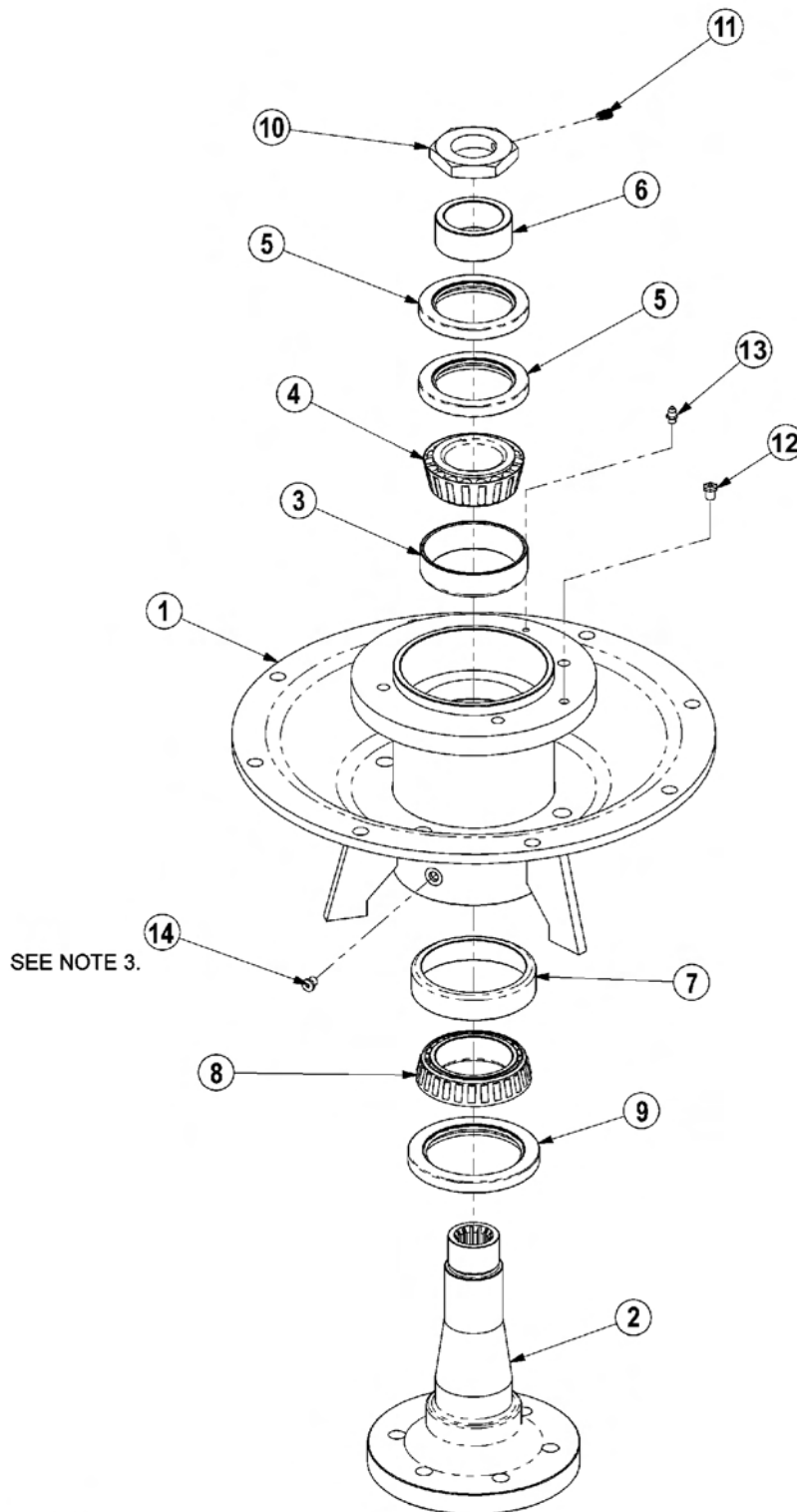
TM MOWER SPINDLE ASSEMBLY

Continued...

ITEM	PART NO.	QTY.	DESCRIPTION
---	6T1024H5	-	SPINDLE ASSEMBLY COMPLETE
1	6T1031	1	SPROCKET
2	6T1016	1	BEARING LOCK NUT - THICK
3	22596	1	JAM WASHER
4	6T1015	1	BEARING ADJUSTMENT NUT - THIN
5	6T1014	1	BEARING ADJUSTMENT SLEEVE
6	6T1011	1	UPPER SEAL - SET OF 2
7	6T1012	1	BEARING CONE
8	6T1013	1	BEARING CUP
9	6T1010H	1	SPINDLE HOUSING
10	30570	1	FITTING STREET ELBOW
11	33990	1	GREASE ZERK
12	6T1013H	1	BEARING CUP
13	6T1012H	1	BEARING CONE
14	6T1011H	1	LOWER SEAL
15	6T1019	1	SPINDLE KEY
16	PT1018H-5	1	SPINDLE
17	06503064	1	O-RING PLUG, 1/8"
---	33993	-	SPINDLE REBUILD KIT (INCLUDES ITEMS 2 - 8 AND 12 - 15)

COMMON TWIN

TSR MOWER SPINDLE ASSEMBLY



NOTES:

1. FREEPLAY: .001" - .003"
2. GREASE: FILL WITH MOBILITH SHC 220.
3. APPLY LOCTITE "271" TO O-RING PLUG THRDS.

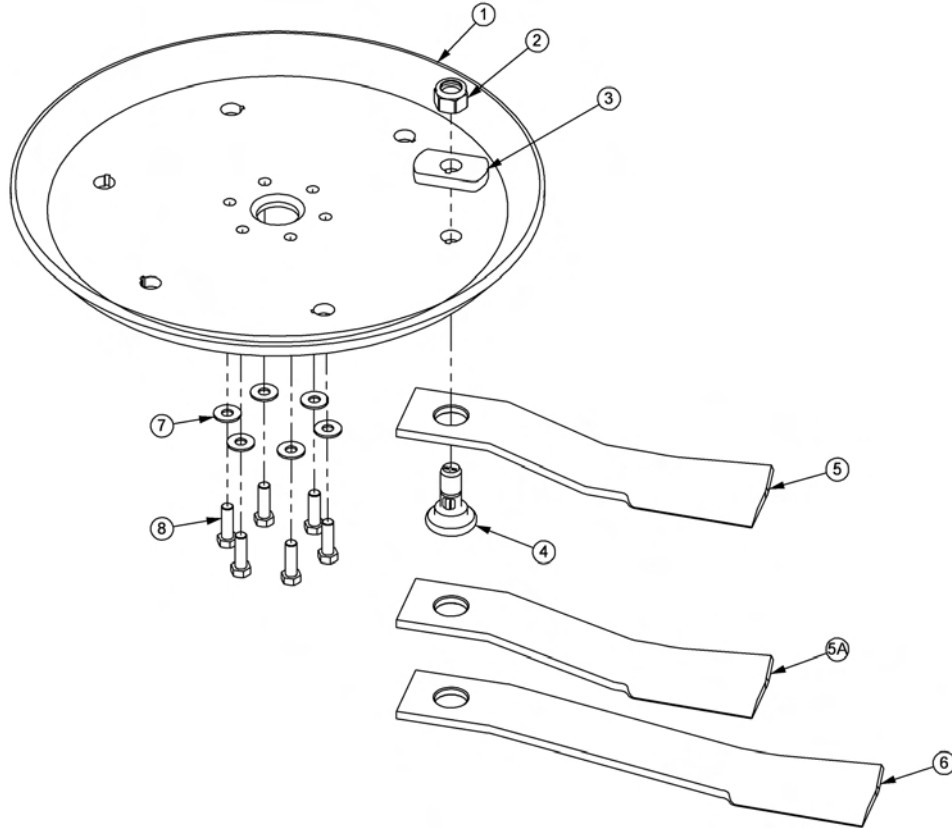
TSR MOWER SPINDLE ASSEMBLY

Continued...

ITEM	PART NO.	QTY.	DESCRIPTION
---	34980	-	SPINDLE ASSEMBLY COMPLETE
1	34978	1	SPINDLE MOUNT
2	34979	1	SPINDLE,TM60
3	6T1013	1	BEARING CUP
4	6T1012	1	BEARING CONE
5	6T1011	1	UPPER SEAL - SET OF 2
6	6T1014	1	BEARING ADJUSTMENT SLEEVE
7	6T1013H	1	BEARING,CUP,HD
8	6T1012H	1	BEARING CONE,HD
9	6T1011H	1	SEAL,LOWER,HD
10	34985	1	NUT W/SETSCREW
11	6T2275	1	SETSCREW,5/16" X 1/2",NC
12	34988	1	RELIEF,1PSI,1/8" NPT
13	6T3207	1	ZERK,1/4" X STR
14	06503064	1	O-RING PLUG, 1/8"

COMMON TWIN

ROTARY DISK AND KNIVES



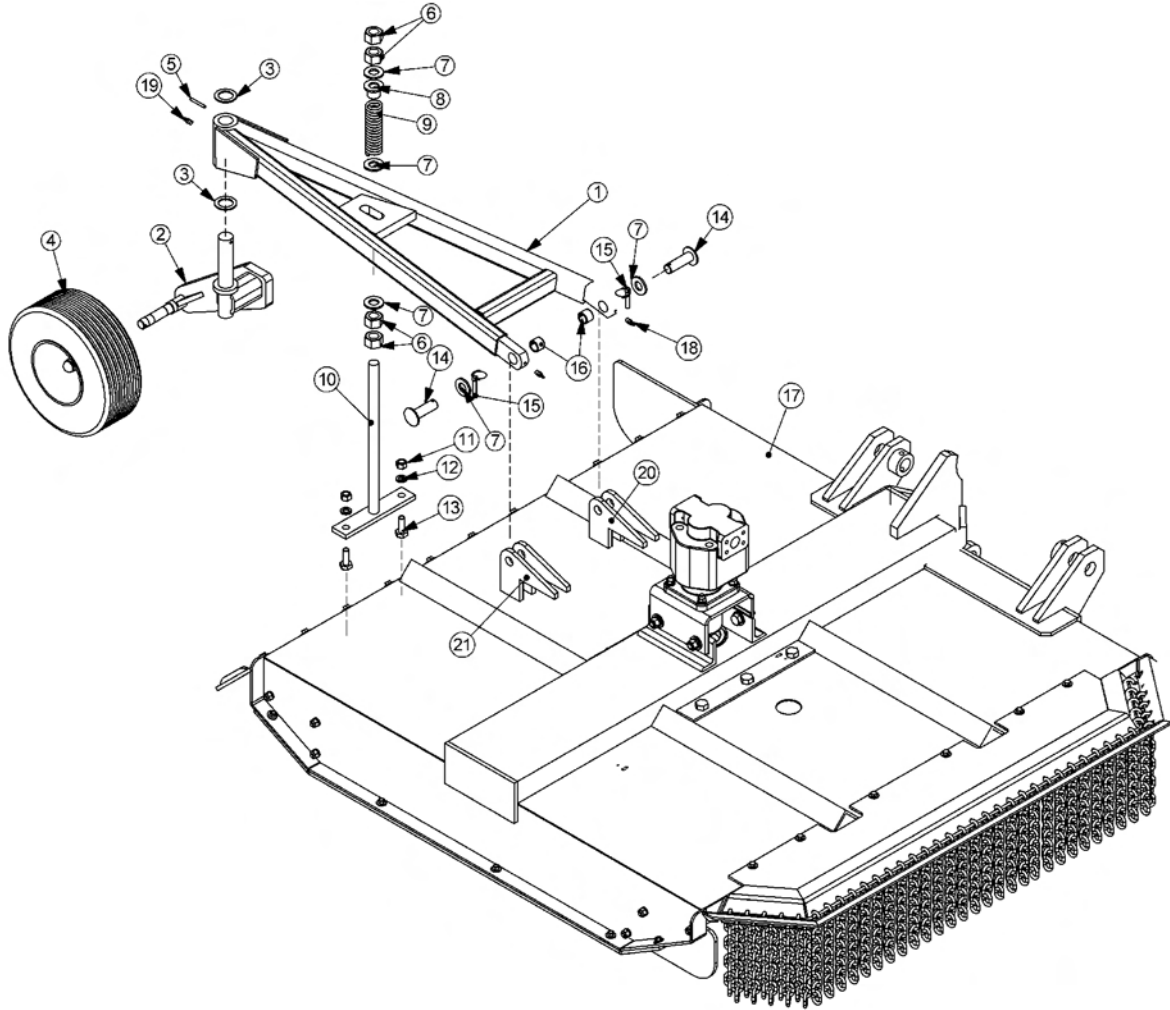
ITEM	PART NO.	QTY.	DESCRIPTION
1	34876	1	BLADE MOUNTING DISK
2	6T1023R	2	NYLOCK NUT,1-1/8"
3	34878	2	SPACER
4	34497	2	KNIFE MOUNTING BOLT
5	34685	2	KNIFE,60" HIGH SUCTION - STANDARD
5A	34684	2	KNIFE,60" - OPTIONAL
6	34682	2	KNIFE 72" (MOUNT ON 72" MOWER ONLY)
7	25270	6	FLATWASHER,5/8",USS,GR8
8	6T2259	6	CAPSCREW,5/8" X 1-3/4",NF
----	6T1825	-	LOCTITE - USED ON ALL DISK MOUNTING BOLTS
---	27167	-	BOLT KIT (INCLUDE ITEMS 7 & 8)
----	06700002	-	KIT,60/72,DISK,KNF MTG (INCLUDE ITEM 1, 3,7 & 8)

COMMON TWIN

NOTES

NOTES

SIDE ROTARY CASTER WHEEL ASSEMBLY



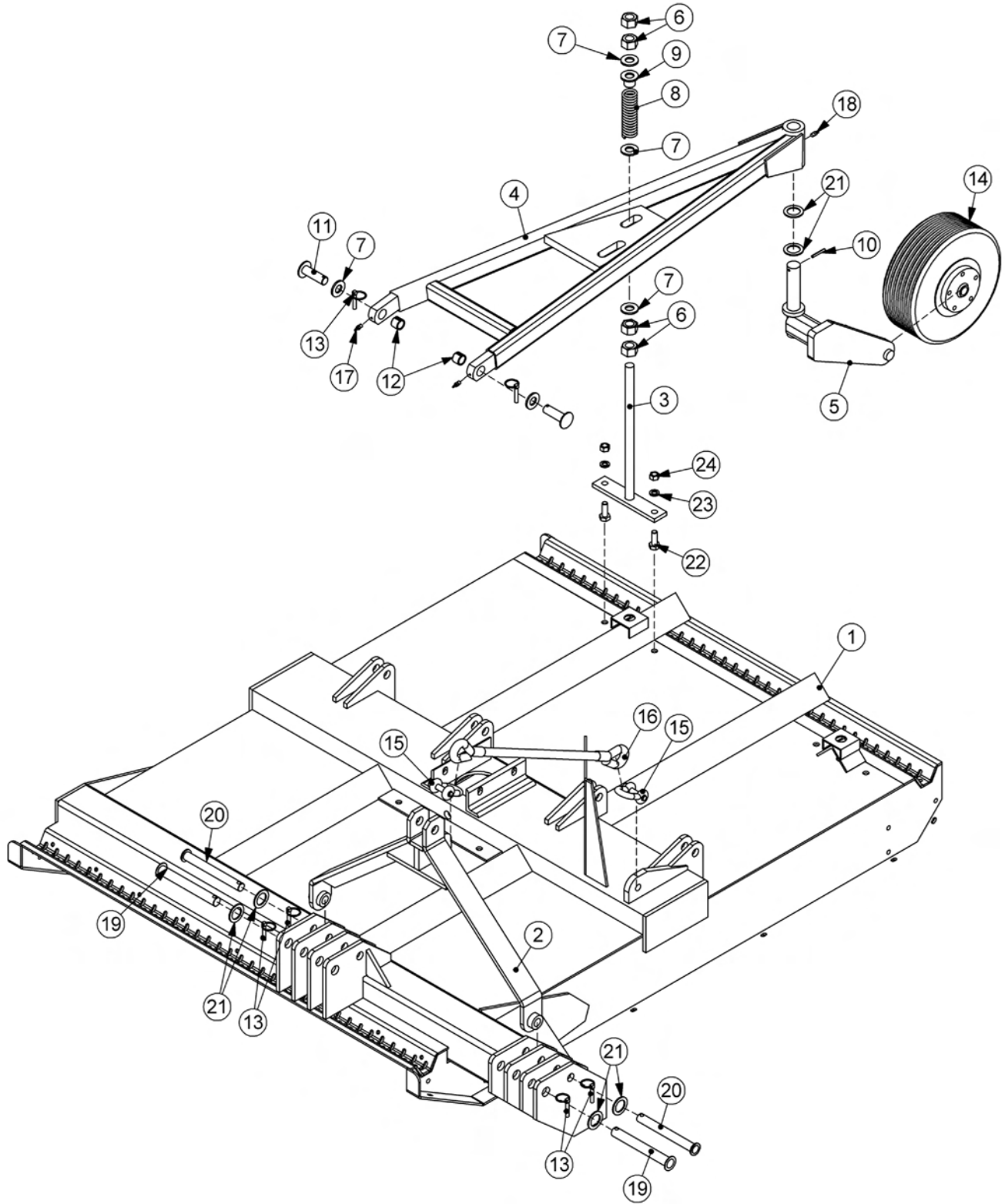
SIDE ROTARY CASTER WHEEL ASSEMBLY

Continued...

ITEM	PART NO.	QTY.	DESCRIPTION
1	25214C	1	FRAME,CASTER,WHL (TM60)
---	28297A	-	FRAME,CASTER WHL (TM72)
2	22057	1	SPINDLE,CASTER AXLE,ASSY
3	6T2617	2	BUSHING,MACH,1-1/2IDX 2-1/4OD
4	28548	1	CASTER WHEEL,SOLID TIRE
---	22065	1	HUB,ASSY,CASTER
----	22066	1	HUB,CASTER
---	22070	1	DUST CAP
----	22071	5	HUB STUD
---	22073	1	HEX NUT,1",NF (SLOTTED)
----	22533	1	COTTER PIN,3/16" X 2"
---	6T0830	2	BEARING,CONE,CASTER WHEEL
----	6T0838	1	SEAL
---	23329	1	WHEEL,CPLT,SOLID TIRE
----	21416	1	TIRE,SOLID
---	22697	1	RIM,OUTER
----	22696	1	RIM,CASTER
5	6T3014	1	ROLL PIN,1/4" X 2"
6	21925	4	HEX NUT,1",NC
7	22023	5	FLATWASHER,1"
8	22753	1	TUBE,PROTECTOR
9	22058	1	SPRING,REAR RTRY
10	22059B	1	ADJ ROD,TRR
11	21775	2	HEX NUT,5/8"
12	21992	2	LOCKWASHER,5/8"
13	21782	2	CAPSCREW,5/8" X 1-3/4",NC
14	22060	2	CASTER FRAME PIN
15	TF1143	2	PIN,LYNCH,7/16" X 2"
16	TB3010	2	BUSHING,1"
17	-----	1	RTRY,CPLT,TM
18	6T3207	2	GREASE ZERK,1/4" X STR
19	6T3211	1	GREASE ZERK,1/8" X STR
20	21441	2	CASTER FRAME ANCHOR (TM60)
---	42527	2	CASTER FRAME ANCHOR (TM72)
21	21442	2	CASTER FRAME ANCHOR (TM60)
---	42527	2	CASTER FRAME ANCHOR (TM72)

COMMON TWIN

60IN TM REAR CASTER WHEEL & 3PT ASSY



COMMON TWIN

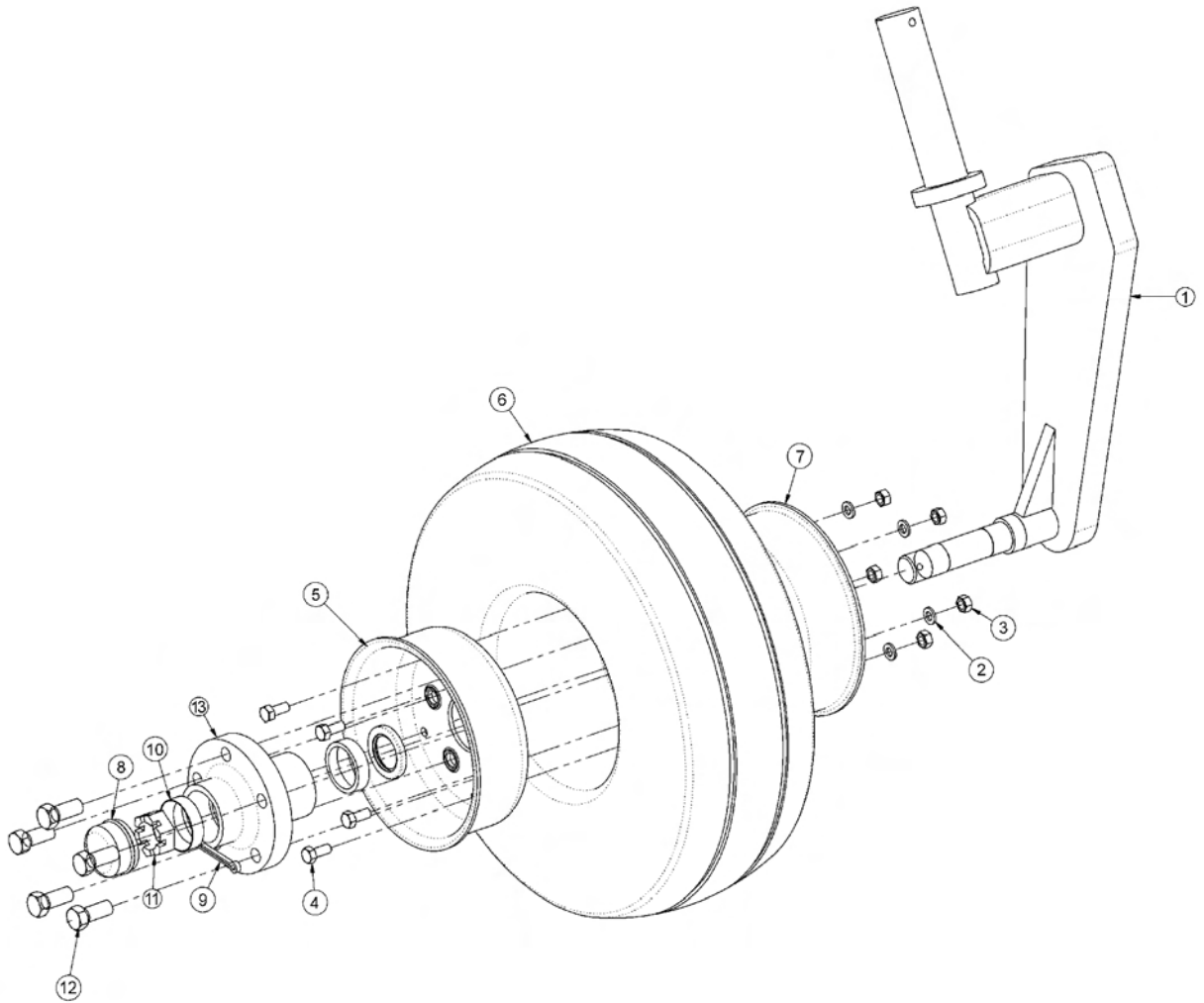
60IN TM REAR CASTER WHEEL & 3PT ASSY

Continued...

ITEM	PART NO.	QTY.	DESCRIPTION
1	-----	-	MOWER,REAR,60IN,TM
2	21474A	1	HITCH, 3PT, TRR
3	22059B	1	ADJ ROD, TRR
4	25095A	1	FRAME, CASTER WHEEL, TRR 60"
5	22057	1	SPINDLE, CASTER AXLE, ASSY
6	21925	4	HEX NUT,1" NC
7	22023	5	FLATWASHER,1"
8	22058	1	SPRING, REAR RTRY
9	22753	1	TUBE, PROTECTOR
10	6T3014	1	ROLL PIN, 1/4" X 2"
11	22060	2	CASTER FRAME PIN
12	TB3010	2	BUSHING,1"
13	TF1143	6	PIN, LYNCH, 7/16" X 2"
14	28548	1	CASTER WHEEL, SOLID TIRE
15	6T0112	2	SHACKLE, W/PIN, CPLT
16	22051	1	CABLE, LIFT, TRR, 60"
17	6T3207	2	GREASE ZERK,1/4" X STR
18	6T3211	1	GREASE ZERK,1/8" X STR
19	33698	2	PIN, CAPPED, 1-1/8" X 9"
20	33699	2	PIN, CAPPED, 1" X 9"
21	6T2617	6	BUSHING,MACH,1-1/2IDX 2-1/4OD
22	21782	2	CAPSCREW, 5/8 X 1 3/4,NC
23	21992	2	LOCKWASHER, 5/8
24	21775	2	HEX NUT, 5/8

COMMON TWIN

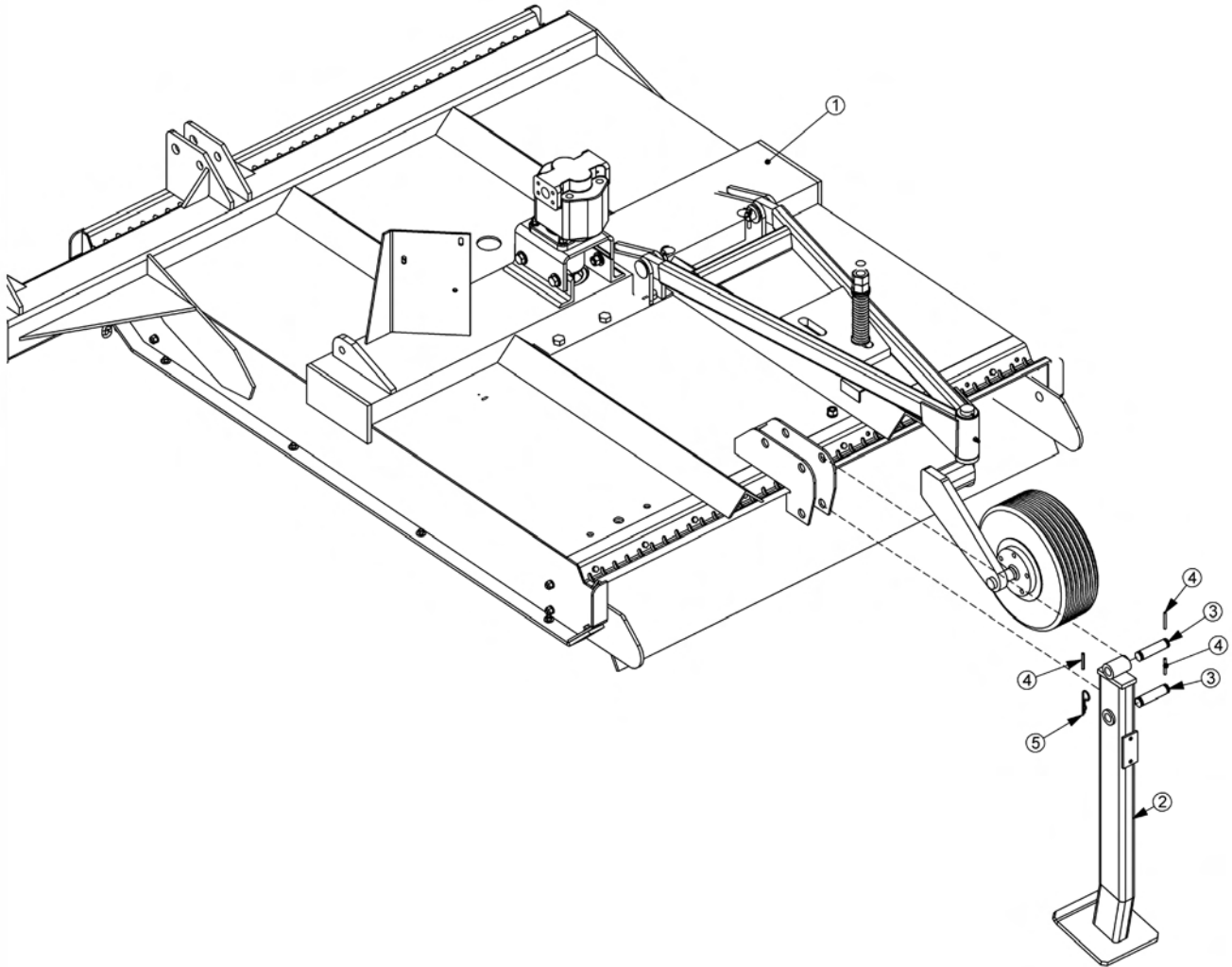
CASTER WHEEL ASSEMBLY



ITEM	PART NO.	QTY.	DESCRIPTION
1	22057	1	SPINDLE,CASTER AXLE,ASSY
2	21987	5	LOCKWASHER,5/16"
3	21575	5	HEX NUT,5/16"
4	28548	5	CAPSCREW,5/16" X 3/4",NC
5	22697	1	RIM,OUTER,CASTER ASSY
6	21416	1	TIRE,SOLID
7	22696	1	RIM,CASTER WHEEL
8	22070	1	DUST CAP
9	22533	1	COTTER PIN,3/16" X 2"
10	6T0836	2	CUP,CASTER WHEEL
11	22073	1	HEX NUT,1",NF (SLOTTED JAM NUT)
12	22071	5	HUB STUD
13	22066	1	HUB,CASTER WHEEL

COMMON TWIN

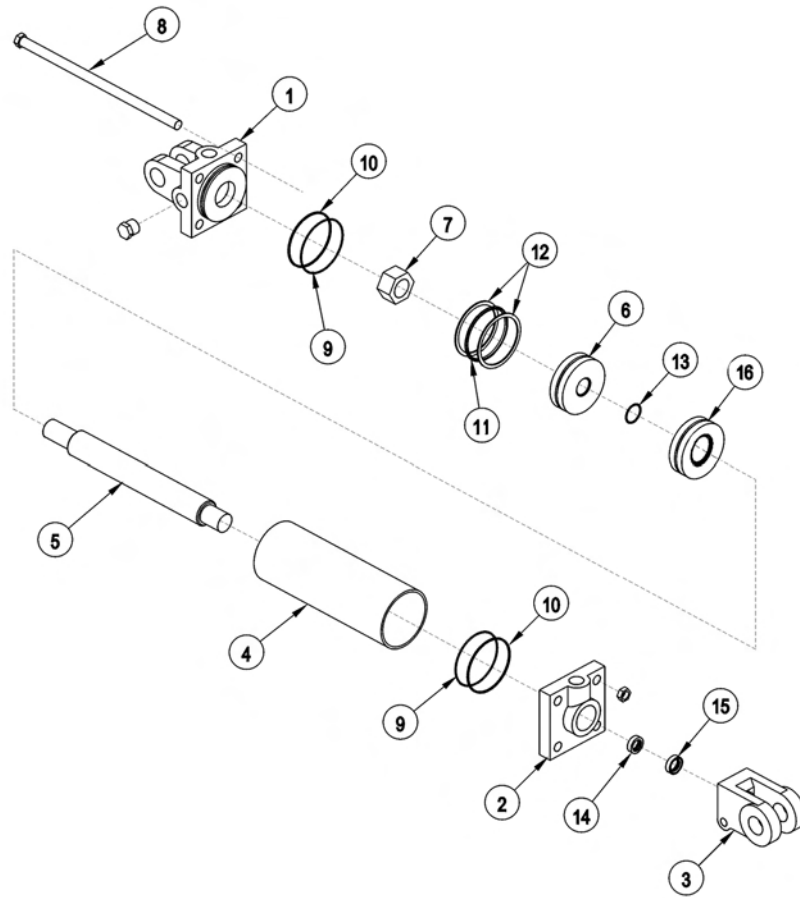
SAFETY STAND



ITEM	PART NO.	QTY.	DESCRIPTION
1	-----	-	REAR RTRY - REFER TO REAR RTRY DECK ASSY
2	28511	1	REAR RTRY STAND
3	06520425	2	PIN
4	6T3014	3	ROLL PIN, 1/4" X 2"
5	6T3004	1	R-CLIP (HAIRPIN COTTER, 3/16")

COMMON TWIN

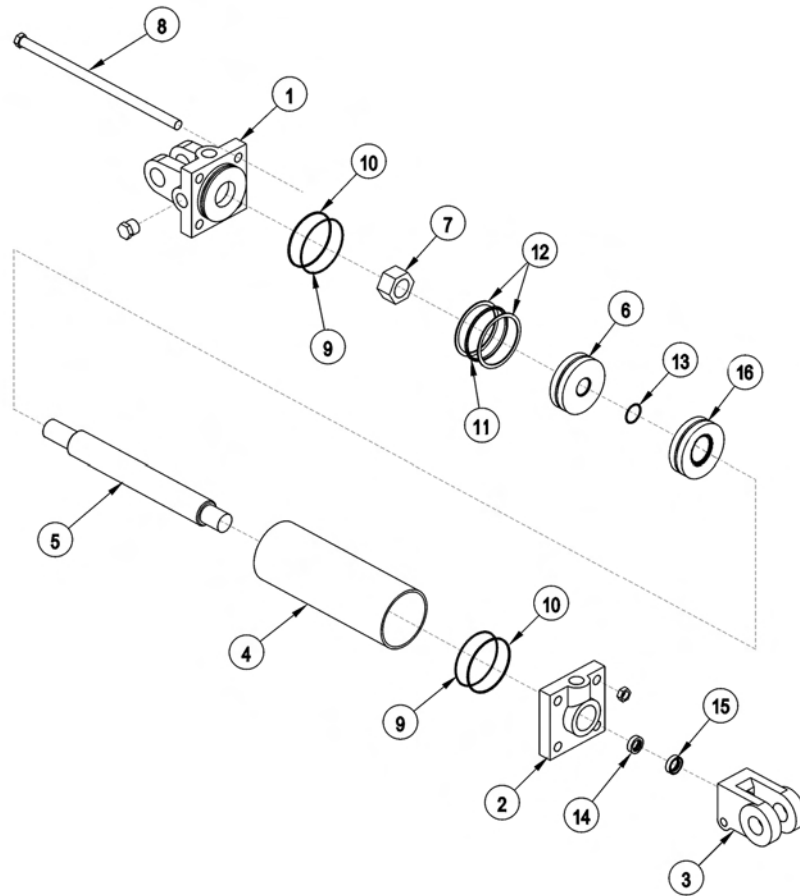
3IN X 10IN HYDRAULIC CYLINDER BREAKDOWN



ITEM	PART NO.	QTY.	DESCRIPTION
---	6T0151R	-	HYD. CYLINDER 3" X 10"
1	6T0167	1	CYLINDER BUTT
2	6T0170	1	CYLINDER GLAND
3	6T0178	1	CLEVIS END
4	6T0164	1	CYLINDER TUBE
5	6T0161	1	PISTON ROD
6	6T0173	1	PISTON
7	6T0179	1	LOCKNUT
8	6T0176	4	TIE ROD ASY
---	6T0187	-	SEAL KIT
9	-----	2	O - RING
10	-----	2	BACK - UP WASHER
11	-----	1	O - RING
12	-----	2	BACK - UP WASHER
13	-----	1	O - RING
14	-----	1	U - CUP
15	-----	1	WIPER

COMMON TWIN

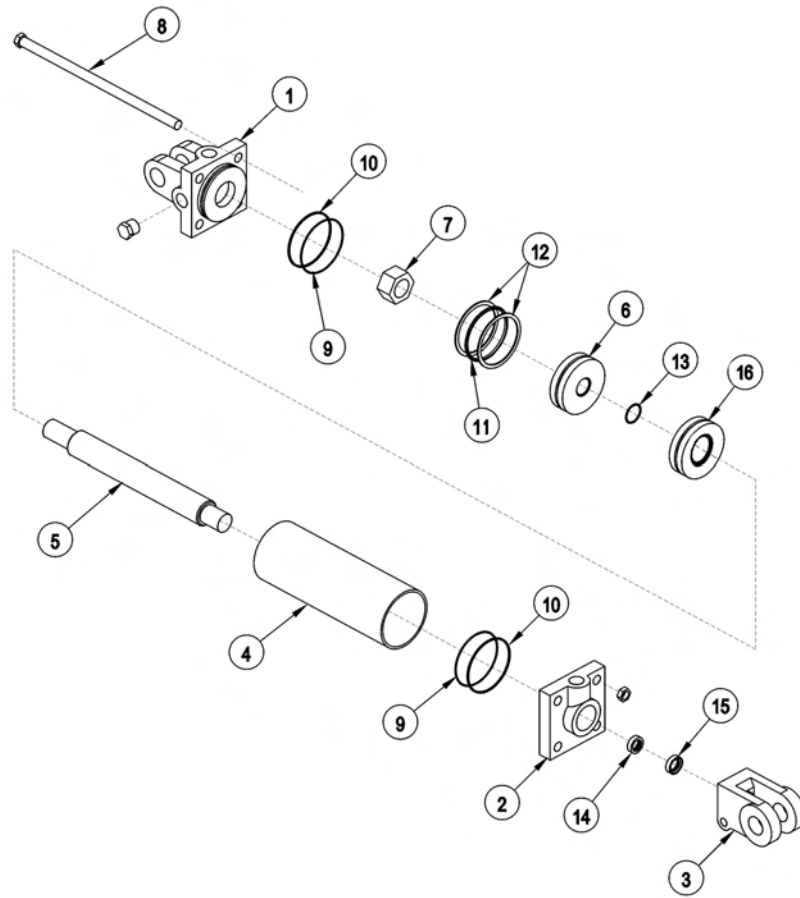
3IN X 12IN HYDRAULIC CYLINDER BREAKDOWN



ITEM	PART NO.	QTY.	DESCRIPTION
---	32215	-	HYD. CYLINDER 3" X 12" (STD DUTY)
---	25343	-	HYD. CYLINDER 3" X 12" (HVY DUTY)
1	6T0167	1	CYLINDER BUTT
2	6T0170	1	CYLINDER GLAND
3	6T0178	1	CLEVIS END
4	6T0204	1	CYLINDER TUBE
5	6T0203	1	PISTON ROD
6	6T0173	1	PISTON
7	6T0179	1	LOCKNUT
8	6T0205	4	TIE ROD ASY
---	6T0187	-	SEAL KIT
9	-----	2	O - RING
10	-----	2	BACK - UP WASHER
11	-----	1	O - RING
12	-----	2	BACK - UP WASHER
13	-----	1	O - RING
14	-----	1	U - CUP
15	-----	1	WIPER

COMMON TWIN

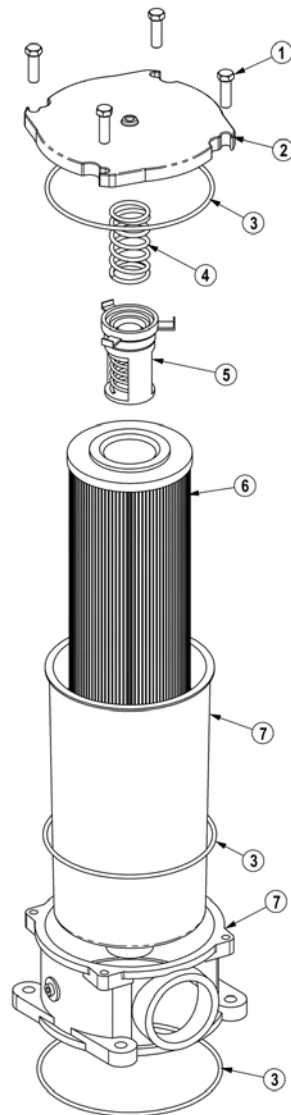
3IN X 18IN HYDRAULIC CYLINDER BREAKDOWN



ITEM	PART NO.	QTY.	DESCRIPTION
---	6T0150	-	CYLINDER 3" X 18"
1	6T0167	1	CYLINDER BUTT
2	6T0170	1	CYLINDER GLAND
3	6T0178	1	CLEVIS END
4	6T0165	1	CYLINDER TUBE
5	6T0162	1	PISTON ROD
6	6T0173	1	PISTON
7	6T0179	1	LOCKNUT
8	6T0177	4	TIE ROD ASY
---	6T0187	-	SEAL KIT
9	-----	2	O - RING
10	-----	2	BACK - UP WASHER
11	-----	1	O - RING
12	-----	2	BACK - UP WASHER
13	-----	1	O - RING
14	-----	1	U - CUP
15	-----	1	WIPER
16	6T0206	1	SPACER

COMMON TWIN

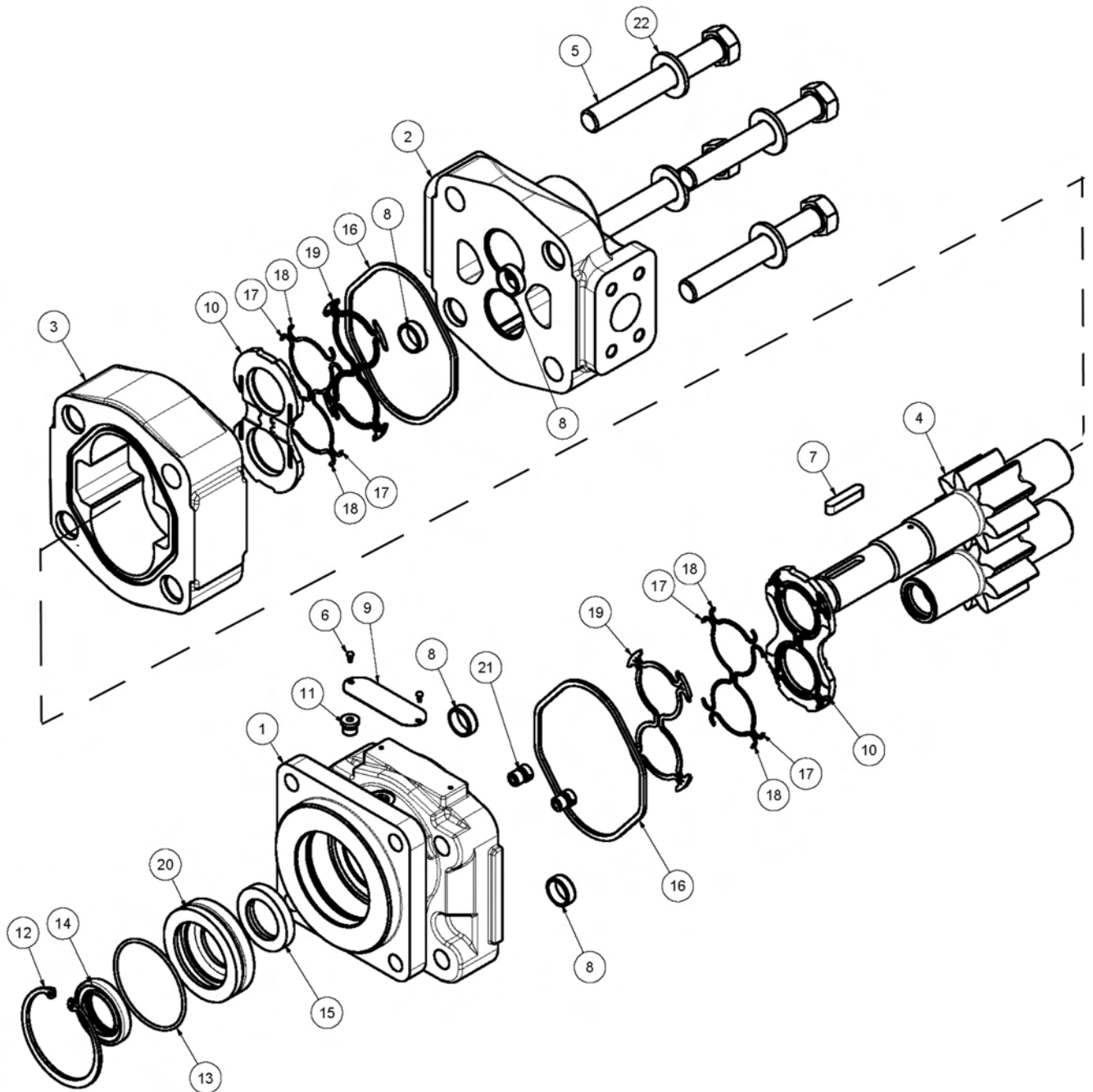
RESERVOIR TANK FILTER ASSEMBLY



ITEM	PART NO.	QTY.	DESCRIPTION
---	06505044	-	FILTER ASSY SAE 10 MICRON
1	28583	4	CAPSCREW, 8MM X 25MM(1.25 PITCH)
2	06505045	1	COVER
3	06505046	1	SEAL KIT
4	06505047	1	SPRING
5	06505048	1	BYPASS
6	35259	1	FILTER, 10 MIC, RETURN LINE
7	06505049	1	CAN/BODY

COMMON TWIN

60IN AND 72IN TM ROTARY MOTOR BREAKDOWN



COMMON TWIN

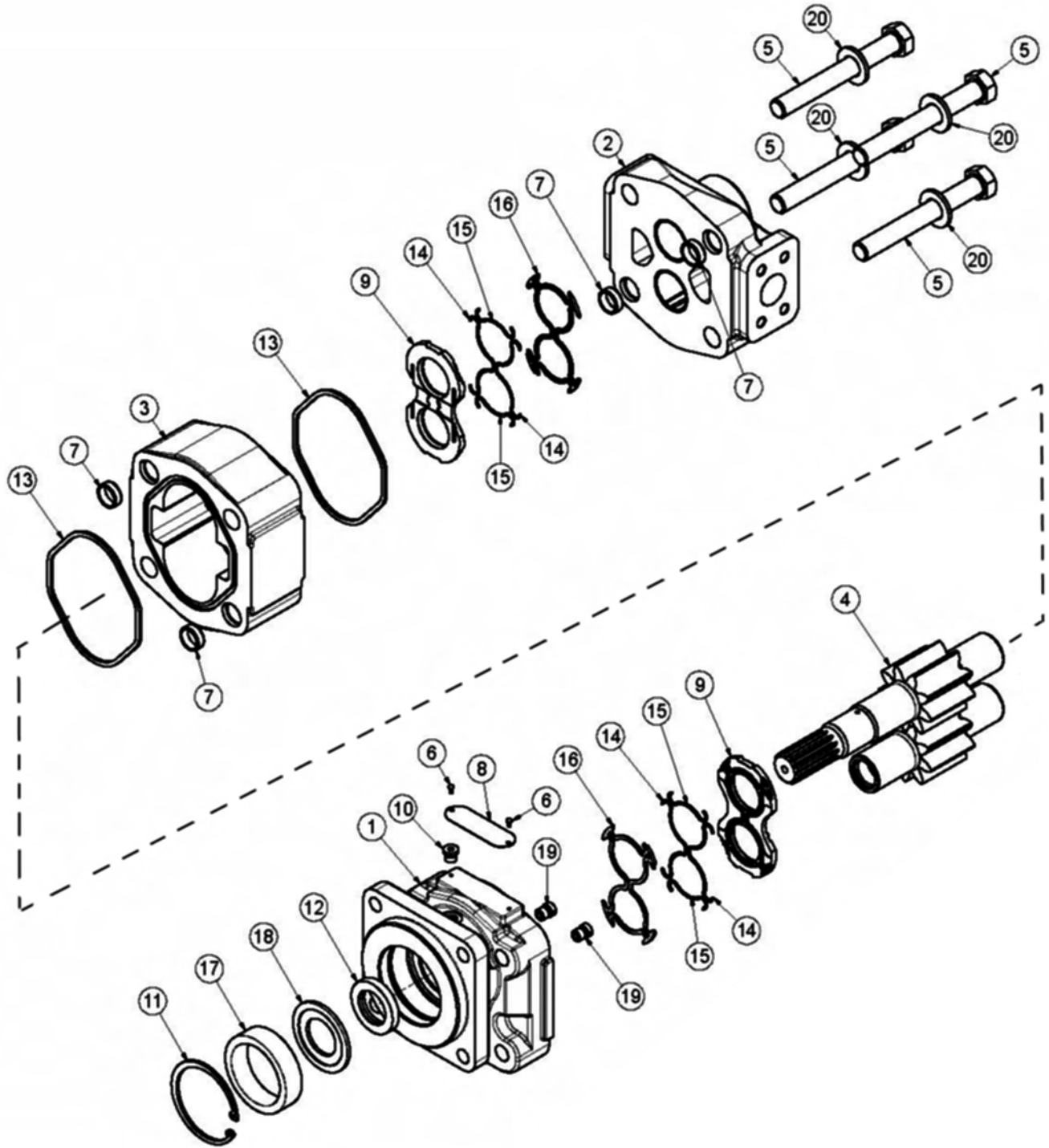
60IN AND 72IN TM ROTARY MOTOR BREAKDOWN

Continued...

ITEM	PART NO.	QTY.	DESCRIPTION
	06504011	-	MOTOR ASSEMBLY,TM60
	06504018	-	MOTOR ASSEMBLY,TM72
1	22790	1	END,COVER
2	06504088	1	HOUSING, PEC
3	06504062	1	HOUSING, GEAR
4	06504090	1	SET, GEAR SHAFT,TM60
---	06504105	-	SET, GEAR SHAFT,TM72
5	06504104	4	CAP SCREW,TM60
---	06504106	-	CAP SCREW,TM72
6	06504078	2	SCREW, DRIVE
7	06504092	1	KEY
8	06504093	4	PIN, DOWEL
9	06504094	1	NAME PLATE
10	06504095	2	THRPL
11	2961940	1	PLUG, ODT
12	2962200	1	RING, SNAP
13	06504096	1	O RING
14	6T5101	1	SEAL, LIP
15	06504097	1	SEAL, LIP
16	22797	2	SEAL, SQ-R
17	06504098	4	SEAL, SIDE CHAN
18	06504099	4	SEAL, END CHAN
19	06504100	2	SEAL, BK-UP
20	06504101	1	RTNR, SEAL
21	6T5809	2	CHECK ASS'Y
22	06504102	4	WASHER
---	06504103	-	SEAL KIT

COMMON TWIN

60IN TSR ROTARY MOTOR BREAKDOWN



COMMON TWIN

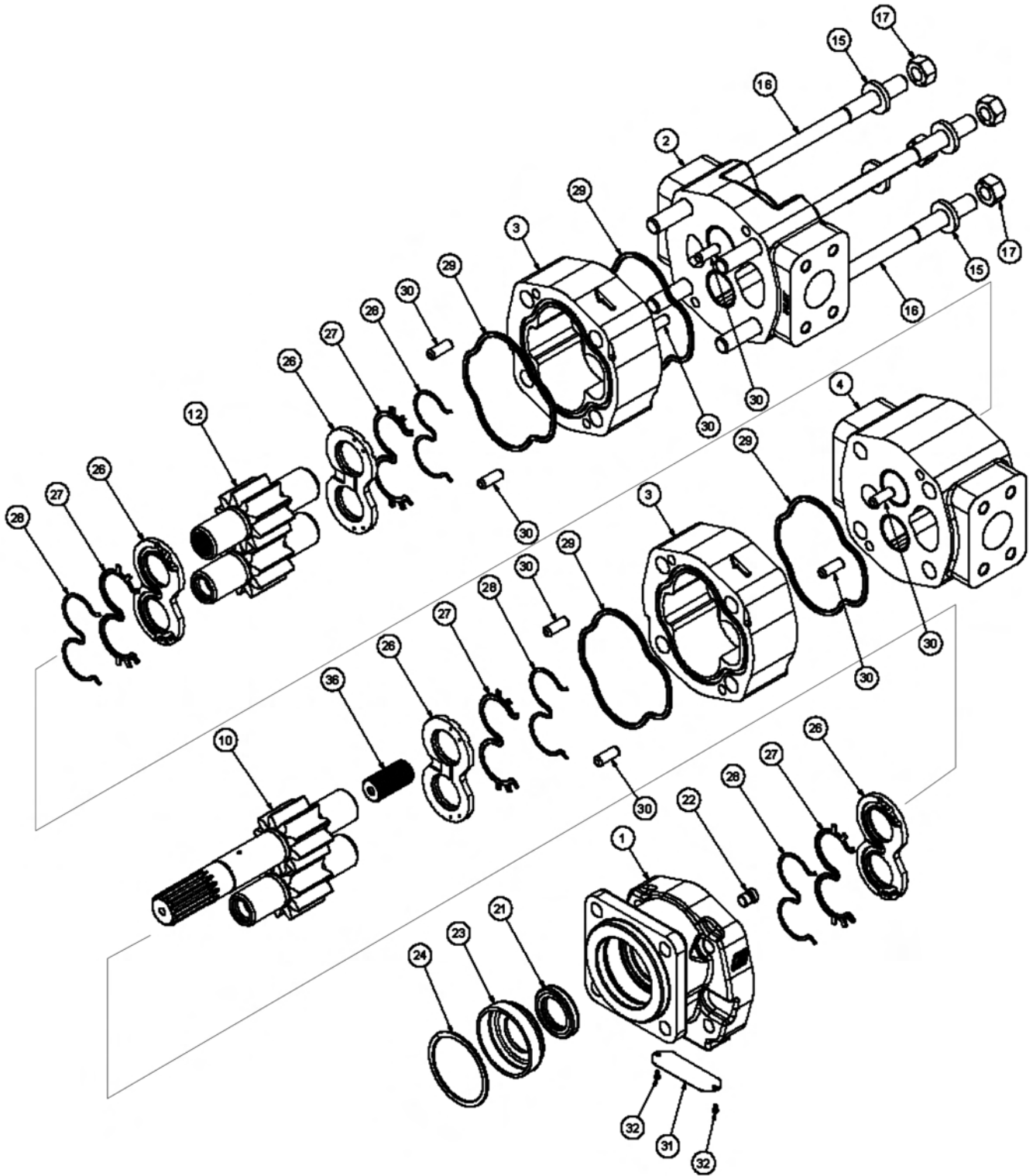
60IN TSR ROTARY MOTOR BREAKDOWN

Continued...

ITEM	PART NO.	QTY.	DESCRIPTION
	06504016	-	MOTOR(M365-1 1/4SPLINE),SEALED
1	22790	1	COVER,END
2	06504088	1	HOUSING,PEC
3	06504111	1	HOUSING,GEAR
4	06504110	1	SET,GEAR SHAFT
5	06504104	4	CAP SCREW
6	06504078	2	SCREW,DRIVE
7	06504093	4	PIN,DOWEL
8	06504094	1	NAME PLATE
9	06504095	2	THRPL
10	02961940	1	PLUG,ODT (0.25)
11	6T5200	1	RING,SNAP
12	06504097	1	SEAL,LIP
13	22797	2	SEAL,SQ-R
14	06504098	4	SEAL,SIDE CHAN
15	06504099	4	SEAL,END CHAN
16	06504100	2	SEAL,BK-UP
17	06504112	1	SPACER
18	06504113	1	RTNR,SEAL
19	6T5809	2	CHECK ASS'Y
20	06504102	4	WASHER
---	06504022	1	SEAL KIT

COMMON TWIN

FRONT HYDRAULIC PUMP BREAKDOWN



COMMON TWIN

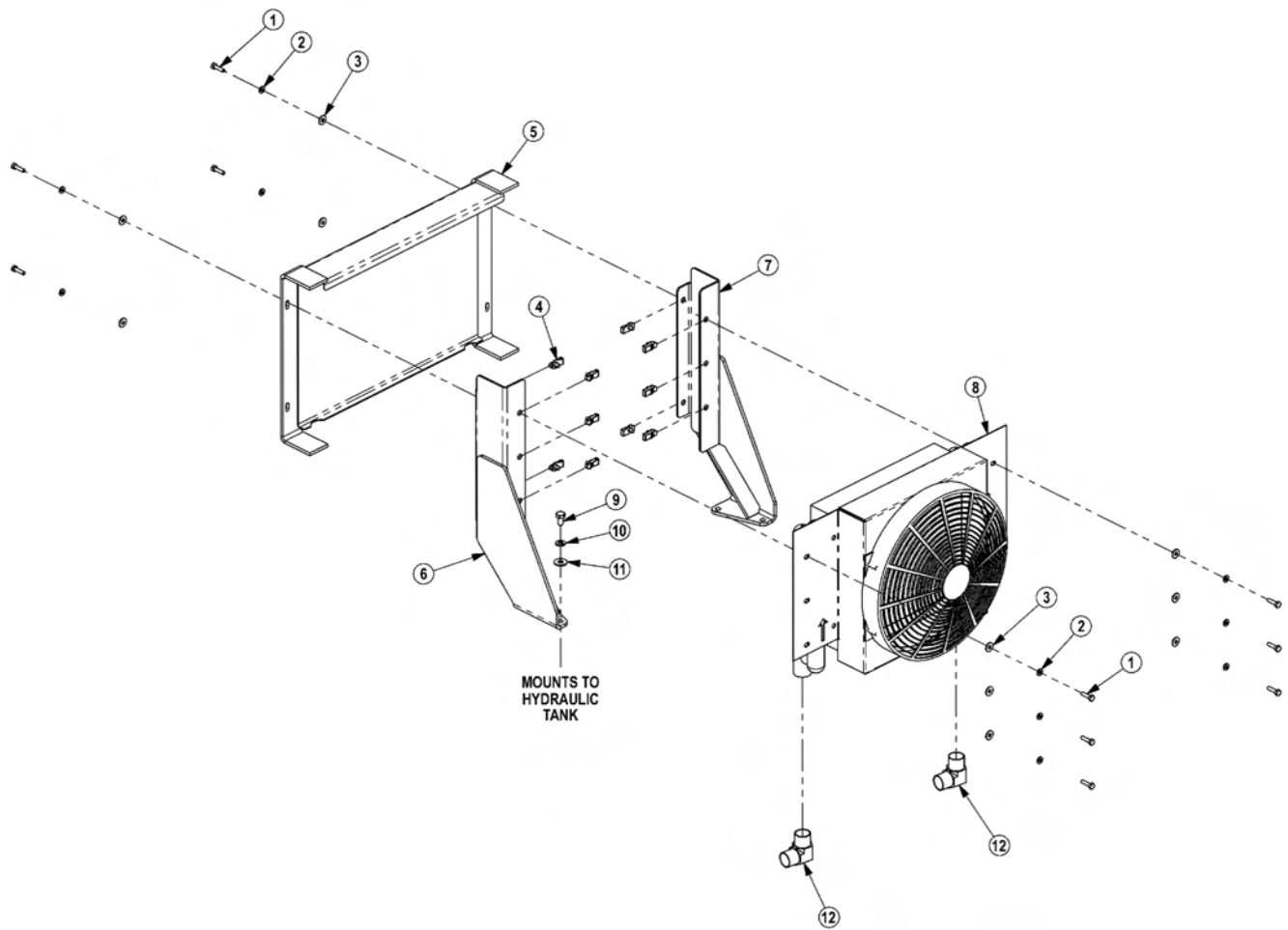
FRONT HYDRAULIC PUMP BREAKDOWN

Continued...

ITEM	PART NO.	QTY.	DESCRIPTION
---	06504002	-	PUMP,ASSY
1	22766	1	HOUSING,SEC
2	06504068	1	HOUSING,PEC
3	02965092	2	HOUSING,GEAR
4	06504069	1	HOUSING,BEARING CARRIER
10	06504070	1	SET,GEARSHAFT
12	06504071	1	GEAR,SET
15	02961917	4	WASHER
16	06504072	4	STUD
17	06504073	4	NUT,HEX
21	22765	1	SEAL,LIP
22	6T5121	1	PLUG
23	02979970	1	SPACER
24	02979971	1	RING,SNAP
26	02965611	4	THRPL
27	06504074	4	SEAL,CHAN
28	06504075	4	SEAL,BK-UP
29	06504076	4	SEAL,SQ-R
30	02961924	8	PIN,DOWEL
31	06504077	1	NAMEPLATE
32	06504078	2	SCREW,DRIVE
36	06504079	1	SFT,CONN
---	22764	1	SEAL KIT (ITEMS 21, 27, 28 & 29)

COMMON TWIN

COOLER ASSEMBLY



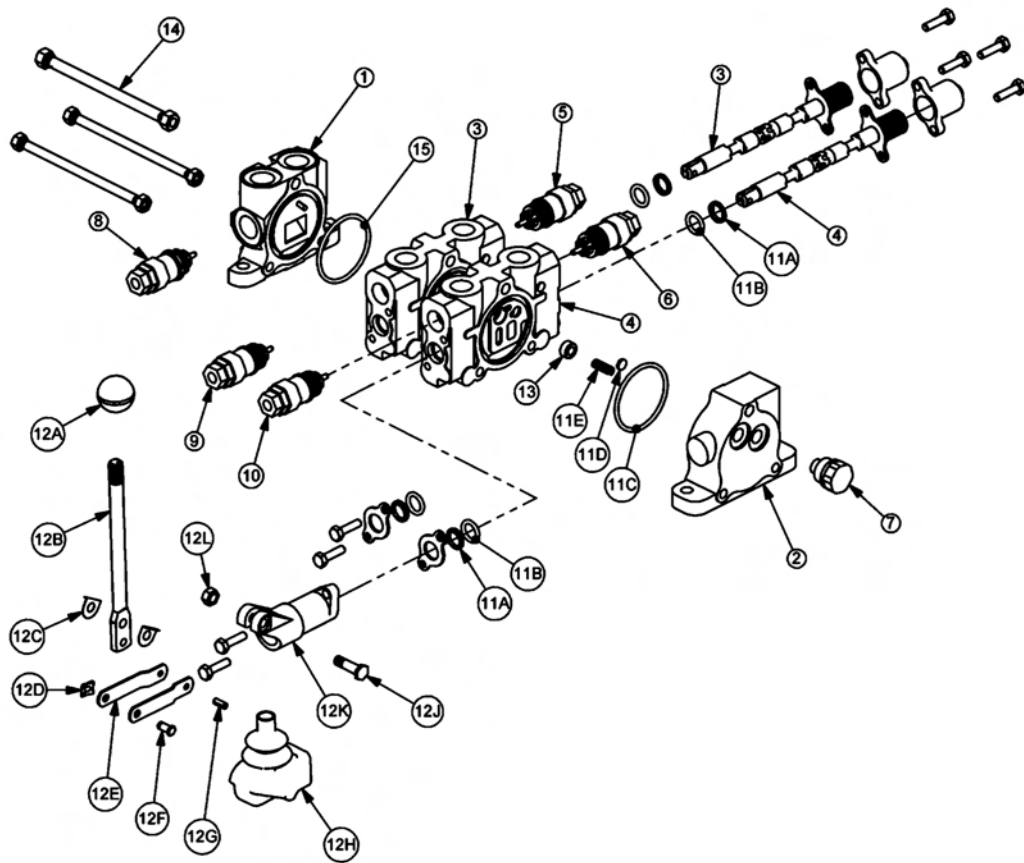
COOLER ASSEMBLY

Continued...

ITEM	PART NO.	QTY.	DESCRIPTION
1	21530	10	CAPSCREW,1/4 X1 NC
2	21986	10	LOCKWASHER,1/4
3	22014	10	FLATWASHER,1/4
4	35176	10	1/4 U-NUT
5	06370015	1	SCREEN,COOLER,FRNT
6	06380006	1	MNT,COOLER,BUMPER TANK,RH
7	06380007	1	MNT,COOLER,BUMPER TANK,LH
8	06510026	1	COOLER,FRONT MNT
9	21629	4	CAPSCREW,3/8 X 3/4 NC
10	21988	4	LOCKWASHER,3/8
11	22016	4	FLATWASHER,3/8
12	34117	2	ELBOW,1MOR X 1MJ90,FORGED

COMMON TWIN

CABLE (MANUAL) LIFT VALVE BREAKDOWN - 31320



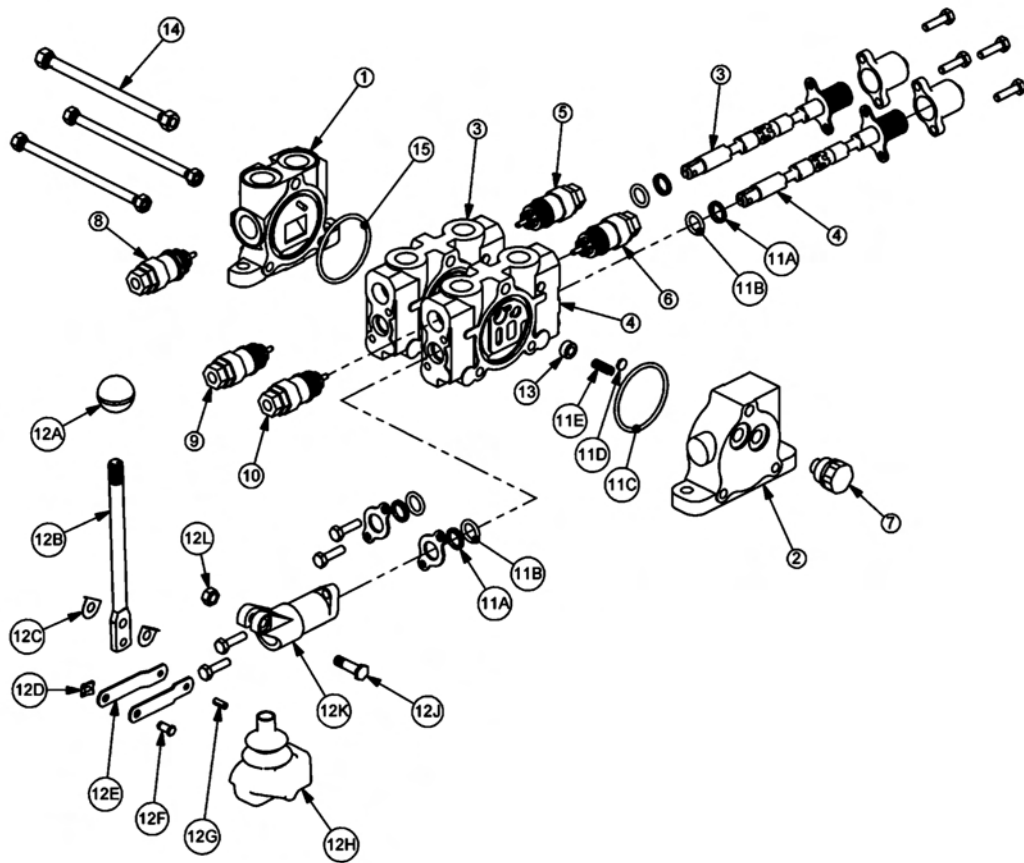
CABLE (MANUAL) LIFT VALVE BREAKDOWN - 31320

Continued...

ITEM	PART NO.	QTY.	DESCRIPTION
1	31595	1	INLET END COVER
2	31594	1	END COVER, LOAD SENSE
3	31597	1	VALVE SECTION (DOUBLE ACTING, CENTER SPRING)
4	31597	1	VALVE SECTION (DOUBLE ACTING, CENTER SPRING)
5	06503067	1	RELIEF PLUG
6	06503067	1	RELIEF PLUG
7	N/A	-	N/A
8	6T4209	1	RELIEF PLUG
9	31862	1	RELIEF VALVE, 2175 PSI
10	31862	1	RELIEF VALVE, 2175 PSI
11	31593	2	VALVE SEAL KIT (FOR ONE SECTION)
11A	-----	2	WIPER
11B	-----	2	O-RING SMALL
11C	-----	1	O-RING LARGE
11D	-----	1	SHUTTLE DISC
11E	-----	1	SPRING
12	TB1017L	2	LEVER KIT (FOR ONE SECTION)
12A	-----	1	LEVER KNOB
12B	-----	1	LEVER
12C	-----	2	LEVER WASHER
12D	-----	1	LEVER CLIP
12E	-----	2	LINKAGE
12F	-----	1	LEVER PIN
12G	-----	1	ROLL PIN
12H	-----	1	LEVER BOOT
12J	-----	1	LEVER BOLT
12K	-----	1	LEVER DUST COVER
12L	-----	1	LEVER NUT
13	31603	2	COMPENSATOR
14	TB1017X	1	TIE ROD KIT
15	24214	1	O-RING, LARGE

COMMON TWIN

CABLE (MANUAL) LIFT VALVE BREAKDOWN - 31321



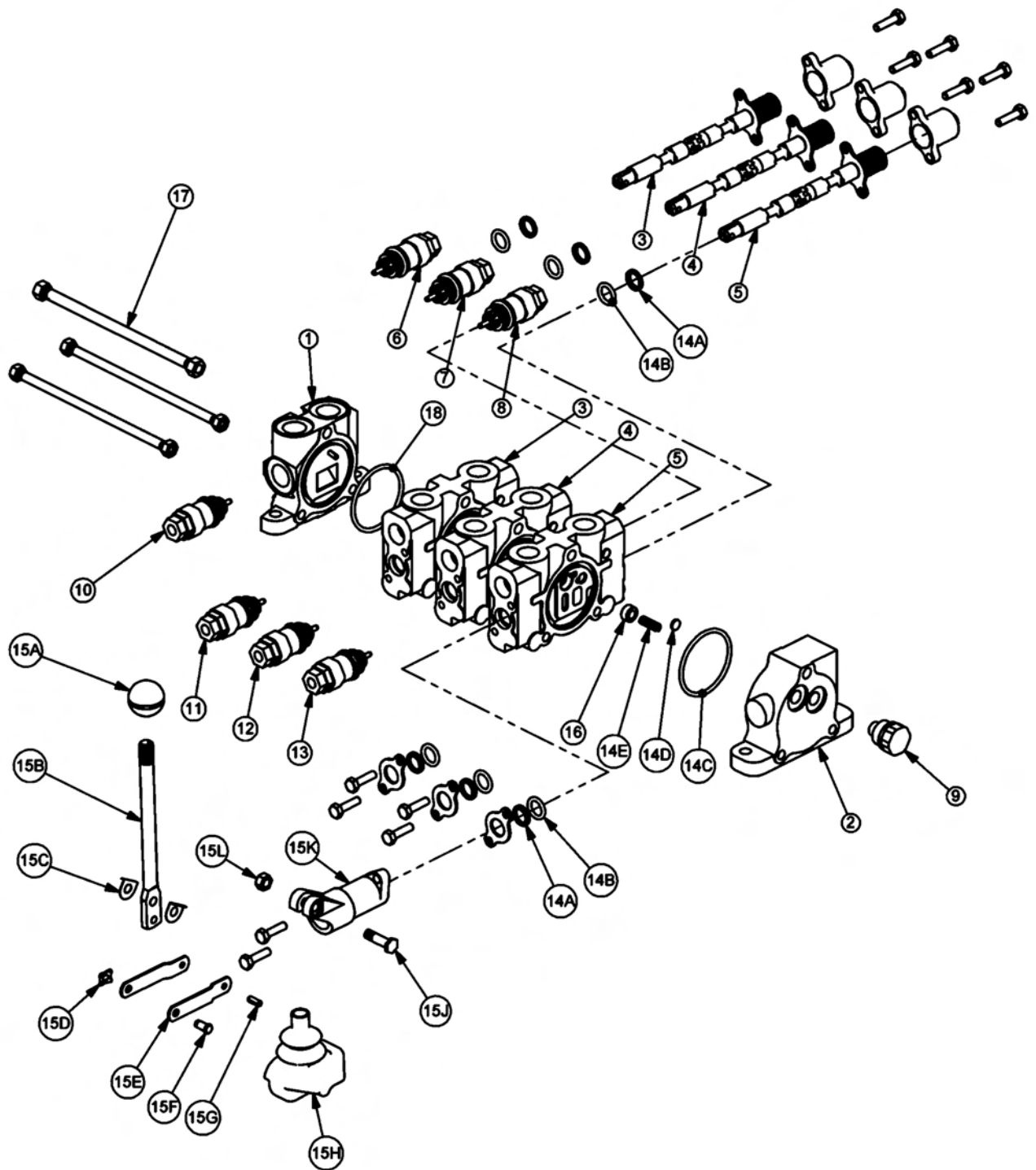
CABLE (MANUAL) LIFT VALVE BREAKDOWN - 31321

Continued...

ITEM	PART NO.	QTY.	DESCRIPTION
1	31595	1	INLET END COVER
2	31594	1	END COVER, LOAD SENSE
3	31597	1	VALVE SECTION (DOUBLE ACTING, CENTER SPRING)
4	31597	1	VALVE SECTION (DOUBLE ACTING, CENTER SPRING)
5	06503067	1	RELIEF PLUG
6	31861	1	RELIEF VALVE, 360 PSI
7	N/A	-	N/A
8	6T4209	1	RELIEF PLUG
9	31862	1	RELIEF VALVE, 2175 PSI
10	31862	1	RELIEF VALVE, 2175 PSI
11	31593	2	VALVE SEAL KIT (FOR ONE SECTION)
11A	-----	2	WIPER
11B	-----	2	O-RING SMALL
11C	-----	1	O-RING LARGE
11D	-----	1	SHUTTLE DISC
11E	-----	1	SPRING
12	TB1017L	2	LEVER KIT (FOR ONE SECTION)
12A	-----	1	LEVER KNOB
12B	-----	1	LEVER
12C	-----	2	LEVER WASHER
12D	-----	1	LEVER CLIP
12E	-----	2	LINKAGE
12F	-----	1	LEVER PIN
12G	-----	1	ROLL PIN
12H	-----	1	LEVER BOOT
12J	-----	1	LEVER BOLT
12K	-----	1	LEVER DUST COVER
12L	-----	1	LEVER NUT
13	31603	2	COMPENSATOR
14	TB1017X	1	TIE ROD KIT
15	24214	1	O-RING, LARGE

COMMON TWIN

CABLE (MANUAL) LIFT VALVE BREAKDOWN - 06502043



COMMON TWIN

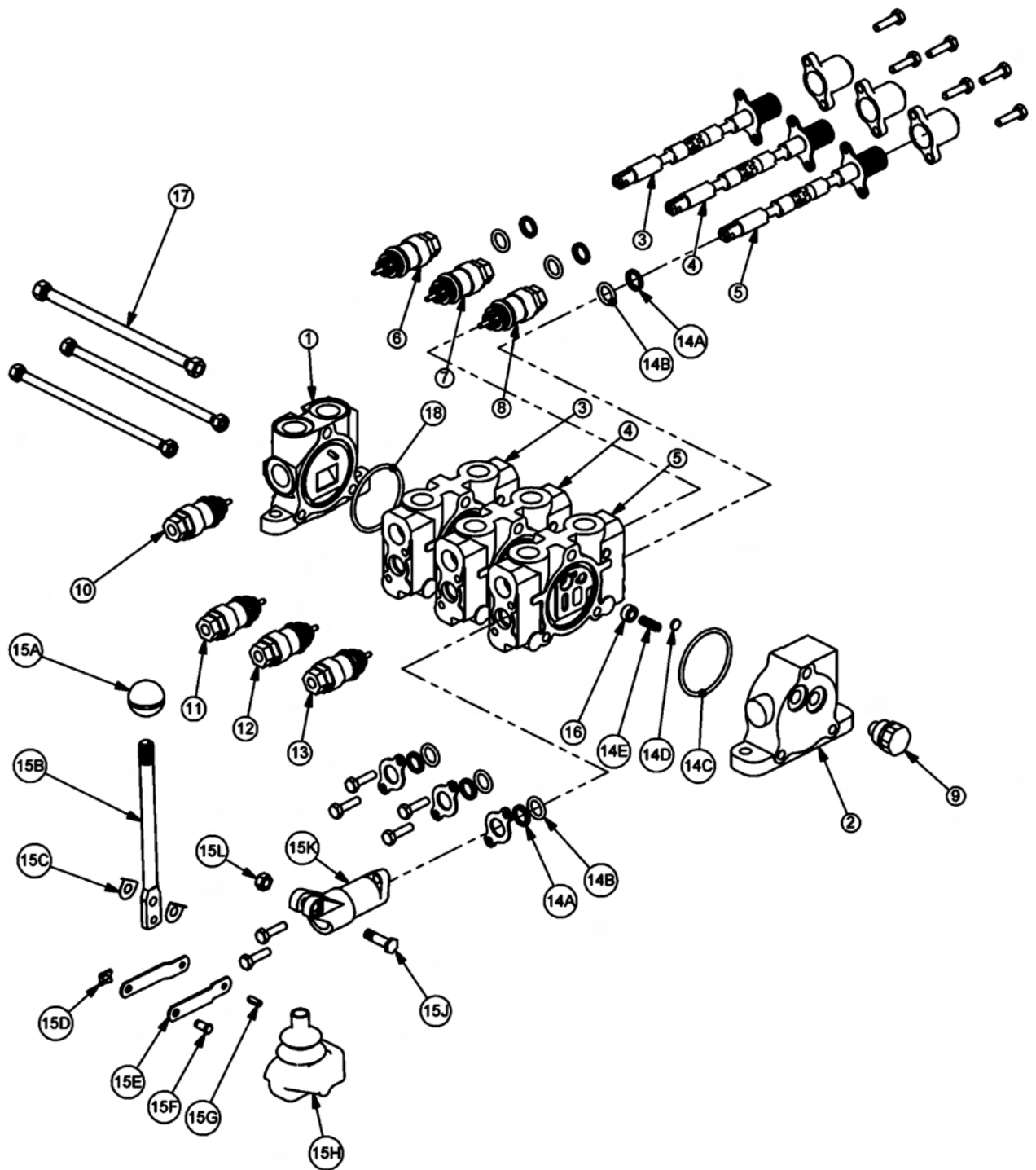
CABLE (MANUAL) LIFT VALVE BREAKDOWN - 06502043

Continued...

ITEM	PART NO.	QTY.	DESCRIPTION
1	31595	1	INLET END COVER
2	31594	1	END COVER, LOAD SENSE
3	31597	1	VALVE SECTION (DOUBLE ACTING, CENTER SPRING)
4	31597	1	VALVE SECTION (DOUBLE ACTING, CENTER SPRING)
5	31597	1	VALVE SECTION (DOUBLE ACTING, CENTER SPRING) (REMOVE SHUTTLE DISC)
6	06503067	1	RELIEF PLUG
7	06503067	1	RELIEF PLUG
8	28816	1	RELIEF VALVE, 1812 PSI
9	06503068	1	RELIEF PLUG
10	6T4209	1	RELIEF PLUG
11	31862	1	RELIEF VALVE, 2175 PSI
12	31862	1	RELIEF VALVE, 2175 PSI
13	28816	1	RELIEF VALVE, 1812 PSI
14	31593	3	VALVE SEAL KIT (FOR ONE SECTION)
14A	-----	2	WIPER
14B	-----	2	O-RING SMALL
14C	-----	1	O-RING LARGE
14D	-----	1	SHUTTLE DISC
14E	-----	1	SPRING
15	TB1017L	3	LEVER KIT (FOR ONE SECTION)
15A	-----	1	LEVER KNOB
15B	-----	1	LEVER
15C	-----	2	LEVER WASHER
15D	-----	1	LEVER CLIP
15E	-----	2	LINKAGE
15F	-----	1	LEVER PIN
15G	-----	1	ROLL PIN
15H	-----	1	LEVER BOOT
15J	-----	1	LEVER BOLT
15K	-----	1	LEVER DUST COVER
15L	-----	1	LEVER NUT
16	31603	3	COMPENSATOR
17	23397	1	TIE ROD KIT
18	24214	1	O-RING, LARGE

COMMON TWIN

CABLE (MANUAL) LIFT VALVE BREAKDOWN - 06502044



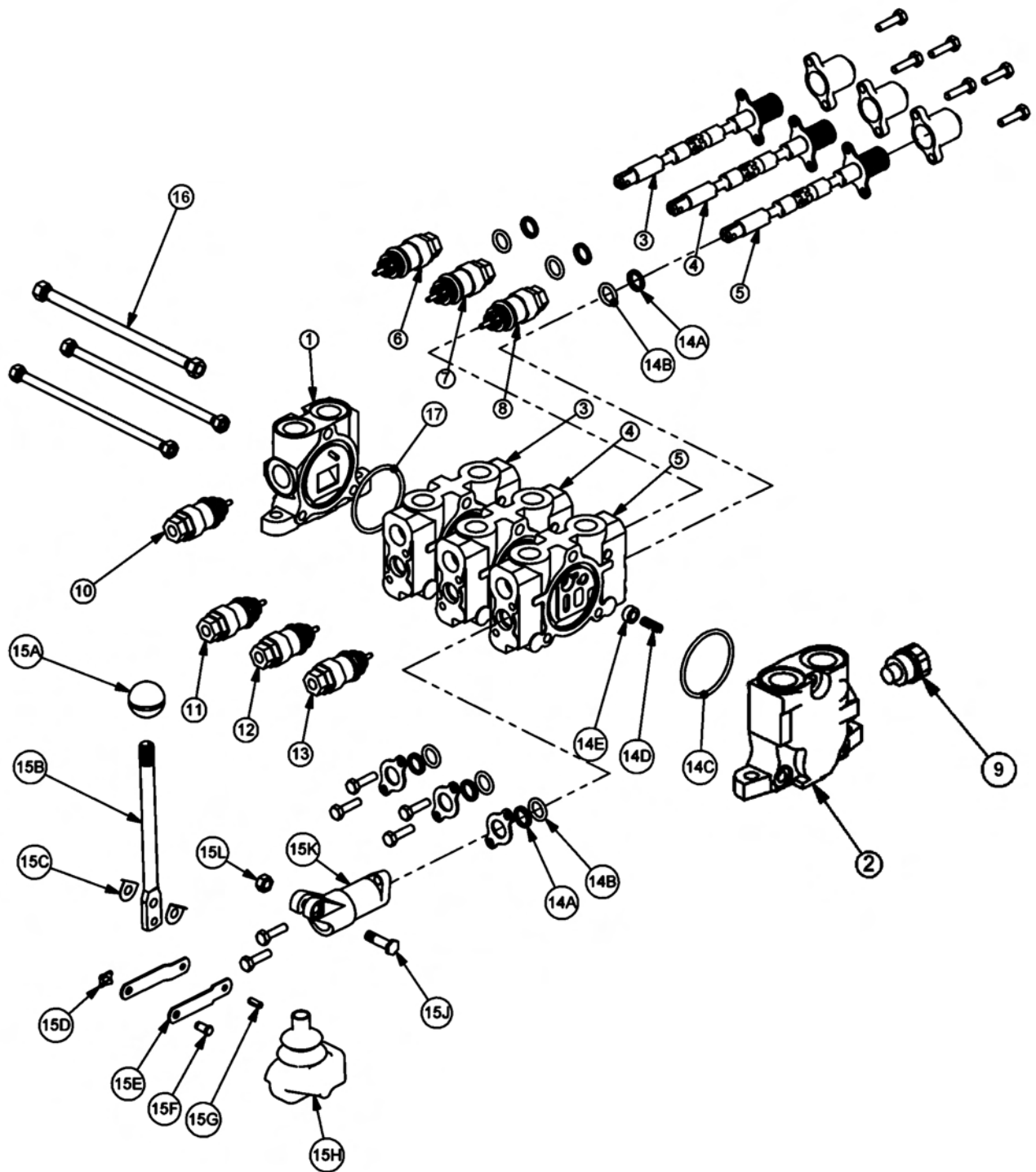
CABLE (MANUAL) LIFT VALVE BREAKDOWN - 06502044

Continued...

ITEM	PART NO.	QTY.	DESCRIPTION
1	31595	1	INLET END COVER
2	31594	1	END COVER, LOAD SENSE
3	31597	1	VALVE SECTION (DOUBLE ACTING, CENTER SPRING)
4	31597	1	VALVE SECTION (DOUBLE ACTING, CENTER SPRING)
5	31597	1	VALVE SECTION (DOUBLE ACTING, CENTER SPRING) (REMOVE SHUTTLE DISC)
6	06503067	1	RELIEF PLUG
7	31861	1	RELIEF VALVE, 360 PSI
8	28816	1	RELIEF VALVE, 1812 PSI
9	06503068	1	RELIEF PLUG
10	6T4209	1	RELIEF PLUG
11	31862	1	RELIEF VALVE, 2175 PSI
12	31862	1	RELIEF VALVE, 2175 PSI
13	28816	1	RELIEF VALVE, 1812 PSI
14	31593	3	VALVE SEAL KIT (FOR ONE SECTION)
14A	-----	2	WIPER
14B	-----	2	O-RING SMALL
14C	-----	1	O-RING LARGE
14D	-----	1	SHUTTLE DISC
14E	-----	1	SPRING
15	TB1017L	3	LEVER KIT (FOR ONE SECTION)
15A	-----	1	LEVER KNOB
15B	-----	1	LEVER
15C	-----	2	LEVER WASHER
15D	-----	1	LEVER CLIP
15E	-----	2	LINKAGE
15F	-----	1	LEVER PIN
15G	-----	1	ROLL PIN
15H	-----	1	LEVER BOOT
15J	-----	1	LEVER BOLT
15K	-----	1	LEVER DUST COVER
15L	-----	1	LEVER NUT
16	31603	3	COMPENSATOR
17	23397	1	TIE ROD KIT
18	24214	1	O-RING, LARGE

COMMON TWIN

CABLE (MANUAL) LIFT VALVE BREAKDOWN - 06502087



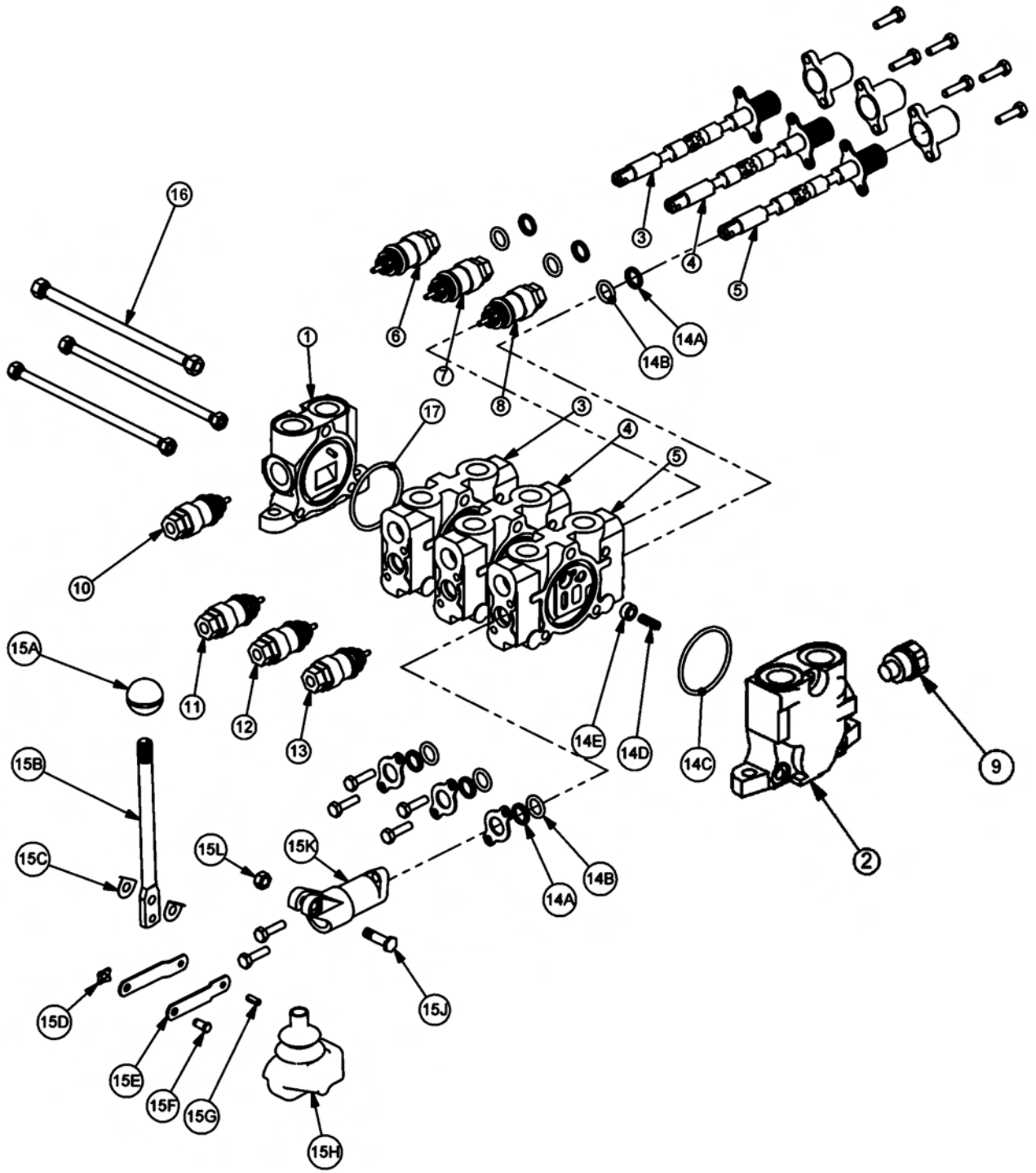
CABLE (MANUAL) LIFT VALVE BREAKDOWN - 06502087

Continued...

ITEM	PART NO.	QTY.	DESCRIPTION
1	TB1017S	1	INLET END COVER
2	TB1702	1	END COVER, POWER BEYOND
3	TB1017P	1	VALVE SECTION (SINGLE ACTING, SPRING DETENT)
4	TB1017P	1	VALVE SECTION (SINGLE ACTING, SPRING DETENT)
5	TB1017N	1	VALVE SECTION (DOUBLE ACTING, CENTER SPRING)
6	-----	-	N/A
7	-----	-	N/A
8	28816	1	RELIEF VALVE, 1812 PSI
9	TB1017M	1	SHUT-OFF PLUG
10	06502085	1	RELIEF VALVE, 3000 PSI
11	31862	1	RELIEF VALVE, 2175 PSI
12	31862	1	RELIEF VALVE, 2175 PSI
13	28816	1	RELIEF VALVE, 1812 PSI
14	TB1017A	4	VALVE SEAL KIT (FOR ONE SECTION)
14A	-----	2	WIPER
14B	-----	2	O-RING SMALL
14C	-----	1	O-RING LARGE
14D	-----	1	SPRING
14E	-----	1	PUCKET
15	TB1017L	4	LEVER KIT (FOR ONE SECTION)
15A	-----	1	LEVER KNOB
15B	-----	1	LEVER
15C	-----	2	LEVER WASHER
15D	-----	1	LEVER CLIP
15E	-----	2	LINKAGE
15F	-----	1	LEVER PIN
15G	-----	1	ROLL PIN
15H	-----	1	LEVER BOOT
15J	-----	1	LEVER BOLT
15K	-----	1	LEVER DUST COVER
15L	-----	1	LEVER NUT
16	23397	1	TIE ROD KIT
17	24214	1	O-RING, LARGE

COMMON TWIN

CABLE (MANUAL) LIFT VALVE BREAKDOWN - 06502088



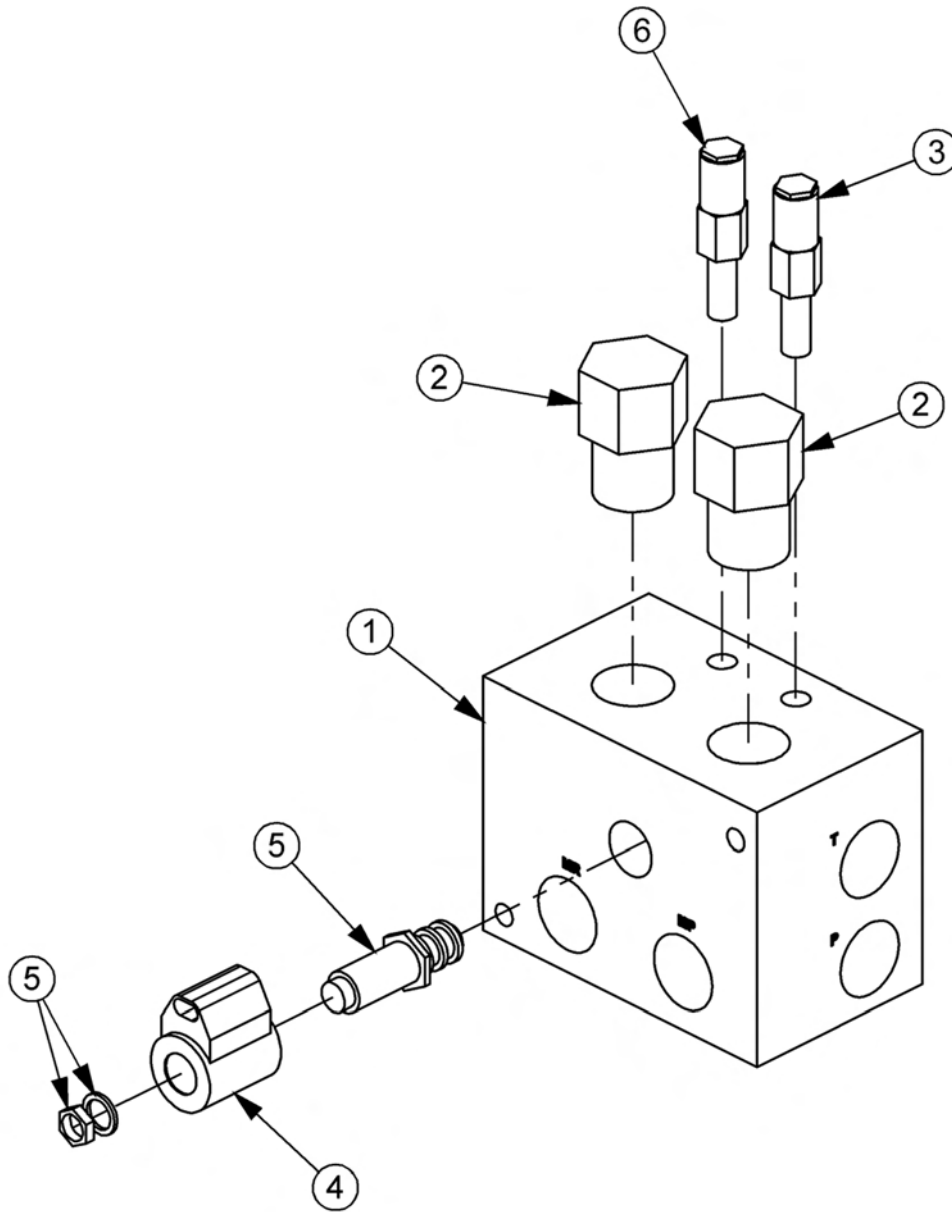
CABLE (MANUAL) LIFT VALVE BREAKDOWN - 06502088

Continued...

ITEM	PART NO.	QTY.	DESCRIPTION
1	TB1017S	1	INLET END COVER
2	TB1702	1	END COVER, POWER BEYOND
3	TB1017P	1	VALVE SECTION (SINGLE ACTING, SPRING DETENT)
4	TB1017N	1	VALVE SECTION (DOUBLE ACTING, CENTER SPRING)
5	TB1017N	1	VALVE SECTION (DOUBLE ACTING, CENTER SPRING)
6	-----	-	N/A
7	31861	1	RELIEF VALVE, 360 PSI
8	28816	1	RELIEF VALVE, 1812 PSI
9	TB1017M	1	SHUT-OFF PLUG
10	06502085	1	RELIEF VALVE, 3000 PSI
11	31862	1	RELIEF VALVE, 2175 PSI
12	31862	1	RELIEF VALVE, 2175 PSI
13	28816	1	RELIEF VALVE, 1812 PSI
14	TB1017A	4	VALVE SEAL KIT (FOR ONE SECTION)
14A	-----	2	WIPER
14B	-----	2	O-RING SMALL
14C	-----	1	O-RING LARGE
14D	-----	1	SPRING
14E	-----	1	PUCKET
15	TB1017L	4	LEVER KIT (FOR ONE SECTION)
15A	-----	1	LEVER KNOB
15B	-----	1	LEVER
15C	-----	2	LEVER WASHER
15D	-----	1	LEVER CLIP
15E	-----	2	LINKAGE
15F	-----	1	LEVER PIN
15G	-----	1	ROLL PIN
15H	-----	1	LEVER BOOT
15J	-----	1	LEVER BOLT
15K	-----	1	LEVER DUST COVER
15L	-----	1	LEVER NUT
16	23397	1	TIE ROD KIT
17	24214	1	O-RING, LARGE

COMMON TWIN

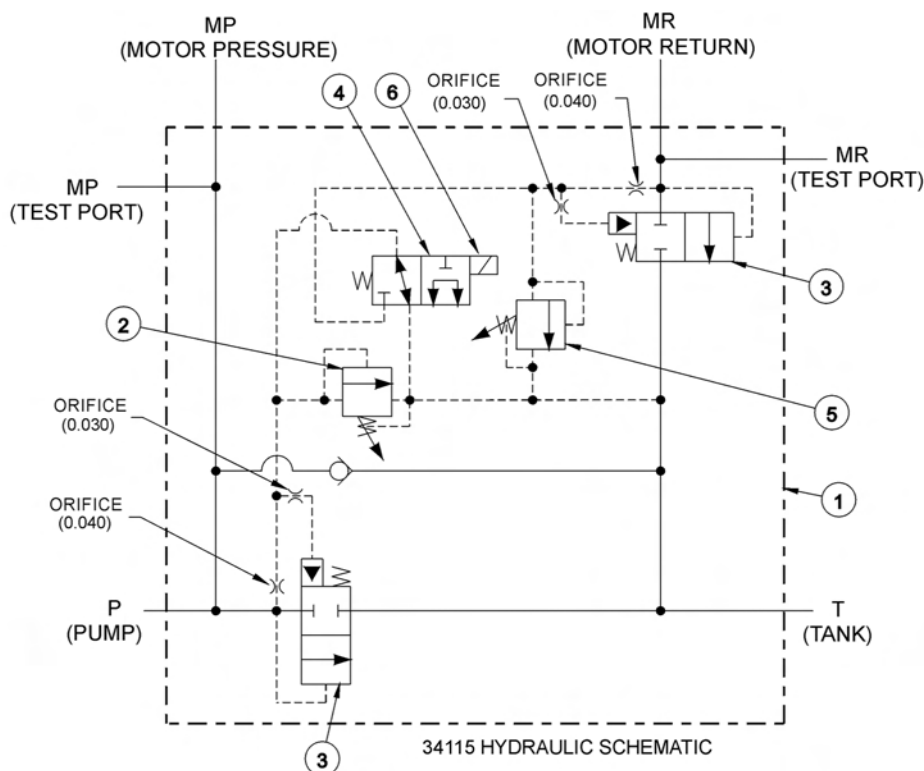
BRAKE VALVE ASSEMBLY



ITEM	PART NO.	QTY.	DESCRIPTION
*	06510083	-	BRAKE VALVE, ASSY
1	34092	1	BRAKE VALVE, BLANK
2	34094	2	LOGIC ELEMENT
3	34095	1	RELIEF VALVE, 3000 PSI
4	06510095	1	METRI PAK COIL
5	34093	1	CARTRIDGE, 2 POSITION, 3 WAY (WITH NUT & WASHER)
6	34091	1	RELIEF VALVE, 2600 PSI

COMMON TWIN

BRAKE VALVE HYDRAULIC SCHEMATIC



BRAKE VALVE TROUBLESHOOTING

FAILURE MODE:

- MOWER WILL NOT START - system pressure is low (engine not lugging).
- MOWER WILL NOT START - system pressure is high (engine lugging). "MR" port will be high pressure.
- MOWER WILL NOT ROTATE AT FULL SPEED - limited power.
- MOWER BLADE WILL NOT STOP - blade will not stop in proper time.

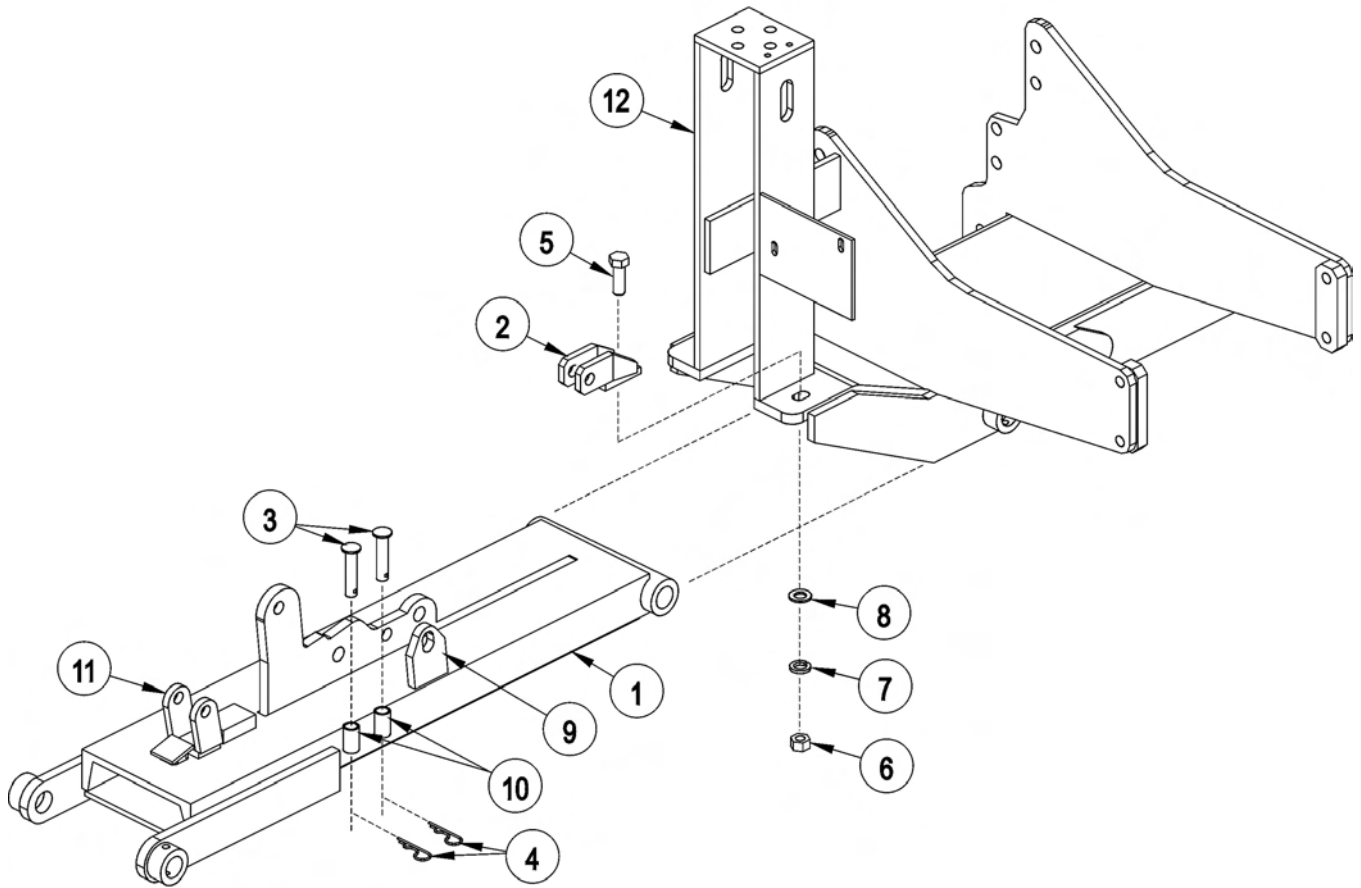
CHECK STEPS

- 1 thru 6
- 7
- 3 thru 5
- 7 thru 9

CORRECTIVE STEPS:

1. Check for voltage at solenoid (item 6), voltage must be between 10.2 volts and 13.8 volts.
2. Remove, inspect solenoid and cartridge (items 4, 6) for wear or contamination.
3. Remove, inspect logic elements near "P" port (item 3) for wear or contamination.
4. Remove, inspect 3000 psi relief valve (item 2) for wear or contamination.
5. Remove and inspect orifices near "P" port for contamination.
6. Remove "P" port hose and fitting, visually inspect for contamination, check ball for movement.
7. Remove and inspect orifices near "MR" port for contamination.
8. Remove, inspect 2600 psi relief valve (item 5) for wear of contamination.
9. Remove, inspect logic element near "MR" port (item 3) for wear or contamination.

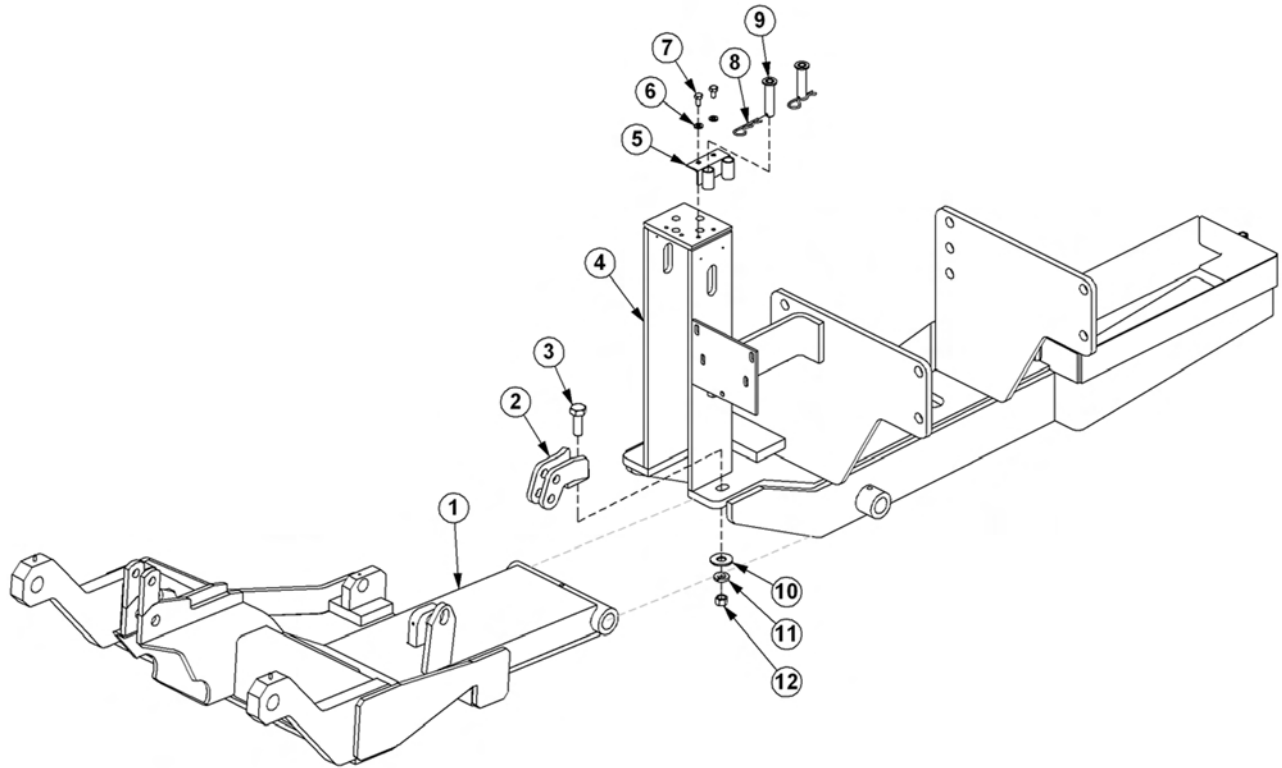
CABLE DRAFT BEAM TRAVEL LOCK



ITEM	PART NO.	QTY.	DESCRIPTION
1	-----	-	CABLE DRAFT BEAM
2	6T0106	1	TRAVEL LOCK BRACKET
3	6T0107	2	TRAVEL LOCK PINS 3/4" X 3 1/4"
4	6T3020	2	R - CLIP 5/32"
5	21833	1	CAPSCREW 3/4" X 2 1/4"
6	21825	1	HEX NUT 3/4"
7	21993	1	LOCK WASHER 3/4"
8	22021	1	FLAT WASHER 3/4"
9	22600	1	TRAVEL LOCK EAR
10	22604	2	PIN HOLDER
11	22601C	1	TRAVEL LOCK ASY
12	-----	-	MAIN FRAME *REFER TO PARTS SECTION

COMMON TWIN

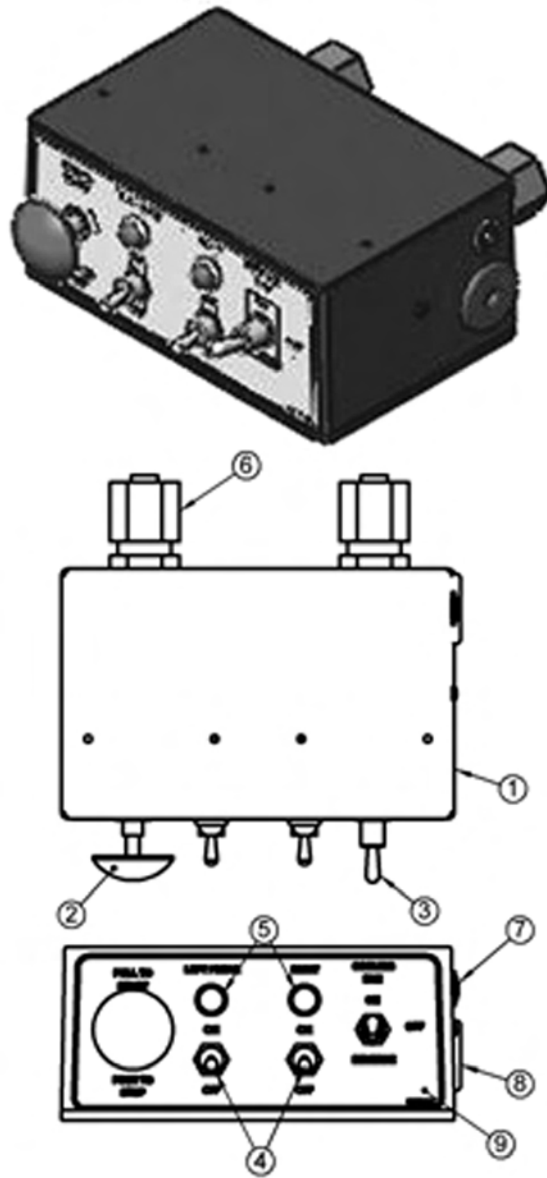
COMBO DRAFT BEAM TRAVEL LOCK



ITEM	PART NO.	QTY.	DESCRIPTION
1	-----	-	COMBO DRAFT BEAM
2	6T0106	1	TRAVEL LOCK BRACKET
3	21833	1	CAPSCREW 3/4" X 2 1/4"
4	-----	-	MAIN FRAME *REFER TO PARTS SECTION
5	33856	1	BRKT,PIN HOLDER
6	21988	2	LOCK WASHER 3/8"
7	21629	2	CAPSCREW 3/8" X 3/4"
8	6T3020	2	R - CLIP 5/32"
9	6T0107	2	TRAVEL LOCK PINS 3/4" X 3 1/4"
10	22021	1	FLAT WASHER 3/4"
11	21993	1	LOCK WASHER 3/4"
12	21825	1	HEX NUT 3/4"

COMMON TWIN

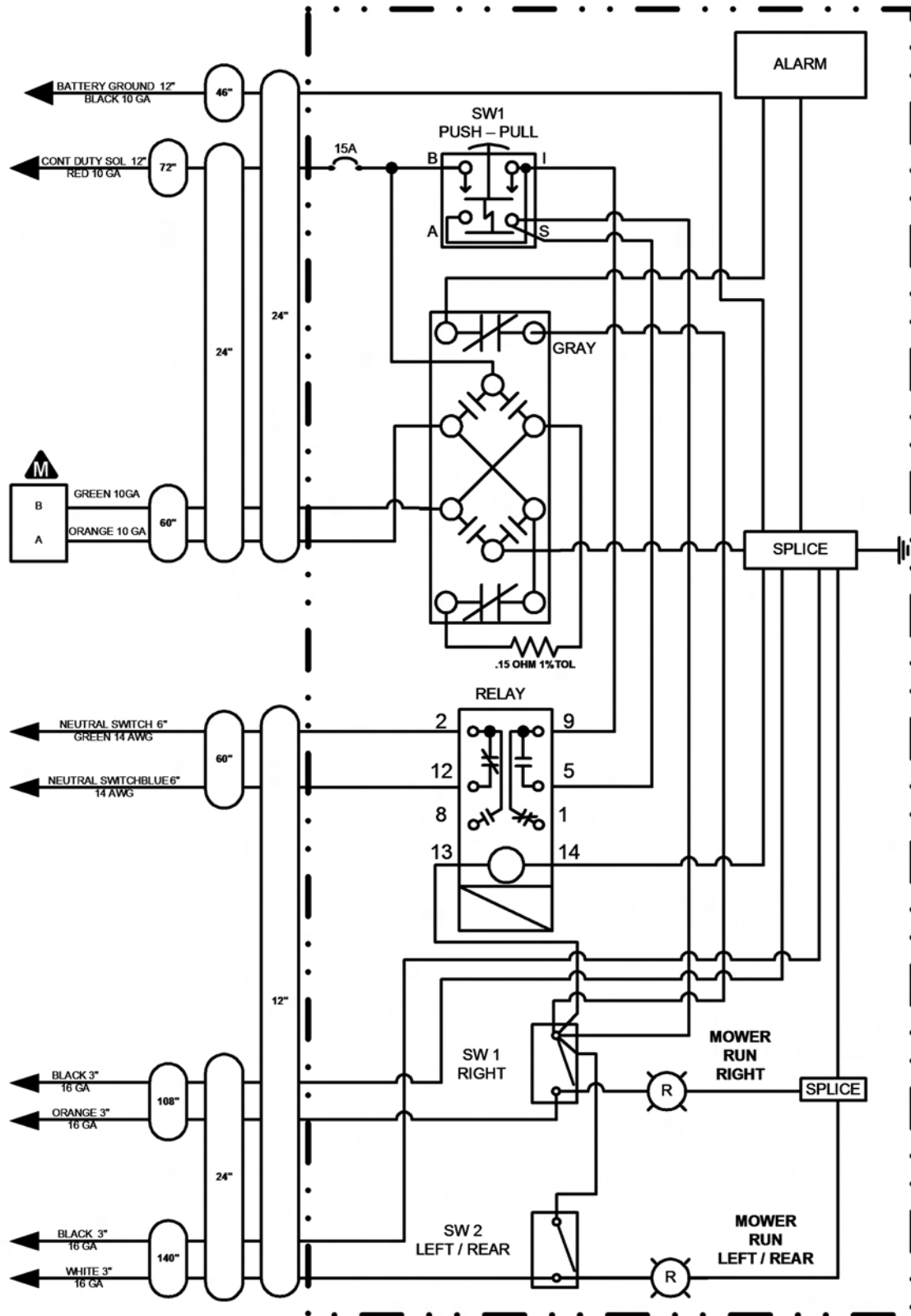
SWITCH BOX



ITEM	PART NO.	QTY.	DESCRIPTION
1	06514011	1	SWBX,ALUM,BLK,06510097
2	35226	1	SWITCH,MOWER,COLEHERSEE
3	06510028	1	SWITCH,FORWARD/BRAKE/REV
4	33811	2	SWITCH,MASTER/DECK FLOAT
5	6T3923	2	INDICTATOR LIGHT,ON,RED
6	34540	2	STRAIN RELIEF,3/4,BLACK,NYLON
7	06514006	1	BREAKER,15A,SWBX
8	06514015	1	ALARM,SWBX,REVERSER
9	06550002	1	DECAL,SWTCHBX,TWIN/T3F,REV FAN
10	35227	1	RELAY,DP,DT,12V,LY2F,35226

COMMON TWIN

SWITCH BOX SCHEMATIC



NOTES