



DITCHER ASSEMBLIES

Current as of 12/12/2011

PARTS LISTING WITH MOUNTING INSTRUCTIONS

Tiger Corporation
3301 N. Louise Ave.
Sioux Falls, SD 57107
1-800-843-6849
1-605-336-7900
www.tiger-mowers.com

06000002

TO THE OWNER / OPERATOR / DEALER

All implements with moving parts are potentially hazardous. There is no substitute for a cautious, safe-minded operator who recognizes the potential hazards and follows reasonable safety practices. The manufacturer has designed this implement to be used with all its safety equipment properly attached to minimize the chance of accidents.

BEFORE YOU START!! Read the safety messages on the implement and shown in this manual. Observe the rules of safety and use common sense!

READ AND UNDERSTAND THIS MANUAL! Non-English speaking operators will need to GET THE MANUAL TRANSLATED as needed!



DANGER

FAILING TO FOLLOW SAFETY MESSAGES AND OPERATING INSTRUCTIONS CAN CAUSE SERIOUS BODILY INJURY OR EVEN DEATH TO OPERATOR AND OTHERS IN THE AREA.



1. Study and understand Operator's Manuals, Safety Decals, and Instructional Decals for tractor and implement to prevent misuse, abuse, and accidents. Practice before operating in a confined area or near passersby.

● Learn how to stop engine suddenly in an emergency. Be alert for passersby and especially children

2. Allow no children on or near folding mower or tractor. Allow no riders on tractor or implement. Falling off may cause serious injury or death from being run over by tractor or mower or contact with rotating blades.

3. Operate only with tractor having Roll-Over Protective Structure (ROPS) and with seat belt securely fastened to prevent injury and possible death from falling off or tractor overturn.

● Personal Protective Equipment such as Hard Hat, Safety Glasses, Safety Shoes, & Ear Plugs are recommended.

4. Block up or support raised machine and all lifted components securely before putting hands or feet under or working underneath any lifted component to prevent crushing injury or death from sudden dropping or inadvertent operation of controls. Make certain area is clear before lowering or folding

5. Before transporting, put Lift Lever in detent or full-lift position. Install Transport Safety Devices securely on folding mowers. Put Booms securely in Transport Rest.

● Folding and Boom Mowers have raised center of gravity. Slow down when turning and on hillsides.

6. Make certain that SMV sign, warning lights, and reflectors are clearly visible. Follow local traffic codes.

7. Never operate with Cutting Head or Folding Section raised if passersby, bystanders, or traffic are in the area to reduce possibility of injury or death from objects thrown by Blades under Guards or mower structure.

8. Before dismounting, secure implement in transport position or lower to ground.

● Put tractor in park or set brake, disengage PTO, stop engine, remove key, and wait until noise of rotation has ceased to prevent crushing by entanglement in rotating parts which could cause injury or death.

● Never mount or dismount a moving vehicle. Crushing from runover may cause serious injury or death.



02967827

Warranty Information: Read and understand the complete Warranty Statement found in this manual. Fill out the Warranty Registration form in full and return it within 90 days. Make certain the Serial Number of the machine is recorded on the Warranty Card, and form that you retain.

FORWARD

This manual contains information about many features of the Tiger mowing and roadside maintenance equipment. Some of these include: Safety precautions, Assembly instructions, Operations, Maintenance and Parts. This manual will also assist you in the proper break-in, daily care, and troubleshooting of your new mower.

We recommend that you read carefully the entire manual before operating the unit. Also, time spent in becoming fully acquainted with its performance features, adjustments, and maintenance schedules will be repaid in a long and satisfactory life of the equipment.

Troubleshooting - Please, before you call, help us to help you!

Please look at the equipment to observe what is happening, then:

- Classify the problem
 - Hydraulic, electrical or mechanical - Read the trouble shooting section
 - Tractor or Truck chassis - Contact vehicle dealer

- If unable to correct the problem yourself, contact your local Tiger Dealer after gathering:
 - Machine model _____
 - Serial number _____
 - Dealer name _____
 - Detailed information about the problem including results of troubleshooting

Attention Owner / Operator / Dealer: It is your obligation to read, and understand, the warranty information section located at the back of this manual denoting that the purchaser understands the safety issues relating to this machine and has received and will read a copy of this manual.

If at any time, you have a service problem with your Tiger mower, Contact your local dealer for service and parts needed.

MANUFACTURED BY:

Tiger Corporation

3301 N. Louise Ave.

Sioux Falls, SD 57107

1-800-843-6849

1-605-336-7900

www.tiger-mowers.com

DISTRIBUTED BY:

1- _____ - _____ - _____

1- _____ - _____ - _____

DITCHER

**PARTS
SECTION**

TABLE OF CONTENTS

TABLE OF CONTENTS

DITCHER PARTS	PAGE
MOUNTING INSTRUCTIONS	7-4
DRAFT BEAM - CABLE LIFT	7-12
CABLE LIFT ASSEMBLY	7-14
CABLE LIFT ASSEMBLY - DD	7-16
DRAFT BEAM - COMBO LIFT	7-18
COMBO LIFT ASSEMBLY	7-20
COMBO LIFT ASSEMBLY - DD	7-22
MAIN BOOM ARM MOUNT	7-24
MAIN BOOM ARM MOUNT - DD	7-26
SABER SECONDARY BOOM ARM MOUNT	7-28
BENGAL SECONDARY BOOM ARM MOUNT	7-30
BENGAL BRUTE SECONDARY BOOM ARM MOUNT	7-32
DITCHER HEAD STANDARD ROTATION	7-34
DITCHER HEAD REVERSE ROTATION	7-36
LIFT VALVE - 3 SPOOL, POWER BEYOND	7-38
LIFT VALVE - 3 SPOOL, OPEN CENTER	7-40
GEAR REDUCER	7-42
MOTOR BREAKDOWN - 06504014	7-44
MOTOR BREAKDOWN - 06504063	7-46

MOUNTING INSTRUCTIONS

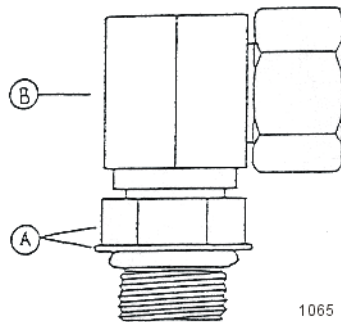
HIGH PRESSURE SIDE MOUNTED DITCHER

Check complete shipment against packing list to make sure there are no shortages. Make certain tractor model is the appropriate one for the ditcher received. Use floor jack or hoist to lift or raise heavy parts whenever possible if mentioned or not. Read entire instructions completely before mounting tractor.

PRELIMINARY INSTRUCTIONS

INSTALLING O-RING FITTINGS

- a. Straight swivel: Install swivel and tighten.
- b. 45° and 90° swivels (Fig. A) : Back O-ring nut and washer (A) up against swivel body (B). Install swivel and turn in until swivel is in right direction and O-ring contact is made. Hold swivel in set direction with wrench and turn O-ring nut away from swivel body and tighten.



INSTALLING NATIONAL PIPE FITTINGS

Whenever installing a pipe fitting, wrap threads clockwise looking at end with Teflon tape. In this way the tape will be tightened when installed. Note: It is not necessary to tape O-ring fittings or those installed in swivels.

GEASING WEAR POINTS

Bosses and pins: Inject grease until it appears at joints.

MOUNTING INSTRUCTIONS

INBOARD 3 X 10 CYLINDER (FIG. B) (FIG. D)

- a. Install adjustable 1/2" o-ring breather (F) in butt port.
- b. Install adjustable 1/2" o-ring M x 90°-FP elbow (G) in rod port. Fitting should be adjusted to face toward butt end of cylinder.
- c. Install 1/2" x .093 restrictor (H) in 90° fitting.
- d. Turn clevis on to piston rod until tight against shoulder and lock into place with locking bolt.

MOUNTING INSTRUCTIONS

- e. Install inboard cylinder in main frame mast with 1" x 7" pin, 1" flatwashers, and pin clips. (Fig. B)

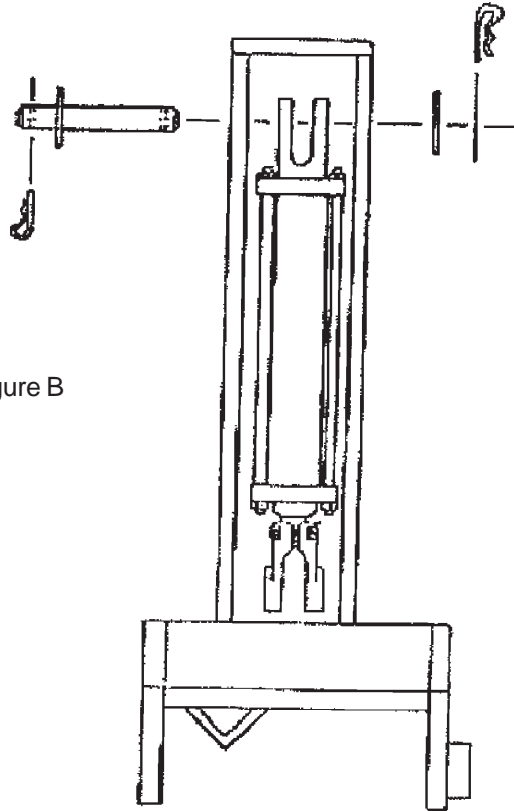


Figure B

DRAFT BEAM MOUNTING (FIG. C)

- a. Pull inboard cylinder piston rod down to extreme extended position.

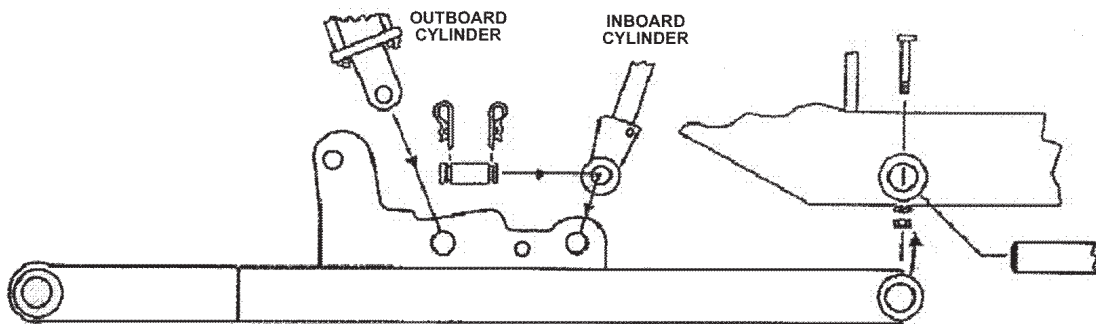


Figure C

MOUNTING INSTRUCTIONS

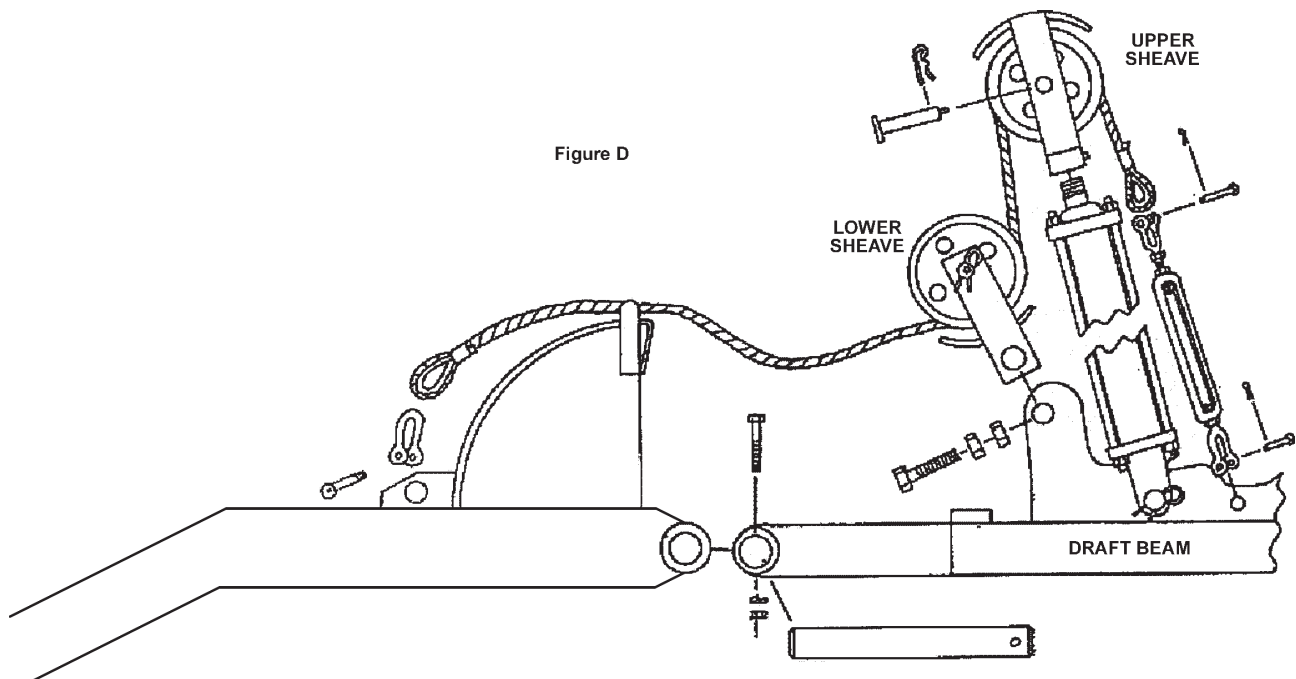
- b. Slide draft beam under cylinder, align clevis hole with draft beam hole (1") nearest tractor and install 1" x 3" pin in draft beam hole and clevis.
- c. Using inboard cylinder as a pivot point, slide draft beam under tractor and install draft beam pin (1-1/2" x 15-3/4"). Align hole in draft beam pin with holes in main frame boss and install 7/16" x 3-1/4" capscrew, lockwasher, and nut.

OUTBOARD 3 X 18 CYLINDER (FIG. F)

- a. Install adjustable 1/2" O-ring M x 90° FP elbow (I) in butt port. Elbow should point toward rod port.
- b. Install adjustable 1/2" O-ring breather (J) in rod port.
- c. Install 1/2" x 0.093 restrictor (K) in 90° fitting.
- d. Install outboard cylinder on draft beam as shown in Fig. C. Install 1" x 3" pin in draft beam hole and cylinder. Secure with R-clips.

DECK MOUNTING AND LIFT ASSEMBLY (FIG. D)

- a. Install upper sheave bracket on outboard cylinder. Tighten securely against piston rod shoulder, tighten set screw, and align with draft beam.
- b. Install lower sheave bracket on draft beam with 3/4" x 3" capscrew and two nuts.
- c. Align ditcher boom with draft beam mounting ears and install boom mounting pin (1-1/2" x 17"). Align hole in boom mounting pin with holes in boss and lock into place with 7/16" x 3-1/4" capscrew, lockwasher, and nut.



MOUNTING INSTRUCTIONS

- d. Pass lift cable through upper sheave bracket and attach to turn buckle with turn buckle pin and cotter key.
- e. Attach turn buckle to draft beam with turn buckle pin and cotter key.
- f. Place lift cable in lower sheave bracket and install sheave with 3/4" x 2-1/2" pin (with grease zerk) and R-clip.
- g. Install sheave in upper sheave bracket with cable over sheave. Insert 3/4" x 3" pin (with grease zerk) and R-clip.
- h. Attach cable to ditcher boom with shackle and tighten shackle and tighten shackle pin securely. **DO NOT TIGHTEN TURN BUCKLE AT THIS TIME.**

DEFLECTOR CHUTE CYLINDER 2 X 6 (FIG. E) (FIG. F)

- a. Install (2) two swivel 1/2" adjustable O-ring x 1/2" FPX - 90° in both ports with fittings pointing to the butt of the cylinder.
- b. Install deflector chute cylinder with (4) four 1/4" spacers onto ditcher bonnets and secure with 1" x 3-1/2" pins and R-clips.

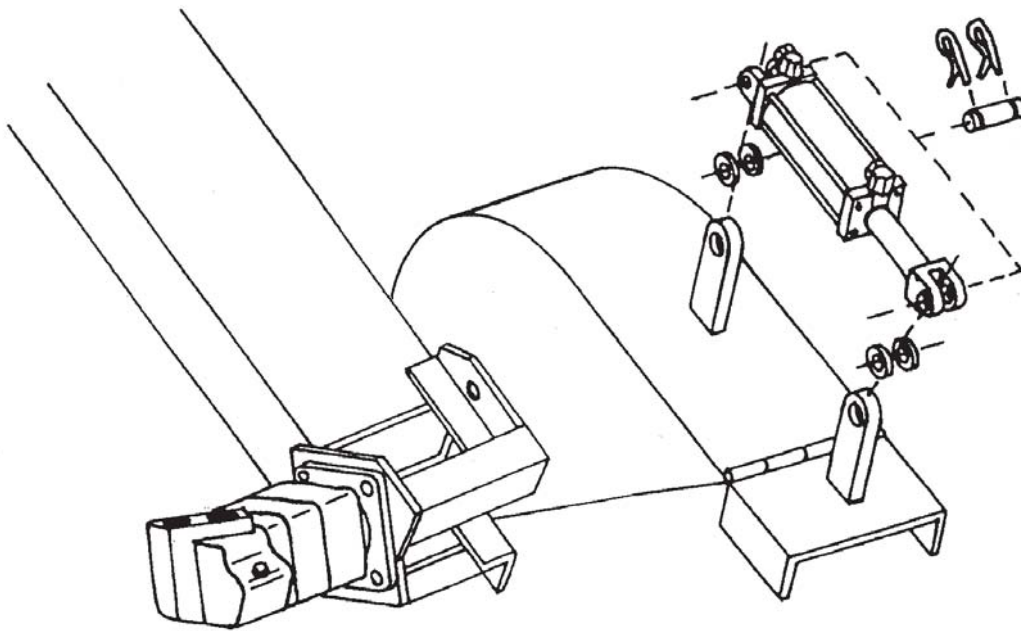
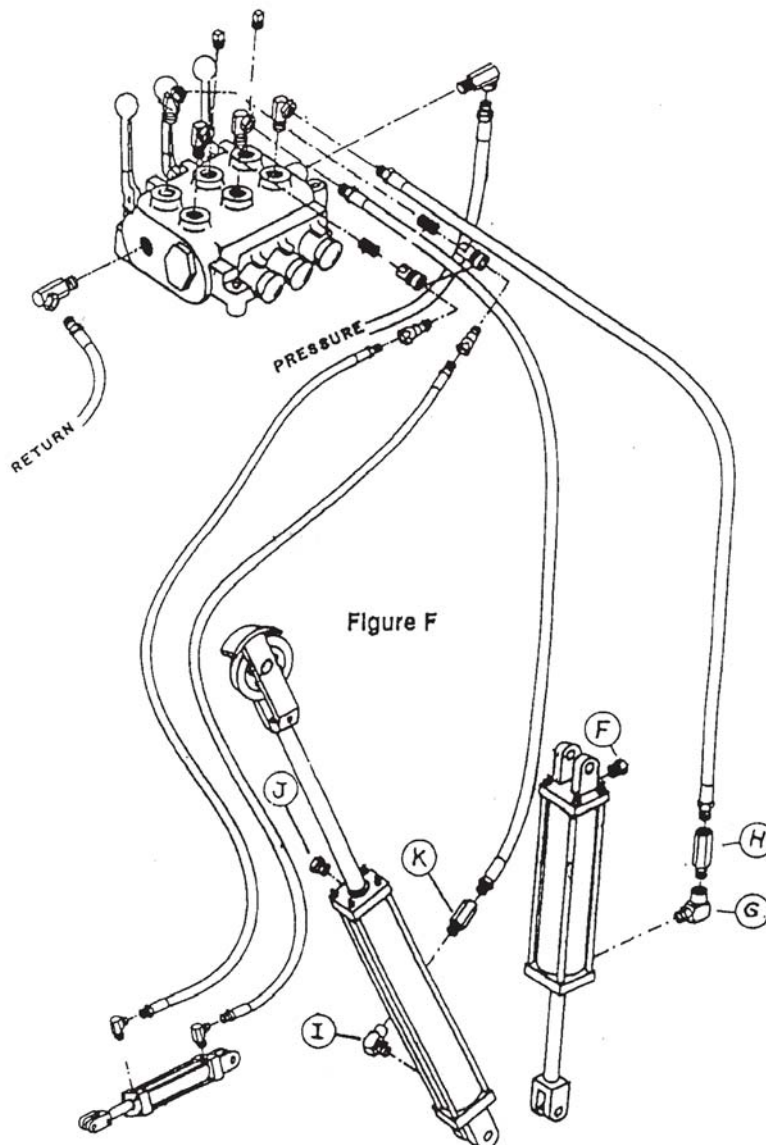


Figure E

MOUNTING INSTRUCTIONS

LIFT CONTROL FEEDLINES (FIG. F)

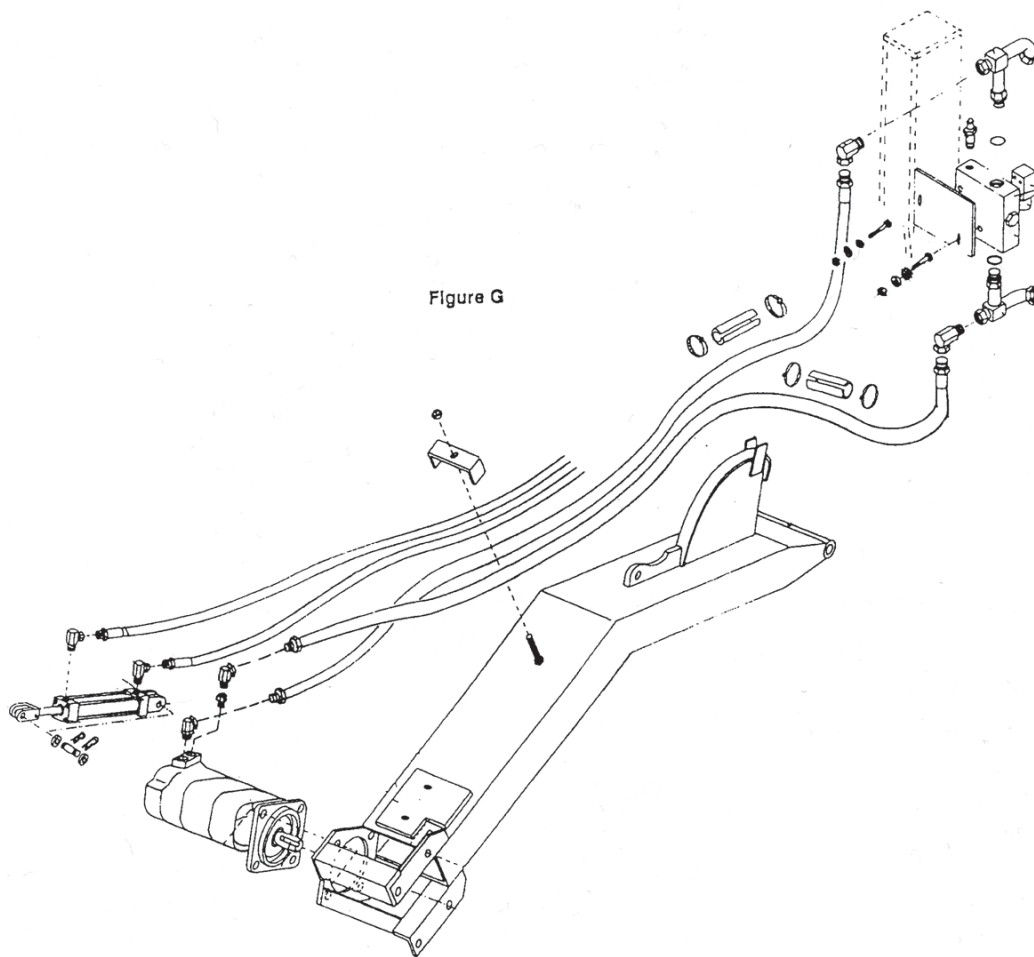
- Install a hose 1/2" x (31" - valve mounted on mast with cabs, 43" - valve stand mounted on mast without cabs, 38" - Ford non-cab, 48" - valve mounted under the cab) MP-MP inbetween the inboard cylinder restrictor and the bottom fitting or inner fitting on control valve.
- Install a hose 1/2" x (48" - valve mounted under the cab, 60" - cabs and non-cabs if valve mounted on mast) MP-MP inbetween the outboard cylinder restrictor and the middle fitting on control valve.
- Install 1/2" quick couplers on (2) two hose 1/2" x 120" (MP-MP) (140" if valve is mounted under the cab). Attach hoses between the deflector chute cylinder and the top or outer fittings. The butt end hose of the cylinder connects with the back or control side of the control valve as shown.



MOUNTING INSTRUCTIONS

DECK FEEDLINE (FIG. G)

- a. If swivel fitting 1" MP x 1" FPX - 90° are attached to preformed tees on solenoid valve mower side, replace with swivel fitting 1" MP x 1" FPX - 45°.
- b. Install a swivel 1" adjustable O-ring x 1" FPX - 45° to the ditcher motor port that is closer to the ditcher head.
- c. Install a swivel 1" O-ring x 1" FPX to the ditcher motor port that is further out from the ditcher head, with a swivel 1" MP x 1 FPX - 45°.
- d. Install a hose 1" x 111" (MP-MP) to the first set of fitting on the ditcher motor to the bottom fitting on the solenoid valve mounted on the main frame mast.
- e. Install a hose 1" x 111" (MP-MP) between the single fitting on the ditcher motor to the top of the solenoid valve.
- f. Install split hoses using hose clamps on motor hose at draft beam edge of boom.
- g. Install hose bracket to ditcher boom and secure with 1/2" hex nut.



MOUNTING INSTRUCTIONS

INSTALLATION CHECKS

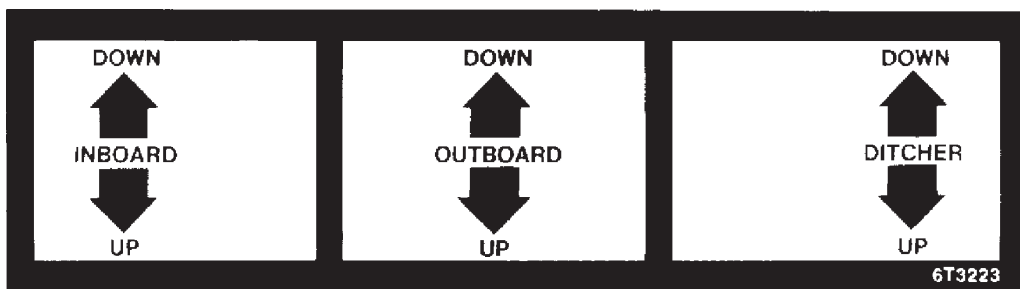
- Install grease zerks in draft beam pin bosses and grease all wear points.
- Recheck all fittings for tightness and teflon tape on all pipe thread fittings.
- Fill tank with D.A. torque fluid Type C, Mobil D.T.E. 26 or equivalent. **OPEN BALL VALVES.**
- Start tractor and operate inboard and deflector chute cylinders through entire stroke and outboard cylinder through bottom 3/4 stroke repeatedly to clear lines of air. **DO NOT** run outboard cylinder out to full stroke until turnbuckle has been adjusted.
- Check for oil leaks at all fittings and connections.
- Raise three point hitch and check the tractor internal hydraulics and fill to proper level if needed.

TURNBUCKLE ADJUSTMENT

- Extend outboard cylinder until boom touches stop on draft beam and hold in this position to adjust lift cable tension.
- Adjust turn buckle until cable is tight.
- Lower and raise boom to check adjustment. (Ditcher boom should touch its stop on draft beam at the same time the outboard cylinder reaches its extreme extended position.)
- TIGHTEN TURNBUCKLE LOCK NUTS SECURELY.** It will be necessary to readjust the turnbuckle after the cable has stretched from use.

DITCHER TESTING

Start tractor and take to a place free of loose objects on the ground. Lower ditcher boom to about 6" off the ground. Turn switch to "ON" position and run throttle up to about 1800 R.P.M. and allow ditcher to attain maximum speed. Ditcher vibration should be minimal through entire range. Turn off ditcher and tractor. When ditcher has **STOPPED COMPLETELY**, inspect all fittings and connections for leaks. Check that all controll circuits are connected correctly according to the operators decal provided. (See Figure H)

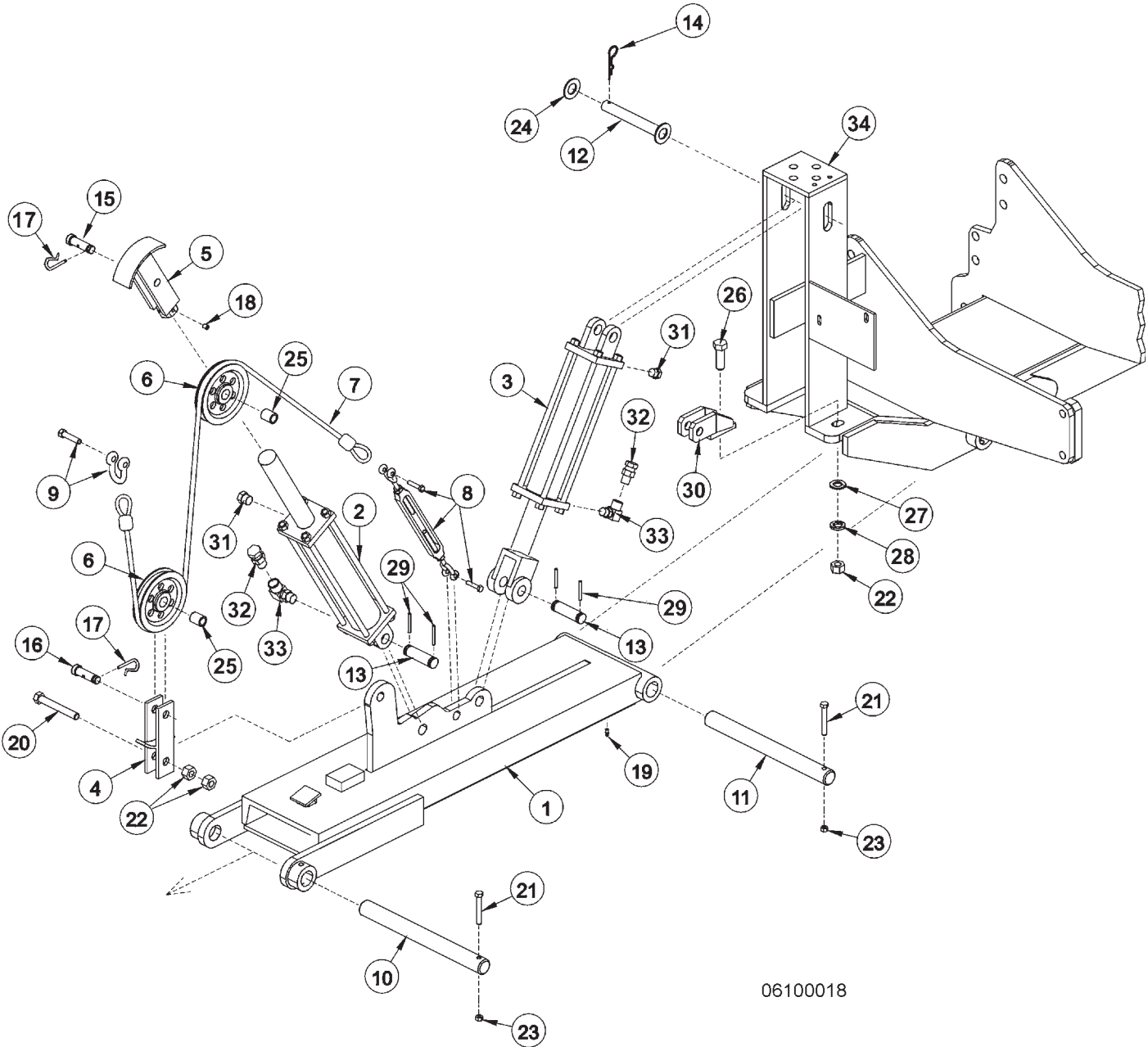


Check knife bolts for tightness after 5 minute test run. Install all operational and safety decals in locations visible to the operator. After a few hours of operation, all bolts should be rechecked for tightness and all fittings should be checked for leakage to insure a solid installation.

Empty rectangular box at the top of the page.

Large empty rectangular box occupying the majority of the page.

DRAFT BEAM - CABLE LIFT



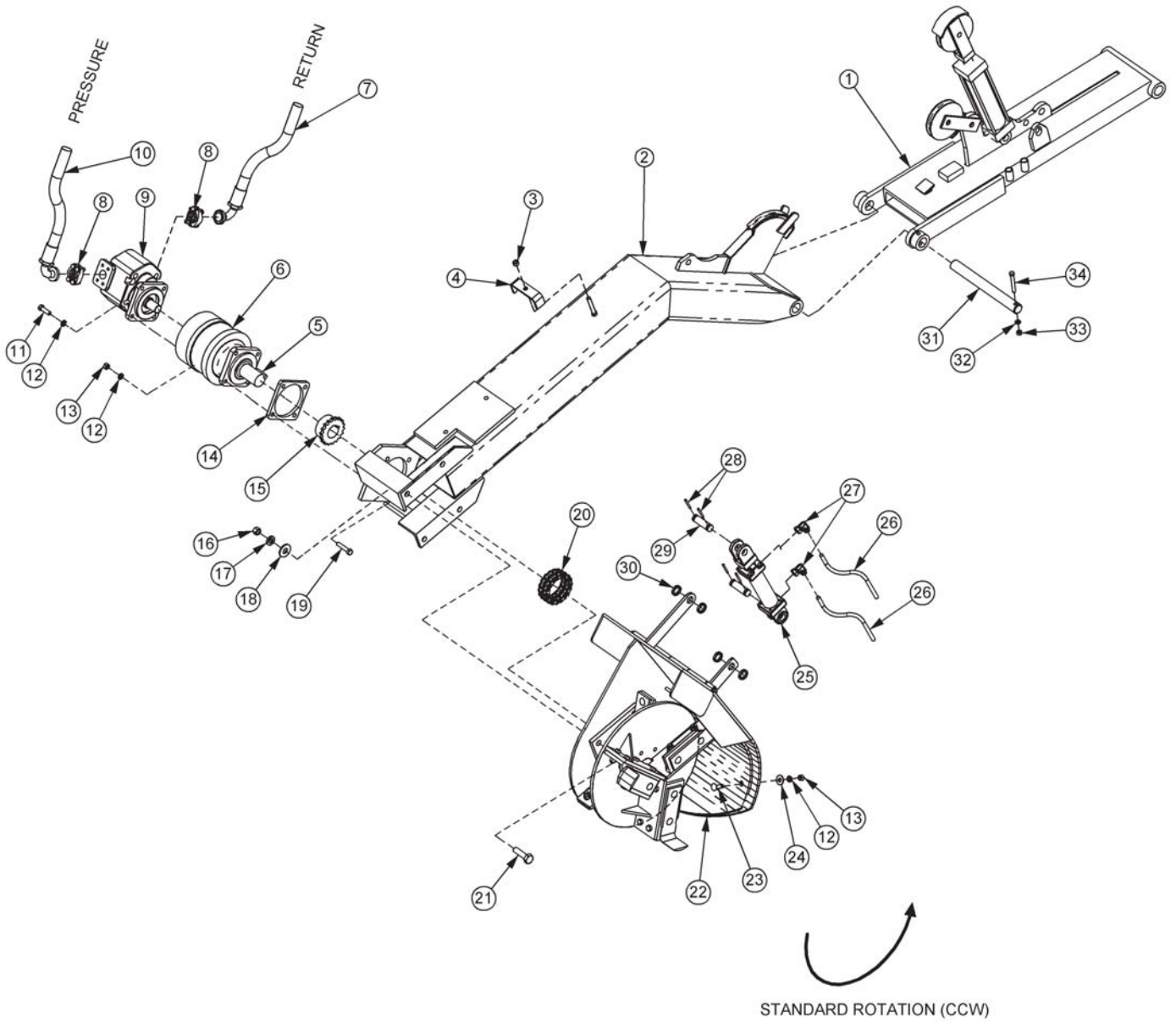
06100018

DRAFT BEAM - CABLE LIFT

ITEM	PART NO.	QTY.	DESCRIPTION
1	6T0103A	1	DRAFT BEAM (STD 25 LB, 45 3/8")
	6T0103E	OPT.	DRAFT BEAM (EXTENDED 6" 4WD)
	6T0103L	OPT.	DRAFT BEAM (EXTENDED 15")
	6T0105	OPT.	DRAFT BEAM (STD WITH TRAVEL LOCK)
	6T0108	OPT.	DRAFT BEAM (30 LB CHANNEL, 45 3/8")
2	6T0150	1	CYLINDER 3" X 18"
3	6T0151R	1	CYLINDER 3" X 10"
4	6T0100	1	LOWER SHEAVE BRACKET
5	6T0101	1	UPPER SHEAVE BRACKET
6	33768	2	SHEAVE
7	6T0110	1	LIFT CABLE (STD 1/2" X 87 1/2")
	6T0110E	OPT.	LIFT CABLE (EXTENDED 6" 4WD)
	6T0110L	OPT.	LIFT CABLE (EXTENDED 15")
8	6T0115	1	TURN BUCKLE
9	6T0112	1	SHACKLE WITH PIN
10	6T2999	1	OUTER DRAFT BEAM PIN 1 1/2" X 14 1/2"
11	6T3001	1	INNER DRAFT BEAM PIN 1 1/2" X 15 3/4"
12	6T3005	1	PIN ,1" W/ CAP
13	TB1033	2	CLEVIS PIN 1" X 4"
14	6T3004	1	R - CLIP 3/16"
15	6T3010	1	UPPER SHEAVE PIN WITH ZERK 3/4" X 3"
16	6T3009	1	LOWER SHEAVE PIN WITH ZERK 3/4" X 2 1/2"
17	27849	2	ROLL PIN 3/16" X 1 3/4"
18	6T2272	1	SET SCREW 3/8" X 1/2"
19	6T3211	1	GREASE ZERK 1/8" STRAIGHT
20	21836	1	CAPSCREW 3/4" X 3"
21	21688	2	CAPSCREW 7/16" X 3 1/4"
22	21825	2	HEX NUT 3/4"
23	21677	2	NYLOCK NUT 7/16"
24	22023	1	FLAT WASHER 1"
25	6T0104N	2	SHEAVE PIN BUSHING 1" OD X 3/4" ID
26	21833	1	CAPSCREW 3/4" X 2 1/4"
27	22021	1	FLAT WASHER 3/4"
28	21993	1	LOCK WASHER 3/4"
29	06537021	4	ROLL PIN
30	6T0106	1	TRAVEL LOCK BRACKET
31	6T4258	1	BREATHER 1/2"
32	34396	2	RESTRICTOR
33	34244	2	ELBOW FITTING 1/2"
34	*	REF.	MAIN FRAME REFER TO TRACTOR PARTS SECTION

CABLE LIFT ASSEMBLY

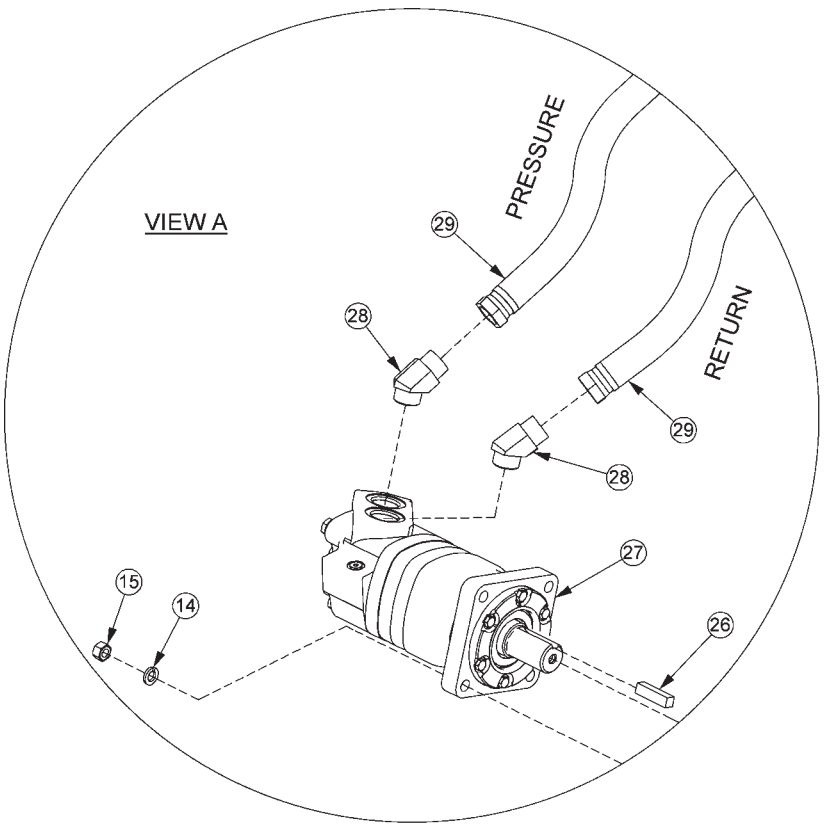
NOTE: PRESSURE AND RETURN LINES ARE
OPPOSITE FOR REVERSE ROTATION
DITCHERS.



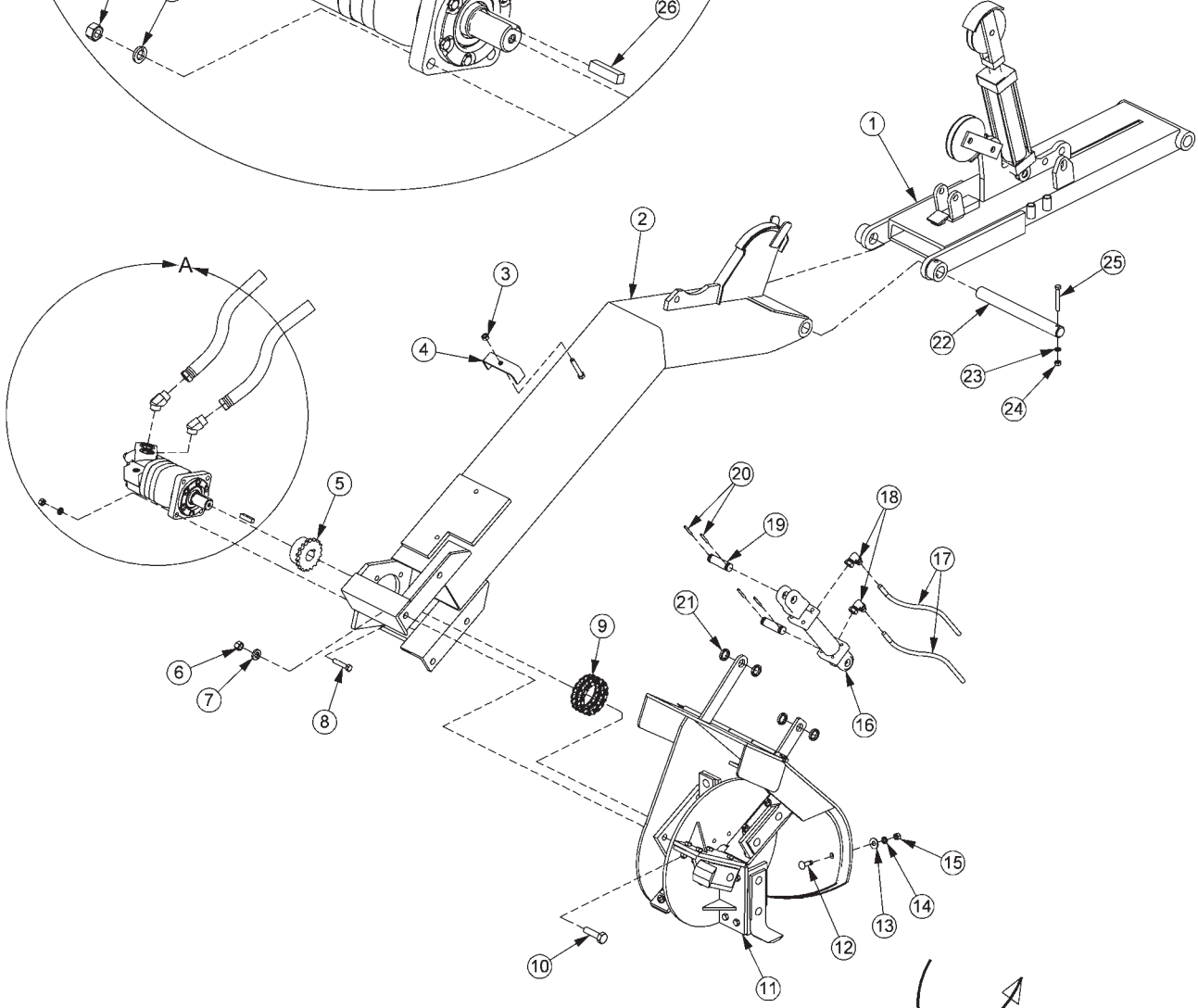
CABLE LIFT ASSEMBLY

ITEM	PART NO.	QTY.	DESCRIPTION
1	*	REF	DRAFT BEAM - REFER TO DRAFT BEAM SECTION
2	23235B	1	SIDE DITCHER BOOM
3	21727	1	NYLOCK NUT, 1/2
4	6T7024	1	HOSE CLAMP
5	26142A	1	KEY, 1/2 X 1/2 X 2
6	31869	1	GEAR REDUCER
7	34175	1	HOSE, 1 x 41
8	TF4852	2	FLANGE KIT
9	06504014	1	MOTOR, (M365-1 1/2" GEAR)
10	34176	1	HOSE, 1 x 149
11	21732	4	CAPSCREW, 1/2 x 1 3/4, NC
12	21990	12	LOCKWASHER, 1/2"
13	21725	8	HEX NUT, 1/2" NC
14	42025	1	SPACER
15	31875	1	SPROCKET
16	21825	4	HEX NUT, 3/4, NC
17	21993	4	LOCKWASHER, 3/4", GR 8
18	22021	4	FLATWASHER, 3/4"
19	21735	4	CAPSCREW, 1/2 x 2 1/2, NC
20	6T7004	1	CHAIN COUPLING
21	21835	4	CAPSCREW, 3/4 x 2 3/4, NC
22	*	REF	DITCHER HEAD - REFER TO HEAD ASSY
23	6T2267	4	CARRIAGE BOLT, 1/2" x 2" NF, GR8
24	22018	4	FLATWASHER, 1/2", WIDE
25	6T7022	1	CYLINDER, 2 x 6
26	30431	2	HOSE, 1/4 x 182
27	6T0158	2	SWIVEL FITTING
28	06537021	4	ROLLPIN, 5mm
29	TB1033	2	PIN, CLEVIS
30	6T7018	4	SPACER
31	*	REF	PIN - REFER TO DRAFT BEAM SECTION
32	*	REF	LOCKWASHER - REFER TO DRAFT BEAM SECTION
33	*	REF	HEX NUT - REFER TO DRAFT BEAM SECTION
34	*	REF	CAPSCREW - REFER TO DRAFT BEAM SECTION

CABLE LIFT ASSEMBLY - DD



NOTE: PRESSURE AND RETURN LINES ARE OPPOSITE FOR REVERSE ROTATION DITCHERS.

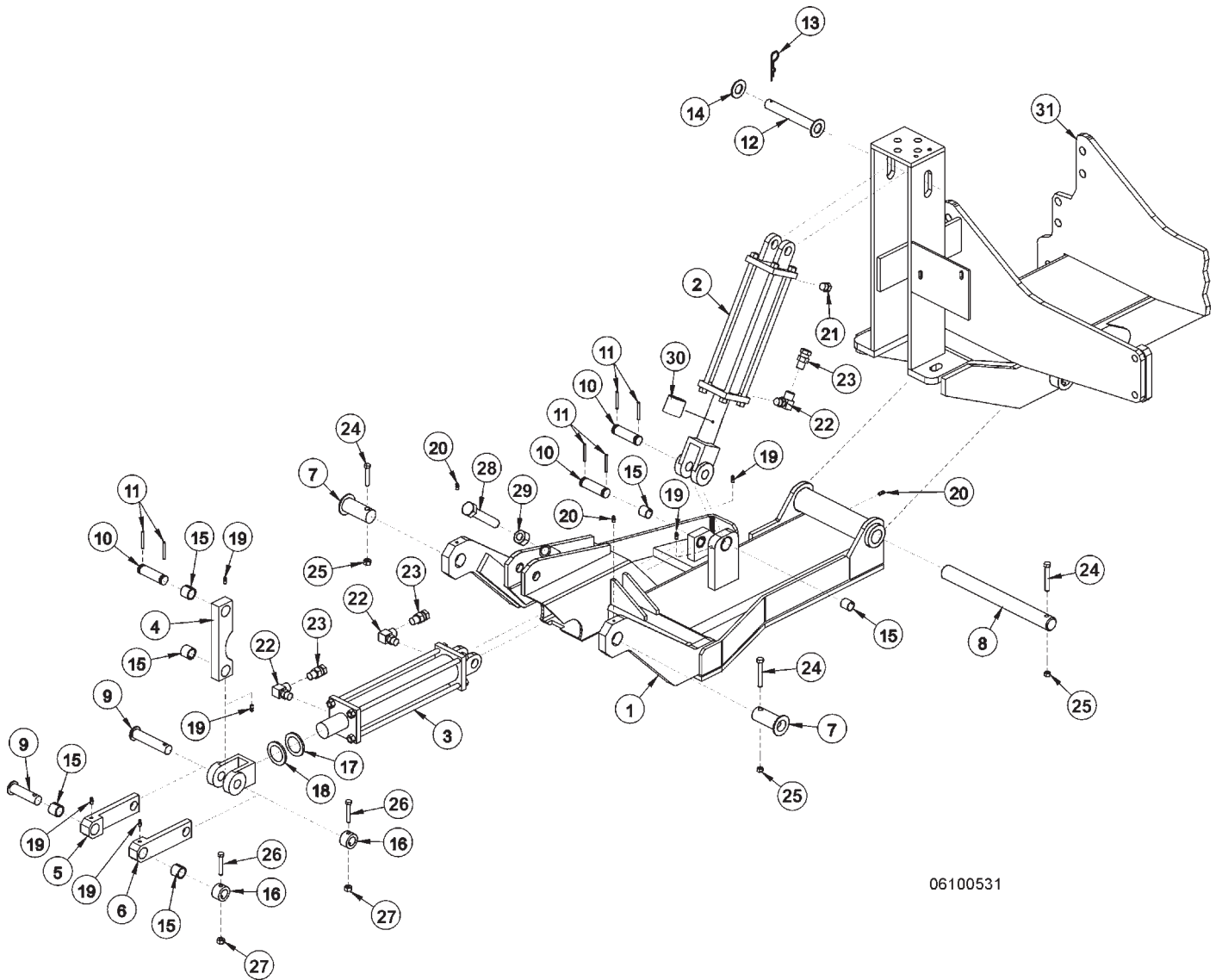


STANDARD ROTATION (CCW)

CABLE LIFT ASSEMBLY - DD

ITEM	PART NO.	QTY.	DESCRIPTION
1	6T0103A	1	DRAFT BEAM (STD 25 LB, 45 3/8")
	6T0103E	OPT.	DRAFT BEAM (EXTENDED 6" 4WD)
	6T0103L	OPT.	DRAFT BEAM (EXTENDED 15")
	6T0105	OPT.	DRAFT BEAM (STD WITH TRAVEL LOCK)
	6T0108	OPT.	DRAFT BEAM (30 LB CHANNEL, 45 3/8")
2	23235B	1	DITCHER, SIDE BOOM, HP
3	21727	1	NYLOCK NUT, 1/2 NC
4	6T7024	1	BRKT, HOSE, DITCR
5	6T7005	1	SPROCKET, 1-1/2 KEYED, DITCR
6	21825	4	HEX NUT, 3/4 NC
7	21993	4	LOCKWASHER, 3/4, GR 8
8	21734	4	CAPSCREW, 1/2 x 2-1/4, NC
9	6T7004	1	CHAIN, COUPLING (6018)
10	21835	4	CAPSCREW, 3/4 x 2-3/4, NC
11	*	REF	DITCHER HEAD - REFER TO HEAD ASSY
12	6T2267	4	CARRIAGE BOLT, 1/2 x 1-1/2, NC
13	22018	8	FLATWASHER, 1/2, WIDE
14	21990	8	LOCKWASHER, 1/2
15	21725	8	HEX NUT, 1/2, NC
16	6T7022	1	CYLINDER, 2 x 6
17	34026	2	HOSE, 1/4 x 182
18	32810	2	ELBOW, 1/2 ORB x 3/8 MJ90 ADJ
19	TB1033	2	PIN, CLEVIS
20	06537021	4	ROLLPIN, 5mm
21	6T7018	4	SPACER
22	*	REF	REFER TO DRAFT BEAM SECTION
23	*	REF	REFER TO DRAFT BEAM SECTION
24	*	REF	REFER TO DRAFT BEAM SECTION
25	*	REF	REFER TO DRAFT BEAM SECTION
26	26142A	1	KEY, 1/2 x 1/2 x 2
27	06504063	1	MOTOR, DITCHER, EATON
28	33554	2	ELBOW, 1 MOR x 1 MJIC, 45
29	06500394	2	HOSE, 1 x 120

DRAFT BEAM - COMBO LIFT



06100531

DRAFT BEAM - COMBO LIFT

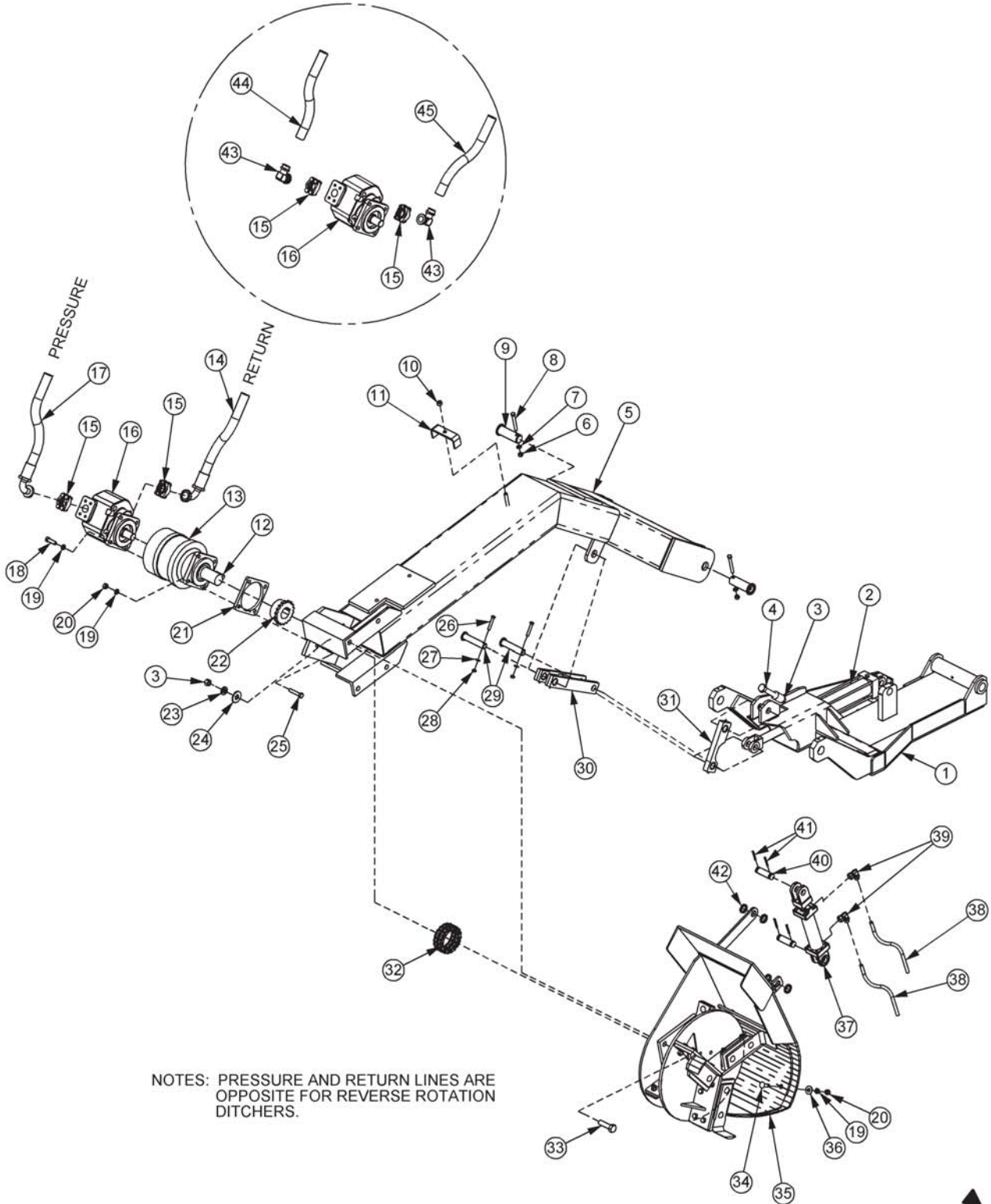
ITEM	PART NO.	QTY.	DESCRIPTION
1	06350001	REF	COMBO DRAFT BEAM - STD DTY ROTARY
	31063	*	COMBO DRAFT BEAM - HVY DTY ROTARY
	32143	*	COMBO DRAFT BEAM - STD DTY FLAIL
	28955D	*	COMBO DRAFT BEAM - HVY DTY FLAIL
2	6T0151R	1	HYD. CYLINDER 3" X 10"
3	32215	1	HYD. CYLINDER 3" X 12" - STD DTY
	25343	REF	HYD. CYLINDER 3" X 12" - HVY DTY
4	TF4500A	1	PIVOT ARM
5	TF4507B	1	RIGHT LINKAGE ARM
6	TF4506B	1	LEFT LINKAGE ARM
7	30126B	2	PIN, HEAD PIVOT
8	6T3001	1	PIN, BEAM PIVOT
9	TF4519	2	PIN, LINKAGE
10	TB1033	3	PIN, CLEVIS
11	06537021	6	ROLLPIN
12	6T3005	1	PIN, 1" W/ CAP
13	6T3004	1	R-CLIP HAIRPIN
14	6T2614	1	FLATWASHER 1"
15	TB3010	8	BUSHING 1"
16	22847	2	BOSS, LINKAGE PIN
17	22076	1	SPACER, HYD. CYLINDER 1/4"
18	22077	1	SPACER, HYD. CYLINDER 5/16"
19	6T3207	6	GREASE ZERK 1/4"
20	6T3211	3	GREASE ZERK 1/8"
21	6T4258	1	BREATHER 1/2"
22	34244	3	ELBOW FITTING 1/2"
23	34396	3	SWIVEL RESTRICTOR
24	21688	3	CAPSCREW 7/16" X 3 1/4"
25	21675	3	HEX NUT 7/16"
26	21635	2	CAPSCREW 3/8" X 2 1/4"
27	21625	2	HEX NUT 3/8"
28	21831	1	CAPSCREW 3/4" X 1 3/4"
29	21825	1	HEX NUT 3/4"
30	06700095	1	CYLINDER SPACER W/SET SCREW
31	*	REF	REFER TO MAIN FRAME

NOTES:

1. ITEM 30 IS USED ON THE GLAND END OF ITEM 2 (AS NEEDED)
2. ORIENTATION OF ITEM 4 IS CRITICAL

COMBO LIFT ASSY

HOSE - MOTOR CONNECTION
FOR HEAVY DUTY CONFIGURATION



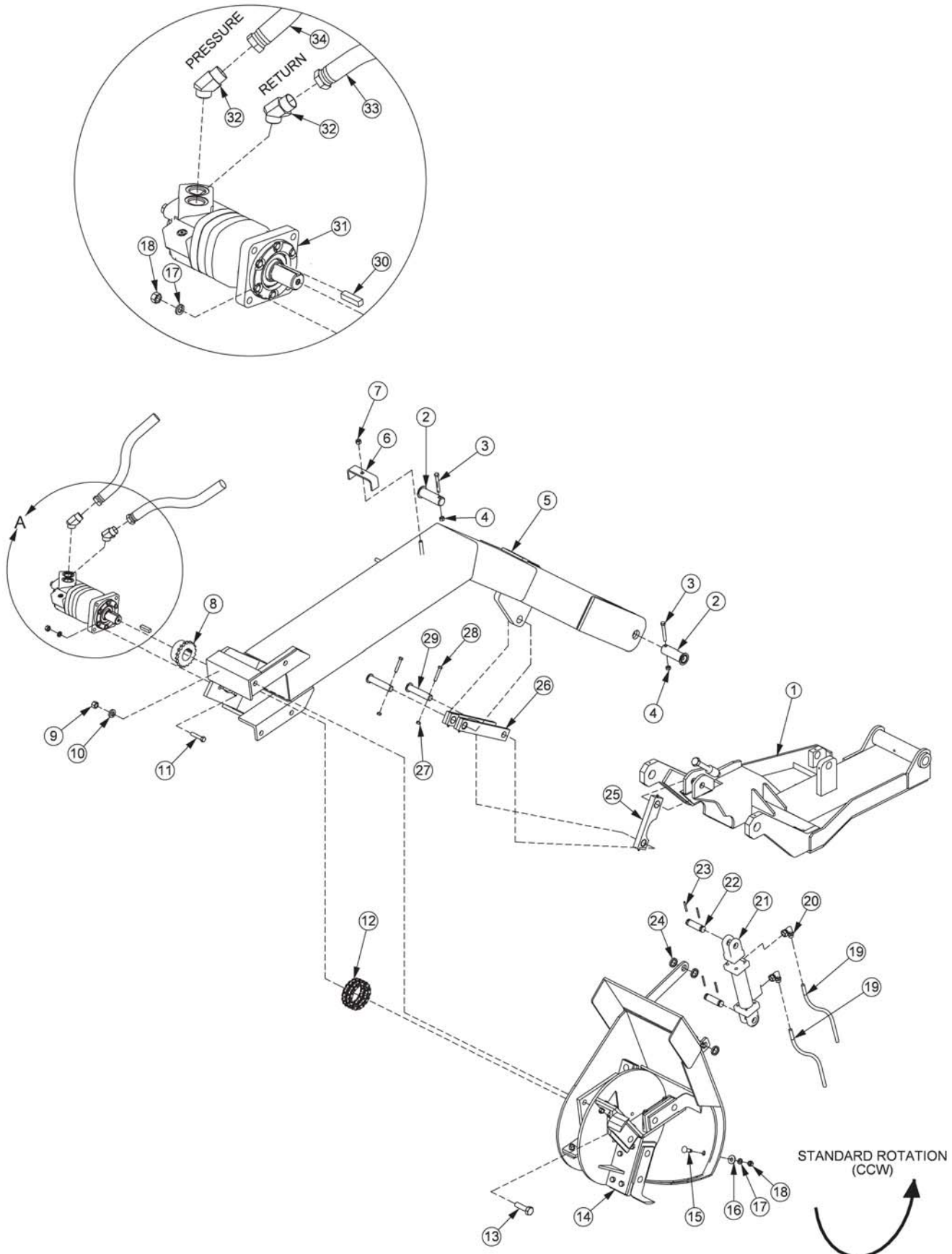
NOTES: PRESSURE AND RETURN LINES ARE
OPPOSITE FOR REVERSE ROTATION
DITCHERS.

STANDARD ROTATION (CCW)

COMBO LIFT ASSY

ITEM	PART NO.	QTY.	DESCRIPTION
1	*	REF	DRAFT BEAM - REF TO DRAFT BEAM SECTION
2	*	REF	CYLINDER - REF TO DRAFT BEAM SECTION
3	21825	5	HEX NUT,3/4,NC
4	6T2310	1	CAPSCREW, 3/4 x 6 1/2,NC
5	30281	1	SIDE DITCHER BOOM (STANDARD DUTY)
	32507	1	SIDE DITCHER BOOM (HEAVY DUTY)
6	21675	2	HEX NUT, 7/16
7	21989	2	LOCKWASHER, 7/16"
8	21688	2	CAPSCREW, 7/16 x 3 1/4,NC
9	*	REF	PIN,SWIVEL - REF TO DRAFT BEAM SECTION
10	21727	1	NYLOCK NUT, 1/2
11	6T7024	1	HOSE CLAMP (ROTARY DITCHER)
12	26142A	1	KEY,1/2 X 1/2 X 2
13	31869	1	GEAR REDUCER
14	34175	1	HOSE, 1 x 141 (STANDARD DUTY)
15	TF4852	2	FLANGE KIT
16	06504014	1	MOTOR,(M365-1 1/2" GEAR)
17	34176	1	HOSE, 1 x 149 (STANDARD DUTY)
18	21732	4	CAPSCREW, 1/2 x 1 3/4,NC
19	21990	12	LOCKWASHER, 1/2"
20	21725	8	HEX NUT, 1/2" NC
21	42025	1	SPACER
22	31875	1	SPROCKET
23	21993	4	LOCKWASHER,3/4",GR 8
24	22021	4	FLATWASHER,3/4"
25	21735	4	CAPSCREW, 1/2 x 2 1/2,NC
26	21635	2	CAPSCREW,3/8x2 1/4,NC
27	21988	2	LOCKWASHER,3/8"
28	21625	2	HEX NUT,3/8",NC
29	TF4519	2	PIN,T3F LNKGE
30	33623	1	SWING ARM,DITCHER ASSY
31	TF4500A	1	ARM, PIVOT, NEW STYLE
32	6T7004	1	COUPLER CHAIN
33	21835	4	CAPSCREW, 3/4 x 2 3/4,NC
34	6T2267	4	CARRIAGE BOLT, 1/2" x 2" NF, GR8
35	*	REF	DITCHER HEAD - REFER TO HEAD ASSY
36	22018	1	FLATWASHER,1/2",WIDE
37	6T7022	1	CYLINDER, 2 x 6
38	30431	2	HOSE, 1/4 x 182 (STANDARD DUTY)
	34944	2	HOSE, 1/4 x 190 (HEAVY DUTY)
39	6T0158	2	SWIVEL FITTING
40	TB1033	2	PIN,CLEVIS
41	06537021	4	ROLLPIN,5mm
42	6T7018	4	SPACER
43	34943	2	ELBOW (HEAVY DUTY)
44	34945	1	HOSE, 1 x 140 (HEAVY DUTY)
45	34942	1	HOSE, 1 x 133 (HEAVY DUTY)

COMBO LIFT ASSEMBLY - DD

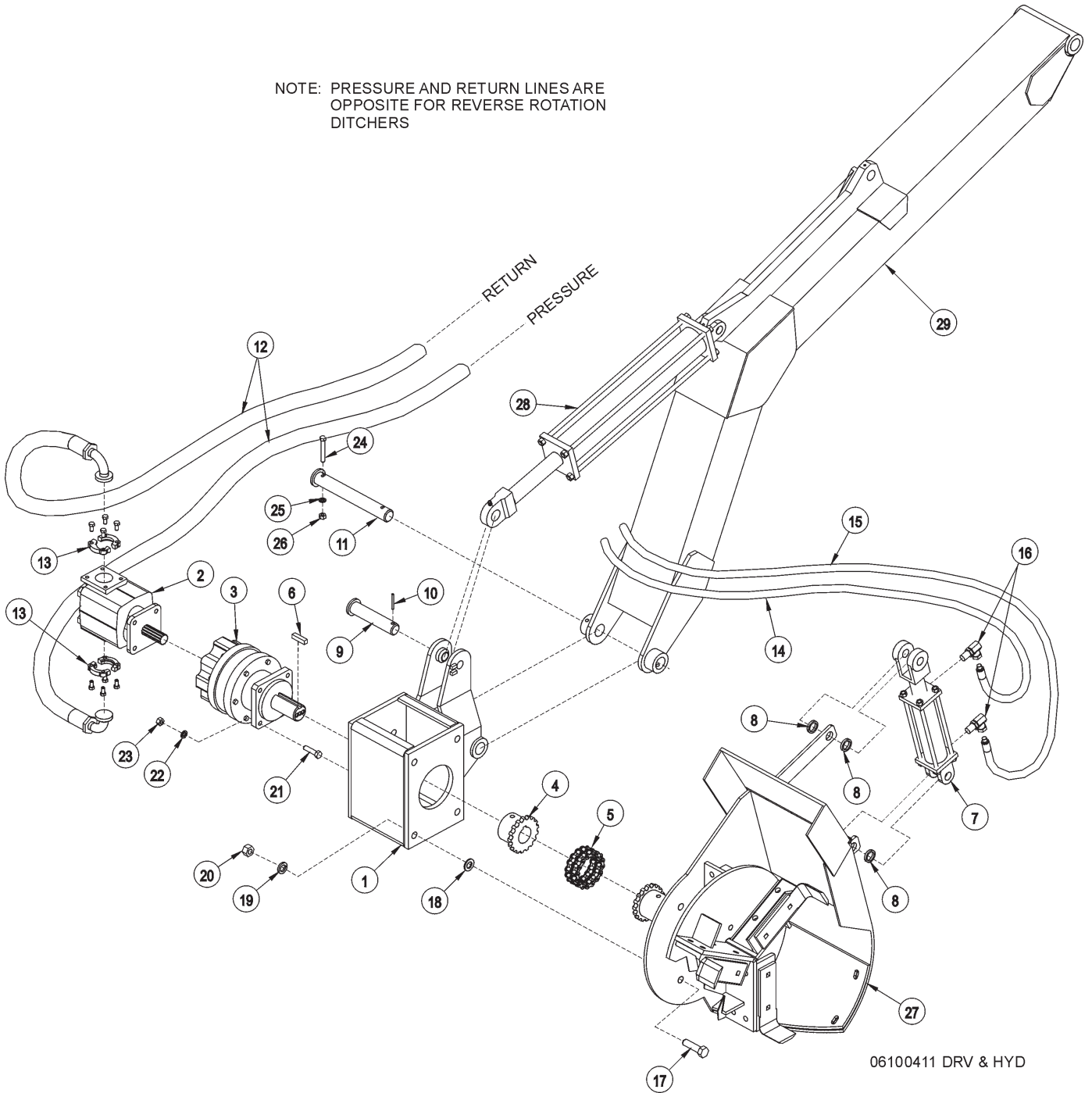


COMBO LIFT ASSEMBLY - DD

ITEM	PART NO.	QTY.	DESCRIPTION
1	*	REF.	DRAFT BEAM - REFER TO DRAFT BEAM ASSY
2	*	REF.	PIN,SWIVEL - REFER TO DRAFT BEAM ASSY
3	21688	2	CAPSCREW,7/16 x 3-1/4
4	21677	2	NYLOCK NUT,7/16,NC
5	30281	1	STANDARD DUTY SIDE DITCHER BOOM
	32507	*	HEAVY DUTY SIDE DITCHER BOOM
6	6T7024	1	HOSE CLAMP
7	21727	1	NYLOCK NUT,1/2,NC
8	6T7005	1	SPROCKET,1-1/2 KEYED,DITCR
9	21825	4	HEX NUT,3/4,NC
10	21993	4	LOCKWASHER,3/4,GR 8
11	21734	4	CAPSCREW,1/2 x 2-1/4,NC
12	6T7004	1	CHAIN,COUPLING
13	21835	4	CAPSCREW,3/4 x 2-3/4,NC
14	*	REF	DITCHER HEAD - REFER TO HEAD ASSY
15	6T2267	4	CARRIAGE BOLT,1/2 x 1-1/2,NC
16	22018	8	FLATWASHER,1/2,WIDE
17	21990	8	LOCKWASHER,1/2
18	21725	8	HEX NUT,1/2,NC
19	34026	2	HOSE,1/4 x 182
20	32810	2	ELBOW,1/2ORB x 3/8MJ90 ADJ
21	6T7022	1	CYLINDER,2 x 6
22	TB1033	2	PIN,CLEVIS
23	06537021	4	ROLLPIN,5mm
24	6T7018	4	SPACER
25	TF4500A	1	ARM,PIVOT
26	33623	1	SWING ARM,DITCHER ASSY
27	*	REF	NYLOCK NUT - REFER TO DRAFT BEAM ASSY
28	*	REF	CAPSCREW - REFER TO DRAFT BEAM ASSY
29	*	REF	PIN - REFER TO DRAFT BEAM ASSY
30	26142A	1	KEY,1/2 x 1/2 x 2
31	06504063	1	MOTOR,DITCHER,EATON
32	33554	2	ELBOW,1MORB x 1MJIC,45
33	06500372	1	HOSE,1 x 143
34	06500395	1	HOSE,1 x 149

MAIN BOOM ARM MOUNT

NOTE: PRESSURE AND RETURN LINES ARE
OPPOSITE FOR REVERSE ROTATION
DITCHERS



MAIN BOOM ARM MOUNT

ITEM	PART NO.	QTY.	DESCRIPTION
1	22726A	1	BOOM DITCHER MOUNTING HEAD
2	06504014	1	MOTOR,DITCHER
3	31869	1	GEAR REDUCER
4	31875	1	SPROCKET
5	6T7004	1	CHAIN,COUPLING
6	26142A	1	KEY,1/2 x 1/2 x 2
7	6T7022	1	CYLINDER,2 x 6
8	6T7018	4	SPACER
9	TB1036	1	CLEVIS PIN
10	TF1023	2	ROLL PIN
11	TB1025D	1	SECONDARY BOOM PIN
12	31885	2	HOSE,1 x 50
13	TF4852	2	FLANGE KIT
14	25471	1	HOSE,1/4 x 60
15	TB2036	1	HOSE,1/4 x 48
16	6T0158	2	SWIVEL FITTING
17	21835	4	CAPSCREW,3/4 x 2-3/4,NC
18	22021	4	FLATWASHER,3/4
19	21993	4	LOCKWASHER,3/4
20	21825	4	HEX NUT,3/4,NC
21	21733	4	CAPSCREW,1/2 x 2,NC
22	21990	4	LOCKWASHER,1/2
23	21725	4	HEX NUT,1/2,NC
24	21688	1	CAPSCREW,7/16 x 3-1/4,NC
25	21989	1	LOCKWASHER,7/16
26	21675	1	HEX NUT,7/16,NC
27	*	REF	DITCHER HEAD - REFER TO HEAD ASSY
28	*	REF	BOOM CYLINDER - REFER TO BOOM ARM ASSY
29	*	REF	MAIN BOOM - REFER TO BOOM ARM ASSY

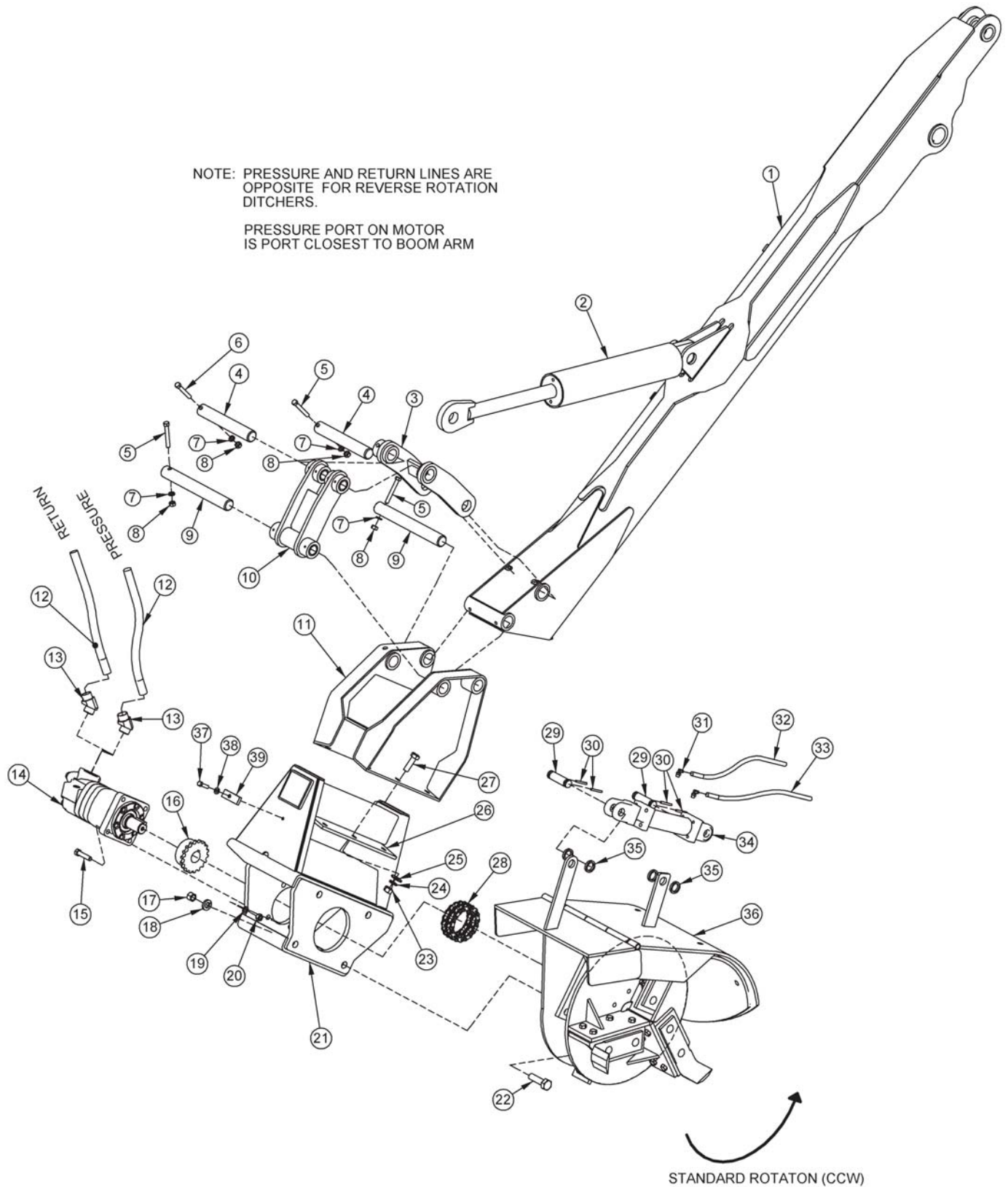
MAIN BOOM ARM MOUNT - DD

ITEM	PART NO.	QTY.	DESCRIPTION
1	*	REF.	MAIN BOOM - REFER TO BOOM ARM ASSY
2	*	REF.	BOOM CYLINDER - REFER TO BOOM ARM ASSY
3	TF1143	1	PIN,LYNCH
4	TB1036	1	CLEVIS PIN
5	6T7005	1	SPROCKET
6	21825	4	HEX NUT,3/4,NC
7	21993	4	LOCKWASHER,3/4,GR 8
8	21734	4	CAPSCREW,1/2 x 2-1/4,NC
9	22726A	1	BOOM DITCHER MOUNTING HEAD
10	21688	1	CAPSCREW,7/16 x 3-1/4,NC
11	TB1025D	1	SECONDARY BOOM PIN (DRILLED)
12	21677	1	NYLOCK NUT,7/16,NC
13	6T7004	1	CHAIN COUPLING
14	21835	4	CAPSCREW,3/4 x 2-3/4,NC
15	*	REF	DITCHER HEAD - REFER TO HEAD ASSY
16	6T2267	4	CARRIAGE BOLT,1/2 x 1-1/2,NC
17	22018	4	FLATWASHER,1/2
18	21990	8	LOCKWASHER,1/2
19	21725	8	HEX NUT,1/2,NC
20	6T7022	1	CYLINDER,2 x 6
21	33398	1	HOSE,1/4 x 48
22	33403	1	HOSE,1/4 x 63
23	32810	2	ELBOW,1/2MOR X 3/8MJ90 ADJ
24	TB1023	4	ROLLPIN,7/16
25	6T3003D	2	PIN,CLEVIS
26	6T7018	4	SPACER
27	26142A	1	KEY,1/2 x 1/2 x 2
28	06504063	1	MOTOR,DITCHER
29	33554	2	ELBOW,1MORB x 1MJIC,45
30	06500293	2	HOSE,1 x 48

SABER SECONDARY BOOM ARM MOUNT

NOTE: PRESSURE AND RETURN LINES ARE
OPPOSITE FOR REVERSE ROTATION
DITCHERS.

PRESSURE PORT ON MOTOR
IS PORT CLOSEST TO BOOM ARM



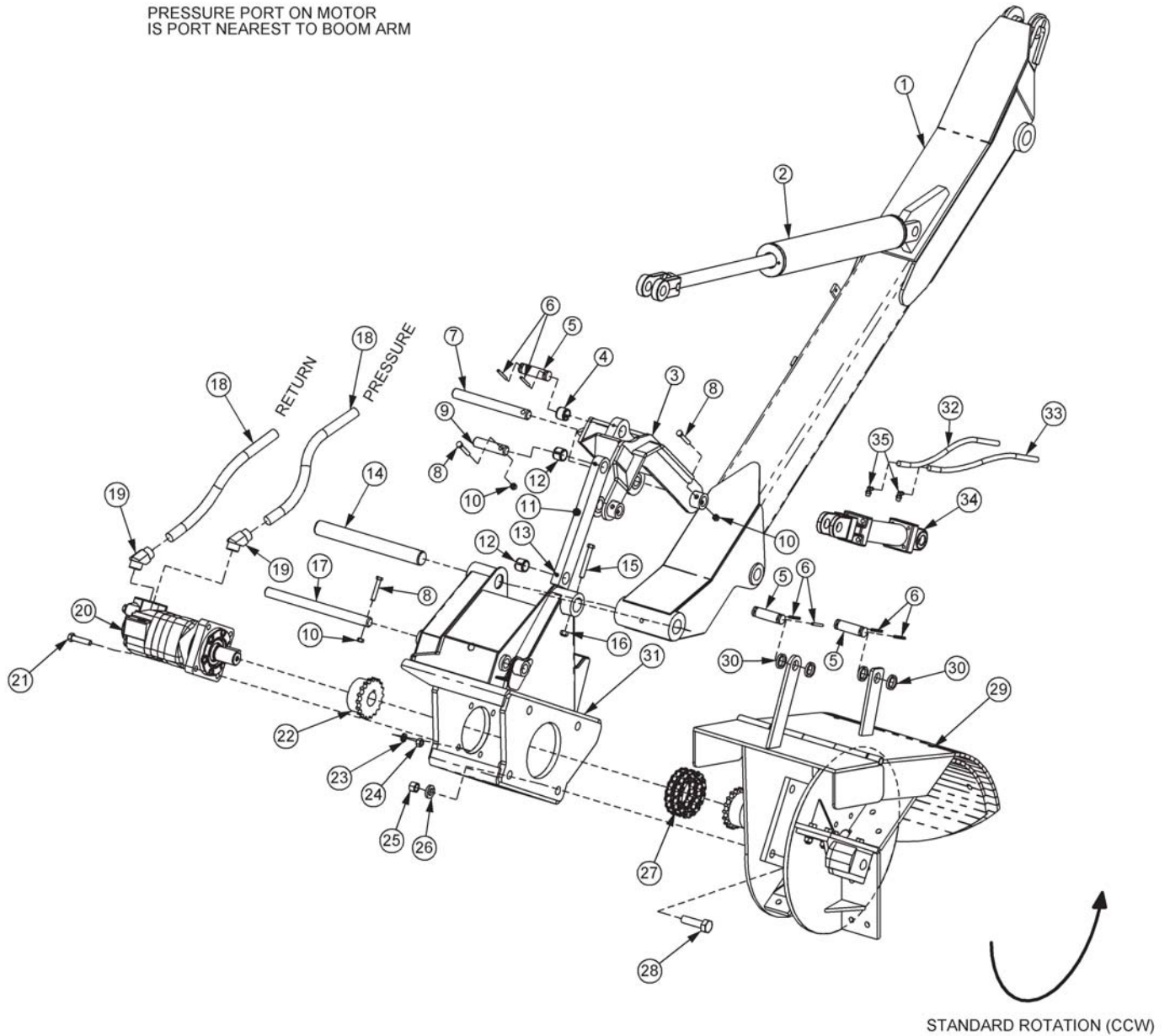
SABER SECONDARY BOOM ARM MOUNT

ITEM	PART NO.	QTY.	DESCRIPTION
1	*	REF.	SECONDARY BOOM - REFER TO BOOM ARM ASSY
2	*	REF.	BOOM CYLINDER - REFER TO BOOM ARM ASSY
3	32316	1	LINKAGE, BOOM TO CYLINDER, SABER
4	32319	2	PIN, LINKAGE, 1-1/2" x 9-13/16"
5	21688	3	CAPSCREW, 7/16" x 3-1/4"
6	21687	1	CAPSCREW, 7/16" x 3"
7	21989	4	LOCKWASHER, 7/16"
8	21675	4	HEX NUT, 7/16"
9	32313	2	PIN, MOUNT, 1-1/2" x 12-3/8"
10	32745	1	LINKAGE W/BUSHINGS, SABER
11	32311	1	MOUNT, SWIVEL, HEAD, MOWER
12	06500293	2	HOSE, 1" x 48"
13	33554	2	ELBOW, 1MOR x 1MJIC, 45
14	06504063	1	MOTOR
15	21734	1	CAPSCREW, 1/2" x 2-1/4"
16	6T7005	1	SPROCKET
17	21825	1	HEX NUT, 3/4"
18	21993	1	LOCKWASHER, 3/4"
19	21990	1	LOCKWASHER, 1/2"
20	21725	1	HEX NUT, 1/2"
21	06320024	1	MNT, MOTOR, DTCR, SBR
22	21835	1	CAPSCREW, 3/4" x 2-3/4"
23	6T2408	1	HEX NUT, 5/8"
24	21992	1	LOCKWASHER, 5/8"
25	25270	1	FLATWASHER, 5/8", GR 8
26	32309	1	PLATE, MOUNT, HEAD, MOWER
27	6T2290	1	CAPSCREW, 5/8" x 2" GR 8
28	6T7004	1	COUPLER CHAIN
29	TB1033	2	PIN, CLEVIS
30	06537021	4	ROLLPIN, 5mm
31	32810	2	ELBOW, 1/2" x 3/8"
32	33403	1	HOSE, 1/4" x 60"
33	33398	1	HOSE, 1/4" x 48"
34	6T7022	1	CYLINDER, 2" x 6"
35	6T7018	4	SPACER
36	*	REF.	DITCHER HEAD - REFER TO HEAD ASSY

BENGAL SECONDARY BOOM ARM MOUNT

NOTE: PRESSURE AND RETURN LINES ARE OPPOSITE FOR REVERSE ROTATION DITCHERS.

PRESSURE PORT ON MOTOR IS PORT NEAREST TO BOOM ARM



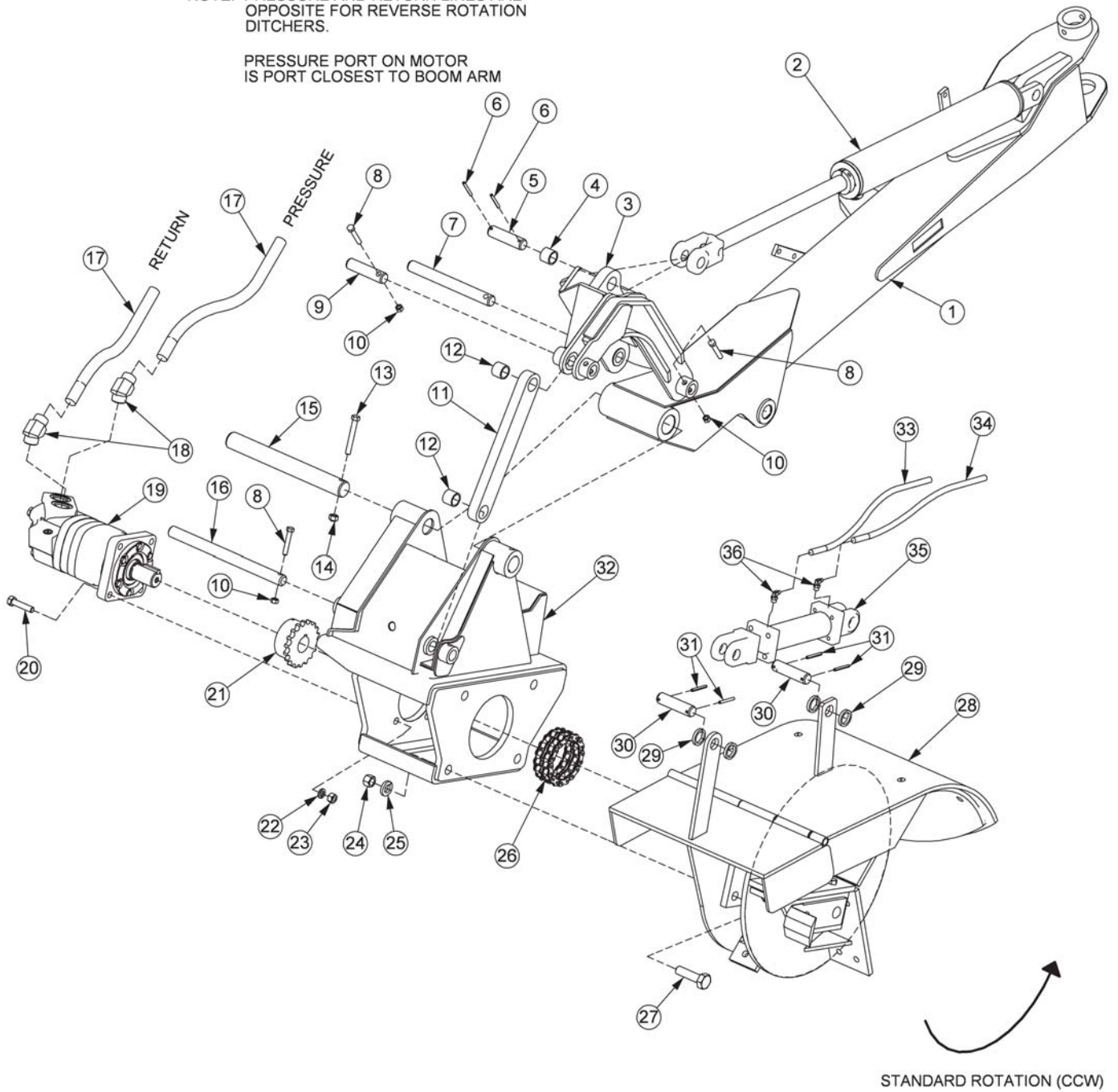
BENGAL SECONDARY BOOM ARM MOUNT

ITEM	PART NO.	QTY.	DESCRIPTION
1	*	REF.	SECONDARY BOOM, STANDARD
2	*	REF.	BOOM CYLINDER, REFER TO BOOM ARM ASSY
3	TF3015	1	PIVOT ASSY
4	06520076	1	BEARING, 1" ID x 1", CYL, COMP
5	TB1033	3	PIN, CLEVIS
6	06537021	6	ROLLPIN, 7/32" x 2"
7	TF3097	1	PIN, DECK PVT ARM 1" X 9-1/2"
8	21635	3	CAPSCREW, 3/8" x 2-1/4", NC
9	TF3090	1	PIN, PIVOT ARM, 1" x 4"
10	21627	3	NYLOCK NUT, 3/8", NC
	TB1028	*	PIVOT ARM ASSY
11	23421	1	PIVOT ARM
12	TB3010	2	BUSHING
13	6T3207	2	GREASE ZERK
14	06420016	1	PIN, 1-1/2" x 13-1/4", W/ .47" HOLE, NITRIDE
15	21688	1	CAPSCREW, 7/16" x 3-1/4", NC
16	21677	1	NYLOCK NUT, 7/16" NC
17	06420076	1	PIN, 1" x 13-1/8", W/ .44" HOLE, NIT
18	06500293	2	HOSE, 1" x 48"
19	33554	2	ELBOW, 1MOR x 1MJIC, 45
20	06504063	1	MOTOR
21	21734	4	CAPSCREW, 1/2" x 2-1/4"
22	6T7005	1	SPROCKET
23	21990	4	LOCKWASHER, 1/2"
24	21725	4	HEX NUT, 1/2"
25	21825	4	HEX NUT, 3/4"
26	21993	4	LOCKWASHER, 3/4"
27	6T7004	1	COUPLER CHAIN
28	21835	4	CAPSCREW, 3/4" x 2-3/4"
29	*	REF.	DITCHER HEAD
30	6T7018	4	SPACER
31	06320025	1	MOTOR MOUNT
32	33403	1	HOSE, 1/4" x 60"
33	33398	1	HOSE, 1/4" x 48"
34	6T7022	1	CYLINDER, 2" x 6"
35	32810	2	ELBOW, 1/2" x 3/8", 90

BENGAL BRUTE SECONDARY BOOM ARM MOUNT

NOTE: PRESSURE AND RETURN LINES ARE
OPPOSITE FOR REVERSE ROTATION
DITCHERS.

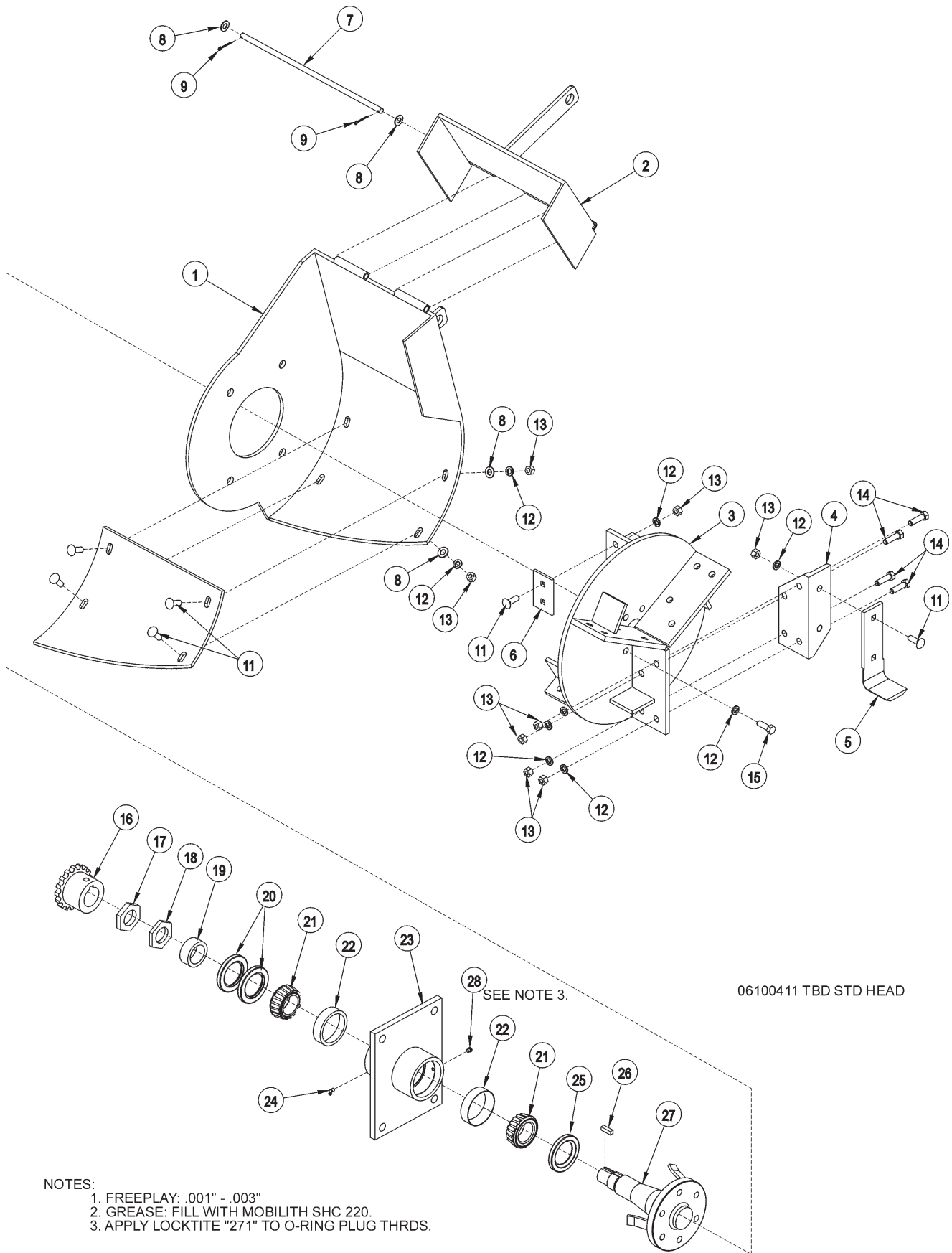
PRESSURE PORT ON MOTOR
IS PORT CLOSEST TO BOOM ARM



BENGAL BRUTE SECONDARY BOOM ARM MOUNT

ITEM	PART NO.	QTY.	DESCRIPTION
1	*	REF.	SECONDARY,BOOM,REAR STOW
2	*	REF.	BOOM CYLINDER - REFER TO BOOM ARM ASSY
	06700016	*	PIVOT ASSY,CPLT
3	06310011	1	PIVOT ASSY
4	06520076	1	BEARING,1IDx1,CYL,COMP
5	06420014	1	PIN,1.00x3.62,W/.22 HOLES,NITRIDE
6	TB1023	2	ROLLPIN,7/32" X 2"
7	06420019	1	PIN,1.00x9.50,W/.44 HOLE,NITRIDE
8	21635	3	CAPSCREW,3/8x2 1/4,NC
9	06420020	1	PIN,1.00x4.13,W/.44 HOLE,NITRIDE
10	21627	3	NYLOCK NUT,3/8",NC
	06700015	*	PIVOT ARM ASSY
11	06400024	1	PIVOT ARM
12	06520076	2	BUSHING
13	21688	1	CAPSCREW, 7/16 x 3 1/4,NC
14	21677	1	NYLOCK NUT,7/16 NC
15	06420016	1	PIN,1.5x13.25,W/.47 HOLE,NITRIDE
16	06420076	1	PIN,1.00x13.13,W/.44 HOLE,NIT
17	06500385	2	HOSE, 1" x 117"
18	33554	2	ELBOW,1MOR x 1MJIC,45
19	06504063	1	MOTOR
20	21734	4	CAPSCREW, 1/2" x 2-1/4"
21	6T7005	1	SPROCKET
22	21990	4	LOCKWASHER, 1/2"
23	21725	4	HEX NUT, 1/2"
24	21825	4	HEX NUT, 3/4"
25	21993	4	LOCKWASHER, 3/4"
26	6T7004	1	COUPLER CHAIN
27	21835	4	CAPSCREW, 3/4" x 2-3/4"
28	*	REF.	DITCHER HEAD - REFER TO HEAD ASSY
29	6T7018	4	SPACER
30	TB1033	2	PIN,CLEVIS
31	06537021	4	ROLLPIN,5mm
32	06320025	1	MOTOR MOUNT
33	33403	1	HOSE, 1/4" x 60"
34	33398	1	HOSE, 1/4" x 48"
35	6T7022	1	CYLINDER, 2" x 6"
36	32810	2	ELBOW, 1/2 X 3/8"

DITCHER HEAD STANDARD ROTATION



06100411 TBD STD HEAD

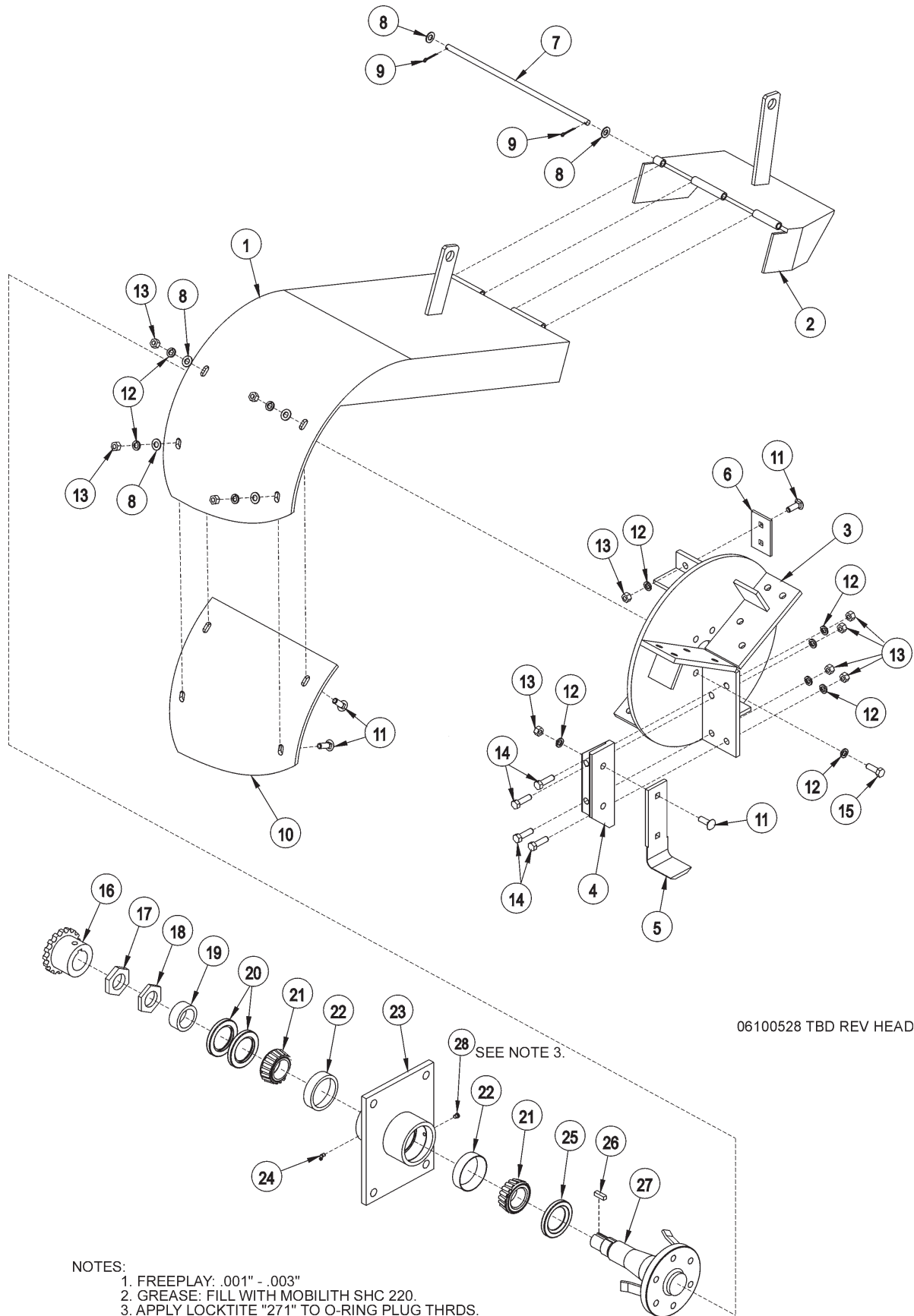
NOTES:

1. FREEPLAY: .001" - .003"
2. GREASE: FILL WITH MOBILITH SHC 220.
3. APPLY LOCKTITE "271" TO O-RING PLUG THRDS.

DITCH HEAD STANDARD ROTATION

ITEM	PART NO.	QTY.	DESCRIPTION
1	6T7013	1	STANDARD ROTATION HEAD
2	6T7020	1	DEFECTOR CHUTE
3	6T7008	1	KNIFE MOUNTING DISK
4	6T7009	3	KNIFE MOUNTING ANGLE
5	6T7011A	3	KNIFE
6	6T7012	3	SLINGER TAB
7	6T7019	1	DEFLECTOR CHUTE PIN
8	22018	6	FLATWASHER 1/2"
9	22516	2	COTTER PIN
10	6T7015	1	WEAR PLATE
11	6T2267	16	CARRIAGE BOLT 1/2" X 1 1/2"
12	21990	34	LOCKWASHER 1/2"
13	21725	28	HEX NUT 1/2"
14	21732	12	CAPSCREW 1/2" X 1 3/4"
15	6T2279	6	CAPSCREW 1/2" X 1 1/2"
	6T7030	AVAIL	DITCHER SPINDLE ASY
16	6T7005	1	SPROCKET
17	6T1016	1	BEARING LOCK NUT - THICK
18	6T1015	1	BEARING LOCK NUT - THIN
19	6T1014	1	BEARING ADJUSTMENT SLEEVE
20	6T1011	1	UPPER SEAL - SET OF 2
21	6T1012	2	BEARING CONE
22	6T1013	2	BEARING CUP
23	6T7007	1	SPINDLE HOUSING
24	6T3210	1	GREASE ZERK
25	6T1011D	1	LOWER SEAL
26	6T1019	1	SPINDLE KEY
27	6T1018	1	SPINDLE
28	06503064	1	O-RING PLUG,1/8"

DITCHER HEAD REVERSE ROTATION



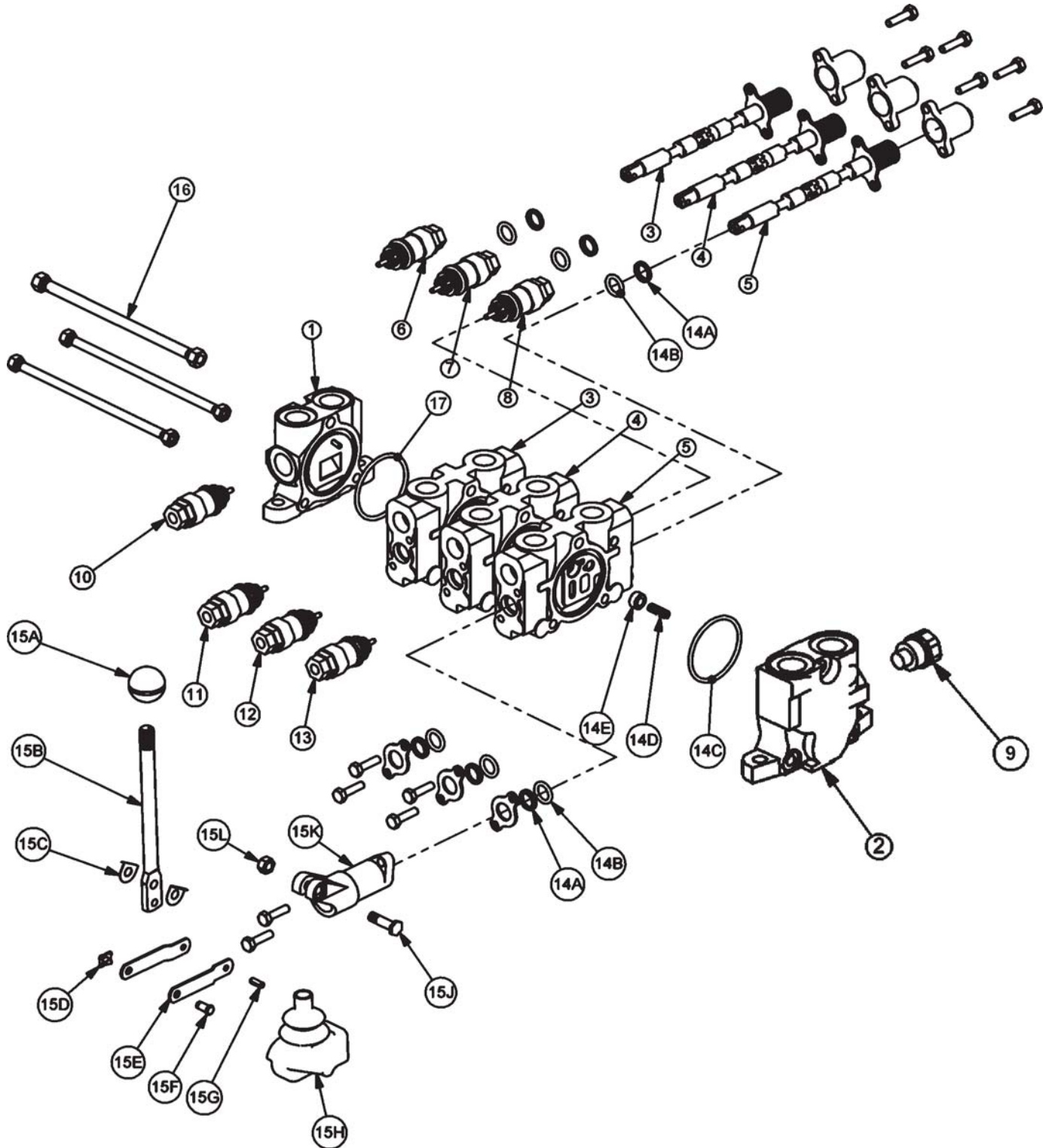
NOTES:

1. FREEPLAY: .001" - .003"
2. GREASE: FILL WITH MOBILITH SHC 220.
3. APPLY LOCKTITE "271" TO O-RING PLUG THRDS.

DITCHER HEAD REVERSE ROTATION

ITEM	PART NO.	QTY.	DESCRIPTION
1	6T7014	1	REVERSE ROTATION HEAD
2	6T7021	1	DEFECTOR CHUTE
3	6T7008R	1	KNIFE MOUNTING DISK
4	6T7010	3	KNIFE MOUNTING ANGLE
5	6T7011A	3	KNIFE
6	6T7012	3	SLINGER TAB
7	6T7019	1	DEFLECTOR CHUTE PIN
8	22018	6	FLATWASHER 1/2"
9	22516	2	COTTER PIN
10	6T7015	1	WEAR PLATE
11	6T2267	16	CARRIAGE BOLT 1/2" X 1 1/2"
12	21990	34	LOCKWASHER 1/2"
13	21725	28	HEX NUT 1/2"
14	21732	12	CAPSCREW 1/2" X 1 3/4"
15	6T2279	6	CAPSCREW 1/2" X 1 1/2"
	6T7030	AVAIL	DITCHER SPINDLE ASY
16	6T7005	1	SPROCKET
17	6T1016	1	BEARING LOCK NUT - THICK
18	6T1015	1	BEARING LOCK NUT - THIN
19	6T1014	1	BEARING ADJUSTMENT SLEEVE
20	6T1011	1	UPPER SEAL - SET OF 2
21	6T1012	2	BEARING CONE
22	6T1013	2	BEARING CUP
23	6T7007	1	SPINDLE HOUSING
24	6T3210	1	GREASE ZERK
25	6T1011D	1	LOWER SEAL
26	6T1019	1	SPINDLE KEY
27	6T1018	1	SPINDLE
28	06503064	1	O-RING PLUG,1/8"

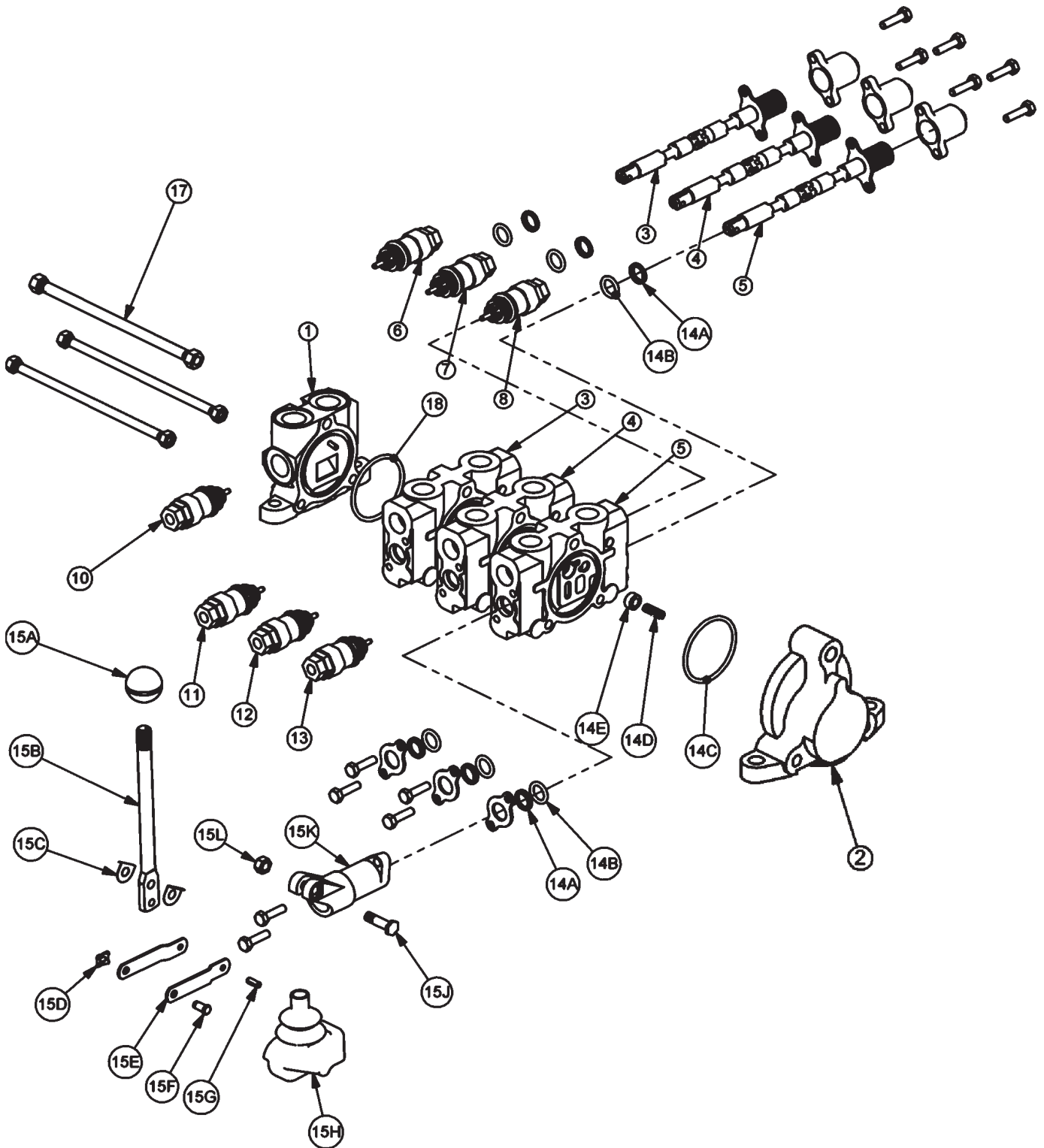
3 SP HUSCO - POWER BEYOND COMBO (06502088)



3 SP HUSCO - POWER BEYOND COMBO (06502088)

ITEM	PART NO.	QTY	DESCRIPTION
1	TB1017S	1	INLET END COVER
2	TB1702	1	END COVER, LOAD SENSE
3	TB1017P	1	VALVE SECTION (SINGLE ACTING, SPRING DETENT)
4	TB1017N	1	VALVE SECTION (DOUBLE ACTING, CENTER SPRING)
5	TB1017N	1	VALVE SECTION (DOUBLE ACTING, CENTER SPRING) (REMOVE SHUTTLE DISC)
6	N/A	1	N/A
7	31861	1	RELIEF VALVE, 360 PSI
8	28816	1	RELIEF VALVE, 1812 PSI
9	TB1017M	1	SHUT OFF PLUG
10	TB1017E	1	RELIEF VALVE, 2250 PSI
11	31862	1	RELIEF VALVE, 2175 PSI
12	31862	1	RELIEF VALVE, 2175 PSI
13	28816	1	RELIEF VALVE, 1812 PSI
14	TB1017A	3	VALVE SEAL KIT (FOR ONE SECTION)
14A		2	WIPER
14B		2	O-RING SMALL
14C		1	O-RING LARGE
14D		1	SPRING
14E		1	PUCKET
15	TB1017L	3	LEVER KIT (FOR ONE SECTION)
15A		1	LEVER KNOB
15B		1	LEVER
15C		2	LEVER WASHER
15D		1	LEVER CLIP
15E		2	LINKAGE
15F		1	LEVER PIN
15G		1	ROLL PIN
15H		1	LEVER BOOT
15J		1	LEVER BOLT
15K		1	LEVER DUST COVER
15L		1	LEVER NUT
17	23397	1	TIE ROD KIT
18	24214	1	O-RING, LARGE

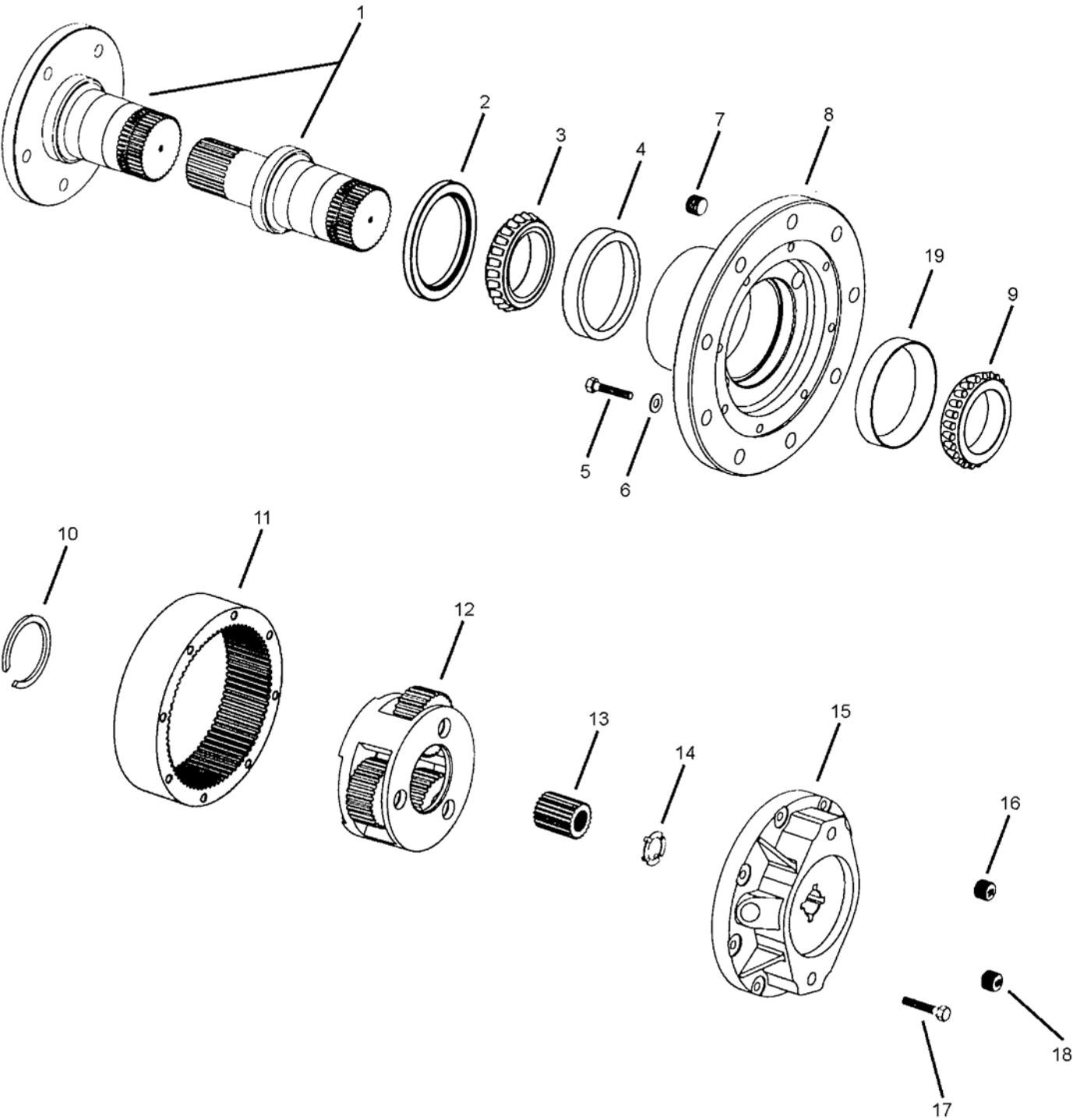
3 SP HUSCO - OPEN CENTER COMBO (06502109)



3 SP HUSCO - OPEN CENTER COMBO (06502109)

ITEM	PART NO.	QTY	DESCRIPTION
1	TB1017S	1	INLET END COVER
2	TB1701	1	END COVER, LOAD SENSE
3	TB1017P	1	VALVE SECTION (SINGLE ACTING, SPRING DETENT)
4	TB1017N	1	VALVE SECTION (DOUBLE ACTING, CENTER SPRING)
5	TB1017N	1	VALVE SECTION (DOUBLE ACTING, CENTER SPRING) (REMOVE SHUTTLE DISC)
6	N/A	1	N/A
7	31861	1	RELIEF VALVE, 360 PSI
8	28816	1	RELIEF VALVE, 1812 PSI
9	TB1017M	1	SHUT OFF PLUG
10	TB1017E	1	RELIEF VALVE, 2250 PSI
11	31862	1	RELIEF VALVE, 2175 PSI
12	31862	1	RELIEF VALVE, 2175 PSI
13	28816	1	RELIEF VALVE, 1812 PSI
14	TB1017A	3	VALVE SEAL KIT (FOR ONE SECTION)
	14A	2	WIPER
	14B	2	O-RING SMALL
	14C	1	O-RING LARGE
	14D	1	SPRING
	14E	1	PUCKET
15	TB1017L	3	LEVER KIT (FOR ONE SECTION)
	15A	1	LEVER KNOB
	15B	1	LEVER
	15C	2	LEVER WASHER
	15D	1	LEVER CLIP
	15E	2	LINKAGE
	15F	1	LEVER PIN
	15G	1	ROLL PIN
	15H	1	LEVER BOOT
	15J	1	LEVER BOLT
	15K	1	LEVER DUST COVER
	15L	1	LEVER NUT
17	23397	1	TIE ROD KIT
18	24214	1	O-RING, LARGE

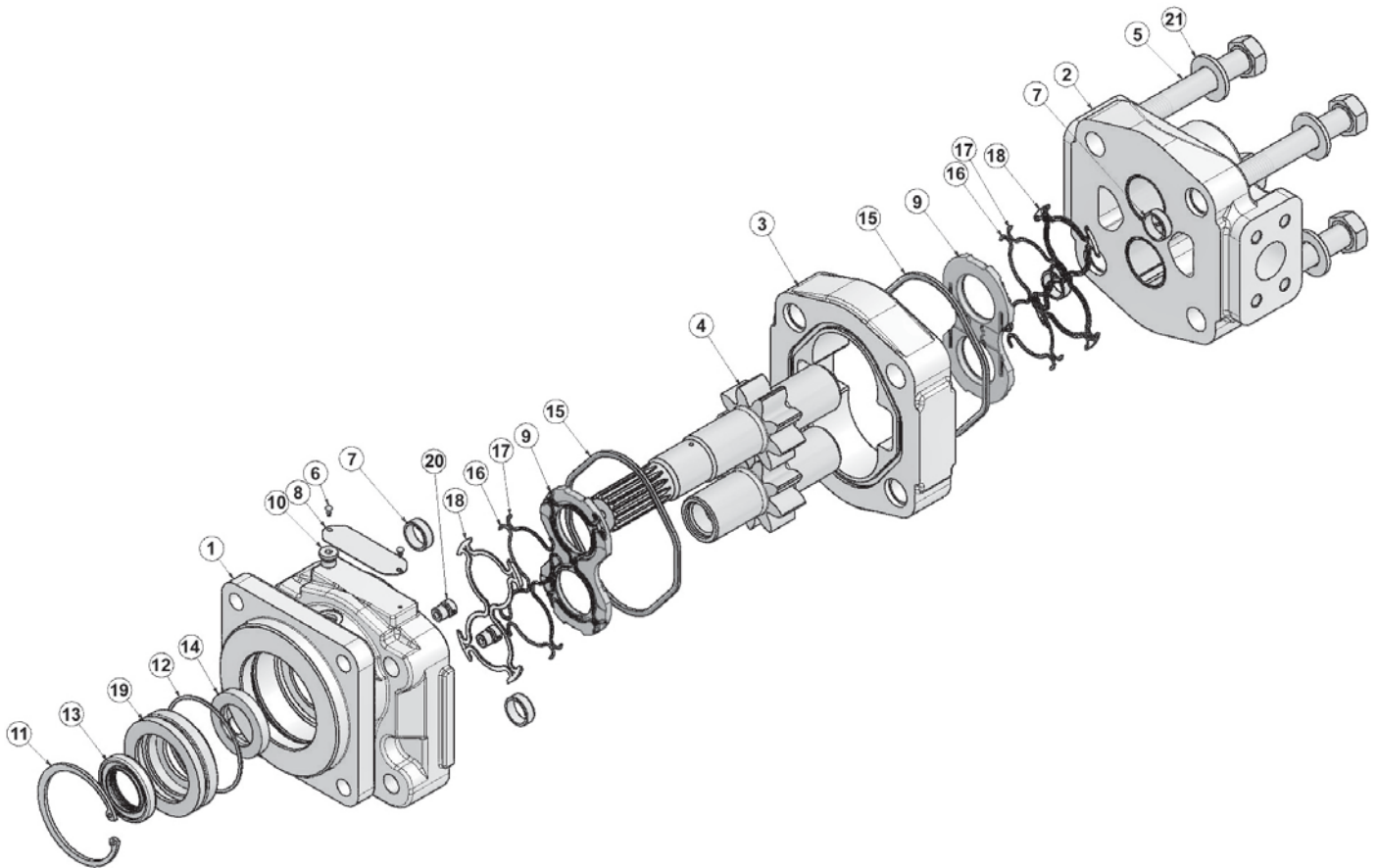
GEAR REDUCER



GEAR REDUCER

ITEM	PART NO.	QTY.	DESCRIPTION
1	33682	1	OUTPUT SHAFT OR SPINDLE
2	32834	1	SEAL
3	33684	1	BEARING CONE
4	33685	1	BEARING CUP
5	*	6	CAPSCREW
6	*	6	FLATWASHER
7	*	1	PIPE PLUG
8	34330	1	HUB
9	06504114	1	BEARING CONE, #6
10	34327	1	RETAINING RING
11	*	1	RING GEAR
12	34328	1	CARRIER ASSEMBLY
13	*	1	SUN GEAR
14	34329	1	THRUST WASHER
15	*	1	COVER
16	*	1	MAGNETIC PLUG
17	*	1	CAPSCREW
18	*	1	PIPE PLUG
19	06504115	1	BEARING CUP, #6

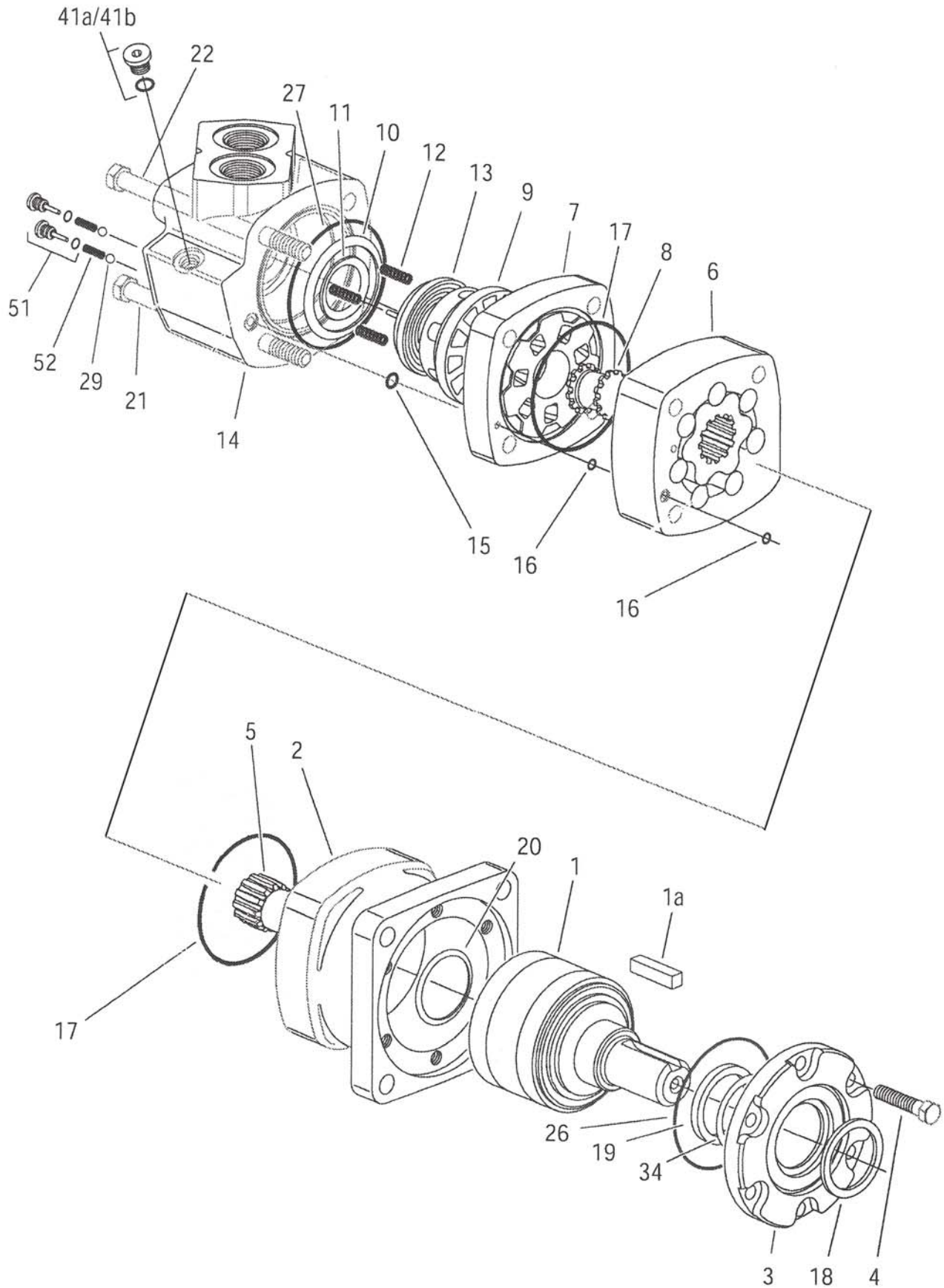
MOTOR BREAKDOWN - 06504014



MOTOR BREAKDOWN - 06504014

ITEM	PART NO.	QTY.	DESCRIPTION
	06504014	*	MOTOR
1	22790	1	HOUSING, SEC
2	06504088	1	HOUSING, SEC
3	06504094	1	HOUSING, GEAR
4	06504107	1	SET, GEAR SHAFT
5	06504108	4	CAPSCREW
6	06504078	2	SCREW, DRIVE
7	06504093	4	PIN, DOWEL
8	06504077	1	NAME PLATE
9	06504095	2	THRPL
10	02961940	1	PLUG, ODT
11	6T5200	1	RING, SNAP
12	06504096	1	O-RING
13	6T5101	1	SEAL, LIP
14	06504097	1	SEAL, LIP
15	22797	2	SEAL, SQ-R
16	06504098	4	SEAL, SIDE CHAN
17	06504099	4	SEAL, END CHAN
18	06504100	2	SEAL, BK-UP
19	06504101	1	RTNR, SEAL
20	6T5809	2	CHECK ASSY
21	06504102	4	WASHER
*	06504103	AVAIL.	SEAL KIT

MOTOR BREAKDOWN - 06504063



MOTOR BREAKDOWN - 06504063

ITEM	PART NO.	QTY.	DESCRIPTION
1	201837-001	1	SHAFT AND BEARING KIT
1a	14393-010	1	KEY
2	201839-001	1	HOUSING,BEARING
3	201840-001	1	RETAINER,FRONT
4	14253-000	6	SCREW,CAP
5	21373-003	1	DRIVE,MAIN
6	N/A	1	GEROLER®
7	N/A	1	PLATE, VALVE
8	N/A	1	DRIVE, VALVE
9	N/A	1	VALVE
10	N/A	1	SEAL,FACE,OUTER
11	N/A	1	SEAL,FACE,INNER
12	N/A	3	SPRING,COMPRESSION
13	N/A	1	BALANCE RING W/ PINS
14	N/A	1	HOUSING,VALVE
15	N/A	1	SEAL
16	N/A	2	SEAL
17	250052-044	2	SEAL
18	9039-001	1	DUST SEAL
19	9057-013	1	SEAL,SHAFT
20	9080-001	1	SEAL,SHAFT,FACE
21	N/A	2	SCREW,CAP
22	N/A	2	SCREW,CAP
26	15039-000	1	SEAL
27	N/A	1	SEAL
29	N/A	2	BALL,STEEL
34	6991-000	1	RING,BACK-UP
41a	9266-003	1	PLUG ASSY
51	N/A	2	CHECK PLUG ASSY
52	N/A	2	SPRING,COMPRESSION
*	61237-000	AVAIL	SEAL KIT,SHAFT (INCLUDES ITEMS 17,18,19,20 & 34)

Empty rectangular box at the top of the page.

Large empty rectangular box occupying the majority of the page.

**WARRANTY
SECTION**

WARRANTY INFORMATION

Tiger Corporation, 3301 N. Louise, Sioux Falls, South Dakota, warrants to the original Retail Customer, the new Tiger equipment is free of defects in material and workmanship. Any part of equipment that in Tiger's judgement, show evidence of such defects will be repaired or replaced without charge, provided that the failure of part(s) shall have occurred within twelve (12) months from the date of delivery of said equipment to the Retail Customer. Expendable components such as knives, oil, chain sprockets, skid shoes, knife mounting disks and the like are excluded but not limited to this warranty.

The Retail Customer must pay the transportation cost to and from the Tiger Dealer's service shop for warranty service. Warranty service will be performed by the Tiger Dealer from whom the equipment was purchased, during service shop regularly scheduled days and hours of operation.

All Tiger obligation under this warranty shall be terminated if the equipment is modified or altered in ways not approved in writing by Tiger, if repair parts other than genuine Tiger repair parts have been used, or if the equipment has been subject to misuse, neglect, accident, improper maintenance or improper operation.

Tiger Corporation reserves the right to make improvements in design or changes in specification at any time without incurring any obligation to owners of equipment previously sold.

No agent or person has authority to alter, add to or waive the above warranties which are agreed to be in the only warranties, representations or promises, expressed or implied, as to the quality or performance of the products covered and which do not include any implied warranty of merchantability or fitness. In no event will Tiger be liable for incidental or consequential damages or injuries, including, but not limited to, loss of profits, rental or substitute equipment or other commercial loss.

**THERE ARE NO WARRANTIES WHICH EXTEND
BEYOND THOSE EXPRESSED HEREIN.**

It is the Purchasers obligation to sign the warranty registration form **AFTER** he / she has Read and Understands the Operation and Safety Instructions stated within this manual.

ONE LAST WORD

This manual cannot possibly cover all of the potentially hazardous situations you will encounter. By being familiar with the safety rules, operating and maintenance instructions in this manual you can help prevent accidents. The objective of this manual is to help make you a better operator. Remember, **SAFETY IS YOU!**



1012

Your safety and the safety of those around you depends on **YOU**. Common sense should play a large role in the operation of this machine.

Since we at Tiger Corporation are constantly striving to improve our products, we reserve the right to change specifications or design at any time.

TO THE OWNER / OPERATOR / DEALER



To keep your implement running efficiently and safely, read your manual thoroughly and follow these directions and the Safety Messages in this manual and on the machine. The table of contents clearly identifies each section where you can easily find the information you need.

The Occupational Safety and Health Act (OSHA 1928.51 subpart C) makes the following minimum requirements for tractor operators.

OWNER REQUIREMENTS:

1. Provide a Roll-Over-Protective Structure that meets the requirements of this Standard; and
2. Provide Seatbelts that meet the requirements of this Standard and SAE J3C; and
3. Ensure that each employee uses such Seatbelt while the tractor is moving; and
4. Ensure that each employee tightens the Seatbelt sufficiently to confine the employee to the protected area provided by the ROPS.

OPERATOR REQUIREMENTS:

1. Securely fasten seatbelt if the tractor has a ROPS.
2. Where possible, avoid operating the tractor near steep ditches, embankments, and holes.
3. Reduce speed when turning, crossing slopes, and on rough, slick, or muddy surfaces.
4. Stay off slopes too steep for safe operation.
5. Watch where you are going – especially at row ends, on roads, and around trees.
6. Do Not permit others to ride.
7. Operate the tractor smoothly – no jerky turns, starts, or stops.
8. Hitch only to the draw-bar and hitch points recommended by the tractor manufacturer.
9. When the tractor is stopped, set brakes securely and use park lock, if available



Printed in USA
© Tiger Corporation