



SIDE ROTARY ASSEMBLIES

JD 5065 - 5105M

Current as of 01/12/2012

PARTS LISTING WITH MOUNTING AND OPERATING INSTRUCTIONS

Tiger Corporation
3301 N. Louise Ave.
Sioux Falls, SD 57107
1-800-843-6849
1-605-336-7900
www.tiger-mowers.com

06010020

TO THE OWNER / OPERATOR / DEALER

All implements with moving parts are potentially hazardous. There is no substitute for a cautious, safe-minded operator who recognizes the potential hazards and follows reasonable safety practices. The manufacturer has designed this implement to be used with all its safety equipment properly attached to minimize the chance of accidents.

BEFORE YOU START!! Read the safety messages on the implement and shown in this manual. Observe the rules of safety and use common sense!

READ AND UNDERSTAND THIS MANUAL! Non-English speaking operators will need to GET THE MANUAL TRANSLATED as needed!



DANGER

FAILING TO FOLLOW SAFETY MESSAGES AND OPERATING INSTRUCTIONS CAN CAUSE SERIOUS BODILY INJURY OR EVEN DEATH TO OPERATOR AND OTHERS IN THE AREA.



1. Study and understand Operator's Manuals, Safety Decals, and Instructional Decals for tractor and implement to prevent misuse, abuse, and accidents. Practice before operating in a confined area or near passersby.

● Learn how to stop engine suddenly in an emergency. Be alert for passersby and especially children

2. Allow no children on or near folding mower or tractor. Allow no riders on tractor or implement. Falling off may cause serious injury or death from being run over by tractor or mower or contact with rotating blades.

3. Operate only with tractor having Roll-Over Protective Structure (ROPS) and with seat belt securely fastened to prevent injury and possible death from falling off or tractor overturn.

● Personal Protective Equipment such as Hard Hat, Safety Glasses, Safety Shoes, & Ear Plugs are recommended.

4. Block up or support raised machine and all lifted components securely before putting hands or feet under or working underneath any lifted component to prevent crushing injury or death from sudden dropping or inadvertent operation of controls. Make certain area is clear before lowering or folding

5. Before transporting, put Lift Lever in detent or full-lift position. Install Transport Safety Devices securely on folding mowers. Put Booms securely in Transport Rest.

● Folding and Boom Mowers have raised center of gravity. Slow down when turning and on hillsides.

6. Make certain that SMV sign, warning lights, and reflectors are clearly visible. Follow local traffic codes.

7. Never operate with Cutting Head or Folding Section raised if passersby, bystanders, or traffic are in the area to reduce possibility of injury or death from objects thrown by Blades under Guards or mower structure.

8. Before dismounting, secure implement in transport position or lower to ground.

● Put tractor in park or set brake, disengage PTO, stop engine, remove key, and wait until noise of rotation has ceased to prevent crushing by entanglement in rotating parts which could cause injury or death.

● Never mount or dismount a moving vehicle. Crushing from rollover may cause serious injury or death.



02967827

Warranty Information: Read and understand the complete Warranty Statement found in this manual. Fill out the Warranty Registration form in full and return it within 90 days. Make certain the Serial Number of the machine is recorded on the Warranty Card, and form that you retain.

FORWARD

This manual contains information about many features of the Tiger mowing and roadside maintenance equipment. Some of these include: Safety precautions, Assembly instructions, Operations, Maintenance and Parts. This manual will also assist you in the proper break-in, daily care, and troubleshooting of your new mower.

We recommend that you read carefully the entire manual before operating the unit. Also, time spent in becoming fully acquainted with its performance features, adjustments, and maintenance schedules will be repaid in a long and satisfactory life of the equipment.

Troubleshooting - Please, before you call, help us to help you!

Please look at the equipment to observe what is happening, then:

- Classify the problem
 - Hydraulic, electrical or mechanical - Read the trouble shooting section
 - Tractor or Truck chassis - Contact vehicle dealer

- If unable to correct the problem yourself, contact your local Tiger Dealer after gathering:
 - Machine model _____
 - Serial number _____
 - Dealer name _____
 - Detailed information about the problem including results of troubleshooting

Attention Owner / Operator / Dealer: It is your obligation to read, and understand, the warranty information section located at the back of this manual denoting that the purchaser understands the safety issues relating to this machine and has received and will read a copy of this manual.

If at any time, you have a service problem with your Tiger mower, Contact your local dealer for service and parts needed.

MANUFACTURED BY:

Tiger Corporation

3301 N. Louise Ave.

Sioux Falls, SD 57107

1-800-843-6849

1-605-336-7900

www.tiger-mowers.com

DISTRIBUTED BY:

1- _____ - _____ - _____

1- _____ - _____ - _____

TABLE OF CONTENTS

SAFETY SECTION_____	1
ASSEMBLY / MOUNTING SECTION_____	2
OPERATION SECTION_____	3
MAINTENANCE SECTION_____	4
PARTS SECTION_____	5
COMMON PARTS SECTION_____	6
WARRANTY INFORMATION_____	7



1012

This symbol means:

CAUTION – YOUR SAFETY IS AT RISK!

When you see this symbol, read and follow the associated instructions carefully or personal injury or damage may result.

Tiger is a registered trademark.



SAFETY SECTION

SAFETY

General Safety Instructions and Practices

A safe and careful operator is the best operator. Safety is of primary importance to the manufacturer and should be to the owner / operator. Most accidents can be avoided by being aware of your equipment, your surroundings, and observing certain precautions. The first section of this manual includes a list of Safety Messages that, if followed, will help protect the operator and bystanders from injury or death. Read and understand these Safety Messages before assembling, operating or servicing this mower. This equipment should only be operated by those persons who have read the Manual, who are responsible and trained, and who know how to do so safely and responsibly.



The Safety Alert Symbol combined with a Signal Word, as seen below, is used throughout this manual and on decals which are attached to the equipment. The Safety Alert Symbol means: “**ATTENTION! BECOME ALERT! YOUR SAFETY IS INVOLVED!**” The symbol and signal word are intended to warn the owner / operator of impending hazards and the degree of possible injury when operating this equipment.

Practice all usual and customary safe working precautions and above all -- remember safety is up to YOU! Only YOU can prevent serious injury or death from unsafe practices.

DANGER!



Indicates an imminently hazardous situation that, if not avoided, WILL result in DEATH OR VERY SERIOUS INJURY.

WARNING!



Indicates an imminently hazardous situation that, if not avoided, COULD result in DEATH OR SERIOUS INJURY.

CAUTION!



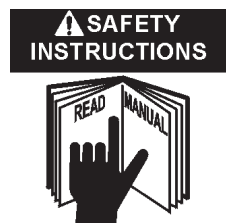
Indicates an imminently hazardous situation that, if not avoided, MAY result in MINOR INJURY.

IMPORTANT!

Identifies special instructions or procedures that, if not strictly observed, could result in damage to, or destruction of the machine, attachments or the environment.

NOTE: *Identifies points of particular interest for more efficient or convenient operation or repair.* (SG-1)

READ, UNDERSTAND, and FOLLOW the following Safety Messages. Serious injury or death may occur unless care is taken to follow the warnings and instructions stated in the Safety Messages. Always use good common sense to avoid hazards. (SG-2)



SAFETY

SAFETY

PELIGRO!



Si no lee Ingles, pida ayuda a alguien qui si lo lea para que le traduzca las medida de seguridad. (SG-3)

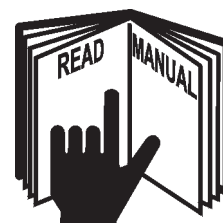


¡ LEA EL INSTRUCTIVO!

DANGER!



Never operate the Tractor or Implement until you have read and completely understand this Manual, the Tractor Operator's Manual, and each of the Safety Messages found in the Manual or on the Tractor and Implement. Learn how to stop the tractor engine suddenly in an emergency. Never allow inexperienced or untrained personnel too operate the Tractor and Implement without supervision. Make sure the operator has fully read and understood the manuals prior to operation. (SG-4)



WARNING!

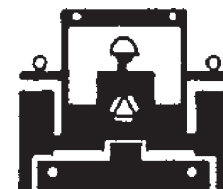


Always maintain the safety decals in good readable condition. If the decals are missing, damaged, or unreadable, obtain and install replacement decals immediately. (SG-5)

WARNING!



Make certain that the "Slow Moving Vehicle" (SMV) sign is installed in such a way as to be clearly visible and legible. When transporting the Equipment use the Tractor flashing warning lights and follow all local traffic regulations. (SG-6)



WARNING!



Operate this Equipment only with a Tractor equipped with an approved roll-over-protective system (ROPS). Always wear seat belts. Serious injury or even death could result from falling off the tractor--particularly during a turnover when the operator could be pinned under the ROPS. (SG-7)



WARNING!

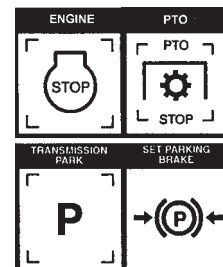


Do not modify or alter this Implement. Do not permit anyone to modify or alter this Implement, any of its components or any Implement function. (SG-8)

DANGER!



BEFORE leaving the tractor seat, always engage the brake and/or set the tractor transmission in parking gear, disengage the PTO, stop the engine, remove the key, and wait for all moving parts to stop. Place the tractor shift lever into a low range or parking gear to prevent the tractor from rolling. Never dismount a Tractor that is moving or while the engine is running. Operate the Tractor controls from the tractor seat only. (SG-9)



SAFETY

SAFETY

DANGER!



Never allow children or other persons to ride on the Tractor or Implement. Falling off can result in serious injury or death.

(SG-10)



DANGER!



Never allow children to operate or ride on the Tractor or Implement.

(SG-11)



WARNING!



Do not mount the Tractor while the tractor is moving. Mount the Tractor only when the Tractor and all moving parts are completely stopped.

(SG-12)



DANGER!



Start tractor only when properly seated in the Tractor seat. Starting a tractor in gear can result in injury or death. Read the Tractor operators manual for proper starting instructions. (SG-13)



DANGER!



Never work under the Implement, the framework, or any lifted component unless the Implement is securely supported or blocked up to prevent sudden or inadvertent falling which could cause serious injury or even death. (SG-14)



DANGER!



Do not operate this Equipment with hydraulic oil leaking. Oil is expensive and its presence could present a hazard. Do not check for leaks with your hand! Use a piece of heavy paper or cardboard. High-pressure oil streams from breaks in the line could penetrate the skin and cause tissue damage including gangrene. If oil does penetrate the skin, have the injury treated immediately by a physician knowledgeable and skilled in this procedure. (SG-15)

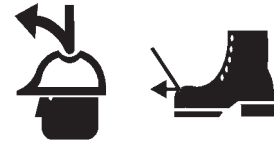


SAFETY

WARNING!



The operator and all support personnel should wear hard hats, safety shoes, safety glasses, and proper hearing protection at all times for protection from injury including injury from items thrown by the equipment. (SG-16)



CAUTION!



PROLONGED EXPOSURE TO LOUD NOISE MAY CAUSE PERMANENT HEARING LOSS! Tractors with or without an Implement attached can often be noisy enough to cause permanent hearing loss. We recommend that you always wear hearing protection if the noise in the Operator's position exceeds 80db. Noise over 85db over an extended period of time will cause severe hearing loss. Noise over 90db adjacent to the Operator over an extended period of time will cause permanent or total hearing loss. *Note:* Hearing loss from loud noise [from tractors, chain saws, radios, and other such sources close to the ear] is cumulative over a lifetime without hope of natural recovery. (SG-17)



WARNING!



Transport only at safe speeds. Serious accidents and injuries can result from operating this equipment at unsafe speeds. Understand the Tractor and Implement and how it handles before transporting on streets and highways. Make sure the Tractor steering and brakes are in good condition and operate properly.



Before transporting the Tractor and Implement, determine the safe transport speeds for you and the equipment. Make sure you abide by the following rules:

1. **Test the tractor at a slow speed and increase the speed slowly. Apply the Brakes smoothly to determine the stopping characteristics of the Tractor and Implement. As you increase the speed of the Tractor the stopping distance increases. Determine the maximum safe transport speed for you and this Equipment.**
2. **Test the equipment at a slow speed in turns. Increase the speed through the turn only after you determine that it is safe to operate at a higher speed. Use extreme care and reduce your speed when turning sharply to prevent the tractor and implement from turning over. Determine the maximum safe turning speed for you and this equipment before operating on roads or uneven ground. Only transport the Tractor and Implement at the speeds that you have determined are safe and which allow you to properly control the equipment.**
3. **Be aware of the operating conditions. Do not operate the Tractor with weak or faulty brakes. When operating down a hill or on wet or rain slick roads, the braking distance increases: use extreme care and reduce your speed. When operating in traffic always use the Tractor's flashing warning lights and reduce your speed. Be aware of traffic around you and watch out for the other guy.** (SG-19)



SAFETY

SAFETY

WARNING!



Never attempt to lubricate, adjust, or remove material from the Implement while it is in motion or while tractor engine is running. Make sure the tractor engine is off before working on the Implement.

(SG-20)

WARNING!



Periodically inspect all moving parts for wear and replace when necessary with authorized service parts. Look for loose fasteners, worn or broken parts, and leaky or loose fittings. Make sure all pins have cotter pins and washers. Serious injury may occur from not maintaining this machine in good working order. (SG-21)



WARNING!



Always read carefully and comply fully with the manufacturers instructions when handling oil, solvents, cleansers, and any other chemical agent. (SG-22)



DANGER!



Never run the tractor engine in a closed building or without adequate ventilation. The exhaust fumes can be hazardous to your health.

(SG-23)

DANGER!



KEEP AWAY FROM ROTATING ELEMENTS to prevent entanglement and possible serious injury or death. (SG-24)



DANGER!



Never allow children to play on or around Tractor or Implement. Children can slip or fall off the Equipment and be injured or killed. Children can cause the Implement to shift or fall crushing themselves or others. (SG-25)

DANGER!



DO NOT allow any person under a folded wing unless wing is securely locked up or supported. **DO NOT** approach the Implement unless the Tractor is turned off and all motion has ceased. Never work under the frame work, or any lifted component unless the implement is securely supported or blocked up. A sudden or inadvertent fall by any of these components could cause serious injury or even death. (STI-3)



SAFETY

CAUTION!



On a fully-assembled unit, do not remove the Wing Retaining Strap until hoses are attached to the tractor and the Wing Cylinders are filled with oil. Lower the Wings slowly and carefully. Keep bystanders away during operations. (STI-5)

DANGER!



NEVER use drugs or alcohol immediately before or while operating the Tractor and Implement. Drugs and alcohol will affect an operator's alertness and coordination and therefore affect the operator's ability to operate the equipment safely. Before operating the Tractor or Implement, an operator on prescription or over-the-counter medication must consult a medical professional regarding any side effects of the medication that would hinder their ability to operate the Equipment safely. **NEVER** knowingly allow anyone to operate this equipment when their alertness or coordination is impaired. Serious injury or death to the operator or others could result if the operator is under the influence of drugs or alcohol. (SG-27)



DANGER!



Operate the Tractor and/or Implement controls only while properly seated in the Tractor seat with the seat belt securely fastened around you. Inadvertent movement of the Tractor or Implement may cause serious injury or death. (SG-29)

WARNING!



Mow only in conditions where you have clear visibility in daylight or with adequate artificial lighting. Never mow in darkness or foggy conditions where you cannot clearly see at least 100 yards in front and to the sides of the tractor and mower. Make sure that you can clearly see and identify passersby, steep slopes, ditches, drop-offs, overhead obstructions, power lines, debris and foreign objects. If you are unable to clearly see this type of items discontinue mowing. (SGM-1)

DANGER!



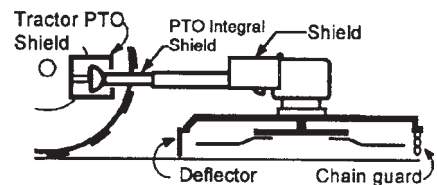
There are obvious and hidden potential hazards in the operation of this Mower. **REMEMBER!** This machine is often operated in heavy brush and in heavy weeds. The Blades of this Mower can throw objects if shields are not properly installed and maintained. Serious injury or even death may occur unless care is taken to insure the safety of the operator, bystanders, or passersby in the area. Do not operate this machine with anyone in the immediate area. Stop mowing if anyone is within 100 yards of mower. (SGM-2)



DANGER!



All Safety Shields, Guards and Safety devices including (but not limited to) - the Deflectors, Chain Guards, Steel Guards, Gearbox Shields, PTO integral shields, and Retractable Door Shields should be used and maintained in good working condition. All safety devices should be inspected carefully at least daily for missing or broken components. Missing, broken, or worn items must be replaced at once to reduce the possibility of injury or death from thrown objects, entanglement, or blade contact. (SGM-3)



SAFETY

SAFETY

DANGER!



The rotating parts of this machine have been designed and tested for rugged use. However, the blades could fail upon impact with heavy, solid objects such as metal guard rails and concrete structures. Such impact could cause the broken objects to be thrown outward at very high velocities. To reduce the possibility of property damage, serious injury, or even death, never allow the cutting blades to contact such obstacles. (SGM-4)

WARNING!



Extreme care should be taken when operating near loose objects such as gravel, rocks, wire, and other debris. Inspect the area before mowing. Foreign objects should be removed from the site to prevent machine damage and/or bodily injury or even death. Any objects that cannot be removed must be clearly marked and carefully avoided by the operator. Stop mowing immediately if blades strike a foreign object. Repair all damage and make certain rotor or blade carrier is balanced before resuming mowing. (SGM-5)



WARNING!



Many varied objects, such as wire, cable, rope, or chains, can become entangled in the operating parts of the mower head. These items could then swing outside the housing at greater velocities than the blades. Such a situation is extremely hazardous and could result in serious injury or even death. Inspect the cutting area for such objects before mowing. Remove any like object from the site. Never allow the cutting blades to contact such items. (SGM-6)

WARNING!



Mow at the speed that you can safely operate and control the tractor and mower. Safe mowing speed depends on terrain condition and grass type, density, and height of cut. Normal ground speed range is from 0 to 5 mph. Use slow mowing speeds when operating on or near steep slopes, ditches, drop-offs, overhead obstructions, power lines, or when debris and foreign objects are to be avoided. (SGM-7)

WARNING!



Avoid mowing in reverse direction when possible. Check to make sure there are no persons behind the mower and use extreme care when mowing in reverse. Mow only at a slow ground speed where you can safely operate and control the tractor and mower. Never mow an area that you have not inspected and removed debris or foreign material. (SGM-8)

WARNING!



Do not put hands or feet under mower decks. Blade Contact can result serious injury or even death. Stay away until all motion has stopped and the decks are securely blocked up. (SGM-9)



DANGER!



Replace bent or broken blade with new blades. NEVER ATTEMPT TO STRAIGHTEN OR WELD ON BLADES SINCE THIS WILL LIKELY CRACK OR OTHERWISE DAMAGE THE BLADE WITH SUBSEQUENT FAILURE AND POSSIBLE SERIOUS INJURY FROM THROWN BLADES. (SGM-10)

WARNING!



Do not mow with two machines in the same area except with Cab tractors with the windows closed. (SGM-11)

SAFETY

DANGER!



Rotary Mowers are capable under adverse conditions of throwing objects for great distances (100 yards or more) and causing serious injury or death. Follow safety messages carefully.

STOP MOWING IF PASSERSBY ARE WITHIN 100 YARDS UNLESS:

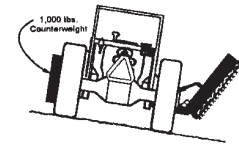
- Front and Rear Deflectors are installed and in good, working condition;
- Mower Head is running close to and parallel to the ground without exposed Blades;
- Passersby are outside the existing thrown-object zone;
- All areas have been thoroughly inspected and all foreign material such as rocks, cans, glass, and general debris has been removed.

NOTE: Where there are grass and weeds high enough to hide debris that could be struck by the blades, the area should be: inspected and large debris removed, mowed at an intermediate height, inspected closely with any remaining debris removed, and mowed again at desired final height. (SBM-1)

WARNING!



Each Rear Wheel must have a minimum of 1,000 pounds contact with the surface to prevent lateral instability and possible tip-over which could result in serious bodily injury or even death. Widen the wheel tread and add weights if needed. Refer to the mounting instructions or call Customer Service if you need assistance with Counterweight Procedure. (SFL-3)



WARNING!



Do not operate Mower if excessive vibration exists. Shut down PTO and the Tractor engine. Inspect the Mower to determine the source of the vibration. If Mower blades are missing or damaged replace them immediately. Do not operate the mower until the blades have been replaced and the Mower operates smoothly. Operating the Mower with excessive vibration can result in component failure and broken objects to be thrown outward at very high velocities. To reduce the possibility of property damage, serious injury, or even death, never allow the Mower to be operated with blades missing. (SFL-4)

WARNING!



Do not let the Blades turn when the Mower Deck is raised for any reason, including clearance or for turning. Raising the Mower deck exposes the Cutting Blades which creates a potentially serious hazard and could cause serious injury or even death from objects thrown from the Blades. (SRM-7)



DANGER!



Use extreme caution when raising the Mower head. Stop the Blades from turning when the Mower Head is raised and passersby are within 100 yards. Raising the Mower head exposes the Cutting Blades which creates a potentially serious hazard and can cause serious injury by objects thrown from the Blades or by contact with the Blades.

(SBM-2)

SAFETY

SAFETY

WARNING!



Never leave the Tractor and Implement unattended while the Implement is in the lifted position. Accidental operation of lifting lever or a hydraulic failure may cause sudden drop of unit with injury or death by crushing. To properly park the implement when disconnecting it from the tractor, lower the stand and put the retaining pin securely in place, or put a secure support under the A-Frame. Lower the implement carefully to the ground. Do not put hands or feet under lifted components. (S3PT-1)

WARNING!

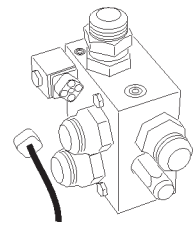


Relieve hydraulic pressure prior to doing any maintenance or repair work on the Implement. Place the Mower Head on the ground or securely supported on blocks or stands, disengage the PTO, and turn off the engine. Push and pull the control Levers or Joystick several times to relieve pressure prior to starting any maintenance or repair work. (SBM-6)

DANGER!



Always disconnect the wire leads from the mower valve solenoid before performing service on the Tractor or Mower. Use caution when working on the Tractor or Mower. Tractor engine must be stopped before working on Mower or Tractor. The Mower Blades could inadvertently be turned on without warning and cause immediate dismemberment, injury or death. (SBM-12)



WARNING!



Use extreme care when lowering or unfolding the implement's wings. Make sure no bystanders are close by or underneath the wings. Allow ample clearance around the implement when folding or unfolding the wings. Use extreme caution around buildings or overhead power lines.

(S3PT-5)

WARNING!



Relieve hydraulic pressure prior to doing any maintenance or repair work on the Implement. Place the Implement on the ground or securely blocked up, disengage the PTO, and turn off the tractor engine. Push and pull the Remote Cylinder lever in and out several times prior to starting any maintenance or repair work. (S3PT-9)



DANGER!



This Implement is wider than the Tractor. Be careful when operating or transporting this equipment to prevent the Implement from running into or striking sign posts, guard rails, concrete abutments or other solid objects. Such an impact could cause the Implement and Tractor to pivot violently resulting in loss of steering control, serious injury, or even death. Never allow the Implement to contact obstacles. (S3PT-12)

DANGER!



The flail cutter shaft is designed for standard rotation (same rotation as the tractor wheel during forward travel). **Never operate the cutter shaft in the reverse rotation.** Operating this mower in reverse rotation may cause objects to be thrown out the front of the mower head.



SAFETY

SAFETY

WARNING!



The rotating parts of this machine continue to rotate even after the Tractor has been turned off. The operator should remain in his seat for 60 seconds after the brake has been set, the PTO disengaged, the tractor turned off, and all evidence of rotation has ceased. (SBM-5)

“Wait a minute...Save a life!”

WARNING!



Engine Exhaust, some of its constituents, and certain components contain or emit chemicals known to the state of California to cause cancer and birth or other reproductive harm.

WARNING!



Battery post, terminals and related accessories contain lead and lead compounds, chemicals known to the state of California to cause cancer and birth or other reproductive harm. **Wash hands after handling!**

Tiger mowers use balanced and matched system components for blade carriers, blades, cutter-shafts, knives, knife hangers, rollers, drive-train components and bearings. These parts are made and tested to Tiger specifications. Non-genuine “will fit” parts do not consistently meet these specifications. The use of “will fit” parts may reduce mower performance, void mower warranties and present a safety hazard. Use genuine Tiger mower parts for economy and safety.

SEE YOUR

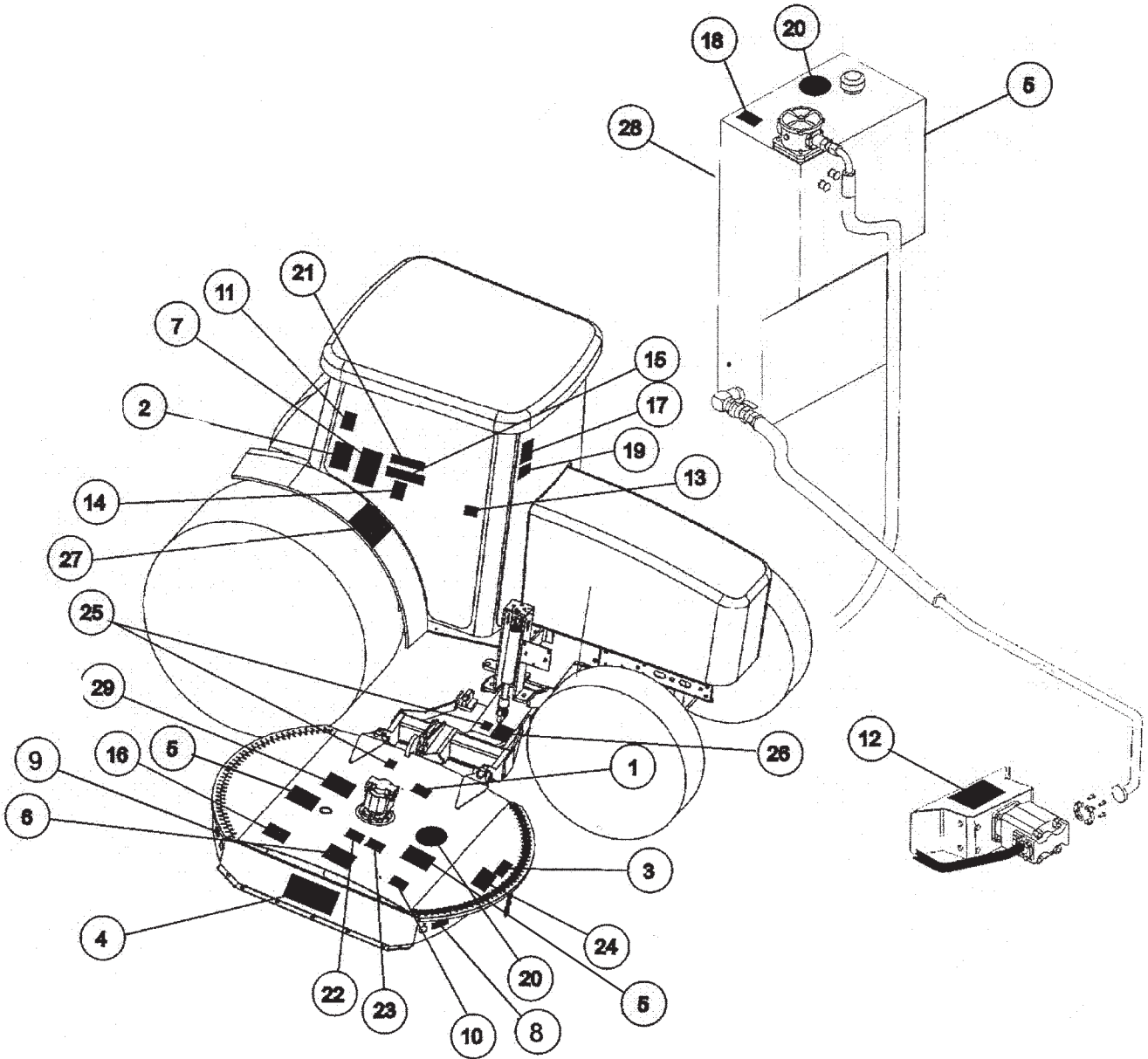


DEALER

In addition to the design and configuration of this Implement, including Safety Signs and Safety Equipment, hazard control and accident prevention are dependent upon the awareness, concern, prudence, and proper training of personnel involved in the operation, transport, maintenance, and storage of the machine. Refer also to Safety Messages and operation instruction in each of the appropriate sections of the Tractor and Equipment Manuals. Pay close attention to the Safety Signs affixed to the Tractor and Equipment. (SG-18)

SAFETY

SAFETY



SAFETY

SAFETY

ITEM	PART NO.	QTY.		DESCRIPTION
1	22839	1	INSTRUCT	Don Not Lubricate With Automatic Grease Gun
2	22840	1	WARNING	Foreign Objects Contacted
3	24028	1	WARNING	Inspect Rear Flap
4	31522	1	LOGO	TIGER MOWERS
5	31523	3	LOGO	TIGER MOWERS
6	42350	1	DANGER	Cuttershaft Direction
7	33743	1	INSTRUCT	Mowing Safet Tips
8	42399	1	REFLECT	Red Reflector
9	42400	1	REFLECT	Amber Reflector
10	6T3217	1	DANGER	Keep Hands and Feet Clear
11	6T3219	1	WARNING	Read Operators and Maintenance Manuals
12	6T3220	1	INTRUCT	Lubricate Pump, Driveshaft Daily
13	6T3221	1	CAUTION	Lubricate Spindle When Mower and Tractor Off
14	6T3222	1	INSTRUCT	Engine will not start when mower is engaged
15	1059	1	INSTRUCT	Mower Positions
16	6T3224	1	DANGER	Stay Clear, Discharge Opening
17	6T3230	1	WARNING	Don't Operate with Bystanders in Area
18	6T3233	1	CAUTION	DONOT Start or Run with Valves closed
19	6T3234	1	CAUTION	Check Crankshaft Adapter Daily
20	6T3236	1	LOGO	Made In USA
21	6T3243	1	WARNING	Replace Bolts and Locknut if damaged
22	6T3249A	1	INSTRUCT	Grease Inst. Cuttershaft Bearing
23	6T3261	1	INSTRUCT	Grease Inst. Ground Roller Bearing
24	TB1011	1	WARNING	Do Not Work Mower with Safety Shiel Removed
25	02962764	1	WARNING	Pinch Point
26	02965262	1	WARNING	Hydraulic Hose Repair
27	02967827	1	DANGER	Multi Warn Messages
28	34852	1	INSTRUCT	Hydraulic Specifications
29	00756059	1	WARNING	Check Hydraulic Hose with Cardboard

SAFETY

SAFETY

DO NOT LUBRICATE WITH AUTOMATIC GREASE GUN. GREASE WITH HAND GREASE GUN ONLY.

P/N22839

PART NO.
LOCATION

22839
MOWER DECK



22840
INSIDE OF CAB

! WARNING

INSPECT REAR FLAP FREQUENTLY TO BE SURE IT IS IN SAFE WORKING CONDITION. DO NOT OPERATE MOWER WITH FLAP REMOVED OR WORN.

24028

24028
MOWER DECK



10"X5.5" 31522
MOWER DECK

18.25"X10" 31523
HYDRAULIC TANK

SAFETY



PART NO.
LOCATION

42350
MOWER DECK



33743
INSIDE OF CAB

5



42399
MOWER DECK



42400
MOWER DECK

SAFETY

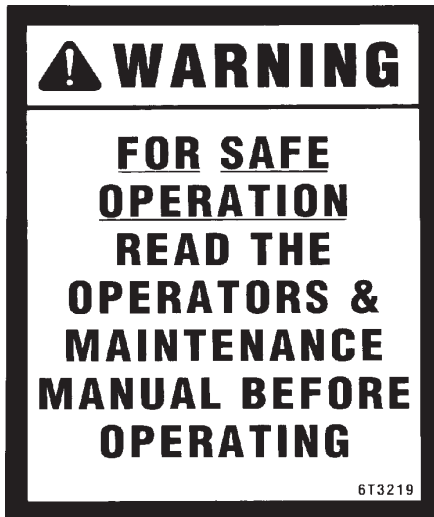
SAFETY

SAFETY



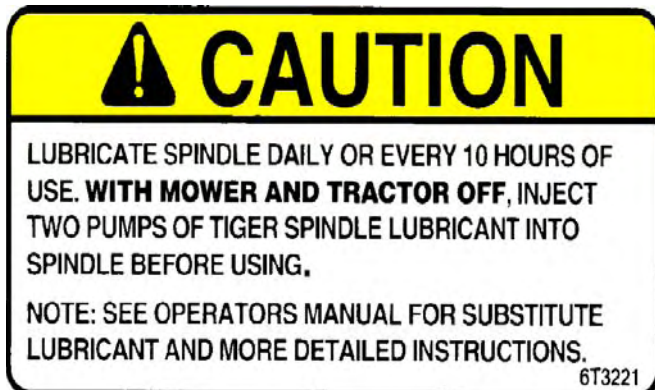
PART NO.
LOCATION

6T3217
MOWER DECK



6T3219
INSIDE OF CAB

6T3220
FRONT PUMP MOUNT



6T3221
INSIDE OF CAB

29-6T3221

SAFETY

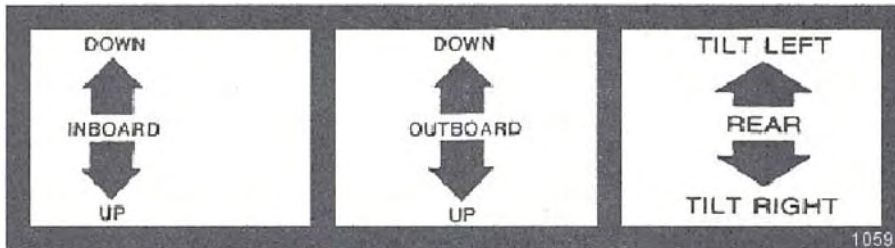
NOTICE:
Engine will not
start when mower
is engaged.



6T3222

PART NO.
LOCATION

6T3233
INSIDE OF CAB



1059

1059

6T3234
INSIDE OF CAB



6T3236
MOWER DECK



6T-3230

6T3243
INSIDE OF CAB

SAFETY

SAFETY

SAFETY

PART NO.
LOCATION



6T3233
HYDRAULIC TANK



6T3234
INSIDE OF CAB



6T3236
MOWER DECK
HYDRAULIC TANK

6T3243
INSIDE OF CAB

SAFETY

PART NO.
LOCATION

GREASING INSTRUCTIONS

GROUND SHAFT BEARING
GREASE EVERY 8 HRS. OR DAILY

NOTE: If unusual environmental conditions exist; extreme temperatures, moisture, or contaminants more frequent lubrication is required.

6T3249A

6T3249A
MOWER DECK

GREASING INSTRUCTIONS

GROUND ROLLER BEARING
GREASE EVERY 8 HRS. OR DAILY

NOTE: If unusual environmental conditions exist; extreme temperatures, moisture, or contaminants more frequent lubrication is required.

6T3261

6T3261
MOWER DECK

WARNING

**DO NOT OPERATE MOWER
WITH SAFETY SHIELD REMOVED.**

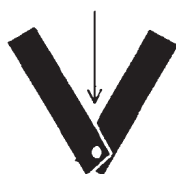
TB1011

TB1011
MOWER DECK



WARNING

PINCH POINTS



02962764

02962764
MOWER DECK
DRAFT BEAM

SAFETY

SAFETY

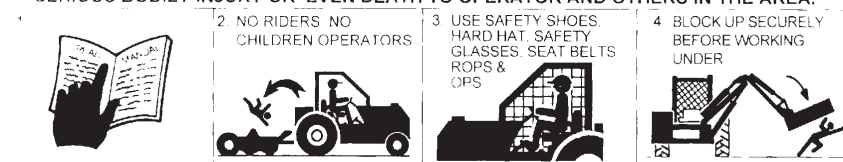
SAFETY

PART NO.
LOCATION

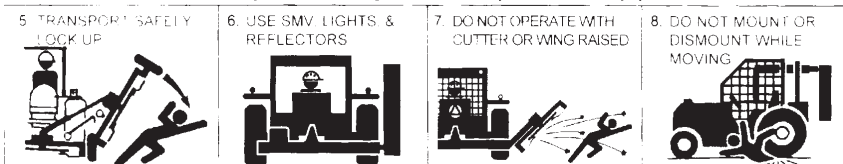
02965262
DRAFT BEAM

DANGER

FAILING TO FOLLOW SAFETY MESSAGES AND OPERATING INSTRUCTIONS CAN CAUSE SERIOUS BODILY INJURY OR EVEN DEATH TO OPERATOR AND OTHERS IN THE AREA.



1. Study and understand Operator's Manuals, Safety Decals, and Instructional Decals for tractor and implement to prevent misuse, abuse, and accidents. Practice before operating in a confined area or near passersby.
 - Learn how to stop engine suddenly in an emergency. Be alert for passersby and especially children.
2. Allow no children on or near folding mower or tractor. Allow no riders on tractor or implement. Falling off may cause serious injury or death from being run over by tractor or mower or contact with rotating blades.
3. Operate only with tractor having Roll-Over Protective Structure (ROPS) and with seat belt securely fastened to prevent injury and possible death from falling off or tractor overturn.
 - Personal Protective Equipment such as Hard Hat, Safety Glasses, Safety Shoes, & Ear Plugs are recommended.
4. Block up or support raised machine and all lifted components securely before putting hands or feet under or working underneath any lifted component to prevent crushing injury or death from sudden dropping or inadvertent operation of controls. Make certain area is clear before lowering or folding.
5. Before transporting, put Lift Lever in detent or full-lift position. Install Transport Safety Devices securely on folding mowers. Put Booms securely in Transport Rest.
 - Folding and Boom Mowers have raised center of gravity. Slow down when turning and on hillsides.
6. Make certain that SMV sign, warning lights, and reflectors are clearly visible. Follow local traffic codes.
7. Never operate with Cutting Head or Folding Section raised if passersby, bystanders, or traffic are in the area to reduce possibility of injury or death from objects thrown by Blades under Guards or mower structure.
8. Before dismounting, secure implement in transport position or lower to ground.
 - Put tractor in park or set brake, disengage PTO, stop engine, remove key, and wait until noise of rotation has ceased to prevent crushing by entanglement in rotating parts which could cause injury or death.
 - Never mount or dismount a moving vehicle. Crushing from rollover may cause serious injury or death.



02967827
CAB FENDER

SAFETY



Tiger Corporation

800-843-6849

www.tiger-mowers.com

SAFETY

Description	Application	General Specification	Recommended Lubricant
Tractor Hydraulics	Reservoir	JD-20C	Mobilfluid® 424
Mower Hydraulics Cold Temperatures 0°F Start-up Normal Temperatures 10°F Start-up Normal Temperatures 15°F Start-up High Operating Temperatures Above 90°F Ambient	Reservoir	ISO 46 Anti-Wear/ Low Temp JD-20C ISO 46 Anti-Wear ISO 100 Anti-Wear	Mobil DTE® 15M Mobilfluid® 424 Mobil DTE® 25 Mobil DTE® 18M
Flail Rear Gearbox	Reservoir	PAO Synthetic Extreme Pressure Gear Lube	Mobilube SHC® 75W-90, Mobil 1 Synthetic Gear Lubricant
Cutter Shaft and Ground Roller Shaft (Flail)	Grease Gun	Lithium Complex, NLGI 2 ISO 320	Mobilgrease® CM-S
Drive Shaft Coupler (Rotary and Flail) Drive Shaft Yoke, U - Joint and Stub Shaft	Grease Gun	Lithium Complex, NLGI 2 ISO 320	Mobilgrease® CM-S
Boom Swivel, Boom Cylinder Pivots (Rotary and Flail Boom Type)	Grease Gun	Lithium Complex, NLGI 2 ISO 320	Mobilgrease® CM-S
Deck Boom Pivot & Deck Stop Adjustment (Rotary and Flail)	Grease Gun	Lithium Complex, NLGI 2 ISO 320	Mobilgrease® CM-S
Deck Spindle (Rotary)	Grease Gun	Tiger Spindle Lubricant	Tiger Part #25351

For Mobil product information, availability, or technical information, call 1-800-662-4525.

Tiger PN 34852

34852
HYDRAULIC TANK

WARNING

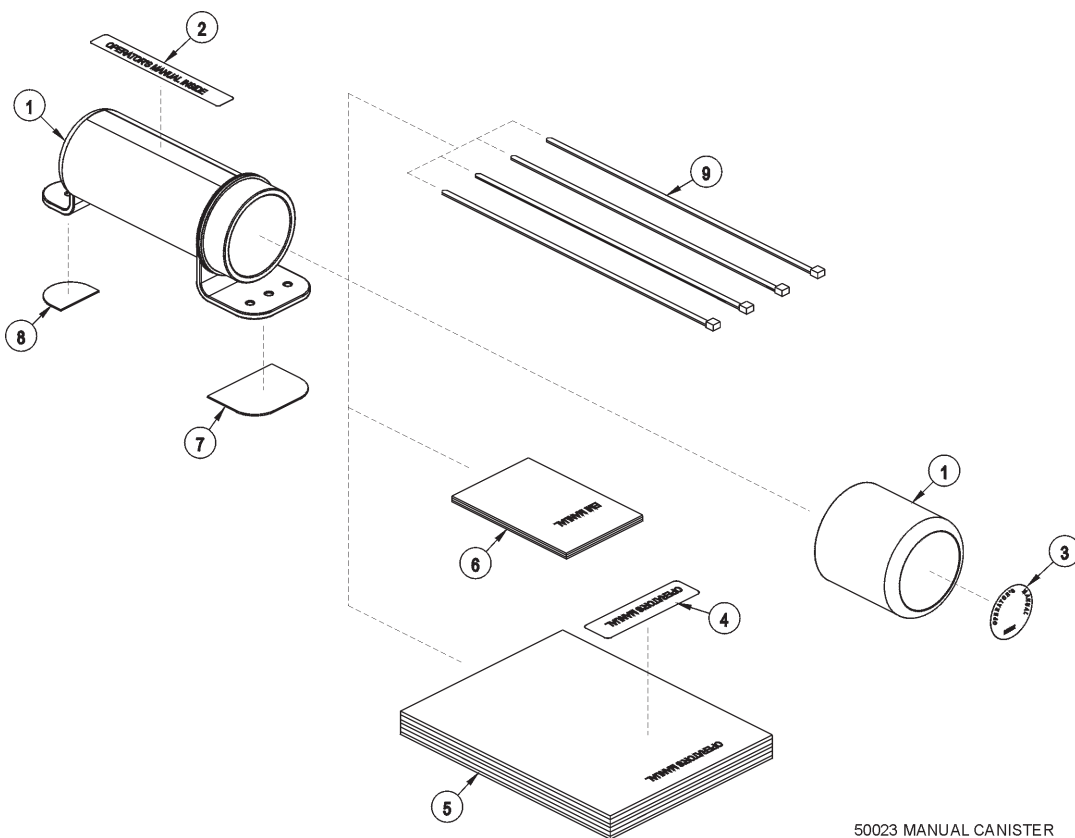
USE PAPER OR CARDBOARD TO CHECK FOR LEAKS. **NEVER USE YOUR HAND.** IF OIL PENETRATES SKIN, GANGRENE OR OTHER SERIOUS INJURY COULD OCCUR. **GET IMMEDIATE MEDICAL ATTENTION.**
See Operator's Manual.

00756059

00756059
MOWER DECK

SAFETY

SAFETY



50023 MANUAL CANISTER

ITEM	PART NO.	QTY.	DESCRIPTION
	50023	AVAIL	MANUAL CANISTER COMPLETE
1	00776031	1	Round Manual Canister
	33997	1	Decal, Sheet, Manual Canister
2		*	Decal
3		*	Decal
4		*	Decal
5	*	AVAIL	Specification Product Manual
6	33753	1	EMI Safety Manual
7	34296	1	Front Adhesive Pad
8	34297	1	Rear Adhesive Pad
9	6T1823	4	Zip Tie 14" Long

NOTE:

The manual canister can be bolted, zip tied or adhered to a variety of surfaces. Locate a protected area within the view of the operator. Then select an installation method and attach the canister. **CAUTION-AVOID DRILLING HOLES INTO UNKNOWN AREAS**, wires and other parts may be located behind these areas. When adhering the canister to a surface, thoroughly clean that surface before installing the canister.

SAFETY

FEDERAL LAWS AND REGULATIONS

This section is intended to explain in broad terms the concept and effect of federal laws and regulations concerning employer and employee equipment operators. This section is not intended as a legal interpretation of the law and should not be considered as such.

Employer-Employee Operator Regulations

U.S. Public Law 91-596 (The Williams-Steiger Occupational and Health Act of 1970) OSHA

This Act Seeks:

“...to assure so far as possible every working man and woman in the nation safe and healthful working conditions and to preserve our human resources...”

DUTIES

Sec. 5 (a) Each employer-

(1) shall furnish to each of his employees employment and a place of employment which are free from recognized hazards that are causing or are likely to cause death or serious physical harm to his employees;

(2) shall comply with occupational safety and health standards promulgated under this Act.

(b) Each employee shall comply with occupational safety and health standards and all rules, regulations and orders issued pursuant to this Act which are applicable to his own actions and conduct.

OSHA Regulations

OSHA regulations state in part: “At the time of initial assignment and at least annually thereafter, the employer shall instruct every employee in the safe operation and servicing of all equipment with which the employee is, or will be involved.”

Employer Responsibilities:

To ensure employee safety during Truck and Implement operation, it is the employer’s responsibility to:

1. Train the employee in the proper and safe operation of the Truck and Implement.
2. Require that the employee read and fully understand the Truck and Implement Operator’s manual.
3. Permit only qualified and properly trained employees to operate the Truck and Implement.
4. Maintain the Truck and Implement in a safe operational condition and maintain all shields and guards on the equipment.
5. Ensure the Truck is equipped with functional seat belts and require that the employee operator securely fasten the safety belts at all times.
6. Forbid the employee operator to carry additional riders on the Truck.
7. Provide the required tools to maintain the Truck and Implement in a good safe working condition and provide the necessary support devices to secure the equipment safely while performing repairs and service.

Child Labor Under 16 Years of Age

Some regulations specify that no one under the age of 16 may operate power machinery. It is your responsibility to know what these regulations are in your own area or situation. (Refer to U.S. Dept. of Labor, Employment Standard Administration, Wage & Home Division, Child Labor Bulletin #102.)

SAFETY

SAFETY

>8) LL) A !'HA

5 GG9 A 6 @M G9 7 H=C B

5 GG9 A 6 @M

6 YZcfY UHya dh]b['hc'a ci bhnci f' H][Yf'a ck Yfz]h]g]ja dcfhUbh
hc' fYUX'Ub'i bXYfghUbX' U``cZ H Y' GUZYmIA YggU[Yg]b`H Y'GUZYm
GYW]cb'cZH]g'a Ubi U"

Ô@& Á[{]|^cÁ @ { ^} dā dā dā • dā@Á dā dā * Áā dā Á dā^Á~|^Á@|^Á@Á[ÁÁ
• @! dā^• ÉÁÁ dā^ÁÁ! dā Á@Á dā dā Á [á^Á Á@Á]]|] | dā Á } ^Á Á@Á [, ^! ÁÁ& dā^ÁÁ



OE, dē • Á • ^ Á Á [[| Á Á É @ ā dā Á | Á dā Á Á dā dā Á dā^Á@ dē Á dē • É

Ü^ dā Á dā á Á } á^! • dā á Á@ Á } dā^ Á dē • ^ { à|^ Á^ & dā } Á dā • d~ & dā } Á^ Á|^ Á dē {] dā * Á dā Á [~ } c
^ [~ | Á dā^ Á [, ^! É Á Á^ Á Á Á@ Á dē • Á^ & dā } Á Á@ Á dē dā Á | Á^ dā^ Á Á | • d dā } • Á Á | d dē Á dā
] dē • É (ASM-C-0001)

HF 57 HCF`DF 9 D5 F 5 HCB

- OE Ü^ { [ç^ Á dā @ dā dā Á^ Á dē } á Á c^ } • É
- OE Öā & { } ^ d dā dē | ^ Á dē | • Á [{ Á [d dā dē | dā • É
- OE Ü^ { [ç^ Á } * dā^ Á dā^ Á dē | • É | Á dē^ Á dē [á Á dē & • • Á [] dā^ ||^ É
- OE Ü^ { [ç^ Á] ~ * Á [{ Á dē dā | dē dā * Á @|^ Á dē dā^ Á dē }] Á [~ } dā dā | Á^ Á dē @ dā É
- OE Ü^ { [ç^ Á dē^ Á [] dā^ Á dē @ dē } á Á^ Á dē @ Á^ }] | • É
- OE Ü dē^ Á @ Á dē dā | Á } d dē É dē dā • Á dē á Á^ { [ç^ Á @ Á dē @ dē } á Á^ Á dē dā @ Á^ } • É

(ASM-JD-0001)

7 F 5 B? G<5 : H'5 8 5 DH9 F

Ø | Á RÖ Í T Á dā á Á É Í T Á dē dā | • É { [ç^ Á @ Á | ~ | Á dē } & ^ , • Á [{ Á @ Á dē | • d dā^ ~ ||^ É Á
V@ } Á • d | Á @ Á dē | • d dē dā dē c | Á dē á Á } dē | Á Á @ Á | ^ Á dē @ Á dē } & ^ , • Á dē á Á | & , dē @ ! • Á
dē Á @ , } Á Á @ Á dē • Á^ & dā } É

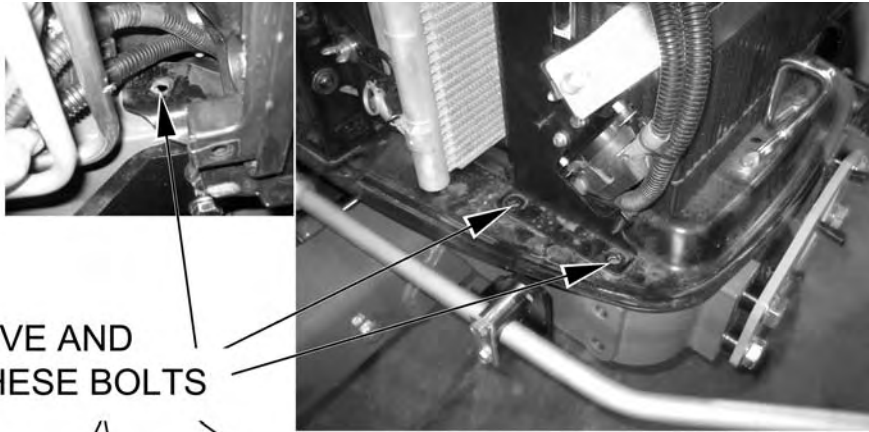
Ø | Á RÖ Í T Á RÖ Í F É T Á dē dā | • É • d | Á @ Á | @ Á^ Á^ Á dē XÓG Jì J Á dē } á Á || | , Á @ Á
dā • d~ & dā } • É (ASM-JD-0085)



5 GG9 A 6 @M

7 F5 B? G<5 : H'5 7 7 9 GG

V| Á&&^•Á@ Á&|æ\ • @æÁ Á@ ÁÖÍ ÉÍ T Áæ áÁ ÉÍ Í ÆÉ T ÉÁQ |Á æ|Á ^^áÁ Á^Á& c
 æ Á@ Á| } of Á@ Á| æ&| Áæ çæ * ÉÁV@ Áææ' Á |æ^ Á æ|Á ^^áÁ Á^Áææ^áÁ Á& Á@ ÁQ |
 æ æ áÁææ&@ Á@ Á&|æ\ • @æÁæææ ç' ÉÁV| Áá Á@ ÉÁ^ { [ç^ Áæ æÁ æ^ Á@ Á| c • ÁQ |ææ * Á@
 àææ' ^ Á |æ^ Á Á@ Á|æ&| Á|æ ^É



REMOVE AND
RETAIN THESE BOLTS



ææ' Á@ Á| |o Á@æ^ Á^ Á { [ç^ áÉ Á^ Áæ' Áææ^ Á@ Áææ' Á |æ^ ÉÁU } & Á@ Á |æ^ Áæ
 |ææ^ áÉ Á^ Áæ Áæ | | | |ææ Á| & Á Á^ Á@ Áææ' Á |æ^ Áææ^ áÉ
 (ASM-JD-0086)



WÙÒÁÜÿÁÓœÜ
 VU ÁÜœÜÒ
 Óœ/VÓÜÿÁŠVÒ



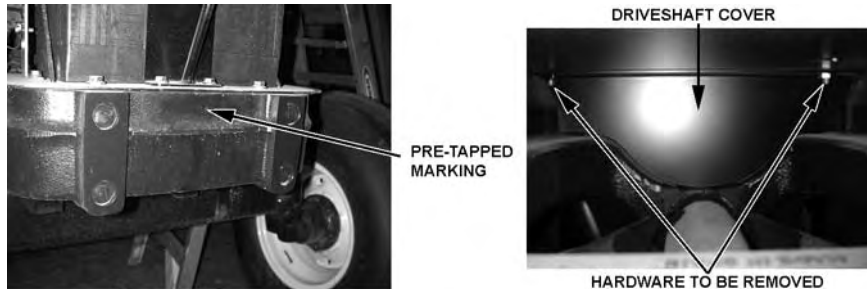
WÙÒ
 œÜÜÜÜÜœÜ
 ÓŠÜ ÖŠ



5 GG9 A 6 @M

7 F5 B? G<5 : H'5 7 7 9 GG fwbhbi YXL

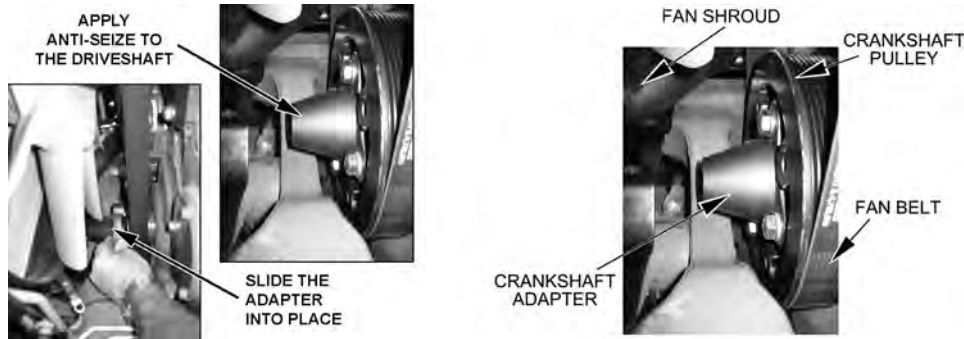
① aás@a^} c!Á } &@áÁ æ|ä *Á } Á@Á| } c!} aÁ -Á@aá &|Á @_ } Á^|. ② aÁ^Á@aÁ æ
* aÁ^Á|Á & cä * ÉÁV^Á@aÁÉ+ÁQ|Á aæ Á Á & @ÁQ|Á Á|Á@Á|á^• @eÉÁU} &Á@aÁQ|Á Á & c! }
, á|Á^Á@a|Á Á [| \ Á@| * @Á@aÁQ|Á aÁ^Á@aÁ|á^• @eÉÁU} c!ÉÁ



V@Á|á^• @eÉÁU} c!Á@aÁ@|á } Á & [Áa|@ÉÁV[Á^| [c^Ác@^Áa|@ Á@a^Á -Ác@Á} æ |
& c!á } * Á@aÁ ÉV@} Á^ Á |Á@eÁ Á & Á @Á@|@Á } Á @Á|á^• @eÉÁU} c!É



V@Á@a^|Á|æÁ á|Á^áÁ ÁæÁ|cæáÁ|Á@aÁ|Á @Á@aá} c!Á Á^Á • cä|áÁ } Á@a
& æ | • @eÉÁU} Á^ ÉÁV@Á@aÁ } • @eÉÁ@aá} c!Á Á} aÁ|á^Á@a } q Á|æÉÁ
Ó-|Á^Á • Á|cä * Á@Á|á^• @eÉÁU} q Á@aÁ } • @eÉÁ@aá} c!ÉÁ } |Á cE ÁU^Á^Á} á|æ} c!Á
c@Á| á^Á -Á@aÁ|á^• @eÉÁU^ÉÁ } |Á cE ÁU^Á^Á} & Á@a^æÁc|Á@aÉÁ
cE^Ác@Á& } • @eÉÁ@aá} c!Á Á^Á • cä|áÁBÁq | ~ ^áÉÁ^| [c^ÁÁ| & Á aÁ^Á } cä|Áa|@Ác@
, ^|Á^Á^| [c^áÁ Á|] Á } Á @Á@a^|Á|æÁ ÉÁ ASM-JD-0097)



5 GG9 A 6 @M

8 F=J9 G<5 : H/ ' : FCBH'DI AD'ACI BH#B;

V@^aaÁ@Á {] Áiã^• @eoa d Á@Áiã\• @eoaãã c'É
 Ûiã^Á]ã^ãÁiã^• @eoa] |'Á } d Á@Á {] Áiã^• @eoaQ• ca|Á@Á {] Á } d Á@Á [] dÉ
 ã * Áiã^• ^ã^ UVÒKÁ@Á {] Á Á -^Á Á } ^Áã^ãã } É@Á {] Á @ |ãÁ^Á • ca|Á^Á ã@Á@Á -É
 • ^Áã^Á } Á] ÉQ• ca|Á@Á, æ^Á |Á^& |ã * Á {] Á Á@Á {] Á [] } ÉUÁ UVÁ@ } É
 Q• ca|Á {] Áã áãã } Á [Á@Á]ã^ãÁ]ã * Áã Á^Á [ç^áÁUÓÓÁÚSÓY Dãã Áã áÁ |cÁ
 à Á@Á áÉU [ca^Á] |'Á Áã áÁ@& Á^Á |æ Áç^ Á^Á } ÉVá @ } Á {] Á [] } ç * Áiã^• |cÁ
 • ^Áã^• ã } Á & @ & ã * Á |Á]ã^Á]ã * Á^Á |æ ÉU^ [ç^Á@Á {] Á [] } ç * Áiã^• |cÁ
 [] ^Áã^• ^Áã áÁ] | Á@Á^ãÁ & ã * Á^Á } ÉVá @ } Á@•^Á |cÁ Á &^• ã } Éæ æ Á@& É
 ã * Á |Á^Á |æ Á Á@Áiã^• @eoaE c'Á Á |cÁ Á^Á |' ^áÉ@Á } áÁ |æ Á } Á@Áiã^• @eoa
 • @ |ãÁ^Á Á^Á Á^Á áÁ] |'Á @ |ã [ç^Á^Á Á ã@Á áÁ!• ^ÉQÁ } áÁ |æ Á • Á
 c@Á Á^Á Á^Á áÁ Á@Á } áÁ Á@Á @eoa Á@Á ç^Á@Á [] |'Á } áÁ |æ ÉQÁ@!^Á Á [|^Á@Á Á^Á -Á
 ^ } áÁ |æ É^c' ; Á@Á @eoa ã@Á ^ãããã } • Á |Á] * Á Á @eÉ
 75I HCB. "8C'BCH'GH5FH'K<9'HF57HCF'I BH=@5 @@<CG9G'5F9'5H57<98ZH5B?'
 =G: =@@8'K#K'DFC9F'C=@5B8'65@@J5@9G'5F9'CD9B""GH5FHB; '5H'K=GH'A9'
 K=@@75I G9'G9F=C I G'85A5; 9'HC'H<9'DI AD'" (ASM-C-0091)

58>I GH#B; 'F95F'K <99 @G

Ûaa^Á^æÁ -Áæ&d |Á } d Áã É çã á • ÉÁÁ c`ck`h Y]bgfi W]cbg]b'h Y'kfUWcf`ck bYfjg
 a Ubi U`Zcf'UX1 gh]b]`HfYg'UbX'f]a g ÉÁV@^Áã Á @^• Á WUVÁ ^Áãã • c'áÁ Á@Á ã^• c
 • ^ç * ÉUUVÒKÁ@Á æ Á^~ã^Á, æ@ * Á@Á @^• Á Á]] [• æ^Áã^• Á -Áæ&d ; ÉQÁ [Áã^
] [c'Á Áã^Á ã@Á^dãã } • Á @ } Áã } [] ç * Á^Áã^Á ÉQÁ |Á æ^Á Á • ca|ãã } ÉVÁ Á^• Á
 |æ Á@Á^ã Á @^• Á^ [ç^ÁÁ |ã * Á • ca|ãã } Á Á@Á [, ^ÉÁ (ASM-B-0001)



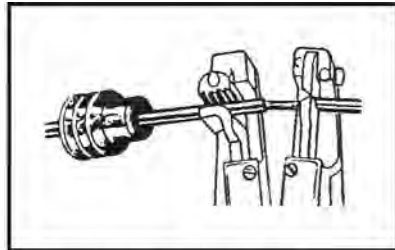
5 GG9 A 6 @M

K 95H<9F!D5 7 ? #A 9HF =D5 7 ? '5 GG9 A 6 @M

V@•^Á }•d` &ç }•Á } |` Á Á [c@Y ^æ@! ÈúæÁ Á } áÁ ^d ä æÁ } } ^&ç !•È

BCH9.1 gYH YgdYWZWrcc`z`f`h Y`mdY`cZWbbYWcf`nci `UfY`UggYa V`b["

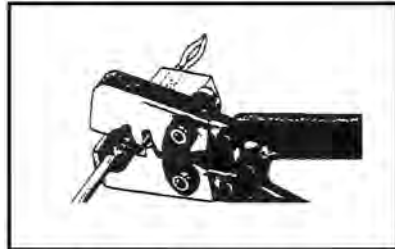
(ASM-C-0009)



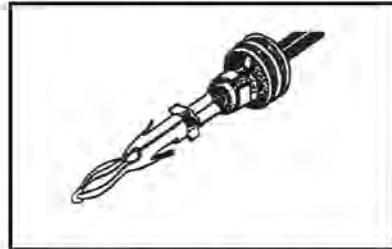
1. Apply seal to cable, before stripping insulation.



2. Align seal with cable insulation.



3. Put terminal in crimping tool, then



4. Crimp and visually inspect for a good



5 GG9 A 6 @M

J5 @9`A CI BH-B;

0rca&@b@Á^æçç^Á [~ } ç * Á!æ&^ç Á@Á^} á!Á Á@Áæçç |Á^Á^ { [çã * Á@Á ç [Á^æ&[|oÁ } Á@Á^Á^} á!Á á@Á [Á^æ&[|oÁ } Á@Á^Á^ } á!Á Á^Á^Á^ } dæç } Á á! [, ÉÖ:á|Á@Á^ ~ æ^Áç |Á^ Á@Á^} á!Á Á^Á^ } çÁ^Á^ &^ , •ÉÁ^Á^Á@Áæç , æ^Á } [çáÁ Á@Á^Á^Á^ &ç } Á^ Á^æ&@b@Á^çç^Á [~ } ç * Á!æ&^ç Á@Á^æç |É

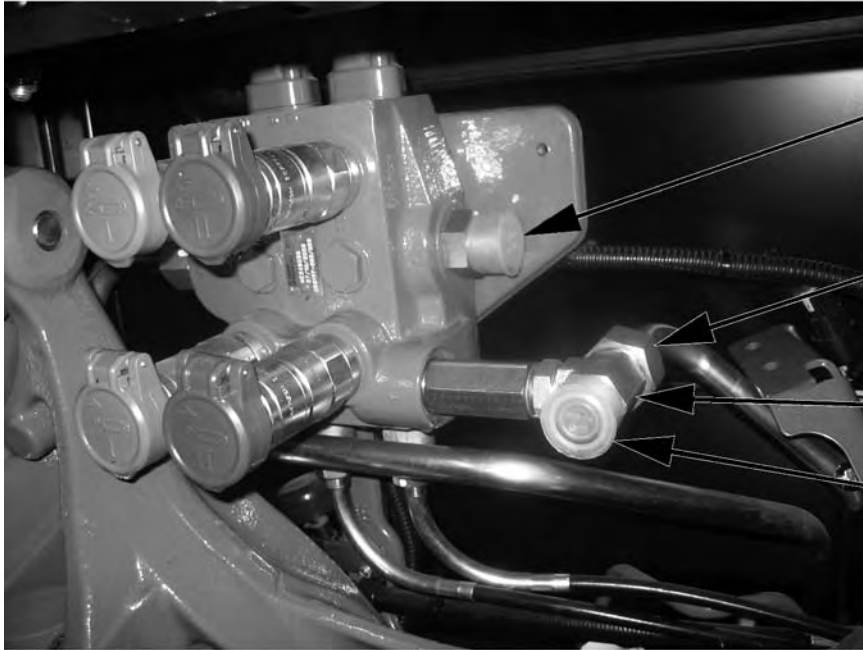
Þ^çÉæ&@b@Á^çç^Á [~ } ç * Á!æ^Á^ Á@Á^ [~ } ç * Á!æ&^ÉÁ^ } Á@Áç |Á^ } Á@Á^æ^Á ç Á@Áç |Á^ } Á@Á^æ&^ÉÁ^Á@Áæç , æ^Áç , } Á@Á^Á^Á^ &ç } Á^ Á^æ&@b@Á^æ^Á ç @Á^çç^Á [~ } ç * Á!æ&^ÉÁ^æç |É } Á@Á^çç^Á [~ } ç * Á!æ^Á^Áç , } Á@Á^Á^Á^Á^Á^ &ç } ÉÁ^Á^ } Á@Áç |Á^ } Á@Á^çç^Á^ •^ { à| Á^ Á@Áç |Á^ } Á@Á^æ^Á^Á@Áæç , æ^Á } | [çã^áÁ^Á^ &^ |Á@Á^çç^Á^ Á@Á^æ^ÉÁ^Á^Á^Á^ Á@Á^Á^Á^ &ç } Á^ |Á@Á^æ^Á^ } çÁ^Á^Á^ ççç^Á^ á@Áæç , æ^Á^ •áÉÁ^D YUgY\ UbX'YH Y''Zij Uj Y'k jH 'WUfY''-h]g'YI HfYa Ymìl YUj mì UbX'Wé bHj]bg'ga U``dUfg'' (ASM-JD-0065)



5 GG9 A 6 @M

DF9 GGI F9' @B9' BGH5 @@5HCB

V@Á@á:æ|æÁ!^•~!^Áá^Á q|Á^Á|{ à^á/á d Á@Á:æd |•Á[, ^!Á^[] } áÁ[| dÁ[&æ^Á@Á][, ^!Á^[] } áÁ[| dÁ[} Á@Á]] ^!Áá @Á á^Á Á@Á:æd |Á^æÁ^ { [c•É^ [ç^Á@Á] * Á^Á!Á Á c@Á| • dæ } Á^ [, Áá áÁ@Á:æc Á^ &ç } dÁcÉ!Á@Á | * Á^Á^ [ç^áÉ] } ^&Á@Á:æç c!Áá áÁ ! [c^Á@Á@ • ^Á [{ Á@Á:æç c!Á Á@Á:æç ^É Á @ , } Áá @Á:æc Á^ &ç } ÉÁ (ASM-JD-0089)



Power Beyond Port

Line From MidMount Valve
or Install Cap on Tractors
Without a MidMount Valve

Branch Tee

Return Line

F9HI FB' @B9' BGH5 @@5HCB

V@Á^c!} Áá^Á q|Á^Á|{ à^á/á d Á@Á:[] d Á@Á:æ &Á^É Á @ , } Á^Á!^çá • Á| • dæ ç } ÉÁ @Á q|Á^Á • ^ { à^á/á d Á@Á:æç c!Á[&æ^áÁ^ [, Á@Á:æd |•Á[, ^!Á^[] } áÁ[| dÁ Ü^ [ç^Á@Á]à[, Á!Á | * Á [{ Á@Á^æÁ^ { [c•Áá áÁ] |æ^Á^ á@Á]] |á^Á:æ &Á^ÉÁ Ô [] } ^&Á@Á^Á [{ Á@Á^æ [~ } dç^Á Á@Á:æ &Á^ÉÁ [~ | Á:æd |Á^Á [dç^Á^Á T áÉ [~ } dç^Á^Á @ } Á • ç|Á@Á]] |á^á/á Á } Á@Á:æ Á á^Á Á@Á:æ &Á^ÉÁ | { àÁ@Á !^c!} Áá^Á [{ Á@Á:[] d Á@Á:æ &Á^É Á@Á:æç c!Á } Á@Á:æç ^ÉÁ (ASM-JD-0090)



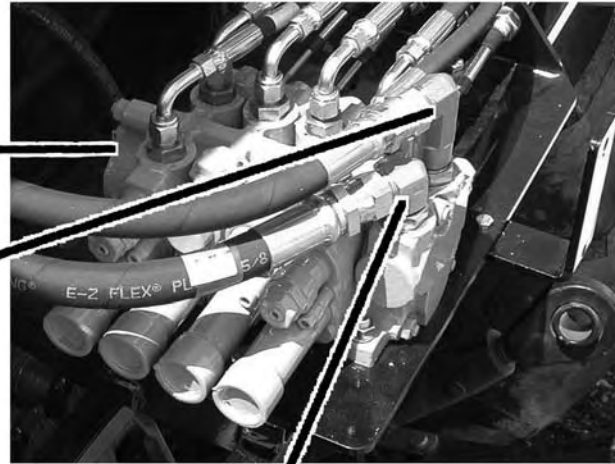
5 GG9 A 6 @M

A 5 BI 5 @ @ H'J5 @ 9 'DCFHG

Á

LOAD SENSE

RETURN PORT



PRESSURE PORT

(ASM-C-0057)

A 5 BI 5 @ GK #7 < 6 CL 'ACI BHB;

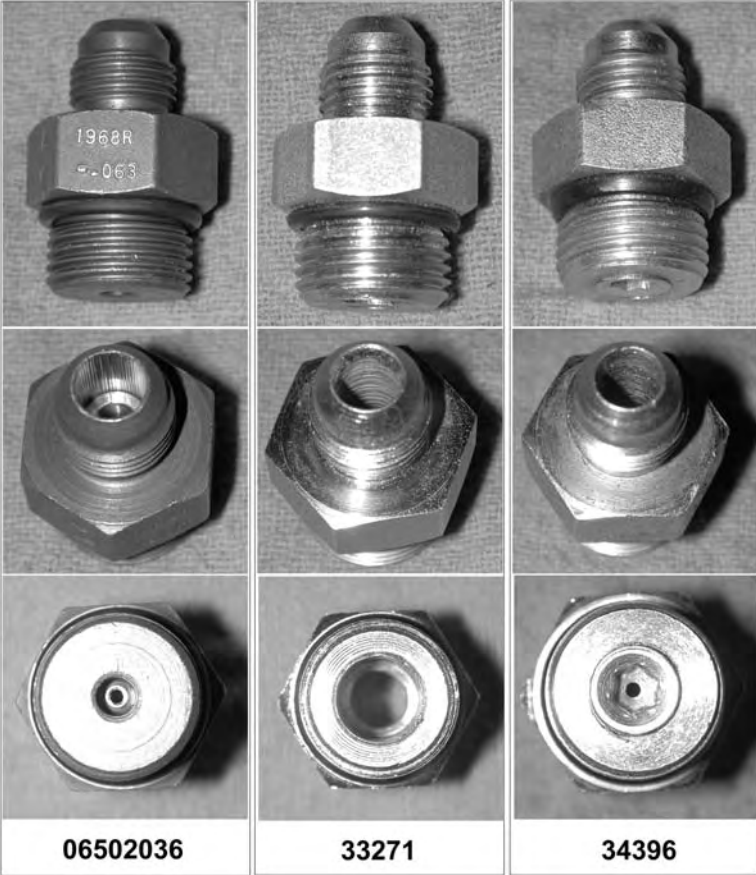
ÁV@Á, ä&@ [c/Á Á Á^Á^&'!áÁ Á@Á] ^æ | CÁ ä^Á Á@Á } d [|Á@ á|^ Á | Á ç^Á ç áÉ
Ü^Á | Á Á@ Á á Á^&ç } Á | Á • ^ { á | Á á Á {] [] ^ } • Á ^ á á É (ASM-C-0071)



5 GG9 A6 @M

†BCH9 `CB`<I G7 C`7 CBHFC @J5 @9G†

T æ ~ æ†Bca|`Á& } d[||^áP`•& Á& } d[|Áçç^Dá[[{ Á [, ^!•Á~`ã^Á&@& Áçç^•Á ã@& c`E`
 †áÁ•dãç` Á †ãã^ÁÁÉ í €GEH`D&•ç†^á/Á Á@Á& } d[|Áçç^Á [[Á[[! Á@çã^Á& }}^&c`áÁ Á
 c@Á|æ`áÁ`á•Á`Á@Á`æ`Á`áÁ^& } áæ`Á[[{ Á&|á`á!•ÉÁ@Á&@& Áçç^Á&||, •Á`áÁ`Á^^Á
 †[, Á`ç`Á@Á|æ`áÁ`áÁ`Á@Á`æ`Á`áÁ^& } áæ`Á[[{ Á&|á`á!•ÉÁ`óÁ•dãç`Á||, Á`ç`Á@Á
 &|á`á!•ÉÁ@Á^`á`Á[[çãã`*Á![[^!Á[[{ Á& } d[|ÉÁV@Á&@& Áçç^ÉÁÉ í €GEH`Q^`á|:ÁÁFJ`í`ÜÉ
 Éí`H`D`Á`á`á`ç`Á`á`^`æ`æ`&Á`Á`Q`•^`Á`á`ç`ç`c`!`Á`H`G`F`Á`á`á`D`á`ç`ç`c`!`Á`H`H`U`í`É`á`ç`É`Á`á`á`É`Á
 V@•^Á&{ }[[^`ç`Á`ç`Á`Á`Á`ç`á`á`á`Á`||, •É`á`á`Á`Á`Á`Á`ç`†^`á`Á`!`Á`á`ç`ç`Á`Á`&ç` } Á`!`Á`@`Á
 †ãçç^ÉÁ`ASM-HUSCO-0001)



5 GG9 A 6 @M

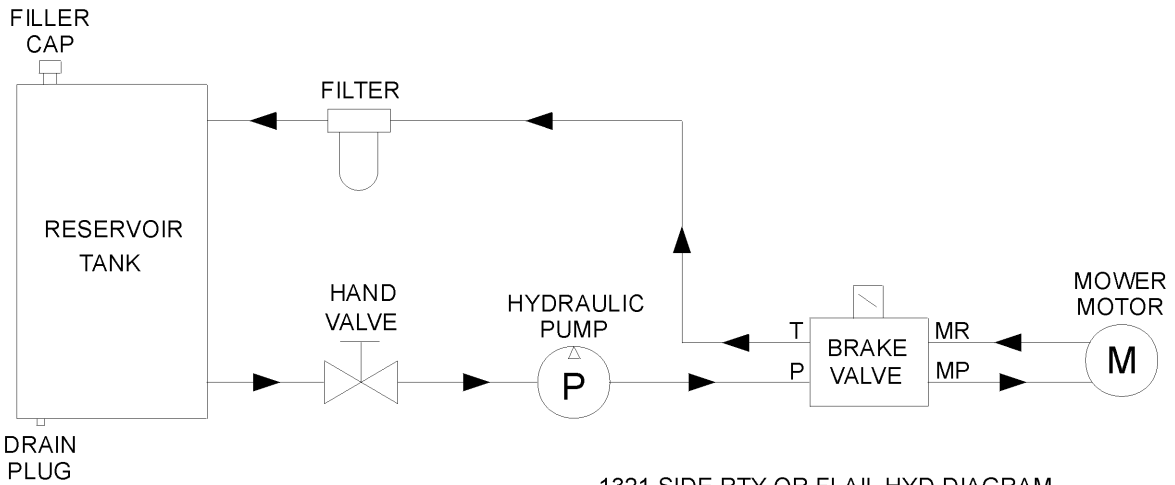
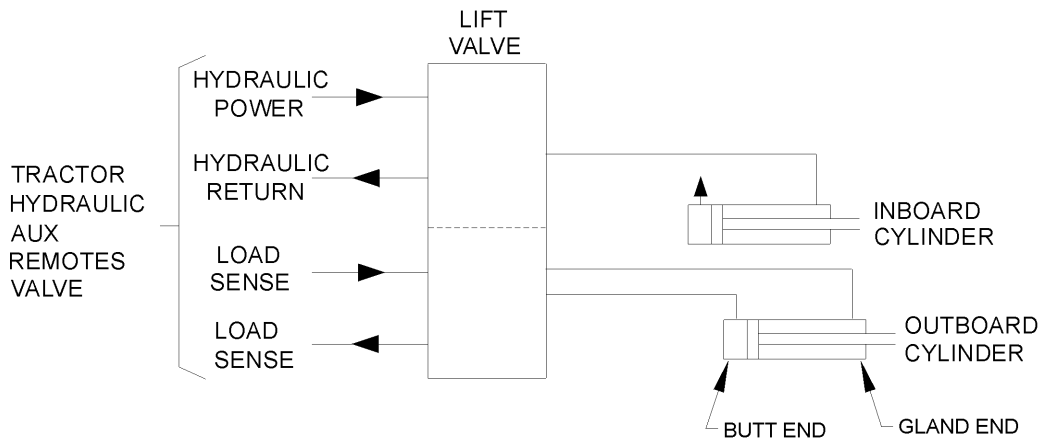
: 9B89F'7I H: CF'K <99 @K 9 @@H5 B?

ÁCÁ [&@ q|Á@e^Á Á^Á& 0á q Á@Á-Á^áÁ} á^Á Á Á[, Á [{ Á |Á@Á@aé |ÁÁ\ Á|Á!
}^& ÉÁ@Á [&@ @ ~|áÁ ááÁÁÁÁ &@•Á [{ Á@Á^áÁÁ |}^|Á -Á@Á} á^ÁÁ} á&^áÁÁÁÁ &@
á^Á] Á&Á@ÁÁ ÁÁ &@•Á [} ÉÁÁÁ Á [& Á @ ~|áÁ^Á•^áÁ} Á@Á @Á] Áá^•ÉÁ (ASM-JD-0092)ÁÁ



5 GG9 A 6 @M

G-89 ACK 9F < M8 F5I @7 8 5; F5A



(ASM-C-0090)



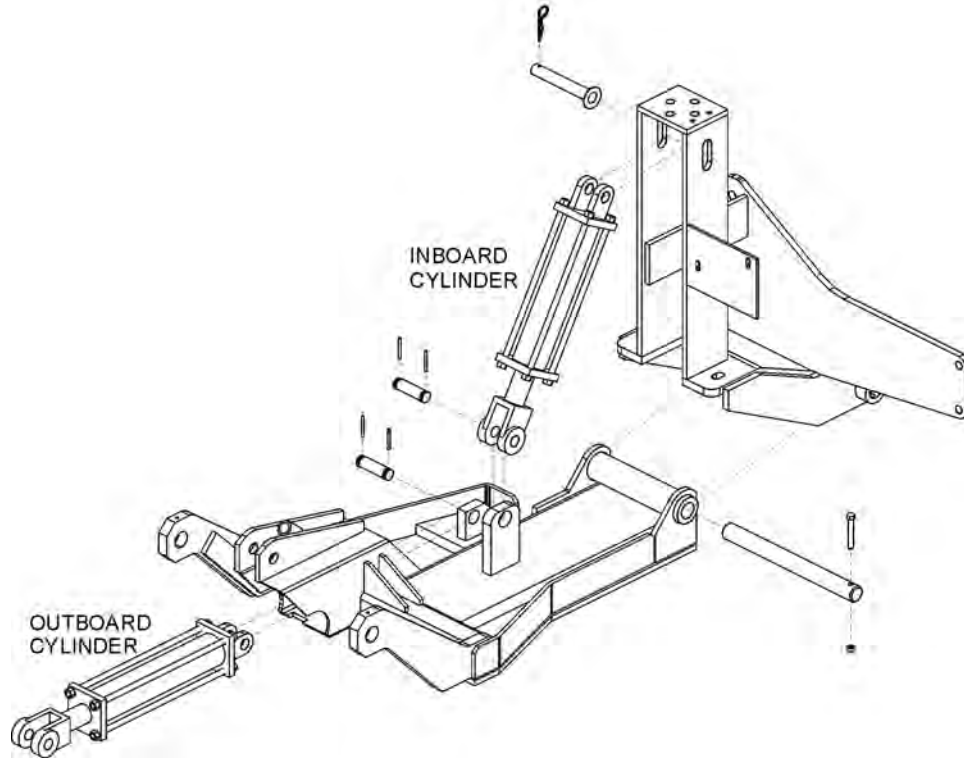
8 F5 : H'695 A -BGH5 @HCB

Q•æþÁ +UÉä *Áí^æ@íÁ ð Á~ w[íí] Æ ä[æá&]ä á^ÉËËQ•æþÁæä *Áí Á@Á[áÁ} áÁ -Á@Á &]ä á^ÉËË [ää *Áí Á@Áæ íæ Á@Á[{ { [] Áæ@Á^&æ } ÉËË@^Áæä *Á @~]áÁ^Á] [•æþ } ^áÁ Áæ@Á^ wÁ} áÁ -Á@Á&]ä á^É

Þ^æ@í } Á@Áíçä Á } ð Á@Á[áÁ -Á@Á&]ä á^Á } ç/Áí Áæ @æ æä •á@Á @~]á^Áæ áÁ & Á ä ð Áæ^Á æ@í & ä *Áí [íí] Áíçä ÉËË

V@Á ä[æá&]ä á^Áæ ä Á[, Á^Á•æþ^á ð Á@Á æä ðæ ^Á æä áæ@í ä ÉËËæ æ @íÁ æ ä ÁÉÉ]ä Á@ , } Á^[] , É

Q•æþÁæä *Áí Á@Á[~ çä æá&]ä á^Áæ ä Áæ ä •áç Á[ä áç , æá•Á@Á^ wÁ} áÁ -Á@Á &]ä á^ÉËËæ@í@Áç•Á•Áé Á^æä áÁ Á@Á æ@Á [[ÉËË]á^Áæ@Á&]ä á^Á ð Á@Áæ@Á^æ þ [{ Á@Á~ ç^Á -Á@Áæ@Á^æ Á äææ&æ@&]ä á^Áç Á@Áæ@Á^æ Á æ@íçä Á ä Áæ ä] [] ä •É (ASM-C-0076)



8 F5 : H'695 A -ACI BH-B;

Ú~]Á@Á ä[æá&]ä á^Á [•ç } Á[áÁ , } Áí Á@Áçä { ^Áæ@í } á^Á [•æþ } ÉËË]á^Áæ@Áæ ä^æ Á} á^Á@Á&]ä á^É

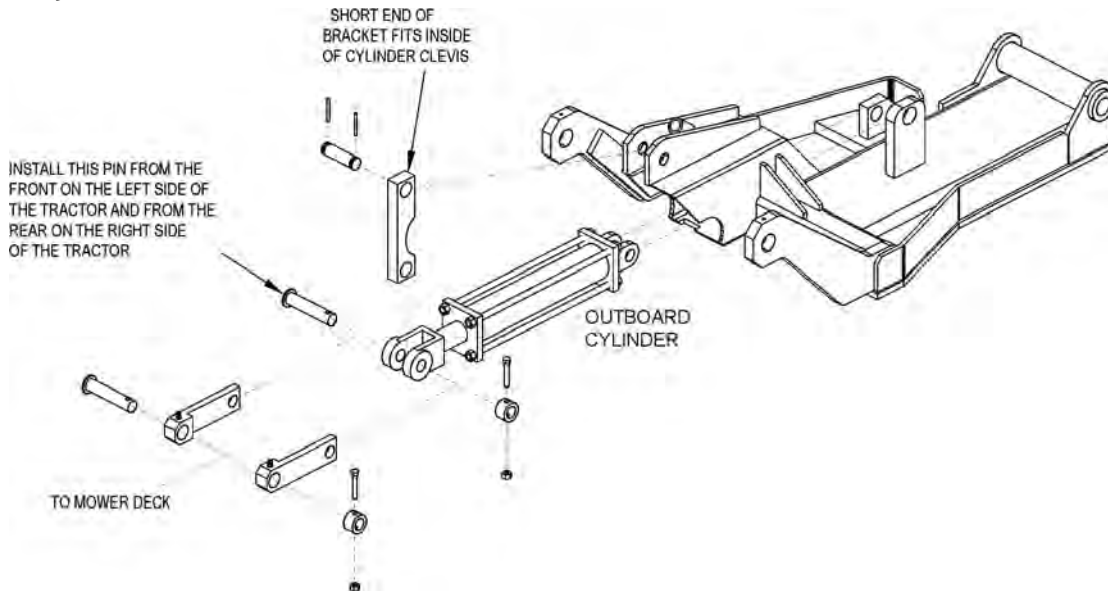
W ä *Áí ä[æá&]ä á^Áæ ä ä[íí] ä íí]á^Áæ@Á^æ Á} á^Áæä íí] ä ä •æþ]áæ@Á^æ] ä ÉËË } Áç]á^Áæ@Á^æ Á ä ä ç]á^Áæ æä ^Á [•Áæ áÁ •æþ]áæ@Á^æ & í , Áæ ä Á^[] & } ~ ÉËË (ASM-C-0078)

5 GG9 A 6 @M

ACK 9F`ACI BH-B;

Ô@& Á@&Á|Á|`æ^Á^|·Á@æ^Á^} Á·æ|`áÁ Á@Á|æÁæ^æ·Á æ[Áæ{ ÉÁ-Á|æ^Áæ{ ÉÁ
|á @Á|æ^Áæ{ ÉÁ áÁæ|á|á|Á [] æ^Áæ·É

Wá * ÁæÁ|çá Á á Áæ| Á| Á á·ÉÁ } ^&Á@ Á æ[Áæ{ Á| Á|çá Á } Á|æÁæ^æ ÉÁÁUVÒÁ æ^Á
·`|Á@Á| } *`|Áææ æ &ÁæÁç ^} Á@Áæ ç ~ Áæ áÁ@Á } áÁ-Á@Á æ[Áæ{ ÁæÁ|·Á·Á Á@Á|æÁ
à^æ Á æ[Áæ·Á } Á@Áæ } ç|Áæ à^Áæ Á @, } Á@Áææ|æ Áæ|, ÉÁÁÁ·[Á æ^Á`|Á@Áæ ç`Á
[] Á@Á æ[Áæ{ ÁæÁ·Á ç Áæ à^Á-Á|æÁæ^æ ÉÁ(ASM-C-0077)



Ù|æ^Á ç|Á } áÁ-Á æ[Áæ{ Á æÁ @|Áææ &ÁæÁç ^} Á@Áæ ç~ Áæ áÁ@Á } áÁ-Á@Á æ[Áæ
æ{ ÉÁ ç Á@Áæ|á|á|Á|çá ÉÁÁæçÉÁ ^Á } Á@Á ç|·Á-Á@Á-Áæ áÁá @Áæ|á|æ^Áæ{ ·Á· çæ^Á
[-Á@Áæ|á|á|Á|çá Á|·ÉÁÁ] } ^&Á æÁ|æ^Á á Á æ Á·Áæ Á~ á^áÁæ[··ÉÁæ·&^, ÉÁ
[&, æ @|Áæ áÁ@Á ç~ Áæ Á @, } É

V|Á| } ^&Á@Á| } ^Á Á@Á|æÁæ^æ ÉÁ|æ^Á@Á çç } á } Áæ{ ·Á-Á@Á|æÁæ^æ Áæç ^} Á
ç@Á [] ç *Áæ·Á } Á@Áæ } ^Á } áÁ-Á@Á| } ^ÉÁÁ ^Á } Á@Á ç|·Áæ áÁ&|^Á æÁ, æ^|Á á ÉÁ
&æ·&^, ÉÁ &, æ @|Áæ áÁ@Á ç~ Áæ[çÁæ·ÉÁÁ ^Á æÁ| [\Á|·çææ] É

P^çÉ·|æ^Á@Á^Áæ áÁá @Á|æ^Áæ{ ·Á } Á| Á@Á| ç áÁææ } Á@Á æ^Á-Á@Áæ & É
Ù&|^Á æÁ|æ^Á á Á æ Á·Áæ Á·Áæ[··ÉÁæ·&^, ÉÁ &, æ @|Áæ áÁ@Á ç~ ÉÁÁÁÁ|·çææ } Á
Úæ·Á^&ç } É

@: H7 CBHFC @: 998 @B9G

P[·^Á} * çÁ á|Áæ^ Áæç ^} Áæç|Áæ } ·Á· &Áæ ÁæÁæ áÁ [] ÉæÁ } æ ÉÁÁÁ@Á
Úæ·Á^&ç } ÁæÁ ^|ææ·Á| Á|`|Áæç|Á|Á ç·^Áæ } ·É

Q·æ|Áæç·^Á|{ Á@Á| ç{ Á|Á } ^|Áæç^Á| |çÁ ç áÁæÁ|ÁæÁ } æ É } Áæ áÁ|Á [] É
&æÁ } æ Á@Á·çæç|Á } Á@Á æ|ææ|á|á|á|æ áÉ

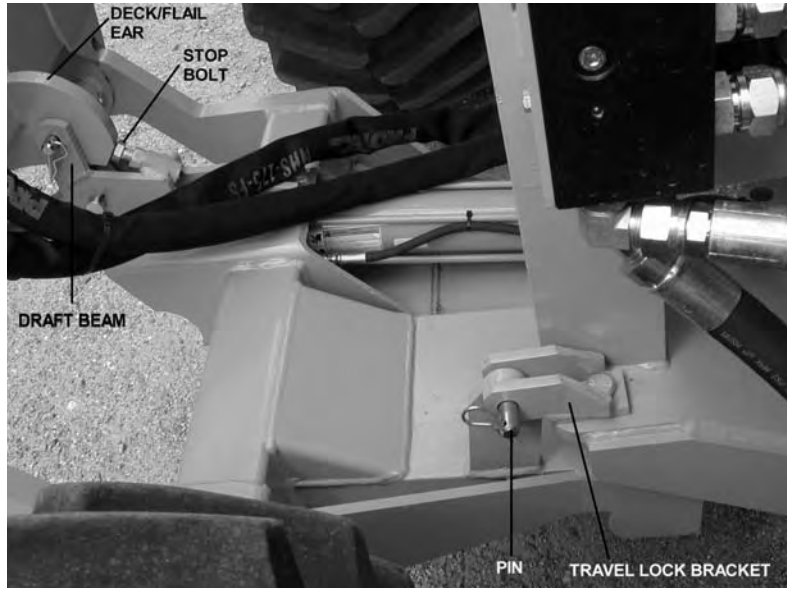
Q·æ|Áæç·^Á|{ Á@Á } ^|Á|Á ç|Áæç^Á| |çÁ Á@Á·çæç|Á } Á@Á ç|ææ&|á|á|Á çÉ
Ù^ÁÚæ·Á^&ç } Á|Á æç·{ à·Áæ áÁ@Á·^Á| ç *Á|·çææ } ·É(ASM-C-0093)



5 GG9 A6 @M

HF5J9 @C7 ?'ACI BH-B;

Q• cplÁ@ÁÁæ^|Á & Ááæî^o¸ ã@Á ð Áæ áÁð Á } Á@ÁáæoÁ^æ ÈÚ|ã^Á@ÁáæoÁ^æ Áæ á æð } Á@Ááæ^|Á & Ááæî^o¸ |Á ã@Á Á [~ } ç * ÁQ |Á } Á@Á æ ðæ ^ÈQ• cplÁ@Áæ } & ^, È [& æ @ í Áæ áÁ@ÁÁ ò Á @, } Áæ Á@Á æc í ^È
Üæ^Á@Á^ & ÈæÁÁ Áæ Á] í @Á [• æ] ÁQ^ & Áæ Áá ~ & • ÁÁ Á d] Áá [oÁ Á @] Áæ Á@] æc í ^ÈQ• |Áæ^È |ÁQ |Á Á@Á^ & ÈæÁÁ æ Á@ [~ * @Á@ÁáæoÁ^æ Áæ Á @, } Á^ | , ÈQ• í oÁ •]] |á á Á ð Áæ áÁð Á @ [~ * @Á@ÁQ |Á Á (ASM-SIDE TRVL LOCK-0001)



GHC'D'6C @H'58 >I GH'A9BH

Òcc) áÁ@Á ~ cã[æá& ð á^|ÁÁ@Á æ Á ~ ÈÚQáb • oÁ Á d] Áæá • d } oÁ | oÁ & æ áÁ } Á@ d] Á Á@ÁáæoÁ^æ ÈÁ ~ oÁ } ç ÁÁ Á Áæ ææ • oÁ Á } ^ÈQ• & Á@Áá [oÁ] , } Á ã@Á Á Á@ç } ~ È
ÞUVONÁ @ } Á@Á ~ cã[æá& ð á^|ÁÁ Á | ÁÁcc) á áÈ@Á } ^oÁ | Á& Á ÁQ | áÁ æ | ÁÁ] æ ææ • oÁ Á d] Á | ÁÁáæ^|Á & Áæ^Á • cpl^áÈÁ ÁQ | |áÁ Á] Áæ ææ • oÁ Ááæ^|Á & ÈÚQÁ æ Á^ ^ & • • æ Á Á ^ Á æ | ÁÁcc) æ Á | ÁÁ } æ Á | * Á } Á@Á & ð á^|Á Á Á oÁ Á | | ^ & Á d | ^ ÈÚQÁ@ & c | Á@ æ Á Áæ ææ • oÁ Á d] Áæ áÁ@Á & ð á^|ÁÁÁ d | ^ Á { æ ð * ÈÁ í q ~ Áæ æ Á Á Á & í È Ú | & ^ á Á Áæ æ Á í ^ æææ } Á | Á | í ææ } Á • d ~ & } • Á } Á@Á ÁÁæ^È ASM-SIDE MNTS-0003)



@A H'GK H7 < 'A CI BHB;

ASSEMBLING LIMIT SWITCH

T [~ } 0A|æ^ ^oFÉÉ Ð +Á[, } ÁV[{ Á[] Áá* ^Á } Á@Á
 ð • ä^Á -Á@ÁæÁæ{ Á -Á@ÁæÁæ^æ ÉÁÁ ÉÁÁ ~ æ^Á
 , æÁ • ä^Á[] ^Á Á@ , } Á æÁ@Á ~ æ^Á[] ^Á
 æ æ • 0æ{ ÉÁV ^áÁæ^Á [Á [^Á@ Á Ð +ÁF Ð +Á } Á[] Á
 æ Á@ , } É
 0æ • ^{ à^Áá æ^Á , æ&@ æ@ @ ^Á[] Á[á ^Á æ^Á ~
 æ{ Á æ á Á æ@Á æ^Á -æ{ Á [~ } 0æ|á } ^á Á æ@Á ~ |@
 } [0æ] Áæ{ Á Á@ , } Á ÁÁ ÉÁÁ 0æ c } Áá æ^Á , æ&@æ
 ç Áá } ^á æ@Á Á É | +ÁÁÉÉ-Á á Á[| 0æ á Áææ æ @:
 æ Á@ , } Á ÁÁ ÉÁÉ

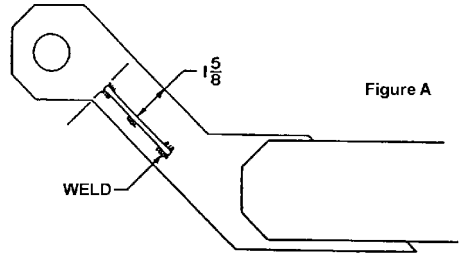


Figure A

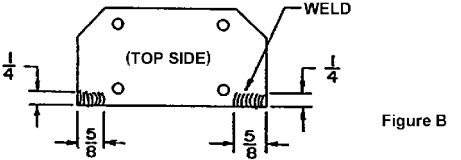


Figure B

ADJUSTING LIMIT SWITCH

V | Áæb • 0Á , æ&@Á [Á Á III , • K
 FÉV æ&@æ Á Á | æ^Á æ á Á á Á [| 0æ • 0æ | á Éæ æ^Á [, ^
 ç Áæ • á^áÁ @ ç -Áæ * | ^É
 GÉV æ@ á Á [| 0æ [• ^ } ^áÁ } Áæ Á } çÁ [| ^Á III , ^Á Á • c
 ^áæ@ • Á ^á Á æ^Á Á ~ ^Á Á Á á Á @ } Á á Á | É
 HÉV æ@ , æ&@æ{ Á [~ } 0æ & ^ , Á æ^Á Á ~ ^Á Á [• ^Á }
 • 0æ@ æ^Á Á ÉÁÁ æ@ Á & ^ , á á ^Á Á á á & ç } Á ~
 { III , ^Á Á ^Á @ ^Á | á á * Á III , ^Á Á æ æ • 0æ æ Á ^æ
 ~ } çÁ , æ&@æ • Á -Á æ á Á | á Á @ Á @ } á * Áæ{
 { [~ } 0æ & ^ , É

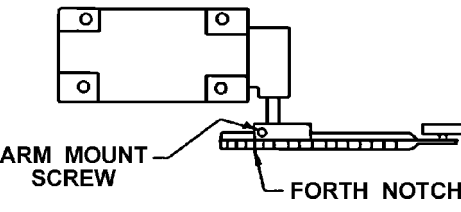


Figure C

WIRING LIMIT SWITCH

Ü ^ { [ç ^ Á ç] Á & [ç ^ Á [] Á , æ&@ ç Á ç [• ^ Á c] { á æ É
 Ó [] } ^ & 0 Á ^ á Á á ^ Á Á æ@ Á -Á @ Á æ Á æ Á { á æ É æ á Á @
 à | æ Á á ^ Á Á @ Á @ | Á æ Á Á { á æ É Á Á @ Á @ Á á
 ç Á [] [á á ç ^ á á | æ ^ Á [• ^ Á Á @ Á á ç } * ^ Á , æ&@
 Ó [] } ^ & 0 Á @ Á ^ á Á á ^ Á Á } ^ Á -Á @ Á c } á Á á @ Á | æ
 , á ^ Á Á @ Á @ | Á } á ÉV @ Á [] } ^ & 0 Á @ Á , æ&@ Á ^ á •
 , æ@Á Á [] [á á ç ^ Á (ASM-C-0028)

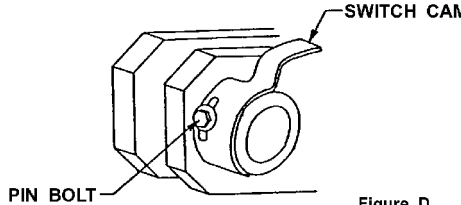


Figure D

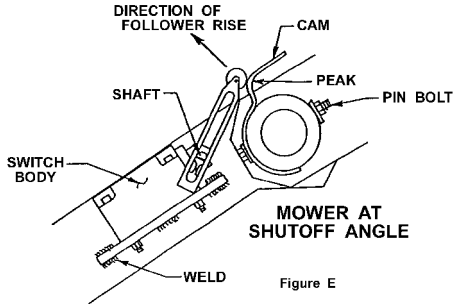


Figure E



5 GG9 A 6 @M

@A #I'GK #H7 <

(ASM-C-0029)



897 ? `#ACHCF` : 998 @B9

Q•ca/A@F-AQ•^•Á[{ Á@Á [d |Á Á@Á [| } [ãÁç^ÉÜ^~Á |Á Á@Áú•Á^&ç } Á |Á
 á^ca^áÁ { | { ca } Áá [~ ÁQ•^•Áç áÁçã * Á |Á@Áç |ãca } É

Q•ca/Á |ãÁQ•^•Áç [~ } á@ááæ |ãÁQ•^•Áç @ |^Á@^ Áç } caÁ @ } Áá^•É |Áç ^ Á @ |Á
 á^•Á•Áçç æ Á àÁQ•^•Áç É

ÓÁ ~ |^ÁççÁ |Á ç Á^Á | \ Áç^Áç •ca^áÁ Á@Á |æÁç Á ç Áç [•••ÉÜ^~Á ç^Áç |Áç ç Á-
 @Á |æÁç Áç Áçç |ãç * Á |Á@Áç d^ ç } Áç Á@Á ç ç } ç & Á^&ç } ÉÜ^Éç & Áç |Áçã * Á |Á
 ç @ ^•É

Q|Á@ááæ |ãÁç \ Á çÁ ~ ãÁç Á^ç { { ^ } á^áÁ Á@Á ç ç } ç & Á^&ç } ÉÜ^9`GI F9`HC`
CD9B`H<9`65 @@J5 @9G`MúçÁ@Á çç |Áç áÁ |Á çç Á@Á ç ç |ã ç áÁ |Á ~ * @Á@Á } ç^Á
 •d [\ Áç áÁ@Á ç |ã ç áÁ |ã ç áÁ |Á @ [~ * @Á@Á ç { Á Á d [\ Á^Á ^ç ç |Á ç & |Áç Áç Á^•Á Áç É
8C`BCH`fi b`ci HcUFX`Wn`bXY`ci hlc`Z`~`glfc`_Y`i bh`ghcd`Vc`h`l Ug`VYYb`UX`1 ghX`°

Ô@& Á |Á çÁ ç •Áçç |Áçã * Áç áÁç } } ^&ç } •Á ç * Áç ç & Á-Á ç |Á |Á ç ç |ã ç ÉÜ^ç Á
 |Á ç Áç |Á ç } áÉ [~ Á ~ Á @ Áç [, } Á@Á çç |Áç áÁ^Á@Áç ç |Á@çç |Áç Á |Á [~ } áÉÜ^~Á ç |Á
 çç { } ç * Á |Áç Á@Á ç É [~ Á ~ •Áç ç ç Á@Á ç ç ç Áç ç |Á^Á ç |Áç Á^•Á |Á ç^Áç Á
] |Á^•Á |Áç Á@Á ç Á^•Áç **8C`BCH`I G9`<5B8G`HC`7<97?`: CF`: @`8`@5?G`°**

Üç Áç Áç Áç Á [ç Áçç ç ç áÁç & Áç Áç çç |Áç ç } ç Á@ááæ |ã Áç |Áç |Á |Á ç^Á |Áç
 } ^á^áÉ (ASM-C-0079)



5 GG9 A 6 @M

: =B5 @DF 9 D5 F 5 HCB: CF`CD9 F 5 HCB

Ú|æ^Á |^æ| |CÁ æ^C Áæ áÁ |^æ| Áæ&æ^Á } Á@Á c^i q * Á | { } Áæ áÁ æ^Á | . [|^Á @ |^ c@^ Áæ^Á |æ | Áæ æ |^Á Á@Á |^æ | ÉWV@. ^ Áæ&æ^Á @ |^ Áæ^Á } á^i . d [áÁ^ Áæ&æ^Á |^æ | Á ~ c@Á æ&æ^Á | } b } &æ } Á æ@Á Úæ^c Áæ áÁ |^æ | Á^ &æ } Á Á@Á [| ÉWV@ Áæ&æ^Á Áæ^Á á^Á } æ æ^Á Á [| áÁ | } áæ } Áæ Áæ^Á { q á^i Á d Á@Á |^æ | ÉWV@ Áæ^Á |æ^Á Áæ áæ æ^Á É

Øæ æ | Éæ | Áæ . . ^ . É | q . Áæ áÁ | æ | c | [q . Á . q | Á } ^ áÁ d Áæ^Á |^æ^Á Áæ Áæ . d ~ &c^ áÁ Á@ Áæ æ c } æ & Á Ú^ &æ } Á Á@Á æ æ^Á ÁV@ Á@ áæ | Á Á^ . ^ | c | áÁ &æ Áæ . [Áæ^Á |^ áÁ æ@Á |^ & | { { ^ } á^ áÁ^ æ ÁG^ ÁT æ c } æ & Á Ú^ &æ } Dæ áÁ@ Áæ^ Áæ . æ |^ áÁ Á@ Á | Á Á@ Áæ æ \ É Ö | ^ | Á@ & Áæ Áæ^Á * Áæ áÁæ c } ^ . Á Ö Ö Ú Ö Á æ c * Áæ æ d | ÉWV@ | Á^ & |^ Áæ^Á | . ^ Á q . ^ . d * ^ c@ | Á æ@Á q Áæ . Áæ áÁ |æ Á æ@Á | áÁ q . ^ . Á @ |^ Áæ } Á æ Á &æ | Á } Á@ Á q . ^ . É



Ö Ö Ú Ö Á æ c * Á | Á |^æ | Á@ Áæ d | Á | ^ Á ~ . c^ Áæ Áæ áÁ } á^i . cæ áÁ@ Á Úæ^c Áæ áÁ |^æ | Á^ &æ } . Á Á@ Á æ æ^Á | } |^ c | É

69`GI F9`H<9`65 @UJ5 @9G`5F9`CD9B... Úæ c^i æ d | Áæ áÁ | , Áæ . d { ^ } c Á Áæ áÁ ^ É W q * Áæ q & Á Áæ | Áæ | Á | Áæ áÁ | Áæ áÁ [c áÁ Á@ Áæ^c Áæ áÁ æ c } æ & Á^ &æ } . Éæ @ & Áæ æ c * Áæ áÁ | } ^ &æ } . Á | Á@ áæ | Áæ æ É

Qæ^Áæ Áæ Áæ | ^ áÉ | ^ Á ~ . c^ @ c á | , } Á@ Áæ d | É^ Á@ Áæ^ c^ Áæ | Á } Á@ Á^ | { } áÉÁÖ |^ |^ æ { } q * Á Áæ Á@ Áæ | É | ^ Á ~ . c^ æ æ^Á@ Áæ c^ Áæ | Áæ á^ Á^ c^ | Áæ^Á ^ . Á d Á | Á c^ Áæ | } | ^ . ^ |^ Áæ Á@ Áæ ^ . É

6 YZfYcdYfUhb |`h Ya ck YfÉ@ Áæ^ c^ | Á@ æ Áæ áÁ | [{ Á @ |^ Áæ^Á | , | Á [c^ áÁ@ | ^ * @ ~ c c@Á | Áæ * Á Á | [q] ÉWV æ&æ^Á | Áæ^Á | } áæ } Á@Á | |^ Áæ^Á Áæ q &æ * Á | Á c &æ . . Á d . . Á } c@Á q . ^ . ÉWV@ Á c^ i q * Áæ áÁ | } Áæ^Á Áæ^Á | Á @ |^ Áæ [Áæ^Áæ ~ |^ Á [c^ áÁ@ | ^ * @ c áÁ | |æ * Á Á | [q] ÉWV Áæ^Á | } áæ } Á &æ | . Á Á @æ@Á q . ^ . Á | } æ Á@ Áæ^Á É@ Á c^ i q * Áæ áÁ [| Á |] Áæ^Á Áæ^Á æ Á ^ áÁ Áæ^Á æ áÁ Áæ^Á &æ áÁ Á@ Áæ d | Á |^æ | C Á æ æ^Á ÁV@ . @ |^ Áæ [Áæ^Á | ^ Á@ Áæ^Á áÉ | Áæ^Á c^ { |^ | Á [^ Áæ Áæ^Á c@ | Áæ c^ Á@ Á | , | Á^ &æ c@Á@ áæ | Áæ } Á | Áæ^Áæ^Á ÉWV@ Áæ Áæ &æ^Áæ * Á @ . É | Áæ b . c * Á d | Á | c Áæ Á@ d æ d | Á | } c Á | | c^ Á@ Á | | á | ÉWV @ Áæ &æ q * Á | [q] É | ^ Á @ |^ Áæ [Á@ & Áæ@ Áæ | } d | &æ æ Áæ^Á | } ^ &c^ áÁ &æ | áæ * Á Á@ Á |^æ | C Áæ^Á | Á@ Áæ c^ Áæ á^ Á . É

ACK 9F`H9GHB;

Væ^Á@ Áæ d | Áæ Áæ |æ^Á^Á Á | . ^ Á æ &æ^Á } Á@ Á | { } áÉWV |^æ Á@ Áæ | q á^i . Á@ |^ * @ c@áÁ | Áæ * Á Á | [q] Áæ æ É | Áæ^Á@ Áæ ^ . Á Áæ ÉWV | | Á@ Áæ . d ~ &æ } . Á Á@ Á |^æ | . ^ &æ } Á Á |^æ Á@ Á | , | ÉWV áæ } Á Á@ Á | , | Á @ |^ Áæ^Á q q æ Áæ^Á Áæ ^ . ÉWV c^ | Áæ { q ~ c^ Á . c^ } É@Á } áÁ | | c Á @ |^ Áæ^Á d | ^ áÁæ áÁ } & Áæ æ Áæ^Á@ Áæ . c^ , Á q | . Á ~ | |^æ | É

=Z U b m d U f g c Z H j g 5 g g Y a V m i G W j c b z c f U b m c h Y f g Y W j c b c Z H j g a U b i U U Y f b c h W Y U f m i i b X Y f g h c X n c i a i g h W e b h W i n c i f X Y U Y f c f h Y U X X f Y g g c b h Y Z c b h c Z H j g a U b i U Z c f U g g j g h U b W (ASM-C-0010)



5 GG9 A 6 @M



CD9 F5 HCB'G97 HCB

UJ^!aa } A^&a } A#

CD9F5HCB

CD9F5HCB

8"CD9F5HCF F9EI F9A9BHG

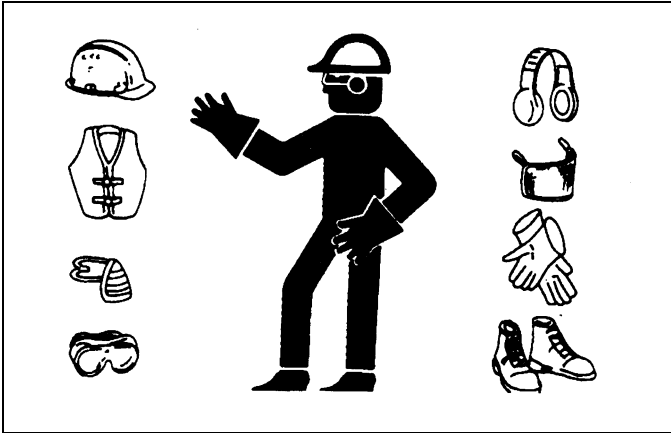
Ùæ^Á] ^iææ } Á -@Á } ñ^Á @Á^ • [] • ñãã Á -@Á } æáá áÁ] ^iææ] ÉÁÖÁ } æáá áÁ] ^iææ] Á @æ Á^ææ } á
 } á^i•æ } á^Á@Á] | { ^ } öæ } áÁææ | Á] ^iææ] q Á } æ } æ } á^Á@Á] ^iææ } & áÁÁ] | { ^ } öæ } áÁææ |
 [] ^iææ } Á } áÁÁ^• [&ææ áÁææ Á] ææ^• ÉÁÖÁ } Á] ^iææ } Á @æ Á^ææ Á^• æ^Á^Á] ææ^áÁÁ@Á } æ } æÉ
 • ææ Á^á } • Á^Á@Á^Á^Á Á] | { ^ } öæ } áÁææ | ÉÁÖÁ } Á } áÁ@Á] ^iææ } Á } áÁææ Á^Á -@Á
 ^ } á { ^ } öæ Á] ææ { } | ^ Á } á^i • ç [áÉ] • } öæ } áÁ@Á^á } Á] ^iææ { } | ^ Á] ææ } É

G@Á] ^iææ] Á } [öæ Á@Á } æ } æ } Á] ^iææ { • ^ Á } Á] ^iææ [] | ^ Á } á^i • ç } áÁ@Á] ^iææ } Á -@Á
 ^ } á { ^ } öæ Á@Á^• [] • ñãã Á -@Á } ^içã] Á^Áææ } áÁ] ææ Á@Á } æ } æ^Áææ Á] ææ^• Éæ } á
 [] ^iææ } Á • ç &] • Á^Á@Á] ^iææ] É

Ùæ^Á] ^iææ } Á^~ } á { ^ } öæ^ } á^Á@Á@Á] ^iææ] Á^ææ } [] ç^áÁ^• [] æÁ] [ç&áÁ^Ö } á { ^ } öæÚÖÖ
 + Á@Á } áÁ] • Á @ } Áææ@ } É] ^iææ } É^Á^çæá } Éæ } áÁ^ } ææ } Á@Á^~ } á { ^ } öæÚÖÖ/Á^á } áÁ]
 [] çæ^Á] ^iææ] Á] [ç&] Á } áÁÁ } á^Á@Á] , æ } Á^ææ Á^æK

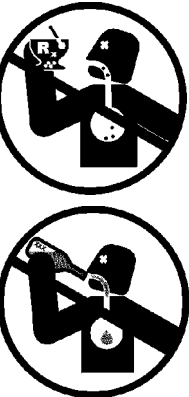
D9FGCB5 @DFCH97HJ9 9EI DA9BH'DD9L

- Öæ } æ^Á^æáææ Öjæ^•
- PæáÁææ
- Úæ^Á] ^iææ Á] ç^á
- Öj ç^•
- P^ææ } Á] [ç&]
- Öj •^Á^çæá } Á] çæ }
- Ú^•] ææ] Á] [Á] Öç : Á Tæ^Á } á^Á []
- [] ^iææ } Á] áÁ } • DÁ (OPS-U-0002)



⚠ DANGER

POXOUA^Ái^• Á] Áææ @] Á { ^áææ^ Á^+] ^Á] Á @Á] ^iææ } Á@
 Vææ } Á } áÁ] | { ^ } öæ } • Á } áÁÁ @] Á] Á@^ææ } Á] ^iææ] q
 æ^Á^• Á } áÁ [] áææ } Á } áÁ@Á^+] ^Á^ææ } Á] ^iææ] q ÁææÁ^
 [] ^iææ Á@Á^~ } á { ^ } öæ Á^ÉÖ^+] ^Á] ^iææ } Á@Á^ææ } Á] Á] | { ^ } öæ }
 æ } Á] ^iææ] Á } Á] ^iææ } Á] Á^çÁ^É@É] } çÁ^áææ } Á^• } c
 æ^áÁææ } Á] ^iææ } Á } áÁ^ææ } Á } áÁ^ææ } Á@Á^áææ } Á@æ
 , [] áÁ@Á^áÁ@ÁææÁ^ Á] ^iææ Á@Á^~ } á { ^ } öæ Á^ÉÖÖ
 \] , æ^Á^á] , Á } [] ^Á^Á] ^iææ Á@Á^~ } á { ^ } öæ } Á@Á^á^ç^• Á]
 & [] áææ } Á] ææ^áÁ^á } • Á] b^Á] Á^ææÁ@Á^Á] ^iææ] Á] Á@Á^•
 &] áÁ^• } Á@Á] ^iææ] Á } áÁ@Á^+] ^Á^ææ } • Á] Áææ @] Á] ÉÁÖÖ



ÙöÖÁUVOÏÿ

U] ^iææ } Á^æ } Á^É

CD9F5HCB

CD9F5HCB

' ' : fcbh9bX'K Y|| \ h

021 q a ~ { A ACEA At caAta&d iA Aa @A ~ oA^A a& caa ^aA } A@ At&d iA [] oA } aA&A/Aa ^ E&O [] oA } a
, Aa @A A& a&A/Aa A a& caa A c^A q * A& } d [| A& aA A i^c^ } oA@ At&d iA [{ A^a& * A } A @^A i q a * E&O @
+ [] oA } aA A [Aa @E&a&A Aa @A } qA& q a ~ { A ACEA At caA Aa @A A^a& @ aA } A@ At [] oA ^ E&O [] c
, Aa @ A& aA Aa @A& aA i A& aA A ~ i & @ aA @ [* @A A& c q i a ^ aA a&d i A a&A ~ @ E&OPS-U- 0005

(" : 9HHB: 'CB'5 B8 'C: : 'H<9 'HF57 HCF

O^ i ^ A ^ a& * A } d A@ At&d i E& @ A] A i& A ~ oA^a&A a& {] | c^ A } a^ o& aA @ A] | ^ { ^ } oA aA a&d i
[] A i& A a& ~ a& E&O a& A a& oA A a& i A a& ~ a& A [o& {] | c^ A } a^ o& d [a&E&] ~ | o& A& c q i a ^ aA a&A i A i
a& {] | c^ A } a& a& } E&OPS-U- 0007



O [A [oA [~ } oA i A a& { [~ } oA@ A i&d i A @^ A @ A i&d i A A A [c a * E& [~ } c
c @ A i&d i A } i A @ } A @ A i&d i A a& a& A [c a * A a& o A a& A {] | c^ A
~ d]] ^ a& E&OPS-U- 0007



(' %6 cUX|b['H Y'HFUWcf

W^ A [c @ a& a& aA ~ a] ^ aA @ a i& a& aA c^ . A i A ~] [| oA @ } A [a& a& * A @ A i&d i E&O ^ c^ A ^ A& } d [|
| c^ A ^ A i A ~] [| oA @ } A [~ } c a * A @ A i&d i E&U a& A [~ i . A i A @ A] A i& i q A ^ a& a& aA ^ & i ^ A @ A ^ a& A ^ c
a& [~ } aA [~ E
D^ c^ A i& [, A a& ^ } * A i A a& A } A @ A i&d i A i A a& @ aA ~ a] { ^ } d A U a& A ^ A a& A a& a& A a& A ~ A a& A
. A i a ~ | A b i ^ a& A i A a& A [{ A a& a& A ~ A a& A a& A a& A c^ A i& A @ A] [] . a& a& A i A i a& a& A c d a&
i a& A ^ A a& A ^ E&OPS-U- 0008



D^ c^ A i& [, A @ a i ^ } A i A] A i& a& A a& A } E& i A { ^ A& [^ A A @ A i&d i A i
Q] | ^ { ^ } d A ~ a& E& i E& i A ^ a& E& i a& A @ a i ^ } A @ A a& A a& i ^ A a& a
i . A i [] . a& A a& A] A i& a& A @ A] | ^ { ^ } oA a& a& | oA ~] A i c a& a } E& A @ ^
@ a& A ^ a& a& aA } a^ o& a& aA @ A] A i& i q A a& ~ a& E& A ^ } A i& a& A
] [] A i A] A i& } A A @ A i&d i A a& a& Q] | ^ { ^ } d A a& a& A @ . a& A a& A a& * ^
^] [~ @ A A a& @ a& aA] A i& a& A @ A& } d [| . A a& a& E&OPS-U- 0008



D^ c^ A i& [, A @ a i ^ } A i A c @ i A i . [] . A i A a& A } A @ A i&d i A i A Q] | ^ { ^ } d
O a& a& A ~ A a& A ~ | o& A i a& ~ | A b i ^ A i A a& A a& A



O [A [oA [~ } oA i A a& { [~ } oA@ A i&d i A @^ A @ A i&d i A A A [c a * E& [~ } c
c @ A i&d i A } i A @ } A @ A i&d i A a& a& A [c a * A a& o A a& A {] | c^ A
~ d]] ^ a& E&OPS-U- 0007



U&O&A&U&V&O&Y U] A i& a& } A ^ & c a } A i

CD9F5HCB

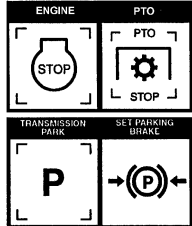
["&8 lga ci bhj] 'h YHfUwcf

Ó-+|^Áã{ [] } ǫ * Éǻ ã Á@Áíæd | Áǻ áÁǻ]|^ (^) ǫ{ ÁáÁæ [] æǻ | Á^ç^Á~ | æǻ Éǻǻ]|^ Á@Á íǻǻ * Áíæ^É
ǻ|^Á@Á) * ǻ^Áǻ. } Áǻ áÁǻ. ^|^Á@Áǻ]|^ (^) ǫ{ Á@Áí [] } áÉǻU@ ǫǻ [] } Á@Áíæd | Á) * ǻ^Áááǻǻ | áǻ * Áí Á@
[]|^æǻ | ǫǻǻ ǻǻ ~ ǻǻÉǻ^ ([ç^Á@Á^ Éǻǻ áǻǻ æǻǻ | Áǻǻ | [çǻ] Áí Áǻ {]|^ç|^ Á d] Éǻǻ^ç|^ Á^æ^Á@Á^æÁ) çǻ@
dæd | Éǻǻ Á) * ǻ^Áǻ áÁǻǻ | [çǻ * Á æ@ Á@æ^Áǻ { ^Áí Ááǻ {]|^ç^Á d] É

W^Á@ǻ áÁáǻ Áǻ áÁç|^ • Á @| Á çǻǻ * Á@Áíæd | Éǻǻ^ááá~ | Á-Á | ^|^Áç|^ Áǻ áÁ • Á^Á çdæǻæ çǻ } Á @| Á ~ áÉ
æǻ Éǻ [] } Áí Á ç@| Á æǻ | Á@æ Áááǻ { ~ | æǻ áÁ } Á@Áç|^ • Á | Á@ǻ áÁáǻ ÉǻW^Ááǻ | Á@ǻ áÁáǻ • Áí Á^] [| ç
ǻ áÁ^ç|^ Á ~ • ǫ | Á {] Á-Á@Áíæd | ÉǻOPS-U-0009_A



000U00A^æǻ * Á@Áíæd | Á^æǻÉǻ, æ • Á^Á@Á íǻǻ * Áíæ^Áǻ áÉ | Á^ç
@Áíæd | Áíæ { ǻ • ǻ } Áǻ Á íǻǻ * Á^áááá^ } * æ^Á@ÁU^U Éǻ d] Á@
^} * ǻ^Áǻ ([ç^Á@Á^ Éǻǻ áǻǻ æǻǻ | Áǻǻ | [çǻ] Áí Áǻ {]|^ç|^ Á d] Éǻǻ|æǻ Á@
dæd | Á @Á^ç|^ Á d Ááǻ, Ááǻ * Á^Á íǻǻ * Á^ááá^ Á | ^ç|^ ǫ@Áíæd |
-| { Á | | áǻ * Éǻǻ^ç|^ Ááǻ { [] } ǫ@Áíæd | Á@æ^Áǻ [çǻ * Á | Á @Á^Á) * ǻ^
ǻ Á } } ǻ * ÉǻU|^æ^Á@Áíæd | Áǻ } d | • Á { Á@Áíæd | Á^æǻ }|^ ÉǻǻÉǻ



CD9F5HCB

["GH5 FHB; 'H<9 'HF57HCF

V@Á|^æǻ | Á ~ • ǫ@æ^Ááǻ {]|^ç^Á } á^ • ǫǻ áǻ * Á-Á@Á | æǻ { ^ } çǻ } ǫǻ } Éǻǻ áÁǻ|^æǻ } æÁ • Á^Á-Áǻ
dæd | Áǻ } d | • Á-+|^Áæçǻ * Á@Áíæd | Éǻǻ^çǻ, Á@Áíæd | Á|^æǻ | ǫǻǻ ǻǻǻ } • | ǫǻǻ Áæ ç | á^á
á^æ|^Á | Áíæd | Á|^æǻ } Á • d^ ǫǻ } • Á^Á^áááÉ

9ggYbhjU 'HfUwcf 7cbfç'g.

- ~ S| ǫæ^Á@Áǻ @Áǻ } d | | Á, ááǻ
- ~ S| ǫæ^Á@Á) * ǻ^Á @ ǫ-Áǻ } d | | Éǻ
- ~ S| ǫæ^Á@Áíæ^Á^ááǻ Áǻ áÁ@Áǻ ~ ǫ@Éǻ
- ~ S| ǫæ^Á@ÁU^UÁǻ } d | | Éǻ
- ~ S| ǫæ^Á@ÁÉ | á çǻǻǻ } d | | Á^ç|^É
- ~ S| ǫæ^Á@Á@áíæ | ááǻ { [çǻǻ } d | | Á^ç|^É

6YZfYgHfHj] 'h YHfUwcf Ybgi fYH YZ`ck]b[."

- ~ Ǫ [] á^ ǫ@æ|^Á | É ççǻ|^|^æǻ } Á •]^ ǫǻ } Áǻ áÁ^çǻæ^Ááǻ | áǻ * Áí Á@Áíæd | Á|^æǻ | ǫǻǻ ǻǻǻ
- ~ T æ^Á^ | ^Ááǻ ~ æá • Éǻ ç | á • Éǻǻ áÁ ç@| Á æç Á^çǻ • Áæ^Á^ & | ^|^ Áǻ | æǻ É
- ~ V@Á íǻǻ * Áíæ^Áǻ } Éǻ
- ~ V@ÁU^UÁǻ } d | | Á^ç|^ Ááǻ^ } * æ^ááá
- ~ V@ÁÉ | á çǻǻǻ } d | | Á^ç|^ Ááǻ Á@Á |, ^|^áÁ | • áǻ } É
- ~ V@Á@áíæ | ááǻ { [çǻǻ } d | | Á^ç|^ Ááǻ Á@Á^ d æǻ | • áǻ } É
- ~ V@Áíæd | Áíæ { ǻ • ǻ } Á^ç|^ Ááǻ Ááǻ áÁ | Á^ d æǻ

Ü^Á | Áí Á@Áíæd | Á, }|^ç^Á ǻǻ ~ ǻǻÁ | Áíæd | Á ççǻ * Á | &^á | ^ • ÉǻU|^ Á çç@Áíæd | Á @Á^Áæ^ááǻ á
á^ç|^ Ááǻ Á@Áíæd | Á|^æǻ | ǫǻǻ Á^ç|^ Á^ } æ • Á@Á } áǻ } Á, ááǻ Á @ | ǫáá & áǻ * Á@Á çç@Á | ^|^ [áÉ
ǫç | Á@Áíæd | Á) * ǻ^Áá^ } } ǻ * Éǻǻ [ááááá] çǻǻ } ççǻ, á@Áíæd | Áíæ { ǻ • ǻ } Áí Á^ç|^ ǫ^ áá^ }
ǻ áÁ } ^ç|^ Á@Áíæd | Á [ç { ^ } ÉǻOPS-U-0028

Üçç@ÁUUVçÜY U|^æǻ } Á^áá } ÁÉ

CD9F5HCB



W^A^c d^ { ^A^e c } A @ A i a d i A } * a ^ A A A A [. ^ a A ^ a a a * A i A a Q ~ o A a ^ ~ a e A c ^ } c a a a } E A V @ ^ c e e . d ^ { . ^ A e a A ^ A e a a [. ^ A i A [. ^ A e a c A U O E H D



U c e a A i a d i A } | A @ } A i [] A i | A ^ a e a A A A @ A i a d i A ^ a e A U c e a c } * A e d a d i A A ^ a e A e a A ^ . | o A A b i ^ A i A ^ a e A U ^ a a A @ A i a d i A } A i a a i . { a ~ a A i A i [] A i A c e a c } A . d ^ & c a } . E A U O E H D



CD9F5HCB

* "7CBB97HB; 'H<9'ACK9F'HC'H<9'HF57HCF

W^A^c d^ { ^A^e c } A @ A i A } ^ d c a * A c A [, A i A A c A i a d i A E A V @ A [, A i A @ ~ | a A ^ A ^ & | A ^ A . c a * A e e * i [~ } a A c ^ A i A ^ c a * A } A i [& . E A S ^ A } A e a a . A e a A ^ A ^ A i [{ A } a i A c A [, A i A ^ & A e a A A ^ a A ^ A a & c a [a o a ^ c ^ A } A c A i a d i A c a c a { . A e a A [, A i A a . E A O P S - R - 0 0 0 1

* "%7 cbbYWib['Ack Yf'<mXfUi `Wj`

O r e a e @ a @ A A P [. ^ . A i [{ A c A O i a a ^ A c a c ^ A i A c @ @ a i a e | a A [d i A } A c A U [c e a A ^ a a E A U ^ A i A i :] [i f Y C d g ! % &] E A U ^ & | A c @ A c . ^ A i A c ^ . A } ^ a e a c . ^ A a c a a A . A } A i c a } a . E A O P S - R - 0 1 0 4



O c [a i A] c e a o a ~ a c a c ^ i . a e ^ . A e e i a a * A c a i a e | a A a A e a \ . E a ~ { } . E a [d i . E a c a c ^ . A e a @ . ^ A i } } ^ d c a } . E A U ^ | a c ^ A @ a i a e | a A | A . . | ^ A ^ A i | A ^ A i | i { a * A a e c } a e & A i A ^ } a e . E W ^ A ^ | [c ^ . A e a A ^ A i | c ^ c a } A @ } A A i c a a * A c A i [] [] ^ } o E A O } c e a o a ~ a c a c ^ i . a e a [A i a A e a A e e . ^ A ^ A i a ~ . A e b i ^ A i [{ A i } . A i A A e a a a * E A U O E H D

U c e a A i a d i A } U ^ a e a } A ^ & c a } A e i

CD9F5HCB

CD9F5HCB

†!%HfUWcf'DfY!CdYfUjcb'bgdYWjcb#GYfjJW

Ü^!|Á Á@Á!æd|Á|!æ |q Á æ~ æÁ Á}•!^Áæ
 &{ }|!c^Á!^É|!ææ} Á•]!^&ç} Áæ áÁ&@á~|!á
 •!|çæ^Á Á!|!|{ ^!áæ&ç|!áæ* Á Á@
 { æ~ æç!|!•Á^&ç{ { ^} áææ}•ÉV@Á||, æ*
 æ^Á{| ^Á Á@Á{•Á@Á^~ á^Áæ Á!|çæ^Áæ á
 æ•]!^&ç}K



- " Vá^Á|} áææ} ÉæÁ|!^•~|!^
- " Y @^!Á~* Á|!Á
- " Üc^!æ* Áæ\æ^
- " ÚVUÁ @|!áÁ
- " ÚT XÁæ} Á^Á^æ} Áæ áÁæ æ|!
- " V!æç|!q Á Á @ Á^Á^æ} Áæ áÁ~} &ç} æ
- " V!æç|!Á^æÁ^!ç Á Á Á[[áÁ|} áææ} Á
- " V!æç|!ÁUUÁ^ Á Á Á[[áÁ|} áææ} }
- " ÚUUÁ^ Á Á @ Áæ^ áÁ|•ææ}
- " P| Áæç|!Á áÁ^æ•Á
- " Üæææ|!Á^Á^ Á^!áÁ
- " Ö)* á^Á áÁ^ç^!Áæ áÁ|} áææ}
- " Ö)* á^Á|!|æ ç^!Áæ áÁ|} áææ} Á
- " Ú|, ^!Á!æ^Á^ æÁ^ç^!Á
- " Ú|, ^!Ác^!æ* Á^ æÁ^ç^!Á
- " Ø^!Á|} áææ} Áæ áÁ^ç^!Á
- " Ü~ææ} ç^!á!æææ} Áæ^!Á^ á^Á|} áææ
- " ÇÁÁç^!Á|} áææ} ÁOPS-U-0030

- " Q•]!^&ç{ [, ^!Á!ææ^Áæ} áÁ @æá, æ^Á!|!Á[[!•^} Áæ} á
 ^ç&••ç^Á^ æÉV æ^Á~!^Á@Á| [, ^!Á^Á^&^!|! Á| &^!áÁ
 á^!|!^Á&æ|æ} *Á^}!æç|!Ác@Á@Á^&ç} æç!áæç^!Á| &Á
 ^}*æ^!áÉV^!|æ^Áææ æ^!áÉ, [|] Éæ} áÁ(æ•á^Á) ç^!Áæ
 &ç{ }|!c^Á^c^!Á Á ææ ç^!Á| [, ^!Áæç} &É
 Ü^{|ç^!Áæ~Á!æ•Á|!Á @!Áá!áÁ, @ç^!Á æÁá^Á, |æ}!á
 æ|} áÁ@Á} á!^É
 " Q•]!^&ç@Á|} áææ} Á| -Áá^&Á^!æ Á @ ^Á&ç} É!ç} Áæ} á
 @æá, æ^ÉVOPS-R-205

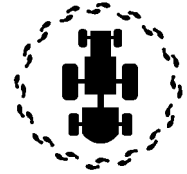


ÜçÖÜUVçÜY U|!ææ} Á^&ç} ÁÉ€

CD9F5HCB

WARNING

U^i q a a e a f A q .] ^ & o a e l A [c a * A a e o A l A ^ a e a e a A ^ | a e A a @ }
 } ^ & . . a e A a o a e o l a ^ a A ^ i c a e A a e o E A S [\ A e i A [. ^ A a e o } ^ i . E a [i]
 [i A i [\ ^ } A a e o E a e a A a e ^ A i A [. ^ A a e a * . E A T a e ^ A ^ i A e l A a . A e a ^
 a a e a @ * A e a a , a e E A U i a ~ . A b i ^ A a e A & i A i { A [o y a e a e a * A e
 { a e a } ^ A A [i a A [i \ a * A i a i E A U O E F O D



CD9F5HCB

V @ A] ^ i a e l i q A a e ~ a a e a A a e c A a } . A e a ^ a A }
 c @ A } a e l } a e a A [[i a e o a . d ^ & a } . A } A e A a e
 a e a A [[i A . ^ A A e o A ^ ~ a { \ } e A T a e a e A e o . ^
 a [[i a e o a e c A a e i ^ . A } A e A [] ^ { \ } o a A [[a
 & } a a e } A i A } . ^ i A e o A e [i { a e a } A A e a e a i A i
 c @ A] ^ i a e l i A e a l A a ^ . E



Op-14

- ~ O) . ^ i A e l A a e c A a } . A e ^ A A i a e A e a A ^ * a i ^ E
 U ^] a e A { a . a * E a a e a e ^ a E a e a A i ^ a i ^
 a ^ & a e E A O P S - U - 0011 _ A

NOTE: The mower Operator's Manual and affixed Decals contain important instructions on the safe and proper use of the mower. Maintain these important safety features on the mower in good condition to ensure the information is available to the operator at all times.

U O C E O A E U O T O S Y

- ~ Q .] ^ & o a e l } a a e } A A [\ } a * A i a e ^ A ^ i a { \ } e
- ~ Q .] ^ & o a e l } a a e } A A i a e ^ A e . ^ { a i ^ E
- ~ O) . ^ i A e l A [i o A e a A & ^ . A e ^ A A [. a e } A e a
 a e A A [[i A i ^ A i ^ ^ a E
- ~ O) . ^ i A e l A a . A e ^ A A i a e A e a A e o } ^ a A a o
 . & ^ . E
- ~ O) . ^ i A i a e ^ A a A [[i A i ^ A [\ } e a A e A d a e d i
 a e a A e a a , a e A a A i [[i A a a . a e l a A a e a
 a e a } ^ a E A O P S - R - 0099



Ops-1250

U O O A U U V O E Y

U] ^ a e l } A ^ & a } A E F

CD9F5HCB

CD9F5HCB

YOUCEVSDASQOAPUUOOVQJ

- " Ô@&Á f|Á @á:æ |æÁ |æ•Á æ| }*Á @••É
- & |æ á^•Áæ áÁæ *É -A DCFH5BHÁÖUÁUV
- ~•^Á [~|Áæ á•Áç Á&@& Áç |Á çÁ^æ •ÉÁV^Áæ
-] æ&Á -Á@æç Á çÁ^|Á |Áæáà| æáÁç Á&@& Áç |
- @á:æ |æÁ çÁ^æ •ÉÁ
- " Q•] ^&Á@Áç } áæç } Á -Á@Áçç^Á ^|á (^) É
- " Ö) •^Áæç *Áç | [] ^| | Áç } } ^&cá
- " Q•] ^&Áç } áæç } Á -Á • @ *É OPS-R-0100_A



WARNING

Ö| Á [Ö] | ^æ Á@Á Ö ~ ç { ^ } Ö á@á:æ |æÁ çÁ^|Á çÁ^æ ç *ÉÁ ç

æ áÁ ^|Áæ ^Áç | [• ç ^ Áæ áÁ@á ç | ^ • ^ } & Áç ~ |á ç | ^ • ^ } ÖÁæ æ áÉÖ|

} [Ö&@& Áç |Á çæ •Á ç ÖÁ [~|Áæ áÁç ç Ö | ^ • • | ^ Á ç Á ç ^æ • Áç [{

á^æ • Á ç Á@Á ç ^ Áç ~ |á ç ^ } ^ çæ Á@Á ç Á ç áÁæ • ^ Áç ~ ^ Áç æ ç ^

ç & ç á ç * Á ç * | ^ } ^ ÉÁ | Á&@& Áç | Á ç • ^ Á ç ÉÜPWÁ@Á } áÖPÖÖÖ

UÖÖÁ ç áÁ^ [ç ^ Áç | Á@á:æ |æÁ | ^ • • | ^ ÉÁ ^æ ç ç ç] ^ } ^ çæ | Á [ç • É

•æ^ ç Á | ç • • Á ç áÁ • ^ Öæáà| æáÁç Á&@& Áç | Á ç ç ^ } & Á - Á ç Á çæ • ÉÁ

^ ~ Á • ^ } ^ &Áç ç ÉÜÖT UXÖÁ@ÁPUÜÖÁ ç áÁç ^ Á ç • ç áÁæ ç Ö ç | É

Ö ç ç Á [^ • Á ^ } ^ çæ Á@Á ç É ç ^ Á@Á ç ç ç | ^ Á ^æ ç á ç { ^ áæ | Á ^ Á ç

] @ • ç ç Á [, | á ^æ ç Á ç áÁ ç | á ç Á ç Á | [& á ^ | Á ç ÖÉÍ D



ÜÖÖÁUVÖÜY

U| ^æç } Á^&ç } ÁÉG

CD9F5HCB

CD9F5HCB

YOU OWN THE MOWER

- " 0 @ & A q A ^ . l c l a A c l A e a A q A } a a a } E C a a
-] ^ & a a A } ^ A q A A , D
- " 0 @ e * ^ A @ a i a e | a A [q A - a c l A e a A @ a i a e | a A [q
- a e & l i a a * A l A e e c } e & A & @ a ^ l E
- " 0) • ^ A c @ ^ A e a A y [A l q A l a e • A e a A - a c a * A e a
-] [] ^ l ^ A l } } ^ & c a
- " Q •] ^ & c l c l a e l A l } a a a } A - A @ a i a e | a A {] E
- " Q •] ^ & c l {] A l a q ^ A c e e E



0 @ & A c @ A l q A c l A e a A q A } a a a } E C a a | E a a a a A q A A ~ a a a E c @ A a A c e A ^ A } A l i & a A ~ c

[A c A c l a a ^ . A e a A R l • • E a A [^ . A q c l A c @ A l a i a e | a A e a } A e a A a ^ & • A c @ A c l { ^ A - A q A l e e e e a A q A c l

, a c A c @ A a c a e * A l e e a A } A c A a A l A c @ A ^ . l c l a E a c l A q A c @ A e a } A a [c l A c @ A a c a e * A l A e e l , A l

c @ A c l e a q } A - A c @ A q A l e a } A e e e e a l i • • ^ A e c l A c @ A [, ^ A c e A ^ A } E U c a a A - A l A } ^ A a A } @

! ^ { [c a * A c @ A l a e a e l A e a A l ^ { ^ } o l A l i c l } o l { • • a l A b i ^ E A

OPS-R-215

WARNING

0 e e } c l } A U a A c l A l A c a } A e e [A c A l i • • ^ A U l a - A c a E

U l { [c l A e a A l , l A l A l a c l A l i • • ^ A e a l i A l { [c a * A e a A l {] l c l E U c e A l e e A l

] l c l } o l a e * A e e a a A a c l o l q l a c e a e A l i e e A l o l A c @ A l A c e a A c l A l i • • l a a A e a

{ e e e e • A l i q ~ • A b i ^ A l A ^ E a e E a a A c l [• a A l a E A Or 2223/O.R.E.

WARNING

C l { a A l } e e c a a c l o l i - e e • A e e l i a a * A @ a i a e | a A q A e a } • E a l { } • E l [d l • E e a c l • A e a

@ • A l } } ^ & c l • E U l a c l A @ a i a e | a A l i • • ^ A e a l i A l l { q * A e e c } e & A l A l } a e E

W l A l [c l A e a A a ^ A l l c l e c l } A @ } A l c a a * A c l {] [] ^ } o E A O [} e e c a a c l o l i - e e

[l A l a e a e e • A l i q ~ • A b i ^ A l { A l i } • A l A e e a a * E A U.O.H.D

U O O A U V O E U Y

U] ^ a a } A l e c l } A e e H

CD9F5HCB

CD9F5HCB

ÜUVOËÿÁPÒÈÖÁÐÙÚÒÓVQIÞ

- “ Q•] ^&òÀ|ææ^•Áæ} àÀ|ææ^Áæ| |ø Áÿ !Á| [•^) ^•• æ} àÁç&•• ß^Á ^æÈÚ| æ^Á Á|€»Á Á æ^Áÿ ! &@& ð * Á^æ æ|ÈÁÙ^| |æ^Ááæ æ^áÈÁ, [!] È æ} àÁ{ ã•ð * Áà|ææ^•Áæ Á& [] |ø Á•^ø Áç { æ} æ} Á| æ^ Áææ} &È
- “ Ö)~ !^Áà|ææ^Á&æ| æ|Á)~ ø Áæ^Áç !~^áÁç] ! [] ^!Á ^&æææ} •È
- “ Ö)~ !^Á^ àà^!Á^~^&ç !•Áæ^Áç Á [•æ} Áæ} à } [Ááæ æ^áÈÁÙ^| |æ^Á, [!] ÈÁ| [\^) Èæ} à { ã•ð * Á^&ç} •Á { ^áæ^| È
- “ Ö)~ !^Á@á|æ} æÁç^•Áæ^Á| [] ^!| & [] ^&ç á ç Áç@Á@á|æ} |æ^Á [ç |ÈÁÖ@& Áÿ !Á@á|æ} |æ^Á ç^•Áç } * Áç^•Áæ} àÁæç * ÈÖUÁPUVÁ •^ [^!Áç} à Áÿ &@& Áÿ !Á ç^•Áæ^•ÈV^Áæ} æ& [Á@æ^ Á] æ^!Á| Á&æàà| æáÁç &@& Áÿ ! @á|æ} |æ^Á ç^•Áæ} •È
- “ Q•] ^&òÀ@ Á| } áæ} } Á Á& Á | æÁ ç^•Áæ} àÁç, æ^ÈOPS-R-216



WARNING

Ö| Á [ç] ø@æ} à Á| Á^Áç} á^!Á [, ^!Á&& •ÈÖ|ææ^Áç] æ&çæ} Á^~ |ç ð Á^!ç ~ Á ç | Á^Áç^| Á^æçÈÁÙçæ} Áæ} æ^Á } çÁç|Á [ç] Áç^•Áç]]^á æ} àÁç@ Á&& •Áæ^Á^&^!| Á| & [&^áÁ] ÈÁçÈÁÙ



DANGER

Ö| Á [ç] ø@æ} à Á| Á^Áç} á^!Á [, ^!Á&& •ÈÖ|ææ^Áç] æ&çæ} Á^~ |ç ð Á^!ç ~ Á ç | Á^Áç^| Á^æçÈÁÙçæ} Áæ} æ^Á } çÁç|Á [ç] Áç^•Áç]]^á æ} àÁç@ Á&& •Áæ^Á^&^!| Á| & [&^áÁ] ÈÁçÈÁÙ



ÙÒÈÁÙUVOËÿ

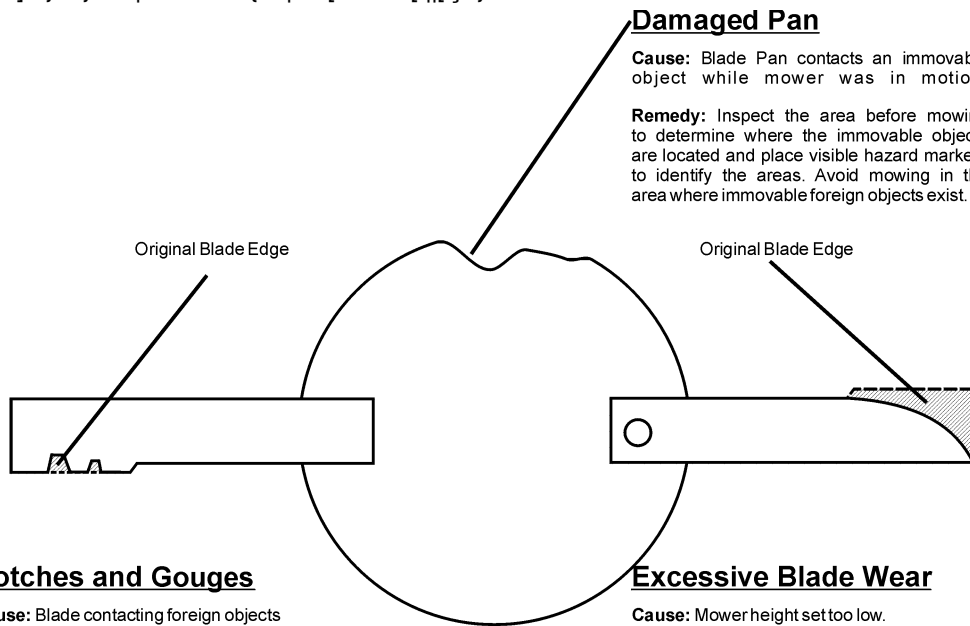
U] ^!æ} } Á^&ç } ÁÈ|

CD9F5HCB

CD9F5HCB

Blade Damage

OPS-U-0031



Notches and Gouges

Cause: Blade contacting foreign objects
Remedy: Inspect the area to be mowed and remove foreign objects that could cause damage to the blades

Excessive Blade Wear

Cause: Mower height set too low. Blade used past intended life.
Remedy: Replace blades more often. Adjust mower height for mowing conditions to eliminate blade-to-ground contact

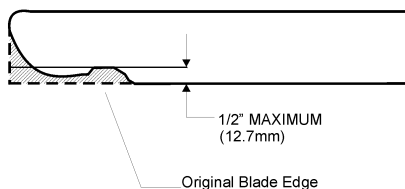
Op-22



WARNING: To avoid injury, always disconnect the spark plug before performing any maintenance on the mower.

- Always use proper mowing technique.
- Do not mow over rocks or other hard objects.
- Do not mow in areas with a lot of debris.
- Do not mow in areas with a lot of tall grass.
- Do not mow in areas with a lot of wet grass.

Replace blades in pairs after no more than 1/2" (12.7mm) wear. OPS-U-0032



NOTE: Replace Blades in pairs after no more than 1/2" (12.7mm) wear
 Op-23

CD9F5HCB

CD9F5HCB

6 UXY6 c`h`bgdYWfcb

Q.] ^&@Á|æ^Á| |óP^æáÁæí Á|!Á ^æÁæ Á| | | , ^áK

Excessive Blade Bolt Wear

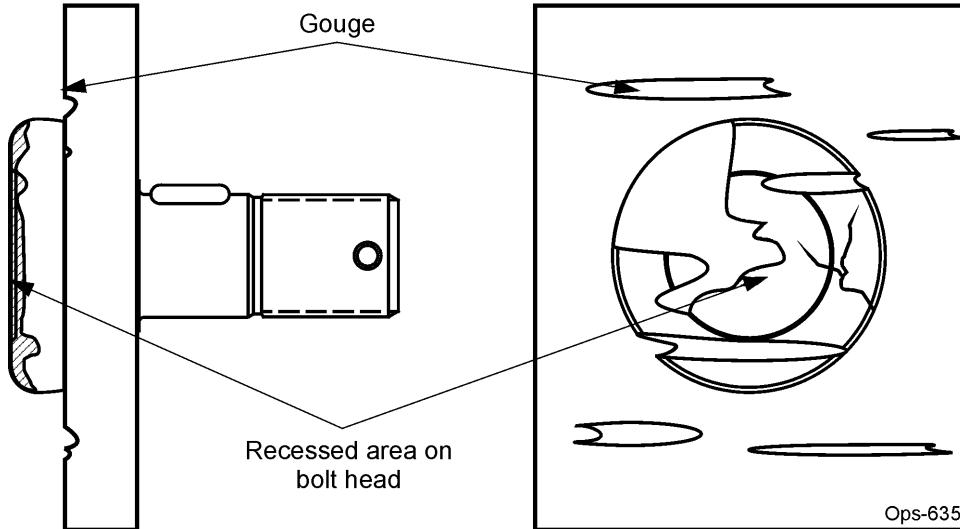
Cause: Blade Bolt contacts a foreign or solid object while Blade is in motion.

Remedy: Inspect the area before mowing to determine where the foreign objects are located and place visible hazard markers to identify the areas where immovable foreign objects exist, and avoid hitting the objects.

Notches and Gouges

Cause: Blade Bolt contacting foreign objects.

Remedy: Inspect area to be mowed and remove foreign objects that could cause damage to the blade bolt.



Q.] ^&@Á|æ^Á| |óP^æáÁæí Á|!Áæ} [| { æÁ ^æÁÜÓÚŠÖÖÓÁÚ VP ÁÓŠÖÖÓÁÚ ŠVÁ }
 @Á|æ^Á T ÖÖÖVÖŠYÁÁæ@Á|æ^Á| | ÁæK

- ~ Xā ā| ^&æ. Á| Á
 - ~ Q@ Á & . . ^áæææ } Á|æ^Á| |óP^æáÁæí Á|!Á
 - ~ QÁ|æ^Á| |óP^æáÁæí ^áæææ É
- Qæí ! ^Á| Á| |æ^Áæ} [| { æÁ Á [|] Á|æ^Á| |óP^æáÁæí Áæææ d [| @Áæí ! ^Á - Á@ Á|æ^Áæ áÁ| &æ } Á -
 @ Á| [\ ^ } Á æÁ } @Á æ Áæ . ^ Á| á . Á| áá Á B| ^ Á| ÁææÉ

5`k Ung`fYd`UW`6`UXY6`c`lg`k]H `bYk `Vc`lg`k \ YbYj Yf`fYd`UW`b [`H Y6`UXYg`ÁOPS-U-0037

ÙÖÖÁÚVÖÜY U] ^!æá } Á| ^&æ } Áæí

CD9F5 HCB

CD9F5 HCB

Side Rotary Mower PRE-OPERATION Inspection



O qy gt "K %aaaaaaaaaaaaaaaa

O cmg aaaaaaaaaaaaaaaaaaaaa

F cvg<""""""aaaaaaaaaaaaaaaa

Uj klv aaaaaaaaaaaaaaaaaaaaa



6 Yz:fY'W'bxI W]b['h Y]bgdYW]cbža U_Ygi fY'h YfUW'cf 'Yb[]bY'g'cZZU''fchU]cb
 \ Ug'g'cddYX'UbX'h YfUW'cf 'jg]b'dUf'_k]h 'h YdUf_]b['VfU_YYb[U] YX''AU_Ygi fY
 h Y'a ck Yf']g'fYgh]b['cb'h Y[fci bX'cf'gYW fYmV'cW_YX'i d'UbX'U''\ mXfU']W
 dfYggi fY\ Ug'VYYb'fY]Yj YX"

Table 1:

Kgo	Eqpf kklq'cv' Uctv'qh'Uj klv	Ur gekke'Ego o gpw'kh' pqv'QCMO
Vj g'Qr gtcvtar'O cpwcrku'kp'yj g'tcevqt		
Cmluchgv 'f gecni'ctg'kp'r meg'cpf 'rgi kdrg		
Vj g'j {f tcwle'e{ rpf gtu'r kpu'ctg'ki j v		
Vj gtg'ctg'pq'rcnkp'i "qt'f co ci gf 'j qugu		
Vj g'o qy gt'f geniku'engct'qh'ew'i tcuu'cpf 'fgdtku		
Ej clk'i wctf ulf gh'gevqtu'ctg'kp'r meg'('kp'i qqf "		
Drf g'ecttkt'tgvcklpi 'pw'ku'ki j v		
Drf gu'ctg'pq'vej kr r gf .'etcengf 'qt'dgpv		
Drf g'dqnu'ctg'ki j v		
Y j ggn'wi 'pwu'ctg'ki j v		
Vtcpu'qtv'mem'ctg'kp'i qqf 'eqpf kklq		

Qr gtcvtar'Uki pcwtg<

DO NOT OPERATE an UNSAFE TRACTOR or MOWER

ÙÒÒÀÛUVÖÿ

U] ^!æ } Å^&ç } ÁÈİ

CD9F5HCB

CD9F5HCB

+* '8 f] j] l] 'h YHfUWcf'UbX'a d`Ya Ybh

Úcœœ -Áiãã *ÁœÁÁ[[, Á]^^áÁã áÁiãã œ^Á &^œ^Á[~iÁ]^^áÁ @^Á œã œã ä *Á&{ }|^œ^Á}d[|Á -Á@
dœd[|Áã áÁ}ãË [çã *Á[[, |^ÁœÁ•œã ä]Áœ [Ái^ç^] œ@Áœd[|Á{ Á^œä *Á] Áã áÁ[••Á -Áœ^iã *Á&{ }d[|É
V@Áœd[|Á @~|áÁ^ç^iÁ^Á]i^œ^áÁœÁ^^á•ÁœœÁœ}[œ^Áœ^iÁœã á^áÁiÁ @œã ä]Ái^ç^}œœ
[]i^œ^iÁ{ Ád]}ä *Á~œ|^Áiã *Áã Á{ ^i^} &ËÖ@Á[, ^iÁœ^iã *ÁiÁ] *ä^Áœ^•Á]i^œ^ *Ëd[
œ@Áœd[|Á { ^áœœ|^Áœ ÁœÁœd[|Á ä]Á^Áã-œ |œ^Á&{ }d[|É

Ú^i-|{ Ác }•Á œœ@Áœd[|Áã áÁ}ãË [[, Á]^^á•Á Áœ^i{ ä^Áœ, ÁœÁœd[|Á œœÁ Áœœ@áÁiã^Á:
iã^Áœã á^Áœ^i} ËÖ^i{ ä^Áœ@Áœ^Á]^^áÁ Á œã œã Á[|]i^Á&{ }d[|Á -ÁœÁœd[|Á @}Á œã ä *Ác }•É
Y @}Ác }ä *Á œœÁ, ^áÁ]|^ ^} ËÖ^iç^iç^i [i]ä *Á} *œ^Áœ@Á} œ^Á &^œ^áËÖ[[, Áãáãã} œ
&^œ^ &^ÁiÁ@Á} œ^Á @}Ác }ä *É

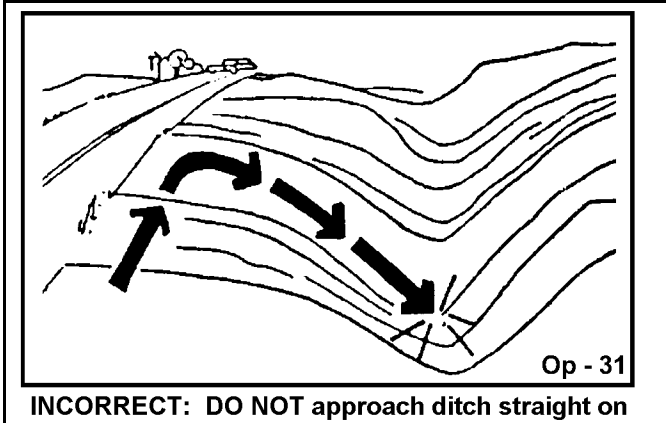
V|Áœ[ä]Áç^iç^i} •Ëiã^Áœ@Áœd[|Á œœÁœ^Áã áÁœ^Áœ^Á]^^á•Ë•^&œ^Á @}Á]i^œ^ *Áç^iÁ[~ * @
*i[~]áË[••ä *ÁÁœ@ÁiÁ[[^•Ëã áÁc }ä *Á&{ }i^ÁËiœd[|Á @^iÁ^œ^i] œä *Á @~|áÁ^Á &^œ^á
, @}Á [i]ä *Á} Á &ä^ÁiÁ[~ *œ^i[~]áÁ Áã^ &^Áœ@Á[••œäç^iÁ]ä *Ë

W^Áœd^ ^Áœœ ç}Á @}Á]i^œ^ *Á]Áœ^Á[[^•Ë^Á] ÁœÁœd[|Á Áœ^i, Á^œ^Á @}Á[ä *Á&{ }, @ËÖU
PUVÁ&{ }iÁ^ÁË @^iÁ&{ }, @ËÖOPS-U-0014

+*+*

Y @}Á&{ }-|{ }œ^Á œœÁ Á &ä^ÁiÁã&œ^iÁ [c
œ]}i[œœ^i{ Áã Áã *i^Á @œ^iÁ^i}^}áã^iã^i
•dœœ @Á} Áœ Áœ œ^Á œ^Á &&^iÉ

Y @}Á&{ ••ä *Á~ &œ^i[œË Ö@Á]|^ ^}œ^iç^iç^i
á^Á^i^Á, ^i^áÁiÁiÁ, ^iÁ&{ }œ^iÁiãœç^i Áã ä
œá^áÁœäç^i ËÖOPS-R-206



ÚœœÁUUVœÿ

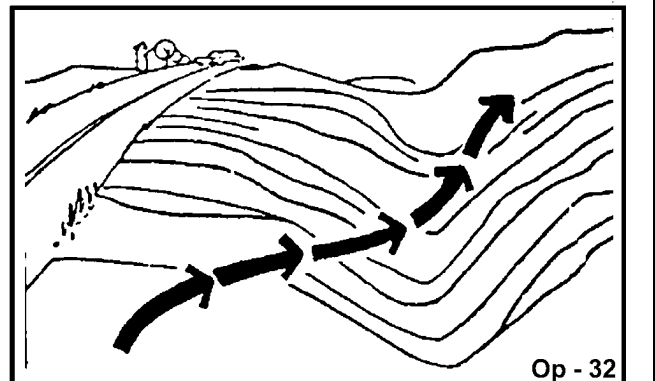
U]i^œ^ }Á^&ç}ÁËç

CD9F5HCB

CD9F5HCB

Q&ja^•Ae aAs&@•A @ |aA^Ae } | | a&@aAe } *Ae
 |a^A @&@A Aae } *^Ae A @ , } EAV@Ac] ^A ~
] ae@A |A^a^ &A@A] ••aaac A^A^ |ca^ *Aae ae^E
 Q@A^:aa^ } oA^A [A^c^] A@A^ &@Ae } | | a&@
 a^ &Ae^•A@A] ••aaac A^A^ a&@A] A [|E c^A^A^&c
 ae } Aae } } ae A [••a^ *A ae@A

Y @ } A] ^ | aae } *A@A^:aa^ | Aae aA [, ^ | Aae } ••
 • |] ^•Ae aAe &ja^•E@ [~ * @Aa&@•Eae aA @ |
 ~ ^c^ } A^:aa^ A [] aae } •EaA A [] | | cae } A^ ae }
 • ~aa^ } oA^A [A^c^] aA^A^ae } &EAV@aa^A [] a&c
 , ae@A^ |] } aA^ ae } Aae^•A [aE [&Ae } aA^ c@ |
 a^a^A A^ A^A@ [, } A^ oA^ [{ A^ } a^A@A [, ^ |
 !•• |ca^ *Ae A [••aa^A b | ^Ae aA^A^ |] | ^c^ Aae ae^E
 O [] } aA [] ae } A [] a^ &A^A^c^A^A^ Q &A^ ae
 [] A@A [, ^ | A^c^A^ aA^ A@A [, ^ | A^:aa^•
 !•• |ca^ *Ae A [••aa^Aae ae^Aae aA^A^ } ae^A^ aae
 OPS-R-207



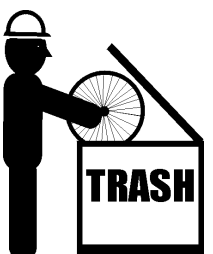
Op - 32
CORRECT: Approach ditch at an angle

."CD9F5HB; 'H<9 HF57HCF'5 B8 'AD@A9BH

H<9 CD9F5HCF AI GH7CAD@H9 @MI B89FGH5 B8 <CK HC CD9F5H9 H<9 HF57HCF'5 B8
 =AD@A9BH'5 B8 '5 @7CBHFC @69: CF9 5HH9ADHB; HC CD9F5H9 "A@A^ | | aae } A^ ~ oA^aa^Ae a
 ~ } a^•cae } aA@A^ae^c } Aae aA] | | aae } A^&c^ } •A^ A@A [] | ^ } oAe } aA^:aa^ | A^ | | aae } | qA^ ae^ } ae^ EAV@•^
 { ae^ } ae^ A^ •oA^A^aa^Ae } aA^c^ | | aae } aA^ A^ | | aae } A^ Q &Ae } [oA^aa^EAV^c^A^A^ | , A [{ ^ [] ^A^ A^ | | aae } A@
 a^ |] | ^ } oAe } aA^:aa^ | A^ ae^ } oA^ {] | c^A^ | | aae } *Ae •d^ &c^ } •E
 O^ | | A^ cae } *Ae ^ A^ | | aae } EAV@A^ | | aae } A^ ~ oA^A^ { ^Aae } aa^A^ ae@A@A^ae^A^A^ | | ^a^Ae } Aae aA^ ^
 [a^ cae } A^ aA@ae } a^A^ | | aae } aA^ ae^A^ A^ } • | ^Aae^c^ A^ A@A^ | | aae } EAV^ cae } a^•Eae } aA^ ~ a { ^ } EAV^ ^&ae
 ae^ } ca^ } A^ Q ~ | aA^A^ aa^A^ A^ | ^ } A^a^a^ EAV^ * @A^:aa^ EAV^A^ A [] ^•Eae } aA^ ae^•a^•a^ } Aae aA^ a^ } ae^A^ A@A^ae^
 OPS-U- 0015

WARNING

Ocd^ { ^Aae^A @ | aA^Aae^ } A @ } A^ | | aae } *A^ae^A [•^A^ ab&@A^ &
 ae^A^:aa^ | EAV [&•EAV a^Eae } aA^ c@ | A^a^a^ EAVQ•] ^&oA@A^ae^ae^A^ | ^
 { [, a^ EAV | ^a^ } A^ ab&@A^ Q ~ | aA^A^ { [c^aA^ [{ A@A^ ae^A^ | c^ } c
 { ae^ca^ A^ae^ ae^A^ae^ aA^ A^ a^ A^ b | ^ A^ A^c^ } A^ae^EAVQ^ A^ ab&@A@ae
 &ae^ } [oA^A^ { [c^aA^ ~ oA^A^ae^ | ^ ae^ a^A^ae^ a^Ae^~ | | Aae } aa^aA^ A@
 [] | | aae } EAVUd] A [, a^ A^ { ^a^ae^ | A^A^aa^•A^d^A^ae^ | ^a^ } A^ ab&c^
 U^ } aa^A^ae^ ae^A^ae^ aA^ ae^A^ae^ A^ d | A^ | A^aa^A^ae^ | ^ A^ A^ae^ } &a
 a^ | ^A^• { a^ A^ [, a^ EAVOT HED



UO00AUUV0EY

U] | | aae } A^&c^ } A^EG

CD9F5HCB

CD9F5HCB



T aq ~ Ac as a a f ab & o ... & @ ... a ^ E & ... a f [^ f] a f ; ... & E ... a ^ & f { ^ A } ... a ^ i a a q A @ [] ^ i a a q * A a o A f ~ A @ A [, ^ i a @ a a f A / @ . ^ a f { ^ A } | a A @ } A , q * A ~ o a A @ A @ ~ . q * A a * i a a : A ^ [& a a ~ A o @ A o A | a a ^ . E A U ~ & @ a a a a } A A c d ^ { ^ i ^ A e e a a [~ a a a | a A ^ ~ | c q A a i a ~ . a b i ^ A i A c a ^ } A a a o E A Q .] ^ & o A @ A ~ c a } * A a a a f i A ~ & @ A a b & o A a f i a A [, q * E U { [c ^ A a ~ A a A a b & o A f [{ A o A a E A ^ c ^ i A f] , A o A ~ c a } * A | a a a . A f A f } a a o A ~ & @ A { . E q O T E E D

!%: cfY][b'8 Yvf]g< UnUfXg

O a f i a f [, q * A a .] ^ & o A @ A a a a f A a a A ^ i a @ i a a a a f [A f i a a } A a b & o A o a a o A [, ^ i a | a a . & f | a A @ A i A a f { ^ A } a a * i a A a o E A U ^ { [c ^ A a f i a a } A a b & o A a a a a i a E A Q a b & o A a a f [a a a f i a [[c ^ A f a a A o @ A f a a f a a a a a ~ i a f A i a c ^ a) c o a f [, ^ i a | a a . A f { A f } a a a q * A o { E



Op - 33

FYa c j Y': cfY][b'A Uhf]U

Q A [~ A o A a [| a a a b & o A f i a f i a a } A a a i a E A d] A o { [, ^ i a a } a a a a d i a a a } & E Q { ^ a a a i ^ A i a A o ^ } * q a A ^ a a E Y a a A i A a f A [, ^ i a [a a a } * A [a] A f . d] E A @ } A a a ^ A o A f [, ^ i a a } a A [c ^ A o A i a a d i a a a a f] i a ^ { ^ } o a ~ A o A a b & o E A Q .] ^ & o A @ A a a a a a a i a [[c ^ A f i A a a A o A f & a a } A a o A a i a E A Q .] ^ & o @ A f } a a a } A a o A f [, ^ i a a } a A a a a a a ~ A a a a i a i a] a a A { ^ a a a i ^ E A a a a ~ i a o A a | a a . A a A [c a a a a a a a a @ A a a i a A a a a a } & a a a f i a i a ^ { q * A } i a a } E

O e . a o . A a a A [~ i A a a a a | o a ^ & i a i ^ A e e l ^ a a a a [] i a f i a a a o A i a a d i a a a A [, ^ i a a o A o A U U U U q A o A a a a a A [. a a } E A Q A o A i a a d i a i A [, ^ i a @ A e d a a c { } E A [& E A i A a ~ }] E a a ~ a a a } A [c ^ A ^ } c & f | a A @ [, A [~ A ~ A A o A a a a a a a a A } a i a o d a a d i A a a a i A [, ^ i E V @ A a a a a | o a A i i A a . c] i [o & a] A i { A a a } * A ~ A o A i a a d i a a a a o A U U U U] i [c a a ^ . A : i [o & a] A i { A a } * A ~ . @ a A i q * A e d a a d i A i || E c ^ i E OPS-R-208



Op-151

FUjgYAck Yf'cj Yf'gc`]X'cV^Wg

!"&6 ngUubXYfg#DUggYfgVmDfYWU HcBg

Q a a a . c a a i A f { ^ o . A a a A i E A a o a ~ A o A i a a d i A } @ A o A f [, ^ i a A a a } * A] i a a a E A d] A o A i a a d i A a a } & E . d] A o A f [, ^ i a a } a a | A o A i a a d i A } * q a E A Q A [o a } a e ^ A o A f [, ^ i a a a a A } d i a i A ~ . c a a i . A a A ^ i a a a c o A i E A f [o a a a } & E A OPS-R-209

UoOoAUuVoEy

U] i a a a } A a a a } A i E H

CD9F5HCB

ACK9F H

V@Á@é à\^Á^æ^•ó@&^} c\^Á_Á@Á\æd |Éæc æ^•Á@ÁsäÖ^ |ä à^\^Á@à\ çáãÉ

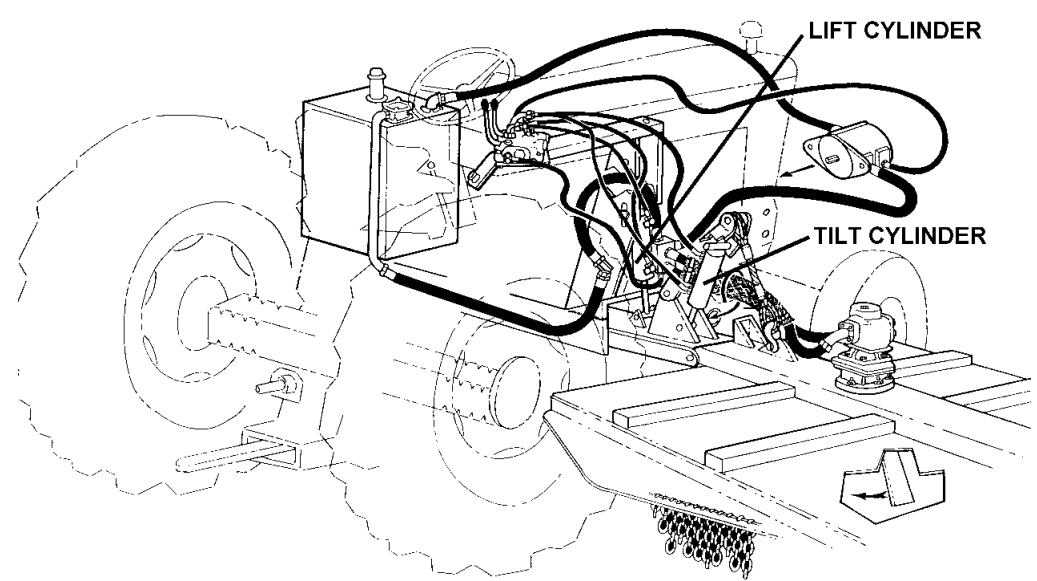
Ú^ ||ä * Á@Áçç^Á@é à\^Áæ& É, æá•Á@Á\^ |æ |Éææ^•Á@ÁsäÖ^ |ä à^\^Á Áæ^Á@Ácc^} •ä } ÁÉ{ È
Qh@Á@é à\^Á^Á^æ^áã@Áçç^Á } |Áæ q { æææ | Á^c | } Á\ &^} c\^Á_á@Ácc^} •ä } ÁÉ{ Á } |Á^Á\ &^ ááÁ } |æ&È

Ú^ • @ * Á@Áçç^Á@é à\^Á\^, æáÉæ æ Á\ { Á@Á\^ |æ |Éææ^•Á@ÁsäÖ^ |ä à^\^Á \^, ^Á@Ácc^} •ä } ÁÉ{ È
Ú^ ||ä * Á@Áçç^Á@é à\^Á\^Á@Á } æ Áæ& Á } ç\Á\ &^ Á } |æ&^Á@Á [, ^ÁsäÁ } &ç | Á | æææ | , ä * Á@Á } æ Á Á^æ } áÁç } |æ&Á\æÈ

ACK9F H-Q

V@Á@é à\^Á\^o•ó^ Á@&^} c\^Á_Á@Á\æd |Éæc æ^•Á@ÁsäÖ^ |ä à^\^Á@ç\ çáãÉ

Ú^ ||ä * Á@Áçç^Á@é à\^Áæ& É, æáÁ@Á\^ |æ |Éææ^•Á@ÁsäÖ^ |ä à^\^Á Áæ^Á@Á\^ [, ^Á^ÁæÈ
Qh@Á@é à\^Á^Á^æ^áã@Áçç^Á } |Áæ q { æææ | Á^c | } Á\ &^} c\^Á_á@Ácc^} |Á^Á\ &^ ááÁ } |æ&È
Ú^ • @ * Á@Áçç^Á@é à\^Á\^, æáÉæ æ Á\ { Á@Á\^ |æ |Éææ^•Á@ÁsäÖ^ |ä à^\^Á \^, ^Á@Á\^ [, ^Á^ÁæÈ



Op-206

<958 D=H <

Q& |^&@æÁ æ&á } { ^} ó&æ æ^•Á [| |æ çä * Á\^ | | ç } &^ Áæ^Á\ çæ^ Á [, ^Á^È

P^æÁü&ç^ Á^ä^áá^ Á@Á\æ } • @ Á_Á@Á\^ } ç\ Á@Á [, ^Á\ Á@Áæ^Á_Á@Á [, ^Éæçç , ^áÁ\ { Á@

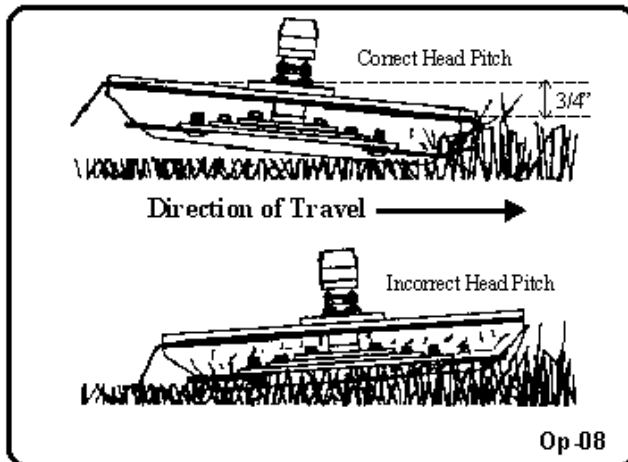
•æ^ÉV@Á^•ááÁ@æÁ æ&Á\ |Á@ÁüæÁ\ çæ^ Á [, ^Á_Á\ |Á@Á\æ^Á@Á\^ } ç\ Á@Á [, ^Á\ Á^

á^ç ^} ÁÉ Á\^ áÁ\^, ^Á@é Á@Á\æ^Á@Á\^æÈ

ÜöÙUVOÿ U\^æ } Á^&ç } ÁÉ

CD9F5HCB

CD9F5HCB



Op-08

A95GI F9A9BHC: <958'D#7<

FE ÔWÁT UY ÔÜÁJØØÖP ÖÁÖŠŠUY ÁÖŠÖÖÜÁ/UÁJUÚÁÜUVÖEÖÖ

GE T[ç^Á æ@^Á ÁÁæÉ^ç^Áæ^æ~ &@æ Áæ] } &^ç^Á|æ

HÈ Š[, ^Á[], ^Á@æÁ Á æ@^ç^Áæ &@^Á-Á@Á|~ } áæ~ ÖÁ[Á^ç^Áæ] Á|~ } áÈ

I È Ùq] Á } * ç ^ È

I È Ú[•æ] Á|æ^•Áç, æáÁ| } öæ áÁ^æÉÁ^æ~ ^Áç@Áææ çæ &Á| { Áç@Áæ ç[Á-Áç|æ^Áç •Áç Áç *|~ } áÈ æ@Á|æ^•Áç * ç Áç^•çÁ^çÁ [Á^] ^Áç Á^æ~ ^Áç [] æÁ|æç-Áç&| ç á^•Á ç | ææ^•Áæ æ&| æÁ^æ~ ^{ } ç Áç@Á| } öæ áÁ^æÁ[öç ^æ~ ^áÁç@Á ç ^Áç ^ÉÖÜÁUVÁÖŠŠUY ÖUVPOÜÁJÖÜUUßÁUÁJÖÖÖÖÁPOÁÖUßVÜUSUÁ PÖÖÁ ÖÖUWÜÖT ÖP VÜÁÖÜÖÖÖ ÖÁÖŠÖP È

I È Ö) Ö|æ^•Éæ•Éæ } É|Á| [•Á| |öÁ ç|Á æ^Á^æ~ ^{ } ç Á^•Á^•È

5 @ BA9BH

P^æÁæ} { ^ } öÁ Á^ ç ^áÁç Áç^Á|æ } • ç Á-Áç&| ç| ç ^Á-Áç@Á [], ^Áç Áç&| ç| ç ^Á-Áçæç |ÉV@ á^•á^áæ } { ^ } öÁ Áç@Áç&| ç| ç ^Á-Áçæç |æ ç Á [], ^Áç^Á çæ^Á|Á Áæç@ ç|È

T æ ç } { ^ } öÁ } çæ~ ç^Á Áçç^æ ç * Á^ ^Áç Áç^Á|æ @ ^Áç ç * Áç æÁ çÁç ç Á^ ç^•ÁæÉV@ Áç^ } ^á *|æ^Áç [^ç ^Á[öç æ^áÁ] Á-Áç@Á [], ^Áç } Á^ á^~ ^ } öæ^•Á çæ } { ^ } ç [Áç] çæ~ ç^Á ^ç&••ç^Á [], ^Áç } • { } ç } Á^ææ^•Áç^Á|æ çÁç } áÁ Áç : ^Á çæ|æçæ çæ •Áç^Á çÁç@Á [], ^ÁÈ æáá ç * Á|æ Áç^Áæç |È

Öç } { ^ } öÁ | à^ { •Áç Áç ç Á^Á^ } Á-Áç ç á ç * Áç Áç^Á| } öÁ |Á^æÁ-Áç@Á çæ^ÉÖÜÁ } Áç^Á| } öæ áÁ^æ [-Áç@Á çæ^ÉÖÜÁ } Áç^Á| } öæ áÁ^æÁ^•Á^•Áç-Áç^ÁæÁ^æ ç Áç { } ç^Áç Áç^Á|æç^Á çÁç@Á [], ^Á ç [], ^Áç@æÁ^•ç * Á } Áç^Á|~ } áÈ

CD9F5HCB

CD9F5HCB

- "%6 Uq|WHfci V'Yg\ cch|b| : i |XY'Zcf: |fgh|GHUHi d"

1. **Read the manual before using the machine.** (Read the manual before using the machine.)
 2. **Use the correct fuel and oil.** (Use the correct fuel and oil.)
 3. **Do not drink alcohol or use drugs before operating the machine.** (Do not drink alcohol or use drugs before operating the machine.)
 4. **Do not operate the machine if you are tired or have been drinking alcohol.** (Do not operate the machine if you are tired or have been drinking alcohol.)
 5. **Do not operate the machine if you are under the influence of alcohol or drugs.** (Do not operate the machine if you are under the influence of alcohol or drugs.)



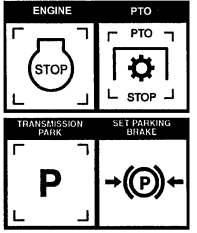
1. **Do not touch the engine or other hot parts of the machine.** (Do not touch the engine or other hot parts of the machine.)
 2. **Do not touch the fuel tank or other parts of the machine.** (Do not touch the fuel tank or other parts of the machine.)
 3. **Do not touch the PTO shaft or other parts of the machine.** (Do not touch the PTO shaft or other parts of the machine.)
 4. **Do not touch the transmission or other parts of the machine.** (Do not touch the transmission or other parts of the machine.)
 5. **Do not touch the clutch or other parts of the machine.** (Do not touch the clutch or other parts of the machine.)



1. **Do not operate the machine on uneven ground.** (Do not operate the machine on uneven ground.)
 2. **Do not operate the machine on a slope.** (Do not operate the machine on a slope.)
 3. **Do not operate the machine on a soft surface.** (Do not operate the machine on a soft surface.)
 4. **Do not operate the machine on a hard surface.** (Do not operate the machine on a hard surface.)
 5. **Do not operate the machine on a wet surface.** (Do not operate the machine on a wet surface.)



1. **Do not operate the machine if the engine is not running.** (Do not operate the machine if the engine is not running.)
 2. **Do not operate the machine if the PTO is not engaged.** (Do not operate the machine if the PTO is not engaged.)
 3. **Do not operate the machine if the transmission is not in gear.** (Do not operate the machine if the transmission is not in gear.)
 4. **Do not operate the machine if the clutch is not disengaged.** (Do not operate the machine if the clutch is not disengaged.)
 5. **Do not operate the machine if the parking brake is not set.** (Do not operate the machine if the parking brake is not set.)



CD9F5HCB

CD9F5HCB

- "&7 cbfbc`@WUjcb`UbX: i bWjcbg

V@Á ã^Á [, ^!Á@ã @ÁÁ } d[||^áÁ ã@ÁÁ [Á!Á@^Á] [[Áçç^Áç áÁÁ } [!áá æ^áÁ Á @ , } Á^ [, ÉV@ [] ç } çÁ@^Á] [[Áçç^Áç [, •Á!Á@Á] ^!æ } Á Á^æÁ [ç^Á [, ^!Á!Á ã^ÁÁ @!ÉÁ@Á) çÁ Á^~á] ^á , ã@Á@^Á] [[Áçç^ÁÁ [Á [ç] ^!æ Á@Á@Á] [[Áçç^ÁÁ] |^•ÁÁæÁ [ç^Á!ÁÁ @!ÁÁ [] } ç^ÁÉ



Ops-1246

V@ÁæÁ [, ^!Á@ã @ÁÁ } d[||^áÁ ã@ÁÁ [ç ç^ÁÁ } d[|Áç^!ÉÁ [| , Á@Á•d^ &ç } •Á!Á@Á } d[|Á ç@Áæç!Á] ^!æ | çÁ ç^ çÉV@ÁçÁ Á@ÁæÁ [, ^!ÁÁ } d[||^áÁ ã@Á@ÁÁ] [[Á Á@Áççç^Áç áÁÁ } [!áá æ^áÁ Á @ , } Á Á] i fYCdgl!%& * "

V@Á ã^Áç áÁæÁ [, ^!Á [•çç } •Á ç^Á] ç } çÁ Á^Á } d[||^áÁ ã@Á@Áçç! çÁ^ { [çÁ@á!æ | çÁ } } ^&ç } • [!ÁÁ { áá çç } Á Áççç^Áç áÁ^ { [çÁ@á!æ | ç ÉÁ [ÉÁ^ç { ç^Á çç [•çç } Á Á@Á ã^Á!ÁæÁ [, ^!Á ç^ÁÁ } d[||^áÁ Á çç^Á { [çÁç^!É

V@Á ã^Á [, ^!Á PDUÁ , æçÁ Á çæ^áÁ Á , æçÁ [çÁ [] } ç^Á Á@Áçç^Áç áÁ!ÁçÁ } d[|Á!Á [] É çæÁç áÁçÁ } çÁ^ • ^&ç^! ÉÁ] ^!æ * ÁÁæÁ [, ^!É@Á PDUÁ , æçÁ Á çæ^áÁ Á@Á , æçÁ [çÁ @ çÁ ã^Á [, ^!Á , æç

V@Á çç^Á çÁ^Á^~á] ^áÁ ã@Á Á ç ç^Á^Á } ^!æ!Áæ^Á ç^ÁÁ } Á ç^Á!Á çÁ!Á^•^!Áæ^Á ç^ÁÁ [çÁ^] ^!æ!Á^æ@Á çç^Á ç] Á [, ^!Á ç áÁ^Á fci VYg] cchb [GYW]cbÁ] Á [• ç^Á ç^Á • ^É^Á] ç^Á^Á } çÁ ç^Á^Á ç^Á!Á ç^Á!Á ç^Á!Á] à^ { • É

ÙÒÒÀÛUVOËÿ

U] ^!æ } Á^&ç } ÁÉÇ

CD9F5HCB

WARNING

Y @ } A [ceq * A ceo Ase h A [c] E A i q ~ A b i ' A ce A & A A se ce c } h A [o ' a h i A ce * A
A A [o A & * } a a A E h c A i A q [, A ~ c e a i A A q A \$ \$ ZYH [A o A ce h A @ } h
[] A i ceq } E O c d A ^ A A ce A A Q ~ j a A h A ce A } A @ } A i ceq * A h ce A [(o A a b o E A ~ & A e
* i ce A E A [& A e a h a i a E V @ o A h [a q] a q ~ } A Q ~ j a A h A ce q A a E

V @ A [ceq * A ceo A h A o A ce h A ce A h A h } h a A ce a A o c a A i A ~ * a a A h A h [, h c A i E o A ~ A h i j a A ce
[] A h [] ce a A q e o A q e A [h A a b o E ~ & A e A c A i A ~ ce a A ce E h } & h A ce q d ^ } o E h o h ce e q * A o { A i h A
o A , } A ce h A i A ce A h [& h E h c A i A q [, A e A i A ce a A i A h } ce h o ~ & A a b o E o } ^ h c a * A o A ce h A ce h A
* & A a b o A i q i A i A [, q * A ce A o [] A i q a ce h A o o A h [c] ce A ce ce a E

U } & h A } A [ceq } E h , A i A o A [, A i A h A A i a q A ce A [c h o A ce h A ce h A h A h ce E h [A o A [, A i A h A o A [o A ce h A
o ce o A } a i A ce h A ce h o i q * A o A U T A h A o A i ce q i A A h A h e e A e a A } * ce h A o A h A h [, A i E q a h A ce h A [, A i h
a h q * A o A h A h [, A o A U T A h A h c i } A h A h e e A h i A } * ce q * A o A h ce A [, A i E

V @ A [ce h A [, A i A h A A Q ~ j a h q , ce o A h A ce h A a A ce o i A ce A h a i ce * a a h } A o A h a e A o A o A @ } A [, q * A } A o
* i [~ } a E o i ce * q * A o A [ce h A [, A i A ce a e A ce o h A c d { A h a A h ce h A } A o A h ce q i A h ~ j q * h A h i ^ } ce h
ce h A h ce E o h [A ce o h A o A o q e h A o h [, A i A h } ~ { } c] h q a h i ce ce h A h A h ce h A h a h e e A h a h o i ce * q * A o
i ce h A [, A i A ce h A h [A ce o h A ce h ce h A h A o A [ce h E U } & h o A h A h o o ce A h q h h ce ce h a h A h h [c] h q * A o A o a
ce h a A [o q] A h A o A h A h [ce h A [, A i E h q i A h A h ce h A h ce h A o A [, A i A ce a q d a e a h A h [h a] o h a h ~
& h q * E

Y @ } A h ce q * A ce h A @ ~ a h i A { ce h A h A q ce h ~ { A h [{ { ^ } a a A a h A h ce h ce h A h A h o h A h ce h h A h
a h q A h ce h q ce o A ce h A h } A h o A h ce h h A h a A [i A h] , A h o h ce h h } o h q e h A ce h E h h A h h [, A h h A h
ce h [, A o A h ce q * A h ce h A h ce h h A h A h } j o h o A h A h ce h A h ce h E V @ } A o A h q ce h q ce o A ce h A h } A ce h E
a a h } * ce h A o A [, A i h a h a h c i } A o A [, A i h A o A h ce h A [o q] E U h c i } A h A o A h ce h q * A [q h h a h ce h A h c
] ce E

CAUTION

Y @ } A q * A o A [ce h A ce q * A o ce h A i A q { q * A h h A h a A @ ~ a E h o o A [, A i A ce h q d
o o { E O A [o h [, A i A o A [, A i A ce a e A [, A h a h q h } d h ce h h A h A c } E V @ A [, A i A h ce h
ce h A h o h } a a h A h o h q e o h o A h } a h q a h ~ * h A ce h A ce o h A ce h ce h A h o A h ce h h A h a h
e ce a [~ A h ce q } A h A o A [] A ce h E

V [A } ~ i A h A h ce h A h } q a h } h a A Q ~ j a h A h ce h ce h h a h h } i c e h ce h A h e e e A h U T E o o A h ce q i
o h [, o h o h o h A h e e A U T E h o A h A o A h o h [, A i A ce h E O U a U V A h a o A h } & o h o A h q i A ce o h A h i ^ } ce h
& h o A ce h i A h Y Y b [] b Y g l c i X b c h V Y c d Y f U h Y X U h U b m i h a Y U h a c f Y h U b & \$ \$ F D A ' c b h Y h U W c f
H W ca Y h Y "

8 C B h A h A o A o q e h A h A } A [o q] q * A h ce q * A o ce h q d A o ce h A h ce q o h i A { ce h A c { } A o G
a h q h c i E O ce h ce h A h A o A } h A ce h A h ~ j a h q h h o h A h o h ce h A h ce h A h ce h A h h [, i A ce h o h ce h
h a E

V @ A [, A i A q i A i ce h A [i A h a } d h A h ~ * o i A h [a q] a q ~ } h q a h o h o h A [, A i h A o A } h o h A h A h o A o E
q o A h [, A i A h q * A h A q ce h A h d] A o A h ce q i E o o h A i A q a h A i q } h a h A o A h } a h A i A ce h ce h a A } h o E
Y @ } A h [] ce q * A } h o E h [] ce h h A } h o h A h } o h A h } i A [] A i A ce h } & h A [h o A [, A i A q i A c
q ce h ce h E U h c A i A h ce h A } A q i A h ~ j c h A } h o h A h } h q a h ce h A h a h E O [] [, A o h o d ~ & q] o h A o
A U j b h b U b W G Y W j c b A h } h A @ } A h [] ce q * A } h a h ce h o E

WARNING

q A h o h a h A h } i q ce h q o h h e e A h o h o h A [, A i h A h A h } i ce h } E h [] A [, A i A , h o o
h d o h h { h a h ce h h A ce h A o c a [, } E h c A i A h ce h A o h ce q i A h h [, A h o h a h A h } i ce h
h o h A \$ \$ ZYH h A o A h h } ce h A h [c] A d] o h [] h c i E

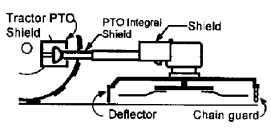
U o o A U V o E Y U } A i ce q } A h & q } A h F

CD9F5HCB

CD9F5HCB

DANGER

UaAe^c AU@|a•EÖ~ ad•Aa aUae^c Aa^caA•Aa &| aq *Aa~ Oj c
 |a a~aaA A@a^A~+&|•EÖ~aa AÖ~ ad•EÜc^|AÖ~ ad•EÖ^adà c
 Ü@|a•EÜVU~a c~|aaA @|a•Eaa aAÜ^da&aa|AÖ[[|AÜ@|a•A @~|a
 à^A•^aAa aA aa aa ^aAa A[[aA | | a ~ A&| } aãã } EÜ@|A ae^c Aa^caA•A @~|aAa
 a~] ^&c aA&ad~| | Aa^c aAaã A|A a~a *A|A| | \ ^ } &| { | | ^ } •EÖ~ a~a *Ea| | \ ^ } E
 | | A | | } A { •A ~•A^A^ | aA aAa } &A A^a~ &A @ A | ••aaãc A~A b | ^ A|A^a@
 + [{ A@ | , } A a b & E } aa * | ^ } a | A | aa^A&| } aaã } ÖT #D



WARNING

T aa ^Aca aA a b & E } &@ A a^E&aa|A E[[^E| | A&@aa •E&aa Aa&| { ^A } aa * | aAa A@
 [| | aãã *A ad•A A@A | , ^| A@ aa EAV @•^Aa { •A&| ^|Aa } A, a *A ~•aaA@A@~•a *Aa
 *| aA^A^ | | &aa•A@a A@A|aa^ EAV &@aã aaã } A A c d^ | | A ca adã [~•Aa aA&| ^|Aa~ | c
 a A^| a ~•A b | ^ A^c^ } A^aaEAV • ^ &A@A& aa * Aa^aa | A ~ &A a b & A^ | ^ A | , a * E
 Ü^ { c^ Aa ^ A a A a b & A [{ A@A aa EAV^c^|Aa| , A@A aa * A|aa^ A| A&| } aaã &@A { •E
 ÖT #D

DANGER

V@A| aaã *A ad•A A@A aa @ ^Aca^Aa^ } Aa^•a } ^aAa aA^•c aA| | A ~ ** aA^•E
 P | , ^c^|E@a A|aa^•A&| ^|AaaA [|] | A | aaã a@A caã E | | aa a b & A ~ &@A A ^caA~ adã
 | aa Aa a A&| &^c A d ~ &c | ^•EAV &@A | aaã | | Aaã •^A@A| | \ ^ } A a b & A | A^A@ | , }
 [~ c adã aaã | ^ A@ A^ | | &aa •EAV A^a~ &A @ A | ••aaãc A~A | | | c Aaã aa EAV^| a ~
 a b | ^ | A^c^ } A^aaEAV^c^|Aa| , A@A aa * A|aa^ A| A&| } aaã &@A a~ caã •EAV^| a ~
 ÖT #D

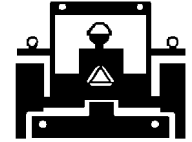
CD9F5HCB

UÖÖÜUVÖÜY U| | aaã } A^&ã } A^E H

CD9F5HCB



T æ^A&^i cæ A cæ@ A||, AT [çä * A^ @&^+ QUT XDA ä } A A } cæ|^ä A
 ~ & @æ } æ Aæ Ä A^ A^æ | Ä ä a|^ Aæ ä A^* ä|^ EÄV @ } Ä ä } | | çä * A cæ
 Ö ~ ä { ^ } cæ^ A^ @ A|^æ d | Äæ @ } * Ä æ } ä * Ä @ Aæ ä Ä ||, Aæ|Ä &æ
 dæ æ A^* |æ } • EÄVæ +



CD9F5HCB

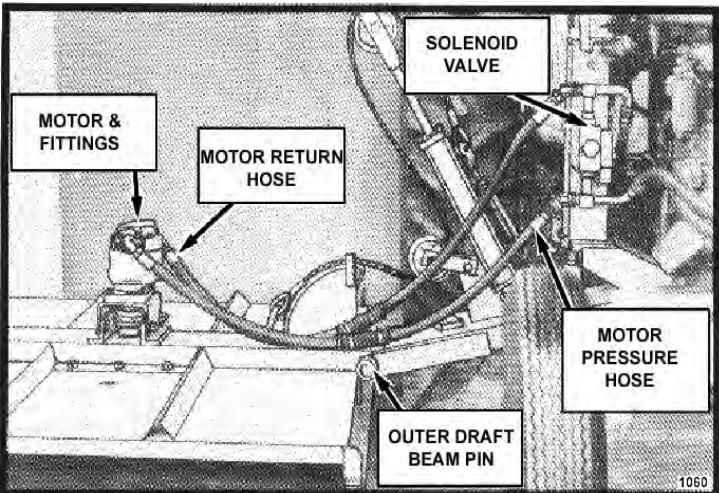
%&'%HFUbgdcfHb| 'Ack Yf

HF5BGDCFHB; I B89F'H<9'I B+HB'CK B'DCK 9F

Y @ } Ä ä } | | çä * A^ cæ ^ } Aæ ä A^ A^ A^ cæ ^ } Aæ cæ * Ä æ • A^ EÄV Ä ||, ä * Ä | | & a^ | A^ @ ~ | ä A^ Ä ||, ^ ä K
 FÈ Ü @ cæ ~ A^ @ Ä |, ^ Ä Ä cæ cæ * A^ @æ dæ Dæ ä Aæ |, Aæ Ä | | çä } Ä Ä { ^ Ä Aæ { } | ^ cæ dæ | EÄ
 GÈ Ü æ ^ A^ @ A^ æ A^ æ Ä A^ A^ @ • cæ | • æ } È
 HÈ Ü æ ^ A^ @ A^ æ Ä |, ^ Ä | çä @ A^ & Ä dæ | • Aæ æ • cæ @ A^ æ A^ æ È
 I È Ü æ ^ A^ @ A^ æ Ä |, ^ Ä | æ @ A^ E | [ä cæ @ & } d | Ä cæ | EÄV @ Ä } æ Ä |, Aæ | | • æ } Ä | Ä | EÄ ä } | | cæ } È

HF5BGDCFHB; I B+H'6M: G H698'HF5=@F

T | • cæ dæ | • Ä æ @ A^ æ Ä | | cæ Ä |, ^ Ä @ æ Aæ æ @ ä Aæ | Ä A^ cæ | A^* æ Ä ä } | | çä * Ä æ @ F G Ä æ A^ EÄV |
 cæ Ä æ | | EÄ } ^ Ä A^ @ Ä ||, ä * Ä | | & a^ | A^ ~ • cæ Ä ||, ^ ä K
 FÈ Viæ • | | çä * Ä æ @ A^ æ Ä |, ^ Ä æ æ @ ä A^ A^ A^ æ ä * Aæ | & Ä | Aæ } Ä Ä æ ä æ dæ | Ä } dæ Ä æ | EÄV) cæ | A^ @
 dæ dæ | Ä æ |, ^ Ä Aæ æ @ ä A^ cæ ^ } A^ @ A^ æ A^ A^ @ A^ æ | EÄV æ A^ | ^ A^ @ A^ æ A^ æ Aæ ä A^ @ æ A^ Ä | |
 | æ ^ ä Aæ ä A^ & | ^ ä EÄV |, ^ Ä @ A^ æ Ä |, ^ Ä | dæ | A^ @ A^ æ | EÄV & | ^ A^ @ A^ æ dæ | Aæ ä A^ æ Ä |, ^ Ä Ä cæ | A^ æ |
 , æ @ & @æ • EÄV æ ä Ä | | ^ Ä cæ | EÄV æ cæ | A^ | æ Aæ ä Ä æ A^ @ A^ cæ | Aæ ä Ä |, ^ Ä Aæ Ä cæ | EÄV æ A^ ~ ä ä
 ä Aæ EÄV @ & A^ @ A^ æ dæ | Ä | ^ æ | q Ä æ ~ æ Ä | Aæ ^ A^ æ dæ | Ä ~ ä { ^ } cæ Ä ä ä } | | cæ Aæ æ ä A^ æ | EÄV
 GÈ Viæ • | | çä * Ä æ @ A^ æ Ä |, ^ Ä | | çä ä A^ æ A^ @ A^ æ dæ | Aæ ä A^ | A^ @ A^) * ä A^ ~ EÄV { | çä A^ @ A^ Ä Ä Aæ | æ
 æ & æ ^ } cæ A^ cæ dæ * EÄV | | ^ Aæ | Ä cæ cæ ^ Ä | A^ @ A^ ä | æ | æ A^ A^ cæ | ä EÄV Aæ | æ Aæ | } cæ ä æ * A^ @ A^ ä | æ | æ
 • • cæ | EÄV æ A^ | ^ Aæ Aæ ä * Ä | A^ @ A^ æ Ä |, ^ Ä | dæ | Aæ ä Ä | | | æ Aæ | dæ | Ä cæ cæ Aæ Aæ | ä EÄV æ | } ^ & cæ
 cæ Ä | dæ | Ä | ^ • • | ^ A^ @ A^ Aæ A^ @ A^ | | | æ Aæ | dæ | Ä cæ cæ Aæ Aæ | ä EÄV æ | } ^ & cæ A^ dæ | Ä | ^ • • | ^ A^ @ A^ ä
 | ^ cæ | | A^ @ A^ Aæ A^ @ A^ | | | æ Aæ cæ EÄV A^ Ä | | i fYCdgl%&&"



UJ • EÄV GÈ

Ü cæ Ä V U V cæ Y

UJ | æ } Ä ^ & cæ } Ä EÄV

CD9F5HCB

CD9F5HCB

P^c0E8caj A|A|~*Ac@Aq. ^A} a. Aej aAc@A [|o A} Ac@A [|} [aAcac^Aej aA [d | E8Q | A8ca| ^A8oA [, ^ |
 a8 &] } ^8oAc@A8o8ca| ^A| { Ac@A@ caAej aA^& ! ^Ac@A [| . ^A} aAca A } d Ac@A8ca| ^A} aAc@A8ca| ^A| ^c8 E8Q |
 caA [a | A8oA [, ^ | E8a8 &] } ^8oAc@Aej \ caA| { Ac@A [, ^ | Aej aA^ | caA Ac@A ej Aej aA8ca, caA^ aAc@A8ca|
 a^ca A| A|^c^) oA •• E8Q | AcaA [, ^ | E8A [c^Ac@A8ca, caA^ aA8ca8ca^ca A ~ c|A q| oA ej E8A | caA Ac@
 { [, ^ | Ac@ caA| { Ac@Ac8ca | E8Q | , E8Aej • caA Ac@A q| oA ej Aej aA8ca, caA^ d Ac@A8ca8ca^ca A| A|^c^) oA •• E
CD9B`H<9`65`@@J5`@9G`CB`H<9`<MBF5I`@7`F9G9FJC`F`69`CF9`GH5FH`B`HF57HCF`5`5`B`
 U|A|~ • Aca caA^ a|A^A8ca • ^ aA8ca8ca | A A ca c aA aAc@A caA| ^c^ • A| • ^ E

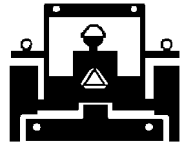
V^A8ca| caej * A| & A| Aca] • A| A| caA Ac@A8ca | A } d Ac@A caA | E8A | c|ej * Ac@A8ca | A^c ^) Ac@A ca^ • A Ac@
 caA | E8A ca ^A ~ ! ^Ac@A8ca | Aej aA^ca [, ^ | D8ej aA caA | A8ca^ aAc@A^ caA caA caA] [| c^ * A} aAc@A8ca | , ^ | Ac@A^ca
 { [, ^ | A } d Ac@A caA | Aej aA^ca Ac@A [. ^ | A } Ac@A caA | E8A ^ & ! ^Ac@A8ca | Aej aA [, ^ | A } Ac@A caA |
 , aAc@A • E8O @ & Ac@A8ca | A | Aca | q A ca ~ caA | Aej ^ A ~ a^ \) oA A| Aca] [| oA A caA aA caA | E8A^c^ • ^
 c@A | [& a ~ ! ^A| A } | caAej aA^ { [~ } c@A [, ^ | A ca c | Aca] [| c^ * E8O^A ~ ! ^Aca | A } aAc@A^ & ! ^E8ca
 &] } ^8ca • AcaA ca @Aej aAej ^ A | • oA caA A | caA aA^ | ! ^A • a^ * A [, ^ | E8V^A ca | Aca ^ A } @ | A } } ^8ca * Aca
] a^A c | A ca * E

!&'&HfUbgdcf|b| `cb`Di`V|WF`cUXk`Ung

Ocd^ { ^A8ca c } A @ | aA^A • ^aA @ } Aca] [| c^ * Ac@A8ca | Aej aA [] | ^ \) oA } A ~ a|A| ca ca , ca • E8A | Aca8ca |
 { ~ • oA^A ~ a] aA aAc@A | A ~ aA^ca ca c A ca } a^ A ca | ^ • Aej & | aej * AcaUTXA { a| ^ { Aej aA ca ca * A ca } a^ *
 | a @ A| Aca | oA | a | A ~ A Ac@A8ca | q A | ^ • ^) & E8A^ \ ^ { a| Ac@A | ca ca , ca • AcaA | a ca a^ A ca } ^ aA |
 ca d { [ca^A | a | Aej aA [• oA | a | A } a | A [oA | A [| a^ * A ~ oA | A | E8ca | ^ | ! E8A [A ~ oA [| A ~ oA | Ac@ { E
 O @ & A | ~ ! A ca A ca , A | a | | • A ~ ^ } d Aej aA^ \ ^ { a| Ac@A ca | A ca } | | ca ca ~ ca | A ca ca • ^ A Ac@
 ca8ca | q A [, ^ | A] ^ a E8O^A ca d^ | ^ | A ca c ~ • A @ } Ac@A a ca A ca ~ a } ^ } oA ca [~ A ca A | , a^ A ca a | Ac@
 c@A ca8ca | A ca aAc@Aej a | A ca c } a • A ca | } aA [~ ! A ca ^ A Ac@A | ca E8OPS-R-217



T ca ^A8ca | caA Ac@A @ A | | , A [c^ * A ca ca | A ca UT XDA a } A ca • ca | a ca
 • & ca ca ca A ca A ca | ca | A ca ca | A ca a ca a ca ca | ^ E8A @ } Aca] [| c^ * Ac@
 O ~ a { ^ } oA • ^ Ac@A | ca8ca | A ca ca * A ca } a^ * A ca @ A ca aA | | , Aca | A ca
 ca ca ca ca | ca } • E8ca



CD9F5 HCB

CD9F5 HCB

V@ÁÚT XÁÚ||, È [çä * Á^ @&| Á^ { à| { Á
 ~ } á^ • á^ { à| Á • á^ Á^ Á^ | óá| á^ • Á - Á @
] | • ^ } & Á - Á ~ á { ^ } óá á^ | á * Á } Á [á, á • Á á
 • ||, Á] ^ á È Á Ú T X Á á } • Á á Á á á á ~ | á á á @
 [| á * ^ Á á @ Á ^ - & á^ Á á Á á Á Á | Á | c Á á á ^ Á á
 á á Á á @ Á á á á á È Á á Á ^ | Á @ Á Ú T X Á á } Á
 & ^ á á á á á á | Á | { Á @ Á á á Á - Á @ Á } á á á | Á
 d á • } [| ç * Á @ Á á á á | á á á] | { ^ } óá } Á á
 | [á, á È Á Ú ^] | á á Á @ Á Ú T X Á { à| { Á á á á á È
 á á á á á Á | Á | } * Á Á ^ - & á^ È OPS-U- 0020



Op-43

T á Á ^ | Á @ Á á | Á á á | Á á @ * Á á } á * Á á @ È
 @ á á | Á @ È á á á á á á á á @ Á á Á } & á } á *
] | [| Á | Á á á | Á Á | & Á á á * Á } á * á á á [á á È Á @
 } ^, Á | Á [á | Á á á | Á @ Á Á |] c Á Á á @ á * Á |
] | ç á Á á á } á * Á á } á * Á á | Á | á á * Á á @ á È [•
 [| á | Á | á | Á á Á |] Á ^ á] á á á á | Á á á * Á á @ È
 Ó [] ~ | ó á á á á @ | á á á á á | Á á á | Á | Á á @ á * Á á
 á á Á [á á á á] • Á á á á | Á Á * | á á Á @ Á á @ á * Á }
 [| á | Á á á | Á [á | Á È OPS-U- 0021



Op-595

Y @ } Á | Á | á á * Á } Á ~ à | á á [á á • È @ á
 &] • á | á á } Á | Á c | Á | á á Á • Á • È ~ || Á Á @ Á á á
 [- Á @ Á | á á á & á á } á | Á á |, Á á | Á | |, á * Á á á á
 á á á • È Á [Á | ó á á á á á @ Á * á Á] ^ á á á á á á á
 ^ [| Á | ~ } d Á | Á á á | c | á á á á | • È Á á á • Á á á
 á | ó á @ } Á á } [| ç * Á @ Á á á | á á á] | { ^ } c
 [] Á ~ à | á á [á á • È Á ^ Á á á á } á á á á & Á] ^ á á á
 [c | Á ^ @ Á • Á | Á á á • d á } Á á á Á @ Á á á È OPS-
 U- 0022



Op-596



DANGER: Do not operate on public roads. The tractor is designed for use on private property only. See the operator's manual for more information.



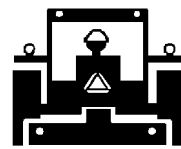
Ü Ö Õ Ä U V Ö Ü

U] | á á } Á ^ & á } Á È |

CD9F5HCB

⚠ WARNING

Т ас ^A^i cаъ A cаъ @ A u || . A T [cа * A ^ @ B / + A Q T X D a } A A A . cаъ / a A A
 ~ & @ cаъ cе A cе A i A A A A cаъ / A cаъ a a | A A a A * a | E A Y @ } A c а } [| cа * A c
 O ~ a { ^ } c A ^ A @ A i c а d | A c а cа * A c а } a * A a @ A a a A || | . A c | A | c а
 d a c A A * ~ | c а } . E A u o e +



U a ^ & A] ^ a A ^ f | ^ A c i } a * A i A a } | a * A c A i a a ^ . E
 O } . i ^ A c a a [c a i a a ^ A ^ a a c a A A A A i & i a a A i * ^ c @ i
 . @ } A i A c a * A } A ~ a | A A [c a . E OPS-U- 0023



Op-25

%&" <U i `|b| `h Y HFUWcf`UbX`a d`Ya Ybh

O ~ f | ^ A i c а } [| c а * A c | c а a A i c а d | A a A } | ^ { ^ } c
 { ^ a ~ i ^ A c A c a c a a A c a a A c a a ^) . a } . A a A i | . .
 . ^ a c A A c A A [{ } | ^ c A i c а a A } a E A O } . i ^ A c a a c
 || c а A a i A A A A A [{ } | a a & A a c a c A * a A a a A ^ c |
 c a A a c a c a a a i A A A c a ^ i a A c | ~ * @ OPS-U- 0024



Op - 46

CD9F5HCB

CD9F5HCB

CD9F5HCB

ÙÖÒÛUVÖÿ

U] ^!æĭ } Á^&ĭ } ÁË G

Í '4234'Crco q'I tqwr "Kpe0

A 5 =BH9 B5 B7 9 'G9 7 H=C B

T aq c} a} &^Á^&c} Á E

A5-BH9B5B79

WARNING

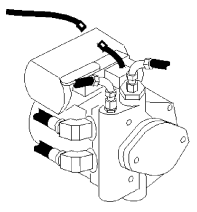
Ó[Á[[áä Á|Äæ|ÄöÄ]|^ { } d[ÄÖ[Á[[]|^ { } ^Äd Ä [áä Á|Äæ|ÄöÄ Q]|^ { } d[]|^ { } } & d []|^ { } }

WARNING

Ü|äç^Ä@áiæ|ä|á••|^Ä|ä|Ä|ä[ä*ä~Ä ääc} ä&Ä|Ä^ äÄ [\Ä } Ä@Ä]|^ { } d[Ü|äç^Ä@Ä [, ^|Ä^ äÄ } Ä@Ä|] } äÄ|Ä^&|^|Ä~] [|cäÄ } Ä| & •Ä|Ä ä ä•Ää^ } * ä^ @ÄVUÄ äÄ| } Ä-Ä@Ä } * ä^ÄÜ • @ä äÄ~|Ä@Ä } d[|Äç^Ä|Ä|Ä^ • äÄ|Äç^Ä|Ä|Ä^ d Ä|äç^Ä|á••|^Ä|ä|Ä|Ä ääc*ä~Ä ääc} ä&Ä|Ä^ äÄ [\Ä]|^ { } }

DANGER

CE, ä•Ää&| } ^&c@Ä, ä^Ä äÄ-Ä [{ Äc@Ä [[, ^|Ä] { }] Ä• []|^ { } ä ä-Ä|^Ä|^| { ä*Ä|^çä^Ä } Ä@Ä|Ääç|Ä|Ä [, ^|Ä^Ä^Ä ääc } Ä @ } [\ä*Ä] Äc@Ä|Ääç|Ä|Ä [, ^|Ä^Ä|Ääç|Ä } * ä^Ä ^•cÄ^Ä ç]|^ { } ä ä-Ä|^Ä|^| { \ä*Ä } Ä [, ^|Ä|Ä|Ääç|Ä|Ä@Ä [, ^|Ä|Ä^Ä^Ä ~|äÄ ääç|^c} d Ä^Ä|Ä|^| , äQ~c} ää äÄ äÄ^Ä { ^ä äÄ|Ä { ^ { ä|^| } } d []|^ { } Ä|Ä^Ä äÄ@Ä]|^ { } }



A5-BH9B5B79

A5-BH9B5B79

F9; I @F`A5-BH9B5B79

V@/ 0'ççp ÁæÁ @æÁ^~ |æÁ^çæá * Á @~ |áÁ^Á[] ^Áæ^Áæ^áÁ } Á@~ |• Á- Á] ^|æá } ÉÁ^Á@ Áæá |• Á@~ |
 { ^çÁÁ Á^çÁ { á^Á @ } Á^~ |æÁ^çæá * Á Á^~ á^áÉ

8 U]mcf'9j Yfm, ' <ci fg

#9A`	G9FJ=9	7CAA9BHG
Ö: 0^ÁÚ@æÁ [\ ^ÉÁÉÁ á c BÁÚç àÁÚ@æ	Ö: ^æ^	Ö: ^æ^ Áæ Áæ • d~ & ç á Á á^æá^áÁ æá ç } æ & ÁÚ^æá }
Ú~ {] ÁÖ: 0^ÁÚ@æ	Ô@ & Áæ áÁ~ à^	Ö~ ^ÁÁ 0^ÁÚ@æ } áÁ æ
Ö: á • @æÁ Áæ ç Á	Ô@ & Á~ àà^ Á [{ { ^	Ü^ æÁ [{ { ^ Á Áæ æ^ á Á á • á *
Úá [áÚ [á 0	Š` á ææ	Ö & ç Á ^æ^ Á } ç Á } ^æ • Áæ } á
P^ á æ æÁ çá *	Ô@ & Á Á ç •	Vá @ } Á @ } Á ^á^áÉ Ö Á ç Á • Á @ } á • Á ç Á @ & Á Á Á ç • É Ü^ Á Á æá ç } æ & ÁÚ ^æá ç }
S) 0^ Á	Ô@ &	Ö~ ^ Á Á á • á * Á Áæ æ^ á Á } 0^ Á • É @ } ^ Á Á @ } ^ } Áæ Á ^á^á
Ú] á á^ Á [~ } ç * Á 0 ç] á á^ Á Á^ & D	Ô@ &	HÖ Á Á Á ~ ^ Á Á H F - á á • É
S) á^ Á [~ } ç * Á 0 ç } á^ Á Á^ \ D	Ô@ &	Ú: ^É` á ææ Á @ ^æá • É @ } Á ç ~ ^ Á Á Á Á ç á • É
Öá \ Á [~ } ç * Á 0 ç á \ Á Á] á á^ L	Ô@ &	Í Ö + Á Á É Ö + Á ç ~ ^ Á Á GÉ Á Á Á Á á á Á á • É
Ó 0	Ô@ & É á b • c	Ô@ & Á Á [\ ^ } É á @ } Áæ Á^~ á^ á
T æ Á ç Áæ ^ Áæ á Ö^ &	Ô@ & Á	Ü^ ç ~ ^ Á ç Á Á ~ ^ •] ^ á á æá } • Á @ Á ^ çá }
P^ á æ æÁ ç á Á^ ç^	Ô@ &	Ö á Á Á^~ á^ á Á +~ á Á & [{ { ^ } á æá } •
ÜÖÖÁÜUVÖÜY	T æá ç } æ & ÁÚ^æá } Á É	

A5-BH9B5B79

A5-BH9B5B79

K 99? @MCF'9J9FM(\$' < CI FG

#9A

G9FJ=9

7CAA9BHG

Ü[æ^ Á] ã á^

Š à|ææ^

Òç^!^ Á €Á@~!•Á!Á ^\|

K 99? @MCF'9J9FM)\$' < CI FG

#9A

G9FJ=9

7CAA9BHG

Q Á/æ \ Á^ á!æ |æÁ\~ ã
Qç^! Á/\$' a]Wcb' Z' hYfL

Ô@æ * ^

Ô@æ * ^ Áæç! Áá•Á €Á@~!•Á!} |
@} Áç^!^ Á €Á@~!•Á! Á^æ|

Q Ěš^ Á Pã @Á!^•~ |^
Qç^! Á/\$' a]Wcb' Z' hYfL

Ô@æ * ^

Ô@æ * ^ Áæç! Áá•Á €Á@~!•Á!} |
@} Áç^!^ Á €Á@~!•Á! Á^æ|

ACBH< @MCF'9J9FM%' \$' < CI FG

#9A

G9FJ=9

7CAA9BHG

P^ á!æ |æÁ\~ ã Áç^! Á

Ô@&

QãÁæ Á ^^áá

P^ á!æ |æÁ/æ \ Á!^æ@:

Ô|^æ Ę@& Ę|^] |æ^

Ô|^æ Á!Á^] |æ^ Á
Ô|^ { ^} Áæ Á^~ á^á

F YU' HfY' HndY
ÁÁÁÁÁÁ Á Ę ĘÜH
ÁÁÁÁÁÁ Á Ę ĘH
ÁÁÁÁÁÁ Á Ę ĘH

AU 'D'G'É
GJ
G
G

ÜÖÒÁUUVÖÛY

T æ ç } æ & Á^ & ç } Á Ę

A5-BH9B5B79

A5-BH9B5B79

M95F @MCF'9J9FM) \$\$' < CI FG

#9A

G9FJ=9

7CAA9BHG

Ù] ã à|^Á!^æ^

Ô@*^

T [d | Á Á] ã à|^Á] |ã^Á

Ô@*^

P^ á|æ |ãÁã \ Á~ ã

Ô@*^

QÁã \ Á^ á|æ |ãÁ~ ãÁã!
fl\$'a]Wcb'Z]HfL

Ô@*^

QËã ^Á ÚÁã!
fl\$'a]Wcb'Z]HfL

Ô@*^ /!!!!!!!!!!!!!!!!!!!!!!

Ô@*^ Á @} Á áãæ^á
à^ Á^ dãã } Á áãã |È

P^ á|æ |ãÁã \ Á|^æ@!

Ô@*^

ÙÒÒÀÛUVÖÛÿ

T ãã ç} ç &^Á^&ã } Á È

A5-BH9B5B79

A5-BH9B5 B7 9

A5-BH9B5 B7 9

HFCI 6 @G< CCHB;

GMADHCAG

75I G9

F9A98M

Xā:āā }

Š [• ^ Á Ő | 0

Ô @ & Ā ā Ā Ā | 0 Ā ā Ā Ā @ ^ Ā
! ^ & { { ^ } ā ā Ā Ā | ~ ^ Ā ^ & ā ā ā } • Ā Ā @
• ^ & ā }

Ō ō Ā Ā • ^ { ā |

ā Ő @ & Ā Ā | Ā ā ā Ā ā Ā • Ā ā & Ē
~ } ā ā ā & ā Ā | Ā ō Ā Ā @ ā Ā
ā Ā Ū ^ | ā ā Ā Ā ^ ā ā Ē
& Ő @ & Ā Ā | Ā ā Ā Ā [] ^ Ā Ā ā Ā } ā * | ā ā Ā
@ & ō Ā Ā • ^ { ā |

T [, ^ Ā ā Ā [ā ā c

P ā ā ā | ā Ā | ā ā Ā ,
Š ā ā • Ā ā Ā ^
Ō ē | c Ā Ā | ā ā ā ā ^

Ô @ & Ā ā Ā ā Ā Ā ^ ā Ā Ā Ā ā
V ā @ ^ } Ā Ā Ā | ā ā ā ā ā * • Ā ā ā Ā • •
Ô @ & Ā | • • ^ Ā ā ā ā Ā ā Ā
] | • • ^ Ā ā ā Ā Ő [] d [| Ā ā ā Ā • @ ~ | ā ā ā ā
| ā ā ā ā ā ā ā ā

Sā \ ^ ā Ā | Ā | & Ā

Ô | ā ā Ā | ā ā Ā •

Ō ē | c & | ā ā |

Q •] ^ & ā ā] ā ā | ā ā & | ā ā |

U ā ā {] ^ ā ā Ā ā •

Š [, Ā ā Ā Ā | ā ā [Ā Ā ā ā ā ā
Sā \ ^ ā ā | & Ā ā ā • •
Y [] Ā {] Ā [d |

Ō ā * Ā ā Ā Ā | [] ^ Ā Ā Ā Ā Ē
Q •] ^ & ā ā ^ | ā ā ^ | ā ā
Ō ā ā | ā ā ā ā Ā Ā ā

T [, ^ Ā ā Ā [ā ā ā Ā ^ }

Ō [, } Ā • •

Ô @ & Ā • • Ā Ā Ā ^ } Ā [, ^ Ā , ā ā @
ā ā ā } ā ā | ā ā | ā ā

Ō ā ā ā • Ā | • • ā
Š [, Ā ā Ā Ā |
Sā ^ Ā ā

T ā ā Ā ^ | ā ā ā • ā ā Ā | ^ }
Ô @ & Ā Ā ā ā ā | ā ā ā
Ô @ & Ā ā ā ā ā * • Ā ā ā ā • Ē
! ^ ā ā @ ^ Ā | ā ā | ā ā

Ō ^ & d [] ā ā [|] [ā ā ā | c

ā ā ā ā ā ā ā ā Ā } } ā * ā ā | } ā ā
{ [, ^ Ā , ā ā ā ā } ā ā [, ā ā ā ā ā ā
} [ā ā ā ā ā ā ā ā] [ā ā ā ā] * ā ā * ā ā
• [|] [ā ā] [| ā ā ā ā ā ā ā ā ā ā
• , ā ā ā ā ā [] ā [] • ā ā } ā ā ā , ā ā ā
• & ^ , ā ā ā | ā | ā @ | ā ā ā ā ā ā ā ā ā ā
• { ā ā ā ā } ā ā ā } ā ā ā ā ā ā ā ā ā ā
{ ^ ā
& @ & ā ā ā ā ā ā ā ā ā ā ā ā ā ā ā ā ā ā ā
& & ā ā ā ā ā ā ā ā ā ā ā ā ā ā ā ā ā ā ā
% ā ā ā ā ā ā ā ā ā ā ā ā ā ā ā ā ā ā ā

Ù 0 0 Ā Ū V V 0 Ā Ū

T ā ā ā } ā ā ā & ā ā ā } ā ā Ē

A5-BH9B5B79

A5-BH9B5B79

HFCI 6 @G<CCHB; 'f7 CBHBI 98L

àÈÛ^ [ç^Á@Á~!Á[|Á@ |áá * Á@Á { æ
 à[& Áç Á@Á æ Áà[& ÈSáÁá áÁ^ [ç^
 • { æÁ[& Á^á * Á@~ |Á [ÁÁ æ æ^ÁË
 |á * ÈÁç!È

ÈÖ^æ Ááç!Áá áÁ^Áá • æ!È

àÈÛ^ [ç^Áæ*^Á~ Á } Á æ^Á Áæ*^Áçç^
 à[& ÈÁÛ^ [ç^Á• |á * Èáá áÁ^ •^Á^ ^^á^
 } [•^Áçá^Á!á Áç Á~ ||Á• [|Á+ [{ Áà[& È
 &@ & Áà[& Áá áÁ• [|Á+ |Á& } æ á á ç
 æ áÁ & æ&@ • ÈÖ^æ Áá æ Á |Á^ |æ^Áá
 • & æ&@ áÈÁ

T [ç^Á~ } •Á c
 , áÁ [ç^ c

Ó | ç
 V } • á } ^!

Q • ^ & Áá | ç áá ~ | ^ • ÈÛ^ | æ
 à | ç áá^ æ áÁ^ ^^á^
 Çáá • Á } • á } ^! Á~ Ááá æ @!
 , æ @! Á Á~ • @ Á áÁ } Á^ Á~ æ^È

T [ç^Á~ } •Á [, |
 | Á [ç^Áç

Ô } æ á á ç Á • d áá *
 • [| Á [ç^ ^ } ç
 ççç^Á [á^

Û^ [ç^Áæ*^Á~ Á } Á æ^Á Áæ*^
 ççç^Á [& ÈÛ^ [ç^Á!á * Èá áÁ•
 } ^^á^Á [•^Áçá^Á!á Áç Á~ ||Á• [|
 + [{ Áà[& ÈÁÖ@ & Áà[& Áá áÁ• [|Á+ |
 & } æ á á ç Áá & æ&@ • È

Û & á } Áá ^ Á á • d ~ & ç á

Ô^æ Áá ç Á |Á^ | æ^Áá & æ&@ áÈ
 Ô @ & Á |Á á } • Á |Á á • d ~ & ç } Á
 • ~ & ç } Á ç • È

Š , Á áÁ ç^!

Ô @ & Á^ áÁá \ Á ç^ | Áá áÁÈ

Û { | Á áÁ [ç^ [|

Ò ç & • • áÁ^ ^ æ Á }
 á ç! } æ Á ç

Ö ä æ • ^ { à | Á áá } áÁ^ æ È

T [ç^Á~ } •Á [ç^ [|

Ò ç & • • áÁ^ ^ æ Á }
 á ç! } æ Á ç

Ö ä æ • ^ { à | Á áá } áÁ^ æ È

NOTE: If flow meter is available, check pressure and flow volume for all suspected hydraulic problems.

Ç@Á | ç } Á Á^ |Á | à | Á } [ç^ Á^ } áÁ Áç Á^ & ç } Èá Á@Á & ç áÁÛ^ | ç áÁ^ | ^ • ^ } æ^Áá@
 } ~ { à | Á ç , } Á } Á@Á [ç^ ç^ | Á Áç Á ç } æ È

ÙÒÒÁÛÛÇÛÛ

T æ ç } æ & ÁÛ^ & ç } Á È

A5-BH9 B5 B7 9

HC FEI 9 GD97 = 7 5HCBG

Torque for Standard Fasteners

Nominal Dia. (in.)	threads per inch	Grade 2			Grade 5			Grade 8			Grade 9		
		Tightening Torque			Tightening Torque			Tightening Torque			Tightening Torque		
		Lubed	Dry Plated	Dry plain	Lubed	Dry Plated	Dry plain	Lubed	Dry Plated	Dry plain	Lubed	Dry Plated	Dry plain
		K = 0.15	K = 0.17	K = 0.20	K = 0.15	K = 0.17	K = 0.20	K = 0.15	K = 0.17	K = 0.20	K = 0.15	K = 0.17	K = 0.20

Unified Coarse Thread Series

Nominal Dia.	Threads per inch	49 in-lbs	59 in-lbs	66 in-lbs	76 in-lbs	86 in-lbs	101 in-lbs	107 in-lbs	122 in-lbs	143 in-lbs	126 in-lbs	143 in-lbs	168 in-lbs
1/4	20	49	59	66	76	86	101	107	122	143	126	143	168
5/16	18	101	122	135	157	178	209	221	251	295	259	294	346
3/8	16	15 ft-lbs	18 ft-lbs	20 ft-lbs	23 ft-lbs	26 ft-lbs	31 ft-lbs	33 ft-lbs	37 ft-lbs	44 ft-lbs	38 ft-lbs	43 ft-lbs	51 ft-lbs
7/16	14	24	29	32	37	42	49	52	59	70	61	70	82
1/2	13	37	44	49	57	64	75	80	90	106	94	106	125
9/16	12	53	63	70	82	92	109	115	130	154	135	153	180
5/8	11	73	87	97	113	128	150	159	180	212	186	211	248
3/4	10	129	155	172	200	227	267	282	320	376	331	375	441
7/8	9	125	150	167	322	365	429	455	515	606	533	604	710
1	8	187	225	250	483	547	644	681	772	909	799	905	1065
1 1/8	7	266	319	354	596	675	794	966	1095	1288	1132	1283	1510
1 1/4	7	375	450	500	840	952	1121	1363	1545	1817	1597	1810	2130
1 1/2	6	652	783	869	1462	1657	1950	2371	2688	3162	2779	3150	3706

Fine Thread Series

Nominal Dia.	Threads per inch	56 in-lbs	68 in-lbs	75 in-lbs	87 in-lbs	99 in-lbs	116 in-lbs	123 in-lbs	139 in-lbs	164 in-lbs	144 in-lbs	163 in-lbs	192 in-lbs
1/4	28	56	68	75	87	99	116	123	139	164	144	163	192
5/16	24	112	135	150	174	197	231	245	278	327	287	325	383
3/8	24	17 ft-lbs	20 ft-lbs	23 ft-lbs	26 ft-lbs	30 ft-lbs	35 ft-lbs	37 ft-lbs	42 ft-lbs	49 ft-lbs	43 ft-lbs	49 ft-lbs	58 ft-lbs
7/16	20	27	32	36	41	47	55	58	66	78	68	78	91
1/2	20	41	49	55	64	72	85	90	102	120	105	120	141
9/16	18	59	71	78	91	103	121	128	146	171	151	171	201
5/8	18	82	99	110	127	144	170	180	204	240	211	239	281
3/4	16	144	173	192	223	253	297	315	357	420	369	418	492
7/8	14	138	165	184	355	403	474	502	568	669	588	666	784
1	14	210	252	280	542	614	722	765	867	1020	896	1016	1195
1 1/8	12	298	357	397	668	757	890	1083	1227	1444	1269	1439	1693
1 1/4	12	415	498	553	930	1055	1241	1509	1710	2012	1768	2004	2358
1 1/2	12	734	880	978	1645	1865	2194	2668	3024	3557	3127	3544	4169

Torque values for 1/4 and 5/16 in series are in inch-pounds. All other torque values are in foot-pounds. K = 0.15 for "lubricated" conditions D = Nominal Diameter
 Torque values calculated from formula T=KDF, where K = 0.17 for zinc plated and dry conditions F = Clamp Load
 K = 0.20 for plain and dry conditions

Torque-Tension Relationship for Metric Fasteners

Nominal Dia. (mm)	Pitch	Class 4.6			Class 8.8			Class 10.9			Class 12.9	
		Tightening Torque			Tightening Torque			Tightening Torque			Tightening Torque	
		Lubed	Dry Plated	Dry plain	Lubed	Dry Plated	Dry plain	Lubed	Dry Plated	Dry plain	Lubed	Dry plain
		K = 0.15	K = 0.17	K = 0.20	K = 0.15	K = 0.17	K = 0.20	K = 0.15	K = 0.17	K = 0.20	K = 0.15	K = 0.20
		(ft-lbs)	(ft-lbs)	(ft-lbs)	(ft-lbs)	(ft-lbs)	(ft-lbs)	(ft-lbs)	(ft-lbs)	(ft-lbs)	(ft-lbs)	(ft-lbs)
3	0.5	0.28	0.32	0.38	0.73	0.82	0.97	1.0	1.2	1.4	1.2	1.6
3.5	0.6	0.44	0.50	0.59	1.1	1.3	1.5	1.6	1.9	2.2	1.9	2.5
4	0.7	0.66	0.74	0.87	1.7	1.9	2.3	2.4	2.7	3.2	2.8	3.8
5	0.8	1.3	1.5	1.8	3.4	3.9	4.5	4.9	5.5	6.5	5.7	7.6
6	1	2.3	2.6	3.0	5.8	6.6	7.7	8.3	9.4	11	9.7	13
6	1.25	2.1	2.3	2.7	5.3	6.0	7.0	7.6	8.6	10	8.8	12
7	1	3.8	4.3	5.0	9.7	11	13	14	16	19	16	22
8	1	5.9	6.6	7.8	15	17	20	22	24	29	25	34
8	1.25	5.5	6.2	7.3	14	16	19	20	23	27	24	31
10	1.25	11	13	15	29	33	39	42	48	56	49	66
10	1.5	11	12	14	28	32	37	40	45	53	47	62
12	1.25	21	23	28	53	60	71	76	86	101	89	119
12	1.5	20	22	26	51	58	68	73	82	97	85	113
12	1.75	19	21	25	49	55	65	70	79	93	81	108
14	1.25	26	29	34	66	75	89	95	108	127	111	148
14	1.5	28	32	37	72	82	96	103	117	138	121	161
14	2	30	34	40	78	88	104	111	126	148	130	173
16	1.5	50	57	67	129	146	171	184	208	245	215	287
16	2	47	53	62	121	137	161	173	196	230	202	269
18	1.5	73	82	97	187	212	249	268	303	357	313	417
18	2.5	65	73	86	167	189	222	239	270	318	279	372
20	2.5	91	104	122	236	267	314	337	382	449	394	525

Clamp load calculated as 75% of the proof load for specified bolts. K = 0.15 for "lubricated" conditions D = Nominal Diameter
 All torque values are listed in foot-pounds K = 0.17 for zinc plated, dry conditions F = Clamp Load
 Torque values calculated from formula T=KDF, where K = 0.20 for plain and dry conditions

A5-BH9 B5 B7 9

0000000000

T 33 3 } 3 & A A ^ & 3 } A E

I '4234'Crno q'I tqw 'Kpe0

A5-BH9B5B79

@ 6F75HCB F97CAA9B85HCBG

89G7F-DHCB 5DD@75HCB ; 9B9F5 @GD97 = 75HCB F97CAA9B898
AC6=@@ 6F75BH

Viæd |Á^ á!æ |æ Ü^•^!ç[ä RÖËEÖ
T ØÁ FFHÍ ÊT FFI F
ØPPT GÖFH ÖÁØP PGEFD

T [, ^!Á^ á!æ |æ Ü^•^!ç[ä
Ö [|áÁ^ { } ^!æ |•ÁE»ÖÁædM
P [| { æÁ^ { } ^!æ |•ÁE»ÖÁædM
P [| { æÁ^ { } ^!æ |•ÁÍ »ÖÁædM
Pä ÖÁ ^!æ *Á^ { } ÊÖa [ç^ÁÍE»Ø

ÖUÁÍ ÁE çÿ ^æ Ê [, Á^ { }
RÖËEÖ
T ØÁ FFHÍ ÊT FFI F
ØPÁT GÖFH ÖÁØP PGEFD
ÖUÁÍ ÁE çÿ ^æ
ÖUÁÍE»ÁE çÿ ^æ

T [ääÖVÖÁÍ T
T [ää^ äÁ G
T [ääÖVÖÁÍ
T [ääÖVÖÁÍ T

ÖäÜ^æÖ^æà [ç Ö!^æ^ ÚÖUÁ^ } @ çÖÖcd^ ^
Ü!^•~ |^Ö^æ^S^ à^ T [ääÜPÖÁÍ Y ÈE
T [ääÜ^ } @ çÖÖ^æ

Ö^ ç^!ÁÜ @çÖBÖ [^ } á Ö!^æ^Ö^ } Šäç { ÈÖ [{] ^ç
Ü [|^!ÁÜ @çÖÖäD Öçd^ { ^Á!^•~ |^
PŠÖÖGÖUÁGE

T [ää^!^æ^ÖT ÈÜ

Ö!ç^ÁÜ @çÖ [^ } |^! Ö!^æ^Ö^ } Šäç { ÈÖ [{] ^ç
ÖäÁä äÁÜ [ç^ D Öçd^ { ^Á!^•~ |^
PŠÖÖGÖUÁGE

T [ää^!^æ^ÖT ÈÜ

Ö!ç^ÁÜ @çÖ [^ } |^! Ö!^æ^Ö^ } Šäç { ÈÖ [{] ^ç
WÈ ç^BÁÜc àÜ @c Öçd^ { ^Á!^•~ |^
PŠÖÖGÖUÁGE

T [ää^!^æ^ÖT ÈÜ

Ö^ & ÁÜ] ç^!ÁÜ [ç^ D Ö!^æ^Ö^ } Vá ^!ÁÜ çÖÜ] ç^!ÁÜ^ à!æ ç
Úæç^ { à^!ÁÍ | | €€€€

T [ääçÖÜPÖÁGE

ÜÖÖÁÜVÖÜY T ää ç } ç & ÁÜ^ ç } Á ÈE

A5-BH9B5B79

A5-BH9B5B79

A5-BH9B5B79

DC @M75F6CB5H9'75F9/'A5-BH9B5B79

V@Á; [|] ; áæ^ ÁVXÁæ áÁOá:æ á } ÁÜ^•áæ á^~!-æ&Á& ææ * Á } ÁÜP@SÖÜÁÜWÜÓÜÓÜOÜOÜÁ [| &æà[} æ
•á } áææ q' Á } [| ç^•Á^!+!+ { æ &ÉÜ^!á áæ&Áæ á * Á •á * Á [|]^!Á [| &á^!•Áæ áÁ& { } ææ|Á&|æ á^•Áæ^
!& { { ^ } á^áÁ Á [|] } * Á^!ç&ÁáÉVá^!ÁO [|] É [|] &æà[} æ^Á ÜWÜÓÜÓÜOÜOÜÁ } Á [OÁ á^•É

7 @5B-B; 'H<9'GI D9F7C5H'<5F8!7C5H

FÈ Y æ @, áOá ááÁ [| ç] Á Á [æ Á | Á^!^*^) áæ áÁ^ \ , æ { Á æ^É
GÈ W á * ÁÁ [- & [OÁ^!Á]] *^É^) ç^ Á æ @Á @^Á Á [•^] Áááæ áÁ:á ^Áæ áÁá •Á^ Á | Á áOÁæ á
, æ^É
HÈ V Á^!ç^) áæ^!Á [çæ * É@ | ~ * @ Á^! Á áOÁæ [áÁ^!Á^] [•^Á]] *^É
I È Ç [áÁ@Á •^Á Áá:æ á^Á^!æ á^!É^ ~ ^*^•Áæ ááÁÁ @Á^!æ á * Á } | { ^ } •Á@á æ Á æ^!Á [~^*^Á
@Á& ææ * É

7 @5B-B; '5; 9BHG'K <7 <'<5J9'699B': CI B8 'HC'69'7CAD5H6 @ 'I B89F' @6CF5HCFM 7CB8#HCBG.

- " ÇE^ [~•ÁÜ [| ç] •Á ÁÜ [æ •Áæ áÁO^!^*^) •
Y á á^ç V] Á á à R ^ T |ÉO|Áæ
Oæ æ á Q | { ~ |æÁ É U { æá @ÁOFG Ó^ & á^&æ
- " U! * æ áÁÜ [| ç^) •
Ó^ ç |ÁO^]] [|ç^ S^! [•^] ^ P^ ç^ |ÉÜÉÁ | I Pæ @çÁXTBÚÁO!æ^D
P^!^& ÉÜ|æ^! V^! & Á É G
- " Ç& @ | •
T^@æ [| Q [|]] ^ |

ÇÁ^•áæ á^! * æ áÁ [| ç^) •Á @^ |áÁ^Á^ { [ç^áÁ áOÁ^!&] áæ^ Áá •ÁÉ

; F5:: #F9ACJ5 @

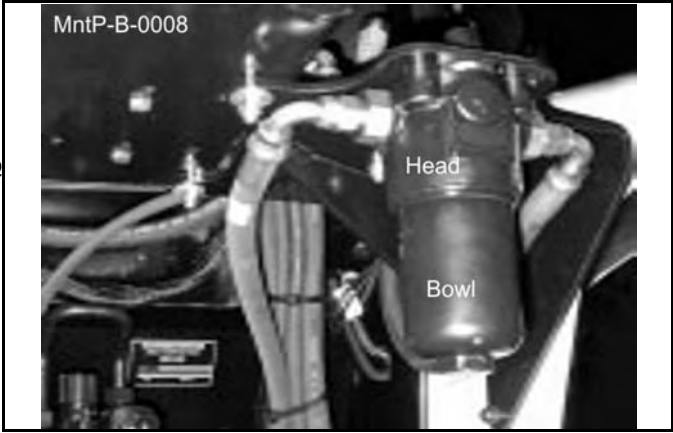
Ó^ ç |Á&]] [|ç^ÁÇ |Á^ { [çæ^!Á ææ •É æ á^*^Á^ } Á \ •Éá •æ ÉÁ &ÉV@Á •^Á Á æ \ á * Áæ^ Éæ @ •á^Áæ^
[|Áá \ Á^ { [çæ^! [| •Á]] Á^ Á | Á^! Ááæ * Á^! áÁ^ Áæ@^! áÁæ } •É
V Á^ { [ç^Áæ^! •É^ æ^! •É^ &É@Á •^Á Á^! [•^] ^Á ÁXTBÚÁ } @çÁæ^*^) ^!æ^ Á^ &á^ÉY @ } Á@
• [|ç^) á Á [O^] ^ çæ^ Áæ^! Á æ^! áÁæ]] Á@ æ^! çæ^! Á^! D Á [•] Á@ Áæ @ •á^Áæ áÁ^! [[ç^Á^ [çæ^
Çæ^ æ^! áÁ^ Á^ } áÁ^ Á^ & { } ææ^! Áá @ | ç^! { Á^ ç^! Áá } áÁ^ Á^ } áÁ^ Á^ & { } ææ^! Áá @
á | áÉV@Á [] ç^! •^É@ ^ç^! ÉÁ Á [áæ æ •Á^ ^É@æ [æ^! Á^!+!+ { æ &Á Á [Á^ ææ ç^Á@çæ^ ç^! } áÉ •^
& } ááæ } •Á@ç^Áá^ } Áá] | áæ^ áÉV@^!+!+ É@ •^Á^ • | •Á • @^ | áÁ^Á^ •^Ááæ Áá^ ~ áÁ^ [] | Áæ áÁáá
!& { { ^ } á^áÁ@ç^! Á^! Á^ •Á@ Á^ | á^ & Á^ } áÁ^ ááæ ç^! } áÉ •^ & } ááæ } •É

ÜOÖÁÜUVÖÿ T æ ç } æ & Á^ & ç } Á É F

A5-BH9B5B79

F9D@7-B; <=> <'DF9GGI F9<M8F5I @7': =@9F'9 @A9BH

0E~!^Á•••c{ Á @eÁ à^^}Á•@oá a[. }Á a} à
 à^!^••~!á^áEÁ Š &ae^Á Pā @Á Ú!^••~!^Á oq!
 @~•q *ÉÖ[]-a{ Á@eÁ@Á^{\ ^} o@eÁÁ Áeá[~oq
 à^Áq•cē^áÁ ae&@•Á@Á^{\ ^} oq ÉÁ }Á@Áq!
 { [á^!ÁeÉ ÉÖcē]^AXHÉÉ FÉÉÉ ÁÇ [!|áÁq^ÁFÉÉÉ
 PÖEÍ JÁ{ [á^!DÁŠ[&ae^Á@Áà[c{ Á[Á@ÁPā @
 Ú!^••~!^ÁÖ[, |ÉV q * @Áq]!|!|!áe^Á } a}^!
 , !^} &É!Éae&@oq áÁ! } q * Á Áe&[~ } c!&[& , á^
 !| cēq } ÉÖ[[! q * ÁeÁ@Á[c{ { Á Á@Á[, |DÁ^ [ç
 @Á[, |Á[{ Á@Á@aeÉV@Á•oÁq ~ }^Á[cēq }•
 , q!Á^Á Áá @Áe Á@Á Éq * Á ae•^•Á@Á^aeq * Áae É
 U) &Á@Á Éq * ÁeÁq^ae^áÁ@Á^aeq * Áae Éö@
 à[, |Á @~!áÁ } q Á^Á! ÉVae q * ÁeÁÁ [Áq Á[] Á@
 à[, |Éq á @Á^ [çq * Á@Á[, |Á[{ Á@Á@aeÉ



A5-BH9B5B79

WARNING: Bowl will be full of oil!ÁÚ[~!Á@Á qÁ[{ Á@Á[, |Áq q Áe&[} cēq^!ÉV@Á qÁ @~!áÁ^Áq }•cē!^á
 &[} cē q ae^áÁ~^Áq Á@Á[, Áá^&q } Á@[* @ÁÁ^{\ ^} oq Á ~ oá^ÉÉ ÉÖ^ae Á@Áq•cē^Á Á@Á[, |ÁÁáá@Á
]!^•^} dÉU^ [ç^Á@Á|áÁ^{\ ^} oq { Á@Áq^Á@aeÁÁ^Á ~||q * Á q @Áq[cēq } Á [q } ÉÖá[]•^Á Á@Á•á
 ^{\ ^} oq !|!^!ÉU^ [ç^Á@Á^ , Á^{\ ^} oq { Á@Áaeae q * ÉV q * Á ~!Áq *^!ÉaeÁq áÁ à!ae Á@Á Éq *
 q Á@Á[] Á Á@Á^ Á^{\ ^} oq cēq Á@Á^ , Á^{\ ^} oq q Áq áÁ } Á@Á [~ } q * Á[••Á q @Á@Á@aeÉÖ]•!
 @Á@Á^{\ ^} oq Á^ Á^ Á^ae^áÁ } Á@Á[••ÉÖ^ae Áq áÁq•]^&o@Á Éq * Á@Á Áe~^áÁq Á@Á[, |É~!á!ae
 , áoq qÉV q * Áe&[& , á^Á[cēq } É &^ Á@Á[, |ÁaeÁ q q Á@Á@aeÉÁ }•!q * Á@Á@Á[, |ÁeÁ [oá^!
 &[•• @^ae^áÁq q Á@Á@aeÉÖ[] q ~^Áq Áá @} Á@Á[, |Áq q Á@Á@aeÉÁ •q * Á@Á } a}^!Á !^} &É!É
 !ae&@ÉV@Á[cēq] Á Á@Á[, |Á q!Á^Áq { ^Áá @!Á } &Á@Á Éq * Á } ae^•Á@Á^aeq * Áae ÉU) &Á@Á[, |
 @Á[c{ ^áÁ ~ dÉVaeÉ É~Á@Á[, |Á ÁÉÁÁ! } ÉV@Á }•!^•Á@Á@Á Éq * Á Á^ae^áÁ[]!|!Á q @Áq Á@
 •^aeq * Áae ÉÖ^{\ ^} oq @q * Á ~ oq áÁ^Ée•^ q à! ÁÁ[, Áq []^cÉUaeÁ@Á ae&@Áq áÁq •]^&o@Áq!
 ae^ae&@& q * Á@Á@!ÁÁ Á[Á qÁ^ae q * Á[{ Á@Áq^Áe•^ q à! ÉV@Á ÁÁ•oq ÁÁ^Á[]^ÁeÁ ÉÁq ~!Á ~
 []!aeq } Éö) Á^ae! Áq ÉÁq ~!•D!Á @} Áq áaeae^áÁ Á^d&q } Áq áaeq !É

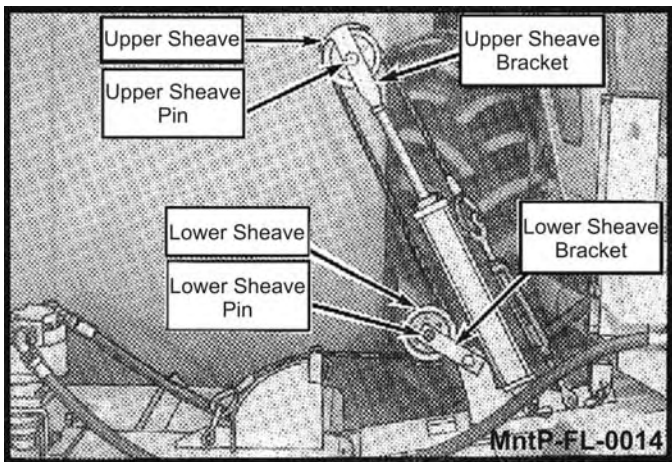
ÙöòÀUVOËÿ T aq c} q &Á^Á&q } Á ÉH

A5-BH9 B5 B7 9

A5-BH9 B5 B7 9

; F95 G-B; 'H<9 'I DD9F '5 B8 'C<K 9F 'G<95J9G

Š[&æ^Á@Á !^æ^Á \!·Á } Á@Á } á·Á Á@Á]]! |
 æ áÁ[, ^!Á· @æ^Á] æ·Áæ Á @ , } Áà^[, ÈQb&c
 Šæ { È[{] |cÁ Oæ^ ^Á Ú!^·~!^Á!^æ^
 & } -!| æ * Áq Áb ŠOæ^UÁHGÉÁ· ^8áæææ } ·Áæ d
 ^æ@] æ Á } dÁáÁ] | d~ á·Á+ [Ác@Á } á·ÈV@·^
 ·@~ |áÁæ [Á^Á!^æ^áÁææ Á!Á! Ác^!^ Á@~!·Á-
 ·^!çæ^È



H< <H9B-B; '6 @ 89 '6 C @HG'5 B8 '8 =G? '6 C @HG

Oæ! Ác^!^ Á@~!·Á-Á] ^!ææ } Á! Áææ Èc@Á } á·
 à[|o Áæ áÁæ \ Á[|o Á@~ |áÁ^Áæ @ } ^áÁæ Á[] , ·K
 S) á·Á [~ } æ * ÁO[|o Ác^!^ Áæ! Á! ~ ^Áq Á €€Á æ áÁæÈ
 |á·È
 Öæ \ Á [~ } æ * ÁO[|o Ác^!^ Áæ! Á! ~ ^Áq Á €€Á Á! Á! €
 [æ áÁæÈ



ÙÒÒÀÛUVOÛÿ

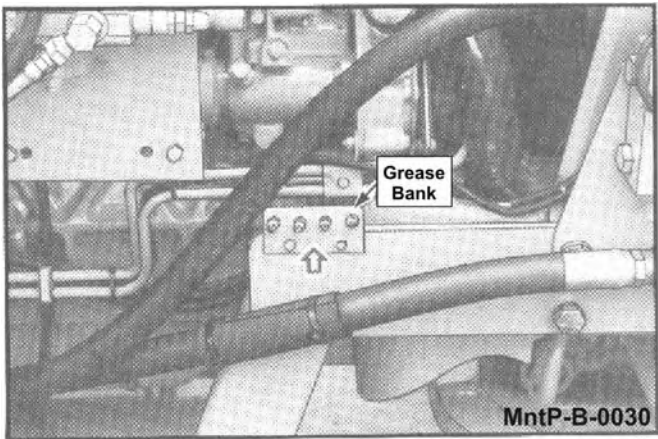
T æ ç } æ & Á^ & ç } Á È!

A5-BH9B5B79

A5-BH9B5B79

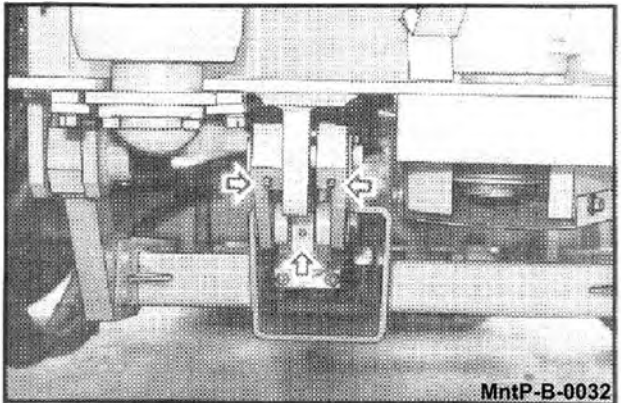
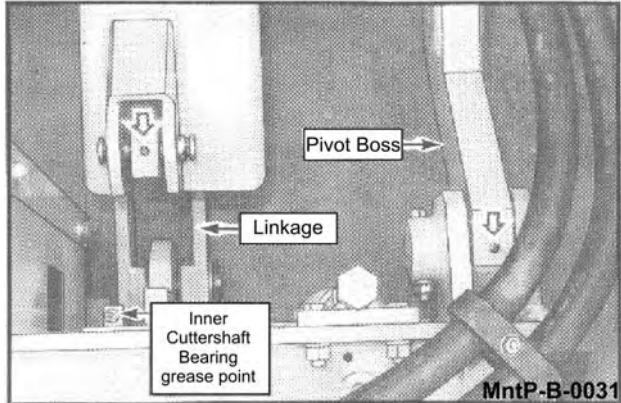
; F95GB; 'BB9F'5B8'CI H9F'8F5: H'695A'D=JCH'DC=BHG

Š[&æ^Á@Á^æ^Á\i\Á] Á@Á}^!Á} áÁ^ Á^!Á:æc
 à^æ Á] Á[á à[...^Á Qb&Á Šā{ É[{]|^c
 Öd^ { ^Á\^...^!Á^æ^Á} +!{ á * Á Á ŠÖÖÉU
 HGEÁ] ^&āāā} • Á á d Á^æ&Á: ^\Á^ } dÁ^!^æ^
]!| d^ á^ Á^ { Á} á • ÉÁÖ! ^æ^Á} Á] Á[• Áāā Á!
 ^ç^!^ Á Á^!^ Á^!^ Á^!^ É



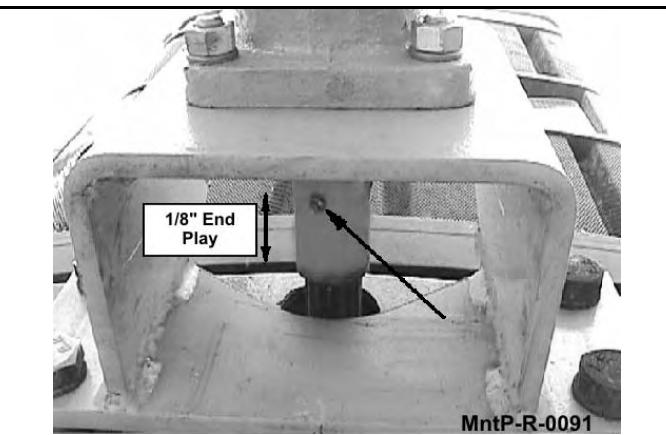
Y ā@Á@Á&^ Á^!Á@āÁ], ^!^áÉÁ[&æ^Á@Á^!^æ^
 : ^\i\Á] Á@Á] ā^ Á^} áÁ] Á[á à[...^Á Qb&Á
 Šā{ É[{]|^c Á Öd^ { ^Á U\^...^!Á^æ^
 &} +!{ á * Á Á ŠÖÖÉU^HGEÁ] ^&āāā} • Á } dÁ^
]!| d^ á^ Á^ { Á@Á} á • ÉY ā@Á&^ Á^!Á@āÁ Á@
] [• ā] Á^!Á} Á] [• ā] Á^!Á^ Á^!Á^ Á^!Á^ Á^!Á^
 &] ā^ Á^} &@!^ Á^} áÁ] á • ÉÁÁ], Áāā Á@Á&^ Á^!
 @āÁ] [• Á@Á^ } ā] á * Á^!Á] Á@Á^ Á^!Á^ Á^!
] ā^ Á^} áÁ] Á@Á^ } áÁ] Á@Á^] ā^ Á^!É

Á



; F95GB; 'DI AD'8F=J'9'G<5: H'7CI D@F

Y ā@Á} á^ Á^ d]] á^ É} • ^!Á^ á^ Á^ @ēÁ} { ^ } c
 à^ Á^!æ] á * Á^ }]^!Á^} áÁ^] āāā Á} á Á^!cÉ
 Ô]]^!Á^ @] āÁ] āÁ^!^ Á^!Á^ }]] cā æ] Á^+
 [^ } áÁ] āāā }]^!Á^]^!Á^ [Á^!Á^!^ É} •]^&c
 +!Á] [• Á^ } {] Á^ } } áÁ] [Á^!Á^} āāÁ] Á] [• ^
 &] ā^ Á^ • @ēÁ āāā Á^!Á Qb&Á Šā{ Á Ô [{]|^c
 Öd^ { ^Á\^...^!Á^æ^Á} +!{ á * Á Á ŠÖÖÉU
 HGEÁ] ^&āāā} • Á} d Á^ }]^!Á^ } dÁ^!^æ^Á^ á^
 d Á]]!| d^ á^ Á^ { Á^ } á • ÉÁÖ! ^æ^Áāā Á] Á^!Á^ Á!
 @^!^ ÉÖ] Á] d^ ç^!Á^!^ Á^!É



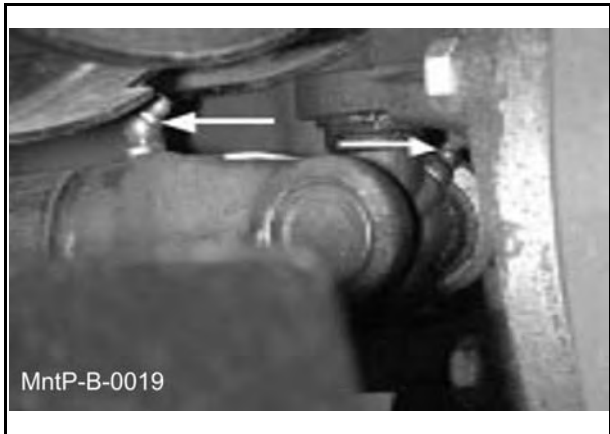
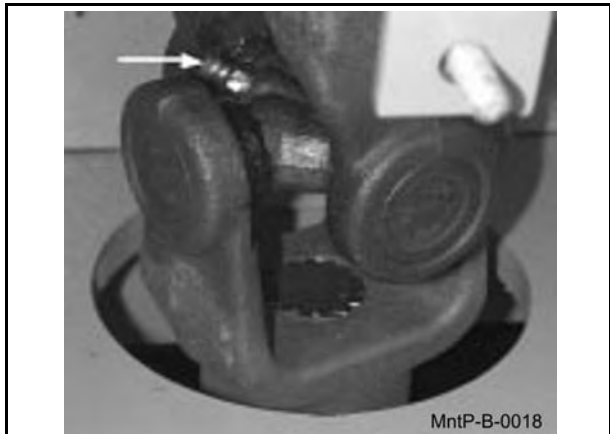
ÜÖÖÁUVOÜY T āē } āē & Á^!&ā } Á Éí

A5-BH9B5B79

A5-BH9B5B79

8F=J9`G<5: H'MC?9ŽI !>C-BH/ `GHI 6`G<5: H

Y ã@^) * ã ^Á• d]] ^ã Æã ð & ÁŠã@ { ÆÖ [] | ^c^ ^d^ { ^Á] | ^•• ^ | ^Á * | ^æ ^Á & } | { ã * Á d Á ð ŠÖ ÖÖ U Á H G E
 •] ^ Æã Æã } • Æ d Á } ã ^ | • ã Æã ã ð Æã ã Á | Æ Á [\ ^ Á } ã Á | ^æ ^ Á ã] ^æ • Æã @ Á ^ ã ÆÖ | ^æ ^ Á @ { Á Æã Á | Á ç ^ | ^ Á
 @ ^ | • È

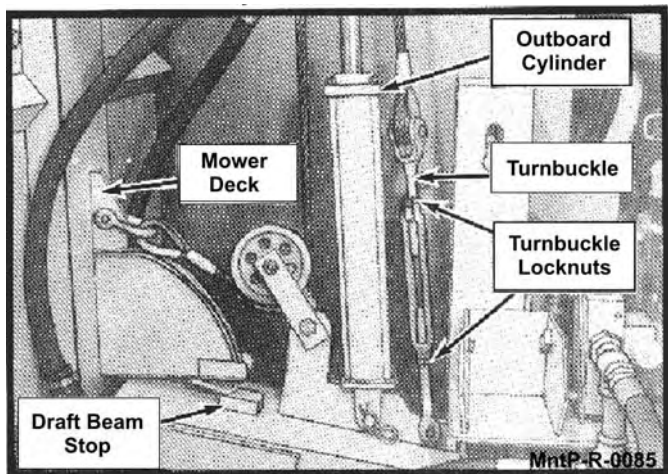


58>I GHB; `H<9`756 @`@ H

Öcc } ã Á @ Á ^ ã [ã ã Á & | ã ã ^ | Á } ã Á @ Á [, ^ | Á ^ & &
 d ^ & @ • Á Æ Á d] Á } Á @ Á | ã ã ^ ã Æ Æ Á @ , } È

NOTE: Make sure the cable turnbuckle is loose enough to allow the cylinder to reach full extension before the head reaches the stop.

Þ [, Á d | ã Á @ Á @ ã Æ Æ ã • ó @ Á d] Á ã ã Á ã @ } Á @
 c | } ã ^ | Á } ã Á @ Á Æ ã | Á Æ Á ã @ Æ Š [, ^ | Á ã ã Á ã ã ^
 @ Á @ ã Æ Æ Æ @ & Á @ Á @ ã ã ð ^ } Æ V @ Á @ ã Æ Á @ ^ | ã
 d ^ & @ Æ Á d] Æ Æ @ Á Æ ^ Á Æ ^ Á @ Æ | ã ã ^ | Á Æ Æ @ •
 ~ | | Á ç ^ } Æ V ã @ } Á c | } ã ^ | Á Æ & Á ^ ó Á ^ & | ^ ^
 ã ã ^ | Á ã ã ð ^ } ó Æ Á [] | ^ ç È



ÜÖÖÄÜUVÖÜ

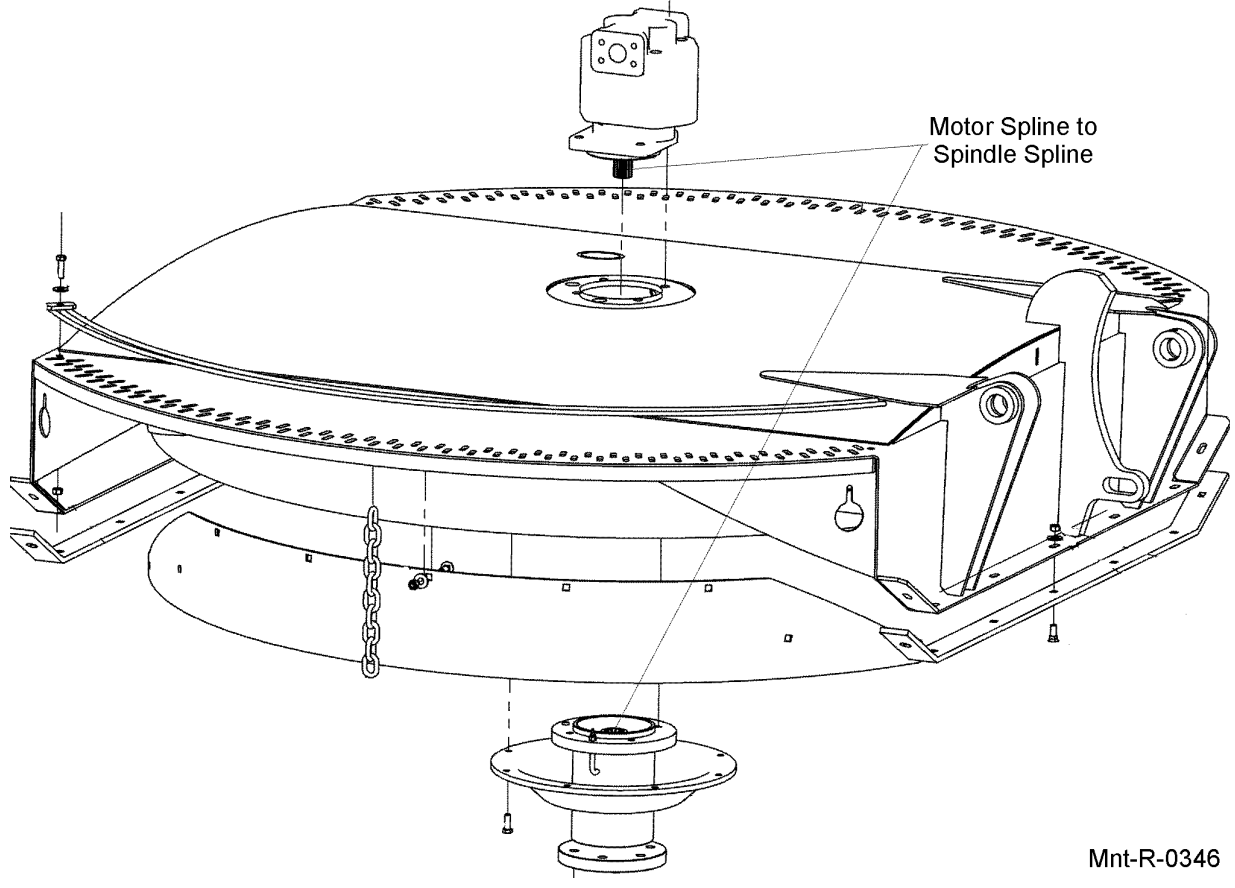
T ã ç } ã & Á ^ & ã } Á Æ Í

A5-BH9 B5 B7 9

A5-BH9 B5 B7 9

; F95 G-B; A CHCF GD@B9 HC GD-B8 @ GD@B9

Q | Áã^&óáíã^Á [, ^i•Éñ &æ^Á [d!Á] |ã^Áã áÁ] |ã^Á } Á@Á [, ^iÁ^&ÉÖ!^æ^Á] |ã^Á } á@ [áã { [| Á GÁV^Áã [~ ó Á } } &^Á Á!^æ^É@ @ *^Á!^æ^Á^æ | Á!Áç!^Á €€@ ;i•É



Mnt-R-0346

ÙÖÒÁÛVÖÛÿ

T æ ç } æ &^Á^&ç } Á È Ì

<95JM8I HMGD-B8 @ '5 GG9A6 @M-BGH5 @@HCB'5 B8 '695 F-B; ' 58>I GHA9BH



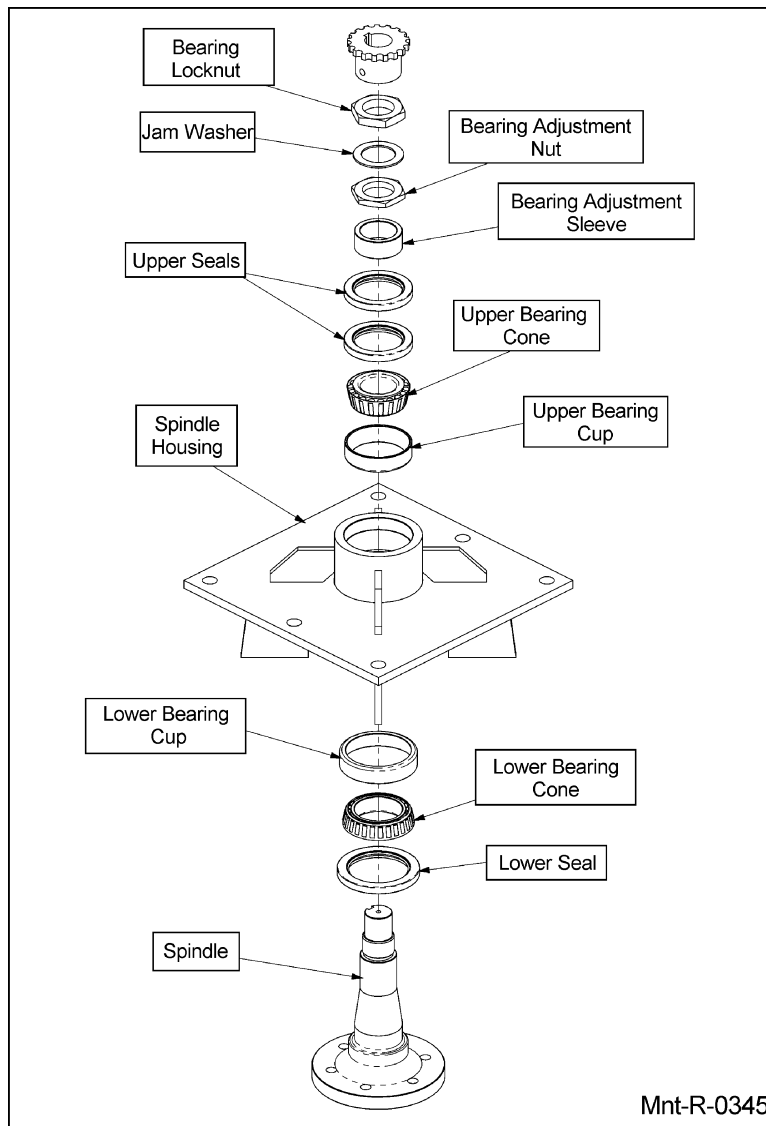
CAUTION: The grease zerk and gussets are located on the top side of the spindle housing. Be sure the spindle is assembled correctly.

NOTE: The grease zerk and gussets are located on the top side of the spindle housing. Be sure the spindle is assembled correctly.

6 Y gi fY'lc'k YUf'Ym' dfchWj'cb'UbX' ch Yf' dfchWj'j Y'Yei]da Ybh Ug'bYYXY'k \ Yb'k cf_]b['cb'gd]bX'Y UggYa V'mf

H<9'GD-B8 @ '5 GG9A6 @M

Ü^A@Ää|ä Ä^|, Ä|Ä^} äää } Ä-Ä] ä|Ääö Ä @Ä^|ää *É



Mnt-R-0345

A5-BH9 B5 B7 9

A5-BH9 B5 B7 9

695 F-B; 'BGH5 @@HCB

FÈ Ú!^..Á~]]^!Áà^æå * Á&] Áå ç Ác@Á.} å à!^ @~.å * Á

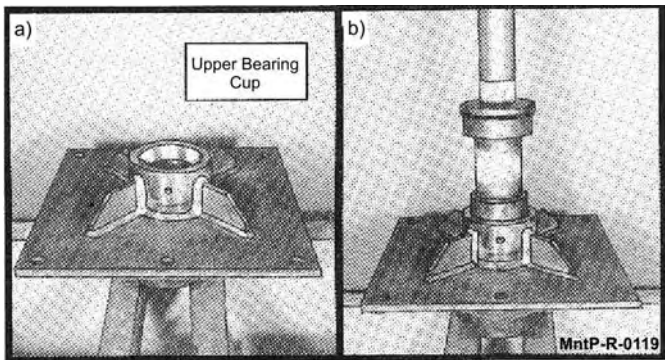
GÈ V'!} Ác@Á} å à!^ÁQ~.å * Á ç!^Áæ å Á!^..Áå Ác@ @||, ^!Á^æå * Á&] È

HÈ Ú!^æ^Ác@Á!], ^!Áà^æå * Á&] ^Áå Ác@Áà^æå * &] È^Ác@Á!]^!^..Ác@Á.~æå ç Ác@Á.} å à!^ @~.å * ÈV@Áå } ^!Á!å Á! ^Ác@Á.~æå { ~.Áà^ ÖUY Þ Èç, æå.Ác@Áà^æå * È. [Á! à!æå öå .^æå å å.æ^Ác@ÁQ~.å * È

I È Q.æ!Ác@Á} å à!^Áå Ác@ÁQ~.å * ÈSå @! Á!^.. c@Á!} å Á! ^Ác@Á.} å à!^Áç Á.~æå Ác@Á.} å à!^ æå.öå@Á^æå * Áå } ^!ÁæÈ

Í È V'!} Ác@Á} å à!^ÁQ~.å * Á ç!^Áç] Á! .æå } Dæ å Á!Á! æçV^!ÁÚ} å à!^ÁS' à!æå öç æç { à!^ÁÈ || €€€€Á! c@Á!} Á.~æå Á!^..Ác@Á!]]^!Á^æå * Á&] È

Ï È Û]]][!öå@Á! ç! { Á! ^Ác@Á.} å à!^Áå å Á!^..Ác@Á!]]^!Á^æå * Á&] ^Áå å Á!^æå * Áæå.ç ^) ö!^Áç^Á!} ç c@Á.} å à!^È



NOTE: The spindle housing must turn freely when seating the bearing cone and sleeve.

ì È Ú!^..Ác@Áç [Á!] ^!Á^æå ç Ác@Á.} å à!^ÁQ~.å * ÈV@Áå } ^!Áå Á! ^Ác@Á.~æå Á! .öå^ÁÚÈæ æ Á! { Ác@ Áà^æå * È [Áç&^..Á! à!æå öåå Á. &æ ^È

ï È Q.æ!Ác@Á^æå * Áæå.ç ^) ö!^ çç Á! ç Á! ^Ác@Á!^Á È È ^Á!^æå & Á!^ç ^^) Ác@Á.~æå å Ác@Á!^ç^È Q.æ!Ác@Áæ Á æ @!È] æå * Ác@Áæå ç Ác@Á.~æå È æ ÈQ.æ!Ác@Á^æå * Á! & Á! ^çç Á! ç Dæ å Ác@Á å ç @!} ææ.öåå Á æ @!È] æå.ç ^) ö!^ çÁ^Ác@Á! |||, å * Á^ç] Á! ^Ác@Á.~æå * Áæå.ç ^) ç È

695 F-B; '58>I GHA9BH

FÈ Ö!æ] Ác@Á! ç! { Á! } å Á! ^Ác@Á.} å à!^Á^&^!^ Áå æå^Á [Ác@Á.} å à!^ÁQ~.å * Á! ç!} .Á!^È

GÈ Ú! .æå } Ác@Á æ } ^Ác@Áæ ^Áæå Áå å ææ! Á! } Ác@ [^ç!Áææ ^ç!Á! ^Ác@Á.} å à!^ÁQ~.å * Á! ÈS! &æ c@Á!} å Á! ^Ác@Áæå å ææ! Áææ.öå@Á!æå) å [Ác@Á.} å à!^Á. ç ÈV@Á!æå å ææ! Á! å!Á [, { ^æ ^!Áæ&^æ! ^Ác@Á.} å à!^æÈ

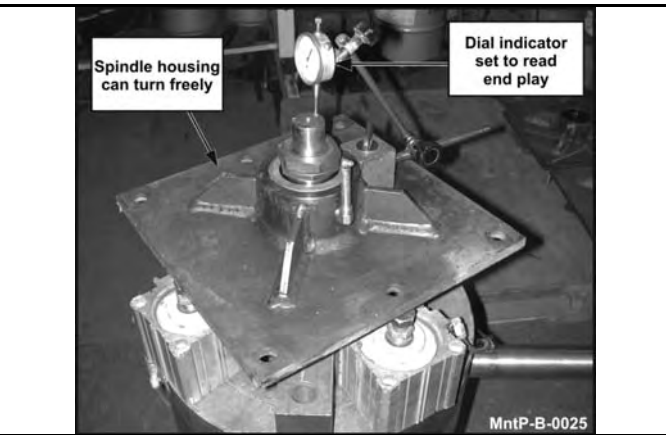
HÈ Vå @} Ác@Á^æå * Áæå.ç ^) ö!^ ç! ç! Ác@Á!^Á €ÈFG&ç [ç! ^) ö!^ @} Ác@Á.} å à!^ÁQ~.å * å Á! à!Á], æåÁæ æ Á! { Ác@Á.~æå .È

I È Y @} Ác@Á!^Á ÈÈFG&ç^Á!^Á! æ Á!^ç ^^) Ác@ .} å à!^Áå å ÁQ~.å * Èå.æ!Ác@Á^æå * Á! & Á! ^ç çç Á! ç DæP [å Ác@Áæå.ç * Á! ç!^&^!^ Áå å ç @!} Ác@Á! & Á! ç! ÁÈÈçÁ! È È Á! ^!^È

Í È Ç!^Ác@Á! & Á! ç! Ác@Á.} ^Ác@Á!^Á.~æå ÈÈFG&ç ÁÈÈH&ç Á!^Á! æ Á! @} Áå @! Á!^å * Á! Á! } c@Á.} å à!^ÁQ~.å * Á! È

Ï È Ç!^Á.} å à!^æ Á! ÈÈÈFG&ç ÁÈÈH&ç ^) å Ác@Á.} Á! } Áæ Á æ @!Á! Á!^ç) öå@Á! & Á! ç! { || [.^) å * È

ï È Ç!^Á.} å à!^æ Á! UVÁ! ÈÈÈ [.^) Ác@Á! & Á! ç! Ác@Áæå.ç ^) ö!^ ç! Á!^æå å Á! ÈÈ @} Ác@ || & Á! ç! ÈÚ^ ^æå.ç ö!^ ç! Á! È



ÜÖÖÄÜUVÖÜY T æå ç! æ & Á!^ç] Á ÈçG

A5-BH9B5B79

A5-BH9B5B79

85-QTA5-BH9B5B79-G7<98I @

V@Á-||, ă *Á-ıçã•Á•@~|ãÀ^Á]ı-ı|{ ^ãÁãã~Á! Á^ç!~Á! Á@~!•Á[-Á-ıçã-É-||, ă *Á@Áã^ã^ã
{ ă ı} ă &^ã•d~&ã}•ã Á@Á]ı-ı|ı•Á ă~ ăÉ

~~~~~ Ú { ] Á!ă^Á@edK@&Á!Á}ãÁ|ăã Á!ă^•@ed&~]ı-ı|ıăã ăÁ à!ăă ÁãÁı\•É

~~~~~ Ó!ă\•@edãã ı-ı|KÁ~ă] ^ãÁ ă@~ àã^Á!|{ { ^ı&@&Á&]ããã}Éı|ăã Áã ă•ă \*Á!Á  
ãă ă^ãÉ

~~~~~ Úă[ ı[ ă ıKQı&Á!^ă^Á} ı-ı|ı] ^ă•Áã}ã•É

~~~~~ P^ã!ă|ăÁ-ăă \*•K@& Á-ı|Á!ă^•Á ă@] ă-ı|Á!Á&ããà[ ăãÉVã @} Á-ăă \*•Á!Á!|ă^Á@•^  
ă { ^ãã^ı

~~~~~ S} ă^•KQ] ^&ı|Á ă•ă \*Á!Áăă ă^ãÁ} ă^•É&@ \*^Á}ı-ı|{ ]ı-ı|Á^ıDă Á^ã^ãÉ

~~~~~ ÓıK@&ÉVã @} ı-ı|ı] |ă^Áıı-ı|Á Á^ã^ãÉ

~~~~~ Tăă Áıă ă^ı-ı|KÁVı-ı|ı-ı|, ă^Á] ^ããããÁı-ı|~^Á|[ ı-ı|Á&ã[ ıăă \*Áı-ı|~^Á] ^ãããã}•Áă  
ı-ı|Á&ã}É

~~~~~ P^ã!ă|ăÁ-ăă ă^ç!K@ããÉÁ~ă^ããı-ı|ı-ı| ă^Á& { { ^}ããã}•É

~~~~~ Ü^ăÁıăăÁ!ă^ÉÓ^ăă \*Áıăă ăÁÜ@edÁ[~]ı-ı|ÁçÁă] |ăă|DÁ!^ă^Áă Áă•d~&ıăÁă Á@  
ă^ă^ă ă ă ă} ă &^Á&ã}É

~~~~~ Ó ı-ı|Á@edă ăÁ!~] ăÁÜ|ı-ı|KÁ!^ă^Áă Áă•d~&ıăÁă Á@Á^ă^ă^ă^ă ă ă} ă &^Á&ã}É

ÜıçãÁı-ı|{ ^ãÁ^K ~~~~~ ÖăK'''Đ'''Đ'''Á[~ı

T^ıK ~~~~~

A UjbnUbW'GYWıcb

EEV@Áă^Áă ă^Á&] ăãăă ăÁ•^ãÁă ăı-ı|Á@Áăă ă ă ă} ă &^Á[~ă^É

ÜÖÖÜUVOÜY

Tăă ă} ă &^Á&ã} ÁÉH

A5-BH9B5B79

A5-BH9B5B79

ÙÖÒÄÜUVÖÿ

T æ ç } æ & ^ Á ^ & ç } Á Æ

Í '4234'Crco q'I tqwr "Kpe0

PARTS SECTION

PART NAME INDEX

| | |
|--|----|
| RCTVUQTFGT&I 'I W&G | 5 |
| VTCEVQT'O QWP V'MK | 6 |
| VTCEVQT'O QWP V'MK'/'J [F T C W N E U | 8 |
| 4"URQQN'ECDNG'EQP VTQN'UVCP F | : |
| ECDNG'*O CP WCN+'N&H'XCNXG'/'4"URQQN'ECDNG | 32 |
| ECDNG'*O CP WCN+'N&H'XCNXG'/'4"URQQN'E QO DQ | 34 |
| ECDNG'*O CP WCN+'N&H'XCNXG'DTGCMF QY P '/'2872427: | 36 |
| ECDNG'*O CP WCN+'N&H'XCNXG'DTGCMF QY P '/'46722 | 38 |
| Y J GGN'URCEGT | 3: |
| J QUG'I W&G'QP 'F T CHV'DGCO | 3; |
| P QVGU'3 | 42 |

PARTS ORDERING GUIDE

The following instructions are offered to help eliminate needless delay and error in processing purchase orders for the equipment in this manual.

1. The Parts Section is prepared in logical sequence and grouping of parts that belong to the basic machine featured in this manual. Part Numbers and Descriptions are given to help locate the parts and quantities required.
2. The Purchase Order must indicate the **Name and Address** of the person or organization ordering the parts, **who should be charged**, and if possible, the **serial number of the machine** for which the parts are being ordered.
3. The purchase order must clearly list the **quantity of each part**, the complete and correct **part number**, and the basic **name of the part**.
4. The manufacturer reserves the right to substitute parts where applicable.
5. Some parts may be unlisted items which are special production items not normally stocked and are subject to special handling. Request a quotation for such parts before sending a purchase order.
6. The manufacturer reserves the right to change prices without prior notice.

NOTE: When ordering replacement decals, refer to the part numbers and descriptions listed in the safety section in the front of this manual.

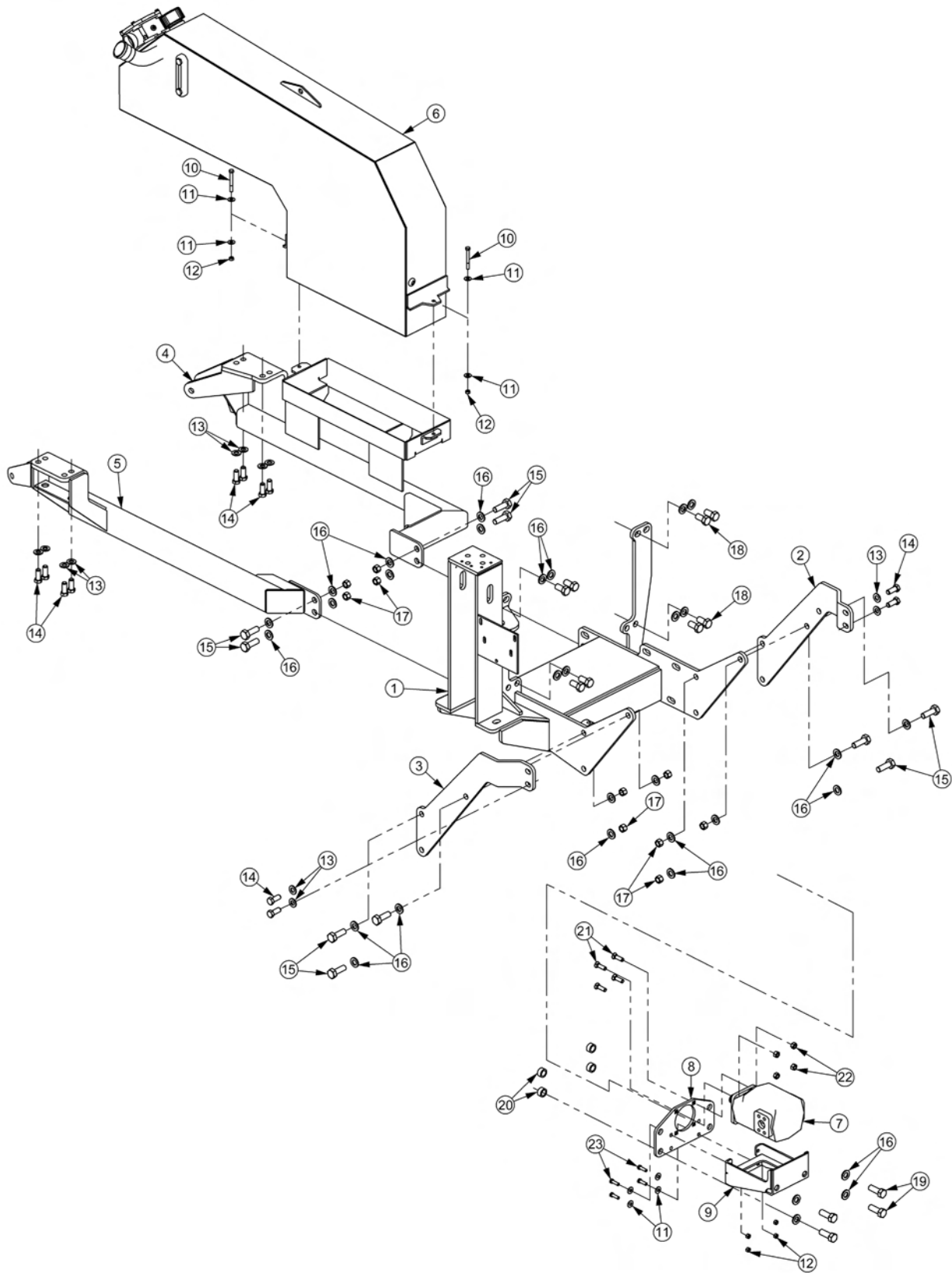


For maximum safety and to guarantee optimum product reliability, always use genuine **Tiger** replacement parts. The use of inferior replacement parts may cause premature or catastrophic failure which could result in serious injury or death.

Direct any questions regarding parts to:

Tiger Corporation
3301 N. Louise Ave.
Sioux Falls, SD 57107
1-800-843-6849
1-605-336-7900

TRACTOR MOUNT KIT

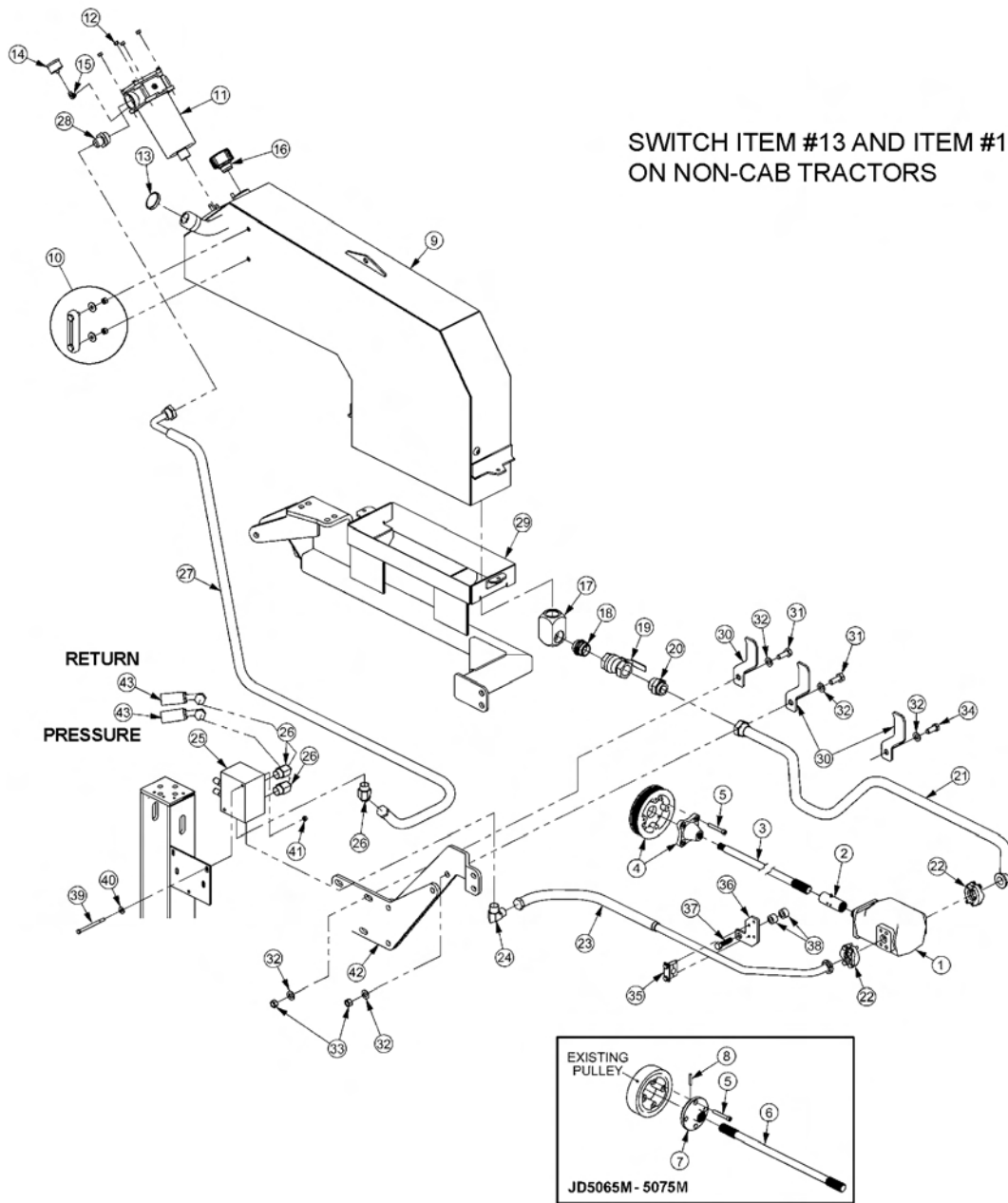


TRACTOR MOUNT KIT

Continued...

| ITEM | PART NO. | QTY. | DESCRIPTION |
|------|------------|------|--|
| 3 | 2852232; | 3 | O C P 'H T C O G |
| /// | 28522346 | 3 | O P H T O . N F T ' * N Q C F G T ' O Q W P V + |
| 4 | 28632: ; : | 3 | W R T H J V . N J |
| 5 | 28632: ; ; | 3 | W R T H J V . T J |
| 6 | 28522333 | 3 | C Z N G ' D T E . N J |
| 7 | 28522332 | 3 | C Z N G ' D T E . T J |
| 8 | 285: 2237 | 3 | V C P M T G U Y J G G N ' Y G N N |
| 9 | 45374 | 3 | R W O R . R 5 7 2 / 3 / 5 1 6 ' I G C T |
| : | 28623256 | 3 | O Q W P V . R W O R |
| ; | 285: 2253 | 3 | I W C T F . R W O R |
| 32 | 4385; | 4 | E C R U E T G Y . 5 1 \$ ' Z ' 5 / 3 1 6 \$. P E |
| 33 | 44238 | : | H N C V Y C U J G T . 5 1 \$ |
| 34 | 43849 | 8 | P [N Q E M P W W . 5 1 \$. P E |
| 35 | 55986 | 34 | H N C V Y C U J G T . 7 1 \$. U C G |
| 36 | 44643 | 34 | E C R U E T G Y . 3 8 0 O ' Z ' 6 2 0 O . 4 0 R |
| 37 | 43: 54 | 32 | E C R U E T G Y . 5 1 6 \$ ' Z ' 4 \$. P E |
| 38 | 55: : 2 | 54 | H N C V Y C U J G T . 5 1 6 \$. U C G |
| 39 | 43: 47 | 32 | J G Z ' P W W . 5 1 6 \$. P E |
| 3: | 46: 82 | : | E C R U E T G Y . 4 2 0 O ' Z ' 6 2 0 O . 4 0 R |
| 3; | 494: 4 | 6 | E C R U E T G Y . 4 2 0 O ' Z ' 7 7 0 O . 4 0 R |
| 42 | 46: 6; | 6 | U R C E G T . 9 1 \$ ' Z ' 3 / 3 1 6 \$ Q F ' Z ' 7 1 \$ |
| 43 | 454: 5 | 6 | R N Q Y . D Q N V . 3 4 \$ ' Z ' 3 / 5 1 6 \$. P E |
| 44 | 43947 | 6 | J G Z ' P W W . 3 4 \$. P E |
| 45 | 43853 | 6 | E C R U E T G Y . 5 1 \$ ' Z ' 3 / 3 1 6 \$. P E |

TRACTOR MOUNT KIT - HYDRAULICS



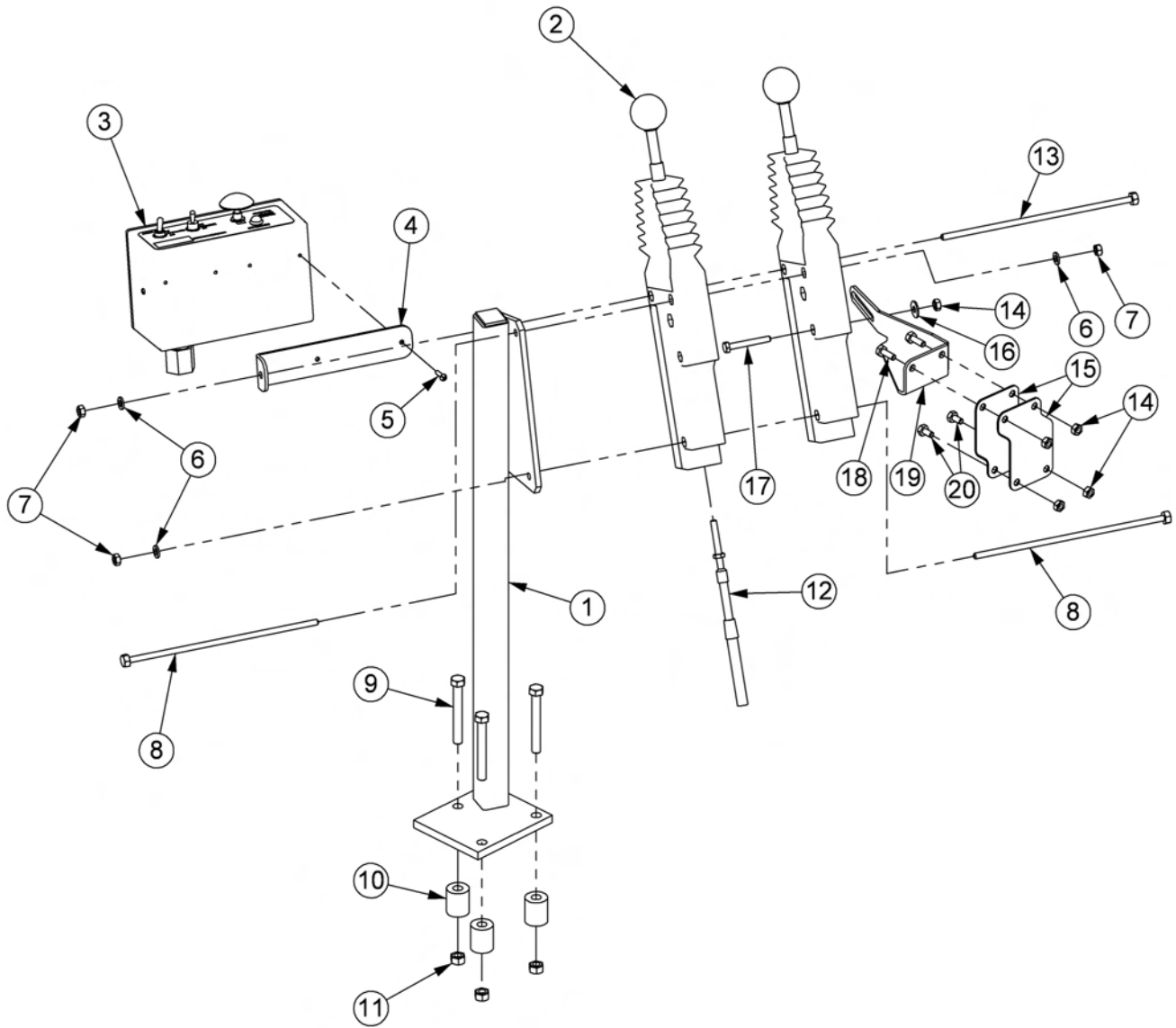
| ITEM | PART NO. | QTY. | DESCRIPTION |
|------|-----------------|------|--|
| 3 | 45374 | 3 | RWOR |
| 4 | 2859232; | 3 | EQWRNGT |
| 5 | 2864233; | 3 | FTX'UJ HV.4507\$*LF 72: 7"/73270 "VTCEVQTU+ |
| 6 | DNX3289; *****3 | 3 | *****LF 'RWNGI 'MK'*\$LF 72: 7"/73270 "VTCEVQTU+ |
| 7 | 28752224 | 6 | ECRUETGY .UMV"J F .320 O "Z"970 O .30R |
| 8 | 2864233; | 3 | FTX'UJ HV.46087\$*LF 7287"/72970 "VTCEVQTU+ |
| 9 | 28642342 | 3 | CFRVT.ETP MJ HV*\$LF 7287"/72970 "VTCEVQTU+ |
| : | 8V5235 | 3 | TQNNRP .316\$Z '3/516\$.UU*\$LF 7287"/72970 "VTCEVQTU+ |

TRACTOR MOUNT KIT - HYDRAULICS

Continued...

| ITEM | PART NO. | QTY. | DESCRIPTION |
|------|-------------|------|---|
| /// | 289222; 3 | 3 | VCPMTGUCUUJ .Y J GGN"Y GNN |
| ; | 285: 2237 | 3 | VCPMTGUY J GGN"Y GNN |
| 32 | 28727289 | 3 | UK J V" CWI G |
| 33 | 28727266 | 3 | HVNT"CUUJ .R /VCP MERNV.UCG32OR |
| 34 | 43849 | 6 | P [NQEMP WW.5I \$.PE |
| 35 | 28727349 | 3 | RNWI .UCG.%2 |
| 36 | 8V286; | 3 | HKNVGT" I CWI G |
| 37 | VH6: : : | 3 | UVTGGV"GNDQY .3I \$"Z"; 2a |
| 38 | 28727299 | 3 | ECR.DTGC VJ GT.Q/T R I |
| 39 | 287252: 6 | 3 | GNDQY .3/3 4\$HQT"Z"3/3 4\$HQT.O CEJ |
| 3: | 287252: 5 | 3 | CF CRVGT.3/3 4\$O QT"Z"3/3 4\$O QT |
| 3; | 5652; | 3 | DCNN"XCXNG.3/3 4\$HQT |
| 42 | 56932 | 3 | CF CRVGT.3/3 4\$O QT"Z"3/3 4\$O L |
| 43 | 2872264: | 3 | J QUG.3/3 4\$"Z"; 2\$ |
| /// | 28722692 | 3 | J QUG.3/3 4\$"Z"; 8\$"NQCF GT"O QWP V+ |
| 44 | VH6: 74 | 4 | MKV.HNCPI G.%2 |
| 45 | 28728245 | 3 | J QUGIVWDG.3\$Z"84\$ |
| /// | 28722652 | 3 | J QUG.3\$"Z": 4\$"NQCF GT"O QWP V+ |
| 46 | 56339 | 3 | GNDQY .3\$O QT"Z"3\$O L; 2.HQT I GF |
| 47 | 287322: 5 | 3 | XCXNG.DTCMG.UQN.5222RUKO GVTK |
| 48 | 55776 | 5 | GNDQY .3\$O QT"Z"3\$O L.67a |
| 49 | 287225: ; : | 3 | J QUG.3\$"Z"336\$ |
| /// | 287222; 8 | 3 | J QUG.3\$"Z"342\$"NQCF GT"O QWP V+ |
| 4: | 56286 | 3 | CF CRVGT.3/3 6\$O QT"Z"3\$O L |
| 4; | ///// | 3 | CZNG"DT E.NJ ", TGHGT"VQ"VTCEVQT"O QWP V"MK"RCI G |
| 52 | 545: 4 | 5 | DTCEMGV.J QUG |
| 53 | 439: 4 | 4 | ECRUETGY .7I \$"Z"3/5 6\$.PE |
| 54 | 55986 | 7 | HNCVY CUI GT.7I \$.UCG |
| 55 | 43997 | 4 | J GZ"P WW.7I \$.PE |
| 56 | 44643 | 3 | ECRUETGY .38O O"Z"62O O .4OR |
| 57 | 56298 | 3 | ENCOR"MKV.VWDG.3\$.4RUV.DQNV |
| 58 | 56848 | 3 | DTMV.VWDG.ENCOR |
| 59 | 44647 | 3 | ECRUETGY .38O O"Z"82O O .4OR |
| 5: | 52477 | 4 | URCEGT.3/3 6\$QF"Z"5 16\$F"Z"5 16\$ |
| 5; | 43866 | 4 | ECRUETGY .5I \$"Z"7\$.PE |
| 62 | 44238 | 4 | HNCVY CUI GT.5I \$ |
| 63 | 43849 | 4 | P [NQEMP WW.5I \$.PE |
| 64 | ///// | / | O CR"HTCOG", TGHGT"VQ"VTCEVQT"O QWP V"MK"RCI G |
| 65 | 28722653 | 4 | J QUG.3\$"Z"; ; \$"82\$VO"EQO DQ+ |
| /// | 287223; ; : | 4 | J QUG.3\$"Z"327\$"94\$"VO"EQO DQ+ |

2 SPOOL CABLE CONTROL STAND

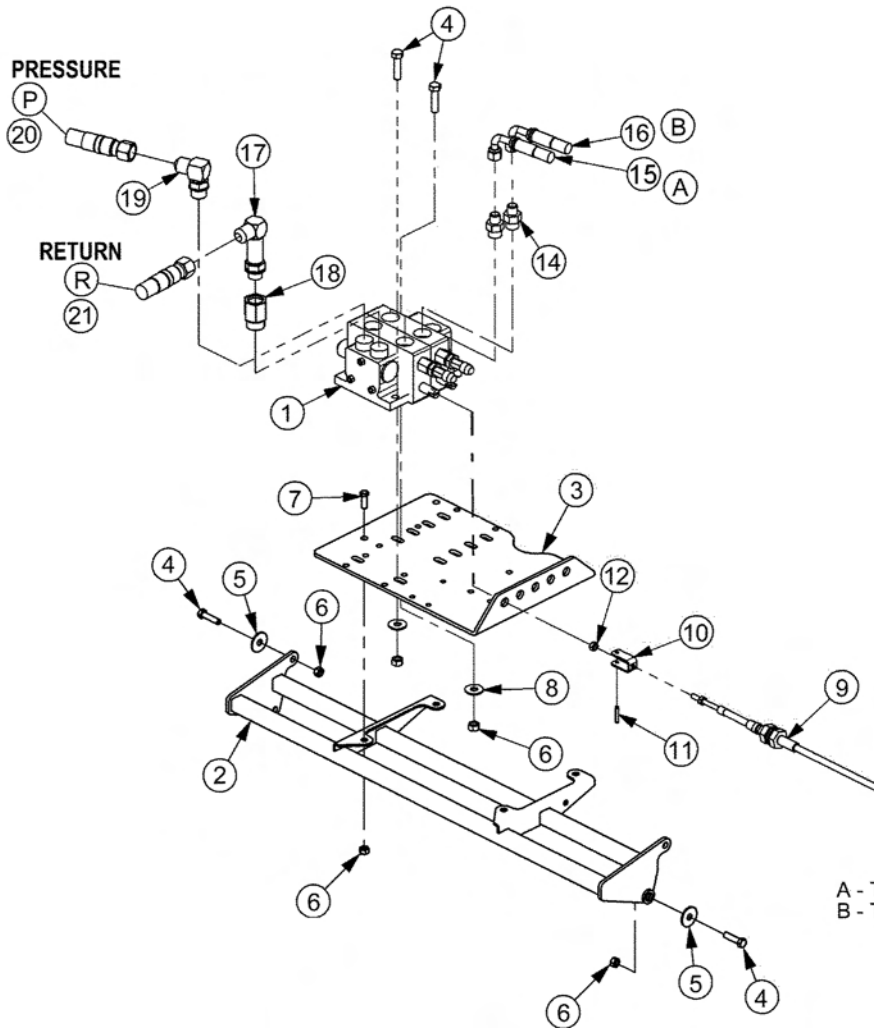
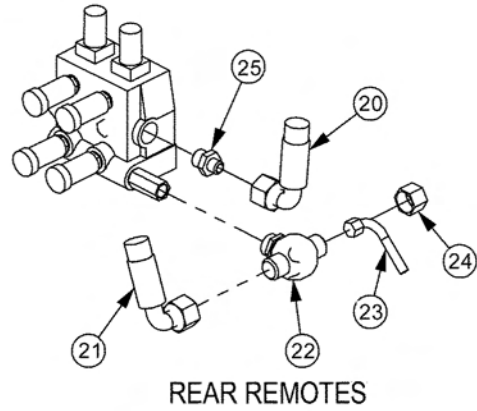
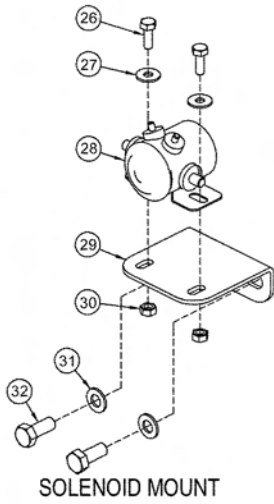


2 SPOOL CABLE CONTROL STAND

Continued...

| ITEM | PART NO. | QTY. | DESCRIPTION |
|------|-----------|------|------------------------------|
| 3 | 53; 45 | 3 | DTMV.EVTN.EDN |
| 4 | 8V3473 | 4 | EDN'EVTN'DQZ.3: 2'FGI |
| 5 | 28732324 | 3 | UY KVEJ 'DQZ.UFG |
| 6 | 566; 8 | 3 | DTMV.UY KVEJ 'DQZ |
| 7 | 8V5; 73 | 4 | UETGY .O CEJ K G: /54"Z"3H\$ |
| 8 | 43; : 8 | 5 | NQEMY CUI GT.3I6\$ |
| 9 | 43747 | 5 | J GZ'P WW.3I6\$.PE |
| : | 43764 | 4 | ECRUETGY .3I6\$Z'6\$.PE |
| ; | 43857 | 5 | ECRUETGY .5I \$Z"4/3I6\$.PE |
| 32 | 492: 4D | 5 | URCEGT |
| 33 | 43849 | 5 | P[NQEMP WW.5I \$.PE |
| 34 | 28727322 | 4 | EDNEPVTN.32: \$ |
| 35 | 43766 | 3 | ECRUETGY .3I6\$Z'7\$.PE |
| 36 | 43749 | 7 | P[NQEMP WW.3I6\$.PE |
| 37 | 286332: 8 | 4 | DTMV.OP V |
| 38 | 44236 | 3 | HNCVY CUI GT.3I6\$ |
| 39 | 43756 | 3 | ECRUETGY .3I6\$Z"4\$.PE |
| 3: | 4374; | 4 | ECRUETGY .3I6\$Z"5I6\$.PE |
| 3: | 286332: 9 | 3 | DTMV.UVCDK K GT |
| 42 | 4374: | 4 | ECRUETGY .3I6\$Z"3H\$.PE |

CABLE (MANUAL) LIFT VALVE - 2 SPOOL CABLE

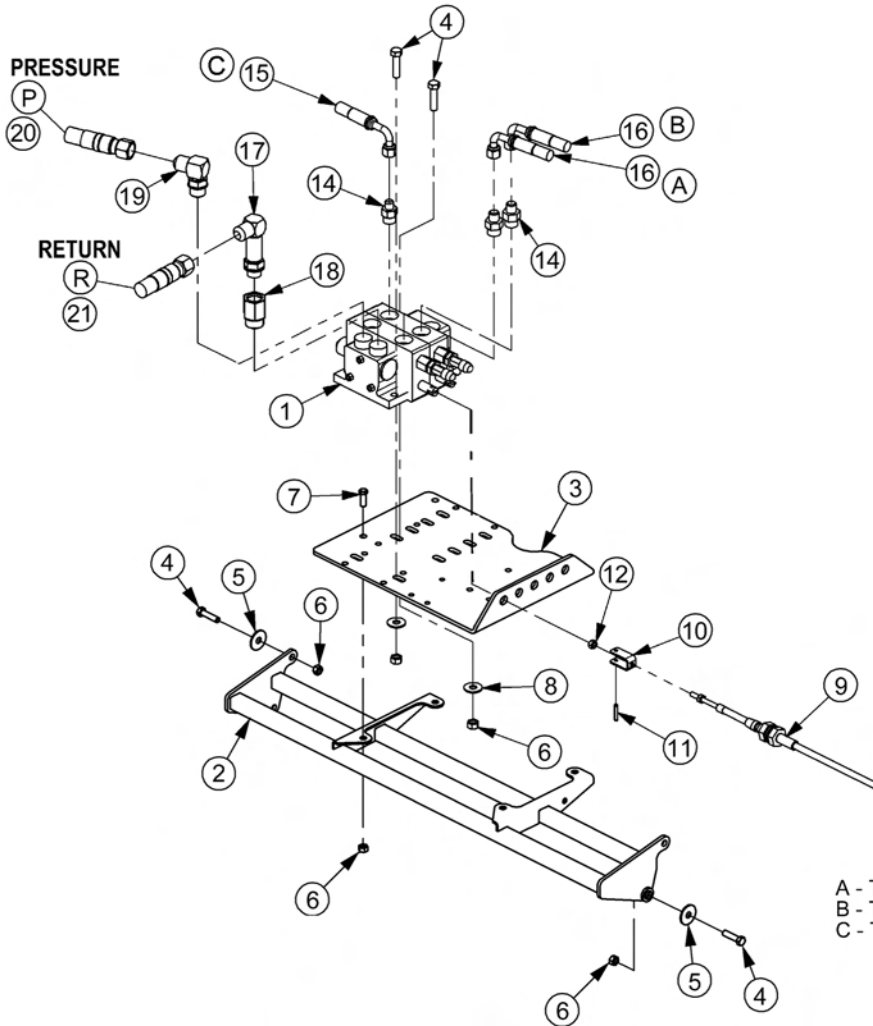
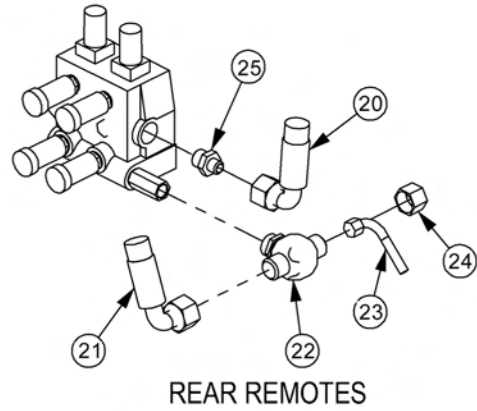
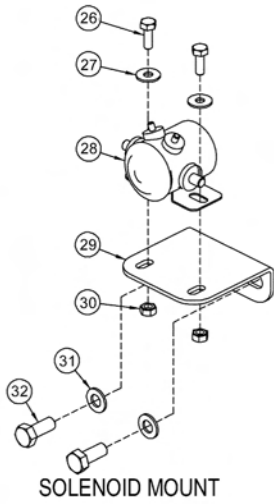


CABLE (MANUAL) LIFT VALVE - 2 SPOOL CABLE

Continued...

| ITEM | PART NO. | QTY. | DESCRIPTION |
|------|-----------|------|--|
| 3 | 46722 | 3 | XCNXG.4UR.QE"*ECDNG'N&HVF TCHV'DGCO + |
| 4 | 28562255 | 3 | XCNXG'O P V |
| 5 | 56844 | 3 | RNCVG.XCNXG.TGCT'O P V |
| 6 | 43854 | ; | ECRUETGY .51 \$Z'3/34\$.PE |
| 7 | 8V4837 | 6 | Y CUJ GT.HGP FGT.51 \$ |
| 8 | 43849 | 35 | P[NQEMP WW.51 \$.PE |
| 9 | 43852 | 6 | ECRUETGY .51 \$Z'3\$.PE |
| : | 44238 | 6 | HNCVY CUJ GT.51 \$ |
| ; | 28727322 | 4 | EDNEP VTN.32: \$ |
| 32 | 8V6633 | 4 | ENGXRUEDNEVTN.5 B8\$ |
| 33 | 8V5239 | 4 | TQNNRP .5 B8\$Z'3\$ |
| 34 | 43722 | 6 | J GZ'P WW.3 16\$.PH |
| 36 | 55493 | 4 | CF CRVGT.3 1/4\$O QT'Z'51 \$O L |
| 37 | 55586 | 3 | J QUG.3 16\$Z'342\$ |
| 38 | 55784 | 3 | J QUG.3 16\$Z'352\$ |
| 39 | 554; 5 | 3 | GNDQY .NQPI .3 1/4\$O QT'Z'3 1/4\$O L'; 2 |
| 3: | 5489: | 3 | CF CRVGT.71 \$O QT'Z'3 1/4\$HQ T |
| 3; | 555: 5 | 3 | GNDQY .71 \$O QT'Z'3 1/4\$O L'Z'; 2 |
| 42 | 28722689 | 3 | J QUG.3 1/4\$Z'53\$ |
| 43 | 2872268: | 3 | J QUG.3 1/4\$Z'55\$ |
| 44 | 28725352 | 3 | VGG.DTCPEJ |
| 45 | ///// | / | RTHTOF "VWDG"*VTCEVQTUY K/J 'O HF/O QWP V"XCNXG+ |
| 46 | 2872534; | 3 | ECR.5 16\$HU"*VTCEVQTUY IQWW'O HF/O QWP V"XCNXG+ |
| 47 | TG489: 42 | 3 | CF CRVGT.RD |
| 48 | 4374; | 4 | ECRUETGY .3 16\$Z'5 16\$.PE |
| 49 | 44236 | 4 | HNCVY CUJ GT.3 16\$ |
| 4: | 8V5; 49 | 3 | UQNGP QHF .EQP VIF WQWUF WW[|
| 4; | 286332: 7 | 3 | DTMV.O P V.UQNGP QHF |
| 52 | 43749 | 4 | P[NQEMP WW.3 16\$.PE |
| 53 | 54946 | 4 | HNCVY CUJ GT.32O O |
| 54 | 49735 | 4 | ECRUETGY .32O O'Z'57O O .30R |

CABLE (MANUAL) LIFT VALVE - 2 SPOOL COMBO

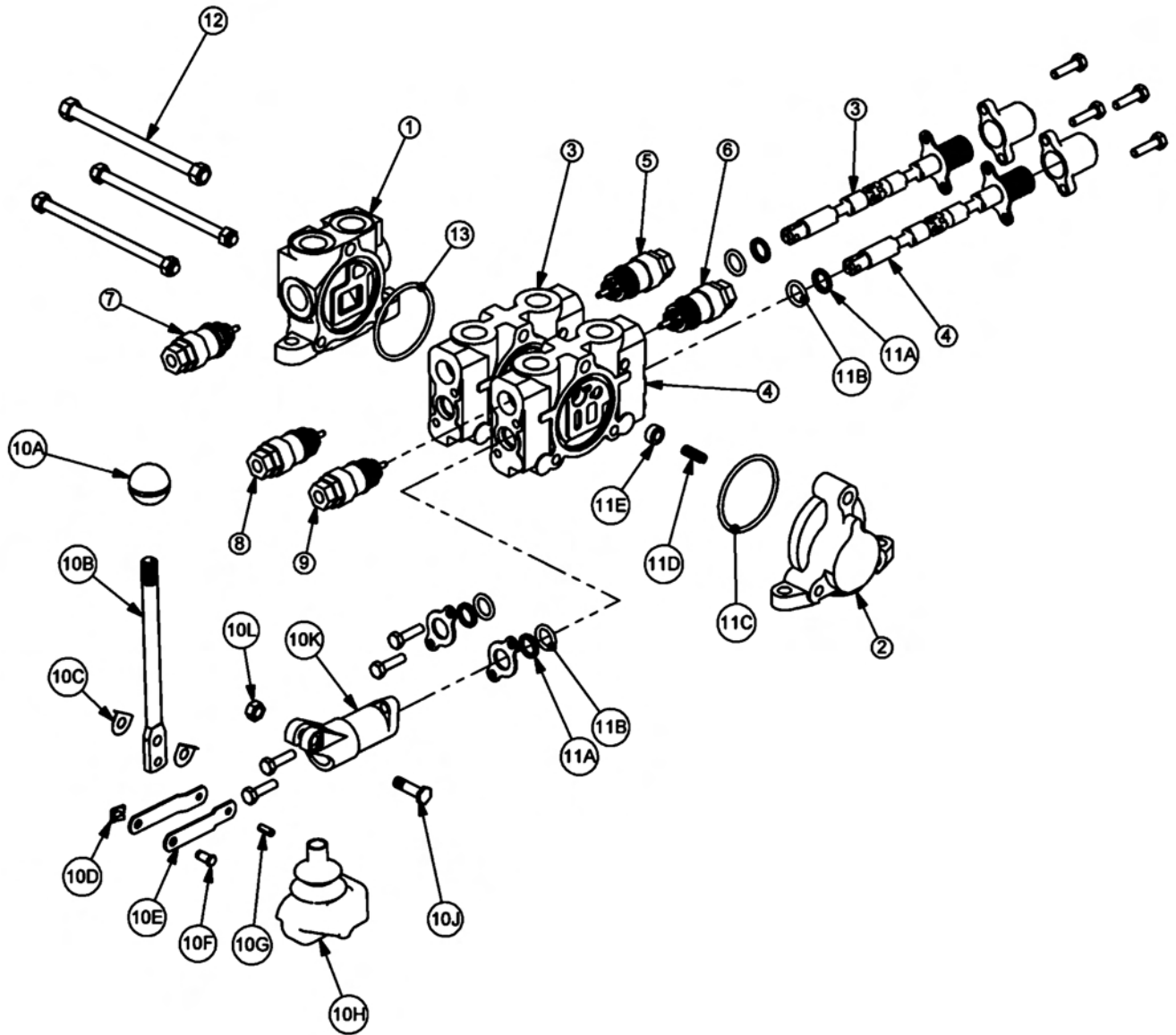


CABLE (MANUAL) LIFT VALVE - 2 SPOOL COMBO

Continued...

| ITEM | PART NO. | QTY. | DESCRIPTION |
|------|-----------|------|---|
| 3 | 2872427: | 3 | XCNXG.4UR.QE"*EQO DQ'NKHV'FTCHV'DGCO + |
| 4 | 28562255 | 3 | XCNXG'O P V |
| 5 | 56844 | 3 | RNCVG.XCNXG.TGCT'O P V |
| 6 | 43854 | ; | ECRUETGY .51 \$Z'3/34\$.PE |
| 7 | 8V4837 | 6 | Y CUJ GT.HGP FGT.51 \$ |
| 8 | 43849 | 35 | P[NQEMP WW.51 \$.PE |
| 9 | 43852 | 6 | ECRUETGY .51 \$Z'3\$.PE |
| : | 44238 | 6 | HNCVY CUJ GT.51 \$ |
| ; | 28727322 | 4 | EDNEP VTN.32: \$ |
| 32 | 8V6633 | 4 | ENGXRUEDNEVTN.5 B8\$ |
| 33 | 8V5239 | 4 | TQNNRP .5 B8\$Z'3\$ |
| 34 | 43722 | 6 | J GZ'P WW.3 16\$.PH |
| 36 | 55493 | 5 | CF CRVGT.34\$O QT'Z'51 \$O L |
| 37 | 55784 | 3 | J QUG.3 16\$Z'352\$ |
| 38 | 55586 | 4 | J QUG.3 16\$Z'342\$ |
| 39 | 554: 5 | 3 | GNDQY .NQPI .34\$O QT'Z'34\$O L'; 2 |
| 3: | 5489: | 3 | CF CRVGT.71 \$O QT'Z'34\$HQ T |
| 3; | 555: 5 | 3 | GNDQY .71 \$O QT'Z'34\$O L'Z"; 2 |
| 42 | 28722689 | 3 | J QUG.34\$Z'53\$ |
| 43 | 2872268: | 3 | J QUG.34\$Z'55\$ |
| 44 | 28725352 | 3 | VGG.DTCPEJ |
| 45 | ///// | / | RTHTO F'VWDG"*VTCEVQTU'Y K/J 'O HF/O QWP V'XCNXG+ |
| 46 | 2872534; | 3 | ECR.516\$HU"*VTCEVQTU'Y IQWW'O HF/O QWP V'XCNXG+ |
| 47 | TG489: 42 | 3 | CF CRVGT.RD |
| 48 | 4374; | 4 | ECRUETGY .3 16\$Z'5 16\$.PE |
| 49 | 44236 | 4 | HNCVY CUJ GT.3 16\$ |
| 4: | 8V5; 49 | 3 | UQNGP QHF .EQP VIF WQWUF WW[|
| 4; | 286332: 7 | 3 | DTMV.O P V.UQNGP QHF |
| 52 | 43749 | 4 | P[NQEMP WW.3 16\$.PE |
| 53 | 54946 | 4 | HNCVY CUJ GT.32O O |
| 54 | 49735 | 4 | ECRUETGY .32O O'Z'57O O .30R |

CABLE (MANUAL) LIFT VALVE BREAKDOWN - 06502058

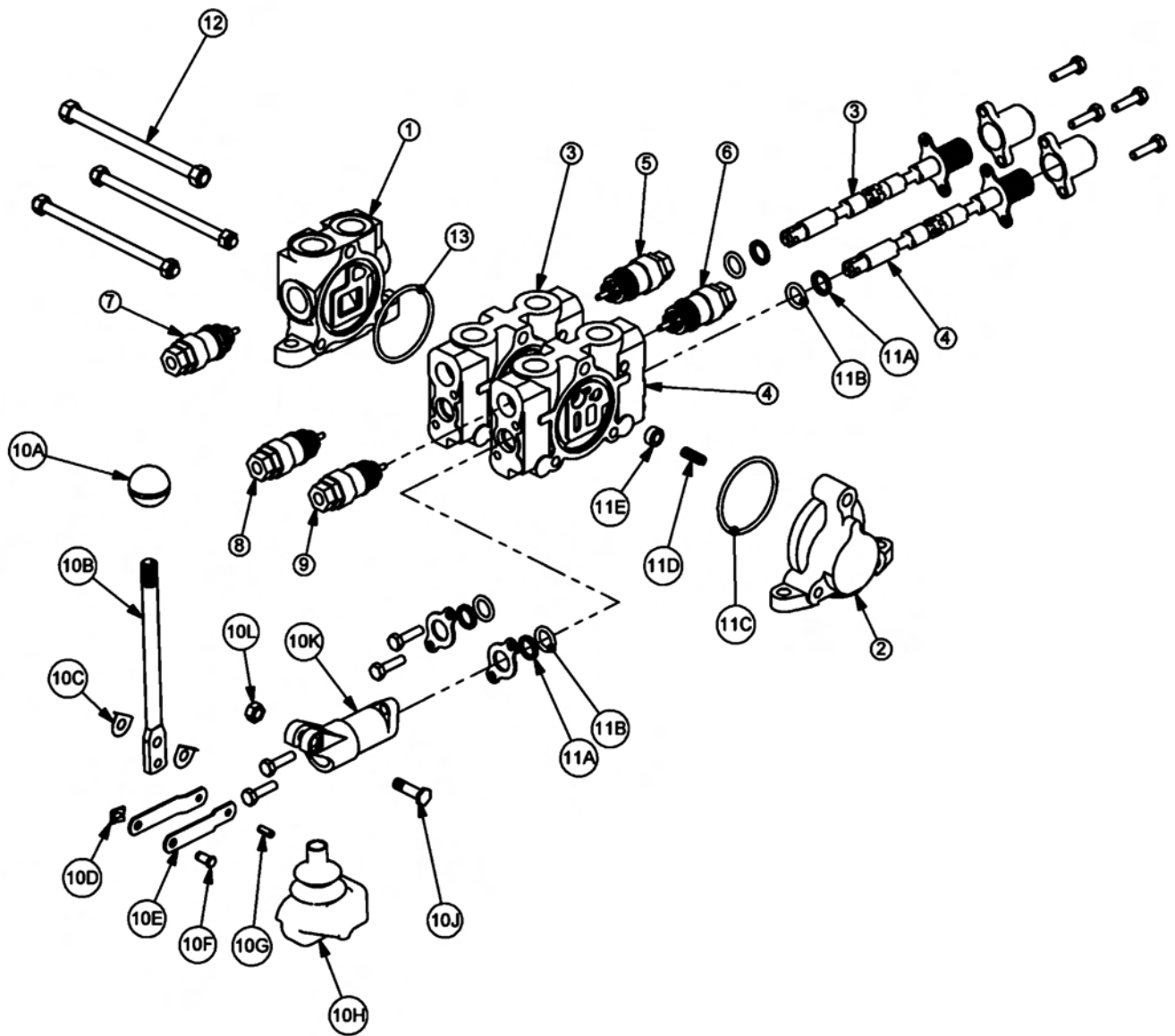


CABLE (MANUAL) LIFT VALVE BREAKDOWN - 06502058

Continued...

| ITEM | PART NO. | QTY. | DESCRIPTION |
|------|----------|------|---|
| 1 | TB1017S | 1 | INLET END COVER |
| 2 | TB1701 | 1 | END COVER,OPEN CENTER |
| 3 | TB1017P | 1 | VALVE SECTION (SINGLE ACTING,SPRING DETENT) |
| 4 | 06502091 | 1 | VALVE SECTION (DOUBLE ACTING,CENTER SPRING) |
| 5 | N/A | - | N/A |
| 6 | 31861 | 1 | RELIEF VALVE, 360 PSI |
| 7 | TB1017E | 1 | RELIEF VALVE, 2250 PSI |
| 8 | TB1017M | 1 | SHUT-OFF PLUG |
| 9 | TB1017M | 1 | SHUT-OFF PLUG |
| 10 | TB1017L | 2 | LEVER KIT (FOR ONE SECTION) |
| 10A | ----- | 1 | LEVER KNOB |
| 10B | ----- | 1 | LEVER |
| 10C | ----- | 2 | LEVER WASHER |
| 10D | ----- | 1 | LEVER CLIP |
| 10E | ----- | 2 | LINKAGE |
| 10F | ----- | 1 | LEVER PIN |
| 10G | ----- | 1 | ROLL PIN |
| 10H | ----- | 1 | LEVER BOOT |
| 10J | ----- | 1 | LEVER BOLT |
| 10K | ----- | 1 | LEVER DUST COVER |
| 10L | ----- | 1 | LEVER NUT |
| 11 | TB1017A | 2 | VALVE SEAL KIT (FOR ONE SECTION) |
| 11A | ----- | 2 | WIPER |
| 11B | ----- | 2 | O-RING SMALL |
| 11C | ----- | 2 | O-RING LARGE |
| 11D | ----- | 1 | SPRING |
| 11E | ----- | 1 | PUCKET |
| 12 | TB1017X | 1 | TIE ROD KIT |
| 13 | 24214 | 1 | O-RING, LARGE |

CABLE (MANUAL) LIFT VALVE BREAKDOWN - 24500

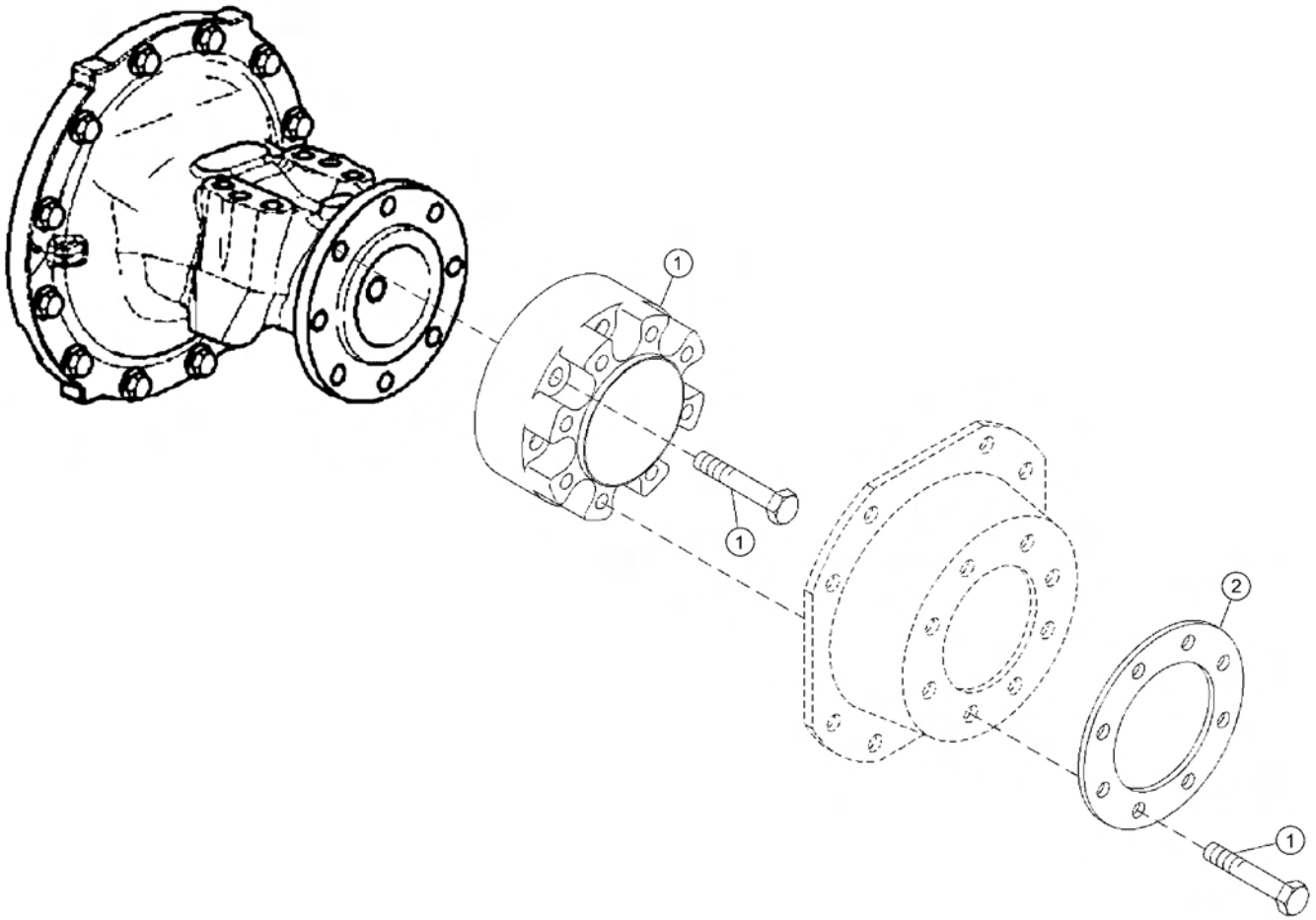


CABLE (MANUAL) LIFT VALVE BREAKDOWN - 24500

Continued...

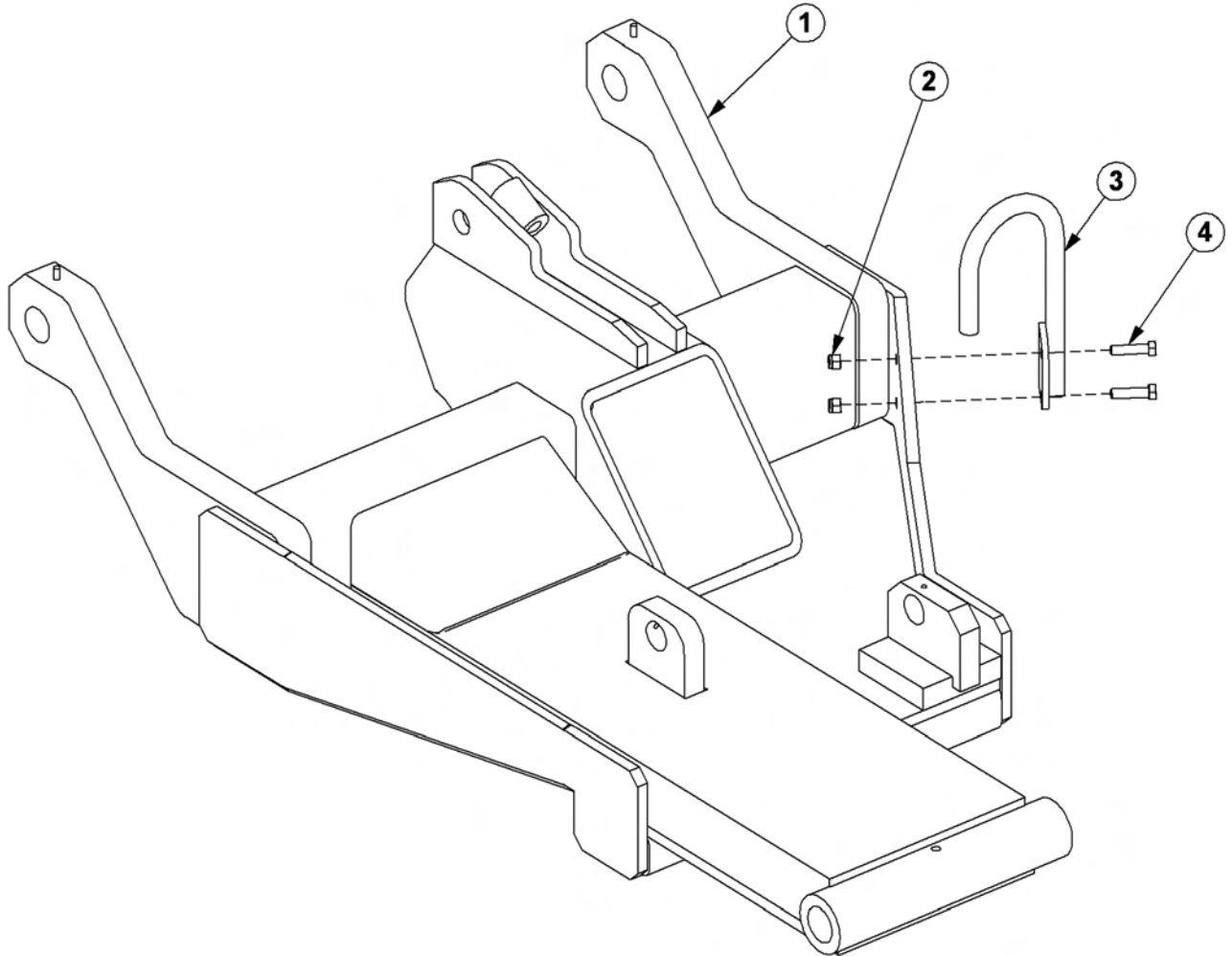
| ITEM | PART NO. | QTY. | DESCRIPTION |
|------|----------|------|---|
| 1 | TB1017S | 1 | INLET END COVER |
| 2 | TB1701 | 1 | END COVER,OPEN CENTER |
| 3 | TB1017P | 1 | VALVE SECTION (SINGLE ACTING,SPRING DETENT) |
| 4 | TB1017P | 1 | VALVE SECTION (SINGLE ACTING,SPRING DETENT) |
| 5 | N/A | - | N/A |
| 6 | N/A | - | N/A |
| 7 | TB1017E | 1 | RELIEF VALVE, 2250 PSI |
| 8 | TB1017M | 1 | SHUT-OFF PLUG |
| 9 | TB1017M | 1 | SHUT-OFF PLUG |
| 10 | TB1017L | 2 | LEVER KIT (FOR ONE SECTION) |
| 10A | ----- | 1 | LEVER KNOB |
| 10B | ----- | 1 | LEVER |
| 10C | ----- | 2 | LEVER WASHER |
| 10D | ----- | 1 | LEVER CLIP |
| 10E | ----- | 2 | LINKAGE |
| 10F | ----- | 1 | LEVER PIN |
| 10G | ----- | 1 | ROLL PIN |
| 10H | ----- | 1 | LEVER BOOT |
| 10J | ----- | 1 | LEVER BOLT |
| 10K | ----- | 1 | LEVER DUST COVER |
| 10L | ----- | 1 | LEVER NUT |
| 11 | TB1017A | 2 | VALVE SEAL KIT (FOR ONE SECTION) |
| 11A | ----- | 2 | WIPER |
| 11B | ----- | 2 | O-RING SMALL |
| 11C | ----- | 2 | O-RING LARGE |
| 11D | ----- | 1 | SPRING |
| 11E | ----- | 1 | PUCKET |
| 12 | TB1017X | 1 | TIE ROD KIT |
| 13 | 24214 | 1 | O-RING, LARGE |

WHEEL SPACER



| ITEM | PART NO. | QTY. | DESCRIPTION |
|------|----------|------|----------------------|
| 1 | 06770025 | 1 | KIT,SPCR,WHL,JD |
| 2 | 06400919 | 1 | RING,SPACER,WHEEL,JD |

HOSE GUIDE ON DRAFT BEAM



| ITEM | PART NO. | QTY. | DESCRIPTION |
|------|----------|------|---|
| 1 | ----- | - | DRAFT BEAM *REFER TO COMMON PARTS SECTION |
| 2 | 21627 | 2 | NYLOCK NUT,3/8",NC |
| 3 | 06370164 | 1 | HOSE GUIDE |
| 4 | 21632 | 2 | CAPSCREW,3/8" X 1-1/2",NC |

NOTES

COMMON SIDE ROTARY

PARTS SECTION

NOTES



PART NAME INDEX

| | |
|---|----|
| PARTS ORDERING GUIDE..... | 5 |
| CABLE DRAFT BEAM ASSEMBLY..... | 6 |
| COMBO DRAFT BEAM ASSEMBLY..... | 8 |
| 60IN SIDE CABLE TM ROTARY MOWER..... | 10 |
| 72IN SIDE CABLE TM ROTARY MOWER..... | 12 |
| 60IN SIDE COMBO TM ROTARY MOWER..... | 14 |
| 72IN SIDE COMBO TM ROTARY MOWER..... | 16 |
| 60IN SIDE TM CHAIN GUARDS..... | 18 |
| 72IN SIDE TM CHAIN GUARDS..... | 20 |
| 60IN SIDE TSR ROTARY MOWER..... | 22 |
| 60IN SIDE TSR REAR GUARDS..... | 24 |
| SIDE ROTARY CASTER WHEEL ASSEMBLY..... | 26 |
| CASTER WHEEL ASSEMBLY..... | 28 |
| ROTARY DISK AND KNIVES..... | 29 |
| TM MOWER SPINDLE ASSEMBLY..... | 30 |
| TSR MOWER SPINDLE ASSEMBLY..... | 32 |
| ROTARY MOTOR BREAKDOWN..... | 34 |
| 60IN TSR ROTARY MOTOR BREAKDOWN..... | 36 |
| FRONT HYDRAULIC PUMP BREAKDOWN..... | 38 |
| PUMP AND GRILL GUARD OPTIONS..... | 40 |
| RESERVOIR TANK FILTER ASSEMBLY..... | 41 |
| COOLER ASSEMBLY..... | 42 |
| 3IN X 10IN HYDRAULIC CYLINDER BREAKDOWN..... | 43 |
| 3IN X 12IN HYDRAULIC CYLINDER BREAKDOWN..... | 44 |
| 3IN X 18IN HYDRAULIC CYLINDER BREAKDOWN..... | 45 |
| CABLE (MANUAL) LIFT VALVE BREAKDOWN - 30801..... | 46 |
| CABLE (MANUAL) LIFT VALVE BREAKDOWN - 31320..... | 48 |
| CABLE (MANUAL) LIFT VALVE BREAKDOWN - 31321..... | 50 |
| CABLE (MANUAL) LIFT VALVE BREAKDOWN - 31752..... | 52 |
| CABLE (MANUAL) LIFT VALVE BREAKDOWN - 06502040..... | 54 |
| CABLE (MANUAL) LIFT VALVE BREAKDOWN - 06502041..... | 56 |
| BRAKE VALVE ASSEMBLY..... | 58 |
| BRAKE VALVE HYDRAULIC SCHEMATIC..... | 59 |
| CABLE DRAFT BEAM TRAVEL LOCK..... | 60 |
| COMBO DRAFT BEAM TRAVEL LOCK..... | 61 |
| SWITCH BOX..... | 62 |
| SWITCH BOX SCHEMATIC..... | 63 |
| NOTES 1..... | 64 |
| FIRE SUPPRESSION SYSTEM..... | 65 |
| FIRE SUPPRESSION 3-POINT MOUNT..... | 66 |

COMMON SIDE ROTARY

PART NAME INDEX

| | |
|---|----|
| FIRE SUPPRESSION FRONT MOUNT..... | 68 |
| FIRE SUPPRESSION SYSTEM ELECTRICAL SCHEMATIC..... | 70 |
| WETCUT..... | 71 |
| WETCUT 50 GALLON TANK - 3PNT MOUNT..... | 72 |
| WETCUT 100 OR 150 GALLON TANK - 3PNT MOUNT..... | 73 |
| WETCUT 3PNT PLUMBING - 50IN MOWERS..... | 74 |
| WETCUT 3PNT PLUMBING - LARGE MOWERS..... | 76 |
| WETCUT FRONT PLUMBING - 50IN MOWERS..... | 78 |
| WETCUT FRONT PLUMBING - LARGE MOWERS..... | 80 |
| WETCUT 50IN SPRAYER HEAD ASSEMBLY..... | 82 |
| WETCUT 60IN SPRAYER HEAD ASSEMBLY..... | 84 |
| WETCUT CABLES..... | 86 |

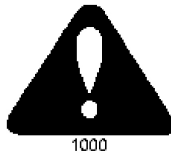
COMMON SIDE ROTARY

PARTS ORDERING GUIDE

The following instructions are offered to help eliminate needless delay and error in processing purchase orders for the equipment in this manual.

1. The Parts Section is prepared in logical sequence and grouping of parts that belong to the basic machine featured in this manual. Part Numbers and Descriptions are given to help locate the parts and quantities required.
2. The Purchase Order must indicate the **Name and Address** of the person or organization ordering the parts, **who should be charged**, and if possible, the **serial number of the machine** for which the parts are being ordered.
3. The purchase order must clearly list the **quantity of each part**, the complete and correct **part number**, and the basic **name of the part**.
4. The manufacturer reserves the right to substitute parts where applicable.
5. Some parts may be unlisted items which are special production items not normally stocked and are subject to special handling. Request a quotation for such parts before sending a purchase order.
6. The manufacturer reserves the right to change prices without prior notice.

NOTE: When ordering replacement decals, refer to the part numbers and descriptions listed in the safety section in the front of this manual.

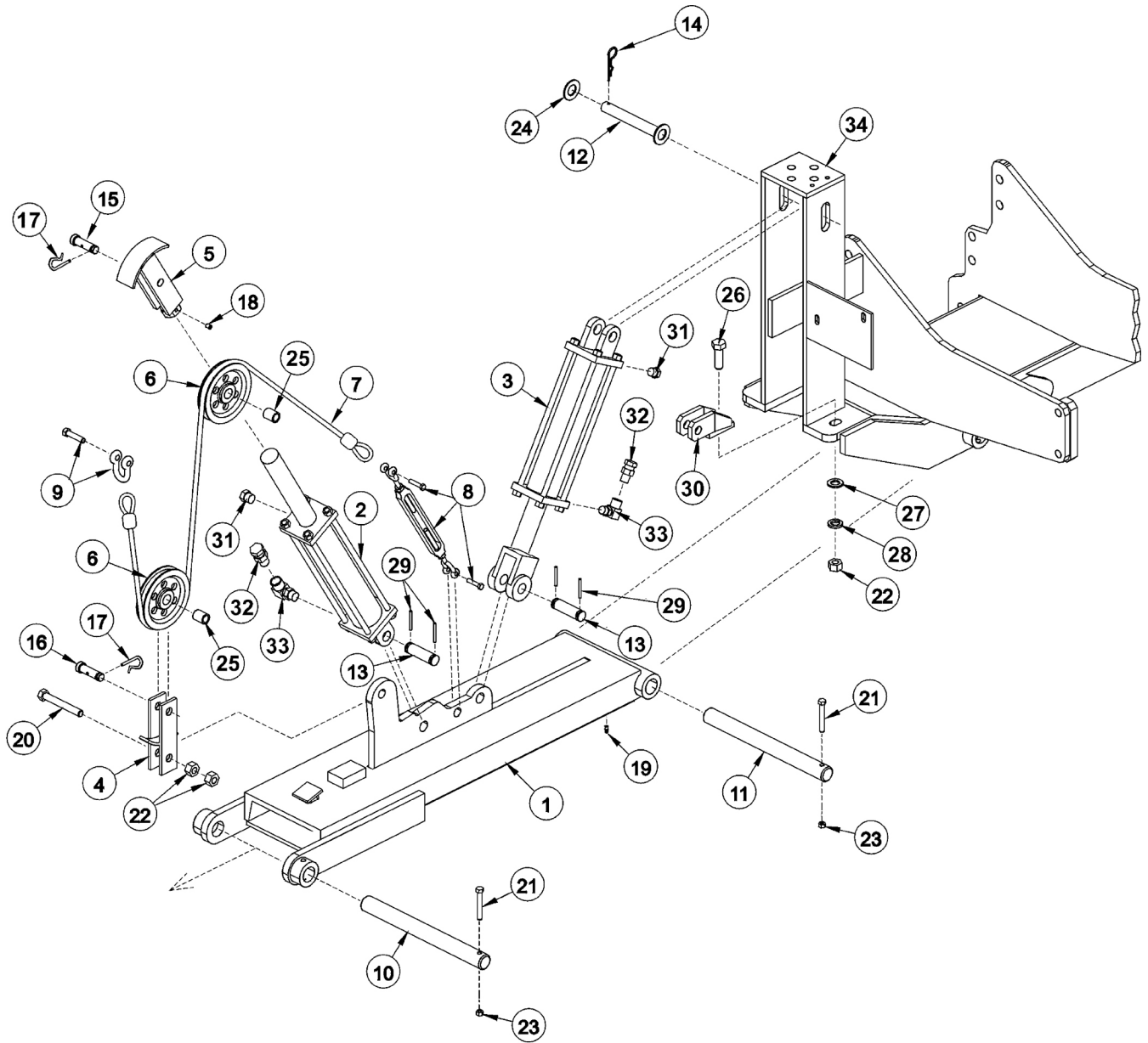


For maximum safety and to guarantee optimum product reliability, always use genuine **Tiger** replacement parts. The use of inferior replacement parts may cause premature or catastrophic failure which could result in serious injury or death.

Direct any questions regarding parts to:

Tiger Corporation
3301 N. Louise Ave.
Sioux Falls, SD 57107
1-800-843-6849
1-605-336-7900

CABLE DRAFT BEAM ASSEMBLY



COMMON SIDE ROTARY

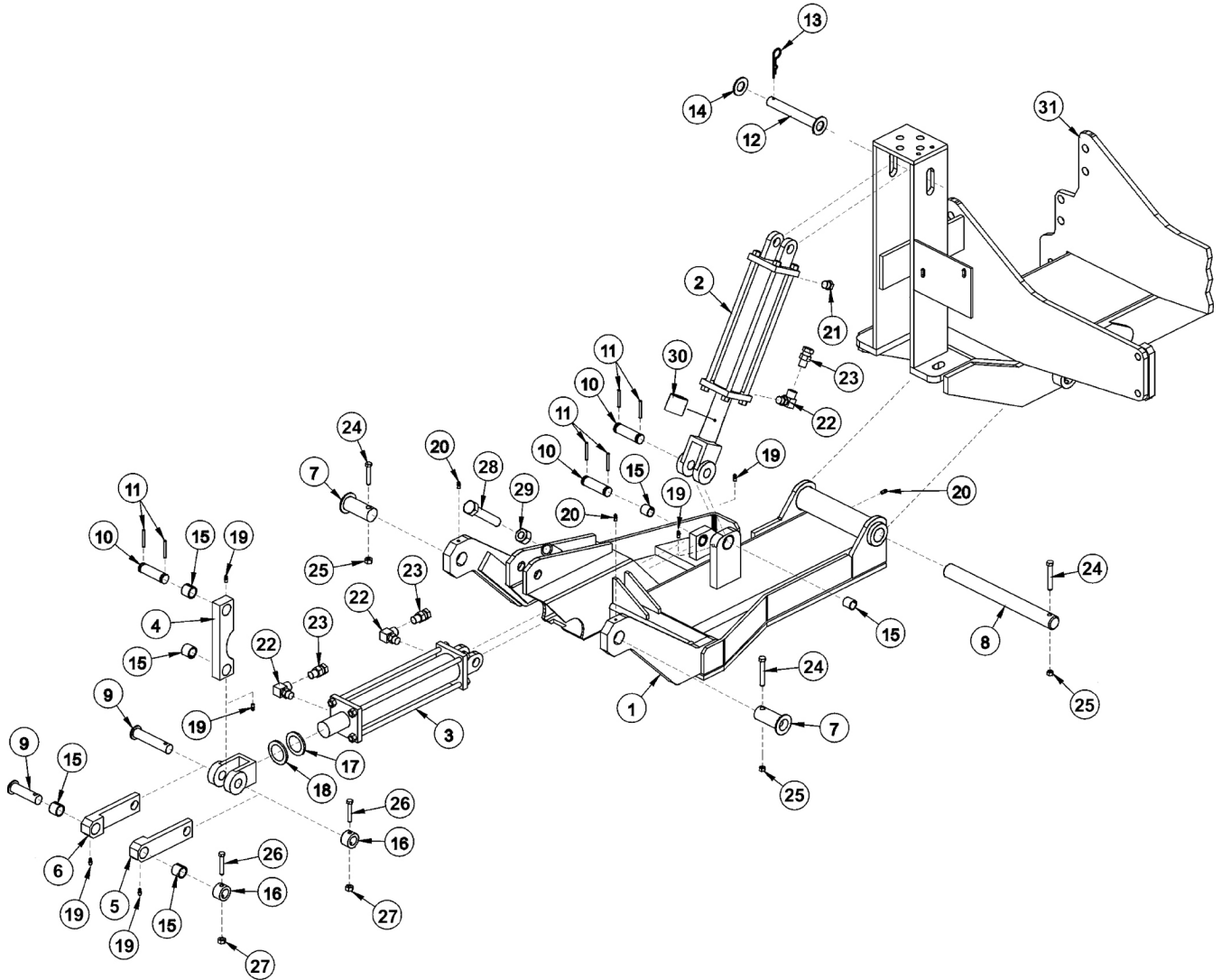
CABLE DRAFT BEAM ASSEMBLY

Continued...

| ITEM | PART NO. | QTY. | DESCRIPTION |
|-------|----------|------|--|
| 1 | 6T0105 | - | DRAFT BEAM (STD WITH TRAVEL LOCK) |
| ----- | 27241 | - | DRAFT BEAM (EXTENDED 6") |
| 2 | 6T0150 | 1 | CYLINDER 3" X 18" |
| 3 | 6T0151R | 1 | HYD. CYLINDER 3" X 10" |
| 4 | 6T0100 | 1 | LOWER SHEAVE BRACKET |
| 5 | 6T0101 | 1 | UPPER SHEAVE BRACKET |
| 6 | 33768 | 2 | SHEAVE |
| 7 | 6T0110 | 1 | LIFT CABLE (STD 1/2" X 87 1/2") |
| ----- | 6T0110E | - | LIFT CABLE (EXTENDED 6") |
| 8 | 6T0115 | 1 | TURN BUCKLE |
| 9 | 6T0112 | 1 | SHACKLE WITH PIN |
| 10 | 6T2999 | 1 | OUTER DRAFT BEAM PIN 1 1/2" X 14 1/2" |
| 11 | 6T3001 | 1 | INNER DRAFT BEAM PIN 1 1/2" X 15 3/4" |
| 12 | 6T3005 | 1 | CYLINDER PIN 1" X 6 5/8" |
| 13 | TB1033 | 2 | CLEVIS PIN 1" X 4" |
| 14 | 6T3004 | 1 | R - CLIP 3/16" |
| 15 | 6T3010 | 1 | UPPER SHEAVE PIN WITH ZERK 3/4" X 3" |
| 16 | 6T3009 | 1 | LOWER SHEAVE PIN WITH ZERK 3/4" X 2 1/2" |
| 17 | 6T3020 | 2 | R - CLIP 5/32" |
| 18 | 6T2272 | 1 | SET SCREW 3/8" X 1/2" |
| 19 | 6T3211 | 1 | GREASE ZERK 1/8" STRAIGHT |
| 20 | 21837 | 1 | CAPSCREW 3/4" X 3 1/4" |
| 21 | 21688 | 2 | CAPSCREW 7/16" X 3 1/4" |
| 22 | 21825 | 2 | HEX NUT 3/4" |
| 23 | 21677 | 2 | NYLOCK NUT 7/16" |
| 24 | 22023 | 1 | FLAT WASHER 1" |
| 25 | 6T0104N | 2 | SHEAVE PIN BUSHING 1" OD X 3/4" ID |
| 26 | 21833 | 1 | CAPSCREW 3/4" X 2 1/4" |
| 27 | 22021 | 1 | FLAT WASHER 3/4" |
| 28 | 21993 | 1 | LOCK WASHER 3/4" |
| 29 | 06537021 | 4 | ROLL PIN |
| 30 | 6T0106 | 1 | TRAVEL LOCK BRACKET |
| 31 | 6T4258 | 2 | BREATHER 1/2" |
| 32 | 34396 | 2 | RESTRICTOR |
| 33 | 34244 | 2 | ELBOW FITTING 1/2" |
| 34 | ----- | - | MAIN FRAME *REFER TO TRACTOR PARTS SECTION |

COMMON SIDE ROTARY

COMBO DRAFT BEAM ASSEMBLY



NOTES:

1. ITEM 30 IS USED ON THE GLAND END OF ITEM 2 (AS NEEDED)
2. ORIENTATION OF ITEMS 4,5 & 6 ARE CRITICAL

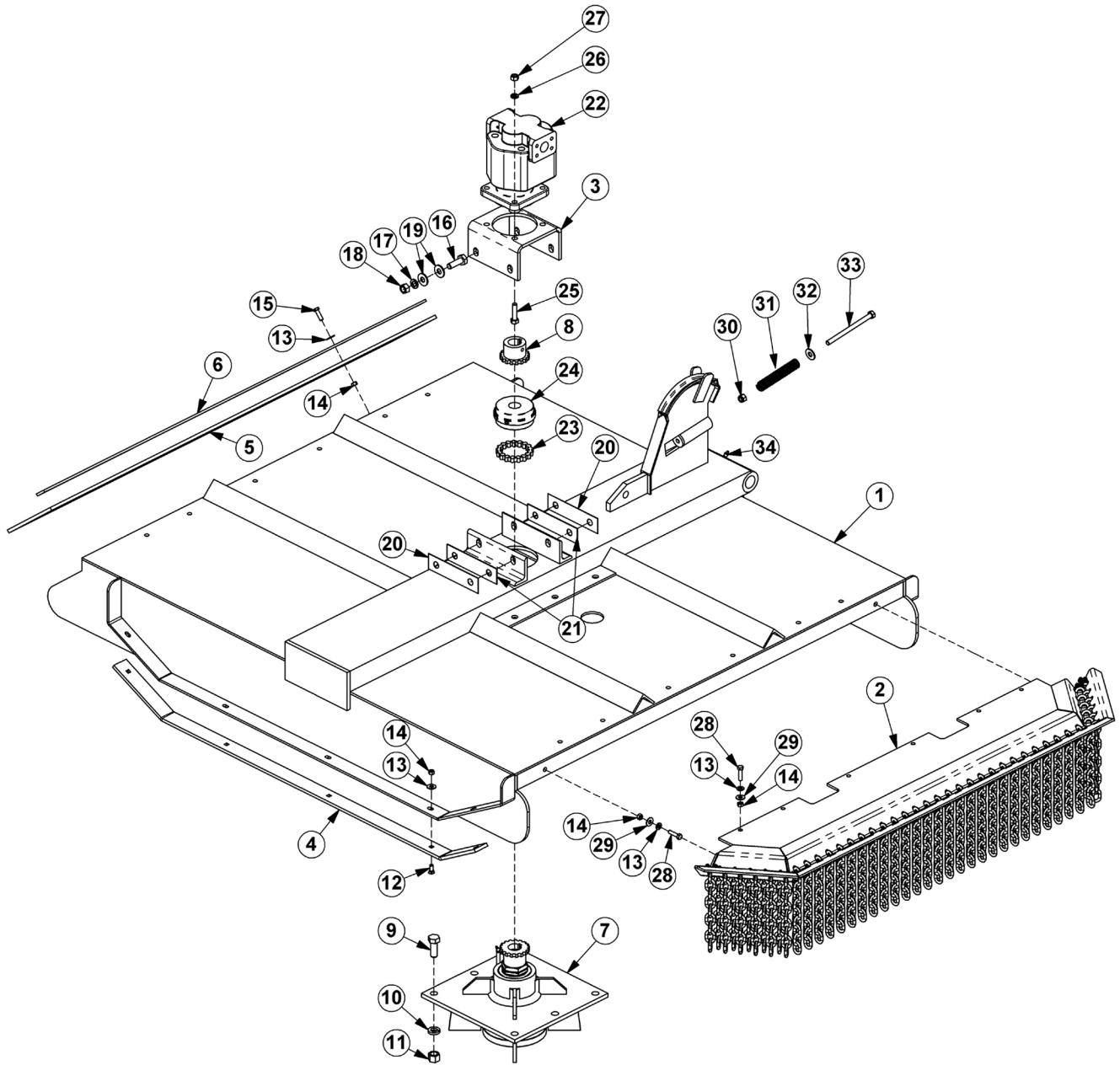
COMBO DRAFT BEAM ASSEMBLY

Continued...

| ITEM | PART NO. | QTY. | DESCRIPTION |
|------|----------|------|---|
| 1 | 06350001 | 1 | COMBO DRAFT BEAM - STD DTY ROTARY |
| --- | 31063 | - | COMBO DRAFT BEAM - HVY DTY ROTARY |
| 2 | 6T0151R | 1 | HYD. CYLINDER 3" X 10" |
| 3 | 32215 | 1 | HYD. CYLINDER 3" X 12" - STD DTY |
| --- | 25343 | - | HYD. CYLINDER 3" X 12" - HVY DTY |
| 4 | TF4500A | 1 | PIVOT ARM |
| 5 | TF4507B | 1 | RIGHT LINKAGE ARM |
| 6 | TF4506B | 1 | LEFT LINKAGE ARM |
| 7 | 30126B | 2 | PIN, HEAD PIVOT - STD DTY |
| --- | TF4514A | - | PIN, HEAD PIVOT - HVY DTY |
| 8 | 6T3001 | 1 | PIN, BEAM PIVOT |
| 9 | TF4519 | 2 | PIN, LINKAGE |
| 10 | TB1033 | 3 | PIN, CLEVIS |
| 11 | 06537021 | 6 | ROLLPIN |
| 12 | 6T3005 | 1 | PIN, 1" W/ CAP |
| 13 | 6T3004 | 1 | R-CLIP HAIRPIN |
| 14 | 6T2614 | 1 | FLATWASHER 1" |
| 15 | TB3010 | 8 | BUSHING 1" |
| 16 | 22847 | 2 | BOSS, LINKAGE PIN |
| 17 | 22076 | 1 | SPACER, HYD. CYLINDER 1/4" |
| 18 | 22077 | 1 | SPACER, HYD. CYLINDER 5/16" |
| 19 | 6T3207 | 6 | GREASE ZERK 1/4" |
| 20 | 6T3211 | 3 | GREASE ZERK 1/8" |
| 21 | 6T4258 | 1 | BREATHER 1/2" |
| 22 | 34244 | 3 | ELBOW FITTING 1/2" |
| 23 | 34396 | 3 | SWIVEL RESTRICTOR |
| 24 | 21688 | 3 | CAPSCREW 7/16" X 3 1/4" |
| 25 | 21677 | 3 | NYLOCK NUT 7/16" |
| 26 | 21635 | 2 | CAPSCREW 3/8" X 2 1/4" |
| 27 | 21625 | 2 | HEX NUT 3/8" |
| 28 | 21831 | 1 | CAPSCREW 3/4" X 1 3/4" |
| 29 | 21825 | 1 | HEX NUT 3/4" |
| 30 | 06700095 | 1 | CYLINDER SPACER W/SET SCREW |
| 31 | ----- | - | MAIN FRAME *REFER TO TRACTOR MOUNT PAGE |

COMMON SIDE ROTARY

60IN SIDE CABLE TM ROTARY MOWER



COMMON SIDE ROTARY

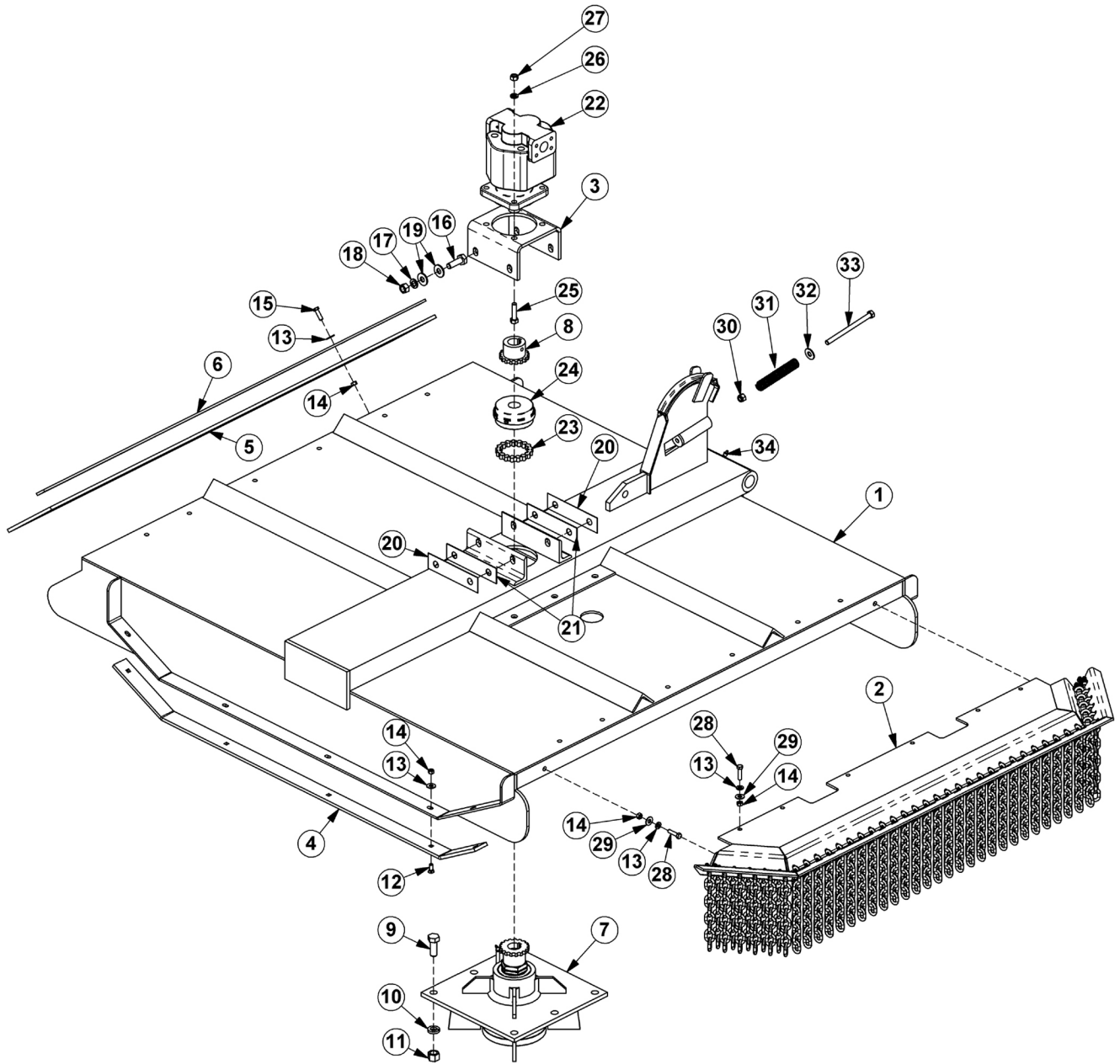
60IN SIDE CABLE TM ROTARY MOWER

Continued...

| ITEM | PART NO. | QTY. | DESCRIPTION |
|-------------|-----------------|-------------|---------------------------------------|
| 1 | 32099 | 1 | RTRY, 60" DECK, CABLE |
| 2 | 31773 | 1 | GAURD,CHAIN,FRONT,SR60 |
| 3 | 6T1001 | 1 | BRKT, MOTOR MTG, 60"SIDE RTRY |
| 4 | 6T0820H | 2 | SKID SHOE, TM60 |
| 5 | 22592 | 1 | FLAP, DEFLECTOR, TM60 |
| 6 | 6T0823 | 1 | BAR, FLAP, TM60 |
| 7 | 6T1024H5 | 1 | SPINDLE ASSY,CPLT,HD,5/8" HOLES |
| 8 | 21223 | 1 | SPROCKET, 1-1/4" BORE |
| 9 | 6T2277 | 6 | CAPSCREW,3/4" X 2",NF |
| 10 | 21993 | 6 | LOCKWASHER,3/4",GR 8 |
| 11 | 6T2413 | 6 | HEX NUT,3/4",NF,GR 8 |
| 12 | 6T2270 | 10 | PLOW BOLT,3/8" X 1",NC |
| 13 | 22016 | 29 | FLATWASHER,3/8" |
| 14 | 21625 | 29 | HEX NUT,3/8",NC |
| 15 | 21631 | 11 | CAPSCREW, 3/8" X 1-1/4",NC |
| 16 | 21783 | 4 | CAPSCREW, 5/8" X 2",NC |
| 17 | 21992 | 4 | LOCKWASHER, 5/8" |
| 18 | 21775 | 4 | HEX NUT, 5/8" |
| 19 | 25270 | 8 | FLATWASHER,5/8",GR 8 |
| 20 | 6T0822 | 2 | SHIM, MOTOR MOUNT, 14GA. (AS NEEDED) |
| 21 | 6T0822A | 2 | SHIM, MOTOR MOUNT, 18 GA. (AS NEEDED) |
| 22 | 06504011 | 1 | MOTOR,(M365-2 1/4" GEAR) |
| 23 | 6T1029 | 1 | CHAIN, COUPLING |
| 24 | 6T1033 | 1 | COVER, COUPLING |
| 25 | 21733 | 4 | CAPSCREW, 1/2" X 2",NC |
| 26 | 21990 | 4 | LOCKWASHER,1/2" |
| 27 | 21725 | 4 | HEX NUT, 1/2",NC |
| 28 | 21632 | 8 | CAPSCREW,3/8" X 1-1/2",NC |
| 29 | 21988 | 8 | LOCKWASHER,3/8" |
| 30 | 21727 | 1 | NYLOCK NUT,1/2",NC |
| 31 | 27005 | 1 | SPRING,PUSHOFF,SIDE RTRY |
| 32 | 22018 | 1 | FLATWASHER,1/2",WIDE |
| 33 | 21745 | 1 | CAPSCREW,1/2" X 7",NC |
| 34 | 6T3211 | 1 | GREASE ZERK |

COMMON SIDE ROTARY

72IN SIDE CABLE TM ROTARY MOWER



COMMON SIDE ROTARY

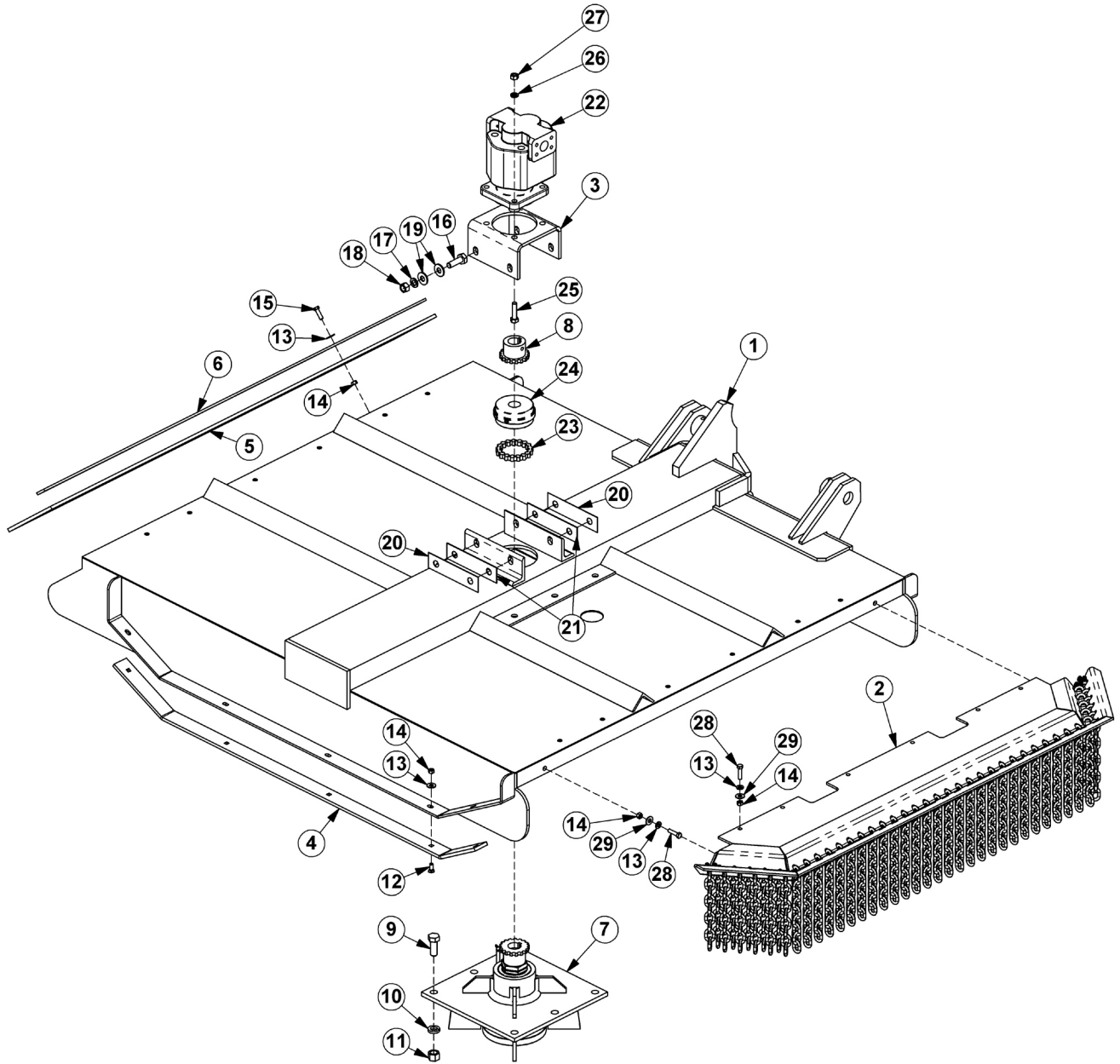
72IN SIDE CABLE TM ROTARY MOWER

Continued...

| ITEM | PART NO. | QTY. | DESCRIPTION |
|-------------|-----------------|-------------|---------------------------------------|
| 1 | 21225B | 1 | RTRY,72" DECK, CABLE |
| 2 | 31931 | 1 | GUARD,CHAIN,FRONT,SR72 |
| 3 | 6T1001 | 1 | BRKT, MOTOR MTG, 60"SIDE RTRY |
| 4 | 21248 | 2 | SKID SHOE, TM72 |
| 5 | 21295B | 1 | FLAP, DEFLECTOR, TM72 |
| 6 | 21242A | 1 | BAR, FLAP, TM72 |
| 7 | 6T1024H5 | 1 | SPINDLE ASSY,CPLT,HD,5/8" HOLES |
| 8 | 21223 | 1 | SPROCKET, 1-1/4" BORE |
| 9 | 6T2277 | 6 | CAPSCREW,3/4" X 2",NF |
| 10 | 21993 | 6 | LOCKWASHER,3/4",GR 8 |
| 11 | 6T2413 | 6 | HEX NUT,3/4",NF,GR 8 |
| 12 | 6T2270 | 10 | PLOW BOLT,3/8" X 1",NC |
| 13 | 22016 | 29 | FLATWASHER,3/8" |
| 14 | 21625 | 29 | HEX NUT,3/8",NC |
| 15 | 21631 | 11 | CAPSCREW, 3/8" X 1-1/4",NC |
| 16 | 21783 | 4 | CAPSCREW, 5/8" X 2",NC |
| 17 | 21992 | 4 | LOCKWASHER, 5/8" |
| 18 | 21775 | 4 | HEX NUT, 5/8" |
| 19 | 25270 | 8 | FLATWASHER,5/8",GR 8 |
| 20 | 6T0822 | 2 | SHIM, MOTOR MOUNT, 14GA. (AS NEEDED) |
| 21 | 6T0822A | 2 | SHIM, MOTOR MOUNT, 18 GA. (AS NEEDED) |
| 22 | 06504011 | 1 | MOTOR,(M365-2 1/4" GEAR) |
| 23 | 6T1029 | 1 | CHAIN, COUPLING |
| 24 | 6T1033 | 1 | COVER, COUPLING |
| 25 | 21733 | 4 | CAPSCREW, 1/2" X 2",NC |
| 26 | 21990 | 4 | LOCKWASHER,1/2" |
| 27 | 21725 | 4 | HEX NUT, 1/2",NC |
| 28 | 21632 | 8 | CAPSCREW,3/8" X 1-1/2",NC |
| 29 | 21988 | 8 | LOCKWASHER,3/8" |
| 30 | 21727 | 1 | NYLOCK NUT,1/2",NC |
| 31 | 27005 | 1 | SPRING,PUSHOFF,SIDE RTRY |
| 32 | 22018 | 1 | FLATWASHER,1/2",WIDE |
| 33 | 21745 | 1 | CAPSCREW,1/2" X 7",NC |
| 34 | 6T3211 | 1 | GREASE ZERK |

COMMON SIDE ROTARY

60IN SIDE COMBO TM ROTARY MOWER



COMMON SIDE ROTARY

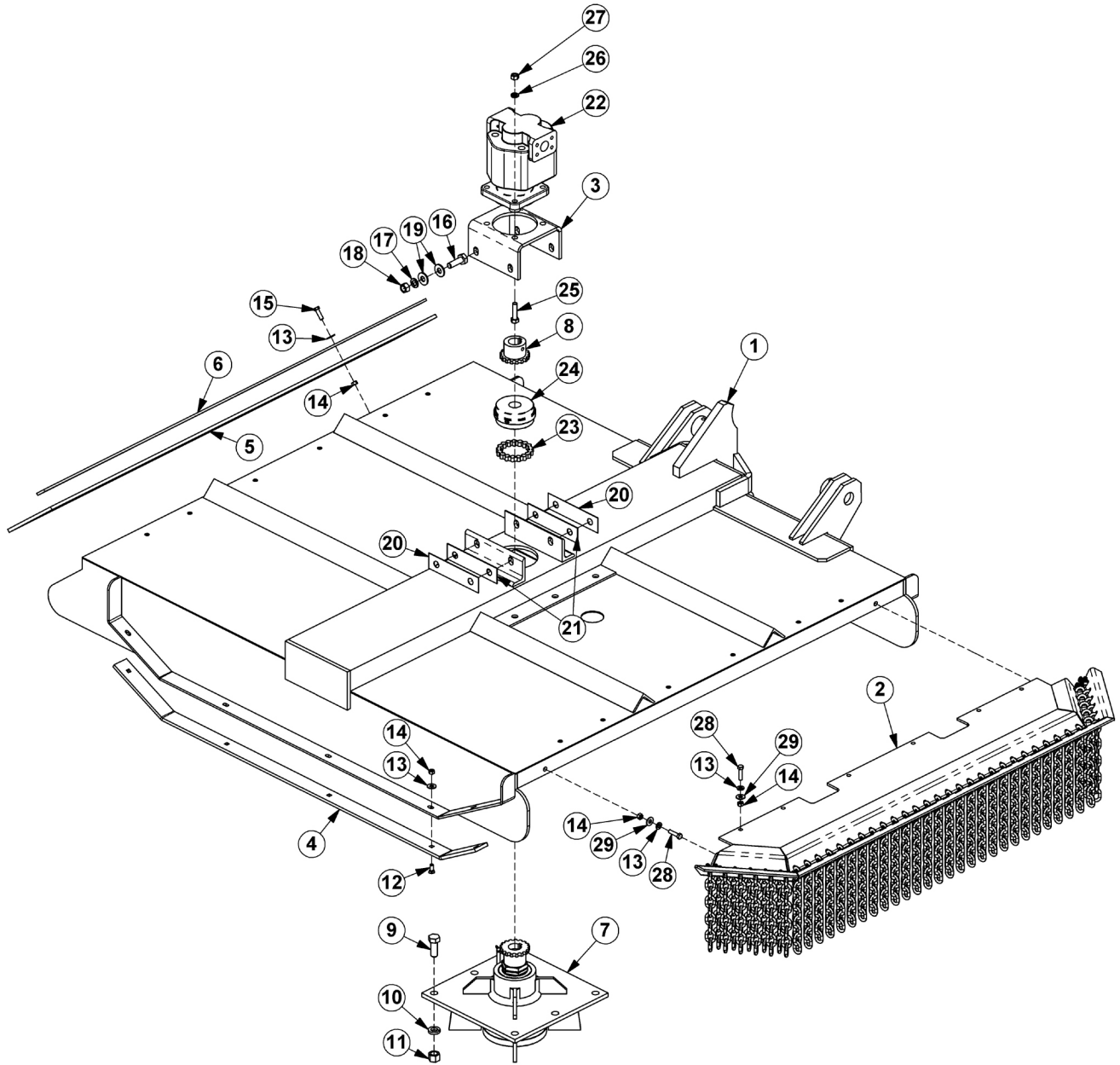
60IN SIDE COMBO TM ROTARY MOWER

Continued...

| ITEM | PART NO. | QTY. | DESCRIPTION |
|------|----------|------|---------------------------------------|
| 1 | 30087D | 1 | RTRY, 60" DECK, COMBO - STD DUTY |
| --- | 32617 | 1 | RTRY, 60" DECK, COMBO - HEAVY DUTY |
| 2 | 31773 | 1 | GUARD,CHAIN,FRONT,SR60 |
| 3 | 6T1001 | 1 | BRKT, MOTOR MTG, 60"SIDE RTRY |
| 4 | 6T0820H | 2 | SKID SHOE, TM60 |
| 5 | 22592 | 1 | FLAP, DEFLECTOR, TM60 |
| 6 | 6T0823 | 1 | BAR, FLAP, TM60 |
| 7 | 6T1024H5 | 1 | SPINDLE ASSY,CPLT,HD,5/8" HOLES |
| 8 | 21223 | 1 | SPROCKET, 1-1/4" BORE |
| 9 | 6T2277 | 6 | CAPSCREW,3/4" X 2",NF |
| 10 | 21993 | 6 | LOCKWASHER,3/4",GR 8 |
| 11 | 6T2413 | 6 | HEX NUT,3/4",NF,GR 8 |
| 12 | 6T2270 | 10 | PLOW BOLT,3/8" X 1",NC |
| 13 | 22016 | 29 | FLATWASHER,3/8" |
| 14 | 21625 | 29 | HEX NUT,3/8",NC |
| 15 | 21631 | 11 | CAPSCREW, 3/8" X 1-1/4",NC |
| 16 | 21783 | 4 | CAPSCREW, 5/8" X 2",NC |
| 17 | 21992 | 4 | LOCKWASHER, 5/8" |
| 18 | 21775 | 4 | HEX NUT, 5/8" |
| 19 | 25270 | 8 | FLATWASHER,5/8",GR 8 |
| 20 | 6T0822 | 2 | SHIM, MOTOR MOUNT, 14GA. (AS NEEDED) |
| 21 | 6T0822A | 2 | SHIM, MOTOR MOUNT, 18 GA. (AS NEEDED) |
| 22 | 06504011 | 1 | MOTOR,(M365-2 1/4" GEAR) |
| 23 | 6T1029 | 1 | CHAIN, COUPLING |
| 24 | 6T1033 | 1 | COVER, COUPLING |
| 25 | 21733 | 4 | CAPSCREW, 1/2" X 2",NC |
| 26 | 21990 | 4 | LOCKWASHER,1/2" |
| 27 | 21725 | 4 | HEX NUT, 1/2",NC |
| 28 | 21632 | 8 | CAPSCREW,3/8" X 1-1/2",NC |
| 29 | 21988 | 8 | LOCKWASHER,3/8" |

COMMON SIDE ROTARY

72IN SIDE COMBO TM ROTARY MOWER



COMMON SIDE ROTARY

72IN SIDE COMBO TM ROTARY MOWER

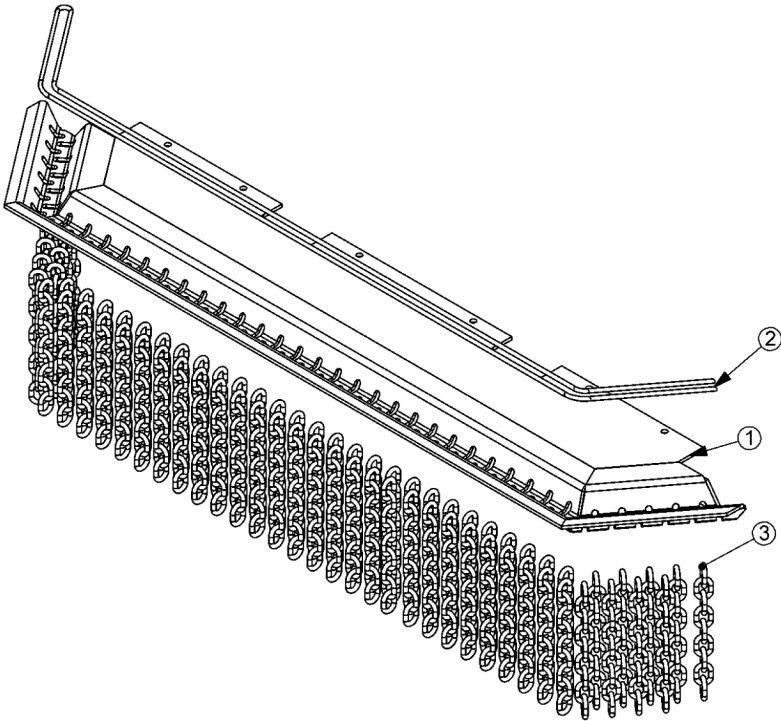
Continued...

| ITEM | PART NO. | QTY. | DESCRIPTION |
|------|----------|------|---------------------------------------|
| 1 | 34260 | 1 | RTRY, 72" DECK, COMBO - STD DUTY |
| --- | 31408A | 1 | RTRY, 72" DECK, COMBO - HEAVY DUTY |
| 2 | 31931 | 1 | GUARD,CHAIN,FRONT,SR72 |
| 3 | 6T1001 | 1 | BRKT, MOTOR MTG, 60"SIDE RTRY |
| 4 | 21248 | 2 | SKID SHOE, TM72 |
| 5 | 21295B | 1 | FLAP, DEFLECTOR, TM72 |
| 6 | 21242A | 1 | BAR, FLAP, TM72 |
| 7 | 6T1024H5 | 1 | SPINDLE ASSY,CPLT,HD,5/8" HOLES |
| 8 | 21223 | 1 | SPROCKET, 1-1/4" BORE |
| 9 | 6T2277 | 6 | CAPSCREW,3/4" X 2",NF |
| 10 | 21993 | 6 | LOCKWASHER,3/4",GR 8 |
| 11 | 6T2413 | 6 | HEX NUT,3/4",NF,GR 8 |
| 12 | 6T2270 | 10 | PLOW BOLT,3/8" X 1",NC |
| 13 | 22016 | 29 | FLATWASHER,3/8" |
| 14 | 21625 | 29 | HEX NUT,3/8",NC |
| 15 | 21631 | 11 | CAPSCREW, 3/8" X 1-1/4",NC |
| 16 | 21783 | 4 | CAPSCREW, 5/8" X 2",NC |
| 17 | 21992 | 4 | LOCKWASHER, 5/8" |
| 18 | 21775 | 4 | HEX NUT, 5/8" |
| 19 | 25270 | 8 | FLATWASHER,5/8",GR 8 |
| 20 | 6T0822 | 2 | SHIM, MOTOR MOUNT, 14GA. (AS NEEDED) |
| 21 | 6T0822A | 2 | SHIM, MOTOR MOUNT, 18 GA. (AS NEEDED) |
| 22 | 06504011 | 1 | MOTOR,(M365-2 1/4" GEAR) |
| 23 | 6T1029 | 1 | CHAIN, COUPLING |
| 24 | 6T1033 | 1 | COVER, COUPLING |
| 25 | 21733 | 4 | CAPSCREW, 1/2" X 2",NC |
| 26 | 21990 | 4 | LOCKWASHER,1/2" |
| 27 | 21725 | 4 | HEX NUT, 1/2",NC |
| 28 | 21632 | 8 | CAPSCREW,3/8" X 1-1/2",NC |
| 29 | 21988 | 8 | LOCKWASHER,3/8" |

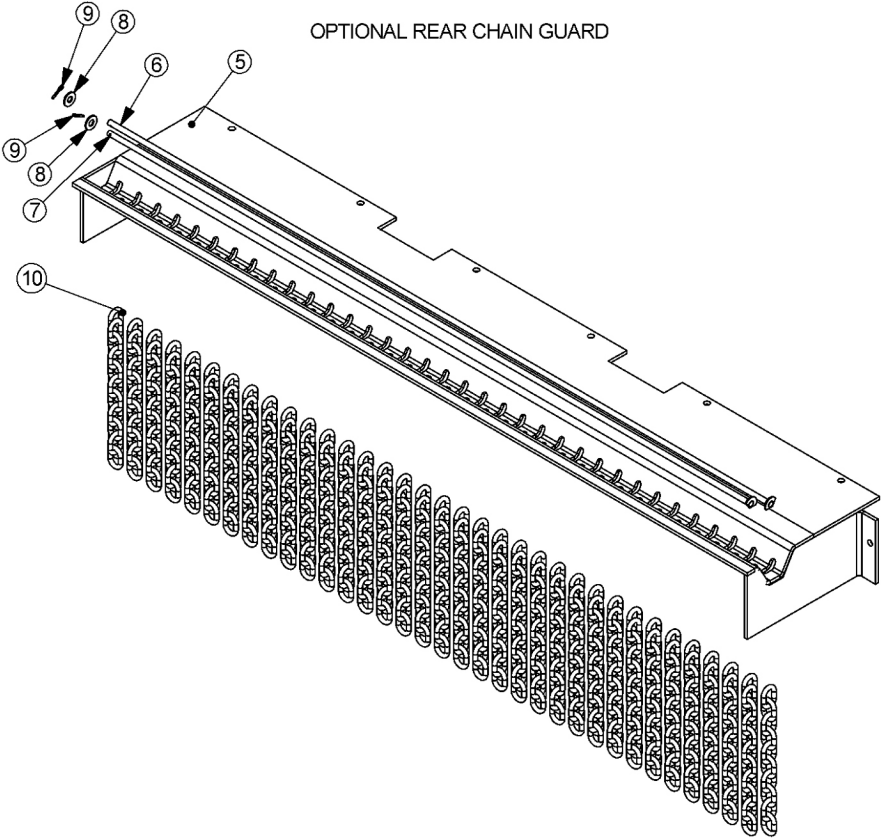
COMMON SIDE ROTARY

60IN SIDE TM CHAIN GUARDS

STANDARD FRONT CHAIN GUARD



OPTIONAL REAR CHAIN GUARD



60IN SIDE TM CHAIN GUARDS

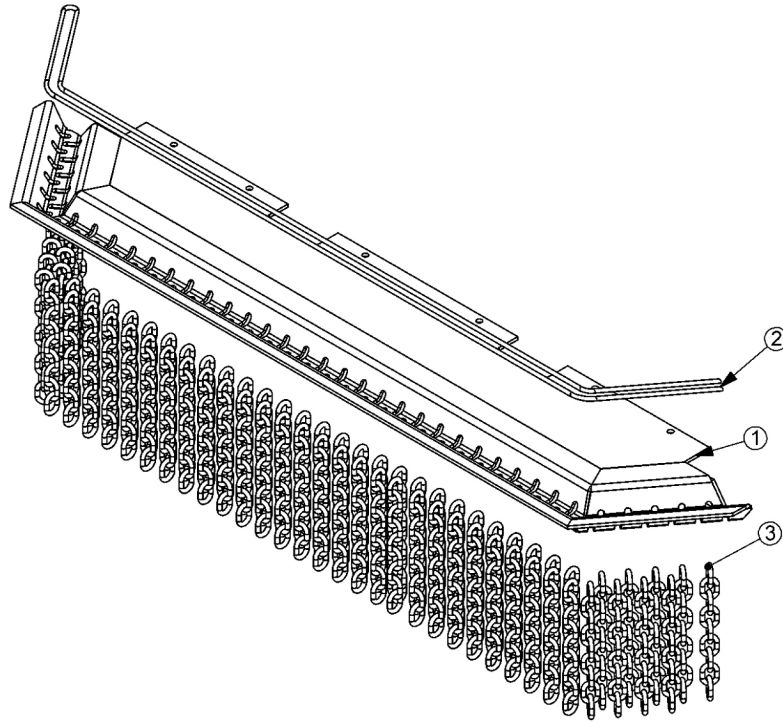
Continued...

| ITEM | PART NO. | QTY. | DESCRIPTION |
|------|----------|------|--------------------------------|
| --- | 31773 | - | GUARD,CHAIN,TM60,FRONT,ASSY |
| 1 | 31762 | 1 | GUARD,CHAIN,TM60,FRONT |
| 2 | 28407 | 12 | CABLE,5/16",BULK (QTY IN FEET) |
| 3 | 22993 | 77 | CHAIN,5/16",GR30,9 LINK |
| 4 | 28408 | 4 | U-BOLT,CABLE,5/16" (NOT SHOWN) |
| --- | 31774 | - | GUARD,CHAIN,TM60,REAR,ASSY |
| 5 | 31763 | 1 | GUARD,CHAIN,TM60,REAR |
| 6 | 31879 | 1 | ROD,SHORT,TM60 |
| 7 | 31878 | 1 | ROD,LONG,TM60 |
| 8 | 22016 | 2 | FLATWASHER,3/8",GR8 |
| 9 | 6T3028 | 2 | COTTER PIN,1/8" X 1" |
| 10 | 22992 | 69 | CHAIN,5/16",GR30,10 LINK |

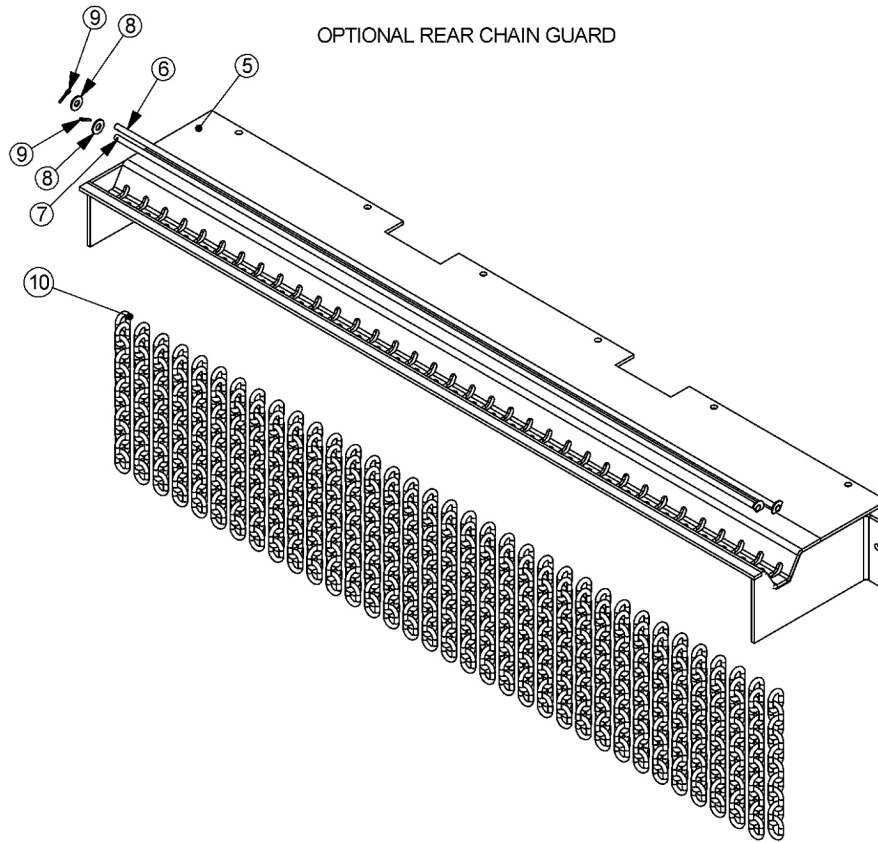
COMMON SIDE ROTARY

72IN SIDE TM CHAIN GUARDS

STANDARD FRONT CHAIN GUARD



OPTIONAL REAR CHAIN GUARD



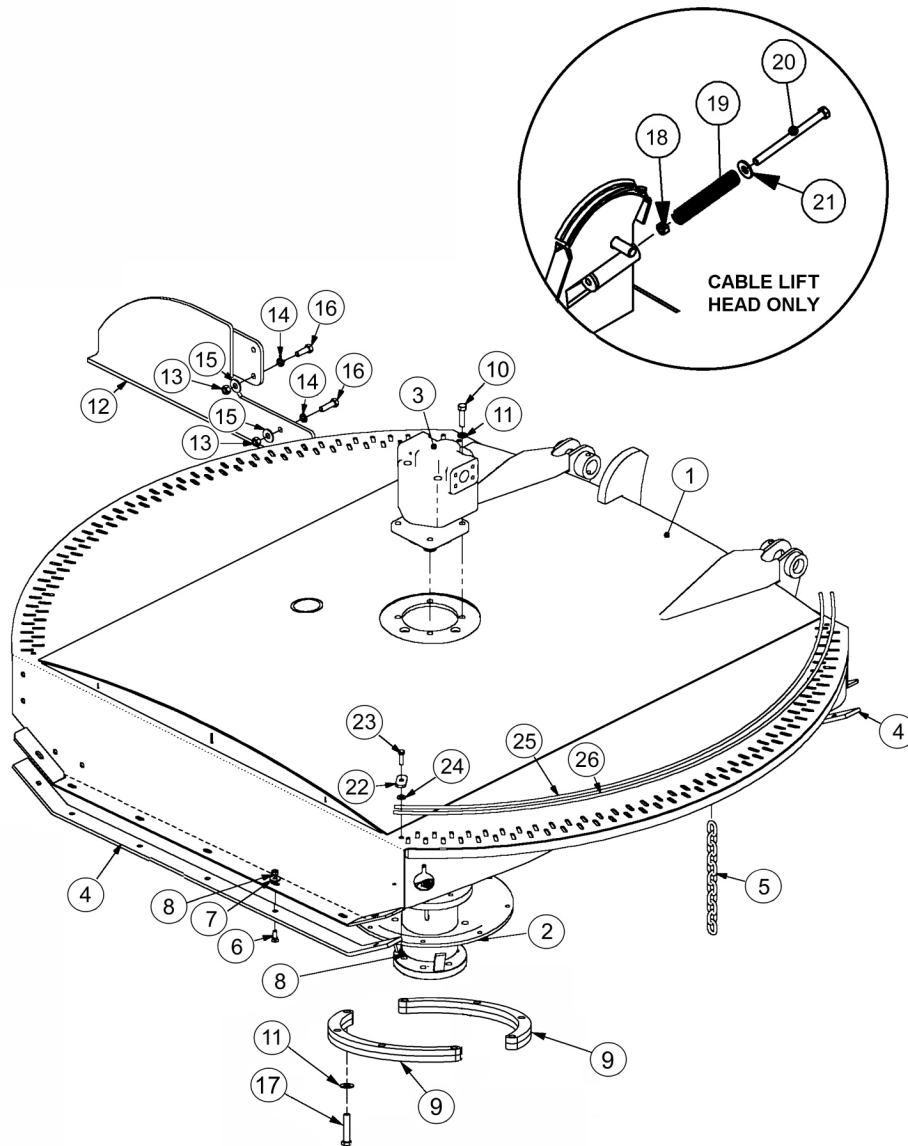
72IN SIDE TM CHAIN GUARDS

Continued...

| ITEM | PART NO. | QTY. | DESCRIPTION |
|------|----------|------|--------------------------------|
| --- | 31931 | - | GUARD,CHAIN,TM72,FRONT,ASSY |
| 1 | 31863 | 1 | GUARD,CHAIN,TM72,FRONT |
| 2 | 28407 | 14 | CABLE,5/16",BULK (QTY IN FEET) |
| 3 | 22993 | 91 | CHAIN,5/16",GR30,9 LINK |
| 4 | 28408 | 4 | U-BOLT,CABLE,5/16" (NOT SHOWN) |
| --- | 31932 | - | GUARD,CHAIN,TM60,REAR,ASSY |
| 5 | 31864 | 1 | GUARD,CHAIN,TM60,REAR |
| 6 | 31934 | 1 | ROD,LONG,TM72 |
| 7 | 31933 | 1 | ROD,SHORT,TM72 |
| 8 | 22016 | 2 | FLATWASHER,3/8",GR8 |
| 9 | 6T3028 | 2 | COTTER PIN,1/8" X 1" |
| 10 | 22992 | 83 | CHAIN,5/16",GR30,10 LINK |

COMMON SIDE ROTARY

60IN SIDE TSR ROTARY MOWER



COMMON SIDE ROTARY

60IN SIDE TSR ROTARY MOWER

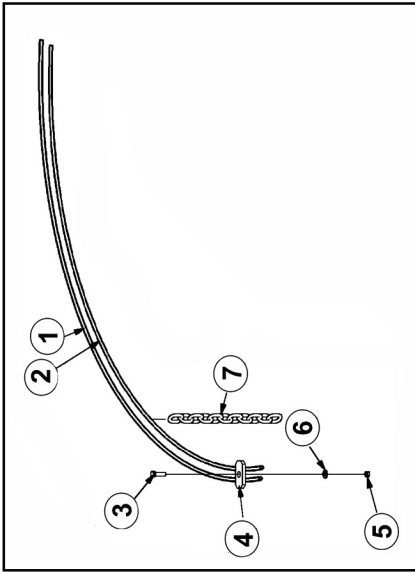
Continued...

| ITEM | PART NO. | QTY. | DESCRIPTION |
|-------|----------|------|---------------------------------------|
| 1 | 34975 | 1 | HEAVY DUTY GRASSKAT COMBO |
| ----- | 06320005 | 1 | STD DUTY GRASSKAT COMBO |
| ----- | 06320008 | 1 | HEAVY DUTY GRASSKAT CABLE |
| 2 | 34980 | 1 | SPINDLE ASSY,TM 60" |
| 3 | 06504016 | 1 | CURRENT MOTOR,(M365-1 1/4" 14-SPLINE) |
| 4 | 06410254 | 2 | SKID,OUTBOARD,TM60 |
| 5 | 22992 | 156 | CHAIN,10 LINK |
| 6 | 6T2270 | 14 | PLOW BOLT,3/8" X 1" NC |
| 7 | 22016 | 26 | FLATWASHER,3/8" |
| 8 | 21625 | 30 | HEX NUT,3/8",NC |
| 9 | 06320011 | 2 | SPACER,TSF,SPINDLE |
| 10 | 6T1025 | 4 | CAPSCREW, 1/2 X 2,GR 8,NC |
| 11 | 06533004 | 12 | FLATWASHER,1/2,SAE,GR 8 |
| 12 | 06370029 | 1 | TIRE GUARD, LEFT |
| 13 | 21725 | 8 | HEX NUT, 1/2",NC |
| 14 | 21990 | 8 | LOCKWASHER, 1/2" |
| 15 | 22018 | 8 | FLATWASHER, 1/2",WIDE |
| 16 | 21731 | 4 | CAPSCREW, 1/2" X 1-1/2" NC |
| 17 | 06530221 | 8 | CAPSCREW,1/2 X 2-1/4,NF,GR8 |
| 18 | 21745 | 1 | NYLOCK NUT, 1/2 |
| 19 | 21727 | 1 | SPRING, PUSHOFF, SIDE RTRY |
| 20 | 27005 | 1 | CAPSCREW, 1/2 X 7,NC |
| 21 | 22018 | 1 | FLATWASHER,1/2",WIDE |
| 22 | 34972 | 4 | PLATE,CAP,CHAIN |
| 23 | 21631 | 16 | CAPSCREW, 3/8 X 1-1/4,NC |
| 24 | 21988 | 16 | LOCKWASHER, 3/8" |
| 25 | 34974 | 2 | ROD,CHAIN,INNER,TM60 |
| 26 | 34973 | 2 | ROD,CHAIN,OUTER,TM60 |

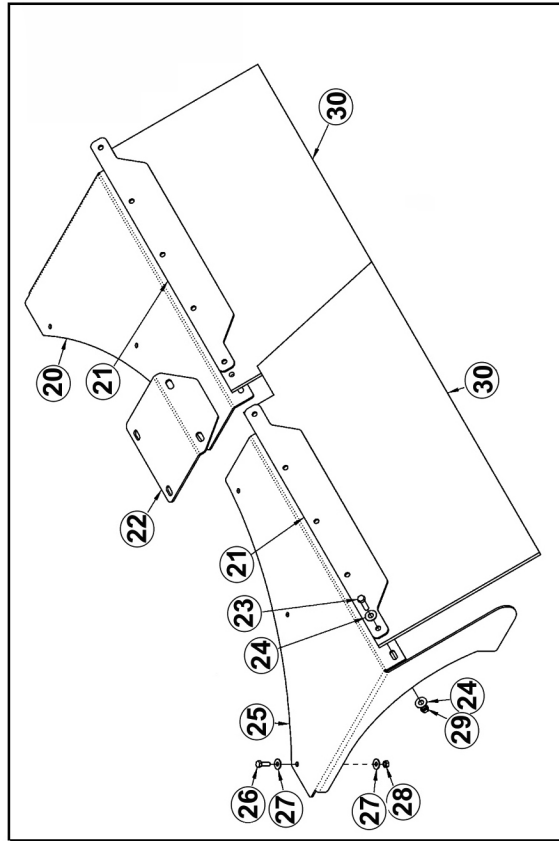
COMMON SIDE ROTARY

60IN SIDE TSR REAR GUARDS

OPTIONAL REAR CHAIN GUARD



STANDARD SQUARE REAR FLAP GUARD



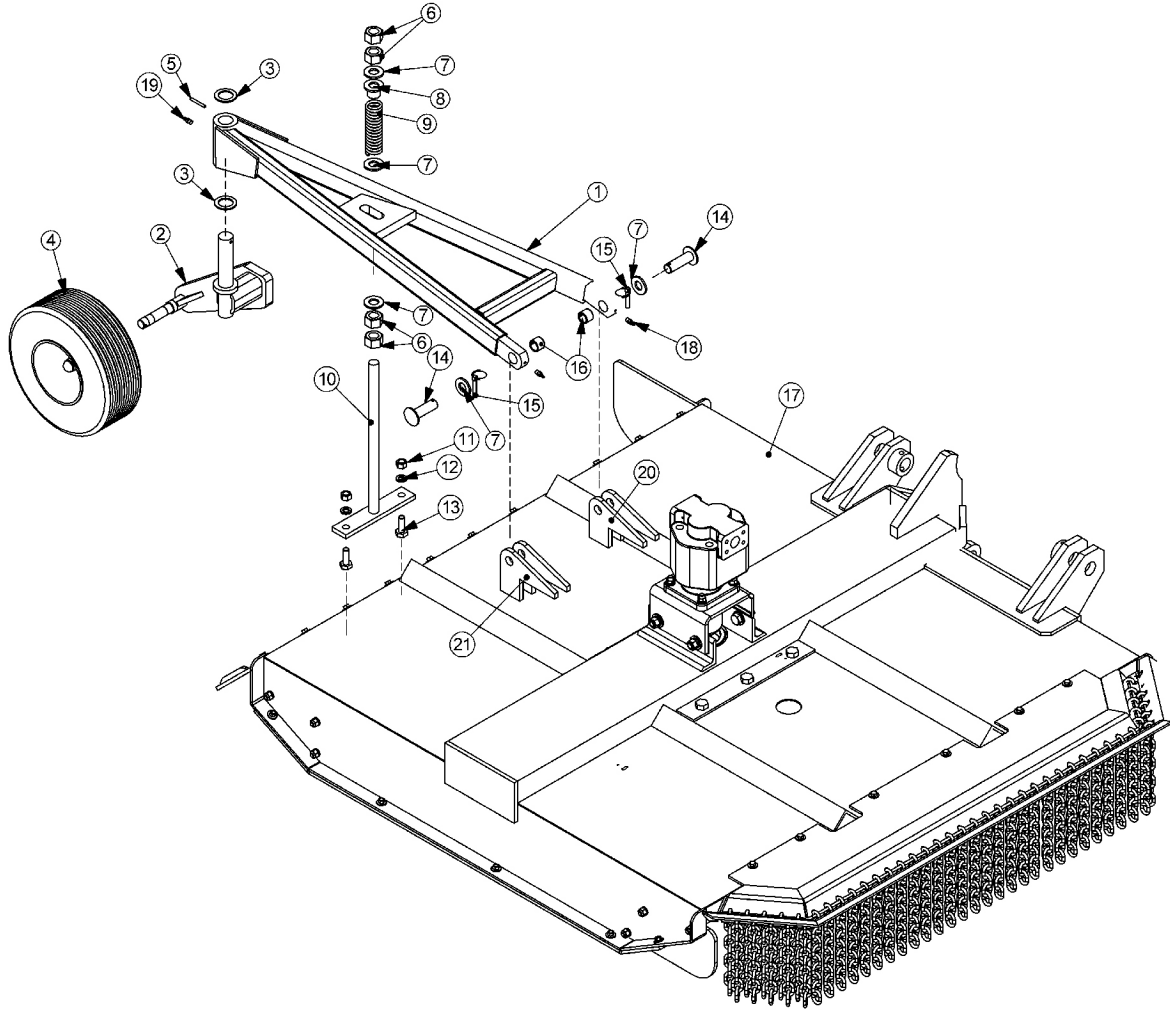
60IN SIDE TSR REAR GUARDS

Continued...

| ITEM | PART NO. | QTY. | DESCRIPTION |
|------|----------|------|---------------------------|
| 1 | 34973 | 2 | ROD,CHAIN,OUTER,TM60 |
| 2 | 34974 | 2 | ROD,CHAIN,INNER,TM60 |
| 3 | 21631 | 16 | CAPSCREW, 3/8 X 1-1/4,NC |
| 4 | 34972 | 4 | PLATE,CAP,CHAIN |
| 5 | 21625 | 30 | HEX NUT,3/8",NC |
| 6 | 21988 | 16 | LOCKWASHER, 3/8" |
| 7 | 22992 | 156 | CHAIN,10 LINK |
| 20 | 06410947 | 1 | MNT,FLAP,RH,EXT,TSR |
| 21 | 06401184 | 2 | STRAP,FLAP,EXT,TSR |
| 22 | 06410948 | 1 | COVER,FLAP,EXT,TSR |
| 23 | 21632 | 10 | CAPSCREW,3/8" X 1-1/2" NC |
| 24 | 22016 | 20 | FLATWASHER,3/8",GR8 |
| 25 | 06410946 | 1 | MNT,FLAP,LH,EXT,TSR |
| 26 | 21580 | 6 | CAPSCREW,5/16 X 1 NC |
| 27 | 22015 | 12 | FLATWASHER,5/16 |
| 28 | 21577 | 6 | NYLOCK NUT, 5/16,NC |
| 29 | 21625 | 10 | HEX NUT,3/8",NC |
| 30 | 06520331 | 2 | FLAP,EXT,TSR |

COMMON SIDE ROTARY

SIDE ROTARY CASTER WHEEL ASSEMBLY



COMMON SIDE ROTARY

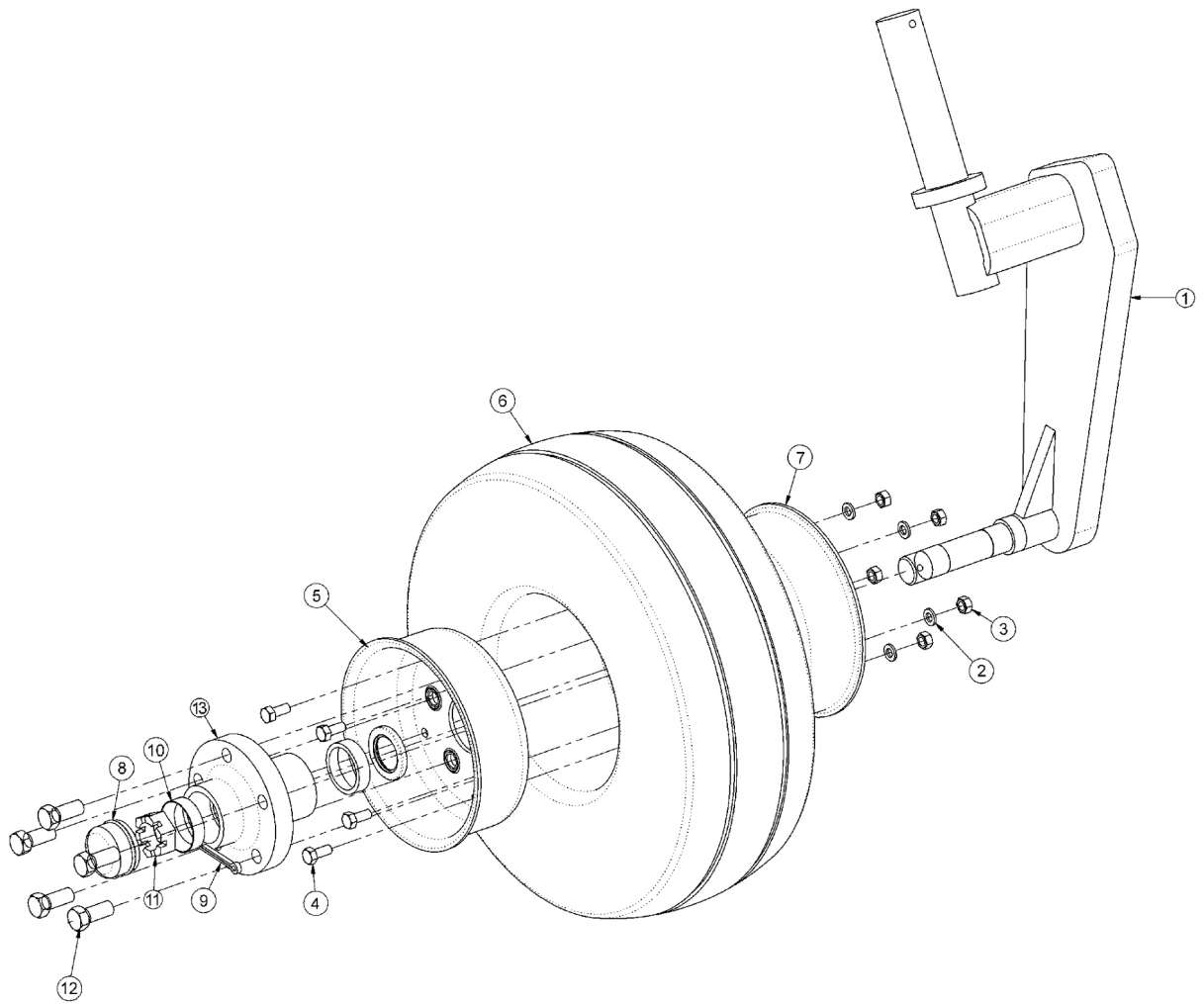
SIDE ROTARY CASTER WHEEL ASSEMBLY

Continued...

| ITEM | PART NO. | QTY. | DESCRIPTION |
|------|----------|------|-------------------------------|
| 1 | 25214C | 1 | FRAME,CASTER,WHL (TM60) |
| --- | 28297A | - | FRAME,CASTER WHL (TM72) |
| 2 | 22057 | 1 | SPINDLE,CASTER AXLE,ASSY |
| 3 | 6T2617 | 2 | BUSHING,MACH,1-1/2IDX 2-1/4OD |
| 4 | 28548 | 1 | CASTER WHEEL,SOLID TIRE |
| --- | 22065 | 1 | HUB,ASSY,CASTER |
| ---- | 22066 | 1 | HUB,CASTER |
| --- | 22070 | 1 | DUST CAP |
| ---- | 22071 | 5 | HUB STUD |
| --- | 22073 | 1 | HEX NUT,1",NF (SLOTTED) |
| ---- | 22533 | 1 | COTTER PIN,3/16" X 2" |
| --- | 6T0830 | 2 | BEARING,CONE,CASTER WHEEL |
| ---- | 6T0838 | 1 | SEAL |
| --- | 23329 | 1 | WHEEL,CPLT,SOLID TIRE |
| ---- | 21416 | 1 | TIRE,SOLID |
| --- | 22697 | 1 | RIM,OUTER |
| ---- | 22696 | 1 | RIM,CASTER |
| 5 | 6T3014 | 1 | ROLL PIN,1/4" X 2" |
| 6 | 21925 | 4 | HEX NUT,1",NC |
| 7 | 22023 | 5 | FLATWASHER,1" |
| 8 | 22753 | 1 | TUBE,PROTECTOR |
| 9 | 22058 | 1 | SPRING,REAR RTRY |
| 10 | 22059B | 1 | ADJ ROD,TRR |
| 11 | 21775 | 2 | HEX NUT,5/8" |
| 12 | 21992 | 2 | LOCKWASHER,5/8" |
| 13 | 21782 | 2 | CAPSCREW,5/8" X 1-3/4",NC |
| 14 | 22060 | 2 | CASTER FRAME PIN |
| 15 | TF1143 | 2 | PIN,LYNCH,7/16" X 2" |
| 16 | TB3010 | 2 | BUSHING,1" |
| 17 | ----- | 1 | RTRY,CPLT,TM |
| 18 | 6T3207 | 2 | GREASE ZERK,1/4" X STR |
| 19 | 6T3211 | 1 | GREASE ZERK,1/8" X STR |
| 20 | 21441 | 2 | CASTER FRAME ANCHOR (TM60) |
| --- | 42527 | 2 | CASTER FRAME ANCHOR (TM72) |
| 21 | 21442 | 2 | CASTER FRAME ANCHOR (TM60) |
| --- | 42527 | 2 | CASTER FRAME ANCHOR (TM72) |

COMMON SIDE ROTARY

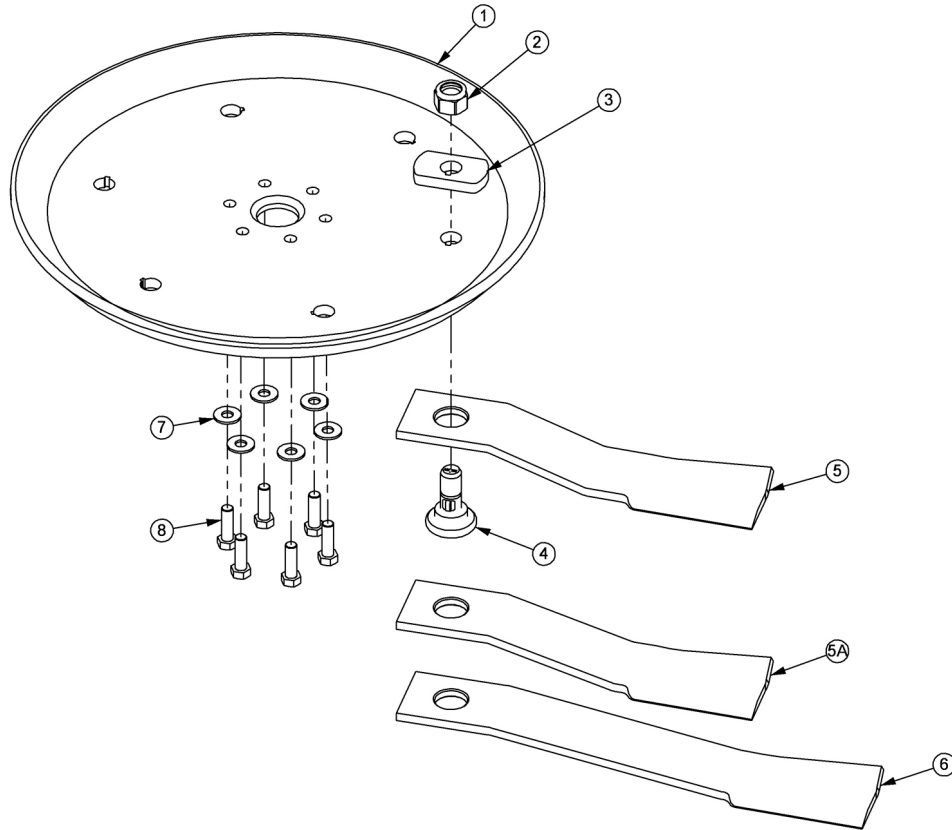
CASTER WHEEL ASSEMBLY



| ITEM | PART NO. | QTY. | DESCRIPTION |
|------|----------|------|---------------------------------|
| 1 | 22057 | 1 | SPINDLE,CASTER AXLE,ASSY |
| 2 | 21987 | 5 | LOCKWASHER,5/16" |
| 3 | 21575 | 5 | HEX NUT,5/16" |
| 4 | 28548 | 5 | CAPSCREW,5/16" X 3/4",NC |
| 5 | 22697 | 1 | RIM,OUTER,CASTER ASSY |
| 6 | 21416 | 1 | TIRE,SOLID |
| 7 | 22696 | 1 | RIM,CASTER WHEEL |
| 8 | 22070 | 1 | DUST CAP |
| 9 | 22533 | 1 | COTTER PIN,3/16" X 2" |
| 10 | 6T0836 | 2 | CUP,CASTER WHEEL |
| 11 | 22073 | 1 | HEX NUT,1",NF (SLOTTED JAM NUT) |
| 12 | 22071 | 5 | HUB STUD |
| 13 | 22066 | 1 | HUB,CASTER WHEEL |

COMMON SIDE ROTARY

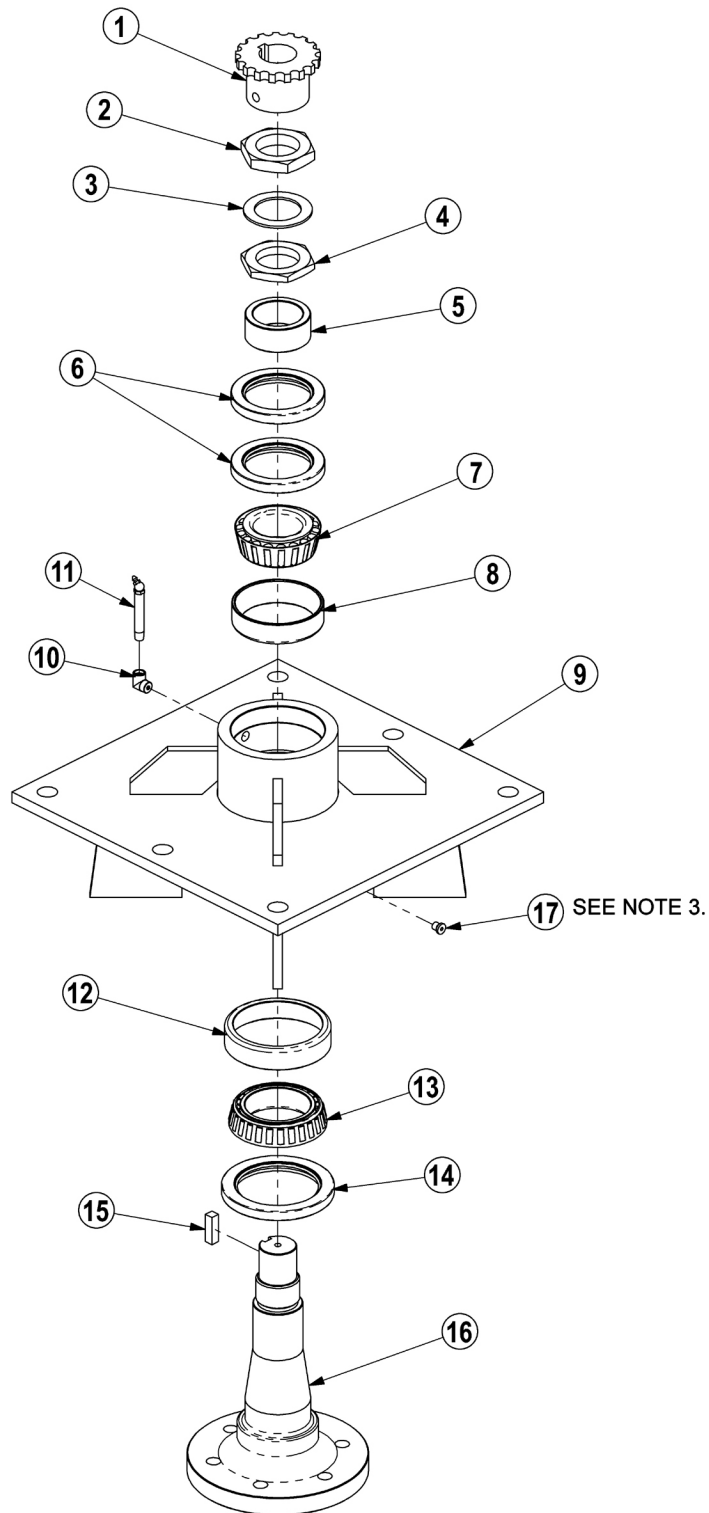
ROTARY DISK AND KNIVES



| ITEM | PART NO. | QTY. | DESCRIPTION |
|------|----------|------|--|
| 1 | 34876 | 1 | BLADE MOUNTING DISK |
| 2 | 6T1023R | 2 | NYLOCK NUT,1-1/8" |
| 3 | 34878 | 2 | SPACER |
| 4 | 34497 | 2 | KNIFE MOUNTING BOLT |
| 5 | 34685 | 2 | KNIFE,60" HIGH SUCTION - STANDARD |
| 5A | 34684 | 2 | KNIFE,60" - OPTIONAL |
| 6 | 34682 | 2 | KNIFE 72" (MOUNT ON 72" MOWER ONLY) |
| 7 | 25270 | 6 | FLATWASHER,5/8",USS,GR8 |
| 8 | 6T2259 | 6 | CAPSCREW,5/8" X 1-3/4",NF |
| ---- | 6T1825 | - | LOCTITE - USED ON ALL DISK MOUNTING BOLTS |
| --- | 27167 | - | BOLT KIT (INCLUDE ITEMS 7 & 8) |
| ---- | 06700002 | - | KIT,60/72,DISK,KNF MTG (INCLUDE ITEM 1, 3,7 & 8) |

COMMON SIDE ROTARY

TM MOWER SPINDLE ASSEMBLY



NOTES:

1. FREEPLAY: .001" - .003"
2. GREASE: FILL WITH MOBILITH SHC 220.
3. APPLY LOCTITE "271" TO O-RING PLUG THRDS.

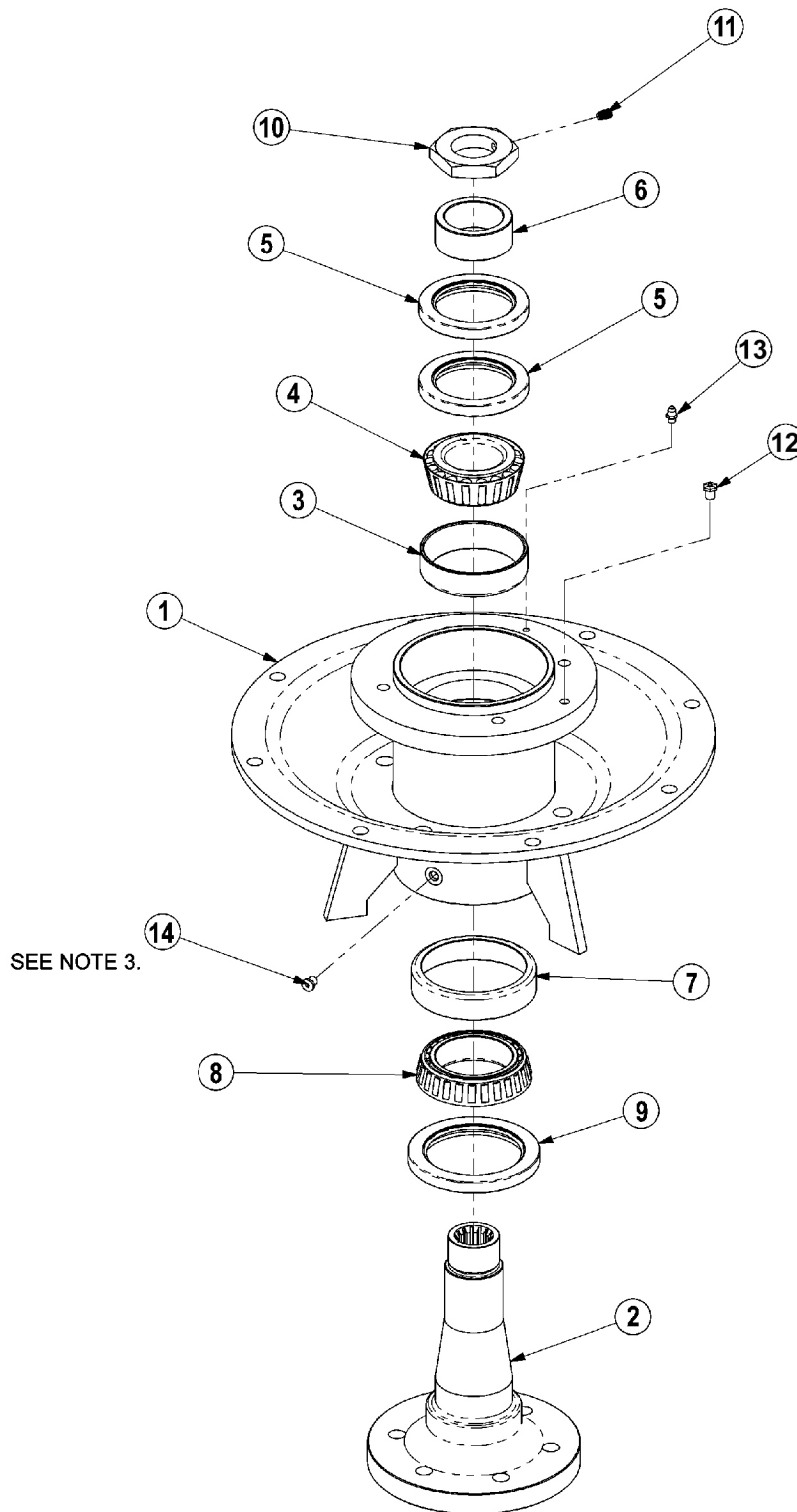
TM MOWER SPINDLE ASSEMBLY

Continued...

| ITEM | PART NO. | QTY. | DESCRIPTION |
|-------|-----------|------|--|
| ----- | 6T1024H5 | - | SPINDLE ASSEMBLY COMPLETE |
| 1 | 6T1031 | 1 | SPROCKET |
| 2 | 6T1016 | 1 | BEARING LOCK NUT - THICK |
| 3 | 22596 | 1 | JAM WASHER |
| 4 | 6T1015 | 1 | BEARING ADJUSTMENT NUT - THIN |
| 5 | 6T1014 | 1 | BEARING ADJUSTMENT SLEEVE |
| 6 | 6T1011 | 1 | UPPER SEAL - SET OF 2 |
| 7 | 6T1012 | 1 | BEARING CONE |
| 8 | 6T1013 | 1 | BEARING CUP |
| 9 | 6T1010H | 1 | SPINDLE HOUSING |
| 10 | 30570 | 1 | FITTING STREET ELBOW |
| 11 | 33990 | 1 | GREASE ZERK |
| 12 | 6T1013H | 1 | BEARING CUP |
| 13 | 6T1012H | 1 | BEARING CONE |
| 14 | 6T1011H | 1 | LOWER SEAL |
| 15 | 6T1019 | 1 | SPINDLE KEY |
| 16 | PT1018H-5 | 1 | SPINDLE |
| 17 | 06503064 | 1 | O-RING PLUG, 1/8" |
| ----- | 31771 | - | SPINDLE REBUILD KIT (INCLUDES ITEMS 2 - 8 AND 12 - 15) |

COMMON SIDE ROTARY

TSR MOWER SPINDLE ASSEMBLY



NOTES:

1. FREEPLAY: .001" - .003"
2. GREASE: FILL WITH MOBILITH SHC 220.
3. APPLY LOCTITE "271" TO O-RING PLUG THRDS.

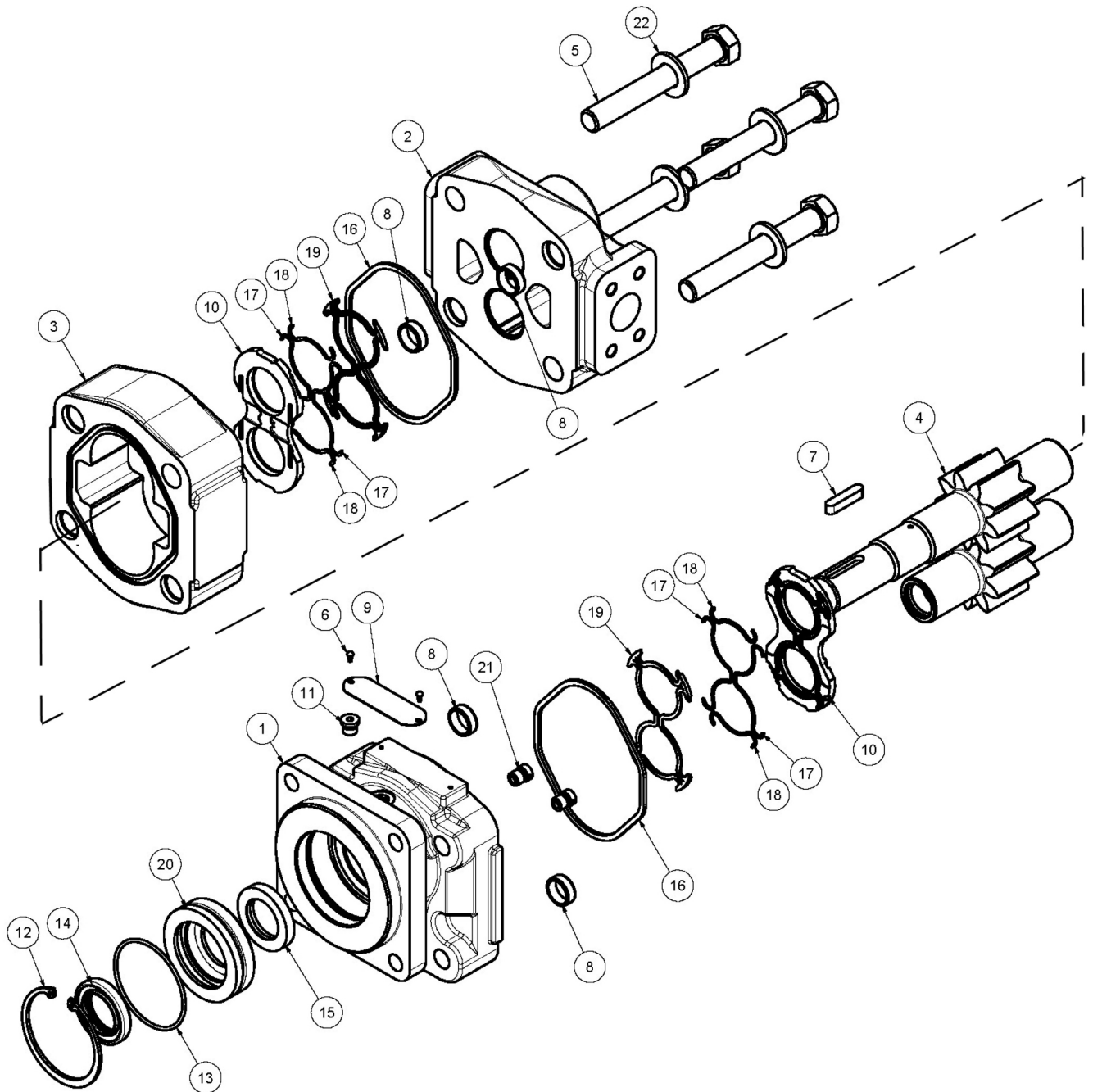
TSR MOWER SPINDLE ASSEMBLY

Continued...

| ITEM | PART NO. | QTY. | DESCRIPTION |
|-------|----------|------|---------------------------|
| ----- | 34980 | - | SPINDLE ASSEMBLY COMPLETE |
| 1 | 34978 | 1 | SPINDLE MOUNT |
| 2 | 34979 | 1 | SPINDLE,TM60 |
| 3 | 6T1013 | 1 | BEARING CUP |
| 4 | 6T1012 | 1 | BEARING CONE |
| 5 | 6T1011 | 1 | UPPER SEAL - SET OF 2 |
| 6 | 6T1014 | 1 | BEARING ADJUSTMENT SLEEVE |
| 7 | 6T1013H | 1 | BEARING,CUP,HD |
| 8 | 6T1012H | 1 | BEARING CONE,HD |
| 9 | 6T1011H | 1 | SEAL,LOWER,HD |
| 10 | 34985 | 1 | NUT W/SETSCREW |
| 11 | 6T2275 | 1 | SETSCREW,5/16" X 1/2",NC |
| 12 | 34988 | 1 | RELIEF,1PSI,1/8" NPT |
| 13 | 6T3207 | 1 | ZERK,1/4" X STR |
| 14 | 06503064 | 1 | O-RING PLUG, 1/8" |

COMMON SIDE ROTARY

ROTARY MOTOR BREAKDOWN



COMMON SIDE ROTARY

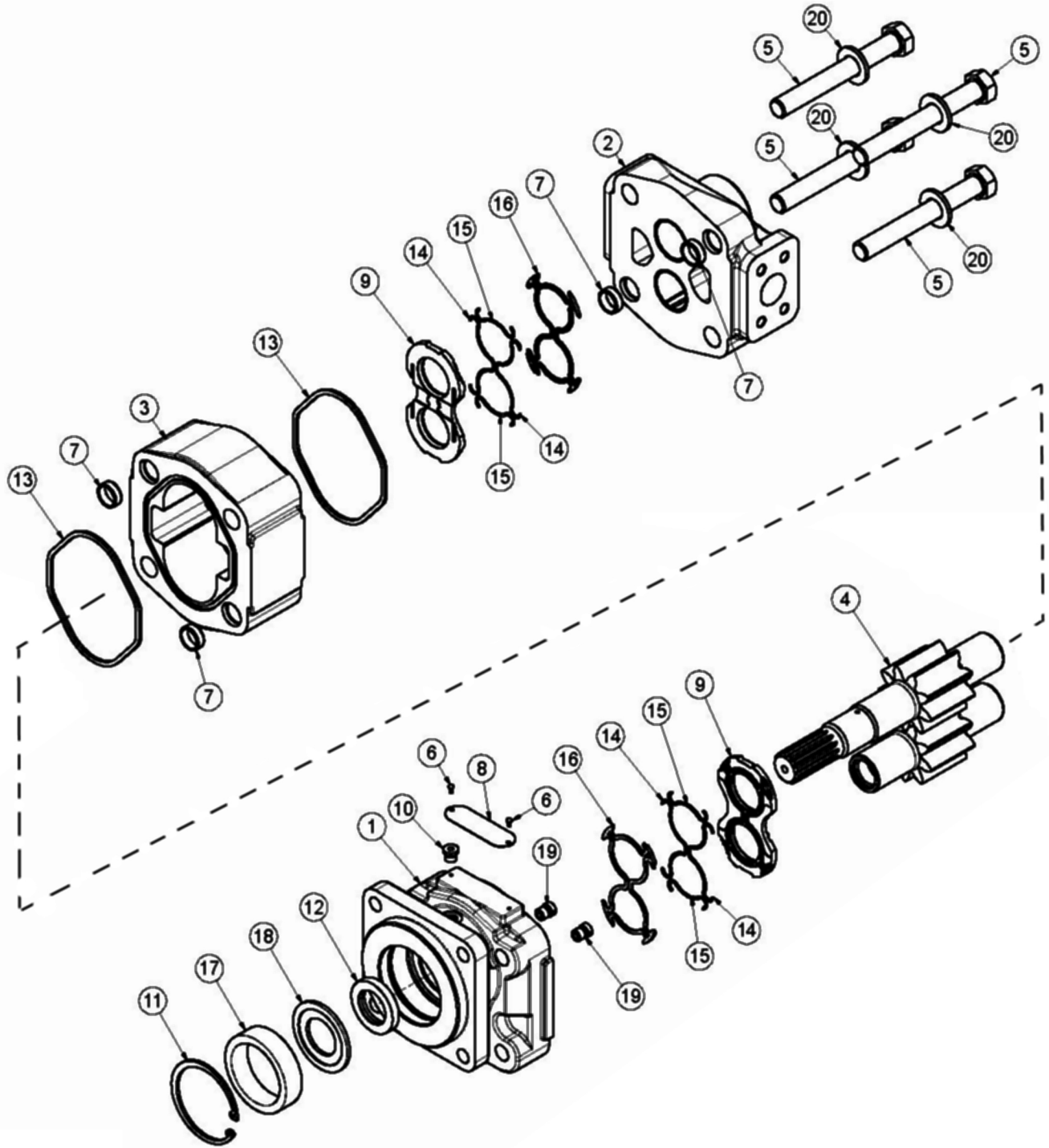
ROTARY MOTOR BREAKDOWN

Continued...

| ITEM | PART NO. | QTY. | DESCRIPTION |
|------|----------|------|-----------------|
| | 06504011 | - | MOTOR ASSEMBLY |
| 1 | 22790 | 1 | END,COVER |
| 2 | 06504088 | 1 | HOUSING, PEC |
| 3 | 06504111 | 1 | HOUSING, GEAR |
| 4 | 06504026 | 1 | SET, GEAR SHAFT |
| 5 | 06504104 | 4 | CAPSCREW |
| 6 | 06504078 | 2 | SCREW, DRIVE |
| 7 | 06504092 | 1 | KEY |
| 8 | 06504093 | 4 | PIN, DOWEL |
| 9 | 06504094 | 1 | NAME PLATE |
| 10 | 06504095 | 2 | THRPL |
| 11 | 2961940 | 1 | PLUG, ODT |
| 12 | 2962200 | 1 | RING, SNAP |
| 13 | 06504096 | 1 | O RING |
| 14 | 6T5101 | 1 | SEAL, LIP |
| 15 | 06504097 | 1 | SEAL, LIP |
| 16 | 22797 | 2 | SEAL, SQ-R |
| 17 | 06504098 | 4 | SEAL, SIDE CHAN |
| 18 | 06504099 | 4 | SEAL, END CHAN |
| 19 | 06504100 | 2 | SEAL, BK-UP |
| 20 | 06504101 | 1 | RTNR, SEAL |
| 21 | 6T5809 | 2 | CHECK ASS'Y |
| 22 | 06504102 | 4 | WASHER |
| --- | 06504103 | - | SEAL KIT |

COMMON SIDE ROTARY

60IN TSR ROTARY MOTOR BREAKDOWN



COMMON SIDE ROTARY

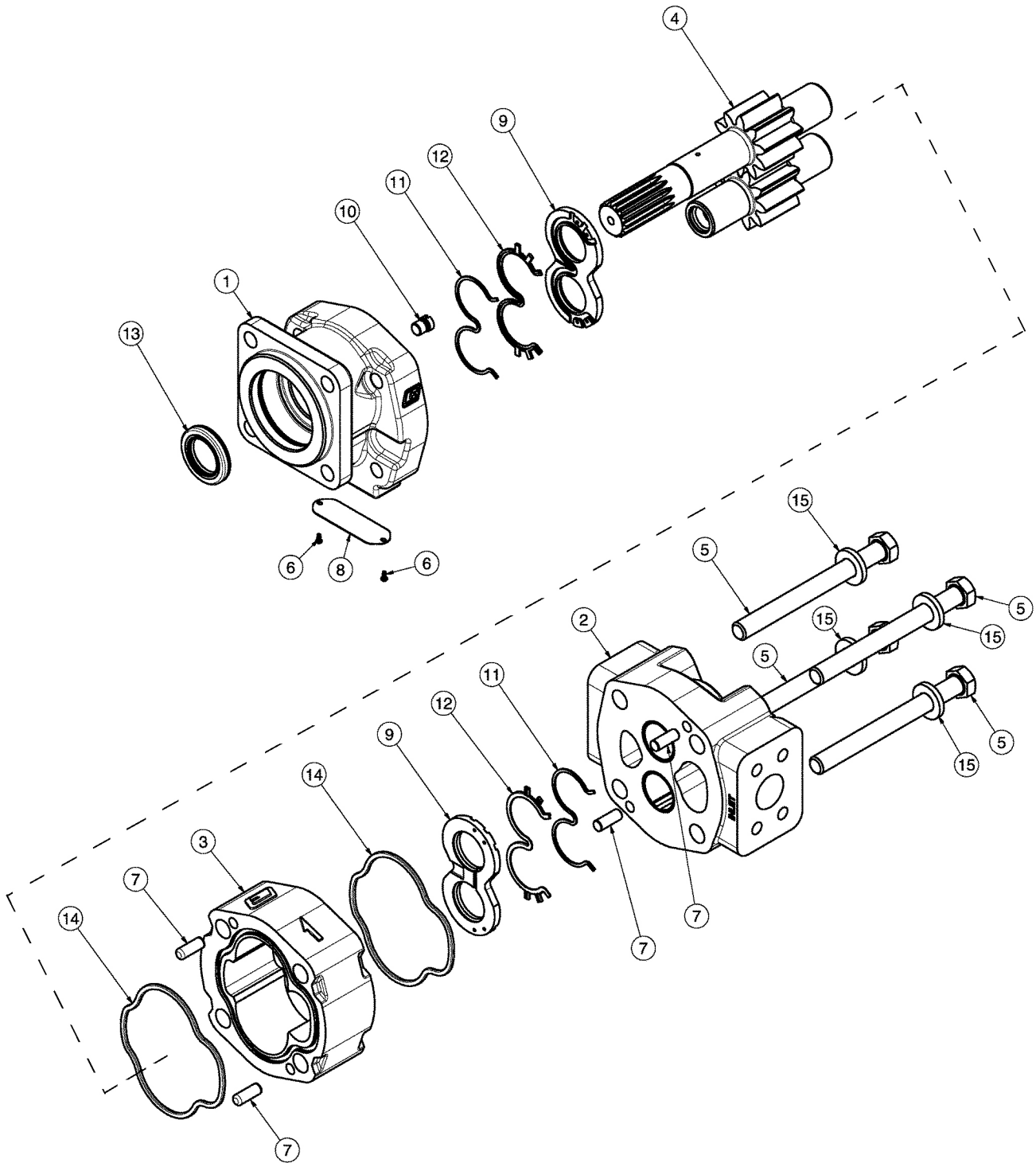
60IN TSR ROTARY MOTOR BREAKDOWN

Continued...

| ITEM | PART NO. | QTY. | DESCRIPTION |
|------|----------|------|--------------------------------|
| | 06504016 | - | MOTOR(M365-1 1/4SPLINE),SEALED |
| 1 | 22790 | 1 | COVER,END |
| 2 | 06504088 | 1 | HOUSING,PEC |
| 3 | 06504111 | 1 | HOUSING,GEAR |
| 4 | 06504110 | 1 | SET,GEAR SHAFT |
| 5 | 06504104 | 4 | CAP SCREW |
| 6 | 06504078 | 2 | SCREW,DRIVE |
| 7 | 06504093 | 4 | PIN,DOWEL |
| 8 | 06504094 | 1 | NAME PLATE |
| 9 | 06504095 | 2 | THRPL |
| 10 | 02961940 | 1 | PLUG,ODT (0.25) |
| 11 | 6T5200 | 1 | RING,SNAP |
| 12 | 06504097 | 1 | SEAL,LIP |
| 13 | 22797 | 2 | SEAL,SQ-R |
| 14 | 06504098 | 4 | SEAL,SIDE CHAN |
| 15 | 06504099 | 4 | SEAL,END CHAN |
| 16 | 06504100 | 2 | SEAL,BK-UP |
| 17 | 06504112 | 1 | SPACER |
| 18 | 06504113 | 1 | RTNR,SEAL |
| 19 | 6T5809 | 2 | CHECK ASS'Y |
| 20 | 06504102 | 4 | WASHER |
| --- | 06504022 | 1 | SEAL KIT |

COMMON SIDE ROTARY

FRONT HYDRAULIC PUMP BREAKDOWN



COMMON SIDE ROTARY

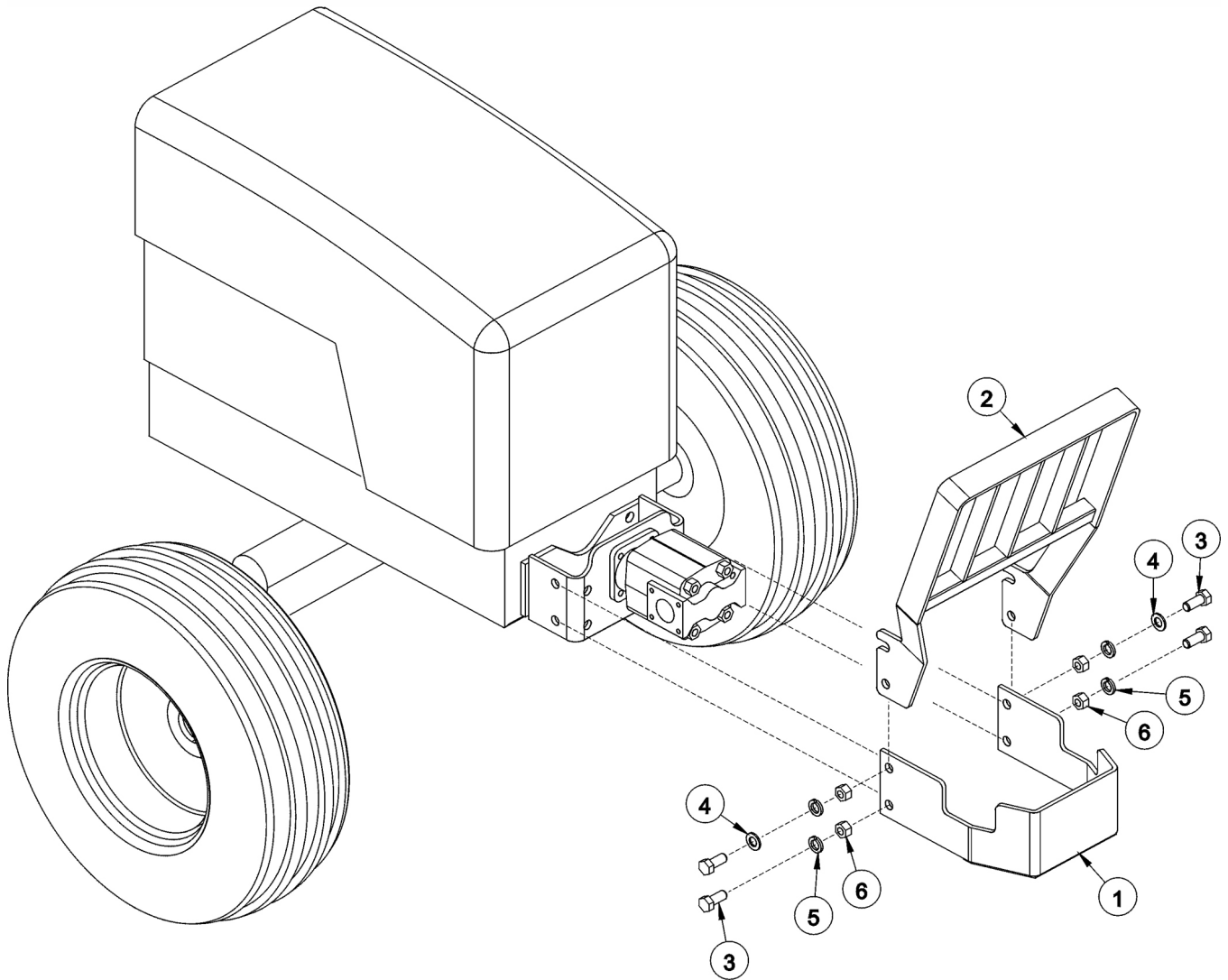
FRONT HYDRAULIC PUMP BREAKDOWN

Continued...

| ITEM | PART NO. | QTY. | DESCRIPTION |
|------|----------|------|---------------------------------------|
| --- | 23152 | 1 | PUMP ASSEMBLY,1-3/4",COMPLETE |
| 1 | 22766 | 1 | SHAFT END COVER |
| 2 | 22779 | 1 | PORT END COVER |
| 3 | 22774 | 1 | GEAR HOUSING,1-3/4" |
| 4 | 22771 | 1 | GEAR SET |
| 5 | 23824 | 4 | CAPSCREW |
| 6 | 06504078 | 2 | SCREW,DRIVE |
| 7 | 22773 | 4 | DOWEL PINS |
| 8 | 06504077 | 1 | NAMEPLATE |
| 9 | 22770 | 2 | THRUST PLATE |
| 10 | 22767 | 1 | PLUG |
| 11 | 06504075 | 2 | SEAL,BK-UP |
| 12 | 06504074 | 2 | SEAL,CHAN |
| 13 | 22765 | 1 | SEAL,LIP |
| 14 | 06504076 | 2 | SEAL,SQ-R |
| 15 | 02961917 | 4 | WASHER |
| --- | 24150 | 1 | SEAL KIT (INCLUDES 11, 12, 13 AND 14) |

COMMON SIDE ROTARY

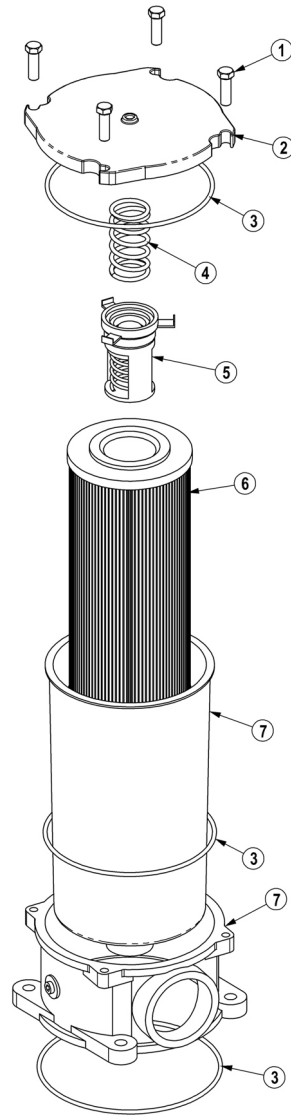
PUMP AND GRILL GUARD OPTIONS



| ITEM | PART NO. | QTY. | DESCRIPTION |
|------|----------|------|---------------------------|
| 1 | 32430 | 1 | UNIVERSAL PUMP GUARD |
| 2 | 32737 | 1 | UNIVERSAL GRILL GUARD |
| 3 | 21833 | 4 | CAPSCREW,3/4" X 2-1/4",NC |
| 4 | 22021 | 2 | FLATWASHER,3/4" |
| 5 | 21993 | 4 | LOCKWASHER,3/4" |
| 6 | 21825 | 4 | HEX NUT,3/4",NC |

COMMON SIDE ROTARY

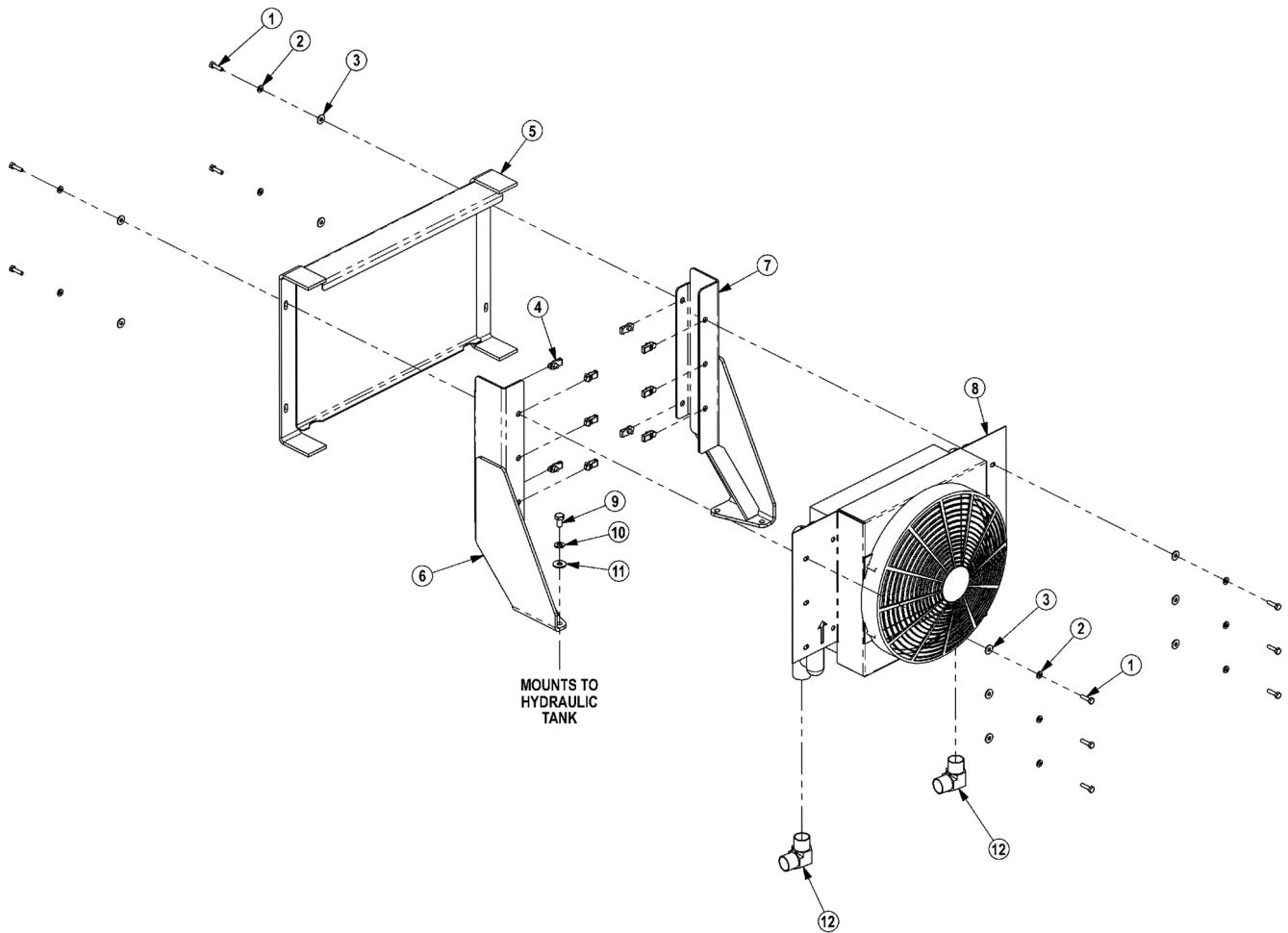
RESERVOIR TANK FILTER ASSEMBLY



| ITEM | PART NO. | QTY. | DESCRIPTION |
|------|----------|------|----------------------------------|
| --- | 06505044 | - | FILTER ASSY SAE 10 MICRON |
| 1 | 28583 | 4 | CAPSCREW, 8MM X 25MM(1.25 PITCH) |
| 2 | 06505045 | 1 | COVER |
| 3 | 06505046 | 1 | SEAL KIT |
| 4 | 06505047 | 1 | SPRING |
| 5 | 06505048 | 1 | BYPASS |
| 6 | 35259 | 1 | FILTER, 10 MIC, RETURN LINE |
| 7 | 06505049 | 1 | CAN/BODY |

COMMON SIDE ROTARY

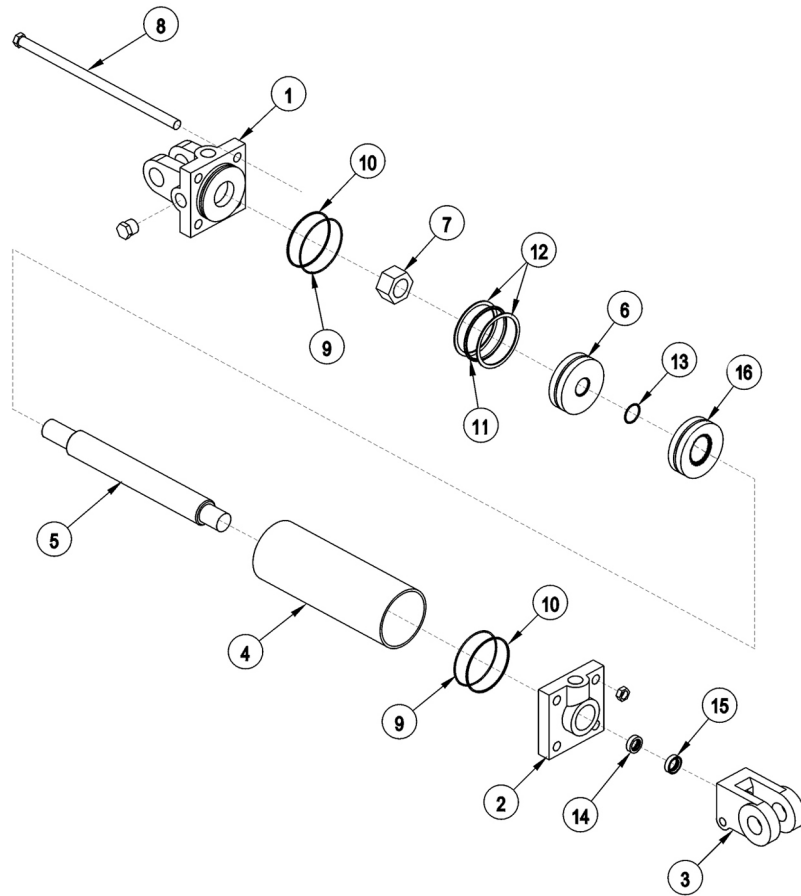
COOLER ASSEMBLY



| ITEM | PART NO. | QTY. | DESCRIPTION |
|------|----------|------|---------------------------|
| 1 | 21530 | 10 | CAPSCREW,1/4 X1 NC |
| 2 | 21986 | 10 | LOCKWASHER,1/4 |
| 3 | 22014 | 10 | FLATWASHER,1/4 |
| 4 | 35176 | 10 | 1/4 U-NUT |
| 5 | 06370015 | 1 | SCREEN,COOLER,FRNT |
| 6 | 06380006 | 1 | MNT,COOLER,BUMPER TANK,RH |
| 7 | 06380007 | 1 | MNT,COOLER,BUMPER TANK,LH |
| 8 | 06510026 | 1 | COOLER,FRONT MNT |
| --- | 06510029 | 1 | FAN ASSY, ONLY |
| 9 | 21629 | 4 | CAPSCREW,3/8 X 3/4 NC |
| 10 | 21988 | 4 | LOCKWASHER,3/8 |
| 11 | 22016 | 4 | FLATWASHER,3/8 |
| 12 | 34117 | 2 | ELBOW,1MOR X 1MJ90,FORGED |

COMMON SIDE ROTARY

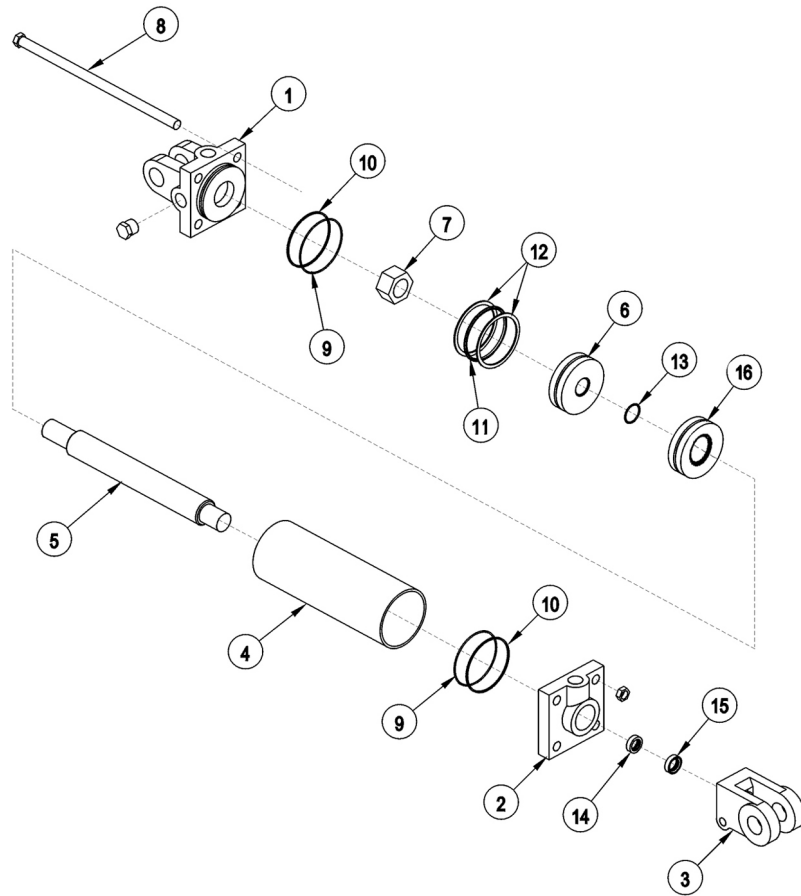
3IN X 10IN HYDRAULIC CYLINDER BREAKDOWN



| ITEM | PART NO. | QTY. | DESCRIPTION |
|-------|----------|------|------------------------|
| ----- | 6T0151R | - | HYD. CYLINDER 3" X 10" |
| 1 | 6T0167 | 1 | CYLINDER BUTT |
| 2 | 6T0170 | 1 | CYLINDER GLAND |
| 3 | 6T0178 | 1 | CLEVIS END |
| 4 | 6T0164 | 1 | CYLINDER TUBE |
| 5 | 6T0161 | 1 | PISTON ROD |
| 6 | 6T0173 | 1 | PISTON |
| 7 | 6T0179 | 1 | LOCKNUT |
| 8 | 6T0176 | 4 | TIE ROD ASY |
| ----- | 6T0187 | - | SEAL KIT |
| 9 | ----- | 2 | O - RING |
| 10 | ----- | 2 | BACK - UP WASHER |
| 11 | ----- | 1 | O - RING |
| 12 | ----- | 2 | BACK - UP WASHER |
| 13 | ----- | 1 | O - RING |
| 14 | ----- | 1 | U - CUP |
| 15 | ----- | 1 | WIPER |

COMMON SIDE ROTARY

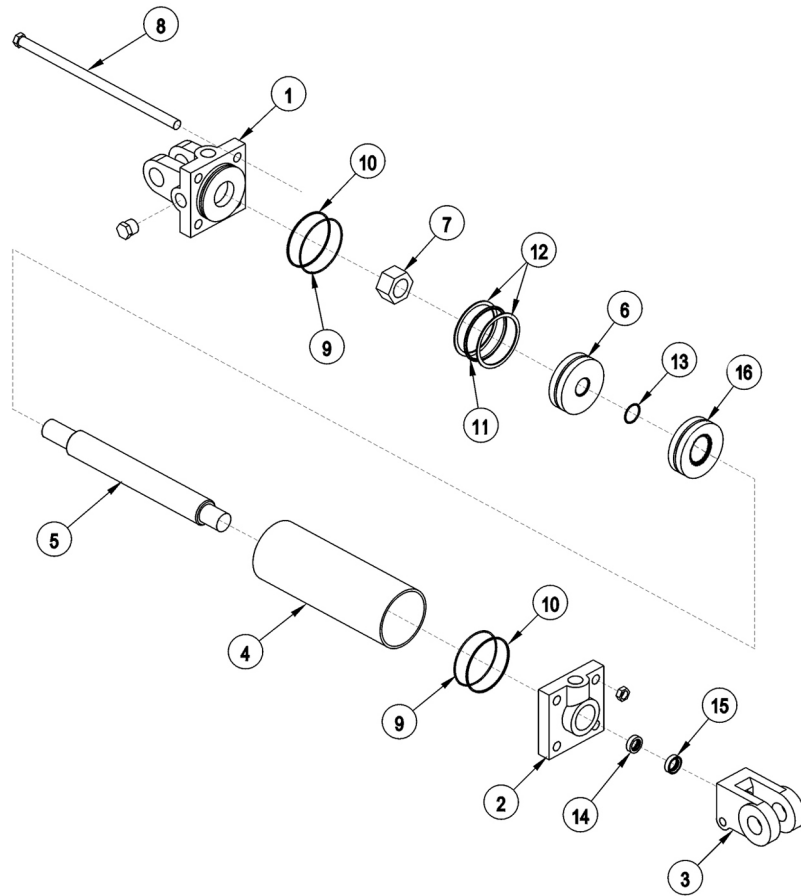
3IN X 12IN HYDRAULIC CYLINDER BREAKDOWN



| ITEM | PART NO. | QTY. | DESCRIPTION |
|-------|----------|------|-----------------------------------|
| ----- | 32215 | - | HYD. CYLINDER 3" X 12" (STD DUTY) |
| ----- | 25343 | - | HYD. CYLINDER 3" X 12" (HVY DUTY) |
| 1 | 6T0167 | 1 | CYLINDER BUTT |
| 2 | 6T0170 | 1 | CYLINDER GLAND |
| 3 | 6T0178 | 1 | CLEVIS END |
| 4 | 6T0204 | 1 | CYLINDER TUBE |
| 5 | 6T0203 | 1 | PISTON ROD |
| 6 | 6T0173 | 1 | PISTON |
| 7 | 6T0179 | 1 | LOCKNUT |
| 8 | 6T0205 | 4 | TIE ROD ASY |
| ----- | 6T0187 | - | SEAL KIT |
| 9 | ----- | 2 | O - RING |
| 10 | ----- | 2 | BACK - UP WASHER |
| 11 | ----- | 1 | O - RING |
| 12 | ----- | 2 | BACK - UP WASHER |
| 13 | ----- | 1 | O - RING |
| 14 | ----- | 1 | U - CUP |
| 15 | ----- | 1 | WIPER |

COMMON SIDE ROTARY

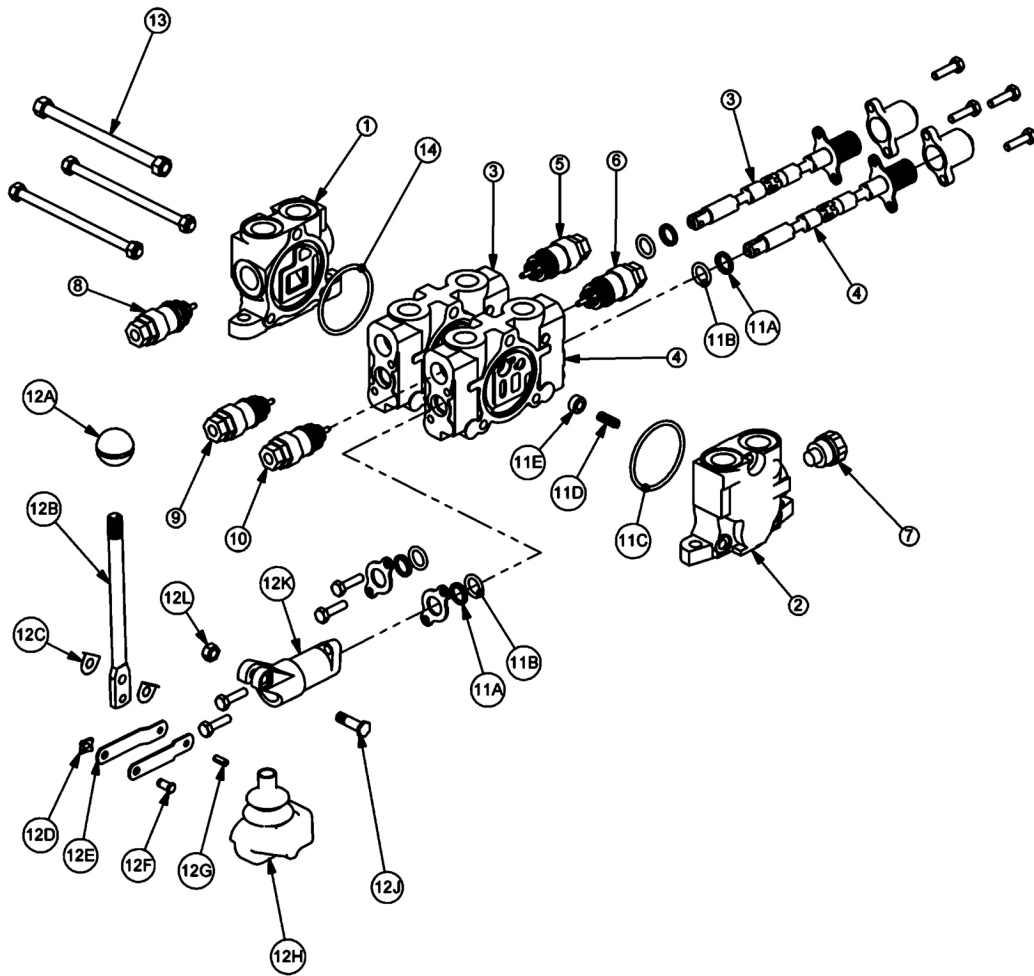
3IN X 18IN HYDRAULIC CYLINDER BREAKDOWN



| ITEM | PART NO. | QTY. | DESCRIPTION |
|-------|----------|------|-------------------|
| ----- | 6T0150 | - | CYLINDER 3" X 18" |
| 1 | 6T0167 | 1 | CYLINDER BUTT |
| 2 | 6T0170 | 1 | CYLINDER GLAND |
| 3 | 6T0178 | 1 | CLEVIS END |
| 4 | 6T0165 | 1 | CYLINDER TUBE |
| 5 | 6T0162 | 1 | PISTON ROD |
| 6 | 6T0173 | 1 | PISTON |
| 7 | 6T0179 | 1 | LOCKNUT |
| 8 | 6T0177 | 4 | TIE ROD ASY |
| ----- | 6T0187 | - | SEAL KIT |
| 9 | ----- | 2 | O - RING |
| 10 | ----- | 2 | BACK - UP WASHER |
| 11 | ----- | 1 | O - RING |
| 12 | ----- | 2 | BACK - UP WASHER |
| 13 | ----- | 1 | O - RING |
| 14 | ----- | 1 | U - CUP |
| 15 | ----- | 1 | WIPER |
| 16 | 6T0206 | 1 | SPACER |

COMMON SIDE ROTARY

CABLE (MANUAL) LIFT VALVE BREAKDOWN - 30801



COMMON SIDE ROTARY

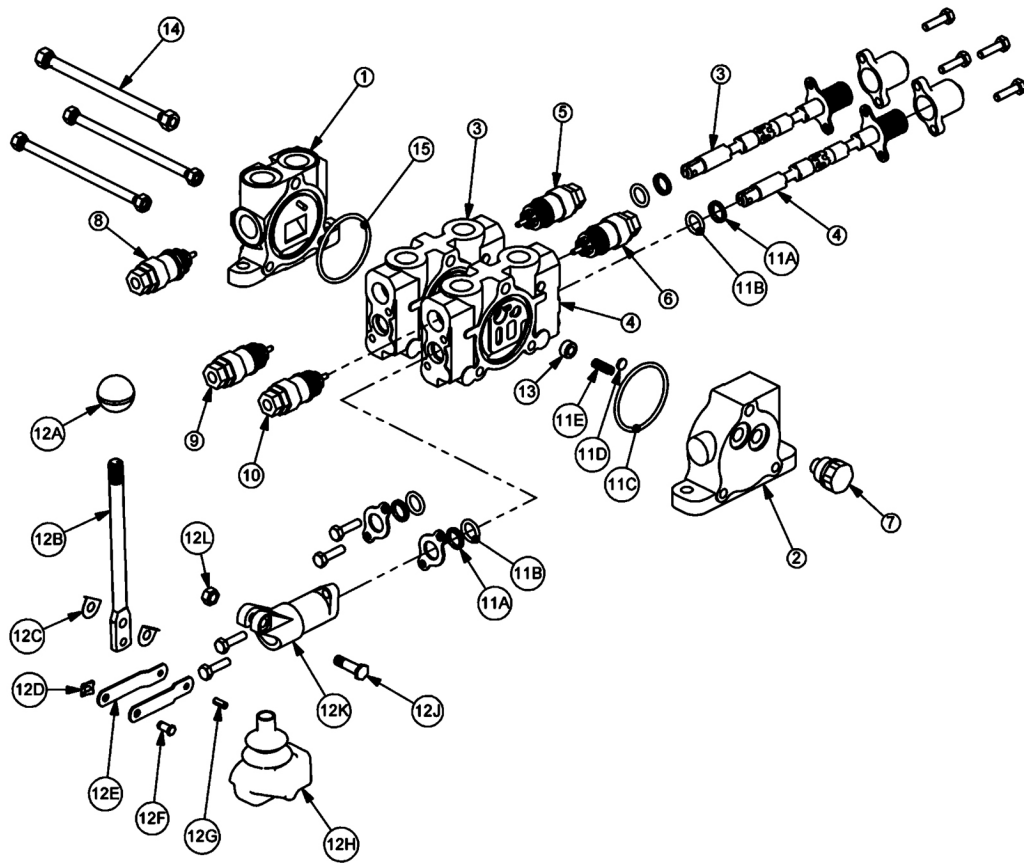
CABLE (MANUAL) LIFT VALVE BREAKDOWN - 30801

Continued...

| ITEM | PART NO. | QTY. | DESCRIPTION |
|------|----------|------|---|
| 1 | TB1017S | 1 | INLET END COVER |
| 2 | TB1702 | 1 | END COVER, POWER BEYOND |
| 3 | TB1017P | 1 | VALVE SECTION (SINGLE ACTING, SPRING DETENT) |
| 4 | 06502091 | 1 | VALVE SECTION (DOUBLE ACTING, CENTER SPRING) (NO AUX VALVE PORTS) |
| 5 | N/A | - | N/A |
| 6 | N/A | - | N/A |
| 7 | TB1017M | 1 | SHUT-OFF PLUG |
| 8 | TB1017E | 1 | RELIEF VALVE, 2250 PSI |
| 9 | TB1017M | 1 | SHUT-OFF PLUG |
| 10 | N/A | - | N/A |
| 11 | TB1017A | 2 | VALVE SEAL KIT (FOR ONE SECTION) |
| 11A | ----- | 2 | WIPER |
| 11B | ----- | 2 | O-RING SMALL |
| 11C | ----- | 1 | O-RING LARGE |
| 11D | ----- | 1 | SPRING |
| 11E | ----- | 1 | PUCKET |
| 12 | TB1017L | 2 | LEVER KIT (FOR ONE SECTION) |
| 12A | ----- | 1 | LEVER KNOB |
| 12B | ----- | 1 | LEVER |
| 12C | ----- | 2 | LEVER WASHER |
| 12D | ----- | 1 | LEVER CLIP |
| 12E | ----- | 2 | LINKAGE |
| 12F | ----- | 1 | LEVER PIN |
| 12G | ----- | 1 | ROLL PIN |
| 12H | ----- | 1 | LEVER BOOT |
| 12J | ----- | 1 | LEVER BOLT |
| 12K | ----- | 1 | LEVER DUST COVER |
| 12L | ----- | 1 | LEVER NUT |
| 13 | TB1017X | 1 | TIE ROD KIT |
| 14 | 24214 | 1 | O-RING, LARGE |

COMMON SIDE ROTARY

CABLE (MANUAL) LIFT VALVE BREAKDOWN - 31320



COMMON SIDE ROTARY

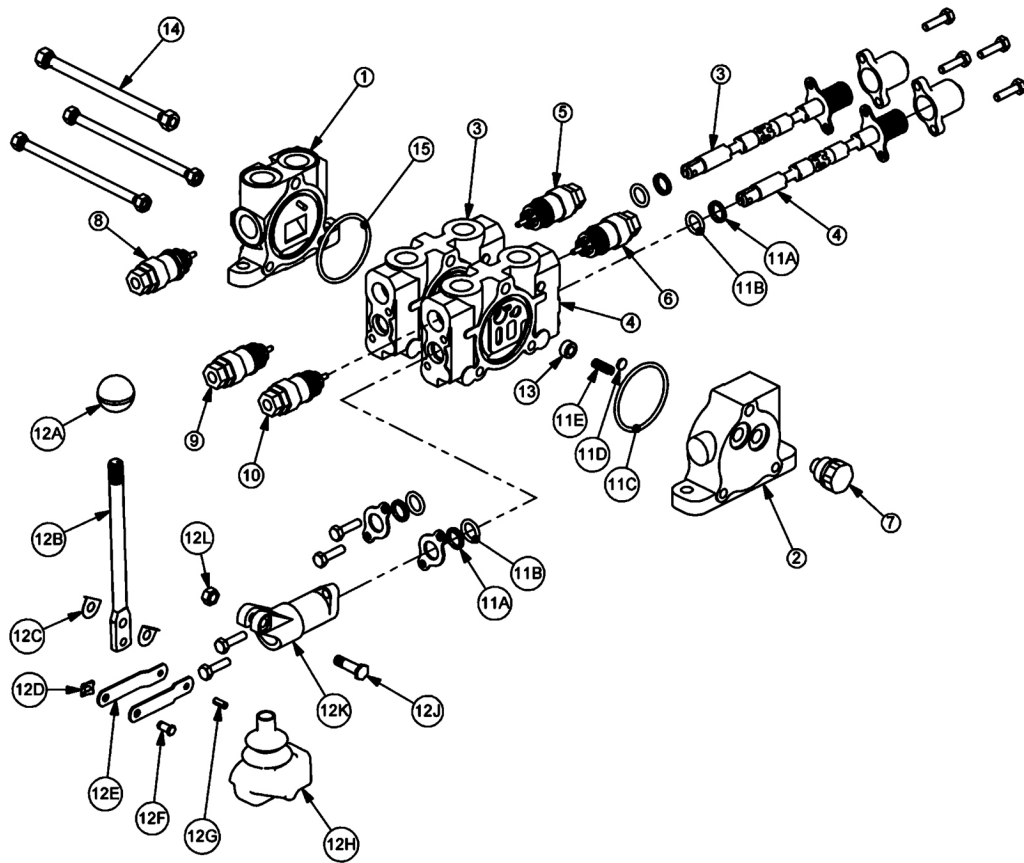
CABLE (MANUAL) LIFT VALVE BREAKDOWN - 31320

Continued...

| ITEM | PART NO. | QTY. | DESCRIPTION |
|------|----------|------|--|
| 1 | 31595 | 1 | INLET END COVER |
| 2 | 31594 | 1 | END COVER, LOAD SENSE |
| 3 | 31597 | 1 | VALVE SECTION (DOUBLE ACTING, CENTER SPRING) |
| 4 | 31597 | 1 | VALVE SECTION (DOUBLE ACTING, CENTER SPRING) |
| 5 | 06503067 | 1 | RELIEF PLUG |
| 6 | 06503067 | 1 | RELIEF PLUG |
| 7 | N/A | - | N/A |
| 8 | 6T4209 | 1 | RELIEF PLUG |
| 9 | 31862 | 1 | RELIEF VALVE, 2175 PSI |
| 10 | 31862 | 1 | RELIEF VALVE, 2175 PSI |
| 11 | 31593 | 2 | VALVE SEAL KIT (FOR ONE SECTION) |
| 11A | ----- | 2 | WIPER |
| 11B | ----- | 2 | O-RING SMALL |
| 11C | ----- | 1 | O-RING LARGE |
| 11D | ----- | 1 | SHUTTLE DISC |
| 11E | ----- | 1 | SPRING |
| 12 | TB1017L | 2 | LEVER KIT (FOR ONE SECTION) |
| 12A | ----- | 1 | LEVER KNOB |
| 12B | ----- | 1 | LEVER |
| 12C | ----- | 2 | LEVER WASHER |
| 12D | ----- | 1 | LEVER CLIP |
| 12E | ----- | 2 | LINKAGE |
| 12F | ----- | 1 | LEVER PIN |
| 12G | ----- | 1 | ROLL PIN |
| 12H | ----- | 1 | LEVER BOOT |
| 12J | ----- | 1 | LEVER BOLT |
| 12K | ----- | 1 | LEVER DUST COVER |
| 12L | ----- | 1 | LEVER NUT |
| 13 | 31603 | 2 | COMPENSATOR |
| 14 | TB1017X | 1 | TIE ROD KIT |
| 15 | 24214 | 1 | O-RING, LARGE |

COMMON SIDE ROTARY

CABLE (MANUAL) LIFT VALVE BREAKDOWN - 31321



COMMON SIDE ROTARY

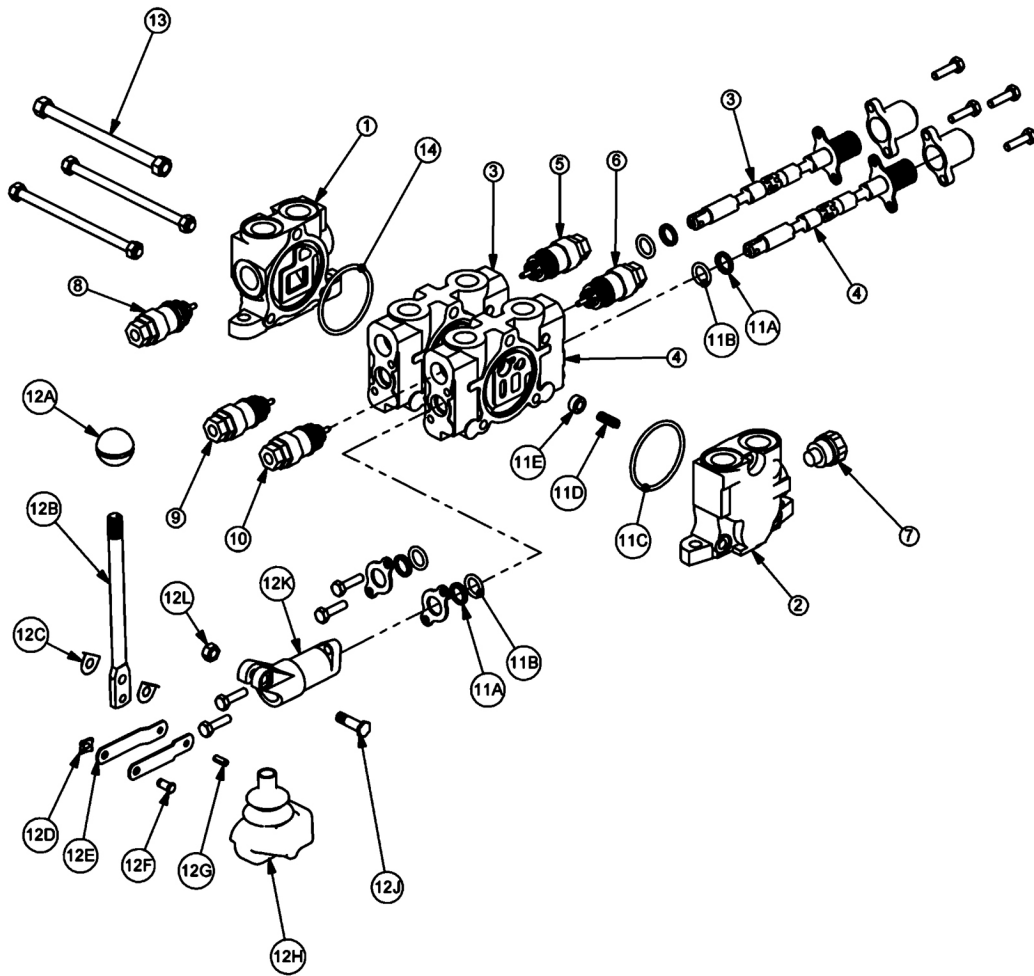
CABLE (MANUAL) LIFT VALVE BREAKDOWN - 31321

Continued...

| ITEM | PART NO. | QTY. | DESCRIPTION |
|------|----------|------|--|
| 1 | 31595 | 1 | INLET END COVER |
| 2 | 31594 | 1 | END COVER, LOAD SENSE |
| 3 | 31597 | 1 | VALVE SECTION (DOUBLE ACTING, CENTER SPRING) |
| 4 | 31597 | 1 | VALVE SECTION (DOUBLE ACTING, CENTER SPRING) |
| 5 | 06503067 | 1 | RELIEF PLUG |
| 6 | 31861 | 1 | RELIEF VALVE, 360 PSI |
| 7 | N/A | - | N/A |
| 8 | 6T4209 | 1 | RELIEF PLUG |
| 9 | 31862 | 1 | RELIEF VALVE, 2175 PSI |
| 10 | 31862 | 1 | RELIEF VALVE, 2175 PSI |
| 11 | 31593 | 2 | VALVE SEAL KIT (FOR ONE SECTION) |
| 11A | ----- | 2 | WIPER |
| 11B | ----- | 2 | O-RING SMALL |
| 11C | ----- | 1 | O-RING LARGE |
| 11D | ----- | 1 | SHUTTLE DISC |
| 11E | ----- | 1 | SPRING |
| 12 | TB1017L | 2 | LEVER KIT (FOR ONE SECTION) |
| 12A | ----- | 1 | LEVER KNOB |
| 12B | ----- | 1 | LEVER |
| 12C | ----- | 2 | LEVER WASHER |
| 12D | ----- | 1 | LEVER CLIP |
| 12E | ----- | 2 | LINKAGE |
| 12F | ----- | 1 | LEVER PIN |
| 12G | ----- | 1 | ROLL PIN |
| 12H | ----- | 1 | LEVER BOOT |
| 12J | ----- | 1 | LEVER BOLT |
| 12K | ----- | 1 | LEVER DUST COVER |
| 12L | ----- | 1 | LEVER NUT |
| 13 | 31603 | 2 | COMPENSATOR |
| 14 | TB1017X | 1 | TIE ROD KIT |
| 15 | 24214 | 1 | O-RING, LARGE |

COMMON SIDE ROTARY

CABLE (MANUAL) LIFT VALVE BREAKDOWN - 31752



COMMON SIDE ROTARY

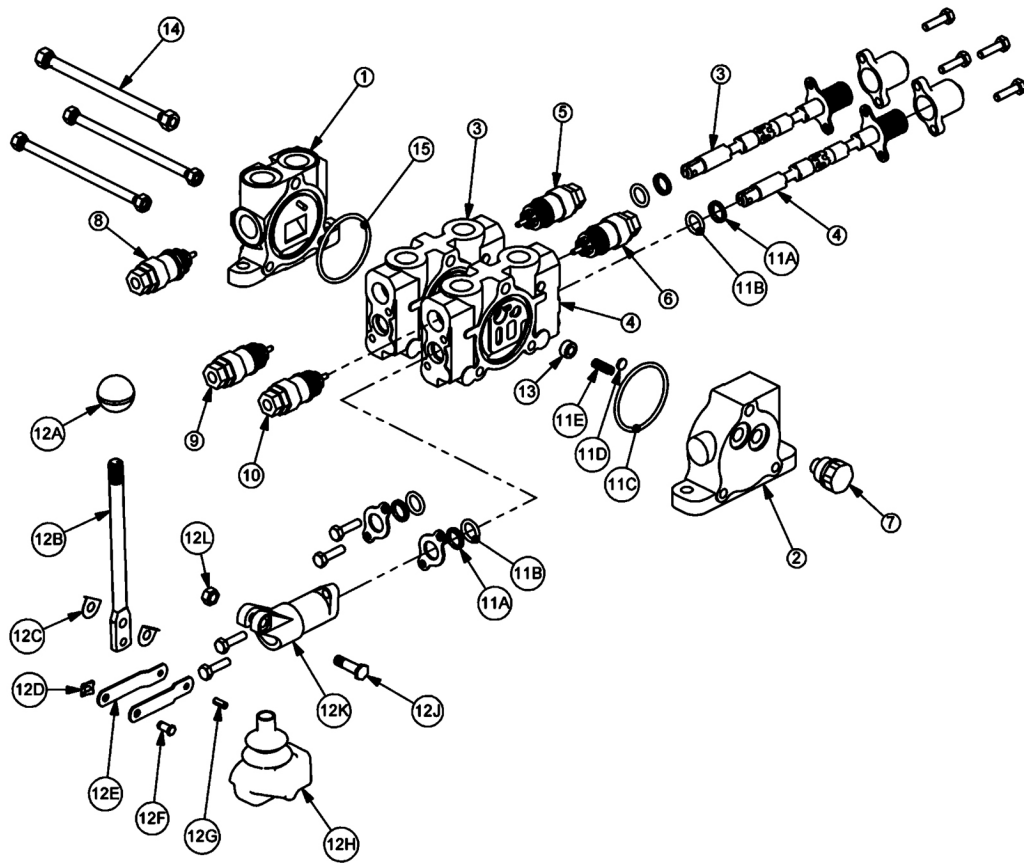
CABLE (MANUAL) LIFT VALVE BREAKDOWN - 31752

Continued...

| ITEM | PART NO. | QTY. | DESCRIPTION |
|------|----------|------|--|
| 1 | TB1017S | 1 | INLET END COVER |
| 2 | TB1702 | 1 | END COVER, POWER BEYOND |
| 3 | TB1017P | 1 | VALVE SECTION (SINGLE ACTING, SPRING DETENT) |
| 4 | TB1017P | 1 | VALVE SECTION (SINGLE ACTING, SPRING DETENT) |
| 5 | N/A | - | N/A |
| 6 | N/A | - | N/A |
| 7 | TB1017M | 1 | SHUT-OFF PLUG |
| 8 | TB1017E | 1 | RELIEF VALVE, 2250 PSI |
| 9 | TB1017M | 1 | SHUT-OFF PLUG |
| 10 | TB1017M | 1 | SHUT-OFF PLUG |
| 11 | TB1017A | 2 | VALVE SEAL KIT (FOR ONE SECTION) |
| 11A | ----- | 2 | WIPER |
| 11B | ----- | 2 | O-RING SMALL |
| 11C | ----- | 1 | O-RING LARGE |
| 11D | ----- | 1 | SPRING |
| 11E | ----- | 1 | PUCKET |
| 12 | TB1017L | 2 | LEVER KIT (FOR ONE SECTION) |
| 12A | ----- | 1 | LEVER KNOB |
| 12B | ----- | 1 | LEVER |
| 12C | ----- | 2 | LEVER WASHER |
| 12D | ----- | 1 | LEVER CLIP |
| 12E | ----- | 2 | LINKAGE |
| 12F | ----- | 1 | LEVER PIN |
| 12G | ----- | 1 | ROLL PIN |
| 12H | ----- | 1 | LEVER BOOT |
| 12J | ----- | 1 | LEVER BOLT |
| 12K | ----- | 1 | LEVER DUST COVER |
| 12L | ----- | 1 | LEVER NUT |
| 13 | TB1017X | 1 | TIE ROD KIT |
| 14 | 24214 | 1 | O-RING, LARGE |

COMMON SIDE ROTARY

CABLE (MANUAL) LIFT VALVE BREAKDOWN - 06502040



COMMON SIDE ROTARY

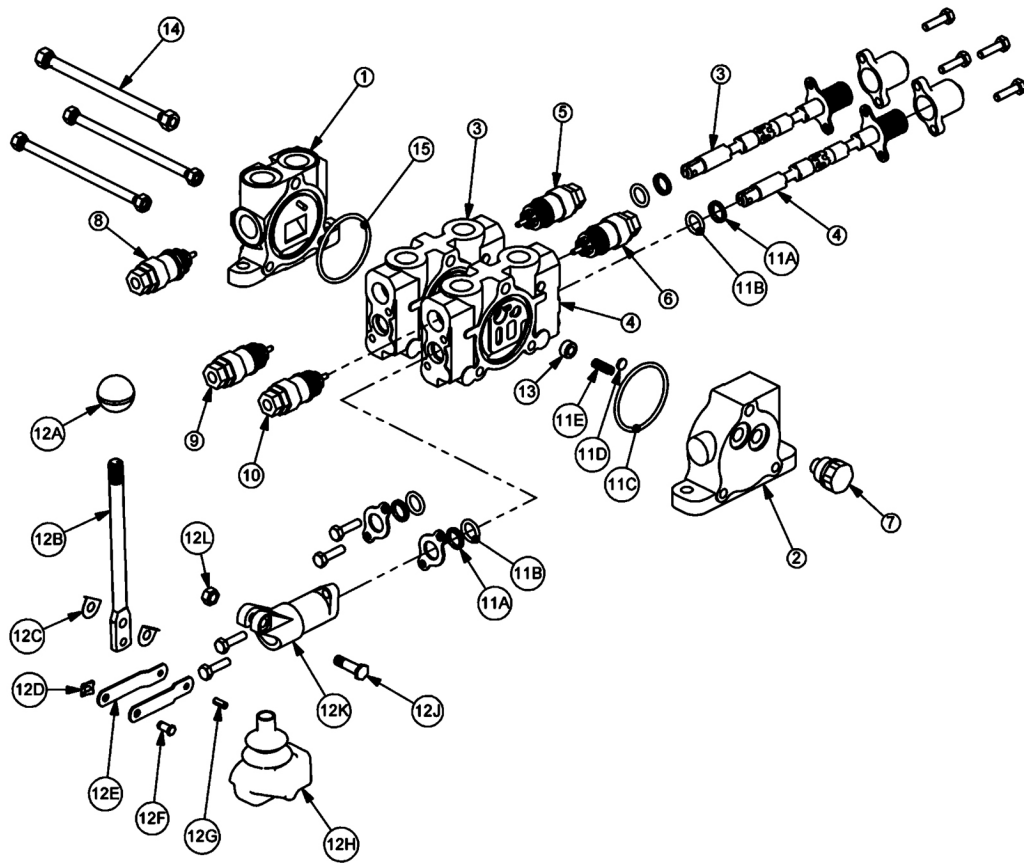
CABLE (MANUAL) LIFT VALVE BREAKDOWN - 06502040

Continued...

| ITEM | PART NO. | QTY. | DESCRIPTION |
|------|----------|------|--|
| 1 | 31595 | 1 | INLET END COVER |
| 2 | 31594 | 1 | END COVER, LOAD SENSE |
| 3 | 31597 | 1 | VALVE SECTION (DOUBLE ACTING, CENTER SPRING) |
| 4 | 31597 | 1 | VALVE SECTION (DOUBLE ACTING, CENTER SPRING) (REMOVE SHUTTLE DISC) |
| 5 | 06503067 | 1 | RELIEF PLUG |
| 6 | 06503067 | 1 | RELIEF PLUG |
| 7 | 06503068 | 1 | RELIEF PLUG |
| 8 | N/A | - | N/A |
| 9 | 31862 | 1 | RELIEF VALVE, 2175 PSI |
| 10 | 31862 | 1 | RELIEF VALVE, 2175 PSI |
| 11 | 31593 | 2 | VALVE SEAL KIT (FOR ONE SECTION) |
| 11A | ----- | 2 | WIPER |
| 11B | ----- | 2 | O-RING SMALL |
| 11C | ----- | 1 | O-RING LARGE |
| 11D | ----- | 1 | SHUTTLE DISC |
| 11E | ----- | 1 | SPRING |
| 12 | TB1017L | 2 | LEVER KIT (FOR ONE SECTION) |
| 12A | ----- | 1 | LEVER KNOB |
| 12B | ----- | 1 | LEVER |
| 12C | ----- | 2 | LEVER WASHER |
| 12D | ----- | 1 | LEVER CLIP |
| 12E | ----- | 2 | LINKAGE |
| 12F | ----- | 1 | LEVER PIN |
| 12G | ----- | 1 | ROLL PIN |
| 12H | ----- | 1 | LEVER BOOT |
| 12J | ----- | 1 | LEVER BOLT |
| 12K | ----- | 1 | LEVER DUST COVER |
| 12L | ----- | 1 | LEVER NUT |
| 13 | 31603 | 2 | COMPENSATOR |
| 14 | TB1017X | 1 | TIE ROD KIT |
| 15 | 24214 | 1 | O-RING, LARGE |

COMMON SIDE ROTARY

CABLE (MANUAL) LIFT VALVE BREAKDOWN - 06502041



COMMON SIDE ROTARY

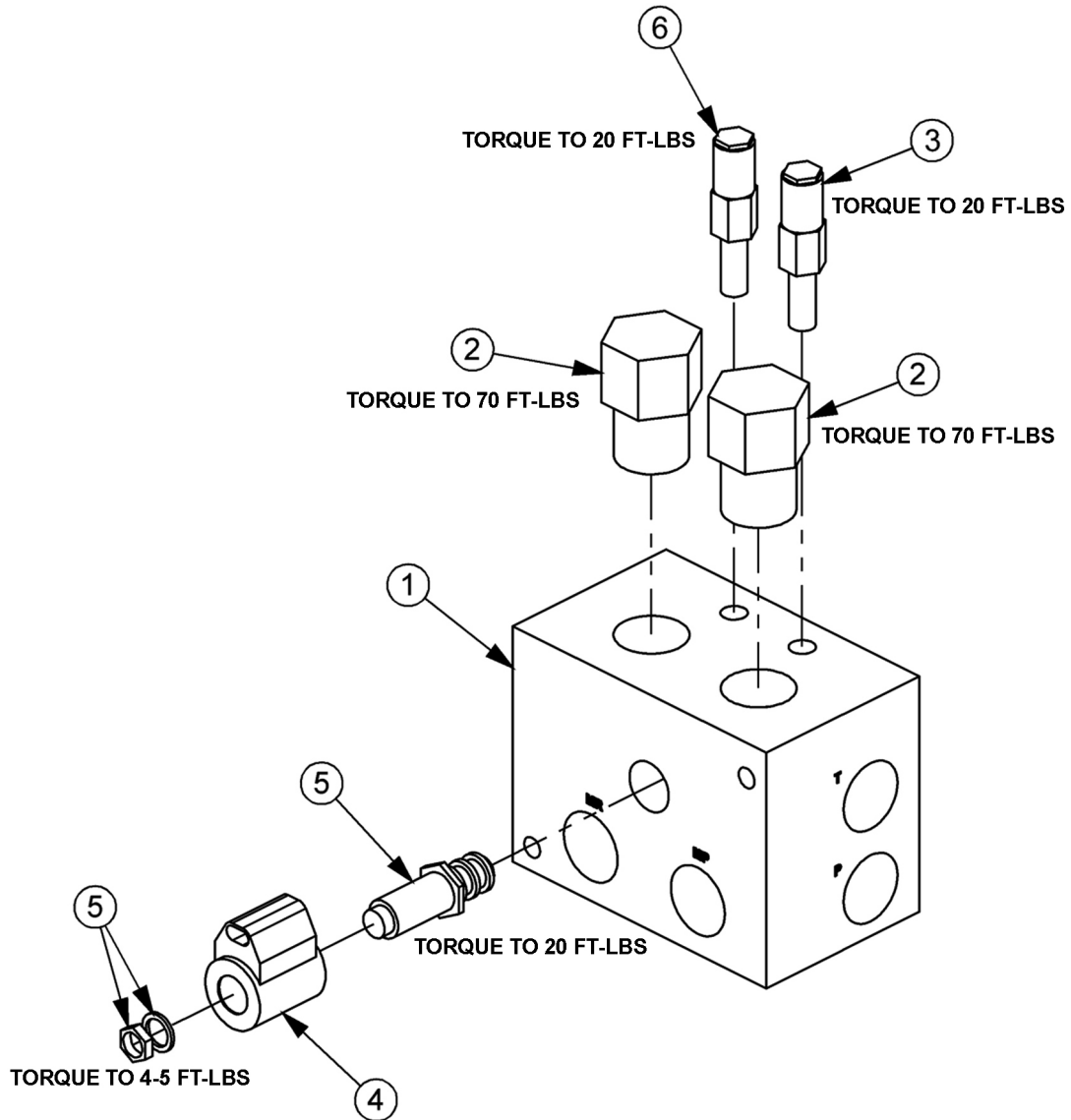
CABLE (MANUAL) LIFT VALVE BREAKDOWN - 06502041

Continued...

| ITEM | PART NO. | QTY. | DESCRIPTION |
|------|----------|------|--|
| 1 | 31595 | 1 | INLET END COVER |
| 2 | 31594 | 1 | END COVER, LOAD SENSE |
| 3 | 31597 | 1 | VALVE SECTION (DOUBLE ACTING, CENTER SPRING) |
| 4 | 31597 | 1 | VALVE SECTION (DOUBLE ACTING, CENTER SPRING) |
| 5 | 06503067 | 1 | RELIEF PLUG |
| 6 | 31861 | 1 | RELIEF VALVE, 360 PSI |
| 7 | 06503068 | 1 | RELIEF PLUG |
| 8 | 6T4209 | 1 | RELIEF PLUG |
| 9 | 31862 | 1 | RELIEF VALVE, 2175 PSI |
| 10 | 31862 | 1 | RELIEF VALVE, 2175 PSI |
| 11 | 31593 | 2 | VALVE SEAL KIT (FOR ONE SECTION) |
| 11A | ----- | 2 | WIPER |
| 11B | ----- | 2 | O-RING SMALL |
| 11C | ----- | 1 | O-RING LARGE |
| 11D | ----- | 1 | SHUTTLE DISC |
| 11E | ----- | 1 | SPRING |
| 12 | TB1017L | 2 | LEVER KIT (FOR ONE SECTION) |
| 12A | ----- | 1 | LEVER KNOB |
| 12B | ----- | 1 | LEVER |
| 12C | ----- | 2 | LEVER WASHER |
| 12D | ----- | 1 | LEVER CLIP |
| 12E | ----- | 2 | LINKAGE |
| 12F | ----- | 1 | LEVER PIN |
| 12G | ----- | 1 | ROLL PIN |
| 12H | ----- | 1 | LEVER BOOT |
| 12J | ----- | 1 | LEVER BOLT |
| 12K | ----- | 1 | LEVER DUST COVER |
| 12L | ----- | 1 | LEVER NUT |
| 13 | 31603 | 2 | COMPENSATOR |
| 14 | TB1017X | 1 | TIE ROD KIT |
| 15 | 24214 | 1 | O-RING, LARGE |

COMMON SIDE ROTARY

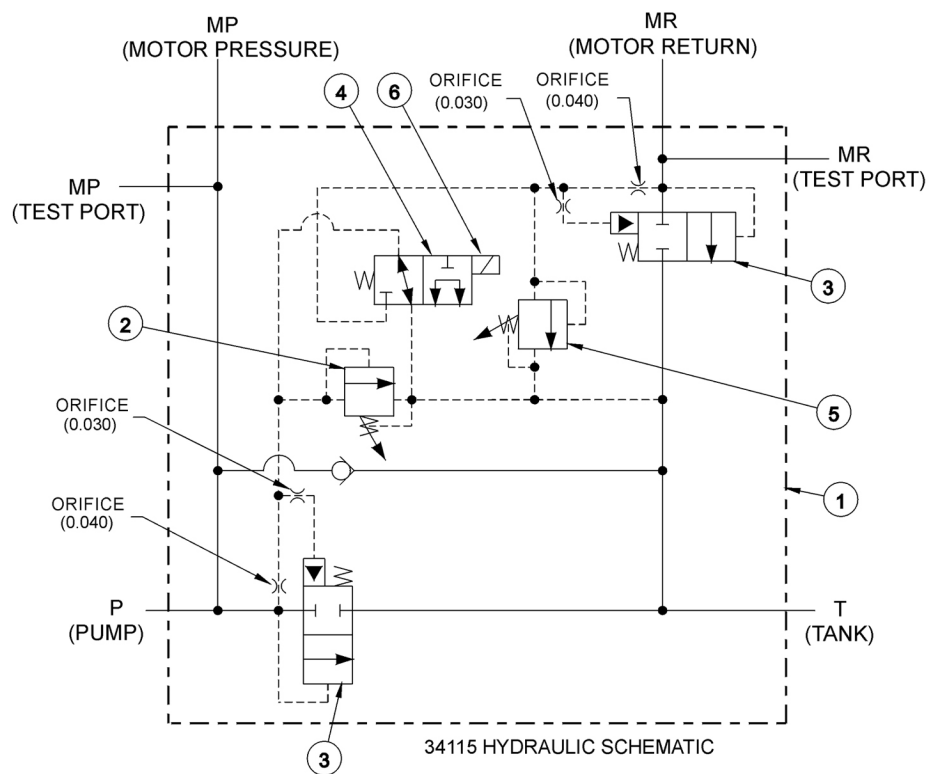
BRAKE VALVE ASSEMBLY



| ITEM | PART NO. | QTY. | DESCRIPTION |
|------|----------|------|--|
| --- | 06510083 | 1 | BRAKE VALVE, ASSY |
| 1 | 34092 | 1 | BRAKE VALVE, BLANK |
| 2 | 34094 | 2 | LOGIC ELEMENT |
| 3 | 34095 | 1 | RELIEF VALVE, 3000 PSI |
| 4 | 06510095 | 1 | METRI PAK COIL |
| 5 | 34093 | 1 | CARTRIDGE, 2 POSITION, 3 WAY (WITH NUT & WASHER) |
| 6 | 34091 | 1 | RELIEF VALVE, 2600 PSI |
| --- | 34096 | 2 | RELIEF SEAL KIT |
| ---- | 34097 | 1 | SOLENOID SEAL KIT |
| --- | 34098 | 2 | ELEMENT SEAL KIT |

COMMON SIDE ROTARY

BRAKE VALVE HYDRAULIC SCHEMATIC



BRAKE VALVE TROUBLESHOOTING

FAILURE MODE:

- MOWER WILL NOT START - system pressure is low (engine not lugging).
- MOWER WILL NOT START - system pressure is high (engine lugging). "MR" port will be high pressure.
- MOWER WILL NOT ROTATE AT FULL SPEED - limited power.
- MOWER BLADE WILL NOT STOP - blade will not stop in proper time.

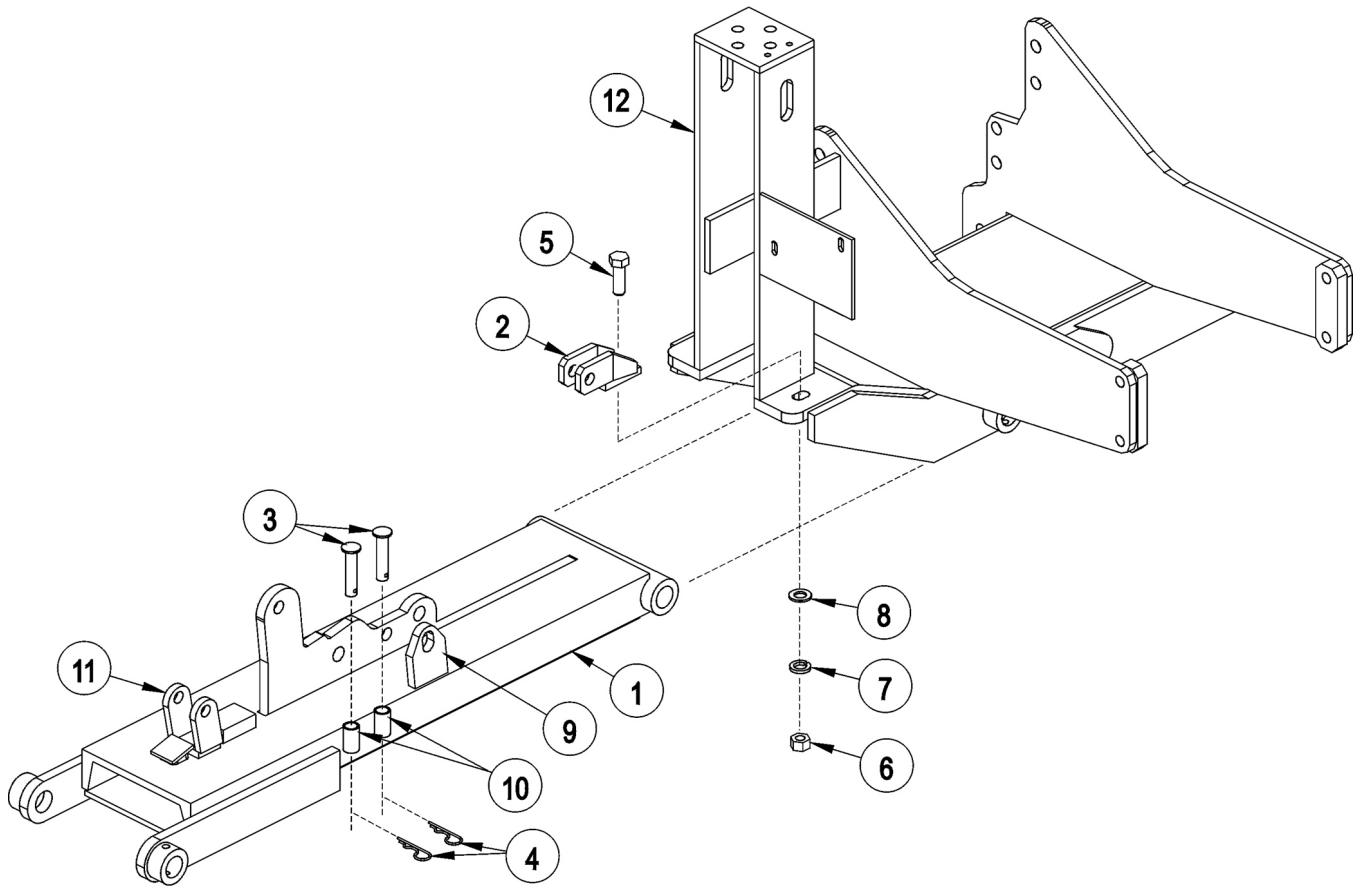
CHECK STEPS

- 1 thru 6
- 7
- 3 thru 5
- 7 thru 9

CORRECTIVE STEPS:

1. Check for voltage at solenoid (item 6), voltage must be between 10.2 volts and 13.8 volts.
2. Remove, inspect solenoid and cartridge (items 4, 6) for wear or contamination.
3. Remove, inspect logic elements near "P" port (item 3) for wear or contamination.
4. Remove, inspect 3000 psi relief valve (item 2) for wear or contamination.
5. Remove and inspect orifices near "P" port for contamination.
6. Remove "P" port hose and fitting, visually inspect for contamination, check ball for movement.
7. Remove and inspect orifices near "MR" port for contamination.
8. Remove, inspect 2600 psi relief valve (item 5) for wear or contamination.
9. Remove, inspect logic element near "MR" port (item 3) for wear or contamination.

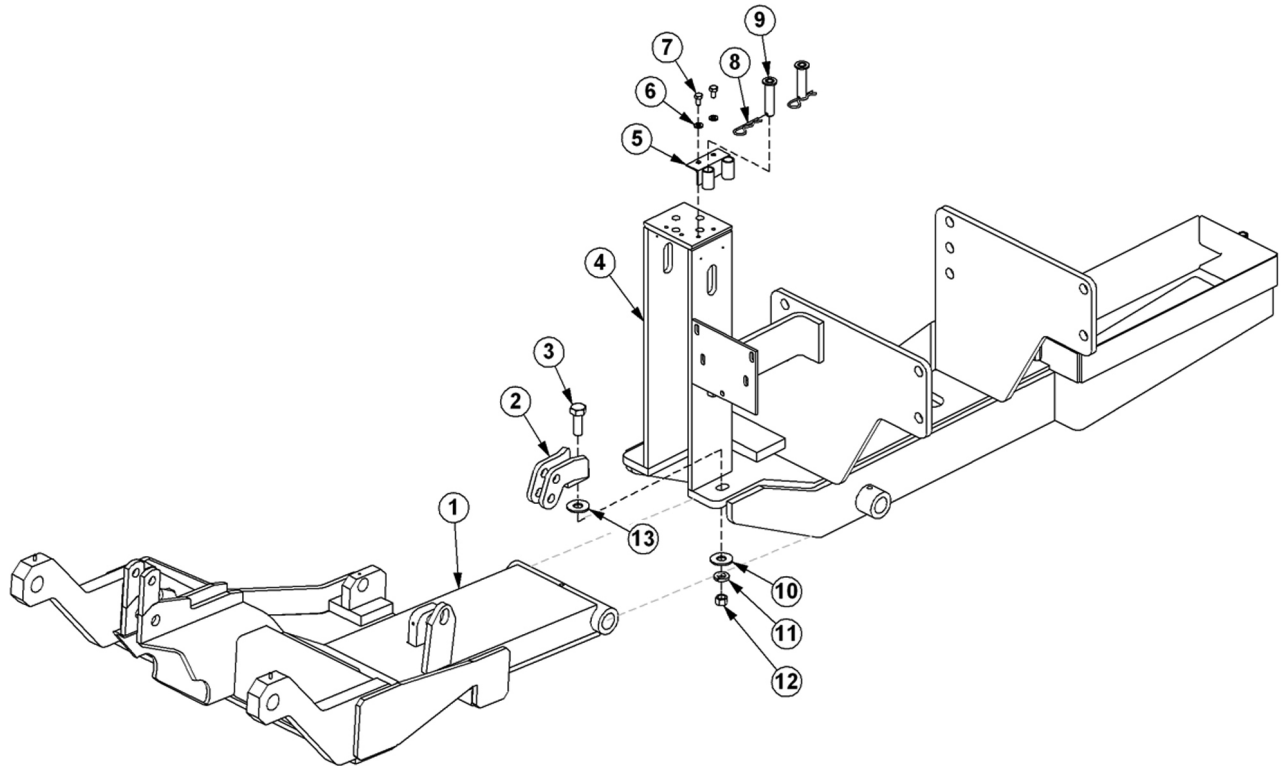
CABLE DRAFT BEAM TRAVEL LOCK



| ITEM | PART NO. | QTY. | DESCRIPTION |
|------|----------|------|------------------------------------|
| 1 | ----- | - | CABLE DRAFT BEAM |
| 2 | 6T0106 | 1 | TRAVEL LOCK BRACKET |
| 3 | 6T0107 | 2 | TRAVEL LOCK PINS 3/4" X 3 1/4" |
| 4 | 6T3020 | 2 | R - CLIP 5/32" |
| 5 | 21833 | 1 | CAPSCREW 3/4" X 2 1/4" |
| 6 | 21825 | 1 | HEX NUT 3/4" |
| 7 | 21993 | 1 | LOCK WASHER 3/4" |
| 8 | 22021 | 1 | FLAT WASHER 3/4" |
| 9 | 22600 | 1 | TRAVEL LOCK EAR |
| 10 | 22604 | 2 | PIN HOLDER |
| 11 | 22601C | 1 | TRAVEL LOCK ASY |
| 12 | ----- | - | MAIN FRAME *REFER TO PARTS SECTION |

COMMON SIDE ROTARY

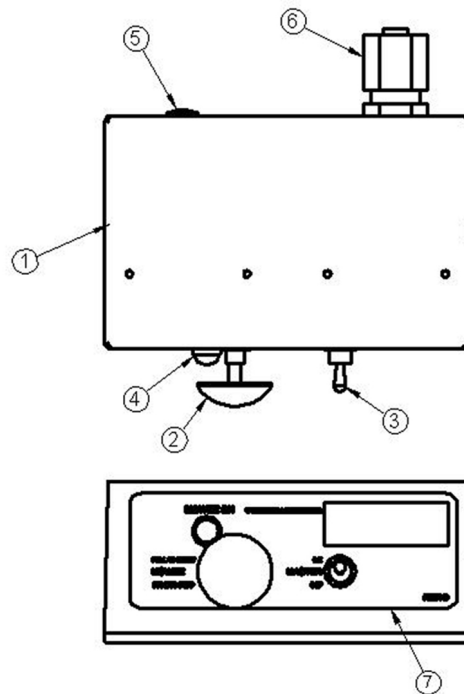
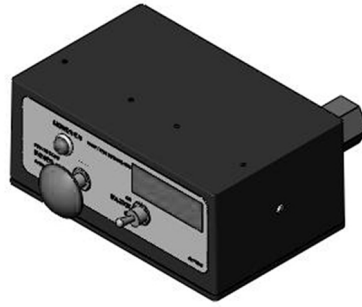
COMBO DRAFT BEAM TRAVEL LOCK



| ITEM | PART NO. | QTY. | DESCRIPTION |
|------|----------|------|------------------------------------|
| 1 | ----- | - | COMBO DRAFT BEAM |
| 2 | 6T0106 | 1 | TRAVEL LOCK BRACKET |
| 3 | 21835 | 1 | CAPSCREW,3/4" X 2-3/4",NC |
| 4 | ----- | - | MAIN FRAME *REFER TO PARTS SECTION |
| 5 | 33856 | 1 | BRKT,PIN HOLDER |
| 6 | 21988 | 2 | LOCKWASHER,3/8" |
| 7 | 21629 | 2 | CAPSCREW,3/8" X 3/4",NC |
| 8 | 6T3020 | 2 | R-CLIP,5/32" |
| 9 | 6T0107 | 2 | TRAVEL LOCK PINS,3/4" X 3-1/4" |
| 10 | 22021 | 1 | FLATWASHER,3/4" |
| 11 | 21993 | 1 | LOCKWASHER,3/4" |
| 12 | 21825 | 1 | HEX NUT,3/4",NC |
| 13 | 06430147 | 1 | SPACER |

COMMON SIDE ROTARY

SWITCH BOX

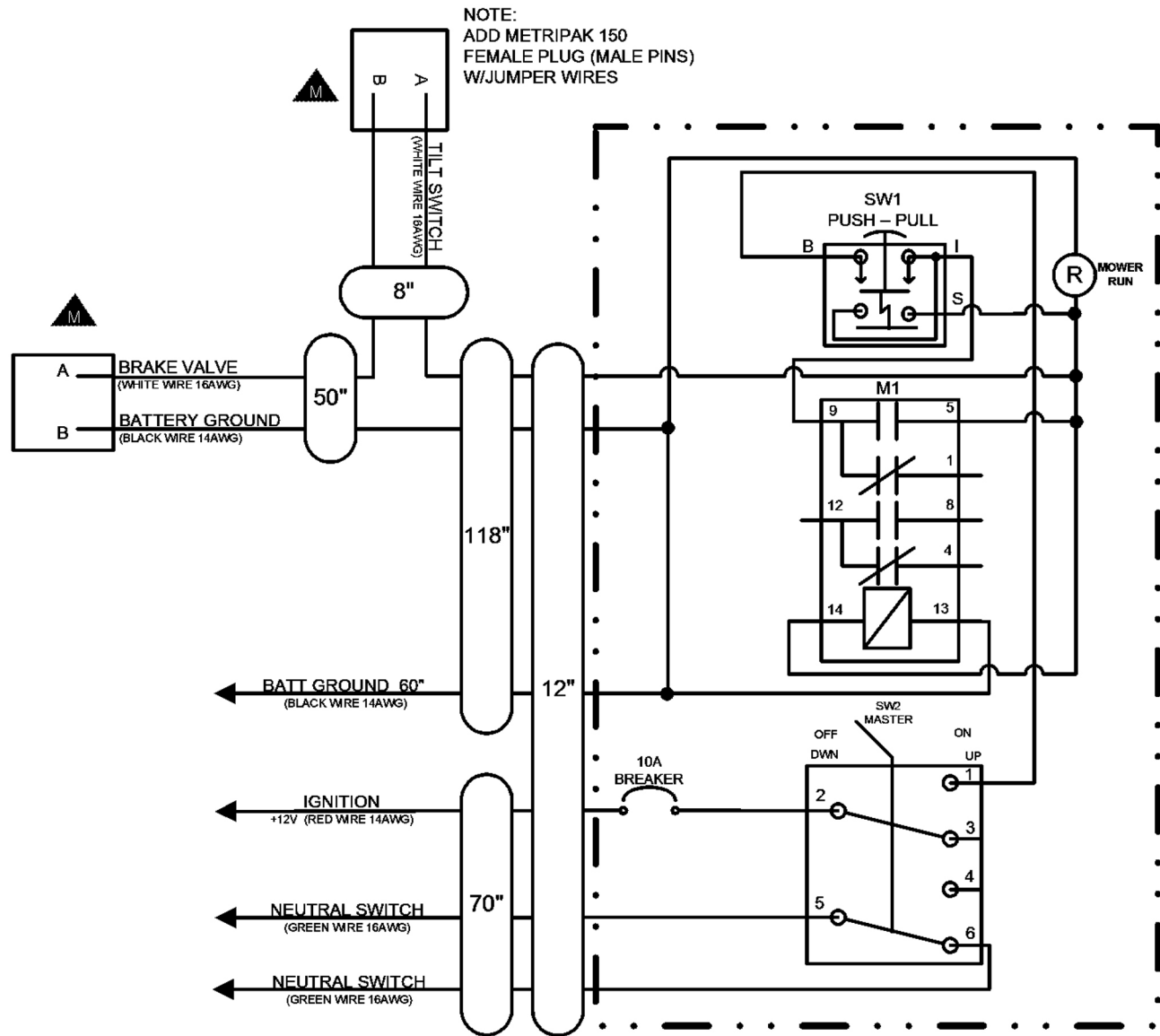


| ITEM | PART NO. | QTY. | DESCRIPTION |
|------|----------|------|-------------------------------|
| 1 | 06514013 | 1 | SWBX,ALUM,BLK,06510102 |
| 2 | 35226 | 1 | SWITCH,MOWER,COLEHERSEE |
| 3 | 33811 | 1 | SWITCH,MASTER/DECK FLOAT |
| 4 | 6T3923 | 1 | INDICTATOR LIGHT,ON,RED |
| 5 | 06514014 | 1 | BREAKER,10A,SWBX |
| 6 | 34540 | 1 | STRAIN RELIEF,3/4,BLACK,NYLON |
| 7 | 06550018 | 1 | DECAL,SWTCHBX,TM/TSF,CG |
| 8 | 35227 | 1 | RELAY,DP,DT,12V,LY2F,35226 |

COMMON SIDE ROTARY

SWITCH BOX SCHEMATIC

06510102 SCHEMATIC COMMON GROUND SWITCH BOX SIDE MOWER

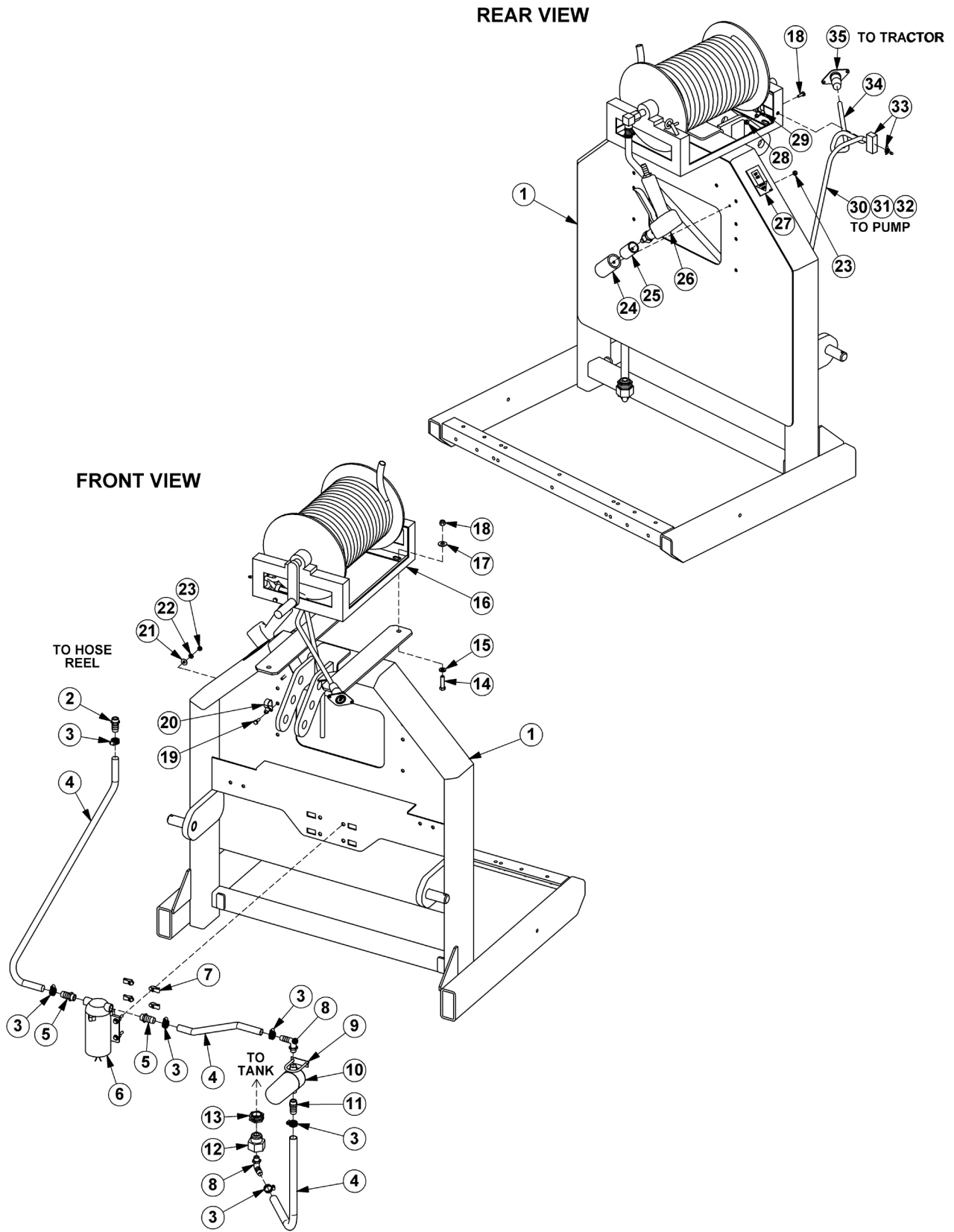


SEE DRAWING # 06515000 FOR A FULL DESCRIPTION OF ALL CONNECTORS

NOTES

FIRE SUPPRESSION SYSTEM SECTION

FIRE SUPPRESSION 3-POINT MOUNT



COMMON SIDE ROTARY

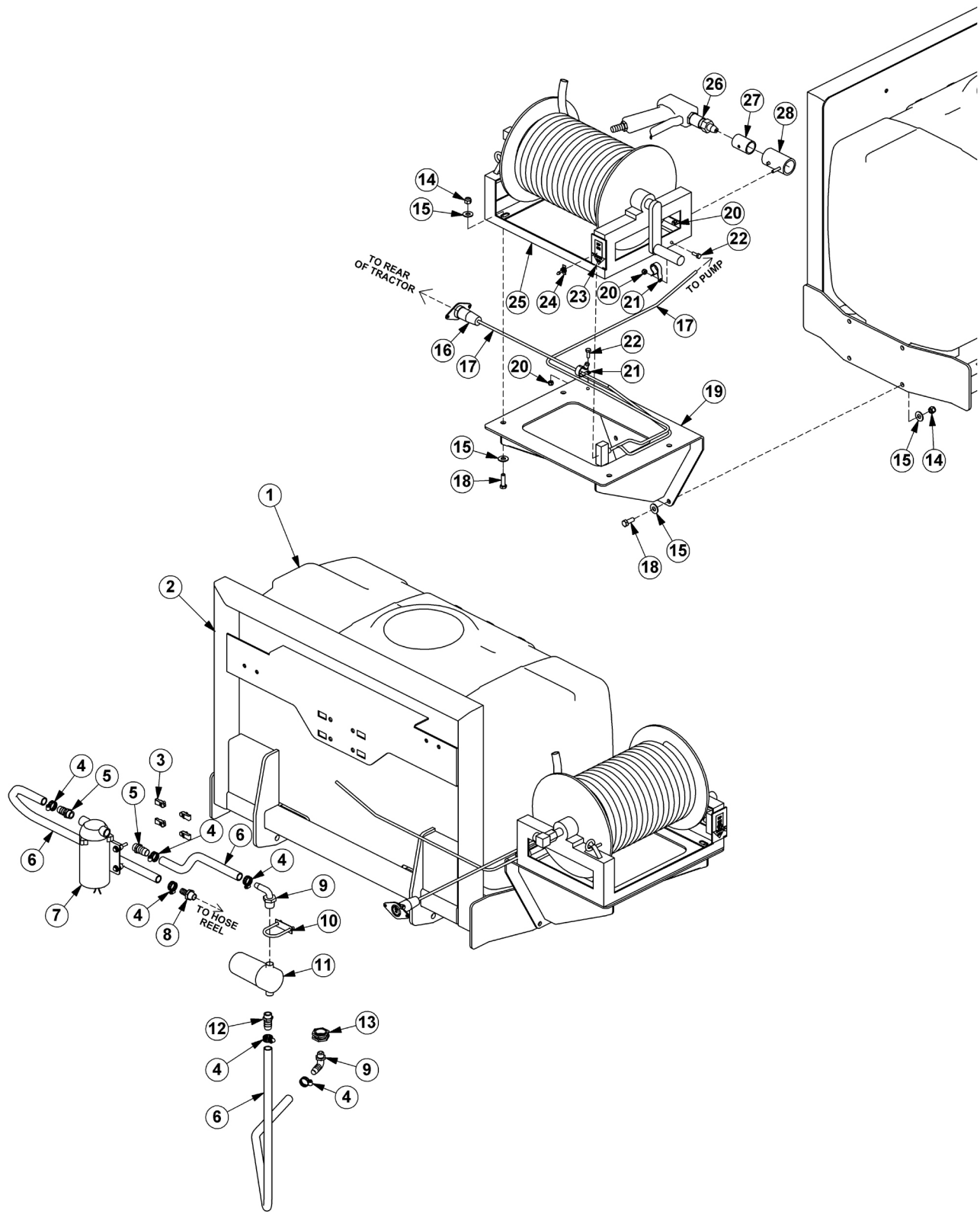
FIRE SUPPRESSION 3-POINT MOUNT

Continued...

| ITEM | PART NO. | QTY. | DESCRIPTION |
|------|----------|------|---|
| 1 | 06370137 | 1 | MOUNT,3PNT,FIRE SYS |
| 2 | 06503108 | 1 | FITTING,1/2"BARB X 1/2"MP |
| 3 | 35091 | 6 | CLAMP,HOSE,#6 |
| 4 | 06520469 | 5 | HOSE,1/2",BULK (FEET) |
| 5 | 06503168 | 2 | SWIVEL,1/2"STR,POLY |
| 6 | 06520359 | 1 | PUMP,LARGE |
| 7 | 35176 | 4 | U-NUT,1/4" |
| 8 | 06520367 | 2 | ELBOW,1/2"BARB X 1/2"MP,POLY |
| 9 | 27329 | 1 | U-BOLT,1/4" |
| 10 | 06520361 | 1 | FILTER |
| --- | 06520351 | 1 | ELEMENT,FILTER |
| 11 | 06520349 | 1 | FITTING,BARB,HOSE |
| 12 | 06503169 | 1 | REDUCER,BUSHING (100 & 150 GALLON TANKS ONLY) |
| 13 | 06520346 | 1 | FITTING,BULKHEAD (50 GALLON TANKS ONLY) |
| 14 | 21632 | 4 | CAPSCREW,3/8" X 1-1/2",NC |
| 15 | 21988 | 4 | LOCKWASHER,3/8" |
| 16 | 06520360 | 1 | HOSE REEL |
| 17 | 22016 | 4 | FLATWASHER,3/8" |
| 18 | 21627 | 4 | NYLOCK NUT,3/8",NC |
| 19 | 21529 | 2 | CAPSCREW,1/4" X 3/4",NC |
| 20 | 06510258 | 1 | CLAMP,3/4" |
| 21 | 22014 | 1 | FLATWASHER,1/4" |
| 22 | 21986 | 1 | LOCKWASHER,1/4" |
| 23 | 21525 | 2 | HEX NUT,1/4",NC |
| 24 | 06370121 | 1 | HOLSTER |
| 25 | 06430090 | 1 | SLEEVE |
| 26 | 06520366 | 1 | GUN,FIRE SYS |
| 27 | 6T3222 | 1 | DECAL |
| 28 | 21527 | 1 | NYLOCK NUT,1/4",NC |
| 29 | 06510257 | 1 | CLAMP,3/8" |
| 30 | 28055 | 5 | WIRE,BLACK,14GA (FEET) |
| 31 | 24200 | 5 | WIRE,RED,14GA (FEET) |
| 32 | 22802 | 5 | WIRE WRAP (FEET) |
| 33 | PT3905A | 1 | SWITCH |
| 34 | 06510256 | 4 | CABLE,14GA,4WIRE (FEET) |
| 35 | 06510255 | 1 | PLUG,7PIN,TRCTR |

COMMON SIDE ROTARY

FIRE SUPPRESSION FRONT MOUNT



COMMON SIDE ROTARY

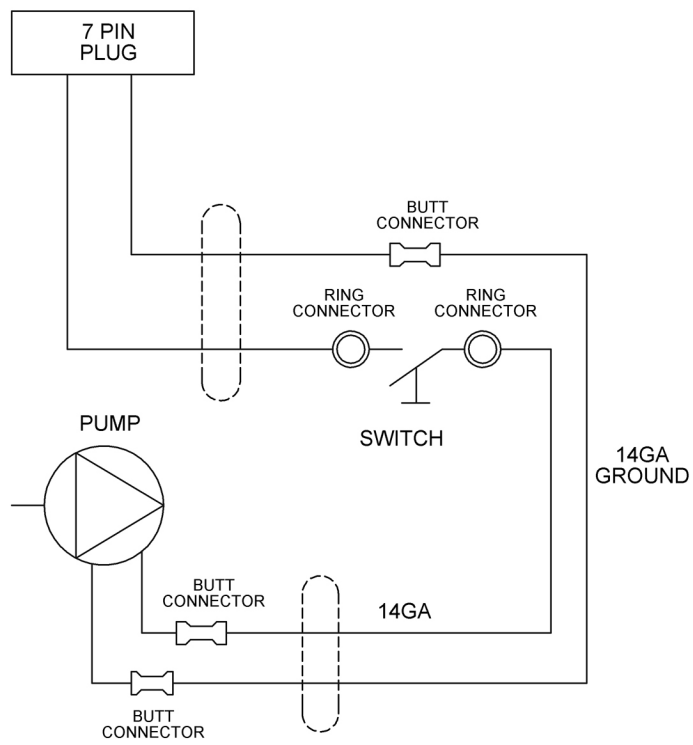
FIRE SUPPRESSION FRONT MOUNT

Continued...

| ITEM | PART NO. | QTY. | DESCRIPTION |
|------|----------|------|-----------------------------|
| 1 | 06520342 | 1 | TANK,50 GALLON |
| 2 | 06370204 | 1 | MNT,TANK,FRNT,50 GALLON |
| 3 | 35176 | 4 | U-NUT,1/4,3/4 TO CENTER |
| 4 | 35091 | 6 | CLAMP,HOSE,#6 |
| 5 | 06503168 | 2 | SWIVEL,1/2 STR,POLY |
| 6 | 06520469 | 8 | HOSE,1/2,SPRAYER |
| 7 | 06520359 | 1 | PUMP,FIRE KIT |
| 8 | 06503108 | 1 | FITTING,1/2"BARB X 1/2"MP |
| 9 | 06520367 | 2 | ELBOW,1/2MPX1/2BARB,POLY |
| 10 | 27329 | 1 | U-BOLT,1/4X2X1 |
| 11 | 06520361 | 1 | FILTER,FIRE KIT,RAILKUT |
| --- | 06520351 | 1 | STRAINER,40 MESH |
| 12 | 06520349 | 1 | FITTING,BARB,HOSE,WETCUT |
| 13 | 06520346 | 1 | FITTING,BULKHEAD |
| 14 | 21627 | 8 | NYLOCK NUT,3/8 NC |
| 15 | 22016 | 16 | FLATWASHER,3/8,GR8 |
| 16 | 06510255 | 1 | PLUG,7PIN,TRCTR |
| 17 | 06510256 | 22 | WIRE,14GA,4WIRE (FEET) |
| 18 | 21631 | 8 | CAPSCREW,3/8X1 1/4, NC,GR8 |
| 19 | 06370207 | 1 | MNT,FIRE SUPPRESSION |
| 20 | 21527 | 3 | NYLOCK NUT,1/4 NC |
| 21 | 06510257 | 2 | CLAMP,3/8X1/4,INS |
| 22 | 21529 | 2 | CAPSCREW,1/4 X 3/4 NC |
| 23 | 6T3222 | 1 | DECAL,CONTROL,ON-OFF SWITCH |
| 24 | PT3905A | 1 | SWITCH,MOWER |
| 25 | 06520360 | 1 | HOSE REEL,FIRE KIT,RAILKUT |
| 26 | 06520366 | 1 | GUN,FIRE KIT,RAILKUT |
| 27 | 06430090 | 1 | SLEEVE,GUN,FIRE SYS |
| 28 | 06370121 | 1 | HOLSTER,FIRESYS,RAILKUT |

COMMON SIDE ROTARY

FIRE SUPPRESSION SYSTEM ELECTRICAL SCHEMATIC

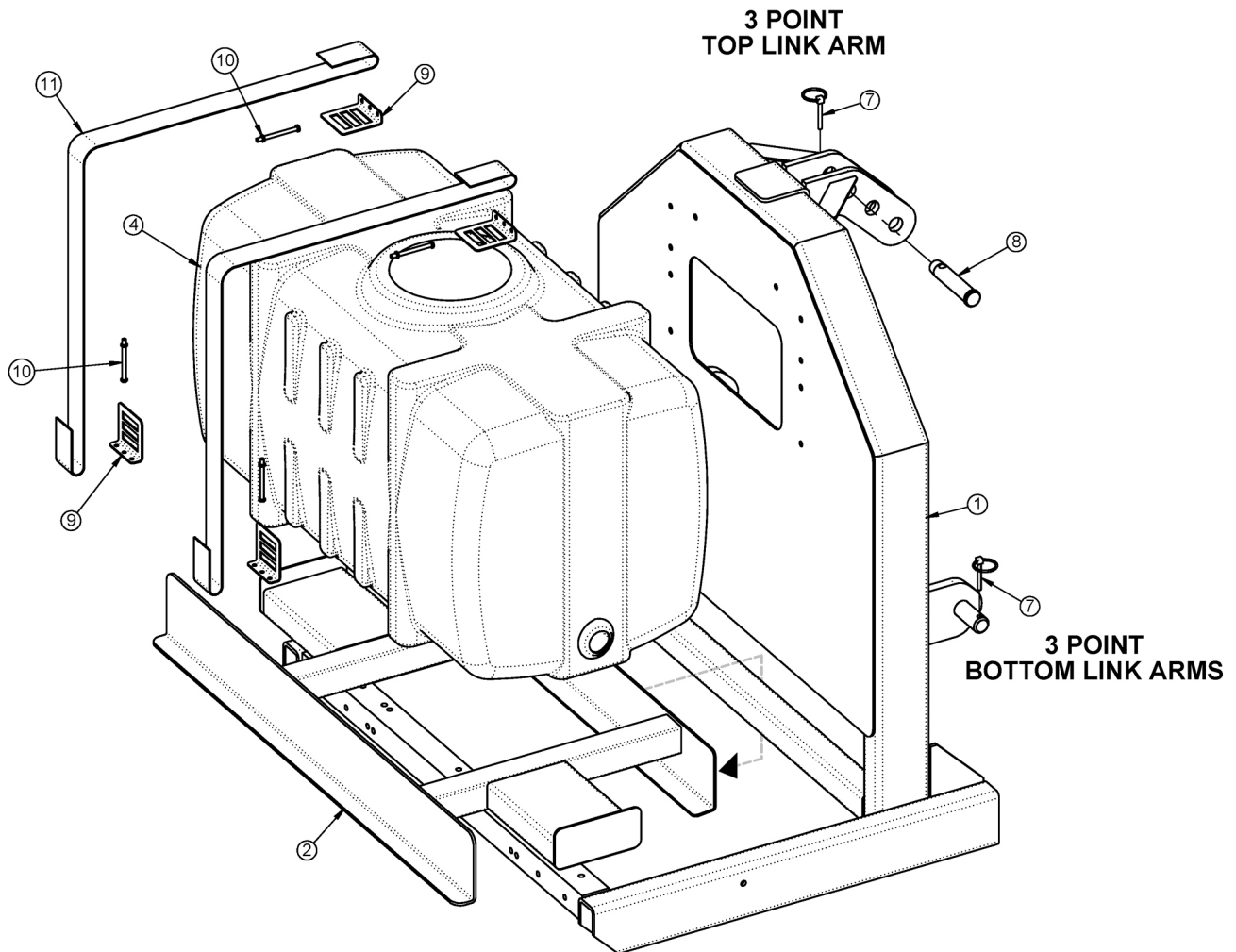


WETCUT

**WETCUT
SECTION**

WETCUT 50 GALLON TANK - 3PNT MOUNT

INSTALL ITEM 2 INTO ITEM 1 FIRST

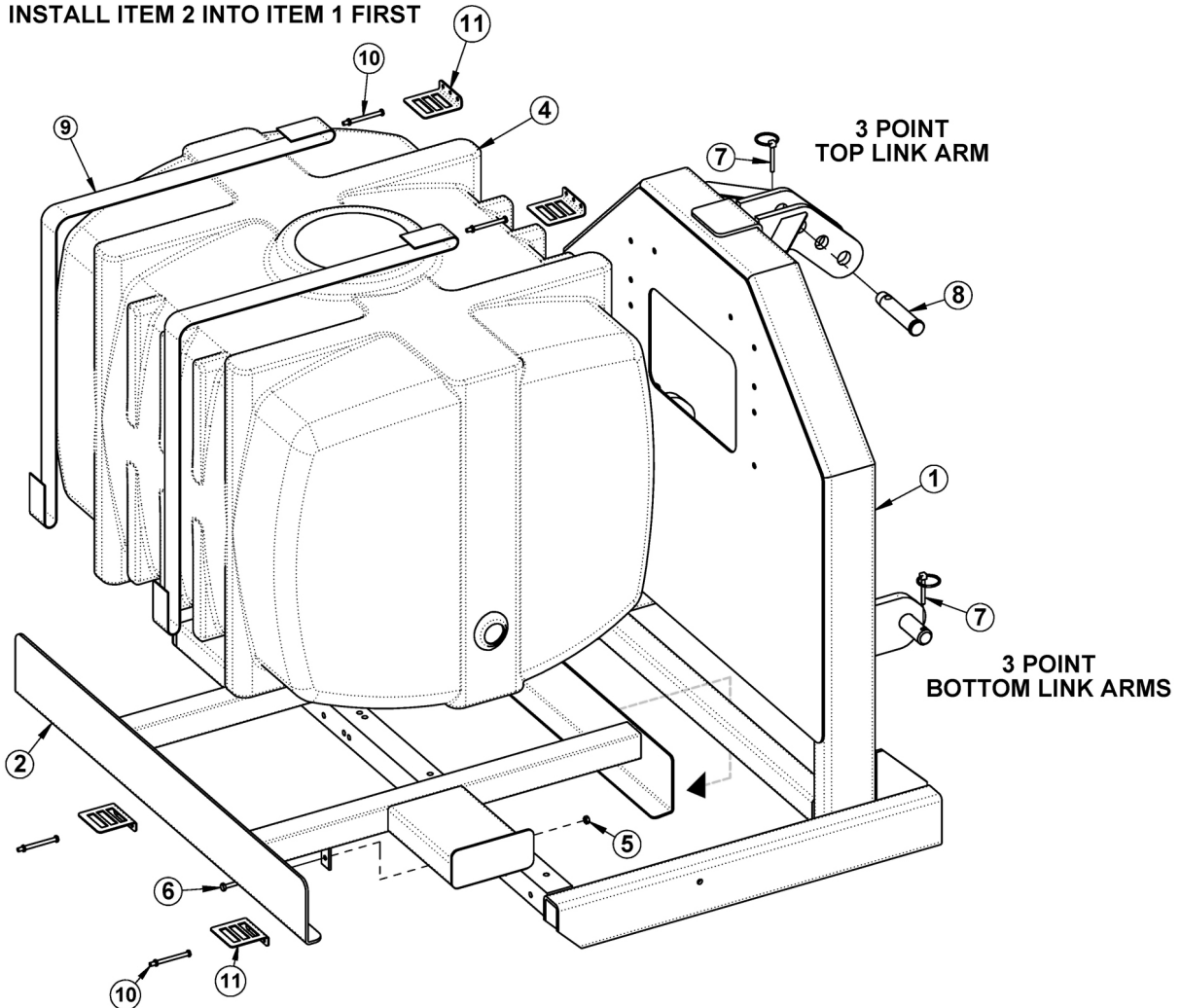


| ITEM | PART NO. | QTY. | DESCRIPTION |
|------|----------|------|------------------------------|
| 1 | 06370128 | 1 | MNT,3PNT,UNI |
| 2 | 06370136 | 1 | MNT,TANK,50GAL,WETCUT |
| 4 | 06520342 | 1 | TANK,50GA.,WETCUT |
| 7 | RD1032 | 3 | PIN,LYNCH 1/4" X 2" |
| 8 | TB1036 | 1 | PIN,SEC BOOM SWIV 1X4-11/16" |
| 9 | 06520343 | 4 | ANCHOR,STRAP,WETCUT |
| 10 | 06520344 | 4 | BOLT,STRAP,TANK,WETCUT |
| 11 | 06520345 | 2 | STRAP,TANK,WETCUT |

COMMON SIDE ROTARY

WETCUT 100 OR 150 GALLON TANK - 3PNT MOUNT

INSTALL ITEM 2 INTO ITEM 1 FIRST

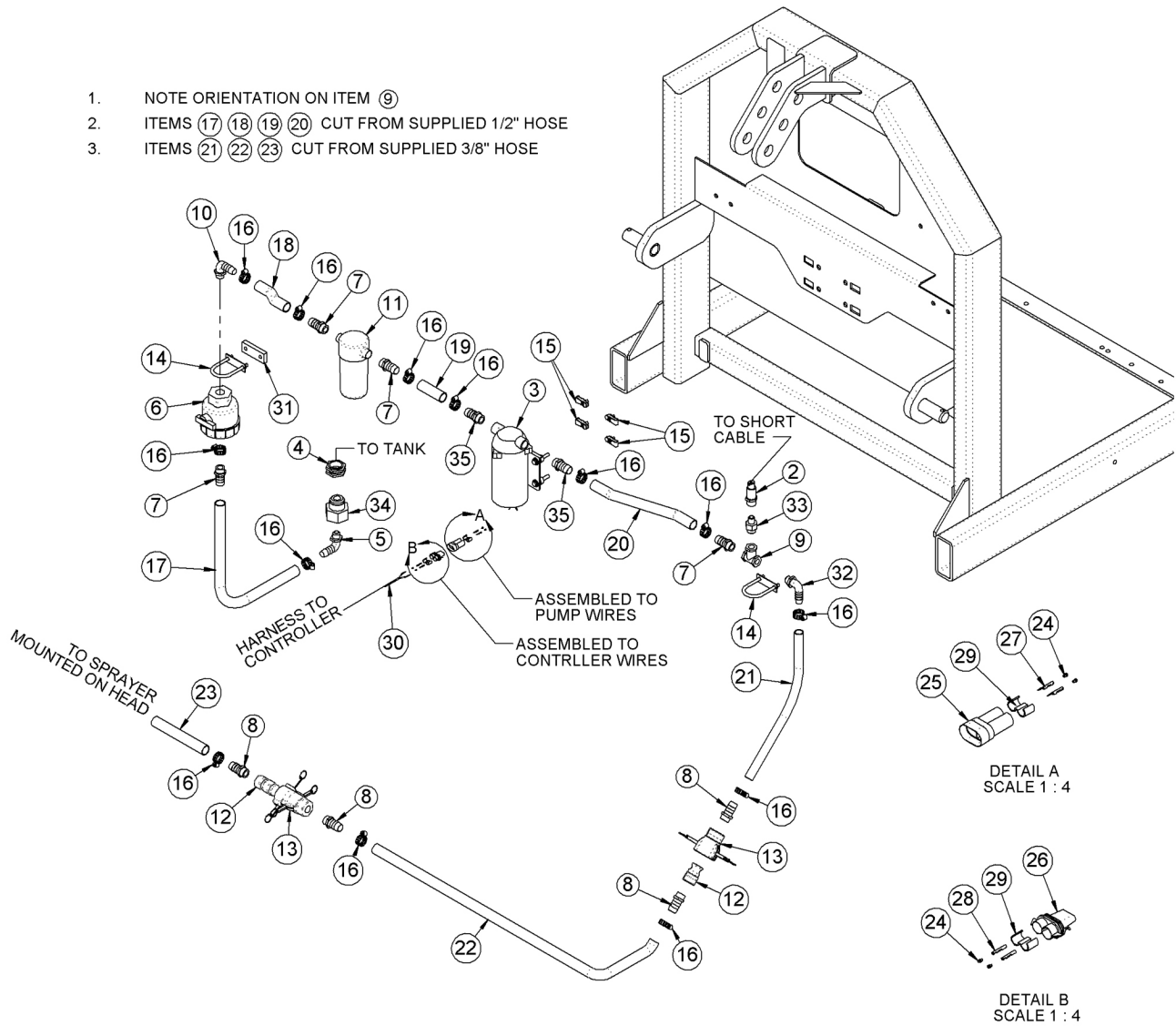


| ITEM | PART NO. | QTY. | DESCRIPTION |
|-------|----------|------|------------------------------|
| 1 | 06370128 | 1 | MNT,3PNT,UNI |
| 2 | 06370138 | 1 | MNT,TANK,100GAL,WETCUT |
| ----- | 06370139 | - | MNT,TANK,150GAL,WETCUT |
| 4 | 06520372 | 1 | TANK,100GA.,WETCUT |
| ----- | 06520373 | - | TANK,150GA.,WETCUT |
| 5 | 21527 | 2 | HEX NUT,NYLOCK,1/4" NC |
| 6 | 21530 | 2 | CAPSCREW,1/4" X 1" NC |
| 7 | RD1032 | 3 | PIN,LYNCH 1/4" X 2" |
| 8 | TB1036 | 1 | PIN,SEC BOOM SWIV 1X4-11/16" |
| 9 | 06520345 | 2 | STRAP,TANK,WETCUT |
| 10 | 06520344 | 4 | BOLT,STRAP,TANK,WETCUT |
| 11 | 06520343 | 4 | ANCHOR,STRAP,WETCUT |

COMMON SIDE ROTARY

WETCUT 3PNT PLUMBING - 50IN MOWERS

1. NOTE ORIENTATION ON ITEM ⑨
2. ITEMS ⑰ ⑱ ⑲ ⑳ CUT FROM SUPPLIED 1/2" HOSE
3. ITEMS ㉑ ㉒ ㉓ CUT FROM SUPPLIED 3/8" HOSE



COMMON SIDE ROTARY

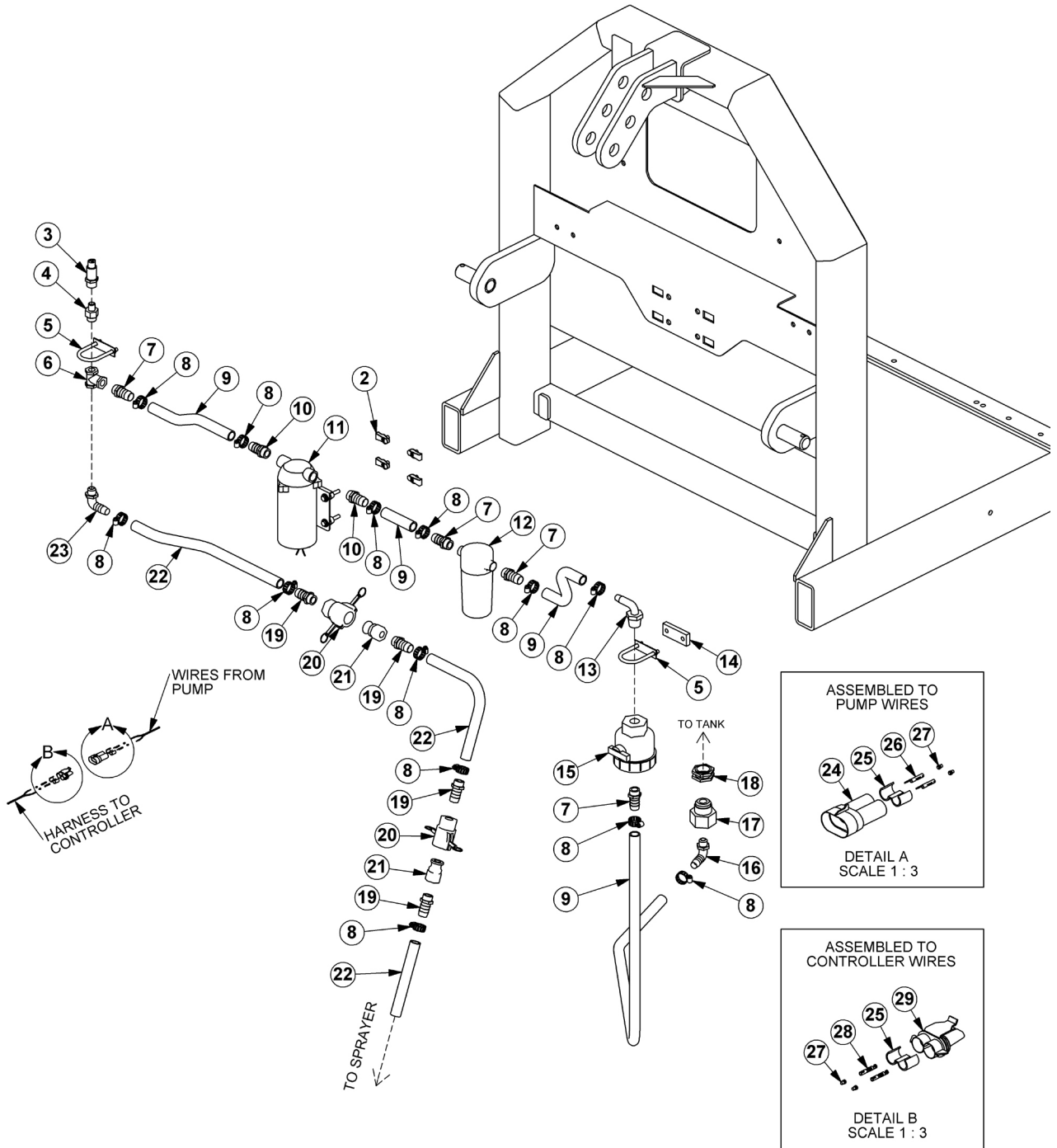
WETCUT 3PNT PLUMBING - 50IN MOWERS

Continued...

| ITEM | PART NO. | QTY. | DESCRIPTION |
|---------|----------|------|---|
| 1 | 06370128 | 1 | MNT,3PNT,UNI |
| 2 | 06520336 | 1 | CNTRLR,SENSOR,06520333 |
| 3 | 06520341 | 1 | PUMP,WETCUT |
| 4 | 06520346 | 1 | FITTING,BULKHEAD,WETCUT (50 GALLON TANKS ONLY) |
| 5 | 06520347 | 1 | FITTING,ELBOW,WETCUT |
| 6 | 06520348 | 1 | VLV,BALL,WETCUT |
| 7 | 06520349 | 4 | FITTING,BARB,HOSE,WETCUT |
| 8 | 06503173 | 4 | FITTING,1/2MP X 3/8"BARB |
| 9 | 06520353 | 1 | FITTING,TEE,WETCUT |
| 10 | 06520367 | 1 | ELBOW,1/2" X 1/2"BARB,POLY |
| 11 | 06520361 | 1 | FILTER,FIRE KIT,RAILKUT |
| 12 | 06520400 | 2 | QUIK CPLR,MALE,1/2",WETCUT |
| 13 | 06520401 | 2 | QUIK CPLR,FEM,1/2",WETCUT |
| 14 | 27329 | 2 | U-BOLT,1/4" X 1" X 2" |
| 15 | 35176 | 4 | U-NUT,1/4",3/4" TO CENTER |
| 16 | 35091 | 13 | CLAMP, HOSE #6 |
| 17 - 20 | 06520469 | 5 | 1/2" HOSE (FEET) |
| 21 - 23 | 06520316 | - | 3/8" HOSE (INCLUDED WITH SPRAYER) |
| 24 | 06510051 | 4 | SEAL,16-18GA,METPAK |
| 25 | 06510052 | 1 | CONN.,BODY,MALE,METRIPACK 150 |
| 26 | 06510053 | 1 | CONN.,BODY,FEM,METRIPACK 150 |
| 27 | 06510054 | 2 | TERMINAL,MALE,16/18GA.METPAK |
| 28 | 06510055 | 2 | TERMINAL,FEM,16/18GA.METPAK |
| 29 | 06510056 | 2 | TPA |
| 30 | 06520337 | 1 | INCLUDED WITH CONTROLLER |
| 31 | 06401133 | 1 | SPACER,Ø.31" X 1.75" X .38" |
| 32 | 06503165 | 1 | ELBOW,1/2"MP X 3/8"BARB |
| 33 | 06520354 | 1 | BUSHING,REDUCER,WETCUT |
| 34 | 06503169 | 1 | BUSHING,1"MP X 1/2"FP (100 & 150 GALLON TANKS ONLY) |
| 35 | 06503176 | 2 | FITTING,BARB,3/8"MP X 1/2"BARB |

COMMON SIDE ROTARY

WETCUT 3PNT PLUMBING - LARGE MOWERS



COMMON SIDE ROTARY

WETCUT 3PNT PLUMBING - LARGE MOWERS

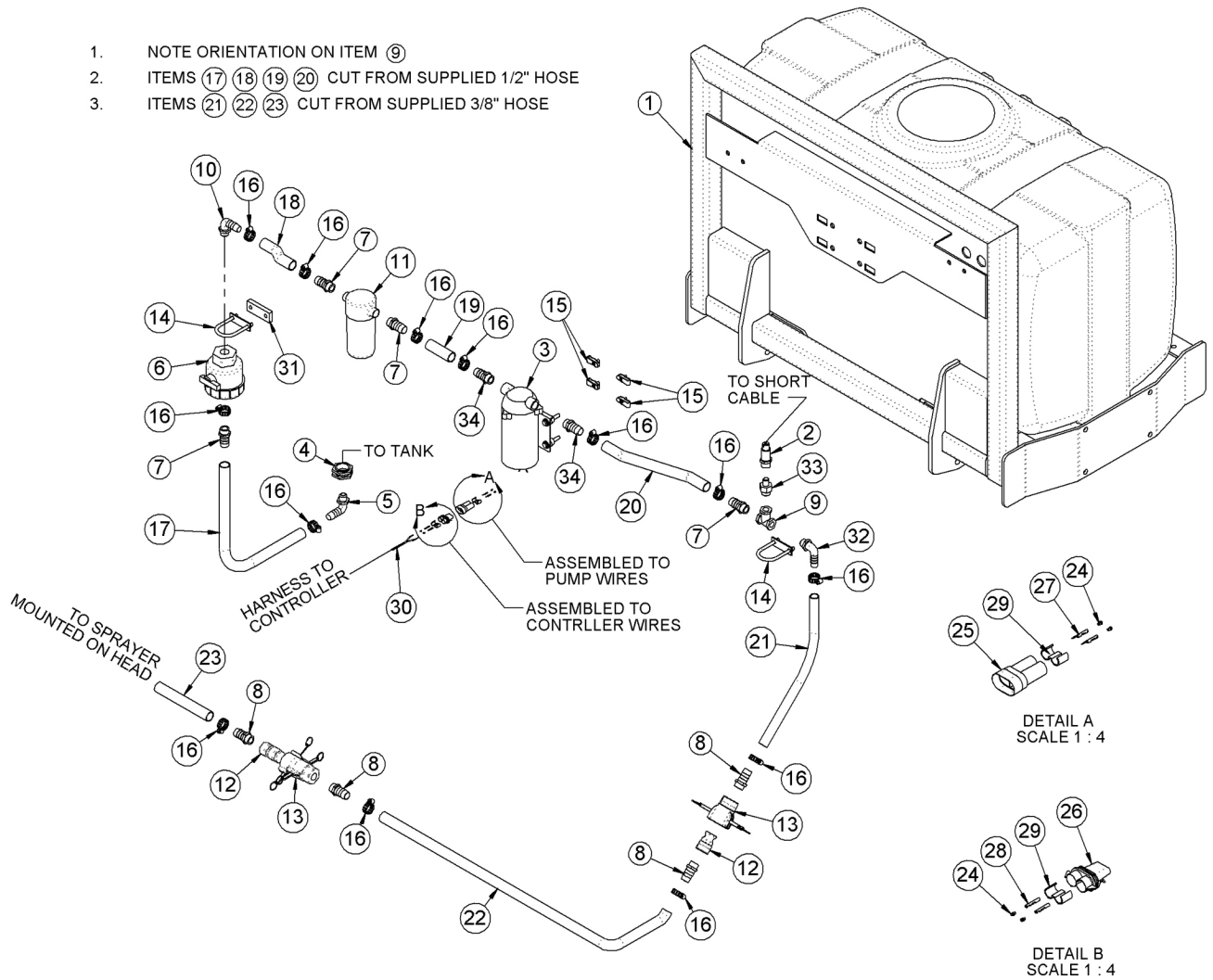
Continued...

| ITEM | PART NO. | QTY. | DESCRIPTION |
|------|----------|------|---|
| 1 | 06370128 | 1 | MNT,3PNT,UNI |
| 2 | 35176 | 4 | U-NUT,1/4,3/4 TO CENTER |
| 3 | 06520336 | 1 | CNTRLR,SENSOR,06520333 |
| 4 | 06520354 | 1 | BUSHING,REDUCER,WETCUT |
| 5 | 27329 | 2 | U-BOLT,1/4" X 1" X 2" |
| 6 | 06520353 | 1 | FITTING,TEE,WETCUT |
| 7 | 06520349 | 4 | FITTING,BARB,HOSE,WETCUT |
| 8 | 35091 | 13 | CLAMP, HOSE #6 |
| 9 | 06520469 | 5 | 1/2" HOSE (FEET) |
| 10 | 06503168 | 2 | SWIVEL,1/2" STR |
| 11 | 06520359 | 1 | PUMP,LARGE |
| 12 | 06520361 | 1 | FILTER,FIRE KIT,RAILKUT |
| --- | 06520351 | 1 | STRAINER,40MESH |
| 13 | 06520367 | 1 | ELBOW,1/2X1/2BARB,POLY |
| 14 | 06401133 | 1 | SPACER,Ø.31X1.75X.38 |
| 15 | 06520348 | 1 | VLV,BALL,WETCUT |
| 16 | 06520347 | 1 | FITTING,ELBOW,WETCUT |
| 17 | 06503169 | 1 | BUSHING,1MPX1/2FP (100 & 150 GALLON TANKS ONLY) |
| 18 | 06520346 | 1 | FITTING,BULKHEAD,WETCUT (50 GALLON TANKS ONLY) |
| 19 | 06503173 | 4 | FITTING,BARB,1/2X3/8,WETCUT |
| 20 | 06520401 | 2 | QUIK CPLR,FEM,1/2,WETCUT |
| 21 | 06520400 | 2 | QUIK CPLR,MALE,1/2,WETCUT |
| 22 | 06520316 | - | 3/8" HOSE (INCLUDED WITH SPRAYER) |
| 23 | 06503165 | 1 | ELBOW,1/2X3/8BARB,POLY |
| 24 | 06510052 | 1 | CONN.,BODY,MALE,METRIPACK 150 |
| 25 | 06510056 | 2 | TPA |
| 26 | 06510054 | 2 | TERMINAL,MALE,16/18GA.METPAK |
| 27 | 06510051 | 4 | SEAL,16-18GA,METPAK |
| 28 | 06510055 | 2 | TERMINAL,FEM,16/18GA.METPAK |
| 29 | 06510053 | 1 | CONN.,BODY,FEM,METRIPACK 150 |

COMMON SIDE ROTARY

WETCUT FRONT PLUMBING - 50IN MOWERS

1. NOTE ORIENTATION ON ITEM ⑨
2. ITEMS ⑰ ⑱ ⑲ ⑳ CUT FROM SUPPLIED 1/2" HOSE
3. ITEMS ㉑ ㉒ ㉓ CUT FROM SUPPLIED 3/8" HOSE



COMMON SIDE ROTARY

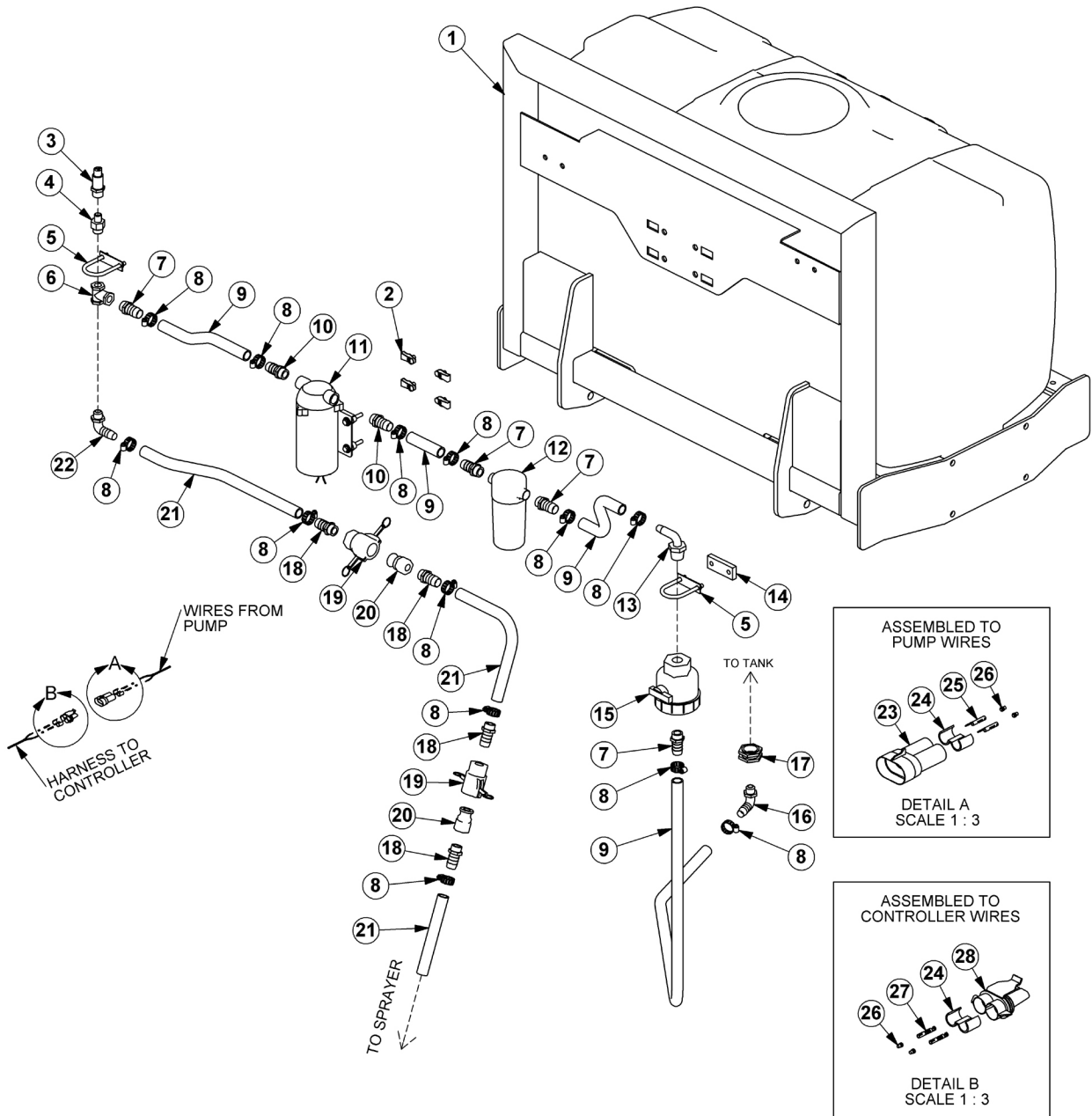
WETCUT FRONT PLUMBING - 50IN MOWERS

Continued...

| ITEM | PART NO. | QTY. | DESCRIPTION |
|---------|----------|------|-----------------------------------|
| 1 | 06370204 | 1 | MNT,FRONT,UNI |
| 2 | 06520336 | 1 | CNTRLR,SENSOR,06520333 |
| 3 | 06520341 | 1 | PUMP,WETCUT |
| 4 | 06520346 | 1 | FITTING,BULKHEAD,WETCUT |
| 5 | 06520347 | 1 | FITTING,ELBOW,WETCUT |
| 6 | 06520348 | 1 | VLV,BALL,WETCUT |
| 7 | 06520349 | 4 | FITTING,BARB,HOSE,WETCUT |
| 8 | 06503173 | 4 | FITTING,1/2"MP X 3/8"BARB |
| 9 | 06520353 | 1 | FITTING,TEE,WETCUT |
| 10 | 06520367 | 1 | ELBOW,1/2"MP X 1/2"BARB,POLY |
| 11 | 06520361 | 1 | FILTER,FIRE KIT,RAILKUT |
| --- | 06520351 | 1 | STRAINER,40MESH |
| 12 | 06520400 | 2 | QUIK CPLR,MALE,1/2",WETCUT |
| 13 | 06520401 | 2 | QUIK CPLR,FEM,1/2",WETCUT |
| 14 | 27329 | 2 | U-BOLT,1/4" X 1" X 2" |
| 15 | 35176 | 4 | U-NUT,1/4",3/4" TO CENTER |
| 16 | 35091 | 13 | CLAMP,HOSE #6 |
| 17 - 20 | 06520469 | 5 | 1/2" HOSE (FEET) |
| 21 - 23 | 06520316 | - | 3/8" HOSE (INCLUDED WITH SPRAYER) |
| 24 | 06510051 | 4 | SEAL,16-18GA,METPAK |
| 25 | 06510052 | 1 | CONN.,BODY,MALE,METRIPACK 150 |
| 26 | 06510053 | 1 | CONN.,BODY,FEM,METRIPACK 150 |
| 27 | 06510054 | 2 | TERMINAL,MALE,16/18GA.METPAK |
| 28 | 06510055 | 2 | TERMINAL,FEM,16/18GA.METPAK |
| 29 | 06510056 | 2 | TPA |
| 30 | 06520337 | 1 | INCLUDED WITH CONTROLLER |
| 31 | 06401133 | 1 | SPACER,Ø.31" X 1.75" X .38" |
| 32 | 06503165 | 1 | ELBOW,1/2"MP X 3/8"BARB,POLY |
| 33 | 06520354 | 1 | BUSHING,REDUCER,WETCUT |
| 34 | 06503176 | 2 | FITTING,3/8"MP X 1/2"BARB |

COMMON SIDE ROTARY

WETCUT FRONT PLUMBING - LARGE MOWERS



COMMON SIDE ROTARY

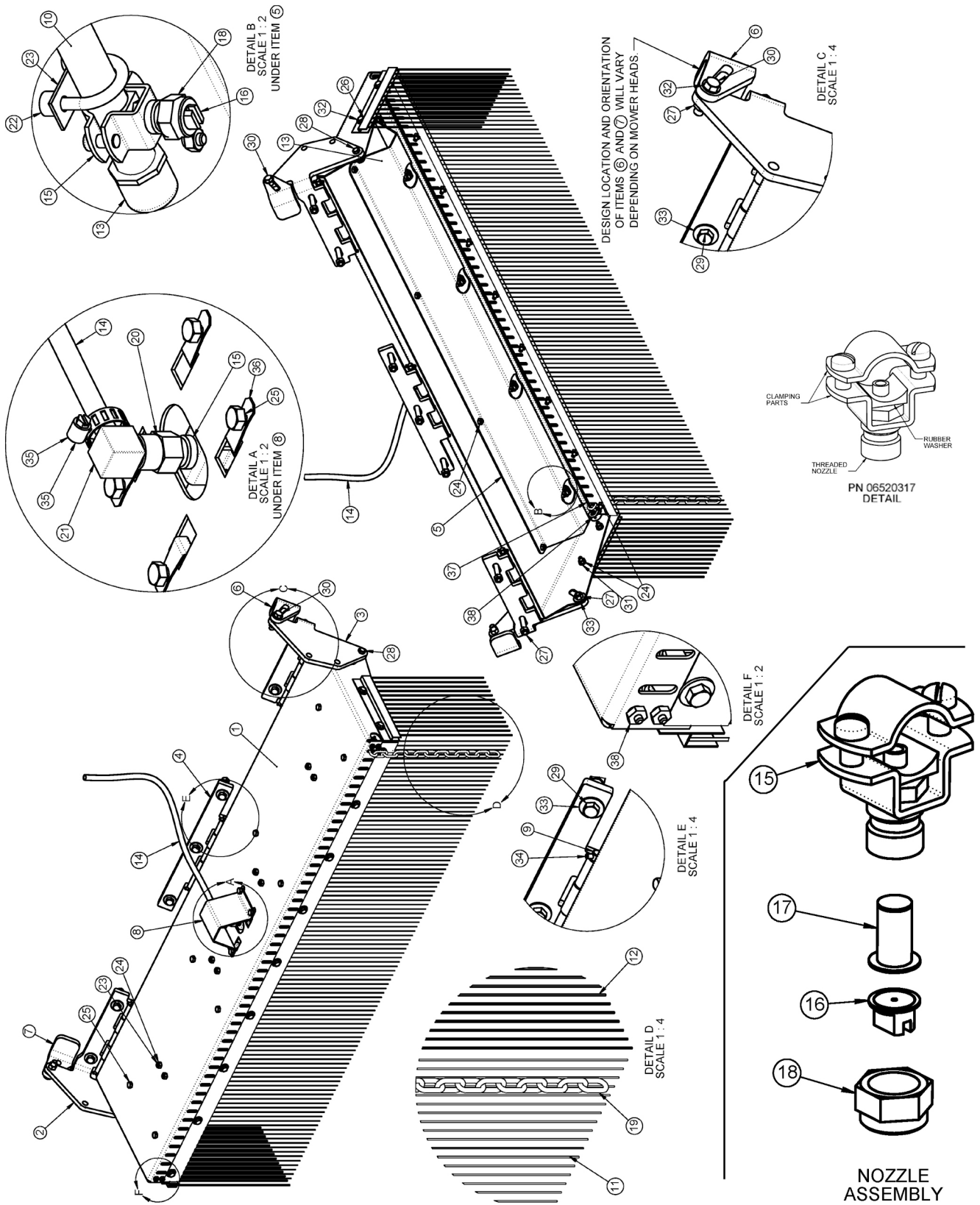
WETCUT FRONT PLUMBING - LARGE MOWERS

Continued...

| ITEM | PART NO. | QTY. | DESCRIPTION |
|------|----------|------|-----------------------------------|
| 1 | 06370204 | 1 | MNT,FRONT,UNIV |
| 2 | 35176 | 4 | U-NUT,1/4,3/4 TO CENTER |
| 3 | 06520336 | 1 | CNTRLR,SENSOR,06520333 |
| 4 | 06520354 | 1 | BUSHING,REDUCER,WETCUT |
| 5 | 27329 | 2 | U-BOLT,1/4" X 1" X 2" |
| 6 | 06520353 | 1 | FITTING,TEE,WETCUT |
| 7 | 06520349 | 4 | FITTING,BARB,HOSE,WETCUT |
| 8 | 35091 | 13 | CLAMP, HOSE #6 |
| 9 | 06520469 | 5 | 1/2" HOSE (FEET) |
| 10 | 06503168 | 2 | SWIVEL,1/2" STR |
| 11 | 06520359 | 1 | PUMP,LARGE |
| 12 | 06520361 | 1 | FILTER,FIRE KIT,RAILKUT |
| --- | 06520351 | 1 | STRAINER,40MESH |
| 13 | 06520367 | 1 | ELBOW,1/2X1/2BARB,POLY |
| 14 | 06401133 | 1 | SPACER,Ø.31X1.75X.38 |
| 15 | 06520348 | 1 | VLV,BALL,WETCUT |
| 16 | 06520347 | 1 | FITTING,ELBOW,WETCUT |
| 17 | 06520346 | 1 | FITTING,BULKHEAD,WETCUT |
| 18 | 06503173 | 4 | FITTING,BARB,1/2X3/8,WETCUT |
| 19 | 06520401 | 2 | QUIK CPLR,FEM,1/2,WETCUT |
| 20 | 06520400 | 2 | QUIK CPLR,MALE,1/2,WETCUT |
| 21 | 06520316 | - | 3/8" HOSE (INCLUDED WITH SPRAYER) |
| 22 | 06503165 | 1 | ELBOW,1/2X3/8BARB,POLY |
| 23 | 06510052 | 1 | CONN.,BODY,MALE,METRIPACK 150 |
| 24 | 06510056 | 2 | TPA |
| 25 | 06510054 | 2 | TERMINAL,MALE,16/18GA.METPAK |
| 26 | 06510051 | 4 | SEAL,16-18GA,METPAK |
| 27 | 06510055 | 2 | TERMINAL,FEM,16/18GA.METPAK |
| 28 | 06510053 | 1 | CONN.,BODY,FEM,METRIPACK 150 |

COMMON SIDE ROTARY

WETCUT 50IN SPRAYER HEAD ASSEMBLY



COMMON SIDE ROTARY

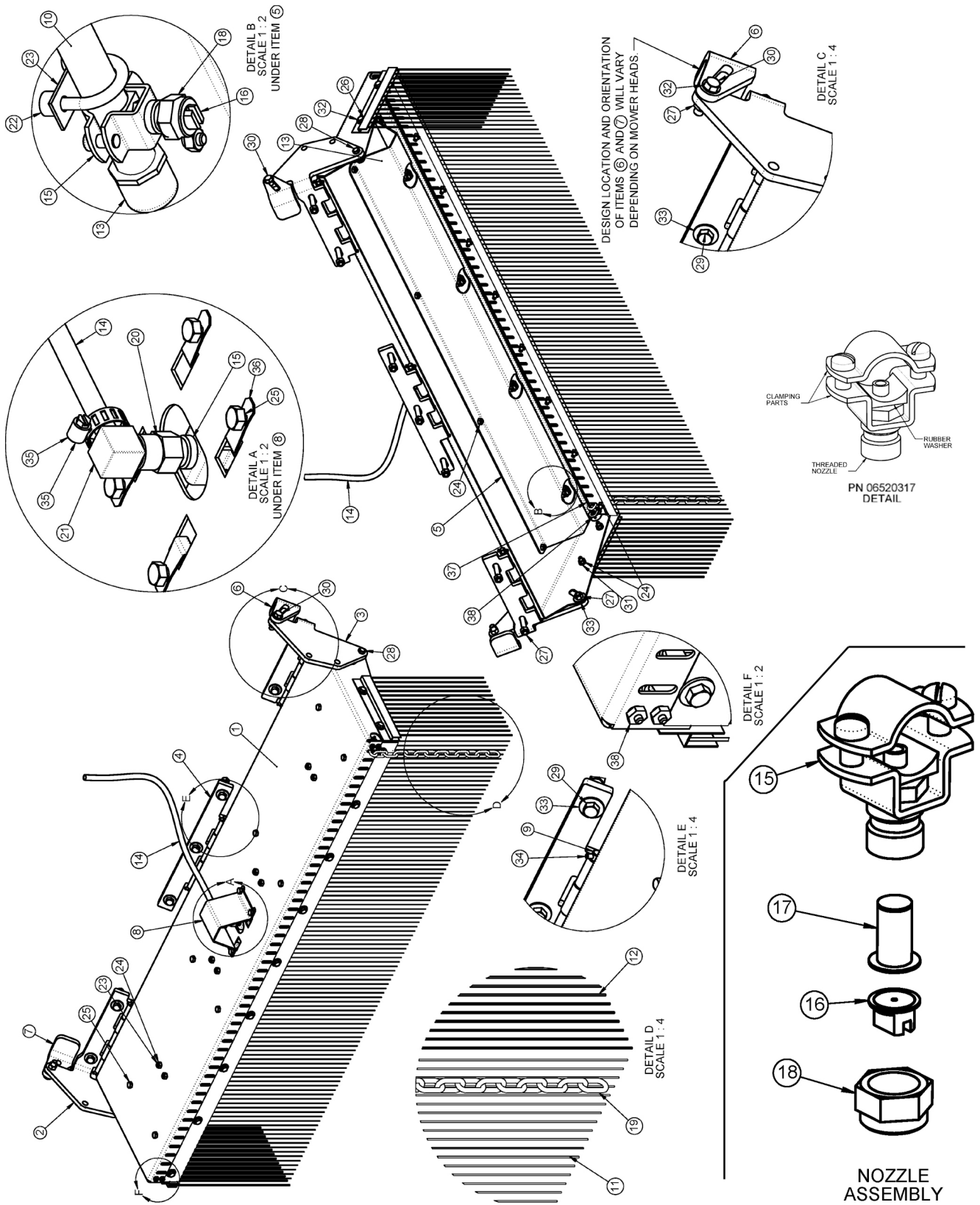
WETCUT 50IN SPRAYER HEAD ASSEMBLY

Continued...

| ITEM | PART NO. | QTY. | DESCRIPTION |
|------|----------|------|---|
| 1 | 06370105 | 1 | HOOD,SPRAYER |
| 2 | 06370106 | 1 | HINGE,LH,SPRAYER |
| 3 | 06370107 | 1 | HINGE,RH,SPRAYER |
| 4 | 06370108 | 1 | HINGE,CNTR,SPRAYER |
| 5 | 06410668 | 1 | GUARD,SPRAYER,WETCUT |
| 6 | 06410753 | 1 | MNT,RH,WET CUT (FLAIL) |
| --- | 06410942 | 1 | MNT,RH,WET CUT (ROTARY) |
| 7 | 06410754 | 1 | MNT,LH,WET CUT (FLAIL) |
| --- | 06410943 | 1 | MNT,LH,WET CUT (ROTARY) |
| 8 | 06410796 | 1 | GUARD,HOSE,WETCUT |
| 9 | 06420069 | 3 | PIN,HINGE,WET CUT |
| 10 | 06497003 | 1 | TUBE,LG,SPRAYER |
| 11 | 06499012 | 1 | SKIRT,ANTI SPRAY,50 |
| 12 | 06499013 | 2 | SKIRT,ANTI SPRAY,7 |
| 13 | 06520314 | 2 | TUBE,CAP,SPRAYER |
| 14 | 06520316 | 15 | HOSE,SPRAYER (FEET) |
| 15 | 06520317 | 5 | NOZZLE,SPRAYER |
| 16 | 06520319 | 4 | TIP,NOZZLE,SPRAYER |
| 17 | 06520320 | 4 | FILTER,NOZZLE,SPRAYER |
| 18 | 06520321 | 4 | NUT,NOZZLE,SPRAYER |
| 19 | 06520322 | 49 | CHAIN,.18" X 1.31" X 13LINKS |
| 20 | 06520381 | 1 | ADAPTER,1/4"NPT,WETCUT |
| 21 | 06520382 | 1 | ELBOW,BARB,3/8" X 1/4"NPT |
| 22 | 06520383 | 8 | SPACER,.50"O.D. X .252" I.D. X .38",NYLON |
| 23 | 32550 | 4 | U-BOLT,1/4" X 1" X 1" X 1-3/4" |
| 24 | 21527 | 29 | HEX NUT,NYLOCK,1/4",NC |
| 25 | 21528 | 12 | CAPSCREW,1/4" X 1/2",NC |
| 26 | 21529 | 13 | CAPSCREW,1/4" X 3/4",NC |
| 27 | 21625 | 11 | HEX NUT,3/8",NC |
| 28 | 21630 | 2 | CAPSCREW,3/8" X 1",NC |
| 29 | 21634 | 7 | CAPSCREW,3/8" X 2",NC |
| 30 | 21632 | 2 | CAPSCREW,3/8" X 1-1/2",NC |
| 31 | 21986 | 4 | LOCKWASHER,1/4" |
| 32 | 22014 | 15 | FLATWASHER,1/4" |
| 33 | 22016 | 9 | FLATWASHER,3/8",GR8 |
| 34 | 34698 | 6 | ROLL PIN, PLAIN, 3/16" X 7/8" |
| 35 | 35091 | 1 | CLAMP,HOSE #6 |
| 36 | 35176 | 4 | U-NUT,1/4",3/4" TO CENTER |
| 37 | 06520376 | 5 | CABLE,3/16" |
| 38 | 06537022 | 2 | U-BOLT,CABLE,3/16" |

COMMON SIDE ROTARY

WETCUT 60IN SPRAYER HEAD ASSEMBLY



COMMON SIDE ROTARY

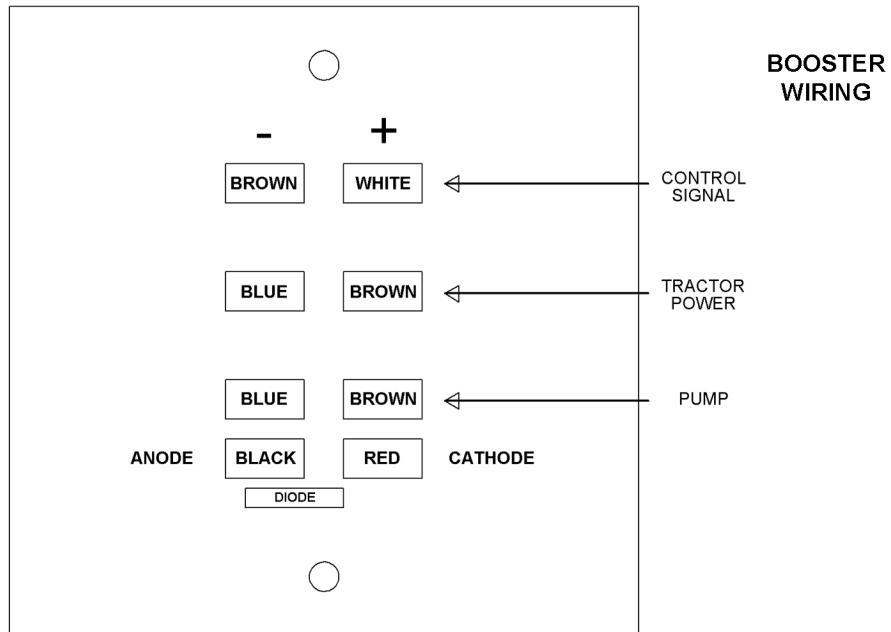
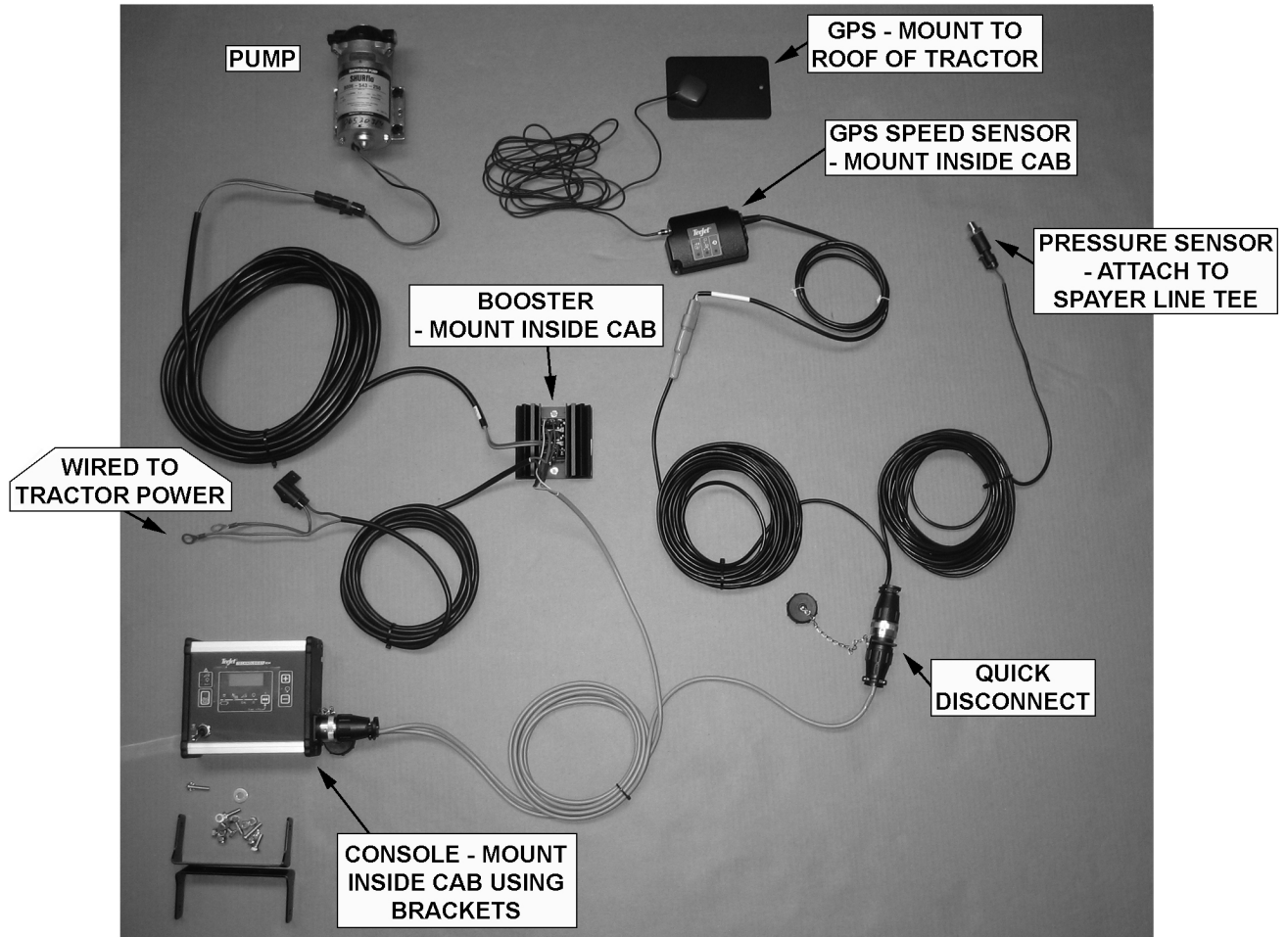
WETCUT 60IN SPRAYER HEAD ASSEMBLY

Continued...

| ITEM | PART NO. | QTY. | DESCRIPTION |
|------|----------|------|---|
| 1 | 06370210 | 1 | HOOD,SPRAYER |
| 2 | 06370106 | 1 | HINGE,LH,SPRAYER |
| 3 | 06370107 | 1 | HINGE,RH,SPRAYER |
| 4 | 06370108 | 1 | HINGE,CNTR,SPRAYER |
| 5 | 06411234 | 1 | GUARD,SPRAYER,WETCUT |
| 6 | 06410753 | 1 | MNT,RH,WET CUT (FLAIL) |
| --- | 06410942 | 1 | MNT,RH,WET CUT (ROTARY) |
| 7 | 06410754 | 1 | MNT,LH,WET CUT (FLAIL) |
| --- | 06410943 | 1 | MNT,LH,WET CUT (ROTARY) |
| 8 | 06410796 | 1 | GUARD,HOSE,WETCUT |
| 9 | 06420069 | 3 | PIN,HINGE,WET CUT |
| 10 | 06497009 | 1 | TUBE,LG,SPRAYER |
| 11 | 06499018 | 1 | SKIRT,ANTI SPRAY,60 |
| 12 | 06499013 | 2 | SKIRT,ANTI SPRAY,7 |
| 13 | 06520314 | 2 | TUBE,CAP,SPRAYER |
| 14 | 06520316 | 15 | HOSE,SPRAYER (FEET) |
| 15 | 06520317 | 6 | NOZZLE,SPRAYER |
| 16 | 06520319 | 5 | TIP,NOZZLE,SPRAYER |
| 17 | 06520320 | 5 | FILTER,NOZZLE,SPRAYER |
| 18 | 06520321 | 5 | NUT,NOZZLE,SPRAYER |
| 19 | 06520322 | 61 | CHAIN,.18" X 1.31" X 13LINKS |
| 20 | 06520381 | 1 | ADAPTER,1/4"NPT,WETCUT |
| 21 | 06520382 | 1 | ELBOW,BARB,3/8" X 1/4"NPT |
| 22 | 06520383 | 10 | SPACER,.50"O.D. X .252" I.D. X .38",NYLON |
| 23 | 32550 | 5 | U-BOLT,1/4" X 1" X 1" X 1-3/4" |
| 24 | 21527 | 33 | HEX NUT,NYLOCK,1/4",NC |
| 25 | 21528 | 15 | CAPSCREW,1/4" X 1/2",NC |
| 26 | 21529 | 13 | CAPSCREW,1/4" X 3/4",NC |
| 27 | 21625 | 13 | HEX NUT,3/8",NC |
| 28 | 21630 | 2 | CAPSCREW,3/8" X 1",NC |
| 29 | 21634 | 7 | CAPSCREW,3/8" X 2",NC |
| 30 | 21632 | 4 | CAPSCREW,3/8" X 1-1/2",NC |
| 31 | 21986 | 4 | LOCKWASHER,1/4" |
| 32 | 22014 | 33 | FLATWASHER,1/4" |
| 33 | 22016 | 11 | FLATWASHER,3/8",GR8 |
| 34 | 34698 | 6 | ROLL PIN, PLAIN, 3/16" X 7/8" |
| 35 | 35091 | 1 | CLAMP,HOSE #6 |
| 36 | 35176 | 4 | U-NUT,1/4",3/4" TO CENTER |
| 37 | 06520376 | 6 | CABLE,3/16" (FEET) |
| 38 | 06537022 | 2 | U-BOLT,CABLE,3/16" |

COMMON SIDE ROTARY

WETCUT CABLES



**WARRANTY
SECTION**

WARRANTY INFORMATION

Tiger Corporation, 3301 N. Louise, Sioux Falls, South Dakota, warrants to the original Retail Customer, the new Tiger equipment is free of defects in material and workmanship. Any part of equipment that in Tiger's judgement, show evidence of such defects will be repaired or replaced without charge, provided that the failure of part(s) shall have occurred within twelve (12) months from the date of delivery of said equipment to the Retail Customer. Expendable components such as knives, oil, chain sprockets, skid shoes, knife mounting disks and the like are excluded but not limited to this warranty.

The Retail Customer must pay the transportation cost to and from the Tiger Dealer's service shop for warranty service. Warranty service will be performed by the Tiger Dealer from whom the equipment was purchased, during service shop regularly scheduled days and hours of operation.

All Tiger obligation under this warranty shall be terminated if the equipment is modified or altered in ways not approved in writing by Tiger, if repair parts other than genuine Tiger repair parts have been used, or if the equipment has been subject to misuse, neglect, accident, improper maintenance or improper operation.

Tiger Corporation reserves the right to make improvements in design or changes in specification at any time without incurring any obligation to owners of equipment previously sold.

No agent or person has authority to alter, add to or waive the above warranties which are agreed to be in the only warranties, representations or promises, expressed or implied, as to the quality or performance of the products covered and which do not include any implied warranty of merchantability or fitness. In no event will Tiger be liable for incidental or consequential damages or injuries, including, but not limited to, loss of profits, rental or substitute equipment or other commercial loss.

**THERE ARE NO WARRANTIES WHICH EXTEND
BEYOND THOSE EXPRESSED HEREIN.**

It is the Purchasers obligation to sign the warranty registration form **AFTER** he / she has Read and Understands the Operation and Safety Instructions stated within this manual.

ONE LAST WORD

This manual cannot possibly cover all of the potentially hazardous situations you will encounter. By being familiar with the safety rules, operating and maintenance instructions in this manual you can help prevent accidents. The objective of this manual is to help make you a better operator. Remember, **SAFETY IS YOU!**



1012

Your safety and the safety of those around you depends on **YOU**. Common sense should play a large role in the operation of this machine.

Since we at Tiger Corporation are constantly striving to improve our products, we reserve the right to change specifications or design at any time.

TO THE OWNER / OPERATOR / DEALER



To keep your implement running efficiently and safely, read your manual thoroughly and follow these directions and the Safety Messages in this manual and on the machine. The table of contents clearly identifies each section where you can easily find the information you need.

The Occupational Safety and Health Act (OSHA 1928.51 subpart C) makes the following minimum requirements for tractor operators.

OWNER REQUIREMENTS:

1. Provide a Roll-Over-Protective Structure that meets the requirements of this Standard; and
2. Provide Seatbelts that meet the requirements of this Standard and SAE J3C; and
3. Ensure that each employee uses such Seatbelt while the tractor is moving; and
4. Ensure that each employee tightens the Seatbelt sufficiently to confine the employee to the protected area provided by the ROPS.

OPERATOR REQUIREMENTS:

1. Securely fasten seatbelt if the tractor has a ROPS.
2. Where possible, avoid operating the tractor near steep ditches, embankments, and holes.
3. Reduce speed when turning, crossing slopes, and on rough, slick, or muddy surfaces.
4. Stay off slopes too steep for safe operation.
5. Watch where you are going – especially at row ends, on roads, and around trees.
6. Do Not permit others to ride.
7. Operate the tractor smoothly – no jerky turns, starts, or stops.
8. Hitch only to the draw-bar and hitch points recommended by the tractor manufacturer.
9. When the tractor is stopped, set brakes securely and use park lock, if available



Printed in USA
© Tiger Corporation