



BENGAL BOOM ASSEMBLIES

2012

JD 5101E, 5093E & 5083E

Current as of 02/16/2013

PARTS LISTING WITH
MOUNTING AND OPERATING
INSTRUCTIONS

Tiger Corporation
3301 N. Louise Ave.
Sioux Falls, SD 57107
1-800-843-6849
1-605-336-7900
www.tiger-mowers.com

06010029

TO THE OWNER / OPERATOR / DEALER

All implements with moving parts are potentially hazardous. There is no substitute for a cautious, safe-minded operator who recognizes the potential hazards and follows reasonable safety practices. The manufacturer has designed this implement to be used with all its safety equipment properly attached to minimize the chance of accidents.

BEFORE YOU START!! Read the safety messages on the implement and shown in this manual. Observe the rules of safety and use common sense!

READ AND UNDERSTAND THIS MANUAL! Non-English speaking operators will need to GET THE MANUAL TRANSLATED as needed!



DANGER

FAILING TO FOLLOW SAFETY MESSAGES AND OPERATING INSTRUCTIONS CAN CAUSE SERIOUS BODILY INJURY OR EVEN DEATH TO OPERATOR AND OTHERS IN THE AREA.



1. Study and understand Operator's Manuals, Safety Decals, and Instructional Decals for tractor and implement to prevent misuse, abuse, and accidents. Practice before operating in a confined area or near passersby.

● Learn how to stop engine suddenly in an emergency. Be alert for passersby and especially children

2. Allow no children on or near folding mower or tractor. Allow no riders on tractor or implement. Falling off may cause serious injury or death from being run over by tractor or mower or contact with rotating blades.

3. Operate only with tractor having Roll-Over Protective Structure (ROPS) and with seat belt securely fastened to prevent injury and possible death from falling off or tractor overturn.

● Personal Protective Equipment such as Hard Hat, Safety Glasses, Safety Shoes, & Ear Plugs are recommended.

4. Block up or support raised machine and all lifted components securely before putting hands or feet under or working underneath any lifted component to prevent crushing injury or death from sudden dropping or inadvertent operation of controls. Make certain area is clear before lowering or folding

5. Before transporting, put Lift Lever in detent or full-lift position. Install Transport Safety Devices securely on folding mowers. Put Booms securely in Transport Rest.

● Folding and Boom Mowers have raised center of gravity. Slow down when turning and on hillsides.

6. Make certain that SMV sign, warning lights, and reflectors are clearly visible. Follow local traffic codes.

7. Never operate with Cutting Head or Folding Section raised if passersby, bystanders, or traffic are in the area to reduce possibility of injury or death from objects thrown by Blades under Guards or mower structure.

8. Before dismounting, secure implement in transport position or lower to ground.

● Put tractor in park or set brake, disengage PTO, stop engine, remove key, and wait until noise of rotation has ceased to prevent crushing by entanglement in rotating parts which could cause injury or death.

● Never mount or dismount a moving vehicle. Crushing from rollover may cause serious injury or death.



02967827

Warranty Information: Read and understand the complete Warranty Statement found in this manual. Fill out the Warranty Registration form in full and return it within 90 days. Make certain the Serial Number of the machine is recorded on the Warranty Card, and form that you retain.

FORWARD

This manual contains information about many features of the Tiger mowing and roadside maintenance equipment. Some of these include: Safety precautions, Assembly instructions, Operations, Maintenance and Parts. This manual will also assist you in the proper break-in, daily care, and troubleshooting of your new mower.

We recommend that you read carefully the entire manual before operating the unit. Also, time spent in becoming fully acquainted with its performance features, adjustments, and maintenance schedules will be repaid in a long and satisfactory life of the equipment.

Troubleshooting - Please, before you call, help us to help you!

Please look at the equipment to observe what is happening, then:

- Classify the problem
 - Hydraulic, electrical or mechanical - Read the trouble shooting section
 - Tractor or Truck chassis - Contact vehicle dealer

- If unable to correct the problem yourself, contact your local Tiger Dealer after gathering:
 - Machine model _____
 - Serial number _____
 - Dealer name _____
 - Detailed information about the problem including results of troubleshooting

Attention Owner / Operator / Dealer: It is your obligation to read, and understand, the warranty information section located at the back of this manual denoting that the purchaser understands the safety issues relating to this machine and has received and will read a copy of this manual.

If at any time, you have a service problem with your Tiger mower, Contact your local dealer for service and parts needed.

MANUFACTURED BY:

Tiger Corporation

3301 N. Louise Ave.

Sioux Falls, SD 57107

1-800-843-6849

1-605-336-7900

www.tiger-mowers.com

DISTRIBUTED BY:

1- _____ - _____ - _____

1- _____ - _____ - _____

TABLE OF CONTENTS

SAFETY SECTION_____	1
ASSEMBLY / MOUNTING SECTION_____	2
OPERATION SECTION_____	3
MAINTENANCE SECTION_____	4
PARTS SECTION_____	5
COMMON PARTS SECTION_____	6
WARRANTY INFORMATION_____	7



1012

This symbol means:

CAUTION – YOUR SAFETY IS AT RISK!

When you see this symbol, read and follow the associated instructions carefully or personal injury or damage may result.

Tiger is a registered trademark.



SAFETY

SAFETY SECTION

SAFETY

General Safety Instructions and Practices

A safe and careful operator is the best operator. Safety is of primary importance to the manufacturer and should be to the owner / operator. Most accidents can be avoided by being aware of your equipment, your surroundings, and observing certain precautions. The first section of this manual includes a list of Safety Messages that, if followed, will help protect the operator and bystanders from injury or death. Read and understand these Safety Messages before assembling, operating or servicing this mower. This equipment should only be operated by those persons who have read the Manual, who are responsible and trained, and who know how to do so safely and responsibly.



1000

The Safety Alert Symbol combined with a Signal Word, as seen below, is used throughout this manual and on decals which are attached to the equipment. The Safety Alert Symbol means: “**ATTENTION! BECOME ALERT! YOUR SAFETY IS INVOLVED!**” The symbol and signal word are intended to warn the owner / operator of impending hazards and the degree of possible injury when operating this equipment.

Practice all usual and customary safe working precautions and above all -- remember safety is up to YOU! Only YOU can prevent serious injury or death from unsafe practices.

DANGER!



Indicates an imminently hazardous situation that, if not avoided, WILL result in DEATH OR VERY SERIOUS INJURY.

WARNING!



Indicates an imminently hazardous situation that, if not avoided, COULD result in DEATH OR SERIOUS INJURY.

CAUTION!



Indicates an imminently hazardous situation that, if not avoided, MAY result in MINOR INJURY.

IMPORTANT!

Identifies special instructions or procedures that, if not strictly observed, could result in damage to, or destruction of the machine, attachments or the environment.

NOTE: *Identifies points of particular interest for more efficient or convenient operation or repair.* (SG-1)

READ, UNDERSTAND, and FOLLOW the following Safety Messages. Serious injury or death may occur unless care is taken to follow the warnings and instructions stated in the Safety Messages. Always use good common sense to avoid hazards. (SG-2)

SAFETY INSTRUCTIONS



SAFETY

PELIGRO!



Si no lee Ingles, pida ayuda a alguien que si lo lea para que le traduzca las medidas de seguridad. (SG-3)



¡ LEA EL INSTRUCTIVO!

DANGER!



Never operate the Tractor or Implement until you have read and completely understand this Manual, the Tractor Operator's Manual, and each of the Safety Messages found in the Manual or on the Tractor and Implement. Learn how to stop the tractor engine suddenly in an emergency. Never allow inexperienced or untrained personnel to operate the Tractor and Implement without supervision. Make sure the operator has fully read and understood the manuals prior to operation. (SG-4)



WARNING!



Always maintain the safety decals in good readable condition. If the decals are missing, damaged, or unreadable, obtain and install replacement decals immediately. (SG-5)

WARNING!



Make certain that the "Slow Moving Vehicle" (SMV) sign is installed in such a way as to be clearly visible and legible. When transporting the Equipment use the Tractor flashing warning lights and follow all local traffic regulations. (SG-6)



WARNING!



Operate this Equipment only with a Tractor equipped with an approved roll-over-protective system (ROPS). Always wear seat belts. Serious injury or even death could result from falling off the tractor--particularly during a turnover when the operator could be pinned under the ROPS. (SG-7)



WARNING!

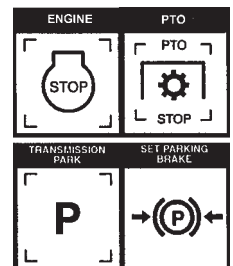


Do not modify or alter this Implement. Do not permit anyone to modify or alter this Implement, any of its components or any Implement function. (SG-8)

DANGER!



BEFORE leaving the tractor seat, always engage the brake and/or set the tractor transmission in parking gear, disengage the PTO, stop the engine, remove the key, and wait for all moving parts to stop. Place the tractor shift lever into a low range or parking gear to prevent the tractor from rolling. Never dismount a Tractor that is moving or while the engine is running. Operate the Tractor controls from the tractor seat only. (SG-9)



SAFETY

DANGER!



Never allow children or other persons to ride on the Tractor or Implement. Falling off can result in serious injury or death.

(SG-10)



DANGER!



Never allow children to operate or ride on the Tractor or Implement.

(SG-11)



WARNING!



Do not mount the Tractor while the tractor is moving. Mount the Tractor only when the Tractor and all moving parts are completely stopped.

12)

(SG-



DANGER!



Start tractor only when properly seated in the Tractor seat. Starting a tractor in gear can result in injury or death. Read the Tractor operators manual for proper starting instructions. (SG-13)



DANGER!



Never work under the Implement, the framework, or any lifted component unless the Implement is securely supported or blocked up to prevent sudden or inadvertent falling which could cause serious injury or even death. (SG-14)



DANGER!



Do not operate this Equipment with hydraulic oil leaking. Oil is expensive and its presence could present a hazard. Do not check for leaks with your hand! Use a piece of heavy paper or cardboard. High-pressure oil streams from breaks in the line could penetrate the skin and cause tissue damage including gangrene. If oil does penetrate the skin, have the injury treated immediately by a physician knowledgeable and skilled in this procedure. (SG-15)

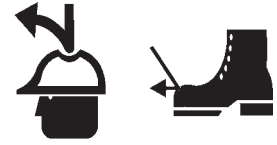


SAFETY

WARNING!



The operator and all support personnel should wear hard hats, safety shoes, safety glasses, and proper hearing protection at all times for protection from injury including injury from items thrown by the equipment. (SG-16)



CAUTION!



PROLONGED EXPOSURE TO LOUD NOISE MAY CAUSE PERMANENT HEARING LOSS! Tractors with or without an Implement attached can often be noisy enough to cause permanent hearing loss. We recommend that you always wear hearing protection if the noise in the Operator's position exceeds 80db. Noise over 85db over an extended period of time will cause severe hearing loss. Noise over 90db adjacent to the Operator over an extended period of time will cause permanent or total hearing loss. *Note:* Hearing loss from loud noise [from tractors, chain saws, radios, and other such sources close to the ear] is cumulative over a lifetime without hope of natural recovery. (SG-17)



WARNING!



Transport only at safe speeds. Serious accidents and injuries can result from operating this equipment at unsafe speeds. Understand the Tractor and Implement and how it handles before transporting on streets and highways. Make sure the Tractor steering and brakes are in good condition and operate properly.

Before transporting the Tractor and Implement, determine the safe transport speeds for you and the equipment. Make sure you abide by the following rules:

1. Test the tractor at a slow speed and increase the speed slowly. Apply the Brakes smoothly to determine the stopping characteristics of the Tractor and Implement. As you increase the speed of the Tractor the stopping distance increases. Determine the maximum safe transport speed for you and this Equipment.
2. Test the equipment at a slow speed in turns. Increase the speed through the turn only after you determine that it is safe to operate at a higher speed. Use extreme care and reduce your speed when turning sharply to prevent the tractor and implement from turning over. Determine the maximum safe turning speed for you and this equipment before operating on roads or uneven ground.
3. Only transport the Tractor and Implement at the speeds that you have determined are safe and which allow you to properly control the equipment.



Be aware of the operating conditions. Do not operate the Tractor with weak or faulty brakes. When operating down a hill or on wet or rain slick roads, the braking distance increases: use extreme care and reduce your speed. When operating in traffic always use the Tractor's flashing warning lights and reduce your speed. Be aware of traffic around you and watch out for the other guy. (SG-19)

SAFETY

WARNING!



Never attempt to lubricate, adjust, or remove material from the Implement while it is in motion or while tractor engine is running. Make sure the tractor engine is off before working on the Implement.

(SG-20)

WARNING!



Periodically inspect all moving parts for wear and replace when necessary with authorized service parts. Look for loose fasteners, worn or broken parts, and leaky or loose fittings. Make sure all pins are properly secured. Serious injury may occur from not maintaining this machine in good working order. (SG-21)



WARNING!



Always read carefully and comply fully with the manufacturers instructions when handling oil, solvents, cleansers, and any other chemical agent. (SG-22)



DANGER!



Never run the tractor engine in a closed building or without adequate ventilation. The exhaust fumes can be hazardous to your health.

(SG-23)

DANGER!



KEEP AWAY FROM ROTATING ELEMENTS to prevent entanglement and possible serious injury or death.

(SG-24)



DANGER!



Never allow children to play on or around Tractor or Implement. Children can slip or fall off the Equipment and be injured or killed. Children can cause the Implement to shift or fall crushing themselves or others. (SG-25)

SAFETY

DANGER!



NEVER use drugs or alcohol immediately before or while operating the Tractor and Implement. Drugs and alcohol will affect an operator's alertness and coordination and therefore affect the operator's ability to operate the equipment safely. Before operating the Tractor or Implement, an operator on prescription or over-the-counter medication must consult a medical professional regarding any side effects of the medication that would hinder their ability to operate the Equipment safely. **NEVER** knowingly allow anyone to operate this equipment when their alertness or coordination is impaired. Serious injury or death to the operator or others could result if the operator is under the influence of drugs or alcohol. (SG-27)



DANGER!



Operate the Tractor and/or Implement controls only while properly seated in the Tractor seat with the seat belt securely fastened around you. Inadvertent movement of the Tractor or Implement may cause serious injury or death. (SG-29)

WARNING!



Mow only in conditions where you have clear visibility in daylight or with adequate artificial lighting. Never mow in darkness or foggy conditions where you cannot clearly see at least 100 yards in front and to the sides of the tractor and mower. Make sure that you can clearly see and identify passersby, steep slopes, ditches, drop-offs, overhead obstructions, power lines, debris and foreign objects. If you are unable to clearly see this type of items discontinue mowing. (SGM-1)

DANGER!



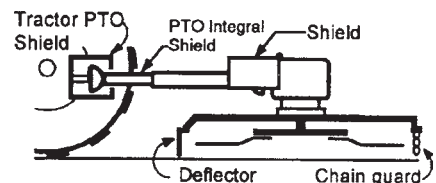
There are obvious and hidden potential hazards in the operation of this Mower. **REMEMBER!** This machine is often operated in heavy brush and in heavy weeds. The Blades of this Mower can throw objects if shields are not properly installed and maintained. Serious injury or even death may occur unless care is taken to insure the safety of the operator, bystanders, or passersby in the area. Do not operate this machine with anyone in the immediate area. Stop mowing if anyone is within 100 yards of mower. (SGM-2)



DANGER!



All Safety Shields, Guards and Safety devices including (but not limited to) - the Deflectors, Chain Guards, Steel Guards, Gearbox Shields, PTO integral shields, and Retractable Door Shields should be used and maintained in good working condition. All safety devices should be inspected carefully at least daily for missing or broken components. Missing, broken, or worn items must be replaced at once to reduce the possibility of injury or death from thrown objects, entanglement, or blade contact. (SGM-3)



SAFETY

DANGER!



The rotating parts of this machine have been designed and tested for rugged use. However, the blades could fail upon impact with heavy, solid objects such as metal guard rails and concrete structures. Such impact could cause the broken objects to be thrown outward at very high velocities. To reduce the possibility of property damage, serious injury, or even death, never allow the cutting blades to contact such obstacles. (SGM-4)

WARNING!



Extreme care should be taken when operating near loose objects such as gravel, rocks, wire, and other debris. Inspect the area before mowing. Foreign objects should be removed from the site to prevent machine damage and/or bodily injury or even death. Any objects that cannot be removed must be clearly marked and carefully avoided by the operator. Stop mowing immediately if blades strike a foreign object. Repair all damage and make certain rotor or blade carrier is balanced before resuming mowing. (SGM-5)



WARNING!



Many varied objects, such as wire, cable, rope, or chains, can become entangled in the operating parts of the mower head. These items could then swing outside the housing at greater velocities than the blades. Such a situation is extremely hazardous and could result in serious injury or even death. Inspect the cutting area for such objects before mowing. Remove any like object from the site. Never allow the cutting blades to contact such items. (SGM-6)

WARNING!



Mow at the speed that you can safely operate and control the tractor and mower. Safe mowing speed depends on terrain condition and grass type, density, and height of cut. Normal ground speed range is from 0 to 5 mph. Use slow mowing speeds when operating on or near steep slopes, ditches, drop-offs, overhead obstructions, power lines, or when debris and foreign objects are to be avoided. (SGM-7)

WARNING!



Avoid mowing in reverse direction when possible. Check to make sure there are no persons behind the mower and use extreme care when mowing in reverse. Mow only at a slow ground speed where you can safely operate and control the tractor and mower. Never mow an area that you have not inspected and removed debris or foreign material. (SGM-8)

WARNING!



Do not put hands or feet under mower decks. Blade Contact can result serious injury or even death. Stay away until all motion has stopped and the decks are securely blocked up. (SGM-9)



DANGER!



Replace bent or broken blade with new blades. NEVER ATTEMPT TO STRAIGHTEN OR WELD ON BLADES SINCE THIS WILL LIKELY CRACK OR OTHERWISE DAMAGE THE BLADE WITH SUBSEQUENT FAILURE AND POSSIBLE SERIOUS INJURY FROM THROWN BLADES. (SGM-10)

SAFETY

WARNING!



Do not mow with two machines in the same area except with Cab tractors with the windows closed. (SGM-11)

DANGER!



Rotary and Flail Mowers are capable under adverse conditions of throwing objects for great distances (100 yards or more) and causing serious injury or death. Follow safety messages carefully. **STOP MOWING IF PASSERSBY ARE WITHIN 100 YARDS UNLESS:**

- Front and Rear Deflectors are installed and in good, working condition;
- Mower Head is running close to and parallel to the ground without exposed Blades;
- Passersby are outside the existing thrown-object zone;
- All areas have been thoroughly inspected and all foreign material such as rocks, cans, glass, and general debris has been removed.



NOTE: Where there are grass and weeds high enough to hide debris that could be struck by the blades, the area should be: inspected and large debris removed, mowed at an intermediate height, inspected closely with any remaining debris being removed, and mowed again at desired final height. (SBM-1)



DANGER!



Use extreme caution when raising the Mower head. Stop the Blades from turning when the Mower Head is raised and passersby are within 100 yards. Raising the Mower head exposes the Cutting Blades which creates a potentially serious hazard and can cause serious injury by objects thrown from the Blades or by contact with the Blades. (SBM-2)

DANGER!



Be particularly careful in transport. The Mower has raised the center of gravity for the tractor and has increased the possibility of overturn. Turn curves or go up slopes only at low speed and using a gradual turning angle. Slow down on rough or uneven surfaces. (SBM-3)



WARNING!



Never Leave the mower unattended while the head is in the raised position. The mower could fall causing serious injury to anyone who might inadvertently be under the mower. (SBM-4)



WARNING!



The rotating parts of this machine continue to rotate even after the Tractor has been turned off. The operator should remain in his seat for 60 seconds after the brake has been set, the PTO disengaged, the tractor turned off, and all evidence of rotation has ceased. (SBM-5)

“Wait a minute...Save a life!”

SAFETY

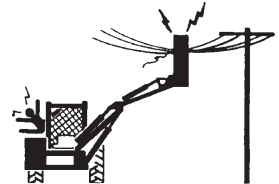


Relieve hydraulic pressure prior to doing any maintenance or repair work on the Implement. Place the Mower Head on the ground or securely supported on blocks or stands, disengage the PTO, and turn off the engine. Push and pull the control Levers or Joystick several times to relieve pressure prior to starting any maintenance or repair work. (SBM-6)

DANGER!



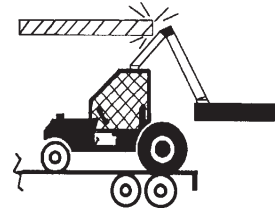
Always keep a careful lookout and use extreme care when working around overhead obstructions. Never allow the Mower head or boom within 10 feet of any power line. When working close to overhead power lines consult your electric company for a safe code of operation. (SBM-7)



DANGER!



When transporting Boom Mower on a truck or trailer, the height or width may exceed legal limits when the boom is in the transport position. Contact with side or overhead structures or power lines can cause property damage or serious injury or death. If necessary lower boom to reduce height and/or remove mowing head to reduce width to the legal limits. (SBM-8)



DANGER!



Never operate the Tractor and Mower Unit without an OPS (Operators Protective Structure) or Cab to prevent injury from objects thrown from ground or from overhead trimming. Stop mowing if workers or passersby are within 100 yards. (SBM-9)



DANGER!



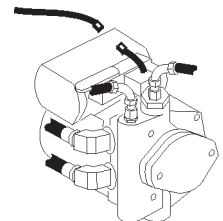
Each Rear Wheel must have a minimum of 1500 pound contact with the surface to prevent lateral instability and possible tip-over which could result in serious bodily injury or even death. Widen the wheel tread and add weights if needed. Refer to the mounting instructions or call Customer Service if you need assistance with Counterweight Procedure. (SBM-11)



DANGER!



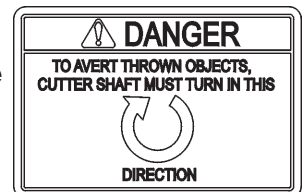
Always disconnect the wire leads from the mower pump solenoid before performing service on the Tractor or Mower. Use caution when working on the Tractor or Mower. Tractor engine must be stopped before working on Mower or Tractor. The Mower Blades could inadvertently be turned on without warning and cause immediate dismemberment, injury or death. (SBM-12a)



DANGER!



The flail cutter shaft is designed for standard rotation (same rotation as the tractor wheels during forward travel). **Never operate the cutter shaft in the reverse rotation.** Operating this mower in reverse rotation may cause objects to be thrown out the front of the mower head.



SAFETY

WARNING!



Engine Exhaust, some of its constituents, and certain components contain or emit chemicals known to the state of California to cause cancer and birth or other reproductive harm.

WARNING!



Battery posts, terminals and related accessories contain lead and lead compounds, chemicals known to the state of California to cause cancer and birth or other reproductive harm. **Wash hands after handling!**

Tiger mowers use balanced and matched system components for blade carriers, blades, cutter-shafts, knives, knife hangers, rollers, drive-train components and bearings. These parts are made and tested to Tiger specifications. Non-genuine “will fit” parts do not consistently meet these specifications. The use of “will fit” parts may reduce mower performance, void mower warranties and present a safety hazard. Use genuine Tiger mower parts for economy and safety.

SEE YOUR  DEALER

In addition to the design and configuration of this Implement, including Safety Signs and Safety Equipment, hazard control and accident prevention are dependent upon the awareness, concern, prudence, and proper training of personnel involved in the operation, transport, maintenance, and storage of the machine. Refer also to Safety Messages and operation instruction in each of the appropriate sections of the Tractor and Equipment Manuals. Pay close attention to the Safety Signs affixed to the Tractor and Equipment. (SG-18)

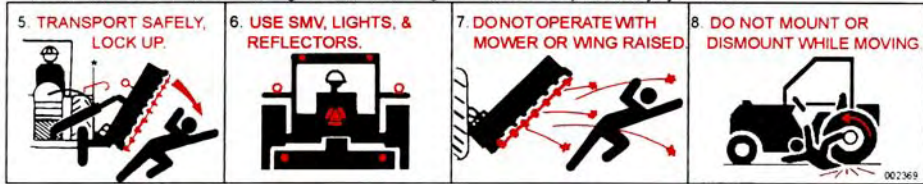
SAFETY

DANGER

FAILING TO FOLLOW SAFETY MESSAGES AND OPERATING INSTRUCTIONS CAN CAUSE SERIOUS BODILY INJURY OR EVEN DEATH TO OPERATOR AND OTHERS IN THE AREA.

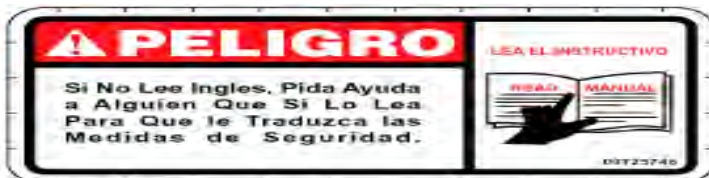


1. Study and understand Operator's Manuals, Safety Signs, and Instructional Decals for tractor & flail mower to prevent misuse, abuse, & accidents. Practice before operating mower in a confined area or near passersby.
 - Learn how to stop engine suddenly in an emergency. Be alert for passersby and especially children.
2. Allow no children on or near implement or tractor. Allow no riders on tractor or implement. Falling off can cause serious injury or death from being runover by tractor or mower or contact with Flail Mower Blades.
3. Operate only with tractor having Roll-Over Protective Structure (ROPS) and with seatbelt fastened securely and snugly to prevent injury and possible death from falling off or tractor overturn. Personal Protective Equipment such as Hard Hat, Safety Glasses, Safety Shoes, and Ear Plugs are recommended.
4. Block up or support raised machine and all lifted components securely before putting hands or feet under or working underneath any lifted component to prevent crushing injury or death from sudden dropping or inadvertent operation of controls. Make certain that area is clear before lowering or folding.
5. Before transporting, put Lift Lever in detent or full-lift position. Install Transport Safety Devices securely on folding implements. Slow down when turning and on hillsides.
 - Install **Restrictor in folding circuit to slow down lowering and unfolding if action is faster than is desirable.
6. Make certain that SMV sign, Warning Lights, and Reflectors are clearly visible. Follow local traffic codes.
7. Never operate with Flail Mower or Folding Section raised if passersby, bystanders or traffic are in the area to reduce possibility of injury or death from objects thrown by Blades under Shields or implement structure.
8. Before dismounting, secure flail mower in transport position or lower to ground.
 - Put tractor in park or set brake, disengage PTO, stop engine, remove key, and wait until noise of rotation has ceased to prevent entanglement in rotating parts which may cause injury or death.
 - Never mount or dismount a moving vehicle. Crushing from runover may cause injury or death.



PART NO.
LOCATION

002369
HYDRAULIC TANK



00725746
INSIDE OF CAB

DANGER

THROWN OBJECTS



CUTTING BLADES



KEEP AWAY - ROTATING BLADES

BEING HIT BY THROWN OBJECTS OR CONTACTING ROTATING BLADES CAN CAUSE INJURY OR DEATH.

- Stop mowing if passersby enter the area of thrown objects (See Operator's Manual).
- Use special care if Mower Head or Wing is raised off the ground. (See Manual).
- Operate only if all Guards-Deflectors are in place and in good condition.

00769737

00769737
MOWER DECK

SAFETY



PART NO.
LOCATION

00758194
MOWER DECK



02962764
MAIN BOOM, SECONDARY BOOM, MAIN FRAME



02962765
MAIN FRAME

02965262
HYDRAULIC TANK

SAFETY

DANGER

CUTTING BLADES



THROWN OBJECTS



KEEP AWAY - ROTATING BLADES

BEING HIT BY THROWN OBJECTS OR CONTACTING ROTATING BLADES CAN CAUSE INJURY OR DEATH

- Stop mowing if passersby enter the area of thrown objects. (See Operator's Manual)
- Use special care when Flail or Wing is raised off the ground. (See Oper. Manual)
- Operate only if all Guards-Deflectors are in place and in good condition.

PART NO.
LOCATION

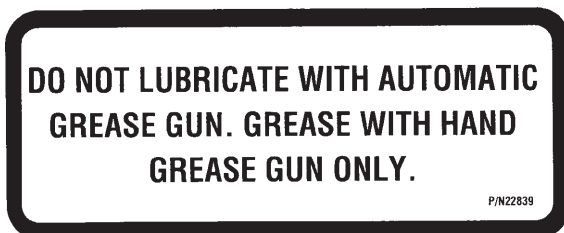
02967668
MOWER DECK

02971123
HYDRAULIC TANK

03200285
OUTSIDE OF CAB

22645
INSIDE OF CAB

22839
MOWER DECK



SAFETY



PART NO.
LOCATION

22840
INSIDE OF CAB



24028
MOWER DECK

25387
INSIDE OF CAB



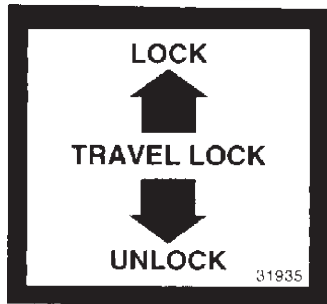
10" x 5.5" 31522
MOWER DECK, MAIN BOOM
18.25" x 10" 31523
HYDRAULIC TANK

SAFETY



PART NO.
LOCATION

27001
INSIDE OF CAB



31935
INSIDE OF CAB

DANGER

1. EACH REAR WHEEL MUST HAVE A MINIMUM OF 1500 POUNDS CONTACT WITH THE SURFACE TO PREVENT LATERAL INSTABILITY AND POSSIBLE TIP-OVER WITH BODILY INJURY. WIDEN WHEEL TREAD AND ADD WEIGHTS IF NEEDED. SEE MANUAL OR CALL TIGER CUSTOMER SERVICE FOR COUNTERWEIGHT PROCEDURE.

1.
2. TRANSPORT CAREFULLY! SLOW DOWN EVEN MORE ON SLOPES AND WHEN TURNING; NEVER TURN UP A SLOPE SHARPLY OR AT HIGH SPEED; AND USE EXTRA CARE IN ROUGH OR BUMPY AREAS TO PREVENT OVERTURN AND POSSIBLE CRUSHING INJURY OR DEATH. IF YOUR VIEW TO THE REAR IS BLOCKED, IT IS YOUR RESPONSIBILITY TO INSTALL MIRRORS THAT PROVIDE A REAR VIEW TO PREVENT ACCIDENTS FROM BLIND SPOTS.

2.
3. REAR-MOUNTED BOOM MOWERS MOVE CENTER OF GRAVITY TO THE REAR AND REMOVE WEIGHT FROM FRONT WHEELS. ADD FRONT BALLAST UNTIL AT LEAST 20% OF TRACTOR'S WEIGHT IS ON FRONT WHEELS TO PREVENT REARING UP, LOSS OF STEERING CONTROL, AND POSSIBLE INJURY.

3.
4. NEVER OPERATE UNIT WITHOUT AN OPS (OPERATOR PROTECTIVE STRUCTURE) OR CAB TO PREVENT INJURY FROM OBJECTS THROWN FROM GROUND AND OVERHEAD TRIMMING. STOP CUTTING IF ANYONE IS WITHIN 100 YARDS.

4.
5. KEEP THE BOOM AND CUTTERHEAD AT LEAST 10 FEET FROM ELECTRIC LINES AND PIPE LINES TO PREVENT ACCIDENTAL CONTACT AND POSSIBLE SERIOUS INJURY OR EVEN DEATH.

5.
5. WHEN TRANSPORTING BOOM MOWERS ON A TRUCK OR TRAILER, THE HEIGHT OR WIDTH MAY EXCEED LEGAL LIMITS. CONTACT WITH SIDE OR OVERHEAD STRUCTURES OR POWER LINES CAN CAUSE SERIOUS INJURY OR DEATH. LOWER BOOM TO REDUCE HEIGHT AND/OR REMOVE MOWING HEAD TO REDUCE WIDTH TO THE LEGAL LIMITS, IF NEEDED. 32707

6.

32707
HYDRAULIC TANK



42350
MOWER DECK

SAFETY

ATTENTION

**SERVICE HYDRAULIC SYSTEM
WITH UNIVERSAL TRACTOR
HYDRAULIC OIL.**

32708

PART NO.
LOCATION

32708
HYDRAULIC TANK

CAUTION

For your safety and to guarantee optimum product reliability, always use genuine TIGER replacement parts. The use of inferior "will-fit" parts will void warranty of your TIGER implement and may cause premature or catastrophic failure which can result in serious injury or death. If you have any questions concerning the repair parts you are using, contact TIGER, 3301 N. LOUISE AVE., SIOUX FALLS, SD 57107

32709

32709
INSIDE OF CAB

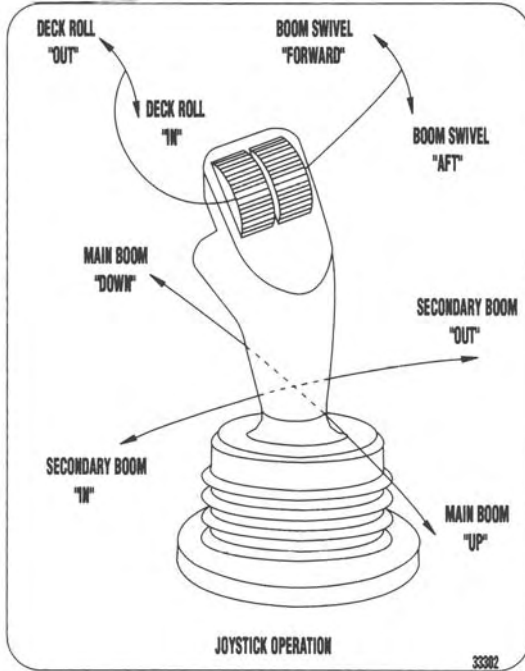
33224
MOWER DECK

Tiger™

33438
MAIN BOOM

SAFETY


PART NO.
LOCATION



33302
INSIDE OF CAB

MOWING SAFETY TIPS

- Read & understand the Operators Manual.
- Wear Your Seat Belt.
- Keep all shields and guards in place.
- Make sure equipment is in proper working condition.
- Never attempt to get off or on a moving tractor.
- Never allow riders on tractor or equipment.
- Only start the tractor from the seat with the key.
- Always inspect the area before mowing. Remove all foreign debris.
- Always keep bystanders and coworkers a minimum of 300 feet away.
- Never allow the mower blades to contact solid objects or foreign material.
- Never approach rotating elements.
- Disengage the PTO, place transmission in "Park", set parking brake, shut off engine, and remove key and wait until all rotating motion has stopped before leaving seat.



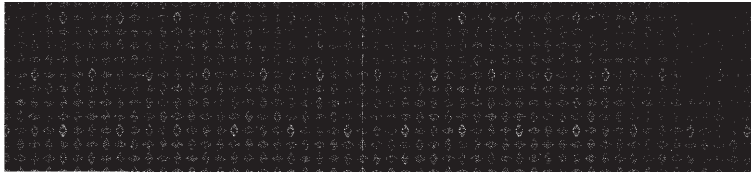
33743

33743
INSIDE OF CAB

SAFETY



PART NO.
LOCATION
RED 42399
REFLECTIVE TAPE
MOWER DECK



AMBER 42400
REFLECTIVE TAPE
MOWER DECK



6T3217
MOWER DECK



6T3219
INSIDE OF CAB

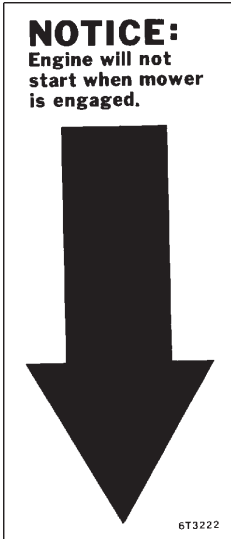
6T3220
FRONT PUMP MOUNT

SAFETY



PART NO.
LOCATION

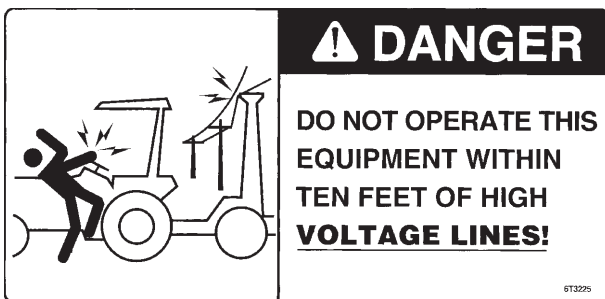
6T3221
INSIDE OF CAB



6T3222
INSIDE OF CAB

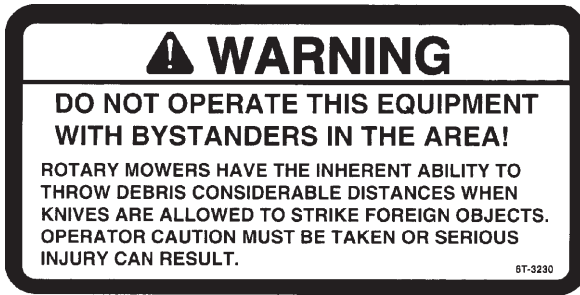


6T3224
MOWER DECK



6T3225
INSIDE OF CAB

SAFETY



PART NO.
LOCATION

6T3230
INSIDE OF CAB



6T3231
INSIDE OF CAB



6T3233
HYDRAULIC TANK



6T3234
INSIDE OF CAB



6T3236
MOWER DECK

SAFETY

⚠ WARNING

**WHEN CUTTING HEAVY BRUSH,
BLADE BOLTS SHOULD BE
INSPECTED HOURLY AND
RETORQUED TO 600 FT. LBS.**

6T-3237

6T3237

PART NO.
LOCATION
6T3237
INSIDE OF CAB

DOWN ↑ MAIN BOOM ↓ UP	OUT ↑ SECONDARY BOOM ↓ IN	OUT ↑ DECK ROLL ↓ IN	FORWARD ↑ SWING ↓ BACKWARD <small>6T-3241</small>
-----------------------------------	---------------------------------------	----------------------------------	---

6T3241

6T3241
INSIDE OF CAB

DOWN ↑ MAIN BOOM ↓ UP	OUT ↑ SECONDARY BOOM ↓ IN	OUT ↑ DECK ROLL ↓ IN	FORWARD ↑ SWING ↓ BACKWARD	CLOSE ↑ SHIELD ↓ OPEN <small>34206</small>
-----------------------------------	---------------------------------------	----------------------------------	--	--

34206
INSIDE OF CAB

<p style="text-align: center;">⚠ WARNING</p> <p style="font-size: x-small;">IT IS RECOMMENDED THAT THE BOLT AND LOCK NUT BE REPLACED WHENEVER BLADES ARE REPLACED. REPLACE THESE ANY TIME THEY ARE DAMAGED OR WORN AS FAILURE TO DO SO CAN LEAD TO BLADES COMING OFF CAUSING SERIOUS INJURY OR DEATH.</p>	<p style="text-align: center;">IMPORTANT</p> <ul style="list-style-type: none"> • WHEN REPLACING BLADES, IT IS RECOMMENDED THAT ALL BLADES BE REPLACED FOR PROPER BALANCE TO AVOID EXCESSIVE VIBRATIONS WHICH CAN DAMAGE SPINDLE ASSEMBLY. • SEE YOUR OPERATOR'S MANUAL FOR PROPER INSTALLATION INSTRUCTIONS. <p style="text-align: right; font-size: x-small;"><small>6T-3243</small></p>
--	---

6T3243
INSIDE OF CAB

GREASING INSTRUCTIONS
CUTTER SHAFT BEARING

GREASE EVERY 8 HRS. OR DAILY

NOTE: If unusual environmental conditions exist-extreme temperatures, moisture, or contaminants-more frequent lubrication is required.

6T3249A

6T3249A
MOWER DECK

GREASING INSTRUCTIONS
GROUND ROLLER BEARING

GREASE EVERY 8 HRS. OR DAILY

NOTE: If unusual environmental conditions exist-extreme temperatures, moisture, or contaminants-more frequent lubrication is required.

6T3261

6T3261
MOWER DECK

SAFETY



TB1011
MOWER DECK



Tiger Corporation

800-843-6849
www.tiger-mowers.com

Description	Application	General Specification	Recommended Lubricant
Tractor Hydraulics	Reservoir	JD-20C	Mobilfluid® 424
Mower Hydraulics Cold Temperatures 0°F Start-up Normal Temperatures 10°F Start-up Normal Temperatures 15°F Start-up High Operating Temperatures Above 90°F Ambient	Reservoir	ISO 46 Anti-Wear/ Low Temp JD-20C ISO 46 Anti-Wear ISO 100 Anti-Wear	Mobil DTE® 15M Mobilfluid® 424 Mobil DTE® 25 Mobil DTE® 18M
Flail Rear Gearbox	Reservoir	PAO Synthetic Extreme Pressure Gear Lube	Mobilube SHC® 75W-90, Mobil 1 Synthetic Gear Lubricant
Cutter Shaft and Ground Roller Shaft (Flail)	Grease Gun	Lithium Complex, NLGI 2 ISO 320	Mobilgrease® CM-S
Drive Shaft Coupler (Rotary and Flail)	Grease Gun	Lithium Complex, NLGI 2 ISO 320	Mobilgrease® CM-S
Boom Swivel, Boom Cylinder Pivots (Rotary and Flail Boom Type)	Grease Gun	Lithium Complex, NLGI 2 ISO 320	Mobilgrease® CM-S
Deck Boom Pivot & Deck Stop Adjustment (Rotary and Flail)	Grease Gun	Lithium Complex, NLGI 2 ISO 320	Mobilgrease® CM-S
Deck Spindle (Rotary)	Grease Gun	Tiger Spindle Lubricant	Mobilith SHC 220

For Mobil product information, availability, or technical information, call 1-800-662-4525.

Tiger PN 34852

34852
HYDRAULIC TANK

SAFETY



50023 MANUAL CANISTER

ITEM	PART NO.	QTY.	DESCRIPTION
	50023	AVAIL	MANUAL CANISTER COMPLETE
1	00776031	1	ROUND MANUAL CANISTER
	33997	1	DECAL, SHEET, MANUAL CANISTER
2		*	DECAL
3		*	DECAL
4		*	DECAL
5	*	AVAIL	SPECIFIC PRODUCT MANUAL
6	33753	1	E M I SAFETY MANUAL
7	34296	1	FRONT ADHESIVE PAD
8	34297	1	REAR ADHESIVE PAD
9	6T1823	4	ZIPTIE 14" LONG

NOTE:

The manual canister can be bolted, zip tied or adhered to a variety of surfaces. Locate a protected area within the view of the operator. Then select an installation method and attach the canister. **CAUTION - AVOID DRILLING HOLES INTO UNKNOWN AREAS**, wires and other parts may be located behind these areas. When adhering the canister to a surface, thoroughly clean that surface before installing the canister.

SAFETY

FEDERAL LAWS AND REGULATIONS

This section is intended to explain in broad terms the concept and effect of federal laws and regulations concerning employer and employee equipment operators. This section is not intended as a legal interpretation of the law and should not be considered as such.

Employer-Employee Operator Regulations

U.S. Public Law 91-596 (The Williams-Steiger Occupational and Health Act of 1970) OSHA

This Act Seeks:

“...to assure so far as possible every working man and woman in the nation safe and healthful working conditions and to preserve our human resources...”

DUTIES

Sec. 5 (a) Each employer-

(1) shall furnish to each of his employees employment and a place of employment which are free from recognized hazards that are causing or are likely to cause death or serious physical harm to his employees;

(2) shall comply with occupational safety and health standards promulgated under this Act.

(b) Each employee shall comply with occupational safety and health standards and all rules, regulations and orders issued pursuant to this Act which are applicable to his own actions and conduct.

OSHA Regulations

OSHA regulations state in part: “At the time of initial assignment and at least annually thereafter, the employer shall instruct every employee in the safe operation and servicing of all equipment with which the employee is, or will be involved.”

Employer Responsibilities:

To ensure employee safety during Tractor and Implement operation, it is the employer’s responsibility to:

1. Train the employee in the proper and safe operation of the Tractor and Implement.
2. Require that the employee read and fully understand the Tractor and Implement Operator’s manual.
3. Permit only qualified and properly trained employees to operate the Tractor and Implement.
4. Maintain the Tractor and Implement in a safe operational condition and maintain all shields and guards on the equipment.
5. Ensure the Tractor is equipped with a functional ROPS and seat belt and require that the employee operator securely fasten the safety belt and operate with the ROPS in the raised position at all times.
6. Forbid the employee operator to carry additional riders on the Tractor or Implement.
7. Provide the required tools to maintain the Tractor and Implement in a good safe working condition and provide the necessary support devices to secure the equipment safely while performing repairs and service.

Child Labor Under 16 Years of Age

Some regulations specify that no one under the age of 16 may operate power machinery. It is your responsibility to know what these regulations are in your own area or situation. (Refer to U.S. Dept. of Labor, Employment Standard Administration, Wage & Home Division, Child Labor Bulletin #102.)

SAFETY

>8) %\$%9 '!`6 9B; 5 @

5 GG9 A 6 @ MG9 7 H=CB

5 GG9 A 6 @M

6 YZfY UHya dh]b['hc'a ci bhnci f' H][Yf'a ck Yfz]h]g]ja dcfhUbh
hc' fYUX'Ub'i bXYfghUbX' U`cZ H Y' GUZYmIA YggU[Yg]b`H Y'GUZYm
gYW]cb'cZH]g'a Ubi U"

Ô@& Á[{]|^cÁ @ { ^} oá oá æ æ • oá@Á æá ã * Áã oá Á æ^Á~|^Á@|^Áæ^Á[ÁÁ
• @!æ^Á• ÉÁÆ æ^Á&Á!æá Á@Áææd |Á [á^|Á Á@Áæ]| |]æ^Á}^Á|Á@Á [, ^!Á^&Áæ^áÁ



OE, æ•Á•^ÁÁ[[|Áæá É@ á oá |Á | |Áoá Áãoá) áÁæ^Á@æ^Á æoÉ

Ü^æáÁæ) áÁ} á^|•æ) áÁ@Á} cã^Áæ•^ { à|^Á^ &ç} Áã •d~ &ç} •Áæ^|^Áæ{] ç} * Áç Á [~} c
^ [~|^Áæ^!Á [, ^!ÉÁÜ^!Á|Á Á@Á æoÁ^&ç} Á Á@Á æ~ æÁ|Á|Á^æá^áÁ| •dæá } •Á|Á| ææ^Áç|
] æoÉ (ASM-C-0001)

HF 57 HCF`DF 9 D5 F 5 HCB

OE Ü^ { [ç^Áã @Áæ) áÁ^oá) áÁç] •É

OE Öã &] } ^&oÁæ^|^ Áæá|^Á[{ Á[ç@Áæ^|^] á •É

OE Ü^ { [ç^Á} * ã^Áæ^Áæ) ^|^ •É |Áæ^Á@ [áÁ| Áæ&••Á[] oá~||^É

OE Ü^ { [ç^Á|^ * Á|[{ Áææd |Áæ çã * Á @|^Á æá Áæ^Áæ) áÁ^ {] Á [~} oá |Á|Á^ææ@áÉ

OE Ü^ { [ç^Áæ) ^Á[] oá ^ã @Áæ) áÁ^ã @Á~] | | •É

OE Üæ^Á@Áææd |Á} ç Áæá É çæ) á•Áæ) áÁ^ { [ç^Á@Áã @Áæ) áÁ^oáæá @^| •É

(ASM-JD-0001)

7 F 5 B? G<5 : H'5 8 5 DH9 F

ç |ÁróI FÉFÒÉróI €JHòBÁróI €I HòÁææd | •É •æ|Á@Á @ Á^|^Á ááXÓG Jì JÁæ) áÁ| | | , Á
ç@Á •d~ &ç} •ÉÁ [~ Á |Áæ [Á^áÁ| Á^] |æ^Á@Á çã çã * Á|oá æç | @ Á^|^Á|Á
ÚDÁ/GÉI Ì JFÉ (ASM-JD-0060)

58>I GHB; `F95 F`K <99 @G

Üæ^Á^æÁ Áææd |Á} ç Áæá É çæ) á•ÉÁ c`ck`H Y]bgfi W]cbg]b`H Y`HfUWcf`ck bYfg
a Ubi U`Zf`UX1 gh]b[`HfYg`UbX]ja g ÉÁV@^Áæá Á @^| •Á WUVÁ ^Áæb•c^áç Á@Á æ^c
•^çæ * ÉÁUVÒÁV@Á æ^Á~ á^Á, æçã * Á@Á @^| •Á| Á] | [•æ^Áæ^Á Áææd | ÉÁV@ [Áæ^
] [ç^Á Áæ) ^Á æçÁ^dæç } •Á @} Áæ } | | ç * Á^ Áæá | ÉÁV@ | Áæ^Á Á •æ|æá } ÉÁVÁ Á^oá
|^æ^Á@Áæá @^| •Á^ { [ç^ÁÁ|^] ã * Á •æ|æá } Á Á@Á [, ^!É (ASM-B-0001)



DC @M7 5 F6 CB5H9 'G5 : 9HMK -B8 CK

BCH9KQÁ [•óæ^•Á@Á@~|áÁ^Á[]^Á^~|Á [~] ç*Á@Á æ~ç^ÉÖæ^~||Á
i^ [ç^Á@Á ç ç*Á@Á @Á^æÁ ç ç á[, ÉÁ Á^Á^] |æ^áÁ á@Á@Á æ&@*Á [|&æà[} æ^Á
 , ç á[, Á [|çæ^áÈ

Ó|æ ÁÁÁ Á@Á~|æ^•Á@Á [~] á@Á@Á ç á[, Á] ^ ç *ÉÁ } &Á@Á^æÁ ç á[, Á Á^ [ç^áÈÁ
Ú^Á|ÁæÁ Á@Á [| ç&ç^Á ç^Á^Á [Á@Á^æÁ [~] á@Á@Á ç á[, Á@Á ç á[Á] çæÁ@Á ç á[, Á
~ç^ÉÖ] |Á^Á^æÁ Á^Á^ç ç^Á ç á[, Á@Á@~ç^ÉÁ [] |á áÁ Á áÈÁ [~] á@Á@Á ç á[, Á] ^ ç *ÉÁ
Óæ^~||Á [•æ } Á@Á^ , Á ç á[, Á ç Á [•æ } ÉÖÁ|Á@Á^ { æ á^Á Á@Á ç Á@Á [~] á@Á@Á ç á[, Á
 , á@Á@Á@~ç^ÉÁ Á ç á@Á^Á^|Á^Á^Á || , Á@Á@~ç^ÉÁ } •Á } Á@Á@~ç^Á ç Á^Á @ } Á
 ç •æ ç *Á ç á[, È

P^ççÉ •æÁ@Á] |Á ç á[, |Á [| |Á ç *Á^Á] *Á á@Á@Á ç ç *ÁæÁ [| |Á ç *Á^ÉÁ
V| Á [Á@ÉÁ [~Á ç|Á^ [ç^Á@Á ç ç *Á@*Á@æ , æ^Á ç áÁ •æÁ@Á ç ç *Á@æ , æ^Á } Á@Á
 [| |&æà[} æ^Á Á @ , } Á@Á^æÁ^Á^ç } ÉÁ^ó@Áæ^ç Á&^ } Á@~ç^ÉÁ } Á@Á ç *Á^Á ç áÁ
ææÁ@Á [| |Á^Á@Á ç ç |Á ç^ÉÖ •æÁ@Á^æÁ^ç á@Á@Á ç ç , æ^Á @ , } Á@Á^æÁ
Ú^ç } ÉÖ •^ç^Á@Á [áÁ á@Á@Á ç ç } Á [| ç |Á ç áÁ^ç áÁæÁ@ { Á^Á@Á^æÁ^ç ÉÁ
Çá@•Á@Á ç ç } Á [| ç |Á } Á@Á] |Á ç á[, |Á^Á^æÁ^ç Á@Á ç ç [| áÁ á@Á@Á
 , ç á[, È

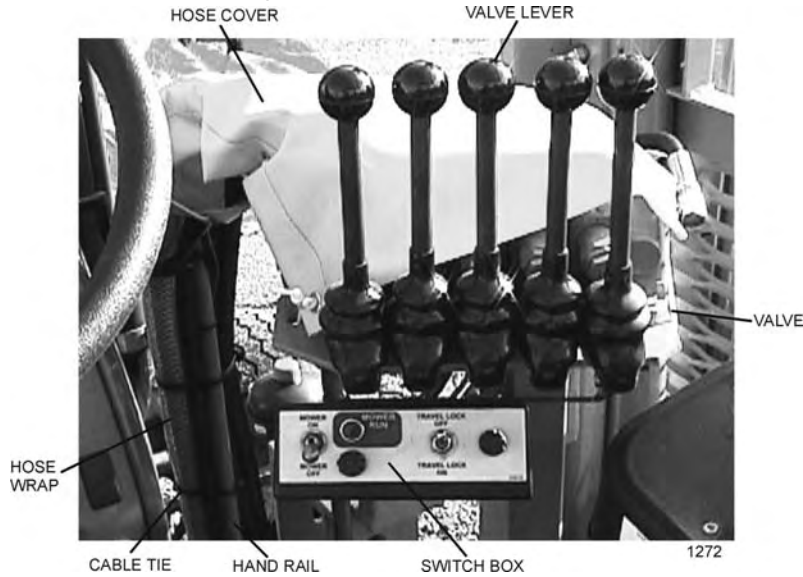
Q •æ ç *Á@Á [| |Á [, |Á^Á^ ç^Á@Á@Á@Á@Á @Á ç^Á ç á[, •Á^Á^] |æ^áÁ |Á @ |á^áÁ^
æ^ç ç Áæ^ç Á ç á[, É(ASM-JD-0061)



5 GG9 A 6 @M

A5 BI 5 @GK #7 <6 CL'ACI BH#B;

ÁV@Á, ä&@Á[cÁ Á Á^Á^& !^áÁ Á@Á]^!æ !CÁ ä^Á Á@Á } d[Á@ á^ Á Á;æ^Á çá áÉ
Ü^Á!Á Á@Á á@Á^&ç } Á !Á•^ { à Á áÁ { } [] ^ } • Á ^á^áÉ



(ASM-C-0053)

A5 BI 5 @@ H'J5 @9'DCFHG

Á



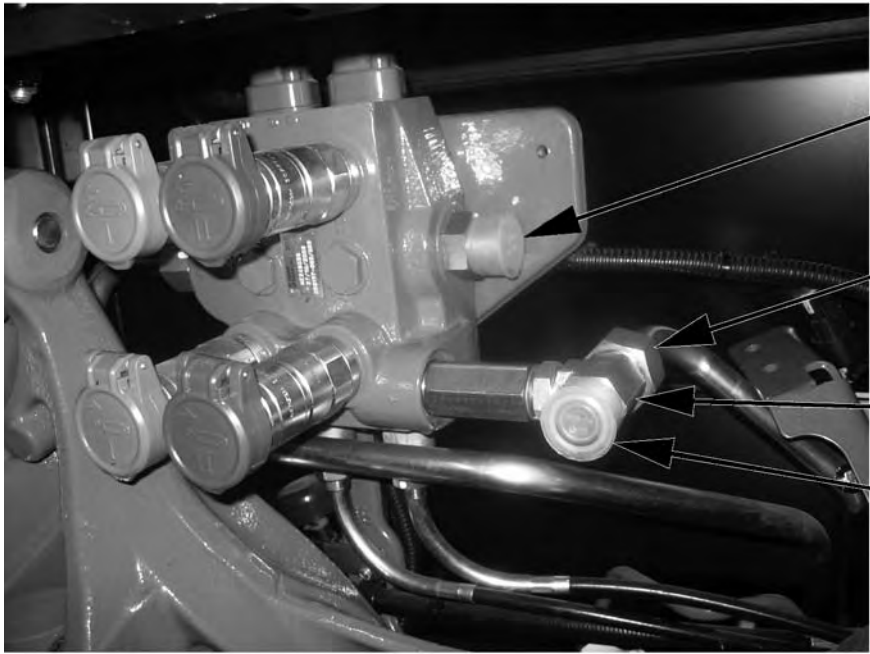
(ASM-C-0102)



5 GG9 A 6 @M

DF9 GGI F9' @B9' BGH5 @@5HCB

V@Á@á:æ|æÁ|··~|·^Áá^Á q|Á^Á|·{ à^áÁ q Á@Á:æq |CÁ|, ^|Á^[] } áÁ| |dÁ } &æ^Á@Á
][, ^|Á^[] } áÁ| |dÁ } Á@Á]] ^|Áá @Á á^Á Á@Á:æq |Á^æÁ{ [c·É^[] [ç^Á@Á|·*Á^·|Á| Á
 c@Á|··dæ } Á^|, Áá áÁ@Á:æc·Á^&ç } dÁ|C·|Á@Á|·*Á^Á{ [ç^áÉ[] } ^&Á@Á:æq c|Áá } áÁ
 !|·c^Á@Á·^Á|·{ Á@Á:æq c|Á| Á@Á:æq^ÉÁ @, } Áá@Á:æc·Á^&ç } ÉÁ (ASM-JD-0089)



- Power Beyond Port
- Line From MidMount Valve or Install Cap on Tractors Without a MidMount Valve
- Branch Tee
- Return Line

F9HI FB' @B9' BGH5 @@5HCB

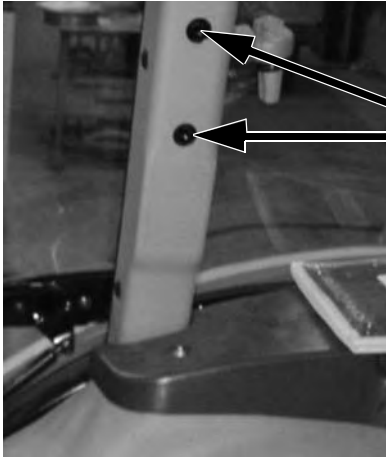
V@Á^c| } Áá^Á q|Á^Á|·{ à^áÁ q Á@Á:[] } dÁ Á@Á:æ &Á^ÉÁ @, } Áá|·çá··Á|··dæ
 ç } ÉÁ @B@ q|Á^Á··^| à^áÁ q Á@Á:æq c|Á| &æ^áÁ^|, Á@Á:æq |CÁ|, ^|Á^[] } áÁ| |dÁ
 Ú^ [ç^Á@Á|·, Á|Á|·*Á|·{ Á@Á:æÁ{ [c·Áá áÁ] |æ^Á|· á@Á~]] |á^Á:æ &Á^ÉÁ
 Ô[] } ^&Á@Á^Á|·{ Á@Á:æÉ [·] } çáç^Á| Á@Á:æ &Á^ÉÁ [·|Á:æq |Á|·^·Á|·çá··Á
 T áÉ [·] } çáç^É@ } Á·ç|Á@Á~]] |á^Á:æ Á } Á@Á:æ Á á^Á Á@Á:æ &Á^ÉÁ|·{ àÁ@Á
 |·c| } Áá^Á|·{ Á@Á:[] } dÁ Á@Á:æ &Á^ÉÁ Á@Á:æq c|Á| Á@Á:æq^ÉÁ (ASM-JD-0090)



5 GG9 A 6 @M

>CMGH7 ? '7 CBHFC @ACI BHБ;

V@Aп^•ca A A [~ } c a A A @ A a @ A c a A } c : A ca A [• c A c a A @ A c [A c a c a * A [| c A ca [c A c @ A ca A @ : A A @ A [• c A { } • A ~ c A A A @ A ca A A A [, E A T [~ } c A @ A п^•ca A A [~ } c a * A i ca A ^ c a q A @ A ca A [• c a ~ c a a , ca A A [c ca a A c • A { a A A @ A ca A @ , } A A @ A ca A A ^ c a } E A Y @ } A] A ca a * A @ A п^•ca E A ca A ~ : A A A [• ca } a A A @ : A A @ A A • c A A @ A [] d [| • A ca A A ~ A [] A ca a } ca A ASM-JD-0075



ôôÁUUV
OUŠVÚ



>CMGH7 ? 'GK #7 <6 CL 'ACI BHБ;

Š [ca A @ A c a | • A A @ A a @ A [] c A [] A A A @ A ca A ca A E A V @ • A A a [A A @ A [~ } c a * A @ | • A | A @ A c a [~ } c a * A [| c A A @ A , ca c [c A i ca A c A A A A ca c : A A A [, E A T [~ } c A @ A i ca A ^ c a ~ • a * A @ A ca a , ca A ~]] a a A A [c a A A @ A ca A A ^ c a } E A ASM-JD-0074)

MOUNTING BRACKET

RIGHT SIDE
CAB CORNER
POST

EXISTING THREADED
HOLES IN CAB CORNER
POST TO MOUNT SWITCH
BRACKET

SWITCH BOX
STRAP



1220

RIGHT SIDE CAB
CROSS MEMBER

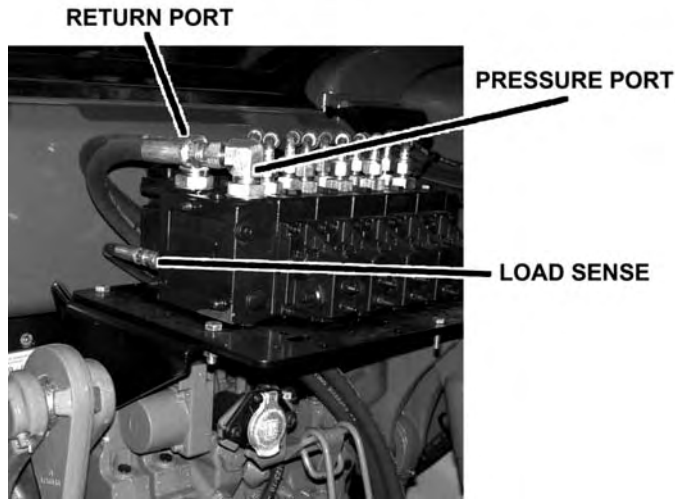


5 GG9 A 6 @M

9 @7 HF CB7 ' @: H'J5 @9 'DCF HG

(ASM-C-0089)Á

DANFOSS VALVE

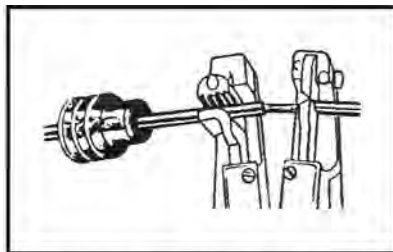


K 95H<9F!D57 ? #A 9 HF ÷D57 ? '5 GG9 A 6 @M

V@•^Á•d~ &ç}•Áç]]^Á Á[c@Y ^æ@:ÉJæ& Áç áT ^d ä æ& Áç}}^&ç}•É

BCH9.1 gY'h YgdYWZWrcc`Zcf'H Y'hdY'cZWbbYWcf'mci 'UfY'UggYa V]b["

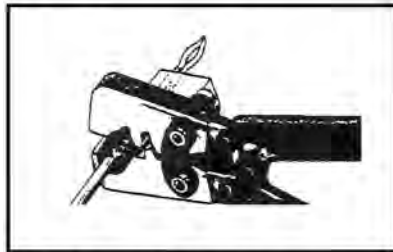
(ASM-C-0009)



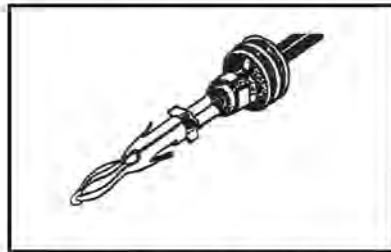
1. Apply seal to cable, before stripping insulation.



2. Align seal with cable insulation.



3. Put terminal in crimping tool, then



4. Crimp and visually inspect for a good



5 GG9 A 6 @M

6 CCA >CMGH7 ? '7 CBHF C @75 @6 F5HCB'ft CBHBI 98L

Ü~ } Átædq | ÁæÁ [| { æÁ] ^ | ææ * ÄÜT Át Áæåb • ó@ Á ^ cæ * • Áæ Át || | , • È

GYHh Y'XYUX'VubX'Wta dYbgUjcb'dchYbhjca YHf'Zfgh'

Ü~ ó@ Á ^ æá Áæ åÁ [] ^ } • ææ } Á [c } cæ { ^ c | ÁæÁ €Á È Á | Áæ, æ Á ^ c, ^^ } Á ~ || Á [& , æ ^ Áæ å ~ || Á [~ } c | È [& , æ ^ È

GYHj['Gj[bU'5 XUdUjcb'DchYbhjca YHfg.

Öä & } } ^ & ó@ Á ^ ~ • & @ Á [] } ^ & d | • Á [{ Ác@ Áæc æ | • Á - Ác@ Áæc ^ ÈÁV ^ ÁæX [| dU @ Á ^ c | Át { ^ æ ~ | Á æ } æÁ [| cæ ^ Áæ åÁæåb • ó@ Á æ } æÁææææææ } Á [c } cæ { ^ c | • Áæ Á ^ ^ á á ÈÁU å ÁI Á dædq | Á ~]] | Á [| cæ ^ ÈÁU å ÁÆF/Á Á æ } æÁ [| cæ ^ Á [{ Ác@ Á ^ ~ • æÁ Èæ å Á å ÁÁH/Á Á [~ } á ÈÁæ • cÈ { ^ æ ~ | Á æ }] | Á [| cæ ^ Á ^ c, ^^ } Á å • Á Áæ å Á ÈÁV @ } Á ^ æ ~ | Á æ } æÁ [| cæ ^ Á ^ c, ^^ } Á å • Á Áæ å HÁ @ Á æ å á cæ * Ác@ Á ^ ~ • æÁ Á } & cæ } Á ~ || Á Á [c@ Ác@ Áæ Áæ å Áæ Á | | óÁ æ ^ & cæ } ÈÁÖæ æ Ác@ Á æ } æ c [| cæ ^ Ác@ Á ^ ~]] | Á [| cæ ^ Át Á ^ c Á æ } æÁ [| cæ ^ Áæ ÁæÁ Á - Á ~]] | Á [| cæ ^ ÈÁV @ Á ^ | & } cæ ^ • @ ~ | å Á [óÁ Á ^ • • Ác@ Á Á Á | Á ^ æ ~ | Ác@ Á Á Á Á | Ác@ Á æ ÁÖ [| { ÈÁV & } å æ ~ ÁÖ [| { ÈÁU, æ ^ ~ } & cæ } ÈÁV @ Á ^ | & } cæ ^ Á @ ~ | å Á [óÁ Á ^ • • Ác@ Á Á ÈÁ Á | Á ^ æ ~ | Ác@ Á Á GÁ Át | Ác@ Á ^ & ÁU [|| ~ } & cæ } ÈÁV [c Ác@ Á ^ Áæ æÁ Á ^ cæ * • Át | Ác@ Á ^ & ÁU [|| Á ~ } & cæ } Á @ ~ | å Á | ^ c ^ } ó@ Á ^ [| | Á [{ • @æ * Á d Á [æÁ After making this first adjustment to deck roll if the spool still goes into float, adjust the "B" port screw additionally counterclockwise.

Ü~ & } } ^ & ó@ Á ^ ~ • & @ Á [] } ^ & d | • Á } Á [d | | Áæ | • Át Áæc æ | • Á } ÁÖ ^ & d [} æÁæc ^ ÈÁU ~ } Átædq | ~ } cæ @ á | æ | æ Á ^ • c { Á Áæ Á] ^ | ææ * Ác {] ^ | æ ~ | Áæ [, Á ^ å ^ Ác@ Áæåb • c ^ } c Á - Ác@ Á æ } æ æææææææ } Á [c } cæ { ^ c | • Át | Á [c@ Ác@ Áæ å Áæ Á | | | | cæ } æÁ ~ } & cæ } • Át Áæ @ Á ^ c ^ Ác@ - { || | , å * Á } & cæ } Áæ ^ • ÈÁV [c Áæ | } å * Á [c } cæ { ^ c | Á [& , æ ^ Áæ & ^ æ ^ Ác@ Á [, Á | Ác@ Á } & cæ } •] ^ á ÈÁæ å Áæ | } å * Ác@ { Á [~ } c | È [& , æ ^ Áæ & ^ æ ^ Ác@ Á [, Á | Ác@ Á } & cæ } Á ^ á ÈÁV [c ÈÁæ å | å * Ác@ Á | | & á ^ | Ác@ Át å Á [c } cæ { ^ c | Á Á ^ c Ác@ Á ~ || Á [~ } c | & [& , æ ^ Áæ ~ ó@ Á ^ } & cæ } Áæ • cæ Á [Áæ cÈÁ • Ác@ Á ^ & @æ æÁ d] • Áæ @ Á æ ~ æÁæc æ | Á } å Á - Ác@ Áæc ^ Á ^ & cæ } Át Á : c@ | | å æ Á [, ÈÁV | } Áæ æ Á & ^ , Áæ Á | Á [& , æ ^ Át Áæ æ Á [, ÈÁV @ Á]] ^ | Áæ æ Á & ^ , Áæ æ Á [, Át ÁÖÈ] | | c ÈÁæ å Ác@ Á , ^ | Áæ æ Á & ^ , Áæ æ Á [, Át ÁÖÈ [| c ÈÁV [, ^ c ^ | ÁÖU Á UV Áæåb • ó@ Áæ æ Á & ^ , Á } % È [| c Á - Áæ & Á [|| Á ^ } & cæ } ÈÁæ ææ * ÁÖÈ [| c Á å Á | ^ c ^ } óÁ æÁ } & cæ } È



5 GG9 A 6 @M

6 CCA >CMGH7 ? 7 CBHF C @7 5 @6 F 5 HCB'ft CBHBI 98L

A5-B'6CCA. %CEÁU[:dZÖ [{ ÁM K Ì È Á Ú ^ & } á •

(Note: Extend secondary boom completely; roll deck to be level with ground, and lower main boom until deck is on ground. Now index main boom "up" function and determine the time required for main boom to rise completely.)

%CEÁU[:dZÖ [{ ÄÖ [, } K Î È Á Ú ^ & } á •

(Note: Extend secondary boom completely, roll deck to be level with ground, and raise the main boom to "full up". Then index the main boom "down" function to determine the amount of time required for the deck to contact the ground. CAUTION: Stop the boom just as the deck contacts the ground.)

G97CB85FM

6CCA %CEÁU[:dZÖ [{ Á Ú ~ dK Ì È È Á Ú ^ & } á •

(Position main boom full up, roll deck out until deck cylinder is fully retracted, and bring secondary boom in completely. Then index the secondary boom "out" function and determine the time required for boom to extend out completely.)

ÄÄ

%CEÁU[:dZÖ [{ ÄÖ K Ì È È Á Ú ^ & } á •

(Position the main boom full up, roll deck out until deck cylinder is fully retracted, and extend secondary boom completely. Then index the secondary boom "in" function and determine the time required for boom to come in.)

897? 'FC @@ %CEÁU[:dZÖ ^ & Á Ú ~ dK Ì È Á Ú ^ & } á •

(Raise main boom to vertical, extend secondary boom out slightly so that deck can be articulated without contacting the main boom, and roll deck in until deck cylinder is completely extended. Then index the deck roll "out" function and determine the time required for the deck to roll out.)

%CEÁU[:dZÖ ^ & Á Ú ~ dK Ì È Á Ú ^ & } á • Á Ú ~ dK Ì È Á Ú ^ & } á • Á Ú ~ dK Ì È Á Ú ^ & } á •

(Raise main boom to vertical, extend secondary boom out slightly so that deck can be articulated without contacting the main boom, and roll deck out until deck cylinder is completely retracted. Then index the deck roll "in" function and determine the time required for the deck to roll in.)

6 CCA

GK →9 @ %CEÁU[:dZÖ [{ Á Ú ~ È Á Ú ^ & } á • Á Ú ~ È Á Ú ^ & } á • Á Ú ~ È Á Ú ^ & } á •

(Extend booms completely; rotate head to be level with ground, lower main boom until deck is just above ground, and swivel boom full forward. Then index the boom swivel "aft" function and determine the time required for the boom to swivel full aft. Use caution when doing this, stop boom before main boom contacts tire.)

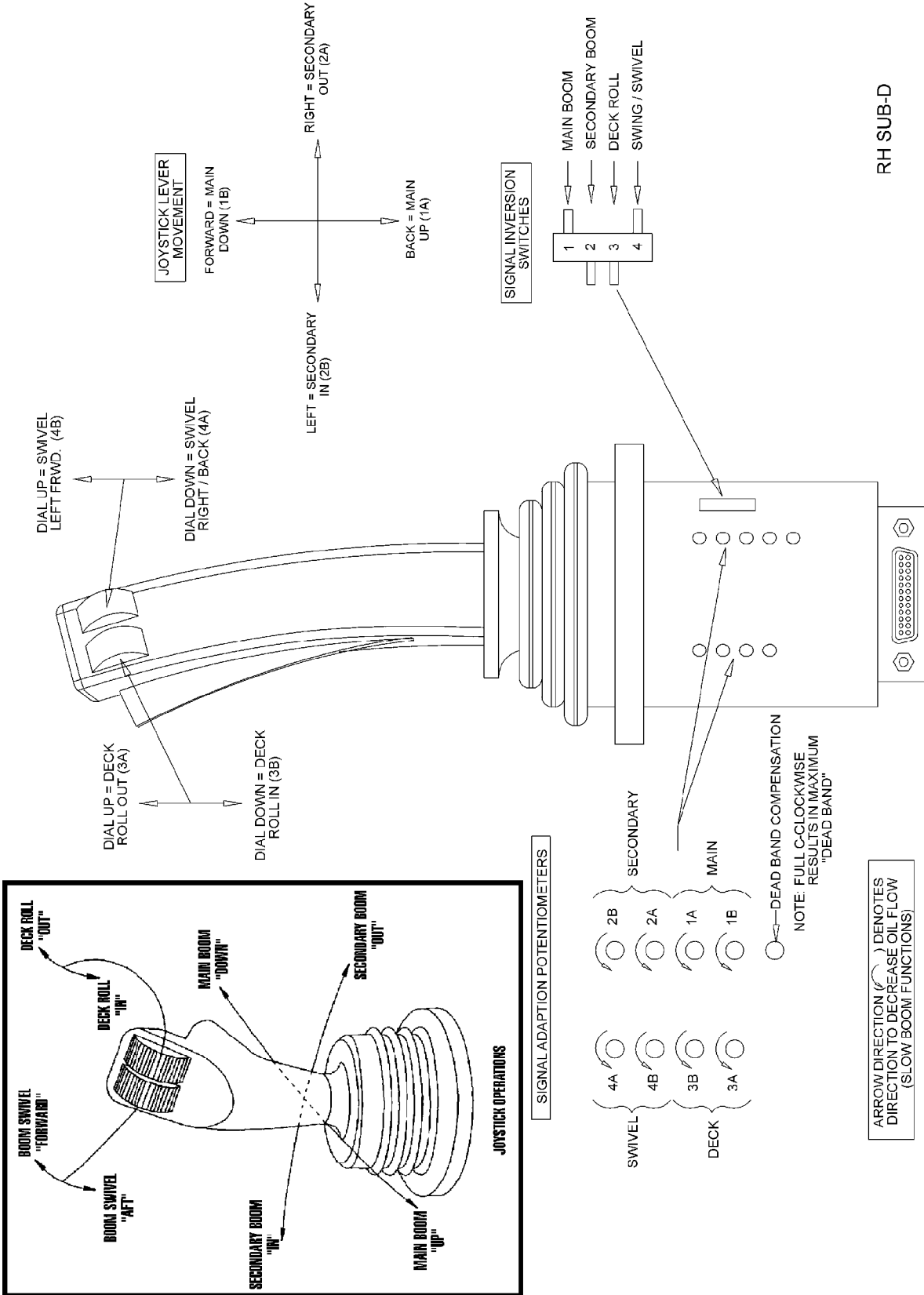
%CEÁU[:dZÖ [{ Á Ú ~ È Á Ú ^ & } á • Á Ú ~ È Á Ú ^ & } á • Á Ú ~ È Á Ú ^ & } á •

Öcc } á Á [[{ • Á [[] ^ c | È [c e Á @ c e Á Á ^ Á ^ c | Á ~ c | [~ } á È [, ^ | Á c e Á [[{ Á } c Á ^ & Á b • c e [ç ^ Á | [~ } á È c e á Á , c e ^ | Á [[{ Á c e Á } c Á ^ e Á ^ È Á V @ } Á á ^ c Á @ Á [[{ Á , c e ^ | Á c e , c e á + ~ } & c e } Á e á Á ^ c | { c e ^ Á @ Á ^ Á ^ ~ á á Á | Á @ Á [[{ Á Á , c e ^ | Á | Á | , c e á È

(ASM-C-0082)



6 CCA > CMGH 7 ? 8 5 ; F 5 A " (ASM-C-0082A)



RH SUB-D



5 GG9 A 6 @M

J5 @9`ACI BH-B;

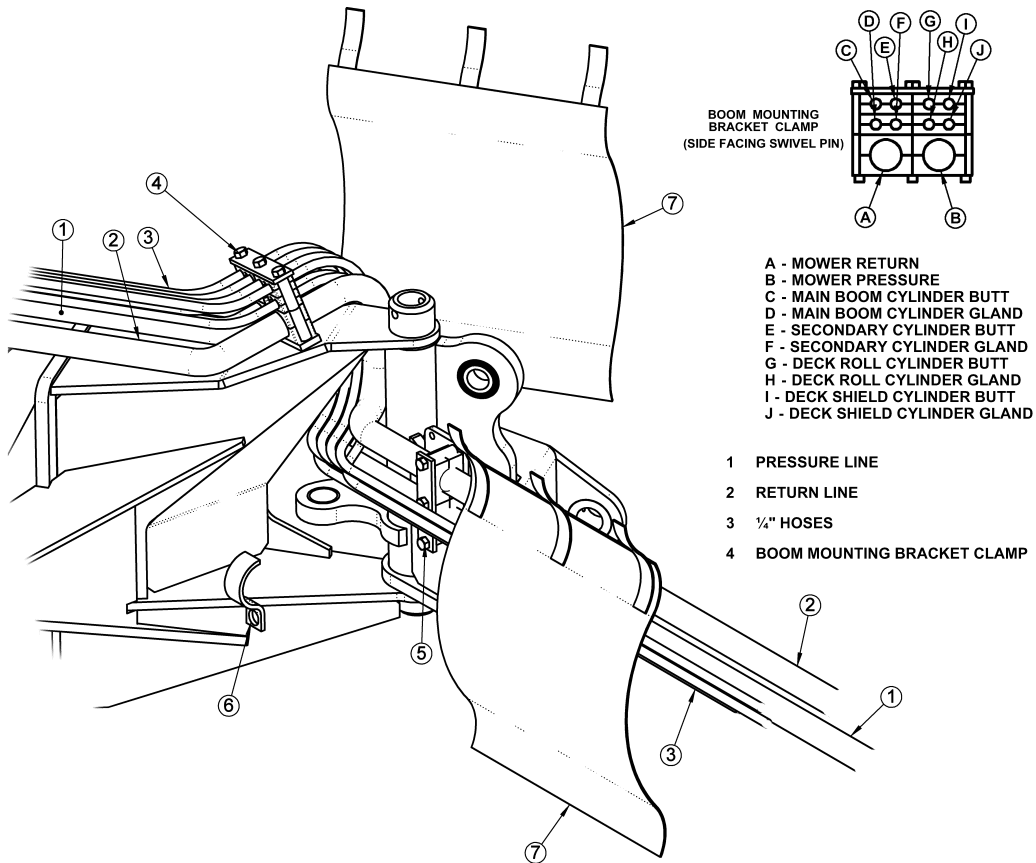
Qræ&@Á^æçç^Á [~ } ç * Á:æ^oÁ Á@Á^} á^!Á -Á@Áæçç!Á^ Á^ { [ç * Á@Á ç [Á^æÁ [| o Á } Á@Á^Á^} á^!Áæ á@Áç [Á^æÁ [| o Á } Á@Á^Á @Á^} á^!Á^Á^Á^ } dæç } Á á^! [, ÉÖ:á|Á@Á ~ æ^Áç | ^ Á@Á^} á^! Áæ Áæ& [o Á^ +Áç • & ^ , • ÉÁV^Á@Áæá , æ^Á } [ç * Á@Áæ o Á^ & ç } Áææ&@Á^çç^Á [~ } ç * Á:æ^oÁ Á@Áæçç!É
P^çææ&@Á^çç^Á [~ } ç * Á:æ^oÁ Á@Á [~ } ç * Á:æ^oÁ ÉÖ:á } Á@Áç | ^ Á } Á@Á|æ^Á ç Á@Áç | ^ Á } Á@Á:æ^oÁ ÉÁV^Á@Áæá , æ^Á @ , } Á@Áæ o Á^ & ç } Áææ&@Á|æ^Á Á @Áçç^Á [~ } ç * Á:æ^oÁ ÉÖ:á ç | É | æ^Á@Áçç^Á } Á@Áçç^Á [~ } ç * Á:æ^oÁ @ , } Á@Á] æ o Á^ & ç } ÉÖ:á } Á@Áç | ^ Á } Á@Áçç^Áæ • ^ { à | Á@Áç | ^ Á } Á@Á|æ^ÁÉÁV^Á@Áæá , æ^Á] | çæ^áÁ Á^ & ^ Á@Áçç^Á Á@Á|æ^ÁÉÁV^Á^Á Á@Áæ o Á^ & ç } Á | Á@Á|æ^Á } oÁ Á@Á ççç^Áæ á@Áæá , æ^Á • ^ áÉÖ YúgY UbxYH Y"jZij Uj Yk jH WUY" :h]gYI IfYa Ymì YUj mi UbXWçbUj]bg`ga U`dUfg" (ASM-JD-0065)



5 GG9 A 6 @M

F95 F`GHCK`69B; 5 @<CG9`FCI HB;

K5FB-B; BCH9.ÁV@Á·áá^}Á!^æ^Á-@áæ|æ Á|!··!^Á&|~!á&æ·^Á@Á~ áá^}
 { [ç^ ^} of Á^!^Á@æ Áæo ÉÁO [^}^Á@Á æ Á-@·^Áæo &|~!á&^Áç!^Á Á@!of!Áq!áÉ
 ÓUÁUVÁSSUY Á@·^Á@áæ|æÁQ·^·Á ÁÓÜOCSÁ!ÓWÜUVÁ Á!á!Á Á!^ç^} @@áæ|æÁæ!^
 Tæ^Á~!^Á@ÁQ·^·Á[Á] of á &@!Á d^&@ Á[[Á [ç·ÉÁ ^æ~!^ÁY ÓOÉ&@ &ÁY ÓO
 @}Á!| &^áÁ æO&æ ç}É



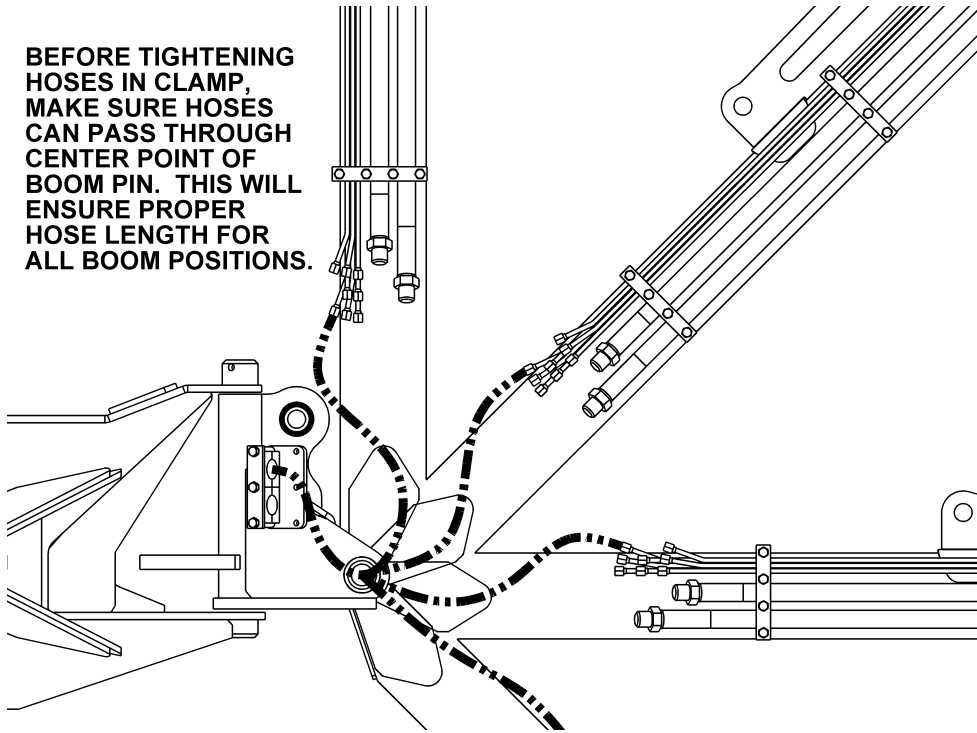
Tæ\Á@Á-Á^ç!}ÁQ·^·ÁæÁHÁBÁ!Á!{ Á@Á}áÁæÁ q!&|} ^&@Á Á@Á!^!{ ^á& à^É
 V@·^Á æ\ Á q!Á^Á!æááÁ@ÁQ·^·Á&æ]·ÉÁ@Á-Á!··!^ÁQ·^·Á@~!á&^Á~ç!ÁÁ Á||,
 @Á^ç!}ÁQ·^·ÁÉÁU[~ç!Á@ÁQ·^·Á@~* @Á@Á]æ^Áç^ Á^}Á@Á, æ^!Áæ áÁ@Á[[Á [~}ç*
 áá&^ÉÁO[}}^&@ÁQ·^·Á Á@Á!^!{ ^á& à·^Áæ áÁ [ç^Á@Á[[Áæ{ ÁÁ Áæ, Á^Á^!{
 ~||Á!, æáÉÁO·^{ à^Á@Á, æ^!Á&æ] Áæ áÁ!æ Á@Á^ç!}ÁQ·^·Á!Á@Á [ç!Á}Á! Áæ áÁ@
]!··!^Á&^Á}Á@Á[[ç{ ÉÁU]æ^Á@Á +ÁQ·^·Á Á@Á@Á&æ] Áæ áÁæáÁÁ Á@Á[[Á&^,
 [Á@Á, æ^!Á&æ] ÉÁ^ç!Á æ\^Á~!^Á@Á!^ÁÁ}~* @Á]æ Á!Á@ÁQ·^·Á Á q!ÁæÁ@Á q c
 , @!^Á@Á æ Á[[Áæ{ Á^}á·Á@Á, æ^!ÉÁÁQ, }Á@Á Á ^ç!Á æ^ÉÁæ áÁç!Á}Á@
 Q·^·Á Á@Á&æ] ÉÁASM-30S, 3PS HOSE ROUTING-0001A)



5 GG9 A 6 @M

F95 F 'GHCK '69B; 5 @ < CG9 'FCI H-B; ' f7 CBHL

BEFORE TIGHTENING
HOSES IN CLAMP,
MAKE SURE HOSES
CAN PASS THROUGH
CENTER POINT OF
BOOM PIN. THIS WILL
ENSURE PROPER
HOSE LENGTH FOR
ALL BOOM POSITIONS.



CE: a^ ^ A @ A Q . ^ . A A @ A B a e] A @ A a a a @ . A A @ A [[{ A [~ } a * A i a a ^ a a A @ , } A a [c ^ E
 , a @ A F - A [d i A Q . ^ . A B [. ^ . a A A @ A i a a ^ a a a @ A c i ! A Q . ^ . A B [. ^ . a A A @ A [[{ A a { E U ~ ||
 c @ A Q . ^ . A } * A i [{ A @ A , a ^ A i A @ A [~ } a * A i a a ^ a a B a e] . E A @ A a a A [[{ A A d i A i , a a E
 a a A a @ } A @ A Q . ^ . A A @ A B a e] E
 T a ^ A ^ i ^ A @ A F - A [d i A Q . ^ . A a [A [a a \ A a A @ A [[{ A a { A a A [c ^ a A a d A c @ A d , a *
] [. a a } E A Q a A a] ^ } . A @ A [d i A Q . ^ . A a [A c a A i A a A @ i c ^ a a E a a e . ^ A @ i ^ A A i [A ~ & @
 @ . ^ A ^ c ^ ^ } A a e] . E (ASM-30S, 3PS HOSE ROUTING-0001B)



DF9: CFA98`HI 69`BGF5 @@5HCB

Šæ Á[[{ • Á } Á[[[Á [Á @ Á @ Á á Á á @ Á | Á | æ • Á Á] É [& æ Á | Á à Á | æ] • Á á á á • æ | Á @ { Á [[• Á | Á } d Á @ Á | æ] Á | æ • É

Œ | æ * ^ Á @ Á à Á • Á á á Á @ • Á • Á Á ~ d á ^ á Á Á @ Á [{ [] Á Ú á • Á Ú ^ & á } É [• æ | Á @ Á à Á • & [• Á • Á Á Á [[{ Á { Á á • Á á * Á á ~ | Á [Á Á á & @ Á à Á • É Á | æ Á @ Á c @ Á à Á • Á ~ • á Á [Á @ Á • á à Á • É Á] ~ * Á | Á | æ] Á [| • É ~ á Á [Á [á @] É Á @ & Á | Á à Á • Á | Á | ! ^ & á } { ^ } c á á Á @ Á [] ^ Á Á á á & @ á Á | Á ^ } É Á | Á | æ] Á [| • Á á Á [, Á Á á @] ^ á É (ASM-C-0085)

; 9B9F5 @<CG9`BGF5 @@5HCB

Ü ^ Á | Á Á @ Á Ú á • Á Ú ^ & á } Á | Á ^ á á á { | { á } Á á [~ á @ • Á • Á á á Á á * Á | Á @ Á | | á } É (ASM-C-0011)

<CG9`7CJ9F`B;

Ü ^ & | Á @ • Á • Á * ^ @ | Á á @ Á á Á • Á @ | Á ç | Á [[• É Á | æ Á @ Á @ • Á Á ç ^ ^ } Á @ Á , á | Á á á { á Á á [[{ Á , á @ Á @ Á @ • Á & | ç | Á | | ç á á É Á | æ Á @ Á @ • Á Á ç ^ ^ } Á @ Á á Á [[{ Á á á • Á &] á á Á [[{ Á á @ Á @ • Á & | ç | Á | | ç á á É Á @ | Á @ • Á á á & | ç á @ Á | æ ^ Á | Á c @ | ^ á ^ • É | æ Á á @ Á | á @ • Á á á Á & | Á á @ Á @ • Á | Á á á Á • É

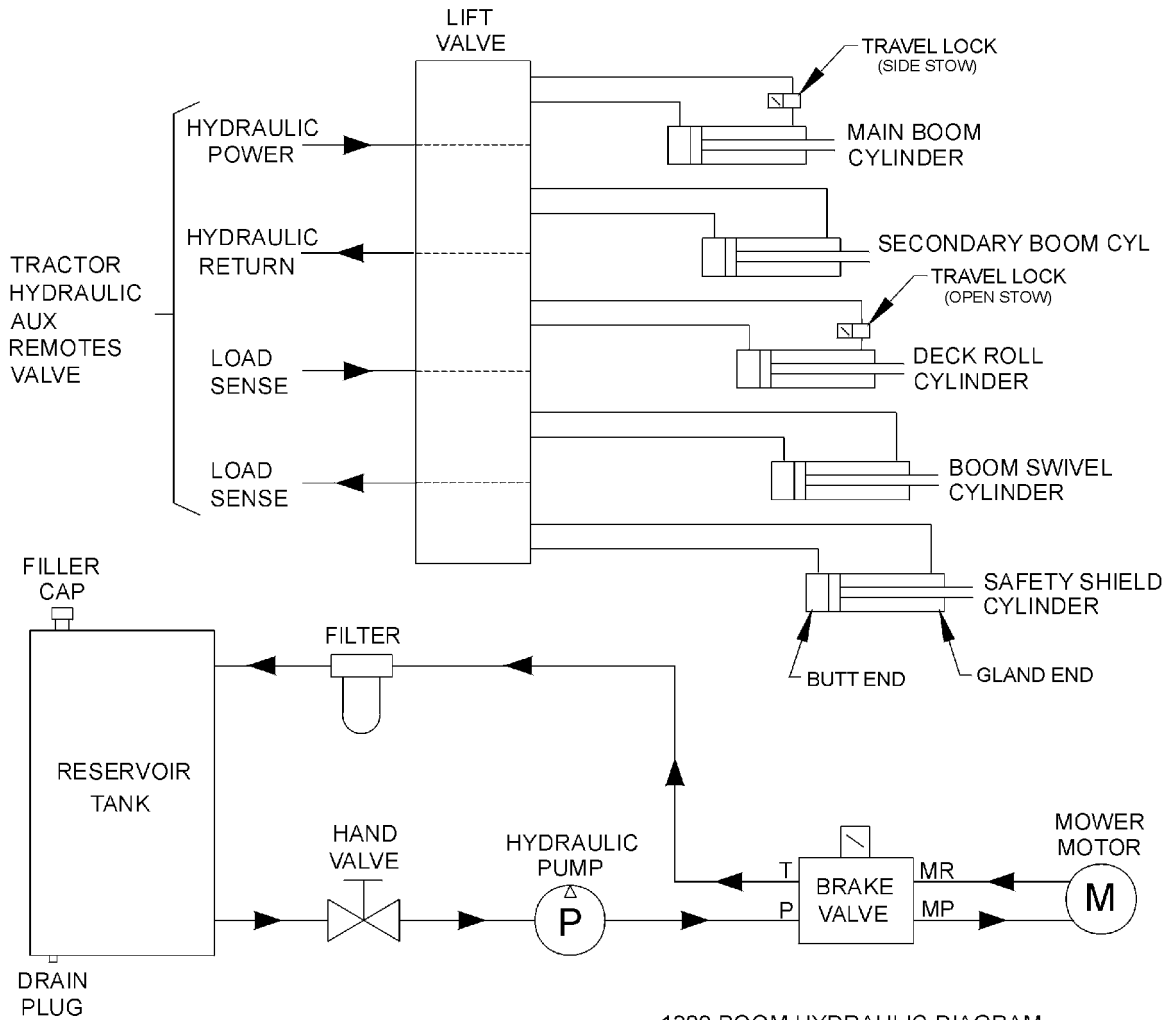
U } Á [] Á á Á } á É @ Á | • • ~ | Á á á Á ç | } Á @ • Á [{ Á @ Á | } d [| Á ç Á á | Á á [Á ^ á Á Á | | ~ á á Á • á Á @ Á | | ç & á Á | æ á Á @ • Á | æ É Á [ç | Á @ Á ç Á É ç Á á á * Á á @ Á | | , Á @ • Á & | ç | Á á á Á & | Á á @ Á | æ Á á * Á | | ç á á É (ASM-C-0058)



5 GG9 A 6 @M

(ASM-C-0023)

BOOM HYDRAULIC DIAGRAM



5771 AI @HCF-BGH5 @@HCB

Q • ca/A @ A&& { ~ |æ | A/a& ^ o' A } A @ A A @ A æ +æ ^ A æ o' | A o' a ç ^ A [~ } c A a } | B e a | A
 , a o b @ A ç & ^ , • E A | & , æ @ ! • A ç a A } æ & ! • E A a } | B e a | A ç A ç , } A A @ A ç o' A ^ & ç } E A
 Q • ca/A @ A&& { ~ |æ | A/a& ^ o' A } a A ^ & ! ^ A a o b @ A ç a , æ ^ A ç , } E A Q • ca/A ç a * • A ç a A
 ç • ^ • A | A @ A & | ç a ^ A ç a & | ç | A ç a ç ^ A ç , } A A @ A ç o' A ^ & ç } E A g Y H Z c b ' U d Y c b ' U
 d | d Y Z H j b | g f M W d h C ! f | b | g L A (ASM-C-0012)

GC @ BC-8 '6 F5 ?9 'J5 @9

Q • ca/A A [| ^ } | a a ç a ç ^ A } A @ A [~ } ç * A/a& ^ o' A a o b @ A ~ } | a a ç a , æ ^ A ç A ç , } A A @
 A ç o' A ^ & ç } A A @ A ç æ æ E A Y @ A ç a ç * A | A @ A/a& ^ o' A ç a ç ^ A @ A | ^ & ç a & | A A }
 @ A [| | A æ A ç ^ A ç A A ^ A { | ç a a | A ç æ ^ A [| | E A Y @ } A A ç a ç * A @ A & | ç a ç a A } | | ç a ç A
 ~ • ^ A [A [| ^ A ç a ç ^ A ç a ç • E A | A ç a ç a E A | ~ ^ E A Y @ U P Q O K A X O U A U U U W O A V U A P O A O U S
 Y Ç S A U O U M S V A P Y O U C B S O A C C S M U O A U O A U U U S E (ASM-C-0025)



A5-B'6 CCA-BGH5 @@5HCB

Q•œ|Á@Á[[{ Á, ã|Á d Á@Á œ ñœ ^Áœ Á @, } Á@ÁÚœœ Á^&œ} Á•q * ÁœÁ œ ðÁœ ÁÁ] Á@|•
 ð Á, ã|Áœ áÁ œ ñœ ^Áœ Áœ*^Á, ã|Á ð Áœ áÁ•^|œ ð ÉÁ^&^!Á œ@œá, œ^Áœ Á @, } É
 Cœœ@Á@Á}^!Á} áÁ -Á@Á œ Á[[{ Á Á@Á, ã|ÁÁœ^!Á œ@œÁœ ðá^!Áœ &@!•Á[•œ}^á
 ~], œáÉœ áÁœÁÁ @œ}^!Á Á@Áœ d ÉÁ^&^!Á œ@œÁœ ðá^!Áœ] œÁœ *^!Á ð ÉÁ^&^!Á@Áœ *^!Á ð Á
 œ@Á[[•Á œ@œœ•&^, •ÉœÉœ^ÁÚœœ Á^&œ} É
 Cœœ@Á@Á~œ} áÁ -Á@Á œ Á[[{ Áœ ðá^!Á Á@Á, ã|Á œ@œÁœ ðá^!Á ð Áœ áÁ[[Á ð Á•@, } Á
 œ@ÁÚœœ Á^&œ} É
 Q•œ|Á@Áœ^!Á[& Á] Á@Á[áÁ] áÁ -Á@Á œ Á[[{ Áœ ðá^!ÉÁœ Á @~|áÁ^Áœœ * Á@Á~œ} áÁ~
 œ@Áœ ðá^!Áœ^!Á•œ|œœ} É
 Q•œ|Á@Áœ * Áœ áÁœ•^Á Á@Á œ Á[[{ Áœ ðá^!Á^!ÁÚœœ Á^&œ} É

; F95 G9 < -B; 9'D-B'N9F?G'CB'6 CCA'5: H9F' 5 GG9 A 6 @M CB79' I B89F' @C58' K #< '6 CCA
 9 @J5H98 '5 B8 '5; 5-B'5H'F9GH'K #< '6 CCA' G DDCFH98 Á(ASM-C-0013)

897? '5H57 < A9BH

Cœœ@Á@Á œ Áœ Á@Á^&} áœ Á[[{ Á•q * Á@Á ð Áœ áÁœá, œ^Á @, } Á@ÁÚœœ Á^&œ} Á
 d Áœœ@Á} œ^•ÉÁœ•œ|Á@Á~œ^Áœ à^Á} Á@Á[Á -Á@Áœœ d Á@ÁœœÁ [~} œœ áÁ^&^!Á
 ~•q * Á@Á [~} œ * Á|œ Áœ áÁœá, œ^Áœ Á @, } ÉÁœ@Á [~} œ @~|áÁ^Á[•œ}^áÁœ Á@Á-œ^Á-Á
 œ@Áœ œ^!Áœ œ ÉÁœ•œ|Á@Á^& Á œ[œœ ðá^!Á•q * Á@Á ð Áœ áÁœá, œ^Áœ [Á @, } Á@ÁÚœœ Á
 Ú^&œ} É
 Ô[~}^&œ@Áœœ * Áœ áÁœ•^Á[{ Á@Á œ[œœ ðá^!Á Á@Á{ œ|Á|^!|{ ^áÁœ à^•Á} Á@Á[[{ Á
 œ{ ÉÁœ[~}^&œ@Áœœ * Áœ áÁœ•^Á[{ Á@Á [d|Á Á@Áœ*^!Á|^!|{ ^áÁœ à^•Á} Á@Á[[{ Áœ{ É
 Ô[~}^&œ|Á^} œ ð * Áœ•^Á[{ Á@Á} d|Áœ^Á Á@Áœ ðá^!Áœ áÁÁ|^!|^!|{ ^áÁœ à^•Á} Á@Á
 à[[{ Áœ{ ÉÁœ^!Á ÁÚœœ Á^&œ} Á|^!œ|œ •É

6 YZfY dfcWYX]b['hc'h YZ]bU` dfYdUfU]cb` ghYd'Xc i V'Y' W YW'h YW'e a d'Yh
 UggYa V'mZca 'h Y'a U]bZLa Y'hc'h Y'W hYf` \ YUX'U' U]bgh'h Y'X]U' fUa g]b'h Y' DUfHg
 YW]cb'Z'f' dfcdYf' d'UW'a YbhUbX'UggYa V' micZU` W'e a dcbYbhg Á(ASM-C-0060)



5 GG9 A 6 @M



CD9 F5 HCB'G97 HCB

UJ ^!aa } A^&a } A#E

CD9F5HCB



P^ç^A[A] ^iæ^A@^V:æd |Aæ) aAT [, ^i^A^M) aA) aQ ~ ^æ) AUUUUQ] ^iæ |
 Ú: | ç &ç^AÚd ~ &c |^D^A |AÓææAç |A: ^ç^ ^ç) ç) b |^ A: | { A à b &ç A@ | , } A: | {
 * | [^) aA | A: | { A ç^ | @ææAç { a * EAUç | A [, a * A[A | | ^ ^ . A | A æ . ^ | . à
 æ^A) aQ) A H E A ^ ^ ç) PÓT ÈD



&" 'HfUWcf' @ | \ Hb | 'UbX'GAJ'9a V'Ya

Q@^A:æd |A) a | A^A | ^iæ) aA ^æA | A:æ | A^A) Aæ
] ~ à | A[A | ææ, æ A aA ~ . ç^A^A ~ a] ^ aA) aQ) | | ^ i
 , æ) a * A a Q a * A a A a U | , A | ç a * A ^ ç | A Q U T X D
 ^ | à | ^ { A) ç | ç ^ A & | A æ | A ç a a | A | { A @ A ^ æ A ~
 @ A) a E A T [. ç | æ d | ç A ç ^ A a ^ ^) ç ^ ç a * . A |
 [] ^ i æ a * A a a A ç a .] | | ç a * A a Q a * E A U ^ A | A ç A ç
 d æ d | A | ^ i æ | ç A ç a ~ æ A | A ~ a * A ç A ç æ d | ç
 | a @ A , a & ç a a A | ^ i æ a * A @ A |) A a) æ E A

OPS-B-0017A



CD9F5HCB

Ó | {

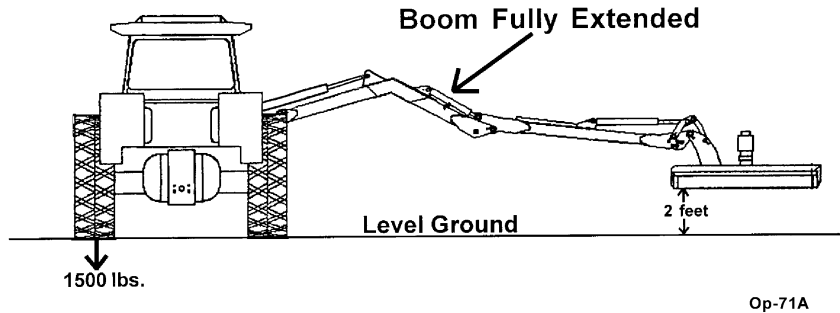
U] ^ i æ a) A ^ & ç) A E

CD9F5HCB

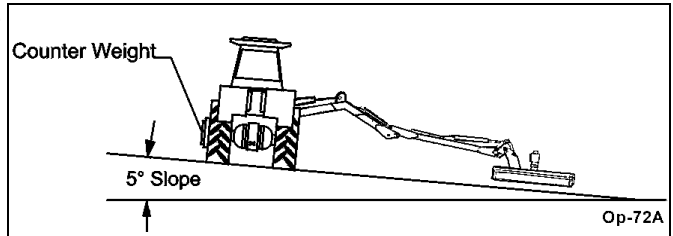
CD9F5HCB

Uphill Operation

When operating the boom on a slope, the operator must be aware of the counterweight's position and the boom's angle. The counterweight is 1500 lbs. and the boom is fully extended. The boom is 2 feet high. The operator must ensure that the boom is not overextended and that the counterweight is not too close to the edge of the slope. The operator must also ensure that the boom is not too close to the edge of the slope. The operator must ensure that the boom is not too close to the edge of the slope.



When operating the boom on a slope, the operator must be aware of the counterweight's position and the boom's angle. The counterweight is 1500 lbs. and the boom is fully extended. The boom is 2 feet high. The operator must ensure that the boom is not overextended and that the counterweight is not too close to the edge of the slope. The operator must also ensure that the boom is not too close to the edge of the slope. The operator must ensure that the boom is not too close to the edge of the slope.



9HCB; CB5B8C: : H<9HF57HCF

When operating the boom on a slope, the operator must be aware of the counterweight's position and the boom's angle. The counterweight is 1500 lbs. and the boom is fully extended. The boom is 2 feet high. The operator must ensure that the boom is not overextended and that the counterweight is not too close to the edge of the slope. The operator must also ensure that the boom is not too close to the edge of the slope. The operator must ensure that the boom is not too close to the edge of the slope.

WARNING

When operating the boom on a slope, the operator must be aware of the counterweight's position and the boom's angle. The counterweight is 1500 lbs. and the boom is fully extended. The boom is 2 feet high. The operator must ensure that the boom is not overextended and that the counterweight is not too close to the edge of the slope. The operator must also ensure that the boom is not too close to the edge of the slope. The operator must ensure that the boom is not too close to the edge of the slope.



Uphill

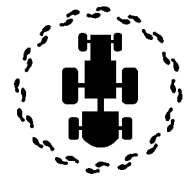
Uphill Operation

CD9F5HCB

CD9F5HCB

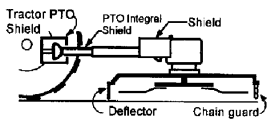
WARNING

U^i q a a e q A a q . ^ & o A e q A [c a q * A] a e o A f i A , ^ a e A a q a A i ^ | a e A , @ } ^ & . . a e A a o a e o q i a a a A i c a e A a e o E A S [[A i A [[. ^ A a e o } ^ i . E A [[] [A a i \ ^) A] a e o E a q a A a e A i A [[. ^ A a e q * E A T a e A ^ i ^ A e q A] a . A o e A a e a e o * A o a a , a e E A U i q . ^ a b i ^ A e a A & & i A i { A [o i a e a q a * A o e { a e o ^ a q A [[a A [[\ a q * A i a a i E A U O E F E D



DANGER

O q i U a e c A U @ | a . E O ^ a a . A e q a A U a e c A a ^ c a . A q & i a q * A q ^ o y [c] a a a A q D E a o A O ^ i & q i . E O e a q A O ^ a a . E U e ^ A O ^ a a . E O ^ a a i c U @ | a . E U V U A q o i a e A @ | a . E a q a A U d a e a e A O [[i A U @ | a . A q ^ i a a A . ^ a a e q a A q a e a a A q A [[a A [[i a q * A q] a a q] E A O q i A e c A a ^ c a . A q ^ i a A a q .] ^ & o a A e a e ^ | i a e a e o a e a e A i A a . q * A i A i [\ ^) & i { [] ^) o E A T a . q * E a i [\ ^) E [i A A [[] A e { . A ^ . o a A A] | a e a a e a } & A i A a ^ & A o A [. . a e a q A a b i ^ A i A a e o + [{ A o [, } A a b o E A } a e * i ^ ^) e A i A i a e A q] a e E A U O T E D



*** % H U W c f ' D f Y ! C d Y f U i c b ' b g d Y W i c b # G Y f i J W**

U ^ a i A q A o A c a e q i A] ^ i a e q i q A e q a e A i A . ^ i A e e q [] i ^ e A i ^ E i ^ i a e q] A q .] ^ & q } A e q a A e & @ a ^ i a . ^ i c a e A a q A i ^ i { i a A a e q i a q * A q i a o { a q ^ a e c i ^ i . A i ^ e q { { ^ } a e a q } . E A V @ A i [] , q * a e A i { ^ A a o A e { . A o e A ^ i a A e a q A i c a e A a q a q .] ^ & q } K



- " V a ^ A q] a a q } E a q i A . . ^ i A
- " Y @ ^ i A ^ * A i | o A
- " U e ^ i q * A q \ a e ^
- " U V U A @ | a A
- " U T X A a } A e A i a q A e a A c a e i A
- " V i a e q i q A a @ A e A i ^ e q A e a A ^ } & q } a e
- " V i a e q i A U a e A i o e A i A [[a A q] a a q } A
- " V i a e q i A U U U U A e A i A [[a A q] a a q }
- " U U U U A e A i o A a e a a A [. a a q }
- " E [A i a e q i A q A e a . A
- " U a a e q i A i ^ A A i a i a A
- " O) * q ^ A q A c ^ i A e a A q] a a q }
- " O) * q ^ A q [[a e o i c ^ i A e a A q] a a q } A
- " U [, ^ i A i a e A i q a A c ^ i A
- " U [, ^ i A e ^ i q * A i q a A c ^ i A
- " O ^ A q] a a q } A e a A c ^ i A
- " U ^ a e } o i a i a e q } A e a i A a A [q o
- " O a A c ^ i A q] a a q } A O P S - U - 0 0 3 0

O i { U] ^ i a e q i A i ^ & q } A i E e

CD9F5HCB

WARNING

Ü|aç^A@áiæ|æÁ|!••|^Á|q|Á|Á|q|á*Áæ^Áæç|æ|æ&Á|Á^|æÁ| | \ Á } Á@AQ] | \ ^ } dÉ
 Ú|æ^Á@Á [, ^|Á^ææÁ } Á@Á| [~ } áÁ|Á^&^|Á^~] [|çáÁ } Á| [& • Á|Áæá • Éá^ } *æ^
 ç@ÁUVUÉæ } áÁ } | Á -Á@Á } *á^ÉÁ • @æ } áÁ^ | Á@Á } d [|Áç^Á • Á|Á^ • æÁ^ç^|æÁ^
 ç^Á|aç^Á|!••|^Á|q|Á|Á|q|á*Áæ^Áæç|æ|æ&Á|Á^|æÁ| | \ ÉÁ^UOTÉD

WARNING

Þ^ç^|Á^æ^Á@Á [, ^|Á^ } æç } á^áÁ @^Á@Á@æÁ^ Á Áç@Áæ^á
] [•æ } ÉÁ^@Á [, ^|Á^ |áÁæ|Áæ • á^Á^q • Áç|Á^ Áç } ^| Á } @
 { á @æ æç^|ç } ç^Á^Á } á^Á@Á [, ^|Á^UOTÉD



CD9F5HCB

OUUT AEJT AEJUOT OSY

- " Q • | ^ & Á } áæ } Á -Áæ@æ { Á&ç } Á^|á^ } ç
- " O) • ^ Á | Á q • Áæ^Á Á |æ^É
- " O) • ^ Á | Á | | ç • Áæ } áÁ | | | q • Áæ^Á | | | ^| Á
 q • æ^áÉ
- " O @ & Á } áæ } Á -Á • @ • Áæ } [[Á ç | ç
] [q • Áæ } áÁ@áiæ |æ& | q á^|Áæ } *É
- " O) • ^ Á æ@Á@áiæ |æ& | q á^|Áæ } ç^|áÁæ } áÁ
 | ^æ } áÁ | | ^ & ç ÉÁ) • ^ Á @ Á | | | ^| Á æ^Á q • Á
 æ^Á • ^áÁ | Á çæ } Á @ & | q á^|Áæ } Á |æ^Áæ } áÁæ^Á
 • ^ & | ^áÁ | | | ^| Á OPS-B- 0022_D

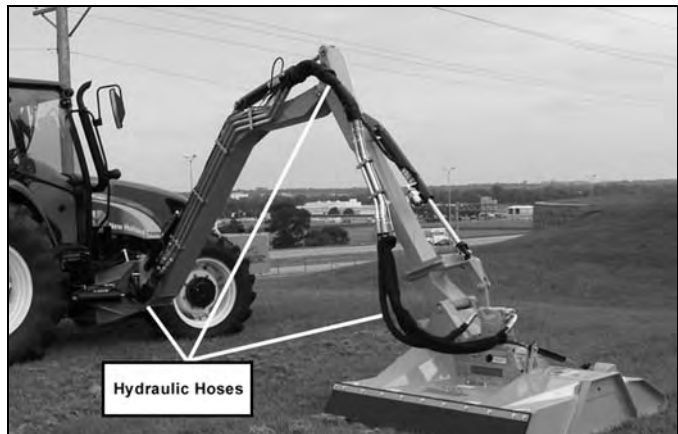


WARNING

Þ^ç^|Áæç^| } ç^| Á^| á|ææ^Éæ|á • ç^| Á^| [ç^| Á æç^|á | { Áç@AQ] | \ ^ } ç^| @^Á^ Á
 { [ç^| Á | Á @^Áæç^| Á } *á^Á^ } } á^ ÉÁ^UOTÉD

PYOUÇVSOASÇOAP UJUOOVQJP

- " O @ & Á | Á @áiæ |æÁ^æ • Áæ } * Áç • Á É
 & | q á^|Áæ } áÁæ } *É - A D C F H B H Á Ç U U V Á
 ~ • ^ Á | | Á ç } á • Áæ } Á @ & Á | Á q á^|Áæ • ÉÁ^ Á Á
] æ & Á -Á ç^| Á ç^| Á | Á çæ } áÁ | Á çæ } Á @ & Á | Á
 @áiæ |æÁ q á^|Áæ • ÉÁ
- " Q • | ^ & Á @ Á } áæ } Á -Á @ Á ç^| Á [~ } ç^| *É
- " O) • ^ Á çæ } * Áæ^Á | | | ^| Á } } ^ & ç^| Á
 OPS-B- 0023_D



Ó [{ U | | æ } Á^ & ç } Á É G

CD9F5HCB

Tractor PRE-OPERATION Inspection



Mower ID# _____ Make _____

Date: _____ Shift _____



WARNING 6 YZ:fY Wc:bXi W]b[' R Y]bgdYW]cbž a U_Y gi fY' R Y fUWcf 'Yb[]bY']g'cZZ U''fcU]cb \ Ug' grcddYX' UbX' R Y fUWcf ']g']b' dUf_ 'k]h ' R Y dUf_]b[' VfU_Y Yb[U[YX" A U_Y gi fY R Y ' a ck Yf']g' fYgh]b[' cb' R Y ' [fci bX' cf' gYW fYmi VcW_YX' i d'UbX' U'' \ mXfU']W dfYggi fY\ Ug' VYYb' fY]Yj YX"

CD9F5HCB

Item	Condition at Start of Shift	Specific Comments if not O.K.
The flashing lights function properly		
The SMV Sign is clean and visible		
The tires are in good condition with proper pressure		
The wheel lug bolts are tight		
The tractor brakes are in good condition		
The steering linkage is in good condition		
There are no visible oil leaks		
The hydraulic controls function properly		
The ROPS or ROBS Cab is in good condition		
The seatbelt is in place and in good condition		
The 3-point hitch is in good condition		
The drawbar pins are securely in place		
The PTO master shield is in place		
The engine oil level is full		
The brake fluid level is full		
The power steering fluid level is full		
The fuel level is adequate		
The engine coolant fluid level is full		
The radiator is free of debris		
The air filter is in good condition		

Operator's Signature: _____

DO NOT OPERATE an UNSAFE TRACTOR or MOWER

V@AQ • ^&ā } A] ;{ Á æ Á^Á^Λ^ Á ~] |ææ^áÁ :Á cca&] | á • È

Ó [{ U] ^ ! ;æā } Á ^ &ā } Á È Ì

CD9F5HCB

Boom PRE-OPERATION Inspection



Mower ID# _____ Make _____
 Date: _____ Shift _____



WARNING 6 YZ:fY'W:bXi W]b['H Y']bgdYW]cbžā U_Y gi fY'H Y'fUWcf 'Yb[]bY'g'cZZU''fcHU]cb'\ Ug
 glcddYX' UbX' H Y' fUWcf ']g']b' dUf_ ' k]H ' H Y' dUf_]b[' VfU_Y Yb[U] YX'' AU_Y gi fY' H Y'
 a ck Yf ']g'fYg]b[' cb' H Y[fci bX'cf'gYW fYmiV'cW_YX'i d'UbX'U''\ mXfU']WdfYggi fY'\ Ug
 VYYb'fY]Yj YX''

Table 1:

Item	Condition at Start of Shift	Specific Comments if not O.K.
The Operator's Manual is in the tractor		
All safety decals are in place and legible		
The mounting frame bolts are in place and tight		
The boom connection bolts & pins are tight		
There are no cracks in boom		
The hydraulic cylinders pins are tight		
The hydraulic pump hose connections are tight		
The hydraulic valve controls function properly		
There are no leaking or damaged hoses		
The hydraulic oil level is full		
There is no evidence of hydraulic leaks		
The blades are not chipped, cracked or bent		
The blade bolts are tight		
The deflectors are in place and in good condition		
The boom shields are in place and in good condition		
The skid shoes are in good condition and tight		
There are no cracks or holes in boom deck		
The hydraulic motor mounting bolts are tight		
The boom head spindle housing is tight and lubricated		

Operator's Signature: _____

DO NOT OPERATE an UNSAFE TRACTOR or MOWER

Ó [{

U] ^! aā } Á ^ & cā } Á Ē Ì

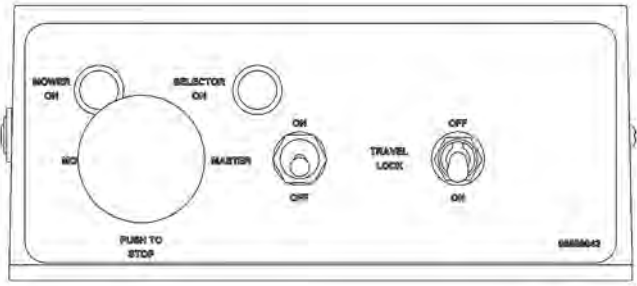
CD9F5HCB

CD9F5HCB

CD9F5HCB

* 'Y 'Gk JHW Vcl

V@ÁÚæ^c ÁÚ@|áÁ^ç^iÁ] ^} • Áæ áÁ&| [• ^ • Á@Á @|á
 || &æ^áÁ } Á@Á^ [] dÁ Á@Á&^ c^! Á@æÉY @) Á [çá *
 æÁ^! Á ^æÁ@Á^! [~ } áÉæ, æ • Á@æ^Á@Á @|áÁÁ Á@
 &| • ^áÁ [• áá } ÉY @) Á [, á * Áá Á@Á! ~ • @Á^! Áá
 d^ • Áá [ç^Á^! [~ } áÁ^ç^! Á@Á @|áÁ æ Á^Á] ^} ^á
 †! Áæ á^! Á&^ c^ * ÉÚ^æáÁæ áÁ^ || , Á@Á æ } á * Á^ }
 c@Á^ &ç^ Á @ , } Á^! [, ÉÖ [Á [c^ ~ } Á@Á&^ c^! Á@æ
 á ç Á æ^! áÁæ * ^! Á@æ Á ^! áæ ^ c^! É



DANGER

SAFETY SHIELD & DEFLECTOR OPERATION

<p style="text-align: center; font-weight: bold;">SAFETY SHIELD</p> <p style="text-align: center; font-weight: bold;">DEFLECTOR</p>	<ul style="list-style-type: none"> • Failure to close Safety Shield and Deflector may allow objects to be thrown outward with great force which can cause property damage, bodily injury, or death. <ol style="list-style-type: none"> 1. Keep Safety Shield and Deflector fully closed when cutting grass and weeds to reduce possibility of objects being thrown outward by the Blades if persons are in the area. 2. Before Cutting brush, trimming limbs, or other such operations, raise the Deflector and Safety Shield fully to allow the blades to contact the material if area is clear of passerby. Operator must stop cutting and close shield if passerby enters the thrown objects area or blade contact area. 3. Repair or replace Safety Shield and Deflectors as needed. 4. Always transport with Safety Shield and Deflector closed.
---	--

02967867

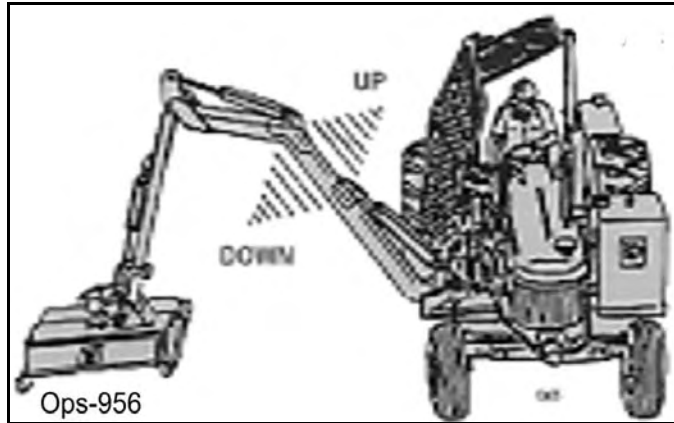
Ö [{

U] ^! æá } Á^ & ç } Á^ É

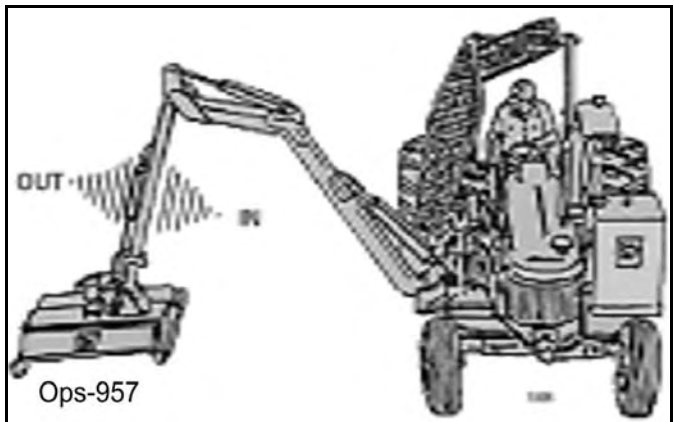
CD9F5HCB

CD9F5HCB

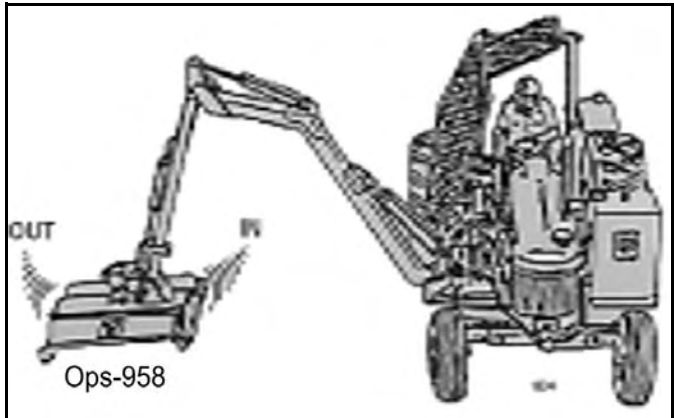
ŠÒXÒÜÄÄFÄT ÖÄÄÓUUT



ŠÒXÒÜÄÄGÄÜÒÖUÄÖÄÜÄÓUUT



ŠÒXÒÜÄÄHÄÖÖÖSÄÜUŠŠ



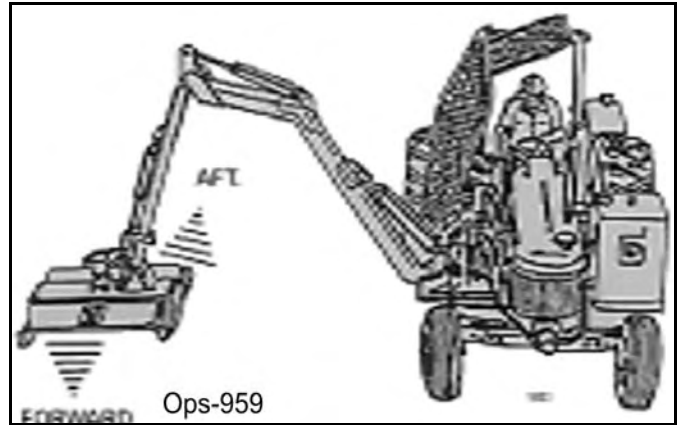
Ó[[{

U] ^! aä } Ä^ & ä } ÄÄÄ

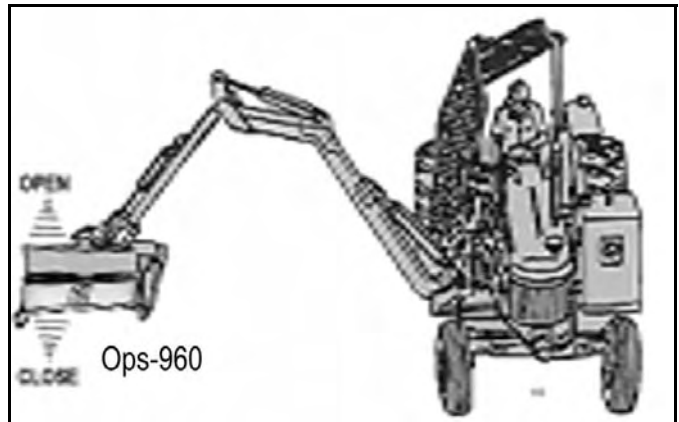
CD9F5 HCB

CD9F5 HCB

ΣΧΟΔΙΑΣ ΜΟΥΤΑΚΟΣ



ΣΧΟΔΙΑΣ ΜΟΥΤΑΚΟΣ



Όλες οι πληροφορίες σχετικά με τον εξοπλισμό μας είναι διαθέσιμες στην ιστοσελίδα μας.

Όλες οι πληροφορίες σχετικά με τον εξοπλισμό μας είναι διαθέσιμες στην ιστοσελίδα μας.

CD9F5HCB

CD9F5HCB

WARNING



CAUTION: Do not touch the boom or secondary boom while the machine is in operation. The boom and secondary boom can move unexpectedly and cause injury or death.

Always use proper lifting techniques. Do not lift or move loads that are too heavy or unbalanced. Always use the correct tie-down technique to secure loads. Always use proper tie-down technique to secure loads. Always use proper tie-down technique to secure loads.

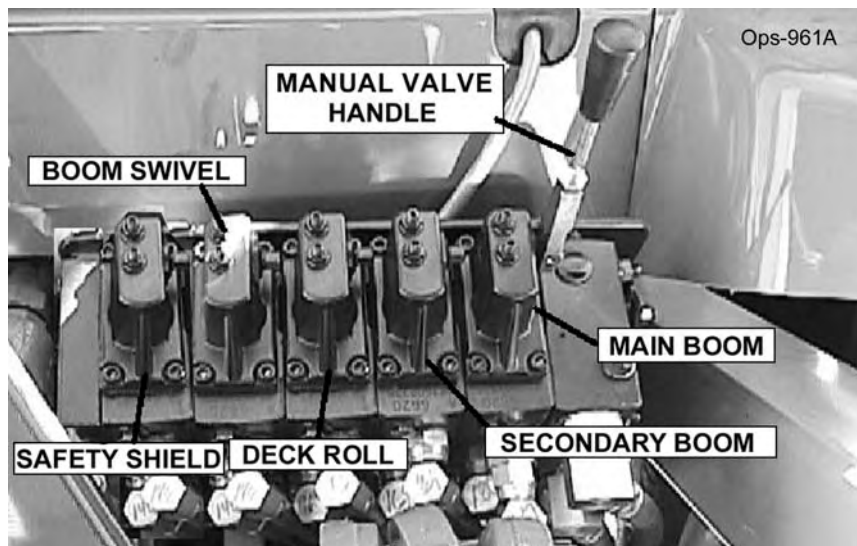


CAUTION: Do not touch the boom or secondary boom while the machine is in operation. The boom and secondary boom can move unexpectedly and cause injury or death.



CAUTION: Do not touch the boom or secondary boom while the machine is in operation. The boom and secondary boom can move unexpectedly and cause injury or death.

Always use proper lifting techniques. Do not lift or move loads that are too heavy or unbalanced. Always use the correct tie-down technique to secure loads. Always use proper tie-down technique to secure loads. Always use proper tie-down technique to secure loads.



©

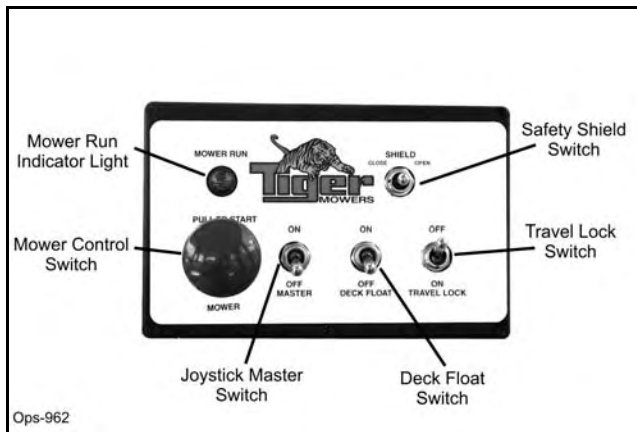
U

CD9F5HCB

CD9F5HCB

Control Panel

Refer to the operator's manual for detailed information on the control panel. The control panel includes the Mower Run Indicator Light, Mower Control Switch, Joystick Master Switch, Safety Shield Switch, Travel Lock Switch, and Deck Float Switch.



Always use the control panel in a safe manner. The Safety Shield Switch is used to raise and lower the safety shield. The Travel Lock Switch is used to lock the travel control. The Deck Float Switch is used to raise and lower the deck. The Joystick Master Switch is used to control the mower's movement.

! DANGER

SAFETY SHIELD OPERATION

- Failure to close Safety Shield may allow objects to be thrown outward with great force which can cause property damage, bodily injury, or death.

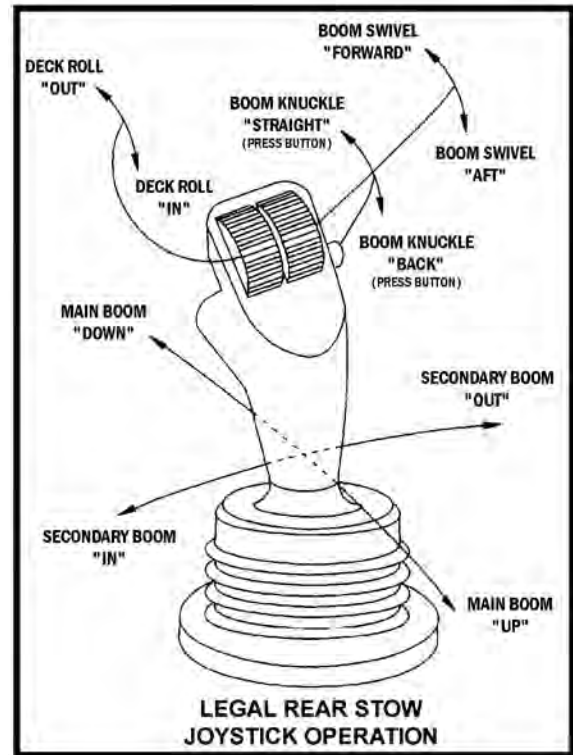
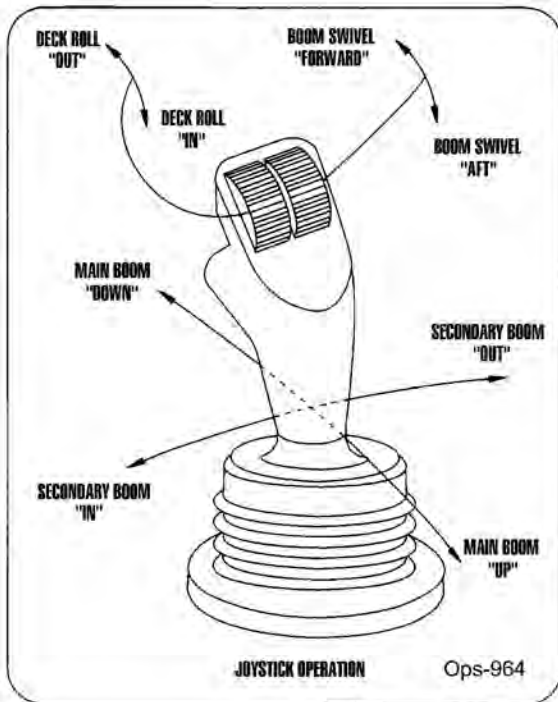
1. Keep Safety Shield fully closed when cutting grass and weeds to reduce possibility of objects being thrown outward by the Blades and to prevent contact with the Blades if persons are in the area.
2. Before cutting brush, trimming limbs, or other such operations, raise Safety Shield fully to allow the blades to contact the material if area is clear of passersby. Operator must stop cutting and close shield if passerby enters the thrown objects area or blade contact area.
3. Repair or replace Safety Shield as needed.
4. Always transport with Safety Shield closed. Ops-963

©2013 Alamo Group Inc.

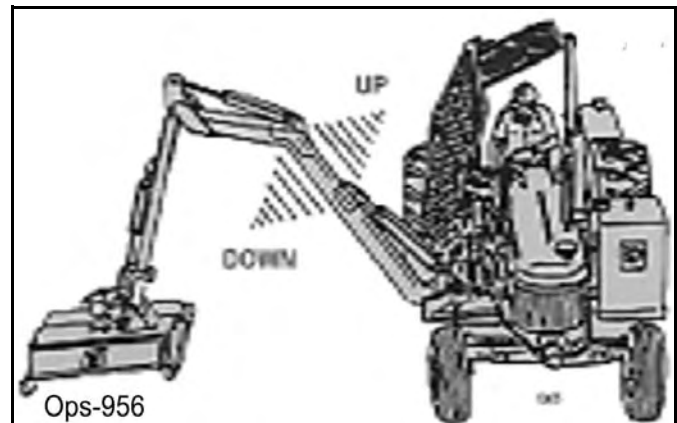
CD9 F5 HCB

CD9 F5 HCB

>cmgW 7 cbfc`



RUÿÙVÔSÁÿ ÖÖÔSÁ UXÒÚÁ CD ÁÚUT



Ó[[{

U] ^! aã } Á^ &ã } ÁÉÉ

CD9F5HCB

CD9F5HCB

On-Off Switch

The On-Off Switch is used to start and stop the engine. It is located on the right side of the operator's seat. To start the engine, turn the key to the "ON" position. To stop the engine, turn the key to the "OFF" position.

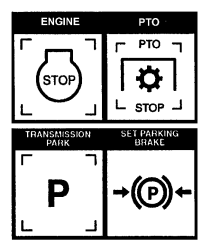


On-Off Switch

The On-Off Switch is used to start and stop the engine. It is located on the right side of the operator's seat. To start the engine, turn the key to the "ON" position. To stop the engine, turn the key to the "OFF" position.



The On-Off Switch is used to start and stop the engine. It is located on the right side of the operator's seat. To start the engine, turn the key to the "ON" position. To stop the engine, turn the key to the "OFF" position.



U] ^!&ç } Á&ç } Á&U

U] ^!&ç } Á&ç } Á&U

CD9F5HCB

CD9F5HCB

On-Off Switch

Ó^f|^Át} •] | cã * Átædq | Á^c ^ ^ } Á | &æã } • Éã | Á
 c@Átædq | Á } * ã ^ Éãã ^ } * æ ^ Ác@Áæææ@áÁ@æãÉ
 æ } áÁ æãÁ | Áã | Á@æãÁ [cã] Á | Á | { ^ Á | Áæã | {] | Ác
 • d] ÉÁ | æ ^ Ác@ Áá [{ Áã Ác • Á d | æ ^ Ááæã | Á ^ Ác
 • }] | | Áæ } áÁc@ } Ác | } Ác@Ác ^ • æã Á æc | Á, æ&@Á
 c@ÁÚØÁ [• æã } ÉÁ



On-Off Switch

“ Ü^dææcÜ^æ ÁÚ | | Ác | ã áÁ | Á | {] | Ác | É
 “ Ü • @Ü^æ } áæ æ & | ã áÁ | Á | {] | cã æ | ÁÉÁ
 , æ Á ^ É
 “ Üææ ^ ÁT æã Á | [{ Áã] | | cã æ | Á Á ÉÉ
 “ Ü, ã * Á | [{ Áææ Á | , | Á } cã Á Á dææ @Á
 áææ É
 “ Ü | ÁáÉ | ã cã [{ | Ác | Ááã * | Á | { } Á
 à [{ | Ác | Á | • æã } Ác@Á^æ } áæ æ Ác@Á
 & æã | ÉÁææ ^ | | Áæã | Ááã ã & @ * Áæ ^ Ác • Á É
 “ Ü | Áá | ^ } Á d , Ác | Á | [{ | Ác | Á | , Ác@Á
 T æã Á | [{ Á } d Ác • cã } áÁ | ã * Ác@Á | Áæ } áæ Á
 à [{ Á Á } cã Á Á áæ * Á } Ác@Á | [{ | Ác | É
 “ Ü | Áá | ^ * æ Á d , Ác | Á | [{ | Ác | Á dææc@Á
 • Áæ } áæ æ Áá } & | Ác | ã áÁ | Á | {] | Ác | ÉÁ
 Š , Ác@ÁT æã Á | [{ Á } d Ác • cã | , | Á
 ^c } áÁc@Á^æ } áæ æ & | ã áÁ | Á } cã@Á
 • Áæ } áæ Á | [{ Á | dææ Ác@Áæ Á Ác@Á | [{ | Ác • cãá | ÉÁc | ÉÁ | , | Ác } áÁc@Á } & | Ác | ã áÁ | Á } cã
 c@Á^æ } áæ Ác@Á } Ác@Á | cã { Á æc Ác@Á | [{ | Ác • cãá | É



V@Á [{ Á Á | , Á Ác@Áæ }] | | cã [• æã } ÉÁ | Á } Áæ ^ Á | Ác | } Ác | Áæ | Á | & • Áæc@Á, æ&@ [cÉ
 V | Á | { | c^Ác@Á | [{ Á | { Ác@Á | [{ Ác@Ác • cã } Ác@Á ^ Á | Ác | } Ác | Áæ | Á | & • Áæc@Á, æ&@ [cÁc@ } Á dææc
 c@Á } & | Ác | ã áÁ | Ááã] | Áæã | Ác@Á, ã * Ác@Á | Áæ } áæ Á | [{ Á ^ cã Üææ ^ Ác@ÁT æã Á | [{ Áã] | | cã æ | Á
 ã & @ • ÉÁ, æ | Ác@Á | [{ Á | , æáÁ Ác@Á ^ áÁ | • æã } ÉÁOPS-B-0013_D

Ó | { U | Áæã } Á ^ & cã } Á É F

CD9F5HCB

CD9F5HCB

Ó[[{

U] ^! aã } Á ^ & ç } Á Ë Î

A 5 =BH9 B5 B7 9 'G9 7 H=C B

T aq c} a} &^Á^&ç } Á Æ

A5-BH9 B5 B7 9

A5-BH9 B5 B7 9

FY[i `Uf`A Uj bHyb UbWY

V@/ ¼ c¼çç ÁæÁ @æÁ^~ |æÁ^¼ççá * Á @~ |áÁ^Á[] ^Áæ^Áæ^áá} Á@~ |Á Á^ |^ææ } ÉÁ^Áæ@Áæç |Á@~ |
 { ^cÁÁÁ ÁÁÁ | á^Á @} Á^~ |æÁ^¼ççá * ÁÁ^~ á^áÉ

Ü^Á! Áç Á@Á^c æá^áÁ æç } æ & Á^&ç } Á | Á~ @! Áá·d~ &ç } ·Á | Á^æ á * ÉÁ[] ^Áæ áÁ·Á@ ÁÖæá
 T æç } æ & Á @^Á | æá^áÁ@Á } áÁ Á@Á^&ç } É

8 U] mcf`9 j Yfm, `<ci fg

QÒT Á	ÙÒÜXÒÒ	ÔUTT ÒP VÙ
Ö!æ^Á@æÁ[\^ÉWÉÉ á c BÁÛ àÁ@æc	Ö!æ^	Ö!æ^Áæ Á·d~ &c áÁ á^æá^áÁ æç ÉÁ^&ç }
Ü {] Ö!æ^Á@æÁ[~] ^	Ö@& Áæ áÁ~ á^	Q·!ÁÁ!æ^Á @æÁ } áÁ æ
Ö!æ \·@æÁæç ç!Á	Ö@& Á~ áà!Á! [{ { ^	Ü^ æÁ! [{ { ^ ÁÁ áæ æ^áÁ!Á á·á*
Üæ[Á[á	Š à!ææ	Q·&Á!æ^Á } çÁ æ] ^æ·Áæ } á
P^ á!æ æÁç * Á	Ö@& Á Áæ·	Vá @} Á @} Á^á^áÉÁ[Á Á·Áç á· ç Á@& Á Áæ· ÉÁ^Á æç ÉÁ^æç }
S] æ^·Á Á	Ö@& Á	Q·] ^&Á!Á á·á* Á!Áæ æ^áÁ } æ^·É &ç *^Áæ Á^á^áÉ
Ü] á^Á [~ ç * Á ·] á^Á Á&D	Ö@&	V ~ ^Á Á+Á ç·á·á à!ææ á V ~ ^Á Á ç·á·á
S] áÁ [~ } ç * Á ç } áÁ Áá Á! Á!æ^ÁæD	Ö@&	Ü!É à!ææ Á@æ·á@ Á ç ~ ^Á Á ÉÁç·á·É
Öá \É!æ^ÁæÁ [~ } ç * Á çá \É!æ^ÁæÁ Á] á^ÁD	Ö@&	V ~ ^Á Á ç·á·á à!ææ á V ~ ^Á Á ç·á·á
Ó	Ö@& Éá·c	Ö@& ÁÁ[\^ } Éá @} Áæ Á^~ á^á
T æç Áç ^Á áÁ Ö^&	Ö@& Á	Ü^ç ~ ^Á Á Á ~ ^ ·] ^&ææ } ·Á Á@Á^&ç }
P^ á!æ æÁ çá^ç	Ö@&	ÉááÁ^~ á^á^Á!Á çá^ç { { ^ } ææ } ·
Ü^æÁ@æÁ Ö!æ^Á } æá^ÁD Ö^æÁ@æ *^Á áÁ@æÁ[~] ^	Š à!ææ	Ö!æ^Áæ Á·d~ &c áÁ á^æá^áÁ æç ÉÁ^&ç }
Ö^ Á!Á@æ áÁ Ö! [~] áÁ [^	Š à!ææ	Ö!æ^Áæ Á·d~ &c áÁ á^æá^áÁ æç ÉÁ^&ç }

Ö [{ T æç } æ & Á^&ç } Á É

A5-BH9B5B79

HFCI 6 @G<CCHB; 77CBHBI 98L

ÜYT ÚVUT Ù

ÔœWÙÒ

ÜÒT ÖÖY

Aclcf'fi bg'Vi h
k j``bchW IË

FZÖ^|œ
GÄ^).•q}^!

FZÖÖQ.] ^&œ^|œ } aÁ ~ ||^•EÜ^ |æ&
ÄÄÄÄÄ^|œ } aÁ^ } aÄ^ Ä^ä^äE
GZÖÖÖb. •œ^).•q}^! Á^ Ö^äÄ æ @!
ÄÄÄÄÄ æ @! Ä Ä^ • @Ä ä@Ä] Ä Ä^ ä^E

Ack Yf'hi fbg'g'ck`m
cf'bchUhiU`E

FZÖ[} œ } q } a } o } Á
ÄÄÄ^•däcä * Á] []
ÄÄÄ [ç^ ^) oÄ Á
ÄÄÄcäç^Ä [ä`EÄ
GÄÜ` &cä } Äq ^•
ÄÄÄ ä•d` &c^äÁ
HÄS[, Ä äÄç^!

FZÖÜ^ { [ç^ Äcä * ^ Ä ` oÄ } Ä ä^Ä Äcä * ^
ÄÄÄÄÄcäç^ÄÄ [& EÜ^ { [ç^ Ä] ä * EÄ } äÄ • Ä
ÄÄÄÄÄ ^ ä^ÄÄ [• ^ Äcä ^ Ä] ä Ä Ä^ || Ä] []
ÄÄÄÄÄ [{ Ä [& EÖ @ & Ä [& Ä } aÁ] []
ÄÄÄÄÄ | Ä [} œ } q } æ • Ä } aÁ & ä& @ • E
ÄÄÄÄÄ ^ ä } Ä æ o Ä | Ä^ | æ & Ä Ä & ä& @ äE
GZÖÖÖ @ & Ä | Ä ä | ^ • Ä | Ä ä • d` &cä } Ä
ÄÄÄÄÄ ` &cä } Ä @ • ^ E
HÄWÖ @ & Ä Ä^ äÄä \ Ä ç^ | Ä } aÄÄE

Di a d'k j``bchik cf_

FZÖœ&••q^Ä ^æ
ÄÄÄ } Ä c^! } äÄ æo

FZÖÖÖä æ • ^ { ä^Ä } aÁ^ } aÄE

Aclcf'k j``bchik cf_

FZÖœ&••q^Ä ^æ
ÄÄÄ } Ä c^! } äÄ æo

FZÖÖÖä æ • ^ { ä^Ä } aÁ^ } aÄE

PUVÖÖQÄ[, Ä ^ c^ | Ä Äcäçä | EÄ @ & Ä | ^ • • ^ | ^ Ä } aÄ [, Ä [| { ^ Ä | Ä Ä^ • ^ & c^ äÄ @ ä | ä | Ä | [ä | ^ { • E
GÄ @ Ä [| çä } Ä Ä [^ | Ä | [ä | ^ { Äcä } [oÄ Ä^ ~ } äÄ Ä @ Ä ^ & cä } EÄÄ | Ä @ Ä ^ & @ äÄÄ | çä & Ä^ | ^ • ^ } œÄ^ Äcä @
} { ä^ Ä @ , } Ä } Ä @ Ä [] oÄ [ç^ | Ä Äcä Ä } äÄE



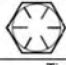

A5-BH9B5B79

Ö [{ T ä c^ } ä } & Ä^ &cä } Ä E

A5-BH9 B5 B7 9

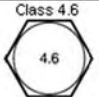
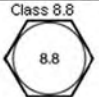
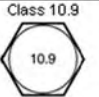
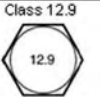
A5-BH9 B5 B7 9

Torque for Standard Fasteners

Nominal Dia. (in.)	threads per inch	 Grade 2			 Grade 5			 Grade 8			 Grade 9		
		Tightening Torque			Tightening Torque			Tightening Torque			Tightening Torque		
		Lubed K = 0.15	Dry Plated K = 0.17	Dry plain K = 0.20	Lubed K = 0.15	Dry Plated K = 0.17	Dry plain K = 0.20	Lubed K = 0.15	Dry Plated K = 0.17	Dry plain K = 0.20	Lubed K = 0.15	Dry Plated K = 0.17	Dry plain K = 0.20
Unified Coarse Thread Series													
1/4	20	49 in-lbs	59 in-lbs	66 in-lbs	76 in-lbs	86 in-lbs	101 in-lbs	107 in-lbs	122 in-lbs	143 in-lbs	126 in-lbs	143 in-lbs	168 in-lbs
5/16	18	101	122	135	157	178	209	221	251	295	259	294	346
3/8	16	15 ft-lbs	18 ft-lbs	20 ft-lbs	23 ft-lbs	26 ft-lbs	31 ft-lbs	33 ft-lbs	37 ft-lbs	44 ft-lbs	38 ft-lbs	43 ft-lbs	51 ft-lbs
7/16	14	24	29	32	37	42	49	52	59	70	61	70	82
1/2	13	37	44	49	57	64	75	80	90	106	94	106	125
9/16	12	53	63	70	82	92	109	115	130	154	135	153	180
5/8	11	73	87	97	113	128	150	159	180	212	186	211	248
3/4	10	129	155	172	200	227	267	282	320	376	331	375	441
7/8	9	125	150	167	322	365	429	455	515	606	533	604	710
1	8	187	225	250	483	547	644	681	772	909	799	905	1065
1 1/8	7	266	319	354	596	675	794	836	955	1128	988	1132	1341
1 1/4	7	375	450	500	840	952	1121	1173	1343	1545	1357	1510	1785
1 1/2	6	652	783	869	1462	1657	1950	2031	2311	2688	2341	2650	3165
Fine Thread Series													
1/4	28	56 in-lbs	68 in-lbs	75 in-lbs	87 in-lbs	99 in-lbs	116 in-lbs	123 in-lbs	139 in-lbs	164 in-lbs	144 in-lbs	163 in-lbs	192 in-lbs
5/16	24	112	135	150	174	197	231	245	278	327	287	325	383
3/8	24	17 ft-lbs	20 ft-lbs	23 ft-lbs	26 ft-lbs	30 ft-lbs	35 ft-lbs	37 ft-lbs	42 ft-lbs	49 ft-lbs	43 ft-lbs	49 ft-lbs	58 ft-lbs
7/16	20	27	32	36	41	47	55	58	66	78	68	78	91
1/2	20	41	49	55	64	72	85	90	102	120	105	120	141
9/16	18	59	71	78	91	103	121	128	146	171	151	171	201
5/8	18	82	99	110	127	144	170	180	204	240	211	239	281
3/4	16	144	173	192	223	253	297	315	357	420	369	418	492
7/8	14	138	165	184	355	403	474	502	568	669	588	666	784
1	14	210	252	280	542	614	722	765	867	1020	896	1016	1195
1 1/8	12	298	357	397	668	757	890	1083	1227	1444	1269	1439	1693
1 1/4	12	415	498	553	930	1055	1241	1509	1710	2012	1768	2004	2358
1 1/2	12	734	880	978	1645	1865	2194	2668	3024	3557	3127	3544	4169

Torque values for 1/4 and 5/16-in series are in inch-pounds. All other torque values are in foot-pounds.
 Torque values calculated from formula T=KDF, where
 K = 0.15 for "lubricated" conditions
 K = 0.17 for zinc plated and dry conditions
 K = 0.20 for plain and dry conditions
 D = Nominal Diameter
 F = Clamp Load

Torque-Tension Relationship for Metric Fasteners

Nominal Dia. (mm)	Pitch	 Class 4.6			 Class 8.8			 Class 10.9			 Class 12.9	
		Tightening Torque			Tightening Torque			Tightening Torque			Tightening Torque	
		Lubed K = 0.15	Dry Plated K = 0.17	Dry plain K = 0.20	Lubed K = 0.15	Dry Plated K = 0.17	Dry plain K = 0.20	Lubed K = 0.15	Dry Plated K = 0.17	Dry plain K = 0.20	Lubed K = 0.15	Dry plain K = 0.20
3	0.5	0.28	0.32	0.38	0.73	0.82	0.97	1.0	1.2	1.4	1.2	1.6
3.5	0.6	0.44	0.50	0.59	1.1	1.3	1.5	1.6	1.9	2.2	1.9	2.5
4	0.7	0.66	0.74	0.87	1.7	1.9	2.3	2.4	2.7	3.2	2.8	3.8
5	0.8	1.3	1.5	1.8	3.4	3.9	4.5	4.9	5.5	6.5	5.7	7.6
6	1	2.3	2.6	3.0	5.8	6.6	7.7	8.3	9.4	11	9.7	13
6	1.25	2.1	2.3	2.7	5.3	6.0	7.0	7.6	8.6	10	8.8	12
7	1	3.8	4.3	5.0	9.7	11	13	14	16	19	16	22
8	1	5.9	6.6	7.8	15	17	20	22	24	29	25	34
8	1.25	5.5	6.2	7.3	14	16	19	20	23	27	24	31
10	1.25	11	13	15	29	33	39	42	48	56	49	66
10	1.5	11	12	14	28	32	37	40	45	53	47	62
12	1.25	21	23	28	53	60	71	76	86	101	89	119
12	1.5	20	22	26	51	58	68	73	82	97	85	113
12	1.75	19	21	25	49	55	65	70	79	93	81	108
14	1.25	26	29	34	66	75	89	95	108	127	111	148
14	1.5	28	32	37	72	82	96	103	117	138	121	161
14	2	30	34	40	78	88	104	111	126	148	130	173
16	1.5	50	57	67	129	146	171	184	208	245	215	287
16	2	47	53	62	121	137	161	173	196	230	202	269
18	1.5	73	82	97	187	212	249	268	303	357	313	417
18	2.5	65	73	86	167	189	222	239	270	318	279	372
20	2.5	91	104	122	236	267	314	337	382	449	394	525

Clamp load calculated as 75% of the proof load for specified bolts. K = 0.15 for "lubricated" conditions
 All torque values are listed in foot-pounds
 Torque values calculated from formula T=KDF, where
 K = 0.17 for zinc plated, dry conditions
 K = 0.20 for plain and dry conditions
 D = Nominal Diameter
 F = Clamp Load

©

Torque values calculated from formula T=KDF, where

A5-BH9B5B79

@ 6F=75HCB'F97CAA9B85HCBG

8 YgW]d]h]cb	5 dd`]WU]cb	; YbYfU'GdYw]Z]WU]cb	FYWta YbXYX AcV]`@ Vf]WU]bh
Viæd P^â æ æ·Á	Ü^·^ ç ä	RÖËËÖ T ØÄ FFHÍ Ê FFI F ØPT GÓFHI ÖÇP PGEFD	T [àq~ æÁ G
T [, ^ P^â æ æ·Á Ö [â^ {] ^ æ ^·Á ÜædM	Ü^·^ ç ä	ÜUAÍ ÁÇ æY ^æË , Á^ {]	T [àqÖVÒFI T
P [{ æÁ^ {] ^ æ ^·Á F »AÜædM	Ü^·^ ç ä	RÖËËÖ T ØÄ FFHÍ Ê FFI F ØPÁT GÓFHI ÖÇP PGEFD	T [àq~ æÁ G Á
P [{ æÁ^ {] ^ æ ^·Á FÍ »AÜædM	Ü^·^ ç ä	ÜUAÍ ÁÇ æY ^æ	T [àqÖVÒÁG
Pä @] ^ æ * Á^ {] É Öa [ç^Á^æ	Ü^·^ ç ä	ÜUAÍ ÁÇ æY ^æ	T [àqÖVÒFI T
ÖæÁ^æÖ^æà ç^Á^æ^	Ü^·^ ç ä	ÜÜÁ^ } @æÖçd^ { ^ Ü ^·· ^Á^æS^ à^	T [àqÁUPÖÁÍ Y ÈÉ T [àqÁ^ } @æÖ^æ
Ö^ æ^Á^æBÁÖ [^ } á^Á^æ^ Ü [^Á^æç^D Ö^ }	Ü^·^ ç ä	Šæ { Ö [{] ç Öçd^ { ^Á ^·· ^ PŠÖÜÁGE	T [àq^ ^æ^ÁÖT ÈÜ
Ö æÁ^æÖ [^ } ^ Ü [^Á^æç^D Ö^ }	Ü^·^ ç ä	Šæ { Ö [{] ç Öçd^ { ^Á ^·· ^ PŠÖÜÁGE	T [àq^ ^æ^ÁÖT ÈÜ
Ö æÁ^æÄ [^ É WÈ q çBÁ^c àÁ^æc	Ü^·^ ç ä	Šæ { Ö [{] ç Öçd^ { ^Á ^·· ^ PŠÖÜÁGE	T [àq^ ^æ^ÁÖT ÈÜ
Ö [{ Á^ æ Ö [{ Á^ æ^Á^æç^ Ü [ç^ Á^æç^ [{ D	Ü^·^ ç ä	Šæ { Ö [{] ç Öçd^ { ^Á ^·· ^ PŠÖÜÁGEÁ	T [àq^ ^æ^ÁÖT ÈÜ
Ö^ & ÁÖ [{ Á^æç^ Ö^ & Á^ç] Á^æç^c Ü [ç^ Á^æç^D	Ü^·^ ç ä	Šæ { Ö [{] ç Öçd^ { ^Á ^·· ^ PŠÖÜÁGEÁ	T [àq^ ^æ^ÁÖT ÈÜ
Ö^ & Á^ q á^ç [ç^ D Ü [ç^ Á^æç^D	Ü^·^ ç ä	Vá ^Á^ q á^S^ à æç c] æç { à^Á^ ççç	T [àqÁUPÖÁGE

A5-BH9B5B79

Ö [{ T æç } æ & Á^æç } Á È

A5-BH9B5B79

A5-BH9B5B79

DC @M7 5 F6 CB5H9 75 F9 / A5-BH9B5B79

V@Á| | | | a d ^ ÁVXÁq áÁÖá|æ q } ÁÚ^•ã çq óÁÚ^ | æÁÁ&| æq * Á | } ÁÚP ÖSÖUÁÚWÚÖÜÖUÖV/ÖÖÁ | | } &æà[} æ
•ã } áæq q ^ Á | | | | ç^•Á^ | | | | } ç & ÉUÁ^ q áæÁ&|æ q } * Á • q * Á | | | | ^ Á | | | &á^ | ^ • Áq áÁ&| { } æá^ Á&|æ q ^ | • Áæ^
| ^ &| { { ^ } á^ áÁ&| Á | | | | } * Á^ | çÁ^ Áá ÉV/á^ | ÁÖ | | | | ÉÁ | | } &æà[} æ^ Á ÚWÚÖÜÖUÖV/ÖÖÁ } Á | çÁ á^ • É

ÖSÖÖP Ö ÖÁ/P ÖÁÚWÚÖÜÖUÖV/P ÖÜÖÉÖUÖV

FÈ Y æ çÁ áæÁ q áÁ | | ç } Á - Á | ç Á | Á^ ç! * ^ } çq á^ | ^ , æ { Á æ^ | È

GÈ W q * Áá | ç&| çÁ | Á | | } * ^ É^ } q ^ Á æ çÁ @ Á @ ^ çÁ Á | { • ^ } Á á çÁ q áÁ q ^ Áq áÁq • ^ Á ^ | | Á áæÁ q Á
, æ^ | È

HÈ V | Á | ^ ç^ } çÁ æ^ | Á | | çq * É ç | | ^ * ç Á | ^ Á áæÁ ç [á Á | Á^ | | { • ^ Á | | } * ^ È

I È Öç [áÁ @ Á • ^ Á Áá | æ çÁ Á^ çq ^ | • É ~ ^ ^ ^ • Áq áá | Á ç @ | Á^ çq } * Á | | { ^ } • Á çÁ æ Á ç Á | Á
* [^ * ^ Á @ Á q æq * È

ÖSÖÖP Ö ÖÁ ÖÖP VUÁ P ÖPÁ P ÖX ÖÁ ÖÖÖP Á ÖU W ÖÁ VUÁ ÖÖÁ ÖUT Ú ÖV/ÖSÖÁ W ÖÖÜÁ S ÖÖU Ü ÖV U ÜY
ÖÜP ÖQ ÖP ÜK

ÖE ^ | ^ • ÁÚ | | ç } • Á - Á | ç q } • Áq á^ Ö^ ç! * ^ } •

Y q á^ çFD	V Á á çD	R ^ çD	T Á ^ ç çD
çæ ç ç çD	ç ^ áá ç çD	Ü^ { çq @ ÁFG	Ó ^ ç á^ çæ
U * ç áÁ ç^ } •			
Ó ç Á^ • [ç^	S { • ^ } ^	P ^ ç É ç U É	P ç @ ç XT B U Á áá D
P ^ ^ ç É áá	V ç Á ç G		
ç& ç •			
T ^ ç ç	ç ^		

çÁ^ • á^ çÁ | * ç áÁ | | ç^ } • Á ç | | áÁ^ Á^ { | ç^ áÁ áæÁ^ &| } áæ^ Áq • ^ È

; F5 : : H-F9ACJ5 @

Ó ç | Á^ | | | • [| ç^ Á ç | Á^ { | ç çÁ - Á çq • É ç ç q * Á ^ } Á | • Éq • çÁ ÉÁ & ÉV @ Á • ^ Á - Á çæ | q * Áq ^ Éá ç • çÁ Áq ^
| | Áq á^ { | ç çÁ | | • Á | | | Á ^ | | Á | | Áq * Á - Á | áÁ ^ ç @ | ^ áÁ çq • È

V | Á^ { | ç^ Á çæ | • É • çÁ | • É^ ç ÉÁ @ Á • ^ Á - Á | | { • ^ } ^ Á | ÁXT B U Á çq @ çÁ çÁ^ } ^ | çÁ - Á - & çÁ ÉY @ } Á ç
• [| ç^ } çÁ q | Á | ç^ } ^ çÁ çÁ | Á çæ | çÉ ç } | ^ Á çÁ çÁ | ^ | Á | Á | ç } Á @ çÁ çÁ | ^ | Á | Á | ç } Á @ Á ç @ • çÁ q áÁ | | { | çÁ^ { | ç çÉ

ç ÚU ÜV ÖV V Á çÁ çæ | çÁ • Á | ^ } áÁ ç Á^ Á & | { } æá^ Áq Áá @ | ç^ | | Á • çÁ q | Á • çÁ Á^ } áÁ Á^
q & | { } æá^ Áq Á @ Á q | áÉV @ Á | ç ^ | • É ç q ^ ç | É Á | Á ç ç • Á ^ ^ É ç ç | çá^ Á | | | | ç & Á Á | Á ^ ç ç ç
ç ç Á ç ç Á } áÉ • ^ Á & | áá q } • Á ç Á^ Á^ } Á | | çÁ áÉV @ | ^ | | Á ç @ • ^ Á^ • | ç Á ç | | áÁ^ Á • ^ áÁ çÁ ç Á^ } |
ç áÁ^ | ^ & | { { ^ } á^ áÁ çÁ @ Á • ^ | Á • Á @ Á | | á^ & Ö Á } áÁ Á ç ç Á } áÉ • ^ Á & | áá q } • É

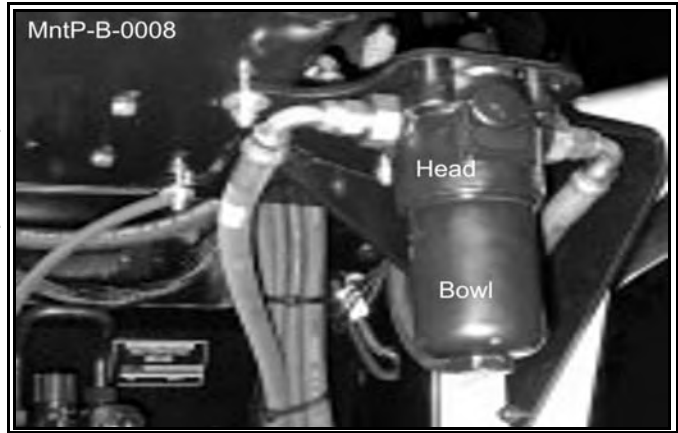
Ö | | { T ç ç | ç & Á^ Á & ç } Á É €

A5-BH9B5B79

A5-BH9B5B79

89H5=@8`A5-BH9B5B79

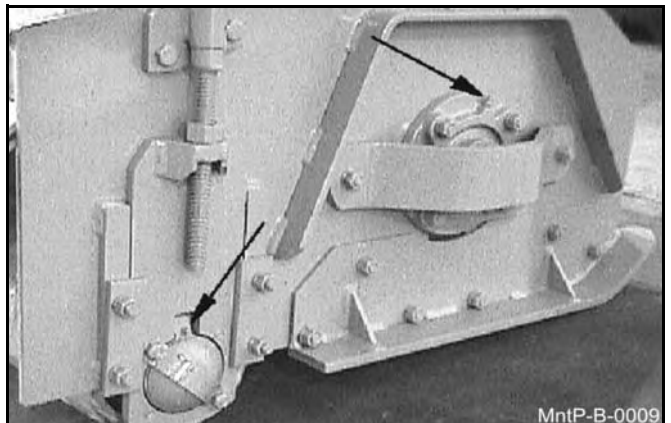
F9D@7-B; `<≡<`DF9GGI F9`<M8F5I @7
: @9F'9 @A9BH



0E~!^Á••e\ Á @e Áá^} Á•@oá[, } Áæ áÁá^É
]!^••!á^áÉŠ &æ ÁPá @Ú!^••!^ÁQç!ÁQ~•á*É
Ö[}-á{ Ác@eÁc@Á^{\ } oÁc@eÁã Áe à[~ oÁ Áá^
á•æ^áÁ{ æ&@•Ác@Á^{\ } oÁ} ÐÁ[} Ác@Á-á!
{ [á^!Ácæ ÉÖcæ] \^ÁX^HÉ FÉÉÍ ÁÇ []!áÁá^ÁFÉÉÉ
PÖE JÁ{ [á^!DÁŠ &æ Ác@Áá[ú{ Á[Ác@ÁPá @
Ú!^••!^ÁÖ[,]Éæ} áÁ~•^Ác@Áá[]!] æ^Á•} æ}^!
, \} &Ö! ;Éæ&@oá áÁ! } á* Á ÁÁÁ~ } e!&[& , á^
!] cææ } ÉÖ[[\ á* Áæ@Áá[ú{ Á-Ác@Áá[,]DÁ^ [Ç^
c@Áá[,]Á^ [{ Ác@Ác@æÉV@Áá•oÁ[~ } \^Á[cææ } •
, á!Á^ \} Áá @Áe Ác@Á Éá* Áæ•^•Ác@Á^áá* Á^æ É
U) &Ác@Á Éá* Ác@e ÁÁ^æ^áÁc@Á^áá* Á^æ Ác@
à[,]Á @~!áÁ[á Á^Á^! ÉVæá á* Áæ^Á[ú{ Áá[] Ác@Áá[,]Éá á oÁ^ [çá* Ác@Áá[,]Á^ [{ Ác@Ác@æÉV ÖÉPÖÖK
á[,]Á á!ÁÁ^! \^Á-Á ÁÁÚ[~! Ác@Á áÁ[{ Ác@Áá[,]Á ç ÁÁÁ } cæ^!ÉÖÁ á áÁ @~!áÁ^ ÁÁ } •æ^!áÁÁ } cæ á æ^á
á^ÁÁ Ác@Á[,]Ááá&çá } Ác@~* @c@Á^{\ } oÁ Á^~ oæ^Éá ÉÖ!^áá Ác@Áá•æ^Á-Ác@Áá[,]ÁÁÁááÁÁ Á!^•^ } É
Ú^ [Ç^Ác@Á^!áÁ^{\ } oÁ^ [{ Ác@Ááç!Ác@æÁÁ-Á^ \] á* Á áÁÁ[cææ } Á [çá] ÉÖá[]•^Á-Ác@Á•^áÁ^{\ } c
]!] \^! ÉÁÚ^ [Ç^Ác@Á^ , Á^{\ } oÁ^ [{ Ác@Ááæáá* ÉÁV á* Á^ \! Áá*^! ÉÁæááá á^ á!Áæ Ác@Á Éá* Á Ác@
ç] Á-Ác@Á^ , Á^{\ } oÁ^ [Ç^Ác@Á^ , Á^{\ } oÁ^ [çá áÁ } Ác@Á [~ } çá* Áá[••Á áÁ Ác@Ác@æÁÁe•!^Ác@e
c@Á^{\ } oÁ Á^ \! Á^æ^áÁ } Ác@Áá[••ÉÖ!^áá Áá áÁ•] ^&Ác@Á Éá* Ác@e Áe-á^áÁ Ác@Áá[,]ÉÁ á!Áæ Á á@
[áÉV á* ÁÁÁ[& , á^Á! cææ } ÉÁ &^ , Ác@Áá[,]Ááá Á ç Ác@Ác@æÉe•!á* Ác@eÁc@Áá[,]Ác@e Á[oÁ^ } ÁÁ[••
c@Áæ^áÁá ç Ác@Ác@æÉÖ[] çá^Áá@ @-!Ác@Áá[,]Á ç Ác@Ác@æÉÁ•á* Ác@Á[} æ}^!Á^! } &Ö! ;Éæ&@ÉÖ@
!] cææ } Á-Ác@Áá[,]Á á!ÁÁ^{\ } ^Áá @^!Á } &Ác@Á Éá* Á^} æ^•Ác@Á^áá* Á^æ ÉU) &Ác@Áá[,]Ác@e Áá[ú{ Á^
[~ ÉVæáá É-Ác@Áá[,]ÁÁ ÁÉÁÁ! } ÉÖÁ Áe•!^•Ác@eÁc@Á Éá* ÁÁÁæ^áÁ!] \^! Á áÁÁ Ác@Á^áá* Á^æ É
Ö!^{\ } oÁ @á* Á^~ oÁ áÁÁe•^! á! ÁÁ[,]Á [] \^ÉUcæoÁÁ Áæ@ÁÁá áÁ•] ^&Ác@Ááç! Áe^áæ&@ & á*
c@eÁc@ÁÁÁ Á[Á áÁáá* Á^ [{ Ác@Ááç! Áe•^! á! ÉV @ ÁÁ•oÁ ÁÁ[] ^ÁÁÁ ÉÁQ~!•Á-Á^! ÁÁá } ÉÖ@ } Á^áá^
Ç ÉÉÁQ~!•DÁ! Á @} Á áÁæe^áÁ^ Á^•d&çá } Á áÁæe^! É

; F95G-B; `7I HH9F`G<5: H: @=@ACK9FG

Š &æ^Á!^æ^Á^!•Á } Ááæ@Á } áÁ-Á& e!Á @eçÉ É
c@•^Áæ^Á[&æ^áÁ[} Ác@Áá^áá* Á& Ç^!ÉÁP[!] ç
&[} ááá } •Á!^~ á^Á[] ^Á!ÁÇ [Á]~ }]•Áá Á^áæ@
á^áá* ÉÁ•á* ÁÁæ@ { ÉÖ[[] \^cÁÖç^! ^ÁÚ!^••!^
!^æ^Á&[}-á{ á Á^ ÁSÖÖÉUÁGEÁ] ^&ááææ } •É
V@ ÁÁ ÁÁÁ[] ^Á áÁÁÁ cæ áááÁ!^æ^Á^ } Áááá
[! ÁeÁ \ ci f] bhf j Ug"75I HCB. Cj Yf [fYUg] b[
a UniWU gYdfYa UH fYgYU ZU] i fY"



Ö[{ T æ ç } æ &^Á^&ç } Á ÉG

A5-BH9B5B79

A5-BH9B5B79

; F95G-B; ; FCI B8`FC@@F`G<5: H: @= @

Š[&æ^Á^i^æ^Á^i\•Á} Áæ& Á} áÁ -Á[||^i^Á^ á^Áæ
[[, ^i^Á} áÁ -Á^æ&[i{ æ&[} ááá } •Á^~ á^Á} ^Á^i
ç [Á^~ {] •Á^ Áæ&@Á^æ&á * Á^•á * Á^æ& { ÉÖ[{] |^ç
Öçd^ { ^Á^i^••^i^Á^i^æ^Á^i } +i{ á * Á^ Á^SÖÖÉÖU
HGEÁ^•^ááááá } •ÉV@Á^Á^Á^Á^Á^Á^Á^ } ^Á, á@æ
•æ } áááÁ^i^æ^Á^~ } Áááá Á^i^Á^Á^ \ ci f']bHfj Ug"
75I HCB. Cj Yf [fYUg]b['a UmWU gi YdfYa Ui fy
gYU`ZU]i fYÉ



58>I GH-B; #7 <97? -B; `69 @H9BG-CB

V[Áááá •óá^i^ç^ } •á } Á^i^Á^ |æ& Á^i^ç^ } Áááá& æ^i
@æ&É^i^ [ç^Á^~ ^i^Á^ |ç^Á^æ&Á^& ^i^Á^@Á^i^ç^ ç^i
æ } áÁ^~ [ç^Á^ ç^i^ÉV@Á^ç^Á^~ ç^Á^ç^ } Á^i^ |, Áæ&
á^Á^ááá •ç^áÁ^ Á^ &^i^æ^Á^i^æ^Á^i^ç^Á^i^ç^ } •á }
æ } Á^i^Á^á^á^Éç^UVÖÁ^Š[&æ& } Á^i^ Ááááá •ç^ } ç^i^ç^
{ æ^i^ç^ Á^ } Áááá& æ^i^Á^@æ& É6 Ygi fYhc fYd`UW
H YVYHw; j Yf `69: CF9`cdYfU]b['a ck Yf`



H; <H9B-B; `?B= 9`6 C @HG`5B8`8 =G?`6 C @HG.

Öç^i^Á^ç^i^Á^Á^ç^~ ^i^Á^ Á^ } Á^i^ááá } Á^i^Áááá Éç^Á^S} á^
Ö[|ç^Á^ á^Á^Öá^Á^Ö[|ç^Á^ç^~ |á^Á^Á^ç^ @^ } ^á^Á^ Á^i^ | |, •K
S} á^Á^ [~ } ç^* Á^ |ç^Á^i^~ ^Á^ Á^ Éç^Á^ á^Á^ç^Á^•É
Öá^ Á^ [~ } ç^* Á^ |ç^Á^i^ááá } i^~ ^Á^ Á^ç^ Á^i^ Á^i^Á^i^ É
[á^Á^ç^Á^•É



Ö[{ T æ ç } æ & Á^i^ç^ } Á^ÉH

A5-BH9 B5 B7 9

A5-BH9 B5 B7 9

; F95 G-B; `DC-BHG`CB`6 CCA`5 B8`D=JCH

Š[&æ^Á!^æ^Á^!·Á} Á^&Á q[ó·^ à[É] } Á@
 á^&Á^} áÁ^ Á^&Á} áæ^ Áà[[{ ÉæÁ æ É^&Á} áæ^
 à[[{ Á q dæ} áÁæÁ, q^Á} áÁ^ Á æ Á[[{ ÉQb&c
 Šæ{ É[[]^cÁ Qd^ { ^Á Ú!^·~!^Á!^æ^
 &} -!{ q * Áq Á SÖGÉDUÁHGÁ^ ^&æææ} ·Á^ } q
 !^æ^Á^ q ·Á Á! [d^ á^Á[[{ Á} á·É



897?`GHCD`58>I GHA9BH

U) Á[[{ ÁæÉ[[(.^) Á[& q * Á^ dÁ^! } Áæb·d ^} c
 à[|óÁ Éæ} áÁ^ } Á^&Á & q á^! Á^ ~ óq Á^ ||Á^c·} q } É
 Qab·óá[|ó^ ó} qÁ@Á@æÁb·óÁ^ ~ &@·Á@Á[[{ É
 æ} áÁæ @} Á[& Á^ d`BCH9. `6 c`h`g`l`c`i`X`b`ch`\`j`h
 Vcca `VYZ`f`Y`Wn]b`XYf`f`YUW`Yg`Z` ``f`Uj`Y`"



; F95 G-B; `GD-B8 @

Š[&æ^Á!^æ^Á^ææ * Á } Áq ·æ^Á[Á^&Áq^ · q * É
 Qb&óÁ v^!Á Ú} q á^Á Š à!ææ dÁ]æó } { à!
 € | | €€€€Á q Á] q á^Áq^ · q * ÉQb] æóÁ^ à!ææ c
 ~ } qÁ^ à!ææ ó, ^^} ·Á^ ~ ó[Á[] Á·} q á^Á·^æÉ
 Š à!ææ Á} q á^Á ^^| Á!Áç!^ Á €@^!·Á^ Á·^É



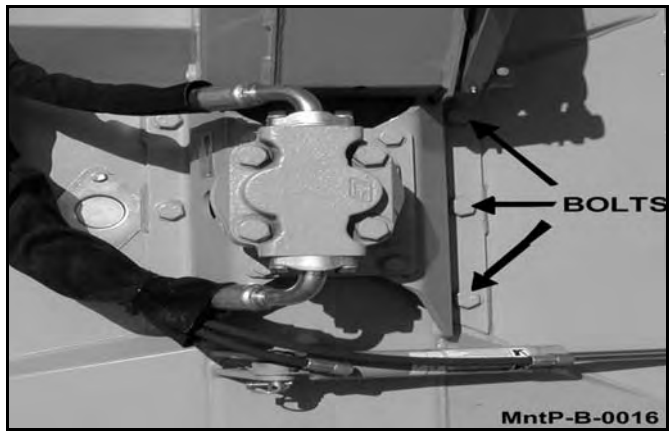
Ó[[{ T æ c } æ & Á^&á } Á É!

A5-BH9B5 B79

A5-BH9B5 B79

H; <H9B-B; `GD-B8 @ `6 C @HG

V@Á] ă a^Á [~ } ă * Áa [| o Á @ ~ | a Á ^ & @ & ^ a Á ă a
| ^ d | ~ ^ a Á ă a Á | Á c ^ i ^ Á Á @ ~ | o Á ^ a ^ i c a Á Á | i ~ ^
o @ Á Ć D a [| o Á @ , } Á a [| , Á Ć Á í | Á a | Á | Á F í Á Ć Á a • É
| ~ a i ă a a Á É



; F95G-B; `DI AD'8F=J9`G<5: H'7CI D@F

Y ă @ Á } * ă ^ Á d [] ^ a Á É } • ~ | ^ Á a | ă ^ Á @ a a ă } { ^ } c
a ^ Á * i a e] ă * Á & [~] | ^ Á a ă a • | ă ă * Á a a & Á a ă Á | o @ É
Ô [~] | ^ Á @ ~ | a Á | ă ^ Á ^ ^ | ^ Á ă @ a } | | ă a a e | ^ F B +
[- Á } a Á | a e É Q A [~] | ^ Á [^ • Á [o Á | ă ^ Á ^ ^ | ^ É } • ^ & c
+ | Á [[• ^ Á ~ {] Á [~ } o a [| o É | Á a ă a e ^ a Á | Á [[• ^
& ă } \ Á • @ a a a a ă a ă c i É Q b & c Á S a c a { É [{] | ^ c
O d a { ^ Á | ^ • • ~ | ^ Á | ^ a e ^ Á } + | { ă * Á Á S O c É D U
H c Á] ^ & a a a a } • Á ă d Á & [~] | ^ Á } c Á | ^ a e ^ Á a ^ ă •
d Á | | d ^ a Á + [{ Á } a • É Á O i ^ a e ^ Á a ă a Á | Á ^ c ^ i ^ Á i
@ ~ | • É O [Á | o Á c ^ i Á i ^ a e ^ É



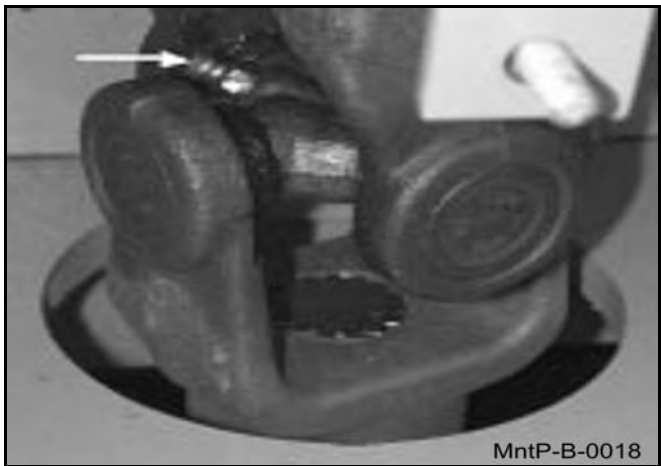
Ô [{ T ă c } ă & ^ Á ^ & ă } Á Ć í

A5-BH9 B5 B7 9

A5-BH9 B5 B7 9

8 F=J9`G<5: H'MC?9ŽI !>C-BH'GHI 6`G<5: H

Y @A ^) * q ^A • d]] ^ a Ě a b & A Š a @ { Ě [{] | ^ c
 ^ c d ^ { ^ Ā | ^ • • ~ | ^ Ā * | ^ a e ^ Ā & } - a { q * Ā Ā Ā S O @ Ě U
 H G E Ā] ^ & a a a } • Ā d Ā } q ^ | • a Ā q o Ā a Ā | q Ā [\ ^
 ~ } q Ā | ^ a e ^ Ā q] ^ a • Ā a @ Ā ^ a Ě O | ^ a e ^ Ā @ { Ā a a Ā
 [| Ā c ^ | ^ Ā q ~ | • Ě



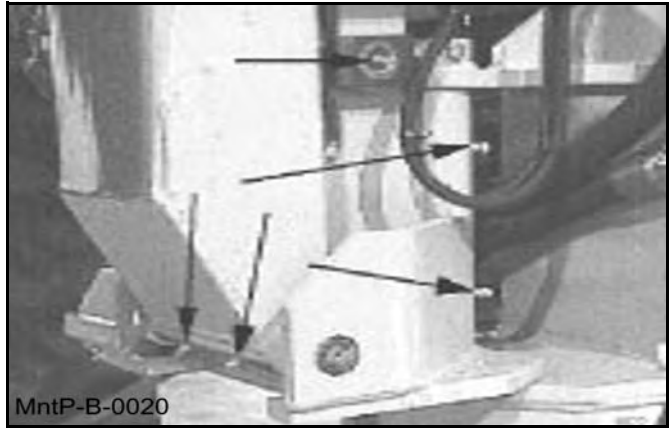
MntP-B-0018



MntP-B-0019

; F95 G-B; `H<9`6 CCA`GK =J9 @

Š | & a e ^ Ā @ Ā : ^ | \ • Ā [} Ā c @ Ā { a a Ā • q ^ | Ā a [• • Ā Ā
 a } | a a Ā | Ā Ā a a [[{ Ā] q [a a [• • Ā Ā a }] | a a Ā | D
 a } a Ā [} Ā a [c @ ^ } a • Ā | Ā @ ^ Ā a [[{ Ā • q ^ | & | q a ^ Ě
 Q b & a Š a @ { Ě [{] | ^ c Ā c d ^ { ^ Ā Ū | ^ • • ~ | ^ Ā * | ^ a e ^
 & } - | | { q * Ā d Ā b S O @ Ě U Ā H G E Ā •] ^ & a a a } Ā ~ } q
 * | ^ a e ^ Ā ^ * q • Ā Ā | [d ~ a ^ Ā [{ Ā } a • Ě



MntP-B-0020

Ō [{

T a a } a & ^ Ū ^ & q } Ā Ě Ī

A5-BH9B5B79

A5-BH9B5B79

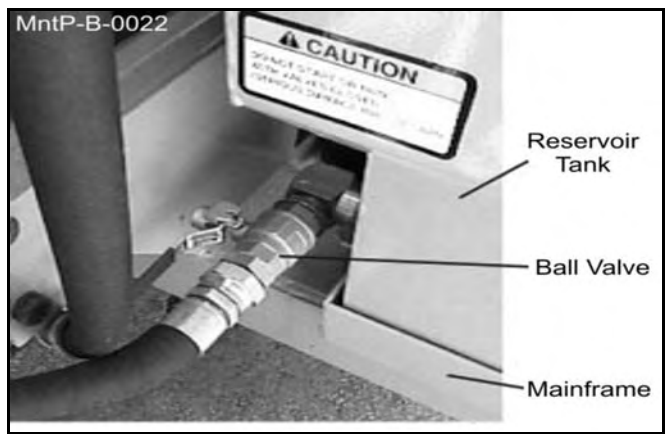
; F95G-B; 6CCA7M@B89FGLD-JCHDC-BHG

Š[&æ^Á@Á^|\Á} Á@Á^ wÁ) áÁæ * Á -Á&|á á^!Áæ á
 [] Á[áÁ) áÁæ * ÉQp&ÁŠáæ { ÉÖ[{]|^ÁÁÖæ^ ^
 Ú!^••|^Á^!^æ^Á&| } -á{ á * Áq ÁpSÖÖÉ QUÁHGE
 •]^&ááææ) •Á} áÁ^!^æ^Á^* á •Áq Á!| d^ á^Á!{
 ^) á •ÉV@Á!| &^á^!^ÁáÁ Á^Á^ •^áÁ} Á@Á! æ
 à[[{ Á&|á á^!ÉÁ •^&| } áæ^ Áà[[{ Á&|á á^!ÉÁá&
] áq dÁæ áÁ •, á^!Á&|á á^! •Ááæ Á! Ááæ Á @^!
 á c^!çæ É



65 @J5 @9G

V@Áæ|Áçç^ÁæÁ@Á@á!æ|áÁ^•^!ç| áÁ æÁ^á
 q Á^Á&| •^áÁ^|á * Á&|æ Á æ c) æ &Á!Á^] æ
]!| &^á^!^ •Ék9 65 @J5 @9G AI GH69 CD9B
 fl UbXY dUFU^Y^k]h^ j Uj YL^K <9B HF57 HCF -G
 F9!GH5 FH98^ CF^ DI AD^G7 CI D@8^ HC
 ACHCF^ CF^D^HC^ Áæá^!Áq Áá[Á [Á] áÁ^•|^
 &| {][]^] Áæá^!Á



Ö[[{ T æ c) æ &Á^&á } Á Éí

A5-BH9 B5 B7 9

6`UXYg

© 2013 Alamo Group, Inc. All rights reserved. This manual is the property of Alamo Group, Inc. and is to be used only for the equipment it describes. Any other use is strictly prohibited.

CAUTION

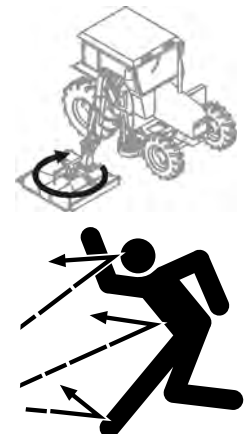
Warning: Always use proper tie-down technique to secure loads. Always use proper tie-down technique to secure loads. Always use proper tie-down technique to secure loads.


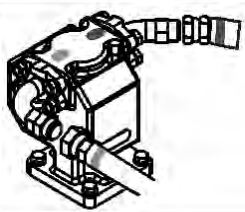
Important

Important: Read the operator's manual for proper operation. Read the operator's manual for proper operation. Read the operator's manual for proper operation.

WARNING

Warning: Do not touch or lean against moving parts. Do not touch or lean against moving parts. Do not touch or lean against moving parts.



WARNING	ADVERTENCIA
TO AVOID SERIOUS INJURY AND DEATH FROM THROWN OBJECTS: ● MAKE CERTAIN blades rotate the correct direction.	PARA EVITAR LESION SERIA O MUERTE POR OBJETOS LANZADOS: ● ASEGURE que las cuchillas giran en la dirección correcta.
BLADE ROTATION  ROTACIÓN DE CUCHILLAS	
Return Retorno OSVO	 Pressure Presión USO

D619

A5-BH9 B5 B7 9

Ó[[

T æ } æ & Æ & Å } Å Æ

A5-BH9B5B79

FCH5FM?B= 9`F9D@79A9BH

- FÈ ÓÁ`!^Á[~Á@e^Áá {]|^cÁ æ&@*Á^cÁ-Á^, Á} q^ÁÁ!Á^|æ^{ }É
- GÈ Ü^([ç^Á} q^ÁÁ aÁá } ^&ÁQ|^ÁÁ!Áá æ^ÉÉ[Á æ&@Á!&æÁÁ Á@Áá \Áá] |æá^Dá[~ } áÁ @ÁQ|^ÁÁ
- HÈ Š`àÁ@^áÁ á@á çé^á^ÉQ·c|Á[|óÁ@|^*Á) áÁá áÁá \Á[{ Á[c{ Á áÁ-Áá \É|æ^ÁáÉ Q·c|Á^, Á^|É & á*Á`óÁá Á!`^Á@{ Á Á€ÁÁÁ·É
- I È V@Á} q^ÁÁ @|^áÁ, á*Á^Á!Á Áá·[!áÁ@&·Á[{ Á } æóÁ @} Ácáá*Á áb&óÉ



K < 9B`7I HHB; `<95JM6FI G<Z?B= 9`6C@HG<CI @ `69`BGD97H98`<CI F@M5B8 F9HCFEI 98`HC`%\$+\$`8FMCF`, \$\$`C=@8`:`H`G`

F9D@79A9BH`C: `FCH5FM8-G?# @ 89`65F



: U|i fY`c`Z`ck`h`Y`Z`ck|b[`k`Uf|b[g`UbX`]bglfi W|cbg`a UnifYgi `h|b`gYf|ci g`|b`f`mfc| XUa U| Y`c`h`Y`Ye|`jda Ybhc|`dfcdYf|`m`

- FÈ V@Á[|óÁ@^áÁá@Áá \ÁÁ@Á} áá^Á`·cÁ^Á!æ^ÁÁÉV@·^ÁÉÁ&@Á[|óÁ^ÁÁÁÁ!`~^áÁÁ GÈ Á!`Á!Á!Á!Á!áÁÁÁ·É
- GÈ Q@^áÁ[& á*Á^á^} cÁ æÁ^Áá] |áÁÁ Á@^áÁ-ÁÁ[[~ } cÁ*Á[|óÁ^Á!`^Á@^ÁáÁ·c|ÁáÉ
- HÈ 8]g`g`a`i`ghVY]bgdYWHX`XU]mz`f`\`Ujf`|bY`WUW`g`VYk`YYb`gd]bX`Y`a`ci`bh|b[`Vc`lg`cf`Ufci`bX`h`Y`_b]Z`/a`ci`bh|b[`Vc`lg`H`YgY`WUW`g`|bX]WUH`a`YfU`ZU]`i`YWU`gYX`VmigY`YfY`UVi`gY`-ZWUW`g`Uf`dfYgYb|h`Y`X]g`_a`i`ghVY`fYd`UWX`"
- I È Q·]^&Á@Ááá \Á[[~ } cÁ*Áá[|óÁáá Á @} Á&@& á*Áá @·Á·Á-Á} áÁ[[~ } cÁ*Áá[|óÁÁÁÁá \ { [~ } cÁ*Á[|óÁÁ[|^ÁÁ`·cÁ^Á^ { [ç^áÉ@^á·Á^á^áÁ·@Á^áÁ[& á*Á^á^} cÁ] |ááá á c@^}^áÁÁ[!|Á!`~^Áá^É
- I È QÁ} áÁ[[~ } cÁ*Á[|óÁ[|^Á@Á^Á!Á & á*Á`cÁ`·cÁ^Á|æ^áÁááá cÁ!^&é cÁ} ÉŠ`á!áá c@^áÁ á@á çé^á^ÉQ·c|Á[|óÁ@|^*Á) áÁá áÁá \É|æ^ÁááÁ[{ Á[c{ Á áÁ-ÉQ·c|Á^|^| & á*Á`óÁá Á!`^Á@{ Á Á€ÁÁÁ·É

A5-BH9B5B79

A5-BH9 B5 B7 9

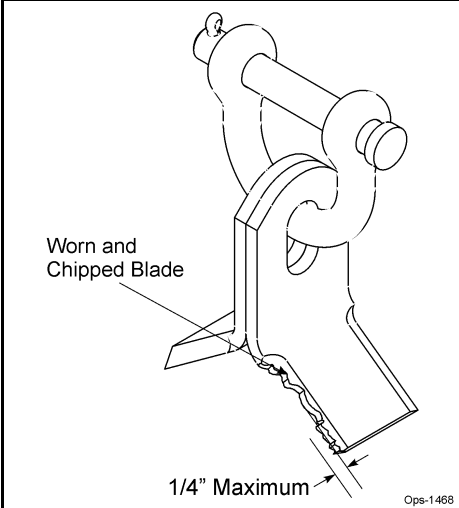
Flail Blades Inspection



Q. 1 ^ & s @ A Q a n ^ . s a a t A f / s a n l l i c a t A ^ a s E U O U S C O O A S S A O S C O O U A } A @ A s a i a A
 Q T O O O E / O S Y / A a s A | a a n ^ . A a s k

- " O & { ^ A ^ } o f | A ^ f | { ^ a A | { A a i a a a A @ a ^ E i
- " Y ^ a s A . a ^ A @ A | a a n ^ A | o A | ^ E i
- " O E ^ A s a . A s ^ s a a i ^ E i A
- " O ^ ^ | A [^ * ^ . A A @ A | a a n ^ A ^ i a s A s ^ A | ^ . ^ } E i
- " O [^ * ^ . A | A @] ^ a A s ^ a s A @ A s ^ a * A a ^ A s ^ A s ^ A | A @ A f D - Q { { E i A
- " V @ A a e i a a A } A @ A a a a * A a ^ A @ A s ^ ^ } A [i] A s a s A A [i ^ A @ A f D - Q { { D

8 C B C H A d a a @ ^ E a @ ^ E s i a A i A o a E a s A | a a n ^ .
 O a a i ^ A t A ^ | a a A [i] A | A s a s ^ a A | a a n ^ . A s e A a a A A s a a d [] @ A a a i ^ A - A @ A | a a n ^ . A a a A b & a } A A @
 a i [\ ^ } A a a s a o A ^ ^ a i ^ . A i & A s @ A s e A s e . ^ A i a ^ . A [a a A b i ^ A | A ^ a e A



- O E s e . A ^ | a a n ^ A | a a n ^ . A ^ .
- " O | a a n ^ . A @ A s ^ A s a s ^ a A s e A a A s ^ A ^ i c a A i A a ^ . ^ E A } ^ A | a a n ^ A [i] A | A s a s ^ a A @ i A
 a | a a n ^ . A } A @ A s e ^ A @ e s a | A @ e ^ A ^ ^ } A ^ a b & c a A A @ A s e ^ A ^ c ^ i A ^ i c a A i A a ^ . ^ E A
- " V @ A | a a A [d i A i] . A a A ^ a . A c & ^ a a * A C E E A U T A a a A s ^ } a s a a i ^ A a a } & a A a A @ A s a d i ^ E W O a ^ i E
 ^ } & . A | a a n ^ A ^ a @ A s ^ ^ } A . ^ a A | a a n ^ . A a o n . . A ^ A a e i a a A [{ A [^ * ^ . A | A ^ a s A s ^ {] a s ^ a A A
 } ^ . A | a a n ^ . A s a s e . ^ A ^ c ^ i A ^ i c a a } A a s a s e s ^ A A @ A | a a A [d i E O E s e . A ^ | a a n ^ A | a a n ^ . A s e A [] ^ c A
 . ^ . E

O [{ T a a e } a s ^ A ^ & a } A E C E

A5-BH9 B5 B7 9

A5-BH9B5B79

:`UJ`5I Y6`UXY6c`h:bgdYW]cb

Q•] ^&ó|æ^ÁÓ| |ó|ææ Á| Á| ^æÁ| Áæ æ ^Áæ Á| || , •K

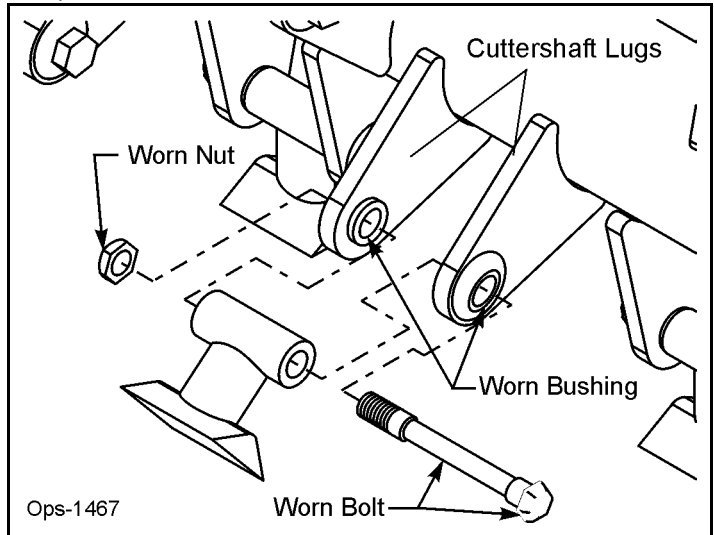


Q•] ^&ó|æ^ÁÓ| |ó|ææ Á| Áæ} [|{ æÁ ^æÉÜÓÚSÓÒÒÁËSSÁÓŠ ÓÒÒÁÓUŠVÚÁ } Áó@ &æ!á!ÁQ T ÓÓÓE/ÓSYÁÁ} ^ Á| |ó| Áóæ^K

- ~ Xā ā| ^Áææ. Á!
- ~ Qó@ Á|æ^Á| |ó| Á| [|] Á| Á} ^ Á&^••áÁæ^ææ Á|ā ā| Á| } Áó@ Á| |Á!
- ~ QÓ|æ^ÁÓ| |ó| Á| ^ * ^• Á| Á|] ^áÁæ^æ É!
- ~ QÓ• @ * Áā Á| [• ^ Á| Á|] q! Á| Á| @æÉ

Qæ! ^Áq Á^ |æ^Áæ} [|{ æÁ Á [|] Áá |ó| Á| Áá • @ * • Á| æ Á^æÁq Á&ææ d [] @Áæ! ^Á| Áó@ Á|æ^Áæ} á ^á&æ} Á Áó@ Á| [\^ } Á| æó } @æÁ æ Áæ• ÁÁ| ā ~ Á| áā Á| b | Á| Á| Áææ

Qæ, æ Á^ |æ^ÁÓ|æ^ÁÓ| |ó| Á| ā| Á| ^, Á| |ó| Á| áÁ^, Á| • @ * • Á| @ } ^ç^! Á^ |ææ * Áó@ Á|æ^Áæ} ÉM Áæ @ } Á| |ó| æ áÁ ~ • ÉÁ• Áæ } | Áó@æÁ| & Áq Á| É! æ Á^ ^! Áq Áæ @ } Á| |ó| Á| áÁ ~ • Áó• Á| [~ * @Á| Áæ| , Áó@ Á|æ^Áæ} Áq •, ā * Á^! | Éæ áÁ [óÁ^ } áÁó@ Á| æ! • @æÁ * • ÉÁ& æ! • @æÁ * • Áæ^Áæ^ } Áq ^*c@! Á| Á&æ• Á| Á| ç^! Áæ @ } ā * c@ Á|æ^Áæ} Á| q! Á| Á| , ā * Á^! | ÉM OPS-U-0043



A5-BH9B5B79

Ó| { T æ ç } æ & Á^ Áq } Á ÉH

A5-BH9B5B79

A5-BH9B5B79

) \$!': @=@?B= 9'6 @89'F9D@79A9BH

FÈ GÁ } ã^• Áæ^Áæ æ^áÁ | Áæá | Á [!] È@^ Á á | Á^áÁ Á^Á | æ^áÁ Áæ^Á Áæ^Á | æá * Áæ á *^Á } ã &æ Áæ •^Á^ç^Á^Á } ã Áæ Áæ •^Á^ç^Á^Á } Áæ áÁ [••á^Áæ æ^ÁÁ Á@Á [, ^!ÈV@Á } ã •@^ | áÁ [ç^Á^Á^á^Á } Á | Áæ^ Áæ [] È

GÈ OÈ æ•Á^ | æ^Á@Á } ã Á [| Á @] Á^ | æá * Á@Á } ã • ÈÖUÁ UVÁÜÖMÜÒÁPÒÁ SPÖÒÓUŠVÜÁÜ P VWUE

HÈ OÈ^ç à^Á } ã • È • @ * È [| Á á Á^ Á @ , } Á á æ^Á &æ } Á Á æ^ æ^ æ^

I È Q • æ^Á@Á & á * Á@Á^ Á [Á@Á@ÁæÁæ^Á Á@Á^ Á Á , æá • Á@Á } ã È

Í È OÈ | Á &æ ÁÁ F^Á | Á^ ~ ãæ^ } OÈ Á@æ • È

Î È V | ^ Á^ OÈ Á Á Á Á } ã Á^ • Á , á * Á^ Á^ È

WARNING ÖUÁ UVÁ È • Á@Á & á * Á@Á^ Á [] ç * Á@Á } ã • È Á@Á^ Á^ Á & { ^ Á [[• È | Á^ ~ á^Á^ [ç^Á^Á | Á } ã Á^ | æ^ { ^ } Á | Áæ^ Á [ç^Á^Áæ [] È @^ Á^ • Á^ Áæ &æ á^ Áæ á |] | æ^ áÁ æ^ Á^ , Á^ • È

* ' Í'6CCA': @=@?B= 9'F9D@79A9BH

FÈ GÁ } ã^• Áæ^Áæ æ^áÁ | Áæá | Á [!] È@^ Á á | Á^áÁ Á^Á | æ^áÁ Áæ^Á Áæ^Á | æá * Áæ á *^Á } ã &æ Áæ •^Á^ç^Á^Á } ã ÁÁ [••á^Áæ æ^ÁÁ Á@Á [, ^!È

GÈ OÈ^ç à^Á } ã • È | ç^Á È [| Á á Á^ Á @ , } Á á æ^Á &æ } Á Á æ^ æ^ æ^

HÈ Q • æ^Á@Á & á * Á@Á^ Á [Á@Á@ÁæÁæ^Á Á^ Á Á , æá • Á@Á } ã È

I È OÈ | Á &æ ÁÁ F^Á | Á^ ~ ãæ^ } OÈ Á@æ • È

Î È V | ^ Á^ OÈ Á Á Á Á } ã Á^ • Á , á * Á^ Á^ È

WARNING 8 C'BCHfY!i gY'h Y'cW]b[\ YI 'bi hg'Zf'a ci bh]b['h Y_b]j Yg"Zl YI 'bi hVYwta Y'ccgYzcf fYei jfYfYa cj U'Zf'_b]Z'fYd'UWwA Ybhc f'Ubrich Yf'fYugcbzh Ymia i ghVYX]gWfXYX'UbX fYd'UWX'k]h 'bYk 'bi hg"

WARNING ?b]j Yg'gl ci 'X'bhVY'k YXYX'cb'Zf'UbrifYugcb"

<95JM8I HMGD-B8 @'5GG9A6 @M-BGH5 @@H-CB'5B8'695F-B; ' 58>I GHA9BH

K5FB-B; ÁÁ | ••Á WUVÁ Á^ Á^ Á Á Á • æ^Áæ æá * Á &] • È æá * Á & } Á • È á Á^ æ^ ÖUÁ UVÁ • Áæ { ^ | ç Á • æ^Áæ • È æá * È | Á^ æ^ ÈV@Á æ^ Á Á • ^ ç à^ Á æ^ Áæ æ^ á^ È

BCH9ÁV@Á^ÁæÁÁ\Á áÁ^ ••Á Á Á &æ áÁ } Á@Á | Á á Á Á@Á } á^Á@Á • á * ÈÁ^ Á^ Á@Á } á^Áæ æ^Á { à^Á & [! Á & È

ÓÁ^ Á Á Á æ^Á^Á | Á &æ } Á á Á @ | Á | Á &æ Á^ ~ á { ^ } Á Á^ Á Á @ } Á [! á * Á } Á } á^Áæ • ^ ç à^ È

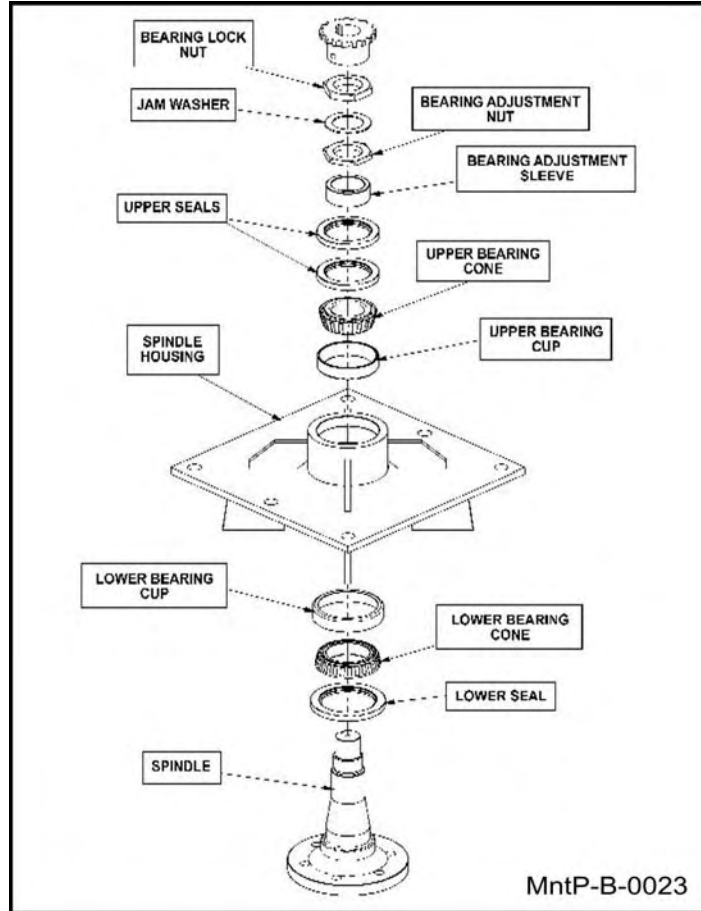
Ó [{ T æ ç } æ Á^ Á &æ } Á È

A5-BH9B5B79

A5-BH9B5B79

H<9`GD-B8 @`5 GG9A6 @M

Ú^Á@Áæ!æ Á^[[, Á|Á^) cææ) Á-Á] q á^Áæo É, @^Á^çæq *É



Ó[[{

T æ ç) æ & Á^&ç) Á ÉÇ

A5-BH9 B5 B7 9

A5-BH9 B5 B7 9

695 F-B; 'BGH5 @@HCB

FÈ Úí···Á·]] ^íÁà^æå * Á&] / q Á@·Á·] å á| ^
 @··å * É

GÈ V· | } Á@·Á·] å á| ^Á@··å * Á· Á·ç^íÁæ åÁí···Áæ
 @·Á·, ^íÁà^æå * Á&] É

HÈ Úíæ·Á@·Á·, ^íÁà^æå * Á&] ^Áæ Á@·Á·æåå *
 &] ÉÁ·ç·ç·í···Á· @·Á·æåå q Á@·Á·] å á| ^
 @··å * ÉV·@·Á· } ^íÁà^æå Á· Á·@·Á·æåÁ· ·Á·
 ÖUY·ÉÁ·, æå·Á@·Á·æåå * ÉÁ· Á· àíÁæå·Á·
 ·Á·æå·Á·æ·Á·@·Á· @··å * É

IÈ Q·æ·Á@·Á·] å á| ^Á·Á· Á@·Á·@··å * ÉÁ·Á· @·
]] ^···Á@·Á·] å á| ^Á· Á·æ·Á@·Á· } ^Á·] q Á@·
 ·] å á| ^É

ÍÈ Ú·]] [] ^íÁà^æå [ç· { Á· Á·@·Á·] å á| ^Á· åÁí···
 @·Á·]] ^íÁà^æå * Á&] ^Áæ·Á·æåå * Áæå·ç· ^ } ç· ^Á·ç·Á· } q Á@·Á·] å á| ^É

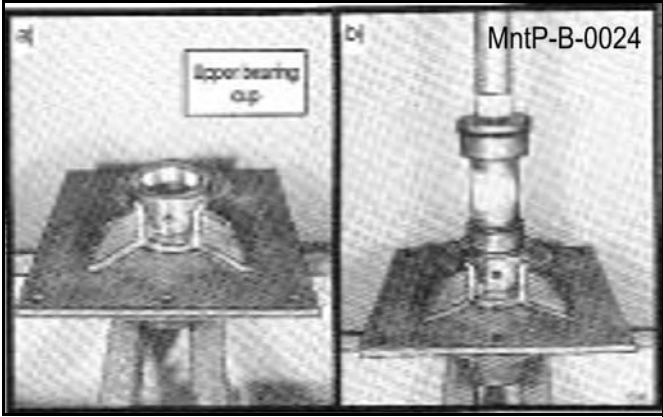
*" BCH9. 'H Y'gd]bX'Y\ ci gjb['a i ghI fb'ZY'Y mik\ Yb'gYU]b['H Y'VYU]b['W'e'bY'UbX'g'YY' Y"

ÏÈ Úí···Á·@·Á·, Á·]] ^íÁà^æå·Á· q Á@·Á·] å á| ^Á·@··å * Á· ÉV·@·Á· } ^íÁà^æå Á· Á·@·Á·æå·Á· ·Á·
 @·Á·æåå * ÉÁ· Á·ç···Á· àíÁæå·Á·æå·Á·æå·Á·É

ìÈ Q·æ·Á@·Á·æåå * Áæå·ç· ^ } ç· ^ Á·ç·@·Á· Á· ç·Á· Á·@·Á·æå·Á· ÉÉÉ·Á·æåå & Á·Á·ç· ^ ^ } Á·@·Á· ·Á·æå·Á·@·
 ·Á·ç·Á·ÉQ·æ·Á@·Á·æå·Á· æ·@·Á·É] æå·Á·@·Á·æå·Á· q Á@·Á· ^ É æ·ÉQ·æ·Á@·Á·æåå * Á· & Á· ^ Á·ç·@·Á· ç·
 æ·Á·@·Á· æ·Á·@·Á· Á·æå·Á· æ·@·Á·æå·Á·æå·ç· ^ } ç· ^ ç·Á·Á·Á·@·Á·]] , å * Á·Á·ç·Á· Á· íÁà^æåå *
 æå·ç· ^ } É

JÈ Úí··æ· } Á@·Á·] å á| ^Á·@··å * Á· Á·ç·í·á· [] æ·Á· Á· æ·@·Á·æå·Á·æå·Á·@·Á· í·á· } ÉÁ·Ö·í·æ·Á·@·Á·
 ·Á·æå·Á·Á·Ú·] å á| ^Á· àíÁæå·Á·æå·Á· { à·í·Á· í·í·ÉÉÉ·Á·} ç·Á·@·Á· í·æ·Á· í·Á·Á· { Á·@·Á·æå·Á·@·Á·É

FÈÈ Q·æ·Á@·Á·] ·Á· q Á·@·Á·æå·Á·@·Á·É



695 F-B; '58>I GHA9BH

FÈ Ôíæ·] Á·@·Á·á· [ç· { Á· ^ } á·Á· [Á·@·Á·] å á| ^
 ·Á· & í·Á· Á·æå· á·Á· [Á·@·Á·] å á| ^Á·@··å * Á·
 ç· } ·Á· ^Á·É

GÈ Úí··æ· } Á·æ·Á· æ· ^ ç·Á·æ·Á·æå·Á·æå·Á·æå·Á· }
 ç·Á· ç·í·Á·æå·Á·ç·Á· Á·@·Á·] å á| ^Á·@··å * Á· É
 S· & æ·Á·@·Á·] å Á· Á·@·Á·æå·Á·æå·Á·æå·Á·æå·Á· ç·
 ç·Á·æå·Á·] å Á· Á·@·Á·] å á| ^Á· @·ÉÁ·V·@·Á·æå·
 å·á·æå·Á·, å·Á·] , Á· ^æ· í·Á·æ· & í·æ·
 á·æå·Á·] å Á·] æ·É

HÈ V· @· } Á·@·Á·æåå * Áæå·ç· ^ } ç· ^ } ç· } ç·
 ç· í·Á·Á·Á·ÉÉFG·Á· & @·Á· [ç· ^ { ^ } ç·, @· } Á·@·
 ·] å á| ^Á·@··å * Á· Á· í·á·á·Á·, æå·Á·æ· æ·Á· {
 ç·Á·æ·Á·æ· É

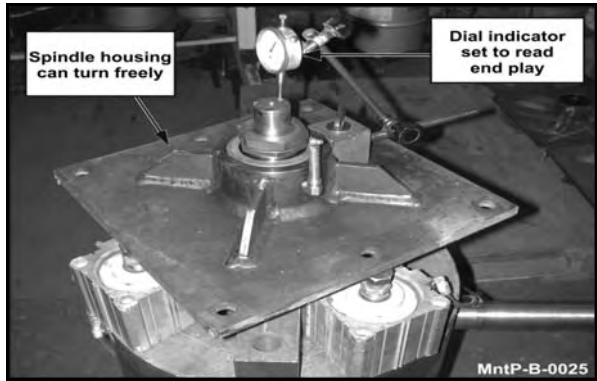
IÈ Y· @· } Á·@·Á·Á·ÉÉFG·Á· & @·Á· ^Á·] æ·Á·Á·ç· ^ ^ }
 ç·Á·] å á| ^Á·æå·Á·@··å * Á· ÉÁ·æ·æ·Á·@·Á·æåå * Á· & Á· ^ Á·ç·@·Á· ç·Á·
 ç·Á· } Á·@·Á· & Á· ç·Á· Á·ÉÉ·Á·æ·Á· ÉÁ· Á· í· ^ É

ÍÈ Ç·æ·Á·@·Á· & Á· ^Á·Á·æ·Á· } ^Á·É·@·Á·Á· ·Á·
 Á·Á·ÉÉFG·Á· & @·Á· Á·É·Á·æ·Á· Á·æ·Á·] @· } Á·æ·@·Á· í·å * Á·
 [] Á·@·Á·] å á| ^Á·@··å * Á· ÉÁ·

Q·Á·@·Á·] å Á·] æ·Á·Á· í·Á· & Á·ÉÉFG·Á· & @·Á· Á·É·Á·æ·Á· } á·Á·æ·Á·] Á·} Á·æ·Á· æ·@·Á·ç·Á· í·ç·^ } Á·@·Á· & Á· ^ Á· [{
 [[· ^ } å * É

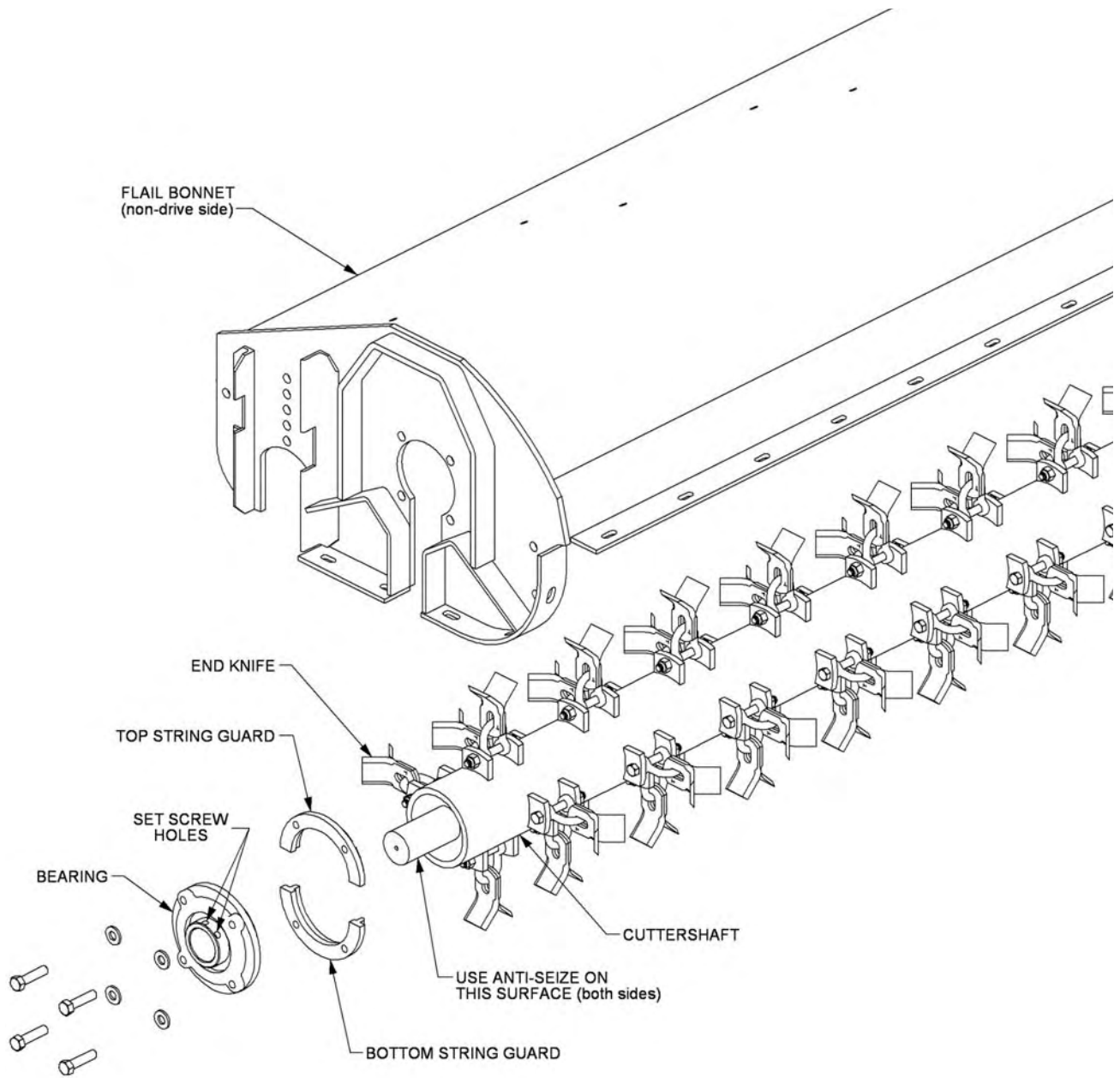
Q·Á·@·Á·] å Á·] æ·Á·Á·UV·Á· í·Á· & ç·Á· [· ^ } Á·@·Á· & Á· ^ Á·æ·Á·ç· } Á·@·Á·æå·ç· ^ } ç· ^ Á·æ·Á·æ·Á·æ·Á·æå·Á·æå·Á·@·
 [[& Á· ^ ÉÁ·] ^æ·Á·æ·Á·æå·Á·ç·] Á· ÉÁ·

Ó· [{ T æ· ç· } æ· & Á·Á· & ç· } Á· ÉÉ



A5-BH9B5B79

A5-BH9B5B79



A5-BH9B5B79

A5-BH9B5B79

85-QA5-BH9B5B79`G7<98I @

V@Á-||, ă *Á•líçã•Á•@~|áÁ^Á}lí-|{ ^áÁáã~Á! Á^çlí^Ái Á@~!•Á[-Á•líçã-É-||, ă *Áç@Áá^çã^á { ăç } ă &Á•d~&ç }•Á@Á}lí-|!•Á ă~ăÉ

~~~~~ ÁÚ { } Á!ă^Á@edKÁ^~ á^áÁ ăç!ă^Á @ed~}|lí&@&Á!Á}áÁ|ăç Áă Á!á!ăç Á^!•É

~~~~~ ÁÖ!ă\•@edăăç ç!KÁ^~ă}^áÁ ăç!ă^Á![{ { ^ç&@&Á}ăăç }É^]|ăç ÁÁ ă•ă \*Á!ÁÁÁ áăç ă^áÉ

~~~~~ ÁÚă[ ç[ă ççKç&ç!^ă^Á} ç^áăç ]^ăç•ăç}á•É

~~~~~ ÁP^á!ăç|ăç-ăç \*KÁÖ@&Á!Á^ăç•Á, ăç]ăç líÁ!Á&ăăà|ăçáVá @^}Á-ăç \*Á!Á!^]|ăç Á@•^•ă { ^áăç }É

~~~~~ ÁS}ă•Kç•^&ç!Á ă•ă \*Á!Áăç ă^áÁ}ăç•É&ç}^Áç}|^ç{ }|ç^Á^çDăç Á^á^áÉ

~~~~~ ÁÖ|çKÖ@&ÉVá @^}É^]|ăç Á^ç|çăç Á^á^áÉ

~~~~~ ÁT ăç Áçăç ^É^&KÁV|ç•Á ç@!, ă^Á}^ăçăáÁç!~^áÁ[|çăç&|ăç \*Áç Áç!~^Á}^ăçăç}•Á ç@Á^&ç}É

~~~~~ ÁP^á!ăç|ăç-ăç!ăçççKçăçăçÁ^~ á^áÉ}lí-|ăçăç { { ^}ăçç }•É

~~~~~ ÁÜ^ăçÁçăçÁÖ!ăç-ÉÖ^ăç \*Áçăç \*^Áçăç áÁÜ@edÁÖ[~}|lí•KÖ!^ăç^Áăç Áă•d~&ç^áăç Á@Á^ çã^á { ăç } ă &Á^&ç }É

~~~~~ ÁÖ ç!ÁÜ@edăç áÖ!~}áÁÜ[||líKÖ!^ăç^Áăç Áă•d~&ç^áăç Á@Á^ çã^áăç}áç { ăç } ă &Á^&ç }É

Úlíçã^Álí-|{ ^áÁ^K~~~~~ ÁÖăçK~~~Đ~~~Đ~~~ÁP[~!

T^ç!K~~~~~

Tăç } ă &Á^&ç }

ÉV@Áăç^Áăç Á^Á}ăçăç áÁ•^áăç Áçç!-Á@Áăç Áăç } ă &Á^~ç^É

Ö[{ Tăç } ă &Á^&ç } ÁÉ€

PARTS SECTION

PART NAME INDEX

| | |
|--|----|
| RCTVUQTF GT&I 'I W&G | 5 |
| VTCEVQT'O QWP V'MK | 6 |
| VTCEVQT'O QWP V'MK/'J [F T C W N E U | 8 |
| VTCEVQT'O QWP V'MK.'Y J GGN'Y GNN'VCP M | : |
| VTCEVQT'O QWP V'MK.'Y J GGN'Y GNN'VCP M/'J [F T C W N E U | 32 |
| DQO 'O QWP V'MK | 34 |
| UR I NG'E QNW O P 'DQO T G U V | 36 |
| LQ[UV&M'CP F 'UY K&EJ 'DQZ 'O QWP V | 38 |
| GNGE VTQP &E 'RT QRQT V&P C N'N&V'XCNXG'O QWP V | 3: |
| 7'URQQN'E CDNG'E QP VTQN'O QWP V/'O &E /O QWP V'XCNXG | 42 |
| 7'URQQN'E CDNG'E QP VTQN'O QWP V/'UEX'QP N[| 43 |
| E CDNG'*O CP WCN+'N&V'XCNXG'O QWP V/'7'URQQN | 44 |
| 6'URQQN'E CDNG'E QP VTQN'O QWP V/'O &E /O QWP V'XCNXG | 46 |
| 6'URQQN'E CDNG'E QP VTQN'O QWP V/'UEX'QP N[| 47 |
| E CDNG'*O CP WCN+'N&V'XCNXG'O QWP V/'6'URQQN | 48 |
| E CDNG'*O CP WCN+'N&V'XCNXG'DT GCMF QY P '/'28724338 | 4: |
| E CDNG'*O CP WCN+'N&V'XCNXG'DT GCMF QY P '/'28724339 | 52 |
| RQN[ECTDQP CVG'UCHGV['Y &F QY | 54 |
| Y J GGN'URCEGT | 55 |
| Y J GGN'Y GK J V | 56 |
| Y J GGN'Y GK J V/'722'RQWP F U | 57 |
| P QVGU'3 | 58 |

PARTS ORDERING GUIDE

The following instructions are offered to help eliminate needless delay and error in processing purchase orders for the equipment in this manual.

1. The Parts Section is prepared in logical sequence and grouping of parts that belong to the basic machine featured in this manual. Part Numbers and Descriptions are given to help locate the parts and quantities required.
2. The Purchase Order must indicate the **Name and Address** of the person or organization ordering the parts, **who should be charged**, and if possible, the **serial number of the machine** for which the parts are being ordered.
3. The purchase order must clearly list the **quantity of each part**, the complete and correct **part number**, and the basic **name of the part**.
4. The manufacturer reserves the right to substitute parts where applicable.
5. Some parts may be unlisted items which are special production items not normally stocked and are subject to special handling. Request a quotation for such parts before sending a purchase order.
6. The manufacturer reserves the right to change prices without prior notice.

NOTE: When ordering replacement decals, refer to the part numbers and descriptions listed in the safety section in the front of this manual.

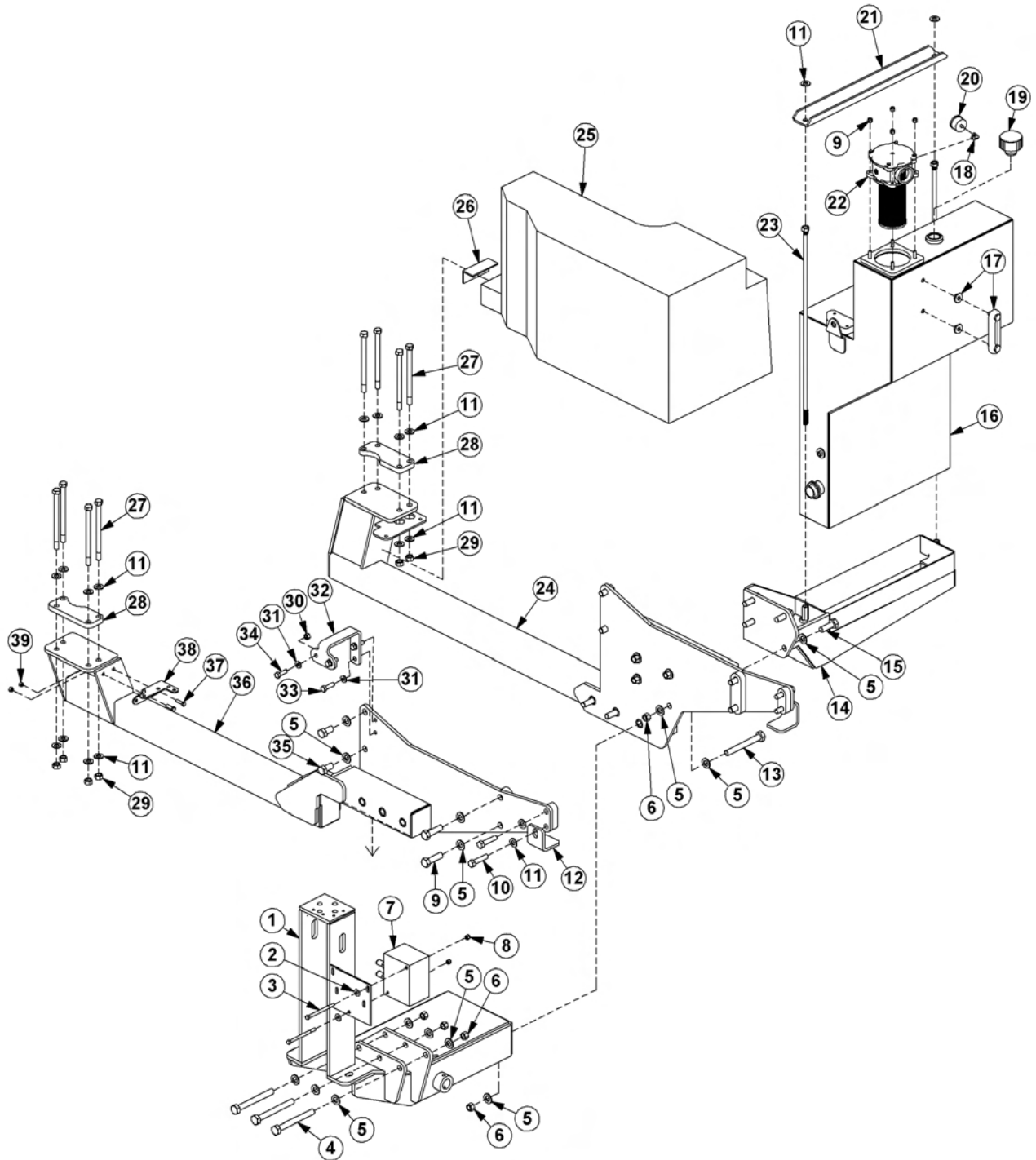


For maximum safety and to guarantee optimum product reliability, always use genuine **Tiger** replacement parts. The use of inferior replacement parts may cause premature or catastrophic failure which could result in serious injury or death.

Direct any questions regarding parts to:

Tiger Corporation
3301 N. Louise Ave.
Sioux Falls, SD 57107
1-800-843-6849
1-605-336-7900

TRACTOR MOUNT KIT



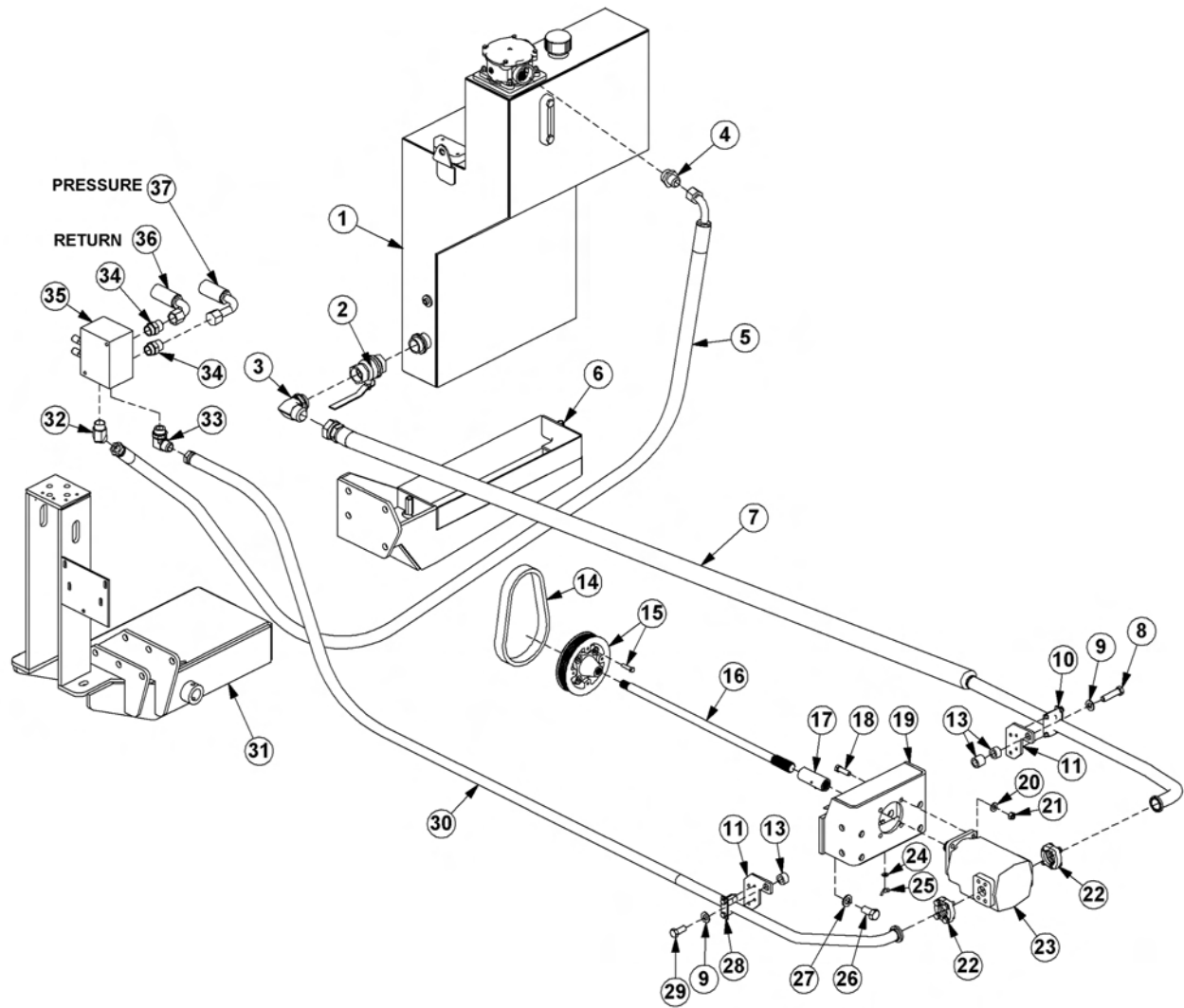
| ITEM | PART NO. | QTY. | DESCRIPTION |
|------|----------|------|-----------------|
| 1 | 06300211 | 1 | MAIN FRAME |
| 2 | 22016 | 2 | FLATWASHER,3/8" |

TRACTOR MOUNT KIT

Continued...

| ITEM | PART NO. | QTY. | DESCRIPTION |
|------|----------|------|---|
| 3 | 21644 | 2 | CAPSCREW,3/8" X 5",NC |
| 4 | 21844 | 3 | CAPSCREW,3/4" X 7",NC |
| 5 | 33880 | 28 | FLATWASHER,3/4",SAE |
| 6 | 21825 | 10 | HEX NUT,3/4",NC |
| 7 | 06510083 | 1 | SOLENOID BRAKE VALVE |
| 8 | 21627 | 6 | NYLOCK NUT,3/8",NC |
| 9 | 25341 | 4 | CAPSCREW,20MM X 70MM,2.5P |
| 10 | 22427 | 4 | CAPSCREW,16MM X 70MM,2.0P |
| 11 | 33764 | 22 | FLATWASHER,5/8",SAE |
| 12 | 06410626 | 2 | STOP,OSCILLATION,AXLE |
| 13 | 6T2310 | 3 | CAPSCREW,3/4" X 6-1/2",NC |
| 14 | 06300196 | 1 | TANK MOUNT |
| 15 | 21833 | 4 | CAPSCREW,3/4" X 2-1/4",NC |
| --- | 06700090 | 1 | TANK,HYDRAULIC,SIDE,ASSY |
| 16 | 06380012 | 1 | TANK,HYDRAULIC,WLDMNT |
| --- | 06505067 | 1 | SIGHT GAGE |
| 17 | 06503175 | 1 | SEAL KIT,SIGHT GAGE,LENZ |
| 18 | TF4888 | 1 | ELBOW,STREET,1/8" |
| 19 | 06505077 | 1 | CAP,BREATHER,O-RING |
| 20 | 6T0649 | 1 | FILTER GAUGE |
| 21 | 06410352 | 1 | CHANNEL,MNT,TANK,TIE-BOLT |
| 22 | 06505044 | 1 | FILTER,ASSEMBLY,IN-TANK |
| 23 | 06380014 | 2 | TIE-BOLT,SIDE TANK |
| 24 | 06300212 | 1 | AXLE BRACE,LH |
| 25 | ----- | - | JD FUEL TANK *EXISTING |
| 26 | 6T3200 | 1 | SPLIT HOSE *IF NECESSARY |
| 27 | 21797 | 8 | CAPSCREW,5/8" X 9",NC |
| 28 | 06401246 | 2 | CLAMP PLATE |
| 29 | 21775 | 8 | HEX NUT,5/8",NC |
| 30 | 21725 | 2 | HEX NUT,1/2",NC |
| 31 | 22018 | 4 | FLATWASHER,1/2" |
| 32 | 06411606 | 1 | BRACE,MAST |
| 33 | 21729 | 2 | CAPSCREW,1/2" X 1",NC |
| 34 | 21731 | 2 | CAPSCREW,1/2" X 1-1/2",NC |
| 35 | 24860 | 4 | CAPSCREW,20MM X 40MM,2.5P |
| 36 | 06300210 | 1 | AXLE BRACE,RH (SIDE STOW) |
| --- | 06300214 | 1 | AXLE BRACE,RH (SINGLE COLUMN) (NOT SHOWN) |
| 37 | 21631 | 2 | CAPSCREW,3/8" X 1-1/4",NC |
| 38 | 06410857 | 1 | BRACKET |
| 39 | 21625 | 2 | HEX NUT,3/8",NC |

TRACTOR MOUNT KIT - HYDRAULICS

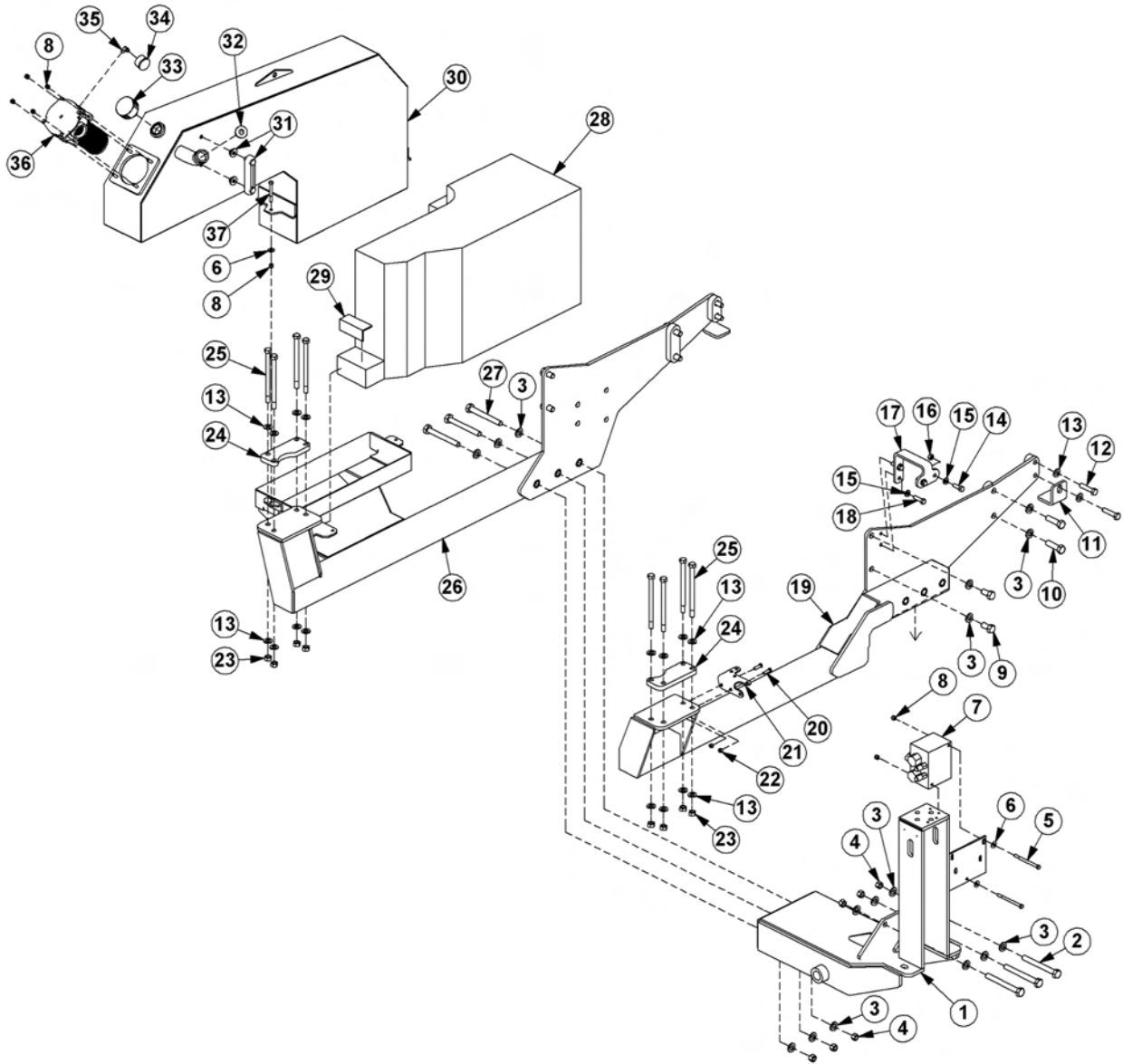


TRACTOR MOUNT KIT - HYDRAULICS

Continued...

| ITEM | PART NO. | QTY. | DESCRIPTION |
|------|----------|------|--|
| 1 | ----- | - | HYDRAULIC TANK *REFER TO TRACTOR MOUNT KIT |
| 2 | 34309 | 1 | BALL VALVE,1-1/2"FOR |
| 3 | 34655 | 1 | ELBOW,1-1/2"MOR X 1-1/2"MJ |
| 4 | 34064 | 1 | ADAPTER,1-1/4"MOR X 1"MJ |
| 5 | 34082 | 1 | HOSE,1" X 89" |
| 6 | ----- | - | TANK MOUNT *REFER TO TRACTOR MOUNT KIT |
| 7 | 06506039 | 1 | HOSE/TUBE,1-1/2" X 65" |
| 8 | 6T2531 | 1 | CAPSCREW,16MM X 80MM,2.0P |
| 9 | 33764 | 2 | FLATWASHER,5/8",SAE |
| 10 | 06505169 | 1 | CLAMP KIT,1-1/2" |
| 11 | 34626 | 2 | TUBE/CLAMP BRACKET |
| 13 | 34519 | 3 | SPACER |
| 14 | T208891 | 1 | JOHN DEERE BELT |
| 15 | LVB24989 | 1 | JOHN DEERE PULLEY KIT |
| 16 | 06420066 | 1 | DRIVE SHAFT |
| 17 | 6T0375B | 1 | COUPLING |
| 18 | 21732 | 4 | CAPSCREW,1/2" X 1-3/4",NC |
| 19 | 32642 | 1 | MOUNTING BRACKET,PUMP |
| 20 | 06533004 | 4 | FLATWASHER,1/2",SAE |
| 21 | 21725 | 4 | HEX NUT,1/2" |
| 22 | TF4852 | 2 | KIT,FLANGE,#20 |
| 23 | 23152 | 1 | PUMP |
| 24 | 22014 | 1 | FLATWASHER,1/4" |
| 25 | 32519 | 1 | NUT,WING,1/4-20,UNC |
| 26 | 24860 | 4 | CAPSCREW,20MM X 40MM,2.5P |
| 27 | 33880 | 4 | FLATWASHER,3/4",SAE |
| 28 | 34076 | 1 | CLAMP KIT,1" |
| 29 | 22425 | 1 | CAPSCREW,16MM X 60MM,2.0P |
| 30 | 06506023 | 1 | HOSE/TUBE,1" X 62" |
| 31 | ----- | - | MAIN FRAME *REFER TO TRACTOR MOUNT KIT |
| 32 | 33554 | 1 | ELBOW,1"MOR X 1"MJ,45° |
| 33 | 34117 | 1 | ELBOW,1"MOR X 1"MJ |
| 34 | 33555 | 2 | ADAPTER,1"MOR X 1"MJ |
| 35 | ----- | - | SOLENOID BRAKE VALVE *REFER TO TRACTOR MOUNT KIT |
| 36 | 06500328 | 1 | HOSE,1" X 96" (RETURN) |
| 37 | 06500329 | 1 | HOSE,1" X 93" (PRESSURE) |

TRACTOR MOUNT KIT, WHEEL WELL TANK

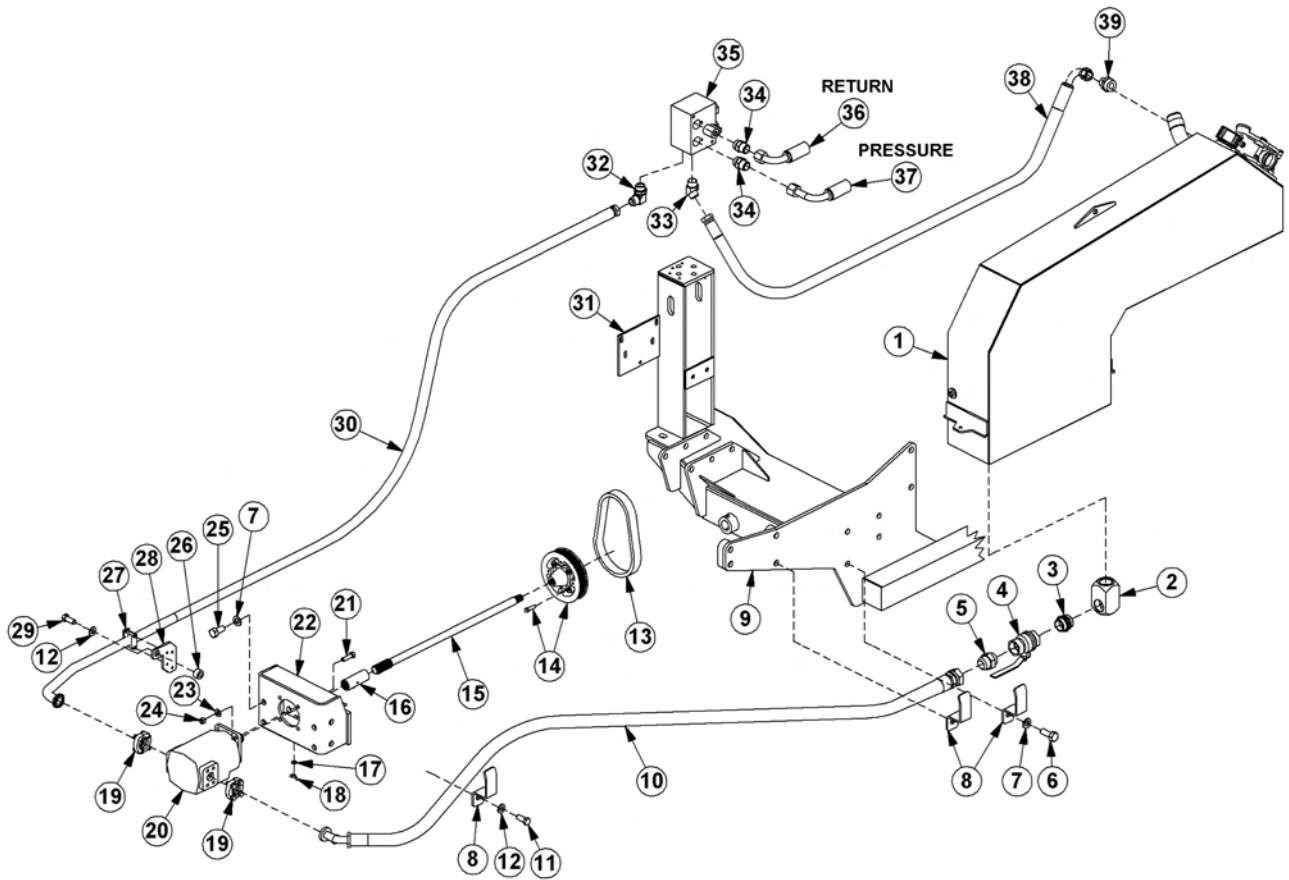


TRACTOR MOUNT KIT, WHEEL WELL TANK

Continued...

| ITEM | PART NO. | QTY. | DESCRIPTION |
|------|----------|------|---|
| 1 | 06300211 | 1 | MAIN FRAME |
| 2 | 21844 | 3 | CAPSCREW,3/4" X 7",NC |
| 3 | 33880 | 20 | FLATWASHER,3/4",SAE |
| 4 | 21825 | 6 | HEX NUT,3/4",NC |
| 5 | 21644 | 2 | CAPSCREW,3/8" X 5",NC |
| 6 | 22016 | 4 | FLATWASHER,3/8" |
| 7 | 06510083 | 1 | SOLENOID BRAKE VALVE |
| 8 | 21627 | 8 | NYLOCK NUT,3/8",NC |
| 9 | 24860 | 4 | CAPSCREW,20MM X 40MM,2.5P |
| 10 | 25341 | 4 | CAPSCREW,20MM X 70MM,2.5P |
| 11 | 06410626 | 2 | STOP,OSCILLATION,AXLE |
| 12 | 22427 | 4 | CAPSCREW,16MM X 70MM,2.0P |
| 13 | 33764 | 20 | FLATWASHER,5/8",SAE |
| 14 | 21731 | 2 | CAPSCREW,1/2" X 1-1/2",NC |
| 15 | 22018 | 4 | FLATWASHER,1/2" |
| 16 | 21725 | 2 | HEX NUT,1/2",NC |
| 17 | 06411606 | 1 | BRACE,MAST |
| 18 | 21729 | 2 | CAPSCREW,1/2" X 1",NC |
| 19 | 06300210 | 1 | AXLE BRACE,RH (SIDE STOW) |
| --- | 06300214 | 1 | AXLE BRACE,RH (SINGLE COLUMN) (NOT SHOWN) |
| 20 | 21631 | 2 | CAPSCREW,3/8" X 1-1/4",NC |
| 21 | 06410857 | 1 | BRACKET |
| 22 | 21625 | 2 | HEX NUT,3/8",NC |
| 23 | 21775 | 8 | HEX NUT,5/8",NC |
| 24 | 06401246 | 2 | CLAMP PLATE |
| 25 | 21797 | 8 | CAPSCREW,5/8" X 9",NC |
| 26 | 06300213 | 1 | AXLE BRACE,LH (WHEEL WELL TANK) |
| 27 | 6T2310 | 3 | CAPSCREW,3/4" X 6-1/2",NC |
| 28 | ----- | - | JD FUEL TANK *EXISTING |
| 29 | 6T3200 | 1 | SPLIT HOSE *IF NECESSARY |
| 30 | 06700091 | 1 | TANK,HYDRAULIC,WWT,ASSY |
| --- | 06380015 | 1 | TANK,HYDRAULIC,WLDMNT |
| 31 | 06505067 | 1 | SIGHT GAGE |
| --- | 06503175 | 1 | SEAL KIT,SIGHT GAGE,LENZ |
| 32 | 06505127 | 1 | PLUG,SAE,#20 |
| 33 | 06505077 | 1 | CAP,BREATHER,O-RING |
| 34 | 6T0649 | 1 | FILTER GAUGE |
| 35 | TF4888 | 1 | ELBOW,STREET,1/8" |
| 36 | 06505044 | 1 | FILTER,ASSEMBLY,IN-TANK |
| 37 | 21639 | 2 | CAPSCREW,3/8" X 3-1/4",NC |

TRACTOR MOUNT KIT, WHEEL WELL TANK - HYDRAULICS

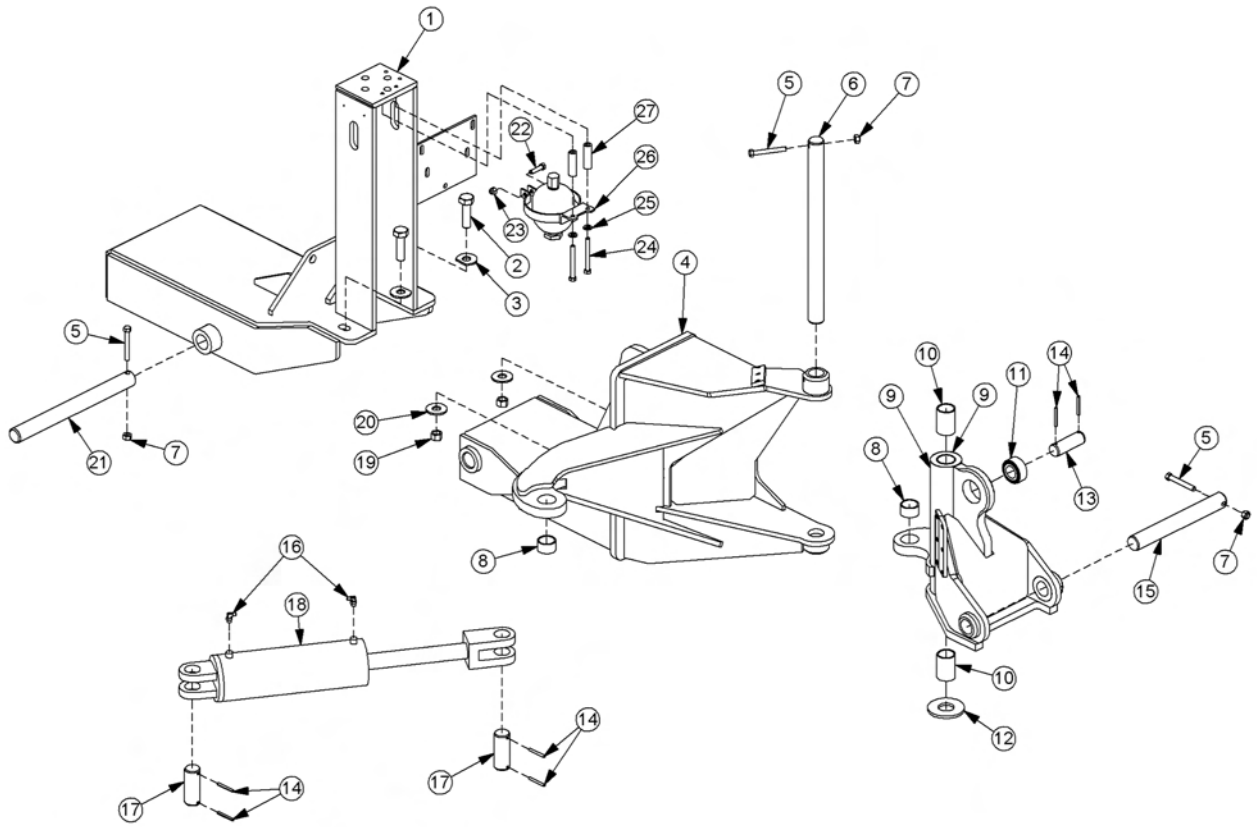


TRACTOR MOUNT KIT, WHEEL WELL TANK - HYDRAULICS

Continued...

| ITEM | PART NO. | QTY. | DESCRIPTION |
|------|----------|------|--|
| 1 | ----- | - | WHEEL WELL TANK *REFER TO TRACTOR MOUNT KIT |
| 2 | 06503084 | 1 | ELBOW,1-1/2"FOR X 1-1/2"FOR |
| 3 | 06503083 | 1 | ADAPTER,1-1/2"MOR X 1-1/2"MOR |
| 4 | 34309 | 1 | BALL VALVE,1-1/2"FOR |
| 5 | 34710 | 1 | ADAPTER,1-1/2"MOR X 1-1/2"MJ |
| 6 | 21832 | 1 | CAPSCREW,3/4" X 2",NC |
| 7 | 33880 | 5 | FLATWASHER,3/4",SAE |
| 8 | 32382 | 3 | HOSE BRACKET |
| 9 | ----- | - | AXLE BRACE,WWT *REFER TO TRACTOR MOUNT KIT |
| 10 | 06500408 | 1 | HOSE,1-1/2" X 92" |
| 11 | 22421 | 1 | CAPSCREW,16MM X 40MM,2.0P |
| 12 | 33764 | 2 | FLATWASHER,5/8",SAE |
| 13 | T208891 | 1 | JOHN DEERE BELT |
| 14 | LVB24989 | 1 | JOHN DEERE PULLEY KIT |
| 15 | 06420066 | 1 | DRIVESHAFT |
| 16 | 6T0375B | 1 | COUPLING |
| 17 | 22014 | 1 | FLATWASHER,1/4" |
| 18 | 32519 | 1 | WING NUT,1/4-20,UNC |
| 19 | TF4852 | 2 | KIT,FLANGE,#20 |
| 20 | 23152 | 1 | PUMP |
| 21 | 21732 | 4 | CAPSCREW,1/2" X 1-3/4",NC |
| 22 | 32642 | 1 | MOUNTING BRACKET,PUMP |
| 23 | 06533004 | 4 | FLATWASHER,1/2",SAE |
| 24 | 21725 | 4 | HEX NUT,1/2",NC |
| 25 | 24860 | 4 | CAPSCREW,20MM X 40MM,2.5P |
| 26 | 34519 | 1 | SPACER |
| 27 | 34076 | 1 | CLAMP KIT,1" |
| 28 | 34626 | 1 | TUBE/CLAMP BRACKET |
| 29 | 22425 | 1 | CAPSCREW,16MM X 60MM,2.0P |
| 30 | 06506023 | 1 | HOSE/TUBE,1" X 62" |
| 31 | ----- | - | MAIN FRAME *REFER TO TRACTOR MOUNT KIT |
| 32 | 34117 | 1 | ELBOW,1"MOR X 1"MJ |
| 33 | 33554 | 1 | ELBOW,1"MOR X 1"MJ,45° |
| 34 | 33555 | 2 | ADAPTER,1"MOR X 1"MJ |
| 35 | ----- | - | SOLENOID BRAKE VALVE *REFER TO TRACTOR MOUNT KIT |
| 36 | 06500328 | 1 | HOSE,1" X 96" (RETURN) |
| 37 | 06500329 | 1 | HOSE,1" X 93" (PRESSURE) |
| 38 | 06500422 | 1 | HOSE,1" X 126" |
| 39 | 34064 | 1 | ADAPTER,1-1/4"MOR X 1"MJ |

BOOM MOUNT KIT

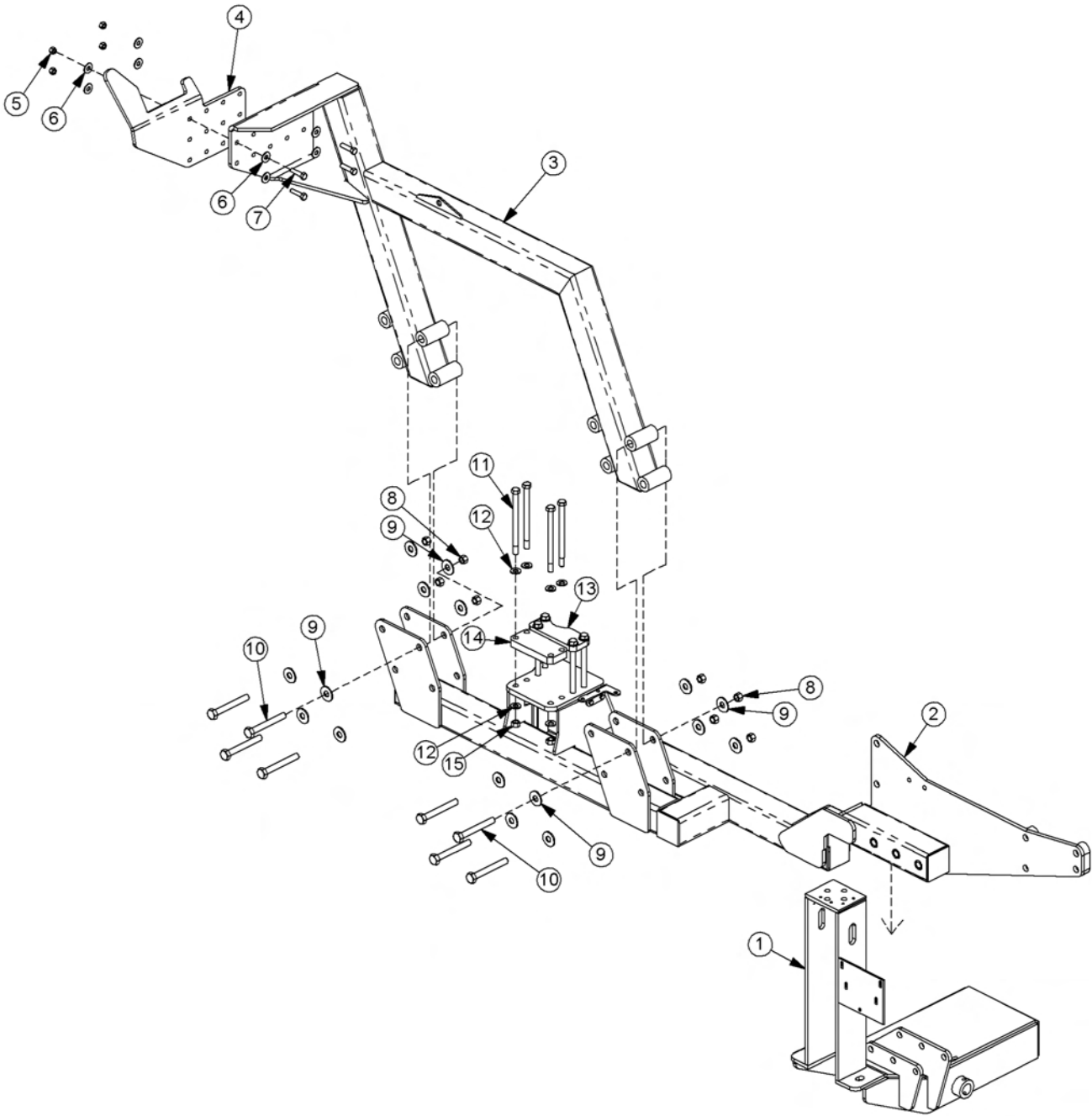


BOOM MOUNT KIT

Continued...

| ITEM | PART NO. | QTY. | DESCRIPTION |
|------|----------|------|---|
| 1 | ----- | - | MAIN FRAME *REFER TO TRACTOR MOUNT PAGE |
| 2 | 21835 | 2 | CAPSCREW,3/4" X 2-3/4",NC |
| 3 | 6T2607 | 2 | FLATWASHER,3/4",CUT |
| 4 | 06700040 | 1 | MNT BRKT,BOOM,RS,ASSY |
| 5 | 21688 | 3 | CAPSCREW,7/16" X 3-1/4",NC |
| 6 | 06420013 | 1 | PIN,1-1/2" X 18-7/8" |
| 7 | 21677 | 3 | NYLOCK NUT,7/16",NC |
| 8 | 06520108 | 2 | BEARING,1-1/2ID" X 1",COMP |
| 9 | 06700017 | 1 | SWIVEL,REAR STOW,ASSY |
| 10 | 06520411 | 2 | BEARING,1-1/2"ID X 2-1/2" |
| 11 | ----- | - | SPHERICAL BEARING *REFERENCE ONLY |
| 12 | 06520049 | 1 | BEARING,WASHER,SWING |
| 13 | 06420100 | 1 | PIN,1-1/4" X 4" |
| 14 | TB1023 | 6 | ROLLPIN,7/32" X 2" |
| 15 | 06420022 | 1 | PIN,1-1/2" X 12" |
| 16 | 32810 | 2 | ELBOW,1/2"MOR X 3/8" MJ |
| 17 | 06420023 | 2 | PIN,1-1/2" X 3-5/8" |
| 18 | 06501019 | 1 | CYLINDER,4" X 9" |
| 19 | 21825 | 2 | HEX NUT,3/4",NC |
| 20 | 22021 | 2 | FLATWASHER,3/4" |
| 21 | 6T3001 | 1 | PIN,INNR DRFT BM 1-1/2" X 15-3/4" |
| 22 | 21632 | 1 | CAPSCREW,3/8" X 1-1/2",NC |
| 23 | 21627 | 1 | NYLOCK NUT,3/8",NC |
| 24 | 21640 | 2 | CAPSCREW,3/8" X 3-1/2",NC |
| 25 | 21988 | 2 | LOCKWASHER,3/8" |
| 26 | 23888 | 1 | BRACKET,ACCUMULATOR |
| 27 | 06420054 | 2 | SPACER |

SINGLE COLUMN BOOMREST

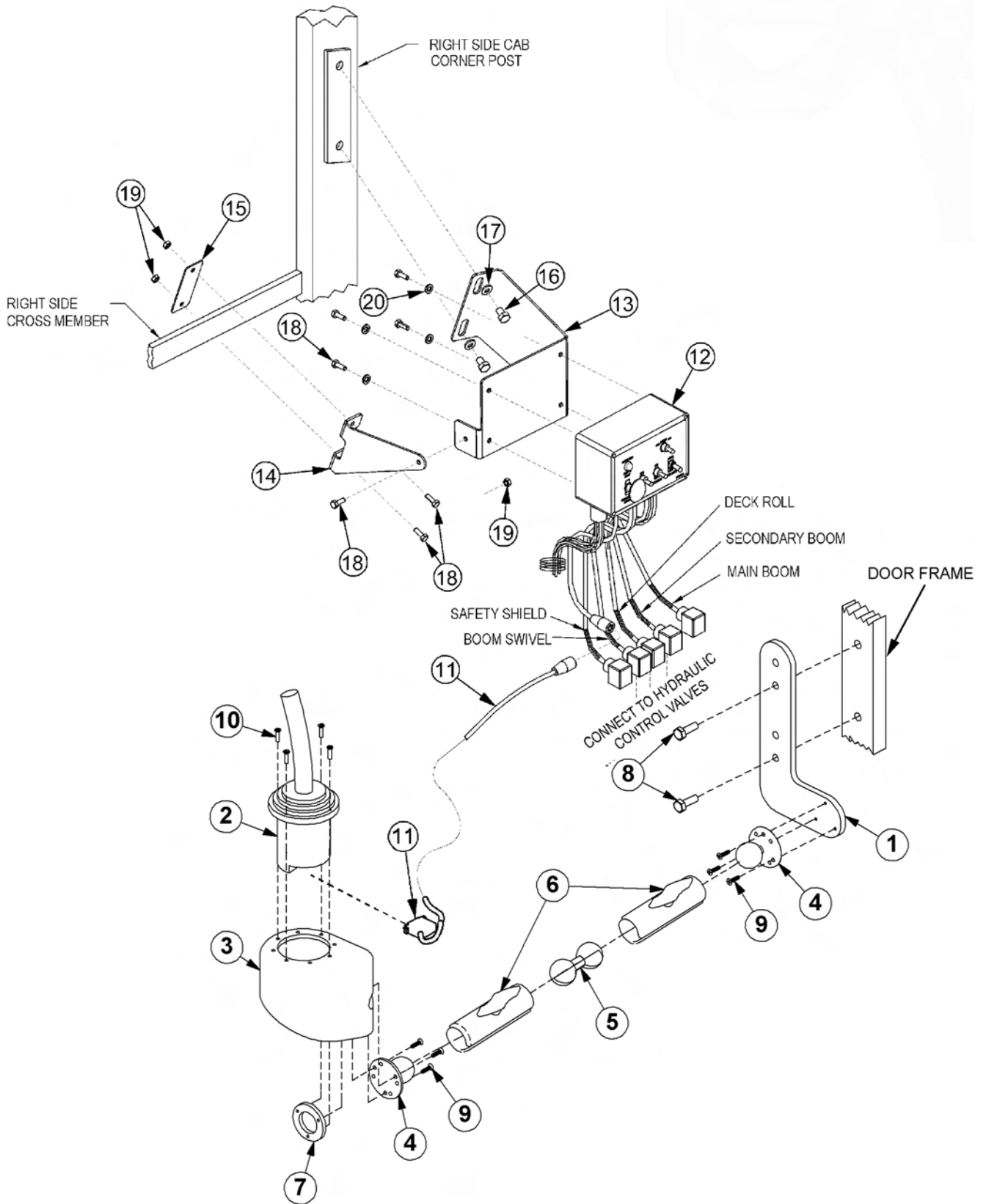


SINGLE COLUMN BOOMREST

Continued...

| ITEM | PART NO. | QTY. | DESCRIPTION |
|------|----------|------|--|
| 1 | ----- | - | MAINFRAME *REFER TO TRACTOR MOUNT KIT PAGE |
| 2 | 06300214 | 1 | AXLE BRACE,JD5101E,SC |
| 3 | 06310074 | 1 | BOOMREST,SINGLE COLUMN |
| 4 | 06410968 | 1 | BOOMREST PLATE |
| --- | 06310113 | 1 | BOOMREST SADDLE (BENGAL 18) |
| 5 | 21725 | 4 | HEX NUT,1/2",NC |
| 6 | 22018 | 8 | FLATWASHER,1/2",WIDE |
| 7 | 21733 | 4 | CAPSCREW,1/2" X 2",NC |
| 8 | 21825 | 10 | HEX NUT,3/4",NC |
| 9 | 22021 | 16 | FLATWASHER,3/4" |
| 10 | 21843 | 8 | CAPSCREW,3/4" X 6",NC |
| 11 | 21797 | 8 | CAPSCREW,5/8" X 9",NC |
| 12 | 33764 | 16 | FLATWASHER,5/8",GR8,SAE |
| 13 | 06401246 | 1 | CLAMP,AXLE,INSIDE |
| 14 | 06401294 | 1 | CLAMP,AXLE,OUTSIDE |
| 15 | 21775 | 8 | HEX NUT,5/8",NC |

JOYSTICK AND SWITCH BOX MOUNT



JOYSTICK AND SWITCH BOX MOUNT

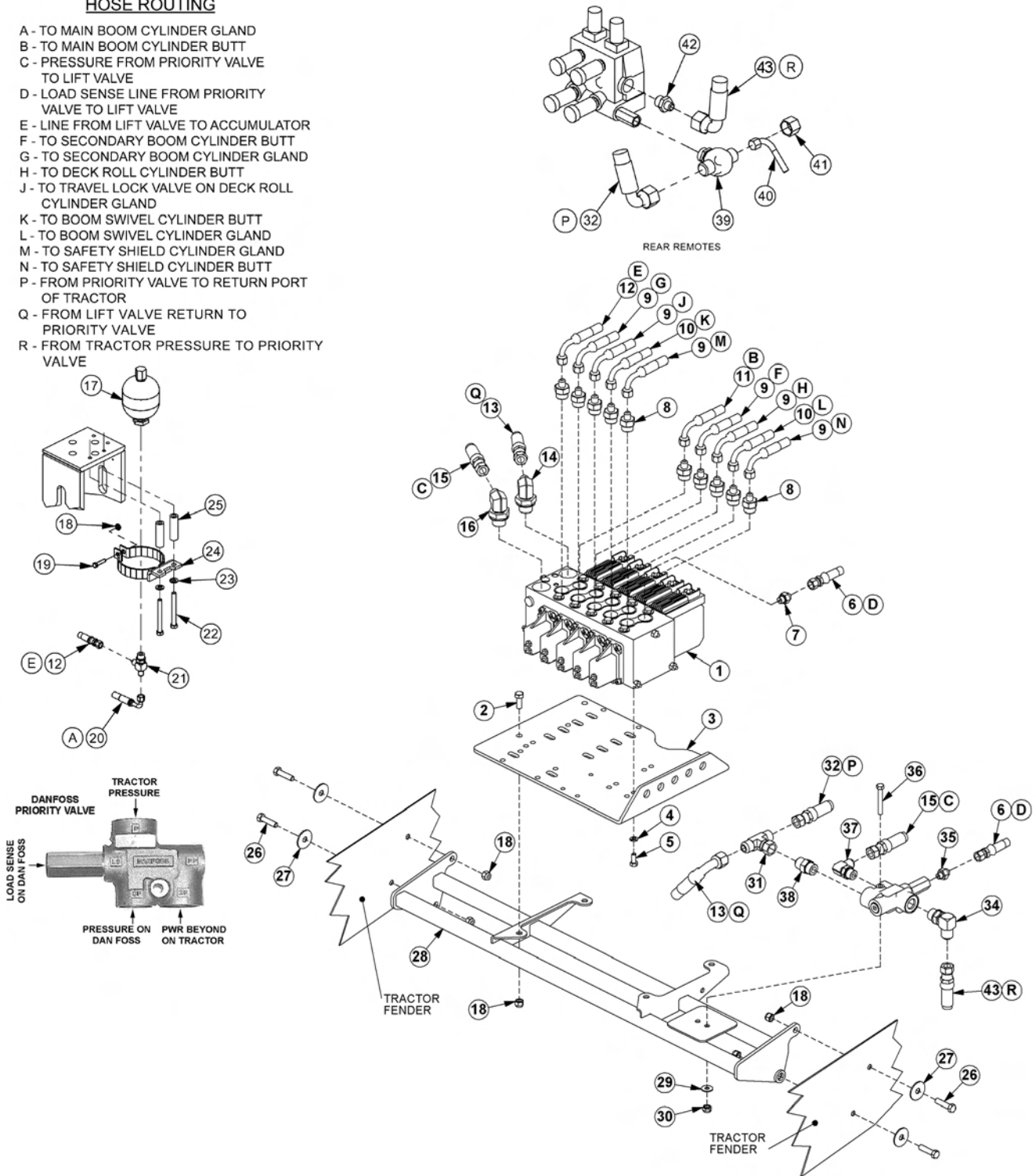
Continued...

| ITEM | PART NO. | QTY. | DESCRIPTION |
|------|----------|------|-----------------------------------|
| 1 | 06340031 | 1 | MT,BRKT,JYSTK,JD5101E |
| 2 | 33691 | 1 | JOYSTICK |
| 3 | 06770022 | 1 | CAN,JOYSTICK |
| 4 | 06520019 | 2 | MOUNT,RAM BALL,1-1/2",FLANGE |
| 5 | 06520290 | 1 | MOUNT,RAM,BALL,DBL,1-1/2" |
| 6 | 06520020 | 2 | MOUNT,RAM,ARM,1-1/2" X 4-5/8",STD |
| 7 | 06400882 | 1 | RING,BOLT,MNT,JYSTK |
| 8 | 23113 | 2 | CAPSCREW,10MM X 30MM,1.5P |
| 9 | 32990 | 6 | SCREW,MACHINE,10-32 X 1/2",RD HD |
| 10 | 32829 | 4 | SCREW,MACHINE,10-32 X 3/4",FLT HD |
| 11 | 33693 | 1 | CBL,EXT,4FT,JOYSTICK |
| 12 | 06510196 | 1 | SWITCHBOX |
| 13 | 34264 | 1 | SWITCHBOX MOUNT |
| 14 | 34265 | 1 | SWITCHBOX BRACE |
| 15 | 34266 | 1 | SWITCHBOX STRAP |
| 16 | 25188 | 2 | CAPSCREW,10MM X 15MM,1.5P |
| 17 | 22016 | 2 | FLATWASHER,3/8",GR8 |
| 18 | 21529 | 7 | CAPSCREW,1/4" X 3/4",NC |
| 19 | 21527 | 3 | NYLOCK NUT,1/4",NC |
| 20 | 21986 | 4 | LOCKWASHER,1/4" |

ELECTRONIC PROPORTIONAL LIFT VALVE MOUNT

HOSE ROUTING

- A - TO MAIN BOOM CYLINDER GLAND
- B - TO MAIN BOOM CYLINDER BUTT
- C - PRESSURE FROM PRIORITY VALVE TO LIFT VALVE
- D - LOAD SENSE LINE FROM PRIORITY VALVE TO LIFT VALVE
- E - LINE FROM LIFT VALVE TO ACCUMULATOR
- F - TO SECONDARY BOOM CYLINDER BUTT
- G - TO SECONDARY BOOM CYLINDER GLAND
- H - TO DECK ROLL CYLINDER BUTT
- J - TO TRAVEL LOCK VALVE ON DECK ROLL CYLINDER GLAND
- K - TO BOOM SWIVEL CYLINDER BUTT
- L - TO BOOM SWIVEL CYLINDER GLAND
- M - TO SAFETY SHIELD CYLINDER GLAND
- N - TO SAFETY SHIELD CYLINDER BUTT
- P - FROM PRIORITY VALVE TO RETURN PORT OF TRACTOR
- Q - FROM LIFT VALVE RETURN TO PRIORITY VALVE
- R - FROM TRACTOR PRESSURE TO PRIORITY VALVE



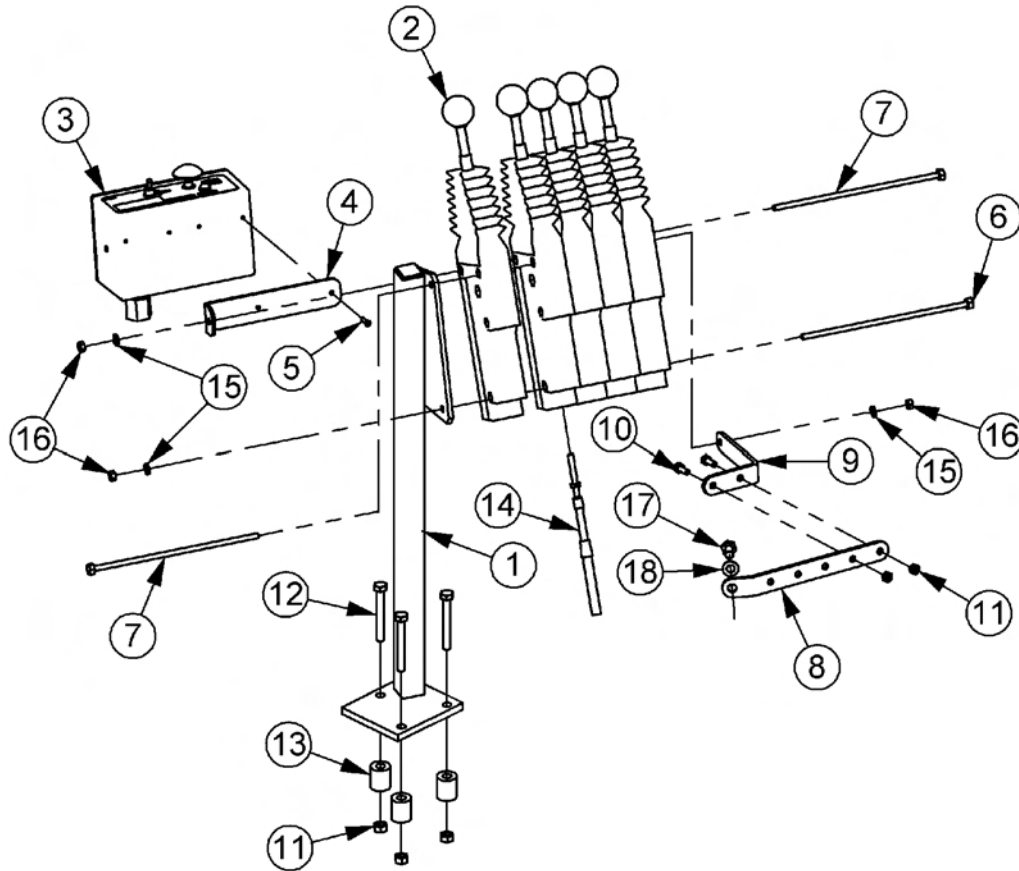
| ITEM | PART NO. | QTY. | DESCRIPTION |
|------|----------|------|-------------------------|
| 1 | 06502097 | 1 | ELECTRONIC VALVE |
| 2 | 21630 | 4 | CAPSCREW, 3/8" X 1", NC |

ELECTRONIC PROPORTIONAL LIFT VALVE MOUNT

Continued...

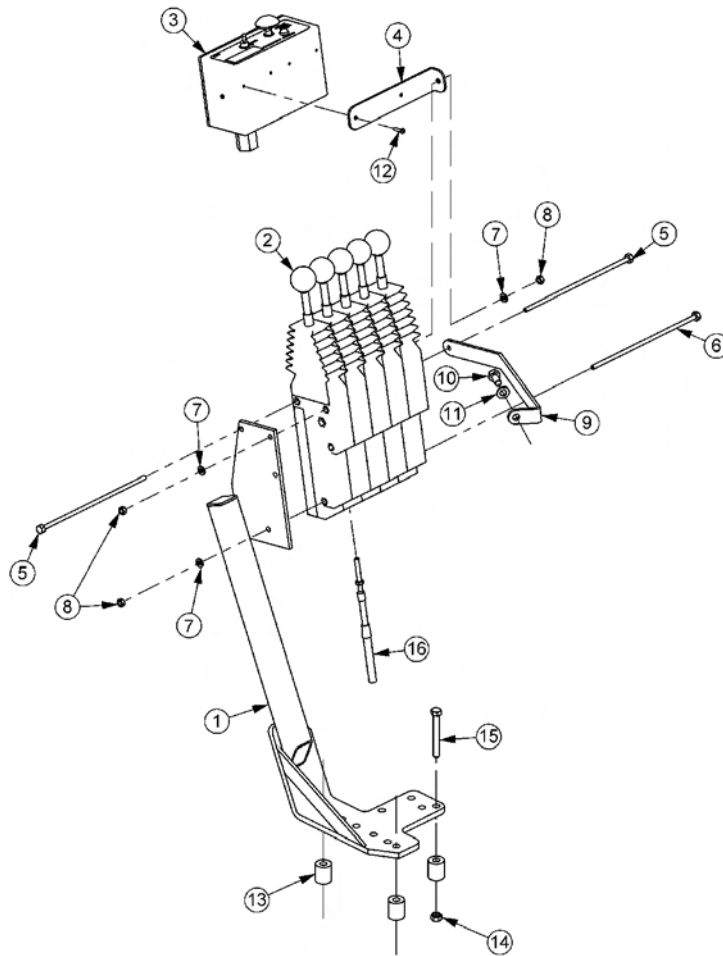
| ITEM | PART NO. | QTY. | DESCRIPTION |
|------|----------|------|--|
| 3 | 34622 | 1 | PLATE,VALVE,REAR MNT |
| 4 | 21987 | 4 | LOCKWASHER,5/16" |
| 5 | 21579 | 4 | CAPSCREW,5/16" X 3/4",NC |
| 6 | 33734 | 1 | HOSE,1/4" X 34" |
| 7 | 33392 | 1 | ADAPTER,5/16"MB X 3/8"MJ |
| 8 | 32807 | 10 | ADAPTER,5/8"MB X 3/8"MJ |
| 9 | 34358 | 6 | HOSE,1/4" X 196" |
| 10 | 33364 | 2 | HOSE,1/4" X 120" |
| 11 | 06500164 | 1 | HOSE,1/4" X 216" |
| 12 | 33562 | 1 | HOSE,1/4" X 130" |
| 13 | 06500235 | 1 | HOSE,5/8" X 49" |
| 14 | 33648 | 1 | ELBOW,3/4"MB X 3/8"MJ |
| 15 | 06500632 | 1 | HOSE,1/2" X 50" |
| 16 | 33294 | 1 | ELBOW,3/4"MB X 1/2"MJ90° |
| 17 | 24300 | 1 | ACCUMULATOR |
| 18 | 21627 | 9 | NYLOCK NUT,3/8",NC |
| 19 | ----- | - | CAPSCREW *REFER TO BOOM MNT KIT PAGE |
| 20 | 33745 | 1 | HOSE,1/4" X 100" |
| 21 | 06503029 | 1 | TEE,RUN,1/2"MB X 3/8"MJ X 3/8"MJ |
| 22 | ----- | - | CAPSCREW *REFER TO BOOM MNT KIT PAGE |
| 23 | ----- | - | LOCKWASHER *REFER TO BOOM MNT KIT PAGE |
| 24 | ----- | - | BRKT *REFER TO BOOM MNT KIT PAGE |
| 25 | ----- | - | SPACER *REFER TO BOOM MNT KIT PAGE |
| 26 | 21632 | 4 | CAPSCREW,3/8" X 1-1/2",NC |
| 27 | 6T2615 | 4 | WASHER,FENDER,3/8" |
| 28 | 6340033 | 1 | VALVE MOUNT |
| 29 | 22015 | 1 | FLATWASHER,5/16" |
| 30 | 21577 | 1 | NYLOCK NUT,5/16",NC |
| 31 | 06503035 | 1 | TEE,5/8"MJ X 5/8"FJX X 5/8"MJ |
| 32 | 06500479 | 1 | HOSE,5/8" X 30" |
| 33 | 06502102 | 1 | PRIORITY VALVE |
| 34 | 06503033 | 1 | ELBOW,5/8"MB X 5/8"MJ |
| 35 | 06503057 | 1 | ADAPTER,1/4"MB X 3/8"MJ |
| 36 | 21585 | 1 | CAPSCREW,5/16" X 2-1/2" |
| 37 | 33382 | 1 | ELBOW,1/2"MB X 1/2"MJ90° |
| 38 | 06503036 | 1 | ADAPTER,5/8"MB X 5/8"MJ |
| 39 | 06503130 | 1 | TEE,BRANCH |
| 40 | ----- | - | PRFRMD TUBE *TRACTORS WITH MID-MOUNT VALVE |
| 41 | 06503129 | 1 | CAP,3/4"FS *TRACTORS W/OUT MID-MOUNT VALVE |
| 42 | RE267820 | 1 | ADAPTER,PB |
| 43 | 06500633 | 1 | HOSE,5/8" X 46" |

5 SPOOL CABLE CONTROL MOUNT - MID-MOUNT VALVE



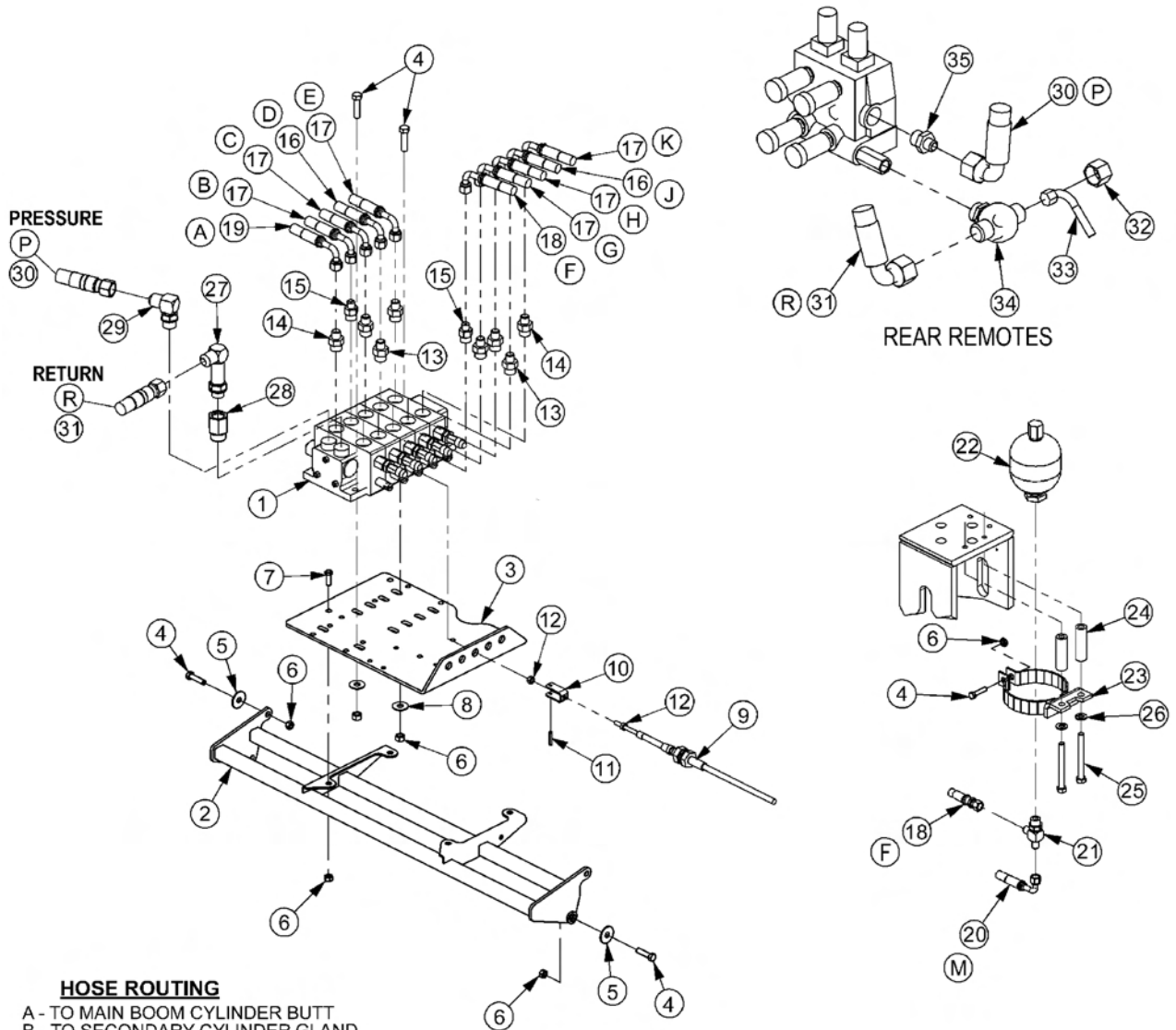
| ITEM | PART NO. | QTY. | DESCRIPTION |
|------|----------|------|-------------------------------|
| 1 | 31923 | 1 | BRKT,CTRL,CBL |
| 2 | 6T1251 | 5 | CBL CTRL BOX,180 DEG |
| 3 | 06510100 | 1 | SWITCHBOX,BOOM |
| 4 | 34496 | 1 | BRKT,SWITCHBOX,UNI |
| 5 | 6T3951 | 2 | SCREW,MACHINE,8/32" X 1/2",NC |
| 6 | 21548 | 1 | CAPSCREW,1/4" X 9",NC |
| 7 | 34332 | 2 | CAPSCREW,1/4 X 9-1/4,NC |
| 8 | 06410848 | 1 | SUPPORT,1,CBL,CNTRL,5101E |
| 9 | 06410849 | 1 | SUPPORT,2,CBL,CNTRL,5101E |
| 10 | 21629 | 2 | CAPSCREW,3/8" X 3/4",NC |
| 11 | 21627 | 5 | NYLOCK NUT,3/8",NC |
| 12 | 21633 | 3 | CAPSCREW,3/8" X 1-3/4",NC |
| 13 | 27082B | 3 | SPACER |
| 14 | 34623 | 5 | CBL,CNTRL,122" |
| 15 | 21986 | 3 | LOCKWASHER,1/4" |
| 16 | 21525 | 3 | HEX NUT,1/4",NC |
| 17 | 33534 | 1 | CAPSCREW,10MM X 20MM,1.5P |
| 18 | 32724 | 1 | FLATWASHER,10MM |

5 SPOOL CABLE CONTROL MOUNT - SCV ONLY



| ITEM | PART NO. | QTY. | DESCRIPTION |
|------|----------|------|-------------------------------|
| 1 | 23865B | 1 | CBL CTRL MT BRKT |
| 2 | 6T1251 | 5 | CBL CTRL BOX,180 DEG |
| 3 | 06510100 | 1 | SWITCHBOX,BOOM |
| 4 | 34496 | 1 | BRKT,SWITCHBOX,UNI |
| 5 | 34332 | 2 | CAPSCREW,1/4" X 9-1/4",NC |
| 6 | 21548 | 1 | CAPSCREW,1/4" X 9",NC |
| 7 | 21986 | 3 | LOCKWASHER,1/4" |
| 8 | 21525 | 3 | HEX NUT,1/4",NC |
| 9 | 06410230 | 1 | SUPPORT,MNT,CNTRL BOX |
| 10 | 33534 | 1 | CAPSCREW,10MM X 20MM,1.5P |
| 11 | 32724 | 1 | FLATWASHER,10MM |
| 12 | 6T3951 | 2 | SCREW,MACHINE 8/32" X 1/2",NC |
| 13 | 27082B | 3 | SPACER |
| 14 | 21627 | 3 | NYLOCK NUT,3/8",NC |
| 15 | 21636 | 3 | CAPSCREW,3/8" X 2-1/2",NC |
| 16 | 06505100 | 5 | CBL,CNTRL,108" |

CABLE (MANUAL) LIFT VALVE MOUNT - 5 SPOOL



HOSE ROUTING

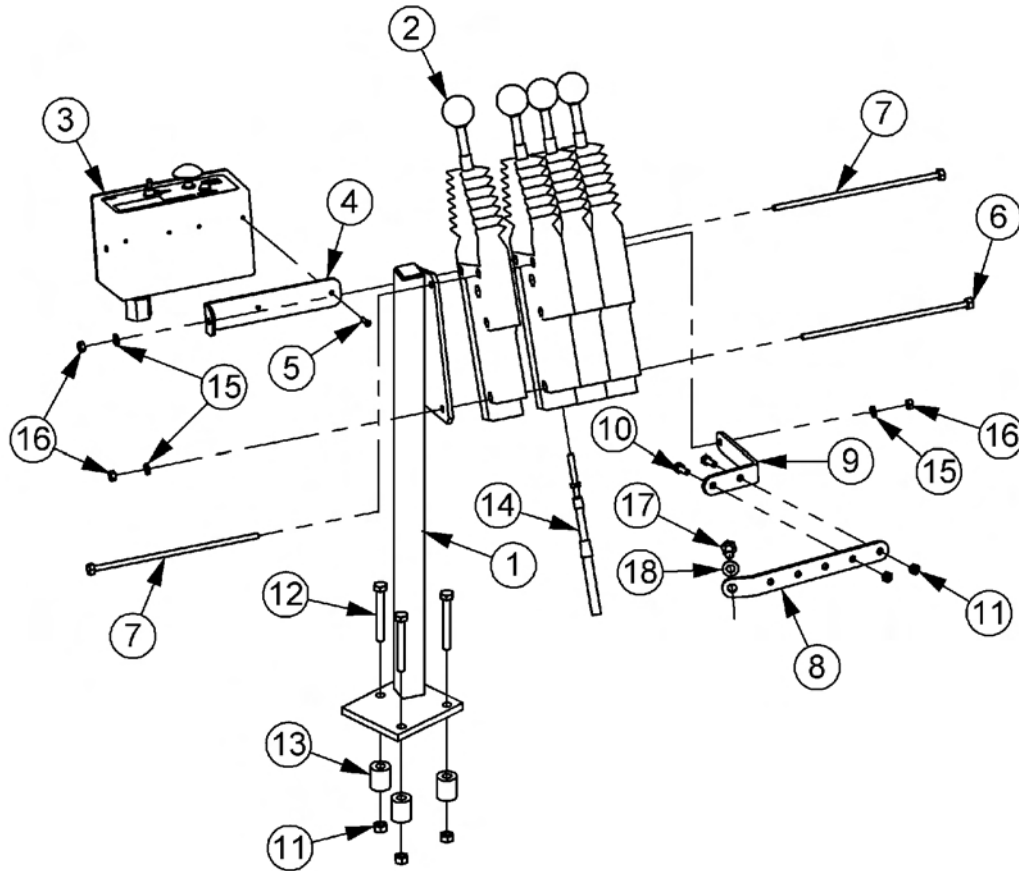
- A - TO MAIN BOOM CYLINDER BUTT
- B - TO SECONDARY CYLINDER GLAND
- C - TO DECK ROLL CYLINDER GLAND
- D - TO SWIVEL CYLINDER GLAND
- E - TO SAFETY SHIELD CYLINDER BUTT
- F - LIFT VALVE TO ACCUMULATOR
- G - TO SECONDARY CYLINDER BUTT
- H - TO DECK ROLL CYLINDER BUTT
- J - TO SWIVEL CYLINDER BUTT
- K - TO SAFETY SHIELD CYLINDER GLAND
- M - TO MAIN BOOM CYLINDER GLAND
- P - "P" PORT ON LIFT VALVE TO "P" or "PB" PORT
ON TRACTOR DEPENDING ON MODEL
- R - "T" PORT ON LIFT VALVE TO
"T" PORT ON TRACTOR

CABLE (MANUAL) LIFT VALVE MOUNT - 5 SPOOL

Continued...

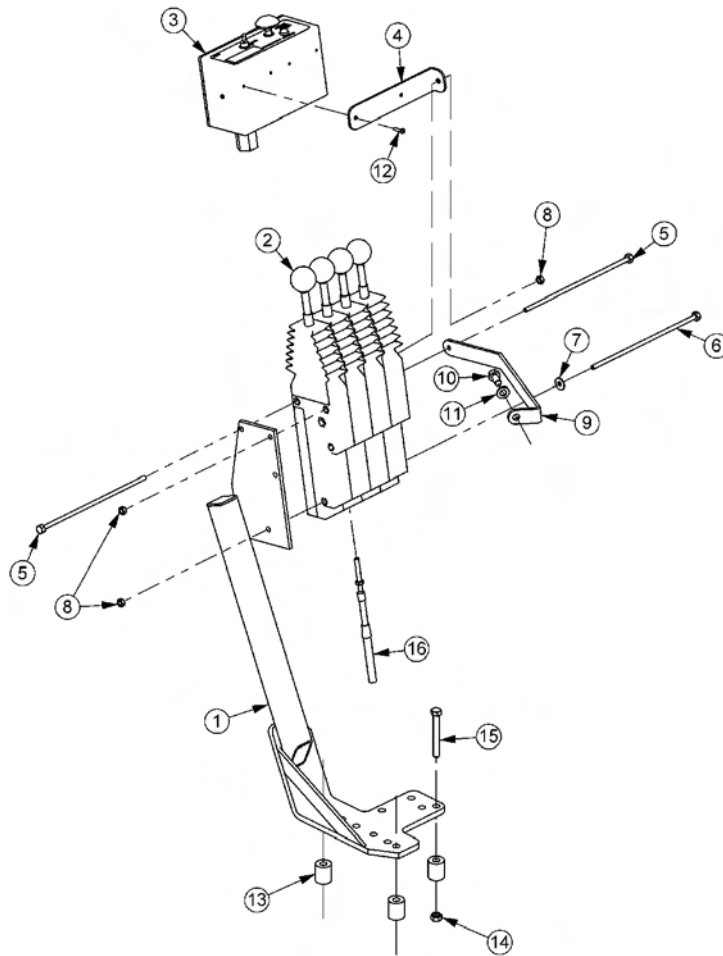
| ITEM | PART NO. | QTY. | DESCRIPTION |
|------|----------|------|--|
| 1 | 06502116 | 1 | VALVE,5SP,OC |
| 2 | 06340033 | 1 | VALVE MNT |
| 3 | 34622 | 1 | PLATE,VALVE,REAR MNT |
| 4 | 21632 | 9 | CAPSCREW,3/8" X 1-1/2",NC |
| 5 | 6T2615 | 4 | WASHER,FENDER 3/8" |
| 6 | 21627 | 13 | NYLOCK NUT,3/8",NC |
| 7 | 21630 | 4 | CAPSCREW,3/8" X 1",NC |
| 8 | 22016 | 4 | FLATWASHER,3/8" |
| 9 | 06505100 | 5 | CBL,CNTRL,108" |
| 10 | 6T4411 | 5 | CLEVIS,CBL CTRL,3/16" |
| 11 | 6T3017 | 5 | ROLLPIN,3/16" X 1" |
| 12 | 21500 | 10 | HEX NUT,1/4",NF |
| 13 | 34396 | 2 | ADAPTER,.06"RSTRCTR,1/2"MOR X 3/8"MJ |
| 14 | 33271 | 6 | ADAPTER,1/2"MOR X 3/8"MJ |
| 15 | 06502036 | 2 | VLV,CHECK,W/.06"MOR,1/2"MOR X 3/8" |
| 16 | 33364 | 2 | HOSE,1/4" X 120" |
| 17 | 34358 | 6 | HOSE,1/4" X 196" |
| 18 | 33562 | 1 | HOSE,1/4" X 130" |
| 19 | 06500164 | 1 | HOSE,1/4" X 216" |
| 20 | 33745 | 1 | HOSE,1/4" X 100" |
| 21 | 06503029 | 1 | TEE,RUN,1/2"MOR X 3/8"MJ X 3/8"MJ |
| 22 | 24300 | 1 | ACCUMULATOR |
| 23 | ----- | - | BRKT *REFER TO BOOM MNT KIT PAGE |
| 24 | ----- | - | SPACER *REFER TO BOOM MNT KIT PAGE |
| 25 | ----- | - | CAPSCREW *REFER TO BOOM MNT KIT PAGE |
| 26 | ----- | - | LOCKWASHER *REFER TO BOOM MNT KIT PAGE |
| 27 | 33293 | 1 | ELBOW,LONG,1/2"MOR X 1/2"MJ 90° |
| 28 | 32678 | 1 | ADAPTER,5/8"MOR X 1/2"FOR |
| 29 | 33383 | 1 | ELBOW,5/8"MOR X 1/2"MJ X 90° |
| 30 | 06500467 | 1 | HOSE,1/2" X 31" |
| 31 | 06500468 | 1 | HOSE,1/2" X 33" |
| 32 | 06503129 | 1 | CAP,3/4"FS *TRACTORS W/OUT MID-MOUNT VALVE |
| 33 | ----- | - | PRFRMD TUBE *TRACTORS WITH MID-MOUNT VALVE |
| 34 | 06503130 | 1 | TEE,BRANCH |
| 35 | RE267820 | 1 | ADAPTER,PB |

4 SPOOL CABLE CONTROL MOUNT - MID-MOUNT VALVE



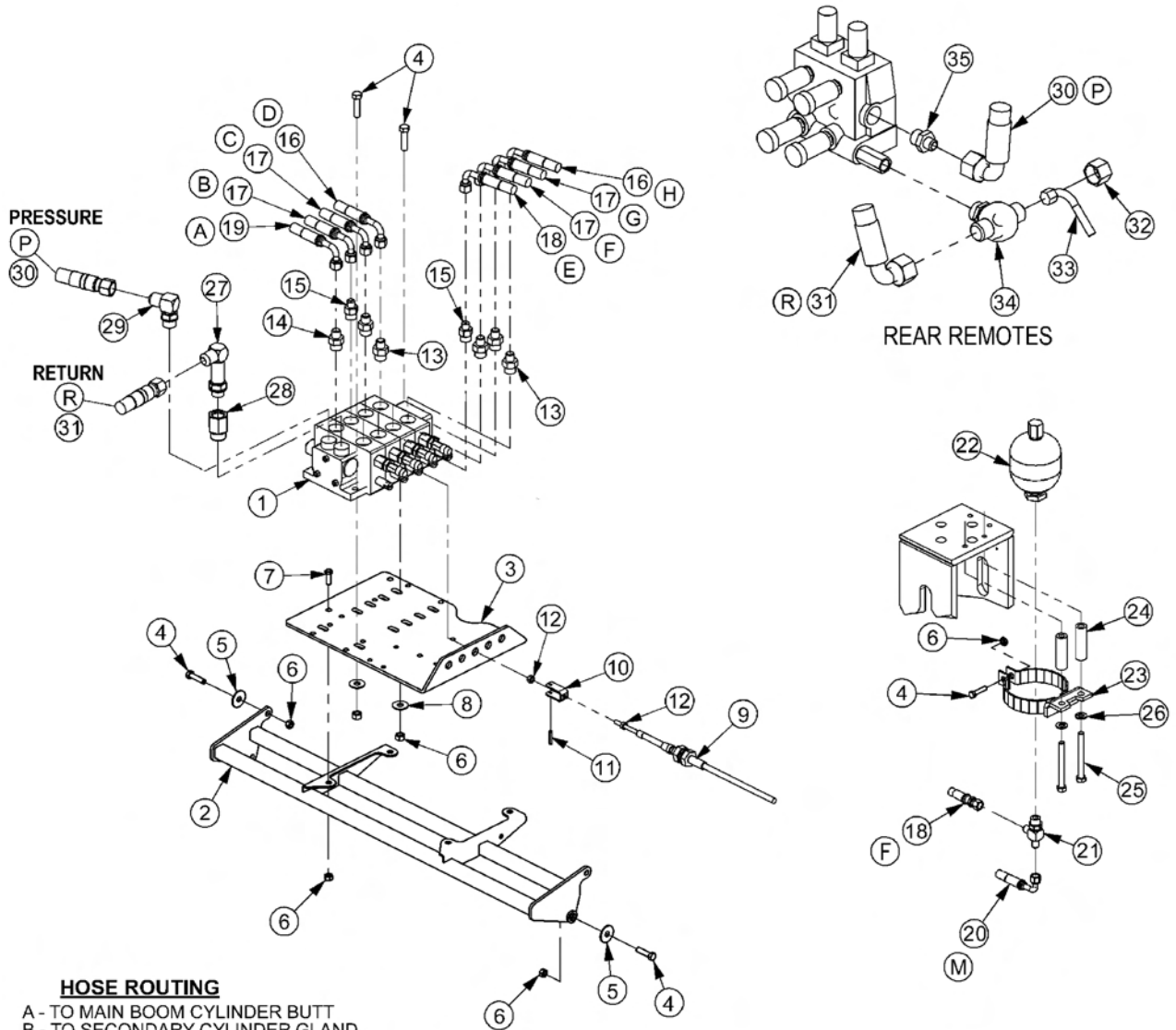
| ITEM | PART NO. | QTY. | DESCRIPTION |
|------|----------|------|-------------------------------|
| 1 | 31923 | 1 | BRKT,CTRL,CBL |
| 2 | 6T1251 | 4 | CBL CTRL BOX,180 DEG |
| 3 | 06510100 | 1 | SWITCHBOX,BOOM |
| 4 | 34496 | 1 | BRKT,SWITCHBOX,UNI |
| 5 | 6T3951 | 2 | SCREW,MACHINE,8/32" X 1/2",NC |
| 6 | 21546 | 1 | CAPSCREW,1/4" X 7",NC |
| 7 | 21547 | 2 | CAPSCREW,1/4" X 8",NC |
| 8 | 06410848 | 1 | SUPPORT,1,CBL,CNTRL,5101E |
| 9 | 06410849 | 1 | SUPPORT,2,CBL,CNTRL,5101E |
| 10 | 21629 | 3 | CAPSCREW,3/8" X 3/4",NC |
| 11 | 21627 | 5 | NYLOCK NUT,3/8",NC |
| 12 | 21636 | 3 | CAPSCREW,3/8" X 2-1/2",NC |
| 13 | 27082B | 3 | SPACER |
| 14 | 34623 | 4 | CBL,CNTRL,122" |
| 15 | 21986 | 3 | LOCKWASHER,1/4" |
| 16 | 21525 | 3 | HEX NUT,1/4",NC |
| 17 | 33534 | 1 | CAPSCREW,10MM X 20MM,1.5P |
| 18 | 32724 | 1 | FLATWASHER,10MM |

4 SPOOL CABLE CONTROL MOUNT - SCV ONLY



| ITEM | PART NO. | QTY. | DESCRIPTION |
|------|----------|------|----------------------------|
| 1 | 23865B | 1 | CBL CTRL MT BRK |
| 2 | 6T1251 | 4 | CBL CTRL BOX,180 DEG |
| 3 | 06510100 | 1 | SWITCHBOX,BOOM |
| 4 | 34496 | 1 | BRKT,SWITCHBOX,UNI |
| 5 | 21547 | 2 | CAPSCREW,1/4" X 8",NC |
| 6 | 21546 | 1 | CAPSCREW,1/4" X 7",NC |
| 7 | 21986 | 3 | LOCKWASHER,1/4" |
| 8 | 21525 | 3 | HEX NUT,1/4",NC |
| 9 | 06410230 | 1 | SUPPORT,MNT,CNTRL BOX |
| 10 | 33534 | 1 | CAPSCREW,10MM X 20MM,1.5P |
| 11 | 32724 | 1 | FLATWASHER,10MM |
| 12 | 6T3951 | 2 | SCREW,MACHINE 8/32" X 1/2" |
| 13 | 27082B | 3 | SPACER |
| 14 | 21627 | 3 | NYLOCK NUT,3/8",NC |
| 15 | 21636 | 3 | CAPSCREW,3/8" X 2-1/2",NC |
| 16 | 06505100 | 4 | CBL,CNTRL,108" |

CABLE (MANUAL) LIFT VALVE MOUNT - 4 SPOOL



HOSE ROUTING

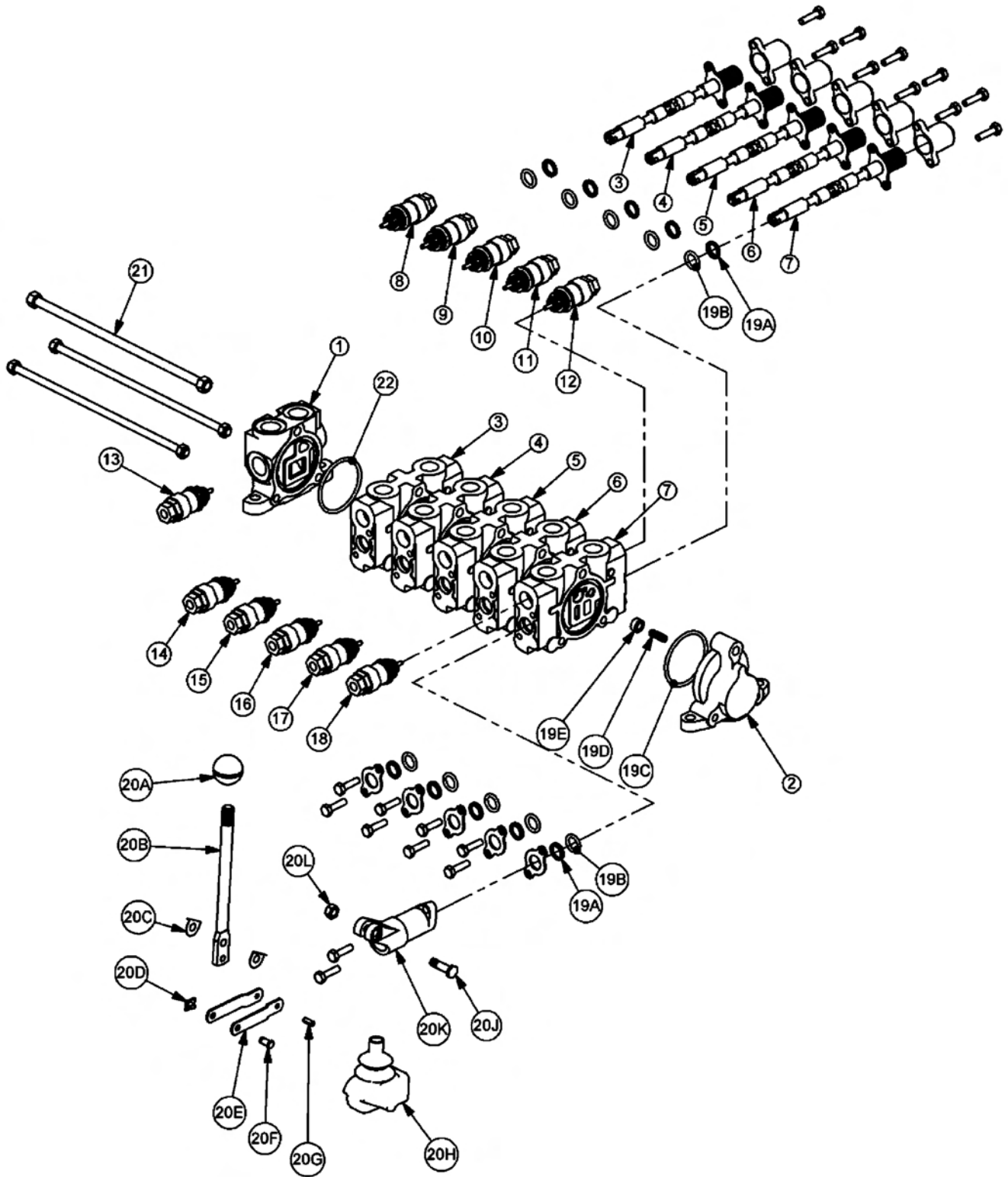
- A - TO MAIN BOOM CYLINDER BUTT
- B - TO SECONDARY CYLINDER GLAND
- C - TO DECK ROLL CYLINDER GLAND
- D - TO SWIVEL CYLINDER GLAND
- E - LIFT VALVE TO ACCUMULATOR
- F - TO SECONDARY CYLINDER BUTT
- G - TO DECK ROLL CYLINDER BUTT
- H - TO SWIVEL CYLINDER BUTT
- M - TO MAIN BOOM CYLINDER GLAND
- P - "P" PORT ON LIFT VALVE TO "P" or "PB" PORT ON TRACTOR DEPENDING ON MODEL
- R - "T" PORT ON LIFT VALVE TO "T" PORT ON TRACTOR

CABLE (MANUAL) LIFT VALVE MOUNT - 4 SPOOL

Continued...

| ITEM | PART NO. | QTY. | DESCRIPTION |
|------|----------|------|--|
| 1 | 06502117 | 1 | VALVE,4SP,OC |
| 2 | 06340033 | 1 | VALVE MNT |
| 3 | 34622 | 1 | PLATE,VALVE,REAR MNT |
| 4 | 21632 | 9 | CAPSCREW,3/8" X 1-1/2",NC |
| 5 | 6T2615 | 4 | WASHER,FENDER,3/8" |
| 6 | 21627 | 13 | NYLOCK NUT,3/8",NC |
| 7 | 21630 | 4 | CAPSCREW,3/8" X 1",NC |
| 8 | 22016 | 4 | FLATWASHER,3/8" |
| 9 | 06505100 | 4 | CBL,CNTRL,108" |
| 10 | 6T4411 | 4 | CLEVIS,CBL CTRL,3/16" |
| 11 | 6T3017 | 4 | ROLLPIN,3/16" X 1" |
| 12 | 21500 | 8 | HEX NUT,1/4",NF |
| 13 | 34396 | 2 | ADAPTER,.06"RSTRCTR,1/2"MOR X 3/8"MJ |
| 14 | 33271 | 4 | ADAPTER,1/2"MOR X 3/8"MJ |
| 15 | 06502036 | 2 | VLV,CHECK,W/.06"MOR X 1/2"MOR X 3/8" |
| 16 | 33364 | 2 | HOSE,1/4" X 120" |
| 17 | 34358 | 4 | HOSE,1/4" X 196" |
| 18 | 33562 | 1 | HOSE,1/4" X 130" |
| 19 | 06500164 | 1 | HOSE,1/4" X 216" |
| 20 | 33745 | 1 | HOSE,1/4" X 100" |
| 21 | 06503029 | 1 | TEE,RUN,1/2"MOR X 3/8"MJ X 3/8"MJ |
| 22 | 24300 | 1 | ACCUMULATOR |
| 23 | ----- | - | BRKT *REFER TO BOOM MOUNT KIT PAGE |
| 24 | ----- | - | SPACER *REFER TO BOOM MOUNT KIT PAGE |
| 25 | ----- | - | CAPSCREW *REFER TO BOOM MOUNT KIT PAGE |
| 26 | ----- | - | LOCKWASHER *REFER TO BOOM MOUNT KIT PAGE |
| 27 | 33293 | 1 | ELBOW,LONG,1/2"MOR X 1/2"MJ 90° |
| 28 | 32678 | 1 | ADAPTER,5/8"MOR X 1/2"FOR |
| 29 | 33383 | 1 | ELBOW,5/8"MOR X 1/2"MJ X 90° |
| 30 | 06500467 | 1 | HOSE,1/2" X 31" |
| 31 | 06500468 | 1 | HOSE,1/2" X 33" |
| 32 | 06503129 | 1 | CAP,3/4"FS *TRACTORS W/OUT MID-MOUNT VALVE |
| 33 | ----- | - | PRFRMD TUBE *TRACTORS WITH MID-MOUNT VALVE |
| 34 | 06503130 | 1 | TEE,BRANCH |
| 35 | RE267820 | 1 | ADAPTER,PB |

CABLE (MANUAL) LIFT VALVE BREAKDOWN - 06502116

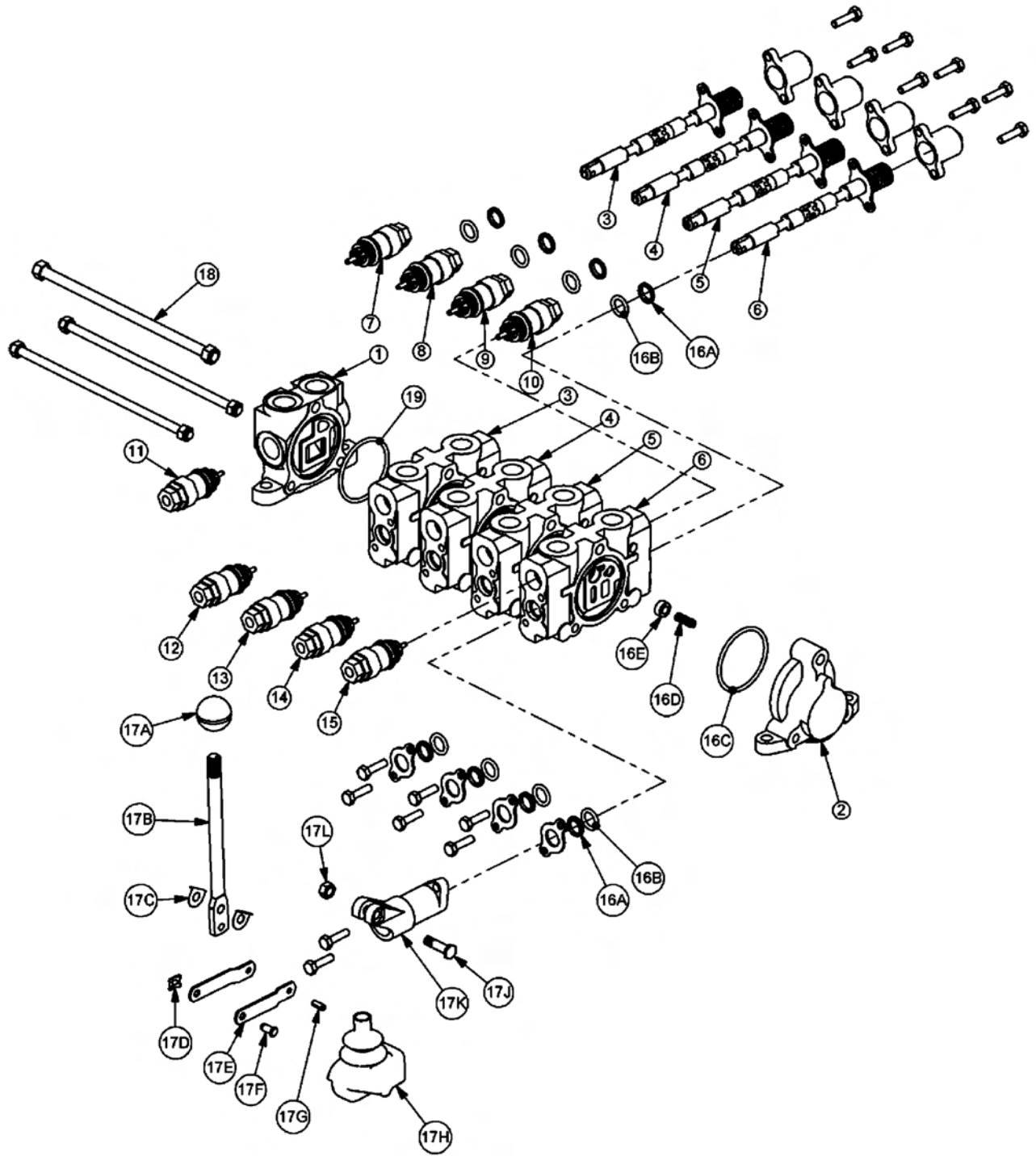


CABLE (MANUAL) LIFT VALVE BREAKDOWN - 06502116

Continued...

| ITEM | PART NO. | QTY. | DESCRIPTION |
|------|----------|------|---|
| 1 | TB1017S | 1 | INLET END COVER |
| 2 | TB1701 | 1 | END COVER, OPEN CENTER |
| 3 | TB1017N | 1 | VALVE SECTION (DOUBLE ACTING, CENTER SPRING) |
| 4 | TB1017N | 1 | VALVE SECTION (DOUBLE ACTING, CENTER SPRING) |
| 5 | TB1017N | 1 | VALVE SECTION (DOUBLE ACTING, CENTER SPRING) |
| 6 | TB1017Q | 1 | VALVE SECTION (DOUBLE ACTING, SPRING METERED) |
| 7 | TB1017N | 1 | VALVE SECTION (DOUBLE ACTING, CENTER SPRING) |
| 8 | TF4212 | 1 | RELIEF VALVE, 200 PSI |
| 9 | TB1017K | 1 | RELIEF VALVE, 2150 PSI |
| 10 | TB1017J | 1 | RELIEF VALVE, 1800 PSI |
| 11 | 06502089 | 1 | RELIEF VALVE, 2400 PSI |
| 12 | 22588 | 1 | RELIEF VALVE, 500 PSI |
| 13 | 06502085 | 1 | RELIEF VALVE, 3000 PSI |
| 14 | 06502085 | 1 | RELIEF VALVE, 3000 PSI |
| 15 | TB1017F | 1 | RELIEF VALVE, 1500 PSI |
| 16 | TB1017F | 1 | RELIEF VALVE, 1500 PSI |
| 17 | 06502120 | 1 | RELIEF VALVE, 2100 PSI |
| 18 | 22588 | 1 | RELIEF VALVE, 500PSI |
| 19 | TB1017A | 5 | VALVE SEAL KIT (FOR ONE SECTION) |
| 19A | ----- | 2 | WIPER |
| 19B | ----- | 2 | O-RING SMALL |
| 19C | ----- | 1 | O-RING LARGE |
| 19D | ----- | 1 | SPRING |
| 19E | ----- | 1 | PUCKET |
| 20 | TB1017L | 5 | LEVER KIT (FOR ONE SECTION) |
| 20A | ----- | 1 | LEVER KNOB |
| 20B | ----- | 1 | LEVER |
| 20C | ----- | 2 | LEVER WASHER |
| 20D | ----- | 1 | LEVER CLIP |
| 20E | ----- | 2 | LINKAGE |
| 20F | ----- | 1 | LEVER PIN |
| 20G | ----- | 1 | ROLL PIN |
| 20H | ----- | 1 | LEVER BOOT |
| 20J | ----- | 1 | LEVER BOLT |
| 20K | ----- | 1 | LEVER DUST COVER |
| 20L | ----- | 1 | LEVER NUT |
| 21 | TB1017V | 1 | TIE ROD KIT |
| 22 | 24214 | 1 | O-RING, LARGE |

CABLE (MANUAL) LIFT VALVE BREAKDOWN - 06502117

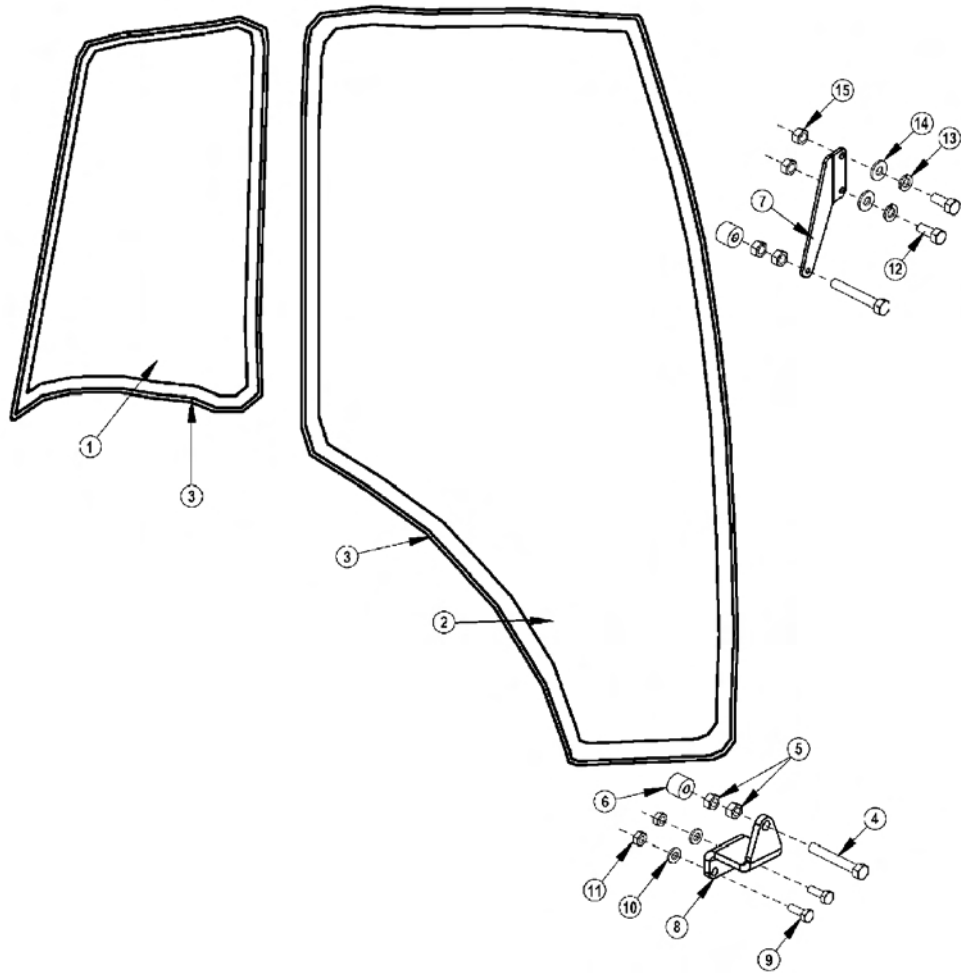


CABLE (MANUAL) LIFT VALVE BREAKDOWN - 06502117

Continued...

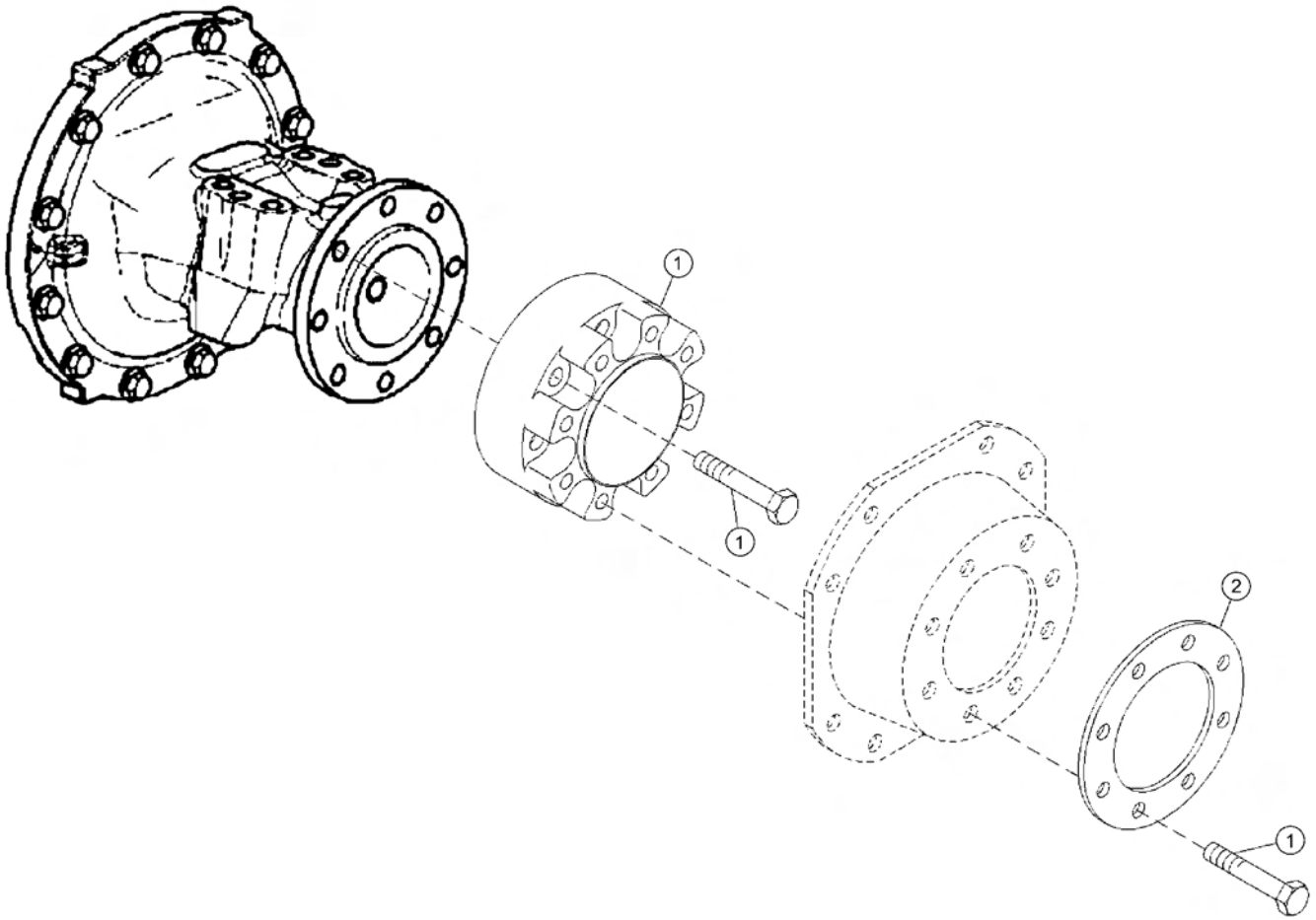
| ITEM | PART NO. | QTY. | DESCRIPTION |
|------|----------|------|---|
| 1 | TB1017S | 1 | INLET END COVER |
| 2 | TB1701 | 1 | END COVER, OPEN CENTER |
| 3 | TB1017N | 1 | VALVE SECTION (DOUBLE ACTING, CENTER SPRING) |
| 4 | TB1017N | 1 | VALVE SECTION (DOUBLE ACTING, CENTER SPRING) |
| 5 | TF3009 | 1 | VALVE SECTION (DOUBLE ACTING, DETENT - FLOAT) |
| 6 | TB1017Q | 1 | VALVE SECTION (DOUBLE ACTING, SPRING METERED) |
| 7 | TF4212 | 1 | RELIEF VALVE, 200 PSI |
| 8 | TB1017K | 1 | RELIEF VALVE, 2150 PSI |
| 9 | TB1017J | 1 | RELIEF VALVE, 1800 PSI |
| 10 | 06502089 | 1 | RELIEF VALVE, 2400 PSI |
| 11 | 06502085 | 1 | RELIEF VALVE, 3000 PSI |
| 12 | 06502085 | 1 | RELIEF VALVE, 3000 PSI |
| 13 | TB1017F | 1 | RELIEF VALVE, 1500 PSI |
| 14 | TB1017F | 1 | RELIEF VALVE, 1500 PSI |
| 15 | 06502120 | 1 | RELIEF VALVE, 2100 PSI |
| 16 | TB1017A | 4 | VALVE SEAL KIT (FOR ONE SECTION) |
| 16A | ----- | 2 | WIPER |
| 16B | ----- | 2 | O-RING SMALL |
| 16C | ----- | 1 | O-RING LARGE |
| 16D | ----- | 1 | SPRING |
| 16E | ----- | 1 | PUCKET |
| 17 | TB1017L | 4 | LEVER KIT (FOR ONE SECTION) |
| 17A | ----- | 1 | LEVER KNOB |
| 17B | ----- | 1 | LEVER |
| 17C | ----- | 2 | LEVER WASHER |
| 17D | ----- | 1 | LEVER CLIP |
| 17E | ----- | 2 | LINKAGE |
| 17F | ----- | 1 | LEVER PIN |
| 17G | ----- | 1 | ROLL PIN |
| 17H | ----- | 1 | LEVER BOOT |
| 17J | ----- | 1 | LEVER BOLT |
| 17K | ----- | 1 | LEVER DUST COVER |
| 17L | ----- | 1 | LEVER NUT |
| 18 | TB1017U | 1 | TIE ROD KIT |
| 19 | 24214 | 1 | O-RING, LARGE |

POLYCARBONATE SAFETY WINDOW



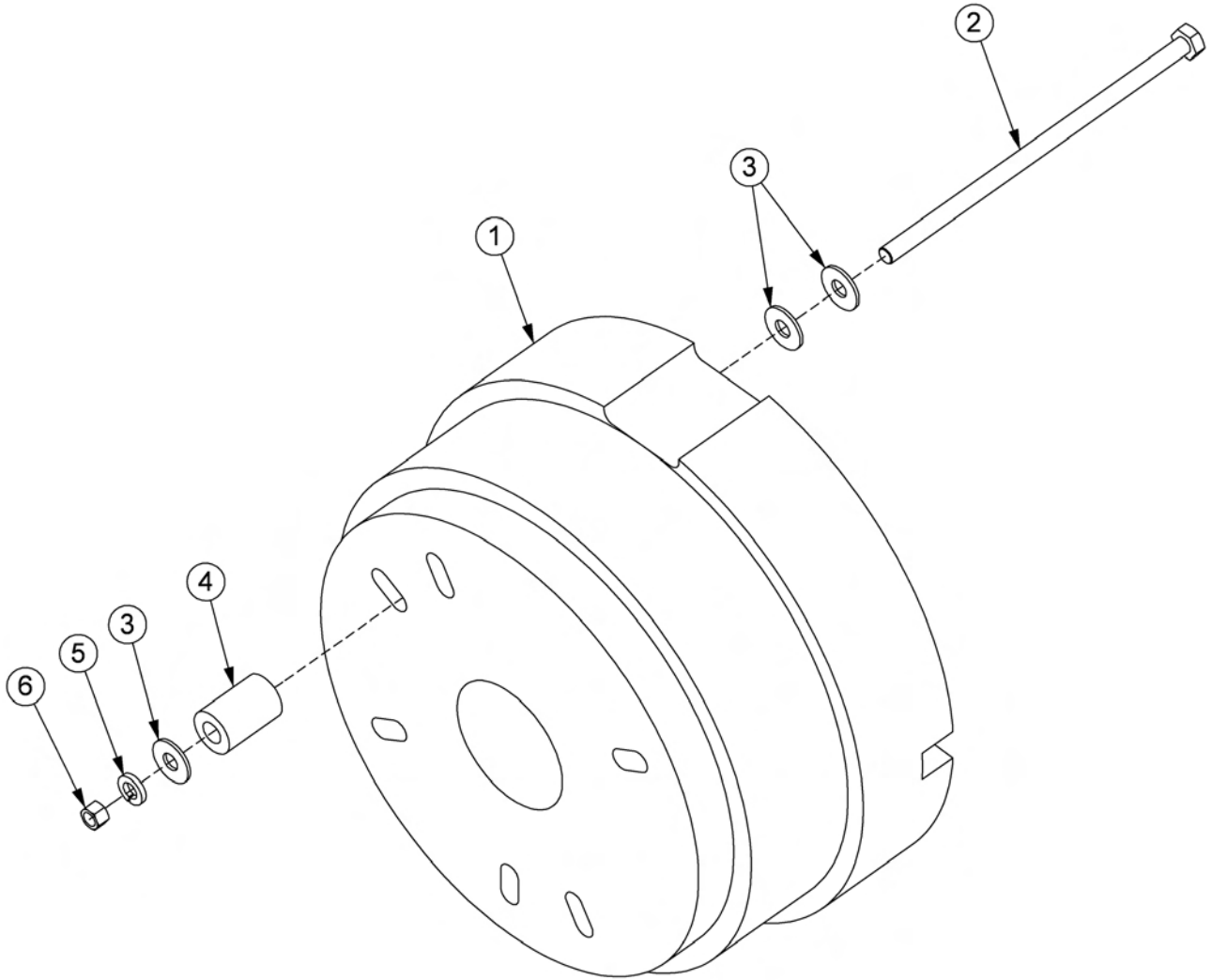
| ITEM | PART NO. | QTY. | DESCRIPTION |
|------|----------|------|-----------------------------|
| 1 | 06490014 | 1 | POLYCARB, FRMD, REAR |
| 2 | 06490013 | 1 | POLYCARB, FRMD, DOOR |
| 3 | 31965 | 25 | TRIM SEAL (IN FEET) |
| 4 | 21584 | 2 | CAPSCREW, 5/16" X 2", NC |
| 5 | 21575 | 6 | HEX NUT, 5/16", NC |
| 6 | 33477 | 2 | VIBRATION ISOLATOR |
| 7 | 06410268 | 1 | TOP BRACKET |
| 8 | 06410269 | 1 | BOTTOM BRACKET |
| 9 | 21529 | 2 | CAPSCREW, 1/4" X 3/4", NC |
| 10 | 21986 | 2 | LOCKWASHER, 1/4" |
| 11 | 21525 | 2 | HEX NUT, 1/4", NC |
| 12 | 27508 | 2 | CAPSCREW, 8MM X 20MM, 1.25P |
| 13 | 6T2619 | 2 | LOCKWASHER, 8MM |
| 14 | 34948 | 2 | WASHER, 8MM |
| 15 | ----- | 2 | HEX NUT *EXISTING HARDWARE |
| --- | 06537005 | 1 | ADHESIVE |

WHEEL SPACER



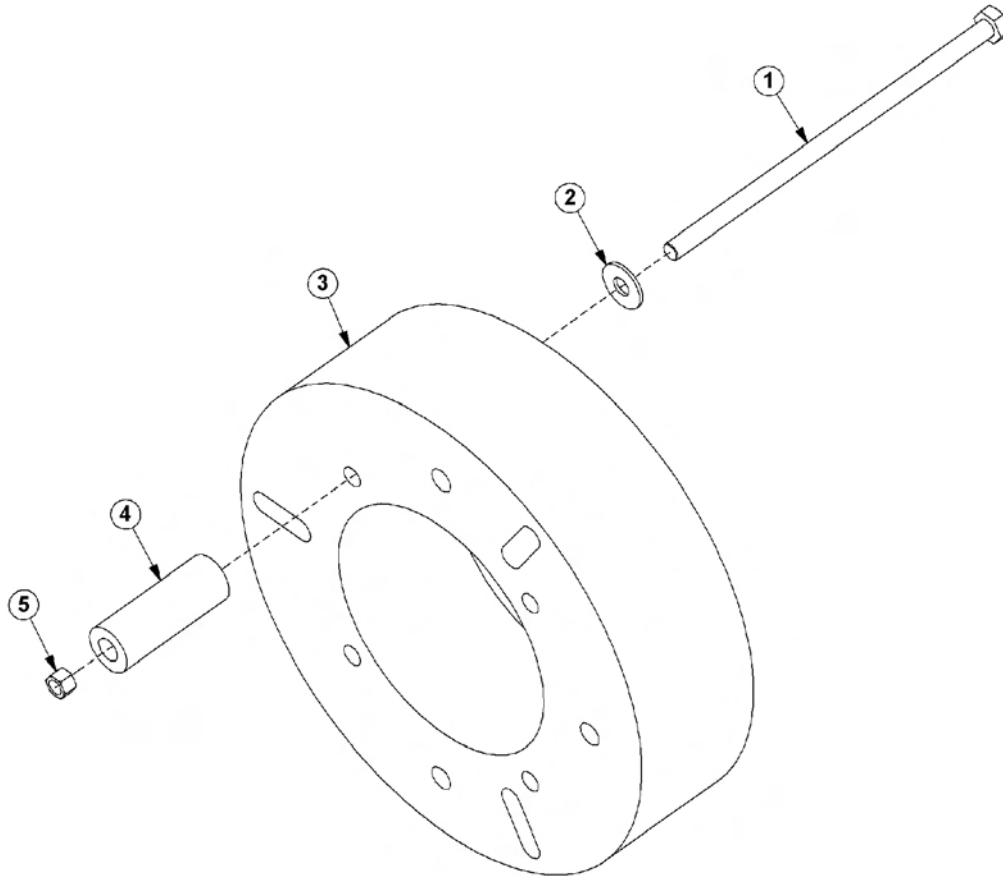
| ITEM | PART NO. | QTY. | DESCRIPTION |
|------|----------|------|----------------------|
| 1 | 06770025 | 1 | KIT,SPCR,WHL,JD |
| 2 | 06400919 | 1 | RING,SPACER,WHEEL,JD |

WHEEL WEIGHT



| ITEM | PART NO. | QTY. | DESCRIPTION |
|------|----------|------|------------------------|
| 1 | 02970758 | 1 | WHEEL WEIGHT,UNIVERSAL |
| 2 | 31455 | 3 | CAPSCREW,3/4" X 17",NC |
| 3 | 33626 | 9 | FLATWASHER,3/4",USS |
| 4 | TB3278 | 3 | SPACER,3" |
| 5 | 21993 | 3 | LOCKWASHER,3/4" |
| 6 | 21825 | 3 | HEX NUT,3/4",NC |

WHEEL WEIGHT - 500 POUNDS



| ITEM | PART NO. | QTY. | DESCRIPTION |
|------|----------|------|-------------------------|
| 1 | 31455 | 4 | CAPSCREW,3/4" X 17",,NC |
| 2 | 33880 | 4 | FLATWASHER,3/4",SAE |
| 3 | 06770057 | 1 | WHEEL WEIGHT,500LBS |
| 4 | 06430143 | 4 | SPACER,5.5" |
| 5 | 21825 | 4 | HEX NUT,3/4",,NC |

NOTES

COMMON BENGAL BOOM

PARTS SECTION

PART NAME INDEX

| | |
|---|----|
| PARTS ORDERING GUIDE..... | 4 |
| BOOM HOSE ROUTING..... | 5 |
| BOOM ASSY - BENGAL 18..... | 6 |
| BOOM ASSY - BENGAL 22 - SIDE STOW..... | 8 |
| BOOM HYD ASSY - BENGAL 22 - SIDE STOW..... | 10 |
| BOOM ASSY - BENGAL 22 - OPEN STOW,3PS..... | 12 |
| BOOM HYD ASSY - BENGAL 22 - OPEN STOW,3PS..... | 14 |
| BOOM ASSY - BENGAL 24 - SIDE STOW..... | 16 |
| BOOM HYD ASSY - BENGAL 24 - SIDE STOW..... | 18 |
| BOOM ASSY - BENGAL 24 - OPEN STOW..... | 20 |
| BOOM HYD ASSY - BENGAL 24 - OPEN STOW,3PS..... | 22 |
| BOOMREST ASSY - BENGAL 22 - OPEN STOW..... | 24 |
| BOOMREST ASSY - BENGAL 24 - OPEN STOW..... | 25 |
| BOOMREST ASSEMBLY - 3 PNT STOW..... | 26 |
| NOTES 1..... | 27 |
| 50IN ROTARY MOWER ASSEMBLY..... | 28 |
| 50IN ROTARY KNIVES AND DISH..... | 30 |
| 50IN ROTARY BLADE BAR AND KNIVES..... | 31 |
| 60IN ROTARY MOWER ASSEMBLY..... | 32 |
| 60IN ROTARY KNIVES AND DISH..... | 34 |
| 60IN ROTARY BLADE BAR AND KNIVES..... | 35 |
| ROTARY MOWER SPINDLE ASSEMBLY..... | 36 |
| BOOM ROTARY PIVOT ASSEMBLY..... | 38 |
| 50IN FLAIL DRIVE ASSEMBLY..... | 40 |
| 50IN FLAIL MOWER ASSEMBLY..... | 42 |
| 50IN FLAIL MOWER ASSY, PASS-THROUGH KNIVES..... | 44 |
| 63IN FLAIL DRIVE ASSEMBLY..... | 46 |
| 63IN FLAIL MOWER ASSEMBLY..... | 48 |
| BOOM FLAIL PIVOT ASSEMBLY..... | 50 |
| 3IN X 10IN WELDED CYLINDER BREAKDOWN..... | 52 |
| 3IN X 18IN WELDED CYLINDER BREAKDOWN..... | 53 |
| 3-1/2IN X 20IN WELDED CYLINDER BREAKDOWN..... | 54 |
| 4IN X 9IN WELDED CYLINDER BREAKDOWN..... | 55 |
| 4IN X 20IN WELDED CYLINDER BREAKDOWN..... | 56 |
| 5IN X 20IN WELDED CYLINDER BREAKDOWN..... | 57 |
| 5 SPOOL ELECTRONIC VALVE - SIDE STOW..... | 58 |
| 5 SPOOL ELECTRONIC VALVE - OPEN STOW,3PS..... | 60 |
| FRONT HYDRAULIC PUMP..... | 62 |
| 50IN AND 60IN ROTARY MOTOR BREAKDOWN..... | 64 |
| 50IN AND 63IN FLAIL MOTOR BREAKDOWN..... | 66 |

COMMON BENGAL

PART NAME INDEX

| | |
|---|-----|
| COOLER ASSEMBLY..... | 68 |
| RESERVOIR TANK FILTER ASSEMBLY..... | 70 |
| PUMP AND GRILL GUARD OPTIONS..... | 71 |
| BOOM TRAVEL LOCK..... | 72 |
| MANUAL LIFT VALVE SWITCH BOX..... | 73 |
| MANUAL LIFT VALVE SCHEMATIC..... | 74 |
| ELECTRONIC LIFT VALVE SWITCH BOX..... | 75 |
| ELECTRONIC LIFT VALVE SCHEMATIC..... | 76 |
| SOLENOID SWITCH BOX AND WIRING..... | 77 |
| BRAKE VALVE ASSEMBLY..... | 78 |
| BRAKE VALVE HYDRAULIC SCHEMATIC..... | 79 |
| ELECTRICAL TROUBLESHOOTING GUIDE..... | 80 |
| HYDRAULIC TROUBLESHOOTING GUIDE..... | 81 |
| TROUBLESHOOTING..... | 82 |
| TROUBLESHOOTING - CONTINUED..... | 83 |
| WHEEL WEIGHT - BENGAL 18..... | 84 |
| CLEAN CUTTER HEAD..... | 85 |
| CLEAN CUTTER ASSEMBLY..... | 86 |
| CLEAN CUTTER OPERATION..... | 87 |
| CLEAN CUTTER OPERATION - CONTINUED..... | 88 |
| CLEAN CUTTER MAINTENANCE..... | 89 |
| CLEAN CUTTER BLADE AND TEETH PARTS..... | 90 |
| CARBIDE TIP REPLACEMENT..... | 91 |
| NOTES 3..... | 92 |
| FIRE SUPPRESSION SYSTEM..... | 93 |
| FIRE SUPPRESSION 3-POUNT MOUNT..... | 94 |
| FIRE SUPPRESSION FRONT MOUNT..... | 96 |
| FIRE SUPPRESSION SYSTEM ELECTRICAL SCHEMATIC..... | 98 |
| WETCUT..... | 99 |
| WETCUT 50 GALLON TANK - 3PNT MOUNT..... | 100 |
| WETCUT 100 OR 150 GALLON TANK - 3PNT MOUNT..... | 101 |
| WETCUT 3PNT PLUMBING - 50IN MOWERS..... | 102 |
| WETCUT 3PNT PLUMBING - LARGE MOWERS..... | 104 |
| WETCUT FRONT PLUMBING - 50IN MOWERS..... | 106 |
| WETCUT FRONT PLUMBING - LARGE MOWERS..... | 108 |
| WETCUT 50IN SPRAYER HEAD ASSEMBLY..... | 110 |
| WETCUT 60IN SPRAYER HEAD ASSEMBLY..... | 112 |
| WETCUT CABLES..... | 114 |

COMMON BENGAL

PARTS ORDERING GUIDE

The following instructions are offered to help eliminate needless delay and error in processing purchase orders for the equipment in this manual.

1. The Parts Section is prepared in logical sequence and grouping of parts that belong to the basic machine featured in this manual. Part Numbers and Descriptions are given to help locate the parts and quantities required.
2. The Purchase Order must indicate the **Name and Address** of the person or organization ordering the parts, **who should be charged**, and if possible, the **serial number of the machine** for which the parts are being ordered.
3. The purchase order must clearly list the **quantity of each part**, the complete and correct **part number**, and the basic **name of the part**.
4. The manufacturer reserves the right to substitute parts where applicable.
5. Some parts may be unlisted items which are special production items not normally stocked and are subject to special handling. Request a quotation for such parts before sending a purchase order.
6. The manufacturer reserves the right to change prices without prior notice.

NOTE: When ordering replacement decals, refer to the part numbers and descriptions listed in the safety section in the front of this manual.

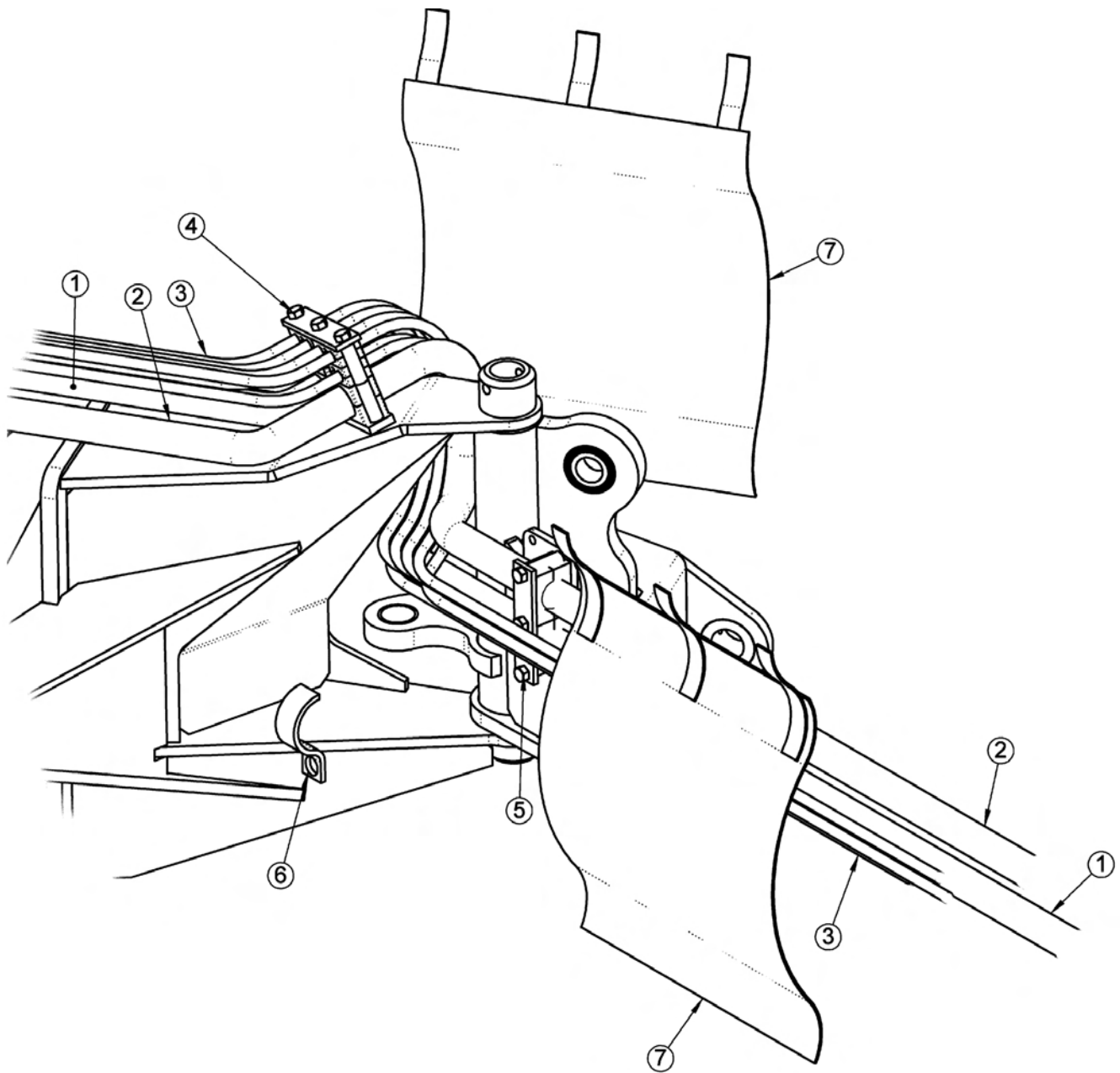


For maximum safety and to guarantee optimum product reliability, always use genuine **Tiger** replacement parts. The use of inferior replacement parts may cause premature or catastrophic failure which could result in serious injury or death.

Direct any questions regarding parts to:

Tiger Corporation
3301 N. Louise Ave.
Sioux Falls, SD 57107
1-800-843-6849
1-605-336-7900

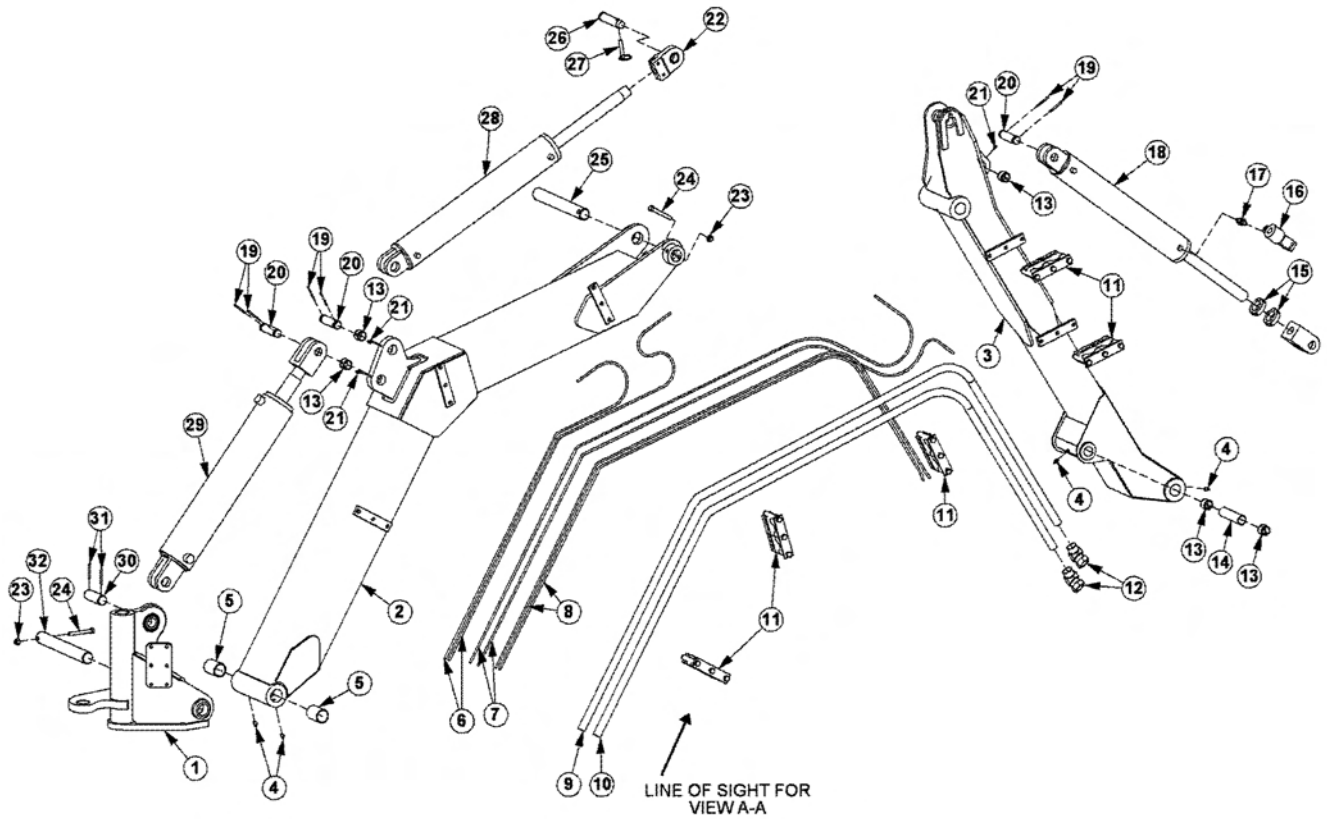
BOOM HOSE ROUTING



| ITEM | PART NO. | QTY. | DESCRIPTION |
|------|----------|------|---------------------------------|
| 1 | ----- | 1 | 1" HOSE TO MAIN BOOM LOWER TUBE |
| 2 | ----- | 1 | 1" HOSE TO MAIN BOOM UPPER TUBE |
| 3 | ----- | 6 | 1/4" HOSE TO MAIN BOOM |
| 4 | 06505085 | 1 | CLAMP KIT |
| 5 | 35131 | 1 | CLAMP KIT |
| 6 | TB3012 | 1 | CLAMP |
| 7 | 06505021 | 2 | HOSE COVER |

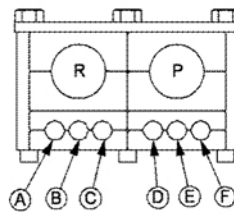
COMMON BENGAL

BOOM ASSY - BENGAL 18



NOTES:

1. RETURN AND PRESSURE HOSES ARE REVERSED FOR STANDARD ROTATION BOOM FLAILS
2. IMPORTANT: ALIGN GREASE HOLE IN BEARING (ITEMS 5 & 13) WITH GREASE ZERK IN BOOM. MAINTAIN ALIGNMENT DURING BEARING INSTALLATION
3. GREASE (ITEM 4) HINGE PIN ZERKS ON BOOM AFTER ASSEMBLY, ONCE UNDER LOAD WITH BOOM ELEVATED AND AGAIN AT REST WITH BOOM SUPPORTED.
4. ONLY ONE SET COLLAR (ITEM 15) NEEDED FOR ROTARY MOWERS



VIEW A-A

KEY

- A - SECONDARY BUTT
- B - SECONDARY GLAND
- C - DECK ROLL BUTT
- D - DECK ROLL GLAND
- E - SHIELD BUTT
- F - SHIELD GLAND
- R - RETURN
- P - PRESSURE

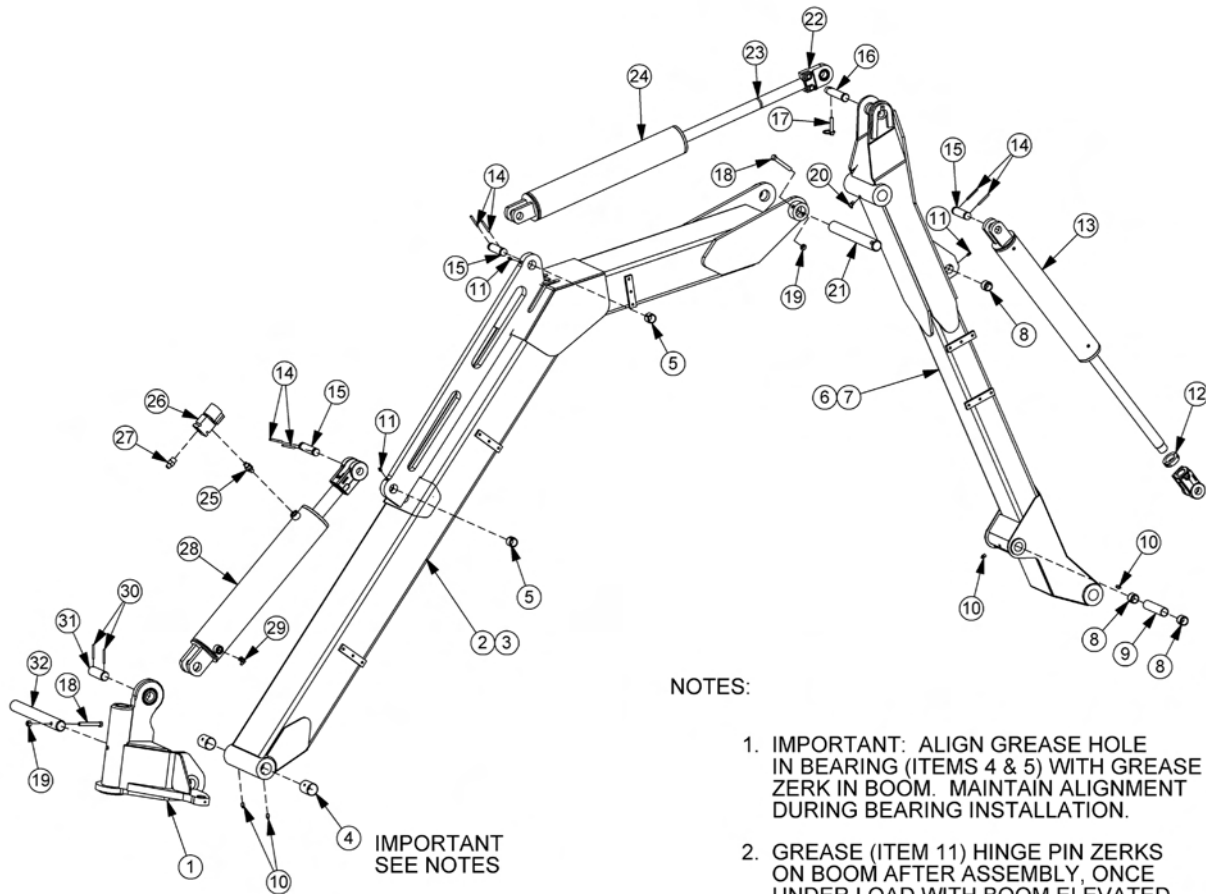
BOOM ASSY - BENGAL 18

Continued...

| ITEM | PART NO. | QTY. | DESCRIPTION |
|------|----------|------|--|
| 1 | ----- | - | SWIVEL ASSY *REFER TO TRACTOR MOUNT KIT |
| --- | 06700167 | 1 | MAIN BOOM ASSY |
| 2 | 06310111 | 1 | MAIN BOOM WELDMENT |
| --- | 06700168 | 1 | SECONDARY BOOM ASSY |
| 3 | 06310112 | 1 | SECONDARY BOOM WELDMENT |
| 4 | 6T3211 | 4 | GREASE ZERK,1/8" |
| 5 | 32321 | 2 | BUSHING,1-1/2" X 2" |
| 6 | 06500499 | 2 | HOSE,1/4" X 50" |
| 7 | 06500500 | 2 | HOSE,1/4" X 108" |
| 8 | 06500502 | 2 | HOSE,1/4" X 100" |
| 9 | 06500497 | 1 | HOSE,1" X 100" |
| 10 | 06500498 | 1 | HOSE,1" X 96" |
| 11 | 06505116 | 5 | CLAMP KIT |
| 12 | 24724 | 2 | SWIVEL,1MJ X 1FJX45 (FLAIL MOWERS ONLY) |
| 13 | TB3010 | 5 | BUSHING |
| 14 | TB1035 | 1 | BUSHING,SPACER |
| 15 | 35312 | 2 | SET COLLAR (ONLY ONE USED FOR ROTARY DECK) |
| 16 | 06510050 | 1 | ELECTRIC TRAVEL LOCK |
| 17 | 31329 | 1 | ADAPTER,1/2ORB X 1/2ORB ADJ |
| 18 | 06501023 | 1 | DECK ROLL CYLINDER,3" X 18" |
| 19 | 06537021 | 6 | ROLL PIN,5MM |
| 20 | TB1033 | 3 | PIN,1" |
| 21 | 6T3207 | 3 | GREASE ZERK,1/4" |
| 22 | TB3033 | 1 | CLEVIS WITH SPHERICAL BEARING |
| 23 | 21677 | 2 | NYLOCK NUT,7/16",NC |
| 24 | 21688 | 2 | CAPSCREW,7/16" X 3-1/4",NC |
| 25 | TB1025 | 1 | PIN,1-1/2" |
| 26 | TB1036 | 1 | PIN,1" |
| 27 | TF1143 | 1 | PIN,LYNCH |
| 28 | 06501024 | 1 | SECONDARY CYLINDER,3-1/2" X 20" |
| 29 | 06501022 | 1 | MAIN CYLINDER,4" X 20" |
| 30 | 06420100 | 1 | PIN,1-1/4" |
| 31 | TB1023 | 2 | ROLL PIN,7/32" |
| 32 | 06420022 | 1 | PIN,1-1/2" |

COMMON BENGAL

BOOM ASSY - BENGAL 22 - SIDE STOW



NOTES:

1. IMPORTANT: ALIGN GREASE HOLE IN BEARING (ITEMS 4 & 5) WITH GREASE ZERK IN BOOM. MAINTAIN ALIGNMENT DURING BEARING INSTALLATION.
2. GREASE (ITEM 11) HINGE PIN ZERKS ON BOOM AFTER ASSEMBLY, ONCE UNDER LOAD WITH BOOM ELEVATED AND AGAIN AT REST WITH BOOM SUPPORTED.

BOOM ASSY - BENGAL 22 - SIDE STOW

Continued...

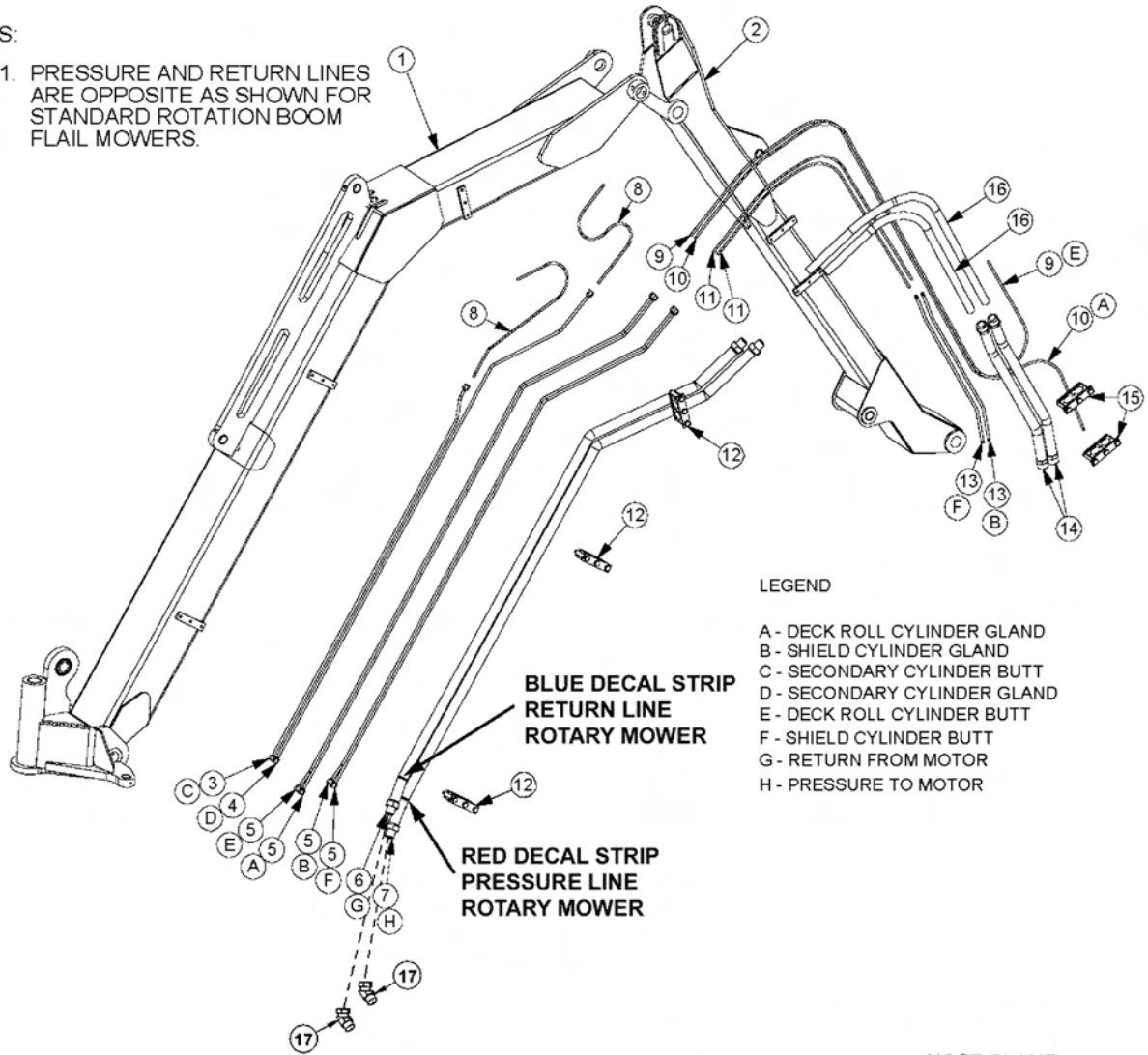
| ITEM | PART NO. | QTY. | DESCRIPTION |
|------|----------|------|---|
| 1 | ----- | - | SWIVEL ASSY *REFER TO TRACTOR MOUNT KIT |
| 2 | 24512 | 1 | MAIN BOOM ARM ASSY |
| 3 | TB1002D | 1 | MAIN BOOM WLDMENT |
| 4 | 32321 | 2 | BUSHING, 1-1/2"ID X 2" |
| 5 | TB3010 | 2 | BUSHING, 1"ID |
| 6 | 24517 | 1 | SECONDARY BOOM ARM ASSY |
| --- | 06700098 | 1 | SHORT SEC BOOM ARM ASSY (FOR 60" RTRY) |
| 7 | TB1001G | 1 | SECONDARY BOOM WLDMENT |
| 8 | TB3010 | 3 | BUSHING, 1"ID |
| 9 | TB1035 | 1 | BUSHING,SPACER |
| 10 | 6T3211 | 4 | GREASE ZERK,1/8" |
| 11 | 6T3207 | 3 | GREASE ZERK,1/4 |
| 12 | 35312 | 1 | SET COLLAR |
| 13 | 06501023 | 1 | CYLINDER,3" X 18" |
| 14 | 06537021 | 6 | ROLL PIN,5MM |
| 15 | TB1033 | 3 | PIN,1" X 4" |
| 16 | TB1036 | 1 | PIN,1" X 4-11/16" |
| 17 | TF1143 | 1 | PIN,LYNCH |
| 18 | 21688 | 2 | CAPSCREW,7/16" X 3-1/4",NC |
| 19 | 21677 | 2 | NYLOCK NUT,7/16",NC |
| 20 | 6T3210 | 1 | GREASE ZERK,1/8" X 90° |
| 21 | TB1025 | 1 | PIN,1-1/2" X 12" |
| 22 | TB3033 | 1 | CLEVIS,SPHERICAL |
| 23 | 22076 | 1 | SPACER,DECK LIFT CYL |
| 24 | 06501024 | 1 | CYLINDER,3-1/2" X 20" |
| 25 | 31329 | 1 | ADAPTER,1/2ORB X 1/2ORB ADJ |
| 26 | 06510050 | 1 | TRAVEL LOCK,METRIPACK COIL |
| 27 | 33271 | 1 | ADAPTER,1/2ORB X 1/2ORB ADJ |
| 28 | 06501022 | 1 | CYLINDER,4" X 20" |
| 29 | 32810 | 1 | ELBOW,1/2ORB X 3/8MJ90 ADJ |
| 30 | TB1023 | 2 | ROLL PIN,7/32" |
| 31 | 06420100 | 1 | PIN,1-1/4" X 3-5/8" |
| 32 | TB3013C | 1 | PIN,1-1/2" X 12-3/4" |

COMMON BENGAL

BOOM HYD ASSY - BENGAL 22 - SIDE STOW

NOTES:

1. PRESSURE AND RETURN LINES ARE OPPOSITE AS SHOWN FOR STANDARD ROTATION BOOM FLAIL MOWERS.



LEGEND

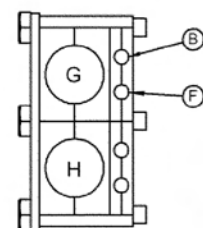
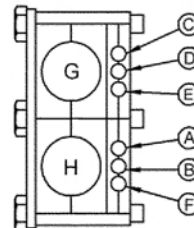
- A - DECK ROLL CYLINDER GLAND
- B - SHIELD CYLINDER GLAND
- C - SECONDARY CYLINDER BUTT
- D - SECONDARY CYLINDER GLAND
- E - DECK ROLL CYLINDER BUTT
- F - SHIELD CYLINDER BUTT
- G - RETURN FROM MOTOR
- H - PRESSURE TO MOTOR

**BLUE DECAL STRIP
RETURN LINE
ROTARY MOWER**

**RED DECAL STRIP
PRESSURE LINE
ROTARY MOWER**

HOSE CLAMP
ITEM 12

HOSE CLAMP
ITEM 15



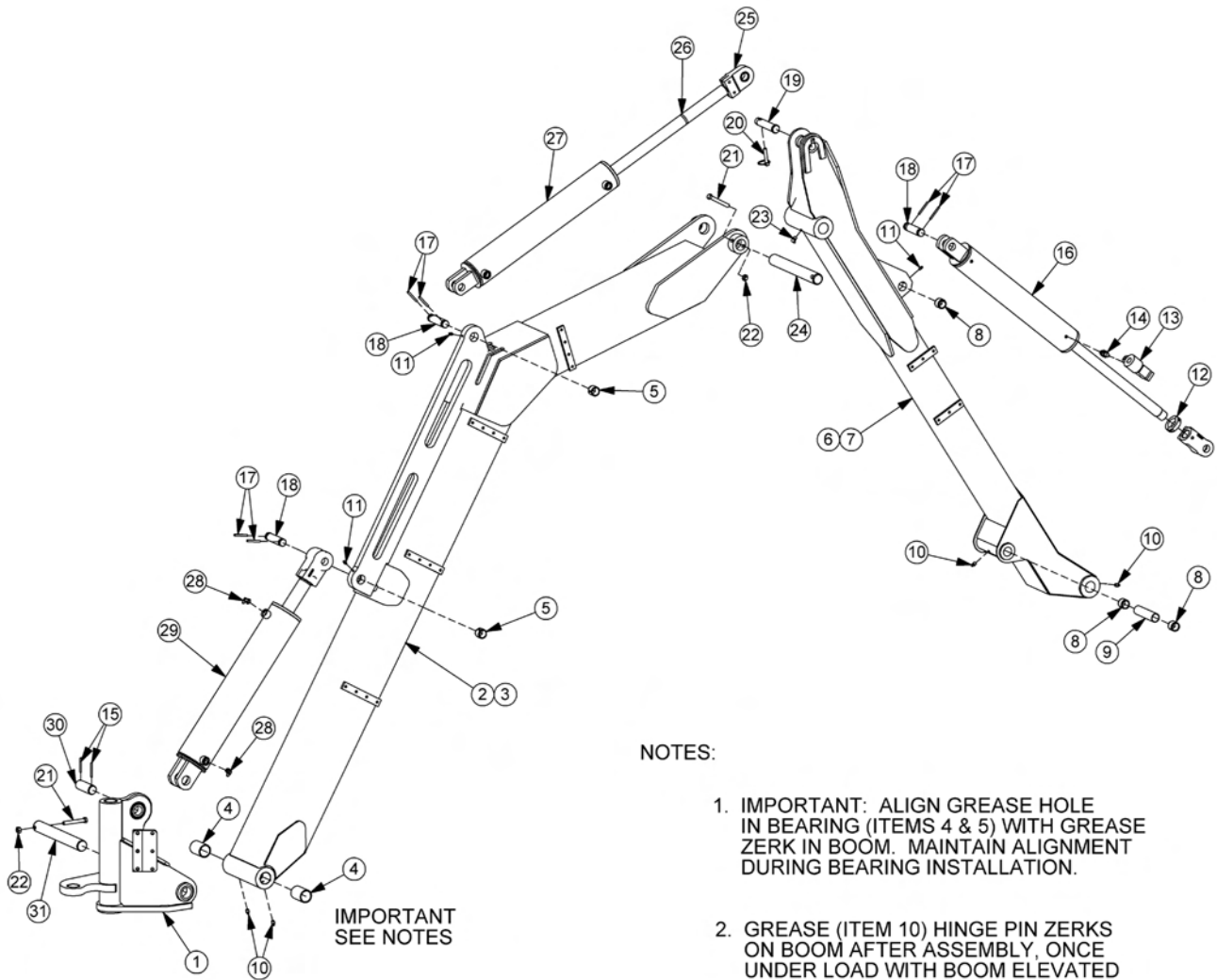
BOOM HYD ASSY - BENGAL 22 - SIDE STOW

Continued...

| ITEM | PART NO. | QTY. | DESCRIPTION |
|-------|----------|------|--|
| 1 | ----- | - | MAIN BOOM *REFER TO BOOM ARM ASSY |
| 2 | ----- | - | SECONDARY BOOM *REFER TO BOOM ARM ASSY |
| 3 | TB2025 | 1 | PRFRMD TUBE #304 |
| 4 | TB2026 | 1 | PRFRMD TUBE #305 |
| 5 | TB2028 | 4 | PRFRMD TUBE #307 |
| 6 | 24035A | 1 | PRFRMD TUBE,MAIN BOOM RETURN |
| 7 | 24034A | 1 | PRFRMD TUBE,MAIN BOOM PRESSURE |
| 8 | 34052 | 2 | HOSE,1/4" X 20" |
| 9 | 34078 | 1 | HOSE,1/4" X 48" |
| 10 | 34079 | 1 | HOSE,1/4" X 68" |
| 11 | 34104 | 2 | HOSE,1/4" X 42" |
| 12 | 33440 | 3 | TUBE CLAMP, MAIN BOOM (ROTARY MOWERS) |
| ----- | 30111 | 3 | TUBE CLAMP,MAIN BOOM (FLAIL MOWERS) |
| 13 | 34102 | 2 | TUBE,PRFRMD,SEC BOOM |
| 14 | 2403306 | 2 | TUBE,PRFRMD,SEC BOOM,HP |
| 15 | 30111 | 2 | TUBE CLAMP,SEC BOOM (ROTARY MOWERS) |
| ----- | 30112 | 2 | TUBE CLAMP,SEC BOOM (FLAIL MOWERS) |
| 16 | 24488 | 2 | HOSE,1" X 40" |
| 17 | 24724 | 2 | SWIVEL,1MJ X 1FJX45 |

COMMON BENGAL

BOOM ASSY - BENGAL 22 - OPEN STOW,3PS



NOTES:

1. IMPORTANT: ALIGN GREASE HOLE IN BEARING (ITEMS 4 & 5) WITH GREASE ZERK IN BOOM. MAINTAIN ALIGNMENT DURING BEARING INSTALLATION.
2. GREASE (ITEM 10) HINGE PIN ZERKS ON BOOM AFTER ASSEMBLY, ONCE UNDER LOAD WITH BOOM ELEVATED AND AGAIN AT REST WITH BOOM SUPPORTED.

BOOM ASSY - BENGAL 22 - OPEN STOW,3PS

Continued...

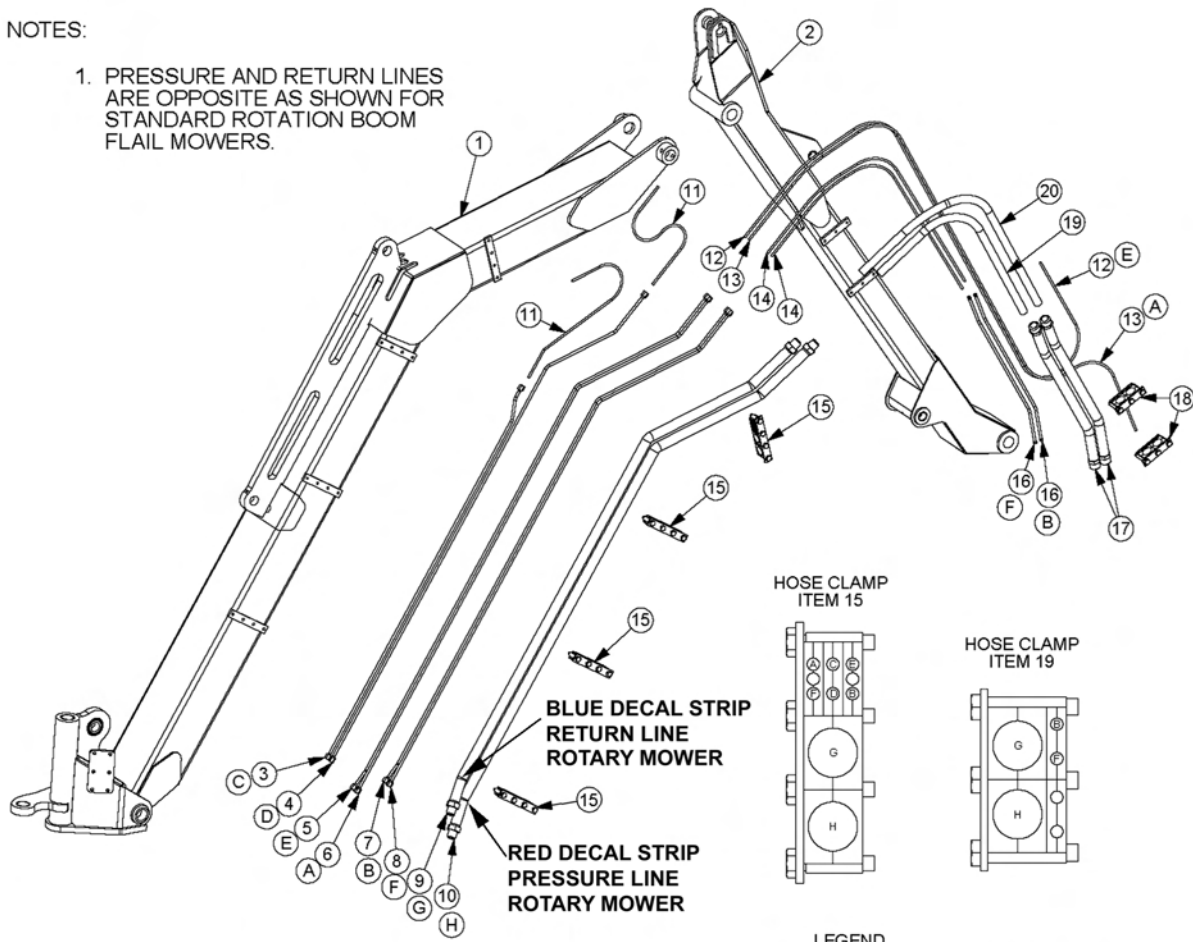
| ITEM | PART NO. | QTY. | DESCRIPTION |
|-------------|-----------------|-------------|---|
| 1 | ----- | - | SWIVEL ASSY *REFER TO TRACTOR MOUNT KIT |
| 2 | 06700031 | 1 | MAIN BOOM ARM ASSY |
| 3 | 06310013 | 1 | MAIN BOOM WLDMENT |
| 4 | 32321 | 2 | BUSHING, 1-1/2"ID X 2" |
| 5 | TB3010 | 2 | BUSHING, 1"ID |
| 6 | 24517 | 1 | SECONDARY BOOM ARM ASSY |
| 7 | TB1001G | 1 | SECONDARY BOOM WLDMENT |
| 8 | TB3010 | 3 | BUSHING, 1"ID |
| 9 | TB1035 | 1 | BUSHING,SPACER |
| 10 | 6T3211 | 4 | GREASE ZERK,1/8" |
| 11 | 6T3207 | 3 | GREASE ZERK,1/4 |
| 12 | 35312 | 1 | SET COLLAR |
| 13 | 06510050 | 1 | TRAVEL LOCK,METRIPACK COIL |
| 14 | 31329 | 1 | ADAPTER,1/2ORB X 1/2ORB ADJ |
| 15 | TB1023 | 2 | ROLLPIN,7/32" |
| 16 | 06501023 | 1 | CYLINDER,3" X 18" |
| 17 | 06537021 | 6 | ROLL PIN,5MM |
| 18 | TB1033 | 3 | PIN,1" X 4" |
| 19 | TB1036 | 1 | PIN,1" X 4-11/16" |
| 20 | TF1143 | 1 | PIN,LYNCH |
| 21 | 21688 | 2 | CAPSCREW,7/16" X 3-1/4",NC |
| 22 | 21677 | 2 | NYLOCK NUT,7/16",NC |
| 23 | 6T3210 | 1 | GREASE ZERK,1/8" X 90° |
| 24 | TB1025 | 1 | PIN,1-1/2" X 12" |
| 25 | TB3033 | 1 | CLEVIS,SPHERICAL |
| 26 | 22076 | 1 | SPACER,DECK LIFT CYL |
| 27 | 06501024 | 1 | CYLINDER,3-1/2" X 20" |
| 28 | 32810 | 2 | ELBOW,1/2ORB X 3/8MJ90 ADJ |
| 29 | 06501022 | 1 | CYLINDER,4" X 20" |
| 30 | 06420100 | 1 | PIN,1-1/4" X 3-5/8" |
| 31 | 06420022 | 1 | PIN,1-1/2" X 12-3/4" |

COMMON BENGAL

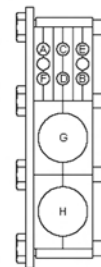
BOOM HYD ASSY - BENGAL 22 - OPEN STOW,3PS

NOTES:

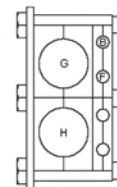
1. PRESSURE AND RETURN LINES ARE OPPOSITE AS SHOWN FOR STANDARD ROTATION BOOM FLAIL MOWERS.



HOSE CLAMP
ITEM 15



HOSE CLAMP
ITEM 19



LEGEND

- A - DECK ROLL CYLINDER GLAND
- B - SHIELD CYLINDER GLAND
- C - SECONDARY CYLINDER BUTT
- D - SECONDARY CYLINDER GLAND
- E - DECK ROLL CYLINDER BUTT
- F - SHIELD CYLINDER BUTT
- G - RETURN FROM MOTOR
- H - PRESSURE TO MOTOR

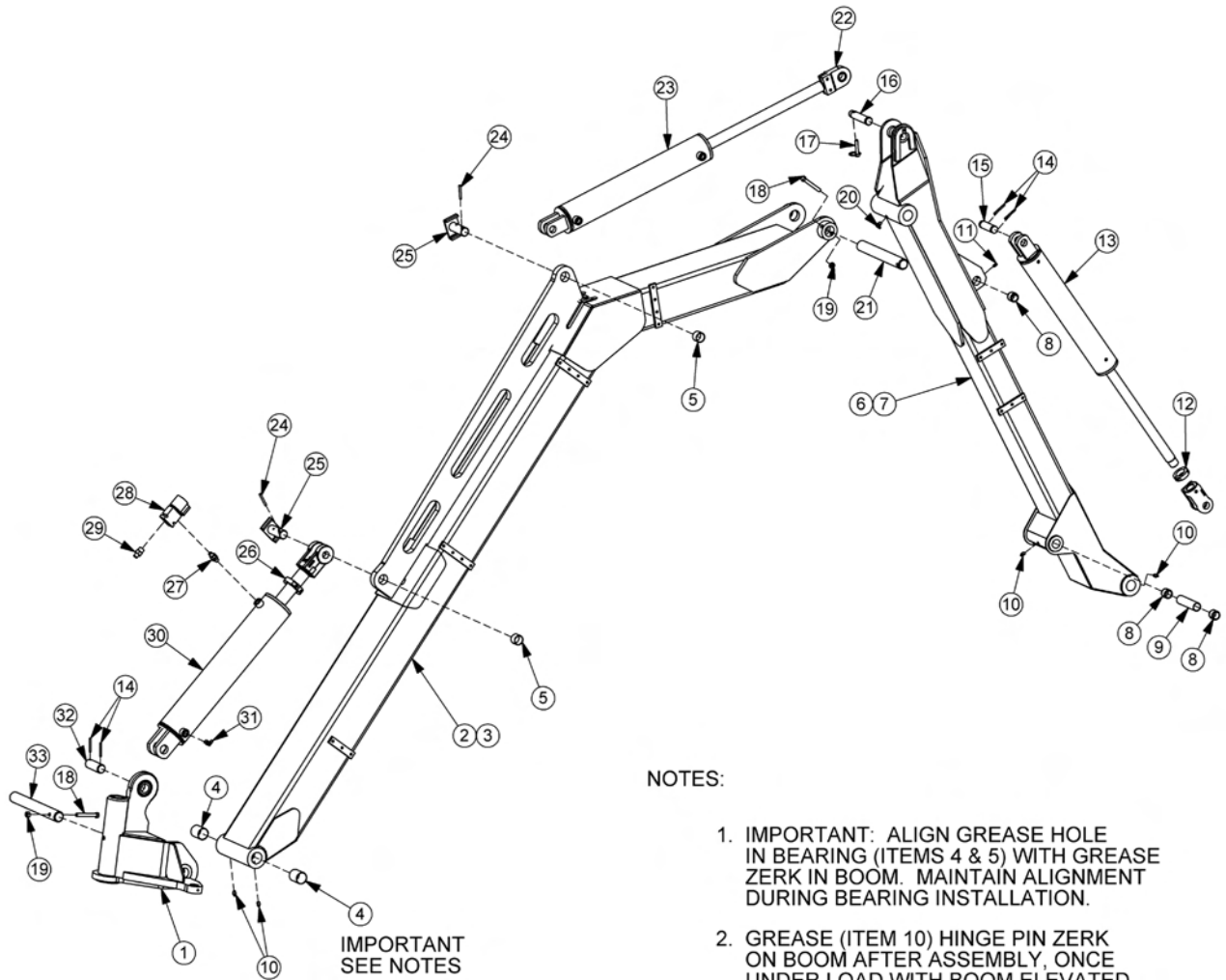
BOOM HYD ASSY - BENGAL 22 - OPEN STOW,3PS

Continued...

| ITEM | PART NO. | QTY. | DESCRIPTION |
|-------------|-----------------|-------------|--|
| 1 | ----- | - | MAIN BOOM *REFER TO BOOM ARM ASSY |
| 2 | ----- | - | SECONDARY BOOM *REFER TO BOOM ARM ASSY |
| 3 | 06506017 | 1 | PRFRMD,5,MAIN BOOM |
| 4 | 06506016 | 1 | PRFRMD,4,MAIN BOOM |
| 5 | 06506019 | 1 | PRFRMD,7,MIAN BOOM |
| 6 | 06506014 | 1 | PRFRMD,2,MAIN BOOM |
| 7 | 06506018 | 1 | PRFRMD,6,MAIN BOOM |
| 8 | 06506013 | 1 | PRFRMD,1,MAIN BOOM |
| 9 | 06506021 | 1 | PRFRMD,9,MAIN BOOM |
| 10 | 06506022 | 1 | PRFRMD,10,MAIN BOOM |
| 11 | 34052 | 2 | HOSE,1/4" X 20" |
| 12 | 34078 | 1 | HOSE,1/4" X 48" |
| 13 | 34079 | 1 | HOSE,1/4" X 68" |
| 14 | 34104 | 2 | HOSE,1/4" X 42" |
| 15 | 06505019 | 4 | CLAMP KIT,3 SECTION |
| 16 | 34102 | 2 | TUBE,PRFRMD,SEC BOOM |
| 17 | 2403306 | 2 | TUBE,PRFRMD,SEC BOOM,HP |
| 18 | 30111 | 2 | CLAMP KIT,2 SECTION |
| 19 | 24488 | 1 | HOSE,1" X 40" |
| 20 | 06500254 | 1 | HOSE,1" X 45" |

COMMON BENGAL

BOOM ASSY - BENGAL 24 - SIDE STOW



NOTES:

1. IMPORTANT: ALIGN GREASE HOLE IN BEARING (ITEMS 4 & 5) WITH GREASE ZERK IN BOOM. MAINTAIN ALIGNMENT DURING BEARING INSTALLATION.
2. GREASE (ITEM 10) HINGE PIN ZERK ON BOOM AFTER ASSEMBLY, ONCE UNDER LOAD WITH BOOM ELEVATED AND AGAIN AT REST WITH BOOM SUPPORTED.

BOOM ASSY - BENGAL 24 - SIDE STOW

Continued...

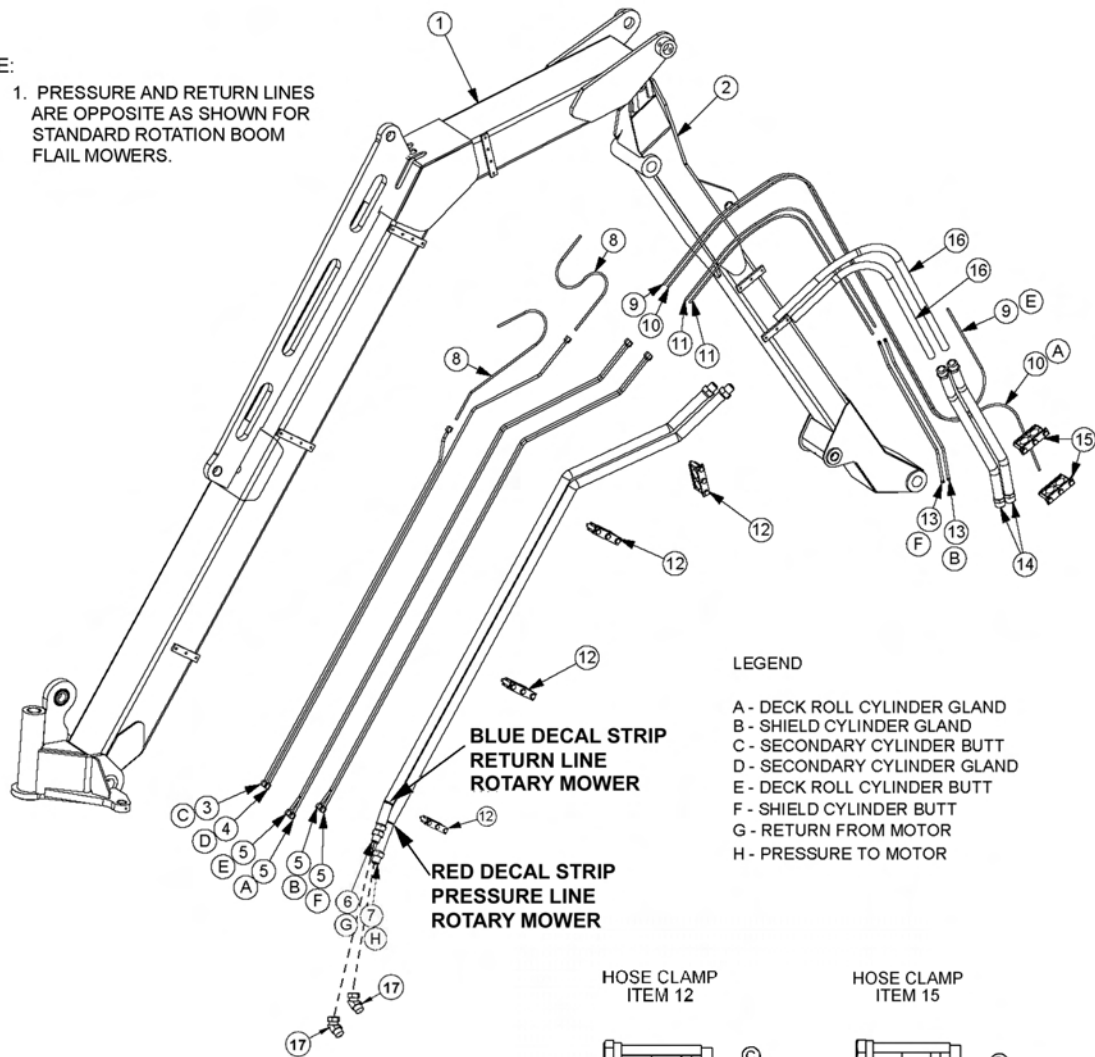
| ITEM | PART NO. | QTY. | DESCRIPTION |
|------|----------|------|---|
| 1 | ----- | - | SWIVEL ASSY *REFER TO TRACTOR MOUNT KIT |
| 2 | 31845 | 1 | MAIN BOOM ARM ASSY |
| 3 | 30072C | 1 | MAIN BOOM WLDMNT |
| 4 | 32321 | 2 | BUSHING, 1-1/2"ID X 2" |
| 5 | TB1044 | 2 | BUSHING, 1-1/4"ID |
| 6 | 24517 | 1 | SECONDARY BOOM ARM ASSY |
| 7 | TB1001G | 1 | SECONDARY BOOM WLDMNT |
| 8 | TB3010 | 3 | BUSHING, 1"ID |
| 9 | TB1035 | 1 | BUSHING SPACER |
| 10 | 6T3211 | 4 | GREASE ZERK, 1/8" X STR |
| 11 | 6T3207 | 1 | GREASE ZERK, 1/4" |
| 12 | 35312 | 1 | SET COLLAR, 2PC, 1-3/8"ID |
| 13 | 06501023 | 1 | CYLINDER, 3" X 18", WELDED |
| 14 | 06537021 | 4 | ROLLPIN, 5MM |
| 15 | TB1033 | 1 | PIN, CLEVIS, 1" X 3-1/2" |
| 16 | TB1036 | 1 | PIN, SEC BOOM SWIV, 1" X 4-11/16" |
| 17 | TF1143 | 1 | PIN, LYNCH, 7/16" X 2" |
| 18 | 21688 | 2 | CAPSCREW, 7/16" X 3-1/4", NC |
| 19 | 21675 | 2 | HEX NUT, 7/16", NC |
| 20 | 6T3210 | 1 | GREASE ZERK, 1/8" X 90° |
| 21 | TB1025 | 1 | PIN, SEC BOOM SWIV, 1-1/2" X 12" |
| 22 | TB3033 | 1 | CLEVIS, SPHERICAL |
| 23 | 06501022 | 1 | CYLINDER, 4" X 20", WELDED |
| 24 | 6T3014 | 2 | ROLLPIN, 1/4" X 2" |
| 25 | TB1045B | 2 | PIN, CLEVIS, 1-1/4", GREASED |
| 26 | 06520222 | 1 | SPACER (OPEN STOW OR 3PNT STOW ONLY) |
| 27 | 31329 | 1 | ADAPTER, 1/2ORB X 1/2ORB ADJ |
| 28 | 06510050 | 1 | TRV LCK, METRIPACK COIL |
| 29 | 33271 | 1 | ADAPTER, 1/2MOR X 3/8MJ |
| 30 | 06501020 | 1 | CYLINDER, 5" X 20", WELDED |
| 31 | 32810 | 1 | ELBOW, 1/2ORB X 3/8MJ 90 ADJ |
| 32 | 06420053 | 1 | PIN, 1-1/4" X 3-5/8" |
| 33 | TB3013C | 1 | PIN, 1-1/2" X 12-3/4" |

COMMON BENGAL

BOOM HYD ASSY - BENGAL 24 - SIDE STOW

NOTE:

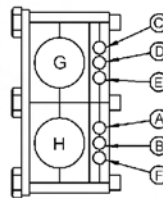
1. PRESSURE AND RETURN LINES ARE OPPOSITE AS SHOWN FOR STANDARD ROTATION BOOM FLAIL MOWERS.



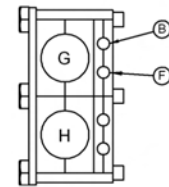
LEGEND

- A - DECK ROLL CYLINDER GLAND
- B - SHIELD CYLINDER GLAND
- C - SECONDARY CYLINDER BUTT
- D - SECONDARY CYLINDER GLAND
- E - DECK ROLL CYLINDER BUTT
- F - SHIELD CYLINDER BUTT
- G - RETURN FROM MOTOR
- H - PRESSURE TO MOTOR

HOSE CLAMP
ITEM 12



HOSE CLAMP
ITEM 15



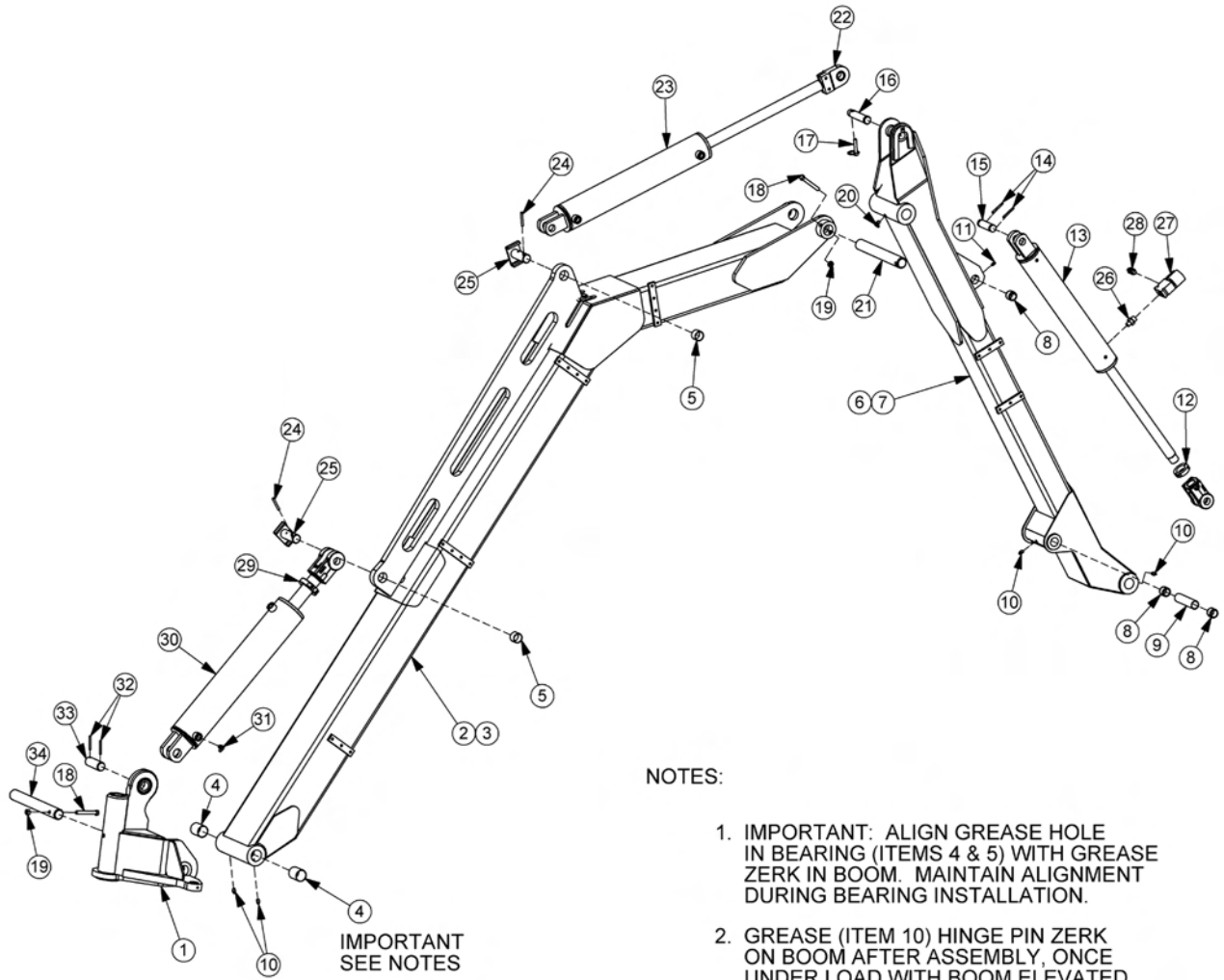
BOOM HYD ASSY - BENGAL 24 - SIDE STOW

Continued...

| ITEM | PART NO. | QTY. | DESCRIPTION |
|------|----------|------|--|
| 1 | ----- | - | MAIN BOOM *REFER TO BOOM ARM ASSEMBLY |
| 2 | ----- | - | SECONDARY BOOM *REFER TO BOOM ARM ASSEMBLY |
| 3 | 31234 | 1 | PRFRMD TUBE #304EXT |
| 4 | 31235 | 1 | PRFRMD TUBE #305EXT |
| 5 | 31233 | 4 | PRFRMD TUBE #307EXT |
| 6 | 30168 | 1 | PRFRMD TUBE, MAIN BOOM RETURN |
| 7 | 30167 | 1 | PRFRMD TUBE, MAIN BOOM PRESSURE |
| 8 | 34052 | 2 | HOSE,1/4 X 20 |
| 9 | 34051 | 1 | HOSE,1/4 X 63 |
| 10 | 34050 | 1 | HOSE,1/4 X 83 |
| 11 | 34104 | 2 | HOSE,1/4 X 42 |
| 12 | 33215 | 4 | TUBE CLAMP, MAIN BOOM |
| 13 | 34103 | 2 | TUBE,PRFRMD,SEC BOOM |
| 14 | 30169 | 2 | TUBE,PRFRMD,SEC BOOM,HP |
| 15 | 30111 | 2 | TUBE CLAMP, SEC BOOM |
| 16 | 24488 | 2 | HOSE,1 X 40 |
| 17 | 24724 | 2 | SWIVEL,1MJ X 1FJX45 |

COMMON BENGAL

BOOM ASSY - BENGAL 24 - OPEN STOW



NOTES:

1. IMPORTANT: ALIGN GREASE HOLE IN BEARING (ITEMS 4 & 5) WITH GREASE ZERK IN BOOM. MAINTAIN ALIGNMENT DURING BEARING INSTALLATION.
2. GREASE (ITEM 10) HINGE PIN ZERK ON BOOM AFTER ASSEMBLY, ONCE UNDER LOAD WITH BOOM ELEVATED AND AGAIN AT REST WITH BOOM SUPPORTED.

BOOM ASSY - BENGAL 24 - OPEN STOW

Continued...

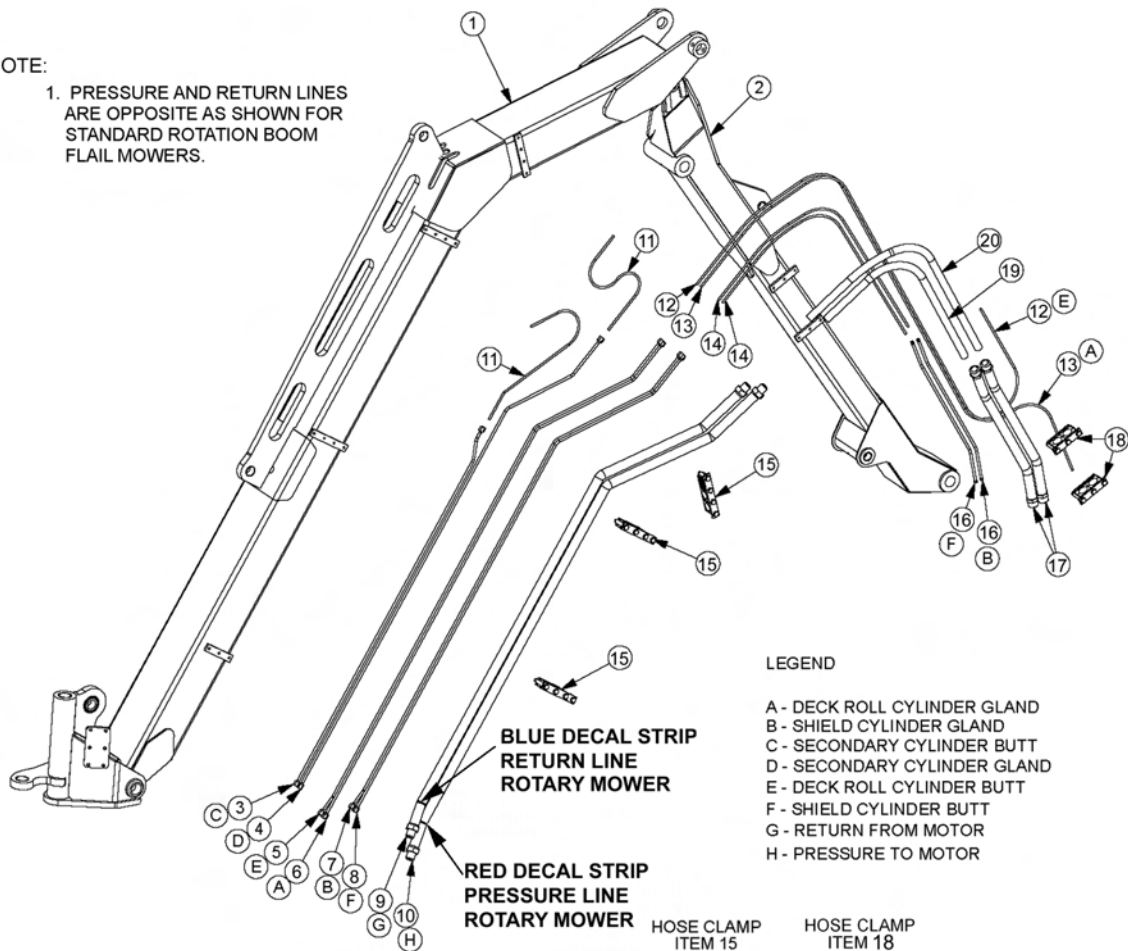
| ITEM | PART NO. | QTY. | DESCRIPTION |
|------|----------|------|---|
| 1 | ----- | - | SWIVEL ASSY *REFER TO TRACTOR MOUNT KIT |
| 2 | 31845 | 1 | MAIN BOOM ARM ASSY |
| 3 | 30072C | 1 | MAIN BOOM WLDMNT |
| 4 | 32321 | 2 | BUSHING, 1-1/2"ID X 2" |
| 5 | TB1044 | 2 | BUSHING, 1-1/4"ID |
| 6 | 24517 | 1 | SECONDARY BOOM ARM ASSY |
| 7 | TB1001G | 1 | SECONDARY BOOM WLDMNT |
| 8 | TB3010 | 3 | BUSHING, 1"ID |
| 9 | TB1035 | 1 | BUSHING SPACER |
| 10 | 6T3211 | 4 | GREASE ZERK, 1/8" X STR |
| 11 | 6T3207 | 1 | GREASE ZERK, 1/4" |
| 12 | 35312 | 1 | SET COLLAR, 2PC, 1-3/8"ID |
| 13 | 06501023 | 1 | CYLINDER, 3" X 18", WELDED |
| 14 | 06537021 | 2 | ROLLPIN, 5MM |
| 15 | TB1033 | 1 | PIN, CLEVIS, 1" X 3-5/8" |
| 16 | TB1036 | 1 | PIN,SEC BOOM SWIV, 1" X 4-11/16" |
| 17 | TF1143 | 1 | PIN, LYNCH, 7/16" X 2" |
| 18 | 21688 | 2 | CAPSCREW, 7/16" X 3-1/4", NC |
| 19 | 21677 | 2 | NYLOCK NUT, 7/16", NC |
| 20 | 6T3210 | 1 | GREASE ZERK, 1/8" X 90° |
| 21 | TB1025 | 1 | PIN, SEC BOOM SWIV, 1-1/2" X 12" |
| 22 | TB3033 | 1 | CLEVIS,SPHERICAL |
| 23 | 06501022 | 1 | CYLINDER, 4" X 20", WELDED |
| 24 | 6T3014 | 2 | ROLLPIN, 1/4" X 2" |
| 25 | TB1045B | 2 | PIN, CLEVIS, 1-1/4", GREASED |
| 26 | 31329 | 1 | ADAPTER, 1/2ORB X 1/2ORB ADJ |
| 27 | 06510050 | 1 | TRV LCK, METRIPACK COIL |
| 28 | 33271 | 1 | ADAPTER, 1/2MOR X 3/8MJ |
| 29 | 06520222 | 1 | SPACER (OPEN STOW OR 3PNT STOW ONLY) |
| 30 | 06501020 | 1 | CYLINDER, 5" X 20", WELDED |
| 31 | 32810 | 1 | ELBOW,1/2ORB X 3/8MJ 90 ADJ |
| 32 | TB1023 | 2 | ROLLPIN, 7/32" X 2" |
| 33 | 06420100 | 1 | PIN, 1-1/4" X 3-11/16" |
| 34 | TB3013C | 1 | PIN, 1-1/2" X 12-3/4" |

COMMON BENGAL

BOOM HYD ASSY - BENGAL 24 - OPEN STOW,3PS

NOTE:

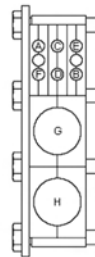
1. PRESSURE AND RETURN LINES ARE OPPOSITE AS SHOWN FOR STANDARD ROTATION BOOM FLAIL MOWERS.



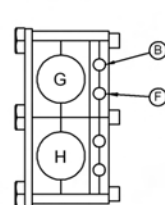
LEGEND

- A - DECK ROLL CYLINDER GLAND
- B - SHIELD CYLINDER GLAND
- C - SECONDARY CYLINDER BUTT
- D - SECONDARY CYLINDER GLAND
- E - DECK ROLL CYLINDER BUTT
- F - SHIELD CYLINDER BUTT
- G - RETURN FROM MOTOR
- H - PRESSURE TO MOTOR

HOSE CLAMP
ITEM 15



HOSE CLAMP
ITEM 18



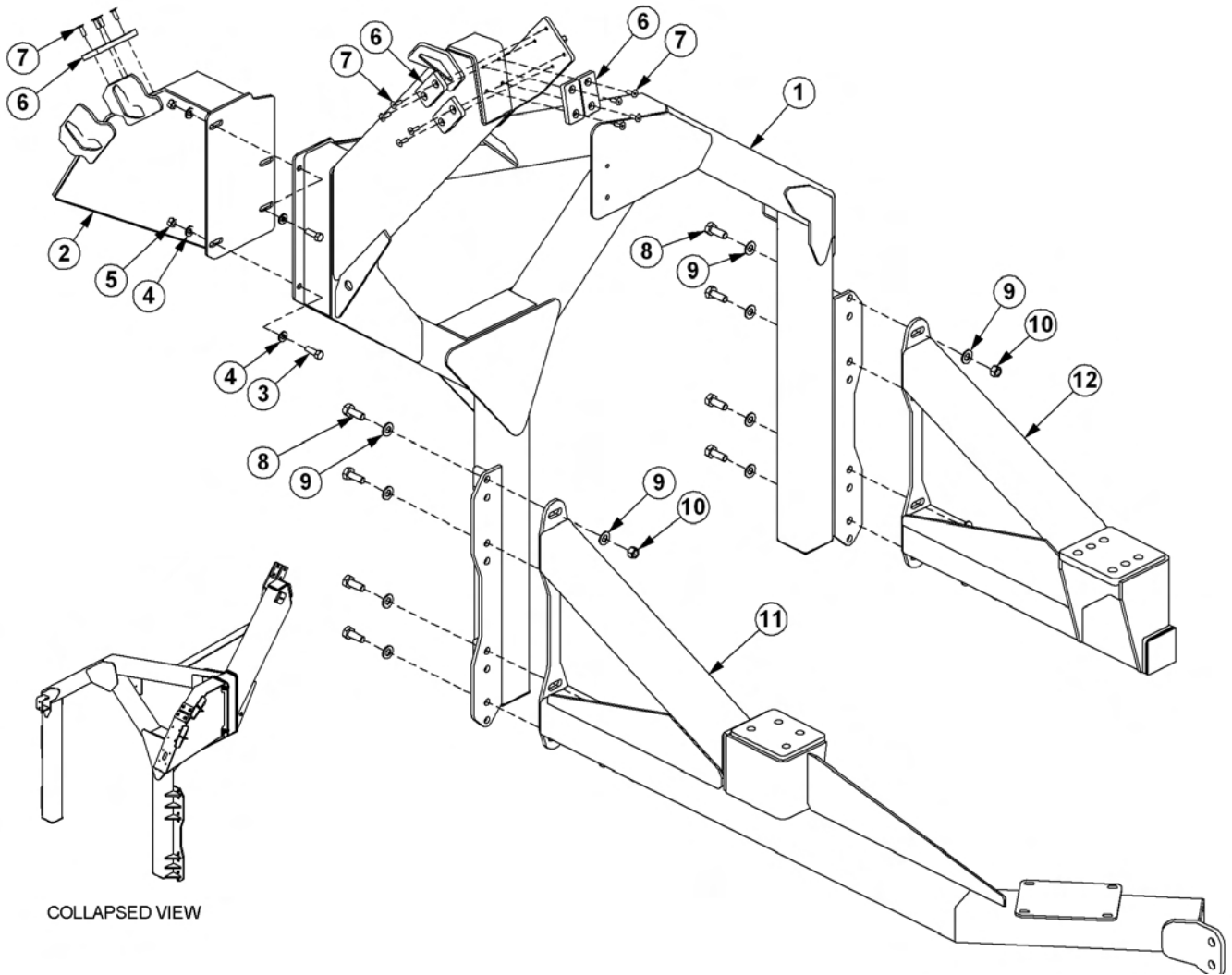
BOOM HYD ASSY - BENGAL 24 - OPEN STOW,3PS

Continued...

| ITEM | PART NO. | QTY. | DESCRIPTION |
|-------------|-----------------|-------------|--|
| 1 | ----- | - | MAIN BOOM *REFER TO BOOM ARM ASSY |
| 2 | ----- | - | SECONDARY BOOM *REFER TO BOOM ARM ASSY |
| 3 | 06506017 | 1 | PRFRMD,5,MAIN BOOM |
| 4 | 06506016 | 1 | PRFRMD,4,MAIN BOOM |
| 5 | 06506019 | 1 | PRFRMD,7,MIAN BOOM |
| 6 | 06506014 | 1 | PRFRMD,2,MAIN BOOM |
| 7 | 06506018 | 1 | PRFRMD,6,MAIN BOOM |
| 8 | 06506013 | 1 | PRFRMD,1,MAIN BOOM |
| 9 | 06506021 | 1 | PRFRMD,9,MAIN BOOM |
| 10 | 06506022 | 1 | PRFRMD,10,MAIN BOOM |
| 11 | 34052 | 2 | HOSE,1/4" X 20" |
| 12 | 34051 | 1 | HOSE,1/4" X 63" |
| 13 | 34050 | 1 | HOSE,1/4" X83" |
| 14 | 34104 | 2 | HOSE,1/4" X 42" |
| 15 | 06505019 | 3 | CLAMP KIT,3 SECTION |
| 16 | 34102 | 2 | TUBE,PRFRMD,SEC BOOM |
| 17 | 2403306 | 2 | TUBE,PRFRMD,SEC BOOM,HP |
| 18 | 30111 | 2 | CLAMP KIT,2 SECTION |
| 19 | 24488 | 1 | HOSE,1" X 40" |
| 20 | 06500254 | 1 | HOSE,1" X 45" |

COMMON BENGAL

BOOMREST ASSY - BENGAL 22 - OPEN STOW

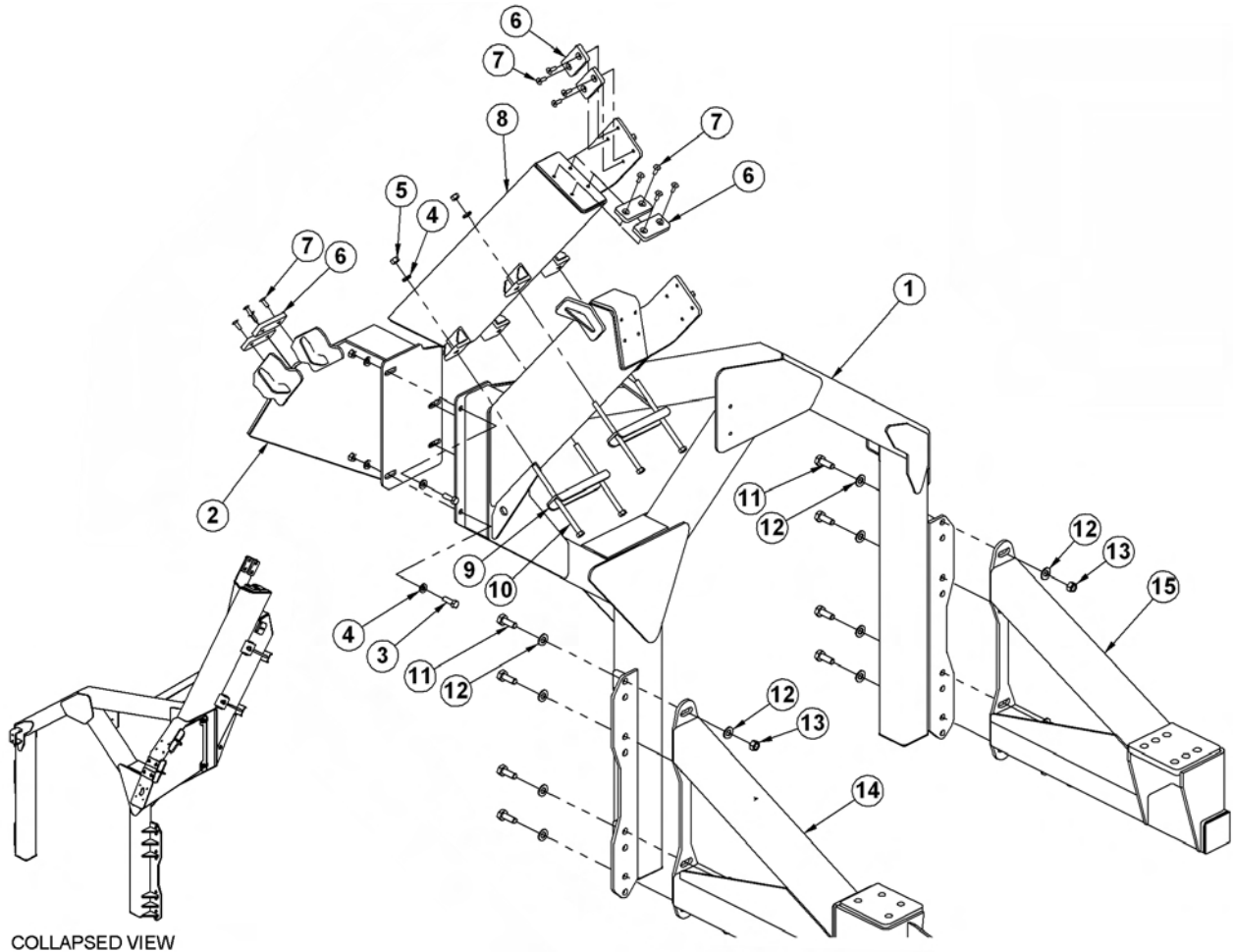


COLLAPSED VIEW

| ITEM | PART NO. | QTY. | DESCRIPTION |
|------|----------|------|--|
| --- | 06700100 | 1 | BOOMREST ASSY,STD BOOM,OS |
| 1 | 06310035 | 1 | BOOMREST,BASE,RS |
| 2 | 06310036 | 1 | BOOMREST,SEC,3OS |
| 3 | 21731 | 4 | CAPSCREW,1/2" X 1-1/2",NC |
| 4 | 2200406 | 8 | FLATWASHER,1/2",SAE |
| 5 | 21727 | 4 | NYLOCK NUT,1/2",NC |
| 6 | 06520078 | 6 | STRIP,REST,SEC,1 |
| 7 | 28734 | 12 | CAPSCREW,FLT/SKT HD,3/8" X 1",NC |
| 8 | 21782 | 8 | CAPSCREW,5/8" X 1-3/4",NC |
| 9 | 33764 | 16 | FLATWASHER,5/8",GR 8,SAE |
| 10 | 21775 | 8 | HEX NUT,5/8",NC |
| 11 | ----- | 1 | RH AXLE BRACE *REFER TO MAIN FRAME PARTS |
| 12 | ----- | 1 | LH AXLE BRACE *REFER TO MAIN FRAME PARTS |

COMMON BENGAL

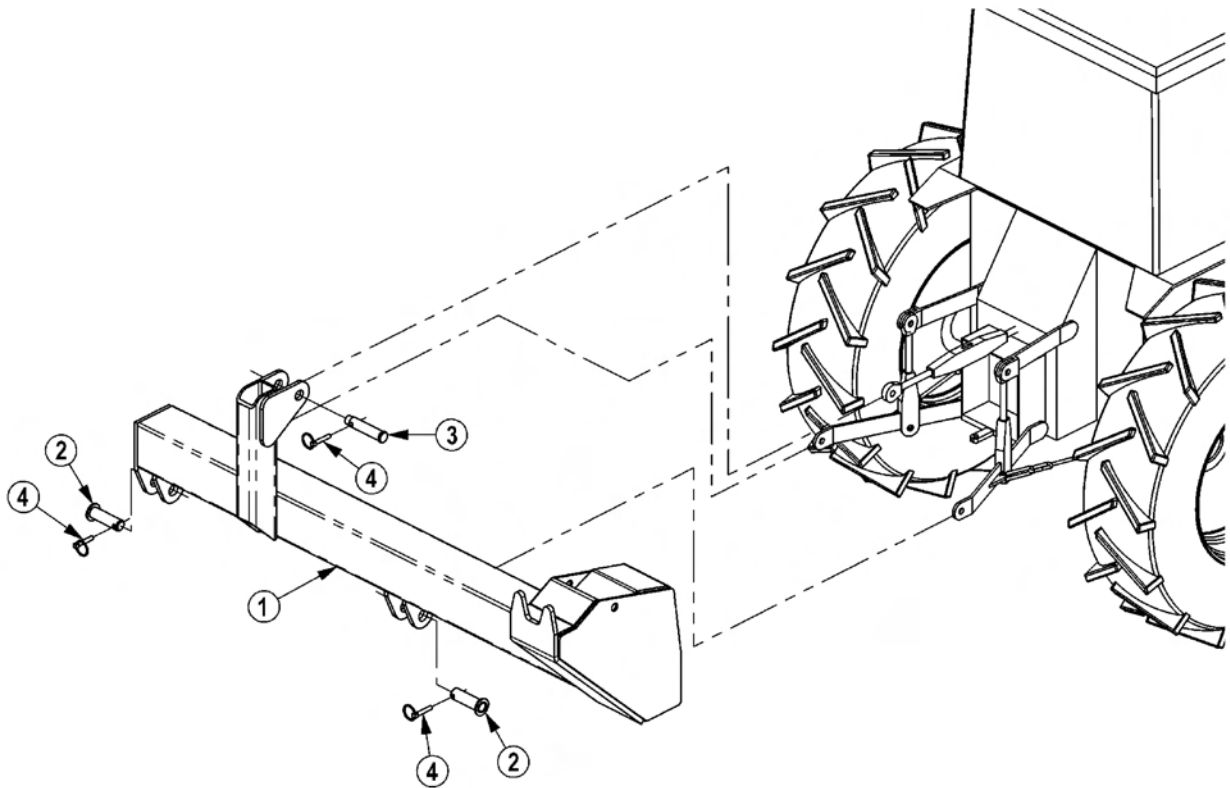
BOOMREST ASSY - BENGAL 24 - OPEN STOW



| ITEM | PART NO. | QTY. | DESCRIPTION |
|------|----------|------|--|
| --- | 06700101 | 1 | BOOMREST ASSY,EXT BOOM,OS |
| 1 | 06310035 | 1 | BOOMREST,BASE,RS |
| 2 | 06310036 | 1 | BOOMREST,SEC,3OS |
| 3 | 21731 | 4 | CAPSCREW,1/2" X 1-1/2",NC |
| 4 | 2200406 | 12 | FLATWASHER,1/2",SAE |
| 5 | 21727 | 8 | NYLOCK NUT,1/2",NC |
| 6 | 06520078 | 8 | STRIP,REST,SEC,1 |
| 7 | 28734 | 16 | CAPSCREW,FLT/SKT HD,3/8" X 1",NC |
| 8 | 06310037 | 1 | BOOMREST,EXT,MAIN,3OS |
| 9 | 06410587 | 2 | CHANNEL |
| 10 | 21747 | 4 | CAPSCREW,1/2X9,NC |
| 11 | 21782 | 8 | CAPSCREW,5/8" X 1-3/4",NC |
| 12 | 33764 | 16 | FLATWASHER,5/8",GR 8,SAE |
| 13 | 21775 | 8 | HEX NUT,5/8",NC |
| 14 | ----- | 1 | RH AXLE BRACE *REFER TO MAIN FRAME PARTS |
| 15 | ----- | 1 | LH AXLE BRACE *REFER TO MAIN FRAME PARTS |

COMMON BENGAL

BOOMREST ASSEMBLY - 3 PNT STOW

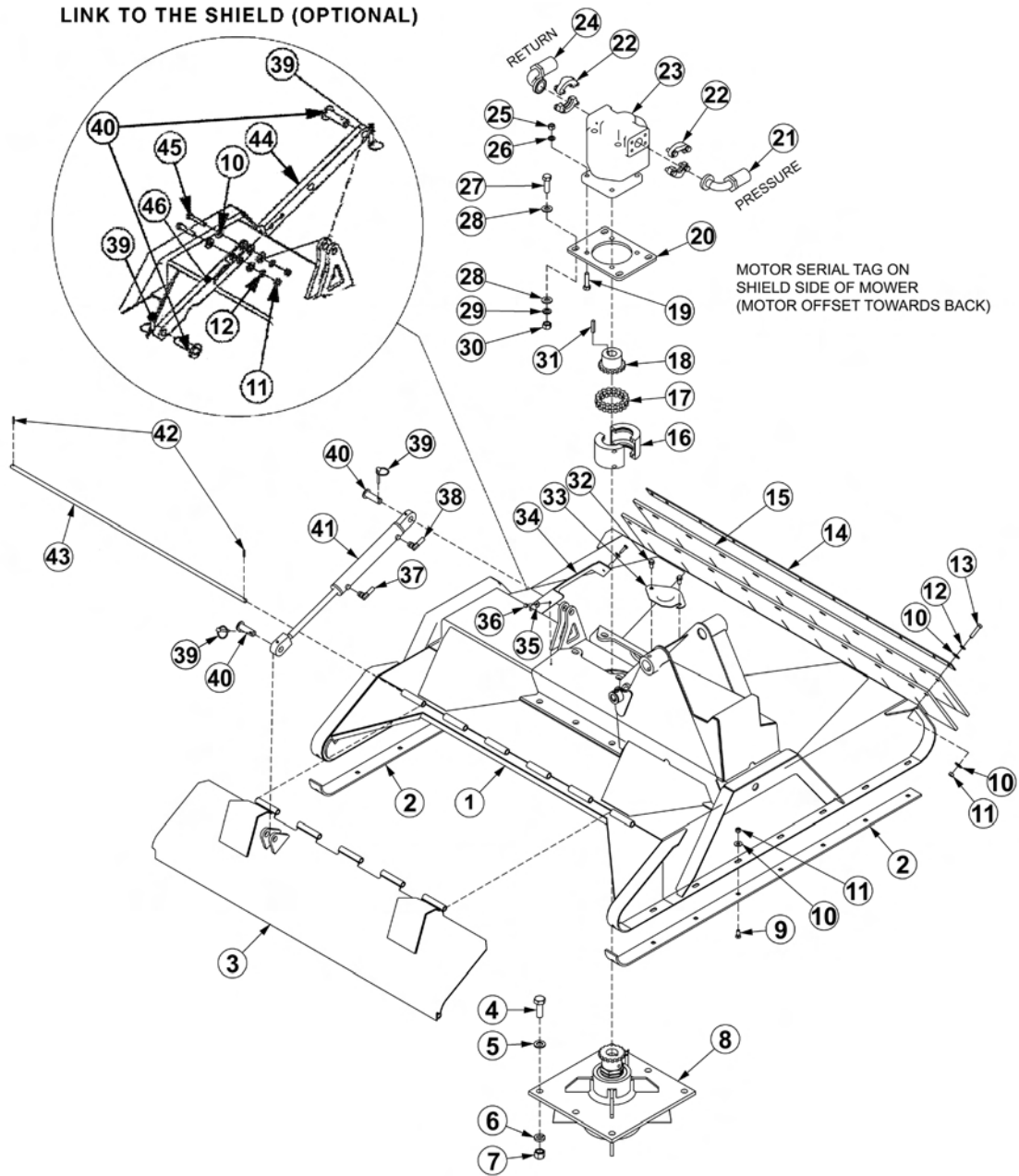


| ITEM | PART NO. | QTY. | DESCRIPTION |
|------|----------|------|-----------------------------|
| 1 | 6310023 | 1 | BOOMREST,STD,3PNT |
| 2 | TF1120 | 2 | PIN,(CAPPED),1-1/8 X 3-7/8 |
| 3 | TB1036 | 1 | PIN,SEC BOOM SWIV 1X4-11/16 |
| 4 | TF1143 | 3 | PIN,LYNCH 7/16 X 2 |

NOTES

50IN ROTARY MOWER ASSEMBLY

LINK TO THE SHIELD (OPTIONAL)



| ITEM | PART NO. | QTY. | DESCRIPTION |
|------|----------|------|--------------------------------|
| 1 | 33780 | 1 | DECK,WLDMNT,50" RTRY |
| 2 | 33777 | 2 | SKID SHOE,50" RTRY |
| 3 | 33754 | 1 | SHIELD,50"RTRY |
| 4 | 33879 | 6 | CAPSCREW, 3/4 X 2 1/4,NF GR 8 |
| 5 | 33880 | 6 | FLATWASHER,3/4",GR 8,SAE |
| 6 | 21993 | 6 | LOCKWASHER,3/4",GR 8 |
| 7 | 6T2413 | 6 | HEX NUT,3/4,NF,GR 8 |
| 8 | 6T1024H5 | 1 | SPINDLE ASSY,CPLT,HD,5/8 HOLES |

COMMON BENGAL

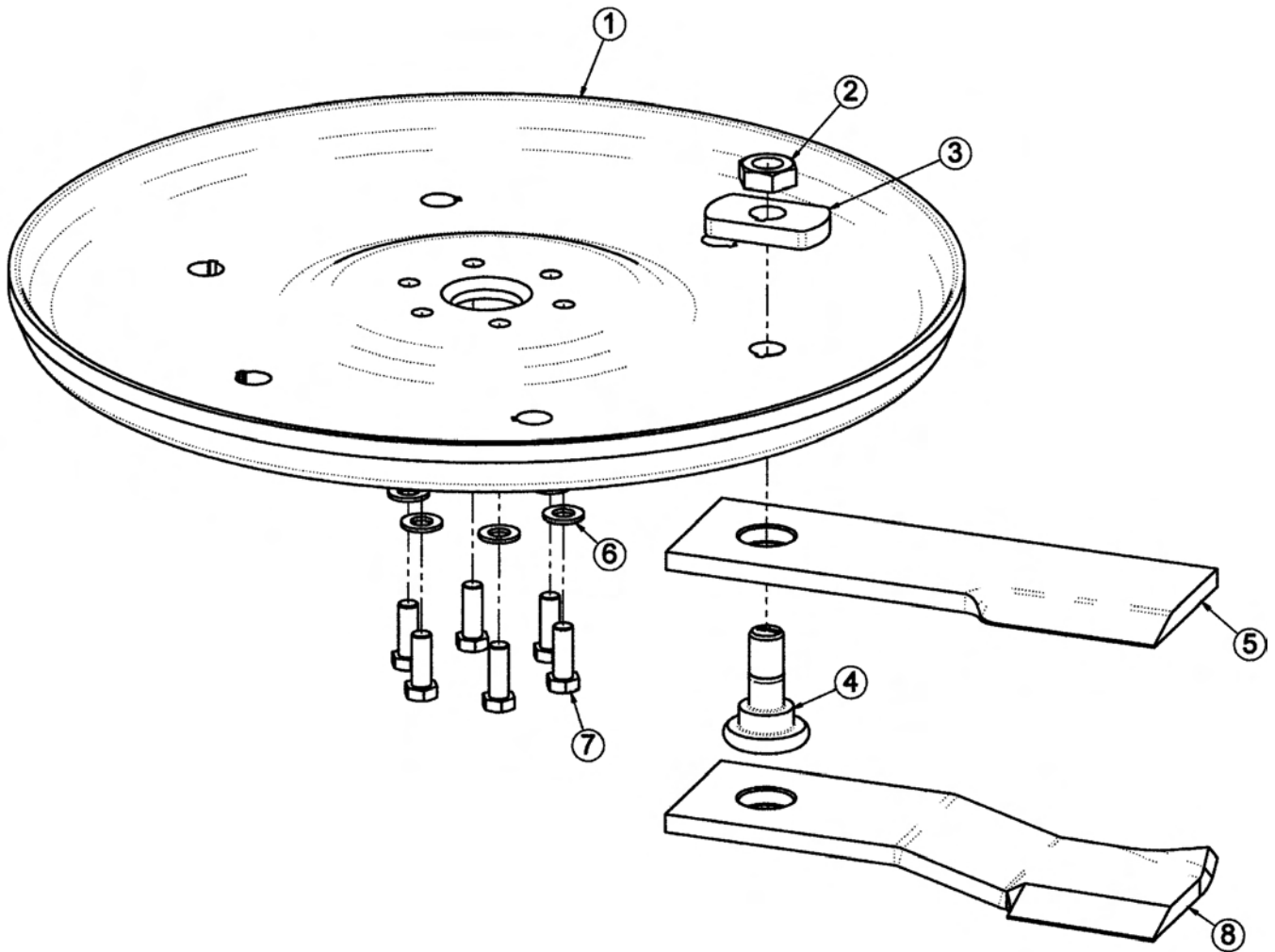
50IN ROTARY MOWER ASSEMBLY

Continued...

| ITEM | PART NO. | QTY. | DESCRIPTION |
|-------------|-----------------|-------------|---------------------------------------|
| 9 | 6T2270 | 16 | PLOW BOLT,3/8" X 1" NC |
| 10 | 22016 | 33 | FLATWASHER,3/8" |
| 11 | 21625 | 20 | HEX NUT,3/8",NC |
| 12 | 21988 | 11 | LOCKWASHER, 3/8" |
| 13 | 21633 | 11 | CAPSCREW, 3/8 X 1 3/4,NC |
| 14 | 33774 | 1 | FLAP RETAINER,50" RTRY |
| 15 | 33775 | 2 | FLAP,50" RTRY |
| 16 | 6T1033 | 1 | COUPLER COVER WITH HARDWARE AND SEALS |
| 17 | 6T1029 | 1 | COUPLER CHAIN |
| 18 | 21223 | 1 | SPROCKET |
| 19 | 21733 | 4 | CAPSCREW, 1/2 X 2,NC |
| 20 | 33776 | 1 | MOTOR MOUNT,PLATE,50" RTRY |
| 21 | 24490 | 1 | HOSE - PRESSURE (RED DECAL STRIP) |
| 22 | TF4852 | 2 | FLANGE KIT - #20 |
| 23 | 06504012 | 1 | MOTOR (M365-1 3/4" GEAR) |
| 24 | 24489 | 1 | HOSE - RETURN (BLUE DECAL STRIP) |
| 25 | 21725 | 4 | HEX NUT, 1/2" NC |
| 26 | 06533004 | 4 | FLATWASHER, 1/2" |
| 27 | 6T2290 | 4 | CAPSCREW,5/8X2,NF GR 8 |
| 28 | 33764 | 8 | FLATWASHER,5/8",GR 8,SAE |
| 29 | 21992 | 4 | LOCKWASHER, 5/8 |
| 30 | 6T2408 | 4 | HEX NUT, 5/8, NF |
| 31 | TF1124 | 1 | SQUARE KEY |
| 32 | 33881 | 2 | CAPSCREW,FLG, 3/8 X 3/4,NC |
| 33 | 33779 | 1 | PLATE,COVER,KNF HOLE |
| 34 | 06410439 | 1 | COVER |
| 35 | 22014 | 2 | FLATWASHER,1/4 |
| 36 | 21530 | 2 | CAPSCREW,1/4 X 1,NC |
| 37 | 34187 | 1 | HOSE 1/4" X 75" |
| 38 | 34186 | 1 | HOSE 1/4" X 66" |
| 39 | RD1032 | 2 | LYNCH PIN |
| 40 | 33984 | 2 | PIN,SHIELD,50" |
| 41 | 33785 | 1 | 1-1/2" X 8", CYLINDER, WELDED |
| 42 | 6T3017 | 2 | ROLLPIN |
| 43 | 33778 | 1 | HINGE PIN,50" RTRY |
| 44 | 33772 | 1 | LINK, SHIELD 50" RTRY (OPTIONAL) |
| 45 | 21634 | 2 | CAPSCREW, 3/8" X 2, NC |
| 46 | 33773 | 1 | LINK 2, SHIELD 50" RTRY (OPTIONAL) |

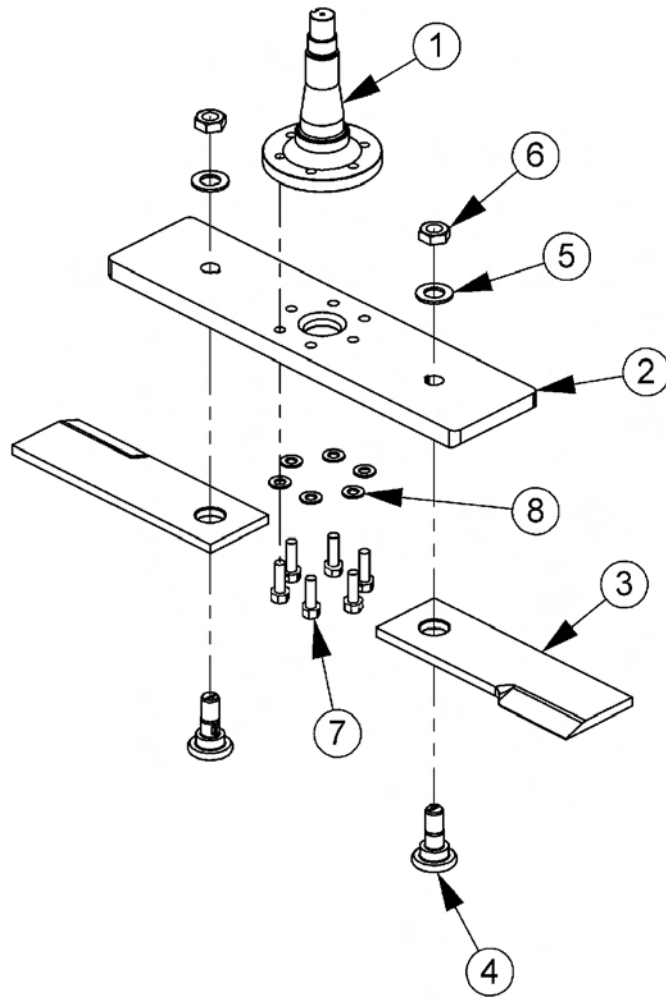
COMMON BENGAL

50IN ROTARY KNIVES AND DISH



| ITEM | PART NO. | QTY. | DESCRIPTION |
|-------|----------|------|--|
| ----- | 06700089 | - | KIT,TRB50,DISK,W/BOLT KIT (INCLUDES ITEMS 1,3 & 7) |
| 1 | 06770003 | 1 | BLADE MOUNTING DISK |
| 2 | 6T1023R | 2 | NYLOCK HEX NUT 1 1/8" |
| 3 | 34878 | 2 | SPACER |
| 4 | 06538000 | 2 | KNIFE MOUNTING BOLT |
| 5 | 06521001 | 2 | STANDARD KNIFE |
| 6 | 33764 | 6 | FLATWASHER |
| 7 | 6T2259 | 6 | CAPSCREW |
| ----- | 06770012 | - | BOLT KIT (INCLUDES ITEMS 6, 7 & LOCTITE) |
| 8 | 06521002 | 2 | GRASS KNIFE (OPTIONAL) |
| ----- | 6T1825 | - | LOCTITE - USED ON ALL DISK MOUNTING BOLTS |

50IN ROTARY BLADE BAR AND KNIVES

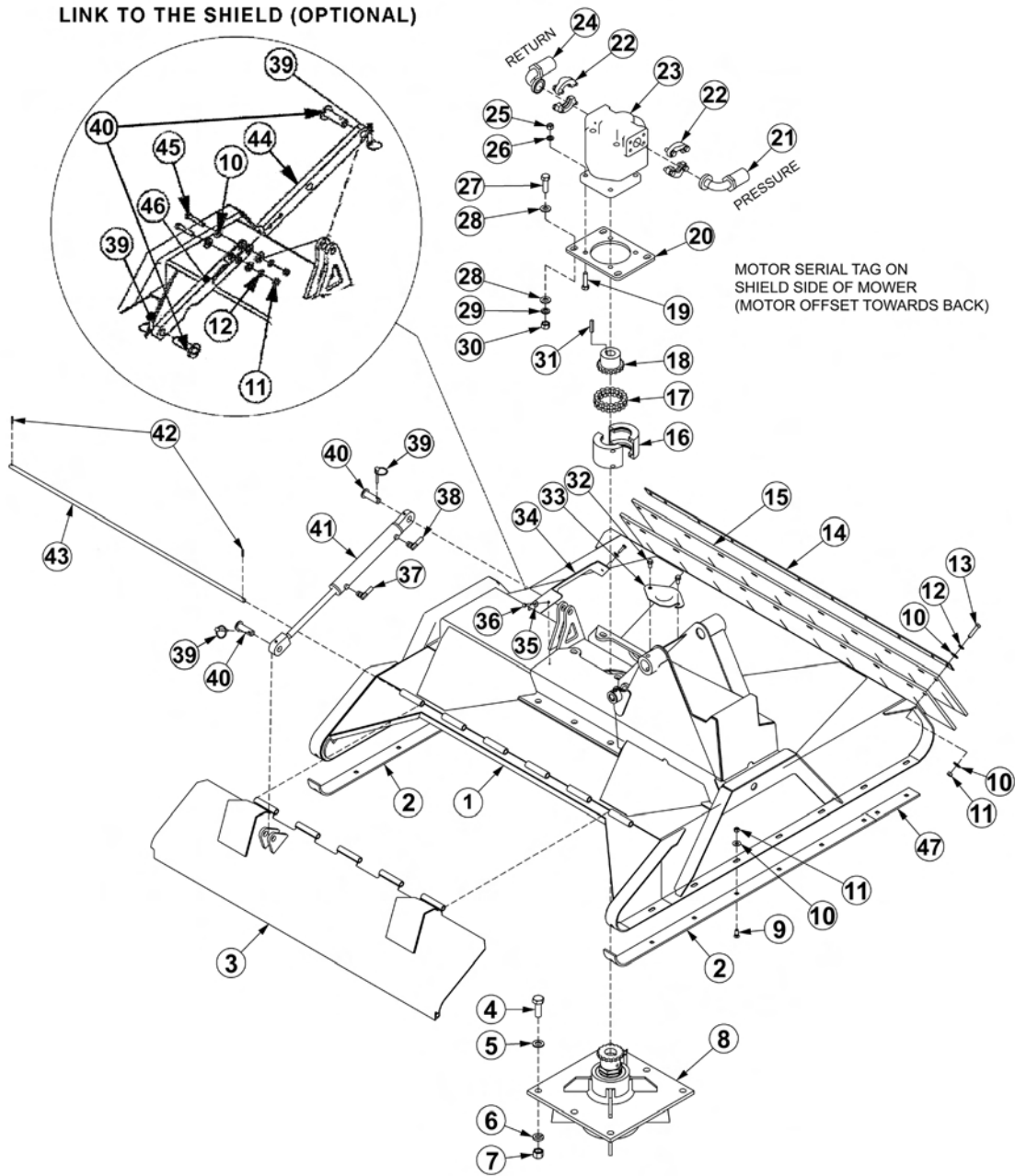


| ITEM | PART NO. | QTY. | DESCRIPTION |
|------|----------|------|-----------------------------|
| 1 | PT1018H5 | 1 | SPINDLE,5/8HOLES,HD,WO/TABS |
| 2 | 06400388 | 1 | BAR,BLADE,TRB |
| 3 | 06521001 | 2 | KNIFE,TRB50,5/8 |
| 4 | 06538000 | 2 | KNIFE MTG BOLT,5/8 SHOULDER |
| 5 | 06533002 | 2 | FLATWASHER,1 1/8,GR 8 |
| 6 | 6T1023R | 2 | KNIFE MTG NUT,1 1/8,NF,GR8 |
| 7 | 6T2259 | 6 | CAPSCREW,5/8X1-3/4,NF,GR8 |
| 8 | 33764 | 6 | FLATWASHER,5/8,GR 8,SAE |

COMMON BENGAL

60IN ROTARY MOWER ASSEMBLY

LINK TO THE SHIELD (OPTIONAL)



| ITEM | PART NO. | QTY. | DESCRIPTION |
|------|----------|------|---------------------------------|
| 1 | 06320159 | 1 | DECK,WLDMNT,60" RTRY |
| 2 | 33777 | 2 | SKID SHOE,RTRY |
| 3 | 06320162 | 1 | SHIELD,60"RTRY |
| 4 | 33879 | 6 | CAPSCREW, 3/4" X 2 1/4",NF GR 8 |
| 5 | 33880 | 6 | FLATWASHER,3/4",GR 8,SAE |
| 6 | 21993 | 6 | LOCKWASHER,3/4",GR 8 |
| 7 | 6T2413 | 6 | HEX NUT,3/4",NF,GR 8 |
| 8 | 6T1024H5 | 1 | SPINDLE ASSY,CPLT,HD,5/8" HOLES |

COMMON BENGAL

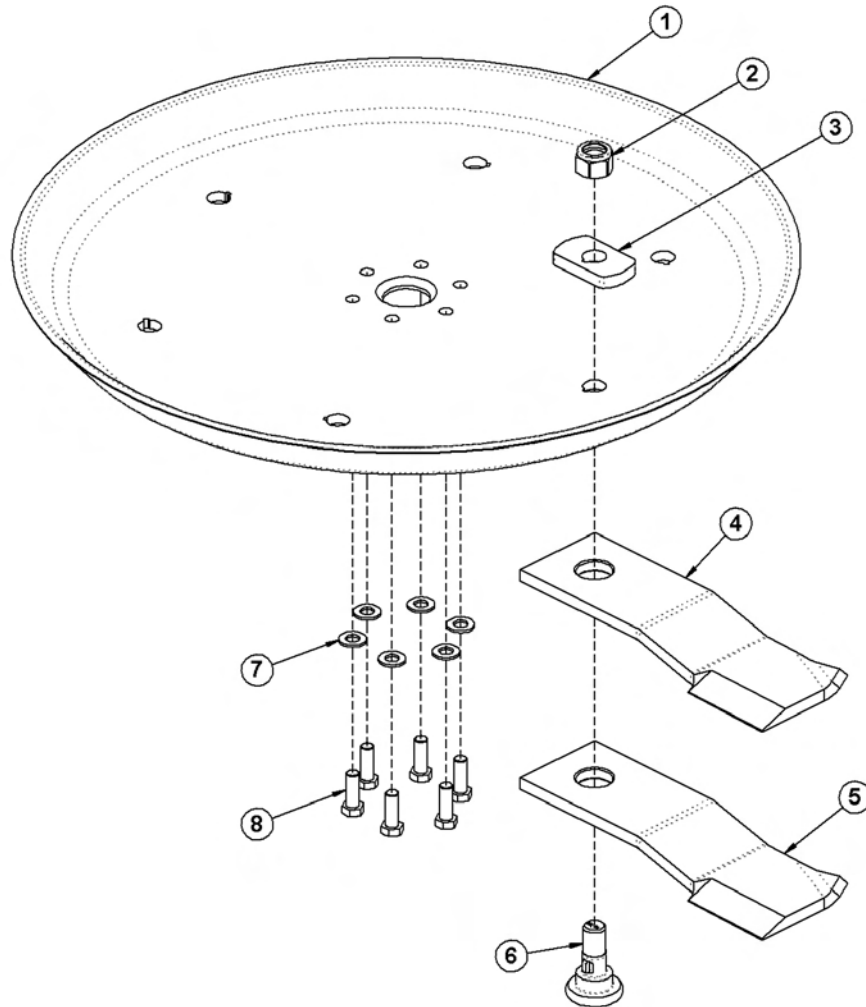
60IN ROTARY MOWER ASSEMBLY

Continued...

| ITEM | PART NO. | QTY. | DESCRIPTION |
|-------------|-----------------|-------------|---------------------------------------|
| 9 | 6T2270 | 16 | PLOW BOLT,3/8" X 1",NC |
| 10 | 22016 | 33 | FLATWASHER,3/8" |
| 11 | 21625 | 20 | HEX NUT,3/8",NC |
| 12 | 21988 | 11 | LOCKWASHER,3/8" |
| 13 | 21633 | 11 | CAPSCREW,3/8" X 1-3/4",NC |
| 14 | 6T0823 | 1 | FLAP RETAINER,60" RTRY |
| 15 | 06520238 | 2 | FLAP,60" RTRY |
| 16 | 6T1033 | 1 | COUPLER COVER WITH HARDWARE AND SEALS |
| 17 | 6T1029 | 1 | COUPLER CHAIN |
| 18 | 21223 | 1 | SPROCKET |
| 19 | 21733 | 4 | CAPSCREW,1/2" X 2",NC |
| 20 | 33776 | 1 | MOTOR MOUNT,PLATE,RTRY |
| 21 | 24490 | 1 | HOSE - PRESSURE (RED DECAL STRIP) |
| 22 | TF4852 | 2 | FLANGE KIT - #20 |
| 23 | 06504011 | 1 | MOTOR |
| 24 | 24489 | 1 | HOSE - RETURN (BLUE DECAL STRIP) |
| 25 | 21725 | 4 | HEX NUT, 1/2" NC |
| 26 | 06533004 | 4 | FLATWASHER, 1/2" |
| 27 | 6T2290 | 4 | CAPSCREW,5/8" X 2",NF GR 8 |
| 28 | 33764 | 8 | FLATWASHER,5/8",GR 8,SAE |
| 29 | 21992 | 4 | LOCKWASHER,5/8" |
| 30 | 6T2408 | 4 | HEX NUT,5/8", NF |
| 31 | TF1124 | 1 | SQUARE KEY |
| 32 | 33881 | 4 | CAPSCREW,FLG,3/8" X 3/4",NC |
| 33 | 33779 | 2 | PLATE,COVER,KNF HOLE |
| 34 | 06410439 | 1 | COVER |
| 35 | 22014 | 2 | FLATWASHER,1/4" |
| 36 | 21530 | 2 | CAPSCREW,1/4" X 1",NC |
| 37 | 34187 | 1 | HOSE 1/4" X 75" |
| 38 | 34186 | 1 | HOSE 1/4" X 66" |
| 39 | RD1032 | 2 | LYNCH PIN |
| 40 | 33984 | 2 | PIN,SHIELD |
| 41 | 33785 | 1 | 1-1/2" X 8", CYLINDER, WELDED |
| 42 | 6T3017 | 2 | ROLLPIN |
| 43 | 06420139 | 1 | HINGE PIN,60" RTRY |
| 44 | 33772 | 1 | LINK, SHIELD,RTRY (OPTIONAL) |
| 45 | 21634 | 2 | CAPSCREW, 3/8" X 2", NC |
| 46 | 33773 | 1 | LINK 2, SHIELD,RTRY (OPTIONAL) |
| 47 | 06401245 | 2 | SKID SHOE,TRB60" |

COMMON BENGAL

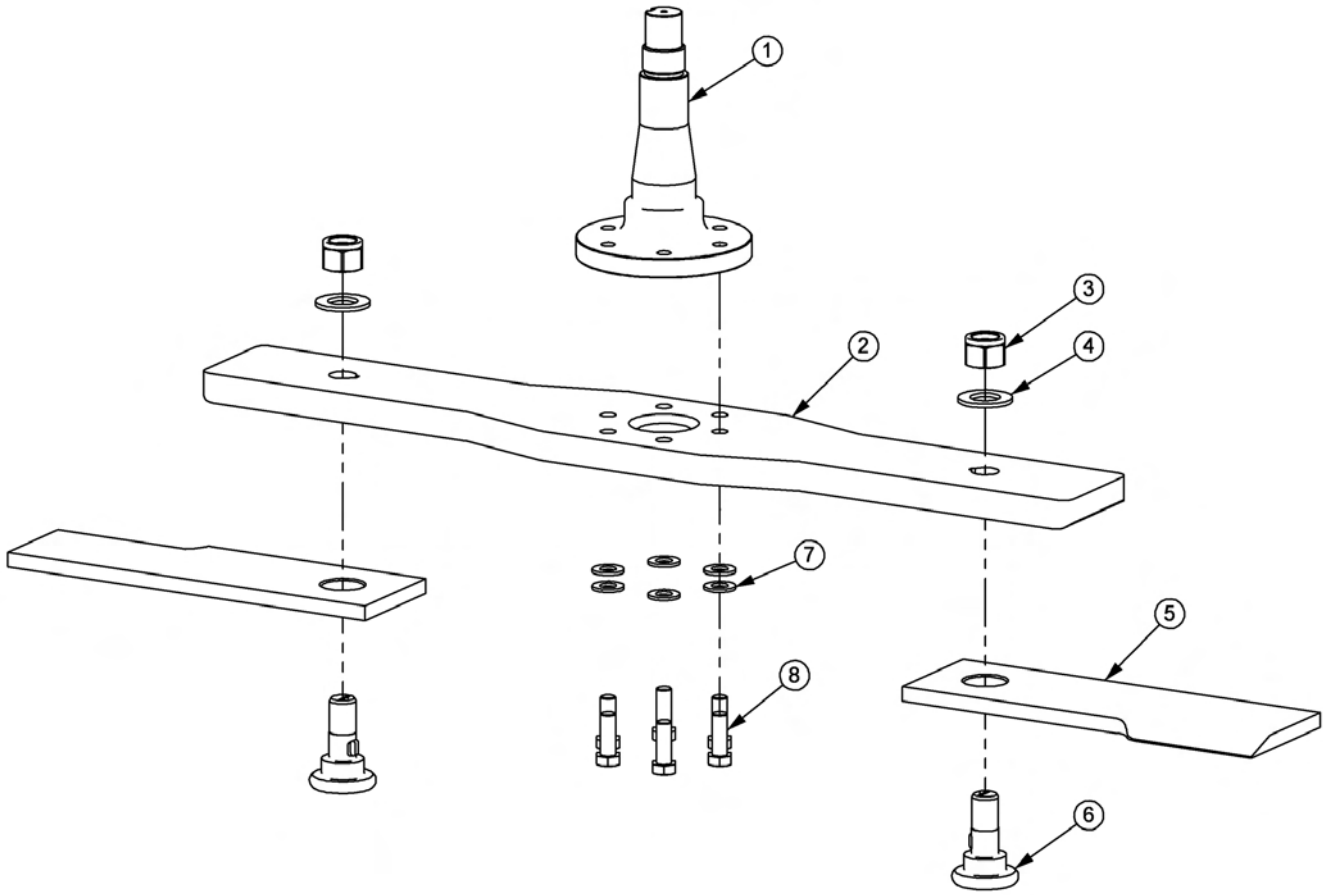
60IN ROTARY KNIVES AND DISH



| ITEM | PART NO. | QTY. | DESCRIPTION |
|------|----------|------|-------------------------------------|
| 1 | 34876 | 1 | BLADE MOUNTING DISH,60" |
| 2 | 6T1023R | 2 | NYLOCK NUT,1-1/8",NF |
| 3 | 34878 | 2 | SPACER |
| 4 | 34684 | 2 | STANDARD GRASS KNIFE |
| 5 | 34685 | 2 | HIGH SUCTION GRASS KNIFE (OPTIONAL) |
| 6 | 34497 | 2 | KNIFE MOUNTING BOLT |
| 7 | 25270 | 6 | FLATWASHER,5/8",GR8,USS |
| 8 | 6T2259 | 6 | CAPSCREW,5/8" X 1-3/4",NF,GR8 |
| --- | 6T1825 | 1 | LOCTITE (USED ON ITEM 8) |
| --- | 27167 | 1 | BOLT KIT (ITEMS 7 & 8) |
| --- | 33893 | 1 | KNIFE KIT (ITEMS 2,4 & 6) |

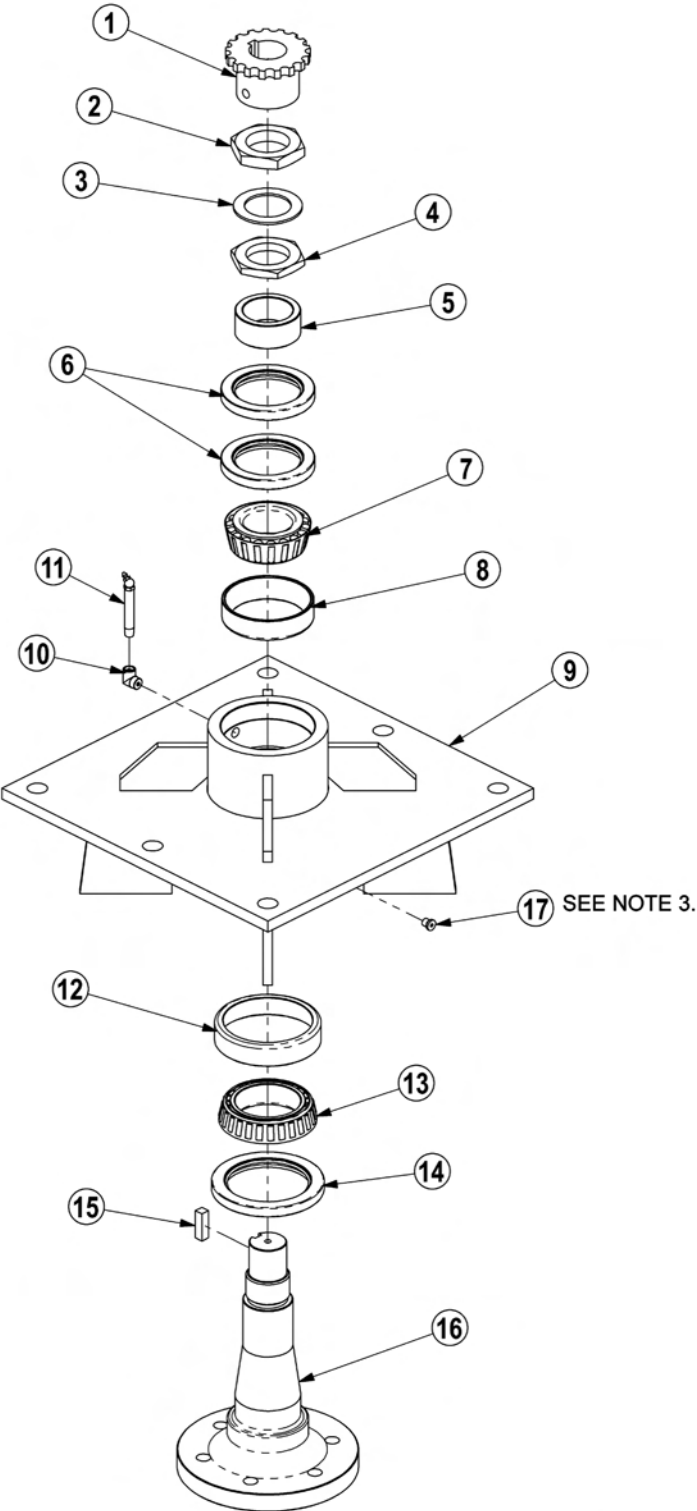
COMMON BENGAL

60IN ROTARY BLADE BAR AND KNIVES



| ITEM | PART NO. | QTY. | DESCRIPTION |
|------|----------|------|----------------------------------|
| 1 | PT1018H5 | 1 | SPINDLE |
| 2 | 06400690 | 1 | BAR, BLADE, RTRY60 |
| 3 | 6T1023R | 2 | KNIFE MTG NUT, 1-1/8, NYLOCK, NF |
| 4 | 06533002 | 2 | FLATWASHER, 1-1/8, GR8 |
| 5 | 06521001 | 2 | KNIFE, TRB50, 5/8 |
| 6 | 06538000 | 2 | KNIFE MTG BOLT, 5/8 SHOULDER |
| 7 | 33764 | 6 | FLATWASHER, 5/8, GR 8, SAE |
| 8 | 6T2259 | 6 | CAPSCREW, 5/8 X 1-3/4, NF, GR8 |

ROTARY MOWER SPINDLE ASSEMBLY



- NOTES:
1. FREEPLAY: .001" - .003"
 2. GREASE: FILL WITH MOBILITH SHC 220.
 3. APPLY LOCTITE "271" TO O-RING PLUG THRDS.

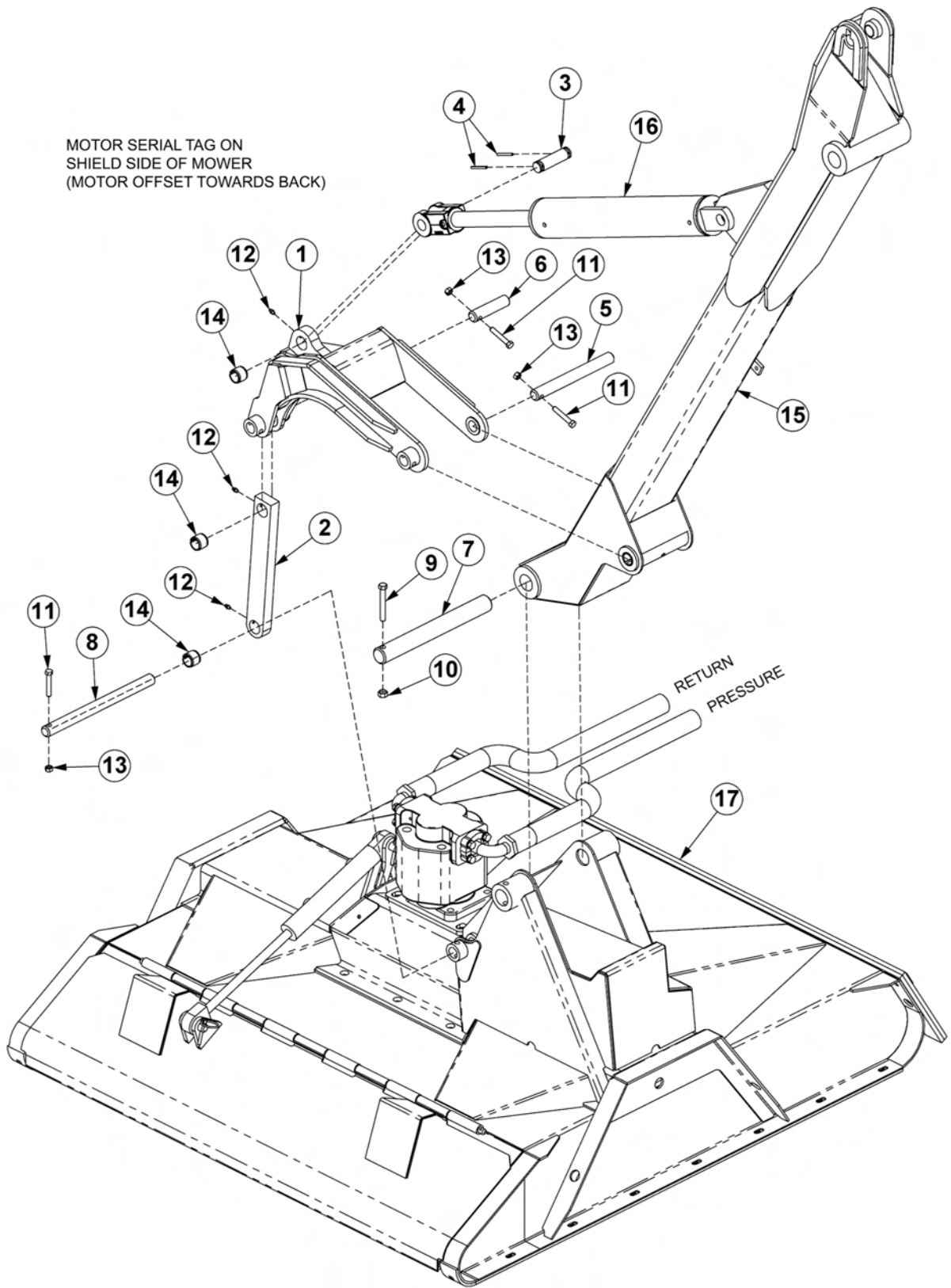
ROTARY MOWER SPINDLE ASSEMBLY

Continued...

| ITEM | PART NO. | QTY. | DESCRIPTION |
|-------|-----------|------|--|
| ----- | 6T1024H5 | - | SPINDLE ASSEMBLY COMPLETE |
| 1 | 6T1031 | 1 | SPROCKET |
| 2 | 6T1016 | 1 | BEARING LOCK NUT - THICK |
| 3 | 22596 | 1 | JAM WASHER |
| 4 | 6T1015 | 1 | BEARING ADJUSTMENT NUT - THIN |
| 5 | 6T1014 | 1 | BEARING ADJUSTMENT SLEEVE |
| 6 | 6T1011 | 1 | UPPER SEAL - SET OF 2 |
| 7 | 6T1012 | 1 | BEARING CONE |
| 8 | 6T1013 | 1 | BEARING CUP |
| 9 | 6T1010H | 1 | SPINDLE HOUSING |
| 10 | 30570 | 1 | FITTING STREET ELBOW |
| 11 | 33990 | 1 | GREASE ZERK |
| 12 | 6T1013H | 1 | BEARING CUP |
| 13 | 6T1012H | 1 | BEARING CONE |
| 14 | 6T1011H | 1 | LOWER SEAL |
| 15 | 6T1019 | 1 | SPINDLE KEY |
| 16 | PT1018H-5 | 1 | SPINDLE |
| 17 | 06503064 | 1 | O-RING PLUG, 1/8" |
| ----- | 33993 | - | SPINDLE REBUILD KIT (INCLUDES ITEMS 2 - 8 AND 12 - 15) |

COMMON BENGAL

BOOM ROTARY PIVOT ASSEMBLY

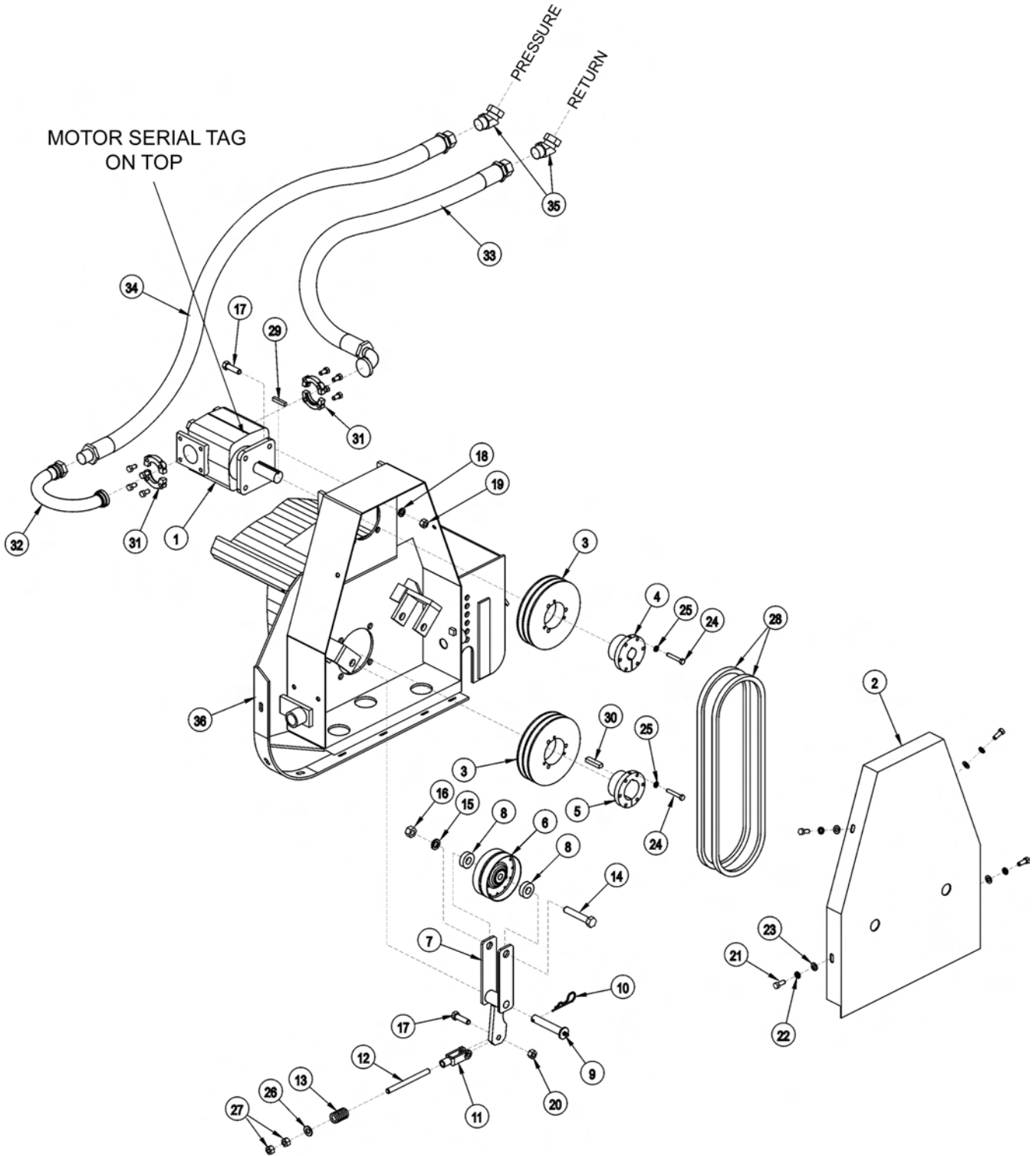


BOOM ROTARY PIVOT ASSEMBLY

Continued...

| ITEM | PART NO. | QTY. | DESCRIPTION |
|------|----------|------|---|
| 1 | TB1032 | 1 | ROTARY PIVOT ASSY |
| 2 | TB1028 | 1 | PIVOT ARM ASSY |
| 3 | TB1033 | 1 | PIN,CLEVIS |
| 4 | 06537021 | 2 | ROLL PIN |
| 5 | TF3097 | 1 | PIN |
| 6 | TB1030 | 1 | PIN |
| 7 | 33985 | 1 | PIN |
| 8 | 33986 | 1 | PIN |
| 9 | 21688 | 1 | CAPSCREW,7/16 X 3-1/4,NC |
| 10 | 21677 | 1 | NYLOCK NUT,7/16 NC |
| 11 | 21635 | 3 | CAPSCREW,3/8 X 2-1/4 |
| 12 | 6T3207 | 3 | GREASE ZERK |
| 13 | 21627 | 3 | NYLOCK NUT,3/8,NC |
| 14 | TB3010 | 3 | BUSHING |
| 15 | ----- | - | SECONDARY BOOM *REFER TO BOOM ARM ASSY |
| 16 | ----- | - | CYLINDER *REFER TO BOOM ARM ASSY |
| 17 | ----- | - | ROTARY MOWER HEAD *REFER TO ROTARY DECK |

50IN FLAIL DRIVE ASSEMBLY



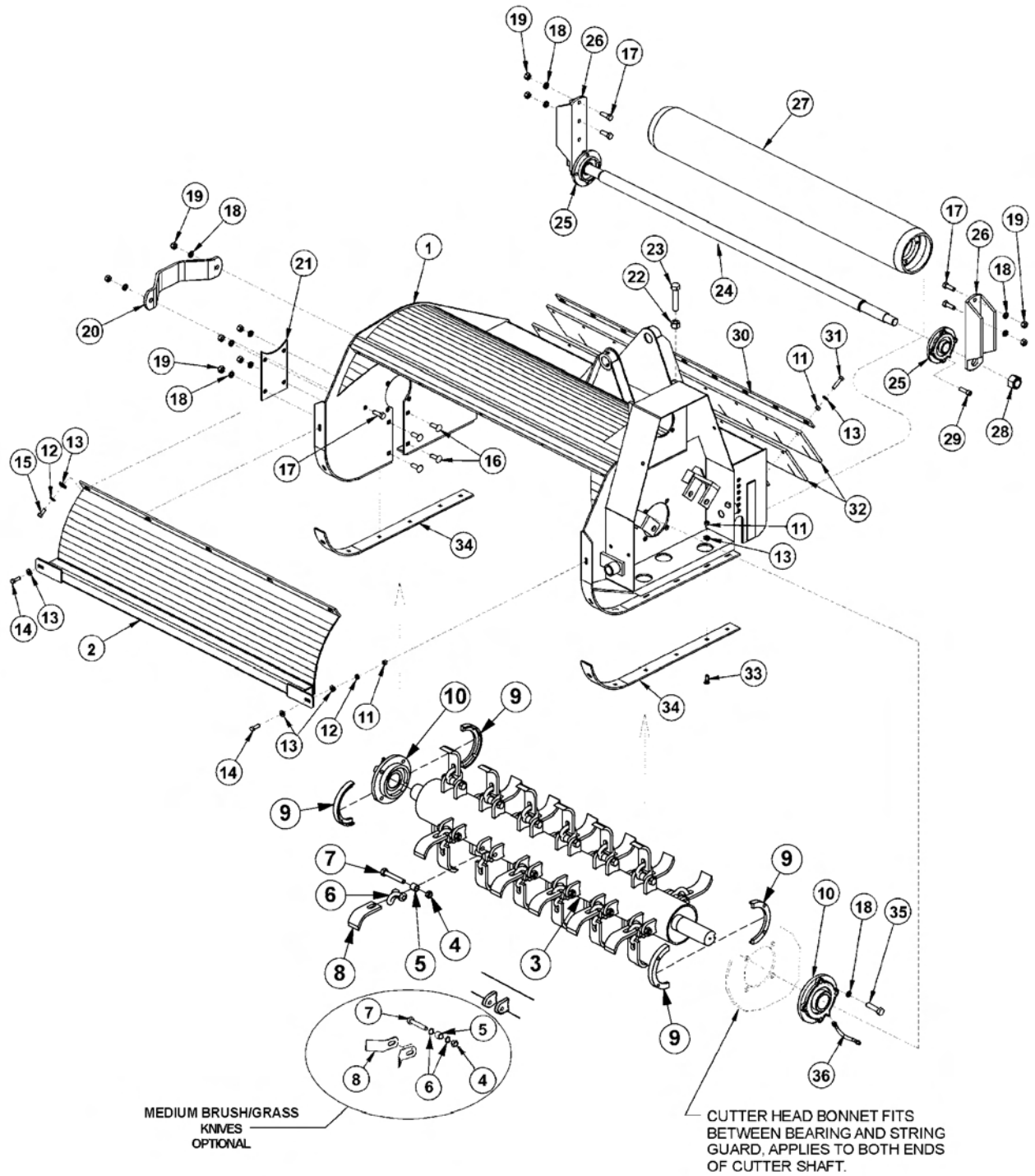
50IN FLAIL DRIVE ASSEMBLY

Continued...

| ITEM | PART NO. | QTY. | DESCRIPTION |
|-------------|-----------------|-------------|--|
| 1 | 06504013 | 1 | MOTOR (M350-1 3/4" GEAR) |
| 2 | TF3006 | 1 | BELT GUARD |
| 3 | TF3043 | 2 | SHEAVE |
| 4 | TF3013 | 1 | BUSHING |
| 5 | TF3011 | 1 | BUSHING |
| 6 | TF3034 | 1 | IDLER PULLEY |
| 7 | TF3205 | 1 | IDLER ARM |
| 8 | TF3206 | 2 | IDLER PULLEY SPACER |
| 9 | TF3605 | 1 | IDLER ARM PIN WITH ZERK |
| 10 | 6T3004 | 1 | R - CLIP |
| 11 | PT3611A | 1 | CLEVIS |
| 12 | 32481 | 1 | THREADED ROD |
| 13 | TF3620 | 1 | COMPRESSION SPRING |
| 14 | 21789 | 1 | CAPSCREW 5/8" X 3 1/2" |
| 15 | 21992 | 1 | LOCKWASHER 5/8" |
| 16 | 21775 | 1 | HEX NUT 5/8" |
| 17 | 21732 | 5 | CAPSCREW 1/2" X 1 3/4" |
| 18 | 21990 | 4 | LOCKWASHER 1/2" |
| 19 | 21725 | 4 | HEX NUT 1/2" |
| 20 | 6T2418 | 1 | LOCK NUT 1/2" |
| 21 | 21630 | 4 | CAPSCREW 3/8" X 1" |
| 22 | 21988 | 4 | LOCKWASHER 3/8" |
| 23 | 22016 | 4 | FLATWASHER 3/8" |
| 24 | 21584 | 6 | CAPSCREW 5/16" X 2" |
| 25 | 21987 | 6 | LOCKWASHER 5/16" |
| 26 | 27938 | 1 | FLATWASHER 1/2" |
| 27 | 21700 | 2 | HEX NUT 1/2" NF |
| 28 | TF3021 | 2 | BELT |
| 29 | TF1125 | 1 | SQUARE KEY |
| 30 | TF1025 | 1 | SQUARE KEY MOTOR |
| 31 | TF4852 | 2 | FLANGE KIT |
| 32 | 34227 | 1 | PREFORMED TUBE |
| 33 | 31218 | 1 | HOSE - RETURN |
| 34 | 34331 | 1 | HOSE - PRESSURE |
| 35 | 24724 | 2 | SWIVEL FITTING |
| 36 | ----- | - | CUTTER HEAD *REFER TO CUTTER HEAD ASSY |

COMMON BENGAL

50IN FLAIL MOWER ASSEMBLY



| ITEM | PART NO. | QTY. | DESCRIPTION |
|------|----------|------|---|
| --- | 34787 | 1 | FLAIL,BOOM,50,BRUSH,CPLT ASSY (LIGHT BRUSH/GRASS) |
| | 06742133 | 1 | FLAIL,BOOM,50,MD GRASS,CPLT ASSY (MEDIUM BRUSH/GRASS) |
| 1 | TF3003F | 1 | CUTTER HEAD BONNET |
| 2 | TF3004 | 1 | FRONT SHIELD |

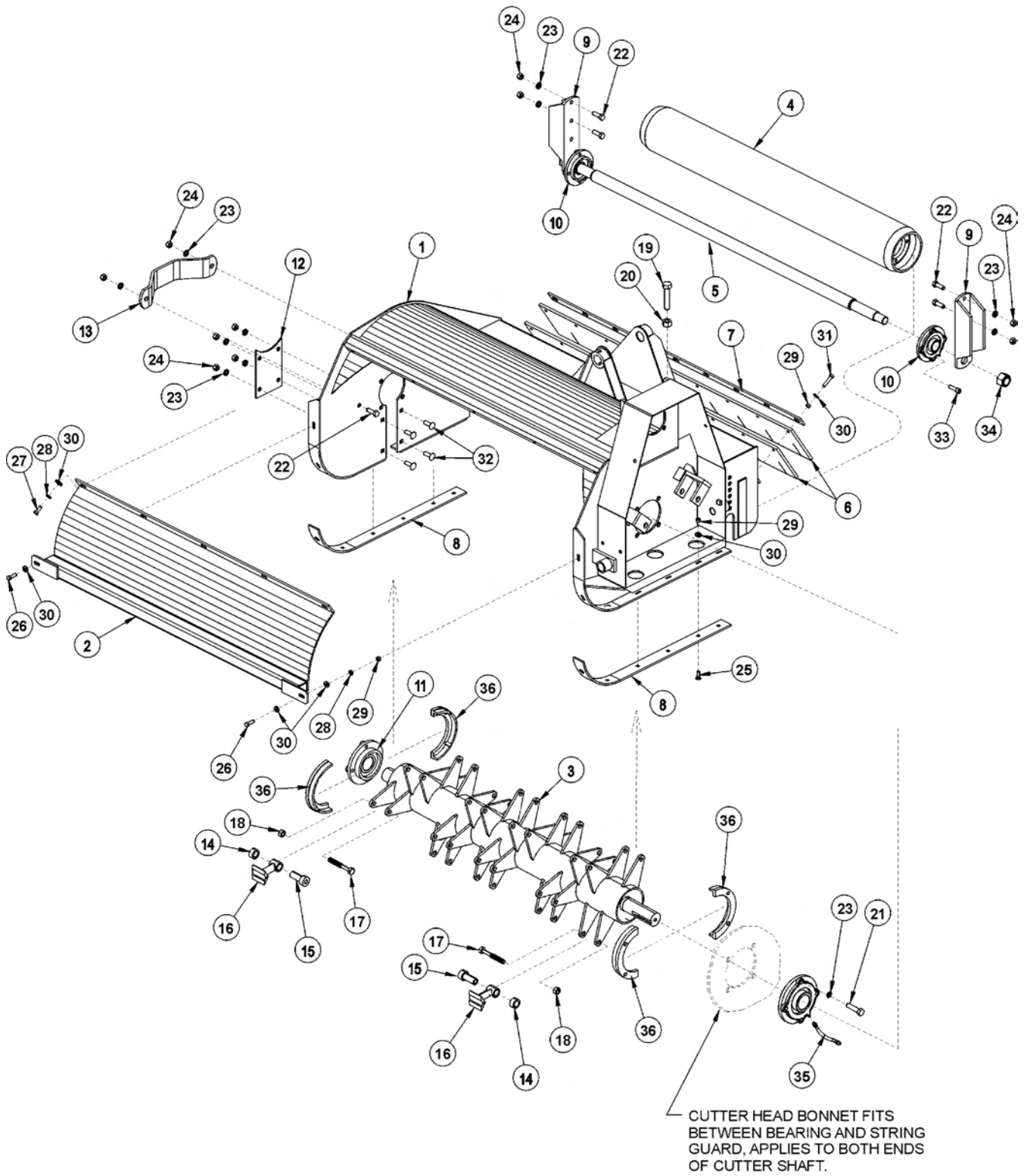
50IN FLAIL MOWER ASSEMBLY

Continued...

| ITEM | PART NO. | QTY. | DESCRIPTION |
|------|------------|------|---------------------------------------|
| 3 | 34783 | 1 | TBF50 (LIGHT BRUSH/GRASS KNIFE ASSY) |
| ---- | 06700115 | 1 | TBF50 (MEDIUM BRUSH/GRASS KNIFE ASSY) |
| 4 | 6T2419 | 24 | HEX NUT,9/16",NC,STOVER |
| 5 | 41725.01HT | 24 | BUSHING,1"OD X 5/8"ID |
| 6 | 34782 | 24 | CLEVIS (LIGHT BRUSH/GRASS KNIVES) |
| ---- | 06430122 | 48 | SPACER (MEDIUM BRUSH/GRASS KNIVES) |
| 7 | 34786 | 24 | CAPSCREW,9/16" X 3-1/2",NC |
| 8 | 34780 | 24 | KNIFE (LIGHT BRUSH/GRASS CUTTING) |
| ---- | 06521007 | 48 | KNIFE (MEDIUM BRUSH/GRASS CUTTING) |
| 9 | 31204 | 2 | STRING GUARD SET (2 PIECES PER SET) |
| 10 | TF1018 | 2 | FLANGE BEARING,2-3/16" |
| 11 | 21625 | 23 | HEX NUT,3/8",NC |
| 12 | 21988 | 7 | LOCKWASHER,3/8" |
| 13 | 22016 | 30 | FLATWASHER,3/8" |
| 14 | 21631 | 2 | CAPSCREW,3/8" X 1-1/4",NC |
| 15 | 21630 | 5 | CAPSCREW,3/8" X 1",NC |
| 16 | 6T7031D | 4 | PLOW BOLT,1/2" X 1-1/2",NC |
| 17 | 21731 | 6 | CAPSCREW,1/2" X 1-1/2",NC |
| 18 | 21990 | 18 | LOCKWASHER,1/2" |
| 19 | 21725 | 10 | HEX NUT,1/2",NC |
| 20 | TF1040 | 1 | CUTTER SHAFT GUARD |
| 21 | TF3007A | 1 | COVER PLATE |
| 22 | 21825 | 1 | HEX NUT,5/8",NC |
| 23 | 21838 | 1 | CAPSCREW,3/4" X 3-1/2",NC |
| 24 | TF3406 | 1 | GROUND ROLLER TIE ROD |
| 25 | TF1022 | 2 | FLANGE BEARING,1-3/8" |
| 26 | TF3407 | 2 | GROUND ROLLER ADJUSTMENT BRACKET |
| 27 | TF3405 | 1 | GROUND ROLLER |
| 28 | 6T1023R | 2 | NYLOCK NUT,1-1/8",NF |
| 29 | 6T2330 | 8 | CAPSCREW,7/16" X 1-1/2",SOCKET HEAD |
| 30 | TB1008 | 1 | FLAP RETAINING BAR |
| 31 | 21633 | 9 | CAPSCREW,3/8" X 1-3/4",NC |
| 32 | TB1006A | 2 | DEFLECTOR FLAP |
| 33 | 6T2270 | 12 | PLOWBOLT,3/8" X 1",NC |
| 34 | TF3001 | 2 | SKID SHOE |
| 35 | 06530218 | 8 | CAPSCREW,1/2" X 1-3/4",NC |
| 36 | TF1032 | 1 | FLANGE BEARING GREASE HOSE |

COMMON BENGAL

50IN FLAIL MOWER ASSY, PASS-THROUGH KNIVES



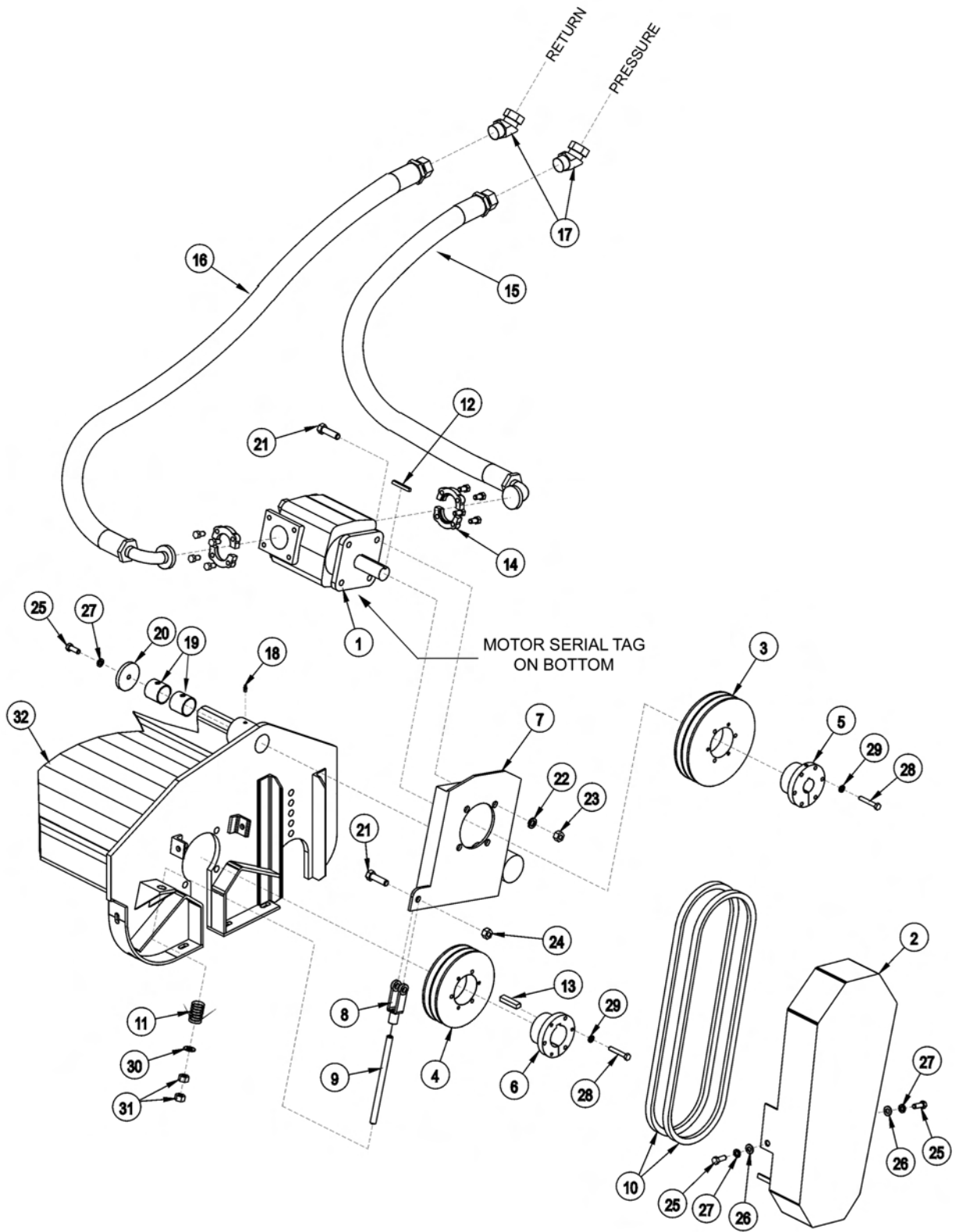
50IN FLAIL MOWER ASSY, PASS-THROUGH KNIVES

Continued...

| ITEM | PART NO. | QTY. | DESCRIPTION |
|------|----------|------|-------------------------------------|
| --- | 34172 | 1 | FLAIL,BOOM,50,CPLT ASSY |
| 1 | TF3003F | 1 | CUTTER HEAD BONNET |
| 2 | TF3004 | 1 | FRONT SHIELD |
| 3 | 33717 | 1 | TBF50,CUTTERSHAFT,PASS THRU KNIVES |
| 4 | TF3405 | 1 | GROUND ROLLER |
| 5 | TF3406 | 1 | GROUND ROLLER TIE ROD |
| 6 | TB1006A | 2 | DEFLECTOR FLAP |
| 7 | TB1008 | 1 | FLAP RETAINING BAR |
| 8 | TF3001 | 2 | SKID SHOE |
| 9 | TF3407 | 2 | GROUND ROLLER ADJUSTMENT BRACKET |
| 10 | TF1022 | 2 | FLANGE BEARING,1-3/8" |
| 11 | TF1018 | 2 | FLANGE BEARING,2-3/16" |
| 12 | TF3007A | 1 | COVER PLATE |
| 13 | TF1040 | 1 | CUTTER SHAFT GUARD |
| 14 | 33858 | 24 | SPACER,COLLAR |
| 15 | 33857 | 24 | SHOULDER,BUSHING |
| 16 | 46399.01 | 24 | KNIFE,FLAIL,FORGED |
| 17 | 33854 | 24 | CAPSCREW,5/8" X 4-1/2",NC |
| 18 | 32674 | 24 | HEX NUT,5/8",NC |
| 19 | 21838 | 1 | CAPSCREW,3/4" X 3-1/2",NC |
| 20 | 21825 | 1 | HEX NUT,5/8",NC |
| 21 | 21732 | 8 | CAPSCREW,1/2" X 1-3/4",NC |
| 22 | 21731 | 6 | CAPSCREW,1/2" X 1-1/2",NC |
| 23 | 21990 | 18 | LOCKWASHER,1/2" |
| 24 | 21725 | 10 | HEX NUT,1/2",NC |
| 25 | 6T2270 | 12 | PLOWBOLT,3/8" X 1",NC |
| 26 | 21631 | 2 | CAPSCREW,3/8" X 1-1/4",NC |
| 27 | 21630 | 5 | CAPSCREW,3/8" X 1",NC |
| 28 | 21988 | 7 | LOCKWASHER,3/8" |
| 29 | 21625 | 23 | HEX NUT,3/8",NC |
| 30 | 22016 | 30 | FLATWASHER,3/8" |
| 31 | 21633 | 9 | CAPSCREW,3/8" X 1-3/4",NC |
| 32 | 6T7031D | 4 | PLOW BOLT,1/2" X 1-1/2",NC |
| 33 | 6T2330 | 8 | CAPSCREW,7/16" X 1-1/2",NC,SCKT HD |
| 34 | 6T1023R | 2 | NYLOCK NUT,1-1/8",NF |
| 35 | TF1032 | 1 | FLANGE BEARING GREASE HOSE |
| 36 | 31204 | 2 | STRING GUARD SET (2 PIECES PER SET) |

COMMON BENGAL

63IN FLAIL DRIVE ASSEMBLY



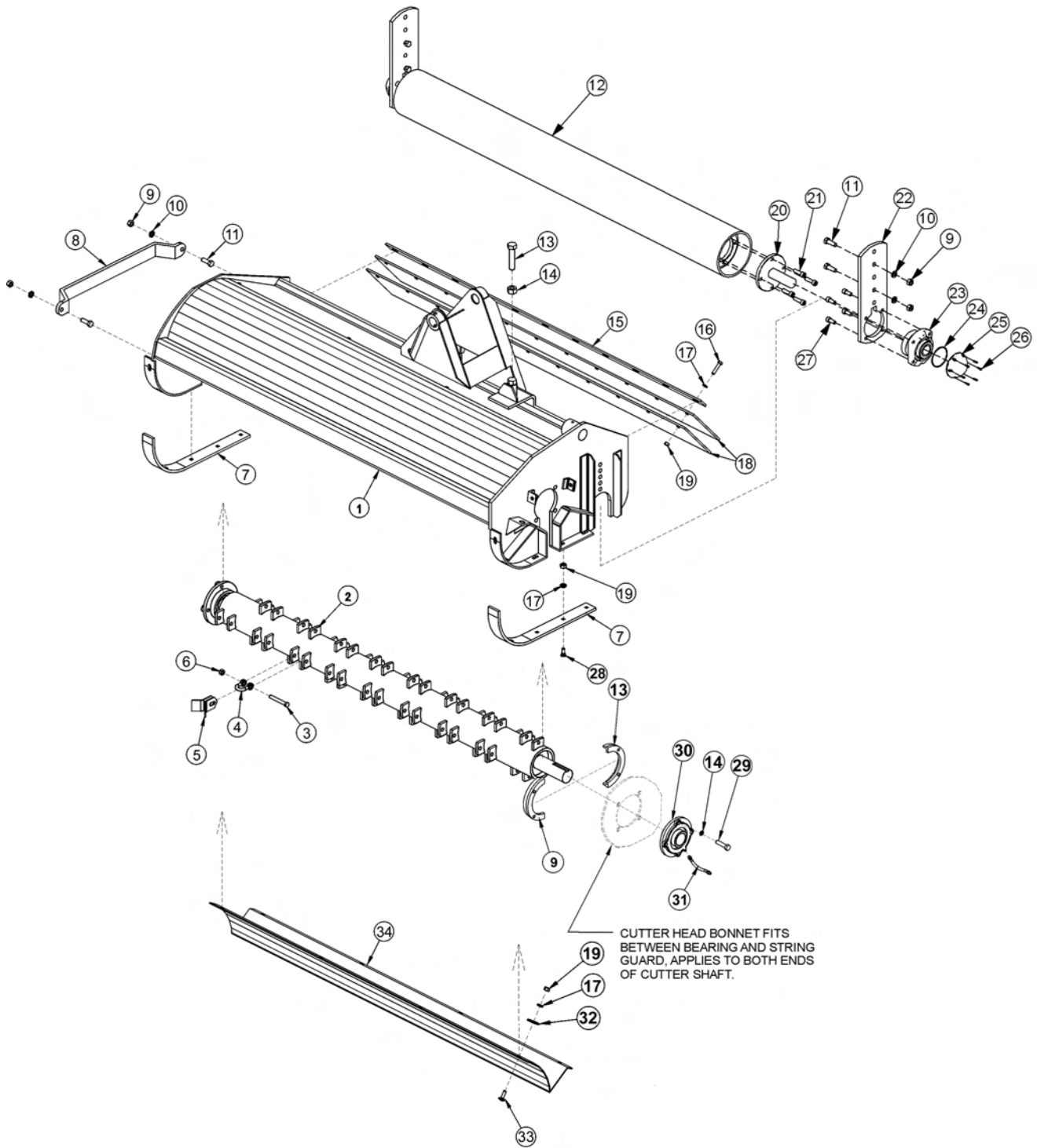
63IN FLAIL DRIVE ASSEMBLY

Continued...

| ITEM | PART NO. | QTY. | DESCRIPTION |
|------|----------|------|----------------------------------|
| 1 | 06504013 | 1 | MOTOR (M350-1 3/4 GEAR) |
| 2 | 32569 | 1 | BELT GUARD |
| 3 | TF3044 | 1 | UPPER SHEAVE |
| 4 | TF3040 | 1 | LOWER SHEAVE |
| 5 | TF3013 | 1 | BUSHING |
| 6 | 28723 | 1 | BUSHING |
| 7 | 28679B | 1 | MOTOR CHANNEL |
| 8 | PT3611A | 1 | CLEVIS |
| 9 | 40496 | 1 | THREADED ROD |
| 10 | 28702 | 2 | BELT |
| 11 | TF3620A | 1 | TENSIONER SPRING |
| 12 | 28572 | 1 | SQUARE KEY |
| 13 | 26142A | 1 | SQUARE KEY |
| 14 | TF4852 | 2 | FLANGE KIT |
| 15 | 30308 | 1 | HOSE,1 X 69 - PRESSURE |
| 16 | 30309 | 1 | HOSE,1 X 78 - RETURN |
| 17 | 24724 | 2 | SWIVEL FITTING |
| 18 | TF1033 | 1 | GREASE ZERK |
| 19 | 27580 | 2 | BUSHING |
| 20 | 28682 | 1 | MOTOR CHANNEL WASHER |
| 21 | 21732 | 5 | CAPSCREW 1/2" X 1 3/4" |
| 22 | 21990 | 4 | LOCKWASHER 1/2" |
| 23 | 21725 | 4 | HEX NUT 1/2" |
| 24 | 6T2418 | 1 | STOVER NUT 1/2" |
| 25 | 21630 | 3 | CAPSCREW 3/8" X 1" |
| 26 | 22016 | 2 | FLATWASHER 3/8" |
| 27 | 21988 | 3 | LOCKWASHER 3/8" |
| 28 | 21584 | 6 | CAPSCREW 5/16" X 2" |
| 29 | 21987 | 6 | LOCKWASHER 5/16" |
| 30 | 27938 | 1 | FLATWASHER 1/2" |
| 31 | 21700 | 2 | HEX NUT 1/2" NF |
| 32 | ----- | - | CUTTER HEAD *REFER TO MOWER ASSY |

COMMON BENGAL

63IN FLAIL MOWER ASSEMBLY



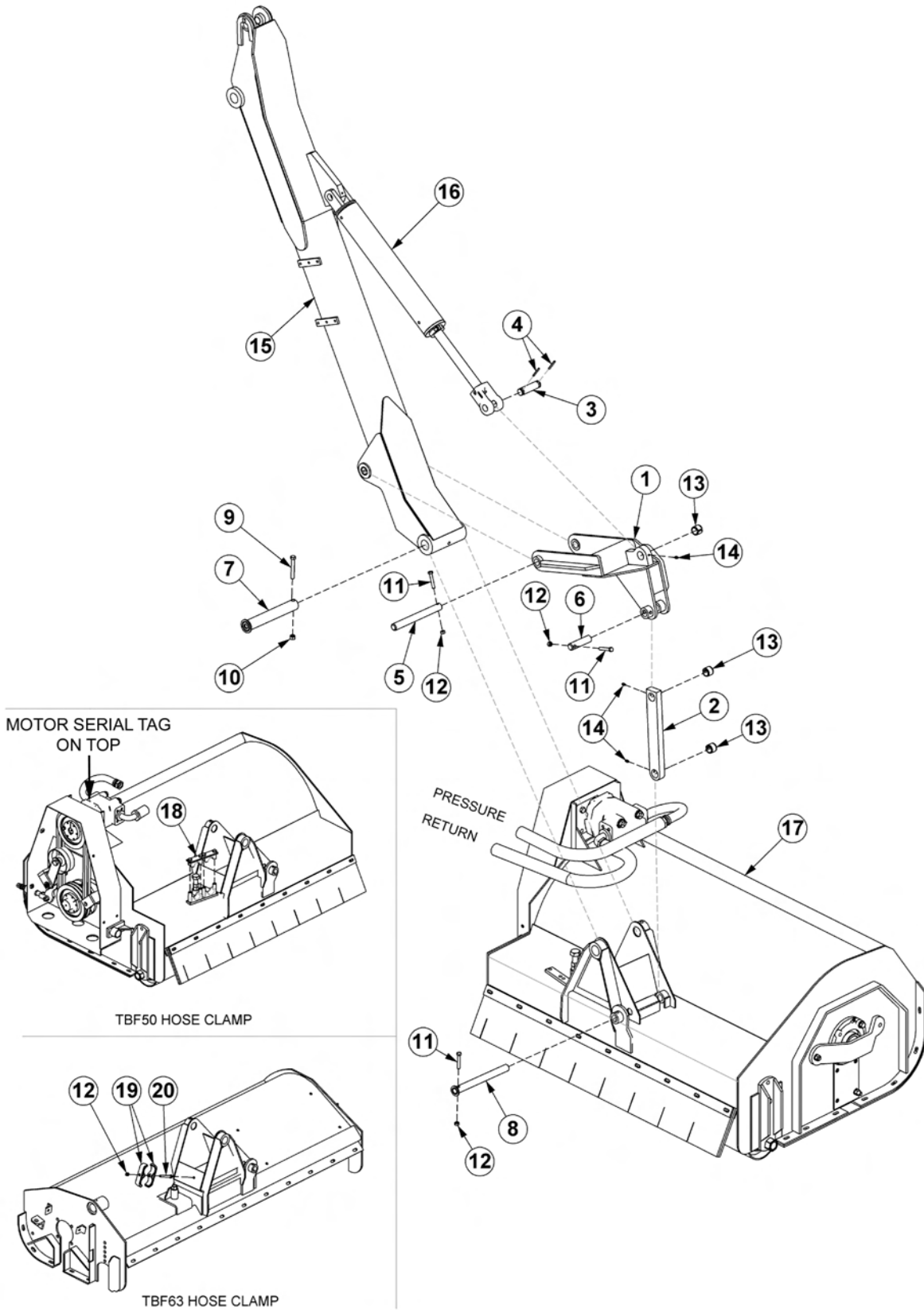
63IN FLAIL MOWER ASSEMBLY

Continued...

| ITEM | PART NO. | QTY. | DESCRIPTION |
|-------|----------|------|---|
| ----- | 06200271 | - | FLAIL,BOOM,63,GRASS,CPLT ASSY |
| 1 | 28659H | 1 | CUTTER HEAD BONNET |
| 2 | 28743 | - | CUTTER SHAFT / KNIFE ASSY STANDARD GRASS |
| ----- | 28642C | 1 | CUTTER SHAFT,63,STD |
| 3 | 34011 | 36 | FLAIL KNIFE MOUNTING BOLT |
| 4 | TF1020 | 36 | FLAIL KNIFE MOUNTING CLEVIS |
| 5 | 33713 | 72 | FLAIL KNIFE - STANDARD |
| 6 | 21677 | 36 | NYLOCK NUT |
| 7 | 28086A | 2 | SKID SHOE |
| 8 | 27975A | 1 | CUTTER SHAFT GUARD |
| 9 | 21725 | 14 | HEX NUT 1/2" |
| 10 | 21990 | 14 | LOCKWASHER 1/2" |
| 11 | 21731 | 6 | CAPSCREW 1/2" X 1 1/2" |
| 12 | 28650A | 1 | GROUND ROLLER |
| 13 | 33863 | 2 | STRING GUARD,STD |
| 14 | 06533006 | 8 | FLATWASHER,1/2",SAE,L9 |
| 15 | 28700 | 1 | FLAP RETAINING BAR |
| 16 | 21633 | 11 | CAPSCREW 3/8" X 1 3/4" |
| 17 | 21988 | 28 | LOCKWASHER 3/8" |
| 18 | 28701 | 2 | DEFLECTOR FLAP |
| 19 | 21625 | 28 | HEX NUT 3/8" |
| 20 | TF1045B | 2 | GROUND ROLLER STUB SHAFT |
| 21 | 6T2330 | 8 | CAPSCREW 7/16" X 1 1/2" SOCKET HEAD |
| 22 | 28735 | 2 | ADJUSTABLE ROLLER BRACKET |
| 23 | 06520028 | 2 | BEARING,FLANGE,1-3/8,GRNDRLLR |
| 24 | 06520029 | 2 | O-RING |
| 25 | 06520027 | 2 | CAP,BEARING,GROUNDROLLER |
| 26 | 06530001 | 12 | CAPSCREW,SKT HD,8-32 X 1/2,SS |
| 27 | 6T2331 | 8 | CAPSCREW 7/16" X 1" SOCKET HEAD |
| 28 | 6T2270 | 10 | PLOW BOLT 3/8" X 1 1/4" |
| 29 | 06530217 | 8 | CAPSCREW 1/2" X 2",L9 |
| 30 | 28683 | 2 | FLANGE BEARING |
| 31 | TF1032 | 1 | FLANGE BEARING GREASE HOSE |
| 32 | 6T2615 | 7 | FENDER WASHER 3/8" |
| 33 | 6T2283 | 7 | CARRIAGE BOLT 3/8" X 1" |
| 34 | 28665A | 1 | BAFFLE (INSIDE UPPER REAR OF CUTTER HEAD) |

COMMON BENGAL

BOOM FLAIL PIVOT ASSEMBLY

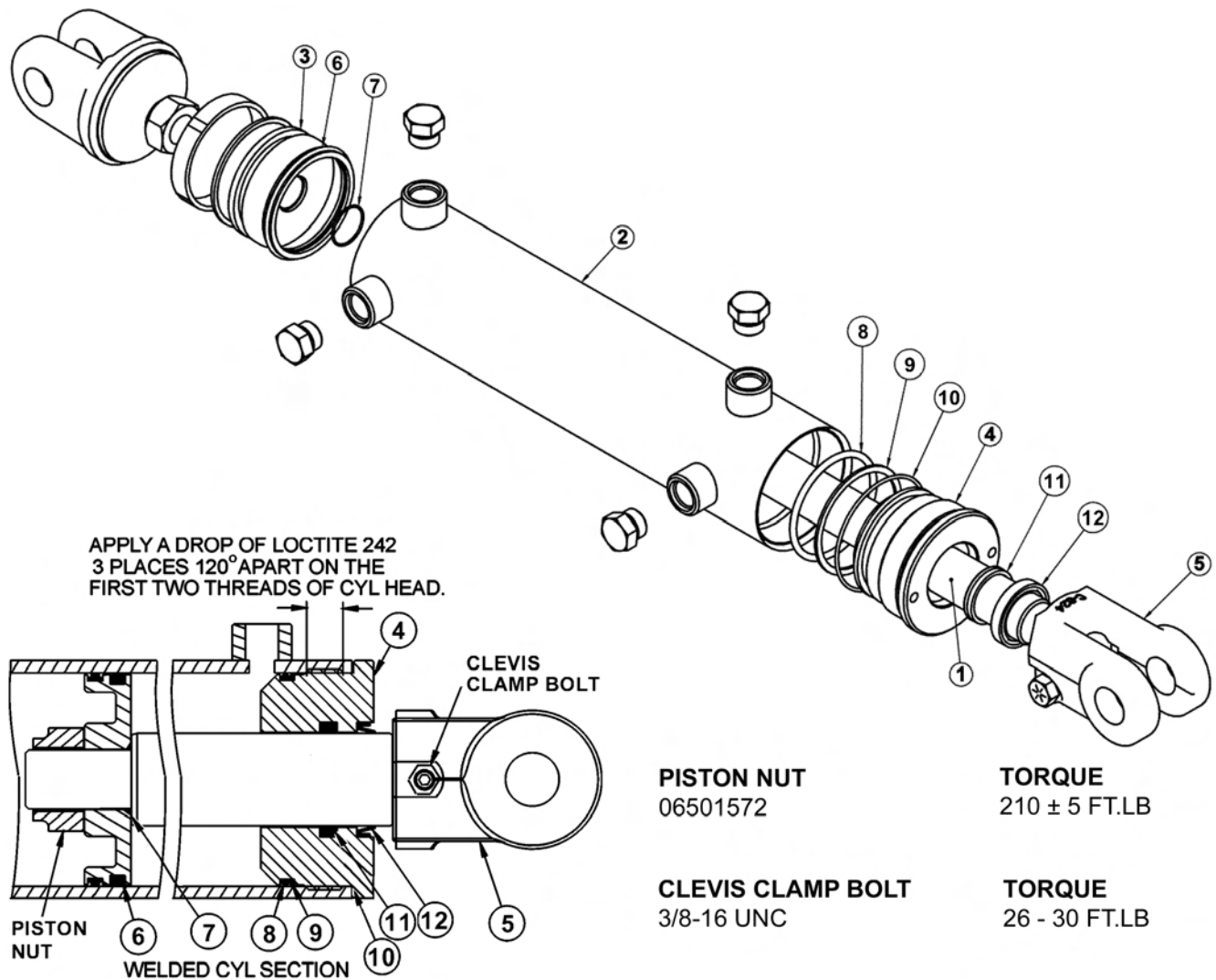


BOOM FLAIL PIVOT ASSEMBLY

Continued...

| ITEM | PART NO. | QTY. | DESCRIPTION |
|------|----------|------|---|
| 1 | TF3015 | 1 | FLAIL PIVOT ASSY |
| 2 | TB1028 | 1 | PIVOT ARM ASSY |
| 3 | TB1033 | 1 | PIN CLEVIS |
| 4 | 06537021 | 2 | ROLL PIN |
| 5 | TF3097 | 1 | PIN |
| 6 | TF3090 | 1 | PIN |
| 7 | TB1024 | 1 | PIN |
| 8 | TB1027 | 1 | PIN |
| 9 | 21688 | 1 | CAPSCREW 7/16" X 3 1/4" |
| 10 | 21677 | 1 | NYLOCK NUT 7/16" |
| 11 | 21635 | 3 | CAPSCREW 3/8" X 2 1/4" |
| 12 | 21627 | 4 | NYLOCK NUT 3/8" |
| 13 | TB3010 | 3 | BUSHING |
| 14 | 6T3207 | 3 | GREASE ZERK |
| 15 | ----- | - | SECONDARY BOOM *REFER TO BOOM ARM ASSY |
| 16 | ----- | - | CYLINDER *REFER TO BOOM ARM ASSY |
| 17 | ----- | - | FLAIL MOWER HEAD *REFER TO FLAIL ASSY |
| 18 | 31723 | 1 | CLAMP KIT,TBF50 (USED ON 50" FLAIL) |
| 19 | TB3031 | 2 | DOUBLE HOSE CLAMP (USED ON THE 63" FLAIL) |
| 20 | 21638 | 1 | CAPSCREW 3/8" X 3" |

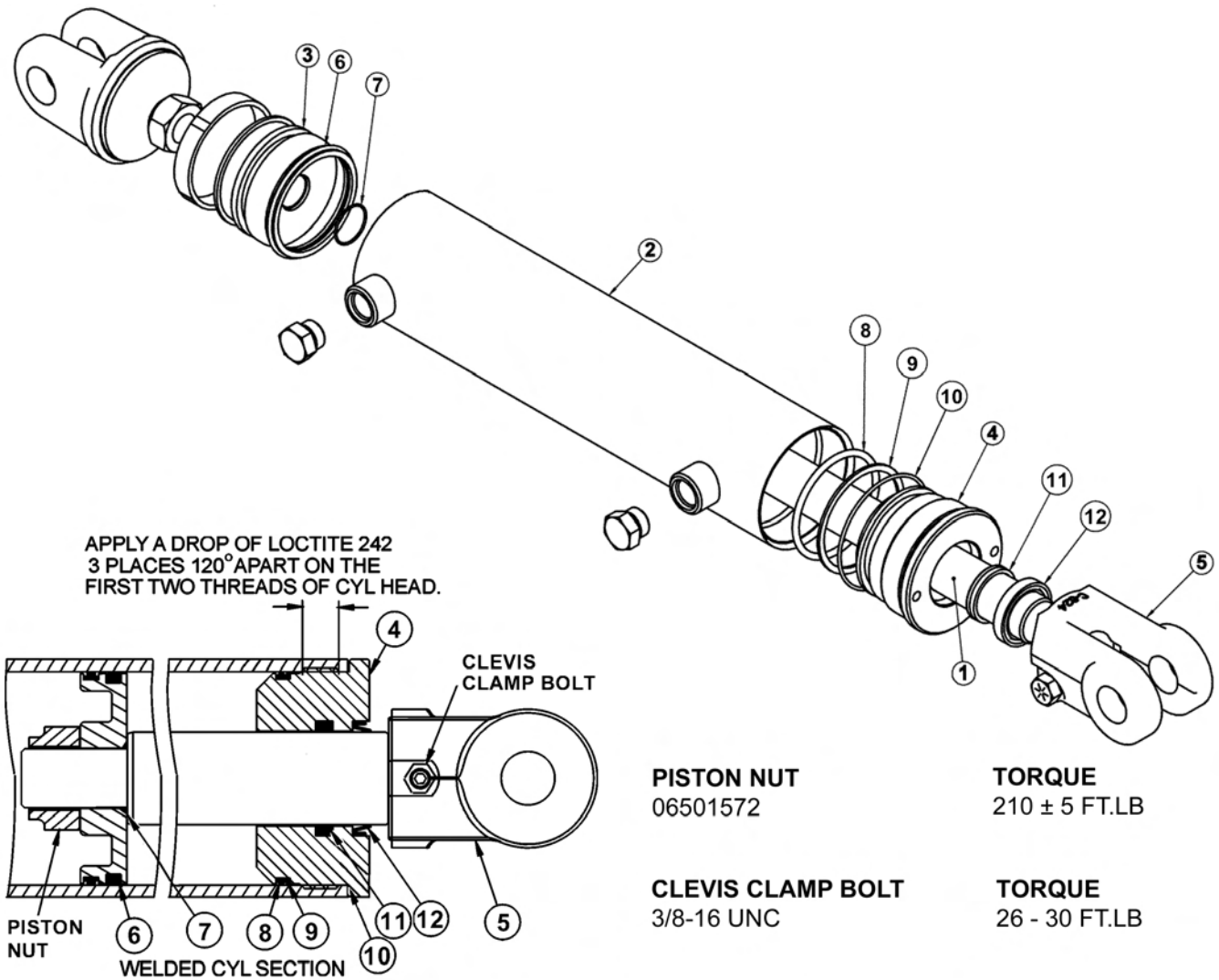
3IN X 10IN WELDED CYLINDER BREAKDOWN



WARNING - MECHANICAL FASTENERS MUST BE TORQUED TO RECOMMENDED SPECIFICATIONS DURING REPAIR TO PREVENT PERSONAL INJURY OR EQUIPMENT DAMAGE.

| ITEM | PART NO. | QTY. | DESCRIPTION |
|-------|----------|------|--------------------------------------|
| ----- | 06501021 | - | HYDRAULIC CYLINDER COMPLETE |
| 1 | 06501550 | 1 | ROD |
| 2 | 06501551 | 1 | TUBE WELDMENT |
| 3 | 06501552 | 1 | PISTON |
| 4 | 06501553 | 1 | CYLINDER HEAD |
| 5 | 06501554 | 1 | CLEVIS |
| ----- | 06501555 | - | SEAL REPAIR KIT (ITEMS 6 THROUGH 12) |

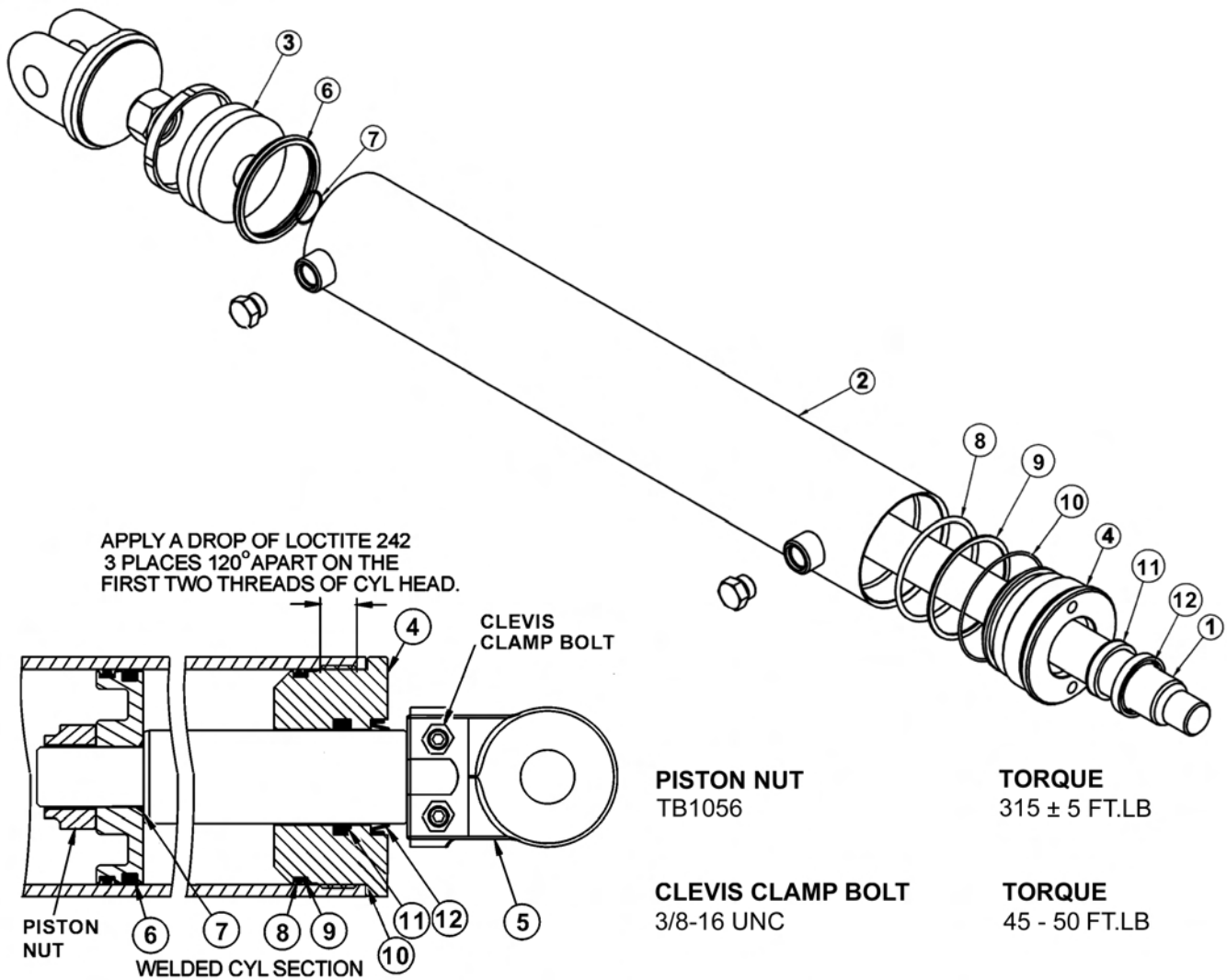
3IN X 18IN WELDED CYLINDER BREAKDOWN



WARNING - MECHANICAL FASTENERS MUST BE TORQUED TO RECOMMENDED SPECIFICATIONS DURING REPAIR TO PREVENT PERSONAL INJURY OR EQUIPMENT DAMAGE.

| ITEM | PART NO. | QTY. | DESCRIPTION |
|-------|----------|------|--------------------------------------|
| ----- | 06501023 | - | HYDRAULIC CYLINDER COMPLETE |
| 1 | 06501561 | 1 | ROD |
| 2 | 06501562 | 1 | TUBE WELDMENT |
| 3 | 06501552 | 1 | PISTON |
| 4 | 06501563 | 1 | CYLINDER HEAD |
| 5 | 06501554 | 1 | CLEVIS |
| ----- | 06501564 | - | SEAL REPAIR KIT (ITEMS 6 THROUGH 12) |

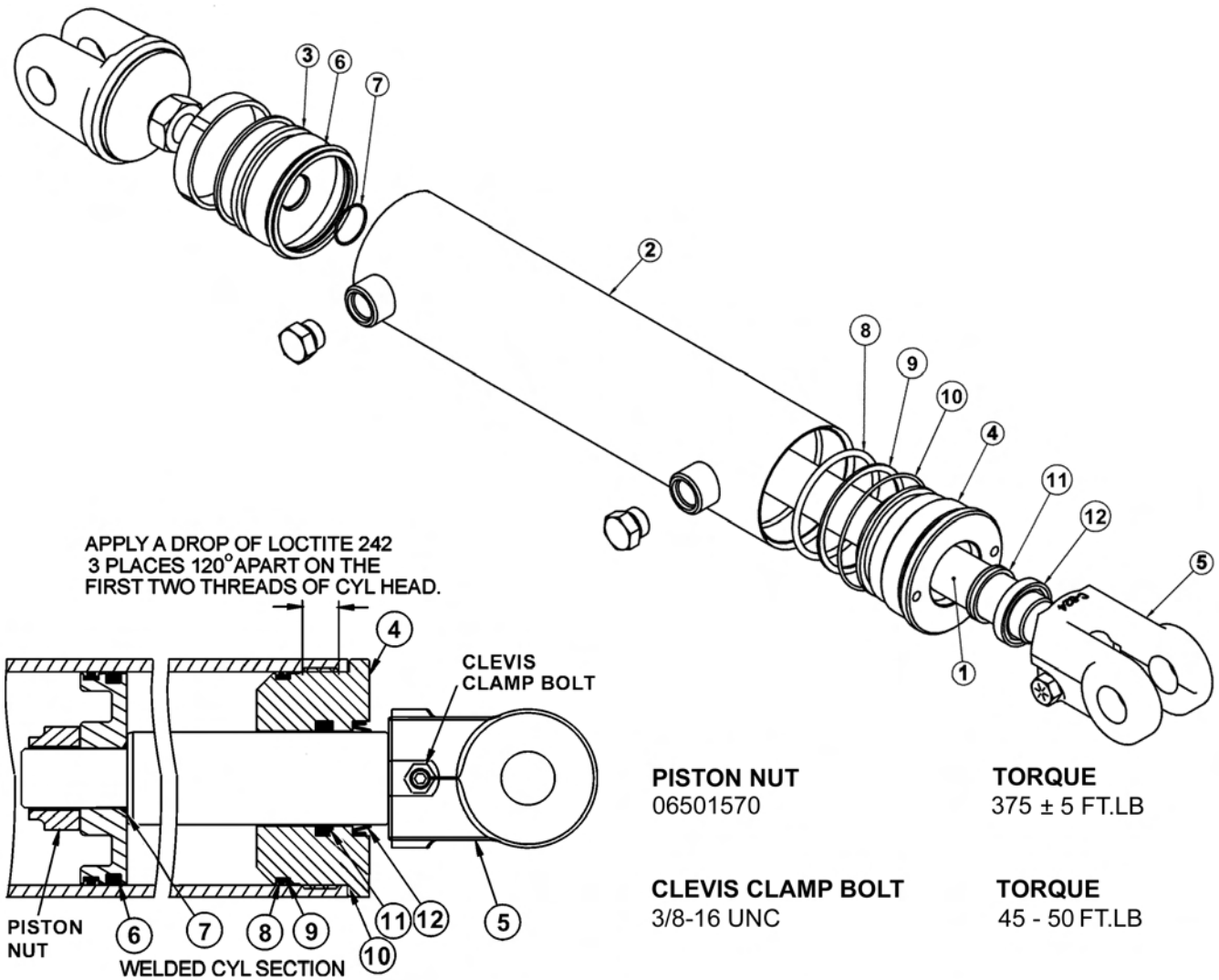
3-1/2IN X 20IN WELDED CYLINDER BREAKDOWN



WARNING - MECHANICAL FASTENERS MUST BE TORQUED TO RECOMMENDED SPECIFICATIONS DURING REPAIR TO PREVENT PERSONAL INJURY OR EQUIPMENT DAMAGE.

| ITEM | PART NO. | QTY. | DESCRIPTION |
|-------|----------|------|--------------------------------------|
| ----- | 06501024 | - | HYDRAULIC CYLINDER COMPLETE |
| 1 | 06501565 | 1 | ROD |
| 2 | 06501566 | 1 | TUBE WELDMENT |
| 3 | 06501567 | 1 | PISTON |
| 4 | 06501568 | 1 | CYLINDER HEAD |
| 5 | TB3033 | - | CLEVIS |
| ----- | 06501569 | - | SEAL REPAIR KIT (ITEMS 6 THROUGH 12) |

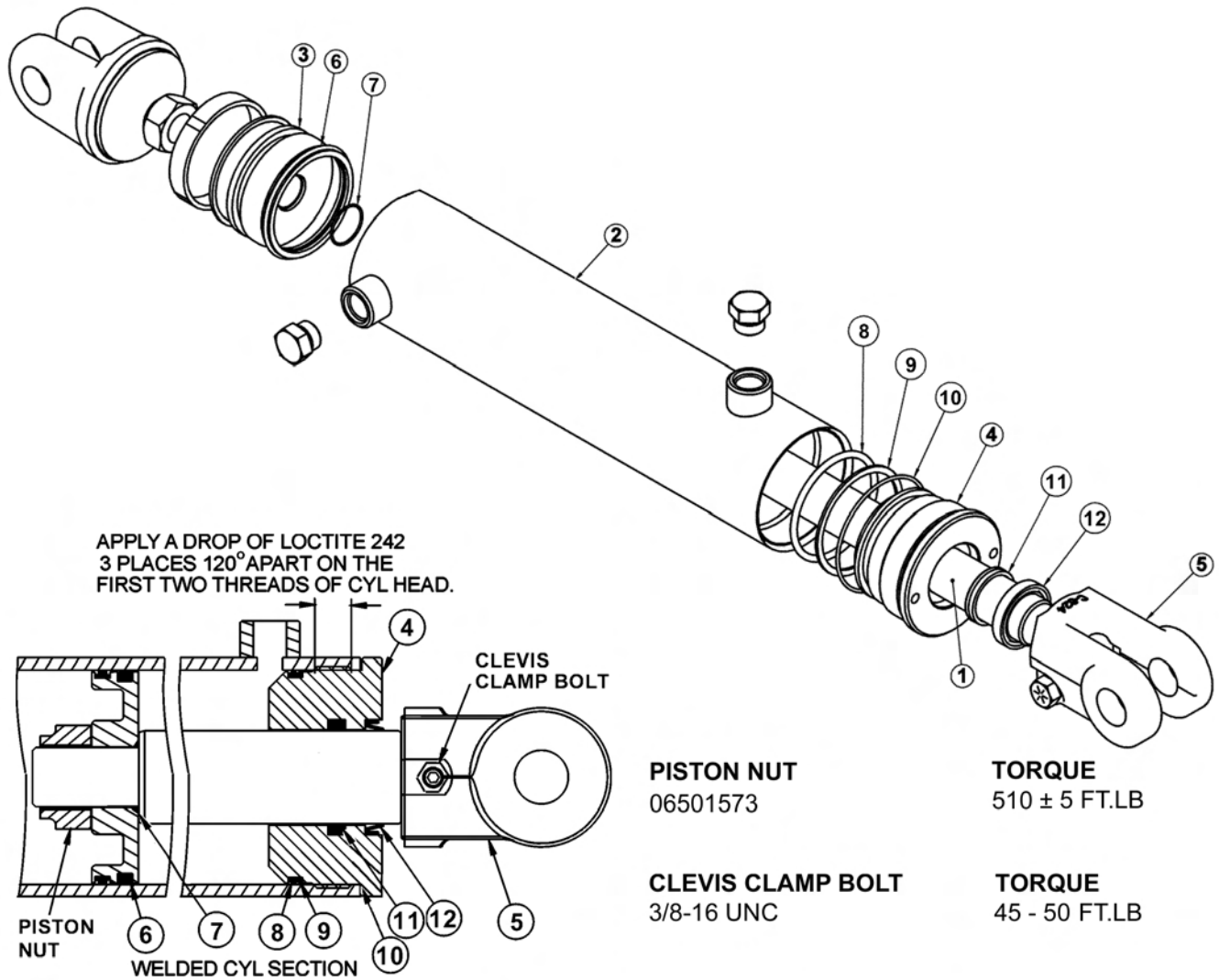
4IN X 9IN WELDED CYLINDER BREAKDOWN



WARNING - MECHANICAL FASTENERS MUST BE TORQUED TO RECOMMENDED SPECIFICATIONS DURING REPAIR TO PREVENT PERSONAL INJURY OR EQUIPMENT DAMAGE.

| ITEM | PART NO. | QTY. | DESCRIPTION |
|-------|----------|------|--------------------------------------|
| ----- | 06501019 | - | HYDRAULIC CYLINDER COMPLETE |
| 1 | 06501538 | 1 | ROD |
| 2 | 06501539 | 1 | TUBE WELDMENT |
| 3 | 06501540 | 1 | PISTON |
| 4 | 06501541 | 1 | CYLINDER HEAD |
| 5 | 06501542 | 1 | CLEVIS |
| ----- | 06501543 | - | SEAL REPAIR KIT (ITEMS 6 THROUGH 12) |

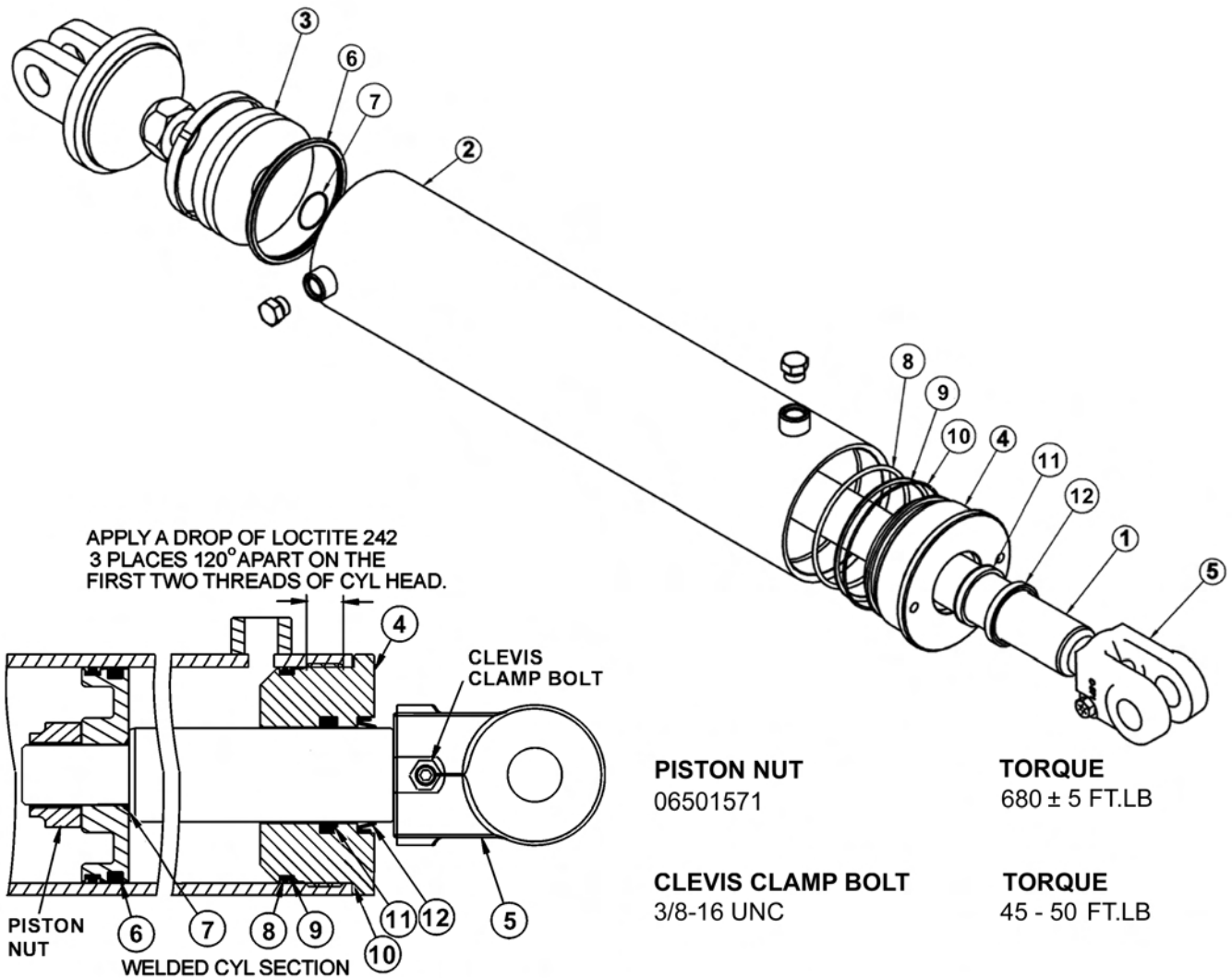
4IN X 20IN WELDED CYLINDER BREAKDOWN



WARNING - MECHANICAL FASTENERS MUST BE TORQUED TO RECOMMENDED SPECIFICATIONS DURING REPAIR TO PREVENT PERSONAL INJURY OR EQUIPMENT DAMAGE.

| ITEM | PART NO. | QTY. | DESCRIPTION |
|-------|----------|------|--------------------------------------|
| ----- | 06501022 | - | HYDRAULIC CYLINDER COMPLETE |
| 1 | 06501556 | 1 | ROD |
| 2 | 06501557 | 1 | TUBE WELDMENT |
| 3 | 06501558 | 1 | PISTON |
| 4 | 06501559 | 1 | CYLINDER HEAD |
| 5 | 6T0172 | 1 | CLEVIS |
| 5A | 30172 | - | CLEVIS (FOR EXTENDED BOOM) |
| ----- | 06501560 | - | SEAL REPAIR KIT (ITEMS 6 THROUGH 12) |

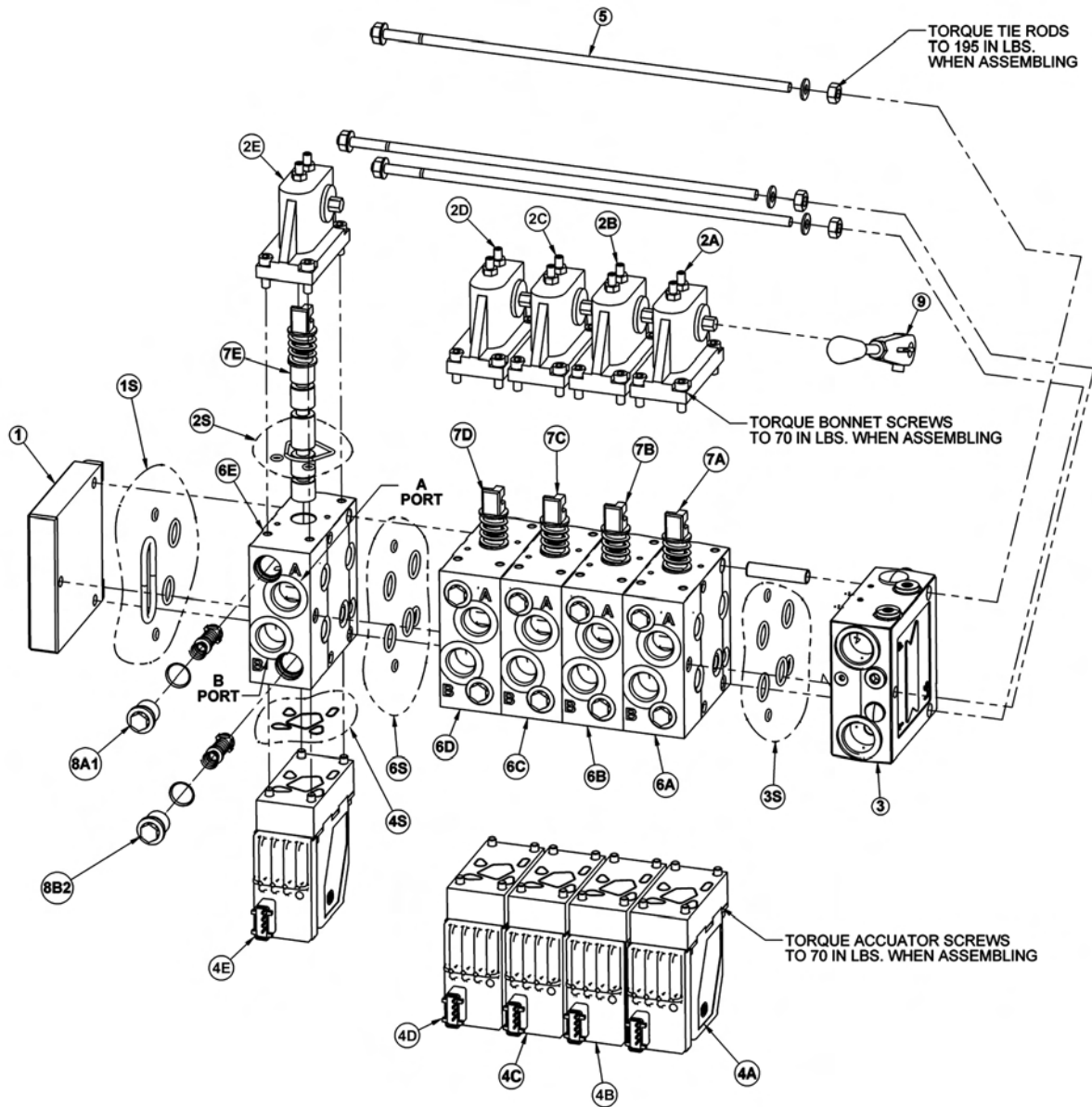
5IN X 20IN WELDED CYLINDER BREAKDOWN



WARNING - MECHANICAL FASTENERS MUST BE TORQUED TO RECOMMENDED SPECIFICATIONS DURING REPAIR TO PREVENT PERSONAL INJURY OR EQUIPMENT DAMAGE.

| ITEM | PART NO. | QTY. | DESCRIPTION |
|-------|----------|------|--------------------------------------|
| ----- | 06501020 | - | HYDRAULIC CYLINDER COMPLETE |
| 1 | 06501544 | 1 | ROD |
| 2 | 06501545 | 1 | TUBE WELDMENT |
| 3 | 06501546 | 1 | PISTON |
| 4 | 06501547 | 1 | CYLINDER HEAD |
| 5 | 06501548 | 1 | CLEVIS |
| ----- | 06501549 | - | SEAL REPAIR KIT (ITEMS 6 THROUGH 12) |

5 SPOOL ELECTRONIC VALVE - SIDE STOW



| ITEM | PART NO. | QTY. | DESCRIPTION |
|-------|----------|------|-------------------------|
| ----- | 06502096 | - | VLV,5SP,32PVG,SIDE STOW |
| 1 | 06502074 | 1 | END PLATE |
| 1S | 06505013 | 1 | END PLATE SEAL KIT |
| 2 | ----- | 5 | BONNET |
| 2S | 06505042 | 1 | BONNET SEAL KIT |
| 2A | 42197 | 1 | MAIN BOOM BONNET |
| 2B | 42197 | 1 | SECONDARY BOOM BONNET |
| 2C | 42197 | 1 | DECK ROLL BONNET |
| 2D | 42197 | 1 | BOOM SWIVEL BONNET |
| 2E | 42197 | 1 | DECK SHIELD BONNET |

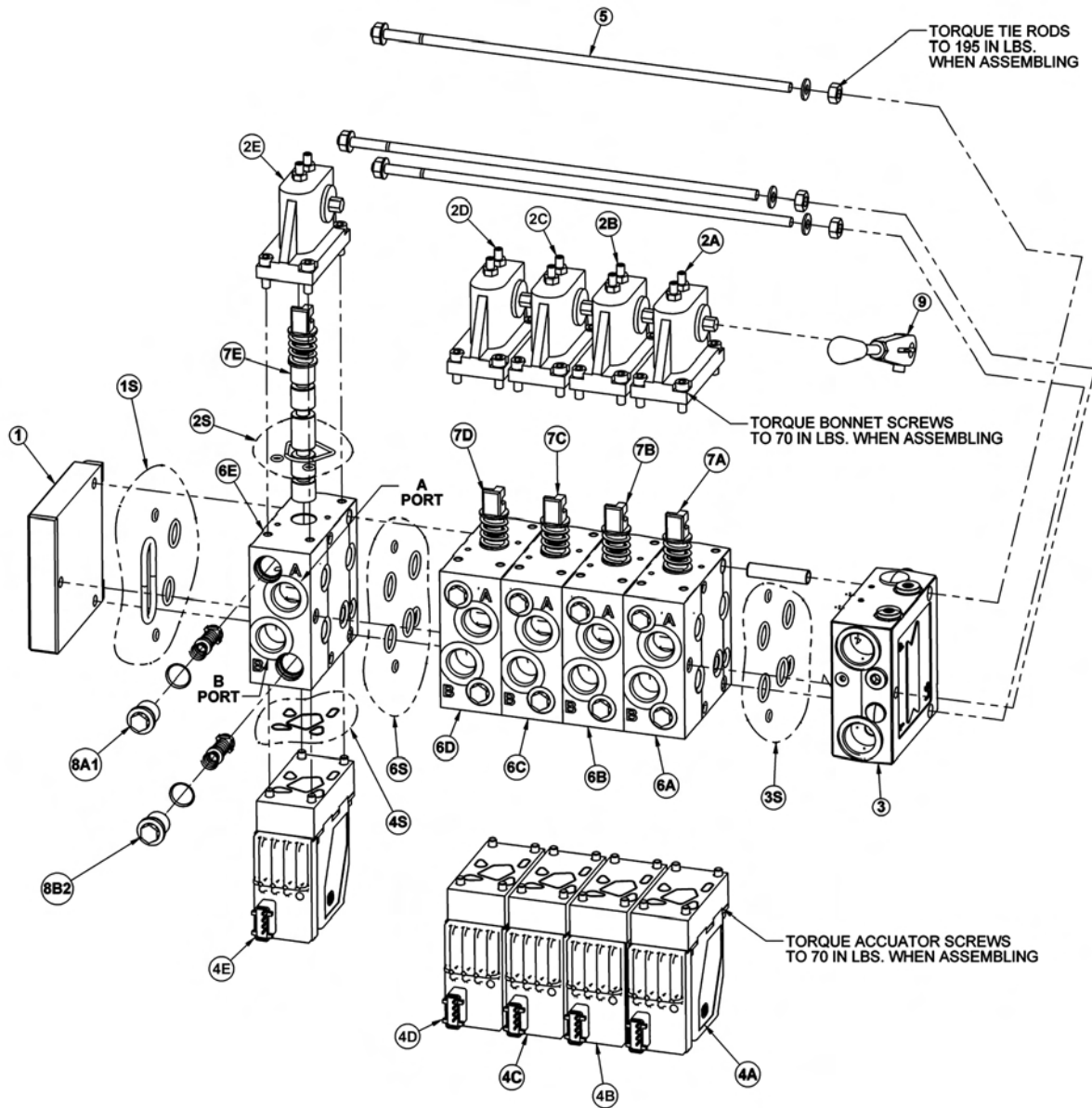
5 SPOOL ELECTRONIC VALVE - SIDE STOW

Continued...

| ITEM | PART NO. | QTY. | DESCRIPTION |
|------|----------|------|------------------------------------|
| 3 | 34308 | 1 | INLET SECTION |
| 3S | 06505013 | 1 | INLET SECTION SEAL KIT |
| 4 | ----- | 5 | ELECTRONIC ACCUATOR |
| 4A | 06502101 | 1 | MAIN BOOM ELECTRONIC ACCUATOR |
| 4B | 06502101 | 1 | SECONDARY BOOM ELECTRONIC ACCUATOR |
| 4C | 06502100 | 1 | DECK ROLL ELECTRONIC ACCUATOR |
| 4D | 06502101 | 1 | BOOM SWIVEL ELECTRONIC ACCUATOR |
| 4E | 06502099 | 1 | DECK SHIELD ELECTRONIC ACCUATOR |
| 5 | 42202 | 1 | TIE-BOLT KIT |
| 6 | ----- | 5 | SECTION |
| 6S | 06505013 | 1 | SECTION SEAL KIT |
| 6A | 42698 | 1 | MAIN BOOM SECTION |
| 6B | 42698 | 1 | SEC BOOM SECTION |
| 6C | 06502076 | 1 | DECK ROLL SECTION |
| 6D | 42698 | 1 | BOOM SWIVEL SECTION |
| 6E | 06502077 | 1 | SHIELD SECTION |
| 7 | ----- | 5 | SPOOL |
| 7A | 42697 | 1 | MAIN BOOM SPOOL |
| 7B | 42697 | 1 | SEC BOOM SPOOL |
| 7C | 4242106 | 1 | DECK ROLL SPOOL |
| 7D | 06502073 | 1 | BOOM SWIVEL SPOOL |
| 7E | 42201 | 1 | DECK SHIELD SPOOL |
| 8 | ----- | 10 | ANTI CAV/SHOCK RELIEF |
| 8A1 | 42650 | 1 | MAIN BOOM A PORT RELIEF |
| 8A2 | 06502069 | 1 | MAIN BOOM B PORT RELIEF |
| 8B1 | 42650 | 1 | SEC BOOM A PORT RELIEF |
| 8B2 | 42295 | 1 | SEC BOOM B PORT RELIEF |
| 8C1 | 42296 | 1 | DECK ROLL A PORT RELIEF |
| 8C2 | 42295 | 1 | DECK ROLL B PORT RELIEF |
| 8D1 | 42295 | 1 | BOOM SWIVEL A PORT RELIEF |
| 8D2 | 42295 | 1 | BOOM SWIVEL B PORT RELIEF |
| 8E1 | 06502069 | 1 | DECK SHIELD A PORT RELIEF |
| 8E2 | 06502069 | 1 | DECK SHIELD B PORT RELIEF |
| 9 | 33459 | 1 | HANDLE |

COMMON BENGAL

5 SPOOL ELECTRONIC VALVE - OPEN STOW,3PS



| ITEM | PART NO. | QTY. | DESCRIPTION |
|-------|----------|------|------------------------------|
| ----- | 06502097 | - | VLV,5SP,32PVG,OPEN STOW, 3OS |
| 1 | 06502074 | 1 | END PLATE |
| 1S | 06505013 | 1 | END PLATE SEAL KIT |
| 2 | ----- | 5 | BONNET |
| 2S | 06505042 | 1 | BONNET SEAL KIT |
| 2A | 42197 | 1 | MAIN BOOM BONNET |
| 2B | 42197 | 1 | SECONDARY BOOM BONNET |
| 2C | 42197 | 1 | DECK ROLL BONNET |
| 2D | 42197 | 1 | BOOM SWIVEL BONNET |
| 2E | 42197 | 1 | DECK SHIELD BONNET |

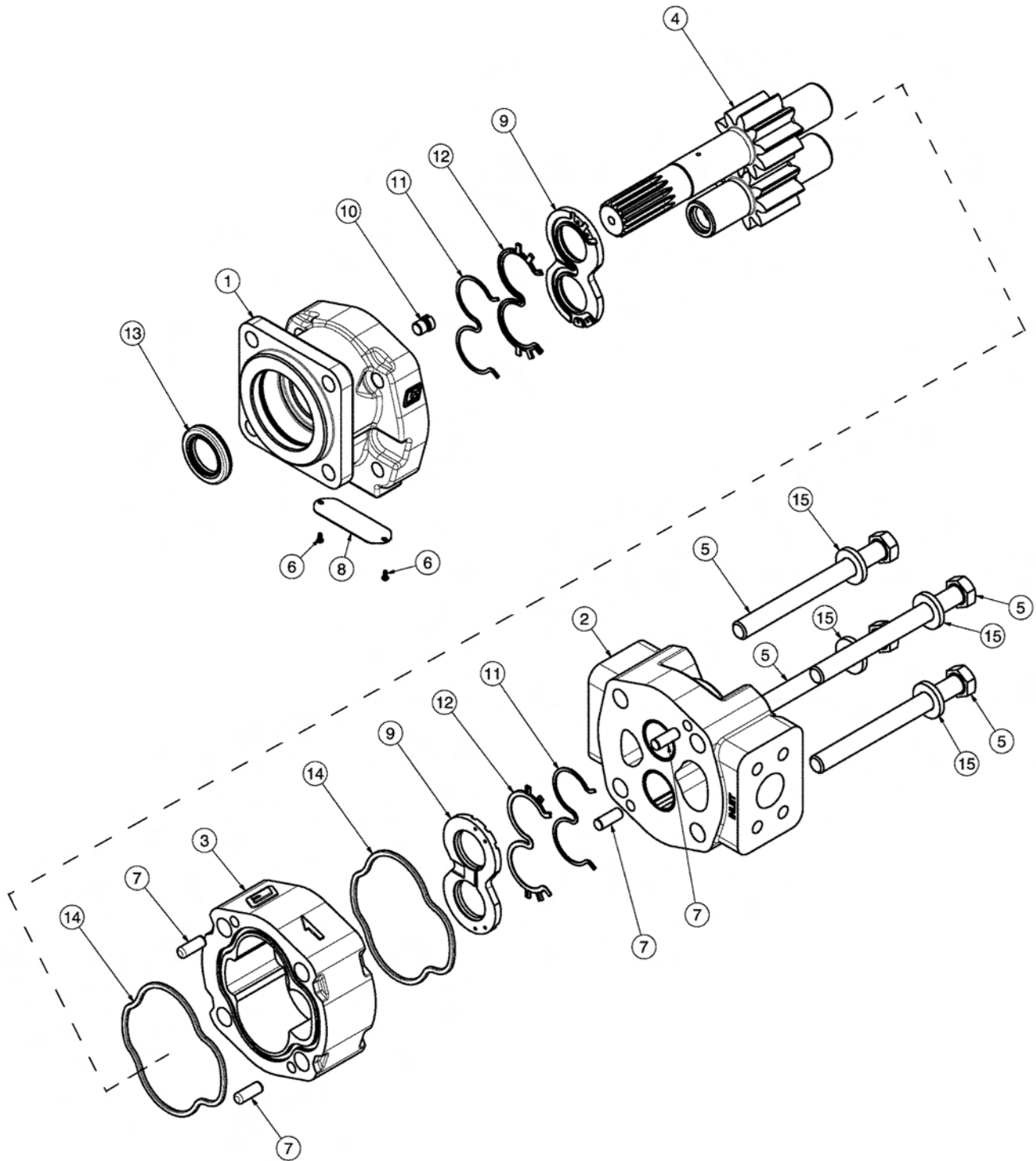
5 SPOOL ELECTRONIC VALVE - OPEN STOW,3PS

Continued...

| ITEM | PART NO. | QTY. | DESCRIPTION |
|------|----------|------|------------------------------------|
| 3 | 34308 | 1 | INLET SECTION |
| 3S | 06505013 | 1 | INLET SECTION SEAL KIT |
| 4 | ----- | 5 | ELECTRONIC ACCUATOR |
| 4A | 06502101 | 1 | MAIN BOOM ELECTRONIC ACCUATOR |
| 4B | 06502101 | 1 | SECONDARY BOOM ELECTRONIC ACCUATOR |
| 4C | 06502100 | 1 | DECK ROLL ELECTRONIC ACCUATOR |
| 4D | 06502101 | 1 | BOOM SWIVEL ELECTRONIC ACCUATOR |
| 4E | 06502099 | 1 | DECK SHIELD ELECTRONIC ACCUATOR |
| 5 | 42202 | 1 | TIE-BOLT KIT |
| 6 | ----- | 5 | SECTION |
| 6S | 06505013 | 1 | SECTION SEAL KIT |
| 6A | 42698 | 1 | MAIN BOOM SECTION |
| 6B | 42698 | 1 | SEC BOOM SECTION |
| 6C | 06502076 | 1 | DECK ROLL SECTION |
| 6D | 42698 | 1 | BOOM SWIVEL SECTION |
| 6E | 06502077 | 1 | SHIELD SECTION |
| 7 | ----- | 5 | SPOOL |
| 7A | 42697 | 1 | MAIN BOOM SPOOL |
| 7B | 42697 | 1 | SEC BOOM SPOOL |
| 7C | 4242106 | 1 | DECK ROLL SPOOL |
| 7D | 06502073 | 1 | BOOM SWIVEL SPOOL |
| 7E | 42201 | 1 | DECK SHIELD SPOOL |
| 8 | ----- | 10 | ANTI CAV/SHOCK RELIEF |
| 8A1 | 06502084 | 1 | MAIN BOOM A PORT RELIEF |
| 8A2 | 06502081 | 1 | MAIN BOOM B PORT RELIEF |
| 8B1 | 42296 | 1 | SEC BOOM A PORT RELIEF |
| 8B2 | 06502082 | 1 | SEC BOOM B PORT RELIEF |
| 8C1 | 42295 | 1 | DECK ROLL A PORT RELIEF |
| 8C2 | 06502082 | 1 | DECK ROLL B PORT RELIEF |
| 8D1 | 06502070 | 1 | BOOM SWIVEL A PORT RELIEF |
| 8D2 | 06502083 | 1 | BOOM SWIVEL B PORT RELIEF |
| 8E1 | 06502081 | 1 | DECK SHIELD A PORT RELIEF |
| 8E2 | 06502081 | 1 | DECK SHIELD B PORT RELIEF |
| 9 | 33459 | 1 | HANDLE |

COMMON BENGAL

FRONT HYDRAULIC PUMP



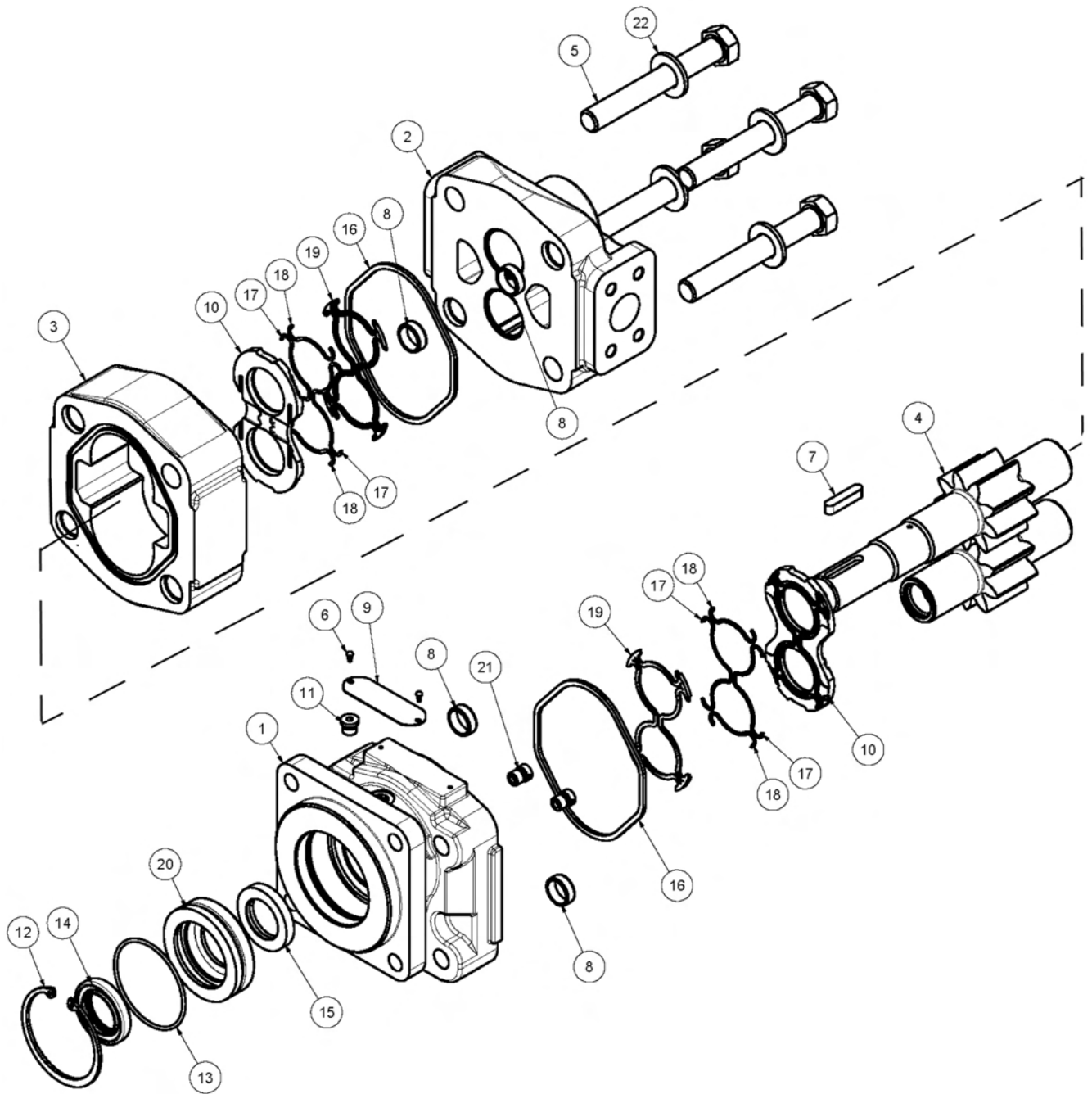
FRONT HYDRAULIC PUMP

Continued...

| ITEM | PART NO. | QTY. | DESCRIPTION |
|------|----------|------|---------------------------------------|
| --- | 23152 | 1 | PUMP ASSEMBLY,1-3/4",COMPLETE |
| 1 | 22766 | 1 | SHAFT END COVER |
| 2 | 22779 | 1 | PORT END COVER |
| 3 | 22774 | 1 | GEAR HOUSING,1-3/4" |
| 4 | 22771 | 1 | GEAR SET |
| 5 | 23824 | 4 | CAPSCREW |
| 6 | 06504078 | 2 | SCREW,DRIVE |
| 7 | 22773 | 4 | DOWEL PINS |
| 8 | 06504077 | 1 | NAMEPLATE |
| 9 | 22770 | 2 | THRUST PLATE |
| 10 | 22767 | 1 | PLUG |
| 11 | 06504075 | 2 | SEAL,BK-UP |
| 12 | 06504074 | 2 | SEAL,CHAN |
| 13 | 22765 | 1 | SEAL,LIP |
| 14 | 06504076 | 2 | SEAL,SQ-R |
| 15 | 02961917 | 4 | WASHER |
| --- | 24150 | 1 | SEAL KIT (INCLUDES 11, 12, 13 AND 14) |

COMMON BENGAL

50IN AND 60IN ROTARY MOTOR BREAKDOWN



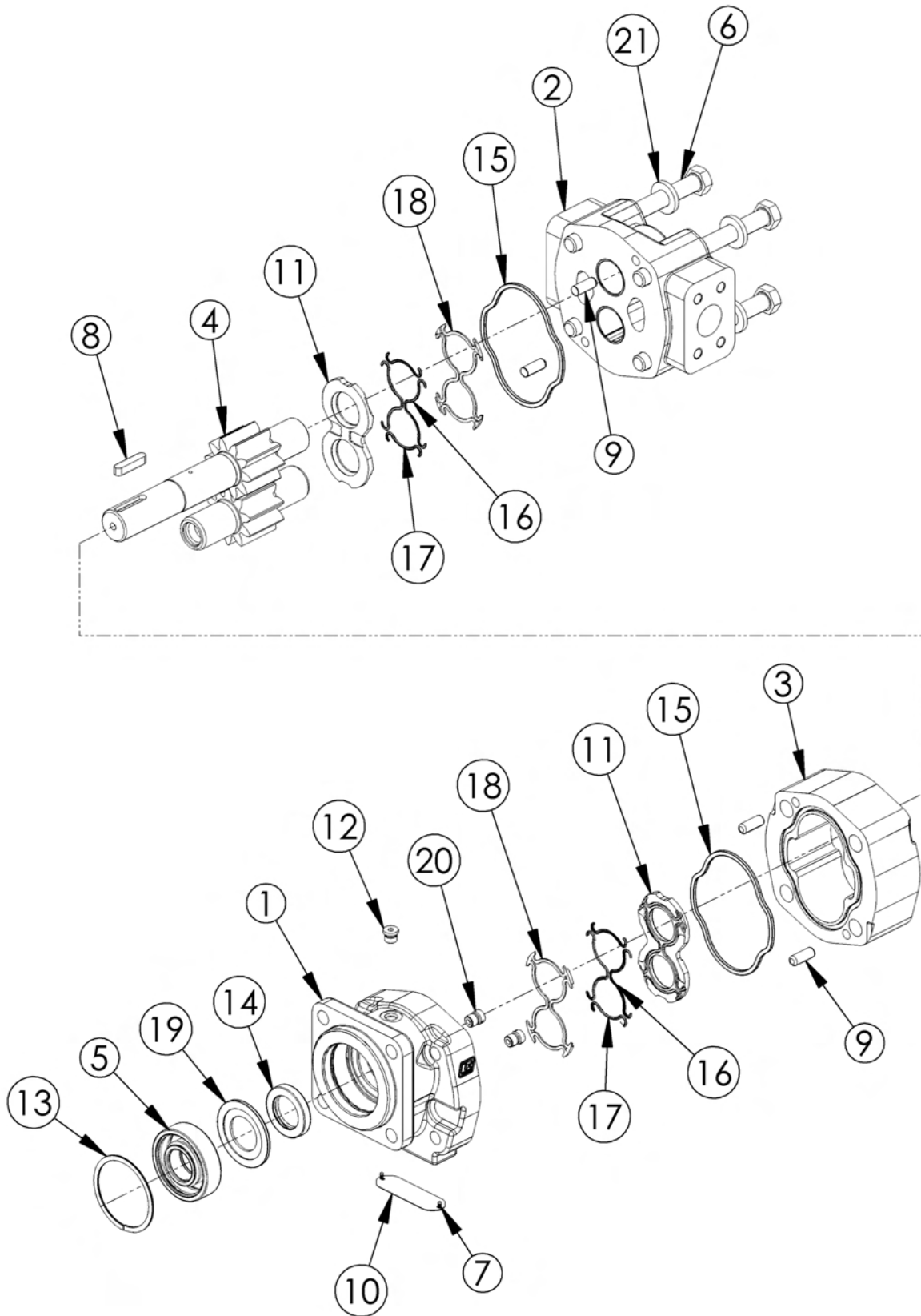
50IN AND 60IN ROTARY MOTOR BREAKDOWN

Continued...

| ITEM | PART NO. | QTY. | DESCRIPTION |
|-------|----------|------|----------------------|
| | 06504011 | - | MOTOR ASSEMBLY,TRB60 |
| | 06504012 | - | MOTOR ASSEMBLY,TRB50 |
| 1 | 22790 | 1 | HOUSING, SEC |
| 2 | 06504088 | 1 | HOUSING, PEC |
| 3 | 06504062 | 1 | HOUSING, GEAR,TRB60 |
| ----- | 06504089 | - | HOUSING, GEAR,TRB50 |
| 4 | 06504090 | 1 | SET, GEAR SHAFT |
| 5 | 06504104 | 4 | CAP SCREW,TRB60 |
| ----- | 06504091 | - | CAP SCREW,TRB50 |
| 6 | 06504078 | 2 | SCREW, DRIVE |
| 7 | 06504092 | 1 | KEY |
| 8 | 06504093 | 4 | PIN, DOWEL |
| 9 | 06504094 | 1 | NAME PLATE |
| 10 | 06504095 | 2 | THRPL |
| 11 | 2961940 | 1 | PLUG, ODT |
| 12 | 2962200 | 1 | RING, SNAP |
| 13 | 06504096 | 1 | O RING |
| 14 | 6T5101 | 1 | SEAL, LIP |
| 15 | 06504097 | 1 | SEAL, LIP |
| 16 | 22797 | 2 | SEAL, SQ-R |
| 17 | 06504098 | 4 | SEAL, SIDE CHAN |
| 18 | 06504099 | 4 | SEAL, END CHAN |
| 19 | 06504100 | 2 | SEAL, BK-UP |
| 20 | 06504101 | 1 | RTNR, SEAL |
| 21 | 6T5809 | 2 | CHECK ASS'Y |
| 22 | 06504102 | 4 | WASHER |
| ----- | 06504103 | - | SEAL KIT |

COMMON BENGAL

50IN AND 63IN FLAIL MOTOR BREAKDOWN

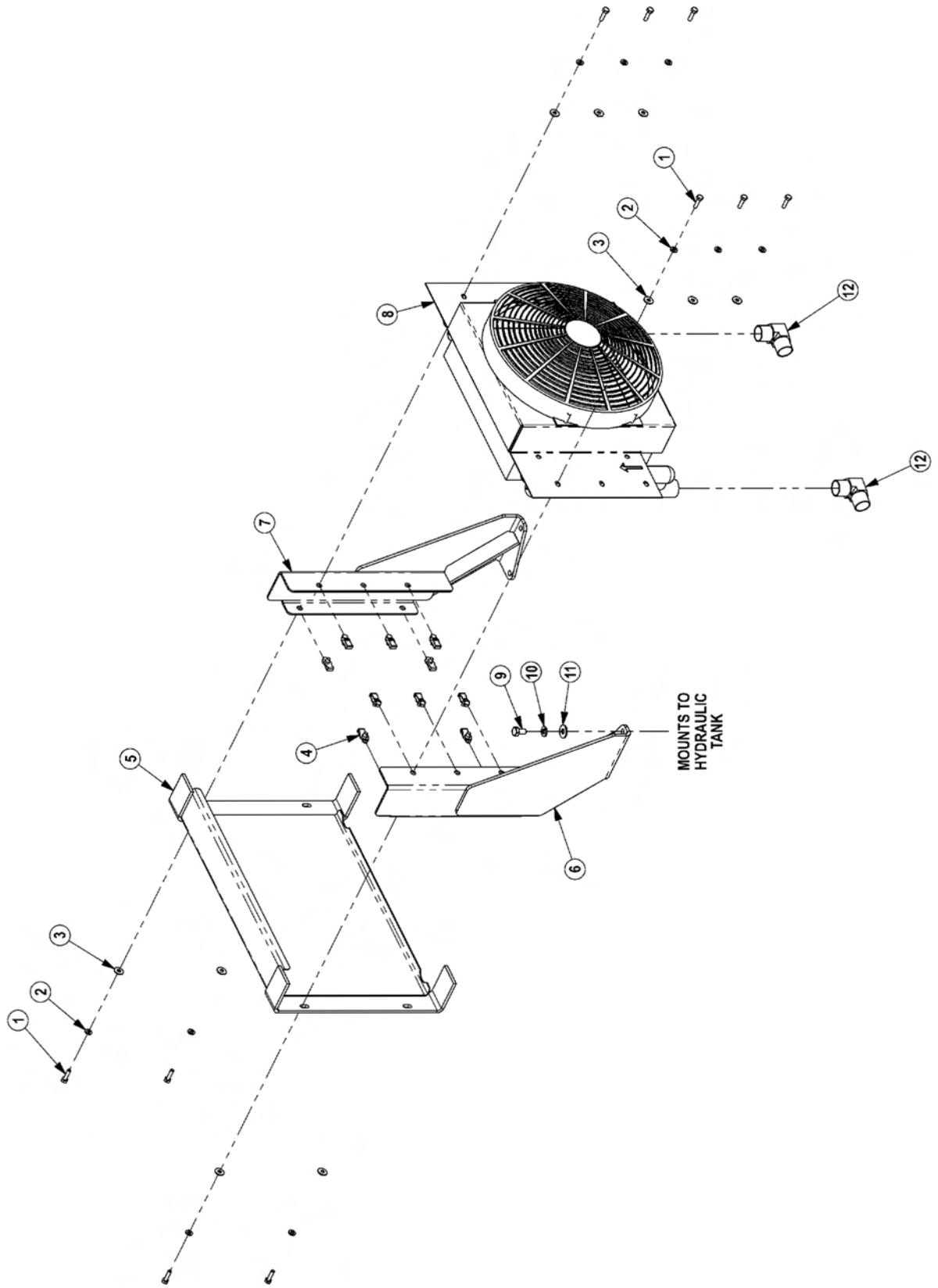


50IN AND 63IN FLAIL MOTOR BREAKDOWN

Continued...

| ITEM | PART NO. | QTY. | DESCRIPTION |
|-------|----------|------|--|
| ----- | 06504013 | - | MOTOR ASSEMBLY 350 - TBF50, TBF63 |
| 1 | 06504039 | 1 | SHAFT END COVER |
| 2 | 06504040 | 1 | PORT END COVER |
| 3 | 06504041 | 1 | GEAR HOUSING |
| 4 | 06504042 | 1 | MATCHED GEAR SET |
| 5 | TF4402 | 1 | BALL BEARING |
| 6 | 06504043 | 4 | CAP SCREW |
| 7 | 06504044 | 2 | SET SCREW |
| 8 | 06504028 | 1 | KEY |
| 9 | 06504045 | 4 | DOWEL PIN |
| 10 | ----- | 1 | NAMEPLATE |
| 11 | 763759 | 2 | THRUSTPLATE |
| 12 | 02961940 | 1 | HEX PLUG |
| 13 | TF4401 | 1 | SNAP RING |
| 14 | 06504049 | 1 | LIP SEAL |
| 15 | TF4410 | 2 | GASKET SEAL |
| 16 | 06504046 | 4 | SIDE SEAL |
| 17 | 06504047 | 4 | END SEAL |
| 18 | TF4407 | 2 | BACK-UP SEAL |
| 19 | 06504048 | 1 | SEAL RETAINER |
| 20 | 6T5809 | 2 | CHECK ASSEMBLY |
| 21 | 02961917 | 4 | WASHER |
| ----- | 06504023 | - | SEAL KIT (INCLUDES 14, 15, 16, 17, AND 18) |

COOLER ASSEMBLY



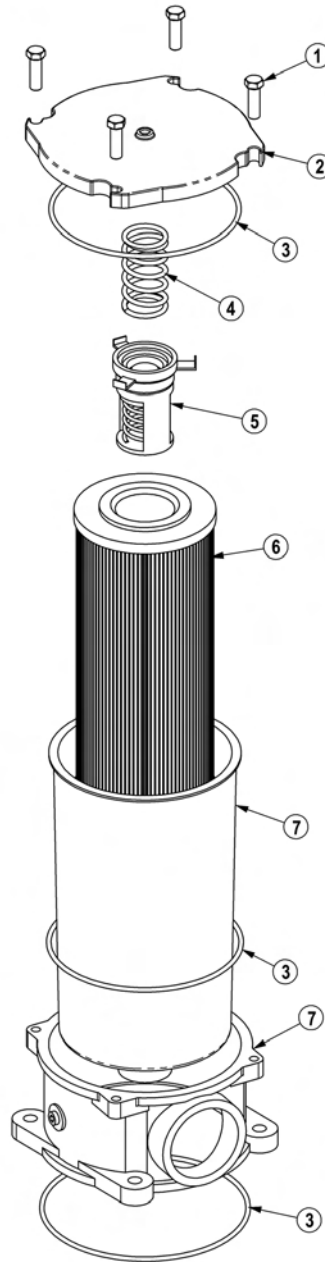
COOLER ASSEMBLY

Continued...

| ITEM | PART NO. | QTY. | DESCRIPTION |
|------|----------|------|---------------------------|
| 1 | 21530 | 10 | CAPSCREW,1/4 X1 NC |
| 2 | 21986 | 10 | LOCKWASHER,1/4 |
| 3 | 22014 | 10 | FLATWASHER,1/4 |
| 4 | 35176 | 10 | 1/4 U-NUT |
| 5 | 06370015 | 1 | SCREEN,COOLER,FRNT |
| 6 | 06380006 | 1 | MNT,COOLER,BUMPER TANK,RH |
| 7 | 06380007 | 1 | MNT,COOLER,BUMPER TANK,LH |
| 8 | 06510026 | 1 | COOLER,FRONT MNT |
| 9 | 21629 | 4 | CAPSCREW,3/8 X 3/4 NC |
| 10 | 21988 | 4 | LOCKWASHER,3/8 |
| 11 | 22016 | 4 | FLATWASHER,3/8 |
| 12 | 34117 | 2 | ELBOW,1MOR X 1MJ90,FORGED |

COMMON BENGAL

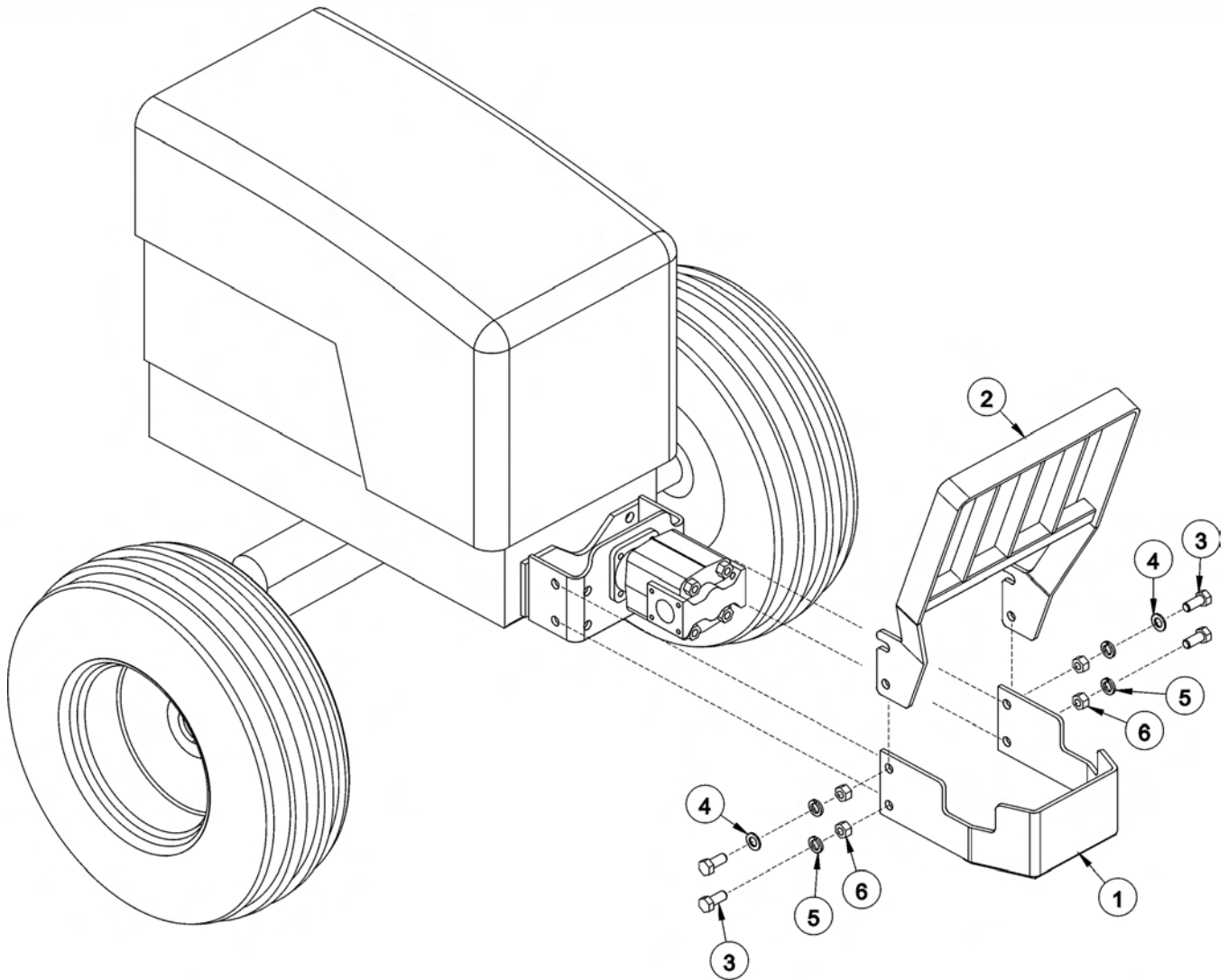
RESERVOIR TANK FILTER ASSEMBLY



| ITEM | PART NO. | QTY. | DESCRIPTION |
|-------|----------|------|---------------------------------|
| ----- | 06505044 | - | FILTER ASSY SAE 10 MICRON |
| 1 | 28583 | 4 | CAPSCREW,8MM X 25MM(1.25 PITCH) |
| 2 | 06505045 | 1 | COVER |
| 3 | 06505046 | 1 | SEAL KIT |
| 4 | 06505047 | 1 | SPRING |
| 5 | 06505048 | 1 | BYPASS |
| 6 | 35259 | 1 | FILTER,10 MIC,RETURN LINE |
| 7 | 06505049 | 1 | CAN/BODY |

COMMON BENGAL

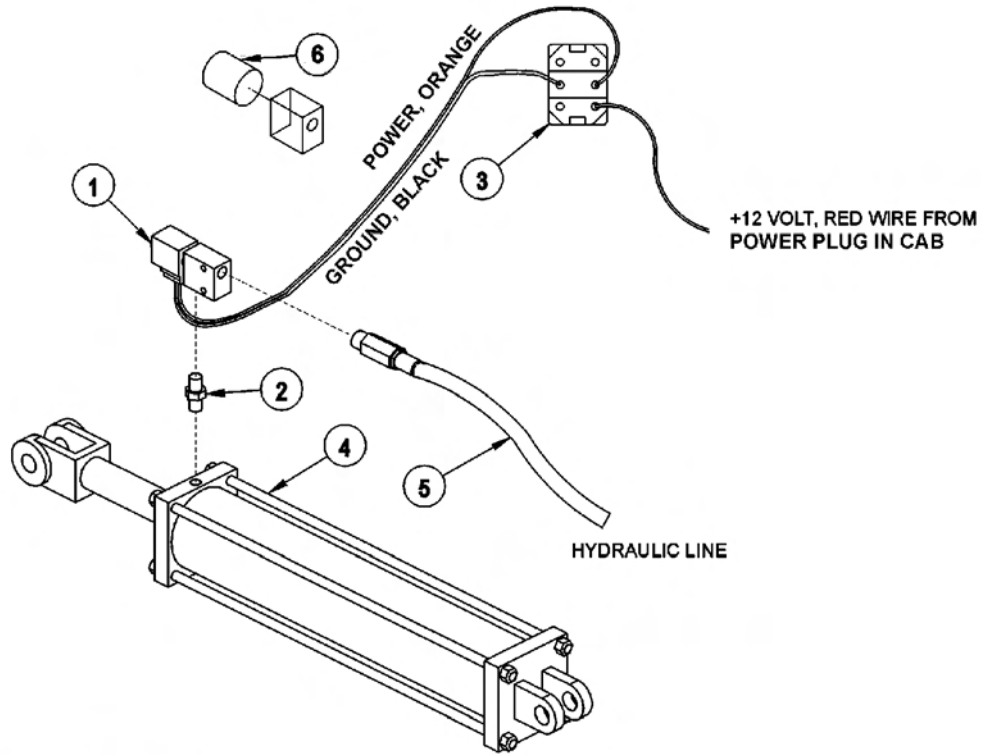
PUMP AND GRILL GUARD OPTIONS



| ITEM | PART NO. | QTY. | DESCRIPTION |
|------|----------|------|---------------------------|
| 1 | 32430 | 1 | UNIVERSAL PUMP GUARD |
| 2 | 32737 | 1 | UNIVERSAL GRILL GUARD |
| 3 | 21833 | 4 | CAPSCREW,3/4" X 2-1/4",NC |
| 4 | 22021 | 2 | FLATWASHER,3/4" |
| 5 | 21993 | 4 | LOCKWASHER,3/4" |
| 6 | 21825 | 4 | HEX NUT,3/4",NC |

COMMON BENGAL

BOOM TRAVEL LOCK



DANFOSS SWITCH BOX



TRAVEL LOCK SWITCH

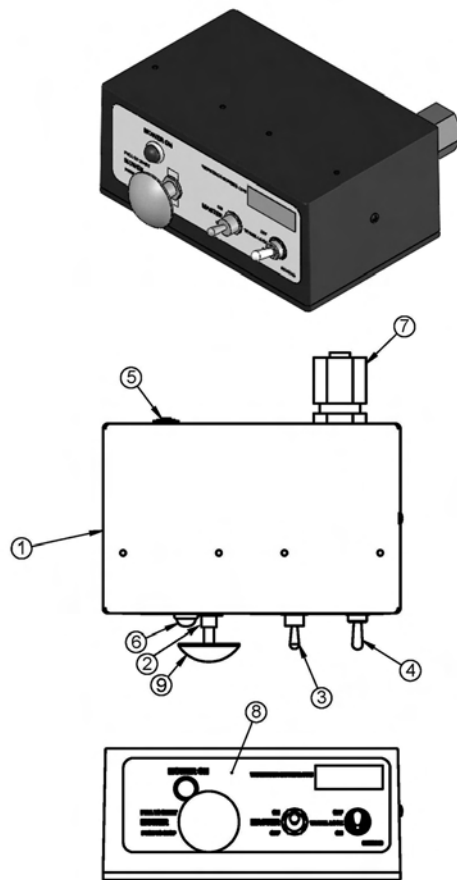
HUSCO SWITCH BOX



TRAVEL LOCK SWITCH

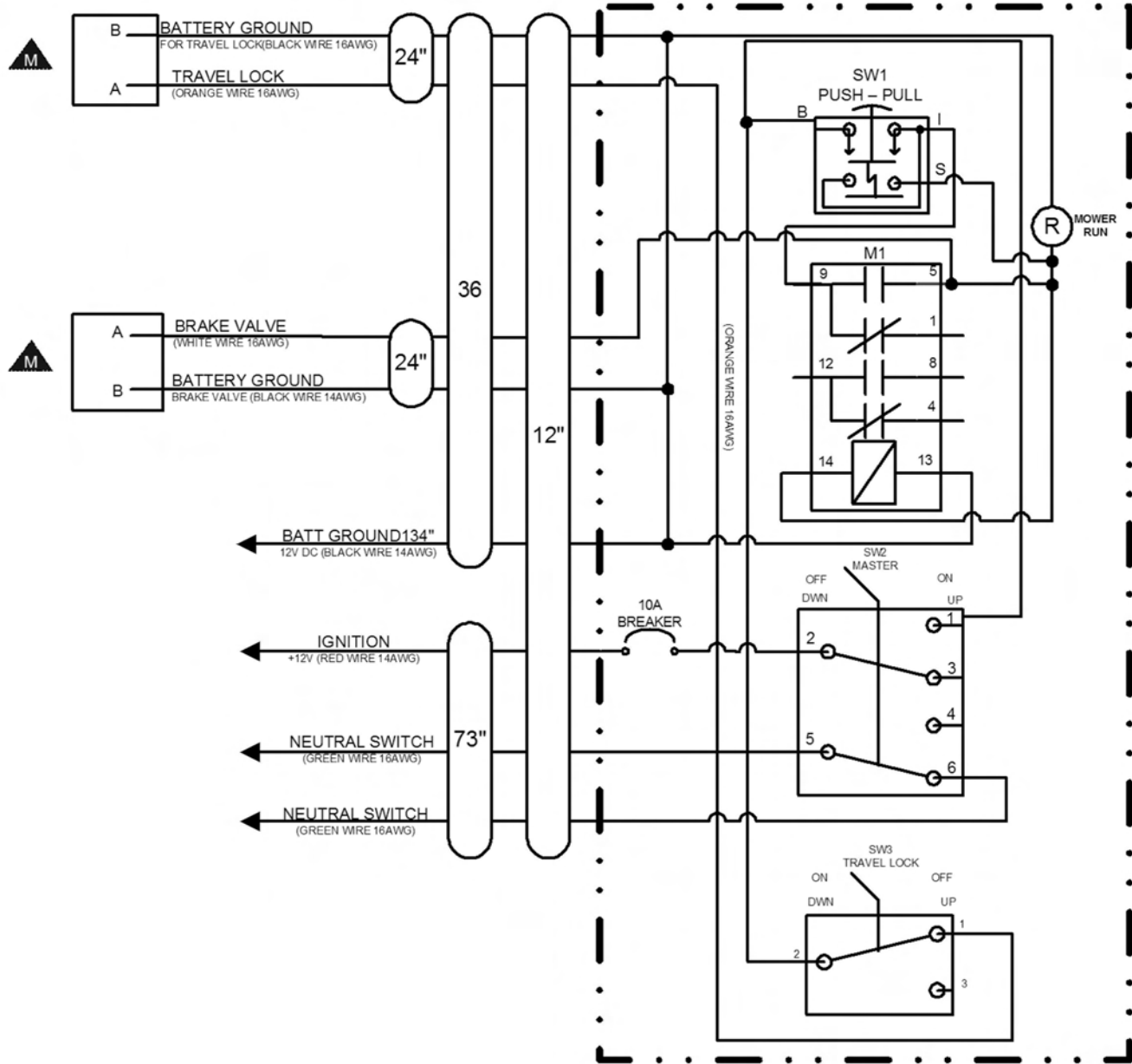
| ITEM | PART NO. | QTY. | DESCRIPTION |
|-------|----------|------|---|
| 1 | 06510050 | 1 | HYDRAULIC TRAVEL LOCK VALVE |
| 2 | 31329 | 1 | ADAPTER - STANDARD BOOM |
| ----- | 31611 | 1 | ADAPTER - EXTENDED BOOM |
| 3 | 34532 | 1 | SWITCH,TRAVEL LOCK |
| 4 | ----- | - | MAIN BOOM CYLINDER *REFER TO BOOM ASSY |
| 5 | ----- | - | HOSE / FITTINGS *REFER TO BOOM HYD ASSY |
| 6 | 06510092 | 1 | COIL ,TRAVEL LOCK |

MANUAL LIFT VALVE SWITCH BOX

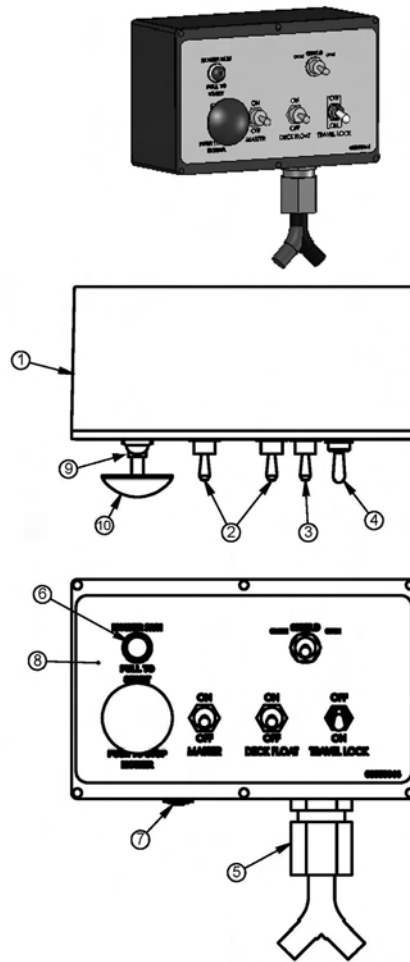


| ITEM | PART NO. | QTY. | DESCRIPTION |
|------|----------|------|-------------------------------|
| 1 | 06514012 | 1 | SWBX,ALUM,BLK,06510100 |
| 2 | 35226 | 1 | SWITCH,MOWER,COLEHERSEE |
| 3 | 33811 | 1 | SWITCH,MASTER/DECK FLOAT |
| 4 | 34532 | 1 | SWITCH,TRVL LCK |
| 5 | 06514014 | 1 | BREAKER,10A,SWBX |
| 6 | 6T3923 | 1 | INDICTATOR LIGHT,ON,RED |
| 7 | 34540 | 1 | STRAIN RELIEF,3/4,BLACK,NYLON |
| 8 | 06550019 | 1 | DECAL,SWTCHBX,BOOM,CG |
| 9 | 02964063 | 1 | KNOB,RED |
| 10 | 35227 | 1 | RELAY,DP,DT,12V,LY2F,35226 |

MANUAL LIFT VALVE SCHEMATIC

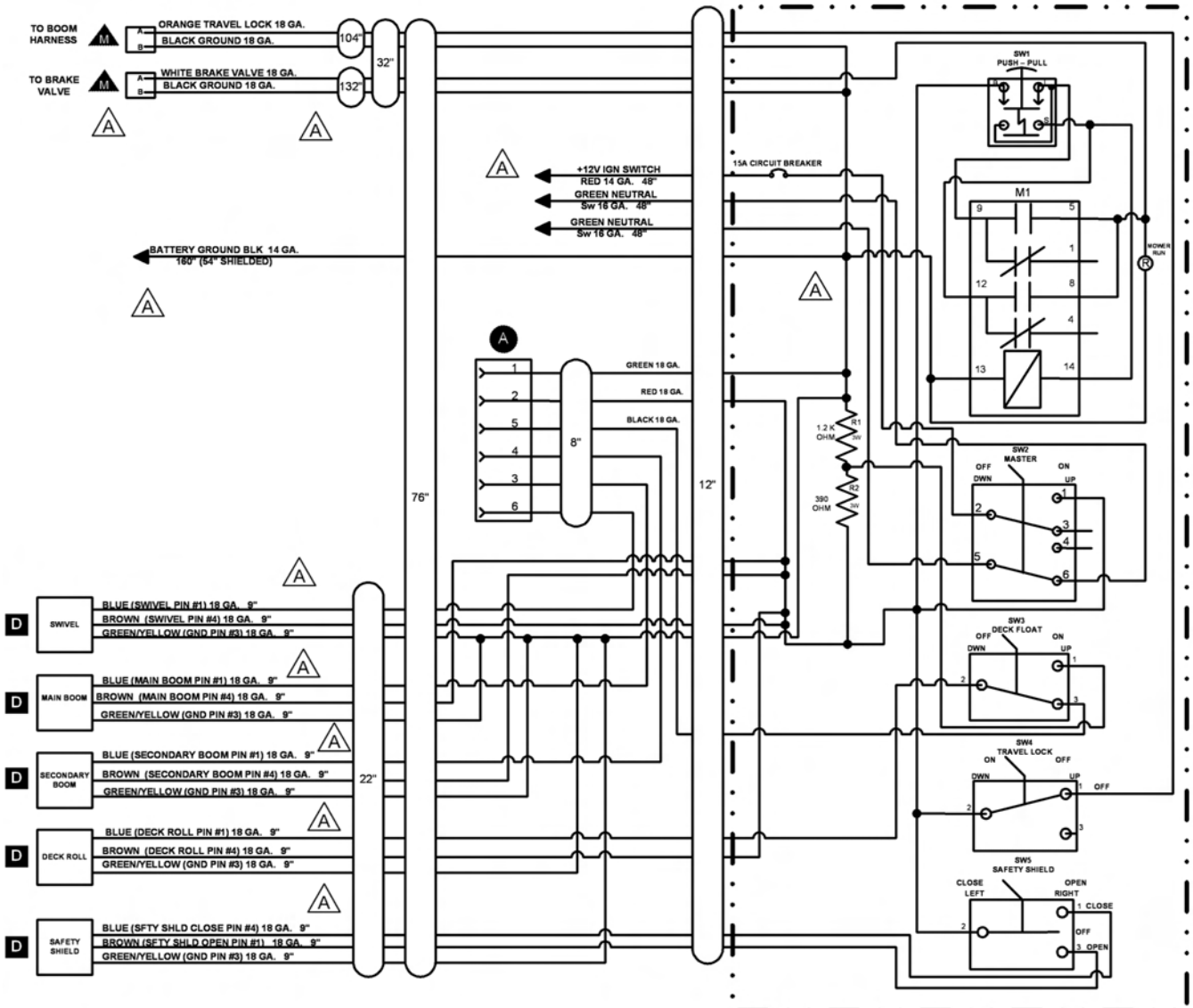


ELECTRONIC LIFT VALVE SWITCH BOX

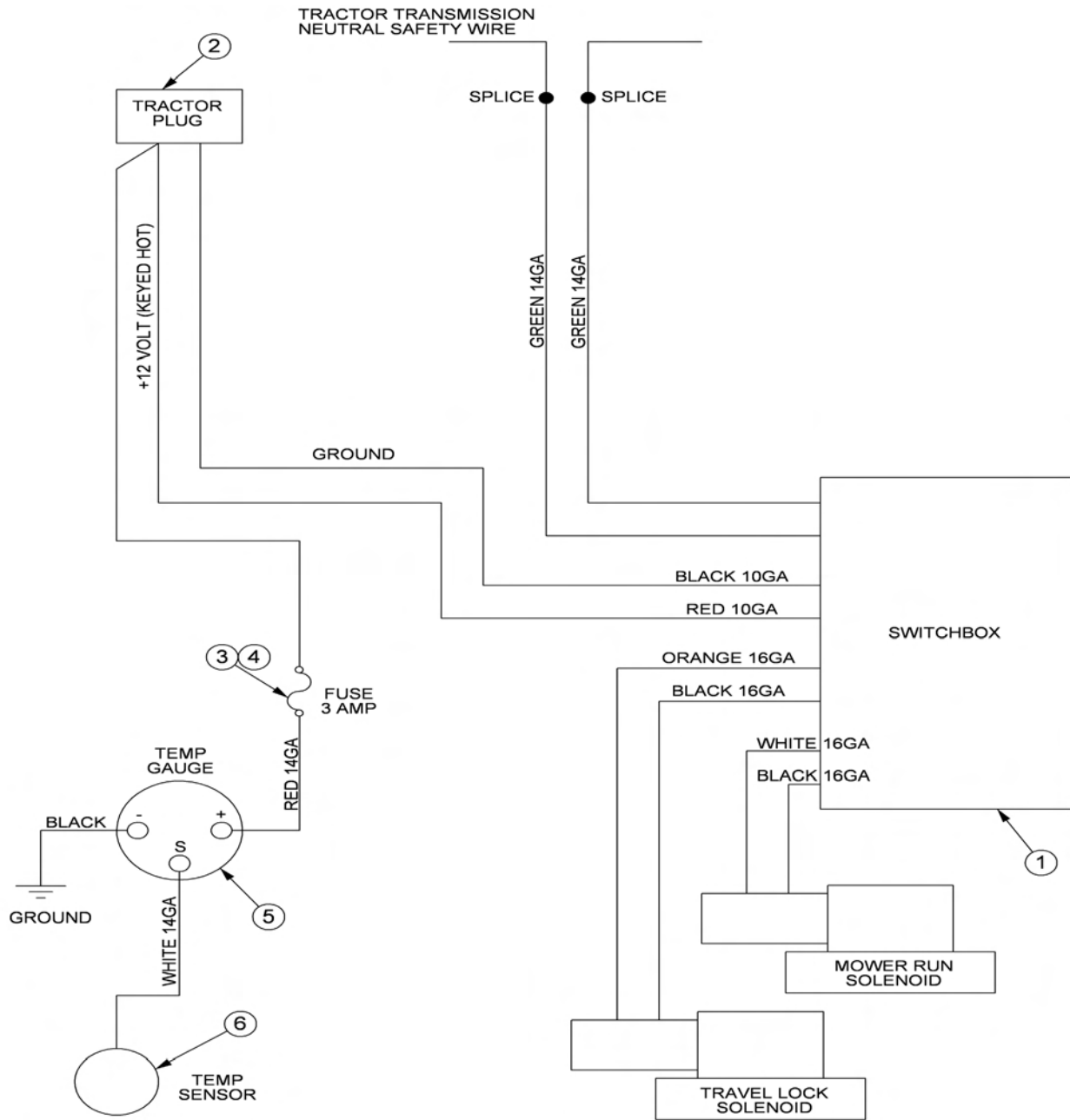


| ITEM | PART NO. | QTY. | DESCRIPTION |
|------|----------|------|--------------------------------|
| 1 | 06510196 | 1 | SWBX,ASSY |
| 2 | 33811 | 2 | SWITCH,MASTER/DECK FLOAT |
| 3 | 33813 | 1 | SWITCH,SFTY SHIELD |
| 4 | 34532 | 1 | SWITCH,TRVL LCK |
| 5 | 34540 | 1 | STRAIN RELIEF,3/4",BLACK,NYLON |
| 6 | 6T3923 | 1 | INDICTATOR LIGHT,ON,RED |
| 7 | 06514006 | 1 | BREAKER,15A,SWBX |
| 8 | 06550044 | 1 | DECAL,SWBX,06510047 |
| 9 | 35226 | 1 | SWITCH,MOWER,COLEHERSEE |
| 10 | 02964063 | 1 | KNOB,RED |
| 11 | 35227 | 1 | RELAY,DP,DT,12V,LY2F,35226 |

ELECTRONIC LIFT VALVE SCHEMATIC



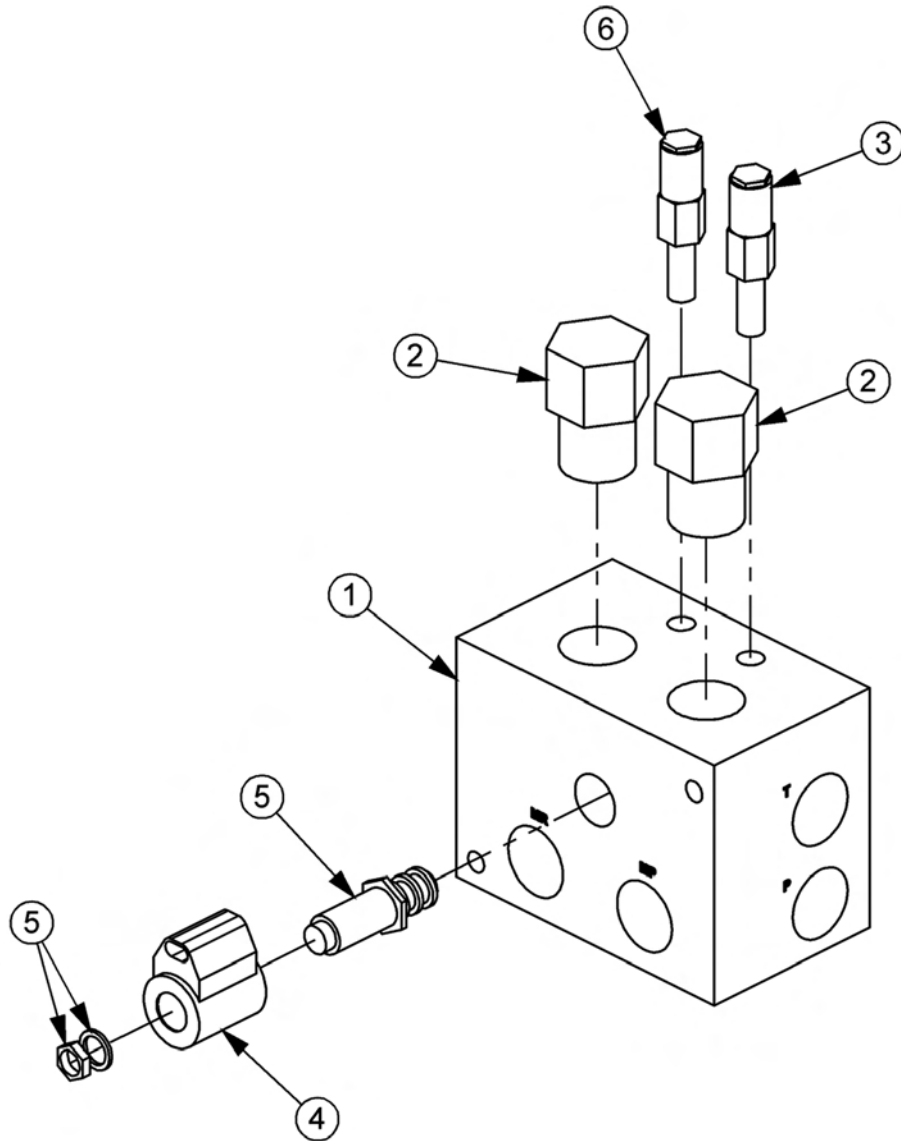
SOLENOID SWITCH BOX AND WIRING



| ITEM | PART NO. | QTY. | DESCRIPTION |
|------|----------|------|------------------------------|
| 1 | ----- | - | SWITCH BOX |
| 2 | RE37651 | 1 | PLUG,AUX PWR |
| 3 | 24204 | - | FUSE HOLDER,IN-LINE (OPTION) |
| 4 | 6T3965 | - | FUSE,3AMP (OPTION) |
| 5 | 6T3934 | - | TEMPERATURE GAUGE (OPTION) |
| 6 | 6T3931 | - | TEMPERATURE SENSOR (OPTION) |

COMMON BENGAL

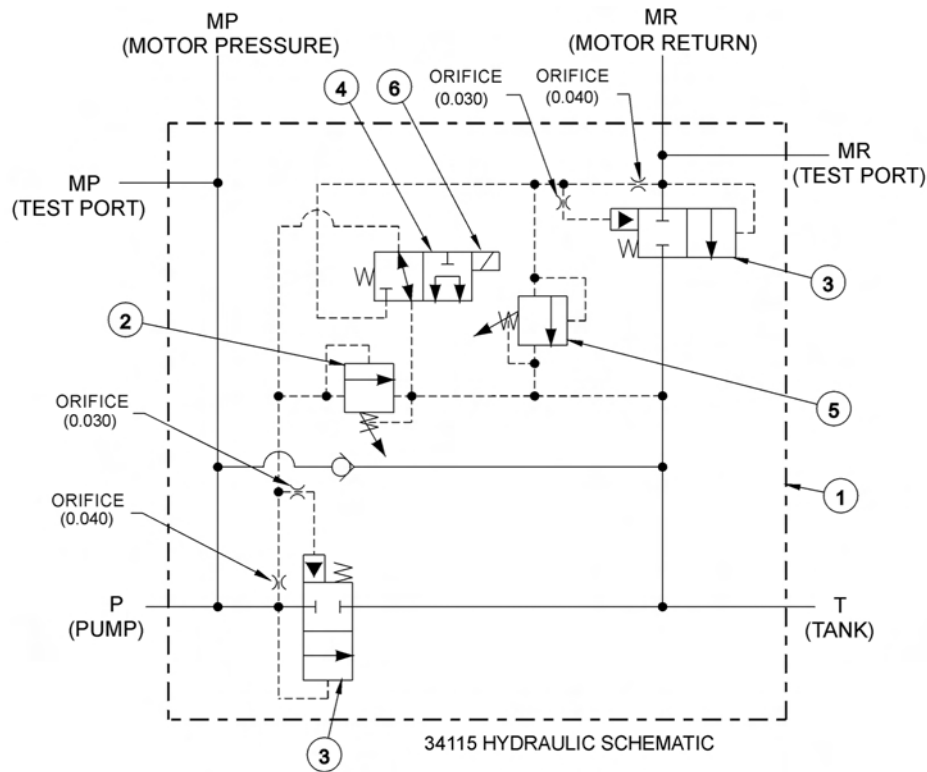
BRAKE VALVE ASSEMBLY



| ITEM | PART NO. | QTY. | DESCRIPTION |
|------|----------|------|--|
| --- | 06510083 | 1 | BRAKE VALVE, ASSY |
| 1 | 34092 | 1 | BRAKE VALVE, BLANK |
| 2 | 34094 | 2 | LOGIC ELEMENT |
| 3 | 34095 | 1 | RELIEF VALVE, 3000 PSI |
| 4 | 06510095 | 1 | METRI PAK COIL |
| 5 | 34093 | 1 | CARTRIDGE, 2 POSITION, 3 WAY (WITH NUT & WASHER) |
| 6 | 34091 | 1 | RELIEF VALVE, 2600 PSI |
| --- | 34096 | 2 | RELIEF SEAL KIT |
| ---- | 34097 | 1 | SOLENOID SEAL KIT |
| --- | 34098 | 2 | ELEMENT SEAL KIT |

COMMON BENGAL

BRAKE VALVE HYDRAULIC SCHEMATIC



BRAKE VALVE TROUBLESHOOTING

FAILURE MODE:

- MOWER WILL NOT START - system pressure is low (engine not lugging).
- MOWER WILL NOT START - system pressure is high (engine lugging). "MR" port will be high pressure.
- MOWER WILL NOT ROTATE AT FULL SPEED - limited power.
- MOWER BLADE WILL NOT STOP - blade will not stop in proper time.

CHECK STEPS

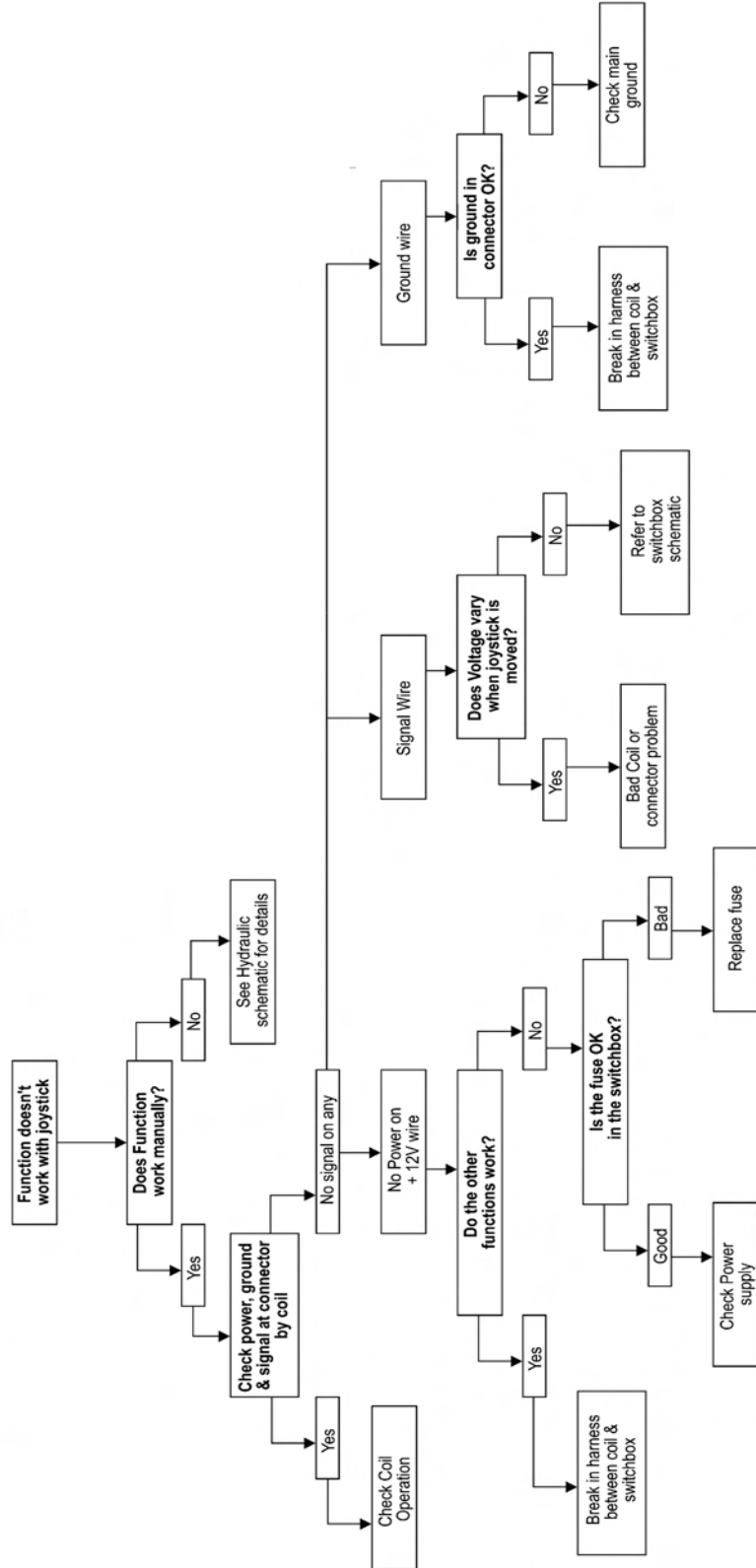
- 1 thru 6
- 7
- 3 thru 5
- 7 thru 9

CORRECTIVE STEPS:

1. Check for voltage at solenoid (item 6), voltage must be between 10.2 volts and 13.8 volts.
2. Remove, inspect solenoid and cartridge (items 4, 6) for wear or contamination.
3. Remove, inspect logic elements near "P" port (item 3) for wear or contamination.
4. Remove, inspect 3000 psi relief valve (item 2) for wear or contamination.
5. Remove and inspect orifices near "P" port for contamination.
6. Remove "P" port hose and fitting, visually inspect for contamination, check ball for movement.
7. Remove and inspect orifices near "MR" port for contamination.
8. Remove, inspect 2600 psi relief valve (item 5) for wear of contamination.
9. Remove, inspect logic element near "MR" port (item 3) for wear or contamination.

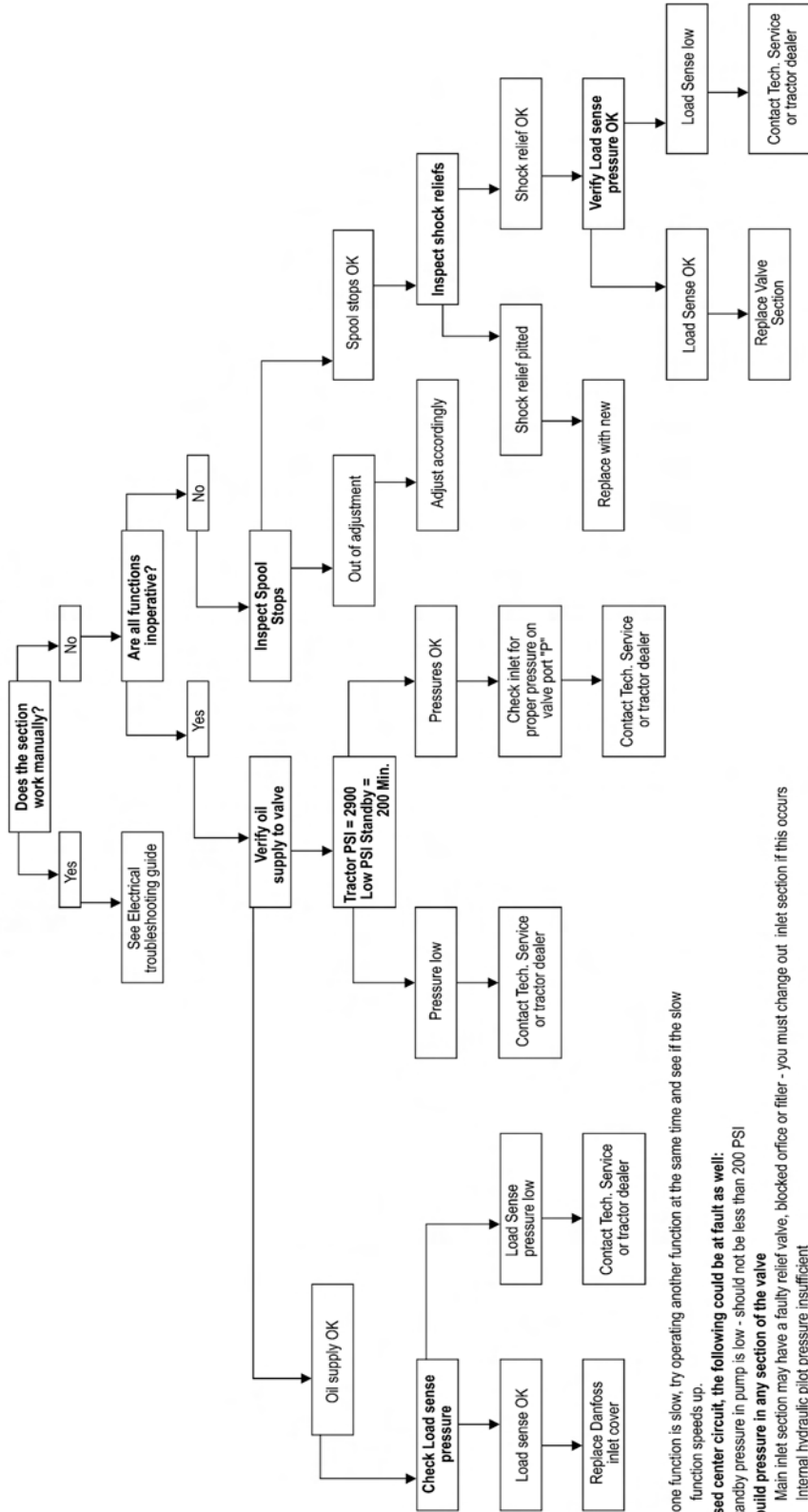
ELECTRICAL TROUBLESHOOTING GUIDE

Joystick Electrical Troubleshooting guide



HYDRAULIC TROUBLESHOOTING GUIDE

Hydraulic Troubleshooting guide



Notes: If one function is slow, try operating another function at the same time and see if the slow function speeds up.

On a closed center circuit, the following could be at fault as well:

Tractor standby pressure in pump is low - should not be less than 200 PSI

Cannot build pressure in any section of the valve

Main inlet section may have a faulty relief valve, blocked orifice or filter - you must change out inlet section if this occurs
Internal hydraulic pilot pressure insufficient

TROUBLESHOOTING

JOYSTICK TROUBLESHOOTING

Boom operation not responding to joystick movement.
Isolate hydraulic vs. electronic symptom.

Turn off electronic master switch (preventing electronic actuator on valve from attempting to hold spool in neutral position). With tractor engine running, operate the valve section with the manual handle. If function operates normally, continue with electronic inspection. If function does not operate normally, continue with hydraulic inspection.

Electronic inspection.

Connect a voltmeter to the cable connector of the valve section that is not operating. This will allow you to measure supply and signal voltage when the joystick is operated.

Main, Secondary, and Swivel Valves – signal voltage should be 50% of supply voltage with joystick in Neutral position, up to 75% of supply voltage in B direction, down to 25% of supply voltage in A direction. Signal voltage should change smoothly with lever movement.

Pin #1 – Supply Voltage Pin #2 – Signal Voltage Pin #gnd – ground

Deck Roll Valve or Float Valve – signal voltage should be 50% of supply voltage with joystick in Neutral position, up to 65% of supply voltage in B direction, down to 35% of supply voltage in A direction. Signal voltage should change smoothly with lever movement. Signal voltage should be approximately 75% of supply voltage when float switch is operated.

Pin #1 – Supply Voltage Pin #2 – Signal Voltage Pin #gnd – ground

Shield Valve or On/Off Valve – Voltage on pin #1 should be equal to supply voltage when switch is operated in A direction. Voltage on pin #2 should be equal to supply voltage when switch is operated in B direction.

Pin #1 – Signal Voltage Pin #2 – Signal Voltage Pin #gnd – ground

If none of the valve will operate with electrical signal, verify that there is oil pressure at the valve inlet. Electrical Valves must have pilot supply oil to move the spools.

Possible electronic problems.

Open circuit (broken wire, bad connection or loose connection in switch box).

Shorted to positive, ground, or other.

Incorrect voltage signal from joystick.

Continued on next sheet

TROUBLESHOOTING - CONTINUED

Hydraulic inspection.

Install 3 pressure gauges, on the valve inlet (use M port, or tee into hose supplying oil from the pump to the inlet), on the workport that is not operating, and on the LS port.

With the spools in Neutral

Gear pump – P should be approximately 200 psi, LS = 0, workport – pressure on cylinder or function.

LS pump – P should equal pump standby pressure, LS = 0, workport – pressure on cylinder or function.

Pressure Comp pump – P should equal pump standby pressure, LS = 0, workport – pressure on cylinder or function.

Gear pump – P should be approximately 200 psi higher than LS, LS should equal workport, workport – pressure on cylinder or function.

LS pump – P should be LS + standby, LS should equal workport, workport – pressure on cylinder or function.

Pressure Comp pump – P should equal pump standby pressure, LS should equal workport, workport – pressure on cylinder or function.

Operate one spool, measure pressures with function at end of travel or stop

Gear pump – P should equal valve relief setting or workport shock valve setting. LS should equal workport. Workport should equal relief setting or workport shock valve setting.

LS pump – P should equal valve relief setting, pump max pressure setting, or workport shock valve setting. LS should equal workport. Workport should equal relief setting, pump max pressure setting, or workport shock valve setting.

Pressure Comp pump – P should equal pump standby pressure, LS should equal workport. Workport should equal pump standby pressure or workport shock valve setting.

Operate more than one spool.

Gear pump – P should be approximately 200 psi higher than LS. LS should equal highest workport pressure. Workport – pressure on cylinder or function.

LS pump – P should be LS + standby pressure. LS should equal highest workport pressure. Workport – pressure on cylinder or function.

Pressure Comp pump. P should equal pump standby pressure. LS should equal highest workport pressure. Workport – pressure on cylinder or function.

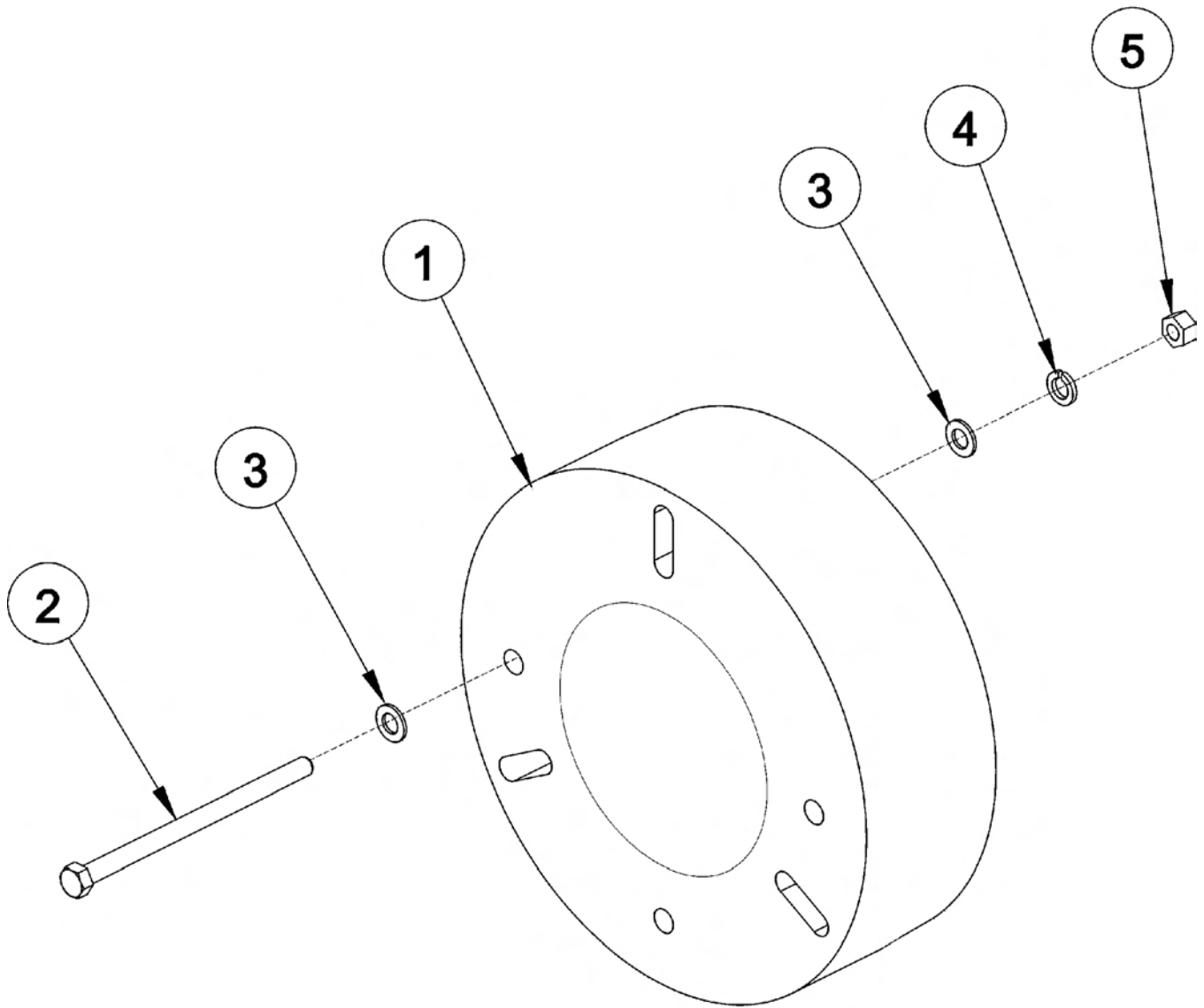
Possible hydraulic problems.

Cylinder leak.

LS signal leaking to tank before reaching pump LS port.

Hydraulic system or pump not supplying flow to valve.

WHEEL WEIGHT - BENGAL 18



| ITEM | PART NO. | QTY. | DESCRIPTION |
|------|----------|------|------------------------|
| 1 | 30687 | 1 | 500# WHEEL WEIGHT |
| 2 | 21956 | 4 | CAPSCREW,3/4" X 13",NC |
| 3 | 22021 | 8 | FLATWASHER,3/4" |
| 4 | 21993 | 4 | LOCKWASHER,3/4" |
| 5 | 21825 | 4 | HEX NUT,3/4",NC |

COMMON BENGAL

CLEAN CUTTER HEAD

**CLEAN CUTTER
SECTION**

CLEAN CUTTER ASSEMBLY

CAUTION!



Failure to follow the following warnings and instructions may result in serious injury or damage to the equipment or property!

CAUTION!



WARNING: The blade alone weighs approximately 145 lbs. Be sure its weight can be supported before attempting to replace. The use of a lift mechanism will ease replacement.

CLEAN CUTTER BLADE MOUNTING

The CLEAN CUTTER blade was designed for installation onto a standard TRB50 spindle. It is equipped with replaceable carbide tipped teeth. Carbide is very hard, it will chip or break on impact. Handle the saw blade with care. **DO NOT** roll saw on any hard surface or allow it to strike a hard object. Set it down on a piece of belting or wood to avoid damaging carbide tips. Install two temporary(2) threaded studs into (2) opposite holes in the spindle. Align the bolt holes in adapter (part number 33875) with the studs and slide adapter over studs, be sure to index adapter so as the protruding 2 7/8" diameter pilot on the adapter faces outward away from spindle. Then slide the saw blade (part number 33874) over the studs and onto the 2 7/8" diameter pilot of the adapter. **NOTE:** Orient blade for clockwise rotation (blade rotates clockwise when looking down on top of mower deck). Then slide the collar (part number 33876) over the studs with the chamfered edge of collar to the outside, be sure the counterbore bolt holes face outward. Apply Loctite "271" to the threads of the 5/8-18 x 3" UNF Grade 8 bolts (part number 33877), and install lock washers (part number 21992) onto the bolts, then install bolts through collar, blade, and adapter into the spindle. Remove the threaded studs, and replace with bolts and lockwashers. Torque bolts in an alternating pattern to 184 Ft-lbs.

DANGER!



Never work under the Implement, the framework, or any lifted component unless the Implement is securely supported or blocked up to prevent sudden or inadvertent falling which could cause serious injury or even death.



CLEAN CUTTER OPERATION

DANGER!



Never operate the Tractor or Implement until you have read and completely understand this Manual, the Tractor Operator's Manual, and each of the Safety Messages found in the Manual or on the Tractor and Implement. Learn how to stop the tractor engine suddenly in an emergency. Never allow inexperienced or untrained personnel to operate the Tractor and Implement without supervision. Make sure the operator has fully read and understood the manuals prior to operation.



OPERATING INSTRUCTIONS

Inspect clean cutter saw before each use. Re-torque spindle bolts to 204 Ft-lbs. Inspect blade around collar and near the teeth for bends and cracks. Check for loose, broken, chipped, dull or missing teeth. Tighten all loose teeth by hammering and or replacing rivets. If teeth are broken, chipped, or missing or if blade is cracked or becomes bent remove blade and have it repaired at an approved service center. Call Tiger Service Department for replacement parts and service.

The TRB50 Clean Cutter is intended for clean cutting trees and brush up to six (6) inches in diameter maximum. Turn mower "ON" while tractor is running at idle RPM. Then increase tractor speed to 1,950 RPM maximum. Note, this tractor engine speed produces a mower speed of 1,500 RPM. **DO NOT operate the clean cutter mower at speeds in excess of 1,500 RPM.** If saw blade wobbles in excess of two (2) inches while tractor is idling, **STOP**, remove the blade and have it repaired in an approved service center. Call Tiger Service Department for replacement parts and service.

Allow saw to accelerate to maximum speed before moving into foliage. Advance mower head smoothly in foliage. Allow saw to cut through material, do not force or over feed. If saw slows excessively, move the head out of the foliage, and allow the saw to achieve maximum speed. **DO NOT** move up or down or roll mower head while cutting through heavy foliage. **DO NOT** use clean cutter mower on the ground. The saw blade is equipped with carbide tips, which are very hard. Striking rocks, steel, concrete, or other similar debris will break these tips.

Badly worn teeth increase stress to the saw blade and require more horsepower to cut than sharp teeth. Set-up a scheduled maintenance program for the saw before the teeth are dull. The saw will last longer, product a better cut, cut large diameter foliage without binding, and will cost less to operate.

Check adapter and collar every time saw is changed, maintain the .004 inch taper on face (surface against the saw blade) of these two (2) items. Always clean adapter and collar before mounting the blade. If adapter or collars are worn or damaged, they must be replaced.

Familiarize yourself with the machines operation and correct operating safety precautions.

CLEAN CUTTER OPERATION - CONTINUED

WARNING!



Excessive wobble will generate heat in the blade, rapidly accelerating the loss of tension. The overheated blade will then rub against the foliage as it is cutting, again increasing the heat in the blade and intensifying the wobble. The blade may then weaken, crack and eventually fail. **NEVER RUN A BLADE THAT IS CRACKED OF BENT.**

DANGER!



Always keep a careful lookout and use extreme care when working around overhead obstructions. Never allow the Mower head or boom within 10 feet of any power line. When working close to overhead power lines consult your electric company for a safe code of operation.



WARNING!



Do not put hands or feet under mower decks. Blade Contact can result serious injury or even death. Stay away until all motion has stopped and the decks are securely blocked up.



DANGER!



Never operate the Tractor and Mower Unit without an OPS (Operators Protective Structure) or Cab to prevent injury from objects thrown from ground or from overhead trimming. Stop mowing if workers or passersby are within 100 yards.



WARNING!



CAUTION: Never leave the key in the ignition switch. Also personal injury or death can occur from sudden dropping or inadvertent operation of the controls. Make certain the area is clear before lowering or raising the deck.

MAINTENANCE INSTRUCTIONS

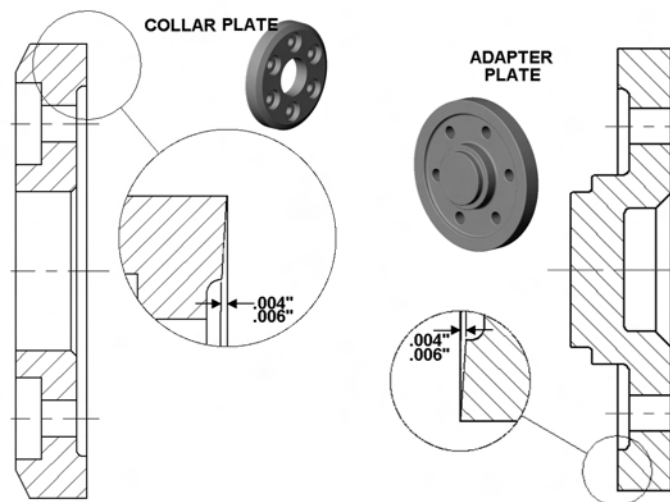
Inspect clean cutter saw before each use. Re-torque spindle bolts in an alternating pattern to 204 ft-lbs. Check for loose, broken, chipped, dull or missing teeth. Tighten all loose tooth assemblies by hammer and or replacing rivets. If teeth tips are broken, chipped, or missing, replace tip or replace entire tooth assembly. **NEVER RUN SAW BLADE WITH MISSING TOOTH ASSEMBLY.** If saw blade is cracked, becomes bent or wobbles in excess of two (2) inches while the tractor is idling, **STOP**, remove blade and have it repaired at an approved service center. Call Tiger Service Department for replacement parts and service.

These saw blades are pre-tensioned after the tooth assemblies are riveted in place. This pre-tensioning ensures that the blade runs true and remains true under normal cutting load. Removal of more than one or two complete tooth assemblies at a time may effect the tensioning of the blade. Before cutting always check for wobble while machine is running at idle. If blade wobbles in excess of two (2) inches, **STOP**, remove blade and have it repaired at an approved service center. The teeth tips can be replaced without removing the tooth bodies from the saw blade (see TIP REPLACEMENT PROCEDURE). This method is preferred over the entire removal of tooth assemblies.

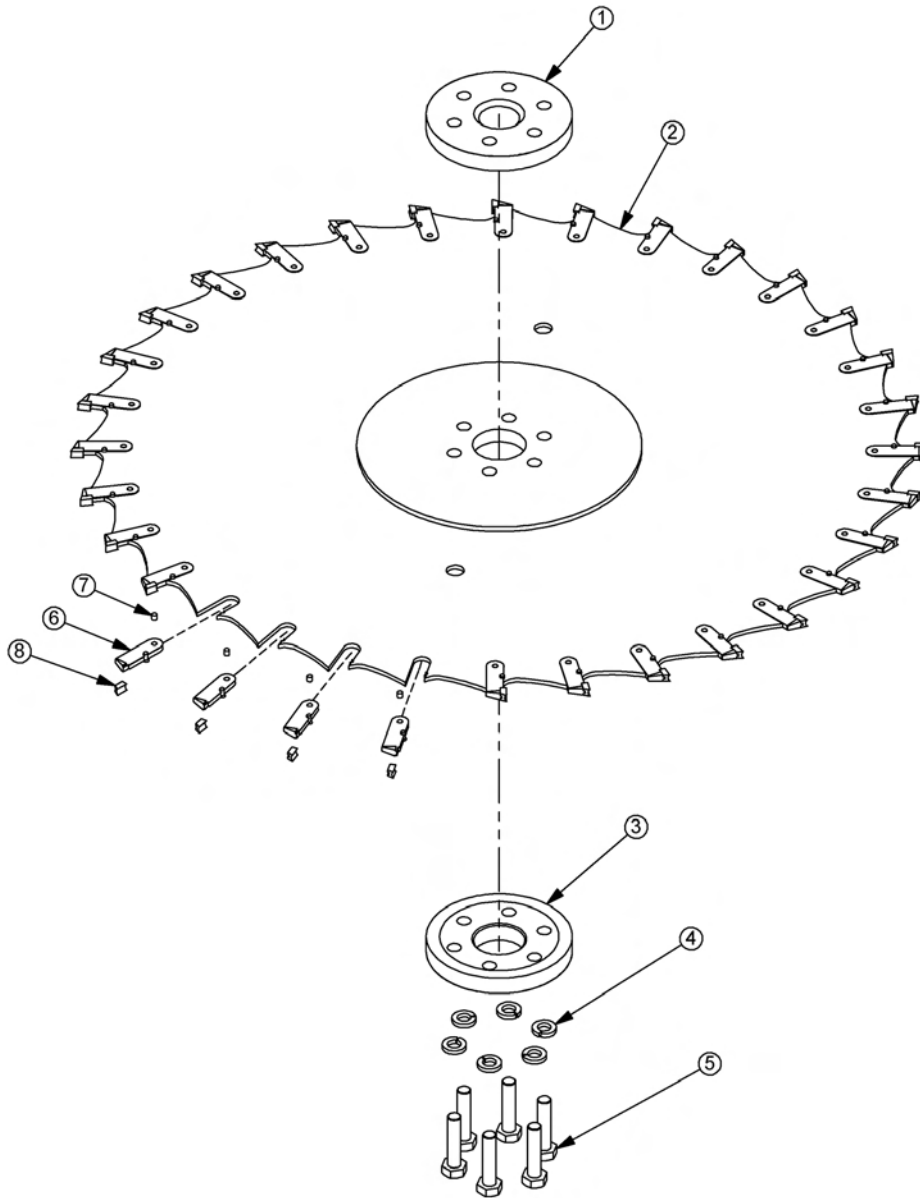
Check adapter and collar every time saw is changed, maintain the .004 to .006 inch taper (see figure below) on inside face (surface against saw blade) of these two (2) items. Always clean inside face of adapter and collar before mounting the blade. If adapter or collars are worn, chipped, or damaged, they must be replaced.

Any saw blade (regardless of condition) that has seen regular use should be serviced at least once a year at an approved service center.

Spare saw blades should be stored in a dry environment and transported only on the wooden crates that are supplied with the saw blade.



CLEAN CUTTER BLADE AND TEETH PARTS

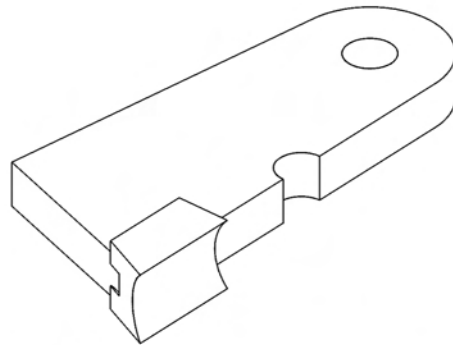


| ITEM | PART NO. | QTY. | DESCRIPTION |
|-------|----------|------|--------------------------------|
| 1 | 06420024 | 1 | ADAPTER,SAW,TRB50,RNFRCD |
| 2 | 06520224 | 1 | BLADE, 48" SAW WITH TEETH |
| 3 | 06420037 | 1 | COLLAR,SAW,TRB50,RNFRCD |
| 4 | 33764 | 6 | FLATWASHER,5/8,GR 8,SAE |
| 5 | 06530209 | 6 | CAPSCREW,5/8 X 3 3/4 NF, GR 8 |
| 6 | 06520225 | 30 | TOOTH WITH RIVET, SAW BLADE |
| 7 | 34703 | 30 | TOOTH RIVET, SAW BLADE |
| ----- | 34704 | - | RIVET REMOVER TOOL (NOT SHOWN) |
| 8 | 34702 | 30 | TOOTH TIP, SAW, CARBIDE |
| ----- | 34705 | - | SHARPENING TOOL (NOT SHOWN) |

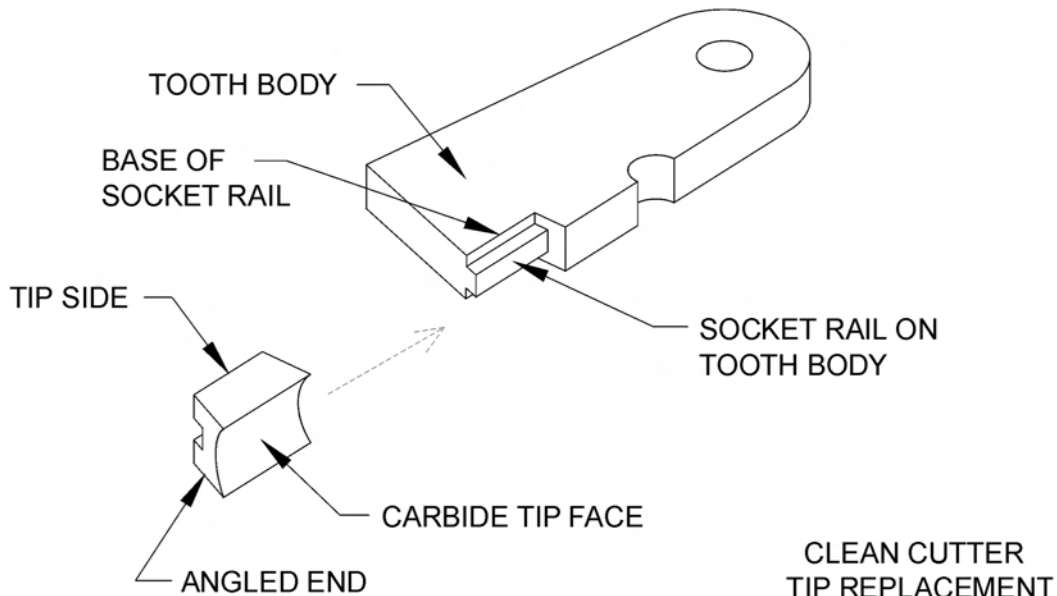
COMMON BENGAL

CARBIDE TIP REPLACEMENT

1. Heat face of tip to dull orange, remove tip, then brush tooth body clean of all debris (carbon).
2. Apply acetone to socket rail on tooth body and allow it to evaporate. Dab on soldering paste (black flux) to socket rail of tooth body and slide pre-tinned tip into place.
3. Then heat tip sides and base of socket rail to ensure silver solder flows completely around base of tip. Grasp tip with tweezers and gently twist tip back and forth to ensure complete bonding of silver solder.
4. Discontinue heat, and allow to cool. Then check braze by gently tapping tip with rubber mallet.



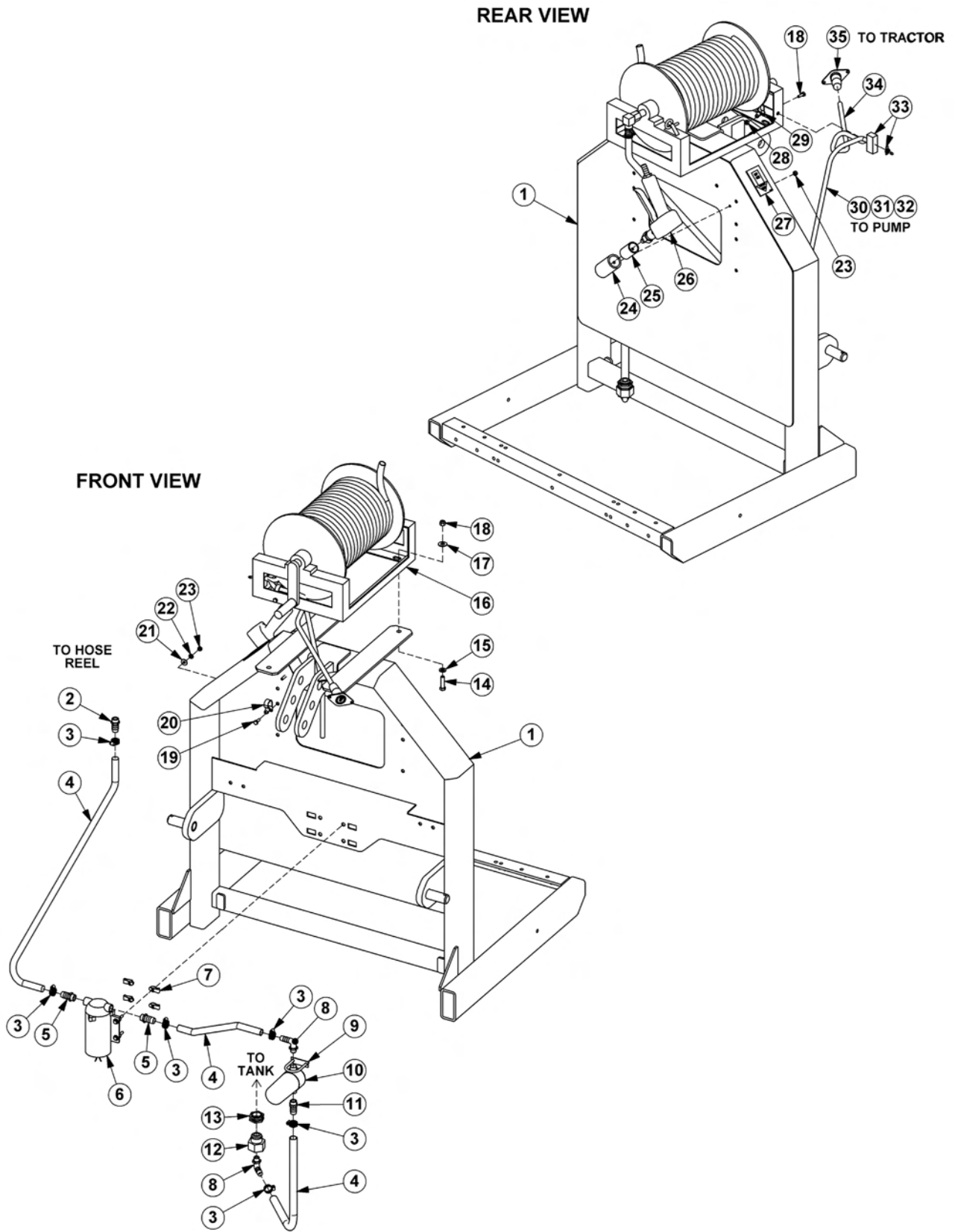
VIEW OF ASSEMBLED TOOTH



NOTES

**FIRE SUPPRESSION SYSTEM
SECTION**

FIRE SUPPRESSION 3-POINT MOUNT



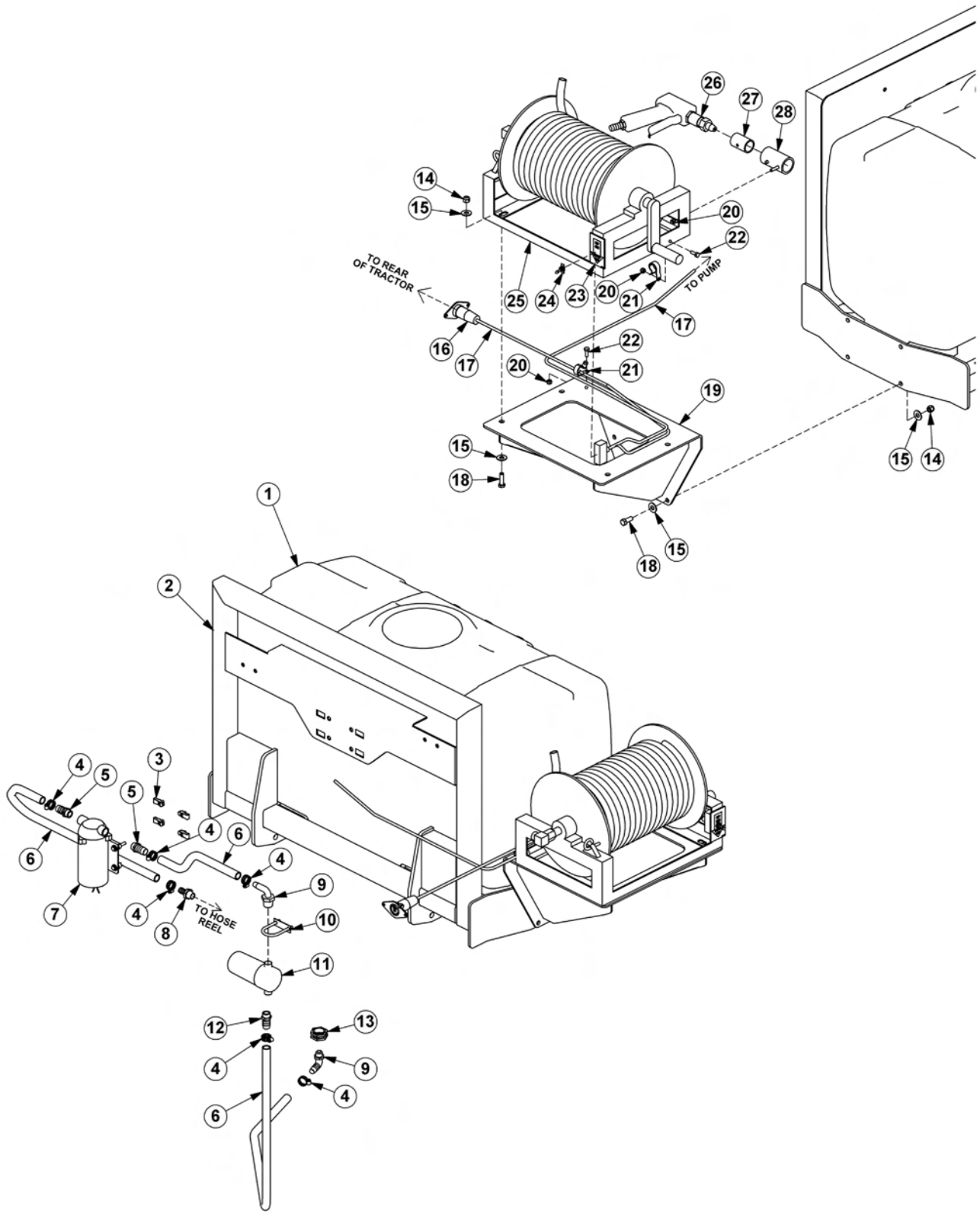
FIRE SUPPRESSION 3-POUNT MOUNT

Continued...

| ITEM | PART NO. | QTY. | DESCRIPTION |
|------|----------|------|---|
| 1 | 06370137 | 1 | MOUNT,3PNT,FIRE SYS |
| 2 | 06503108 | 1 | FITTING,1/2"BARB X 1/2"MP |
| 3 | 35091 | 6 | CLAMP,HOSE,#6 |
| 4 | 06520469 | 5 | HOSE,1/2",BULK (FEET) |
| 5 | 06503168 | 2 | SWIVEL,1/2"STR,POLY |
| 6 | 06520359 | 1 | PUMP,LARGE |
| 7 | 35176 | 4 | U-NUT,1/4" |
| 8 | 06520367 | 2 | ELBOW,1/2"BARB X 1/2"MP,POLY |
| 9 | 27329 | 1 | U-BOLT,1/4" |
| 10 | 06520361 | 1 | FILTER |
| --- | 06520351 | 1 | ELEMENT,FILTER |
| 11 | 06520349 | 1 | FITTING,BARB,HOSE |
| 12 | 06503169 | 1 | REDUCER,BUSHING (100 & 150 GALLON TANKS ONLY) |
| 13 | 06520346 | 1 | FITTING,BULKHEAD (50 GALLON TANKS ONLY) |
| 14 | 21632 | 4 | CAPSCREW,3/8" X 1-1/2",NC |
| 15 | 21988 | 4 | LOCKWASHER,3/8" |
| 16 | 06520360 | 1 | HOSE REEL |
| 17 | 22016 | 4 | FLATWASHER,3/8" |
| 18 | 21627 | 4 | NYLOCK NUT,3/8",NC |
| 19 | 21529 | 2 | CAPSCREW,1/4" X 3/4",NC |
| 20 | 06510258 | 1 | CLAMP,3/4" |
| 21 | 22014 | 1 | FLATWASHER,1/4" |
| 22 | 21986 | 1 | LOCKWASHER,1/4" |
| 23 | 21525 | 2 | HEX NUT,1/4",NC |
| 24 | 06370121 | 1 | HOLSTER |
| 25 | 06430090 | 1 | SLEEVE |
| 26 | 06520366 | 1 | GUN,FIRE SYS |
| 27 | 6T3222 | 1 | DECAL |
| 28 | 21527 | 1 | NYLOCK NUT,1/4",NC |
| 29 | 06510257 | 1 | CLAMP,3/8" |
| 30 | 28055 | 5 | WIRE,BLACK,14GA (FEET) |
| 31 | 24200 | 5 | WIRE,RED,14GA (FEET) |
| 32 | 22802 | 5 | WIRE WRAP (FEET) |
| 33 | PT3905A | 1 | SWITCH |
| 34 | 06510256 | 4 | CABLE,14GA,4WIRE (FEET) |
| 35 | 06510255 | 1 | PLUG,7PIN,TRCTR |

COMMON BENGAL

FIRE SUPPRESSION FRONT MOUNT



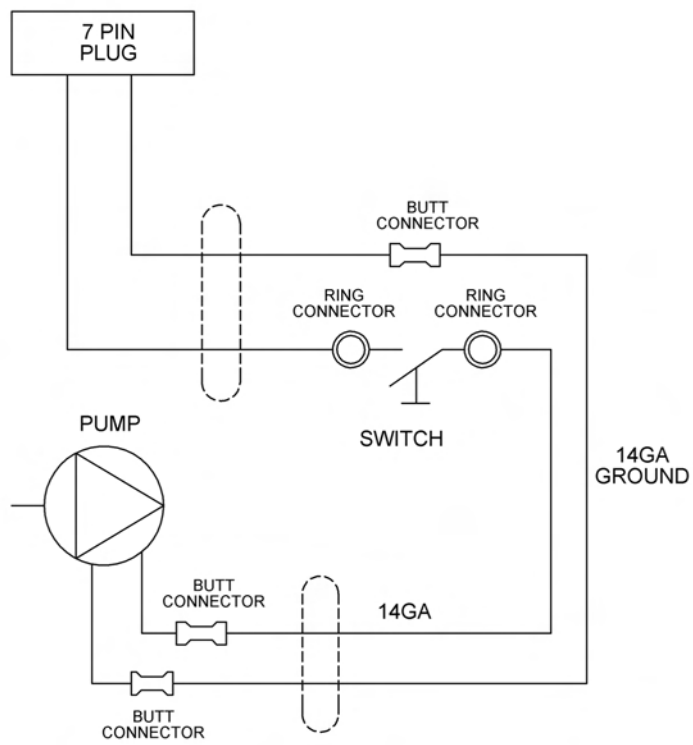
FIRE SUPPRESSION FRONT MOUNT

Continued...

| ITEM | PART NO. | QTY. | DESCRIPTION |
|------|----------|------|-----------------------------|
| 1 | 06520342 | 1 | TANK,50 GALLON |
| 2 | 06370204 | 1 | MNT,TANK,FRNT,50 GALLON |
| 3 | 35176 | 4 | U-NUT,1/4,3/4 TO CENTER |
| 4 | 35091 | 6 | CLAMP,HOSE,#6 |
| 5 | 06503168 | 2 | SWIVEL,1/2 STR,POLY |
| 6 | 06520469 | 8 | HOSE,1/2,SPRAYER |
| 7 | 06520359 | 1 | PUMP,FIRE KIT |
| 8 | 06503108 | 1 | FITTING,1/2" BARB X 1/2"MP |
| 9 | 06520367 | 2 | ELBOW,1/2MPX1/2BARB,POLY |
| 10 | 27329 | 1 | U-BOLT,1/4X2X1 |
| 11 | 06520361 | 1 | FILTER,FIRE KIT,RAILKUT |
| --- | 06520351 | 1 | STRAINER,40 MESH |
| 12 | 06520349 | 1 | FITTING,BARB,HOSE,WETCUT |
| 13 | 06520346 | 1 | FITTING,BULKHEAD |
| 14 | 21627 | 8 | NYLOCK NUT,3/8 NC |
| 15 | 22016 | 16 | FLATWASHER,3/8,GR8 |
| 16 | 06510255 | 1 | PLUG,7PIN,TRCTR |
| 17 | 06510256 | 22 | WIRE,14GA,4WIRE (FEET) |
| 18 | 21631 | 8 | CAPSCREW,3/8X1 1/4, NC,GR8 |
| 19 | 06370207 | 1 | MNT,FIRE SUPPRESSION |
| 20 | 21527 | 3 | NYLOCK NUT,1/4 NC |
| 21 | 06510257 | 2 | CLAMP,3/8X1/4,INS |
| 22 | 21529 | 2 | CAPSCREW,1/4 X 3/4 NC |
| 23 | 6T3222 | 1 | DECAL,CONTROL,ON-OFF SWITCH |
| 24 | PT3905A | 1 | SWITCH,MOWER |
| 25 | 06520360 | 1 | HOSE REEL,FIRE KIT,RAILKUT |
| 26 | 06520366 | 1 | GUN,FIRE KIT,RAILKUT |
| 27 | 06430090 | 1 | SLEEVE,GUN,FIRE SYS |
| 28 | 06370121 | 1 | HOLSTER,FIRESYS,RAILKUT |

COMMON BENGAL

FIRE SUPPRESSION SYSTEM ELECTRICAL SCHEMATIC

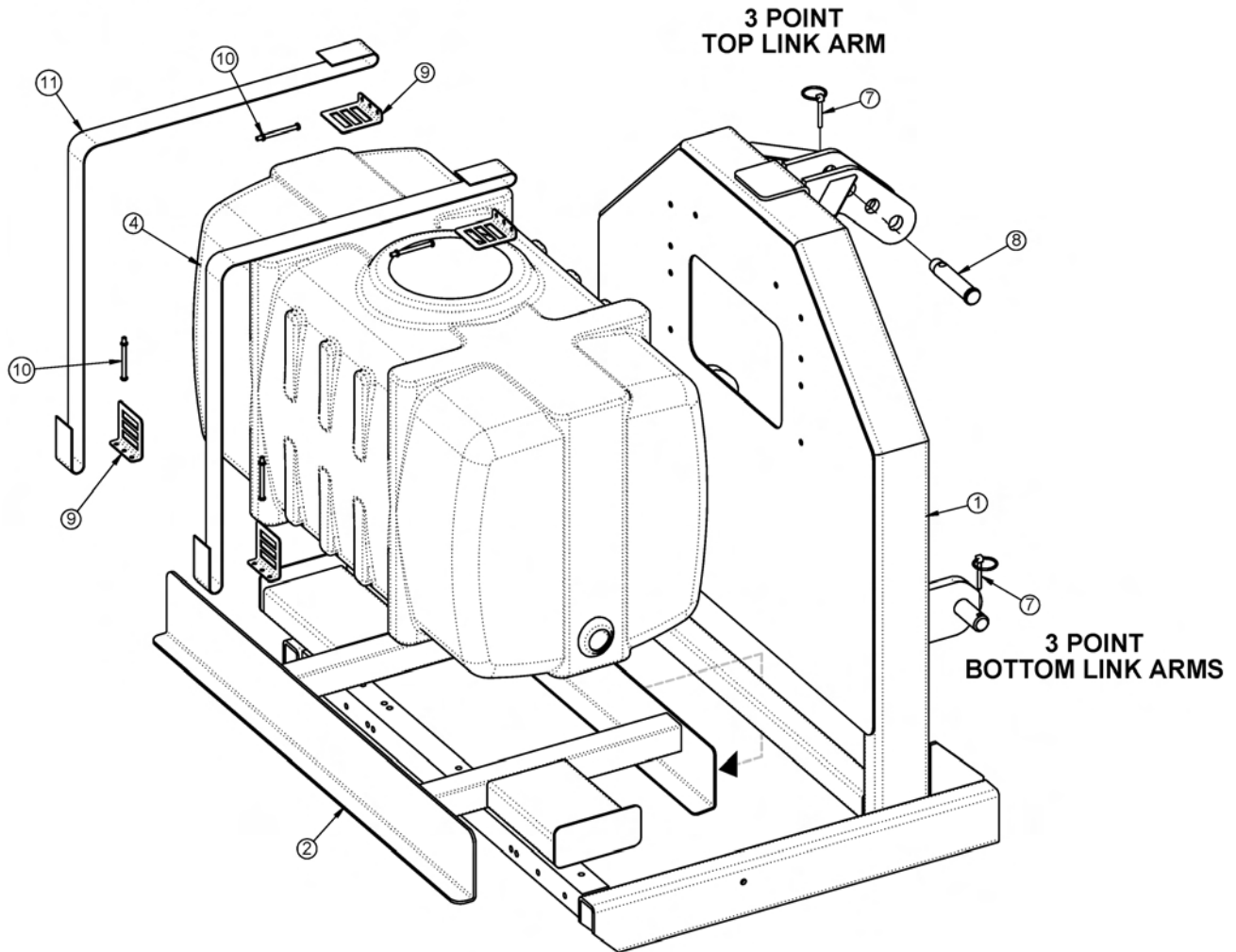


WETCUT

**WETCUT
SECTION**

WETCUT 50 GALLON TANK - 3PNT MOUNT

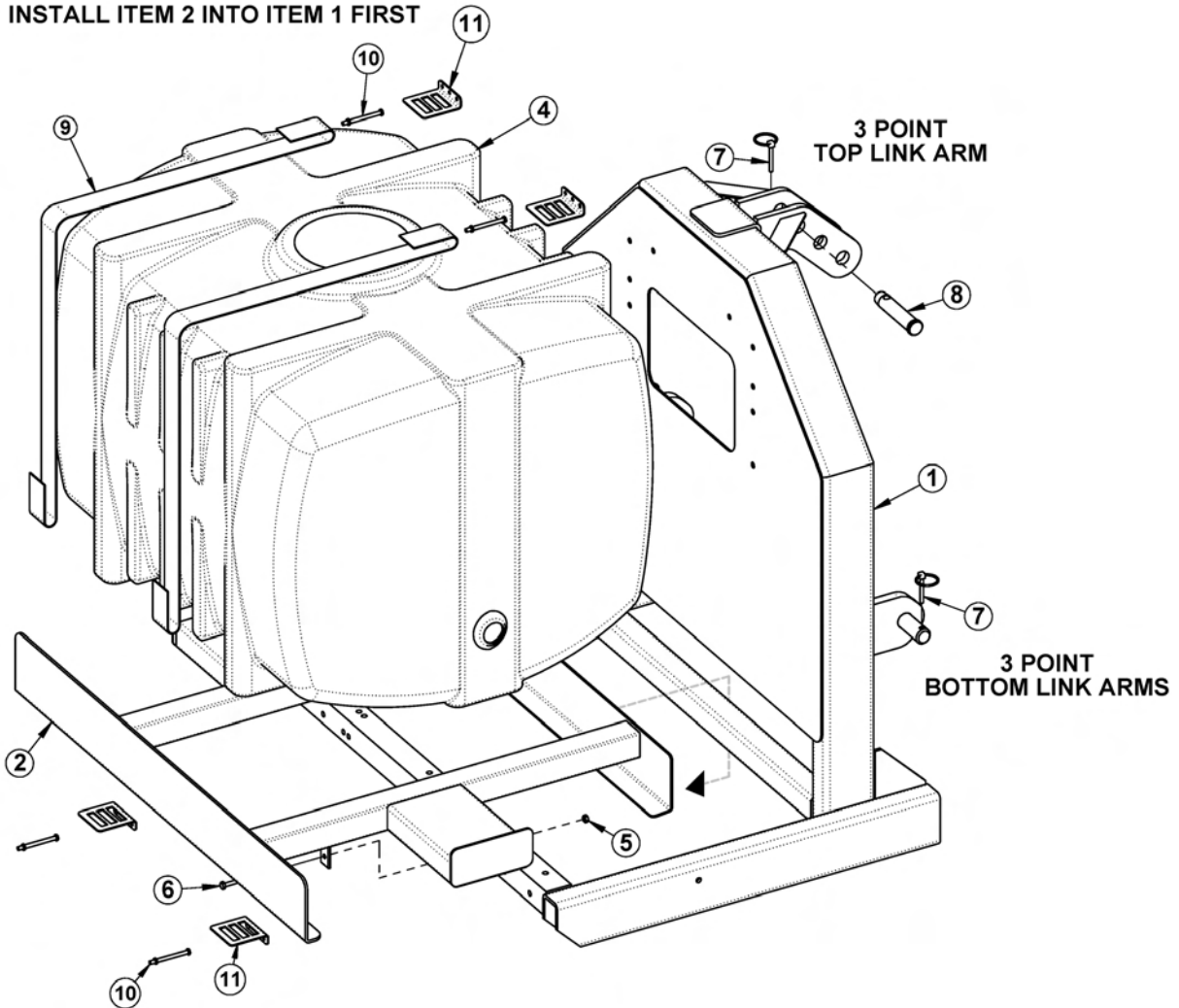
INSTALL ITEM 2 INTO ITEM 1 FIRST



| ITEM | PART NO. | QTY. | DESCRIPTION |
|------|----------|------|------------------------------|
| 1 | 06370128 | 1 | MNT,3PNT,UNI |
| 2 | 06370136 | 1 | MNT,TANK,50GAL,WETCUT |
| 4 | 06520342 | 1 | TANK,50GA.,WETCUT |
| 7 | RD1032 | 3 | PIN,LYNCH 1/4" X 2" |
| 8 | TB1036 | 1 | PIN,SEC BOOM SWIV 1X4-11/16" |
| 9 | 06520343 | 4 | ANCHOR,STRAP,WETCUT |
| 10 | 06520344 | 4 | BOLT,STRAP,TANK,WETCUT |
| 11 | 06520345 | 2 | STRAP,TANK,WETCUT |

WETCUT 100 OR 150 GALLON TANK - 3PNT MOUNT

INSTALL ITEM 2 INTO ITEM 1 FIRST

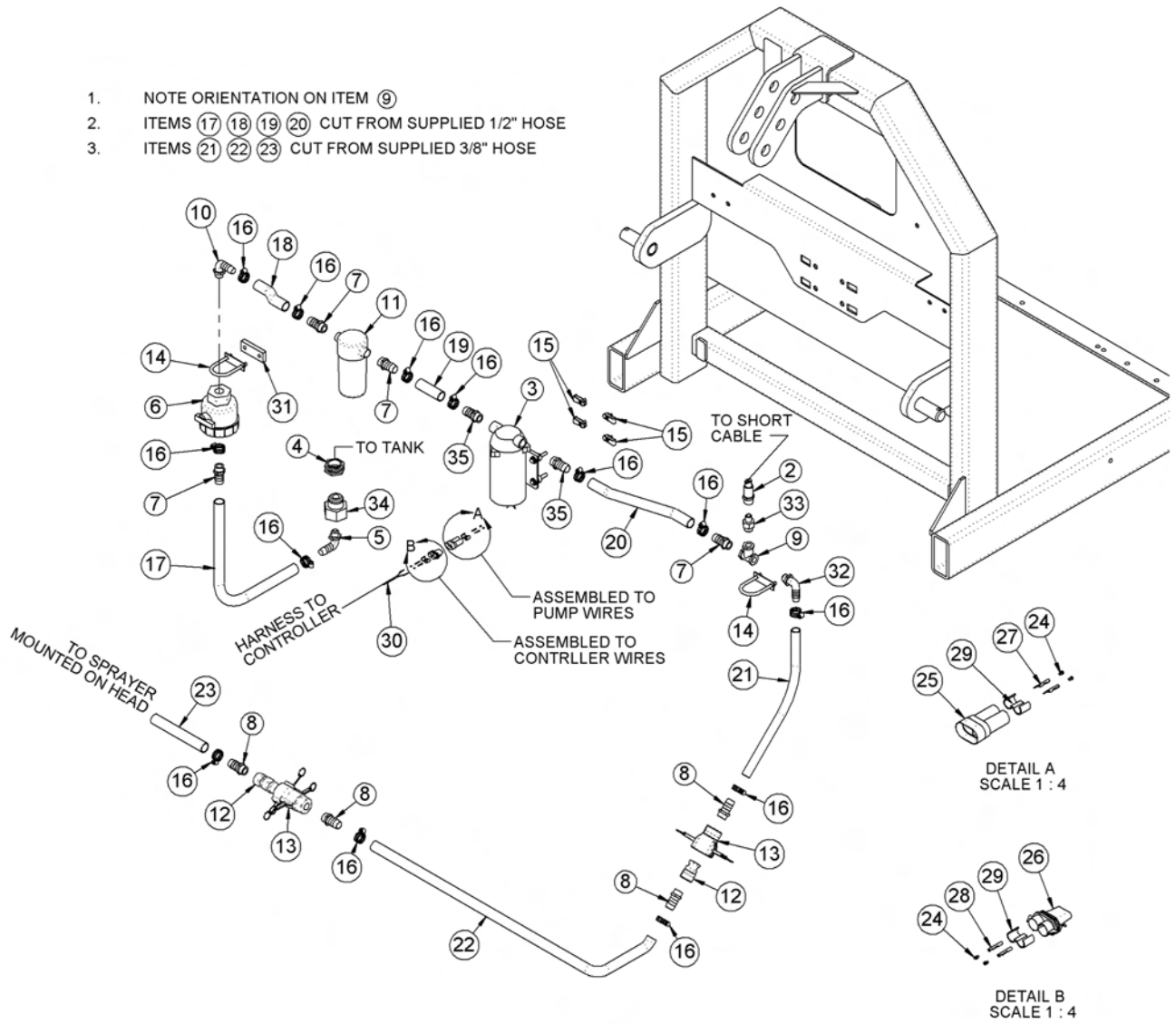


| ITEM | PART NO. | QTY. | DESCRIPTION |
|-------|----------|------|------------------------------|
| 1 | 06370128 | 1 | MNT,3PNT,UNI |
| 2 | 06370138 | 1 | MNT,TANK,100GAL,WETCUT |
| ----- | 06370139 | - | MNT,TANK,150GAL,WETCUT |
| 4 | 06520372 | 1 | TANK,100GA.,WETCUT |
| ----- | 06520373 | - | TANK,150GA.,WETCUT |
| 5 | 21527 | 2 | HEX NUT,NYLOCK,1/4" NC |
| 6 | 21530 | 2 | CAPSCREW,1/4" X 1" NC |
| 7 | RD1032 | 3 | PIN,LYNCH 1/4" X 2" |
| 8 | TB1036 | 1 | PIN,SEC BOOM SWIV 1X4-11/16" |
| 9 | 06520345 | 2 | STRAP,TANK,WETCUT |
| 10 | 06520344 | 4 | BOLT,STRAP,TANK,WETCUT |
| 11 | 06520343 | 4 | ANCHOR,STRAP,WETCUT |

COMMON BENGAL

WETCUT 3PNT PLUMBING - 50IN MOWERS

1. NOTE ORIENTATION ON ITEM ⑨
2. ITEMS ⑰ ⑱ ⑲ ⑳ CUT FROM SUPPLIED 1/2" HOSE
3. ITEMS ㉑ ㉒ ㉓ CUT FROM SUPPLIED 3/8" HOSE



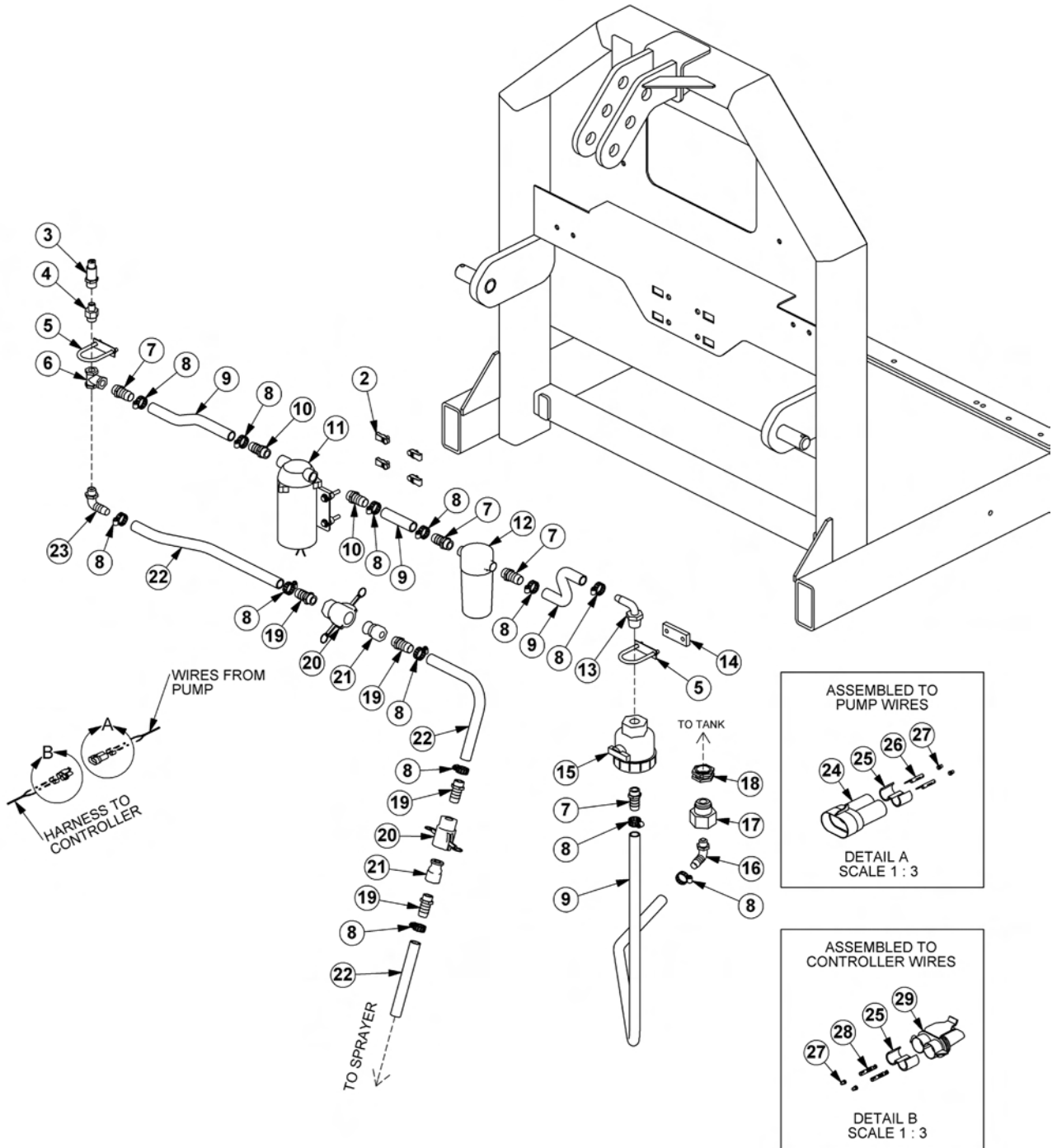
WETCUT 3PNT PLUMBING - 50IN MOWERS

Continued...

| ITEM | PART NO. | QTY. | DESCRIPTION |
|-------------|-----------------|-------------|---|
| 1 | 06370128 | 1 | MNT,3PNT,UNI |
| 2 | 06520336 | 1 | CNTRLR,SENSOR,06520333 |
| 3 | 06520341 | 1 | PUMP,WETCUT |
| 4 | 06520346 | 1 | FITTING,BULKHEAD,WETCUT (50 GALLON TANKS ONLY) |
| 5 | 06520347 | 1 | FITTING,ELBOW,WETCUT |
| 6 | 06520348 | 1 | VLV,BALL,WETCUT |
| 7 | 06520349 | 4 | FITTING,BARB,HOSE,WETCUT |
| 8 | 06503173 | 4 | FITTING,1/2MP X 3/8"BARB |
| 9 | 06520353 | 1 | FITTING,TEE,WETCUT |
| 10 | 06520367 | 1 | ELBOW,1/2" X 1/2"BARB,POLY |
| 11 | 06520361 | 1 | FILTER,FIRE KIT,RAILKUT |
| 12 | 06520400 | 2 | QUIK CPLR,MALE,1/2",WETCUT |
| 13 | 06520401 | 2 | QUIK CPLR,FEM,1/2",WETCUT |
| 14 | 27329 | 2 | U-BOLT,1/4" X 1" X 2" |
| 15 | 35176 | 4 | U-NUT,1/4",3/4" TO CENTER |
| 16 | 35091 | 13 | CLAMP, HOSE #6 |
| 17 - 20 | 06520469 | 5 | 1/2" HOSE (FEET) |
| 21 - 23 | 06520316 | - | 3/8" HOSE (INCLUDED WITH SPRAYER) |
| 24 | 06510051 | 4 | SEAL,16-18GA,METPAK |
| 25 | 06510052 | 1 | CONN.,BODY,MALE,METRIPACK 150 |
| 26 | 06510053 | 1 | CONN.,BODY,FEM,METRIPACK 150 |
| 27 | 06510054 | 2 | TERMINAL,MALE,16/18GA.METPAK |
| 28 | 06510055 | 2 | TERMINAL,FEM,16/18GA.METPAK |
| 29 | 06510056 | 2 | TPA |
| 30 | 06520337 | 1 | INCLUDED WITH CONTROLLER |
| 31 | 06401133 | 1 | SPACER,Ø.31" X 1.75" X .38" |
| 32 | 06503165 | 1 | ELBOW,1/2"MP X 3/8"BARB |
| 33 | 06520354 | 1 | BUSHING,REDUCER,WETCUT |
| 34 | 06503169 | 1 | BUSHING,1"MP X 1/2"FP (100 & 150 GALLON TANKS ONLY) |
| 35 | 06503176 | 2 | FITTING,BARB,3/8"MP X 1/2"BARB |

COMMON BENGAL

WETCUT 3PNT PLUMBING - LARGE MOWERS



WETCUT 3PNT PLUMBING - LARGE MOWERS

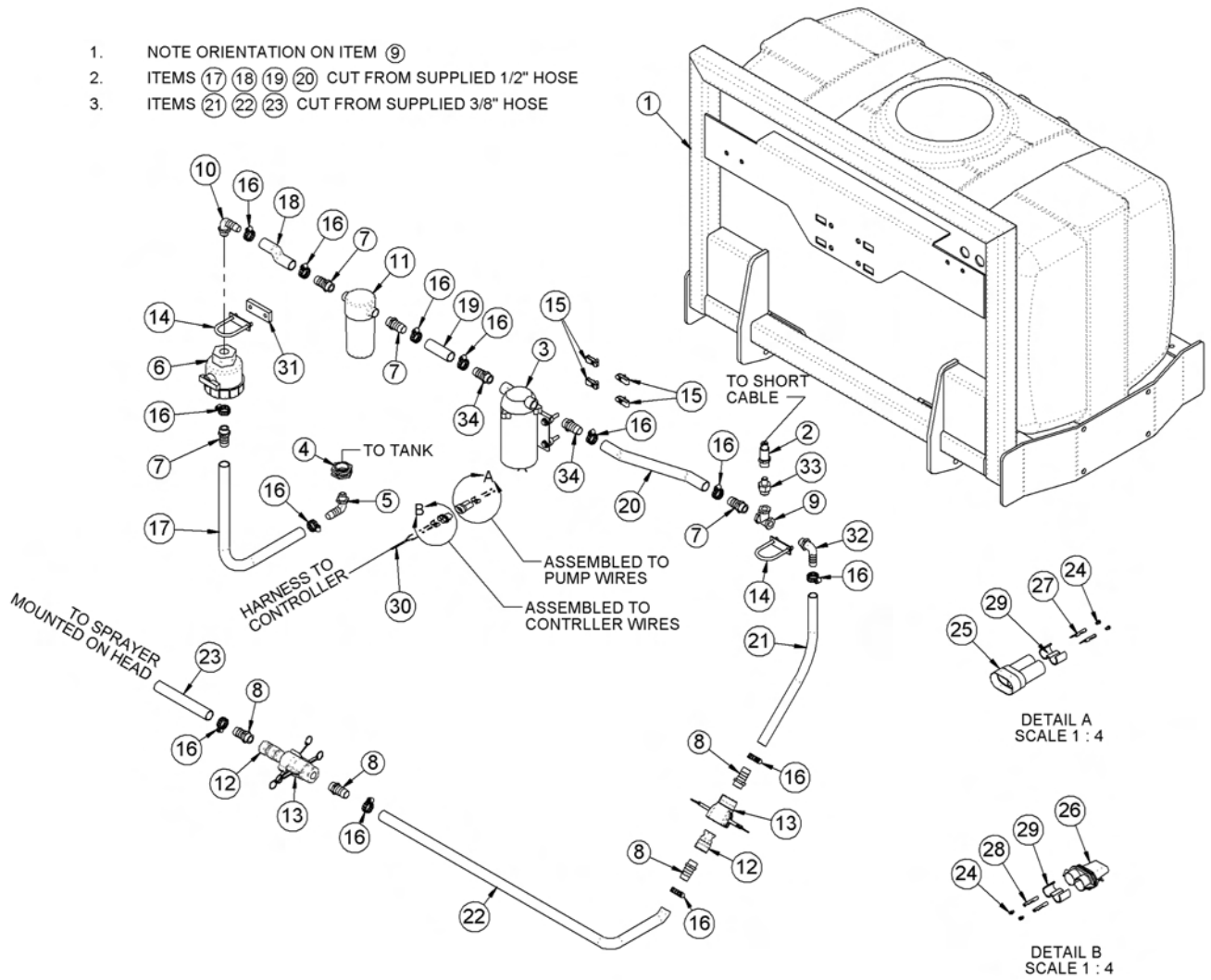
Continued...

| ITEM | PART NO. | QTY. | DESCRIPTION |
|------|----------|------|---|
| 1 | 06370128 | 1 | MNT,3PNT,UNI |
| 2 | 35176 | 4 | U-NUT,1/4,3/4 TO CENTER |
| 3 | 06520336 | 1 | CNTRLR,SENSOR,06520333 |
| 4 | 06520354 | 1 | BUSHING,REDUCER,WETCUT |
| 5 | 27329 | 2 | U-BOLT,1/4" X 1" X 2" |
| 6 | 06520353 | 1 | FITTING,TEE,WETCUT |
| 7 | 06520349 | 4 | FITTING,BARB,HOSE,WETCUT |
| 8 | 35091 | 13 | CLAMP, HOSE #6 |
| 9 | 06520469 | 5 | 1/2" HOSE (FEET) |
| 10 | 06503168 | 2 | SWIVEL,1/2" STR |
| 11 | 06520359 | 1 | PUMP,LARGE |
| 12 | 06520361 | 1 | FILTER,FIRE KIT,RAILKUT |
| --- | 06520351 | 1 | STRAINER,40MESH |
| 13 | 06520367 | 1 | ELBOW,1/2X1/2BARB,POLY |
| 14 | 06401133 | 1 | SPACER,Ø.31X1.75X.38 |
| 15 | 06520348 | 1 | VLV,BALL,WETCUT |
| 16 | 06520347 | 1 | FITTING,ELBOW,WETCUT |
| 17 | 06503169 | 1 | BUSHING,1MPX1/2FP (100 & 150 GALLON TANKS ONLY) |
| 18 | 06520346 | 1 | FITTING,BULKHEAD,WETCUT (50 GALLON TANKS ONLY) |
| 19 | 06503173 | 4 | FITTING,BARB,1/2X3/8,WETCUT |
| 20 | 06520401 | 2 | QUIK CPLR,FEM,1/2,WETCUT |
| 21 | 06520400 | 2 | QUIK CPLR,MALE,1/2,WETCUT |
| 22 | 06520316 | - | 3/8" HOSE (INCLUDED WITH SPRAYER) |
| 23 | 06503165 | 1 | ELBOW,1/2X3/8BARB,POLY |
| 24 | 06510052 | 1 | CONN.,BODY,MALE,METRIPACK 150 |
| 25 | 06510056 | 2 | TPA |
| 26 | 06510054 | 2 | TERMINAL,MALE,16/18GA.METPAK |
| 27 | 06510051 | 4 | SEAL,16-18GA,METPAK |
| 28 | 06510055 | 2 | TERMINAL,FEM,16/18GA.METPAK |
| 29 | 06510053 | 1 | CONN.,BODY,FEM,METRIPACK 150 |

COMMON BENGAL

WETCUT FRONT PLUMBING - 50IN MOWERS

1. NOTE ORIENTATION ON ITEM ⑨
2. ITEMS ⑰ ⑱ ⑲ ⑳ CUT FROM SUPPLIED 1/2" HOSE
3. ITEMS ㉑ ㉒ ㉓ CUT FROM SUPPLIED 3/8" HOSE



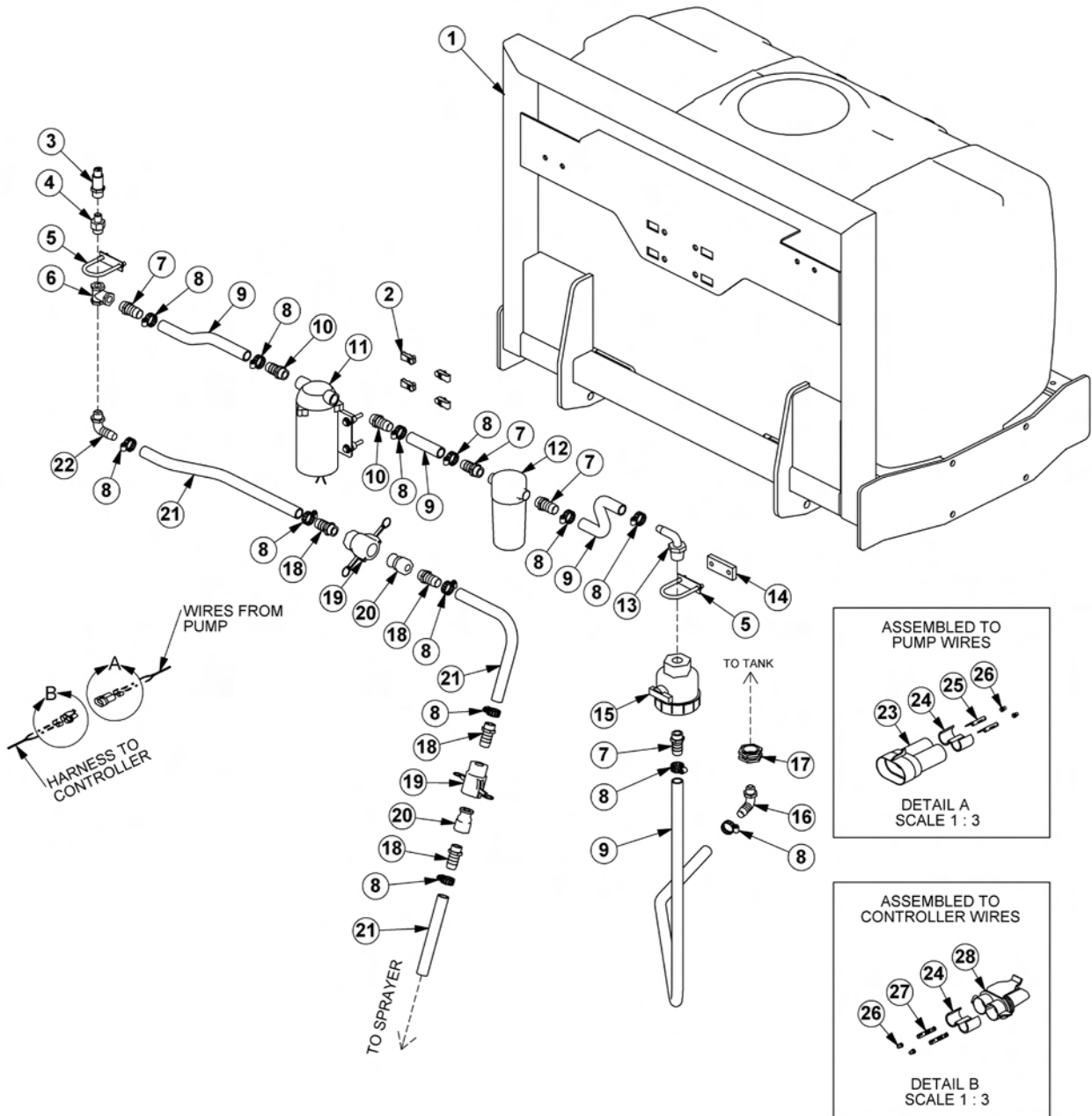
WETCUT FRONT PLUMBING - 50IN MOWERS

Continued...

| ITEM | PART NO. | QTY. | DESCRIPTION |
|---------|----------|------|-----------------------------------|
| 1 | 06370204 | 1 | MNT,FRONT,UNI |
| 2 | 06520336 | 1 | CNTRLR,SENSOR,06520333 |
| 3 | 06520341 | 1 | PUMP,WETCUT |
| 4 | 06520346 | 1 | FITTING,BULKHEAD,WETCUT |
| 5 | 06520347 | 1 | FITTING,ELBOW,WETCUT |
| 6 | 06520348 | 1 | VLV,BALL,WETCUT |
| 7 | 06520349 | 4 | FITTING,BARB,HOSE,WETCUT |
| 8 | 06503173 | 4 | FITTING,1/2"MP X 3/8"BARB |
| 9 | 06520353 | 1 | FITTING,TEE,WETCUT |
| 10 | 06520367 | 1 | ELBOW,1/2"MP X 1/2"BARB,POLY |
| 11 | 06520361 | 1 | FILTER,FIRE KIT,RAILKUT |
| --- | 06520351 | 1 | STRAINER,40MESH |
| 12 | 06520400 | 2 | QUIK CPLR,MALE,1/2",WETCUT |
| 13 | 06520401 | 2 | QUIK CPLR,FEM,1/2",WETCUT |
| 14 | 27329 | 2 | U-BOLT,1/4" X 1" X 2" |
| 15 | 35176 | 4 | U-NUT,1/4",3/4" TO CENTER |
| 16 | 35091 | 13 | CLAMP,HOSE #6 |
| 17 - 20 | 06520469 | 5 | 1/2" HOSE (FEET) |
| 21 - 23 | 06520316 | - | 3/8" HOSE (INCLUDED WITH SPRAYER) |
| 24 | 06510051 | 4 | SEAL,16-18GA,METPAK |
| 25 | 06510052 | 1 | CONN.,BODY,MALE,METRIPACK 150 |
| 26 | 06510053 | 1 | CONN.,BODY,FEM,METRIPACK 150 |
| 27 | 06510054 | 2 | TERMINAL,MALE,16/18GA.METPAK |
| 28 | 06510055 | 2 | TERMINAL,FEM,16/18GA.METPAK |
| 29 | 06510056 | 2 | TPA |
| 30 | 06520337 | 1 | INCLUDED WITH CONTROLLER |
| 31 | 06401133 | 1 | SPACER,Ø.31" X 1.75" X .38" |
| 32 | 06503165 | 1 | ELBOW,1/2"MP X 3/8"BARB,POLY |
| 33 | 06520354 | 1 | BUSHING,REDUCER,WETCUT |
| 34 | 06503176 | 2 | FITTING,3/8"MP X 1/2"BARB |

COMMON BENGAL

WETCUT FRONT PLUMBING - LARGE MOWERS



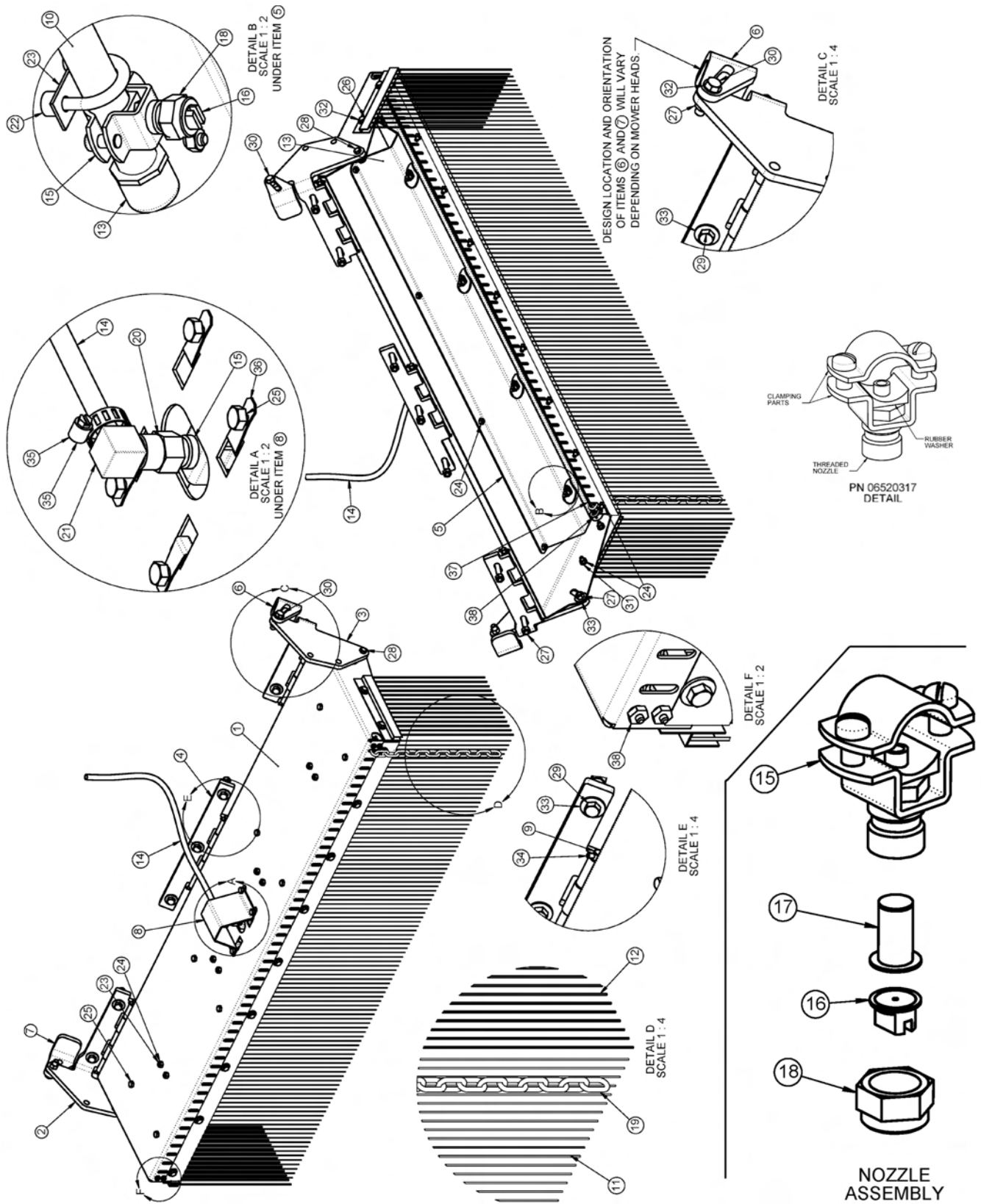
WETCUT FRONT PLUMBING - LARGE MOWERS

Continued...

| ITEM | PART NO. | QTY. | DESCRIPTION |
|------|----------|------|-----------------------------------|
| 1 | 06370204 | 1 | MNT,FRONT,UNIV |
| 2 | 35176 | 4 | U-NUT,1/4,3/4 TO CENTER |
| 3 | 06520336 | 1 | CNTRLR,SENSOR,06520333 |
| 4 | 06520354 | 1 | BUSHING,REDUCER,WETCUT |
| 5 | 27329 | 2 | U-BOLT,1/4" X 1" X 2" |
| 6 | 06520353 | 1 | FITTING,TEE,WETCUT |
| 7 | 06520349 | 4 | FITTING,BARB,HOSE,WETCUT |
| 8 | 35091 | 13 | CLAMP, HOSE #6 |
| 9 | 06520469 | 5 | 1/2" HOSE (FEET) |
| 10 | 06503168 | 2 | SWIVEL,1/2" STR |
| 11 | 06520359 | 1 | PUMP,LARGE |
| 12 | 06520361 | 1 | FILTER,FIRE KIT,RAILKUT |
| --- | 06520351 | 1 | STRAINER,40MESH |
| 13 | 06520367 | 1 | ELBOW,1/2X1/2BARB,POLY |
| 14 | 06401133 | 1 | SPACER,Ø.31X1.75X.38 |
| 15 | 06520348 | 1 | VLV,BALL,WETCUT |
| 16 | 06520347 | 1 | FITTING,ELBOW,WETCUT |
| 17 | 06520346 | 1 | FITTING,BULKHEAD,WETCUT |
| 18 | 06503173 | 4 | FITTING,BARB,1/2X3/8,WETCUT |
| 19 | 06520401 | 2 | QUIK CPLR,FEM,1/2,WETCUT |
| 20 | 06520400 | 2 | QUIK CPLR,MALE,1/2,WETCUT |
| 21 | 06520316 | - | 3/8" HOSE (INCLUDED WITH SPRAYER) |
| 22 | 06503165 | 1 | ELBOW,1/2X3/8BARB,POLY |
| 23 | 06510052 | 1 | CONN.,BODY,MALE,METRIPACK 150 |
| 24 | 06510056 | 2 | TPA |
| 25 | 06510054 | 2 | TERMINAL,MALE,16/18GA.METPAK |
| 26 | 06510051 | 4 | SEAL,16-18GA,METPAK |
| 27 | 06510055 | 2 | TERMINAL,FEM,16/18GA.METPAK |
| 28 | 06510053 | 1 | CONN.,BODY,FEM,METRIPACK 150 |

COMMON BENGAL

WETCUT 50IN SPRAYER HEAD ASSEMBLY



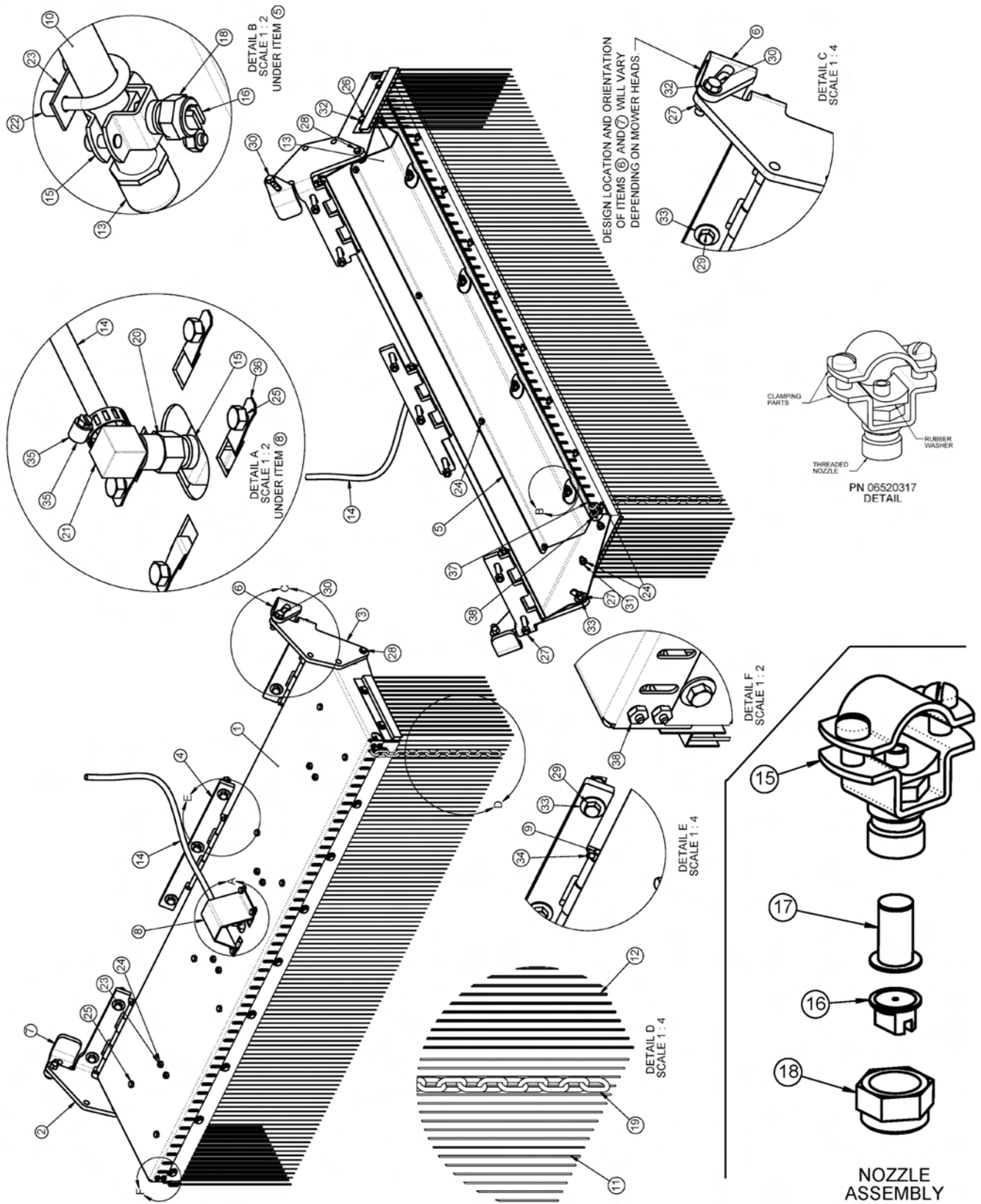
WETCUT 50IN SPRAYER HEAD ASSEMBLY

Continued...

| ITEM | PART NO. | QTY. | DESCRIPTION |
|------|----------|------|--|
| 1 | 06370105 | 1 | HOOD,SPRAYER |
| 2 | 06370106 | 1 | HINGE,LH,SPRAYER |
| 3 | 06370107 | 1 | HINGE,RH,SPRAYER |
| 4 | 06370108 | 1 | HINGE,CNTR,SPRAYER |
| 5 | 06410668 | 1 | GUARD,SPRAYER,WETCUT |
| 6 | 06410753 | 1 | MNT,RH,WET CUT (FLAIL) |
| --- | 06410942 | 1 | MNT,RH,WET CUT (ROTARY) |
| 7 | 06410754 | 1 | MNT,LH,WET CUT (FLAIL) |
| --- | 06410943 | 1 | MNT,LH,WET CUT (ROTARY) |
| 8 | 06410796 | 1 | GUARD,HOSE,WETCUT |
| 9 | 06420069 | 3 | PIN,HINGE,WET CUT |
| 10 | 06497003 | 1 | TUBE,LG,SPRAYER |
| 11 | 06499012 | 1 | SKIRT,ANTI SPRAY,50 |
| 12 | 06499013 | 2 | SKIRT,ANTI SPRAY,7 |
| 13 | 06520314 | 2 | TUBE,CAP,SPRAYER |
| 14 | 06520316 | 15 | HOSE,SPRAYER (FEET) |
| 15 | 06520317 | 5 | NOZZLE,SPRAYER |
| 16 | 06520319 | 4 | TIP,NOZZLE,SPRAYER |
| 17 | 06520320 | 4 | FILTER,NOZZLE,SPRAYER |
| 18 | 06520321 | 4 | NUT,NOZZLE,SPRAYER |
| 19 | 06520322 | 49 | CHAIN,.18" X 1.31" X 13LINKS |
| 20 | 06520381 | 1 | ADAPTER,1/4"NPT,WETCUT |
| 21 | 06520382 | 1 | ELBOW,BARB,3/8" X 1/4"NPT |
| 22 | 06520383 | 8 | SPACER,.50"O.D. X .252"I.D. X .38",NYLON |
| 23 | 32550 | 4 | U-BOLT,1/4" X 1" X 1" X 1-3/4" |
| 24 | 21527 | 29 | HEX NUT,NYLOCK,1/4",NC |
| 25 | 21528 | 12 | CAPSCREW,1/4" X 1/2",NC |
| 26 | 21529 | 13 | CAPSCREW,1/4" X 3/4",NC |
| 27 | 21625 | 11 | HEX NUT,3/8",NC |
| 28 | 21630 | 2 | CAPSCREW,3/8" X 1",NC |
| 29 | 21634 | 7 | CAPSCREW,3/8" X 2",NC |
| 30 | 21632 | 2 | CAPSCREW,3/8" X 1-1/2",NC |
| 31 | 21986 | 4 | LOCKWASHER,1/4" |
| 32 | 22014 | 15 | FLATWASHER,1/4" |
| 33 | 22016 | 9 | FLATWASHER,3/8",GR8 |
| 34 | 34698 | 6 | ROLL PIN, PLAIN, 3/16" X 7/8" |
| 35 | 35091 | 1 | CLAMP,HOSE #6 |
| 36 | 35176 | 4 | U-NUT,1/4",3/4" TO CENTER |
| 37 | 06520376 | 5 | CABLE,3/16" |
| 38 | 06537022 | 2 | U-BOLT,CABLE,3/16" |

COMMON BENGAL

WETCUT 60IN SPRAYER HEAD ASSEMBLY



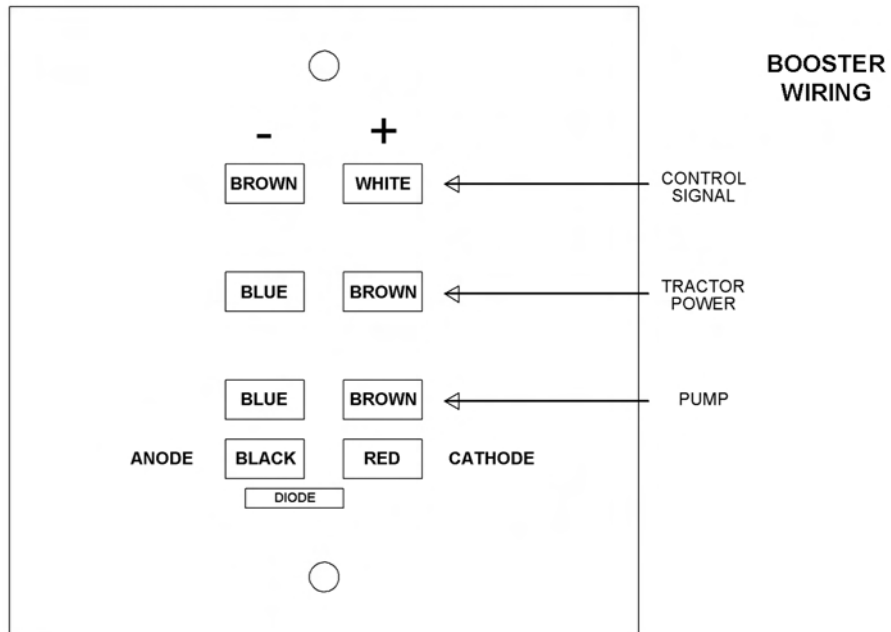
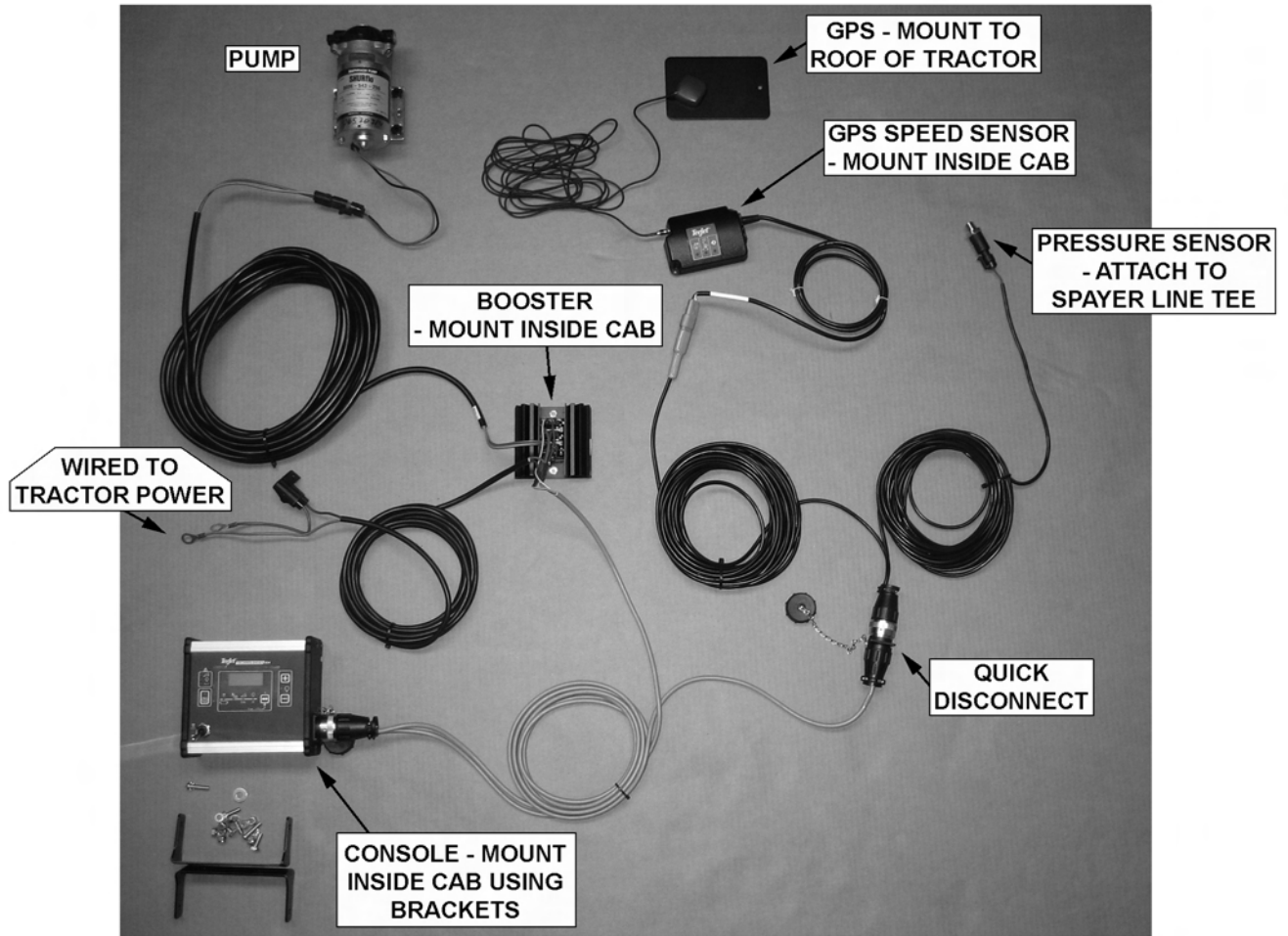
WETCUT 60IN SPRAYER HEAD ASSEMBLY

Continued...

| ITEM | PART NO. | QTY. | DESCRIPTION |
|------|----------|------|---|
| 1 | 06370210 | 1 | HOOD,SPRAYER |
| 2 | 06370106 | 1 | HINGE,LH,SPRAYER |
| 3 | 06370107 | 1 | HINGE,RH,SPRAYER |
| 4 | 06370108 | 1 | HINGE,CNTR,SPRAYER |
| 5 | 06411234 | 1 | GUARD,SPRAYER,WETCUT |
| 6 | 06410753 | 1 | MNT,RH,WET CUT (FLAIL) |
| --- | 06410942 | 1 | MNT,RH,WET CUT (ROTARY) |
| 7 | 06410754 | 1 | MNT,LH,WET CUT (FLAIL) |
| --- | 06410943 | 1 | MNT,LH,WET CUT (ROTARY) |
| 8 | 06410796 | 1 | GUARD,HOSE,WETCUT |
| 9 | 06420069 | 3 | PIN,HINGE,WET CUT |
| 10 | 06497009 | 1 | TUBE,LG,SPRAYER |
| 11 | 06499018 | 1 | SKIRT,ANTI SPRAY,60 |
| 12 | 06499013 | 2 | SKIRT,ANTI SPRAY,7 |
| 13 | 06520314 | 2 | TUBE,CAP,SPRAYER |
| 14 | 06520316 | 15 | HOSE,SPRAYER (FEET) |
| 15 | 06520317 | 6 | NOZZLE,SPRAYER |
| 16 | 06520319 | 5 | TIP,NOZZLE,SPRAYER |
| 17 | 06520320 | 5 | FILTER,NOZZLE,SPRAYER |
| 18 | 06520321 | 5 | NUT,NOZZLE,SPRAYER |
| 19 | 06520322 | 61 | CHAIN,.18" X 1.31" X 13LINKS |
| 20 | 06520381 | 1 | ADAPTER,1/4"NPT,WETCUT |
| 21 | 06520382 | 1 | ELBOW,BARB,3/8" X 1/4"NPT |
| 22 | 06520383 | 10 | SPACER,.50"O.D. X .252" I.D. X .38",NYLON |
| 23 | 32550 | 5 | U-BOLT,1/4" X 1" X 1" X 1-3/4" |
| 24 | 21527 | 33 | HEX NUT,NYLOCK,1/4",NC |
| 25 | 21528 | 15 | CAPSCREW,1/4" X 1/2",NC |
| 26 | 21529 | 13 | CAPSCREW,1/4" X 3/4",NC |
| 27 | 21625 | 13 | HEX NUT,3/8",NC |
| 28 | 21630 | 2 | CAPSCREW,3/8" X 1",NC |
| 29 | 21634 | 7 | CAPSCREW,3/8" X 2",NC |
| 30 | 21632 | 4 | CAPSCREW,3/8" X 1-1/2",NC |
| 31 | 21986 | 4 | LOCKWASHER,1/4" |
| 32 | 22014 | 33 | FLATWASHER,1/4" |
| 33 | 22016 | 11 | FLATWASHER,3/8",GR8 |
| 34 | 34698 | 6 | ROLL PIN, PLAIN, 3/16" X 7/8" |
| 35 | 35091 | 1 | CLAMP,HOSE #6 |
| 36 | 35176 | 4 | U-NUT,1/4",3/4" TO CENTER |
| 37 | 06520376 | 6 | CABLE,3/16" (FEET) |
| 38 | 06537022 | 2 | U-BOLT,CABLE,3/16" |

COMMON BENGAL

WETCUT CABLES



WARRANTY SECTION

WARRANTY INFORMATION

Tiger Corporation, 3301 N. Louise, Sioux Falls, South Dakota, warrants to the original Retail Customer, the new Tiger equipment is free of defects in material and workmanship. Any part of equipment that in Tiger's judgement, show evidence of such defects will be repaired or replaced without charge, provided that the failure of part(s) shall have occurred within twelve (12) months from the date of delivery of said equipment to the Retail Customer. Expendable components such as knives, oil, chain sprockets, skid shoes, knife mounting disks and the like are excluded but not limited to this warranty.

The Retail Customer must pay the transportation cost to and from the Tiger Dealer's service shop for warranty service. Warranty service will be performed by the Tiger Dealer from whom the equipment was purchased, during service shop regularly scheduled days and hours of operation.

All Tiger obligation under this warranty shall be terminated if the equipment is modified or altered in ways not approved in writing by Tiger, if repair parts other than genuine Tiger repair parts have been used, or if the equipment has been subject to misuse, neglect, accident, improper maintenance or improper operation.

Tiger Corporation reserves the right to make improvements in design or changes in specification at any time without incurring any obligation to owners of equipment previously sold.

No agent or person has authority to alter, add to or waive the above warranties which are agreed to be in the only warranties, representations or promises, expressed or implied, as to the quality or performance of the products covered and which do not include any implied warranty of merchantability or fitness. In no event will Tiger be liable for incidental or consequential damages or injuries, including, but not limited to, loss of profits, rental or substitute equipment or other commercial loss.

**THERE ARE NO WARRANTIES WHICH EXTEND
BEYOND THOSE EXPRESSED HEREIN.**

It is the Purchasers obligation to sign the warranty registration form **AFTER** he / she has Read and Understands the Operation and Safety Instructions stated within this manual.

ONE LAST WORD

This manual cannot possibly cover all of the potentially hazardous situations you will encounter. By being familiar with the safety rules, operating and maintenance instructions in this manual you can help prevent accidents. The objective of this manual is to help make you a better operator. Remember, **SAFETY IS YOU!**



1012

Your safety and the safety of those around you depends on **YOU**. Common sense should play a large role in the operation of this machine.

Since we at Tiger Corporation are constantly striving to improve our products, we reserve the right to change specifications or design at any time.

TO THE OWNER / OPERATOR / DEALER



To keep your implement running efficiently and safely, read your manual thoroughly and follow these directions and the Safety Messages in this manual and on the machine. The table of contents clearly identifies each section where you can easily find the information you need.

The Occupational Safety and Health Act (OSHA 1928.51 subpart C) makes the following minimum requirements for tractor operators.

OWNER REQUIREMENTS:

1. Provide a Roll-Over-Protective Structure that meets the requirements of this Standard; and
2. Provide Seatbelts that meet the requirements of this Standard and SAE J3C; and
3. Ensure that each employee uses such Seatbelt while the tractor is moving; and
4. Ensure that each employee tightens the Seatbelt sufficiently to confine the employee to the protected area provided by the ROPS.

OPERATOR REQUIREMENTS:

1. Securely fasten seatbelt if the tractor has a ROPS.
2. Where possible, avoid operating the tractor near steep ditches, embankments, and holes.
3. Reduce speed when turning, crossing slopes, and on rough, slick, or muddy surfaces.
4. Stay off slopes too steep for safe operation.
5. Watch where you are going – especially at row ends, on roads, and around trees.
6. Do Not permit others to ride.
7. Operate the tractor smoothly – no jerky turns, starts, or stops.
8. Hitch only to the draw-bar and hitch points recommended by the tractor manufacturer.
9. When the tractor is stopped, set brakes securely and use park lock, if available



Printed in USA
© Tiger Corporation