



SIDE FLAIL ASSEMBLIES 2011

JOHN DEERE 5101E, 5093E, 5083E

PARTS LISTING WITH ASSEMBLY INSTRUCTIONS

Tiger Corporation
3301 N. Louise Ave.
Sioux Falls, SD 57107
1-800-843-6849
1-605-336-7900
www.tiger-mowers.com

TO THE OWNER / OPERATOR / DEALER

All implements with moving parts are potentially hazardous. There is no substitute for a cautious, safe-minded operator who recognizes the potential hazards and follows reasonable safety practices. The manufacturer has designed this implement to be used with all its safety equipment properly attached to minimize the chance of accidents.

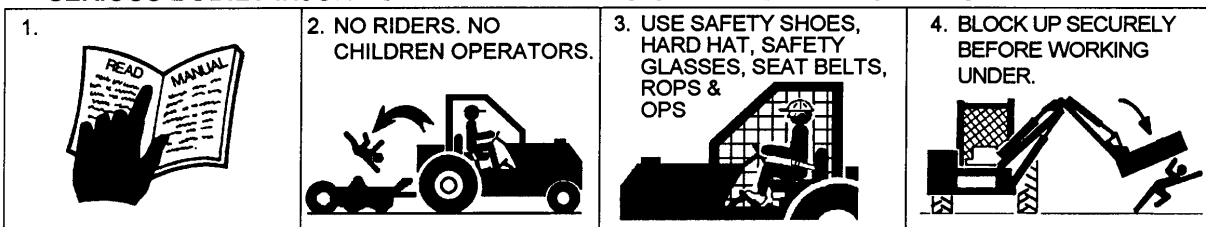
BEFORE YOU START!! Read the safety messages on the implement and shown in this manual. Observe the rules of safety and use common sense!

READ AND UNDERSTAND THIS MANUAL! Non-English speaking operators will need to GET THE MANUAL TRANSLATED as needed!

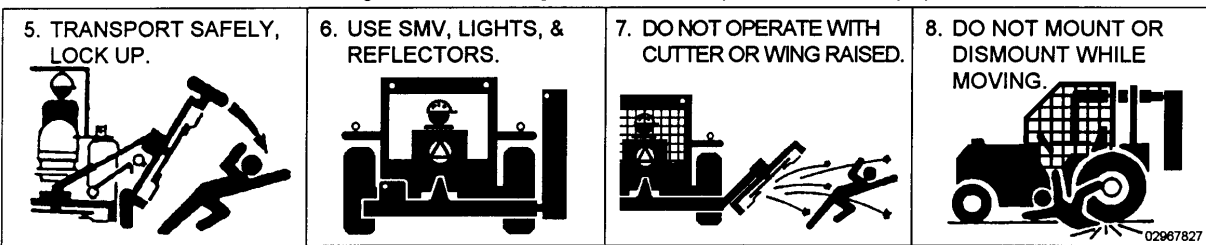


DANGER

FAILING TO FOLLOW SAFETY MESSAGES AND OPERATING INSTRUCTIONS CAN CAUSE SERIOUS BODILY INJURY OR EVEN DEATH TO OPERATOR AND OTHERS IN THE AREA.



1. Study and understand Operator's Manuals, Safety Decals, and Instructional Decals for tractor and implement to prevent misuse, abuse, and accidents. Practice before operating in a confined area or near passersby.
 - Learn how to stop engine suddenly in an emergency. Be alert for passersby and especially children
2. Allow no children on or near folding mower or tractor. Allow no riders on tractor or implement. Falling off may cause serious injury or death from being run over by tractor or mower or contact with rotating blades.
3. Operate only with tractor having Roll-Over Protective Structure (ROPS) and with seat belt securely fastened to prevent injury and possible death from falling off or tractor overturn.
 - Personal Protective Equipment such as Hard Hat, Safety Glasses, Safety Shoes, & Ear Plugs are recommended.
4. Block up or support raised machine and all lifted components securely before putting hands or feet under or working underneath any lifted component to prevent crushing injury or death from sudden dropping or inadvertent operation of controls. Make certain area is clear before lowering or folding
5. Before transporting, put Lift Lever in detent or full-lift position. Install Transport Safety Devices securely on folding mowers. Put Booms securely in Transport Rest.
 - Folding and Boom Mowers have raised center of gravity. Slow down when turning and on hillsides.
6. Make certain that SMV sign, warning lights, and reflectors are clearly visible. Follow local traffic codes.
7. Never operate with Cutting Head or Folding Section raised if passersby, bystanders, or traffic are in the area to reduce possibility of injury or death from objects thrown by Blades under Guards or mower structure.
8. Before dismounting, secure implement in transport position or lower to ground.
 - Put tractor in park or set brake, disengage PTO, stop engine, remove key, and wait until noise of rotation has ceased to prevent crushing by entanglement in rotating parts which could cause injury or death.
 - Never mount or dismount a moving vehicle. Crushing from runover may cause serious injury or death.



Warranty Information: Read and understand the complete Warranty Statement found in this manual. Fill out the Warranty Registration form in full and return it within 90 days. Make certain the Serial Number of the machine is recorded on the Warranty Card, and form that you retain.

FORWARD

This manual contains information about many features of the Tiger mowing and roadside maintenance equipment. Some of these include: Safety precautions, Assembly instructions, Operations, Maintenance and Parts. This manual will also assist you in the proper break-in, daily care, and troubleshooting of your new mower.

We recommend that you read carefully the entire manual before operating the unit. Also, time spent in becoming fully acquainted with its performance features, adjustments, and maintenance schedules will be repaid in a long and satisfactory life of the equipment.

Troubleshooting - Please, before you call, help us to help you!

Please look at the equipment to observe what is happening, then:

- Classify the problem
 - Hydraulic, electrical or mechanical - Read the trouble shooting section
 - Tractor or Truck chassis - Contact vehicle dealer

- If unable to correct the problem yourself, contact your local Tiger Dealer after gathering:
 - Machine model _____
 - Serial number _____
 - Dealer name _____
 - Detailed information about the problem including results of troubleshooting

Attention Owner / Operator / Dealer: It is your obligation to read, and understand, the warranty information section located at the back of this manual denoting that the purchaser understands the safety issues relating to this machine and has received and will read a copy of this manual.

If at any time, you have a service problem with your Tiger mower, Contact your local dealer for service and parts needed.

MANUFACTURED BY:

Tiger Corporation

3301 N. Louise Ave.

Sioux Falls, SD 57107

1-800-843-6849

1-605-336-7900

www.tiger-mowers.com

DISTRIBUTED BY:

1- _____ - _____ - _____

1- _____ - _____ - _____

TABLE OF CONTENTS

| | |
|----------------------------------|---|
| SAFETY SECTION_____ | 1 |
| ASSEMBLY / MOUNTING SECTION_____ | 2 |
| OPERATION SECTION_____ | 3 |
| MAINTENANCE SECTION_____ | 4 |
| PARTS SECTION_____ | 5 |
| COMMON PARTS SECTION_____ | 6 |
| WARRANTY INFORMATION_____ | 7 |



1012

This symbol means:

CAUTION – YOUR SAFETY IS AT RISK!

When you see this symbol, read and follow the associated instructions carefully or personal injury or damage may result.

Tiger is a registered trademark.



SAFETY

SAFETY SECTION

SAFETY

General Safety Instructions and Practices

A safe and careful operator is the best operator. Safety is of primary importance to the manufacturer and should be to the owner / operator. Most accidents can be avoided by being aware of your equipment, your surroundings, and observing certain precautions. The first section of this manual includes a list of Safety Messages that, if followed, will help protect the operator and bystanders from injury or death. Read and understand these Safety Messages before assembling, operating or servicing this mower. This equipment should only be operated by those persons who have read the Manual, who are responsible and trained, and who know how to do so safely and responsibly.



1000

The Safety Alert Symbol combined with a Signal Word, as seen below, is used throughout this manual and on decals which are attached to the equipment. The Safety Alert Symbol means: “**ATTENTION! BECOME ALERT! YOUR SAFETY IS INVOLVED!**” The symbol and signal word are intended to warn the owner / operator of impending hazards and the degree of possible injury when operating this equipment.

Practice all usual and customary safe working precautions and above all -- remember safety is up to YOU! Only YOU can prevent serious injury or death from unsafe practices.

DANGER!



Indicates an imminently hazardous situation that, if not avoided, WILL result in DEATH OR VERY SERIOUS INJURY.

WARNING!



Indicates an imminently hazardous situation that, if not avoided, COULD result in DEATH OR SERIOUS INJURY.

CAUTION!



Indicates an imminently hazardous situation that, if not avoided, MAY result in MINOR INJURY.

IMPORTANT!

Identifies special instructions or procedures that, if not strictly observed, could result in damage to, or destruction of the machine, attachments or the environment.

NOTE: *Identifies points of particular interest for more efficient or convenient operation or repair.* (SG-1)

READ, UNDERSTAND, and FOLLOW the following Safety Messages. Serious injury or death may occur unless care is taken to follow the warnings and instructions stated in the Safety Messages. Always use good common sense to avoid hazards. (SG-2)

SAFETY INSTRUCTIONS



SAFETY

PELIGRO!



Si no lee Ingles, pida ayuda a alguien que si lo lea para que le traduzca las medidas de seguridad. (SG-3)



¡ LEA EL INSTRUCTIVO!

DANGER!



Never operate the Tractor or Implement until you have read and completely understand this Manual, the Tractor Operator's Manual, and each of the Safety Messages found in the Manual or on the Tractor and Implement. Learn how to stop the tractor engine suddenly in an emergency. Never allow inexperienced or untrained personnel to operate the Tractor and Implement without supervision. Make sure the operator has fully read and understands the manuals prior to operation. (SG-4)



WARNING!



Always maintain the safety decals in good readable condition. If the decals are missing, damaged, or unreadable, obtain and install replacement decals immediately. (SG-5)

WARNING!



Make certain that the "Slow Moving Vehicle" (SMV) sign is installed in such a way as to be clearly visible and legible. When transporting the Equipment use the Tractor flashing warning lights and follow all local traffic regulations. (SG-6)



WARNING!



Operate this Equipment only with a Tractor equipped with an approved roll-over-protective system (ROPS). Always wear seat belts. Serious injury or even death could result from falling off the tractor--particularly during a turnover when the operator could be pinned under the ROPS. (SG-7)



WARNING!



Do not modify or alter this Implement. Do not permit anyone to modify or alter this Implement, any of its components or any Implement function. (SG-8)

DANGER!



BEFORE leaving the tractor seat, always engage the brake and/or set the tractor transmission in parking gear, disengage the PTO, stop the engine, remove the key, and wait for all moving parts to stop. Place the tractor shift lever into a low range or parking gear to prevent the tractor from rolling. Never dismount a Tractor that is moving or while the engine is running. Operate the Tractor controls from the tractor seat only. (SG-9)



SAFETY

DANGER!



Never allow children or other persons to ride on the Tractor or Implement. Falling off can result in serious injury or death.

(SG-10)



DANGER!



Never allow children to operate or ride on the Tractor or Implement.

(SG-11)



WARNING!



Do not mount the tractor while the tractor is moving. Mount the tractor only when the tractor and all moving parts are completely stopped.

(SG-12)



DANGER!



Start tractor only when properly seated in the tractor seat. Starting a tractor in gear can result in injury or death. Read the tractor operators manual for proper starting instructions.

(SG-13)



DANGER!



Never work under the Implement, the framework, or any lifted component unless the Implement is securely supported or blocked up to prevent sudden or inadvertent falling which could cause serious injury or even death.

(SG-14)



DANGER!



Do not operate this Equipment with hydraulic oil leaking. Oil is expensive and its presence could present a hazard. Do not check for leaks with your hand! Use a piece of heavy paper or cardboard. High-pressure oil streams from breaks in the line could penetrate the skin and cause tissue damage including gangrene. If oil does penetrate the skin, have the injury treated immediately by a physician knowledgeable and skilled in this procedure.

(SG-15)

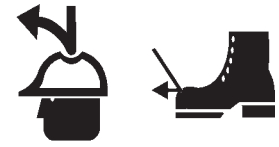


SAFETY

WARNING!



The operator and all support personnel should wear hard hats, safety shoes, safety glasses, and proper hearing protection at all times for protection from injury including injury from items thrown by the equipment. (SG-16)



CAUTION!



PROLONGED EXPOSURE TO LOUD NOISE MAY CAUSE PERMANENT HEARING LOSS! Tractors with or without an Implement attached can often be noisy enough to cause permanent hearing loss. We recommend that you always wear hearing protection if the noise in the operator's position exceeds 80db. Noise over 85db over an extended period of time will cause severe hearing loss. Noise over 90db adjacent to the operator over an extended period of time will cause permanent or total hearing loss. *Note:* Hearing loss from loud noise [from tractors, chain saws, radios, and other such sources close to the ear] is cumulative over a lifetime without hope of natural recovery. (SG-17)



WARNING!



Transport only at safe speeds. Serious accidents and injuries can result from operating this equipment at unsafe speeds. Understand the Tractor and Implement and how it handles before transporting on streets and highways. Make sure the Tractor steering and brakes are in good condition and operate properly.



Before transporting the Tractor and Implement, determine the safe transport speeds for you and the equipment. Make sure you abide by the following rules:

1. Test the tractor at a slow speed and increase the speed slowly. Apply the brakes smoothly to determine the stopping characteristics of the Tractor and Implement. As you increase the speed of the Tractor the stopping distance increases. Determine the maximum safe transport speed for you and this equipment.
2. Test the equipment at a slow speed in turns. Increase the speed through the turn only after you determine that it is safe to operate at a higher speed. Use extreme care and reduce your speed when turning sharply to prevent the tractor and implement from turning over. Determine the maximum safe turning speed for you and this equipment before operating on roads or uneven ground.
3. Only transport the Tractor and Implement at the speeds that you have determined are safe and which allow you to properly control the equipment.



Be aware of the operating conditions. Do not operate the Tractor with weak or faulty brakes. When operating down a hill or on wet or rain slick roads, the braking distance increases: use extreme care and reduce your speed. When operating in traffic always use the Tractor's flashing warning lights and reduce your speed. Be aware of traffic around you and watch out for the other guy. (SG-19)

SAFETY

WARNING!



Never attempt to lubricate, adjust, or remove material from the Implement while it is in motion or while tractor engine is running. Make sure the tractor engine is **OFF** before working on the Implement.

(SG-20)



WARNING!



Periodically inspect all moving parts for wear and replace when necessary with authorized service parts. Look for loose fasteners, worn or broken parts, and leaky or loose fittings. Make sure all pins are properly secured. Serious injury may occur from not maintaining this machine in good working order. (SG-21)



WARNING!



Always read carefully and comply fully with the manufacturers instructions when handling oil, solvents, cleansers, and any other chemical agent. (SG-22)



DANGER!



Never run the tractor engine in a closed building or without adequate ventilation. The exhaust fumes can be hazardous to your health.

(SG-23)

DANGER!



KEEP AWAY FROM ROTATING ELEMENTS to prevent entanglement and possible serious injury or death.

(SG-24)



DANGER!



Never allow children to play on or around Tractor or Implement. Children can slip or fall off the Equipment and be injured or killed. Children can cause the Implement to shift or fall crushing themselves or others. (SG-25)

WARNING!



Do not exceed the rated PTO speed for the Implement. Excessive PTO speeds can cause Implement driveline or blade failures resulting in serious injury or death. (SG-26)

SAFETY

DANGER!



NEVER use drugs or alcohol immediately before or while operating the Tractor and Implement. Drugs and alcohol will affect an operator's alertness and coordination and therefore affect the operator's ability to operate the equipment safely. Before operating the Tractor or Implement, an operator on prescription or over-the-counter medication must consult a medical professional regarding any side effects of the medication that would hinder their ability to operate the Equipment safely. **NEVER** knowingly allow anyone to operate this equipment when their alertness or coordination is impaired. Serious injury or death to the operator or others could result if the operator is under the influence of drugs or alcohol. (SG-27)



DANGER!



Operate the Tractor and/or Implement controls only while properly seated in the Tractor seat with the seat belt securely fastened around you. Inadvertent movement of the Tractor or Implement may cause serious injury or death. (SG-29)

WARNING!



Mow only in conditions where you have clear visibility in daylight or with adequate artificial lighting. Never mow in darkness or foggy conditions where you cannot clearly see at least 100 yards in front and to the sides of the tractor and mower. Make sure that you can clearly see and identify passersby, steep slopes, ditches, drop-offs, overhead obstructions, power lines, debris and foreign objects. If you are unable to clearly see this type of items discontinue mowing. (SGM-1)

DANGER!



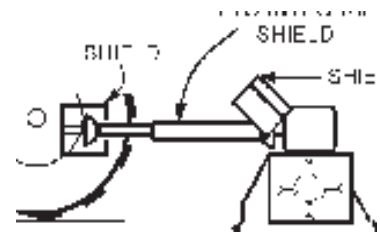
There are obvious and hidden potential hazards in the operation of this Mower. **REMEMBER!** This machine is often operated in heavy brush and in heavy weeds. The Blades of this Mower can throw objects if shields are not properly installed and maintained. Serious injury or even death may occur unless care is taken to insure the safety of the operator, bystanders, or passersby in the area. Do not operate this machine with anyone in the immediate area. Stop mowing if anyone is within 100 yards of mower. (SFL-1)



DANGER!



All Safety Shields, Guards and Safety devices including (but not limited to) - the Deflectors, Steel Guards, Gearbox Shields, PTO integral shields, and Retractable Door Shields should be used and maintained in good working condition. All safety devices should be inspected carefully at least daily for missing or broken components. Missing, broken, or worn items must be replaced at once to reduce the possibility of injury or death from thrown objects, entanglement, or blade contact. (SFL-5)



SAFETY

DANGER!



The rotating parts of this machine have been designed and tested for rugged use. However, the blades could fail upon impact with heavy, solid objects such as metal guard rails and concrete structures. Such impact could cause the broken objects to be thrown outward at very high velocities. To reduce the possibility of property damage, serious injury, or even death, never allow the cutting blades to contact such obstacles. (SGM-4)

WARNING!



Extreme care should be taken when operating near loose objects such as gravel, rocks, wire, and other debris. Inspect the area before mowing. Foreign objects should be removed from the site to prevent machine damage and/or bodily injury or even death. Any objects that cannot be removed must be clearly marked and carefully avoided by the operator. Stop mowing immediately if blades strike a foreign object. Repair all damage and make certain rotor or blade carrier is balanced before resuming mowing. (SGM-5)



WARNING!



Many varied objects, such as wire, cable, rope, or chains, can become entangled in the operating parts of the mower head. These items could then swing outside the housing at greater velocities than the blades. Such a situation is extremely hazardous and could result in serious injury or even death. Inspect the cutting area for such objects before mowing. Remove any like object from the site. Never allow the cutting blades to contact such items. (SGM-6)

WARNING!



Mow at the speed that you can safely operate and control the tractor and mower. Safe mowing speed depends on terrain condition and grass type, density, and height of cut. Normal ground speed range is from 0 to 5 mph. Use slow mowing speeds when operating on or near steep slopes, ditches, drop-offs, overhead obstructions, power lines, or when debris and foreign objects are to be avoided. (SGM-7)

WARNING!



Avoid mowing in reverse direction when possible. Check to make sure there are no persons behind the mower and use extreme care when mowing in reverse. Mow only at a slow ground speed where you can safely operate and control the tractor and mower. Never mow an area that you have not inspected and removed debris or foreign material. (SGM-8)

DANGER!



Replace bent or broken blade with new blades. NEVER ATTEMPT TO STRAIGHTEN OR WELD ON BLADES SINCE THIS WILL LIKELY CRACK OR OTHERWISE DAMAGE THE BLADE WITH SUBSEQUENT FAILURE AND POSSIBLE SERIOUS INJURY FROM THROWN BLADES. (SGM-10)

WARNING!



Do not mow with two machines in the same area except with Cab tractors with the windows closed. (SGM-11)

SAFETY

DANGER!



Flail Mowers are capable under adverse conditions of throwing objects for great distances (100 yards or more) and causing serious injury or death. Follow safety messages carefully.

STOP MOWING IF PASSERSBY ARE WITHIN 100 YARDS UNLESS:

- Front and Rear Deflectors are installed and in good, working condition;
- Mower Head is running close to and parallel to the ground without exposed Blades;
- Passersby are outside the existing thrown-object zone;
- All areas have been thoroughly inspected and all foreign material such as rocks, cans, glass, and general debris has been removed.

NOTE: Where there are grass and weeds high enough to hide debris that could be struck by the blades, the area should be: inspected and large debris removed, mowed at an intermediate height, inspected closely with any remaining debris being removed, and mowed again at desired final height. (SFL-6)



DANGER!



Do not put hands or feet under mower decks. Blade Contact can result in serious injury or even death. Stay away until all motion has stopped and the decks are securely blocked up. (SFL-2)



WARNING!



Each Rear Wheel must have a minimum of 1,000 pounds contact with the surface to prevent lateral instability and possible tip-over which could result in serious bodily injury or even death. Widen the wheel tread and add weights if needed. Refer to the mounting instructions or call Customer Service if you need assistance with Counterweight Procedure. (SFL-3)



WARNING!



Do not operate Mower if excessive vibration exists. Shut down PTO and the Tractor engine. Inspect the Mower to determine the source of the vibration. If Mower blades are missing or damaged replace them immediately. Do not operate the mower until the blades have been replaced and the Mower operates smoothly. Operating the Mower with excessive vibration can result in component failure and broken objects to be thrown outward at very high velocities. To reduce the possibility of property damage, serious injury, or even death, never allow the Mower to be operated with blades missing. (SFL-4)

WARNING!



Be particularly careful when transporting the Implement with the Tractor. Turn curves or go up hills only at a low speed and using a gradual steering angle. Rear mounted implements move the center of gravity to the rear and remove weight from the front wheels. Make certain, by adding front ballast, that at least 20% of the tractor's weight is on the front wheels to prevent rearing up, loss of steering control or Tractor tip-over. Slow down on rough or uneven surfaces to prevent loss of steering control which could result in property damage or possible injury. Do not transport unless 3-Point lift lever is fully raised and in the latched transport position. Dropping implement in transport can cause serious damage to the tractor and/or Implement and possibly cause the operator or others to be injured or killed. (S3PT-2)

SAFETY

DANGER!



Always disconnect the main PTO Driveline from the Tractor before performing service on the Mower. Never work on the Mower with the tractor PTO driveline connected and running. Blades or Drivelines could turn without warning and cause immediate entanglement, injury or death.

(SRM-3)

WARNING!



Do not let the Blades turn when the Mower Deck is raised for any reason, including clearance or for turning. Raising the Mower deck exposes the Cutting Blades which creates a potentially serious hazard and could cause serious injury or even death from objects thrown from the Blades. (SRM-7)



WARNING!



Never leave Tractor and Implement unattended while the implement is in the lifted position. Accidental operation of lifting lever or a hydraulic failure may cause sudden drop of unit with injury or death by crushing. To properly park the implement when disconnecting it from the tractor, lower the stand and put the retaining pin securely in place, or put a secure support under the A-Frame. Lower the implement carefully to the ground. Do not put hands or feet under lifted components. (SPT-1)

DANGER!



Make sure the PTO shield, integral driveline shields, and input shields are installed when using PTO-driven equipment. Always replace any shield if it is damaged or missing. (S3PT-8)



WARNING!



Relieve hydraulic pressure prior to doing any maintenance or repair work on the Implement. Place the Implement on the ground or securely blocked up, disengage the PTO, and turn off the tractor engine. Push and pull the Remote Cylinder lever in and out several times prior to starting any maintenance or repair work. (S3PT-9)



WARNING!



Use extreme care when lowering or unfolding the implement's wings. Make sure no bystanders are close by or underneath the wings. Allow ample clearance around the implement when folding or unfolding the wings. Use extreme caution around buildings or overhead power lines.

(S3PT-5)

DANGER!



When the Wings are folded for transport, the center of gravity is raised and the possibility of overturn is increased. Drive slowly and use extreme caution when turning on hillsides. Overturning the Implement could cause the Implement to overturn the Tractor and vice versa resulting in serious injury or even death. Never fold wings on a hillside...the Implement may overturn. (STI-2)

DANGER!



DO NOT allow any person under a folded wing unless wing is securely locked up or supported. **DO NOT** approach the Implement unless the Tractor is turned off and all motion has ceased. Never work under the frame work, or any lifted component unless the implement is securely supported or blocked up. A sudden or inadvertent fall by any of these components could cause serious injury or even death. (STI-3)



SAFETY

DANGER!



The flail cutter shaft is designed for standard rotation (same rotation as the tractor wheels during forward travel). **Never operate the cutter shaft in the reverse rotation.** Operating this mower in reverse rotation may cause objects to be thrown out the front of the mower head.



WARNING!



The rotating parts of this machine continue to rotate even after the PTO has been turned off. The operator should remain in his seat for 60 seconds after the brake has been set, the PTO disengaged, the tractor turned off, and all evidence of rotation has ceased.

(3PT-10)

“Wait a minute...Save a life!”

WARNING!



Engine Exhaust, some of its constituents, and certain components contain or emit chemicals known to the state of California to cause cancer and birth or other reproductive harm.

WARNING!



Battery posts, terminals and related accessories contain lead and lead compounds, chemicals known to the state of California to cause cancer and birth or other reproductive harm. **Wash hands after handling!**

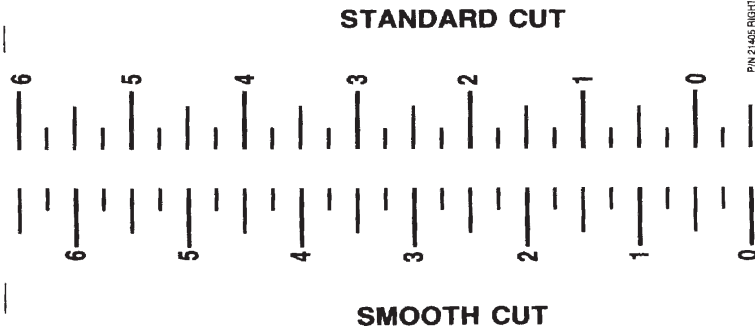
Tiger mowers use balanced and matched system components for blade carriers, blades, cutter-shafts, knives, knife hangers, rollers, drive-train components and bearings. These parts are made and tested to Tiger specifications. Non-genuine “will fit” parts do not consistently meet these specifications. The use of “will fit” parts may reduce mower performance, void mower warranties and present a safety hazard. Use genuine Tiger mower parts for economy and safety.

SEE YOUR  DEALER

In addition to the design and configuration of this Implement, including Safety Signs and Safety Equipment, hazard control and accident prevention are dependent upon the awareness, concern, prudence, and proper training of personnel involved in the operation, transport, maintenance, and storage of the machine. Refer also to Safety Messages and operation instruction in each of the appropriate sections of the Tractor and Equipment Manuals. Pay close attention to the Safety Signs affixed to the Tractor and Equipment. (SG-18)

SAFETY

PART NO.
LOCATION



21405
MOWER DECK

**DO NOT LUBRICATE WITH AUTOMATIC
GREASE GUN. GREASE WITH HAND
GREASE GUN ONLY.**

P/N22839

22839
MOWER DECK



22840
INSIDE OF CAB

WARNING

INSPECT REAR FLAP FREQUENTLY TO BE SURE IT IS IN SAFE WORKING CONDITION. DO NOT OPERATE MOWER WITH FLAP REMOVED OR WORN.

24028

24028
MOWER DECK

SAFETY



PART NO.
LOCATION


10" x 5.5" 31522
MOWER DECK
18.25" x 10" 31523
HYDRAULIC TANK



42350
MOWER DECK

**MOWING
SAFETY TIPS**

- 1. Read & understand the Operators Manual.
- 2. Wear Your Seat Belt.
- 3. Keep all shields and guards in place.
- 4. Make sure equipment is in proper working condition.
- 5. Never attempt to get off or on a moving tractor.
- 6. Never allow riders on tractor or equipment.
- 7. Only start the tractor from the seat with the key.
- 8. Always inspect the area before mowing. Remove all foreign debris.
- 9. Always keep bystanders and coworkers a minimum of 300 feet away.
- 10. Never allow the mower blades to contact solid objects or foreign material.
- 11. Never approach rotating elements.
- 12. Disengage the PTO, place transmission in "Park", set parking brake, shut off engine, and remove key and wait until all rotating motion has stopped before leaving seat.



33743

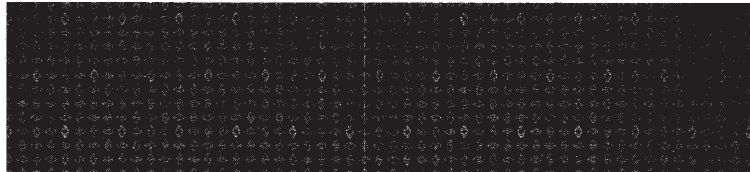
33743
INSIDE OF CAB

SAFETY

PART NO.
LOCATION



42399
MOWER DECK



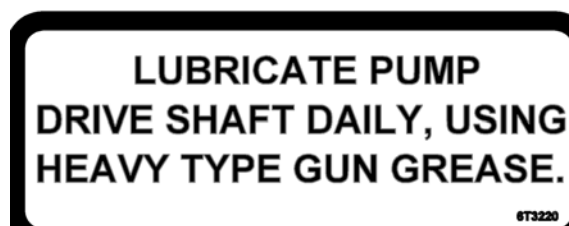
42400
MOWER DECK



6T3217
MOWER DECK



6T3219
INSIDE OF CAB



6T3220
FRONT PUMP MOUNT

SAFETY



PART NO.
LOCATION

6T3221
INSIDE OF CAB

NOTICE:
Engine will not
start when mower
is engaged.



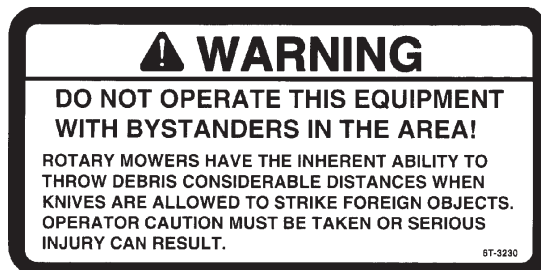
6T3222
INSIDE OF CAB



6T3223
INSIDE OF CAB



6T3224
MOWER DECK



6T3230
INSIDE OF CAB

SAFETY

PART NO.
LOCATION



6T3233
HYDRAULIC TANK



6T3234
INSIDE OF CAB



6T3236
MOWER DECK
HYDRAULIC TANK



6T3243
INSIDE OF CAB

SAFETY



Tiger Corporation

800-843-6849

www.tiger-mowers.com

| Description | Application | General Specification | Recommended Lubricant |
|---|-------------|--|--|
| Tractor Hydraulics | Reservoir | JD-20C | Mobilfluid® 424 |
| Mower Hydraulics Cold Temperatures 0°F Start-up Normal Temperatures 10°F Start-up Normal Temperatures 15°F Start-up High Operating Temperatures Above 90°F Ambient | Reservoir | ISO 46 Anti-Wear/ Low Temp JD-20C ISO 46 Anti-Wear ISO 100 Anti-Wear | Mobil DTE® 15M Mobilfluid® 424 Mobil DTE® 25 Mobil DTE® 18M |
| Flail Rear Gearbox | Reservoir | PAO Synthetic Extreme Pressure Gear Lube | Mobilube SHC® 75W-90, Mobil 1 Synthetic Gear Lubricant |
| Cutter Shaft and Ground Roller Shaft (Flail) | Grease Gun | Lithium Complex, NLGI 2 ISO 320 | Mobilgrease® CM-S |
| Drive Shaft Coupler (Rotary and Flail) | Grease Gun | Lithium Complex, NLGI 2 ISO 320 | Mobilgrease® CM-S |
| Boom Swivel, Boom Cylinder Pivots (Rotary and Flail Boom Type) | Grease Gun | Lithium Complex, NLGI 2 ISO 320 | Mobilgrease® CM-S |
| Deck Boom Pivot & Deck Stop Adjustment (Rotary and Flail) | Grease Gun | Lithium Complex, NLGI 2 ISO 320 | Mobilgrease® CM-S |
| Deck Spindle (Rotary) | Grease Gun | Tiger Spindle Lubricant | Mobilith SHC 220 |

For Mobil product information, availability, or technical information, call 1-800-662-4525.

Tiger PN 34852

34852

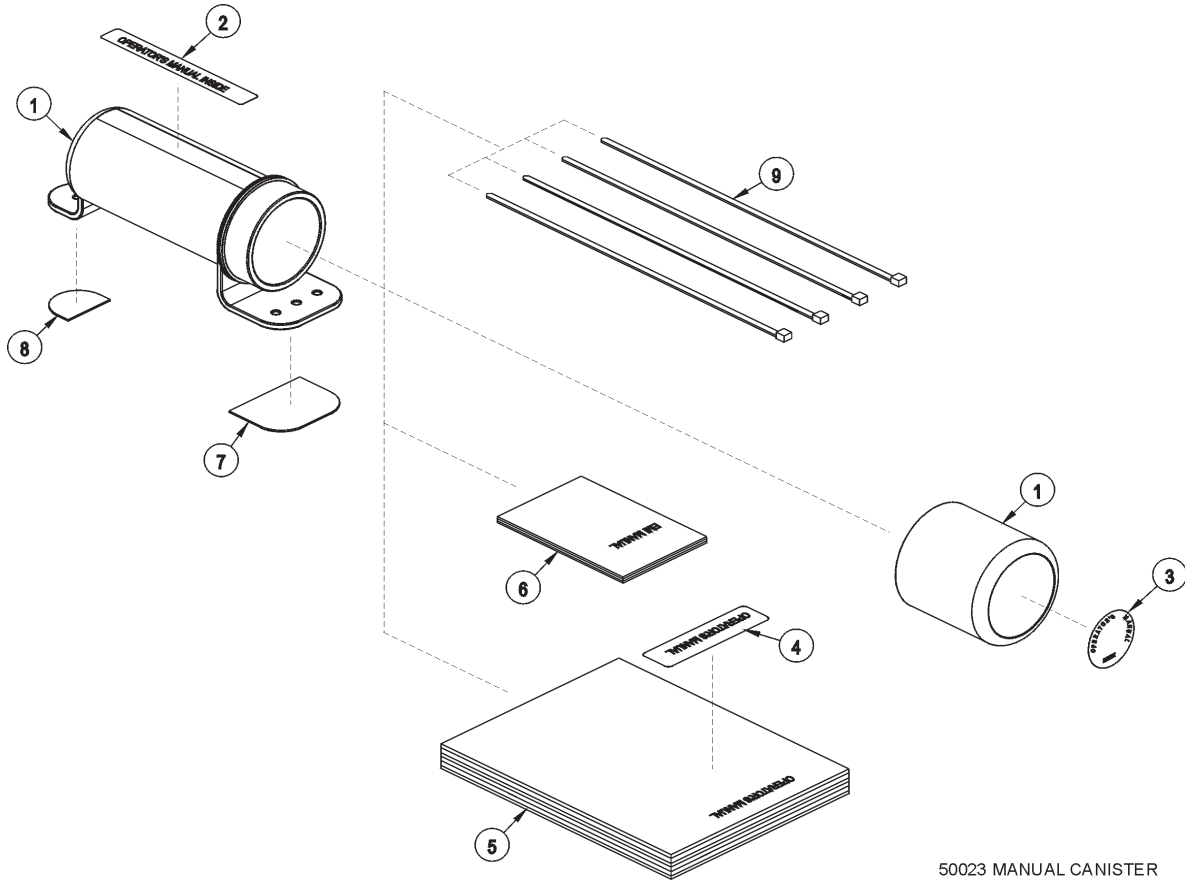
HYDRAULIC TANK

| | | |
|---|-----------------|---|
| <div style="background-color: red; color: white; padding: 5px; font-weight: bold; font-size: 1.2em;">⚠ DANGER</div> <p style="font-weight: bold; margin-top: 10px;">THROWN OBJECT HAZARD</p> <p>Do not operate mower when cutter shaft is in reverse rotation unless:</p> <ul style="list-style-type: none"> Reverse Rotation Front Guard is in place, and Guard is in good condition | | <div style="background-color: red; color: white; padding: 5px; font-weight: bold; font-size: 1.2em;">⚠ PELIGRO</div> <p style="font-weight: bold; margin-top: 10px;">RIESGO DE OBJETO LANZADO</p> <p>No funcione el cortacésped cuando el eje de cortador esta en rotación inverso al menos que:</p> <ul style="list-style-type: none"> El Guardia Delantero de Rotación Inversa esta en su lugar y El guardia esta en buenas condiciones |
| <p>Reverse Rotation Front Guard</p> | <p>06550054</p> | <p>Guardia Delantero De Rotación Inverso</p> |

06550054

ON MOWER HEAD

SAFETY



| ITEM | PART NO. | QTY. | DESCRIPTION |
|------|--------------|--------------|---------------------------------|
| | 50023 | AVAIL | MANUAL CANISTER COMPLETE |
| 1 | 00776031 | 1 | ROUND MANUAL CANISTER |
| | 33997 | 1 | DECAL, SHEET, MANUAL CANISTER |
| 2 | | * | DECAL |
| 3 | | * | DECAL |
| 4 | | * | DECAL |
| 5 | * | AVAIL | SPECIFIC PRODUCT MANUAL |
| 6 | 33753 | 1 | E M I SAFETY MANUAL |
| 7 | 34296 | 1 | FRONT ADHESIVE PAD |
| 8 | 34297 | 1 | REAR ADHESIVE PAD |
| 9 | 6T1823 | 4 | ZIPTIE 14" LONG |

NOTE:

The manual canister can be bolted, zip tied or adhered to a variety of surfaces. Locate a protected area within the view of the operator. Then select an installation method and attach the canister. **CAUTION - AVOID DRILLING HOLES INTO UNKNOWN AREAS**, wires and other parts may be located behind these areas. When adhering the canister to a surface, thoroughly clean that surface before installing the canister.

SAFETY

FEDERAL LAWS AND REGULATIONS

This section is intended to explain in broad terms the concept and effect of federal laws and regulations concerning employer and employee equipment operators. This section is not intended as a legal interpretation of the law and should not be considered as such.

Employer-Employee Operator Regulations

U.S. Public Law 91-596 (The Williams-Steiger Occupational and Health Act of 1970) OSHA

This Act Seeks:

“...to assure so far as possible every working man and woman in the nation safe and healthful working conditions and to preserve our human resources...”

DUTIES

Sec. 5 (a) Each employer-

(1) shall furnish to each of his employees employment and a place of employment which are free from recognized hazards that are causing or are likely to cause death or serious physical harm to his employees;

(2) shall comply with occupational safety and health standards promulgated under this Act.

(b) Each employee shall comply with occupational safety and health standards and all rules, regulations and orders issued pursuant to this Act which are applicable to his own actions and conduct.

OSHA Regulations

OSHA regulations state in part: “At the time of initial assignment and at least annually thereafter, the employer shall instruct every employee in the safe operation and servicing of all equipment with which the employee is, or will be involved.”

Employer Responsibilities:

To ensure employee safety during Tractor and Implement operation, it is the employer’s responsibility to:

1. Train the employee in the proper and safe operation of the Tractor and Implement.
2. Require that the employee read and fully understand the Tractor and Implement Operator’s manual.
3. Permit only qualified and properly trained employees to operate the Tractor and Implement.
4. Maintain the Tractor and Implement in a safe operational condition and maintain all shields and guards on the equipment.
5. Ensure the Tractor is equipped with a functional ROPS and seat belt and require that the employee operator securely fasten the safety belt and operate with the ROPS in the raised position at all times.
6. Forbid the employee operator to carry additional riders on the Tractor or Implement.
7. Provide the required tools to maintain the Tractor and Implement in a good safe working condition and provide the necessary support devices to secure the equipment safely while performing repairs and service.

Child Labor Under 16 Years of Age

Some regulations specify that no one under the age of 16 may operate power machinery. It is your responsibility to know what these regulations are in your own area or situation. (Refer to U.S. Dept. of Labor, Employment Standard Administration, Wage & Home Division, Child Labor Bulletin #102.)

SAFETY

ASSEMBLY SECTION

ASSEMBLY

Before attempting to mount your Tiger mower, it is important to read and understand all of the Safety Messages in the Safety section of this manual.

Check complete shipment list against the packing list to make sure there are no shortages. Make certain the tractor model is the appropriate one for the mower received!



Always use a floor jack, hoist or fork lift to lift and raise heavy parts.

Read and understand the entire assembly section instructions before attempting to mount your Tiger mower. Refer to the parts section of this manual for detailed illustrations to locate all parts. *(ASM-C-0001)*

TRACTOR PREPARATION

- A. Remove right and left hand steps.
- B. Disconnect battery cables from both batteries.
- C. Remove engine side panels, or raise hood to access front pulley.
- D. Remove plugs from tractor casting where main frame and pump mount will be attached.
- E. Remove any front weights and weight supports.
- F. Raise the tractor onto jack-stands and remove the right and left rear wheels.

(ASM-JD-0001)

CRANKSHAFT ADAPTER

For JD5101E, JD5093E & JD5083E tractors, install the John Deere kit LVB24989 and follow the instructions. You will also need to replace the existing belt with John Deere belt P/N T208891. *(ASM-JD-0060)*

MAIN FRAME INSTALLATION

With an overhead hoist and / or jack-stands, raise one side of the frame up to the correctly matching mounting holes. Install capscrews and all other hardware as shown in main frame parts section to secure the sides of the main frame to the tractor casting, DO NOT tighten at this time. Remove the capscrews one at a time and apply a thread locking agent. Reinsert the capscrews and tighten / torque to values noted in the torque chart located in the maintenance section of this manual. *(ASM-C-0003)*

DRIVESHAFT & FRONT PUMP MOUNTING

Thread the pump drive shaft into the crankshaft adapter.

Slide splined drive shaft coupler onto the pump drive shaft. Install the pump onto the mounting bracket. NOTE: the pump is offset to one direction, the pump should be installed



ASSEMBLY

with the offset side on top. Install hardware for securing pump to the pump mount, DO NOT tighten.

Install pump and align so that splined coupling can be moved (FREE PLAY) back and forth by hand. Rotate coupler and check free play every 1/4 turn. Tighten pump mounting bolts in succession rechecking for spline coupling free play. Remove the pump mounting bracket bolts one at a time and apply a thread locking agent. Tighten these bolts in succession, again checking for free play in the drive shaft. After all bolts are torqued, the end play on the drive shaft should be 1/16" to 1/8", and coupler should move freely with hand pressure. If end play is less than 1/16", grind the end of the shaft to achieve the proper end play. If there is more than 1/4" of end play, return the shaft with specifications for a longer shaft.

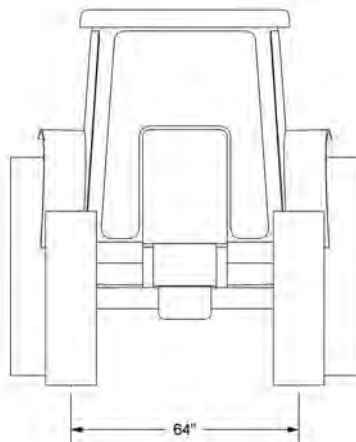
CAUTION: DO NOT START THE TRACTOR UNTIL ALL HOSES ARE ATTACHED, TANK IS FILLED WITH PROPER OIL AND BALL VALVES ARE OPEN! STARTING AT THIS TIME WILL CAUSE SERIOUS DAMAGE TO THE PUMP.*(ASM-C-0091)*

ADJUSTING REAR WHEELS

Raise rear of tractor onto jack-stands. **Follow the instructions in the tractor owners manual for adjusting tires and rims.** The back wheels MUST be adjusted to the widest setting. NOTE: This may require switching the wheels to opposite sides of tractor. Also take note of any width restrictions when transporting by trailer. (For ease of installation, it is best to leave the rear wheels removed during installation of the mower.) *(ASM-B-0001)*

4WD FRONT TIRE ADJUSTMENT

In order to prevent interference with mounted equipment, the front wheels on a 4WD 5101E tractor will have to be adjusted to approximately 64" center to center distance as shown below. Please refer to your John Deere Maintenance Manual to see the correct rim and tire configuration to achieve this. Double check the wheel spacing after adjustment by oscillating and turning the tires fully to check for any interference. *(ASM-JD-0069)*



ASSEMBLY

FRONT AXLE ARTICULATION STOPS

In order to prevent interference with mounted equipment, the front axle articulation must be limited. In order to do this, a stop must be added on both sides of the tractor frame as shown below. Tiger P/N 06410626 (Articulation Stop Bracket) and P/N 22421 (Capscrew 16MM x 40MM) must be mounted as shown. (ASM-JD-0093)

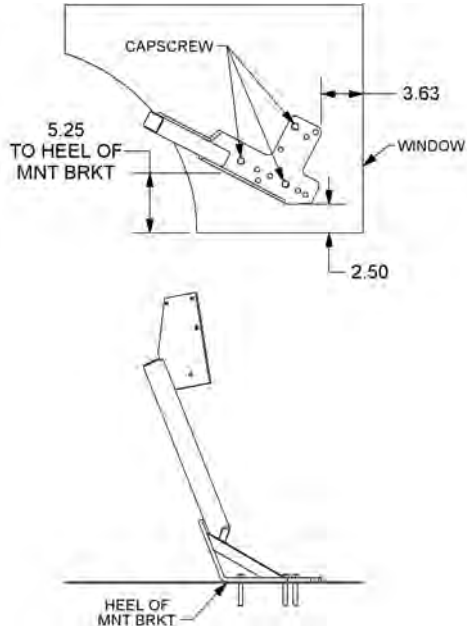
- CAPSCREW (22421)
- ARTICULATION STOP BRACKET (06410626)
- FRONT AXLE
- MAIN FRAME
- RIGHT SIDE OF TRACTOR SHOWN



ASSEMBLY

CABLE CONTROL LEVER STAND (SVC ONLY UNITS)

Place the cable control bracket on the floor so that the bracket is 3-5/8" from the front window. Also the outer rear corner (heel) of the bracket is 5-1/4" from the edge of the door. The middle corner of the bracket should be 2-1/2" from the edge of the door. See image below. Be sure that the location of the stand will allow the operation of all control levers in the tractor and that the door will not strike the stand when shut. Double check under the cab for cables and wires that may be cut when drilling. And before drilling double check location of the stand for proper placement of holes. Drill 3 holes to match control bracket and secure with capscrews and nylock nuts noted in parts section..



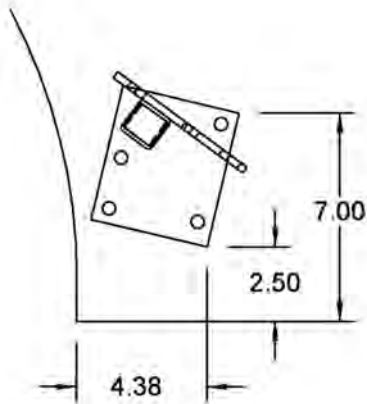
The rubber boot under the rear window can be cut in a cross hair pattern and if necessary the bottom cut through to allow it to slip over the cables and back into position. These cables will be routed to the lift valve mounted on the valve mounting plate, and should not have any sharp bends or kinks in them. Secure cables with zip ties and apply RTV sealer in and around individual cables, inside and outside of the cab for a water tight seal. Do not allow excess cable to hang unsecured on the outside of the cab. (ASM-JD-0094).



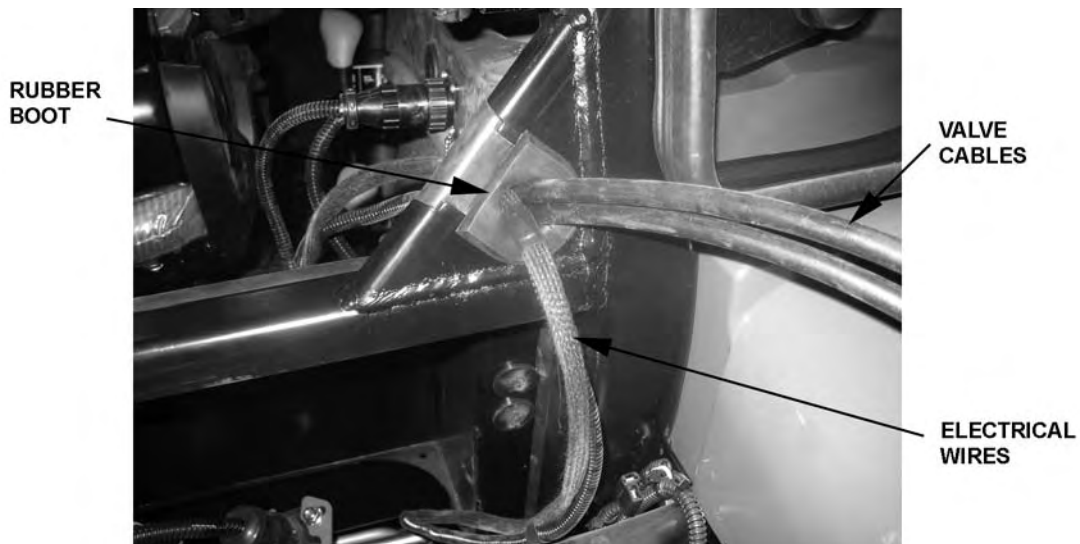
ASSEMBLY

CABLE CONTROL LEVER STAND (MID MOUNT VALVE UNITS)

Place the cable control bracket on the floor so that the bracket is 2-1/2" from the side edge of the door, and 4-3/8" in front of the rear edge of the door. See images below. Be sure that the location of the stand will allow the operation of all control levers in the tractor and that the door will not strike the stand when shut. Before drilling double check location of the stand for proper placement of holes. Make sure that all cables and wires are clear of the area before drilling holes to mount the stand. Drill 3 holes to match control bracket as shown below and secure with capscrews and nylock nuts noted in parts section..



The rubber boot under the rear window can be cut in a cross hair pattern and if necessary the bottom cut through to allow it to slip over the cables and back into position. These cables will be routed to the lift valve mounted on the valve mounting plate, and should not have any sharp bends or kinks in them. Secure cables with zip ties and apply RTV sealer in and around individual cables, inside and outside of the cab for a water tight seal. Do not allow excess cable to hang unsecured on the outside of the cab. (ASM-JD-0063).



ASSEMBLY

SWITCH BOX WIRING

Cover all wires with plastic wire wrap provided. Route the green wires along switch box bracket and cab frame to the steering wheel console. Route the rest of the wires along the base of the right hand console and up to the rubber boot in the bottom right corner in the rear window of the cab. The red and black wires will be connected to the auxillary power plug in the back of the cab. After all wiring is complete, secure all wires to the console with zip ties and push mounts. Take up most of the slack so the wires are out of the way and tighten the zip-ties.

With the panel under the steering wheel removed to access the wires, locate the brown wire and verify that this is the neutral safety wire with a test light or meter. Then cut the brown wire and connect a green wire from the switch box to each end of the brown wire as shown in the wiring diagram. Cut a small hole for the green wires and the wire wrap to fit through and replace the console.

The red and black wires access power for the switchbox through a John Deere auxillary power plug in the rear of the cab.

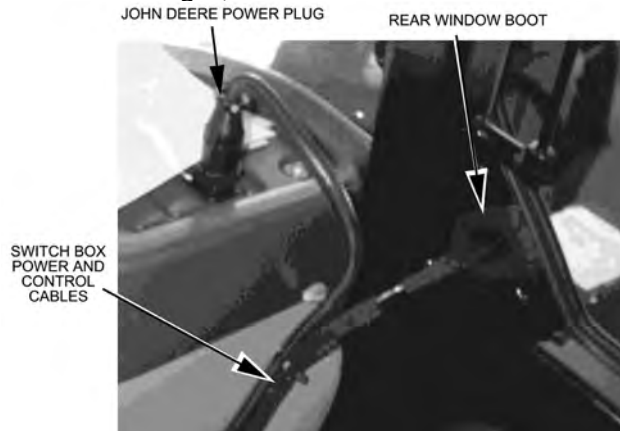
NOTE: The RED wire from the JD power plug should not be used because it is ALWAYS "Hot". +12 VOLTS ELECTRICAL POWER MUST BE TAKEN FROM A SOURCE LOCATION WHERE IT IS LIVE ONLY WHEN THE IGNITION SWITCH IS IN THE "ON" POSITION. THE RED WIRE MUST BE FUSED AT THE SOURCE LOCATION WITH A CLOSED END CONNECTOR (# 34538).

Connect the red wire from the switch box to the orange wire from the JD power plug. Connect the black wire from the switch box to the black wire from the JD power plug.

Two sets of wires have Metri-Pak ends on them. The white and black wires plug into the brake valve. The orange and black wires plug into the travel lock.

Cut a cross hair pattern in the rubber boot in the right bottom corner of the rear window. The wires can be routed through and the rubber falls back into position. The hole should only be large enough for the wires to go through easily.

Route the Metri-Pak wires from the window boot to their location on the unit. Coil the excess wire and secure it to the tractor frame with zip ties to eliminate vibration and rubbing. (ASM-JD-0078



34538 - CLOSED END CONNECTOR



NOTE: When cutting or drilling a hole, be sure not to damage existing wires running behind panels.



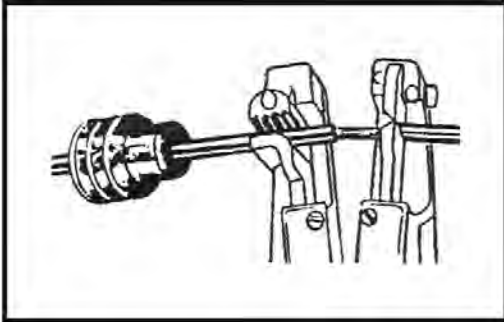
ASSEMBLY

WEATHER-PACK/METRI-PACK ASSEMBLY

These instructions apply to both Weather-Pack and Metri-pack connectors.

NOTE: Use the specific tool for the type of connector you are assembling.

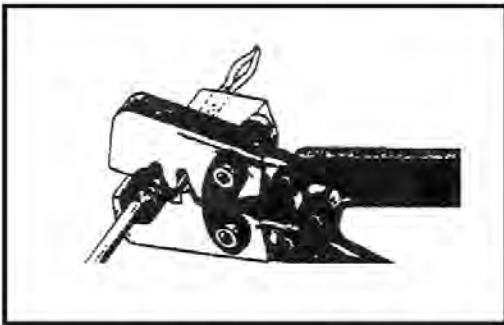
(ASM-C-0009)



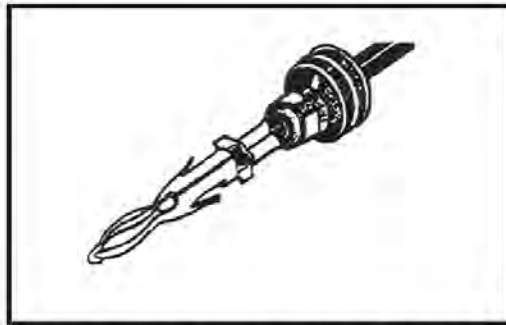
1. Apply seal to cable, before stripping insulation.



2. Align seal with cable insulation.



3. Put terminal in crimping tool, then position wire and seal in place.



4. Crimp and visually inspect for a good crimp before installing in connector body.



ASSEMBLY

VALVE MOUNTING

Attach the rear valve mounting bracket to the fender of the tractor by removing the two rear bolts on the left fender and the two rear bolts on the right fender. See illustration below. Drill the square holes in the fenders to accept 3/8" capscrews. Use the hardware noted in the parts section to attach the valve mounting bracket to the tractor.

Next, attach the valve mounting plate to the mounting bracket. Align the holes on the plate to the holes on the bracket. Use the hardware shown in the parts section to attach the plate to the valve mounting bracket. Finally, place the valve on the valve mounting plate as shown in the parts section. Align the holes on the valve assembly to the holes on the plate. Use the hardware provided to secure the valve to the plate. Refer to the parts section for the placement of the valve and the hardware used.

Please handle the lift valve with care. It is extremely heavy and contains small parts. (ASM-JD-0065)

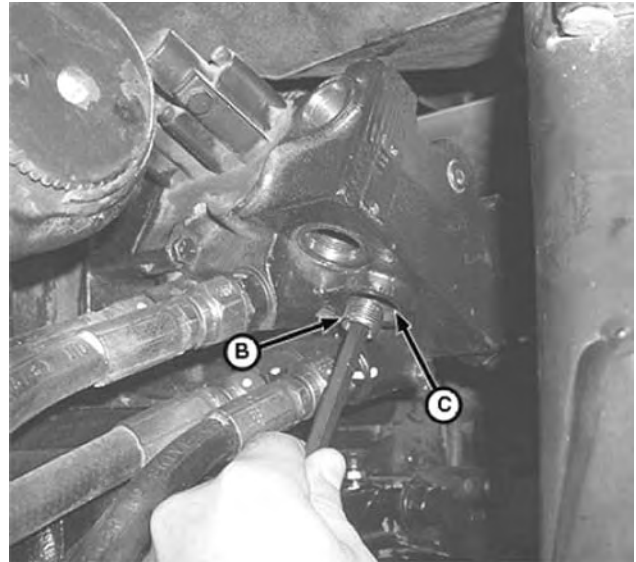
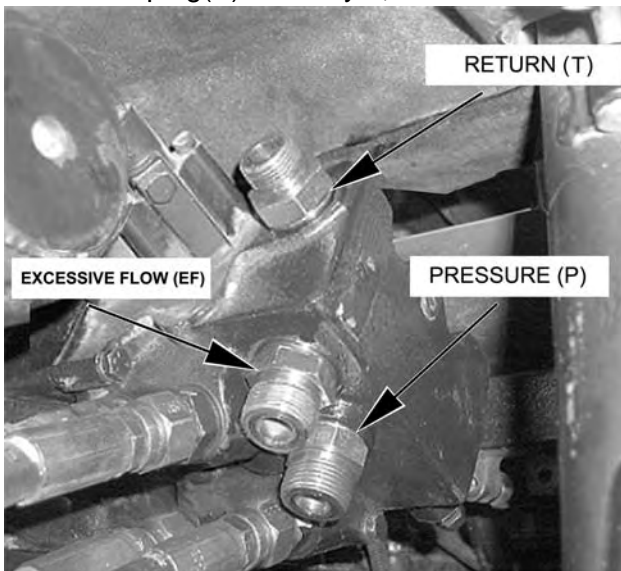


ASSEMBLY

VALVE PLUMBING (SVC ONLY UNITS)

The tractor ports used are on the selective control valve (SCV). The SCV is located between the right arm of the three point hitch and the axle. The pressure port is located the closest to the axle. The excessive flow port is right next to the pressure port. And the return port is located on the adjacent face. Refer to the image below as a guide.

NOTE: To use the pressure port a 3/8 NPT pipe plug(B) must be inserted into the port(C) - (refer to the illustration below and the Parts Section). Remove the plugs covering the ports of the SCV ports. After the plug is removed, use a wrench to tighten the plug(B) securely. (ASM-JD-0066



When the pressure port is active, install the adapters in their ports. The hose from the pressure port goes to the "P" port of the husco valve. Next the return hose from the lift valve goes back to the "T" port on the selective control valve. Plumb the power beyond hose from the "PB" port on the husco valve to the "EF" port on the SCV. See the parts pages for placement and the hardware used.

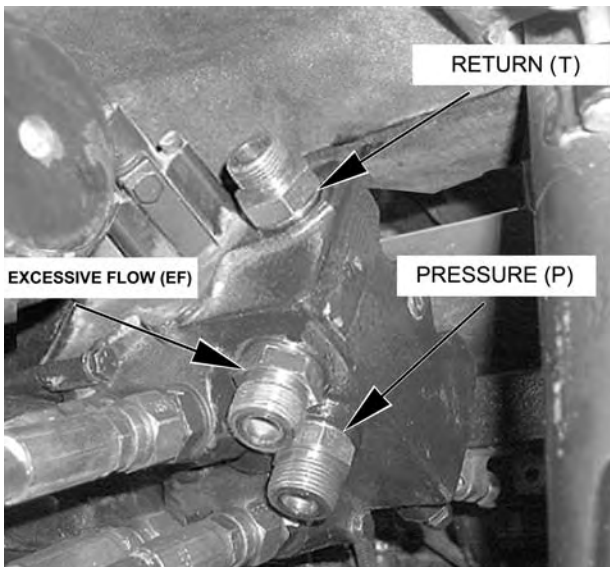


ASSEMBLY

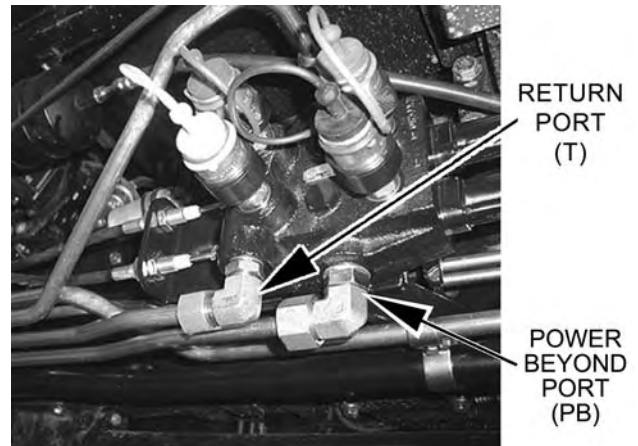
VALVE PLUMBING (WITH MID-MOUNT VALVE)

The tractor ports used are on the selective control valve (SCV) and the Mid-Mount valve. The SCV is located between the right arm of the three point hitch and the axle. The Mid-Mount valve is located under the right front corner of the cab. The power beyond port is located on the bottom of the Mid-Mount valve towards the front. The excessive flow port is located on the underside of the SCV. The return port is accessed through the end of a run tee located on the SCV. See the lift valve page in the parts section for hardware and location of parts. Refer to the image below as a guide. (ASM-JD-0067

SVC



MID-MOUNT

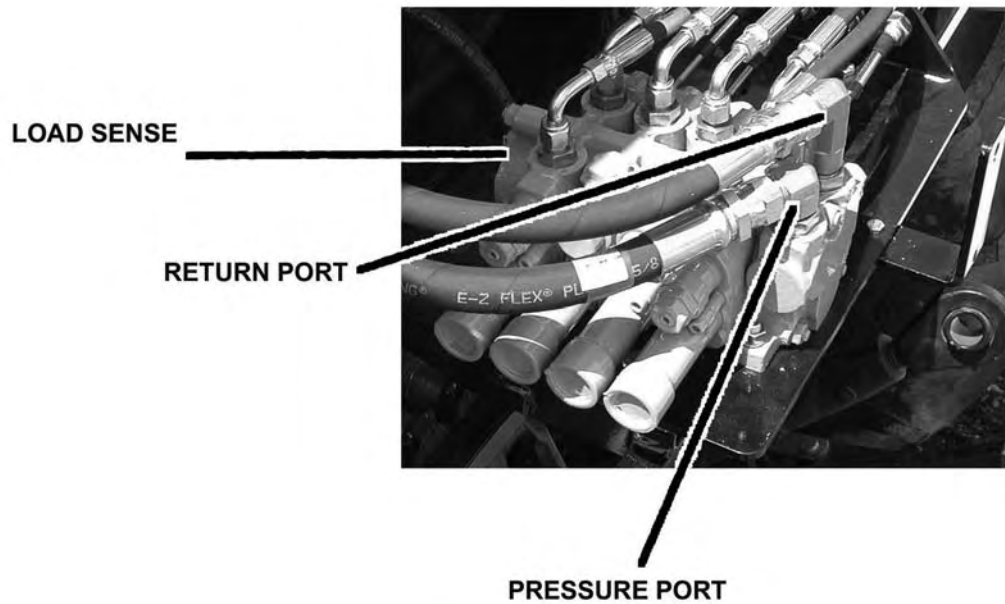


Use the existing adapter in the power beyond port of the mid-mount valve for the pressure hose. That hose is routed to the "P" port of the husco valve. The return hose from the lift valve is connected to the closest end on the run tee of the "T" port on the selective control valve. Plumb the power beyond hose from the "PB" port on the husco valve to the "EF" port on the SCV. Refer to the Parts Section for hardware used. The return line on the mid-mount valve must be replaced with a hose. This hose is routed from the existing adapter in the return port on the mid-mount valve to the run tee in the "T" port on the selective control valve.



ASSEMBLY

MANUAL LIFT VALVE PORTS



(ASM-C-0057)

MANUAL SWITCH BOX MOUNTING

The switch box is to be secured to the operators side of the control handles, or valve stand. Refer to the parts section for assembly and components needed.



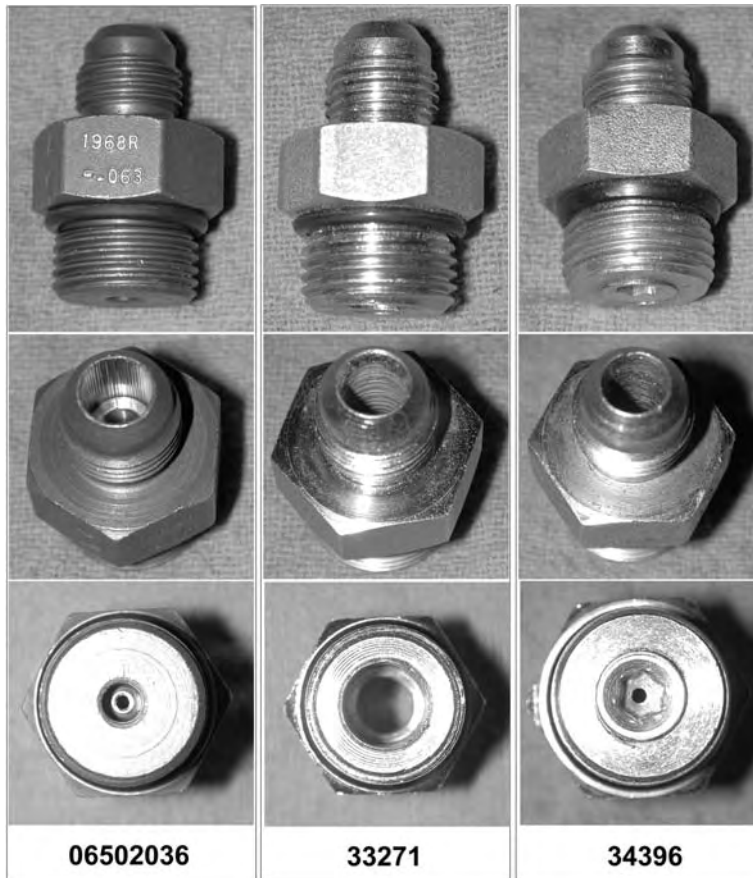
(ASM-C-0071)



ASSEMBLY

NOTE ON HUSCO CONTROL VALVES

Manual, cable controlled (Husco control valve) boom mowers require check valves with integral restricting orifice (#06502036) installed in the control valve work ports that are connected to the gland ends of the main and secondary boom cylinders. This check valve allows oil to free flow into the gland end of the main and secondary boom cylinders, but restricts flow out of the cylinder, thereby providing proper boom control. This check valve, #06502036 (Vendor #1968R-.063) is similar in appearance to hose adapter #33271 and Adapter #34396, with .06 orifice. These components can be identified as follows, and are to be installed per parts section for the lift valve. (ASM-HUSCO-0001)



HOSE AND WIRE ROUTING

Attach two clamps to the right rear wheel well for proper hose/wire routing. Drill one hole for each clamp. Use the lower rear corner of the wheel well as an origin for measuring. The holes should be 10mm or 3/8" reamed to accept 3/8" hardware.

Measure along the back edge of the wheel well 6" from the origin. Use a square to measure 2-1/2" up, from the last mark. Refer to the image below to see the first hole.

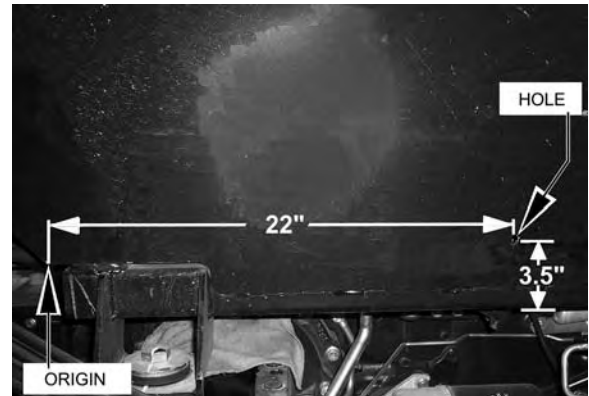
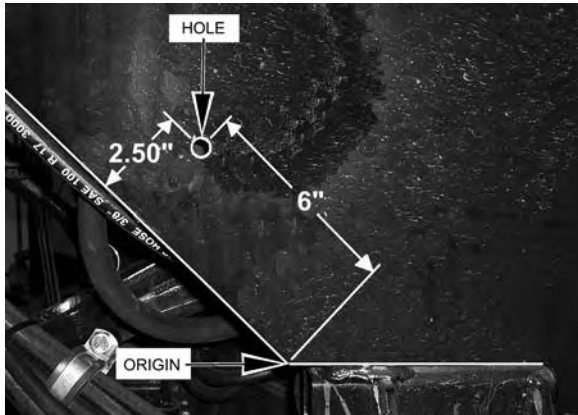
The second hole should run parallel to the bottom edge of the wheel well. Mark the hole 22" from the origin and 3-1/2" from the bottom edge. Use the images below for reference.

NOTE: DO NOT CUT INTO TUBES / HOSES / WIRES WHEN DRILLING

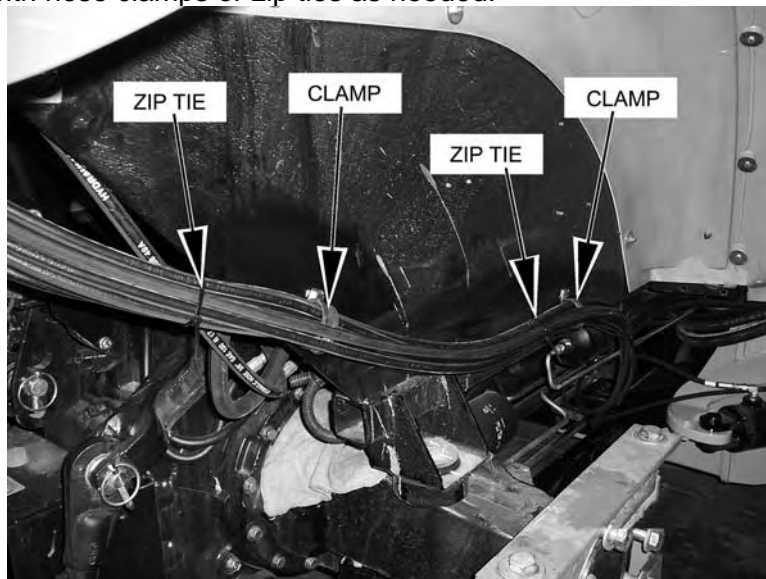


ASSEMBLY

THROUGH METAL OR PLASTIC!. (ASM-JD-0068)



Place as many hoses in the clamp that will fit without compromising pressure. Then secure the (2) HOSE CLAMP (06520013) to the holes drilled with (1 EACH) CAPSCREW, 3/8 X 1 NC (21630) and (1 EACH) NYLOCK NUT, 3/8 NC (21627). The hoses that don't fit into the clamp are to be secured to the others with zip-ties. For protection of hoses in contact with metal edges, wrap hoses with spit hose sections and fasten with hose clamps or zip ties as needed.



HYDRAULIC TANK INSTALLATION

Install all fittings and tubes into tank and tank filter as shown in the Parts Section illustration. Insert tank sight glass into front side of tank.

Place the tank in the mounting bracket on the main frame as shown in the Parts Section. Secure the tank with the tank channel mount by placing the channel mount on top of the tank and the washers over the holes. Thread the tie bolts through the washers and holes to the threaded holes on the main frame. Tighten the tank channel mount by using the hex heads on the end of the tie bolts.

Install the filter gauge into the filter housing so that it points to the rear of the tractor and is clearly visible to the operator. The tank breather cap is ready for use as the tank is filled. Some of the for-mentioned items may be already installed. (ASM-MOTOR HYDRO-0001)



ASSEMBLY

FILLING HYDRAULIC RESERVOIR

Refer to the maintenance section for filling specifications and hydraulic oil requirements.

NOTE: Starting or running your Tiger mower before filling reservoir will cause serious damage to hydraulic pump.

(ASM-C-0004hydro resrv)

WHEEL SPACER WITH WHEEL WELL TANK

When the left wheel is off, a spacer kit is needed with the wheel well tank (part# 06200637.) Attach the spacer to the left wheel portion of the axle with the hardware provided. When you are ready to re-attach the left wheel, the wheel goes on first then the reinforcement ring and finally the hardware provided.

(ASM-JD-0070)

INSTALLING O-RING FITTINGS

Installing straight, 45° and 90° O-rings requires that the O-ring and washer be up against the swivel body. Insert the swivel and turn in until the swivel is pointed in the desired direction and O-ring contact is made. Hold swivel in set direction with a wrench and turn the O-ring nut away from the swivel body and carefully tighten.

(ASM-C-0056)

INSTALLING NATIONAL PIPE FITTINGS

Whenever installing a pipe fitting, wrap the threads clockwise (looking at the end) with teflon tape. In this way, the tape will be tightened when installed. NOTE: It is not necessary to tape O-ring fittings, or those installed in swivels. *(ASM-C-0088)*

GENERAL HOSE INSTALLATION

Refer to the parts section for detailed information about hoses and fittings for this application. *(ASM-C-0011)*

HOSE COVERING

Secure hoses together with zip ties wherever loose. Wrap the hoses between the swivel and main boom with the hose cover provided. Wrap the hoses between the main boom and secondary boom with the hose cover provided. Where hoses may contact the frame or other edges, wrap with split hose and secure with hose clamps or zip ties.

On non cab units, the pressure and return hoses from the control valve will also need to be routed inside the protective clear hose wrap. Cover the valve, valve fittings with the yellow hose cover and secure with black string provided.

(ASM-C-0058)



ASSEMBLY

SOLENOID BRAKE VALVE

Install a solenoid valve on the mounting bracket with the supplied hardware as shown in the Parts Section in this manual. While installing the fittings to the brake valve, the electrical coil on the spool may have to be removed to make room. When reinstalling the coil, it is important to use no more than 5 ft. lbs. (or 60in. lbs.) torque. **WARNING: OVER TORQUE TO THE COIL WILL RESULT IN HYDRAULIC FAILURE OF SPOOL.** (ASM-C-0025)

TEMPERATURE GAUGE MOUNTING (OPTIONAL)

Mount the temperature gauge where it is clearly visible to the operator. Attach the green (-) wire from the negative post on the gauge to a grounded bolt on the tractor frame. Remove paint if needed to make a good ground. Remove the pipe plug from the side of the hydraulic reservoir and install the temperature sensor using thread sealing tape. Run the white wire from the (s) sensor post of the gauge to the temperature sensor on the hydraulic reservoir tank. (ASM-C-0051)

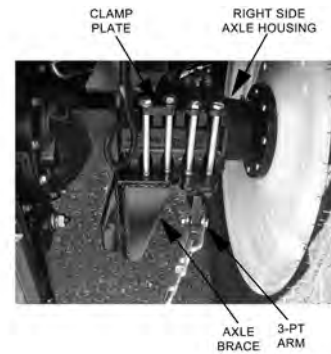


ASSEMBLY

AXLE BRACE MOUNTING

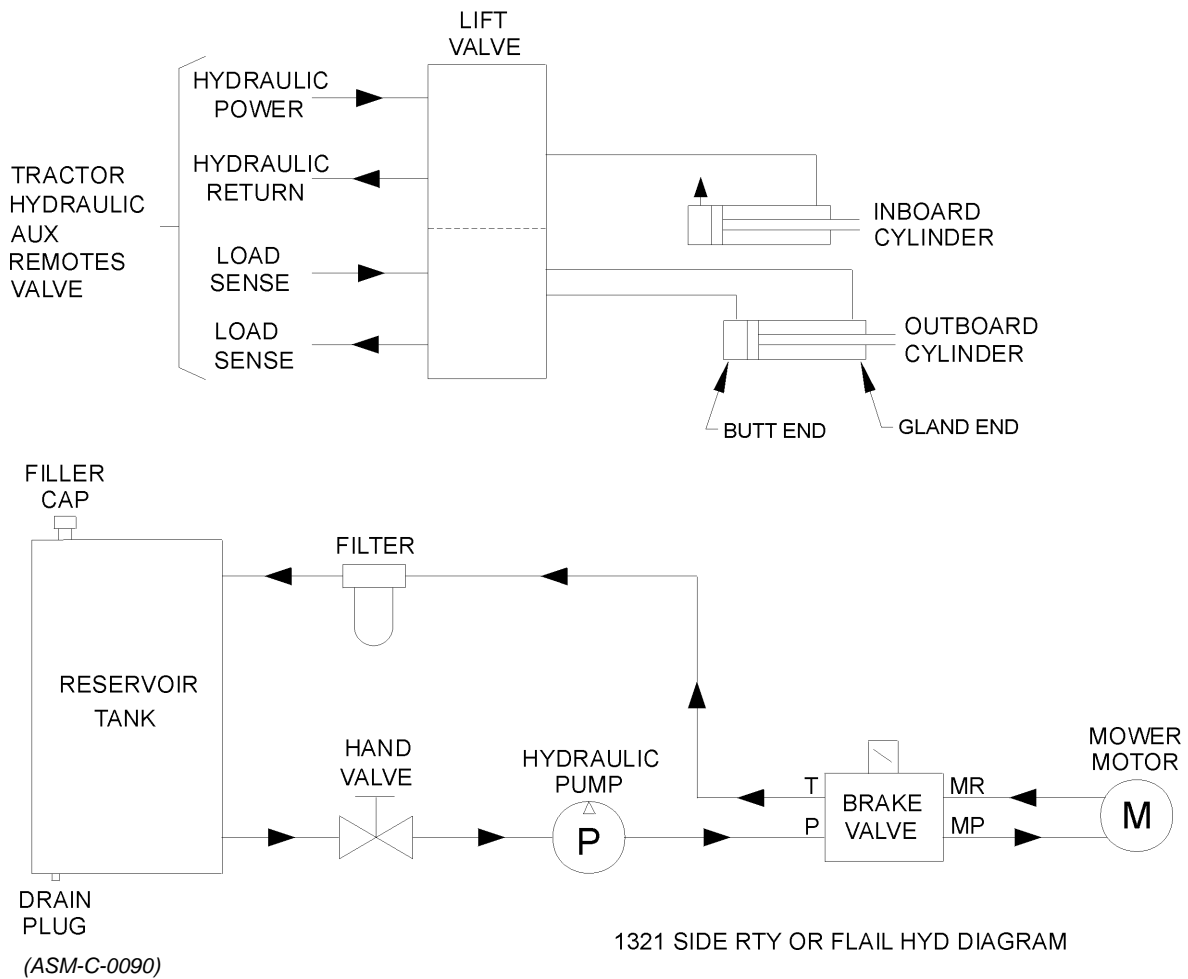
Position the right axle brace under the tractor right hand side. Raise the brace up to the matching mounting holes in the main frame and rear axle housing. Note the right side brace is installed on outside edge of the main frame and the left side brace is installed on the inside edge of the main frame. Pictures below show right side brace installation. Install the clamp plate with capscrews, washers and nuts as shown in the main frame parts section. Apply Loc-Tite to the threads and torque to the values noted in the torque chart located in the maintenance section of this manual.

(ASM-JD-0072).



ASSEMBLY

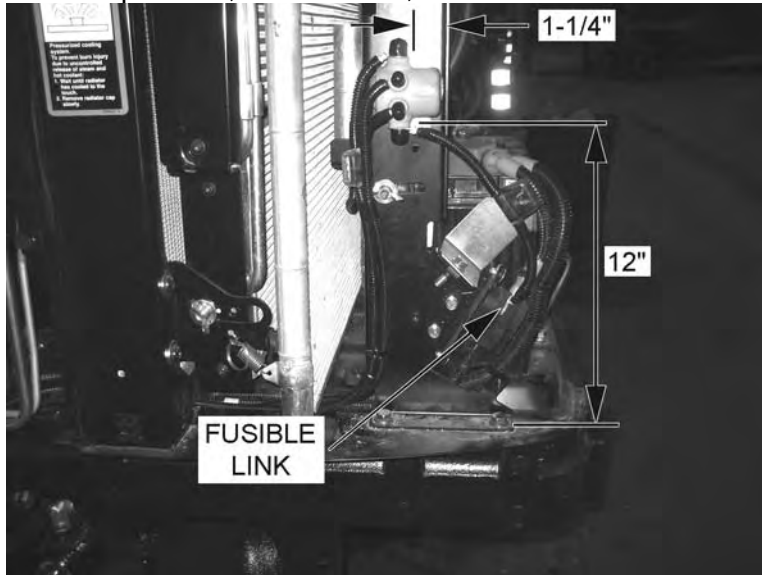
SIDE MOWER HYDRAULIC DIAGRAM



ASSEMBLY

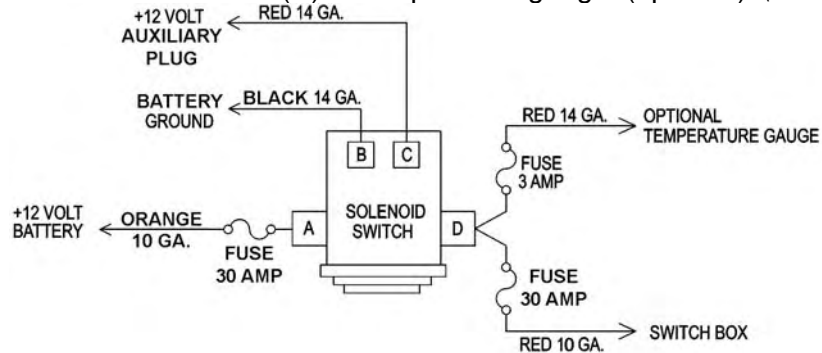
CONTINUOUS DUTY SOLENOID SWITCH

To mount the solenoid switch, drill 1/4" holes to match as necessary in location shown below. Secure with provided 3/8" x 1" capscrews, lockwashers, and hex nuts.



Route wires to and from the Continuous Duty Solenoid Switch as shown below.

- A.) ORANGE 10 GA. wire from terminal (A) to +12V battery fusible link.
- B.) RED 14 GA. wire from terminal (B) to tractor plug in cab.
- C.) BLACK 14 GA. wire from terminal (C) to -12V battery post.
- D.) RED 10 GA. wire from terminal (D) to switch box.
- E.) RED 14 GA. wire from terminal (D) to temperature gauge. (optional). (ASM-T3F-0023)



ASSEMBLY

COOLER MOUNTING

Mount the cooler mounting brackets on the top rear side of the side hydraulic tank. Locate bolt plates on the top of the tank and secure the appropriate cooler bracket to the tank with the hardware provided. Attach the screen and cooler to the brackets. Refer to the parts section to connect the hoses to the cooler. (ASM-C-0092)



ASSEMBLY

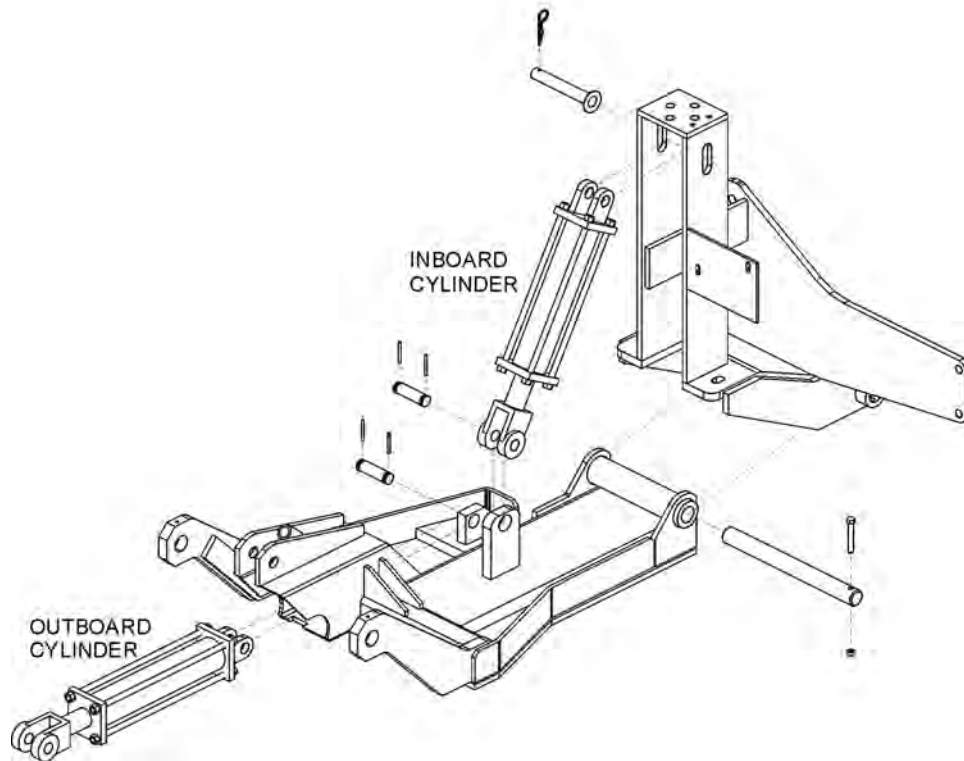
DRAFT BEAM INSTALLATION

Install ½" O-ring breather into butt port of inboard cylinder. Install fittings in the rod end of the cylinder according to the diagram in the Common Parts section. These fittings should be positioned to face the butt end of the cylinder.

Next turn the clevis onto the rod of the cylinder until it is tight against the shoulder and lock into place with locking bolt on clevis.

The inboard cylinder can now be installed into the main frame mast with the pin, flat-washer and R-clip as shown below.

Install all fittings in the outboard cylinder and adjust to point towards the butt end of the cylinder. Attach the hoses as specified in the parts book. Slide the cylinder into the draft beam from the outside of the draft beam and attach cylinder to the draft beam with clevis pin and rollpins. (ASM-C-0076)



DRAFT BEAM MOUNTING

Pull the inboard cylinder piston rod down to the extreme extended position. Slide the draft beam under the cylinder

Using inboard cylinder as a pivot point, slide draft beam under tractor and install draft beam pin. Align hole in draft beam pin with holes in main frame boss and install cap-screw and nylock nut. (ASM-C-0078)



ASSEMBLY

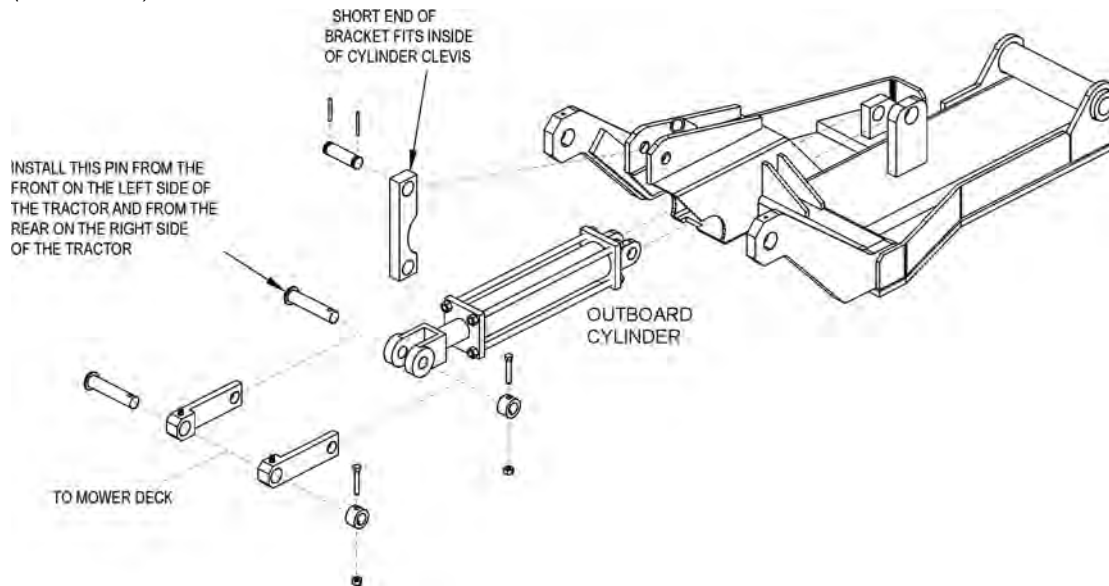
MOWER MOUNTING

Check that all grease zerks have been installed in the draft beams pivot arm, left linkage arm, right linkage arm, and cylinder mounting ears.

Using a clevis pin and roll pins, connect the pivot arm to clevis on draft beam.

NOTE: Make sure the longer distance between the cutout and the end of the pivot arm is closest to the draft beam pivot ears on the center tube as shown in the diagram below. Also make sure the cutout on the pivot arm faces into tube of draft beam.

(ASM-C-0077)



Slide other end of pivot arm with short distance between the cut-out and the end of the pivot arm, into the cylinder clevis. Next, line up the holes of the left and right lift linkage arms outside of the cylinder clevis holes. Connect with linkage pin, shims (as required), boss, cap-screw, lock-washer and hex nut as shown.

To connect the bonnet to the draft beam, slide the extension arms of the draft beam between the mounting ears on the inner end of the bonnet. Line up the holes and secure with swivel pin, cap-screw, lock-washer, and hex nut (both sides). See parts book illustration.

Next, slide the left and right linkage arms up to the slotted ear on the side of the deck. Secure with linkage pin, shims, boss, cap-screw, lock-washer and hex nut. See illustration in Parts Section.

LIFT CONTROL FEEDLINES

Hose lengths will vary between tractor applications such as cab and non-cab units. See the Parts Section that pertains to your tractor for hose applications.

Install a hose from the bottom or inner valve port (behind cab for cab units, on stand for non-cab units) to the restrictor on the inboard cylinder gland.

Install a hose from the upper or outer valve port to the restrictor on the outboard cylinder butt.

See Parts Section for part numbers and hose routing illustrations. (ASM-C-0093)

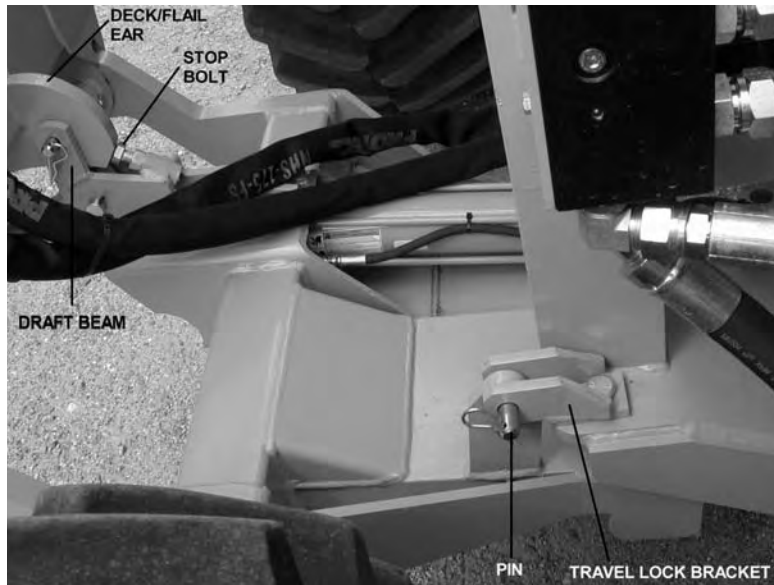


ASSEMBLY

TRAVEL LOCK MOUNTING

Install the travel lock bracket with pin and clip on the draft beam. Slide the draft beam and align the travel lock bracket hole with the mounting hole on the main frame. Install the capscrew, lockwasher and hex nut as shown in the picture.

Raise the deck/flail to it's upright position (Deck ear touches to stop bolt as shown in the picture). Drill a 13/16" hole in the deck/flail ear through the draft beam as shown below. Insert the supplied pin and clip through the hole. (ASM-SIDE TRVL LOCK-0001)



DECK / MOTOR FEEDLINE

Install the 1" hoses from the motor to the solenoid valve. Refer to the parts section for detailed information about hoses and fittings for this application.

Install split hoses around hydraulic hoses where they contact sharp edges, or any other edges that may rub hoses.

Be sure that all grease zerks are installed in the draft beam pin bosses. Grease all areas of the draft beam according to the instructions in the maintenance section. Re-check all fittings for tightness.

Fill hydraulic tank with fluid as recommended in the Maintenance Section. **BE SURE TO OPEN THE BALL VALVES.** Start the tractor and operate the inboard cylinder through the entire stroke and the outboard cylinder through the bottom $\frac{3}{4}$ stroke repeatedly to clear the lines of air. **DO NOT run outboard cylinder out to full stroke until stop bolt has been adjusted!**

Check for oil leaks at all fittings and connections using a piece of paper or cardboard. If a leak is found, you must shut down the tractor and set the cutter head on the ground. Before attempting to fix the leak, you must actuate the lift valve handles several times to relieve any pressure in the lines. **DO NOT USE HANDS TO CHECK FOR FLUID LEAKS!**

Raise the three point hitch and check the tractor internal hydraulics, fill to proper level if needed. (ASM-C-0079)



ASSEMBLY

STOP BOLT ADJUSTMENT

Extend the outboard cylinder all the way out. Adjust the stop adjustment bolt (located on the top of the draft beam) out until it is up against the bonnet. Lock the bolt down with the $\frac{3}{4}$ " hex nut.

NOTE: When the outboard cylinder is fully extended, the bonnet or deck should either be up against the stop or if travel locks are installed, it should be up against the travel lock. It may be necessary to use either external or internal slugs on the cylinder to get the correct stroke. If the cutter head is against the stop and the cylinder has stroke remaining, serious damage will occur.

Proceed to final preparation for operation instructions on the next page. (ASM-SIDE MNNTS-0003)



ASSEMBLY

FINAL PREPARATION FOR OPERATION

Place operators safety and operation decals on the steering column and side counsel where they are clearly visible to the operator. These decals should be understood by each operator of the machine in conjunction with the safety and operation section of this book. The decals are to be maintained in good condition as a reminder to the operator, and should be replaced if damaged.

Finally, all bosses, pins and pivot points will need to be greased as instructed in the maintenance section of this manual. The hydraulic reservoir can also be filled with the recommended fluid (see maintenance section) and the filter installed in the top of the tank. Double check all fittings and fasteners BEFORE starting tractor. Also secure any loose hoses together with zip ties and wrap with split hoses where friction may occur on the hoses.



BEFORE starting or operating the tractor you must read and understand the safety and operation sections of this manual completely.

BE SURE THE BALL VALVES ARE OPEN! Start tractor and allow instruments to stabilize. Using a piece of paper or cardboard as noted in the safety and maintenance sections, check all fittings and connections for hydraulic leaks.

If a leak is found, you must shut down the tractor, set the cutter on the ground. Before attempting to fix the leak, you must actuate the lift valve handles several times to relieve any pressure in the lines.

Before operating the mower, the cutter head and boom should be slowly moved throughout the full range of motion. Watch for any condition that would cause pinching or excess stress on the hoses. The steering and front axle travel should also be carefully moved through their full range of motion. If any condition occurs in which the hoses contact the tires, the steering and / or front axle travel may need to be limited as described in the tractor operators manual. This should also be done if the tires rub, or are extremely close to any other part of the mower such as the hydraulic tank or draft beam. This may include adding shims, or adjusting stop bolts in the tractor front to solve the problem. While checking motion, you should also check that the control circuits are connected according to the operators decal for the valve handles.

MOWER TESTING

Take the tractor to a place free of loose objects on the ground. Operate the cylinders through their full range of motion again, to clear the lines of air. Follow the instructions in the operation section to operate the mower. Vibration of the mower should be minimal at all times. After a 5 minute test run, the knife bolts should be retorqued and once again after the first few hours of operation.

If any parts of this assembly section, or any other section of this manual are not clearly understood you must contact your dealer or the address on the front of this manual for assistance!*(ASM-C-0010)*



ASSEMBLY



OPERATION SECTION

Operation Section 3-1

OPERATION

OPERATION

TIGER SIDE AND REAR FLAIL MOWER OPERATING INSTRUCTIONS

Tiger Side and Rear flail mowers are manufactured with quality material by skilled workers. These mowers are designed for cutting grass and small weeds. The mower is equipped with protective deflectors to prevent objects being thrown from the mower by the blades, however, no shielding is 100% effective. All shields, guards, and deflectors equipped on the mower must be maintained in good operational condition.

It is the operator's responsibility to be knowledgeable of all potential operating hazards and to take every reasonable precaution to ensure oneself, others, animals, and property are not injured or damaged by the mower, tractor, or a thrown object. Do not operate the mower if passersby, pets, livestock, or property are within 100 yards of the unit.

This section of the Operator's Manual is designed to familiarize, instruct, and educate safe and proper mower use to the operator. Pictures contained in this section are intended to be used as a visual aid to assist in explaining the operation of a Side and Rear flail mower and are not specific to any model. Some pictures may show shields removed for picture clarity. NEVER operate implement without all shields in place and in good operational condition. The operator must be familiar with the mower and tractor and all associated safety practices before operating the mower and tractor. Proper operation of the mower, as detailed in this manual, will help ensure years of safe and satisfactory use of the mower.

IMPORTANT: To avoid mower damage, retorque all bolts after the first 10 hours of operation. Refer to the Torque Chart at the end of the Maintenance Section to ensure bolts are properly tightened.

READ AND UNDERSTAND THE ENTIRE OPERATING INSTRUCTIONS AND SAFETY SECTION OF THIS MANUAL AND THE TRACTOR MANUAL BEFORE ATTEMPTING TO USE THE TRACTOR AND IMPLEMENT. If you do not understand any of the instructions, contact your nearest authorized dealer for a full explanation. Pay close attention to all safety signs and safety messages contained in this manual and those affixed to the implement and tractor. (OPS-U-0001)

READ, UNDERSTAND, and FOLLOW the following Safety Messages. Serious injury or death may occur unless care is taken to follow the warnings and instructions stated in the Safety Messages. Always use good common sense to avoid hazards. (SG-2)



Si no lee ingles, pida ayuda a alguien que si lo lea para que le traduzca las medidas de seguridad. (SG-3)



OPERATION

1. OPERATOR REQUIREMENTS

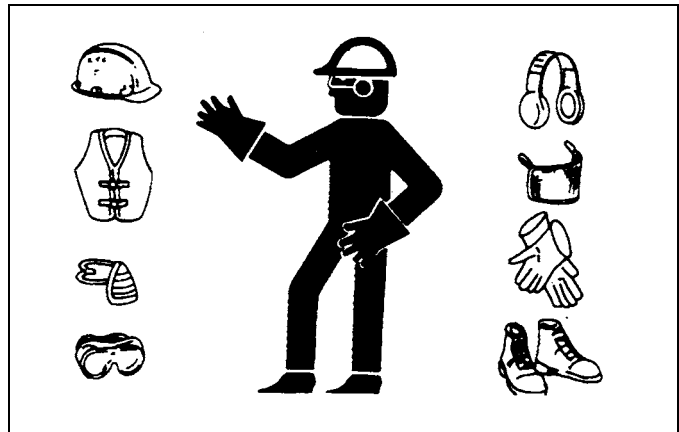
Safe operation of the unit is the responsibility of a qualified operator. A qualified operator has read and understands the implement and tractor Operator's Manuals and is experienced in implement and tractor operation and all associated safety practices. In addition to the safety messages contained in this manual, safety signs are affixed to the implement and tractor. If any part of the operation and safe use of this equipment is not completely understood, consult an authorized dealer for a complete explanation.

If the operator cannot read the manuals for themselves or does not completely understand the operation of the equipment, it is the responsibility of the supervisor to read and explain the manuals, safety practices, and operating instructions to the operator.

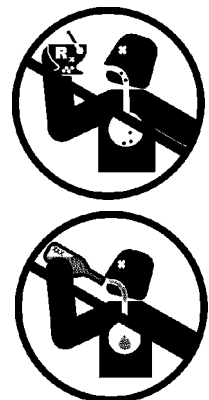
Safe operation of equipment requires that the operator wear approved Personal Protective Equipment (PPE) for the job conditions when attaching, operating, servicing, and repairing the equipment. PPE is designed to provide operator protection and includes the following safety wear:

PERSONAL PROTECTIVE EQUIPMENT (PPE)

- Always Wear Safety Glasses
- Hard Hat
- Steel Toe Safety Footwear
- Gloves
- Hearing Protection
- Close Fitting Clothing
- Respirator or Filter Mask (depends on operating conditions) (OPS-U-0002)



NEVER use drugs or alcohol immediately before or while operating the Tractor and Implement. Drugs and alcohol will affect an operator's alertness and coordination and therefore affect the operator's ability to operate the equipment safely. Before operating the Tractor or Implement, an operator on prescription or over-the-counter medication must consult a medical professional regarding any side effects of the medication that would hinder their ability to operate the Equipment safely. NEVER knowingly allow anyone to operate this equipment when their alertness or coordination is impaired. Serious injury or death to the operator or others could result if the operator is under the influence of drugs or alcohol. (SG-27)



OPERATION

2. TRACTOR REQUIREMENTS

The tractor used to operate the mower must have the power, capacity and required equipment to safely operate the mower at a ground speed between 2 and 5 MPH. Operating the mower with a tractor that does not meet the following requirements may cause tractor or mower damage and could be a potential danger to the operator and passersby.

Tractor Requirements and Capabilities

- ASAE approved Roll-Over Protective Structure (ROPS) or ROPS cab and seat belt.
- Tractor Safety Devices Slow Moving Vehicle (SMV) emblem, lighting, PTO master shield
- Tractor Horsepower-Minimum 65 HP Min Recommended
- Power Take Off 540 RPM

2.1 ROPS and Seat Belt

The tractor must be equipped with a Roll-Over-Protective-Structure (ROPS) (tractor cab or roll-bar) and seat belt to protect the operator from falling off the tractor, especially during a roll over where the driver could be crushed and killed. Only operate the tractor with the ROPS in the raised position and seat belt fastened. Tractor models not equipped with a ROPS and seat belt should have these life saving features installed by an authorized dealer. *OPS-U- 0003*



Operate this Equipment only with a Tractor equipped with an approved roll-over-protective system (ROPS). Always wear seat belts. Serious injury or even death could result from falling off the tractor--particularly during a turnover when the operator could be pinned under the ROPS. (SG-7)



2.2 Tractor Safety Devices

If transporting or operating the tractor and implement near a public roadway, the tractor must be equipped with proper warning lighting and a Slow Moving Vehicle (SMV) emblem which are clearly visible from the rear of the unit. Lights and a SMV emblem must be equipped directly on implements if the visibility of the tractor warning signals are obscured.

Maintain all manufacturer equipped safety shields and guards. Always replace shields and guards that were removed for access to connect, service, or repair the tractor or implement. Never operate the tractor PTO with the PTO master shield missing or in the raised position. *OPS-U- 0004*

2.3 Tractor Horsepower

The horsepower required to operate the mower depends on many factors including the vegetation to be cut, terrain condition, operator experience, and condition of the mower and tractor. For most mowing conditions, the Side and Rear mowers require a tractor with at least 65HP. Operating the mower with a tractor that does not have adequate power may damage the tractor engine.

OPERATION

2.4 Front End Weight

Maintain a minimum of 20% total tractor weight on the tractor front end at all times. Front end weight is critical to maintain steering ability and to prevent the front end from rearing up. Consult your authorized tractor dealer for front weights and carriers.

2.5 Power Take Off (PTO)

Only operate the mower on a tractor equipped to operate at 540 rpm PTO speed. Tractors operating at 540 rpm will have a 1-3/8" diameter 6-spline PTO shaft stub. Refer to the tractor operator's manual for operating the PTO at the proper speed.

If operating an older model tractor where the tractor's transmission and PTO utilize one master clutch, an over-running clutch must be used between the PTO output shaft and the driveline of the mower. Consult an authorized tractor dealer to purchase and install an over-running clutch if needed.



DO NOT use a PTO adapter to attach a non-matching Implement driveline to a Tractor PTO. Use of an adapter can double the operating speed of the Implement resulting in excessive vibration, thrown objects, and blade and implement failure. Adapter use will also change the working length of the driveline exposing unshielded driveline areas. Serious bodily injury and/or equipment failure can result from using a PTO adapter. Consult an authorized dealer for assistance if the Implement driveline does not match the Tractor PTO.

(S3PT-14)



Never operate the Tractor and Mower if the Implement input driveline is directly connected to the Tractor transmission. Tractor braking distances can be substantially increased by the momentum of the rotating Mower blades driving the Tractor transmission even though the Tractor clutch has been disengaged. Install an over running clutch between the Tractor PTO and the Mower driveline to prevent this potentially dangerous situation. (S3PT-16)

3. GETTING ON AND OFF THE TRACTOR

Before getting onto the tractor, the operator must read and completely understand the implement and tractor operator manuals. If any part of either manual is not completely understood, consult an authorized dealer for a complete explanation. OPS-U- 0007



Do not mount or dismount the Tractor while the tractor is moving. Mount the Tractor only when the Tractor and all moving parts are completely stopped. (SG-12)



OPERATION

3.1 Boarding the Tractor

Use both hands and equipped handrails and steps for support when boarding the tractor. Never use control levers for support when mounting the tractor. Seat yourself in the operator's seat and secure the seat belt around you.

Never allow passengers to ride on the tractor or attached equipment. Riders can easily fall off and be seriously injured or killed from falling off and being ran over. It is the operator's responsibility to forbid all extra riders at all times. *OPS-U- 0008*



Never allow children to operate, ride on, or come close to the Tractor or Implement. Usually, 16-17 year-old children who are mature and responsible can operate the implement with adult supervision, if they have read and understand the Operator's Manuals, been trained in proper operation of the tractor and Implement, and are physically large enough to reach and operate the controls easily. (SG-11)



Never allow children or other persons to ride on the Tractor or Implement. Falling off can result in serious injury or death. (SG-10)



Do not mount or dismount the Tractor while the tractor is moving. Mount the Tractor only when the Tractor and all moving parts are completely stopped. (SG-12)



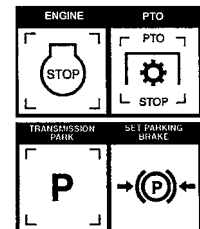
3.2 Dismounting the Tractor

Before dismounting, park the tractor and implement on a reasonably level surface, apply the parking brake, idle the engine down, disengage the PTO, and lower the implement to the ground. Shut down the tractor engine according to the operator's manual, remove the key, and wait for all motion to completely stop. Never leave the seat until the tractor, its engine and all moving parts have come to a complete stop.

Use hand rails and steps when exiting the tractor. Be careful of your step and use extra caution when mud, ice, snow or other matter has accumulated on the steps or hand rails. Use all handrails and steps for support and never rush or jump off the tractor. *OPS-U- 0009*



BEFORE leaving the tractor seat, always set the parking brake and/or set the tractor transmission in parking gear, disengage the PTO, stop the engine, remove the key, and wait for all moving parts to stop. Place the tractor shift lever into a low range or parking gear to prevent the tractor from rolling. Never dismount a Tractor that is moving or while the engine is running. Operate the Tractor controls from the tractor seat only. (SG-9)



OPERATION

4. STARTING THE TRACTOR

The operator must have a complete understanding of the placement, function, and operational use of all tractor controls before starting the tractor. Review the tractor operator's manual and consult an authorized dealer for tractor operation instructions if needed.

Essential Tractor Controls:

- Locate the light control switch.
- Locate the engine shut off control.
- Locate the brake pedals and the clutch.
- Locate the PTO control.
- Locate the 3-point hitch control lever.
- Locate the hydraulic remote control levers.

Before starting the tractor ensure the following:

- Conduct all pre-start operation inspection and service according to the tractor operator's manual.
- Make sure all guards, shields, and other safety devices are securely in place.
- The parking brake is on.
- The PTO control lever is disengaged.
- The 3-point hitch control lever is in the lowered position.
- The hydraulic remote control levers are in the neutral position.
- The tractor transmission levers are in park or neutral.

Refer to the tractor owner's manual for tractor starting procedures. Only start the tractor while seated and belted in the tractor operator's seat. Never bypass the ignition switch by short circuiting the starter solenoid.

After the tractor engine is running, avoid accidental contact with the tractor transmission to prevent sudden



Never run the Tractor engine in a closed building or without adequate ventilation. The exhaust fumes can be hazardous to your health. (SG-23)



Start tractor only when properly seated in the Tractor seat. Starting a tractor in gear can result in injury or death. Read the Tractor operators manual for proper starting instructions. (SG-13)



5. CONNECTING THE MOWER TO THE TRACTOR

Use extreme caution when connecting the mower to the tractor. The mower should be securely resting at ground level or setting on blocks. Keep hands and feet from under the mower deck and clear of pinch points between the tractor hitch arms and mower pins. OPS-R-0001

OPERATION



Always shut the Tractor completely down, place the transmission in park, and set the parking brake before you or anyone else attempts to connect or disconnect the Implement and Tractor hitches. (S3PT-15)

5.1 Connecting the Rear Flail to the Tractor

1. Make sure the tractor is equipped with the correct PTO shaft. Change shafts if needed.
2. Shorten or remove the tractor drawbar to avoid interference when raising and lowering the mower.
3. Board the tractor and start the engine. Position the tractor to the mower with the 3-point lift arms positioned between the respective set of mower A-frame lift lugs. **Note:** Set the 3-point lift control to "Position Control" so that the lift arms maintain a constant height when attaching the mower. See the tractor Operator's Manual for correct settings when attaching 3-point equipment.
4. Turn off the tractor engine and dismount.
5. One lift arm at a time, align arm end hole between the set of A-frame lift lugs. Insert hitch pin through the lug and arm holes and insert retaining pin into hitch pin.
6. Walk around to opposite side and repeat procedure for remaining lift arm and hitch pin.
7. Extend or retract 3-point top link to align its end hole with the holes of the mower's top link. Insert the top link hitch pin and insert retaining pin into hitch pin.

Adjust any lower link check chains, guide blocks, or sway blocks to prevent the mower from swaying side to side and possible contact with tractor rear tires.



NOTE: Offset Adaptor Hitches are available to position the mower to the left or right. Mowers with Offset Adaptor hitches connect to the 3-Point hitch the same way as the mower A-frame.

OPERATION

5.2 Connecting the Side Flails to the Tractor

1. Install the Draft Beam onto the Main Frame.
2. Raise the Draft Beam to line up with the the 'ears' on the Side Flail and install Pins and hardware.
3. Connect the Linkage and Cylinder to the Side Flail for a Combo Lift set-up or route and connect the cable to the Side Flail if it's a Cable Lift set-up.
4. Route and connect the hydraulic lines to the cylinders and from the Brake Valve to the Side Flail motor.



WARNING

Do not operate this Equipment with hydraulic oil or fuel leaking. Oil and fuel are explosive and their presence could present a hazard. Do not check for leaks with your hand! High-pressure oil streams from breaks in the line could penetrate the skin and cause tissue damage including gangrene. To check for a hose leak, SHUT the unit ENGINE OFF and remove all hydraulic pressure. Wear oil impenetrable gloves, safety glasses and use Cardboard to check for evidence of oil leaks. If you suspect a leak, REMOVE the HOSE and have it tested at a Dealer. If oil does penetrate the skin, have the injury treated immediately by a physician knowledgeable and skilled in this procedure. (SG-15)



WARNING

Avoid contact with hot surfaces including hydraulic oil tanks, pumps, motors, valves and hose connections. Relieve hydraulic pressure before performing maintenance or repairs. Use gloves and eye protection when servicing hot components. Contact with a hot surface or fluid can cause serious injury from burns or scalding. (SG-34)

DANGER

DO NOT allow any person under a side mower unless mower is securely locked up or supported. **DO NOT** approach the Implement unless the Tractor is turned off and all motion has ceased. Never work under the frame work, or any lifted component unless the implement is securely supported or blocked up. A sudden or inadvertent fall by any of these components could cause serious injury or even death. (STI-03_A)



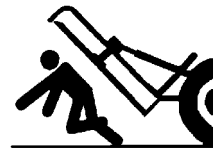
OPERATION

6. SETTING THE MOWER

Properly setting the cutting height is essential for efficient and safe operation. A properly set mower will make a more uniform cut, distribute clippings more evenly, require minimal tractor work, and follow the contour of uneven terrain. **NOTE:** Avoid very low cutting heights, striking the ground with the blades gives the most damaging shock loads and will cause damage to the mower and drive. Blades contacting the ground may cause objects to be thrown out from under the mower deck. Always avoid operating the mower at a height which causes the blades to contact the ground. OPS-U- 0010



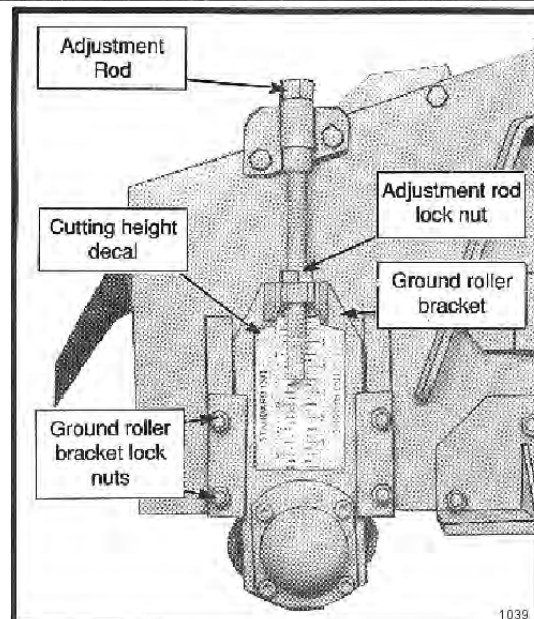
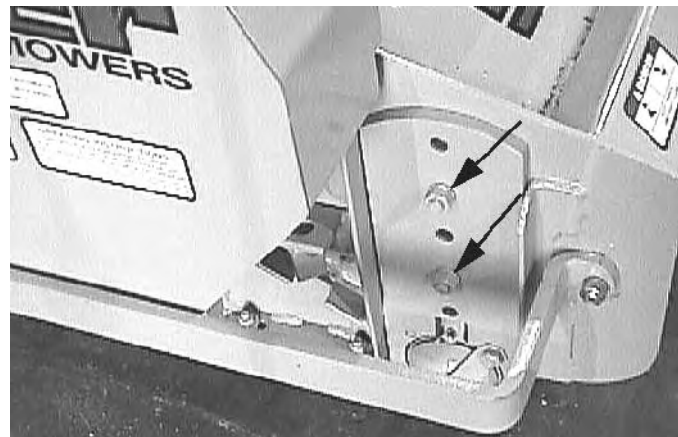
Never work under the Implement, the framework, or any lifted component unless the Implement is securely supported or blocked up to prevent sudden or inadvertent falling which could cause serious injury or even death. (SG-14)



6.1 Roller Height Adjustment

1. The mower's cutting height is set by positioning the roller assembly for each mower section. Each section must be set at the same height to ensure an even cut across the entire width of the mower.
2. Place the tractor and mower on a level surface and completely lower the mower to the ground.
3. Shut down the tractor, place the transmission in park, and set the parking brake before dismounting.
4. One section at a time, place lifting device (scissors jack or hydraulic jack) under center of cutter housing.
5. Remove hex nuts, washers and carriage bolts from brackets at each end of roller. Make certain that roller bracket is free to move once the fasteners are removed. A stuck roller could drop unexpectedly and cause injury.
6. For Standard Duty flails, use lifting device to reposition cutter housing to desired cutting height. Align bracket holes with cutter housing, then reinstall hardware.
7. For Heavy Duty flails, loosen the Adjustment rod lock nut and adjust height by turning the Adjustment Rod. Retighten the Adjustment rod lock nut and then reinstall hardware.
8. Lower cutter housing to the ground and remove lifting device.

Standard Duty



Side and Rear Flail

Operation Section 3-10

Heavy Duty

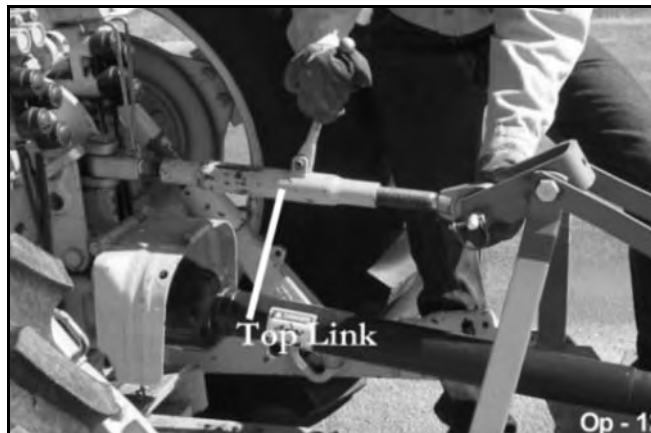
OPERATION

Set cutting height according to procedures above for remaining two cutter sections. Make sure that all three rollers are set at the same height to ensure an even cut across the entire width of the mower.

6.2 Leveling Rear Flail Deck

To facilitate a safe and efficient mowing operation, the mower should be operated parallel to the ground at all times. Never operate if front or rear of mower is tilted upward. Objects may be discharged at high speeds causing possible injury or even death.

Adjust Top Link to level mower roller adjustment. Side Skid Shoes should always be parallel to ground throughout the full adjustment range. Adjust cutting height of machine by raising or lowering rear roller as specified in Operation Section.



⚠️ WARNING

Do not let the Blades turn when the Mower Deck is raised for any reason, including clearance or for turning. Raising the Mower deck exposes the Cutting Blades which creates a potentially serious hazard and could cause serious injury or even death from objects thrown from the Blades. (SRM-07)



7. DRIVELINE ATTACHMENT

The driveline yoke and tractor PTO shaft must be dirt free and greased for attachment.

To connect the mower driveline to the tractor PTO output shaft, pull the driveline yoke collar back and align the grooves and splines of the yoke with those of the PTO shaft. Push the driveline yoke onto the PTO shaft, release the locking collar, and position the yoke until the locking collar balls are seated onto the PTO shaft. Push and pull the driveline back and forth several times to ensure a secure attachment.



After the driveline is securely attached, place the tractor PTO master shield back in the operating position. OPS-R-0003

OPERATION

⚠ WARNING

When attaching the Implement input driveline to the Tractor PTO, it is important that the connecting yoke spring activated locking collar slides freely and the locking balls are seated securely in the groove on the Tractor PTO shaft. Push and pull the driveline back and forth several times to ensure it is securely attached. A driveline not attached correctly to the Tractor PTO shaft could come loose and result in personal injury and damage to the Implement. (S3PT-17)

7.1 Driveline Length Check

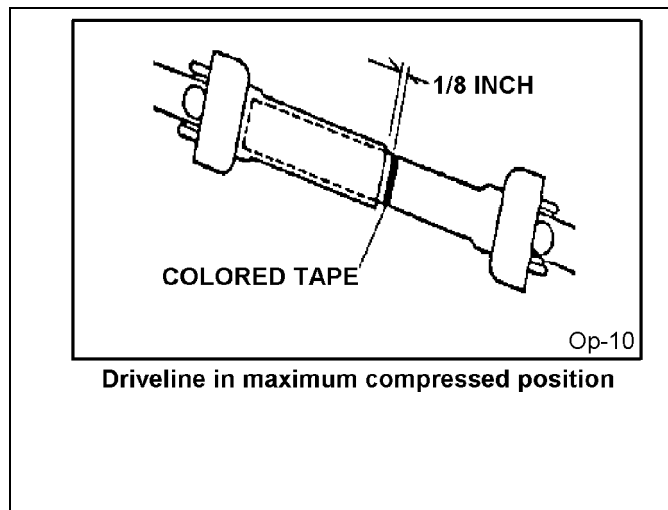
⚠ WARNING

Before operating the Implement, check to make sure the Implement input driveline will not bottom out or become disengaged. Bottoming out occurs when the inner shaft penetrates the outer housing until the assembly becomes solid-it can shorten no more. Bottoming out can cause serious damage to the Tractor PTO by pushing the PTO into the Tractor and through the support bearings or downward onto the PTO shaft, breaking it off. A broken driveline can cause personal injury. (S3PT-18)

When fitting the mower to the tractor, the telescoping driveline must be inspected to ensure that at its most compressed position, the profiles do not “bottom out”, and when at its farthest extended position, there is sufficient engagement between the profiles to operate safely. At its shortest length, there must be at least a 1” clearance between each profile end and opposite profile universal joint. At its farthest operating extension, a minimum profile engagement of 12” must be maintained.

“Bottoming Out” Check Procedure

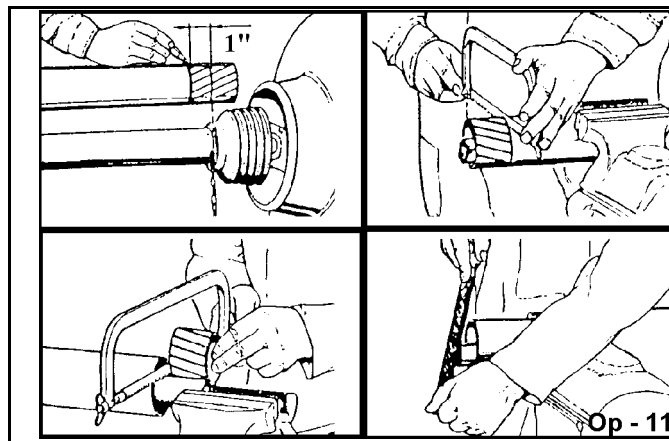
- Disconnect driveline from the tractor and slide the profiles together until fully compressed.
- Place a mark on the inner shield 1/8” from the end of the outer shield and reattach the driveline to the PTO Shaft.
- With the **PTO NOT TURNING**, slowly drive the tractor with mower attached through the sharpest turn possible and watch shaft movement. With the **PTO NOT TURNING**, slowly drive the tractor with the mower attached through the most severe terrain conditions expected and watch shaft movement.
- If the distance between the mark and the outer shield becomes less than 2” at any point there is a potential problem bottoming out the driveline and the driveline should be shortened. OPS-F-0001



OPERATION

Shorten the driveline profiles as follows:

- Remove the driveline from the tractor.
- Position the mower to the point with the shortest distance between the tractor PTO shaft and cutter gearbox. Shut down the tractor and securely block the mower in this position.
- Pull driveline apart and reattach yoke to PTO shaft.
- Hold driveline sections parallel to one another and measure back 1" from yoke of each shaft and place mark on opposite section. Cut this length off with a saw.
- Round off all sharp edges and debur.
- Thoroughly grease then reinstall the driveline.
- Recheck for proper operation.



Engagement Check Procedure

- With the driveline attached, position the mower to the point where the telescoping driveline is at its maximum extension. Completely shut down the tractor and secure in position.
- Mark the inner driveline shield 1/8" from the end of the outer shield.
- Disconnect the driveline from the tractor and separate the two driveline halves.
- Measure the distance from the mark to the end of the inner profile. This length is the amount the driveline profiles were engaged.
- If the engaged length is less than 12" the shaft is considered too short and should be replaced with a longer shaft. Consult an authorized dealer to purchase the required driveline length.

NOTE: If the driveline cannot be shortened and still maintain the required profile engagement, the operator must be made aware of terrain conditions and avoid situations which pose a potential problem to avoid damaging the driveline. OPS-F-0002

8. PRE-OPERATION INSPECTION AND SERVICE

Before each use, a pre-operation inspection and service of the implement and tractor must be performed. This includes routine maintenance and scheduled lubrication, inspecting that all safety devices are equipped and functional, and performing needed repairs. DO NOT operate the unit if the pre-operation inspection reveals any condition affecting safe operation. Perform repairs and replacement of damaged and missing parts as soon as noticed. By performing a thorough pre-operation inspection and service, valuable down time and repair cost can be avoided. OPS-U-0029



Always disconnect the main PTO Driveline from the Tractor before performing service on the Implement. Never work on the Implement with the tractor PTO driveline connected and running. Rotating Parts, Blades or Drivelines could turn without warning and cause immediate entanglement, injury or death. (S3PT-11)

OPERATION

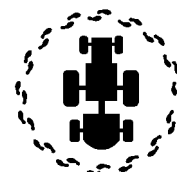
DANGER

DO NOT allow any person under a folded wing unless wing is securely locked up or supported. **DO NOT** approach the Implement unless the Tractor is turned off and all motion has ceased. Never work under the frame work, or any lifted component unless the implement is securely supported or blocked up. A sudden or inadvertent fall by any of these components could cause serious injury or even death. (STI-03)



WARNING

Periodically inspect all moving parts for wear and replace when necessary with authorized service parts. Look for loose fasteners, worn or broken parts, and leaky or loose fittings. Make sure all pins have attaching hardware. Serious injury may occur from not maintaining this machine in good working order. (SG-21_A)



8.1 Tractor Pre-Operation Inspection/Service

Refer to the tractor operator's manual to ensure a complete pre-operation inspection and scheduled service is performed according to the manufacturers recommendations. The following are some of the items that require daily service and inspection:

- Tire condition/air pressure
- Wheel lug bolts
- Steering linkage
- PTO shield
- SMV sign is clean and visible
- Tractor's lights are clean and functional
- Tractor Seat belt is in good condition
- Tractor ROPS is in good condition
- ROPS is in the raised position
- No tractor oil leaks
- Radiator free of debris
- Engine oil level and condition
- Engine coolant level and condition
- Power brake fluid level
- Power steering fluid level
- Fuel condition and level
- Sufficient lubrication at all lube points
- Air filter condition *OPS-U-0030*



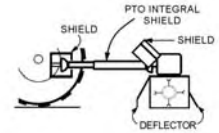
OPERATION

8.2 Mower Pre-Operation Inspection/Service

Before each mower use, a complete inspection and service is required to ensure the mower is in a good and safe working condition. Damaged and/or broken parts should be repaired and/or replaced immediately. To ensure the mower is ready for operation, conduct the following. OPS-R-0007



All Safety Shields, Guards and Safety devices including (but not limited to) - the Deflectors, Steel Guards, Gearbox Shields, PTO integral shields, and Retractable Door Shields should be used and maintained in good working condition. All safety devices should be inspected carefully at least daily for missing or broken components. Missing, broken, or worn items must be replaced at once to reduce the possibility of injury or death from thrown objects, entanglement, or



Replace bent or broken blades with new blades. NEVER ATTEMPT TO STRAIGHTEN, WELD, OR WELD HARDFACING ON BLADES SINCE THIS WILL LIKELY CRACK OR OTHERWISE DAMAGE THE BLADE WITH SUBSEQUENT FAILURE AND POSSIBLY CAUSE SERIOUS INJURY FROM THROWN BLADES. (SGM-10)

The operator's manual and safety signs affixed on the unit contain important instructions on the safe and proper use of the equipment. Maintain these important safety features on the implement in good condition to ensure the information is available to the operator at all times.

- Ensure all safety signs are in place and legible. Replace missing, damaged, and illegible decals. OPS-U-0011_A



- Check that the main driveline is securely attached to the tractor and the locking collar is seated in the groove of the PTO Shaft.
- Inspect that the 3-point hitch pins are the proper size, correctly installed and secured to the tractor lift arms with retaining pins inserted.
- Ensure side mower hydraulics are secure at both ends. OPS-F-0015_A



OPERATION

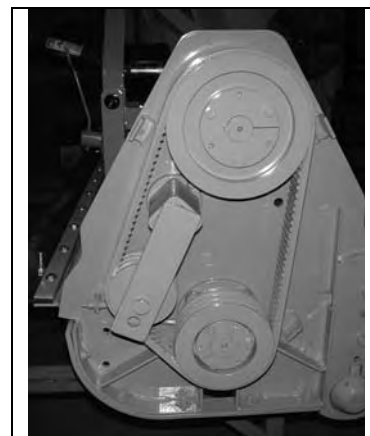
OPERATION

- Ensure rubber deflectors are in position and not damaged. Replace worn, broken, and missing sections immediately.
- Ensure the rollers are in good condition and rotate freely.
- Ensure the driveline integral shield is in good condition and rotate freely.
- Inspect that all bolts and screws are in position and are properly torqued. *OPS-F- 0004*

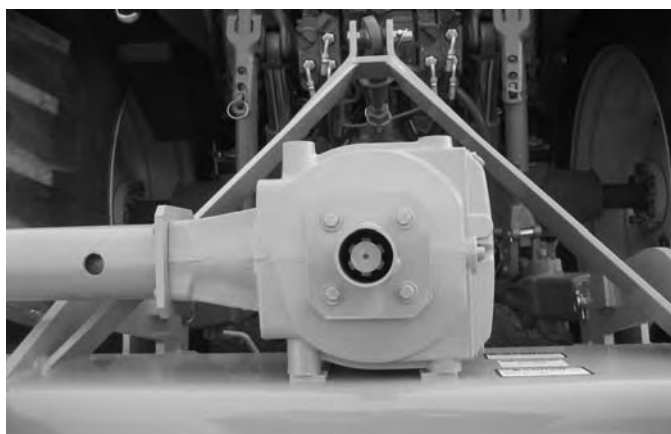


Op-255

- Inspect the condition of the side mowers and rear mower drive belts.
- Ensure the slip clutch (rear mower section only) is properly adjusted and the friction plates are not frozen together. Reference the Maintenance Section for proper slip clutch maintenance.
- Ensure the slip clutch shield and drive belts shields are in place and in good repair.
- Ensure the tractor PTO master shield is in place, lowered and in good condition. *OPS-F- 0005_A*



- Inspect oil level in gearbox and replenish if needed. A low oil level is a warning sign that the gearbox may be cracked or its seal is damaged and needs to be replaced.
- Check the oil level in tank and replenish if need. **NOTE:** Do not fill the tank with oil above the level of the sight gauge. Over filling the tank with oil after initial filling may result in oil being discharged through the breather cap on the top of the hydraulic tank.
- Perform scheduled lubrication as specified in the maintenance section. *OPS-F- 0006_A*



OPERATION

- Inspect cutter knives and knife pins for looseness and excessive wear. Make sure the mower is securely blocked up before crawling beneath. Replace damaged, worn, and missing knives as complete sets to maintain cuttershaft balance.
- Remove any grass or other debris which may be wrapped around the cuttershafts.
- Inspect the condition of deck skid shoes and hardware. *OPS-F- 0007*



OPERATION

OPERATION

Flail Mower PRE-OPERATION Inspection



Mower ID# _____ Make _____

Date: _____ Shift _____



Before conducting the inspection, make sure the tractor engine is off, all rotation has stopped and the tractor is in park with the parking brake engaged. Make sure the mower is resting on the ground or securely blocked up and all hydraulic pressure has been relieved.

Table 1:

| Item | Condition at Start of Shift | Specific Comments if not O.K. |
|---|-----------------------------|-------------------------------|
| The Operator's Manual is in the canister | | |
| All safety decals are in place and legible | | |
| The Mounting frame bolts are in place and tight | | |
| The connection bolts & pins are tight | | |
| There are no cracks in mower | | |
| The Hydraulic Cylinders pins are tight | | |
| The Hydraulic Pump hose connections are tight | | |
| The Hydraulic Valve hose connections are tight | | |
| The Hydraulic Valve controls function properly | | |
| There are no leaking or damaged hoses | | |
| The Hydraulic Oil level is full | | |
| There is no evidence of Hydraulic leaks | | |
| The Blades are not chipped, cracked or bent | | |
| The Blade bolts are tight | | |
| The Deflectors are in place and in good condition | | |
| The shields are in place and in good condition | | |
| The Skid shoes are in good condition & tight | | |
| The Hyd. motor mounting bolts are tight | | |

Operator's Signature: _____

DO NOT OPERATE an UNSAFE TRACTOR or BOOM

OPERATION

Tractor PRE-OPERATION Inspection



Mower ID# _____ Make _____

Date: _____ Shift _____



Before conducting the inspection, make sure the tractor engine is off, all rotation has stopped and the tractor is in park with the parking brake engaged. Make sure the mower is resting on the ground or securely blocked up and all hydraulic pressure has been relieved.

OPERATION

| Item | Condition at Start of Shift | Specific Comments if not O.K. |
|--|-----------------------------|-------------------------------|
| The flashing lights function properly | | |
| The SMV Sign is clean and visible | | |
| The tires are in good condition with proper pressure | | |
| The wheel lug bolts are tight | | |
| The tractor brakes are in good condition | | |
| The steering linkage is in good condition | | |
| There are no visible oil leaks | | |
| The hydraulic controls function properly | | |
| The ROPS or ROBS Cab is in good condition | | |
| The seatbelt is in place and in good condition | | |
| The 3-point hitch is in good condition | | |
| The drawbar pins are securely in place | | |
| The PTO master shield is in place | | |
| The engine oil level is full | | |
| The brake fluid level is full | | |
| The power steering fluid level is full | | |
| The fuel level is adequate | | |
| The engine coolant fluid level is full | | |
| The radiator is free of debris | | |
| The air filter is in good condition | | |

Operator's Signature: _____

DO NOT OPERATE an UNSAFE TRACTOR or MOWER

This Inspection Form may be freely duplicated for extra copies.

OPERATION

9. DRIVING THE TRACTOR AND IMPLEMENT

Safe tractor transport requires the operator possess a thorough knowledge of the model being operated and precautions to take while driving with an attached implement. Ensure the tractor has the capacity to handle the weight of the implement and the tractor operating controls are set for safe transport. To ensure safety while driving the tractor with an attached implement, review the following. *OPS-U- 0012*



This Implement may be wider than the Tractor. Be careful when operating or transporting this equipment to prevent the Implement from running into or striking sign posts, guard rails, concrete abutments or other solid objects. Such an impact could cause the Implement and Tractor to pivot violently resulting in loss of steering control, serious injury, or even death. Never allow the Implement to contact obstacles. (S3PT-12)



Transport only at speeds where you can maintain control of the equipment. Serious accidents and injuries can result from operating this equipment at high speeds. Understand the Tractor and Implement and how it handles before transporting on streets and highways. Make sure the Tractor steering and brakes are in good condition and operate properly.



Before transporting the Tractor and Implement, determine the proper transport speeds for you and the equipment. Make sure you abide by the following rules:

Test the tractor at a slow speed and increase the speed slowly. Apply the Brakes smoothly to determine the stopping characteristics of the Tractor and Implement. As you increase the speed of the Tractor the stopping distance increases. Determine the maximum transport speed not to exceed 20 mph (30 kph) for transporting this equipment.

Test the equipment at a slow speed in turns. Increase the speed through the turn only after you determine that the equipment can be operated at a higher speed. Use extreme care and reduce your speed when turning sharply to prevent the tractor and implement from turning over. Determine the maximum turning speed for you and this equipment before operating on roads or uneven ground.



Only transport the Tractor and Implement at the speeds which allow you to properly control the equipment.

Be aware of the operating conditions. Do not operate the Tractor with weak or faulty brakes or worn tires. When operating down a hill or on wet or rain slick roads, the braking distance increases: use extreme care and reduce your speed. When operating in traffic always use the Tractor's flashing warning lights and reduce your speed. Be aware of traffic around you and watch out for the other guy. (SG-19)

OPERATION

9.1 Starting the Tractor

The procedure to start the tractor is model specific. Refer to the tractor operator's manual for starting procedures for your particular tractor. Consult an authorized dealer if the starting procedure is unclear. Ensure the 3-point control lever is in the lowered position and the PTO is disengaged before starting the tractor. OPS-U-0033



9.2 Brake and Differential Lock Setting

Make sure the tractor brakes are in good operating condition. Tractor brakes can be set to operate independently allowing single rear wheel braking action or locked together to provide simultaneous rear wheel braking. FOR MOST DRIVING AND OPERATING CONDITIONS, THE BRAKE PEDALS SHOULD BE LOCKED TOGETHER TO PROVIDE THE MOST EFFECTIVE BRAKING ACTION.

Always disengage the tractor differential lock when turning. When engaged the differential lock will prevent or limit the tractor from turning. During normal cutting conditions, locking the differential provides no benefit and should not be used.

OPS-U- 0013



Raising the Mower

OPERATION

Using the tractor 3-point hitch control lever, raise the mower off the ground about 6", or just high enough to clear any ground obstacles. When raising the mower, make sure all connection points are securely attached and at least 1" clearance is maintained between the driveline and the deck. If necessary, place an upper lift strip on the 3-point hitch control lever to limit the height the mower can be raised to avoid driveline damage.



9.3 Driving the Tractor and Implements

Start off driving at a slow speed and gradually increase your speed while maintaining complete control of the tractor and units. Moving slowly at first will also prevent the tractor from rearing up and loss of steering control. The tractor should never be operated at speeds that cannot be safely handled or which will prevent the operator from stopping quickly during an emergency. If the power steering or engine ceases operating, stop the tractor immediately as the tractor will be difficult to control.

Drive the tractor with the 3-Point lift arms in the raised position and lock the control lever in the transport detent position to prevent damage to the mower driveline when turning.

Perform turns with the tractor and units at slow speeds to determine how the tractor with an attached mower handles a turn. Determine the safe speed to maintain proper control of the tractor when making turns.

To avoid overturns, drive the tractor with care and at safe speeds, especially when operating over rough ground, crossing ditches or slopes, and turning corners. Tractor wheel tread spacing should be increased when working on inclines or rough ground to reduce the possibility of tipping.

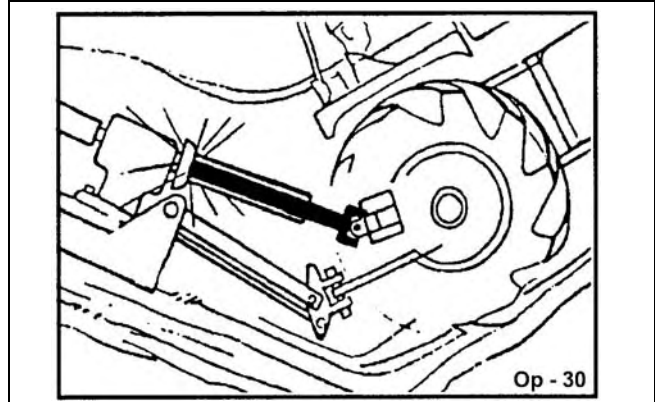
Use extreme caution when operating on steep



OPERATION

9.4 Crossing Ditches and Steep Inclines

When crossing ditches with steep banks or going up sharp inclines, it is possible that the main driveline inner profile will penetrate into the outer housing to its maximum depth until the assembly becomes solid (driveline is at its extreme shortest length). This type of abusive operation can cause serious damage to the tractor and mower drive by pushing the PTO into the tractor and through the support bearings or downward onto the PTO shaft, breaking it off.

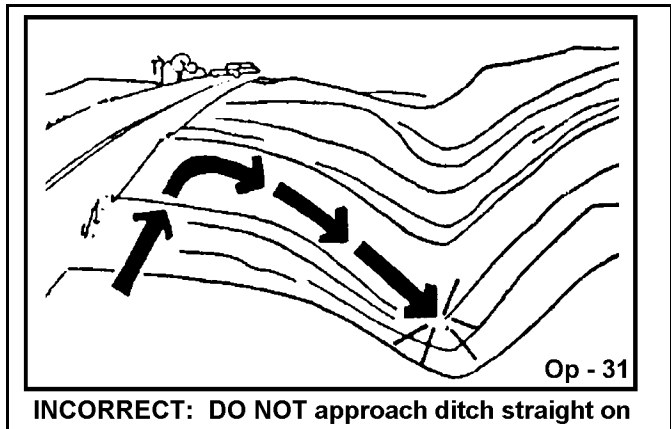


WARNING

Damage resulting from over-collapse of the driveline's inner profile and its outer housing may allow the driveline to come loose from the Tractor which could cause bodily injury to the operator or bystanders and/or extensive damage to the Tractor or Implement. OPS-R-0020

When confronted with an incline or ditch, do not approach from an angle which is perpendicular or straight on as damage to over collapse of the driveline may occur.

When crossing such terrain, the implement should be fully lowered for a lower center of gravity and added stability. OPS-R-0021

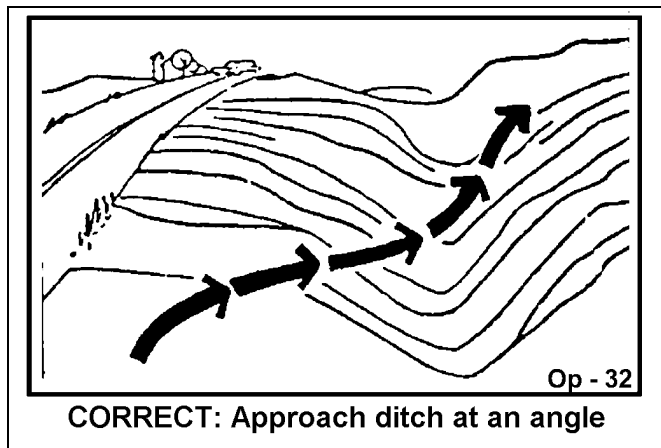


OPERATION

Inclines and ditches should be approached along a line which is at an angle as shown. This type of path will reduce the possibility of over-collapse of the driveline and resulting damage. If the gradient is so steep that such an approach increases the possibility of a tractor roll-over, select an alternate crossing path.

When operating the tractor and mower across slopes and inclines, through ditches, and other uneven terrain conditions, it is important to maintain sufficient deck to ground clearance. Blade contact with the ground may cause soil, rocks and other debris to be thrown out from under the mower resulting in possible injury and/or property damage. Ground contact also produces a severe shock load on the mower drive and to the mower blades resulting in possible damage and premature wear.

OPS-R-0022



10. OPERATING THE TRACTOR AND IMPLEMENT

THE OPERATOR MUST COMPLETELY UNDERSTAND HOW TO OPERATE THE TRACTOR AND IMPLEMENT AND ALL CONTROLS BEFORE ATTEMPTING TO OPERATE. The operator must read and understand the Safety and Operation Sections of the implement and tractor operator's manuals. These manuals must be read and explained to any operator who cannot read. Never allow someone to operate the implement and tractor without complete operating instructions.

Before starting any operation, the operator must become familiar with the area to be worked in and any obstacles and hazards contained within to ensure safety to the operator, bystanders, and equipment. Special attention should be paid to foreign debris, rough terrain, steep slopes, and passersby and animals in the area.

OPS-U-0015

WARNING

Extreme care should be taken when operating near loose objects such as gravel, rocks, wire, and other debris. Inspect the area before mowing. Foreign objects should be removed from the site to prevent machine damage and/or bodily injury or even death. Any objects that cannot be removed must be clearly marked and carefully avoided by the operator. Stop mowing immediately if blades strike a foreign object. Repair all damage and make certain rotor or blade carrier is balanced before resuming mowing. (SGM-05)



OPERATION

WARNING

Many varied objects, such as wire, cable, rope, or chains, can become entangled in the operating parts of the mower head. These items could then swing outside the housing at greater velocities than the blades. Such a situation is extremely hazardous and could result in serious injury or even death. Inspect the cutting area for such objects before mowing. Remove any like object from the site. Never allow the cutting blades to contact such items.

(SGM-06)

10.1 Foreign Debris Hazards

Before mowing, inspect the area to make sure there are no foreign objects that the mower blades could hit or become entangled with. Remove all foreign objects and debris. If objects are too big to remove, mark them clearly and be sure to prevent the mower blades from contacting them.

If you hit a solid object or foreign debris, stop the mower and tractor at once. Immediately idle the engine speed and disengage the PTO. Wait for all mower rotating motion to stop, then raise the mower and move the tractor and implement off the object. Inspect the area and remove, or mark the location of the debris. Inspect the condition of the mower and make any needed repairs immediately. Make sure the blades are not damaged and the carrier is balanced before resuming operation.

Always wear your seat belt securely fastened and only operate the tractor and mower with the ROPS in the raised position. If the tractor or mower hits a tree stump, rock, or bump, a sudden movement could throw you off of the seat and under the tractor and/or mower. The seat belt is your best protection from falling off the tractor and the ROPS provides protection from being crushed during a tractor roll-over. *OPS-F-0010*



10.2 Bystanders/Passersby Precautions

If a bystander comes within 300 feet of the tractor while the mower is being operated, stop the tractor at once, idle the engine and disengage the PTO. Do not engage the PTO again until all bystanders are well past the 300 foot distance. *OPS-R-0024*

OPERATION



Flail Mowers are capable under adverse conditions of throwing objects for great distances (300 feet or more) and causing serious injury or death. Follow safety messages carefully.



STOP MOWING IF PASSERSBY ARE WITHIN 300 FEET UNLESS:

- Front and Rear Deflectors, Chain Guards, or Bands are installed and in good, workable condition;
- Mower sections are running close to and parallel to the ground without exposed Blades;
- All areas have been thoroughly inspected and all foreign material such as rocks, cans, glass, and general debris has been removed.

NOTE: Where there are grass and weeds high enough to hide debris that could be struck by the blades, the area should be: inspected and large debris removed, mowed at an intermediate height, inspected closely with any remaining debris being removed, and mowed again at desired final height. (This will also reduce power required to mow, reduce wear and tear on the Mower drivetrain, spread cut material better, eliminate

10.3 Engaging the Power Take Off (PTO)

Before engaging the PTO, make certain that the area is clear of bystanders and passersby. The implement must be completely lowered and the deck positioned at a safe operating height. NEVER engage the PTO with the implement in the raised position.

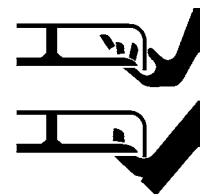
Set the tractor engine speed at approximately 1,000 RPM before engaging the PTO. Shift the PTO control to the on position, and slowly increase the engine speed until the PTO is operating at the rated speed. If you hear unusual noises or see or feel abnormal vibrations, disengage the PTO immediately. Inspect the implement to determine the cause of the noise or vibration and repair the abnormality. OPS-U- 0027



Do not let the Blades turn when the Mower Deck is raised for any reason, including clearance or for turning. Raising the Mower deck exposes the Cutting Blades which creates a potentially serious hazard and could cause serious injury or even death from objects thrown from the Blades. (SRM-07)



Do not put hands or feet under mower decks. Blade Contact can result in serious injury or even death. Stay away until all motion has stopped and the decks are securely blocked up. (SGM-09)



OPERATION

10.4 PTO RPM and Ground Speed

Ground speed for mowing will depend upon the height, type, and density of vegetation to be cut. Recommended speed for efficient mower performance is between 2 and 5 mph(3-8 kph). Operate the mower at its full rated PTO speed to maintain blade speed for a clean cut. Refer to the tractor operator's manual or the tractor instrument panel for the engine speed and gear to provide the required PTO and desired ground speed. Make sure that the mower is operating at its full rated speed before entering the vegetation to be cut. If it becomes necessary to temporarily regulate engine speed, increase or decrease the throttle gradually.

Ground speed is achieved by transmission gear selection and not by the engine operating speed. The operator may be required to experiment with several gear range combinations to determine the best gear and range which provides the most ideal performance from the mower and most efficient tractor operation. As the severity of cutting conditions increase, the ground speed should be decreased by selecting a lower gear to maintain the proper operating PTO speed. OPS-R-0025



Do not exceed the rated PTO speed for the Implement. Excessive PTO speeds can cause Implement driveline or blade failures resulting in serious injury or death. (SG-26)



Mow at the speed that you can safely operate and control the tractor and mower. The correct mowing speed depends on terrain condition and grass type, density, and height of cut. Normal ground speed range is from 2 to 5 mph(3-8 kph). Use slow mowing speeds when operating on or near steep slopes, ditches, drop-offs, overhead obstructions, power lines, or when debris and foreign objects are to be avoided. (SGM-07)

10.5 Operating the Mower

Only operate the mower from the tractor operator's seat with the seatbelt securely fastened. The tractor must be equipped with a ROPS in the raised position or a ROPS cab.

The mower is designed to cut vegetation up to 2" in diameter. Sharp blades will produce a cleaner cut and require less power. Travel at a speed that allows the mower sufficient time to cut through the vegetation and maintain the PTO operating speed to prevent overloading the mower and tractor. Choose a driving pattern that provides the maximum pass length and minimizes turning.

Under certain conditions, tractor tires may roll some grasses down preventing them from being cut at the same height as the surrounding area. When this occurs, reduce the tractor ground speed while maintaining the operating speed of the mower. A slower ground speed will permit grasses to at least partially rebound and be cut. Taking a partial cut and/or reversing the direction of travel may also help produce a cleaner cut.

Avoid mowing in the reverse direction when possible. In situations where the mower must be backed to access areas to be cut, make sure there are no persons or other foreign debris behind the mower before mowing in reverse. When mowing in reverse, operate the tractor and mower at a reduced ground speed to ensure tractor and mower control is maintained. OPS-R-0026

OPERATION

WARNING

Do not mow with two machines in the same area except with Cab tractors with the windows closed. (SGM-11)

WARNING

Mow only in conditions where you have clear visibility in daylight or with adequate artificial lighting. Never mow in darkness or foggy conditions where you cannot clearly see at least 300 feet (90 m) in front and to the sides of the tractor and mower. Make sure that you can clearly see and identify passersby, steep slopes, ditches, drop-offs, overhead obstructions, power lines, debris and foreign objects. If you are unable to clearly see these type of items discontinue mowing. (SGM-01)

WARNING

Avoid mowing in reverse direction when possible. Check to make sure there are no persons behind the mower and use extreme care when mowing in reverse. Mow only at a slow ground speed where you can safely operate and control the tractor and mower. Never mow an area that you have not inspected and removed debris or foreign material. (SGM-08)

WARNING

Follow these guidelines to reduce the risk of equipment and grass fires while operating, servicing, and repairing the Mower and Tractor:



- Equip the Tractor with a fire extinguisher in an accesible location.
- Do Not operate the Mower on a Tractor with an underframe exhaust.
- Do Not smoke or have an open flame near the Mower and Tractor.
- Do Not drive into burning debris or freshly burnt areas.
- Ensure slip clutches are properly adjusted to prevent excessive slippage and plate heating.
- Never allow clippings or debris to collect near drivelines, slip clutches, and gearboxes. Periodically shut down the Tractor and Mower and clean clippings and collected debris from the mower deck. (SGM-12)

OPERATION

10.6 Shutting Down the Implement

To shut down the implement, first bring the tractor to a complete stop. Then slow down the implement by reducing the engine speed before disengaging the PTO. Wait for all motion to stop before proceeding to drive or shut down the tractor.



Park the tractor on a level surface, place the transmission in park or neutral and apply the parking brake, lower the attached implement to the ground, shut down the engine, remove the key, and wait for all motion to come to a complete stop before exiting the tractor. *OPS-F-0011*



11. DISCONNECTING THE MOWER FROM THE TRACTOR

Before disconnecting the mower, the PTO must be disengaged and all motion at a complete stop. Move the mower to a level storage location and lower both side mowers to the ground. If the mower will be stored with the sections in the raised position, be sure that the travel locks are engaged. If the mower is not resting securely on the ground, block the mower up securely before attempting to disconnect it from the tractor. Use extreme care to keep feet and hands from under the mower and clear of any pinch points. *OPS-F-0012_A*



OPERATION

DANGER

Always shut the Tractor completely down, place the transmission in park, and set the parking brake before you or anyone else attempts to connect or disconnect the Implement and Tractor hitches. (S3PT-15)

DANGER

Never stand or allow another person to stand between a running Tractor and the Mower when disconnecting the Implement from the Tractor 3-point hitch. Always shut the Tractor off completely and set the parking brake before attempting to disconnect the Mower pins from the Tractor hitch.

OPERATION

After disconnecting the 3 lift points, remove the mower driveline from the tractor PTO shaft. Lay the driveline down carefully to avoid damaging the driveline or its shield. Do not let the driveline fall into mud or dirt, which can contaminate the bearing and shorten the life of the driveline.

OPS-F-0013



DANGER

Never work under the Implement, the framework, or any lifted component unless the Implement is securely supported or blocked up to prevent sudden or inadvertent falling which could cause serious injury or even death. (SG-14)



OPERATION

12. MOWER STORAGE

It is recommended that the mower be stored with the center section and both side mowers fully lowered to ground level. If the mower is stored with the side mowers in the raised position, select a level area and engage travel locks and travel lock pins to prevent the side mowers from falling BEFORE disconnecting the mower rear mower.

Properly preparing and storing the mower at the end of the season is critical to maintaining its appearance and to help ensure years of dependable service. The following are suggested storage procedures:

- Thoroughly clean all debris off the mower to prevent damage from rotting grass and standing water.
- Lubricate all mower grease points and fill gearbox oil levels as detailed in the maintenance section.
- Tighten all bolts and pins to the recommended torque.
- Check the mower for worn and damaged parts. Perform repairs and make replacements immediately so that the mower will be ready for use at the start of the next season.
- Store the mower in a clean, dry place with the mower housing resting securely on blocks or at ground level.
- Keep the driveline yoke from sitting in water, dirt and other contaminants.
- Use spray touch-up enamel where necessary to prevent rust and maintain the appearance of the mower.



It is critical that driveline clutches slip when an obstacle or heavy load is encountered to avoid mower and/or tractor damage. If the mower sits outside for an extended period of time or is exposed to rain and/or humid air, the clutch lining plates must be inspected to ensure they are not frozen together from rust or corrosion. If the mower has been exposed to such conditions, at the start of each mowing season, and any time it is



Never allow children to play on or around Tractor or Implement. Children can slip or fall off the Equipment and be injured or killed. Children can cause the Implement to shift or fall crushing themselves or others. (SG-25)

OPERATION

13. TRANSPORTING THE TRACTOR AND IMPLEMENT

Inherent hazards of operating the tractor and implement and the possibility of accidents are not left behind when you finish working in an area. Therefore, the operator must employ good judgement and safe operation practices when transporting the tractor and implement between locations. By using good judgement and following safe transport procedures, the possibility of accidents while moving between locations can be substantially minimized. *OPS-U- 0017*



Never allow children or other persons to ride on the Tractor or Implement. Falling off can result in serious injury or death. (SG-10)



OPERATION

Before transporting the tractor and mower, idle the tractor engine, disengage the PTO and wait for all mower moving parts to come to a complete stop. Raise the mower sections and ensure transport locks engage and install the travel lock pins. *OPS-F- 0021*



OPERATION

Before transporting the tractor on a public roadway or boarding a trailer for transport, the tractor brake pedals should be locked together. Locking the pedals ensures that both wheels brake simultaneously while stopping, especially when making an emergency stop.

Use extreme caution and avoid hard applications of the tractor brakes when carrying equipment at road speeds. Never haul the implement at speeds greater than 20 MPH (32 kph). OPS-U- 0018_A



If the tractor's hydraulic pump is not independent of the tractor PTO, or if the tractor PTO has to be run to have hydraulic power, disconnect the mower driveline from the tractor PTO output shaft. Secure the driveline to the mower deck to prevent driveline damage or loss during transport.

13.1 Transporting on Public Roadways

Extreme caution should be used when transporting the tractor and implement on public roadways. The tractor must be equipped with all required safety warning features including a SMV emblem and flashing warning lights to alert drivers of the tractor's presence. Remember that roadways are primarily designed for automotive drivers and most drivers will not be looking out for you, therefore, you must look out for them. Check your side view mirrors frequently and remember that vehicles will approach quickly because of the tractor's slower speed. Be extremely cautious when the piece of equipment that you are carrying is wider than the tractor tire width and/or extends beyond your lane of the road. OPS-U- 0019_A

NOTE: Ensure that the mower sections are fully raised and that the transport locks are engaged for each section.



Only carry the Implement behind a properly sized and equipped Tractor which exceeds the weight of the Implement by at least 20%. DO NOT carry the Implement behind a truck or other type of vehicle. Never carry the Implement and another Implement connected in tandem. Never carry the Implement at speeds over 20 MPH. (STI-06_A)



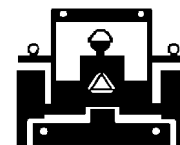
Never allow children or other persons to ride on the Tractor or Implement. Falling off can result in serious injury or death. (SG-10)



OPERATION

WARNING

Make certain that the “Slow Moving Vehicle” (SMV) sign is installed in such a way as to be clearly visible and legible. When transporting the Equipment use the Tractor flashing warning lights and follow all local traffic regulations. (SG-6)



The SMV (Slow-Moving Vehicle) emblem is universal symbol used to alert drivers of the presence of equipment traveling on roadways at a slow speed. SMV signs are a triangular bright orange with reflective red trim for both easy day and night visibility. Make sure the SMV sign is clean and visible from the rear of the unit before transporting the tractor and implement on a public roadway. Replace the SMV emblem if faded, damaged, or no longer reflective. OPS-U- 0020



Make sure that all tractor flashing warning lights, headlights, and brake/tail lights are functioning properly before proceeding onto public roads. While newer model tractors have plenty of lighting to provide warning signals and operating lighting, most older models are only equipped with operating lights. Consult an authorized tractor dealer for lighting kits and modifications available to upgrade the lighting on older tractor models. OPS-U- 0021



When operating on public roads, have consideration for other road users. Pull to the side of the road occasionally to allow all following traffic to pass. Do not exceed the legal speed limit set in your country for agricultural tractors. Always stay alert when transporting the tractor and implement on public roads. Use caution and reduce speed if other vehicles or pedestrians are in the area. OPS-U- 0022



OPERATION

Reduce speed before turning or applying the brakes. Ensure that both brake pedals are locked together when operating on public roads. *OPS-U- 0023*



13.2 Hauling the Tractor and Implement

Before transporting a loaded tractor and implement, measure the height and width dimensions and gross weight of the complete loaded unit. Ensure that the load will be in compliance with the legal limits set for the areas that will be traveled through. *OPS-U- 0024*



Use adequately sized and rated trailers and equipment to transport the tractor and implement. Consult an authorized dealer to determine the proper equipment required. Using adequately sized chains, heavy duty straps, cables and/or binders, securely tie down both the front and rear of the tractor utilizing the proper tie down locations as specified by the tractor manufacturer. *OPS-U- 0025*



OPERATION

OPERATION

Side and Rear Flail

Operation Section 3-36

MAINTENANCE SECTION

Maintenance Section 4-1

MAINTENANCE

General Instructions

Tiger Mowers are designed for high performance and rugged durability, yet with simplified maintenance. The purpose of this section of the manual is to help the operator in the regular servicing of the mower. Regular maintenance at the intervals mentioned will result in the maximum efficiency and long life of the Tiger Mower.

When you purchase a Tiger Mower you also acquire another valuable asset, Tiger's parts organization. Our rapid and efficient service has guaranteed the customer satisfaction for many years. Tiger parts keep up with the demands for efficiency, safety and endurance expected of the Tiger Mower.

Maintenance Precautions

- Be sure end of grease gun and fittings are clean before using. Debris injected into bearings, etc. with grease will cause immediate damage.
- DO NOT use a power grease gun to lubricate bearings. These require very small and exact amounts of lubrication. Refer to the detailed maintenance section for specific lubrication instructions. DO NOT over-grease bearings.
- Lexan windows should be washed with mild soap or detergent and luke warm water, using a soft clean sponge or soft cloth. DO NOT use abrasive or alkaline cleaners or metal scrapers on lexan windows!
- Be alert to maintenance indicators such as the in-tank filter pressure gauge, hydraulic reservoir sight gauge, etc. Take the required action to correct any problems immediately.
- Release of energy from pressurized systems may cause inadvertent actuation of cylinders, or sudden release of compressed springs. Before disconnecting any hoses relieve pressure by shutting tractor off, setting cutter on ground and actuating lift valve handles.

WARNING

DO NOT use hands to check for suspected leaks in hydraulic hoses! Hydraulic fluid escaping under pressure can have sufficient force to penetrate skin and cause serious injury. If fluid is injected into skin, it must be surgically removed within a few hours or gangrene may result. Use a small piece of wood or cardboard, not hands, to search for pin hose leaks. Be sure all connections are tight and hoses and lines are not damaged before applying pressure.

Break in Period

In addition to following the break in instructions for your particular tractor, the in-tank hydraulic fluid filter should be replaced after the first 50 hours of service. Thereafter the filter should be replaced every 500 hours, or yearly, whichever comes first.

Re-torque wheel lugs after first five hours of operation and periodically thereafter. See torque specifications listed in the tractor's service manual for your particular model. **Wheel lugs must always be re-torqued whenever a wheel is removed and reinstalled.**

DANGER

Never work under the Implement, the framework, or any lifted component unless the Implement is securely supported or blocked up to prevent sudden or inadvertent falling which could cause serious injury or even death. (SG-14)



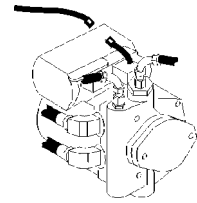
WARNING

Do not modify or alter this Implement. Do not permit anyone to modify or alter this Implement, any of its components or any Implement function. (SG-8)

MAINTENANCE



Always disconnect the wire leads from the mower pump solenoid before performing service on the Tractor or Mower. Use caution when working on the Tractor or Mower. Tractor engine must be stopped before working on Mower or Tractor. The Mower Blades could inadvertently be turned on without warning and cause immediate dismemberment, injury or death. (SBM-12a)



MAINTENANCE

Regular Maintenance

The intervals at which regular servicing should be done are based on hours of operation. Use the tractors hour meter to determine when regular servicing is required.

Daily or Every 8 Hours

| ITEM | SERVICE | COMMENTS |
|--|-----------------------|---|
| Drive Shaft Yoke, U-Joint & Stub Shaft | Grease | Grease as instructed in detailed maint. section |
| Pump Drive Shaft Coupler | Check and Lube | Insure drive shaft end play |
| Crankshaft Adapter | Check rubber grommets | Replace grommets if damaged or missing |
| Pivot Points | Lubricate | Inject grease until it appears at ends |
| Hydraulic Fittings | Check for leaks | Tighten when needed. Do Not use hands to check for leaks, see maintenance Precautions |
| Knives | Check | Inspect for missing or damaged knives, change as needed. |
| Belts | Check/Adjust | Check if broken, tighten as required. |
| Main Frame and Deck | Check | Retorque bolts to torque specifications in this section |

Side and Rear Flail

Maintenance Section 4-3

MAINTENANCE

MAINTENANCE

| ITEM | SERVICE | COMMENTS |
|---|-----------|--|
| Hydraulic Fluid Level | Check | Add if required per fluid recommendations |
| Rear Flail Drive (if applicable) Bearing Flange and Shaft Coupler | Lubricate | Grease as instructed in detailed maintenance section |
| Cutter Shaft | Lubricate | Grease as instructed in detailed maintenance section |
| Ground Roller Bearings | Lubricate | Grease as instructed in detailed maintenance section |

WEEKLY OR EVERY 50 HOURS

| ITEM | SERVICE | COMMENTS |
|--|---------|--|
| In Tank Hyd. Fluid Filter (10 micron filter) | Change | Change after first 50 hours only, then every 500 hours or yearly |
| In-Line High Pressure Filter (10 micron filter) | Change | Change after first 50 hours only, then every 500 hours or yearly |

MONTHLY OR EVERY 150 HOURS

| | | |
|-----------------------|---------------------|--------------------------------------|
| Hydraulic Fluid Level | Check | Add as needed |
| Hyd. Tank Breather | Clean/Check/Replace | Clean or replace Element as required |
| Rear Tire Type | | Max P.S.I. |
| 480/80R38 | | 29 |
| 18.4-34 | | 26 |
| 18.4-38 | | 26 |

MAINTENANCE

YEARLY OR EVERY 500 HOURS

| ITEM | SERVICE | COMMENTS |
|---|---------|--|
| Hydraulic Tank Fluid | Change | |
| In Tank Hydraulic Fluid Filter (10 micron filter) | Change | |
| In-Line HP Filter (10 micron filter) | Change | or Change when indicated by restriction indicator. |
| Hydraulic Tank Breather | Change | |

MAINTENANCE

MAINTENANCE

TROUBLESHOOTING

| SYMPTOMS | CAUSE | REMEDY |
|------------------------------------|---|---|
| Vibration | <ol style="list-style-type: none"> 1. Loose Bolts 2. Cutter assembly Unbalanced | <ol style="list-style-type: none"> 1. Check all bolts and tighten to recommended torque specs. 2a. Check for damaged blades, disc or cuttershaft. Replace if needed. 2b. Check for wire, rope, etc. entangled in the cutter assembly |
| Mower will not lift | <ol style="list-style-type: none"> 1. Hyd. Fluid Low 2. Leaks in line 3. Faulty relief valve 4. Kinked or blocked 5. Faulty cylinder | <ol style="list-style-type: none"> 1. Check and refill hydraulic fluid 2. Tighten or replace fittings and hoses 3. Check pressure in line. Line pressure should be at least 2500 PSI 4. Clean or replace lines 5. Inspect, repair or replace cylinder |
| Mower will not start or run | <ol style="list-style-type: none"> 1. Blown fuse 2. Ball valves closed 3. Low oil level 4. Line leak 5. Electronic solenoid faulty | <ol style="list-style-type: none"> 1. Check fuse between mower switch and ignition/replace 2. Make sure valves are open 3. Check hydraulic tank and fill 4. Check all fittings and lines, re-tighten or replace 5a. Without the tractor running, turn the mower switch to on. A low audible click is not heard if the solenoid is engaging the solenoid spool. If click is not heard, leave switch in on position and with a screwdriver or other steel object, touch the small nut on the end of the solenoid. If the metallic object is not attracted to the nut, check the fuse and wiring for an open circuit. If the object is attracted but no "click" is heard, replace the solenoid. 5b. Remove the four bolts holding the small block to the main block. Lift and remove small block being careful not to damage O-rings/filter. Clean filter and re-install. |

MAINTENANCE

5c. Remove large nut on side of large valve block. Remove spring, and use needle nose vise grip to pull spool from block. Check block and spool for contaminants and scratches. Clean parts or replace if scratched.

Oil Temperature rises above 200 deg. F

1. Belts
1. Low oil level
 2. Kinked or blocked hose
 3. Worn pump/motor

1. Bring oil to proper level.
2. Inspect, repair, or replace hoses.
3. Disable and repair.

Motor runs but will not cut.

1. Belts
2. Tensioner

1. Inspect belts and pulleys. Replace belts and repair as needed.
2. Adjust tensioner nut until flatwasher is flush with top of guide.

Mower turns slowly or not at all.

1. Contaminants restricting spool movement in valve body.
2. Suction lines obstructed
3. Low oil level

1. Remove large nut on side of large valve block. Remove spring, and use needle nose vise grip to pull spool from block. Check block and spool for contaminants and scratches. Clean parts or replace if scratched.
2. Check for kinks or obstruction in suction hose.
3. Check Hyd. tank level and fill.

Pump will not work

1. Excessive wear on internal parts

1. Disassemble and repair.

Motor will not work

1. Excessive wear on internal parts

1. Disassemble and repair.

NOTE: If flow meter is available, check pressure and flow volume for all suspected hydraulic problems.

If the solution to your problem cannot be found in this section, call the Technical Service representative at the number shown on the front cover of this manual.

MAINTENANCE

These are intended to be general specifications. See tractor operators or service manual for exact specifications for your unit.

LUBRICATION RECOMMENDATIONS

| Description | Application | General Specification | Recommended Mobil Lubricant |
|--|---------------|--|---|
| Tractor Hydraulics | Reservoir | JD-20C | Mobilfluid® |
| Mower Hydraulics | Reservoir | | |
| Cold Temperatures 0° F Start-Up | | ISO 46 Anti-Wear/ Low Temp | Mobil DTE® 15M |
| Normal Temperatures 15° F Start-Up | | ISO 46 Anti-Wear | Nuto® H46, Mobil DTE®25 |
| Flail Rear Gearbox | Reservoir | PAO Synthetic Extreme Pressure Gear Lube | Mobil® 1 Synthetic Gear Lubricant LS 75W-90 Mobil® Delvac Synthetic 75W-90 |
| Cutter Shaft & Ground Roller Shaft(Flail) | Grease Gun | Lithium-Complex NLGI 2 ISO 320 | Mobil Delvac® Xtreme Grease, Mobilgrease CM-S |
| Drive Shaft Coupler (Flail and Rotary) | Grease Gun | Lithium-Complex NLGI2-ISO 320 | Mobil Delvac® Xtreme Grease, Mobilgrease CM-S |
| Drive Shaft Yoke, U-joint & Stub Shaft | Grease Gun | Lithium-Complex Extreme Pressure NLGI2-ISO 320 | Mobilgrease CM-S |

MAINTENANCE

MAINTENANCE

MAINTENANCE

TORQUE SPECIFICATIONS

| Torque for Standard Fasteners | | | | | | | | | | | | | |
|-------------------------------|------------------|-------------------|------------|-----------|-------------------|------------|------------|-------------------|------------|------------|-------------------|------------|------------|
| Nominal Dia. (in.) | threads per inch | Grade 2 | | | Grade 5 | | | Grade 8 | | | Grade 9 | | |
| | | Tightening Torque | | | Tightening Torque | | | Tightening Torque | | | Tightening Torque | | |
| | | Lubed | Dry Plated | Dry plain | Lubed | Dry Plated | Dry plain | Lubed | Dry Plated | Dry plain | Lubed | Dry Plated | Dry plain |
| | | K = 0.15 | K = 0.17 | K = 0.20 | K = 0.15 | K = 0.17 | K = 0.20 | K = 0.15 | K = 0.17 | K = 0.20 | K = 0.15 | K = 0.17 | K = 0.20 |
| Unified Coarse Thread Series | | | | | | | | | | | | | |
| 1/4 | 20 | 49 in-lbs | 59 in-lbs | 66 in-lbs | 76 in-lbs | 86 in-lbs | 101 in-lbs | 107 in-lbs | 122 in-lbs | 143 in-lbs | 126 in-lbs | 143 in-lbs | 168 in-lbs |
| 5/16 | 18 | 101 | 122 | 135 | 157 | 178 | 209 | 221 | 251 | 295 | 259 | 294 | 346 |
| 3/8 | 16 | 15 ft-lbs | 18 ft-lbs | 20 ft-lbs | 23 ft-lbs | 26 ft-lbs | 31 ft-lbs | 33 ft-lbs | 37 ft-lbs | 44 ft-lbs | 38 ft-lbs | 43 ft-lbs | 51 ft-lbs |
| 7/16 | 14 | 24 | 29 | 32 | 37 | 42 | 49 | 52 | 59 | 70 | 61 | 70 | 82 |
| 1/2 | 13 | 37 | 44 | 49 | 57 | 64 | 75 | 80 | 90 | 106 | 94 | 106 | 125 |
| 9/16 | 12 | 53 | 63 | 70 | 82 | 92 | 109 | 115 | 130 | 154 | 135 | 153 | 180 |
| 5/8 | 11 | 73 | 87 | 97 | 113 | 128 | 150 | 159 | 180 | 212 | 186 | 211 | 248 |
| 3/4 | 10 | 129 | 155 | 172 | 200 | 227 | 267 | 282 | 320 | 376 | 331 | 375 | 441 |
| 7/8 | 9 | 125 | 150 | 167 | 322 | 365 | 429 | 455 | 515 | 606 | 533 | 604 | 710 |
| 1 | 8 | 187 | 225 | 250 | 483 | 547 | 644 | 681 | 772 | 909 | 799 | 905 | 1065 |
| 1 1/8 | 7 | 266 | 319 | 354 | 596 | 675 | 794 | 836 | 955 | 1128 | 988 | 1128 | 1333 |
| 1 1/4 | 7 | 375 | 450 | 500 | 840 | 952 | 1121 | 1163 | 1333 | 1545 | 1357 | 1545 | 1810 |
| 1 1/2 | 6 | 652 | 783 | 869 | 1462 | 1657 | 1950 | 2031 | 2333 | 2712 | 2379 | 2712 | 3206 |
| Fine Thread Series | | | | | | | | | | | | | |
| 1/4 | 28 | 56 in-lbs | 68 in-lbs | 75 in-lbs | 87 in-lbs | 99 in-lbs | 116 in-lbs | 123 in-lbs | 139 in-lbs | 164 in-lbs | 144 in-lbs | 163 in-lbs | 192 in-lbs |
| 5/16 | 24 | 112 | 135 | 150 | 174 | 197 | 231 | 245 | 278 | 327 | 287 | 325 | 383 |
| 3/8 | 24 | 17 ft-lbs | 20 ft-lbs | 23 ft-lbs | 26 ft-lbs | 30 ft-lbs | 35 ft-lbs | 37 ft-lbs | 42 ft-lbs | 49 ft-lbs | 43 ft-lbs | 49 ft-lbs | 58 ft-lbs |
| 7/16 | 20 | 27 | 32 | 36 | 41 | 47 | 55 | 58 | 66 | 78 | 68 | 78 | 91 |
| 1/2 | 20 | 41 | 49 | 55 | 64 | 72 | 85 | 90 | 102 | 120 | 105 | 120 | 141 |
| 9/16 | 18 | 59 | 71 | 78 | 91 | 103 | 121 | 128 | 146 | 171 | 151 | 171 | 201 |
| 5/8 | 18 | 82 | 99 | 110 | 127 | 144 | 170 | 180 | 204 | 240 | 211 | 239 | 281 |
| 3/4 | 16 | 144 | 173 | 192 | 223 | 253 | 297 | 315 | 357 | 420 | 369 | 418 | 492 |
| 7/8 | 14 | 138 | 165 | 184 | 355 | 403 | 474 | 502 | 568 | 669 | 588 | 666 | 784 |
| 1 | 14 | 210 | 252 | 280 | 542 | 614 | 722 | 765 | 867 | 1020 | 896 | 1016 | 1195 |
| 1 1/8 | 12 | 298 | 357 | 397 | 668 | 757 | 890 | 1083 | 1227 | 1444 | 1269 | 1439 | 1693 |
| 1 1/4 | 12 | 415 | 498 | 553 | 930 | 1055 | 1241 | 1509 | 1710 | 2012 | 1768 | 2004 | 2358 |
| 1 1/2 | 12 | 734 | 880 | 978 | 1645 | 1865 | 2194 | 2668 | 3024 | 3557 | 3127 | 3544 | 4169 |

Torque values for 1/4 and 5/16 in series are in inch-pounds. All other torque values are in foot-pounds. K = 0.15 for "lubricated" conditions D = Nominal Diameter
 Torque values calculated from formula T=KDF, where K = 0.17 for zinc plated and dry conditions F = Clamp Load
 K = 0.20 for plain and dry conditions

| Torque-Tension Relationship for Metric Fasteners | | | | | | | | | | | | | |
|--|-------|-------------------|------------|-----------|-------------------|------------|-----------|-------------------|------------|-----------|-------------------|-----------|--|
| Nominal Dia. (mm) | Pitch | Class 4.6 | | | Class 8.8 | | | Class 10.9 | | | Class 12.9 | | |
| | | Tightening Torque | | | Tightening Torque | | | Tightening Torque | | | Tightening Torque | | |
| | | Lubed | Dry Plated | Dry plain | Lubed | Dry Plated | Dry plain | Lubed | Dry Plated | Dry plain | Lubed | Dry plain | |
| | | K = 0.15 | K = 0.17 | K = 0.20 | K = 0.15 | K = 0.17 | K = 0.20 | K = 0.15 | K = 0.17 | K = 0.20 | K = 0.15 | K = 0.20 | |
| | | (ft-lbs) | (ft-lbs) | (ft-lbs) | (ft-lbs) | (ft-lbs) | (ft-lbs) | (ft-lbs) | (ft-lbs) | (ft-lbs) | (ft-lbs) | (ft-lbs) | |
| 3 | 0.5 | 0.28 | 0.32 | 0.38 | 0.73 | 0.82 | 0.97 | 1.0 | 1.2 | 1.4 | 1.2 | 1.6 | |
| 3.5 | 0.6 | 0.44 | 0.50 | 0.59 | 1.1 | 1.3 | 1.5 | 1.6 | 1.9 | 2.2 | 1.9 | 2.5 | |
| 4 | 0.7 | 0.66 | 0.74 | 0.87 | 1.7 | 1.9 | 2.3 | 2.4 | 2.7 | 3.2 | 2.8 | 3.8 | |
| 5 | 0.8 | 1.3 | 1.5 | 1.8 | 3.4 | 3.9 | 4.5 | 4.9 | 5.5 | 6.5 | 5.7 | 7.6 | |
| 6 | 1 | 2.3 | 2.6 | 3.0 | 5.8 | 6.6 | 7.7 | 8.3 | 9.4 | 11 | 9.7 | 13 | |
| 6 | 1.25 | 2.1 | 2.3 | 2.7 | 5.3 | 6.0 | 7.0 | 7.6 | 8.6 | 10 | 8.8 | 12 | |
| 7 | 1 | 3.8 | 4.3 | 5.0 | 9.7 | 11 | 13 | 14 | 16 | 19 | 16 | 22 | |
| 8 | 1 | 5.9 | 6.6 | 7.8 | 15 | 17 | 20 | 22 | 24 | 29 | 25 | 34 | |
| 8 | 1.25 | 5.5 | 6.2 | 7.3 | 14 | 16 | 19 | 20 | 23 | 27 | 24 | 31 | |
| 10 | 1.25 | 11 | 13 | 15 | 29 | 33 | 39 | 42 | 48 | 56 | 49 | 66 | |
| 10 | 1.5 | 11 | 12 | 14 | 28 | 32 | 37 | 40 | 45 | 53 | 47 | 62 | |
| 12 | 1.25 | 21 | 23 | 28 | 53 | 60 | 71 | 76 | 86 | 101 | 89 | 119 | |
| 12 | 1.5 | 20 | 22 | 26 | 51 | 58 | 68 | 73 | 82 | 97 | 85 | 113 | |
| 12 | 1.75 | 19 | 21 | 25 | 49 | 55 | 65 | 70 | 79 | 93 | 81 | 108 | |
| 14 | 1.25 | 26 | 29 | 34 | 66 | 75 | 89 | 95 | 108 | 127 | 111 | 148 | |
| 14 | 1.5 | 28 | 32 | 37 | 72 | 82 | 96 | 103 | 117 | 138 | 121 | 161 | |
| 14 | 2 | 30 | 34 | 40 | 78 | 88 | 104 | 111 | 126 | 148 | 130 | 173 | |
| 16 | 1.5 | 50 | 57 | 67 | 129 | 146 | 171 | 184 | 208 | 245 | 215 | 287 | |
| 16 | 2 | 47 | 53 | 62 | 121 | 137 | 161 | 173 | 196 | 230 | 202 | 269 | |
| 18 | 1.5 | 73 | 82 | 97 | 187 | 212 | 249 | 268 | 303 | 357 | 313 | 417 | |
| 18 | 2.5 | 65 | 73 | 86 | 167 | 189 | 222 | 239 | 270 | 318 | 279 | 372 | |
| 20 | 2.5 | 91 | 104 | 122 | 236 | 267 | 314 | 337 | 382 | 449 | 394 | 525 | |

Clamp load calculated as 75% of the proof load for specified bolts. K = 0.15 for "lubricated" conditions D = Nominal Diameter
 All torque values are listed in foot-pounds K = 0.17 for zinc plated, dry conditions F = Clamp Load
 Torque values calculated from formula T=KDF, where K = 0.20 for plain and dry conditions

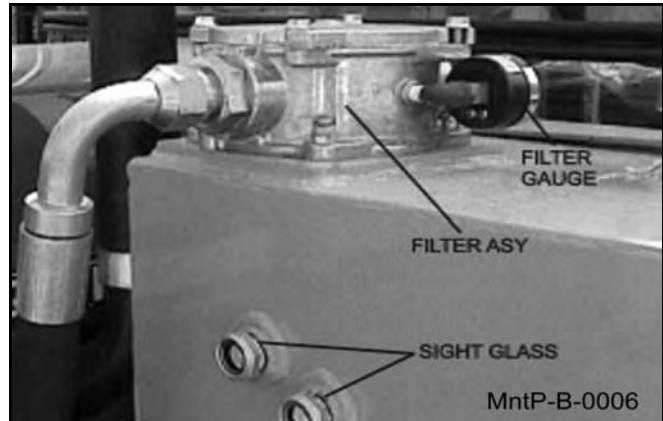
MAINTENANCE

MAINTENANCE

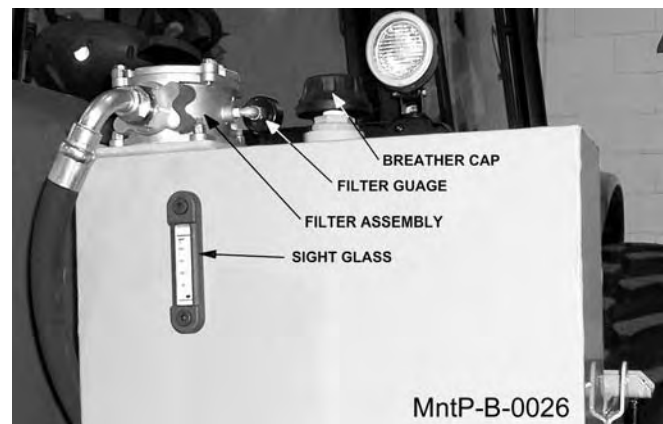
RECOMMENDED FILLING INSTRUCTIONS FOR HYDRAULIC RESERVOIRS

When filling or checking the oil level, the unit should be parked on a level surface., shut "OFF", and allow sufficient time to cool to ambient temperature. Use caution when removing the pressurized breather. Do not place face over opening when removing breather.

If your reservoir has two sight glasses: The reservoir should be filled to the top of the lower sight glass on the side of the tank. Do not over-fill. The reservoir has been over-filled when oil is visible in the upper sight glass. If tank has too much oil, the excess may be expelled through the pressurized breather.



If your reservoir has one sight glass/temperature gage: The reservoir should be filled to the center of the sight glass on the side of the tank. Do not over-fill. If the tank has too much oil, the excess may be expelled through the pressurized breather.



REPLACING IN-TANK HYDRAULIC FILTER:

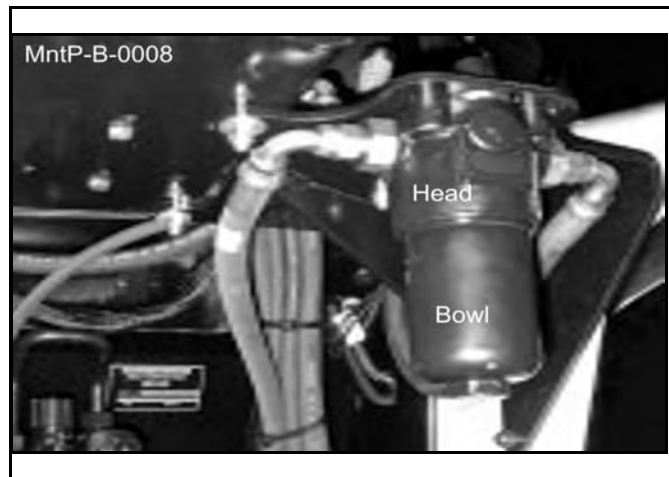
Loosen the four bolts on the top cover of the filter housing. Turn cover counter-clockwise until cover is free. Remove and replace filter. Replace top cover and cover bolts in opposite order as removed.



MAINTENANCE

REPLACING HIGH PRESSURE HYDRAULIC FILTER ELEMENT:

Assure system has been shut down and depressurized. Locate High Pressure Filter housing. Confirm that the element that is about to be installed matches the element p/n on the filter model tag. Example: V3.0510-06 (world line 100, HD049 model) Locate the bottom of the High Pressure Bowl, and use the appropriate spanner wrench-or-ratchet and turning in a counterclockwise rotation, (looking at the bottom of the bowl) remove the bowl from the head, The first couple rotations will seem tight as the o-ring passes the sealing flats, once the o-ring has cleared the sealing flats the bowl should spin freely. Taking care not to drop the bowl, finish removing the bowl from the head.



WARNING: *bowl will be full of oil!* Pour the oil from the bowl into a container, this oil should be considered contaminated due to the flow direction through the element is outside-in. Clean the inside of the bowl if “dirt” is present. Remove the old element from the filter head by pulling with a rotation motion. Dispose of the used element properly. Remove the new element from the packaging. Using your finger, dab and lubricate the o-ring in the top of the new element. Install the new element into and on the mounting boss within the head; assure that the element is fully seated on the boss. Clean and inspect the o-ring that is affixed in the bowl, lubricate with oil. Using a clockwise rotation, screw the bowl back into the head, assuring that the bowl has not been cross threaded into the head. Continue to “tighten” the bowl into the head, using the spanner wrench-or-ratchet, the rotation of the bowl will become tighter once the o-ring engages the sealing flats. Once the bowl has bottomed out, “back-off” the bowl by 1/6 turn, this assures that the o-ring is seated properly with in the sealing flats. Element change out and re-assembly is now complete. Start the machine and inspect the filter area checking that there is no oil leaking from the filter assembly. This is first to be done at 50 hours of operation, then yearly (500 hours) or when indicated by restriction indicator.

GREASING INNER AND OUTER DRAFT BEAM PIVOT POINTS

Locate the grease zerks on the inner and outer draft beam pivot bosses. Inject Lithium-Complex Extreme Pressure grease conforming to NLGI2-ISO 320 specifications into each zerk until grease protrudes from joints. Grease all pivots daily or every 8 hours of service.

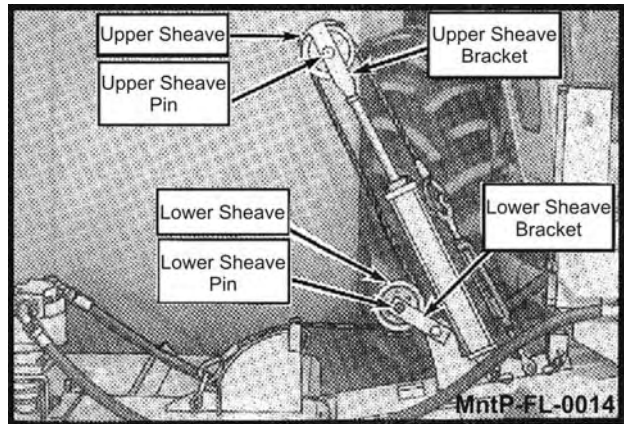
MAINTENANCE

MAINTENANCE

MAINTENANCE

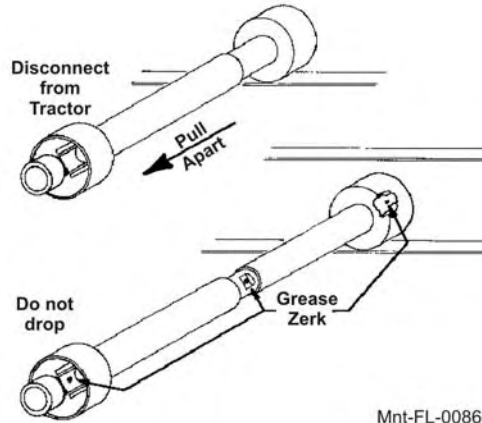
GREASING THE UPPER AND LOWER SHEAVES

Locate the grease zerks on the ends of the upper and lower sheave pins. **Mnt-R-0018** Inject Lithium-Complex Extreme Pressure grease conforming to NLGI2-ISO 320 specifications into each pin until it protrudes from the ends. These should also be greased daily or for every 8 hours of service.



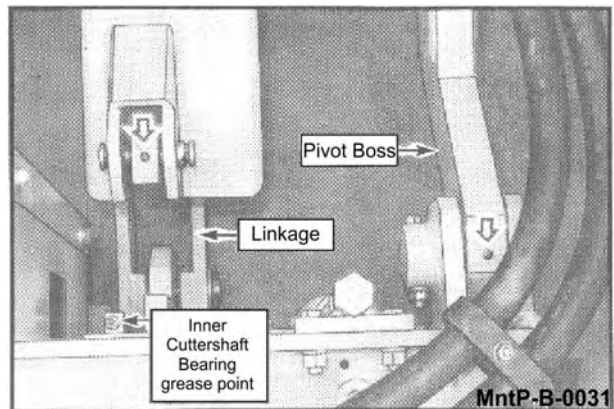
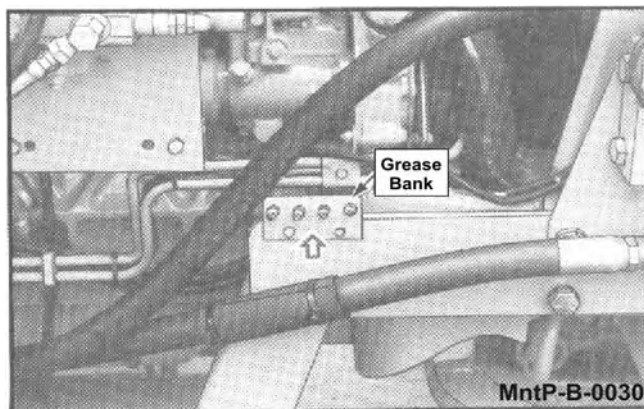
GREASING P.T.O. SHAFTS

After bringing the tractor to a complete stop, shut off the engine and remove the PTO shaft from the tractor. Slide the shaft apart to expose the grease zerk. Grease the shaft with 5 pumps of grease and the U-joints until grease protrudes from caps per the scheduled interval in the maintenance section.



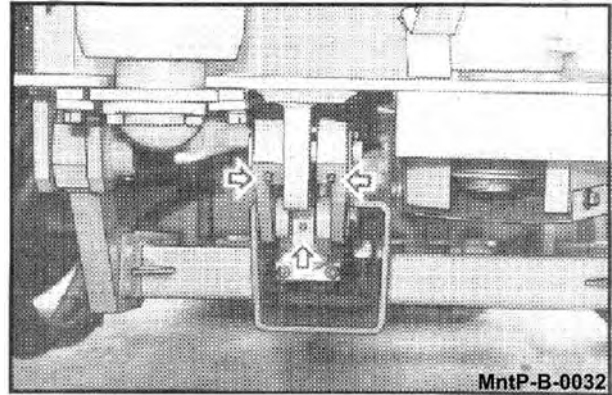
GREASING INNER AND OUTER DRAFT BEAM PIVOT POINTS

Locate the grease zerks on the inner and outer draft beam pivot bosses. Inject Lithium-Complex Extreme Pressure grease conforming to NLGI2-ISO 320 specifications into each zerk until grease protrudes from joints. Grease all pivot points daily or every 8 hours of service.



MAINTENANCE

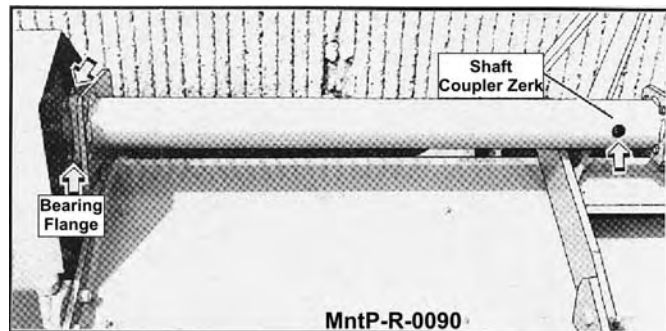
With the cutter head lowered, locate the grease zerks on the linkage and pivot bosses. Inject Lithium-Complex Extreme Pressure grease conforming to NLG12-ISO 320 specifications until it protrudes from the ends. With the cutter head in this position it is also possible to grease the draft beam cylinder anchors and pins. Now raise the cutter head to expose the remaining zerks on the deck tilt linkages and on the other end of the cylinder.



MntP-B-0032

GREASING THE REAR DRIVE BEARING AND EXTENSION COUPLER SHAFT

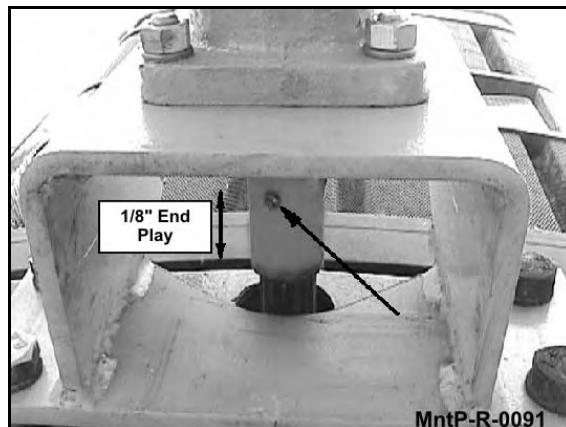
Locate the grease zerks for the rear flail drive extension shaft. Make sure the zerks are clean before injecting grease. One pump of grease into flange zerk and shaft coupler once every day or for every 8 hours of service.



MntP-R-0090

GREASING PUMP DRIVE SHAFT COUPLER

With engine stopped, ensure drive shaft alignment by grasping coupler and sliding back and forth. Coupler should slide freely with approximately 1/8" of end play. If coupler does not slide freely, inspect for loose pump mount bolts, or damaged or loose crank shaft adapter. Inject-Lithium Complex Extreme Pressure grease conforming to NLG12-ISO 320 specifications into coupler until grease begins to protrude from ends. Grease daily or every 8 hours. Do not over grease.



MntP-R-0091

MAINTENANCE

MAINTENANCE

DRIVE SHAFT YOKE, U-JOINT STUB SHAFT

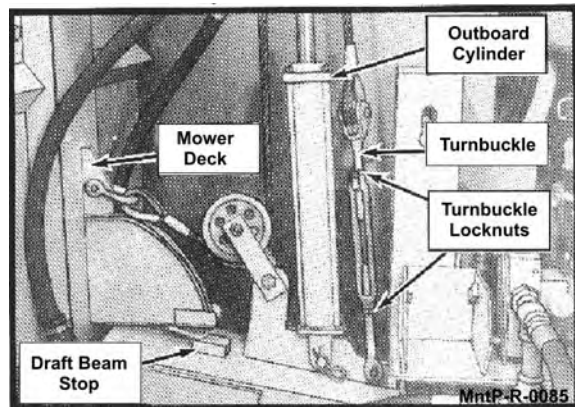
With engine stopped, inject Lithium-Complex extreme pressure grease conforming to NLGI2-ISO 320 specifications into universal joints and slip yoke until grease appears at the seal. Grease them daily or every 8 hours.



ADJUSTING THE CABLE LIFT

Extend the outboard cylinder until the mower deck touches its stop on the draft beam as shown.

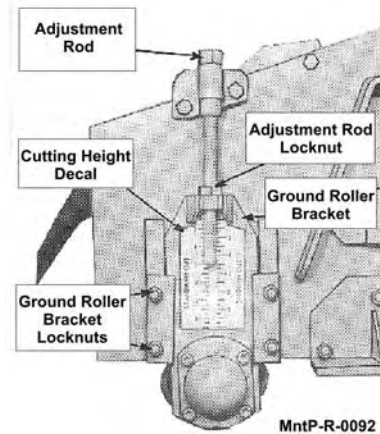
NOTE: Make sure the cable turnbuckle is loose enough to allow the cylinder to reach full extension before the head reaches the stop. Now hold the head against the stop and tighten the turnbuckle until the cable is tight. Lower and raise the head to check the adjustment. The head should touch its stop at the same time the cylinder reaches full extension. Tighten turnbuckle lock nuts securely after adjustment is complete.



MAINTENANCE

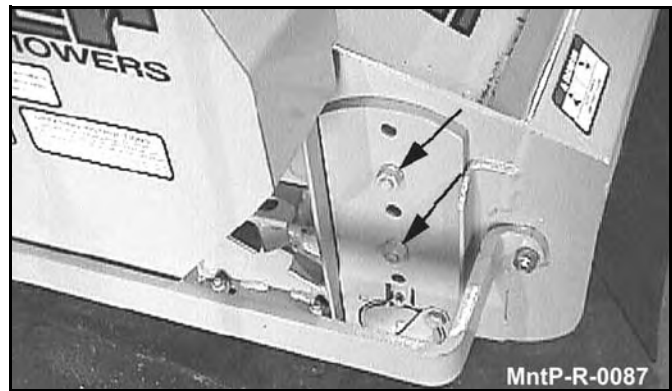
ADJUSTING THE CUTTING HEIGHT

Loosen the four ground roller bracket locknuts. Loosen the adjustment rod locknut and turn the adjustment rod to adjust the cutting height. The cutting height is indicated by the end of the adjustment rod on the cutting height decal. When cutting height has been achieved, tighten the ground roller bracket locknuts and the adjustment rod locknut securely. Be sure both sides of the flail are adjusted the same.



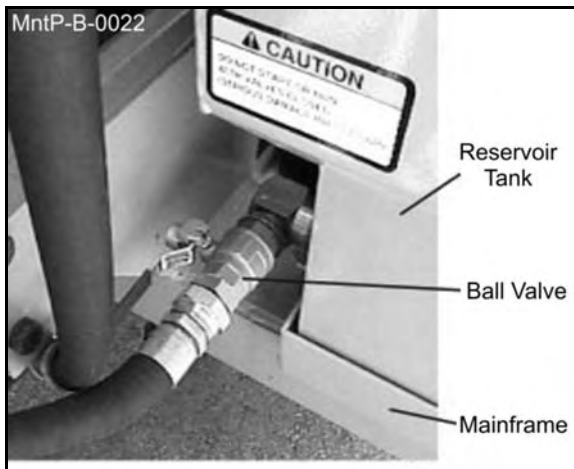
ADJUSTING STANDARD DUTY CUT HEIGHT

To adjust the cutting height of the standard duty flail head the two nuts on the roller shaft brackets must be taken off and moved to the desired location/height. Be sure that both sides of the shaft are adjusted to corresponding holes so the shaft remains level.



BALL VALVES

The ball valve at the hydraulic reservoir may need to be closed during certain maintenance or repair procedures. **THE BALL VALVE MUST BE OPEN (handle parallel with valve) WHEN TRACTOR IS RESTARTED OR PUMP IS COUPLED TO MOTOR OR P.T.O.!** Failure to do so will result in component failure!

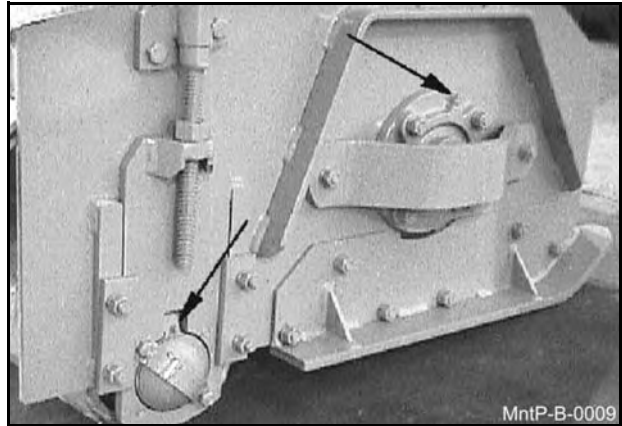


MAINTENANCE

MAINTENANCE

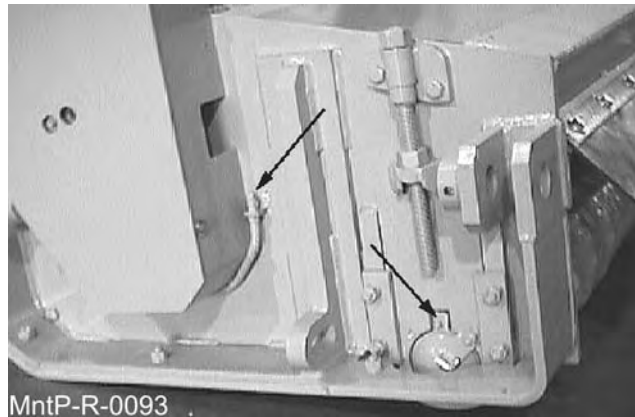
GREASING CUTTER SHAFT-FLAIL MOWERS

Locate grease zerks on each end of cutter shaft(s). These are located on the bearing cover. Normal conditions require one or two pumps in each bearing, using Lithium-Complex Extreme Pressure grease conforming to NLGI2-ISO 320 specifications. This is to be done with a standard grease gun daily or at **8 hour intervals**. **CAUTION: Over greasing may cause premature seal failure.**



GREASING GROUND ROLLER SHAFT-FLAIL

Locate grease zerks on each end of roller tube at lower rear of head. Normal conditions require one or two pumps in each bearing, using Lithium-Complex Extreme Pressure grease conforming to NLGI2-ISO 320 specifications. This is to be done with a standard grease gun daily or at **8 hours intervals**. **CAUTION: Over greasing may cause premature seal failure.**



GREASING THE IDLER TENSION ARMS

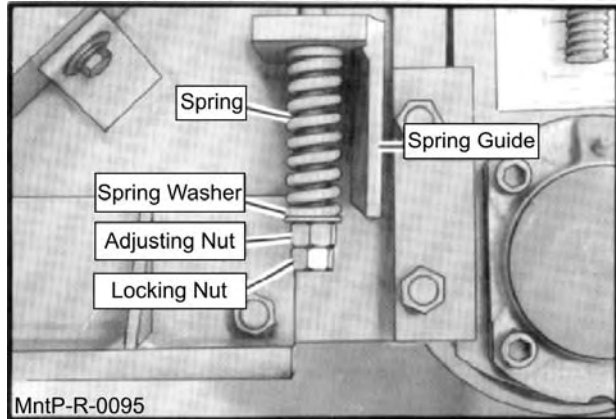
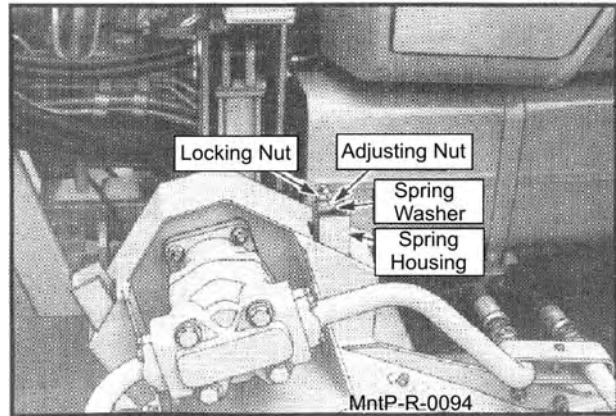
Locate the access holes and grease zerks in the belt shields of the side and rear flails. Normal conditions require one pump daily or every 8 hours of service with multi purpose grease.

MAINTENANCE

IDLER TENSION

Locate the idler tensioning rod for each flail. Loosen the locking nut. Turn the adjusting nut until the washer between the spring and nuts are flush with the spring housing or guide. Tighten locking nut securely. For standard cut on side flail adjust until the spring washer is flush with the top of the spring housing. **MntP-R-0094** Use the same method to adjust hydraulically driven rear flails.

For standard cut on the mechanically driven rear flail mower, adjust so that the spring washer is flush with the spring guide. **MntP-R-0095**



MAINTENANCE

ROSTA TENSIONER

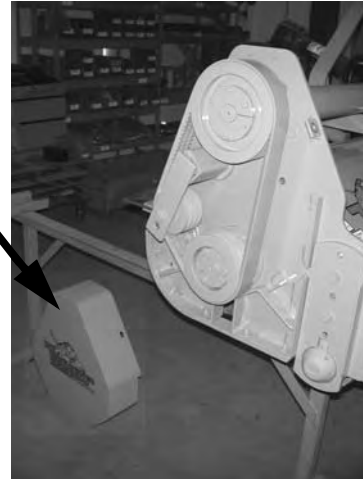
STANDARD DUTY REAR FLAILS

Remove the shield guard over the belt shield. Next, remove the belt shield that covers the tensioner, belt and sheaves.

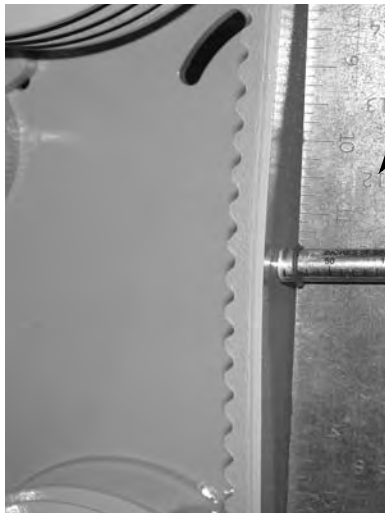


BELT SHIELD

SHIELD
GUARD



Place a straight edge over both sheaves and measure the belt tension (See TENSIONER MEASUREMENT PROCEDURE). To adjust the Rosta Tensioner, first, loosen the Rosta Stop and Rosta Bolt that secures the Rosta to the flail. Next use the Wrench (P/N 06401023 available) to adjust the tension of the belt. After the tension has been set, secure the Rosta Stop and re-torque the Rosta Bolt to specs.



STRAIGHT EDGE



ROSTA WRENCH

ROSTA STOP



ROSTA
TENSIONER

MAINTENANCE

MAINTENANCE

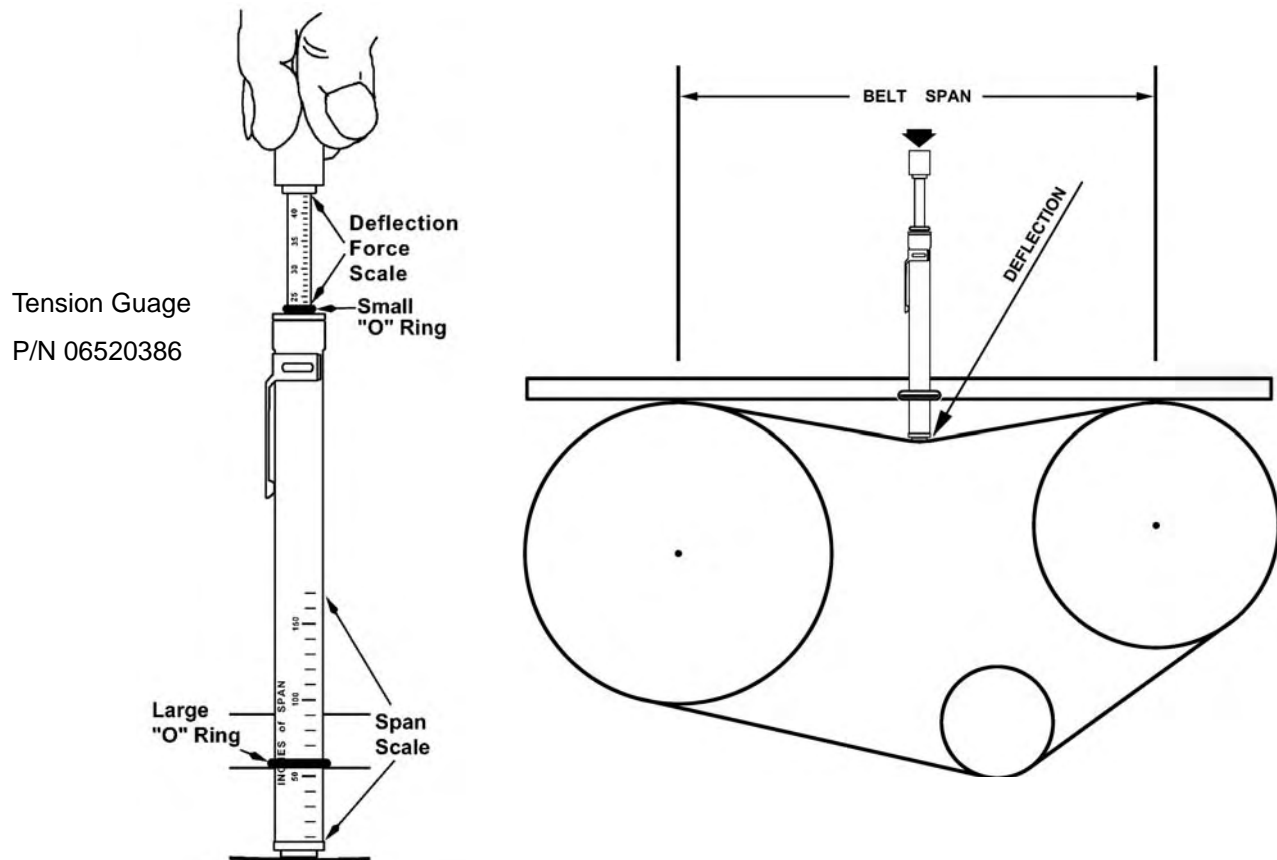
TENSIONER MEASUREMENT PROCEDURE

1. Measure the Belt Span (SEE SKETCH).
2. Position the bottom of the Large "O" Ring on the Span Scale at the measured Belt Span.
3. Set the Small "O" Ring on the Deflection Force Scale to Zero.
4. Place the tension gauge squarely on the belt at the center of the belt span. Apply a force on the plunger perpendicular to the belt span until the bottom of the Large "O" Ring is even with the bottom of a straight edge laid across the sheaves.
5. Remove the tension gauge and read the force applied from the bottom of the Small "O" Ring on the Deflection Force Scale.
6. Compare the force denoted by the Small "O" Ring with the values shown. The force should be between the values given for either a New Belt or Used Belt.
7. Make sure to use the force values in pounds if the span is measured in inches. Use kilograms of force if the span is measured in centimeters.
8. NOTE: The ratio of the deflection to belt span is $1/64$ in either units of measurements.

Deflection Force Values - Standard Duty

New Belt: 20 to 25 pounds

Used Belt: 12 to 20 pounds

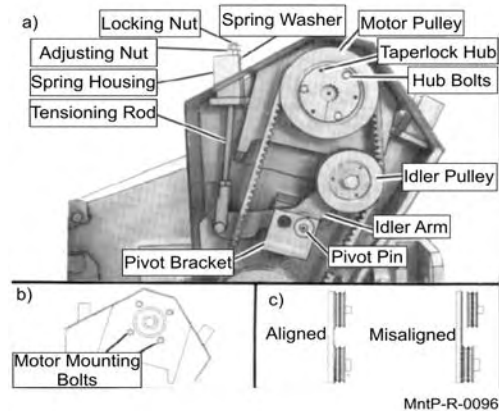


MAINTENANCE

REVERSING MOWER ROTATION OF SIDE FLAIL MOWERS

To reverse the rotation of the side and hydraulically driven Heavy Duty rear flail, a different idler arm is needed only for side flail. Part No. TF4346 is used in standard rotation. Part No. TF4345 is used in reverse rotation.

Before attempting this procedure be sure all dirt is cleaned away from the motor and around all hose connections. This will prevent the oil from becoming contaminated. 1-Start by removing the belt shield from the flail mower. 2-Remove the locking and adjusting nut, spring washer and spring from the idler tensioning rod. 3-Disconnect the tensioning rod from the idler arm. 4-Remove the idler arm with the pulley attached.



5-Remove the idler pulley from the idler arm and reinstall in the short end of the new idler arm.

Reinstall the idler arm and pivot pin. The pivot pin is installed into the hole in the pivot bracket closest to the idler pulley. When assembling for **standard** cut rotation, the idler arm is installed with the idler pulley toward the front of the mower with the pivot pin in the front hole. When assembling for **reverse** rotation, with smooth cut knives, the idler arm is installed with the pulley toward the rear of the mower with the pivot pin in the rear hole.

Now disconnect the hoses and fittings from the motor and remove the taper-lock hub and pulley from the motor by removing the three hub bolts from the existing positions and inserting simultaneously into the threaded holes. Remove the four bolts holding the motor. Rotate the motor 180° so the hump is opposite the prior position. Reinstall the motor bolts and torque to 75 ft. lbs. Reconnect the hoses and fittings to the motor in the same configuration as before, i.e. the hose that was connected to the front port on the motor should now be connected to the port that is now facing the front.

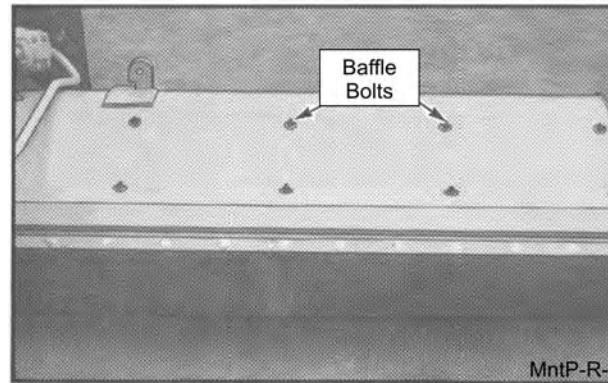
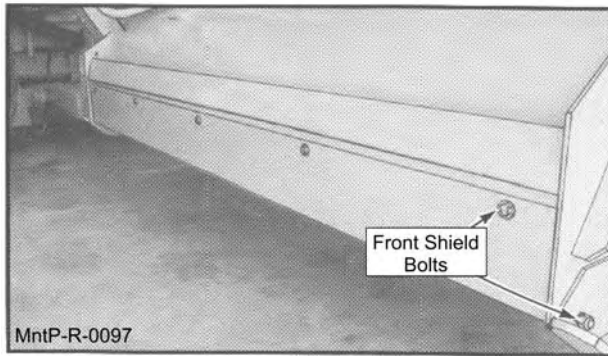
Reinstall the taper-lock hub and pulley on the motor by installing the hub bolts in the original holes and tightening until the hub just contacts the pulley. Then, position the pulley on the motor shaft approximately 3/16" beyond the idler pulley and tighten and torque the hub bolts to 18 ft. lbs. Be sure the pulleys are vertically aligned when tight (see diagram on previous page), loosen and readjust if needed.

Reinstall the belts and idler tensioning rod. Tighten and lock the tensioning rod as shown previously in the maintenance section. Reinstall the belt shield.

With the motor rotation changed, now all of the knives on the cutter shaft must be changed as required. The cutter shaft rotates in the same direction as the tractor tires when going forward for standard cut knives. The shaft rotates opposite to standard rotation for smooth cut knives. Smooth cut knives should be installed so the cutting edge is forward.

When operating in standard rotation, the front shield must be removed and the baffle installed. When operating in reverse rotation, remove the baffle and install the front shield. Finally, reposition the wear pads on the hoses and replace the zip ties as needed to prevent the hydraulic hoses from rubbing or chafing.

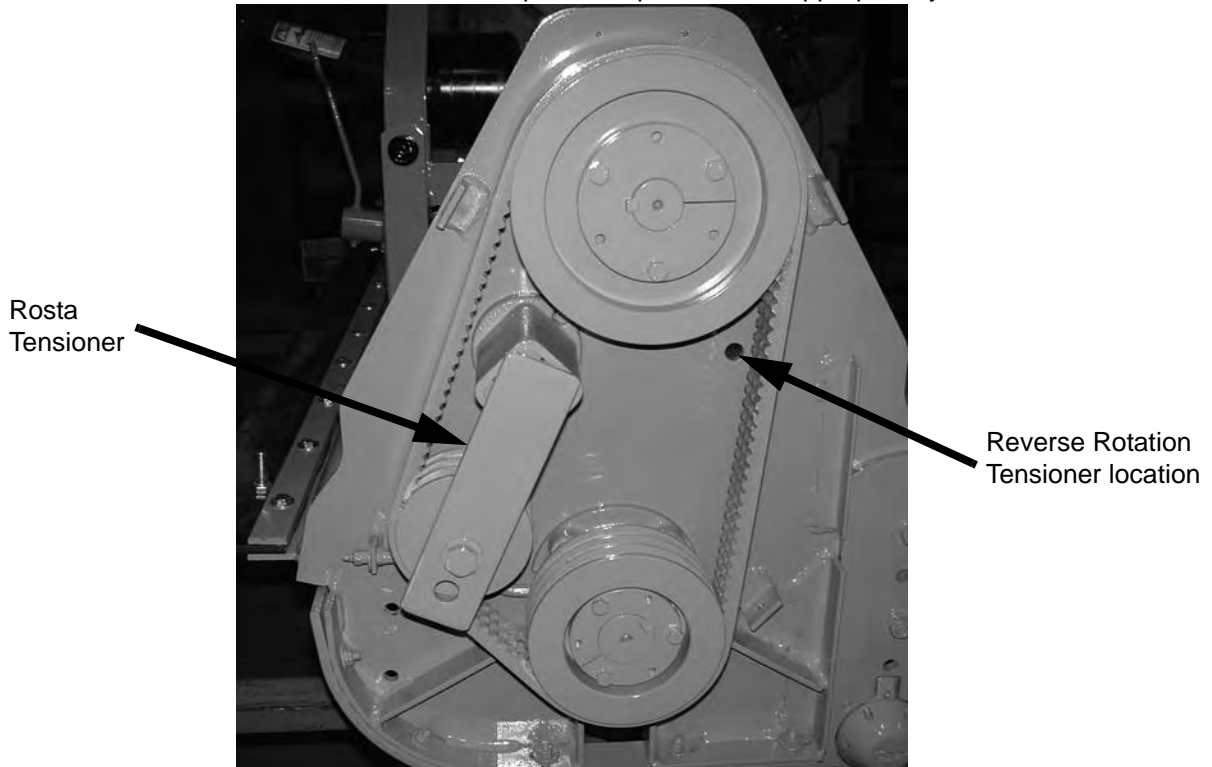
MAINTENANCE



MAINTENANCE

REVERSING MOWER ROTATION OF SD REAR FLAIL MOWERS

Remove the shield guard and belt shield. Next, remove the Rosta stop and loosen the Rosta Tensioner (**CAUTION:** the Rosta Tensioner is under belt pressure. Sudden release of this pressure may cause serious injury). Remove the Rosta Tensioner and relocate to the Reverse Rotation Tensioner location. Using the Rosta wrench, tension the belt, then tighten the Rosta bolt. Check the tension and adjust as needed. When the correct tension is achieved install the Rosta stop and torque the bolts appropriately.



MAINTENANCE

MAINTENANCE

REVERSING MOWER ROTATION REAR MECHANICAL DRIVEN FLAIL MOWERS

Remove the rear shaft guard and disconnect the chain coupling to the shaft. Disconnect the P.T.O. drive shaft from the right angle gear box. Remove the gear box from the flail frame and lay down flat so that gear oil does not leak out.

Switch the top breather vent plug with the drain plug on the bottom. Remove the input shaft guard. The input shaft must be pressed through or turned around so the rear extension is equal to what the original front dimension was. Turn the gear box 180° and install on the flail frame so the frame so the chain coupling sprockets are side by side and the breather vent plug is on the top of the case.

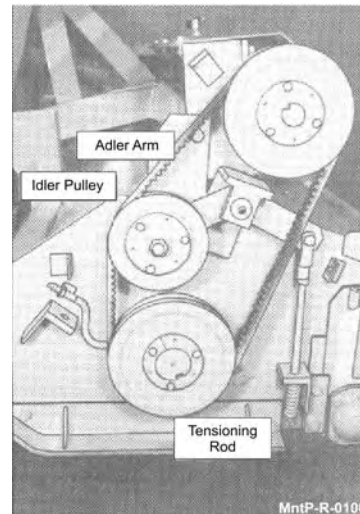
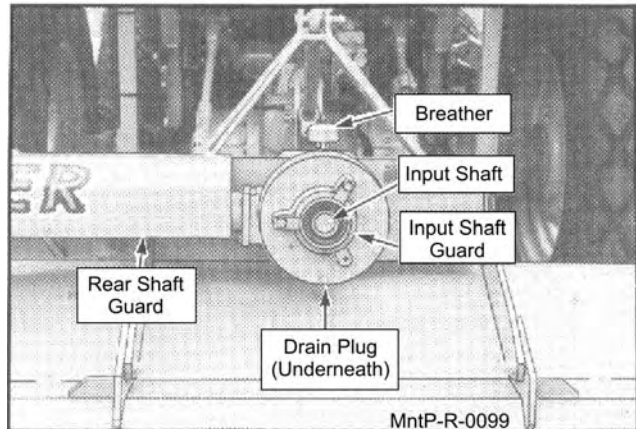
The sprocket must be aligned and spaced approximately 3/8" apart. When changing from standard cut to smooth cut rotation, a spacer plate may have to be installed between the gear box and the frame. When changing from smooth cut to standard cut rotation the spacer plate is to be omitted. Install the chain for the chain coupling. If there is any binding, or not free movement in the chain, the bearing next to the coupler may be shimmed as required to eliminate the chain binding.

Change all the knives on the cutter shaft as required. The cutter shaft rotates in the same direction as the tractor tires when going forward for standard knives. The cutter shaft rotates opposite the tractor tires for smooth cut knives.

Remove the belt shield. Then remove the adjusting nuts, washer and spring from the idler tensioning rod. Remove the clevis rod and small bushing from the idler arm. Remove the idler arm with the pulley attached. Remove the idler pulley from the idler arm and install the pulley on the other end of the idler arm. Reinstall the idler arm in the pivot bracket. For standard cut rotation the pulley is toward the front, for reverse rotation with smooth knives, the idler pulley is toward the rear. Install the small bushing in the idler arm and connect the idler tensioning rod.

Tightening the adjusting nuts for the idler arm tensioner as shown previously in the maintenance section. Install the belt shield, the shaft guard and P.T.O. shaft guards.

When operating the mower in reverse rotation with smooth cut knives, remove the baffle and install the front shield. When operating the mower in standard rotation with standard cut knives, remove the front shield and install the baffle.



MAINTENANCE

Flail Blades Inspection

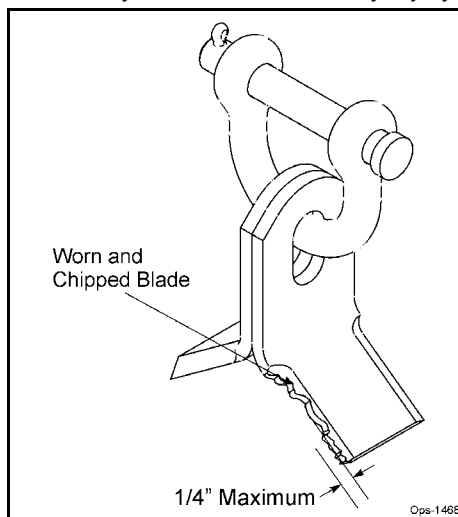


Inspect the Blades daily for abnormal wear. REPLACE ALL BLADES on the carrier IMMEDIATELY if any blades have:

- Become bent or deformed from its original shape, or
- Wear inside the blade bolt hole, or
- Any cracks are visible, or
- Deep gouges in the blade's surface are present, or
- Gouges or chipped areas in the cutting edge are larger than 1/4"(8mm), or
- The material on the leading edge has been worn away by more than 1/4"(8mm)

DO NOT straighten, sharpen, weld or hard-face blades

Failure to replace worn or damaged blades may lead to catastrophic failure of the blades and ejection of the broken part with tremendous force which may cause serious bodily injury or death.



Always replace blades in sets

- Blades that are damaged may indicate severe service or abuse. If one blade is worn or damaged other blades on the same shaft will have been subjected to the same severe service or abuse.
- The Flail rotor turns at speeds exceeding 2000 RPM and is dynamically balanced at the factory. Differences in blade weight between used blades with loss of material from gouges or wear as compared to new blades can cause severe vibration and damage to the Flail rotor. Always replace blades as complete sets.



Use only genuine Alamo Industrial replacement blades and fasteners. Other blades and fasteners may not meet the Alamo Industrial requirements and could fail during operation resulting in part being thrown out from under the mower.



Never attempt to sharpen blades. OPS-U-0044

MAINTENANCE

Blade Pins and D-Ring Inspection

Blade Pins and D-Rings daily for wear or damage as follows:

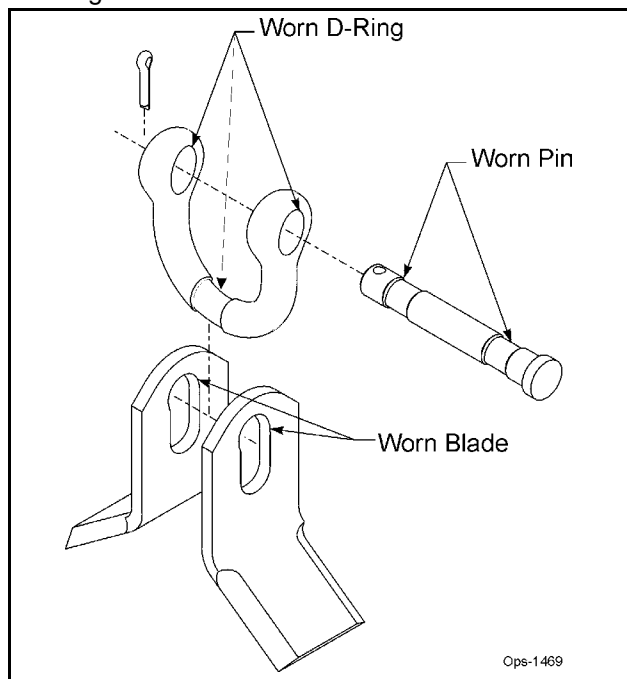


Inspect the Blade pins and D-Rings daily for abnormal wear. Make sure the cotter pins are in place and properly spread. REPLACE BLADE Pins and D-Rings IMMEDIATELY if they have:

- Visible cracks or
- If a Pin or D-Ring has visible worn areas, or
- If a Pin or D-Ring has gouges or chipped areas

Failure to replace abnormally worn pins or D-Rings may lead to catastrophic failure and ejection of the broken part which may cause serious bodily injury or death.

Always replace the pins and D-Rings whenever excessive wear is noticed.



Important

If the cotter pins are broken by contact with other flail blades, remove the pin and reverse the direction the pin is inserted through the D-Ring so that the cotter pin is on the opposite side of the D-Ring. This will prevent the next set of blades from swinging back and hitting the cotter pin. OPS-U-0045

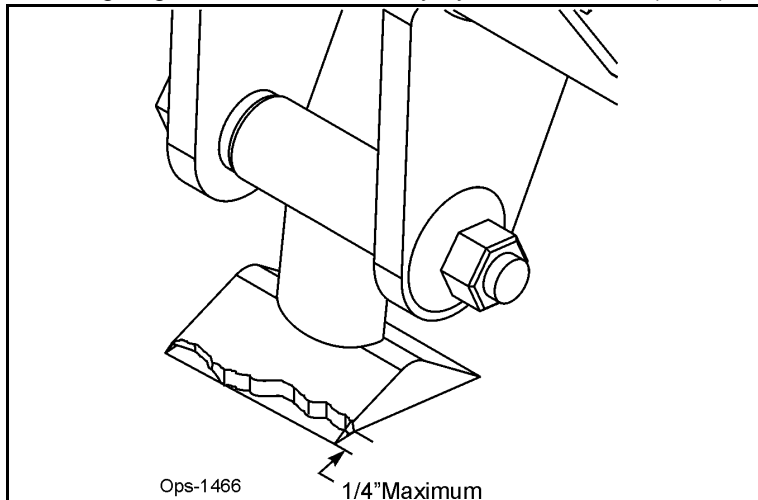
MAINTENANCE

Flail Axe Blades Inspection



Inspect the Blades daily for abnormal wear. REPLACE ALL BLADES on the carrier IMMEDIATELY if any blades have:

- Become bent or deformed from its original shape, or
- Oval shape wear inside the blade bolt hole, or
- Any cracks are visible, or
- Deep gouges in the blade's surface are present, or
- Gouges or chipped areas in the cutting edge are larger than 1/4"(8mm), or
- The material on the leading edge has been worn away by more than 1/4"(8mm)



Failure to replace worn or damaged blades may lead to catastrophic failure of the blades and ejection of the broken part with tremendous force which may cause serious bodily injury or death.

Always replace blades in sets

- Blades that are damaged may indicate severe service or abuse. If one blade is worn or damaged other blades on the same shaft will have been subjected to the same severe service or abuse.
- The Flail Axe rotor turns at speeds exceeding 2000 RPM and is dynamically balanced at the factory. Differences in blade weight between used blades with loss of material from gouges or wear as compared to new blades can cause severe vibration and damage to the Flail Axe rotor. Always replace blades as complete sets.



Use only genuine Alamo Industrial replacement blades, blade bolts and fasteners. Other blades and bolts may not meet the requirements of Alamo Industrial and fail during operation resulting in part failing and being thrown out from under the mower.



Never attempt to sharpen blades. **OPS-U-0042**

MAINTENANCE

Flail Axe Blade Bolt Inspection

Inspect Blade Bolts daily for wear or damage as follows:

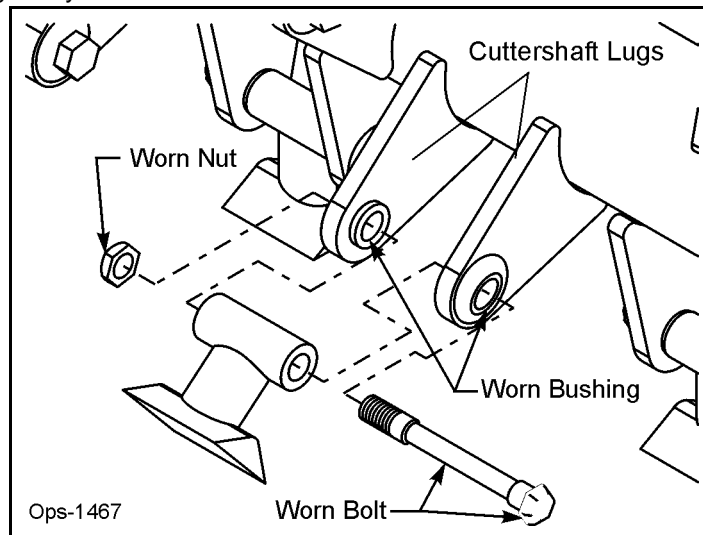


Inspect the Blade Bolt daily for abnormal wear. REPLACE ALL BLADE BOLTS on the carrier IMMEDIATELY if any bolts have:

- Visible cracks or
- If the blade bolt is worn or any recessed area is visible on the bolt, or
- If Blade Bolt has gouges or chipped areas. or
- If Bushing fits loose in the Rotor Shaft.

Failure to replace abnormally worn bolts or bushings may lead to catastrophic failure of the blades and ejection of the broken part which may cause serious bodily injury or death.

Always replace Blade Bolts with new bolts and new bushings whenever replacing the Blades. To tighten bolts and nuts, first apply thread lock to nut. Make sure to tighten bolts and nuts just enough to allow the blades to swing freely, and not bend the cuttershaft lugs. If cuttershaft lugs are bent together because of over tightening the blades will not swing freely. OPS-U-0043



MAINTENANCE

MAINTENANCE

50" FLAIL KNIFE BLADE REPLACEMENT

1. If knives are damaged or badly worn, they will need to be replaced as a set. Replacing a single knife can cause severe vibration and possible damage to the mower. The knife should not be welded on for any reason.
2. Always replace the knife bolts when replacing the knives. **DO NOT REUSE THE KNIFE BOLTS OR NUTS.**
3. Assemble knives, bushings, bolts and nuts as shown in part section of the manual.
4. Install the locking hex nut so that the flat face of the nut is towards the knife.
5. Apply loctite "271" or equivalent to threads.
6. Torque nut to 50 ft. lbs. Knife must swing freely.



DO NOT re-use the locking hex nuts for mounting the knives. If hex nut becomes loose, or required removal for knife replacement or any other reason, it must be discarded and replaced with a new nut.

63" BOOM FLAIL KNIFE REPLACEMENT

1. If knives are damaged or badly worn, they will need to be replaced as a set. Replacing a single knife can cause severe vibration and possible damage to the mower.
2. Assemble knives, clevis, bolts and nuts as shown in part section of manual.
3. Install locking hex nut so that the flat face of nut is towards the knife.
4. Apply loctite "271" or equivalent to threads.
5. Torque nut to 35 FT. LBS. Knife must swing freely.



DO NOT re-use the locking hex nuts for mounting the knives. If hex nut become loose, or require removal for knife replacement or any other reason, they must be discarded and replaced with new nuts.

Knives should not be welded on for any reason.



STANDARD OR HEAVY DUTY SIDE OR REAR FLAIL KNIFE REPLACEMENT

1. If knives are damaged or badly worn, they will need to be replaced as a set. Replacing a single knife can cause severe vibration and possible damage to the mower.
2. Assemble knives, clevis, bolts and nuts as shown in parts manual.
3. Install locking hex nut so that the flat face of nut is towards the knife.
4. Apply loctite "271" or equivalent to threads.
5. Torque nut to 35 FT. LBS. Knife must swing freely.



DO NOT re-use the locking hex nuts for mounting the knives. If hex nut become loose, or require removal for knife replacement or any other reason, they must be discarded and replaced with new nuts.

Knives should not be welded on for any reason.



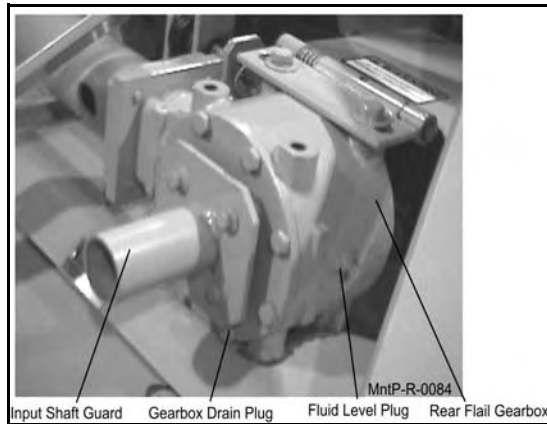
MAINTENANCE

RECOMMENDED FILLING INSTRUCTIONS FOR REAR FLAIL GEARBOX

When filling or checking the fluid level, the unit should be parked on a level surface with rear flail down on surface, shut "OFF", and cold, (at ambient temperature).

Remove the fluid level plug located on the side of the gear box. The gear box should be filled to the bottom of the fluid level hole. If necessary, use 75-90 wt. PAO Synthetic Extreme Pressure Gear Lube to raise level to bottom of the hole.

Do not over-fill. excessive gear oil will run back out of the hole. Reinstall fluid level plug into gearbox. If gearbox has been over-filled, the excess may be expelled through the pressurized breather.



MAINTENANCE

MAINTENANCE

PAGE INTENTIONALLY LEFT BLANK

MAINTENANCE

MAINTENANCE

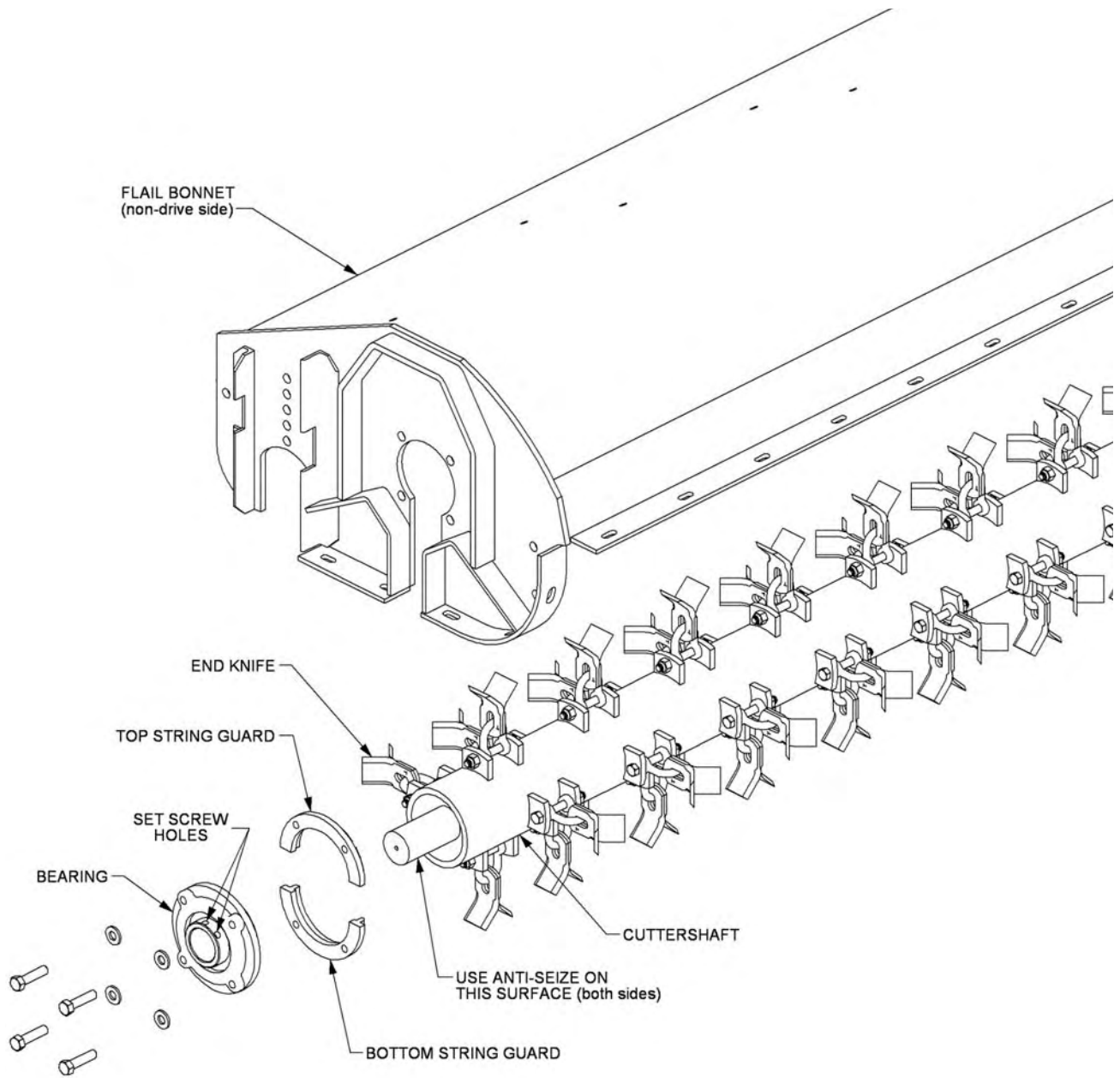
CUTTERSHAFT BEARING REPLACEMENT

1. Remove existing cuttershaft, bearings and string guards.
2. Make sure that the end knives on each end of the cuttershaft are orientated as shown.
3. Apply anti-seize on cuttershaft as shown on next page.
4. Install non-drive side bearing first.
5. Install the top of the string guard on the non-drive side first. Use loctite-271 or equivalent and torque (95 ft-lb or 104ft-lb if you use an extension).
6. Install the bearing and top string guard on the drive side.
7. Center the cuttershaft between the string guards. Use loctite-271 or equivalent and torque (95ft-lb or 104ft-lb if you use an extension) the top string guard on the drive side.
8. Install, use loctite-271 or equivalent, and torque (95ft-lb or 104ft-lb if you use an extension) the bottom string guard on both sides.
9. Make sure the cuttershaft is centered. On the non-drive side, tighten one set-screw in the bearing onto the cuttershaft.
10. Remove the other set-screw and drill a 5/16" hole into the cuttershaft 3/16" deep through the hole in the bearing. **BE CAREFULL NOT TO DAMAGE THE THREADS IN THE BEARING HOLE.**
11. Replace the set-screw in the bearing, use loctite-271 or equivalent, and tighten onto the cuttershaft through the new hole.
12. Remove the other set-screw and repeat the drilling procedure (Step 10). Replace the set screw as stated in Step 11.
13. Repeat steps 9 through 12 on the drive side.
14. Grease both bearings properly.

See illustration on next page

MAINTENANCE

MAINTENANCE



MAINTENANCE

MAINTENANCE

DAILY MAINTENANCE SCHEDULE

The following services should be performed daily or every 8 hours of service, following the detailed maintenance instructions in the operators manual.

- _____ Pump Drive Shaft: Check for end play in driveshaft / coupler and lubricate at zerks.
- _____ Crankshaft adapter: If equipped with rubber grommets check condition, replace if missing or damaged.
- _____ Pivot points: Inject grease until it appears at ends.
- _____ Hydraulic fittings: Check for leaks with paper or cardboard. Tighten fittings or replace hoses immediately.
- _____ Knives: Inspect for missing or damaged knives, change (only complete sets) as needed.
- _____ Belts: Check/Tighten/Replace belts as needed.
- _____ Main Frame/Deck: Unless otherwise specified retorque bolts according to torque specifications in this section.
- _____ Hydraulic Fluid Level: Add, if required, per fluid recommendations.
- _____ Rear Flail Drive, Bearing Flange and Shaft Couplers (if applicable): Grease as instructed in the detailed maintenance section.
- _____ Cutter Shaft and Ground Roller: Grease as instructed in the detailed maintenance section.

Service performed by: _____ Date: ____/____/____ Hour

Meter: _____

Maintenance Section

**This page may be copied and used as part of the daily maintenance routine.

PARTS SECTION

PART NAME INDEX

| | |
|--|----|
| PARTS ORDERING GUIDE..... | 3 |
| TRACTOR MOUNT KIT..... | 4 |
| TRACTOR MOUNT KIT - HYDRAULICS..... | 6 |
| TRACTOR MOUNT KIT, LOADER..... | 8 |
| TRACTOR MOUNT KIT, LOADER - HYDRAULICS..... | 10 |
| TRACTOR MOUNT KIT, WHEEL WELL TANK..... | 12 |
| TRACTOR MOUNT KIT, WHEEL WELL TANK - HYDRAULICS..... | 14 |
| 2 SPOOL CABLE CONTROL STAND - SCV ONLY..... | 16 |
| 2 SPOOL CABLE CONTROL STAND - MID-MOUNT VALVE..... | 17 |
| CABLE (MANUAL) LIFT VALVE - 2 SPOOL..... | 18 |
| WHEEL SPACER..... | 20 |

PARTS ORDERING GUIDE

The following instructions are offered to help eliminate needless delay and error in processing purchase orders for the equipment in this manual.

1. The Parts Section is prepared in logical sequence and grouping of parts that belong to the basic machine featured in this manual. Part Numbers and Descriptions are given to help locate the parts and quantities required.
2. The Purchase Order must indicate the **Name and Address** of the person or organization ordering the parts, **who should be charged**, and if possible, the **serial number of the machine** for which the parts are being ordered.
3. The purchase order must clearly list the **quantity of each part**, the complete and correct **part number**, and the basic **name of the part**.
4. The manufacturer reserves the right to substitute parts where applicable.
5. Some parts may be unlisted items which are special production items not normally stocked and are subject to special handling. Request a quotation for such parts before sending a purchase order.
6. The manufacturer reserves the right to change prices without prior notice.

NOTE: When ordering replacement decals, refer to the part numbers and descriptions listed in the safety section in the front of this manual.

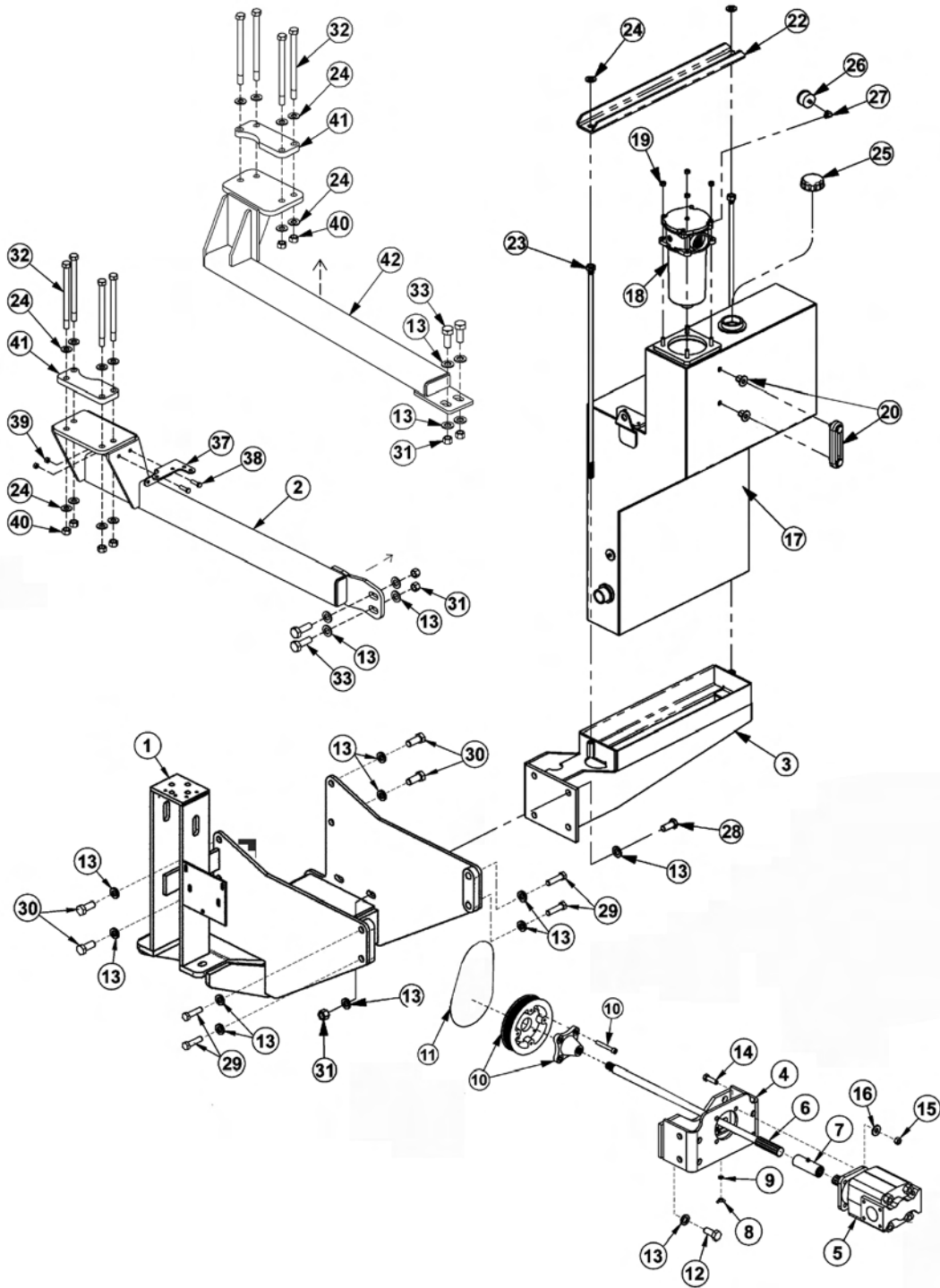


For maximum safety and to guarantee optimum product reliability, always use genuine **Tiger** replacement parts. The use of inferior replacement parts may cause premature or catastrophic failure which could result in serious injury or death.

Direct any questions regarding parts to:

Tiger Corporation
3301 N. Louise Ave.
Sioux Falls, SD 57107
1-800-843-6849
1-605-336-7900

TRACTOR MOUNT KIT



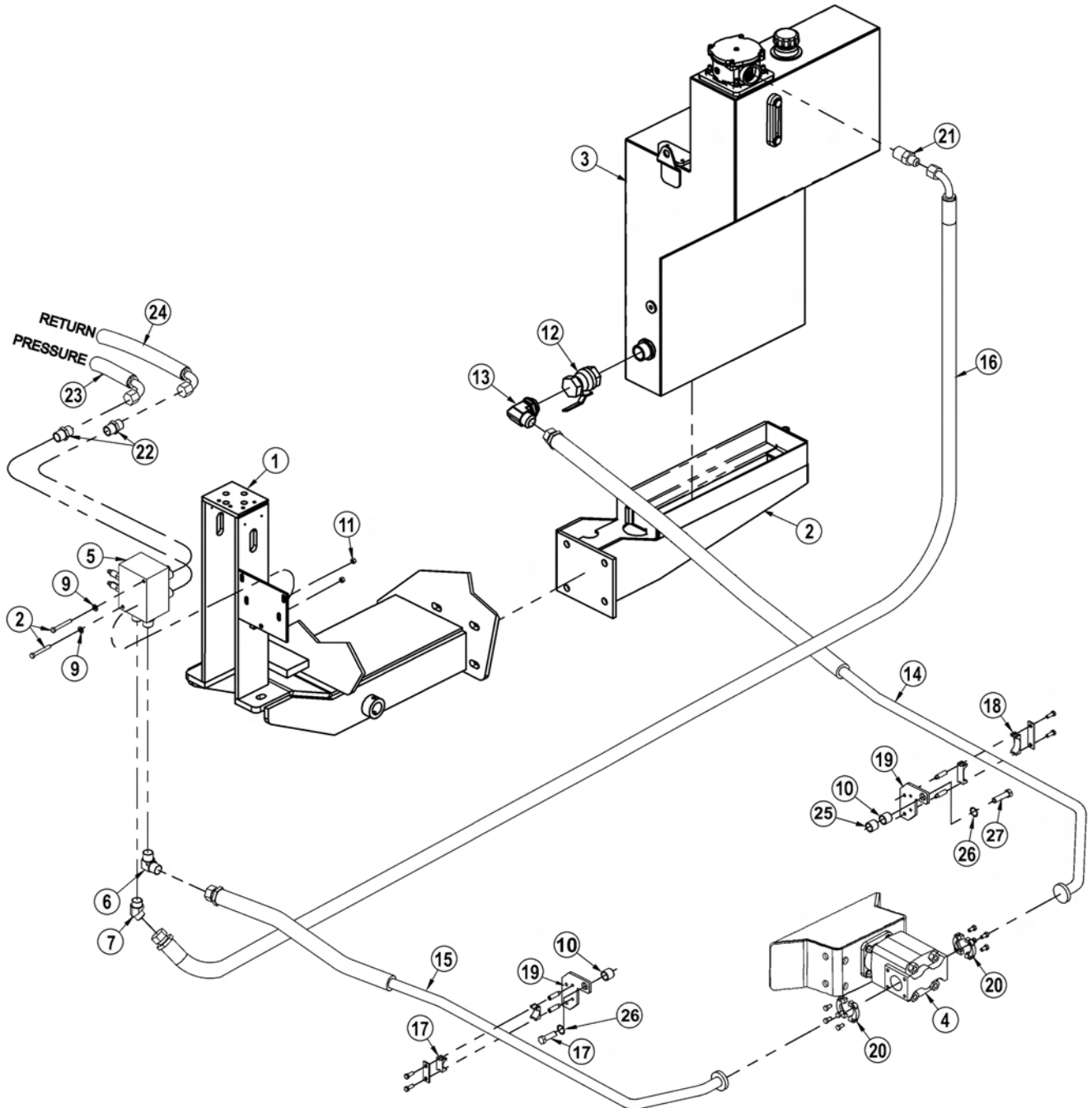
| ITEM | PART NO. | QTY. | DESCRIPTION |
|------|----------|------|-----------------------|
| 1 | 06300033 | 1 | MAINFRAME |
| 2 | 06300125 | 1 | AXLE BRACE,RIGHT HAND |

TRACTOR MOUNT KIT

Continued...

| ITEM | PART NO. | QTY. | DESCRIPTION |
|------|----------|------|--------------------------------|
| 3 | 06300088 | 1 | MOUNT,TANK |
| 4 | 32642 | 1 | PUMP MOUNTING BRACKET |
| 5 | 23152 | 1 | PUMP |
| 6 | 06420066 | 1 | DRIVE SHAFT,PUMP |
| 7 | 6T0375B | 1 | COUPLING |
| 8 | 32519 | 1 | NUT,WING,1/4-20,UNC |
| 9 | 22014 | 1 | FLATWASHER,1/4" |
| 10 | LVB24989 | 1 | JOHN DEERE PULLEY KIT |
| 11 | T208891 | 1 | JOHN DEERE BELT |
| 12 | 24860 | 4 | CAPSCREW,20MM X 40MM,2.5P |
| 13 | 33880 | 28 | FLATWASHER,3/4",GR 8 |
| 14 | 21732 | 4 | CAPSCREW,1/2" X 1-3/4",NC |
| 15 | 21725 | 6 | HEX NUT,1/2",NC |
| 16 | 06533004 | 4 | FLATWASHER,1/2" |
| --- | 06700090 | 1 | TANK,RESERVOIR,ASSY |
| 17 | 06380012 | 1 | TANK,RES,34GAL |
| 18 | 06505044 | 1 | FLTR ASSY,IN-TANK CPLT |
| 19 | 21627 | 4 | NYLOCK NUT,3/8",NC |
| 20 | 06505067 | 1 | SIGHT GAUGE |
| 22 | 06410352 | 1 | CHANNEL,MNT,TANK,TIE-BOLT |
| 23 | 06380014 | 2 | TIE BOLT,SIDE TANK,HYDRO |
| 24 | 33764 | 18 | FLATWASHER,5/8",GR 8,SAE |
| 25 | 06505077 | 1 | CAP,BREATHER,O-RING |
| 26 | 6T0649 | 1 | FILTER GAUGE |
| 27 | TF4888 | 1 | STREET ELBOW,1/8" X 90° |
| 28 | 21833 | 4 | CAPSCREW,3/4" X 2-1/4",NC |
| 29 | 25341 | 4 | CAPSCREW,20MM X 70MM,2.5P |
| 30 | 24860 | 4 | CAPSCREW,20MM X 40MM,2.5P |
| 31 | 21825 | 8 | HEX NUT,3/4",NC |
| 32 | 21797 | 8 | CAPSCREW,5/8" X 9",NC |
| 33 | 21832 | 4 | CAPSCREW,3/4" X 2",NC |
| 34 | 6T2260 | 4 | CAPSCREW,7/16" X 1-1/2",CUTOFF |
| 35 | 06537004 | 4 | WASHER,NEOPRENE |
| 36 | 24937 | 4 | FLATWASHER,7/16" |
| 37 | 06410857 | 1 | BRACKET |
| 38 | 21631 | 2 | CAPSCREW,3/8" X 1-1/4",NC |
| 39 | 21625 | 2 | NYLOCK NUT,3/8",NC |
| 40 | 21775 | 8 | HEX NUT,5/8",NC |
| 41 | 06401246 | 2 | CLAMP PLATE |
| 42 | 06300195 | 1 | AXLE BRACE,LEFT HAND |

TRACTOR MOUNT KIT - HYDRAULICS

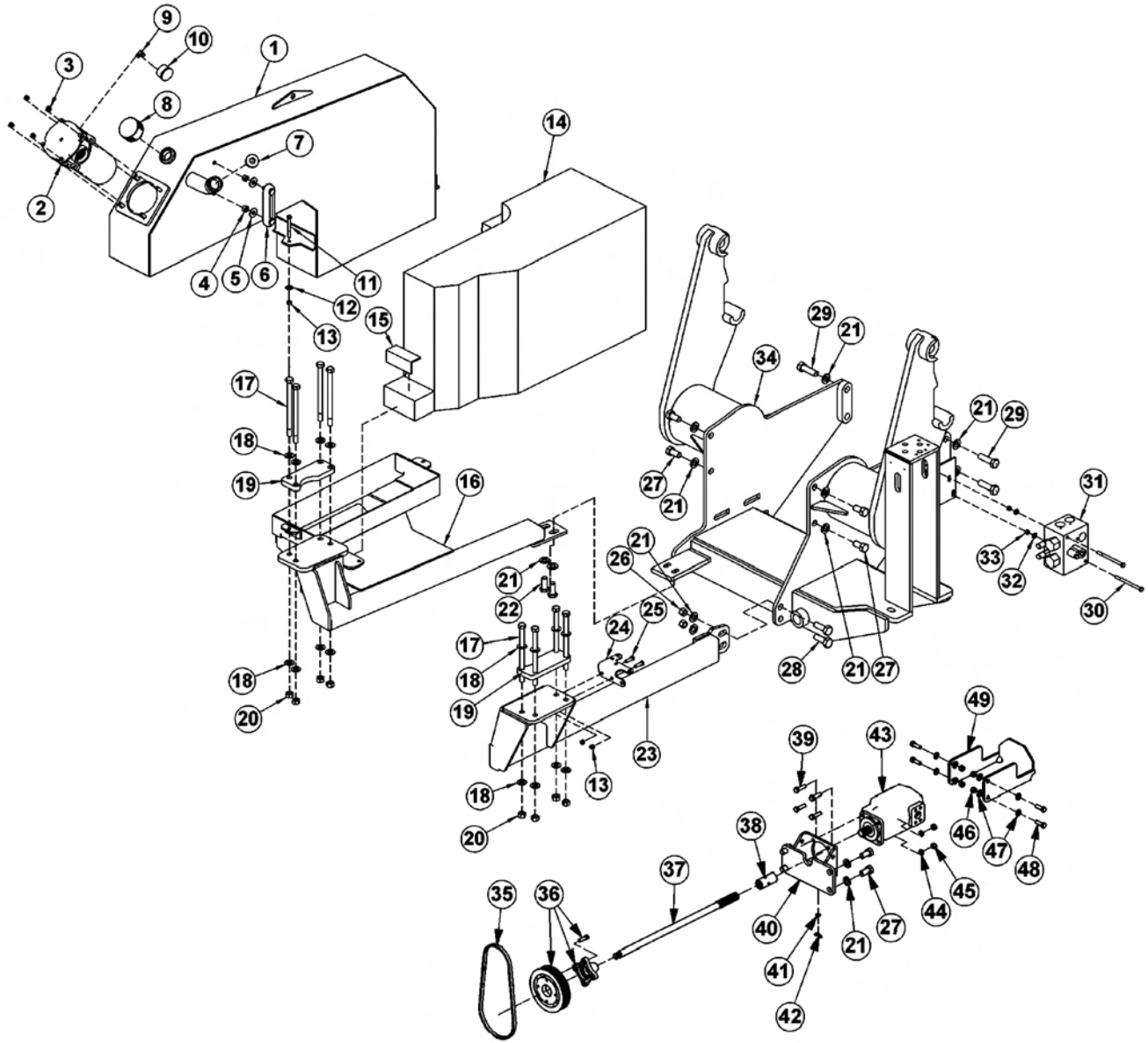


TRACTOR MOUNT KIT - HYDRAULICS

Continued...

| ITEM | PART NO. | QTY. | DESCRIPTION |
|------|----------|------|-------------------------------|
| 1 | 06300033 | 1 | MAIN FRAME |
| 2 | 06300088 | 1 | MNT, HYDRO TANK |
| 3 | 06700090 | 1 | HYDRAULIC TANK |
| 4 | 23152 | 1 | PUMP |
| 5 | 06510083 | 1 | SOLENOID BRAKE VALVE |
| 6 | 34117 | 1 | ELBOW, 1" MORB X 1" MORB 90° |
| 7 | 33554 | 1 | ELBOW, 1" MORB X 1" MJIC 45° |
| 8 | 21644 | 2 | CAPSCREW, 3/8" X 5", NC |
| 9 | 22016 | 2 | FLATWASHER, 3/8" |
| 10 | 30255 | 3 | SPACER |
| 11 | 21627 | 2 | NYLOCK NUT, 3/8", NC |
| 12 | 34309 | 1 | BALL VALVE, 1-1/2" FOR |
| 13 | 34655 | 1 | ELBOW, 1-1/2" ORB X 1-1/2" MJ |
| 14 | 06506039 | 1 | HOSE/TUBE, 1-1/2" X 65" |
| 15 | 06506023 | 1 | HOSE/TUBE, 1" X 62" |
| 16 | 06500398 | 1 | HOSE, 1" X 114" |
| 17 | 34076 | 1 | CLAMP KIT, 1" |
| 18 | 06505017 | 1 | CLAMP KIT, 1-1/2" |
| 19 | 34626 | 2 | TUBE/CLAMP BRACKET |
| 20 | TF4852 | 2 | FLANGE KIT, #20 |
| 21 | 34064 | 1 | ADAPTER, 1-1/4" X 1" |
| 22 | 33555 | 2 | ADAPTER, 1" MORB X 1" MJIC |
| 23 | 34245 | 1 | HOSE, 1" X 82" (PRESSURE) |
| 24 | 34246 | 1 | HOSE, 1" X 90" (RETURN) |
| 25 | 34519 | 1 | SPACER |
| 26 | 33764 | 2 | FLATWASHER, 5/8", SAE |
| 27 | 31732 | 1 | CAPSCREW, 16MM X 70MM, 2.0P |
| 28 | 22421 | 1 | CAPSCREW, 16MM X 40MM, 2.0P |
| --- | 6T3200 | 8 | SPLIT HOSE (NOT SHOWN) |
| ---- | 6T1823 | 24 | ZIP TIE (NOT SHOWN) |
| --- | 6T1822 | 14 | ZIP TIE (NOT SHOWN) |

TRACTOR MOUNT KIT, LOADER



| ITEM | PART NO. | QTY. | DESCRIPTION |
|------|----------|------|-----------------------------------|
| --- | 06700091 | 1 | TANK,RES,ASSY,WHEEL WELL |
| 1 | 06380015 | 1 | TANK,RES,WHEEL WELL |
| 2 | 06505044 | 1 | FILTER ASSY,IN-TANK CPLT,SAE10,MP |
| 3 | 21627 | 4 | NYLOCK NUT,3/8",NC |
| 4 | 21725 | 2 | HEX NUT,1/2",NC |
| 5 | 22018 | 2 | FLATWASHER,1/2",WIDE |
| 6 | 06505067 | 1 | SIGHT GAGE |
| 7 | 06505127 | 1 | PLUG,SAE #20 |
| 8 | 06505077 | 1 | CAP,BREATHER |
| 9 | TF4888 | 1 | STREET ELBOW,1/8" |

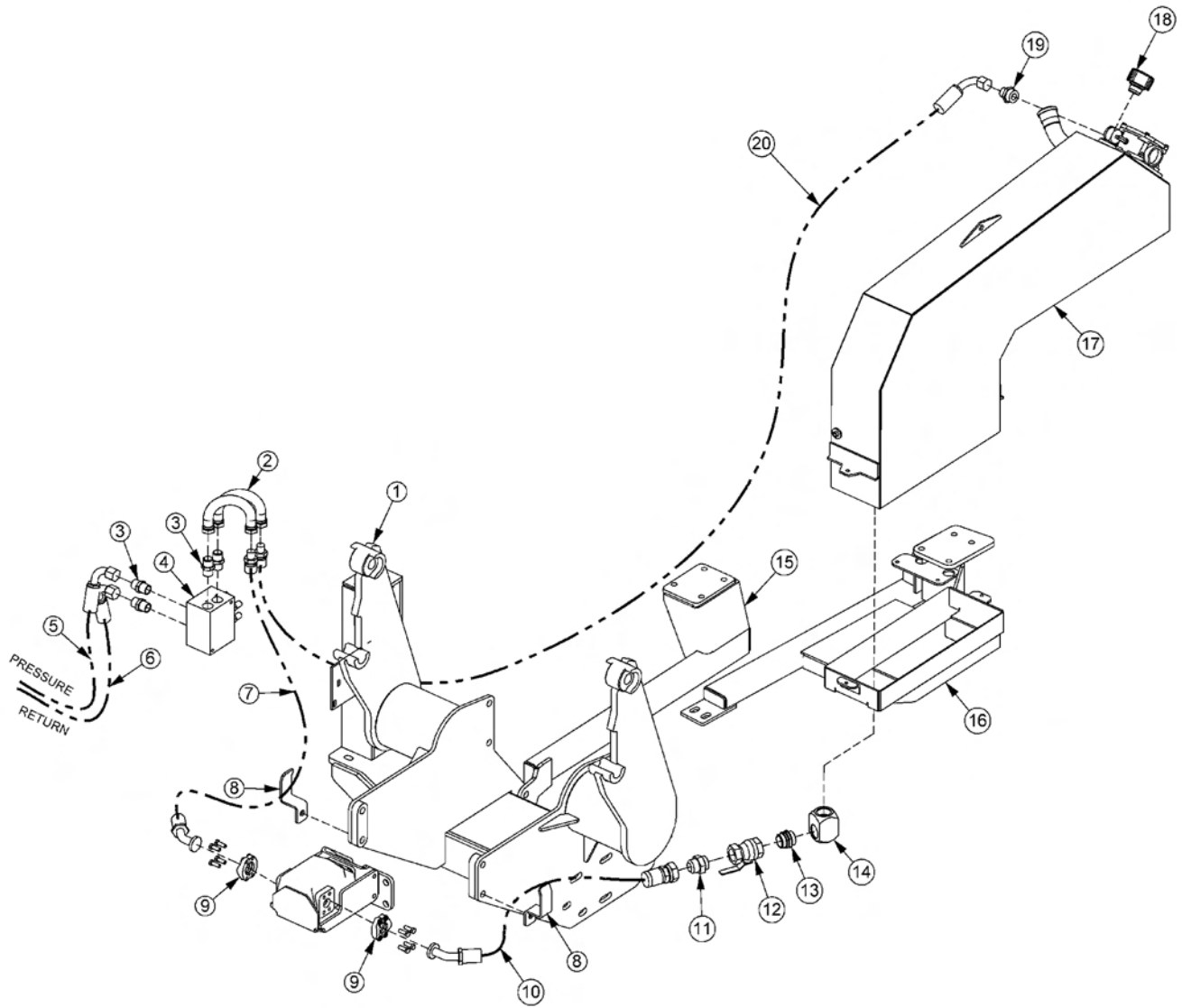
TRACTOR MOUNT KIT, LOADER

Continued...

| ITEM | PART NO. | QTY. | DESCRIPTION |
|------|----------|------|---------------------------|
| 10 | 6T0649 | 1 | FILTER GAGE |
| 11 | 21639 | 2 | CAPSCREW,3/8" X 3-1/4",NC |
| 12 | 22016 | 2 | FLATWASHER,3/8" |
| 13 | 21627 | 4 | NYLOCK NUT,3/8",NC |
| 14 | ----- | - | JD FUEL TANK *EXISTING |
| 15 | 6T3200 | 1 | SPLIT HOSE |
| 16 | 06300127 | 1 | AXLE BRC,LH,5101E,LDR |
| 17 | 21797 | 8 | CAPSCREW,5/8" X 9",NC |
| 18 | 33764 | 16 | FLATWASHER,5/8",GR8,SAE |
| 19 | 06401246 | 2 | PLATE, TOP, AXLE BRACE |
| 20 | 21775 | 8 | HEX NUT,5/8",NC |
| 21 | 33880 | 16 | FLATWASHER,3/4",GR 8,SAE |
| 22 | 21831 | 2 | CAPSCREW,3/4" X 1-3/4",NC |
| 23 | 06300125 | 1 | AXLE BRACE,RH,JD5101E |
| 24 | 06410857 | 1 | MNT,SPRRT,HYDRO |
| 25 | 21631 | 2 | CAPSCREW,3/8" X 1-1/4",NC |
| 26 | 21825 | 2 | HEX NUT,3/4",NC |
| 27 | 24860 | 8 | CAPSCREW,20MM X 40MM,2.5P |
| 28 | 21833 | 2 | CAPSCREW,3/4" X 2-1/4",NC |
| 29 | 25341 | 4 | CAPSCREW,20MM X 70MM,2.5P |
| 30 | 21644 | 2 | CAPSCREW,3/8" X 5",NC |
| 31 | 06510083 | 1 | VALVE,BRAKE,SOL,3000PSI |
| 32 | 21988 | 2 | LOCKWASHER,3/8" |
| 33 | 21625 | 2 | HEX NUT,3/8",NC |
| 34 | 06300107 | 1 | MNFRM,JD5101E,LDR |
| 35 | T208891 | 1 | JOHN DEERE BELT |
| 36 | LVB24989 | 1 | JOHN DEERE PULLEY KIT |
| 37 | 06420066 | 1 | DRIVESHAFT |
| 38 | 06700133 | 1 | COUPLER |
| 39 | 21732 | 4 | CAPSCREW,1/2" X 1-3/4",NC |
| 40 | 06380033 | 1 | MNT,PUMP |
| 41 | 22014 | 1 | FLATWASHER,1/4" |
| 42 | 32519 | 1 | WING NUT,1/4-20 UNC |
| 43 | 23152 | 1 | PUMP,P350-1-3/4 GEAR |
| 44 | 06533004 | 4 | FLATWASHER,1/2" |
| 45 | 21725 | 4 | HEX NUT,1/2",NC |
| --- | 06200709 | 1 | PUMP GUARD KIT,JD5101E |
| 46 | 21727 | 4 | NYLOCK NUT,1/2",NC |
| 47 | 06533004 | 8 | FLATWASHER,1/2",SAE |
| 48 | 21731 | 4 | CAPSCREW,1/2" X 1-1/2",NC |
| 49 | 06380034 | 1 | GUARD,PUMP,5101E,LDR |

JD5101E TSF 2011

TRACTOR MOUNT KIT, LOADER - HYDRAULICS

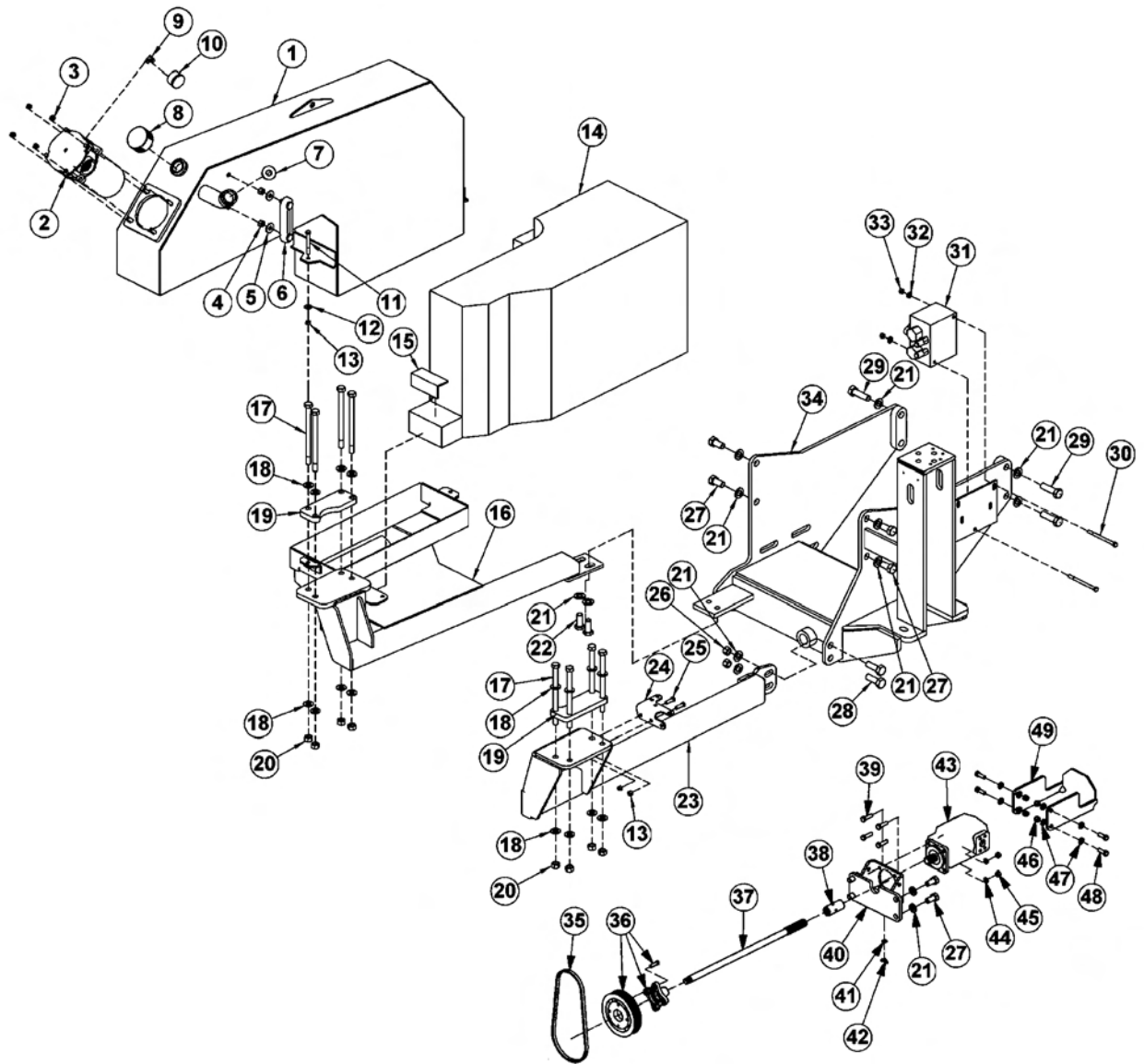


TRACTOR MOUNT KIT, LOADER - HYDRAULICS

Continued...

| ITEM | PART NO. | QTY. | DESCRIPTION |
|------|----------|------|--|
| 1 | ----- | - | MAINFRAME *REFER TO MAIN FRAME PARTS |
| 2 | 06506012 | 2 | PRFRMD TUBE |
| 3 | 33555 | 4 | ADAPTER,1"MORB X 1"MJIC |
| 4 | ----- | - | BRAKE VALVE *REFER TO MAIN FRAME PARTS |
| 5 | 06500423 | 1 | HOSE,1" X 75" |
| 6 | 06500125 | 1 | HOSE,1" X 77" |
| 7 | 06500407 | 1 | HOSE,1" X 92" |
| 8 | 32382 | 2 | HOSE BRACKET |
| 9 | TF4852 | 2 | FLANGE KIT,#20 |
| 10 | 06500408 | 1 | HOSE,1-1/2" X 92" |
| 11 | 34710 | 1 | ADAPTER,1-1/2"ORB X 1-1/2"MJ |
| 12 | 34309 | 1 | BALL VALVE,1-1/2" |
| 13 | 06503083 | 1 | ADAPTER,1-1/2"ORB X 1-1/2"ORB |
| 14 | 06503084 | 1 | ELBOW,1-1/2"FOR X 1-1/2"FOR |
| 15 | ----- | - | RH AXLE BRACE *REFER TO MAIN FRAME PARTS |
| 16 | ----- | - | LH AXLE BRACE *REFER TO MAIN FRAME PARTS |
| 17 | ----- | - | HYD TANK *REFER TO MAIN FRAME PARTS |
| 18 | 06505077 | 1 | BREATHER CAP,O-RING |
| 19 | 34064 | 1 | ADAPTER,1-1/4"MOR X 1"MJ |
| 20 | 06500422 | 1 | HOSE,1" X 126" |

TRACTOR MOUNT KIT, WHEEL WELL TANK



| ITEM | PART NO. | QTY. | DESCRIPTION |
|------|----------|------|--------------------------|
| --- | 06700091 | 1 | TANK,RES,ASSY,WHEEL WELL |
| 1 | 06380015 | 1 | TANK,RES,WHEEL WELL |
| 2 | 06505044 | 1 | FILTER ASSY,IN-TANK CPLT |
| 3 | 21627 | 4 | NYLOCK NUT,3/8",NC |
| 4 | 21725 | 2 | HEX NUT,1/2",NC |
| 5 | 22018 | 2 | FLATWASHER,1/2",WIDE |
| 6 | 06505067 | 1 | SIGHT GAGE |
| 7 | 06505127 | 1 | PLUG,SAE #20 |
| 8 | 06505077 | 1 | CAP,BREATHER |
| 9 | TF4888 | 1 | STREET ELBOW,1/8" |
| 10 | 6T0649 | 1 | FILTER GAGE |

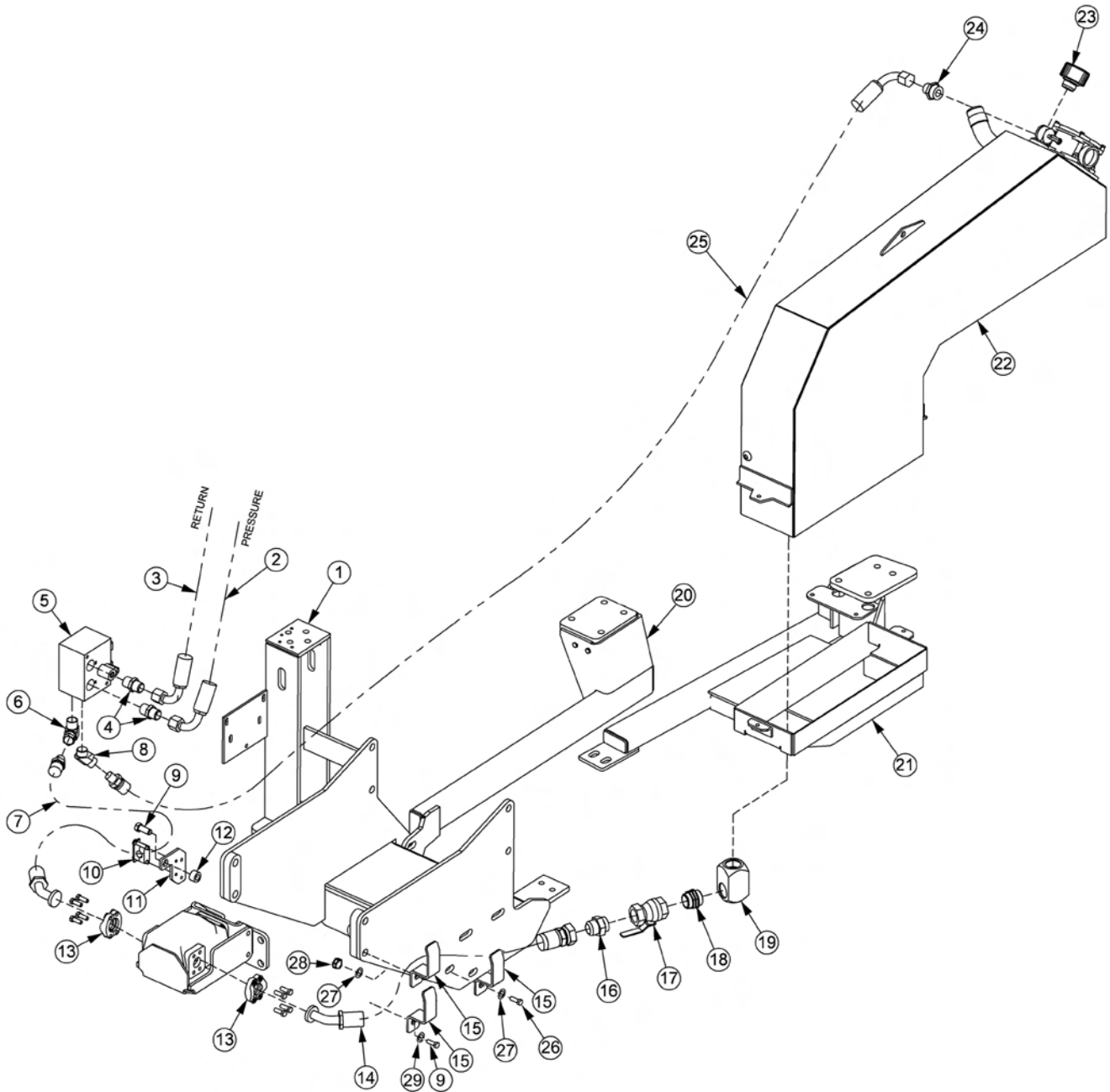
TRACTOR MOUNT KIT, WHEEL WELL TANK

Continued...

| ITEM | PART NO. | QTY. | DESCRIPTION |
|------|----------|------|---------------------------|
| 11 | 21639 | 2 | CAPSCREW,3/8" X 3-1/4",NC |
| 12 | 22016 | 2 | FLATWASHER,3/8" |
| 13 | 21627 | 4 | NYLOCK NUT,3/8",NC |
| 14 | ----- | - | JD FUEL TANK *EXISTING |
| 15 | 6T3200 | 1 | SPLIT HOSE |
| 16 | 06300127 | 1 | AXLE BRC,LH,5101E |
| 17 | 21797 | 8 | CAPSCREW,5/8" X 9",NC |
| 18 | 33764 | 16 | FLATWASHER,5/8",GR8,SAE |
| 19 | 06401246 | 2 | PLATE,TOP,AXLE BRACE |
| 20 | 21775 | 8 | HEX NUT,5/8",NC |
| 21 | 33880 | 16 | FLATWASHER,3/4",GR 8,SAE |
| 22 | 21831 | 2 | CAPSCREW,3/4" X 1-3/4",NC |
| 23 | 06300125 | 1 | AXLE BRACE,JD5101E |
| 24 | 06410857 | 1 | MNT,SPRRT,HYDRO |
| 25 | 21631 | 2 | CAPSCREW,3/8" X 1-1/4",NC |
| 26 | 21825 | 2 | HEX NUT,3/4",NC |
| 27 | 24860 | 8 | CAPSCREW,20MM X 40MM,2.5P |
| 28 | 21833 | 2 | CAPSCREW,3/4" X 2-1/4",NC |
| 29 | 25341 | 4 | CAPSCREW,20MM X 70MM,2.5P |
| 30 | 21644 | 2 | CAPSCREW,3/8" X 5",NC |
| 31 | 06510083 | 1 | VALVE,BRAKE,SOL,3000PSI |
| 32 | 21988 | 2 | LOCKWASHER,3/8" |
| 33 | 21625 | 2 | HEX NUT,3/8",NC |
| 34 | 06300033 | 1 | MNFRM,JD5101E |
| 35 | T208891 | 1 | JOHN DEERE BELT |
| 36 | LVB24989 | 1 | JOHN DEERE PULLEY KIT |
| 37 | 06420066 | 1 | DRIVESHAFT |
| 38 | 6T0375B | 1 | COUPLER |
| 39 | 21732 | 4 | CAPSCREW,1/2" X 1-3/4",NC |
| 40 | 32642 | 1 | MNT,PUMP |
| 41 | 22014 | 1 | FLATWASHER,1/4" |
| 42 | 32519 | 1 | WING NUT,1/4-20 UNC |
| 43 | 23152 | 1 | PUMP |
| 44 | 06533004 | 4 | FLATWASHER,1/2" |
| 45 | 21725 | 4 | HEX NUT,1/2",NC |
| --- | 06200709 | 1 | PUMP GUARD KIT,JD5101E |
| 46 | 21727 | 4 | NYLOCK NUT,1/2",NC |
| 47 | 06533004 | 8 | FLATWASHER,1/2",SAE |
| 48 | 21731 | 4 | CAPSCREW,1/2" X 1-1/2",NC |
| 49 | 06380034 | 1 | GUARD,PUMP,5101E,LDR |

JD5101E TSF 2011

TRACTOR MOUNT KIT, WHEEL WELL TANK - HYDRAULICS

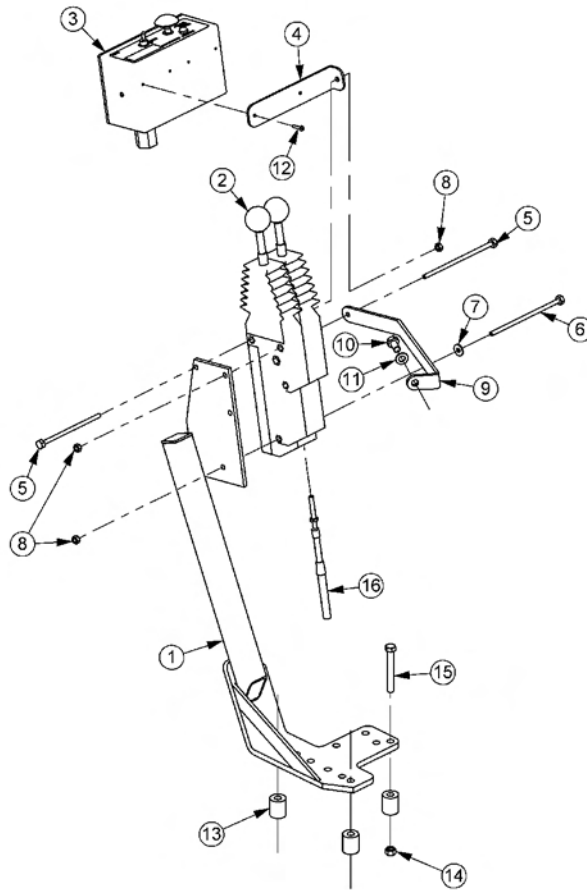


TRACTOR MOUNT KIT, WHEEL WELL TANK - HYDRAULICS

Continued...

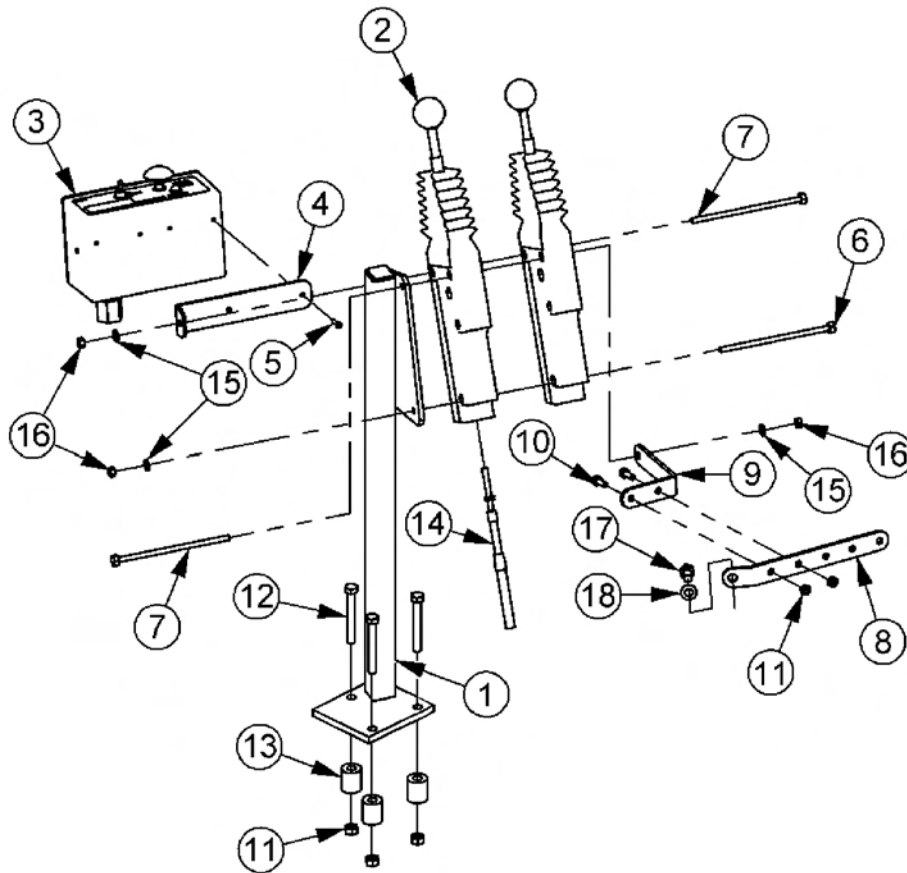
| ITEM | PART NO. | QTY. | DESCRIPTION |
|------|----------|------|--|
| 1 | 06300033 | 1 | MAIN FRAME |
| 2 | 06500329 | 1 | HOSE,1" X 93" (PRESSURE) |
| 3 | 06500328 | 1 | HOSE,1" X 96" (RETURN) |
| 4 | 33555 | 2 | ADAPTER,1"MORB X 1"MJIC |
| 5 | ----- | - | BRAKE VALVE - REFER TO MAIN FRAME PARTS |
| 6 | 34117 | 1 | ELBOW,1"MORB X 1"MORB90° |
| 7 | 06506023 | 1 | HOSE/TUBE,1" X 62" |
| 8 | 33554 | 1 | ELBOW,1"MORB X 1"MJIC45° |
| 9 | 22421 | 2 | CAPSCREW,16MM X 40MM,2.0P |
| 10 | 34076 | 1 | CLAMP KIT,1" |
| 11 | 34626 | 1 | TUBE/CLAMP BRACKET |
| 12 | 30255 | 1 | SPACER |
| 13 | TF4852 | 2 | FLANGE KIT,#20 |
| 14 | 06500408 | 1 | HOSE,1-1/2" X 92" |
| 15 | 32382 | 3 | HOSE BRACKET |
| 16 | 34710 | 1 | ADAPTER,1-1/2"ORB X 1-1/2"MJ |
| 17 | 34309 | 1 | BALL VALVE,1-1/2" |
| 18 | 06503083 | 1 | ADAPTER,1-1/2"ORB X 1-1/2"ORB |
| 19 | 06503084 | 1 | ELBOW,1-1/2"FOR X 1-1/2"FOR |
| 20 | ----- | - | AXLE BRACE,RH *REFER TO MAIN FRAME PARTS |
| 21 | ----- | - | AXLE BRACE,LH *REFER TO MAIN FRAME PARTS |
| 22 | ----- | - | TANK,ASSY *REFER TO MAIN FRAME PARTS |
| 23 | 06505077 | 1 | BREATHER CAP,O-RING |
| 24 | 34064 | 1 | ADAPTER,1-1/4"MOR X 1"MJIC |
| 25 | 06500422 | 1 | HOSE,1" X 126" |
| 26 | 21832 | 1 | CAPSCREW,3/4" X 2",NC |
| 27 | 33880 | 2 | FLATWASHER,3/4",SAE |
| 28 | 21825 | 1 | HEX NUT,3/4",NC |
| 29 | 34833 | 1 | FLATWASHER,16MM |

2 SPOOL CABLE CONTROL STAND - SCV ONLY



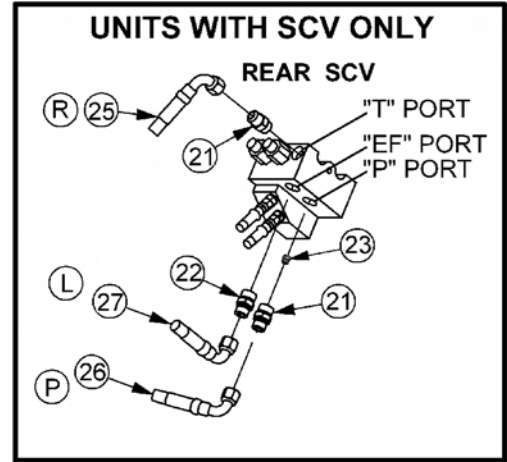
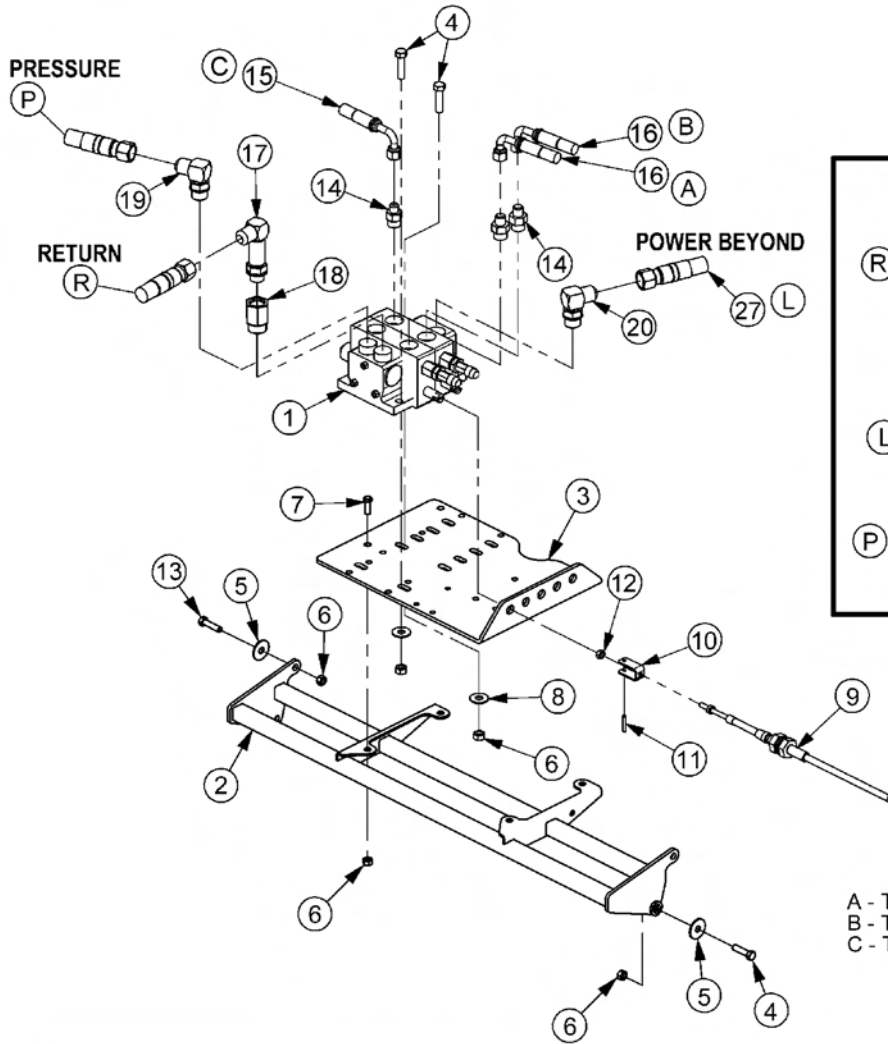
| ITEM | PART NO. | QTY. | DESCRIPTION |
|------|----------|------|----------------------------|
| 1 | 23865B | 1 | CBL CTRL MT BRK |
| 2 | 6T1251 | 2 | CBL CTRL BOX,180 DEG |
| 3 | 06510102 | 1 | SWITCHBOX,BOOM |
| 4 | 34496 | 1 | BRKT,SWITCHBOX,UNI |
| 5 | 21542 | 2 | CAPSCREW,1/4" X 4",NC |
| 6 | 21543 | 1 | CAPSCREW,1/4" X 4-1/2",NC |
| 7 | 21986 | 3 | LOCKWASHER,1/4" |
| 8 | 21525 | 3 | HEX NUT,1/4",NC |
| 9 | 06410230 | 1 | SUPPORT,MNT,CNTRL BOX |
| 10 | 33534 | 1 | CAPSCREW,10MM X 20MM,1.5P |
| 11 | 32724 | 1 | FLATWASHER,10MM |
| 12 | 6T3951 | 2 | SCREW,MACHINE 8/32" X 1/2" |
| 13 | 27082B | 3 | SPACER |
| 14 | 21627 | 3 | NYLOCK NUT,3/8",NC |
| 15 | 21636 | 3 | CAPSCREW,3/8" X 2-1/2",NC |
| 16 | 06505100 | 2 | CBL,CNTRL,108 |

2 SPOOL CABLE CONTROL STAND - MID-MOUNT VALVE



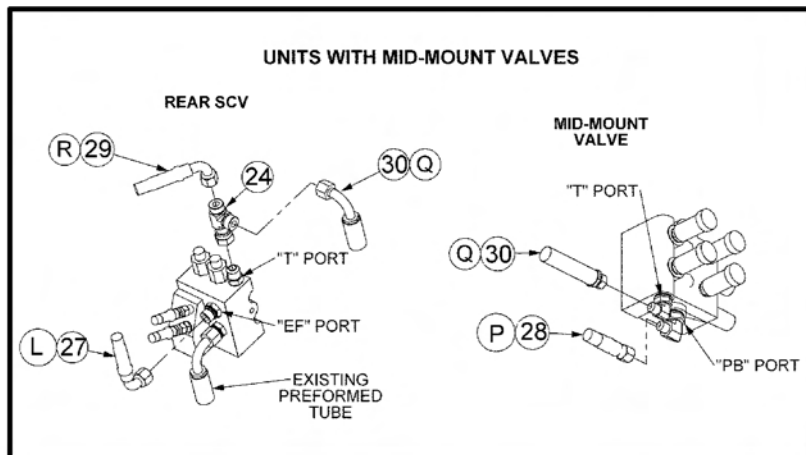
| ITEM | PART NO. | QTY. | DESCRIPTION |
|------|----------|------|-------------------------------|
| 1 | 31923 | 1 | BRKT,CTRL,CBL |
| 2 | 6T1251 | 2 | CBL CTRL BOX,180 DEG |
| 3 | 06510102 | 1 | SWITCHBOX,SIDE |
| 4 | 34496 | 1 | BRKT,SWITCHBOX,UNI |
| 5 | 6T3951 | 2 | SCREW,MACHINE,8/32" X 1/2",NC |
| 6 | 21543 | 1 | CAPSCREW,1/4" X 4-1/2",NC |
| 7 | 21542 | 2 | CAPSCREW,1/4" X 4",NC |
| 8 | 06410848 | 1 | SUPPORT,1,CBL,CNTRL,5101E |
| 9 | 06410849 | 1 | SUPPORT,2,CBL,CNTRL,5101E |
| 10 | 21629 | 3 | CAPSCREW,3/8" X 3/4",NC |
| 11 | 21627 | 5 | NYLOCK NUT,3/8",NC |
| 12 | 21636 | 3 | CAPSCREW,3/8" X 2-1/2",NC |
| 13 | 27082B | 3 | SPACER |
| 14 | 06505100 | 2 | CBL,CNTRL,108 |
| 15 | 21986 | 3 | LOCKWASHER,1/4" |
| 16 | 21525 | 3 | HEX NUT,1/4",NC |
| 17 | 33534 | 1 | CAPSCREW,10MM X 20MM,1.5P |
| 18 | 32724 | 1 | FLATWASHER,10MM |

CABLE (MANUAL) LIFT VALVE - 2 SPOOL



HOSE ROUTING

- A - TO INBOARD CYLINDER GLAND
- B - TO OUTBOARD CYLINDER BUTT
- C - TO OUTBOARD CYLINDER GLAND

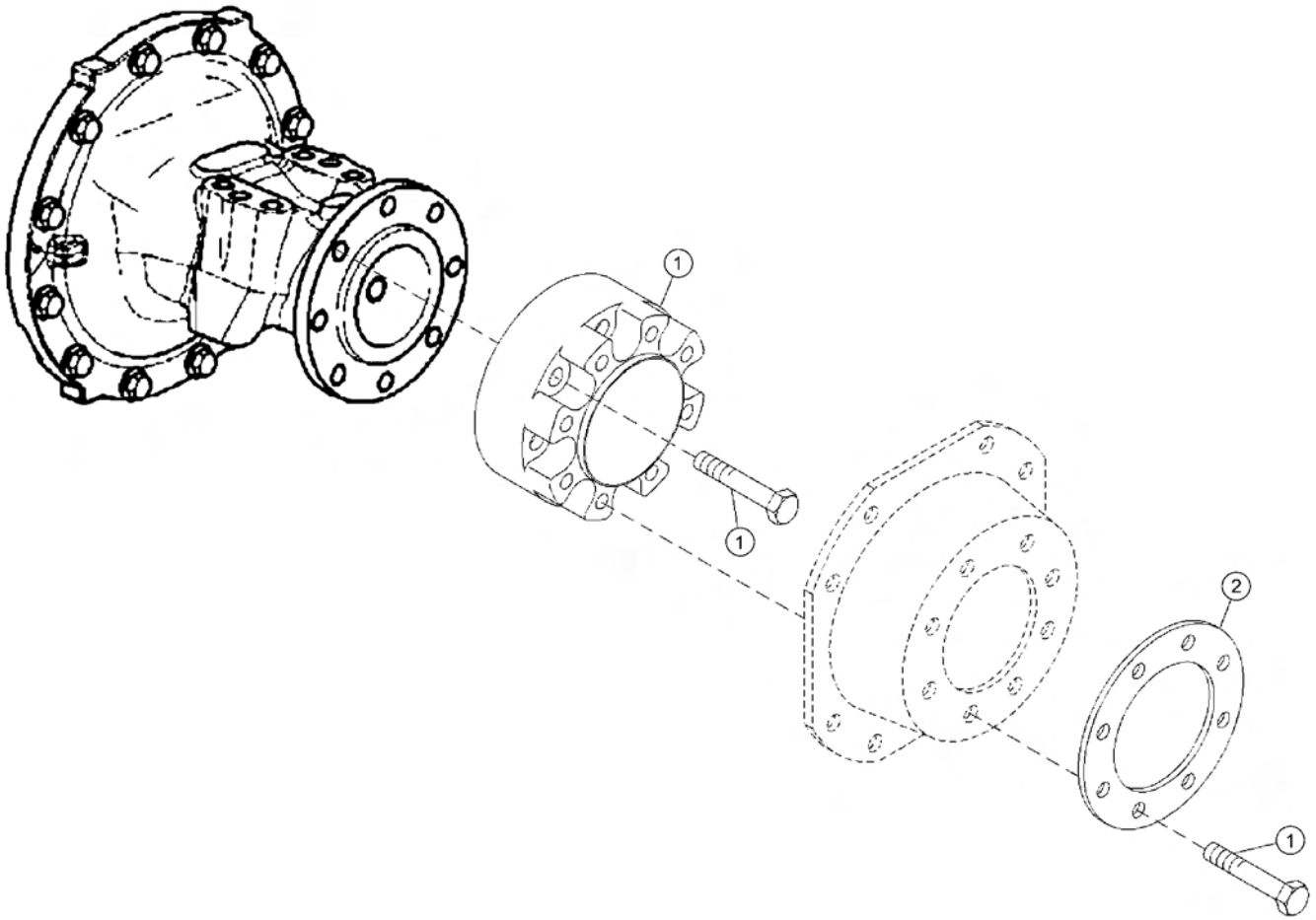


CABLE (MANUAL) LIFT VALVE - 2 SPOOL

Continued...

| ITEM | PART NO. | QTY. | DESCRIPTION |
|------|----------|------|-----------------------------------|
| 1 | 30198 | 1 | VALVE,2SP |
| 2 | 06340033 | 1 | VALVE MNT,JD5101E |
| 3 | 34622 | 1 | PLATE,VALVE,REAR MNT |
| 4 | 21632 | 6 | CAPSCREW,3/8" X 1-1/2",NC |
| 5 | 6T2615 | 4 | WASHER,FENDER,3/8" |
| 6 | 21627 | 13 | NYLOCK NUT,3/8",NC |
| 7 | 21630 | 4 | CAPSCREW,3/8" X 1",NC |
| 8 | 22016 | 4 | FLATWASHER,3/8" |
| 9 | 06505100 | 2 | CBL,CNTRL,108 |
| 10 | 6T4411 | 2 | CLEVIS,CBL CTRL,3/16" |
| 11 | 6T3017 | 2 | ROLLPIN,3/16" X 1" |
| 12 | 21500 | 4 | HEX NUT,1/4",NF |
| 13 | 21631 | 2 | CAPSCREW,3/8" X 1-1/4",NC |
| 14 | 33271 | 3 | ADAPTER,1/2"MOR X 3/8"MJ |
| 15 | 33562 | 1 | HOSE,1/4" X 130" |
| 16 | 33364 | 2 | HOSE,1/4" X 120" |
| 17 | 33293 | 1 | ELBOW,LONG,1/2"MOR X 1/2"MJIC 90° |
| 18 | 32678 | 1 | ADAPTER,5/8"ORB X 1/2"FOR |
| 19 | 33383 | 1 | ELBOW,5/8"MORB X 1/2"MJ X 90° |
| 20 | 06503033 | 1 | ELBOW,5/8"ORB X 5/8"MJ |
| 21 | 33463 | 2 | ADAPTER,22MMORB X 1/2"MJ |
| 22 | 34424 | 1 | FITTING,ADAPTER,22MM X 5/8"MFS |
| 23 | 31171 | 1 | PLUG,PIPE 3/8",SKT |
| 24 | 32872 | 1 | RUN TEE |
| 25 | 33649 | 1 | HOSE,1/2" X 50" |
| 26 | 33595 | 1 | HOSE,1/2" X 65" |
| 27 | 06500399 | 1 | HOSE,1/2" X 41" |
| 28 | 06500391 | 1 | HOSE,1/2" X 97" |
| 29 | 06500392 | 1 | HOSE,1/2" X 62" |
| 30 | 06500492 | 1 | HOSE,1/2" X 52" |

WHEEL SPACER



| ITEM | PART NO. | QTY. | DESCRIPTION |
|------|----------|------|----------------------|
| 1 | 06770025 | 1 | KIT,SPCR,WHL,JD |
| 2 | 06400919 | 1 | RING,SPACER,WHEEL,JD |

COMMON SIDE FLAIL - SUPER DUTY

PARTS SECTION

PART NAME INDEX

| | |
|---|----|
| PARTS ORDERING GUIDE..... | 3 |
| COMBO DRAFT BEAM..... | 4 |
| 63IN SIDE FLAIL - STANDARD ROTATION..... | 6 |
| 63IN SIDE FLAIL - REVERSE ROTATION..... | 8 |
| 75IN SIDE FLAIL - STANDARD ROTATION..... | 10 |
| 75IN SIDE FLAIL - REVERSE ROTATION..... | 12 |
| SIDE FLAIL DRIVE ASSEMBLY..... | 14 |
| 3IN X 10IN HYDRAULIC CYLINDER BREAKDOWN..... | 16 |
| 3IN X 12IN HYDRAULIC CYLINDER BREAKDOWN..... | 17 |
| PUMP AND GRILL GUARD OPTIONS..... | 18 |
| RESERVOIR TANK FILTER ASSEMBLY..... | 19 |
| CABLE (MANUAL) LIFT VALVE BREAKDOWN - 30198..... | 20 |
| CABLE (MANUAL) LIFT VALVE BREAKDOWN - 31752..... | 22 |
| CABLE (MANUAL) LIFT VALVE BREAKDOWN - 31320..... | 24 |
| CABLE (MANUAL) LIFT VALVE BREAKDOWN - 31322..... | 26 |
| CABLE (MANUAL) LIFT VALVE BREAKDOWN - 06502040..... | 28 |
| CABLE (MANUAL) LIFT VALVE BREAKDOWN - 06502042..... | 30 |
| FRONT HYDRAULIC PUMP BREAKDOWN..... | 32 |
| FLAIL MOTOR BREAKDOWN..... | 34 |
| COOLER ASSEMBLY..... | 36 |
| BRAKE VALVE ASSEMBLY..... | 37 |
| BRAKE VALVE HYDRAULIC SCHEMATIC..... | 38 |
| SIDE FLAIL TRAVEL LOCK..... | 39 |
| DRAFT BEAM TRAVEL LOCK..... | 40 |
| SWITCH BOX..... | 41 |
| SWITCH BOX SCHEMATIC..... | 42 |
| FIRE SUPPRESSION SYSTEM..... | 43 |
| FIRE SUPPRESSION 3-POINT MOUNT..... | 44 |
| FIRE SUPPRESSION FRONT MOUNT..... | 46 |
| FIRE SUPPRESSION SYSTEM ELECTRICAL SCHEMATIC..... | 48 |
| WETCUT..... | 49 |
| WETCUT 50 GALLON TANK - 3PNT MOUNT..... | 50 |
| WETCUT 100 OR 150 GALLON TANK - 3PNT MOUNT..... | 51 |
| WETCUT 3PNT PLUMBING - 50IN MOWERS..... | 52 |
| WETCUT 3PNT PLUMBING - LARGE MOWERS..... | 54 |
| WETCUT FRONT PLUMBING - 50IN MOWERS..... | 56 |
| WETCUT FRONT PLUMBING - LARGE MOWERS..... | 58 |
| WETCUT 50IN SPRAYER HEAD ASSEMBLY..... | 60 |
| WETCUT 60IN SPRAYER HEAD ASSEMBLY..... | 62 |
| WETCUT CABLES..... | 64 |

COMMON SIDE FLAIL - SD

PARTS ORDERING GUIDE

The following instructions are offered to help eliminate needless delay and error in processing purchase orders for the equipment in this manual.

1. The Parts Section is prepared in logical sequence and grouping of parts that belong to the basic machine featured in this manual. Part Numbers and Descriptions are given to help locate the parts and quantities required.
2. The Purchase Order must indicate the **Name and Address** of the person or organization ordering the parts, **who should be charged**, and if possible, the **serial number of the machine** for which the parts are being ordered.
3. The purchase order must clearly list the **quantity of each part**, the complete and correct **part number**, and the basic **name of the part**.
4. The manufacturer reserves the right to substitute parts where applicable.
5. Some parts may be unlisted items which are special production items not normally stocked and are subject to special handling. Request a quotation for such parts before sending a purchase order.
6. The manufacturer reserves the right to change prices without prior notice.

NOTE: When ordering replacement decals, refer to the part numbers and descriptions listed in the safety section in the front of this manual.

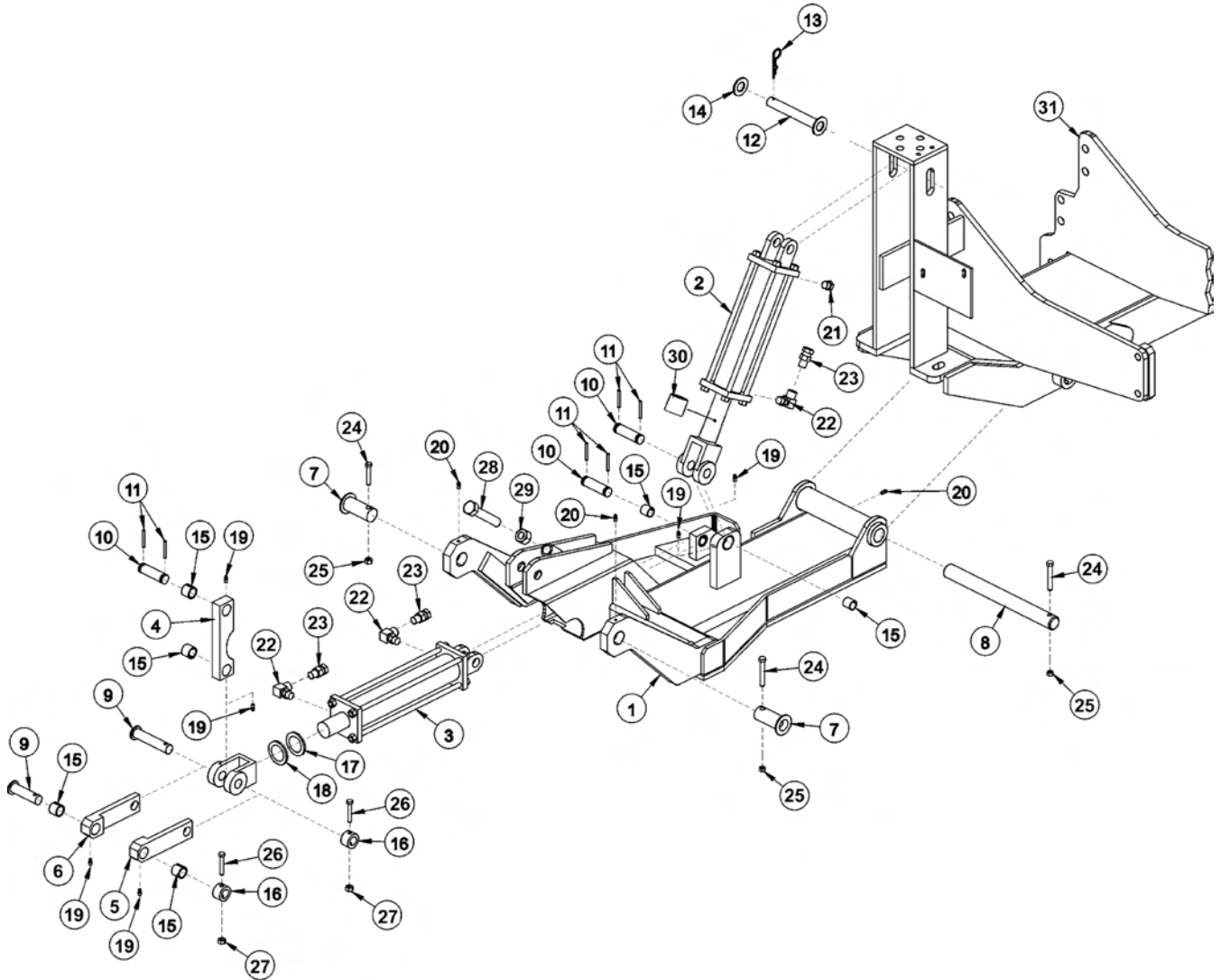


For maximum safety and to guarantee optimum product reliability, always use genuine **Tiger** replacement parts. The use of inferior replacement parts may cause premature or catastrophic failure which could result in serious injury or death.

Direct any questions regarding parts to:

Tiger Corporation
3301 N. Louise Ave.
Sioux Falls, SD 57107
1-800-843-6849
1-605-336-7900

COMBO DRAFT BEAM



NOTES:

1. ITEM 30 IS USED ON THE GLAND END OF ITEM 2 (AS NEEDED)
2. ORIENTATION OF ITEMS 4,5 & 6 ARE CRITICAL

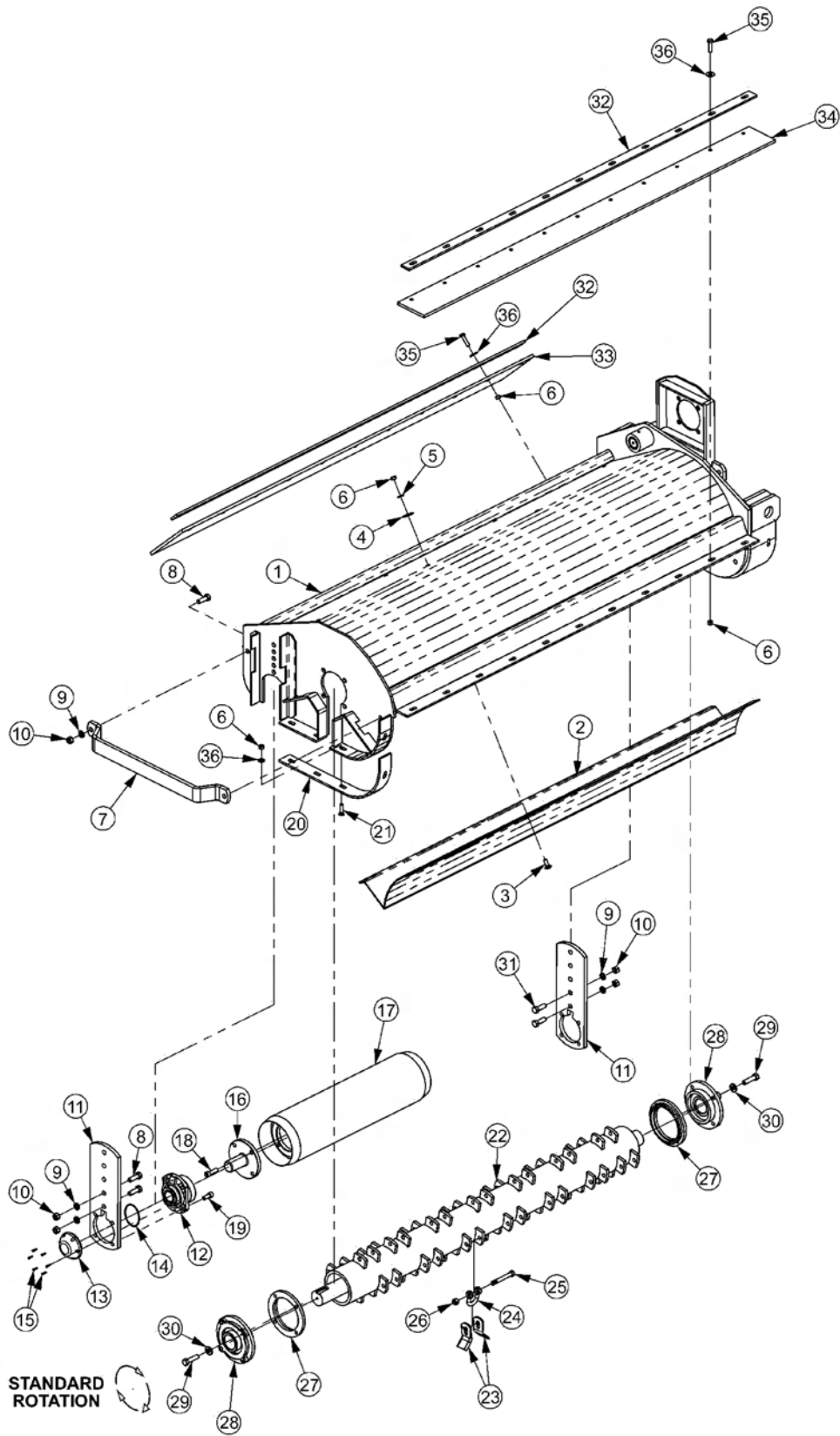
COMBO DRAFT BEAM

Continued...

| ITEM | PART NO. | QTY. | DESCRIPTION |
|------|----------|------|---|
| 1 | 32143 | 1 | COMBO DRAFT BEAM -STD DTY FLAIL |
| 2 | 6T0151R | 1 | HYD. CYLINDER 3" X 10" |
| 3 | 32215 | 1 | HYD. CYLINDER 3" X 12" - STD DTY |
| 4 | TF4500A | 1 | PIVOT ARM |
| 5 | TF4507B | 1 | RIGHT LINKAGE ARM |
| 6 | TF4506B | 1 | LEFT LINKAGE ARM |
| 7 | 30126B | 2 | PIN, HEAD PIVOT |
| 8 | 6T3001 | 1 | PIN, BEAM PIVOT |
| 9 | TF4519 | 2 | PIN, LINKAGE |
| 10 | TB1033 | 3 | PIN, CLEVIS |
| 11 | 06537021 | 6 | ROLLPIN |
| 12 | 6T3005 | 1 | PIN, 1" W/ CAP |
| 13 | 6T3004 | 1 | R-CLIP HAIRPIN |
| 14 | 22023 | 1 | FLATWASHER 1" |
| 15 | TB3010 | 8 | BUSHING 1" |
| 16 | 22847A | 2 | BOSS, LINKAGE PIN |
| 17 | 22076 | 1 | SPACER, HYD. CYLINDER 1/4" (AS NEEDED) |
| 18 | 22077 | 1 | SPACER, HYD. CYLINDER 5/16" (AS NEEDED) |
| 19 | 6T3207 | 6 | GREASE ZERK 1/4" |
| 20 | 6T3211 | 3 | GREASE ZERK 1/8" |
| 21 | 6T4258 | 1 | BREATHER 1/2" |
| 22 | 34244 | 3 | ELBOW FITTING 1/2" |
| 23 | 34396 | 3 | SWIVEL RESTRICTOR |
| 24 | 21688 | 3 | CAPSCREW 7/16" X 3 1/4" |
| 25 | 21677 | 3 | NYLOCK NUT 7/16" |
| 26 | 21635 | 2 | CAPSCREW 3/8" X 2 1/4" |
| 27 | 21627 | 2 | NYLOCK NUT 3/8" |
| 28 | 21831 | 1 | CAPSCREW 3/4" X 1 3/4" |
| 29 | 21825 | 1 | HEX NUT 3/4" |
| 30 | 06700095 | 1 | CYLINDER SPACER W/SET SCREW |
| 31 | ----- | - | MAIN FRAME *REFER TO TRACTOR MOUNT PAGE |

COMMON SIDE FLAIL - SD

63IN SIDE FLAIL - STANDARD ROTATION



COMMON SIDE FLAIL - SD

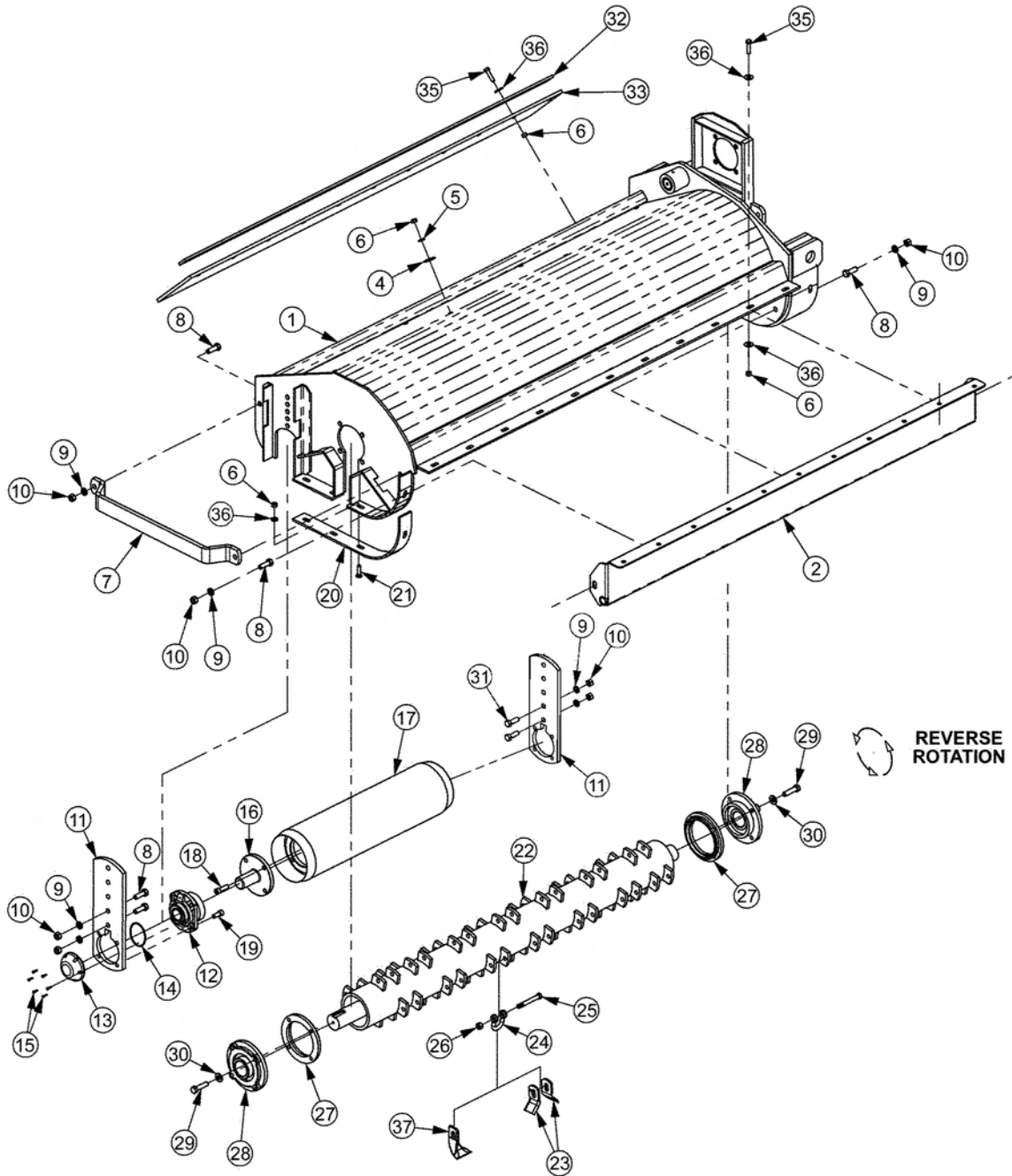
63IN SIDE FLAIL - STANDARD ROTATION

Continued...

| ITEM | PART NO. | QTY. | DESCRIPTION |
|-------------|-----------------|-------------|-----------------------------------|
| 1 | 28647E | 1 | BONNET,63",STD,COMBO |
| 2 | 28665A | 1 | BAFFLE,63",STD ROT |
| 3 | 6T2283 | 8 | CARRIAGE BOLT,3/8" X 1",NC |
| 4 | 6T2615 | 8 | WASHER,FENDER 3/8" |
| 5 | 21988 | 8 | LOCKWASHER,3/8" |
| 6 | 21625 | 40 | HEX NUT,3/8",NC |
| 7 | 27975A | 1 | GUARD,CUTTERSHAFT |
| 8 | 21731 | 4 | CAPSCREW,1/2" X 1-1/2",NC |
| 9 | 21990 | 6 | LOCKWASHER,1/2" |
| 10 | 21725 | 6 | HEX NUT,1/2",NC |
| 11 | 28735 | 2 | GROUND ROLLER ADJ BRKT,STD DTY |
| 12 | 06520028 | 2 | BEARING,FLANGE,1-3/8",GRNDRLR |
| 13 | 06520027 | 2 | CAP,BEARING,GRNDRLR |
| 14 | 06520029 | 2 | O-RING,2-3/4" X 3/32",AS568A-148 |
| 15 | 06530001 | 12 | CAPSCREW,SKT HD,8-32 X 1/2",SS |
| 16 | TF1045B | 2 | STUB SHAFT,GROUND ROLLER |
| 17 | 28650A | 1 | GROUND ROLLER,63" |
| 18 | 6T2330 | 8 | CAPSCREW,SKT HD,7/16" X 1-1/2",NC |
| 19 | 6T2331 | 8 | CAPSCREW,SKT HD,7/16" X 1",NC |
| 20 | 28086A | 2 | SKID SHOE,STD DUTY REAR FLAIL |
| 21 | 30013 | 10 | PLOW BOLT,3/8" X 1-1/4",NC,GR5 |
| ----- | 28743 | - | CUTTERSHAFT ASSY,STANDARD |
| 22 | 28642C | 1 | CUTTERSHAFT,63" |
| 23 | 33713 | 64 | KNIFE,FLAIL,SHORT,FORGES GORCE |
| 24 | TF1020 | 32 | KNIFE MTG CLEVIS,FLAIL |
| 25 | 34011 | 32 | CAPSCREW,7/16" X 3-7/16",NC,GR8 |
| 26 | 21677 | 32 | NYLOCK NUT,7/16",NC |
| 27 | 33863 | 2 | STRING GUARD,STD |
| 28 | 28683 | 2 | BEARING,FLANGE,1-15/16",STD,TSF |
| 29 | 06530217 | 8 | CAPSCREW,1/2" X 2",NC,L9 |
| 30 | 06533006 | 8 | FLATWASHER,1/2",SAE,L9 |
| 31 | 21732 | 2 | CAPSCREW,1/2" X 1-3/4",NC |
| 32 | 28700 | 2 | BAR,FLAP,TSF/TBF,63" |
| 33 | 28701 | 1 | FLAP,DEFLECTOR,TSF,63" |
| 34 | 06520241 | 1 | FLAP,63",FRONT |
| 35 | 21632 | 22 | CAPSCREW,3/8" X 1-1/2",NC |
| 36 | 22016 | 32 | FLATWASHER,3/8" |

COMMON SIDE FLAIL - SD

63IN SIDE FLAIL - REVERSE ROTATION



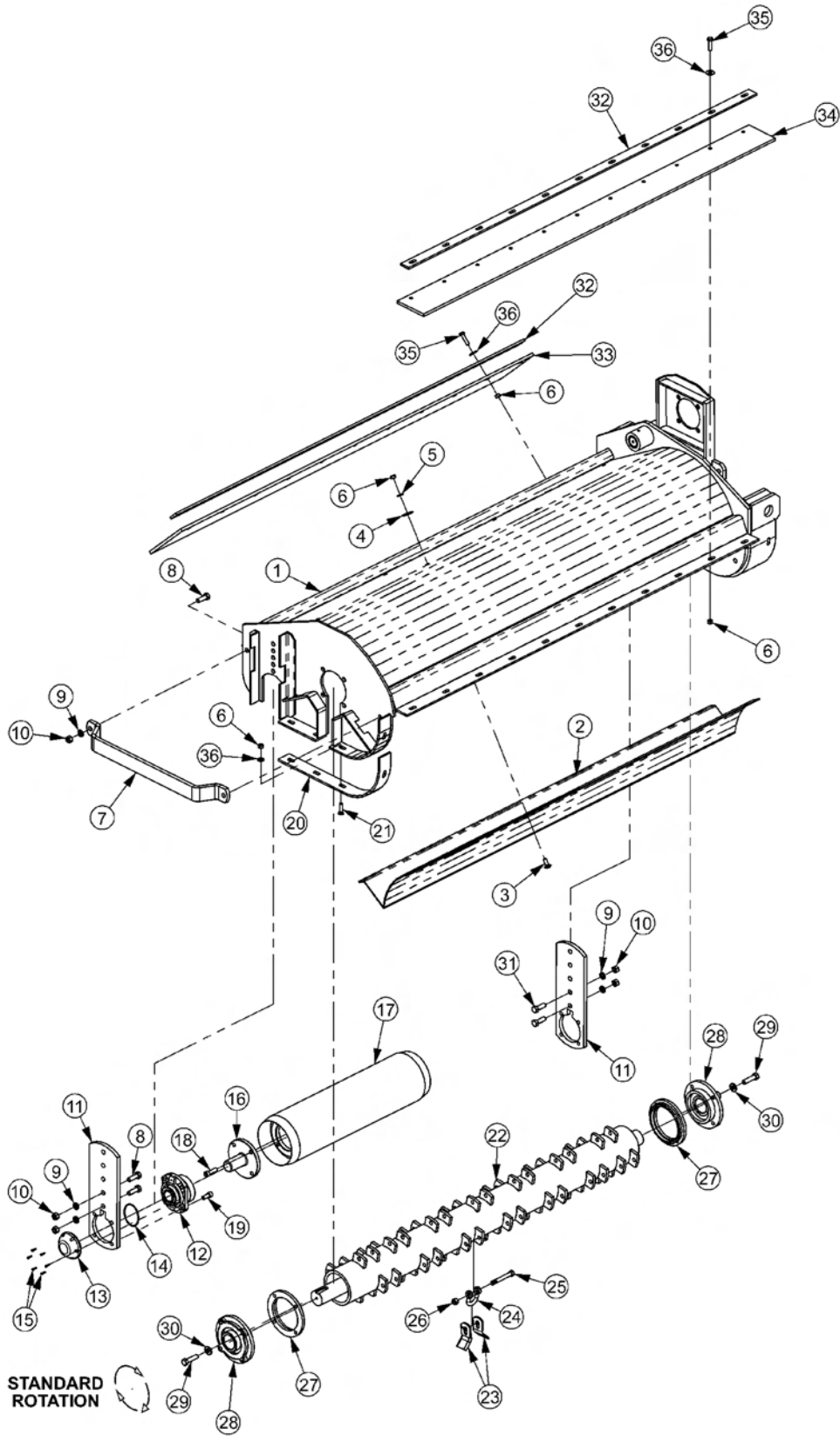
63IN SIDE FLAIL - REVERSE ROTATION

Continued...

| ITEM | PART NO. | QTY. | DESCRIPTION |
|------|----------|------|-----------------------------------|
| 1 | 28647E | 1 | BONNET,63",STD,COMBO |
| 2 | 28969A | 1 | TRASH GUARD,63",REV ROT |
| 3 | 6T2283 | 8 | CARRIAGE BOLT,3/8" X 1",NC |
| 4 | 6T2615 | 8 | WASHER,FENDER,3/8" |
| 5 | 21988 | 8 | LOCKWASHER,3/8" |
| 6 | 21625 | 40 | HEX NUT,3/8",NC |
| 7 | 27975A | 1 | GUARD,CUTTERSHAFT |
| 8 | 21731 | 6 | CAPSCREW,1/2" X 1-1/2",NC |
| 9 | 21990 | 8 | LOCKWASHER,1/2" |
| 10 | 21725 | 8 | HEX NUT,1/2",NC |
| 11 | 28735 | 2 | GROUND ROLLER ADJ BRKT,STD DTY |
| 12 | 06520028 | 2 | BEARING,FLANGE,1-3/8",GRNDRLR |
| 13 | 06520027 | 2 | CAP,BEARING,GRNDRLR |
| 14 | 06520029 | 2 | O-RING,2-3/4" X 3/32",AS568A-148 |
| 15 | 06530001 | 12 | CAPSCREW,SKT HD,8-32 X 1/2",SS |
| 16 | TF1045B | 2 | STUB SHAFT,GROUND ROLLER |
| 17 | 28650A | 1 | GROUND ROLLER,63" |
| 18 | 6T2330 | 8 | CAPSCREW,SKT HD,7/16" X 1-1/2",NC |
| 19 | 6T2331 | 8 | CAPSCREW,SKT HD,7/16" X 1",NC |
| 20 | 28086A | 2 | SKID SHOE,STD DUTY REAR FLAIL |
| 21 | 30013 | 10 | PLOW BOLT,3/8" X 1-1/4",NC,GR5 |
| --- | 28743 | - | CUTTERSHAFT ASSY,STANDARD CUT |
| ---- | 28744 | - | CUTTERSHAFT ASSY,SMOOTH CUT |
| 22 | 28642C | 1 | CUTTERSHAFT,63" |
| 23 | 33713 | 64 | FLAIL KNIVES (STANDARD CUT) |
| 24 | TF1020 | 32 | KNIFE MTG CLEVIS,FLAIL |
| 25 | 34011 | 32 | CAPSCREW,7/16" X 3-7/16",NC,GR8 |
| 26 | 21677 | 32 | NYLOCK NUT,7/16",NC |
| 27 | 33863 | 2 | STRING GUARD,STD |
| 28 | 28683 | 2 | BEARING,FLANGE,1-15/16",STD,TSF |
| 29 | 06530217 | 8 | CAPSCREW,1/2" X 2",NC,L9 |
| 30 | 06533006 | 8 | FLATWASHER,1/2",SAE,L9 |
| 31 | 21732 | 2 | CAPSCREW,1/2" X 1-3/4",NC |
| 32 | 28700 | 2 | BAR,FLAP,TSF/TBF,63" |
| 33 | 28701 | 1 | FLAP,DEFLECTOR,TSF,63" |
| 35 | 21632 | 22 | CAPSCREW,3/8" X 1-1/2",NC |
| 36 | 22016 | 43 | FLATWASHER,3/8" |
| 37 | 28184A | 32 | FLAIL KNIVES (SMOOTH CUT) |

COMMON SIDE FLAIL - SD

75IN SIDE FLAIL - STANDARD ROTATION



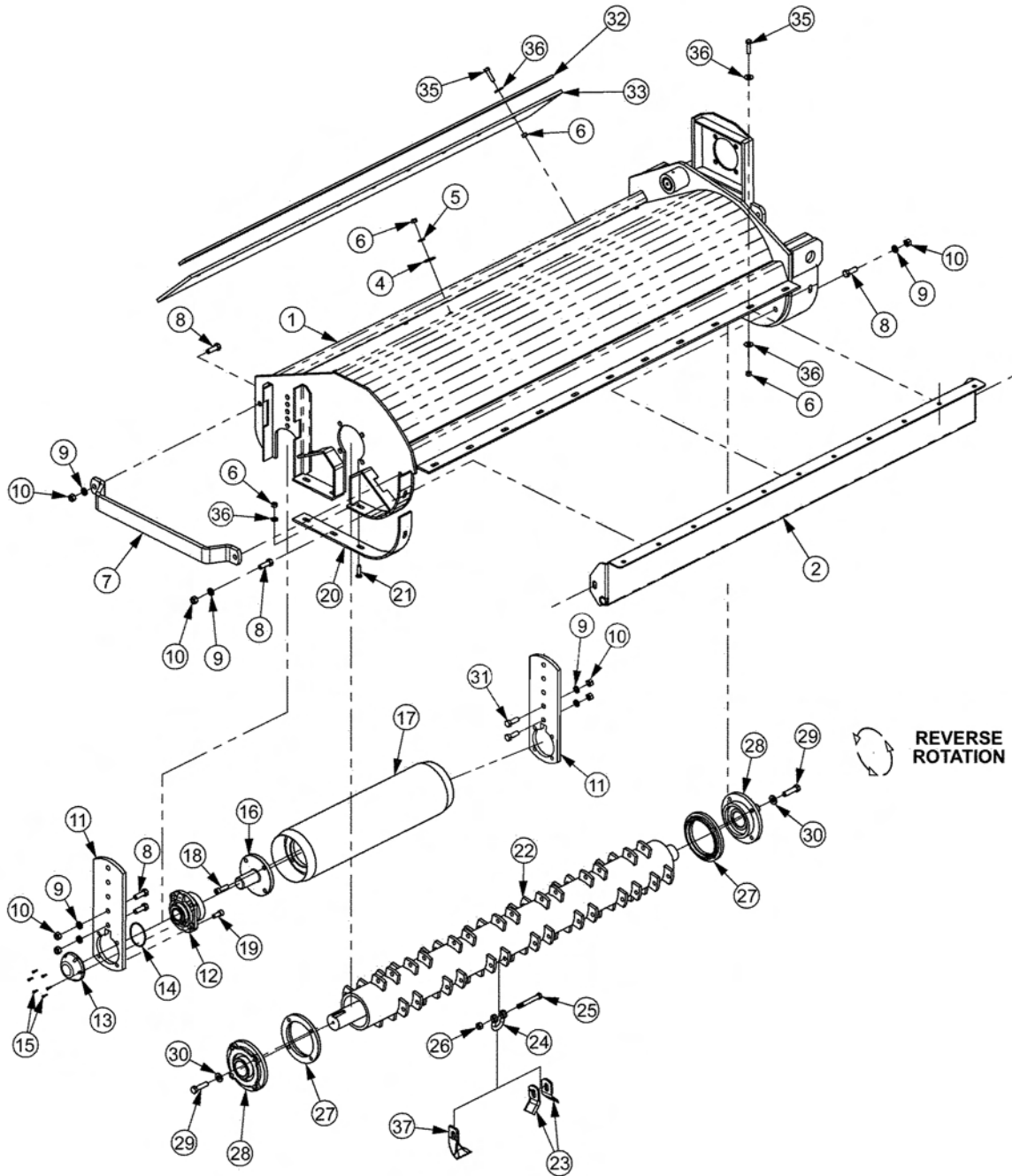
75IN SIDE FLAIL - STANDARD ROTATION

Continued...

| ITEM | PART NO. | QTY. | DESCRIPTION |
|-------|----------|------|--------------------------------------|
| 1 | 28736D | 1 | BONNET,75",STD,T3F,RT |
| 2 | 28737 | 1 | BAFFLE,75",STD ROT-STD |
| 3 | 6T2283 | 10 | CARRIAGE BOLT,3/8" X 1",NC |
| 4 | 6T2615 | 10 | WASHER,FENDER,3/8" |
| 5 | 21988 | 10 | LOCKWASHER,3/8" |
| 6 | 21625 | 46 | HEX NUT,3/8",NC |
| 7 | 27975A | 1 | GUARD,CUTTERSHAFT |
| 8 | 21731 | 4 | CAPSCREW,1/2" X 1-1/2",NC |
| 9 | 21990 | 6 | LOCKWASHER,1/2" |
| 10 | 21725 | 6 | HEX NUT,1/2",NC |
| 11 | 28735 | 2 | GROUND ROLLER ADJ BRKT,STD DTY |
| 12 | 06520028 | 2 | BEARING,FLANGE,1-3/8,GRNDRLR |
| 13 | 06520027 | 2 | CAP,BEARING,GRNDRLR |
| 14 | 06520029 | 2 | O-RING,2-3/4 X 3/32",AS568A-148 |
| 15 | 06530001 | 12 | CAPSCREW,SKT HD,8-32 X 1/2",SS |
| 16 | TF1045B | 2 | STUB SHAFT,GROUND ROLLER |
| 17 | 28738 | 1 | GROUND ROLLER,75" |
| 18 | 6T2330 | 8 | CAPSCREW,SKT HD,7/16" X 1-1/2",NC |
| 19 | 6T2331 | 8 | CAPSCREW,SKT HD,7/16" X 1",NC |
| 20 | 28086A | 2 | SKID SHOE,STD DUTY REAR FLAIL |
| 21 | 30013 | 10 | PLOW BOLT,3/8" X 1-1/4",NC,GR5 |
| ----- | 28747 | - | CUTTERSHAFT ASSY,STANDARD |
| 22 | 28643B | 1 | CUTTERSHAFT,75" |
| 23 | 33713 | 80 | KNIFE,FLAIL,SHORT,FORGES GORCE |
| 24 | TF1020 | 40 | KNIFE MTG CLEVIS,FLAIL |
| 25 | 34011 | 40 | CAPSCREW,7/16" X 3-7/16",NC,GR8 |
| 26 | 21677 | 40 | NYLOCK NUT,7/16",NC |
| ----- | 06200639 | - | STRING GUARD KIT,SD (ITEMS 27,29,30) |
| 27 | 33863 | 2 | STRING GUARD,STD |
| 28 | 28683 | 2 | BEARING,FLANGE,1-15/16",STD,TSF |
| 29 | 06530217 | 8 | CAPSCREW,1/2" X 2",NC,L9 |
| 30 | 06533006 | 8 | FLATWASHER,1/2",SAE,L9 |
| 31 | 21732 | 2 | CAPSCREW,1/2" X 1-3/4",NC |
| 32 | TF1029 | 2 | BAR,FLAP,TSF/TBF,75" |
| 33 | TF1016 | 1 | FLAP,DEFLECTOR,TSF,75" |
| 34 | 06520242 | 1 | FLAP,75",FRONT |
| 35 | 21632 | 26 | CAPSCREW,3/8" X 1-1/2",NC |
| 36 | 22016 | 36 | FLATWASHER,3/8" |

COMMON SIDE FLAIL - SD

75IN SIDE FLAIL - REVERSE ROTATION



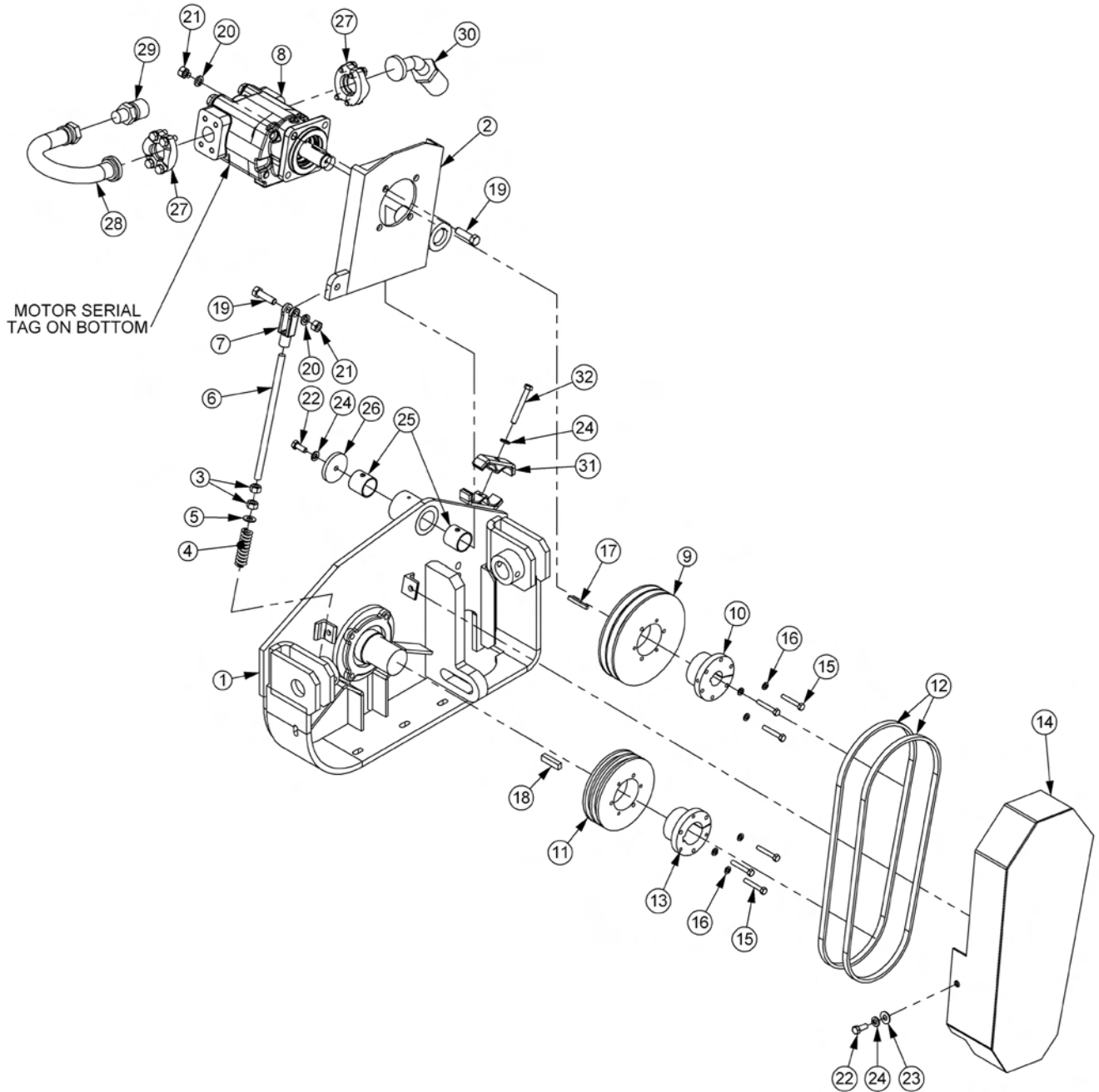
75IN SIDE FLAIL - REVERSE ROTATION

Continued...

| ITEM | PART NO. | QTY. | DESCRIPTION |
|-------|----------|------|---|
| 1 | 28736D | 1 | BONNET,75,STD,T3F,RT |
| 2 | 28968A | 1 | TRASH GUARD,75" |
| 3 | 6T2283 | 10 | CARRIAGE BOLT,3/8" X 1",NC |
| 4 | 6T2615 | 10 | WASHER,FENDER,3/8" |
| 5 | 21988 | 10 | LOCKWASHER,3/8" |
| 6 | 21625 | 36 | HEX NUT,3/8",NC |
| 7 | 27975A | 1 | GUARD,CUTTERSHAFT |
| 8 | 21731 | 6 | CAPSCREW,1/2" X 1-1/2",NC |
| 9 | 21990 | 8 | LOCKWASHER,1/2" |
| 10 | 21725 | 8 | HEX NUT,1/2",NC |
| 11 | 28735 | 2 | GROUND ROLLER ADJ BRKT,STD DTY |
| 12 | 06520028 | 2 | BEARING,FLANGE,1-3/8",GRNDRLR |
| 13 | 06520027 | 2 | CAP,BEARING,GRNDRLR |
| 14 | 06520029 | 2 | O-RING,2-3/4" X 3/32",AS568A-148 |
| 15 | 06530001 | 12 | CAPSCREW,SKT HD,8-32 X 1/2",SS |
| 16 | TF1045B | 2 | STUB SHAFT,GROUND ROLLER |
| 17 | 28738 | 1 | GROUND ROLLER,75" |
| 18 | 6T2330 | 8 | CAPSCREW,SKT HD,7/16" X 1-1/2",NC |
| 19 | 6T2331 | 8 | CAPSCREW,SKT HD,7/16" X 1",NC |
| 20 | 28086A | 2 | SKID SHOE,STD DUTY REAR FLAIL |
| 21 | 30013 | 9 | PLOW BOLT,3/8" X 1-1/4",NC,GR5 |
| ----- | 28747 | - | CUTTERSHAFT ASSY,STANDARD (22, 23, 24, 25 & 26) |
| ----- | 28748 | - | CUTTERSHAFT ASSY,SMOOTH (22, 23, 24, 25 & 37) |
| 22 | 28643B | 1 | CUTTERSHAFT,75" |
| 23 | 33713 | 80 | FLAIL KNIVES (STANDARD CUT) |
| 24 | TF1020 | 40 | KNIFE MTG CLEVIS,FLAIL |
| 25 | 34011 | 40 | CAPSCREW,7/16" X 3-7/16",NC,GR8 |
| 26 | 21677 | 40 | NYLOCK NUT,7/16",NC |
| ----- | 06200639 | - | STRING GUARD KIT, SD (ITEMS 27,29,30) |
| 27 | 33863 | 2 | STRING GUARD,STD |
| 28 | 28683 | 2 | BEARING,FLANGE,1-15/16",STD,TSF |
| 29 | 06530217 | 8 | CAPSCREW,1/2" X 2",NC,L9 |
| 30 | 06533006 | 8 | FLATWASHER,1/2",SAE,L9 |
| 31 | 21732 | 2 | CAPSCREW,1/2" X 1-3/4",NC |
| 32 | TF1029 | 1 | BAR,FLAP,TSF/TBF,75" |
| 33 | TF1016 | 1 | FLAP,DEFLECTOR,TSF,75" |
| 35 | 21632 | 22 | CAPSCREW,3/8" X 1-1/2",NC |
| 36 | 22016 | 49 | FLATWASHER,3/8" |
| 37 | 28184A | 40 | FLAIL KNIVES (SMOOTH CUT) |

COMMON SIDE FLAIL - SD

SIDE FLAIL DRIVE ASSEMBLY



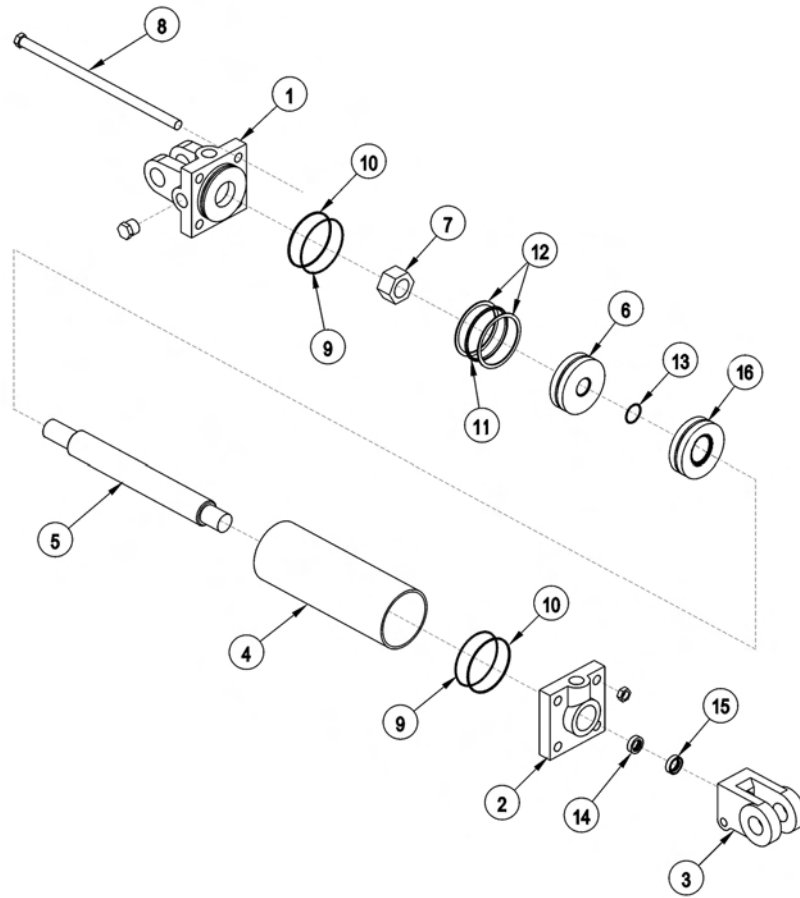
SIDE FLAIL DRIVE ASSEMBLY

Continued...

| ITEM | PART NO. | QTY. | DESCRIPTION |
|------|----------|------|---------------------------------------|
| 1 | ----- | - | BONNET *REFER TO HEAD PARTS |
| 2 | 28679B | 1 | MOTOR CHANNEL |
| 3 | 21700 | 2 | HEX NUT, 1/2", NF |
| 4 | TF3620A | 1 | SPRING,TENSIONER |
| 5 | 27938 | 1 | BUSHING,MACH,1ODX1/2IDX14GA. |
| 6 | 40496 | 1 | ROD,THREADED,1/2NFX8 |
| 7 | PT3611A | 1 | CLEVIS,6" |
| 8 | 06504013 | 1 | MOTOR, M350-1 3/4 GEAR |
| 9 | TF3044 | 1 | SHEAVE,8.0 |
| 10 | TF3013 | 1 | BUSHING,QD,SK 1-1/4,1/4 KEY |
| 11 | TF3040 | 1 | SHEAVE,6.3 |
| 12 | 28702 | 2 | V-BELT,(500) |
| 13 | 28723 | 1 | BUSHING,QD,SK 1-15/16 |
| 14 | 28703B | 1 | GUARD,BELT,TSF,STD |
| 15 | 21584 | 6 | CAPSCREW, 5/16 X 2,NC |
| 16 | 21987 | 6 | LOCKWASHER, 5/16" |
| 17 | 06504028 | 1 | KEY (KEY FROM MOTOR) |
| 18 | 26142A | 1 | KEY,1/2 X 1/2 X 2 |
| 19 | 21732 | 5 | CAPSCREW, 1/2 X 1 3/4,NC |
| 20 | 21990 | 5 | LOCKWASHER, 1/2" |
| 21 | 21725 | 5 | HEX NUT,1/2 NC |
| 22 | 21630 | 3 | CAPSCREW, 3/8 X 1,NC |
| 23 | 22016 | 2 | FLATWASHER,3/8" |
| 24 | 21988 | 3 | LOCKWASHER, 3/8" |
| 25 | 27580 | 2 | BEARING,DX,1-1/2",GRM |
| 26 | 28682 | 1 | RETAINING,WASHER 2-1/2 X 5/16 |
| 27 | TF4852 | 2 | KIT,FLANGE,#20 |
| 28 | 34227 | 1 | PREFORMED TUBE |
| 29 | ----- | - | HOSE (RETURN FOR STANDARD ROTATION) |
| 30 | ----- | - | HOSE (PRESSURE FOR STANDARD ROTATION) |
| 31 | TB3031 | 1 | CLAMP,HOSE |
| 32 | 21638 | 1 | CAPSCREW,3/8 X 3,NC |

COMMON SIDE FLAIL - SD

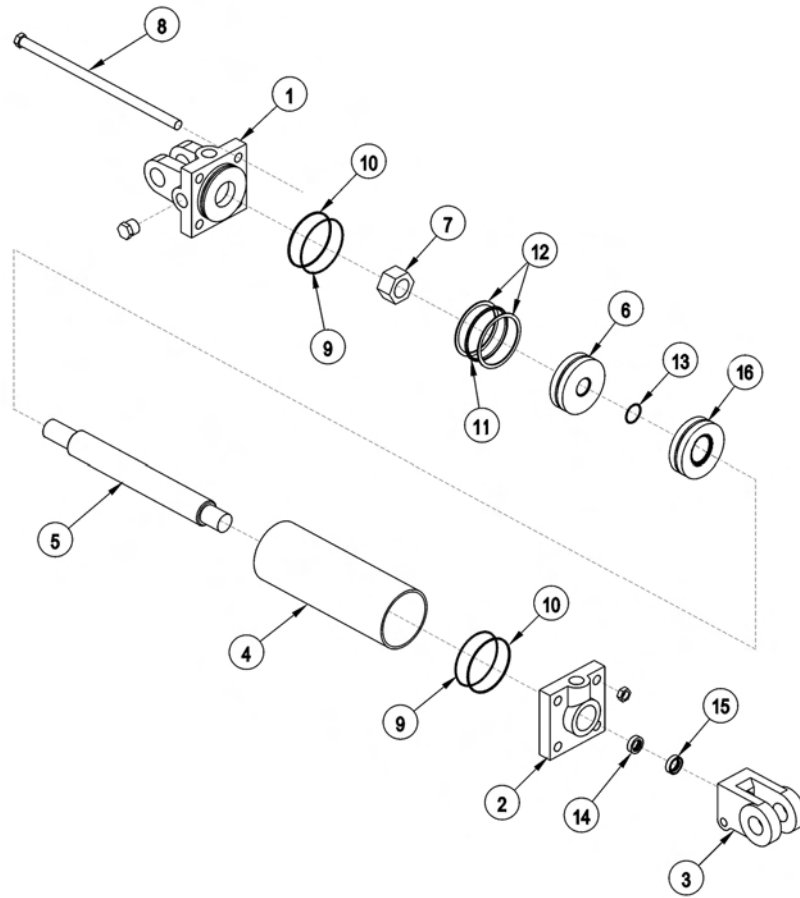
3IN X 10IN HYDRAULIC CYLINDER BREAKDOWN



| ITEM | PART NO. | QTY. | DESCRIPTION |
|-------|----------|------|------------------------|
| ----- | 6T0151R | - | HYD. CYLINDER 3" X 10" |
| 1 | 6T0167 | 1 | CYLINDER BUTT |
| 2 | 6T0170 | 1 | CYLINDER GLAND |
| 3 | 6T0178 | 1 | CLEVIS END |
| 4 | 6T0164 | 1 | CYLINDER TUBE |
| 5 | 6T0161 | 1 | PISTON ROD |
| 6 | 6T0173 | 1 | PISTON |
| 7 | 6T0179 | 1 | LOCKNUT |
| 8 | 6T0176 | 4 | TIE ROD ASY |
| ----- | 6T0187 | - | SEAL KIT |
| 9 | ----- | 2 | O - RING |
| 10 | ----- | 2 | BACK - UP WASHER |
| 11 | ----- | 1 | O - RING |
| 12 | ----- | 2 | BACK - UP WASHER |
| 13 | ----- | 1 | O - RING |
| 14 | ----- | 1 | U - CUP |
| 15 | ----- | 1 | WIPER |

COMMON SIDE FLAIL - SD

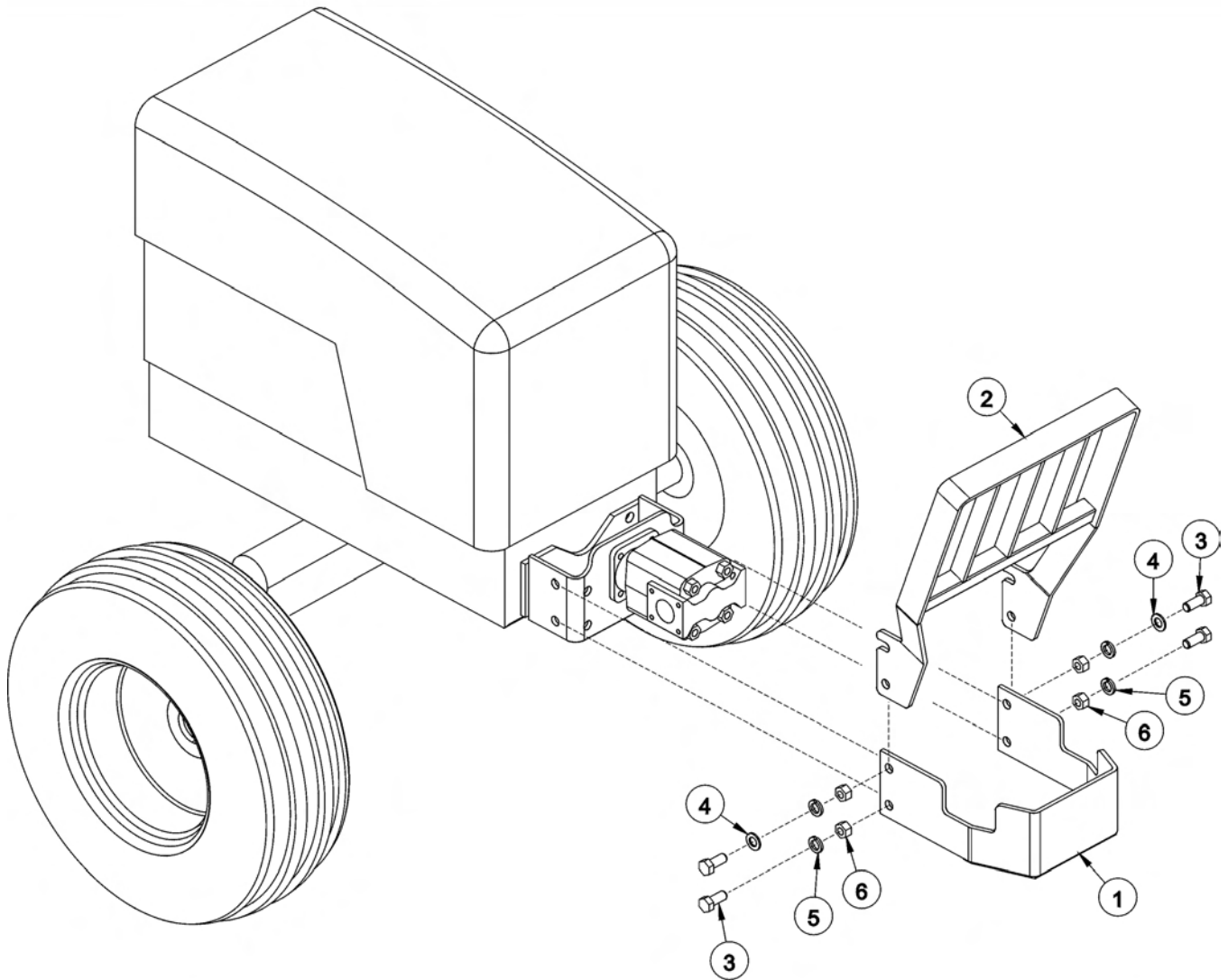
3IN X 12IN HYDRAULIC CYLINDER BREAKDOWN



| ITEM | PART NO. | QTY. | DESCRIPTION |
|-------|----------|------|------------------------|
| ----- | 32215 | - | HYD. CYLINDER 3" X 12" |
| 1 | 6T0167 | 1 | CYLINDER BUTT |
| 2 | 6T0170 | 1 | CYLINDER GLAND |
| 3 | 6T0178 | 1 | CLEVIS END |
| 4 | 6T0204 | 1 | CYLINDER TUBE |
| 5 | 6T0203 | 1 | PISTON ROD |
| 6 | 6T0173 | 1 | PISTON |
| 7 | 6T0179 | 1 | LOCKNUT |
| 8 | 6T0205 | 4 | TIE ROD ASY |
| ----- | 6T0187 | - | SEAL KIT |
| 9 | ----- | 2 | O - RING |
| 10 | ----- | 2 | BACK - UP WASHER |
| 11 | ----- | 1 | O - RING |
| 12 | ----- | 2 | BACK - UP WASHER |
| 13 | ----- | 1 | O - RING |
| 14 | ----- | 1 | U - CUP |
| 15 | ----- | 1 | WIPER |

COMMON SIDE FLAIL - SD

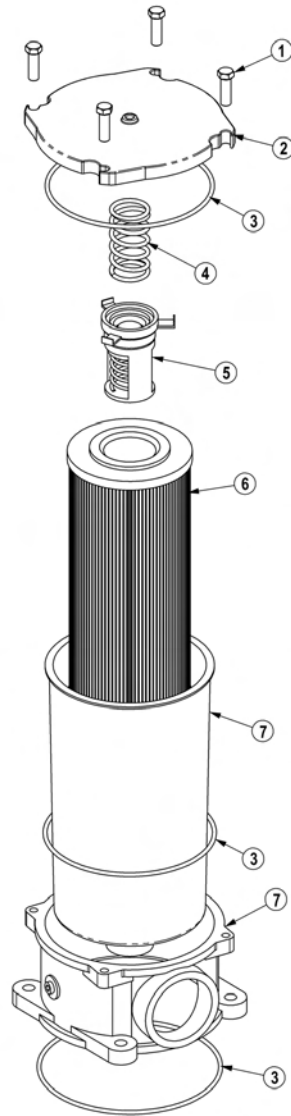
PUMP AND GRILL GUARD OPTIONS



| ITEM | PART NO. | QTY. | DESCRIPTION |
|------|----------|------|---------------------------|
| 1 | 32430 | 1 | UNIVERSAL PUMP GUARD |
| 2 | 32737 | 1 | UNIVERSAL GRILL GUARD |
| 3 | 21833 | 4 | CAPSCREW,3/4" X 2-1/4",NC |
| 4 | 22021 | 2 | FLATWASHER,3/4" |
| 5 | 21993 | 4 | LOCKWASHER,3/4" |
| 6 | 21825 | 4 | HEX NUT,3/4",NC |

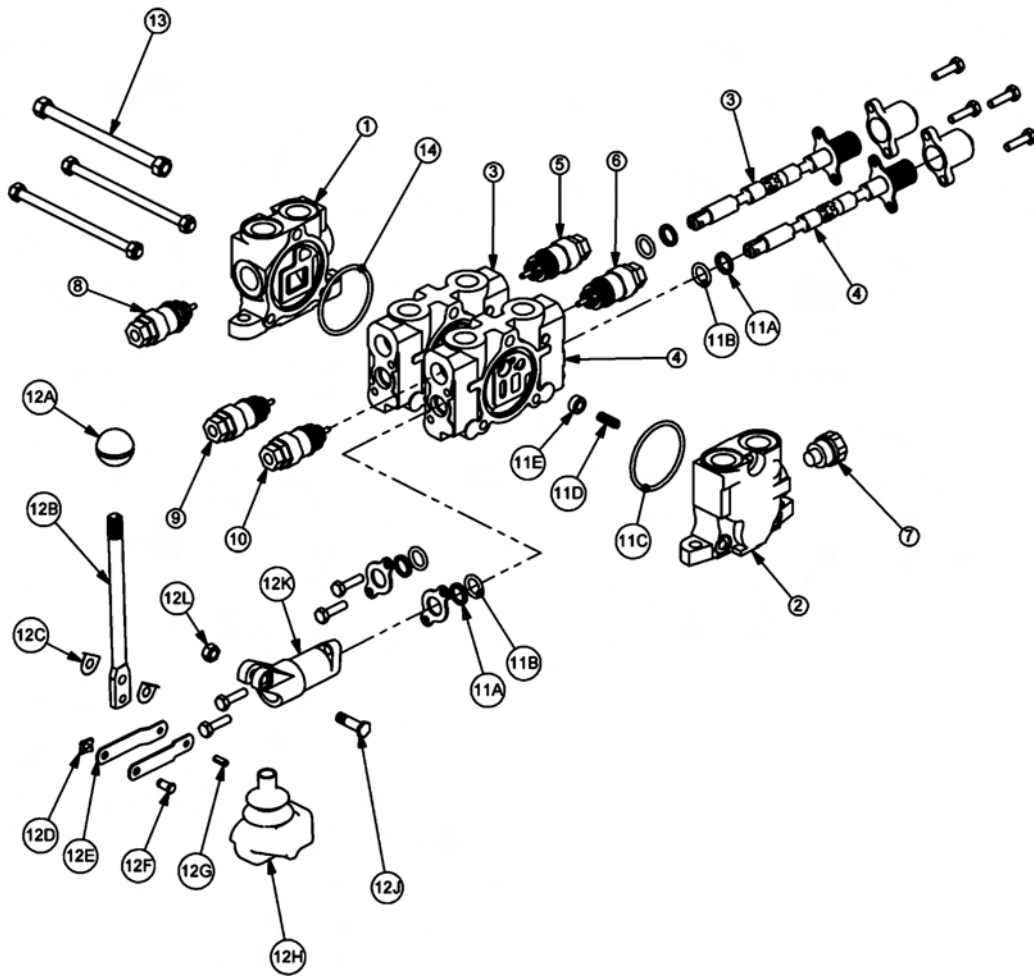
COMMON SIDE FLAIL - SD

RESERVOIR TANK FILTER ASSEMBLY



| ITEM | PART NO. | QTY. | DESCRIPTION |
|-------|----------|------|----------------------------------|
| ----- | 06505044 | - | FILTER ASSY SAE 10 MICRON |
| 1 | 28583 | 4 | CAPSCREW, 8MM X 25MM(1.25 PITCH) |
| 2 | 06505045 | 1 | COVER |
| 3 | 06505046 | 1 | SEAL KIT |
| 4 | 06505047 | 1 | SPRING |
| 5 | 06505048 | 1 | BYPASS |
| 6 | 35259 | 1 | FILTER, 10 MIC, RETURN LINE |
| 7 | 06505049 | 1 | CAN/BODY |

CABLE (MANUAL) LIFT VALVE BREAKDOWN - 30198



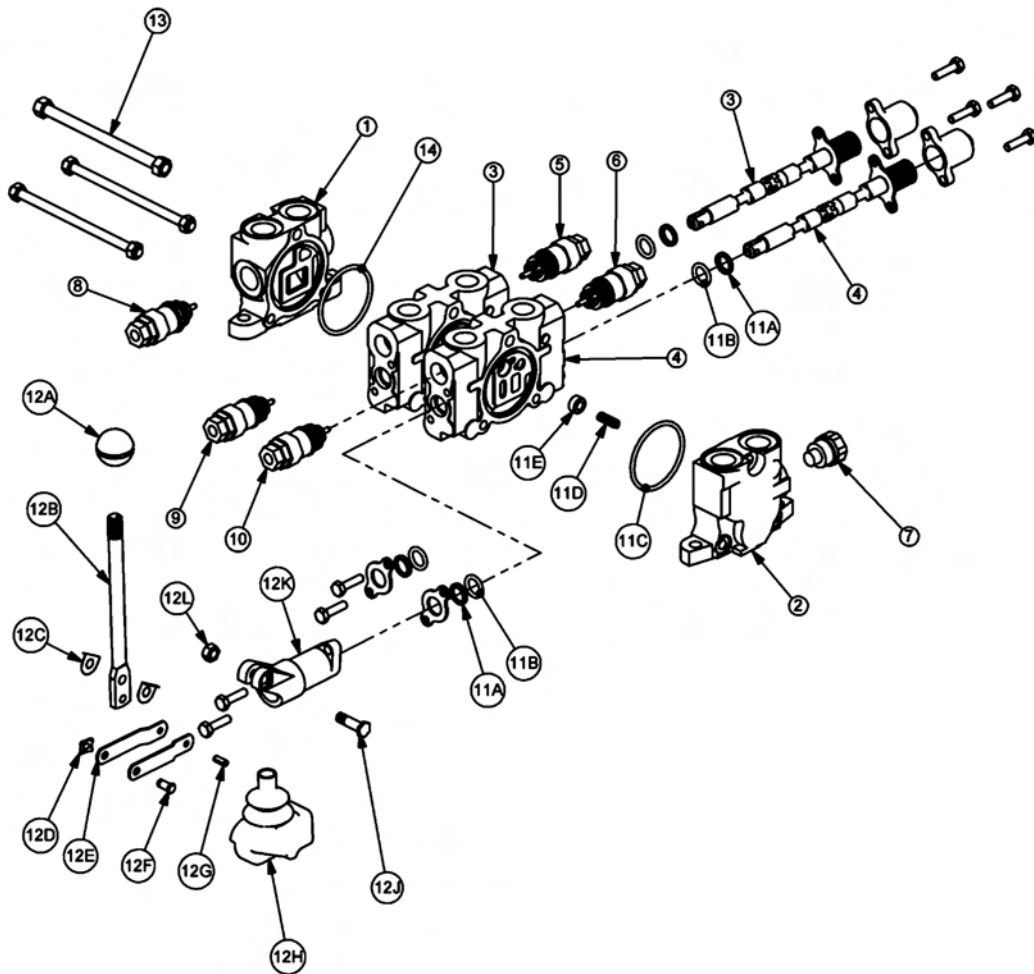
COMMON SIDE FLAIL - SD

CABLE (MANUAL) LIFT VALVE BREAKDOWN - 30198

Continued...

| ITEM | PART NO. | QTY. | DESCRIPTION |
|------|----------|------|---|
| 1 | TB1017S | 1 | INLET END COVER |
| 2 | TB1702 | 1 | END COVER, POWER BEYOND |
| 3 | TF3009 | 1 | VALVE SECTION (DOUBLE ACTING, DETENT - FLOAT) |
| 4 | TF3009 | 1 | VALVE SECTION (DOUBLE ACTING, DETENT - FLOAT) |
| 5 | 06503067 | 1 | RELIEF PLUG |
| 6 | TF4212 | 1 | RELIEF VALVE, 200 PSI |
| 7 | TB1017M | 1 | SHUT-OFF PLUG |
| 8 | TB1017E | 1 | RELIEF VALVE, 2250 PSI |
| 9 | TB1017M | 1 | SHUT-OFF PLUG |
| 10 | TB1017M | 1 | SHUT-OFF PLUG |
| 11 | TB1017A | 2 | VALVE SEAL KIT (FOR ONE SECTION) |
| 11A | ----- | 2 | WIPER |
| 11B | ----- | 2 | O-RING SMALL |
| 11C | ----- | 1 | O-RING LARGE |
| 11D | ----- | 1 | SPRING |
| 11E | ----- | 1 | PUCKET |
| 12 | TB1017L | 2 | LEVER KIT (FOR ONE SECTION) |
| 12A | ----- | 1 | LEVER KNOB |
| 12B | ----- | 1 | LEVER |
| 12C | ----- | 2 | LEVER WASHER |
| 12D | ----- | 1 | LEVER CLIP |
| 12E | ----- | 2 | LINKAGE |
| 12F | ----- | 1 | LEVER PIN |
| 12G | ----- | 1 | ROLL PIN |
| 12H | ----- | 1 | LEVER BOOT |
| 12J | ----- | 1 | LEVER BOLT |
| 12K | ----- | 1 | LEVER DUST COVER |
| 12L | ----- | 1 | LEVER NUT |
| 13 | TB1017X | 1 | TIE ROD KIT |
| 14 | 24214 | 1 | O-RING, LARGE |

CABLE (MANUAL) LIFT VALVE BREAKDOWN - 31752



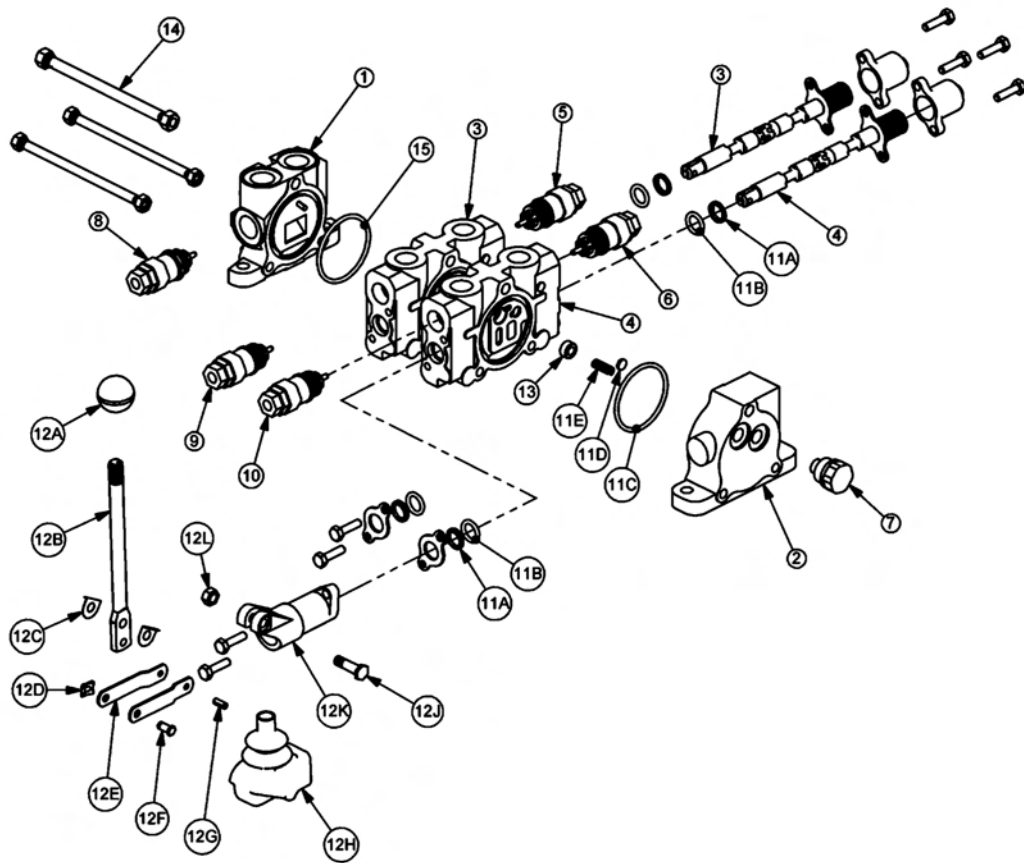
COMMON SIDE FLAIL - SD

CABLE (MANUAL) LIFT VALVE BREAKDOWN - 31752

Continued...

| ITEM | PART NO. | QTY. | DESCRIPTION |
|------|----------|------|--|
| 1 | TB1017S | 1 | INLET END COVER |
| 2 | TB1702 | 1 | END COVER, POWER BEYOND |
| 3 | TB1017P | 1 | VALVE SECTION (SINGLE ACTING, SPRING DETENT) |
| 4 | TB1017P | 1 | VALVE SECTION (SINGLE ACTING, SPRING DETENT) |
| 5 | N/A | - | N/A |
| 6 | N/A | - | N/A |
| 7 | TB1017M | 1 | SHUT-OFF PLUG |
| 8 | TB1017E | 1 | RELIEF VALVE, 2250 PSI |
| 9 | TB1017M | 1 | SHUT-OFF PLUG |
| 10 | TB1017M | 1 | SHUT-OFF PLUG |
| 11 | TB1017A | 2 | VALVE SEAL KIT (FOR ONE SECTION) |
| 11A | ----- | 2 | WIPER |
| 11B | ----- | 2 | O-RING SMALL |
| 11C | ----- | 1 | O-RING LARGE |
| 11D | ----- | 1 | SPRING |
| 11E | ----- | 1 | PUCKET |
| 12 | TB1017L | 2 | LEVER KIT (FOR ONE SECTION) |
| 12A | ----- | 1 | LEVER KNOB |
| 12B | ----- | 1 | LEVER |
| 12C | ----- | 2 | LEVER WASHER |
| 12D | ----- | 1 | LEVER CLIP |
| 12E | ----- | 2 | LINKAGE |
| 12F | ----- | 1 | LEVER PIN |
| 12G | ----- | 1 | ROLL PIN |
| 12H | ----- | 1 | LEVER BOOT |
| 12J | ----- | 1 | LEVER BOLT |
| 12K | ----- | 1 | LEVER DUST COVER |
| 12L | ----- | 1 | LEVER NUT |
| 13 | TB1017X | 1 | TIE ROD KIT |
| 14 | 24214 | 1 | O-RING, LARGE |

CABLE (MANUAL) LIFT VALVE BREAKDOWN - 31320



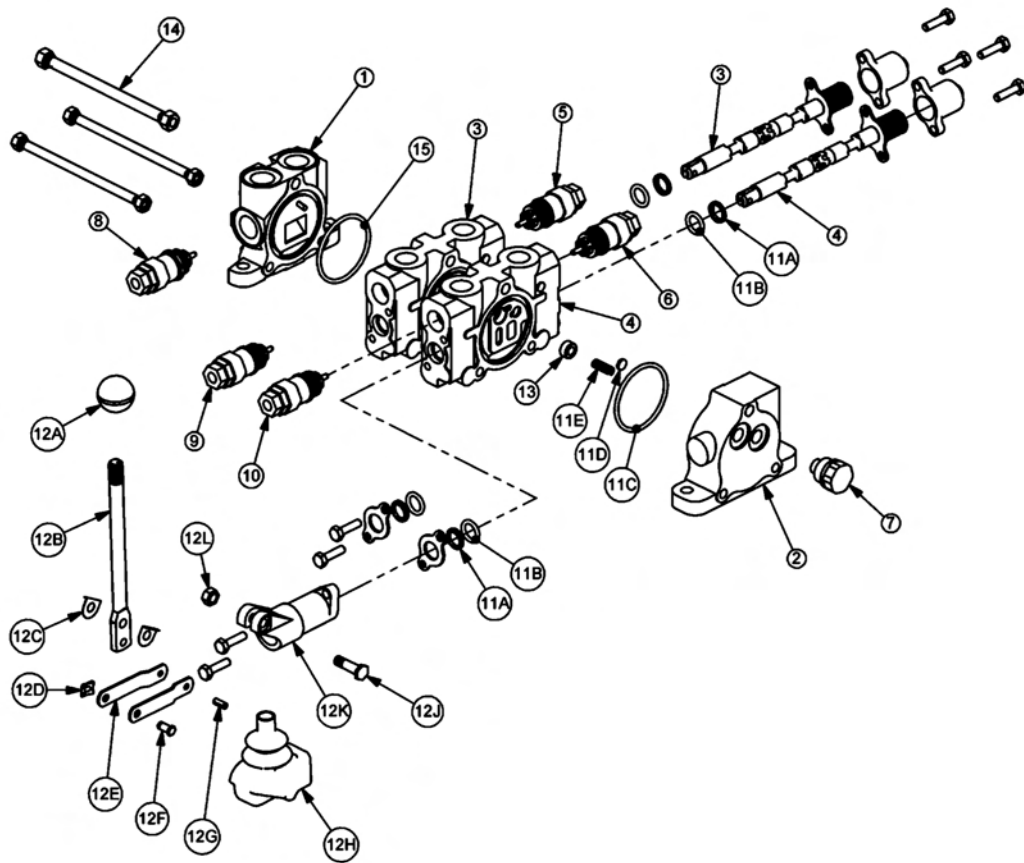
COMMON SIDE FLAIL - SD

CABLE (MANUAL) LIFT VALVE BREAKDOWN - 31320

Continued...

| ITEM | PART NO. | QTY. | DESCRIPTION |
|------|----------|------|--|
| 1 | 31595 | 1 | INLET END COVER |
| 2 | 31594 | 1 | END COVER, LOAD SENSE |
| 3 | 31597 | 1 | VALVE SECTION (DOUBLE ACTING, CENTER SPRING) |
| 4 | 31597 | 1 | VALVE SECTION (DOUBLE ACTING, CENTER SPRING) |
| 5 | 06503067 | 1 | RELIEF PLUG |
| 6 | 06503067 | 1 | RELIEF PLUG |
| 7 | N/A | - | N/A |
| 8 | 6T4209 | 1 | RELIEF PLUG |
| 9 | 31862 | 1 | RELIEF VALVE, 2175 PSI |
| 10 | 31862 | 1 | RELIEF VALVE, 2175 PSI |
| 11 | 31593 | 2 | VALVE SEAL KIT (FOR ONE SECTION) |
| 11A | ----- | 2 | WIPER |
| 11B | ----- | 2 | O-RING SMALL |
| 11C | ----- | 1 | O-RING LARGE |
| 11D | ----- | 1 | SHUTTLE DISC |
| 11E | ----- | 1 | SPRING |
| 12 | TB1017L | 2 | LEVER KIT (FOR ONE SECTION) |
| 12A | ----- | 1 | LEVER KNOB |
| 12B | ----- | 1 | LEVER |
| 12C | ----- | 2 | LEVER WASHER |
| 12D | ----- | 1 | LEVER CLIP |
| 12E | ----- | 2 | LINKAGE |
| 12F | ----- | 1 | LEVER PIN |
| 12G | ----- | 1 | ROLL PIN |
| 12H | ----- | 1 | LEVER BOOT |
| 12J | ----- | 1 | LEVER BOLT |
| 12K | ----- | 1 | LEVER DUST COVER |
| 12L | ----- | 1 | LEVER NUT |
| 13 | 31603 | 2 | COMPENSATOR |
| 14 | TB1017X | 1 | TIE ROD KIT |
| 15 | 24214 | 1 | O-RING, LARGE |

CABLE (MANUAL) LIFT VALVE BREAKDOWN - 31322

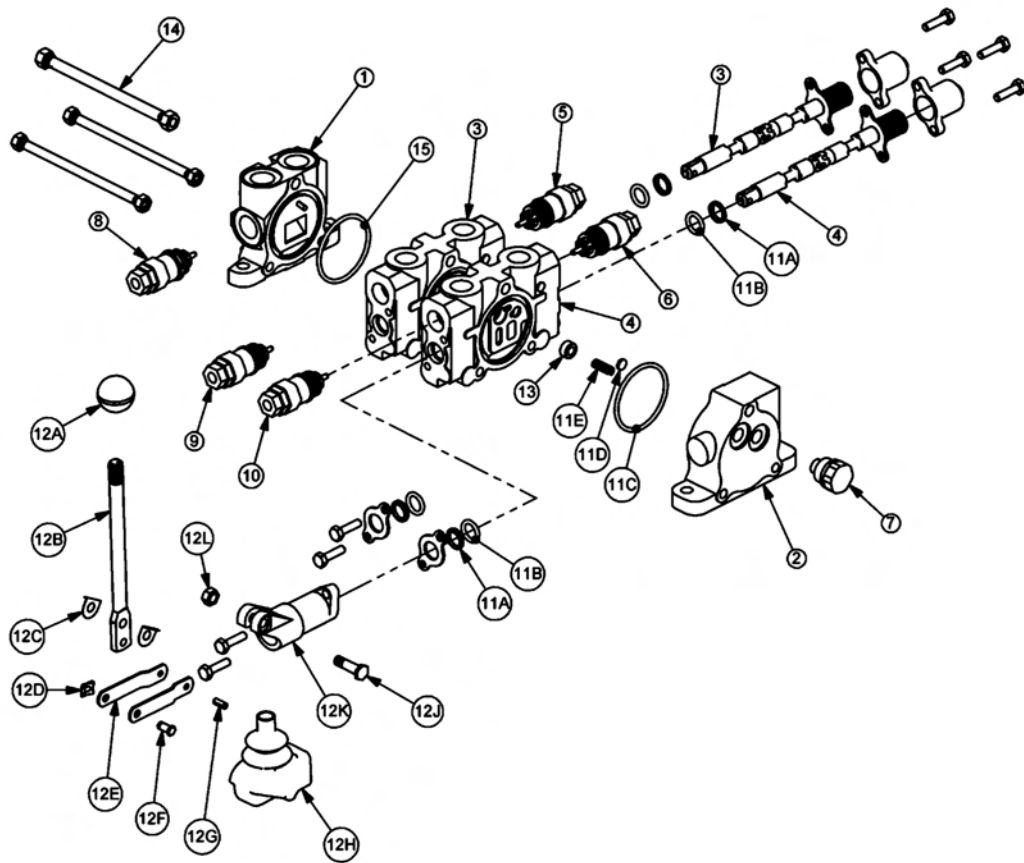


CABLE (MANUAL) LIFT VALVE BREAKDOWN - 31322

Continued...

| ITEM | PART NO. | QTY. | DESCRIPTION |
|------|----------|------|---|
| 1 | 31595 | 1 | INLET END COVER |
| 2 | 31594 | 1 | END COVER, LOAD SENSE |
| 3 | 31600 | 1 | VALVE SECTION (DOUBLE ACTING, DETENT-FLOAT) |
| 4 | 31600 | 1 | VALVE SECTION (DOUBLE ACTING, DETENT-FLOAT) |
| 5 | 06503067 | 1 | RELIEF PLUG |
| 6 | 31861 | 1 | RELIEF VALVE, 360 PSI |
| 7 | N/A | - | N/A |
| 8 | 6T4209 | 1 | RELIEF PLUG |
| 9 | 31862 | 1 | RELIEF VALVE, 2175 PSI |
| 10 | 31862 | 1 | RELIEF VALVE, 2175 PSI |
| 11 | 31593 | 2 | VALVE SEAL KIT (FOR ONE SECTION) |
| 11A | ----- | 2 | WIPER |
| 11B | ----- | 2 | O-RING SMALL |
| 11C | ----- | 1 | O-RING LARGE |
| 11D | ----- | 1 | SHUTTLE DISC |
| 11E | ----- | 1 | SPRING |
| 12 | TB1017L | 2 | LEVER KIT (FOR ONE SECTION) |
| 12A | ----- | 1 | LEVER KNOB |
| 12B | ----- | 1 | LEVER |
| 12C | ----- | 2 | LEVER WASHER |
| 12D | ----- | 1 | LEVER CLIP |
| 12E | ----- | 2 | LINKAGE |
| 12F | ----- | 1 | LEVER PIN |
| 12G | ----- | 1 | ROLL PIN |
| 12H | ----- | 1 | LEVER BOOT |
| 12J | ----- | 1 | LEVER BOLT |
| 12K | ----- | 1 | LEVER DUST COVER |
| 12L | ----- | 1 | LEVER NUT |
| 13 | 31603 | 2 | COMPENSATOR |
| 14 | TB1017X | 1 | TIE ROD KIT |
| 15 | 24214 | 1 | O-RING, LARGE |

CABLE (MANUAL) LIFT VALVE BREAKDOWN - 06502040

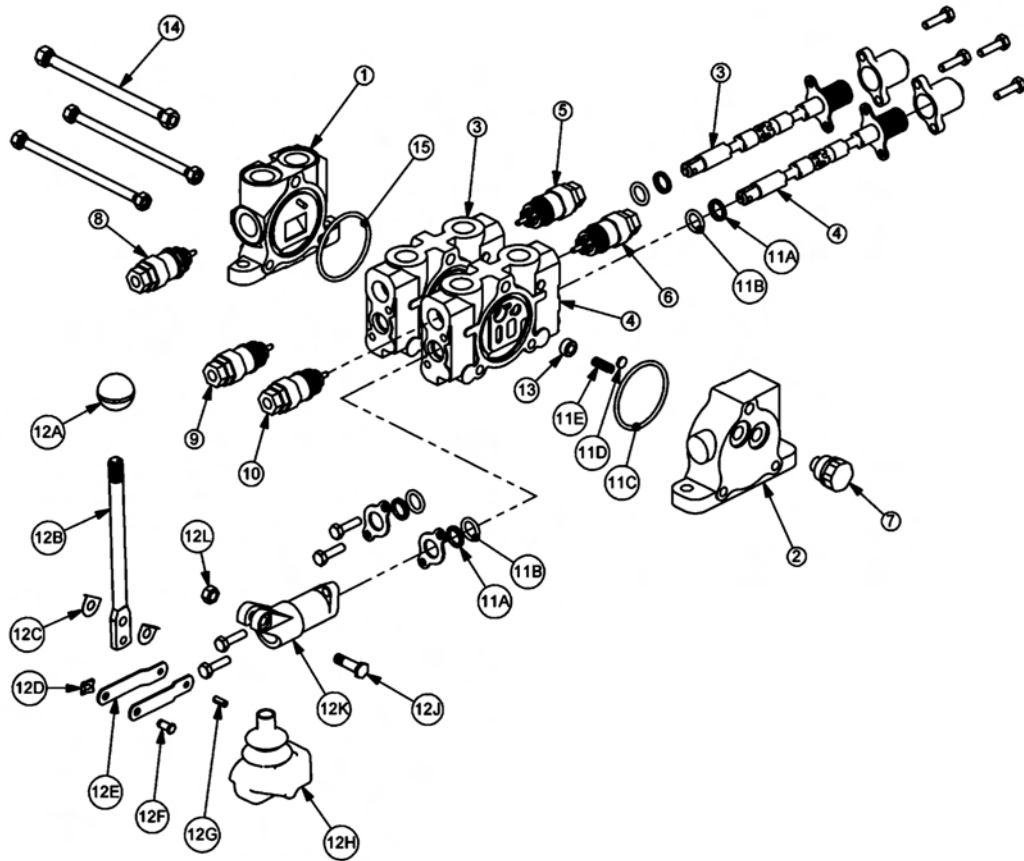


CABLE (MANUAL) LIFT VALVE BREAKDOWN - 06502040

Continued...

| ITEM | PART NO. | QTY. | DESCRIPTION |
|------|----------|------|--|
| 1 | 31595 | 1 | INLET END COVER |
| 2 | 31594 | 1 | END COVER, LOAD SENSE |
| 3 | 31597 | 1 | VALVE SECTION (DOUBLE ACTING, CENTER SPRING) |
| 4 | 31597 | 1 | VALVE SECTION (DOUBLE ACTING, CENTER SPRING) (REMOVE SHUTTLE DISC) |
| 5 | 06503067 | 1 | RELIEF PLUG |
| 6 | 06503067 | 1 | RELIEF PLUG |
| 7 | 06503068 | 1 | RELIEF PLUG |
| 8 | N/A | - | N/A |
| 9 | 31862 | 1 | RELIEF VALVE, 2175 PSI |
| 10 | 31862 | 1 | RELIEF VALVE, 2175 PSI |
| 11 | 31593 | 2 | VALVE SEAL KIT (FOR ONE SECTION) |
| 11A | ----- | 2 | WIPER |
| 11B | ----- | 2 | O-RING SMALL |
| 11C | ----- | 1 | O-RING LARGE |
| 11D | ----- | 1 | SHUTTLE DISC |
| 11E | ----- | 1 | SPRING |
| 12 | TB1017L | 2 | LEVER KIT (FOR ONE SECTION) |
| 12A | ----- | 1 | LEVER KNOB |
| 12B | ----- | 1 | LEVER |
| 12C | ----- | 2 | LEVER WASHER |
| 12D | ----- | 1 | LEVER CLIP |
| 12E | ----- | 2 | LINKAGE |
| 12F | ----- | 1 | LEVER PIN |
| 12G | ----- | 1 | ROLL PIN |
| 12H | ----- | 1 | LEVER BOOT |
| 12J | ----- | 1 | LEVER BOLT |
| 12K | ----- | 1 | LEVER DUST COVER |
| 12L | ----- | 1 | LEVER NUT |
| 13 | 31603 | 2 | COMPENSATOR |
| 14 | TB1017X | 1 | TIE ROD KIT |
| 15 | 24214 | 1 | O-RING, LARGE |

CABLE (MANUAL) LIFT VALVE BREAKDOWN - 06502042

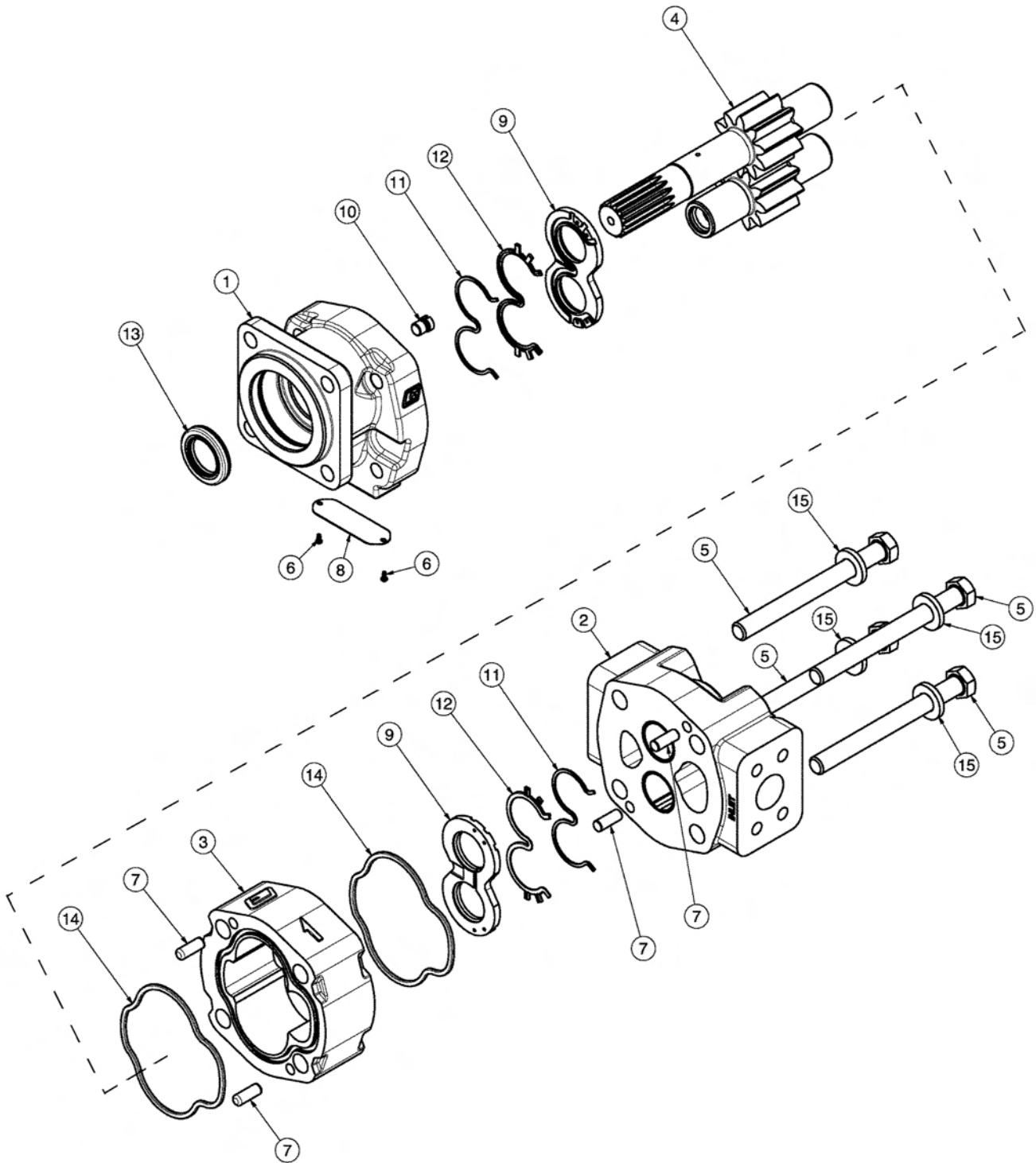


CABLE (MANUAL) LIFT VALVE BREAKDOWN - 06502042

Continued...

| ITEM | PART NO. | QTY. | DESCRIPTION |
|------|----------|------|---|
| 1 | 31595 | 1 | INLET END COVER |
| 2 | 31594 | 1 | END COVER, LOAD SENSE |
| 3 | 31600 | 1 | VALVE SECTION (DOUBLE ACTING, DETENT FLOAT) |
| 4 | 31600 | 1 | VALVE SECTION (DOUBLE ACTING, DETENT FLOAT) (REMOVE SHUTTLE DISC) |
| 5 | 06503067 | 1 | RELIEF PLUG |
| 6 | 31861 | 1 | RELIEF VALVE, 360 PSI |
| 7 | 06503068 | 1 | RELIEF PLUG |
| 8 | 6T4209 | 1 | RELIEF PLUG |
| 9 | 31862 | 1 | RELIEF VALVE, 2175 PSI |
| 10 | 31862 | 1 | RELIEF VALVE, 2175 PSI |
| 11 | 31593 | 2 | VALVE SEAL KIT (FOR ONE SECTION) |
| 11A | ----- | 2 | WIPER |
| 11B | ----- | 2 | O-RING SMALL |
| 11C | ----- | 1 | O-RING LARGE |
| 11D | ----- | 1 | SHUTTLE DISC |
| 11E | ----- | 1 | SPRING |
| 12 | TB1017L | 2 | LEVER KIT (FOR ONE SECTION) |
| 12A | ----- | 1 | LEVER KNOB |
| 12B | ----- | 1 | LEVER |
| 12C | ----- | 2 | LEVER WASHER |
| 12D | ----- | 1 | LEVER CLIP |
| 12E | ----- | 2 | LINKAGE |
| 12F | ----- | 1 | LEVER PIN |
| 12G | ----- | 1 | ROLL PIN |
| 12H | ----- | 1 | LEVER BOOT |
| 12J | ----- | 1 | LEVER BOLT |
| 12K | ----- | 1 | LEVER DUST COVER |
| 12L | ----- | 1 | LEVER NUT |
| 13 | 31603 | 2 | COMPENSATOR |
| 14 | TB1017X | 1 | TIE ROD KIT |
| 15 | 24214 | 1 | O-RING, LARGE |

FRONT HYDRAULIC PUMP BREAKDOWN



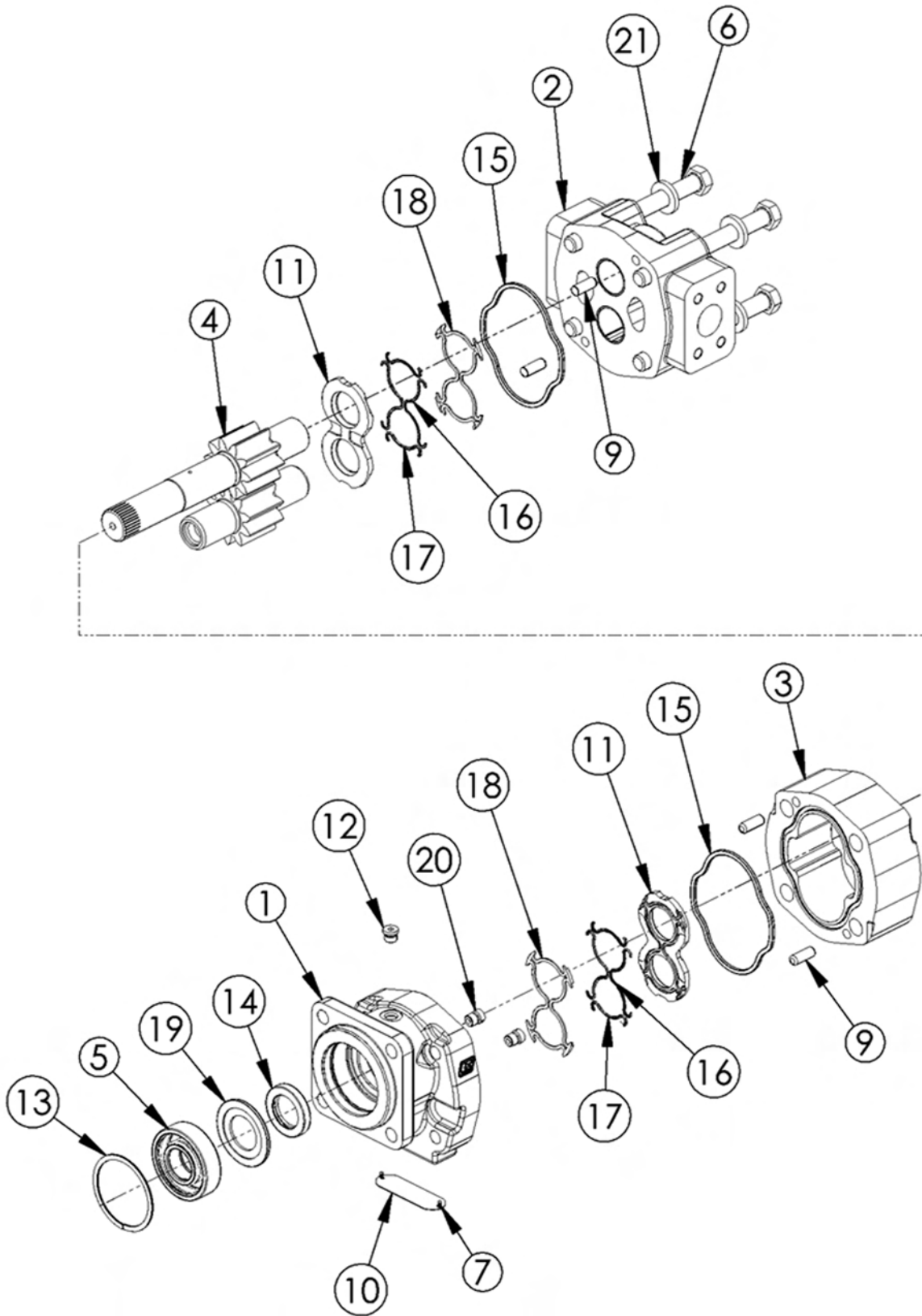
COMMON SIDE FLAIL - SD

FRONT HYDRAULIC PUMP BREAKDOWN

Continued...

| ITEM | PART NO. | QTY. | DESCRIPTION |
|------|----------|------|---------------------------------------|
| --- | 23152 | 1 | PUMP ASSEMBLY,1-3/4",COMPLETE |
| 1 | 22766 | 1 | SHAFT END COVER |
| 2 | 22779 | 1 | PORT END COVER |
| 3 | 22774 | 1 | GEAR HOUSING,1-3/4" |
| 4 | 22771 | 1 | GEAR SET |
| 5 | 23824 | 4 | CAPSCREW |
| 6 | 06504078 | 2 | SCREW,DRIVE |
| 7 | 22773 | 4 | DOWEL PINS |
| 8 | 06504077 | 1 | NAMEPLATE |
| 9 | 22770 | 2 | THRUST PLATE |
| 10 | 22767 | 1 | PLUG |
| 11 | 06504075 | 2 | SEAL,BK-UP |
| 12 | 06504074 | 2 | SEAL,CHAN |
| 13 | 22765 | 1 | SEAL,LIP |
| 14 | 06504076 | 2 | SEAL,SQ-R |
| 15 | 02961917 | 4 | WASHER |
| --- | 24150 | 1 | SEAL KIT (INCLUDES 11, 12, 13 AND 14) |

FLAIL MOTOR BREAKDOWN



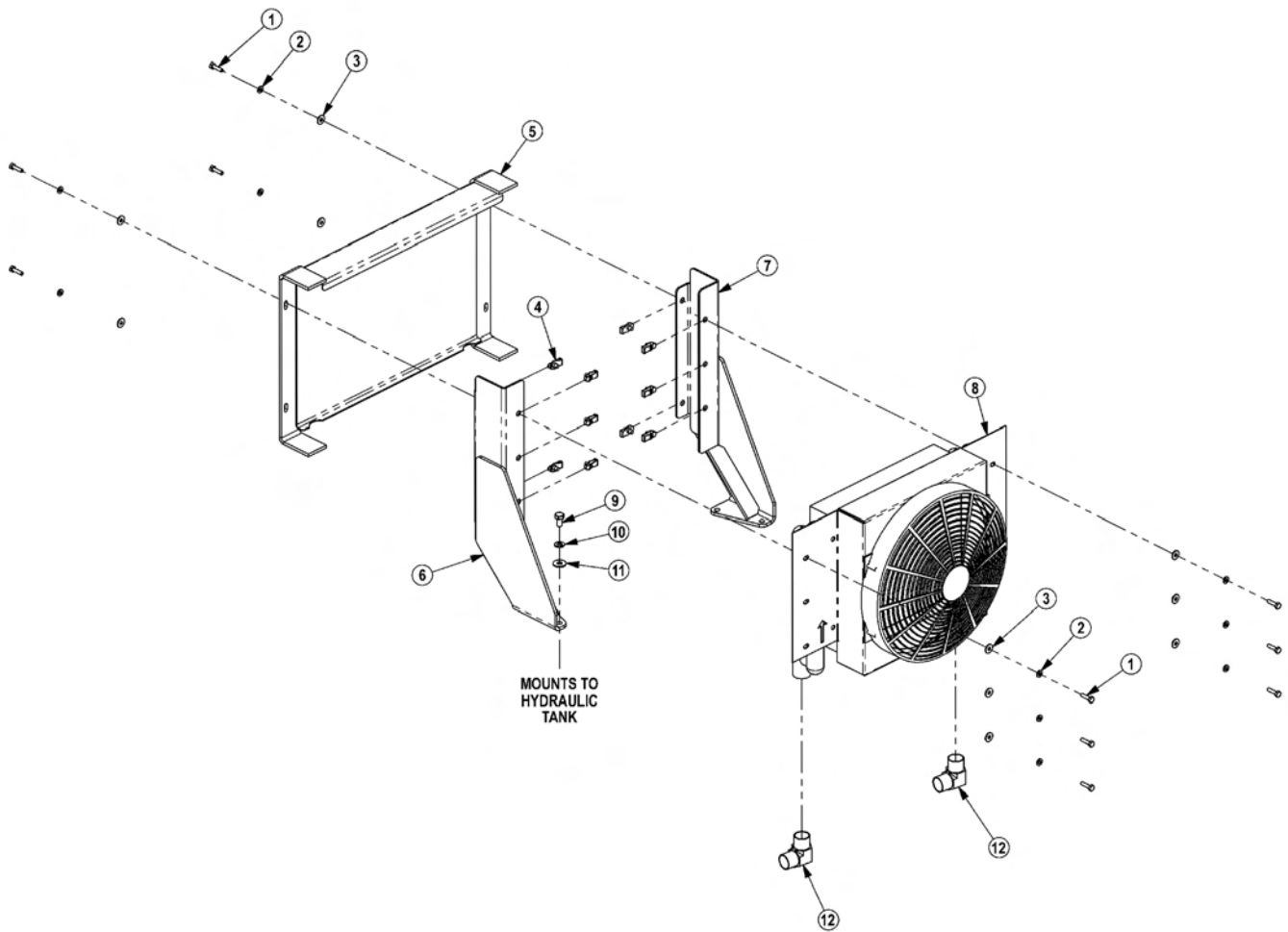
COMMON SIDE FLAIL - SD

FLAIL MOTOR BREAKDOWN

Continued...

| ITEM | PART NO. | QTY. | DESCRIPTION |
|-------|----------|------|--|
| ----- | 06504013 | - | MOTOR ASSEMBLY 350 - TSF |
| 1 | 06504039 | 1 | SHAFT END COVER |
| 2 | 06504040 | 1 | PORT END COVER |
| 3 | 06504041 | 1 | GEAR HOUSING |
| 4 | 06504042 | 1 | MATCHED GEAR SET |
| 5 | TF4402 | 1 | BALL BEARING |
| 6 | 06504043 | 4 | CAP SCREW |
| 7 | 06504044 | 2 | SET SCREW |
| 8 | 06504028 | 1 | KEY |
| 9 | 06504045 | 4 | DOWEL PIN |
| 10 | ----- | 1 | NAMEPLATE |
| 11 | 763759 | 2 | THRUSTPLATE |
| 12 | 02961940 | 1 | HEX PLUG |
| 13 | TF4401 | 1 | SNAP RING |
| 14 | 06504049 | 1 | LIP SEAL (INCLUDED IN SEAL KIT) |
| 15 | TF4410 | 2 | GASKET SEAL (INCLUDED IN SEAL KIT) |
| 16 | 06504046 | 4 | SIDE SEAL (INCLUDED IN SEAL KIT) |
| 17 | 06504047 | 4 | END SEAL (INCLUDED IN SEAL KIT) |
| 18 | TF4407 | 2 | BACK-UP SEAL (INCLUDED IN SEAL KIT) |
| 19 | 06504048 | 1 | SEAL RETAINER |
| 20 | 6T5809 | 2 | CHECK ASSEMBLY |
| 21 | 02961917 | 4 | WASHER |
| ----- | 06504023 | - | SEAL KIT (INCLUDES 14, 15, 16, 17, AND 18) |

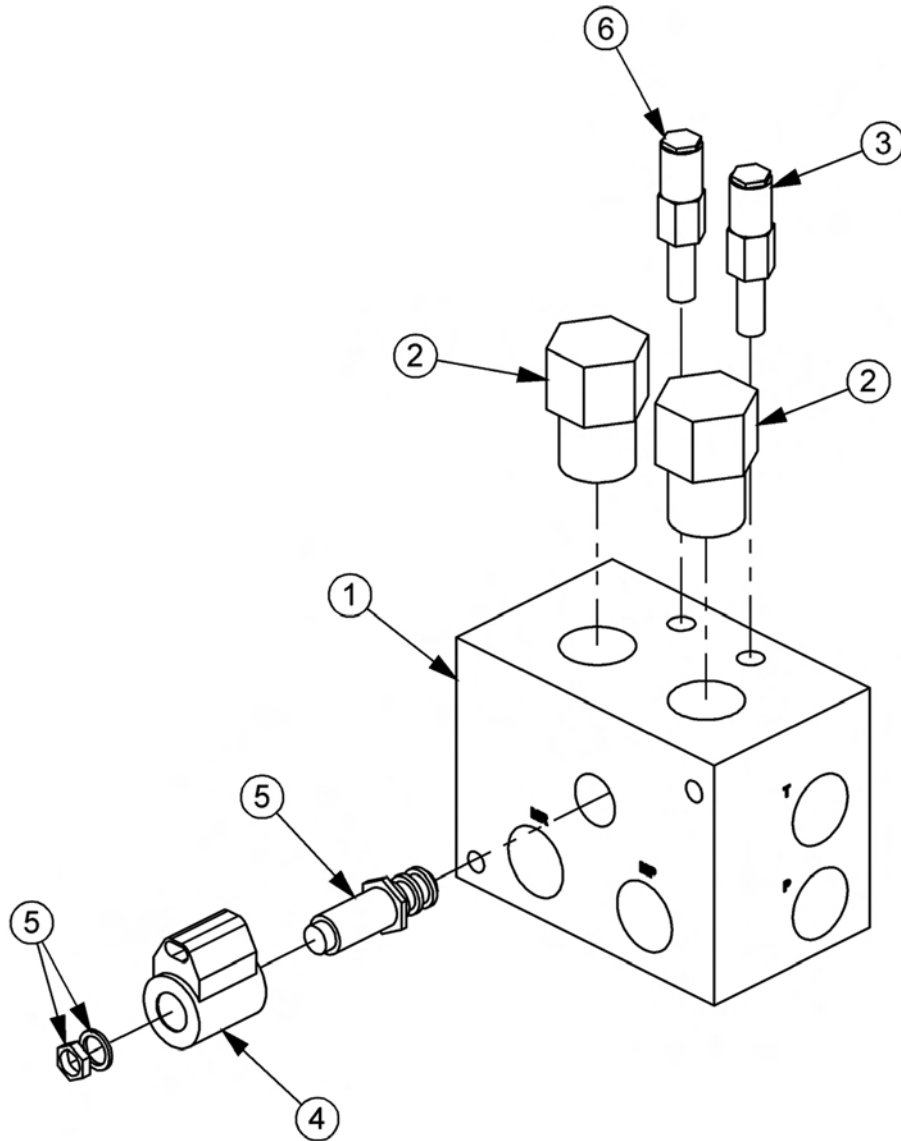
COOLER ASSEMBLY



| ITEM | PART NO. | QTY. | DESCRIPTION |
|------|----------|------|---------------------------|
| 1 | 21530 | 10 | CAPSCREW,1/4 X1 NC |
| 2 | 21986 | 10 | LOCKWASHER,1/4 |
| 3 | 22014 | 10 | FLATWASHER,1/4 |
| 4 | 35176 | 10 | 1/4 U-NUT |
| 5 | 06370015 | 1 | SCREEN,COOLER,FRNT |
| 6 | 06380006 | 1 | MNT,COOLER,BUMPER TANK,RH |
| 7 | 06380007 | 1 | MNT,COOLER,BUMPER TANK,LH |
| 8 | 06510026 | 1 | COOLER,FRONT MNT |
| 9 | 21629 | 4 | CAPSCREW,3/8 X 3/4 NC |
| 10 | 21988 | 4 | LOCKWASHER,3/8 |
| 11 | 22016 | 4 | FLATWASHER,3/8 |
| 12 | 34117 | 2 | ELBOW,1MOR X 1MJ90,FORGED |

COMMON SIDE FLAIL - SD

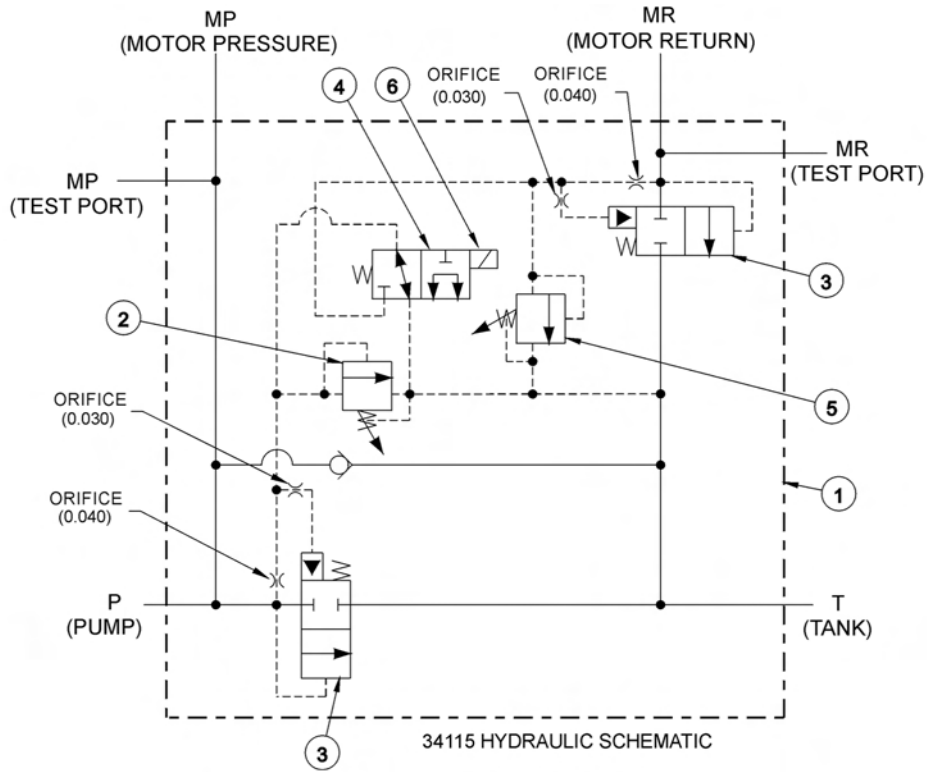
BRAKE VALVE ASSEMBLY



| ITEM | PART NO. | QTY. | DESCRIPTION |
|------|----------|------|--|
| --- | 06510083 | 1 | BRAKE VALVE, ASSY |
| 1 | 34092 | 1 | BRAKE VALVE, BLANK |
| 2 | 34094 | 2 | LOGIC ELEMENT |
| 3 | 34095 | 1 | RELIEF VALVE, 3000 PSI |
| 4 | 06510095 | 1 | METRI PAK COIL |
| 5 | 34093 | 1 | CARTRIDGE, 2 POSITION, 3 WAY (WITH NUT & WASHER) |
| 6 | 34091 | 1 | RELIEF VALVE, 2600 PSI |
| --- | 34096 | 2 | RELIEF SEAL KIT |
| ---- | 34097 | 1 | SOLENOID SEAL KIT |
| --- | 34098 | 2 | ELEMENT SEAL KIT |

COMMON SIDE FLAIL - SD

BRAKE VALVE HYDRAULIC SCHEMATIC



BRAKE VALVE TROUBLESHOOTING

FAILURE MODE:

- MOWER WILL NOT START - system pressure is low (engine not lugging).
- MOWER WILL NOT START - system pressure is high (engine lugging). "MR" port will be high pressure.
- MOWER WILL NOT ROTATE AT FULL SPEED - limited power.
- MOWER BLADE WILL NOT STOP - blade will not stop in proper time.

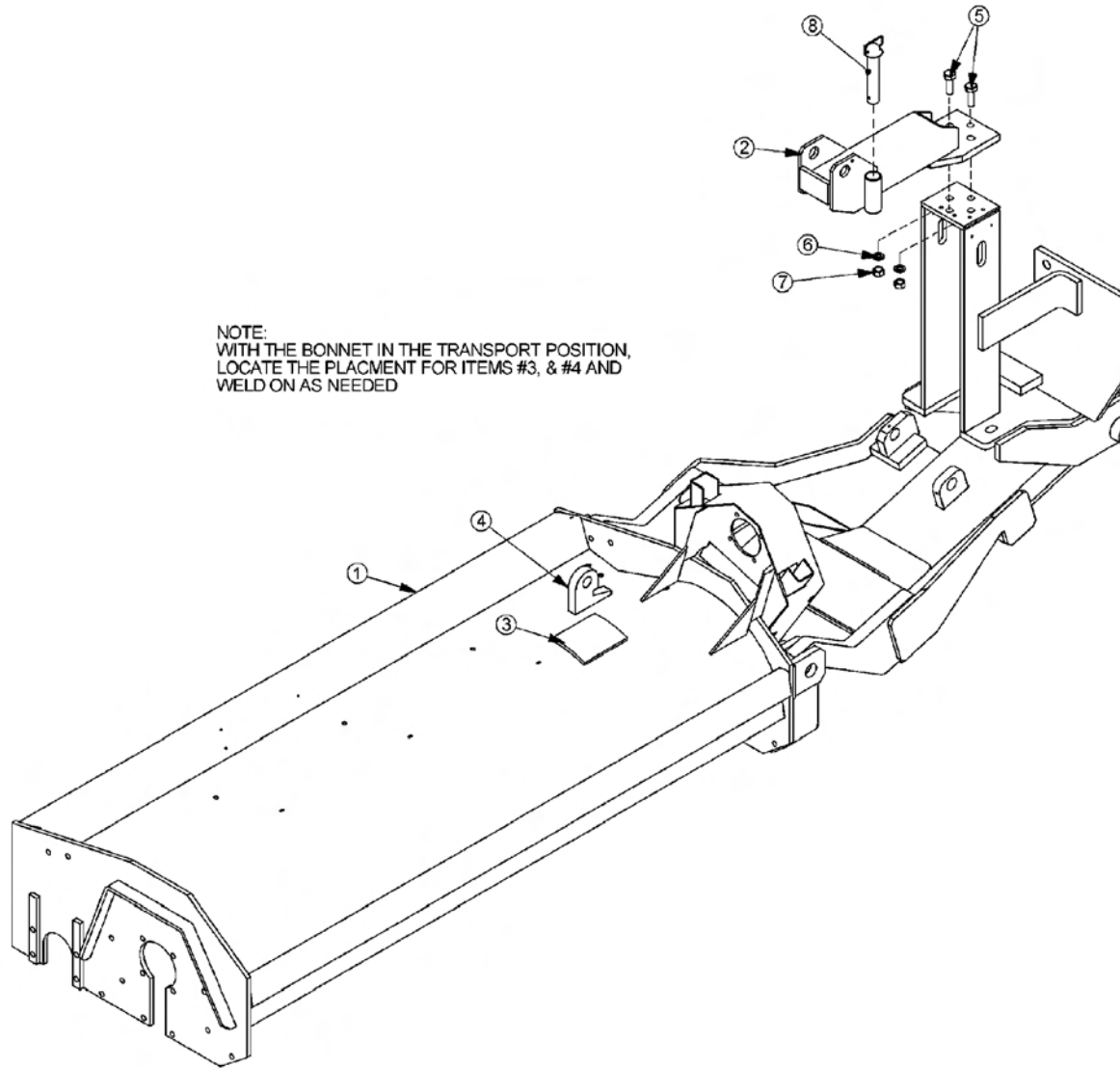
CHECK STEPS

- 1 thru 6
- 7
- 3 thru 5
- 7 thru 9

CORRECTIVE STEPS:

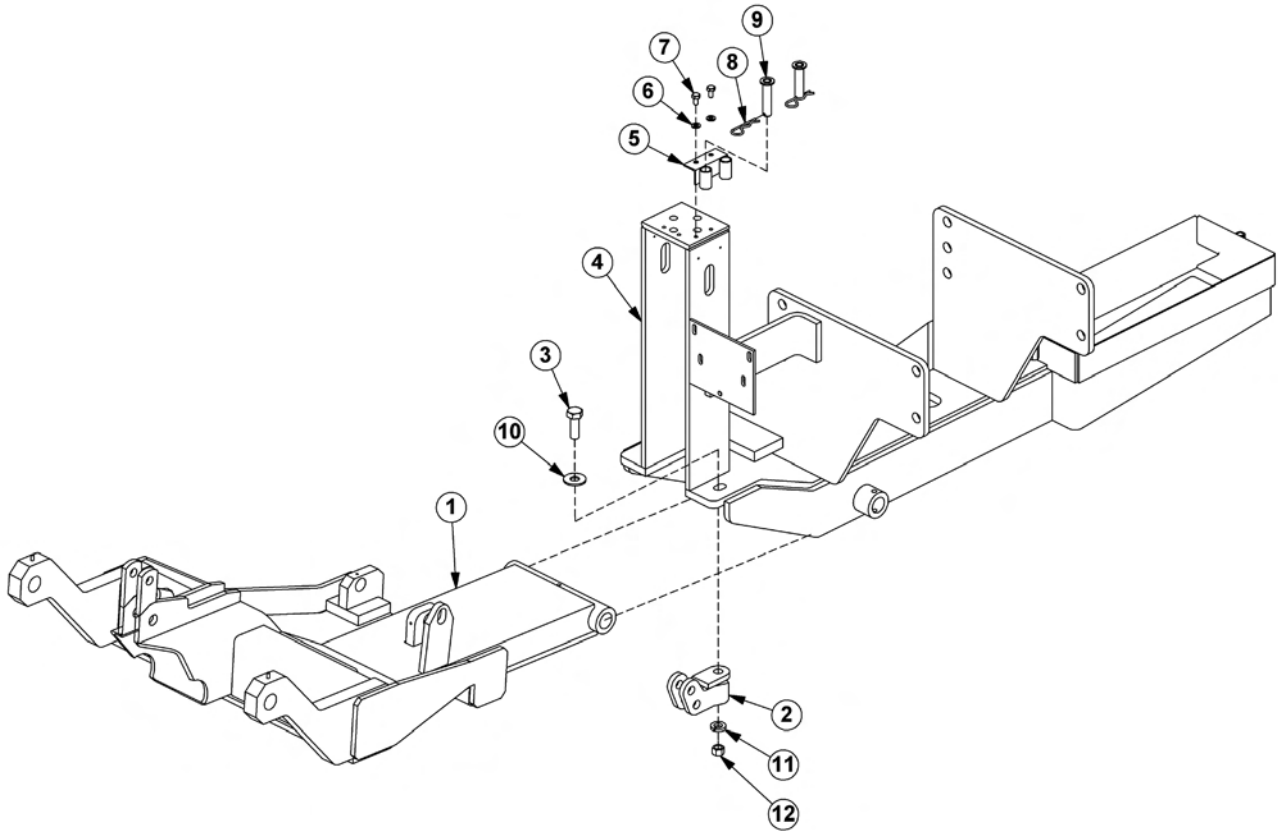
1. Check for voltage at solenoid (item 6), voltage must be between 10.2 volts and 13.8 volts.
2. Remove, inspect solenoid and cartridge (items 4, 6) for wear or contamination.
3. Remove, inspect logic elements near "P" port (item 3) for wear or contamination.
4. Remove, inspect 3000 psi relief valve (item 2) for wear or contamination.
5. Remove and inspect orifices near "P" port for contamination.
6. Remove "P" port hose and fitting, visually inspect for contamination, check ball for movement.
7. Remove and inspect orifices near "MR" port for contamination.
8. Remove, inspect 2600 psi relief valve (item 5) for wear of contamination.
9. Remove, inspect logic element near "MR" port (item 3) for wear or contamination.

SIDE FLAIL TRAVEL LOCK



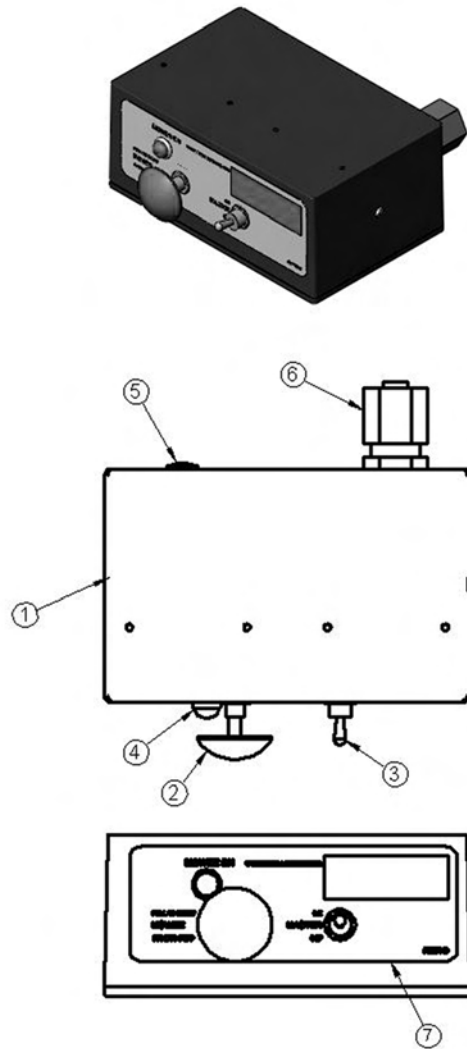
| ITEM | PART NO. | QTY. | DESCRIPTION |
|------|----------|------|---------------------------------|
| 1 | ----- | - | BONNET *REFER TO FLAIL ASSEMBLY |
| 2 | 30531A | 1 | BRACKET, TRAVEL LOCK |
| 3 | TF4248 | 1 | PLATE, TRAVEL LOCK |
| 4 | 23745 | 1 | TRAVEL LOCK HOOK |
| 5 | 21783 | 2 | CAPSCREW, 5/8" X 2" NC |
| 6 | 21992 | 2 | LOCKWASHER, 5/8" |
| 7 | 21775 | 2 | HEX NUT, 5/8" NC |
| 8 | TF4250 | 1 | PIN, TRAVEL LOCK |

DRAFT BEAM TRAVEL LOCK



| ITEM | PART NO. | QTY. | DESCRIPTION |
|------|----------|------|------------------------------------|
| 1 | 32143 | 1 | DRAFT BEAM |
| 2 | 6T0106 | 1 | TRAVEL LOCK BRACKET |
| 3 | 21833 | 1 | CAPSCREW 3/4" X 2 1/4" |
| 4 | ----- | - | MAIN FRAME *REFER TO PARTS SECTION |
| 5 | 33856 | 1 | BRKT,PIN HOLDER |
| 6 | 21988 | 2 | LOCK WASHER 3/8" |
| 7 | 21629 | 2 | CAPSCREW 3/8" X 3/4" |
| 8 | 6T3020 | 2 | R - CLIP 5/32" |
| 9 | 6T0107 | 2 | TRAVEL LOCK PINS 3/4" X 3 1/4" |
| 10 | 22021 | 1 | FLAT WASHER 3/4" |
| 11 | 21993 | 1 | LOCK WASHER 3/4" |
| 12 | 21825 | 1 | HEX NUT 3/4" |

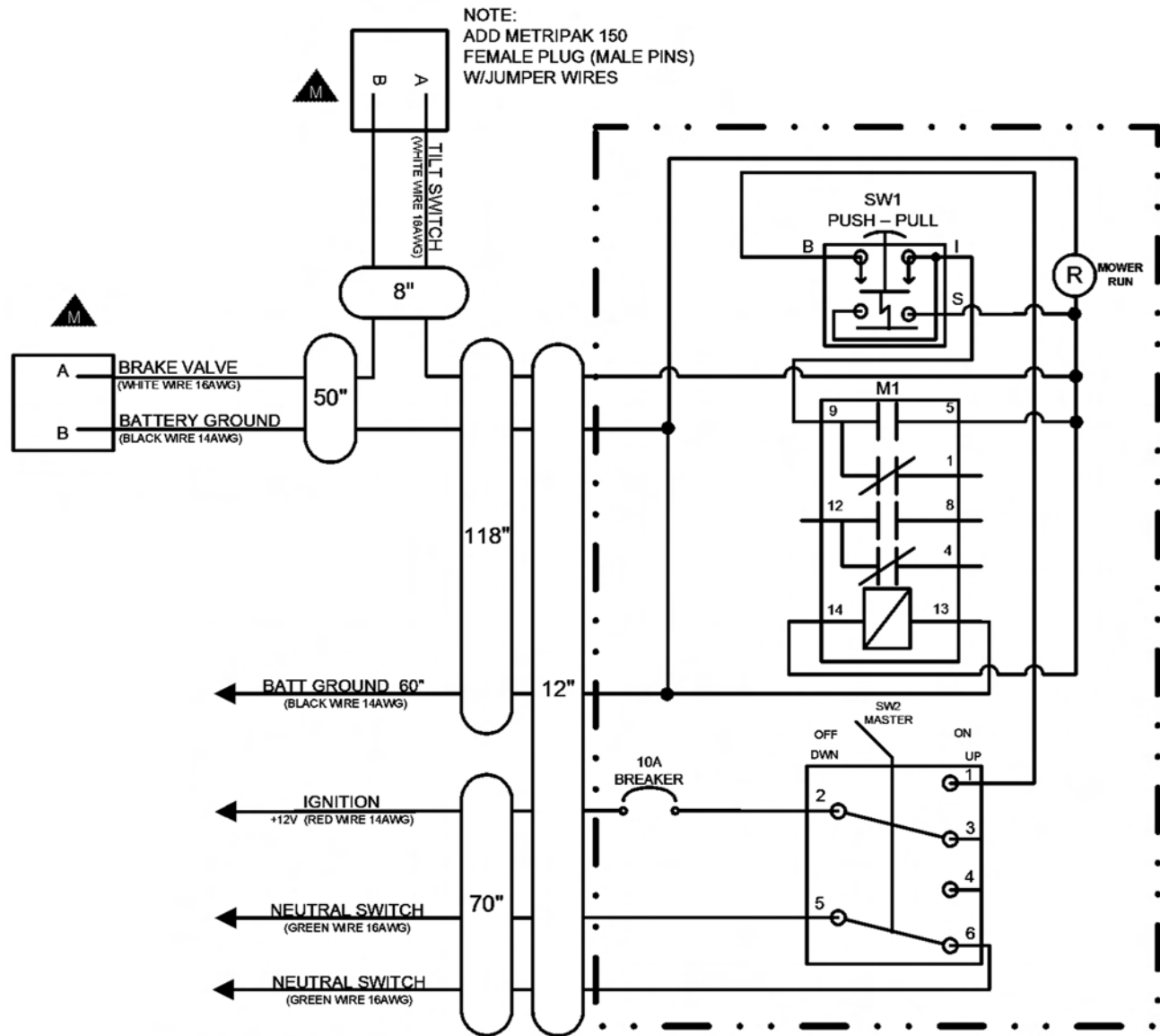
SWITCH BOX



| ITEM | PART NO. | QTY. | DESCRIPTION |
|------|----------|------|-------------------------------|
| 1 | 06514013 | 1 | SWBX,ALUM,BLK,06510102 |
| 2 | 35226 | 1 | SWITCH,MOWER,COLEHERSEE |
| 3 | 33811 | 1 | SWITCH,MASTER/DECK FLOAT |
| 4 | 6T3923 | 1 | INDICTATOR LIGHT,ON,RED |
| 5 | 06514014 | 1 | BREAKER,10A,SWBX |
| 6 | 34540 | 1 | STRAIN RELIEF,3/4,BLACK,NYLON |
| 7 | 06550018 | 1 | DECAL,SWTCHBX,TM/TSF,CG |
| 8 | 35227 | 1 | RELAY,DP,DT,12V,LY2F,35226 |

SWITCH BOX SCHEMATIC

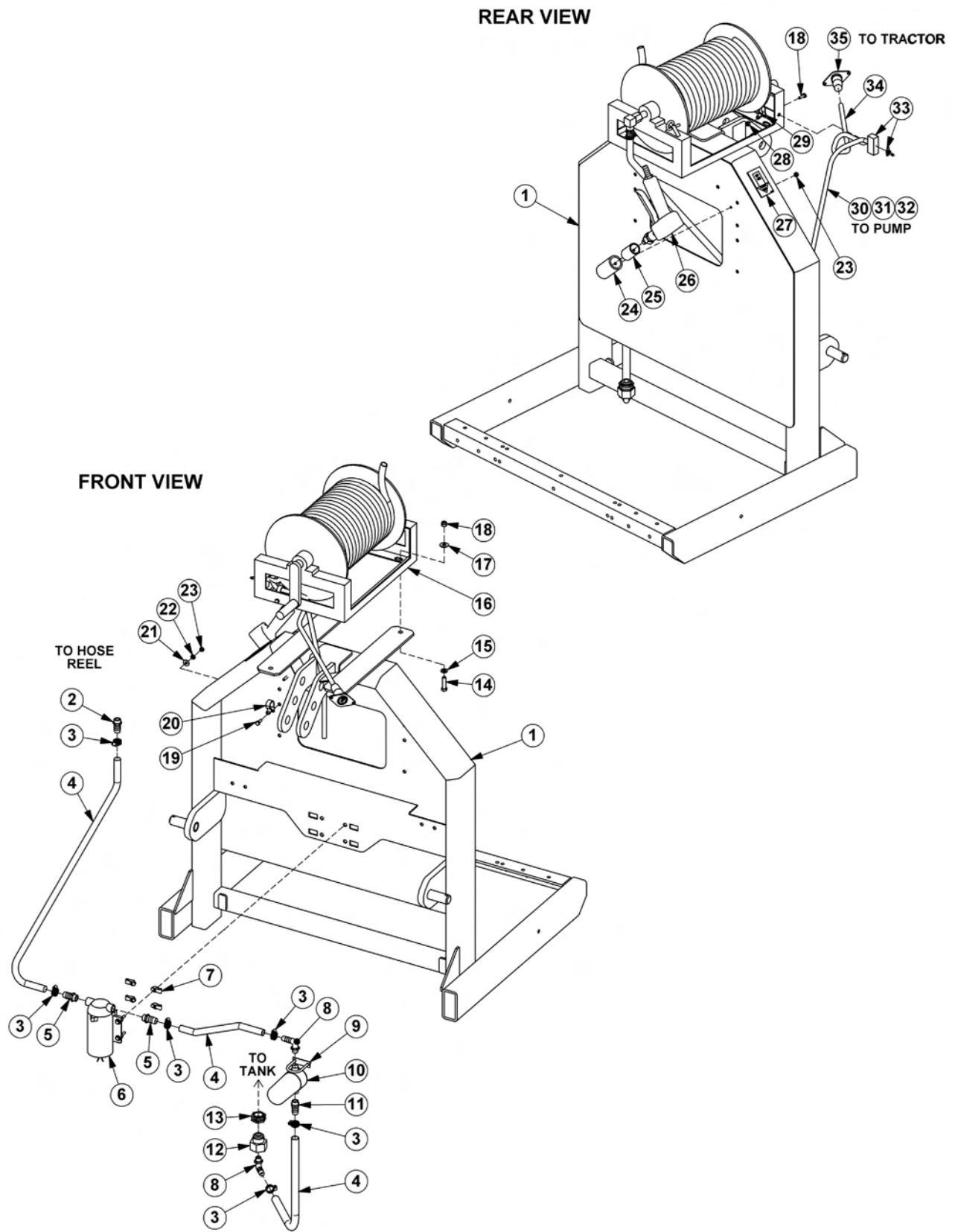
06510102 SCHEMATIC COMMON GROUND SWITCH BOX SIDE MOWER



SEE DRAWING # 06515000 FOR A FULL DESCRIPTION OF ALL CONNECTORS

**FIRE SUPPRESSION SYSTEM
SECTION**

FIRE SUPPRESSION 3-POINT MOUNT



COMMON SIDE FLAIL - SD

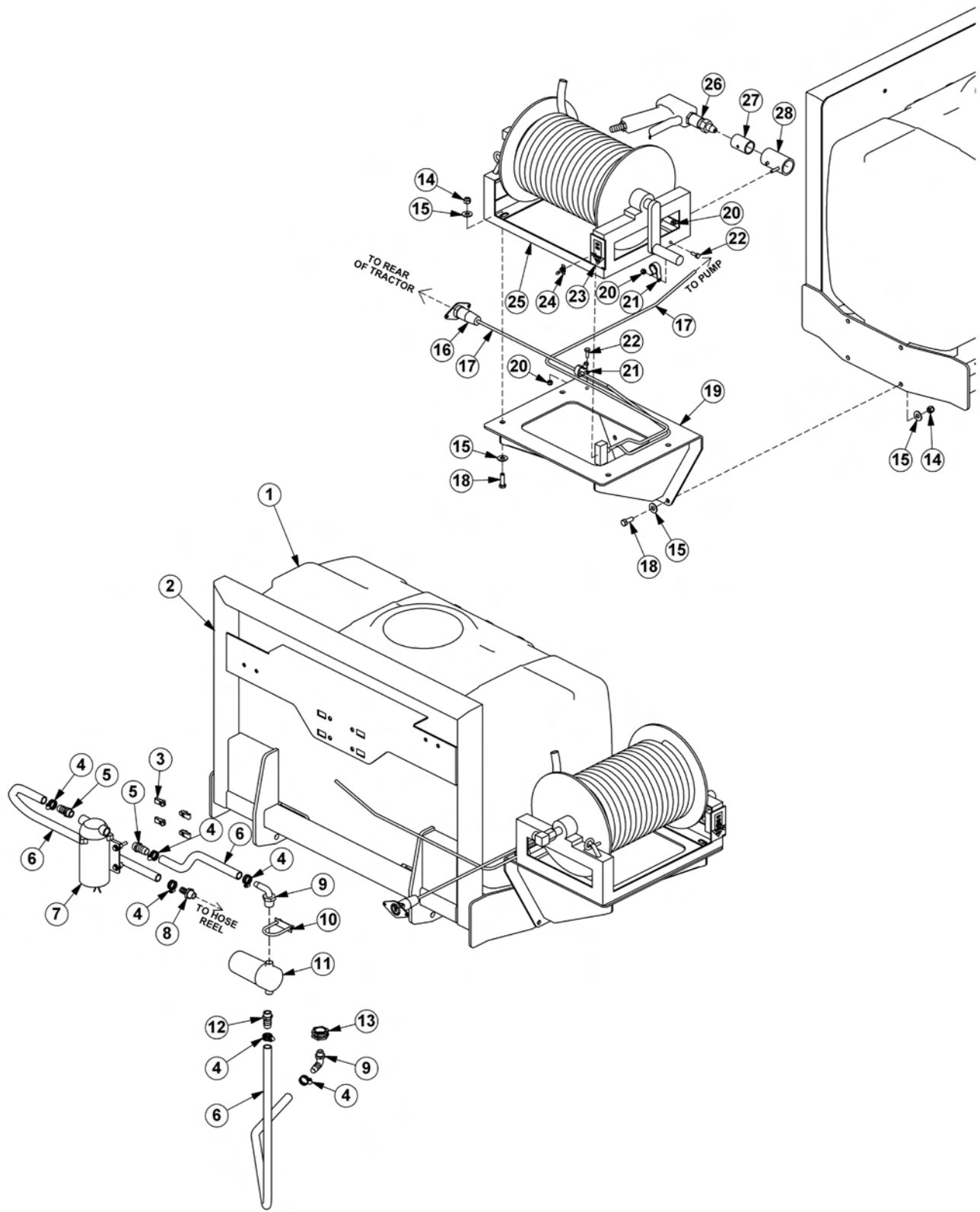
FIRE SUPPRESSION 3-POINT MOUNT

Continued...

| ITEM | PART NO. | QTY. | DESCRIPTION |
|------|----------|------|---|
| 1 | 06370137 | 1 | MOUNT,3PNT,FIRE SYS |
| 2 | 06503108 | 1 | FITTING,1/2"BARB X 1/2"MP |
| 3 | 35091 | 6 | CLAMP,HOSE,#6 |
| 4 | 06520469 | 5 | HOSE,1/2",BULK (FEET) |
| 5 | 06503168 | 2 | SWIVEL,1/2"STR,POLY |
| 6 | 06520359 | 1 | PUMP,LARGE |
| 7 | 35176 | 4 | U-NUT,1/4" |
| 8 | 06520367 | 2 | ELBOW,1/2"BARB X 1/2"MP,POLY |
| 9 | 27329 | 1 | U-BOLT,1/4" |
| 10 | 06520361 | 1 | FILTER |
| --- | 06520351 | 1 | ELEMENT,FILTER |
| 11 | 06520349 | 1 | FITTING,BARB,HOSE |
| 12 | 06503169 | 1 | REDUCER,BUSHING (100 & 150 GALLON TANKS ONLY) |
| 13 | 06520346 | 1 | FITTING,BULKHEAD (50 GALLON TANKS ONLY) |
| 14 | 21632 | 4 | CAPSCREW,3/8" X 1-1/2",NC |
| 15 | 21988 | 4 | LOCKWASHER,3/8" |
| 16 | 06520360 | 1 | HOSE REEL |
| 17 | 22016 | 4 | FLATWASHER,3/8" |
| 18 | 21627 | 4 | NYLOCK NUT,3/8",NC |
| 19 | 21529 | 2 | CAPSCREW,1/4" X 3/4",NC |
| 20 | 06510258 | 1 | CLAMP,3/4" |
| 21 | 22014 | 1 | FLATWASHER,1/4" |
| 22 | 21986 | 1 | LOCKWASHER,1/4" |
| 23 | 21525 | 2 | HEX NUT,1/4",NC |
| 24 | 06370121 | 1 | HOLSTER |
| 25 | 06430090 | 1 | SLEEVE |
| 26 | 06520366 | 1 | GUN,FIRE SYS |
| 27 | 6T3222 | 1 | DECAL |
| 28 | 21527 | 1 | NYLOCK NUT,1/4",NC |
| 29 | 06510257 | 1 | CLAMP,3/8" |
| 30 | 28055 | 5 | WIRE,BLACK,14GA (FEET) |
| 31 | 24200 | 5 | WIRE,RED,14GA (FEET) |
| 32 | 22802 | 5 | WIRE WRAP (FEET) |
| 33 | PT3905A | 1 | SWITCH |
| 34 | 06510256 | 4 | CABLE,14GA,4WIRE (FEET) |
| 35 | 06510255 | 1 | PLUG,7PIN,TRCTR |

COMMON SIDE FLAIL - SD

FIRE SUPPRESSION FRONT MOUNT



COMMON SIDE FLAIL - SD

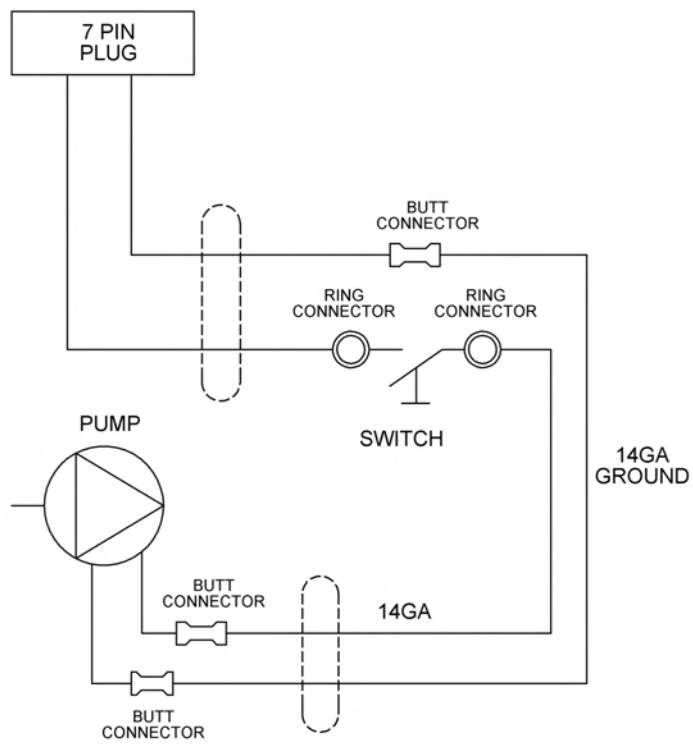
FIRE SUPPRESSION FRONT MOUNT

Continued...

| ITEM | PART NO. | QTY. | DESCRIPTION |
|------|----------|------|-----------------------------|
| 1 | 06520342 | 1 | TANK,50 GALLON |
| 2 | 06370204 | 1 | MNT,TANK,FRNT,50 GALLON |
| 3 | 35176 | 4 | U-NUT,1/4,3/4 TO CENTER |
| 4 | 35091 | 6 | CLAMP,HOSE,#6 |
| 5 | 06503168 | 2 | SWIVEL,1/2 STR,POLY |
| 6 | 06520469 | 8 | HOSE,1/2,SPRAYER |
| 7 | 06520359 | 1 | PUMP,FIRE KIT |
| 8 | 06503108 | 1 | FITTING,1/2" BARB X 1/2"MP |
| 9 | 06520367 | 2 | ELBOW,1/2MPX1/2BARB,POLY |
| 10 | 27329 | 1 | U-BOLT,1/4X2X1 |
| 11 | 06520361 | 1 | FILTER,FIRE KIT,RAILKUT |
| --- | 06520351 | 1 | STRAINER,40 MESH |
| 12 | 06520349 | 1 | FITTING,BARB,HOSE,WETCUT |
| 13 | 06520346 | 1 | FITTING,BULKHEAD |
| 14 | 21627 | 8 | NYLOCK NUT,3/8 NC |
| 15 | 22016 | 16 | FLATWASHER,3/8,GR8 |
| 16 | 06510255 | 1 | PLUG,7PIN,TRCTR |
| 17 | 06510256 | 22 | WIRE,14GA,4WIRE (FEET) |
| 18 | 21631 | 8 | CAPSCREW,3/8X1 1/4, NC,GR8 |
| 19 | 06370207 | 1 | MNT,FIRE SUPPRESSION |
| 20 | 21527 | 3 | NYLOCK NUT,1/4 NC |
| 21 | 06510257 | 2 | CLAMP,3/8X1/4,INS |
| 22 | 21529 | 2 | CAPSCREW,1/4 X 3/4 NC |
| 23 | 6T3222 | 1 | DECAL,CONTROL,ON-OFF SWITCH |
| 24 | PT3905A | 1 | SWITCH,MOWER |
| 25 | 06520360 | 1 | HOSE REEL,FIRE KIT,RAILKUT |
| 26 | 06520366 | 1 | GUN,FIRE KIT,RAILKUT |
| 27 | 06430090 | 1 | SLEEVE,GUN,FIRE SYS |
| 28 | 06370121 | 1 | HOLSTER,FIRESYS,RAILKUT |

COMMON SIDE FLAIL - SD

FIRE SUPPRESSION SYSTEM ELECTRICAL SCHEMATIC

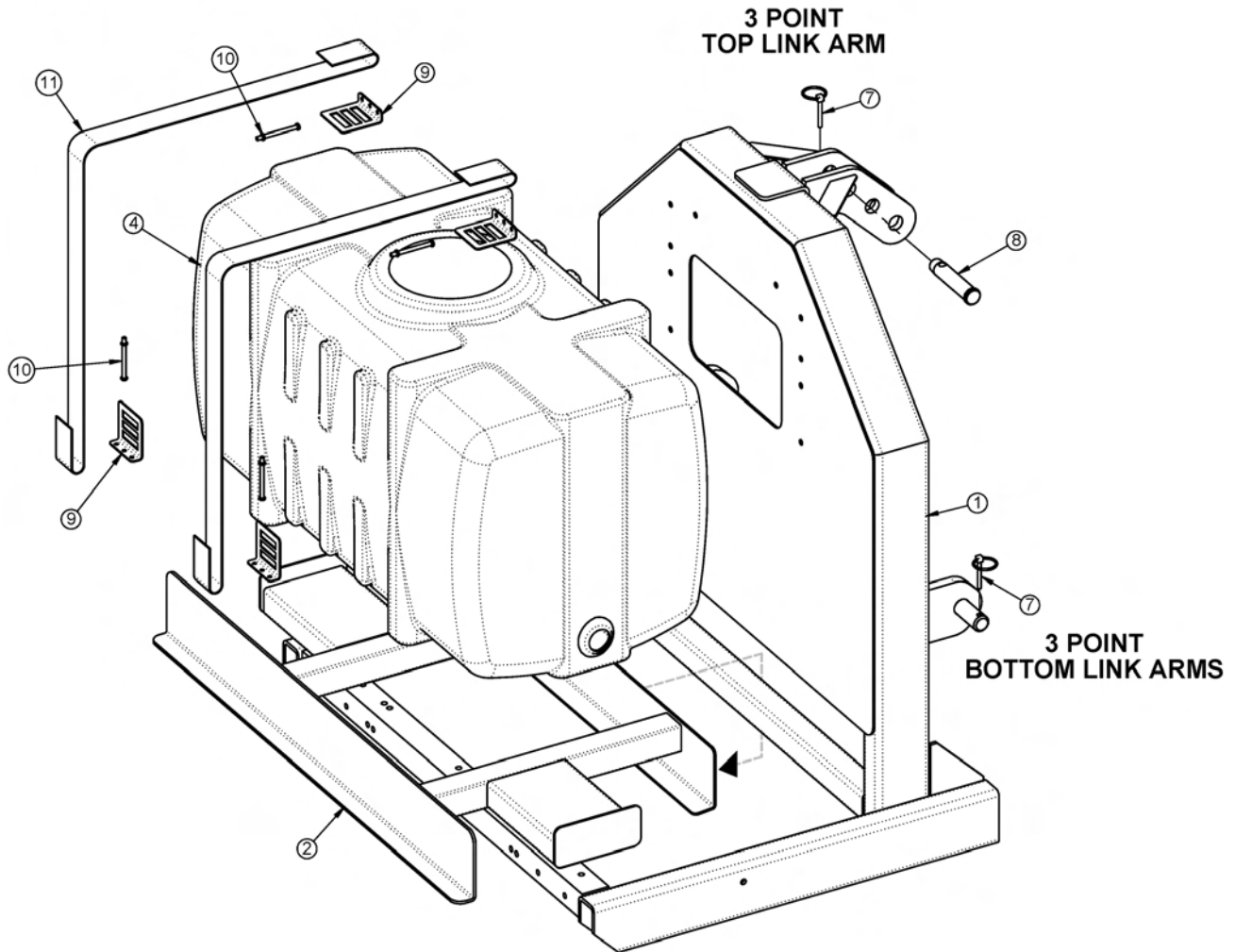


WETCUT

**WETCUT
SECTION**

WETCUT 50 GALLON TANK - 3PNT MOUNT

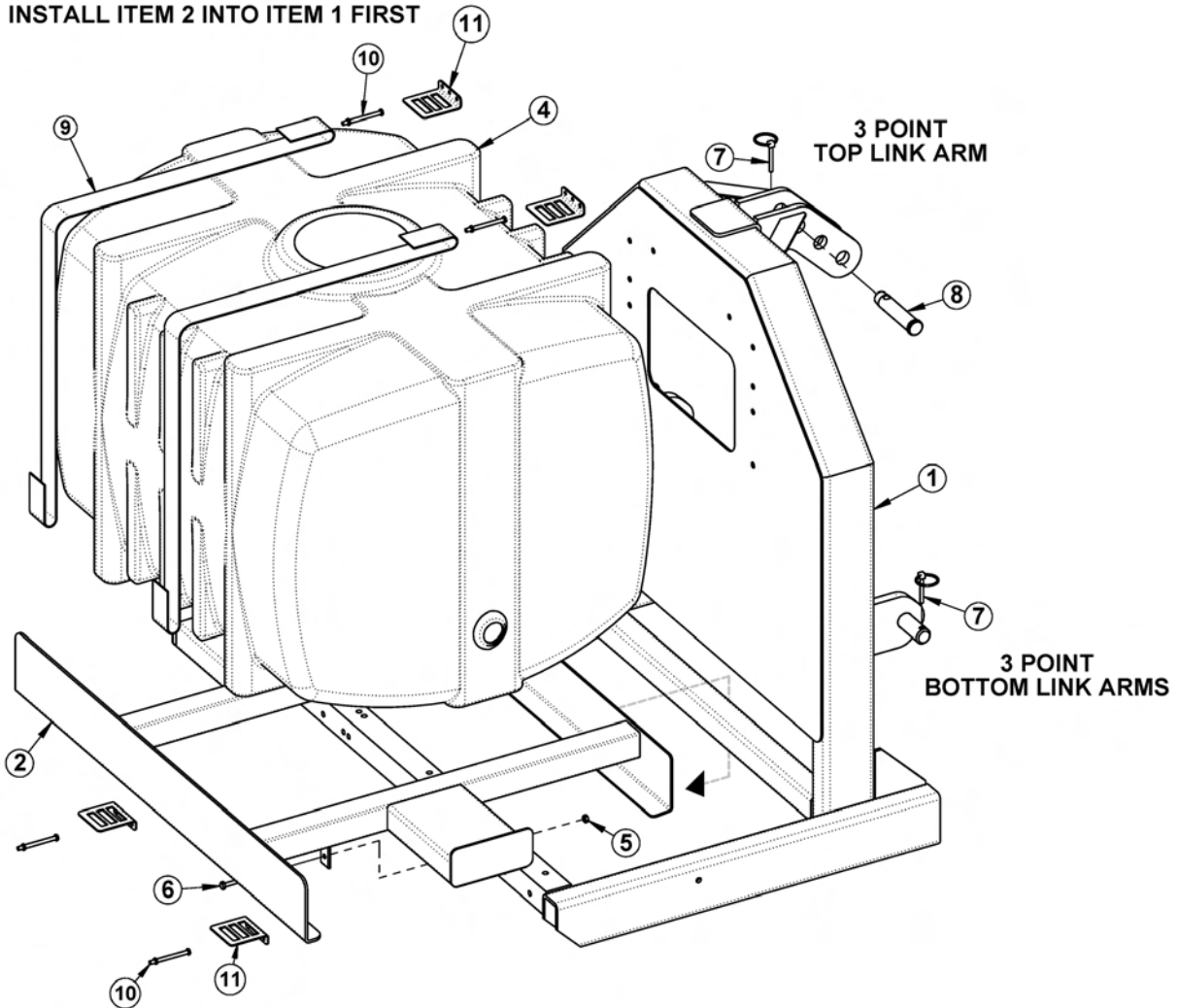
INSTALL ITEM 2 INTO ITEM 1 FIRST



| ITEM | PART NO. | QTY. | DESCRIPTION |
|------|----------|------|------------------------------|
| 1 | 06370128 | 1 | MNT,3PNT,UNI |
| 2 | 06370136 | 1 | MNT,TANK,50GAL,WETCUT |
| 4 | 06520342 | 1 | TANK,50GA.,WETCUT |
| 7 | RD1032 | 3 | PIN,LYNCH 1/4" X 2" |
| 8 | TB1036 | 1 | PIN,SEC BOOM SWIV 1X4-11/16" |
| 9 | 06520343 | 4 | ANCHOR,STRAP,WETCUT |
| 10 | 06520344 | 4 | BOLT,STRAP,TANK,WETCUT |
| 11 | 06520345 | 2 | STRAP,TANK,WETCUT |

WETCUT 100 OR 150 GALLON TANK - 3PNT MOUNT

INSTALL ITEM 2 INTO ITEM 1 FIRST

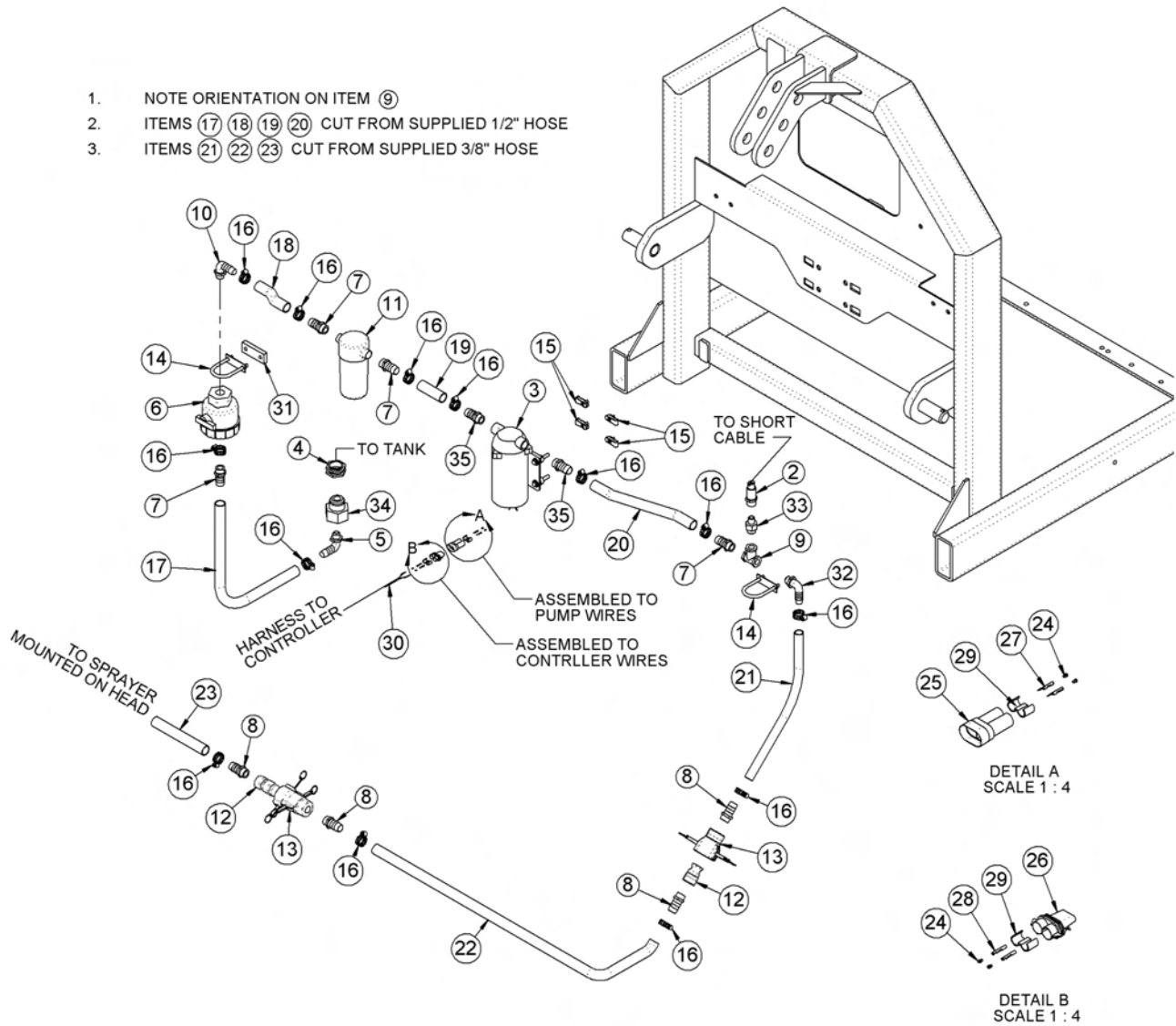


| ITEM | PART NO. | QTY. | DESCRIPTION |
|-------|----------|------|------------------------------|
| 1 | 06370128 | 1 | MNT,3PNT,UNI |
| 2 | 06370138 | 1 | MNT,TANK,100GAL,WETCUT |
| ----- | 06370139 | - | MNT,TANK,150GAL,WETCUT |
| 4 | 06520372 | 1 | TANK,100GA.,WETCUT |
| ----- | 06520373 | - | TANK,150GA.,WETCUT |
| 5 | 21527 | 2 | HEX NUT,NYLOCK,1/4" NC |
| 6 | 21530 | 2 | CAPSCREW,1/4" X 1" NC |
| 7 | RD1032 | 3 | PIN,LYNCH 1/4" X 2" |
| 8 | TB1036 | 1 | PIN,SEC BOOM SWIV 1X4-11/16" |
| 9 | 06520345 | 2 | STRAP,TANK,WETCUT |
| 10 | 06520344 | 4 | BOLT,STRAP,TANK,WETCUT |
| 11 | 06520343 | 4 | ANCHOR,STRAP,WETCUT |

COMMON SIDE FLAIL - SD

WETCUT 3PNT PLUMBING - 50IN MOWERS

1. NOTE ORIENTATION ON ITEM ⑨
2. ITEMS ⑰ ⑱ ⑲ ⑳ CUT FROM SUPPLIED 1/2" HOSE
3. ITEMS ㉑ ㉒ ㉓ CUT FROM SUPPLIED 3/8" HOSE



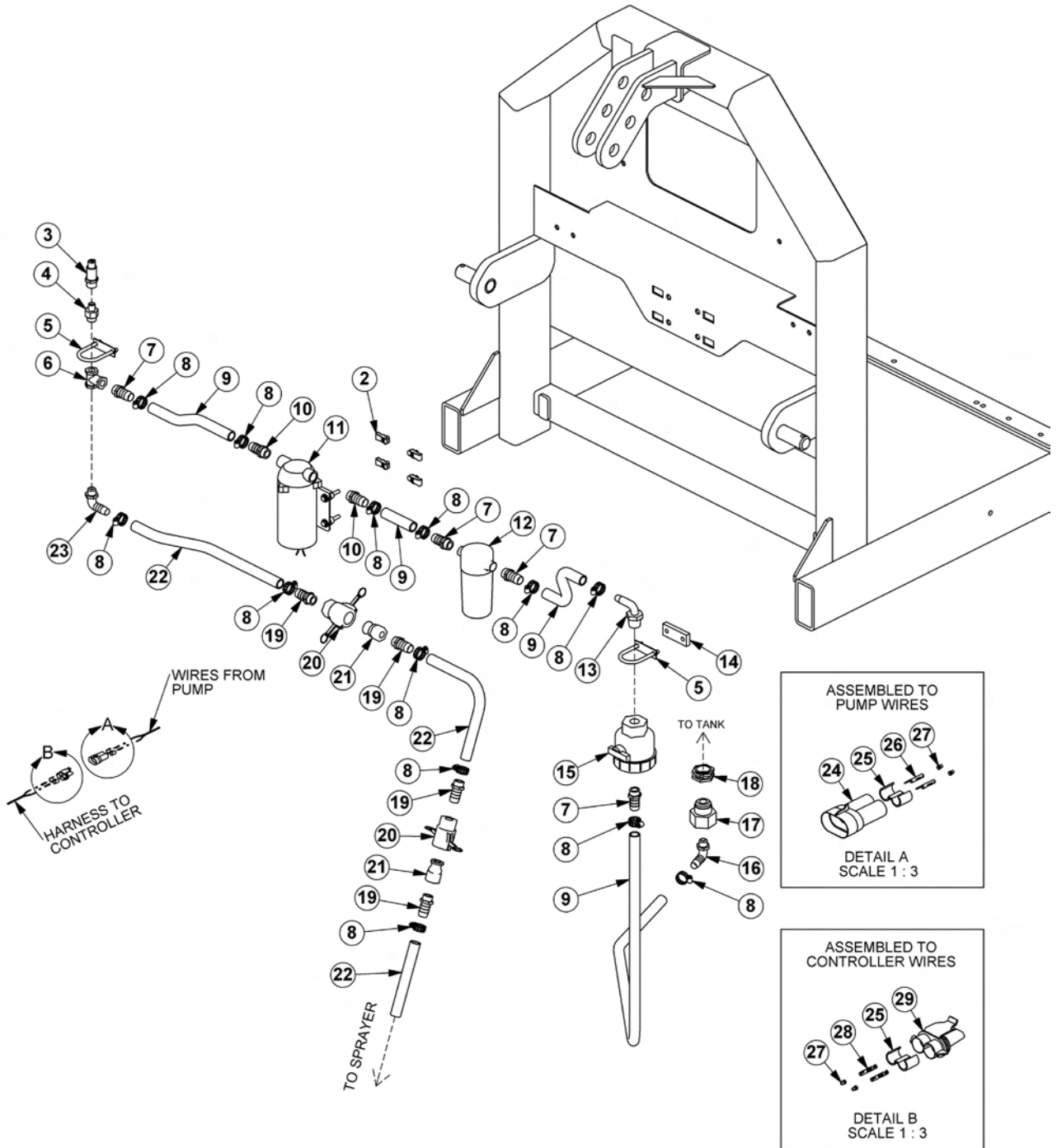
WETCUT 3PNT PLUMBING - 50IN MOWERS

Continued...

| ITEM | PART NO. | QTY. | DESCRIPTION |
|---------|----------|------|---|
| 1 | 06370128 | 1 | MNT,3PNT,UNI |
| 2 | 06520336 | 1 | CNTRLR,SENSOR,06520333 |
| 3 | 06520341 | 1 | PUMP,WETCUT |
| 4 | 06520346 | 1 | FITTING,BULKHEAD,WETCUT (50 GALLON TANKS ONLY) |
| 5 | 06520347 | 1 | FITTING,ELBOW,WETCUT |
| 6 | 06520348 | 1 | VLV,BALL,WETCUT |
| 7 | 06520349 | 4 | FITTING,BARB,HOSE,WETCUT |
| 8 | 06503173 | 4 | FITTING,1/2MP X 3/8" BARB |
| 9 | 06520353 | 1 | FITTING,TEE,WETCUT |
| 10 | 06520367 | 1 | ELBOW,1/2" X 1/2" BARB,POLY |
| 11 | 06520361 | 1 | FILTER,FIRE KIT,RAILKUT |
| 12 | 06520400 | 2 | QUIK CPLR,MALE,1/2",WETCUT |
| 13 | 06520401 | 2 | QUIK CPLR,FEM,1/2",WETCUT |
| 14 | 27329 | 2 | U-BOLT,1/4" X 1" X 2" |
| 15 | 35176 | 4 | U-NUT,1/4",3/4" TO CENTER |
| 16 | 35091 | 13 | CLAMP, HOSE #6 |
| 17 - 20 | 06520469 | 5 | 1/2" HOSE (FEET) |
| 21 - 23 | 06520316 | - | 3/8" HOSE (INCLUDED WITH SPRAYER) |
| 24 | 06510051 | 4 | SEAL,16-18GA,METPAK |
| 25 | 06510052 | 1 | CONN.,BODY,MALE,METRIPACK 150 |
| 26 | 06510053 | 1 | CONN.,BODY,FEM,METRIPACK 150 |
| 27 | 06510054 | 2 | TERMINAL,MALE,16/18GA.METPAK |
| 28 | 06510055 | 2 | TERMINAL,FEM,16/18GA.METPAK |
| 29 | 06510056 | 2 | TPA |
| 30 | 06520337 | 1 | INCLUDED WITH CONTROLLER |
| 31 | 06401133 | 1 | SPACER,Ø.31" X 1.75" X .38" |
| 32 | 06503165 | 1 | ELBOW,1/2"MP X 3/8" BARB |
| 33 | 06520354 | 1 | BUSHING,REDUCER,WETCUT |
| 34 | 06503169 | 1 | BUSHING,1"MP X 1/2"FP (100 & 150 GALLON TANKS ONLY) |
| 35 | 06503176 | 2 | FITTING,BARB,3/8"MP X 1/2" BARB |

COMMON SIDE FLAIL - SD

WETCUT 3PNT PLUMBING - LARGE MOWERS



WETCUT 3PNT PLUMBING - LARGE MOWERS

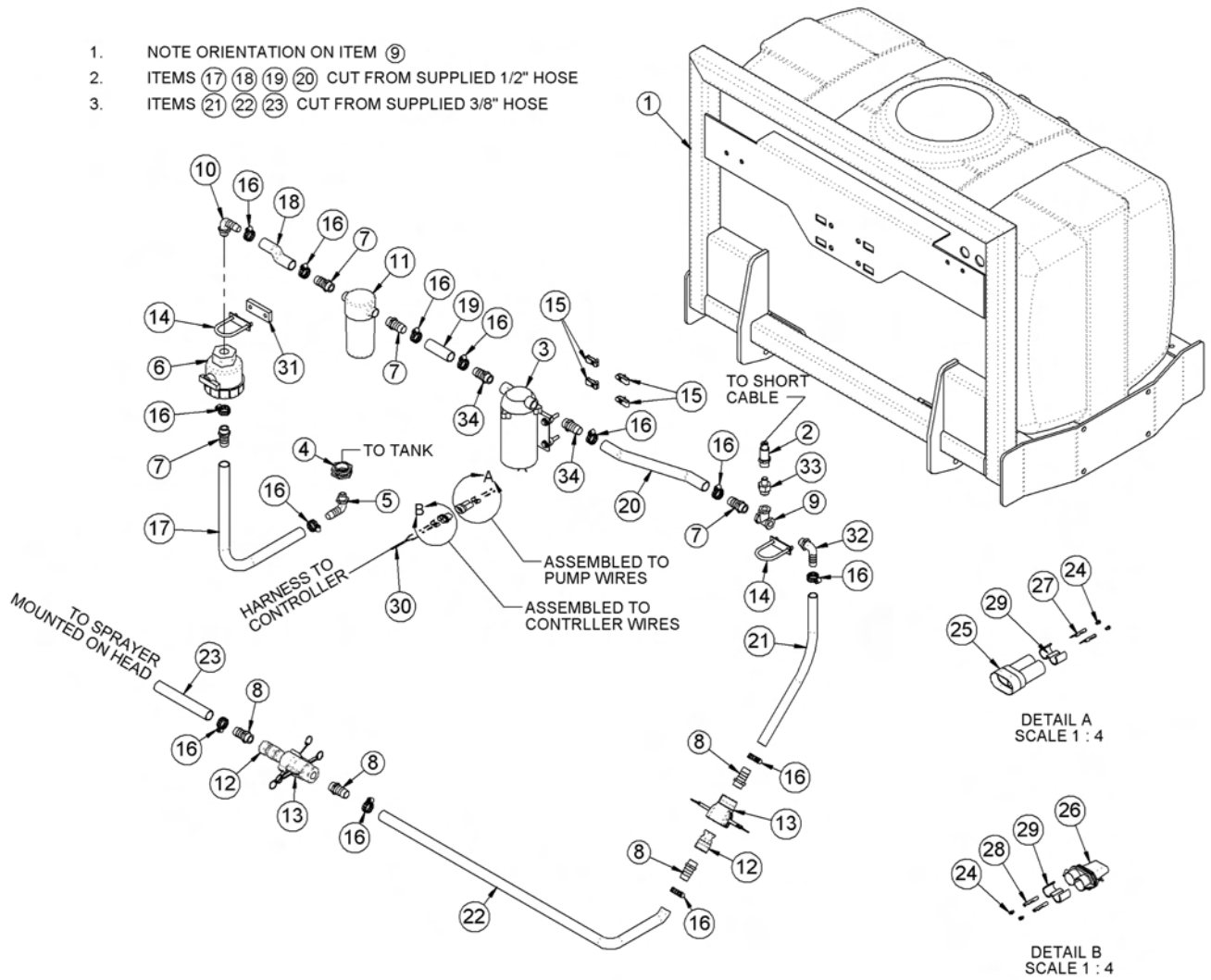
Continued...

| ITEM | PART NO. | QTY. | DESCRIPTION |
|------|----------|------|---|
| 1 | 06370128 | 1 | MNT,3PNT,UNI |
| 2 | 35176 | 4 | U-NUT,1/4,3/4 TO CENTER |
| 3 | 06520336 | 1 | CNTRLR,SENSOR,06520333 |
| 4 | 06520354 | 1 | BUSHING,REDUCER,WETCUT |
| 5 | 27329 | 2 | U-BOLT,1/4" X 1" X 2" |
| 6 | 06520353 | 1 | FITTING,TEE,WETCUT |
| 7 | 06520349 | 4 | FITTING,BARB,HOSE,WETCUT |
| 8 | 35091 | 13 | CLAMP, HOSE #6 |
| 9 | 06520469 | 5 | 1/2" HOSE (FEET) |
| 10 | 06503168 | 2 | SWIVEL,1/2" STR |
| 11 | 06520359 | 1 | PUMP,LARGE |
| 12 | 06520361 | 1 | FILTER,FIRE KIT,RAILKUT |
| --- | 06520351 | 1 | STRAINER,40MESH |
| 13 | 06520367 | 1 | ELBOW,1/2X1/2BARB,POLY |
| 14 | 06401133 | 1 | SPACER,Ø.31X1.75X.38 |
| 15 | 06520348 | 1 | VLV,BALL,WETCUT |
| 16 | 06520347 | 1 | FITTING,ELBOW,WETCUT |
| 17 | 06503169 | 1 | BUSHING,1MPX1/2FP (100 & 150 GALLON TANKS ONLY) |
| 18 | 06520346 | 1 | FITTING,BULKHEAD,WETCUT (50 GALLON TANKS ONLY) |
| 19 | 06520352 | 4 | FITTING,NIPPLE,1/2X3/8,WETCUT |
| 20 | 06520401 | 2 | QUIK CPLR,FEM,1/2,WETCUT |
| 21 | 06520400 | 2 | QUIK CPLR,MALE,1/2,WETCUT |
| 22 | 06520316 | - | 3/8" HOSE (INCLUDED WITH SPRAYER) |
| 23 | 06503165 | 1 | ELBOW,1/2X3/8BARB,POLY |
| 24 | 06510052 | 1 | CONN.,BODY,MALE,METRIPACK 150 |
| 25 | 06510056 | 2 | TPA |
| 26 | 06510054 | 2 | TERMINAL,MALE,16/18GA.METPAK |
| 27 | 06510051 | 4 | SEAL,16-18GA,METPAK |
| 28 | 06510055 | 2 | TERMINAL,FEM,16/18GA.METPAK |
| 29 | 06510053 | 1 | CONN.,BODY,FEM,METRIPACK 150 |

COMMON SIDE FLAIL - SD

WETCUT FRONT PLUMBING - 50IN MOWERS

1. NOTE ORIENTATION ON ITEM ⑨
2. ITEMS ⑰ ⑱ ⑲ ⑳ CUT FROM SUPPLIED 1/2" HOSE
3. ITEMS ㉑ ㉒ ㉓ CUT FROM SUPPLIED 3/8" HOSE



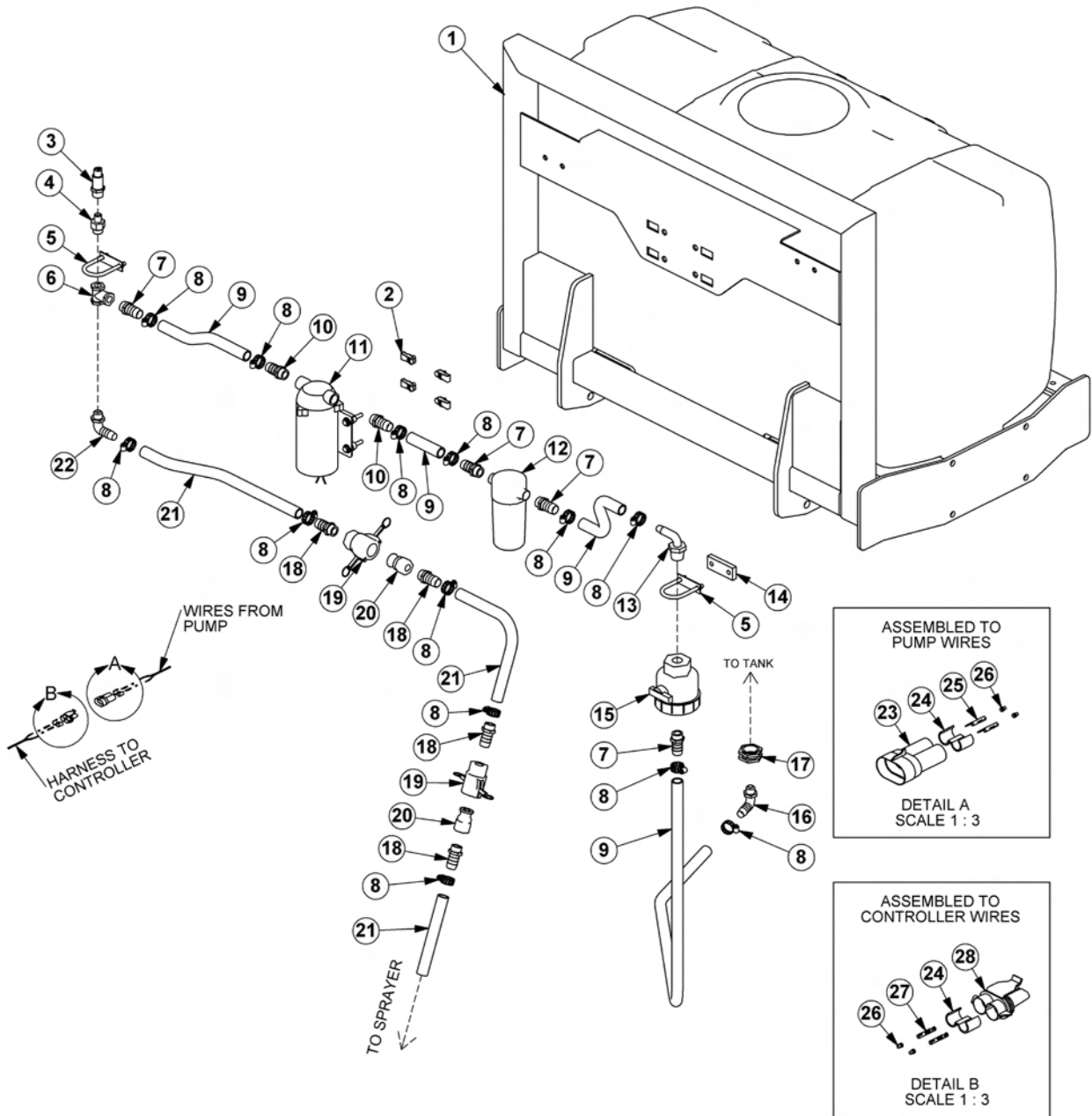
WETCUT FRONT PLUMBING - 50IN MOWERS

Continued...

| ITEM | PART NO. | QTY. | DESCRIPTION |
|---------|----------|------|-----------------------------------|
| 1 | 06370204 | 1 | MNT,FRONT,UNI |
| 2 | 06520336 | 1 | CNTRLR,SENSOR,06520333 |
| 3 | 06520341 | 1 | PUMP,WETCUT |
| 4 | 06520346 | 1 | FITTING,BULKHEAD,WETCUT |
| 5 | 06520347 | 1 | FITTING,ELBOW,WETCUT |
| 6 | 06520348 | 1 | VLV,BALL,WETCUT |
| 7 | 06520349 | 4 | FITTING,BARB,HOSE,WETCUT |
| 8 | 06503173 | 4 | FITTING,1/2"MP X 3/8"BARB |
| 9 | 06520353 | 1 | FITTING,TEE,WETCUT |
| 10 | 06520367 | 1 | ELBOW,1/2"MP X 1/2"BARB,POLY |
| 11 | 06520361 | 1 | FILTER,FIRE KIT,RAILKUT |
| --- | 06520351 | 1 | STRAINER,40MESH |
| 12 | 06520400 | 2 | QUIK CPLR,MALE,1/2",WETCUT |
| 13 | 06520401 | 2 | QUIK CPLR,FEM,1/2",WETCUT |
| 14 | 27329 | 2 | U-BOLT,1/4" X 1" X 2" |
| 15 | 35176 | 4 | U-NUT,1/4",3/4" TO CENTER |
| 16 | 35091 | 13 | CLAMP,HOSE #6 |
| 17 - 20 | 06520469 | 5 | 1/2" HOSE (FEET) |
| 21 - 23 | 06520316 | - | 3/8" HOSE (INCLUDED WITH SPRAYER) |
| 24 | 06510051 | 4 | SEAL,16-18GA,METPAK |
| 25 | 06510052 | 1 | CONN.,BODY,MALE,METRIPACK 150 |
| 26 | 06510053 | 1 | CONN.,BODY,FEM,METRIPACK 150 |
| 27 | 06510054 | 2 | TERMINAL,MALE,16/18GA.METPAK |
| 28 | 06510055 | 2 | TERMINAL,FEM,16/18GA.METPAK |
| 29 | 06510056 | 2 | TPA |
| 30 | 06520337 | 1 | INCLUDED WITH CONTROLLER |
| 31 | 06401133 | 1 | SPACER,Ø.31" X 1.75" X .38" |
| 32 | 06503165 | 1 | ELBOW,1/2"MP X 3/8"BARB,POLY |
| 33 | 06520354 | 1 | BUSHING,REDUCER,WETCUT |
| 34 | 06503176 | 2 | FITTING,3/8"MP X 1/2"BARB |

COMMON SIDE FLAIL - SD

WETCUT FRONT PLUMBING - LARGE MOWERS



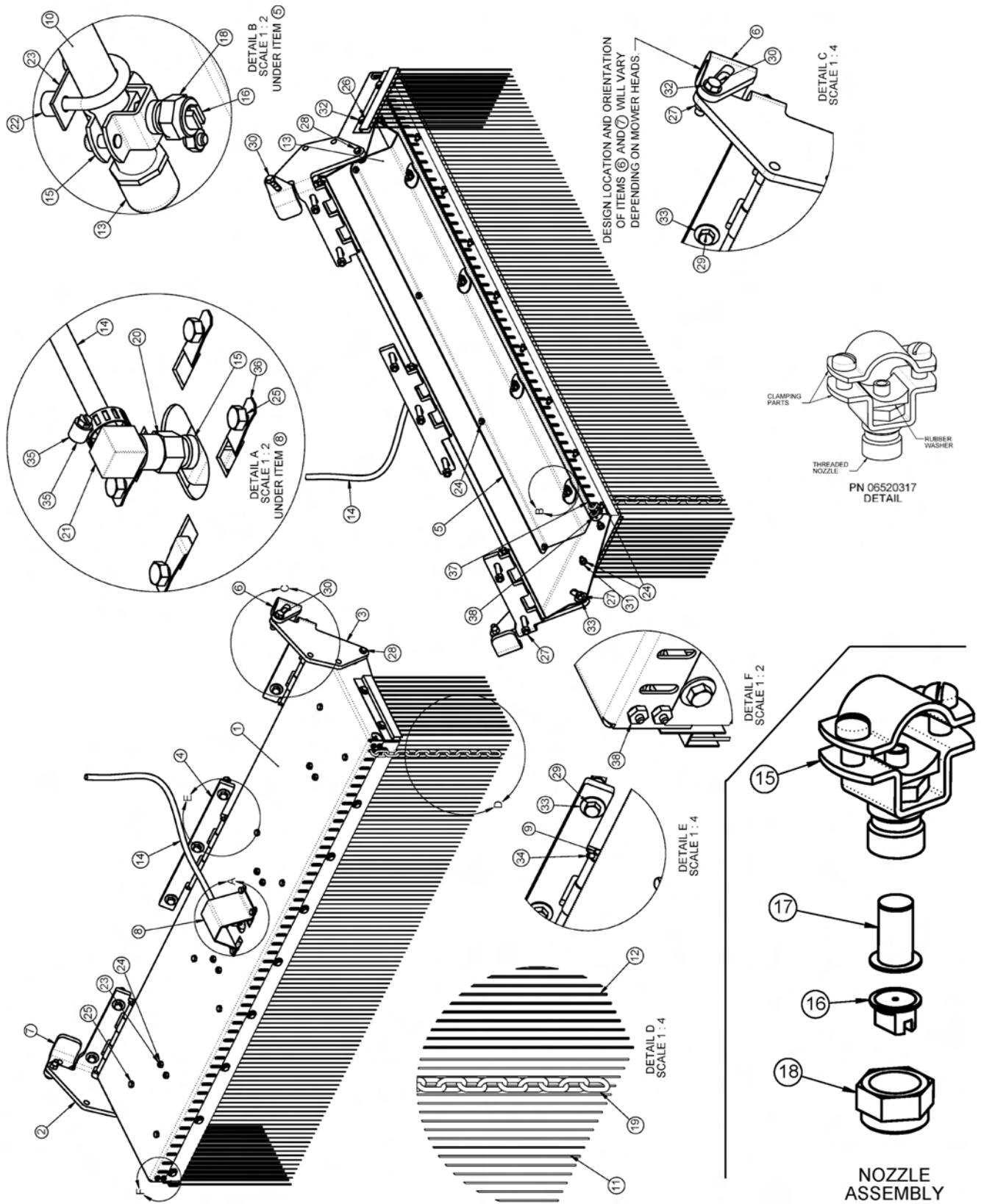
WETCUT FRONT PLUMBING - LARGE MOWERS

Continued...

| ITEM | PART NO. | QTY. | DESCRIPTION |
|------|----------|------|-----------------------------------|
| 1 | 06370204 | 1 | MNT,FRONT,UNIV |
| 2 | 35176 | 4 | U-NUT,1/4,3/4 TO CENTER |
| 3 | 06520336 | 1 | CNTRLR,SENSOR,06520333 |
| 4 | 06520354 | 1 | BUSHING,REDUCER,WETCUT |
| 5 | 27329 | 2 | U-BOLT,1/4" X 1" X 2" |
| 6 | 06520353 | 1 | FITTING,TEE,WETCUT |
| 7 | 06520349 | 4 | FITTING,BARB,HOSE,WETCUT |
| 8 | 35091 | 13 | CLAMP, HOSE #6 |
| 9 | 06520469 | 5 | 1/2" HOSE (FEET) |
| 10 | 06503168 | 2 | SWIVEL,1/2" STR |
| 11 | 06520359 | 1 | PUMP,LARGE |
| 12 | 06520361 | 1 | FILTER,FIRE KIT,RAILKUT |
| --- | 06520351 | 1 | STRAINER,40MESH |
| 13 | 06520367 | 1 | ELBOW,1/2X1/2BARB,POLY |
| 14 | 06401133 | 1 | SPACER,Ø.31X1.75X.38 |
| 15 | 06520348 | 1 | VLV,BALL,WETCUT |
| 16 | 06520347 | 1 | FITTING,ELBOW,WETCUT |
| 17 | 06520346 | 1 | FITTING,BULKHEAD,WETCUT |
| 18 | 06520352 | 4 | FITTING,NIPPLE,1/2X3/8,WETCUT |
| 19 | 06520401 | 2 | QUIK CPLR,FEM,1/2,WETCUT |
| 20 | 06520400 | 2 | QUIK CPLR,MALE,1/2,WETCUT |
| 21 | 06520316 | - | 3/8" HOSE (INCLUDED WITH SPRAYER) |
| 22 | 06503165 | 1 | ELBOW,1/2X3/8BARB,POLY |
| 23 | 06510052 | 1 | CONN.,BODY,MALE,METRIPACK 150 |
| 24 | 06510056 | 2 | TPA |
| 25 | 06510054 | 2 | TERMINAL,MALE,16/18GA.METPAK |
| 26 | 06510051 | 4 | SEAL,16-18GA,METPAK |
| 27 | 06510055 | 2 | TERMINAL,FEM,16/18GA.METPAK |
| 28 | 06510053 | 1 | CONN.,BODY,FEM,METRIPACK 150 |

COMMON SIDE FLAIL - SD

WETCUT 50IN SPRAYER HEAD ASSEMBLY



COMMON SIDE FLAIL - SD

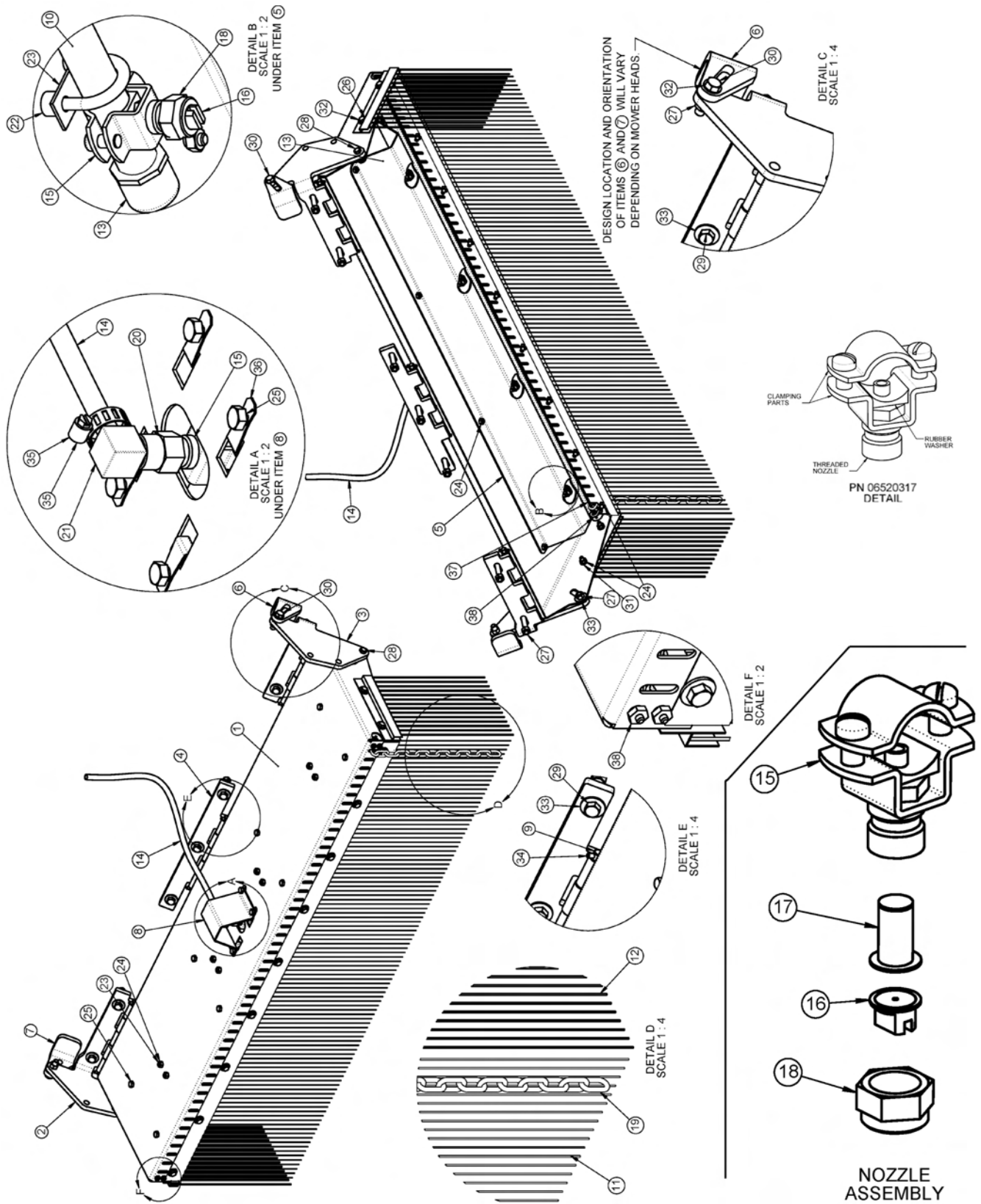
WETCUT 50IN SPRAYER HEAD ASSEMBLY

Continued...

| ITEM | PART NO. | QTY. | DESCRIPTION |
|------|----------|------|---|
| 1 | 06370105 | 1 | HOOD,SPRAYER |
| 2 | 06370106 | 1 | HINGE,LH,SPRAYER |
| 3 | 06370107 | 1 | HINGE,RH,SPRAYER |
| 4 | 06370108 | 1 | HINGE,CNTR,SPRAYER |
| 5 | 06410668 | 1 | GUARD,SPRAYER,WETCUT |
| 6 | 06410753 | 1 | MNT,RH,WET CUT (FLAIL) |
| --- | 06410942 | 1 | MNT,RH,WET CUT (ROTARY) |
| 7 | 06410754 | 1 | MNT,LH,WET CUT (FLAIL) |
| --- | 06410943 | 1 | MNT,LH,WET CUT (ROTARY) |
| 8 | 06410796 | 1 | GUARD,HOSE,WETCUT |
| 9 | 06420069 | 3 | PIN,HINGE,WET CUT |
| 10 | 06497003 | 1 | TUBE,LG,SPRAYER |
| 11 | 06499012 | 1 | SKIRT,ANTI SPRAY,50 |
| 12 | 06499013 | 2 | SKIRT,ANTI SPRAY,7 |
| 13 | 06520314 | 2 | TUBE,CAP,SPRAYER |
| 14 | 06520316 | 15 | HOSE,SPRAYER (FEET) |
| 15 | 06520317 | 5 | NOZZLE,SPRAYER |
| 16 | 06520319 | 4 | TIP,NOZZLE,SPRAYER |
| 17 | 06520320 | 4 | FILTER,NOZZLE,SPRAYER |
| 18 | 06520321 | 4 | NUT,NOZZLE,SPRAYER |
| 19 | 06520322 | 49 | CHAIN,.18" X 1.31" X 13LINKS |
| 20 | 06520381 | 1 | ADAPTER,1/4"NPT,WETCUT |
| 21 | 06520382 | 1 | ELBOW,BARB,3/8" X 1/4"NPT |
| 22 | 06520383 | 8 | SPACER,.50"O.D. X .252" I.D. X .38",NYLON |
| 23 | 32550 | 4 | U-BOLT,1/4" X 1" X 1" X 1-3/4" |
| 24 | 21527 | 29 | HEX NUT,NYLOCK,1/4",NC |
| 25 | 21528 | 12 | CAPSCREW,1/4" X 1/2",NC |
| 26 | 21529 | 13 | CAPSCREW,1/4" X 3/4",NC |
| 27 | 21625 | 11 | HEX NUT,3/8",NC |
| 28 | 21630 | 2 | CAPSCREW,3/8" X 1",NC |
| 29 | 21634 | 7 | CAPSCREW,3/8" X 2",NC |
| 30 | 21632 | 2 | CAPSCREW,3/8" X 1-1/2",NC |
| 31 | 21986 | 4 | LOCKWASHER,1/4" |
| 32 | 22014 | 15 | FLATWASHER,1/4" |
| 33 | 22016 | 9 | FLATWASHER,3/8",GR8 |
| 34 | 34698 | 6 | ROLL PIN, PLAIN, 3/16" X 7/8" |
| 35 | 35091 | 1 | CLAMP,HOSE #6 |
| 36 | 35176 | 4 | U-NUT,1/4",3/4" TO CENTER |
| 37 | 06520376 | 5 | CABLE,3/16" |
| 38 | 06537022 | 2 | U-BOLT,CABLE,3/16" |

COMMON SIDE FLAIL - SD

WETCUT 60IN SPRAYER HEAD ASSEMBLY



COMMON SIDE FLAIL - SD

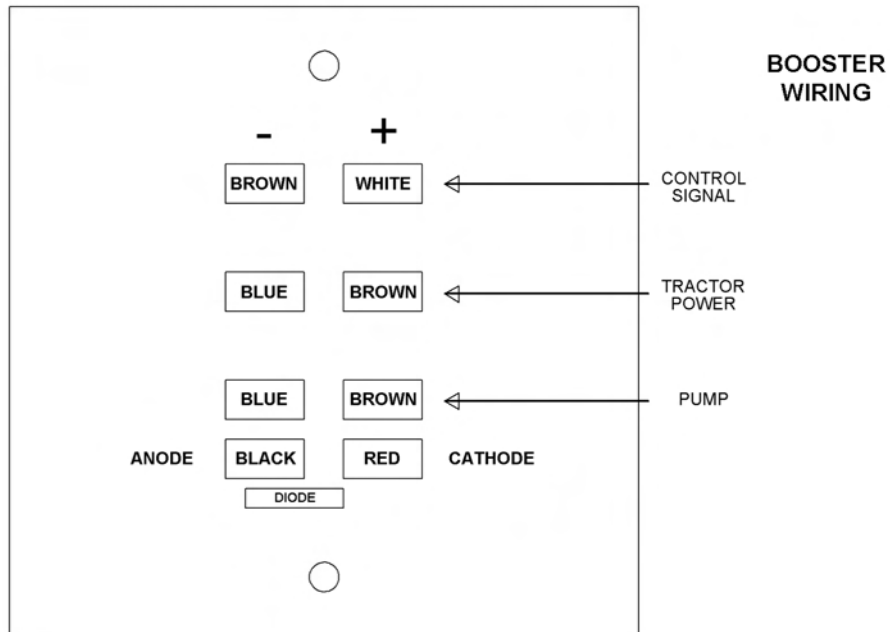
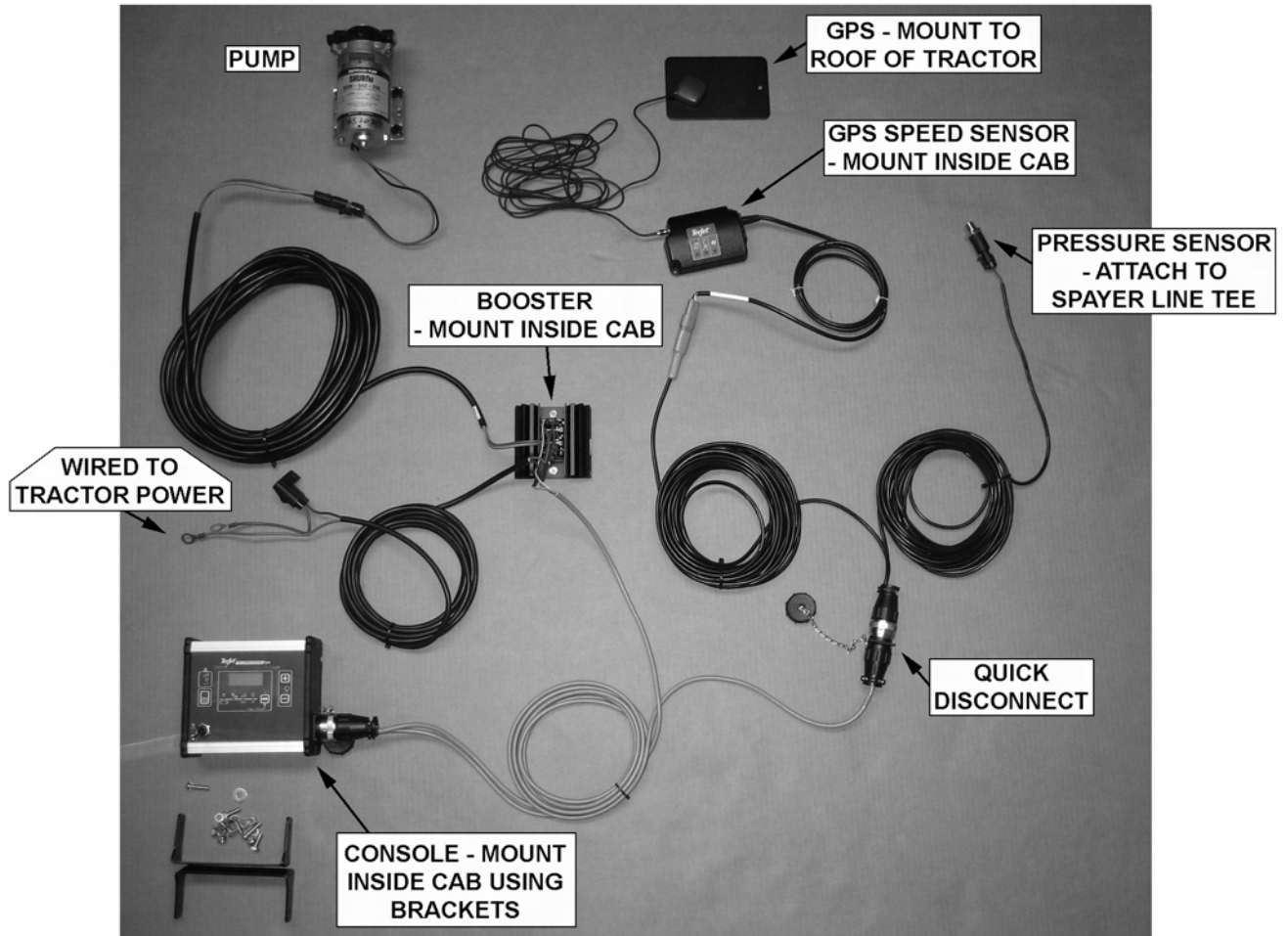
WETCUT 60IN SPRAYER HEAD ASSEMBLY

Continued...

| ITEM | PART NO. | QTY. | DESCRIPTION |
|------|----------|------|---|
| 1 | 06370210 | 1 | HOOD,SPRAYER |
| 2 | 06370106 | 1 | HINGE,LH,SPRAYER |
| 3 | 06370107 | 1 | HINGE,RH,SPRAYER |
| 4 | 06370108 | 1 | HINGE,CNTR,SPRAYER |
| 5 | 06411234 | 1 | GUARD,SPRAYER,WETCUT |
| 6 | 06410753 | 1 | MNT,RH,WET CUT (FLAIL) |
| --- | 06410942 | 1 | MNT,RH,WET CUT (ROTARY) |
| 7 | 06410754 | 1 | MNT,LH,WET CUT (FLAIL) |
| --- | 06410943 | 1 | MNT,LH,WET CUT (ROTARY) |
| 8 | 06410796 | 1 | GUARD,HOSE,WETCUT |
| 9 | 06420069 | 3 | PIN,HINGE,WET CUT |
| 10 | 06497009 | 1 | TUBE,LG,SPRAYER |
| 11 | 06499018 | 1 | SKIRT,ANTI SPRAY,60 |
| 12 | 06499013 | 2 | SKIRT,ANTI SPRAY,7 |
| 13 | 06520314 | 2 | TUBE,CAP,SPRAYER |
| 14 | 06520316 | 15 | HOSE,SPRAYER (FEET) |
| 15 | 06520317 | 6 | NOZZLE,SPRAYER |
| 16 | 06520319 | 5 | TIP,NOZZLE,SPRAYER |
| 17 | 06520320 | 5 | FILTER,NOZZLE,SPRAYER |
| 18 | 06520321 | 5 | NUT,NOZZLE,SPRAYER |
| 19 | 06520322 | 61 | CHAIN,.18" X 1.31" X 13LINKS |
| 20 | 06520381 | 1 | ADAPTER,1/4"NPT,WETCUT |
| 21 | 06520382 | 1 | ELBOW,BARB,3/8" X 1/4"NPT |
| 22 | 06520383 | 10 | SPACER,.50"O.D. X .252" I.D. X .38",NYLON |
| 23 | 32550 | 5 | U-BOLT,1/4" X 1" X 1" X 1-3/4" |
| 24 | 21527 | 33 | HEX NUT,NYLOCK,1/4",NC |
| 25 | 21528 | 15 | CAPSCREW,1/4" X 1/2",NC |
| 26 | 21529 | 13 | CAPSCREW,1/4" X 3/4",NC |
| 27 | 21625 | 13 | HEX NUT,3/8",NC |
| 28 | 21630 | 2 | CAPSCREW,3/8" X 1",NC |
| 29 | 21634 | 7 | CAPSCREW,3/8" X 2",NC |
| 30 | 21632 | 4 | CAPSCREW,3/8" X 1-1/2",NC |
| 31 | 21986 | 4 | LOCKWASHER,1/4" |
| 32 | 22014 | 33 | FLATWASHER,1/4" |
| 33 | 22016 | 11 | FLATWASHER,3/8",GR8 |
| 34 | 34698 | 6 | ROLL PIN, PLAIN, 3/16" X 7/8" |
| 35 | 35091 | 1 | CLAMP,HOSE #6 |
| 36 | 35176 | 4 | U-NUT,1/4",3/4" TO CENTER |
| 37 | 06520376 | 6 | CABLE,3/16" (FEET) |
| 38 | 06537022 | 2 | U-BOLT,CABLE,3/16" |

COMMON SIDE FLAIL - SD

WETCUT CABLES



**WARRANTY
SECTION**

WARRANTY INFORMATION

Tiger Corporation, 3301 N. Louise, Sioux Falls, South Dakota, warrants to the original Retail Customer, the new Tiger equipment is free of defects in material and workmanship. Any part of equipment that in Tiger's judgement, show evidence of such defects will be repaired or replaced without charge, provided that the failure of part(s) shall have occurred within twelve (12) months from the date of delivery of said equipment to the Retail Customer. Expendable components such as knives, oil, chain sprockets, skid shoes, knife mounting disks and the like are excluded but not limited to this warranty.

The Retail Customer must pay the transportation cost to and from the Tiger Dealer's service shop for warranty service. Warranty service will be performed by the Tiger Dealer from whom the equipment was purchased, during service shop regularly scheduled days and hours of operation.

All Tiger obligation under this warranty shall be terminated if the equipment is modified or altered in ways not approved in writing by Tiger, if repair parts other than genuine Tiger repair parts have been used, or if the equipment has been subject to misuse, neglect, accident, improper maintenance or improper operation.

Tiger Corporation reserves the right to make improvements in design or changes in specification at any time without incurring any obligation to owners of equipment previously sold.

No agent or person has authority to alter, add to or waive the above warranties which are agreed to be in the only warranties, representations or promises, expressed or implied, as to the quality or performance of the products covered and which do not include any implied warranty of merchantability or fitness. In no event will Tiger be liable for incidental or consequential damages or injuries, including, but not limited to, loss of profits, rental or substitute equipment or other commercial loss.

**THERE ARE NO WARRANTIES WHICH EXTEND
BEYOND THOSE EXPRESSED HEREIN.**

It is the Purchasers obligation to sign the warranty registration form **AFTER** he / she has Read and Understands the Operation and Safety Instructions stated within this manual.

ONE LAST WORD

This manual cannot possibly cover all of the potentially hazardous situations you will encounter. By being familiar with the safety rules, operating and maintenance instructions in this manual you can help prevent accidents. The objective of this manual is to help make you a better operator. Remember, **SAFETY IS YOU!**



1012

Your safety and the safety of those around you depends on **YOU**. Common sense should play a large role in the operation of this machine.

Since we at Tiger Corporation are constantly striving to improve our products, we reserve the right to change specifications or design at any time.

TO THE OWNER / OPERATOR / DEALER



To keep your implement running efficiently and safely, read your manual thoroughly and follow these directions and the Safety Messages in this manual and on the machine. The table of contents clearly identifies each section where you can easily find the information you need.

The Occupational Safety and Health Act (OSHA 1928.51 subpart C) makes the following minimum requirements for tractor operators.

OWNER REQUIREMENTS:

1. Provide a Roll-Over-Protective Structure that meets the requirements of this Standard; and
2. Provide Seatbelts that meet the requirements of this Standard and SAE J3C; and
3. Ensure that each employee uses such Seatbelt while the tractor is moving; and
4. Ensure that each employee tightens the Seatbelt sufficiently to confine the employee to the protected area provided by the ROPS.

OPERATOR REQUIREMENTS:

1. Securely fasten seatbelt if the tractor has a ROPS.
2. Where possible, avoid operating the tractor near steep ditches, embankments, and holes.
3. Reduce speed when turning, crossing slopes, and on rough, slick, or muddy surfaces.
4. Stay off slopes too steep for safe operation.
5. Watch where you are going – especially at row ends, on roads, and around trees.
6. Do Not permit others to ride.
7. Operate the tractor smoothly – no jerky turns, starts, or stops.
8. Hitch only to the draw-bar and hitch points recommended by the tractor manufacturer.
9. When the tractor is stopped, set brakes securely and use park lock, if available



Printed in USA
© Tiger Corporation