

FORWARD

This manual contains information about many features of the Tiger mowing and roadside maintenance equipment. Some of these include: Safety precautions, Assembly instructions, Operations, Maintenance and Parts. This manual will also assist you in the proper break-in, daily care, and troubleshooting of your new mower.

We recommend that you read carefully the entire manual before operating the unit. Also, time spent in becoming fully acquainted with its performance features, adjustments, and maintenance schedules will be repaid in a long and satisfactory life of the equipment.

Troubleshooting - Please, before you call, help us to help you!

Please look at the equipment to observe what is happening, then:

- Classify the problem
 - Hydraulic, electrical or mechanical - Read the trouble shooting section
 - Tractor or Truck chassis - Contact vehicle dealer

- If unable to correct the problem yourself, contact your local Tiger Dealer after gathering:
 - Machine model _____
 - Serial number _____
 - Dealer name _____
 - Detailed information about the problem including results of troubleshooting

Attention Owner / Operator / Dealer: It is your obligation to read, and understand, the warranty information section located at the back of this manual denoting that the purchaser understands the safety issues relating to this machine and has received and will read a copy of this manual.

If at any time, you have a service problem with your Tiger mower, Contact your local dealer for service and parts needed.

MANUFACTURED BY:

Tiger Corporation

3301 N. Louise Ave.

Sioux Falls, SD 57107

1-800-843-6849

1-605-336-7900

www.tiger-mowers.com

DISTRIBUTED BY:

1- _____ - _____ - _____

1- _____ - _____ - _____

TABLE OF CONTENTS

SAFETY SECTION_____	1
ASSEMBLY / MOUNTING SECTION_____	2
OPERATION SECTION_____	3
MAINTENANCE SECTION_____	4
PARTS SECTION_____	5
COMMON PARTS SECTION_____	6
WARRANTY INFORMATION_____	7



1012

This symbol means:

CAUTION – YOUR SAFETY IS AT RISK!

When you see this symbol, read and follow the associated instructions carefully or personal injury or damage may result.

Tiger is a registered trademark.



SAFETY

SAFETY SECTION

SAFETY

General Safety Instructions and Practices

A safe and careful operator is the best operator. Safety is of primary importance to the manufacturer and should be to the owner / operator. Most accidents can be avoided by being aware of your equipment, your surroundings, and observing certain precautions. The first section of this manual includes a list of Safety Messages that, if followed, will help protect the operator and bystanders from injury or death. Read and understand these Safety Messages before assembling, operating or servicing this mower. This equipment should only be operated by those persons who have read the Manual, who are responsible and trained, and who know how to do so safely and responsibly.



1000

The Safety Alert Symbol combined with a Signal Word, as seen below, is used throughout this manual and on decals which are attached to the equipment. The Safety Alert Symbol means: “**ATTENTION! BECOME ALERT! YOUR SAFETY IS INVOLVED!**” The symbol and signal word are intended to warn the owner / operator of impending hazards and the degree of possible injury when operating this equipment.

Practice all usual and customary safe working precautions and above all -- remember safety is up to YOU! Only YOU can prevent serious injury or death from unsafe practices.

DANGER!



Indicates an imminently hazardous situation that, if not avoided, WILL result in DEATH OR VERY SERIOUS INJURY.

WARNING!



Indicates an imminently hazardous situation that, if not avoided, COULD result in DEATH OR SERIOUS INJURY.

CAUTION!



Indicates an imminently hazardous situation that, if not avoided, MAY result in MINOR INJURY.

IMPORTANT!

Identifies special instructions or procedures that, if not strictly observed, could result in damage to, or destruction of the machine, attachments or the environment.

NOTE: *Identifies points of particular interest for more efficient or convenient operation or repair.* (SG-1)

READ, UNDERSTAND, and FOLLOW the following Safety Messages. Serious injury or death may occur unless care is taken to follow the warnings and instructions stated in the Safety Messages. Always use good common sense to avoid hazards. (SG-2)

SAFETY INSTRUCTIONS



SAFETY

PELIGRO!



Si no lee Ingles, pida ayuda a alguien que si lo lea para que le traduzca las medidas de seguridad. (SG-3)



¡ LEA EL INSTRUCTIVO!

DANGER!



Never operate the Tractor or Implement until you have read and completely understand this Manual, the Tractor Operator's Manual, and each of the Safety Messages found in the Manual or on the Tractor and Implement. Learn how to stop the tractor engine suddenly in an emergency. Never allow inexperienced or untrained personnel to operate the Tractor and Implement without supervision. Make sure the operator has fully read and understands the manuals prior to operation. (SG-4)



WARNING!



Always maintain the safety decals in good readable condition. If the decals are missing, damaged, or unreadable, obtain and install replacement decals immediately. (SG-5)

WARNING!



Make certain that the "Slow Moving Vehicle" (SMV) sign is installed in such a way as to be clearly visible and legible. When transporting the Equipment use the Tractor flashing warning lights and follow all local traffic regulations. (SG-6)



WARNING!



Operate this Equipment only with a Tractor equipped with an approved roll-over-protective system (ROPS). Always wear seat belts. Serious injury or even death could result from falling off the tractor--particularly during a turnover when the operator could be pinned under the ROPS. (SG-7)



WARNING!

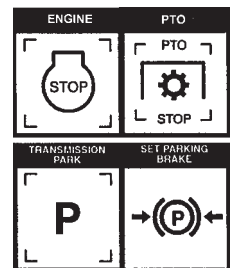


Do not modify or alter this Implement. Do not permit anyone to modify or alter this Implement, any of its components or any Implement function. (SG-8)

DANGER!



BEFORE leaving the tractor seat, always engage the brake and/or set the tractor transmission in parking gear, disengage the PTO, stop the engine, remove the key, and wait for all moving parts to stop. Place the tractor shift lever into a low range or parking gear to prevent the tractor from rolling. Never dismount a Tractor that is moving or while the engine is running. Operate the Tractor controls from the tractor seat only. (SG-9)



SAFETY

DANGER!



Never allow children or other persons to ride on the Tractor or Implement. Falling off can result in serious injury or death.

(SG-10)



DANGER!



Never allow children to operate or ride on the Tractor or Implement.

(SG-11)



WARNING!



Do not mount the tractor while the tractor is moving. Mount the tractor only when the tractor and all moving parts are completely stopped.

(SG-12)



DANGER!



Start tractor only when properly seated in the tractor seat. Starting a tractor in gear can result in injury or death. Read the tractor operators manual for proper starting instructions.

(SG-13)



DANGER!



Never work under the Implement, the framework, or any lifted component unless the Implement is securely supported or blocked up to prevent sudden or inadvertent falling which could cause serious injury or even death.

(SG-14)



DANGER!



Do not operate this Equipment with hydraulic oil leaking. Oil is expensive and its presence could present a hazard. Do not check for leaks with your hand! Use a piece of heavy paper or cardboard. High-pressure oil streams from breaks in the line could penetrate the skin and cause tissue damage including gangrene. If oil does penetrate the skin, have the injury treated immediately by a physician knowledgeable and skilled in this procedure.

(SG-15)

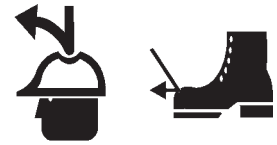


SAFETY

WARNING!



The operator and all support personnel should wear hard hats, safety shoes, safety glasses, and proper hearing protection at all times for protection from injury including injury from items thrown by the equipment. (SG-16)



CAUTION!



PROLONGED EXPOSURE TO LOUD NOISE MAY CAUSE PERMANENT HEARING LOSS! Tractors with or without an Implement attached can often be noisy enough to cause permanent hearing loss. We recommend that you always wear hearing protection if the noise in the operator's position exceeds 80db. Noise over 85db over an extended period of time will cause severe hearing loss. Noise over 90db adjacent to the operator over an extended period of time will cause permanent or total hearing loss. *Note:* Hearing loss from loud noise [from tractors, chain saws, radios, and other such sources close to the ear] is cumulative over a lifetime without hope of natural recovery. (SG-17)



WARNING!



Transport only at safe speeds. Serious accidents and injuries can result from operating this equipment at unsafe speeds. Understand the Tractor and Implement and how it handles before transporting on streets and highways. Make sure the Tractor steering and brakes are in good condition and operate properly.

Before transporting the Tractor and Implement, determine the safe transport speeds for you and the equipment. Make sure you abide by the following rules:

1. Test the tractor at a slow speed and increase the speed slowly. Apply the brakes smoothly to determine the stopping characteristics of the Tractor and Implement. As you increase the speed of the Tractor the stopping distance increases. Determine the maximum safe transport speed for you and this equipment.
2. Test the equipment at a slow speed in turns. Increase the speed through the turn only after you determine that it is safe to operate at a higher speed. Use extreme care and reduce your speed when turning sharply to prevent the tractor and implement from turning over. Determine the maximum safe turning speed for you and this equipment before operating on roads or uneven ground.
3. Only transport the Tractor and Implement at the speeds that you have determined are safe and which allow you to properly control the equipment.



Be aware of the operating conditions. Do not operate the Tractor with weak or faulty brakes. When operating down a hill or on wet or rain slick roads, the braking distance increases: use extreme care and reduce your speed. When operating in traffic always use the Tractor's flashing warning lights and reduce your speed. Be aware of traffic around you and watch out for the other guy. (SG-19)

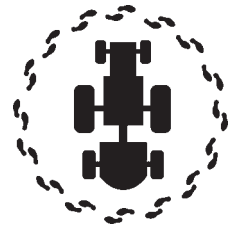
SAFETY

WARNING!



Never attempt to lubricate, adjust, or remove material from the Implement while it is in motion or while tractor engine is running. Make sure the tractor engine is **OFF** before working on the Implement.

(SG-20)



WARNING!



Periodically inspect all moving parts for wear and replace when necessary with authorized service parts. Look for loose fasteners, worn or broken parts, and leaky or loose fittings. Make sure all pins are properly secured. Serious injury may occur from not maintaining this machine in good working order. (SG-21)



WARNING!



Always read carefully and comply fully with the manufacturers instructions when handling oil, solvents, cleansers, and any other chemical agent. (SG-22)



DANGER!



Never run the tractor engine in a closed building or without adequate ventilation. The exhaust fumes can be hazardous to your health.

(SG-23)

DANGER!



KEEP AWAY FROM ROTATING ELEMENTS to prevent entanglement and possible serious injury or death.

(SG-24)



DANGER!



Never allow children to play on or around Tractor or Implement. Children can slip or fall off the Equipment and be injured or killed. Children can cause the Implement to shift or fall crushing themselves or others. (SG-25)

WARNING!



Do not exceed the rated PTO speed for the Implement. Excessive PTO speeds can cause Implement driveline or blade failures resulting in serious injury or death. (SG-26)

SAFETY

DANGER!



NEVER use drugs or alcohol immediately before or while operating the Tractor and Implement. Drugs and alcohol will affect an operator's alertness and coordination and therefore affect the operator's ability to operate the equipment safely. Before operating the Tractor or Implement, an operator on prescription or over-the-counter medication must consult a medical professional regarding any side effects of the medication that would hinder their ability to operate the Equipment safely. **NEVER** knowingly allow anyone to operate this equipment when their alertness or coordination is impaired. Serious injury or death to the operator or others could result if the operator is under the influence of drugs or alcohol. (SG-27)



DANGER!



Operate the Tractor and/or Implement controls only while properly seated in the Tractor seat with the seat belt securely fastened around you. Inadvertent movement of the Tractor or Implement may cause serious injury or death. (SG-29)

WARNING!



Mow only in conditions where you have clear visibility in daylight or with adequate artificial lighting. Never mow in darkness or foggy conditions where you cannot clearly see at least 100 yards in front and to the sides of the tractor and mower. Make sure that you can clearly see and identify passersby, steep slopes, ditches, drop-offs, overhead obstructions, power lines, debris and foreign objects. If you are unable to clearly see this type of items discontinue mowing. (SGM-1)

DANGER!



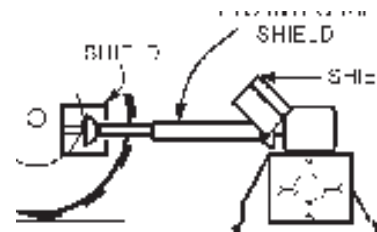
There are obvious and hidden potential hazards in the operation of this Mower. **REMEMBER!** This machine is often operated in heavy brush and in heavy weeds. The Blades of this Mower can throw objects if shields are not properly installed and maintained. Serious injury or even death may occur unless care is taken to insure the safety of the operator, bystanders, or passersby in the area. Do not operate this machine with anyone in the immediate area. Stop mowing if anyone is within 100 yards of mower. (SFL-1)



DANGER!



All Safety Shields, Guards and Safety devices including (but not limited to) - the Deflectors, Steel Guards, Gearbox Shields, PTO integral shields, and Retractable Door Shields should be used and maintained in good working condition. All safety devices should be inspected carefully at least daily for missing or broken components. Missing, broken, or worn items must be replaced at once to reduce the possibility of injury or death from thrown objects, entanglement, or blade contact. (SFL-5)



SAFETY

DANGER!



The rotating parts of this machine have been designed and tested for rugged use. However, the blades could fail upon impact with heavy, solid objects such as metal guard rails and concrete structures. Such impact could cause the broken objects to be thrown outward at very high velocities. To reduce the possibility of property damage, serious injury, or even death, never allow the cutting blades to contact such obstacles. (SGM-4)

WARNING!



Extreme care should be taken when operating near loose objects such as gravel, rocks, wire, and other debris. Inspect the area before mowing. Foreign objects should be removed from the site to prevent machine damage and/or bodily injury or even death. Any objects that cannot be removed must be clearly marked and carefully avoided by the operator. Stop mowing immediately if blades strike a foreign object. Repair all damage and make certain rotor or blade carrier is balanced before resuming mowing. (SGM-5)



WARNING!



Many varied objects, such as wire, cable, rope, or chains, can become entangled in the operating parts of the mower head. These items could then swing outside the housing at greater velocities than the blades. Such a situation is extremely hazardous and could result in serious injury or even death. Inspect the cutting area for such objects before mowing. Remove any like object from the site. Never allow the cutting blades to contact such items. (SGM-6)

WARNING!



Mow at the speed that you can safely operate and control the tractor and mower. Safe mowing speed depends on terrain condition and grass type, density, and height of cut. Normal ground speed range is from 0 to 5 mph. Use slow mowing speeds when operating on or near steep slopes, ditches, drop-offs, overhead obstructions, power lines, or when debris and foreign objects are to be avoided. (SGM-7)

WARNING!



Avoid mowing in reverse direction when possible. Check to make sure there are no persons behind the mower and use extreme care when mowing in reverse. Mow only at a slow ground speed where you can safely operate and control the tractor and mower. Never mow an area that you have not inspected and removed debris or foreign material. (SGM-8)

DANGER!



Replace bent or broken blade with new blades. NEVER ATTEMPT TO STRAIGHTEN OR WELD ON BLADES SINCE THIS WILL LIKELY CRACK OR OTHERWISE DAMAGE THE BLADE WITH SUBSEQUENT FAILURE AND POSSIBLE SERIOUS INJURY FROM THROWN BLADES. (SGM-10)

WARNING!



Do not mow with two machines in the same area except with Cab tractors with the windows closed. (SGM-11)

SAFETY

DANGER!



Flail Mowers are capable under adverse conditions of throwing objects for great distances (100 yards or more) and causing serious injury or death. Follow safety messages carefully.

STOP MOWING IF PASSERSBY ARE WITHIN 100 YARDS UNLESS:

- Front and Rear Deflectors are installed and in good, working condition;
- Mower Head is running close to and parallel to the ground without exposed Blades;
- Passersby are outside the existing thrown-object zone;
- All areas have been thoroughly inspected and all foreign material such as rocks, cans, glass, and general debris has been removed.

NOTE: Where there are grass and weeds high enough to hide debris that could be struck by the blades, the area should be: inspected and large debris removed, mowed at an intermediate height, inspected closely with any remaining debris being removed, and mowed again at desired final height. (SFL-6)



DANGER!



Do not put hands or feet under mower decks. Blade Contact can result in serious injury or even death. Stay away until all motion has stopped and the decks are securely blocked up. (SFL-2)



WARNING!



Each Rear Wheel must have a minimum of 1,000 pounds contact with the surface to prevent lateral instability and possible tip-over which could result in serious bodily injury or even death. Widen the wheel tread and add weights if needed. Refer to the mounting instructions or call Customer Service if you need assistance with Counterweight Procedure. (SFL-3)



WARNING!



Do not operate Mower if excessive vibration exists. Shut down PTO and the Tractor engine. Inspect the Mower to determine the source of the vibration. If Mower blades are missing or damaged replace them immediately. Do not operate the mower until the blades have been replaced and the Mower operates smoothly. Operating the Mower with excessive vibration can result in component failure and broken objects to be thrown outward at very high velocities. To reduce the possibility of property damage, serious injury, or even death, never allow the Mower to be operated with blades missing. (SFL-4)

WARNING!



Be particularly careful when transporting the Implement with the Tractor. Turn curves or go up hills only at a low speed and using a gradual steering angle. Rear mounted implements move the center of gravity to the rear and remove weight from the front wheels. Make certain, by adding front ballast, that at least 20% of the tractor's weight is on the front wheels to prevent rearing up, loss of steering control or Tractor tip-over. Slow down on rough or uneven surfaces to prevent loss of steering control which could result in property damage or possible injury. Do not transport unless 3-Point lift lever is fully raised and in the latched transport position. Dropping implement in transport can cause serious damage to the tractor and/or Implement and possibly cause the operator or others to be injured or killed. (S3PT-2)

SAFETY

DANGER!



Always disconnect the main PTO Driveline from the Tractor before performing service on the Mower. Never work on the Mower with the tractor PTO driveline connected and running. Blades or Drivelines could turn without warning and cause immediate entanglement, injury or death.

(SRM-3)

WARNING!



Do not let the Blades turn when the Mower Deck is raised for any reason, including clearance or for turning. Raising the Mower deck exposes the Cutting Blades which creates a potentially serious hazard and could cause serious injury or even death from objects thrown from the Blades.

(SRM-7)



WARNING!



Never leave Tractor and Implement unattended while the implement is in the lifted position. Accidental operation of lifting lever or a hydraulic failure may cause sudden drop of unit with injury or death by crushing. To properly park the implement when disconnecting it from the tractor, lower the stand and put the retaining pin securely in place, or put a secure support under the A-Frame. Lower the implement carefully to the ground. Do not put hands or feet under lifted components.

(SPT-1)

DANGER!



Make sure the PTO shield, integral driveline shields, and input shields are installed when using PTO-driven equipment. Always replace any shield if it is damaged or missing.

(S3PT-8)



WARNING!



Relieve hydraulic pressure prior to doing any maintenance or repair work on the Implement. Place the Implement on the ground or securely blocked up, disengage the PTO, and turn off the tractor engine. Push and pull the Remote Cylinder lever in and out several times prior to starting any maintenance or repair work.

(S3PT-9)



WARNING!



Use extreme care when lowering or unfolding the implement's wings. Make sure no bystanders are close by or underneath the wings. Allow ample clearance around the implement when folding or unfolding the wings. Use extreme caution around buildings or overhead power lines.

(S3PT-5)

DANGER!



When the Wings are folded for transport, the center of gravity is raised and the possibility of overturn is increased. Drive slowly and use extreme caution when turning on hillsides. Overturning the Implement could cause the Implement to overturn the Tractor and vice versa resulting in serious injury or even death. Never fold wings on a hillside...the Implement may overturn.

(STI-2)

DANGER!



DO NOT allow any person under a folded wing unless wing is securely locked up or supported. **DO NOT** approach the Implement unless the Tractor is turned off and all motion has ceased. Never work under the frame work, or any lifted component unless the implement is securely supported or blocked up. A sudden or inadvertent fall by any of these components could cause serious injury or even death.

(STI-3)



SAFETY

DANGER!



The flail cutter shaft is designed for standard rotation (same rotation as the tractor wheels during forward travel). **Never operate the cutter shaft in the reverse rotation.** Operating this mower in reverse rotation may cause objects to be thrown out the front of the mower head.



WARNING!



The rotating parts of this machine continue to rotate even after the PTO has been turned off. The operator should remain in his seat for 60 seconds after the brake has been set, the PTO disengaged, the tractor turned off, and all evidence of rotation has ceased.

(3PT-10)

“Wait a minute...Save a life!”

WARNING!



Engine Exhaust, some of its constituents, and certain components contain or emit chemicals known to the state of California to cause cancer and birth or other reproductive harm.

WARNING!



Battery posts, terminals and related accessories contain lead and lead compounds, chemicals known to the state of California to cause cancer and birth or other reproductive harm. **Wash hands after handling!**

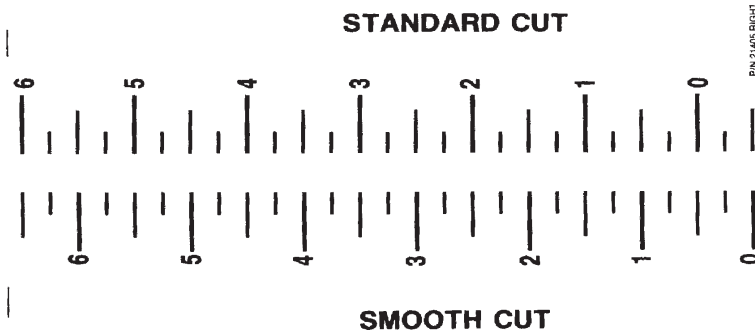
Tiger mowers use balanced and matched system components for blade carriers, blades, cutter-shafts, knives, knife hangers, rollers, drive-train components and bearings. These parts are made and tested to Tiger specifications. Non-genuine “will fit” parts do not consistently meet these specifications. The use of “will fit” parts MAY reduce mower performance, void mower warranties and present a safety hazard. Use genuine Tiger mower parts for economy and safety.

SEE YOUR  DEALER

In addition to the design and configuration of this Implement, including Safety Signs and Safety Equipment, hazard control and accident prevention are dependent upon the awareness, concern, prudence, and proper training of personnel involved in the operation, transport, maintenance, and storage of the machine. Refer also to Safety Messages and operation instruction in each of the appropriate sections of the Tractor and Equipment Manuals. Pay close attention to the Safety Signs affixed to the Tractor and Equipment. (SG-18)

SAFETY

PART NO.
LOCATION



21405
MOWER DECK

**DO NOT LUBRICATE WITH AUTOMATIC
GREASE GUN. GREASE WITH HAND
GREASE GUN ONLY.**

P/N22839

22839
MOWER DECK



22840
INSIDE OF CAB

NO STEP

22865
MOWER DECK

SAFETY



WARNING

INSPECT REAR FLAP FREQUENTLY TO BE SURE IT IS IN SAFE WORKING CONDITION. DO NOT OPERATE MOWER WITH FLAP REMOVED OR WORN.

24028

PART NO.
LOCATION

24028
MOWER DECK



10" x 5.5" 31522
MOWER DECK
18" x 10" 31523
HYDRAULIC TANK

MOWING SAFETY TIPS

- Read & understand the Operators Manual.
- Wear Your Seat Belt.
- Keep all shields and guards in place.
- Make sure equipment is in proper working condition.

- Never attempt to get off or on a moving tractor.

- Never allow riders on tractor or equipment.
- Only start the tractor from the seat with the key.

- Always inspect the area before mowing. Remove all foreign debris.

- Always keep bystanders and coworkers a minimum of 300 feet away.

- Never allow the mower blades to contact solid objects or foreign material.

- Never approach rotating elements.
- Disengage the PTO, place transmission in "Park", set parking brake, shut off engine, and remove key and wait until all rotating motion has stopped before leaving seat.

Tiger

33743

33743
INSIDE OF CAB



DANGER

TO AVERT THROWN OBJECTS,
CUTTER SHAFT MUST TURN IN THIS



DIRECTION

42360

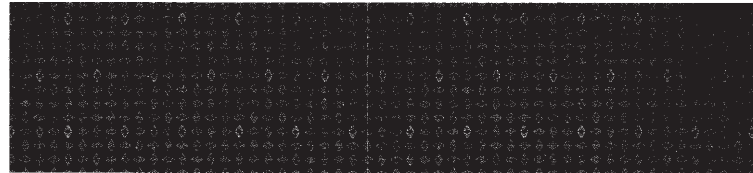
42350
MOWER DECK

SAFETY

PART NO.
LOCATION



42399
MOWER DECK



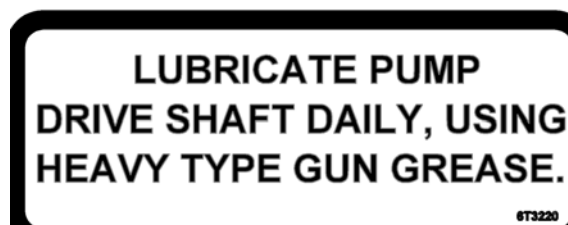
42400
MOWER DECK



6T3217
MOWER DECK



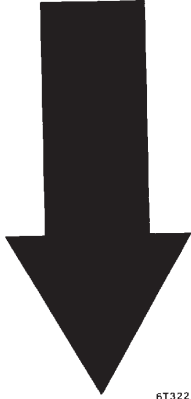
6T3219
INSIDE OF CAB



6T3220
FRONT PUMP MOUNT

SAFETY

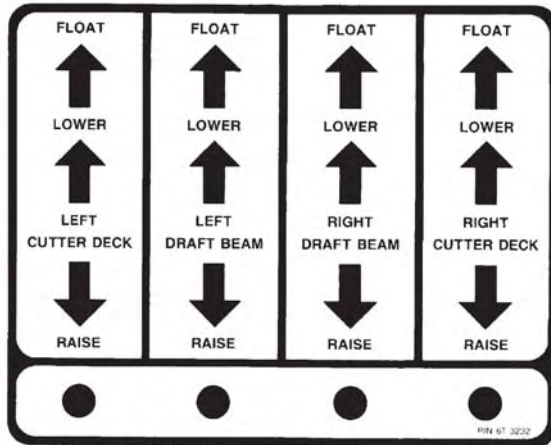
NOTICE:
Engine will not
start when mower
is engaged.



6T3222

PART NO.
LOCATION

6T3222
INSIDE OF CAB

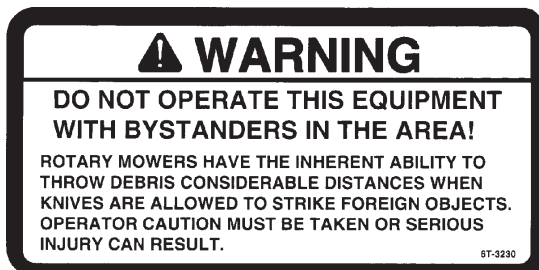


6T3232

6T3232
INSIDE OF CAB



6T3224
MOWER DECK



6T3230
INSIDE OF CAB

SAFETY

PART NO.
LOCATION



6T3233
HYDRAULIC TANK



6T3234
INSIDE OF CAB



6T3236
MOWER DECK
HYDRAULIC TANK



6T3242
INSIDE OF CAB

6T3242

SAFETY



Tiger Corporation

800-843-6849

www.tiger-mowers.com

Description	Application	General Specification	Recommended Lubricant
Tractor Hydraulics	Reservoir	JD-20C	Mobilfluid® 424
Mower Hydraulics Cold Temperatures 0°F Start-up Normal Temperatures 10°F Start-up Normal Temperatures 15°F Start-up High Operating Temperatures Above 90°F Ambient	Reservoir	ISO 46 Anti-Wear/ Low Temp JD-20C ISO 46 Anti-Wear ISO 100 Anti-Wear	Mobil DTE® 15M Mobilfluid® 424 Mobil DTE® 25 Mobil DTE® 18M
Flail Rear Gearbox	Reservoir	PAO Synthetic Extreme Pressure Gear Lube	Mobilube SHC® 75W-90, Mobil 1 Synthetic Gear Lubricant
Cutter Shaft and Ground Roller Shaft (Flail)	Grease Gun	Lithium Complex, NLGI 2 ISO 320	Mobilgrease® CM-S
Drive Shaft Coupler (Rotary and Flail)	Grease Gun	Lithium Complex, NLGI 2 ISO 320	Mobilgrease® CM-S
Boom Swivel, Boom Cylinder Pivots (Rotary and Flail Boom Type)	Grease Gun	Lithium Complex, NLGI 2 ISO 320	Mobilgrease® CM-S
Deck Boom Pivot & Deck Stop Adjustment (Rotary and Flail)	Grease Gun	Lithium Complex, NLGI 2 ISO 320	Mobilgrease® CM-S
Deck Spindle (Rotary)	Grease Gun	Tiger Spindle Lubricant	Mobilith SHC 220

For Mobil product information, availability, or technical information, call 1-800-662-4525.

Tiger PN 34852

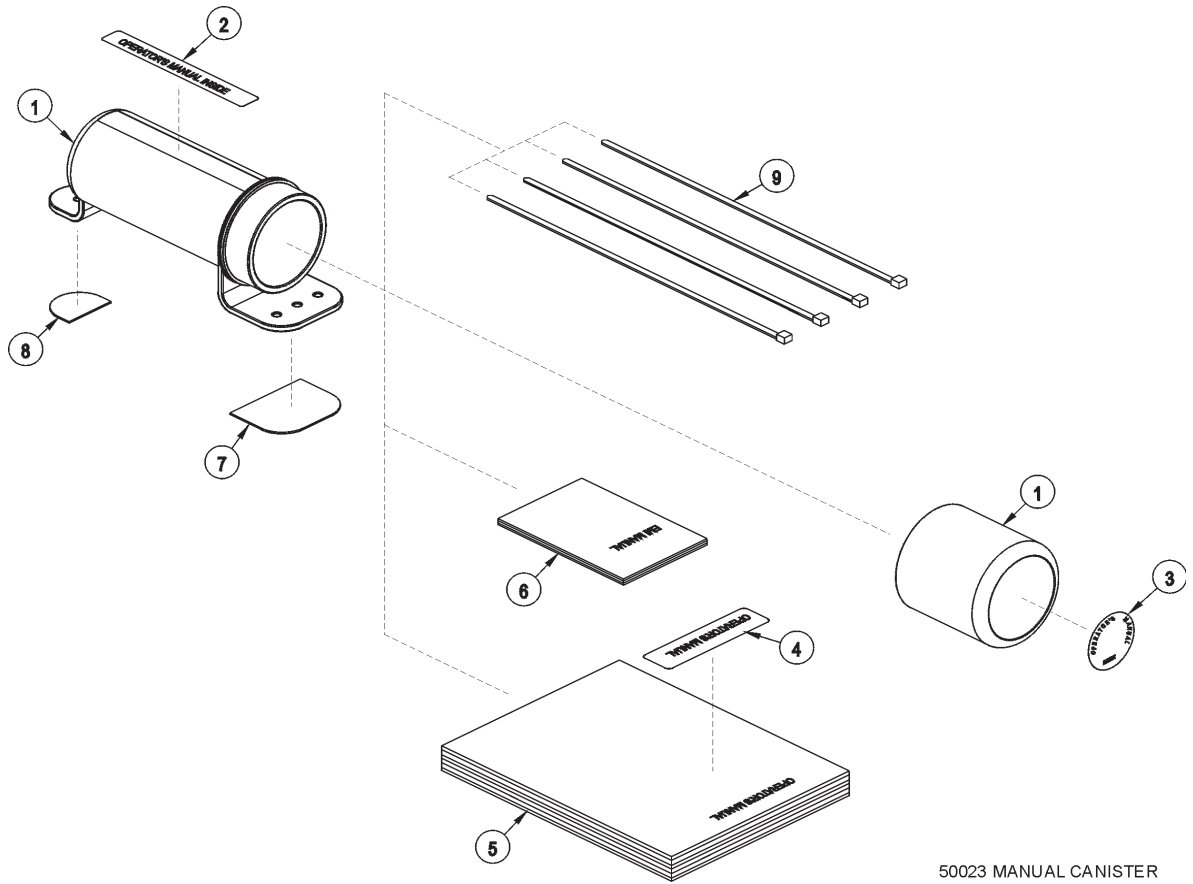
34852

HYDRAULIC TANK

DANGER		PELIGRO
THROWN OBJECT HAZARD		RIESGO DE OBJETO LANZADO
Do not operate mower when cutter shaft is in reverse rotation unless: <ul style="list-style-type: none"> Reverse Rotation Front Guard is in place, and Guard is in good condition 		No funcione el cortacésped cuando el eje de cortador esta en rotación inverso al menos que: <ul style="list-style-type: none"> El Guardia Delantero de Rotación Inversa esta en su lugar y El guardia esta en buenas condiciones
Reverse Rotation Front Guard	06550054	Guardia Delantero De Rotación Inverso

D538
ON MOWER HEAD

SAFETY



50023 MANUAL CANISTER

ITEM	PART NO.	QTY.	DESCRIPTION
	50023	AVAIL	MANUAL CANISTER COMPLETE
1	00776031	1	ROUND MANUAL CANISTER
	33997	1	DECAL, SHEET, MANUAL CANISTER
2		*	DECAL
3		*	DECAL
4		*	DECAL
5	*	AVAIL	SPECIFIC PRODUCT MANUAL
6	33753	1	E M I SAFETY MANUAL
7	34296	1	FRONT ADHESIVE PAD
8	34297	1	REAR ADHESIVE PAD
9	6T1823	4	ZIP TIE 14" LONG

NOTE:

The manual canister can be bolted, zip tied or adhered to a variety of surfaces. Locate a protected area within the view of the operator. Then select an installation method and attach the canister. **CAUTION - AVOID DRILLING HOLES INTO UNKNOWN AREAS**, wires and other parts may be located behind these areas. When adhering the canister to a surface, thoroughly clean that surface before installing the canister.

SAFETY

FEDERAL LAWS AND REGULATIONS

This section is intended to explain in broad terms the concept and effect of federal laws and regulations concerning employer and employee equipment operators. This section is not intended as a legal interpretation of the law and should not be considered as such.

Employer-Employee Operator Regulations

U.S. Public Law 91-596 (The Williams-Steiger Occupational and Health Act of 1970) OSHA

This Act Seeks:

“...to assure so far as possible every working man and woman in the nation safe and healthful working conditions and to preserve our human resources...”

DUTIES

Sec. 5 (a) Each employer-

(1) shall furnish to each of his employees employment and a place of employment which are free from recognized hazards that are causing or are likely to cause death or serious physical harm to his employees;

(2) shall comply with occupational safety and health standards promulgated under this Act.

(b) Each employee shall comply with occupational safety and health standards and all rules, regulations and orders issued pursuant to this Act which are applicable to his own actions and conduct.

OSHA Regulations

OSHA regulations state in part: “At the time of initial assignment and at least annually thereafter, the employer shall instruct every employee in the safe operation and servicing of all equipment with which the employee is, or will be involved.”

Employer Responsibilities:

To ensure employee safety during Tractor and Implement operation, it is the employer’s responsibility to:

1. Train the employee in the proper and safe operation of the Tractor and Implement.
2. Require that the employee read and fully understand the Tractor and Implement Operator’s manual.
3. Permit only qualified and properly trained employees to operate the Tractor and Implement.
4. Maintain the Tractor and Implement in a safe operational condition and maintain all shields and guards on the equipment.
5. Ensure the Tractor is equipped with a functional ROPS and seat belt and require that the employee operator securely fasten the safety belt and operate with the ROPS in the raised position at all times.
6. Forbid the employee operator to carry additional riders on the Tractor or Implement.
7. Provide the required tools to maintain the Tractor and Implement in a good safe working condition and provide the necessary support devices to secure the equipment safely while performing repairs and service.

Child Labor Under 16 Years of Age

Some regulations specify that no one under the age of 16 may operate power machinery. It is your responsibility to know what these regulations are in your own area or situation. (Refer to U.S. Dept. of Labor, Employment Standard Administration, Wage & Home Division, Child Labor Bulletin #102.)

SAFETY

>8) %\$%9 '!HF=D@

5 GG9 A 6 @MG97 HCB

5 GG9 A 6 @M

6 YZcfY UHfYa dh]b['hc'a ci bhnci f' H][Yf'a ck Yfz]h]g]ja dcfhUbh
hc' fYUX'Ub'i bXYfghUbX' U''cZ H Y' GUZYmIA YggU[Yg]b`H Y'GUZYm
GYW]cb'cZH]g'a Ubi U"

Ô@& Á& { } | ^ Á @ { ^ } Á á á á á á • Á @ Á á á á * Á á á Á á á Á ~ | ^ Á @ | ^ Á á Á [Á Á
• @ | á á ~ Á Á á á Á | á á Á @ Á á Á [| | | á á Á } ^ Á | Á @ Á [, ^ | Á ^ & á á Á



OE, á • Á • ^ Á Á [| | Á á Á @ á á | Á | | Á á á Á á á á á Á á á Á @ á á Á á á • É

Ü^ á á Á á á } á | • á á Á @ Á } á ^ Á @ • ^ { à | Á ^ & á } Á á • d ~ & á } • Á ^ | | ^ Á á á { } | á * Á | Á [~ } c
^ [~ | Á á ^ | Á [, ^ | Á Á ^ | Á | Á @ Á á á Á ^ & á } Á Á @ Á á á á | Á ^ á á á | ~ • d á á } • Á | Á | & á á á |
] á á • É (ASM-C-0001)

HF 57 HCF 'DF 9 D5 F 5 HCB

- OE Ü^ { [ç^ Á á @ á á á á ^ á á } • É
- OE Ö á & { } ^ & á á á á | ^ Á á | ^ Á | { Á [@ á á á | á • É
- OE Ü^ { [ç^ Á } * á ^ Á á á á á á | • É | Á á á ^ Á @ [á á Á á á • Á | { } á ~ | | ^ É
- OE Ü^ { [ç^ Á | ~ • Á | { Á á á á | Á á á á * Á @ | ^ Á á á á á á á á á á } | Á [~ } á á | Á ^ á á á á @ á É
- OE Ü^ { [ç^ Á } ^ Á | { } á á á á @ á á á á á á á á á á } | | • É
- OE Ü á á ^ Á @ Á á á á | Á } á á á á É á á • Á á á á á { [ç^ Á @ Á á @ á á á á á á á á á @ ^ | • É

(ASM-JD-0001)

7 F 5 B? G<5 : H'5 8 5 DH9 F

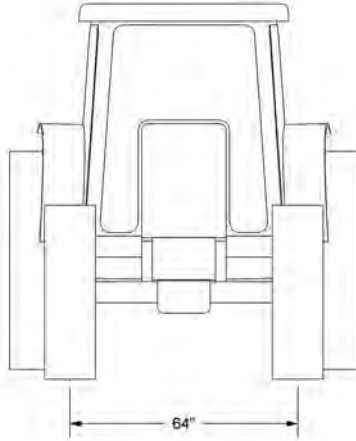
Ø | Á RÓI F F Ò É RÓI € H Ò B Á RÓI € H Ò Á á á á | • É • á á Á @ Á | @ Á ^ | ^ Á á á X Ó G J I J Á á á á | | , Á
@ Á • d ~ & á } • É Á [~ Á á á á | Á ^ á á Á | á á Á @ Á á á á * Á | á á á á @ Á ^ | ^ Á | á
Ú Á / G É | J F É (ASM-JD-0060)



5 GG9 A 6 @M

(K 8 : FCBH'HF 9 '5 8 >I GHA9BH

QÁ iá^iÁ[Á i^ç^} óç c-i-^i^} &^Á ã@ [^ } c^á^ ~ q { ^ } d@Á[] } óç @^i^Á } ÁeÁ Y ÖÁ FEFÒ
dæç iÁ q|Á@ç^Á[Á^Áãb • c^áÁ[Áç] i[cã æ^i^Á i +&^ } c^iÁ[Á^ } c^iÁã çç &^Áe Á @, } Á^i|, È
Ú|^æ^Á^Á^iÁ[Á[^ iÁ[@Á^i^Á^Á^ çç c^} çç &^Á^ çç ~ çç Á^Á^@Á[i^&^Áã Áç áÁã^Á[] ç^i^áçç }
ç Áe@ç^Á^@ ÈÖ | ~ à^Á&@& Á^@Á @^iÁ[] æçç * Áeç^i^Áãb • ç ^ } óç^ Á • &çççç * Áçç áÁç i } ç * Á^@
çá^Á^ i^ Á[Á^@& Á[Á[^ Á ç^i-^i^} &^Á (ASM-JD-0069)

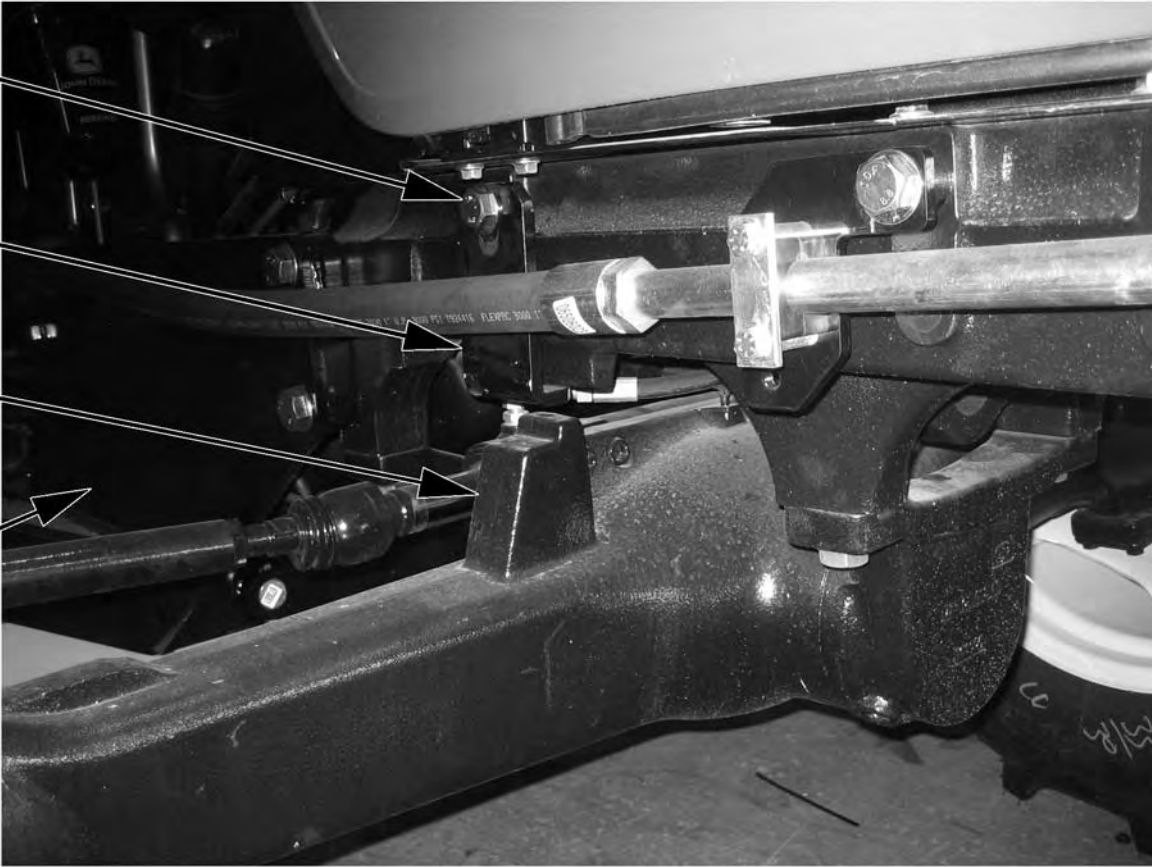


5 GG9 A 6 @M

: FCBH'5 L @ '5 FH7I @ HCB'GHCDG

QÁ iá^iÁt Á i^ç^} çÁ ç i^i^} &Á á@Á [~ } ç áÁ ~ á { ^ } çÁ@ Á i [} çÁç / ^ çÁç : çÁç } Á ~ • çÁ^
|ã ç ááZQ Á iá^iÁt Á i [Á ç Á ç d] Á ~ • çÁ^ Á ç á á Á } Á i [çÁ ç á ^ Á - Á ç Á ç d i Á ç ^ Á ç Á @ , }
à^ [, ÉÁVá ^ i ÁÚB Á i | FÉi G Á Çi çÁç : çÁç } ÁÚd] Á Ói çÁç ^ çÁç á ÁÚB Á GG FÁ Ç çÁç • & ^ , Á F i T T Á ç
I É T T Á ç ~ • çÁ^ Á [~ } ç áÁ ç Á @ , } É ASM-JD-0093)

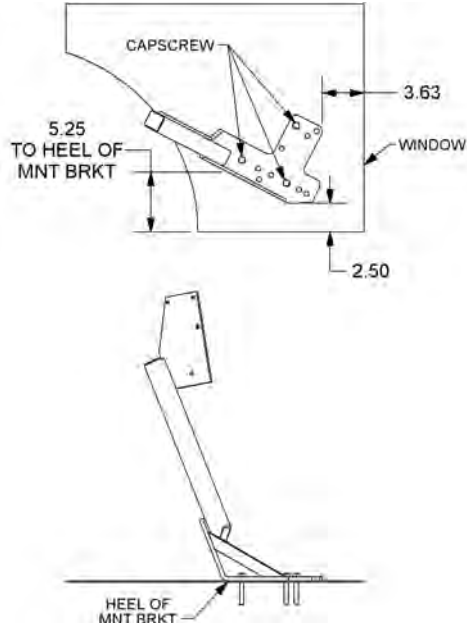
- CAPSCREW (22421)
- ARTICULATION STOP BRACKET (06410626)
- FRONT AXLE
- MAIN FRAME
- RIGHT SIDE OF TRACTOR SHOWN



5 GG9 A 6 @M

7 5 6 @ ' 7 C B H F C @ @ J 9 F ' G H 5 B 8 ' f G J 7 ' C B @ M I B = H G L

Ú|æ^Á@Áæ|Á& } d |Á|æ^Á@Á } Á@Á| [|Á| Á@Á@Á|æ^Á@Á ÁÉ Ð +Á| { Á@Á| } 0 3 á| , ÉÁ
 ÇF [Á@Á^ Ç|Á^æ&| } ^|Á@Á|ÐÁ Á@Á|æ^Á@Á ÁÉ Ð +Á| { Á@Á^Á^Á Á@Á| [|ÉÁ@Á æá|Á
 & | } ^|Á Á@Á|æ^Á@Á @^ |áÁ^ÁÉÉÐ+Á| { Á@Á^Á^Á Á@Á| [|ÉÁ^Á^Á æ^Á^Á| , ÉÁ^Á^Á^Á@Á
 @Á| &æá } Á Á@Á@Á áÁ |Áæ| , Á@Á| ^|æá } Á Á@Á| } d |Á|Ç! • Á Á@Á|æ^Á@Á |Áæ áÁ@Á@Á
 á [|Á |Á| [0 d á^Á@Á@Á áÁ @ } Á @ ÉÁÖ | á^Á&@&Á } á^Á@Á@Á |Áæ| • Áæ áÁ á^Á@Á@Á
 { æÁ^Á& 0 3 @ } Á|á|á * ÉÁÇ áÁ^Á^Á|Á|á|á * Á| á^Á&@&Á | &æá } Á Á@Á@Á áÁ |Á| [|Á|æ^Á
 { ^ } 0 3 Á|Á | • ÉÁÖ|Á|Á|Á | • Á| Á æ&@&| } d |Á|æ^Á@Á áÁ^Á& |Á^Á @Áæ • & | , • Áæ áÁ | [& Á^ 0 Á
 } [0 3 Á|æ 0 Á^Á& } É



V@Á^ áá^Á| [0 3 } á^Á@Á^æÁ á| , Áæ Á^Á& 0 3 Á&| • • Á@Á æ^ | Áæ áÁ^Á^Á& • • æ^ Á@Á
 à| Ç { & 0 3 | ^ Ç| Áæ| , Áæ Á|á|Á^Á^Á@Á |Áæ| • Áæ áÁæ| Á d |Á| • æá } ÉÁV@Á^Áæ|Á^Á |Á|Á^Á
 | [^ 0 3 Á@Á^Á@Á^Á |] } 0 3 Á^Á@Á^Á^Á |] Ç * Á|æ^Áæ áÁ @ |áÁ| 0 3 Á^Á^Á^Á @Á
 à^ } á^Á|Á|á | • Á@Á@Á { ÉÁ^Á& |Á^Áæ|Á^Á @Á áÁ } | ^ÁVXÁ^æ^ |Áæ| • Áæ áÁæ| } áÁ áÁæ|É
 ^ æÁæ|Á^Áæ • æ^Áæ| áÁ^ 0 3 áÁ^Á^Á@Á |Áæ| æ^ |Áæ @Á^Á^ÉÁÖ [Á| 0 3 | , ÁÇ& • • Áæ|Á^Á
 @æ * Á } • ^ & | áÁ^ } Á@Á^ 0 3 áÁ^Á^Á@Á É (ASM-JD-0094)É



GK #H7 < 6 CL`K F-B;

Ü[~ c'Á@Á!^^} Áá áÁ! ^Á á^Á! { Á@Á, á&@ [c'Á Á@Á!] c'Á } • [|^Á á^ |ÉÁÁ
Ü^Á!Á Á@Á á@Á^&á } Á! Á áá * Ááá! á Á Á@ [\ Á] Á@Á, á&@ [c'ÁÁ [c'Á! Á@Á
, á^Á! { Á@Á, á&@ [c'Á á@Á! á@Á á^Á! á Á! [c'Á^áÉÁÜ^ [c'Á! Á@Á] • [|^Á
] á^ |Á } á! Á@Á c'Á! á * Á @^ |Á Ááá^•• Á á^ ÉÁÁ [á@Á Á^ d'áá á@Á! , } Á
& [|^áÁ á^ÉÁÁ g]b['UHygh`] \ hcf'a YHf'hc'j Yf]Zm@ Á á^ Á@Á Á^ d'áá á@Á
, á^ÉÁÁ c'Á! [, } Á^ d'áá á@Á á^ Áá áÁ! } } ^&@ Á!^^} Á á^Á! { Á@Á, á&@
à [c'Á Á@ , } Á@Á áá * Ááá! á ÉÁÁ

Ü[~ c'Á@Á!áá á^Á á@Á! Áá } Á Éá Á^ •Á! { Á@Á, á&@ [c'Á Á@Á
& } á [~ •Á c'Á [|^] [áÉÁÜ } Á@Á á^Á@ [~ * @Á@ Á^ áá áá, Áá áÁ [| , Á@ Á@ +Á
@ •Á! { Á@Á á@Á^ Á@ [~ * @Á@ Á @^ |Á ^ |Á Á@Á! } c'Á Á@Á! á@Á! É

Ü[~ Á@Á @Á Áá áÁ! áÁ á^Á! Á@Á! [|^] [á@Á á@Á^ ÉÁÜ [~ c'Á@Á á^Á@ [~ * @Á@ Á
á@Á áá áá, Á á@Á@ Áá! Á@ } d [|Á á^ ÉÁÁ^ Á@Á^ áá! Á! [{ { ^á Á@Á áá, Á Á
] [c'Á@Á á^ÉÁÁ áÁ! ~ c'Á@Á á^Á^ c'Á@Á á@Á! , } Á Á@ Á@ +Á áá á@Á@ •Á ÉÁ
@ [| , Á@Á@ áá á@Á@ •Á Á@ [~ * @Á@ Á @^ |Á ^ |Á Á@Á! } c'Á Á@Á! á@Á! É

Ü[~ c'Á@Á!áá! * áá á^ÉÁ^ á@Á@ c'Á [{ Á@Á á@Á! } * Á Á@Á! } á [• c'Á
c'Á! } á [~ •Á c'Á [|^] [áÉÁÜCH9. "6 YWfHJb`h Uih Ydck Yf`HU`Yb`Zf`h Y
gk]HW`Vcl`jgí < CHÍ `cb`mik \ Yb`h YfUWcf`] [b]hcb`jgí CBÍ "

V@Á! áÁ á^Á! { Á@Á, á&@ [c'Á @ |^Á^Á! ~ c'Á Á@Á á@Á! á@Á! } * ÉÁÁ
V@Á á^Á! { Á@Á, á&@ [c'Á^Á! } * ^! Á@Á Á^áá! á@Á @ |^Á á@Á! ~ |^ Á^ á@Á
•] |áá! Á^ á^á@Á! Á@Á @ |^Á^Á^á@Á! Á^ & |^Á@Á á^Á! Á@Á! á@Á! Á
+á ^, [| Áá áÁ! [{ Á@Á •Á Á! áá á@Á! } Áá áÁ^ ááá * ÉÁÁ (ASM-JDT3F-0050)



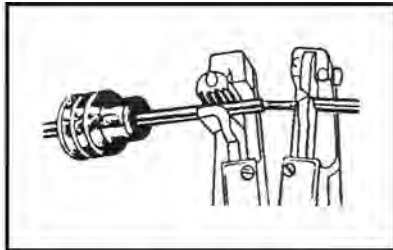
5 GG9 A 6 @M

K 95H<9F!D5 7 ? #A 9HF =D5 7 ? '5 GG9 A 6 @M

V@•^Á•d~ &ç }•Áç]|^ Á Á[c@Y ^æ@!Ëæ& Áç áÁ ^d ç æ& Áç]}^&ç !•É

BCH9.1 gY'h YgdYWZWCc`Zf'h YmdYcZWbbYWcf'nci 'UfYUggYa V]b["

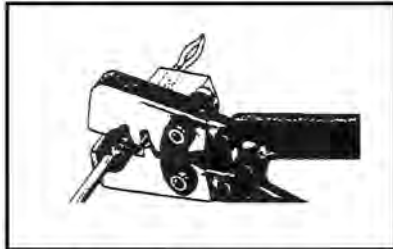
(ASM-C-0009)



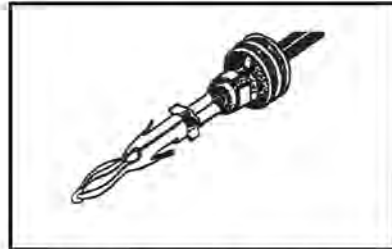
1. Apply seal to cable, before stripping insulation.



2. Align seal with cable insulation.



3. Put terminal in crimping tool, then



4. Crimp and visually inspect for a good



5 GG9 A 6 @M

J5 @9`A CI BH-B;

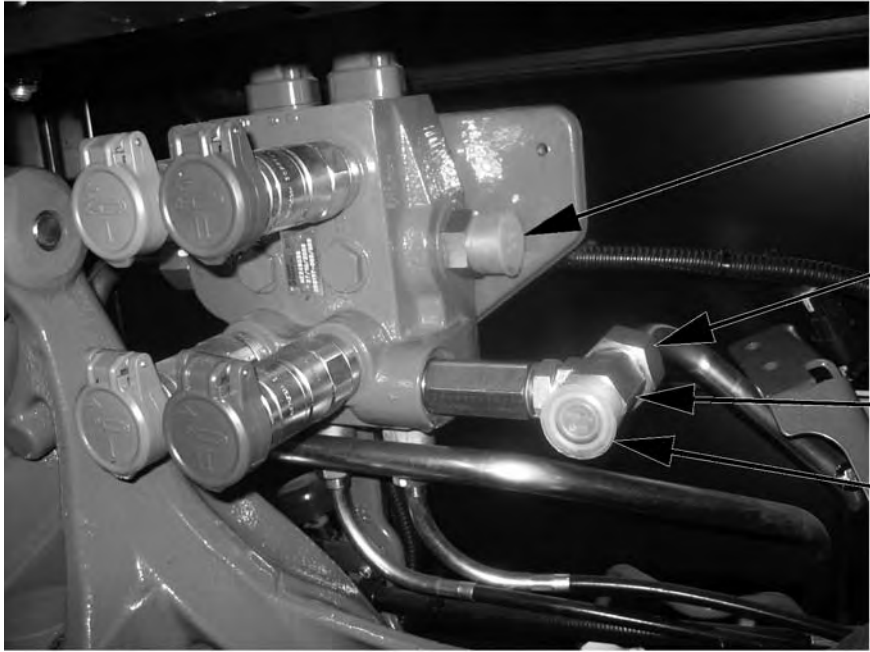
0ra&@A^ad&ap^A [~ } q * Aia&A^oA A@A^} a^A A A@A ad | A^ A^ { [çã * A@A ç [A^adA [| o A } A@A^A^} a^A A a@A [A^adA [| o A } A@A^A^} a^A A A^ A^ } d a a } A à^ [, EÖ: a | A@A^ ~ ad^A q | ^ A A@A^} a^A A A^ A^ } o A H + A a . & ^ , • E A V ^ A @ A e a , ad^A } [çã A A@A^ ad^A & ç } A A a a & @ A ^ a p ^ A [~ } q * Aia&A^oA A@A^ ad | E P^ o A a a & @ A ^ a p ^ A [~ } q * A | a e A^ A@A^ [~ } q * Aia&A^ o A A } A@A q | ^ A } A@A] | a e A^ A@A q | ^ A } A@Aia&A^ E A V ^ A @ A e a , ad^A q , } A A@A^ ad^A & ç } A A a a & @ A] | a e A^ A@A^ a p ^ A [~ } q * Aia&A^ o A A ad | E | a e A^ A@A^ } A@A^ a p ^ A [~ } q * A | a e A^ A • q , } A A@A^ ad^A & ç } E A A } A@A q | ^ A } A@A^ a e • ^ { a | A^ A@A q | ^ A } A@A | a e E A W^ A @ A e a , ad^A | [çã a A^ A^ & ^ A @ A^ a p ^ A A@A | a e E A V ^ A^ A^ A@A^ ad^A & ç } A | A@A] | a e ^ ^ } o A A@A^ a p ^ A a @ A e a , ad^A • a E A V ^ Y u g Y l U b X Y H Y ^ j z i j U j Y k j H ^ W U Y ^ ^ i j g ^ Y i k f Y a Y m l Y U j m U b X ^ W b H U j b g ^ a U ^ d U f g ^ (ASM-JD-0065)



5 GG9 A 6 @M

DF9 GGI F9' @B9' BGH5 @@5HCB

V@Á@áiæ|æÁ|·•·|·^Áá^Á|á|·^Á|·{ à^áÁ d Á@Á|æd|@Á|, ^|Á^|[]}áÁ| |dÁ| &æ^Á@Á
[] , ^|Á^|[]}áÁ| |dÁ|}Á@Á|]·|Áá @Áá^Á Á@Á|æd|Á^æÁ{ [c·É^| [ç^Á@Á|·*Á^·|Á| Á
c@Á|··dæ|}Á^|, Áá áÁ@Á|æc·Á^&ç| dÁ|c·|Á@Á|·*Á^Á{ [ç^áÉ|}}^&Á@Á|æç|Á|}áÁ
|·c·Á@Á|·^Á|{ Á@Á|æç|Á| Á@Á|æç|·ÉÁ@, }Á@Á|æc·Á^&ç| ÉÁ (ASM-JD-0089)



Power Beyond Port

Line From MidMount Valve
or Install Cap on Tractors
Without a MidMount Valve

Branch Tee

Return Line

F9HI FB' @B9' BGH5 @@5HCB

V@Á^c|}Áá^Á|á|·^Á|·{ à^áÁ d Á@Á|}d·Á@Á|æ|&Á^·ÉÁ@, }Á|·|·çá··Á|··dæ
ç|}ÉÁ @B@|á|·^Á|··^| à^áÁ d Á@Á|æç|Á| &æ^áÁ^|, Á@Á|æd|·d|, ^|Á^|[]}áÁ| |dÁ|
Ú^| [ç^Á@Á|à|, Á|Á|·*Á|{ Á@Á|æÁ{ [c·Áá^Á|]æ^Á| á@Á|} |á^Á|æ|&Á^·ÉÁ
Ô|}}^&Á@Á|·^Á|{ Á@Á|æÉ|·}d·ç·Á| Á@Á|æ|&Á^·ÉÁ|·|Á|æd|Á|·^Á|·d·ç·Á|
T áÉ|·}d·ç·Á|·É@}Á·ç·Á|·^Á|} |á^Á|æç|Á|}Á@Á|æ|Áá^Á Á@Á|æ|&Á^·ÉÁ|·{ àÁ@Á
|^c|}Áá^Á|{ Á@Á|}d·Á@Á|æ|&Á^·ÉÁ| Á@Á|æç|Á|}Á@Á|æç|·ÉÁ (ASM-JD-0090)



5 GG9 A 6 @M

A5 BI 5 @ @ H'J5 @9 'DCFHG

Á



(ASM-C-0102)

A5 BI 5 @GK #7 <6 CL'ACI BHB;

ÁV@Á, ä&@Á[cÁÁ Á^Á^& !^áÁ Á@Á]^!æ !cÁ ä^Á Á@Á }d[Á@á à^•É !Áç^Á çá àÉ
Ü^~!Á Á@Á á@Á^&ç }Á !á•^ { à^ Áá& {][]^ } Á^^á^áÉ (ASM-C-0071)



5 GG9 A 6 @M

: =@@B; ` < M8 F5I @7 `F9 G9 F J C =

Ü^~!Á Á@Á æ c} æ & Á^&ç } Á | Á|á * Á ^ &ãæç } • Á @ á|æ |æÁ áÁ^ ~ á{ ^ } • È

BCH9. 'GUFhb['cf'fi bb]b['nci f'H][Yf' a ck Yf' VYZfY Z'']b['fYgYfj c]f'k]''WU gY gYf]ci g`XUa U Yhc \ nXfU `]Wdi a d"

(ASM-C-0004hydro resrv)

=BGH5 @QB; `C!F=B; `: =HHB; G

Q • çáá * Á çæ @ÉÁ í óæ áÁ €óÁÉá * Á^ ~ á^ Á@Á@ÁÉá * Á @ á æ @ | Á^ Á] Áæ æ • ó@ •, æ^ | Á [á^ ÉQ • Á^ ó@Á, æ^ | Á æ áÁ } / Á } çÁ@Á, æ^ | Á [á ç áÁ @ Á^ • á^ áÁ á^ &ç } Á @ áÁÉ } | á * Á & } çæóÁ Á æ^ ÉP [| áÁ, æ^ | Á Á^ óá á^ &ç } Á æóÁ, !^ } &ç æ áÁ } Á @ ÁÉá * Á ~ óæ æ + [{ Á@Á, æ^ | Á [á^ Áæ áÁæ ~ | Á ç @ } É (ASM-C-0056)

; 9 B9 F5 @ < CG9 `BGH5 @QHCB

Ü^~!Á Á@Áæ • Á^ &ç } Á | Á^ çáá } + [{ æ } Áæ ~ ó@ • Á @ áÁç * Á | Á @ Á } | æ } È (ASM-C-0011)

< CG9 `7 CJ9 F=B;

Ü^ & !^ ÁQ • Á^ * ^ @ | Á æóá Á • Á @ | ^ ç | Á [• ÉWY | æ Á @ ÁQ • Á^ Áç ^ ^ } Á @ Á, æ^ | Á æ { æ Á [[{ Á, æ@Á@ÁQ • Á^ Á ç | Á] [çæ^ áÉAY | æ Á @ ÁQ • Á^ Ááç ^ ^ } Á @ Á æ Á [[{ Áæ á • Á & } áæ Á [[{ Á æó@ ÁQ • Á^ Á ç | Á] [çæ^ áÉAY @ | ^ ÁQ • Á^ Á æ Á & } çæó@ Áæ ^ Á | Á @ | ^ á^ * É | æ Á æóá } | áQ • Á^ Áæ áÁ & !^ Á æó@ Á^ æ } • Á | Á á Á • É

U) Á [] } æáÁ } æ É@ Á | ^ • ~ | ^ Áæ áÁ^ ç | } ÁQ • Á^ Á [{ Á @ Á & } d [| çæç Á á | Áæ [Á^ áÁ Á^ | ~ ç áÁ æ^ Á @ Á | | ç & ç Á^ æ ÁQ • Á^ | æ ÉU [ç | Á @ Á çæ^ Éæç Áæç * Á æó@ Á^ | |, ÁQ • Á & ç | Áæ áÁ & !^ Á æóá æ Á ç * Á | [çæ^ áÉ (ASM-C-0058)

H9AD9F5HI F9'; 5I ; 9`ACI BHB; `QJUVWPOŠD

T [~ } ó@ Á {] | ^ æ !^ Á æ * ^ Á @ | ^ Á^ Á^ Á^ | Á ç æ^ Á Á @ Á] | ^ æ | ÉU çæ @ Á | ^ } ÁÉ, áÁ [{ Á @ Á^ æá Á [• ó } Á @ Á æ * ^ Á Á^ | ~ } á^ áÁ [| ó } Á @ Á æç | Áæ ^ ÉU^ [ç^ Á æ ç áÁ^ á^ áÁ Á æ^ Á^ [| áÁ | ~ } áÉU^ [ç^ Á @ Á á^ Á | * Á [{ Á @ Á æ^ Á - Á @ Á @ á|æ | æÁ^ • Á | ç | á æ áÁ • ç | Á @ Á^ } | ^ æ !^ Á^ } • | Á^ • á * Á @ Á æá Á æá * Áæ ^ ÉU^ } Á @ Á @ Á^ áÁ [{ Á @ Á D • Á } • | Á [• ó - Á @ Á æ * ^ Á Á @ Á {] | ^ æ !^ Á^ } • | Á } Á @ Á @ á|æ | æÁ^ • Á | ç | áæ } É (ASM-C-0051)

: I 9 @H5 B? `F9ACJ5 @

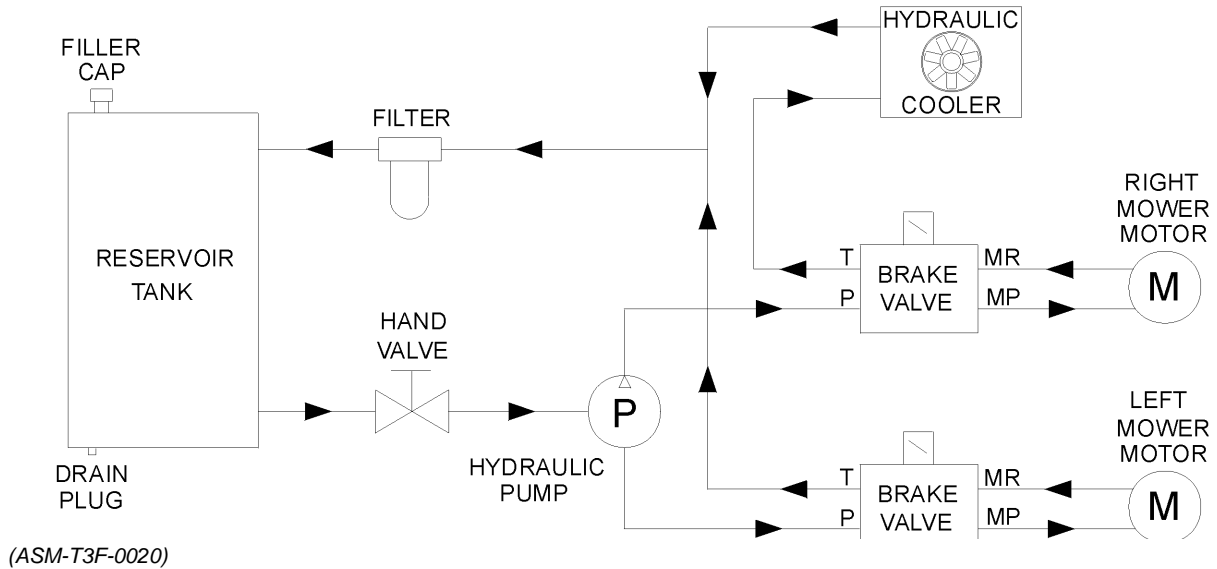
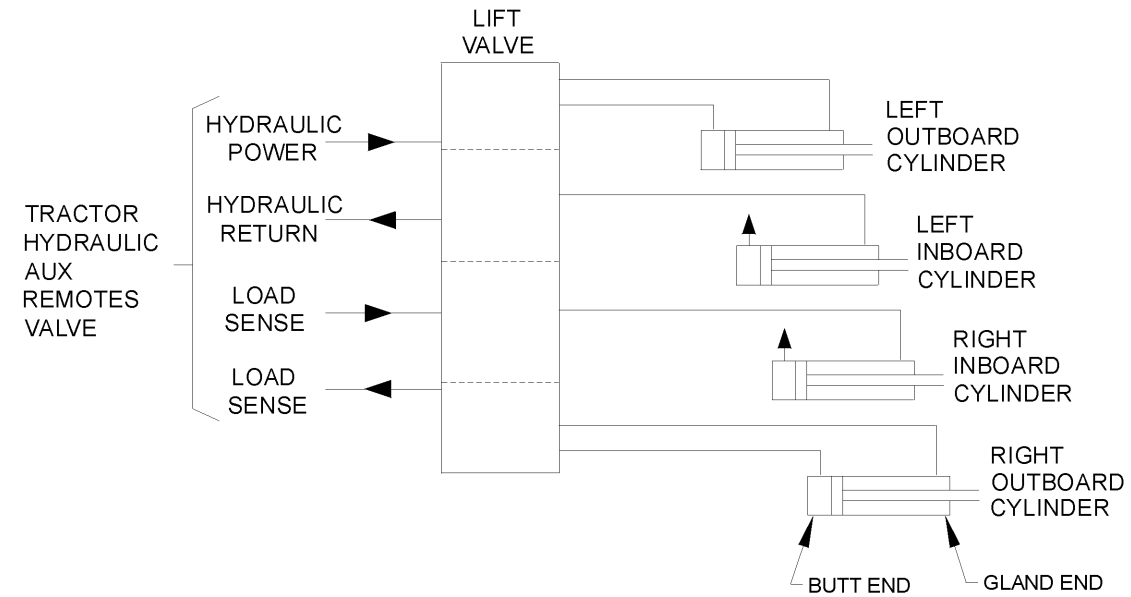
V @ Á^ | Áæ \ Á ~ • ó^ Á^ | } æ^ áÁ æóÁ^ | Áæ \ Á | [çæ^ áÁ^ Á^ á^ ÉV @ Á Q ~ | áÁ^ Á^ } ^ Á @ + | |, á * Á æ È

Qá • ÉÁ | æ Á @ Á^ | Áæ \ Á - Á | Á^ | Á^ | ^ Á^ [çá * ÉU^ [ç^ Á @ Á | æ^ Á @ ÁQ | áÁ @ Á^ | çæ \ Á Á @ Á æç | ÉU [• ^ } Áæ áÁ [[ç^ Á @ Á^ | Áá^ • Á @ Á & } } ^ & ó @ Áæ \ Á Á @ Á æç | ÉV] | * ç @ Á | ^ & çæá Á @ Á^ Áæç @ áÁ Á @ Á^ | Á^ } • | Á } Á | Á - Á @ Áæ \ ÉV | Á Q ~ | áÁ @ } Á^ Áæ | ç Á æ ~ ^ ç | Á @ Áæ \ Á - Á - Á @ Á æç | ÉU^ [ç^ Á @ Á^ | Á^ } • | É & ^, • Éæ áÁ^ áá | Á [[{ ^ ó á^ Á^ • ^ áÁ æó@ Á^, Á^ áÁ^ | Áæ \ É (ASM-C-0080)



5 GG9 A 6 @M

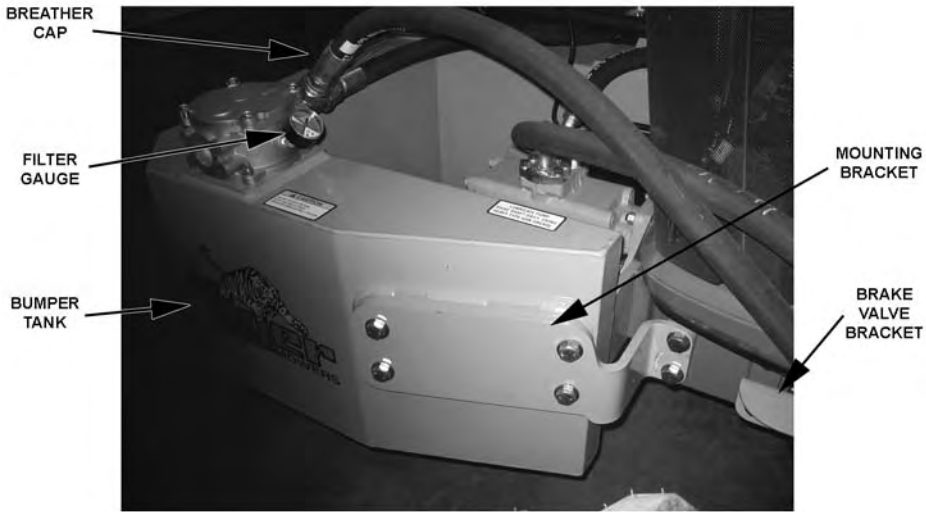
HF-D@: @5=@<M8F5I @7'8-5; F5A



5 GG9 A 6 @M

6 I AD9F 'H5 B? -BGH5 @@5 HCB

Q•œÀ@Àœ \ Á [~ } ç * Á:æ Ì 0 Á ã @ @ Á œ à , œ ^ Á | ç ã ^ à È œ Á @ , } Á @ Á œ 0 Á Ú ^ & ç } È Ö U Á U V Á @ ^ } Á Á V á * Á œ ç á œ ! Á œ È œ œ ^ Á @ Á œ \ Á ç Á [• œ } È Á œ ^ Á] Á @ Á @ | • Á } Á @ Á œ \ Á ã @ @ Á ç | • Á } Á @ Á [~ } ç * Á:æ Ì 0 Á œ à Á • œ À @ Á œ à , œ ^ È Ú } & Á œ Á [~ } ç * Á œ à , œ ^ Á Á Á | œ Á œ á Á ^ & ! ^ à È œ @ ^ } Á @ Á œ • & ^ • È V @ Á ! ^ • • ! ^ Á œ * ^ Á Á • œ Á à Á @ Á ç ! Á œ • ^ { à | Á ã @ @ Á d ^ Á ç | à , È Á @ Á ! ^ œ @ ! Á œ Á Á • & ^ , ^ á Á ç Á @ Á } * Á ç | Á } Á @ Á | Á Á @ Á { | ^ Á œ \ Á œ Á @ , } Á @ Á œ 0 Á Ú ^ & ç } È (ASM-C-0072)



-BGH5 @@B; 'HF5J9 @@@7?G'5 B8 'D-BG

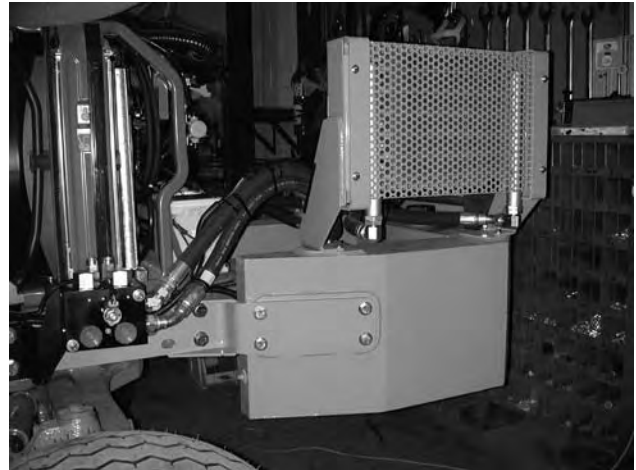
Q•œÁ | & Á ç Á ã @ @ Á ^ } ç Á œ Á Á ã ^ Á Á œ ^ | Á | & Á:æ Ì 0 Á • ç * Á @ Á œ à , œ ^ Á | ç ã ^ à È Q•œÁ @ Á - œ Á œ ^ | Á | & Á ç á Á:æ Ì 0 Á } Á @ Á œ 0 Á œ ^ Á @ , } È Q•œÁ @ Á Á @ Á œ ^ | Á | & Á ç á à:æ Ì 0 Á } Á @ Á œ 0 Á œ ^ Á @ , } È (ASM-C-0075)



5 GG9 A6 @M

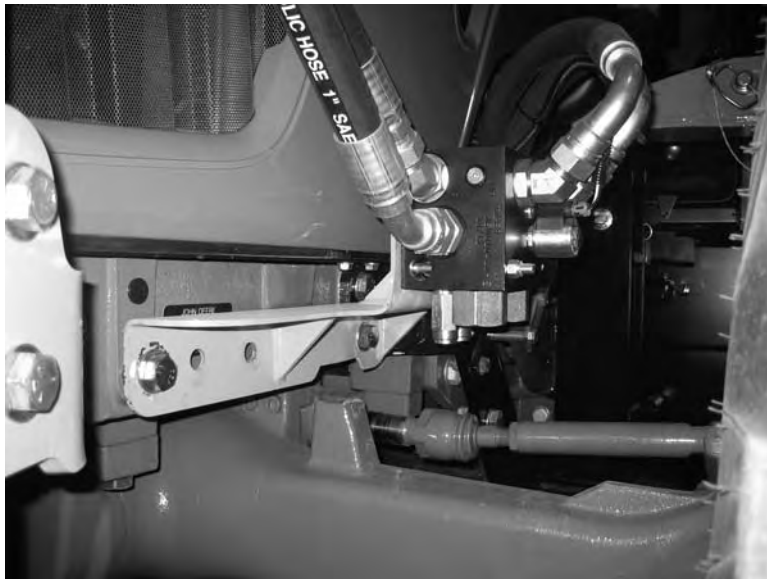
7 CC @F ACI BHB; 'I 6I AD9F 'H5 B?

T[\` } oÁ@Á& [[|^Á [` } q * Áiæ&^oÁ] Á@ Áq] Ář @Á ä^Á ~Áo@Á {]^Á@^ áiæ |æÁæ\ È Š| &æ^Áà [|oÁ |æ^ Á } Á@ Áq] Á -Á@ Áæ) \ Áæ áÁ^& ^ÁÁ@ Áæ] | | | iæ^ Á& [[|^Áiæ&^oÁ] Á@ Áæ) \ , á@Á@ Áæ á , æ^Á: | | çæ^ áZÁOæ&@Á@ Á & ^ ^ } Áæ áÁ& [|^Áq Á@ Áiæ&^o ÁZÁ ^ -^Áq Á@ Áúæo Ù ^ & ç } Á&] } ^ & oÁ @ Áq • ^ Á Á @ Á& [|^Á ÁASM-C-0073)



GC @BC-8 '6 F5 ?9 'J5 @9

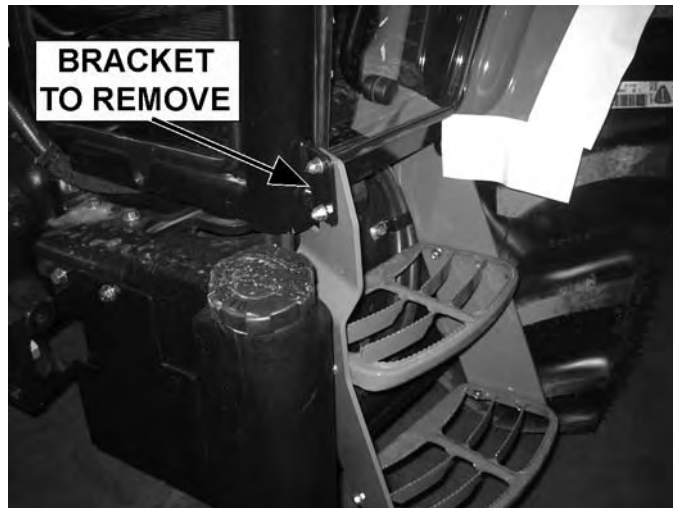
Q • ç / Áæ [| ^] [ä Á ç ç ^ Á Á æ @ Á i æ ^ Á ç ç ^ Á i æ & ^ Á á@Á @ Á] æ ! • Á ç Á ^ & • • æ ^ Dæ á • ~]] | ä Á ç á , æ ^ Á æ Á @ , } Á Á@ Áúæo Á ^ & ç } É Q @ | ^ Á Á ^ á Á Á • ç | Á @ Á& | Á Z Á Á] | | ç c ç Á ^ Á Á [| ^ Á @ Á Á ç Á É Ç | Á É Á É Á • É Á | ~ ^ É Á ç ^ Á Á | ~ ^ Á - Á & á Á á Á ^ ~ | ç Á Á @ á i æ | æ æ | ^ Á - Á]] | | ÁASM-C-0074)



5 GG9 A 6 @M

GH9 D'6 F57 ?9 H'F9 A C J5 @

V@Á:æ^Á } Á@Á; } ^!Á -Á@Á:æ; !ÁæÁ @Á@Á |á•Á@Ác]•Á ~•cÁ^Á
!^ { [ç^áÁ; cÁ -DÁ !Á [cÁ^cÁ -Ác]•ÁV@Á:æ^Á ÁÁ [••ã] Ác!-!^Áæ áÁ
áæ æ^Á@Á [, ^!Á@•^Á @} Á@Á [, ^!Áæ^Áæ^áÁ Á@Á]!á @Áæ} [!cá * Á
][•ã} ÁÁ (ASM-JDT3F-0054)



5 GG9 A 6 @M

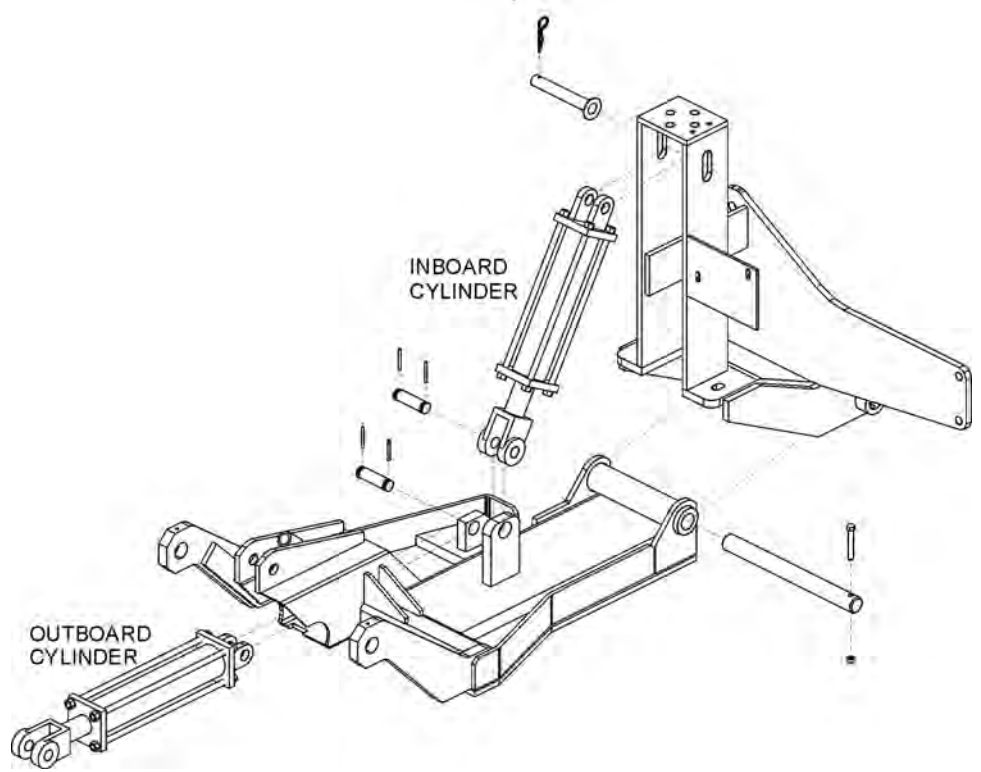
8 F5 : H'695 A `BGF5 @@HCB

Q•æÁ +UËä *Á^æ@!Á d Á~ w[!o[Á d[æá& |ä á^!ËWQ•æÁäcä *Á Á@Á[áÁ} áÁ -Á@Á & |ä á^!ËWQ•æÁäcä *Á Á@Á[äcä |ä Á@Á[{ { [] Áæ@Á^&ç} ËW@•^Áäcä *Á @~ |äÁ^Á [[•ä] } ^áÁ ÁæÁ@Á~ wÁ} áÁ -Á@Á |ä á^!Ë

P^cöc !} Á@Á^çä Á} d Á@Á[áÁ -Á@Á |ä á^!Á} çÁÁ Á@Á @Áæ ää •c@Á @ |ä^!Áæ áÁ & Á ä d Á |æ^Á äcä & ä *Á [o[} Á^çä ËW

V@Á d[æá& |ä á^!Áæ Á[, Á^Á •æ^!Á d Á@Á äcä Áæ ^Á æo[äc@Á ä |äæ æ @!Á äcä ÁË |ä Á @ , } Á^ [, Ë

Q•æÁäcä *Á Á@Á[~ cä |æá& |ä á^!Áæ áÁæ@ •cä Á [ä oä , æá•Á@Á~ wÁ} áÁ -Á@Á & |ä á^!ËWQ•æÁäcä *Á Á@Á[^&ä áÁ Á@Áæ@Á^&ç} ËW |ä Á@Á |ä á^!Á d Á@Á |æá&ç } { Á@Á ~ äcä Á@Á |æá&ç äcä |ä á^!Áç Á@Á |æá&ç Á äcä |ä Áæ á } äcä |ä Áæ á } [] ä •Ë (ASM-C-0076)



8 F5 : H'695 A `ACI BH-B;

U~ |Á@Á d[æá& |ä á^!Á [•ç } Á[áÁ [, } Áç Á@Á çä { ^Á cöc } á^!Á [•ä] } ËW |ä Á@Á |æá&ç äcä Á} á^!Á@Á |ä á^!

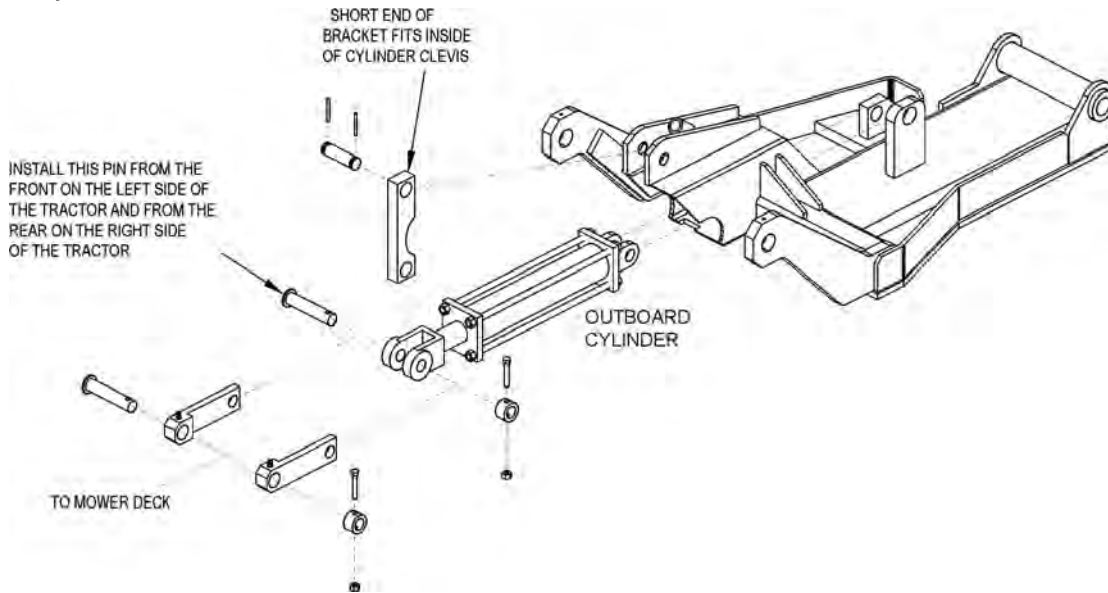
Wä *Á d[æá& |ä á^!Áæ Ácä [o[ä cä |ä Áæá&ç Á} á^!Áæç |ä áÁ •æÁ |æá&ç } äcä |ä Áæá&ç Á äcä |ä Áæá&ç } { Á@Á ~ äcä |ä Áæ á } ^Á [•ä] áÁ •æÁ & ^ , Áæ áÁ [] & } ËW (ASM-C-0078)



ACK 9F`ACI BHB;

Ô@& Á@æ|Á!^æ^Á\·Á@æ^Á^} Æ·æ|áÆ Á@Á:æÁæ ·Á æ[óæ{ Ê^·ó|æ^Áæ{ ÊÁ
 |ã @Á|æ^Áæ{ Êæ á&|æ|á^Á [^} ç*Áæ·È

Wá * Á&|çã Á á Á| Á á ·È} }^&ó@ Á æ[óæ{ Á|Á|çã Á} Á:æÁæ ÈÁÁUVÒÁ æ^Á
 ·^Á@Á| } *^Á|ææ ç&Á^ç ^} Á@Áæ ç^ çæ á@Á} áÁ -Á@Á æ[óæ{ Á|Á|··óæ Á@Á:æÁ
 à^æ Á æ[óæ·Á} Á@Áæ} ç!Á à^Á@Á @, } Æ Á@Áæ!æ Á|, ÈÁÁ·[Á æ^Á!^Á@Áæ ç^ ó
 [} Á@Á æ[óæ{ Áæ·Æ ç Á à^Á -Á:æÁæ È(ASM-C-0077)



Ù|æ^Á @!Á} áÁ -Á æ[óæ{ Á æ@ @!óæ ç&Á^ç ^} Á@Áæ ç^ çæ á@Á} áÁ -Á@Á æ[óæ
 æ{ Êæ ç Á@Áæ|æ|á^Áçã ÈÁÁ^çÈÁ^Á} Á@Áç!·Á -Á@Á -óæ áÁ@ @Áó|æ|æ^Áæ{ ·Á^·æ^Á
 [-Á@Áæ|æ|á^Áçã Áç!·ÈÁÁ| } }^&ó æ@|æ|æ^Á á È Á @·Áæ Á~ a^áÈÁ[··Èæç·&^, ÈÁ
 || &, æ @!Áæ á@Áç^ çæ Á @, } È

V|Á| } }^&ó@ Á| } }^óæ Á@Á:æÁæ ÈÁ|æ^Á@Áç!·Á} á} Áæ{ ·Á -Á@Á:æÁæ Á^ç ^} Á
 @Á [^} ç*Áæ·Á} Á@Áæ}^Á} áÁ -Á@Á| } }^ÈÁÁÁ^Á} Á@Áç!·Áæ áÁ&|^Á æ@, æ^Á á È
 &ç·&^ È| &, æ @!Èæ á@Áç^ çæ[çÁæ·ÈÁÁ^Áæ·Á^&ç} Á|·çææ } È

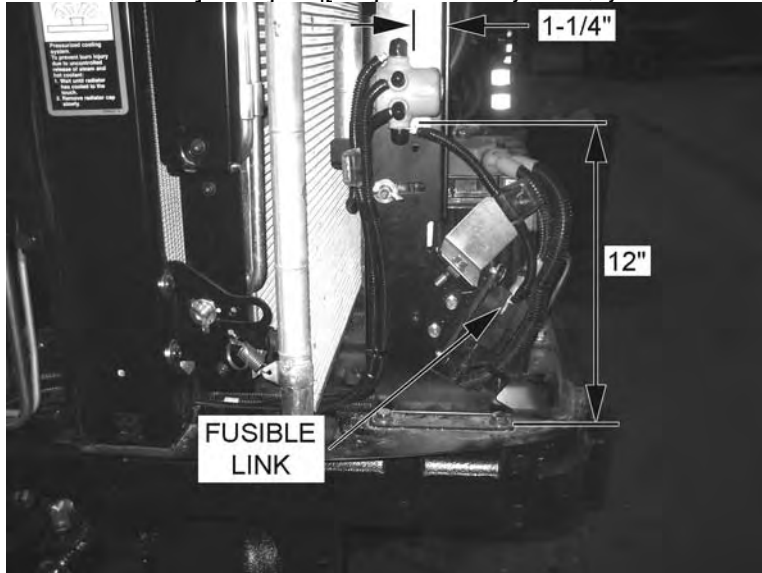
P^çÈ·|æ^Á@Á^Áæ áÁ@ @Á|æ|æ^Áæ{ ·Á} Á| Á@Á| çáÁ æÁ} Á@Áæ^Á -Á@Áæ& È
 Ù&|^Á æ@|æ|æ^Á á È Á @·ÈÁ[··Èæç·&^, È| &, æ @!Áæ á@Áç^ ÈÁÁ^Á|·çææ} Æ
 Úæ·Á^&ç } È



5 GG9 A 6 ①

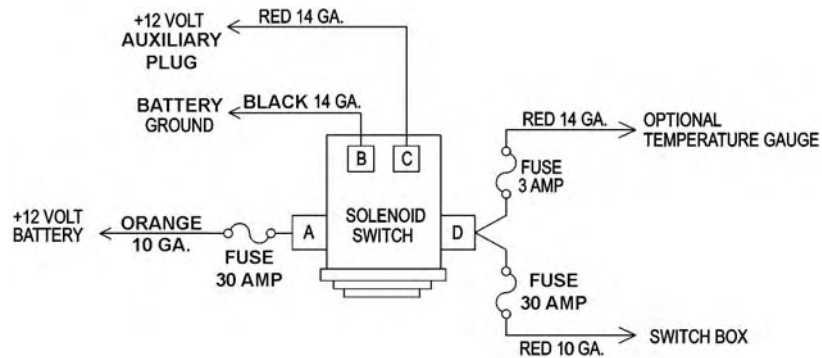
7 CBHBI CI G'8I HMGC ② BC-8 'GK #7 <

Ü[~ c'Á a^•Ä Áa äÁ[{ Á@ÁÖ} ç ~ [•Ö c'ÁU [^] [äÁ, ä&ÖÁ@, } Á^ [| , È
 Ü^ & ' Á äÁ [| ç äÁ Á Ö + Á F + & ç • & ^ , • Ä [& , æ @ ! Ö ä Á @ c'Á ~ • È



Ü[~ c'Á a^•Ä Áa äÁ[{ Á@ÁÖ} ç ~ [•Ö c'ÁU [^] [äÁ, ä&ÖÁ@, } Á^ [| , È
 ÖÉÜÜÖÖÁÉÖÖÄ a^Á[{ Á[ç äÁÖÄ ÁÉFGÁæc' Á • äÁÁ \ È
 ÖÉÜÜÖÖÁÉÖÖÄ a^Á[{ Á[ç äÁÖÄ Áæç | Á * Á ÁæÈ
 ÖÉÜÜÖÖÁÉÖÖÄ a^Á[{ Á[ç äÁÖÄ ÁÉFGÁæc' Á • È
 ÖÉÜÜÖÖÁÉÖÖÄ a^Á[{ Á[ç äÁÖÄ Á æÖÁ c'È
 ÖÉÜÜÖÖÁÉÖÖÄ a^Á[{ Á[ç äÁÖÄ Á } ^' æ ' Á æ * ^ Ä] ç } æÈ

(ASM-T3F-0023)



5 GG9 A 6 @M

: B5 @DF 9 D5 F 5 HCB: CF CD9 F 5 HCB

Ú|æ^Á] ^|æ| |CÁ æ^c Áæ áÁ] ^|æ| } Áæ&æ^ Á } Á@Á c^|á * Á| | { } Áæ áÁ æ^Á| } • [|Á @| ^
c@ ^ Áæ^Á|æ| Áæ æ| ^Á| Á@Á] ^|æ| |ÉÁV@•^Áæ&æ^ Á @ |áÁ^Á } á^|•d [áÁ^ Áæ&æ| ^|æ| |Á ~
c@Á æ&æ^ Á| } b } &æ } Á æ@Á Úæ^c Áæ áÁ] ^|æ| } Á^&æ } • Á Á@Á [| ÉÁV@Áæ&æ^ Áæ^Á|
àÁ| æ| æ^ áÁÁ Á [| áÁ| } áæ| } Áæ Áæ^| á á^|Ád Ác@Á] ^|æ| |Éæ| áÁ • @ |áÁ^Á| ^|æ| áÁÁ
áæ æ^áÉ

Øæ æ| Éæ|Á| ••^•É] á • Áæ áÁ] æ| cÁ [á • Á |Á] ^áÁd Áà^Á^|æ^áÁæ Áá • d^ &c^áÁ Ác@
Á æ| c } æ &ÁÚ^&æ } Á| Ác@Á| æ | æÉÁV@Ác@á|æ| |ÁÁ^•^|ç| áÁ&æ| Áæ | Áà^Á| ^áÁ æ@Á
|Á| { { ^ } á^áÁ^ æÁG^ÁÁT æ| c } æ &ÁÚ^&æ } Dæ| áÁc@Áæ| Áá • æ| ^áÁ Ác@Á| Á| Ác@Á| æ | É
Ö| ^|Á&@& Áæ| Áæ| * Áæ áÁæ c } ^| • ÁÖÖUÜÖÁ ææ| * Áææd |ÉÁV@| Á^&^| Áæ | Á| • ÁÁQ • Á•
d^ * c@|Á æ@Á á Áæ • Áæ áÁ |æ| Á æ@Á |áÁQ • Á • Á @|ÁÁæ| } Á æ Á && |Á } Ác@ÁQ • Á • É



ÖÖUÜÖÁ ææ| * Á|Á] ^|æ| * Ác@Áæd |Á| ^ Á ^ • c^ææ| áÁ } á^| • æ| áÁc@Á
Áæ^c Áæ áÁ] ^|æ| } Á^&æ } • Á Ác@Á| æ | æ| { } |c^|É

69`GI F9`H<9`65 @UJ5 @9G`5F9`CD9B`...Úææ|æd | Áæ áÁæ| , Áá • d^ { ^ } • Á| Á ææ|á^É
V^ á * Áæ| á &Á| Á æ| ^Á| Áææ|á| æáÁæ Á [c^áÁ Ác@Á æ^c Áæ áÁ æ| c } æ &Á^&æ } • É&@& Áæ|
ææ| * Áæ áÁ| } } ^&æ } • Á| Ác@Á|æ| |ÁÁæ • É

Qæ^æ Áæ Á| ^| áÉ| ^ Á ^ • c^ @ c^á| , } Ác@Áæd |É^Ác@Á&^ c^|Á| } Ác@Á^| ^| } áÉÁÖ^| ^|
ææ| { } ç| * Á| Áæ^Á|æ| É| ^ Á ^ • c^æc æ^ Ác@Áæ|çæ| Áæ| á^Á^ç^|æ| Á^ Ád Á|áç^Áæ^
| |Á•^ |ÁÁ Ác@Áá • É

6 YZfYcdYfUhb|`h`Ya ck YfÉ@&^ c^|Ác@ææ| áÁ| [| Á @ |áÁ^Á| | , |Á [ç^áÁc@| ^ * @ ^ c
c@Á| |Áæ| * Á| Á| [ç| } ÉÁV æ&æ| Áæ ^ Á| } áæ| } Ác@Á| |áÁæ^ Áá á &æ * Á| Ác&••Ád^••Á| }
c@ÁQ • Á • ÉÁV@Á c^|á * Áæ áÁ| } Áæ| Áæ| Á @ |áÁæ| Áæ^ Á| Á| ç^áÁc@| ^ * @c@áÁ| |
|æ| * Á| Á| [ç| } ÉÁVæ| Á| } áæ| } Á && | • Á Á| æ@Ác@ÁQ • Á • Á| } ææc@Áá^ Éc@Á c^|á * Áæ áÁ
| |Á| } Áæ| Áæ| Á| æ| Á^áÁ| ÁáÁá æ^áÁæ Áá • &æ| áÁ Ác@Áæd |Á| ^|æ| • Á| æ | æÉÁV@
• @ |áÁæ| Áæ| Á| ^ÁÁc@Áá^ Á àÉ| Áæ^Ác^| ^| Á| Á| Áæ| Á| c@Á| áæ| Ác@Á| , ^|Á^ &æ
c@Ác@Á|æ| |ÁÁæ| Á| Á|ææ| Áæ ÉÁV@Á| æ| Áæ| ^áÁææ| * Á @ • É| Áæ| • ç| * Ád | Á| | Á Ác@
dæd |Á| } Á| Á| |ç^Ác@Á| | á| ÉÁV @ Á&@& á * Á| [ç| } É| ^ Á @ |áÁæ| Á&@& Ác@Á| Á| } d|
&& æ Áæ^Á| } } ^&c^áÁæ| |áá * Á| Ác@Á] ^|æ| | Áæ&æ| Ác@Áæ| Ác@Áæ| á^Á • É

ACK 9F`H9GHB;

Væ^Ác@Áæd |Á| Áæ| Áæ^Á^Á| Á| |ÁÁ| áb&æ^ Á } Ác@Á| ^| } áÉÁÚ] ^|æ| Ác@Á| áá^| Ác@| ^ * @
c@áÁ| |Áæ| * Á| Á| [ç| } Áæ æ| É| Á|æ| Ác@Áá • Á ÁæÉÁV@| | | , Ác@Áá • d^ &æ } • Á Ác@Á] ^|æ| }
Á^&æ } Á| Á| ^|æ| Ác@Á| , ^| ÉÁVæ|æ| } Á Ác@Á| , ^|Á @ |áÁ^Á| á á æ| Áæ| Áá • ÉÁV@Á| Áæ|
{ á^c^Á • c^ } Éc@Á| áÁ| | Á @ |áÁ^Á| d | ^áÁæ| áÁ } &Áæ æ| Áæ| Ác@Áá • c^ , ÁQ | • Á| ~
| | ^|æ| } É

=ZUbmduUfHg'cZH]g' 5 ggYa V'miGYWf]cbz'cf'Ubmch Yf' gYWf]cb'cZH]g'a Ubi U'UfY
bchWYUf'mii bXYfghcX'nci 'a i ghVebhUWinc i f'XYUyf'cf'h Y'UXXfYgg'cb'h Y'ZcbhcZ
h]g'a Ubi U'Zf'Ugg]ghUbw' (ASM-C-0010)



5 GG9 A 6 @M



CD9 F5 HCB' G97 HCB

UJ ^!aa } A^&a } A-E

CD9F5HCB

CD9F5HCF F9EI F9A9BHG

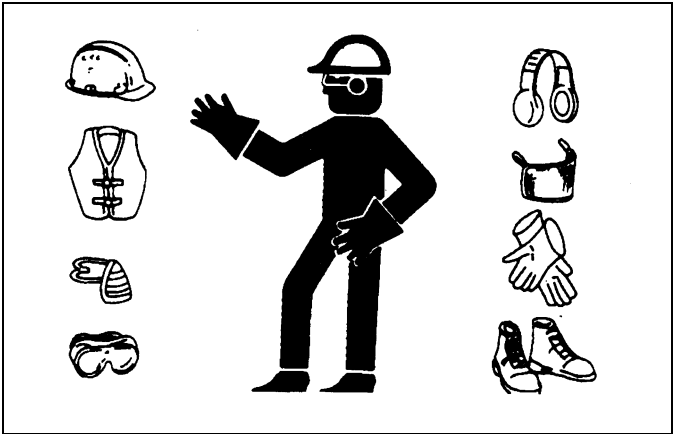
Ùæ^Á] ^\æä } Á -Á@Á } áñ Á@Á \^• [] • äðäç Á -Áæ~ æðä áÁ] ^\æä | ÈÁÇÁ ~ æðä áÁ] ^\æä | Á@æ Á^æä/æ } á
 ~ } á^ • æ } á • Á@Á] | ^ \ } óæ } áÁæä | ÁU] ^\æä | ç ÁT æ } æ Áæ áÁ Á^ç] ^\ } & áÁ] | ^ \ } óæ } áÁæä |
 [] ^\æä } Áæ } áÁæ/Áæ • [ßææ áÁæ^ç Á] æäç • ÈÁÇ Áæááä } Áç Á@Áæ^ç Á ^•• æ^ Áæ } æé áÁ Á@Á æ } æé
 • æ^ç Á • ä } • Áæ^ Áæ-áÁÁç Á@ Áæ] | ^ \ } óæ } áÁæä | ÈÁÇÁæ ~ Á] æ^ Á -Á@Á] ^\æä } Áæ } áÁæ^ Á • Á] -Á@
 ^ ~ } á { ^ } óæ Á] óæ [] | ^ \ } á^ • ç [á] • | óæ æ ç | ä áÁÁæ^ áÁ] -Á@ [] | ^ \ } æ } É

ÇÁ@Á] ^\æä | Áæ } [óæ^ Á@Á æ } æ Á] Á@æ • \ç^ • Á] Á [^ • Á [óæ [] | ^ \ } á^ • æ } áÁ@Á] ^\æä } Á -Á@
 ^ ~ } á { ^ } ÈÁÁ Á@Á • [] • äðäç Á -Á@Á ~] ^\æä [Áç Á^æä } áÁç] æä Á@Á æ } æ Èææ^ç Á] æäç • Èæ } á
 [] ^\æä } Á • d & ç } • Áç Á@Á] ^\æä | È

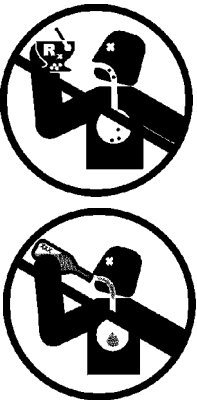
Ùæ^Á] ^\æä } Á -Á ~ } á { ^ } óæ ~ á • Á@Á@Á] ^\æä | Á^æä } [ç^ áÁ^ [] } æÁU [ç & ç^ Á@ ~ } á { ^ } óæ] óæ]
 -Á@Á } áÁæ } • Á @ } Áææç • È] ^\æä } È ^\çæä * Èæ } áÁ^ } æä * Á@Á ~ } á { ^ } ÈÁUÓ ÁÁ • ä } áÁæ
] | çæ^ Á] ^\æä | Á] | ç & ç } Áæ } áÁæ } á • Á@Á] | • } * Áæ^ç Á^æK

D9FGCB5 @DFCH97HJ9'9EI -DA9BH'fDD9L

- ~ Çæ æ • Á ^æÁæ^ç Á] æ • •
- ~ PæáÁææ
- ~ Úæ^Á] ^\æä^ç Á] [ç ^æ
- ~ Ó] ç^
- ~ P^æä * ÁU [ç & ç }
- ~ Ó [• Á@áá * ÁÓ] çæ *
- ~ Ú^•] æä | Á] | Á çç^ Á T æ \ Á ç á^ ^ } á • Á []
 [] ^\æä * Á] ááä } • È Á OPS-U-0002



ΠΟΧΟΥΑ^ • Áá~ * • Á] Áæç @ | Áæ [^ áæ^ Áá^] ^\ Á] Á @ Á] ^\æä * Á@
 V] æä | Áæ } áÁæ] | ^ \ } ÈÁ : ~ * • Áæ } áÁ æç @ | Á, á] Áæ- & Çæ } Á] ^\æä | ç
 æ^ç Á^• Áæ } áÁæ [] áä æä } Áæ } áÁ@Á^] ^\ Áæ- & Çæ } Á] ^\æä | ç Áæááä Á
 [] ^\æä Á@Á ~ } á { ^ } óæ^ ÈÁ-] ^\ Á] ^\æä * Á@Áæä | Á] Á] | ^ \ } ç
 æ } Á] ^\æä | Á } Á] ^\ & ç } Á] Á ç] ^\ È ~ } ç^ Á^æä } Á • óæ } • | ç
 æ^ áÁæá] | ^•• } æÁ^ * æáä * Áæ ~ Á æ^ Á- & Á -Á@Á ^ææä } Á@æ
 , [~] áÁ@ } áÁÁ@ } áÁáááä Áç Á] ^\æä Á@Á ~ } á { ^ } óæ^ ÈÁΠΟΧΟΥ
 \] , } * | Áæ], Áæ [] ^\ Á] ^\æä Á@Á ~ } á { ^ } óæ @ } Á@áááç Á^• Á]
 & [] áä æä } Á] Á] æ^ áÁU] á ~ } Áá] Á] Áææç Á@Á] ^\æä | Á] Á @ í
 & ~] áÁ^ • | óæ Á@Á] ^\æä | Á Á } áÁÁ@ } + ^ } & Á Áá~ * • Á] Áæç @ | ÈÁUÓ ÈÁ



CD9F5HCB

CD9F5HCB



8C`BCHA`•^AUV UAaaaj el:Aq Accas@AcA [] E as&Q *AQ]|^ () oA:q^|q^Aq AaaViasdq ; UVUEA^V^A^ [Aa Aaaaj el:Aaa Aa [~ a^A^o^A [] A^aaq *A] ^AaA^ -Ac@AQ]|^ () o^A^• |ca *Aq ^c&••q^A^ca^aa} Eo@ [,) A ab&o Eaa aA|aa^Aaa a^A]|^ () o^aa`|^EAOaa el:A^A a^A q^Aa [&aa *^A^o^A [] q^A^• A^•) cA [-Ac@Aa:q^|q^A^A [] q^A^• A^•) @|a^a^Aa:q^|q^A^Aaa^aa EA^A^ a^• a [aq^ Aq b^ I^ Aaa aq^I^A^• q { ^) o^aa`|^A^Aaa A^A^• |o^A [{ A^A^• q^• AaaUVUAaaaj el:EAO []• |o^aa a^ cA |a^a^Aa^a^I^A^ I^aa• a^aa &A^A^o^A []|^ () oA:q^|q^A^A [^•A [o^A as&Q^o^A^Viasdq ;AUVUE QIHUVET D



Q|A [] Eaa a^• ^• oUVUAiasdq ; E^h^c^I^A^ I^aa^A^o^A^Viasdq ;Aaa a^A [, ^I^A^o^A []|^ () c a] ~ oA:q^|q^A^A^A^A^d^ A^A [] ^&c^a^A^ A^o^A^Viasdq ;A^aa { a^• q^• EA^Viasdq ;A^I^aa q^• A^aa^aa &• &aa^A^A^• a^• ca^ aa^ Aq &^aa^a^A^ A^o^A []|^ () c { A^ -Ac@A [caaa *A^ [, ^I^A^aa^• Aa:q^|q^A^• A^o^ Viasdq ;A^aa • { a^• q^• A^c^• A^o^• * @^o^A^Viasdq ;A^A^ &@aa^A^• A^aa^•) * aa^a^EAQ^• ca^A^aa A^c^• I^• } q^• A^A^ &@^A^c^• ^• A^o^A^Viasdq ;AUVUAaa a^A^o^A [, ^I^A^a^|q^|q^A^A^ A^I^c^• o^o^ A^ [el] caa^ a^aa *^I^• A^aa^aa } EoQIHUVET • CD

' " : 9HHB: `CB'5B8`C: : `H<9`HF57HCF

O^I^A^A^ca^• A^• } q^• A^o^A^Viasdq ;EAO^A^ I^aa^I^A^• o^A^aa^Aaa a^A^A []|^ () A^• ca^ a^A^o^A []|^ () o^aa a^A^o^A []|^ () ca^ I^A^ aa^ EAO^aa^ A^aa^o^A^ a^o^A^ A^aa^ a^A^o^A []|^ () A^• q^• [a^EA []• |o^aa Aa^ cA |a^a^Aa^a^I^A^ I^aa^ {]|^ () A^c [] ca^ aa^ } EAOPS-U- 0007



O^I^A^ [el] o^A^I^aa { []} o^o^A^Viasdq ;A^ @^A^o^A^Viasdq ;A^A [ca^• EA []} c @^A^Viasdq ;A^]^A^ @^ A^o^A^Viasdq ;Aaa a^A^a^A^ [ca^• A^• A^aa^A^A^A^A^A^A^A^A^• q^•]|^ () a^A^EaoEao



' '%6cUFX|b| `H`Y`HFUWcf

W^A^A [cA^aa^ a^• Aaa a^A^• a^] ^a^A^aa a^aa^ Aaa a^A^c [• A^I^A^•] [] o^A^ @^• Aa [caaa^• A^o^A^Viasdq ;EAO^h^c^I^A^• ^• A^A^• d []|^ () A^I^A^•] [] o^A^ @^• A^ []} ca^• A^o^A^Viasdq ;EAU^aa^ []|^ () ^• A^A^ A^o^A^ []|^ () I^q^ A^aa^Aaa a^A^&^ I^A^o^A^A^aa^A^c ca^ []} a^A^• E

D^A^c^I^A^ca^ [, A^] aa^• ^• • A^• A^c^ A^aa^A^• A^o^A^Viasdq ;A^ I^aa^aa^o^a^A^•~ a { ^• } o^AAU^aa^I^• A^aa^ A^aa^ a^ A^aa^I^ -Aaa a^A^A^• • A^I^A^•• | Aq b^ I^ a^A^A^ I^A^a^A^ [Aaa^aa^• A^ -Aaa a^A^A^aa^• Aaa^ A^c^I^EAO^A^ A^o^A^ []|^ () I^q^ A^•] [] • aa^aa^ Aq A^ I^aa^Aaa^A^ca^ ;A^I^• Aaa^Aaa^ A^• EAOPS-U- 0008



D^A^c^I^A^ca^ [, A^&@^a^I^• Aq A^] I^aa^Eao^aa^A^• E^I^A^A^ { ^A^A^• A^A^ A^o^A^Viasdq ;A^ I^ Q]|^ () o^AAUV^• ca^ EA^I^ E^I^ A^• aa^E^I^|a^A^&@^a^I^• A^• , @^A^aa^A^• ca^ I^A^aa^ a^ I^•] [] • aa^I^A^aa^ A^]|^ () I^aa^A^o^A^ []|^ () o^A^ aa^A^aa^ |o^A^•]|^ () I^c^aa^• E^A^A^o^• @^A^A^I^aa^Aaa^ a^A^• a^I^• ca^ a^A^o^A^U]|^ () q^A^A^ aa^• A^aa^• A^A^aa^ a^A^aa^] []|^ () I^A^]|^ () A^• A^o^A^Viasdq ;Aaa a^A^o^A []|^ () o^aa a^A^aa^A^ @^• caa^• A^aa^• ^•]|^ () @^I^ A^aa^Aaa a^A^]|^ () I^aa^A^o^A^ []|^ () d []|^ () A^aa^ a^ EA^oEao



CD9F5HCB

CD9F5HCB

("GH5FHCB; 'H<9'HF57HCF

V@Á] ^iæ |Á ~•Á@æ^Áæ& {] |^cÁ } á^i•æ ää * Á -Á@Á |æ&{ ^ } dÄ~ } &ç } Éæ äÁ] ^iææ } æÁ • ^Á -Áæ
dæç |Á& } d | • Á^~ | ^Á çæç * Á@Áæç |ÉÁU^ç ä, Á@Áæç |Á] ^iæ |qÁ æ~ æÁæ äÁ& } • |cæ Áæ ç |ä^ä
á^æ^Á |Á |Áæç |Á] ^iææ } Á • d~ &ç } • Á^~ ä^äÉ

Ö•^} æÁ |Áæç |Á |] d | • K

- ~ Š |æ Á@Á } æ } Á^É, æ&@
- ~ Š |æ Á@Á } * ä^Á @ cÄ -Á& } d | |
- ~ Š |æ Á@Á @ äiæ |æ& } d | |Áç^i•Á
- ~ Š |æ Á@Á @ Á& } d | |Áç^i
- ~ Š |æ Á@Á |æ^Á^äæ Áæ äÁ&~ ç&@
- ~ Š |æ Á@Á VUÁ& } d | |Á
- ~ Š |æ Á@Á |Á [ä cÄ&@ } d | |Áç^i
- ~ Š |æ Á@Á] ^iææ * Á& } d | |

Ö~ | ^Á çæç * Á@Áæç |Á } • | ^Á@Á | | | , ä * Á&Á

- ~ Ö | } ä~ &ç |Á | ^É çæç |Á] ^iææ } Á •] ^ &ç } Áæ äÁ | çæ&Áæ& | ää * Á | Á@Áæç |Á] ^iæ | qÁ æ~ æÁ
- ~ T æ^Á | ^Á | ^Á çæç |Á] ^iææ } Á • É @ | ä • Éæ äÁ c | ä çæ^c Á çæ&Á • Áæ^Á^& | ^ | Á | æ^É
- ~ V@Á æ | ä * Á | æ^Á& } É
- ~ V@Áæç |Á æ } { ä • ä } Áç^i • Áæ^Á | æ^Á | Á^~ dæÉ
- ~ V@Á [, | ^Á] ^iææ * Á& } d | | Áæ^Á | Á@Á^~ dæÁæ äÁ -Á [• æ } É
- ~ V@Á VUÁ& } d | |Áç^i | Á Áæ^ } * æ^äÉ
- ~ V@Á @ äiæ |æ& { [cÄ& } d | |Áç^i • Áæ^Á | Á@Á^~ dæÁ [• æ } É

Ü^~ |Á | Á@Áæç |Á ,] ^i qÁ æ~ æÁ |Áæç |Á çæç * Á | | &ä~ | ^ • ÉÁU | ^ Á çæç |Á | Á @ ^Á^æ^äæ } ä
ä^cä^Á | Á@Áæç |Á] ^iææ | qÁ^æÉÁç^i | Á^ } æ • Á@Á } æ } Á, æ&@ Á @ | cÄ&~ æ * Á@Á çæç |Á | [æÉ
Öæ | Á@Áæç |Á } * ä^Áæ^ } } ä * Éæç | Áæ&á^ } çæ& } æ&@ Á@Áæç |Á æ } { ä • ä } Á | Áç^i } cÄ~ äá^ }
æ äÁ } ^ç | ^ &c äÁæç |Á [ç { ^ } dÄOPS-B-0003_A



Þ^ç^iÁ^ } Á@Á |Áæç |Á } * ä^Áæ^ Áæ& | • ä^Áæ~ äää * Á | Á | Á æç~ cææ^~ æ^Áç^i } çæç } ÉÁV @
^çæç • cÄ } ^ • Áæ } Á^Áæ æä | ~ • Á | Á [| Á@æç |Á] ^iææ



Üçæç |Á | Á } | Á @ } Á | | | | | ^ | ^ Á^æ^äæ | Á@Á |Áæç |Á ^æÉÁU çæç * Áæ
dæç |Á | Á ^æÁæ^ Á^ • | cÄ | Á | Á | Á^æÉÁU æ | Á@Á |Áæç |Á] ^iææ | •
{ æ~ æÁ |Á | | | ^iÁ çæç * Á • d~ &ç } • ÉÁU



)"7CBB97HB; 'H<9'ACK9F'HC'H<9'HF57HCF

W^Áçd^ ^Áæç } Á @ } Á& } ^ &ç * Á@Á [, | ^Á | Á@Áæç |ÉÁV@Á [, | ^Á @ | ä^Á^Á^& | ^ | Á^•ç } Áæ
* | | } äÁç^i | Á^~ * Á } Á | | & • ÉÁU^Á } Áæ äÁ^ä^Á^ [{ Á } á^iÁ@Á [, | ^Á^& | Áæ äÁ&æ^Á | ä &@ [ä •
ä^ç^ } Á@Áæç |Á çæç |Á } • Áæ äÁ [, | ^Á | ä • ÉÁOPS-R-0001

VÜŮŠÖÁŠÖŠŠ U] ^iææ } Á^&ç } Á^É

CD9F5HCB



CD9F5HCB
DANGER
The operator must wear the seat belt and use proper lifting techniques to avoid injury. See the operator's manual for more information.

CD9F5HCB

7 cbbYWFb['H YFYUF: 'UJ'hc'H YHFUWcf

FE T æ^Á~!^Ác@Ácædq |ÁæÁ~ ~q] ^áÁ, æÁc@ &| |^&óUVUÁ @æÁc@æ *^Á @æÁæ^áæÈ
GE Ûq|c) Á |Á^ { [ç^Ác@Ácædq |Áææ ææÁ Áæ [æ q c-^|) &^Á, @) Á:ææ q *Áæ áÁ|, ^|q *Ác@ { [, ^|È

HE Ó| æáÁc@Ácædq |Áæ áÁæóó^Á) *q ^ÉU[•æq } c@Ácædq |Ác Ác@ Á [, ^|Á, æÁc@ÁÈ [q c|æ æ{ •Á [•æq } ^áÁæç ^| Ác@Á^ ^&ç^Á^c~ { [, ^|ÁcÈæ ^ÁæÁ *ÉNote: Set the 3-point lift control to "Position Control" so that the lift arms maintain a constant height when attaching the mower. See the tractor Operator's Manual for correct settings when attaching 3-point equipment.



Op-64

I È V' |) Á -Ác@Ácædq |Á) *q ^Áæ áÁæ { [~ } cÁ
Í È U) ^Á|æÁæ { ÁæÁæÁc^Éæ|æ } Áæ { Á^ } áÁc| ^ áç ^| Ác@Á^c^ ÁcÈæ ^ÁæÁ *ÉQ •^|c@æ@] q Ác@| ~ * @c@Á ~ Áæ áÁæ { Ác| ^ Áæ áÁq •^|c ^ææ q * Á q Á q Ác@Á q È



Op - 128

Î È Y æ Áæ [~ } áÁc Á [] [•æÁ •æ^Áæ áÁ^| ^æ] | &^ | ^Á | Á^ { ææ q * Áæóó { Áæ áÁc@Á q È
Ï È Óc) áÁ | Á^cæóóÈ [q c|] Áq \ Á | Áæ } Á^ Á) á c| ^Á, æÁc@Ác| ^Á | Ác@ Á [, ^|q c|] Áq \ È Q •^|c@Á | Áq \ Ác@Á q Áæ áÁq •^|c^ææ q *] q Á q Ác@Á q È
ì È Cæó •cáæ ^Á|, ^|Á | Á & @ & Á & @æ •É^ ~ æ^ á| & •É | Á, æ Áæ | & •Ác | Á^ç^) c@Á [, ^| - [{ Á, ææ q * Á æ^Á | Á æ^Áæ áÁ [•æ | ^Á | } ææc , æÁcædq | Áæ áÁ^ È

CD9F5HCB

* "G9HHB; 'H<9`ACK9F`

U[] ^ | ^ A ^ c a * A @ & c a * A @ a @ h A •• ^) c a A | A - a a) a a a A a A ^ | a a) E C A | | ^ | A ^ A [, ^ | A | A a ^ a [| ^ A] a | | A c d a d a c A a | a * A [| ^ A c ^) | E A ~ a A a a a A a c | A [| E a a A | | , A @ A | } d ~ | A ~ ^ ^ c ^) A c | a a **NOTE:** Avoid very low cutting heights, striking the ground with the blades gives the most damaging shock loads and will cause damage to the mower and drive. Blades contacting the ground may cause objects to be thrown out from under the mower deck. Always avoid operating the mower at a height which causes the blades to contact the ground. OPS-U-0010



DANGER: Avoid very low cutting heights, striking the ground with the blades gives the most damaging shock loads and will cause damage to the mower and drive. Blades contacting the ground may cause objects to be thrown out from under the mower deck. Always avoid operating the mower at a height which causes the blades to contact the ground.

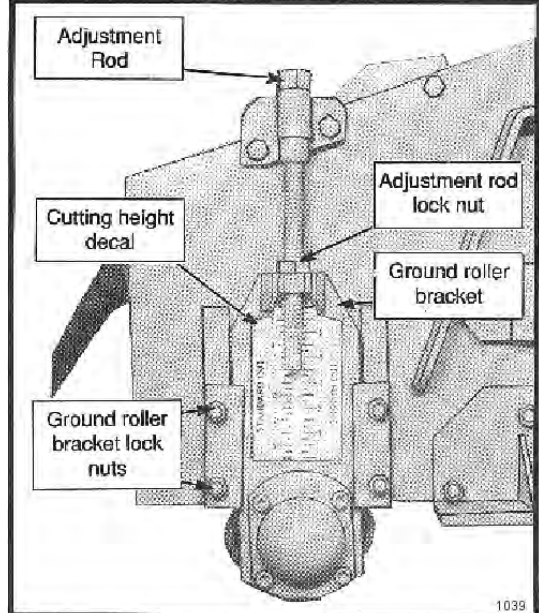
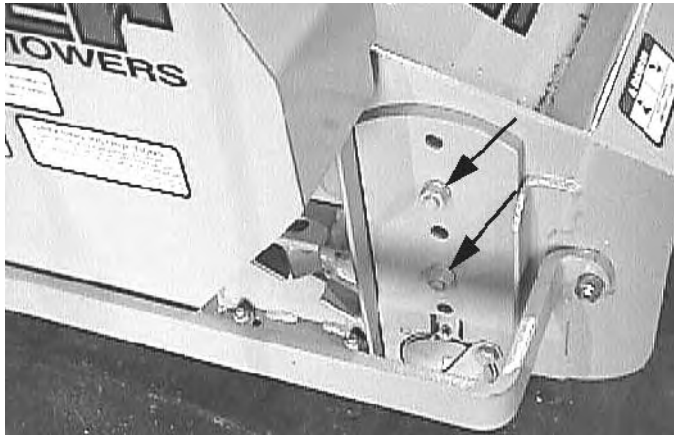


CD9F5HCB

* %Fc`Yf`<Y| \ h5 X1 qra Ybh

U a a a A c

I E V @ A { [, ^ | q A & c a * A @ a @ a A ^ a a ^] [. a a] a * A @ A | | A a a •• ^ | a | A | A a a c [, ^ | •• ^ & c a] E C a a c ^ a c a] A ~ •• a A ^ a a a @ A a a ^ @ a @ A | A) •• ^ A a A c ^) A & a a a [•• A @ A] c a , a c a A @ A [, ^ | E I E U | a a A @ A a a c | A a a A [, ^ | A] a a A c | A ~ | a a a a a | { } | c | A | , ^ | A @ A [, ^ | A | A @ A | | ~ } a E I E U @ a a [] A @ A a a c | E | a a A @ A a a { a • a } a A] a | E a a a A a c @ A] a | a * A a | a a A a a | ^ a a [{ } } a E I E U | ^ A •• ^ & c a] A a a a a a ^ E] | a a A | a c a * A a c a a c & a •• | •• A a A | A @ a | a a | a a a | A } a | A | c | A ~ & c | A q ~ • a * E J E U ^ { [c ^ A @ c A ~ o E] a e @ •• A a a a a a a a a | | o ~ | { A a | a a a o A a a a a a a a } a A [A | | | E A T a a & a | a a A c a a | | | A | a a a a o h A a a A | A [c ^ A] & c @ A a a c) ^ | •• A a A ^ { [c ^ a E C a c & A | | | A | ~ | a a | [] A ^ c ^) ^ & c a | ^ a a a a a •• ^ a a b | ^ E F E E Q | A U a a a a A O c A | a a E A •• ^ A a c a * A a c a a A c | ^ | [•• a a] A & c | A q ~ • a * A c A a a a a A & c a * @ a @ A c a } A | a a a o A | ^ A a o c c | c | A q ~ • a * E c @ | A a a • c a | a a a , a a E F F E Q | A P ^ a a a A O c A | a a E A [[•• ^) A c @ A c a b • d ^) c | | a A | & A ~ a a a a a a b • A @ a @ A a ^ c | } a * A @ c a b • d ^) a U | a E A U a c a } A @ A c a b • d ^) a | a | | & A ~ a a a @ | A a a • c a | a a a , a a E F G E S | , ^ | A & c | A q ~ • a * A c A c @ A * | | ~ } a A a a a | ^ { [c ^ A a c a * A a c a a E A F H E U ^ a A & c a * A @ a @ A a a | a a * A c A] | | & a ~ | •• a a [c ^ A | A ^ { a a a * A c [& c | A ^ & c a] •• E T a a ^ •• ^ A c a a a | A c a a A | | | •• A a A ^ a a a a @ A a a ^ @ a @ A | A) •• ^ A a A c ^) A & a a a [•• A @ A] c a , a c a A @ A [, ^ | E



P ^ a a a A O c

V U O S O A S O S S U | ^ a a } A ^ & c } A E E

CD9F5HCB

CD9F5HCB

* "8" @j Y]b] '8 YW

V] Áæáææ Áæá æ^Áæ áÁæ-æá) 0[, á * Á] \^iææ } É
 @Á { [, ^iÁ • @ ~ |áÁá^Á] \^iææ^áÁ] ææ^iÁq Ác@
 * i [~ } áÁæá^Áq ^ Áæ^Áq^iÁ] \^iææ^ÁÁ] 0[iÁæá^Á ~
 { [, ^iÁ Áæá^áÁ] , æáÉUáá&Á æ Áæ^Áá&æ^áá
 æ^Áæ @Á] ^^á • Áææ • á * Á] [• á | Ááá b i ' Á [iÁq^Á)
 á^ææÉ



0áá • 0Á] Ááá \ Áq Áq^Á^Á [, ^iÁ] | \^iÁáá • q ^ } É
 ÚæÁÁÚÚ æÁÚ@ • Á @ ~ |áÁáæ æ • Áæ^Á ææ^iÁq
 * i [~ } áÁæ^Áq • @ ~ 0ÁÁ | Áááá • q ^ } 0áæ * Áæáá • c
 & æá * Áæá @ Á^ Á æáá^Á Áæáá * Á] \ , ^iá * Ááæ
 i | \^iÁæ Á] ^ááá ááá Á] \^iææ } ÁÚ&á } É



Ö] Á] [0Á^0Á@Á]æá^Ác i } Á @ } Ác@Á [, ^iÁÖ& Áá Á æá^áÁq i Áæ^
 i^æ [] Éáá & ~ áá * Á&^ææá &Á [Áq iÁc i } á * ÉÁÚæáá * Ác@Á [, ^iÁá&
 ^q [• Á • Ác@ÁÖ ~ æá * Á]æá^Á @Á&^æá • Ááá [c] ææ^ Á^iáá ~ Áææ áá
 æá áÁá ~ |áÁææ • Á^iáá ~ Ááá b i ' Á [iÁq^Á] Áæáæ0Á [{ Á áá&Ác@ [, } Á [{
 c@Á]æá^Á • ÉáUT æ D



+ "8 F=J9 @B9 '5 H57 < A9 BH

V@Áiáq^iá^Á [\^iÁáá áÁáæq i ÁUVUÁ @æá ~ • 0Á^
 áá0Á^Ááá áÁ^Áæ^áÁq i Áææá@ ^ } É



V] Á& [] ^Ác@Áq [, ^iÁáá iáq^iá^Áq Áq Ác@Áqæq i
 ÚUVUÁ ~ q ~ 0Á @æá ~ | Ác@Áá iáq^iá^Áq Áq [\^iÁáá | æ
 ááá Ááá áÁáá } Ác@Á^ i [ç^ Ááá áÁ^] iá • Á^ Ác@
 ^ [\^iÁáá áÁáá] Áq Ác@ÁUVUÁ • @æáÁÚ ~ Ác@
 á iáq^iá^Áq Áq [\^iÁáá] q Ác@ÁUVUÁ • @æáÁ^iáæ Ác@
 | | & á * Á& | æáááá áÁ [• áá } Ác@Á [\^iÁá ~ } qÁc@
 | | & á * Á& | æáááá Áæ^Á • ^æááÁ [] q Ác@ÁUVU
 • @æáÁÚ • @áá áÁ ~ | Ác@Áá iáq^iá^Áq Áæáá Ááá áÁq i c@
 • Áq^iááá Á • Áq Á] • ^ Ááá ^ & i Áææá@ ^ } É

0æá Ác@Áá iáq^iá^Áq ÁÁ Á^Á & i Á^ Áææá@ áÁá | æá Ác@
 dæq i ÁUVUÁ æ c i Á @ | áÁááá Áq Ác@Á] \^iææ *
 | [• áá } É OPS-R-0003

Ö iáq^iá^Áá } * c@Á @ &



0Áq^iÁÁ] \^iææ * Ác@Áq | \^iÁá } É&@ & Áq Á æ Á^Á^ Ác@Áq | \^iÁá } 0áá ~ 0áá iáq^iá^Áq Áá áÁ [c
 á [c] { Á ~ 0[Áá& [{ Ááá^Á } * æááÉÁÖ c [á * Á ~ 0[& ! • Á @ } Ác@Áq] \^iÁá @æá^ } Ádæá •
 c@Á ~ c i Áq ~ á * Á } qÁc@Áá • ^ Á á i Áá& [{ ^ Á [| ááááá Á @ i c] Á [Á [iÁáÁÖ c [á * Á ~ c
 &æá Áææ • Á^iááá ~ Áááæ æ Áq Ác@Áv i áæq i ÁUVUÁ Á Á ~ Á * Ác@ÁUVUÁ q Ác@Áv i áæq i Ááá á
 c@ [~ * Ác@Á^] | | 0Ááááá * Á [Á [, } , æááá] q Ác@ÁUVUÁ • @æáÁ^iáæ á * Ááá ~ ÉÁáá [\^iÁá
 á iáq^iá^Áq Áááá Áææ • Á^iÁá [] æáá b i ' ÉáUVUÁÆ D

VÜÜŠÖÁÖŠÖŠ U] \^iææ } ÁÚ&á } ÁÉFF

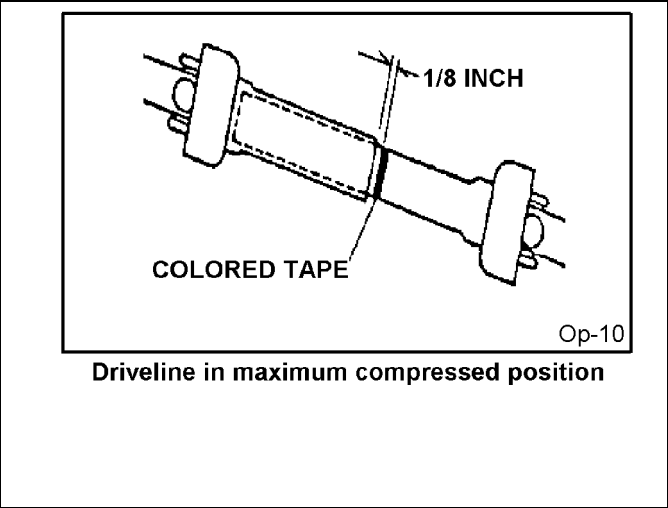
CD9F5HCB

CD9F5HCB

Y @} Áãã * Á@Á [, ^!Á Á@Áã&ç !È@Á^º&ç] ã * Áã!ã!ã Á^ Á ~ ºÁ^Áã] ^&c^ÁÁ Á) ~ !^Á@Áãã Á [ºc &ç [] !^ºº^ÁÁ [ºãã] È@Á [º^ºÁ Á [º^ºÁ ç [Á^ ºÈç) áÁ @) ÁãÁ Áã@ºº^ºº) á^ÁÁ [ºãã] È@!^Áã ~ ºã) º^ * æ^ (^) º^ºç ^^) Á@Á [º^ºÁ Á] ^!æ^ Áæ^ | È@Á Á @ !cºº^ * ºÈ@!^Á ~ º^ºÁ^ºÁæ º^ºÁ + &^ææ &^ºç ^^) Áã&ç [º^ºÁ) áÁ) áÁ] [º^ºÁ [º^ºÁ) ã!ºãã ã È@Á Áã@ºº^ºº) º^ºÁ !^ææ * Áºº) ºã) Èæ { ãã ~ Á [º^ºÁ) * æ^ (^) º^ºÁ ÁÁ ~ º^ºÁ ææ º^ºÁÈ

Í 6 çttca |b| `Ci Hí 7\ YW `DfcWXi fY

- " Öã & } ^ººÁ!ã!ã Á^!ã [Á@Áã&ç !Á) áÁ |ã^ @Á [º^ºÁ * ^ºº^Á) ã^ [^ºº [] !^ºº^ÁÈ
- " Ú|æ^Áãæ æ^ Á) Á@Á) ^!Á @!áÁÈ Á [Á@ ^) áÁ [Á@Á [º^ºÁ º^ºÁ) áÁ!^ææ @ @ á!ã!ã Á^ Á @ÁUVUÁ @æÈ
- " Y á@ºº^ºº **PTO NOT TURNING** È [, | Á!ã!ã @ dæç!Á , á@ { [, ^!Á ææ@áÁ @ [* º @ º º] ^ºº^º) Á] [ºº^ºÁ) áÁ , æ&ç º ºæ { [º^º (^) º^º Y á@ºº^ºº **PTO NOT TURNING** • [, | Á!ã!ã @ Áã&ç!Á á@ºº^ºº [, ^!Áææ@á @ [* º @ º Á [ººº^º^ºº^ºº] æ Á& } áãã) ^º] ^&c^ÁÁ) áÁ æ&ç @ ºº [º^º (^) È
- " QººÁãã çæ &^ºç ^^) Á@Á æ^ Á) á@Á ~ º! º^ºÁ^º &ç { ^ºººººº ÁÁÁÁ Á [ã ºº^ºººº ººº [º] ºº] [º^º) Á à [ç [ã * Á [ººº á!ã!ã Á^ Á) á@Á!ã!ã Á @ ^º^ºÁ @ !cº) ^ºÈ OPS-F-0001



CD9F5HCB

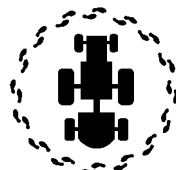
CD9F5HCB



8C' BCH' ...
•^&'!^' Á[&^aÁ] Á[Á~]] [l' aÉÁ 8C' BCH' ...
~] | •• Á @ Á i a d i Á Á } ^ á Á - Á a Á Á [c] Á @ Á ^ a É Á ^ c Á [\ ~] á Á Á @ Á ^ a Á [\ | É Á Á ^ Á a Á Á [] [] ^) a } | •• Á @ Á [] ^) a
•^&'!^' Á~]] [l' aÁ Á [&^aÁ] É Á Á ~ á a ^ Á [Á a a i c ^) a a Á Á ^ a
[- Á @ - ^ Á [] [] ^) a Á ~] a Á a • Á Á Á ~ • Á b i ' Á [Á c ^) Á ^ a a É Á Á



U Á i á a a a Á a Á • ^ & a a Á [c á * A] a a A i A , ^ a a a a Á i ^ | a Á , @ }
& [] | ^ a Á | ^ É] | a a a Á i c a Á a a É Á [\ Á | Á [\ • Á a a a ^ | • É Á []
[| Á i | \ ^) Á] a a É a Á a Á a Á | Á [\ • Á a a a * • É Á Á a Á ^ | ^ a a Á a Á a a
a a a a * Á a a , a a É Á Á i á ~ • Á b i ' Á a Á & & Á Á [{ Á [a a a a a * Á a a
{ a a a ^ Á Á [| a Á [\ a * Á i a a É Á Á



• % H U W c f ' D f Y ! C d Y f U i c b ' b q d Y W i c b # G Y f i J W

Ü ^ Á | Á Á @ Á a a d i Á] | a a i c a Á a ~ a Á Á } • ^ | ^ Á a
& [] | ^ a Á | ^ É] | a a a Á a Á • ^ & a } Á a a Á & @ a ~ | a
• Á i c a Á a Á a i | { | a Á a a i a a * Á a a a
{ a ~ a a i | ^ Á | ^ & [{ { ^ } a a a } • É Á V @ Á | | | , a *
a Á Á [{ ^ Á - Á @ Á ^ { • Á a a a ~ a Á a a a Á i c a Á a a } a
a • ^ & a } K



- " V a ^ Á [] a a a } É a Á | ^ • • ^ | ^
- " Y @ ^ | Á ~ * Á | a Á
- " Ü a a i a * Á a a a ^
- " Ü V U Á @ | a Á
- " Ü T X Á a } Á Á | a a } Á a a a a i a
- " V i a a d i c a Á @ Á a Á | ^ a a } Á a Á } & a } a
- " V i a a d i Á ^ a a a | a a Á Á [| a Á [] a a a } Á
- " V i a a d i Á Ü Ü Ü Ü Á Á Á [| a Á [] a a a }
- " Ü Ü Ü Ü Á Á Á @ Á a a a a Á [• a a }
- " P [Á a a d i Á a a a a • Á
- " Ü a a a a | Á ^ Á Á - Á a i a Á
- " Ö * a ^ Á a Á c ^ Á a a Á } a a a }
- " Ö * a ^ Á [| a a a c ^ Á a a Á } a a a } Á
- " Ü | , ^ | Á i a a ^ Á ~ a Á c ^ Á
- " Ü | , ^ | Á a a i a * Á ~ a Á c ^ Á
- " Ö ^ Á [] a a a } Á a Á c ^ Á
- " Ü - a a } a i a a a a } a a a Á a Á [a a
- " Ö Á a c ^ Á [] a a a } Á O P S - U - 0 0 3 0

CD9F5HCB

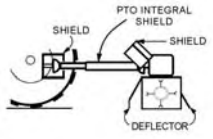
CD9F5HCB

• " & A c k Y f ' D f Y ! C d Y f U h c b ' b g d Y W i c b # G Y f j I W

Ó^†|^Áæ@ [, ^!Á•^Éæ []|^cÁ•]^&ç } Áæ áÁ^!çæ^Á~^á^Áç Á } •|^Á@Á [, ^!Áç Áæ [[áÁæ á
 •æÁ [| \ á * Áç } áæ } ÉÖæ æ^áÁæ áð!Á! [\ \ } Á æ • Á @ ~ | áÁ^Á^ } æ^áÁæ áð!Á^ } |æ^áÁç { ^áæ^ ÉÁV
 ^ } •|^Á@Á [, ^!Áç Áæ^ Áç | Á } |æ } Éæ } á & Á@Áç || , á * ÉOPS-R-007



OHUæc AU@|á•ÉO~ æá•Aæ áAUæc Ááçæ•Áç &~ áá * Áç~ Ö) [c
 |á æ^áÁç DÁæ@ÁÖ^†&ç } ÉUc^|ÁÖ~ æá•ÉÖ^æá[çÁU@|á•ÉÁVU
 á ç * |æÁ @ |á•Áæ áÁU^cææ^ÁÖ [| ÁU@|á•Á @ |áÁ^Á •^áÁæ á
 { ææ æ^áÁç Á [[áÁ [| \ á * Áç } áæ } ÉÖOHUæc Ááçæ•Á @ ~ |áÁ^Áç } ^&ç ááææ~ || Áæ
 |æ^áÁæ Áç | Á æ • á * Áç | Á! [\ \ } Áç { [] ^ } • ÉÁV á • á * Éæ [\ \ } Éç | Áç [] } Áæ { • Á ~ • Áæ
 | \ } |æ^áÁæ Áç } & Áç Á! á^ & Áç@Áç • • ææ Á [- Áç b | Áç | Ááææ@+ [{ Áç@ [, } Áç áb & É
 ^ } æ * | ^ ^ } ç | Á |æ^áÁç } æçÁç



U^ } |æ^áÁç } ç | Á! [\ \ } Á |æ^áÁç } áç^ Á ç@Á^ Á |æ^áÁç • ÉÁV OXOUACEVOT UVAVUUVUÖPVOPE
 Y ÖSÖÉUÜÁY ÖSÖÁPÖÜÖÖÖÖÖÁU P ÁÖSÖÖ ÖÜÁUÖ ÖÖÁVPÖÁY ÖSÁSÖÖS ÖS YÁÖÜÖÖSÁUÜ
 UVPOÜY WÖÁÖCE ÖÖÁVPÖÁÖSÖÖÖÁY ÖP ÁUWÖUÖUWÖP VÁZÖS WÜÖÁÖÖ ÖÁUÜUÜÖS Y
 ÖÖWÜÖÁUÖUÖWÜÁÖ RMÜY ÁÖÜUT ÁVPÜUY P ÁÖSÖÖÖÜÉ

V@Á|^|æ | ç Áç } æ^ áÁæ^c Á á } • Áæ~^áÁç }
 ç@Á^ } áÁç } ææ Áç [] | çæ çÁç • d ~ &ç } • Áç } Áç@Áæ
 æ áÁç [] | Á^ •^Áç - Áç@Áç ~ á { ^ } çÁV ææ Áç@•^
 á [] | çæ çÁæ^c Áæ^ | Á^ Áç } Áç@Áç [] | ^ ^ } çÁç [[á
 &ç } áæ } Áç Áç } •|^Á@Áç [] | { ææ } Áç Áæææ^Áç
 ç@Á^|^|æ | Áæ^áÁç • É



Op-14

Ö) •|^Áç | Áæ^c Á á } • Áæ^áÁç } |æ^áÁç } áÁ^* á | É
 Ü^ } |æ^áÁç { á • á * ÉÁ áæ æ^áÁæ æ áÁ^* á |
 á & ç • ÉOPS-U- 0011_A

U@&A çæA ç@A { ææ A ááç^|á^ Á •^& | Á^
 ææç@áÁç Áç@Áçæç | Áç áÁç@Áç & á * Áç ||æÁ
 •^æ^áÁç Áç@Áç [] | ç^Áç - Áç@ÁUUVUÜæçÉ
 Ö) •|^Áç æ^áÁç [, ^!Áç á!æ |æ^ Áæ^Á^&~|^Áææ
 á [ç@Á^ } á • ÉOPS-F- 0003_A



Op-254

VÜÖŠÖÁÖŠÖŠ

U|^|æ } Á^&ç } Áç

CD9F5HCB

- " Q.] ^&cÁ & ȳ|Á \} q̃^•Á ð áÁ \} ã^Á] q̃•Á † | || [•^} ^••Á ð áÁ c&•• q̃^Á ^ ðĚĚT ð^Á ^| ^Á@ { [, ^| Á^Á ^& ^| ^Áà || & ^áÁ] Á^† | ^Á&æ | q̃* á^} ^æ@ŹŮ^] | ð& Á& ð^ áĚ [|] Ě ð áÁ ã• q̃* \} q̃^• Á• Á& { |] ^Á^Á ^ÁĚ Á Ě ð ð& Á ȳ|• @ec ááð &^É
- " Ü^ { [ç^Á ð ^ Á | æ• Á | Á @ | Á^á | á Á @&@ ð áÁ | ð] ^á Á [^ } á Á @ & ȳ|• @eÉ
- " Q.] ^&cÁ @ Á& } ááá } Á - Áá & Á \ ð Á @ ^ Á ð á @ á, ð^ĚĚ OPS-F- 0007



CD9F5HCB

VÜŮŠÒÁŠÖŠŠ

U] ^| ðá } Á^ & q̃ } Á Ě Ě

CD9F5HCB

Tractor PRE-OPERATION Inspection



Mower ID# _____ Make _____

Date: _____ Shift _____



6 YZ:fY Wc bXi Wj b[' H Y] b g d Y W j c b ž a U_Y gi fY H Y Hf U W c f ' Y b [] b Y] g ' c Z Z U ' ' f c H U j c b \ U g ' g r c d d Y X ' U b X ' H Y Hf U W c f '] g '] b ' d U f ' k] H ' H Y d U f '] b [' V f U_Y Y b [U [Y X " A U_Y gi f Y H Y a c k Y f '] g ' f Y g h] b [' c b ' H Y [f c i b X ' c f ' g Y W f Y m V c W_Y X ' i d ' U b X ' U ' ' \ m X f U '] W d f Y g g i f Y \ U g ' V Y Y b ' f Y] Y j Y X "

CD9F5HCB

Item	Condition at Start of Shift	Specific Comments if not O.K.
The flashing lights function properly		
The SMV Sign is clean and visible		
The tires are in good condition with proper pressure		
The wheel lug bolts are tight		
The tractor brakes are in good condition		
The steering linkage is in good condition		
There are no visible oil leaks		
The hydraulic controls function properly		
The ROPS or ROBS Cab is in good condition		
The seatbelt is in place and in good condition		
The 3-point hitch is in good condition		
The drawbar pins are securely in place		
The PTO master shield is in place		
The engine oil level is full		
The brake fluid level is full		
The power steering fluid level is full		
The fuel level is adequate		
The engine coolant fluid level is full		
The radiator is free of debris		
The air filter is in good condition		

Operator's Signature: _____

DO NOT OPERATE an UNSAFE TRACTOR or MOWER

V @ A Q • ^ & c } A j ; { A a s A ^ A ^ ^ ^ A ~] | a e a A f ; A c c a s | a • E

V U O Š O A Š O S Š

U] ^ | a a j } A ^ & c } A E f

CD9F5HCB

Flail Mower PRE-OPERATION Inspection



Mower ID# _____ Make _____

Date: _____ Shift _____



WARNING Read the operator's manual before operating the tractor. The operator must be trained and qualified to operate the tractor. The tractor must be properly maintained and inspected before use. The operator must wear proper safety gear and follow all safety instructions. The tractor must be used in a safe and controlled manner. The operator must not drink alcohol or use drugs before operating the tractor. The operator must not operate the tractor if they are tired or impaired. The operator must not operate the tractor if they are under the influence of alcohol or drugs. The operator must not operate the tractor if they are not fully alert and attentive. The operator must not operate the tractor if they are not properly trained and qualified. The operator must not operate the tractor if they are not wearing proper safety gear. The operator must not operate the tractor if they are not following all safety instructions. The operator must not operate the tractor if they are not using the tractor in a safe and controlled manner. The operator must not operate the tractor if they are not fully alert and attentive. The operator must not operate the tractor if they are not properly trained and qualified. The operator must not operate the tractor if they are not wearing proper safety gear. The operator must not operate the tractor if they are not following all safety instructions. The operator must not operate the tractor if they are not using the tractor in a safe and controlled manner.

Item	Condition at Start of Shift	Specific Comments if not O.K.
The Operator's Manual is in the canister		
All safety decals are in place and legible		
The Mounting frame bolts are in place and tight		
The connection bolts & pins are tight		
There are no cracks in mower		
The Hydraulic Cylinders pins are tight		
The Hydraulic Pump hose connections are tight		
The Hydraulic Valve hose connections are tight		
The Hydraulic Valve controls function properly		
There are no leaking or damaged hoses		
The Hydraulic Oil level is full		
There is no evidence of Hydraulic leaks		
The Blades are not chipped, cracked or bent		
The Blade bolts are tight		
The Deflectors are in place and in good condition		
The shields are in place and in good condition		
The Skid shoes are in good condition & tight		
The Hyd. motor mounting bolts are tight		

Operator's Signature: _____

DO NOT OPERATE an UNSAFE TRACTOR or MOWER

CD9F5HCB

VÜ@ŠD/ŠDŠŠ

U] ^! aq } Á^&ā } Á#J

CD9F5HCB

- "8 F-J-B: 'H<9 'HF57HCF '5 B8 'AD@A9BH

Uæ^Átædq |Átæq •] |oÁ^~ a^Áo@Á |^æ |Á [••^•ÁæQ |~ * @Á] |, |á^ÁÁ -Áo@Á [á^ÁÁ^á *Á] ^æáÁæq á]^Áææ q } •Á Áæ^Á @ÁÁ:áá *Á áoÁ Áæææ@áÁ]|^ (^) dE) • |^Áo@Átædq |Áo@Áo@Áææ Át Áo@Áá^Áo@ , ^á @Á -Áo@Á]|^ (^) oÁá áÁo@Átædq |Á] ^æáá *Á &] d [|Áo@Á^Á^Á |Áæ^Átæq •] | |dÁM Á) • |^Áææc Á @Á á:áá *Áo@Átædq |Á áoÁ Áæææ@áÁ]|^ (^) dE^çá, Áo@Á]|, á * EÁOPS-U-0012



V@ÁQ]|^ (^) oÁ æÁÁÁ áÁÁÁo@Á Áo@ÁÁtædq |EÁO^Áæ^~ |Á @) Á |^æá *Á |Átæq •] | |ç * oÁ Á~ á { ^) oÁ Á |^ç^ Áo@ÁQ]|^ (^) oÁ { Á } } á * Á ç Á |Á d á á * Á } Á | • o EÁ~ æáÁæá É &] &^çÁææ d ^) o Á |Á o@Á |Á |áá áb &o EÁU~ &oÁ Á] æoÁ |áÁææ^Áo@ÁQ]|^ (^) oÁ á Vtædq |Á Á á | oÁ á |ç^ Á^o~ |ç * Á Á • Á -Á çÁ |á * Á &] d |EÁÁá~ • Á b | EÁ |Áç^ Á ÁææE P^çÁ Á |, Áo@ÁQ]|^ (^) oÁ Á &] æoÁ á oÁ Á • EÁU^EçD



Vtæq •] | |oÁ | | ÁæÁ • ^á • Á, @ | ^ Á ^ | ~ Áæá Á { ææ Á &] d | |Á -Áo@ Á^~ á { ^) dEÁÁá~ • Áæææá • Á á Á b | á • Áæá Á^o~ |oÁ { Á } ^æá * Áo@ Á^~ á { ^) oÁ Áo@Á @Á ^á • EÁU, áÁ • çá áÁo@ÁÁtædq |Áæ áÁQ]|^ (^) oÁá á @, Áo@Áá^Áo@Á |Átæq •] | |ç * Á } Á dÁ^o Áæ áÁo@ @ æ • EÁ æ Á^Á ^Áo@ÁÁtædq |Á çÁ |á * æ áÁÁæ^Áo@Á Á [| áÁ &] ááá } Áæ áÁ] ^æÁ | | ^ | E

ÓÁç |^Átæq •] | |ç * Áo@ÁÁtædq |Áæ áÁQ]|^ (^) dEÁÁç | á ^Áo@Á | | | ^Átæq •] | |oÁ ^á • Á | ^ | Áæ áÁo@Á^~ á { ^) dEÁ æ Á^Á ^ÁÁ | ~ ÁæáÁÁ Áo@Á]|, á * Á ^ Á • K

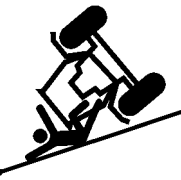


V • oÁo@Átædq |ÁæáÁ |, Á] ^áÁá áÁ &^æ^Áo@Á ^áÁ |, | EÁO | | Áo@ÁÁæ^Á { | | ç ç ÁÁç | { á ^Áo@Á d] } á * Áæææç | á oÁ Á -Áo@ÁÁtædq |Áæ áÁQ]|^ (^) dEÁE Á | ~ Á &^æ^ o@Á •] ^áÁÁ -Áo@ÁÁtædq |Áo@Á d] } á * Ááá çá &Áá &^æ^Áo@Á { á ^Áo@ÁÁ æá ~ { dæ •] | |oÁ ^áÁÁ [oÁ Á çÁ^áÁÁ] @ÁÁÁ | @Á | Átæq •] | |ç * Áo@Á Á^~ á { ^) dE

V • oÁo@Á Á^~ á { ^) oÁÁÁ |, Á] ^áÁÁ Á } • EÁQ &^æ^Áo@Á ^áÁo@Á * @Áo@Á } Á | Áæç | ^ | ÁÁç | { á ^Áo@Á Á^~ á { ^) oÁæ ÁÁÁ | ^æáÁæÁÁo@Á @ | Á] ^áÁÁÁÁ çd^ { ^Áææ æ áÁÁá &ÁÁ | ~ Á] ^áÁÁ @ } Áç | } á * Á @æ | Áç Á | ^ç^ Áo@Átædq |Áæ áÁá]|^ (^) oÁ { ç | } á * Á çÁ | EÁOç | { á ^Áo@ÁÁ æá ~ { Áç | } á * Á ^áÁÁ | Á | ~ Áæ áÁo@Á Á^~ á { ^) oÁÁç | ^ | | ^æá * Á } Á | æá Á | Á ^ç^ Á | | ~ } áE

U] | Átæq •] | |o@ÁÁtædq |Áæ áÁQ]|^ (^) oÁÁo@Á ^á • Á @ÁÁ |, Á | ~ Áç Á | | ^ | Á &] d | | o@Á Á^~ á { ^) dE

ÓÁæ æÁÁ -Áo@Á | ^æá * Á &] ááá • EÁO | Á [oÁ | ^æÁo@ÁÁtædq |Á áoÁ Áæ Á | Áæ | ç ÁÁæ^Áo@Á | Á | | ÁÁÁ • EÁU @ } Á | ^æá * Á |, } Áæç | Á | } Á ^oÁ | Áæá Á | Á | æá Á | ÁÁæ á * Áá çá & á &^æ^Áo@Á ÁÁçd^ { ^Áæ^Áá áÁÁá &ÁÁ | ~ Á] ^áÁÁÁ @ } Á | ^æá * Á ÁææÁá, æ • Á • o@ÁÁtædq | Á Áæ @ * Á æ } á * Á @ Áæ áÁÁá &ÁÁ | ~ Á] ^áÁÁÁÁæ æÁÁ -ÁtææÁá ~ } áÁ | ~ æ áÁá ææçÁ ~ oÁ | Áo@Á o@Á Á^~ ÁÁU^EçD

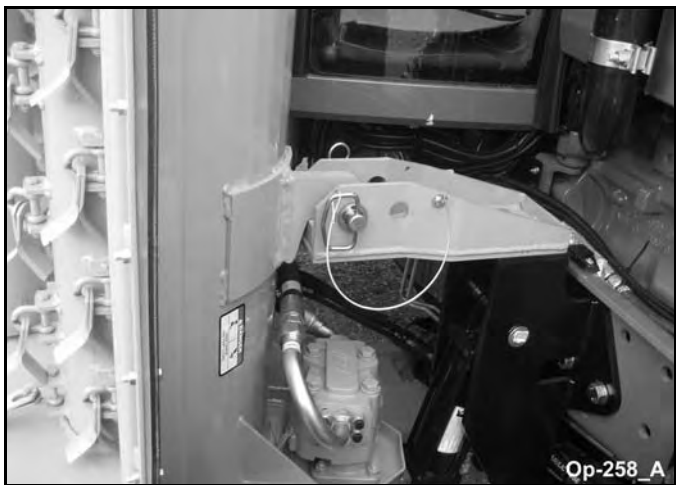


CD9F5HCB

CD9F5HCB

CD9F5HCB

FÈ Y @ÁÀæd |Á^} *á^Á^}} *ÉÁ |æ^ÁUPDUD
 • æ@DÁ á Á ÁUDÁÁ [|•æ] }Á æáá, æÁ + |
 & æ! • @æDÁ Á d | Á | ææ * É
 GE Û ||ÁŠVÁ& | d | |Á^ç^!Á^æ, æáÁ } çÁáó!æ ^
 á Áæ Á@ @æ Áá á | Á | É
 HÈ Û ||ÁŠVÁ& | d | |Á^ç^!Á^æ, æáÁ } çÁáó!æ ^
 ~ } æÁ Áæ | ç^Áæ^ | Á | & Ááææ ^ó! } Ááó& | á á!
 • } [| | dÁQæ ^ Á | { ^ Á - | | ó! Á } ||ÁŠVÁ^ç^!
 + | { ÁŠUCVÁ | •æ } É
 I È Û • @ÁŠVÁ& } d | |Á^ç^!Á^æ, æáÁ } [~ * @Áç
 || , ^!Á } æÁ | | , | ÉQ • æ | Á@ Áçæ^ | Á | & Á | á ÉÁQ
 { ~ • ó! æ • Á@ | ~ * @Ááææ ^ó! } Á } æÁ Á @ , } Á
 : || i f Y C d | & , S5 "
 Í È T æ ^ Á & ! æ Á @ æ Á æ | Á & | d | |Á^ç^!Á^æ á Á
 Á PUSÖÁ | •æ } Á @ } Á æ } • | | ç * Á } æ É



Op-258_A

V@Á | , ^!ç&^ } ç!Á - Á | ææ Á Áææ ^áÁ æ á * Á@
 { | , ^!Á | | ^!Á | | ^!Á } á * Á @ } Á@ Á æ ^ Á | , ^!
 æ^ Á á Á@ Á | ææ ^áÁ | •æ } ÉÁW • ^ Á ç d ^ { ^ Á æ ç }
 , @ } Á á Á@ Á ç } [| | ó! | •æ } Á æ á Á æ [æ Á } ^ç^!
 ç! | æ á Á @ æ ~ | á Á } ^ Á @ Á | , ^! É



Op-259_A



Y @ } Á@ Á æ ^ Á | , ^! • Á æ ^ Á | | á á Á | | Á ç } [| | dÁQæ ^ Á } ç!Á - Á | ææ Á Áææ ^áÁ æ á Á@
 [| •æ æ Á - Á ç^!ç | } Á Á & ! æ æ ^áÁ ÉÁQæ ^ Á | | , | Á æ á Á • ^ Á ç d ^ { ^ Á æ ç } Á @ } Á | } á * Á }
 @ • æ ^ Á ÉÁUç^!ç | } á * Á@ ÁQ | | ^ { ^ } ó! ~ | á Á ææ • ^ Á@ ÁQ | | ^ { ^ } ó! Á ç^!ç | } Á@ Á | æ d |
 æ á Á ç æ ^ Á • æ Á ^ • | ç * Á á Á | á ~ Á á b | ^ Á | Á ç^! } Á á æ @ Á ^ ç^! Á | á Á æ ^ Á | , ^! • Á } Á
 @ • æ ^ Á @ ÁQ | | ^ { ^ } ó! | Á } æ Á æ Á ç^!ç | } ÉÁW • ^ Á ç d ^ { ^ Á æ ç } Á @ } Á | } á * Á }
 ÉÁW • ^ Á ç d ^ { ^ Á æ ç } Á @ } Á | } á * Á } ÉÁW • ^ Á ç d ^ { ^ Á æ ç } Á @ } Á | } á * Á }

VÜŮŠÒÁŠÖŠ

U | | æ } Á ^ & ç } Á ÉCG

CD9F5HCB

CD9F5HCB

- ' ('CdYfUjbj 'Dcgljcb

Ò) • ^ Á @ Á U Ð U Ð Á , æ & @ • D Á Á e Á D Á Á U Ð Á
] [• æ] Ë Ü ^ { [ç ^ Á d æ ^ Á | & Á] æ É Á Á æ @ Á d æ d |
 ^ } æ ^ Á } } æ * É] ~ || Á S O V Á } d [| Á ^ ç ^ Á ^ æ , æ á
 ~ } ç Á à æ ^ Á } Á æ Á & | æ á ^ Á ~]] [: d É U • @ Á S V Á } d [|
 | ç ^ Á | , æ á Á } ç Á & ^ Á } æ Á Á ^ ç ^ Á } æ Á [~] á É
 U • @ S O V Á ç ^ Á | , æ á Á [~ * @ Á Á [, | Á , ^ Á } æ
 ~ } ç Á æ Á ~ & @ • Á * ! [~] á É @ } Á } • @ à [@ Á ^ ç ^ Á •
 † | , æ á Á Á S O V Á [• æ] É



NOTE: For best mowing results and longer roller life, both LIFT and TILT levers should be in "FLOAT" position while mowing.

Q á e ^ Á { ^ Á - † | ç Á Á ~ || Á S V Á ç ^ Á | { Á S O V Á
] [• æ] Á ^ æ e • Á Á Á ^ ç } ç Á | æ * É

V @ Á [, ^ Á ~ • á ^ Á] ^ æ á Á æ @ Á & ^ Á ^ Á & ç } • Á ~ | Á [, ^ Á á Á æ á Á @ Á à æ | æ Á } d [| Á ^ ç ^ Á Á @ Á | æ
 á ^ ç } ç Á Á } • ^ Á @ Á [, ^ Á | | , • Á @ Á & } ç ~ | Á - Á @ Á * ! [~] á É æ á Á | ^ ç ^ } ç Á ^ & ç } • Á [{ Á & ^ Á } æ * Á } É
 Ð Ö Ü Á æ { } ç Á Á æ ^ Á @ Á [, ^ Á @ Á @ Á [, ^ Á Á] ^ æ * É

VÜŮŠÒÁŠÖŠŠ

U] ^ | æ] Á ^ & ç } Á É H

CD9F5HCB

CD9F5HCB

- ') ' 8 f] i] b] ' H Y H f U W c f ' U b X ' a d ` Ya Y b l g

ÙæðÁ [-Áá]æð * ÁæðÁæ [, Á] ^áÁæð áÁ * |æð æf
 æ & ^æ^Á [^ Á] ^áÁ @ Á æ æ æ æ * Á & [] | ^
 &] d [| Á - Á @ Á æ æ æ | Á æ áÁ } æ É Á [ç æ * Á] [, | Á æ
 - á • Á æ æ [Á | ^ ç ^) á @ Á æ æ æ | Á [{ Á ^ æ æ * Á]
 æ áÁ [• Á - Á æ æ æ * Á &] d [| É V @ Á æ æ æ | Á @ | á
) ^ ç | Á ^ Á [] | Á æ áÁ æ æ •] ^ á • Á @ æ Á æ æ [Á à ^
 • æ | Á æ æ á | á Á | Á @ æ æ æ | Á | ^ ç ^) á @ Á | Á æ æ |
 - [{ Á ç]] æ * Á ^ æ | Á | á * Á æ Á { | ^ * ^) & É Á @
 [] , | Á æ æ æ * Á | Á } * á ^ Á æ æ • Á | Á æ æ * É ç]
 @ Á æ æ æ | Á { ^ á æ æ | Á æ Á @ Á æ æ æ | Á æ | Á à ^
 á æ æ | Á &] d [| É



Op-265_A

Öi æ ^ Á @ Á æ æ æ | Á æ @ @ Á É] æ áÁ æ æ (• Á æ Á @
 | æ æ ^ Á [• æ æ] Á æ áÁ & Á @ Á &] d [| Á ç | Á æ Á @
 d æ } [| á ^ á ^) á [• æ æ] Á ç | Á ^ ç ^) á á æ æ æ ^ Á ç
 @ Á [, | Á æ æ æ | Á æ @ } Á } æ * É

Ú | f | { Á } • Á æ @ Á æ æ æ | Á æ áÁ } æ Á æ Á [,
 •] ^ á • Á ç Á ^ ç | { æ ^ Á @ , Á @ Á æ æ æ | Á , æ Á æ
 æ æ æ @ á Á [, | Á æ æ æ | Á • Á æ æ } É Ö á | { æ ^ Á @
 • æ Á •] ^ á Á ç Á { æ æ æ Á | [| Á &] d [| Á - Á @
 d æ æ | Á @ } Á æ æ * Á } • É



Op-265_B

V | Á æ æ æ | Á ç | c | } • É i æ ^ Á @ Á æ æ æ | Á æ @ æ æ Á æ á
 æ Á æ Á] ^ á • É Á •] ^ á æ æ | Á @ } Á | Á æ æ * Á ç |
 | { * @ * | { } á É &] • • æ * Á á æ æ • Á | Á • [] ^ • É æ æ á
 ç | } æ * Á &] } | • É V | æ æ | Á , @ | Á ç ^ æ æ Á •] æ æ *
 • @ | á Á ^ Á æ & ^ æ æ á Á @ } Á [| á * Á } Á æ æ á • Á |
 | { * @ * | { } á Á Á á ^ Á @ Á [• • æ æ æ Á Á] æ * É

W ^ Á ç d ^ { Á æ æ æ } Á @ } Á | Á æ æ * Á } Á ç |
 • [] ^ • É Á Á Á @ Á æ æ æ | Á æ æ | , Á ^ æ Á @ } Á [æ *
 á [, } @ | É Ö Á Á U V Á & æ á | Á ^ Á É @ | Á Á [, } @ | É
 OPS-F- 0009_A

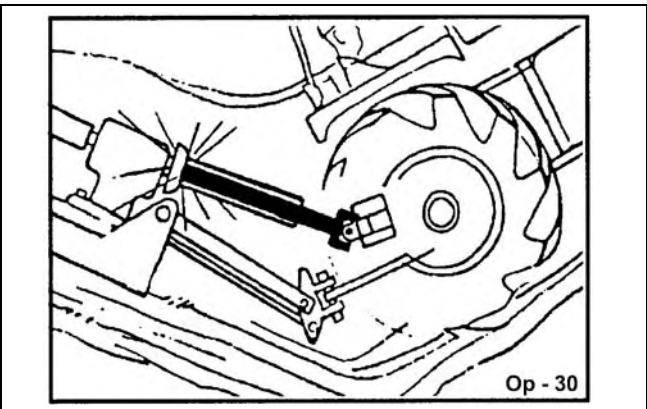
- ' * ' 7 f c g g] b] ' 8] H W Y g ' U b X ' G H Y d ' æ W] b Y g

VÜÖŠÖÁÖŠÖŠ U] | Á æ æ } Á ^ & ç } Á É

CD9F5HCB

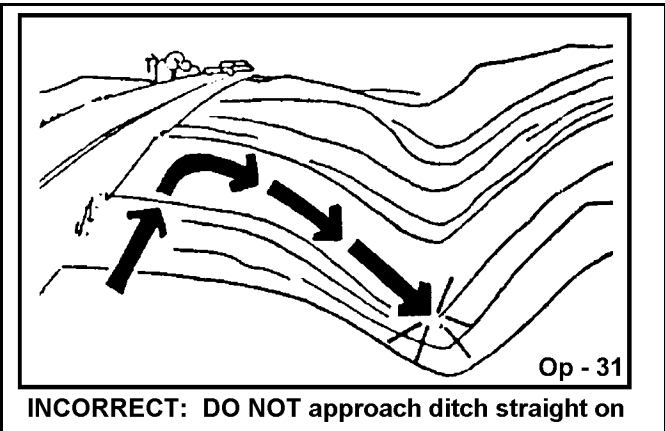
CD9F5HCB

Y @} Á&[••ã * Áã&@•Á ã@Á c^] Áãã \•Á |Á [ã * Á]
 • @} Áã &ã ^• Áã Á [••ã |^Á c@ã@Á cã Áã |ã ^ã ^
 ã } ^Á | | -ã Á |Á ^} ^dã Áã d Á c@Á ^ c^Á @ ^•ã * Áã Áã
 { ãã ~ { Áã^} c@Á } dÁ c@Áã • ^ { à | Áã ^ã { ^• Á | |ã
 Gã |ã ^ã ^ã Áã Áã Áã c^ { ^Á @ | c^ o^Á } * @Á V @ Á c] ^
 [Áãã • ã ^Á] | ^ãã } Áãã Áãã • ^ Áã ^ã ~ • Áãã ã ^ Áã d
 c@Áãã d | Áãã á Áã [, ^ Áã |ã ^ Áã ^ Áã ~ • @ * Áã Áã V U Áã d
 c@Áããã d | Áãã á Áã c@ [^ * @ Á c@ Áã ~] | | c^ Áã ^ããã * Áã |
 á [, , , ãã Áã] d Áã Áã V U Áã c@ãã | ^ãã ã * Áã Áã -É



Öã ã ^ Áã ^• |ã * Áã [{ Áã c^ |ã |ã |ã ãã • ^ Áã Áã Áã |ã ^ã Áã } ^ Áã | | -ã Áã á Áã Áã ^ c^ Áã @ ^•ã *
 { ãã Áã | , Áã Áã |ã ^ã Áã Áã { ^ Áã [^ Áã [{ Áã Áã |ãã d | Áã @ Áã |ãã ~ |ããã • ^ Áã |ãã Áã b | ^ Áã Áã
 [] ^ãã | Áã | Áã ^ãã áã | Áãã áã | Áã c^ } • ã ^ Áãã ã ã ^ Áã Áã Áã |ãã d | Áã | Áã | | ^ Áã } Áã OPS-R-0020

Y @} Á&[••ã * Áã ^ã @Áã Áã &ã ^ã | Áã Áãã &ã Áã | Áã c
 ãã | | ãã @Áã [{ Áãã Áãã * | Áã @ Áã Áã ^ |] ^ } áãã |ãã Áã |
 • dãã @Áã } Áãã Áããã ãã ^ã Áã d Áã c^ | Áã &ã |ãã ãã • ^ Áã Áã c@
 áã |ãã ^ã Áã ãã Áã &ã |É



Y @} Á&[••ã * Áã ^ã @Áã |ãã Áã] | ^ { ^ } c^ @ ^ |ã
 áã Áã | | Áã [, ^ | áã Áã | Áãã [, ^ | Áã ^ } c^ | Áã ^ããã Áãã áã
 ãã áã áã ãããã Áã OPS-R-0021

CD9F5HCB

WARNING

T æ~ Açæð àÀ àb & @ È~ & @ È A ã^EÀ&ææ| ^È[] ^È[] A& @æ • È&æ Æ^ & { ^A^ } ææ * | ^ àÀÀ À @ [] ^ | ææ * À æ @ À - À @ À [, ^ | À @ æ ÈV @ • ^ À { • À ~ | à À @ } À , à * À ~ @ Æ^ À @ À @ ~ • à * À æ * | ^ æ : À ~ | & à ~ À @ À @ À | ææ • ÈV ~ & @ æ æ æ } Æ À ç ^ { ^ | À æ æ à [~ À æ à À ~ | à À • | ç à À ~ | à ~ • À b | À | À ç ^ } À ^ æ æ ÈV @ • | ^ & @ À @ À & : ææ * À æ æ À | À ~ & @ à b & @ À ^ | ^ À [, à * È Û { [ç ^ À æ ~ À à À à b & À [{ À @ À æ ÈV ^ ç ^ À | , À @ À æ æ * À | ææ • À | À } ææ À ~ & @ { • È ØÖÙÚÛÜ

!\$%&: cfYI[b'8 YVf]g< UnUFXg

Ó ÷ | ^ À [, à * ÈV • | ^ & @ À @ À æ æ À ç À { æ ^ À ~ | ^ @ | ^ À ^ À | À | ^ à } À à b & @ À @ À @ À [, ^ | À | ææ • & ~ | à À @ À | À ^ & { ^ A^ } ææ * | ^ à À æ ÈV ~ | [ç ^ À ç | ^ à } À à b & @ À æ à À à à à ÈV @ à b & @ À ^ À | À à À | ^ { [ç ^ ÈV æ À @ { À | ææ | À æ à À À ~ | ^ À | À | ç ^ } ç @ À [, ^ | À | ææ • À | { À } ææ ç * À @ { È



Op - 33

QÀ [~ À @ À | | æ À à b & À | À | ^ à } À à à à ÈV ç] À @ { [, ^ | À æ æ à À ç æ ç | À ææ } & ÈV { ^ à ææ | À | À @ ^ } * à ^ À ^ à À æ æ à À à ^ } * æ ^ À @ À ÚVU ÈV ææ À | À | { [, ^ | À | ææ * À [ç] À ç À • ç] ÈV @ : À | ææ ^ À @ { [, ^ | À æ æ À [ç ^ À @ À ç æ ç | À æ æ à À] | ^ { ^ } ç - À @ [à b & ÈV @ • | ^ & @ À @ À æ æ æ æ à À ^ { [ç ÈV | À æ À @ | | & ææ } À - À @ À à à à ÈV @ • | ^ & @ À & } à ææ } À - À @ { [, ^ | À æ æ à À æ æ ^ À ^ à à À ^ } ææ À | { ^ à ææ | È T æ ^ À ~ | ^ À @ À | ææ • À æ ^ À | ç ææ æ æ ^ à À @ & æ æ à | À | ææ æ æ & à À ^ | ^ À • { à * À | ^ ææ } È

Ø. æ • À ~ æ æ À | ^ À ^ ææ À | ç ^ & | ^ | À æ ç } ^ à À æ à [] | À | ^ æ À @ À ç æ ç | À æ æ À [, ^ | À æ ÈV @ À ÚUÚU à À @ À ææ à À | • ææ } ÈV @ À ç æ ç | À | À [, ^ | À @ À æ ç ^ À ç {] ÈV | & ÈV | À ~ {] ÈV ~ à à ^ } À [ç ^ { ^ } ç & ~ | à À @ [, À [~ À | - À @ À • ^ ææ æ æ à À ~ } à | À @ ç æ ç | À æ æ à ÈV | À [, ^ | ÈV @ À ^ ææ À | ç À À [~ | À à • ç] | ç & ç } À | { À ææ à * À - À @ À ç æ ç | À æ æ à À @ À ÚUÚU] | ç ææ • À | | ç & ç } À + { À à à * À & • @ à À à | à * À æ ç æ ç | À | | ÈV ç ^ È OPS-F-0010



Op-266

!\$%&'6 ngIUbXYf g#DUggYf gVmDf YWU Hçbg

QÀ ææ • çæ à | À | { ^ • À ææ À ÈÈÀ ^ ç - À @ À ç æ ç | À ç À @ À [, ^ | À | À à * À | ^ æ æ ÈV ç] À @ À ç æ ç | À ææ } & È æ | À @ À } * à ^ À æ æ à À à ^ } * æ ^ À @ À ÚVU ÈV @ À [À | ç } * æ ^ À @ À ÚVU À æ æ æ } ç À | À ~ • çæ à | • À æ ^ À ~ | À æ ÈV @ ÈÈÀ | ç æ æ æ & ÈV OPS-R-0024

VÜŮŠÒÀŠŮŠŠ

U | ^ ææ } À ~ & ç } À ÈÇ

CD9F5HCB

CD9 F5 HCB



ⓘ ℄̄ AT [, ^!•Aæ^A&ǣ ǣ^A˘ } ä!Aæç^!•^A& } ǟ̄̄̄ } •A[-Ac@] , ã *
 [äb &c Ä† !Ä˘ !^ǣäǟ ç̄ǣ & •ÄÇÈÄ^äoÄ !Ä† [!^Dǣ äA&ǣ •ã * Ä˘!ã˘ •
 ã b !˘ Ä† !Ä^ǣoÄ [|| |, Äæc Ä˘ ••æ˘ •Äæ˘ •|| È



GHCDA CK-B; ï= 'D5 GG9F6 M5F9' K †K-B' \$\$\$: 99HI B@GG.

ÈÄ [] ç̄ǣ äÄ^ǣÄO^††&† !•ÈÄ ç̄ǣ ÄO˘ ǣä•ÈÄ !ÄOǣ ä•Äæ^Äã •ç̄ǣ^Äãã äã Ä† [!äÈ [!ǣ^†
 & } äãã } L

ÈÄ [, ^!Ä^ǣç̄] •Äæ^Ä˘ } } ã * Ä† [•^Ä† Äǣ äÄ ǣç̄^†Ä† Äc@Ä† !˘ } äÄ ǣç̄˘ Äç̄ [•^äÄO|ǣ^•L

ÈÄ Äæ^ǣ Äc@Ä^Ä^† Äc@ !˘ * Ç Äã •] ^c^äã äÄã Ä† !ã } Ä† ǣ!ǣ^† & Äæ Ä† & •È&ǣ •È
 * |æ •È&ǣ äÄ^† ^†ǣÄ^† äÄã Äæ^Ä^† Ä† { Ç äÈ

NOTE: *Where there are grass and weeds high enough to hide debris that could be struck by the blades, the area should be inspected and large debris removed, mowed at an intermediate height, inspected closely with any remaining debris being removed, and mowed again at desired final height. (This will also reduce power required to mow, reduce wear and tear on the Mower drivetrain, spread cut material better, eliminate streaking, and make the final cut more uniform.)*

CD9 F5 HCB

%" '9b† U† |b† '† Ä YDck Y† HU YCZ†DHC†

O^† |^† } * æ ã * Äc@ ÄUVUÈÄ æ^Ä^† |ǣ Äc@Äc@ Äæ^ǣ^† Ä† ää Ä† -Ä˘ •ç̄ǣ ä!•Äǣ äÄ æ•^† ä ÈÄV@ Ä†] |^† ^† c
 { ˘ •cä^Ä† {] |^† Ä† , ^† äãã äÄc@ Ä^Ä† Ä† [•ãã] ^† äǣǣ æ^Ä† |^† ǣǣ * Äc@ Ä† Ä† OXÜÜÄ† * æ^Äc@ ÄUVUÄ ǣ
 c@ Ä†] |^† ^† ç̄ǣ Äc@ Äæ^† Ä† [•ãã] È

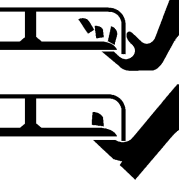
Ü^c@ Äæç̄ !Ä† * ã Ä† ^† äÄǣãã] | ç̄ǣ ǣ!˘ ÄÈÈÈÄÜT Ä^† |^† } * æ ã * Äc@ ÄUVUÈÄ ç̄ǣ Äc@ ÄUVUÄ†] d | Ä†
 c@ Ä† } Ä† [•ãã] Èǣ äÄ† [, | Ä† & ^æ^Äc@ Ä† } ã Ä† ^† äÄ† ç̄Äc@ ÄUVUÄ Ä†] |^† ǣǣ * Äæc@ Äæ^† Ä† ^† äÈÄQÄ†
 @æÄ† } ˘ ǣÄ† [ä^† Ä† |Ä^† Ä† |Ä^† Ä†] | | ǣÄç̄ǣãããã } Èäã^† * æ^Äc@ ÄUVUÄ† { ^† äǣ^† ÈÄÄQ•] ^† c@ Äc@
 ä] |^† ^† ç̄ǣ Ä^† | { ã Äc@ Äǣ^† Äc@ Ä† [ä Ä† |Ä† ääããã } Äǣ äÄ^† ǣÄc@ Äǣ] | | ǣǣ ÈÄOPS-U- 0027



ÖÄ Ä† [c^† Äc@ ÄO|ǣ^•Äç̄ !} Ä† @ } Äc@ ÄT [, ^!ÄO^& Äã Ä ǣ^† Ä† |Äǣ˘
 |^†ǣ] ÈÄ &† äã * Ä†^ǣǣ & Ä† |Ä† |Äç̄ !} ã * ÈÄÜǣ ã * Äc@ Ä† [, ^!Ää^Ä
 ^ç̄ [•^•Äc@ ÄO˘ ç̄ǣ * ÄO|ǣ^•Ä† @Ä&^ǣ^•Äǣ [ç̄] ç̄ǣ^† Ä†!ã˘ •Äc@ ǣä
 ǣ äÄ† |^† |äÄǣ^† Ä†!ã˘ •Äã b !˘ Ä† |Äç̄^† Ä^†ǣoÄ [{ Ä† äb &c Äc@ [, } Ä† [{
 c@ ÄO|ǣ^•ÈÄÜT ÈÄ D



OÄ Ä† [ç̄˘ c@ǣ ä•Ä† |Ä^† Ä† } ä!Ä† [, ^!Ää^Ä •ÈÄO|ǣ^†ÄO [] ç̄ǣc@ǣ Ä^• |c
 ã Ä†!ã˘ •Äã b !˘ Ä† |Äç̄^† Ä^†ǣoÄ Äǣ Äǣ ç̄ Ä† } ç̄Äç̄Ä† [ç̄] Äc@ Ä† [] ^†
 ǣ äÄc@ Ä^Ä& •Äæ^† Ä^† |^† Ä† [& ^† Ä†] ÈÄÜT ÈÄ D



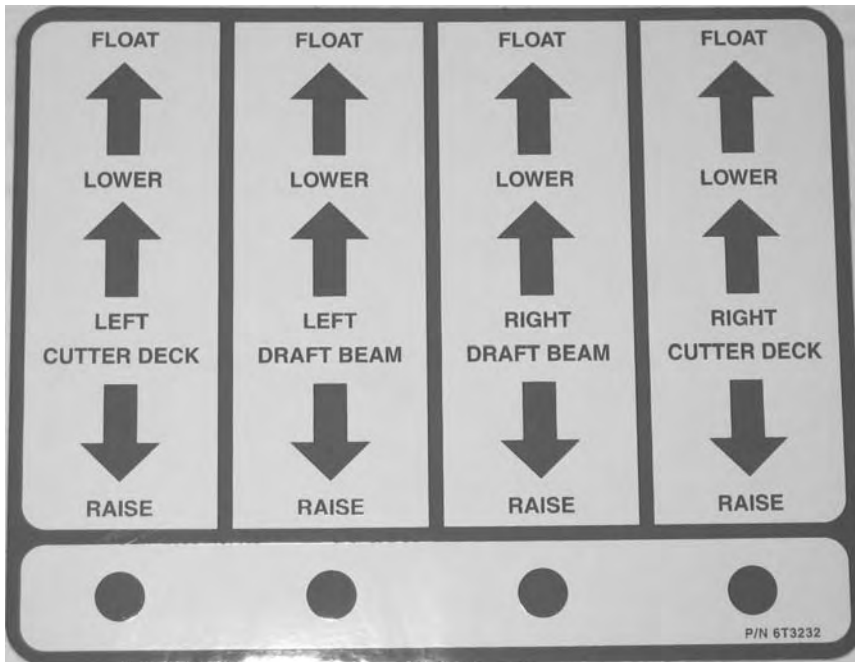
VÜÖŠÖÄÖŠÖŠ U† |^† ǣǣ } Ä^† & ç̄ } ÄÈÄ

CD9F5HCB

7 CBHFC @ @ C75HCB 5 B8 : I B7HCBG

V@Á^áá @Á [, ^!Á@á @Á Á& } d [| Áá á @Á Á | Á | [| Áçç^ Áá á Á Á& [| áá æ^ á Á @ , } Á^ | , È
 Ç, æ^ Á [, Á á @ Á& } d [| Á Á @ Á | áá [• áá] É Á Á ^ Á Á Á • ç Á @ Á ç ^ Á | Á & Á á • Á @ } ^ ç ^ Á @ Á [, ^ Á
 ç Á Á á } [| ç á Á Á Á & Á á á Á Á | È

CD9F5HCB



V@Á^áá [, ^!Á@á @Á Á& } d [| Áá á @Á Á | Á | [| Áçç^ Áá á Á Á& [| áá æ^ á Á @ , } Á^ | ç^ È
 ç Á Á á } [| ç á Á Á Á & Á á á Á Á | È

V@Á^áá @Á [, ^!Á@á @Á Á& } d [| Áá á @Á Á | Á | [| Áçç^ Áá á Á Á& [| áá æ^ á Á @ , } Á^ | ç^ È
 ç Á Á á } [| ç á Á Á Á & Á á á Á Á | È

V@Á^áá @Á [, ^!Á@á @Á Á& } d [| Áá á @Á Á | Á | [| Áçç^ Áá á Á Á& [| áá æ^ á Á @ , } Á^ | ç^ È
 ç Á Á á } [| ç á Á Á Á & Á á á Á Á | È

VÜŮŠÒÁŠÖŠŠ

U | áá } Á Á & ç } Á Á È

CD9F5HCB

CD9F5HCB

%%CdYfUjHj 'h Y Ack Yf



Y @} A[...] ...

V@A[...] ...

U} &A[...] ...

V@A[...] ...

Y @} A& ...] ...

V{ A[...] ...

V@A [...] ...



Qs ...] ...

Y @} A[...] ...

Qs @ ...] ...

Qe ...] ...

CD9F5HCB

CD9F5HCB

☞&G i H|b| '8ck b'h Y=a d'Ya Ybh

V| Á @ oÁ[, } Á@Áq] |{ ^} dÁa•oÁi q * Á@Ádæd |
 d Áæ&[{] |c'Á d] ÉV@} Á[[, Á[, } Á@Áq] |{ ^} c
 à ^ Á a~ & q * Á@Á} * q ^ Á } ^^á Á ^ f | ^ Á a~ ^} * æ q *
 @ÁÚVUÉÁY æÁ f | Á q | { [d] Á d Á • d] Á a~ f | ^
] | { & ^ a q * Á q Á i q ^ Á | Á @ oÁ[, } Á@Ádæd | É



Op-37

Úæ\ Á@Ádæd | Á[] ÁæÁ | c'Á | Á • i æ Á É | æ Á @
 dæ • { ã • q } Á q Á] æ Á | Á } ^ dæ Á æ á Á æ] | Á @
] æ q * Á i æ ^ É | , ^ Á @ Á æ æ @ á Á |] |{ ^} d Á @
 * | { } á É @ oÁ[, } Á@Á} * q ^ Á | { c'Á @ Á ^ É q á
 , æ Á f | Á q | { d] Á q | { ^ Á d Á æ & [{] |c'Á • d]
 à ^ f | ^ Á cæ q * Á @ Á dæd | É OPS-F- 0011



Op-266

☞"8 =G7 CBB97 HB; 'H<9 'ACK 9F': FCA 'H<9 'HF 57 HCF

Ó f | ^ Á a~ & [} ^ & q * Á @ Á [, ^ É @ Á Ú V U Á ~ • oÁ ^
 á a~ ^} * æ ^ á Á æ á Á q | { d] } Á æ Á æ & [{] |c'Á • d] É
 T | c'Á @ Á [, ^ Á d Á æ Á ^ c'Á | Á • d | æ ^ Á | { & æ q } Á æ á
 | | , ^ Á a~ [c@Á • æ ^ Á | { , ^ Á d Á @ Á * | { } } á É Q @
 { [, ^ Á q | Á ^ Á d | ^ á Á æ oÁ @ Á ^ & d] • Á @ Á æ á a
] | { • æ q } É Á ^ Á | ^ Á @ Á @ Á i æ ^ Á | { & • Á æ ^ Á } * æ ^ á É
 Q @ Á [, ^ Á q | Á ^ Á d | Á ^ & | ^ Á | } Á @ Á | { } } á É
 à | { & Á @ Á [, ^ Á | Á ^ & | ^ Á | ^ Á f | ^ Á æ {] d] * Á q
 á a~ & [} } ^ & oÁ | { Á @ Á dæd | É Á ^ Á d c'Á ^ Á æ ^ Á
 \ ^ Á ^ Á æ á Á @ q á Á | { Á } á ^ Á @ Á [, ^ Á æ á
 & ^ æ Á Á q ^ Á q & @ | q o É OPS-F-0012_A



Op - 55

VÜŮŠÒÁŠÖŠŠ

U] | æ q } Á ^ & d] Á É H G

CD9F5HCB

Oe^!Áã & } ^&ç * Á@A-Áã [ã o Æ^ [ç^Á@
 { [, ^!Áã!ã!ã ^Á! [{ Á@Á!ãç; ÁUVUÁ @eçSæ
 c@Áã!ã!ã ^Á! , } Áæ^~ || Áç Áæ [ãÁãæ æ ã *
 c@Áã!ã!ã ^Á! ; Á@Á @!ãZÖ [Á [ç^Á@Áã!ã!ã ^
 æ!Áç ç Á ~ áÁ! Áããç @&@&ç Á& } çæ ã æ Á@
 à^æã * Áæ áÁ @ ; ç) Á@Á!ã!ã Á@ ^Áã!ã!ã ^È
 OPS-F-0013



⚠ DANGER

Þ^ç^!Á, [\A^ } á!Ác@AQ] | ^ } çÁc@Á æ ^, [\ Æ [: Áæ ^ Áã ç á
 & { [] ^ } ç } | • • Á@ÁQ] | ^ ^ } ç Á ^ & ^! ^ Á ~] [: ç á Á! Á! & ^ á Á]
 ç Á! ^ ç ^ } ç ~ á á ^ Á! : Áç æ ç ^! ç } ç æ ã * Á @&@&ç ~! á & æ • ^ Á! ç ~ •
 ã b! ^ Á! Áç ^ } Á ^ æ @ ç Ö Æ! D



CD9F5HCB

CD9F5HCB

% "ACK9F`GHCF5; 9

0 1 2 3 4 5 6 7 8 9 A B C D E F G H I J K L M N O P Q R S T U V W X Y Z [\] ^ _ ` a b c d e f g h i j k l m n o p q r s t u v w x y z { | } ~ ¡ ¢ £ ¤ ¥ ¦ § ¨ © ª « ¬ ® ¯ ° ± ² ³ ´ µ ¶ · ¸ ¹ º » ¼ ½ ¾ ¿ À Á Â Ã Ä Å Æ Ç È É Ê Ë Ì Í Î Ï Ñ Ò Ó Ô Õ Ö × Ø Ù Ú Û Ü Ý Þ à á â ã ä å æ ç è é ê ë ì í î ï ð ñ ò ó ô õ ö ÷ ø ù ú û ü ý þ ÿ

U![]^|`~* @ # \$ % & ' () * + , - . / : ; < = > ? [\] ^ _ ` a b c d e f g h i j k l m n o p q r s t u v w x y z { | } ~ ¡ ¢ £ ¤ ¥ ¦ § ¨ © ª « ¬ ® ¯ ° ± ² ³ ´ µ ¶ · ¸ ¹ º » ¼ ½ ¾ ¿ À Á Â Ã Ä Å Æ Ç È É Ê Ë Ì Í Î Ï Ñ Ò Ó Ô Õ Ö × Ø Ù Ú Û Ü Ý Þ à á â ã ä å æ ç è é ê ë ì í î ï ð ñ ò ó ô õ ö ÷ ø ù ú û ü ý þ ÿ

- ~ VQ![]^|`~* @ # \$ % & ' () * + , - . / : ; < = > ? [\] ^ _ ` a b c d e f g h i j k l m n o p q r s t u v w x y z { | } ~ ¡ ¢ £ ¤ ¥ ¦ § ¨ © ª « ¬ ® ¯ ° ± ² ³ ´ µ ¶ · ¸ ¹ º » ¼ ½ ¾ ¿ À Á Â Ã Ä Å Æ Ç È É Ê Ë Ì Í Î Ï Ñ Ò Ó Ô Õ Ö × Ø Ù Ú Û Ü Ý Þ à á â ã ä å æ ç è é ê ë ì í î ï ð ñ ò ó ô õ ö ÷ ø ù ú û ü ý þ ÿ
- ~ S` à! ¢ £ ¤ ¥ ¦ § ¨ © ª « ¬ ® ¯ ° ± ² ³ ´ µ ¶ · ¸ ¹ º » ¼ ½ ¾ ¿ À Á Â Ã Ä Å Æ Ç È É Ê Ë Ì Í Î Ï Ñ Ò Ó Ô Õ Ö × Ø Ù Ú Û Ü Ý Þ à á â ã ä å æ ç è é ê ë ì í î ï ð ñ ò ó ô õ ö ÷ ø ù ú û ü ý þ ÿ
- ~ Vã @} Á ã ã ã [] ^ _ ` a b c d e f g h i j k l m n o p q r s t u v w x y z { | } ~ ¡ ¢ £ ¤ ¥ ¦ § ¨ © ª « ¬ ® ¯ ° ± ² ³ ´ µ ¶ · ¸ ¹ º » ¼ ½ ¾ ¿ À Á Â Ã Ä Å Æ Ç È É Ê Ë Ì Í Î Ï Ñ Ò Ó Ô Õ Ö × Ø Ù Ú Û Ü Ý Þ à á â ã ä å æ ç è é ê ë ì í î ï ð ñ ò ó ô õ ö ÷ ø ù ú û ü ý þ ÿ
- ~ Ô @ & Á @ Á [] ^ _ ` a b c d e f g h i j k l m n o p q r s t u v w x y z { | } ~ ¡ ¢ £ ¤ ¥ ¦ § ¨ © ª « ¬ ® ¯ ° ± ² ³ ´ µ ¶ · ¸ ¹ º » ¼ ½ ¾ ¿ À Á Â Ã Ä Å Æ Ç È É Ê Ë Ì Í Î Ï Ñ Ò Ó Ô Õ Ö × Ø Ù Ú Û Ü Ý Þ à á â ã ä å æ ç è é ê ë ì í î ï ð ñ ò ó ô õ ö ÷ ø ù ú û ü ý þ ÿ
- ~ Ù ð ! ^ Á @ Á [] ^ _ ` a b c d e f g h i j k l m n o p q r s t u v w x y z { | } ~ ¡ ¢ £ ¤ ¥ ¦ § ¨ © ª « ¬ ® ¯ ° ± ² ³ ´ µ ¶ · ¸ ¹ º » ¼ ½ ¾ ¿ À Á Â Ã Ä Å Æ Ç È É Ê Ë Ì Í Î Ï Ñ Ò Ó Ô Õ Ö × Ø Ù Ú Û Ü Ý Þ à á â ã ä å æ ç è é ê ë ì í î ï ð ñ ò ó ô õ ö ÷ ø ù ú û ü ý þ ÿ
- ~ S ^) Á @ Á ! ¢ £ ¤ ¥ ¦ § ¨ © ª « ¬ ® ¯ ° ± ² ³ ´ µ ¶ · ¸ ¹ º » ¼ ½ ¾ ¿ À Á Â Ã Ä Å Æ Ç È É Ê Ë Ì Í Î Ï Ñ Ò Ó Ô Õ Ö × Ø Ù Ú Û Ü Ý Þ à á â ã ä å æ ç è é ê ë ì í î ï ð ñ ò ó ô õ ö ÷ ø ù ú û ü ý þ ÿ
- ~ W ^ Á .) ! ¢ £ ¤ ¥ ¦ § ¨ © ª « ¬ ® ¯ ° ± ² ³ ´ µ ¶ · ¸ ¹ º » ¼ ½ ¾ ¿ À Á Â Ã Ä Å Æ Ç È É Ê Ë Ì Í Î Ï Ñ Ò Ó Ô Õ Ö × Ø Ù Ú Û Ü Ý Þ à á â ã ä å æ ç è é ê ë ì í î ï ð ñ ò ó ô õ ö ÷ ø ù ú û ü ý þ ÿ



Op-271_A

0 1 2 3 4 5 6 7 8 9 A B C D E F G H I J K L M N O P Q R S T U V W X Y Z [\] ^ _ ` a b c d e f g h i j k l m n o p q r s t u v w x y z { | } ~ ¡ ¢ £ ¤ ¥ ¦ § ¨ © ª « ¬ ® ¯ ° ± ² ³ ´ µ ¶ · ¸ ¹ º » ¼ ½ ¾ ¿ À Á Â Ã Ä Å Æ Ç È É Ê Ë Ì Í Î Ï Ñ Ò Ó Ô Õ Ö × Ø Ù Ú Û Ü Ý Þ à á â ã ä å æ ç è é ê ë ì í î ï ð ñ ò ó ô õ ö ÷ ø ù ú û ü ý þ ÿ



P ^ Ç ! ^ Á @ Á ! ¢ £ ¤ ¥ ¦ § ¨ © ª « ¬ ® ¯ ° ± ² ³ ´ µ ¶ · ¸ ¹ º » ¼ ½ ¾ ¿ À Á Â Ã Ä Å Æ Ç È É Ê Ë Ì Í Î Ï Ñ Ò Ó Ô Õ Ö × Ø Ù Ú Û Ü Ý Þ à á â ã ä å æ ç è é ê ë ì í î ï ð ñ ò ó ô õ ö ÷ ø ù ú û ü ý þ ÿ

CD9F5HCB

HF5BGDCFHB; H<9 HF57HCF 5B8 AD@A9BH

Q @!^} d@e adá•Á Á]!^ææ * Á@Á! æ&ç! Áæç áÁç] |{ ^} dæç áÁ@Á [•• æææç Á Áæ&æá^ } o Áæ^Á [oÁ~oÁ^@ á
 , @} Á [~ Áæ æ @ [| | á * Áæ Áæ Áæ^æV@!^ç!^æ@Á]!^æç! Á ~ •oÁ {] | | ^ Á [| áÁ á * ^ { ^ } dæç áÁæ^Á]!^æç }
]!æ&æ^Á @} Áçæç •] | | ç * Á@Á! æ&ç! Áæç áÁç] | { ^ } dæç áÁç ^ } Á [&æç } • ÉÁÓ Á • á * Á * [| áÁ á * ^ { ^ } dæç á
 { | | , á * Áæ^Áæç •] | | oÁ] | | & á ~!^ • ÉÁ@Á [•• æææç Á Áæ&æá^ } o Á @ Á [çá * Á^ç ^ } Á [&æç } • Áæç Áá
 • ~ á • æç æç Á á ç á á^á ÉOPS-U-0017



Þ^ç!^æç [, &@á!^ } Á!Á @!Á! • [• Á Áæ^Á } Á@Á! æ&ç! Á!ÁQ] | { ^ } ç
 æçá * Á - Áæç Á^ • | oÁ Á! á ~ • Á ç | Á! Áæ^æç



Ó^ç!^Áçæç •] | | ç * Á@Á! æ&ç! Áæç áÁç [, ^!ÉÁ^Á@
 çæç! Á } * á ^ÉÁá^ } * æ^Á@ÁVUÁæç áÁ æçÁ! Áæç
 { [, ^!Á [çá * Á æç Áç Áç { ^Áç Áæç [] | ^ Á ç] É
 Úæ^Á@Á [, ^!Á^æç } • Áæç áÁ } • ^!Áçæç! Á [& •
 ^ } * æ^Áæç áÁ • çç! Á@Á! æç! Á [& Á á • É



Op-275



Op-37

CD9F5HCB

CD9F5HCB

% "HFCI 6 @G<CCHB; ; I =9

DFC6 @A

DCGG-6 @`75I G9

F9A98M

Òø&••ã^Á(á|ææ }•

Ô@&Á^æà[çÁ[|øÈ
Ô@&Á|Á|ã•ã*Á }ã^•Á }
& ¼|Á @øÈ
Ô@&Á|Á^Á(Á)ã^•Áæ^
÷^Á,ã*ã*È
Ô|æ^Á(| \ }Á|Á^)È
Ô ¼|• @øÁ^)È
Ô|ã|ã^•Á [ç| @ø^áÁ| :|&çÈ
Q] | { ^ }øÁ|Áæç |Á | \ ^•
{ ~•øÁ^Á|Á^È

Vã @ }Á([•^È
Ü^ |æ^Á|ã•ã*Á }ã^•È
Ø^Á }ã^•Á [Á@^Á,ã*È
Ü^ |æ^Á|æ^•È
Ü^ |æ^Á|ø ¼|• @øÈ
Ü^ |æ^Á|ã|ã^È

Ô^æà[çÁ|ç^ | @ææ *

Š|, Á }Á |á|ææ È
Q] | | ^ | Á | ^ | á | ææ È
Òø&••ã^Áæøøã^ãàÈ
æ[~] áÁ^æà[çÈ
Ô^ææ *Á | Á^æ•Á^ç]
ã] | | ^ | È

Ø|Á|Á^ç|Á | *È
Ü^ |æ^Á|ãø| | | ^ | á | ææ È
Ü^ | [ç^Áæø È
Ô[] • | ç | ~ | Á^æ^È

Ô^æà[çÁ[ã^

Ü[~ * @Á^æ•È
Y [!] Á^ææ *È

Ü~ } ã|Á|Á^æø *^Á^æ•È
Ü^ |æ^Á^ææ *È

Þ[ã^

Öæ æ^áÁ|ç|ç^ | á
Ü~ ààæ *Á }Á | | ^ •Á | Á^ | È
Y [!] Á^ææ *Á | Á^æÈ

Üçæ @ }Á | Á^ |æ^Á @ | á •È

Ô^æà[çÁ^ææ *

Öæ æ^Á|ã^æÈ
Ó^ } ç^ @øÈ
Ü@øÁ | ~ *ø|Á|ã^æ^æÈ
Uã^æ^ç •ø^áÁ | [] *È
Uã^æ^ç [ç^ææ *Á | Á@
@~•ã*È
Uã^ç^Á|Á [Á@ø È
ÜæáÁ| | Á^ææ *È
Öæ \ ^øææ æ^áÈ
Ó|ç^Á [•^È

Ü^ |æ^Á^æÈ
Ü^ |æ^Á|ã^æ^æ|á^æøÈ
Ü^ |æ^Á|Á^ |æ^Á @øÈ
Ü^ |æ^Á^æÈ
Ü^ |æ^Á^æ^Á | Á •^æ^æ^ç ç } Á
UÖÁ-Á^æÈ
Ô|æ|Á|ç|Á | | ^ | ç^ | È
Ü^ |æ^Á|ææ *Á | Á^æà[çÈ
Ü^ |æ^Á^æ^È
Vã @ }Á | çÈ

VÜŮŠÒÀØŠÖŠ

U] ^ |ææ }Á^&ç }ÁÈU

CD9F5HCB

CD9F5HCB

Wj ^ç^} Å~ c

Viaç^|Á] ^^áÁ [Áæ dÈ
 T [, ^!Á^&Á [o^ç^|È
 Ó|æ^•Á~ ||Á |Á } àææ &áÈ
 Ô^&Á } á^!•æ^Á | ~**^áÈ
 Õ!æ•Á [Áæ @È

W^ÁÁ [, ^!Á] ^^áÈ
 Š^ç^|Á@Á [, á *Á^&È
 Û@æ] ^ } Á | Áææ &Á|æ^•È
 Ô|^æ Á } á^!•æ^Á -Á^&È
 T [, ÁæÁÈ@Áæ } áÁÈÈ o^ [, ^!È

Õ!æ•Á|á] á *•Á á à [,
 [|Á| {]

Õ!æ•Á [Á ^È
 Õ!æ•Á [Áæ @È
 P [~•á *Á | ~**^áÈ

Y æÁ | Á | æ • Á | Á | È
 T [, ÁæÁÈ@Áæ } áÁÈÈ o^ [, ^!È
 Ô|^æ Á } á^!•æ^Á -Á^&È

Õ!æ•Á [o^Áá * Å~ c
 Ôç^ | ~

Ó|o^ [|] Á | Á | á] á * È
 Û | á * Á | [\ ^ Áæ } áÁ^|o^ -Á^|È
 P [~•á *Á | ~**^áÈ
 Ô^á|á Áæ [~ } áÁ | ~|^•È
 Õ!æ•Á [Áæ @È

Û^] |æ^Á | Áæb • o^ | È
 Û^] |æ^Á | á * Á | Áæb • o^ | È
 Ô|^æ Á } á^!•æ^Á -Áç ~•á * È
 Û^ [ç^Á^&Á^|o^ @ | á Áæ } á
 &^æ Á ~ o^ á | á È
 T [, ÁæÁÈ@Áæ } áÁÈÈ o^ [, ^!È

CD9F5HCB

CD9F5HCB

vÜ@ŠÒÀŠÒŠ

U] ^!æĭ } Á^&ĭ } ÁĚ G

A 5 =BH9 B5 B7 9 'G9 7 H=C B

T aq c} a} &^Á^&c} Á E

A5-BH9B5B79

K 99? @MCF'9J9FM) \$' < CI FG

#9A

G9FJ79

7CAA9BHG

QÁ\Á^áÉ\ā
Qá!Á\$'a JWcb'Z'HYL

Ô@ * ^

Ô@ * ^ ÁÁ·óÁÉQ'·Á}É
@}Áç!^ÁÉÁQ'·Á!Á^æ|

QÉ\Á^á @Ú!^·~|
Qá!Á\$'a JWcb'Z'HYL

Ô@ * ^

Ô@ * ^ ÁÁ·óÁÉQ'·Á}É
@}Áç!^ÁÉÁQ'·Á!Á^æ|

ACBK @MCF'9J9FM) \$' < CI FG

#9A

G9FJ79

7CAA9BHG

P^á:æ |Á\āŠç^|Á

Ô@ &

QáÁ^Á^á^á

P^áÉ\Á^á @!

Ô!æ 0 @ & 0^ |æ

Ô!æ Á!Á^ |æ
Ô!{ ^} Á^~á^á

Ü^æÁ/á^Á^] ^
| | @ ÜH
Fì È ÈH
Fì È Èì

T æ Á È È È
GJ
G
G

M95F @MCF'9J9FM) \$\$' < CI FG

#9A

G9FJ79

7CAA9BHG

P^á:æ |Á\Á\ā

Ô@ * ^

QÁ\Á^áÉ\ā
f\$'a JWcb'Z'HYL

Ô@ * ^

QÉ\Á^á @Ú!^·~|
f\$'a JWcb'Z'HYL

Ô@ * ^ Á!

Ô@ * ^ Á @} Á áæ^á^Á^·dæ }
ā áæ | È

P^áÉ\Á^á @!

Ô@ * ^

VÜŰŠÒÀŠÖŠ

T æ ç } æ & Á^ & ç } Á È

A5-BH9B5B79

A5-BH9 B5 B7 9

A5-BH9 B5 B7 9

HFCI 6 @G< CCHB;

GMA DHCA G

75 I G9

F9A98 M

Xāi|æā }

Š[[•^ÁÓ |o

Ô@& Á|Á| [o|æ] áÁā @} Á|
!^&[{ { ^} áÁā|í~^Á] ^& É

Ô~ ʘ|Áæ•^ { à|
Wj àæā &^ à

Ô@& Á| Á|Áæ æ^ áÁ|æā• Éā &
[|Á~ ʘ|• @æĀ^] |æ^ Á| ^ áÁāÉ
Ô@& Á| Á| áĀĀ [] ^ĀĀĀ } æ * |^ áÁā Ác@
& ʘ|Áæ•^ { à|

T [, ^!Á ā|Á [óāc

P^ á|æ |ā|ō |ā|Š [,
Š^ æ •|ā| Á^

Ô@& Á| áÁ^ ā|Á| á|æ |ā| Š^ ā
Vā @} Á| Á^] |æ^ Á|āā * •|ā| áÁ| •^

Ōæ |c Á^|ā- Á|æç^

Ô@& Á| Á| •^ |^ Á| Á| ^ĀĀ Á| Á| •^ |^
• @~ |áÁ^ Á|āā @c ĒĀĀĀ

Sā \^ áÁ| Á| [& \^ á
Ōæ |c Á| |ā| á^

Ō|^ æ |Á| Á^] |æ^ Á| Á|^
Q•] ^ &ĀĀ] ā|Á| Á^] |æ^ Á| |ā| á^

Uā{ [] ^!æ |^ Áā^ •
āā [ç^ ÁĒĒĒ

Š [, Á| ā|ç|
Sā \^ áÁ| Á| [& \^ áÁ| •^ •
Y [] Á| { [] Ā [ç|

Ō|ā * Á| ā| Á| [] ^!Á|ç|
Q•] ^ &ĀĀ] ā|Á| Á^] |æ^
Ōā ā|Á| Á| áÁ^] ā

T [, ^!Á ā|Á [óāæc
[|Á^ }

Ō [, } Á^ •^
Ō|ā|ç|ç^ • Á| [•^ á
Š [, Á| ā|ç|
Šā ^ Á| æ

Ô@& Á| •^ Á|ç^ ^) Á| [, ^!Á, ā&@
æ|á|æ } ā| } Ā] |æ^
T æ ^ Á| ^!Á|ç|ç^ • Á| Á|] ^
Ô@& Á| á|æ |ā|ā| Á| á|ā|
Ô@& Á| ā|āā * •|ā| áÁ| Á|^ É
|^Āā @} Á| Á^] |æ^

Ō|^ & [] æ
• [] [ā|āæ |c

K]H ci h@Á|æç [Á^ } } ā * ĒĀ [] Á
c@ Á [, ^!Á, ā&@| Á| ĒĀĀ [, Áæ áā|^ Á|ā|
• @~ |áÁ^ Á|āā @ā|Á| Á| [] [ā| Á| Á| } æ ā *
c@ Á| [] [ā| Á| [] [ĒĀĀ] ā| Á| c@ ā|Ā|æç^
• , ā&@| Á|Ā| Á| [•|ā| } ā| á| ā|ā| Á|^ , á|ā|
[|Á| c@ |Á|ç^ |Á| ā| &ĀĀ |~ &@c@ Á| ç|Á| ç| }
c@ Á| } á| - Á| Á| [] [ā|Ā|c@ Á|^ ç|ā| ā| &c
ā| Á| ā|ā|ā| á| Á| Á| ^ ĒĀĀ & Á| Á|^ Á|^ á
, ā|ā * Á| |Á| Á| [] ^] Á|ā& ā|Ā|c@ Á| ā| & Á|ā|
ā|ā|ā| á|ā| ç| [|ā|ā| ^ Á|ā|ā|ā|] |æ^ Á|c@
• [] [ā|Ē

VÜŰŠÒĀŠÖŠ

T æ ç| } æ & Á| ^ & ç| } Á Ē

A5-BH9B5 B7 9

A5-BH9B5 B7 9

Ü^ [ç^Á@Á~!Áà | Á@ |áá * Á@Á• { æ
à [& Áç Á@Á æá Áà [& Æã-Áæ áÁ!^ [ç^
• { æÁà [& Ááá * Áæ~ |Á [óÁ Áæ æ^ÁÜÈ
!á * • Áç!ÈÖ^æ Áç!Áæ áÁ^È • æÈ

Ü^ [ç^Á|æ*^Á) ~ ó } Á• æ^Á |Áæ*^Áççç
à [& ÈÜ^ [ç^Á] á * Èæ áÁ•^Á ^^á|Á [•^
çã^Á*!á Áç Á] ||Á• [|Á- [Áà [& ÈÖ@&
à [& Á æ áÁ •] [|Á - |Á &] æ á æ Á æ á
• & æ@ • È Ö^æ Á] æ Á [|Á ^] æ^Á æ
• & æ@ áÈ

T [ç!Á~ } • Á~ ó á
} |Á [& ÆãÈ

Ó^ |
V } • á } ^!

Q • ^ & óÁ | Áæ áÁ~ ||^ • ÈÜ^ | æ
à | Áæ áÁ^] æ Á Á ^^á^È
Öãb • ó } • á } ^! Á ~ ó } çÁæ, æ @!
ã Á ~ • @ á æ] Á - Á ~ æ^È

T [ç!Á~ } • Á~ |
} |Á [& ÆãÈ

Ô [] æ á æ Á^ d æç *
• [|Á [ç^ ^] ó
ççç^Á [á
Ü ~ & ç } Áá ^ • Á à • d ~ & ç á
Š , Á çÁç |

Ü^ [ç^Áæ*^Á) ~ ó } Á• æ^Á - Áæ*^
ççç^Á [& ÈÜ^ [ç^Á] á * Èæ áÁ•^
} ^^á|Á [•^ çã^Á*!á Áç Á] ||Á [|
- [Á à [& È Ö@& Á à [& Á æ áÁ •] [|Á - |
&] æ á æ Á æ áÁ & æ@ • ÈÖ^æ Á æ Á!
!^ | æ^Á & æ@ áÈ
Ô @ & Á | Á á \ • Á | Á à • d ~ & ç } Á
• ~ & ç } Áç • ^È
Ô @ & Á ^ á : æ | Áæ \ Áç^ | Áæ áÁçÈ

Ü { } | Á çÁ [ó] |

Ò & • • ç^ Á ^ æ
[] Á ç! } çÁ æ È

Öã æ • ^ { à | Áæ áÁ^] æÈ

T [ç!Á~ } • Á~ |

Ò & • • ç^ Á ^ æ
[] Á ç! } çÁ æ

Öã æ • ^ { à | Áæ áÁ^] æÈ

NOTE: If flow meter is available, check pressure and flow volume for all suspected hydraulic problems.
 Z H Y gc`i hcb` hc` nci f` dfcV`Ya ` WUbbch VY` Zi bX`]b`h]g` gYW]cbz` WU` ` h Y` HYW b]WU` GYf]WY
 fYdfYgYbH]j Y`Uh` Y`bi a VYf`g` ck b`cb`h` Y`ZcbhW`j Yf`cZh]g`a Ubi U"

VÜŮŠÖÄŠÖŠŠ T æ ç! } æ & Á^ & ç } Á È

A5-BH9 B5 B7 9

HC FEI 9 GD97 = 7 5 HCBG

Torque for Standard Fasteners

Nominal Dia. (in.)	threads per inch	Grade 2			Grade 5			Grade 8			Grade 9		
		Tightening Torque			Tightening Torque			Tightening Torque			Tightening Torque		
		Lubed K = 0.15	Dry Plated K = 0.17	Dry plain K = 0.20	Lubed K = 0.15	Dry Plated K = 0.17	Dry plain K = 0.20	Lubed K = 0.15	Dry Plated K = 0.17	Dry plain K = 0.20	Lubed K = 0.15	Dry Plated K = 0.17	Dry plain K = 0.20

Unified Coarse Thread Series

Nominal Dia. (in.)	Threads per inch	49 in-lbs	59 in-lbs	66 in-lbs	76 in-lbs	86 in-lbs	101 in-lbs	107 in-lbs	122 in-lbs	143 in-lbs	126 in-lbs	143 in-lbs	168 in-lbs
1/4	20	49	59	66	76	86	101	107	122	143	126	143	168
5/16	18	101	122	135	157	178	209	221	251	295	259	294	346
3/8	16	15 ft-lbs	18 ft-lbs	20 ft-lbs	23 ft-lbs	26 ft-lbs	31 ft-lbs	33 ft-lbs	37 ft-lbs	44 ft-lbs	38 ft-lbs	43 ft-lbs	51 ft-lbs
7/16	14	24	29	32	37	42	49	52	59	70	61	70	82
1/2	13	37	44	49	57	64	75	80	90	106	94	106	125
9/16	12	53	63	70	82	92	109	115	130	154	135	153	180
5/8	11	73	87	97	113	128	150	159	180	212	186	211	248
3/4	10	129	155	172	200	227	267	282	320	376	331	375	441
7/8	9	125	150	167	322	365	429	455	515	606	533	604	710
1	8	187	225	250	483	547	644	681	772	909	799	905	1065
1 1/8	7	266	319	354	596	675	794	966	1095	1288	1132	1283	1510
1 1/4	7	375	450	500	840	952	1121	1363	1545	1817	1597	1810	2130
1 1/2	6	652	783	869	1462	1657	1950	2371	2688	3162	2779	3150	3706

Fine Thread Series

Nominal Dia. (in.)	Threads per inch	56 in-lbs	68 in-lbs	75 in-lbs	87 in-lbs	99 in-lbs	116 in-lbs	123 in-lbs	139 in-lbs	164 in-lbs	144 in-lbs	163 in-lbs	192 in-lbs
1/4	28	56	68	75	87	99	116	123	139	164	144	163	192
5/16	24	112	135	150	174	197	231	245	278	327	287	325	383
3/8	24	17 ft-lbs	20 ft-lbs	23 ft-lbs	26 ft-lbs	30 ft-lbs	35 ft-lbs	37 ft-lbs	42 ft-lbs	49 ft-lbs	43 ft-lbs	49 ft-lbs	58 ft-lbs
7/16	20	27	32	36	41	47	55	58	66	78	68	78	91
1/2	20	41	49	55	64	72	85	90	102	120	105	120	141
9/16	18	59	71	78	91	103	121	128	146	171	151	171	201
5/8	18	82	99	110	127	144	170	180	204	240	211	239	281
3/4	16	144	173	192	223	253	297	315	357	420	369	418	492
7/8	14	138	165	184	355	403	474	502	568	669	588	666	784
1	14	210	252	280	542	614	722	765	867	1020	896	1016	1195
1 1/8	12	298	357	397	668	757	890	1083	1227	1444	1269	1439	1693
1 1/4	12	415	498	553	930	1055	1241	1509	1710	2012	1768	2004	2358
1 1/2	12	734	880	978	1645	1865	2194	2668	3024	3557	3127	3544	4169

Torque values for 1/4 and 5/16-in series are in inch-pounds. All other torque values are in foot-pounds. K = 0.15 for "lubricated" conditions
 Torque values calculated from formula T=KDF, where K = 0.17 for zinc plated and dry conditions F = Clamp Load
 K = 0.20 for plain and dry conditions

Torque-Tension Relationship for Metric Fasteners

Nominal Dia. (mm)	Pitch	Class 4.6			Class 8.8			Class 10.9			Class 12.9	
		Tightening Torque			Tightening Torque			Tightening Torque			Tightening Torque	
		Lubed K = 0.15	Dry Plated K = 0.17	Dry plain K = 0.20	Lubed K = 0.15	Dry Plated K = 0.17	Dry plain K = 0.20	Lubed K = 0.15	Dry Plated K = 0.17	Dry plain K = 0.20	Lubed K = 0.15	Dry plain K = 0.20
3	0.5	0.28	0.32	0.38	0.73	0.82	0.97	1.0	1.2	1.4	1.2	1.6
3.5	0.6	0.44	0.50	0.59	1.1	1.3	1.5	1.6	1.9	2.2	1.9	2.5
4	0.7	0.66	0.74	0.87	1.7	1.9	2.3	2.4	2.7	3.2	2.8	3.8
5	0.8	1.3	1.5	1.8	3.4	3.9	4.5	4.9	5.5	6.5	5.7	7.6
6	1	2.3	2.6	3.0	5.8	6.6	7.7	8.3	9.4	11	9.7	13
6	1.25	2.1	2.3	2.7	5.3	6.0	7.0	7.6	8.6	10	8.8	12
7	1	3.8	4.3	5.0	9.7	11	13	14	16	19	16	22
8	1	5.9	6.6	7.8	15	17	20	22	24	29	25	34
8	1.25	5.5	6.2	7.3	14	16	19	20	23	27	24	31
10	1.25	11	13	15	29	33	39	42	48	56	49	66
10	1.5	11	12	14	28	32	37	40	45	53	47	62
12	1.25	21	23	28	53	60	71	76	86	101	89	119
12	1.5	20	22	26	51	58	68	73	82	97	85	113
12	1.75	19	21	25	49	55	65	70	79	93	81	108
14	1.25	26	29	34	66	75	89	95	108	127	111	148
14	1.5	28	32	37	72	82	96	103	117	138	121	161
14	2	30	34	40	78	88	104	111	126	148	130	173
16	1.5	50	57	67	129	146	171	184	208	245	215	287
16	2	47	53	62	121	137	161	173	196	230	202	269
18	1.5	73	82	97	187	212	249	268	303	357	313	417
18	2.5	65	73	86	167	189	222	239	270	318	279	372
20	2.5	91	104	122	236	267	314	337	382	449	394	525

Clamp load calculated as 75% of the proof load for specified bolts. K = 0.15 for "lubricated" conditions D = Nominal Diameter
 All torque values are listed in foot-pounds K = 0.17 for zinc plated, dry conditions F = Clamp Load
 Torque values calculated from formula T=KDF, where K = 0.20 for plain and dry conditions

A5-BH9 B5 B7 9

VÜŠÒÆŠÖŠ

T æ ç } æ & Å ^ & ç } Á Ë

A5-BH9B5B79

@ 6F75HCB'F97CAA9B85HCBG

8 YgW]d]jcb	5 dd`jWU]cb	; YbYfU`GdYW]Z]WU]cb	F YWt a YbXYX AcVJ`@ Vf]WU]bh
Viædq Á^ á!æ æ	Ü^•^!ç[ä	RÖEÖ T ØÁ FFHÍ ÈÁ FFI F ØPPT GÓFHI Ö	T [àq~ äÁ G
T [, ^!Á^ á!æ æ Ô [áÁ^ {] ^!æ ^•Á »ØÁæ dM] Á P [{ æÁ^ {] ^!æ ^•Á »ØÁæ dM]	Ü^•^!ç[ä	ØUÁÍ ÁÇ æY ^æÈ [, Á^ {] RÖEÖ T ØÁ FFHÍ ÈÁ FFI F ØPÁT GÓFHI ÖÁØP PGEFD	T [àqÖVÒÁÍ T T [àq~ äÁ G T [àqÖVÒÁÍ T [àqÖVÒÁÍ T
ØæÁÜ^æ^Ö^æà[ç	Ü^•^!ç[ä	ÚØEÁÜ^ } @æÁÖçd^ { ^ Ú!^••~ ^ÁÖ^æÁ^ à^	T [àqÁÜPÖÁÍ Y ÈÈ T [àqÁÜ^ } @æÁÖ^æ
Ô~ æ^ÁÜ@æöÁÖ! [~ } áÁÁÁ Ü [^ÁÜ@æöÁÖ! çæD	Ö!^æ^ÁÖ~ }	ŠæÇ { ÈÖ [{] ^ç Öçd^ { ^ÁÜ!^••~ ^ PŠÖÇÆÁÜÁGE	T [àq~ ^æ^ÁÖT ÈÜ
Ö!q^ÁÜ@æöÁÖ! [~] ^! ØæÁÜ^ áÁÜ [çæ^ D	Ö!^æ^ÁÖ~ }	ŠæÇ { ÈÖ [{] ^ç Öçd^ { ^ÁÜ!^••~ ^ PŠÖÇÆÁÜÁGE	T [àq~ ^æ^ÁÖT ÈÜ

A5-BH9B5B79

VÜÖŠÖÀÖŠÖŠ

T æç ç } æ & ÁÜ^ & ç } Á È

A5-BH9B5B79

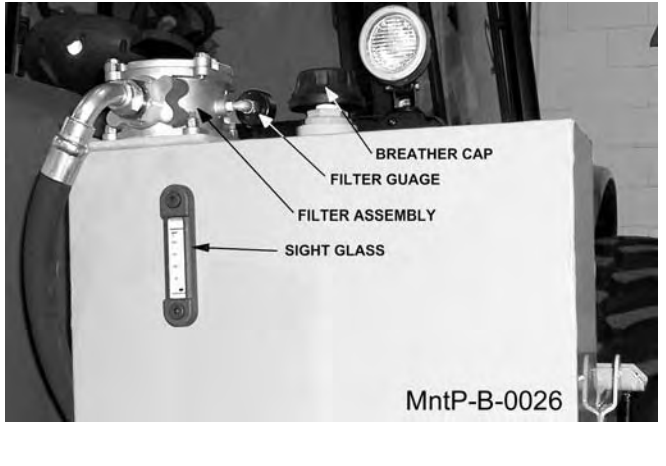
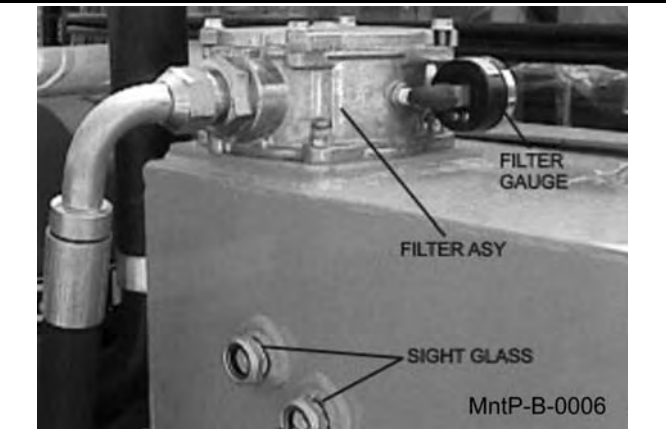
A5-BH9B5B79

F97CAA9B898 : @B; `BGHF I 7 HC BG : CF < M8 F5I @7` F9G9FJC=FG

Y @ } A q a * A : A @ & q * A @ A q A c A E A A } a A @ ~ | a
a ^ A a e ^ a A } A a c A A ~ | a e A @ A U O O A a A e | ,
• ~ a a } a q ^ A q A q [| A q A q a a } a A {] A e : A E A W ^
& a e q } A @ } A ^ { [c q * A c A A] A • • ~ | a ^ a A a i ^ a e : E
Ö [A] [a] a e A a A c A c A [] ^ } q * A @ } A ^ { [c q *
a i ^ a e : E A

Q A ~ | A ^ a ^ i c [a A @ A c [A a @ A * | a e • • A A V @
! ^ a ^ i c [a A @ ~ | a A a A a i A A q A c A A] A ~ A c A A [. A
• a @ A | a e • A } A c A a A A ~ A c A a \ E Ö [A] [a c A E q | E
V @ A ^ a ^ i c [a A @ A ^ ^ } A c A E q A a A @ } A a A a a i ^
q A c A A] ^ | A a @ A | a e • E A a \ A c A A [A ~ & Ö q a E a A c
^ c & • • A q a e A A A c | ^ | A a A c [~ * A c A A] A • • | a ^ a
a i ^ a e : E

Q A ~ | A ^ a ^ i c [a A @ A } ^ A a @ A * | a e • • A {] A e : A
* a e A A V @ A ^ a ^ i c [a A @ ~ | a A a A a i A A q A c A A } a A ~
c @ A a @ A | a e • A } A c A a A A ~ A c A a \ E Ö [A] [a c A E
q | E A c A A } A c A A [A ~ & Ö q a E a A c & • • A a e A A
^ c | ^ | A a A c [~ * A c A A] A • • | a ^ a A i ^ a e : E



F9D@7-B; `B!H5B?`<M8 F5I @7` : =@9F

Š [. ^ } A c A A ~ | A a [| c A A } A c A A] A q c A A ~ A c A A c |
@ ~ q * E A ~ | A c A A ~ | a i E A [& , a ^ A } a A q c A A
+ A E A ^ { [c ^ A a a A] a e A a c i E A ^ | a e A q } A q c A
a a A q c A A [| c A A] [• a A i a A a A ^ { [c ^ a E



VÜŮŠÖÄŠÖŠŠ

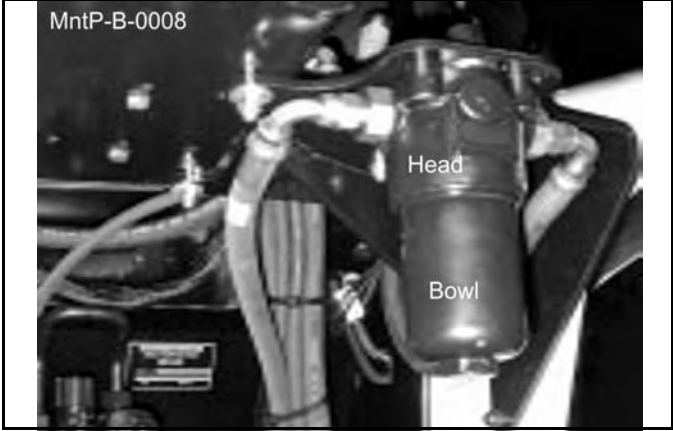
T a q c } a e A A ^ a q } A E F

A5-BH9B5 B7 9

A5-BH9B5 B7 9

F9D@7-B; <= <'DF9GGI F9<M8F5I @7': =@9F'9 @A9BH

0E~!^A ••c{ A @eA à^}A •@ó a[. }A aè à
 à^!^••!ã^àÈÀ Š[&e^A Pã @Á Ú!^••!^A Qç!
 @~•q*ÈÖ[]-ã{ Ác@eA@Á^{\ } o^c@eA Áeã[~ o^ç
 à^Áq•cç^àÁ{ æ&@•Ác@Á^{\ } o^ç ÈÁ{ Ác@Áqç!
 { [à^!Ác@ÈÖcç]|^ÁXHÈÈ FÈÈÈ ÁÇ [!|àÁq^ÁFÈÈÈ
 PÖÈ JÁ{ [à^!DÁŠ[&e^Ác@Áà[ç{ Á[-Ác@ÁPã @
 Ú!^••!^ÁÖ[.]Èç àÁ^•^Ác@Áqç[!|!|ã^Á^} ç}^!
 , \} &ç!Èæ&@oç àÁ^!} q*Á Ác@Á[~ }ç!&[&, ã^
 !| ççç }ÈÖ[[!q*Ác@Á[ç{ Á[-Ác@Á[.]DÁ^ [ç^
 c@Á[.]Á^ [Ác@Ác@æÈV@Áã•Áqç~]^Á[ççç]•
 , q!Á^Á{ Áã @e Ác@Á Èç *Á æ••Ác@Á^çqç *Áæ È
 [] &Ác@Á Èç *Ác@Áqç^àÁc@Á^çqç *Áæ Ác@
 à[.]Á Q~!áÁ[q Á^Á^ÈVã q *Áæ^Á[ç{ Á[!] Ác@
 à[.]Èç q @Á^ [çqç *Ác@Á[.]Á^ [Ác@Ác@æÈ



WARNING: ÁBowl will be full of oil!ÁÚ[~!Ác@Á qÁ[{ Ác@Á[.]Áq ç Ác@Á[} çç^!Èc@Á qÁ Q~!áÁ^Áqç }•ã^!^á
 &[} çç q æ^áÁ^~^Á^ Ác@Á[.]Áã&çç } Ác@~ * @c@Á^{\ } o^ç Á^ •ã^ÈÈ ÈÖ^çç Ác@Áqç •ã^Á -Ác@Á[.]ÁÁããc^
]!^•^ÈÚ^ [ç^Ác@Á!|áÁ^{\ } o^ç{ Ác@Áqç!Ác@æÁã^Á^ ||qç *Á q çççç } Á [ç{ ÈÖã[]•^Á -Ác@Á^á
 ^{\ } o^ç!|!|ÈÚ^ [ç^Ác@Á^, Á^{\ } o^ç{ Ác@Á çç ç q *ÈV^ q *Á^!Áq *^!ÈããÁqç àÁ à!æeÁc@Á Èç *
 q Ác@Á[] Á -Ác@Á^, Á^{\ } ÈÖ^ çççç Ác@Á^, Á^{\ } o^ç ç Áqç àÁ{ Ác@Á [~ } ç *Á[••Á ççç Ác@Ác@æÈe~!^
 c@eA@Á^{\ } o^ç Á^!| Á^æ^áÁ{ Ác@Á[••ÈÖ^çç Áqç àÁq•]^&c@Á Èç *Ác@eA Ác~á^áÁqç Ác@Á[.]Èç à!æe
 , ççç qÈV^ q *Ác@Á[&, ã^Á[ççç] Èç &^, Ác@Á[.]Áãã Áq ç Ác@Ác@æÈe~!qç *Ác@eA@Á[.]Ác@Á [ó^Á^
 &[••Ác@eA^áÁq ç Ác@Ác@æÈÖ[] ç^~^Áç Ác@eA@Á[.]Áq ç Ác@Ác@æÈe~!qç *Ác@Á^} ç}^!Á !^} &ç!È
 !æ&@çc@Á[ççç] Á -Ác@Á[.]Á q!Á^Áq { ^Áã ççç } &Ác@Á Èç *Á^ *æ^•Ác@Á^çqç *Áæ ÈÚ} &Ác@Á[.]
 @eÁ[ç{ ^áÁ^ ççç ÈÈ -Ác@Á[.]Á^ ÁÈÁç! Èc@Áe~!^•Ác@eA@Á Èç *Á^ Á^æ^áÁ[!|!|Á ççç Ác@
 •^çqç *Áæ ÈÖ^{\ } o^çç *Á^~Áqç àÁ^Èe~!^ à! Á^Á[.]Áq []|^çÈÚc@eA@Á ççç^Áqç àÁq•]^&c@Áqç!
 æ^áÁc@Á & q *Ác@eA@Á^Á^ Á[Á qÁ^ç q *Á^ [Ác@Áqç!Áe~!^ à! ÈV@Á Áã•Áç Á^Á[]^ÁeÁ ÈÁQ~!Á^~
 []^!ççç } Èc@~} Á^çç! Á^ ÈÈÁQ~!•DÁ!Á @} Áq çæe^áÁ^ Á^•dçç } Áq çæç! ÈÈ

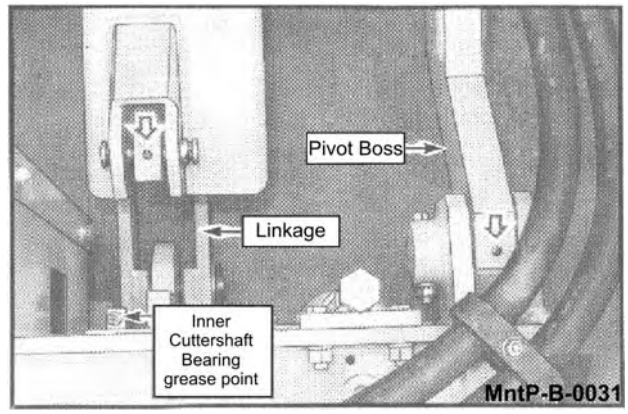
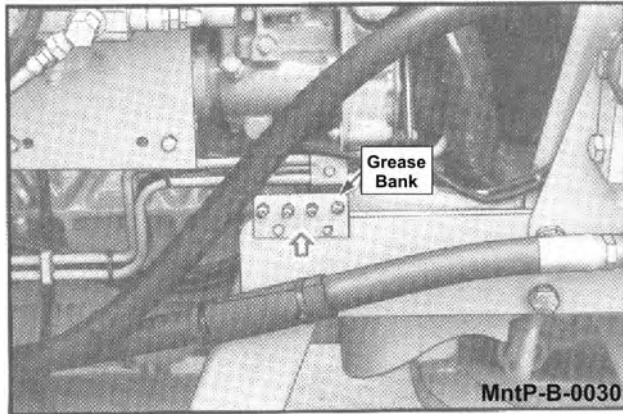
VÜŮŠÒÁŠÖŠŠ T aè ç} ç &^Á^&ç } Á ÈG

A5-BH9B5B79

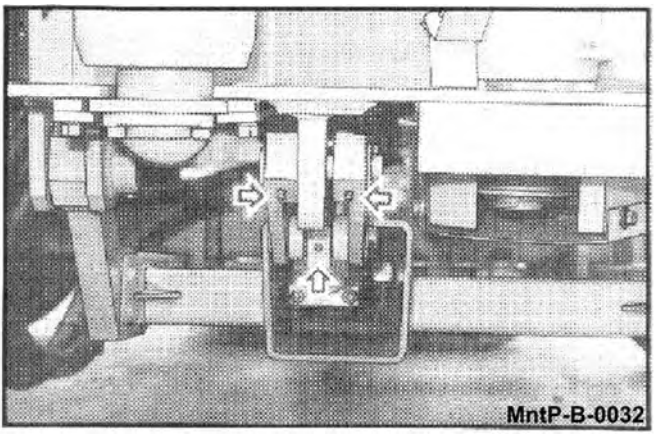
A5-BH9B5B79

; F95G-B; -BB9F`5B8`CI H9F`8F5: H'695A`D-JCH'DC-BHG

Š[&æ^Á@Á*!^æ^Á\|•Á] Á@Á] ^!Áæ] áÁ ~ c!Áá!æóà^æ Á æ[óà[••^•ÉQb&óŠæ { É[{] |^cÁÓcd^ ^
 Ú!••^!^Á!^æ^Á} |!{ } *Á Á ŠÖFGÉUÁHGEÁ ^&æææ } •Á c Áæ&Á\|Á } cÁ!^æ^Á! | d`á^•Á! { Á } •É
 Ö!^æ^Á] Á æ[óà[} •Áæ] Á!Áç!`Á ÁQ`!•Á-Á!çæ^É



Y ã@Á@Á&~ c!Á@æá[, ^!^áÉ[&æ^Á@Á*!^æ^
 : ^\|•Á] Á@Á] æ^Áæ] áÁ] æ[óà[••^•ÉQb&óŠæ
 Šæ { É[{] |^cÁ Ócd^ ^Á Ú!••^!^Á!^æ^
 & } |!{ } *Á Á ŠÖFGÉUÁHGEÁ ^&æææ } •Á cÁ
] | d`á^•Á! { Á@Á } •ÉY ã@Á@Á&~ c!Á@æá] Á@
] [•æ] É!Á Áç [Á [••æ^Á Á!^æ^Á@Á!æóà^æ
 &] á!Áæ] &@!Áæ] áÁ] •ÉB[, É!æ^Á@Á&~ c!
 @æá] Áç [•^Á@Á^ } æ] *Á\|•Á] Á@Á&Á Áç
] æ^•Áæ] áÁ } Á@Á c!Á } áÁ-Á@&] á!É



VÜŮŠÖÁŠÖŠŠ

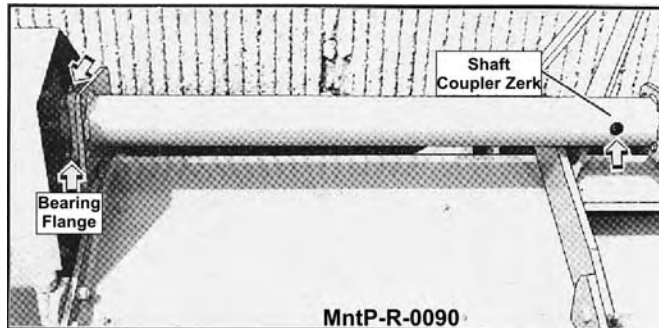
T æ c } æ & Á^&ç } Á ÈH

A5-BH9B5B79

A5-BH9B5B79

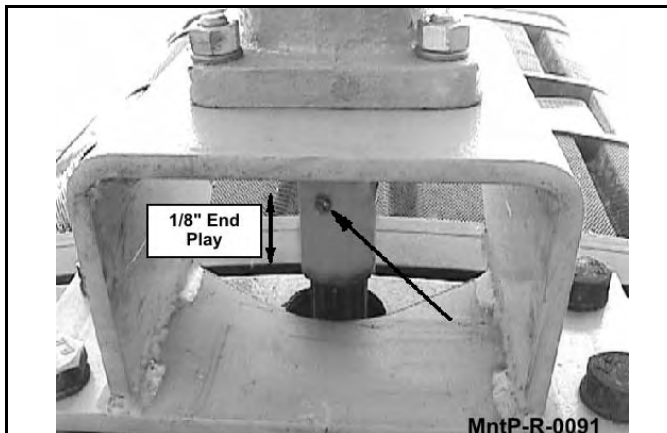
; F95GB; 'H<9'F95F'8F=J9'695F-B; '5B8'9LH9BG-CB'7CI D@F' G<5: H

Š Ĩ &æ Ác@Á*!^æ^Á: ^||•Á†|Ác@ Á!^æÁ-æÁá!q^ ^cc).•q }Á• @æcÁT æ^Á~ !^Ác@Á: ^||•Áæ^Á&|æq à^†|Áq b&cq *Á!^æ^ÉU}^Á~ {]Á -Á!^æ^Áq †æ *^Á^|| Áæ áÁ @æc@Š~]|Á†} &^Áç!^ Áæš Á!Á†| ^ç!^ ÁÁq~!•Á -Á!çæÈ



; F95GB; 'DI AD'8F=J9'G<5: H'7CI D@F

Y æ@^)*q^Á†]]^æÈ)*!^Áá!q^Á @æc@q} { ^}c à^Á!æ]q *Á&~]|ÁÁæq áÁ• |æq *ÁææÁ Áæq áÁ†|cÈ Ô†]|ÁÁ @~ |áÁ |æ^Á^†|Á q@æq]| çæ æ^† Á†+ [-Á) áÁ |æ ÈQ&~]|ÁÁ [^•Á [c^ |æ^Á^†| Èq.]^&c †|Á [^•Á~ {]Á [~} óá [cÈ |Áæq æ^áÁ |Á [^• &|æq \Á • @æc@ ææq c^È Qb&Èæc { Á Ô [] |ç Óçd^ { ^ÁU!^•~!^Á*!^æ^Á&| } †|{ q *Áq Áp SÖÈ ÈUÁHçÁ•] ^æææq }•Áq † Á&~]|ÁÁ~ } qÁ*!^æ^ à^*q•Áq Á!]| d~ áÁ†| { Á^} á• ÈÓ!^æ^Áæš Á! ^ç!^ ÁÁq~!•ÈÖ [Á [c^ç!^Á!^æ^È

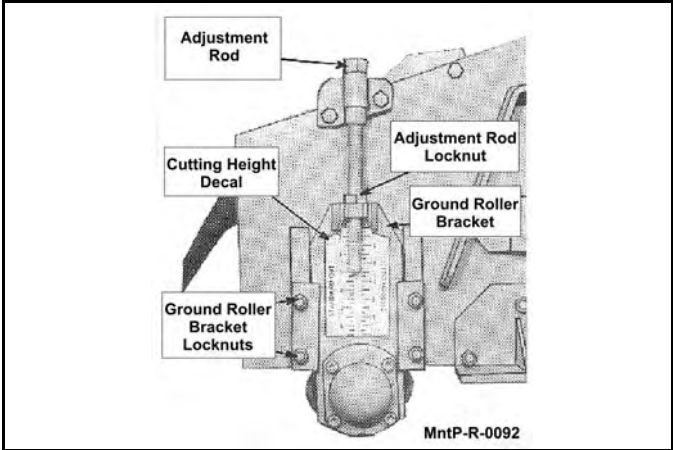


A5-BH9B5B79

A5-BH9B5B79

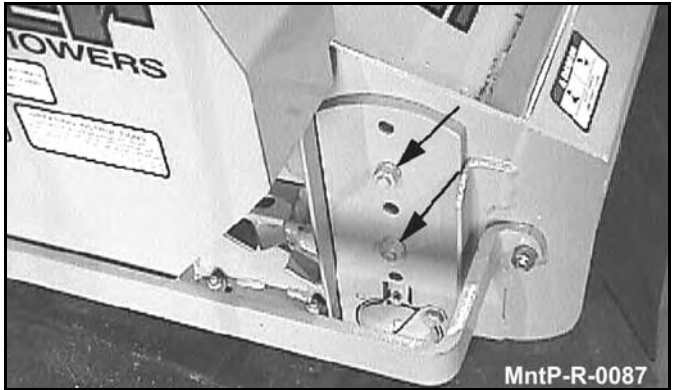
58>I GHB; 'H<9'7I HHB; ' <9= <H

Š [•^] Ác@Á-~!Á*! [~} áÁ! [||^!Áà!æ^Á! [&] ~ º È
 Š [•^] Ác@Áæb•q ^) Ó! [áÁ! [&] ~ º áá áÁc !} Ác@
 æb•q ^) Ó! [áÁc Áæb•Ác@Á& æ * Ác@á @FV@
 & æ * Ác@á @Áá Áá áææ^Áá^ Ác@Á^} áÁ [-Ác@
 æb•q ^) Ó! [áÁ] Ác@Á& æ * Ác@á @Á^æFÁ @ }
 & æ * Ác@á @Á @Áá^ Áæ@ç^áÁá @ } Ác@
 *! [~ } áÁ! [||^!Áà!æ^Á! [&] ~ º áá áÁc@Áæb•q ^) c
 ! [áÁ! [&] ~ º Á& !^! ÉO^Á ~!^Á! [c@ á^ Á -Ác@Áæ
 æ^Áæb•c^áÁc@Áæ ^É



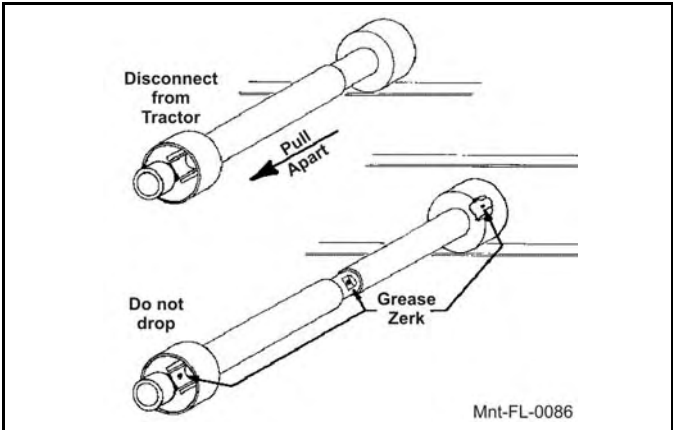
58>I GHB; 'GH5B85F8'8I HM7I H' <9= <H

V! Áæb•c^Ác@Á& æ * Ác@á @Á -Ác@Áæ áááÁ~ c Áæ
 @æÁc@Ác [Á ~ º Á } Ác@Á! [||^!Á @æá!æ^Á! [~ º
 á^Áæ^} Á! -Áæ áÁ! [ç^áÁc@Á^ á^áÁ! [& æ] Ð
 @á @ÉO^Á ~!^Ác@Á! [c@ á^ Á -Ác@Á @æá^
 æb•c^áÁc@Á& !^!] [] áá * Ác@Á^ Ác@Á^ @æ
 !^! æ^Áç^!É



; F95GB; 'D'HC" <G5: HG

Öe!Á!á á * á * Ác@Áæq !Á! Áæ [] !c^Ác [] É @ Ó! ~
 c@Á^} * á^Áæ áÁ!^ [ç^Ác@ÁUVUÁ @æÁ+ [{ Ác@
 dæq !ÉU!á^Ác@Á @æáæ áÁc@Á! [•^Ác@Á!^æ^
 : !\ ÉO!^æ^Ác@Á @æá áÁ! [] •Á! Á!^æ^áæ á
 c@ÁWá á c@Á } c@Á!^æ^Á! ! [d^ á^ Á+ [{ Áæq •Á! !
 c@Á&@á^!^Á ç^Áá Ác@Á æq c) æ^Á^æq } É



VÜŮŠÒÁŠÖŠŠ T æq c) æ^Á^æq } Á É!í

A5-BH9 B5 B7 9

A5-BH9 B5 B7 9

65 @J5 @9G

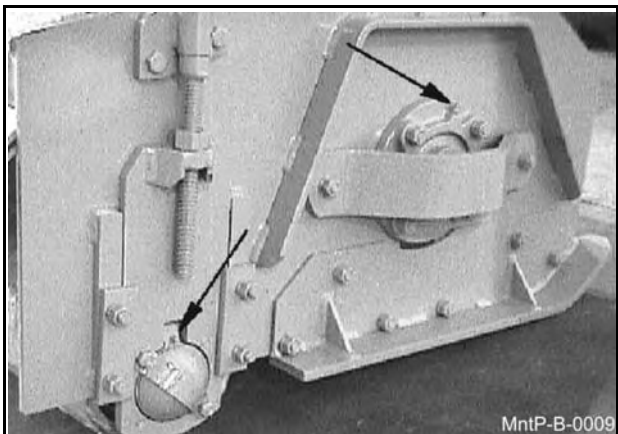
V@Àaà|Àççç^Àaà@À@ ^ àiæ |BÁ^•^iç[aÁ æ Á^ÀaÁç Áa^Á&| •^à
 à`iã *Á^iæá Á æ ç } æ &Á^Á^} æ Á^i| &á^i^•ÈK9`65 @J5 @9
 AI GH69`CD9B`fl UbX`YdUFU`Y`k`jH`j Uj YLk <9B`HF57 HCF`G
 F9!GH5 FH98`CF`DI AD`G7 CI D@8`HC`ACHCF`CF`D`HC`P
 Qæ~i^Áç Á[Á[Á çÁ^•`|ç Á&| { }] ^ } Áæ~i^Á

00ŠŠÁ0ŠX0



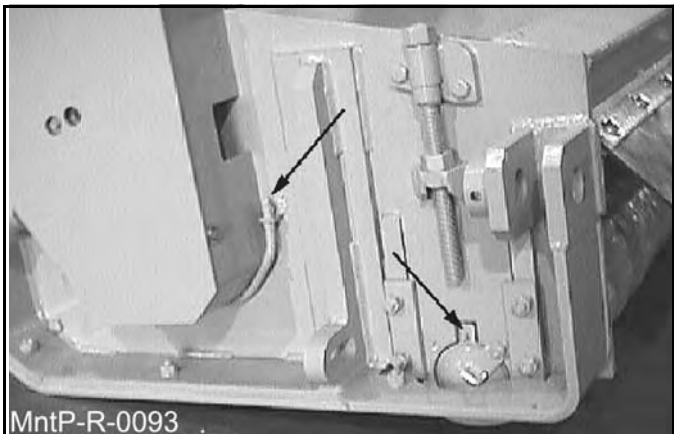
; F95 G-B; `7I HH9F`G<5: H: @=@ACK 9FG

Š| &æ^Á^i^æ^Á^i^•^Á^i^} Á^æ^@^Á^} áÁ^ -Á^ |Á^i^Á^ à^Á^æ
 V@•^Á^æ^Á^i^} &æ^á^Á^i^} Á^@^ Á^à^æá^ *Á^ç^i^È^P^i^|{ æ
 &|} ááá^} •Á^~`á^Á^i^} ^Á^i^Á^ç^ [Á^~`{ }] •Á^Á^æ^@^Á^æá^ *È
 ~`ã^ *Á^ Šã@ { ÈÖ[{ }] ^ç^Á^ Öç^Á^ { ^Á^ Ú^i^••^i^Á^ *i^æ^Á^
 &|} +i^| ç^ *Á^ç^ Á^ ŠÖÖÈU^Á^HÇÁ^i^} ^&ááæá^} •ÈV@^Á^Á^ç^
 à^Á^i^} ^Á^ á^ç^á^ çá^áá^Á^i^æ^Á^i^} Á^æá^ Á^i^Á^æ^Á^i^} \ ci f
]bHfj Ug" 75I HCB. Cj Yf [fYUg]b[` a Uni WUj gY
 dfYa Ui fY gYU`ZU]i fY"



; F95 G-B; ; FCI B8`FC@@F`G<5: H: @=@

Š| &æ^Á^i^æ^Á^i^•^Á^i^} Á^æ^@^Á^} áÁ^ -Á^ |Á^i^Á^ à^Á^æ
 [|, ^i^Á^æ^Á^i^} Á^@^æÈ^P^i^|{ æ&|} ááá^} •Á^~`á^Á^i^} ^
 [i^Á^ç^ [Á^~`{ }] •Á^Á^æ^@^Á^æá^ *È~`ã^ *Á^ Šã@ { È
 Ö[{ }] ^ç^Á^ Öç^Á^ { ^Á^ Ú^i^••^i^Á^i^æ^Á^i^} +i^| ç^ *Á^ç^
 ÞŠÖÖÈU^Á^HÇÁ^i^} ^&ááæá^} •ÈV@^Á^Á^ç^ Á^i^Á^i^} ^
 , á^ç^á^ çá^áá^Á^i^æ^Á^i^} Á^æá^ Á^i^Á^æ^Á^i^} \ ci fg
]bHfj Ug" CAUTION: Over greasing may cause
 premature seal failure.



VÜŮŠÖÁŠÖŠŠ

T æ ç } æ &Á^Á^ç } Á Èí

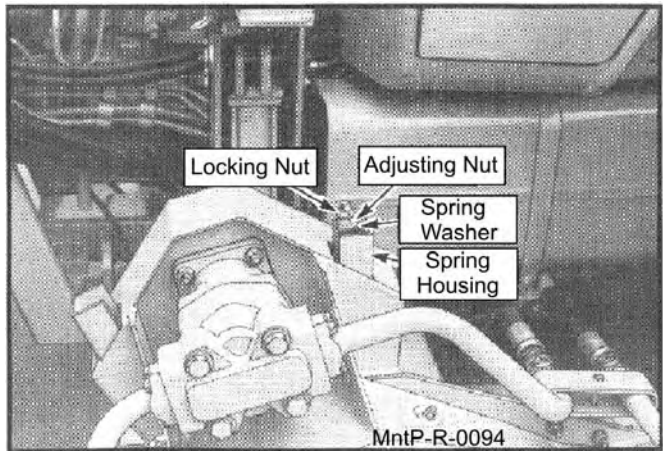
A5-BH9B5 B79

; F95 G-B; `H<9`-8 @F`H9BG-CB`5 F A G

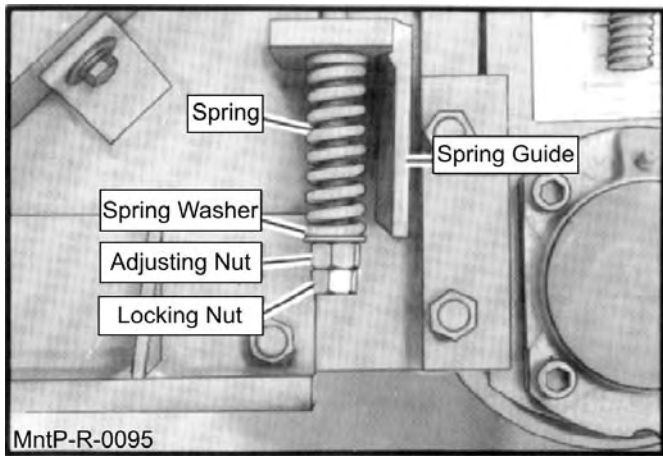
Š[&ae^Á@Á&8••ÁQ |•Áae áÁ`!^æ^Á\|•Áq Ác@Á^|ó^ @|á•Á -@ Á á^Áae áÁ^æÁ|ae^ ÉP[!{ æ^Á} ááá }•
 !^~ á^Á}^Á~{] Ááá Á!Áç^!^ÁÁQ~!Á -Á!çæ^Á} ááá~|á~!][•^Á!^æ^É

-8 @F`H9BG-CB

Š[&ae^Á@Á&8••ÁQ |•Áae áÁ`!^æ^Á\|•Áq Ác@Á^|ó^ @|á•Á -@ Á á^Áae áÁ^æÁ|ae^ ÉP[!{ æ^Á} ááá }•
 !^~ á^Á}^Á~{] Ááá Á!Áç^!^ÁÁQ~!Á -Á!çæ^Á} ááá~|á~!][•^Á!^æ^É



Q| Á`ae áááÁ&^ ó[} Ác@ Á ^&@ae ááá Á!á~^ Á!^æ
 -ae^ Á [, ^!Éáá•ó[Ác@Ác@Á]!á * Á æ@!ÁÁ~•@
 , ááá@Á]!á * Á á^Á~ áááÉ bIDIF!\$\$-)



A5-BH9B5 B79

A5-BH9 B5 B7 9

A5-BH9 B5 B7 9

FCG15 H9 BG-CB9F

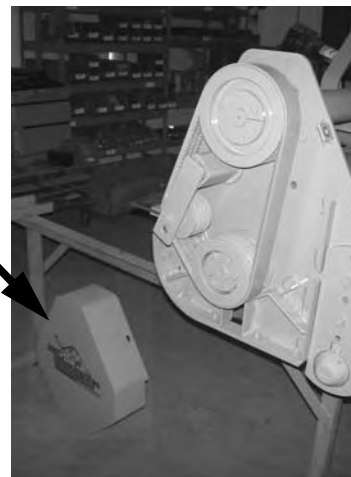
STANDARD DUTY REAR FLAILS

Ü^ [ç^Á@Á @|áÁ ~ ááÁ ç^!Á@Á^|óÁ @|áÁ^ ç^Á [ç^Á@Á^|óÁ @|áÁ@Á ç^!Á@Á } á } ^!É à^|óÁ áÁ @æ^É



ÓÒŠVÚPÒŠÖ

ÚPÒŠÖ ÖWÖÜÖ



ÚæÁÁd æ @Á^*^Á [ç^!Á@Á @|áÁ @ æ^Áæ áÁ { ^æ ~ !^Á@Á^|óÁ } á } ÁÇ^ÁVÒPÚWÞÖÜ T ÓÈJWÜÖT ÒP VÁÜÜÖÖWÜÖÖÁM Áæb • ó@ÁÜ [• ç^Á } á } ^!ÉÁ ç^Á [• ^ } Á@ÁÜ [• ç^ÁÜ] Áæ áÁÜ [• ç^ÁÜ] c ç^Á^ & !^ Á@ÁÜ [• ç^Á Á@ÁÁ^ ç^Á^ Á@Á^ !^ } & ÇÜP ÁÉ | ΕΕGHÁæ ç^Á^ ÁDÁ Áæb • ó@Á } á } Á Á@ à^|óÁ ç^!Á@Á } á } Á@Á^ Á^ ç^Á^ !^ Á@ÁÜ [• ç^ÁÜ] Áæ áÁÉ | ~ ^Á@ÁÜ [• ç^ÁÜ] óÁ Á } ^& É

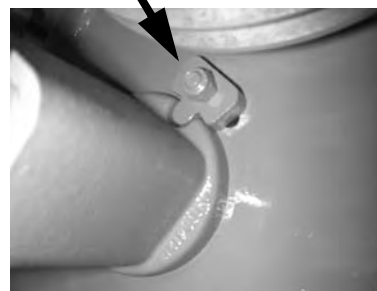


ÜVÜÖÞPVÁÖÖÖ

ÜÜÜVÖÁ ÜÖPÖP



ÜÜÜVÖÁVÜÜ



ÜÜÜVÖ VÖPÚWÞÖÜ

VÜÜŠÖÁŠÖŠ

T æ ç } æ & Á^ & ç } Á È |

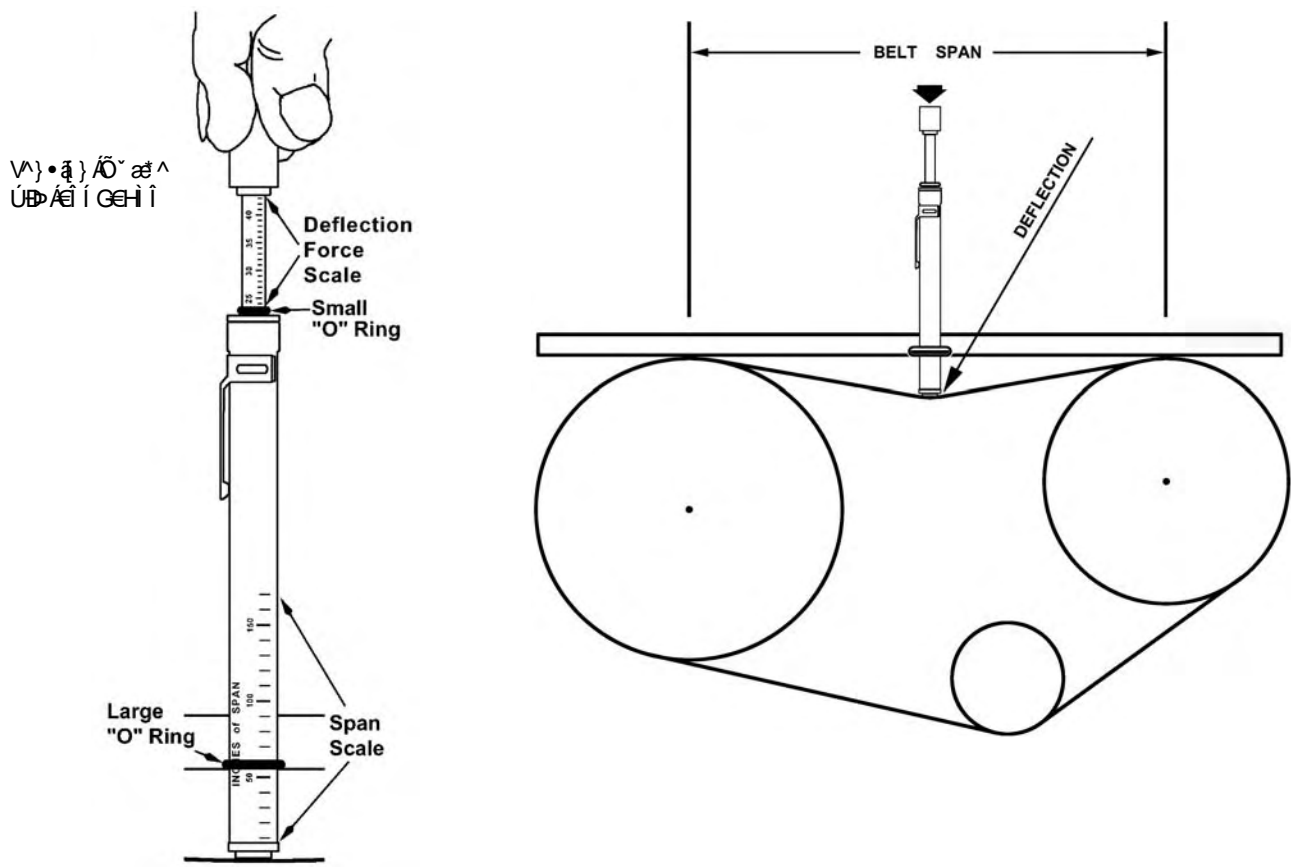
A5-BH9B5B79

A5-BH9B5B79

H9BG-CB9F`A95GI F9A9BH'DFC798I F9

FÈ T^æ~!^Á@Á\|Á] æ ÁÇÛÒÁÛSÒVÔPÈ
 GÈ Ú[•q} Á@Á[ç { Á-Á@Áæ^ÁÁ+Á] * Á } Á@Á] æ ÁÛæ^Á@Á Á æ~!^Á@Á\|Á] æ È
 HÈ Û^Á@Á] æ ÁÁ+Á] * Á } Á@Á^+&ç } Á] !&ÁÛæ^Á Á^! È
 IÈ Ú[æ^Á@Á] • q } Á æ^Á~ æ^! Á } Á@Á\|Á@Á } ç! Á-Á@Á\|Á] æ ÈÇ] | ÁÁ!&Á } Á@Á
] | *^! Á^!) áæ } æ^! Á@Á\|Á] æ Á } çÁ@Á[ç { Á-Á@Áæ^ÁÁ+Á] * Á Áç^ } Á æ@Á[ç { Á-Á
 æÁçæ } Á á^ ÁæÁæ[• Á@Á@æ^E
 ÍÈ Û^ [ç^Á@Á] • q } Á æ^Áæ áÁæÁ@Á!&Á } | áÁ[{ Á@Á[ç { Á-Á@Á] æ ÁÁ+Á] * Á } Á@Á
 Ó^+&ç } Á] !&ÁÛæ^E
 ÎÈ Ô[{ } æ^Á@Á!&Á } [ç^Á@Á] æ ÁÁ+Á] * Á æ@Áæ^ Á@Á, } ÈÁ@Á!&Á } | áÁ^Á
 áç^) Á@Áæ^ Á@Á } Á Á@Á, Á\|Á^! Á@ÁÈ
 ÌÈ T æ^Á~!^Á Á-Á@Á!&Á æ^ Á [~] á Á@Á } Á Á æ~!^Á Á@Á &@ ÈÁ^Á } !æ • Á Á!&Á
 á@Á } Á Á æ~!^Á Á@Á } ç^ ç^E
 PUVÒÁ@Áæ Á-Á@Á^+&ç } Á Á\|Á] æ Á Á | Á@Á } æ Á Á æ~!^ Á^) È

Deflection Force Values - Standard Duty New Belt: 20 to 25 pounds Used Belt: 12 to 20 pounds

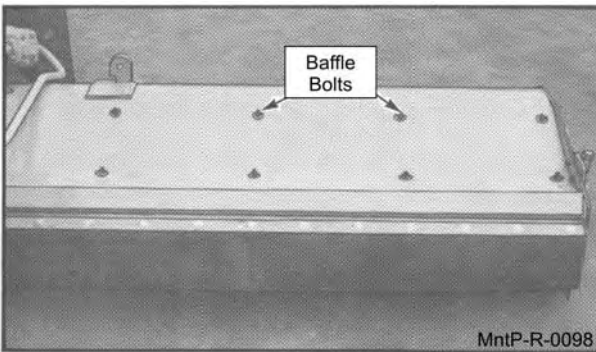
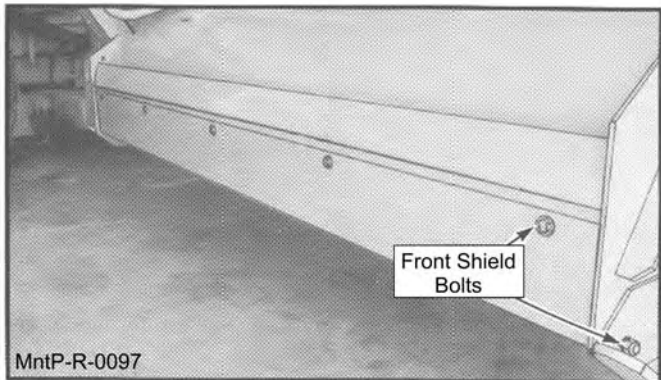


VÜŮŠÒÁŠÖŠ T æ ç } æ &^Á^&ç } Á ÈJ

A5-BH9B5B79

A5-BH9B5B79

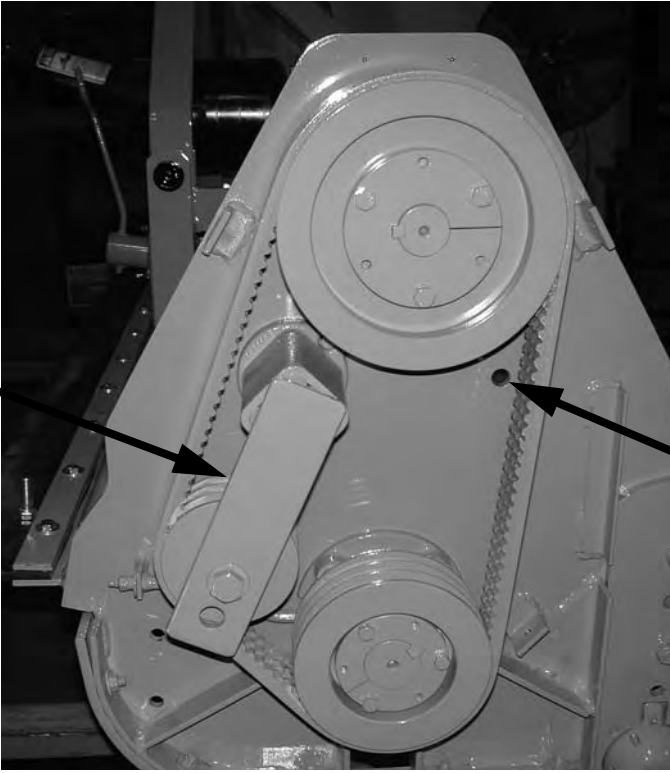
Y @} A] ^iææ * / Å Å æ äæåÅ[æææ } Ê@ Å[] o Å @|åÅ ~ • Å^Å^ { [ç^å/æ å Å@ Åæ-^/ Å • æ^ååËY @} A] ^iææ *
 å Å^ç^i^Å[æææ } Ê^ [ç^Å@ Åæ-^/ Å å / Å • æ^Å@ Å[] o Å @|åÅ æææ Ê^ [• ææ } Å@ Å ^æÅ æå • Å } Å@ Å@ • Å
 æ åÅ^ |æ^Å@ Å å Å • Å Å ^åååÅ Å ^ç^ } o Å@ Å åæ |æ Å@ • Å Å [{ Å ~ ååå * Å ! Å ææ * È



F9J9FG-B; 'ACK9F'FCH5HCB'C: 'G8'F95F': @=@ACK9FG

Ü^ [ç^Å@ Å @|åÅ ~ æåÅ å Å^ |o Å @|å Å^ çæ^ [ç^Å@ Å[• ææ d] Å å Å [[• ^ } Å@ Å[• ææ^ } • å } ^i
751 HCB Å@ Å[• ææ^ } • å } ^i Å Å } å Å^ |o Å : Å • ^ Å Å ~ åå } Å^ Åæ^ Å Å@ Å | Å • ^ Å æ Åæ • Å Å^ å ~
 å B i ^ Å Å^ [ç^Å@ Å[• ææ^ } • å } ^i Å å Å Å | & æ Å Å@ Å^ç^i • ^ Å[æææ } Å^ } • å } ^i Å | æææ } Ê^ Å å * Å@
 Ü[• æ Å i^ & Å } ç } Å@ Å^ |o Å } Å å @ } Å@ Å[• ææ [d Å@ & Å@ Å } • å } Å å Å å B • o Å Å ^åååËY @ }
 o @ Å | Å & Å } • å } Å Å @ ç^ å / Å • æ^ Å@ Å[• ææ d] Å å Å i ~ ^ Å@ Å | o Å } | [] i æ^ |

Ü[• æ
 V } • å } ^i



Ü^ç^i^Å[æææ }
 V } • å } ^i Å | æææ }

VÜŠDŠSŠ

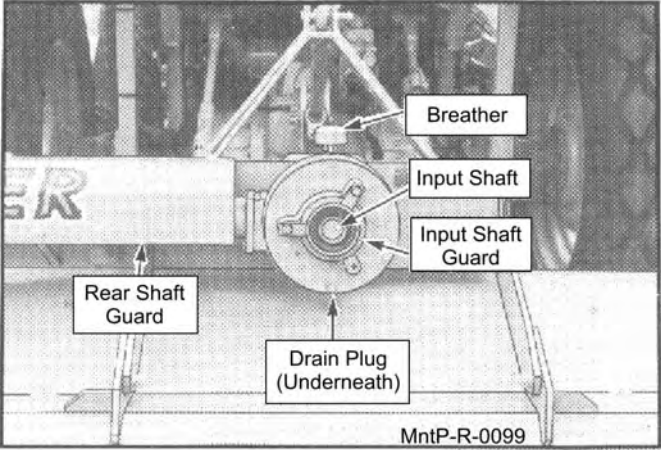
T æ ç } æ & Å^ & ç } Å È Ç

A5-BH9B5B79

A5-BH9B5B79

F9J9FG-B; 'ACK 9F' FCH5HC'B'F95F'A97<5B75 @8F=J9B': @=@ ACK 9FG

Ü\{ [ç^Á@Á^æÁ^ @æÁ^ æáÁæ} áÁáæ & } ^&Á@
&æ & Áç ~ } |á * Áç Á@Á^ @æÁ^ Áç & } ^&Á@ ÁÜÉÜÉ
á:æ^Á^ @æÁ^ { Á@Áá @Áæ * |Á^ ^æÁá[çÜÜ^ { [ç^
@Á^ ^æÁá[çÁ: { Á@ÁáæÁ:æ ^Áæ áÁæ Áá[, } Á:æ
• [Á@Á^ ^æÁ áÁ[^Á [ç^æ Á[ç



Ü, æ&æ@Áç } Áá^æ@:Áç^) ç^ * Á æ&æ@Áçæ Áç^ *
[] Á@Áá[ç] çÜÜ^ { [ç^Á@Áá] ^Á @æÁ^ æáÁæ@
á] ^Á^ @æÁ^ ^ÁáÁ] ! ^Á^ Á@Á@ [^ * @Á:Áç] ^á
æ ~ } áÁ [Á@Á^ ^æÁ^ ç] • á] Á^ Á^ æáÁç Á @æÁ@
[] ááæ Á[] çáá ^) • á] Á, æ ÜV ! } Á@Á^ ^æÁá[ç
Fí €Áæ áÁá • æÁÁ] Á@ÁáæÁ:æ ^Á [Á@Ááæ ^Á [ç
@Á^ @æÁ & Áç ~ } |á * Á] ! & ^Á^ Áá^ Áá^ Áá^ á
@Á^ ^æ@:Áç^) ç^ * Áç } Á@Áç] Á-Á@Áæ^Á

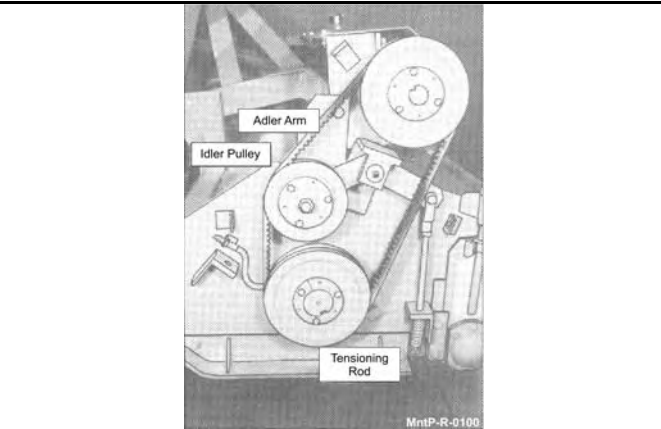
V@Á:] ! & ^Áç ~ ^Á^ Ááá } ^áÁæ áÁ] æááÁæ] ! çæ æ | Á^ Ááá æ çÁV @ } Á&æ * á * Á: { Á çæ áááÁç^ çç
• { [[ç@Áç^ çÁ [çæ] ÉæÁ] æÁ:Á] æÁ:Á ç Á@Á^ Áç ÁáÁá • æÁ^ ÁáÁ^ ç ^Á } Á@Á^ ^æÁá[çÁæ áÁ@Á:æ ^ÁV @ }
&æ * á * Á: { Á [[ç@Áç^ çÁ çæ áááÁç^ çÁ [çæ] Á@Á] æÁ:Á] æÁ:Á Áá^ Á { æááÉ } • æÁ@Á^ Áç Á:Á@
&æ & Áç ~ } |á * Á@Á^ Ááá^ Ááááá * É] Á [ç^Á^ Á [ç^Á^) çÁ Á@Á^ @æÁ^ É@Á^ Áááá * Á^ çÁ^ Á@Áç ~ } |Á^ á
á^Á ç { ^áÁæ Á^ ~ á^Áç Á] áá æ Á@Á^ @æÁ^ Áááá * É

Ôæ * ^ÁæÁ@Á } ç^Á^ Á] Á@Á^ ç:Á^ @æÁ^ Á^ ~ á^ÁÉV@Áç^ ç:Á^ @æÁ^ çæ • Áç Á@Á^ ç ^Áá^ & ç } Áæ Á@
çæç: Áá^Á^ @ } Á^ [á * Á:], æáÁ: Á^ çæ áááÁ } ç^Á^ ÉV@Áç^ ç:Á^ @æÁ^ çæ • Á] [• æÁ@Á:æç: Áá^Á^ Á:
• { [[ç@Áç^ çÁ] ç^Á^ É

Ü\{ [ç^Á@Á^Á^Á^ @ÁáÉV@ } Á^ { [ç^Á@Á^æáá • ç * Á^ ^Á ç @:Áæ áÁ] |á * Á: { Á@Áá^Á:Á^ } • á] á * Á [áÉ
Ü\{ [ç^Á@Á^Á^Á^Á^ Áááá } æÁ^Á^ • @ * Á: { Á@Áá^Á:Á^ { ÉÜÜ^ { [ç^Á@Á^Á:Á^ } Á æ&æ@Á^ ~ |Á^ Áææ&æ@áÉ
Ü\{ [ç^Á@Á^Á^Á^Á^ |Á^ Á: { Á@Áá^Á:Á^ { Áæ áÁá • æÁ@Á^ Á^ |Á^ Á^ } Á@Á^ ç@:Á^ } áÁ^ Á@Áá^Á:Á^ { ÉÜÜ^ á • æÁ@Á^
æÁ:Á^Á:Á^ { Áá^ Á@Á^ ç } çÁ: æÁ^ Á^ ÉÜÜ^ ! Á çæ áááÁç^ çÁ [çæ] Á@Á^ |Á^ Á^ Á^, æáÁ@Á^ [] çÁ: Á^Áç^Á^Á^ [çæ] Á æ@
• { [[ç@Á] ç^Á^ É@Á^ Á^Á^ |Á^ Á^ Á^, æáÁ@Á^ Á^ áÁ@Á^ { æÁ^Á^ • @ * Áç Á@Áá^Á:Á^ { Áæ áÁá } } ^&Á@Á^Á:
ç] • á] á * Á [áÉ

V@ } á * Á@Áááá • ç * Á^ ^Á: Á@Á^Á:Á^ { Á^ } • á] Á^ Á^ @, } Á:Áçá^ • |Á^ Á@Á^ æ ç } æ & Á^ & ç } É } • æÁ
@Á^ Á^Á^ @ÁáÉV@ Á @æÁ^ æáÁæ áÁÜÉÜÉ É @æÁ^ æá • É

Y @ } Á^ |Á^æ * Á@Á [, ^Áá Á^Áç^Á^Á^ [çæ] Á æ@
• { [[ç@Áç^ çÁ] ç^Á^ É^ { [ç^Á@Á^Á^Á^Á^ áÁá • æÁ@Á^
-] } ^Á @ÁáÉV @ } Á^ |Á^æ * Á@Á [, ^Áá Á^ çæ ááá
! [çæ] Á æ&æ çæ áááÁç^ çÁ] ç^Á^ É^ { [ç^Á@Á^Á^ } ç
• @ÁáÁæ áÁá • æÁ@Á^Á^Á^É



Á

VÜŮŠÒÁŠŮŠŠ T æ ç } æ & Á^ & ç } Á ÉCG

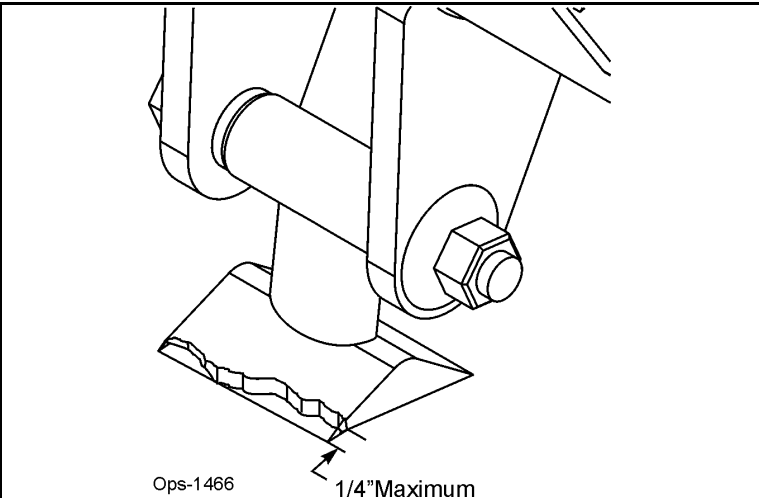
A5-BH9B5B79

:`UJ`5|Y6`UXYg`-bgdYW|cb

▲ DANGER

Q•]^&c@ÁÓ|æã^•Ááæá Á!Áæ }[|{ æÁ, ^æÉÜÓÚŠÓÖÓÁcÈŠÁÓŠÓÖÓÚÁ } ÁcÁ &æ!æ!
Q T ÓÓÖÖŠÖŠÁÁæ ^ Á|æã^•Ácæ^K

- " Óæ{ ^Á^} ó!Á^+|{ ^áÁ!{ Áæ Á!æ æÁ @æ^É!
" UçæÁ @æ^Á ^æÁ • æ^ÁcÁ|æã^Á| |ó@|^É!
" Ö`Áææ•Áæ^Áæ æ!É!Á
" Ö^] Á[~*^• Ác@Á|æã^Á~!-æ^Áæ^Á!^•^} É!
" Ö[~*^• Á!Ác@|^áÁæææ Ác@Áæ cæ * Áá^Áæ^Áæ*^!Ác@ ÁÉÖ-Ö { } É!Á
" V@Á æ!æá } ÁcÁææ * Áá^Ác@ Á^] Á } Áæ æ Á! Á|^Ác@ ÁÉÖ-Ö { } D



Öæ!^Á Á!|æ^Á [] Á!Áææ æ^áÁ|æã^•Á æÁæ Á| Áææ c[] ÖÁæ!^Á Ác@Á|æã^•Áæ áÁæ&æ } Á Ác@
à!|^] Áæóæ æö!^] à|^•Á!&Á ÖÖÁ æÁæ•^Á!á ~Á[áæ Áæ Á!Áææ

Öæ æ•Á^] |æ^Á|æã^•Á Á^Ö

- " Óæã^•Ác@Á^Áæ æ^áÁ æ Áææ Ááæ^Áç!^Á!çæ^Á!Áæ^•ÉÖ! ^Á|æã^Á [] Á!Áææ æ^áÁc@!Á
à|æã^•Á } ÁcÁæ ^Á cæÁ á|cæ^Á^] Á ~áæ&cáÁ ÁcÁæ ^Áç!^Á!çæ^Á!Áæ^•É
" V@Á|æã^Á[ç!Á!] • Á!] ^^áÁç&^áá * ÖÖÖÖÜT Áæ áÁ^] æ Áæ! Áææ &áÁc@Áæç|^ ÉÁ
Öá!^] &^Á Á|æã^Á á@Áç ^] Á^áÁ|æã^•Á æÖ! • Á-Á æ!æá!{ } Á[~*^• Á!Á ^æÁ Á| { } æ^áÁ
ç!Á^, Á|æã^•Áæ Áææ^Áç!^Áæ!ææ } Áæ áÁææ æ^Á Ác@Á|æã^Á[ç!ÉÖ, æ•Á^] |æ^Á|æã^•Á Á
&{ }|^Á^Ö É

Important

W^Á!|^Á^] ~á^Áçæ [ÁQá • cæáÁ! |æ^ (^) óÁ|æã^•É!æã^Á| |öÁæ áÁæç^] ^!ÉÜc@!
à|æã^•Áæ áÁà!|öÁ(æÁ) [ó! ^^ó@cÁ!^ ~á^ (^) • Á! -Áçæ [ÁQá • cæáÁæ áÁæáÁ!á*
[]!ææ } Á^~|ç * Á!Áæáæ * Áæ áÁæá * Ác[] Á~ó!{ } Á} á!Ác@Á [, ^É

▲ CAUTION

Èç!Áæç [] ó! Á c@] Á|æã^• ÉÖÖÖÖÖ OPS-U-0042

VÜÓŠÓÁŠÓŠ

T æç } æ &Á^&ç } Á ÉÇ

A5-BH9B5B79

:`UJ`5IY6`UXY6c`h:bgdYW]cb

Q•] ^&0A0|aa^A0| |0Aaa^ A| :A^ aa^A|Aaa^ aa^Aaa^ A| || , •K

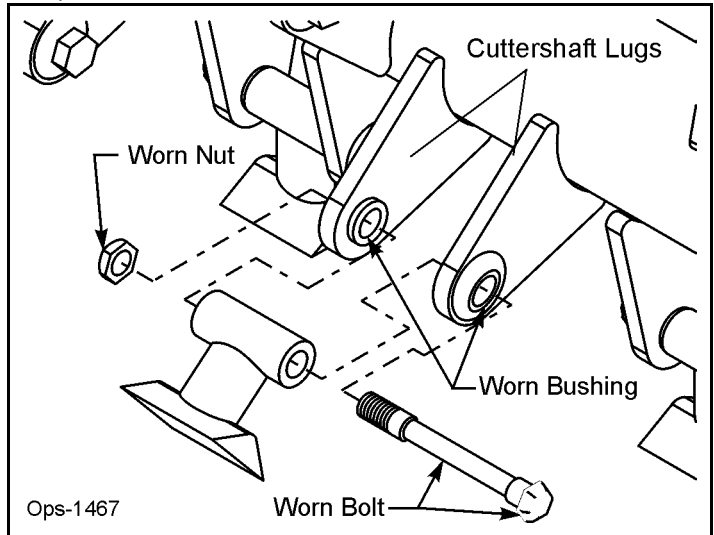


Q•] ^&0A0|aa^A0| |0Aaa^ A| :Aaa^ [| : aa^A^ aa^EÜ0ÚS000À0SSÁ0Š 000Á0UŠVÚÁ } A00
 &aa^A|AQT 000E/0SY/Aaa^ ^ A| |0A00^K

- ~ Xā ā| ^Aaa^ •A!
- ~ Q00A|aa^A| |0A A [|] A| Aaa^ ^ A^&•••Aaa^aa^ Aaa^ ā ā| A| A0A| |0A!
- ~ Q0|aa^A0| |0A0 A [^•^•A|&0] ^Aaa^aa^ A!
- ~ Q00•00^Aaa^ A| [•^Aaa^ A0A] |0A| A000

0aa^ |^Aq A^ |aa^Aaa^ [| : aa^ A [|] Aa [|0A| Aa^ •00^•A| aa^Aaa^ Aaa^ d [] 00Aaa^ |^A| A0A|aa^•Aaa^ ā
 ^0&0] A A0A| [\^) Aaa^00 000A aa^Aaa^•A^A| ā ^ A| āā Aaa^ b i ^ A| Aaa^aa^A

00 aa^ A^ |aa^A0|aa^A0| |0A aa^ A^ A| |0Aaa^ āA^, Aaa^•00^•A| 00^Aaa^A^ |aa^ A0A|aa^•E M Aaa^ 00^ A| |0
 aa^ āA^ 0Eaa^•0aa^] | A0Aaa^A| & Aq A^ dA aa^A^ |^Aq Aaa^ 00^ A| |0Aaa^ āA^ 0Aaa^•00^ [^•00^ Aaa^ |, A0A|aa^•Aq
 •, ā^Aaa^ |Eaa^ āA [0aa^] āA0Aaa^ 00^•000^ 00^•000^ 00^•000^ Aaa^ Aaa^) 00^ ^00^ |Aaa^&aa^•A^ Aq A^ Aaa^ 00^ ā
 00Aaa^•A| āA [00^, ā^Aaa^ |Eaa^ OPS-U-0043



A5-BH9B5B79

VÜ0Š0À0Š00Š

T aa^ 00^ aa^ Aaa^&aa^ } A Eaa^

A5-BH9B5B79

A5-BH9B5B79

GH5B85F8`CF`<95JM8I HMG=89`CF`F95F` : @=@?B= 9` F9D@79A9BH

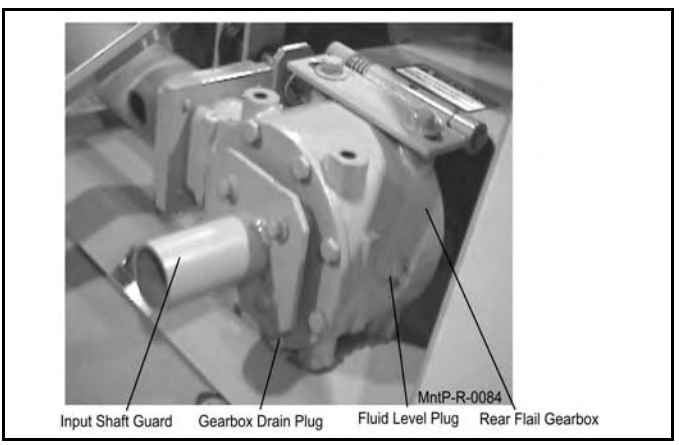
FÈ GÁ } ã^•Áæ^Áæ ã^áÁ!Áæá!Á [] È@^ Á ã!Á^áÁ Á^Á^ |æ^áÁæ Áæ^ÁæÜ^ |æã * Áæã * |Á } á^Áæã
 &æ^•Á^Áç!Áç!æã } ÁæãÁ [••ã!Áæ ã^ÁÁ Á@Á [, ^È
 GÈ G•^ { à!Á } ã^•È!Áçã È! | ÁæãáÁ~ ÁæÁ@, } ÁÁæÁæ ã^æÈ
 HÈ Q•æ!Á &ã * Á@çÁ~ Á [ÁæÁ@ÁæÁæÁ Á~ ÁÁ, æá•Á@Á } áÈ
 I È G] | Á &æÁÁ F+Á!Á~ ãæ^ } ÁÁ Á@æ•È
 Í È V | ~ Á~ Á~ ÁÁ GÁVÈSÓUÈS } áÁ~ •Á, ã * Á^Á~ È

WARNING ÖÚÁUVÁÈ•Á@Á &ã * Á@çÁ~ ÁÁ!Á [~ } ç * Á@Á } ã^•ÈGÁ@çÁ~ ÁÁ & { ^Á [•^È! :
 |Á~ á^Á^ [çæÁ!Á } á^Á^ |æ^ { ^ } Á! Áæ~ Á @!Á^æ [È@^ Á ~ •Á^Áæ &æá^áÁæã á
 |^ |æ^áÁ æÁ, Á~ ÁÈ

WARNING S) ã^•Á@~ |áÁ [ÁÁ^ Á!á^áÁ } Á! Áæ~ Á^æ [] È

F97CAA9B898` : =@@B; `BGHF I 7HCBG` : CF`F95F` : @=@; 95F6CL

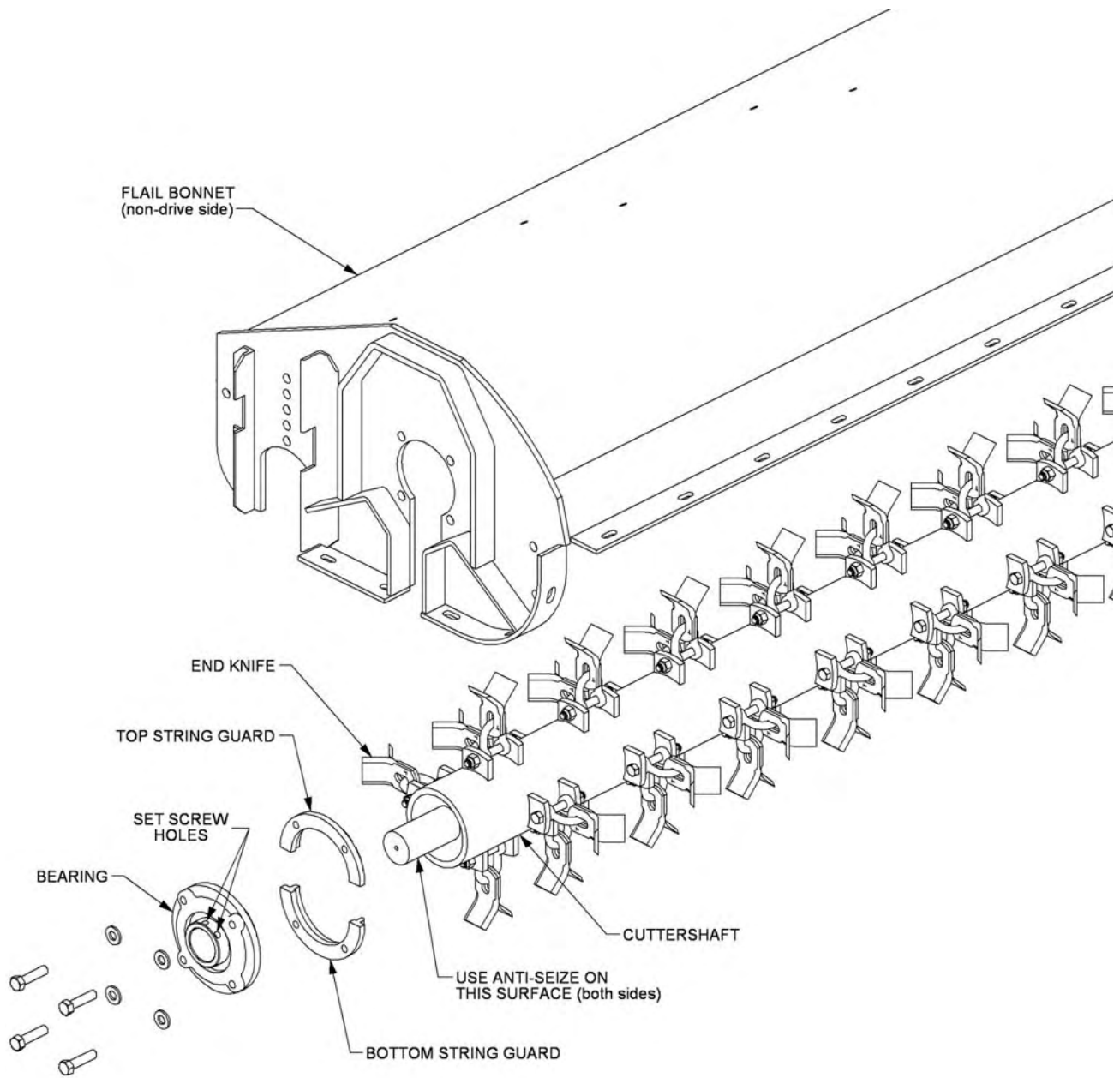
Y @ } Áãã * Á!Á &ã * Á@çÁ~ áÁ!Áç!È@Á~ } æ
 •@~ |á^Á^Á æ!á^áÁ } Áæ!Áç!Á~ |æ^ Á æÁ^æÁæã
 á [, } Á } Á~ |æ^È @ Á C : : Í Èã áÁ |áÁæã áã } c
 ç { |Áæ!ÁÈ
 Ü^ [ç^Á@Á~ áÁ!Áç!Á | * Á! &æ^áÁ } Á@Á æ^Á~
 @Á^æÁ [çÈV@Á^æÁ [çÁ@~ |á^Á^Á!á^Á Á@
 à [ç { Á~ Á@Á~ áÁ!Áç!Á@ |ÈGÁ^&••æÈ•^Á Í È
 JÈÁ çÁUÈÁ~ } @æÁ@ç^ { ^Á!••~ |Á^ÁæÁ~ à
 ç Áæ^Áç!ÁÁ Á! ç { Á~ Á@Á@ |È
**8c`bchcj YF!Z`"ÁÖc&••ã^•Á^æÁ ãÁ ã!Á } Áæã **
 [~ Á! Á@Á@ |ÈÜ^ã•æ!Á~ áÁ ç!Á | * Áã ç
 *^æà çÈGÁ^æà çÁ@Á^ } Áç! Èã!á^@Áç&••
 { æÁ^Áç!Á |Á^Á@ [* @@Á!•• |á^á^Á^æ@ |È



VÜŮŠÒÁŠÖŠŠ T æ ç } æ & Á^Á & ç } Á È

A5-BH9B5B79

A5-BH9B5B79



Alamo Group Inc.

Alamo Group Inc.

A5-BH9B5B79

A5-BH9B5B79

85-QMA5-BH9B5B79`G7<98I @

V@Á{||, ă *Á•Áçã•Á•@~|ãÀàÁ]Á{f|{ ^áXU]mÁ |ÁçÁ^Á, \ci fgÁ[-ÁçãÁÁ||, ă *Á@Á^c ăăá
{ ăă } ă &Á•d`&ă }•Á@Á]Á{f|•Á ă ăÉ

~~~~~ Ú { ] ÁÖiă^Á@edK@&Á|Á}áÁ|ăă Áiă^•@edÁ~] |Áiă}áÁ àiăă Ái\•É

~~~~~ Óiă\•@edăăă cÁKÁ~ă] ^áÁ ăă~ ààÁi|[{ { ^•&@&Á}áăă }Á^] |ăă Ái ă•ă \*Á|Á  
áăă ă^áÉ

~~~~~ Úă [ ] ă•K@&Á|ăă Á} ăăă ] ^ă•Ái}á•É

~~~~~ P`áiă |ăÁ-ăă \*•K@&Á| Á|ă•Á, ăăă ă ăi|Ái&ăă[ ăăÁV@ @) Á-ăă \*Á|Ái^] |ăă Á@•^•  
ă { ^áă^}É

~~~~~ S) ă•K@^&Á|Á ă•ă \*Á|Áăă ă^áÁ} ă•É&ă \*^Á} |Á { ] |ÁÁ^•Dă Á^ááÉ

~~~~~ Ó|•K@&ÁV@ @) ă^] |ăă Ái|•Ái Á^ááÉ

~~~~~ T ăă Áiăă ^ă&ÁV|••Á @i, ă^Á] ^ăăăáÁd i~^Á[ |•Á&Á|áă \*Á|Ái~^Á] ^ăăăă)•Áă  
@Á^&ă}É

~~~~~ P`áiă |ăÁi ăăçÁ|K@ăăÁ~ áááÁiÁi ăă& { { ^}áăă }•É

~~~~~ ÜăăÁiăÖiă^ÁÖiăăă \*Áiăă \*^Áă ăÁÜ@edÁ[~] |Ái•ÁçÁ} |ăă^DÖi^ăă Áă•d`&Áiă Á@  
á^ăăáÁ ăă } ă &Á^&ă }É

~~~~~ Ö ăÁÜ@edă ăÁÖi[~] áÁÜ[ |ÁiK@^ăă Áă•d`&Áiă Á@Á^ăăáÁ ăă } ă &Á^&ă }É

ÜiçãÁi{f|{ ^áÁK ~~~~~ ÁăK`Đ`Đ`Á[~|

T^ÁK ~~~~~

T ăă } ă &Á^&ă }

EEV@Áă^Á ăăÁÁ| ăăă ăÁ•^áÁ ăă ă@Áăă Á ăă } ă &Á[~ ă^É

PARTS SECTION

PART NAME INDEX

| | |
|--|----|
| PARTS ORDERING GUIDE..... | 3 |
| TRACTOR MOUNT KIT - MAIN FRAME..... | 4 |
| TRACTOR MOUNT KIT - BUMPER TANK..... | 6 |
| TRACTOR MOUNT KIT - HYDRAULICS..... | 8 |
| AXLE BRACES..... | 10 |
| FUEL TANK ASSEMBLY..... | 12 |
| 4 SPOOL CABLE CONTROL MOUNT - SCV ONLY..... | 14 |
| 4 SPOOL CABLE CONTROL MOUNT - MID-MOUNT VALVE..... | 15 |
| CABLE (MANUAL) LIFT VALVE - 4 SPOOL..... | 16 |
| CABLE (MANUAL) LIFT VALVE BREAKDOWN - TF4210..... | 18 |
| POLYCARBONITE SAFETY WINDOW..... | 20 |
| FLAP DEFLECTOR..... | 22 |
| EGRESS..... | 23 |
| EGRESS MOUNTING..... | 24 |
| EGRESS MOUNTING - CONTINUED..... | 25 |
| EGRESS OPERATION..... | 26 |
| EGRESS TROUBLESHOOTING..... | 27 |
| EGRESS PUMP MOUNTING..... | 28 |
| EGRESS PUMP BREAKDOWN..... | 30 |
| EGRESS SWITCH BOX..... | 32 |
| EGRESS SCHEMATIC..... | 33 |
| NOTES 1..... | 34 |

PARTS ORDERING GUIDE

The following instructions are offered to help eliminate needless delay and error in processing purchase orders for the equipment in this manual.

1. The Parts Section is prepared in logical sequence and grouping of parts that belong to the basic machine featured in this manual. Part Numbers and Descriptions are given to help locate the parts and quantities required.
2. The Purchase Order must indicate the **Name and Address** of the person or organization ordering the parts, **who should be charged**, and if possible, the **serial number of the machine** for which the parts are being ordered.
3. The purchase order must clearly list the **quantity of each part**, the complete and correct **part number**, and the basic **name of the part**.
4. The manufacturer reserves the right to substitute parts where applicable.
5. Some parts may be unlisted items which are special production items not normally stocked and are subject to special handling. Request a quotation for such parts before sending a purchase order.
6. The manufacturer reserves the right to change prices without prior notice.

NOTE: When ordering replacement decals, refer to the part numbers and descriptions listed in the safety section in the front of this manual.

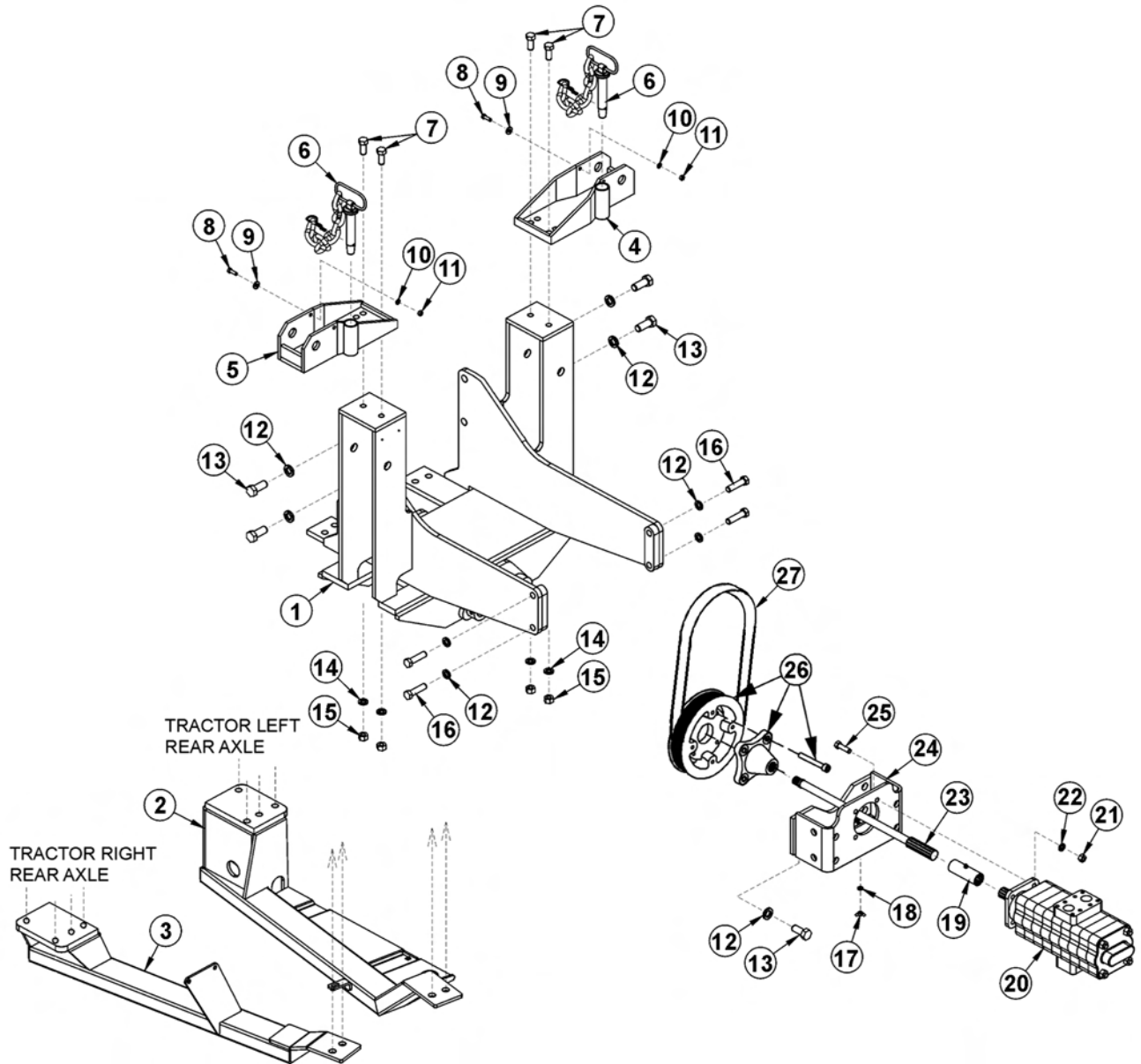


For maximum safety and to guarantee optimum product reliability, always use genuine **Tiger** replacement parts. The use of inferior replacement parts may cause premature or catastrophic failure which could result in serious injury or death.

Direct any questions regarding parts to:

Tiger Corporation
3301 N. Louise Ave.
Sioux Falls, SD 57107
1-800-843-6849
1-605-336-7900

TRACTOR MOUNT KIT - MAIN FRAME



TRACTOR MOUNT KIT - MAIN FRAME

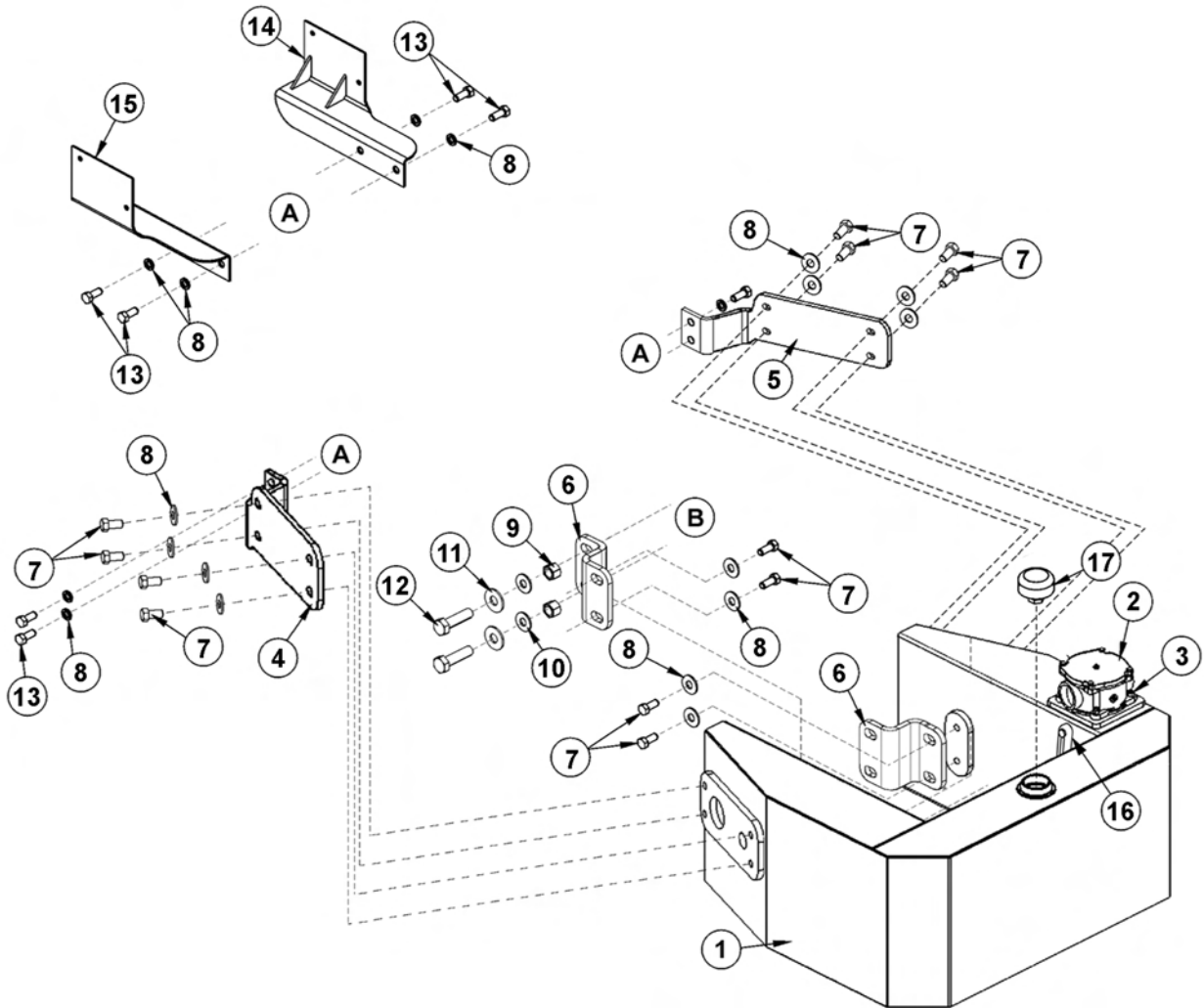
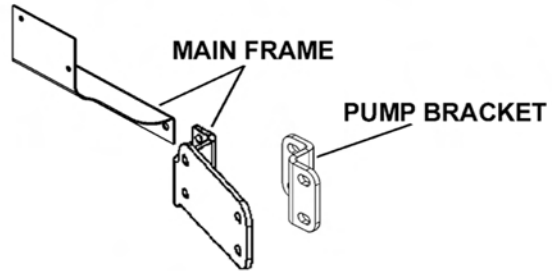
Continued...

| ITEM | PART NO. | QTY. | DESCRIPTION |
|------|----------|------|---|
| 1 | 06300146 | 1 | MAIN FRAME,T3F,JD5101E,2011 |
| --- | 06300143 | 1 | MAIN FRAME,T3F,JD5101E,2011 (HIGH MOUNT) |
| 2 | ----- | 1 | AXLE BRACE,LEFT HAND *REFER TO AXLE BRACE PAGE |
| 3 | ----- | 1 | AXLE BRACE,RIGHT HAND *REFER TO AXLE BRACE PAGE |
| 4 | TF4253LA | 1 | TRAVEL LOCK BRACKET,LH |
| 5 | TF4253RA | 1 | TRAVEL LOCK BRACKET,RH |
| 6 | TF4250 | 2 | TRAVEL LOCK PIN W/ CHAIN |
| 7 | 21783 | 4 | CAPSCREW,5/8" X 2",NC |
| 8 | 21580 | 2 | CAPSCREW,5/16" X 1",NC |
| 9 | 22015 | 2 | FLATWASHER,5/16" |
| 10 | 21987 | 2 | LOCKWASHER,5/16" |
| 11 | 21575 | 2 | HEX NUT,5/16" |
| 12 | 33880 | 12 | FLATWASHER,3/4",GR8,SAE |
| 13 | 24860 | 8 | CAPSCREW,20MM X 40MM,2.5P |
| 14 | 21992 | 4 | LOCKWASHER,5/8" |
| 15 | 21775 | 4 | HEX NUT,5/8" |
| 16 | 25341 | 4 | CAPSCREW,20MM X 70MM,2.5P |
| 17 | 32519 | 1 | WING NUT,1/4" |
| 18 | 22014 | 1 | FLATWASHER,1/4" |
| 19 | 6T0375B | 1 | DRIVE SHAFT COUPLER |
| 20 | TF4450 | 1 | HYDRAULIC PUMP |
| 21 | 21725 | 4 | HEX NUT,1/2",NC |
| 22 | 21990 | 4 | LOCKWASHER,1/2" |
| 23 | 06520135 | 1 | PUMP DRIVE SHAFT |
| 24 | 32642 | 1 | PUMP MOUNTING BRACKET |
| 25 | 21732 | 4 | CAPSCREW,1/2" X 1-3/4",NC |
| 26 | ----- | 1 | JD PULLEY KIT LVB24989 |
| 27 | ----- | 1 | JD BELT T208891 |

TRACTOR MOUNT KIT - BUMPER TANK

HARDWARE PLACEMENT

- A - CONNECTS TO MAIN FRAME
- B - PLACED THROUGH COOLER BRACKET TO PUMP BRACKET

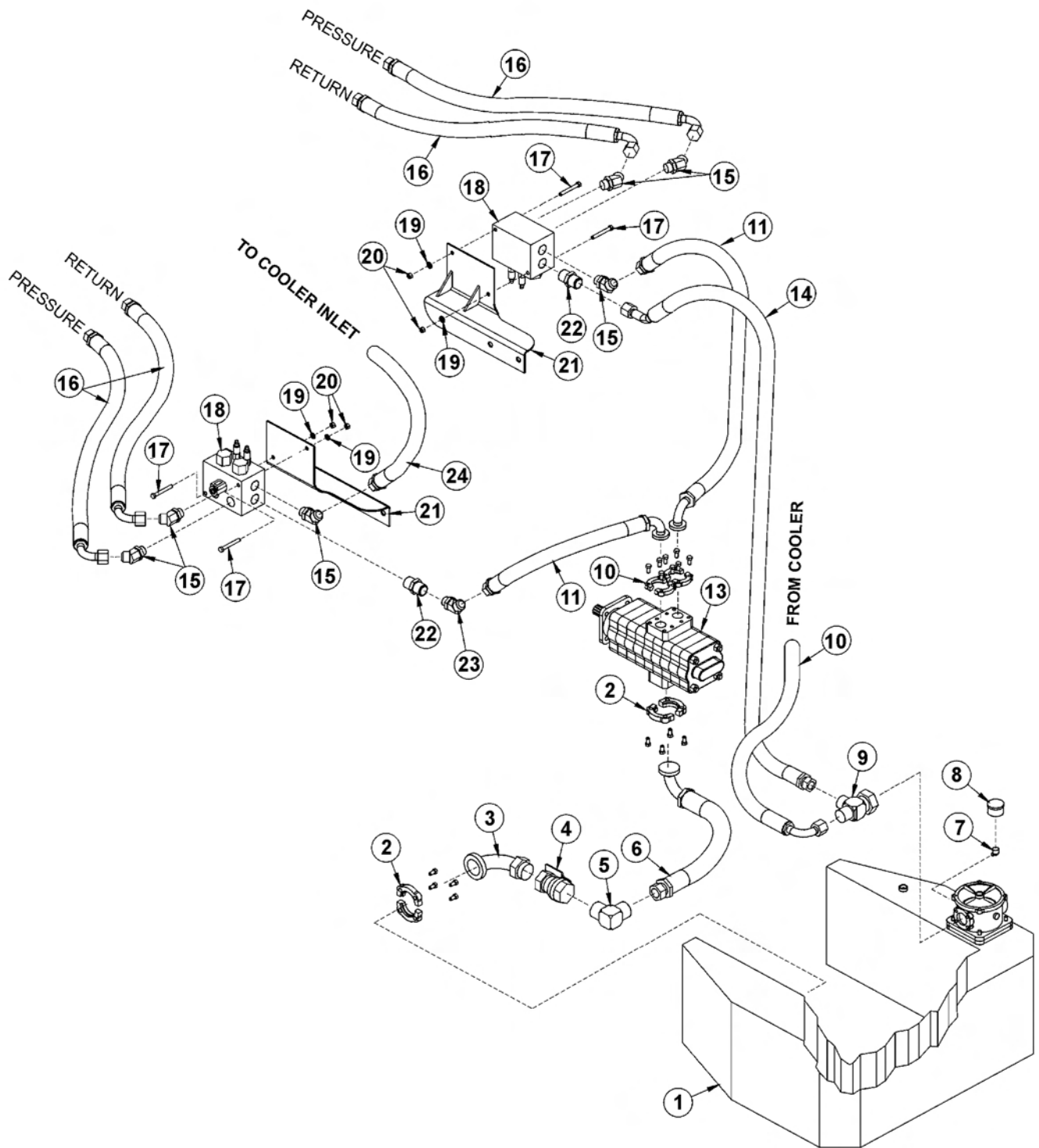


TRACTOR MOUNT KIT - BUMPER TANK

Continued...

| ITEM | PART NO. | QTY. | DESCRIPTION |
|------|----------|------|---------------------------|
| 1 | 34666 | 1 | RESERVOIR TANK |
| 2 | 35269 | 1 | IN-TANK FILTER ASSY |
| 3 | 21627 | 4 | NYLOCK NUT,3/8",NC |
| 4 | 06410259 | 1 | RIGHT HAND TANK BRACKET |
| 5 | 06410258 | 1 | LEFT HAND TANK BRACKET |
| 6 | 06410150 | 2 | SMALL MOUNT PLATE |
| 7 | 21780 | 12 | CAPSCREW,5/8" X 1-1/4",NC |
| 8 | 22020 | 20 | FLATWASHER,5/8" |
| 9 | 21825 | 4 | HEX NUT,3/4",NC |
| 10 | 22021 | 4 | FLATWASHER,3/4" |
| 11 | 21993 | 4 | LOCKWASHER,3/4" |
| 12 | 21835 | 4 | CAPSCREW,3/4" X 2-3/4",NC |
| 13 | 22421 | 4 | CAPSCREW,16MM X 40MM,2.0P |
| 14 | 32324 | 1 | SOLENOID BRACKET - LH |
| 15 | 32323 | 1 | SOLENOID BRACKET - RH |
| 16 | 06505067 | 1 | SIGHT GAGE |
| 17 | 06505077 | 1 | PRESSURE CAP |
| --- | 6T0649 | 1 | FILTER GAUGE (NOT SHOWN) |

TRACTOR MOUNT KIT - HYDRAULICS

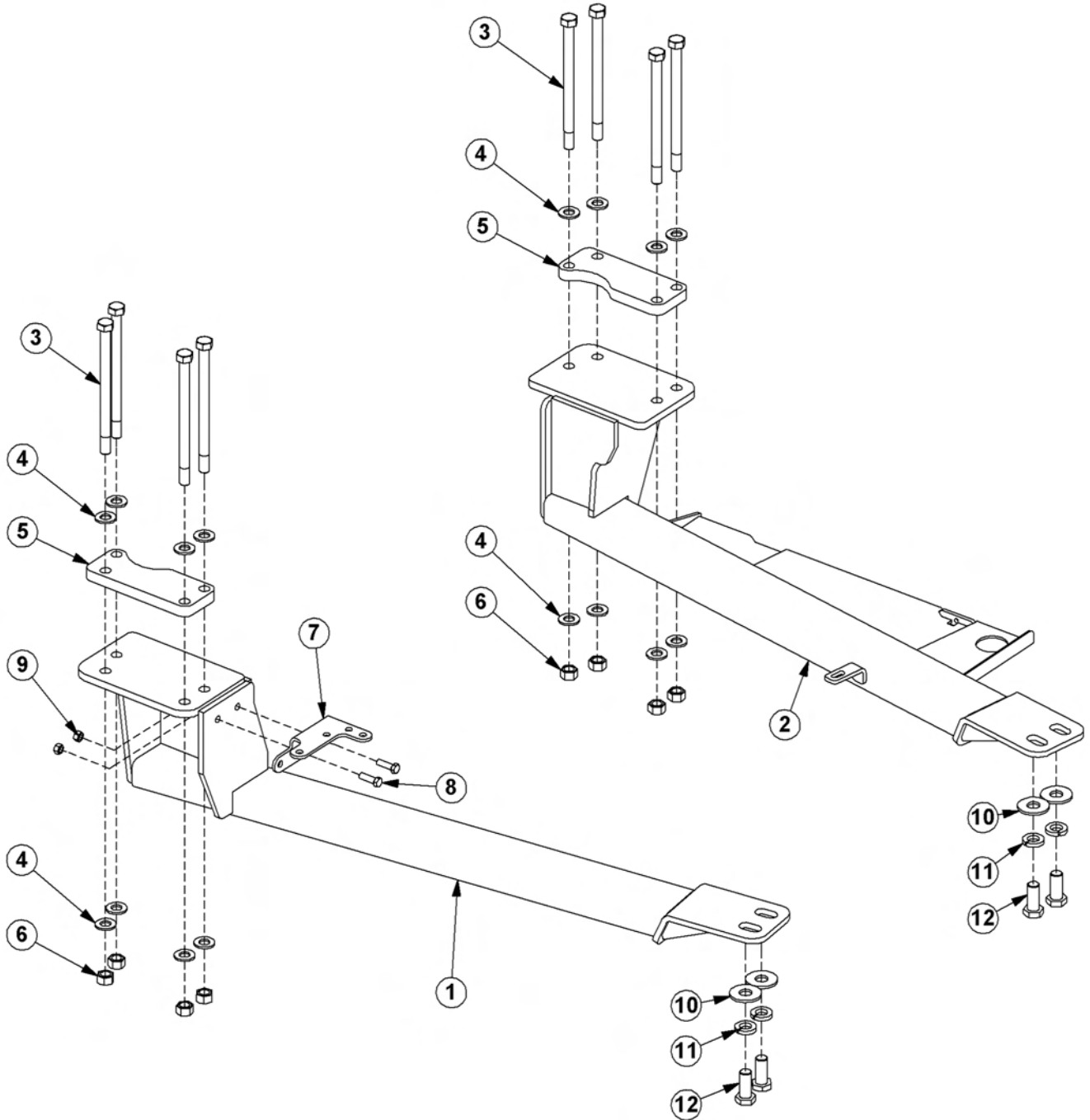


TRACTOR MOUNT KIT - HYDRAULICS

Continued...

| ITEM | PART NO. | QTY. | DESCRIPTION |
|------|----------|------|--|
| 1 | ----- | - | HYDRAULIC RESERVOIR *REFER TO MAIN FRAME PARTS |
| 2 | TF4431 | 2 | FLANGE KIT #32 |
| 3 | 34389 | 1 | ELBOW,1-1/2ORB X 32FLG90 |
| 4 | 34309 | 1 | BALL VALVE |
| 5 | 34655 | 1 | ELBOW,1-1/2"ORB X 1-1/2MJ |
| 6 | 06500119 | 1 | HOSE,1-1/2" X 28" |
| 7 | TF4887 | 1 | STREET ELBOW |
| 8 | 6T0649 | 1 | FILTER GAUGE |
| 9 | 34656 | 1 | TEE,RUN,1-1/4ORB X 1-1/4MJ X 1-1/4MJ |
| 10 | 06500260 | 1 | HOSE,1" X 31" (COOLER RETURN) |
| 11 | 06500177 | 2 | HOSE,1" X 40" |
| 12 | TF4852 | 2 | FLANGE KIT,#20 |
| 13 | ----- | - | PUMP *REFER TO MAIN FRAME PARTS |
| 14 | 06500178 | 1 | HOSE,1" X 43" |
| 15 | 33554 | 6 | ELBOW,1MORB X 1MJIC45 |
| 16 | 34384 | 4 | HOSE,1" X 106" |
| 17 | 21644 | 4 | CAPSCREW,3/8" X 5",NC |
| 18 | 34115 | 2 | BRAKE VALVE |
| 19 | 21988 | 4 | LOCKWASHER,3/8" |
| 20 | 21625 | 4 | HEX NUT,3/8" |
| 21 | ----- | - | SOLENOID BRACKET *REFER TO MAIN FRAME PARTS |
| 22 | 33555 | 2 | ADAPTER,1MORB X 1MJIC |
| 23 | 24724 | 1 | SWIVEL,1MJ X 1FJX45 |
| 24 | 33413 | 1 | HOSE,1" X 47" (COOLER PRESSURE) |
| 25 | 6T3200 | 8 | SPLIT HOSE (NOT PICTURED) |
| 26 | 6T1823 | 12 | ZIP TIES 14" (NOT PICTURED) |

AXLE BRACES

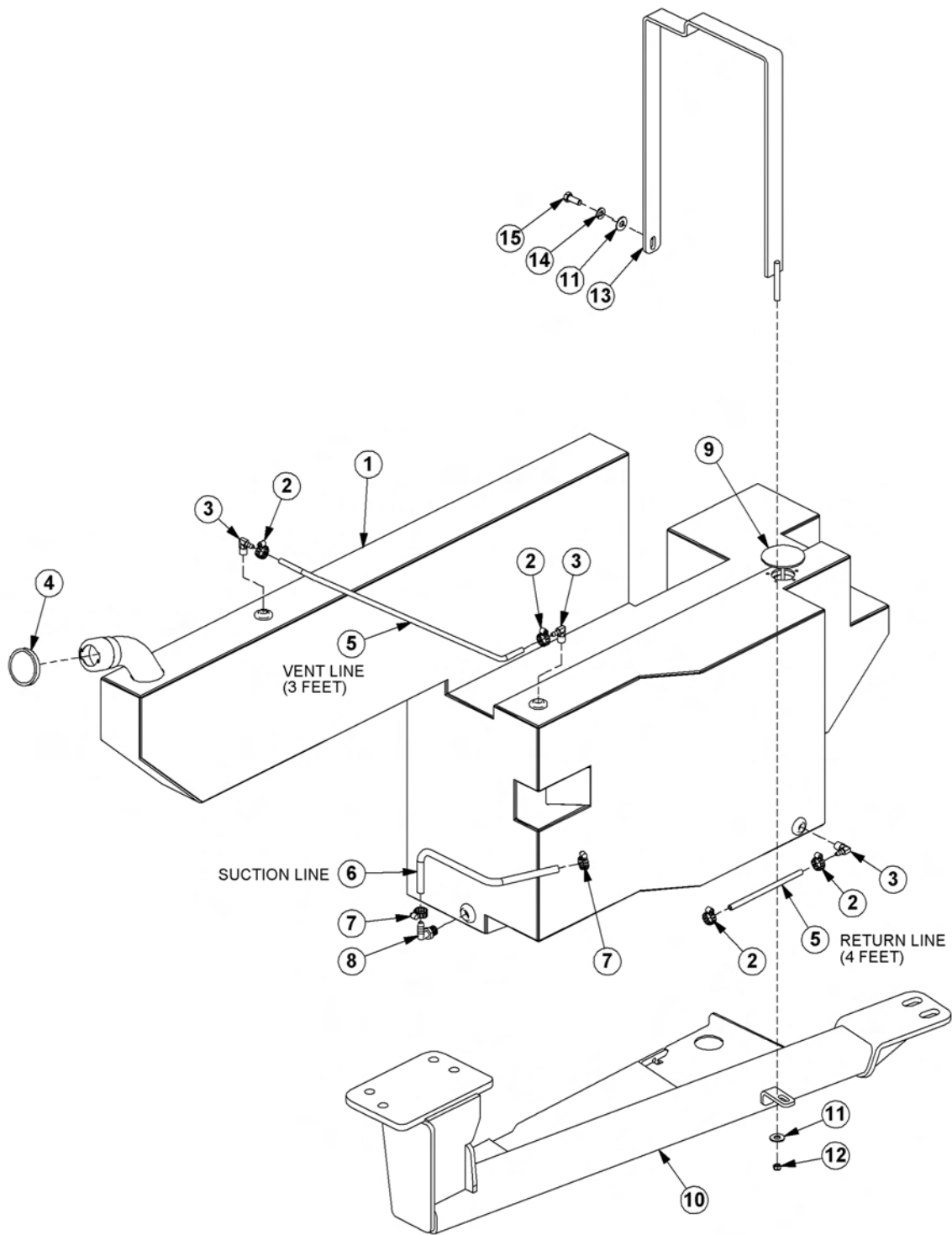


AXLE BRACES

Continued...

| ITEM | PART NO. | QTY. | DESCRIPTION |
|------|----------|------|------------------------------------|
| 1 | 06300147 | 1 | AXLE BRACE,RIGHT HAND |
| --- | 06300144 | 1 | AXLE BRACE,RIGHT HAND (HIGH MOUNT) |
| 2 | 06300148 | 1 | AXLE BRACE,LEFT HAND |
| --- | 06300145 | 1 | AXLE BRACE,LEFTT HAND (HIGH MOUNT) |
| 3 | 21797 | 8 | CAPSCREW,5/8" X 9",NC |
| 4 | 33764 | 16 | FLATWASHER,5/8",GR8 |
| 5 | 06401246 | 2 | CLAMP PLATE |
| 6 | 21775 | 8 | HEX NUT,5/8",NC |
| 7 | 06410857 | 1 | BRACKET |
| 8 | 21631 | 2 | CAPSCREW,3/8" X 1-1/4",NC |
| 9 | 21625 | 2 | NYLOCK NUT,3/8",NC |
| 10 | 22021 | 4 | FLATWASHER,3/4" |
| 11 | 21993 | 4 | LOCKWASHER,3/4" |
| 12 | 21831 | 4 | CAPSCREW,3/4" X 1-3/4",NC |

FUEL TANK ASSEMBLY

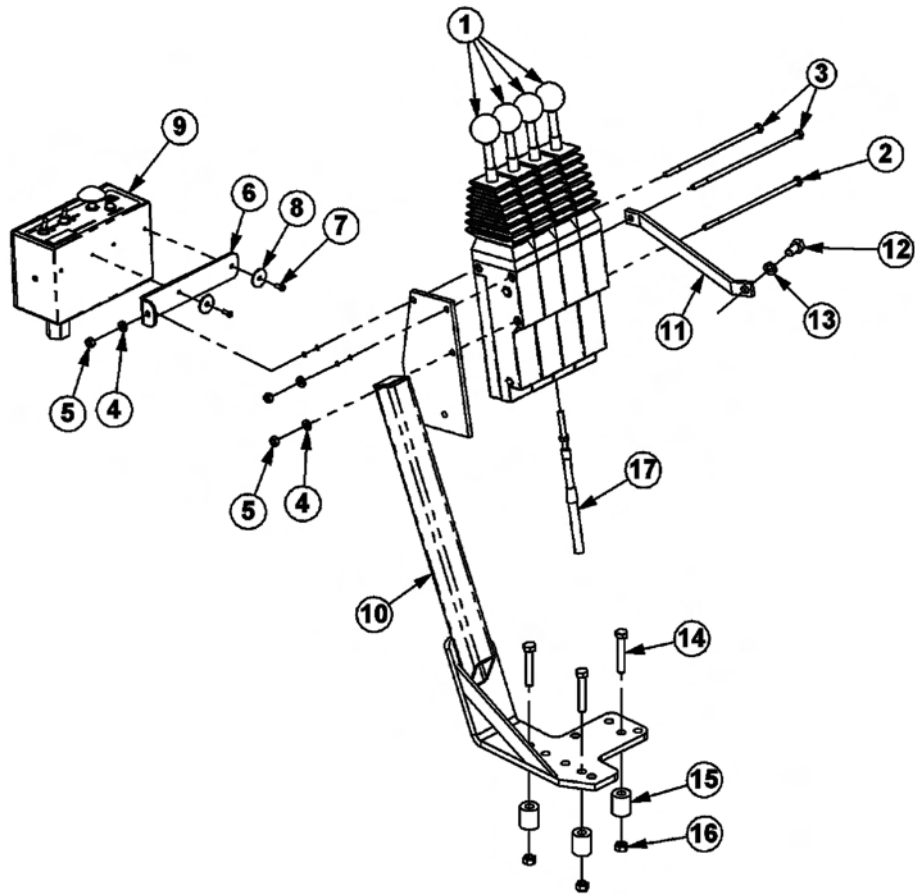


FUEL TANK ASSEMBLY

Continued...

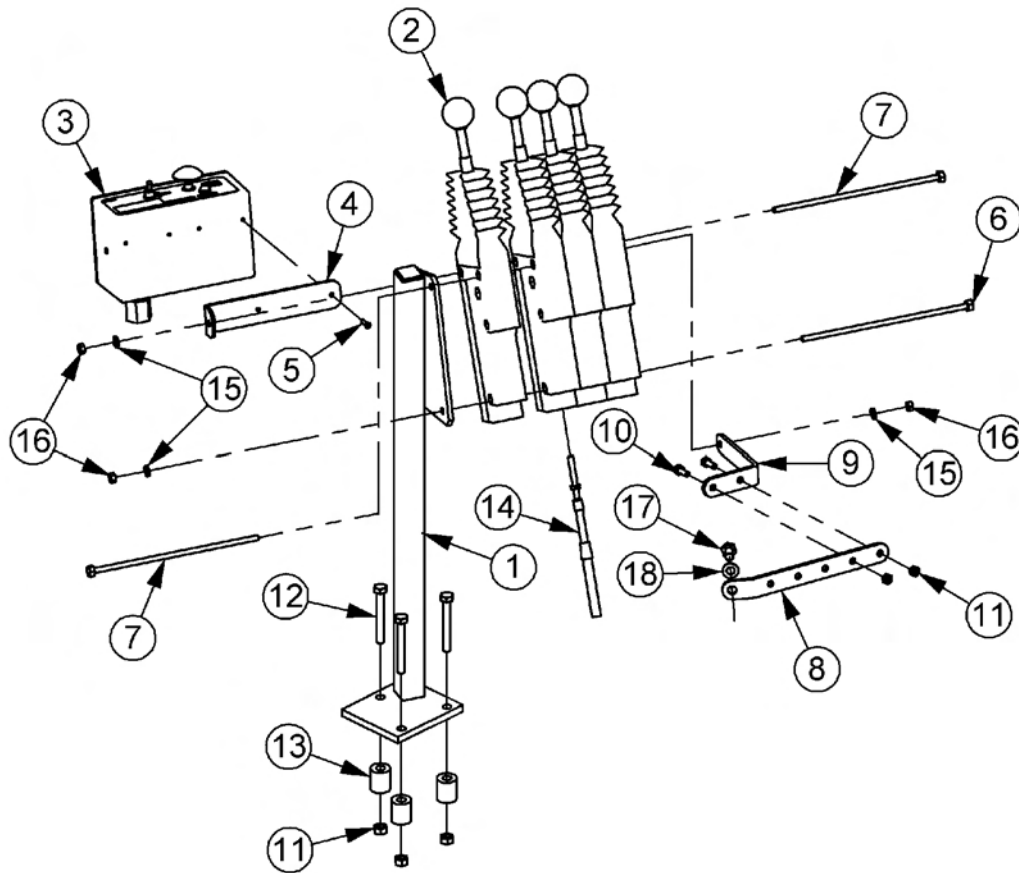
| ITEM | PART NO. | QTY. | DESCRIPTION |
|------|----------|------|--|
| 1 | 06370162 | 1 | TANK,FUEL,JD5101E,T3F |
| 2 | 35086 | 4 | CLAMP,HOSE,#4 |
| 3 | 06503092 | 3 | ELBOW,1/4,BRASS |
| 4 | 25391 | 1 | CAP,FUEL TANK |
| 5 | 34602 | 7 | HOSE,1/4",FUEL LINE (IN FEET) |
| 6 | 34380 | 4 | HOSE,3/8",FUEL LINE (IN FEET) |
| 7 | 35091 | 2 | CLAMP,HOSE,#6 |
| 8 | 06503063 | 1 | ELBOW,3/8,BRASS |
| 9 | ----- | 1 | FUEL SENDING UNIT (TRACTOR PART) |
| 10 | ----- | 1 | AXLE BRACE *REFER TO TRACTOR MOUNT KIT |
| 11 | 22016 | 2 | FLATWASHER,3/8" |
| 12 | 21527 | 1 | NYLOCK NUT,3/8",NC |
| 13 | 06370034 | 1 | TANK STRAP |
| 14 | 21988 | 1 | LOCKWASHER,3/8" |
| 15 | 21630 | 1 | CAPSCREW,3/8" X 1",NC |

4 SPOOL CABLE CONTROL MOUNT - SCV ONLY



| ITEM | PART NO. | QTY. | DESCRIPTION |
|------|----------|------|-------------------------------|
| 1 | 6T1251 | 4 | CBL CTRL BOX,180 DEG |
| 2 | 21546 | 1 | CAPSCREW, 1/4" X 7",NC |
| 3 | 21547 | 2 | CAPSCREW, 1/4" X 8",NC |
| 4 | 21986 | 3 | LOCKWASHER,1/4" |
| 5 | 21525 | 3 | HEX NUT,1/4",NC |
| 6 | 34496 | 1 | BRKT,SWITCHBOX,UNI |
| 7 | 6T3951 | 2 | SCREW,MACHINE 8/32" X 1/2",NC |
| 8 | 32360 | 2 | LOCKWASHER,#8 |
| 9 | 06510097 | 1 | SWITCHBOX,T3F,GND |
| 10 | 23865B | 1 | CBL CTRL MT BRKT |
| 11 | 06410230 | 1 | BRKT,CBL,CTRL |
| 12 | 33534 | 1 | CAPSCREW,10MM X 20MM,1.5P |
| 13 | 32691 | 1 | LOCKWASHER,10MM |
| 14 | 21636 | 3 | CAPSCREW,3/8" X 2-1/2",NC |
| 15 | 27082B | 3 | SPACER |
| 16 | 21627 | 3 | NYLOCK NUT,3/8",NC |
| 17 | 06505100 | 4 | CBL,CNTRL,108 |

4 SPOOL CABLE CONTROL MOUNT - MID-MOUNT VALVE

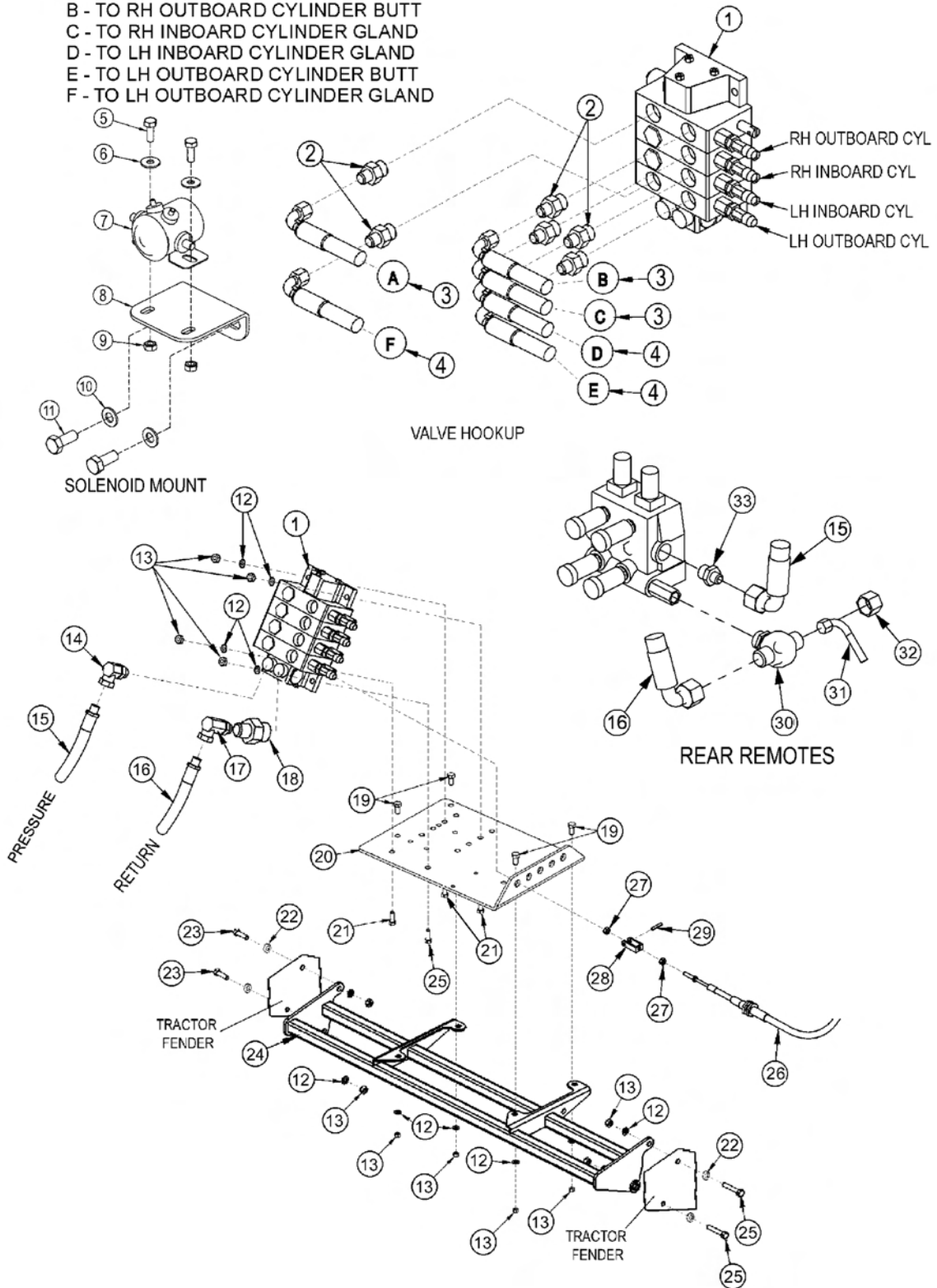


| ITEM | PART NO. | QTY. | DESCRIPTION |
|------|----------|------|-------------------------------|
| 1 | 31923 | 1 | BRKT,CTRL,CBL |
| 2 | 6T1251 | 4 | CBL CTRL BOX,180 DEG |
| 3 | 06510100 | 1 | SWITCHBOX,BOOM |
| 4 | 34496 | 1 | BRKT,SWITCHBOX,UNI |
| 5 | 6T3951 | 2 | SCREW,MACHINE,8/32" X 1/2",NC |
| 6 | 21546 | 1 | CAPSCREW,1/4" X 7",NC |
| 7 | 21547 | 2 | CAPSCREW,1/4" X 8",NC |
| 8 | 06410848 | 1 | SUPPORT,1,CBL,CNTRL,5101E |
| 9 | 06410849 | 1 | SUPPORT,2,CBL,CNTRL,5101E |
| 10 | 21629 | 3 | CAPSCREW,3/8" X 3/4",NC |
| 11 | 21627 | 5 | NYLOCK NUT,3/8",NC |
| 12 | 21636 | 3 | CAPSCREW,3/8" X 2-1/2",NC |
| 13 | 27082B | 3 | SPACER |
| 14 | 34623 | 4 | CBL,CNTRL,122 |
| 15 | 21986 | 3 | LOCKWASHER,1/4" |
| 16 | 21525 | 3 | HEX NUT,1/4",NC |
| 17 | 33534 | 1 | CAPSCREW,10MM X 20MM,1.5P |
| 18 | 32724 | 1 | FLATWASHER,10MM |

CABLE (MANUAL) LIFT VALVE - 4 SPOOL

HOSE ROUTING

- A - TO RH OUTBOARD CYLINDER GLAND
- B - TO RH OUTBOARD CYLINDER BUTT
- C - TO RH INBOARD CYLINDER GLAND
- D - TO LH INBOARD CYLINDER GLAND
- E - TO LH OUTBOARD CYLINDER BUTT
- F - TO LH OUTBOARD CYLINDER GLAND

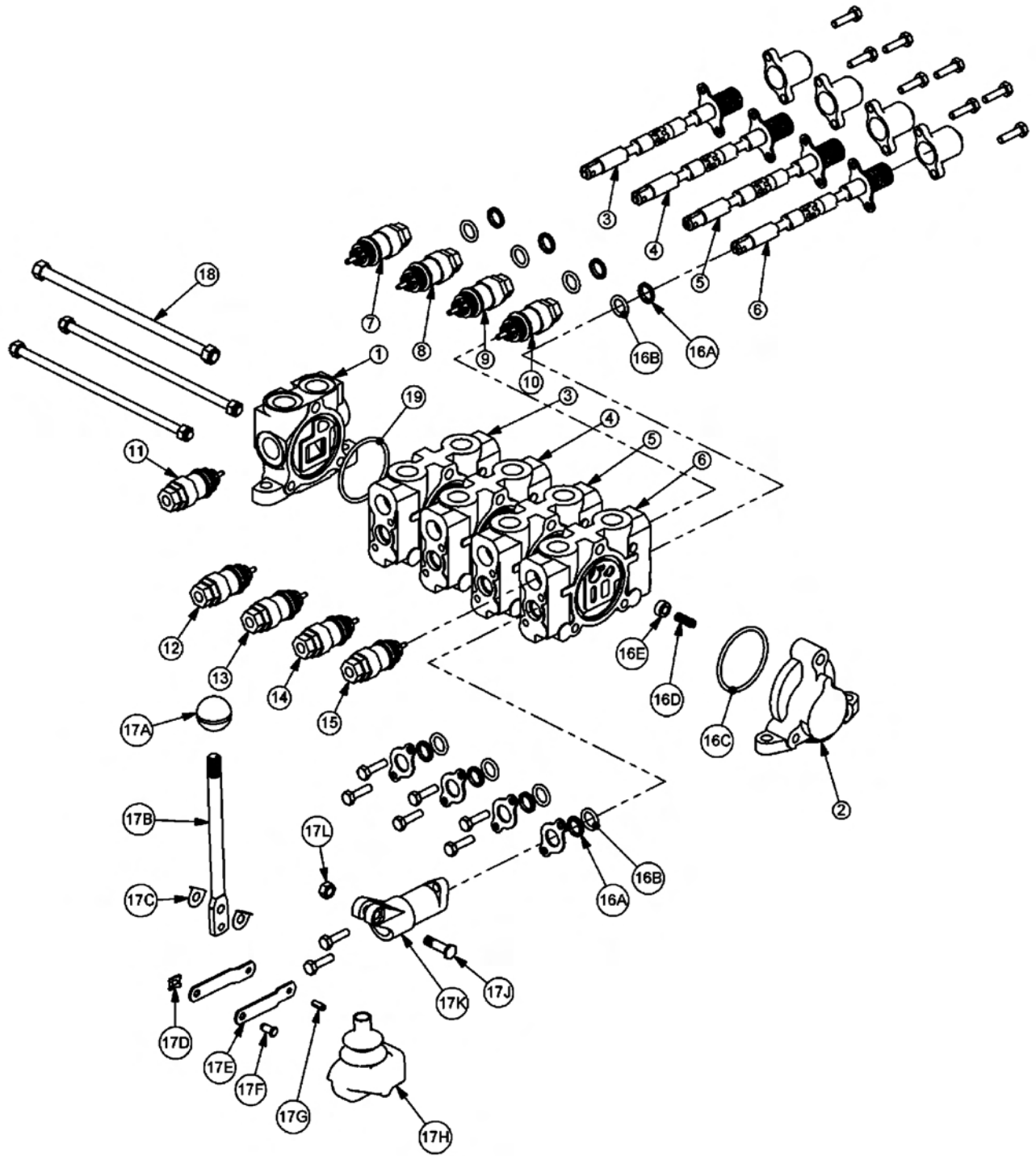


CABLE (MANUAL) LIFT VALVE - 4 SPOOL

Continued...

| ITEM | PART NO. | QTY. | DESCRIPTION |
|------|----------|------|--|
| 1 | TF4210 | 1 | VALVE,4 SPOOL,OC |
| 2 | 33271 | 6 | ADAPTER,1/2"MOR X 3/8"MJ |
| 3 | 33364 | 3 | HOSE,1/4" X 120" |
| 4 | 06500136 | 3 | HOSE,1/4" X 140" |
| 5 | 21529 | 2 | CAPSCREW,1/4" X 3/4",NC |
| 6 | 22014 | 2 | FLATWASHER,1/4" |
| 7 | 6T3927 | 1 | CONTINUOUS SOLENOID |
| 8 | 06411085 | 1 | BRACKET,MOUNT,SOLENOID |
| 9 | 21527 | 2 | NYLOCK NUT,1/4",NC |
| 10 | 32724 | 2 | FLATWASHER,10MM |
| 11 | 27513 | 2 | CAPSCREW,10MM X 25MM,1.5P |
| 12 | 22016 | 12 | FLATWASHER,3/8" |
| 13 | 21627 | 12 | NYLOCK NUT,3/8",NC |
| 14 | 33383 | 1 | ELBOW,5/8"MB X 1/2"MJ 90° |
| 15 | 06500467 | 1 | HOSE,1/2" X 31" |
| 16 | 06500468 | 1 | HOSE,1/2" X 33" |
| 17 | 33293 | 1 | ELBOW,LONG,1/2"MOR X 1/2"MJ |
| 18 | 32678 | 1 | ADAPTER,5/8"MOR X 1/2"FOR |
| 19 | 21631 | 4 | CAPSCREW,3/8" X 1-1/4",NC |
| 20 | 34622 | 1 | VALVE MOUNTING PLATE |
| 21 | 21633 | 3 | CAPSCREW,3/8" X 1-3/4",NC |
| 22 | 6T2615 | 4 | FENDER,WASHER |
| 23 | 21631 | 2 | CAPSCREW,3/8" X 1-1/4",NC |
| 24 | 06340033 | 1 | VALVE MOUNTING BRACKET |
| 25 | 21632 | 3 | CAPSCREW,3/8" X 1-1/2",NC |
| 26 | 06505100 | 4 | CABLE CONTROL,108" |
| 27 | 21500 | 8 | HEX NUT,1/4",NF |
| 28 | 6T4411 | 4 | CABLE CONTROL CLEVIS |
| 29 | 6T3017 | 4 | ROLL PIN |
| 30 | 06503130 | 1 | TEE,BRANCH |
| 31 | ----- | - | TRACTOR PRFRMD TUBE IF HAS MID-MOUNT VALVE |
| 32 | 06503129 | 1 | CAP,3/4FS * TRACTORS W/OUT MID-MOUNT VALVE |
| 33 | RE267820 | 1 | ADAPTER,PB,JD |

CABLE (MANUAL) LIFT VALVE BREAKDOWN - TF4210

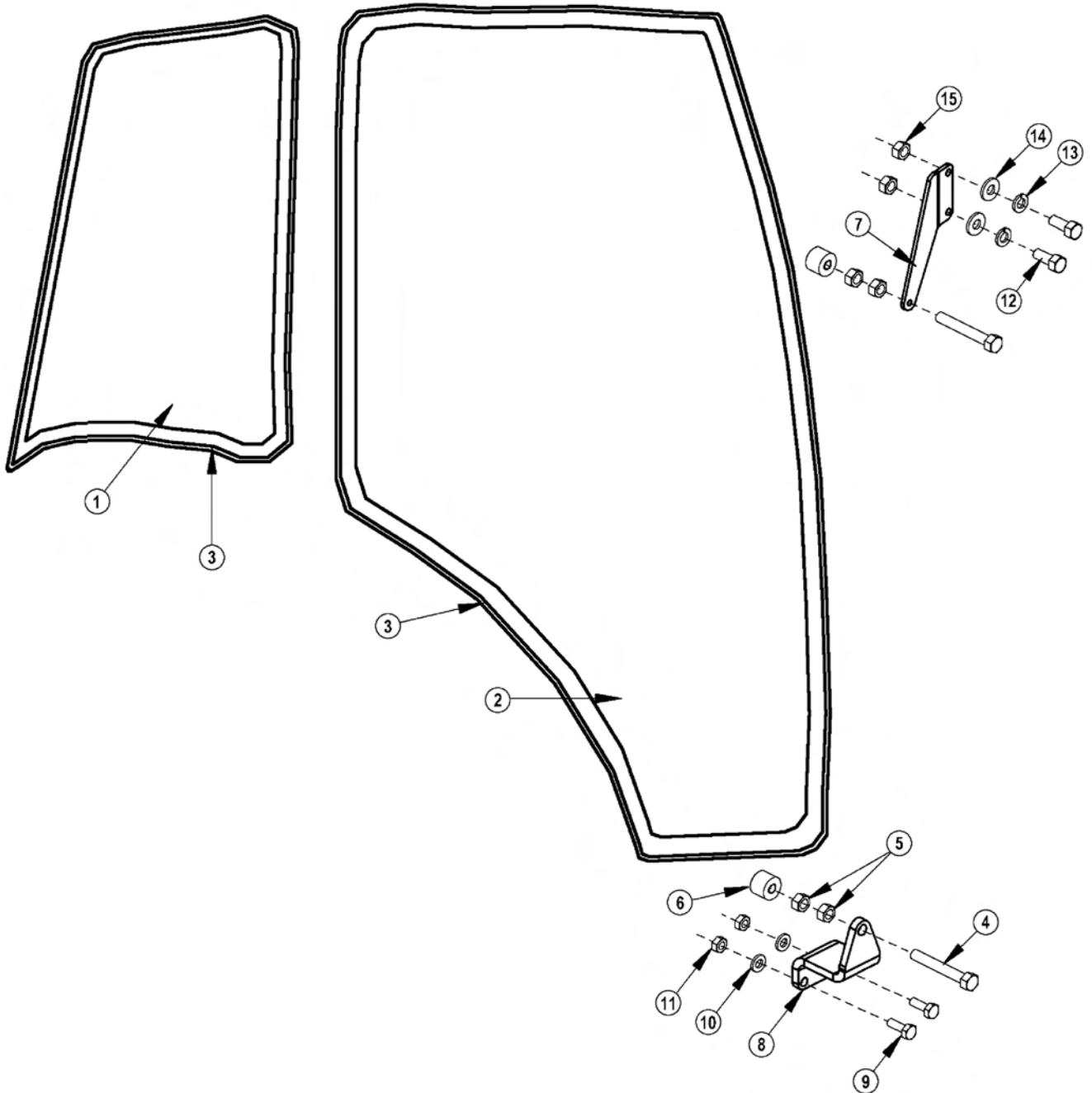


CABLE (MANUAL) LIFT VALVE BREAKDOWN - TF4210

Continued...

| ITEM | PART NO. | QTY. | DESCRIPTION |
|------|----------|------|---|
| 1 | TB1017S | 1 | INLET END COVER |
| 2 | TB1701 | 1 | END COVER, OPEN CENTER |
| 3 | TF3009 | 1 | VALVE SECTION (DOUBLE ACTING, DETENT - FLOAT) |
| 4 | TF3009 | 1 | VALVE SECTION (DOUBLE ACTING, DETENT - FLOAT) |
| 5 | TF3009 | 1 | VALVE SECTION (DOUBLE ACTING, DETENT - FLOAT) |
| 6 | TF3009 | 1 | VALVE SECTION (DOUBLE ACTING, DETENT - FLOAT) |
| 7 | 31861 | 1 | RELIEF VALVE, 360 PSI |
| 8 | 06503067 | 1 | RELIEF PLUG |
| 9 | 06503067 | 1 | RELIEF PLUG |
| 10 | 31861 | 1 | RELIEF VALVE, 360 PSI |
| 11 | TF4213 | 1 | RELIEF VALVE, 2000 PSI |
| 12 | 06502037 | 1 | RELIEF VALVE, 2600 PSI |
| 13 | 31862 | 1 | RELIEF VALVE, 2175 PSI |
| 14 | 31862 | 1 | RELIEF VALVE, 2175 PSI |
| 15 | 31862 | 1 | RELIEF VALVE, 2175 PSI |
| 16 | TB1017A | 4 | VALVE SEAL KIT (FOR ONE SECTION) |
| 16A | ----- | 2 | WIPER |
| 16B | ----- | 2 | O-RING SMALL |
| 16C | ----- | 1 | O-RING LARGE |
| 16D | ----- | 1 | SPRING |
| 16E | ----- | 1 | PUCKET |
| 17 | TB1017L | 4 | LEVER KIT (FOR ONE SECTION) |
| 17A | ----- | 1 | LEVER KNOB |
| 17B | ----- | 1 | LEVER |
| 17C | ----- | 2 | LEVER WASHER |
| 17D | ----- | 1 | LEVER CLIP |
| 17E | ----- | 2 | LINKAGE |
| 17F | ----- | 1 | LEVER PIN |
| 17G | ----- | 1 | ROLL PIN |
| 17H | ----- | 1 | LEVER BOOT |
| 17J | ----- | 1 | LEVER BOLT |
| 17K | ----- | 1 | LEVER DUST COVER |
| 17L | ----- | 1 | LEVER NUT |
| 18 | TB1017U | 1 | TIE ROD KIT |
| 19 | 24214 | 1 | O-RING, LARGE |

POLYCARBONITE SAFETY WINDOW

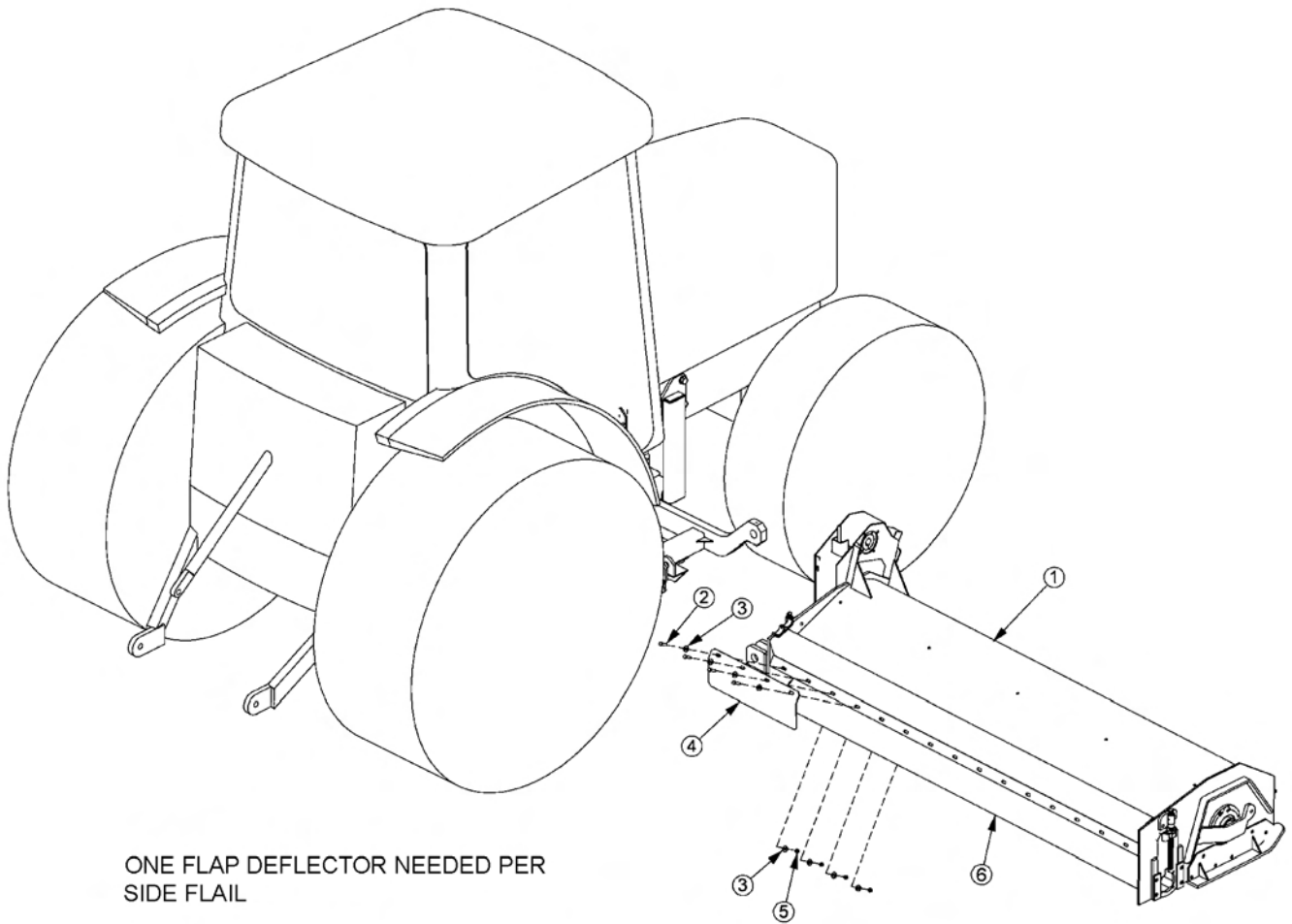


POLYCARBONITE SAFETY WINDOW

Continued...

| ITEM | PART NO. | QTY. | DESCRIPTION |
|------|----------|------|----------------------------|
| 1 | 06490014 | 1 | POLYCARB,FRMD,REAR |
| 2 | 06490013 | 1 | POLYCARB,FRMD,DOOR |
| 3 | 31965 | 25 | TRIM SEAL (IN FEET) |
| 4 | 21584 | 2 | CAPSCREW,5/16" X 2",NC |
| 5 | 21575 | 6 | HEX NUT,5/16",NC |
| 6 | 33477 | 2 | VIBRATION ISOLATOR |
| 7 | 06410268 | 1 | TOP BRACKET |
| 8 | 06410269 | 1 | BOTTOM BRACKET |
| 9 | 21529 | 2 | CAPSCREW,1/4" X 3/4",NC |
| 10 | 21986 | 2 | LOCKWASHER,1/4" |
| 11 | 21525 | 2 | HEX NUT,1/4",NC |
| 12 | 27508 | 2 | CAPSCREW,8MM X 20MM,1.25P |
| 13 | 6T2619 | 2 | LOCKWASHER,8MM |
| 14 | 34948 | 2 | WASHER,8MM |
| 15 | ----- | 2 | HEX NUT *EXISTING HARDWARE |
| --- | 06537005 | 1 | 3M ADHESIVE |

FLAP DEFLECTOR



| ITEM | PART NO. | QTY. | DESCRIPTION |
|------|----------|------|--------------------------------------|
| 1 | ----- | - | FLAIL *REFER TO COMMON PARTS SECTION |
| 2 | 21632 | 4 | CAPSCREW,3/8" X 1-1/2",NC |
| 3 | 22016 | 8 | FLATWASHER,3/8" |
| 4 | 06410877 | 1 | DEFLECTOR,FLAP |
| 5 | 21625 | 4 | HEX NUT,3/8",NC |
| 6 | ----- | - | FLAP *REFER TO COMMON PARTS SECTION |

EGRESS

**EGRESS
SECTION**

TRIPLE EGRESS MOUNTING

Park the tractor on a flat, hard, level surface. Lower both side decks down onto the hard surface. Make sure the engine is off and the park brake has been set. Operate the lift controls several times to release any pressure contained in the hydraulic lift system. Disconnect the positive battery cable from the battery. Then remove the right rear wheel from the tractor. Next remove the left side deck lift hoses from the lift valve and both lift cylinders, mark or label valve ports and cylinders as hoses are removed.

Install the egress switch box brackets on the left side of the mower pump mounting bracket, using hardware supplied. See pictures on next page. After the bracket is secured, then remove the front cover from the switch box, and install the switch box back half to the switch box bracket with (4) 8/32 x 1/2" machine screws. Reinstall the front cover onto the switch box.

Install the egress pump mounting bracket onto the right side of the tractor located under the cab in front of the right rear axle using hardware provided. Next preassemble the rear half of the pump cover onto the egress pump with the hardware provided, do not tighten bolt at this time. Connect the hoses for the C1 port to the egress pump port only. Do not tighten hoses at this time. The pump is now ready to be mounted to the pump mounting bracket. Secure egress pump to the bracket with the hardware provided.

Locate the ports on the egress pump labeled "A1", "A2", "B1", "B2", "C1" and "C2", these ports will be the connection points for the hydraulic lift lines.

- A1 port - to lift valve -- left hand outboard cylinder butt
- A2 port - to cylinder -- left hand outboard cylinder butt
- B1 port - to lift valve -- left hand outboard cylinder gland
- B2 port - to cylinder -- left hand outboard cylinder gland
- C1 port - to lift valve -- left hand inboard cylinder gland
- C2 port - to cylinder -- left hand inboard cylinder gland

Route the hoses to the lift valve and or cylinder as specified above, tighten all hose fittings. Refer to the Parts section for the location of hose connections on the lift valve.

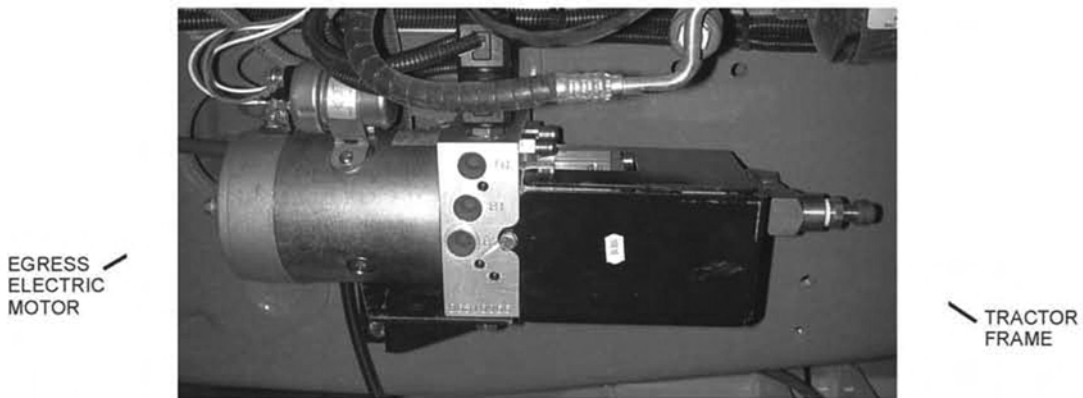
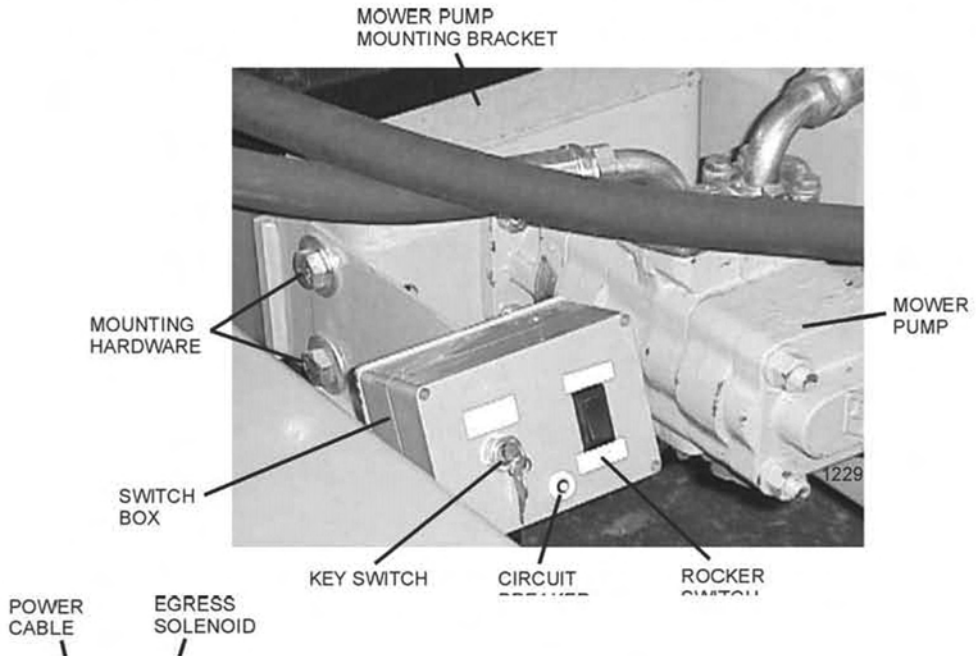
Now that the hydraulic lines are installed, connect the power cable from the positive post of the egress pump solenoid to the tractor starter solenoid positive post. Also connect the ground cable from the negative post on the egress pump electric motor to a bracket mounting bolt on the frame. Then route the cable from the switch box along the tractor to the egress pump and connect the male to the female plug. Secure cable with cable tie.

Next remove the drain plug on the bottom of the tractors transmission, **CAUTION** hydraulic oil will come out and maybe hot. Oil loss can be reduced by attaching a shop vacuum to the tractor transmission fill neck. Install fittings into the transmission drain hole, refer to part section for parts and illustrations. Connect the suction hose from the filter to the fittings on the tractor transmission, cut the hose to the required length. Install a hose clamp both end of the hose.

Install the front half of the cover onto the egress pump with provided hardware. Make sure all mounting hardware and hose connections are tight. Check hydraulic oil level and add if required. Reinstall the right rear wheel and reconnect the positive battery cable to the battery.

TRIPLE EGRESS MOUNTING CONTINUED

NOTE: Use the egress pump **ONLY** to lifting or lowering the head for storage, or transportation by trailer. When the egress pump is not in use make sure the switch box key is in the "off" position and key has been removed.



EGRESS OPERATION

EGRESS OPERATION

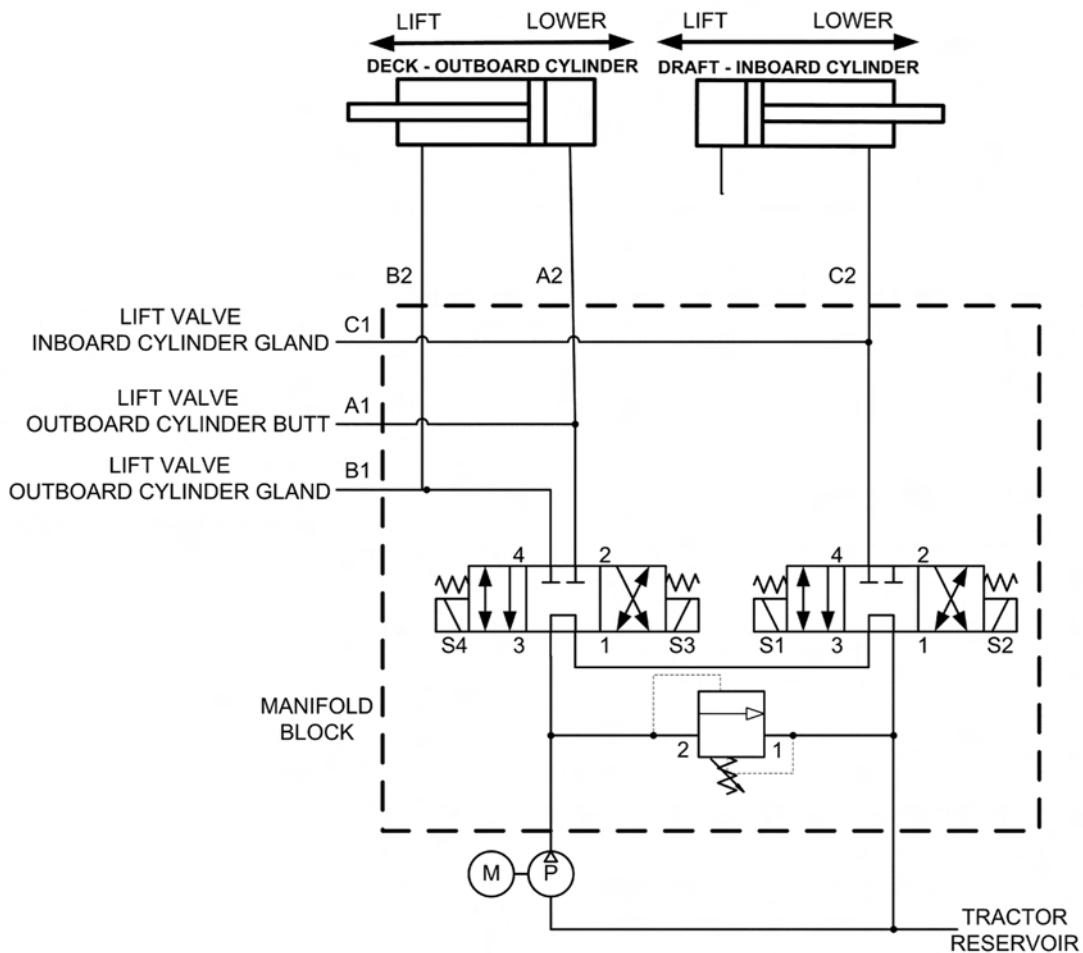
When operating the egress system to lift the deck, turn the key to the "DRAFT" position and push the rocker switch to the "LIFT" position and it will lift the draft beam. Once the draft beam is lifted to the highest position, then turn the key to the "DECK" position and push the rocker switch to the "LIFT" position, and that will raise the deck up to the travel lock. To seat the deck into the travel lock turn the key back to the "DRAFT" position and push the rocker switch to the "LOWER" position, until the deck is fully seated into the travel lock. Turn the key to the "OFF" position and remove the key. To lower the deck in sert key and reverse the steps that were done to raise the deck.

WARNING!



CAUTION: Never leave the key in the egress switch box. Field conditions can shake the key out of the switch box and become lost. Also personal injury or death can occur from sudden dropping or inadvertent operation of the controls. Make certain the area is clear before lowering or raising the deck.

TRIPLE EGRESS HYDRAULIC DIAGRAM



EGRESS TROUBLESHOOTING

FAILURE MODE:

- DECK OR DRAFT CYLINDER ONLY GOES ONE WAY.
- DECK OR DRAFT CYLINDER WILL NOT STAY IN POSITION.
- WILL OPERATE WITH LIFT VALVE, BUT NOT WITH EGRESS.
- EGRESS DOES NOT OPERATE AS FAST AS IT USED TO.

CHECK STEPS

- 1 and 2
- 1 and 2
- 3 and 5
- 3 and 4

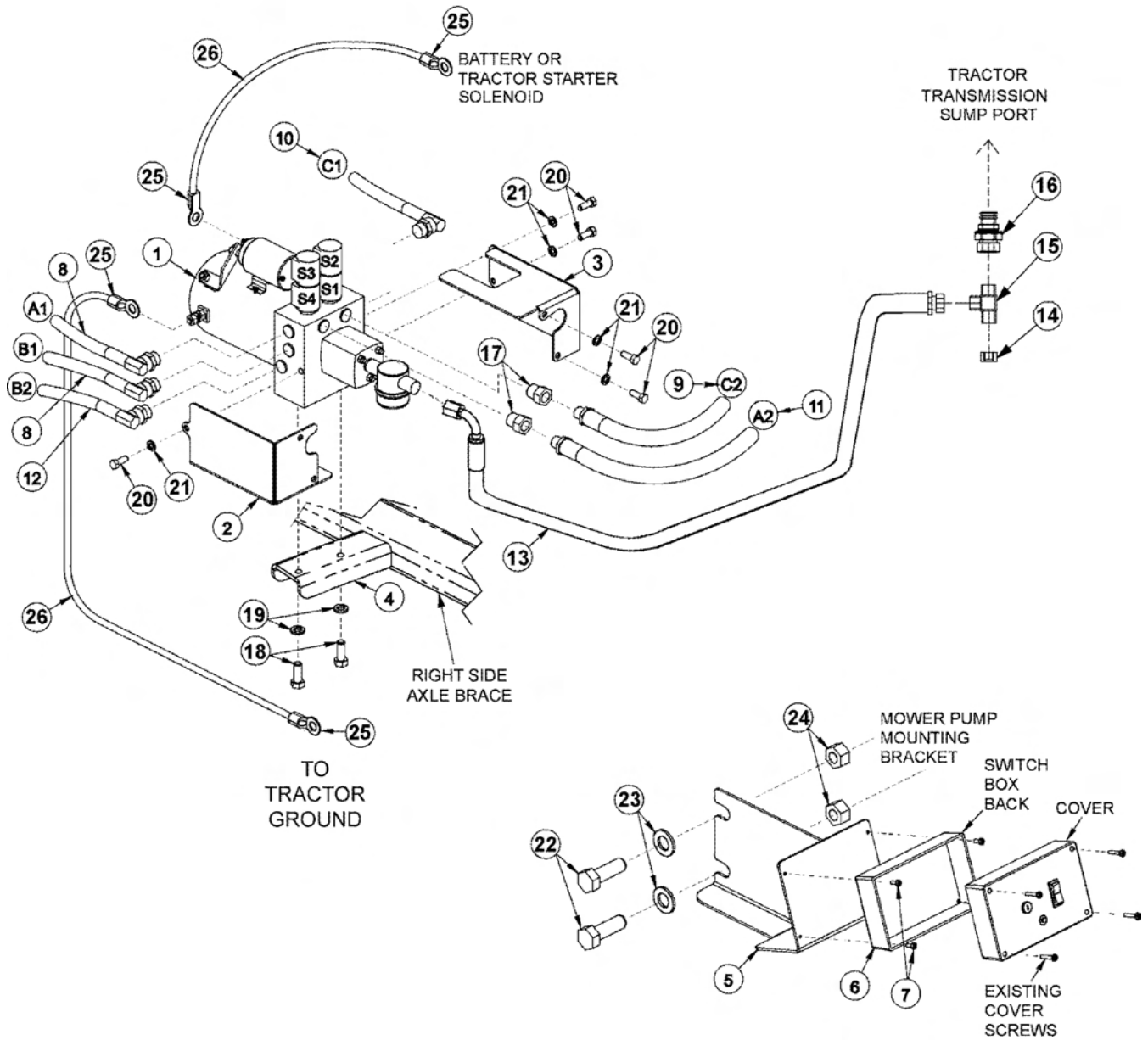
CORRECTIVE STEPS:

1. Remove relief valve installed on tractor lift valve. Visually inspect for contamination.
2. Remove solenoid valve (S1, S2, S3, S4) from egress unit and verify spool shift.
3. Remove relief valve from egress unit and visually inspect for contamination.
4. Inspect suction strainer for contamination.
- 5a. Verify supply voltage at pump motor posts on egress.
- 5b. Verify voltage at pump motor relay while switches are activated.
- 5c. Verify voltage at solenoid valve (S1, S2, S3, S4) on egress unit.
- 5d. Check or reset circuit breaker.

NOTE:

1. All voltage readings must be between 10.2 volts and 13.8 volts.

EGRESS PUMP MOUNTING



HOSE ROUTING

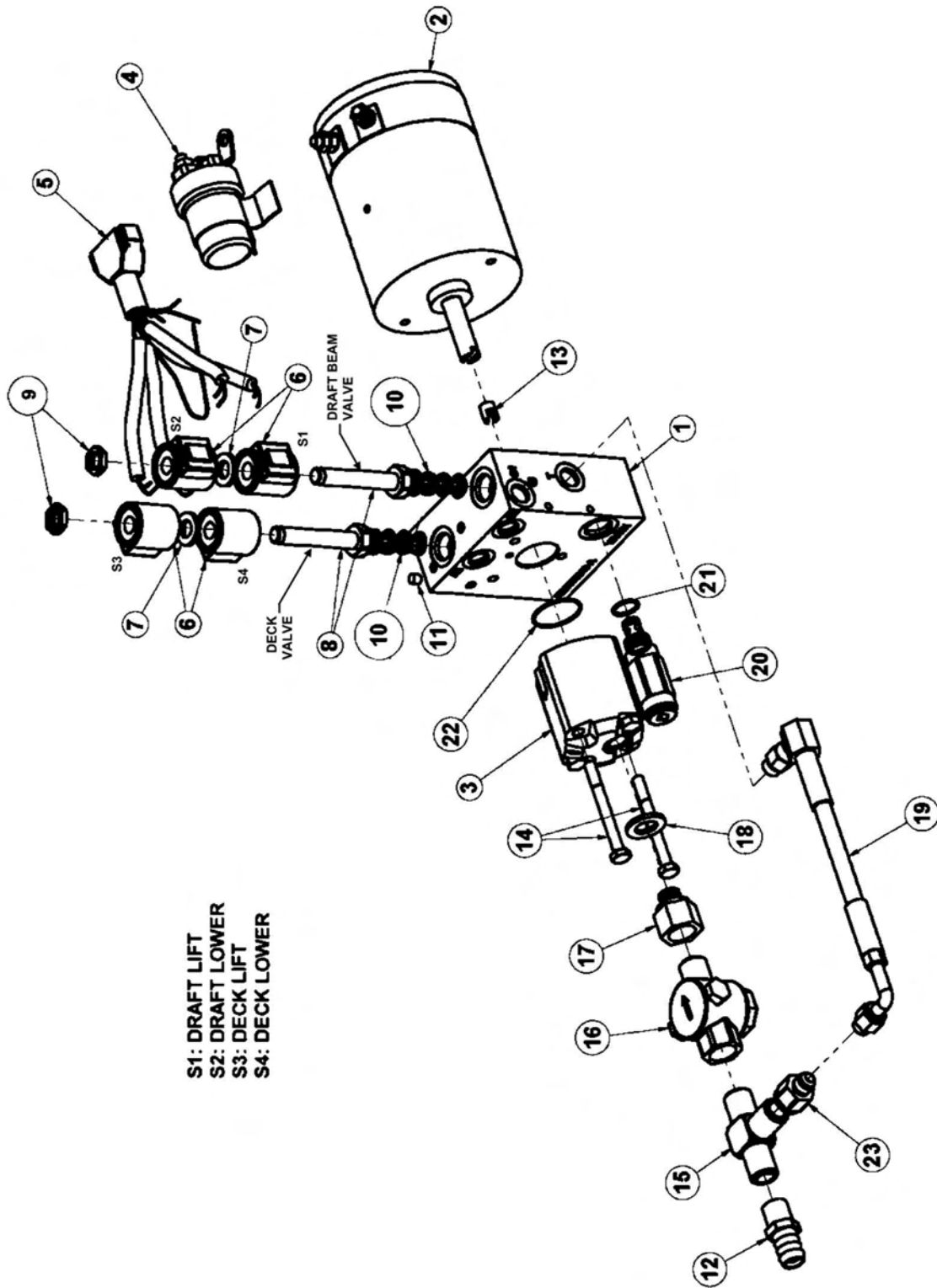
- A1 PORT - TO LIFT VALVE -- LEFT HAND OUTBOARD CYLINDER BUTT
- A2 PORT - TO CYLINDER -- LEFT HAND OUTBOARD CYLINDER BUTT
- B1 PORT - TO LIFT VALVE -- LEFT HAND OUTBOARD CYLINDER GLAND
- B2 PORT - TO CYLINDER -- LEFT HAND OUTBOARD CYLINDER GLAND
- C1 PORT - TO LIFT VALVE -- LEFT HAND INBOARD CYLINDER GLAND
- C2 PORT - TO CYLINDER -- LEFT HAND INBOARD CYLINDER GLAND

EGRESS PUMP MOUNTING

Continued...

| ITEM | PART NO. | QTY. | DESCRIPTION |
|------|----------|------|--|
| 1 | 06510066 | 1 | EGRESS PUMP |
| 2 | 34306 | 1 | COVER,FRONT HALF |
| 3 | 34307 | 1 | COVER,REAR HALF |
| 4 | ----- | 1 | AXLE BRACE,RH *REFER TO AXLE BRACES PAGE |
| 5 | 34124 | 1 | MOUNTING BRACKET,SWITCH BOX |
| 6 | 34123 | 1 | SWITCHBOX |
| 7 | 6T3951 | 4 | SCREW,MACHINE,8-32UNC X 1/2" |
| 8 | 06500567 | 2 | HOSE,1/4" X 70" |
| 9 | 06500565 | 1 | HOSE,1/4" X 81" |
| 10 | 06500566 | 1 | HOSE,1/4" X 67" |
| 11 | 34493 | 1 | HOSE,1/4" X 63" |
| 12 | 34439 | 1 | HOSE,1/4" X 64" |
| 13 | 06500564 | 1 | HOSE,1/2" X 42 |
| 14 | 06503097 | 1 | CAP,1/2" |
| 15 | 6T3992 | 1 | TEE,RUN |
| 16 | 06503154 | 1 | ADAPTER |
| 17 | 32901 | 2 | ADAPTER |
| 18 | 21629 | 2 | CAPSCREW,3/8" X 3/4",NC |
| 19 | 21988 | 2 | LOCKWASHER,3/8" |
| 20 | 21529 | 5 | CAPSCREW,1/4" X 3/4",NC |
| 21 | 21986 | 5 | LOCKWASHER,1/4" |
| 22 | 21833 | 2 | CAPSCREW,3/4" X 2-3/4",NC |
| 23 | 22021 | 2 | FLATWASHER,3/4" |
| 24 | 21825 | 2 | HEX NUT,3/4",NC |
| 25 | 23572 | 4 | RING CONNECTOR,3/8",STUD |
| 26 | 24201 | 12 | WIRE,RED,6GA (IN FEET) |

EGRESS PUMP BREAKDOWN

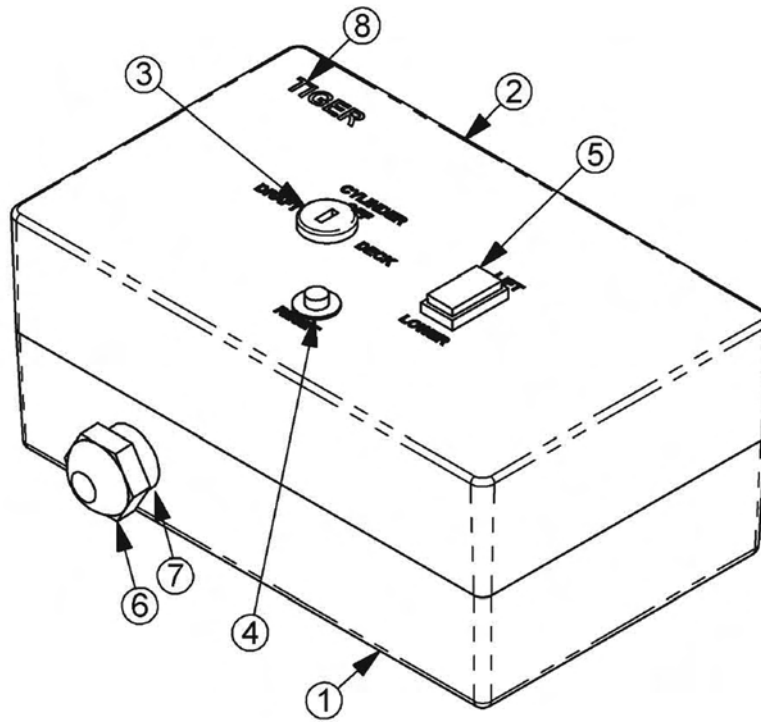


EGRESS PUMP BREAKDOWN

Continued...

| ITEM | PART NO. | QTY. | DESCRIPTION |
|------|----------|------|-----------------------------|
| --- | 06510066 | 1 | PUMP,ASSY,EGRESS |
| 1 | 06510067 | 1 | MANIFOLD |
| 2 | 06510068 | 1 | MOTOR |
| 3 | 06510070 | 1 | PUMP |
| 4 | 06510170 | 1 | RELAY |
| 5 | 06510171 | 1 | HARNES |
| 6 | 06510172 | 4 | COIL |
| 7 | 06510173 | 2 | SPACER |
| 8 | 06510174 | 2 | SPOOL |
| 9 | 06510175 | 2 | NUT |
| 10 | 06510176 | 6 | SEAL KIT,06510174 |
| 11 | 06510177 | 1 | PLUG |
| 12 | 06510179 | 1 | ADAPTER,BARB |
| 13 | 06510180 | 1 | COUPLING |
| 14 | 06510181 | 2 | BOLT |
| 15 | 06510182 | 1 | TEE |
| 16 | 06510183 | 1 | FILTER |
| 17 | 06510184 | 1 | ADAPTER,BARB |
| 18 | 06510185 | 1 | WASHER |
| 19 | 06510186 | 1 | HOSE |
| 20 | 06510187 | 1 | RELIEF |
| 21 | 06510188 | 1 | SEAL |
| 22 | 06510189 | 1 | SEAL KIT,06510066 |
| --- | 06510178 | 1 | O-RING |
| 23 | 33380 | 1 | ADAPTER,3/8" MOR X 1/2" FOR |

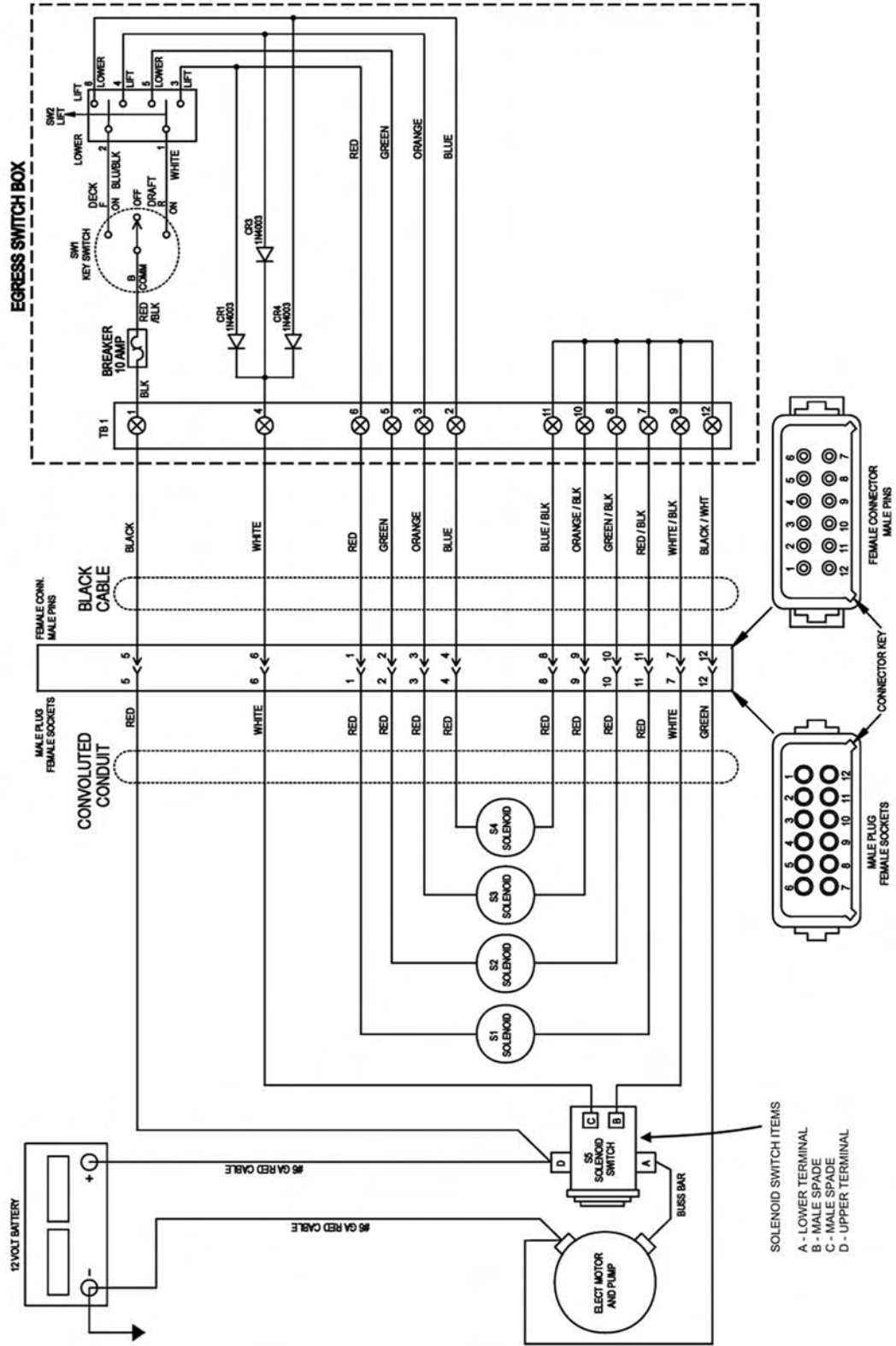
EGRESS SWITCH BOX



| ITEM | PART NO. | QTY. | DESCRIPTION |
|------|----------|------|--------------------------|
| 1 | 34934 | 1 | BOTTOM,EGRESS SWITCH BOX |
| 2 | 34933 | 1 | TOP,EGRESS SWITCH BOX |
| 3 | 34937 | 1 | KEY,SWITCH |
| 4 | 34936 | 1 | CIRCUIT BREAKER,10AMP |
| 5 | 34935 | 1 | ROCKER SWITCH |
| 6 | 34938 | 1 | STRAIN RELIEF |
| 7 | 34939 | 1 | LOCK NUT,3/4" |
| 8 | 34940 | 1 | DECAL,TIGER |

EGRESS SCHEMATIC

TRIPLE EGRESS SCHEMATIC



NOTES

COMMON TRIPLE

PARTS SECTION

NOTES



PART NAME INDEX

| | |
|--|----|
| PARTS ORDERING GUIDE..... | 5 |
| DRAFT BEAM - RIGHT HAND..... | 6 |
| DRAFT BEAM - LEFT HAND..... | 8 |
| SUPER DUTY 63IN SIDE FLAIL - STD ROT..... | 10 |
| SUPER DUTY 63IN SIDE FLAIL - REV ROT..... | 12 |
| SUPER DUTY 75IN SIDE FLAIL - STD ROT..... | 14 |
| SUPER DUTY 75IN SIDE FLAIL - REV ROT..... | 16 |
| SUPER DUTY SIDE FLAIL DRIVE ASSY..... | 18 |
| SUPER DUTY SIDE FLAIL MOTOR BREAKDOWN..... | 20 |
| EXTREME DUTY 60IN SIDE FLAIL - STD ROT..... | 22 |
| EXTREME DUTY 60IN SIDE FLAIL - REV ROT..... | 24 |
| EXTREME DUTY 75IN SIDE FLAIL - STD ROT..... | 26 |
| EXTREME DUTY 75IN SIDE FLAIL - REV ROT..... | 28 |
| EXTREME DUTY 90IN SIDE FLAIL - STD ROT..... | 30 |
| EXTREME DUTY 90IN SIDE FLAIL - REV ROT..... | 32 |
| FRONT FLAPS, XD FLAIL - STANDARD ROTATION..... | 34 |
| EXTREME DUTY SIDE FLAIL DRIVE ASSY..... | 36 |
| EXTREME DUTY SIDE FLAIL MOTOR BREAKDOWN..... | 38 |
| SUPER DUTY 75IN REAR FLAIL - STD ROT..... | 40 |
| SUPER DUTY 75IN REAR FLAIL - REV ROT..... | 42 |
| SUPER DUTY 90IN REAR FLAIL - STD ROT..... | 44 |
| SUPER DUTY 90IN REAR FLAIL - REV ROT..... | 46 |
| SUPER DUTY REAR FLAIL DRIVE ASSY..... | 48 |
| SUPER DUTY PTO DRIVE ASSY..... | 50 |
| SUPER DUTY REAR GEAR BOX ASSY..... | 52 |
| EXTREME DUTY 75IN REAR FLAIL - STD ROT..... | 54 |
| EXTREME DUTY 75IN REAR FLAIL - REV ROT..... | 56 |
| EXTREME DUTY 75IN REAR FLAIL DRIVE ASSY..... | 58 |
| EXTREME DUTY 90IN REAR FLAIL - STD ROT..... | 60 |
| EXTREME DUTY 90IN REAR FLAIL - REV ROT..... | 62 |
| EXTREME DUTY 90IN REAR FLAIL DRIVE ASSY..... | 64 |
| EXTREME DUTY 96IN REAR FLAIL - STD ROT..... | 66 |
| EXTREME DUTY 96IN REAR FLAIL - REV ROT..... | 68 |
| EXTREME DUTY 96IN REAR FLAIL DRIVE ASSY..... | 70 |
| EXTREME DUTY 102IN REAR FLAIL - STD ROT..... | 72 |
| EXTREME DUTY 102IN REAR FLAIL - REV ROT..... | 74 |
| EXTREME DUTY 102IN REAR FLAIL DRIVE ASSY..... | 76 |
| EXTREME DUTY REAR GEAR BOX ASSY..... | 78 |
| PTO SHAFT ASSEMBLY..... | 80 |
| PTO SHAFT ASSEMBLY WITH CLUTCH..... | 81 |

COMMON TRIPLE

PART NAME INDEX

| | |
|---|-----|
| CLUTCH ASSEMBLY..... | 82 |
| NOTES 1..... | 83 |
| RESERVOIR TANK FILTER ASSEMBLY..... | 84 |
| FRONT HYDRAULIC PUMP BREAKDOWN..... | 86 |
| 3IN X 8IN TIE-ROD CYLINDER - 31211..... | 88 |
| 3IN X 12IN TIE-ROD CYLINDER - 25343..... | 90 |
| 3IN X 12IN TIE-ROD CYLINDER - 32215..... | 92 |
| 4 SPOOL CABLE (MANUAL) LIFT VALVE - 31190..... | 94 |
| 4 SPOOL CABLE (MANUAL) LIFT VALVE - 06502046..... | 96 |
| COOLER ASSEMBLY..... | 98 |
| CASTER WHEEL ASSEMBLY..... | 100 |
| SIDE FLAIL TRAVEL LOCK..... | 102 |
| BRAKE VALVE ASSEMBLY..... | 103 |
| BRAKE VALVE HYDRAULIC SCHEMATIC..... | 104 |
| SWITCHBOX SERVICE PARTS..... | 105 |
| SWITCHBOX SCHEMATIC..... | 106 |
| PTO STAND..... | 107 |
| NOTES 2..... | 108 |

PARTS ORDERING GUIDE

The following instructions are offered to help eliminate needless delay and error in processing purchase orders for the equipment in this manual.

1. The Parts Section is prepared in logical sequence and grouping of parts that belong to the basic machine featured in this manual. Part Numbers and Descriptions are given to help locate the parts and quantities required.
2. The Purchase Order must indicate the **Name and Address** of the person or organization ordering the parts, **who should be charged**, and if possible, the **serial number of the machine** for which the parts are being ordered.
3. The purchase order must clearly list the **quantity of each part**, the complete and correct **part number**, and the basic **name of the part**.
4. The manufacturer reserves the right to substitute parts where applicable.
5. Some parts may be unlisted items which are special production items not normally stocked and are subject to special handling. Request a quotation for such parts before sending a purchase order.
6. The manufacturer reserves the right to change prices without prior notice.

NOTE: When ordering replacement decals, refer to the part numbers and descriptions listed in the safety section in the front of this manual.

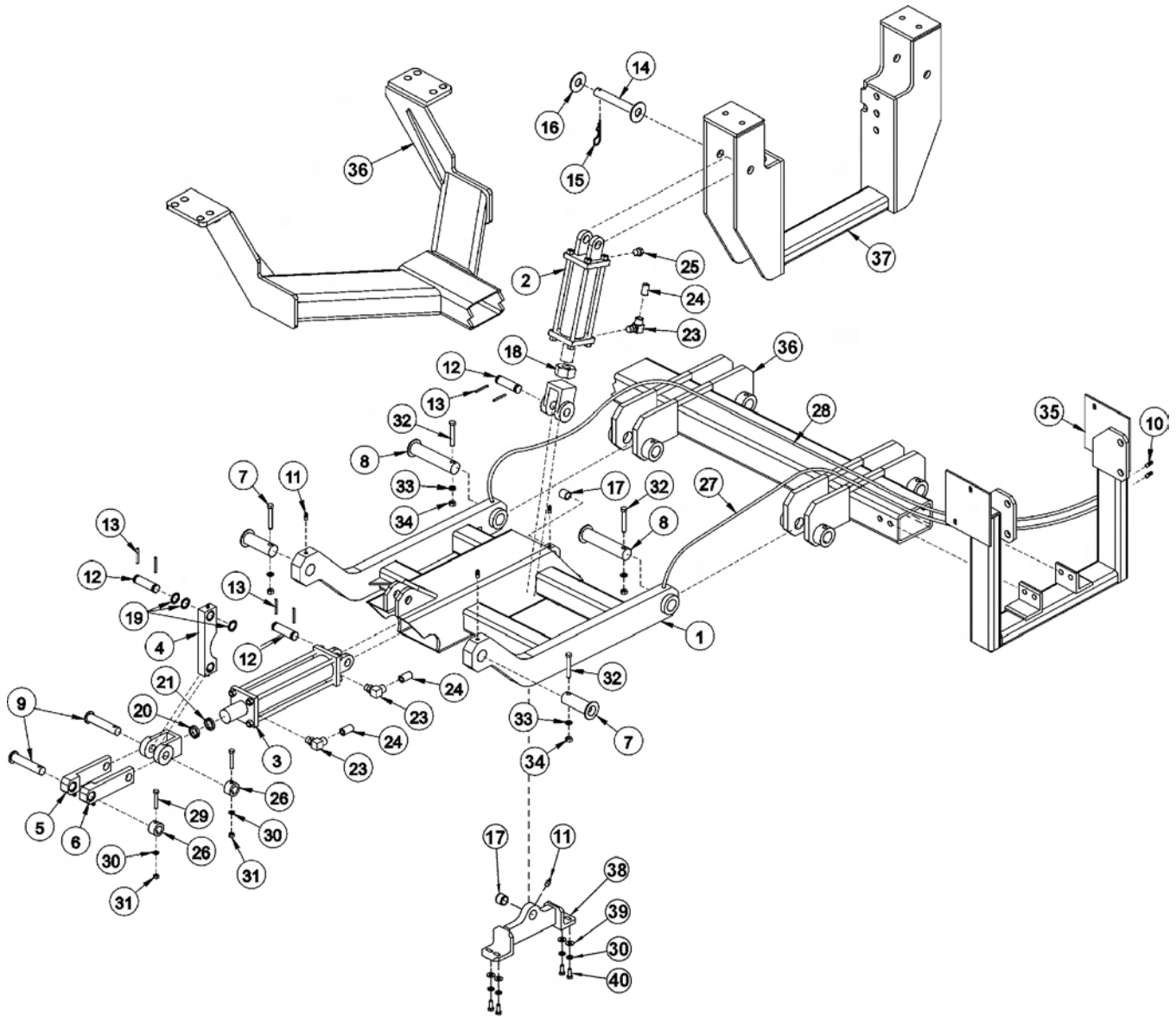


For maximum safety and to guarantee optimum product reliability, always use genuine **Tiger** replacement parts. The use of inferior replacement parts may cause premature or catastrophic failure which could result in serious injury or death.

Direct any questions regarding parts to:

Tiger Corporation
3301 N. Louise Ave.
Sioux Falls, SD 57107
1-800-843-6849
1-605-336-7900

DRAFT BEAM - RIGHT HAND



| ITEM | PART NO. | QTY. | DESCRIPTION |
|------|----------|------|---|
| 1 | ----- | - | DRAFT BEAM - REFER TO TRACTOR PARTS SECTION |
| 2 | 31211 | 1 | INBOARD CYLINDER |
| 3 | 25343 | 1 | OUTBOARD CYLINDER - XD |
| --- | 32215 | 1 | OUTBOARD CYLINDER - SD |
| 4 | TF4500A | 1 | PIVOT ARM |
| 5 | TF4506B | 1 | LIFT ARM - LH |

COMMON TRIPLE

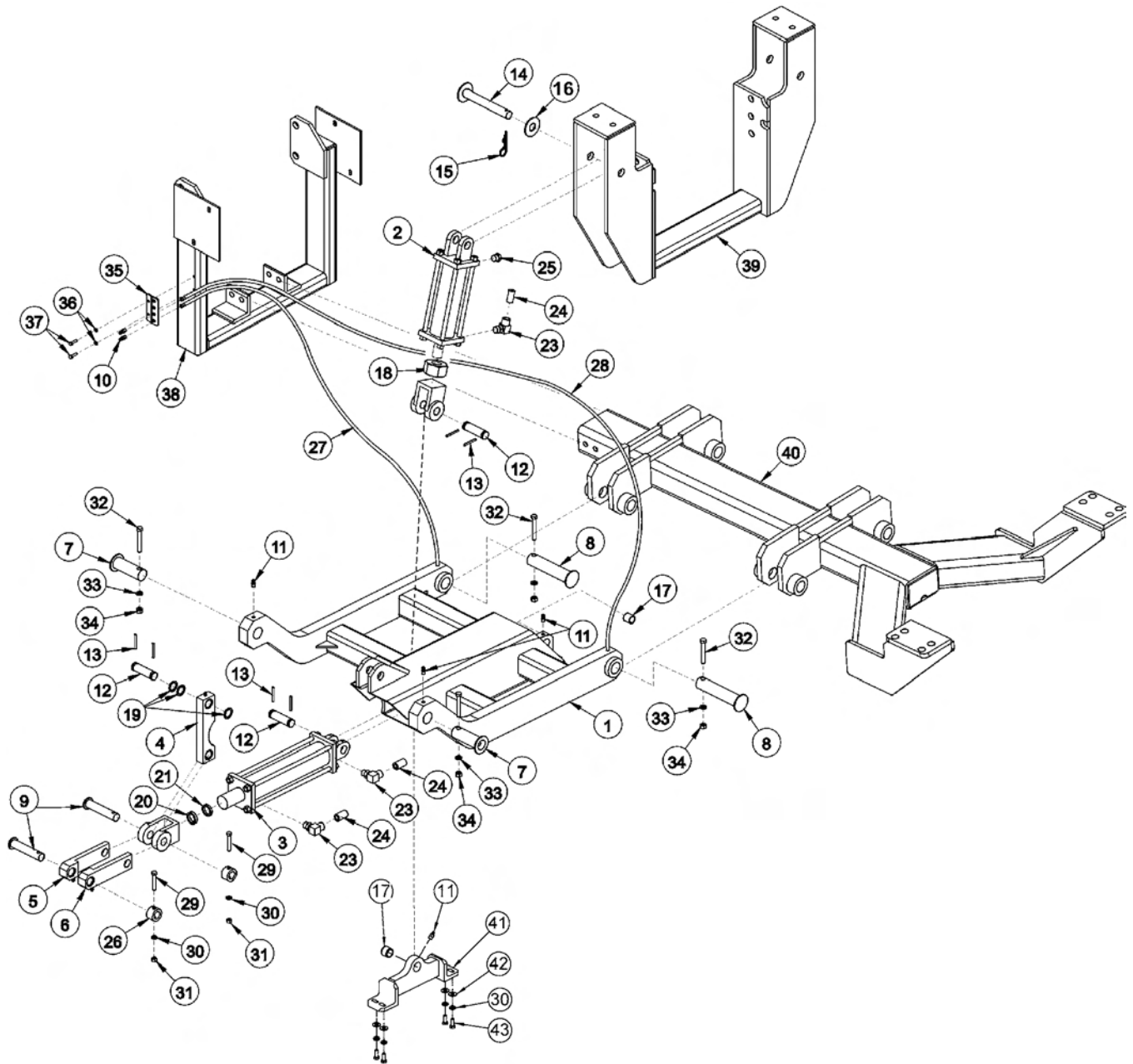
DRAFT BEAM - RIGHT HAND

Continued...

| ITEM | PART NO. | QTY. | DESCRIPTION |
|------|----------|------|---|
| 6 | TF4507B | 1 | LIFT ARM - RH |
| 7 | TF4514A | 2 | PIN |
| 8 | TF4515 | 2 | PIN,1-1/2" X 6-3/4" |
| 9 | TF4519 | 2 | PIN |
| 10 | TF1033 | 2 | GREASE ZERK,1/8" |
| 11 | 6T3207 | 4 | GREASE ZERK,1/4" |
| 12 | TB1033 | 3 | CLEVIS PIN |
| 13 | 06537021 | 6 | ROLL PIN |
| 14 | 6T3005 | 1 | CYLINDER PIN |
| 15 | 6T3004 | 1 | R-CLIP |
| 16 | 22023 | 1 | FLATWASHER |
| 17 | TB3010 | 2 | BUSHING |
| 18 | 31208 | 1 | SPACER |
| 19 | 23724 | 3 | SHIM |
| 20 | 22076 | 1 | SPACER (AS REQUIRED) |
| 21 | 22077 | 1 | SPACER (AS REQUIRED) |
| 23 | 34244 | 3 | FITTING |
| 24 | 34396 | 3 | RESTRICTOR |
| 25 | 6T4258 | 1 | BREATHER |
| 26 | 22847A | 2 | BOSS |
| 27 | 22851 | 1 | HOSE,3/16" X 37" |
| 28 | 22860 | 1 | HOSE,3/16" X 70" |
| 29 | 21635 | 2 | CAPSCREW,3/8" X 2-1/4",NC |
| 30 | 21988 | 6 | LOCKWASHER,3/8" |
| 31 | 21625 | 2 | HEX NUT,3/8",NC |
| 32 | 21688 | 4 | CAPSCREW,7/16" X 3-1/4",NC |
| 33 | 21989 | 4 | LOCKWASHER,7/16" |
| 34 | 21675 | 4 | HEX NUT,7/16",NC |
| 35 | ----- | - | HANGER - REFER TO TRACTOR PARTS SECTION |
| 36 | ----- | - | FRAME - REFER TO TRACTOR PARTS SECTION |
| 37 | ----- | - | MAST - REFER TO TRACTOR PARTS SECTION |
| 38 | 06350000 | 1 | CYLINDER ANCHOR |
| 39 | 22016 | 4 | FLATWASHER,3/8" |
| 40 | 21630 | 4 | CAPSCREW,3/8" X 1",NC |

COMMON TRIPLE

DRAFT BEAM - LEFT HAND



| ITEM | PART NO. | QTY. | DESCRIPTION |
|------|----------|------|---|
| 1 | ----- | - | DRAFT BEAM - REFER TO TRACTOR PARTS SECTION |
| 2 | 31211 | 1 | INBOARD CYLINDER |
| 3 | 25343 | 1 | OUTBOARD CYLINDER - XD |
| --- | 32215 | 1 | OUTBOARD CYLINDER - SD |
| 4 | TF4500A | 1 | PIVOT ARM |
| 5 | TF4506B | 1 | LIFT ARM - LH |

COMMON TRIPLE

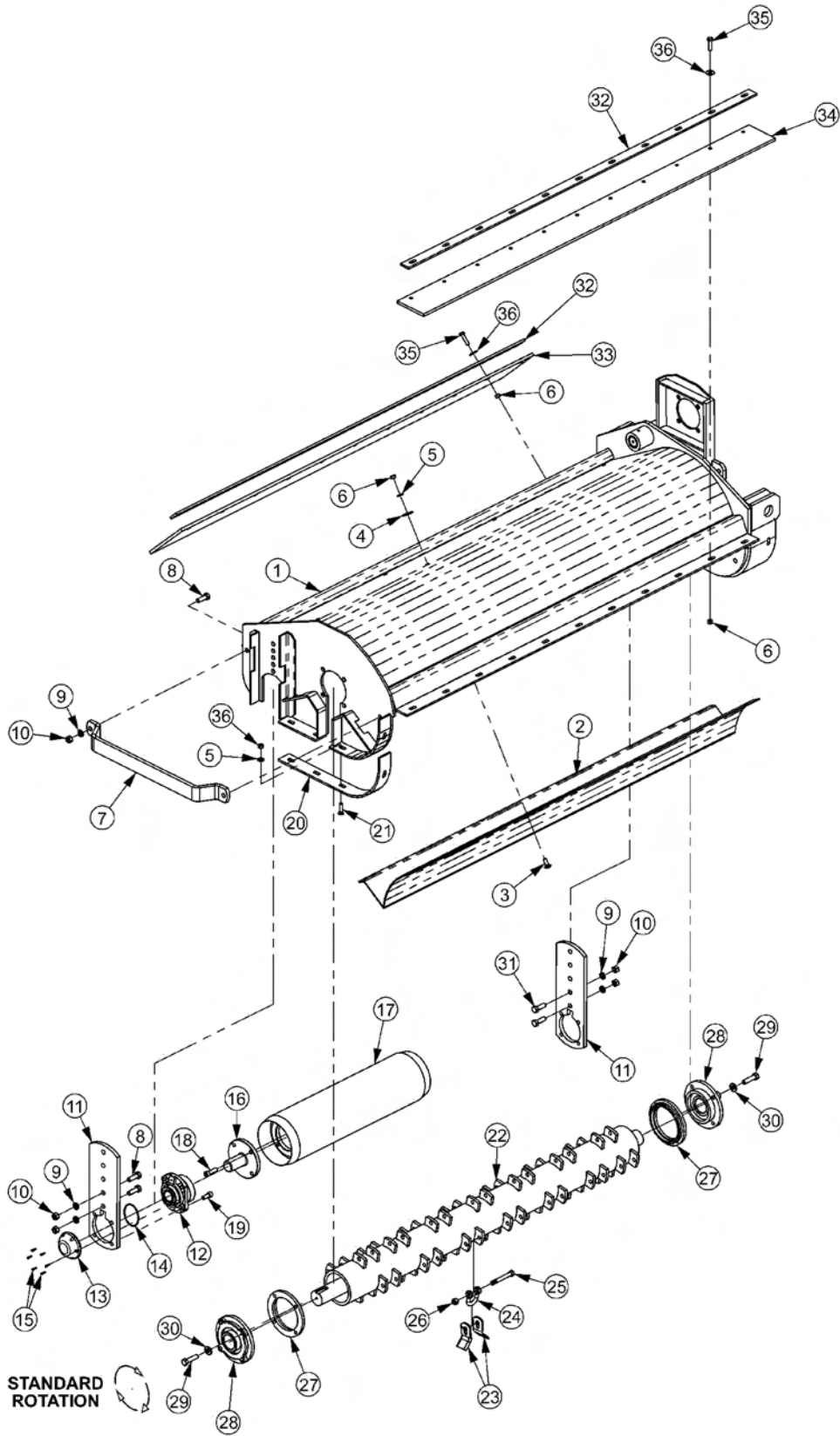
DRAFT BEAM - LEFT HAND

Continued...

| ITEM | PART NO. | QTY. | DESCRIPTION |
|------|----------|------|---|
| 6 | TF4507B | 1 | LIFT ARM - RH |
| 7 | TF4514A | 2 | PIN |
| 8 | TF4515 | 2 | PIN,1-1/2" X 6-3/4" |
| 9 | TF4519 | 2 | PIN |
| 10 | TF1033 | 2 | GREASE ZERK,1/8" |
| 11 | 6T3207 | 4 | GREASE ZERK,1/4" |
| 12 | TB1033 | 3 | CLEVIS PIN |
| 13 | 06537021 | 6 | ROLL PIN |
| 14 | 6T3005 | 1 | CYLINDER PIN |
| 15 | 6T3004 | 1 | R-CLIP |
| 16 | 22023 | 1 | FLATWASHER |
| 17 | TB3010 | 2 | BUSHING |
| 18 | 31208 | 1 | SPACER |
| 19 | 23724 | 3 | SHIM |
| 20 | 22076 | 1 | SPACER (AS REQUIRED) |
| 21 | 22077 | 1 | SPACER (AS REQUIRED) |
| 23 | 34244 | 3 | FITTING |
| 24 | 34396 | 3 | RESTRICTOR |
| 25 | 6T4258 | 1 | BREATHER |
| 26 | 22847A | 2 | BOSS |
| 27 | 22851 | 1 | HOSE,3/16" X 37" |
| 28 | 22660 | 1 | HOSE,3/16" X 70" |
| 29 | 21635 | 2 | CAPSCREW,3/8" X 2-1/4",NC |
| 30 | 21988 | 6 | LOCKWASHER,3/8" |
| 31 | 21625 | 2 | HEX NUT,3/8",NC |
| 32 | 21688 | 4 | CAPSCREW,7/16" X 3-3/4",NC |
| 33 | 21989 | 4 | LOCKWASHER,7/16" |
| 34 | 21675 | 4 | HEX NUT,7/16",NC |
| 35 | 22625 | 1 | GREASE HOSE BRACKET |
| 36 | 21986 | 2 | LOCKWASHER,1/4" |
| 37 | 21529 | 2 | CAPSCREW,1/4" X 3/4",NC |
| 38 | ----- | - | HANGER - REFER TO TRACTOR PARTS SECTION |
| 39 | ----- | - | MAST - REFER TO TRACTOR PARTS SECTION |
| 40 | ----- | - | FRAME - REFER TO TRACTOR PARTS SECTION |
| 41 | 06350000 | 1 | CYLINDER ANCHOR |
| 42 | 22016 | 4 | FLATWASHER,3/8" |
| 43 | 21630 | 4 | CAPSCREW,3/8" X 1",NC |

COMMON TRIPLE

SUPER DUTY 63IN SIDE FLAIL - STD ROT



COMMON TRIPLE

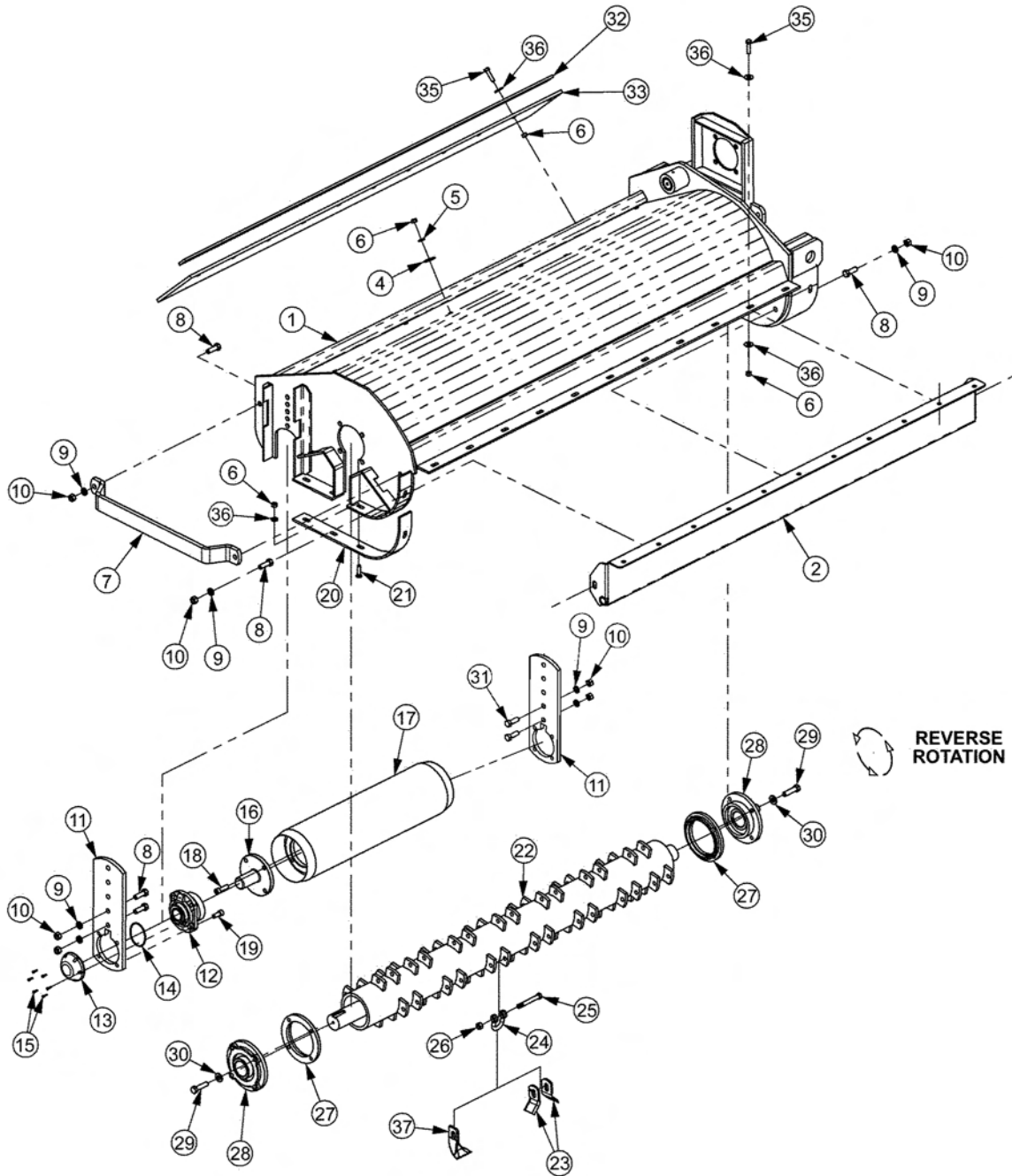
SUPER DUTY 63IN SIDE FLAIL - STD ROT

Continued...

| ITEM | PART NO. | QTY. | DESCRIPTION |
|-------------|-----------------|-------------|-----------------------------------|
| 1 | 32433 | 1 | BONNET,63",STD,T3F (RIGHT FLAIL) |
| --- | 32224 | 1 | BONNET,63",STD,T3F (LEFT FLAIL) |
| 2 | 28665A | 1 | BAFFLE,63",STD ROT |
| 3 | 6T2283 | 8 | CARRIAGE BOLT,3/8" X 1",NC |
| 4 | 6T2615 | 8 | WASHER,FENDER 3/8" |
| 5 | 21988 | 8 | LOCKWASHER,3/8" |
| 6 | 21625 | 40 | HEX NUT,3/8",NC |
| 7 | 27975A | 1 | GUARD,CUTTERSHAFT |
| 8 | 21731 | 4 | CAPSCREW,1/2" X 1-1/2",NC |
| 9 | 21990 | 6 | LOCKWASHER,1/2" |
| 10 | 21725 | 6 | HEX NUT,1/2",NC |
| 11 | 28735 | 2 | GROUND ROLLER ADJ BRKT,STD DTY |
| 12 | 06520028 | 2 | BEARING,FLANGE,1-3/8",GRNDRLR |
| 13 | 06520027 | 2 | CAP,BEARING,GRNDRLR |
| 14 | 06520029 | 2 | O-RING,2-3/4" X 3/32",AS568A-148 |
| 15 | 06530001 | 12 | CAPSCREW,SKT HD,8-32 X 1/2",SS |
| 16 | TF1045B | 2 | STUB SHAFT,GROUND ROLLER |
| 17 | 28650A | 1 | GROUND ROLLER,63" |
| 18 | 6T2330 | 8 | CAPSCREW,SKT HD,7/16" X 1-1/2",NC |
| 19 | 6T2331 | 8 | CAPSCREW,SKT HD,7/16" X 1",NC |
| 20 | 28086A | 2 | SKID SHOE,STD DUTY REAR FLAIL |
| 21 | 30013 | 10 | PLOW BOLT,3/8" X 1-1/4",NC,GR5 |
| --- | 28743 | - | CUTTERSHAFT ASSY,STANDARD |
| 22 | 28642C | 1 | CUTTERSHAFT,63" |
| 23 | 33713 | 64 | KNIFE,FLAIL,SHORT,FORGES GORCE |
| 24 | TF1020 | 32 | KNIFE MTG CLEVIS,FLAIL |
| 25 | 34011 | 32 | CAPSCREW,7/16" X 3-7/16",NC,GR8 |
| 26 | 21677 | 32 | NYLOCK NUT,7/16",NC |
| 27 | 33863 | 2 | STRING GUARD,STD |
| 28 | 28683 | 2 | BEARING,FLANGE,1-15/16",STD,TSF |
| 29 | 06530217 | 8 | CAPSCREW,1/2" X 2",NC,L9 |
| 30 | 06533006 | 8 | FLATWASHER,1/2",SAE,L9 |
| 31 | 21732 | 2 | CAPSCREW,1/2" X 1-3/4",NC |
| 32 | 28700 | 2 | BAR,FLAP,TSF/TBF,63" |
| 33 | 28701 | 1 | FLAP,DEFLECTOR,TSF,63" |
| 34 | 06520241 | 1 | FLAP,63",FRONT |
| 35 | 21632 | 22 | CAPSCREW,3/8" X 1-1/2",NC |
| 36 | 22016 | 32 | FLATWASHER,3/8" |

COMMON TRIPLE

SUPER DUTY 63IN SIDE FLAIL - REV ROT



COMMON TRIPLE

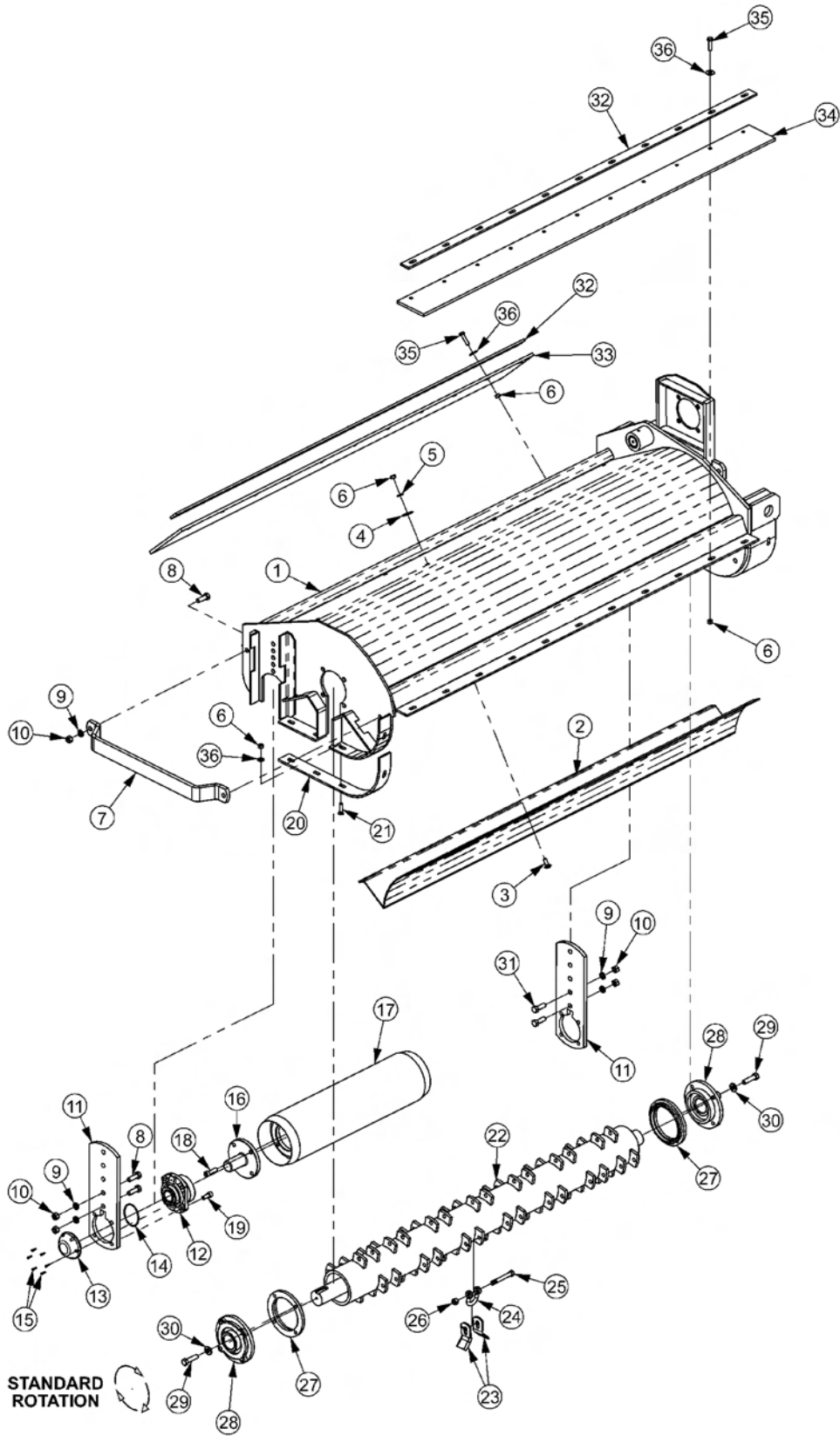
SUPER DUTY 63IN SIDE FLAIL - REV ROT

Continued...

| ITEM | PART NO. | QTY. | DESCRIPTION |
|-------------|-----------------|-------------|-----------------------------------|
| 1 | 32433 | 1 | BONNET,63",STD,T3F (RIGHT FLAIL) |
| --- | 32224 | 1 | BONNET,63",STD,T3F (LEFT FLAIL) |
| 2 | 28969A | 1 | TRASH GUARD,63",REV ROT |
| 3 | 6T2283 | 8 | CARRIAGE BOLT,3/8" X 1",NC |
| 4 | 6T2615 | 8 | WASHER,FENDER,3/8" |
| 5 | 21988 | 8 | LOCKWASHER,3/8" |
| 6 | 21625 | 40 | HEX NUT,3/8",NC |
| 7 | 27975A | 1 | GUARD,CUTTERSHAFT |
| 8 | 21731 | 6 | CAPSCREW,1/2" X 1-1/2",NC |
| 9 | 21990 | 8 | LOCKWASHER,1/2" |
| 10 | 21725 | 8 | HEX NUT,1/2",NC |
| 11 | 28735 | 2 | GROUND ROLLER ADJ BRKT,STD DTY |
| 12 | 06520028 | 2 | BEARING,FLANGE,1-3/8",GRNDRLR |
| 13 | 06520027 | 2 | CAP,BEARING,GRNDRLR |
| 14 | 06520029 | 2 | O-RING,2-3/4" X 3/32",AS568A-148 |
| 15 | 06530001 | 12 | CAPSCREW,SKT HD,8-32 X 1/2",SS |
| 16 | TF1045B | 2 | STUB SHAFT,GROUND ROLLER |
| 17 | 28650A | 1 | GROUND ROLLER,63" |
| 18 | 6T2330 | 8 | CAPSCREW,SKT HD,7/16" X 1-1/2",NC |
| 19 | 6T2331 | 8 | CAPSCREW,SKT HD,7/16" X 1",NC |
| 20 | 28086A | 2 | SKID SHOE,STD DUTY REAR FLAIL |
| 21 | 30013 | 10 | PLOW BOLT,3/8" X 1-1/4",NC,GR5 |
| --- | 28743 | - | CUTTERSHAFT ASSY,STANDARD CUT |
| ---- | 28744 | - | CUTTERSHAFT ASSY,SMOOTH CUT |
| 22 | 28642C | 1 | CUTTERSHAFT,63" |
| 23 | 33713 | 64 | FLAIL KNIVES (STANDARD CUT) |
| 24 | TF1020 | 32 | KNIFE MTG CLEVIS,FLAIL |
| 25 | 34011 | 32 | CAPSCREW,7/16" X 3-7/16",NC,GR8 |
| 26 | 21677 | 32 | NYLOCK NUT,7/16",NC |
| 27 | 33863 | 2 | STRING GUARD,STD |
| 28 | 28683 | 2 | BEARING,FLANGE,1-15/16",STD,TSF |
| 29 | 06530217 | 8 | CAPSCREW,1/2" X 2",NC,L9 |
| 30 | 06533006 | 8 | FLATWASHER,1/2",SAE,L9 |
| 31 | 21732 | 2 | CAPSCREW,1/2" X 1-3/4",NC |
| 32 | 28700 | 1 | BAR,FLAP,TSF/TBF,63" |
| 33 | 28701 | 1 | FLAP,DEFLECTOR,TSF,63" |
| 35 | 21632 | 22 | CAPSCREW,3/8" X 1-1/2",NC |
| 36 | 22016 | 43 | FLATWASHER,3/8" |
| 37 | 28184A | 32 | FLAIL KNIVES (SMOOTH CUT) |

COMMON TRIPLE

SUPER DUTY 75IN SIDE FLAIL - STD ROT



COMMON TRIPLE

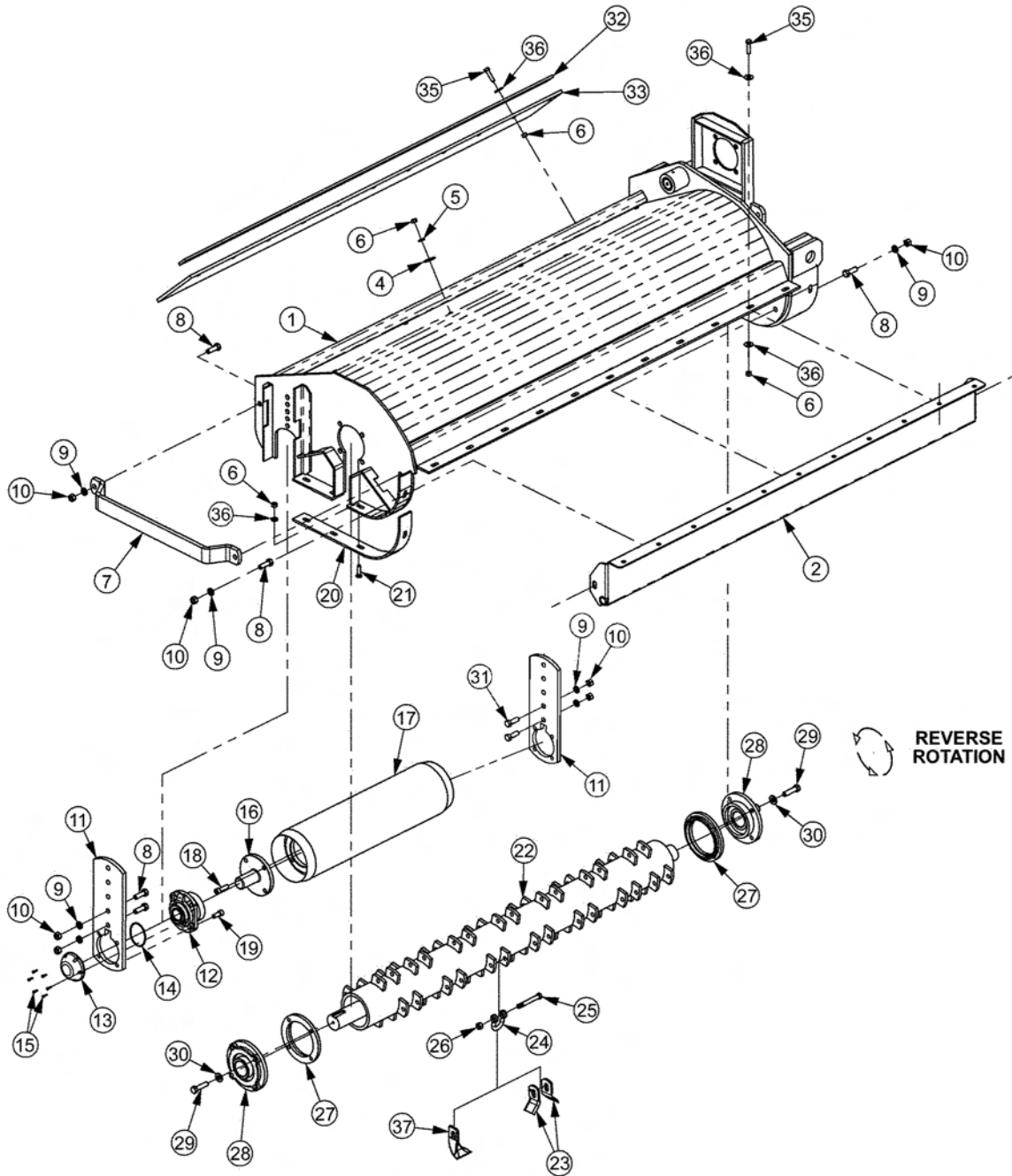
SUPER DUTY 75IN SIDE FLAIL - STD ROT

Continued...

| ITEM | PART NO. | QTY. | DESCRIPTION |
|------|----------|------|--------------------------------------|
| 1 | 06320109 | 1 | BONNET,75",STD,T3F (RIGHT FLAIL) |
| --- | 06320108 | 1 | BONNET,75",STD,T3F (LEFT FLAIL) |
| 2 | 28737 | 1 | BAFFLE,75",STD ROT-STD |
| 3 | 6T2283 | 10 | CARRIAGE BOLT,3/8" X 1",NC |
| 4 | 6T2615 | 10 | WASHER,FENDER,3/8" |
| 5 | 21988 | 10 | LOCKWASHER,3/8" |
| 6 | 21625 | 46 | HEX NUT,3/8",NC |
| 7 | 27975A | 1 | GUARD,CUTTERSHAFT |
| 8 | 21731 | 4 | CAPSCREW,1/2" X 1-1/2",NC |
| 9 | 21990 | 6 | LOCKWASHER,1/2" |
| 10 | 21725 | 6 | HEX NUT,1/2",NC |
| 11 | 28735 | 2 | GROUND ROLLER ADJ BRKT,STD DTY |
| 12 | 06520028 | 2 | BEARING,FLANGE,1-3/8,GRNDRLR |
| 13 | 06520027 | 2 | CAP,BEARING,GRNDRLR |
| 14 | 06520029 | 2 | O-RING,2-3/4 X 3/32",AS568A-148 |
| 15 | 06530001 | 12 | CAPSCREW,SKT HD,8-32 X 1/2",SS |
| 16 | TF1045B | 2 | STUB SHAFT,GROUND ROLLER |
| 17 | 28738 | 1 | GROUND ROLLER,75" |
| 18 | 6T2330 | 8 | CAPSCREW,SKT HD,7/16" X 1-1/2",NC |
| 19 | 6T2331 | 8 | CAPSCREW,SKT HD,7/16" X 1",NC |
| 20 | 28086A | 2 | SKID SHOE,STD DUTY REAR FLAIL |
| 21 | 30013 | 10 | PLOW BOLT,3/8" X 1-1/4",NC,GR5 |
| --- | 28747 | - | CUTTERSHAFT ASSY,STANDARD |
| 22 | 28643B | 1 | CUTTERSHAFT,75" |
| 23 | 33713 | 80 | KNIFE,FLAIL,SHORT,FORGES GORCE |
| 24 | TF1020 | 40 | KNIFE MTG CLEVIS,FLAIL |
| 25 | 34011 | 40 | CAPSCREW,7/16" X 3-7/16",NC,GR8 |
| 26 | 21677 | 40 | NYLOCK NUT,7/16",NC |
| --- | 06200639 | - | STRING GUARD KIT,SD (ITEMS 27,29,30) |
| 27 | 33863 | 2 | STRING GUARD,STD |
| 28 | 28683 | 2 | BEARING,FLANGE,1-15/16",STD,TSF |
| 29 | 06530217 | 8 | CAPSCREW,1/2" X 2",NC,L9 |
| 30 | 06533006 | 8 | FLATWASHER,1/2",SAE,L9 |
| 31 | 21732 | 2 | CAPSCREW,1/2" X 1-3/4",NC |
| 32 | TF1029 | 2 | BAR,FLAP,TSF/TBF,75" |
| 33 | TF1016 | 1 | FLAP,DEFLECTOR,TSF,75" |
| 34 | 06520242 | 1 | FLAP,75",FRONT |
| 35 | 21632 | 26 | CAPSCREW,3/8" X 1-1/2",NC |
| 36 | 22016 | 36 | FLATWASHER,3/8" |

COMMON TRIPLE

SUPER DUTY 75IN SIDE FLAIL - REV ROT



COMMON TRIPLE

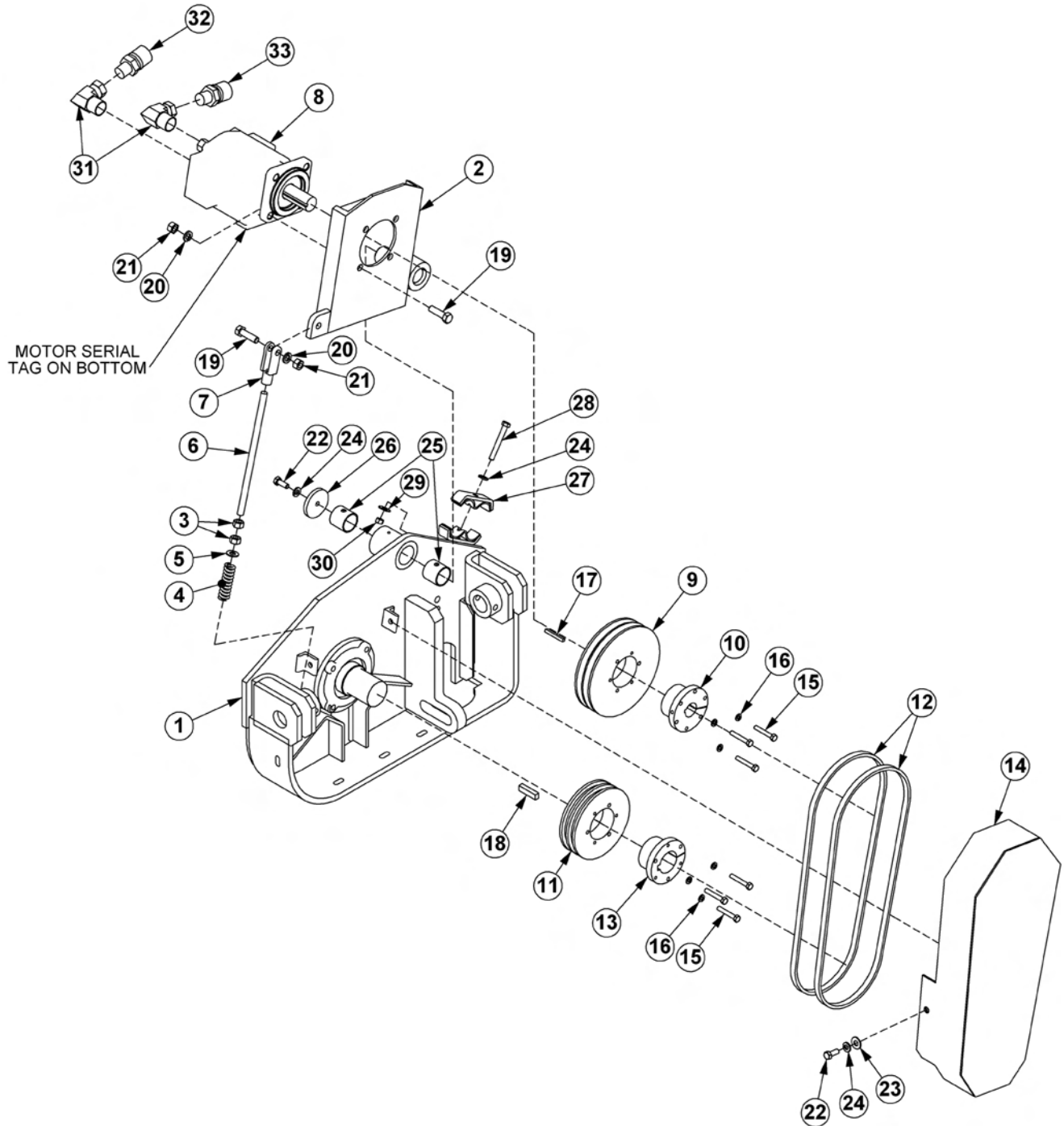
SUPER DUTY 75IN SIDE FLAIL - REV ROT

Continued...

| ITEM | PART NO. | QTY. | DESCRIPTION |
|-------------|-----------------|-------------|---|
| 1 | 06320109 | 1 | BONNET,75,STD,T3F (RIGHT FLAIL) |
| --- | 06320108 | 1 | BONNET,75,STD,T3F (LEFT FLAIL) |
| 2 | 28968A | 1 | TRASH GUARD,75" |
| 3 | 6T2283 | 10 | CARRIAGE BOLT,3/8" X 1",NC |
| 4 | 6T2615 | 10 | WASHER,FENDER,3/8" |
| 5 | 21988 | 10 | LOCKWASHER,3/8" |
| 6 | 21625 | 36 | HEX NUT,3/8",NC |
| 7 | 27975A | 1 | GUARD,CUTTERSHAFT |
| 8 | 21731 | 6 | CAPSCREW,1/2" X 1-1/2",NC |
| 9 | 21990 | 8 | LOCKWASHER,1/2" |
| 10 | 21725 | 8 | HEX NUT,1/2",NC |
| 11 | 28735 | 2 | GROUND ROLLER ADJ BRKT,STD DTY |
| 12 | 06520028 | 2 | BEARING,FLANGE,1-3/8",GRNDRLR |
| 13 | 06520027 | 2 | CAP,BEARING,GRNDRLR |
| 14 | 06520029 | 2 | O-RING,2-3/4" X 3/32",AS568A-148 |
| 15 | 06530001 | 12 | CAPSCREW,SKT HD,8-32 X 1/2",SS |
| 16 | TF1045B | 2 | STUB SHAFT,GROUND ROLLER |
| 17 | 28738 | 1 | GROUND ROLLER,75" |
| 18 | 6T2330 | 8 | CAPSCREW,SKT HD,7/16" X 1-1/2",NC |
| 19 | 6T2331 | 8 | CAPSCREW,SKT HD,7/16" X 1",NC |
| 20 | 28086A | 2 | SKID SHOE,STD DUTY REAR FLAIL |
| 21 | 30013 | 10 | PLOW BOLT,3/8" X 1-1/4",NC,GR5 |
| --- | 28747 | - | CUTTERSHAFT ASSY,STANDARD (22, 23, 24, 25 & 26) |
| ---- | 28748 | - | CUTTERSHAFT ASSY,SMOOTH (22, 23, 24, 25 & 37) |
| 22 | 28643B | 1 | CUTTERSHAFT,75" |
| 23 | 33713 | 80 | FLAIL KNIVES (STANDARD CUT) |
| 24 | TF1020 | 40 | KNIFE MTG CLEVIS,FLAIL |
| 25 | 34011 | 40 | CAPSCREW,7/16" X 3-7/16",NC,GR8 |
| 26 | 21677 | 40 | NYLOCK NUT,7/16",NC |
| --- | 06200639 | - | STRING GUARD KIT, SD (ITEMS 27,29,30) |
| 27 | 33863 | 2 | STRING GUARD,STD |
| 28 | 28683 | 2 | BEARING,FLANGE,1-15/16",STD,TSF |
| 29 | 06530217 | 8 | CAPSCREW,1/2" X 2",NC,L9 |
| 30 | 06533006 | 8 | FLATWASHER,1/2",SAE,L9 |
| 31 | 21732 | 2 | CAPSCREW,1/2" X 1-3/4",NC |
| 32 | TF1029 | 1 | BAR,FLAP,TSF/TBF,75" |
| 33 | TF1016 | 1 | FLAP,DEFLECTOR,TSF,75" |
| 35 | 21632 | 22 | CAPSCREW,3/8" X 1-1/2",NC |
| 36 | 22016 | 46 | FLATWASHER,3/8" |
| 37 | 28184A | 40 | FLAIL KNIVES (SMOOTH CUT) |

COMMON TRIPLE

SUPER DUTY SIDE FLAIL DRIVE ASSY



COMMON TRIPLE

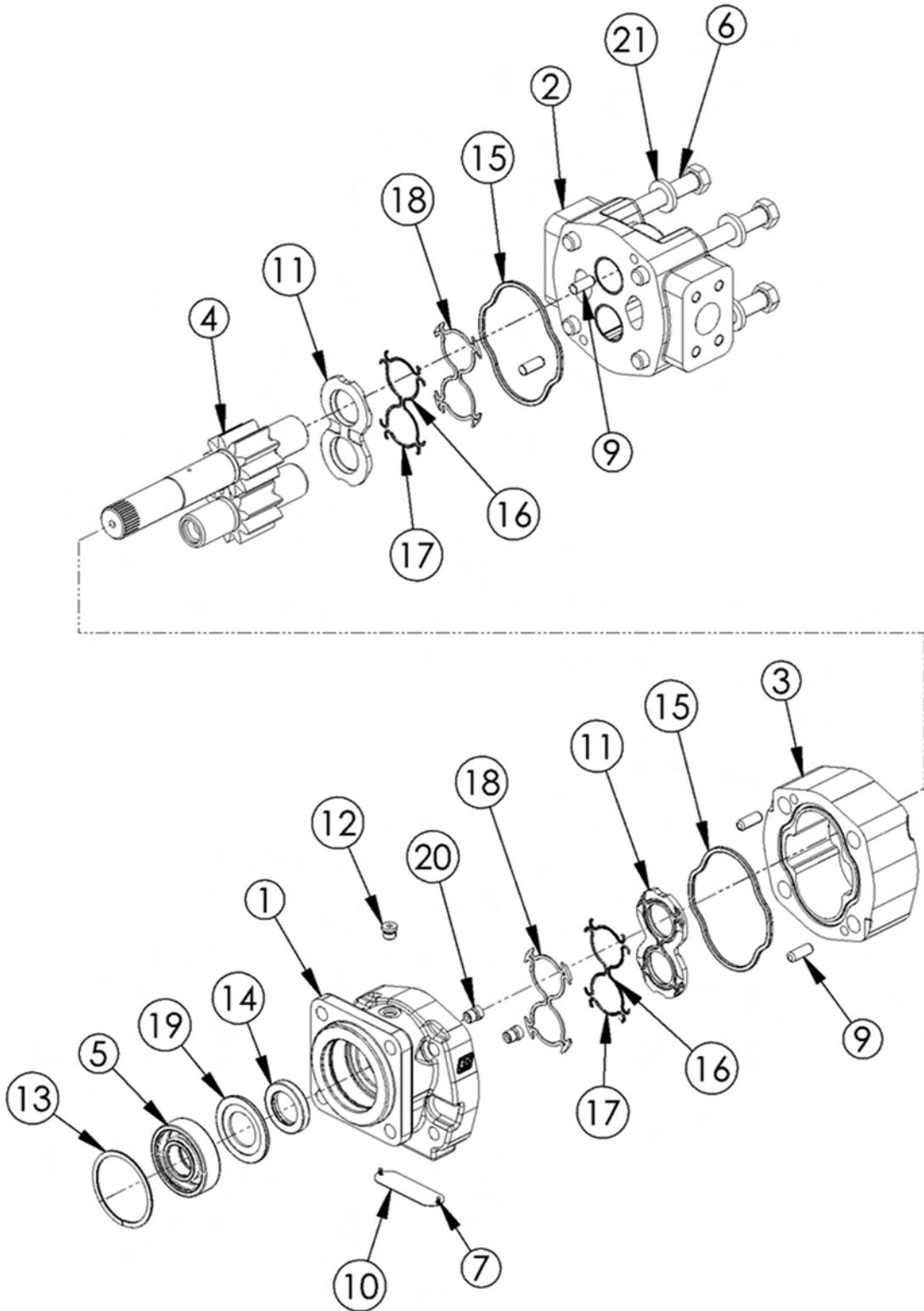
SUPER DUTY SIDE FLAIL DRIVE ASSY

Continued...

| ITEM | PART NO. | QTY. | DESCRIPTION |
|------|----------|------|--------------------------------------|
| 1 | ----- | - | BONNET *REFER TO HEAD PARTS |
| 2 | 32287 | 1 | MOTOR CHANNEL (RIGHT FLAIL) |
| --- | 32286 | 1 | MOTOR CHANNEL (LEFT FLAIL) |
| 3 | 21700 | 2 | HEX NUT, 1/2", NF |
| 4 | TF3620A | 1 | SPRING,TENSIONER |
| 5 | 27938 | 1 | BUSHING,MACH,1ODX1/2IDX14GA. |
| 6 | 40496 | 1 | ROD,THREADED,1/2NFX8 |
| 7 | PT3611A | 1 | CLEVIS,6" |
| 8 | 06504065 | 1 | MOTOR, M350-1 GEAR |
| 9 | TF3041 | 1 | SHEAVE,6.7 |
| 10 | TF3013 | 1 | BUSHING,QD,SK 1-1/4,1/4 KEY |
| 11 | TF3040 | 1 | SHEAVE,6.3 |
| 12 | 32252 | 2 | V-BELT,(470) |
| 13 | 28723 | 1 | BUSHING,QD,SK 1-15/16 |
| 14 | 32569 | 1 | GUARD,BELT |
| 15 | 21584 | 6 | CAPSCREW, 5/16 X 2,NC |
| 16 | 21987 | 6 | LOCKWASHER, 5/16" |
| 17 | 06504028 | 1 | KEY (KEY FROM MOTOR) |
| 18 | 26142A | 1 | KEY,1/2 X 1/2 X 2 |
| 19 | 21732 | 5 | CAPSCREW, 1/2 X 1 3/4,NC |
| 20 | 21990 | 5 | LOCKWASHER, 1/2" |
| 21 | 21725 | 5 | HEX NUT,1/2 NC |
| 22 | 21630 | 3 | CAPSCREW, 3/8 X 1,NC |
| 23 | 22016 | 2 | FLATWASHER,3/8" |
| 24 | 21988 | 4 | LOCKWASHER, 3/8" |
| 25 | 27580 | 2 | BEARING,DX,1-1/2",GRM |
| 26 | 28682 | 1 | RETAINING,WASHER 2-1/2 X 5/16 |
| 27 | TB3031 | 1 | CLAMP,TUBE |
| 28 | 21638 | 1 | CAPSCREW,3/8" X 3",NC |
| 29 | 22016 | 1 | FLATWASHER,3/8",GR8 |
| 30 | 21625 | 1 | HEX NUT,3/8",NC |
| 31 | 34117 | 2 | ELBOW,1MOR X 1MJIC |
| 32 | ----- | - | HOSE (RETURN FOR STANDARD ROTATION) |
| 33 | ----- | - | HOSE (PRESSURE OF STANDARD ROTATION) |

COMMON TRIPLE

SUPER DUTY SIDE FLAIL MOTOR BREAKDOWN



COMMON TRIPLE

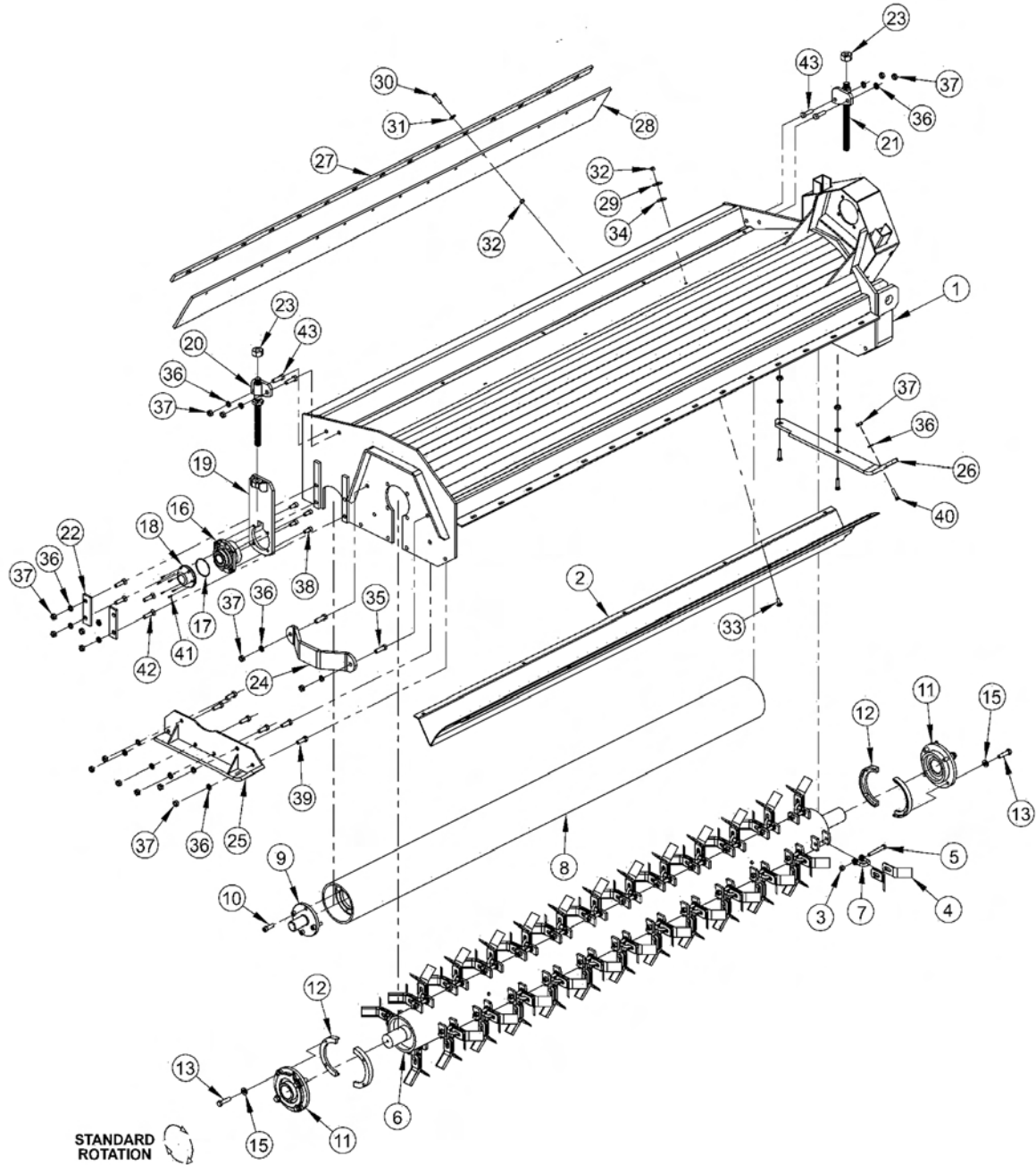
SUPER DUTY SIDE FLAIL MOTOR BREAKDOWN

Continued...

| ITEM | PART NO. | QTY. | DESCRIPTION |
|------|-----------|------|--|
| --- | 06504065 | - | MOTOR ASSEMBLY 350 - TSF |
| 1 | 06504039 | 1 | SHAFT END COVER |
| 2 | 06504060 | 1 | PORT END COVER |
| 3 | 06504055 | 1 | GEAR HOUSING |
| 4 | 06504056 | 1 | MATCHED GEAR SET |
| 5 | TF4402 | 1 | BALL BEARING |
| 6 | 06504057 | 4 | CAP SCREW |
| 7 | 06504044 | 2 | SET SCREW |
| 9 | 06504045 | 4 | DOWEL PIN |
| 10 | ----- | 1 | NAMEPLATE |
| 11 | 763759 | 2 | THRUSTPLATE |
| 12 | 02961940 | 1 | HEX PLUG |
| 13 | TF4401 | 1 | SNAP RING |
| 14 | 06504049 | 1 | LIP SEAL (INCLUDED IN SEAL KIT) |
| 15 | TF4410 | 2 | GASKET SEAL (INCLUDED IN SEAL KIT) |
| 16 | 06504046 | 4 | SIDE SEAL (INCLUDED IN SEAL KIT) |
| 17 | 06504047 | 4 | END SEAL (INCLUDED IN SEAL KIT) |
| 18 | TF4407 | 2 | BACK-UP SEAL (INCLUDED IN SEAL KIT) |
| 19 | 029661932 | 1 | SEAL RETAINER |
| 20 | 6T5809 | 2 | CHECK ASSEMBLY |
| 21 | 02961917 | 4 | WASHER |
| --- | 06504023 | - | SEAL KIT (INCLUDES 14, 15, 16, 17, AND 18) |

COMMON TRIPLE

EXTREME DUTY 60IN SIDE FLAIL - STD ROT



| ITEM | PART NO. | QTY. | DESCRIPTION |
|------|----------|------|---|
| 1 | 33913 | 1 | BONNET,60,HD,T3F (RIGHT FLAIL) |
| --- | 06320015 | 1 | BONNET,60,HD,T3F (LEFT FLAIL) |
| 2 | TF1802A | 1 | BAFFLE,FLAIL,60HD,STD ROT |
| --- | TF1807A | - | CUTSHFT ASSY,60HD,STD KNIVES (ITEMS 3, 4, 5, 6 & 7) |
| 3 | 21677 | 32 | NYLOCK NUT,7/16 NC |
| 4 | 33714 | 64 | KNIFE,FLAIL,STANDARD |

COMMON TRIPLE

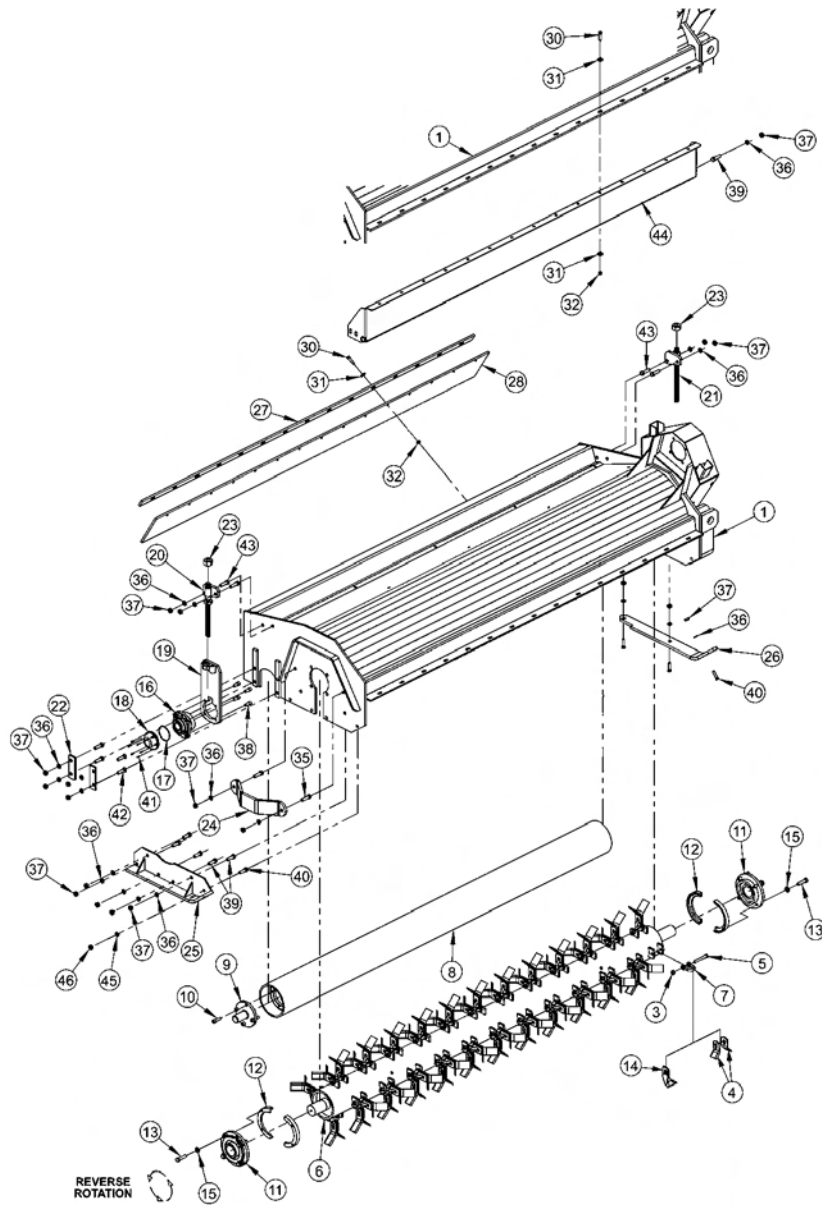
EXTREME DUTY 60IN SIDE FLAIL - STD ROT

Continued...

| ITEM | PART NO. | QTY. | DESCRIPTION |
|------|----------|------|-------------------------------------|
| 5 | 34011 | 32 | CAPSCREW,7/16X3 7/16,NC GR8 |
| 6 | TF1807 | 1 | CUTTERSHAFT,60,HD |
| 7 | TF1020 | 32 | KNIFE MTG CLEVIS,FLAIL |
| 8 | 30277 | 1 | GROUND ROLLER,60 |
| 9 | TF1045B | 2 | STUB SHAFT,GROUND ROLLER |
| 10 | 6T2330 | 8 | CAPSCREW,SKT HD,7/16X1-1/2NC |
| 11 | TF1018 | 2 | BEARING,FLANGE,2-3/16 |
| --- | 06200347 | - | STRING GUARD,KIT,HD(ITEMS 12,13,15) |
| 12 | 31204 | 2 | STRING GUARD, HD |
| 13 | 06530217 | 8 | CAPSCREW,1/2 X 2,NC,L9 |
| 15 | 06533006 | 8 | FLATWASHER,1/2,SAE,L9 |
| 16 | 06520028 | 2 | BEARING,FLANGE,1 3/8,GRNDRLR |
| 17 | 06520029 | 2 | O-RING,2 3/4X3/32,AS568A-148 |
| 18 | 06520027 | 2 | CAP,BEARING,GRNDRLR |
| 19 | TF4333A | 2 | GROUND ROLLER ADJ,BRKT |
| 20 | TF4334 | 1 | ROD,GROUND ROLLER ADJ,RT |
| 21 | TF4335 | 1 | ROD,GROUND ROLLER ADJ,LF |
| 22 | TF4336 | 4 | PLATE,GROUND ROLLER LOCK |
| 23 | 21399 | 2 | HEX NUT,3/4 (ACME) BULK |
| 24 | TF1040 | 1 | GUARD,CUTTER SHAFT |
| 25 | TF4371 | 1 | SKID SHOE,OUTER (RIGHT FLAIL) |
| --- | TF4370 | 1 | SKID SHOE,OUTER (LEFT FLAIL) |
| 26 | 23272A | 1 | SKID SHOE,INNER (RIGHT FLAIL) |
| --- | 27526 | 1 | SKID SHOE,INNER (LEFT FLAIL) |
| 27 | TF1803 | 1 | BAR,FLAP,TSF/TRF 60 |
| 28 | TF1804 | 1 | FLAP,DEFLECTOR,TSF/TRF 60 |
| 29 | 21988 | 10 | LOCKWASHER,3/8 |
| 30 | 21632 | 10 | CAPSCREW,3/8 X 1-1/2 NC |
| 31 | 22016 | 10 | FLATWASHER,3/8 |
| 32 | 21625 | 18 | HEX NUT,3/8 NC |
| 33 | 6T2283 | 8 | CARRIAGE BOLT,3/8 X 1 NC |
| 34 | 6T2615 | 8 | WASHER,FENDER 3/8 |
| 35 | 21732 | 2 | CAPSCREW,1/2 X 1-3/4 NC |
| 36 | 21990 | 23 | LOCKWASHER,1/2 |
| 37 | 21725 | 23 | HEX NUT,1/2 NC |
| 38 | 6T2331 | 8 | CAPSCREW,SKT HD,7/16 X 1 NC |
| 39 | 21730 | 6 | CAPSCREW,1/2 X 1-1/4 NC |
| 40 | 23293 | 3 | PLOW,BOLT,1/2 X 1-3/4 NC |
| 41 | 06530001 | 12 | CAPSCREW,SKT HD,8-32X1/2,SS |
| 42 | 6T2291 | 8 | PLOW BOLT,1/2 X 2 NC GR5 |
| 43 | 21731 | 4 | CAPSCREW,1/2 X 1-1/2 NC |

COMMON TRIPLE

EXTREME DUTY 60IN SIDE FLAIL - REV ROT



| ITEM | PART NO. | QTY. | DESCRIPTION |
|------|----------|------|---|
| 1 | 33913 | 1 | BONNET,60,HD,T3F (RIGHT FLAIL) |
| --- | 06320015 | 1 | BONNET,60,HD,T3F (LEFT FLAIL) |
| 2 | TF1807A | - | CUTSHFT ASSY,60HD (STANDARD CUT) (ITEMS 3, 4, 5, 6 & 7) |
| --- | TF1807B | - | CUTSHFT ASSY,60HD (SMOOTH CUT) (ITEMS 3, 5, 6, 7 & 14) |
| 3 | 21677 | 32 | NYLOCK NUT,7/16 NC |
| 4 | 33714 | 64 | KNIFE,FLAIL (STANDARD CUT) |
| 5 | 34011 | 32 | CAPSCREW,7/16X3 7/16,NC GR8 |
| 6 | TF1807 | 1 | CUTTERSHAFT,60,HD |
| 7 | TF1020 | 32 | KNIFE MTG CLEVIS,FLAIL |
| 8 | 30277 | 1 | GROUND ROLLER,60 |

COMMON TRIPLE

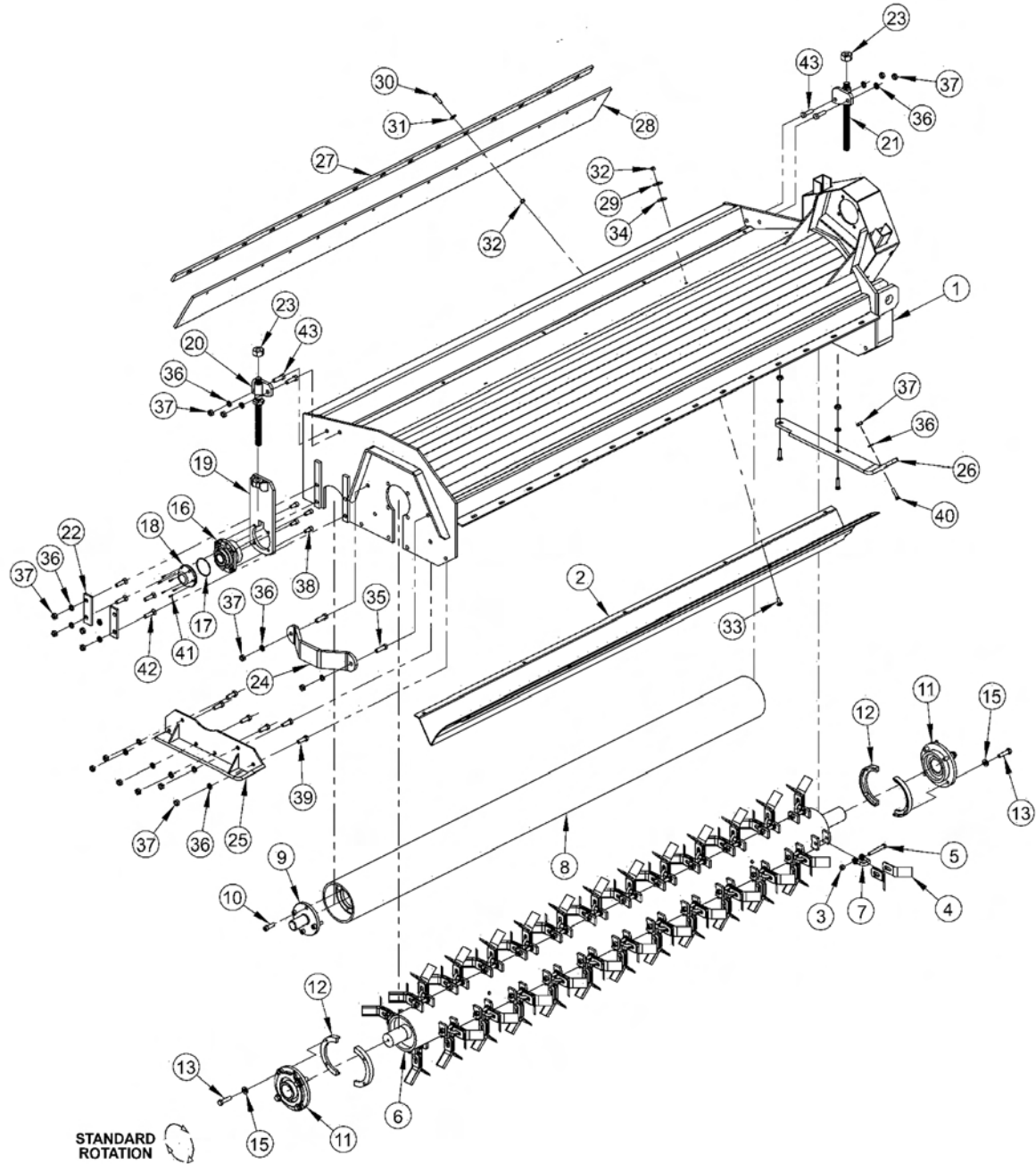
EXTREME DUTY 60IN SIDE FLAIL - REV ROT

Continued...

| ITEM | PART NO. | QTY. | DESCRIPTION |
|------|----------|------|-------------------------------------|
| 9 | TF1045B | 2 | STUB SHAFT,GROUND ROLLER |
| 10 | 6T2330 | 8 | CAPSCREW,SKT HD,7/16X1-1/2NC |
| 11 | TF1018 | 2 | BEARING,FLANGE,2-3/16 |
| --- | 06200347 | - | STRING GUARD,KIT,HD(ITEMS 12,13,15) |
| 12 | 31204 | 2 | STRING GUARD, HD |
| 13 | 06530217 | 8 | CAPSCREW,1/2 X 2,NC,L9 |
| 14 | TF1019F | 32 | KNIFE,FLAIL (SMOOTH CUT) |
| 15 | 06533006 | 12 | FLATWASHER,1/2,SAE,L9 |
| 16 | 06520028 | 2 | BEARING,FLANGE,1 3/8,GRNDRLR |
| 17 | 06520029 | 2 | O-RING,2 3/4X3/32,AS568A-148 |
| 18 | 06520027 | 2 | CAP,BEARING,GRNDRLR |
| 19 | TF4333A | 2 | GROUND ROLLER ADJ,BRKT |
| 20 | TF4334 | 1 | ROD,GROUND ROLLER ADJ,RT |
| 21 | TF4335 | 1 | ROD,GROUND ROLLER ADJ,LF |
| 22 | TF4336 | 4 | PLATE,GROUND ROLLER LOCK |
| 23 | 21399 | 2 | HEX NUT,3/4 (ACME) BULK |
| 24 | TF1040 | 1 | GUARD,CUTTER SHAFT |
| 25 | TF4371 | 1 | SKID SHOE, OUTER (RIGHT FLAIL) |
| --- | TF4370 | 1 | SKID SHOE, OUTER (LEFT FLAIL) |
| 26 | 23272A | 1 | SKID SHOE, INNER (RIGHT FLAIL) |
| --- | 27526 | 1 | SKID SHOE, INNER (LEFT FLAIL) |
| 27 | TF1803 | 1 | BAR,FLAP,TSF/TRF 60 |
| 28 | TF1804 | 1 | FLAP,DEFLECTOR,TSF/TRF 60 |
| 30 | 21632 | 20 | CAPSCREW,3/8 X 1-1/2 NC |
| 31 | 22016 | 30 | FLATWASHER,3/8 |
| 32 | 21625 | 20 | HEX NUT,3/8 NC |
| 35 | 21732 | 2 | CAPSCREW,1/2 X 1-3/4 NC |
| 36 | 21990 | 23 | LOCKWASHER,1/2 |
| 37 | 21725 | 23 | HEX NUT,1/2 NC |
| 38 | 6T2331 | 8 | CAPSCREW,SKT HD,7/16 X 1 NC |
| 39 | 21730 | 6 | CAPSCREW,1/2 X 1-1/4 NC |
| 40 | 23293 | 3 | PLOW,BOLT,1/2 X 1-3/4 NC |
| 41 | 06530001 | 12 | CAPSCREW,SKT HD,8-32X1/2,SS |
| 42 | 6T2291 | 8 | PLOW BOLT,1/2 X 2 NC GR5 |
| 43 | 21731 | 4 | CAPSCREW,1/2 X 1-1/2 NC |
| 44 | TF1801 | 1 | TRASH GUARD,60REV ROT-HD |
| 45 | 22018 | 1 | FLATWASHER,1/2,WIDE |
| 46 | 21727 | 1 | NYLOCK NUT,1/2 NC |

COMMON TRIPLE

EXTREME DUTY 75IN SIDE FLAIL - STD ROT



| ITEM | PART NO. | QTY. | DESCRIPTION |
|------|----------|------|---|
| 1 | 21499A | 1 | BONNET,75,HD,T3F (RIGHT FLAIL) |
| --- | 21478A | 1 | BONNET,75,HD,T3F (LEFT FLAIL) |
| 2 | TF1402A | 1 | BAFFLE,FLAIL,75HD,STD ROT |
| --- | TF1002A | - | CUTSHFT ASSY,75HD,STD KNIVES (ITEMS 3, 4, 5, 6 & 7) |
| 3 | 21677 | 40 | NYLOCK NUT,7/16 NC |
| 4 | 33714 | 80 | KNIFE,FLAIL,STANDARD |

COMMON TRIPLE

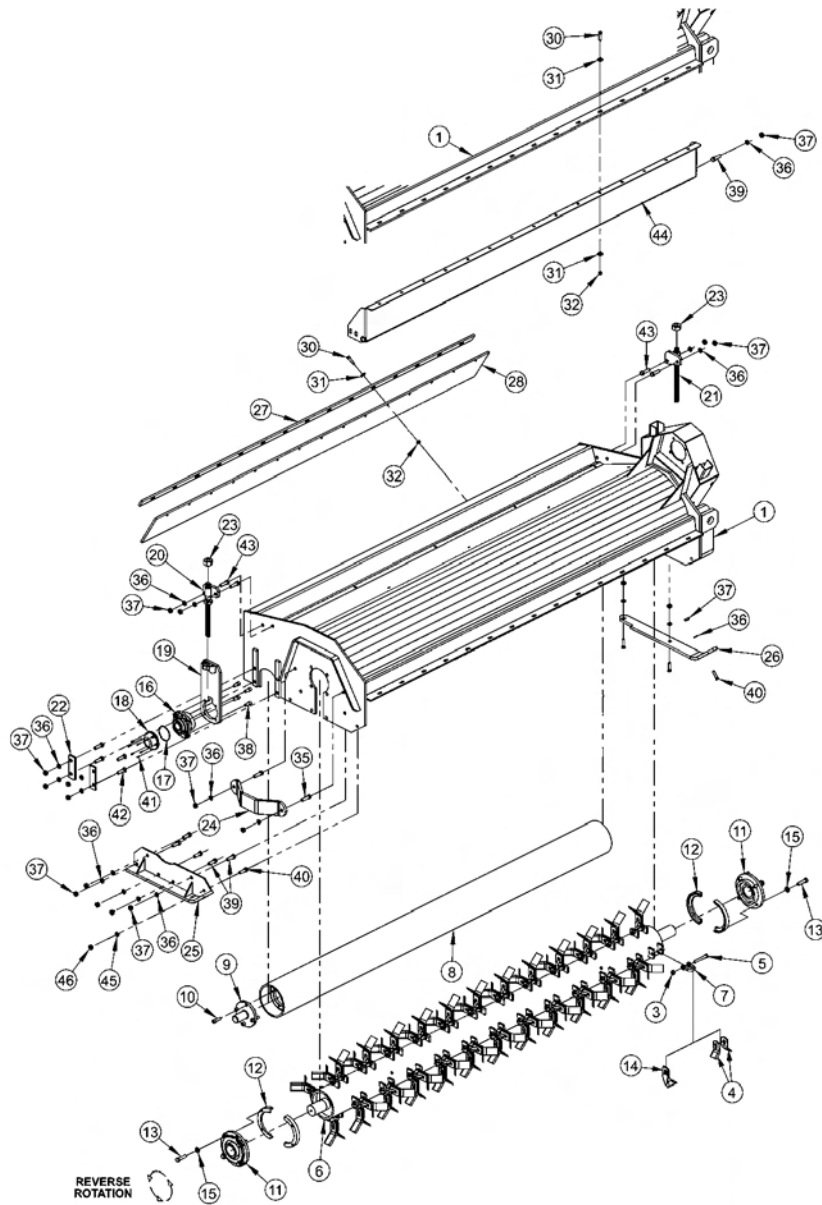
EXTREME DUTY 75IN SIDE FLAIL - STD ROT

Continued...

| ITEM | PART NO. | QTY. | DESCRIPTION |
|------|----------|------|-------------------------------------|
| 5 | 34011 | 40 | CAPSCREW,7/16X3 7/16,NC GR8 |
| 6 | TF1002 | 1 | CUTTERSHAFT,75,HD |
| 7 | TF1020 | 40 | KNIFE MTG CLEVIS,FLAIL |
| 8 | 28738 | 1 | GROUND ROLLER,75 |
| 9 | TF1045B | 2 | STUB SHAFT,GROUND ROLLER |
| 10 | 6T2330 | 8 | CAPSCREW,SKT HD,7/16X1-1/2NC |
| 11 | TF1018 | 2 | BEARING,FLANGE,2-3/16 |
| --- | 06200347 | - | STRING GUARD,KIT,HD(ITEMS 12,13,15) |
| 12 | 31204 | 2 | STRING GUARD, HD |
| 13 | 06530217 | 8 | CAPSCREW,1/2 X 2,NC,L9 |
| 15 | 06533006 | 8 | FLATWASHER,1/2,SAE,L9 |
| 16 | 06520028 | 2 | BEARING,FLANGE,1 3/8,GRNDRLR |
| 17 | 06520029 | 2 | O-RING,2 3/4X3/32,AS568A-148 |
| 18 | 06520027 | 2 | CAP,BEARING,GRNDRLR |
| 19 | TF4333A | 2 | GROUND ROLLER ADJ,BRKT |
| 20 | TF4334 | 1 | ROD,GROUND ROLLER ADJ,RT |
| 21 | TF4335 | 1 | ROD,GROUND ROLLER ADJ,LF |
| 22 | TF4336 | 4 | PLATE,GROUND ROLLER LOCK |
| 23 | 21399 | 2 | HEX NUT,3/4 (ACME) BULK |
| 24 | TF1040 | 1 | GUARD,CUTTER SHAFT |
| 25 | TF4371 | 1 | SKID SHOE,OUTER (RIGHT FLAIL) |
| --- | TF4370 | 1 | SKID SHOE,OUTER (LEFT FLAIL) |
| 26 | 23272A | 1 | SKID SHOE,INNER (RIGHT FLAIL) |
| --- | 27526 | 1 | SKID SHOE,INNER (LEFT FLAIL) |
| 27 | TF1029 | 1 | BAR,FLAP,TSF/TRF 75 |
| 28 | TF1016 | 1 | FLAP,DEFLECTOR,TSF/TRF 75 |
| 29 | 21988 | 10 | LOCKWASHER,3/8 |
| 30 | 21632 | 13 | CAPSCREW,3/8 X 1-1/2 NC |
| 31 | 22016 | 13 | FLATWASHER,3/8 |
| 32 | 21625 | 23 | HEX NUT,3/8 NC |
| 33 | 6T2283 | 10 | CARRIAGE BOLT,3/8 X 1 NC |
| 34 | 6T2615 | 10 | WASHER,FENDER 3/8 |
| 35 | 21732 | 2 | CAPSCREW,1/2 X 1-3/4 NC |
| 36 | 21990 | 23 | LOCKWASHER,1/2 |
| 37 | 21725 | 23 | HEX NUT,1/2 NC |
| 38 | 6T2331 | 8 | CAPSCREW,SKT HD,7/16 X 1 NC |
| 39 | 21730 | 6 | CAPSCREW,1/2 X 1-1/4 NC |
| 40 | 23293 | 3 | PLOW,BOLT,1/2 X 1-3/4 NC |
| 41 | 06530001 | 12 | CAPSCREW,SKT HD,8-32X1/2,SS |
| 42 | 6T2291 | 8 | PLOW BOLT,1/2 X 2 NC GR5 |
| 43 | 21731 | 4 | CAPSCREW,1/2 X 1-1/2 NC |

COMMON TRIPLE

EXTREME DUTY 75IN SIDE FLAIL - REV ROT



| ITEM | PART NO. | QTY. | DESCRIPTION |
|------|----------|------|---|
| 1 | 21499A | 1 | BONNET,75,HD,T3F (RIGHT FLAIL) |
| --- | 21478A | 1 | BONNET,75,HD,T3F (LEFT FLAIL) |
| 2 | TF1002A | - | CUTSHFT ASSY,75HD (STANDARD CUT) (ITEMS 3, 4, 5, 6 & 7) |
| --- | TF1002B | - | CUTSHFT ASSY,75HD (SMOOTH CUT) (ITEMS 3, 5, 6, 7 & 14) |
| 3 | 21677 | 40 | NYLOCK NUT,7/16 NC |
| 4 | 33714 | 80 | KNIFE,FLAIL (STANDARD CUT) |
| 5 | 34011 | 40 | CAPSCREW,7/16X3 7/16,NC GR8 |
| 6 | TF1002 | 1 | CUTTERSHAFT,75,HD |
| 7 | TF1020 | 40 | KNIFE MTG CLEVIS,FLAIL |
| 8 | 28738 | 1 | GROUND ROLLER,75 |

COMMON TRIPLE

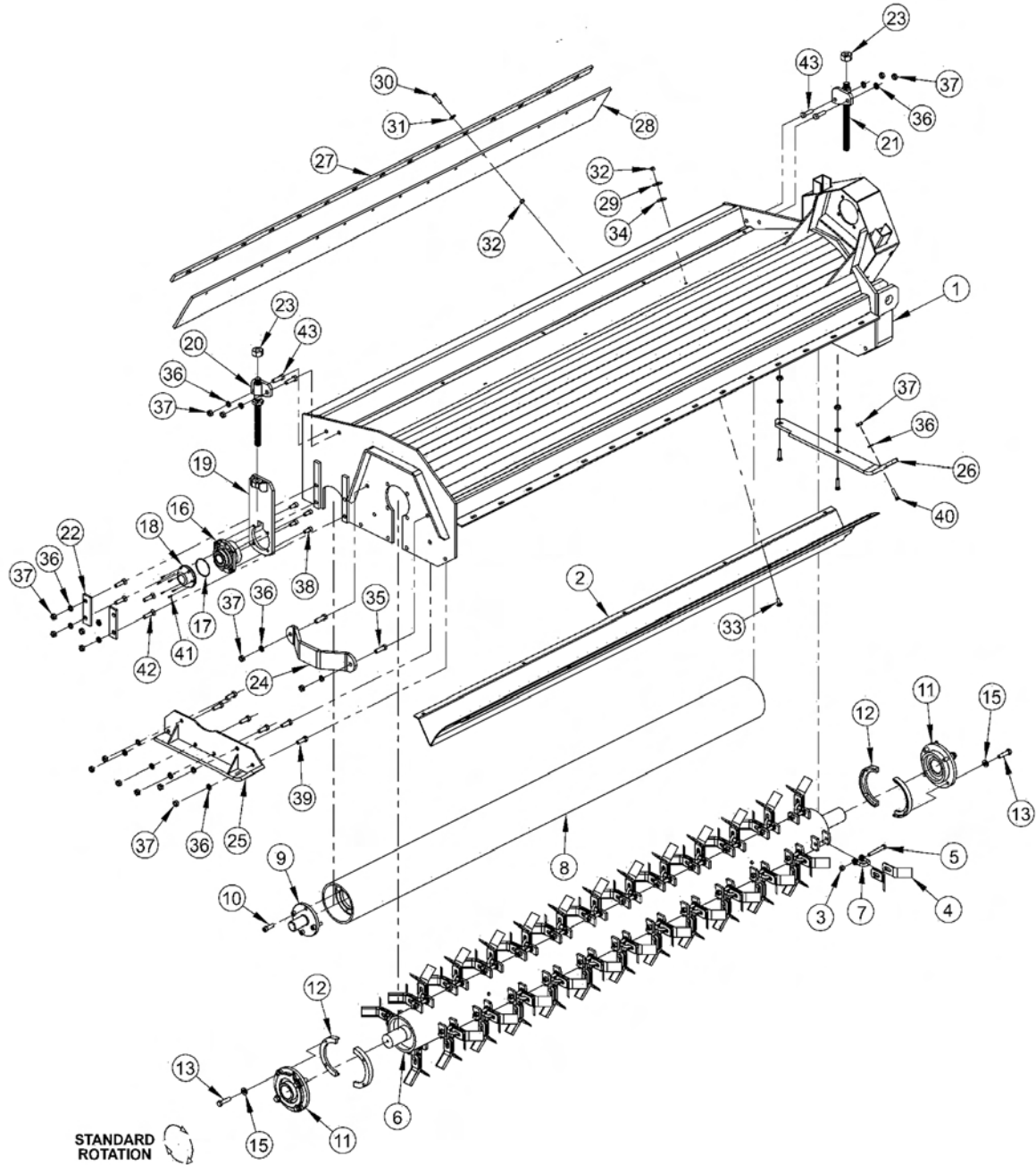
EXTREME DUTY 75IN SIDE FLAIL - REV ROT

Continued...

| ITEM | PART NO. | QTY. | DESCRIPTION |
|------|----------|------|--------------------------------------|
| 9 | TF1045B | 2 | STUB SHAFT,GROUND ROLLER |
| 10 | 6T2330 | 8 | CAPSCREW,SKT HD,7/16X1-1/2NC |
| 11 | TF1018 | 2 | BEARING,FLANGE,2-3/16 |
| --- | 06200347 | - | STRING GUARD,KIT,HD,(ITEMS 12,13,15) |
| 12 | 31204 | 2 | STRING GUARD, HD |
| 13 | 06530217 | 8 | CAPSCREW,1/2 X 2,NC,L9 |
| 14 | TF1019F | 40 | KNIFE,FLAIL (SMOOTH CUT) |
| 15 | 06533006 | 8 | FLATWASHER,1/2,SAE,L9 |
| 16 | 06520028 | 2 | BEARING,FLANGE,1 3/8,GRNDRLR |
| 17 | 06520029 | 2 | O-RING,2 3/4X3/32,AS568A-148 |
| 18 | 06520027 | 2 | CAP,BEARING,GRNDRLR |
| 19 | TF4333A | 2 | GROUND ROLLER ADJ,BRKT |
| 20 | TF4334 | 1 | ROD,GROUND ROLLER ADJ,RT |
| 21 | TF4335 | 1 | ROD,GROUND ROLLER ADJ,LF |
| 22 | TF4336 | 4 | PLATE,GROUND ROLLER LOCK |
| 23 | 21399 | 2 | HEX NUT,3/4 (ACME) BULK |
| 24 | TF1040 | 1 | GUARD,CUTTER SHAFT |
| 25 | TF4371 | 1 | SKID SHOE, OUTER (RIGHT FLAIL) |
| --- | TF4370 | 1 | SKID SHOE, OUTER (LEFT FLAIL) |
| 26 | 23272A | 1 | SKID SHOE, INNER (RIGHT FLAIL) |
| --- | 27526 | 1 | SKID SHOE, INNER (LEFT FLAIL) |
| 27 | TF1029 | 1 | BAR,FLAP,TSF/TRF 75 |
| 28 | TF1016 | 1 | FLAP,DEFLECTOR,TSF/TRF 75 |
| 30 | 21632 | 26 | CAPSCREW,3/8 X 1-1/2 NC |
| 31 | 22016 | 39 | FLATWASHER,3/8 |
| 32 | 21625 | 26 | HEX NUT,3/8 NC |
| 35 | 21732 | 2 | CAPSCREW,1/2 X 1-3/4 NC |
| 36 | 21990 | 23 | LOCKWASHER,1/2 |
| 37 | 21725 | 23 | HEX NUT,1/2 NC |
| 39 | 21730 | 6 | CAPSCREW,1/2 X 1-1/4 NC |
| 40 | 23293 | 3 | PLOW,BOLT,1/2 X 1-3/4 NC |
| 41 | 06530001 | 12 | CAPSCREW,SKT HD,8-32X1/2,SS |
| 42 | 6T2291 | 8 | PLOW BOLT,1/2 X 2 NC GR5 |
| 43 | 21731 | 4 | CAPSCREW,1/2 X 1-1/2 NC |
| 44 | TF1403 | 1 | TRASH GUARD,75REV ROT-HD |
| 45 | 22018 | 1 | FLATWASHER,1/2,WIDE |
| 46 | 21727 | 1 | NYLOCK NUT,1/2 NC |

COMMON TRIPLE

EXTREME DUTY 90IN SIDE FLAIL - STD ROT



| ITEM | PART NO. | QTY. | DESCRIPTION |
|------|----------|------|--|
| 1 | 22083A | 1 | BONNET,90,HD,T3F (RIGHT FLAIL) |
| --- | 22084A | 1 | BONNET,90,HD,T3F (LEFT FLAIL) |
| 2 | TF1502A | 1 | BAFFLE,FLAIL,90HD,STD ROT |
| --- | TF1102A | - | CUTSHT ASSY,90HD,STD KNIVES (ITEMS 3, 4, 5, 6 & 7) |
| 3 | 21677 | 48 | NYLOCK NUT,7/16 NC |
| 4 | 33714 | 96 | KNIFE,FLAIL,STANDARD |

COMMON TRIPLE

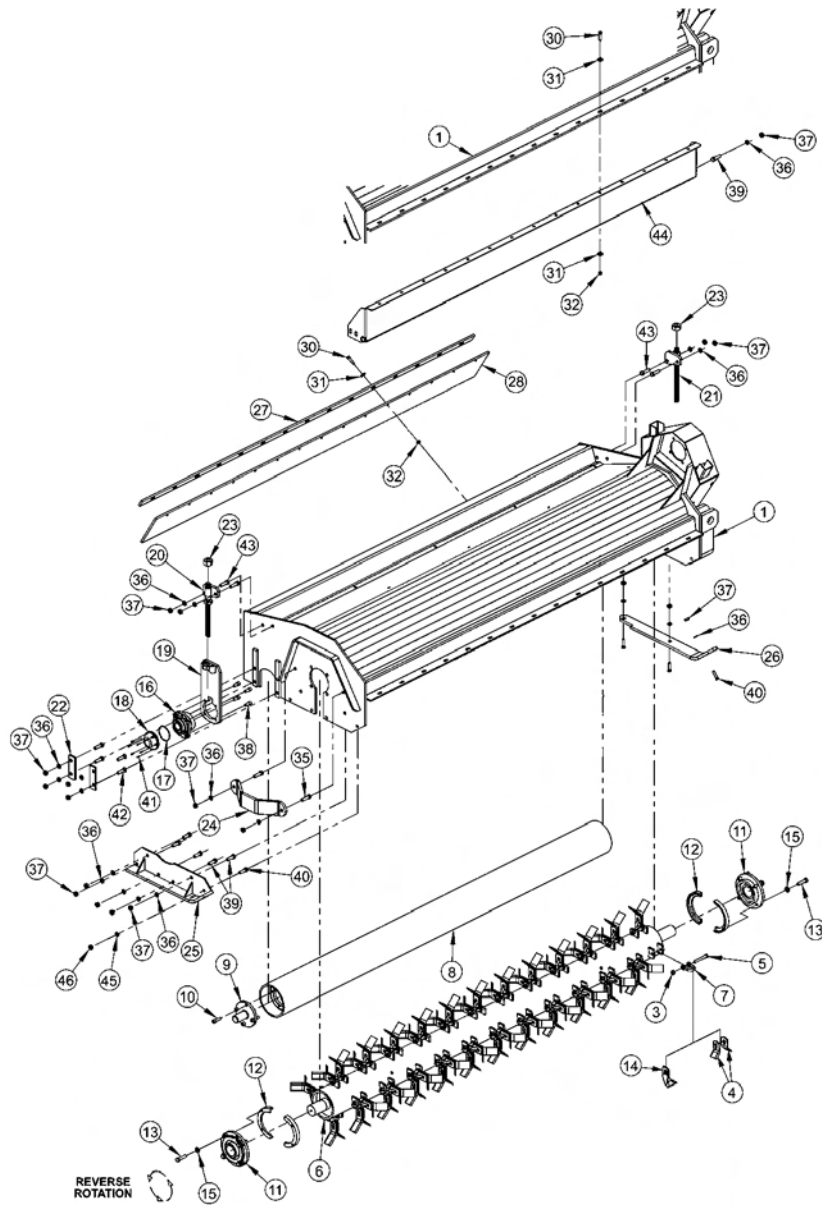
EXTREME DUTY 90IN SIDE FLAIL - STD ROT

Continued...

| ITEM | PART NO. | QTY. | DESCRIPTION |
|------|----------|------|-------------------------------------|
| 5 | 34011 | 48 | CAPSCREW,7/16X3 7/16,NC GR8 |
| 6 | TF1102 | 1 | CUTTERSHAFT,90,HD |
| 7 | TF1020 | 48 | KNIFE MTG CLEVIS,FLAIL |
| 8 | 27972A | 1 | GROUND ROLLER,90 |
| 9 | TF1045B | 2 | STUB SHAFT,GROUND ROLLER |
| 10 | 6T2330 | 8 | CAPSCREW,SKT HD,7/16X1-1/2NC |
| 11 | TF1018 | 2 | BEARING,FLANGE,2-3/16 |
| --- | 06200347 | - | STRING GUARD,KIT,HD(ITEMS 12,13,15) |
| 12 | 31204 | 2 | STRING GUARD, HD |
| 13 | 06530217 | 8 | CAPSCREW,1/2 X 2,NC,L9 |
| 15 | 06533006 | 8 | FLATWASHER,1/2,SAE,L9 |
| 16 | 06520028 | 2 | BEARING,FLANGE,1 3/8,GRNDRLR |
| 17 | 06520029 | 2 | O-RING,2 3/4X3/32,AS568A-148 |
| 18 | 06520027 | 2 | CAP,BEARING,GRNDRLR |
| 19 | TF4333A | 2 | GROUND ROLLER ADJ,BRKT |
| 20 | TF4334 | 1 | ROD,GROUND ROLLER ADJ,RT |
| 21 | TF4335 | 1 | ROD,GROUND ROLLER ADJ,LF |
| 22 | TF4336 | 4 | PLATE,GROUND ROLLER LOCK |
| 23 | 21399 | 2 | HEX NUT,3/4 (ACME) BULK |
| 24 | TF1040 | 1 | GUARD,CUTTER SHAFT |
| 25 | TF4371 | 1 | SKID SHOE, OUTER (RIGHT FLAIL) |
| --- | TF4370 | 1 | SKID SHOE, OUTER (LEFT FLAIL) |
| 26 | 23272A | 1 | SKID SHOE, INNER (RIGHT FLAIL) |
| --- | 27526 | 1 | SKID SHOE, INNER (LEFT FLAIL) |
| 27 | TF1135 | 1 | BAR,FLAP,TSF/TRF 90 |
| 28 | TF1116 | 1 | FLAP,DEFLECTOR,TSF/TRF 90 |
| 29 | 21988 | 10 | LOCKWASHER,3/8 |
| 30 | 21632 | 15 | CAPSCREW,3/8 X 1-1/2 NC |
| 31 | 22016 | 15 | FLATWASHER,3/8 |
| 32 | 21625 | 25 | HEX NUT,3/8 NC |
| 33 | 6T2283 | 10 | CARRIAGE BOLT,3/8 X 1 NC |
| 34 | 6T2615 | 10 | WASHER,FENDER 3/8 |
| 35 | 21732 | 2 | CAPSCREW,1/2 X 1-3/4 NC |
| 36 | 21990 | 23 | LOCKWASHER,1/2 |
| 37 | 21725 | 23 | HEX NUT,1/2 NC |
| 38 | 6T2331 | 8 | CAPSCREW,SKT HD,7/16 X 1 NC |
| 39 | 21730 | 6 | CAPSCREW,1/2 X 1-1/4 NC |
| 40 | 23293 | 3 | PLOW,BOLT,1/2 X 1-3/4 NC |
| 41 | 06530001 | 12 | CAPSCREW,SKT HD,8-32X1/2,SS |
| 42 | 6T2291 | 8 | PLOW BOLT,1/2 X 2 NC GR5 |
| 43 | 21731 | 4 | CAPSCREW,1/2 X 1-1/2 NC |

COMMON TRIPLE

EXTREME DUTY 90IN SIDE FLAIL - REV ROT



| ITEM | PART NO. | QTY. | DESCRIPTION |
|------|----------|------|---|
| 1 | 22083A | 1 | BONNET,90,HD,ASSY (RIGHT FLAIL) |
| --- | 22084A | 1 | BONNET,90,HD,ASSY (LEFT FLAIL) |
| 2 | TF1102A | - | CUTSHFT ASSY,90HD (STANDARD CUT) (ITEMS 3, 4, 5, 6 & 7) |
| --- | TF1102B | - | CUTSHFT ASSY,90HD (SMOOTH CUT) (ITEMS 3, 5, 6, 7 & 14) |
| 3 | 21677 | 48 | NYLOCK NUT,7/16 NC |
| 4 | 33714 | 96 | KNIFE,FLAIL (STANDARD CUT) |
| 5 | 34011 | 48 | CAPSCREW,7/16X3 7/16,NC GR8 |
| 6 | TF1102 | 1 | CUTTERSHAFT,90,HD |
| 7 | TF1020 | 48 | KNIFE MTG CLEVIS,FLAIL |
| 8 | 27972A | 1 | GROUND ROLLER,90 |

COMMON TRIPLE

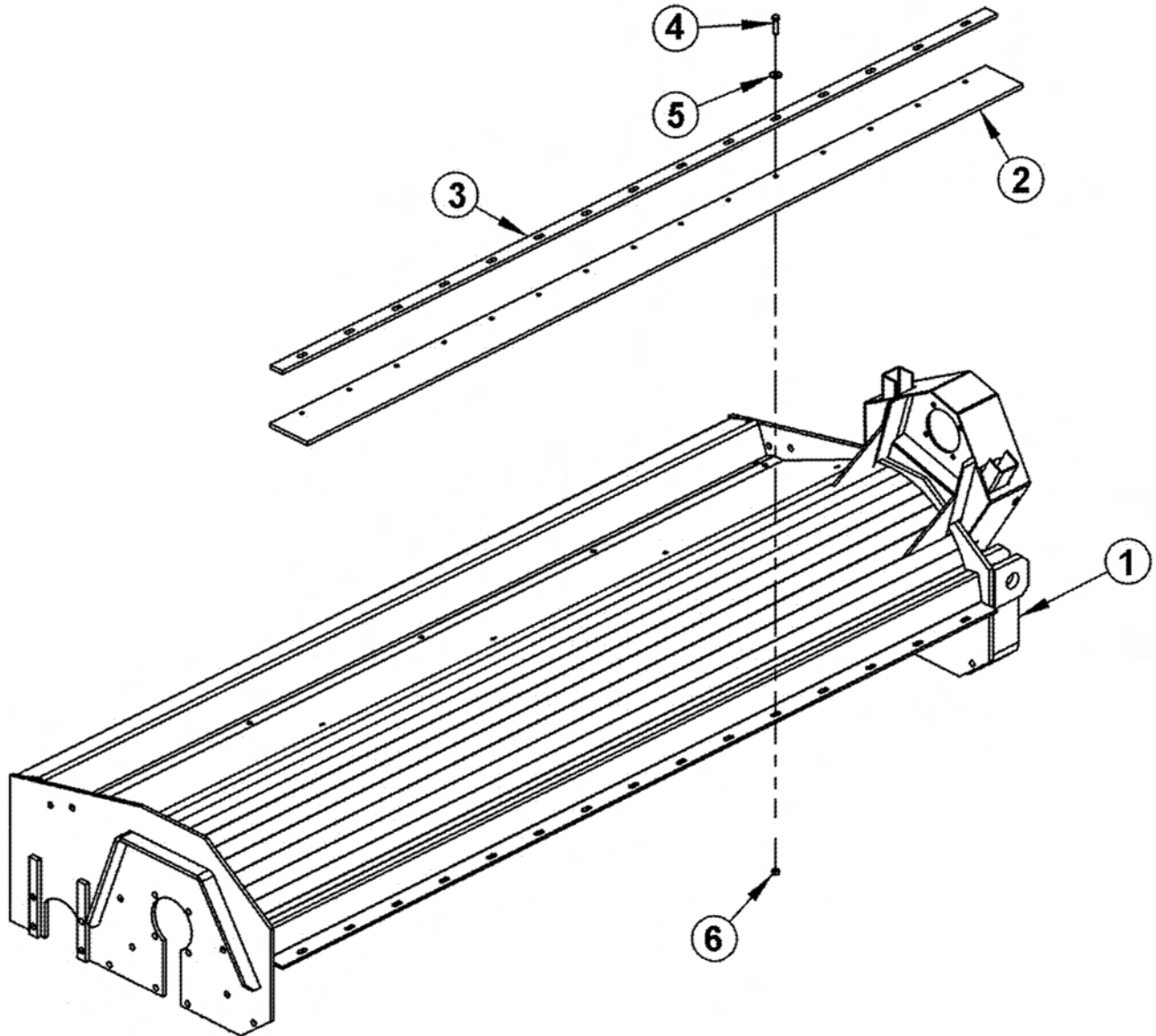
EXTREME DUTY 90IN SIDE FLAIL - REV ROT

Continued...

| ITEM | PART NO. | QTY. | DESCRIPTION |
|------|----------|------|-------------------------------------|
| 9 | TF1045B | 2 | STUB SHAFT,GROUND ROLLER |
| 10 | 6T2330 | 8 | CAPSCREW,SKT HD,7/16X1-1/2NC |
| 11 | TF1018 | 2 | BEARING,FLANGE,2-3/16 |
| --- | 06200347 | - | STRING GUARD,KIT,HD(ITEMS 12,13,15) |
| 12 | 31204 | 2 | STRING GUARD, HD |
| 13 | 06530217 | 8 | CAPSCREW,1/2 X 2,NC,L9 |
| 14 | TF1019F | 48 | KNIFE,FLAIL (SMOOTH CUT) |
| 15 | 06533006 | 8 | FLATWASHER,1/2,SAE,L9 |
| 16 | 06520028 | 2 | BEARING,FLANGE,1 3/8,GRNDRLR |
| 17 | 06520029 | 2 | O-RING,2 3/4X3/32,AS568A-148 |
| 18 | 06520027 | 2 | CAP,BEARING,GRNDRLR |
| 19 | TF4333A | 2 | GROUND ROLLER ADJ,BRKT |
| 20 | TF4334 | 1 | ROD,GROUND ROLLER ADJ,RT |
| 21 | TF4335 | 1 | ROD,GROUND ROLLER ADJ,LF |
| 22 | TF4336 | 4 | PLATE,GROUND ROLLER LOCK |
| 23 | 21399 | 2 | HEX NUT,3/4 (ACME) BULK |
| 24 | TF1040 | 1 | GUARD,CUTTER SHAFT |
| 25 | TF4371 | 1 | SKID SHOE, OUTER (RIGHT FLAIL) |
| --- | TF4370 | 1 | SKID SHOE, OUTER (LEFT FLAIL) |
| 26 | 23272A | 1 | SKID SHOE, INNER (RIGHT FLAIL) |
| --- | 27526 | 1 | SKID SHOE, INNER (LEFT FLAIL) |
| 27 | TF1135 | 1 | BAR,FLAP,TSF/TRF 90 |
| 28 | TF1116 | 1 | FLAP,DEFLECTOR,TSF/TRF 90 |
| 30 | 21632 | 30 | CAPSCREW,3/8 X 1-1/2 NC |
| 31 | 22016 | 45 | FLATWASHER,3/8 |
| 32 | 21625 | 30 | HEX NUT,3/8 NC |
| 35 | 21732 | 2 | CAPSCREW,1/2 X 1-3/4 NC |
| 36 | 21990 | 23 | LOCKWASHER,1/2 |
| 37 | 21725 | 23 | HEX NUT,1/2 NC |
| 38 | 6T2331 | 8 | CAPSCREW,SKT HD,7/16 X 1 NC |
| 39 | 21730 | 6 | CAPSCREW,1/2 X 1-1/4 NC |
| 40 | 23293 | 3 | PLOW,BOLT,1/2 X 1-3/4 NC |
| 41 | 06530001 | 12 | CAPSCREW,SKT HD,8-32X1/2,SS |
| 42 | 6T2291 | 8 | PLOW BOLT,1/2 X 2 NC GR5 |
| 43 | 21731 | 4 | CAPSCREW,1/2 X 1-1/2 NC |
| 44 | TF1503 | 1 | TRASH GUARD,90REV ROT-HD |
| 45 | 22018 | 1 | FLATWASHER,1/2,WIDE |
| 46 | 21727 | 1 | NYLOCK NUT,1/2 NC |

COMMON TRIPLE

FRONT FLAPS, XD FLAIL - STANDARD ROTATION



COMMON TRIPLE

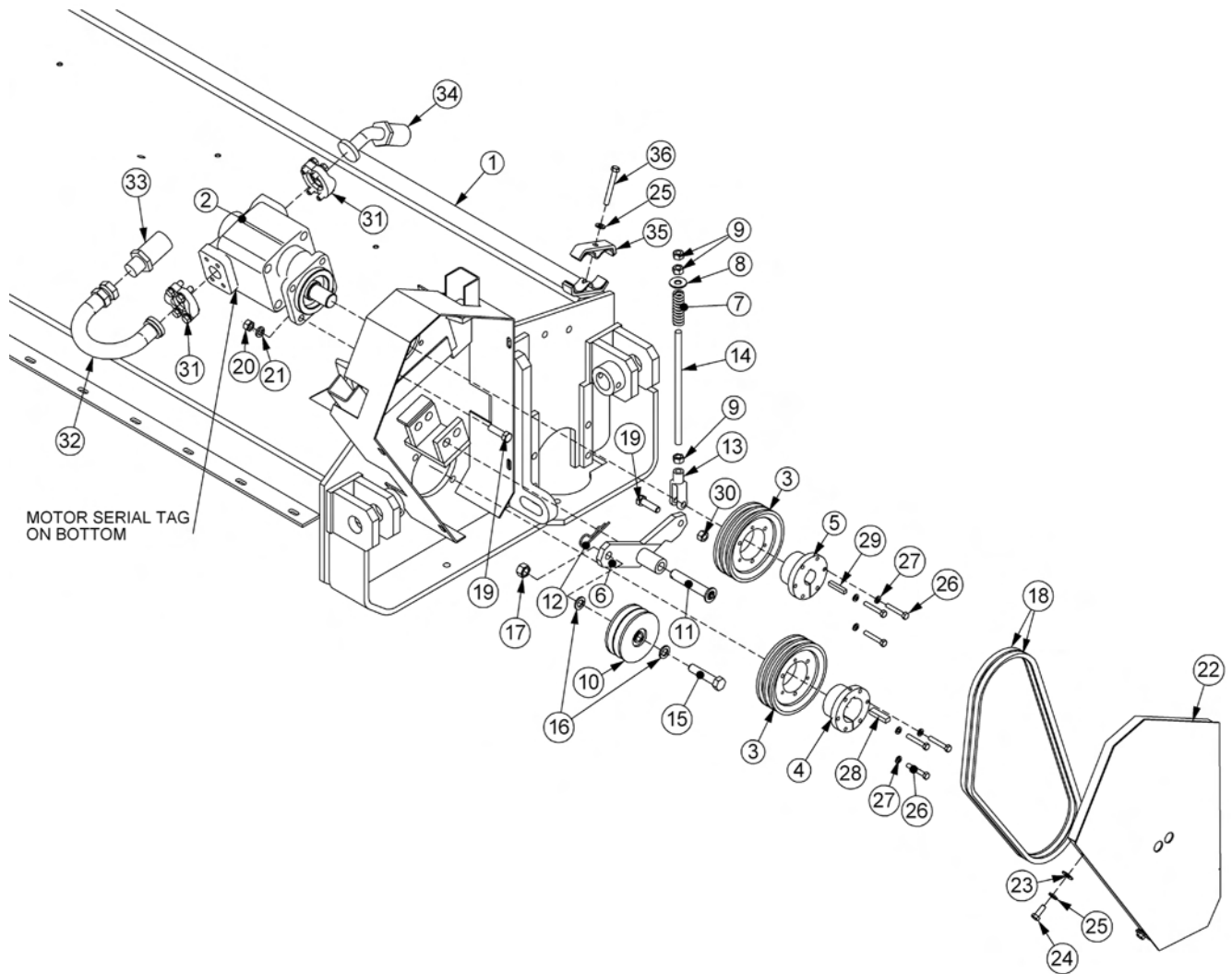
FRONT FLAPS, XD FLAIL - STANDARD ROTATION

Continued...

| ITEM | PART NO. | QTY. | DESCRIPTION |
|------|----------|------|--|
| 1 | ----- | - | BONNET *REFER TO HEAD ASSEMBLY |
| 2 | 06520240 | 1 | FLAP,FRONT,60IN |
| --- | 06520242 | 1 | FLAP,FRONT,75IN |
| ---- | 06520243 | 1 | FLAP,FRONT,90IN |
| 3 | TF1803 | 1 | BAR,FLAP,60IN |
| --- | TF1029 | 1 | BAR,FLAP,75IN |
| ---- | TF1135 | 1 | BAR,FLAP,90IN |
| 4 | 21632 | 10 | CAPSCREW,3/8" X 1-1/2",NC (60IN FLAIL) |
| --- | ----- | 13 | CAPSCREW,3/8" X 1-1/2",NC (75IN FLAIL) |
| | ----- | 15 | CAPSCREW,3/8" X 1-1/2",NC (90IN FLAIL) |
| 5 | 22016 | 20 | FLATWASHER,3/8" (60IN FLAIL) |
| --- | ----- | 26 | FLATWASHER,3/8" (75IN FLAIL) |
| ---- | ----- | 30 | FLATWASHER,3/8" (90IN FLAIL) |
| 6 | 21625 | 10 | HEX NUT,3/8",NC (60IN FLAIL) |
| --- | ----- | 13 | HEX NUT,3/8",NC (75IN FLAIL) |
| ---- | ----- | 15 | HEX NUT,3/8",NC (90IN FLAIL) |

COMMON TRIPLE

EXTREME DUTY SIDE FLAIL DRIVE ASSY



COMMON TRIPLE

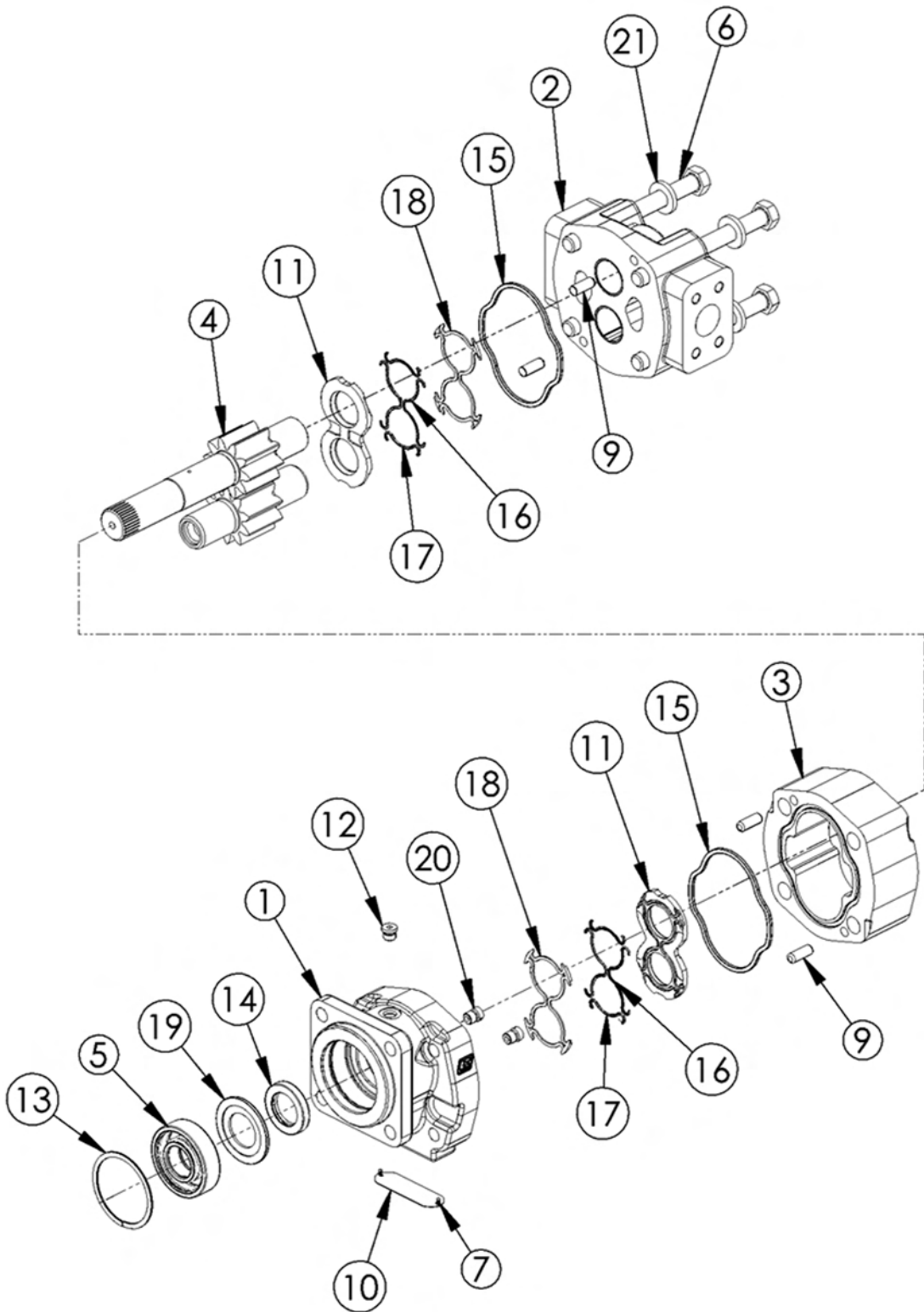
EXTREME DUTY SIDE FLAIL DRIVE ASSY

Continued...

| ITEM | PART NO. | QTY. | DESCRIPTION |
|------|----------|------|--|
| 1 | ----- | - | BONNET *REFER TO FLAIL PARTS |
| 2 | 06504066 | 1 | MOTOR,T3F |
| 3 | TF3040 | 2 | SHEAVE,6.3 |
| 4 | TF3011 | 1 | BUSHING,QD,SK,2-3/16" |
| 5 | TF3013 | 1 | BUSHING,QD,SK 1-1/4" |
| 6 | TF4346 | 1 | IDLER ARM (RIGHT FLAIL - STD ROT / LEFT FLAIL - REV ROT) |
| --- | TF4345 | - | IDLER ARM (RIGHT FLAIL - REV ROT / LEFT FLAIL - STD ROT) |
| 7 | TF3620A | 1 | SPRING,TENSIONER |
| 8 | 22018 | 1 | FLATWASHER,1/2",WIDE |
| 9 | 21700 | 3 | HEX NUT, 1/2", NF |
| 10 | 31293 | 1 | SHEAVE,IDLER ASSY, 4.4 O.D. |
| 11 | TF3605 | 1 | PIN,IDLER ARM 3/4"X4-1/4" |
| 12 | 6T3004 | 1 | R-CLIP (HAIRPIN COTTER, 3/16") |
| 13 | PT3611A | 1 | CLEVIS,6" |
| 14 | 32494 | 1 | ROD, THREADED, 1/2-20NF |
| 15 | 21787 | 1 | CAPSCREW,5/8" X 3", NC |
| 16 | 21992 | 2 | LOCKWASHER, 5/8 |
| 17 | 21775 | 1 | HEX NUT, 5/8 |
| 18 | TF3020 | 2 | V-BELT, (530) |
| 19 | 21732 | 5 | CAPSCREW, 1/2 X 1 3/4,NC |
| 20 | 21725 | 4 | HEX NUT, 1/2" NC |
| 21 | 21990 | 4 | LOCKWASHER, 1/2" |
| 22 | TF4564 | 1 | BELT SHEILD (RIGHT) |
| --- | TF4565 | 1 | BELT SHEILD (LEFT) |
| 23 | 22016 | 4 | FLATWASHER,3/8" |
| 24 | 21630 | 4 | CAPSCREW, 3/8 X 1,NC |
| 25 | 21988 | 5 | LOCKWASHER, 3/8" |
| 26 | 21584 | 6 | CAPSCREW, 5/16 X 2,NC |
| 27 | 21987 | 6 | LOCKWASHER, 5/16" |
| 28 | TF1025 | 1 | KEY,1/4" X 1/2" X 1-7/8" SQ |
| 29 | TF1125 | 1 | KEY,3/8" X 1/2" X 1-7/8" SQ |
| 30 | 21727 | 1 | NYLOCK NUT, 1/2 |
| 31 | TF4853 | 2 | KIT,FLANGE,#16 |
| 32 | 32920 | 1 | PREFORMED TUBE |
| 33 | ----- | - | HOSE (RETURN FOR STANDARD ROTATION) |
| 34 | ----- | - | HOSE (PRESSURE FOR STANDARD ROTATION) |
| 35 | TB3031 | 1 | CLAMP,HOSE |
| 36 | 21638 | 1 | CAPSCREW,3/8 X 3,NC |

COMMON TRIPLE

EXTREME DUTY SIDE FLAIL MOTOR BREAKDOWN



COMMON TRIPLE

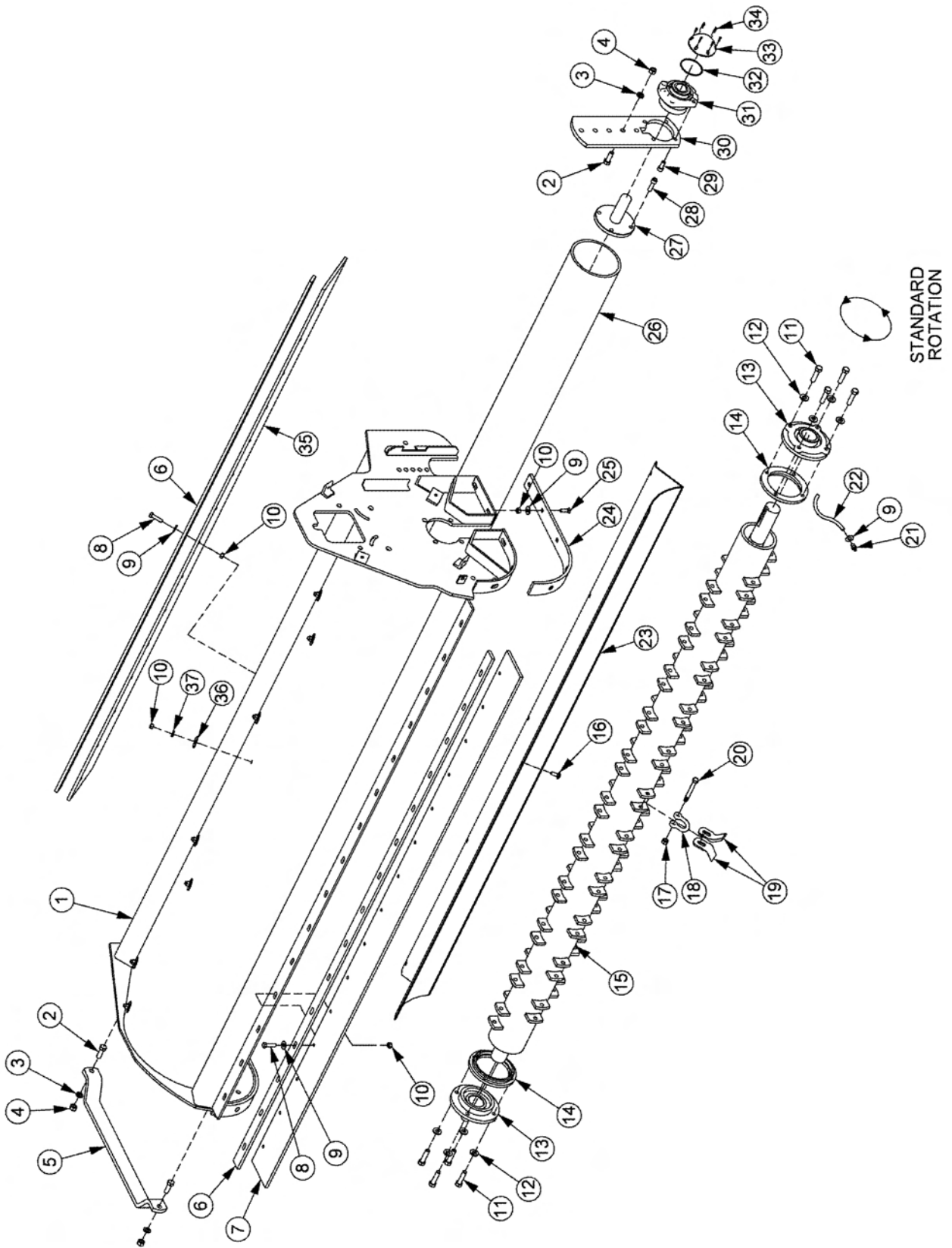
EXTREME DUTY SIDE FLAIL MOTOR BREAKDOWN

Continued...

| ITEM | PART NO. | QTY. | DESCRIPTION |
|------|----------|------|--|
| --- | 06504066 | - | MOTOR ASSEMBLY 350 - TSF |
| 1 | 06504039 | 1 | SHAFT END COVER |
| 2 | 06504054 | 1 | PORT END COVER |
| 3 | 06504055 | 1 | GEAR HOUSING |
| 4 | 06504056 | 1 | MATCHED GEAR SET |
| 5 | TF4402 | 1 | BALL BEARING |
| 6 | 06504057 | 4 | CAP SCREW |
| 7 | 06504044 | 2 | SET SCREW |
| 9 | 06504045 | 4 | DOWEL PIN |
| 10 | ----- | 1 | NAMEPLATE |
| 11 | 763759 | 2 | THRUSTPLATE |
| 12 | 02961940 | 1 | HEX PLUG |
| 13 | TF4401 | 1 | SNAP RING |
| 14 | 06504049 | 1 | LIP SEAL (INCLUDED IN SEAL KIT) |
| 15 | TF4410 | 2 | GASKET SEAL (INCLUDED IN SEAL KIT) |
| 16 | 06504046 | 4 | SIDE SEAL (INCLUDED IN SEAL KIT) |
| 17 | 06504047 | 4 | END SEAL (INCLUDED IN SEAL KIT) |
| 18 | TF4407 | 2 | BACK-UP SEAL (INCLUDED IN SEAL KIT) |
| 19 | 02961932 | 1 | SEAL RETAINER |
| 20 | 6T5809 | 2 | CHECK ASSEMBLY |
| 21 | 02961917 | 4 | WASHER |
| --- | 06504023 | - | SEAL KIT (INCLUDES 14, 15, 16, 17, AND 18) |

COMMON TRIPLE

SUPER DUTY 75IN REAR FLAIL - STD ROT



COMMON TRIPLE

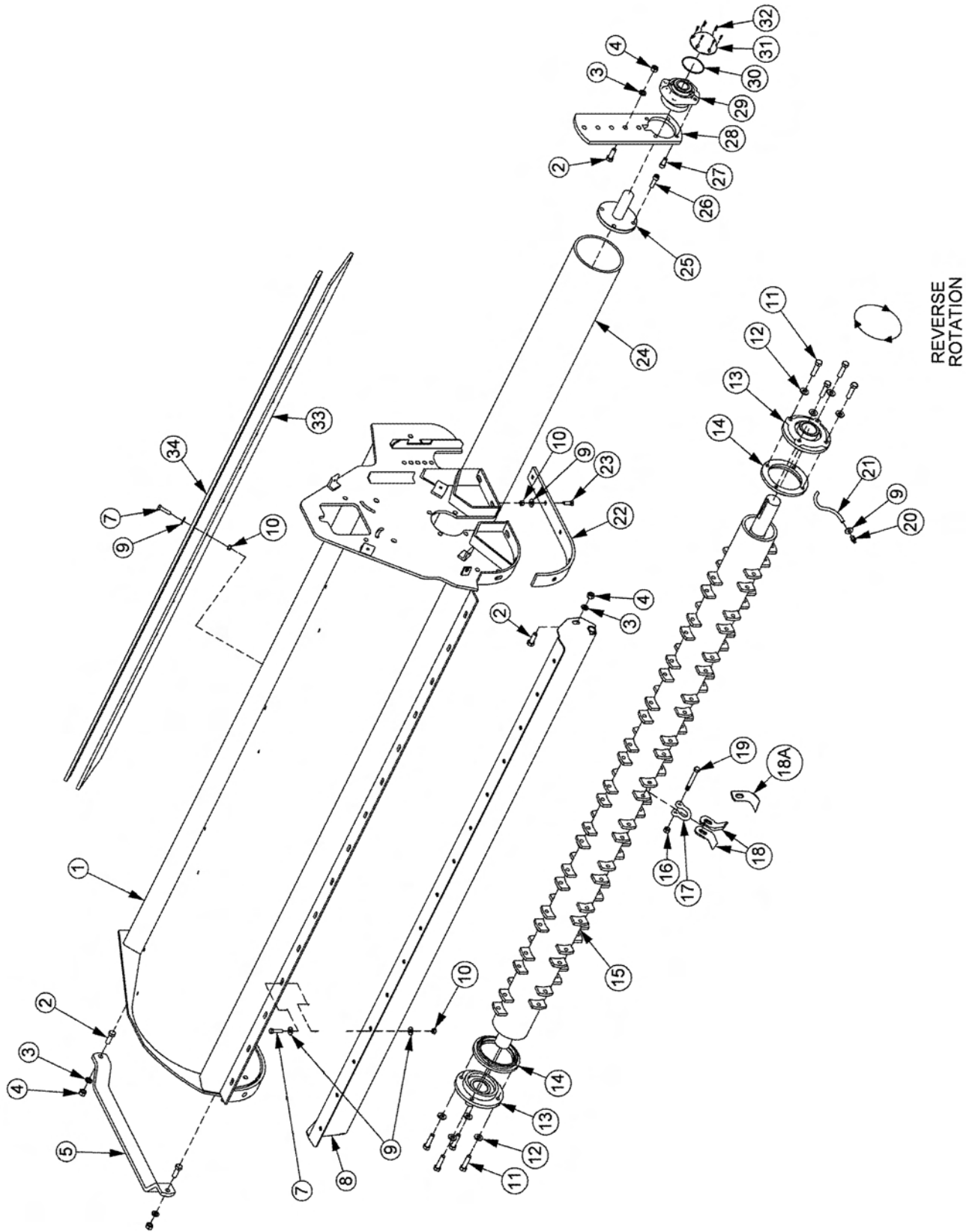
SUPER DUTY 75IN REAR FLAIL - STD ROT

Continued...

| ITEM | PART NO. | QTY. | DESCRIPTION |
|------|----------|------|---|
| --- | 06742090 | - | 75" REAR FLAIL,SD,STD ROT |
| 1 | 06320134 | 1 | BONNET,75",STD,ROSTA |
| 2 | 21731 | 6 | CAPSCREW,1/2" X 1-1/2",NC |
| 3 | 21990 | 6 | LOCKWASHER,1/2" |
| 4 | 21725 | 6 | HEX NUT,1/2",NC |
| 5 | 27975A | 1 | GUARD,CUTTERSHAFT |
| 6 | TF1029 | 2 | BAR,FLAP,TSF/TRF 75" |
| 7 | 06520242 | 1 | FLAP,75",FRONT |
| 8 | 21632 | 20 | CAPSCREW,3/8" X 1-1/2",NC |
| 9 | 22016 | 37 | FLATWASHER,3/8",GR8 |
| 10 | 21625 | 46 | HEX NUT,3/8",NC |
| --- | 06200639 | - | KIT,STRING GUARD (ITEMS 11, 12 & 14) |
| 11 | 06530217 | 8 | CAPSCREW,3/4" X 2-1/2",GR8,NC |
| 12 | 06533006 | 8 | FLATWASHER,1/2",SAE,L9 |
| 13 | 28683 | 2 | BEARING,FLANGE,1-15/16",STD |
| 14 | 33863 | 2 | STRING GUARD,STD |
| --- | 28747 | - | CUTTERSHAFT ASSY (STANDARD CUT) (ITEMS 15, 17, 18, 19 & 20) |
| 15 | 28643B | 1 | CUTTERSHAFT,75"STD,W/EARS |
| 16 | 6T2283 | 10 | CARRIAGE BOLT,3/8" X 1",NC |
| 17 | 21677 | 40 | NYLOCK NUT,7/16",NC |
| 18 | TF1020 | 40 | KNIFE MTG CLEVIS,FLAIL |
| 19 | 33713 | 80 | KNIFE,FLAIL (STANDARD CUT) |
| 20 | 34011 | 40 | CAPSCREW,7/16" X 3-7/16",GR8,NC |
| 21 | TF1033 | 1 | GREASE ZERK,1/8" FPT |
| 22 | TF1032 | 1 | GRS HOSE,3/16" X 8" |
| 23 | 28737 | 1 | BAFFLE,75",STD ROT-STD |
| 24 | 28086A | 2 | SKID SHOE,STD DUTY,REAR FLAIL |
| 25 | 30013 | 10 | PLOW BOLT,3/8" X 1-1/4",GR5,NC |
| 26 | 28738 | 1 | GROUND ROLLER,75" |
| 27 | TF1045B | 2 | STUB SHAFT,GROUND ROLLER |
| 28 | 6T2330 | 8 | CAPSCREW,SKT HD,7/16" X 1-1/2",NC |
| 29 | 6T2331 | 4 | CAPSCREW,SKT HD,7/16" X 1",NC |
| 30 | 28735 | 2 | GROUND ROLLER ADJ BRKT,STD DTY |
| 31 | 06520028 | 2 | BEARING,FLANGE,1-3/8",GRNDRLLR |
| 32 | 06520029 | 2 | O-RING,2-3/4" X 3/32" |
| 33 | 06520027 | 2 | CAP,BEARING,GRNDRLLR |
| 34 | 06530001 | 12 | CAPSCREW,SKT HD,8-32 X 1/2",SS |
| 35 | TF1016 | 1 | FLAP,DEFLECTOR,75" |
| 36 | 6T2615 | 10 | WASHER,FENDER,3/8" |
| 37 | 21988 | 10 | LOCKWASHER,3/8" |

COMMON TRIPLE

SUPER DUTY 75IN REAR FLAIL - REV ROT



COMMON TRIPLE

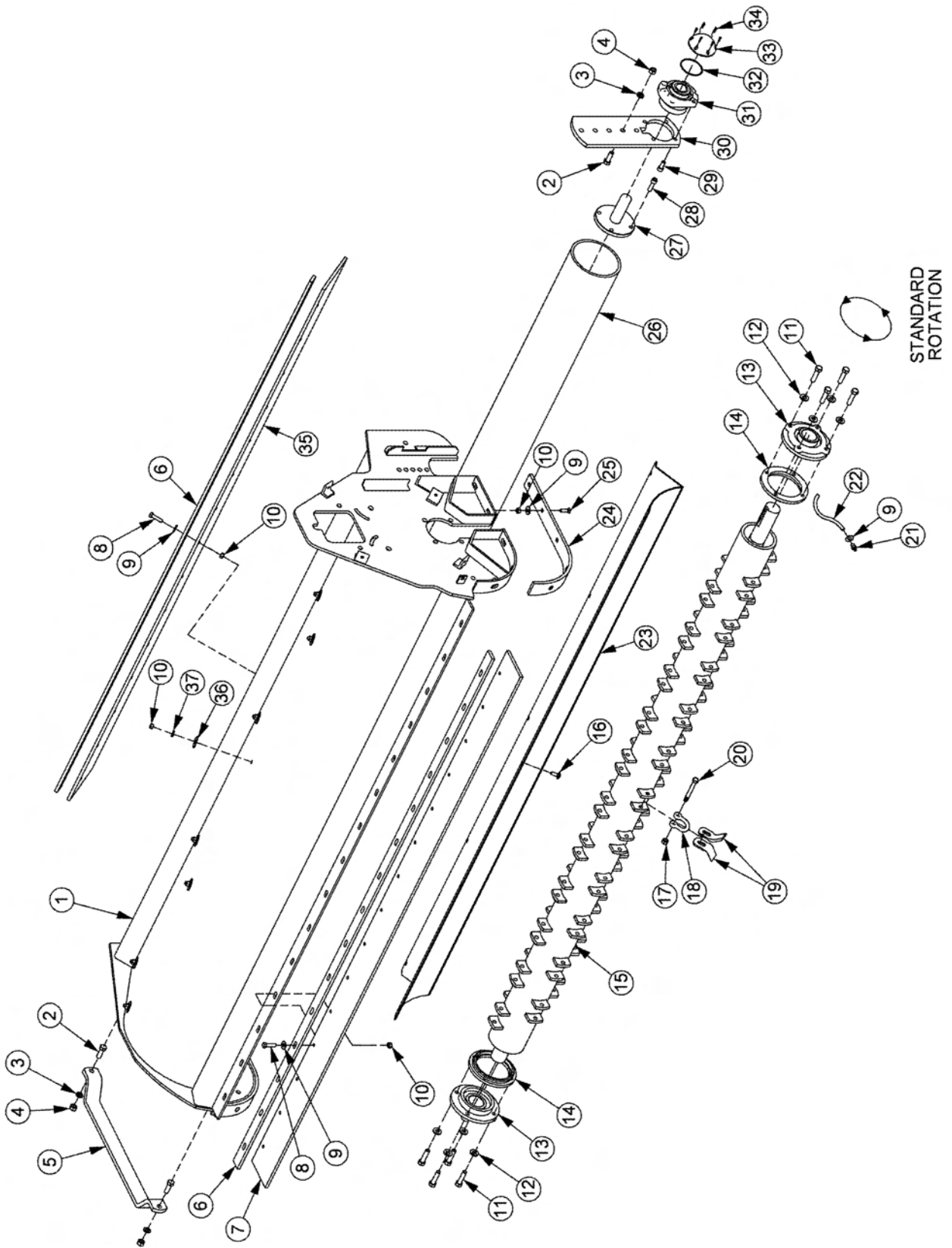
SUPER DUTY 75IN REAR FLAIL - REV ROT

Continued...

| ITEM | PART NO. | QTY. | DESCRIPTION |
|-------------|-----------------|-------------|---|
| --- | 06742091 | - | 75IN REAR FLAIL,SD,RR (STANDARD CUT) |
| ---- | 06742092 | - | 75IN REAR FLAIL,SD,RR (SMOOTH CUT) |
| 1 | 06320134 | 1 | BONNET,75",STD,ROSTA |
| 2 | 21731 | 8 | CAPSCREW,1/2" X 1-1/2",NC |
| 3 | 21990 | 8 | LOCKWASHER,1/2" |
| 4 | 21725 | 8 | HEX NUT,1/2",NC |
| 5 | 27975A | 1 | GUARD,CUTTERSHAFT |
| 7 | 21632 | 20 | CAPSCREW,3/8" X 1-1/2",NC |
| 8 | 28968A | 1 | TRASH GUARD,75" |
| 9 | 22016 | 50 | FLATWASHER,3/8",GR8 |
| 10 | 21625 | 40 | HEX NUT,3/8",NC |
| --- | 06200639 | - | KIT,STRING GUARD (ITEMS 11, 12 & 14) |
| 11 | 06530217 | 8 | CAPSCREW,3/4" X 2-1/2",GR8,NC |
| 12 | 06533006 | 8 | FLATWASHER,1/2",SAE,L9 |
| 13 | 28683 | 2 | BEARING,FLANGE,1-15/16",STD |
| 14 | 33863 | 2 | STRING GUARD,STD |
| --- | 28747 | - | CUTTERSHAFT,ASSY (STANDARD CUT) (ITEMS 15, 16, 17, 18 & 19) |
| ---- | 28748 | - | CUTTERSHAFT,ASSY (SMOOTH CUT) (ITEMS 15, 16, 17, 18A & 19) |
| 15 | 28643B | 1 | CUTTERSHAFT,75"STD,W/EARS |
| 16 | 21677 | 40 | NYLOCK NUT,7/16",NC |
| 17 | TF1020 | 40 | KNIFE MTG CLEVIS,FLAIL |
| 18 | 33713 | 80 | KNIFE,FLAIL (STANDARD CUT) |
| 18A | 28184A | 40 | KNIFE,FLAIL (SMOOTH CUT) |
| 19 | 34011 | 40 | CAPSCREW,7/16" X 3-7/16",GR8,NC |
| 20 | TF1033 | 1 | GREASE ZERK,1/8" FPT |
| 21 | TF1032 | 1 | GRS HOSE,3/16" X 8" |
| 22 | 28086A | 2 | SKID SHOE,STD DUTY,REAR FLAIL |
| 23 | 30013 | 10 | PLOW BOLT,3/8" X 1-1/4",GR5,NC |
| 24 | 28738 | 1 | GROUND ROLLER,75" |
| 25 | TF1045B | 2 | STUB SHAFT,GROUND ROLLER |
| 26 | 6T2330 | 8 | CAPSCREW,SKT HD,7/16" X 1-1/2",NC |
| 27 | 6T2331 | 4 | CAPSCREW,SKT HD,7/16" X 1",NC |
| 28 | 28735 | 2 | GROUND ROLLER ADJ BRKT,STD DTY |
| 29 | 06520028 | 2 | BEARING,FLANGE,1-3/8",GRNDRLLR |
| 30 | 06520029 | 2 | O-RING,2-3/4" X 3/32" |
| 31 | 06520027 | 2 | CAP,BEARING,GRNDRLLR |
| 32 | 06530001 | 12 | CAPSCREW,SKT HD,8-32 X 1/2",SS |
| 33 | TF1016 | 1 | FLAP,DEFLECTOR,75" |
| 34 | TF1029 | 1 | BAR,FLAP,TSF/TRF,75" |

COMMON TRIPLE

SUPER DUTY 90IN REAR FLAIL - STD ROT



COMMON TRIPLE

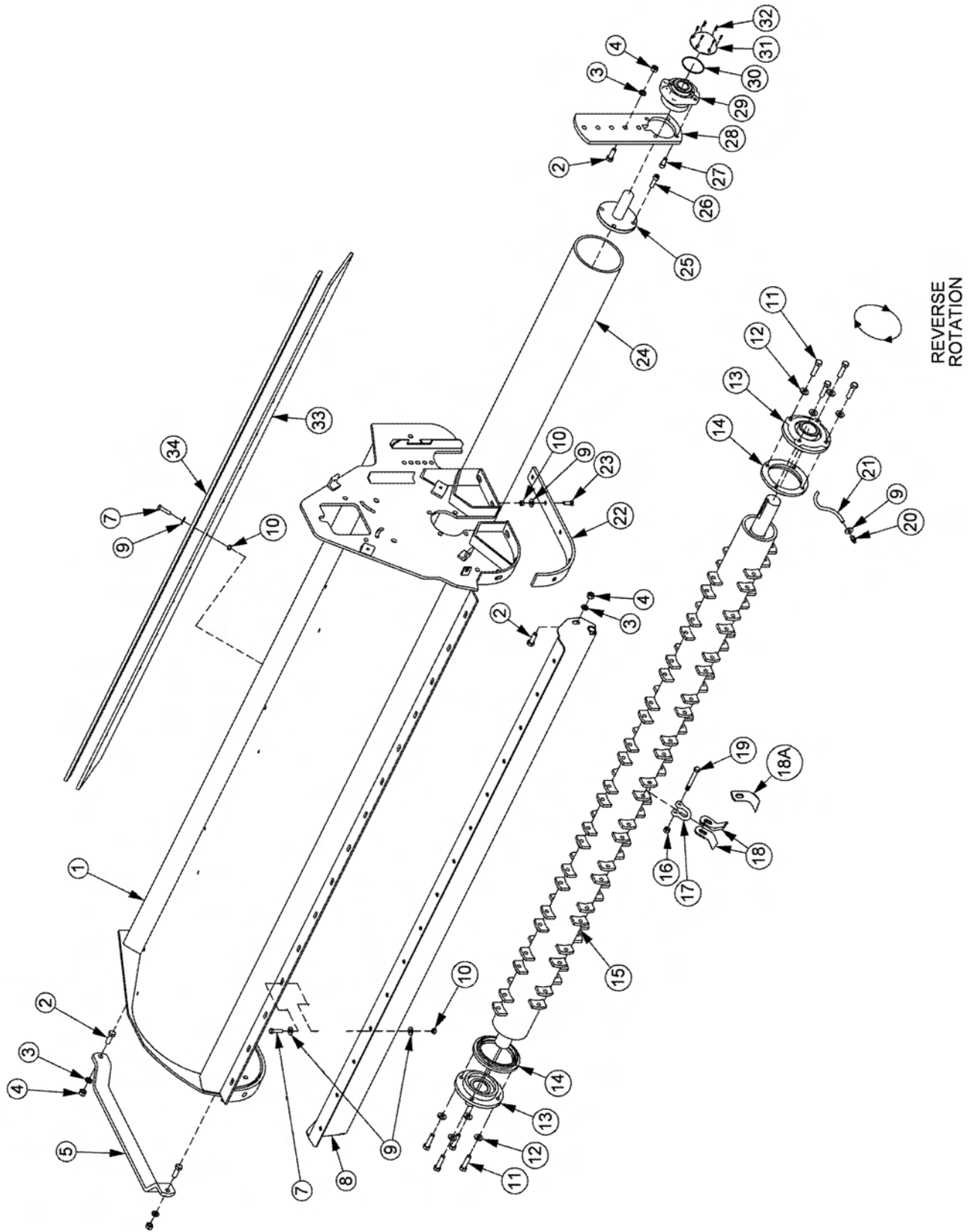
SUPER DUTY 90IN REAR FLAIL - STD ROT

Continued...

| ITEM | PART NO. | QTY. | DESCRIPTION |
|------|----------|------|--|
| --- | 06742080 | - | 90" REAR FLAIL,SD,STD ROT |
| 1 | 06320115 | 1 | BONNET,90",STD,ROSTA |
| 2 | 21731 | 6 | CAPSCREW,1/2" X 1-1/2",NC |
| 3 | 21990 | 6 | LOCKWASHER,1/2" |
| 4 | 21725 | 6 | HEX NUT,1/2",NC |
| 5 | 27975A | 1 | GUARD,CUTTERSHAFT |
| 6 | TF1135 | 2 | BAR,FLAP,TSF/TRF 90" |
| 7 | 06520243 | 1 | FLAP,90",FRONT |
| 8 | 21632 | 20 | CAPSCREW,3/8" X 1-1/2",NC |
| 9 | 22016 | 41 | FLATWASHER,3/8",GR8 |
| 10 | 21625 | 50 | HEX NUT,3/8",NC |
| --- | 06200639 | - | KIT,STRING GUARD (ITEMS 11, 12 & 14) |
| 11 | 06530217 | 8 | CAPSCREW,3/4" X 2-1/2",GR8,NC |
| 12 | 06533006 | 8 | FLATWASHER,1/2",SAE,L9 |
| 13 | 28683 | 2 | BEARING,FLANGE,1-15/16",STD |
| 14 | 33863 | 2 | STRING GUARD,STD |
| --- | 28745 | - | CUTTERSHAFT ASSY (ITEMS 15, 17, 18, 19 & 20) |
| 15 | 27964C | 1 | CUTTERSHAFT,90"STD,W/EARS |
| 16 | 6T2283 | 10 | CARRIAGE BOLT,3/8" X 1",NC |
| 17 | 21677 | 48 | NYLOCK NUT,7/16",NC |
| 18 | TF1020 | 48 | KNIFE MTG CLEVIS,FLAIL |
| 19 | 33713 | 96 | KNIFE,FLAIL,SHORT |
| 20 | 34011 | 48 | CAPSCREW,7/16" X 3-7/16",GR8,NC |
| 21 | TF1033 | 1 | GREASE ZERK,1/8" FPT |
| 22 | TF1032 | 1 | GRS HOSE,3/16" X 8" |
| 23 | 27971 | 1 | BAFFLE,90",STD ROT-STD |
| 24 | 28086A | 2 | SKID SHOE,STD DUTY,REAR FLAIL |
| 25 | 30013 | 10 | PLOW BOLT,3/8" X 1-1/4",GR5,NC |
| 26 | 27972A | 1 | GROUND ROLLER,90" |
| 27 | TF1045B | 2 | STUB SHAFT,GROUND ROLLER |
| 28 | 6T2330 | 8 | CAPSCREW,SKT HD,7/16" X 1-1/2",NC |
| 29 | 6T2331 | 4 | CAPSCREW,SKT HD,7/16" X 1",NC |
| 30 | 28735 | 2 | GROUND ROLLER ADJ BRKT,STD DTY |
| 31 | 06520028 | 2 | BEARING,FLANGE,1-3/8",GRNDRLLR |
| 32 | 06520029 | 2 | O-RING,2-3/4" X 3/32" |
| 33 | 06520027 | 2 | CAP,BEARING,GRNDRLLR |
| 34 | 06530001 | 12 | CAPSCREW,SKT HD,8-32 X 1/2",SS |
| 35 | TF1116 | 1 | FLAP,DEFLECTOR,90" |
| 36 | 6T2615 | 10 | WASHER,FENDER,3/8" |
| 37 | 21988 | 10 | LOCKWASHER,3/8" |

COMMON TRIPLE

SUPER DUTY 90IN REAR FLAIL - REV ROT



COMMON TRIPLE

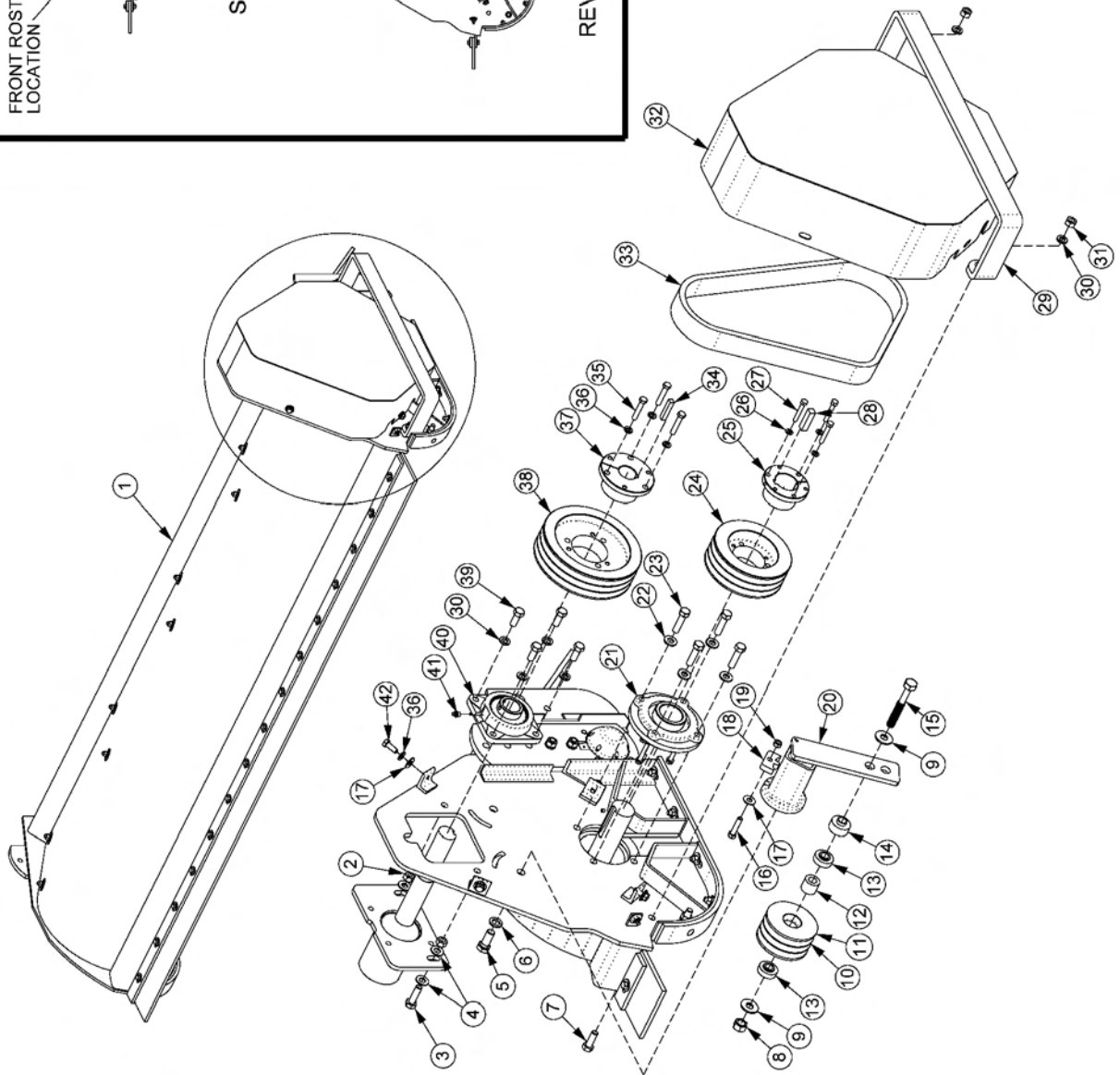
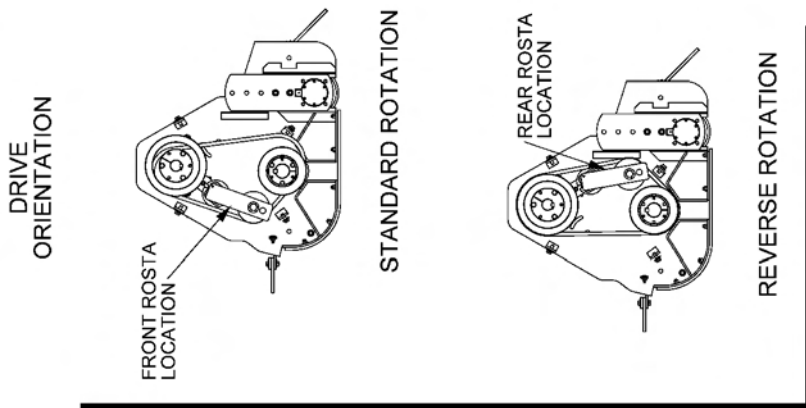
SUPER DUTY 90IN REAR FLAIL - REV ROT

Continued...

| ITEM | PART NO. | QTY. | DESCRIPTION |
|------|----------|------|---|
| --- | 06742083 | - | 90" REAR FLAIL,SD (STANDARD CUT) |
| ---- | 06742084 | - | 90" REAR FLAIL,SD (SMOOTH CUT) |
| 1 | 06320115 | 1 | BONNET,90",STD,ROSTA |
| 2 | 21731 | 8 | CAPSCREW,1/2" X 1-1/2",NC |
| 3 | 21990 | 8 | LOCKWASHER,1/2" |
| 4 | 21725 | 8 | HEX NUT,1/2",NC |
| 5 | 27975A | 1 | GUARD,CUTTERSHAFT |
| 7 | 21632 | 20 | CAPSCREW,3/8" X 1-1/2",NC |
| 8 | 28967A | 1 | TRASH GUARD,90" |
| 9 | 22016 | 56 | FLATWASHER,3/8",GR8 |
| 10 | 21625 | 40 | HEX NUT,3/8",NC |
| --- | 06200639 | - | KIT,STRING GUARD (ITEMS 11, 12 & 14) |
| 11 | 06530217 | 8 | CAPSCREW,3/4" X 2-1/2",GR8,NC |
| 12 | 06533006 | 8 | FLATWASHER,1/2",SAE,L9 |
| 13 | 28683 | 2 | BEARING,FLANGE,1-15/16",STD |
| 14 | 33863 | 2 | STRING GUARD,STD |
| --- | 28745 | - | CUTTERSHAFT ASSY (STANDARD CUT) (ITEMS 15, 16, 17, 18 & 19) |
| ---- | 28746 | - | CUTTERSHAFT ASSY (SMOOTH CUT) (ITEMS 15, 16, 17, 18A & 19) |
| 15 | 27964C | 1 | CUTTERSHAFT,90"STD,W/EARS |
| 16 | 21677 | 48 | NYLOCK NUT,7/16",NC |
| 17 | TF1020 | 48 | KNIFE MTG CLEVIS,FLAIL |
| 18 | 33713 | 96 | KNIFE,FLAIL (STANDARD CUT) |
| 18A | 28184A | 48 | KNIFE,FLAIL (SMOOTH CUT) |
| 19 | 34011 | 48 | CAPSCREW,7/16" X 3-7/16",GR8,NC |
| 20 | TF1033 | 1 | GREASE ZERK,1/8" FPT |
| 21 | TF1032 | 1 | GRS HOSE,3/16" X 8" |
| 22 | 28086A | 2 | SKID SHOE,STD DUTY,REAR FLAIL |
| 23 | 30013 | 10 | PLOW BOLT,3/8" X 1-1/4",GR5,NC |
| 24 | 27972A | 1 | GROUND ROLLER,90" |
| 25 | TF1045B | 2 | STUB SHAFT,GROUND ROLLER |
| 26 | 6T2330 | 8 | CAPSCREW,SKT HD,7/16" X 1-1/2",NC |
| 27 | 6T2331 | 4 | CAPSCREW,SKT HD,7/16" X 1",NC |
| 28 | 28735 | 2 | GROUND ROLLER ADJ BRKT,STD DTY |
| 29 | 06520028 | 2 | BEARING,FLANGE,1-3/8",GRNDRLLR |
| 30 | 06520029 | 2 | O-RING,2-3/4" X 3/32" |
| 31 | 06520027 | 2 | CAP,BEARING,GRNDRLLR |
| 32 | 06530001 | 12 | CAPSCREW,SKT HD,8-32 X 1/2",SS |
| 33 | TF1116 | 1 | FLAP,DEFLECTOR,90" |
| 34 | TF1035 | 1 | BAR,FLAP,TSF/TRF,90" |

COMMON TRIPLE

SUPER DUTY REAR FLAIL DRIVE ASSY



| ITEM | PART NO. | QTY. | DESCRIPTION |
|------|----------|------|----------------------------------|
| 1 | ----- | - | BONNET *REFER TO CUTTER ASSEMBLY |
| 2 | 21727 | 2 | NYLOCK NUT,1/2",NC |
| 3 | 21732 | 2 | CAPSCREW,1/2" X 1-3/4",NC |
| 4 | 22018 | 4 | FLATWASHER,1/2",WIDE |

COMMON TRIPLE

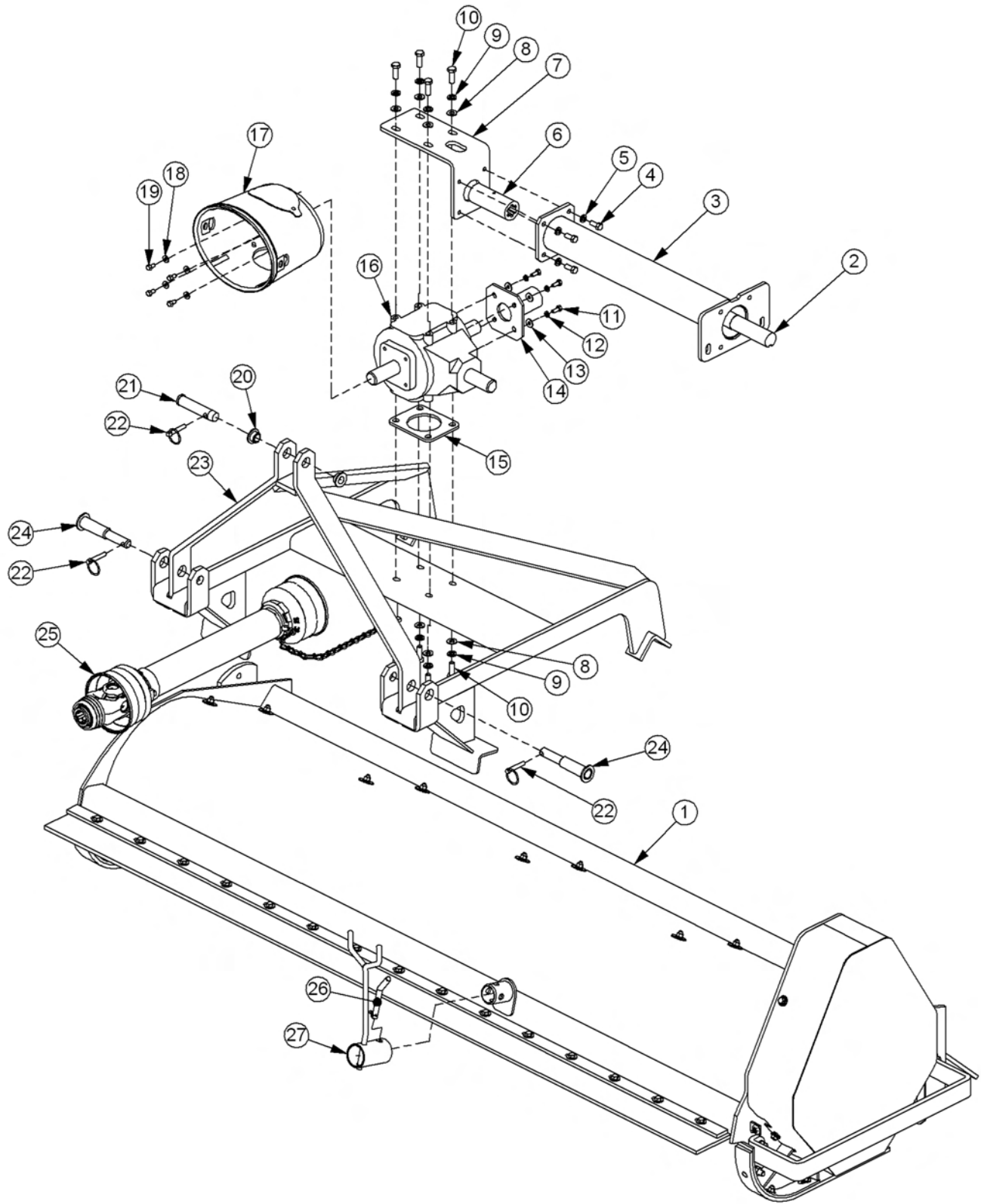
SUPER DUTY REAR FLAIL DRIVE ASSY

Continued...

| ITEM | PART NO. | QTY. | DESCRIPTION |
|------|----------|------|----------------------------------|
| 5 | 22421 | - | CAPSCREW,16MM X 40MM(2.0P) |
| 6 | 31956 | - | FLATWASHER,16MM,HARDENED |
| 7 | 21731 | 2 | CAPSCREW,1/2" X 1-1/2",NC |
| 8 | 32838 | 1 | HEX NUT,5/8-11 UNC,GR8 |
| 9 | 25270 | 2 | FLATWASHER,5/8",GR8,USS |
| 10 | 06700092 | - | ASSY,SHEAVE,IDLER,3 GRV |
| 11 | 06420072 | 1 | SHEAVE,IDLER,3 GRV |
| 12 | 31298 | 2 | BRG,FAFNIR,203KRR2 |
| 13 | 06430072 | 1 | SPACER,1.25" X .69" X 1.03" |
| 14 | 06420094 | 1 | SPACER,1.00" X 1.63" X .64" |
| 15 | 33854 | 1 | CAPSCREW,5/8" X 4-1/2",GR8,NC |
| 16 | 21632 | 1 | CAPSCREW,3/8" X 1-1/2",NC |
| 17 | 22016 | 5 | FLATWASHER,3/8",GR8 |
| 18 | 06400717 | 1 | STOP,ROSTA |
| 19 | 21627 | 1 | NYLOCK NUT,3/8",NC |
| 20 | 06520306 | 1 | TNSNR,ROSTA,SE38,W/MTG BOLT |
| 21 | 28683 | 2 | BEARING,FLANGE,1-15/16",STD |
| 22 | 06533006 | 8 | FLATWASHER,1/2",L9,SAE |
| 23 | 06530217 | 8 | CAPSCREW,1/2" X 2",L9,NC |
| 24 | 06520218 | 1 | SHEAVE,6.7",3G5V,QD,SK |
| 25 | 28723 | 1 | BUSHING,QD,SK 1-15/16" |
| 26 | 21987 | 3 | LOCKWASHER,5/16" |
| 27 | 21584 | 3 | CAPSCREW,5/16" X 2",NC |
| 28 | 26142A | 1 | KEY,1/2"SQ X 2" |
| 29 | 06410723 | 1 | BAR,RUB |
| 30 | 21990 | 6 | LOCKWASHER,1/2" |
| 31 | 21725 | 2 | HEX NUT,1/2",NC |
| 32 | 06320114 | 1 | SHIELD,BELT,WLDMNT,STD |
| 33 | 06520312 | 1 | BELT,BANDED,3/5VX560 |
| 34 | 28224 | 1 | KEY,3/8"SQ X 2" |
| 35 | 21634 | 3 | CAPSCREW,3/8" X 2",NC |
| 36 | 21988 | 3 | LOCKWASHER,3/8" |
| 37 | 06520304 | 1 | BUSHING,QD,SF 1-1/2",3/8" KEY |
| 38 | 02967325 | 1 | SHEAVE,8.5",3G5V |
| 39 | 21730 | 4 | CAPSCREW,1/2" X 1-1/4",NC |
| 40 | 06520308 | 1 | BRNG,FLNG,1-1/2",GRIP-TIGHT |
| 41 | 6T3208 | 1 | ZERK,1/8" X 45° |
| 42 | 21630 | 4 | CAPSCREW,3/8" X 1",NC |
| 43 | 06520386 | - | GAGE,TENSION,PLUNGER (NOT SHOWN) |
| 44 | 06401023 | - | WRENCH,ROSTA |

COMMON TRIPLE

SUPER DUTY PTO DRIVE ASSY



COMMON TRIPLE

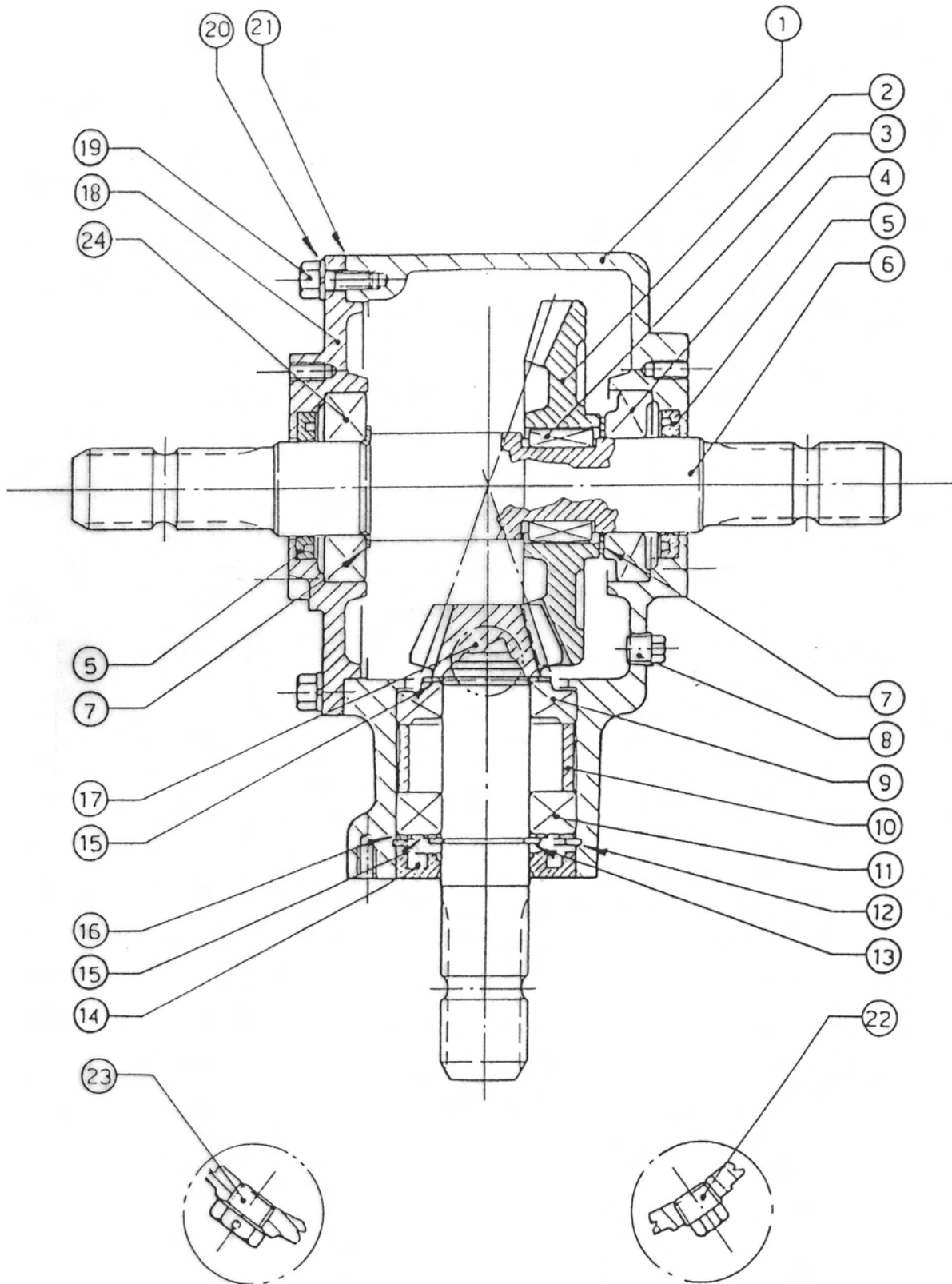
SUPER DUTY PTO DRIVE ASSY

Continued...

| ITEM | PART NO. | QTY. | DESCRIPTION |
|------|----------|------|----------------------------------|
| 1 | 06320134 | 1 | BONNET,75,STD,ROSTA |
| --- | 06320115 | - | BONNET,90,STD,ROSTA |
| 2 | 06420110 | 1 | SHAFT,OUTPUT,TRF75 |
| ---- | 06420109 | - | SHAFT,OUTPUT,TRF75 (OFFSET) |
| --- | 06420092 | - | SHAFT,OUTPUT,TRF90 |
| ---- | 06420109 | - | SHAFT,OUTPUT,TRF90 (OFFSET) |
| 3 | 06320133 | 1 | TUBE,SAFETY,75,SD |
| ---- | 06320119 | 1 | TUBE,SAFETY,75 (OFFSET) |
| --- | 06320117 | - | TUBE,SAFETY,90,SD |
| ---- | 06320119 | - | TUBE,SAFETY,90 (OFFSET) |
| 4 | 21679 | 4 | CAPSCREW,7/16 X 1,NC |
| 5 | 21989 | 4 | LOCKWASHER,7/16 |
| 6 | 28914 | 1 | COUPLING,6 SPLINE W/ZERK |
| 7 | 33204 | 1 | PLATE,MNT,GUARD |
| 8 | 27724 | 8 | LOCKWASHER,12MM |
| 9 | 22017 | 4 | FLATWASHER,7/16 |
| 10 | 34890 | 8 | CAPSCREW,12MM X 35MM(1.75P) |
| 11 | 27508 | 4 | CAPSCREW,8MM X 20MM(1.25P) |
| 12 | 6T2619 | 4 | LOCKWASHER,8MM |
| 13 | 22015 | 4 | FLATWASHER,5/16 |
| 14 | 28447E | 1 | GUARD,TRF,OUTPUT SHAFT |
| 15 | 06400018 | 1 | SPACER,REAR FLAIL (IF NECESSARY) |
| 16 | 28950 | 1 | GEAR BOX,540 RPM |
| 17 | 06520181 | 1 | SHIELD,PTO |
| 18 | 34948 | 4 | FLATWASHER,3/8 |
| 19 | 27507 | 4 | CAPSCREW,8MM X 15MM(1.25P) |
| 20 | 28235A | 2 | BUSHING,3PT,CAT II TO CAT I |
| 21 | TB1036 | 1 | PIN,SEC BOOM SWIV 1 X 4-11/16 |
| 22 | TF1143 | 3 | PIN,LYNCH,7/16 X 2 |
| 23 | 06370154 | 1 | FRM,3PT,STD |
| 24 | 28234B | 2 | PIN,3PT,TRF,STD |
| 25 | 06520414 | 1 | PTO,DRV SHFT,TRF |
| --- | 06520415 | - | PTO,DRV SHFT,TRF,W/ CLUTCH |
| 26 | 06520048 | 1 | PIN,.5 X 2.5,BENT,W/R-CLIP |
| 27 | 06370022 | 1 | SUPPORT,PTO |

COMMON TRIPLE

SUPER DUTY REAR GEAR BOX ASSY



COMMON TRIPLE

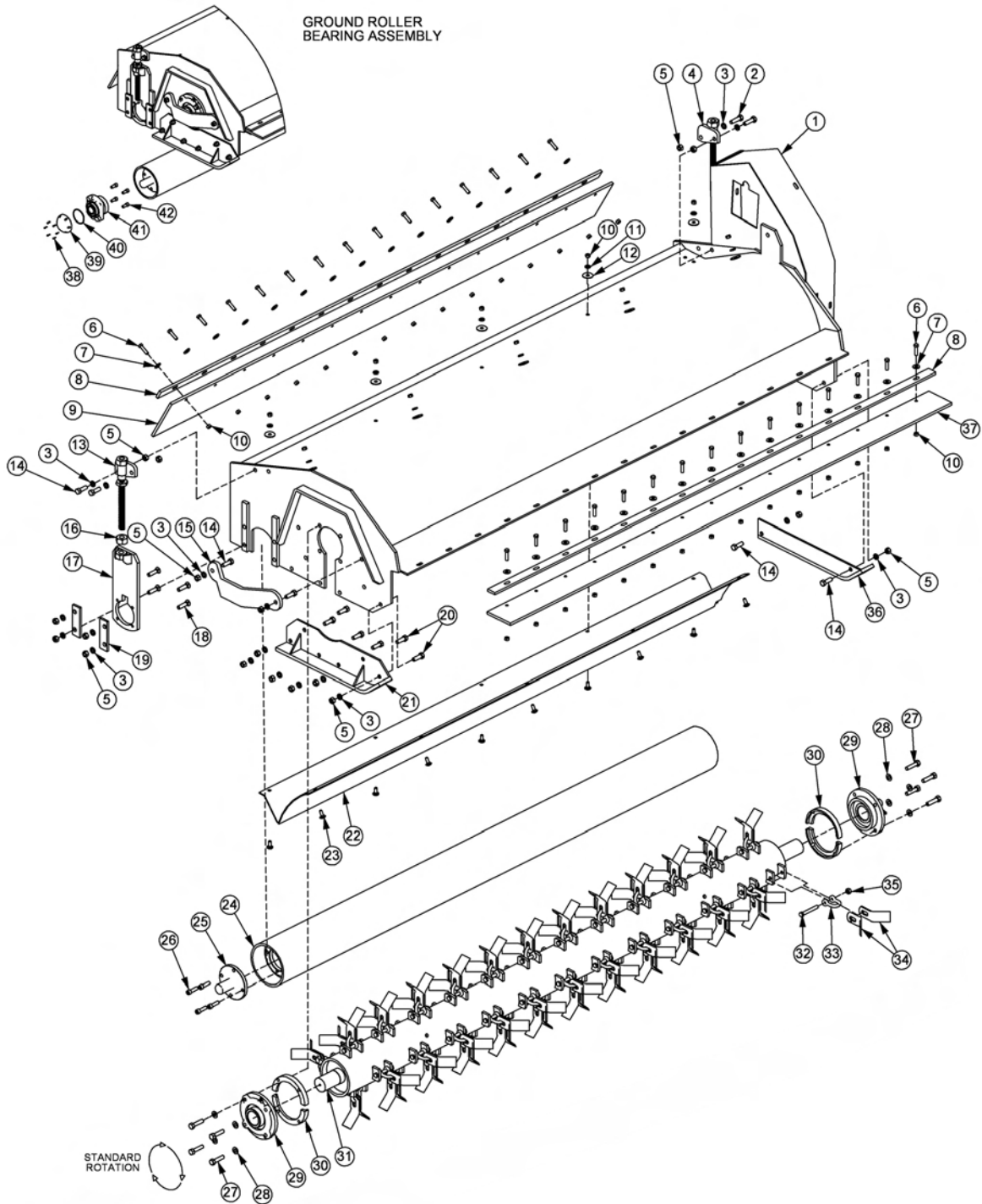
SUPER DUTY REAR GEAR BOX ASSY

Continued...

| ITEM | PART NO. | QTY. | DESCRIPTION |
|------|----------|------|-----------------------|
| 1 | 30133 | 1 | CASING |
| 2 | 30134 | 1 | CROWNWHEEL Z30 |
| 3 | 30135 | 2 | PARALLEL KEY |
| 4 | 28604 | 1 | BEARING 30208 |
| 5 | 30136 | 2 | OIL SEAL 40 X 62 X 7 |
| 6 | 30137 | 1 | SHAFT |
| 7 | 28603 | 2 | SHIM |
| 8 | 30138 | 1 | PLUG |
| 9 | 30139 | 1 | BEARING 30207 |
| 10 | 30140 | 1 | SPACER |
| 11 | 30141 | 1 | BEARING 6207 |
| 12 | 30142 | 1 | INTERNAL CIRCLIP 72 |
| 13 | 30143 | 1 | EXTERNAL CIRCLIP 35 |
| 14 | 30144 | 2 | OIL SEAL 35 X 72 X 10 |
| 15 | 30145 | 1 | SHIM |
| 16 | 30146 | 1 | SHIM |
| 17 | 30147 | 1 | PINION Z10 |
| 18 | 30148 | 1 | COVER |
| 19 | 30149 | 6 | HEX BOLT M8 X 22 |
| 20 | 30150 | 6 | WASHER |
| 21 | 30151 | 1 | SEAL |
| 22 | 30152 | 1 | PLUG |
| 23 | 30153 | 1 | OIL FILLER PLUG |
| 24 | 30154 | 1 | BEARING 6208 |

COMMON TRIPLE

EXTREME DUTY 75IN REAR FLAIL - STD ROT



| ITEM | PART NO. | QTY. | DESCRIPTION |
|------|----------|------|--------------------------------|
| --- | 33036 | - | 75" REAR FLAIL ASSY,HD,STD ROT |
| 1 | 22043J | 1 | BONNET,75",HD |
| 2 | 21732 | 2 | CAPSCREW,1/2" X 1-3/4",NC |
| 3 | 21990 | 22 | LOCKWASHER,1/2" |

COMMON TRIPLE

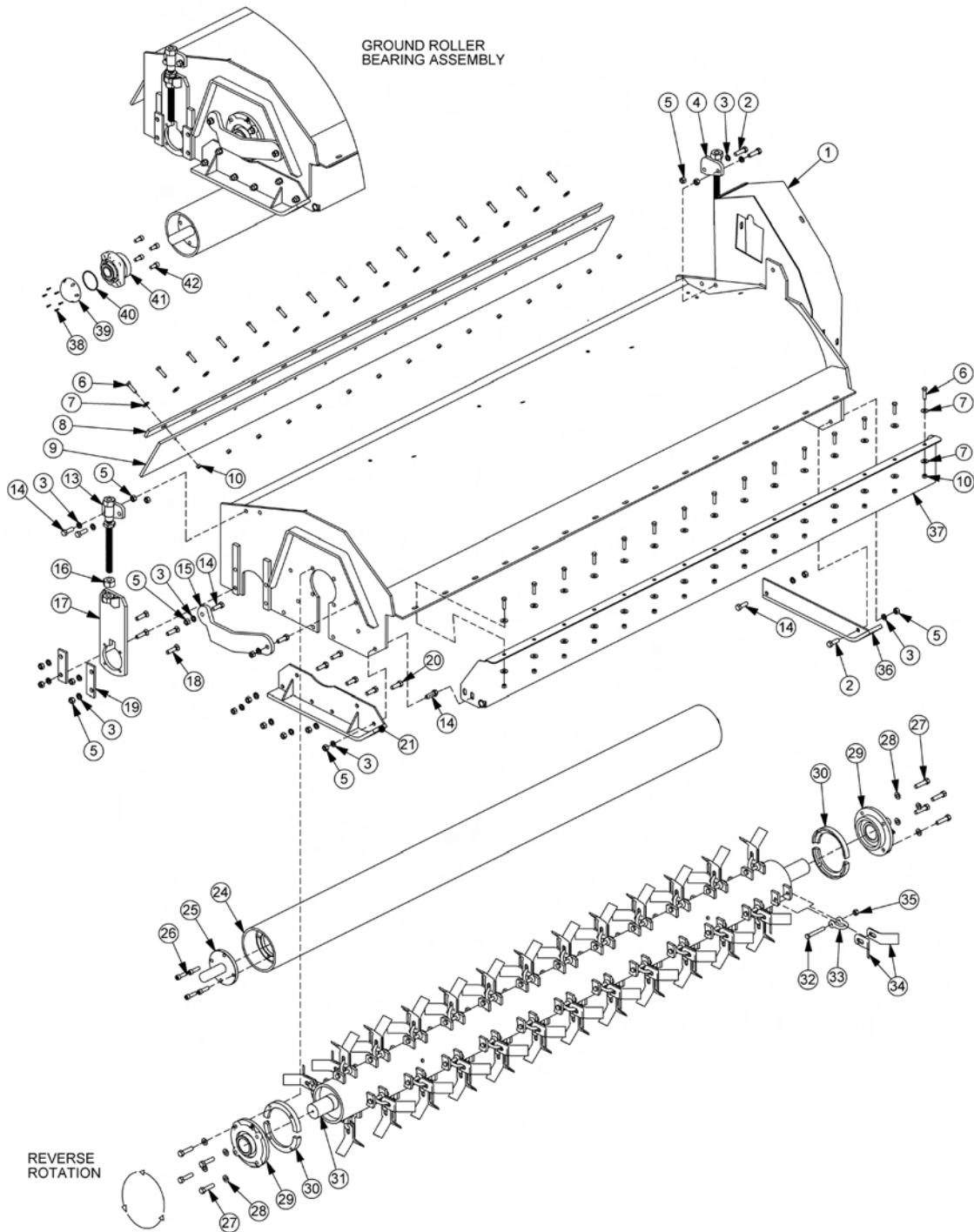
EXTREME DUTY 75IN REAR FLAIL - STD ROT

Continued...

| ITEM | PART NO. | QTY. | DESCRIPTION |
|------|----------|------|--------------------------------------|
| 4 | TF4335 | 1 | ROD,GROUND ROLLER ADJ,LF |
| 5 | 21725 | 22 | HEX NUT,1/2",NC |
| 6 | 21632 | 26 | CAPSCREW,3/8" X 1-1/2",NC |
| 7 | 22016 | 26 | FLATWASHER,3/8" |
| 8 | TF1029 | 2 | BAR,FLAP,TSF/TRF,75" |
| 9 | TF1016 | 1 | FLAP,DEFLECTOR,TSF/TRF,75" |
| 10 | 21625 | 36 | HEX NUT,3/8",NC |
| 11 | 21988 | 10 | LOCKWASHER,3/8" |
| 12 | 6T2615 | 10 | WASHER,FENDER,3/8" |
| 13 | TF4334 | 1 | ROD,GROUND ROLLER ADJ,RT |
| 14 | 21731 | 6 | CAPSCREW, 1/2" X 1-1/2",NC |
| 15 | TF1040 | 1 | GUARD,CUTTERSCHAFT |
| 16 | 21399 | 2 | HEX NUT,3/4",ACME THRD |
| 17 | TF4333A | 2 | GROUND ROLLER ADJ BRKT |
| 18 | 6T2294 | 8 | PLOW BOLT,1/2" X 2",NC |
| 19 | TF4336 | 4 | PLATE,GROUND ROLLER LOCK |
| 20 | 21730 | 6 | CAPSCREW,1/2" X 1-1/4",NC |
| 21 | TF4371 | 1 | SKID SHOE,L/PROFILE-OUTER |
| 22 | TF1402A | 1 | BAFFLE,FLAIL,75",HD |
| 23 | 6T2283 | 10 | CARRIAGE BOLT,3/8" X 1",NC |
| 24 | 28738 | 1 | GROUND ROLLER,75" |
| 25 | TF1045B | 2 | GRND ROLLER STUB SHAFT |
| 26 | 6T2330 | 8 | CAPSCREW, 7/16" X 1-1/2", SKT HD |
| --- | 06200347 | - | KIT,STRING GUARD (ITEMS 27, 28 & 30) |
| 27 | 06530217 | 8 | CAPSCREW,1/2" X 2",NC,L9 |
| 28 | 06533006 | 8 | FLATWASHER,1/2",SAE,L9 |
| 29 | TF1018 | 2 | BEARING,FLANGE,2-3/16" |
| 30 | 31204 | 2 | STRING GUARD,HD |
| --- | TF1002A | - | CUTTERSCHAFT ASSY,75IN |
| 31 | TF1002 | 1 | CUTTERSCHAFT,75IN |
| 32 | 30411 | 40 | KNIFE MOUNTING BOLT,FLAIL |
| 33 | TF1020 | 40 | KNIFE MTG CLEVIS,FLAIL |
| 34 | 33714 | 80 | KNIFE,FLAIL,STANDARD CUT |
| 35 | 21677 | 40 | NYLOCK NUT,7/16",NC |
| 36 | TF4365 | 1 | SKID SHOE,L/PROFILE-INNER |
| 37 | 06520242 | 1 | FLAP,FRONT,75" |
| 38 | 06530001 | 12 | CAPSCREW,SKT HD |
| 39 | 06520027 | 2 | CAP,BEARING |
| 40 | 06520029 | 2 | O-RING,2-3/4" X 3/32" |
| 41 | 06520028 | 2 | BEARING,FLANGE,1-3/8" |
| 42 | 6T2331 | 8 | CAPSCREW,7/16" X 1",SKT HD |

COMMON TRIPLE

EXTREME DUTY 75IN REAR FLAIL - REV ROT



| ITEM | PART NO. | QTY. | DESCRIPTION |
|------|----------|------|-------------------------------------|
| --- | 33038 | - | REAR FLAIL,75IN,ASSY (STANDARD CUT) |
| ---- | 33040 | - | REAR FLAIL,75IN,ASSY (SMOOTH CUT) |
| 1 | 22043J | 1 | BONNET,75",HD |
| 2 | 21732 | 3 | CAPSCREW,1/2" X 1-3/4",NC |

COMMON TRIPLE

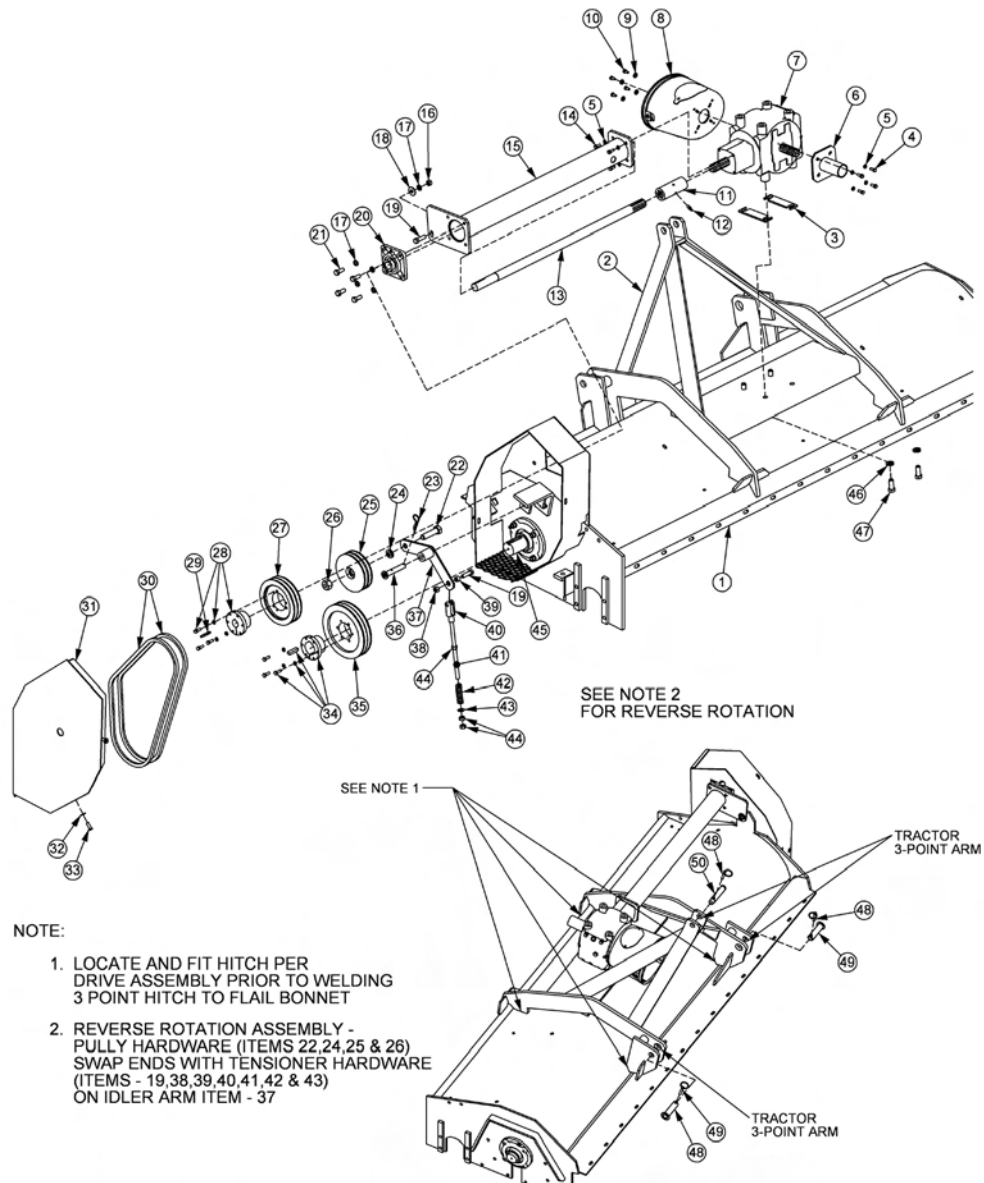
EXTREME DUTY 75IN REAR FLAIL - REV ROT

Continued...

| ITEM | PART NO. | QTY. | DESCRIPTION |
|------|----------|------|--|
| 3 | 21990 | 22 | LOCKWASHER,1/2" |
| 4 | TF4335 | 1 | ROD,GROUND ROLLER ADJ,LF |
| 5 | 21725 | 22 | HEX NUT,1/2",NC |
| 6 | 21632 | 26 | CAPSCREW,3/8" X 1-1/2",NC |
| 7 | 22016 | 39 | FLATWASHER,3/8" |
| 8 | TF1029 | 1 | BAR,FLAP,TSF/TRF,75" |
| 9 | TF1016 | 1 | FLAP,DEFLECTOR,TSF/TRF,75" |
| 10 | 21625 | 36 | HEX NUT,3/8",NC |
| 13 | TF4334 | 1 | ROD,GROUND ROLLER ADJ,RT |
| 14 | 21731 | 6 | CAPSCREW, 1/2" X 1-1/2",NC |
| 15 | TF1040 | 1 | GUARD,CUTTERSHAFT |
| 16 | 21399 | 2 | HEX NUT,3/4",ACME THRD |
| 17 | TF4333A | 2 | GROUND ROLLER ADJ BRKT |
| 18 | 6T2294 | 8 | PLOW BOLT,1/2" X 2",NC |
| 19 | TF4336 | 4 | PLATE,GROUND ROLLER LOCK |
| 20 | 21730 | 5 | CAPSCREW,1/2" X 1-1/4",NC |
| 21 | TF4371 | 1 | SKID SHOE,L/PROFILE-OUTER |
| 24 | 28738 | 1 | GROUND ROLLER,75" |
| 25 | TF1045B | 2 | GRND ROLLER STUB SHAFT |
| 26 | 6T2330 | 8 | CAPSCREW, 7/16" X 1-1/2", SKT HD |
| --- | 06200347 | - | KIT,STRING GUARD (ITEMS 27, 28 & 30) |
| 27 | 06530217 | 8 | CAPSCREW,1/2" X 2",NC,L9 |
| 28 | 06533006 | 8 | FLATWASHER,1/2",SAE,L9 |
| 29 | TF1018 | 2 | BEARING,FLANGE,2-3/16" |
| 30 | 31204 | 2 | STRING GUARD,HD |
| --- | TF1002A | - | CUTTERSHAFT,ASSY,75IN (STANDARD CUT) (ITEMS 31, 32, 33, 34 & 35) |
| ---- | TF1002B | - | CUTTERSHAFT,ASSY,75IN (SMOOTH CUT) (ITEMS 31, 32, 33, 34 & 35) |
| 31 | TF1002 | 1 | CUTTERSHAFT,75",HD |
| 32 | 30411 | 40 | KNIFE MOUNTING BOLT,FLAIL |
| 33 | TF1020 | 40 | KNIFE MTG CLEVIS,FLAIL |
| 34 | 33714 | 80 | KNIFE,FLAIL,STANDARD CUT |
| 34A | TF1019F | 40 | KNIFE,FLAIL,SMOOTH CUT (NOT SHOWN) |
| 35 | 21677 | 40 | NYLOCK NUT,7/16",NC |
| 36 | TF4365 | 1 | SKID SHOE,L/PROFILE-INNER |
| 37 | TF1403 | 1 | FRONT TRASH GUARD |
| 38 | 06530001 | 12 | CAPSCREW,SKT HD |
| 39 | 06520027 | 2 | CAP,BEARING |
| 40 | 06520029 | 2 | O-RING,2-3/4" X 3/32" |
| 41 | 06520028 | 2 | BEARING,FLANGE,1-3/8" |
| 42 | 6T2331 | 8 | CAPSCREW,7/16" X 1",SKT HD |

COMMON TRIPLE

EXTREME DUTY 75IN REAR FLAIL DRIVE ASSY



NOTE:

1. LOCATE AND FIT HITCH PER DRIVE ASSEMBLY PRIOR TO WELDING 3 POINT HITCH TO FLAIL BONNET
2. REVERSE ROTATION ASSEMBLY - PULLY HARDWARE (ITEMS 22,24,25 & 26) SWAP ENDS WITH TENSIONER HARDWARE (ITEMS - 19,38,39,40,41,42 & 43) ON IDLER ARM ITEM - 37

| ITEM | PART NO. | QTY. | DESCRIPTION |
|------|----------|------|-------------------------------|
| 1 | ----- | 1 | BONNET *REFER TO CUTTER ASSY |
| 2 | 31279A | 1 | HITCH,3-POINT |
| 3 | 40454 | 2 | SPACER |
| 4 | 27508 | 4 | CAPSCREW,8MM X 20MM(1.25) |
| 5 | 6T2619 | 8 | LOCKWASHER,8MM |
| 6 | 28447E | 1 | GUARD,OUTPUT SHAFT |
| 7 | 28505 | 1 | GEARBOX,REAR FLAIL,COMER T22A |
| 8 | 06520181 | 1 | GUARD,PTO,GRBX |
| 9 | 34948 | 4 | FLATWASHER,8MM |
| 10 | 27507 | 4 | CAPSCREW,8MM X 15MM(1.25) |
| 11 | 28914 | 1 | COUPLING,6 SPLINE |

COMMON TRIPLE

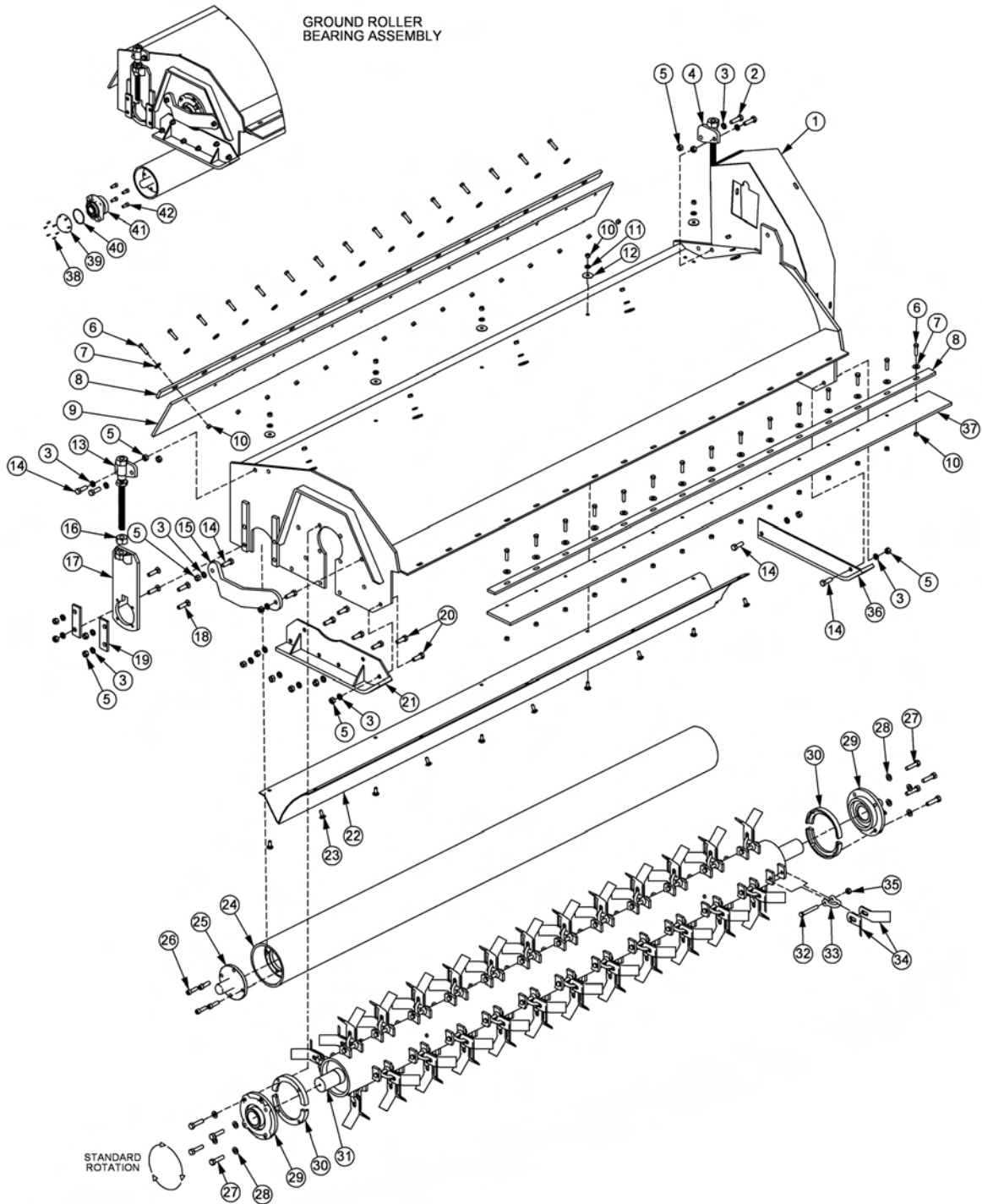
EXTREME DUTY 75IN REAR FLAIL DRIVE ASSY

Continued...

| ITEM | PART NO. | QTY. | DESCRIPTION |
|------|----------|------|-----------------------------------|
| 12 | 6T3209 | 1 | GREASE ZERK,1/4" DRIVE |
| 13 | 28414A | 1 | OUTPUT EXTENSION SHAFT,75"RCM |
| --- | 28416B | - | OUTPUT EXTENSION SHAFT,75"OFF |
| 14 | 30162 | 4 | CAPSCREW,SKT HD,8MM X 20MM(1.25) |
| 15 | 28422A | 1 | SHAFT GRD,HD,75"RCM |
| --- | 28424B | - | SHAFT GRD,HD,75"OFF |
| 16 | 21725 | 1 | HEX NUT,1/2",NC |
| 17 | 21990 | 5 | LOCKWASHER,1/2" |
| 18 | 22018 | 1 | FLATWASHER,1/2",WIDE |
| 19 | 21732 | 2 | CAPSCREW,1/2" X 1-3/4",NC |
| 20 | 28571 | 1 | BEARING,FLANGE,1-1/4" |
| 21 | 21730 | 4 | CAPSCREW,1/2" X 1-1/4",NC |
| 22 | 28399 | 1 | CAPSCREW,20MM X 80MM(2.5),GR10.9 |
| 23 | 6T3004 | 1 | R-CLIP,HAIRPIN COTTER,3/16" |
| 24 | 24881 | 1 | LOCKWASHER,20MM |
| 25 | 31295 | 1 | SHEAVE,IDLER ASSY,6.3" |
| 26 | 31740 | 1 | NYLOCK NUT,20MM(2.5) |
| 27 | TF3043 | 1 | SHEAVE,7.5" |
| 28 | 30049 | 2 | BUSHING,QD,SK 1-1/4",1/4" KEY |
| 29 | 28572 | 1 | KEY,1/4"SQ X 2" |
| 30 | TF3023 | 2 | V-BELT(630) |
| 31 | 31286A | 1 | SHIELD,BELT |
| 32 | 21988 | 4 | LOCKWASHER,3/8" |
| 33 | 21630 | 4 | CAPSCREW,3/8" X 1",NC |
| 34 | TF3011 | 1 | BUSHING,QD,SK 2-3/16" |
| 35 | 28570 | 1 | SHEAVE,9.0" |
| 36 | TF3605 | 1 | PIN,IDLER ARM |
| 37 | TF1180 | 1 | IDLER ARM |
| 38 | 6T2418 | 1 | HEX NUT,1/2",NC,GR8(STOVER) |
| 39 | TF3610 | 1 | BUSHING,IDLER |
| 40 | PT3611A | 1 | CLEVIS |
| 41 | 32482 | 1 | ROD,THREADED,1/2-20,NF,12-1/2" |
| 42 | TF3620A | 1 | SPRING,TENSIONER |
| 43 | 27938 | 1 | BUSHING,MACH,14GA |
| 44 | 21700 | 3 | HEX NUT,1/2",NF |
| 45 | ----- | 1 | CUTTERSHAFT *REFER TO CUTTER ASSY |
| 46 | 6T2625 | 4 | LOCKWASHER,16MM |
| 47 | 22421 | 4 | CAPSCREW,16MM X 40MM(2.0),GR10.9 |
| 48 | TF1143 | 3 | LYNCH PIN |
| 49 | TF1120 | 2 | PIN,CAPPED |
| 50 | TB1036 | 1 | PIN |

COMMON TRIPLE

EXTREME DUTY 90IN REAR FLAIL - STD ROT



| ITEM | PART NO. | QTY. | DESCRIPTION |
|------|----------|------|---------------------------|
| --- | 33002 | - | REAR FLAIL ASSY,90IN |
| 1 | 22044J | 1 | BONNET,90",HD |
| 2 | 21732 | 2 | CAPSCREW,1/2" X 1-3/4",NC |
| 3 | 21990 | 22 | LOCKWASHER,1/2" |

COMMON TRIPLE

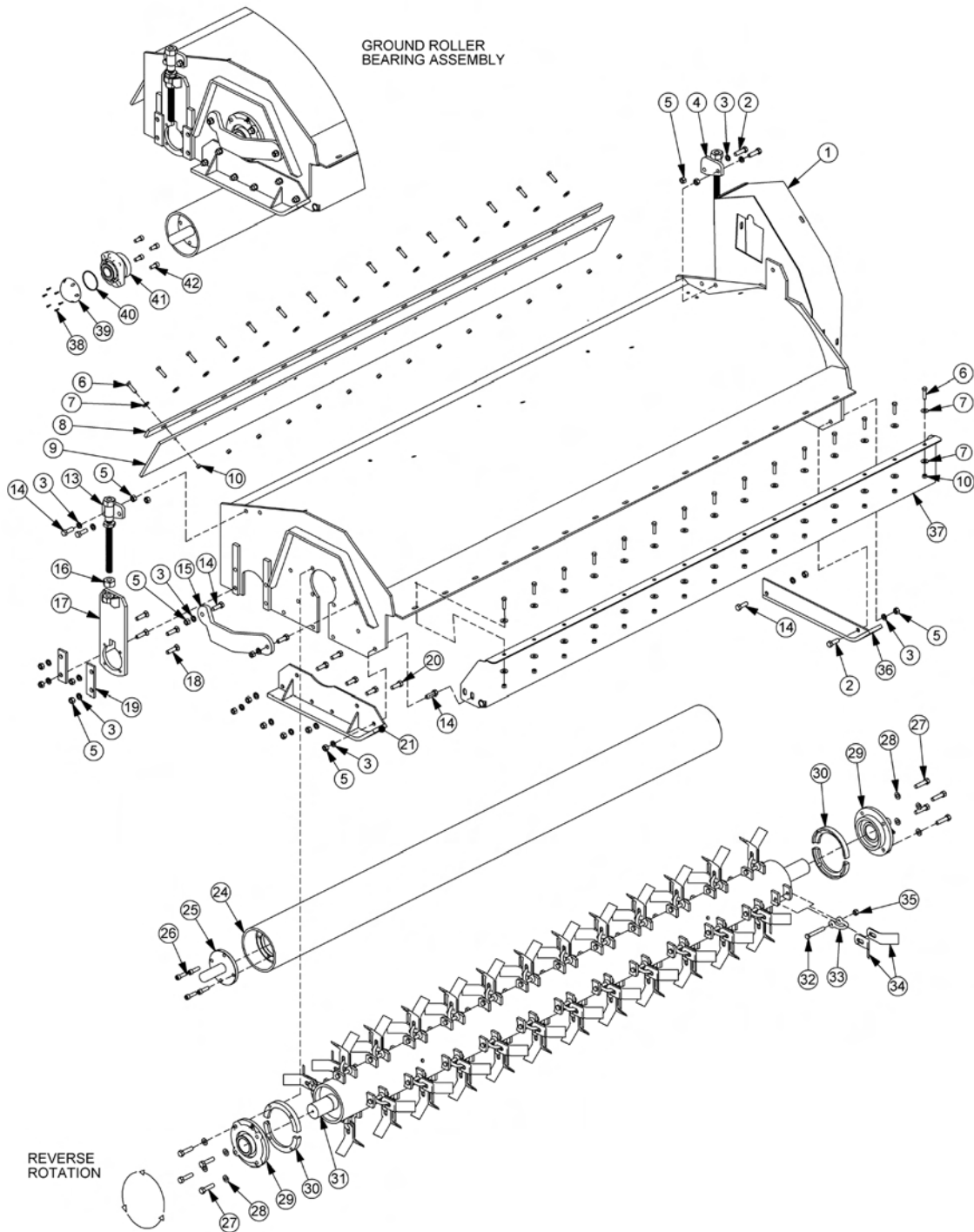
EXTREME DUTY 90IN REAR FLAIL - STD ROT

Continued...

| ITEM | PART NO. | QTY. | DESCRIPTION |
|------|----------|------|--------------------------------------|
| 4 | TF4335 | 1 | ROD,GROUND ROLLER ADJ,LF |
| 5 | 21725 | 22 | HEX NUT,1/2",NC |
| 6 | 21632 | 30 | CAPSCREW,3/8" X 1-1/2",NC |
| 7 | 22016 | 30 | FLATWASHER,3/8" |
| 8 | TF1135 | 2 | BAR,FLAP,TSF/TRF,90" |
| 9 | TF1116 | 1 | FLAP,DEFLECTOR,TSF/TRF,90" |
| 10 | 21625 | 40 | HEX NUT,3/8",NC |
| 11 | 21988 | 10 | LOCKWASHER,3/8" |
| 12 | 6T2615 | 10 | WASHER,FENDER,3/8" |
| 13 | TF4334 | 1 | ROD,GROUND ROLLER ADJ,RT |
| 14 | 21731 | 6 | CAPSCREW,1/2" X 1-1/2",NC |
| 15 | TF1040 | 1 | GUARD,CUTTERSCHAFT |
| 16 | 21399 | 2 | HEX NUT,3/4",ACME THRD |
| 17 | TF4333A | 2 | GROUND ROLLER ADJ BRKT |
| 18 | 6T2294 | 8 | PLOW BOLT,1/2" X 2",NC |
| 19 | TF4336 | 4 | PLATE,GROUND ROLLER LOCK |
| 20 | 21730 | 6 | CAPSCREW,1/2" X 1-1/4",NC |
| 21 | TF4371 | 1 | SKID SHOE,L/PROFILE-OUTER |
| 22 | TF1502A | 1 | BAFFLE,FLAIL,90",HD |
| 23 | 6T2283 | 10 | CARRIAGE BOLT,3/8" X 1",NC |
| 24 | 27972A | 1 | GROUND ROLLER,90" |
| 25 | TF1045B | 2 | GRND ROLLER STUB SHAFT |
| 26 | 6T2330 | 8 | CAPSCREW, 7/16" X 1-1/2", SKT HD |
| --- | 06200347 | - | KIT,STRING GUARD (ITEMS 27, 28 & 30) |
| 27 | 06530217 | 8 | CAPSCREW,1/2" X 2",NC,L9 |
| 28 | 06533006 | 8 | FLATWASHER,1/2",SAE,L9 |
| 29 | TF1018 | 2 | BEARING,FLANGE,2-3/16" |
| 30 | 31204 | 2 | STRING GUARD,HD |
| --- | TF1102A | - | CUTTERSCHAFT ASSY,90IN |
| 31 | TF1102 | 1 | CUTTERSCHAFT,90" |
| 32 | 30411 | 48 | KNIFE MOUNTING BOLT,FLAIL |
| 33 | TF1020 | 48 | KNIFE MTG CLEVIS,FLAIL |
| 34 | 33714 | 96 | KNIFE,FLAIL,STANDARD CUT |
| 35 | 21677 | 48 | NYLOCK NUT,7/16",NC |
| 36 | TF4365 | 1 | SKID SHOE,L/PROFILE-INNER |
| 37 | 06520243 | 1 | FLAP,FRONT,90" |
| 38 | 06530001 | 12 | CAPSCREW,SKT HD |
| 39 | 06520027 | 2 | CAP,BEARING |
| 40 | 06520029 | 2 | O-RING,2-3/4" X 3/32" |
| 41 | 06520028 | 2 | BEARING,FLANGE,1-3/8" |
| 42 | 6T2331 | 8 | CAPSCREW,7/16" X 1",SKT HD |

COMMON TRIPLE

EXTREME DUTY 90IN REAR FLAIL - REV ROT



| ITEM | PART NO. | QTY. | DESCRIPTION |
|------|----------|------|-------------------------------------|
| --- | 33009 | - | 90IN REAR FLAIL ASSY (STANDARD CUT) |
| ---- | 33011 | - | 90IN REAR FLAIL ASSY (SMOOTH CUT) |
| 1 | 22044J | 1 | BONNET,90" |
| 2 | 21732 | 3 | CAPSCREW,1/2" X 1-3/4",NC |

COMMON TRIPLE

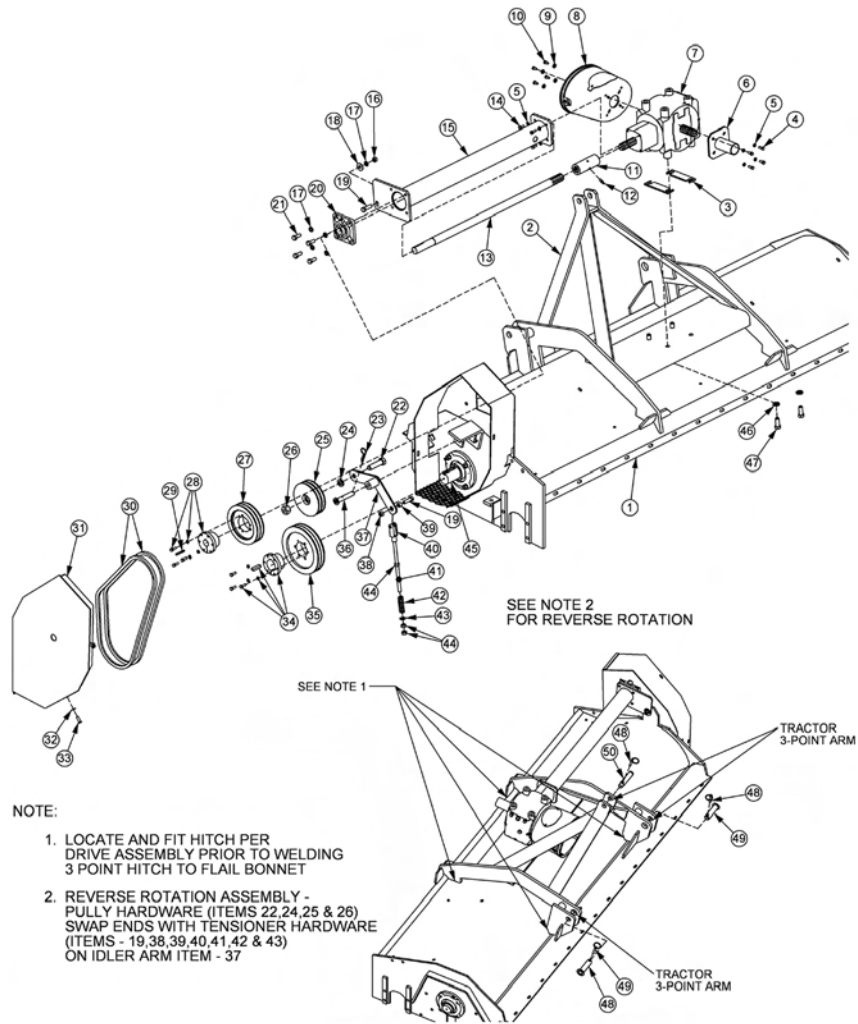
EXTREME DUTY 90IN REAR FLAIL - REV ROT

Continued...

| ITEM | PART NO. | QTY. | DESCRIPTION |
|------|----------|------|---|
| 3 | 21990 | 22 | LOCKWASHER,1/2" |
| 4 | TF4335 | 1 | ROD,GROUND ROLLER ADJ,LF |
| 5 | 21725 | 22 | HEX NUT,1/2",NC |
| 6 | 21632 | 30 | CAPSCREW,3/8" X 1-1/2",NC |
| 7 | 22016 | 45 | FLATWASHER,3/8" |
| 8 | TF1135 | 1 | BAR,FLAP,TSF/TRF,90" |
| 9 | TF1116 | 1 | FLAP,DEFLECTOR,TSF/TRF,90" |
| 10 | 21625 | 40 | HEX NUT,3/8",NC |
| 13 | TF4334 | 1 | ROD,GROUND ROLLER ADJ,RT |
| 14 | 21731 | 6 | CAPSCREW,1/2" X 1-1/2",NC |
| 15 | TF1040 | 1 | GUARD,CUTTERSHAFT |
| 16 | 21399 | 2 | HEX NUT,3/4",ACME THRD |
| 17 | TF4333A | 2 | GROUND ROLLER ADJ BRKT |
| 18 | 6T2294 | 8 | PLOW BOLT,1/2" X 2",NC |
| 19 | TF4336 | 4 | PLATE,GROUND ROLLER LOCK |
| 20 | 21730 | 5 | CAPSCREW,1/2" X 1-1/4",NC |
| 21 | TF4371 | 1 | SKID SHOE,L/PROFILE-OUTER |
| 24 | 27972A | 1 | GROUND ROLLER,90" |
| 25 | TF1045B | 2 | GRND ROLLER STUB SHAFT |
| 26 | 6T2330 | 8 | CAPSCREW,7/16" X 1-1/2", SKT HD |
| --- | 06200347 | - | KIT,STRING GUARD (ITEMS 27, 28 & 30) |
| 27 | 06530217 | 8 | CAPSCREW,1/2" X 2",NC,L9 |
| 28 | 06533006 | 8 | FLATWASHER,1/2",SAE,L9 |
| 29 | TF1018 | 2 | BEARING,FLANGE,2-3/16" |
| 30 | 31204 | 2 | STRING GUARD |
| --- | TF1102A | - | CUTTERSHAFT ASSY (STANDARD CUT) (ITEMS 31, 32, 33, 34 & 35) |
| ---- | TF1102B | - | CUTTERSHAFT ASSY (SMOOTH CUT) (ITEMS 31, 32, 33, 34A & 35) |
| 31 | TF1102 | 1 | CUTTERSHAFT,90" |
| 32 | 30411 | 48 | KNIFE MOUNTING BOLT,FLAIL |
| 33 | TF1020 | 48 | KNIFE MTG CLEVIS,FLAIL |
| 34 | 33714 | 96 | KNIFE,FLAIL,STANDARD CUT |
| 34A | TF1019F | 48 | KNIFE,FLAIL,SMOOTH CUT (NOT SHOWN) |
| 35 | 21677 | 48 | NYLOCK NUT,7/16",NC |
| 36 | TF4365 | 1 | SKID SHOE,L/PROFILE-INNER |
| 37 | TF1503 | 1 | FRONT TRASH GUARD |
| 38 | 06530001 | 12 | CAPSCREW,SKT HD |
| 39 | 06520027 | 2 | CAP,BEARING |
| 40 | 06520029 | 2 | O-RING,2-3/4" X 3/32" |
| 41 | 06520028 | 2 | BEARING,FLANGE,1-3/8" |
| 42 | 6T2331 | 8 | CAPSCREW,7/16" X 1",SKT HD |

COMMON TRIPLE

EXTREME DUTY 90IN REAR FLAIL DRIVE ASSY



| ITEM | PART NO. | QTY. | DESCRIPTION |
|------|----------|------|-------------------------------|
| 1 | ----- | 1 | BONNET *REFER TO CUTTER ASSY |
| 2 | 31279A | 1 | HITCH,3-POINT |
| 3 | 40454 | 2 | SPACER |
| 4 | 27508 | 4 | CAPSCREW,8MM X 20MM(1.25) |
| 5 | 6T2619 | 8 | LOCKWASHER,8MM |
| 6 | 28447E | 1 | GUARD,OUTPUT SHAFT |
| 7 | 28505 | 1 | GEARBOX,REAR FLAIL,COMER T22A |
| 8 | 06520181 | 1 | GUARD,PTO,GRBX |
| 9 | 34948 | 4 | FLATWASHER,8MM |
| 10 | 27507 | 4 | CAPSCREW,8MM X 15MM(1.25) |
| 11 | 28914 | 1 | COUPLING,6 SPLINE |
| 12 | 6T3209 | 1 | GREASE ZERK,1/4" DRIVE |
| 13 | 28415A | 1 | OUTPUT EXTENSION SHAFT,90"RCM |
| --- | 28416B | - | OUTPUT EXTENSION SHAFT,90"R6F |
| ---- | 28420B | - | OUTPUT EXTENSION SHAFT,90"OFF |

COMMON TRIPLE

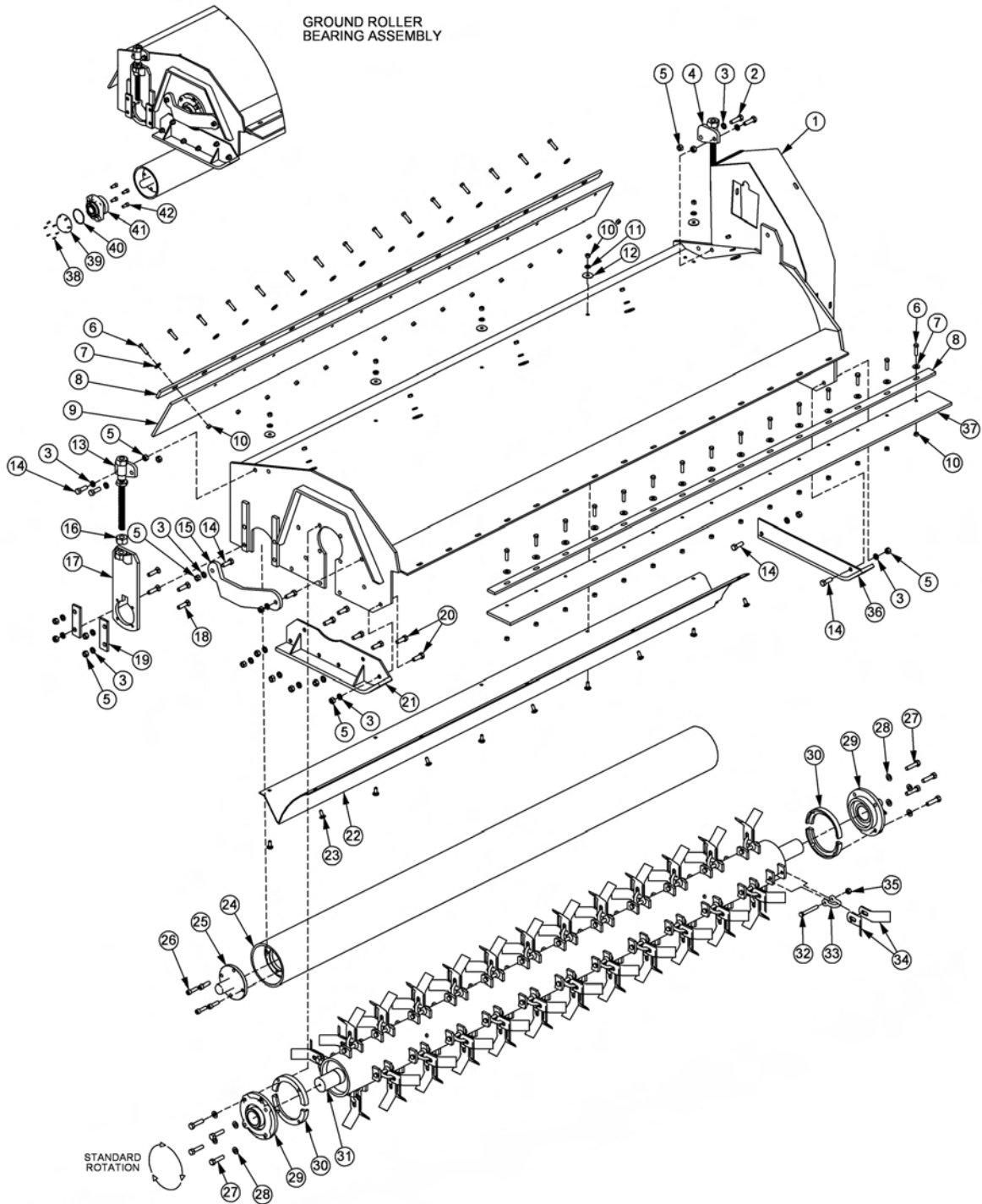
EXTREME DUTY 90IN REAR FLAIL DRIVE ASSY

Continued...

| ITEM | PART NO. | QTY. | DESCRIPTION |
|------|----------|------|-----------------------------------|
| 14 | 30162 | 4 | CAPSCREW,SKT HD,8MM X 20MM(1.25) |
| 15 | 28423A | 1 | SHAFT GRD,HD,90"RCM |
| --- | 28424B | - | SHAFT GRD,HD,90"R6F |
| ---- | 28428B | - | SHAFT GRD,HD,90"OFF |
| 16 | 21725 | 1 | HEX NUT,1/2",NC |
| 17 | 21990 | 5 | LOCKWASHER,1/2" |
| 18 | 22018 | 1 | FLATWASHER,1/2",WIDE |
| 19 | 21732 | 2 | CAPSCREW,1/2" X 1-3/4",NC |
| 20 | 28571 | 1 | BEARING,FLANGE,1-1/4" |
| 21 | 21730 | 4 | CAPSCREW,1/2" X 1-1/4",NC |
| 22 | 28399 | 1 | CAPSCREW,20MM X 80MM(2.5),GR10.9 |
| 23 | 6T3004 | 1 | R-CLIP,HAIRPIN COTTER,3/16" |
| 24 | 24881 | 1 | LOCKWASHER,20MM |
| 25 | 31295 | 1 | SHEAVE,IDLER ASSY,6.3" |
| 26 | 31740 | 1 | NYLOCK NUT,20MM(2.5) |
| 27 | TF3043 | 1 | SHEAVE,7.5" |
| 28 | 30049 | 2 | BUSHING,QD,SK 1-1/4",1/4" KEY |
| 29 | 28572 | 1 | KEY,1/4"SQ X 2" |
| 30 | TF3023 | 2 | V-BELT(630) |
| 31 | 31286A | 1 | SHIELD,BELT |
| 32 | 21988 | 4 | LOCKWASHER,3/8" |
| 33 | 21630 | 4 | CAPSCREW,3/8" X 1",NC |
| 34 | TF3011 | 1 | BUSHING,QD,SK 2-3/16" |
| 35 | 28570 | 1 | SHEAVE,9.0" |
| 36 | TF3605 | 1 | PIN,IDLER ARM |
| 37 | TF1180 | 1 | IDLER ARM |
| 38 | 6T2418 | 1 | HEX NUT,1/2",NC,GR8(STOVER) |
| 39 | TF3610 | 1 | BUSHING,IDLER |
| 40 | PT3611A | 1 | CLEVIS |
| 41 | 32482 | 1 | ROD,THREADED,1/2-20,NF,12-1/2" |
| 42 | TF3620A | 1 | SPRING,TENSIONER |
| 43 | 27938 | 1 | BUSHING,MACH,14GA |
| 44 | 21700 | 3 | HEX NUT,1/2",NF |
| 45 | ----- | 1 | CUTTERSHAFT *REFER TO CUTTER ASSY |
| 46 | 6T2625 | 4 | LOCKWASHER,16MM |
| 47 | 22421 | 4 | CAPSCREW,16MM X 40MM(2.0),GR10.9 |
| 48 | TF1143 | 3 | LYNCH PIN |
| 49 | TF1120 | 2 | PIN,CAPPED |
| 50 | TB1036 | 1 | PIN |

COMMON TRIPLE

EXTREME DUTY 96IN REAR FLAIL - STD ROT



| ITEM | PART NO. | QTY. | DESCRIPTION |
|------|----------|------|---------------------------|
| --- | 33005 | - | REAR FLAIL ASSY,96IN |
| 1 | 22045J | 1 | BONNET,96" |
| 2 | 21732 | 2 | CAPSCREW,1/2" X 1-3/4",NC |
| 3 | 21990 | 22 | LOCKWASHER,1/2" |

COMMON TRIPLE

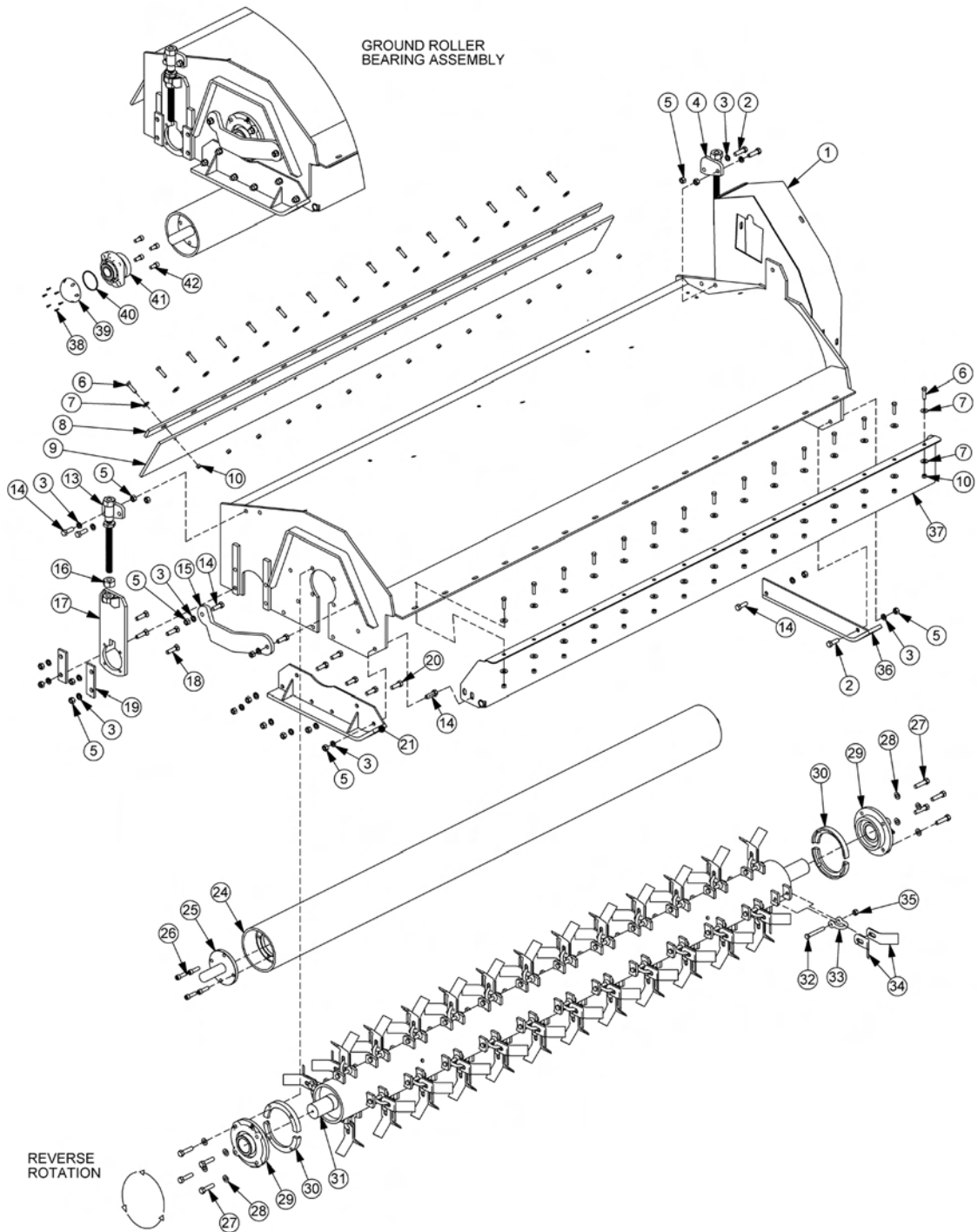
EXTREME DUTY 96IN REAR FLAIL - STD ROT

Continued...

| ITEM | PART NO. | QTY. | DESCRIPTION |
|------|----------|------|--------------------------------------|
| 4 | TF4335 | 1 | ROD,GROUND ROLLER ADJ,LF |
| 5 | 21725 | 22 | HEX NUT,1/2",NC |
| 6 | 21632 | 34 | CAPSCREW,3/8" X 1-1/2",NC |
| 7 | 22016 | 34 | FLATWASHER,3/8" |
| 8 | TF1606 | 2 | BAR,FLAP,TSF/TRF,96" |
| 9 | TF1605 | 1 | FLAP,DEFLECTOR,TSF/TRF,96" |
| 10 | 21625 | 44 | HEX NUT,3/8",NC |
| 11 | 21988 | 10 | LOCKWASHER,3/8" |
| 12 | 6T2615 | 10 | WASHER,FENDER,3/8" |
| 13 | TF4334 | 1 | ROD,GROUND ROLLER ADJ,RT |
| 14 | 21731 | 6 | CAPSCREW,1/2" X 1-1/2",NC |
| 15 | TF1040 | 1 | GUARD,CUTTERSCHAFT |
| 16 | 21399 | 2 | HEX NUT,3/4",ACME THRD |
| 17 | TF4333A | 2 | GROUND ROLLER ADJ BRKT |
| 18 | 6T2294 | 8 | PLOW BOLT,1/2" X 2",NC |
| 19 | TF4336 | 4 | PLATE,GROUND ROLLER LOCK |
| 20 | 21730 | 6 | CAPSCREW,1/2" X 1-1/4",NC |
| 21 | TF4371 | 1 | SKID SHOE,L/PROFILE-OUTER |
| 22 | TF1607 | 1 | BAFFLE,FLAIL,96",HD |
| 23 | 6T2283 | 10 | CARRIAGE BOLT,3/8" X 1",NC |
| 24 | TF1603 | 1 | GROUND ROLLER,96" |
| 25 | TF1045B | 2 | GRND ROLLER STUB SHAFT |
| 26 | 6T2330 | 8 | CAPSCREW,7/16" X 1-1/2", SKT HD |
| --- | 06200347 | - | KIT,STRING GUARD (ITEMS 27, 28 & 30) |
| 27 | 06530217 | 8 | CAPSCREW,1/2" X 2",NC,L9 |
| 28 | 06533006 | 8 | FLATWASHER,1/2",SAE,L9 |
| 29 | TF1018 | 2 | BEARING,FLANGE,2-3/16" |
| 30 | 31204 | 2 | STRING GUARD,HD |
| --- | TF1602A | - | CUTTERSCHAFT ASSY,96IN |
| 31 | TF1602B | 1 | CUTTERSCHAFT,96" |
| 32 | 30411 | 52 | KNIFE MOUNTING BOLT,FLAIL |
| 33 | TF1020 | 52 | KNIFE MTG CLEVIS,FLAIL |
| 34 | 33714 | 104 | KNIFE,FLAIL,STANDARD CUT |
| 35 | 21677 | 52 | NYLOCK NUT,7/16",NC |
| 36 | TF4365 | 1 | SKID SHOE,L/PROFILE-INNER |
| 37 | 06520244 | 1 | FLAP,FRONT,96" |
| 38 | 06530001 | 12 | CAPSCREW,SKT HD |
| 39 | 06520027 | 2 | CAP,BEARING |
| 40 | 06520029 | 2 | O-RING,2-3/4" X 3/32" |
| 41 | 06520028 | 2 | BEARING,FLANGE,1-3/8" |
| 42 | 6T2331 | 8 | CAPSCREW,7/16" X 1",SKT HD |

COMMON TRIPLE

EXTREME DUTY 96IN REAR FLAIL - REV ROT



| ITEM | PART NO. | QTY. | DESCRIPTION |
|------|----------|------|-------------------------------------|
| --- | 33007 | - | 96IN REAR FLAIL ASSY (STANDARD CUT) |
| ---- | 33013 | - | 96IN REAR FLAIL ASSY (SMOOTH CUT) |
| 1 | 22045J | 1 | BONNET,96" |
| 2 | 21732 | 3 | CAPSCREW,1/2" X 1-3/4",NC |

COMMON TRIPLE

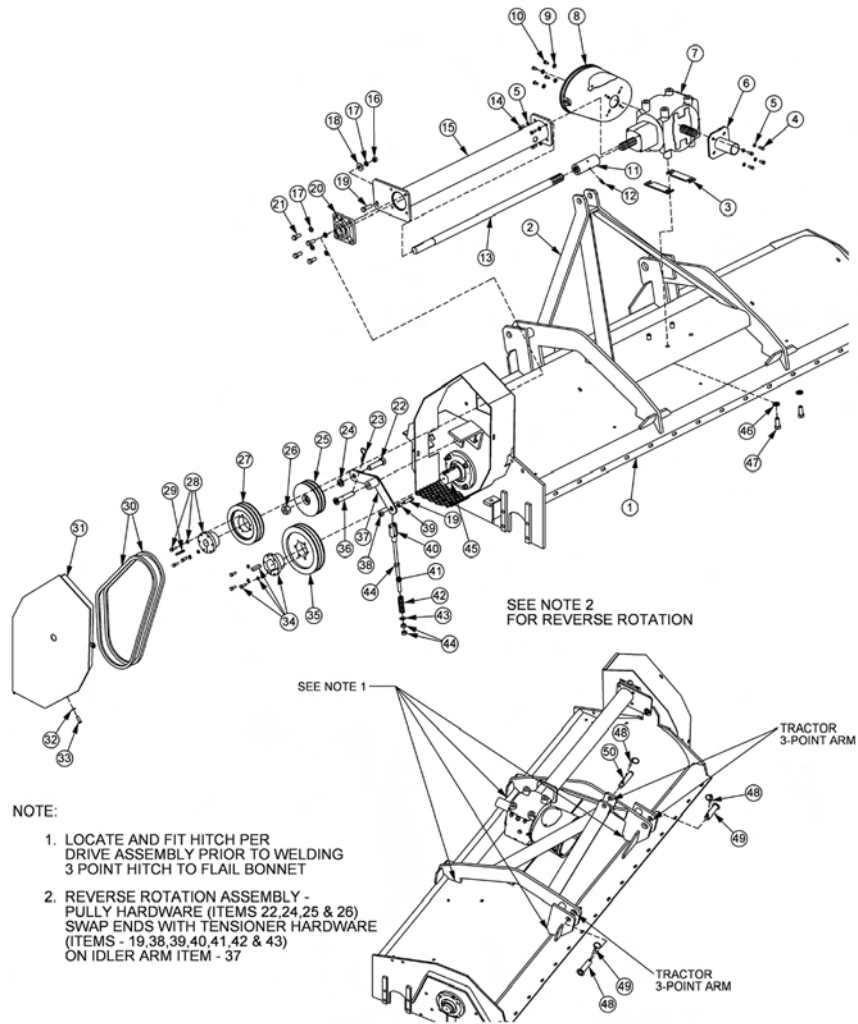
EXTREME DUTY 96IN REAR FLAIL - REV ROT

Continued...

| ITEM | PART NO. | QTY. | DESCRIPTION |
|------|----------|------|---|
| 3 | 21990 | 22 | LOCKWASHER,1/2" |
| 4 | TF4335 | 1 | ROD,GROUND ROLLER ADJ,LF |
| 5 | 21725 | 22 | HEX NUT,1/2",NC |
| 6 | 21632 | 34 | CAPSCREW,3/8" X 1-1/2",NC |
| 7 | 22016 | 51 | FLATWASHER,3/8" |
| 8 | TF1606 | 1 | BAR,FLAP,TSF/TRF,96" |
| 9 | TF1605 | 1 | FLAP,DEFLECTOR,TSF/TRF,96" |
| 10 | 21625 | 44 | HEX NUT,3/8",NC |
| 13 | TF4334 | 1 | ROD,GROUND ROLLER ADJ,RT |
| 14 | 21731 | 6 | CAPSCREW,1/2" X 1-1/2",NC |
| 15 | TF1040 | 1 | GUARD,CUTTERSHAFT |
| 16 | 21399 | 2 | HEX NUT,3/4",ACME THRD |
| 17 | TF4333A | 2 | GROUND ROLLER ADJ BRKT |
| 18 | 6T2294 | 8 | PLOW BOLT,1/2" X 2",NC |
| 19 | TF4336 | 4 | PLATE,GROUND ROLLER LOCK |
| 20 | 21730 | 5 | CAPSCREW,1/2" X 1-1/4",NC |
| 21 | TF4371 | 1 | SKID SHOE,L/PROFILE-OUTER |
| 24 | TF1603 | 1 | GROUND ROLLER,96" |
| 25 | TF1045B | 2 | GRND ROLLER STUB SHAFT |
| 26 | 6T2330 | 8 | CAPSCREW,7/16" X 1-1/2", SKT HD |
| --- | 06200347 | - | KIT,STRING GUARD (ITEMS 37, 38 & 30) |
| 27 | 06530217 | 8 | CAPSCREW,1/2" X 2",NC,L9 |
| 28 | 06533006 | 8 | FLATWASHER,1/2",SAE,L9 |
| 29 | TF1018 | 2 | BEARING,FLANGE,2-3/16" |
| 30 | 31204 | 2 | STRING GUARD,HD |
| --- | TF1602A | - | CUTTERSHAFT ASSY (STANDARD CUT) (ITEMS 31, 32, 33, 34 & 35) |
| ---- | TF1602B | - | CUTTERSHAFT ASSY (SMOOTH CUT) (ITEMS 31, 32, 33, 34A & 35) |
| 31 | TF1602B | 1 | CUTTERSHAFT,96" |
| 32 | 30411 | 52 | KNIFE MOUNTING BOLT,FLAIL |
| 33 | TF1020 | 52 | KNIFE MTG CLEVIS,FLAIL |
| 34 | 33714 | 104 | KNIFE,FLAIL,STANDARD CUT |
| 34A | TF1019F | 52 | KNIFE,FLAIL,SMOOTH CUT (NOT SHOWN) |
| 35 | 21677 | 52 | NYLOCK NUT,7/16",NC |
| 36 | TF4365 | 1 | SKID SHOE,L/PROFILE-INNER |
| 37 | TF1608 | 1 | FLAP TRASH GUARD |
| 38 | 06530001 | 12 | CAPSCREW,SKT HD |
| 39 | 06520027 | 2 | CAP,BEARING |
| 40 | 06520029 | 2 | O-RING,2-3/4" X 3/32" |
| 41 | 06520028 | 2 | BEARING,FLANGE,1-3/8" |
| 42 | 6T2331 | 8 | CAPSCREW,7/16" X 1",SKT HD |

COMMON TRIPLE

EXTREME DUTY 96IN REAR FLAIL DRIVE ASSY



NOTE:

1. LOCATE AND FIT HITCH PER DRIVE ASSEMBLY PRIOR TO WELDING 3 POINT HITCH TO FLAIL BONNET
2. REVERSE ROTATION ASSEMBLY - PULLY HARDWARE (ITEMS 22,24,25 & 26) SWAP ENDS WITH TENSIONER HARDWARE (ITEMS - 19,38,39,40,41,42 & 43) ON IDLER ARM ITEM - 37

| ITEM | PART NO. | QTY. | DESCRIPTION |
|------|----------|------|-------------------------------|
| 1 | ----- | 1 | BONNET *REFER TO CUTTER ASSY |
| 2 | 31279A | 1 | HITCH,3-POINT |
| 3 | 40454 | 2 | SPACER |
| 4 | 27508 | 4 | CAPSCREW,8MM X 20MM(1.25) |
| 5 | 6T2619 | 8 | LOCKWASHER,8MM |
| 6 | 28447E | 1 | GUARD,OUTPUT SHAFT |
| 7 | 28505 | 1 | GEARBOX,REAR FLAIL,COMER T22A |
| 8 | 06520181 | 1 | GUARD,PTO,GRBX |
| 9 | 34948 | 4 | FLATWASHER,8MM |
| 10 | 27507 | 4 | CAPSCREW,8MM X 15MM(1.25) |
| 11 | 28914 | 1 | COUPLING,6 SPLINE |
| 12 | 6T3209 | 1 | GREASE ZERK,1/4" DRIVE |
| 13 | 28418A | 1 | OUTPUT EXTENSION SHAFT,96"RCM |
| --- | 28420B | - | OUTPUT EXTENSION SHAFT,96"R6F |
| | 28416B | - | OUTPUT EXTENSION SHAFT,96"RXF |

COMMON TRIPLE

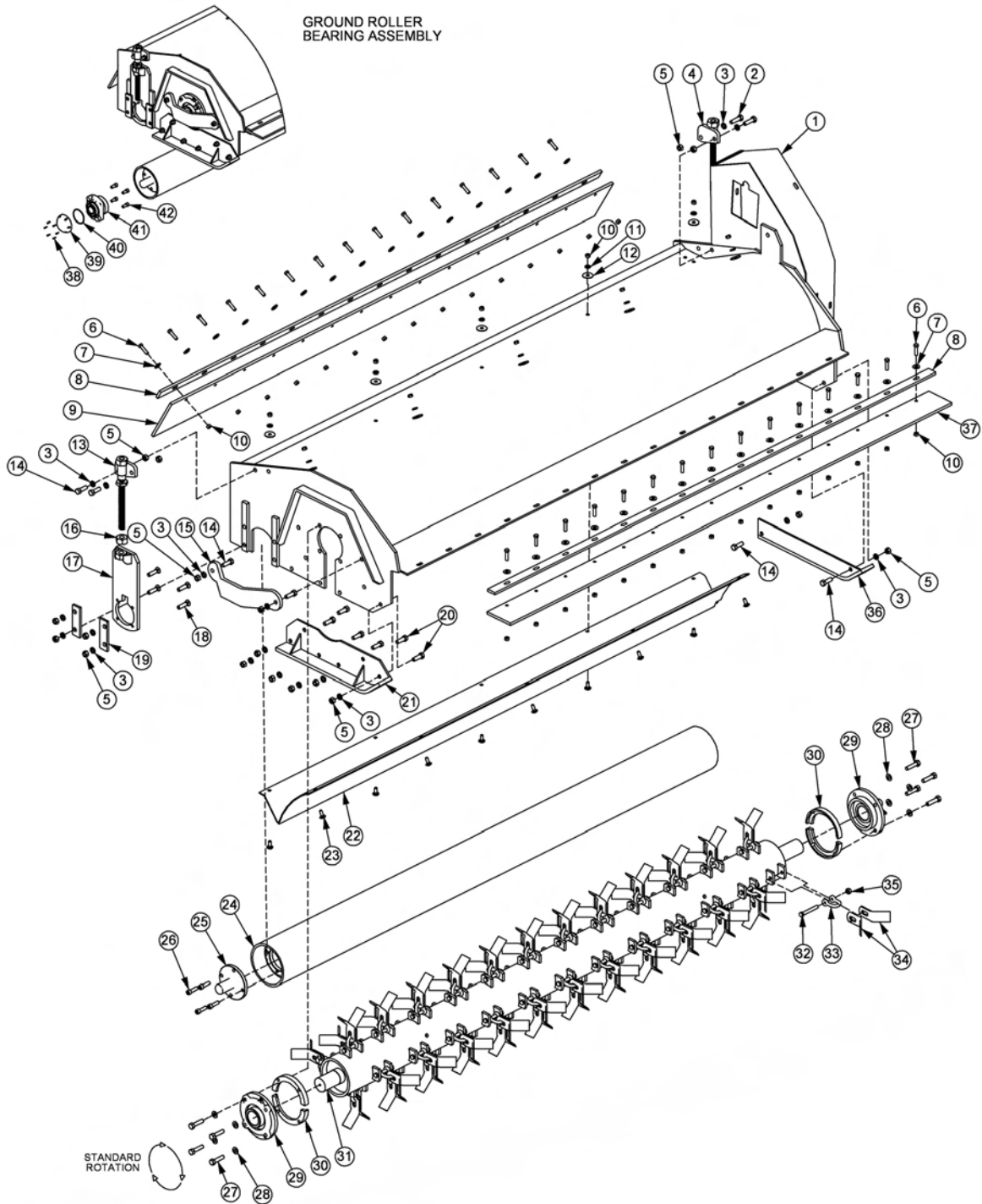
EXTREME DUTY 96IN REAR FLAIL DRIVE ASSY

Continued...

| ITEM | PART NO. | QTY. | DESCRIPTION |
|------|----------|------|-----------------------------------|
| | 28419B | - | OUTPUT EXTENSION SHAFT,96"OFF |
| 14 | 30162 | 4 | CAPSCREW,SKT HD,8MMX20MM(1.25) |
| 15 | 28426A | 1 | SHAFT GRD,HD,96"RCM |
| --- | 28428B | - | SHAFT GRD,HD,96"R6F |
| | 28424B | - | SHAFT GRD,HD,96"RXF |
| | 28427B | - | SHAFT GRD,HD,96"OFF |
| 16 | 21725 | 1 | HEX NUT,1/2",NC |
| 17 | 21990 | 5 | LOCKWASHER,1/2" |
| 18 | 22018 | 1 | FLATWASHER,1/2",WIDE |
| 19 | 21732 | 2 | CAPSCREW,1/2" X 1-3/4",NC |
| 20 | 28571 | 1 | BEARING,FLANGE,1-1/4" |
| 21 | 21730 | 4 | CAPSCREW,1/2" X 1-1/4",NC |
| 22 | 28399 | 1 | CAPSCREW,20MM X 80MM(2.5),GR10.9 |
| 23 | 6T3004 | 1 | R-CLIP,HAIRPIN COTTER,3/16" |
| 24 | 24881 | 1 | LOCKWASHER,20MM |
| 25 | 31295 | 1 | SHEAVE,IDLER ASSY,6.3" |
| 26 | 31740 | 1 | NYLOCK NUT,20MM(2.5) |
| 27 | TF3043 | 1 | SHEAVE,7.5" |
| 28 | 30049 | 2 | BUSHING,QD,SK 1-1/4",1/4" KEY |
| 29 | 28572 | 1 | KEY,1/4"SQ X 2" |
| 30 | TF3023 | 2 | V-BELT(630) |
| 31 | 31286A | 1 | SHIELD,BELT |
| 32 | 21988 | 4 | LOCKWASHER,3/8" |
| 33 | 21630 | 4 | CAPSCREW,3/8" X 1",NC |
| 34 | TF3011 | 1 | BUSHING,QD,SK 2-3/16" |
| 35 | 28570 | 1 | SHEAVE,9.0" |
| 36 | TF3605 | 1 | PIN,IDLER ARM |
| 37 | TF1180 | 1 | IDLER ARM |
| 38 | 6T2418 | 1 | HEX NUT,1/2",NC,GR8(STOVER) |
| 39 | TF3610 | 1 | BUSHING,IDLER |
| 40 | PT3611A | 1 | CLEVIS |
| 41 | 32482 | 1 | ROD,THREADED,1/2-20,NF,12-1/2" |
| 42 | TF3620A | 1 | SPRING,TENSIONER |
| 43 | 27938 | 1 | BUSHING,MACH,14GA |
| 44 | 21700 | 3 | HEX NUT,1/2",NF |
| 45 | ----- | 1 | CUTTERSHAFT *REFER TO CUTTER ASSY |
| 46 | 6T2625 | 4 | LOCKWASHER,16MM |
| 47 | 22421 | 4 | CAPSCREW,16MM X 40MM(2.0),GR10.9 |
| 48 | TF1143 | 3 | LYNCH PIN |
| 49 | TF1120 | 2 | PIN,CAPPED |
| 50 | TB1036 | 1 | PIN |

COMMON TRIPLE

EXTREME DUTY 102IN REAR FLAIL - STD ROT



| ITEM | PART NO. | QTY. | DESCRIPTION |
|------|----------|------|---------------------------|
| --- | 33027 | - | REAR FLAIL ASSY,102IN |
| 1 | 22046J | 1 | BONNET,102" |
| 2 | 21732 | 2 | CAPSCREW,1/2" X 1-3/4",NC |
| 3 | 21990 | 22 | LOCKWASHER,1/2" |

COMMON TRIPLE

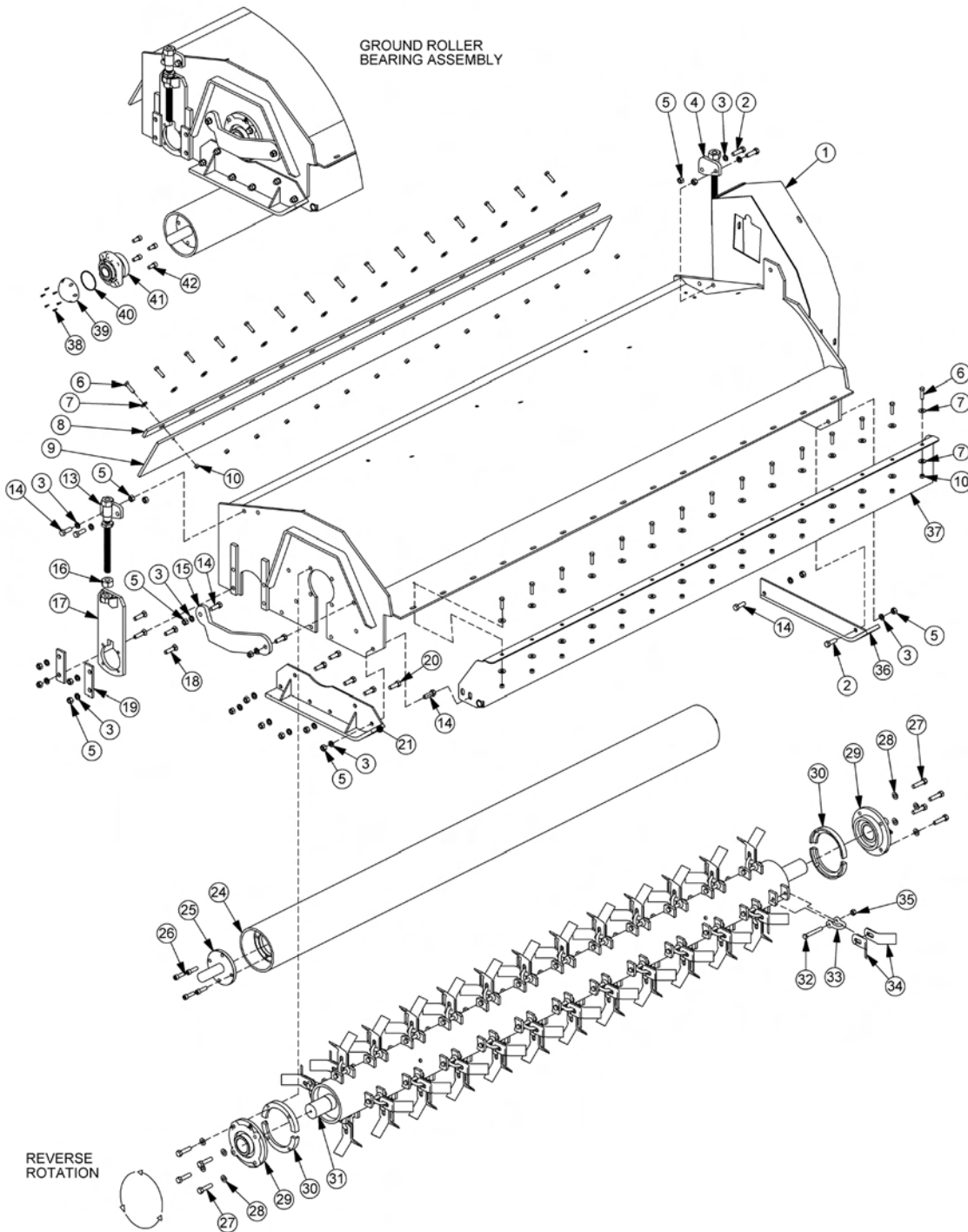
EXTREME DUTY 102IN REAR FLAIL - STD ROT

Continued...

| ITEM | PART NO. | QTY. | DESCRIPTION |
|------|----------|------|---------------------------------|
| 4 | TF4335 | 1 | ROD,GROUND ROLLER ADJ,LF |
| 5 | 21725 | 22 | HEX NUT,1/2",NC |
| 6 | 21632 | 36 | CAPSCREW,3/8" X 1-1/2",NC |
| 7 | 22016 | 36 | FLATWASHER,3/8" |
| 8 | TF1703 | 2 | BAR,FLAP,TSF/TRF,102" |
| 9 | TF1704A | 1 | FLAP,DEFLECTOR,TSF/TRF,102" |
| 10 | 21625 | 46 | HEX NUT,3/8",NC |
| 11 | 21988 | 10 | LOCKWASHER,3/8" |
| 12 | 6T2615 | 10 | WASHER,FENDER,3/8" |
| 13 | TF4334 | 1 | ROD,GROUND ROLLER ADJ,RT |
| 14 | 21731 | 6 | CAPSCREW,1/2" X 1-1/2",NC |
| 15 | TF1040 | 1 | GUARD,CUTTERSCHAFT |
| 16 | 21399 | 2 | HEX NUT,3/4",ACME THRD |
| 17 | TF4333A | 2 | GROUND ROLLER ADJ BRKT |
| 18 | 6T2294 | 8 | PLOW BOLT,1/2" X 2",NC |
| 19 | TF4336 | 4 | PLATE,GROUND ROLLER LOCK |
| 20 | 21730 | 6 | CAPSCREW,1/2" X 1-1/4",NC |
| 21 | TF4371 | 1 | SKID SHOE,L/PROFILE-OUTER |
| 22 | TF1702 | 1 | BAFFLE,FLAIL,102",HD |
| 23 | 6T2283 | 10 | CARRIAGE BOLT,3/8" X 1",NC |
| 24 | 28999 | 1 | GROUND ROLLER,102" |
| 25 | TF1045B | 2 | GRND ROLLER STUB SHAFT |
| 26 | 6T2330 | 8 | CAPSCREW,7/16" X 1-1/2", SKT HD |
| --- | 06200347 | - | KIT,STRING GUARD |
| 27 | 06530217 | 8 | CAPSCREW,1/2" X 2",NC,L9 |
| 28 | 06533006 | 8 | FLATWASHER,1/2",SAE,L9 |
| 29 | TF1018 | 2 | BEARING,FLANGE,2-3/16" |
| 30 | 31204 | 2 | STRING GUARD,HD |
| --- | TF1707A | - | CUTTERSCHAFT ASSY,102" |
| 31 | TF1707 | 1 | CUTTERSCHAFT,102" |
| 32 | 30411 | 56 | KNIFE MOUNTING BOLT,FLAIL |
| 33 | TF1020 | 56 | KNIFE MTG CLEVIS,FLAIL |
| 34 | 33714 | 112 | KNIFE,FLAIL,STANDARD CUT |
| 35 | 21677 | 56 | NYLOCK NUT,7/16",NC |
| 36 | TF4365 | 1 | SKID SHOE,L/PROFILE-INNER |
| 37 | 06520245 | 1 | FLAP,FRONT,102" |
| 38 | 06530001 | 12 | CAPSCREW,SKT HD |
| 39 | 06520027 | 2 | CAP,BEARING |
| 40 | 06520029 | 2 | O-RING,2-3/4" X 3/32" |
| 41 | 06520028 | 2 | BEARING,FLANGE,1-3/8" |
| 42 | 6T2331 | 8 | CAPSCREW,7/16" X 1",SKT HD |

COMMON TRIPLE

EXTREME DUTY 102IN REAR FLAIL - REV ROT



| ITEM | PART NO. | QTY. | DESCRIPTION |
|------|----------|------|--------------------------------------|
| --- | 33030 | - | 102IN REAR FLAIL ASSY (STANDARD CUT) |
| ---- | 33033 | - | 102IN REAR FLAIL ASSY (SMOOTH CUT) |
| 1 | 22046J | 1 | BONNET,102" |
| 2 | 21732 | 3 | CAPSCREW,1/2" X 1-3/4",NC |

COMMON TRIPLE

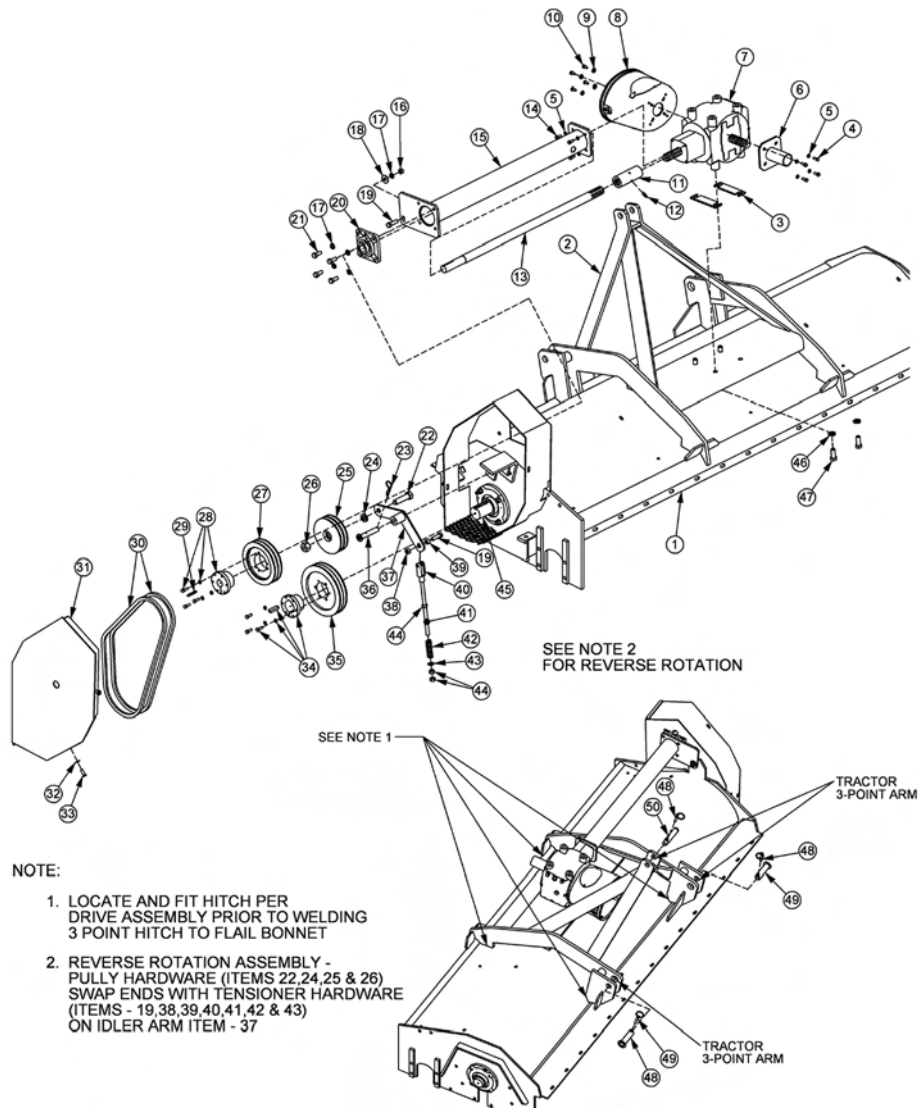
EXTREME DUTY 102IN REAR FLAIL - REV ROT

Continued...

| ITEM | PART NO. | QTY. | DESCRIPTION |
|-------------|-----------------|-------------|---|
| 3 | 21990 | 22 | LOCKWASHER,1/2" |
| 4 | TF4335 | 1 | ROD,GROUND ROLLER ADJ,LF |
| 5 | 21725 | 22 | HEX NUT,1/2",NC |
| 6 | 21632 | 36 | CAPSCREW,3/8" X 1-1/2",NC |
| 7 | 22016 | 51 | FLATWASHER,3/8" |
| 8 | TF1703 | 1 | BAR,FLAP,TSF/TRF,102" |
| 9 | TF1704A | 1 | FLAP,DEFLECTOR,TSF/TRF,102" |
| 10 | 21625 | 46 | HEX NUT,3/8",NC |
| 13 | TF4334 | 1 | ROD,GROUND ROLLER ADJ,RT |
| 14 | 21731 | 6 | CAPSCREW,1/2" X 1-1/2",NC |
| 15 | TF1040 | 1 | GUARD,CUTTERSHAFT |
| 16 | 21399 | 2 | HEX NUT,3/4",ACME THRD |
| 17 | TF4333A | 2 | GROUND ROLLER ADJ BRKT |
| 18 | 6T2294 | 8 | PLOW BOLT,1/2" X 2",NC |
| 19 | TF4336 | 4 | PLATE,GROUND ROLLER LOCK |
| 20 | 21730 | 5 | CAPSCREW,1/2" X 1-1/4",NC |
| 21 | TF4371 | 1 | SKID SHOE,L/PROFILE-OUTER |
| 24 | 28999 | 1 | GROUND ROLLER,102" |
| 25 | TF1045B | 2 | GRND ROLLER STUB SHAFT |
| 26 | 6T2330 | 8 | CAPSCREW,7/16" X 1-1/2", SKT HD |
| --- | 06200347 | - | KIT,STRING GUARD (ITEMS 27, 28 & 30) |
| 27 | 06530217 | 8 | CAPSCREW,1/2" X 2",NC,L9 |
| 28 | 06533006 | 8 | FLATWASHER,1/2",SAE,L9 |
| 29 | TF1018 | 2 | BEARING,FLANGE,2-3/16" |
| 30 | 31204 | 2 | STRING GUARD |
| --- | TF1707A | - | CUTTERSHAFT ASSY (STANDARD CUT) (ITEMS 31, 32, 33, 34 & 35) |
| ---- | TF1707B | - | CUTTERSHAFT ASSY (SMOOTH CUT) (ITEMS 31, 32, 33, 34A & 35) |
| 31 | TF1707 | 1 | CUTTERSHAFT,102" |
| 32 | 30411 | 56 | KNIFE MOUNTING BOLT,FLAIL |
| 33 | TF1020 | 56 | KNIFE MTG CLEVIS,FLAIL |
| 34 | 33714 | 112 | KNIFE,FLAIL,STANDARD CUT |
| 34A | TF1019F | 56 | KNIFE,FLAIL,SMOOTH CUT (NOT SHOWN) |
| 35 | 21677 | 56 | NYLOCK NUT,7/16",NC |
| 36 | TF4365 | 1 | SKID SHOE,L/PROFILE-INNER |
| 37 | TF1701 | 1 | FRONT TRASH GUARD |
| 38 | 06530001 | 12 | CAPSCREW,SKT HD |
| 39 | 06520027 | 2 | CAP,BEARING |
| 40 | 06520029 | 2 | O-RING,2-3/4" X 3/32" |
| 41 | 06520028 | 2 | BEARING,FLANGE,1-3/8" |
| 42 | 6T2331 | 8 | CAPSCREW,7/16" X 1",SKT HD |

COMMON TRIPLE

EXTREME DUTY 102IN REAR FLAIL DRIVE ASSY



NOTE:

1. LOCATE AND FIT HITCH PER DRIVE ASSEMBLY PRIOR TO WELDING 3 POINT HITCH TO FLAIL BONNET
2. REVERSE ROTATION ASSEMBLY - PULLY HARDWARE (ITEMS 22,24,25 & 26) SWAP ENDS WITH TENSIONER HARDWARE (ITEMS - 19,38,39,40,41,42 & 43) ON IDLER ARM ITEM - 37

| ITEM | PART NO. | QTY. | DESCRIPTION |
|------|----------|------|--------------------------------|
| 1 | ----- | 1 | BONNET *REFER TO CUTTER ASSY |
| 2 | 31279A | 1 | HITCH,3-POINT |
| 3 | 40454 | 2 | SPACER |
| 4 | 27508 | 4 | CAPSCREW,8MM X 20MM(1.25) |
| 5 | 6T2619 | 8 | LOCKWASHER,8MM |
| 6 | 28447E | 1 | GUARD,OUTPUT SHAFT |
| 7 | 28505 | 1 | GEARBOX,REAR FLAIL,COMER T22A |
| 8 | 06520181 | 1 | GUARD,PTO,GRBX |
| 9 | 34948 | 4 | FLATWASHER,8MM |
| 10 | 27507 | 4 | CAPSCREW,8MM X 15MM(1.25) |
| 11 | 28914 | 1 | COUPLING,6 SPLINE |
| 12 | 6T3209 | 1 | GREASE ZERK,1/4" DRIVE |
| 13 | 28421A | 1 | OUTPUT EXTENSION SHAFT,102"RCM |

COMMON TRIPLE

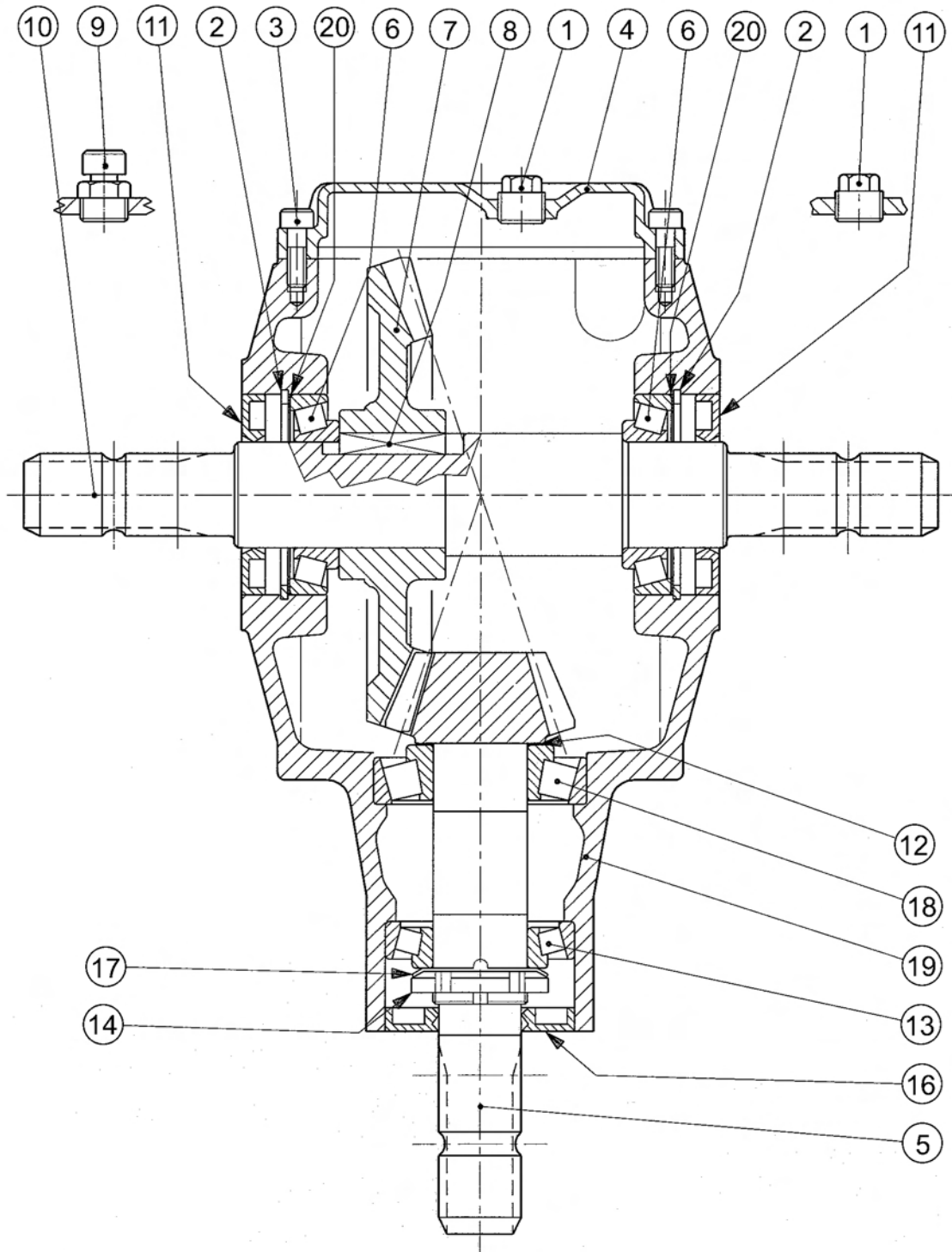
EXTREME DUTY 102IN REAR FLAIL DRIVE ASSY

Continued...

| ITEM | PART NO. | QTY. | DESCRIPTION |
|------|----------|------|-----------------------------------|
| --- | 28417B | - | OUTPUT EXTENSION SHAFT,102"R6F |
| ---- | 28419B | - | OUTPUT EXTENSION SHAFT,102"OFF |
| 14 | 30162 | 4 | CAPSCREW,SKT HD,8MM X 20MM(1.25) |
| 15 | 28429A | 1 | SHAFT GRD,HD,102"RCM |
| --- | 28425B | - | SHAFT GRD,HD,102"R6F |
| ---- | 28427B | - | SHAFT GRD,HD,102"ROFF |
| 16 | 21725 | 1 | HEX NUT,1/2",NC |
| 17 | 21990 | 5 | LOCKWASHER,1/2" |
| 18 | 22018 | 1 | FLATWASHER,1/2",WIDE |
| 19 | 21732 | 2 | CAPSCREW,1/2" X 1-3/4",NC |
| 20 | 28571 | 1 | BEARING,FLANGE,1-1/4" |
| 21 | 21730 | 4 | CAPSCREW,1/2" X 1-1/4",NC |
| 22 | 28399 | 1 | CAPSCREW,20MM X 80MM(2.5),GR10.9 |
| 23 | 6T3004 | 1 | R-CLIP,HAIRPIN COTTER,3/16" |
| 24 | 24881 | 1 | LOCKWASHER,20MM |
| 25 | 31295 | 1 | SHEAVE,IDLER ASSY,6.3" |
| 26 | 31740 | 1 | NYLOCK NUT,20MM(2.5) |
| 27 | TF3043 | 1 | SHEAVE,7.5" |
| 28 | 30049 | 2 | BUSHING,QD,SK 1-1/4",1/4" KEY |
| 29 | 28572 | 1 | KEY,1/4"SQ X 2" |
| 30 | TF3023 | 2 | V-BELT(630) |
| 31 | 31286A | 1 | SHIELD,BELT |
| 32 | 21988 | 4 | LOCKWASHER,3/8" |
| 33 | 21630 | 4 | CAPSCREW,3/8" X 1",NC |
| 34 | TF3011 | 1 | BUSHING,QD,SK 2-3/16" |
| 35 | 28570 | 1 | SHEAVE,9.0" |
| 36 | TF3605 | 1 | PIN,IDLER ARM |
| 37 | TF1180 | 1 | IDLER ARM |
| 38 | 6T2418 | 1 | HEX NUT,1/2",NC,GR8(STOVER) |
| 39 | TF3610 | 1 | BUSHING,IDLER |
| 40 | PT3611A | 1 | CLEVIS |
| 41 | 32482 | 1 | ROD,THREADED,1/2-20,NF,12-1/2" |
| 42 | TF3620A | 1 | SPRING,TENSIONER |
| 43 | 27938 | 1 | BUSHING,MACH,14GA |
| 44 | 21700 | 3 | HEX NUT,1/2",NF |
| 45 | ----- | 1 | CUTTERSHAFT *REFER TO CUTTER ASSY |
| 46 | 6T2625 | 4 | LOCKWASHER,16MM |
| 47 | 22421 | 4 | CAPSCREW,16MM X 40MM(2.0),GR10.9 |
| 48 | TF1143 | 3 | LYNCH PIN |
| 49 | TF1120 | 2 | PIN,CAPPED |
| 50 | TB1036 | 1 | PIN |

COMMON TRIPLE

EXTREME DUTY REAR GEAR BOX ASSY



COMMON TRIPLE

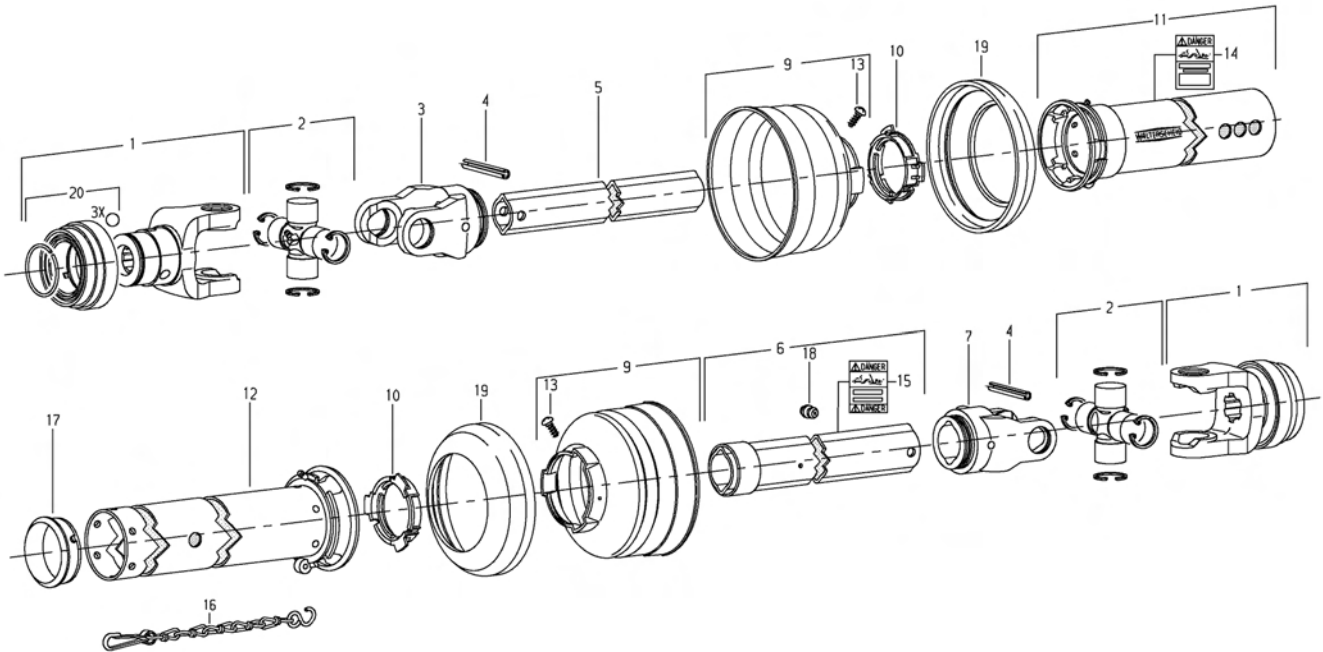
EXTREME DUTY REAR GEAR BOX ASSY

Continued...

| ITEM | PART NO. | QTY. | DESCRIPTION |
|------|----------|------|------------------------|
| --- | 28505 | - | GEAR BOX,REAR FLAIL,HD |
| 1 | 28592 | 2 | PLUG,1/2",GAS |
| 2 | 28593 | 2 | SNAP RING |
| 3 | 28594 | 6 | CAPSCREW,8MM X 25MM |
| 4 | 28595 | 1 | SHIM |
| 6 | 28597 | 2 | BEARING |
| 7 | 28598 | 1 | GEAR |
| 8 | 28599 | 1 | PARALLEL KEY |
| 9 | 28600 | 1 | OIL FILLER PLUG |
| 10 | 28601 | 1 | SHAFT |
| 11 | 28602 | 2 | OIL SEAL |
| 12 | 28603 | 1 | SHIM |
| 13 | 28604 | 1 | BEARING |
| 14 | 28605 | 1 | LOCK NUT |
| 15 | 28606 | 1 | PINION |
| 16 | 28607 | 1 | DOUBLE LIP SEAL |
| 17 | 28608 | 1 | SPRING WASHER |
| 18 | 28609 | 1 | BEARING |
| 19 | 28591 | 1 | CASTING |
| 20 | 28596 | 2 | SHIM |

COMMON TRIPLE

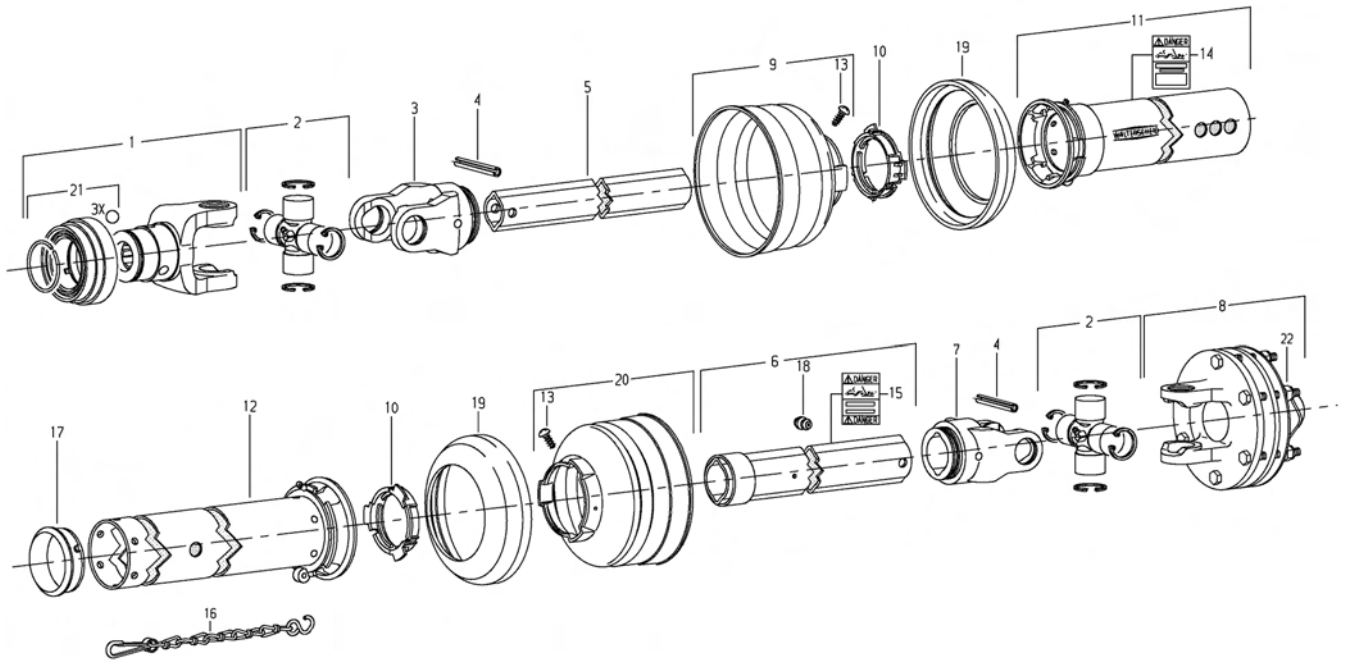
PTO SHAFT ASSEMBLY



| ITEM | PART NO. | QTY. | DESCRIPTION |
|------|----------|------|-----------------------|
| --- | 06520414 | - | PTO.DRV SHFT,TRF |
| 1 | 00775353 | 2 | YOKE 1-3/8"-6 SPL. |
| 2 | 00189700 | 2 | CROSS & BEARING KIT |
| 3 | 00775317 | 1 | INBOARD YOKE 1B |
| 4 | 00756934 | 2 | SPRING PIN |
| 5 | ----- | 1 | INNER PROFILE 1B |
| 6 | ----- | 1 | PROFILE & SLEEVE |
| 7 | 00775318 | 1 | INBOARD YOKE 2A |
| 9 | 06505010 | 2 | GUARD CONE |
| 10 | 8393 | 2 | BEARING RING |
| 11 | ----- | 1 | GUARD TUBE,OUTER |
| 12 | ----- | 1 | GUARD TUBE,INNER |
| 13 | 00759217 | 2 | SCREW (ITEM 9) |
| 14 | 00756005 | 1 | DECAL,OUTER (ITEM 11) |
| 15 | 00756004 | 1 | DECAL,INNER (ITEM 6) |
| 16 | 1416412 | 1 | RESTRAINT CHAIN |
| 17 | ----- | 1 | SUPPORT BEARING |
| 18 | ----- | 1 | ZERK (ITEM 6) |
| 19 | ----- | 2 | REINFORCING COLLAR |
| 20 | 00767954 | - | KIT,COLLAR (ITEM 1) |

COMMON TRIPLE

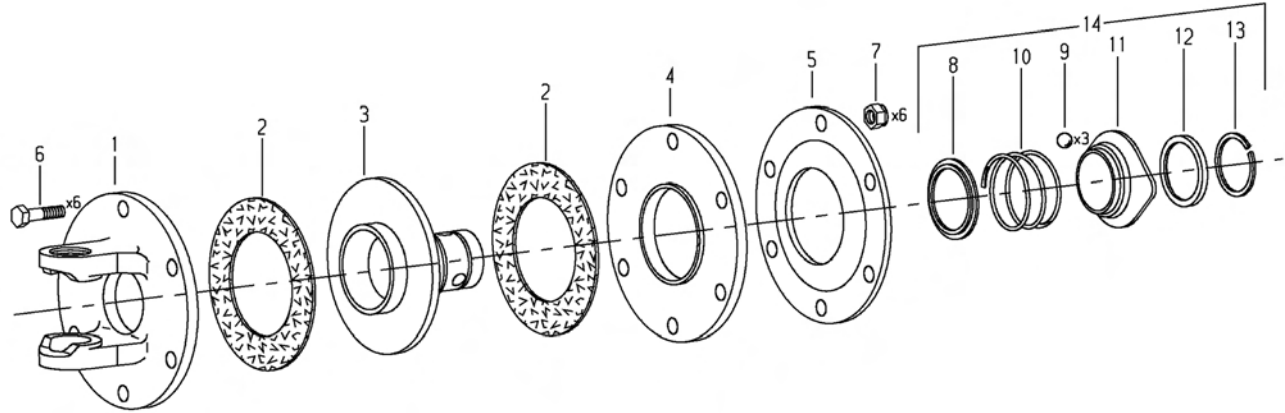
PTO SHAFT ASSEMBLY WITH CLUTCH



| ITEM | PART NO. | QTY. | DESCRIPTION |
|------|------------|------|-------------------------|
| --- | 06520415 | - | PTO,DRV SHFT,TRF,CLUTCH |
| 1 | 00775353 | 1 | YOKE 1-3/8"-6 SPL. |
| 2 | 00189700 | 2 | CROSS & BEARING KIT |
| 3 | 00775317 | 1 | INBOARD YOKE 1B |
| 4 | 00756934 | 2 | SPRING PIN |
| 5 | ----- | 1 | INNER PROFILE 1B |
| 6 | ----- | 1 | PROFILE & SLEEVE |
| 7 | 00775318 | 1 | INBOARD YOKE 2A |
| 8 | 00775365 | 1 | FRICITION CLUTCH |
| 9 | 06505010 | 2 | GUARD CONE |
| 10 | 8393 | 2 | BEARING RING |
| 11 | ----- | 1 | GUARD TUBE,OUTER |
| 12 | ----- | 1 | GUARD TUBE,INNER |
| 13 | 00759217 | 2 | SCREW (ITEM 9) |
| 14 | 00756005 | 1 | DECAL,OUTER (ITEM 11) |
| 15 | 00756004 | 1 | DECAL,INNER (ITEM 6) |
| 16 | 1416412 | 1 | RESTRAINT CHAIN |
| 17 | ----- | 1 | SUPPORT BEARING |
| 18 | ----- | 1 | ZERK (ITEM 6) |
| 19 | ----- | 2 | REINFORCING COLLAR |
| 20 | ----- | 1 | GUARD CONE |
| 21 | 00767954 | - | KIT,COLLAR (ITEM 1) |
| 22 | 0921000470 | - | KIT,FLANGE (ITEM 8) |

COMMON TRIPLE

CLUTCH ASSEMBLY

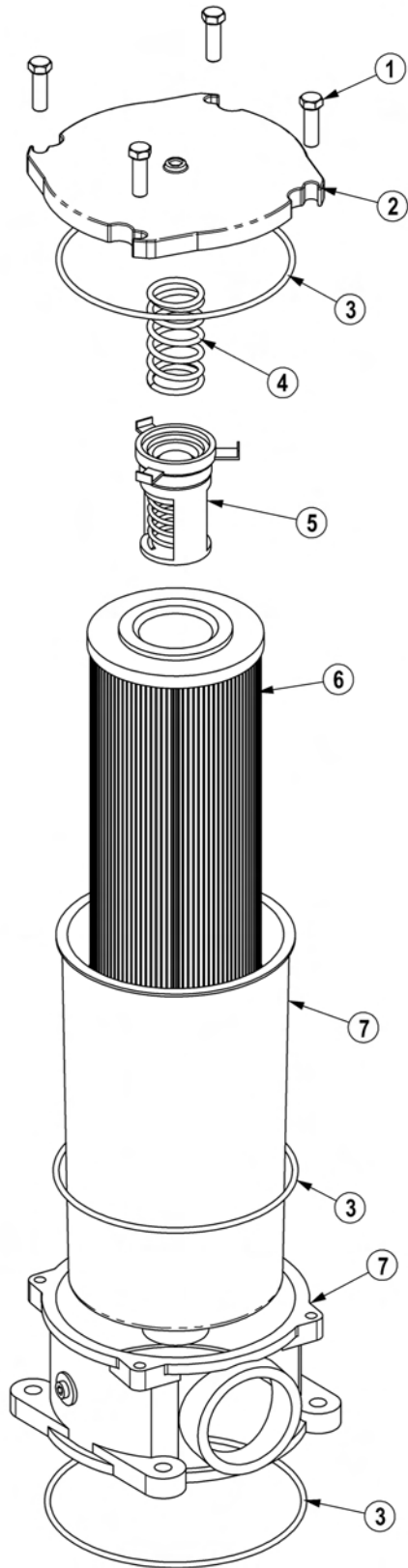


| ITEM | PART NO. | QTY. | DESCRIPTION |
|------|------------|------|----------------------|
| --- | 00775365 | - | CLUTCH ASSY |
| 1 | ----- | 1 | FLANGE YOKE |
| 2 | ----- | 2 | FRICTION DISC |
| 3 | ----- | 1 | HUB |
| 4 | ----- | 1 | THRUST PLATE |
| 5 | ----- | 1 | BELLE VILLE SPRING |
| 6 | ----- | 6 | HEX BOLT |
| 7 | ----- | 6 | HEX LOCKNUT |
| 8 | ----- | 1 | BACK-UP RING |
| 9 | ----- | 3 | BALL |
| 10 | ----- | 1 | COMPRESSION SPRING |
| 11 | ----- | 1 | LOCK COLLAR |
| 12 | ----- | 1 | BACK-UP RING |
| 13 | ----- | 1 | SNAP RING |
| 14 | 0921000470 | - | KIT(ITEMS 8 THRU 13) |

COMMON TRIPLE

NOTES

RESERVOIR TANK FILTER ASSEMBLY



COMMON TRIPLE

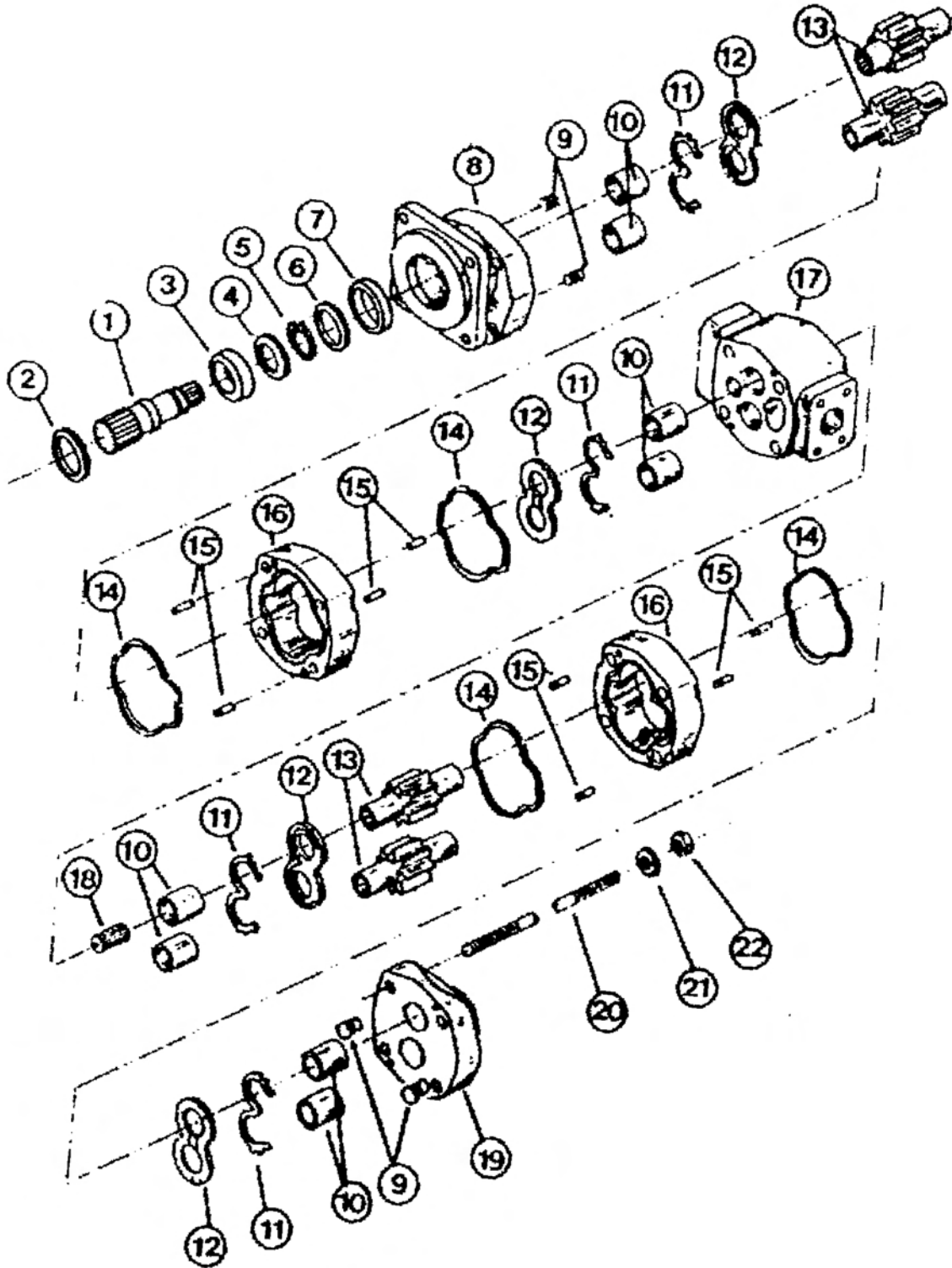
RESERVOIR TANK FILTER ASSEMBLY

Continued...

| ITEM | PART NO. | QTY. | DESCRIPTION |
|------|----------|------|---------------------------------|
| --- | 06505044 | - | FILTER ASSY SAE 10 MICRON |
| 1 | 28583 | 4 | CAPSCREW,8MM X 25MM(1.25 PITCH) |
| 2 | 06505045 | 1 | COVER |
| 3 | 06505046 | 1 | SEAL KIT |
| 4 | 06505047 | 1 | SPRING |
| 5 | 06505048 | 1 | BYPASS |
| 6 | 35259 | 1 | FILTER,10 MIC,RETURN LINE |
| 7 | 06505049 | 1 | CAN/BODY |

COMMON TRIPLE

FRONT HYDRAULIC PUMP BREAKDOWN



COMMON TRIPLE

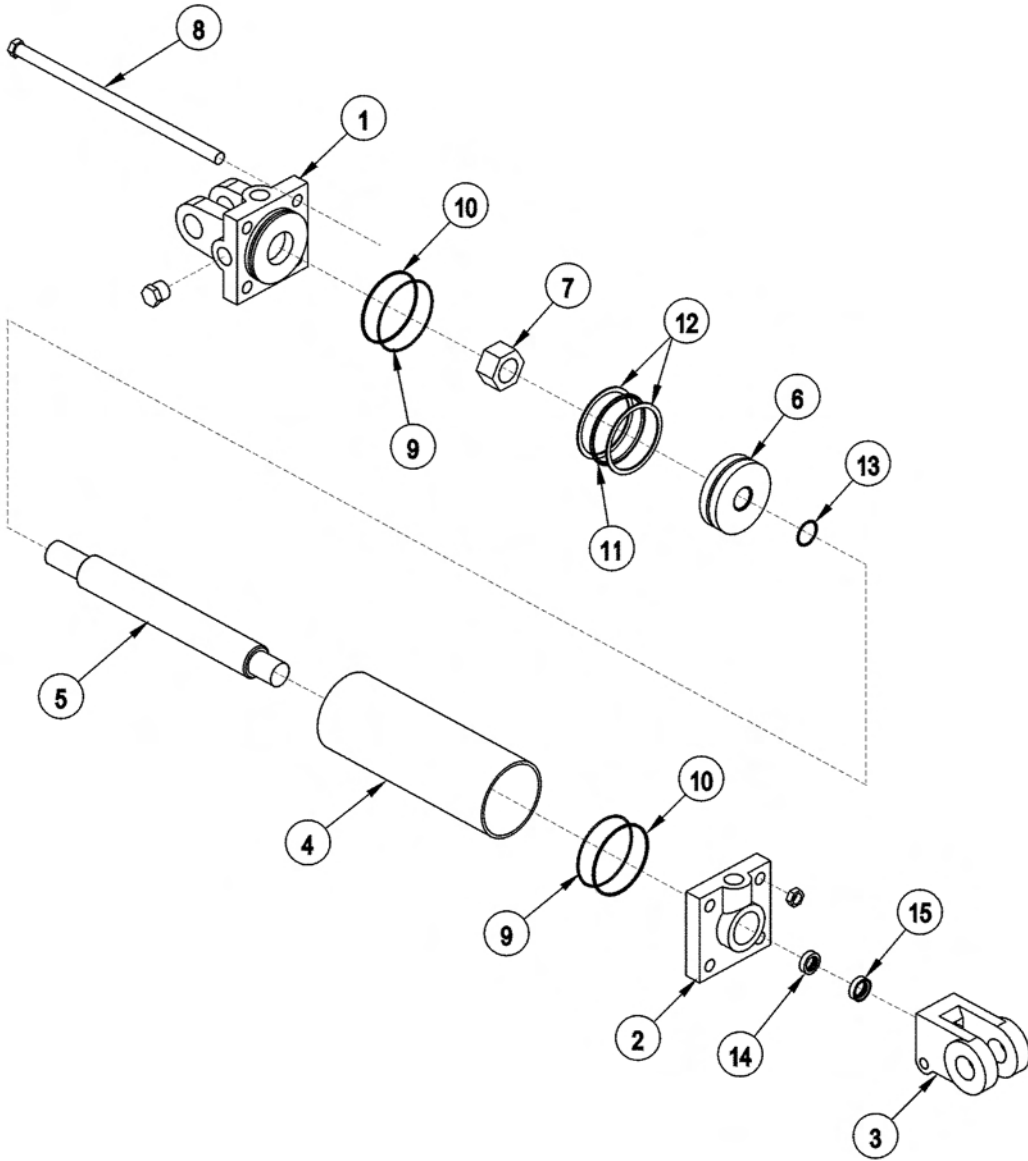
FRONT HYDRAULIC PUMP BREAKDOWN

Continued...

| ITEM | PART NO. | QTY. | DESCRIPTION |
|------|----------|------|--|
| * | TF4450 | - | FRONT MOUNTED PUMP P330 |
| 1 | TF4459 | 1 | CONTINENTAL SHAFT |
| 2 | TF4451 | 1 | SNAP RING |
| 3 | TF4452 | 1 | OUTBOARD BEARING |
| 4 | TF4467 | 1 | BEARING RETAINER RING |
| 5 | TF4472 | 1 | RETAINING RING |
| 6 | TF4473 | 1 | SPACER |
| 7 | TF4453 | 1 | LIP SEAL |
| 8 | TF4454 | 1 | SHAFT END COVER |
| 9 | TF4455 | 4 | PLUG |
| 10 | TF4456 | 8 | BUSHING |
| 11 | TF4457 | 4 | CHANNEL SEAL |
| 12 | TF4458 | 4 | THRUST PLATE |
| 13 | TF4466 | - | MATCHED GEAR SET |
| 14 | TF4460 | 4 | GASKET SEAL |
| 15 | TF4461 | 8 | DOWEL PINS |
| 16 | TF4462 | 2 | GEAR HOUSING (FOR 1-1/2" GEARS) |
| 17 | TF4463 | 1 | BEARING CARRIER |
| 18 | TF4465 | 1 | CONNECTING SHAFT |
| 19 | TF4468 | 1 | PORT END COVER |
| 20 | TF4469 | 4 | STUD |
| 21 | TF4415 | 4 | WASHER |
| 22 | TF4471 | 4 | NUT |
| * | TF4474 | - | SEAL KIT (INCLUDES ITEM 7, 11, AND 14) |

COMMON TRIPLE

3IN X 8IN TIE-ROD CYLINDER - 31211



COMMON TRIPLE

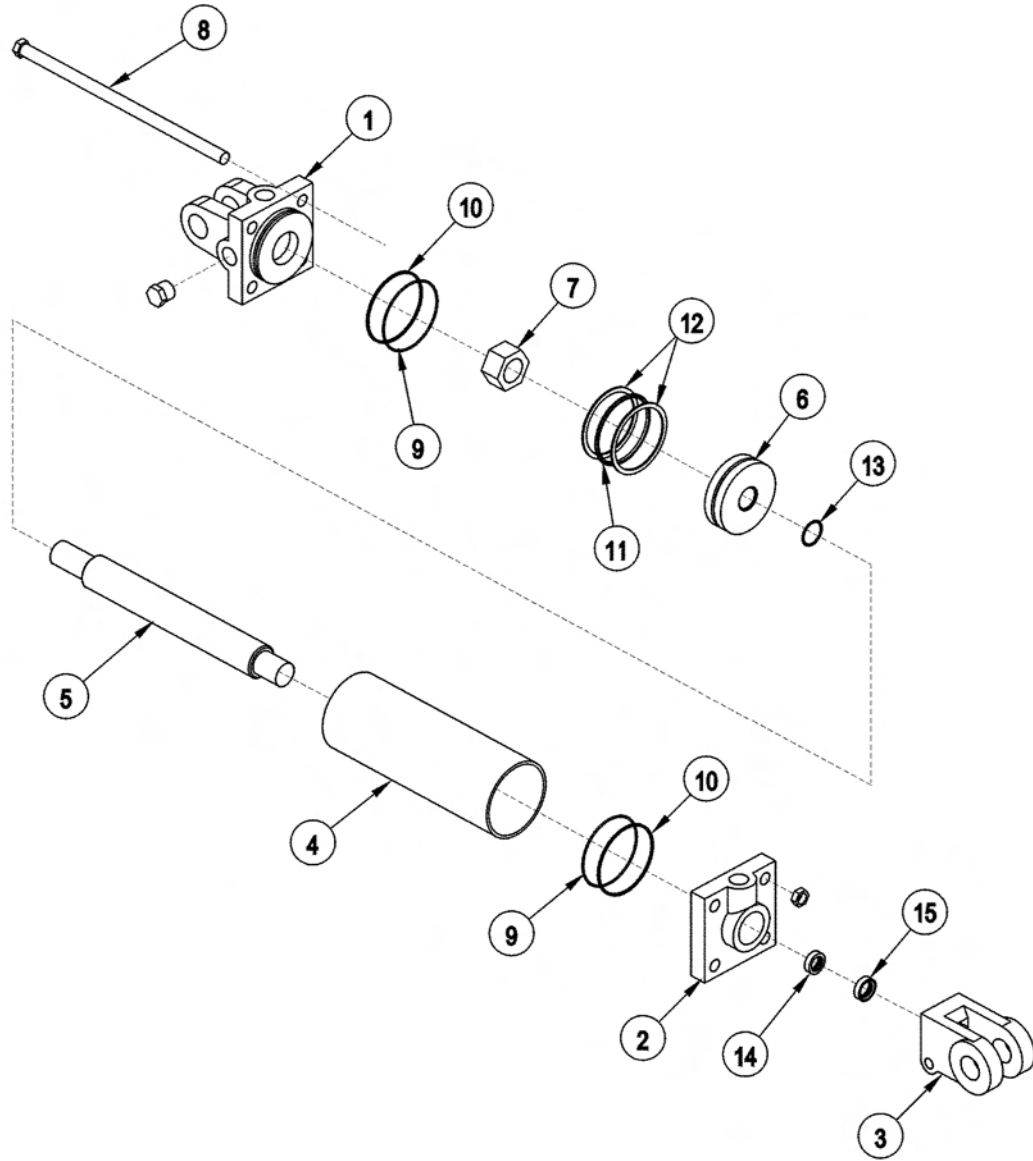
3IN X 8IN TIE-ROD CYLINDER - 31211

Continued...

| ITEM | PART NO. | QTY. | DESCRIPTION |
|------|----------|------|------------------|
| --- | 31211 | - | CYLINDER 3" X 8" |
| 1 | 6T0167 | 1 | CYLINDER BUTT |
| 2 | 6T0170 | 1 | CYLINDER GLAND |
| 3 | 6T0178 | 1 | CLEVIS END |
| 4 | 23870 | 1 | CYLINDER TUBE |
| 5 | 23869 | 1 | PISTON ROD |
| 6 | 6T0173 | 1 | PISTON |
| 7 | 6T0179 | 1 | LOCKNUT |
| 8 | 21749 | 4 | TIE ROD ASY |
| --- | 06501579 | - | SEAL KIT |
| 9 | ----- | 2 | O - RING |
| 10 | ----- | 2 | BACK - UP WASHER |
| 11 | ----- | 1 | O - RING |
| 12 | ----- | 2 | BACK - UP WASHER |
| 13 | ----- | 1 | O - RING |
| 14 | ----- | 1 | U - CUP |
| 15 | ----- | 1 | WIPER |

COMMON TRIPLE

3IN X 12IN TIE-ROD CYLINDER - 25343



COMMON TRIPLE

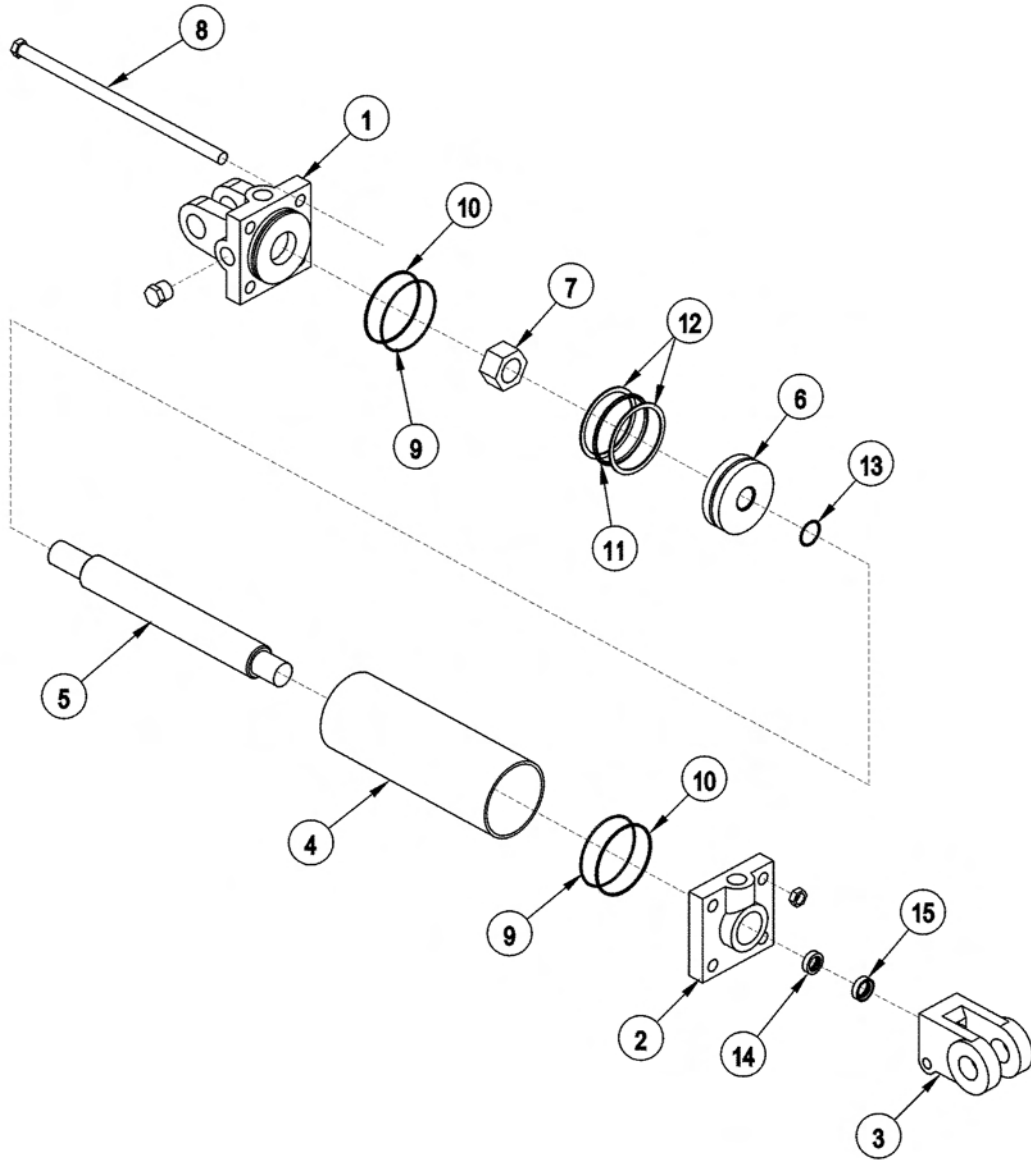
3IN X 12IN TIE-ROD CYLINDER - 25343

Continued...

| ITEM | PART NO. | QTY. | DESCRIPTION |
|------|----------|------|-------------------|
| --- | 25343 | - | CYLINDER 3" X 12" |
| 1 | 6T0167 | 1 | CYLINDER BUTT |
| 2 | 6T0170 | 1 | CYLINDER GLAND |
| 3 | 6T0178 | 1 | CLEVIS END |
| 4 | 23870 | 1 | CYLINDER TUBE |
| 5 | 23869 | 1 | PISTON ROD |
| 6 | 6T0173 | 1 | PISTON |
| 7 | 6T0179 | 1 | LOCKNUT |
| 8 | 21749 | 4 | TIE ROD ASY |
| --- | 6T0187 | - | SEAL KIT |
| 9 | ----- | 2 | O - RING |
| 10 | ----- | 2 | BACK - UP WASHER |
| 11 | ----- | 1 | O - RING |
| 12 | ----- | 2 | BACK - UP WASHER |
| 13 | ----- | 1 | O - RING |
| 14 | ----- | 1 | U - CUP |
| 15 | ----- | 1 | WIPER |

COMMON TRIPLE

3IN X 12IN TIE-ROD CYLINDER - 32215



COMMON TRIPLE

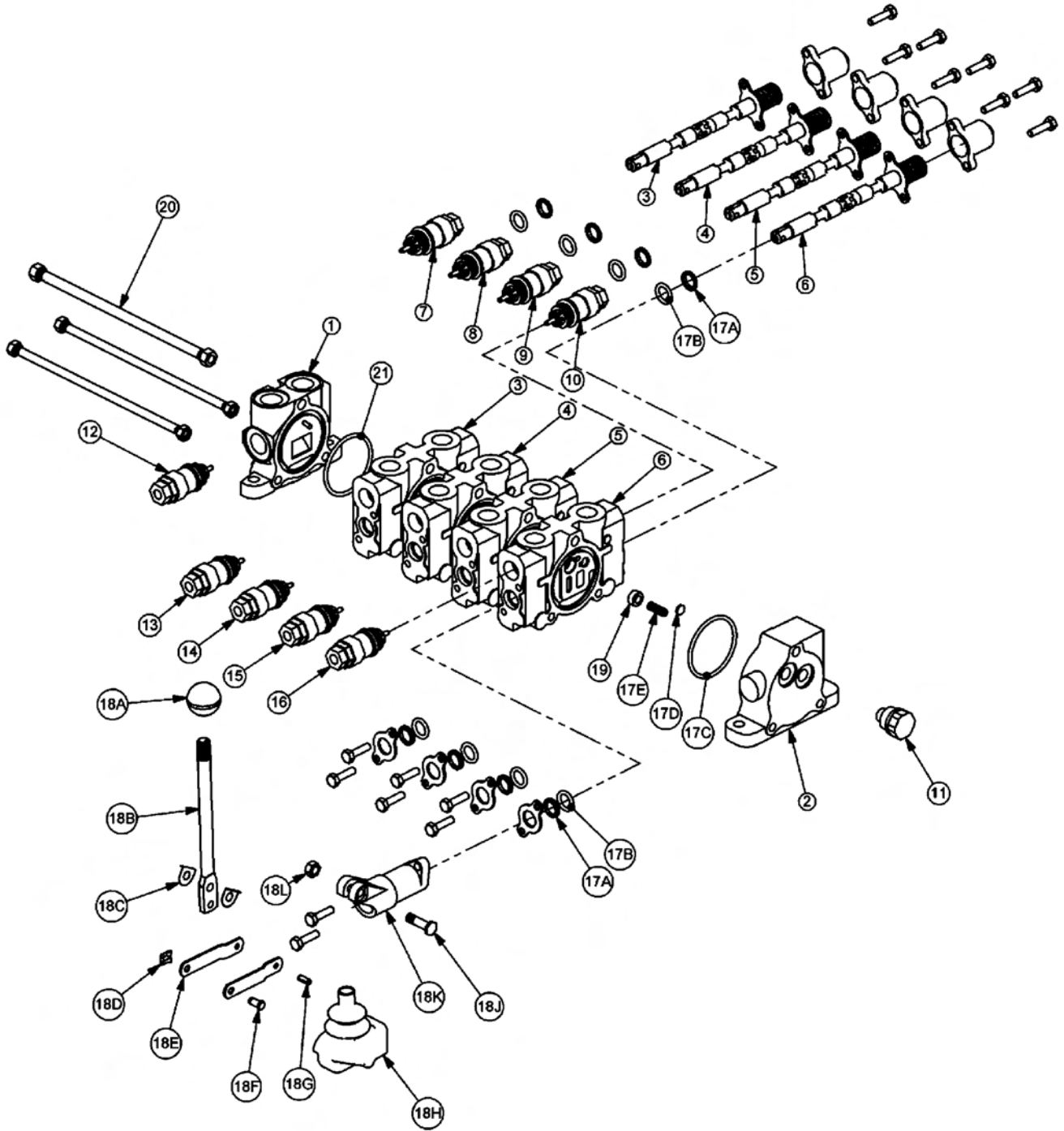
3IN X 12IN TIE-ROD CYLINDER - 32215

Continued...

| ITEM | PART NO. | QTY. | DESCRIPTION |
|------|----------|------|-------------------|
| --- | 32215 | - | CYLINDER 3" X 12" |
| 1 | 6T0167 | 1 | CYLINDER BUTT |
| 2 | 6T0170 | 1 | CYLINDER GLAND |
| 3 | 6T0178 | 1 | CLEVIS END |
| 4 | 6T0204 | 1 | CYLINDER TUBE |
| 5 | 6T0203 | 1 | PISTON ROD |
| 6 | 6T0173 | 1 | PISTON |
| 7 | 6T0179 | 1 | LOCKNUT |
| 8 | 6T0205 | 4 | TIE ROD ASY |
| --- | 6T0187 | - | SEAL KIT |
| 9 | ----- | 2 | O - RING |
| 10 | ----- | 2 | BACK - UP WASHER |
| 11 | ----- | 1 | O - RING |
| 12 | ----- | 2 | BACK - UP WASHER |
| 13 | ----- | 1 | O - RING |
| 14 | ----- | 1 | U - CUP |
| 15 | ----- | 1 | WIPER |

COMMON TRIPLE

4 SPOOL CABLE (MANUAL) LIFT VALVE - 31190



COMMON TRIPLE

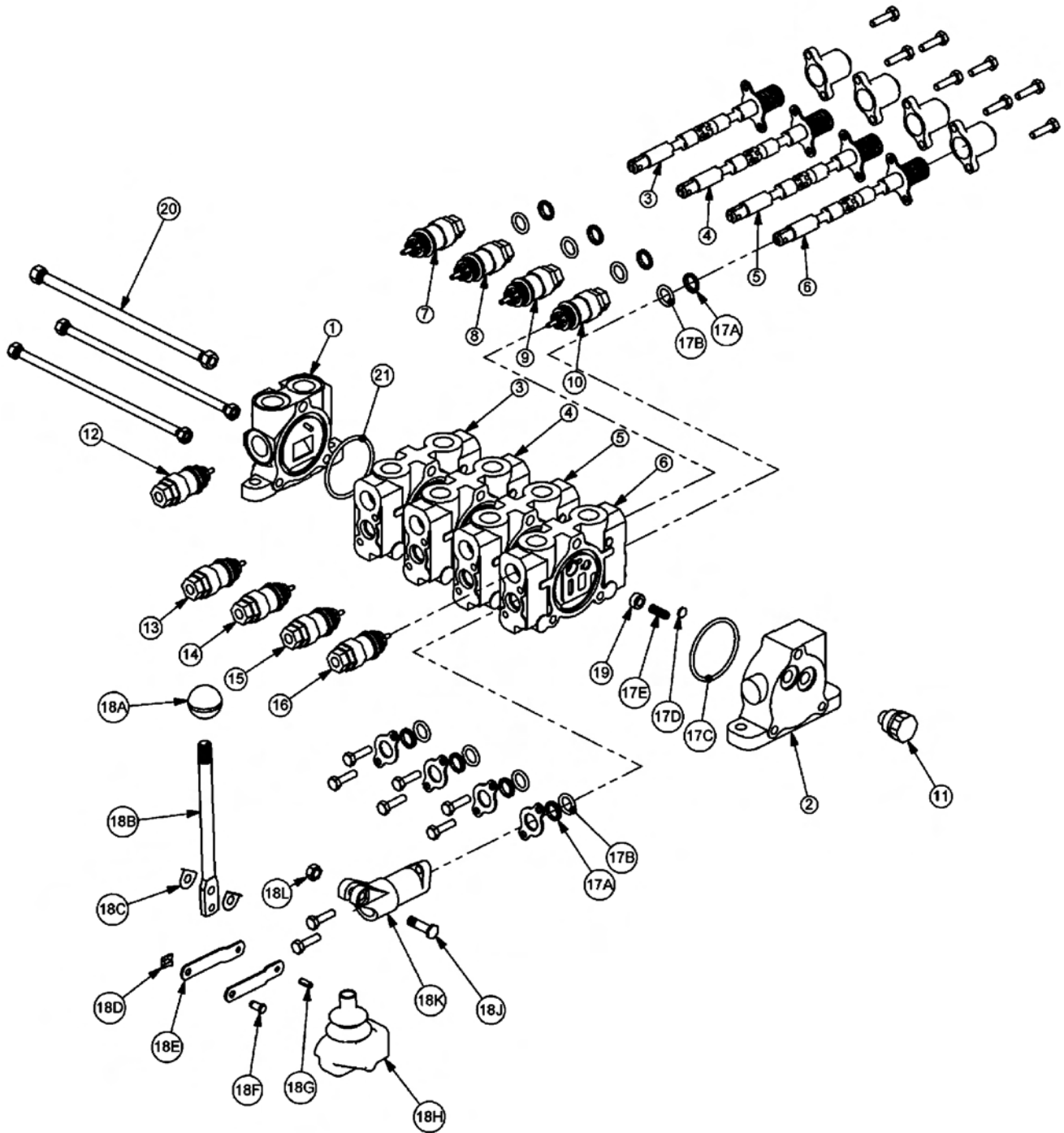
4 SPOOL CABLE (MANUAL) LIFT VALVE - 31190

Continued...

| ITEM | PART NO. | QTY. | DESCRIPTION |
|------|----------|------|---|
| --- | 31190 | - | VALVE,4 SPOOL,LOAD SENSE |
| 1 | 31595 | 1 | INLET END COVER |
| 2 | 31594 | 1 | END COVER, LOAD SENSE |
| 3 | 31600 | 1 | VALVE SECTION (DOUBLE ACTING, DETENT - FLOAT) |
| 4 | 31600 | 1 | VALVE SECTION (DOUBLE ACTING, DETENT - FLOAT) |
| 5 | 31600 | 1 | VALVE SECTION (DOUBLE ACTING, DETENT - FLOAT) |
| 6 | 31600 | 1 | VALVE SECTION (DOUBLE ACTING, DETENT - FLOAT) |
| 7 | 31861 | 1 | RELIEF VALVE, 360 PSI |
| 8 | 06503067 | 1 | #10 O-RING PLUG |
| 9 | 06503067 | 1 | #10 O-RING PLUG |
| 10 | 31861 | 1 | RELIEF VALVE, 360 PSI |
| 11 | 06503068 | 1 | #6 O-RING PLUG |
| 12 | 6T4209 | 1 | #10 O-RING PLUG |
| 13 | 31862 | 1 | RELIEF VALVE, 2175 PSI |
| 14 | 31862 | 1 | RELIEF VALVE, 2175 PSI |
| 15 | 31862 | 1 | RELIEF VALVE, 2175 PSI |
| 16 | 31862 | 1 | RELIEF VALVE, 2175 PSI |
| 17 | 31593 | 4 | VALVE SEAL KIT (FOR ONE SECTION) |
| 17A | ----- | 2 | WIPER |
| 17B | ----- | 2 | O-RING SMALL |
| 17C | ----- | 1 | O-RING LARGE |
| 17D | ----- | 1 | SHUTTLE DISC |
| 17E | ----- | 1 | SPRING |
| 18 | TB1017L | 4 | LEVER KIT (FOR ONE SECTION) |
| 18A | ----- | 1 | LEVER KNOB |
| 18B | ----- | 1 | LEVER |
| 18C | ----- | 2 | LEVER WASHER |
| 18D | ----- | 1 | LEVER CLIP |
| 18E | ----- | 2 | LINKAGE |
| 18F | ----- | 1 | LEVER PIN |
| 18G | ----- | 1 | ROLL PIN |
| 18H | ----- | 1 | LEVER BOOT |
| 18J | ----- | 1 | LEVER BOLT |
| 18K | ----- | 1 | LEVER DUST COVER |
| 18L | ----- | 1 | LEVER NUT |
| 19 | 31603 | 4 | COMPENSATOR |
| 20 | TB1017U | 1 | TIE ROD KIT |
| 21 | 24214 | 1 | O-RING, LARGE |

COMMON TRIPLE

4 SPOOL CABLE (MANUAL) LIFT VALVE - 06502046



COMMON TRIPLE

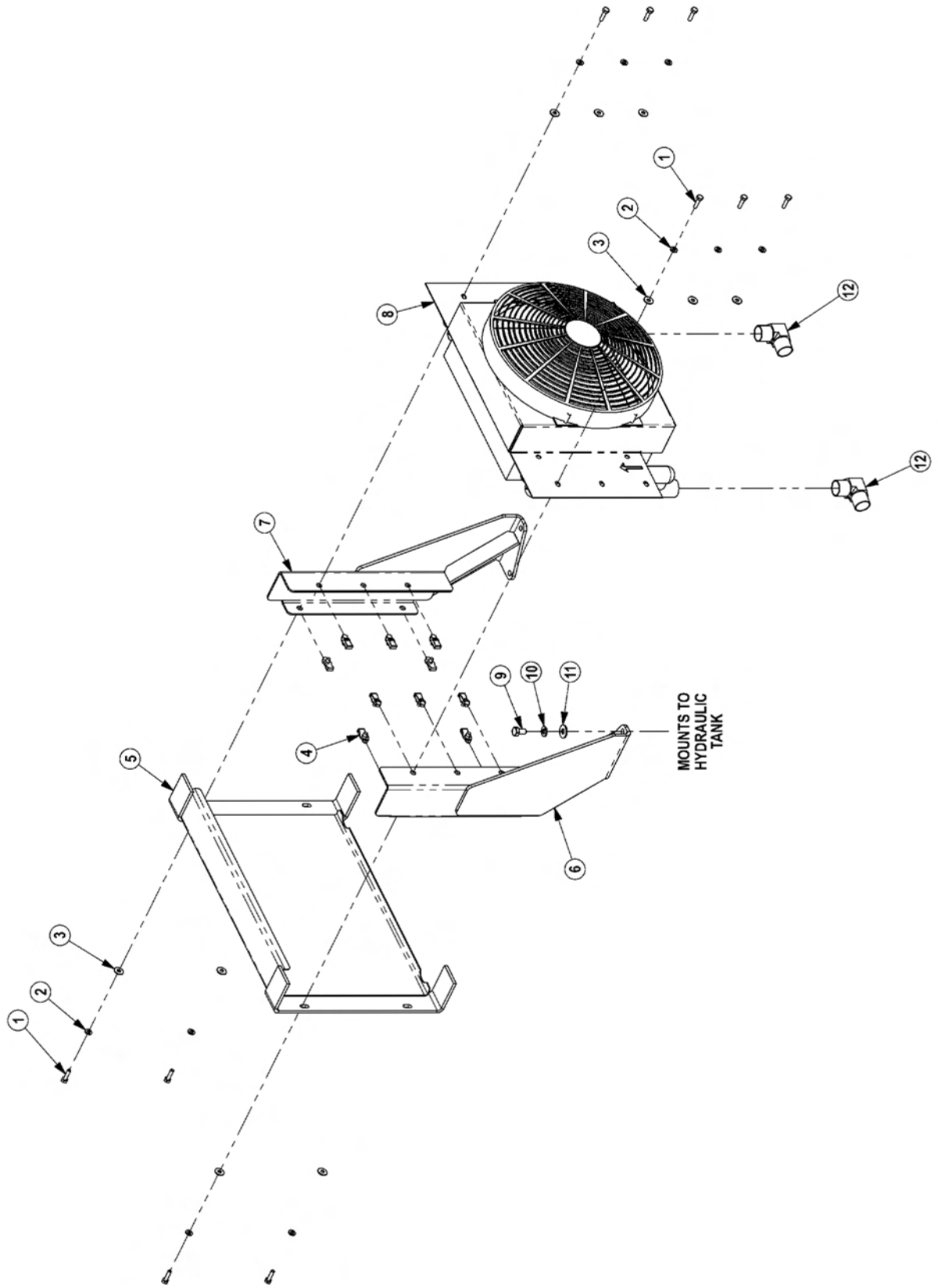
4 SPOOL CABLE (MANUAL) LIFT VALVE - 06502046

Continued...

| ITEM | PART NO. | QTY. | DESCRIPTION |
|------|----------|------|---|
| --- | 06502046 | - | VALVE,4 SPOOL,LOAD SENSE |
| 1 | 31595 | 1 | INLET END COVER |
| 2 | 31594 | 1 | END COVER, LOAD SENSE |
| 3 | 31600 | 1 | VALVE SECTION (DOUBLE ACTING, DETENT - FLOAT) |
| 4 | 31600 | 1 | VALVE SECTION (DOUBLE ACTING, DETENT - FLOAT) |
| 5 | 31600 | 1 | VALVE SECTION (DOUBLE ACTING, DETENT - FLOAT) |
| 6 | 31600 | 1 | VALVE SECTION (DOUBLE ACTING, DETENT - FLOAT) |
| 7 | 31861 | 1 | RELIEF VALVE, 360 PSI |
| 8 | 06503067 | 1 | #10 O-RING PLUG |
| 9 | 06503067 | 1 | #10 O-RING PLUG |
| 10 | 31861 | 1 | RELIEF VALVE, 360 PSI |
| 11 | 06503068 | 1 | #6 O-RING PLUG |
| 12 | 6T4209 | 1 | #10 O-RING PLUG |
| 13 | 31862 | 1 | RELIEF VALVE, 2175 PSI |
| 14 | 31862 | 1 | RELIEF VALVE, 2175 PSI |
| 15 | 31862 | 1 | RELIEF VALVE, 2175 PSI |
| 16 | 31862 | 1 | RELIEF VALVE, 2175 PSI |
| 17 | 31593 | 4 | VALVE SEAL KIT (FOR ONE SECTION) |
| 17A | ----- | 2 | WIPER |
| 17B | ----- | 2 | O-RING SMALL |
| 17C | ----- | 1 | O-RING LARGE |
| 17D | ----- | 1 | SHUTTLE DISC |
| 17E | ----- | 1 | SPRING |
| 18 | TB1017L | 4 | LEVER KIT (FOR ONE SECTION) |
| 18A | ----- | 1 | LEVER KNOB |
| 18B | ----- | 1 | LEVER |
| 18C | ----- | 2 | LEVER WASHER |
| 18D | ----- | 1 | LEVER CLIP |
| 18E | ----- | 2 | LINKAGE |
| 18F | ----- | 1 | LEVER PIN |
| 18G | ----- | 1 | ROLL PIN |
| 18H | ----- | 1 | LEVER BOOT |
| 18J | ----- | 1 | LEVER BOLT |
| 18K | ----- | 1 | LEVER DUST COVER |
| 18L | ----- | 1 | LEVER NUT |
| 19 | 31603 | 4 | COMPENSATOR |
| 20 | TB1017U | 1 | TIE ROD KIT |
| 21 | 24214 | 1 | O-RING, LARGE |

COMMON TRIPLE

COOLER ASSEMBLY



COMMON TRIPLE

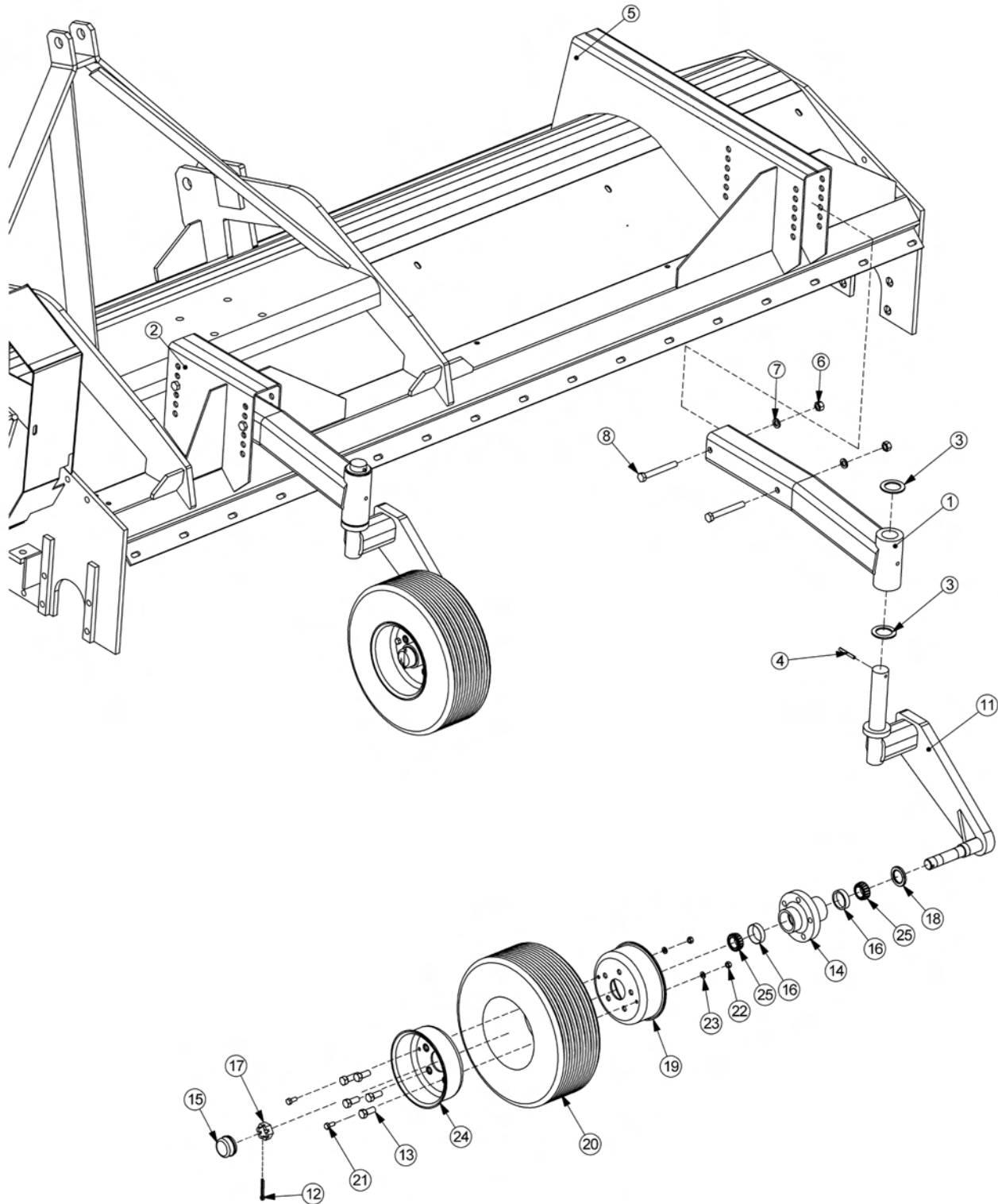
COOLER ASSEMBLY

Continued...

| ITEM | PART NO. | QTY. | DESCRIPTION |
|------|----------|------|---------------------------|
| 1 | 21530 | 10 | CAPSCREW,1/4 X1 NC |
| 2 | 21986 | 10 | LOCKWASHER,1/4 |
| 3 | 22014 | 10 | FLATWASHER,1/4 |
| 4 | 35176 | 10 | 1/4 U-NUT |
| 5 | 06370015 | 1 | SCREEN,COOLER,FRNT |
| 6 | 06380006 | 1 | MNT,COOLER,BUMPER TANK,RH |
| 7 | 06380007 | 1 | MNT,COOLER,BUMPER TANK,LH |
| 8 | 06510026 | 1 | COOLER,FRONT MNT |
| 9 | 21629 | 4 | CAPSCREW,3/8 X 3/4 NC |
| 10 | 21988 | 4 | LOCKWASHER,3/8 |
| 11 | 22016 | 4 | FLATWASHER,3/8 |
| 12 | 34117 | 2 | ELBOW,1MOR X 1MJ90,FORGED |

COMMON TRIPLE

CASTER WHEEL ASSEMBLY



COMMON TRIPLE

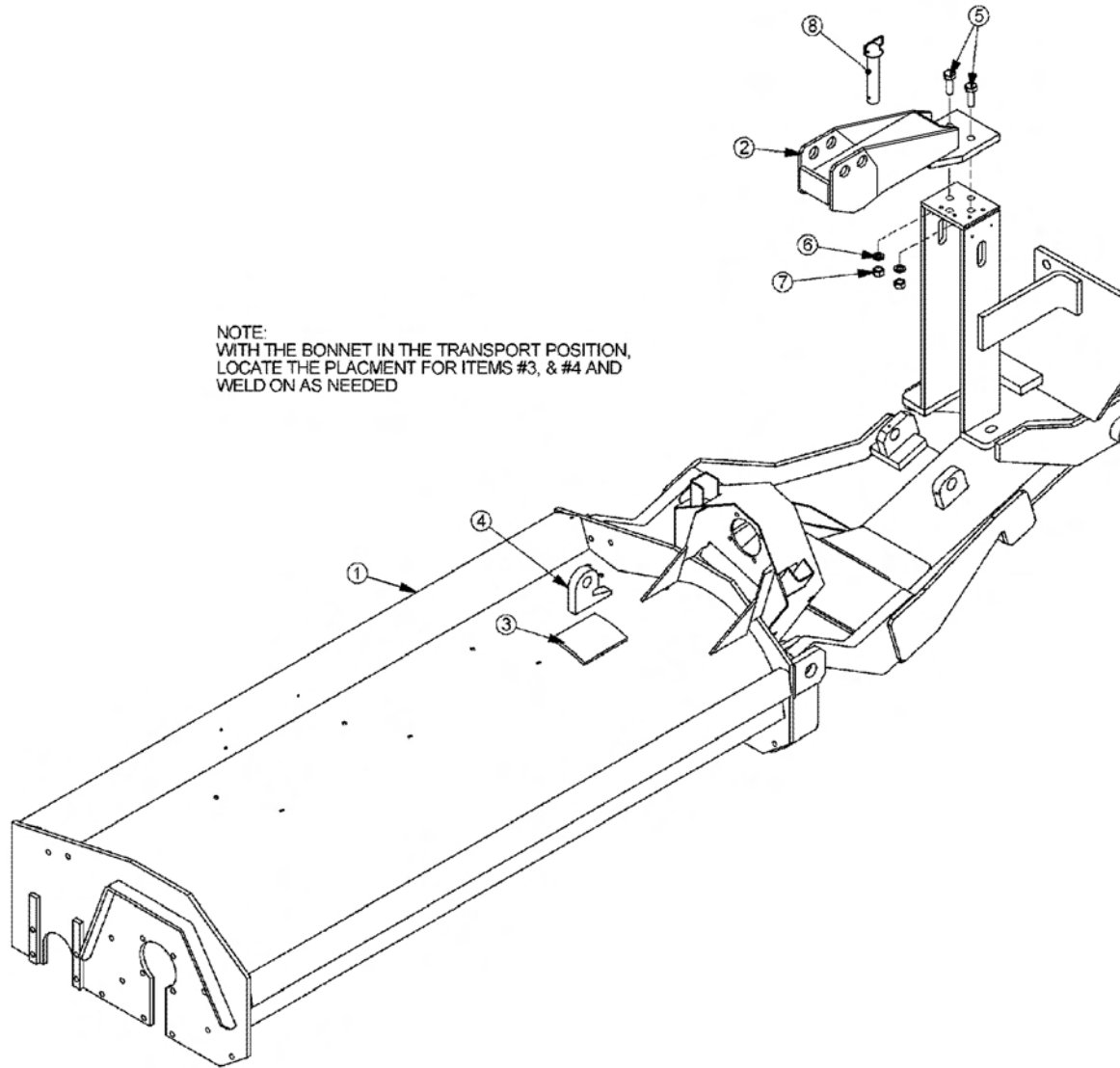
CASTER WHEEL ASSEMBLY

Continued...

| ITEM | PART NO. | QTY. | DESCRIPTION |
|------|----------|------|----------------------------------|
| 1 | TF3060 | 2 | CASTER WHL ARM,FLAIL |
| 2 | TF3052A | 1 | BRKT,REAR CASTER ADJ,LF |
| 3 | 6T2617 | 4 | BUSHING,MACH,1-1/2"ID X 2-1/4"OD |
| 4 | 6T3014 | 2 | ROLL PIN,1/4" X 2" |
| 5 | TF3053 | 1 | BRKT,REAR CASTER ADJ,RT |
| 6 | 21725 | 4 | HEX NUT,1/2",NC |
| 7 | 21990 | 4 | LOCKWASHER,1/2" |
| 8 | 21741 | 4 | CAPSCREW,1/2" X 5",NC |
| 11 | 22057 | 2 | SPINDLE,CASTER AXLE,ASSY |
| 12 | 22533 | 2 | COTTER PIN,3/16" X 2" |
| 13 | 22071 | 10 | HUB STUD |
| 14 | 22066 | 2 | HUB,CASTER |
| 15 | 22070 | 2 | DUST CAP |
| 16 | 6T0836 | 4 | CUP,CASTER WHEEL |
| 17 | 22073 | 2 | HEX NUT,1",NF(SLOTTED JAM NUT) |
| 18 | 6T0838 | 2 | SEAL |
| 19 | 22696 | 2 | RIM,REAR ROTARY CASTER |
| 20 | 21416 | 2 | TIRE,SOLID,RR-RTRY |
| 21 | 21579 | 4 | CAPSCREW,5/16" X 3/4",NC |
| 22 | 21575 | 4 | HEX NUT,5/16",NC |
| 23 | 21987 | 4 | LOCKWASHER,5/16" |
| 24 | 22697 | 2 | RIM,OUTER/RR RTRY CASTER ASSY |
| 25 | 6T0830 | 4 | BEARING,CONE,CASTER WHEEL |

COMMON TRIPLE

SIDE FLAIL TRAVEL LOCK

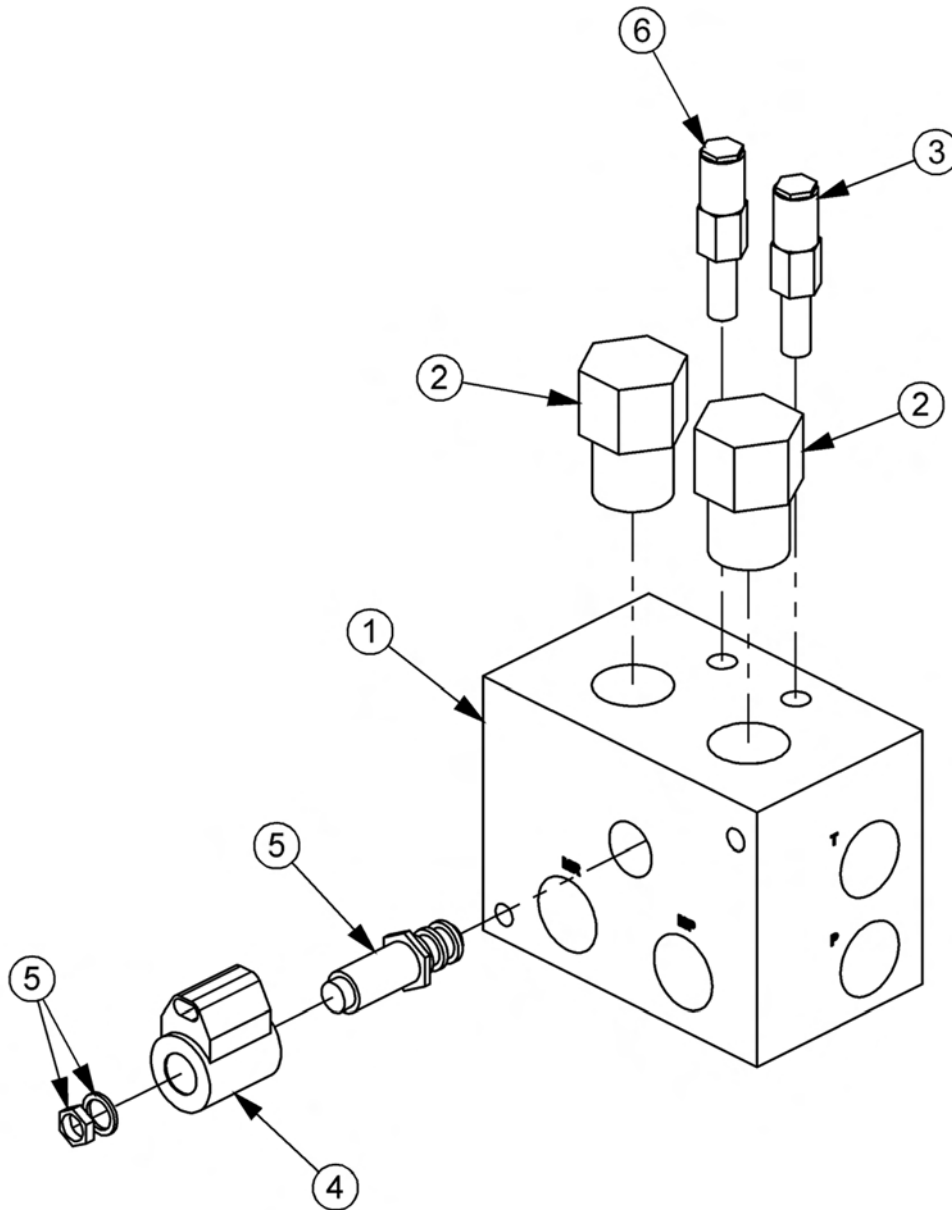


NOTE:
WITH THE BONNET IN THE TRANSPORT POSITION,
LOCATE THE PLACEMENT FOR ITEMS #3, & #4 AND
WELD ON AS NEEDED

| ITEM | PART NO. | QTY. | DESCRIPTION |
|------|----------|------|---------------------------------|
| 1 | ----- | - | BONNET *REFER TO FLAIL ASSEMBLY |
| 2 | 28276 | 1 | BRACKET, TRAVEL LOCK, TRIPLE |
| 3 | TF4248 | 1 | PLATE, TRAVEL LOCK |
| 4 | 23745 | 1 | TRAVEL LOCK HOOK |
| 5 | 21783 | 2 | CAPSCREW, 5/8" X 2" NC |
| 6 | 21992 | 2 | LOCKWASHER, 5/8" |
| 7 | 21775 | 2 | HEX NUT, 5/8" NC |
| 8 | TF4250 | 1 | PIN, TRAVEL LOCK |

COMMON TRIPLE

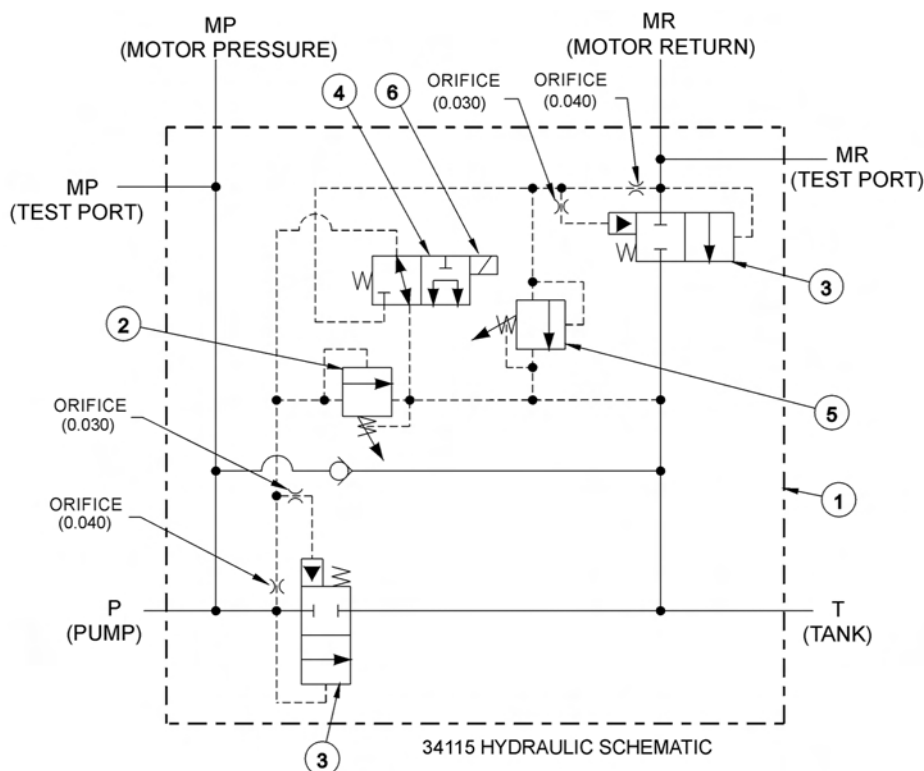
BRAKE VALVE ASSEMBLY



| ITEM | PART NO. | QTY. | DESCRIPTION |
|------|----------|------|--|
| --- | 06510083 | - | BRAKE VALVE, ASSY |
| 1 | 34092 | 1 | BRAKE VALVE, BLANK |
| 2 | 34094 | 2 | LOGIC ELEMENT |
| 3 | 34095 | 1 | RELIEF VALVE, 3000 PSI |
| 4 | 06510095 | 1 | METRI PAK COIL |
| 5 | 34093 | 1 | CARTRIDGE, 2 POSITION, 3 WAY (WITH NUT & WASHER) |
| 6 | 34091 | 1 | RELIEF VALVE, 2600 PSI |

COMMON TRIPLE

BRAKE VALVE HYDRAULIC SCHEMATIC



BRAKE VALVE TROUBLESHOOTING

FAILURE MODE:

- MOWER WILL NOT START - system pressure is low (engine not lugging).
- MOWER WILL NOT START - system pressure is high (engine lugging). "MR" port will be high pressure.
- MOWER WILL NOT ROTATE AT FULL SPEED - limited power.
- MOWER BLADE WILL NOT STOP - blade will not stop in proper time.

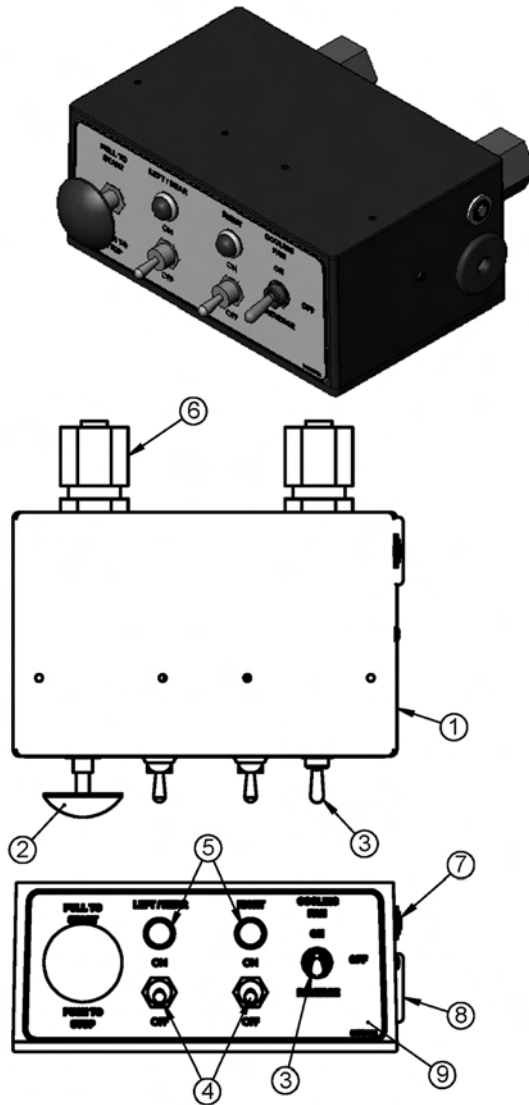
CHECK STEPS

- 1 thru 6
- 7
- 3 thru 5
- 7 thru 9

CORRECTIVE STEPS:

1. Check for voltage at solenoid (item 6), voltage must be between 10.2 volts and 13.8 volts.
2. Remove, inspect solenoid and cartridge (items 4, 6) for wear or contamination.
3. Remove, inspect logic elements near "P" port (item 3) for wear or contamination.
4. Remove, inspect 3000 psi relief valve (item 2) for wear or contamination.
5. Remove and inspect orifices near "P" port for contamination.
6. Remove "P" port hose and fitting, visually inspect for contamination, check ball for movement.
7. Remove and inspect orifices near "MR" port for contamination.
8. Remove, inspect 2600 psi relief valve (item 5) for wear of contamination.
9. Remove, inspect logic element near "MR" port (item 3) for wear or contamination.

SWITCHBOX SERVICE PARTS

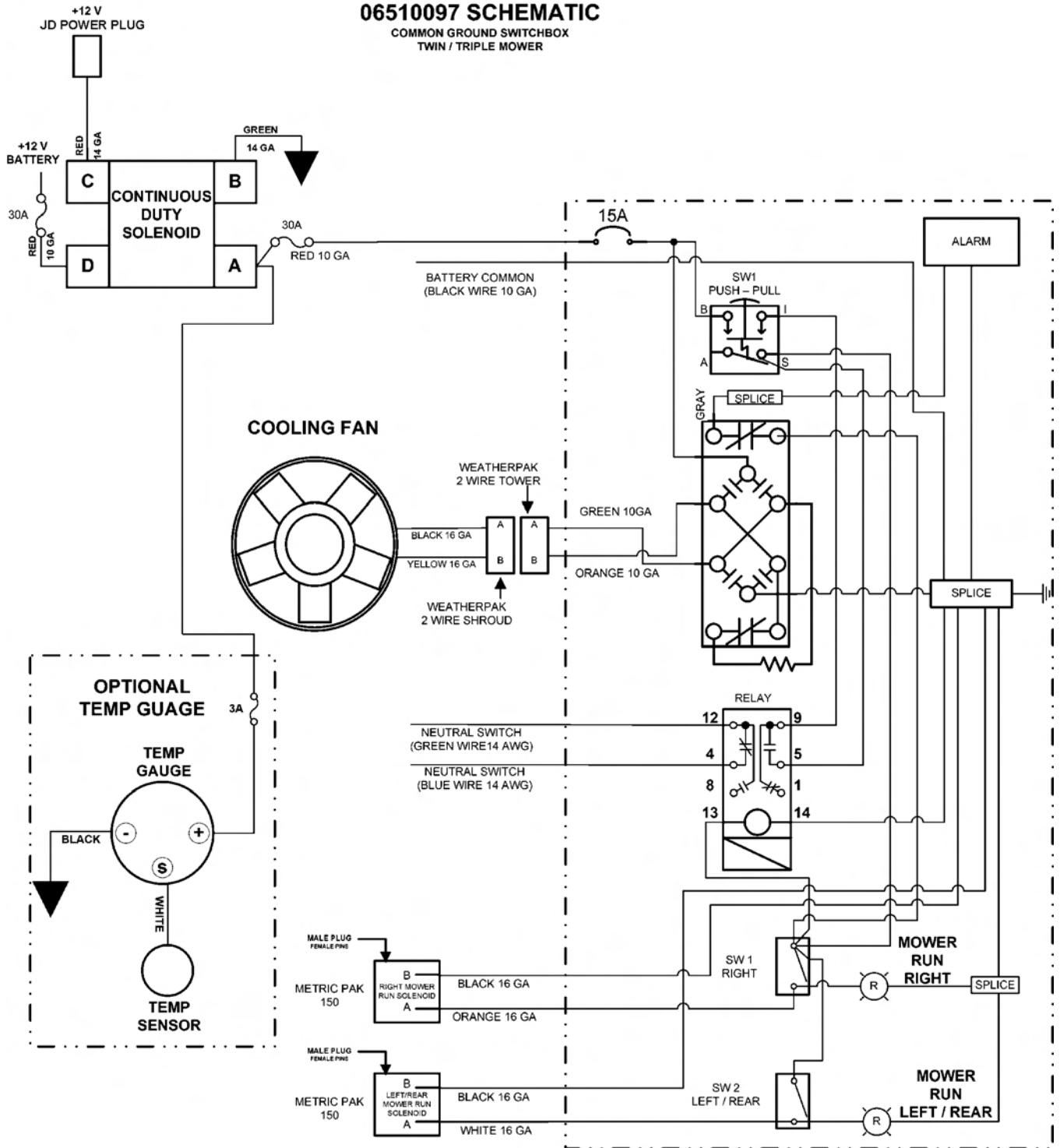


| ITEM | PART NO. | QTY. | DESCRIPTION |
|------|----------|------|--------------------------------|
| --- | 06510097 | - | SWITCHBOX ASSEMBLY |
| 1 | 06514011 | 1 | SWBX,ALUM,BLK |
| 2 | 35226 | 1 | SWITCH,MOWER,COLEHERSEE |
| 3 | 06510028 | 1 | SWITCH,FORWARD/BRAKE/REV |
| 4 | 33811 | 2 | SWITCH,MASTER/DECK FLOAT |
| 5 | 6T3923 | 2 | INDICTATOR LIGHT,ON,RED |
| 6 | 34540 | 2 | STRAIN RELIEF,3/4,BLACK,NYLON |
| 7 | 06514006 | 1 | BREAKER,15A,SWBX |
| 8 | 06514015 | 1 | ALARM,SWBX,REVERSER |
| 9 | 06550002 | 1 | DECAL,SWTCHBX,TWIN/T3F,REV FAN |
| 10 | 35227 | 1 | RELAY,DP,DT,12V,LY2F,35226 |

COMMON TRIPLE

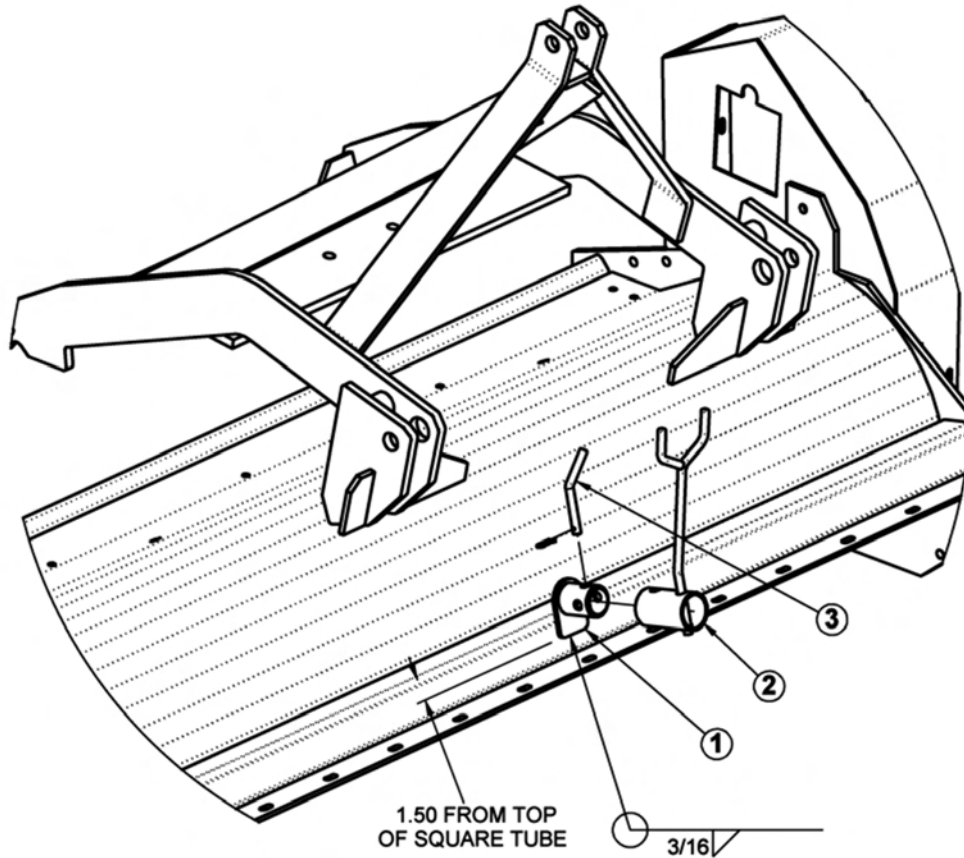
SWITCHBOX SCHEMATIC

06510097 SCHEMATIC COMMON GROUND SWITCHBOX TWIN / TRIPLE MOWER



COMMON TRIPLE

PTO STAND



NOTES:

1. LOCATE ITEM 1 ON TUBE AS SHOWN, CENTER ON GEAR BOX SHAFT.
2. WELD ITEM 1 AS SHOWN AFTER LOCATING
3. AFTER WELDING, PIN ITEM 2 IN PLACE WITH ITEM 3.

| ITEM | PART NO. | QTY. | DESCRIPTION |
|------|----------|------|--------------------|
| 1 | 06370080 | 1 | BRACKET,SUPPORT |
| 2 | 06370022 | 1 | SUPPORT,PTO |
| 3 | 06520048 | 1 | PIN,BENT,W/ R-CLIP |

NOTES

WARRANTY SECTION

WARRANTY INFORMATION

Tiger Corporation, 3301 N. Louise, Sioux Falls, South Dakota, warrants to the original Retail Customer, the new Tiger equipment is free of defects in material and workmanship. Any part of equipment that in Tiger's judgement, show evidence of such defects will be repaired or replaced without charge, provided that the failure of part(s) shall have occurred within twelve (12) months from the date of delivery of said equipment to the Retail Customer. Expendable components such as knives, oil, chain sprockets, skid shoes, knife mounting disks and the like are excluded but not limited to this warranty.

The Retail Customer must pay the transportation cost to and from the Tiger Dealer's service shop for warranty service. Warranty service will be performed by the Tiger Dealer from whom the equipment was purchased, during service shop regularly scheduled days and hours of operation.

All Tiger obligation under this warranty shall be terminated if the equipment is modified or altered in ways not approved in writing by Tiger, if repair parts other than genuine Tiger repair parts have been used, or if the equipment has been subject to misuse, neglect, accident, improper maintenance or improper operation.

Tiger Corporation reserves the right to make improvements in design or changes in specification at any time without incurring any obligation to owners of equipment previously sold.

No agent or person has authority to alter, add to or waive the above warranties which are agreed to be in the only warranties, representations or promises, expressed or implied, as to the quality or performance of the products covered and which do not include any implied warranty of merchantability or fitness. In no event will Tiger be liable for incidental or consequential damages or injuries, including, but not limited to, loss of profits, rental or substitute equipment or other commercial loss.

**THERE ARE NO WARRANTIES WHICH EXTEND
BEYOND THOSE EXPRESSED HEREIN.**

It is the Purchasers obligation to sign the warranty registration form **AFTER** he / she has Read and Understands the Operation and Safety Instructions stated within this manual.

ONE LAST WORD

This manual cannot possibly cover all of the potentially hazardous situations you will encounter. By being familiar with the safety rules, operating and maintenance instructions in this manual you can help prevent accidents. The objective of this manual is to help make you a better operator. Remember, **SAFETY IS YOU!**



1012

Your safety and the safety of those around you depends on **YOU**. Common sense should play a large role in the operation of this machine.

Since we at Tiger Corporation are constantly striving to improve our products, we reserve the right to change specifications or design at any time.

TO THE OWNER / OPERATOR / DEALER



To keep your implement running efficiently and safely, read your manual thoroughly and follow these directions and the Safety Messages in this manual and on the machine. The table of contents clearly identifies each section where you can easily find the information you need.

The Occupational Safety and Health Act (OSHA 1928.51 subpart C) makes the following minimum requirements for tractor operators.

OWNER REQUIREMENTS:

1. Provide a Roll-Over-Protective Structure that meets the requirements of this Standard; and
2. Provide Seatbelts that meet the requirements of this Standard and SAE J3C; and
3. Ensure that each employee uses such Seatbelt while the tractor is moving; and
4. Ensure that each employee tightens the Seatbelt sufficiently to confine the employee to the protected area provided by the ROPS.

OPERATOR REQUIREMENTS:

1. Securely fasten seatbelt if the tractor has a ROPS.
2. Where possible, avoid operating the tractor near steep ditches, embankments, and holes.
3. Reduce speed when turning, crossing slopes, and on rough, slick, or muddy surfaces.
4. Stay off slopes too steep for safe operation.
5. Watch where you are going – especially at row ends, on roads, and around trees.
6. Do Not permit others to ride.
7. Operate the tractor smoothly – no jerky turns, starts, or stops.
8. Hitch only to the draw-bar and hitch points recommended by the tractor manufacturer.
9. When the tractor is stopped, set brakes securely and use park lock, if available



Printed in USA
© Tiger Corporation