



G-8 9 ' F C H 5 F M
5 G G 9 A 6 @ 9 G

RÖÎ FÉÍ ÈĞ T
RÖÎ FÉÍ ÈĞ Ü

Ô~!!^} óÁ Á-Â Ê Æ F I



ÚŒÛVÙŠŒVŒ ŒÁ ŒP
T U W P V Œ ŒÁ È ŒÁ Ú Ò Ü Œ V Œ Œ
Œ Û V Œ W Œ V Œ P Û

H][Yf' 7 cfdcfU]cb
HHEFÁ Þ ÈŠ[~ ã ^ Á Œ ^ È
Ùq ~ c Á Œ • È Û Œ Á Ì FÉÍ
%, \$\$!, (' !*, (-
%* \$) !' ' * !+- \$\$
k k k 'h][Yf!a ck Yfg'Wta

\$* \$%/ \$\$&\$

HC'H<9'CK B9F'#CD9F5HCF'#895 @F

... V@A a~ ac !^!@e A~a^A@A]|\ } 0^ A^A~a^A [c^] ...

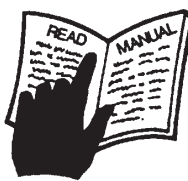



69: CF9'MCI 'GH5FH° Ü^æA@Aæc A ^•æ^A } A@A]|\ } 0^ aA@, } A@A a~ æE

F958'5B8'1 B89FGH5B8'H<G'A5BI 5 @'BcbE9b[]gl 'gdYU]b['cdYfUrcfg'k]'bYYX'tc'; 9H H<9'A5BI 5 @HF5BG@H98'Ug'bYYXYX°

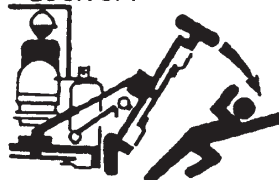
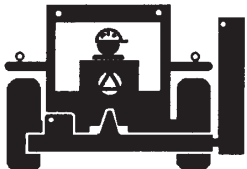




DANGER

FAILING TO FOLLOW SAFETY MESSAGES AND OPERATING INSTRUCTIONS CAN CAUSE SERIOUS BODILY INJURY OR EVEN DEATH TO OPERATOR AND OTHERS IN THE AREA.

1. 	2. NO RIDERS. NO CHILDREN OPERATORS. 	3. USE SAFETY SHOES, HARD HAT, SAFETY GLASSES, SEAT BELTS, ROPS & OPS 	4. BLOCK UP SECURELY BEFORE WORKING UNDER. 
--	--	--	--

- Study and understand Operator's Manuals, Safety Decals, and Instructional Decals for tractor and implement to prevent misuse, abuse, and accidents. Practice before operating in a confined area or near passersby.
 - Learn how to stop engine suddenly in an emergency. Be alert for passersby and especially children
- Allow no children on or near folding mower or tractor. Allow no riders on tractor or implement. Falling off may cause serious injury or death from being run over by tractor or mower or contact with rotating blades.
- Operate only with tractor having Roll-Over Protective Structure (ROPS) and with seat belt securely fastened to prevent injury and possible death from falling off or tractor overturn.
 - Personal Protective Equipment such as Hard Hat, Safety Glasses, Safety Shoes, & Ear Plugs are recommended.
- Block up or support raised machine and all lifted components securely before putting hands or feet under or working underneath any lifted component to prevent crushing injury or death from sudden dropping or inadvertent operation of controls. Make certain area is clear before lowering or folding
- Before transporting, put Lift Lever in detent or full-lift position. Install Transport Safety Devices securely on folding mowers. Put Booms securely in Transport Rest.
 - Folding and Boom Mowers have raised center of gravity. Slow down when turning and on hillsides.
- Make certain that SMV sign, warning lights, and reflectors are clearly visible. Follow local traffic codes.
- Never operate with Cutting Head or Folding Section raised if passersby, bystanders, or traffic are in the area to reduce possibility of injury or death from objects thrown by Blades under Guards or mower structure.
- Before dismounting, secure implement in transport position or lower to ground.
 - Put tractor in park or set brake, disengage PTO, stop engine, remove key, and wait until noise of rotation has ceased to prevent crushing by entanglement in rotating parts which could cause injury or death.
 - Never mount or dismount a moving vehicle. Crushing from rollover may cause serious injury or death.

5. TRANSPORT SAFELY, LOCK UP. 	6. USE SMV, LIGHTS, & REFLECTORS. 	7. DO NOT OPERATE WITH CUTTER OR WING RAISED. 	8. DO NOT MOUNT OR DISMOUNT WHILE MOVING. 
---	---	--	---

Warranty Information: Read and understand the complete Warranty Statement found in this manual. Fill out the Warranty Registration form in full and return it within 90 days. Make certain the Serial Number of the machine is recorded on the Warranty Card, and form that you retain.

FORWARD

This manual contains information about many features of the Tiger mowing and roadside maintenance equipment. Some of these include: Safety precautions, Assembly instructions, Operations, Maintenance and Parts. This manual will also assist you in the proper break-in, daily care, and troubleshooting of your new mower.

We recommend that you read carefully the entire manual before operating the unit. Also, time spent in becoming fully acquainted with its performance features, adjustments, and maintenance schedules will be repaid in a long and satisfactory life of the equipment.

Troubleshooting - Please, before you call, help us to help you!

Please look at the equipment to observe what is happening, then:

- Classify the problem
 - Hydraulic, electrical or mechanical - Read the trouble shooting section
 - Tractor or Truck chassis - Contact vehicle dealer

- If unable to correct the problem yourself, contact your local Tiger Dealer after gathering:
 - Machine model _____
 - Serial number _____
 - Dealer name _____
 - Detailed information about the problem including results of troubleshooting

Attention Owner / Operator / Dealer: It is your obligation to read, and understand, the warranty information section located at the back of this manual denoting that the purchaser understands the safety issues relating to this machine and has received and will read a copy of this manual.

If at any time, you have a service problem with your Tiger mower, Contact your local dealer for service and parts needed.

MANUFACTURED BY:

Tiger Corporation

3301 N. Louise Ave.

Sioux Falls, SD 57107

1-800-843-6849

1-605-336-7900

www.tiger-mowers.com

DISTRIBUTED BY:

1- _____ - _____ - _____

1- _____ - _____ - _____

TABLE OF CONTENTS

SAFETY SECTION_____	1
ASSEMBLY / MOUNTING SECTION_____	2
OPERATION SECTION_____	3
MAINTENANCE SECTION_____	4
PARTS SECTION_____	5
COMMON PARTS SECTION_____	6
WARRANTY INFORMATION_____	7



1012

This symbol means:

CAUTION – YOUR SAFETY IS AT RISK!

When you see this symbol, read and follow the associated instructions carefully or personal injury or damage may result.

Tiger is a registered trademark.



SAFETY SECTION

SAFETY

General Safety Instructions and Practices

A safe and careful operator is the best operator. Safety is of primary importance to the manufacturer and should be to the owner / operator. Most accidents can be avoided by being aware of your equipment, your surroundings, and observing certain precautions. The first section of this manual includes a list of Safety Messages that, if followed, will help protect the operator and bystanders from injury or death. Read and understand these Safety Messages before assembling, operating or servicing this mower. This equipment should only be operated by those persons who have read the Manual, who are responsible and trained, and who know how to do so safely and responsibly.



The Safety Alert Symbol combined with a Signal Word, as seen below, is used throughout this manual and on decals which are attached to the equipment. The Safety Alert Symbol means: “**ATTENTION! BECOME ALERT! YOUR SAFETY IS INVOLVED!**” The symbol and signal word are intended to warn the owner / operator of impending hazards and the degree of possible injury when operating this equipment.

Practice all usual and customary safe working precautions and above all -- remember safety is up to YOU! Only YOU can prevent serious injury or death from unsafe practices.

DANGER!



Indicates an imminently hazardous situation that, if not avoided, WILL result in DEATH OR VERY SERIOUS INJURY.

WARNING!



Indicates an imminently hazardous situation that, if not avoided, COULD result in DEATH OR SERIOUS INJURY.

CAUTION!



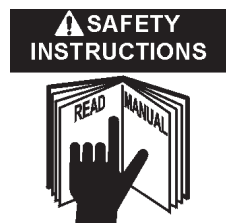
Indicates an imminently hazardous situation that, if not avoided, MAY result in MINOR INJURY.

IMPORTANT!

Identifies special instructions or procedures that, if not strictly observed, could result in damage to, or destruction of the machine, attachments or the environment.

NOTE: *Identifies points of particular interest for more efficient or convenient operation or repair.* (SG-1)

READ, UNDERSTAND, and FOLLOW the following Safety Messages. Serious injury or death may occur unless care is taken to follow the warnings and instructions stated in the Safety Messages. Always use good common sense to avoid hazards. (SG-2)



SAFETY

SAFETY

PELIGRO!



Si no lee Ingles, pida ayuda a alguien qui si lo lea para que le traduzca las medida de seguridad. (SG-3)

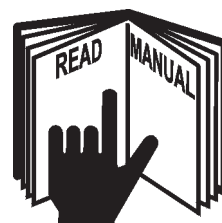


¡ LEA EL INSTRUCTIVO!

DANGER!



Never operate the Tractor or Implement until you have read and completely understand this Manual, the Tractor Operator's Manual, and each of the Safety Messages found in the Manual or on the Tractor and Implement. Learn how to stop the tractor engine suddenly in an emergency. Never allow inexperienced or untrained personnel too operate the Tractor and Implement without supervision. Make sure the operator has fully read and understood the manuals prior to operation. (SG-4)



WARNING!

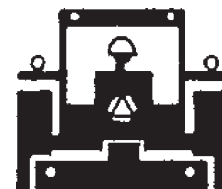


Always maintain the safety decals in good readable condition. If the decals are missing, damaged, or unreadable, obtain and install replacement decals immediately. (SG-5)

WARNING!



Make certain that the "Slow Moving Vehicle" (SMV) sign is installed in such a way as to be clearly visible and legible. When transporting the Equipment use the Tractor flashing warning lights and follow all local traffic regulations. (SG-6)



WARNING!



Operate this Equipment only with a Tractor equipped with an approved roll-over-protective system (ROPS). Always wear seat belts. Serious injury or even death could result from falling off the tractor--particularly during a turnover when the operator could be pinned under the ROPS. (SG-7)



WARNING!

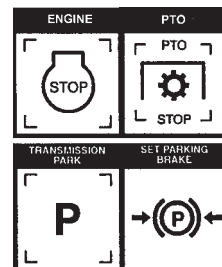


Do not modify or alter this Implement. Do not permit anyone to modify or alter this Implement, any of its components or any Implement function. (SG-8)

DANGER!



BEFORE leaving the tractor seat, always engage the brake and/or set the tractor transmission in parking gear, disengage the PTO, stop the engine, remove the key, and wait for all moving parts to stop. Place the tractor shift lever into a low range or parking gear to prevent the tractor from rolling. Never dismount a Tractor that is moving or while the engine is running. Operate the Tractor controls from the tractor seat only. (SG-9)



SAFETY

SAFETY

DANGER!



Never allow children or other persons to ride on the Tractor or Implement. Falling off can result in serious injury or death.

(SG-10)



DANGER!



Never allow children to operate or ride on the Tractor or Implement.

(SG-11)



WARNING!



Do not mount the Tractor while the tractor is moving. Mount the Tractor only when the Tractor and all moving parts are completely stopped.

(SG-12)



DANGER!



Start tractor only when properly seated in the Tractor seat. Starting a tractor in gear can result in injury or death. Read the Tractor operators manual for proper starting instructions. (SG-13)



DANGER!



Never work under the Implement, the framework, or any lifted component unless the Implement is securely supported or blocked up to prevent sudden or inadvertent falling which could cause serious injury or even death. (SG-14)



DANGER!



Do not operate this Equipment with hydraulic oil leaking. Oil is expensive and its presence could present a hazard. Do not check for leaks with your hand! Use a piece of heavy paper or cardboard. High-pressure oil streams from breaks in the line could penetrate the skin and cause tissue damage including gangrene. If oil does penetrate the skin, have the injury treated immediately by a physician knowledgeable and skilled in this procedure. (SG-15)

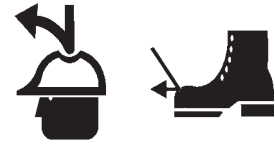


SAFETY

WARNING!



The operator and all support personnel should wear hard hats, safety shoes, safety glasses, and proper hearing protection at all times for protection from injury including injury from items thrown by the equipment. (SG-16)



CAUTION!



PROLONGED EXPOSURE TO LOUD NOISE MAY CAUSE PERMANENT HEARING LOSS! Tractors with or without an Implement attached can often be noisy enough to cause permanent hearing loss. We recommend that you always wear hearing protection if the noise in the Operator's position exceeds 80db. Noise over 85db over an extended period of time will cause severe hearing loss. Noise over 90db adjacent to the Operator over an extended period of time will cause permanent or total hearing loss. *Note:* Hearing loss from loud noise [from tractors, chain saws, radios, and other such sources close to the ear] is cumulative over a lifetime without hope of natural recovery. (SG-17)



WARNING!



Transport only at safe speeds. Serious accidents and injuries can result from operating this equipment at unsafe speeds. Understand the Tractor and Implement and how it handles before transporting on streets and highways. Make sure the Tractor steering and brakes are in good condition and operate properly.



Before transporting the Tractor and Implement, determine the safe transport speeds for you and the equipment. Make sure you abide by the following rules:

1. **Test the tractor at a slow speed and increase the speed slowly. Apply the Brakes smoothly to determine the stopping characteristics of the Tractor and Implement. As you increase the speed of the Tractor the stopping distance increases. Determine the maximum safe transport speed for you and this Equipment.**
2. **Test the equipment at a slow speed in turns. Increase the speed through the turn only after you determine that it is safe to operate at a higher speed. Use extreme care and reduce your speed when turning sharply to prevent the tractor and implement from turning over. Determine the maximum safe turning speed for you and this equipment before operating on roads or uneven ground. Only transport the Tractor and Implement at the speeds that you have determined are safe and which allow you to properly control the equipment.**
3. **Be aware of the operating conditions. Do not operate the Tractor with weak or faulty brakes. When operating down a hill or on wet or rain slick roads, the braking distance increases: use extreme care and reduce your speed. When operating in traffic always use the Tractor's flashing warning lights and reduce your speed. Be aware of traffic around you and watch out for the other guy.** (SG-19)



SAFETY

SAFETY

WARNING!



Never attempt to lubricate, adjust, or remove material from the Implement while it is in motion or while tractor engine is running. Make sure the tractor engine is off before working on the Implement.

(SG-20)

WARNING!



Periodically inspect all moving parts for wear and replace when necessary with authorized service parts. Look for loose fasteners, worn or broken parts, and leaky or loose fittings. Make sure all pins have cotter pins and washers. Serious injury may occur from not maintaining this machine in good working order. (SG-21)



WARNING!



Always read carefully and comply fully with the manufacturers instructions when handling oil, solvents, cleansers, and any other chemical agent. (SG-22)



DANGER!



Never run the tractor engine in a closed building or without adequate ventilation. The exhaust fumes can be hazardous to your health.

(SG-23)

DANGER!



KEEP AWAY FROM ROTATING ELEMENTS to prevent entanglement and possible serious injury or death. (SG-24)



DANGER!



Never allow children to play on or around Tractor or Implement. Children can slip or fall off the Equipment and be injured or killed. Children can cause the Implement to shift or fall crushing themselves or others. (SG-25)

DANGER!



DO NOT allow any person under a folded wing unless wing is securely locked up or supported. **DO NOT** approach the Implement unless the Tractor is turned off and all motion has ceased. Never work under the frame work, or any lifted component unless the implement is securely supported or blocked up. A sudden or inadvertent fall by any of these components could cause serious injury or even death. (STI-3)



SAFETY

CAUTION!



On a fully-assembled unit, do not remove the Wing Retaining Strap until hoses are attached to the tractor and the Wing Cylinders are filled with oil. Lower the Wings slowly and carefully. Keep bystanders away during operations. (STI-5)

DANGER!



NEVER use drugs or alcohol immediately before or while operating the Tractor and Implement. Drugs and alcohol will affect an operator's alertness and coordination and therefore affect the operator's ability to operate the equipment safely. Before operating the Tractor or Implement, an operator on prescription or over-the-counter medication must consult a medical professional regarding any side effects of the medication that would hinder their ability to operate the Equipment safely. **NEVER** knowingly allow anyone to operate this equipment when their alertness or coordination is impaired. Serious injury or death to the operator or others could result if the operator is under the influence of drugs or alcohol. (SG-27)



DANGER!



Operate the Tractor and/or Implement controls only while properly seated in the Tractor seat with the seat belt securely fastened around you. Inadvertent movement of the Tractor or Implement may cause serious injury or death. (SG-29)

WARNING!



Mow only in conditions where you have clear visibility in daylight or with adequate artificial lighting. Never mow in darkness or foggy conditions where you cannot clearly see at least 100 yards in front and to the sides of the tractor and mower. Make sure that you can clearly see and identify passersby, steep slopes, ditches, drop-offs, overhead obstructions, power lines, debris and foreign objects. If you are unable to clearly see this type of items discontinue mowing. (SGM-1)

DANGER!



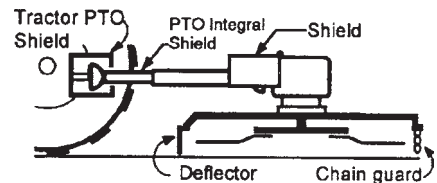
There are obvious and hidden potential hazards in the operation of this Mower. **REMEMBER!** This machine is often operated in heavy brush and in heavy weeds. The Blades of this Mower can throw objects if shields are not properly installed and maintained. Serious injury or even death may occur unless care is taken to insure the safety of the operator, bystanders, or passersby in the area. Do not operate this machine with anyone in the immediate area. Stop mowing if anyone is within 100 yards of mower. (SGM-2)



DANGER!



All Safety Shields, Guards and Safety devices including (but not limited to) - the Deflectors, Chain Guards, Steel Guards, Gearbox Shields, PTO integral shields, and Retractable Door Shields should be used and maintained in good working condition. All safety devices should be inspected carefully at least daily for missing or broken components. Missing, broken, or worn items must be replaced at once to reduce the possibility of injury or death from thrown objects, entanglement, or blade contact. (SGM-3)



SAFETY

SAFETY

DANGER!



The rotating parts of this machine have been designed and tested for rugged use. However, the blades could fail upon impact with heavy, solid objects such as metal guard rails and concrete structures. Such impact could cause the broken objects to be thrown outward at very high velocities. To reduce the possibility of property damage, serious injury, or even death, never allow the cutting blades to contact such obstacles. (SGM-4)

WARNING!



Extreme care should be taken when operating near loose objects such as gravel, rocks, wire, and other debris. Inspect the area before mowing. Foreign objects should be removed from the site to prevent machine damage and/or bodily injury or even death. Any objects that cannot be removed must be clearly marked and carefully avoided by the operator. Stop mowing immediately if blades strike a foreign object. Repair all damage and make certain rotor or blade carrier is balanced before resuming mowing. (SGM-5)



WARNING!



Many varied objects, such as wire, cable, rope, or chains, can become entangled in the operating parts of the mower head. These items could then swing outside the housing at greater velocities than the blades. Such a situation is extremely hazardous and could result in serious injury or even death. Inspect the cutting area for such objects before mowing. Remove any like object from the site. Never allow the cutting blades to contact such items. (SGM-6)

WARNING!



Mow at the speed that you can safely operate and control the tractor and mower. Safe mowing speed depends on terrain condition and grass type, density, and height of cut. Normal ground speed range is from 0 to 5 mph. Use slow mowing speeds when operating on or near steep slopes, ditches, drop-offs, overhead obstructions, power lines, or when debris and foreign objects are to be avoided. (SGM-7)

WARNING!



Avoid mowing in reverse direction when possible. Check to make sure there are no persons behind the mower and use extreme care when mowing in reverse. Mow only at a slow ground speed where you can safely operate and control the tractor and mower. Never mow an area that you have not inspected and removed debris or foreign material. (SGM-8)

WARNING!



Do not put hands or feet under mower decks. Blade Contact can result serious injury or even death. Stay away until all motion has stopped and the decks are securely blocked up. (SGM-9)



DANGER!



Replace bent or broken blade with new blades. NEVER ATTEMPT TO STRAIGHTEN OR WELD ON BLADES SINCE THIS WILL LIKELY CRACK OR OTHERWISE DAMAGE THE BLADE WITH SUBSEQUENT FAILURE AND POSSIBLE SERIOUS INJURY FROM THROWN BLADES. (SGM-10)

WARNING!



Do not mow with two machines in the same area except with Cab tractors with the windows closed. (SGM-11)

SAFETY

DANGER!



Rotary Mowers are capable under adverse conditions of throwing objects for great distances (100 yards or more) and causing serious injury or death. Follow safety messages carefully.

STOP MOWING IF PASSERSBY ARE WITHIN 100 YARDS UNLESS:

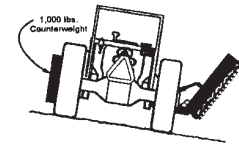
- Front and Rear Deflectors are installed and in good, working condition;
- Mower Head is running close to and parallel to the ground without exposed Blades;
- Passersby are outside the existing thrown-object zone;
- All areas have been thoroughly inspected and all foreign material such as rocks, cans, glass, and general debris has been removed.

NOTE: Where there are grass and weeds high enough to hide debris that could be struck by the blades, the area should be: inspected and large debris removed, mowed at an intermediate height, inspected closely with any remaining debris removed, and mowed again at desired final height. (SBM-1)

WARNING!



Each Rear Wheel must have a minimum of 1,000 pounds contact with the surface to prevent lateral instability and possible tip-over which could result in serious bodily injury or even death. Widen the wheel tread and add weights if needed. Refer to the mounting instructions or call Customer Service if you need assistance with Counterweight Procedure. (SFL-3)



WARNING!



Do not operate Mower if excessive vibration exists. Shut down PTO and the Tractor engine. Inspect the Mower to determine the source of the vibration. If Mower blades are missing or damaged replace them immediately. Do not operate the mower until the blades have been replaced and the Mower operates smoothly. Operating the Mower with excessive vibration can result in component failure and broken objects to be thrown outward at very high velocities. To reduce the possibility of property damage, serious injury, or even death, never allow the Mower to be operated with blades missing. (SFL-4)

WARNING!



Do not let the Blades turn when the Mower Deck is raised for any reason, including clearance or for turning. Raising the Mower deck exposes the Cutting Blades which creates a potentially serious hazard and could cause serious injury or even death from objects thrown from the Blades. (SRM-7)



DANGER!



Use extreme caution when raising the Mower head. Stop the Blades from turning when the Mower Head is raised and passersby are within 100 yards. Raising the Mower head exposes the Cutting Blades which creates a potentially serious hazard and can cause serious injury by objects thrown from the Blades or by contact with the Blades.

(SBM-2)

SAFETY

SAFETY

WARNING!



Never leave the Tractor and Implement unattended while the Implement is in the lifted position. Accidental operation of lifting lever or a hydraulic failure may cause sudden drop of unit with injury or death by crushing. To properly park the implement when disconnecting it from the tractor, lower the stand and put the retaining pin securely in place, or put a secure support under the A-Frame. Lower the implement carefully to the ground. Do not put hands or feet under lifted components. (S3PT-1)

WARNING!

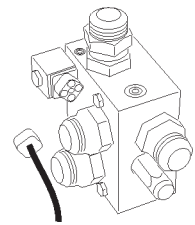


Relieve hydraulic pressure prior to doing any maintenance or repair work on the Implement. Place the Mower Head on the ground or securely supported on blocks or stands, disengage the PTO, and turn off the engine. Push and pull the control Levers or Joystick several times to relieve pressure prior to starting any maintenance or repair work. (SBM-6)

DANGER!



Always disconnect the wire leads from the mower valve solenoid before performing service on the Tractor or Mower. Use caution when working on the Tractor or Mower. Tractor engine must be stopped before working on Mower or Tractor. The Mower Blades could inadvertently be turned on without warning and cause immediate dismemberment, injury or death. (SBM-12)



WARNING!



Use extreme care when lowering or unfolding the implement's wings. Make sure no bystanders are close by or underneath the wings. Allow ample clearance around the implement when folding or unfolding the wings. Use extreme caution around buildings or overhead power lines.

(S3PT-

5)

WARNING!



Relieve hydraulic pressure prior to doing any maintenance or repair work on the Implement. Place the Implement on the ground or securely blocked up, disengage the PTO, and turn off the tractor engine. Push and pull the Remote Cylinder lever in and out several times prior to starting any maintenance or repair work. (S3PT-9)



DANGER!



This Implement is wider than the Tractor. Be careful when operating or transporting this equipment to prevent the Implement from running into or striking sign posts, guard rails, concrete abutments or other solid objects. Such an impact could cause the Implement and Tractor to pivot violently resulting in loss of steering control, serious injury, or even death. Never allow the Implement to contact obstacles. (S3PT-12)

DANGER!



The flail cutter shaft is designed for standard rotation (same rotation as the tractor wheel during forward travel). **Never operate the cutter shaft in the reverse rotation.** Operating this mower in reverse rotation may cause objects to be thrown out the front of the mower head.



SAFETY

SAFETY

WARNING!



The rotating parts of this machine continue to rotate even after the Tractor has been turned off. The operator should remain in his seat for 60 seconds after the brake has been set, the PTO disengaged, the tractor turned off, and all evidence of rotation has ceased. (SBM-5)

“Wait a minute...Save a life!”

WARNING!



Engine Exhaust, some of its constituents, and certain components contain or emit chemicals known to the state of California to cause cancer and birth or other reproductive harm.

WARNING!



Battery post, terminals and related accessories contain lead and lead compounds, chemicals known to the state of California to cause cancer and birth or other reproductive harm. **Wash hands after handling!**

Tiger mowers use balanced and matched system components for blade carriers, blades, cutter-shafts, knives, knife hangers, rollers, drive-train components and bearings. These parts are made and tested to Tiger specifications. Non-genuine “will fit” parts do not consistently meet these specifications. The use of “will fit” parts may reduce mower performance, void mower warranties and present a safety hazard. Use genuine Tiger mower parts for economy and safety.

SEE YOUR

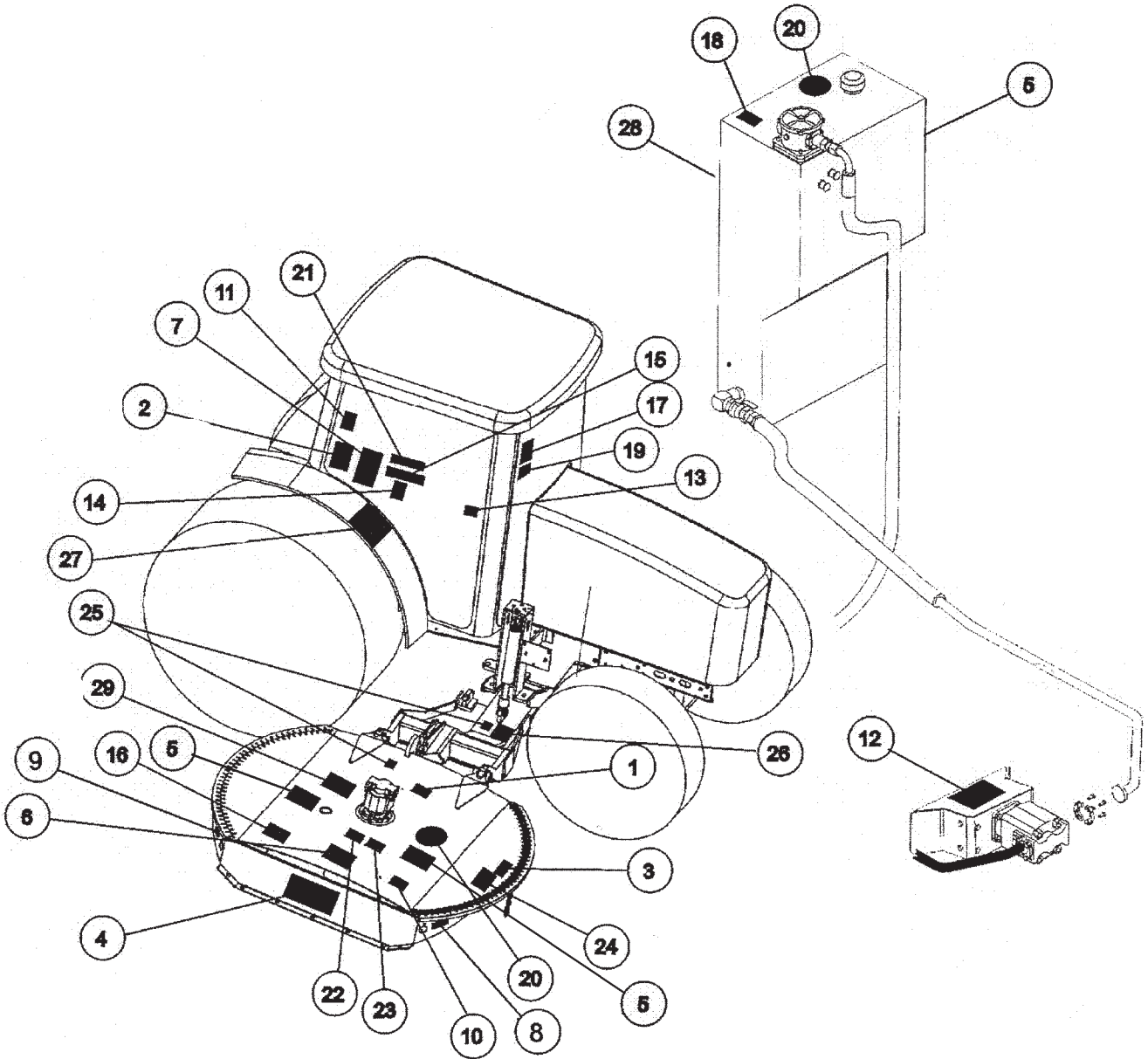


DEALER

In addition to the design and configuration of this Implement, including Safety Signs and Safety Equipment, hazard control and accident prevention are dependent upon the awareness, concern, prudence, and proper training of personnel involved in the operation, transport, maintenance, and storage of the machine. Refer also to Safety Messages and operation instruction in each of the appropriate sections of the Tractor and Equipment Manuals. Pay close attention to the Safety Signs affixed to the Tractor and Equipment. (SG-18)

SAFETY

SAFETY



SAFETY

SAFETY

ITEM	PART NO.	QTY.		DESCRIPTION
1	22839	1	INSTRUCT	Don Not Lubricate With Automatic Grease Gun
2	22840	1	WARNING	Foreign Objects Contacted
3	24028	1	WARNING	Inspect Rear Flap
4	31522	1	LOGO	TIGER MOWERS
5	31523	3	LOGO	TIGER MOWERS
6	42350	1	DANGER	Cuttershaft Direction
7	33743	1	INSTRUCT	Mowing Safet Tips
8	42399	1	REFLECT	Red Reflector
9	42400	1	REFLECT	Amber Reflector
10	6T3217	1	DANGER	Keep Hands and Feet Clear
11	6T3219	1	WARNING	Read Operators and Maintenance Manuals
12	6T3220	1	INTRUCT	Lubricate Pump, Driveshaft Daily
13	6T3221	1	CAUTION	Lubricate Spindle When Mower and Tractor Off
14	6T3222	1	INSTRUCT	Engine will not start when mower is engaged
15	1059	1	INSTRUCT	Mower Positions
16	6T3224	1	DANGER	Stay Clear, Discharge Opening
17	6T3230	1	WARNING	Don't Operate with Bystanders in Area
18	6T3233	1	CAUTION	DONOT Start or Run with Valves closed
19	6T3234	1	CAUTION	Check Crankshaft Adapter Daily
20	6T3236	1	LOGO	Made In USA
21	6T3243	1	WARNING	Replace Bolts and Locknut if damaged
22	6T3249A	1	INSTRUCT	Grease Inst. Cuttershaft Bearing
23	6T3261	1	INSTRUCT	Grease Inst. Ground Roller Bearing
24	TB1011	1	WARNING	Do Not Work Mower with Safety Shiel Removed
25	02962764	1	WARNING	Pinch Point
26	02965262	1	WARNING	Hydraulic Hose Repair
27	02967827	1	DANGER	Multi Warn Messages
28	34852	1	INSTRUCT	Hydraulic Specifications
29	00756059	1	WARNING	Check Hydraulic Hose with Cardboard

SAFETY

SAFETY

DO NOT LUBRICATE WITH AUTOMATIC GREASE GUN. GREASE WITH HAND GREASE GUN ONLY.

P/N22839

PART NO.
LOCATION

22839
MOWER DECK



22840
INSIDE OF CAB

WARNING

INSPECT REAR FLAP FREQUENTLY TO BE SURE IT IS IN SAFE WORKING CONDITION. DO NOT OPERATE MOWER WITH FLAP REMOVED OR WORN.

24028

24028
MOWER DECK



10"X5.5" 31522
MOWER DECK

18.25"X10" 31523
HYDRAULIC TANK

SAFETY

 **DANGER**

TO AVERT THROWN OBJECTS,
CUTTER SHAFT MUST TURN IN THIS



DIRECTION

PART NO.
LOCATION

42350
MOWER DECK

MOWING SAFETY TIPS 

- ▶ Read & understand the Operator's Manual.
- ▶ Wear Your Seat Belt.
- ▶ Keep all shields and guards in place.
- ▶ Make sure equipment is in proper working order.
- ▶ Never attempt to get off or on a moving truck.
- ▶ Never allow riders on truck or equipment.
- ▶ Only start the truck from the seat with the key.
- ▶ Always inspect the area before mowing.
Remove all foreign debris.
- ▶ Always keep bystanders and coworkers a minimum of 300 feet away.
- ▶ Never allow the mower blades to contact solid objects or foreign material.
- ▶ Never approach rotating elements.
- ▶ Disengage mower head. Shut down Aux. Engine place transmission in park, set parking brake, shut off truck engine, and remove key. Wait till all rotating motion has stopped before leaving seat.



33743
INSIDE OF CAB

5



42399
MOWER DECK



42400
MOWER DECK

SAFETY

SAFETY

SAFETY



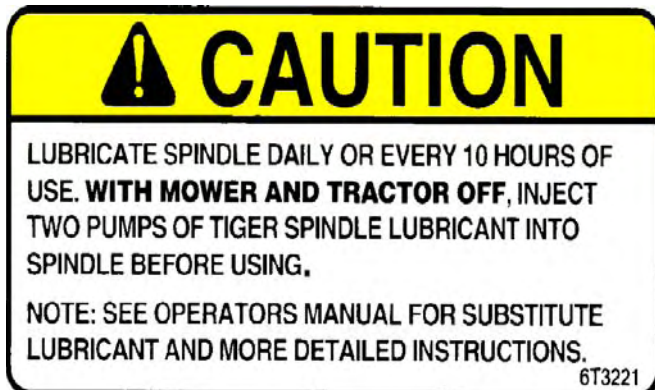
PART NO.
LOCATION

6T3217
MOWER DECK



6T3219
INSIDE OF CAB

6T3220
FRONT PUMP MOUNT



6T3221
INSIDE OF CAB

29-6T3221

SAFETY

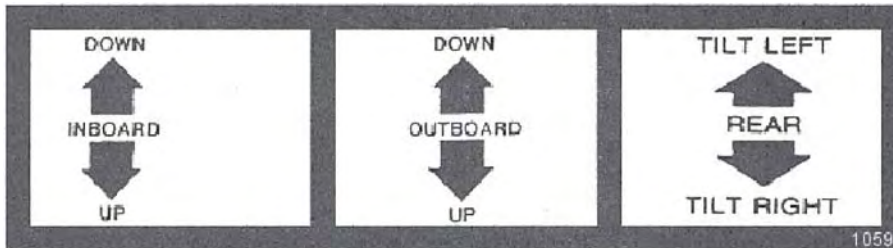
NOTICE:
Engine will not
start when mower
is engaged.



6T3222

PART NO.
LOCATION

6T3233
INSIDE OF CAB



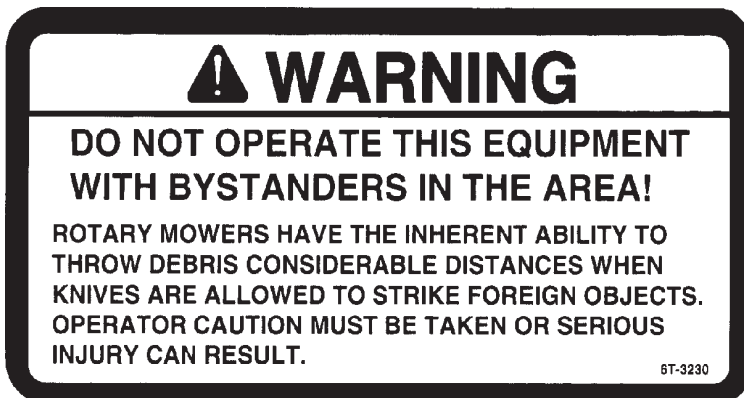
1059

1059

6T3234
INSIDE OF CAB



6T3236
MOWER DECK



6T-3230

6T3243
INSIDE OF CAB

SAFETY

SAFETY

SAFETY

PART NO.
LOCATION



6T3233
HYDRAULIC TANK



6T3234
INSIDE OF CAB



6T3236
MOWER DECK
HYDRAULIC TANK

6T3243
INSIDE OF CAB

SAFETY

PART NO.
LOCATION

GREASING INSTRUCTIONS

GROUND SHAFT BEARING
GREASE EVERY 8 HRS. OR DAILY

NOTE: If unusual environmental conditions exist; extreme temperatures, moisture, or contaminants more frequent lubrication is required.

6T3249A

6T3249A
MOWER DECK

GREASING INSTRUCTIONS

GROUND ROLLER BEARING
GREASE EVERY 8 HRS. OR DAILY

NOTE: If unusual environmental conditions exist; extreme temperatures, moisture, or contaminants more frequent lubrication is required.

6T3261

6T3261
MOWER DECK

WARNING

**DO NOT OPERATE MOWER
WITH SAFETY SHIELD REMOVED.**

TB1011

TB1011
MOWER DECK



WARNING

PINCH POINTS



02962764

02962764
MOWER DECK
DRAFT BEAM

SAFETY

SAFETY

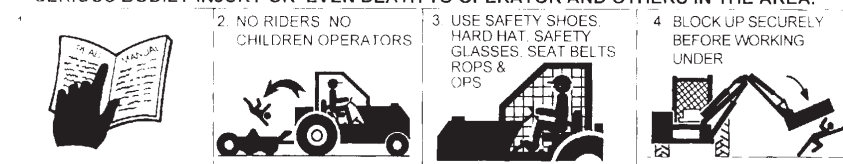
SAFETY

PART NO.
LOCATION

02965262
DRAFT BEAM

DANGER

FAILING TO FOLLOW SAFETY MESSAGES AND OPERATING INSTRUCTIONS CAN CAUSE SERIOUS BODILY INJURY OR EVEN DEATH TO OPERATOR AND OTHERS IN THE AREA.



1. Study and understand Operator's Manuals, Safety Decals, and Instructional Decals for tractor and implement to prevent misuse, abuse, and accidents. Practice before operating in a confined area or near passersby.
 - Learn how to stop engine suddenly in an emergency. Be alert for passersby and especially children.
2. Allow no children on or near folding mower or tractor. Allow no riders on tractor or implement. Falling off may cause serious injury or death from being run over by tractor or mower or contact with rotating blades.
3. Operate only with tractor having Roll-Over Protective Structure (ROPS) and with seat belt securely fastened to prevent injury and possible death from falling off or tractor overturn.
 - Personal Protective Equipment such as Hard Hat, Safety Glasses, Safety Shoes, & Ear Plugs are recommended.
4. Block up or support raised machine and all lifted components securely before putting hands or feet under or working underneath any lifted component to prevent crushing injury or death from sudden dropping or inadvertent operation of controls. Make certain area is clear before lowering or folding.
5. Before transporting, put Lift Lever in detent or full-lift position. Install Transport Safety Devices securely on folding mowers. Put Booms securely in Transport Rest.
 - Folding and Boom Mowers have raised center of gravity. Slow down when turning and on hillsides.
6. Make certain that SMV sign, warning lights, and reflectors are clearly visible. Follow local traffic codes.
7. Never operate with Cutting Head or Folding Section raised if passersby, bystanders, or traffic are in the area to reduce possibility of injury or death from objects thrown by Blades under Guards or mower structure.
8. Before dismounting, secure implement in transport position or lower to ground.
 - Put tractor in park or set brake, disengage PTO, stop engine, remove key, and wait until noise of rotation has ceased to prevent crushing by entanglement in rotating parts which could cause injury or death.
 - Never mount or dismount a moving vehicle. Crushing from rollover may cause serious injury or death.



02967827
CAB FENDER

SAFETY



Tiger Corporation

800-843-6849

www.tiger-mowers.com

SAFETY

Description	Application	General Specification	Recommended Lubricant
Tractor Hydraulics	Reservoir	JD-20C	Mobilfluid® 424
Mower Hydraulics Cold Temperatures 0°F Start-up Normal Temperatures 10°F Start-up Normal Temperatures 15°F Start-up High Operating Temperatures Above 90°F Ambient	Reservoir	ISO 46 Anti-Wear/ Low Temp JD-20C ISO 46 Anti-Wear ISO 100 Anti-Wear	Mobil DTE® 15M Mobilfluid® 424 Mobil DTE® 25 Mobil DTE® 18M
Flail Rear Gearbox	Reservoir	PAO Synthetic Extreme Pressure Gear Lube	Mobilube SHC® 75W-90, Mobil 1 Synthetic Gear Lubricant
Cutter Shaft and Ground Roller Shaft (Flail)	Grease Gun	Lithium Complex, NLGI 2 ISO 320	Mobilgrease® CM-S
Drive Shaft Coupler (Rotary and Flail) Drive Shaft Yoke, U - Joint and Stub Shaft	Grease Gun	Lithium Complex, NLGI 2 ISO 320	Mobilgrease® CM-S
Boom Swivel, Boom Cylinder Pivots (Rotary and Flail Boom Type)	Grease Gun	Lithium Complex, NLGI 2 ISO 320	Mobilgrease® CM-S
Deck Boom Pivot & Deck Stop Adjustment (Rotary and Flail)	Grease Gun	Lithium Complex, NLGI 2 ISO 320	Mobilgrease® CM-S
Deck Spindle (Rotary)	Grease Gun	Tiger Spindle Lubricant	Tiger Part #25351

For Mobil product information, availability, or technical information, call 1-800-662-4525.

Tiger PN 34852

34852
HYDRAULIC TANK

WARNING

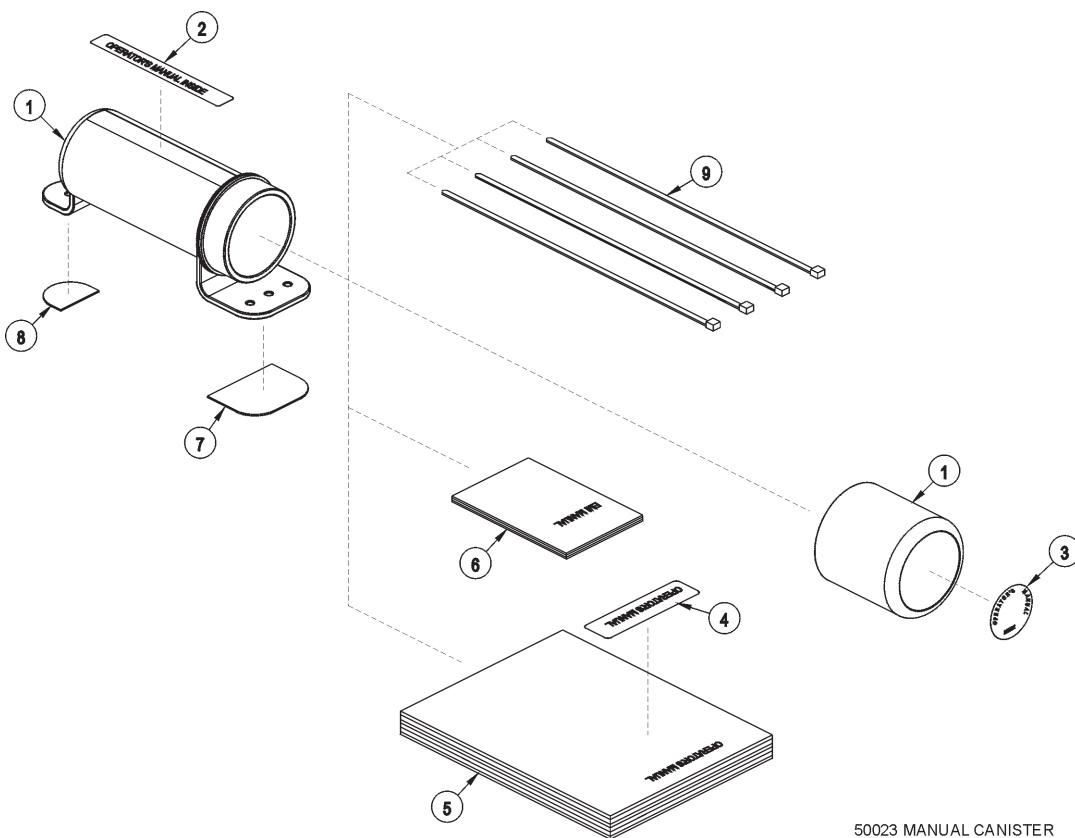
USE PAPER OR CARDBOARD TO CHECK FOR LEAKS. **NEVER USE YOUR HAND.** IF OIL PENETRATES SKIN, GANGRENE OR OTHER SERIOUS INJURY COULD OCCUR. **GET IMMEDIATE MEDICAL ATTENTION.**
See Operator's Manual.

00756059

00756059
MOWER DECK

SAFETY

SAFETY



50023 MANUAL CANISTER

ITEM	PART NO.	QTY.	DESCRIPTION
	50023	AVAIL	MANUAL CANISTER COMPLETE
1	00776031	1	Round Manual Canister
	33997	1	Decal, Sheet, Manual Canister
2		*	Decal
3		*	Decal
4		*	Decal
5	*	AVAIL	Specification Product Manual
6	33753	1	EMI Safety Manual
7	34296	1	Front Adhesive Pad
8	34297	1	Rear Adhesive Pad
9	6T1823	4	Zip Tie 14" Long

NOTE:

The manual canister can be bolted, zip tied or adhered to a variety of surfaces. Locate a protected area within the view of the operator. Then select an installation method and attach the canister. **CAUTION-AVOID DRILLING HOLES INTO UNKNOWN AREAS**, wires and other parts may be located behind these areas. When adhering the canister to a surface, thoroughly clean that surface before installing the canister.

SAFETY

FEDERAL LAWS AND REGULATIONS

This section is intended to explain in broad terms the concept and effect of federal laws and regulations concerning employer and employee equipment operators. This section is not intended as a legal interpretation of the law and should not be considered as such.

Employer-Employee Operator Regulations

U.S. Public Law 91-596 (The Williams-Steiger Occupational and Health Act of 1970) OSHA

This Act Seeks:

“...to assure so far as possible every working man and woman in the nation safe and healthful working conditions and to preserve our human resources...”

DUTIES

Sec. 5 (a) Each employer-

(1) shall furnish to each of his employees employment and a place of employment which are free from recognized hazards that are causing or are likely to cause death or serious physical harm to his employees;

(2) shall comply with occupational safety and health standards promulgated under this Act.

(b) Each employee shall comply with occupational safety and health standards and all rules, regulations and orders issued pursuant to this Act which are applicable to his own actions and conduct.

OSHA Regulations

OSHA regulations state in part: “At the time of initial assignment and at least annually thereafter, the employer shall instruct every employee in the safe operation and servicing of all equipment with which the employee is, or will be involved.”

Employer Responsibilities:

To ensure employee safety during Truck and Implement operation, it is the employer’s responsibility to:

1. Train the employee in the proper and safe operation of the Truck and Implement.
2. Require that the employee read and fully understand the Truck and Implement Operator’s manual.
3. Permit only qualified and properly trained employees to operate the Truck and Implement.
4. Maintain the Truck and Implement in a safe operational condition and maintain all shields and guards on the equipment.
5. Ensure the Truck is equipped with functional seat belts and require that the employee operator securely fasten the safety belts at all times.
6. Forbid the employee operator to carry additional riders on the Truck.
7. Provide the required tools to maintain the Truck and Implement in a good safe working condition and provide the necessary support devices to secure the equipment safely while performing repairs and service.

Child Labor Under 16 Years of Age

Some regulations specify that no one under the age of 16 may operate power machinery. It is your responsibility to know what these regulations are in your own area or situation. (Refer to U.S. Dept. of Labor, Employment Standard Administration, Wage & Home Division, Child Labor Bulletin #102.)

SAFETY

SAFETY

ASSEMBLY SECTION

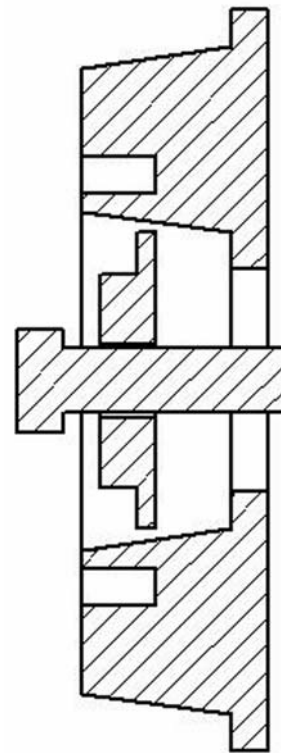
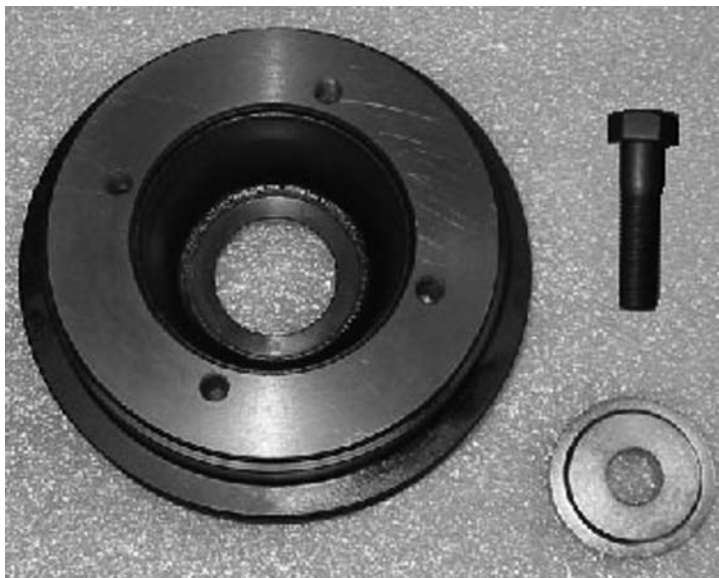
ASSEMBLY

FRONT CRANKSHAFT PULLEY

Vä^!Á@e Á~ } áÁ@eÁ@Á[] d&æ\ • @eó~ ||^ Á•^áÁ^ Á[@ ÁÖ^!^Á] á[Á [d&æ[, Á[!Á@Á•æ[ææ] Á-Áe
 -[] d&æ^Á•c{ ÉY[~ Á]áÁ^áÁ Á!á!Áeá^!^ } d~ ||^ Éæ @!Áæ áÁ[|d&[{ Á[@ ÁÖ^!^Á Á[, Á[!ÁÁ[] c
 á!á^Á Á^Á•æ[^áÁ } Á[~!Áæd |ÉÁ
 Q•] ^&Á@Á[] d~ ||^ Á } Á [~!Áæd |Á[Á! á Á [~ Á@e^Á@Á[||^&cÁ] ||^ Á^á^áÁ Á [~ } d&c@
 •] æ!Á] æ ÉGÁ [~!Á ~ ||^ Á@e Á@Á[DÁ ~!Á[|Á[|Á^á^áÁ Á [~ } d&c@Á] æ!ÉÁ [~!Á ~ ||^ Á@e Á@Á[||^&c
 [] ^Á^á^áÁÉGÁ [~!Á ~ ||^ Á[^Á [d&c^Á@Á[DÁ ~!Á[|Á[|Á^á^áÁ ~ ||^ Éæ [~ Á]áÁ^áÁ Á!á!Á@Á[||^&c
] ~ ||^ Éæ @!Áæ áÁ[|d&[{ Á[@ ÁÖ^!^Á

PARTS REQUIRED TO PURCHASE FROM JOHN DEERE:

- Ú ~ ||^ Á[{ ÁÖÁÚÍ FÍ HGE
- Y æ @!Á[{ ÁÖÁÚÍ FÍ GH
- Ó |d&[{ ÁÖÁÚÍ FÍ I I
- V | ~ ^Á } Á@Á ~ ||^ Á[|d& [d&æ^Á Á! JÁÉÉ



Solution:

FÉÁ[^á] ^Á-Á[æ\ • @eó•á *ÁYFÍ G í Á[ææ æ áÁ^!Á:á ^!É
 GÁ[] | Á[@Á[{ Á^áÁ-ÁYFÍ JÍ JÁ^æá] *Á[[] ~ } áÁ[~ } áÁ@Á^áÁ *Á^Á-Á@Á[æ\ • @eó[•^É
 HÉÁ[Á[] ^!Á [~ } c] *Á[•&^, Á[Á[ææ ÁÜDHEÁ] *á^Á á[d&æ æ•Á^Á^, Á[•&^, É
 | ÉÁ[{ á[} Á[] ^!É ~ ||^ Á } Á@Á[æ\ • @eó[áÁ@Á^áÁ[•&^, Á] Á[@Á[Á[d&æ^Á } Á@Á[•&^, Á[Á ~ ||^ Á[] É
 | ^Áæ@Á } d Á@Á[^!É
 í ÉÁ[@Á } Á[•&^, Á[Á] ^ááæá } Á[É[{ Á! JÁÉÉD[@Á] *á^Á á[Á [•d&æ^Á Á^Á] ^áÉ
 í ÉÁ[^æ ~!Á^ } É~ d } Á@Á ~ ||^ É] ^áÁ ÉÉHÁ! Á••É
 (ASM-JD-0080)

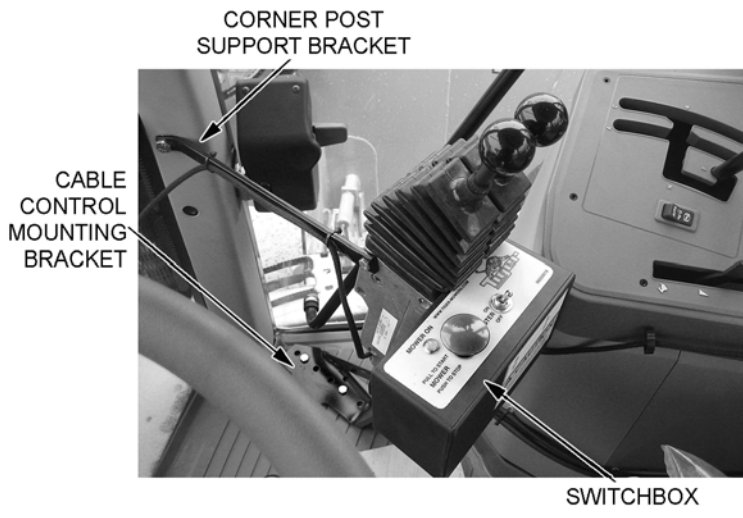
ASSEMBLY

SWITCHBOX WIRING

Ú[, ^!Á[!Á@Á, ã&@[cÁ Á&&^•^áÁ@[~ * @Á@Á[!cÁ] &æ^áÁ } Á@Áã @Á^æÁ Á@Á&æÉÁ
R[@Á^!Á[!Á] * ÁÁ•^áÁ æÁ { à!ÁÜÖÍÍÍÉÁÜÁUVÁ[] } ^&@Á[!Á] * ÁÁ @Á&æÁ[!cÁ] cÁ
@Á äá * ÁÁ [] | ^cÁÉÁV@Á á•Á Á@Á[!Á] * ÁÁ^Á [] | ^áÜÖÉÁÖŠÖŠÁ äÁÜÜÖÉÖÖÉÁV@Á
ÜÖÖÁ áÁÄ áÁ, æ•Á^Á@ cÁ [ÁÁ^á•Á ÁÁ^Á] ^áÉÁÖcÁ[] } ^&[!Á] Í Á Á } áÁ ÜÖÖÁ
áÁ äá áÁ áÁ áÁ^Á } ÁÁ | ÉÁV@ÁÖŠÖŠÁ äÁÜÜÖÉÖÖÁ á•Á^Á@ cÁ @ } Áæ[!Á^ Á
c!} ^áÁ Á, ÉÁ [] } ^&@ÁÖŠÖŠÁ áÁ Á@Á[!Á] * ÁÁ @ÁÖŠÖŠÁ áÁ [{ Á@Á, ã&@[cÉÁV@ } Á
& [] } ^&@ÁÜÜÖÉÖÖÁ áÁ Á@Á[!Á] * ÁÁ @ÁÜÖÖÁ áÁ [{ Á@Á, ã&@[cÉÁV@ } Á
IMPORTANT: In some cases the red and orange wires may be switched. ÁÖŠ ÖÜÁ•cÁ@Á áÁ^Á ÁÁ^Á | cÁ
ÁÁ áÁ Á Á
V@Á [ÁÜÜÖÖÁ áÁ^Á •cÁ^Á [] } ^&cÁÁ Á@Á^ cÁæcÁ áÁ^Á cÁ * Á@Á^ cÁ
•æcÁ áÁ^Á áÁ [] } ^&cÁ * Á^ ÁÜÜÖÖÁ áÁ^Á } ^Á } áÁ áÁ^Á [] } áÁÜÜÖÖÁ áÁ^Á Á@Á
[c!ÉÁV@Á^!Á Á@Á, ã&@[cÁ&@ { æÁáá áÁ äá * Áæ!æ Á[!Áááá } cÁ [{ cÁ } É
V@Á^ cÁÜæcÁ áÁ^Á [] } } áÁ^Á &æ^á } áÁ^Á^ * Á [] { } ÉÁÖ cÁ [] } Á@Áã @Á
•æ^Á Á [] { } Á Á&&^•ÉÁ ÖVÖPÁVWÁ[!Á cÁ cÁ * Á á•É
Öc!Á [] } ^&cÁ * Á@Á[, ^!Á Á@Á, ã&@[cÉÁ ~ cÁ@Á @Á áÁ^Á } * Á@Á^Á^Á áÁ^Á
@Á [] [áÁcÁ^É (ASM-JD-0245)

MANUAL SWITCHBOX MOUNTING

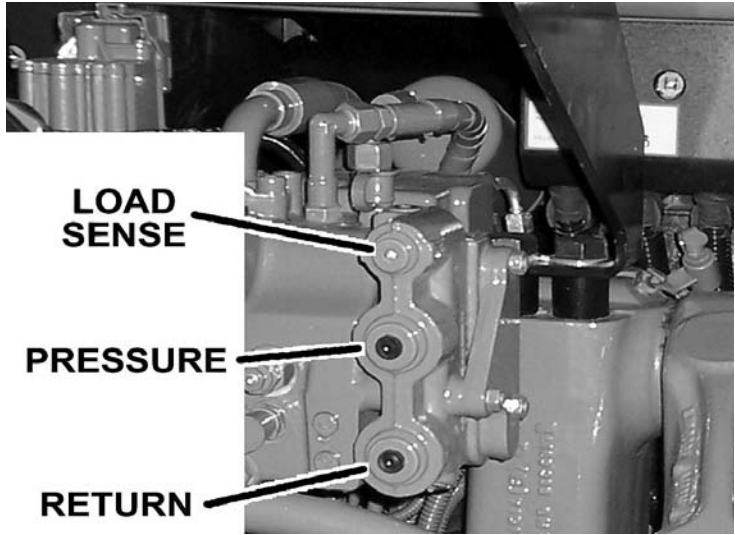
ÁV@Á, ã&@[cÁ ÁÁ^Á^&^!áÁ Á@Á[!Á] | æ[!cÁ äÁ^Á @Á [] } d[!cÁ] áÁ^Á | cÁ^Á cÁ áÉ
Ü^!Á Á@ÁÜæÁÜ^& [] } ÁÁ^Á^ { } } } cÁ^Á^áÁ (ASM-C-0053a)



ASSEMBLY

HYDRAULIC PORTS

V@•^Á [i o Áe^Á [&æ^áÁeÁ@ÁæÁ Á@Áæ& [ÉÁ } á^Á@ÁæÁç^ÉÁ @^Á@Áç^Á { [] } ç^ÁÁæÁ^Áæ&@•Á Á@Áæ& [ÉÁV@Á æÁÁ^)•^Á [i o Á } Á [] ÉÁ@ } Á@Á^•~^Áæ áÁ çæÁ Á@Áç^Á } Á [i o Á @ , } Á@Á ç^ÁÁ [, ÉÁ^ÁÁ Á@ÁæÁÁ^&ç } Á [Áæáá } áÁ ç [i o Áæ } ÉÁ (ASM-JD60-7030-0004)



PRESSURE LINE INSTALLATION

V@Á@áæ |ÁÁ^•~^ÁÁ^Á çÁÁ^Á [á^Á ç Á@ÁæÁ Á@Áæ& [Á^ [ç^Áç^ÁÉÁ &æ^Á @Á^•~^Á [i o Á } Á@ÁæÁ { [ç^Áæ áÁ^ [ç^Á@Á] * Á^ÁÁ Á@Á^ áæ |ÁÁ [i o Á çÁ^•çæ } Áæ áÁ@ÁæÁÁ^&ç } Áæ^•Á [Á [•áá } Á Á@Á^•~^Á [i o ÁÉÁ Á@Á] * ÁÁ^Á^ [ç^ÁáÁ • çÁÁ [{ Áæá çÁÁ^Á } ^&ÁÁÁÁ@•^Á [Á@Áæ& [Á^ [ç^Áç^Á Á@Á Vá^Áç^ÁÉ (ASM-27mmPRESSURE-0001)

RETURN LINE INSTALLATION

V@Áç^Á } ÁÁ^Á çÁÁ^Á [á^Á ç Á@Á^•~^ÁÁ^Á } Á@Áæ& [Á^ [ç^Áç^ÁÉÁ &æ^Á @Á^•~^Á } Á [i o Áæ áÁ^ [ç^Á@Á] * Á^ÁÁ Á@Á^ áæ |ÁÁ [i o Á] • çæ } Áæ áÁ@ÁæÁÁ^&ç } Á çÁÁ^Á [Á@Á^•~^Á [i o ÁÉÁ Á@Á] * ÁÁ^Á^ [ç^ÁáÁ • çÁÁ [{ Áæá çÁÁ^Á } ^&ÁÁÁÁ@•^Á [Á@Áæ& [Á^ [ç^Áç^Á Á@Á Vá^Áç^ÁÉ (ASM-27mmRETURN-0001)

LOAD SENSE LINE INSTALLATION

V@Á [æÁÁ^)•^ÁÁ^Á çÁÁ^Á [á^Á ç Á@Á [ç { Á Á@Áæ& [Á^ [ç^Áç^Á Á^ÁÁ Á@Á P^áæ |ÁÁ [i o Á] • çæ } Áæ áÁ@ÁæÁÁ^&ç } Áæ^•Á [Á@Á [•áá } Á Á@Á [æÁÁ^)•^Á [i o ÁÉÁ Š &æ^Á@Á] * Á } Á@Áæ& [ÁæÁ^ [ç^ÁÁÁ@Á [æÁÁ^)•^ÁáÁ^ [ç^Á@Á] * ÉÁ@ çÁÁÁÁ F [{ Áæá çÁÁ^Á } ^&ÁÁÁÁ@•^Á [Á@Á^ [ç^ÁÁ Á@Á^ÁÁ^Áç^ÁÉÁ^ÁÁ Á@Á ÚæÁÁ^&ç } Áæ^•Á [Á } Á [] á^Ááæ |áé Á Á@Áæ& [Á^ [ç^Áç^ÁÁ []] É (ASM-14mmLOAD SENSE-0001)

ASSEMBLY

FILLING HYDRAULIC RESERVOIR

Ü^~!Á Á@Á æ c} æ &Á^&ç } Á |Áá } * Á ^&æç } • Á @áæ |Á Á^~ á{ ^} • È

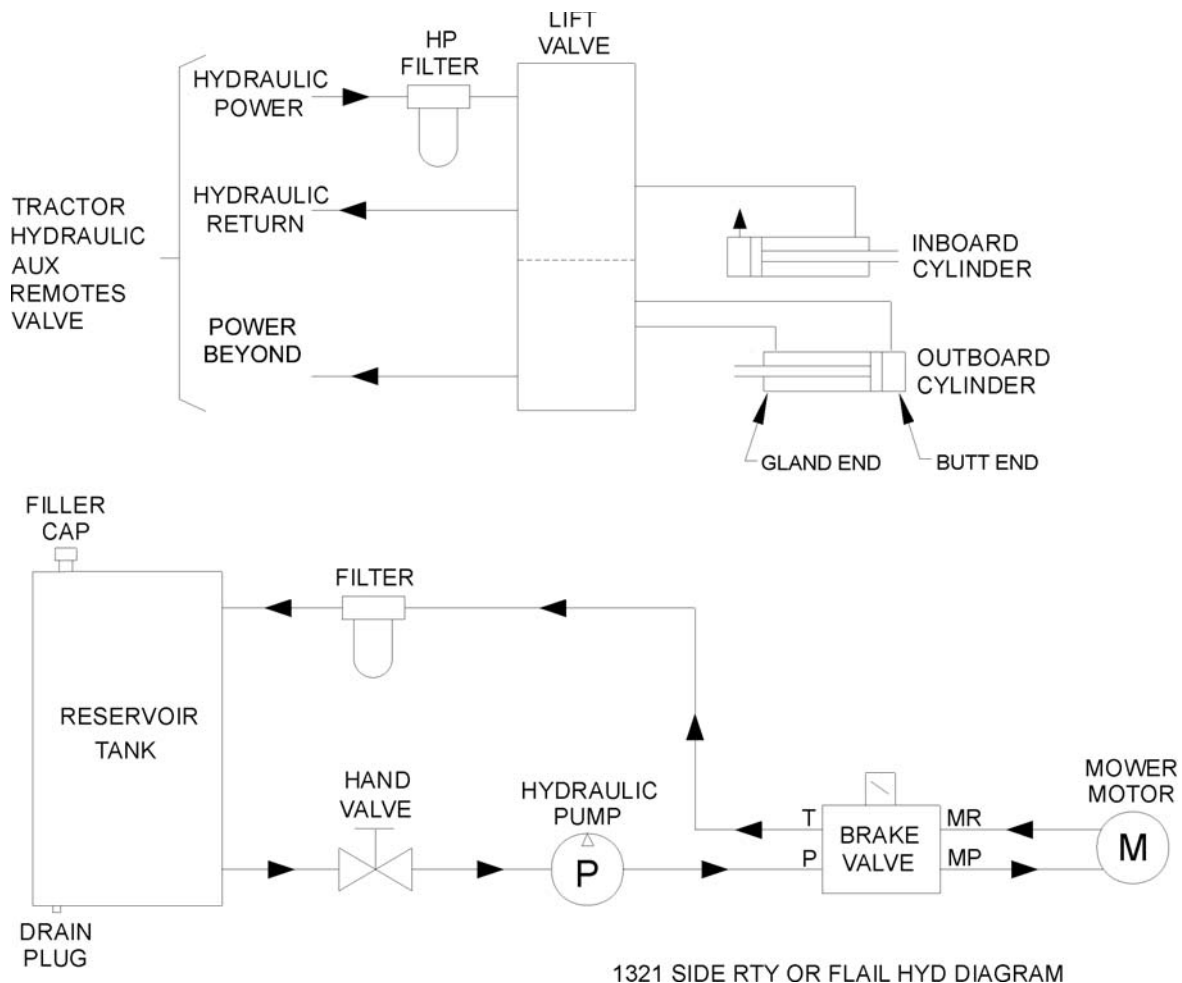
NOTE: Starting or running your Tiger mower before filling reservoir will cause serious damage to the hydraulic pump.

(ASM-C-0004hydro resrv)

MAINFRAME INSTALLATION

Y ã@æ Á ç! @æÁ çã á Á |Áæ È çã á • Èæ Á } ^ Á æ Á Á@Áæ Á] Á Á@Á |!^&ç Á { æ&ç * Á [~ } ç * Á ç | • È ç ç | &ç • &^, • Á ç á ç @!Á ç á, æ Á Á & !^ Á @ Á æ Á • Á Á@Á { æ ç æ ^ Á Á@Á æ ç | & ç ç * È ç Á ç, } Á } Á@Á æ ç | Á [~ } Á ç æ ^ Á Á@Á ç Á ^ & ç } È Á ÖÜÁ UVÁ ç @ } Á ç Á ç Á ç È Á { [ç Á @ Á ç • &^, • Á } ^ Á ç ç Á ç Á ç } | Á ç @ æ Á | & ç * Á æ ^ } È Á ç • Á | Á @ Á ç • &^, • Á ç á ç @ } Á | ~ ^ Á ç ç ^ • Á [ç á Á @ Á | ~ ^ & ç ç | & ç á Á ç @ Á ç c} æ &Á^&ç } Á Á@Á ç } æ È (ASM-C-0003)

SIDE MOWER HYDRAULIC DIAGRAM



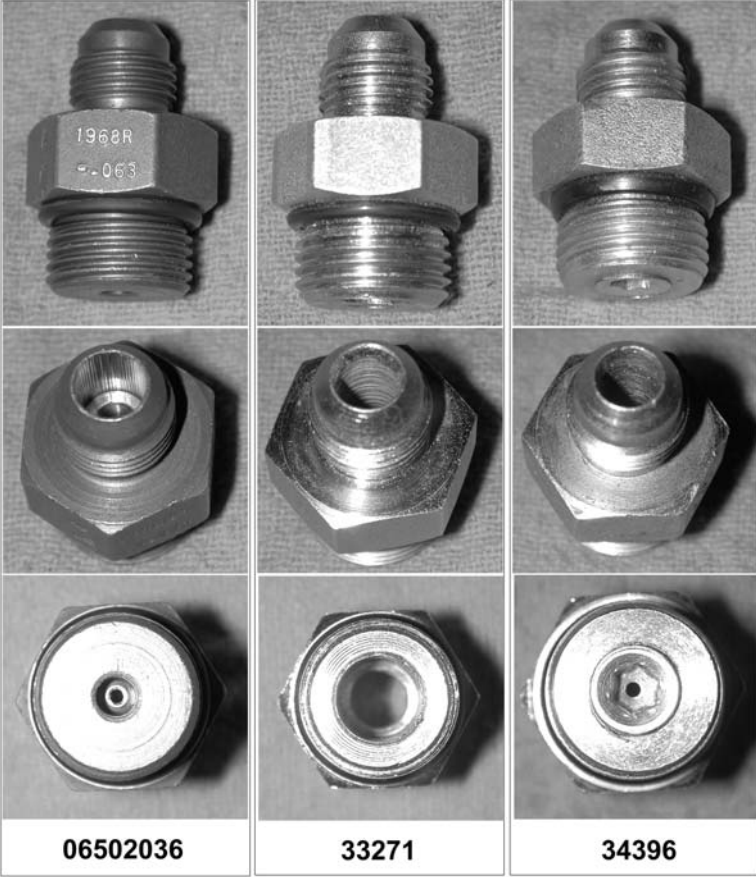
ASSEMBLY

WHEEL WELL HYDRAULIC TANK INSTALLATION

Q•œ/Å/Ää *•Å åÄ à•Å ç Å \ Å åÄ \ Äc/Å Å Å, } Å Å@Åä Å^&ç } Å/•dä } ÈÄ Q•^/Å \ Ä ä @Ä ä•Ä } ç Å@Åäç Ä ä^Ä Å@Ä \ È Úä^Å@Å \ Å Å@Ä [] ç *Å äÅ^Ä } Å@Å^Ä äÅ Å Å, } Å Å@Åä Å^&ç } ÈÄ Û&^Å@Å \ Ä äÅ@Åä, ä^Ä [| ç ä^ä È Q•œ/Å@Ä c/Ä ä^Å ç Å@Ä c/Ä Ä^•ä *Ä [Å@Ä] ä Å Å@Ä ç Å@Ä ç Ä å/Å Å &^ä | Ä ä^Ä Å@Ä ^ä } ÈV@Å \ Å^ä@Ä } Å Å^ä^Ä | Å^Å Å@Ä \ Å Ä^äÄ [^Ä [^@•^Ä { •Ä ä^ä^ Å Å •œ/Ä È (ASM-C-0103)

NOTE ON HUSCO CONTROL VALVES

T ä^ ä^Ä^Ä } d [| Ä^•&Ä } d [| Ä^Ä [| { Ä [, ^/•Ä^ ä^&@& Ä^•Ä äÄ ç È *^Ä^•dä *Ä äÅÄ Ä È ÇÄ Ä •œ/Ä Å@Ä } d [| Ä^Ä [| Ä [| Å@Ä^Ä] } ^&ç^Ä Å @Ä ä^Ä } ä^ Å@Ä ç Å å^Ä } ä^ Ä [| { Ä | ä^•ÈV@Å & Ä^Ä^Ä, •Ä äÄ Å^Ä -|, Å ç Å@Ä ä^Ä } ä^ Å@Ä ç Å å^Ä } ä^ Ä [| { Ä | ä^•È^Ä^•dÄ Ä, Ä^ ç Å@Ä & | ä^Ä@Ä^Ä [| ç ä^ *Ä [| ^Ä [| { Ä } d [| ÈV@Å & Ä^Ä^Ä È ÇÄ Ä } ä | Ä FJ | Û È È HÄ Ä ä äÅ Ä } ^ä & Ä Ä@^Ä ç Ä HÄ FÄ äÄ ç Ä Ä HÄ È ä Ä ä^Ä È V@^Ä { [| ^} Å Å^Ä } ç ä^Ä ||, •È ä^Ä Ä Å •œ/Ä^Ä^Ä } Ä | Å@Ä | äÄ^Ä È (ASM-HUSCO-0001)



ASSEMBLY

GENERAL HOSE INSTALLATION

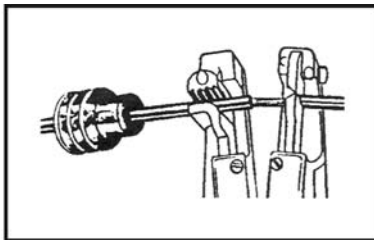
Ü^~!Á Á@ÁÚæóÁÚ&ç}Á|Á [!^Á {!} æç}Áæ[~ó@•^•Á áÁáç *•Á|Á@Áç] |æç}É
 Y @}Á [~}ç *Á@Á~&ç}Á@•^Áç ^}Á@Á { }Á áÁ@Áç \É@Á çæ |^•Á ç^|Áç} á•
 çæç^Á| çã^áÁ ~•ó^Á•^áÉWÖWU>PÍÖUÁUVÁ•^Á^* |æÁ@•^Áç }•Á|Á@Á~!| [•^É
 Ø|Á| [ç&ç}Á -Á@•^•Áç } çæóá æç^ çæÁá^•É |æÁ@•^Á çæ] |æÁ@•^Á&ç}•Áç á
 æ ç}Á æ@@•^Áç }•Á|Áç Á•Áç Á^á^áÉ (ASM-C-0011a)

WEATHER-PACK / METRI-PACK ASSEMBLY

V@•^Áç•d~&ç}•Áç| Á Á [ç@^æ@ÉÚæç Áç áÁ^dÉÚæç Áç } }^&ç!•É

NOTE: Use the specific tool for the type of connector you are assembling.

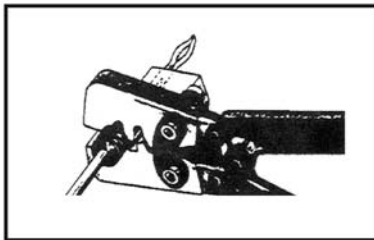
(ASM-C-0009)



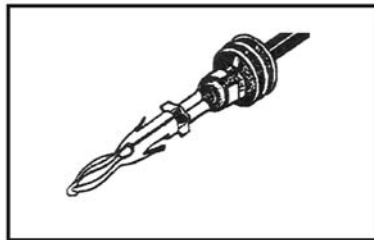
1. Apply seal to cable, before stripping insulation.



2. Align seal with cable insulation.



3. Put terminal in crimping tool, then position wire and seal in place.



4. Crimp and visually inspect for a good crimp before installing in connector body.

HOSE COVERING

Ü^~!Á@•^Áç *^ç@!Á æóá Áç•Á @!ç^!Á [•^ÉY |æÁ@Á@•^Á æóá@Á@•^Áç!•Áç
 ç|~dæáÁç Á@ÁÚæóÁÚ&ç}ÉY @!Á@•^Á çæç} çæóá@Áç ^Á|Á ç@!Áá^•É |æÁ ç@
 •] |æÁ@•^Áç áÁ^&!Á æ@@•^Áç }•Á|Áç ÁçÉU}Á [} ÉççÁ } æÁ@Á|^•~!Áç áÁ^ç! }
 @•^Áç [Á@Áç] d [Áçç^Á ç|æ [Á^áÁç Á^Á [ç^Áç •æ^Á@Á| [ç&ç^ÁçæÁ@•^Áç |æ É
 (ASM-C-0019)

SOLENOID BRAKE VALVE

Q çæ|Áç [| } [æÁçç^Á [~} ç *Áçæ^ç æóá@Á~] |ááççá, æ^ÉY ç|Áç •ççá *Áççá *•
 ç ÁçÁç^Áçç^Éç@Á|^&çæçç ç} Áç@Á [[| Á ~•ó^Á^ [ç^áç Á ç^Á [[ÉY @ }
 !^ç ççá *Á@Áç çÉçÁ Á [| çç ç^Á^Á [Á [!^Áçç Á ÁççÁ Éç |Á çÁ çÁ Éç |~^ÉY Over
 torque to the coil will result in hydraulic failure of spool. (ASM-C-0017)

ASSEMBLY

TEMPERATURE GAUGE MOUNTING

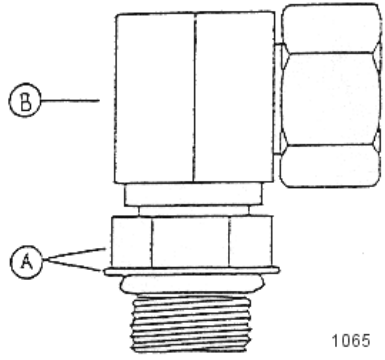
T [^ } o @ A ^ {] ^ i a e ^ i A a e * ^ A } @ i ^ A a e & i ^ a e ^ A a e a i ^ A i A @ A } ^ i a e ^ i A a e & o @ A i ^ a } A e D , a ^ A i [{ A @ A ^ * a e ^ A i [. o i } A @ A a e * ^ A i A a i [^ } a ^ a A i [o i } A @ A a e d i A a e ^ E U ^ { [c ^ A a e c a A ^ a a A i A a e ^ A a i [a A i [^ } a E U ^ { [c ^ A @ A a A i ^ * A i [{ A @ A a i A a @ A @ a i a e | a A ^ . i c [a a e a A . c a i A @ A ^ {] ^ i a e ^ i A a } . [i A . a * A @ a a A ^ a a * A a e ^ E U ^ } A @ A @ A a A i [{ A @ A D . ^ } . [i A [. o i A @ A a e * ^ A i A @ A ^ {] ^ i a e ^ i A a } . [i A } A @ A @ a i a e | a A ^ . i c [a A e \ E (ASM-C-0051)

INSTALLING NATIONAL PIPE FITTINGS

Y @ } ^ c ^ i A . c a i a * A a a ^ A a a * E i a e A @ A @ a a & i [& , a ^ A i [i a * A a @ A } a D a o A i [} A c a ^ E U A @ A a e E @ A a ^ A a i A a @ ^ a a A @ } A . c a i a E U U V O A A A i [o i ^ & . . a e ^ A a e ^ A U E a * A a a * E i A @ . ^ A . c a i a a A , a ^ . E

INSTALLING O-RING FITTINGS

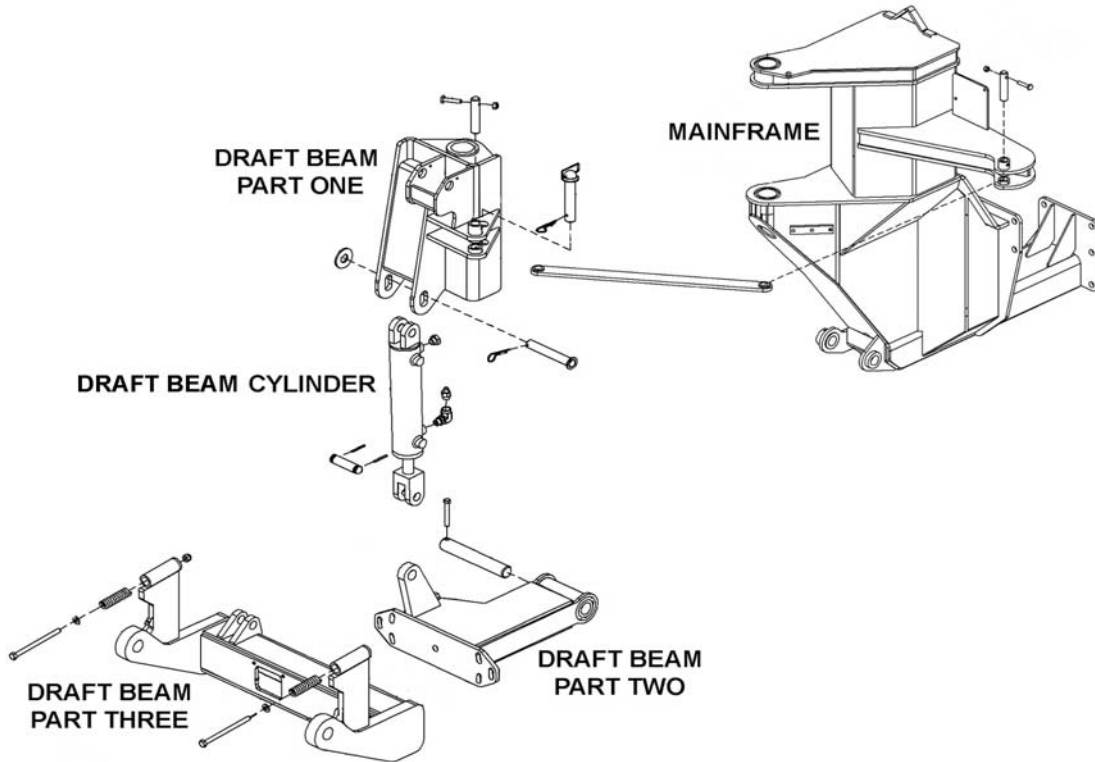
Q . c a i a * A c a e @ E i A i A ^ i ^ A a a i A ^ i ^ A U E a * A a a * . A ^ a ^ A @ a @ U E a * E i a e @ i A a e a A ^ o c E A ^ A i A e a e . o @ A , a ^ i A [a ^ A O D A A . ^ i o @ A , a ^ i A a a i } A a } a A @ A , a ^ i A A] [a c a A A @ A a @ A a ^ & a } A a U E a * A i } c a e o A a e ^ E U P [i A , a ^ i A A ^ o a a ^ & a } A a o A , i ^ } & a a a i } A @ A U E a * A ^ o e a e A i [{ A @ A , a ^ i A [a A a a e a ^ i ^ A a @ } E (ASM-C-0002)



ASSEMBLY

T4 DRAFT BEAM INSTALLATION

Q. ca/À:aeoÁ^æ Á^&ç } Á } ^ÁÍ HÍ €EG Á } ç Á æ ÷æ ^ÉQ. ca/À:aeoÁ^æ Á^&ç } Á [Á €Í HÍ €EG Á } ç Á æ ÷æ ^ÉQ. ca/À:aeoÁ^æ Á^&ç } Á } aÁ^•dæç :Áæç * Á ç Á } aÁ } aÁ -Á:aeoÁ^æ Á^&ç } É à^ÉQ[} } ^&ç Q. ^ÁÍ í €É I F/Á ç Á^•dæç :Á } aÁ } aÁ } aÁ -Á:aeoÁ^æ Á^&ç } aÁ^ÉQ[} } ^&ç @:Á } aÁ -Á:aeoÁ^æ Á^&ç } Á } aÁ^•dæç } Á -Á^•&ç Áæç^ÉQ. ca/À:aeoÁ^æ @:Á ç Á } aÁ } aÁ } aÁ^ÉQ } aÁ^ÉQ } aÁ^ÉQ. ca/À:aeoÁ^æ Á^&ç } Á @^Á €Í HÍ €EG Á } aÁ } ^ÁÍ HÍ €EG Á } ç Á } aÁ } aÁ^ÉQ } aÁ^ÉQ } Á [ÉÁ^Áæ•Á^&ç } Á } Áæç, æ^Á^•aÁ^Á^ASM-SIDE MNTS-0001 T4)É



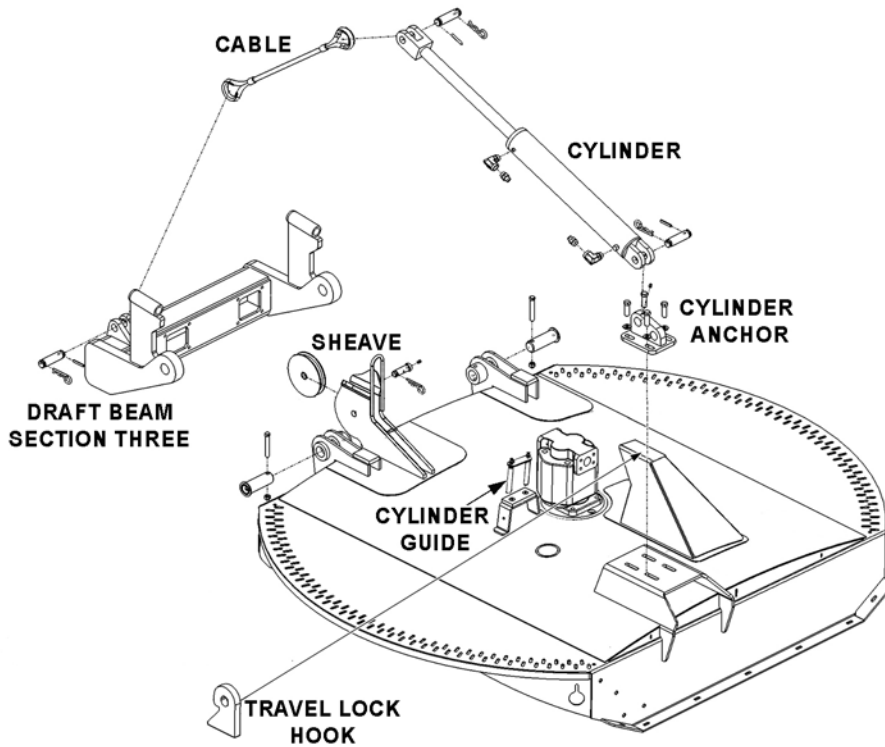
Á

ASSEMBLY

DECK MOUNTING T4

Q. cahA [, ^iA } d Ai:aoA^ae Ai Hi eEG Aci ca^ DA .a * A@Aoa, ae^A @, } Au A@UaoAU^E

ca } EUia } oa [d { A^A [, ^iA@ia [} caA A [~ } aEAO IAT i EaoA^ae A^A & A } caA^ae { [. d [a d [A^ae ^i^A^A \ aA @^A^A } ^A & @A^i [~ } aEVA @ } Au [o A^& ia * A@Aoa^&ca } A^A@A a:aoA^ae Au A@A^& } aA^&ca } EAO caA^& ia a^iAa & @^iAa a& ia a^iA } d A [, ^iEAO caA @ae^Ea &ca^Aa a^Aoa, ae^A A@A [, ^iAa a:aoA^ae EAO caA ia [, Au aA^d d i Au d Au ca [i o A^A & ia a^iAe i eFEHA



AIO [] ^&ca } ^A^A @Ae i eE I GAQ .^ . A^A ca } aA^A @A^& ia a^iEAO [] ^&ca @Aq .^A [{ A@A * } aA } aA^A @A^& ia a^iA A@A@E [i o A^A^& } aA^&ca } A^A@A^ . & Aa ca^ EAO [] ^&ca @A @ .^A [{ A@A^ ca } aA^A @A^& ia a^iA A@A@E [i o A^A^& } aA^&ca } A^A@A^ . & Aa A ca ca^ EAO^A^ A^ . d ca } Au A@UaoAU^&ca } EAO ASM-SIDE MNTS-0002 T4)

ASSEMBLY

FINAL PREPARATION FOR OPERATION

Ú|æ^Á] ^|æ| qÁæc Áæ áÁ] ^|æ| } Á^æp Á} Á@Ác^|q * Á| | { } Áæ áÁ æ^Á| } • [|Á @| ^
@ ^ Áæ^Á|æ| Áæ æ| ^Á| Á@Á] ^|æ| | ÉV@ • ^ Áæp Á @ |áÁ^Á} á^| • d [áÁ^ ÁæcÁ] ^|æ| | Á~
@Á æcÁ ^Á| Á| } b } &cá } Á æ@Á Úæc Áæ áÁ] ^|æ| } Á^æcá } • Á Á@Á [| ÉV@ Áæp Áæ^
d Á^ { æ Á Á [| áÁ| } áæ } Áæ Áæ { q á^Á| Á@Á] ^|æ| | Éæ áÁ @ |áÁ^Á] |æ| áÁæ æ^áÉ

Ö | ^ á^Á@ & Á@Á| Á æ| q [q • Á@Á^Á^ } Á^æ^áÉV^ & | ^ Á| Á@ • • Á * ^ c@ | Á æcÁ Áæ •
æ áÁ |æ Á æcÁ |á@ • ^ Á^æcá } • Á @ | ^ Áæcá } Á æ Á & | Á } Á@Á@ • ^ É



ÓÒÙÜÖÁæcá * Á| Á] ^|æ| * Á@Áæcá | Á | ^ Á • cÁææ Áæ áÁ} á^| • æ áÁ@Á
Úæc Áæ áÁ] ^|æ| } Á^æcá } • Á Á@Á æ ^ æÁ| { } | ^ | É

Before operating the mower Éc@ Áæ cÁÁ@ æÁæ áÁæ: æcÁ^æ Á @ |áÁ^Á | | , | Á [ç^á
@ | ^ * @ ^ c@Á | Áæ * ^ Á | Á [ç] ÉVY æcÁ | Áæ ^ Á| } áæ } Á@Á [|áÁæ • ^ Á] q &cá * Á |
^æ • • Á d^ • • Á } Á@Á@ • • ÉV@ Ác^|q * Áæ áÁ| } cÁæ | ^ Áæ | Á @ |áÁ [Á^ Áæ^ | | Á [ç^á
@ | ^ * @ ^ c@Á | Áæ * ^ Á | Á [ç] ÉVY Áæ ^ Á| } áæ } Á & | • Á Á @Á@Á@ • ^ Á| } æcÁ@Á^É
@Ác^|q * Áæ áÁ| Á| } cÁæ | ^ Áæ | Á æ Á^áÁ Á^Áæ æ^áÁæ Á^ & æ^áÁ Á@Áæcá | Á] ^|æ| q
{ æ ^ æÉV@ Á @ |áÁ [Á^ Á| } ^ Á@Á^Á^ Á^ áÉ | Áæ^Á c d^ { | ^ Á| • ^ Á| Áæ ^ Á c@ | Á æcÁ Á@
{ | , | Á ^ & Á@Á@ áæ | Áæ \ Á | Áæ: æÁæ ÉV@ Á æ Áæ & | á^ Áæ áá * Á @ • É | Áæ b • cá *
• d] Áá | c Á Á @Áæcá | Á | } cÁ Á [ç^Á@Á | | á | ÉVY @ Á@ & q * Á [ç] É [^ Á @ |áÁ [|
& @ & Á@Á@ Áæ } d | Áæ & æ Áæ^ Áæ } } ^æcá Áæ & | áá * Á Á@Á] ^|æ| | q Á^æp Á | Á@Áæç^
@æ á^ • É

MOWER TESTING

Væ^Á@ Áæcá | Á Áæ | æ^Á^Á | Á [• ^ Á æ & Á } Á@Á | | } áÉV] ^|æ| Á@Á | q á^| • Á@ | ^ * @
@ áÁ | Áæ * ^ Á | Á [ç] Áæ æ ÉV | Áæ Á@Á q ^ Á Áæ ÉV | | | , Á@Á • d ^ &cá } • Á Á@Á] ^|æ| }
Ú^æcá } Á | Á] ^|æ| Á@Á [, ^ | ÉVY æ | æ } Á Á@Á [, | Á @ |áÁ^Á q q æ Áæ | Áæ ^ • ÉVY Áæ | Áæ
{ q ^ cÁ • Á^ } Éc@Á } æ Á | c Á @ |áÁ^Á d | ^ áÁæ áÁ } & Áæ æ Áæ | Á@Á • cÁ , Á@ | ^ Á ~
[] ^|æ| } É

If any parts of this Assembly Section, or any other section of this manual are not clearly understood you must contact your dealer or the address on the front of this manual for assistance! (ASM-C-0022)

ASSEMBLY

CD9 F5 HCB'G97 HCB

UJ ^!aa } Á^&a } ÁË

CD9F5HCB

CD9F5HCB

&"CD9F5HCF`F9EI`F9A9BHG

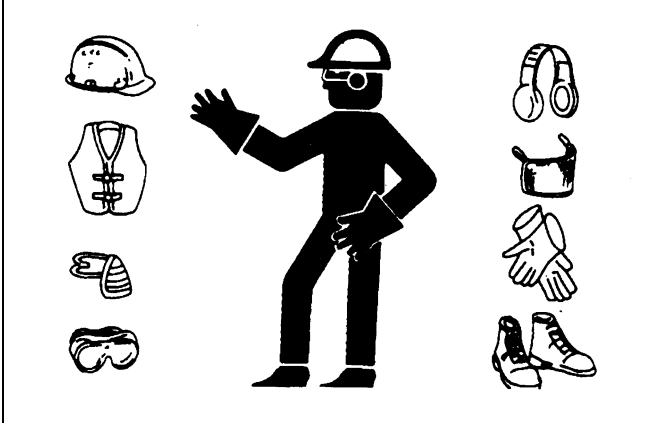
Ùæ^Á] ^iææ } Á -Á@Á } ãÁ Á@Á^•] [] • ãáá Á -ÁÁ ~ æáá áÁ] ^iææ ; ÈÁÁ ~ æáá áÁ] ^iææ ; Á@æ Á^æáá á
~ } á^• æ } á^• Á@Á] | { ^ } óæ } áÁææd ; Á] ^iææ ; q Á æ } æ Áæ áÁ Á@Á] ^iææ } &^ áÁ Á] | { ^ } óæ } áÁææd ;
[] ^iææ } Áæ } áÁæ | Áæ • [&ææ áÁææc Á] æææ • ÈÁÁ Áæááá } Á Á@Áææc Á ^• æ^• Á] ææ } áÁæ Á@Á æ } æÈ
• ææc Á æ } • Áæ^Áæ-á^áÁ Á@Á] | { ^ } óæ } áÁææd ; ÈÁÁæ } Á æóÁ -Á@Á] ^iææ } Áæ } áÁææÁ^• Á -Á@
^ ~ á { ^ } óæ Á] óÁ { } | ^ Á } á^• d [áÁ] • | óæ } áæ c@ | á^• ÁææáÁ Á] ÁæÁ { } | ^ Á@Á] æææ } È

Á@Á] ^iææ ; Áæ } [óÁæá@Á æ } æ Á] Á@Á { • ^ | ç^• Á] Á [^ Á] óÁ { } | ^ Á } á^• æ } áÁ@Á] ^iææ } Á -Á@
^ ~ á { ^ } óæ Á@Á^•] [] • ãáá Á -Á@Á ~] ^iææ ; Á Áæááá } áÁ@Á] ææ Á@Á æ } æ Èææc Á] æææ • Èæ } á
[] ^iææ } Á • d } & } • Á Á@Á] ^iææ ; È

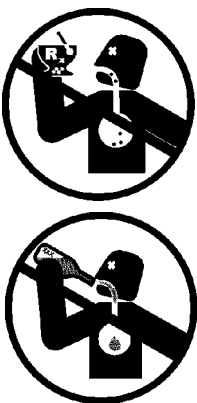
Ùæ^Á] ^iææ } Á -Á ~ á { ^ } óÁ ~ á^• Á@Á@Á] ^iææ ; Á^æáá } [] ç^• áÁ^• [] æÁ] [ç^• Á@Á ~ á { ^ } óÁ ÚÓÈ
+ | Á@Á } áÁ] • Á @ } Áææ@ * È] ^iææ } È^ Á çæá * Èæ } áÁ^] æá } Á@Á ~ á { ^ } óÁ ÚÓÈ / Á^• á } áÁ
[] çæ^Á] ^iææ ; Á] [ç^• } Áæ } áÁ & } á^• Á@Á] [] , á^• Áææc Á^æÁ

D9FGCB5 @DFCH97HJ9`9EI`DA9BH`DD9L

- ~ Óæ } á^• Á^æááæc Á@Áæ^•
- ~ PæáÁæ
- ~ Ùæ^Á] ^iææc Á] [ç^• ^æ
- ~ Ó] ç^•
- ~ P^æá } Á] [ç^• }
- ~ Ó] • ^ Áæá } Á@Á] çæ }
- ~ Ù^•] ææ ; Á [] Á @Á Á Tæ\Á ç } á^• Á []
[] ^iææ } Á] áÁ } • È (OPS-U-0002)



POXOUA^• Á^• • Á] ÁæÁ @ | Á { ^ áææ | Áæ+ | Á Á @Á] ^iææ } Á@
V iææd ; Áæ } áÁ] | { ^ } óÁ^• } • Áæ } áÁæÁ @ | Á æ | Áæ-áÁæ Á] ^iææ ; q
æ^iç^• ^• Áæ } áÁ [] áá ææ } Áæ } áÁ@Á^• | Áæ-áÁæ Á] ^iææ ; q Áæááá Á
[] ^iææ Á@Á ~ á { ^ } óææ | ÈÁÁ^• | Á] ^iææ } Á@Á^iææd ; Á] | { ^ } óæ
æ } Á] ^iææ ; Á } Á^• & } áá } Á] Á ç^• | È@È] } óÁ^• ^ááææ } Á^• • Á] • | ç
æÁ^• ááæá] [^• á } æÁ^• æáá } Áæ } Áæ^• Áæ-áÁæ Á@Á^• ááææ } Áæ
• [] áÁ@ } áÁ@ááæááá Á] Á] ^iææ Á@Á ~ á { ^ } óææ | ÈÁÁ ÓÁÓÜ
^ } [] , á^• | Áæ] , Áæ^• | ^ Á] ^iææ Á@Á ~ á { ^ } óæ @ } Á@áÁæiç^• ^• Á
& [] áá ææ } Áæ] æáááÁ^• } Áæ } Á^• | Á^• ááææÁ@Á Á@Á] ^iææ ; Á] Á@Á •
&] áÁ^• | óÁ@Á] ^iææ ; Á } áÁ@Áæ+ } & Á^• Á^• • Á] ÁæÁ @ | ÈÁÁæ



Ùæ^Á] ^iææ

U] ^iææ } Á^• & } Áæ

CD9F5HCB

CD9F5HCB

' (: fcbh9bX'K Y| \ h

0E[q a ~ { A ACEA A[caA cae d I A a @ A ~ • A A A ca cae a A A } A @ A cae d I A [] o A } a A cae d I A ~ E A [] o A } a
 , a @ A A a cae d I A cae cae A c a q * A [] d [I A a A A I c A } A @ A cae d I A [{ A cae a * A] A @ A a i q a * E A [] o A } a
 + [] o A } a A A [A @ E a a A a @ A } c A cae q a ~ { A ACEA A[caA a a @ A A cae @ a A } A @ A [] o A ~ E A [] o A } c
 , a @ A a A a @ A cae a i • A cae A A A ~ i & @ a A @ [* @ A cae c q i a a A cae d I A a cae • @ E A OPS-U- 0005

(" : 9HHB: 'CB'5B8'C: : 'H<9'HF57HCF

O A I A A cae * A } d A @ A cae d I E A A I A cae I A ~ • O A cae a A [] I c A } a A • cae a A @ A [] I c A } a A cae d I
 [] I cae I A cae cae E A [] A cae A a @ A cae cae a A [] o A } a A } a A • d [a E A] • I cae cae c q i a a A cae d I A
 cae [] I c A c [] cae cae E A OPS-U- 0007



O A [] o A [] o A I A a { [] o A A cae d I A @ A cae d I A A [] c a * E A [] o A } c
 c @ A cae d I A } I A @ } A @ A cae d I A cae a A [] c a * A cae a A [] I c A }
 • d [] a A E A OPS-U- 0007



(' %6 cUX|b['H Y'HFUWcf

W A A [c @ a • A a A ~ a] a A a a i cae a A c • A I A ~ [] I c A } a [cae a * A @ A cae d I E A c A I A • A A [] d []
 I c A • A I A ~ [] I c A } a [] c a * A @ A cae d I E A a A [] • A I A a @ A I cae I q A cae a A a & I A @ A cae a I c
 cae [] a A [] E

D A c A I A [] , A cae • A • A I A a A } A @ A cae d I A I A cae @ a A ~ a { ^ } d A a A • A cae A cae a A cae I A a A
 • A i q • I A b I a A I A a A [{ A cae a * A a A a A * A } A c A I E A A @ A I cae I q A • [] • cae a A I a A a A c a e
 I a A • A cae A A ~ E A OPS-U- 0008



D A c A I A [] , A @ a i ^ } A I A I cae E A a A } E I A [] { A A [• A A A @ A cae d I A I
 Q [] I c A } d A ~ cae E I E I A cae E I a A @ a i ^ } A @ A cae a cae I A cae a
 I • [] • a I A cae A I cae A @ A [] I c A } a a cae I o A ~ I c a q } E A @ ~
 cae A cae a A } a A } a A • cae a A @ A I cae I q A cae cae E A a A }
 [] I A I I cae } A A @ A cae d I A a A Q [] I c A } d A a A a A @ a cae I A cae *
 A [] * @ A A cae a A I cae A @ A [] d [] • A cae a A E A OPS-U- 0008



D A c A I A [] , A @ a i ^ } A I A c @ I A I • [] • A I A a A } A @ A cae d I A I A Q [] I c A } d
 cae a * A a A • I o A A I a ~ • A b I A I A cae a A E A OPS-U- 0008



O A [] o A [] o A I A a { [] o A A cae d I A @ A cae d I A A [] c a * E A [] o A } c
 c @ A cae d I A } I A @ } A @ A cae d I A cae a A [] c a * A cae a A [] I c A }
 • d [] a A E A OPS-U- 0007



U O O A U U V O E U Y

U] I cae } A U & c a } A E

CD9F5HCB

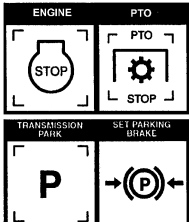
("8 lga ci bhj['h YHfUwcf

Ó-+|^Áã{ [~ } ǵ * Éǵ æ Á@Áíædq | Áǵ áÁǵ]|^ (^) ǵ } ÁáÁæ [] æǵ | Á^ç^Á~ | æǵ Éǵǵ]|^ Á@Áíædq * Áíææ^É æǵ | Á@Áíædq } Áǵ áÁǵ, ^| Á@Áíædq]|^ (^) ǵ } Á@Áíædq [~ } áÉǵU@ ǵǵ [, } Á@Áíædq | Á } * á^Áæ&ǵ | áǵ * Áí Á@ []|^ Áíædq | ǵǵ * áÉǵ^ ([ç^Á@Á^ Éǵǵ áǵ æǵÁí | Áǵǵ [çǵ } Áí Áǵ {]|^ ç|^ Áí dq] Éǵ^ç^Áí Áæ^Á@Á^æÁ } çǵ@ dædq | Éǵ^ Á } * á^Áǵ áÁǵǵ [çǵ * Áí æ@ Á@æ^Áǵ { ^Áí Áǵǵ {]|^ ç|^ Áí dq] É

W^Á@ǵ áÁæǵ Áǵ áÁç|^ • Á @ } Áí çǵǵ * Á@Áíædq | Éǵ^Áíædq ~ | Áí Áí | Áí çǵ } Áǵ áÁ • Áí çǵæææ çǵ } Á @ } Áí ~ áÉ æǵ Éǵ [, Áí Áí ç@ | Áí æǵ Áí æǵ & ~ | æǵ áÁǵ } Á@Áíædq • Áí Áí çǵ áÁæǵ ÉǵW^Áíædq áíæǵ Áǵ áÁç|^ • Áí | Áí ~] [| çǵ áÁ^ç^Áí • Çǵ | Áí {]|^ Áí ~ Á@Áíædq | ÉǵOPS-U- 0009_A



000U00A^æǵ * Á@Áíædq | Á^æǵ Éǵ, æ • Á^ç@Áíædq * Áíææ^Áǵ áÁç|^ Áí ç@Áíædq | Áí æǵ • { á • á } Áǵ Áí æǵ * Á^æÉǵá^ } * æ^Á@Áíædq]|^ Á@Áíædq } * á^Áíæ ([ç^Á@Á^ Éǵǵ áǵ æǵÁí | Áǵǵ [çǵ * Áí æ@ Áí dq] ÉǵU|æǵ Á@ dædq | Á @Áíædq | Áí dq Áí, Áí * Áí | Áí æǵ * Á^æÁí Áí | ç^ } ǵ@Áíædq | -| { Áí | áǵ * Éǵ^ç^Áí Áí { [~ } ǵáÁíædq | Á@æ^Áí [çǵ * Áí | Áí ç@Áíædq } * á^ Áí } } * ÉǵU|^ æǵ Á@Áíædq | Áí } d [| • Áí { Á@Áíædq | Á^æǵ }|^ ÉǵÜÖED



CD9F5HCB

"GH5FHCB: 'H<9 HF57HCF

V@Áí|^æǵ | Á ~ • ç@æ^Áíædq {]|^ ç|^ } áí • çǵ áǵ * Áí Á@Áíædq { ^ } çǵ } ǵǵ } Éǵǵ áÁǵ|^æǵ } æǵ • Áí Áí æǵ dædq | Áí } d [| • Áí -|^ Áí æǵ * Á@Áíædq | ÉǵU^çǵ, Á@Áíædq | Áí|^æǵ | ǵǵ * áÉǵ áÁǵ } • | çǵ Áí ç@ | á^á á^æǵ | Áí | Áí|^æǵ } Áí • d^ & çǵ } • Áí Áí á^á^áÉ

9ggYbhjU HFUwcf 7cbfç'g.

- ~ S| ǵæ Á@Áíædq } d [| Á, æ&çǵ
- ~ S| ǵæ Á@Áíædq * á^Á @ ç|^ -Áí } d [| Éǵ
- ~ S| ǵæ Á@Áíædq áíææ^Áí ááçǵ Áí áÁ@Áí ~ ç@Éǵ
- ~ S| ǵæ Á@Áíædq } d [| Éǵ
- ~ S| ǵæ Á@Áíædq [á ç@æ&çǵ } d [| Áí ç|^ É
- ~ S| ǵæ Á@Áíædq áíæǵ | Áí { [ç|^ } d [| Áí ç|^ É

6YZfYgHfHj['h YHfUwcf Ybgi fYH YZ`ck]b[."

- ~ Ö [] á^ & çǵ | Áí É ç@ç|^|^æǵ } Áí •]^ & çǵ } Áí áÁ^ç@æ^Áíædq | áǵ * Áí Á@Áíædq | Áí|^æǵ | ǵǵ * áÉǵ
- ~ T æ^Áí | Áí Áí æǵ • Éǵ ç@ | á • Éǵǵ áÁ ç@ | Áí æ^ç Áí ç@æ^Áí & | Áí | Áí | Áí æǵ É
- ~ V@Áíædq * Áíææ^Áí } Éǵ
- ~ V@Áíædq } d [| Áí ç|^ Áí Áí á^ } * æ^áÉǵ
- ~ V@Áíædq [á ç@æ&çǵ } d [| Áí ç|^ Áí Áí Áí ç@ | Áí, ^| á^Áí [• æǵ] É
- ~ V@Áíædq áíæǵ | Áí { [ç|^ } d [| Áí ç|^ Áí Áí Áí ç@ | Áí^ dæǵ [• æǵ] É
- ~ V@Áíædq | Áí æǵ • { á • á } Áí ç|^ Áí Áí Áí áí Áí | Áí^ dæǵ

Ü^Áí Áí Á@Áíædq | Áí, }|^ ǵǵ * áÉǵ | Áí æǵ * Áí | & á^ | Áí • ÉǵU|^ Áí ç@ç|^ Áíædq | Áí ç@Áíææ^Áí á á^ç|^ Áí Áí Á@Áíædq | Áí|^æǵ | ǵǵ * áÉǵ^ç^Áí^ æ • Áí Áí } æǵ } Áí, æ&çǵ Áí ç@ç|^ Áí æǵ * Áí Áí ç@ç|^ Áí | Áí [æÉ

Çç|^ Áí Á@Áíædq | Áí } * á^Áí } } * Éǵǵ [æǵ æǵ^á } ç@Áí } ç@ç|^ á@Áíædq | Áí æǵ • { á • á } Áí Áí ç|^ ǵ^ áá^ } æǵ áÁ } ^ç|^ Áí Áí ç@ç|^ Áí [ç^ (^) ÉǵOPS-U-0028

ÜÖÖÄÜVÖÜY U|^æǵ } Áí & çǵ } Áí

CD9F5 HCB

CD9F5 HCB

†!%HfUWcf'DfY!CdYfUjcb'bgdYWjcb#GYfjJW

Ü^∧!ÁŸ Á@Á!æŸ!Á]∧!æŸ!qÁ æ~æŸÁ)∧!Áæ
 &{]∧!cÁ!∧Ē]∧!æŸ}Á•]∧&Ÿ}Áæ∧Á&@∧!∧
 •∧!çæ∧Á Á∧!-∧!{ ∧!Áæ&[!áæ *ÁŸ Ác@
 { æ~æŸc!∧!qÁ∧Ÿ{ { ∧!}áæŸ}•ĒV@ÁŸ||, á *
 æ∧Á[{ ∧! Ác@ÁŸ{ •Ác@Á∧~ á∧ÁæŸ Á∧!çæ∧
 æ∧Á•]∧&Ÿ}K



- " Vā∧ÁŸ } áæŸ } ĒæÁ!∧•∧!∧
- " Y @∧!Á~ * ÁŸ |∧Á
- " Üc∧!ā * ÁŸ \æ∧
- " ÚVUÁ @∧!áÁ
- " ÚT XÁ ā } ÁŸ ∧!æŸ} Áæ∧áŸā Ÿ∧
- " V!æŸŸ!qÁŸ @∧!Á∧∧!æŸ} Áæ∧áŸ } &Ÿ } æ
- " V!æŸŸ!Á∧æŸ∧!c∧ ÁŸ Á[[∧!ÁŸ] áæŸ } Á
- " V!æŸŸ!ÚUÚU∧ ÁŸ Á[[∧!ÁŸ] áæŸ }
- " ÚUÚU∧ ÁŸ Ác@Áæ∧áÁ [• áæŸ }
- " P[ÁæŸŸ!Á ŸÁ∧æ•Á
- " ÜæææŸ!Á∧∧Á -Á∧!āÁ
- " Ö) * ā ∧!Á ŸÁ∧c∧!Áæ∧áŸ } áæŸ }
- " Ö) * ā ∧!ÁŸ [|æŸŸ!c∧!Áæ∧áŸ } áæŸ } Á
- " Ú[, ∧!Á!æ∧ÁŸ ŸÁ∧c∧!Á
- " Ú[, ∧!Ác∧!ā * ÁŸ ŸÁ∧c∧!Á
- " Ø ∧!ÁŸ } áæŸ } Áæ∧áŸc∧!Á
- " Ü~ā} Ÿ! ā!āæŸ } ÁæŸ!Á ∧!Á [ā
- " ÖÁÁc∧!ÁŸ } áæŸ } ÁOPS-U-0030

- " Q•]∧&Á{ [, ∧!Á!æ∧∧•Áæ∧áÁ @æá, æ∧ÁŸ!Á[[(∧)∧•∧áæ∧á
 ∧c&∧•Ÿ∧Á ∧æĒĒ æ∧Á~∧!Ác@Á [, ∧!ÁŸ∧∧&∧!∧! ÁŸ[&∧áÁ]
 ā∧Ÿ!∧Á&æŸ |ā * ÁŸ)∧æŸ!Ác@Ác@ÁŸ ∧&@æŸ!āæŸ!ÁŸ[&∧á
 ∧) * æ∧áĒĒÜ∧] |æŸ∧Áææ æ∧áĒ, [] ĒæŸ áÁ{ ā•ā * ÁŸ } Ÿ∧•Áæ
 &{]∧!cÁ∧∧∧ÁŸ ÁŸ æŸŸ Á [, ∧!ÁæŸŸ &Ē
 " Ü∧{ [çÁæŸ~ Á*∧æ•ÁŸ!ÁŸ c@!Áá∧!āĒ Á, @ŸŸ} æÁá∧Á, |æŸ]∧á
 æ[~ } áÁc@ÁŸ } ā!∧Ē
 " Q•]∧&Ác@ÁŸ } áæŸ } ÁŸ -Áá∧&Á•\ ŸÁ @ ∧•Á&@æ•Ē-ŸæŸ•Áæ∧á
 @æá, æ∧ĒĒĒĒĒOPS-R- 205



ÜÖÖÄÜVÖÜ

U]∧!æŸ}ÁŸ&Ÿ}ÁĒ€

CD9F5HCB

WARNING

U^i q a a e a f A q .] ^ & o a e l A [c a * A a e o A l A ^ a e a e a A ^ | a e A a @ }
 } ^ & . . a e A a e o e l a a a A a l c a e A a e o e A s [\ A e l A [. ^ A e e } ^ l . E a []
 [l a i [\ ^ } A a e o e A a a A a e ^ A l A [. ^ A a e a * . E a t a e ^ A ^ l a e l A a . A e a ^
 a e a e a e . * A e a a , a e e A U l a q ~ . A b l ^ A a e A & l A l { A [o y a e a e a * A e
 { a e a e l A a [[a A [l a q * A l a a l E a e o e f o e



CD9F5HCB

V @ A] ^ l a e l i q A a e ~ a a e a a A a e c A a } . A e a ^ a A }
 c @ A } a e l } a e a l [[l a e o e . d ^ & a } . A } A e A a e
 a e a A [[] ^ A . ^ A . A e A ~ a { ^ } e A t a e a e A e . ^
 a [[l a e o e a e c A a e l ^ . A } A e A l] l ^ { ^ } o e A [[a
 & l } a a e } A l A } . ^ l A e A e l { a e } A a e a e a l A l
 c @ A] ^ l a e l A e a l A a ^ . E



Op-14

^ . ^ l A e l A a e c A a } . A e A a A l a e A e a A ^ a e a l ^ E
 U ^ l a e A { a . a * E a a e a e ^ a e A a e a l ^ a l
 a ^ & a e e A O P S - U - 0011 _ A

NOTE: The mower Operator's Manual and affixed Decals contain important instructions on the safe and proper use of the mower. Maintain these important safety features on the mower in good condition to ensure the information is available to the operator at all times.

OPERATOR'S MANUAL

" Q .] ^ & o e l } a a e } A A [^ } a * A a e ^ A ^ l a { ^ } e
 " Q .] ^ & o e l } a a e } A A a e ^ A e . ^ { a l ^ E
 " O . ^ l A e l A l o A e a A & l . A e A a A [. a e } A e a
 a e A l [[] ^ l A l ^ ^ a e
 " O . ^ l A e l A a . A e A a A l a e A e a A e e } ^ a A a e
 . & l . E
 " O . ^ l A a e l A a e A l [[] ^ l A l { [^ } e a A e A d a e d l
 a e a A e a a , a e A a A l [[] ^ l A a . a l a A a e a
 e a } ^ a e A O P S - R - 0099



Ops-1250

U O O A U U V O E Y

U] ^ a e l } A ^ & a } A e f f

CD9F5HCB

CD9F5HCB

OPERATIONAL SAFETY INSTRUCTIONS

- Read the operator's manual carefully before operating the machine.
- The CD9F5HCB is a self-propelled walk-behind mower.
- The CD9F5HCB is designed to be used only for the purpose intended.
- Only trained operators should use this machine.
- Always use proper operation techniques.
- Always wear your seat belt when operating the machine.
- Always wear your seat belt when you are in the operator's seat.
- Always wear your seat belt when you are in the operator's seat.



WARNING

Read the operator's manual carefully before operating the machine. The CD9F5HCB is a self-propelled walk-behind mower. The CD9F5HCB is designed to be used only for the purpose intended. Only trained operators should use this machine. Always use proper operation techniques. Always wear your seat belt when operating the machine. Always wear your seat belt when you are in the operator's seat. Always wear your seat belt when you are in the operator's seat.



OPERATIONAL SAFETY INSTRUCTIONS

U] !æ } Å& } ÅÈG

CD9F5HCB

CD9F5HCB

ÜUVÖÿÿÁÒÖÖÁÐÜÜÖÖVÖÞ

- " Q•] ^&ö|ææ^•Áæ} áÀ|ææ^Á| |ö Áÿ |Á| [•^] ^•• æ} áÀç&•• ã^Á^ æËÜ| æ^Áÿ Á|€»Áÿ Á æ^Áÿ | &@& ã * Á^æ æ|ËÜ^| |æ^Ááæ æ^áË, [!] É æ} áÀ{ ä•ã * Áà|ææ^•Áæ Á& [] |ç^Á•^ö Áç { æ} æ} Á| æ^ Áææ} &É
- " Ö)~ |^Áà|ææ^Á&æ|æ|Á)~ ö Áæ^Áç |~ ^áÁç]:[] ^|Á] ^&æææ} •É
- " Ö)~ |^Á^ àà^|Á^ ^&ç |• Áæ^Áç Á| [•æ} Áæ} á } [Öáæ æ^áËÜ^| |æ^Á, [!] Ëà| \^| Ëæ} á { ä•ã * Á^&ç} •Á { ^áæ^| É
- " Ö)~ |^Á@á|æ} æ} Á^• Áæ^Á| [] |^| & [] ^&ç á ç Áç@Á@á|æ} æ} Á| [ç |ËÖ@& Áÿ |Á@á|æ} æ} |æ^ Áæ} } Áç•^• Áæ} áÁæ} * ÉÖÜÁUVÁ•^ [~ |Áç} á• Áÿ &@& Áÿ |Á ç^æ• ÉV^Áæ} æ& [Á@æ^ Á] æ^ |Á| |Á&æáà| æ} áÁç &@& Áÿ | @á|æ} æ} Á^æ} •É
- " Q•] ^&ö|ç [] áæ} } Á^ Á& Á| æ} Á ç^• Áæ} áÁçæ, æ^ ÉOPS-R-216



WARNING

Ö| Á| ö| ç^æ} á• Á| Á^ç} á^| Á| [, ^| Á& • ÉÖ|ææ^Áç [] æ&çæ} Á^~ |ç ã Á^|ã ~ Áæ ç| Á| Áç^| Á^æçÖÜçæ Áæ} æ} Á} ç|æ|Á [ç] Áç^ Áç [] ^á æ} áÀç^ Á& • Áæ^Á^& |^| Á| [&^áÁ] Ë



DANGER

Ö| Á| ö| ç^æ} á• Á| Á^ç} á^| Á| [, ^| Á& • ÉÖ|ææ^Áç [] æ&çæ} Á^~ |ç ã Á^|ã ~ Áæ ç| Á| Áç^| Á^æçÖÜçæ Áæ} æ} Á} ç|æ|Á [ç] Áç^ Áç [] ^á æ} áÀç^ Á& • Áæ^Á^& |^| Á| [&^áÁ] Ë



ÜÖÖÁÜUVÖÿÿ

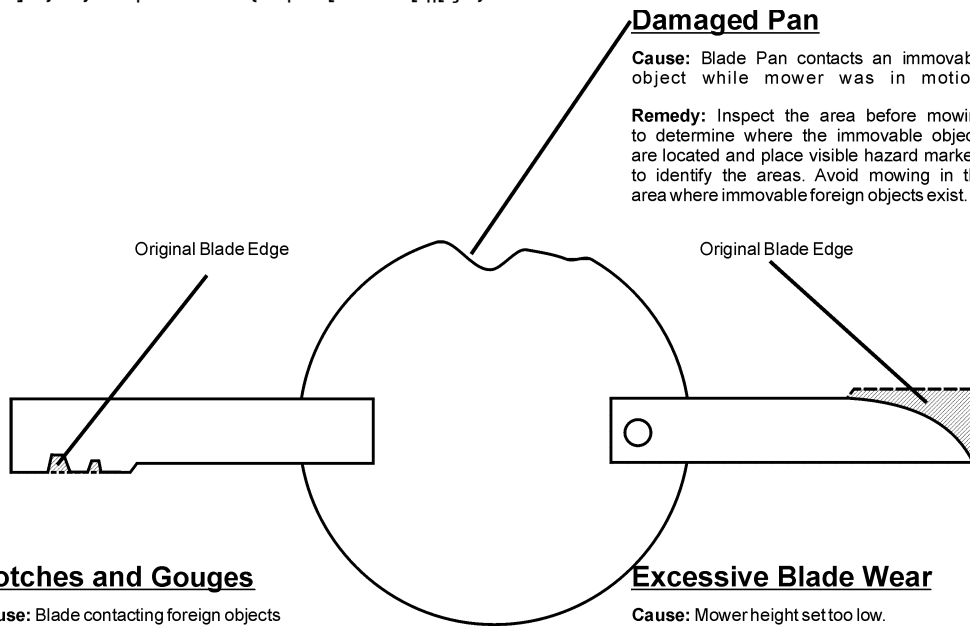
U| ^|æ} } Á^&ç} ÁË|

CD9F5HCB

CD9F5HCB

Blade Damage

OPS-U-0031



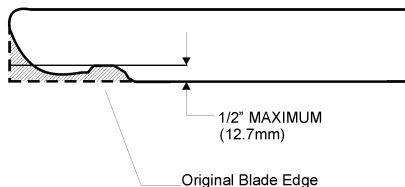
Op-22



WARNING: Sharp blades can cut you. Always use caution when handling blades. Do not touch the blades until they are completely cooled. Do not touch the blades until they are completely cooled.

- Always use caution when handling blades.
- Do not touch the blades until they are completely cooled.
- Do not touch the blades until they are completely cooled.
- Do not touch the blades until they are completely cooled.
- Do not touch the blades until they are completely cooled.

Blade wear limit: 1/2" (12.7mm). Replace blades in pairs after no more than 1/2" (12.7mm) wear. OPS-U-0032



NOTE:
 Replace Blades in pairs after no more than 1/2" (12.7mm) wear
 Op-23

CD9 F5 HCB

CD9 F5 HCB

Excessive Blade Bolt Wear

Q.] ^ & o @ A O | a a ^ A O [| o P ^ a a A a a A | A A ^ a a e A | | | , ^ a K

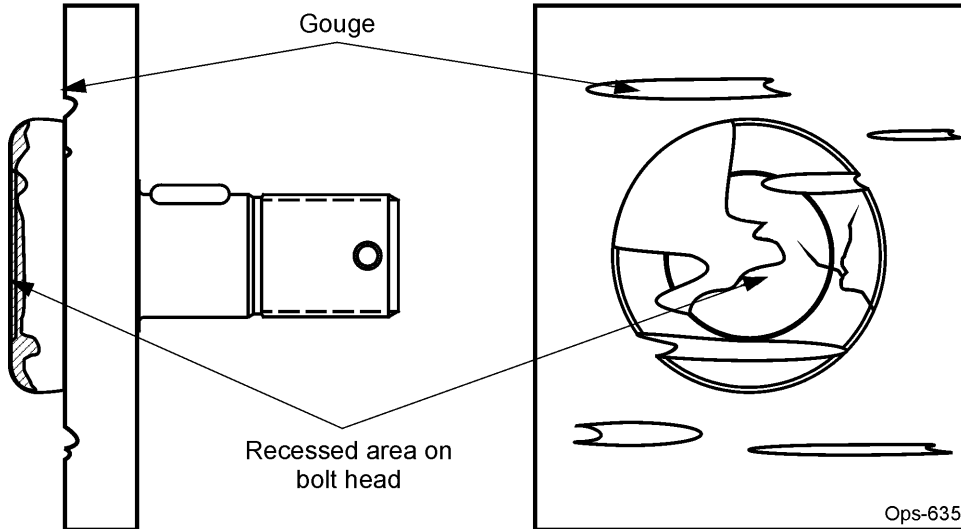
Cause: Blade Bolt contacts a foreign or solid object while Blade is in motion.

Remedy: Inspect the area before mowing to determine where the foreign objects are located and place visible hazard markers to identify the areas where immovable foreign objects exist, and avoid hitting the objects.

Notches and Gouges

Cause: Blade Bolt contacting foreign objects.

Remedy: Inspect area to be mowed and remove foreign objects that could cause damage to the blade bolt.



Q.] ^ & o @ A O | a a ^ A O [| o P ^ a a A a a A | A A ^ a a e A | | | , ^ a K

- ~ X a a | ^ & | a a . A | A
 - ~ Q s @ A ^ & . . ^ a a e a a } A | a a ^ A [| o P ^ a a A a a A | A A ^ a a e A | | | , ^ a K
 - ~ Q O | a a ^ A O [| o P ^ a a A a a A | A A ^ a a e A | | | , ^ a K
- Q a a ~ | ^ A | A ^ | a a ^ A a a } [| | a a ~ A [| | } A | a a ^ A [| o P ^ a a A a a A | A A ^ a a e A | | | , ^ a K
- c @ A | [\ ^ } A a a A ~ Q a a a e A a e . ^ A a a ~ . A [a a ~ B | ^ A | A a a e A

5 ' k U n g ' f Y d ' U W ' 6 ' U X Y 6 c ' l g ' k] H ' b Y k ' V c ' l g ' k \ Y b Y j Y f ' f Y d ' U W] b [' H Y 6 ' U X Y g ' A O P S - U - 0 0 3 7

U O O A U U V O E Y U] ^ | a a } A ^ & a } A e I

CD9F5HCB

Tractor PRE-OPERATION Inspection



Mower ID# _____ Make _____

Date: _____ Shift _____



WARNING 6 YZ:fY Wc bXi Wj b['H Y] bgdYWj cbža U_Y gi fY'H Y'fUWcf 'Yb[]bY'jg'cZZU''fcHUjcb \ Ug'gfcddYX'UbX'H Y'fUWcf 'jg'j'b'dUf_'k]H 'H Y'dUf_]b['VfU_Y'Yb[U] YX''AU_Y'gi fY H Y'a ck Yf 'jg'fYgh]b['cb'H Y[fci bX'cf'gYW fY mV'cW_YX'i d'UbX'U''\ mXfUi 'jW dfYggi fY\ Ug'VYyb'fY]Yj YX"

Item	Condition at Start of Shift	Specific Comments if not O.K.
The flashing lights function properly		
The SMV Sign is clean and visible		
The tires are in good condition with proper pressure		
The wheel lug bolts are tight		
The tractor brakes are in good condition		
The steering linkage is in good condition		
There are no visible oil leaks		
The hydraulic controls function properly		
The ROPS or ROBS Cab is in good condition		
The seatbelt is in place and in good condition		
The 3-point hitch is in good condition		
The drawbar pins are securely in place		
The PTO master shield is in place		
The engine oil level is full		
The brake fluid level is full		
The power steering fluid level is full		
The fuel level is adequate		
The engine coolant fluid level is full		
The radiator is free of debris		
The air filter is in good condition		

Operator's Signature: _____

DO NOT OPERATE an UNSAFE TRACTOR or MOWER

V@AQ·^&ā } A] ;{ Á æ Á^Á^Λ^ Á~]|ææ^áÁ!Áccā&|] ā•È

ÙÖÒÄÜUVÖÿ

U] ^!æā } Á^&ā } ÁÈï

CD9F5HCB

CD9F5HCB

Side Rotary Mower PRE-OPERATION Inspection



Mower ID# _____ Make _____

Date: _____ Shift _____



WARNING 6 YZ:fY'WbXi W]b['h Y]bgdYW]cbžā U_Ygi fY'h YfUWcf`Yb[]bY]g'cZZU``fcHU]cb \ Ug'głcddYX'UbX'h YfUWcf`]g]b'dUf_k]h 'h YdUf_]b['VfU_YYb[U] YX" AU_Ygi fY h Y'a ck Yf`]g'fYg]b['cb'h Y[fci bX'cf'gYW fYmV'cW_YX'i d'UbX'U`\ mXfUi `]W dfYggi fY\ Ug'VYyb'fY]Yj YX"

Table 1:

Item	Condition at Start of Shift	Specific Comments if not O.K.
The Operator's Manual is in the tractor		
All safety decals are in place and legible		
The hydraulic cylinders pins are tight		
There are no leaking or damaged hoses		
The mower deck is clear of cut grass and debris		
Chain guards/deflectors are in place & in good		
Blade carrier retaining nut is tight		
Blades are not chipped, cracked or bent		
Blade bolts are tight		
Wheel lug nuts are tight		
Transport locks are in good condition		

Operator's Signature: _____

DO NOT OPERATE an UNSAFE TRACTOR or MOWER

CD9F5HCB

CD9F5HCB

+Y' GHUhbI 'H YHFUMcf

V@A| | & a ~ | ^ A t A c e o @ A t a e d | A A [a ^ | A] ^ & a E
U ^ A | A t A @ A t a e d | A] ^ | a e | q A e ~ a A | A c e q *
] | | & a ~ | ^ . A t | A [~ | A t e e | a e d | E X O [} . ~ | o e
e e c @ | a ^ a A ^ a t | A A @ A c e q * A | | & a ~ | ^ A
~ } & ^ e e X O) . ~ | A @ A t [a o e] d | | A t A A A A @
| | , ^ | a A [. a e] A a @ A V U A A A ^ } * e ^ a A ^ | ^
• e e q * A @ A t a e d | E OPS-U-0033

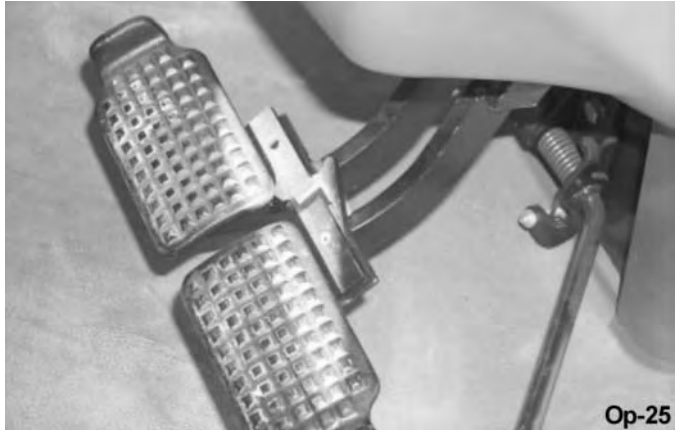


+Y' '6fU Y'UbX'8 |ZZYfYbhU' @W 'GYHbI

T a A ~ | ^ A @ A t a e d | A | a e a A A A A [[a A] ^ | a e *
& [] a a e } E V | a e d | A | a e a A e A A A ^ a t | A] ^ | a e
a a ^] ^ } a ^ } d ^ A e [| , a * A a * | ^ A ^ a A @ | A | a e a *
e e q } A | A | & a A t * ^ c @ | A t | A | | c a e A a ~ | a e ^ | ~ .
| ^ a A @ | A | a e a * E X U U A T U U V A O U Q e O A e O
U U O U e e e O A O U p O Q W p U E V P O A O U c S O A U O O C S U
U P U W S O A O A S U O S O O A U O O N P O U A U A U U X W O
V P O A T U U V A O e e O O V Q A O A O U c S e O A O V W p E A

O e . e A a ^ } * e ^ A @ A t a e d | A a ^ | ^ } e e | & A @ }
c | } a * E V @ } A } * e ^ a A @ A a ^ | ^ } e e | & A a |
] | ^ c ^ } o t | A a a @ A t a e d | A t | { A t } a * E O ^ | a *
} | | { e e e e a * A e } a a e } . E | & a * A @ A a ^ | ^ } e e
] | | c a e A A [A] ^ a e a a A @ ~ | a A [o e A A ^ a E A

OPS-U-0013



U e o e A U V c e u Y U] ^ | a e } A ~ & e } A e e

CD9F5HCB

CD9F5HCB

+* '8 f]j]b] 'H YHfUWcf 'UbX'a d`Ya Ybh

Úcœœ -Áiãq *ÁœÁÁ[[, Á]^^áÁœ áÁiœœ œ^ Áœ &^œ^Á[~Á]^^áÁ @^Á œœ œq *Áœ { }|^œ^Á}d[|Á -Á@
 dœd[|Áœ áÁ} ãËN [çq *Á[[,]^ÁœÁ•œ q]Áœ [Á|^ç^] œ@Áœd[|Á[{ Á^œq *Á] Áœ áÁ[••Á -Áœ^Áq *Áœ]d[|É
 V@Áœd[|Á @~|áÁ^ç^|Á^Á] |^œ^ÁœÁ^^á•ÁœœÁœ} [œ^Áœ^|Áœ q|áÁ|Á @œ q]Á|^ç^] œ@
 []|^œ^|Á[{ Áq] q *Á~ œ|^Á~|q *Áœ Á{ ^*^} & ËQ@Á[, ^Áœ^Áq *Á|Á} *q^Áœ^•Á|^œq *Éq]
 œ@Áœd[|Á { ^áœœ|^Áœ ÁœÁœd[|Á q]Á^Áœ-œ |œ Áœ]d[|É

Ú|^|{ { Ác } •Á œœ@Áœd[|Áœ áÁ} ãËN [[, Á]^^á•Á Áœ^ç^|{ q^Áq, ÁœÁœd[|Á œœÁœœœ@áÁ|œ^Á:
 |œ^Áœ q|á•Áœ^|} ËO^ç^|{ q^Áœ@Áœ^Á]^^áÁ Áœ œœ Á| ||^Áœ]d[|Á -ÁœÁœd[|Á @} Áœ q *Ác } •É
 Y @} Ác } q *Á œœÁœ, ^áÁ]|^ ^} Ëœ@Áç^|œÁ [|]q *Á} *œÁ -ÁœÁ} ãË Áœ &^œ^ÁËO[[, Áœáœq} œ
 &^œœ &Á|ÁœÁ} ãË @} Ác } q *É

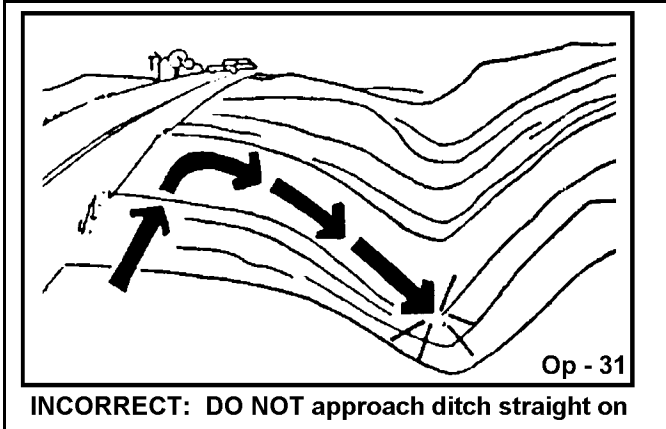
V| Áœ[ãÁç^|c } •Éiã^Áœ@Áœd[|Á œœÁœ^Áœ áÁœ^Áœ^Á]^^á•É•^&œ^ Á @} Á|^œq *Áç^|Á[~ * @
 *|^ } áË[[••q *Áœœ@Á|Á[[^•Éœ áÁc } q *Áœ]|^ •ÉV|œd[|Á @|^Áœ^Á] œq *Á q |áÁ^Áœ &^œ^á
 , @} Á [|]q *Á} Áœ &q^Á|Á[~ *œ|^]} áÁ Áœ^Áœ@Á[••œqç^ Á Á] q *É

W^Áœd^ { ^Áœœ q} Á @} Á|^œq *Á} Áœ^Á Á[[^•Éœ^ ÁœÁœd[|Á Áœ, Á^œÁ @} Á[q *Áœ, } @ËO
 PUVÁœ œœ Á|Á^^É @|^Áœ, } @ËOPS-U-0014

+*+*

Y @} Áœ]|^ { } ç^Á œœ Áœ &q^Á|ÁœœœœÁ [Á c
 œ]|^ œœÁ[{ Áœ Áœ *|^Á @œœ Á|^ } áœ |œÁ:
 •dœœ @Á} Áœ Áœ œ^Á œÁ &&^É

Y @} Áœ [••q *Á~ &œ^|œ ËœÁœ]|^ ^} œ @~ |á
 áÁ^ | |Á, ^|^áÁ|Áœ, ^|Áœ^ ç^|Á -Á|œç^ Áœ á
 œá^áÁœœœ ËOPS-R-206

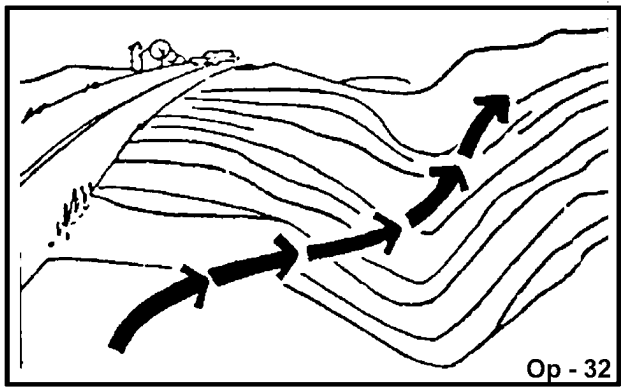


CD9F5HCB

CD9F5HCB

Q&ja^•Ae aAa&@•A @ |aA^Ae } | | a&@ aAe } *Ae
 |a^A @&@A AaAe } *^Ae A @, } EAV@Ac]^A~
]ae@a |A^a^ &A@A^ [••aaac A^A^~ |a^ *Aae ae^E
 Q@A^:aa^ } oA A [A^c^] A^oA^ &@Ae } | | a&@
 a^ &Ae^•A@A^ [••aaac A^ A^a&e d | A [|E c^A^A^&c
 ae A^c^] ae A^ [••a^ *A ae@A

Y @ } A] ^ | aae * A @ A^ a&e d | Aae aA [, ^ | Aae [••
 • [] ^ • Aae aAe &ja^ • EAV@] * @Aa&@ • Eae aA c@ |
 ~ } ^c^ } A^ | | aae A^ | aae } • EAV@ A^] | | aae A^ aae aae
 • ~ aae } oA A^ A^ A^ | | ~ } aA^ aae & EAV@ aae A^ } a&c
 , ae@A^ | | ~ } aA^ ae Aae • ^ A^ | aae [& A^ aA^ c@ |
 a^ a^ a^ A^ A^ A^ c@ | , } A^ • a^ [{ A^ } a^ A^ c@ A^ [, ^ |
 ! • • | a^ * A^ A^ [••aaac A^ b | ^ Aae aA^ | A^ | | ^ | c^ Aae ae^E
 O [| ~ } aA^ } ae@A^ [A^ | a^ & A^ A^ c^ A^ A^ A^ Q & A^ aae
 [] A^ c@ A^ [, ^ | A^ c^ A^ aA^ A^ c@ A^ [, ^ | A^ aae •
 ! • • | a^ * A^ A^ [••aaac Aae ae^Aae aA^ | ^ } ae | A^ A^ aeE
 OPS-R-207



CORRECT: Approach ditch at an angle

CD9F5HB; H<9 HF57HCF 5 B8 AD@A9BH

H<9 CD9F5HCF AI GH7CAD@H9 @MI B89FGH5 B8 <CK HC CD9F5H9 H<9 HF57HCF 5 B8
 AD@A9BH5 B8 5 @7CBHFC @G 69: CF9 5HH9ADHB; HC CD9F5H9 "A@A^ | | aae | A^ ~ • oA^ aae A^ a
 ~ } a^ • aae aA^ A^ aae c^ A^ aA^ | | aae } A^ & c^ } • A^ A^ c@ A^] | ^ (^) oA^ aA^ a&e d | A^ | | aae | Q A^ ae^ ae^ EAV@ • ^
 { ae^ ae^ A^ • oA^ A^ aae A^ aA^ c^] aae aA^ A^ aA^ | | aae | A^ Q & aae } [oA^ aae EAV@ c^ A^ aA^ | | , A^ [{ ^ [] ^ A^ A^ | | aae A^ c@
 a^] | ^ (^) oA^ aA^ a&e d | A^ ae^ oA^ {] | c^ A^ | | aae * A^ • d^ & c^ } • E
 O^ | | A^ aae c^ * Aae ^ A^ | | aae } EAV@ A^ | | aae | A^ • oA^ & c^ { ^ Aae aae A^ ae@A^ A^ aae A^ A^ | | ^ aA^ Aae aAae^
 [a^ aae ^ • Aae aA^ ae ae a^ A^] aae ^ aA^ ae c^ A^ A^ } • ! A^ aae c^ A^ A^ c@ A^ | | aae | EAV@ • aae a^ • Eae aA^ ~ a { ^ } EAV@ ^ & aae
 aae } c^ } A^ Q ~ | aA^ A^ aae A^ A^ | | a^ } A^ a^ a^ EAV@ ~ • @A^ | | aae EAV@ c^ A^ | | ^ • Eae aA^ ae • a^ • a^ Aae aAae a^ ae^ A^ c@ A^ aae
 OPS-U- 0015



Ocd^ { ^Aae^A @ | aA^ Aae^ } A^ @ } A^ | | aae * A^ aae A^ [• ^ A^ ab & o A^ & @
 ae A^ | | aae | EAV@ [& • EAV@ a^ EAV@ aA^ c@ | A^ a^ a^ EAV@ •] ^ & o A^ Aae^ aae^ a^ | | ^
 { [, a^ EAV@ | | a^ } A^ ab & o A^ @ | aA^ A^ { [c^ aA^ [{ A^ A^ ae A^ A^ | | c^ } c
 { ae c^ } A^ aae ae^Aae aA^ aA^ | | aae | aae^ A^ b | ^ A^ | | c^ } A^ aae EAV@ • A^ ab & o A^ c@
 & aae } [oA^ A^ { [c^ aA^ ~ • oA^ A^ aae | ^ A^ ae^ aAae aAae^ ~ | | Aae [ae^ aA^ A^ c@
 [] | | aae | EAV@ d | A^ [, a^ A^ { ^ aae^ | A^ aae^ • A^ d a^ Aae | | a^ } A^ ab & c^
 U^ aae A^ aae ae^Aae aA^ ae^Aae A^ d | A^ | | aae A^ ae^ a^ | | A^ aae } & a
 a^ | | A^ • { a^ A^ [, a^ EAV@ } OT 01 D



CD9F5HCB

CD9F5HCB

- "&7 cbfbc`@WUjcb`UbX: i bWjcbg

V@Áæ^Á [, ^!Á@ã @ÁÁ& } d[||^áÁ æ@ÁÁ [Á!Á@^Á] [[Áçç^Áæ áÁÁ& [!áá æ^áÁæ Á @, } Á^! [, ÉV@ [] ç } æÁ@^Á] [[Áçç^Áæ [, •Á!Á@Á] ^!ææ } Á Áæ^áÁ [æ^ Á [, ^!Á!Á æ^Áæ@!ÉÁ@Á) æÁ Á ~ á] ^á , æ@Á@^Á] [[Áçç^Áæ [Á [ç] ^!æ Á @ Á@áÁ] [[Áçç^á^Á] | •• Áæ^áÁ [æ^ Á!Áæ@!Á Á [~] ç^É



Ops-1246

V@Áæ^Á [, ^!Á@ã @ÁÁ& } d[||^áÁ æ@ÁÁ [á çç@Á& } d[Áçç^Áæ [| | , Á@Á • d' &ç } •Á!Á@Á& } d[Á çç^Áæç!Á] ^!æç!çÁ æ ~ æÉV@ÁçÁ Á@ÁæÁ [, ^!Á& } d[||^áÁ æ@Á@Á@Á] [[Á Á@Áççç^Áæ áÁ& & [!áá æ^áÁæ Á @, } Á Á [i fYCdgl!%& * "

V@Áæ^Áæ áÁæÁ [, ^!Á [•ææ } •Á æÁ [ç] æÁ Á& } d[||^áÁ æ@ÁÁæç!çÁ { [çÁ@á!æ |æ& } } ^&ç } • [!Á& { áá ææ } Á Áççç^Áæ áÁ^ [çÁ@á!æ |æ ÉÁ [ÉÁ^ç { á^Á ççç [•ææ } Á Á@Áæ^Á!ÁæÁ [, ^!Á çç^Á& } d[||^áÁ Áæç^ [çÁç^É

V@Áæ^Á [, ^!ÁUBUDÁ, æççÁ &æ^áÁ Á, æççÁ [çÁ [~] ç^áÁ Á@Áçç^Áæ áÁ!Áæ^Á& } d[•Á!Á [] É &æÁ áÁæÁ } æÁ • ^&ç^! ÉÁ] ^!ææ * Áæ^áÁ [, ^!É@ÁUBUDÁ, æççÁ &æ^áÁ Á@Á, æççÁ [çÁ æ@ æÁæÁ [, ^!Á, æçç

V@Á æç^Á æÁÁ ~ á] ^áÁ æ@Á Áæ çææ^Á áÁ [] ^!æ!Áæ * ^ÉÁ Áæ] Áæ * ^Á!Á áÁ!Á • ^!Áæ * ^ÉÁ [áÁ [] ^!æ!Áæ@Áççç^Á ç] Á [, ^!Áæ áÁ^Áfci VYg] cçh['GYWjcbÁ!Á [•æ^Áæ • ^ÉÁ^] æ^áÁ^Á } ÁÁæ * ^Á!Á áÁææ } Á Á [à^ [• É

ÙÖÒÀÛVVOÿ

U] ^!ææ } Á^&ç } ÁÉÇ

CD9F5HCB

CD9F5HCB

Y @}Á} & } c'ia * Áa^i^ Á^ç^i^Á^i } áãã } Á @&@&eë • ^• Á@Áiædq |Á Á çá|Éãã^ } * æ^Á [, ^iÉããoÁiædq |É iæã^Á@Á [, ^iÁi { Á@Á& çÁ@Áiædq |Á ~Áã áÁ } ^&Á@Á [, ^iÉããã^Áã áÁãã^Ái |Áãæ æ^Áã^i^ Á^ } * æã * Á [, ^iÁææ É

Qá@Áiæã^Áã ÁiÁç] Éãã^ } * æ^Á@Ái^ &@Áã áÁãã^Á@Á@ããÁiã @i^ÁiÁããÁ@Áiædq |Á Éã [i: æi^Éãã , áÁi^æãÁ@Á& çÁiÁ@ããÉã [Éã @ çÁ ~Á@Á [, ^iç Éããã^Á@Á& çÁiÁ@ãã Éã i } Á ~Á@Áiædq |Áã áÁ^oÁ@] æãã * Áiãã^ÉãçÁiÁç [ç] Áç] • Ái {] |ç^i^Éãã^Á@Áiædq |Áã áÁi^æãÁ@Á& çã * Á@ãã^Á æ^æi^É

5ZYf'h YZfghXUmicZcdYfUjcbzU''Vc'lg'gl ci `X'VY'W YW'YX'Ub'X'hj \ hYbYX'gYW fYnt'V@Á @~|áÁ^Ái } ^] |áã áãæi^Ái Á } ~i^Á@Ái |oÁi Á [óÁ& { ^Á [• ^Áã áÁæë • ^Áãæ æ^Ái Á@Áiædq |ÁiÁ [, ^iÉããiÁãi^Ái Á@ [] ^iæç |É

Y @}Á [~Á^oÁi Á@Á } áÁ ~Áãã • Éãã @i^Áãã^Á@ { [, ^iÁçÉ +Éã^i^Ái } } á * Éãã^ç^i^Áãã^Á@ { [, ^iÁ } çÁ^i^Á @i^Á@Áiæã^Áã^Ái } } á * Éãã@ { [, ^iÁ ~ • óÁ^Áãã^áÁç @iÁ@ÁiÁç { Ái } } á |ç^i^Éãã^ } * æ^Á@Á [, ^iÁã áÁ æãÁiÁç [, ^i i: çãã } Ái Ái { ^Ái ÁiÁi {] |ç^i^Áç] Áã^i^ Á] | &^áã * Ái Áãã^Á@Á [, ^iÉãã ÖXÓUÁãã^Á@ { [, ^iÁ @i^Á@Áiæã^Áã^Ái } } á * É

OPS-R-212



WARNING

Ö [Á [çÁ^oÁ@Áiæã^Ái } } Á @ } Á@Á [, ^iÁ^Á& Ái Áãã^áÁi |Áæ } ^æ [] Éã & } áã * Ái^æãæ &^ÁiÁiÁi } } á * Éããããã * Á@Á [, ^iÁ^Á& ^ç [• ^• Á@Á^ çã * Áiæã^Ái @&@&^æ • Áã [ç] çãi^Áiáã ~ • Á@æ æá æáÁi ~ |áÁæë • ^Áiáã ~ Áãi^ÁiÁç^ } ÁãæÁi { Á áá&Á@ [, } Ái { ç@Áiæã^Ái ÇUT Æ D



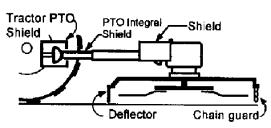
Ö [Á [çÁ [, ÁiÁiá^Á@Áiædq |Áç Á æi^áá@áÁi } } á * ÁiÁææÁ@Á^& } ç^Ái } ^áÁæ áÁ æÁi } çã Áç • [• Éã] } á * Á æi^ááÉã] æ\Áã áÁi çÁ Ái ~ |áÁ^Á@ [, } Ái { Á@Á [, ^iÁi ÁææÁi Á^~^æã } Á@Ái á@ á } æÉã^Áiææ æ^Áæá Á & } iÁ @ } Áiáã * Áç^i^Áç çÁ æi^ááÉãÁã áÁi^æ^Á } Á@Áiædq |Áã áÁ [, ^iÁi ~ |á á } æ^Á^~ |ç * Ái Á ~ á { ^ } óÁ^d~ç] Éããi^Áãá^Áçãã * á @i^Á } Á@Áiædq |ÁãáÁi Á^ÁiÁçãã * á @ [• • ái^Áá^Ái } & } } c'^áãÉ

ÜÖÖÄÜVÖÜY U] ^iæã } Ái^Áç } ÁiÉH

CD9F5HCB

DANGER

UaUae^c AU@|a•E0^ ad•Ae aAUae^c Aa^caA•Ae &| aq *Aa^ o| c
 |a a^aA| D^A@A^+&|•E0^ae A0^ ad•E0^c^|A0^ ad•E0^ad|c
 U@|a•E0^U|Ae c^|ae A^@|a•E0^ aAU^daae^|A0^|A0^|a•A^|a
 a^A•^aAe aA ae ae a^A|A [[aA | | a^ *A| } aae } E0^|A ae^c Aa^caA•A^|aA^
 a•] ^&c a^Ae^~| Aae^a^e aae^ A|A a•a *A|A| | ^) &| { | | ^) •E0^ a•a *E0^| | ^) E
 | | A| | | } A^ { •A ^ •oA^A^ | ae^a^Ae } &A| A^a^ &A^@A| ••aeae A^A b| ^ A|A^ae@
 +[{ A@| , } A^ ab&o E^ } ae^ *| ^) E^ | A| ae^ A| } ae^ d^A^OT #D



WARNING

T ae ^A^ae a^A^ ab&o E^ ~ &@e A a^Eae^|E^| | ^E^ | A^@ae } Eae^ A^&| { ^A^ } ae^ *| a^A^ A^@
 [| | ^| ae^ *A^ ae^ A^ A^@A^ | , ^| A^@ ae^ E^A^@•^A^ { •A| ^| a^A^ } A^ , a^ *A^ •ae^ A^@A^ ~ •a^ *A^
 *| ^ae^ | A^ | | &ae^ •A^@e A^@ A| ae^ a^ E0^ ~ &@e a^ ae^ } A^ A^cd^ | ^| A^@e ad^ ~ •A^ a^A| | a^A^ ~ | c
 a^ A^| a^ •A^ b| ^ A| A^c^ } A^ ae^ E0^ •| ^&A^@A^ ae^ *A^ ae^ A^ | A^ &@e ab&o A^ | | ^A^ | , a^ *E
 U^ { | c^ A^ a^ A^ ab&o A^ | { A^@A^ ae^ E0^ ^c^ | A^ | , A^@e ae^ *A| ae^ a^ A| A| } ae^ a^ &@e { •E
 qOT #D

DANGER

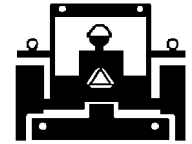
V@A| ae^ *A^ ae^ A^ A^@A^ ae^ @^ A^@e^ | A^ ^ } A^ a^ a^ A^ a^ A^ c^ a^ A^ | A^ ** a^ A^ •^ E
 P| , ^c^ | E0^ | A| ae^ a^ A| ^| a^ ae^ A^ | | } A| ae^ a^ a^ @e^ E^ | | ae^ a^ ab&o A^ ~ &@e A^ ^ ae^ a^ ad^
 | ae^ A^ a^ A| } &^c^ A^ d^ &c^ | ^• E0^ ~ &@e | ae^ a^ | a^ ae^ •^ A^@e | | ^) A^ ab&o A^ | A^ A^@| , }
 [^c^ ad^ a^ ae^ | ^| A^@e | | | &ae^ •E0^ | A^ a^ ~ &A^@A^ | ••aeae A^ A^ | | | ^| c^ A^ ae^ ad^ E^ | a^ | a^
 a^ b| ^ E^ | A^ c^ } A^ ae^ E0^ ^c^ | A^ | , A^@e ae^ *A| ae^ a^ A| A| } ae^ a^ &@e a^ ae^ a^ •E^ qOT #D

CD9F5HCB

CD9F5HCB



T æ^A&^i cæ A cæ@ A u||, A T [çä * A^ @&^+ A U T X D ä } A A } cæ^ ä A }
 ~ & @æ } æ Aæ Ä A^ A&^ æ } A ç ä ä |^ Aæ } ä A^ * ä | EÄV @ } A ä } } [| çä * A c
 Ö ~ ä { ^ } ç^ .^ A @ A | æ d | A æ @ } * A æ } ä * A ä @ Aæ } ä Aæ |||, Aæ | A } æ
 dæ æ A^ * | æ } } . EÄV ä)



CD9F5HCB

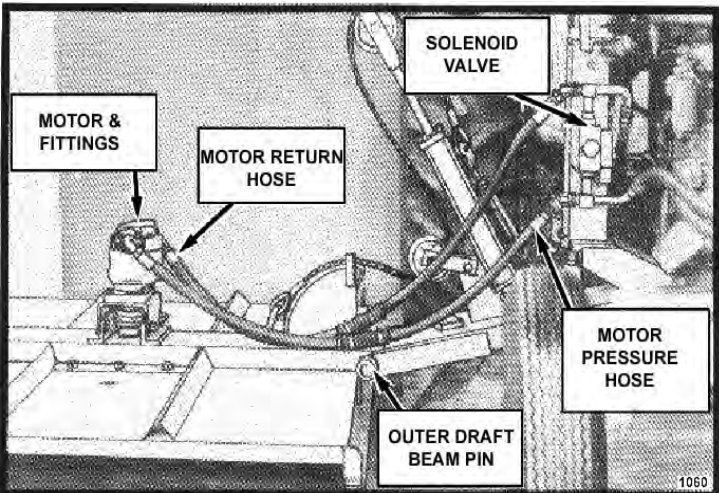
%&%'HfUbgdcfHjbl 'Ack Yf

HF5BGDCFHB; 'I B89F'H<9'I B+H6'CK B'DCK 9F

Y @ } A ä } } [| çä * A^ ç ^ ^ } A ä ä ä . Ä | A^ ç ^ ^ } A^ çä * Ä æ .^ . EÄV @ Ä |||, ä * Ä | [&^ ä ~ |^ Ä @ ~ | ä A^ Ä |||, ^ ä K
 FÈ Ü @ ç ~ A @ Ä |, ^ | Ä A c @ A^ çä * A @ æ ç D ä ä Aæ ||, Aæ | A [çä } Aæ Aæ { ^ Aæ Aæ } } |^ ç Ä ç | EÄ
 GÈ Ü æ ^ A @ A | æ Aæ } Aæ Aæ @ . çä [. æ } } È
 HÈ Ü æ ^ A @ A ä Ä |, ^ | Ä } ç A c @ A^ & A ç | . Aæ æ } . ç A c @ A | æ Aæ } È
 I È Ü æ ^ A @ A ä Ä |, ^ | Ä ä c @ A Ä | [ä ç A c @ A } d [| Ä ç ^ | EÄV @ Ä } æ A |, Aæ | [. æ } } Ä | Ä | EÄV } } [| çä } } È

HF5BGDCFHB; 'I B+H'6M: G H698'HF5=@F

T [. çä æ d | . Ä ä c @ A ä Ä | [~ } ç ä Ä |, ^ | Ä @ æ Aæ æ @ ä Ä ä | A^ Ä ç ^ | Ä^ * æ A ä } } [| çä * Ä ä c @ Ä F G Ä ä ä EÄV |
 c @ Ä æ } } EÄV ^ Ä A @ Ä |||, ä * Ä | [&^ ä ~ |^ Ä ~ . ç A Ä |||, ^ ä K
 FÈ V i æ } } [| çä * Ä ä c @ A ä Ä |, ^ | Ä æ æ @ ä Ä ^ ^ Aæ | æ ä * Aæ | & A | Aæ } Aæ | Aæ ä æ ä ç | Ä } ç Aæ Aæ | EÄV } ç ^ A c @ A^ Ä |
 d æ d | Ä ä c [, ^ | Ä æ æ @ ä A^ ç ^ ^ } A c @ A ä Ä | A c @ Aæ | EÄV æ ^ Ä ~ |^ A c @ A | æ Aæ } Aæ } ä A @ æ Aæ Ä | |
 | æ ^ ä Aæ } ä A^ & |^ ä EÄV, ^ | Ä @ Ä æ Ä |, ^ | Ä } ç A c @ Aæ | EÄV & |^ A c @ Aæ d | Aæ } ä Aæ } Ä |, ^ | Ä A c @ Aæ |
 , ä c @ æ } . EÄV ä cæ } Ä | [| ^ | Ä ç ^ | EÄV ä c @ Ä | { ä Aæ } ä Ä æ A c @ A^ Ä æ Aæ } ä Ä |, ^ | Ä Aæ ç ^ | EÄV ä c @ Ä A^ ~ ä ^ ä
 ä ^ Aæ EÄV @ & A c @ Aæ d | Ä | ^ | æ | ç Ä æ ~ æ Ä | Aæ ^ Aæ d | Ä ~ ä ^ { ^ } ç Ä Aæ } } [| çä Aæ æ ä Aæ | EÄV
 GÈ V i æ } } [| çä * Ä ä c @ A ä Ä |, ^ | Ä ^ | ç ^ ä Ä | æ A c @ Aæ d | Aæ } ä Aæ } A c @ Ä) * ä ^ Ä ~ EÄV { [ç ^ A c @ A^ Ä | Aæ | ä
 æ æ ä ^ } ç Ä æ çä * EÄV | | ^ Aæ | Ä çä ç ^ Ä | A c @ Ä ä | æ | ä A^ . ^ | ç | ä EÄV Aæ | ä Aæ | } çä } ä æ * A c @ Ä ä | æ | ä
 . ^ ç | EÄV æ ^ Ä ~ |^ Aæ | Aæ } . Ä } A c @ A ä Ä |, ^ | Ä [çä } Aæ } ä Ä | ^ | [ä Aæ | } d [| Ä çä ç ^ Aæ ^ Aæ | ä } EÄV ä } } ^ & c
 c @ Ä [çä | Ä | ^ . ^ | Ä @ . ^ Aæ } ä Ä | ^ | [ä Aæ | } d [| Ä çä ç ^ Aæ ^ Aæ | ä } EÄV ä } } ^ & c @ Ä [çä | Ä | ^ . ^ | Ä @ . ^ Aæ } ä
 | ^ ç | } Ä ç ^ . ^ Aæ } ä Ä | ^ | [ä Aæ ç ^ Ä ^ Ä | | i f Y C d g | % & & "



UJ • EÄV GÄ

Ü c @ Ä Ü U V c Ä Y

UJ ^ | æ } Ä ^ & ç } Ä EÄV

CD9F5 HCB

CD9F5 HCB

V@AUT XAU||, È [çà * Á^ @B^D^ { à^ { Á
 ~ } á^ • á^ { à [Á • á^ Á^ Á^ á^ á^ • Á - @
] ^ • ^ } & Á - Á ~ á { ^ } á^ á^ á^ * Á } Á [á, á • Á^ Á^
 • [, Á] ^ á^ Á^ Á^ } • Á^ Á^ Á^ * ~ | á^ á^ @
 [| á^ * Á^ á^ Á^ & á^ Á^ á^ Á^ Á^ | Á^ | @ Á^ á^ Á^ á^
 á^ á^ Á^ @ Á^ á^ á^ Á^ á^ Á^ ^ Á^ @ Á^ Á^ } Á^
 & ^ á^ Á^ á^ Á^ | { Á^ Á^ á^ Á^ - @ Á^ } á^ Á^ | ^
 d á^ • [| çà * Á^ Á^ á^ | Á^ á^] | ^ { ^ } Á^ ~ | á^
 | [á, á • Á^ Á^] á^ Á^ @ Á^ Á^ { à^ | { Á^ á^ á^ á^ É
 á^ á^ á^ Á^ | Á^ | } * Á^ Á^ & á^ É OPS-U- 0020



Op-43

T á^ Á^ ^ Á^ @ Á^ | Á^ á^ | Á^ @ * Á^ á^ * Á^ @ É
 @ á^ á^ @ É á^ á^ á^ á^ @ Á^ Á^ } & á^ } á^ *
] | [| ^ | Á^ | ^ | Á^ | & ^ á^ * Á^ } á^ * | á^ Á^ á^ Á^ @
 } ^ , ^ | Á^ [á^ | Á^ á^ | • Á^ Á^ | ^ | c Á^ Á^ @ á^ * Á^
] | [çà Á^ á^ } * Á^ } á^ * Á^ | ^ | á^ * Á^ @ * É [• c
 [| á^ | Á^ [á^ | Á^ Á^] | Á^ ~ á^ | á^ á^ | ^ | á^ * Á^ @ É
 Ó] • ~ | á^ á^ @ | á^ á^ á^ | Á^ á^ | Á^ | Á^ @ * Á^ á^
 á^ á^ [á^ á^] • Á^ á^ | Á^ Á^ * | á^ Á^ @ * Á^ }
 [| á^ | Á^ á^ | Á^ [á^ | É OPS-U- 0021



Op-595

Y @ } Á^ | ^ | á^ * Á^ } Á^ ~ | á^ Á^ | á^ • É @ á^
 &] • á^ | á^ } Á^ | Á^ @ | Á^ á^ Á^ • ^ | É ~ | Á^ Á^ á^
 [- @ Á^ | á^ á^ & á^ } á^ | Á^ | , Á^ | Á^ | | , á^ * Á^ á^
 á^ á^ É Á^ | Á^ | c Á^ & ^ á^ á^ @ Á^ * á^ Á^ ^ á^ á^
 ^ [| Á^ ~ } d Á^ | Á^ | á^ | c | á^ | á^ | • É @ , á^ • Á^ á^
 á^ | c } @ | Á^ } • [| çà * Á^ Á^ á^ | Á^ á^] | ^ { ^ } c
 [] Á^ ~ | á^ Á^ | á^ • É Á^ Á^ á^ } Á^ á^ Á^ & Á^ ^ á^ á^
 [@ | Á^ @ Á^ | Á^ | Á^ á^ • d á^ } Á^ á^ Á^ @ Á^ á^ É OPS-
 U- 0022



Op-596



P^ç^Á^ | , & @ á^ } Á^ | Á^ @ | Á^ | • } • Á^ Á^ Á^ | Á^ | Á^ | | ^ { ^ } É
 @ á^ * Á^ - á^ Á^ • | á^ Á^ ~ } Á^ b | Á^ | Á^ á^ É

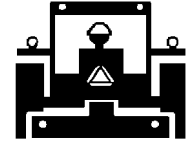


ÙÒÒÀÛVÖÛÿ U] ^ | á^ } Á^ & á^ } Á^ É

CD9F5HCB

WARNING

T æ ^Á\|æá Áææ@ÁU||, Á [çä * Á^æíÁÙT XÜ á } Áé Áé •æá^áÁé
 ~ &æá æ Áæ Áí Á^Áí^æáí Áçá æí^Áé áÁ^* æí^ÉÁY @ } Áéá } [|çä * Áæ@
 Ò~ ä { ^ } é^ Áæ@ Áíææç íÁæ æ } Á æ } ä * Áä @ Áæ áÁé |||, ÁæíÁé &æ
 dáæ-ÁÁ^~ |æá } • Éáüéä,



Üáæ &Áí^áá^éí^Áí } ä * ÁíÁé } | çä * Áæ@ Áíææ^É
 Ò } • í^ Áæ@ Áí çá íæ ^Áí^ááæ } Áæ^Áí &í^áÁé * ^æ@ !
 . @ } Áí^ |æá } Á } Á } àíÁí^ æáÉ OPS-U- 0023



Op-25

%&" <U |"b| 'h Y'HFUWcf'UoX'æa d'Ya Ybh

Ó~í^Áíæá } [|çä * ÁæíÁæá^Áíææç íÁé áÁé } |^ { ^ } é
 { ^æ ~ í^ Áæ@ Áæ çá çá áÁíæ çá çá } • ä } • Áé áÁé | • •
 . ^ á @ Áí^ Áæ@ Áí { } |çä Áí^ æá^áÁé } æíÁÖ } • í^ Áæ@ Áæ@
 || æáÁ äíÁ^Áé Áí { } |æá &Áí^ æíÁæ@ Áí^ çááä æ Á^Áé í
 çæ Áææ Áææá äíÁ^Áíææ^ í^ áÁé [~ * @ OPS-U- 0024



Op - 46

CD9F5HCB

CD9 F5 HCB

CD9 F5 HCB

W ^ Aaa ^ ~ ae | ^ A a ^ a Ae a A ae ^ A a ae | ^ Ae a
 ^ ~ a { ^ } O A A a } [| O @ A a ae | A a A] | ^ { ^ } d E
 O [] ~ | O Ae O | a ^ a A a a | A A A | { a ^ A @ A [] | ^
 ^ ~ a { ^ } O A ^ a ^ a A A a * A aa ^ ~ ae | ^ A a ^ a / & O a • E
 @ ae ^ A ^ c A a a • E Saa | ^ Ae a a | A a a ^ • E ^ a & | ^ | A a
 a [, } A [O @ A [] } Ae a A a a ^ A @ A a ae | A a a a * A @
 [] | ^ | A A A [, } A [Saa] • Ae A] ^ Saa a A ^ A @ A a ae |
 { ae ^ ae c | ^ | EOPS-U-0025



Op-47

O E | ae * ^ A @ A & O a • A [A @ A @ } A a @ } ^ a E @
 & O a • A a ^ A ~ | | a * A a [, } , a a A a a A a a a • c
 O { • ^ | c ^ • E O a a ^ ~ | | A a @ } A @ A ^ & | a * A & O a • A |
 [O | A a a a } ^ | A • a * A [[{ ^ | ^ | A a a a ^ | ^ | A a] | ^
 { ae a ~ { A } • a } E A A ^ A a a { ^ A a a ^ } @ }
 a a a a @ * A a A ^ { [c a * A @ A ^ & | a * A ^ a a • A a A @
 ^ c d ^ { ^ A } • a } A c | | c ^ a A @ } A ^ | a e ^ a A @ A @
 [] } a a A a a | a a a ^ a ~ • a b | ^ E



Op - 48

Y @ ^ A @ | a * A @ A a ae | A a a A] | ^ { ^ } d E a ^
 [& S a a] a a a d] • A | A @ & A @ a @ A a ae | A a a
 a] | ^ { ^ } O A ^ A [O | c ^ a A | A @ a A a a A @ A @
 • ^ & | a * A & O a • A @ ^ A a a a ^ a A } • a } E A a | a *
 d a] [| O a a a A | a a a * E A @ A | } a * E | A ^ | c a *
 a e d] A a a ^ | + | { ^ a E a d] A a @ A ^ c a a e A | Saa]
 d | a • ^ & O A A ^ & | a A ^ A @ A] a a EOPS-U-0026

CD9F5HCB

CD9F5HCB

ùöòüuvöÿ

U] ^!æǻ } Á^&ǻ } ÁË G

A 5 =BH9 B5 B7 9 'G9 7 H=C B

T aq c} a} &^Á^&ç } Á È

A5-BH9B5B79

A5-BH9B5B79

F9; I @ F`A5-BH9B5B79

V@/ 0' c' a' p' A' a' A' @ @ A' ^ ~ | a' A' ^ i' c' a' a' * A' @ ~ | a' A' ^ A' [] ^ A' a' A' a' e' a' A' } A' Q' ~ | • A' - A'] ^ | a' a' } E' A' ^ A' @ A' a' a' d' | • A' Q' ~ | { ^ c' | A' A' A' c' | { a' ^ A' @ } A' ^ ~ | a' A' ^ i' c' a' a' * A' A' ^ ~ a' a' E'

8 U] mcf'9j Yfm, ' < ci fg

#9A`	G9FJ=9	7CAA9BHG
Ö: ã^ Á @ ec Á [\ ^ E' M' E' ã c BÁÚc à Á @ ec	Ö: ^ a ^	Ö: ^ a ^ A' a' a' / a' • d' & c' a' a' / a' ^ a' a' a' T' a' a' c' } a' & A' ^ & c' }
Ú {] Á Ö: ã^ Á @ ec	Ô @ & A' a' A' ~ a ^	Q • ~ ^ A' ã^ Á @ ec } a' A' a'
Ö: a' \ • @ ec Ö: a' c' a' A'	Ô @ & A' ~ a' a' A' [{ { ^ •	Ü ^ a' A' [{ { ^ • A' a' a' a' a' A' a' • a' *
Ú ã [a' Ú [a' •	Š a' a' a'	Q a' & c' ^ a' ^ A' } a' / a' a'] ^ a' • A' a' } a'
P^ a' i' a' a' a' a' a' *	Ô @ & A' A' a' •	V a' @ } A' @ } A' ^ a' a' E' Ö A' B c' • A' A' @ } a' • A' d' A' @ & A' - A' ^ a' • E' Ü ^ a' T' a' a' c' } a' & A' ^ ^ a' a' c' } •
S) ã^ • A'	Ô @ &	Q • ~ ^ a' A' a' • a' * A' A' a' a' a' } ã^ • E' @ } ^ A' A' @ } ^ } A' a' ^ a' a'
Ú] a' a' ^ A' [~ } a' * A' • Q] a' a' ^ A' A' ^ & D	Ô @ &	H D - A' G' A' ~ ^ A' A' H F - a' a' • E'
S) a' A' [~ } a' * A' • Q) a' A' A' a' \ D	Ô @ &	Ú: ^ E' a' a' a' a' a' @ ^ a' a' • E' a' } A' d' ~ ^ A' A' E' A' a' a' • E'
Ö a' \ A' [~ } a' * A' • Q a' \ A' A'] a' a' ^ L	Ô @ &	Í ð - A' A' E' H - A' a' ~ ^ A' A' G E A' A' A' A' a' a' A' a' a' • E'
Ó •	Ô @ & H a' b' • c	Ô @ & A' A' [\ ^ } E' a' @ } A' a' ^ ~ a' a'
T a' a' A' a' a' ^ a' a' a' • Ö ^ &	Ô @ & A'	Ü ^ d' ~ ^ A' • A' A' ~ ^ •] ^ a' a' a' a' } • A' a' @ A' ^ & c' }
P^ a' i' a' a' a' a' a' a' ^ c' ^	Ô @ &	Q a' a' A' a' ^ ~ a' a' A' - a' A' ^ & [{ { ^ } a' a' a' } •
Ü Ö Ö Á Ü V Ö Ü Y	T a' a' c' } a' & A' ^ & c' } A' E'	

A5-BH9B5B79

K 99? @MCF'9J9FM(\$' < CI FG

#9A

G9FJ=9

7CAA9BHG

Ü[æ^ Á] ã á^

Š à|ææ^

Òç^!^ Á €Á@~!•Á!Á ^\|

K 99? @MCF'9J9FM)\$' < CI FG

#9A

G9FJ=9

7CAA9BHG

Q Á/æ \ Á^ á:æ |æÁ| æ
Qç^! Á/\$' a]Wcb' Z' hYfL

Ô@æ * ^

Ô@æ * ^ Áæç! Áá•Á €Á@~!•Á!|
@} Áç^!^ Á €Á@~!•Á!Á^æ|

Q Ěš^ Á Pã @Á!^•~!^
Qç^! Á/\$' a]Wcb' Z' hYfL

Ô@æ * ^

Ô@æ * ^ Áæç! Áá•Á €Á@~!•Á!|
@} Áç^!^ Á €Á@~!•Á!Á^æ|

ACBH< @MCF'9J9FM%' \$' < CI FG

#9A

G9FJ=9

7CAA9BHG

P^ á:æ |æÁ| æ Š ç^! Á

Ô@&

QãÁæ Á ^^áá

P^ á:æ |æÁ/æ \ Á!^æ@:

Ô!^æ Ę@& Ę!^] |æ^

Ô!^æ Á!Á^] |æ^ Á
Á!^ { ^} @æ Á^~ á^á

F YUf' HJfY' HndY
ÁÁÁÁÁÁ Á Ę ĘÜH
ÁÁÁÁÁÁ Ę ĘH
ÁÁÁÁÁÁ Ę ĘH

AU 'D'G'É
GJ
G
G

ÜÖÖÜUVÖÜY

T æ ç } æ & Á!^ & ç } Á Ę

A5-BH9B5B79

A5-BH9B5B79

M95F @MCF'9J9FM) \$\$' < CI FG

#9A

G9FJ=9

7CAA9BHG

Ù] ã à|^Á!^æ^

Ô@*^

T [ð |Á Á] ã à|^Á] |ã ^Á

Ô@*^

P^ à!æ |ãÁæ \Á! ã

Ô@*^

QÁæ \ Á^ à!æ |ãÁ! ãÁæ!
fl\$'a]Wcb'Z]HfL

Ô@*^

QËã ^Á ÚÁæ!
fl\$'a]Wcb'Z]HfL

Ô@*^ /~~~~~!

Ô@*^ Á @} Á áæá
à^ Á^ dæ } Á áæ |È

P^ à!æ |ãÁæ \Á!æ@!

Ô@*^

ÙÒÒÀÛUVÖÛ

T æ } æ & Á! & } Á È

A5-BH9B5B79

A5-BH9B5B79

A5-BH9B5B79

HFCI 6 @G<CCHB;

GMADHCAG

751 G9

F9A98M

Xā;āā } }

Š [• ^ ÁÓ []

Ó @ & Á ; Á [] Á ā Á @) Á
! ^ & { { ^ } ā ā Á ! ~ ^ Á ^ & ā ā } • Á Á @
• ^ & ā }

Ô ÷ ă Ą • ^ { à |

ā Ź @ & Á ; Á ; ā ā Ą ; ā ā Ą & Ē
~ } ā ā ā & ā Ą ; Ą ÷ • @ Ą Ą
ā Ą Ź Ą | ā ā Ą Ą Ą ā ā Ą

ā Ź Ó @ & Á ; Á ā Ą Ą [] ^ Ą Ą ā Ą } ā * Ą ā Ą
@ Ą Ą ÷ ă Ą • ^ { à |

T [, ^ Á Ą Ą Ą [á Ą

P Ą ā ā Ą ā Ą ā Ą ,
Š ā ā • Ą Ą Ą ^
Ą Ą Ą Ą Ą Ą Ą Ą Ą Ą Ą

Ô @ & Á ; Á ā Ą Ą Ą Ą Ą Ą Ą
V ā Ą) Ą ; Á Ą | ā ā ā ā ā * ā ā ā ā •
Ô @ & Á ; Á • • Ą Ą Ą Ą Ą Ą Ą Ą Ą Ą
] ; • • Ą Ą Ą Ą Ą Ą } Ą [Ą Ą Ą Ą Ą • @ ~ Ą Ą Ą Ą
Ą ā Ą Ą Ą Ą Ą Ą Ą Ą

S ā \ ^ á Ą ; Á [& Ą Ą

Ô Ą ā Ą Ą ; Á Ą | ā ā Ą Ą •

Ą Ą Ą Ą Ą Ą Ą Ą Ą

Q •] ^ & ā Ą Ą ā Ą ; Á Ą | ā ā Ą Ą Ą Ą Ą Ą

U ā Ą { } Ą ā Ą Ą Ą

Š , Ą Ą Ą Ą Ą Ą Ą Ą Ą Ą
S ā \ ^ á Ą [& Ą ā ā • •
Y [] Ą Ą { } Ą [Ą Ą

Ó Ą * Ą Ą Ą Ą Ą [] Ą Ą Ą Ą Ą Ą
Q •] ^ & ā Ą Ą ā Ą | ā ā
Ô ā ā Ą Ą Ą Ą Ą Ą

T [, ^ Á Ą Ą Ą [á ā Ą Ą Ą

Ó [,) Á • •

Ô @ & Á ; Á Ą Ą Ą ^ Ą Ą Ą Ą [, ^ Á , ā ā
ā ā ā } ā ā } ā ā | ā ā

Ó ā Ą Ą Ą Ą • Ą [• ā
Š , Ą Ą Ą Ą Ą
S ā Ą Ą

T ā Ą Ą Ą Ą Ą Ą Ą Ą Ą Ą Ą Ą
Ô @ & Á @ ā ā Ą Ą Ą Ą Ą Ą Ą
Ô @ & Á ; Á ā ā Ą • • Ą Ą
! ^ ā ā @) Ą ; Á Ą | ā ā

Ô Ą & Ą [] ā Ą [Ą] [ā ā ā Ą Ą

ā Ą ā ā Ą Ą Ą Ą Ą Ą Ą Ą Ą Ą Ą Ą
{ [, ^ Á , ā ā Ą Ą Ą Ą Ą Ą , ā ā Ą Ą
} [á ā ā ā ā ā ā Ą Ą [Ą Ą Ą Ą] * ā ā * Ą Ą
• [Ą] [ā ā] [Ą Ą Ą Ą Ą Ą Ą Ą Ą Ą Ą Ą Ą
• , ā ā ā ā Ą [] Ą [• ā ā] Ą ā ā , ā ā ā
• & Ą , ā Ą Ą Ą Ą Ą Ą Ą Ą Ą Ą Ą Ą Ą Ą Ą Ą Ą Ą
• { ā ā Ą Ą } Ą Ą Ą Ą Ą Ą Ą Ą Ą Ą Ą Ą Ą Ą Ą
{ ā ā ā ā Ą Ą Ą Ą Ą [á ā ā ā ā Ą Ą Ą Ą Ą
& @ & Ą Ą Ą Ą Ą Ą Ą Ą Ą Ą Ą Ą Ą Ą Ą Ą Ą Ą
& & ā ā ā ā ā Ą Ą Ą Ą Ą Ą Ą Ą Ą Ą Ą Ą
% Ą Ą Ą Ą Ą Ą Ą Ą Ą Ą Ą Ą Ą Ą Ą Ą Ą Ą

U ā Ą Ą Ą Ą Ą Ą

T ā ā Ą Ą Ą Ą Ą Ą Ą Ą Ą Ą Ą

A5-BH9 B5 B7 9

A5-BH9 B5 B7 9

HFCI 6 @G<CCHB; 'f7 CBHBI 98L

àÈÛ^ [ç^Á@Á~!Á[|Á@ |áá * Á@Á { æ
 à| & Áç Á@Á æ Áà| & ÈÁ@Á áÁ^ [ç^
 • { æÁ| & Á^á * Á@~ |Á [Á Áæ æ^ÁË
 |á * ÈÁ^È

ÈÛ^æ Áç^!Áæ áÁ^È • æÈ

àÈÛ^ [ç^Áæ*^Á~ Á } Á æ^Á Áæ*^Áæç^
 à| & ÈÁ^ [ç^Á • |á * ÈÁæ áÁ^ • ^Á } ^^á^
 } [• ^Áç^Á^!á Áç Á^ ||Á • [|Á+ [{ Áà| & È
 & @ & Áà| & Áæ áÁ • [|Á+ |Á& } æ á æ ç
 æ áÁ & æ& • ÈÛ^æ Á } æ ç Á |Á^ |æ^Áæ
 • & æ& @ áÈ

T [ç^Á~ } • Á^ c
 , áÁ [ç^ c

Ó | ç
 V } • á } ^!

Q • ^ & Á^ | ç } áÁ^ || ^ • ÈÛ^ |æ
 à | ç } áÁ^ æ Áæ Á ^^ áÁÈ
 ÇÁB • Á^ } • á } ^! Á^ Áæ Á æ @ |
 , æ @ |Á Á^ • @ Á æ Á } Á Á^ æ^È

T [ç^Á~ } • Á^ | ç
 | Á [ç^æ

Ô } æ á æ ç • Á^ d æ ç *
 • [| Á [ç^ { ^ } ç
 çæç^Á [á^

Û^ [ç^Áæ*^Á~ Á } Á æ^Á Áæ*^
 çæç^Á | & ÈÛ^ [ç^Á } |á * ÈÁæ áÁ • ^
 } ^^ áÁ^ [• ^Áç^Á^!á Áç Á^ ||Á • [|
 + [{ Áà| & ÈÁ@ & Áà| & Áæ áÁ • [|Á+ |
 & } æ á æ ç • Áæ áÁ & æ& • È

Û^ & ç } Áá ^ • Á à • d^ & ç á

Ô^æ Á æ ç Á |Á^ |æ^Áæ & æ& @ áÈ
 Ô @ & Á |Á á } • Á |Á à • d^ & ç } Á
 • ~ & ç } Á ç • È

Š , Á áÁ ç^

Ô @ & Á @ áÈæ \ Á ç^ Áæ áÁ |È

Û { | Á áÁ [ç^ | \

Ô ç & • • ç^ Á^ ^æ Á }
 á ç | } æ Á æ ç

Ö æ æ • ^ { à | Áæ áÁ^ } æ È

T [ç^Á~ } • Á^ | ç
 | Á [ç^æ

Ô ç & • • ç^ Á^ ^æ Á }
 á ç | } æ Á æ ç

Ö æ æ • ^ { à | Áæ áÁ^ } æ

NOTE: If flow meter is available, check pressure and flow volume for all suspected hydraulic problems.

ÇÁ@Á | ç } Á Á^ |Á | à | Áæ } [ç^ Á^ ~ } áÁ Á@Á^ & ç } ÈÁ@Á@Á^ & ç ÁÛ^ çæ^Á^ |Á^ • ^ } ææ^Áæ@
 } ~ { à | Á ç , } Á } Á@Á^ | ç ç^ Á^ Á@Á^ æ } æ È

ÙÒÒÁÛVÇÛÿ

T æ ç } æ & ÁÛ^ & ç } Á È

A5-BH9B5B79

@ 6F75HCB F97CAA9B85HCBG

89G7F-DHCB 5DD@75HCB ; 9B9F5 @GD97 = 75HCB F97CAA9B898
AC6=@@ 6F75BH

Viæd |Á^áiæ|æ Ü^•^!ç[ä RÖËÉÖ
T ØÁ FFHÍ ÈÁ FFI F
ØPPT GÖFH ÖÁØP PGEFD

T [, ^!Á^áiæ|æ Ü^•^!ç[ä
Ö [|áÁ^ {] ^!æ |^•ÁÉ»ÖÁæðM
P [| { æÁ^ {] ^!æ |^•ÁÉ»ÖÁæðM
P [| { æÁ^ {] ^!æ |^•ÁÍ »ÖÁæðM
Pä ÖÁ ^!æä *Á^ {] ÈÖa [ç^ÁÉ»Ö

ÖUÁÍ ÁÖ çÿ ^æ È [, Á^ {]
RÖËÉÖ
T ØÁ FFHÍ ÈÁ FFI F
ØPÁ Á GÖFH ÖÁØP PGEFD
ÖUÁÍ ÁÖ çÿ ^æ
ÖUÁÉÉÁÖ çÿ ^æ

T [ääÖVÖÁÍ T
T [ää^ äÁ G
T [ääÖVÖÁÍ
T [ääÖVÖÁÍ T

ÖäÜ^æÁÖ^æà [ç Ö!^æ^ ÚÖUÁ^ } @ çÁÖ çd^ ^
Ü!^•~ |^ÁÖ^æÁ^ à^ T [ääÜPÖÁÍ Y ÈÉ
T [ääÜ^ } @ çÁÖ^æ

Ö^ ç^!ÁÜ @ççÁÖ [^ } á Ö!^æ^ÁÖ^ } Šäç { ÈÖ [{] ^ç
Ü [|^!ÁÜ @ççÁÖ [çäD Öçd^ { ^ÁÜ!^•~ |^
PŠÖÇÁÖUÁGE

T [ää^!^æ^ÁÖT ÈÜ

Ö!ç^ÁÜ @ççÁÖ [^ } |^! Ö!^æ^ÁÖ^ } Šäç { ÈÖ [{] ^ç
Ö!ç^ÁÜ @ççÁÖ [çäD Öçd^ { ^ÁÜ!^•~ |^
PŠÖÇÁÖUÁGE

T [ää^!^æ^ÁÖT ÈÜ

Ö!ç^ÁÜ @ççÁÖ [^ } |^! Ö!^æ^ÁÖ^ } Šäç { ÈÖ [{] ^ç
WÈ ç çÁÜç àÁÜ @ç Öçd^ { ^ÁÜ!^•~ |^
PŠÖÇÁÖUÁGE

T [ää^!^æ^ÁÖT ÈÜ

Ö^ & ÁÜ] ä |^ÁÜ [çä^ D Ö!^æ^ÁÖ^ } Vá ^!ÁÜ çöÜ] ä |^Á^ à |æ ç
Üæç { à^!ÁÍ | | €€€€

T [ääçÜPÖÁÇÉ

ÜÖÖÁÜVÖÜY T ää ç } ä & ÁÜ^ çä } Á ÈÉ

A5-BH9B5B79

A5-BH9B5B79

A5-BH9B5B79

DC @M7 5 F6 CB5H9 75 F9 / A5-BH9B5B79

V@Á; [|] ; ãæ^ ÁVXÁæ ãÁOá:æ ã } ÁÜ^•ãæ ó^~!-æ&Á& ææ * Á } ÁUP@SÖÜÁÜWUÓÜÓU@VÖÖÁ [| &æà[} æ
•ã } æææ ã^ Á } [| ç^•Á^!+!+! } æ &ÉÜ^!ã áæ&Áæ ã * Á •ã * Á [|]^!Á [| &ã^!•Áæ ãÁ& { } ææ^!Á&^æ ã^•Áæ^
!^& { { ^ } á^áÁ Á [|] } * Á^!ç&^!ãÁÉV^!ÁO [|] É [|] &æà[} æ^!ÁÜWUÓÜÓU@VÖÖÁ } Á [|] ç^!ã^•É

7 @5 B-B; 'H<9 'GI D9F7C5H<5F8!7C5H

FÈ Y æ @, ãOá ãáÁ [|] ç^! } Á Á [æ Á | Á^!^*^) óæ ãÁ^ \ ^, æ { Á æ^!É
GÈ W ã * ÁÁ [- &Á [ç^!Á]] *^É^) ç^! Á æ @Á @^!Á Á [•^] Ááóæ ãÁ:ã ^Áæ ãÁã •^Á ^!Á ãOá^æ Á
, æ^!É
HÈ V Á | ^ç^!) óæ ãÁÁ [çæ * É@ [|] * @ Á | ^ Á ãOá^æ [ãÁ | Á^!] [•^Á] [] *^É
I È Ç [ãÁ@Á •^Á Áæ:æ ã^!Á^æ ã^!•É^ ~^!^*^•Áæ ãáÁ^!Á @ | Á^!æ ã * Á } [|] ^ } •Á@æ ã Á æ Á | Á [~^!Á
@Á& ææ * É

7 @5 B-B; '5; 9BHG'K <7 <'<5J9'699B': CI B8 'HC'69'7CAD5H6 @ 'I B89F' @6CF5HCFM 7CB8HCBG.

- " ÇE^ [|] •ÁÜ [|] ç^! } •Á ÁÜ [æ •Áæ ãÁO^!^*^) •
Y ã á^ç V [] Á^! à R [] ^ T | ÉÖ | ^æ
Oæ ææ ã Ç [] { ~ | æ Á É U { æá @ÁÖFG Ó^ & á^&æ
- " U! * æ ãÁÜ [|] ç^! •
Ó^ ç | ÁO^!] [|] ç^! S^! [•^] ^ P^ ç^! ÉÜÉÜ É | I Pæ @ ç^! XT BÚÁO! æ^!D
P^!^& ÉÜ|æ^! V^! & Á É G
- " Ç& @ | •
T^ @ ç^! [] Ç [] [] [] ^ |

ÇÁÁ •ã æá^! * æ ãÁ [|] ç^! •Á @^ | áÁ^!^! { [|] ç^!áÁ ãOá^!^& } áæ^ Áã •^É

; F5 :: H-F9ACJ5 @

Ó^ ç | Á^!] [•^Á] ç^! Á^! { [|] çæ^! Á ææ •É æ ã^!^*^) Á \ •Éã •æ ÉÁ &ÉV @ Á •^Á Á æ \ ã * Áæ ^Éæ @ •ã^!Áæ^
[|] Áæ \ Á^! { [|] çæ^! [] •Á [|] Á^! Á^! Áæ ã * Á - Á | áÁ^! æ@ | ^ áÁ ææ •É
V Á^! { [|] ç^!Áæ^! •É^ çæ^! Á^! •É^ çæ^! @ Á •^Á Á^! [•^] ^! Á^! ÁXT BÚÁ æ @ çæ^! Á^!^) Á^! ç^! Á - &ã^!ÉY @ } Á@
• [|] ç^!) óæ ãÁ [ç^!] ^ çæ^! Á çæ^! Á^! æ^! æ^!] | Á@ æ^! çæ^! Á^! Á^! Á [•^] Á@ Áæ @ •ã^!Áæ ãÁ [|] [|] ç^!Á^! { [|] çæ^!
Çæ^! æ^! çæ^! Á^! } áÁ^! Á^! & { } ææ^! Á^! Áæ @ | ç^! { Á^! çæ^! Á^! } æ^! Á^! Á^! } áÁ^! Á^! & { } ææ^! Á^! Á@
- |] áÉV @ Á^! } ç^! •^! É@ ^ ç^! ÉÁ Á [óæ æ •Á^ ~^! É@ çæ^! | ææ^! Á^! +!+! } æ & Á Á [Á^! ææ ç^! Á@ çæ^! ç^! Á^! } áÉ •^
& { } áæ } •Á @ ç^! Á^! Á^!] | ææ^! áÉV @ | ^ +!+! Á@ •^! Á^! • | •Á • @^ | áÁ^! Á^! •^! Áæ Áæ^! ~ çæ^! Á^! } | Áæ ãÁÁÁ
!^& { { ^ } á^! áÁ@ çæ^! Á^! Á^! •Á@ Á^! [á^ & Á^!] á^! Áæ ç^! Á^! } áÉ •^ & { } áæ } •É

ÜOÖÁÜUVÖÜY T æ ç^! } æ & Á^! & ç^! } Á É F

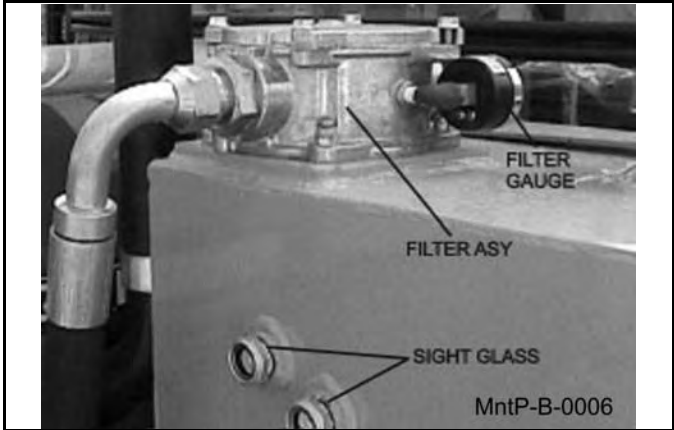
A5-BH9B5B79

A5-BH9B5B79

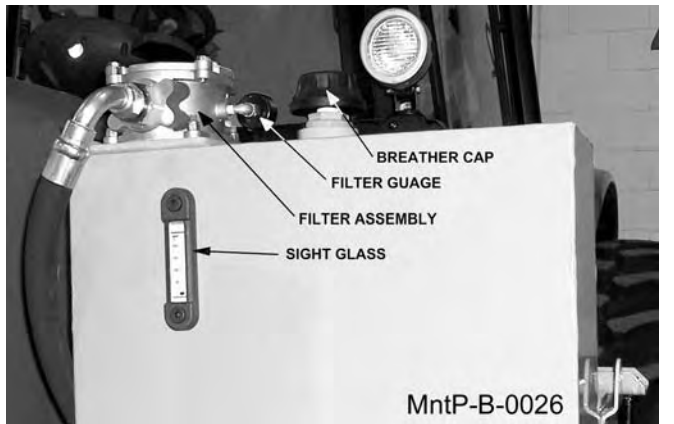
F97CAA9B898 : =@@B; `BGFH I 7 HCBG: CF`<M8F5I @7` F9G9FJC=FG

Y @ } Ááá * Á! Á@ & á * Á@ Á áÁ ç! É@ Á } á@ @ ~ |á
à Á } á! á Á } Á á! ç! Á! ~ | á! É@ @ c : : Éá á
á! , Á ~ áá } á! Á! Á! [Á! á! áá } á! { } Á! á! : Á É
V Á Á & á! } Á , @ } Á! Á! [çá * Á @ Á]! Á! ~ | á! á
á! á! @ : É@ Á [Á]! á! Á! á! ç! Á! Á! } * Á , @ }
! Á! [çá * Á! á! : É@

Á! ~ | Á! Á! ç! á! Á! Á! [Á! á! @ Á! á! Á! Á! Á! Á!
! Á! Á! ç! á! Á! @ ~ | á! Á! Á! á! Á! Á! Á! Á! Á! Á!
! Á! Á! á! Á! } Á! Á! á! Á! Á! Á! Á! Á! Á! Á! Á!
V @ Á! Á! ç! á! Á! Á! Á! Á! Á! Á! Á! Á! Á! Á!
á! Á! Á! Á! Á! Á! Á! Á! Á! Á! Á! Á! Á! Á!
á! Á! Á! Á! Á! Á! Á! Á! Á! Á! Á! Á! Á! Á!
Á! Á! Á! Á! Á! Á! Á! Á! Á! Á! Á! Á! Á!
Á! Á! Á! Á! Á! Á! Á! Á! Á! Á! Á! Á! Á!
Á! Á! Á! Á! Á! Á! Á! Á! Á! Á! Á! Á! Á!



Á! ~ | Á! Á! ç! á! Á! Á! Á! Á! Á! Á! Á!
* á! Á! Á! Á! Á! Á! Á! Á! Á! Á! Á!
[Á! Á! Á! Á! } Á! Á! á! Á! Á! Á! Á! Á!
[ç! Á! Á! Á! Á! Á! Á! Á! Á! Á! Á!
{ á! Á! Á! Á! Á! Á! Á! Á! Á! Á!
Á! Á! Á! Á! Á! Á! Á! Á! Á! Á!
Á! Á! Á! Á! Á! Á! Á! Á! Á! Á!
Á! Á! Á! Á! Á! Á! Á! Á! Á! Á!



F9D@7-B; `B!H5B?`<M8F5I @7` : =@9F

Š [Á! } Á! Á! Á! Á! Á! Á! Á! Á! Á!
@ ~ | á! Á! Á! Á! Á! Á! Á! Á! Á!
! Á! Á! Á! Á! Á! Á! Á! Á! Á!
á! á! Á! Á! Á! Á! Á! Á! Á!
á! á! Á! Á! Á! Á! Á! Á! Á!



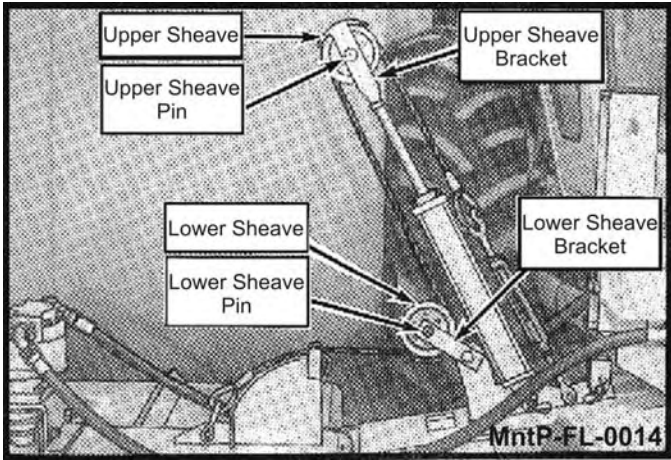
ÜÖÖÄÜVÖÜ T á! ç! á! á! Á! Á! Á! Á! Á!

A5-BH9 B5 B7 9

A5-BH9 B5 B7 9

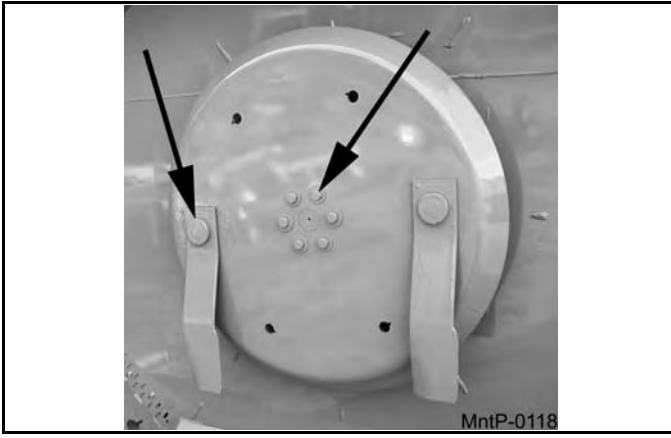
; F95 G-B; 'H<9 'I DD9F '5 B8 'C@K 9F 'G<95J9G

Š[&æ^Á@Á !^æ^Á \!·Á } Á@Á } á·Á Á@Á]]^!
 æ áÁ[, ^!Á· @æ^Á] æ·Áæ Á @ , } Áà^[[, ÈQb&c
 Šæ@ { È[{] |^cÁ Qæ^ { ^Á Ú!^··~!^Á!^æ^
 & } -!| æ * Áq Áb ŠÖÖUÁHGÉÁ·] ^8áæææ } ·Áæ d
 ^æ@] æ Á } dÁáÁ] | d~ á·Á+ [Ác@Á } á·ÉV@·^
 ·@~ |áÁæ [Á^Á!^æ^ áÁææ Á!Á! Ác^!^ ÁÁ@~!·Á~
 ·^!çæ^É



H< <H9B-B; '6 @ 89 '6 C @HG'5 B8 '8 =G? '6 C @HG

Öe! Ác^!^ ÁÁ@~!·Á-Á] ^!ææ } Á! Áææ Èc@Á } á·
 à[|ö Áæ áÁæ \ Á[|ö Á @~ |áÁ^Áæ @ } ^áÁæ Á[] | , ·K
 S) áÁÁ [~ } æ * ÁÓ[|ö Ác^!^ ÁÁææ!~ ^ÁÁ Á €€Á æ áÁæÉ
 |á·É
 Öæ \ Á [~ } æ * ÁÓ[|ö Ác^!^ ÁÁææ!~ ^ÁÁ Ác^!^ Á!Á! €
 [æ áÁææ·É



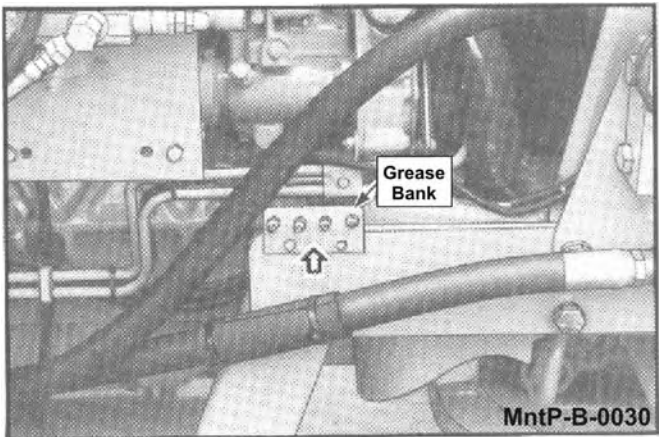
ÜÖÖÄÜUVOÜY T æ ç } æ & Á^&æ } Á È!

A5-BH9B5B79

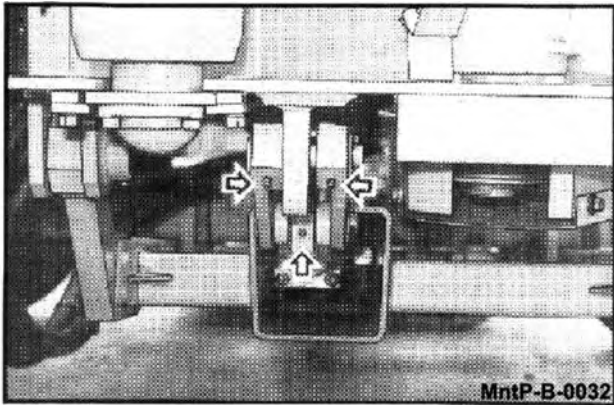
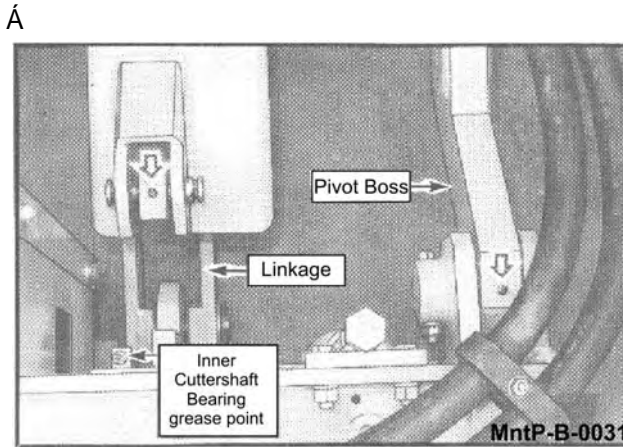
A5-BH9B5B79

; F95GB; 'BB9F'5B8'CI H9F'8F5: H'695A'D=JCH'DC=BHG

Š [&œ Á@Á'æ^Á\i·Á } Á@Á } Á'Á } áÁ' c'Á'æc
 à'æ Á] Á [Á à [··^·ÉÁ Qb&CÁ Šæ { É [{] | ^
 Öçd^ { ^Á\i··~'iÁ'æ^Á } + | { á * Á Á SÖÖÉU
 HGEÁ] ^&æææ } ·Á á d Á^æ&@: Á\i·Á' } çÁ'æ^
] | | d' á·Á' [{ Á } á ·ÉÁÖ: ^æ^ÁçÁ } Á [· Áææ Á' |
 ^ç'í·Á Á@'i·Á'Á'ç&É

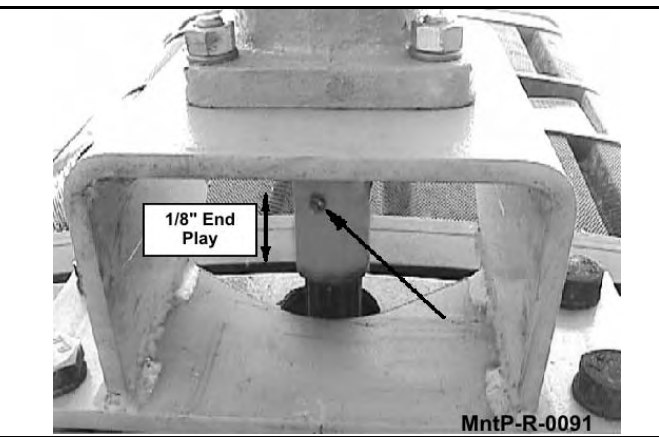


Y á@Á@Á& c'Á@æÁ [, Á'áÉÁ [&œ Á@Á'æ^
 : Á\i·Á' } Á@Á'á'æ^Áæ áÁ' } Á [Á à [··^·ÉÁ Qb&CÁ
 Šæ { É [{] | ^Á Öçd^ { ^Á Úi··~'iÁ'æ^
 & } + | { á * Á Á SÖÖÉUÁHGEÁ] ^&æææ } ·Á } çÁ'æ^
] | | d' á·Á' [{ Á@Á' } á·ÉÁ á@Á& c'Á@æÁ Á@Á
] | [·ææ } Á'Á Á' [Á] ··æ'Á' Á'æ^Á@Á'æcÁ'æ
 & | á'Á'æ &@!·Áæ áÁ' á·ÉÁÁ [, Áæ^Á@Á& c'
 @æÁ'ç [·^Á@Á'æ } á á * Á\i·Á' } Á@Á'æ& Áç
 | á'æ^·Áæ áÁ' } Á@Á'ç'í·Á' } áÁ' Á@Á& | á'æ^



; F95GB; 'DI AD'8F=J9G<5: H'7CI D@F

Y á@Á' } á·Á'ç]] á'ÉÁ } ·~'iÁ'á'Á' @æÁ' } { ^ } c
 à'Á'æ } á * Á' }] | Á'æ } áÁ' áá * Áææ Áæ } á Á' | cÉ
 Ö [~] | Á' @' | áÁ' áÁ'Á'Á' Á' á@Á'] | | çæ' Á'É+
 [Á' } áÁ' áÉÁ' }] | Á' [^·Á' [Á' áÁ'Á'Á'ÉÁ } ·^c
 + | Á' [·Á' } {] Á' [~ } Á [· ÉÁ' Á'ææ æ^Á'Á' [·^
 &æ } Á · @æÁ ææ c'ÉÁ Qb&CÁ Šæ { Á Ö [{] | ^
 Öçd^ { ^Á\i··~'iÁ'æ^Á } + | { á * Á Á SÖÖÉU
 HGEÁ] ^&æææ } ·Á á d Á' }] | Á' } çÁ'æ^Á'á' á·
 d Á'] | | d' á·Á' [{ Á' } á·ÉÁÖ: ^æ^Áææ Á' | Á'ç'í·Á'
 @'·i·ÉÖ [Á [ç'í·Á'æ^É



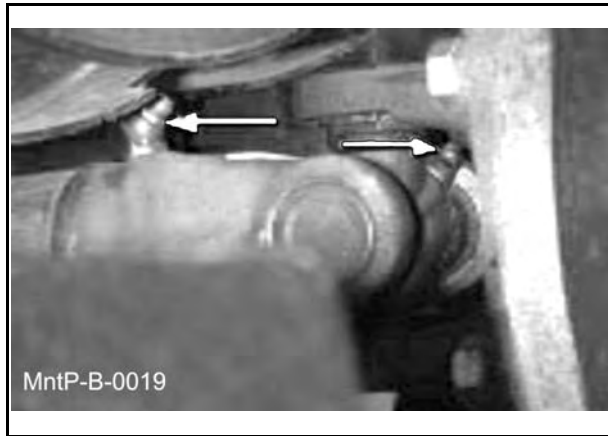
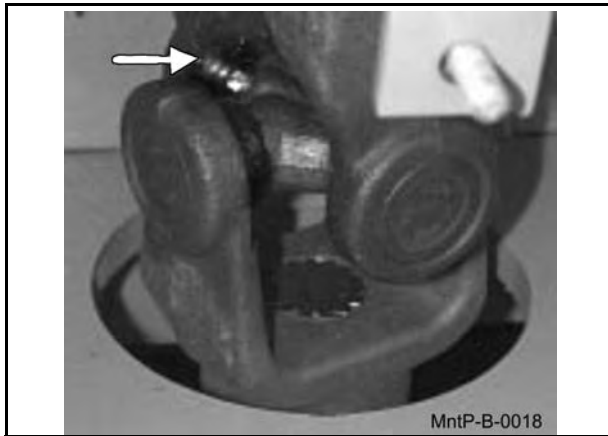
ÜÖÖÁÜVÖÜ T æ c' } æ & Á'æç } Á'Éí

A5-BH9B5B79

8F-J9'G<5: H'MC?9ZI !>C-BH/`GHI 6'G<5: H

Y @^) * a ^ A . d]] ^ a E a b & A S a @ { E O [] | c A ^ d ^ (^ A) | ^ . . ^ | ^ A * ! ^ a e ^ A & } + ! { a * A d A p S O O E U A H G E .] ^ 8 a B a a } . A d A } a ^ ! . a H a a o a e a A | a A [\ ^ A } a A ^ a e ^ A a } ^ a e . A a A @ A ^ a a E O ^ a e ^ A @ { A a a ^ A ! A c ^ ! ^ A @ ^ ! . E

A5-BH9B5B79

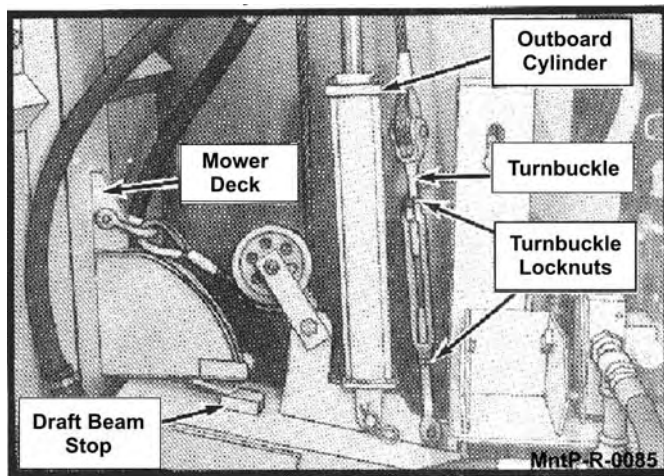


58>I GHB;`H<9'756 @`@: H

O c c } a A @ A ^ ~ a [a a A & | a a ^ A } a A @ A [, ^ | A ^ A & d ~ & @ . A ^ A d] A } A @ A i a a e ^ a e A A @ , } E

NOTE: Make sure the cable turnbuckle is loose enough to allow the cylinder to reach full extension before the head reaches the stop.

P [, A q | a A @ A @ a a e a e . o ^ @ A d] A a a A a } A @ c | } a ^ & | ^ A } a A @ A a e | ^ A a a @ E S [, ^ | A a a A a a ^ c @ A @ a a A e & @ & A @ A a b . d ^) e V @ A @ a a A @ ^ | a d ~ & @ . A d] A a A @ A a e ^ A a ^ A @ & | a a ^ A ^ a e @ . ~ | | A c c } . a } E V a } A : } a ^ & | ^ A | & A ~ o ^ A ^ e | ^ a e e | A a b . d ^) o e A | {] | c E

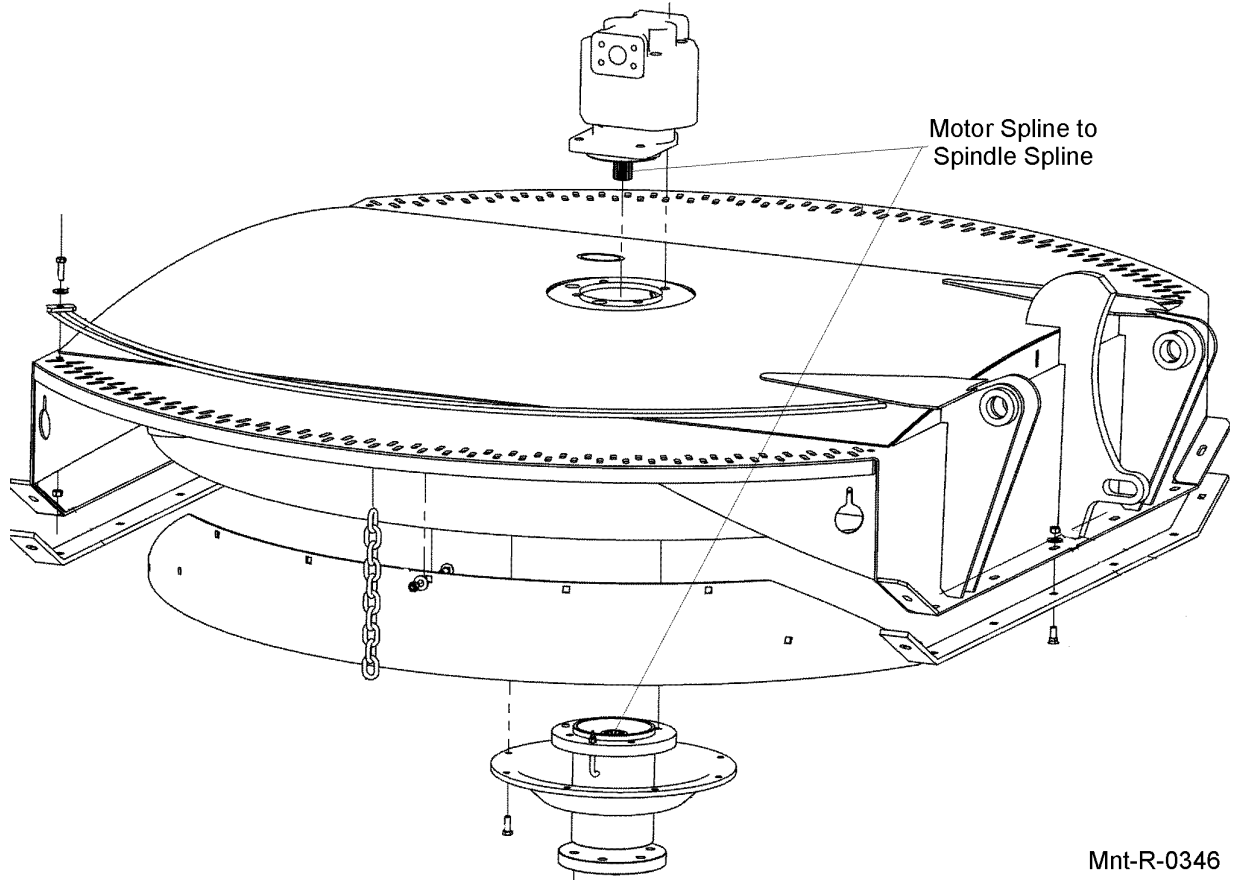


A5-BH9 B5 B7 9

A5-BH9 B5 B7 9

; F95 G-B; ACHCF GD@B9 HC GD-B8 @ GD@B9

Q | Áã^&óáíã^Á [, ^i•Éí &æ^Á [d!Á] |ã^Áã] áá!^Á] |ã^Á} Á@Á [, ^!Á^&ÉÖ!^æ^Á] |ã^Á} á@ [áã
 { [| Á GAV^Áã [~ ó Á } &^Á Á!^æ^ÉÖ @ *^Á!^æ^Á^æ | Á!Áç!^Á €€@ ;i•É



Mnt-R-0346

ÙÖÖÁÛVÖÛÿ

T æ ç } æ &^Á^&ç } Á È Ì

<95JM8I HMGD-B8 @ '5 GG9A6 @M-BGH5 @5HCB'5 B8 '695 F-B; ' 58>I GHA9BH

WARNING

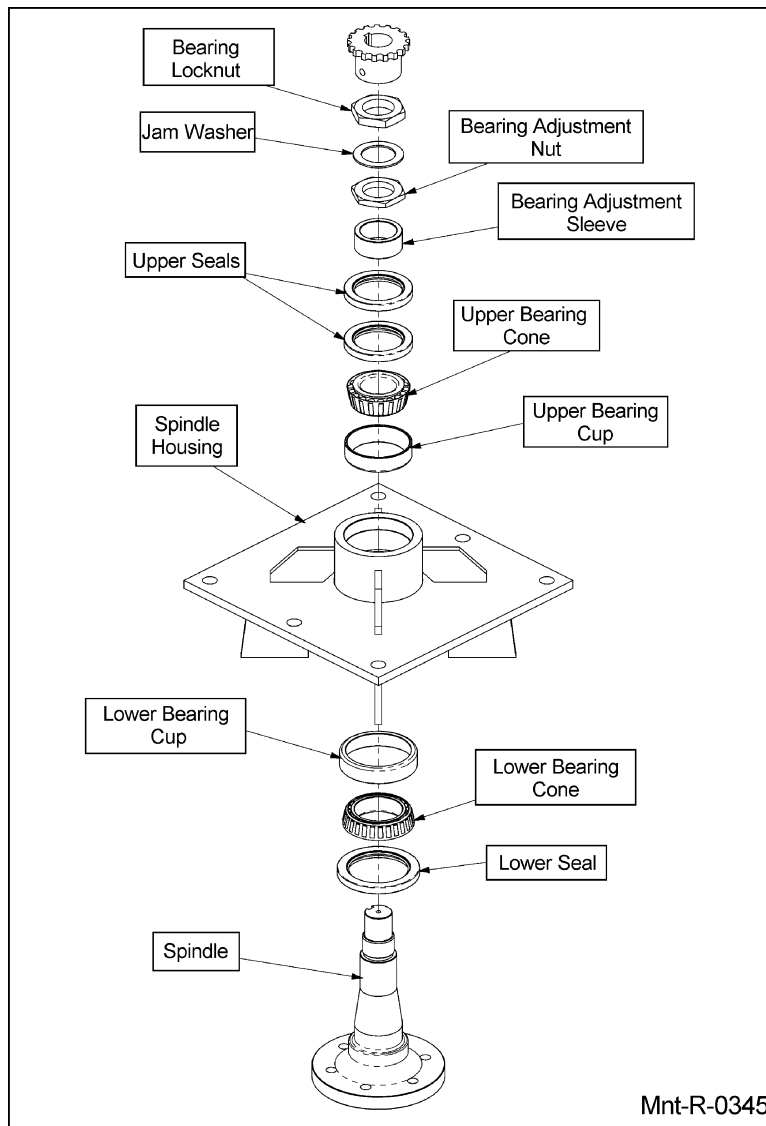
CAUTION: The grease zerk and gussets are located on the top side of the spindle housing. Be sure the spindle is assembled correctly.

NOTE: The grease zerk and gussets are located on the top side of the spindle housing. Be sure the spindle is assembled correctly.

6 Y gi fY'lc'k YUf'Ym' dfchWj'cb'UbX' ch Yf' dfchWj'j Y'Yei]da Ybh Ug'bYYXY'k \ Yb'k cf_]b['cb'gd]bX'Y UggYa V'mf

H<9'GD-B8 @ '5 GG9A6 @M

Ü^A@Aa|a A^|, A|A^} a@a } A-A] a^A a o E } @^A^ca * E



A5-BH9 B5 B7 9

A5-BH9 B5 B7 9

695 F-B; B-GH5 @H-CB

FÈ Ú!^••Á~]]^!Áà^æå *Á&} Áå ç Ác@Á•} å à!^ @~•å *Á

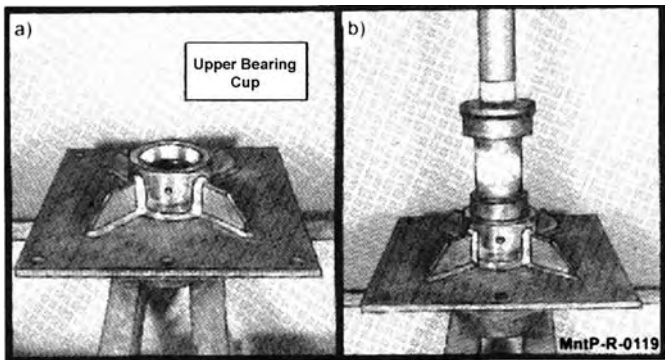
GÈ V'!] Ác@Á] å à!^ÁQ~•å *Á ç!Áæ åÁ!^••Áå Åc@ ||, ^!Áà^æå *Á&} È

HÈ Ú!^æÁc@Á], ^!Áà^æå *Á&} ^!Áå Ác@Áà^æå * &} ÈÁ^Ác@Á]!^••Ác@Á•^æÁå ç Ác@Á•} å à!^ @~•å *ÈV@Áå } ^!Á]å Á] Ác@Á•^æÁ{ ~•Áà^ ÖUY ÁÈç, æåÁc@Áà^æå *ÈÁ [Á] à!^æå Åå •^æå àÁå •æÁÁc@ÁQ~•å *È

I È Q•æÁc@Á] å à!^Áå Ác@ÁQ~•å *ÈSå @ Á]!^•• c@Á] åÁ] Ác@Á•} å à!^Áç Á•^æÁc@Á] å à!^ æåå •c@Áà^æå *Áå } ^!ÁæÁÈ

Í È V'!] Ác@Á] å à!^ÁQ~•å *Á ç!Áç] Á] •æå } Dæ åÁ]å æÁV^!Á] å à!^ÁS' à!^æå çQ æç } { à!^ÁÈ Í! ÈÈÈÈÈÈ c@Á] Áà^ÁÁ Ác@Á]] ^!Áà^æå *Á&} È

Ï È Û]] [[!c@Á] ç { Á] Ác@Á] å à!^Áå åÁ!^••Ác@Á]] ^!Áà^æå *Á&} ^!Áå åÁà^æå *Áæåå•ç ^) ç!Áç^Á] ç c@Á] å à!^È



NOTE: The spindle housing must turn freely when seating the bearing cone and sleeve.

ì È Ú!^••Ác@Áç [Á] ^!Áà^æå ç Ác@Á] å à!^ÁQ~•å *ÈV@Áå } ^!Áå Á] Ác@Áà^æå Á •c@ÁÁVÁæ æÁ! { Ác@ Áà^æå *ÈÁ [Áç&^Á] à!^æå çæå Á•æå ÁÈ

ï È Q•æÁc@Áà^æå *Áæåå•ç ^) ç!Áç^Á] ç DÁ [Ác@Á!ÁÁ ÁÈÈÈÈÈ ÁÁ^æå &ÁÁç ^) Ác@Á] çæ åÁc@Á] Áç^È Q•æÁc@Áæ Á æ @!È] |æå *Ác@ÁæÁå ç Ác@Á^È È æÈQ•æÁc@Áà^æå *Á] &Á] ~çQç Á] ç Dæ åÁç å ç @) Áæ æå •çæ Á æ @!Áå åÁæåå•ç ^) ç!Áç^Á] Á] Ác@Á] Á] |, å *Á^æç] Á] Ác@Á] *Áæåå•ç ^) È

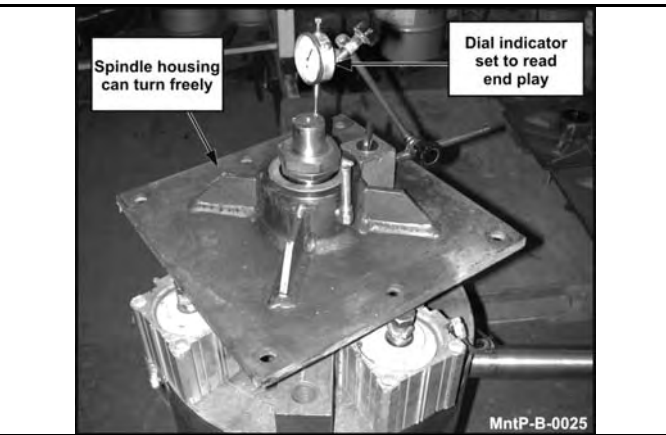
695 F-B; 58>I GHA9BH

FÈ Ö]æ] Ác@Á] ç { Á] åÁ] Ác@Á] å à!^Á^&^!Á] Áå æåå^Á [Ác@Á] å à!^ÁQ~•å *Áç] •Á^!È

GÈ Ú [•æå } Ác@Á] æ } ^Ác@Áæ ÁÁæÁå åÁæå] Á] Ác@ [~ç!ÁÁæ ^ç!Á] Ác@Á] å à!^ÁQ~•å *ÈS] ææ c@Á] åÁ] Ác@Á] å à!^Áæ åÁæå] Áæ æå •c@Á] ÁæÁ) å [Ác@Á] å à!^Á•æÈV@Áå åÁæå] Á] åÁ] , { ^æ ~!Áæ&] æ] Ác@Á] *Á] åÁ] æÈ

HÈ Vå @] Ác@Á] Ác@Á] *Áæåå•ç ^) ç!Áç } ç!Áç^Á] ÈÈÈÈÈÈ &ç [ç { ^) ç @] Ác@Á] å à!^ÁQ~•å * åÁ] åÁ] , æåÁæ æÁ! { Ác@Á] Áæ È

I È Y @] Ác@Á] Ác@Á] ÁÈÈÈÈÈ &ç^Á] |æÁç ^) Ác@ •] å à!^Áå åÁQ~•å *ÈQ•æÁc@Á] *Á] &Á] ç ççÁ Á] çÈP [|áÁc@Áæåå•ç *Á] ç!Áç^!Á] å å ç @] Ác@Á] &Á] ~ç!Áç^Á] ÁÈÈÈÈÈÈÈ È Á]] ~^È



Í È Çç!Ác@Á] &Á] ~ç!Áç @] ^ÁÈc@Á] ~•c@Á] ÁÈÈÈÈÈ &ç ÁÈÈÈÈÈ &ç Á^Á] |æÁ] @] Áæ ç!Á] *Á] Á] c@Á] å à!^ÁQ~•å *ÈÁ

Ï È Çç!Ác@Á] åÁ] |æÁ] Á] |&çÈÈÈÈÈÈ &ç ÁÈÈÈÈÈ &ç^Á] åÁæÁ] Á] Áæ Á æ @!Á] Á] Áç^) c@Á] &Á] ç!Áç { [[•^) å *È

Ü È Çç!Ác@Á] åÁ] |æÁ] Á] UVÁ] |&çÈÈÈÈÈÈ [•^) Ác@Á] &Á] ~ç!Áç åÁç] Ác@Á] åÁæåå•ç ^) ç!Áç^Á] ~åÁå åÁ^ÈÈÈÈÈÈ Ác@ [&Á] ~ç!Áç^Á] ^æÁå•ç æçÁç ÁÈ

ÜÖÖÄÜUVÖÜY T æç } æ &Á] ^ç] Á ÈÇG

A5-BH9B5B79

A5-BH9B5B79

85-QTA5-BH9B5B79`G7<98I @

V@Á-||, ă *Á•líçã•Á•@~|áÀ^Á]lí-|{ ^áÁãã~Á! Á^çlí^Ái Á@~!•Á[-Á•líçã~Á-||, ă *Áç@Áá^ã~á { ă ç } ă &^Á•d~&ç }•Á@Á]lí-|!•Á ă ~ ă È

~~~~~ Ú { ] Á!ă^Á@ç@&Á]!Á} áÁ|ă ă Á!ă^• @ç@~] |!Á} áÁ à!ă^Á^Á\•È

~~~~~ Ó!ă\•@ç@ãç ç!KÁ~] ă] ^áÁ ç@~ àà^Á!|{ { ^ç&ç&Á] áãã } Á^] |ă^Á ă•ă \*Á!Á áã ă^áÈ

~~~~~ Úç[ ç [ ă ç KQb&Á!^æ^Á} çÁ] ^ă^Á} á•È

~~~~~ P^á!ă|ă^Á \*•K@& Á-|Á|ă^Á, ç@] ă^Á!Á!Á&áà[ ááVã @^] Á-ă \*Á!Á^] |ă^Á@•^ ă { ^áã^|

~~~~~ S} ç^•KQ]^&ç!Á ă•ă \*Á!Áă ă^áÁ} ç^•Èç@ \*^Áç} |^Á { ] |ç^Á^ç Dă Á^á^áÈ

~~~~~ Ó|çK@&Vã @^] Á^] |ă^Á|ç^Á^á^áÈ

~~~~~ T ă Áç^ Á^Á & KÁV |^•Á ç@!, ă^Á] ^&áá^Áç!~^Á[ |ç^Á&ç!áă \*Áç Áç!~^Á] ^&áãã }•Á ç@Á^&ç} È

~~~~~ P^á!ă|ă^Á ç^Áç^K@áã~^á^á^Á^~ ă^á^Á^Á^ ç^Á^& { { ^} áãã }•È

~~~~~ Ú^ăÁçãÁ!ç^Áç^Áç \*Áç ă^Áç ăÁÚ@ç@~] |!Áç^Áç] |ă^Á^Á!^æ^Áç Áç•d~&ç^Áç Áç@ á^ã~á^ ă ç } ă &^Á^&ç } È

~~~~~ Ó~ ç^ÁÚ@ç@ ăÁ!~] ăÁÚ |!K@!^æ^Áç Áç•d~&ç^Áç Áç@Á^ã~á^Á ç } ă &^Á^&ç } È

Ú^çã^Álí-|{ ^áÁ^K ~~~~~ ÖæK ~~~ ð ~~~ ð ~~~ Á~|

T^ç|K ~~~~~

A UjbnbUbW`GYWjcb

EEV@Á ă^Á ă^Á^&ç] ááă ăÁ•^á^Á çç!-ç@Áç^Á ç } ă &^Á~ ç^ÁÈ

ÙÒÒÁUVOÛÿ

T ç } ă &^Á^&ç } Á Èç

A5 -BH9 B5 B7 9

A5 -BH9 B5 B7 9

ÙÖÒÄÛUVOËÿ

T æ ç } æ & ^ Á ^ & ç } Á Ë

PARTS SECTION

PART NAME INDEX

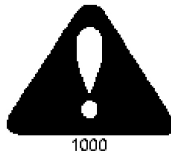
| | |
|---|----|
| RCTVUQTF GT&I "I W&G | 5 |
| VTCEVQT"O QWP V'MK | 6 |
| VTCEVQT"O QWP V'MK"/"J [FTCWN&U | 8 |
| ECDNG"O CP WCN+N&H"XCNXG"/"4"URQQN | : |
| FTCHV"DGCO "CUUGO DN[| 32 |
| VUT"F GEM"CVVCEJ O GP V"CUUGO DN[| 34 |
| VO "F GEM"CVVCEJ O GP V"CUUGO DN[| 36 |
| 82&"VUT" TQVCT["O QY GT"CUUGO DN[| 38 |
| 94&"VO "TQVCT["O QY GT"CUUGO DN[| 3: |
| TQVCT["O QY GT"VTCXGN"NQEM | 42 |
| 5&"Z"32&"Y GNF GF "E[N&F GT"DTGCMF QY P | 44 |
| 5&"Z"3: &"Y GNF GF "E[N&F GT"DTGCMF QY P | 45 |
| RWO R"FT&GUJ CHV"CUUGO DN[| 46 |
| RQN[ECTDQP CVG"UCHGV["Y &F QY | 47 |
| RCP QTCO &"UCHGV["Y &F QY | 48 |
| P QVGLU | 4: |

PARTS ORDERING GUIDE

The following instructions are offered to help eliminate needless delay and error in processing purchase orders for the equipment in this manual.

1. The Parts Section is prepared in logical sequence and grouping of parts that belong to the basic machine featured in this manual. Part Numbers and Descriptions are given to help locate the parts and quantities required.
2. The Purchase Order must indicate the **Name and Address** of the person or organization ordering the parts, **who should be charged**, and if possible, the **serial number of the machine** for which the parts are being ordered.
3. The purchase order must clearly list the **quantity of each part**, the complete and correct **part number**, and the basic **name of the part**.
4. The manufacturer reserves the right to substitute parts where applicable.
5. Some parts may be unlisted items which are special production items not normally stocked and are subject to special handling. Request a quotation for such parts before sending a purchase order.
6. The manufacturer reserves the right to change prices without prior notice.

NOTE: When ordering replacement decals, refer to the part numbers and descriptions listed in the safety section in the front of this manual.

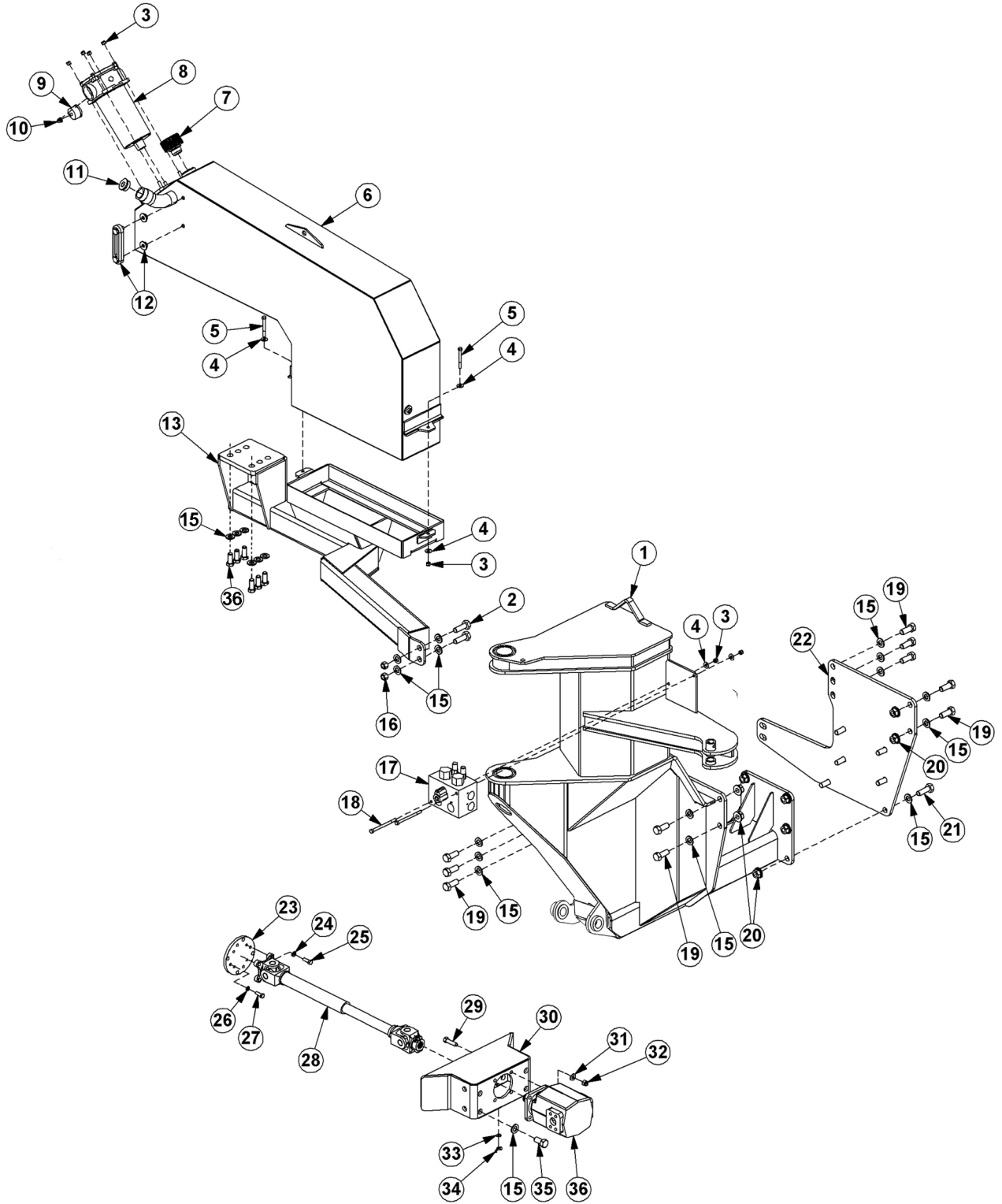


For maximum safety and to guarantee optimum product reliability, always use genuine **Tiger** replacement parts. The use of inferior replacement parts may cause premature or catastrophic failure which could result in serious injury or death.

Direct any questions regarding parts to:

Tiger Corporation
3301 N. Louise Ave.
Sioux Falls, SD 57107
1-800-843-6849
1-605-336-7900

TRACTOR MOUNT KIT



JD6105-125M-R SIDE ROTARY

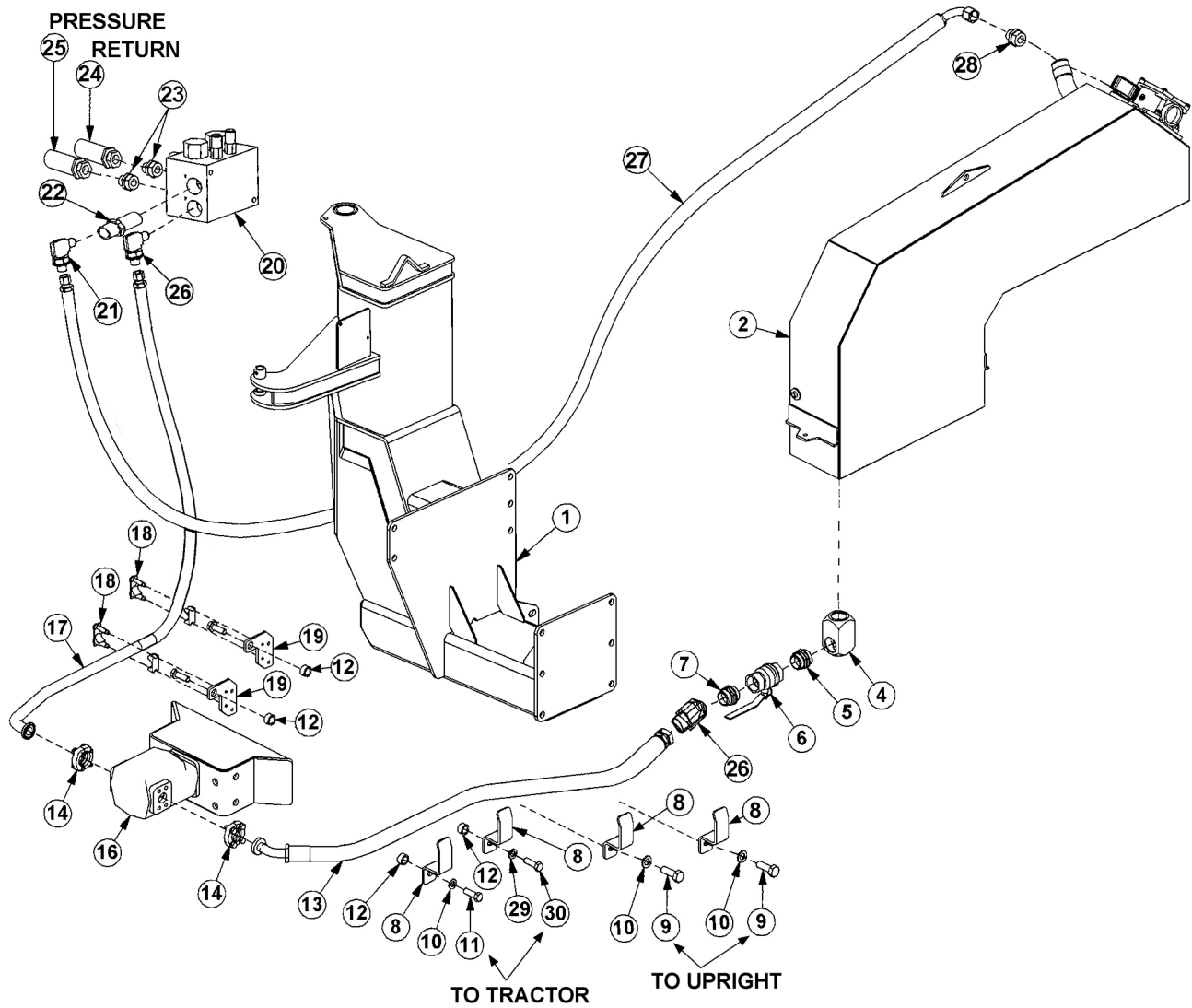
TRACTOR MOUNT KIT

Continued...

| ITEM | PART NO. | QTY. | DESCRIPTION |
|------|----------|------|-----------------------------|
| 1 | 06300248 | 1 | MAIN FRAME |
| 2 | 21833 | 2 | CAPSCREW,3/4" X 2-1/4",NC |
| 3 | 21627 | 8 | NYLOCK NUT,3/8",NC |
| 4 | 22016 | 4 | FLATWASHER,3/8" |
| 5 | 21639 | 2 | CAPSCREW,3/8" X 3-1/4",NC |
| 6 | 06700091 | 1 | TANK,WHEEL WELL,ASSEMBLY |
| --- | 06380015 | 1 | TANK,WHEEL WELL,WELDMENT |
| 7 | 06505077 | 1 | CAP,BREATHER,O-RING |
| 8 | 06505044 | 1 | FILTER,IN-TANK |
| 9 | 6T0649 | 1 | FILTER GAUGE |
| 10 | TF4888 | 1 | STREET ELBOW,1/8"NPT |
| 11 | 06505127 | 1 | PLUG,#20 SAE |
| 12 | 06505067 | 1 | SIGHT GAUGE,LENZ |
| --- | 06503175 | 1 | KIT,SEAL,SIGHT GAUGE |
| 13 | 06300257 | 1 | AXLE BRACE,LH |
| 14 | 23152 | 1 | PUMP |
| 15 | 33880 | 30 | FLATWASHER,3/4",SAE |
| 16 | 21825 | 8 | HEX NUT,3/4",NC |
| 17 | 06510084 | 1 | BRAKE VALVE |
| 18 | 21644 | 2 | CAPSCREW,3/8" X 5",NC |
| 19 | 31731 | 10 | CAPSCREW,20MM X 50MM,2.5P |
| 20 | 31722 | 10 | HEX NUT,20MM,FLNG,2.5P |
| 21 | 27281 | 6 | CAPSCREW,20MM X 60MM,2.5P |
| 22 | 06402200 | 1 | UPRIGHT,LH |
| 23 | 34998 | 1 | SPACER,DRIVESHAFT |
| 24 | 21989 | 4 | LOCKWASHER,7/16" |
| 25 | 21680 | 4 | CAPSCREW,7/16" X 1-1/4",NC |
| 26 | 32691 | 4 | LOCKWASHER,10MM |
| 27 | 23113 | 4 | CAPSCREW,10MM X 30MM,1.5P |
| 28 | 34999 | 1 | DRIVESHAFT,U-JOINT |
| 29 | 21733 | 4 | CAPSCREW,1/2" X 2",NC |
| 30 | 34993 | 1 | PUMP MOUNT |
| 31 | 06533004 | 4 | FLATWASHER,1/2",SAE |
| 32 | 21727 | 4 | NYLOCK NUT,1/2",NC |
| 33 | 22014 | 1 | FLATWASHER,1/4" |
| 34 | 32519 | 1 | WING NUT,1/4" |
| 35 | 24860 | 4 | CAPSCREW,20MM X 40MM,2.5P |
| 36 | 24879 | 6 | CAPSCREW, 20MM X 65MM, 2.5P |

JD6105-125M-R SIDE ROTARY

TRACTOR MOUNT KIT - HYDRAULICS

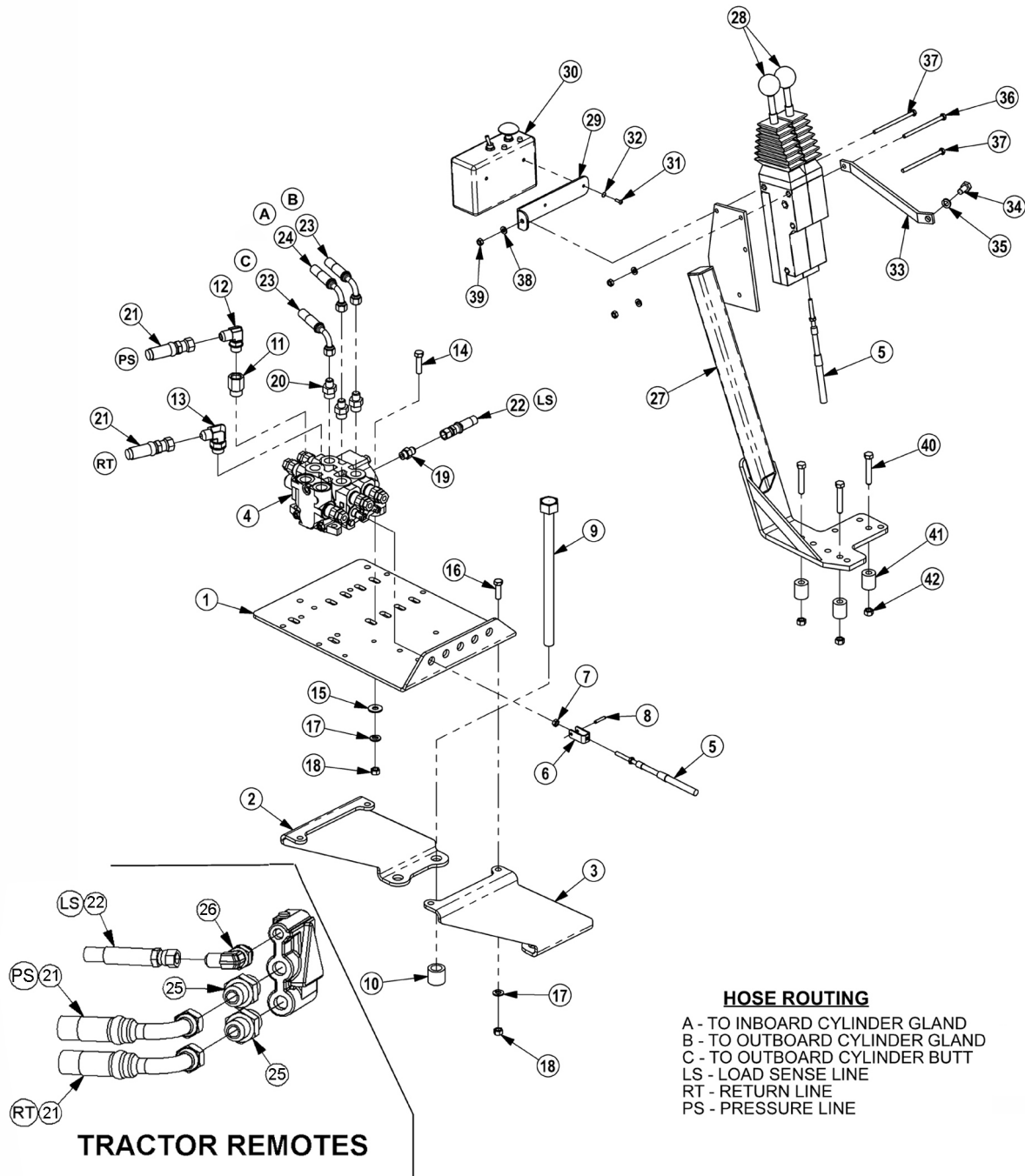


TRACTOR MOUNT KIT - HYDRAULICS

Continued...

| ITEM | PART NO. | QTY. | DESCRIPTION |
|------|----------|------|--|
| 1 | ----- | - | MAIN FRAME *REFER TO TRACTOR MOUNT KIT |
| 2 | ----- | - | HYDRAULIC TANK *REFER TO TRACTOR MOUNT KIT |
| 4 | 06503084 | 1 | ELBOW,1-1/2"FOR X 1-1/2"FOR |
| 5 | 06503083 | 1 | ADAPTER,1-1/2"MOR X 1-1/2"MOR |
| 6 | 34309 | 1 | BALL VALVE,1-1/2"FOR |
| 7 | 34710 | 1 | ADAPTER,1-1/2"MOR X 1-1/2"MJ |
| 8 | 32382 | 4 | BRACKET,HOSE |
| 9 | 27281 | 2 | CAPSCREW,20MMM X 60MM,2.5P |
| 10 | 33880 | 4 | FLATWASHER,3/4",SAE |
| 11 | 30708 | 3 | CAPSCREW,20MM X 90MM,2.5P |
| 12 | 24849 | 4 | SPACER |
| 13 | 06500692 | 1 | HOSE,1-1/2" X 110" |
| 14 | TF4852 | 2 | KIT,FLANGE |
| 16 | 23152 | 1 | PUMP |
| 17 | 06500430 | 1 | HOSE,1" X 82" |
| 18 | 06505017 | 2 | CLAMP KIT,1" |
| 19 | 34626 | 2 | BRACKET,CLAMP |
| 20 | 06510084 | 1 | BRAKE VALVE |
| 21 | 33259 | 1 | ELBOW,1"MJ X 1"FJX90 |
| 22 | 32869 | 1 | NIPPLE,LONG,1"MOR X 1"MJ |
| 23 | 33554 | 2 | ADAPTER,1"MOR X 1"MJ |
| 24 | 06500613 | 1 | HOSE,1" X 87" (RETURN) |
| 25 | 06500458 | 1 | HOSE,1" X 95" (PRESSURE) |
| 26 | 34117 | 1 | ELBOW,1"MOR X 1"MJ |
| 27 | 06500693 | 1 | HOSE,1" X 174" |
| 28 | 34064 | 1 | ADAPTER,1-1/4"MOR X 1"MJ |
| 29 | 22017 | 1 | FLATWASHER, 7/16" |
| 30 | 06530519 | 1 | CAPSCREW, 12MM X 70MM, 1.75P |

CABLE (MANUAL) LIFT VALVE - 2 SPOOL



TRACTOR REMOTES

| ITEM | PART NO. | QTY. | DESCRIPTION |
|------|----------|------|------------------------------|
| 1 | 34622 | 1 | VALVE MOUNTING PLATE |
| 2 | 06410430 | 1 | MOUNT, VALVE, LEFT |
| 3 | 06410429 | 1 | MOUNT, VALVE, RIGHT |
| 4 | 06502041 | 1 | VALVE, 2SPHSC, TM, COMBO, LS |
| 5 | 34623 | 2 | CABLE CONTROL, 122" |
| 6 | 6T4411 | 2 | CLEVIS, CBL CTRL, 3/16" |

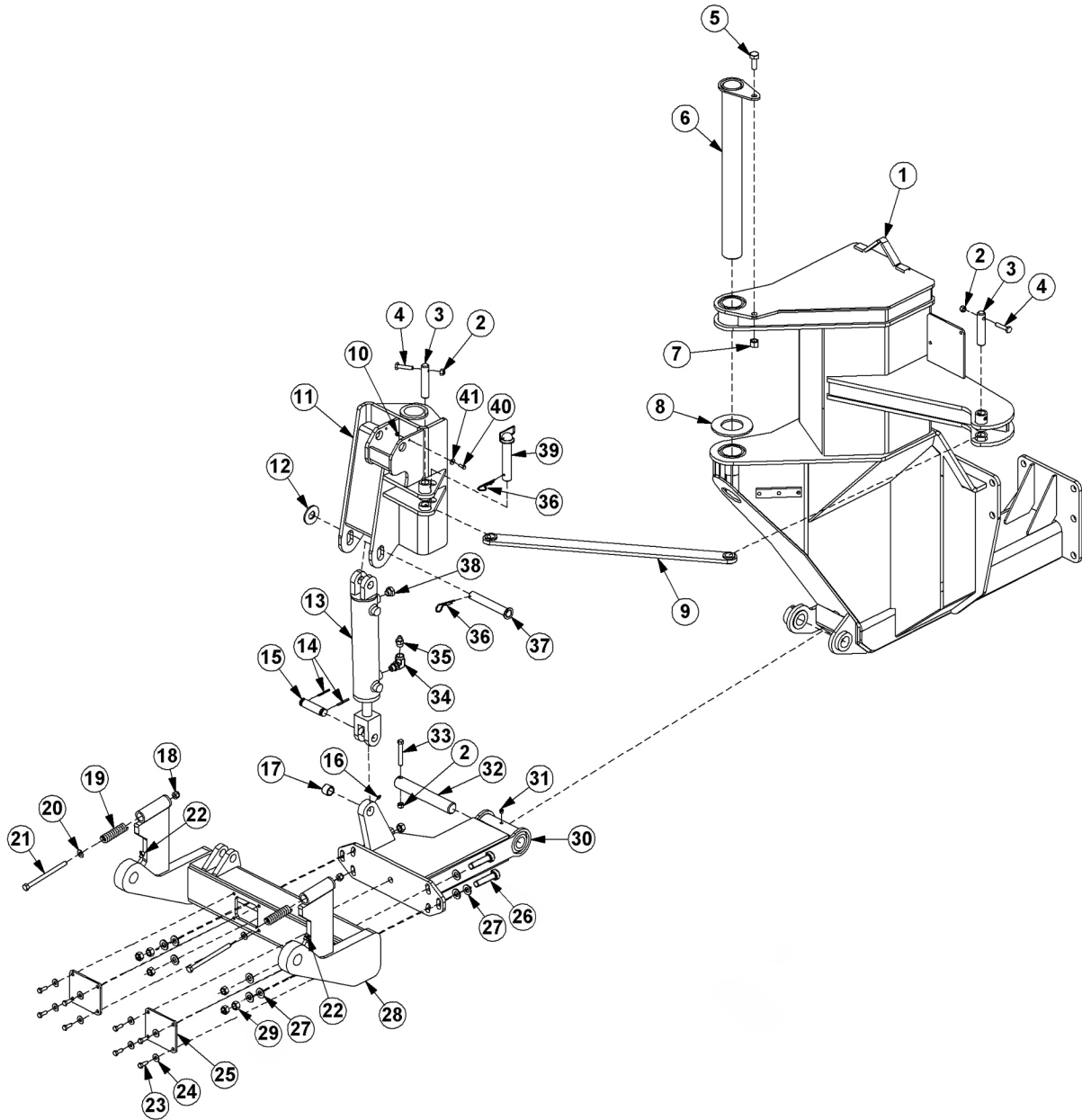
CABLE (MANUAL) LIFT VALVE - 2 SPOOL

Continued...

| ITEM | PART NO. | QTY. | DESCRIPTION |
|------|----------|------|---|
| 7 | 21500 | 4 | HEX NUT,1/4",NF |
| 8 | 6T3017 | 2 | ROLL PIN |
| 9 | 06530514 | 4 | CAPSCREW,18MM X 290MM,2.5P,GR10.9 |
| 10 | 34519 | 4 | SPACER,1-1/4" X 13/16" X 1-1/8" |
| 11 | 32678 | 1 | ADAPTER,5/8MORB X 1/2FORB |
| 12 | 33382 | 1 | ELBOW,1/2MORB X 1/2MJ X 90 |
| 13 | 33383 | 1 | ELBOW,5/8MORB X 1/2MJ X 90 |
| 14 | 21632 | 4 | CAPSCREW,3/8" X 1-1/2",NC |
| 15 | 22016 | 4 | FLATWASHER,3/8" |
| 16 | 21631 | 8 | CAPSCREW,3/8" X 1-1/4",NC |
| 17 | 21988 | 8 | LOCKWASHER,3/8" |
| 18 | 21625 | 1 | HEX NUT,3/8",NC |
| 19 | 32901 | 1 | ADAPTER,3/8MOR X 3/8MJ (STANDARD TRACTOR) |
| 20 | 33271 | 3 | ADAPTER,1/2MOR X 3/8MJ |
| 21 | ----- | - | HOSE *REFER TO TRACTOR REMOTES PAGE |
| 22 | ----- | - | HOSE *REFER TO TRACTOR REMOTES PAGE |
| 23 | 06500742 | 2 | HOSE,1/4 X 306 (6FJX X 6FJX90) |
| 24 | 06500741 | 1 | HOSE,1/4 X 238 (6FJX90 X 6FJX) |
| 25 | ----- | - | ADAPTER *REFER TO TRACTOR REMOTES PAGE |
| 26 | ----- | - | ADAPTER *REFER TO TRACTOR REMOTES PAGE |
| 27 | 23865B | 1 | CBL CTRL MT BRK |
| 28 | 6T1251 | 2 | CBL CTRL BOX,180 DEG |
| 29 | 34496 | 1 | BRKT,SWITCHBOX,UNI |
| 30 | 06510102 | 1 | SWITCHBOX,SIDE,GND |
| 31 | 6T3951 | 2 | SCREW,MACHINE 8/32" X 1/2" |
| 32 | 32360 | 2 | LOCKWASHER,#8 |
| 33 | 30750A | 1 | BRKT,CBL CTRL,JD6000 |
| 34 | 33534 | 1 | CAPSCREW,10MM X 20MM,1.5P |
| 35 | 32691 | 1 | LOCKWASHER,10MM |
| 36 | 21544 | 1 | CAPSCREW,1/4" X 5",NC |
| 37 | 21542 | 2 | CAPSCREW,1/4" X 4",NC |
| 38 | 21986 | 3 | LOCKWASHER,1/4" |
| 39 | 21525 | 3 | HEX NUT,1/4",NC |
| 40 | 21635 | 3 | CAPSCREW,3/8" X 2-1/4",NC |
| 41 | 27082B | 3 | SPACER |
| 42 | 21627 | 3 | NYLOCK NUT,3/8",NC |

JD6105-125M-R SIDE ROTARY

DRAFT BEAM ASSEMBLY



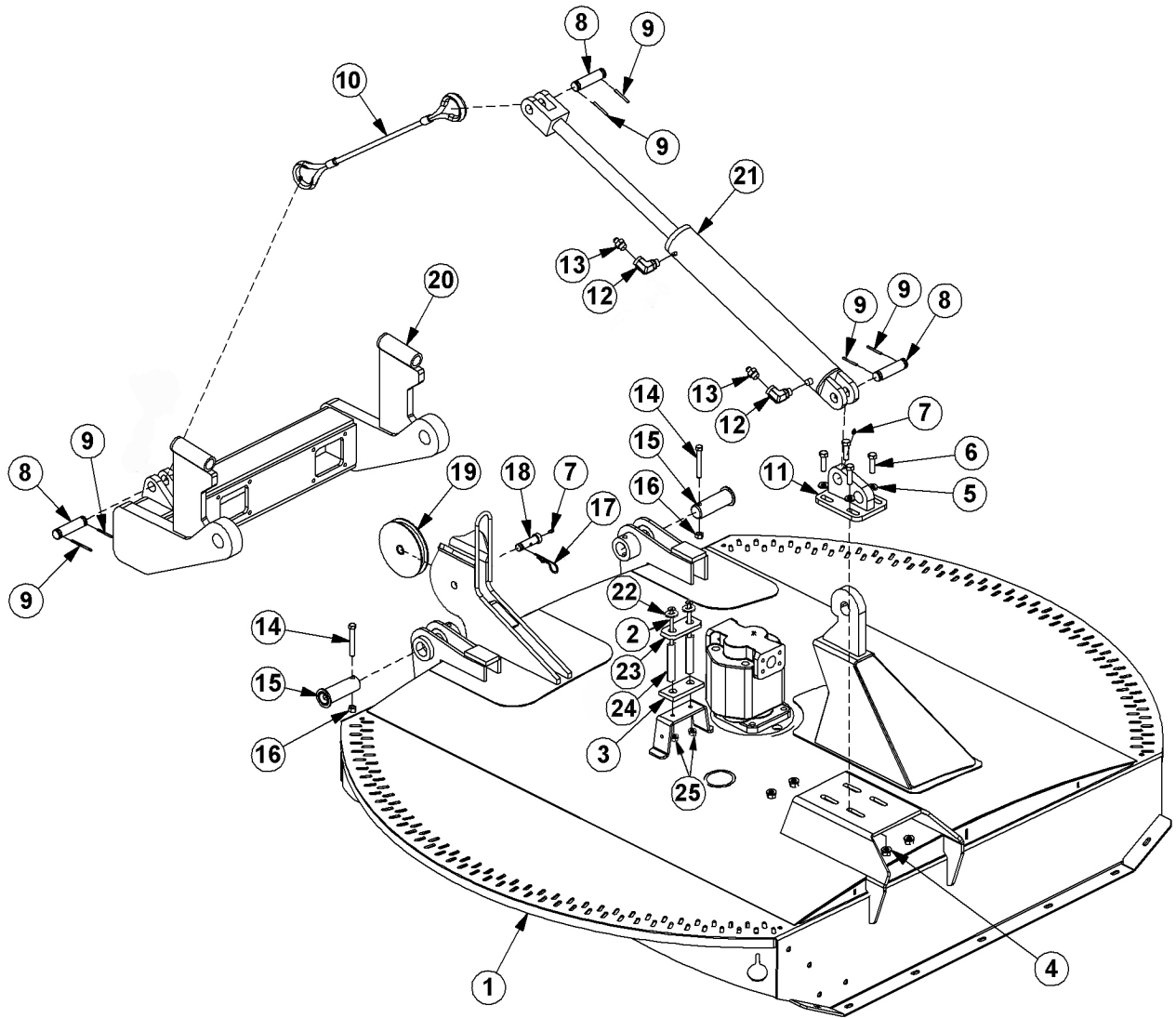
DRAFT BEAM ASSEMBLY

Continued...

| ITEM | PART NO. | QTY. | DESCRIPTION |
|------|----------|------|--|
| 1 | ----- | - | MAIN FRAME *REFER TO TRACTOR MOUNT KIT |
| 2 | 21677 | 3 | NYLOCK NUT,7/16",NC |
| 3 | 32380 | 2 | PIN,1" X 4-5/8" |
| 4 | 21683 | 2 | CAPSCREW,7/16" X 2",NC |
| 5 | 21782 | 1 | CAPSCREW,5/8" X 1-3/4",NC |
| 6 | 32381 | 1 | PIN,2-1/2" X 24-3/4" |
| 7 | 21777 | 1 | NYLOCK NUT,5/8",NC |
| 8 | 06520250 | 1 | BEARING,THRUST |
| 9 | 06370214 | 1 | STRUT |
| 10 | 21527 | 1 | NYLOCK NUT,1/4",NC |
| 11 | 06350025 | 1 | DRAFT BEAM,1 |
| 12 | 22023 | 1 | FLATWASHER,1" |
| 13 | 06501021 | 1 | CYLINDER,3" X 10" |
| 14 | 06537021 | 2 | ROLLPIN,5MM |
| 15 | TB1033 | 1 | PIN,1" X 3" |
| 16 | 6T3207 | 1 | GREASE ZERK,1/4"-20 |
| 17 | TB3010 | 1 | BUSHING,1" |
| 18 | 21727 | 2 | NYLOCK NUT,1/2",NC |
| 19 | 27005 | 2 | SPRING |
| 20 | 27938 | 2 | BUSHING,MACHINED |
| 21 | 21745 | 2 | CAPSCREW,1/2" X 7",NC |
| 22 | 6T3210 | 2 | GREASE ZERK,1/8"NPT X 90° |
| 23 | 21630 | 8 | CAPSCREW,3/8" X 1",NC |
| 24 | 22016 | 8 | FLATWASHER,3/8" |
| 25 | 06402363 | 2 | COVER |
| 26 | 31576 | 6 | CAPSCREW,5/8" X 1-3/4",NC,GR8 |
| 27 | 33764 | 12 | FLATWASHER,5/8" |
| 28 | 06350028 | 1 | DRAFT BEAM,3 |
| 29 | 32838 | 6 | HEX NUT,5/8",NC |
| 30 | 06350026 | 1 | DRAFT BEAM,2 |
| 31 | 6T3211 | 1 | GREASE ZERK,1/8"NPT |
| 32 | 32319 | 1 | PIN,1-1/2" X 9-3/4" |
| 33 | 21688 | 1 | CAPSCREW,7/16" X 3-1/4",NC |
| 34 | 34244 | 1 | ELBOW,1/2"MOR X 1/2"FOR |
| 35 | 34396 | 1 | ADAPTER,RESTRICTOR |
| 36 | 6T3004 | 2 | R-CLIP |
| 37 | 6T3005 | 1 | PIN,1" X 6-5/8" |
| 38 | 6T4258 | 1 | BREATHER,1/2"MOR |
| 39 | TF4250 | 1 | TRAVEL LOCK PIN |
| 40 | 21529 | 1 | CAPSCREW,1/4" X 3/4",NC |
| 41 | 22014 | 1 | FLATWASHER,1/4" |

JD6105-125M-R SIDE ROTARY

TSR DECK ATTACHMENT ASSEMBLY

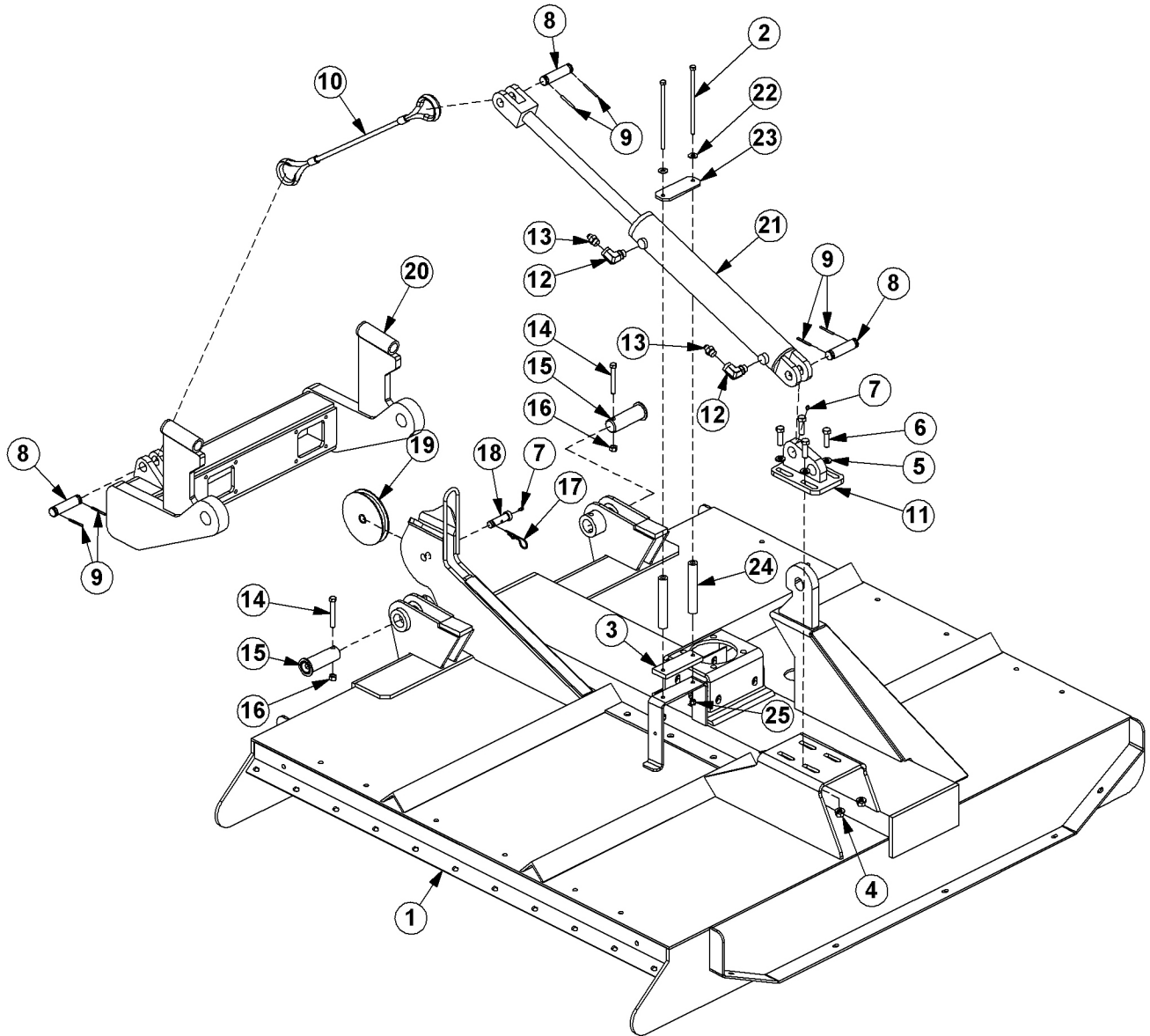


TSR DECK ATTACHMENT ASSEMBLY

Continued...

| ITEM | PART NO. | QTY. | DESCRIPTION |
|------|----------|------|---------------------------------------|
| 1 | ----- | - | ROTARY MOWER *REFER TO MOWER ASSY |
| 2 | 06530236 | 2 | CAPSCREW, 3/8" X 8", NC |
| 3 | 06497012 | 1 | PAD, UHMW |
| 4 | 06531007 | 4 | HEX NUT,1/2",NC,FLNG |
| 5 | 22004 | 4 | FLATWASHER,1/2",NARROW |
| 6 | 6T1027 | 4 | CAPSCREW,1/2" X 1-3/4",NC |
| 7 | 6T3207 | 2 | GREASE ZERK,1/4"-20 |
| 8 | TB1033 | 3 | PIN,1" X 3" |
| 9 | 06537021 | 6 | ROLLPIN,5MM |
| 10 | 06520527 | 1 | CABLE,1/2" X 27" |
| 11 | 06350014 | 1 | TANG,CYL |
| 12 | 34244 | 2 | ELBOW,1/2"MOR X 1/2"FOR |
| 13 | 34396 | 2 | ADAPTER,.06" RSTRCTR,1/2"MOR X 3/8"MJ |
| 14 | 21688 | 2 | CAPSCREW,7/16" X 3-1/4",NC |
| 15 | TF4514A | 2 | PIN,1-1/2" X 4-1/2" |
| 16 | 21677 | 2 | NYLOCK NUT,7/16",NC |
| 17 | 6T3004 | 1 | R-CLIP,3/16" |
| 18 | 6T3010 | 1 | PIN,3/4" X 2-1/2" |
| 19 | 33768 | 1 | SHEAVE,ASSY,CABLE |
| 20 | ----- | - | DRAFT BEAM *REFER TO DRAFT BEAM ASSY |
| 21 | 06501023 | 1 | CYLINDER,3" X 18" |
| 22 | 22016 | 2 | WASHER, 3/8" |
| 23 | 06402393 | 1 | BAR |
| 24 | 06497013 | 2 | TUBE |
| 25 | 21627 | 2 | NYLOCK NUT, 3/8" |

TM DECK ATTACHMENT ASSEMBLY



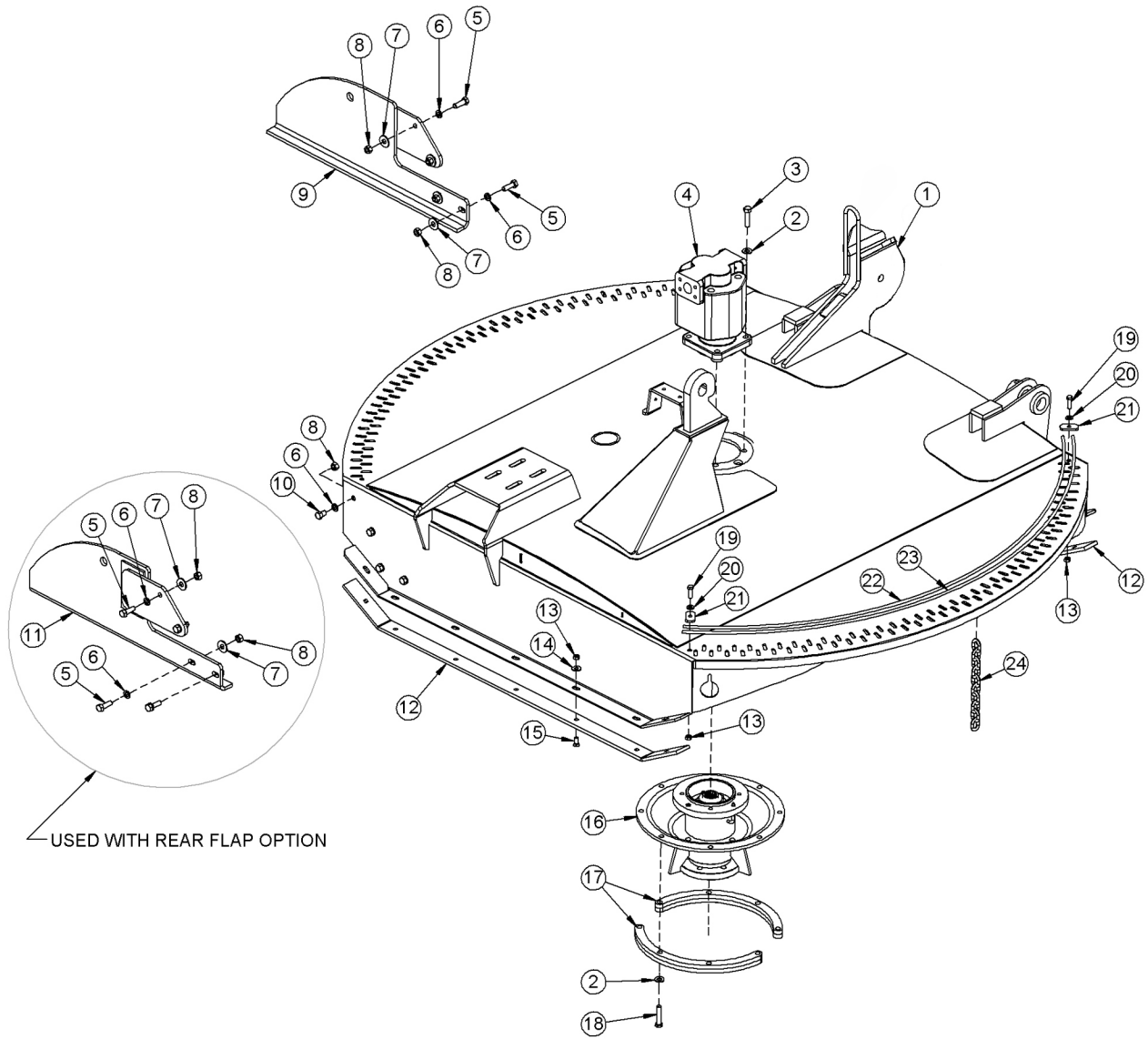
JD6105-125M-R SIDE ROTARY

TM DECK ATTACHMENT ASSEMBLY

Continued...

| ITEM | PART NO. | QTY. | DESCRIPTION |
|------|----------|------|---------------------------------------|
| 1 | ----- | - | ROTARY MOWER *REFER TO MOWER ASSY |
| 2 | 06530238 | 2 | CAPSCREW,FLT/SKT HD,3/8" X 8",NC |
| 3 | 06497012 | 1 | PAD |
| 4 | 06531007 | 4 | HEX NUT,1/2",NC,FLNG |
| 5 | 22004 | 4 | FLATWASHER,1/2",NARROW |
| 6 | 6T1027 | 4 | CAPSCREW,1/2" X 1-3/4",NC |
| 7 | 6T3207 | 2 | GREASE ZERK,1/4"-20 |
| 8 | TB1033 | 3 | PIN,1" X 3" |
| 9 | 06537021 | 6 | ROLLPIN,5MM |
| 10 | 06520527 | 1 | CABLE,1/2" X 27" |
| 11 | 06350014 | 1 | TANG,CYL |
| 12 | 34244 | 2 | ELBOW,1/2"MOR X 1/2"FOR |
| 13 | 34396 | 2 | ADAPTER,.06" RSTRCTR,1/2"MOR X 3/8"MJ |
| 14 | 21688 | 2 | CAPSCREW,7/16" X 3-1/4",NC |
| 15 | TF4514A | 2 | PIN,1-1/2" X 4-1/2" |
| 16 | 21677 | 2 | NYLOCK NUT,7/16",NC |
| 17 | 6T3004 | 1 | R-CLIP,3/16" |
| 18 | 6T3010 | 1 | PIN,3/4" X 2-1/2" |
| 19 | 33768 | 1 | SHEAVE,ASSY,CABLE |
| 20 | ----- | - | DRAFT BEAM *REFER TO DRAFT BEAM ASSY |
| 21 | 06501023 | 1 | CYLINDER,3" X 18" |
| 22 | 22016 | 2 | WASHER, 3/8" |
| 23 | 06402393 | 1 | BAR |
| 24 | 06497013 | 2 | TUBE |
| 25 | 21627 | 2 | NYLOCK NUT, 3/8" |

60IN TSR ROTARY MOWER ASSEMBLY

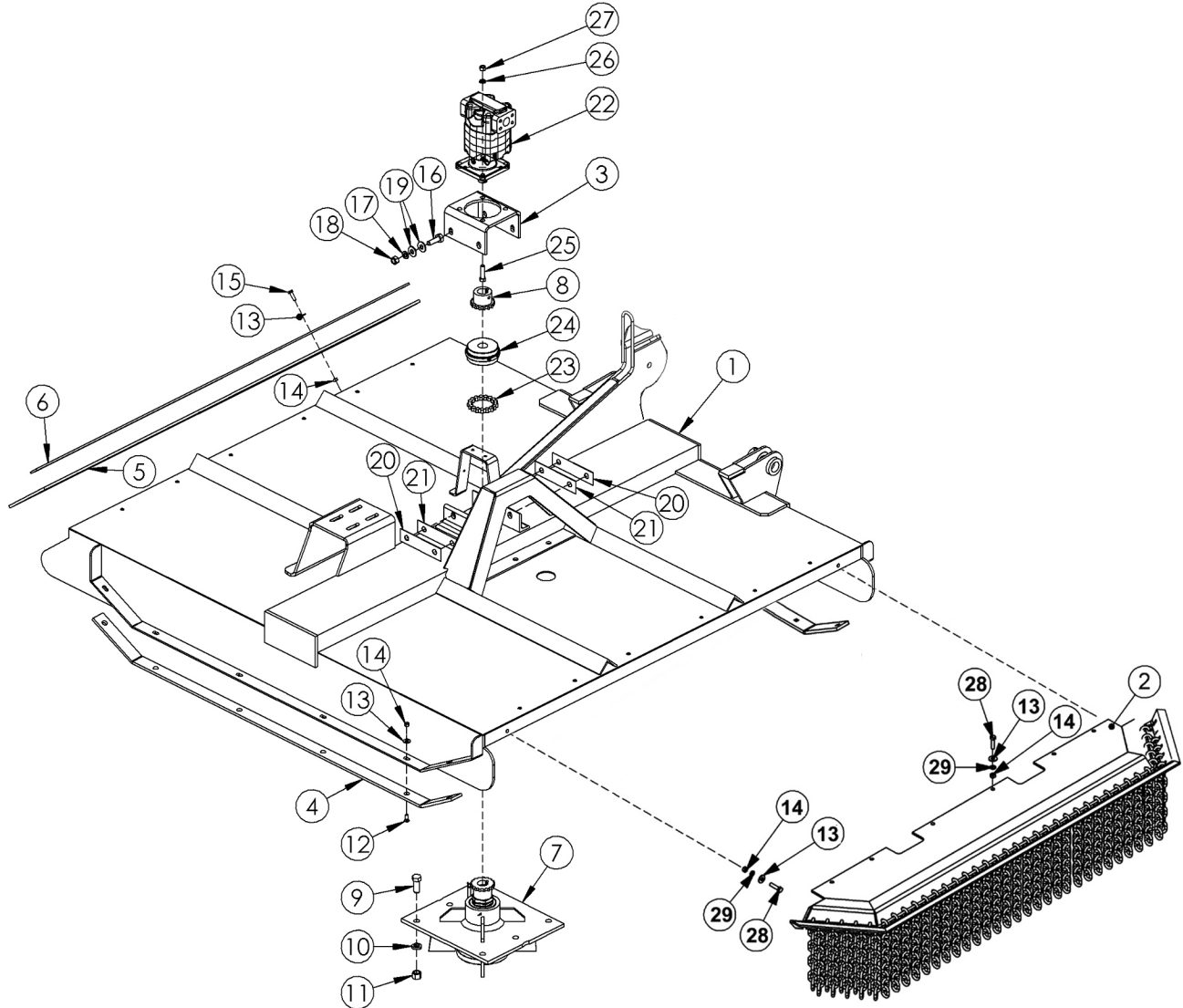


60IN TSR ROTARY MOWER ASSEMBLY

Continued...

| ITEM | PART NO. | QTY. | DESCRIPTION |
|------|----------|------|-------------------------------|
| 1 | 06320204 | 1 | DECK,TSR60,T4 |
| 2 | 06533004 | 12 | FLATWASHER,1/2",SAE,GR8 |
| 3 | 6T1025 | 4 | CAPSCREW,1/2" X 2",GR8,NC |
| 4 | 06504016 | 1 | MOTOR |
| 5 | 21731 | 4 | CAPSCREW,1/2" X 1-1/2",NC |
| 6 | 21990 | 8 | LOCKWASHER,1/2" |
| 7 | 22018 | 4 | FLATWASHER,1/2",WIDE |
| 8 | 21725 | 8 | HEX NUT,1/2",NC |
| 9 | 06370029 | 1 | TIRE GUARD,LEFT |
| 10 | 21728 | 4 | CAPSCREW,1/2" X 3/4",NC |
| 11 | 06370030 | 1 | TIRE GUARD,RIGHT |
| 12 | 06410254 | 2 | SKID SHOE |
| 13 | 21625 | 30 | HEX NUT,3/8",NC |
| 14 | 22016 | 26 | FLATWASHER,3/8" |
| 15 | 6T2270 | 14 | PLOW BOLT,3/8" X 1",NC |
| 16 | 34980 | 1 | SPINDLE ASSY |
| 17 | 06320011 | 2 | SPACER,SPINDLE |
| 18 | 06530221 | 8 | CAPSCREW,1/2" X 2-1/4",NF,GR8 |
| 19 | 21631 | 2 | CAPSCREW,3/8" X 1-1/4",NC |
| 20 | 21988 | 2 | LOCKWASHER,3/8" |
| 21 | 34972 | 2 | PLATE,CAP,CHAIN |
| 22 | 34974 | 1 | ROD,CHAIN,INNER |
| 23 | 34973 | 1 | ROD,CHAIN,OUTER |
| 24 | 22992 | 78 | CHAIN,10 LINK |

72IN TM ROTARY MOWER ASSEMBLY

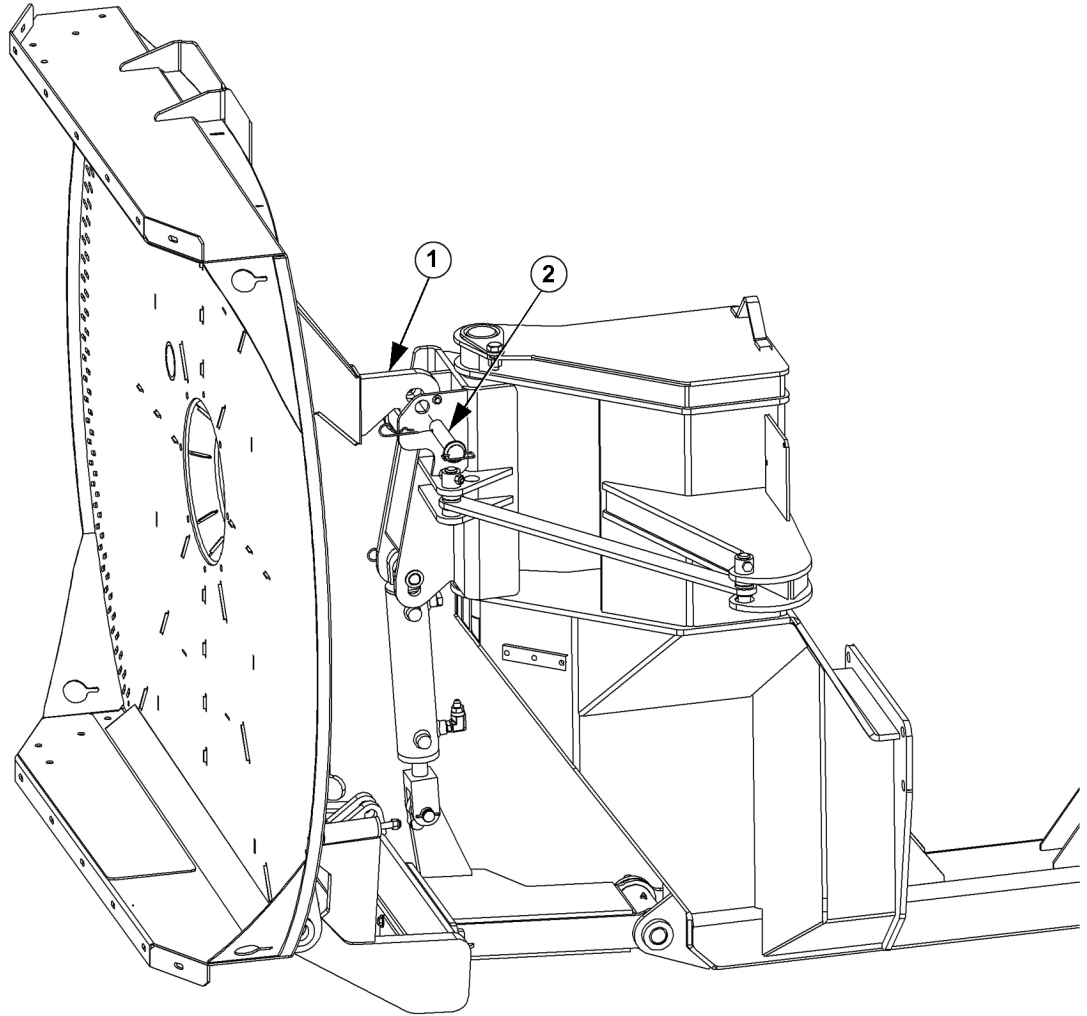


72IN TM ROTARY MOWER ASSEMBLY

Continued...

| ITEM | PART NO. | QTY. | DESCRIPTION |
|------|----------|------|---------------------------------------|
| 1 | 06320206 | 1 | RTRY, 72" DECK |
| 2 | 31931 | 1 | GUARD,CHAIN,FRONT,SR72 |
| 3 | 6T1001 | 1 | BRKT, MOTOR MTG |
| 4 | 21248 | 2 | SKID SHOE, TM72 |
| 5 | 21295B | 1 | FLAP, DEFLECTOR, TM72 |
| 6 | 21242A | 1 | BAR, FLAP, TM72 |
| 7 | 6T1024H5 | 1 | SPINDLE ASSY,CPLT,HD,5/8" HOLES |
| 8 | 21223 | 1 | SPROCKET, 1-1/4" BORE |
| 9 | 6T2277 | 6 | CAPSCREW,3/4" X 2",NF |
| 10 | 21993 | 6 | LOCKWASHER,3/4",GR 8 |
| 11 | 6T2413 | 6 | HEX NUT,3/4",NF,GR 8 |
| 12 | 6T2270 | 10 | PLOW BOLT,3/8" X 1",NC |
| 13 | 22016 | 29 | FLATWASHER,3/8" |
| 14 | 21625 | 29 | HEX NUT,3/8",NC |
| 15 | 21631 | 11 | CAPSCREW, 3/8" X 1-1/4",NC |
| 16 | 21783 | 4 | CAPSCREW, 5/8" X 2",NC |
| 17 | 21992 | 4 | LOCKWASHER, 5/8" |
| 18 | 21775 | 4 | HEX NUT, 5/8" |
| 19 | 25270 | 8 | FLATWASHER,5/8",GR 8 |
| 20 | 6T0822 | 2 | SHIM, MOTOR MOUNT, 14GA. (AS NEEDED) |
| 21 | 6T0822A | 2 | SHIM, MOTOR MOUNT, 18 GA. (AS NEEDED) |
| 22 | 06504013 | 1 | MOTOR,(M365-2 1/6" GEAR) |
| 23 | 6T1029 | 1 | CHAIN, COUPLING |
| 24 | 6T1033 | 1 | COVER, COUPLING |
| 25 | 21733 | 4 | CAPSCREW, 1/2" X 2",NC |
| 26 | 21990 | 4 | LOCKWASHER,1/2" |
| 27 | 21725 | 4 | HEX NUT, 1/2",NC |
| 28 | 21632 | 8 | CAPSCREW,3/8" X 1-1/2",NC |
| 29 | 21988 | 8 | LOCKWASHER,3/8" |

ROTARY MOWER TRAVEL LOCK

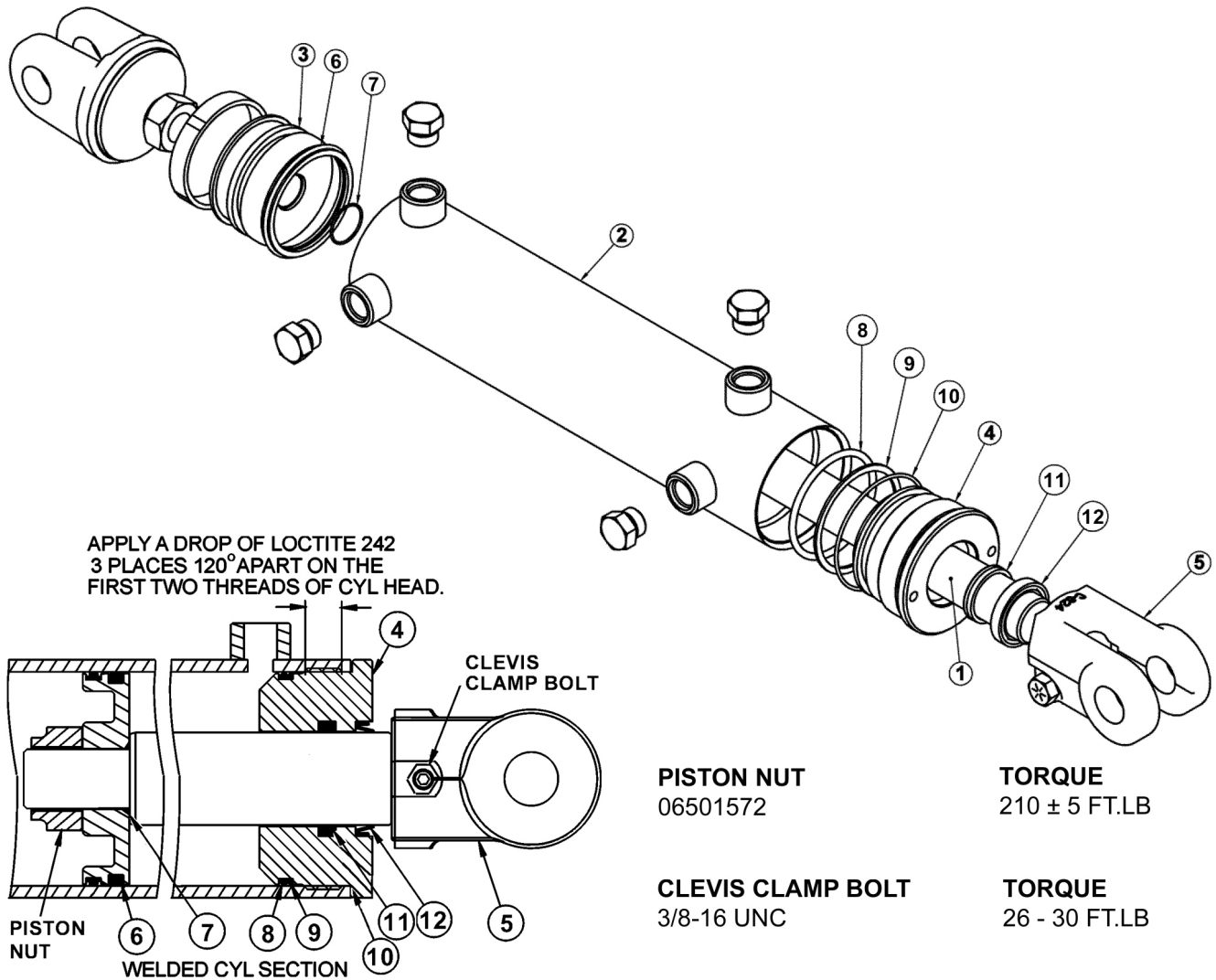


ROTARY MOWER TRAVEL LOCK

Continued...

| ITEM | PART NO. | QTY. | DESCRIPTION |
|------|----------|------|------------------|
| 1 | 06402388 | 1 | TRAVEL LOCK HOOK |
| 2 | TF4250 | 1 | TRAVEL LOCK PIN |

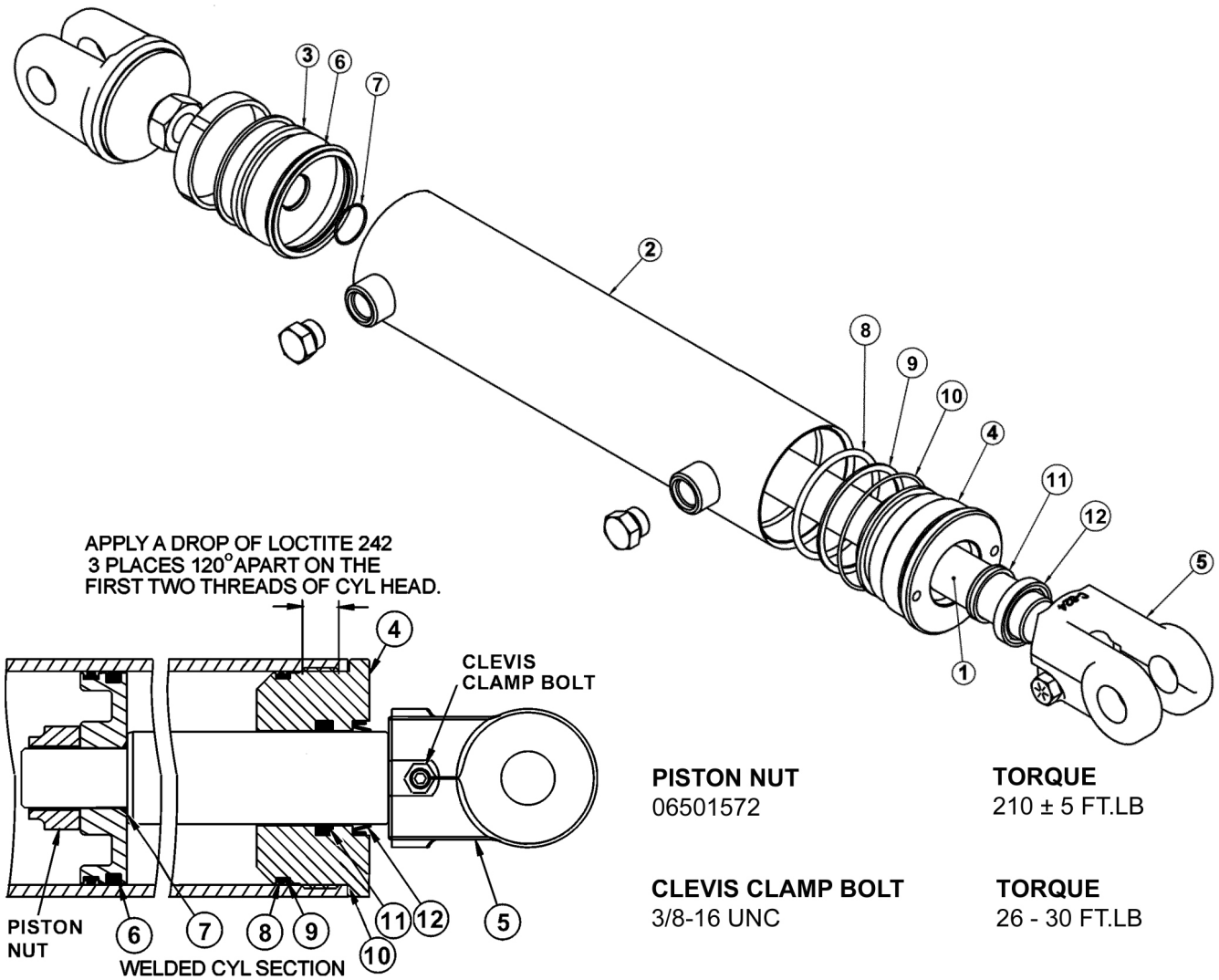
3IN X 10IN WELDED CYLINDER BREAKDOWN



WARNING - MECHANICAL FASTENERS MUST BE TORQUED TO RECOMMENDED SPECIFICATIONS DURING REPAIR TO PREVENT PERSONAL INJURY OR EQUIPMENT DAMAGE.

| ITEM | PART NO. | QTY. | DESCRIPTION |
|-------|----------|------|--------------------------------------|
| ----- | 06501021 | - | HYDRAULIC CYLINDER COMPLETE |
| 1 | 06501550 | 1 | ROD |
| 2 | 06501551 | 1 | TUBE WELDMENT |
| 3 | 06501552 | 1 | PISTON |
| 4 | 06501553 | 1 | CYLINDER HEAD |
| 5 | 06501554 | 1 | CLEVIS |
| ----- | 06501555 | - | SEAL REPAIR KIT (ITEMS 6 THROUGH 12) |

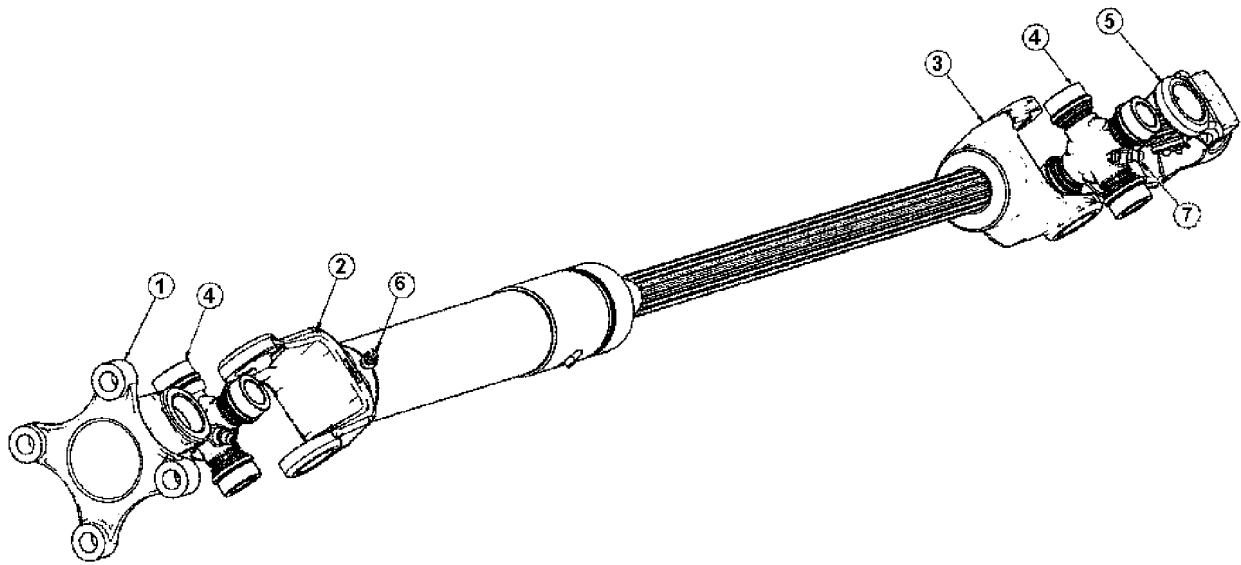
3IN X 18IN WELDED CYLINDER BREAKDOWN



WARNING - MECHANICAL FASTENERS MUST BE TORQUED TO RECOMMENDED SPECIFICATIONS DURING REPAIR TO PREVENT PERSONAL INJURY OR EQUIPMENT DAMAGE.

| ITEM | PART NO. | QTY. | DESCRIPTION |
|-------|----------|------|--------------------------------------|
| ----- | 06501023 | - | HYDRAULIC CYLINDER COMPLETE |
| 1 | 06501561 | 1 | ROD |
| 2 | 06501562 | 1 | TUBE WELDMENT |
| 3 | 06501552 | 1 | PISTON |
| 4 | 06501563 | 1 | CYLINDER HEAD |
| 5 | 06501554 | 1 | CLEVIS |
| ----- | 06501564 | - | SEAL REPAIR KIT (ITEMS 6 THROUGH 12) |

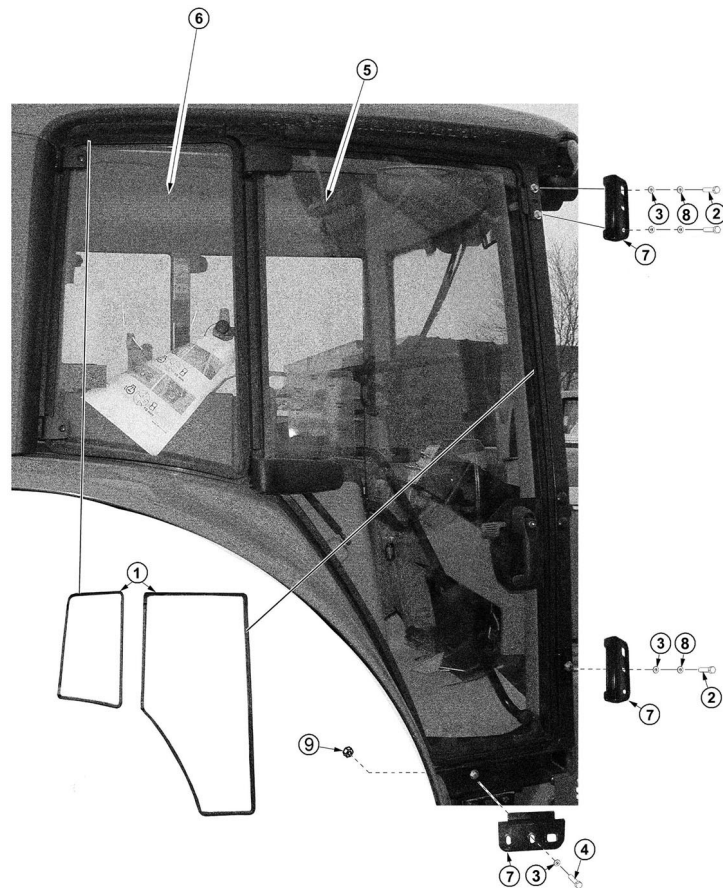
PUMP DRIVESHAFT ASSEMBLY



| ITEM | PART NO. | QTY. | DESCRIPTION |
|------|----------|------|------------------------|
| --- | 34999 | 1 | DRIVESHAFT,U-JOINT |
| 1 | 06505004 | 1 | YOKE PULLEY |
| 2 | 06505005 | 1 | SLEEVE |
| 3 | 06505006 | 1 | SHAFT |
| 4 | 06505007 | 2 | CROSS |
| 5 | 06505008 | 1 | YOKE DRIVE |
| 6 | 6T3203 | 1 | GREASE ZERK,1/4" X 45° |
| 7 | 6T3207 | 3 | GREASE ZERK,1/4" X STR |

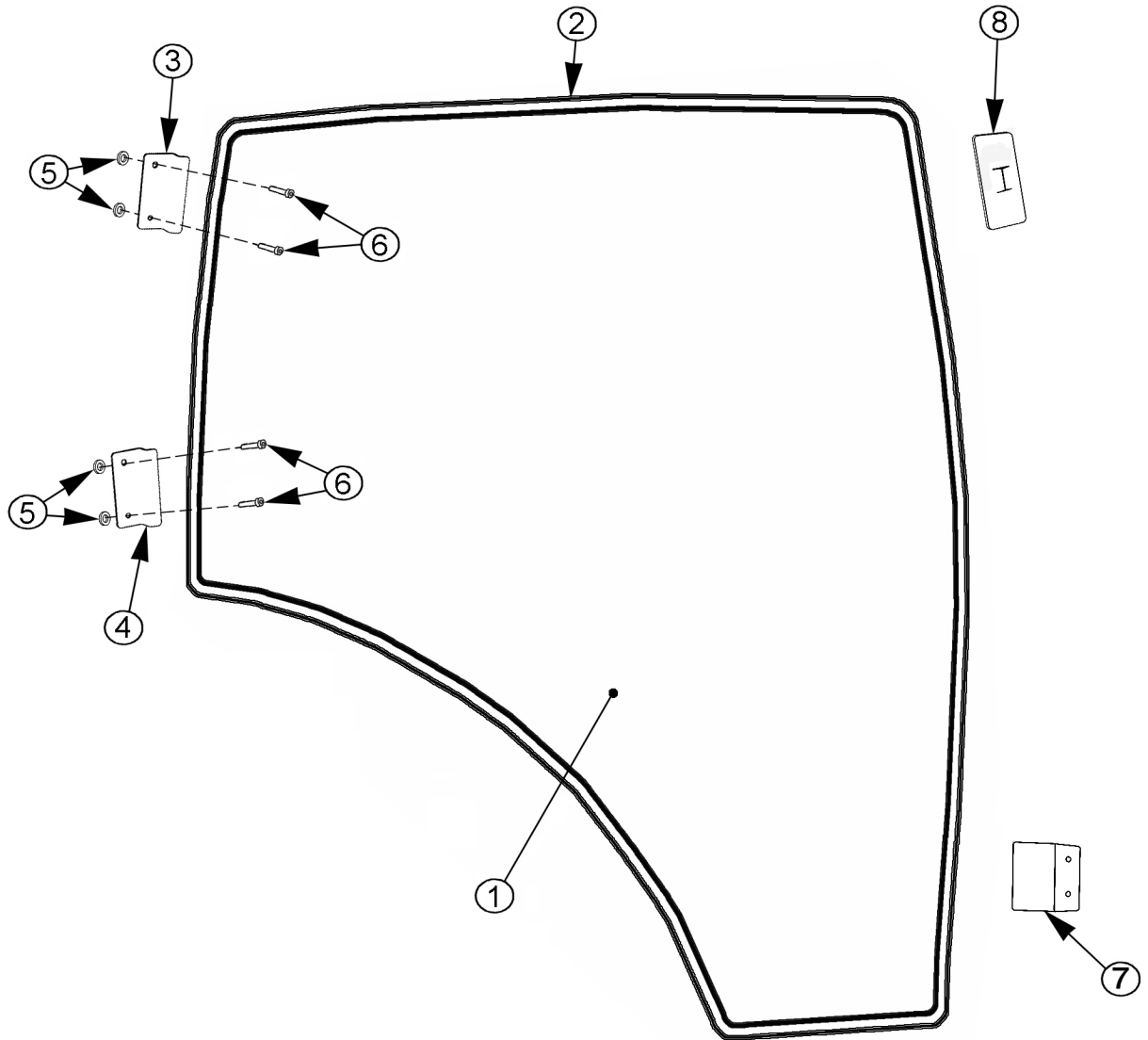
JD6105-125M-R SIDE ROTARY

POLYCARBONATE SAFETY WINDOW



| ITEM | PART NO. | QTY. | DESCRIPTION |
|------|----------|------|-------------------------------------|
| 1 | 31965 | 22 | TRIM SEAL,3/8" CLIP X 3/4"OD (FEET) |
| 2 | 27508 | 3 | CAPSCREW,8MM X 20MM,1.25P |
| 3 | 22015 | 4 | FLATWASHER,5/16" |
| 4 | 21581 | 1 | CAPSCREW,5/16" X 1-1/4",NC |
| 5 | 06490005 | 1 | POLYCARB,FRMD,DOOR,RH |
| 6 | 06490027 | 1 | POLYCARB,FRMD,REAR,RH |
| 7 | 06520040 | 3 | BRKT,JD,POLY,RETAIN |
| 8 | 6T2619 | 3 | LOCKWASHER,8MM |
| 9 | 21577 | 1 | NYLOCK NUT,5/16",NC |

PANORAMIC SAFETY WINDOW



PANORAMIC SAFETY WINDOW

Continued...

| ITEM | PART NO. | QTY. | DESCRIPTION |
|------|----------|------|-------------------------------------|
| 1 | 06490005 | 1 | POLYCARB,FRMD,DOOR,RH |
| 2 | 31965 | 22 | TRIM SEAL,3/8" CLIP X 3/4"OD (FEET) |
| --- | 06537005 | 1 | ADHESIVE *NOT SHOWN |
| 3 | 06330042 | 1 | BRKT,SFTY SCRN,UPPER |
| 4 | 06330041 | 1 | BRKT,SFTY SCRN,LOWER |
| 5 | 06402170 | 4 | SPACER,1" X 5/8" X 3/16" |
| 6 | 19M7561 | 4 | SCREW *EXISTING |
| 7 | L209050 | 1 | BRACKET *EXISTING |
| 8 | L209049 | 1 | BRACKET *EXISTING |

NOTES

NOTES

COMMON SIDE ROTARY

PARTS SECTION

NOTES



PART NAME INDEX

| | |
|---|----|
| PARTS ORDERING GUIDE..... | 5 |
| CABLE DRAFT BEAM ASSEMBLY..... | 6 |
| COMBO DRAFT BEAM ASSEMBLY..... | 8 |
| 60IN SIDE CABLE TM ROTARY MOWER..... | 10 |
| 72IN SIDE CABLE TM ROTARY MOWER..... | 12 |
| 60IN SIDE COMBO TM ROTARY MOWER..... | 14 |
| 72IN SIDE COMBO TM ROTARY MOWER..... | 16 |
| 60IN SIDE TM CHAIN GUARDS..... | 18 |
| 72IN SIDE TM CHAIN GUARDS..... | 20 |
| 60IN SIDE TSR ROTARY MOWER..... | 22 |
| 60IN SIDE TSR REAR GUARDS..... | 24 |
| SIDE ROTARY CASTER WHEEL ASSEMBLY..... | 26 |
| CASTER WHEEL ASSEMBLY..... | 28 |
| ROTARY DISK AND KNIVES..... | 29 |
| TM MOWER SPINDLE ASSEMBLY..... | 30 |
| TSR MOWER SPINDLE ASSEMBLY..... | 32 |
| ROTARY MOTOR BREAKDOWN..... | 34 |
| 60IN TSR ROTARY MOTOR BREAKDOWN..... | 36 |
| FRONT HYDRAULIC PUMP BREAKDOWN..... | 38 |
| PUMP AND GRILL GUARD OPTIONS..... | 40 |
| RESERVOIR TANK FILTER ASSEMBLY..... | 41 |
| COOLER ASSEMBLY..... | 42 |
| 3IN X 10IN HYDRAULIC CYLINDER BREAKDOWN..... | 43 |
| 3IN X 12IN HYDRAULIC CYLINDER BREAKDOWN..... | 44 |
| 3IN X 18IN HYDRAULIC CYLINDER BREAKDOWN..... | 45 |
| CABLE (MANUAL) LIFT VALVE BREAKDOWN - 30801..... | 46 |
| CABLE (MANUAL) LIFT VALVE BREAKDOWN - 31320..... | 48 |
| CABLE (MANUAL) LIFT VALVE BREAKDOWN - 31321..... | 50 |
| CABLE (MANUAL) LIFT VALVE BREAKDOWN - 31752..... | 52 |
| CABLE (MANUAL) LIFT VALVE BREAKDOWN - 06502040..... | 54 |
| CABLE (MANUAL) LIFT VALVE BREAKDOWN - 06502041..... | 56 |
| BRAKE VALVE ASSEMBLY..... | 58 |
| BRAKE VALVE HYDRAULIC SCHEMATIC..... | 59 |
| CABLE DRAFT BEAM TRAVEL LOCK..... | 60 |
| COMBO DRAFT BEAM TRAVEL LOCK..... | 61 |
| SWITCH BOX..... | 62 |
| SWITCH BOX SCHEMATIC..... | 63 |
| NOTES 1..... | 64 |
| FIRE SUPPRESSION SYSTEM..... | 65 |
| FIRE SUPPRESSION 3-POINT MOUNT..... | 66 |

COMMON SIDE ROTARY

PART NAME INDEX

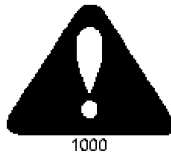
| | |
|---|----|
| FIRE SUPPRESSION FRONT MOUNT..... | 68 |
| FIRE SUPPRESSION SYSTEM ELECTRICAL SCHEMATIC..... | 70 |
| WETCUT..... | 71 |
| WETCUT 50 GALLON TANK - 3PNT MOUNT..... | 72 |
| WETCUT 100 OR 150 GALLON TANK - 3PNT MOUNT..... | 73 |
| WETCUT 3PNT PLUMBING - 50IN MOWERS..... | 74 |
| WETCUT 3PNT PLUMBING - LARGE MOWERS..... | 76 |
| WETCUT FRONT PLUMBING - 50IN MOWERS..... | 78 |
| WETCUT FRONT PLUMBING - LARGE MOWERS..... | 80 |
| WETCUT 50IN SPRAYER HEAD ASSEMBLY..... | 82 |
| WETCUT 60IN SPRAYER HEAD ASSEMBLY..... | 84 |
| WETCUT CABLES..... | 86 |

PARTS ORDERING GUIDE

The following instructions are offered to help eliminate needless delay and error in processing purchase orders for the equipment in this manual.

1. The Parts Section is prepared in logical sequence and grouping of parts that belong to the basic machine featured in this manual. Part Numbers and Descriptions are given to help locate the parts and quantities required.
2. The Purchase Order must indicate the **Name and Address** of the person or organization ordering the parts, **who should be charged**, and if possible, the **serial number of the machine** for which the parts are being ordered.
3. The purchase order must clearly list the **quantity of each part**, the complete and correct **part number**, and the basic **name of the part**.
4. The manufacturer reserves the right to substitute parts where applicable.
5. Some parts may be unlisted items which are special production items not normally stocked and are subject to special handling. Request a quotation for such parts before sending a purchase order.
6. The manufacturer reserves the right to change prices without prior notice.

NOTE: When ordering replacement decals, refer to the part numbers and descriptions listed in the safety section in the front of this manual.

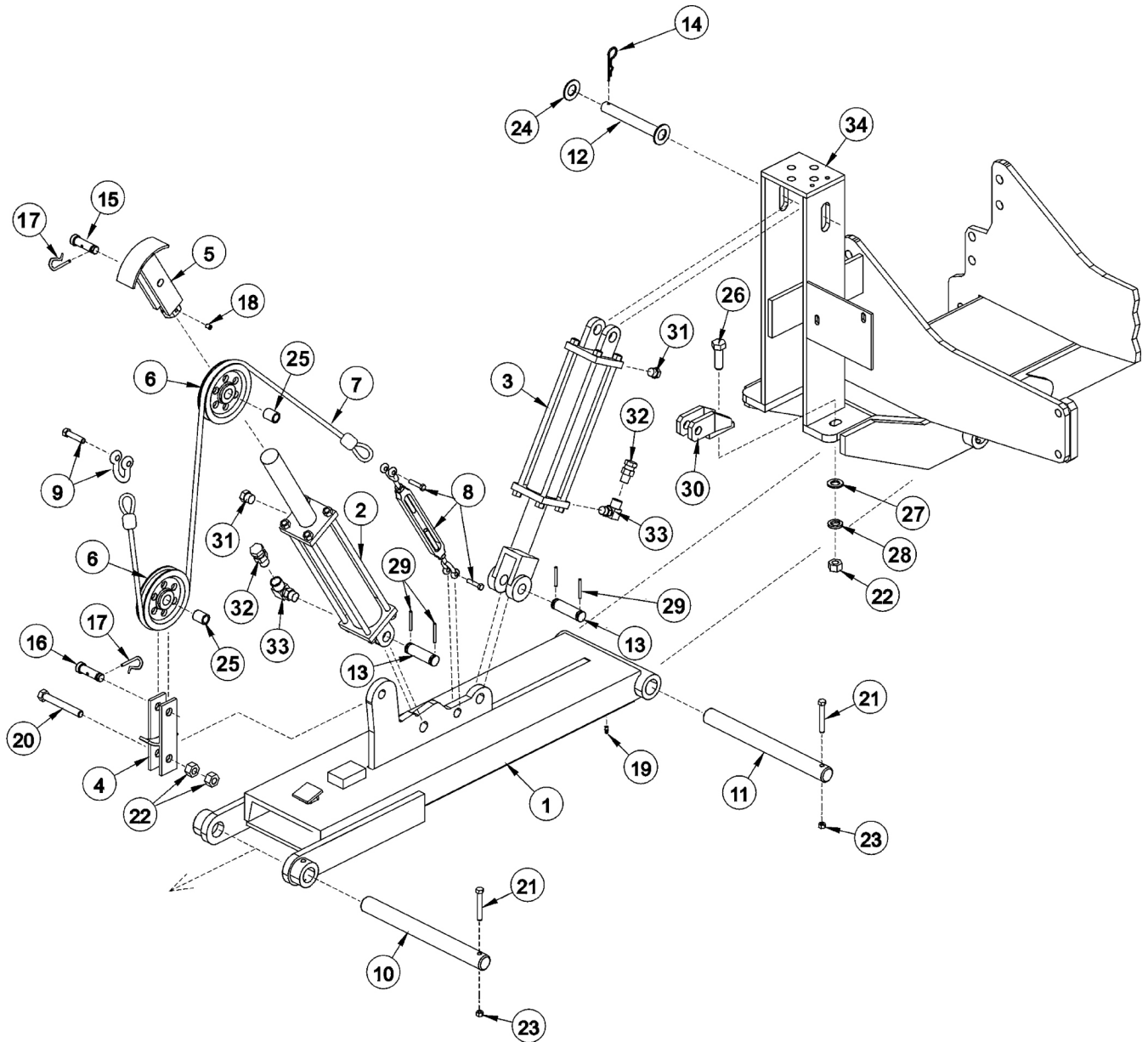


For maximum safety and to guarantee optimum product reliability, always use genuine **Tiger** replacement parts. The use of inferior replacement parts may cause premature or catastrophic failure which could result in serious injury or death.

Direct any questions regarding parts to:

Tiger Corporation
3301 N. Louise Ave.
Sioux Falls, SD 57107
1-800-843-6849
1-605-336-7900

CABLE DRAFT BEAM ASSEMBLY



COMMON SIDE ROTARY

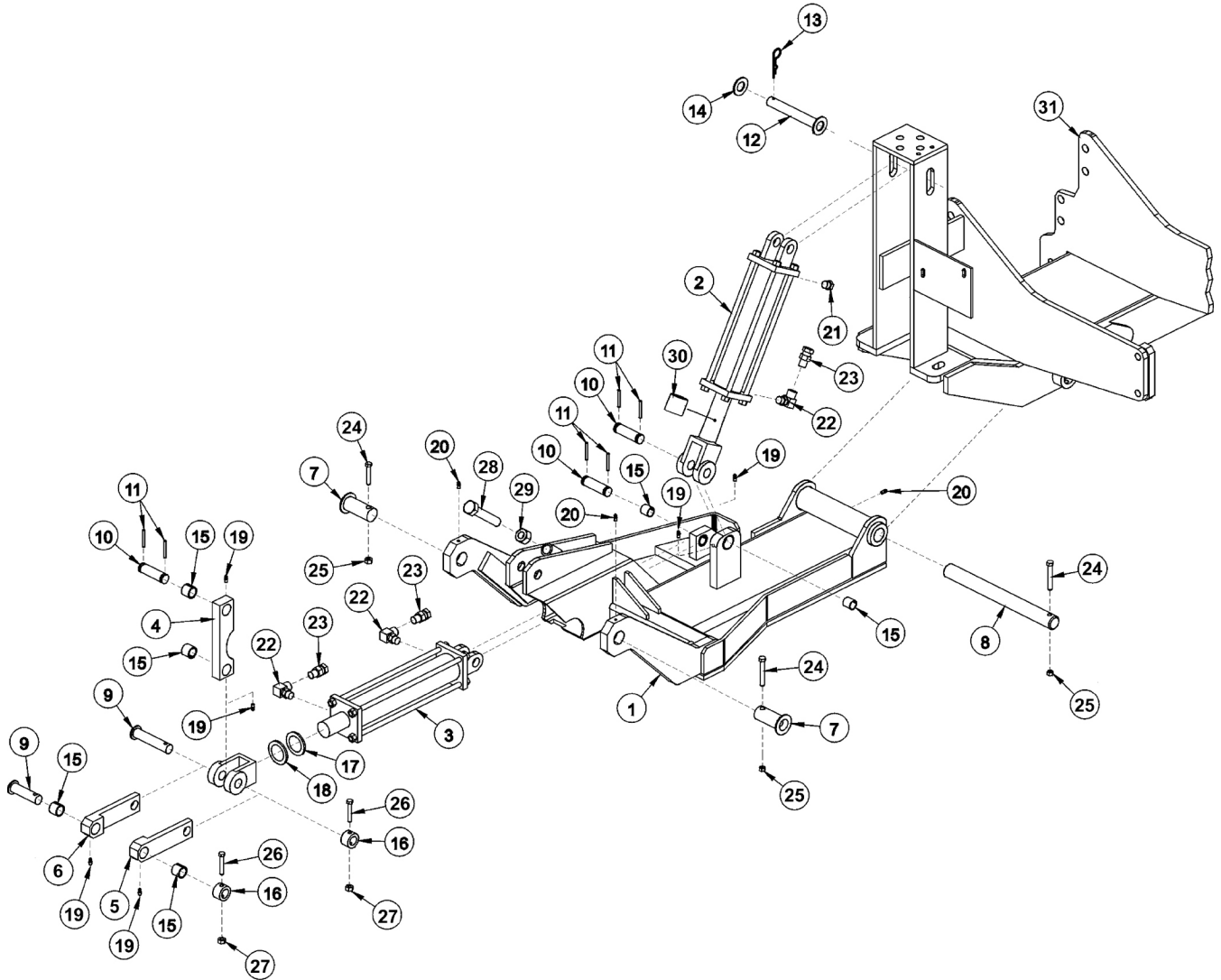
CABLE DRAFT BEAM ASSEMBLY

Continued...

| ITEM | PART NO. | QTY. | DESCRIPTION |
|-------|----------|------|--|
| 1 | 6T0105 | - | DRAFT BEAM (STD WITH TRAVEL LOCK) |
| ----- | 27241 | - | DRAFT BEAM (EXTENDED 6") |
| 2 | 6T0150 | 1 | CYLINDER 3" X 18" |
| 3 | 6T0151R | 1 | HYD. CYLINDER 3" X 10" |
| 4 | 6T0100 | 1 | LOWER SHEAVE BRACKET |
| 5 | 6T0101 | 1 | UPPER SHEAVE BRACKET |
| 6 | 33768 | 2 | SHEAVE |
| 7 | 6T0110 | 1 | LIFT CABLE (STD 1/2" X 87 1/2") |
| ----- | 6T0110E | - | LIFT CABLE (EXTENDED 6") |
| 8 | 6T0115 | 1 | TURN BUCKLE |
| 9 | 6T0112 | 1 | SHACKLE WITH PIN |
| 10 | 6T2999 | 1 | OUTER DRAFT BEAM PIN 1 1/2" X 14 1/2" |
| 11 | 6T3001 | 1 | INNER DRAFT BEAM PIN 1 1/2" X 15 3/4" |
| 12 | 6T3005 | 1 | CYLINDER PIN 1" X 6 5/8" |
| 13 | TB1033 | 2 | CLEVIS PIN 1" X 4" |
| 14 | 6T3004 | 1 | R - CLIP 3/16" |
| 15 | 6T3010 | 1 | UPPER SHEAVE PIN WITH ZERK 3/4" X 3" |
| 16 | 6T3009 | 1 | LOWER SHEAVE PIN WITH ZERK 3/4" X 2 1/2" |
| 17 | 6T3020 | 2 | R - CLIP 5/32" |
| 18 | 6T2272 | 1 | SET SCREW 3/8" X 1/2" |
| 19 | 6T3211 | 1 | GREASE ZERK 1/8" STRAIGHT |
| 20 | 21837 | 1 | CAPSCREW 3/4" X 3 1/4" |
| 21 | 21688 | 2 | CAPSCREW 7/16" X 3 1/4" |
| 22 | 21825 | 2 | HEX NUT 3/4" |
| 23 | 21677 | 2 | NYLOCK NUT 7/16" |
| 24 | 22023 | 1 | FLAT WASHER 1" |
| 25 | 6T0104N | 2 | SHEAVE PIN BUSHING 1" OD X 3/4" ID |
| 26 | 21833 | 1 | CAPSCREW 3/4" X 2 1/4" |
| 27 | 22021 | 1 | FLAT WASHER 3/4" |
| 28 | 21993 | 1 | LOCK WASHER 3/4" |
| 29 | 06537021 | 4 | ROLL PIN |
| 30 | 6T0106 | 1 | TRAVEL LOCK BRACKET |
| 31 | 6T4258 | 2 | BREATHER 1/2" |
| 32 | 34396 | 2 | RESTRICTOR |
| 33 | 34244 | 2 | ELBOW FITTING 1/2" |
| 34 | ----- | - | MAIN FRAME *REFER TO TRACTOR PARTS SECTION |

COMMON SIDE ROTARY

COMBO DRAFT BEAM ASSEMBLY



NOTES:

1. ITEM 30 IS USED ON THE GLAND END OF ITEM 2 (AS NEEDED)
2. ORIENTATION OF ITEMS 4,5 & 6 ARE CRITICAL

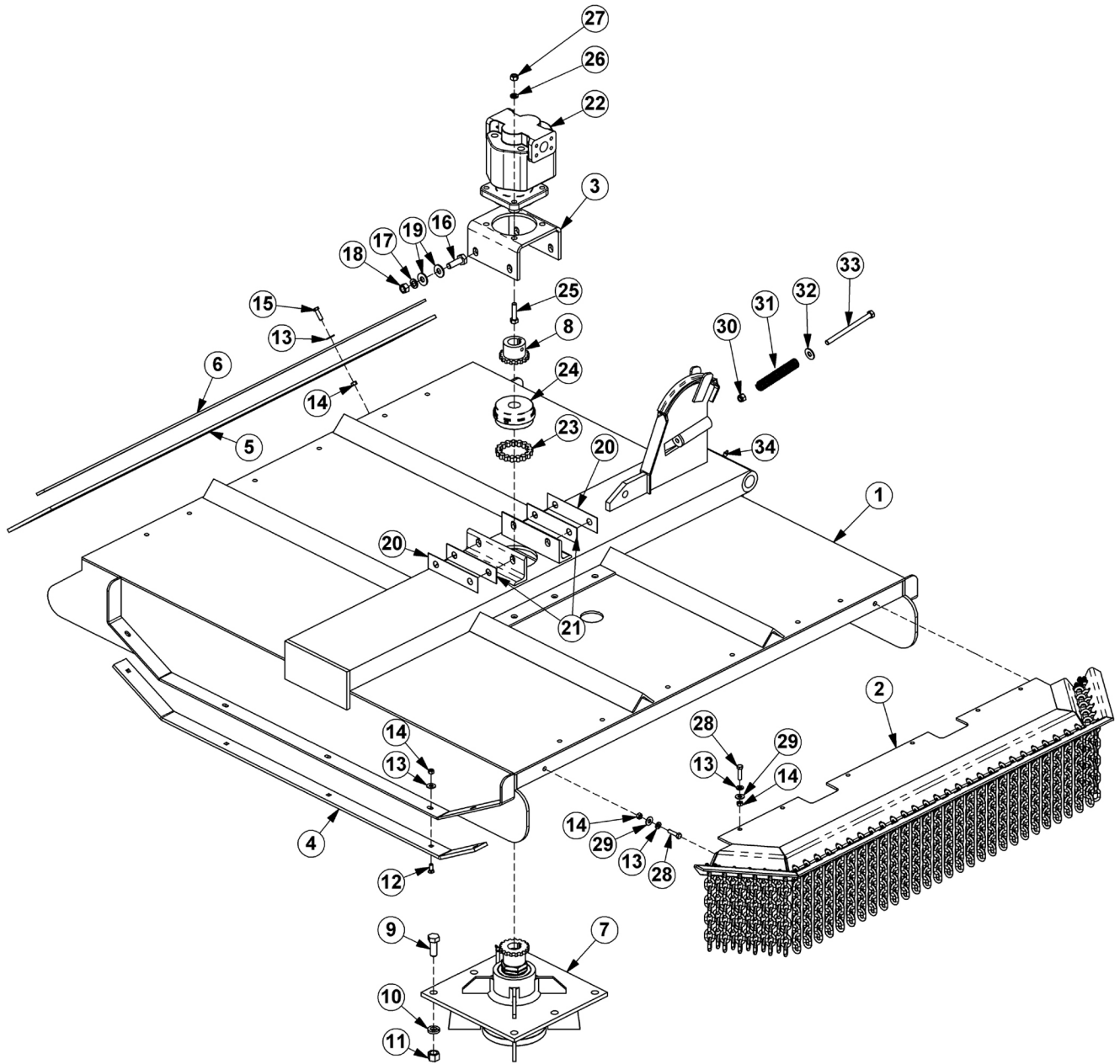
COMBO DRAFT BEAM ASSEMBLY

Continued...

| ITEM | PART NO. | QTY. | DESCRIPTION |
|------|----------|------|---|
| 1 | 06350001 | 1 | COMBO DRAFT BEAM - STD DTY ROTARY |
| --- | 31063 | - | COMBO DRAFT BEAM - HVY DTY ROTARY |
| 2 | 6T0151R | 1 | HYD. CYLINDER 3" X 10" |
| 3 | 32215 | 1 | HYD. CYLINDER 3" X 12" - STD DTY |
| --- | 25343 | - | HYD. CYLINDER 3" X 12" - HVY DTY |
| 4 | TF4500A | 1 | PIVOT ARM |
| 5 | TF4507B | 1 | RIGHT LINKAGE ARM |
| 6 | TF4506B | 1 | LEFT LINKAGE ARM |
| 7 | 30126B | 2 | PIN, HEAD PIVOT - STD DTY |
| --- | TF4514A | - | PIN, HEAD PIVOT - HVY DTY |
| 8 | 6T3001 | 1 | PIN, BEAM PIVOT |
| 9 | TF4519 | 2 | PIN, LINKAGE |
| 10 | TB1033 | 3 | PIN, CLEVIS |
| 11 | 06537021 | 6 | ROLLPIN |
| 12 | 6T3005 | 1 | PIN, 1" W/ CAP |
| 13 | 6T3004 | 1 | R-CLIP HAIRPIN |
| 14 | 6T2614 | 1 | FLATWASHER 1" |
| 15 | TB3010 | 8 | BUSHING 1" |
| 16 | 22847 | 2 | BOSS, LINKAGE PIN |
| 17 | 22076 | 1 | SPACER, HYD. CYLINDER 1/4" |
| 18 | 22077 | 1 | SPACER, HYD. CYLINDER 5/16" |
| 19 | 6T3207 | 6 | GREASE ZERK 1/4" |
| 20 | 6T3211 | 3 | GREASE ZERK 1/8" |
| 21 | 6T4258 | 1 | BREATHER 1/2" |
| 22 | 34244 | 3 | ELBOW FITTING 1/2" |
| 23 | 34396 | 3 | SWIVEL RESTRICTOR |
| 24 | 21688 | 3 | CAPSCREW 7/16" X 3 1/4" |
| 25 | 21677 | 3 | NYLOCK NUT 7/16" |
| 26 | 21635 | 2 | CAPSCREW 3/8" X 2 1/4" |
| 27 | 21625 | 2 | HEX NUT 3/8" |
| 28 | 21831 | 1 | CAPSCREW 3/4" X 1 3/4" |
| 29 | 21825 | 1 | HEX NUT 3/4" |
| 30 | 06700095 | 1 | CYLINDER SPACER W/SET SCREW |
| 31 | ----- | - | MAIN FRAME *REFER TO TRACTOR MOUNT PAGE |

COMMON SIDE ROTARY

60IN SIDE CABLE TM ROTARY MOWER



COMMON SIDE ROTARY

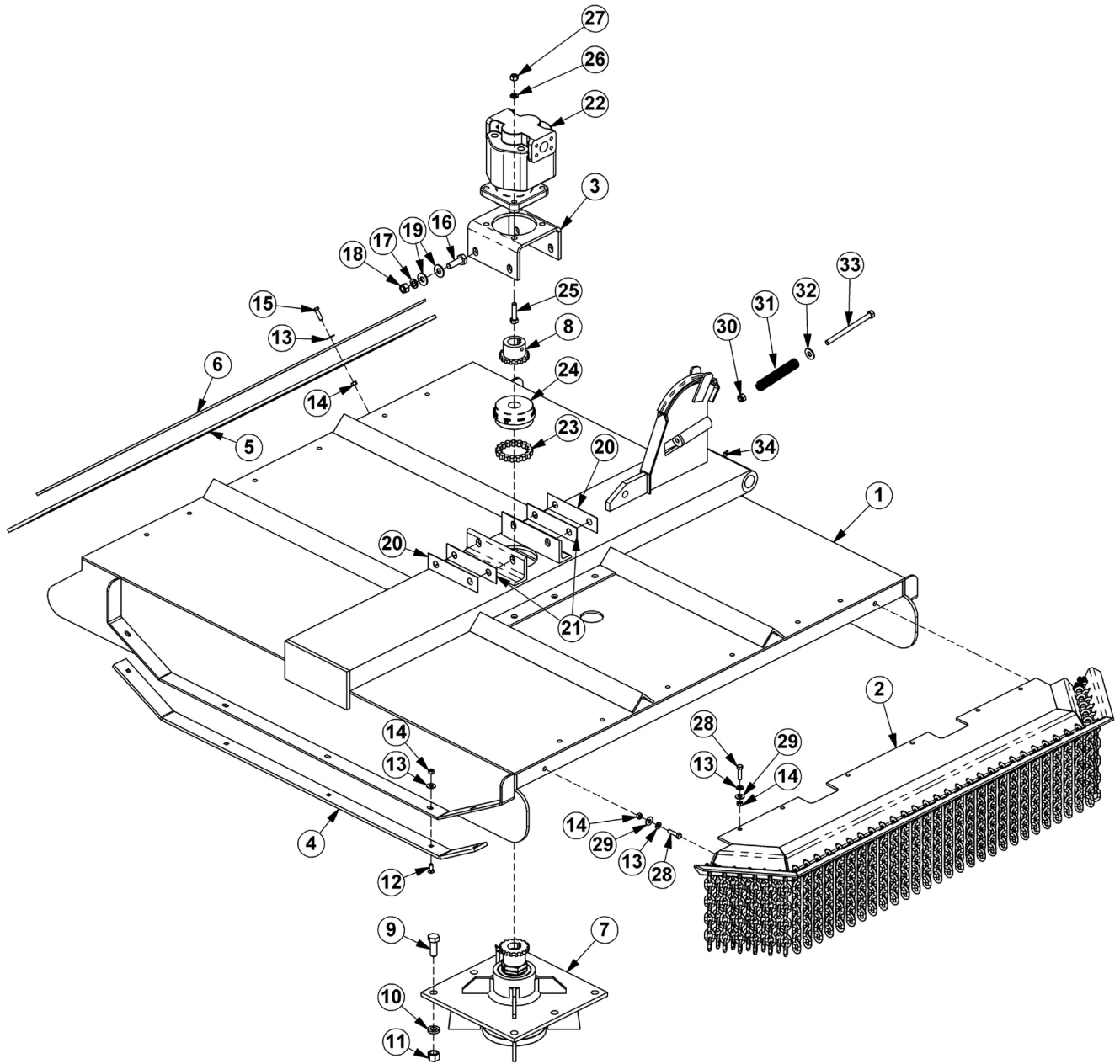
60IN SIDE CABLE TM ROTARY MOWER

Continued...

| ITEM | PART NO. | QTY. | DESCRIPTION |
|------|----------|------|---------------------------------------|
| 1 | 32099 | 1 | RTRY, 60" DECK, CABLE |
| 2 | 31773 | 1 | GAURD,CHAIN,FRONT,SR60 |
| 3 | 6T1001 | 1 | BRKT, MOTOR MTG, 60"SIDE RTRY |
| 4 | 6T0820H | 2 | SKID SHOE, TM60 |
| 5 | 22592 | 1 | FLAP, DEFLECTOR, TM60 |
| 6 | 6T0823 | 1 | BAR, FLAP, TM60 |
| 7 | 6T1024H5 | 1 | SPINDLE ASSY,CPLT,HD,5/8" HOLES |
| 8 | 21223 | 1 | SPROCKET, 1-1/4" BORE |
| 9 | 6T2277 | 6 | CAPSCREW,3/4" X 2",NF |
| 10 | 21993 | 6 | LOCKWASHER,3/4",GR 8 |
| 11 | 6T2413 | 6 | HEX NUT,3/4",NF,GR 8 |
| 12 | 6T2270 | 10 | PLOW BOLT,3/8" X 1",NC |
| 13 | 22016 | 29 | FLATWASHER,3/8" |
| 14 | 21625 | 29 | HEX NUT,3/8",NC |
| 15 | 21631 | 11 | CAPSCREW, 3/8" X 1-1/4",NC |
| 16 | 21783 | 4 | CAPSCREW, 5/8" X 2",NC |
| 17 | 21992 | 4 | LOCKWASHER, 5/8" |
| 18 | 21775 | 4 | HEX NUT, 5/8" |
| 19 | 25270 | 8 | FLATWASHER,5/8",GR 8 |
| 20 | 6T0822 | 2 | SHIM, MOTOR MOUNT, 14GA. (AS NEEDED) |
| 21 | 6T0822A | 2 | SHIM, MOTOR MOUNT, 18 GA. (AS NEEDED) |
| 22 | 06504011 | 1 | MOTOR,(M365-2 1/4" GEAR) |
| 23 | 6T1029 | 1 | CHAIN, COUPLING |
| 24 | 6T1033 | 1 | COVER, COUPLING |
| 25 | 21733 | 4 | CAPSCREW, 1/2" X 2",NC |
| 26 | 21990 | 4 | LOCKWASHER,1/2" |
| 27 | 21725 | 4 | HEX NUT, 1/2",NC |
| 28 | 21632 | 8 | CAPSCREW,3/8" X 1-1/2",NC |
| 29 | 21988 | 8 | LOCKWASHER,3/8" |
| 30 | 21727 | 1 | NYLOCK NUT,1/2",NC |
| 31 | 27005 | 1 | SPRING,PUSHOFF,SIDE RTRY |
| 32 | 22018 | 1 | FLATWASHER,1/2",WIDE |
| 33 | 21745 | 1 | CAPSCREW,1/2" X 7",NC |
| 34 | 6T3211 | 1 | GREASE ZERK |

COMMON SIDE ROTARY

72IN SIDE CABLE TM ROTARY MOWER



COMMON SIDE ROTARY

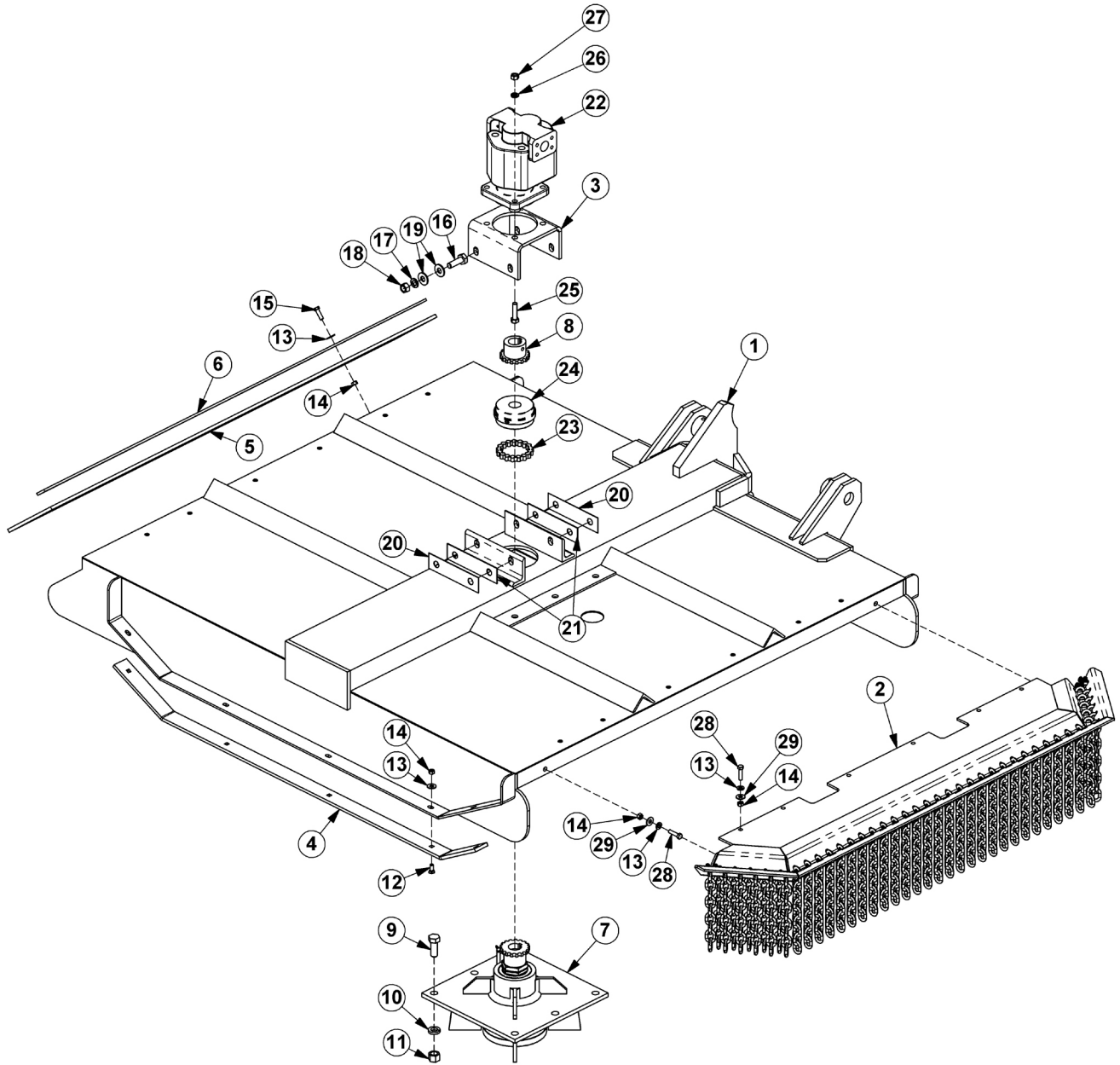
72IN SIDE CABLE TM ROTARY MOWER

Continued...

| ITEM | PART NO. | QTY. | DESCRIPTION |
|------|----------|------|---------------------------------------|
| 1 | 21225B | 1 | RTRY,72" DECK, CABLE |
| 2 | 31931 | 1 | GUARD,CHAIN,FRONT,SR72 |
| 3 | 6T1001 | 1 | BRKT, MOTOR MTG, 60"SIDE RTRY |
| 4 | 21248 | 2 | SKID SHOE, TM72 |
| 5 | 21295B | 1 | FLAP, DEFLECTOR, TM72 |
| 6 | 21242A | 1 | BAR, FLAP, TM72 |
| 7 | 6T1024H5 | 1 | SPINDLE ASSY,CPLT,HD,5/8" HOLES |
| 8 | 21223 | 1 | SPROCKET, 1-1/4" BORE |
| 9 | 6T2277 | 6 | CAPSCREW,3/4" X 2",NF |
| 10 | 21993 | 6 | LOCKWASHER,3/4",GR 8 |
| 11 | 6T2413 | 6 | HEX NUT,3/4",NF,GR 8 |
| 12 | 6T2270 | 10 | PLOW BOLT,3/8" X 1",NC |
| 13 | 22016 | 29 | FLATWASHER,3/8" |
| 14 | 21625 | 29 | HEX NUT,3/8",NC |
| 15 | 21631 | 11 | CAPSCREW, 3/8" X 1-1/4",NC |
| 16 | 21783 | 4 | CAPSCREW, 5/8" X 2",NC |
| 17 | 21992 | 4 | LOCKWASHER, 5/8" |
| 18 | 21775 | 4 | HEX NUT, 5/8" |
| 19 | 25270 | 8 | FLATWASHER,5/8",GR 8 |
| 20 | 6T0822 | 2 | SHIM, MOTOR MOUNT, 14GA. (AS NEEDED) |
| 21 | 6T0822A | 2 | SHIM, MOTOR MOUNT, 18 GA. (AS NEEDED) |
| 22 | 06504011 | 1 | MOTOR,(M365-2 1/4" GEAR) |
| 23 | 6T1029 | 1 | CHAIN, COUPLING |
| 24 | 6T1033 | 1 | COVER, COUPLING |
| 25 | 21733 | 4 | CAPSCREW, 1/2" X 2",NC |
| 26 | 21990 | 4 | LOCKWASHER,1/2" |
| 27 | 21725 | 4 | HEX NUT, 1/2",NC |
| 28 | 21632 | 8 | CAPSCREW,3/8" X 1-1/2",NC |
| 29 | 21988 | 8 | LOCKWASHER,3/8" |
| 30 | 21727 | 1 | NYLOCK NUT,1/2",NC |
| 31 | 27005 | 1 | SPRING,PUSHOFF,SIDE RTRY |
| 32 | 22018 | 1 | FLATWASHER,1/2",WIDE |
| 33 | 21745 | 1 | CAPSCREW,1/2" X 7",NC |
| 34 | 6T3211 | 1 | GREASE ZERK |

COMMON SIDE ROTARY

60IN SIDE COMBO TM ROTARY MOWER



COMMON SIDE ROTARY

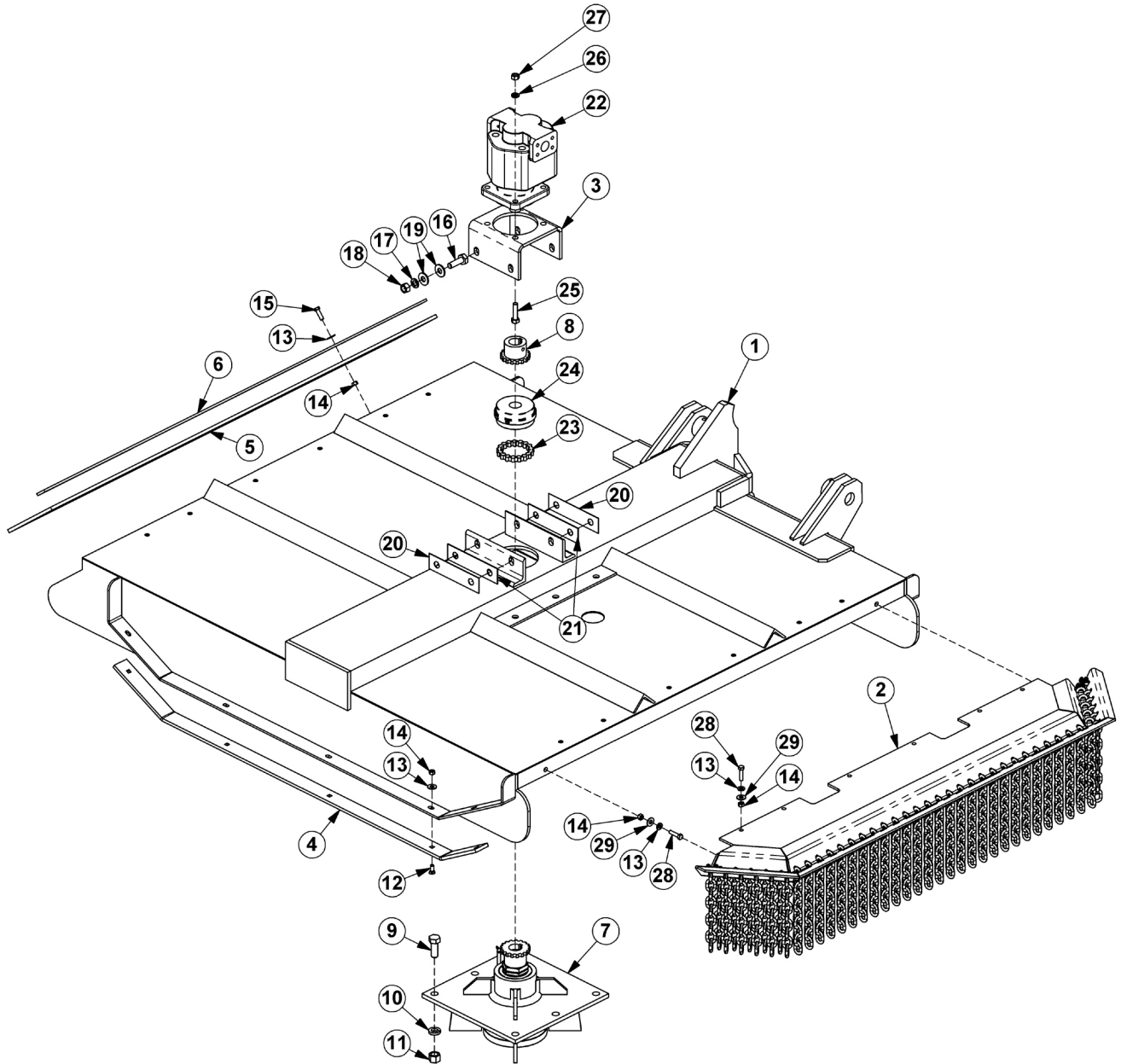
60IN SIDE COMBO TM ROTARY MOWER

Continued...

| ITEM | PART NO. | QTY. | DESCRIPTION |
|------|----------|------|---------------------------------------|
| 1 | 30087D | 1 | RTRY, 60" DECK, COMBO - STD DUTY |
| --- | 32617 | 1 | RTRY, 60" DECK, COMBO - HEAVY DUTY |
| 2 | 31773 | 1 | GUARD,CHAIN,FRONT,SR60 |
| 3 | 6T1001 | 1 | BRKT, MOTOR MTG, 60"SIDE RTRY |
| 4 | 6T0820H | 2 | SKID SHOE, TM60 |
| 5 | 22592 | 1 | FLAP, DEFLECTOR, TM60 |
| 6 | 6T0823 | 1 | BAR, FLAP, TM60 |
| 7 | 6T1024H5 | 1 | SPINDLE ASSY,CPLT,HD,5/8" HOLES |
| 8 | 21223 | 1 | SPROCKET, 1-1/4" BORE |
| 9 | 6T2277 | 6 | CAPSCREW,3/4" X 2",NF |
| 10 | 21993 | 6 | LOCKWASHER,3/4",GR 8 |
| 11 | 6T2413 | 6 | HEX NUT,3/4",NF,GR 8 |
| 12 | 6T2270 | 10 | PLOW BOLT,3/8" X 1",NC |
| 13 | 22016 | 29 | FLATWASHER,3/8" |
| 14 | 21625 | 29 | HEX NUT,3/8",NC |
| 15 | 21631 | 11 | CAPSCREW, 3/8" X 1-1/4",NC |
| 16 | 21783 | 4 | CAPSCREW, 5/8" X 2",NC |
| 17 | 21992 | 4 | LOCKWASHER, 5/8" |
| 18 | 21775 | 4 | HEX NUT, 5/8" |
| 19 | 25270 | 8 | FLATWASHER,5/8",GR 8 |
| 20 | 6T0822 | 2 | SHIM, MOTOR MOUNT, 14GA. (AS NEEDED) |
| 21 | 6T0822A | 2 | SHIM, MOTOR MOUNT, 18 GA. (AS NEEDED) |
| 22 | 06504011 | 1 | MOTOR,(M365-2 1/4" GEAR) |
| 23 | 6T1029 | 1 | CHAIN, COUPLING |
| 24 | 6T1033 | 1 | COVER, COUPLING |
| 25 | 21733 | 4 | CAPSCREW, 1/2" X 2",NC |
| 26 | 21990 | 4 | LOCKWASHER,1/2" |
| 27 | 21725 | 4 | HEX NUT, 1/2",NC |
| 28 | 21632 | 8 | CAPSCREW,3/8" X 1-1/2",NC |
| 29 | 21988 | 8 | LOCKWASHER,3/8" |

COMMON SIDE ROTARY

72IN SIDE COMBO TM ROTARY MOWER



COMMON SIDE ROTARY

72IN SIDE COMBO TM ROTARY MOWER

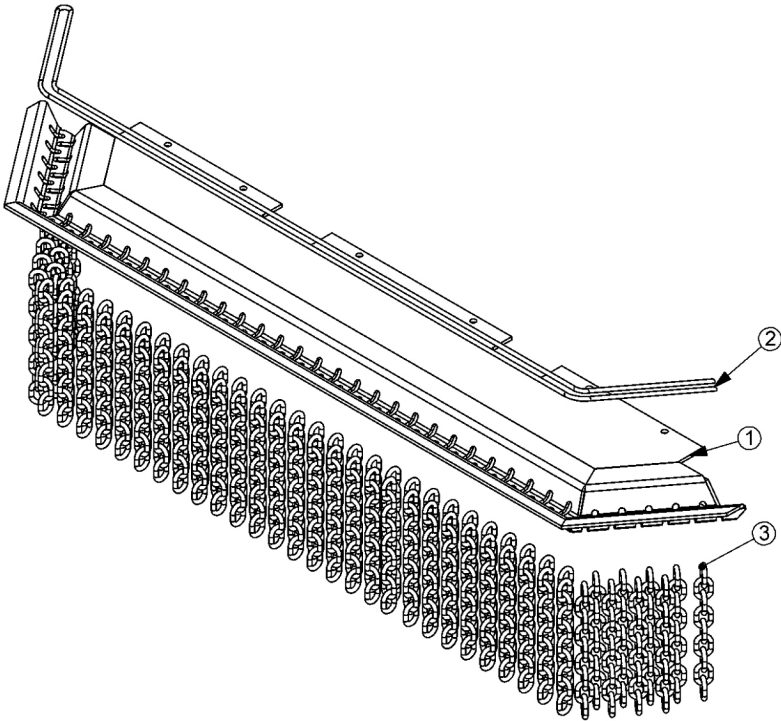
Continued...

| ITEM | PART NO. | QTY. | DESCRIPTION |
|------|----------|------|---------------------------------------|
| 1 | 34260 | 1 | RTRY, 72" DECK, COMBO - STD DUTY |
| --- | 31408A | 1 | RTRY, 72" DECK, COMBO - HEAVY DUTY |
| 2 | 31931 | 1 | GUARD,CHAIN,FRONT,SR72 |
| 3 | 6T1001 | 1 | BRKT, MOTOR MTG, 60"SIDE RTRY |
| 4 | 21248 | 2 | SKID SHOE, TM72 |
| 5 | 21295B | 1 | FLAP, DEFLECTOR, TM72 |
| 6 | 21242A | 1 | BAR, FLAP, TM72 |
| 7 | 6T1024H5 | 1 | SPINDLE ASSY,CPLT,HD,5/8" HOLES |
| 8 | 21223 | 1 | SPROCKET, 1-1/4" BORE |
| 9 | 6T2277 | 6 | CAPSCREW,3/4" X 2",NF |
| 10 | 21993 | 6 | LOCKWASHER,3/4",GR 8 |
| 11 | 6T2413 | 6 | HEX NUT,3/4",NF,GR 8 |
| 12 | 6T2270 | 10 | PLOW BOLT,3/8" X 1",NC |
| 13 | 22016 | 29 | FLATWASHER,3/8" |
| 14 | 21625 | 29 | HEX NUT,3/8",NC |
| 15 | 21631 | 11 | CAPSCREW, 3/8" X 1-1/4",NC |
| 16 | 21783 | 4 | CAPSCREW, 5/8" X 2",NC |
| 17 | 21992 | 4 | LOCKWASHER, 5/8" |
| 18 | 21775 | 4 | HEX NUT, 5/8" |
| 19 | 25270 | 8 | FLATWASHER,5/8",GR 8 |
| 20 | 6T0822 | 2 | SHIM, MOTOR MOUNT, 14GA. (AS NEEDED) |
| 21 | 6T0822A | 2 | SHIM, MOTOR MOUNT, 18 GA. (AS NEEDED) |
| 22 | 06504011 | 1 | MOTOR,(M365-2 1/4" GEAR) |
| 23 | 6T1029 | 1 | CHAIN, COUPLING |
| 24 | 6T1033 | 1 | COVER, COUPLING |
| 25 | 21733 | 4 | CAPSCREW, 1/2" X 2",NC |
| 26 | 21990 | 4 | LOCKWASHER,1/2" |
| 27 | 21725 | 4 | HEX NUT, 1/2",NC |
| 28 | 21632 | 8 | CAPSCREW,3/8" X 1-1/2",NC |
| 29 | 21988 | 8 | LOCKWASHER,3/8" |

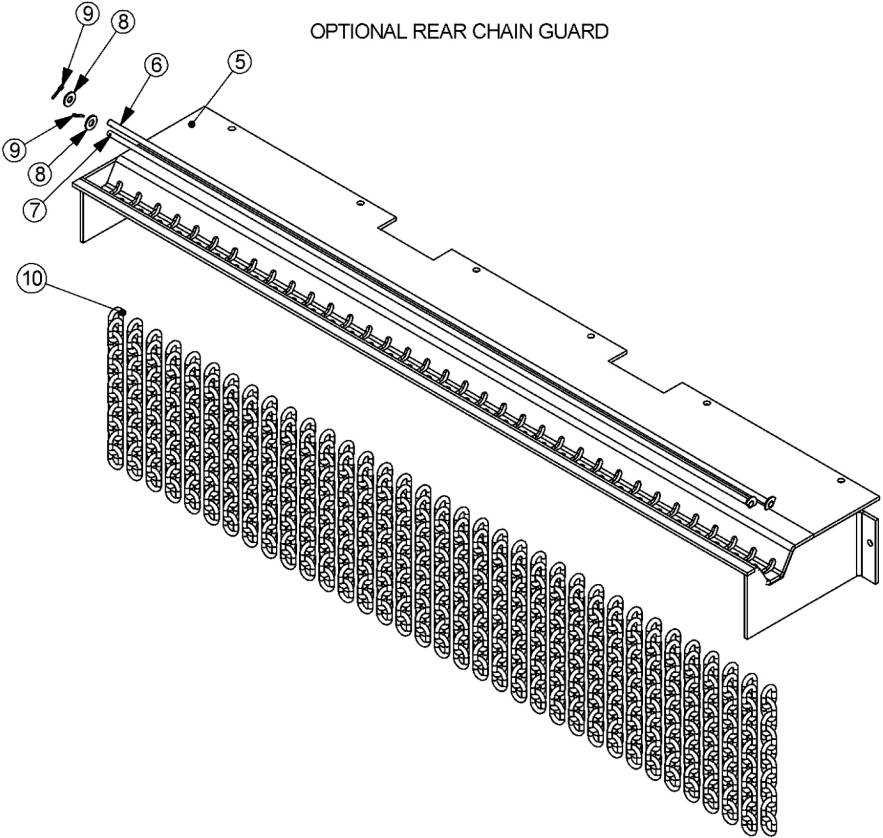
COMMON SIDE ROTARY

60IN SIDE TM CHAIN GUARDS

STANDARD FRONT CHAIN GUARD



OPTIONAL REAR CHAIN GUARD



60IN SIDE TM CHAIN GUARDS

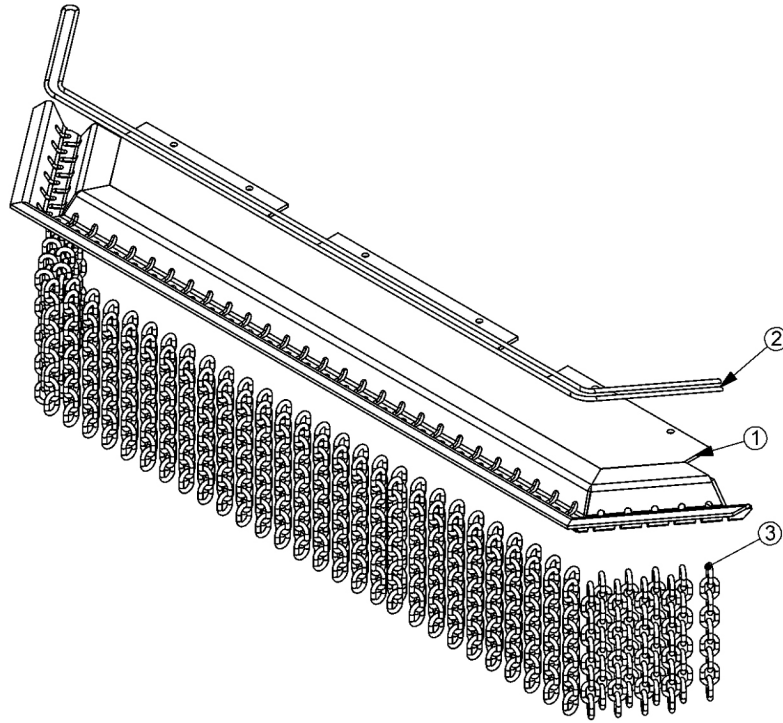
Continued...

| ITEM | PART NO. | QTY. | DESCRIPTION |
|------|----------|------|--------------------------------|
| --- | 31773 | - | GUARD,CHAIN,TM60,FRONT,ASSY |
| 1 | 31762 | 1 | GUARD,CHAIN,TM60,FRONT |
| 2 | 28407 | 12 | CABLE,5/16",BULK (QTY IN FEET) |
| 3 | 22993 | 77 | CHAIN,5/16",GR30,9 LINK |
| 4 | 28408 | 4 | U-BOLT,CABLE,5/16" (NOT SHOWN) |
| --- | 31774 | - | GUARD,CHAIN,TM60,REAR,ASSY |
| 5 | 31763 | 1 | GUARD,CHAIN,TM60,REAR |
| 6 | 31879 | 1 | ROD,SHORT,TM60 |
| 7 | 31878 | 1 | ROD,LONG,TM60 |
| 8 | 22016 | 2 | FLATWASHER,3/8",GR8 |
| 9 | 6T3028 | 2 | COTTER PIN,1/8" X 1" |
| 10 | 22992 | 69 | CHAIN,5/16",GR30,10 LINK |

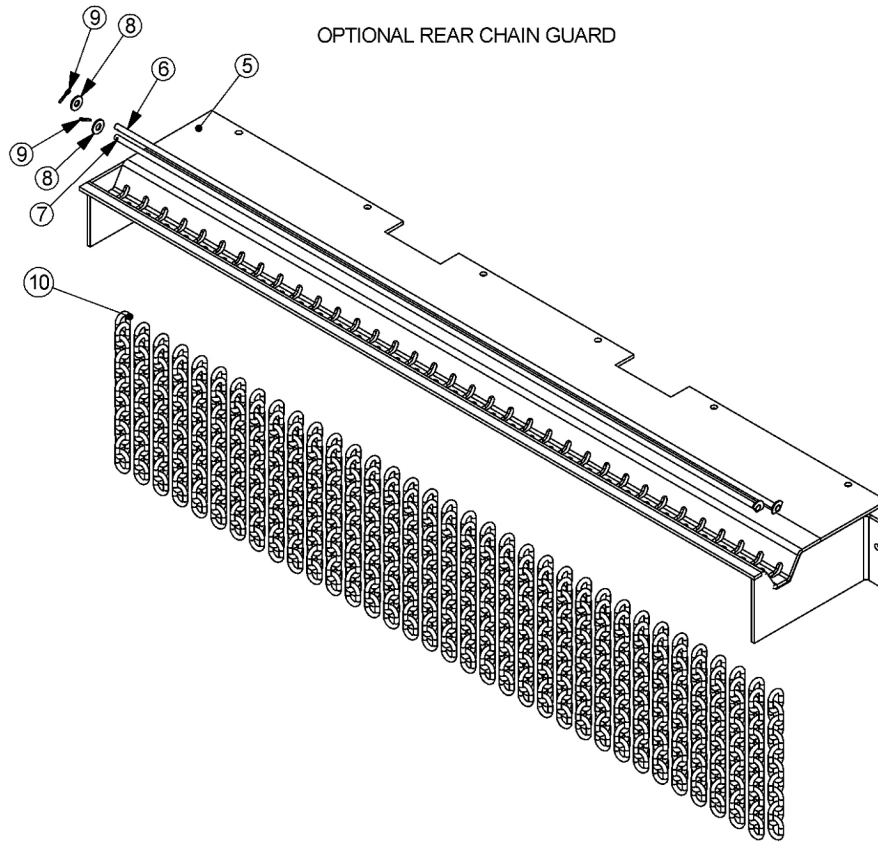
COMMON SIDE ROTARY

72IN SIDE TM CHAIN GUARDS

STANDARD FRONT CHAIN GUARD



OPTIONAL REAR CHAIN GUARD



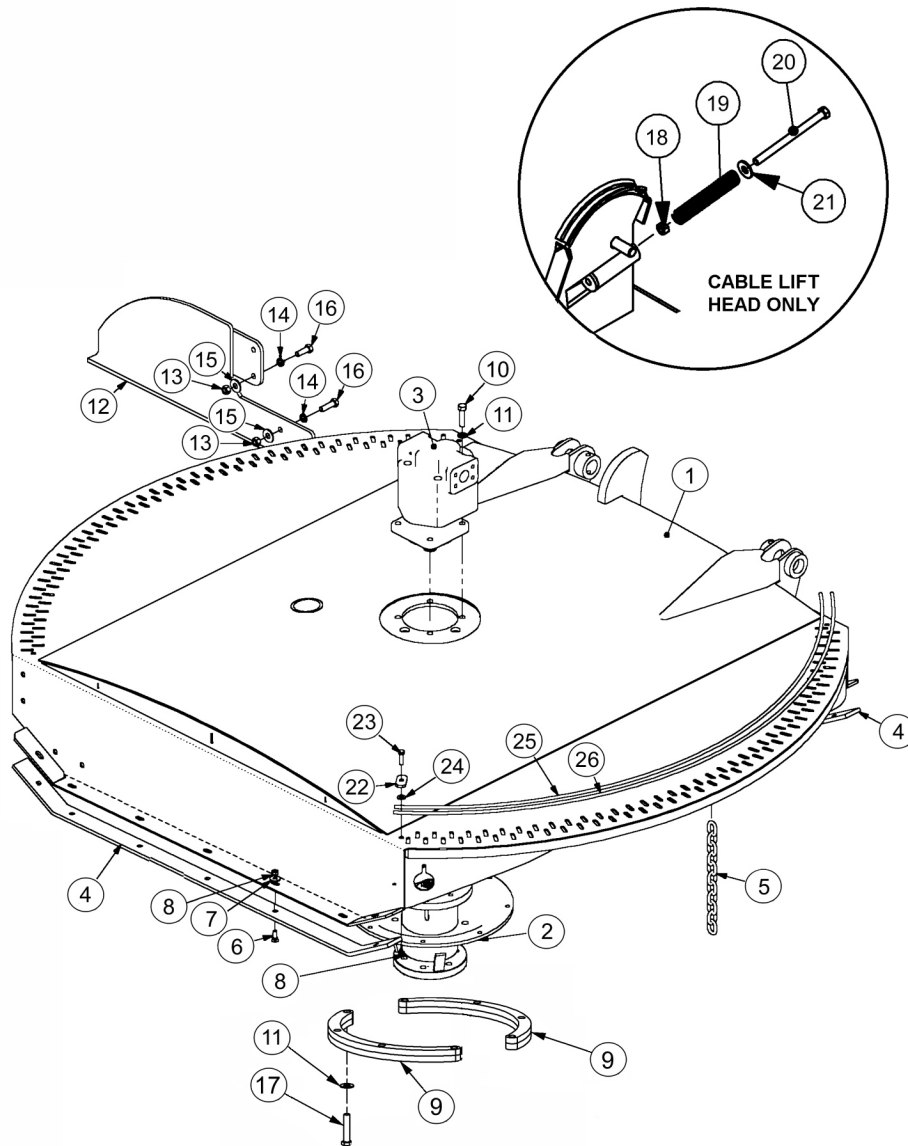
72IN SIDE TM CHAIN GUARDS

Continued...

| ITEM | PART NO. | QTY. | DESCRIPTION |
|------|----------|------|--------------------------------|
| --- | 31931 | - | GUARD,CHAIN,TM72,FRONT,ASSY |
| 1 | 31863 | 1 | GUARD,CHAIN,TM72,FRONT |
| 2 | 28407 | 14 | CABLE,5/16",BULK (QTY IN FEET) |
| 3 | 22993 | 91 | CHAIN,5/16",GR30,9 LINK |
| 4 | 28408 | 4 | U-BOLT,CABLE,5/16" (NOT SHOWN) |
| --- | 31932 | - | GUARD,CHAIN,TM60,REAR,ASSY |
| 5 | 31864 | 1 | GUARD,CHAIN,TM60,REAR |
| 6 | 31934 | 1 | ROD,LONG,TM72 |
| 7 | 31933 | 1 | ROD,SHORT,TM72 |
| 8 | 22016 | 2 | FLATWASHER,3/8",GR8 |
| 9 | 6T3028 | 2 | COTTER PIN,1/8" X 1" |
| 10 | 22992 | 83 | CHAIN,5/16",GR30,10 LINK |

COMMON SIDE ROTARY

60IN SIDE TSR ROTARY MOWER



COMMON SIDE ROTARY

60IN SIDE TSR ROTARY MOWER

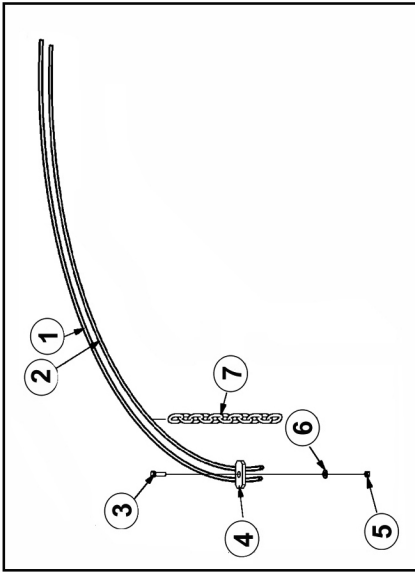
Continued...

| ITEM | PART NO. | QTY. | DESCRIPTION |
|-------|----------|------|---------------------------------------|
| 1 | 34975 | 1 | HEAVY DUTY GRASSKAT COMBO |
| ----- | 06320005 | 1 | STD DUTY GRASSKAT COMBO |
| ----- | 06320008 | 1 | HEAVY DUTY GRASSKAT CABLE |
| 2 | 34980 | 1 | SPINDLE ASSY,TM 60" |
| 3 | 06504016 | 1 | CURRENT MOTOR,(M365-1 1/4" 14-SPLINE) |
| 4 | 06410254 | 2 | SKID,OUTBOARD,TM60 |
| 5 | 22992 | 156 | CHAIN,10 LINK |
| 6 | 6T2270 | 14 | PLOW BOLT,3/8" X 1" NC |
| 7 | 22016 | 26 | FLATWASHER,3/8" |
| 8 | 21625 | 30 | HEX NUT,3/8",NC |
| 9 | 06320011 | 2 | SPACER,TSF,SPINDLE |
| 10 | 6T1025 | 4 | CAPSCREW, 1/2 X 2,GR 8,NC |
| 11 | 06533004 | 12 | FLATWASHER,1/2,SAE,GR 8 |
| 12 | 06370029 | 1 | TIRE GUARD, LEFT |
| 13 | 21725 | 8 | HEX NUT, 1/2",NC |
| 14 | 21990 | 8 | LOCKWASHER, 1/2" |
| 15 | 22018 | 8 | FLATWASHER, 1/2",WIDE |
| 16 | 21731 | 4 | CAPSCREW, 1/2" X 1-1/2" NC |
| 17 | 06530221 | 8 | CAPSCREW,1/2 X 2-1/4,NF,GR8 |
| 18 | 21745 | 1 | NYLOCK NUT, 1/2 |
| 19 | 21727 | 1 | SPRING, PUSHOFF, SIDE RTRY |
| 20 | 27005 | 1 | CAPSCREW, 1/2 X 7,NC |
| 21 | 22018 | 1 | FLATWASHER,1/2",WIDE |
| 22 | 34972 | 4 | PLATE,CAP,CHAIN |
| 23 | 21631 | 16 | CAPSCREW, 3/8 X 1-1/4,NC |
| 24 | 21988 | 16 | LOCKWASHER, 3/8" |
| 25 | 34974 | 2 | ROD,CHAIN,INNER,TM60 |
| 26 | 34973 | 2 | ROD,CHAIN,OUTER,TM60 |

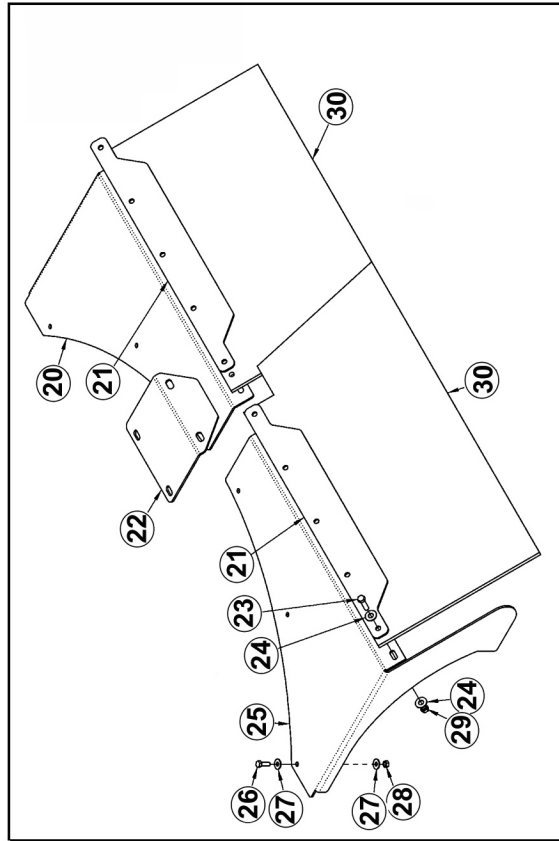
COMMON SIDE ROTARY

60IN SIDE TSR REAR GUARDS

OPTIONAL REAR CHAIN GUARD



STANDARD SQUARE REAR FLAP GUARD



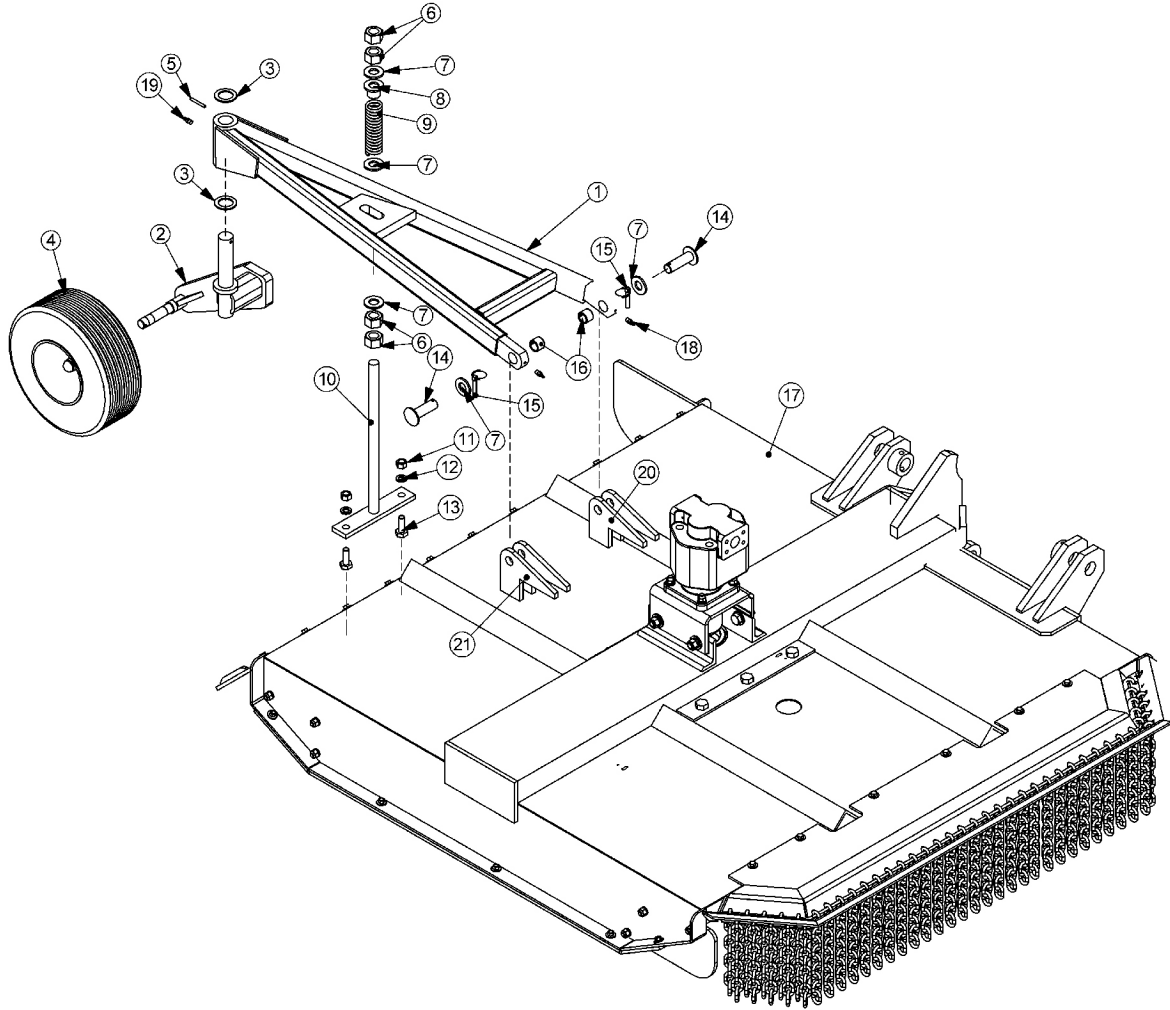
60IN SIDE TSR REAR GUARDS

Continued...

| ITEM | PART NO. | QTY. | DESCRIPTION |
|------|----------|------|---------------------------|
| 1 | 34973 | 2 | ROD,CHAIN,OUTER,TM60 |
| 2 | 34974 | 2 | ROD,CHAIN,INNER,TM60 |
| 3 | 21631 | 16 | CAPSCREW, 3/8 X 1-1/4,NC |
| 4 | 34972 | 4 | PLATE,CAP,CHAIN |
| 5 | 21625 | 30 | HEX NUT,3/8",NC |
| 6 | 21988 | 16 | LOCKWASHER, 3/8" |
| 7 | 22992 | 156 | CHAIN,10 LINK |
| 20 | 06410947 | 1 | MNT,FLAP,RH,EXT,TSR |
| 21 | 06401184 | 2 | STRAP,FLAP,EXT,TSR |
| 22 | 06410948 | 1 | COVER,FLAP,EXT,TSR |
| 23 | 21632 | 10 | CAPSCREW,3/8" X 1-1/2" NC |
| 24 | 22016 | 20 | FLATWASHER,3/8",GR8 |
| 25 | 06410946 | 1 | MNT,FLAP,LH,EXT,TSR |
| 26 | 21580 | 6 | CAPSCREW,5/16 X 1 NC |
| 27 | 22015 | 12 | FLATWASHER,5/16 |
| 28 | 21577 | 6 | NYLOCK NUT, 5/16,NC |
| 29 | 21625 | 10 | HEX NUT,3/8",NC |
| 30 | 06520331 | 2 | FLAP,EXT,TSR |

COMMON SIDE ROTARY

SIDE ROTARY CASTER WHEEL ASSEMBLY



COMMON SIDE ROTARY

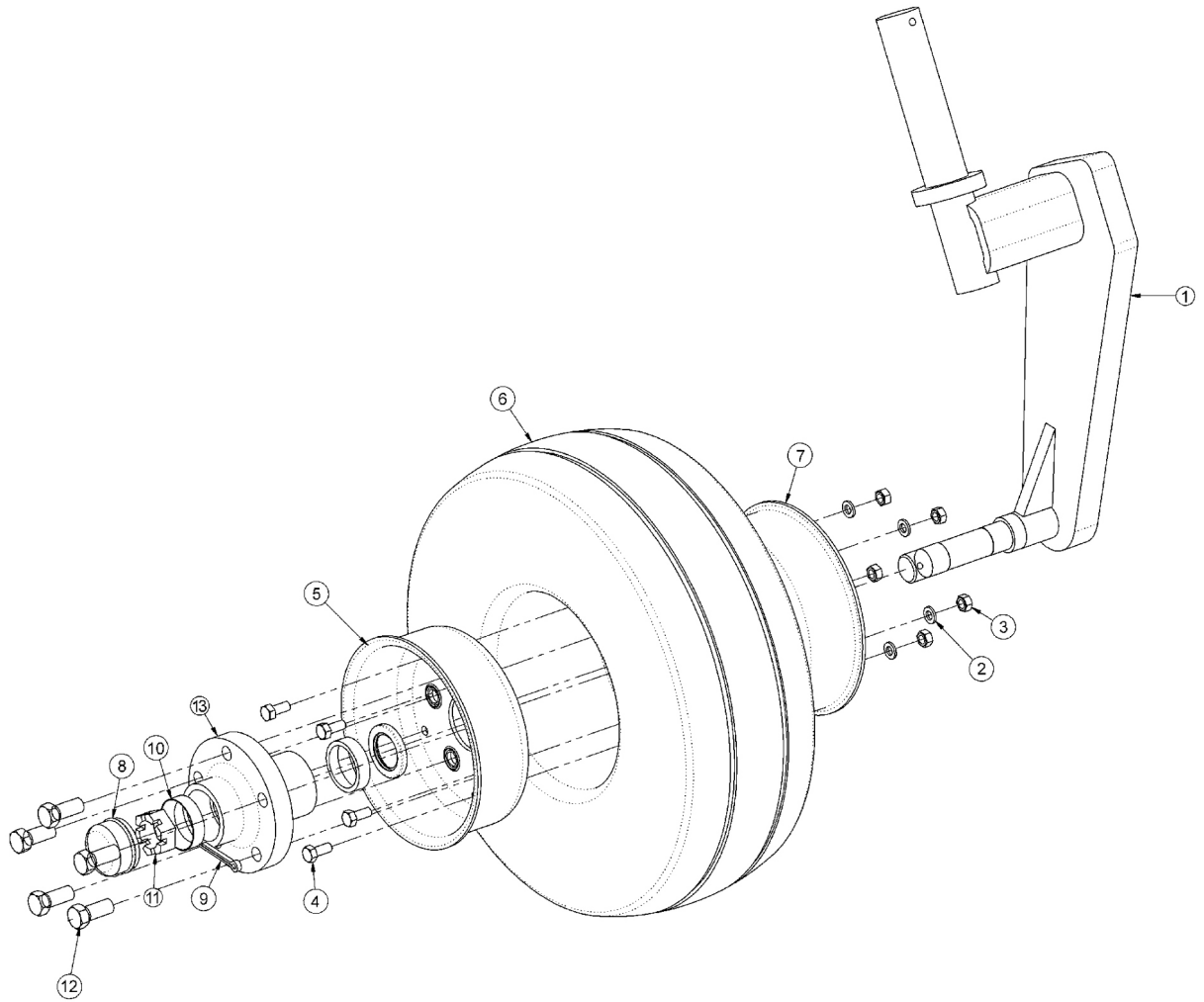
SIDE ROTARY CASTER WHEEL ASSEMBLY

Continued...

| ITEM | PART NO. | QTY. | DESCRIPTION |
|------|----------|------|-------------------------------|
| 1 | 25214C | 1 | FRAME,CASTER,WHL (TM60) |
| --- | 28297A | - | FRAME,CASTER WHL (TM72) |
| 2 | 22057 | 1 | SPINDLE,CASTER AXLE,ASSY |
| 3 | 6T2617 | 2 | BUSHING,MACH,1-1/2IDX 2-1/4OD |
| 4 | 28548 | 1 | CASTER WHEEL,SOLID TIRE |
| --- | 22065 | 1 | HUB,ASSY,CASTER |
| ---- | 22066 | 1 | HUB,CASTER |
| --- | 22070 | 1 | DUST CAP |
| ---- | 22071 | 5 | HUB STUD |
| --- | 22073 | 1 | HEX NUT,1",NF (SLOTTED) |
| ---- | 22533 | 1 | COTTER PIN,3/16" X 2" |
| --- | 6T0830 | 2 | BEARING,CONE,CASTER WHEEL |
| ---- | 6T0838 | 1 | SEAL |
| --- | 23329 | 1 | WHEEL,CPLT,SOLID TIRE |
| ---- | 21416 | 1 | TIRE,SOLID |
| --- | 22697 | 1 | RIM,OUTER |
| ---- | 22696 | 1 | RIM,CASTER |
| 5 | 6T3014 | 1 | ROLL PIN,1/4" X 2" |
| 6 | 21925 | 4 | HEX NUT,1",NC |
| 7 | 22023 | 5 | FLATWASHER,1" |
| 8 | 22753 | 1 | TUBE,PROTECTOR |
| 9 | 22058 | 1 | SPRING,REAR RTRY |
| 10 | 22059B | 1 | ADJ ROD,TRR |
| 11 | 21775 | 2 | HEX NUT,5/8" |
| 12 | 21992 | 2 | LOCKWASHER,5/8" |
| 13 | 21782 | 2 | CAPSCREW,5/8" X 1-3/4",NC |
| 14 | 22060 | 2 | CASTER FRAME PIN |
| 15 | TF1143 | 2 | PIN,LYNCH,7/16" X 2" |
| 16 | TB3010 | 2 | BUSHING,1" |
| 17 | ----- | 1 | RTRY,CPLT,TM |
| 18 | 6T3207 | 2 | GREASE ZERK,1/4" X STR |
| 19 | 6T3211 | 1 | GREASE ZERK,1/8" X STR |
| 20 | 21441 | 2 | CASTER FRAME ANCHOR (TM60) |
| --- | 42527 | 2 | CASTER FRAME ANCHOR (TM72) |
| 21 | 21442 | 2 | CASTER FRAME ANCHOR (TM60) |
| --- | 42527 | 2 | CASTER FRAME ANCHOR (TM72) |

COMMON SIDE ROTARY

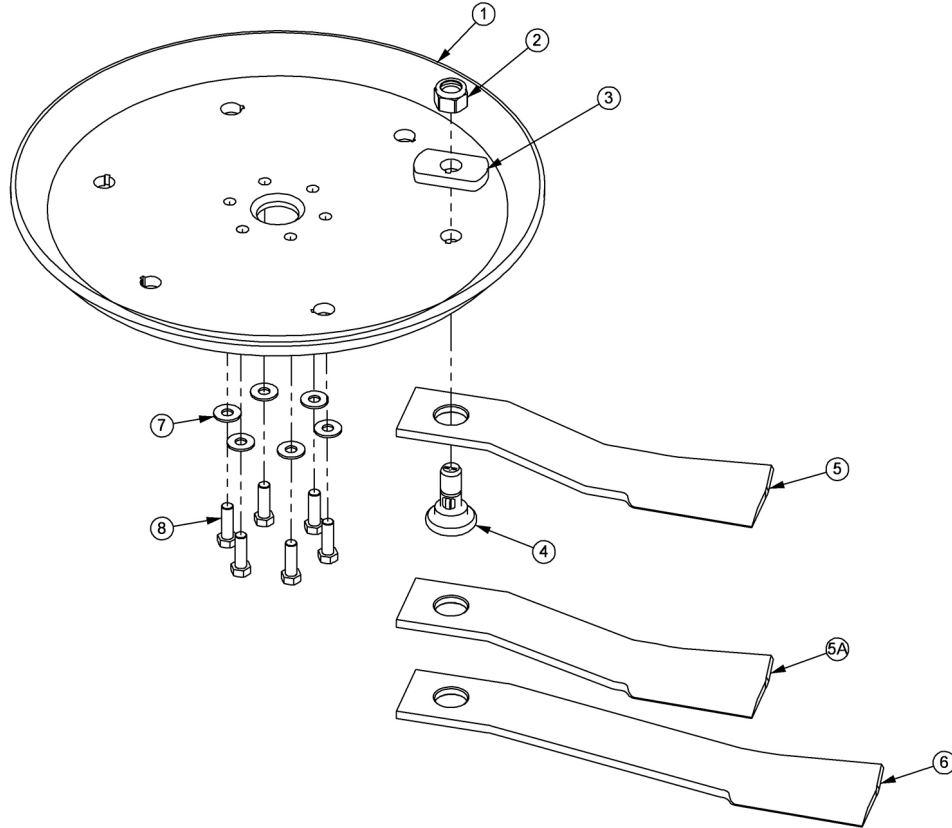
CASTER WHEEL ASSEMBLY



| ITEM | PART NO. | QTY. | DESCRIPTION |
|------|----------|------|---------------------------------|
| 1 | 22057 | 1 | SPINDLE,CASTER AXLE,ASSY |
| 2 | 21987 | 5 | LOCKWASHER,5/16" |
| 3 | 21575 | 5 | HEX NUT,5/16" |
| 4 | 28548 | 5 | CAPSCREW,5/16" X 3/4",NC |
| 5 | 22697 | 1 | RIM,OUTER,CASTER ASSY |
| 6 | 21416 | 1 | TIRE,SOLID |
| 7 | 22696 | 1 | RIM,CASTER WHEEL |
| 8 | 22070 | 1 | DUST CAP |
| 9 | 22533 | 1 | COTTER PIN,3/16" X 2" |
| 10 | 6T0836 | 2 | CUP,CASTER WHEEL |
| 11 | 22073 | 1 | HEX NUT,1",NF (SLOTTED JAM NUT) |
| 12 | 22071 | 5 | HUB STUD |
| 13 | 22066 | 1 | HUB,CASTER WHEEL |

COMMON SIDE ROTARY

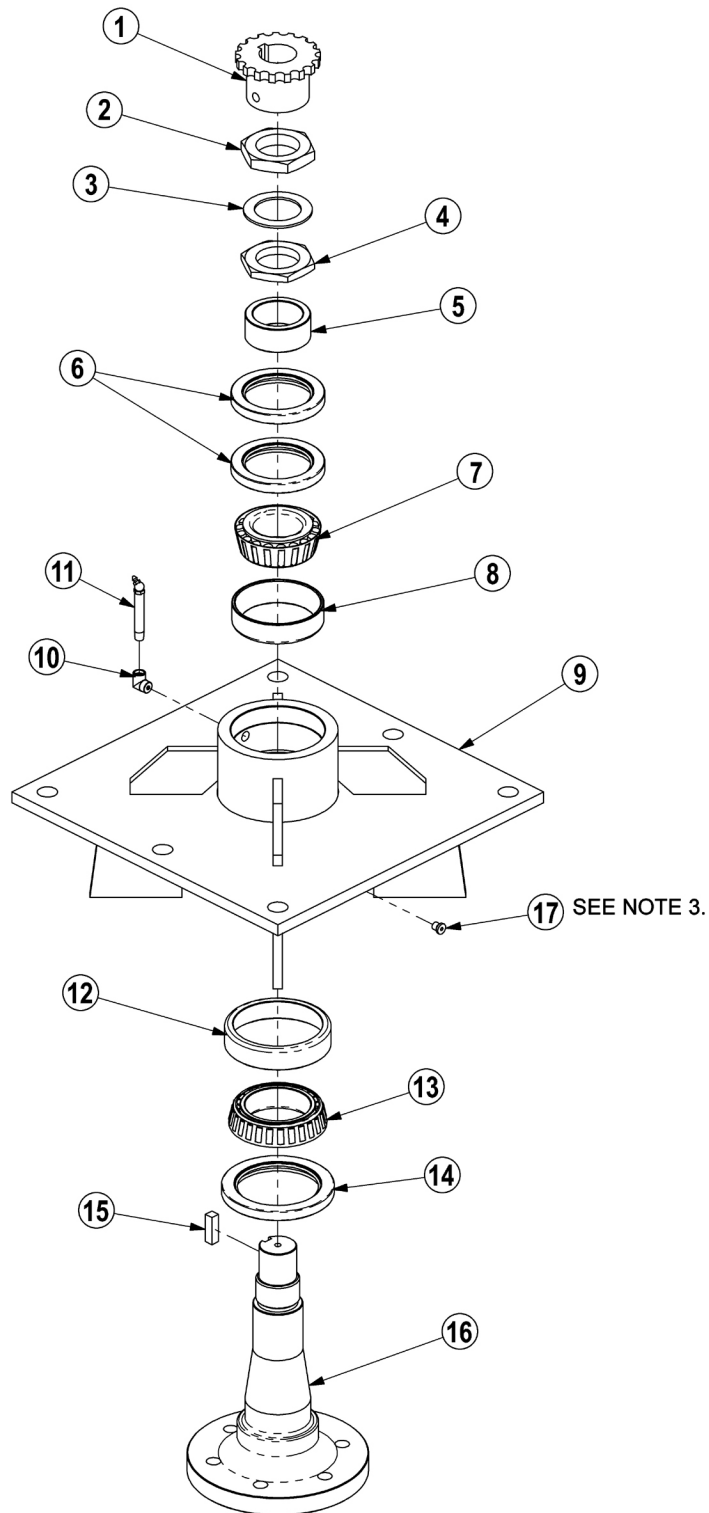
ROTARY DISK AND KNIVES



| ITEM | PART NO. | QTY. | DESCRIPTION |
|------|----------|------|--|
| 1 | 34876 | 1 | BLADE MOUNTING DISK |
| 2 | 6T1023R | 2 | NYLOCK NUT,1-1/8" |
| 3 | 34878 | 2 | SPACER |
| 4 | 34497 | 2 | KNIFE MOUNTING BOLT |
| 5 | 34685 | 2 | KNIFE,60" HIGH SUCTION - STANDARD |
| 5A | 34684 | 2 | KNIFE,60" - OPTIONAL |
| 6 | 34682 | 2 | KNIFE 72" (MOUNT ON 72" MOWER ONLY) |
| 7 | 25270 | 6 | FLATWASHER,5/8",USS,GR8 |
| 8 | 6T2259 | 6 | CAPSCREW,5/8" X 1-3/4",NF |
| ---- | 6T1825 | - | LOCTITE - USED ON ALL DISK MOUNTING BOLTS |
| --- | 27167 | - | BOLT KIT (INCLUDE ITEMS 7 & 8) |
| ---- | 06700002 | - | KIT,60/72,DISK,KNF MTG (INCLUDE ITEM 1, 3,7 & 8) |

COMMON SIDE ROTARY

TM MOWER SPINDLE ASSEMBLY



NOTES:

1. FREEPLAY: .001" - .003"
2. GREASE: FILL WITH MOBILITH SHC 220.
3. APPLY LOCTITE "271" TO O-RING PLUG THRDS.

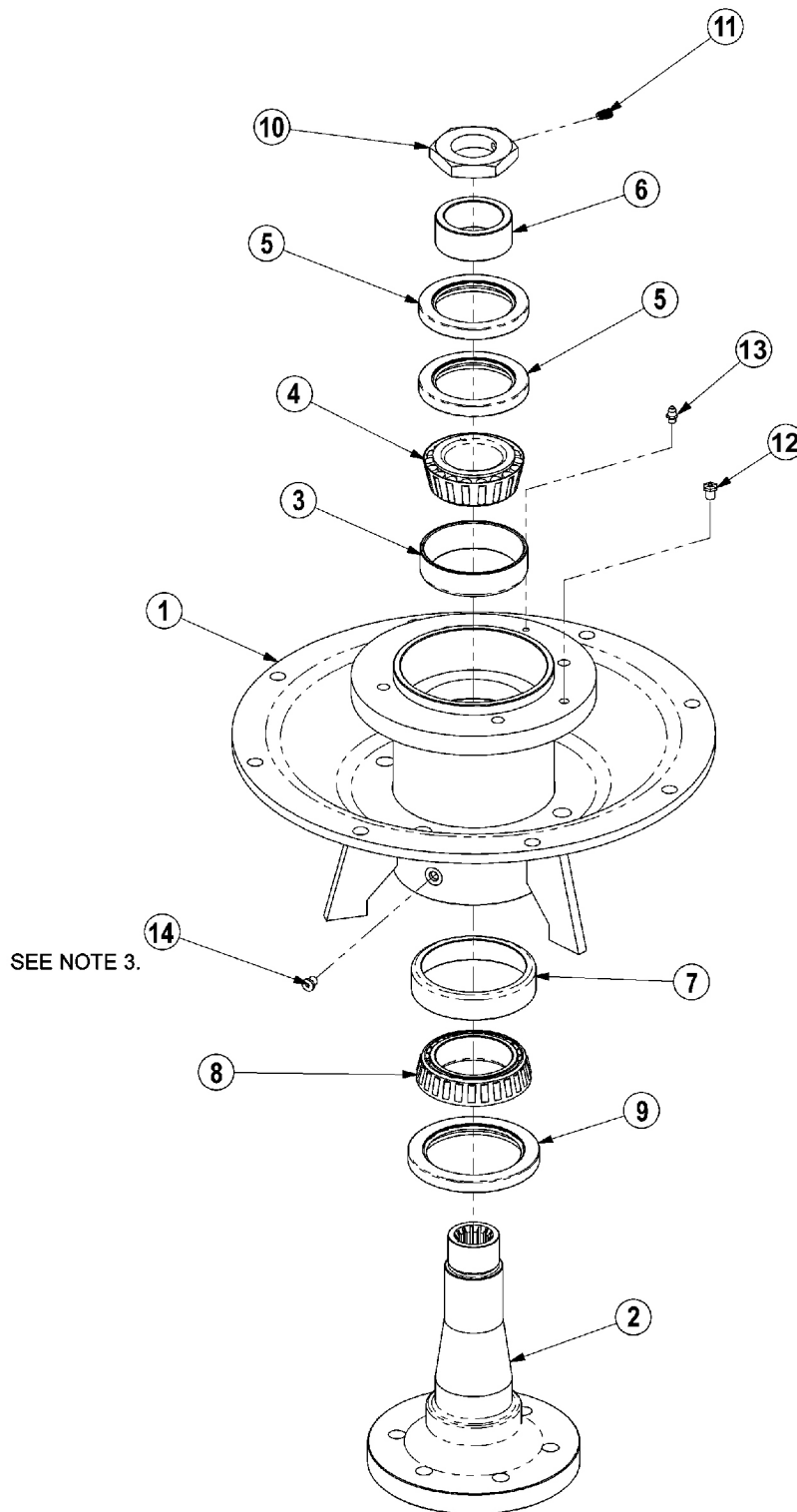
TM MOWER SPINDLE ASSEMBLY

Continued...

| ITEM | PART NO. | QTY. | DESCRIPTION |
|-------|-----------|------|--|
| ----- | 6T1024H5 | - | SPINDLE ASSEMBLY COMPLETE |
| 1 | 6T1031 | 1 | SPROCKET |
| 2 | 6T1016 | 1 | BEARING LOCK NUT - THICK |
| 3 | 22596 | 1 | JAM WASHER |
| 4 | 6T1015 | 1 | BEARING ADJUSTMENT NUT - THIN |
| 5 | 6T1014 | 1 | BEARING ADJUSTMENT SLEEVE |
| 6 | 6T1011 | 1 | UPPER SEAL - SET OF 2 |
| 7 | 6T1012 | 1 | BEARING CONE |
| 8 | 6T1013 | 1 | BEARING CUP |
| 9 | 6T1010H | 1 | SPINDLE HOUSING |
| 10 | 30570 | 1 | FITTING STREET ELBOW |
| 11 | 33990 | 1 | GREASE ZERK |
| 12 | 6T1013H | 1 | BEARING CUP |
| 13 | 6T1012H | 1 | BEARING CONE |
| 14 | 6T1011H | 1 | LOWER SEAL |
| 15 | 6T1019 | 1 | SPINDLE KEY |
| 16 | PT1018H-5 | 1 | SPINDLE |
| 17 | 06503064 | 1 | O-RING PLUG, 1/8" |
| ----- | 31771 | - | SPINDLE REBUILD KIT (INCLUDES ITEMS 2 - 8 AND 12 - 15) |

COMMON SIDE ROTARY

TSR MOWER SPINDLE ASSEMBLY



NOTES:

1. FREEPLAY: .001" - .003"
2. GREASE: FILL WITH MOBILITH SHC 220.
3. APPLY LOCTITE "271" TO O-RING PLUG THRDS.

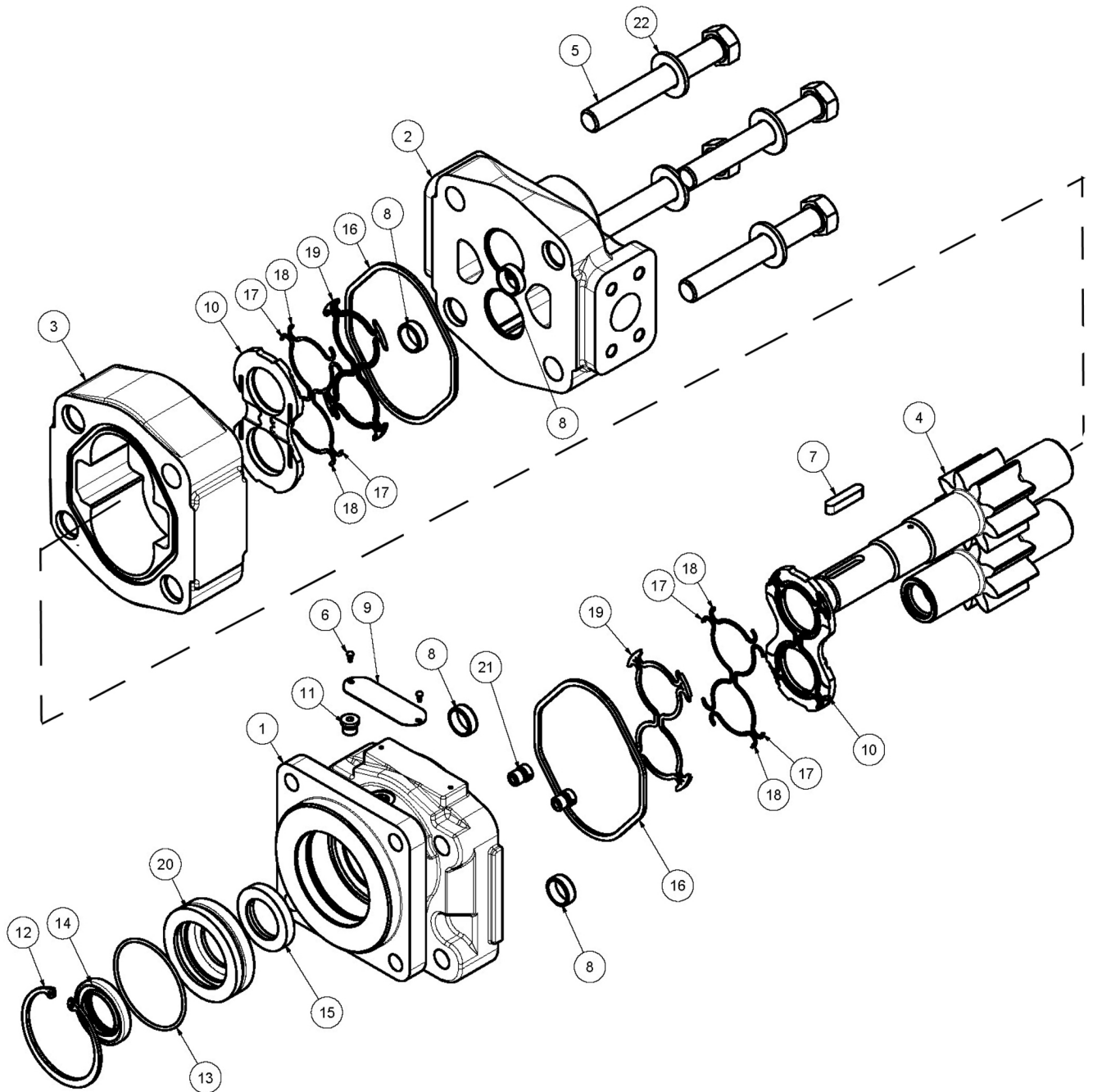
TSR MOWER SPINDLE ASSEMBLY

Continued...

| ITEM | PART NO. | QTY. | DESCRIPTION |
|-------|----------|------|---------------------------|
| ----- | 34980 | - | SPINDLE ASSEMBLY COMPLETE |
| 1 | 34978 | 1 | SPINDLE MOUNT |
| 2 | 34979 | 1 | SPINDLE,TM60 |
| 3 | 6T1013 | 1 | BEARING CUP |
| 4 | 6T1012 | 1 | BEARING CONE |
| 5 | 6T1011 | 1 | UPPER SEAL - SET OF 2 |
| 6 | 6T1014 | 1 | BEARING ADJUSTMENT SLEEVE |
| 7 | 6T1013H | 1 | BEARING,CUP,HD |
| 8 | 6T1012H | 1 | BEARING CONE,HD |
| 9 | 6T1011H | 1 | SEAL,LOWER,HD |
| 10 | 34985 | 1 | NUT W/SETSCREW |
| 11 | 6T2275 | 1 | SETSCREW,5/16" X 1/2",NC |
| 12 | 34988 | 1 | RELIEF,1PSI,1/8" NPT |
| 13 | 6T3207 | 1 | ZERK,1/4" X STR |
| 14 | 06503064 | 1 | O-RING PLUG, 1/8" |

COMMON SIDE ROTARY

ROTARY MOTOR BREAKDOWN



COMMON SIDE ROTARY

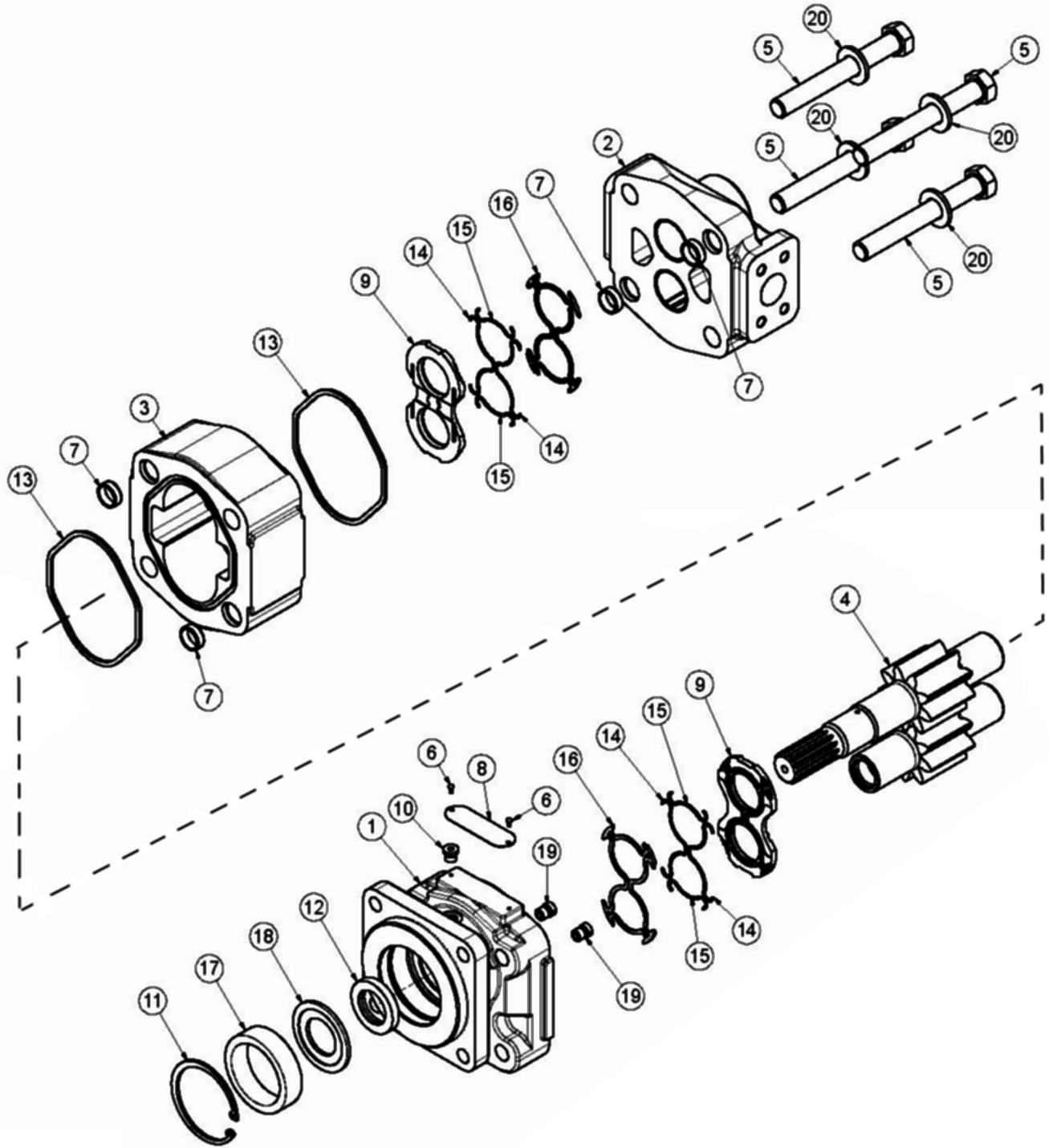
ROTARY MOTOR BREAKDOWN

Continued...

| ITEM | PART NO. | QTY. | DESCRIPTION |
|------|----------|------|-----------------|
| | 06504011 | - | MOTOR ASSEMBLY |
| 1 | 22790 | 1 | END,COVER |
| 2 | 06504088 | 1 | HOUSING, PEC |
| 3 | 06504111 | 1 | HOUSING, GEAR |
| 4 | 06504026 | 1 | SET, GEAR SHAFT |
| 5 | 06504104 | 4 | CAPSCREW |
| 6 | 06504078 | 2 | SCREW, DRIVE |
| 7 | 06504092 | 1 | KEY |
| 8 | 06504093 | 4 | PIN, DOWEL |
| 9 | 06504094 | 1 | NAME PLATE |
| 10 | 06504095 | 2 | THRPL |
| 11 | 2961940 | 1 | PLUG, ODT |
| 12 | 2962200 | 1 | RING, SNAP |
| 13 | 06504096 | 1 | O RING |
| 14 | 6T5101 | 1 | SEAL, LIP |
| 15 | 06504097 | 1 | SEAL, LIP |
| 16 | 22797 | 2 | SEAL, SQ-R |
| 17 | 06504098 | 4 | SEAL, SIDE CHAN |
| 18 | 06504099 | 4 | SEAL, END CHAN |
| 19 | 06504100 | 2 | SEAL, BK-UP |
| 20 | 06504101 | 1 | RTNR, SEAL |
| 21 | 6T5809 | 2 | CHECK ASS'Y |
| 22 | 06504102 | 4 | WASHER |
| --- | 06504103 | - | SEAL KIT |

COMMON SIDE ROTARY

60IN TSR ROTARY MOTOR BREAKDOWN



COMMON SIDE ROTARY

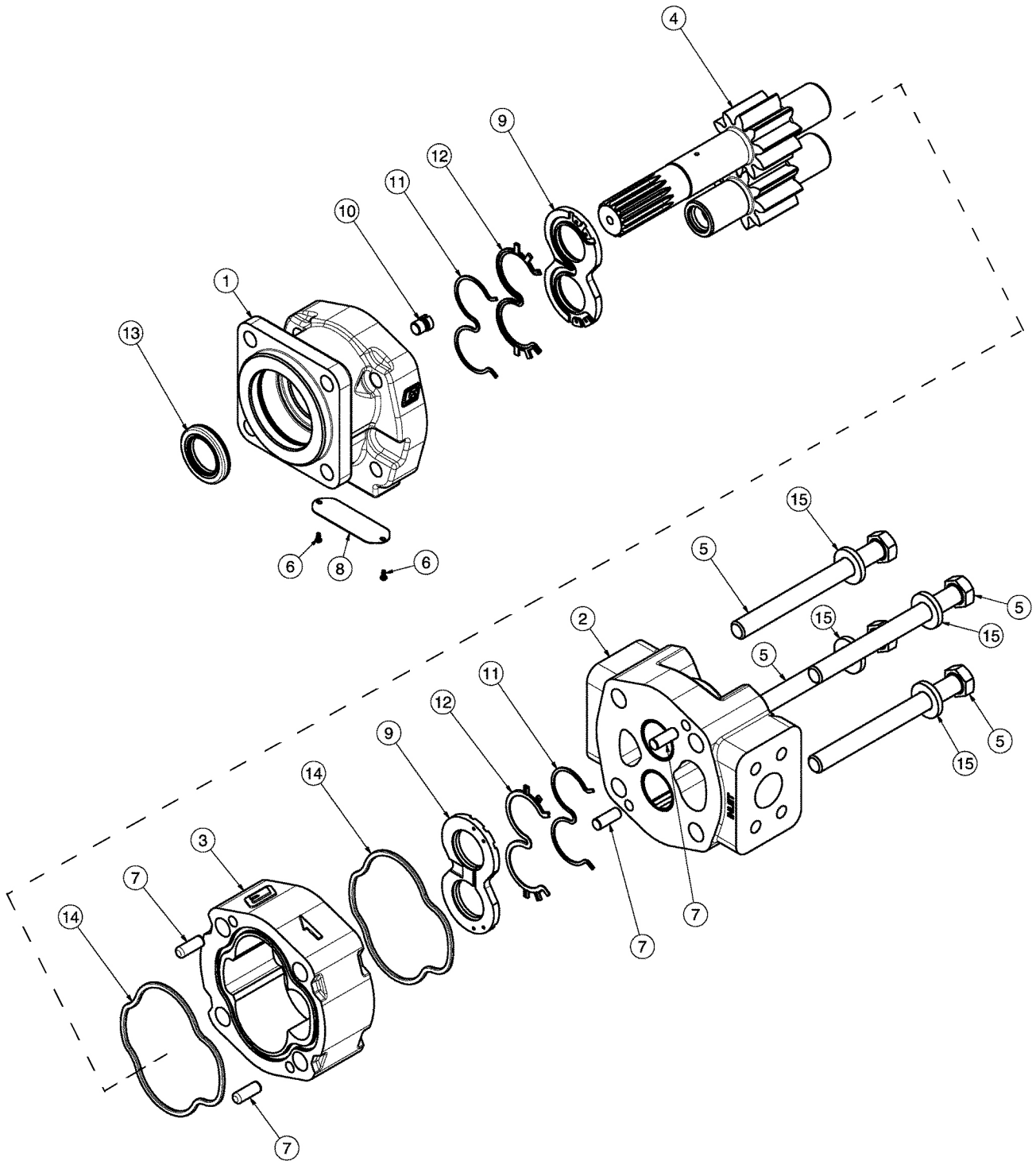
60IN TSR ROTARY MOTOR BREAKDOWN

Continued...

| ITEM | PART NO. | QTY. | DESCRIPTION |
|------|----------|------|--------------------------------|
| | 06504016 | - | MOTOR(M365-1 1/4SPLINE),SEALED |
| 1 | 22790 | 1 | COVER,END |
| 2 | 06504088 | 1 | HOUSING,PEC |
| 3 | 06504111 | 1 | HOUSING,GEAR |
| 4 | 06504110 | 1 | SET,GEAR SHAFT |
| 5 | 06504104 | 4 | CAP SCREW |
| 6 | 06504078 | 2 | SCREW,DRIVE |
| 7 | 06504093 | 4 | PIN,DOWEL |
| 8 | 06504094 | 1 | NAME PLATE |
| 9 | 06504095 | 2 | THRPL |
| 10 | 02961940 | 1 | PLUG,ODT (0.25) |
| 11 | 6T5200 | 1 | RING,SNAP |
| 12 | 06504097 | 1 | SEAL,LIP |
| 13 | 22797 | 2 | SEAL,SQ-R |
| 14 | 06504098 | 4 | SEAL,SIDE CHAN |
| 15 | 06504099 | 4 | SEAL,END CHAN |
| 16 | 06504100 | 2 | SEAL,BK-UP |
| 17 | 06504112 | 1 | SPACER |
| 18 | 06504113 | 1 | RTNR,SEAL |
| 19 | 6T5809 | 2 | CHECK ASS'Y |
| 20 | 06504102 | 4 | WASHER |
| --- | 06504022 | 1 | SEAL KIT |

COMMON SIDE ROTARY

FRONT HYDRAULIC PUMP BREAKDOWN



COMMON SIDE ROTARY

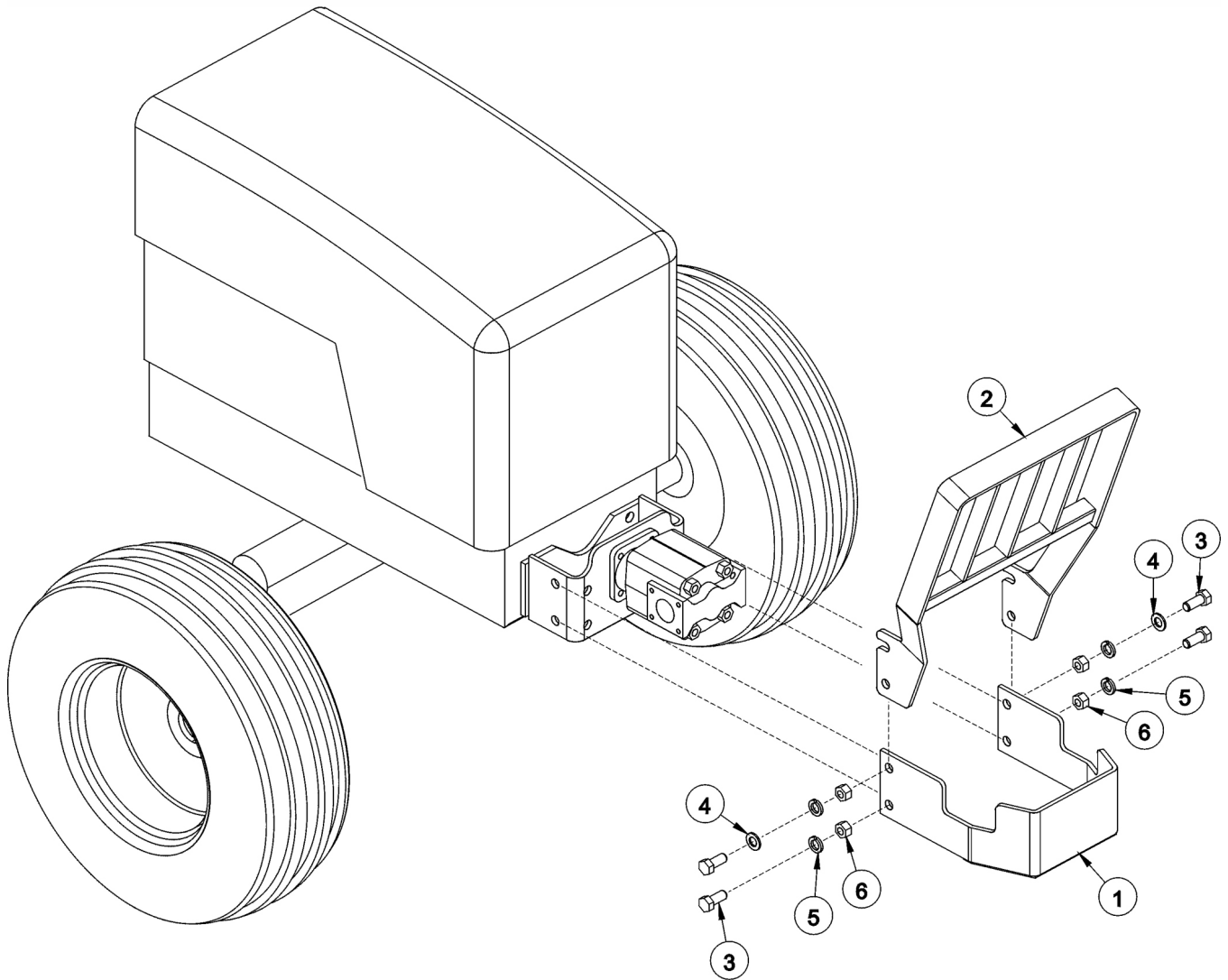
FRONT HYDRAULIC PUMP BREAKDOWN

Continued...

| ITEM | PART NO. | QTY. | DESCRIPTION |
|------|----------|------|---------------------------------------|
| --- | 23152 | 1 | PUMP ASSEMBLY,1-3/4",COMPLETE |
| 1 | 22766 | 1 | SHAFT END COVER |
| 2 | 22779 | 1 | PORT END COVER |
| 3 | 22774 | 1 | GEAR HOUSING,1-3/4" |
| 4 | 22771 | 1 | GEAR SET |
| 5 | 23824 | 4 | CAPSCREW |
| 6 | 06504078 | 2 | SCREW,DRIVE |
| 7 | 22773 | 4 | DOWEL PINS |
| 8 | 06504077 | 1 | NAMEPLATE |
| 9 | 22770 | 2 | THRUST PLATE |
| 10 | 22767 | 1 | PLUG |
| 11 | 06504075 | 2 | SEAL,BK-UP |
| 12 | 06504074 | 2 | SEAL,CHAN |
| 13 | 22765 | 1 | SEAL,LIP |
| 14 | 06504076 | 2 | SEAL,SQ-R |
| 15 | 02961917 | 4 | WASHER |
| --- | 24150 | 1 | SEAL KIT (INCLUDES 11, 12, 13 AND 14) |

COMMON SIDE ROTARY

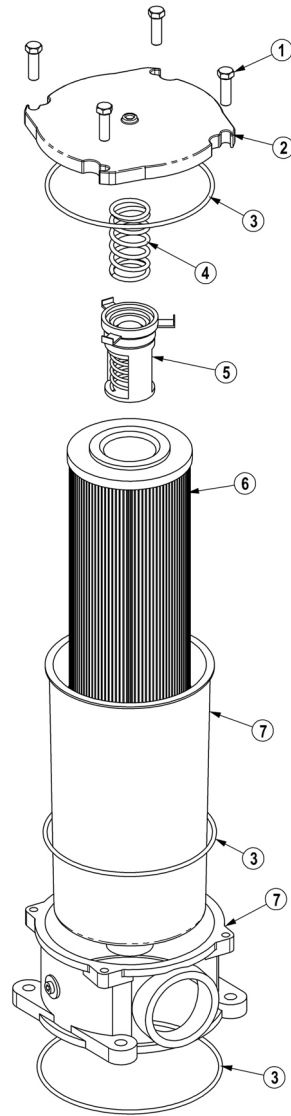
PUMP AND GRILL GUARD OPTIONS



| ITEM | PART NO. | QTY. | DESCRIPTION |
|------|----------|------|---------------------------|
| 1 | 32430 | 1 | UNIVERSAL PUMP GUARD |
| 2 | 32737 | 1 | UNIVERSAL GRILL GUARD |
| 3 | 21833 | 4 | CAPSCREW,3/4" X 2-1/4",NC |
| 4 | 22021 | 2 | FLATWASHER,3/4" |
| 5 | 21993 | 4 | LOCKWASHER,3/4" |
| 6 | 21825 | 4 | HEX NUT,3/4",NC |

COMMON SIDE ROTARY

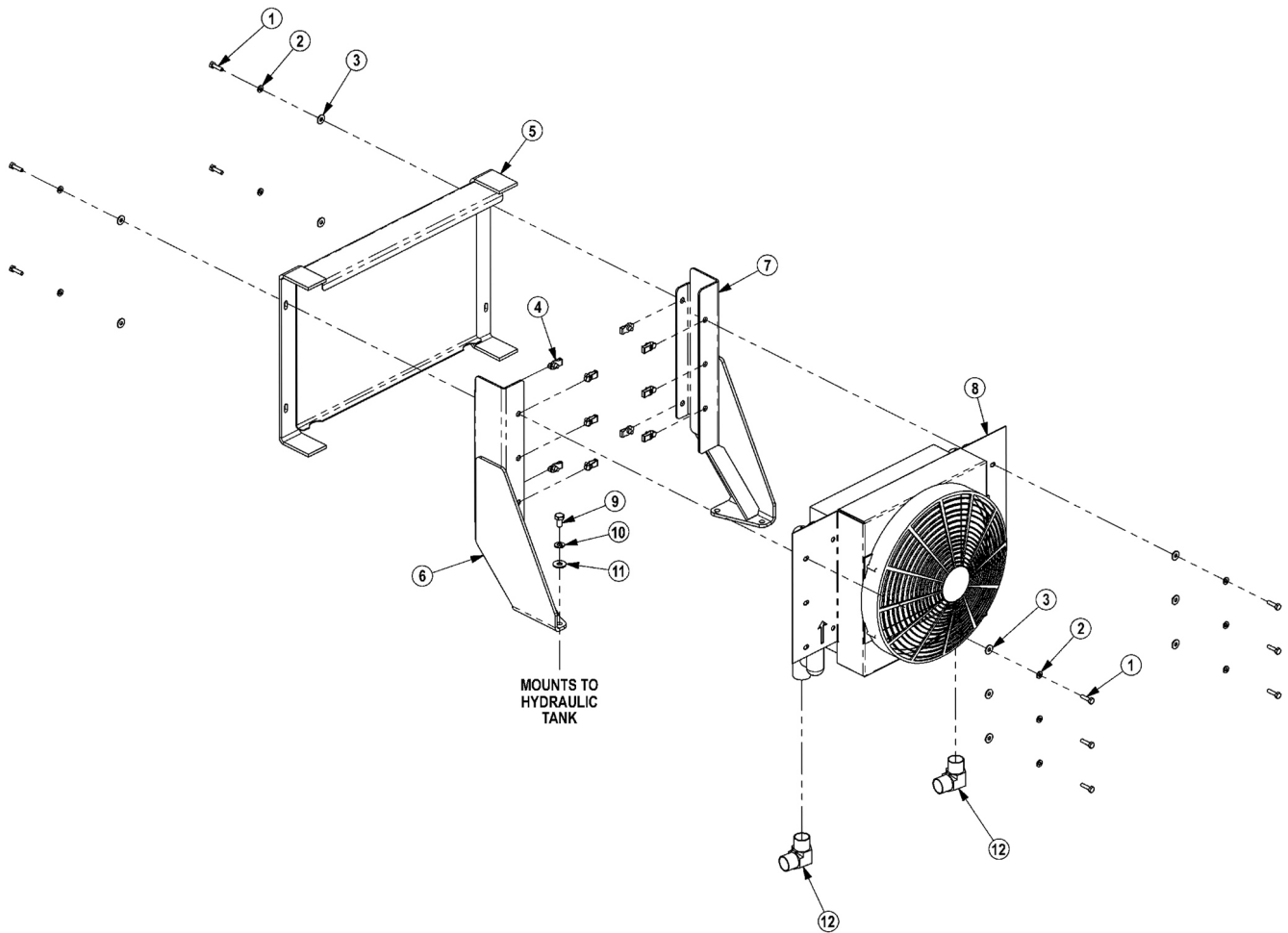
RESERVOIR TANK FILTER ASSEMBLY



| ITEM | PART NO. | QTY. | DESCRIPTION |
|------|----------|------|----------------------------------|
| --- | 06505044 | - | FILTER ASSY SAE 10 MICRON |
| 1 | 28583 | 4 | CAPSCREW, 8MM X 25MM(1.25 PITCH) |
| 2 | 06505045 | 1 | COVER |
| 3 | 06505046 | 1 | SEAL KIT |
| 4 | 06505047 | 1 | SPRING |
| 5 | 06505048 | 1 | BYPASS |
| 6 | 35259 | 1 | FILTER, 10 MIC, RETURN LINE |
| 7 | 06505049 | 1 | CAN/BODY |

COMMON SIDE ROTARY

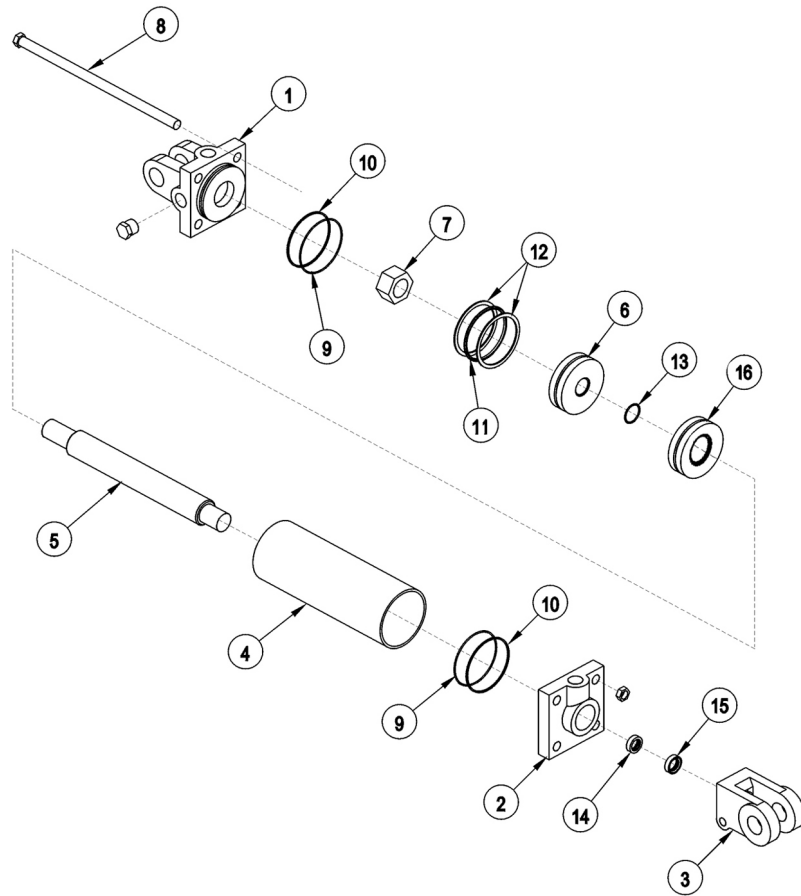
COOLER ASSEMBLY



| ITEM | PART NO. | QTY. | DESCRIPTION |
|------|----------|------|---------------------------|
| 1 | 21530 | 10 | CAPSCREW,1/4 X1 NC |
| 2 | 21986 | 10 | LOCKWASHER,1/4 |
| 3 | 22014 | 10 | FLATWASHER,1/4 |
| 4 | 35176 | 10 | 1/4 U-NUT |
| 5 | 06370015 | 1 | SCREEN,COOLER,FRNT |
| 6 | 06380006 | 1 | MNT,COOLER,BUMPER TANK,RH |
| 7 | 06380007 | 1 | MNT,COOLER,BUMPER TANK,LH |
| 8 | 06510026 | 1 | COOLER,FRONT MNT |
| --- | 06510029 | 1 | FAN ASSY, ONLY |
| 9 | 21629 | 4 | CAPSCREW,3/8 X 3/4 NC |
| 10 | 21988 | 4 | LOCKWASHER,3/8 |
| 11 | 22016 | 4 | FLATWASHER,3/8 |
| 12 | 34117 | 2 | ELBOW,1MOR X 1MJ90,FORGED |

COMMON SIDE ROTARY

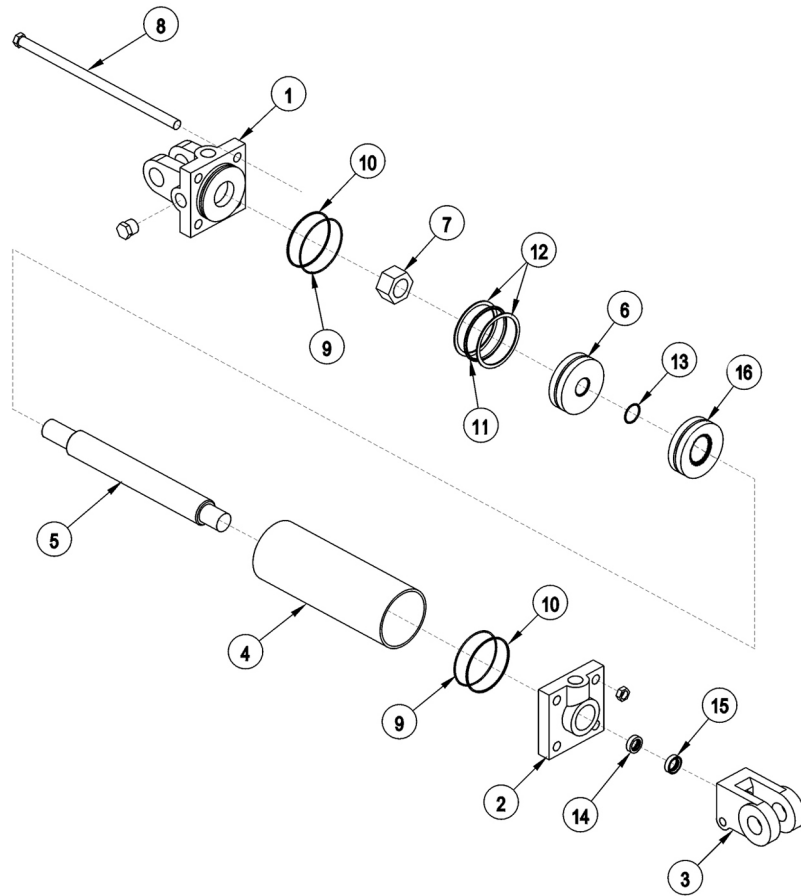
3IN X 10IN HYDRAULIC CYLINDER BREAKDOWN



| ITEM | PART NO. | QTY. | DESCRIPTION |
|-------|----------|------|------------------------|
| ----- | 6T0151R | - | HYD. CYLINDER 3" X 10" |
| 1 | 6T0167 | 1 | CYLINDER BUTT |
| 2 | 6T0170 | 1 | CYLINDER GLAND |
| 3 | 6T0178 | 1 | CLEVIS END |
| 4 | 6T0164 | 1 | CYLINDER TUBE |
| 5 | 6T0161 | 1 | PISTON ROD |
| 6 | 6T0173 | 1 | PISTON |
| 7 | 6T0179 | 1 | LOCKNUT |
| 8 | 6T0176 | 4 | TIE ROD ASY |
| ----- | 6T0187 | - | SEAL KIT |
| 9 | ----- | 2 | O - RING |
| 10 | ----- | 2 | BACK - UP WASHER |
| 11 | ----- | 1 | O - RING |
| 12 | ----- | 2 | BACK - UP WASHER |
| 13 | ----- | 1 | O - RING |
| 14 | ----- | 1 | U - CUP |
| 15 | ----- | 1 | WIPER |

COMMON SIDE ROTARY

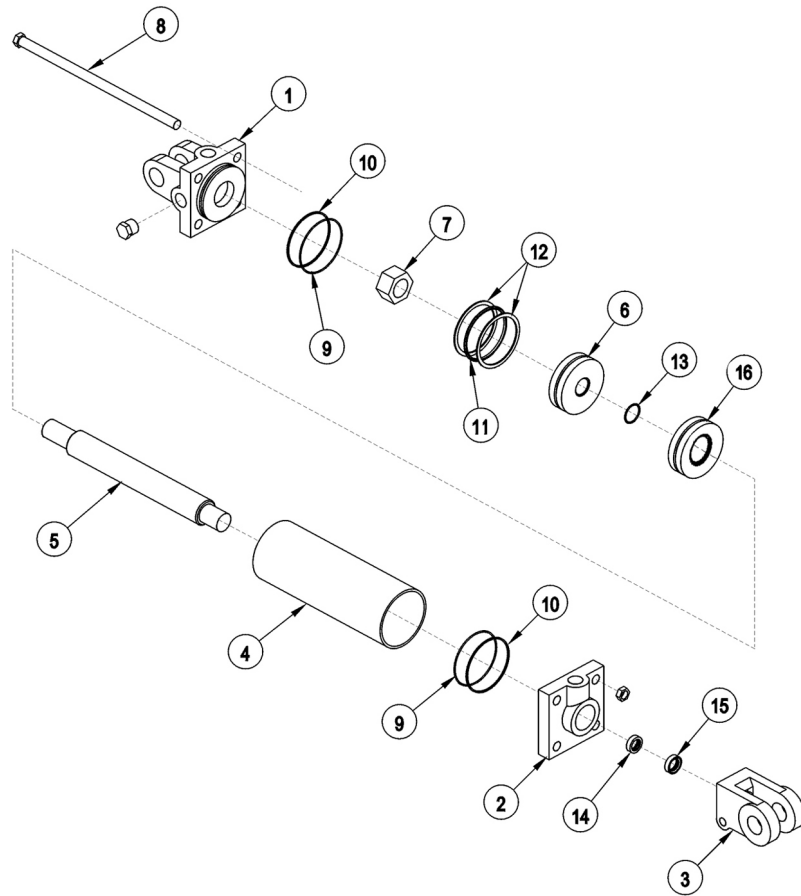
3IN X 12IN HYDRAULIC CYLINDER BREAKDOWN



| ITEM | PART NO. | QTY. | DESCRIPTION |
|-------|----------|------|-----------------------------------|
| ----- | 32215 | - | HYD. CYLINDER 3" X 12" (STD DUTY) |
| ----- | 25343 | - | HYD. CYLINDER 3" X 12" (HVY DUTY) |
| 1 | 6T0167 | 1 | CYLINDER BUTT |
| 2 | 6T0170 | 1 | CYLINDER GLAND |
| 3 | 6T0178 | 1 | CLEVIS END |
| 4 | 6T0204 | 1 | CYLINDER TUBE |
| 5 | 6T0203 | 1 | PISTON ROD |
| 6 | 6T0173 | 1 | PISTON |
| 7 | 6T0179 | 1 | LOCKNUT |
| 8 | 6T0205 | 4 | TIE ROD ASY |
| ----- | 6T0187 | - | SEAL KIT |
| 9 | ----- | 2 | O - RING |
| 10 | ----- | 2 | BACK - UP WASHER |
| 11 | ----- | 1 | O - RING |
| 12 | ----- | 2 | BACK - UP WASHER |
| 13 | ----- | 1 | O - RING |
| 14 | ----- | 1 | U - CUP |
| 15 | ----- | 1 | WIPER |

COMMON SIDE ROTARY

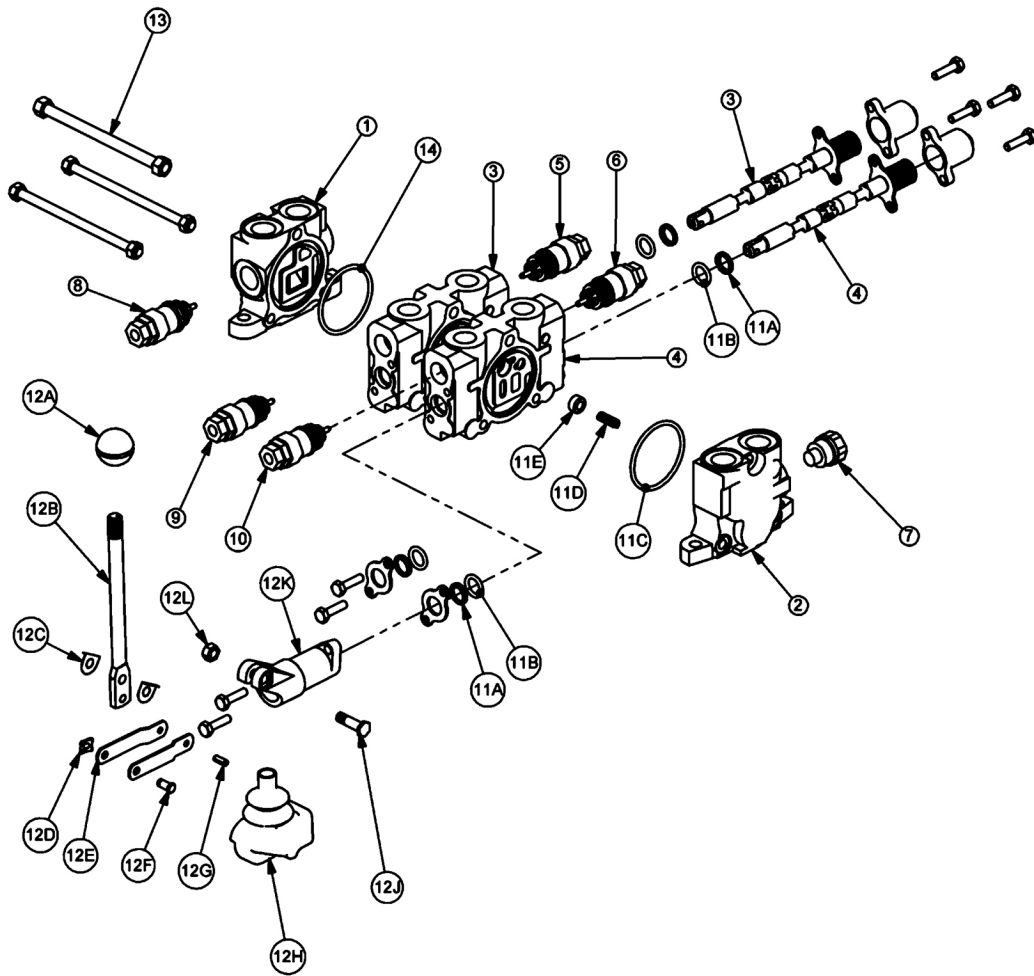
3IN X 18IN HYDRAULIC CYLINDER BREAKDOWN



| ITEM | PART NO. | QTY. | DESCRIPTION |
|-------|----------|------|-------------------|
| ----- | 6T0150 | - | CYLINDER 3" X 18" |
| 1 | 6T0167 | 1 | CYLINDER BUTT |
| 2 | 6T0170 | 1 | CYLINDER GLAND |
| 3 | 6T0178 | 1 | CLEVIS END |
| 4 | 6T0165 | 1 | CYLINDER TUBE |
| 5 | 6T0162 | 1 | PISTON ROD |
| 6 | 6T0173 | 1 | PISTON |
| 7 | 6T0179 | 1 | LOCKNUT |
| 8 | 6T0177 | 4 | TIE ROD ASY |
| ----- | 6T0187 | - | SEAL KIT |
| 9 | ----- | 2 | O - RING |
| 10 | ----- | 2 | BACK - UP WASHER |
| 11 | ----- | 1 | O - RING |
| 12 | ----- | 2 | BACK - UP WASHER |
| 13 | ----- | 1 | O - RING |
| 14 | ----- | 1 | U - CUP |
| 15 | ----- | 1 | WIPER |
| 16 | 6T0206 | 1 | SPACER |

COMMON SIDE ROTARY

CABLE (MANUAL) LIFT VALVE BREAKDOWN - 30801



COMMON SIDE ROTARY

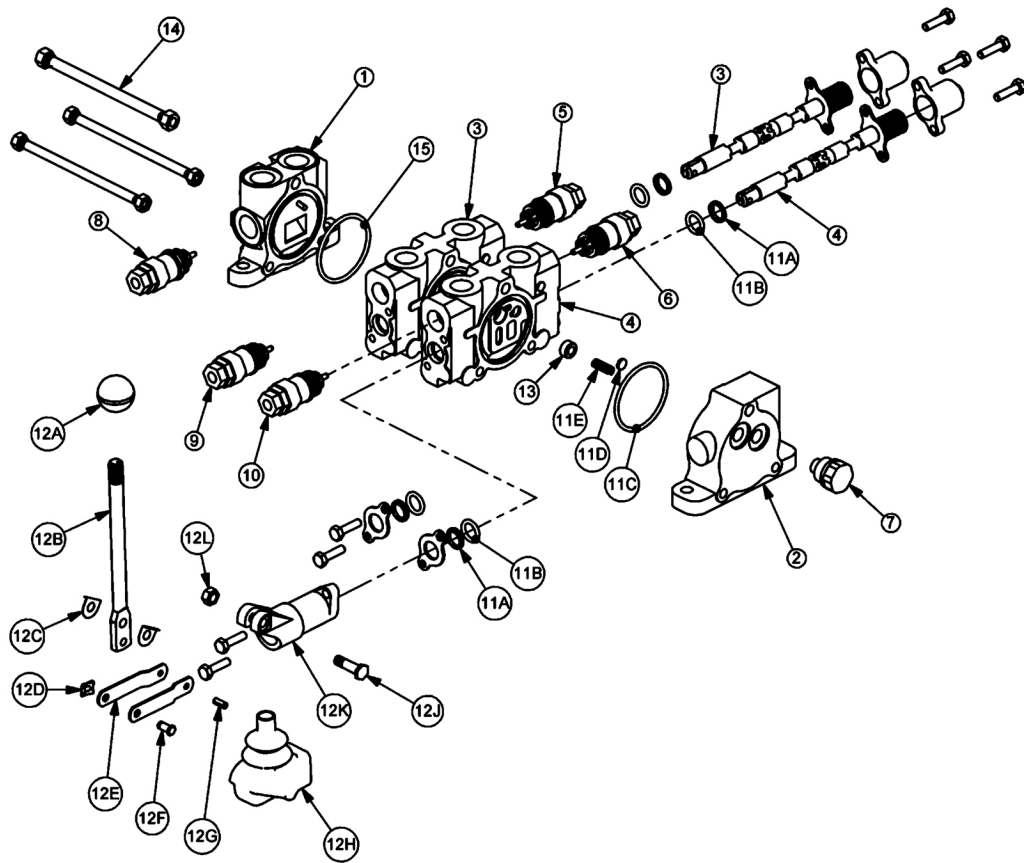
CABLE (MANUAL) LIFT VALVE BREAKDOWN - 30801

Continued...

| ITEM | PART NO. | QTY. | DESCRIPTION |
|------|----------|------|---|
| 1 | TB1017S | 1 | INLET END COVER |
| 2 | TB1702 | 1 | END COVER, POWER BEYOND |
| 3 | TB1017P | 1 | VALVE SECTION (SINGLE ACTING, SPRING DETENT) |
| 4 | 06502091 | 1 | VALVE SECTION (DOUBLE ACTING, CENTER SPRING) (NO AUX VALVE PORTS) |
| 5 | N/A | - | N/A |
| 6 | N/A | - | N/A |
| 7 | TB1017M | 1 | SHUT-OFF PLUG |
| 8 | TB1017E | 1 | RELIEF VALVE, 2250 PSI |
| 9 | TB1017M | 1 | SHUT-OFF PLUG |
| 10 | N/A | - | N/A |
| 11 | TB1017A | 2 | VALVE SEAL KIT (FOR ONE SECTION) |
| 11A | ----- | 2 | WIPER |
| 11B | ----- | 2 | O-RING SMALL |
| 11C | ----- | 1 | O-RING LARGE |
| 11D | ----- | 1 | SPRING |
| 11E | ----- | 1 | PUCKET |
| 12 | TB1017L | 2 | LEVER KIT (FOR ONE SECTION) |
| 12A | ----- | 1 | LEVER KNOB |
| 12B | ----- | 1 | LEVER |
| 12C | ----- | 2 | LEVER WASHER |
| 12D | ----- | 1 | LEVER CLIP |
| 12E | ----- | 2 | LINKAGE |
| 12F | ----- | 1 | LEVER PIN |
| 12G | ----- | 1 | ROLL PIN |
| 12H | ----- | 1 | LEVER BOOT |
| 12J | ----- | 1 | LEVER BOLT |
| 12K | ----- | 1 | LEVER DUST COVER |
| 12L | ----- | 1 | LEVER NUT |
| 13 | TB1017X | 1 | TIE ROD KIT |
| 14 | 24214 | 1 | O-RING, LARGE |

COMMON SIDE ROTARY

CABLE (MANUAL) LIFT VALVE BREAKDOWN - 31320



COMMON SIDE ROTARY

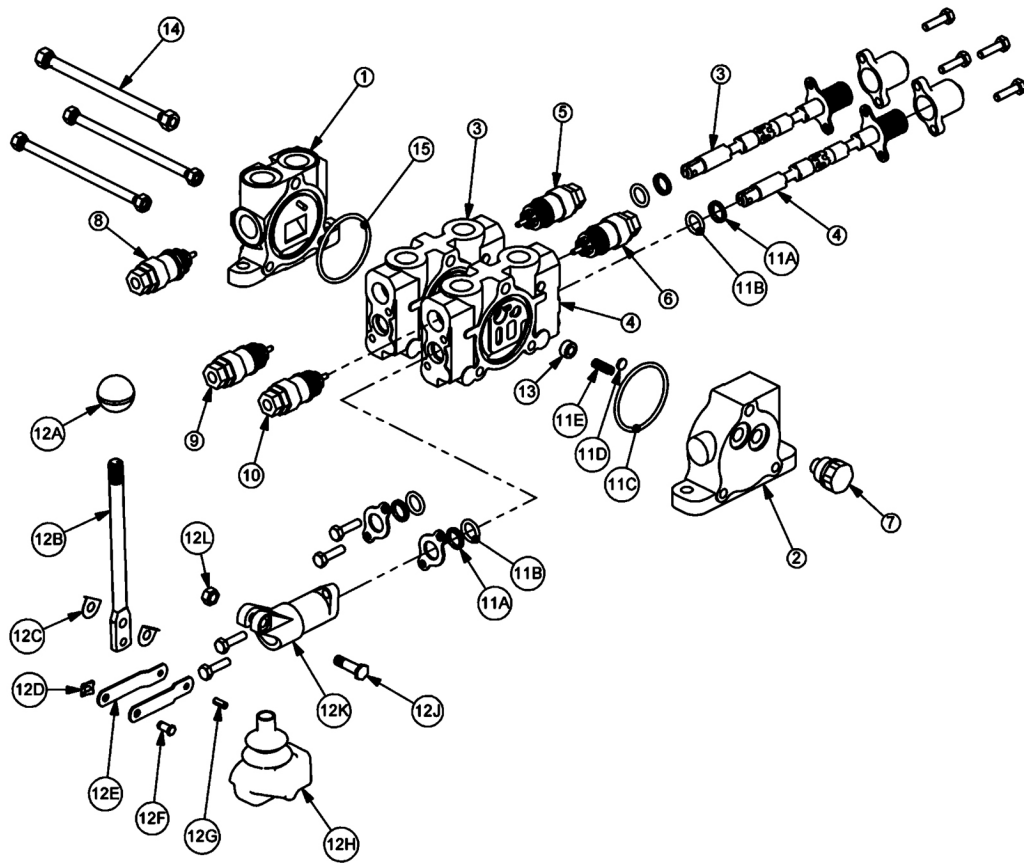
CABLE (MANUAL) LIFT VALVE BREAKDOWN - 31320

Continued...

| ITEM | PART NO. | QTY. | DESCRIPTION |
|------|----------|------|--|
| 1 | 31595 | 1 | INLET END COVER |
| 2 | 31594 | 1 | END COVER, LOAD SENSE |
| 3 | 31597 | 1 | VALVE SECTION (DOUBLE ACTING, CENTER SPRING) |
| 4 | 31597 | 1 | VALVE SECTION (DOUBLE ACTING, CENTER SPRING) |
| 5 | 06503067 | 1 | RELIEF PLUG |
| 6 | 06503067 | 1 | RELIEF PLUG |
| 7 | N/A | - | N/A |
| 8 | 6T4209 | 1 | RELIEF PLUG |
| 9 | 31862 | 1 | RELIEF VALVE, 2175 PSI |
| 10 | 31862 | 1 | RELIEF VALVE, 2175 PSI |
| 11 | 31593 | 2 | VALVE SEAL KIT (FOR ONE SECTION) |
| 11A | ----- | 2 | WIPER |
| 11B | ----- | 2 | O-RING SMALL |
| 11C | ----- | 1 | O-RING LARGE |
| 11D | ----- | 1 | SHUTTLE DISC |
| 11E | ----- | 1 | SPRING |
| 12 | TB1017L | 2 | LEVER KIT (FOR ONE SECTION) |
| 12A | ----- | 1 | LEVER KNOB |
| 12B | ----- | 1 | LEVER |
| 12C | ----- | 2 | LEVER WASHER |
| 12D | ----- | 1 | LEVER CLIP |
| 12E | ----- | 2 | LINKAGE |
| 12F | ----- | 1 | LEVER PIN |
| 12G | ----- | 1 | ROLL PIN |
| 12H | ----- | 1 | LEVER BOOT |
| 12J | ----- | 1 | LEVER BOLT |
| 12K | ----- | 1 | LEVER DUST COVER |
| 12L | ----- | 1 | LEVER NUT |
| 13 | 31603 | 2 | COMPENSATOR |
| 14 | TB1017X | 1 | TIE ROD KIT |
| 15 | 24214 | 1 | O-RING, LARGE |

COMMON SIDE ROTARY

CABLE (MANUAL) LIFT VALVE BREAKDOWN - 31321



COMMON SIDE ROTARY

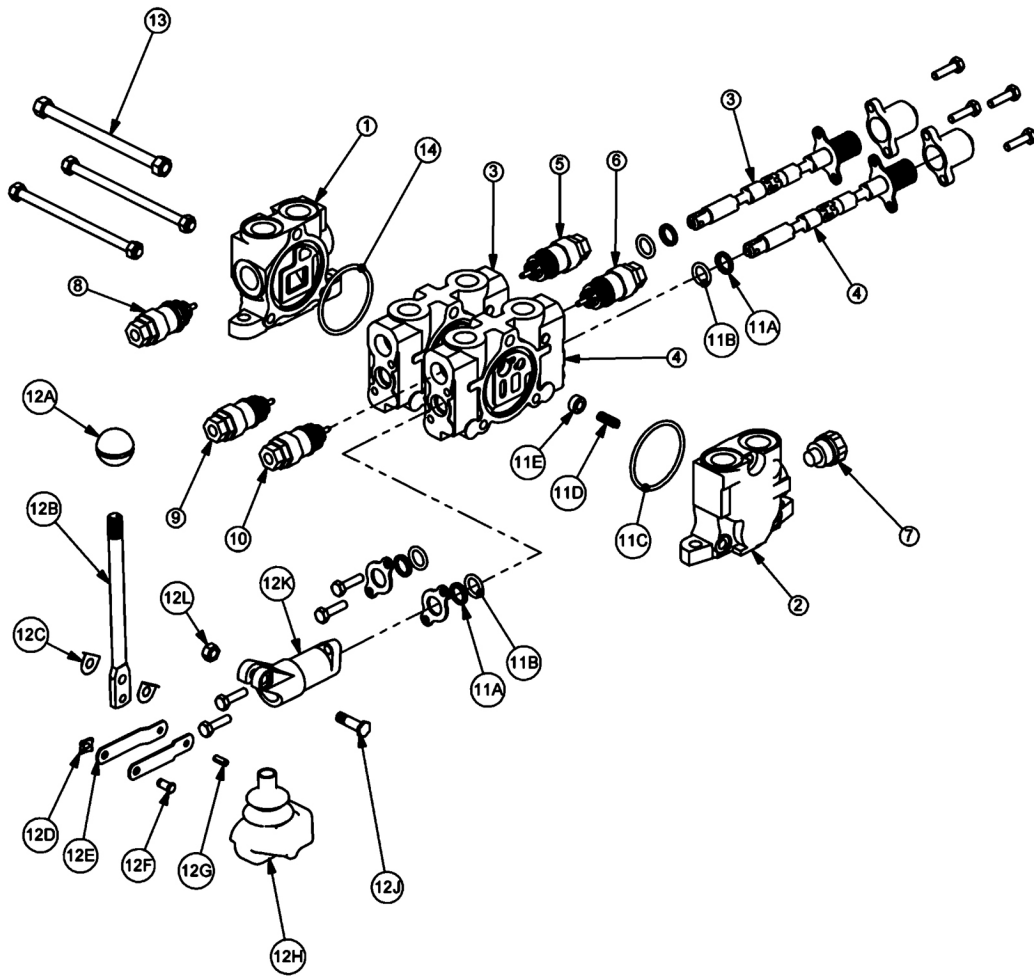
CABLE (MANUAL) LIFT VALVE BREAKDOWN - 31321

Continued...

| ITEM | PART NO. | QTY. | DESCRIPTION |
|------|----------|------|--|
| 1 | 31595 | 1 | INLET END COVER |
| 2 | 31594 | 1 | END COVER, LOAD SENSE |
| 3 | 31597 | 1 | VALVE SECTION (DOUBLE ACTING, CENTER SPRING) |
| 4 | 31597 | 1 | VALVE SECTION (DOUBLE ACTING, CENTER SPRING) |
| 5 | 06503067 | 1 | RELIEF PLUG |
| 6 | 31861 | 1 | RELIEF VALVE, 360 PSI |
| 7 | N/A | - | N/A |
| 8 | 6T4209 | 1 | RELIEF PLUG |
| 9 | 31862 | 1 | RELIEF VALVE, 2175 PSI |
| 10 | 31862 | 1 | RELIEF VALVE, 2175 PSI |
| 11 | 31593 | 2 | VALVE SEAL KIT (FOR ONE SECTION) |
| 11A | ----- | 2 | WIPER |
| 11B | ----- | 2 | O-RING SMALL |
| 11C | ----- | 1 | O-RING LARGE |
| 11D | ----- | 1 | SHUTTLE DISC |
| 11E | ----- | 1 | SPRING |
| 12 | TB1017L | 2 | LEVER KIT (FOR ONE SECTION) |
| 12A | ----- | 1 | LEVER KNOB |
| 12B | ----- | 1 | LEVER |
| 12C | ----- | 2 | LEVER WASHER |
| 12D | ----- | 1 | LEVER CLIP |
| 12E | ----- | 2 | LINKAGE |
| 12F | ----- | 1 | LEVER PIN |
| 12G | ----- | 1 | ROLL PIN |
| 12H | ----- | 1 | LEVER BOOT |
| 12J | ----- | 1 | LEVER BOLT |
| 12K | ----- | 1 | LEVER DUST COVER |
| 12L | ----- | 1 | LEVER NUT |
| 13 | 31603 | 2 | COMPENSATOR |
| 14 | TB1017X | 1 | TIE ROD KIT |
| 15 | 24214 | 1 | O-RING, LARGE |

COMMON SIDE ROTARY

CABLE (MANUAL) LIFT VALVE BREAKDOWN - 31752



COMMON SIDE ROTARY

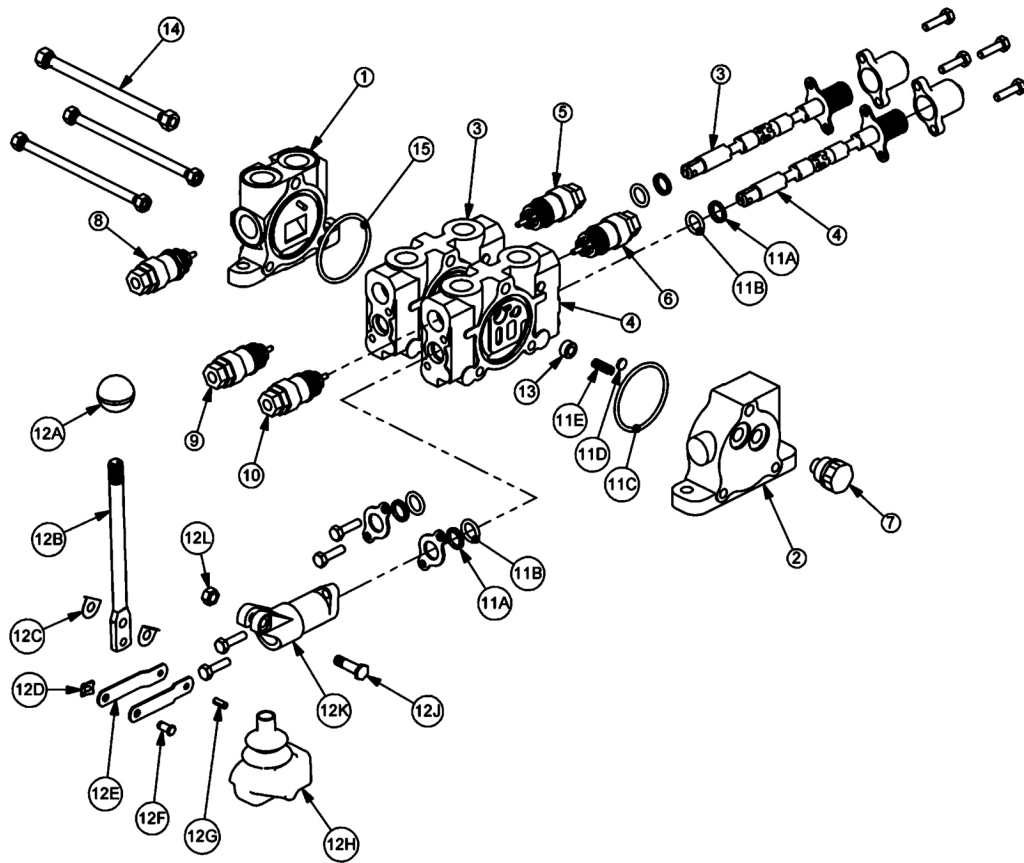
CABLE (MANUAL) LIFT VALVE BREAKDOWN - 31752

Continued...

| ITEM | PART NO. | QTY. | DESCRIPTION |
|------|----------|------|--|
| 1 | TB1017S | 1 | INLET END COVER |
| 2 | TB1702 | 1 | END COVER, POWER BEYOND |
| 3 | TB1017P | 1 | VALVE SECTION (SINGLE ACTING, SPRING DETENT) |
| 4 | TB1017P | 1 | VALVE SECTION (SINGLE ACTING, SPRING DETENT) |
| 5 | N/A | - | N/A |
| 6 | N/A | - | N/A |
| 7 | TB1017M | 1 | SHUT-OFF PLUG |
| 8 | TB1017E | 1 | RELIEF VALVE, 2250 PSI |
| 9 | TB1017M | 1 | SHUT-OFF PLUG |
| 10 | TB1017M | 1 | SHUT-OFF PLUG |
| 11 | TB1017A | 2 | VALVE SEAL KIT (FOR ONE SECTION) |
| 11A | ----- | 2 | WIPER |
| 11B | ----- | 2 | O-RING SMALL |
| 11C | ----- | 1 | O-RING LARGE |
| 11D | ----- | 1 | SPRING |
| 11E | ----- | 1 | PUCKET |
| 12 | TB1017L | 2 | LEVER KIT (FOR ONE SECTION) |
| 12A | ----- | 1 | LEVER KNOB |
| 12B | ----- | 1 | LEVER |
| 12C | ----- | 2 | LEVER WASHER |
| 12D | ----- | 1 | LEVER CLIP |
| 12E | ----- | 2 | LINKAGE |
| 12F | ----- | 1 | LEVER PIN |
| 12G | ----- | 1 | ROLL PIN |
| 12H | ----- | 1 | LEVER BOOT |
| 12J | ----- | 1 | LEVER BOLT |
| 12K | ----- | 1 | LEVER DUST COVER |
| 12L | ----- | 1 | LEVER NUT |
| 13 | TB1017X | 1 | TIE ROD KIT |
| 14 | 24214 | 1 | O-RING, LARGE |

COMMON SIDE ROTARY

CABLE (MANUAL) LIFT VALVE BREAKDOWN - 06502040



COMMON SIDE ROTARY

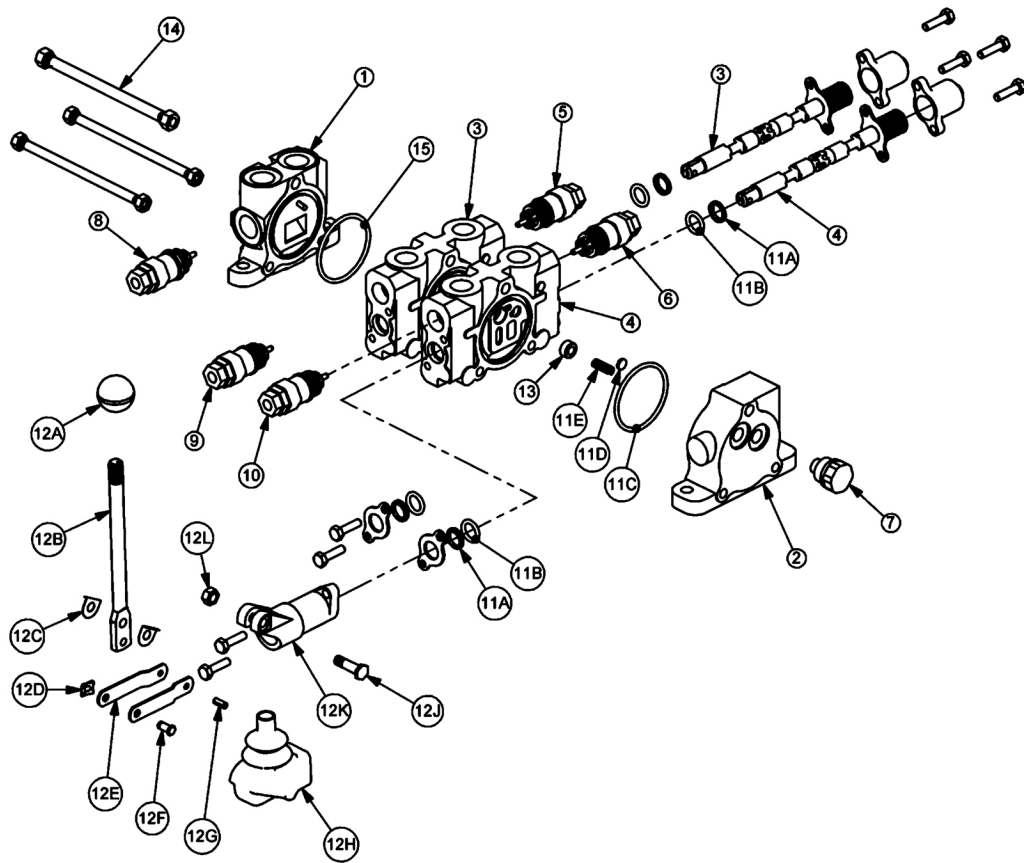
CABLE (MANUAL) LIFT VALVE BREAKDOWN - 06502040

Continued...

| ITEM | PART NO. | QTY. | DESCRIPTION |
|-------------|-----------------|-------------|--|
| 1 | 31595 | 1 | INLET END COVER |
| 2 | 31594 | 1 | END COVER, LOAD SENSE |
| 3 | 31597 | 1 | VALVE SECTION (DOUBLE ACTING, CENTER SPRING) |
| 4 | 31597 | 1 | VALVE SECTION (DOUBLE ACTING, CENTER SPRING) (REMOVE SHUTTLE DISC) |
| 5 | 06503067 | 1 | RELIEF PLUG |
| 6 | 06503067 | 1 | RELIEF PLUG |
| 7 | 06503068 | 1 | RELIEF PLUG |
| 8 | N/A | - | N/A |
| 9 | 31862 | 1 | RELIEF VALVE, 2175 PSI |
| 10 | 31862 | 1 | RELIEF VALVE, 2175 PSI |
| 11 | 31593 | 2 | VALVE SEAL KIT (FOR ONE SECTION) |
| 11A | ----- | 2 | WIPER |
| 11B | ----- | 2 | O-RING SMALL |
| 11C | ----- | 1 | O-RING LARGE |
| 11D | ----- | 1 | SHUTTLE DISC |
| 11E | ----- | 1 | SPRING |
| 12 | TB1017L | 2 | LEVER KIT (FOR ONE SECTION) |
| 12A | ----- | 1 | LEVER KNOB |
| 12B | ----- | 1 | LEVER |
| 12C | ----- | 2 | LEVER WASHER |
| 12D | ----- | 1 | LEVER CLIP |
| 12E | ----- | 2 | LINKAGE |
| 12F | ----- | 1 | LEVER PIN |
| 12G | ----- | 1 | ROLL PIN |
| 12H | ----- | 1 | LEVER BOOT |
| 12J | ----- | 1 | LEVER BOLT |
| 12K | ----- | 1 | LEVER DUST COVER |
| 12L | ----- | 1 | LEVER NUT |
| 13 | 31603 | 2 | COMPENSATOR |
| 14 | TB1017X | 1 | TIE ROD KIT |
| 15 | 24214 | 1 | O-RING, LARGE |

COMMON SIDE ROTARY

CABLE (MANUAL) LIFT VALVE BREAKDOWN - 06502041



COMMON SIDE ROTARY

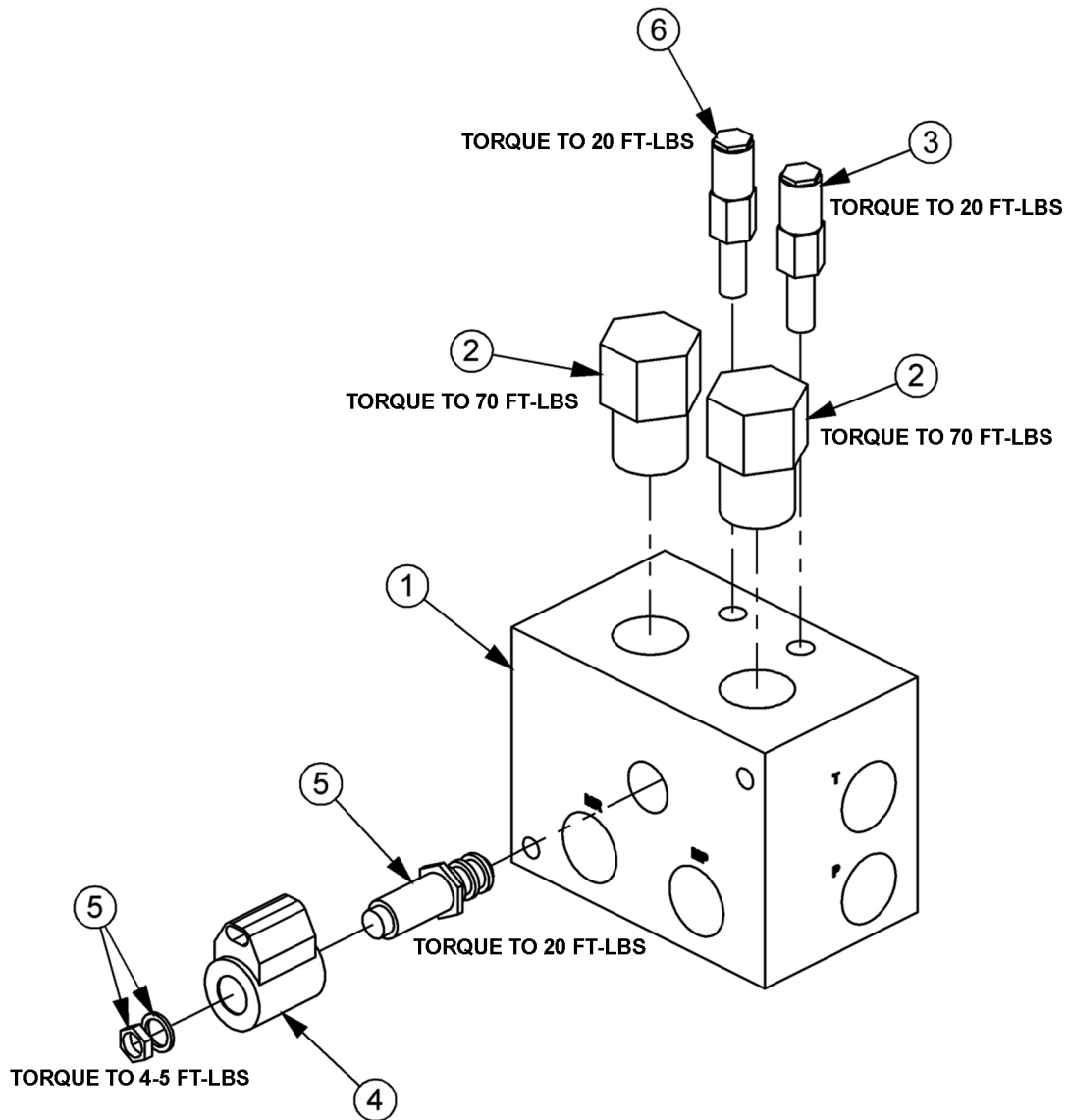
CABLE (MANUAL) LIFT VALVE BREAKDOWN - 06502041

Continued...

| ITEM | PART NO. | QTY. | DESCRIPTION |
|------|----------|------|--|
| 1 | 31595 | 1 | INLET END COVER |
| 2 | 31594 | 1 | END COVER, LOAD SENSE |
| 3 | 31597 | 1 | VALVE SECTION (DOUBLE ACTING, CENTER SPRING) |
| 4 | 31597 | 1 | VALVE SECTION (DOUBLE ACTING, CENTER SPRING) |
| 5 | 06503067 | 1 | RELIEF PLUG |
| 6 | 31861 | 1 | RELIEF VALVE, 360 PSI |
| 7 | 06503068 | 1 | RELIEF PLUG |
| 8 | 6T4209 | 1 | RELIEF PLUG |
| 9 | 31862 | 1 | RELIEF VALVE, 2175 PSI |
| 10 | 31862 | 1 | RELIEF VALVE, 2175 PSI |
| 11 | 31593 | 2 | VALVE SEAL KIT (FOR ONE SECTION) |
| 11A | ----- | 2 | WIPER |
| 11B | ----- | 2 | O-RING SMALL |
| 11C | ----- | 1 | O-RING LARGE |
| 11D | ----- | 1 | SHUTTLE DISC |
| 11E | ----- | 1 | SPRING |
| 12 | TB1017L | 2 | LEVER KIT (FOR ONE SECTION) |
| 12A | ----- | 1 | LEVER KNOB |
| 12B | ----- | 1 | LEVER |
| 12C | ----- | 2 | LEVER WASHER |
| 12D | ----- | 1 | LEVER CLIP |
| 12E | ----- | 2 | LINKAGE |
| 12F | ----- | 1 | LEVER PIN |
| 12G | ----- | 1 | ROLL PIN |
| 12H | ----- | 1 | LEVER BOOT |
| 12J | ----- | 1 | LEVER BOLT |
| 12K | ----- | 1 | LEVER DUST COVER |
| 12L | ----- | 1 | LEVER NUT |
| 13 | 31603 | 2 | COMPENSATOR |
| 14 | TB1017X | 1 | TIE ROD KIT |
| 15 | 24214 | 1 | O-RING, LARGE |

COMMON SIDE ROTARY

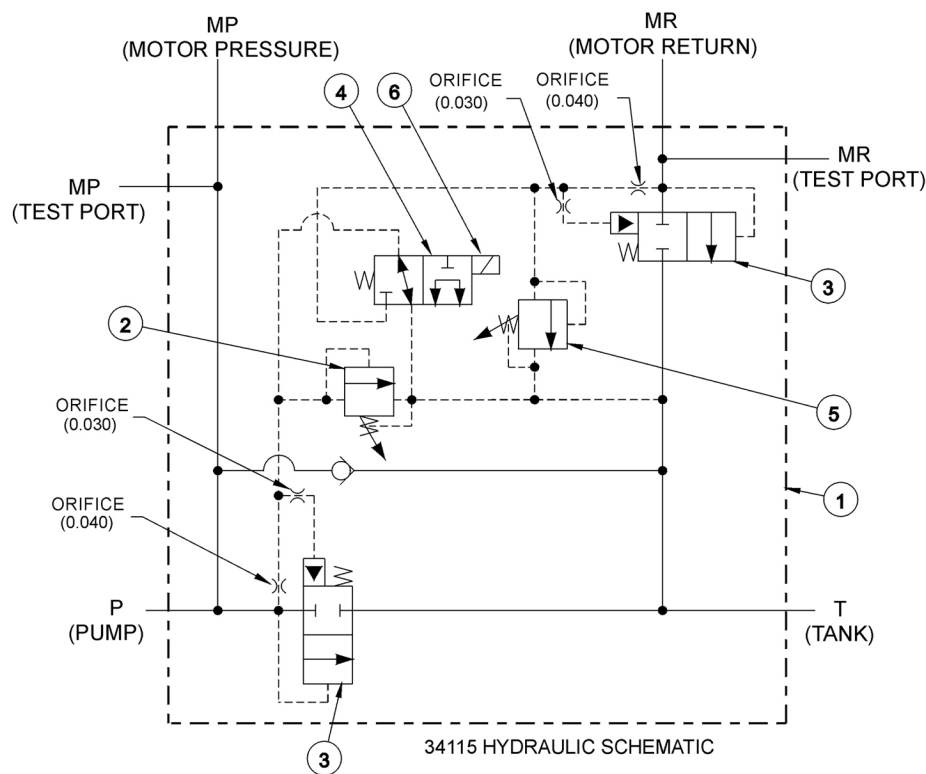
BRAKE VALVE ASSEMBLY



| ITEM | PART NO. | QTY. | DESCRIPTION |
|------|----------|------|--|
| --- | 06510083 | 1 | BRAKE VALVE, ASSY |
| 1 | 34092 | 1 | BRAKE VALVE, BLANK |
| 2 | 34094 | 2 | LOGIC ELEMENT |
| 3 | 34095 | 1 | RELIEF VALVE, 3000 PSI |
| 4 | 06510095 | 1 | METRI PAK COIL |
| 5 | 34093 | 1 | CARTRIDGE, 2 POSITION, 3 WAY (WITH NUT & WASHER) |
| 6 | 34091 | 1 | RELIEF VALVE, 2600 PSI |
| --- | 34096 | 2 | RELIEF SEAL KIT |
| ---- | 34097 | 1 | SOLENOID SEAL KIT |
| --- | 34098 | 2 | ELEMENT SEAL KIT |

COMMON SIDE ROTARY

BRAKE VALVE HYDRAULIC SCHEMATIC



BRAKE VALVE TROUBLESHOOTING

FAILURE MODE:

- MOWER WILL NOT START - system pressure is low (engine not lugging).
- MOWER WILL NOT START - system pressure is high (engine lugging). "MR" port will be high pressure.
- MOWER WILL NOT ROTATE AT FULL SPEED - limited power.
- MOWER BLADE WILL NOT STOP - blade will not stop in proper time.

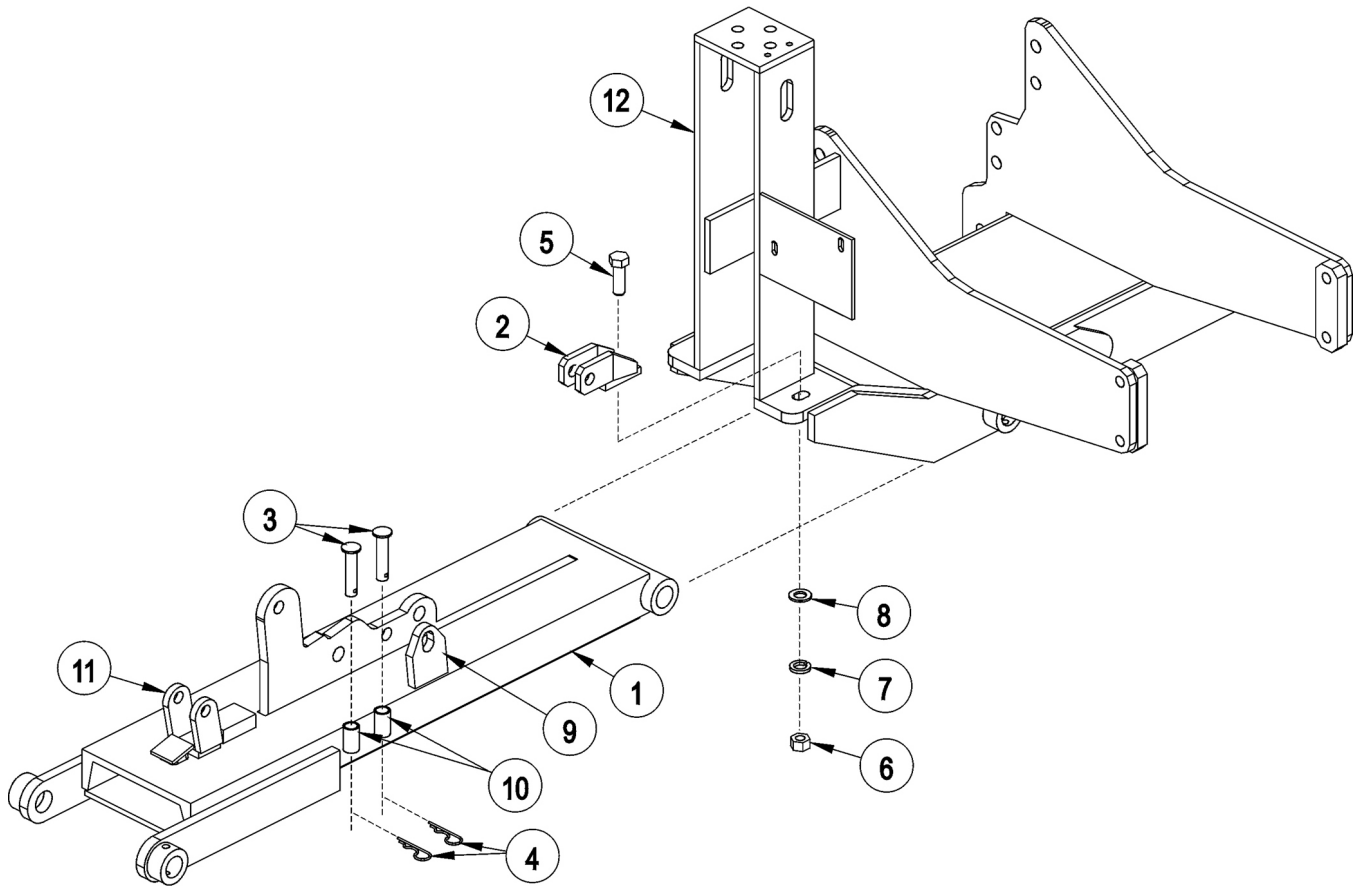
CHECK STEPS

- 1 thru 6
- 7
- 3 thru 5
- 7 thru 9

CORRECTIVE STEPS:

1. Check for voltage at solenoid (item 6), voltage must be between 10.2 volts and 13.8 volts.
2. Remove, inspect solenoid and cartridge (items 4, 6) for wear or contamination.
3. Remove, inspect logic elements near "P" port (item 3) for wear or contamination.
4. Remove, inspect 3000 psi relief valve (item 2) for wear or contamination.
5. Remove and inspect orifices near "P" port for contamination.
6. Remove "P" port hose and fitting, visually inspect for contamination, check ball for movement.
7. Remove and inspect orifices near "MR" port for contamination.
8. Remove, inspect 2600 psi relief valve (item 5) for wear of contamination.
9. Remove, inspect logic element near "MR" port (item 3) for wear or contamination.

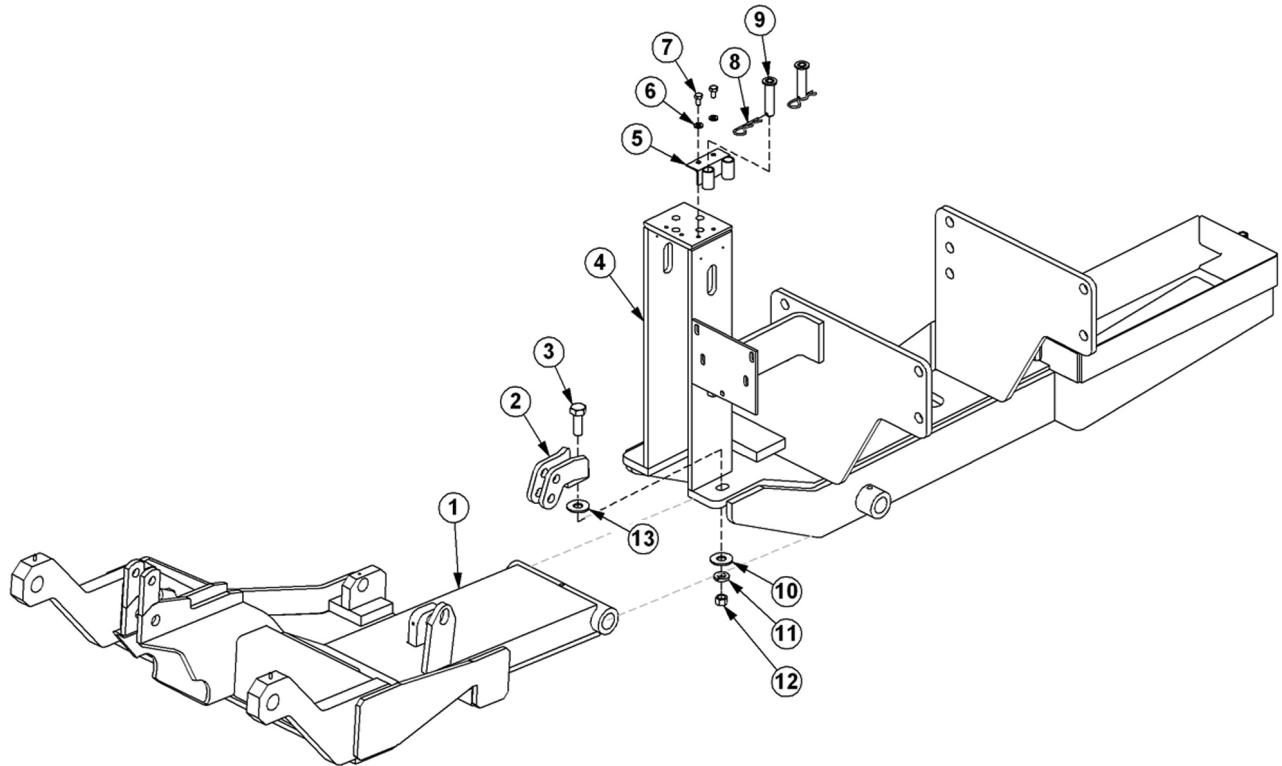
CABLE DRAFT BEAM TRAVEL LOCK



| ITEM | PART NO. | QTY. | DESCRIPTION |
|------|----------|------|------------------------------------|
| 1 | ----- | - | CABLE DRAFT BEAM |
| 2 | 6T0106 | 1 | TRAVEL LOCK BRACKET |
| 3 | 6T0107 | 2 | TRAVEL LOCK PINS 3/4" X 3 1/4" |
| 4 | 6T3020 | 2 | R - CLIP 5/32" |
| 5 | 21833 | 1 | CAPSCREW 3/4" X 2 1/4" |
| 6 | 21825 | 1 | HEX NUT 3/4" |
| 7 | 21993 | 1 | LOCK WASHER 3/4" |
| 8 | 22021 | 1 | FLAT WASHER 3/4" |
| 9 | 22600 | 1 | TRAVEL LOCK EAR |
| 10 | 22604 | 2 | PIN HOLDER |
| 11 | 22601C | 1 | TRAVEL LOCK ASY |
| 12 | ----- | - | MAIN FRAME *REFER TO PARTS SECTION |

COMMON SIDE ROTARY

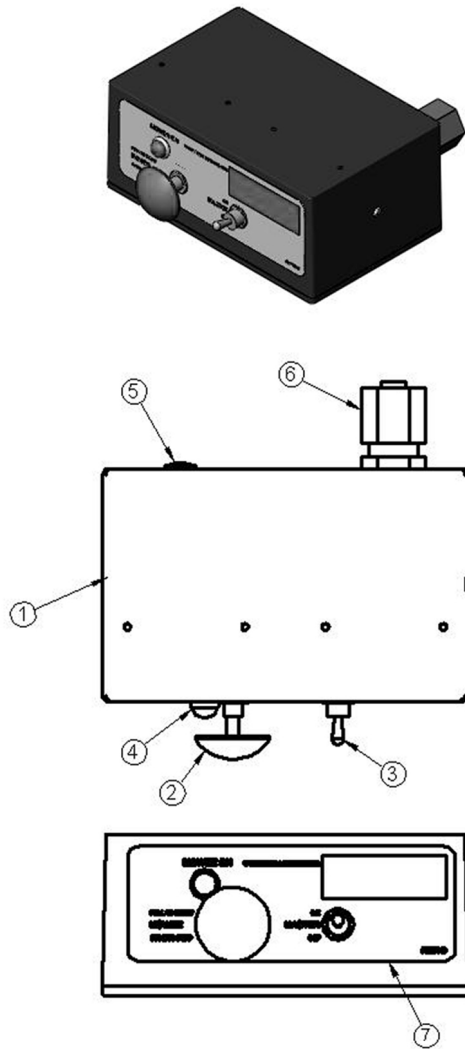
COMBO DRAFT BEAM TRAVEL LOCK



| ITEM | PART NO. | QTY. | DESCRIPTION |
|------|----------|------|------------------------------------|
| 1 | ----- | - | COMBO DRAFT BEAM |
| 2 | 6T0106 | 1 | TRAVEL LOCK BRACKET |
| 3 | 21835 | 1 | CAPSCREW, 3/4" X 2-3/4", NC |
| 4 | ----- | - | MAIN FRAME *REFER TO PARTS SECTION |
| 5 | 33856 | 1 | BRKT, PIN HOLDER |
| 6 | 21988 | 2 | LOCKWASHER, 3/8" |
| 7 | 21629 | 2 | CAPSCREW, 3/8" X 3/4", NC |
| 8 | 6T3020 | 2 | R-CLIP, 5/32" |
| 9 | 6T0107 | 2 | TRAVEL LOCK PINS, 3/4" X 3-1/4" |
| 10 | 22021 | 1 | FLATWASHER, 3/4" |
| 11 | 21993 | 1 | LOCKWASHER, 3/4" |
| 12 | 21825 | 1 | HEX NUT, 3/4", NC |
| 13 | 06430147 | 1 | SPACER |

COMMON SIDE ROTARY

SWITCH BOX

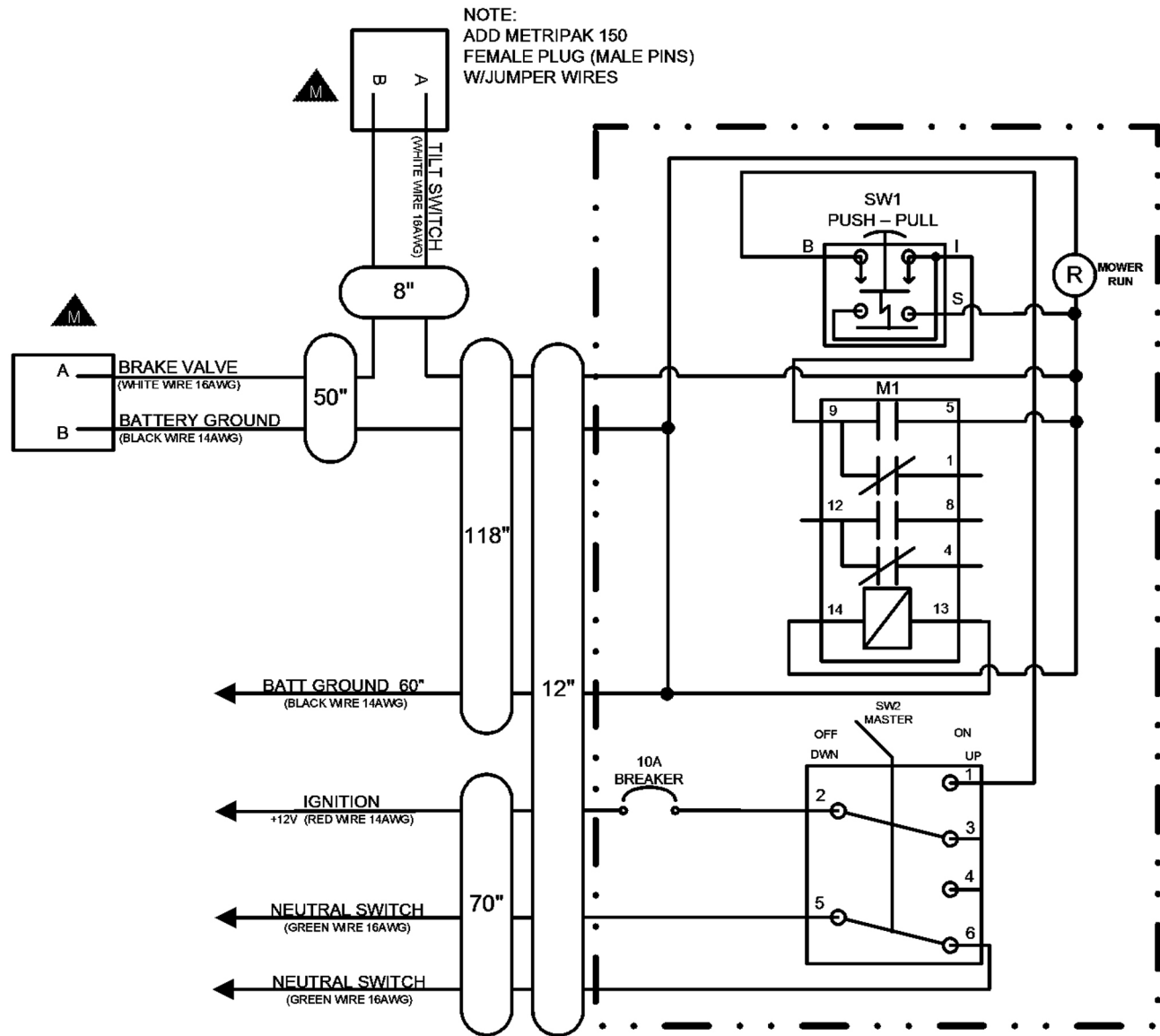


| ITEM | PART NO. | QTY. | DESCRIPTION |
|------|----------|------|-------------------------------|
| 1 | 06514013 | 1 | SWBX,ALUM,BLK,06510102 |
| 2 | 35226 | 1 | SWITCH,MOWER,COLEHERSEE |
| 3 | 33811 | 1 | SWITCH,MASTER/DECK FLOAT |
| 4 | 6T3923 | 1 | INDICTATOR LIGHT,ON,RED |
| 5 | 06514014 | 1 | BREAKER,10A,SWBX |
| 6 | 34540 | 1 | STRAIN RELIEF,3/4,BLACK,NYLON |
| 7 | 06550018 | 1 | DECAL,SWTCHBX,TM/TSF,CG |
| 8 | 35227 | 1 | RELAY,DP,DT,12V,LY2F,35226 |

COMMON SIDE ROTARY

SWITCH BOX SCHEMATIC

06510102 SCHEMATIC COMMON GROUND SWITCH BOX SIDE MOWER

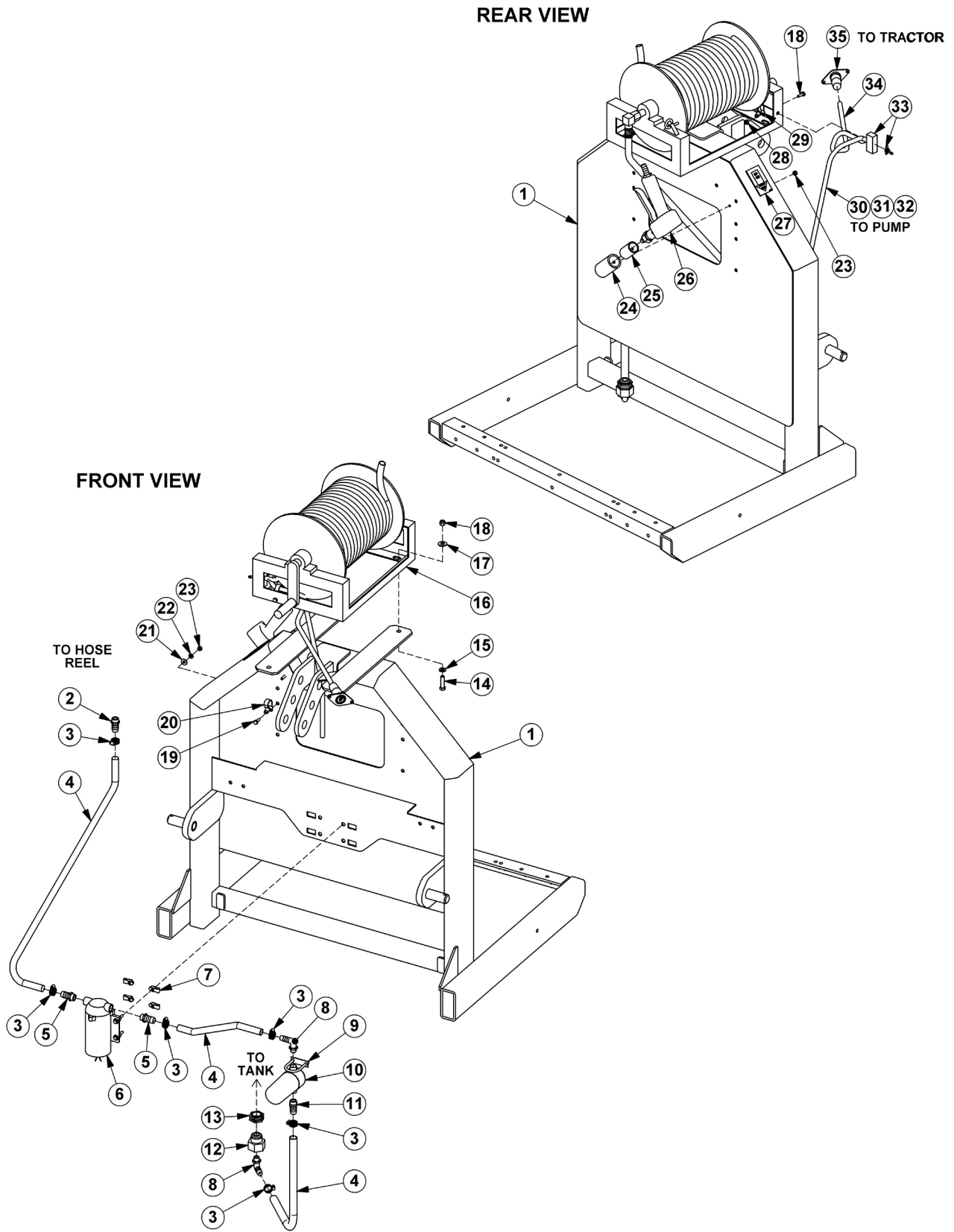


SEE DRAWING # 06515000 FOR A FULL DESCRIPTION OF ALL CONNECTORS

NOTES

**FIRE SUPPRESSION SYSTEM
SECTION**

FIRE SUPPRESSION 3-POINT MOUNT



COMMON SIDE ROTARY

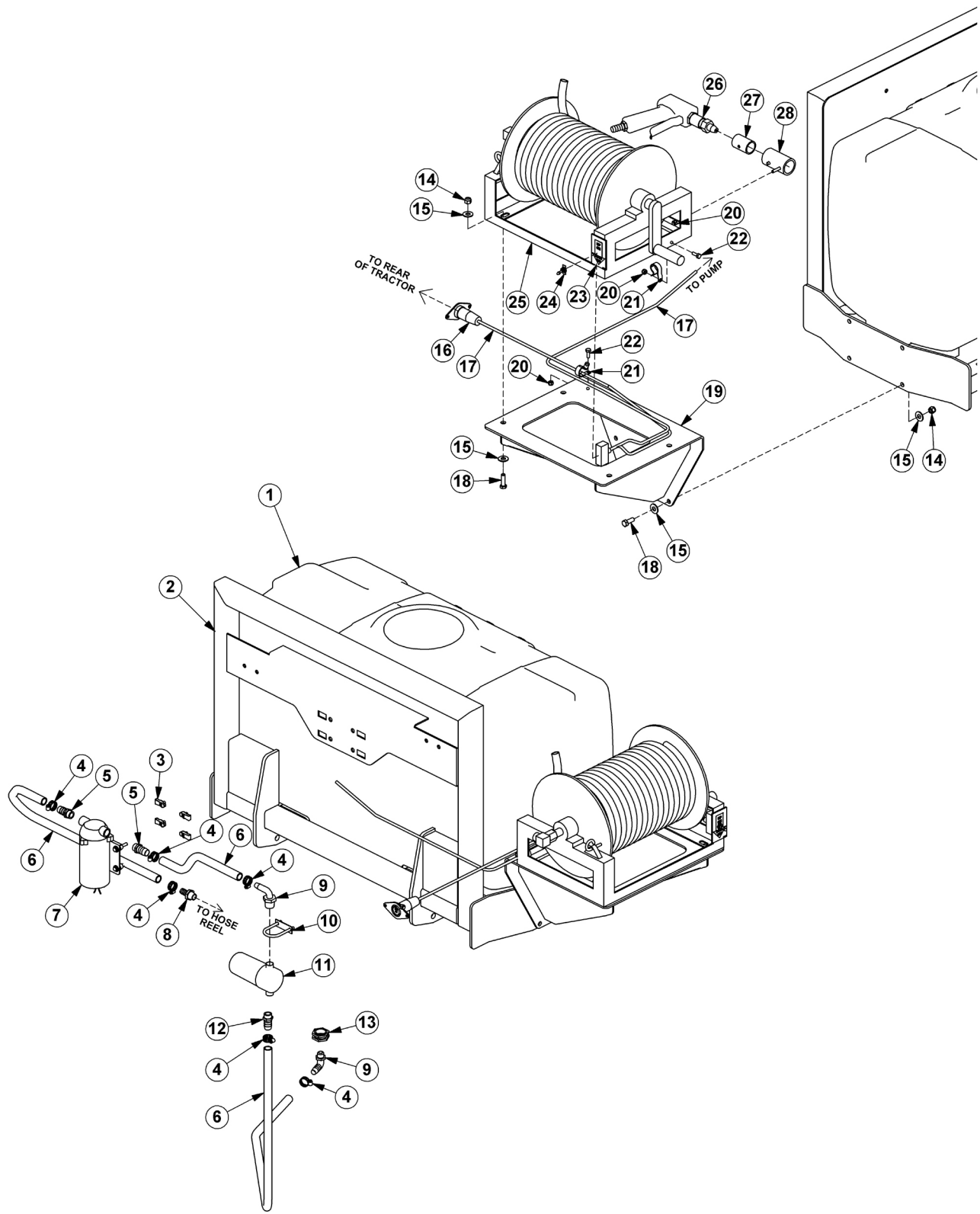
FIRE SUPPRESSION 3-POINT MOUNT

Continued...

| ITEM | PART NO. | QTY. | DESCRIPTION |
|------|----------|------|---|
| 1 | 06370137 | 1 | MOUNT,3PNT,FIRE SYS |
| 2 | 06503108 | 1 | FITTING,1/2"BARB X 1/2"MP |
| 3 | 35091 | 6 | CLAMP,HOSE,#6 |
| 4 | 06520469 | 5 | HOSE,1/2",BULK (FEET) |
| 5 | 06503168 | 2 | SWIVEL,1/2"STR,POLY |
| 6 | 06520359 | 1 | PUMP,LARGE |
| 7 | 35176 | 4 | U-NUT,1/4" |
| 8 | 06520367 | 2 | ELBOW,1/2"BARB X 1/2"MP,POLY |
| 9 | 27329 | 1 | U-BOLT,1/4" |
| 10 | 06520361 | 1 | FILTER |
| --- | 06520351 | 1 | ELEMENT,FILTER |
| 11 | 06520349 | 1 | FITTING,BARB,HOSE |
| 12 | 06503169 | 1 | REDUCER,BUSHING (100 & 150 GALLON TANKS ONLY) |
| 13 | 06520346 | 1 | FITTING,BULKHEAD (50 GALLON TANKS ONLY) |
| 14 | 21632 | 4 | CAPSCREW,3/8" X 1-1/2",NC |
| 15 | 21988 | 4 | LOCKWASHER,3/8" |
| 16 | 06520360 | 1 | HOSE REEL |
| 17 | 22016 | 4 | FLATWASHER,3/8" |
| 18 | 21627 | 4 | NYLOCK NUT,3/8",NC |
| 19 | 21529 | 2 | CAPSCREW,1/4" X 3/4",NC |
| 20 | 06510258 | 1 | CLAMP,3/4" |
| 21 | 22014 | 1 | FLATWASHER,1/4" |
| 22 | 21986 | 1 | LOCKWASHER,1/4" |
| 23 | 21525 | 2 | HEX NUT,1/4",NC |
| 24 | 06370121 | 1 | HOLSTER |
| 25 | 06430090 | 1 | SLEEVE |
| 26 | 06520366 | 1 | GUN,FIRE SYS |
| 27 | 6T3222 | 1 | DECAL |
| 28 | 21527 | 1 | NYLOCK NUT,1/4",NC |
| 29 | 06510257 | 1 | CLAMP,3/8" |
| 30 | 28055 | 5 | WIRE,BLACK,14GA (FEET) |
| 31 | 24200 | 5 | WIRE,RED,14GA (FEET) |
| 32 | 22802 | 5 | WIRE WRAP (FEET) |
| 33 | PT3905A | 1 | SWITCH |
| 34 | 06510256 | 4 | CABLE,14GA,4WIRE (FEET) |
| 35 | 06510255 | 1 | PLUG,7PIN,TRCTR |

COMMON SIDE ROTARY

FIRE SUPPRESSION FRONT MOUNT



COMMON SIDE ROTARY

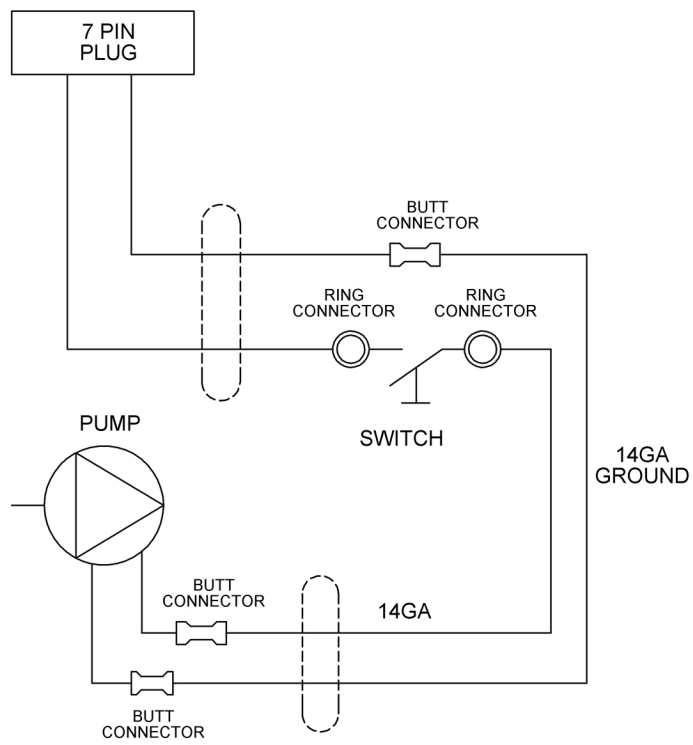
FIRE SUPPRESSION FRONT MOUNT

Continued...

| ITEM | PART NO. | QTY. | DESCRIPTION |
|------|----------|------|-----------------------------|
| 1 | 06520342 | 1 | TANK,50 GALLON |
| 2 | 06370204 | 1 | MNT,TANK,FRNT,50 GALLON |
| 3 | 35176 | 4 | U-NUT,1/4,3/4 TO CENTER |
| 4 | 35091 | 6 | CLAMP,HOSE,#6 |
| 5 | 06503168 | 2 | SWIVEL,1/2 STR,POLY |
| 6 | 06520469 | 8 | HOSE,1/2,SPRAYER |
| 7 | 06520359 | 1 | PUMP,FIRE KIT |
| 8 | 06503108 | 1 | FITTING,1/2" BARB X 1/2"MP |
| 9 | 06520367 | 2 | ELBOW,1/2MPX1/2BARB,POLY |
| 10 | 27329 | 1 | U-BOLT,1/4X2X1 |
| 11 | 06520361 | 1 | FILTER,FIRE KIT,RAILKUT |
| --- | 06520351 | 1 | STRAINER,40 MESH |
| 12 | 06520349 | 1 | FITTING,BARB,HOSE,WETCUT |
| 13 | 06520346 | 1 | FITTING,BULKHEAD |
| 14 | 21627 | 8 | NYLOCK NUT,3/8 NC |
| 15 | 22016 | 16 | FLATWASHER,3/8,GR8 |
| 16 | 06510255 | 1 | PLUG,7PIN,TRCTR |
| 17 | 06510256 | 22 | WIRE,14GA,4WIRE (FEET) |
| 18 | 21631 | 8 | CAPSCREW,3/8X1 1/4, NC,GR8 |
| 19 | 06370207 | 1 | MNT,FIRE SUPPRESSION |
| 20 | 21527 | 3 | NYLOCK NUT,1/4 NC |
| 21 | 06510257 | 2 | CLAMP,3/8X1/4,INS |
| 22 | 21529 | 2 | CAPSCREW,1/4 X 3/4 NC |
| 23 | 6T3222 | 1 | DECAL,CONTROL,ON-OFF SWITCH |
| 24 | PT3905A | 1 | SWITCH,MOWER |
| 25 | 06520360 | 1 | HOSE REEL,FIRE KIT,RAILKUT |
| 26 | 06520366 | 1 | GUN,FIRE KIT,RAILKUT |
| 27 | 06430090 | 1 | SLEEVE,GUN,FIRE SYS |
| 28 | 06370121 | 1 | HOLSTER,FIRESYS,RAILKUT |

COMMON SIDE ROTARY

FIRE SUPPRESSION SYSTEM ELECTRICAL SCHEMATIC

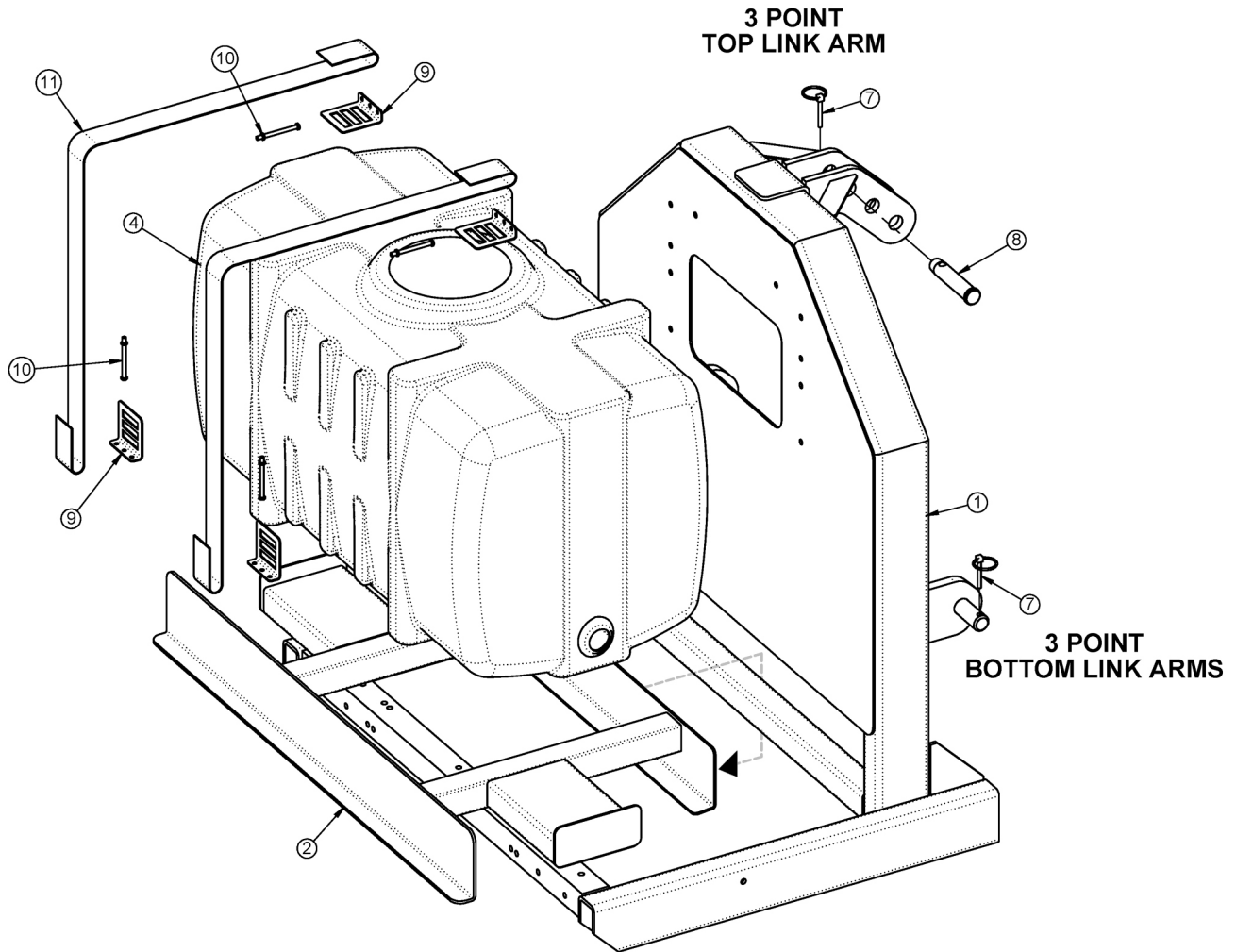


WETCUT

**WETCUT
SECTION**

WETCUT 50 GALLON TANK - 3PNT MOUNT

INSTALL ITEM 2 INTO ITEM 1 FIRST

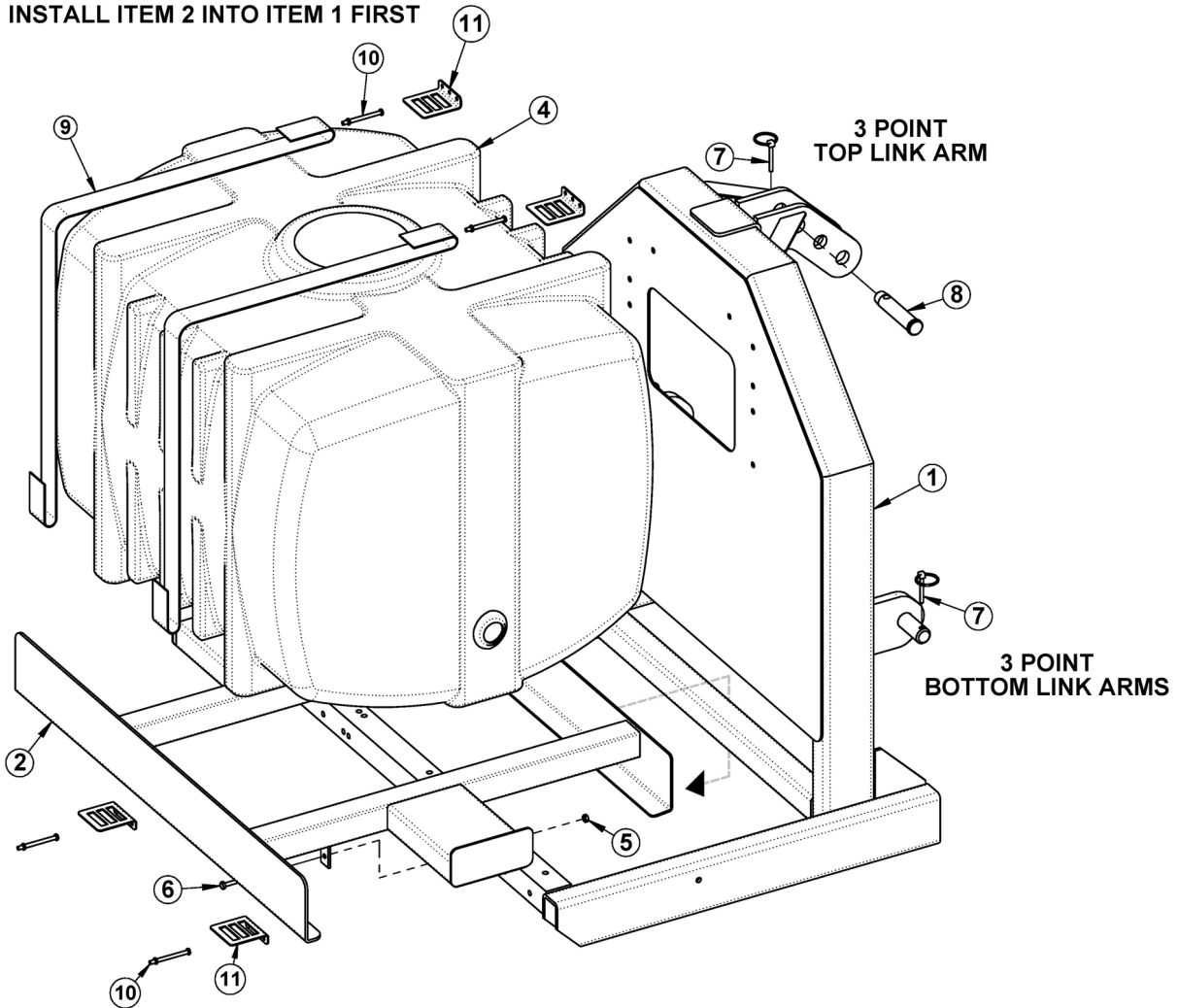


| ITEM | PART NO. | QTY. | DESCRIPTION |
|------|----------|------|------------------------------|
| 1 | 06370128 | 1 | MNT,3PNT,UNI |
| 2 | 06370136 | 1 | MNT,TANK,50GAL,WETCUT |
| 4 | 06520342 | 1 | TANK,50GA.,WETCUT |
| 7 | RD1032 | 3 | PIN,LYNCH 1/4" X 2" |
| 8 | TB1036 | 1 | PIN,SEC BOOM SWIV 1X4-11/16" |
| 9 | 06520343 | 4 | ANCHOR,STRAP,WETCUT |
| 10 | 06520344 | 4 | BOLT,STRAP,TANK,WETCUT |
| 11 | 06520345 | 2 | STRAP,TANK,WETCUT |

COMMON SIDE ROTARY

WETCUT 100 OR 150 GALLON TANK - 3PNT MOUNT

INSTALL ITEM 2 INTO ITEM 1 FIRST

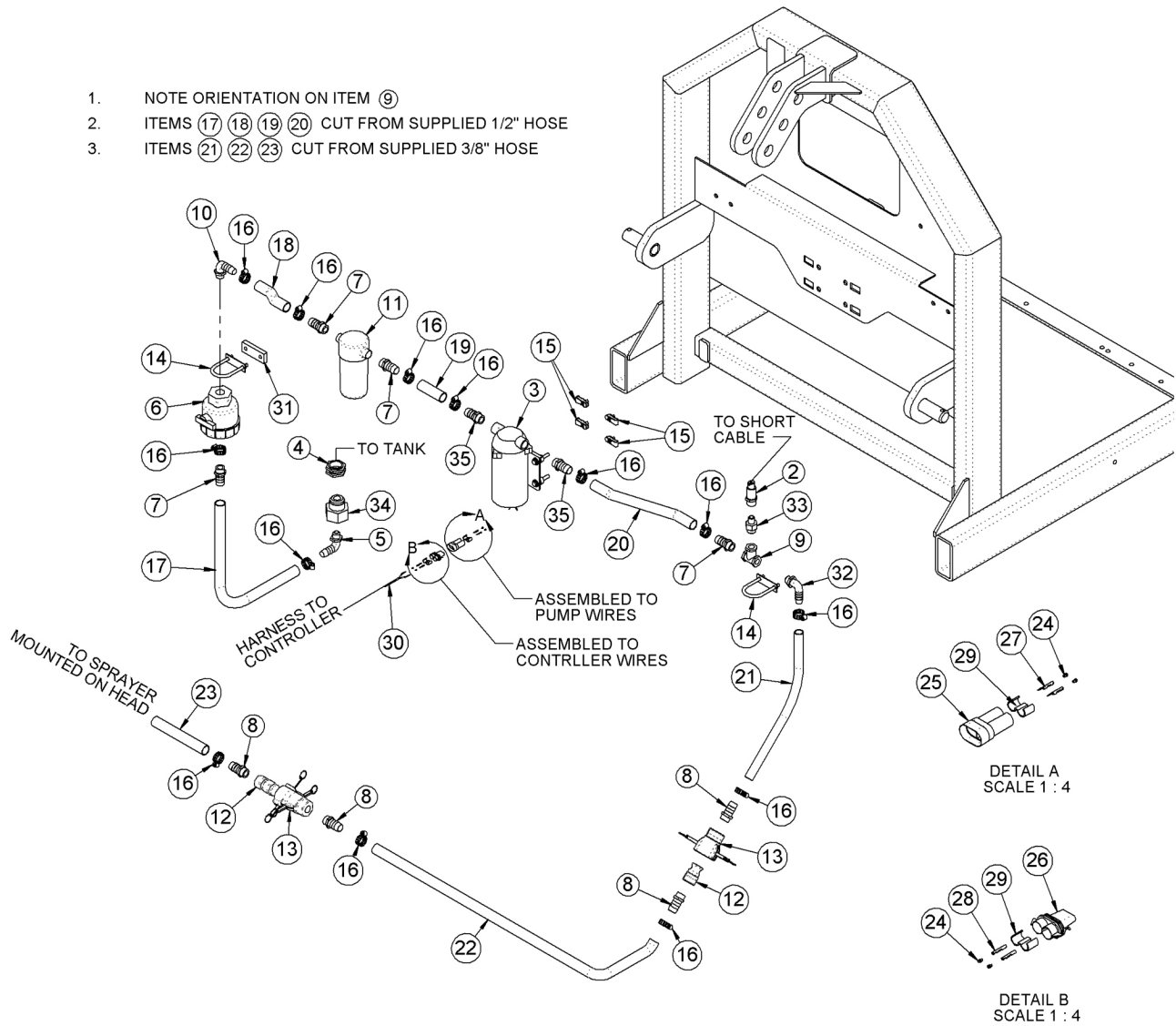


| ITEM | PART NO. | QTY. | DESCRIPTION |
|-------|----------|------|------------------------------|
| 1 | 06370128 | 1 | MNT,3PNT,UNI |
| 2 | 06370138 | 1 | MNT,TANK,100GAL,WETCUT |
| ----- | 06370139 | - | MNT,TANK,150GAL,WETCUT |
| 4 | 06520372 | 1 | TANK,100GA.,WETCUT |
| ----- | 06520373 | - | TANK,150GA.,WETCUT |
| 5 | 21527 | 2 | HEX NUT,NYLOCK,1/4" NC |
| 6 | 21530 | 2 | CAPSCREW,1/4" X 1" NC |
| 7 | RD1032 | 3 | PIN,LYNCH 1/4" X 2" |
| 8 | TB1036 | 1 | PIN,SEC BOOM SWIV 1X4-11/16" |
| 9 | 06520345 | 2 | STRAP,TANK,WETCUT |
| 10 | 06520344 | 4 | BOLT,STRAP,TANK,WETCUT |
| 11 | 06520343 | 4 | ANCHOR,STRAP,WETCUT |

COMMON SIDE ROTARY

WETCUT 3PNT PLUMBING - 50IN MOWERS

1. NOTE ORIENTATION ON ITEM ⑨
2. ITEMS ⑰ ⑱ ⑲ ⑳ CUT FROM SUPPLIED 1/2" HOSE
3. ITEMS ㉑ ㉒ ㉓ CUT FROM SUPPLIED 3/8" HOSE



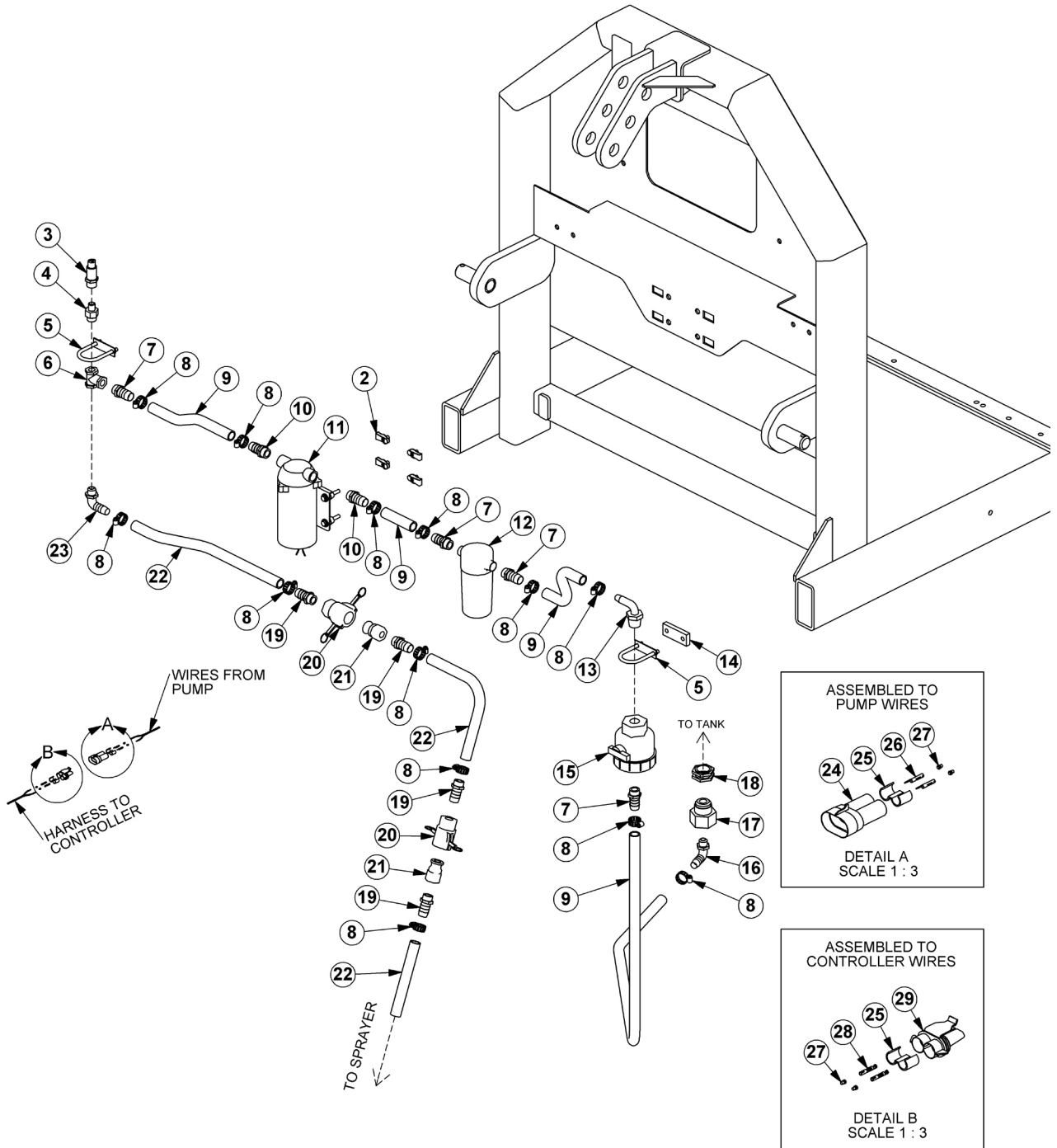
WETCUT 3PNT PLUMBING - 50IN MOWERS

Continued...

| ITEM | PART NO. | QTY. | DESCRIPTION |
|---------|----------|------|---|
| 1 | 06370128 | 1 | MNT,3PNT,UNI |
| 2 | 06520336 | 1 | CNTRLR,SENSOR,06520333 |
| 3 | 06520341 | 1 | PUMP,WETCUT |
| 4 | 06520346 | 1 | FITTING,BULKHEAD,WETCUT (50 GALLON TANKS ONLY) |
| 5 | 06520347 | 1 | FITTING,ELBOW,WETCUT |
| 6 | 06520348 | 1 | VLV,BALL,WETCUT |
| 7 | 06520349 | 4 | FITTING,BARB,HOSE,WETCUT |
| 8 | 06503173 | 4 | FITTING,1/2MP X 3/8" BARB |
| 9 | 06520353 | 1 | FITTING,TEE,WETCUT |
| 10 | 06520367 | 1 | ELBOW,1/2" X 1/2" BARB,POLY |
| 11 | 06520361 | 1 | FILTER,FIRE KIT,RAILKUT |
| 12 | 06520400 | 2 | QUIK CPLR,MALE,1/2",WETCUT |
| 13 | 06520401 | 2 | QUIK CPLR,FEM,1/2",WETCUT |
| 14 | 27329 | 2 | U-BOLT,1/4" X 1" X 2" |
| 15 | 35176 | 4 | U-NUT,1/4",3/4" TO CENTER |
| 16 | 35091 | 13 | CLAMP, HOSE #6 |
| 17 - 20 | 06520469 | 5 | 1/2" HOSE (FEET) |
| 21 - 23 | 06520316 | - | 3/8" HOSE (INCLUDED WITH SPRAYER) |
| 24 | 06510051 | 4 | SEAL,16-18GA,METPAK |
| 25 | 06510052 | 1 | CONN.,BODY,MALE,METRIPACK 150 |
| 26 | 06510053 | 1 | CONN.,BODY,FEM,METRIPACK 150 |
| 27 | 06510054 | 2 | TERMINAL,MALE,16/18GA.METPAK |
| 28 | 06510055 | 2 | TERMINAL,FEM,16/18GA.METPAK |
| 29 | 06510056 | 2 | TPA |
| 30 | 06520337 | 1 | INCLUDED WITH CONTROLLER |
| 31 | 06401133 | 1 | SPACER,Ø.31" X 1.75" X .38" |
| 32 | 06503165 | 1 | ELBOW,1/2"MP X 3/8" BARB |
| 33 | 06520354 | 1 | BUSHING,REDUCER,WETCUT |
| 34 | 06503169 | 1 | BUSHING,1"MP X 1/2"FP (100 & 150 GALLON TANKS ONLY) |
| 35 | 06503176 | 2 | FITTING,BARB,3/8"MP X 1/2" BARB |

COMMON SIDE ROTARY

WETCUT 3PNT PLUMBING - LARGE MOWERS



COMMON SIDE ROTARY

WETCUT 3PNT PLUMBING - LARGE MOWERS

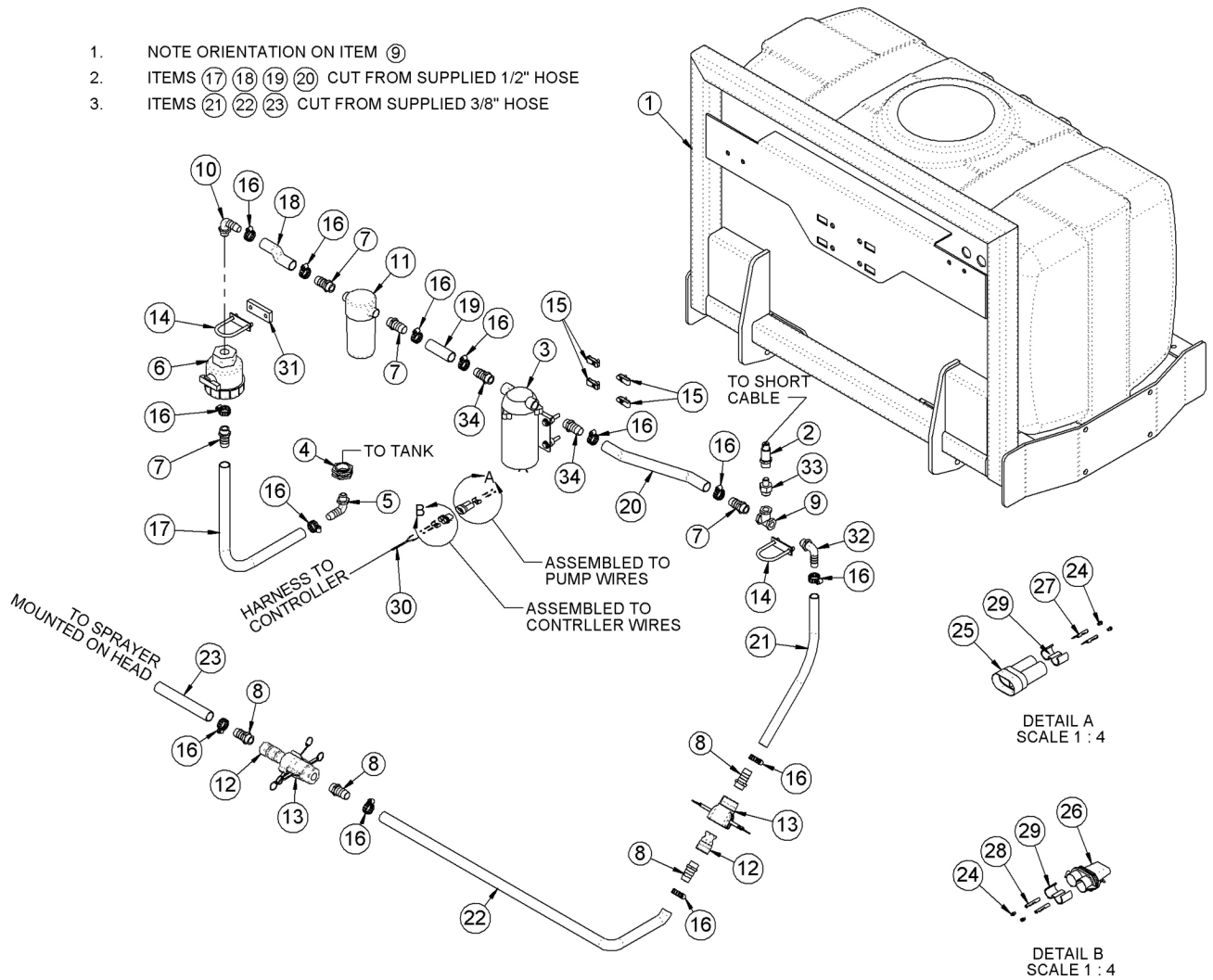
Continued...

| ITEM | PART NO. | QTY. | DESCRIPTION |
|------|----------|------|---|
| 1 | 06370128 | 1 | MNT,3PNT,UNI |
| 2 | 35176 | 4 | U-NUT,1/4,3/4 TO CENTER |
| 3 | 06520336 | 1 | CNTRLR,SENSOR,06520333 |
| 4 | 06520354 | 1 | BUSHING,REDUCER,WETCUT |
| 5 | 27329 | 2 | U-BOLT,1/4" X 1" X 2" |
| 6 | 06520353 | 1 | FITTING,TEE,WETCUT |
| 7 | 06520349 | 4 | FITTING,BARB,HOSE,WETCUT |
| 8 | 35091 | 13 | CLAMP, HOSE #6 |
| 9 | 06520469 | 5 | 1/2" HOSE (FEET) |
| 10 | 06503168 | 2 | SWIVEL,1/2" STR |
| 11 | 06520359 | 1 | PUMP,LARGE |
| 12 | 06520361 | 1 | FILTER,FIRE KIT,RAILKUT |
| --- | 06520351 | 1 | STRAINER,40MESH |
| 13 | 06520367 | 1 | ELBOW,1/2X1/2BARB,POLY |
| 14 | 06401133 | 1 | SPACER,Ø.31X1.75X.38 |
| 15 | 06520348 | 1 | VLV,BALL,WETCUT |
| 16 | 06520347 | 1 | FITTING,ELBOW,WETCUT |
| 17 | 06503169 | 1 | BUSHING,1MPX1/2FP (100 & 150 GALLON TANKS ONLY) |
| 18 | 06520346 | 1 | FITTING,BULKHEAD,WETCUT (50 GALLON TANKS ONLY) |
| 19 | 06503173 | 4 | FITTING,BARB,1/2X3/8,WETCUT |
| 20 | 06520401 | 2 | QUIK CPLR,FEM,1/2,WETCUT |
| 21 | 06520400 | 2 | QUIK CPLR,MALE,1/2,WETCUT |
| 22 | 06520316 | - | 3/8" HOSE (INCLUDED WITH SPRAYER) |
| 23 | 06503165 | 1 | ELBOW,1/2X3/8BARB,POLY |
| 24 | 06510052 | 1 | CONN.,BODY,MALE,METRIPACK 150 |
| 25 | 06510056 | 2 | TPA |
| 26 | 06510054 | 2 | TERMINAL,MALE,16/18GA.METPAK |
| 27 | 06510051 | 4 | SEAL,16-18GA,METPAK |
| 28 | 06510055 | 2 | TERMINAL,FEM,16/18GA.METPAK |
| 29 | 06510053 | 1 | CONN.,BODY,FEM,METRIPACK 150 |

COMMON SIDE ROTARY

WETCUT FRONT PLUMBING - 50IN MOWERS

1. NOTE ORIENTATION ON ITEM ⑨
2. ITEMS ⑰ ⑱ ⑲ ⑳ CUT FROM SUPPLIED 1/2" HOSE
3. ITEMS ㉑ ㉒ ㉓ CUT FROM SUPPLIED 3/8" HOSE



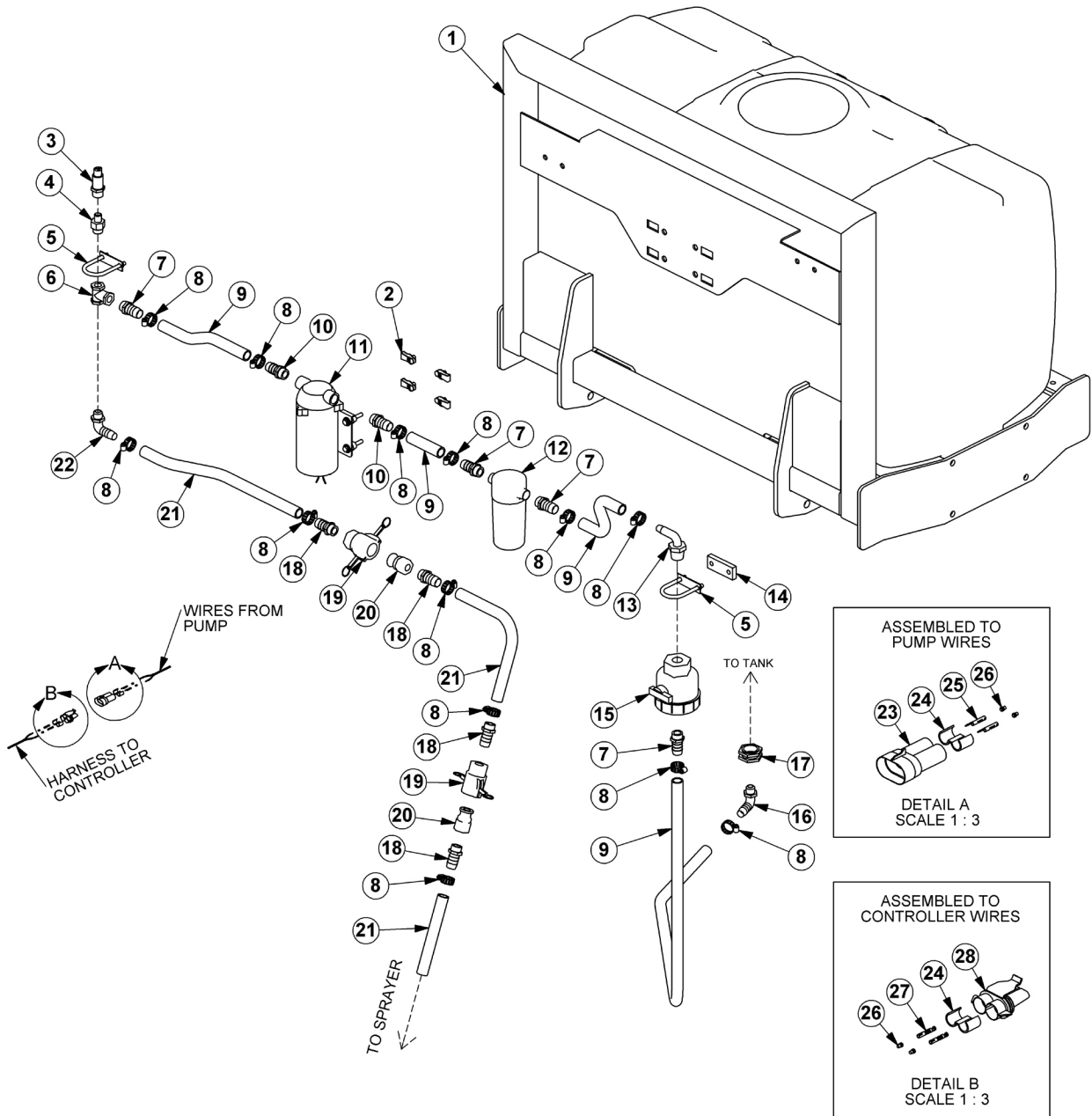
WETCUT FRONT PLUMBING - 50IN MOWERS

Continued...

| ITEM | PART NO. | QTY. | DESCRIPTION |
|---------|----------|------|-----------------------------------|
| 1 | 06370204 | 1 | MNT,FRONT,UNI |
| 2 | 06520336 | 1 | CNTRLR,SENSOR,06520333 |
| 3 | 06520341 | 1 | PUMP,WETCUT |
| 4 | 06520346 | 1 | FITTING,BULKHEAD,WETCUT |
| 5 | 06520347 | 1 | FITTING,ELBOW,WETCUT |
| 6 | 06520348 | 1 | VLV,BALL,WETCUT |
| 7 | 06520349 | 4 | FITTING,BARB,HOSE,WETCUT |
| 8 | 06503173 | 4 | FITTING,1/2"MP X 3/8"BARB |
| 9 | 06520353 | 1 | FITTING,TEE,WETCUT |
| 10 | 06520367 | 1 | ELBOW,1/2"MP X 1/2"BARB,POLY |
| 11 | 06520361 | 1 | FILTER,FIRE KIT,RAILKUT |
| --- | 06520351 | 1 | STRAINER,40MESH |
| 12 | 06520400 | 2 | QUIK CPLR,MALE,1/2",WETCUT |
| 13 | 06520401 | 2 | QUIK CPLR,FEM,1/2",WETCUT |
| 14 | 27329 | 2 | U-BOLT,1/4" X 1" X 2" |
| 15 | 35176 | 4 | U-NUT,1/4",3/4" TO CENTER |
| 16 | 35091 | 13 | CLAMP,HOSE #6 |
| 17 - 20 | 06520469 | 5 | 1/2" HOSE (FEET) |
| 21 - 23 | 06520316 | - | 3/8" HOSE (INCLUDED WITH SPRAYER) |
| 24 | 06510051 | 4 | SEAL,16-18GA,METPAK |
| 25 | 06510052 | 1 | CONN.,BODY,MALE,METRIPACK 150 |
| 26 | 06510053 | 1 | CONN.,BODY,FEM,METRIPACK 150 |
| 27 | 06510054 | 2 | TERMINAL,MALE,16/18GA.METPAK |
| 28 | 06510055 | 2 | TERMINAL,FEM,16/18GA.METPAK |
| 29 | 06510056 | 2 | TPA |
| 30 | 06520337 | 1 | INCLUDED WITH CONTROLLER |
| 31 | 06401133 | 1 | SPACER,Ø.31" X 1.75" X .38" |
| 32 | 06503165 | 1 | ELBOW,1/2"MP X 3/8"BARB,POLY |
| 33 | 06520354 | 1 | BUSHING,REDUCER,WETCUT |
| 34 | 06503176 | 2 | FITTING,3/8"MP X 1/2"BARB |

COMMON SIDE ROTARY

WETCUT FRONT PLUMBING - LARGE MOWERS



COMMON SIDE ROTARY

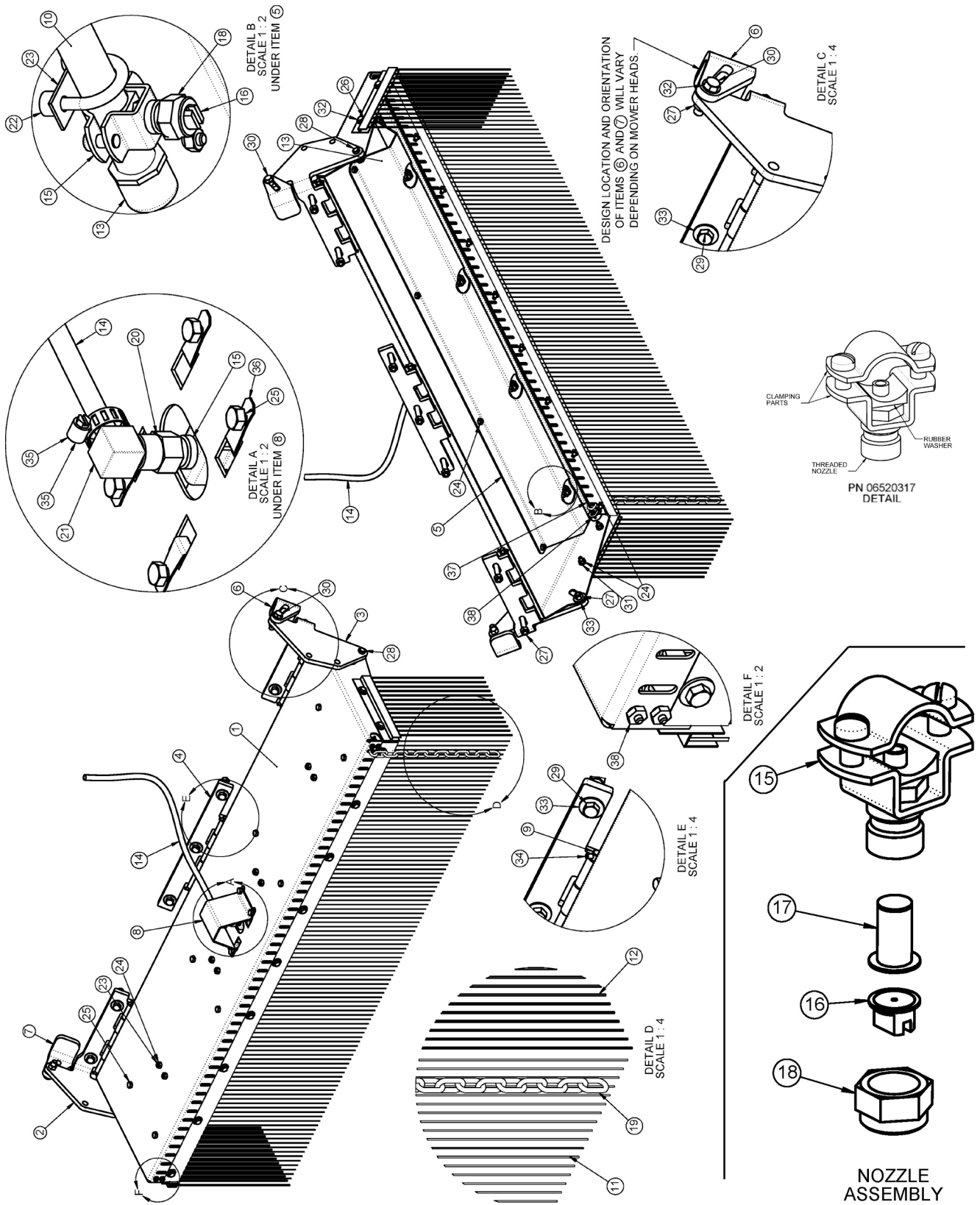
WETCUT FRONT PLUMBING - LARGE MOWERS

Continued...

| ITEM | PART NO. | QTY. | DESCRIPTION |
|------|----------|------|-----------------------------------|
| 1 | 06370204 | 1 | MNT,FRONT,UNIV |
| 2 | 35176 | 4 | U-NUT,1/4,3/4 TO CENTER |
| 3 | 06520336 | 1 | CNTRLR,SENSOR,06520333 |
| 4 | 06520354 | 1 | BUSHING,REDUCER,WETCUT |
| 5 | 27329 | 2 | U-BOLT,1/4" X 1" X 2" |
| 6 | 06520353 | 1 | FITTING,TEE,WETCUT |
| 7 | 06520349 | 4 | FITTING,BARB,HOSE,WETCUT |
| 8 | 35091 | 13 | CLAMP, HOSE #6 |
| 9 | 06520469 | 5 | 1/2" HOSE (FEET) |
| 10 | 06503168 | 2 | SWIVEL,1/2" STR |
| 11 | 06520359 | 1 | PUMP,LARGE |
| 12 | 06520361 | 1 | FILTER,FIRE KIT,RAILKUT |
| --- | 06520351 | 1 | STRAINER,40MESH |
| 13 | 06520367 | 1 | ELBOW,1/2X1/2BARB,POLY |
| 14 | 06401133 | 1 | SPACER,Ø.31X1.75X.38 |
| 15 | 06520348 | 1 | VLV,BALL,WETCUT |
| 16 | 06520347 | 1 | FITTING,ELBOW,WETCUT |
| 17 | 06520346 | 1 | FITTING,BULKHEAD,WETCUT |
| 18 | 06503173 | 4 | FITTING,BARB,1/2X3/8,WETCUT |
| 19 | 06520401 | 2 | QUIK CPLR,FEM,1/2,WETCUT |
| 20 | 06520400 | 2 | QUIK CPLR,MALE,1/2,WETCUT |
| 21 | 06520316 | - | 3/8" HOSE (INCLUDED WITH SPRAYER) |
| 22 | 06503165 | 1 | ELBOW,1/2X3/8BARB,POLY |
| 23 | 06510052 | 1 | CONN.,BODY,MALE,METRIPACK 150 |
| 24 | 06510056 | 2 | TPA |
| 25 | 06510054 | 2 | TERMINAL,MALE,16/18GA.METPAK |
| 26 | 06510051 | 4 | SEAL,16-18GA,METPAK |
| 27 | 06510055 | 2 | TERMINAL,FEM,16/18GA.METPAK |
| 28 | 06510053 | 1 | CONN.,BODY,FEM,METRIPACK 150 |

COMMON SIDE ROTARY

WETCUT 50IN SPRAYER HEAD ASSEMBLY



COMMON SIDE ROTARY

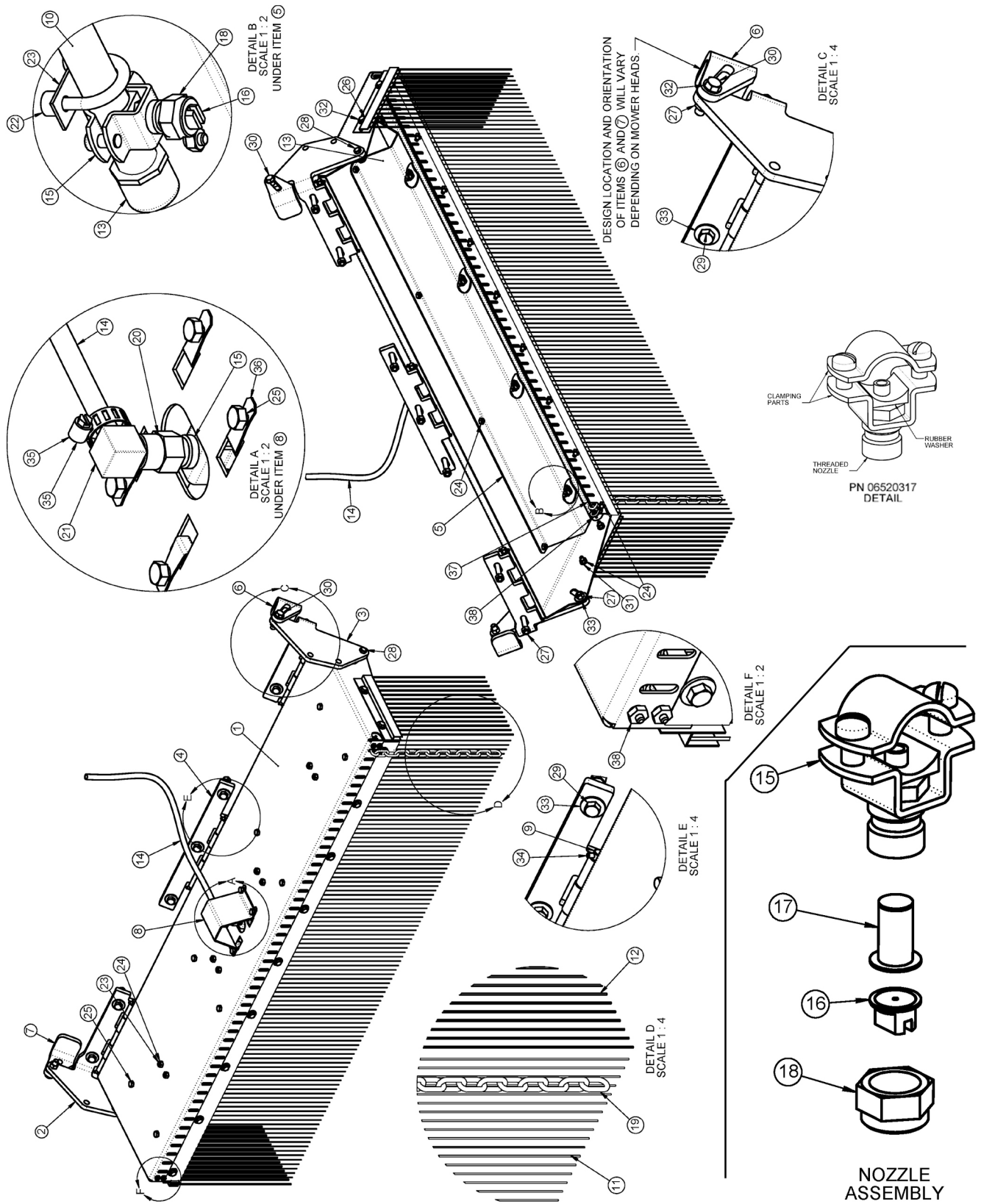
WETCUT 50IN SPRAYER HEAD ASSEMBLY

Continued...

| ITEM | PART NO. | QTY. | DESCRIPTION |
|------|----------|------|---|
| 1 | 06370105 | 1 | HOOD,SPRAYER |
| 2 | 06370106 | 1 | HINGE,LH,SPRAYER |
| 3 | 06370107 | 1 | HINGE,RH,SPRAYER |
| 4 | 06370108 | 1 | HINGE,CNTR,SPRAYER |
| 5 | 06410668 | 1 | GUARD,SPRAYER,WETCUT |
| 6 | 06410753 | 1 | MNT,RH,WET CUT (FLAIL) |
| --- | 06410942 | 1 | MNT,RH,WET CUT (ROTARY) |
| 7 | 06410754 | 1 | MNT,LH,WET CUT (FLAIL) |
| --- | 06410943 | 1 | MNT,LH,WET CUT (ROTARY) |
| 8 | 06410796 | 1 | GUARD,HOSE,WETCUT |
| 9 | 06420069 | 3 | PIN,HINGE,WET CUT |
| 10 | 06497003 | 1 | TUBE,LG,SPRAYER |
| 11 | 06499012 | 1 | SKIRT,ANTI SPRAY,50 |
| 12 | 06499013 | 2 | SKIRT,ANTI SPRAY,7 |
| 13 | 06520314 | 2 | TUBE,CAP,SPRAYER |
| 14 | 06520316 | 15 | HOSE,SPRAYER (FEET) |
| 15 | 06520317 | 5 | NOZZLE,SPRAYER |
| 16 | 06520319 | 4 | TIP,NOZZLE,SPRAYER |
| 17 | 06520320 | 4 | FILTER,NOZZLE,SPRAYER |
| 18 | 06520321 | 4 | NUT,NOZZLE,SPRAYER |
| 19 | 06520322 | 49 | CHAIN,.18" X 1.31" X 13LINKS |
| 20 | 06520381 | 1 | ADAPTER,1/4"NPT,WETCUT |
| 21 | 06520382 | 1 | ELBOW,BARB,3/8" X 1/4"NPT |
| 22 | 06520383 | 8 | SPACER,.50"O.D. X .252" I.D. X .38",NYLON |
| 23 | 32550 | 4 | U-BOLT,1/4" X 1" X 1" X 1-3/4" |
| 24 | 21527 | 29 | HEX NUT,NYLOCK,1/4",NC |
| 25 | 21528 | 12 | CAPSCREW,1/4" X 1/2",NC |
| 26 | 21529 | 13 | CAPSCREW,1/4" X 3/4",NC |
| 27 | 21625 | 11 | HEX NUT,3/8",NC |
| 28 | 21630 | 2 | CAPSCREW,3/8" X 1",NC |
| 29 | 21634 | 7 | CAPSCREW,3/8" X 2",NC |
| 30 | 21632 | 2 | CAPSCREW,3/8" X 1-1/2",NC |
| 31 | 21986 | 4 | LOCKWASHER,1/4" |
| 32 | 22014 | 15 | FLATWASHER,1/4" |
| 33 | 22016 | 9 | FLATWASHER,3/8",GR8 |
| 34 | 34698 | 6 | ROLL PIN, PLAIN, 3/16" X 7/8" |
| 35 | 35091 | 1 | CLAMP,HOSE #6 |
| 36 | 35176 | 4 | U-NUT,1/4",3/4" TO CENTER |
| 37 | 06520376 | 5 | CABLE,3/16" |
| 38 | 06537022 | 2 | U-BOLT,CABLE,3/16" |

COMMON SIDE ROTARY

WETCUT 60IN SPRAYER HEAD ASSEMBLY



COMMON SIDE ROTARY

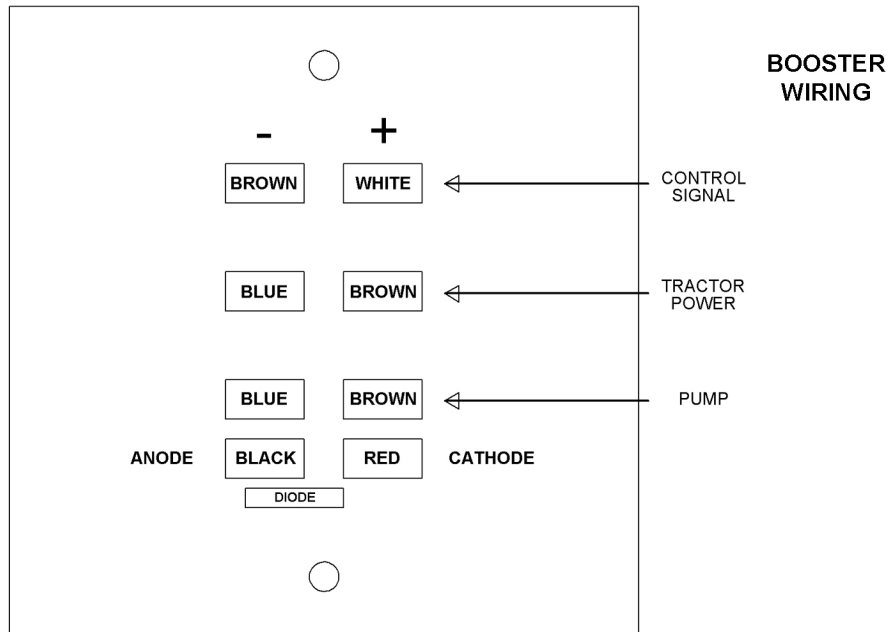
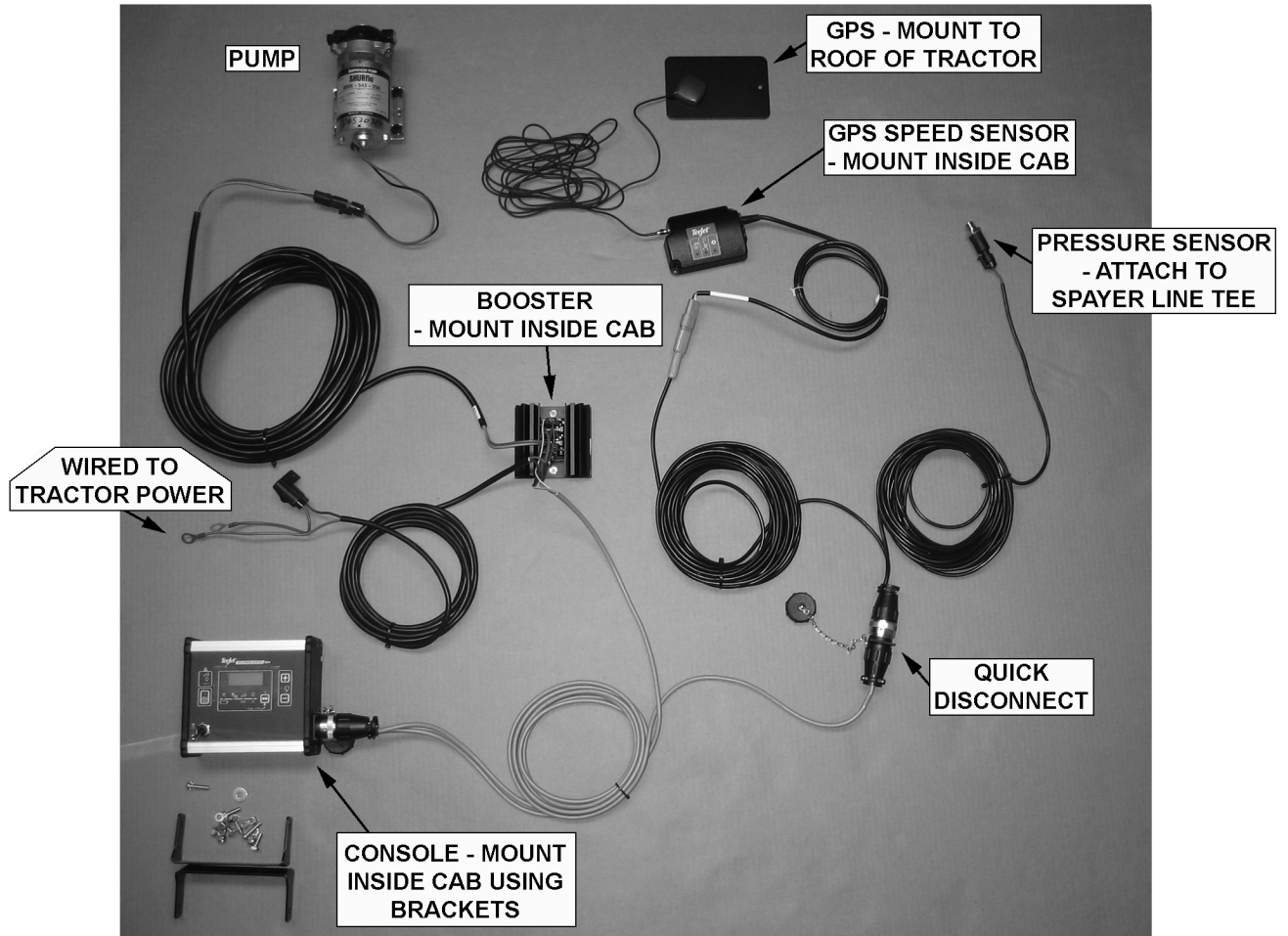
WETCUT 60IN SPRAYER HEAD ASSEMBLY

Continued...

| ITEM | PART NO. | QTY. | DESCRIPTION |
|------|----------|------|---|
| 1 | 06370210 | 1 | HOOD,SPRAYER |
| 2 | 06370106 | 1 | HINGE,LH,SPRAYER |
| 3 | 06370107 | 1 | HINGE,RH,SPRAYER |
| 4 | 06370108 | 1 | HINGE,CNTR,SPRAYER |
| 5 | 06411234 | 1 | GUARD,SPRAYER,WETCUT |
| 6 | 06410753 | 1 | MNT,RH,WET CUT (FLAIL) |
| --- | 06410942 | 1 | MNT,RH,WET CUT (ROTARY) |
| 7 | 06410754 | 1 | MNT,LH,WET CUT (FLAIL) |
| --- | 06410943 | 1 | MNT,LH,WET CUT (ROTARY) |
| 8 | 06410796 | 1 | GUARD,HOSE,WETCUT |
| 9 | 06420069 | 3 | PIN,HINGE,WET CUT |
| 10 | 06497009 | 1 | TUBE,LG,SPRAYER |
| 11 | 06499018 | 1 | SKIRT,ANTI SPRAY,60 |
| 12 | 06499013 | 2 | SKIRT,ANTI SPRAY,7 |
| 13 | 06520314 | 2 | TUBE,CAP,SPRAYER |
| 14 | 06520316 | 15 | HOSE,SPRAYER (FEET) |
| 15 | 06520317 | 6 | NOZZLE,SPRAYER |
| 16 | 06520319 | 5 | TIP,NOZZLE,SPRAYER |
| 17 | 06520320 | 5 | FILTER,NOZZLE,SPRAYER |
| 18 | 06520321 | 5 | NUT,NOZZLE,SPRAYER |
| 19 | 06520322 | 61 | CHAIN,.18" X 1.31" X 13LINKS |
| 20 | 06520381 | 1 | ADAPTER,1/4"NPT,WETCUT |
| 21 | 06520382 | 1 | ELBOW,BARB,3/8" X 1/4"NPT |
| 22 | 06520383 | 10 | SPACER,.50"O.D. X .252" I.D. X .38",NYLON |
| 23 | 32550 | 5 | U-BOLT,1/4" X 1" X 1" X 1-3/4" |
| 24 | 21527 | 33 | HEX NUT,NYLOCK,1/4",NC |
| 25 | 21528 | 15 | CAPSCREW,1/4" X 1/2",NC |
| 26 | 21529 | 13 | CAPSCREW,1/4" X 3/4",NC |
| 27 | 21625 | 13 | HEX NUT,3/8",NC |
| 28 | 21630 | 2 | CAPSCREW,3/8" X 1",NC |
| 29 | 21634 | 7 | CAPSCREW,3/8" X 2",NC |
| 30 | 21632 | 4 | CAPSCREW,3/8" X 1-1/2",NC |
| 31 | 21986 | 4 | LOCKWASHER,1/4" |
| 32 | 22014 | 33 | FLATWASHER,1/4" |
| 33 | 22016 | 11 | FLATWASHER,3/8",GR8 |
| 34 | 34698 | 6 | ROLL PIN, PLAIN, 3/16" X 7/8" |
| 35 | 35091 | 1 | CLAMP,HOSE #6 |
| 36 | 35176 | 4 | U-NUT,1/4",3/4" TO CENTER |
| 37 | 06520376 | 6 | CABLE,3/16" (FEET) |
| 38 | 06537022 | 2 | U-BOLT,CABLE,3/16" |

COMMON SIDE ROTARY

WETCUT CABLES



WARRANTY SECTION

WARRANTY INFORMATION

Tiger Corporation, 3301 N. Louise, Sioux Falls, South Dakota, warrants to the original Retail Customer, the new Tiger equipment is free of defects in material and workmanship. Any part of equipment that in Tiger's judgement, show evidence of such defects will be repaired or replaced without charge, provided that the failure of part(s) shall have occurred within twelve (12) months from the date of delivery of said equipment to the Retail Customer. Expendable components such as knives, oil, chain sprockets, skid shoes, knife mounting disks and the like are excluded but not limited to this warranty.

The Retail Customer must pay the transportation cost to and from the Tiger Dealer's service shop for warranty service. Warranty service will be performed by the Tiger Dealer from whom the equipment was purchased, during service shop regularly scheduled days and hours of operation.

All Tiger obligation under this warranty shall be terminated if the equipment is modified or altered in ways not approved in writing by Tiger, if repair parts other than genuine Tiger repair parts have been used, or if the equipment has been subject to misuse, neglect, accident, improper maintenance or improper operation.

Tiger Corporation reserves the right to make improvements in design or changes in specification at any time without incurring any obligation to owners of equipment previously sold.

No agent or person has authority to alter, add to or waive the above warranties which are agreed to be in the only warranties, representations or promises, expressed or implied, as to the quality or performance of the products covered and which do not include any implied warranty of merchantability or fitness. In no event will Tiger be liable for incidental or consequential damages or injuries, including, but not limited to, loss of profits, rental or substitute equipment or other commercial loss.

**THERE ARE NO WARRANTIES WHICH EXTEND
BEYOND THOSE EXPRESSED HEREIN.**

It is the Purchasers obligation to sign the warranty registration form **AFTER** he / she has Read and Understands the Operation and Safety Instructions stated within this manual.

ONE LAST WORD

This manual cannot possibly cover all of the potentially hazardous situations you will encounter. By being familiar with the safety rules, operating and maintenance instructions in this manual you can help prevent accidents. The objective of this manual is to help make you a better operator. Remember, **SAFETY IS YOU!**



1012

Your safety and the safety of those around you depends on **YOU**. Common sense should play a large role in the operation of this machine.

Since we at Tiger Corporation are constantly striving to improve our products, we reserve the right to change specifications or design at any time.

TO THE OWNER / OPERATOR / DEALER



To keep your implement running efficiently and safely, read your manual thoroughly and follow these directions and the Safety Messages in this manual and on the machine. The table of contents clearly identifies each section where you can easily find the information you need.

The Occupational Safety and Health Act (OSHA 1928.51 subpart C) makes the following minimum requirements for tractor operators.

OWNER REQUIREMENTS:

1. Provide a Roll-Over-Protective Structure that meets the requirements of this Standard; and
2. Provide Seatbelts that meet the requirements of this Standard and SAE J3C; and
3. Ensure that each employee uses such Seatbelt while the tractor is moving; and
4. Ensure that each employee tightens the Seatbelt sufficiently to confine the employee to the protected area provided by the ROPS.

OPERATOR REQUIREMENTS:

1. Securely fasten seatbelt if the tractor has a ROPS.
2. Where possible, avoid operating the tractor near steep ditches, embankments, and holes.
3. Reduce speed when turning, crossing slopes, and on rough, slick, or muddy surfaces.
4. Stay off slopes too steep for safe operation.
5. Watch where you are going – especially at row ends, on roads, and around trees.
6. Do Not permit others to ride.
7. Operate the tractor smoothly – no jerky turns, starts, or stops.
8. Hitch only to the draw-bar and hitch points recommended by the tractor manufacturer.
9. When the tractor is stopped, set brakes securely and use park lock, if available



Printed in USA
© Tiger Corporation