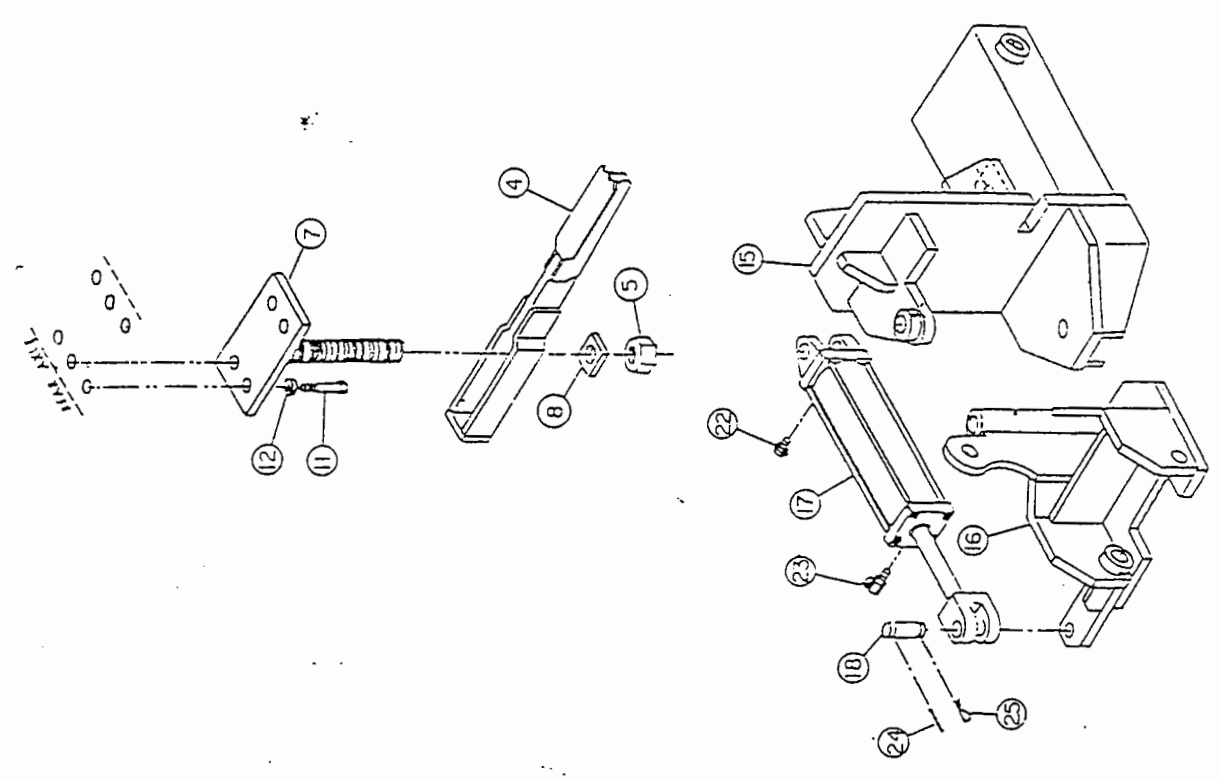
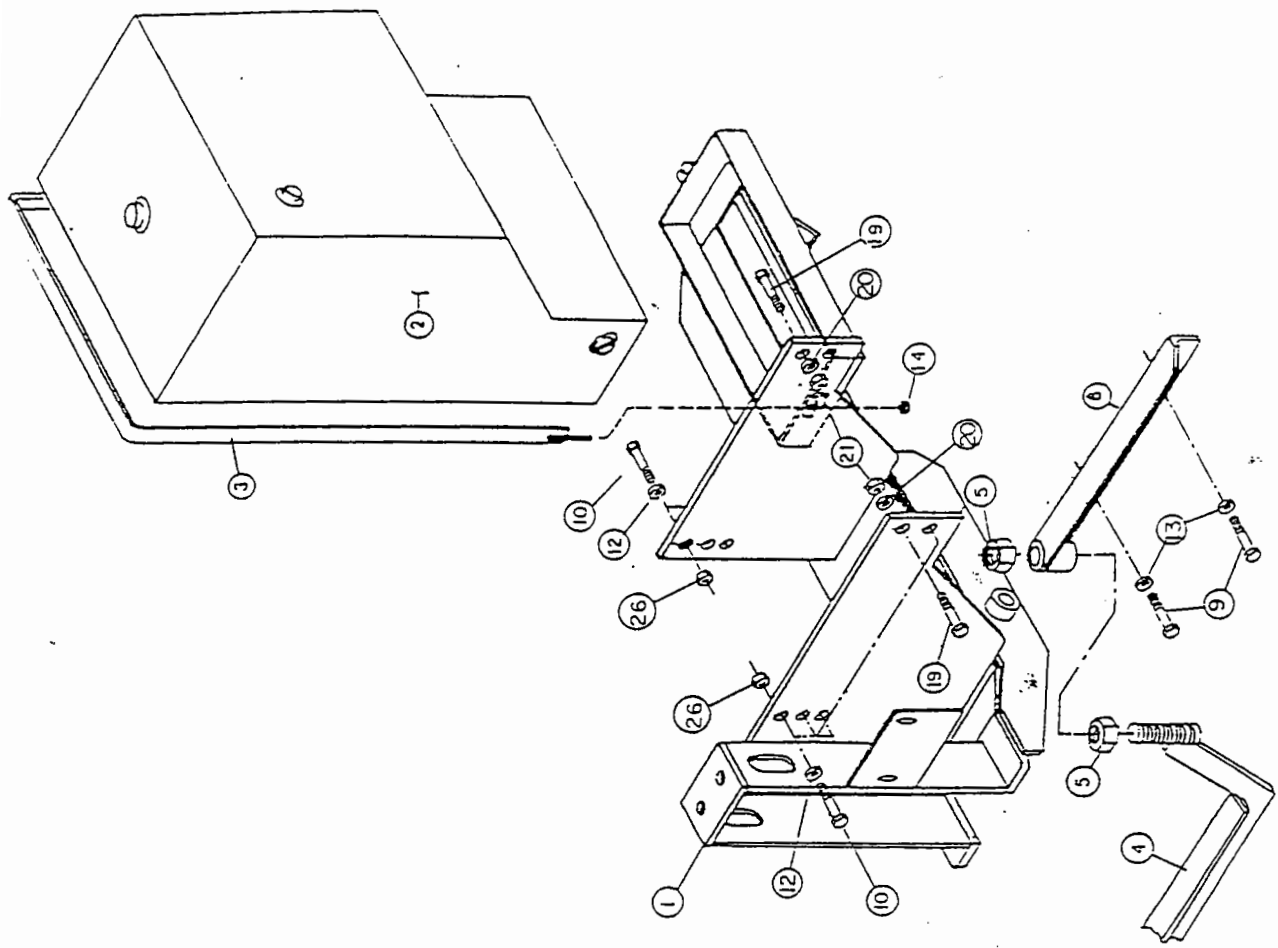


# BOOM MOWER – JOHN DEERE 6000 - 6410 2WD, 4WD, CAB, WOC – H.P.

SECTION	ASSEMBLY
<b>TRACTOR SPECIFIC</b>	
MAIN FRAME – 2WD _____	PB 80426
MAIN FRAME – 4WD _____	PB 80822
DECK FEEDLINE – 2WD _____	PB 80427
DECK FEEDLINE – 4WD _____	PB 80825
LIFT VALVE – WOC, TRB _____	PB 80456
LIFT VALVE – WOC, TBF _____	PB 80826
LIFT VALVE – CAB, TRB _____	PB 80428
LIFT VALVE – CAB, TBF _____	PB 80827
CABLE CONTROL ASSY. _____	PB 80429
SAFETY SCREEN – 6000 SERIES, WOC _____	PB 80828
SAFETY SCREEN – 62-6405 / 62-6410, WOC _____	PB 06100678
SAFETY WINDOW ASSY - CAB _____	PB 80829
WHEEL WEIGHT KIT _____	PB 80430

PB:28742



**MAIN FRAME ASSEMBLY  
JOHN DEERE 6200 - 6410  
CAB, NON-CAB, 2WD**

Ref. NO.	PARTS DESCRIPTION	NO. REQ.	PART NO.
1	MAIN FRAME (2WD)	1	30701A
***2	RESERVOIR TANK	REF.	***
3	RESERVOIR TANK STRAP (2WD)	1	6T1279B
4	SUBFRAME BRACKET	1	25472A
! 5	HEX NUTS - 1-1/2" NC	1	6T2406
6	FRONT SUBFRAME BRACKET	1	TB3007B
7	LOWER REAR SUBFRAME BRACKET	1	28739
*8	REAR SUBFRAME PLATE	REF.	TB3008
9	CAPSCREW - 16MM x 65MM (2.0P)	2	6T2530
10	CAPSCREW - 20MM x 50MM (2.5P)	10	27512
11	CAPSCREW - 20MM x 65MM (2.5P)	4	24879
12	LOCKWASHER - 20MM	14	24881
13	LOCKWASHER - 16MM	2	6T2625
14	NYLOCK NUT - 3/8" NC	2	21627
15	BOOM MOUNTING BRACKET	1	TB3001C
16	BOOM SWIVEL BRACKET	1	TB3002B
17	CYLINDER - 3" x 10"	1	6T0151R
18	CLEVIS PIN - 1" x 3-1/2"	1	6T3003D
**19	CAPSCREW - 3/4" x 2-1/4" NC	2	21833
**20	LOCKWASHER - 3/4"	2	21993
**21	HEX NUT - 3/4" NC	2	21825
22	SWIVEL - 1/2" OR x 1/2" FPX	1	6T2701
23	SWIVEL - 1/2" OR x 1/2" FPX 90 DEG.	1	6T0158
24	ROLL PIN - 7/32" x 2"	1	TB1023
25	R-CLIP - 3/16" HAIR PIN	REF.	6T3004
26	HEX NUT - 20MM (2.5P)	10	31722
#27	<b>JD-6405 AND 6410</b> LIGHT RELOCATION BRKT. (LEFT)	1	32643
#28	<b>JD-6405 AND 6410</b> LIGHT RELOCATION BRKT. (RIGHT)	1	32644
#29	<b>JD-6405 AND 6410</b> LIGHT RELOCATION BRKT. COVER	2	32645
#30	MACHINE SCREW - #8 x 1/2"	8	6T3951

\* REFER TO COMMON ASSEMBLY

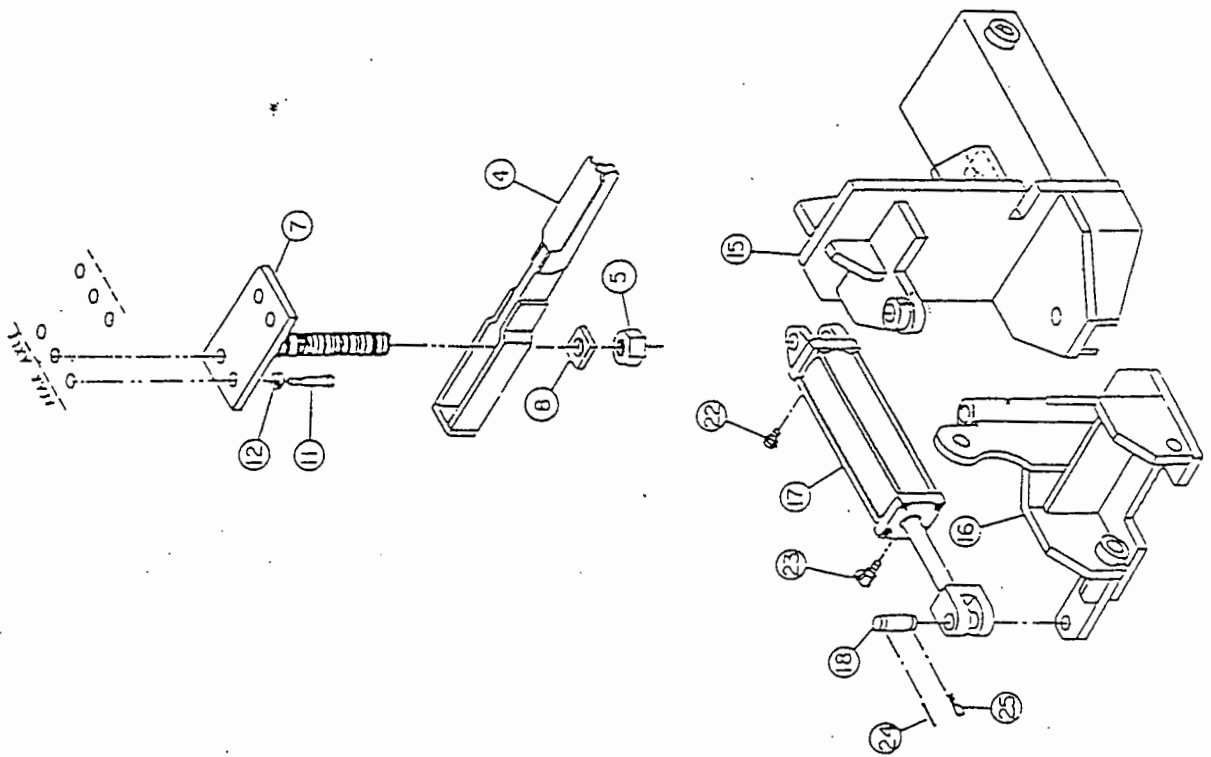
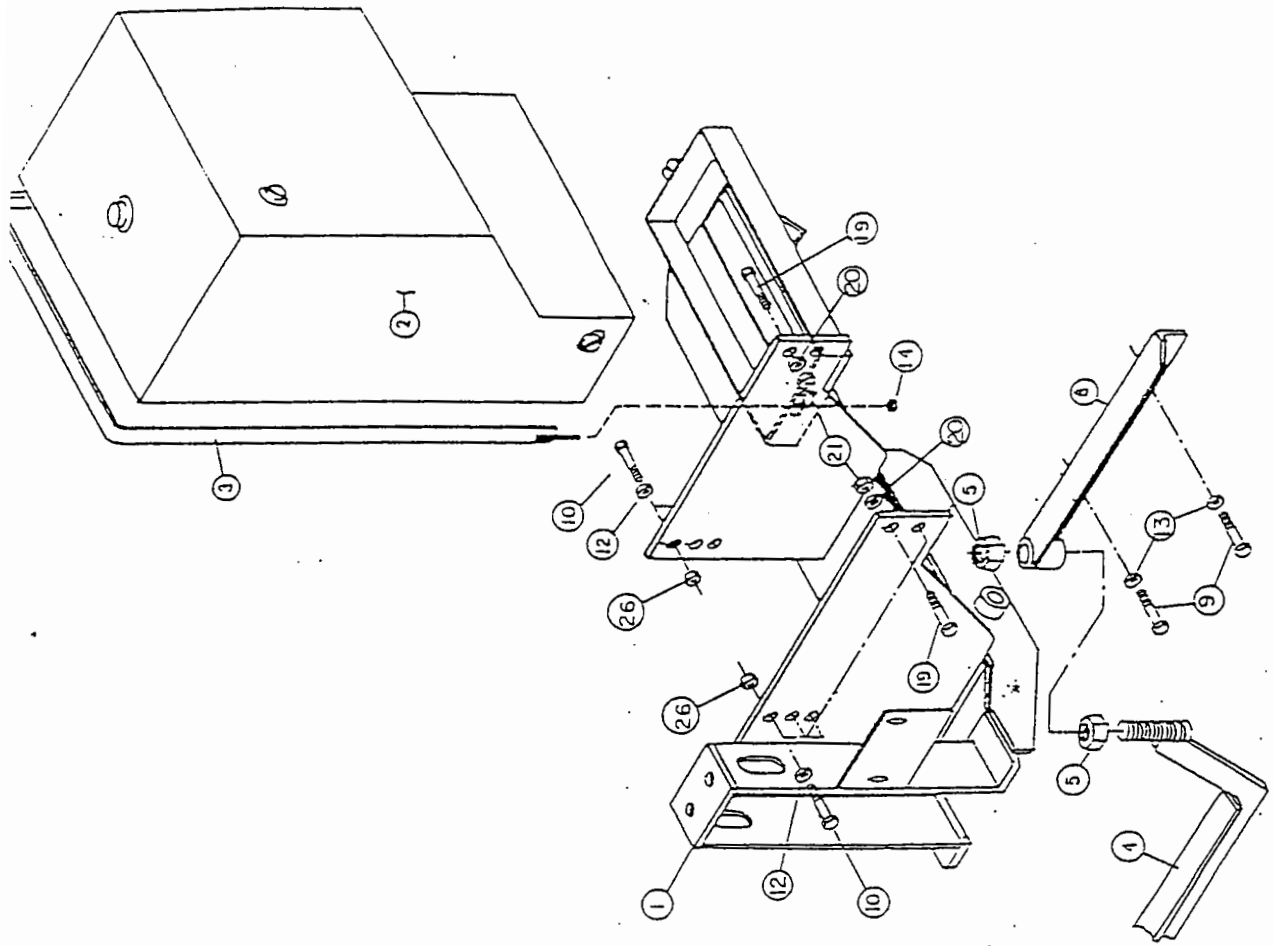
\*\* FOR **JD-6405 AND 6410** MUST SUBSTITUTE PART NUMBER(S) 10, 12, AND 26

\*\*\* REFER TO DECK FEEDLINE ASSY. FOR RESERVOIR TANK INFO.

! REMAINING TWO 1-1/4" HEX NUTS ARE LOCATED WITH BOOM COMMON PARTS

# ITEMS 27 THRU 30 ARE NOT PICTURED AND ARE USED WITH **JD-6405 AND 6410** CAB UNITS ONLY.

ITEMS 4-8 ARE NO LONGER USED ON '10 SERIES TRACTORS



**MAIN FRAME ASSEMBLY  
JOHN DEERE 6200 - 6410  
CAB, NON-CAB, 4WD**

Ref. NO.	PARTS DESCRIPTION	NO. REQ.	PART NO.
1	MAIN FRAME (4WD)	1	28732F
***2	RESERVOIR TANK	REF.	***
3	RESERVOIR TANK STRAP (4WD)	1	28191B
4	SUBFRAME BRACKET	1	25472A
! 5	HEX NUTS - 1-1/2" NC	1	6T2406
6	FRONT SUBFRAME BRACKET	1	TB3007B
7	LOWER REAR SUBFRAME BRACKET	1	28739
*8	REAR SUBFRAME PLATE	REF.	TB3008
9	CAPSCREW - 16MM x 65MM (2.0P)	2	6T2530
10	CAPSCREW - 20MM x 50MM (2.5P)	10	27512
11	CAPSCREW - 20MM x 65MM (2.5P)	4	24879
12	LOCKWASHER - 20MM	14	24881
13	LOCKWASHER - 16MM	2	6T2625
14	NYLOCK NUT - 3/8" NC	2	21627
15	BOOM MOUNTING BRACKET	1	TB3001C
16	BOOM SWIVEL BRACKET	1	TB3002B
17	CYLINDER - 3" x 10"	1	6T0151R
18	CLEVIS PIN - 1" x 3-1/2"	1	6T3003D
**19	CAPSCREW - 3/4" x 2-1/4" NC	2	21833
**20	LOCKWASHER - 3/4"	2	21993
**21	HEX NUT - 3/4" NC	2	21825
22	SWIVEL - 1/2" OR x 1/2" FPX	1	6T2701
23	SWIVEL - 1/2" OR x 1/2" FPX 90 DEG.	1	6T0158
24	ROLL PIN - 7/32" x 2"	1	TB1023
25	R-CLIP - 3/16" HAIR PIN	REF.	6T3004
26	HEX NUT - 20MM (2.5P)	10	31722
#27	JD-6405 AND 6410 LIGHT RELOCATION BRKT. (LEFT)	1	32643
#28	JD-6405 AND 6410 LIGHT RELOCATION BRKT. (RIGHT)	1	32644
#29	JD-6405 AND 6410 LIGHT RELOCATION BRKT. COVER	2	32645
#30	MACHINE SCREW - #8 x 1/2"	8	6T3951

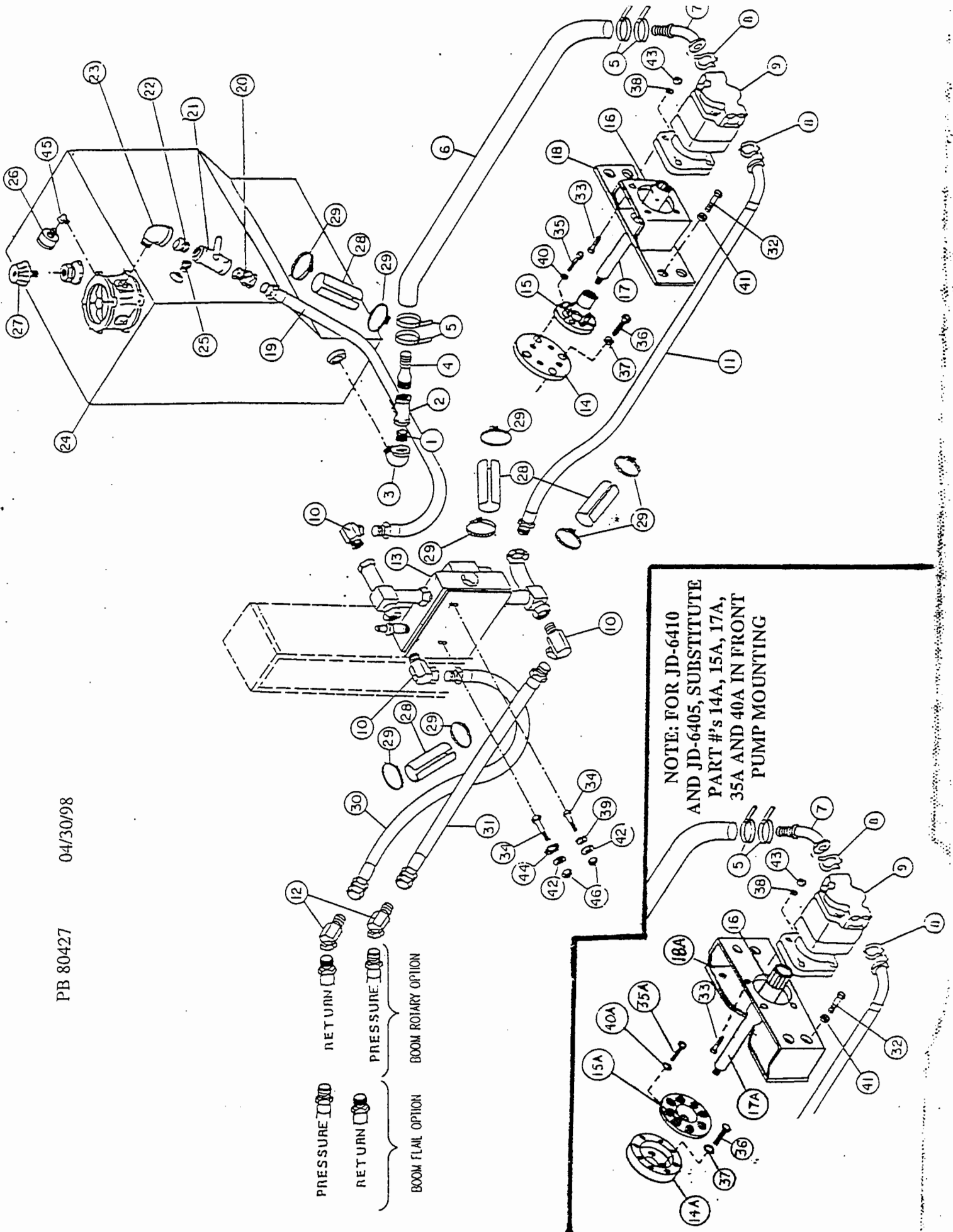
\* REFER TO COMMON ASSEMBLY

\*\* FOR JD-6405 AND 6410 MUST SUBSTITUTE PART NUMBER(S) 10, 12, AND 26

\*\*\* REFER TO DECK FEEDLINE ASSY. FOR RESERVOIR TANK INFO.

! REMAINING TWO 1-1/4" HEX NUTS ARE LOCATED WITH BOOM COMMON PARTS

# ITEMS 27 THRU 30 ARE NOT PICTURED AND ARE USED WITH JD-6405 AND 6410 CAB UNITS ONLY.



PRESSURE RETURN

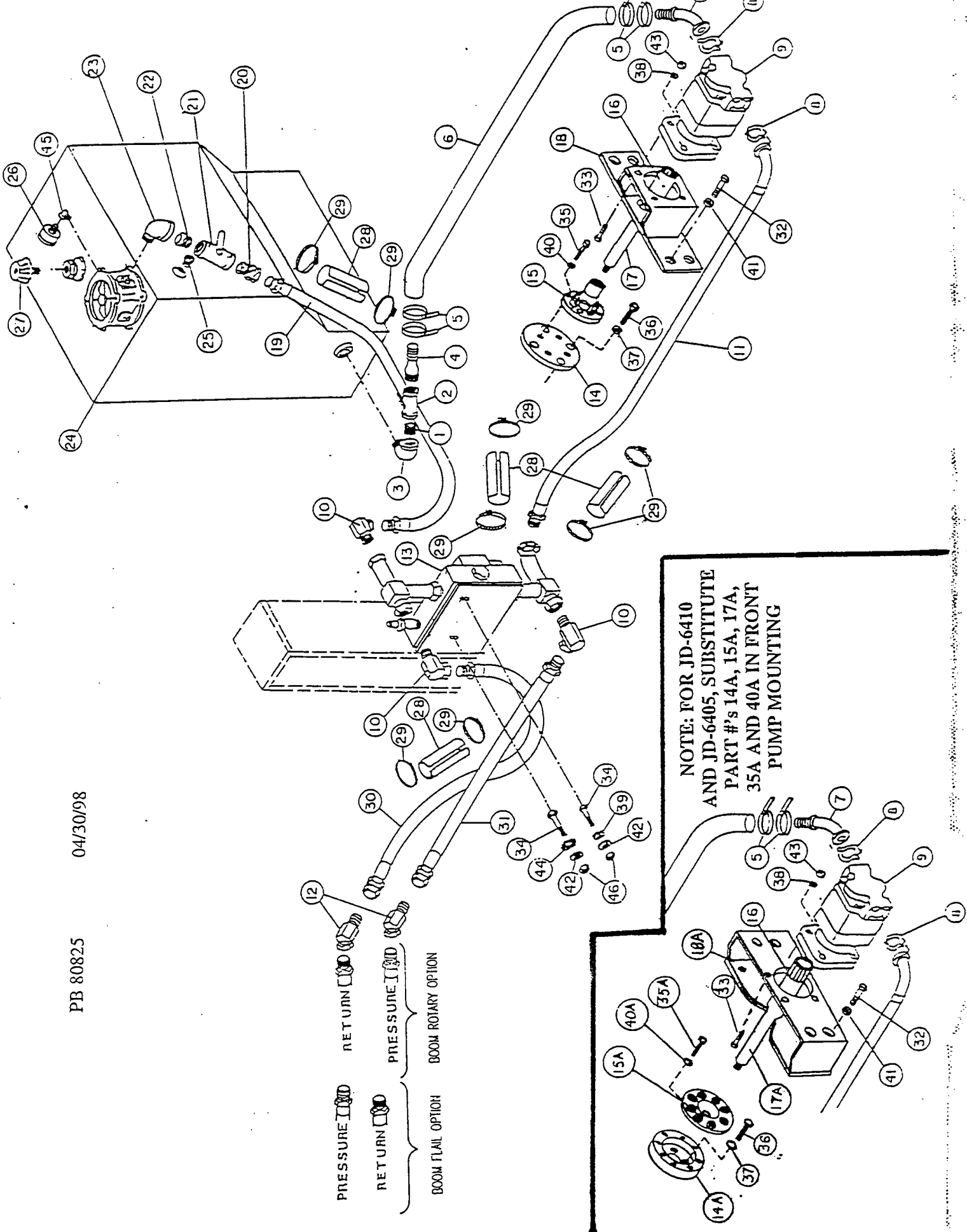
PRESSURE RETURN

BOOM FLAIL OPTION

BOOM ROTARY OPTION

**BOOM MOWER  
DECK FEEDLINE ASSEMBLY  
JOHN DEERE 6200 - 6410, CAB / NON-CAB, 2WD  
HIGH PRESSURE**

Ref. NO.	PARTS DESCRIPTION	NO. REQ.	PART NO.	
1	1-1/2" CLOSED NIP XHD	1	6T3801	
2	1-1/2" BALL VALVE	1	6T4238	
3	ST. EL. 1-1/2" x 90 DEG.	1	6T3612	
4	KING NIPPLE, 1-1/2"	1	6T3800	
*5	BANDIT CLAMP - (REFER TO BOOM COMMON PARTS)	REF.	6T3018	
6	SUCTION HOSE 1-1/2" SHOP	60"	22897	
7	KING NIPPLE #20 FLNG. 45 DEG.	1	22631	
8	FLANGE KIT #20	2	TF4852	
9	DECK FEEDLINE PUMP (P350, 1-3/4" GEAR)	1	23152	
10	SWIVEL 1" MP - 1" FPX 90 DEG.	3	TF4870	
11	HOSE 1" x 60" (1" MP X 20 FLNG 45 DEG.)	1	25198	
12	SWIVEL 1" MP - 1" FPX 45 DEG.	2	24724	
13	SOLENOID VALVE ASSEMBLY	1	27907	
14	CRANKSHAFT ADAPTER PLATE	1	28853A	
14A	JD-6410 AND 6405 CRANKSHAFT ADAPTER PLATE	1	32583	
15	CRANKSHAFT ADAPTER ASSEMBLY	1	24983A	
15A	JD-6410 AND 6405 CRANKSHAFT ADAPTER	1	6T0389	
16	SPLINE COUPLING	1	6T0375B	
17	PUMP DRIVE SHAFT (25-7/8")	1	28857A	
17A	JD-6410 AND 6405 PUMP DRIVE SHAFT (28-5/8")	1	32640	
18	PUMP MOUNTING BRACKET	1	6T0357F	
18A	JD-6410 AND 6405 PUMP MOUNTING BRACKET	1	32642	
19	HOSE 1" x 78" (MP - MP) (2WD)	1	23878	
20	SWIVEL 1-1/4" MP - 1" FPX	1	22890	
21	1-1/4" BALL VALVE	1	6T4237	
22	CLOSE NIP 1-1/4" XHD	1	673825	
23	ST. EL. 1-1/4" x 90 DEG.	1	6T3601	
24	RESIVOIR TANK ASSEMBLY	1	28061	
25	TANK SITE GLASS	1	6T1209	
26	PRESSURE GUAGE	1	6T0649	
27	RESIVOIR TANK BREATHER	1	6T1200N	
28	SPLIT HOSE	4	6T3200	
29	HOSE CLAMP	8	23568	
30	HOSE 1" x 40" (MP - FJX)	3	27351	
31	HOSE 1" x 47" (MP - FJX)	1	24039	
32	CAPSCREW 20MM x 40MM (2.5 PITCH)	4	24860	
33	CAPSCREW 1/2" x 1-3/4" NC	4	21732	
34	CAPSCREW 3/8" x 3" NC	2	21638	
35	CAPSCREW 5/16" x 1" NC	4	21580	
35A	JD-6410 AND 6405 CAPSCREW 7/16" x 1-1/4"	4	6T2260	
36	CAPSCREW 14MM x 40MM (2.0 PITCH)	4	6T2501	
37	LOCKWASHER 14MM	4	32691	
38	LOCKWASHER 1/2"	4	21990	
39	LOCKWASHER 3/8"	1	21988	
40	LOCKWASHER 5/16"	4	21987	
40A	JD-6410 AND 6405 LOCKWASHER 7/16"	4	21989	
41	LOCKWASHER 20MM	4	24881	
42	FLAT WASHER 3/8"	2	22016	
43	HEX NUT 1/2"	4	21725	
44	STAR LOCKWASHER 3/8"	1	6T2665	4/30/98
45	STREET ELBOW 1/8" x 90 DEG.	1	TF4888	PB-80427
46	EDGE GUARD - FRONT PUMP	2'	28053	



NOTE: FOR JD-6410  
AND JD-6405, SUBSTITUTE  
PART #'s 14A, 15A, 17A,  
35A AND 40A IN FRONT  
PUMP MOUNTING

PRESSURE RETURN

PRESSURE RETURN

BOOM FLAIL OPTION

BOOM ROTARY OPTION



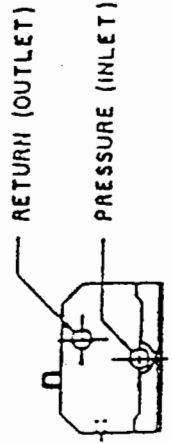
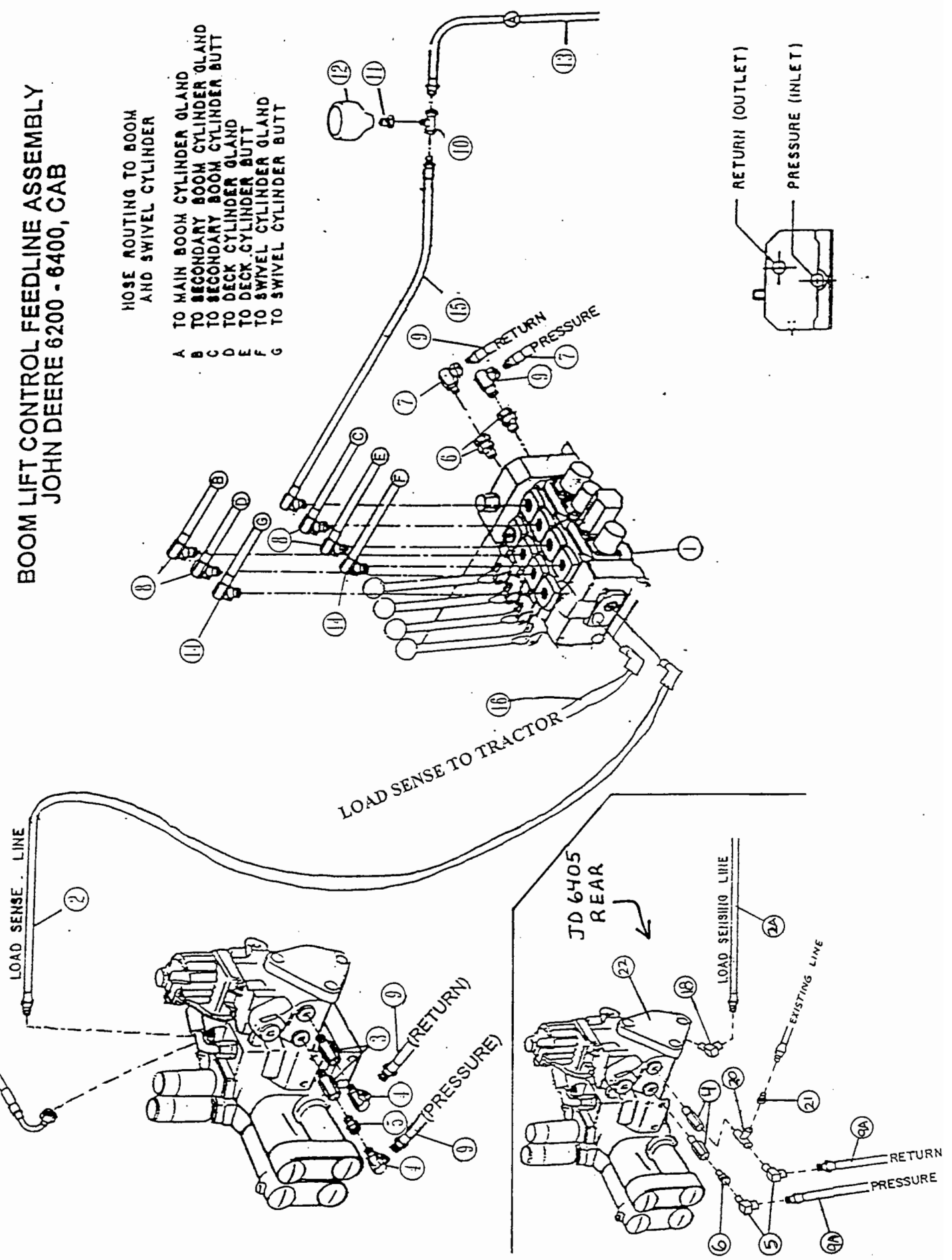
**BOOM MOWER  
DECK FEEDLINE ASSEMBLY  
JOHN DEERE 6200 - 6410, CAB / NON-CAB, 4WD  
HIGH PRESSURE**

Ref. NO.	PARTS DESCRIPTION	NO. REQ.	PART NO.	
1	1-1/2" CLOSED NIP XHD	1	6T3801	
2	1-1/2" BALL VALVE	1	6T4238	
3	ST. EL. 1-1/2" x 90 DEG.	1	6T3612	
4	KING NIPPLE, 1-1/2"	1	6T3800	
*5	BANDIT CLAMP - (REFER TO BOOM COMMON PARTS)	REF.	6T3018	
6	SUCTION HOSE 1-1/2" SHOP	60"	22897	
7	KING NIPPLE #20 FLNG. 45 DEG.	1	22631	
8	FLANGE KIT #20	2	TF4852	
9	DECK FEEDLINE PUMP (P350, 1-3/4" GEAR)	1	23152	
10	SWIVEL 1" MP - 1" FPX 90 DEG.	3	TF4870	
11	HOSE 1" x 60" (1" MP X 20 FLNG 45 DEG.)	1	25198	
12	SWIVEL 1" MP - 1" FPX 45 DEG.	2	24724	
13	SOLENOID VALVE ASSEMBLY	1	27907	
14	CRANKSHAFT ADAPTER PLATE	1	28853A	
14A	<b>JD-6410 AND 6405</b> CRANKSHAFT ADAPTER PLATE	1	32583	
15	CRANKSHAFT ADAPTER ASSEMBLY	1	24983A	
15A	<b>JD-6410 AND 6405</b> CRANKSHAFT ADAPTER	1	6T0389	
16	SPLINE COUPLING	1	6T0375B	
17	PUMP DRIVE SHAFT (25-7/8")	1	28857A	
17A	<b>JD-6410 AND 6405</b> PUMP DRIVE SHAFT (28-5/8")	1	32640	
18	PUMP MOUNTING BRACKET	1	6T0357F	
18A	<b>JD-6410 AND 6405</b> PUMP MOUNTING BRACKET	1	32642	
19	HOSE 1" x 83" (MP - MP) (4WD)	1	TF4807	
20	SWIVEL 1-1/4" MP - 1" FPX	1	22890	
21	1-1/4" BALL VALVE	1	6T4237	
22	CLOSE NIP 1-1/4" XHD	1	673825	
23	ST. EL. 1-1/4" x 90 DEG.	1	6T3601	
24	RESIVOIR TANK ASSEMBLY	1	6T3601	
25	TANK SITE GLASS	1	6T1209	
26	PRESSURE GUAGE	1	6T0649	
27	RESIVOIR TANK BREATHER	1	6T1200N	
28	SPLIT HOSE	4	6T3200	
29	HOSE CLAMP	8	23568	
30	HOSE 1" x 40" (MP - FJX)	3	27351	
31	HOSE 1" x 47" (MP - FJX)	1	24039	
32	CAPSCREW 20MM x 40MM (2.5 PITCH)	4	24860	
33	CAPSCREW 1/2" x 1-3/4" NC	4	21732	
34	CAPSCREW 3/8" x 3" NC	2	21638	
35	CAPSCREW 5/16" x 1" NC	4	21580	
35A	<b>JD-6410 AND 6405</b> CAPSCREW 7/16" x 1-1/4"	4	6T2260	
36	CAPSCREW 14MM x 40MM (2.0 PITCH)	4	6T2501	
37	LOCKWASHER 14MM	4	32691	
38	LOCKWASHER 1/2"	4	21990	
39	LOCKWASHER 3/8"	1	21988	
40	LOCKWASHER 5/16"	4	21987	
40A	<b>JD-6410 AND 6405</b> LOCKWASHER 7/16"	4	21989	
41	LOCKWASHER 20MM	4	24881	
42	FLAT WASHER 3/8"	2	22016	
43	HEX NUT 1/2"	4	21725	
44	STAR LOCKWASHER 3/8"	1	6T2665	4/30/98
45	STREET ELBOW 1/8" x 90 DEG.	1	TF4888	PB-80425
46	EDGE GUARD - FRONT PUMP	2'	28053	

# BOOM LIFT CONTROL FEEDLINE ASSEMBLY JOHN DEERE 6200 - 6400, CAB

HOSE ROUTING TO BOOM  
AND SWIVEL CYLINDER

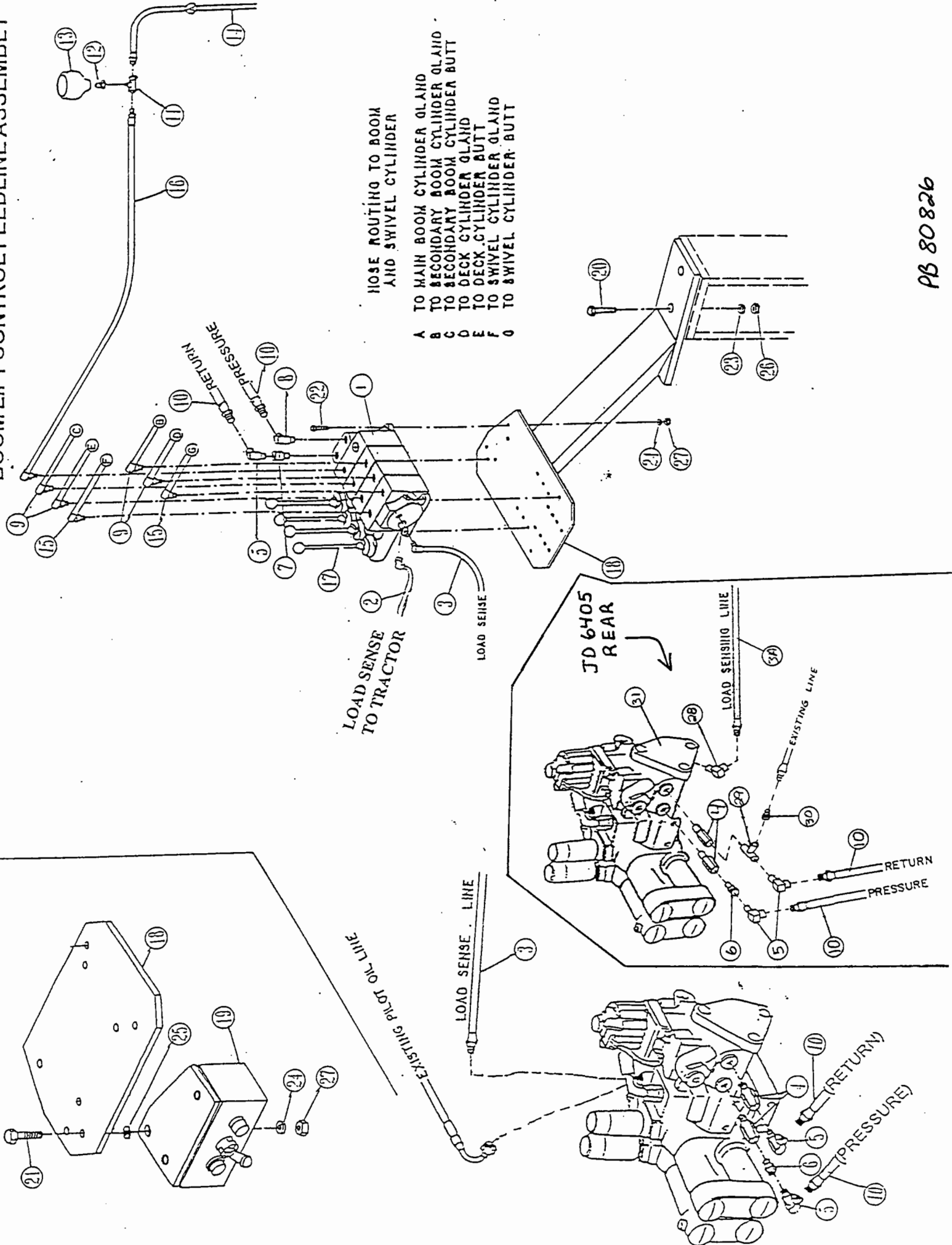
- A TO MAIN BOOM CYLINDER GLAND
- B TO SECONDARY BOOM CYLINDER GLAND
- C TO SECONDARY BOOM CYLINDER BUTT
- D TO DECK CYLINDER GLAND
- E TO DECK CYLINDER BUTT
- F TO SWIVEL CYLINDER GLAND
- G TO SWIVEL CYLINDER BUTT



**BOOM ROTARY LIFT CONTROL FEEDLINE ASSEMBLY  
JOHN DEERE 6200 - 6410, NON-CAB**

REF. NO.	PARTS DESCRIPTION	NO. REQ.	PART NO.
1	VALVE, 4-SPOOL, TRB	1	31041
2	HOSE, 1/4" x 130" (3/8" MORB 90° x 3/8" FFS 45°)	1	21971
2A	HOSE - JD6405	1	32650
3	HOSE, 1/4" x 130" (3/8" MORB 90° x 3/8" FFS 90°)(L.S.)	1	31972
4	ADAPTER, 22mm OR x 1/2" FP	2	30548
5	SWIVEL, 1/2" MP x 1/2" FPX 90° (SHORT)	2	27145
6	SWIVEL, 1/2" MP x 1/2" FPX	1	6T4240
7	SWIVEL, 5/8" OR x 1/2" FPX	1	TB1094
8	SWIVEL, 5/8" MP x 1/2" FPX 45°	1	TB1096
9	SWIVEL, 1/2" MP x 1/2" FPX 45°	1	TF4878
9A	HOSE - JD6405	2	31016
10	HOSE, 1/4" x 55" (1/4" MP - 1/2" MP) (A)	REF.	TB2035
11	TEE, 1/4" MP x 1/4" FPX x 1/4" FPX	REF.	30054
12	ADAPTER, 1/2" OR x 1/4" FP	REF.	6T4234
13	ACCUMULATOR	REF.	24300
14	HOSE, 1/4" x 60" (1/2" MP - 1/2" MOR 90°) (F,G)	2	28894
15	HOSE, 1/4" x 46" (1/4" MP - 1/2" MOR 90°)	1	28896
16	HOSE, 1/4" x 130" (3/8" MORB 90° x 3/8" FFS 45°)	1	31969
17	HOSE, 1/2" x 134" (MP - MP) (PRESSURE) (RETURN)	2	31016
18	HOSE, 1/4" x 72" (5/16" MJ - 1/2" MOR 90°) (B,C,D,E)	4	28895
19	ELBOW	1	31739
20	TEE	1	32651
21	HOSE END	1	32195
22	LOAD SENSE COVER	1	AL112432

**BOOM LIFT CONTROL FEEDLINE ASSEMBLY**



HOSE ROUTING TO BOOM AND SWIVEL CYLINDER

- A TO MAIN BOOM CYLINDER GLAND
- B TO SECONDARY BOOM CYLINDER GLAND
- C TO SECONDARY BOOM CYLINDER BUTT
- D TO DECK CYLINDER GLAND
- E TO DECK CYLINDER BUTT
- F TO SWIVEL CYLINDER GLAND
- G TO SWIVEL CYLINDER BUTT

**BOOM FLAIL LIFT CONTROL FEEDLINE ASSEMBLY  
JOHN DEERE 6200 - 6410, NON-CAB**

REF. NO.	PARTS DESCRIPTION	NO. REQ.	PART NO.
1	VALVE, 4-SPOOL, TBF	1	31158
2	HOSE, 1/4" x 130" (3/8" MORB 90° x 1/4 FFS 45°)	1	31969
3	HOSE, 1/4" x 116" (3/8" MORB 90° x 1/4 FFS 90°) (L.S.)	1	31970
3A	HOSE - JD6405	1	32650
4	ADAPTER, 22mm OR x 1/2" FP	2	30548
5	SWIVEL, 1/2" MP x 1/2" FPX 90° (SHORT)	3	27145
6	SWIVEL, 1/2" MP x 1/2" FPX	1	6T4240
7	SWIVEL, 5/8" OR x 1/2" FPX	1	TB1094
8	SWIVEL, 5/8" MP x 1/2" FPX 90°	1	TB1095
9	HOSE, 1/4" x 72" (5/16" MJ - 1/2" MOR 90°) (B,C,D,E)	4	28895
10	HOSE, 1/2" x 134" (MP - MP) (PRESSURE) (RETURN)	2	31016
11	TEE, 1/4" MP x 1/4" FPX x 1/4" FPX	REF.	30054
12	ADAPTER, 1/2" OR x 1/4" FP	REF.	6T4234
13	ACCUMULATOR	REF.	24300
14	HOSE, 1/4" x 55" (1/4" MP - 1/2" MP) (A)	REF.	TB2035
15	HOSE, 1/4" x 60" (1/2" MP - 1/2" MOR 90°) (F,G)	2	28894
16	HOSE, 1/4" x 46" (1/4" MP - 1/2" MOR 90°)	1	28896
17	LEVER ASSEMBLY	4	TB1017L
18	VALVE STAND	1	30080D
19	SWITCH	1	6T3905N
20	CAPSCREW, 5/8" x 2" NC	2	21783
21	CAPSCREW, 3/8" x 1-1/2" NC	1	21632
22	CAPSCREW, 3/8" x 1-1/4" NC	3	21631
23	LOCKWASHER, 5/8"	2	21992
24	LOCKWASHER, 3/8"	4	21988
25	FLATWASHER, 3/8"	2	22016
26	HEX NUT, 5/8" NC	2	21775
27	HEX NUT, 3/8" NC	4	21625
+	HOSE COVER, 4-HOLE 21" (4' STRING)	1	27979
+	HOSE COVER, CLEAR 1" I.D.	8	6T3198
28	ELBOW	1	31739
29	TEE	1	32651
30	HOSE END	1	32195
31	LOAD SENSE COVER	1	AL112432
	+ Items Not Shown	PB 80826	10-7-97

# BOOM LIFT CONTROL FEEDLINE ASSEMBLY

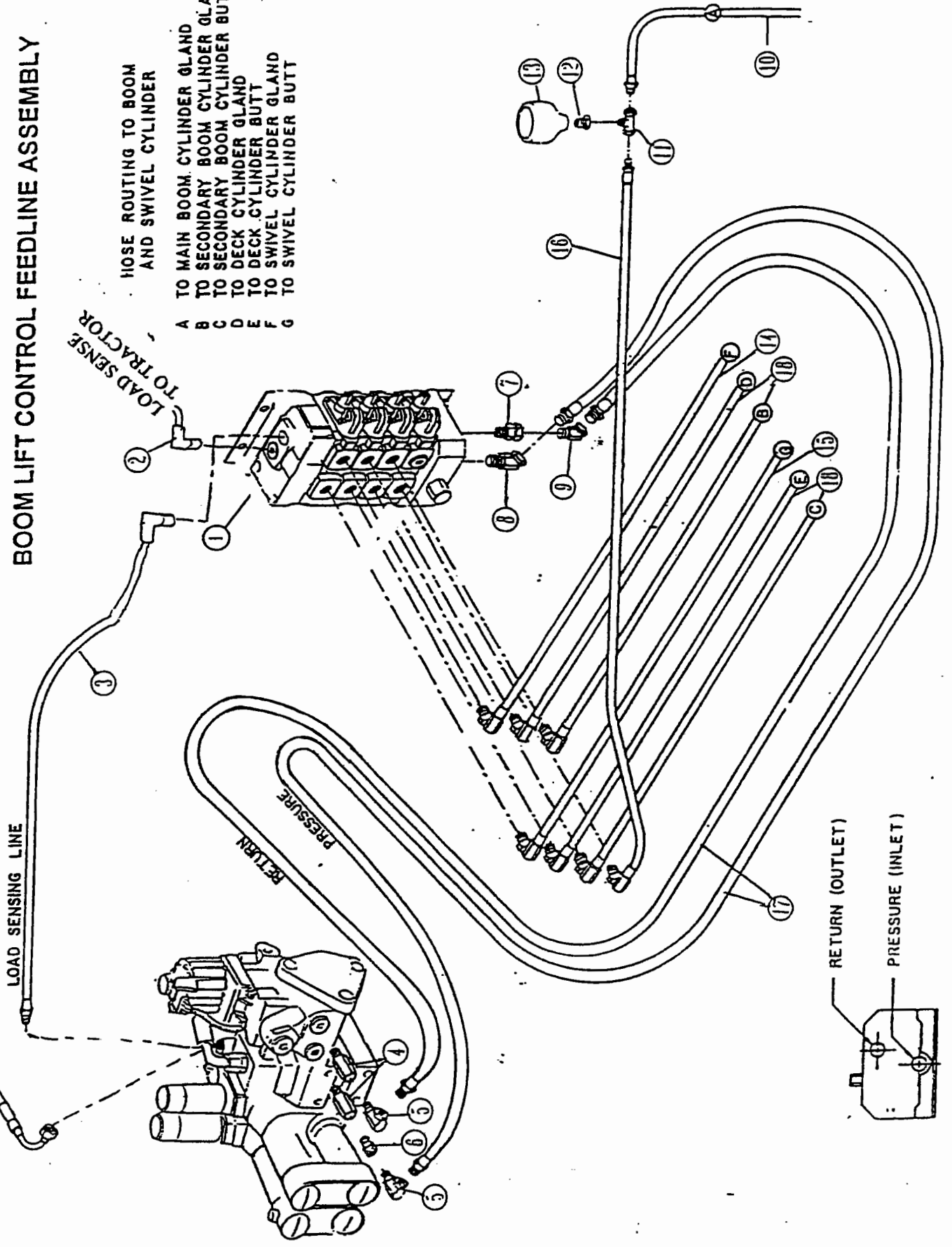
EXISTING PILOT OIL LINE

LOAD SENSING LINE

LOAD SENSE  
TO TRACTOR

HOSE ROUTING TO BOOM  
AND SWIVEL CYLINDER

- A TO MAIN BOOM CYLINDER GLAND
- B TO SECONDARY BOOM CYLINDER GLAND
- C TO SECONDARY BOOM CYLINDER BUTT
- D TO DECK CYLINDER GLAND
- E TO DECK CYLINDER BUTT
- F TO SWIVEL CYLINDER GLAND
- G TO SWIVEL CYLINDER BUTT



RETURN (OUTLET)

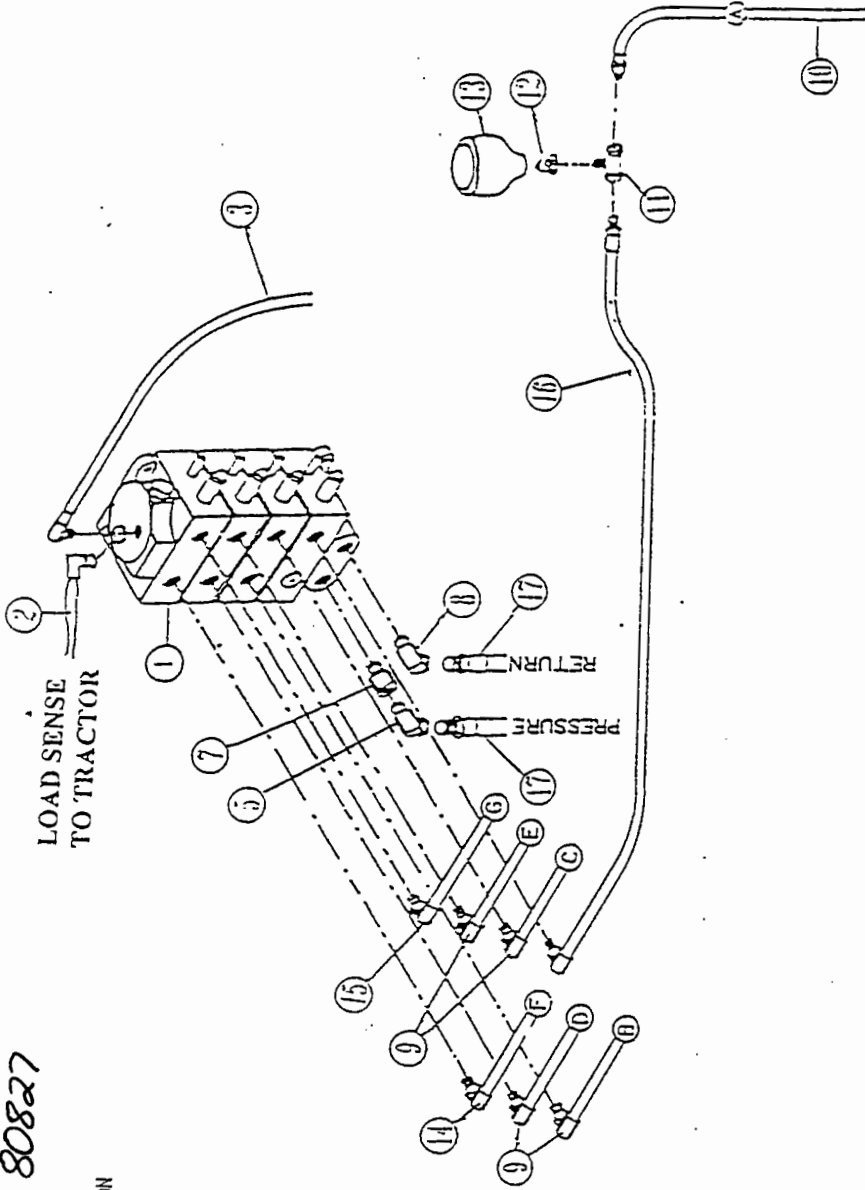
PRESSURE (INLET)

**BOOM ROTARY LIFT CONTROL FEEDLINE ASSEMBLY  
JOHN DEERE 6200 - 6410, CAB**

REF. NO.	PARTS DESCRIPTION	NO. REQ.	PART NO.
1	VALVE, 4-SPOOL, TRB	1	31041
2	HOSE, 1/4" x 52" (3/8" MORB 90° x 1/4" FFS 45°)	1	31971
3	HOSE, 1/4" x 52" (3/8" MORB 90° x 3/8" FFS 90°) (L.S.)	1	31972
4	ADAPTER, 22MM OR x 1/2" FP	2	30548
5	SWIVEL, 1/2" MP x 1/2" FPX 90° (SHORT)	3	27145
6	SWIVEL, 1/2" MP x 1/2" FPX	1	6T4240
7	SWIVEL, 5/8" OR x 1/2" FPX	1	TB1094
8	SWIVEL, 5/8" OR x 1/2" FPX 45°	1	TB1096
9	SWIVEL, 1/2" MP x 1/2" FPX 45°	1	TF4878
10	HOSE, 1/4" x 55" (1/4" MP - 1/2" MP)(A)	1	TB2035
11	TEE, 1/4" MP x 1/4" FPX x 1/4" FPX	1	30054
12	ADAPTER, 1/2" OR x 1/4" FP	1	6T4234
13	ACCUMULATOR	1	24300
14	HOSE, 1/4" x 72" (1/2" MP - 1/2" MOR 90°) (F)	1	28859
15	HOSE, 1/4" x 77" (1/2" MP - 1/2" MOR 90°) (G)	1	28860
16	HOSE, 1/4" x 90" (1/4" MP - 1/2" MOR 90°)	1	28988
17	HOSE, 1/2" x 50" (MP - MP) (PRESSURE) (RETURN)	2	6T1412
18	HOSE, 1/4" x 98" (5/16" MJ - 1/2" MOR 90°) (B,C,D,E)	4	28863

80827

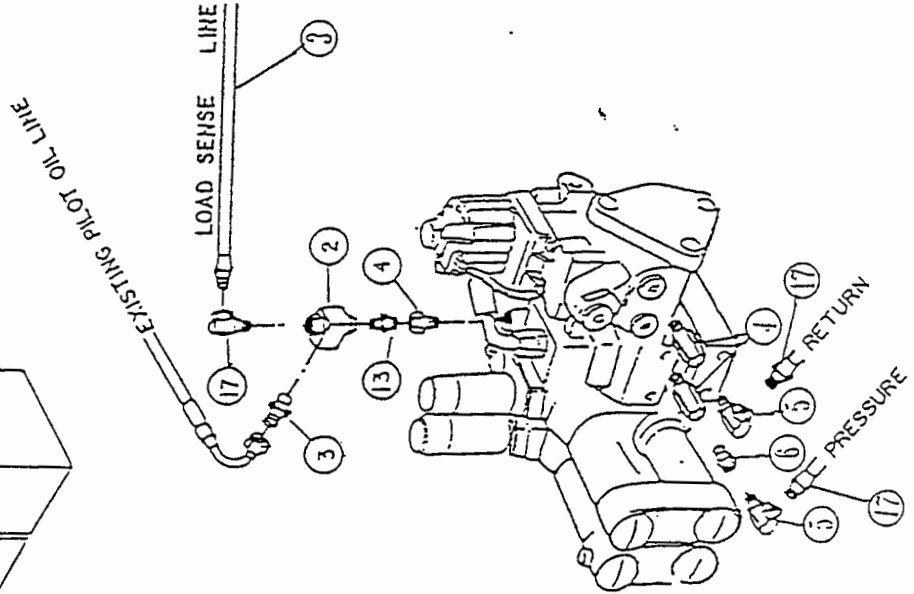
REFER TO THE CABLE  
CONTROL ILLUSTRATION



**BOOM LIFT CONTROL FEEDLINE ASSEMBLY  
JOHN DEERE 6200 - 6400, CAB**

HOSE ROUTING TO BOOM  
AND SWIVEL CYLINDER

- A TO MAIN BOOM CYLINDER GLAHD
- B TO SECONDARY BOOM CYLINDER GLAHD
- C TO SECONDARY BOOM CYLINDER BUTT
- D TO DECK CYLINDER GLAHD
- E TO DECK CYLINDER BUTT
- F TO SWIVEL CYLINDER GLAHD
- G TO SWIVEL CYLINDER BUTT





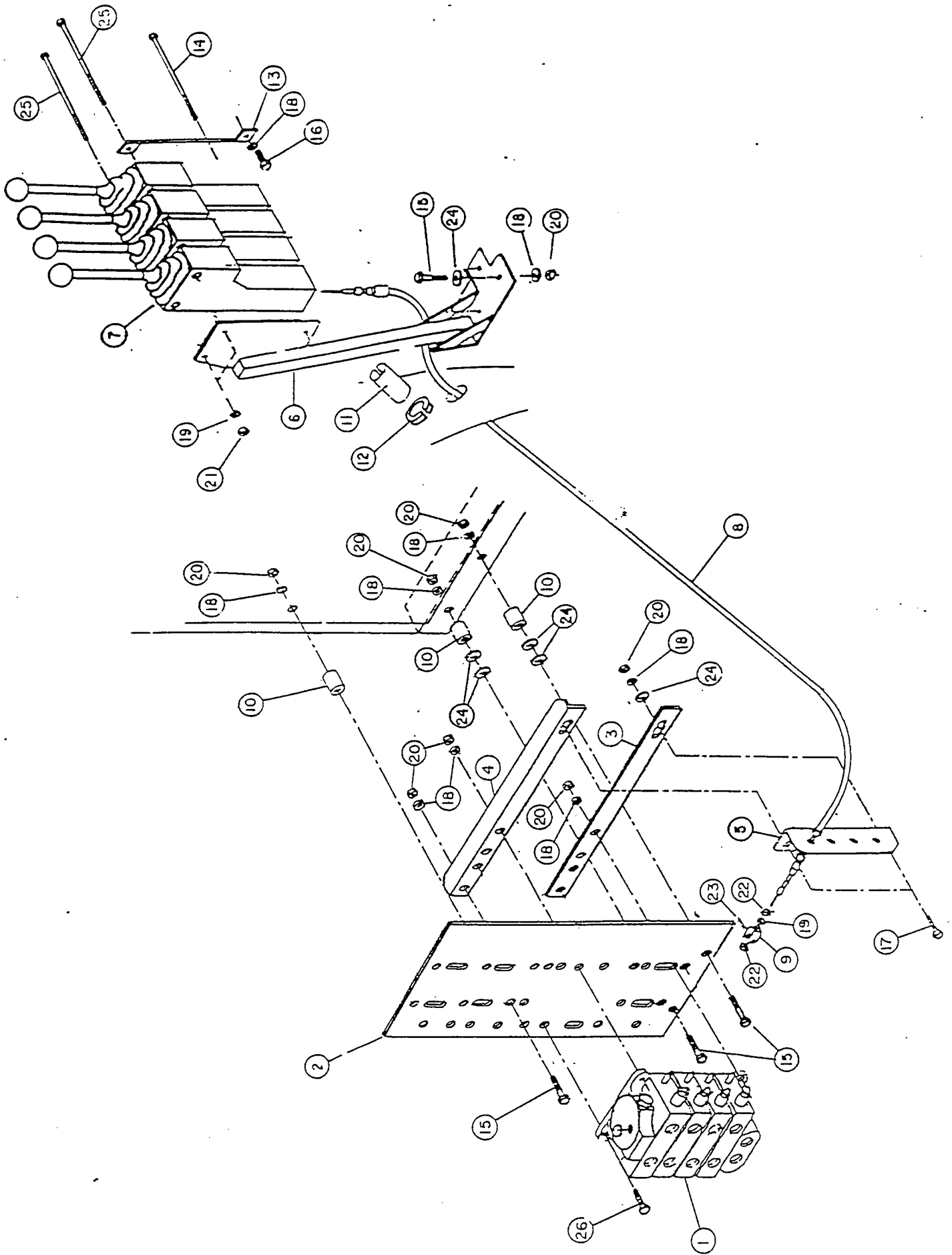
**BOOM FLAIL LIFT CONTROL FEEDLINE ASSEMBLY  
JOHN DEERE 6200 - 6410, CAB**

REF. NO.	PARTS DESCRIPTION	NO. REQ.	PART NO.
1	VALVE, 4-SPOOL, TBF	1	31158
2	HOSE, 1/4" x 52" (3/8" MORB 90° x 1/4" FFS 45°)	1	31971
3	HOSE, 1/4" x 52" (3/8" MORB 90° x 3/8" FFS 90°) (L.S.)	1	31972
4	ADAPTER, 22MM OR x 1/2" FP	2	30548
5	SWIVEL, 1/2" MP x 1/2" FPX 90° (SHORT)	3	27145
6	SWIVEL, 1/2" MP x 1/2" FPX	1	6T4240
7	SWIVEL, 5/8" OR x 1/2" FPX	1	TB1094
8	SWIVEL, 5/8" OR x 1/2" FPX 90°	1	TB1095
9	HOSE, 1/4" x 98" (5/16" MJ - 1/2" MOR 90°) (B,C,D,E)	4	28863
10	HOSE, 1/4" x 55" (1/4" MP - 1/2" MP)(A)	REF.	TB2035
11	TEE, 1/4" MP x 1/4" FPX x 1/4" FPX	REF.	30054
12	ADAPTER, 1/2" OR x 1/4" FP	REF.	6T4234
13	ACCUMULATOR	REF.	24300
14	HOSE, 1/4" x 72" (1/2" MP - 1/2" MOR 90°) (F)	1	28859
15	HOSE, 1/4" x 77" (1/2" MP - 1/2" MOR 90°) (G)	1	28860
16	HOSE, 1/4" x 90" (1/4" MP - 1/2" MOR 90°)	1	28988
17	HOSE, 1/2" x 50" (MP - MP) (PRESSURE) (RETURN)	2	6T1412
18	SINGLE SWITCH W/L-BRACKET	1	27401

NOTE: ITEMS 2, 4, 13 AND 17 ON THE TRACTOR REAR ARE NO LONGER USED.  
ITEMS ARE SHOWN FOR REPLACEMENT REFERENCE ONLY

CONTROL ASSEMBLY

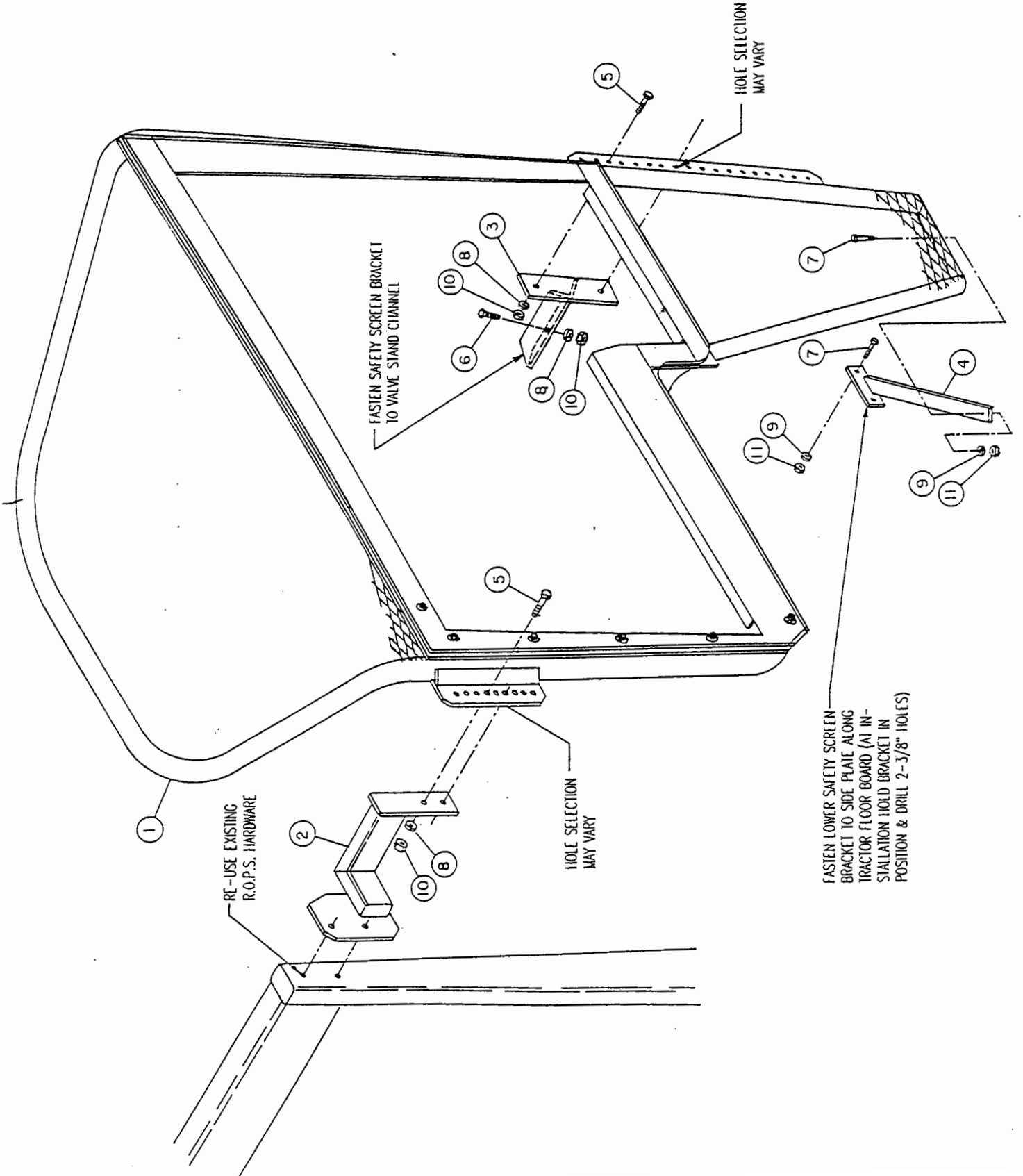
80429



**BOOM CABLE CONTROL ASSEMBLY  
JOHN DEERE 6200 - 6410, CAB**

REF.	NO.	PARTS DESCRIPTION	NO. REQ.	PART NO.
			REF.	*
1		VALVE, 4-SPOOL	1	28856C
2		MOUNTING PLATE	1	22148-1D
3		VALVE PLATE MOUNTING ANGLE, LF	1	22148-2D
4		VALVE PLATE MOUNTING ANGLE, RT	1	6T4325
5		CABLE MOUNTING ANGLE	1	23865B
6		CABLE CONTROL MOUNTING BRACKET	1	6T1251
7		CABLE CONTROL BOX, 180°	4	31356
8		CONTROL CABLES, 60" W/HARDWARE	4	6T4411
9		CABLE CONTROL CLEVIS	4	27082B
10		SPACER 1" OD x 7/16" ID x 1-3/16"	3	6T3200
11		SPLIT HOSE, 6"	1	TB3440
12		TRIM LOCK	8"	30750A
13		SUPPORT BRACKET	1	21546
14		CAPSCREW, 1/4" x 7" NC	1	21635
15		CAPSCREW, 3/8" x 2-1/4" NC	6	27513
16		CAPSCREW, 10mm x 25mm (1.5 PITCH)	1	21630
17		CAPSCREW, 3/8" x 1" NC	2	21988
18		LOCKWASHER, 3/8"	13	21986
19		LOCKWASHER, 1/4"	7	21625
20		HEX NUT, 3/8" NC	12	21525
21		HEX NUT, 1/4" NC	3	21500
22		HEX NUT, 1/4" NF	8	6T3017
23		ROLL PIN	4	22016
24		FLATWASHER, 3/8"	9	21547
25		CAPSCREW, 1/4" x 8" NC	2	21632
26		CAPSCREW, 3/8" x 1-1/2" NC	4	

\* Refer To Lift Control Feedline Assembly For Valve Information

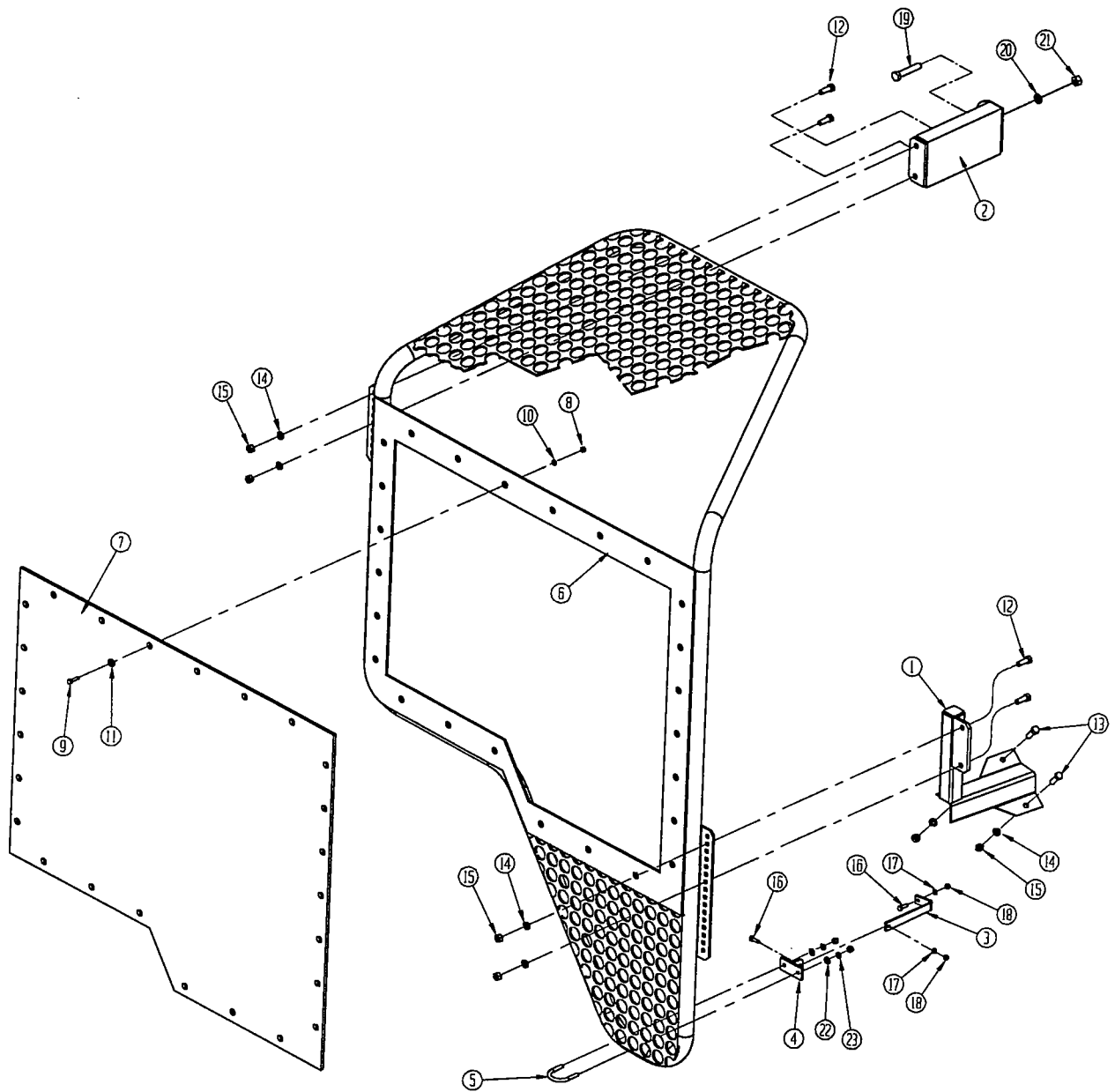


BOOM SAFETY SCREEN, NON-CAB JD6000 SERIES				
Ref. NO.	PARTS DESCRIPTION	NO. REQ.	PART NO.	
1	SAFETY SCREEN ASSY	1	31184	
2	SAFETY SCREEN BRKT. - REAR	1	31121	
3	SAFETY SCREEN BRKT. - FRONT	1	31119	
4	SAFETY SCREEN BRKT. - LOWER	1	31164	
5	CAPSCREW	4	21731	
6	CAPSCREW	1	21730	
7	CAPSCREW	3	21631	
8	LOCKWASHER	5	21990	
9	LOCKWASHER	3	21988	
10	HEX NUT	5	21725	
11	HEX NUT	3	21625	

PB 80828

PB 80828 01-17-96

# BOOM SAFETY SCREEN, NON-CAB



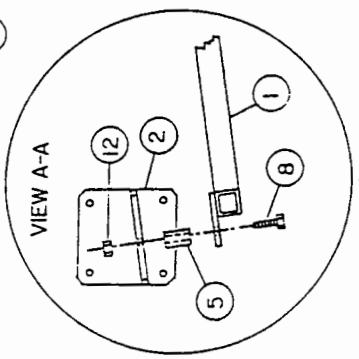
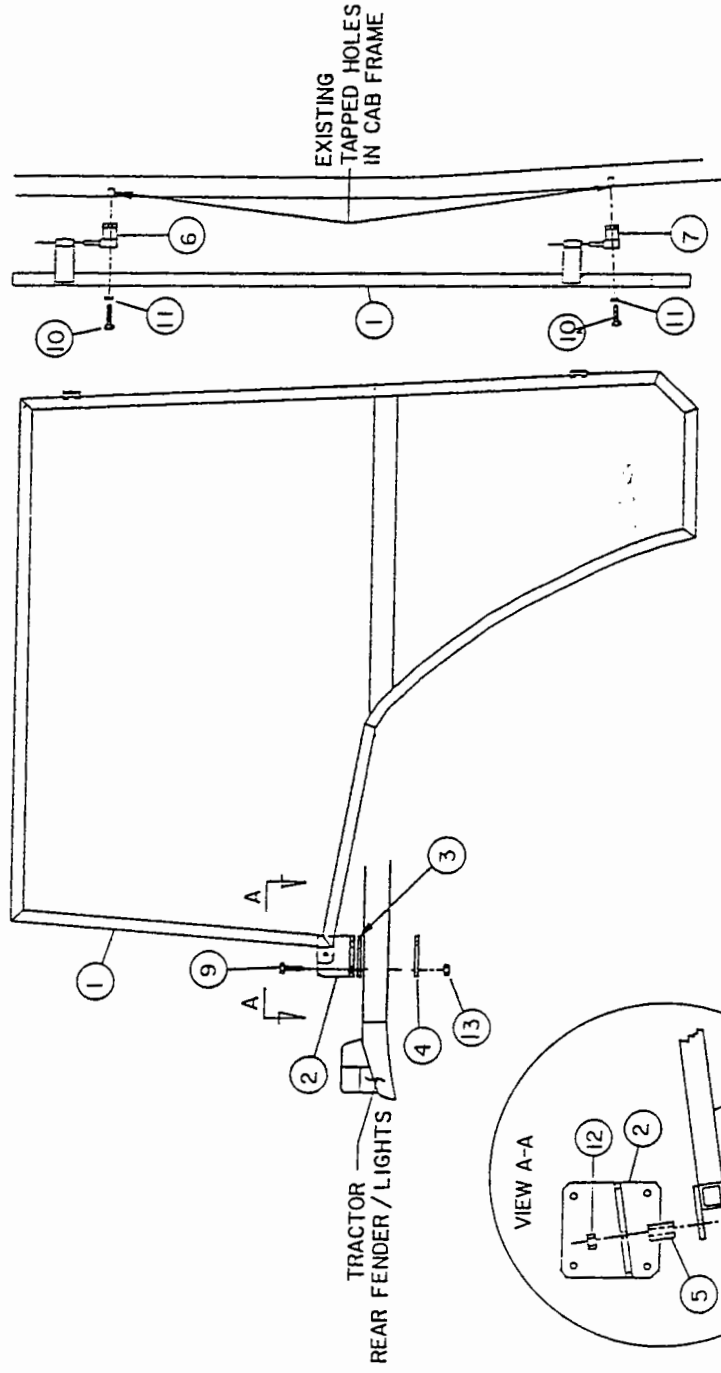
**NON-CAB BOOM SAFETY SCREEN ASSY.  
JOHN DEERE 62-6405 AND 62-6410**

Ref. NO.	PARTS DESCRIPTION	NO. REQ.	PART NO.
1	LOWER SAFETY SCREEN BRKT.	1	32655
2	UPPER SAFETY SCREEN BRKT.	1	32654
3	SAFETY SCREEN SUPPORT BRKT.	1	32543
4	SUPPORT MOUNTING BRKT.	1	27597
5	U-BOLT	1	27602
	<b>SAFETY SCREEN ASSY.</b>	<b>AVAIL.</b>	<b>32646</b>
6	SCREEN	1	32637
7	WINDOW	1	32638
8	HEX NUT	25	21575
9	CAPSCREW	25	21581
10	LOCKWASHER	25	21987
11	FLATWASHER	25	22015
12	CAPSCREW	4	21731
13	CAPSCREW	2	21730
14	LOCKWASHER	6	21990
15	HEX NUT	6	21725
16	CAPSCREW	2	21580
17	LOCKWASHER	2	21987
18	HEX NUT	2	21575
19	CAPSCREW	1	21789
20	LOCKWASHER	1	21992
21	HEX NUT	1	21775
22	FLATWASHER	2	22016
23	LOCKWASHER	2	21988

**POLYCARBONATE WINDOW**

REFER TO OPERATOR'S MANUAL FOR CLEANING INSTRUCTIONS.

FIG. 22A-15



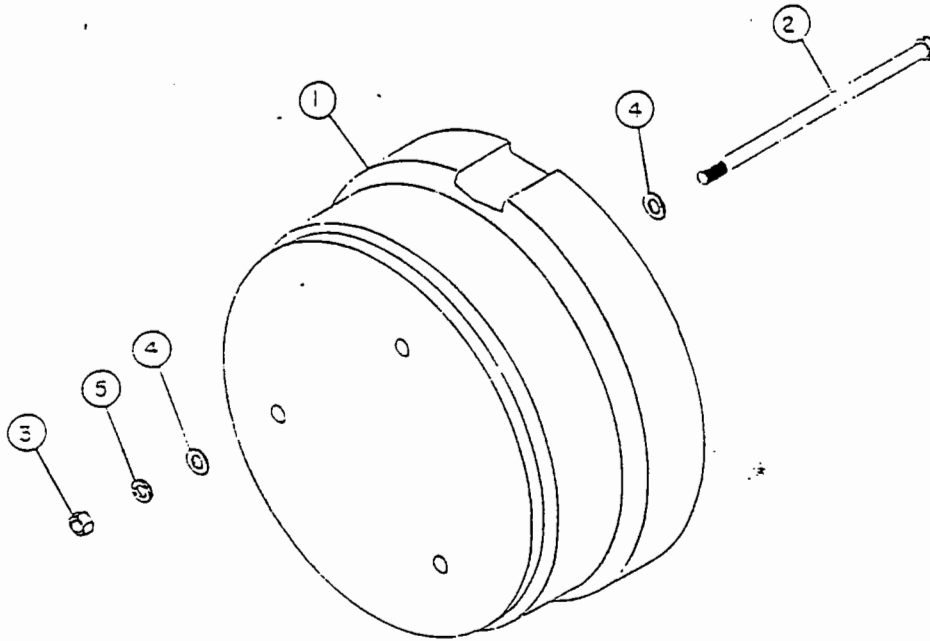


**BOOM SAFETY WINDOW ASSEMBLY  
JOHN DEERE 6200-6410,CAB**

REF. NO.	PARTS DESCRIPTION	NO. REQ.	PART NO.
1	SAFETY WINDOW ASSEMBLY	1	28902
2	MOUNTING BRACKET	1	28904
3	RUBBER PAD	1	30707B
4	MOUNTING PLATE	1	28905
5	SPACER	1	27082B
6	UPPER HINGE	1	28903A
7	LOWER HINGE	1	28907A
8	CAPSCREW, 5/16" x 2-1/4" NC	1	21585
9	CAPSCREW, 1/4" x 1" NC	4	21530
10	CAPSCREW, 8MM x 20MM (1.25 PITCH)	2	27508
11	LOCKWASHER, 8MM	2	6T2619
12	NYLOCK NUT, 5/16" NC	1	21577
13	NYLOCK NUT, 1/4" NC	4	21527
14	DECAL, POLYCARBONATE WINDOW	1	22645

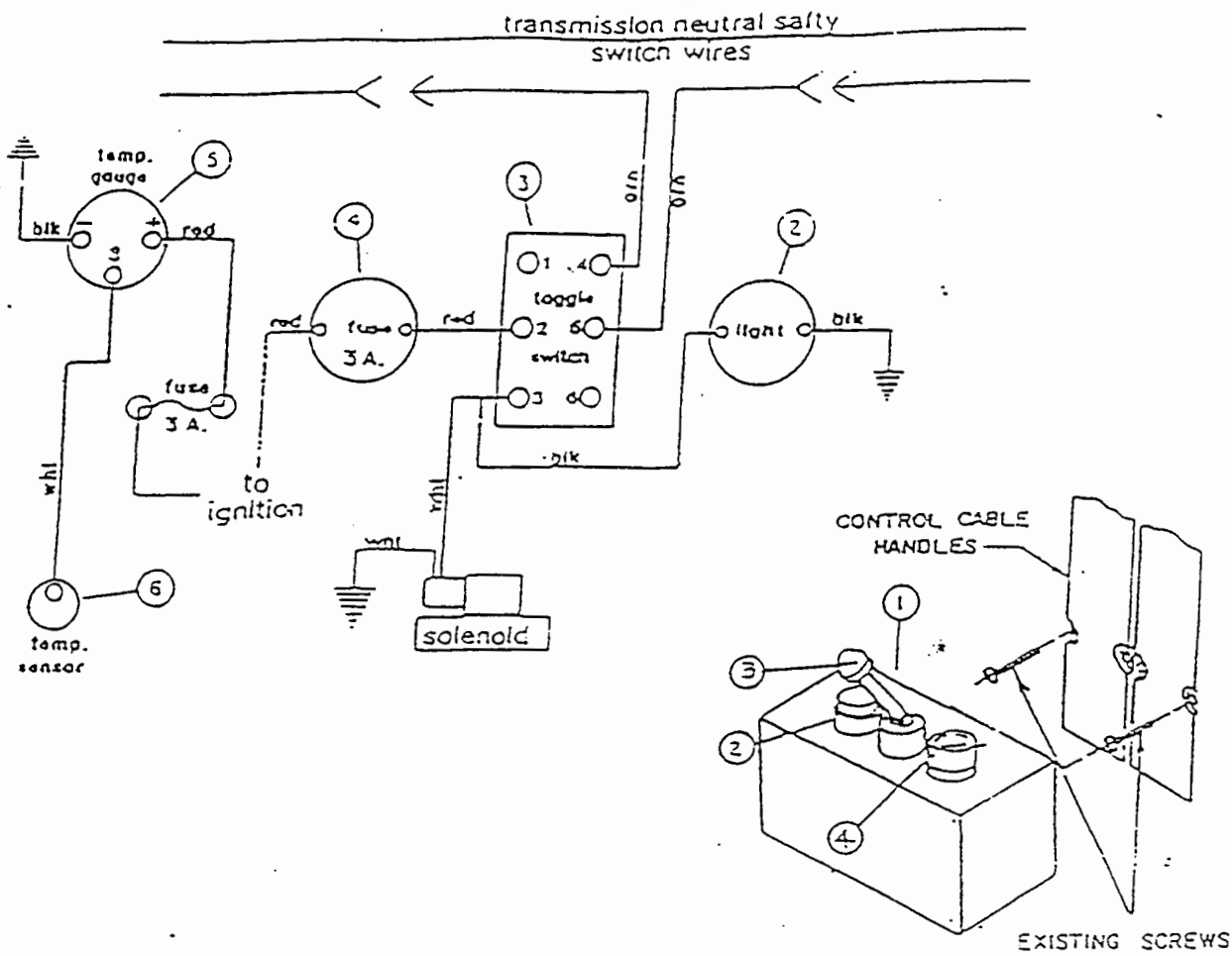
PB 80829

01-17-96



**BOOM MOWER WHEEL WEIGHT ASSEMBLY  
JOHN DEERE 6200-6400**

REF. NO.	PARTS DESCRIPTION	NO. REQ.	PART NO.
1	WHEEL WEIGHT, 3 HOLE, 14-1/2" O.C.	1	TB3228
2	CAPSCREW, 3/4" x 18" NC	3	6T2339
3	HEX NUT, 3/4" NC	3	21825
4	FLATWASHER 3/4"	6	22021
5	LOCKWASHER 3/4"	3	21993



### SOLENOID VALVE SWITCH AND WIRING INSTALLATION

REF. NO.	PARTS DESCRIPTION	NO. REQ.	PART NO.
1	SWITCH MOUNTING BOX	1	6T3925
2	SWITCH "ON" LIGHT	1	6T3923
3	SWITCH HARNESS	1	6T3905
4	FUSE HOLDER	1	6T3924
5	OIL TEMPERATURE GAUGE	OPT.	6T3934
6	SENDING UNIT, TEMPERATURE GAUGE	OPT.	6T3931
*	SWITCH ASSY (INCLUDES 1,2,3,4)	AVAIL.	27387

\* DRAWINGS NOT SHOWN

