

GUARD RAIL MOWER
JOHN DEERE 6200 - 6400, NON-CAB
HIGH PRESSURE

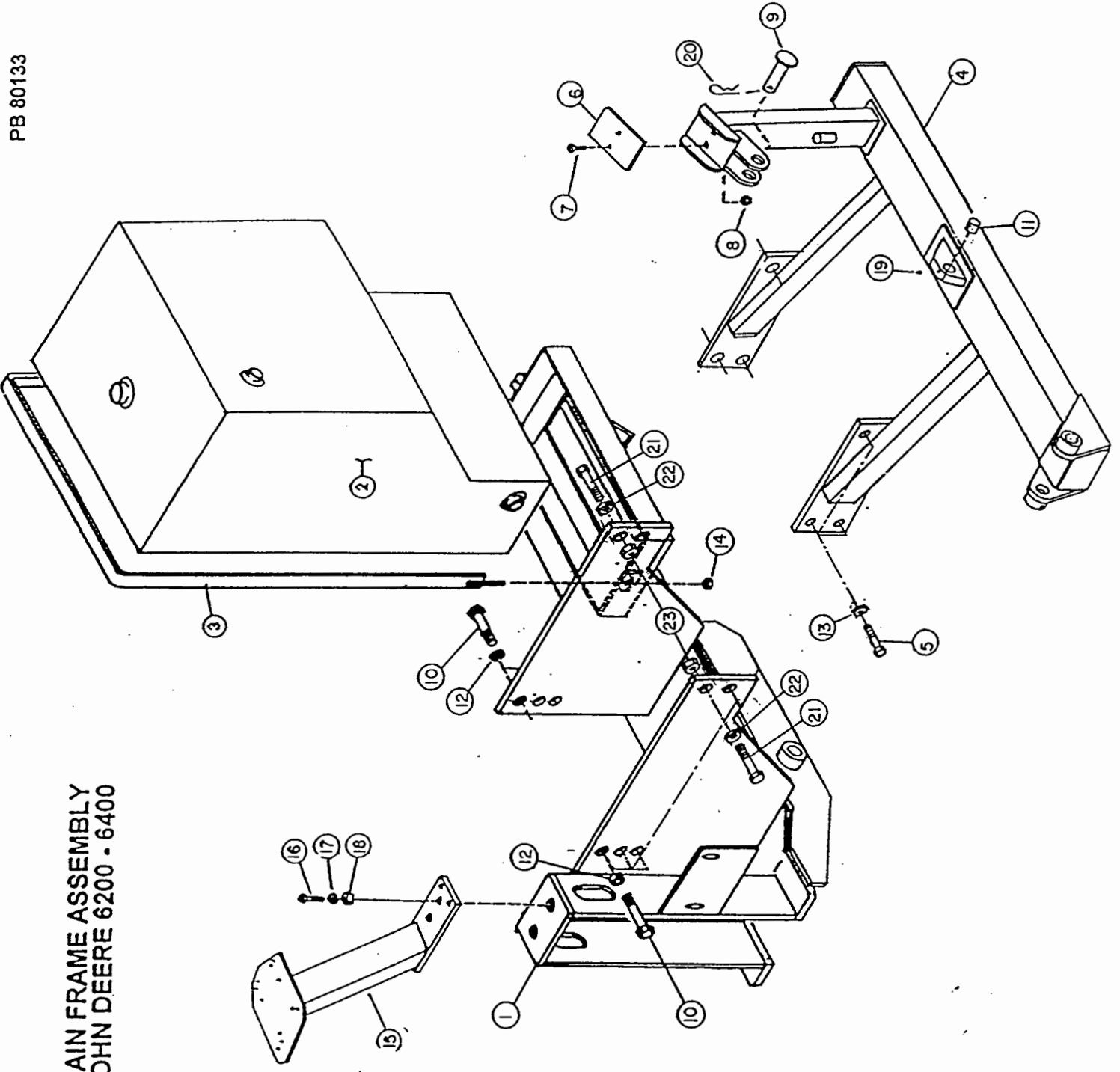
Main Frame	PB80133
Deck Feedline	PB80134
Lift Control Feedline	PB80136
Switch Wiring	PB80629

COMMON ASSEMBLY PB: 27631

Current As Of: 09-01-95

PB: 30693

MAIN FRAME ASSEMBLY
JOHN DEERE 6200 - 6400

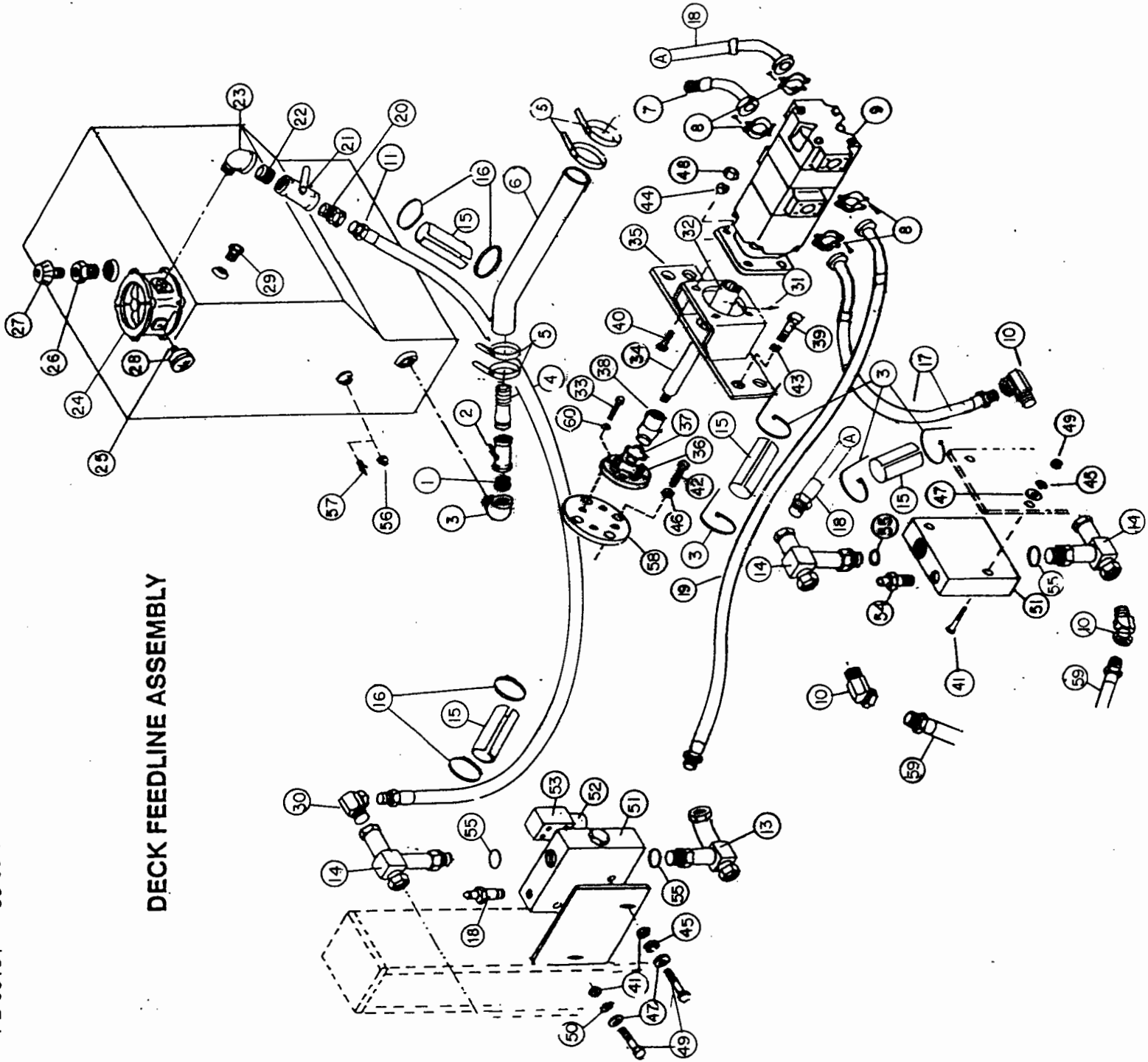


**MAIN FRAME ASSEMBLY
JOHN DEERE 6200 - 6400
NON-CAB**

REF. NO.	PARTS DESCRIPTION	NO. REQ.	PART NO.
1	MAIN FRAME (2WD)	1	30088E
2	RESERVOIR TANK	REF.	*
3	RESERVOIR TANK STRAP (2WD)	1	6T1279B
4	BOOM MOUNTING ARM	1	30673
5	CAPSCREW, 16mm x 65 mm (2.0 PITCH)	6	6T2530
6	BUMPER PAD	1	28170
7	FLATHEAD SCREW, 1/4" x 1"	2	24880
8	NYLOCK NUT, 1/4" NC	2	21527
9	PIN, 1" x 3"	1	28050
10	CAPSCREW 20MM x 50MM (2.5 PITCH)	8	27512
11	BUSHING 1" I.D.	1	TB3010
12	LOCKWASHER, 20MM	8	24881
13	LOCKWASHER, 16MM	6	6T2625
14	NYLOCK NUT, 1/4" NC	2	21627
15	VALVE STAND	1	30080
16	CAPSCREW, 5/8" x 2" NC	2	21783
17	LOCKWASHER, 5/8"	2	21992
18	HEX NUT, 5/8" NC	2	21775
19	GREASE ZERK, 1/4" x STRAIGHT	1	6T3207
20	R-CLIP, 3/16"	1	6T3004
+21	CAPSCREW, 3/4" x 2-1/4" NC	2	21833
+22	LOCKWASHER, 3/4"	2	21993
+23	HEX NUT, 3/4" NC	2	21825

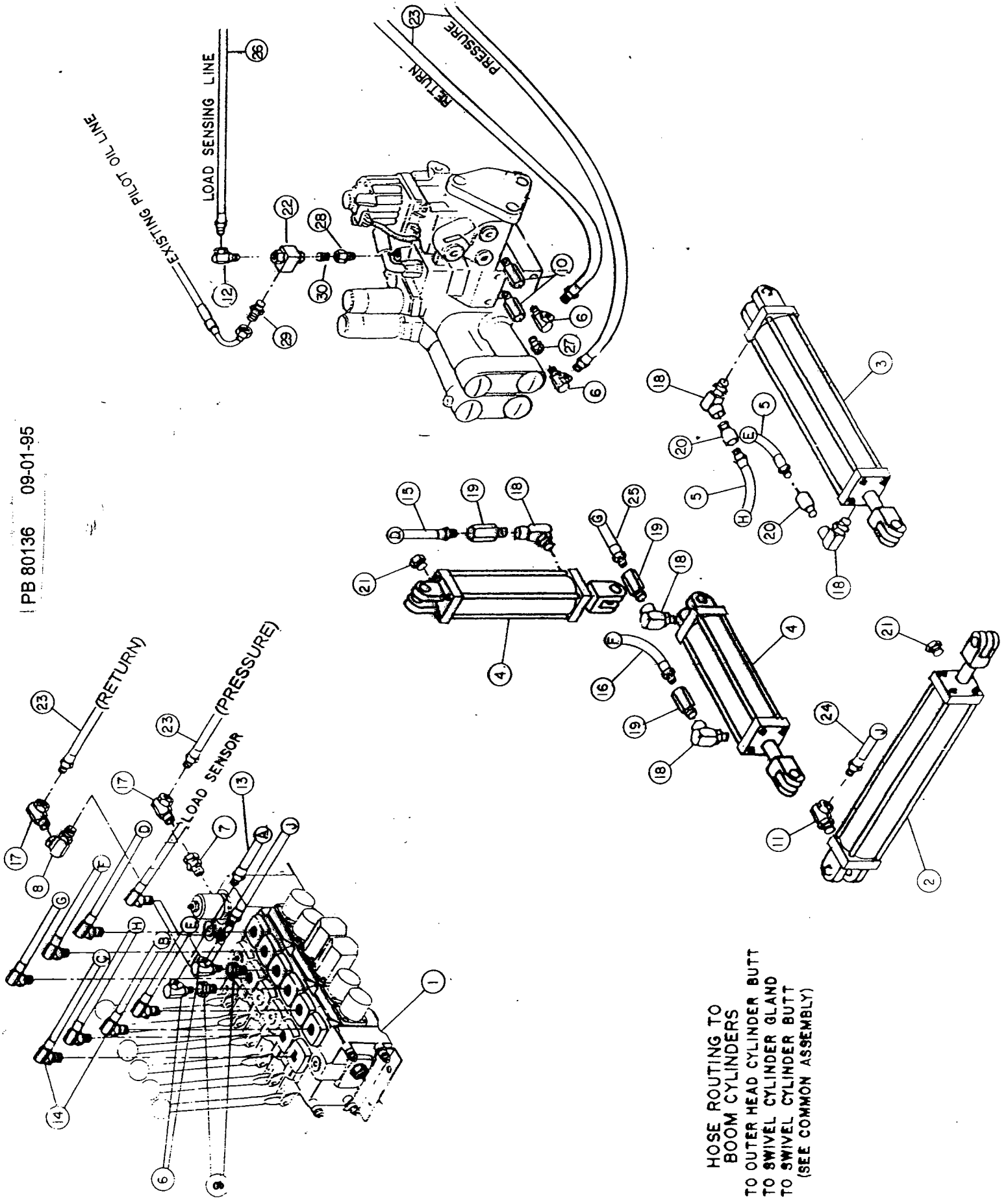
* Refer To Deck Feedline Assembly For Reservoir Tank Information
+ Depending On The Tractor, Items 21, 22 & 23 May Need To Be Replaced By Items 10 & 12

DECK FEEDLINE ASSEMBLY



**GUARD RAIL MOWER
DECK FEEDLINE ASSEMBLY
JD 6200 - 6400, HP**

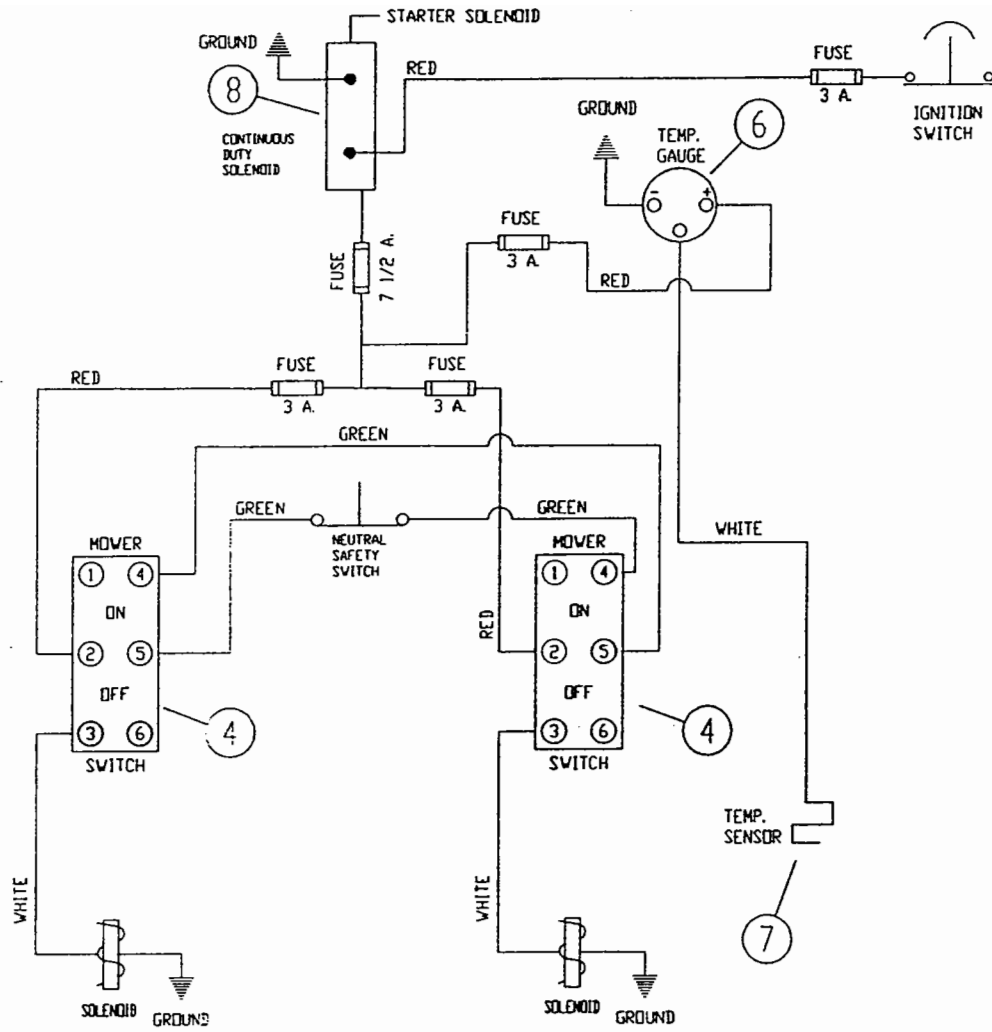
REF. NO.	PARTS DESCRIPTION	NO. REQ.	PART NO.	REF. NO.	PARTS DESCRIPTION	NO. REQ.	PART NO.
1	1-1/2" CLOSE NIP XHD	1	6T3801	33	CAPSCREW, 5/16" x 1" NC	4	21580
2	1-1/2" BALL VALVE	1	6T4238	34	PUMP DRIVE SHAFT (25-7/8")	1	28857A
3	ZIP TIE, 8"	4	6T1822	35	PUMP MOUNTING BRACKET	1	6T0357F
4	KING NIPPLE 1-1/2"	1	6T3800		CRANKSHAFT ADAPTER ASSY	AVAIL	24983A
5	BANDIT CLAMP	4	6T3018	36	YOKE ADAPTER PLATE	1	24984
6	SUCTION HOSE 1-1/2"	56"	22897	37	BEARING U-JOINT KIT	1	24975
7	KING NIPPLE 1-1/2" x 20 FLNG 45°	1	22631	38	YOKE WITH THREAD INSERT	1	24974
8	FLANGE KIT #20	4	TF4852	39	CAPSCREW 20mm x 40mm (2.5 PITCH)	4	24860
9	TANDEM PUMP P350 1-3/4" - 1-1/2"	1	22679	40	CAPSCREW 1/2" x 1-3/4" NC	4	21732
10	SWIVEL 1" MP - 1" FPX 45°	3	TF4869	41	CAPSCREW 3/8" x 3" NC	4	21638
11	HOSE 1" x 83" (MP - MP)	1	TF4807	42	CAPSCREW 14mm X 40mm (2.0 PITCH)	4	6T2514
12	ST. EL. 1-1/2" x 90°	1	6T3612	43	LOCKWASHER 20mm	4	24881
13	TEE, PREFORMED 1" (HP)	1	23158	44	LOCKWASHER 1/2"	4	21990
14	TEE, PREFORMED 1" (HP)	3	24030	45	LOCKWASHER 3/8"	2	21988
15	SPLIT HOSE	4	6T3200	46	LOCKWASHER 14mm	4	6T2624
16	HOSE CLAMPS	4	23568	47	FLAT WASHER 3/8"	4	22016
17	HOSE 1" x 23" (1 MP - 20 FLG 90°)	1	30727	48	HEX NUT 1/2" NC	4	21725
18	HOSE 1" x 29" (MP - 20 FLG 90°) (A)	1	TF4801	49	HEX NUT 3/8" NC	4	21625
19	HOSE 1" x 66" (MP - 20 FLG 45°)	1	23487	50	STAR LOCKWASHER 3/8"	2	6T2665
20	SWIVEL 1-1/4" P - 1" FPX	1	22890		SOLENOID VALVE ASSEMBLY	AVAIL	27360
21	1-1/4" BALL VALVE	1	6T4237	51	SOLENOID BODY	2	27398
22	CLOSE NIP 1-1/4" XHD	1	6T3825	52	SOLENOID CARTRIDGE	2	6T3906
23	ST. EL 1-1/4" x 90° XHD	1	6T3601	53	SOLENOID BLOCK	2	6T3907
24	RESERVOIR TANK ASSEMBLY	AVAIL	28193	54	RELEASE VALVE (3400 PSI)	2	6T3910
25	IN-TANK FILTER ASSEMBLY	1	6T0640	55	O-RING	4	6T3904A
26	RESERVOIR TANK	1	28192	56	PIPE PLUG 1/8"	1	6T4197
27	BUSHING 1/2" x 2"	1	6T4231	57	TEMP SENDING UNIT	OPT.	6T3931
28	RESERVOIR TANK BREATHER	1	6T1200N	58	CRANKSHAFT ADAPTER PLATE	1	28853A
29	PRESSURE GAUGE	1	6T0649	59	HOSE, 1" x 61-1/2" (1" MP - 1" MJ)	2	30696
30	OIL SIGHT GLASS	1	6T1209	60	LOCKWASHER, 5/16"	4	21987
31	SWIVEL, 1" MP x 1" FPX 90°	1	TF4870				
32	SPLINE COUPLING ASSEMBLY	AVAIL	6T0375B				
	GREASE ZERK, 1/4" STRAIGHT	1	6T3207				
	COUPLING	1	6T0376				



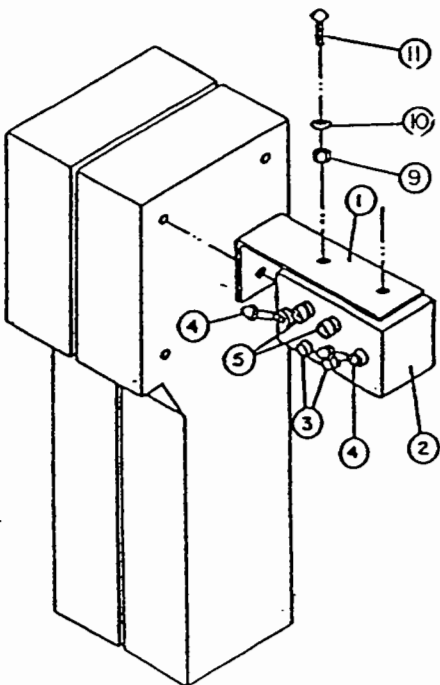
**GUARD RAIL MOWER
LIFT CONTROL FEEDLINE ASSEMBLY
JD 6200 - 6400, NON-CAB, 2WD**

REF. NO.	PARTS DESCRIPTION	NO. REQ.	PART NO.
1	6-SPOOL VALVE	1	30415
2	CYLINDER 3-1/2" x 18" (WITH SPRING)	REF.	27641
3	CYLINDER 3" x 18"	1	6T0150
4	CYLINDER 3" x 10"	2	6T0151R
5	HOSE, 1/4" x 109" (1/4" MP - 1/2" MORB 90°)(E,H)	2	30210
6	SWIVEL, 1/2" MP x 1/2" FPX x 90° (SHORT)	4	27145
7	SWIVEL, 5/8" OR x 1/2" FPX	1	TB1094
8	SWIVEL, 5/8" OR x 1/2" FPX 90°	1	TB1095
9	SWIVEL 1/2" OR x 5/8" FPX	2	6T2701
10	ADAPTER 22mm OR x 1/2" FP	2	30548
11	SWIVEL 1/2" OR x 1/2" FPX 90°	1	6T0158
12	SWIVEL, 1/4" MP x 1/4" FPX 90°	1	6T4216
13	HOSE, 1/2" x 162" (MP - 1/2" MJ) (A)	1	30691
14	HOSE, 1/4" x 162" (5/16" MJ - 1/2" MORB 90°) (B,C)	2	30692
15	HOSE, 1/4" x 48" (1/2" MP - 1/2" MORB 90°)(D)	1	30005

REF. NO.	PARTS DESCRIPTION	NO. REQ.	PART NO.
16	HOSE, 1/4" x 77" (1/2" MP - 1/2" MORB 90°)(F)	1	28860
17	SWIVEL, 1/2" MP X 1/2" FPX 90°	2	TF4879
18	FITTING 1/2" OR x 1/2" FP 90°	5	6T0157
19	RESTRICTOR .0625, 1/2" MP x 1/2" FPX	3	31189
20	RESTRICTOR.063	2	6T4256
21	BREATHER 1/2" O-RING	2	6T4258
22	TEE, SHUTTLE, 1/4" FP x 1/4" FP x 1/4" FP	1	28893
23	HOSE, 1/2" x 108" (MP - MP)(PRESSURE)(RETURN)	2	6T1400
24	HOSE, 1/2" X 100" (MP - MP)(J)	1	6T1419
25	HOSE, 1/4" x 72" (1/2 MP - 1/2" MORB 90°)(G)	1	28859
26	HOSE, 1/4" x 130" (1/4" MPX - 3/8" MORB 90°)(LOAD SENSE)	1	30326
27	SWIVEL, 1/2" MP x 1/2" FPX	1	6T4240
28	UNION, 14mm MOR x 1/4" FP	1	28858
29	UNION, 3/8" FFS x 1/4" MP	1	28864
30	UNION, 1/4" MP x 1/4" MP	1	6T4278



**WIRING SCHEMATIC
GUARD RAIL MOWER / GUARD RAIL CLEANER**



REF. NO.	PARTS DESCRIPTION	NO. REQ.	PART NO.
	SWITCH ASSEMBLY	AVAIL.	27847
1	SWITCH MOUNTING BRACKET (CAB)	1	6T3949
2	SWITCH-MOUNTING BOX	1	6T3926
3	SWITCH "ON" LIGHT	2	6T3923
4	SWITCH HARNESS, FORD	2	6T3905
5	IN-DASH FUSE HOLDER	2	6T3924
6	OIL TEMPERATURE GAUGE	OPT.	6T3934
7	SENDING UNIT, TEMPERATURE GAUGE	OPT.	6T3931
8	CONTINUOUS DUTY SOLENOID	1	6T3927
9	HEX NUT 8/32" NYLOCK	2	6T3952
10	FLAT WASHER NO. 8	2	6T3953
11	MACHINE SCREW 8/32" x 1/2" NC	2	6T3951