

**HEAVY DUTY SIDE FLAIL MOWER  
WITH TRIPLE LIFT  
JOHN DEERE 62 - 6410, CAB, NON-CAB, 4WD**

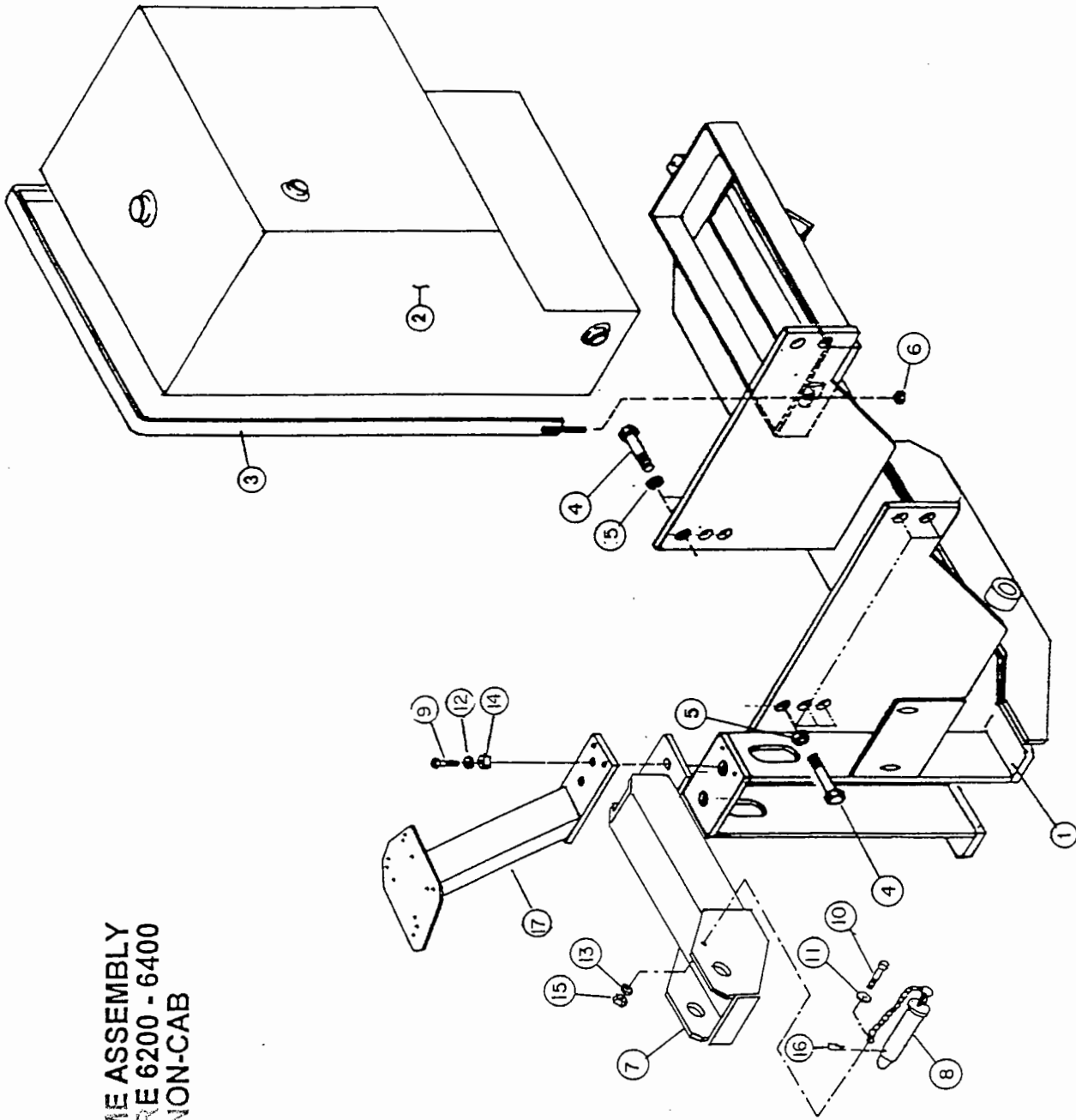
Main Frame .....	PB80480
Deck Feedline .....	PB80475
Lift Control Feedline (Cab) .....	PB80763
Lift Control Feedline (Valve) .....	PB80778
Lift Control Feedline (Remotes) .....	PB80476
Cable Control (Cab) .....	PB80790
Switch Wiring (Remotes) .....	PB80241
Switch Wiring (With Valve) .....	PB80142
Switch Wiring (Cab) .....	PB80033

COMMON ASSEMBLY ..... PB: 30176

Current As Of: 5/4/98

PB: 30177

**MAIN FRAME ASSEMBLY  
JOHN DEERE 6200 - 6400  
CAB, NON-CAB**



09-20-93

PB 80480

**HEAVY DUTY SIDE FLAIL WITH TRIPLE LIFT  
MAIN FRAME ASSEMBLY  
JOHN DEERE 6200 - 6410, CAB, NON-CAB 4WD**

Ref. NO.	PARTS DESCRIPTION	NO. REQ.	PART NO.
1	MAIN FRAME	1	28732F
2	RESERVOIR TANK	REF.	*
3	RESERVOIR TANK STRAP	1	28191B
4	CAPSCREW - 20MM x 50MM (2.5P)	10	27512
5	LOCKWASHER - 20MM	10	24881
6	NYLOCK NUT - 3/8" NC	2	21627
7	TRAVEL LOCK BRACKET	1	30119
8	TRAVEL LOCK PIN W/ CHAIN	1	TF4250
9	CAPSCREW - 5/8" x 2-1/2" NC	2	21785
10	CAPSCREW - 5/16" x 1-1/4" NC	1	21581
11	FLATWASHER - 5/16"	1	22015
12	LOCKWASHER - 5/8"	2	21992
13	LOCKWASHER - 5/16"	1	21987
14	HEX NUT - 5/8" NC	2	21775
15	HEX NUT - 5/16" NC	1	21575
16	R-CLIP	1	6T3004
**17	VALVE STAND	1	30080D
***18	<b>JD-6405 AND 6410</b> LIGHT RELOCATION BRKT. (LEFT)	1	32643
***19	<b>JD-6405 AND 6410</b> LIGHT RELOCATION BRKT. (RIGHT)	1	32644
***20	<b>JD-6405 AND 6410</b> LIGHT RELOCATION BRKT. COVER	2	32645
***21	MACHINE SCREW - #8 x 1/2"	8	6T3951
22	HEX NUT - 20MM	2	31722

\* REFER TO DECK FEEDLINE ASSEMBLY FOR RESERVOIR TANK INFO

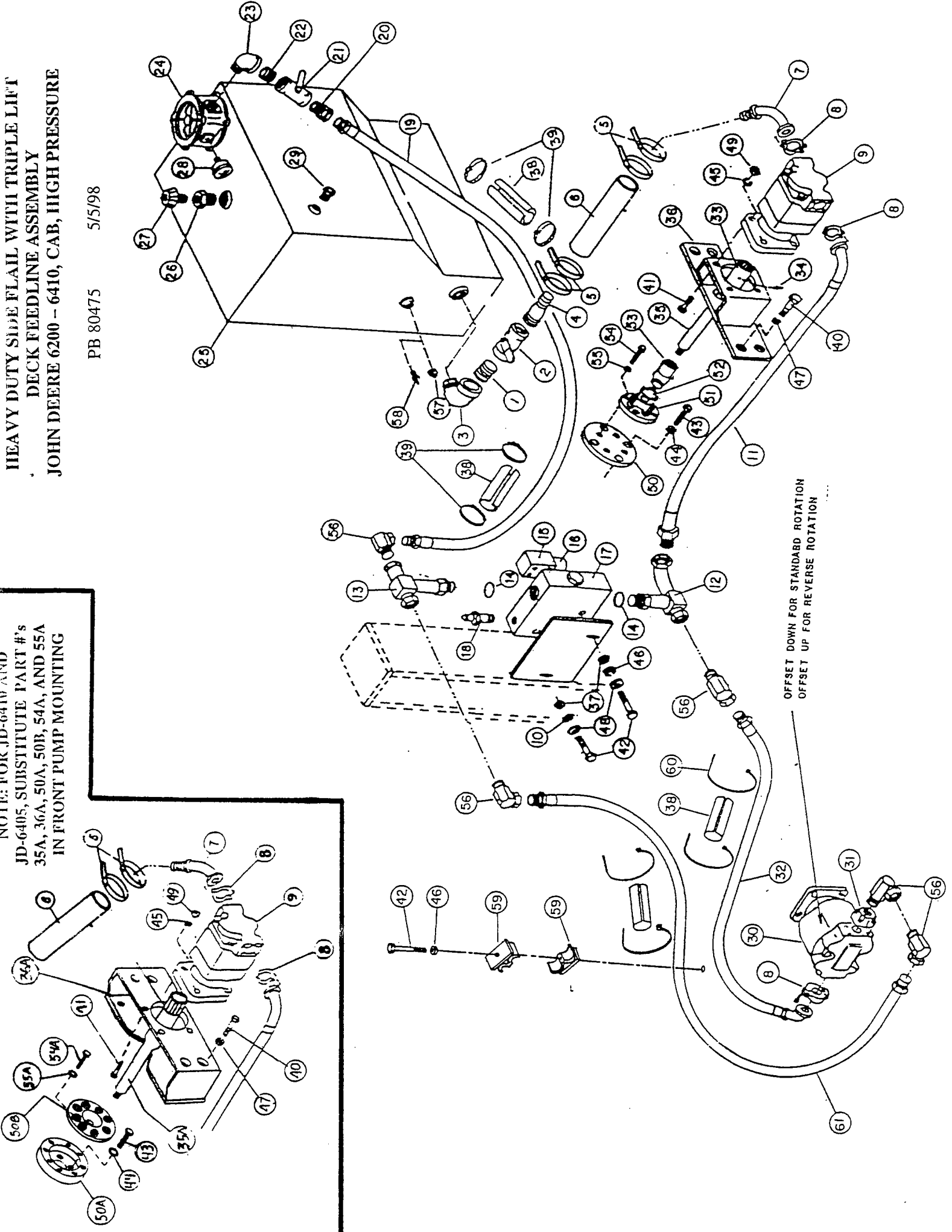
\*\* VALVE STAND USED WITH NON-CAB ONLY

\*\*\* ITEMS 18 THRU 21 ARE NOT PICTURED AND ARE USED WITH  
**JD-6405 AND 6410** CAB UNITS ONLY.

**HEAVY DUTY SIDE FLAIL WITH TRIPLE LIFT  
DECK FEEDLINE ASSEMBLY  
JOHN DEERE 6200 - 6410, CAB, HIGH PRESSURE**

PB 80475 5/5/98

**NOTE: FOR JD-6410 AND  
JD-6405, SUBSTITUTE PART #'s  
35A, 36A, 50A, 50B, 54A, AND 55A  
IN FRONT PUMP MOUNTING**



OFFSET DOWN FOR STANDARD ROTATION  
OFFSET UP FOR REVERSE ROTATION

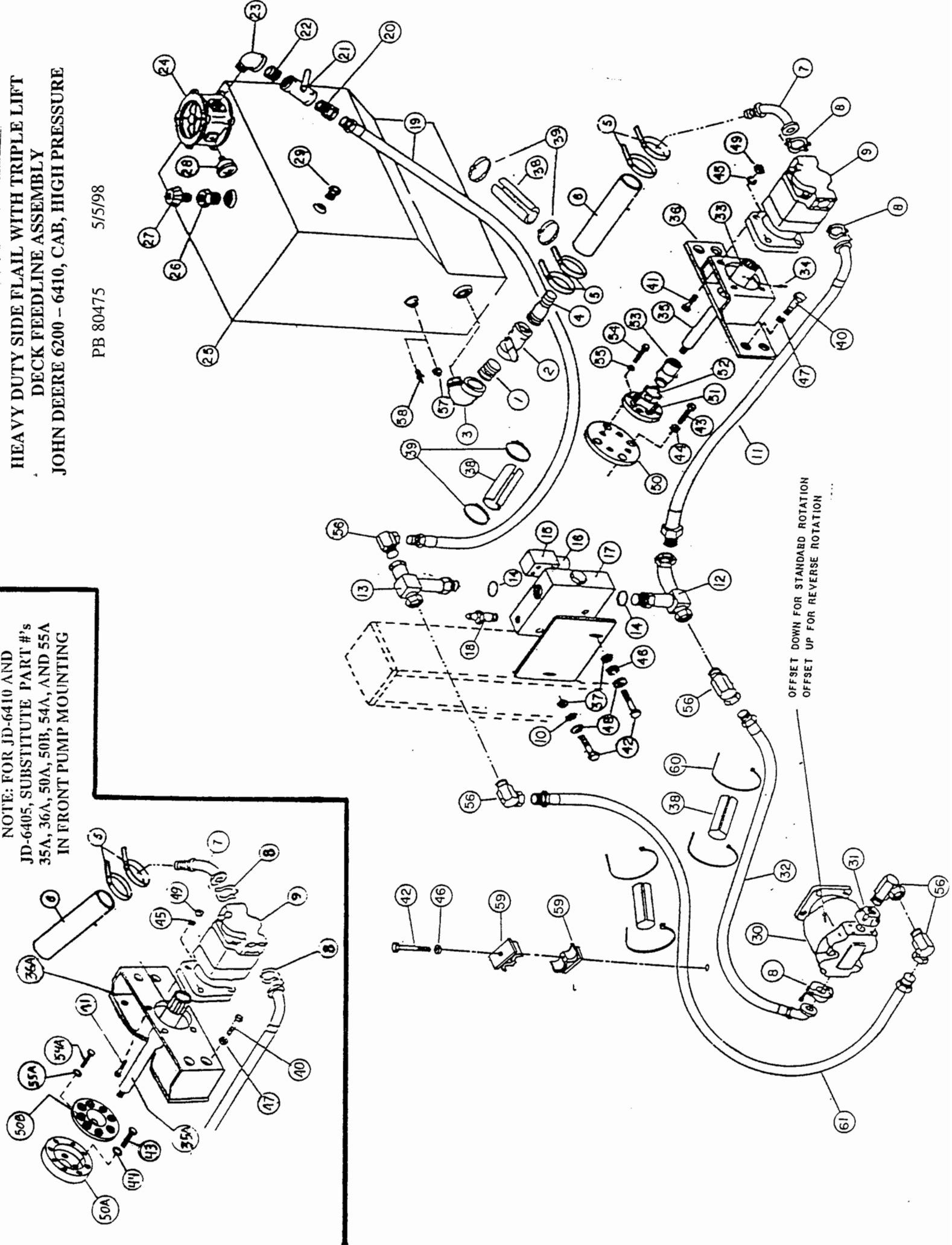
**HEAVY DUTY SIDE FLAIL WITH TRIPLE LIFT  
DECK FEEDLINE ASSEMBLY  
JOHN DEERE 6200 - 6410, CAB, NON-CAB 4WD**

Ref. NO.	PARTS DESCRIPTION	NO. REQ.	PART NO.
1	1-1/2" CLOSE NIP XHD	1	6T3801
2	1-1/2" BALL VALVE	1	6T4238
3	ST. EL - 1-1/2" x 90 DEG.	1	6T3612
4	KING NIPPLE - 1-1/2" x 90 DEG.	1	6T3800
5	BANDIT CLAMP	4	6T3018
6	SUCTION HOSE - 1-1/2"	62"	22897
7	KING NIPPLE #20 FLNG. 45 DEG.	1	22631
8	FLANGE KIT #20	3	TF4852
9	DECK FEEDLINE PUMP (P350 - 1-3/4" GEAR)	1	23152
10	STAR LOCKWASHER - 3/8"	1	6T2665
11	HOSE - 1" x 60" (1" MP x 20 FLNG. 45 DEG)	1	25198
12	PREFORMED TEE HP	1	23158
13	PREFORMED TEE HP	1	24030
14	O-RING	2	6T3904A
	<b>SOLENOID VALVE ASSY.</b>	<b>AVAIL.</b>	<b>27360</b>
15	SOLENOID BLOCK	1	6T3907
16	SOLENOID CARTRIDGE	1	6T3906
17	SOLENOID BODY	1	27398
18	RELIEF VALVE (3400 PSI)	1	6T3910
19	HOSE - 1" x 83" (MP - MP)	1	TF4807
20	SWIVEL - 1-1/4" MP - 1" FPX	1	22890
21	1-1/4" BALL VALVE	1	6T4237
22	CLOSE NIP - 1-1/4" XHD	1	6T3825
23	ST. EL. - 1-1/4" x 90 DEG. XHD	1	6T3601
	<b>RESERVOIR TANK ASSY (4WD)</b>	<b>AVAIL.</b>	<b>28193</b>
24	IN-TANK FILTER ASSEMBLY	1	6T0640
25	RESERVOIR TANK (4WD)	1	28192D
26	BUSHING - 1/2" x 2"	1	6T4231
27	RESERVOIR TANK BREATHER	1	6T1200N
28	PRESSURE GAUGE	1	6T0649
29	TANK SIGHT GLASS	1	6T1209
30	MOTOR (M350 - 1-3/4" GEAR)	1	23174
31	ADAPTER BLOCK - 20 FLNG - 1" NPT	1	TF4850
32	HOSE - 1" x 82" (MP - 20 FLNG. 45 DEG.)	1	30780
33	SPLINE COUPLING	1	6T0375B
34	GREASE ZERK - 1/4" STRAIGHT	1	6T3207
35	PUMP DRIVE SHAFT (25-7/8")	1	28857A
35A	<b>JD-6410 AND 6405 PUMP DRIVE SHAFT ( 28-5/8")</b>	1	32640
36	PUMP MOUNTING BRACKET	1	6T0357F
36A	<b>JD-6410 AND 6405 PUMP MOUNTING BRACKET</b>	1	32642
37	HEX NUT - 3/8"	2	21625
38	SPLIT HOSE	4	6T3200
39	HOSE CLAMP	8	23568
40	CAPSCREW 20MM x 40MM (2.5 PITCH)	4	24860

**HEAVY DUTY SIDE FLAIL WITH TRIPLE LIFT  
DECK FEEDLINE ASSEMBLY  
JOHN DEERE 6200 - 6410, CAB, HIGH PRESSURE**

PB 80475 5/5/98

**NOTE: FOR JD-6410 AND  
JD-6405, SUBSTITUTE PART #'s  
35A, 36A, 50A, 50B, 54A, AND 55A  
IN FRONT PUMP MOUNTING**



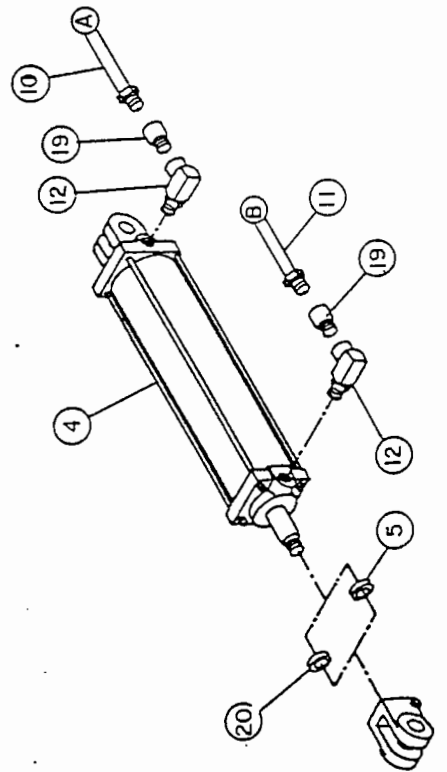
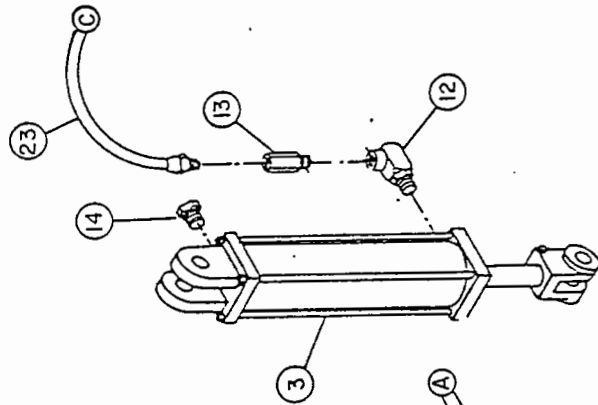
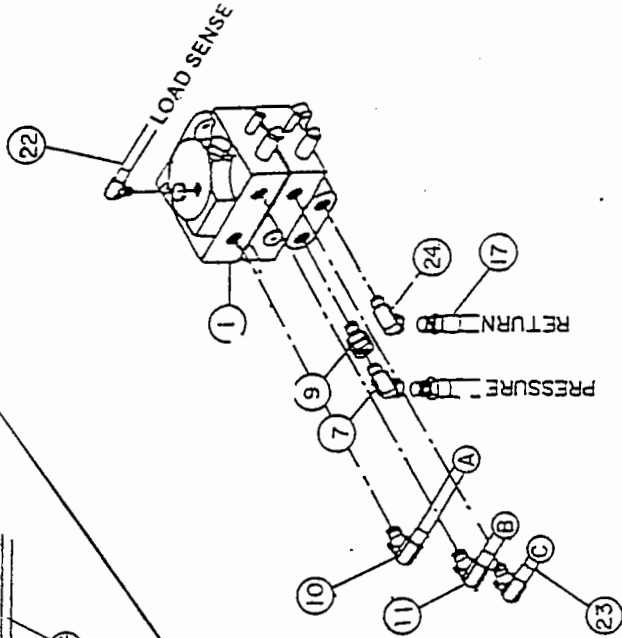
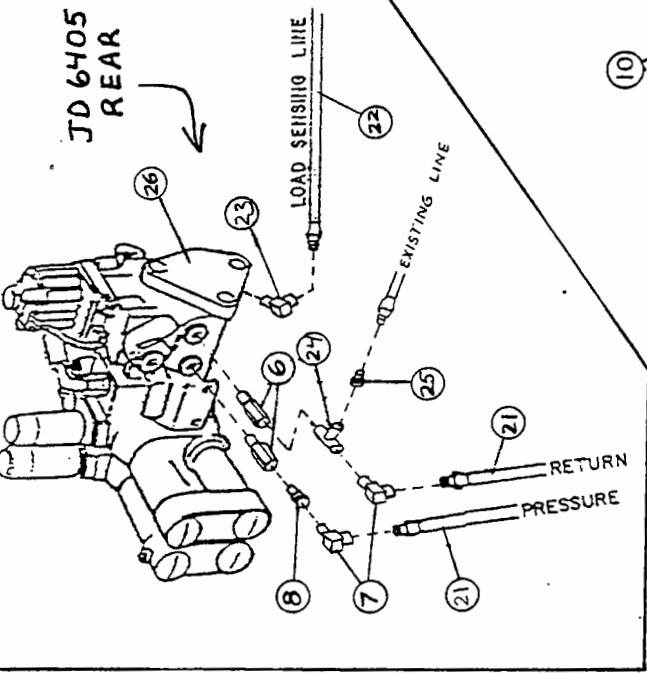
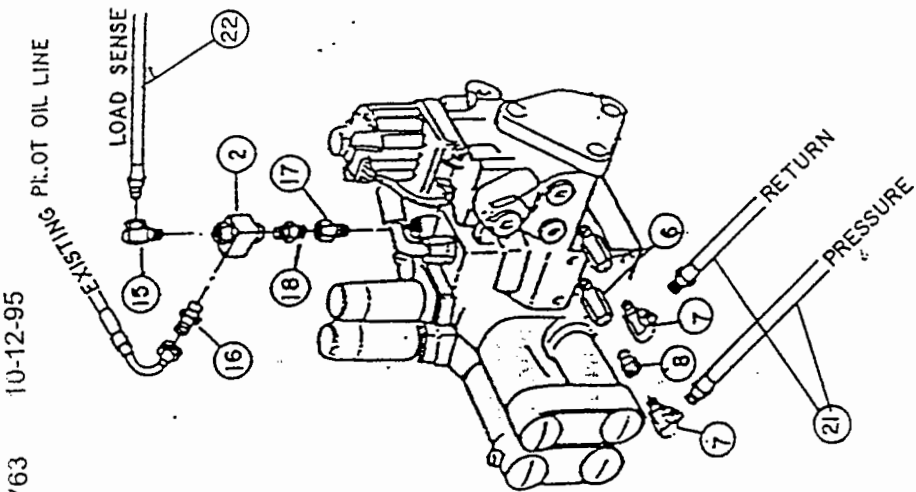
OFFSET DOWN FOR STANDARD ROTATION  
OFFSET UP FOR REVERSE ROTATION

**ROTARY MOWER  
DECK FEEDLINE ASSEMBLY  
JOHN DEERE 6200 - 6410, CAB, HIGH PRESSURE**

Ref. NO.	PARTS DESCRIPTION	NO. REQ.	PART NO.
41	CAPSCREW - 1/2" x 1-3/4" NC	4	21732
42	CAPSCREW - 3/8" x 3" NC	2	21638
43	CAPSCREW	4	6T2501
44	LOCKWASHER	4	32691
45	LOCKWASHER - 1/2"	4	21990
46	LOCKWASHER - 3/8"	1	21988
47	LOCKWASHER - 20MM	4	24881
48	FLAT WASHER - 3/8"	2	22016
49	HEX NUT - 1/2"	4	21725
50	CRANKSHAFT ADAPTER PLATE	1	28853A
50A	<b>JD-6410 AND 6405</b> CRANKSHAFT ADAPTER PLATE	1	32583
50B	<b>JD-6410 AND 6405</b> CRANKSHAFT ADAPTER CRANKSHAFT ADAPTER ASSY.	1	6T0389
		<b>AVAIL.</b>	<b>24983A</b>
***51	YOKE ADAPTER PLATE	1	24984B
***52	BEARING U-JIONT KIT	1	24975
***53	YOKE WITH THREADED INSERT	1	24974
54	CAPSCREW - 5/16" x 1" NC	4	21580
54A	<b>JD-6410 AND 6405</b> CAPSCREW	4	6T2260
55	LOCKWASHER - 5/16"	4	21987
55A	<b>JD-6410 AND 6405</b> LOCKWASHER - 7/16"	4	21989
56	SWIVEL - 1" MP x 1" FPX 90 DEG.	5	TF4870
57	PIPE PLUG - 1/8"	1	6T4197
58	TEMP SENDING UNIT	OPT.	6T3931
59	DOUBLE TUBE CLAMP	2	TB3031
60	ZIP TIE - 14"	4	6T1823
61	HOSE - 1" x 96" (MP - MP)	1	30402
62	EDGE GUARD - FRONT PUMP BRACKET	2'	28053

\*\*\* OMIT FOR JD-6410 AND 6405 UNITS

SHEET 2 of 2

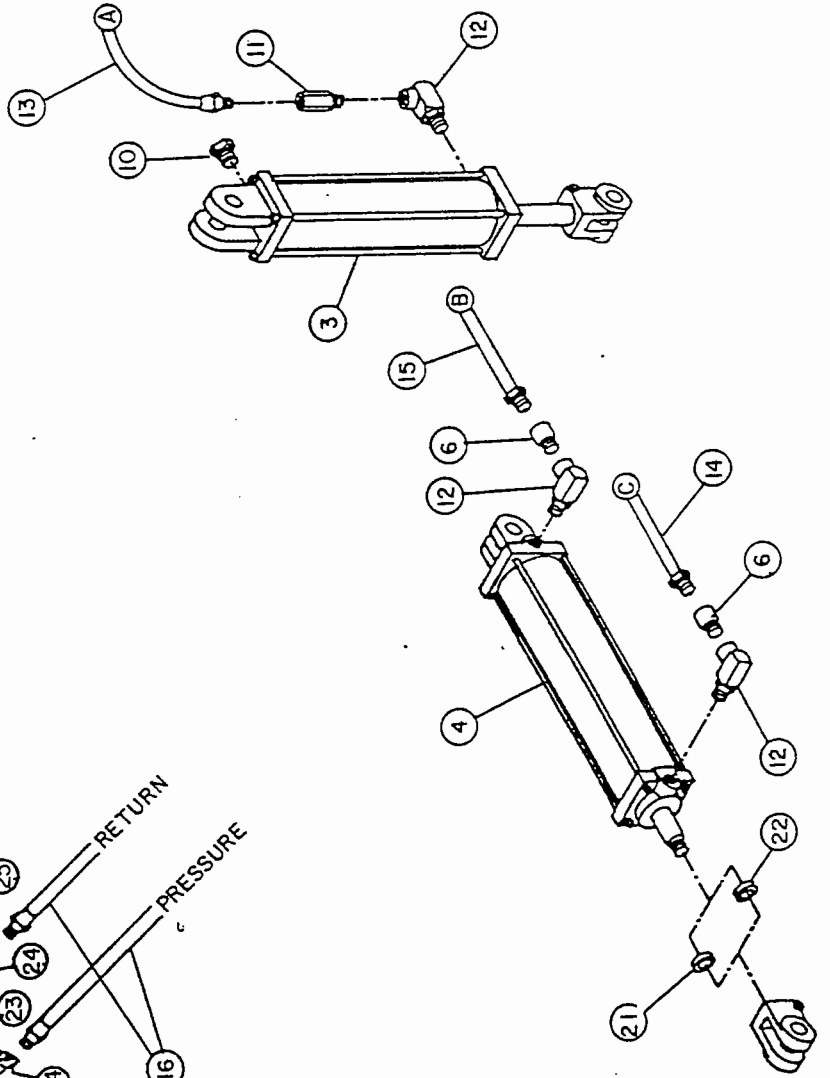
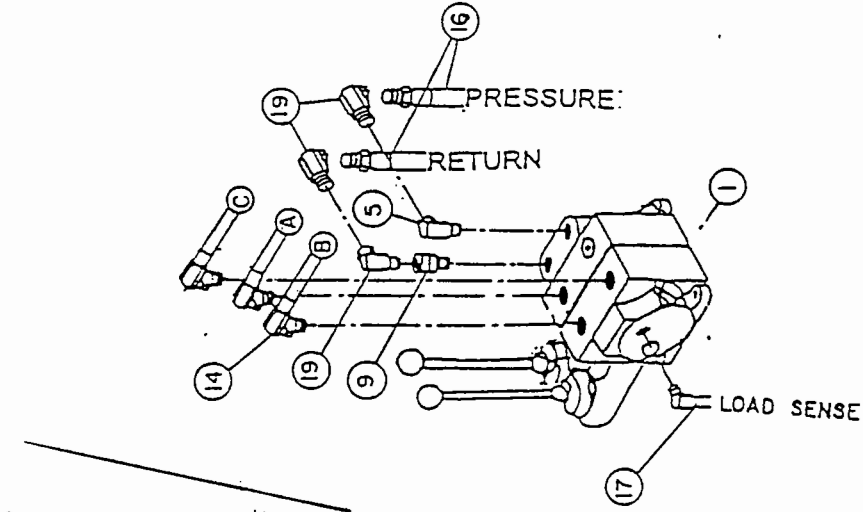
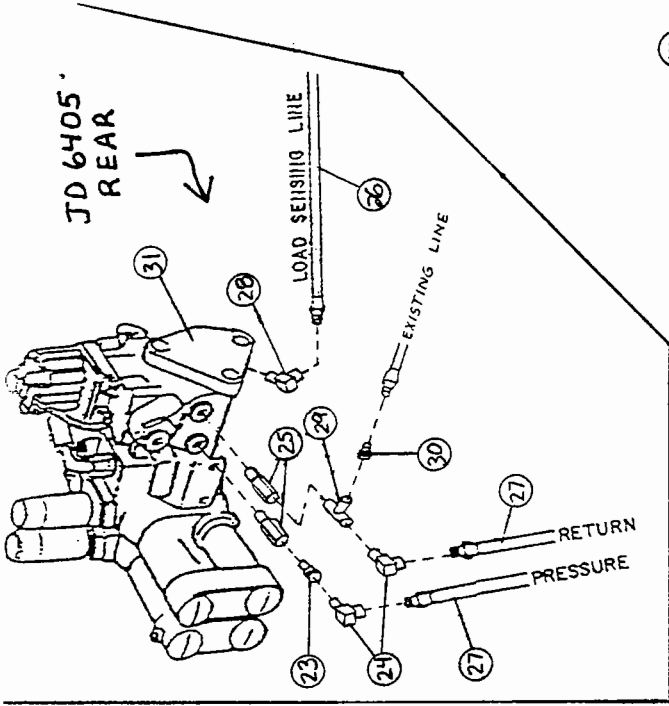




**SIDE MOWER WITH COMBINATION DRAFT BEAM  
LIFT CONTROL FEEDLINE ASSEMBLY  
JOHN DEERE, 6200 - 6410, CAB**

REF. NO.	PARTS DESCRIPTION	NO. REQ.	PART NO.
1	2-SPOOL VALVE	1	31321
2	HOSE, 1/4" x 52" (3/8" MORB 90° x 1/4" FFS 90°)	1	31961
3	INBOARD CYLINDER 3" x 10"	1	6T0151R
4	OUTBOARD CYLINDER 3" x 12"	1	25343
5	SPACER 5/16"	IF REQ'D	22077
6	ADAPTER, 22mm OR x 1/2" FP	2	30548
7	SWIVEL 1/2" MP x 1/2" FPX 90°(SHORT)	3	27145
8	SWIVEL, 1/2" MP x 1/2" FPX	1	6T4240
9	SWIVEL, 5/8" OR x 1/2" FPX	1	TB1094
10	HOSE, 1/4" x 90" (1/4" MP - 1/2" MORB 90°)	1	28988
11	HOSE, 1/4" x 109" (1/4" MP - 1/2" MORB 90°)	1	30210
12	FITTING 1/2" ADJ. O-RING x 1/2" FP 90° EL.	3	6T0157
13	RESTRICTOR 1/2" .0625, 1/2" MP x 1/2" FPX	1	31189
14	BREATHER 1/2" O-RING	1	6T4258
15	RESTRICTOR, 1/16" ORIFICE (NPT)	2	6T4256
16	SPACER 1/4"	IF REQ'D	22076
17	HOSE, 1/2" x 50" (MP - MP) (PRESSURE) (RETURN)	2	6T1412
18	HOSE, 1/4" x 52" (3/8" MORB 90° x 1/4" FFS STRT) (L.S.)	1	31962
19	HOSE, 1/4" x 90" (1/2" MP - 1/2" MORB 90°)	1	28934
20	SWIVEL, 5/8" OR x 1/2" FPX 90°	1	TB1095
21	HOSE	2	31016
22	HOSE	1	32650
23	ELBOW	1	31739
24	TEE	1	32651
25	HOSE END	1	32195
26	LOAD SENSE COVER	1	AL112432

PB 80763 10-7-97



**SIDE MOWER WITH COMBINATION DRAFT BEAM  
LIFT CONTROL FEEDLINE ASSEMBLY  
JD 6010 SERIES, NON-CAB**

REF. NO.	PARTS DESCRIPTION	NO. REQ.	PART NO.
1	VALVE, 2-SPOOL	1	31321
2	SHUTTLE TEE, 1/4" FP x 1/4" FP x 1/4" FP	1	28893
3	INBOARD CYLINDER, 3" x 10"	1	6T0151R
4	OUTBOARD CYLINDER, 3" x 12"	1	25343
5	SWIVEL, 5/8" OR x 1/2" FPX 90°	1	TB1095
6	RESTRICTOR, 1/16" ORIFICE (NPT)	2	6T4256
7	UNION, 14MM OR x 1/4" FP	1	28858
8	UNION, 1/4" MP x 1/4" MP	1	6T4278
9	SWIVEL, 5/8" OR x 1/2" FPX	1	TB1094
10	BREATHER, 1/2" O-RING	1	6T4258
11	RESTRICTOR, .0625, 1/2" MP x 1/2" FPX	1	31189
12	FITTING, 1/2" OR x 1/2" FP 90°	3	6T0157
13	HOSE, 1/4" x 70" (1/2" MP - 1/2" MORB 90°) (A)	1	28936
14	HOSE, 1/4" x 102" (1/4" MP - 1/2" MORB 90°) (C)	1	30259
15	HOSE, 1/4" x 90" (1/4" MP - 1/2" MORB 90°) (B)	1	28988
16	HOSE, 1/2" x 108" (MP - MP) (PRES, RET.)	2	6T1400
17	HOSE, 1/4" x 116" (1/4" MP - 3/8" MORB 90°)	1	30078
18	UNION, 3/8" FFS x 1/4" MP	1	28864
19	SWIVEL, 1/2" MP x 1/2" FP x 90°	3	TF4879
20	SWIVEL, 1/4" MP x 1/4" FPX 90°	1	6T4216
21	SPACER, 1/4"	IF REQ'D	22076
22	SPACER, 5/16"	IF REQ'D	22077
23	SWIVEL, 1/2" MP x 1/2" FPX	1	6T4240
24	SWIVEL, 1/2" MP x 1/2" FPX 90° (SHORT)	2	27145
25	ADAPTER, 22mm OR x 1/2" FP	2	30548
26	HOSE - JD6405	1	32650
27	HOSE - JD6405	2	31016
28	ELBOW	1	31739
29	TEE	1	32651
30	HOSE END	1	32195
31	LOAD SENSE COVER	1	AL112432

PB 80778 10/12/95



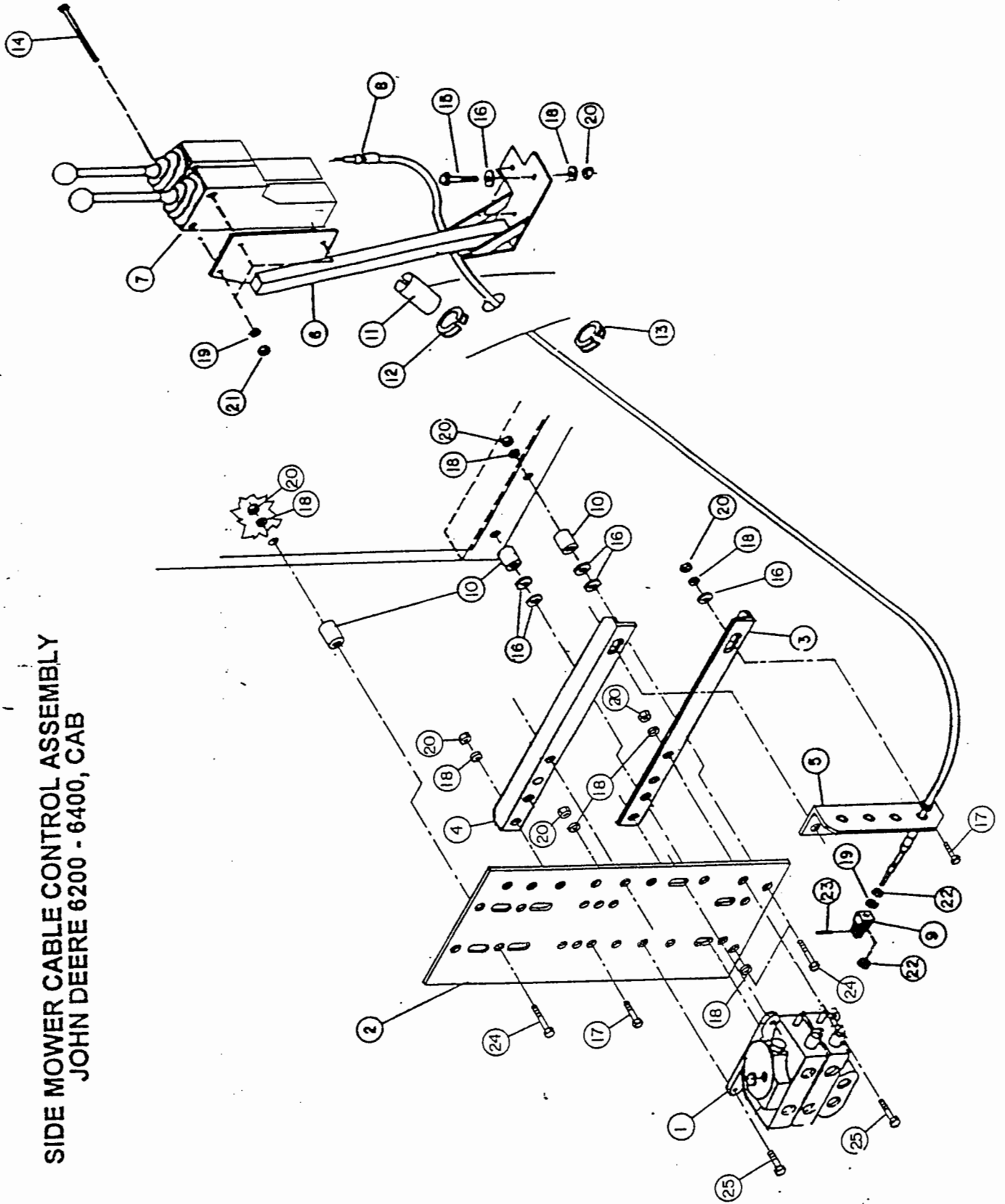
**HEAVY DUTY SIDE MOWER  
JD 6200 - 6410  
LIFT CONTROL FEEDLINE**

REF. NO.	PARTS DESCRIPTION	NO. REQ.	PART NO.
1	CYLINDER, 3" x 12"	1	25343
2	CYLINDER, 3" x 10"	1	6T0151R
3	SPACER	IF REQ'D	22076
4	SPACER	IF REQ'D	22077
5	HOSE, 1/4" x 108" (1/2" MP - 1/2" MP)	1	30107
6	HOSE, 1/4" x 120" (1/4" MP - 1/2" MP)	1	THS1151
7	HOSE, 1/4" x 108" (1/4" MP - 1/2" MP)	1	THS1150
8	RESTRICTOR, .0625, 1/2" MP x 1/2" FFX	1	31189
9	RESTRICTOR, 1/16" ORIFICE NPT	2	6T4256
10	FITTING 1/2" OR x 1/2" FP 90° EL	2	6T0157
11	QUICK COUPLER, 1/2" MALE	3	6T4221
12	SWIVEL, 1/2" MP x 1/2" FFX 90°	3	TF4879
13	BREATHER, 1/2" O-RING	1	6T4258
14	ADAPTER, 1/2" OR x 1/2" FP	1	6T4224
15	NIPPLE, 1/2" x 2"	1	25011
16	ELBOW, 1/2" X 90°	1	6T3412

PB 80476

08-04-95

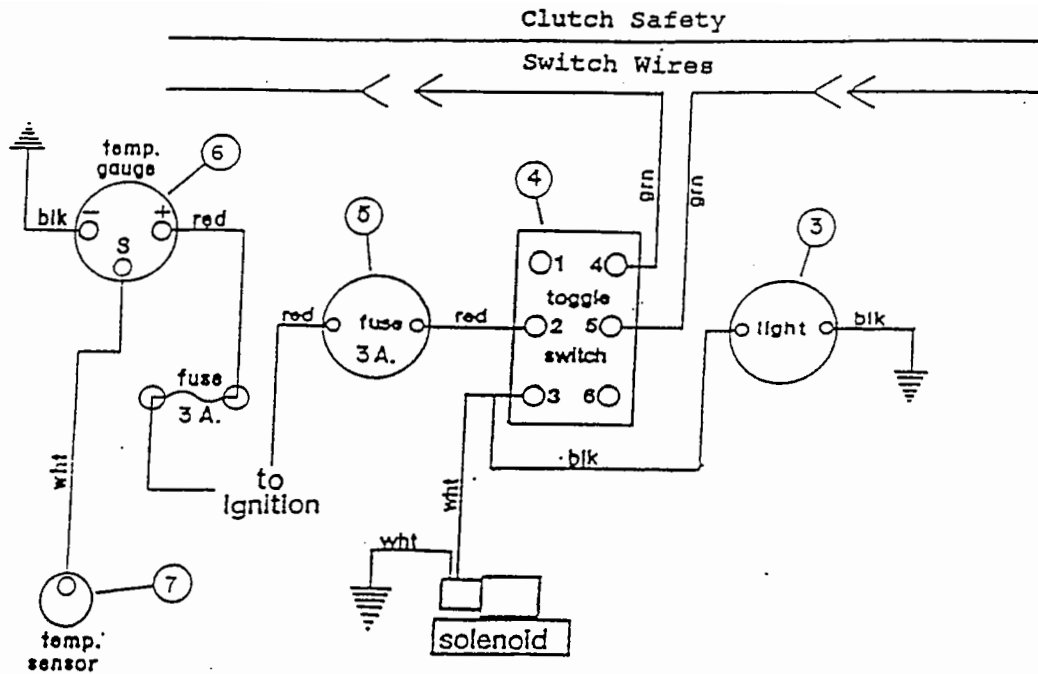
**SIDE MOWER CABLE CONTROL ASSEMBLY  
JOHN DEERE 6200 - 6400, CAB**



**SIDE MOWER CABLE CONTROL ASSEMBLY  
JOHN DEERE 6200 -6410, CAB**

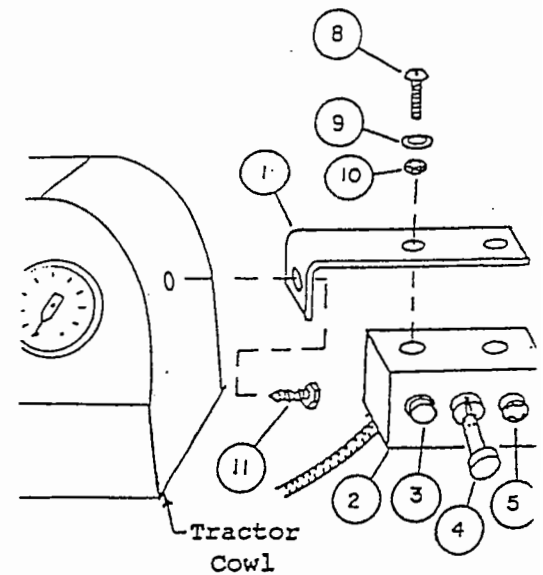
REF. NO.	PARTS DESCRIPTION	NO. REQ.	PART NO.
1	VALVE, 2-SPOOL	REF.	*
2	MOUNTING PLATE	1	28856C
3	VALVE PLATE MOUNTING ANGLE, LF	1	22148-1D
4	VALVE PLATE MOUNTING ANGLE, RT	1	22148-2D
5	CABLE MOUNTING ANGLE	1	6T4325
6	CABLE CONTROL MOUNTING BRACKET	1	23865B
7	CABLE CONTROL BOX, 180°	2	6T1251
8	CONTROL CABLES, 72" W/HARDWARE	2	6T4415
9	CABLE CONTROL CLEVIS	2	6T4411
10	SPACER 1" OD x 7/16" ID x 1-3/16"	3	27082B
11	SPLIT HOSE, 6"	1	6T3200
12	TRIM LOCK	8"	TB3440
13	TRIM LOCK	8"	28053
14	CAPSCREW, 1/4" x 4" NC	3	21542
15	CAPSCREW, 3/8" x 2-1/4" NC	3	21635
16	FLAT WASHER, 3/8"	9	22016
17	CAPSCREW, 3/8" x 1" NC	4	21630
18	LOCKWASHER, 3/8"	14	21988
19	LOCKWASHER, 1/4"	5	21986
20	HEX NUT, 3/8" NC	13	21625
21	HEX NUT, 1/4" NC	3	21525
22	HEX NUT, 1/4" NF	4	21500
23	ROLL PIN	2	6T3017
24	CAPSCREW, 3/8" x 2-1/2" NC	3	21636
25	CAPSCREW, 3/8" X 1-1/2" NC	4	21632

\* Refer To Lift Control Feedline Assembly For Valve Information

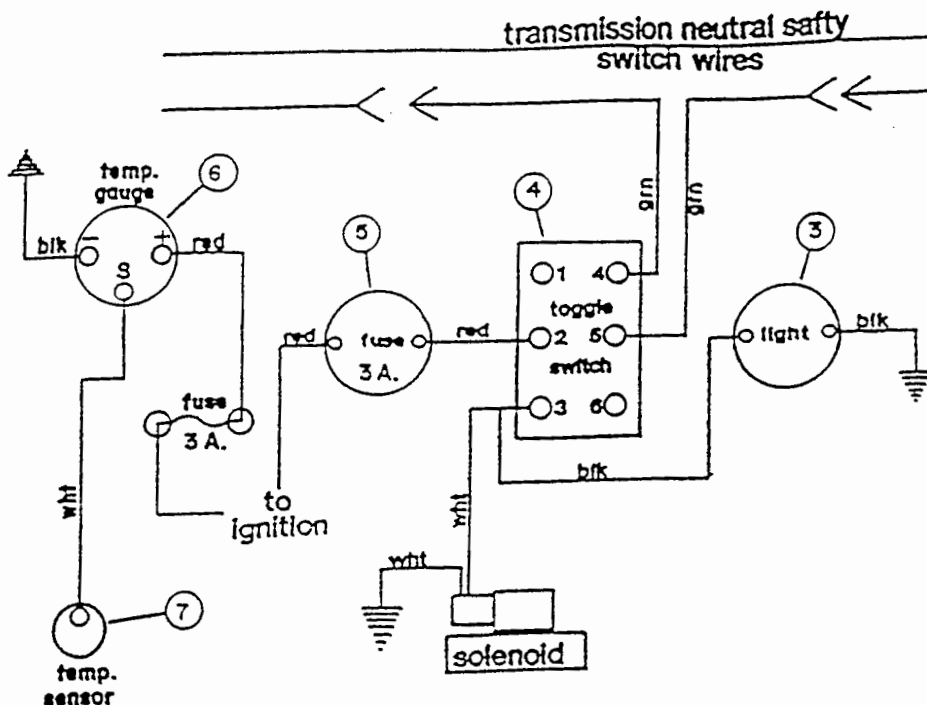


## SOLENOID VALVE SWITCH AND WIRING INSTALLATION

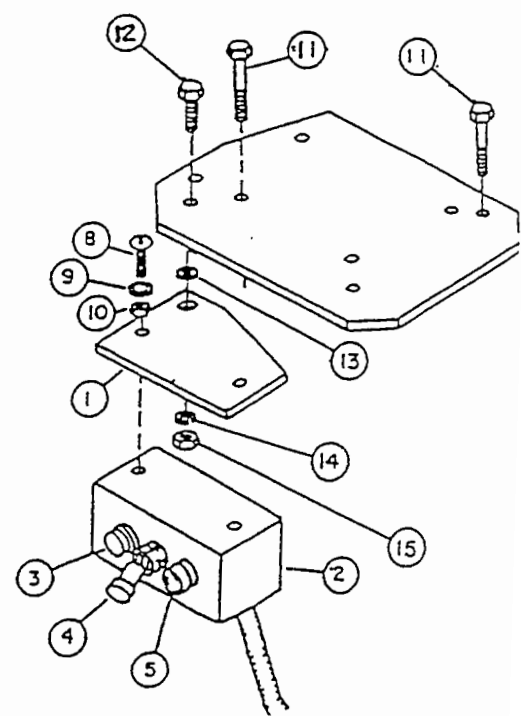
REF. NO.	PARTS DESCRIPTION	NO. REQ.	PART NO.
1	SWITCH MOUNTING BRACKET	1	6T3949A
2	SWITCH MOUNTING BOX	1	31301
3	SWITCH "ON" LIGHT	1	6T3923
4	SWITCH HARNESS	1	6T3905
5	FUSE HOLDER	1	6T3924
6	OIL TEMPERATURE GAUGE	OPT.	6T3934
7	TEMPERATURE SENSOR	OPT.	6T3931
8	MACHINE SCREW 8/32" x 1/2" NC	2	6T3951
9	FLAT WASHER NO. 8	2	6T3953
10	HEX NUT 8/32" NYLOCK	2	6T3952
11	LAG BOLT 5/16" x 1"	1	22086
	SWITCH ASSEMBLY (INCLUDES 1,2,3,4,5,8,9,10) REF.		27401





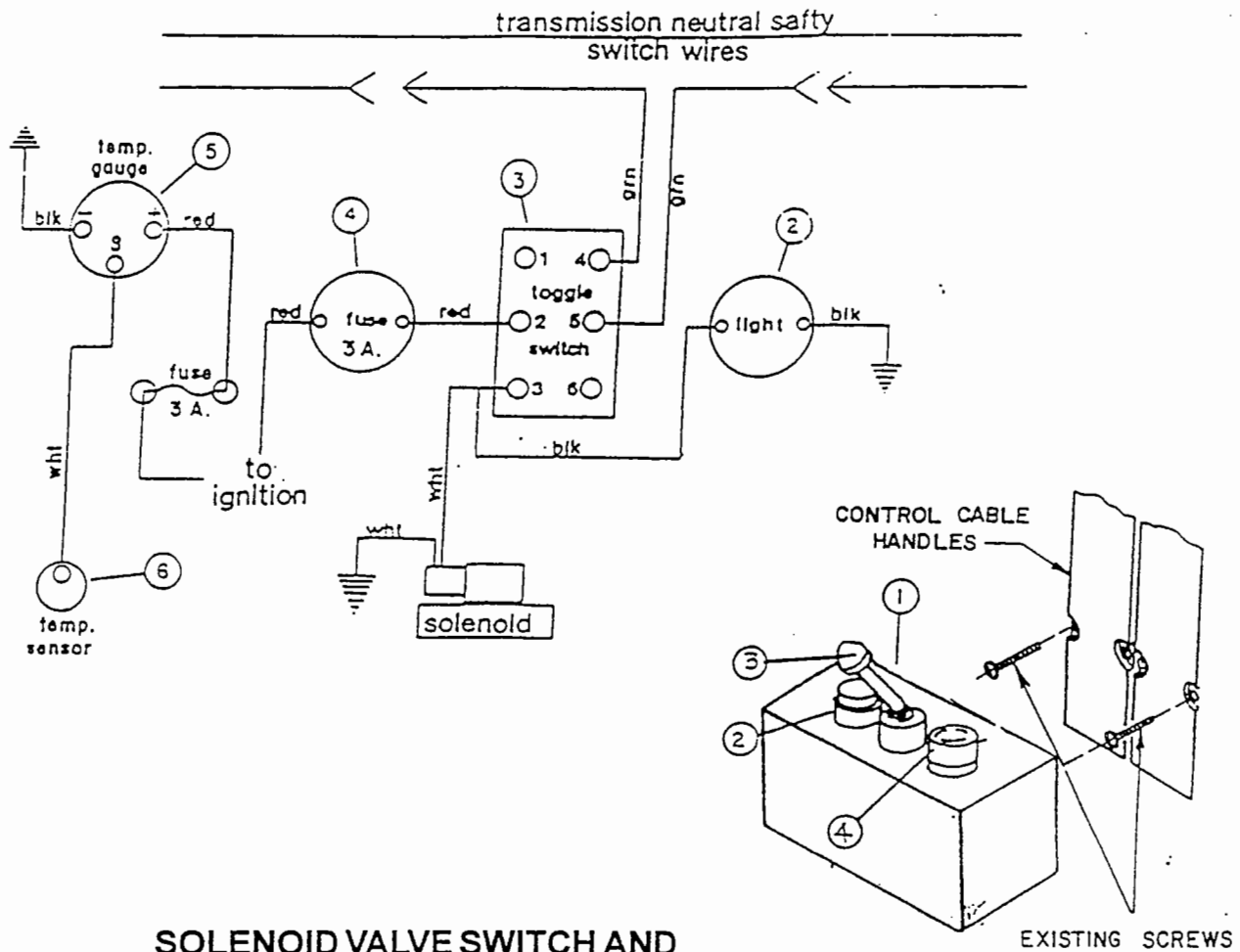


### SOLENOID VALVE SWITCH AND WIRING INSTALLATION



REF. NO.	PARTS DESCRIPTION	NO. REQ.	PART NO.
1	SWITCH MOUNTING BRACKET	1	6T3950
2	SWITCH MOUNTING BOX	1	6T3925
3	SWITCH *ON* LIGHT	1	6T3923
4	SWITCH HARNESS	1	6T3905
5	FUSE HOLDER	1	6T3924
6	OIL TEMPERATURE GAUGE	OPT.	6T3934
7	TEMPERATURE SENSOR	OPT.	6T3931
8	MACHINE SCREW 8/32" x 1/2" NC	2	6T3951
9	FLAT WASHER NO. 8	2	6T3953
10	HEX NUT 8/32" NYLOCK	2	6T3952
11	CAPSCREW 3/8" x 2-1/2" NC	3	21636
+11a	CAPSCREW 3/8" x 1-1/4" NC	4	21631
12	CAPSCREW 3/8" x 1" NC	1	21630
13	FLAT WASHER 3/8"	2	22016
14	LOCKWASHER 3/8"	4	21988
15	HEX NUT 3/8" NC	4	21625
16	SWITCH ASSY. (INCLUDES 1,2,3,4,5,8,9,10)	AVAIL	6T3905N

+ Use With Sectional Valves Only



### SOLENOID VALVE SWITCH AND WIRING INSTALLATION

REF. NO.	PARTS DESCRIPTION	NO. REQ.	PART NO.
	SWITCH ASSY	AVAIL	31302
1	SWITCH MOUNTING BOX	1	6T3925
2	SWITCH "ON" LIGHT	1	6T3923
3	SWITCH HARNESS	1	6T3905
4	FUSE HOLDER	1	6T3924
5	OIL TEMPERATURE GAUGE	OPT.	6T3934
6	SENDING UNIT, TEMPERATURE GAUGE	OPT.	6T3931

# NOTES

---

# NOTES

---