

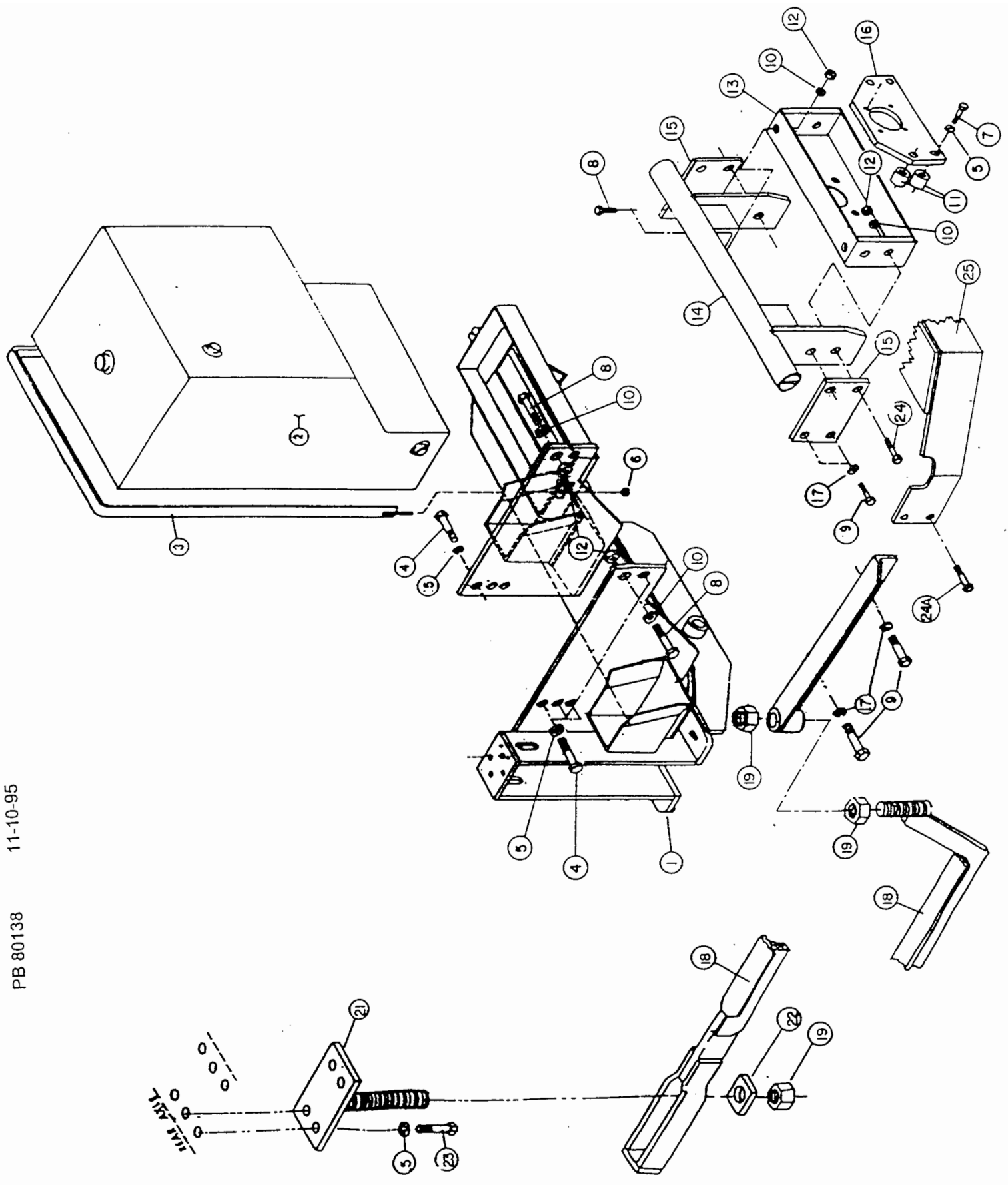
**BOOM/LOADERMOWER**  
**JOHN DEERE 6200 - 6410**  
**2 WD, 4WD, CAB**  
**HIGH PRESSURE**

Main Frame (2WD) .....	PB80138
Main Frame (4WD) .....	PB80801
Deck Feedline (2WD) .....	PB80187
Deck Feedline (4WD) .....	PB80807
Lift Control Feedline (Cab) .....	PB80517
Cable Control Assembly .....	PB80586
Switch Wiring .....	PB80155
Wheel Weight Kits .....	PB80430
Safety Window Assembly .....	PB80829

COMMON ASSEMBLY ..... PB: 24494

Current As Of: 5/5/98

PB: 30370



**BOOM / LOADER MOWER  
MAIN FRAME ASSEMBLY  
JOHN DEERE 6200 - 6410, CAB, 2WD, HIGH PRESSURE**

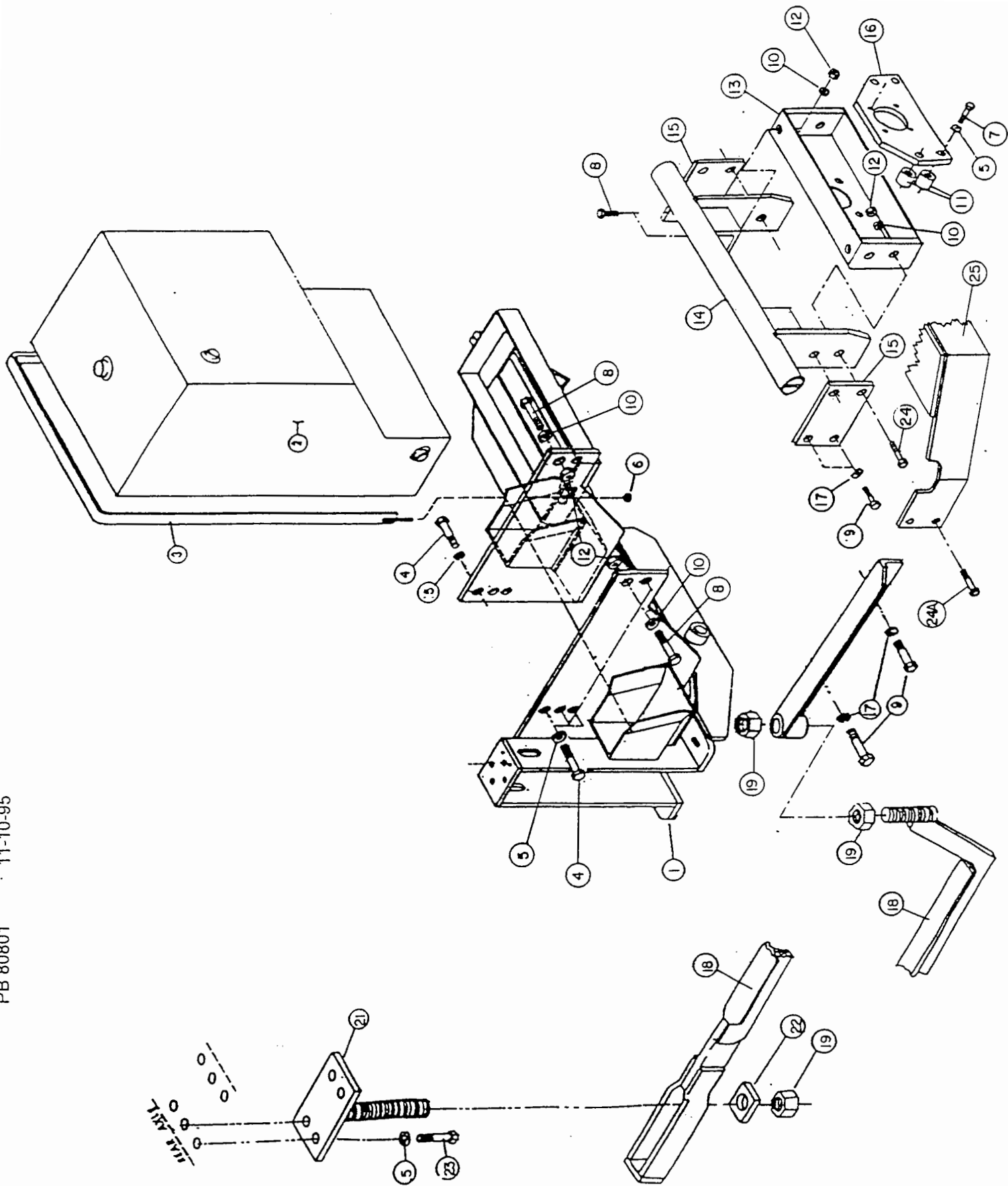
Ref. NO.	PARTS DESCRIPTION	NO. REQ.	PART NO.
1	MAIN FRAME	1	30088F
*2	RESERVOIR TANK	REF.	*
3	RESERVOIR TANK STRAP (2WD)	1	6T1279B
4	CAPSCREW - 20MM x 50MM (2.5P)	10	27512
5	LOCKWASHER - 20MM	18	24881
6	NYLOCK NUT - 3/8" NC	2	21627
7	CAPSCREW - 20MM x 80MM (2.5P)	4	28399
#8	CAPSCREW - 3/4" x 2-1/4" NC	4	21833
9	CAPSCREW - 16MM x 65MM (2.0P)	6	6T2530
#10	LOCKWASHER - 3/4"	8	21993
11	SPACER	4	30091A
#12	HEX NUT - 3/4" NC	8	21825
13	FRONT CARRIER BRACKET	1	30489A
14	TOP CARRIER BRACKET	1	30999A
15	LOADER BRACKET	2	30530A
16	PUMP MOUNTING BRACKET	1	30090B
17	LOCKWASHER - 16MM	6	6T2625
18	SUBFRAME BRACKET	1	25472A
19	HEX NUT - 1-1/2" NC	3	6T2406
20	FRONT SUBFRAME BRACKET	1	TB3007B
21	LOWER REAR SUBFRAME BRACKET	1	28739
22	REAR SUBFRAME PLATE	1	TB3008
23	CAPSCREW - 20MM x 65MM (2.5P)	4	24879
24	CAPSCREW - 3/4" x 2-3/4" NC	4	21835
**24A	CAPSCREW - 3/4" x 3" NC	OPT.	21836
**25	FONT PUMP GUARD	OPT.	31357
***26	JD-6405 AND 6410 LIGHT RELOCATION BRKT. (LEFT)	1	32643
***27	JD-6405 AND 6410 LIGHT RELOCATION BRKT. (RIGHT)	1	32644
***28	JD-6405 AND 6410 LIGHT RELOC. BRKT. COVER	2	32645
***29	MACHINE SCREW - #8 x 1/2"	8	6T3951
30	HEX NUT - 20MM (SOME JD6405 AND 6410)	2	31722

\* REFER TO DECK FEEDLINE ASSEMBLY FOR RESERVOIR TANK INFO.

# DEPENDING ON TRACTOR, ITEMS 8, 10, AND 12 MAY NEED TO BE SUBSTITUTED WITH ITEMS 4 AND 5

\*\* FONT PUMP GUARD OPTION

\*\*\* ITEMS 26 THRU 29 ARE NOT PICTURED AND ARE USED WITH JD-6405 AND 6410 ONLY.



**BOOM / LOADER MOWER  
MAIN FRAME ASSEMBLY  
JOHN DEERE 6200 - 6410, CAB, 4WD, HIGH PRESSURE**

Ref. NO.	PARTS DESCRIPTION	NO. REQ.	PART NO.
1	MAIN FRAME	1	30088F
*2	RESERVOIR TANK	REF.	*
3	RESERVOIR TANK STRAP (4WD)	1	28191B
4	CAPSCREW - 20MM x 50MM (2.5P)	10	27512
5	LOCKWASHER - 20MM	18	24881
6	NYLOCK NUT - 3/8" NC	2	21627
7	CAPSCREW - 20MM x 80MM (2.5P)	4	28399
#8	CAPSCREW - 3/4" x 2-1/4" NC	4	21833
9	CAPSCREW - 16MM x 65MM (2.0P)	6	6T2530
#10	LOCKWASHER - 3/4"	8	21993
11	SPACER	4	30091A
#12	HEX NUT - 3/4" NC	8	21825
13	FRONT CARRIER BRACKET	1	30489A
14	TOP CARRIER BRACKET	1	30999A
15	LOADER BRACKET	2	30530A
16	PUMP MOUNTING BRACKET	1	30090B
17	LOCKWASHER - 16MM	6	6T2625
18	SUBFRAME BRACKET	1	25472A
19	HEX NUT - 1-1/2" NC	3	6T2406
20	FRONT SUBFRAME BRACKET	1	TB3007B
21	LOWER REAR SUBFRAME BRACKET	1	28739
22	REAR SUBFRAME PLATE	1	TB3008
23	CAPSCREW - 20MM x 65MM (2.5P)	4	24879
24	CAPSCREW - 3/4" x 2-3/4" NC	4	21835
**24A	CAPSCREW - 3/4" x 3" NC	OPT.	21836
**25	FONT PUMP GUARD	OPT.	31357
***26	JD-6405 AND 6410 LIGHT RELOCATION BRKT. (LEFT)	1	32643
***27	JD-6405 AND 6410 LIGHT RELOCATION BRKT. (RIGHT)	1	32644
***28	JD-6405 AND 6410 LIGHT RELOC. BRKT. COVER	2	32645
***29	MACHINE SCREW - #8 x 1/2"	8	6T3951
30	HEX NUT - 20MM (SOME JD6405 AND 6410)	2	317522

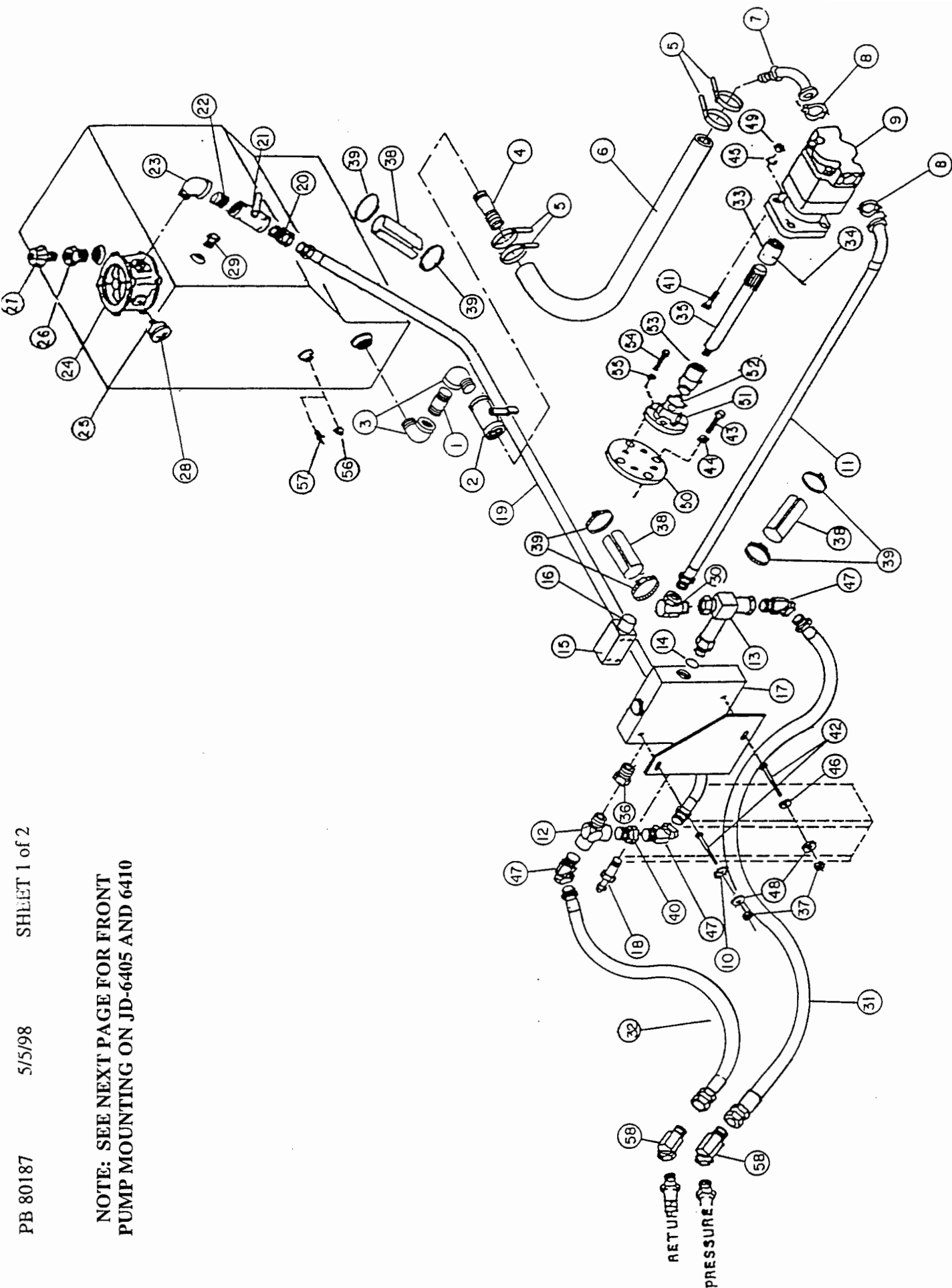
\* REFER TO DECK FEEDLINE ASSEMBLY FOR RESERVOIR TANK INFO.

# DEPENDING ON TRACTOR, ITEMS 8, 10, AND 12 MAY NEED TO BE SUBSTITUTED WITH ITEMS 4 AND 5

\*\* FONT PUMP GUARD OPTION

\*\*\* ITEMS 26 THRU 29 ARE NOT PICTURED AND ARE USED WITH JD-6405 AND 6410 ONLY.

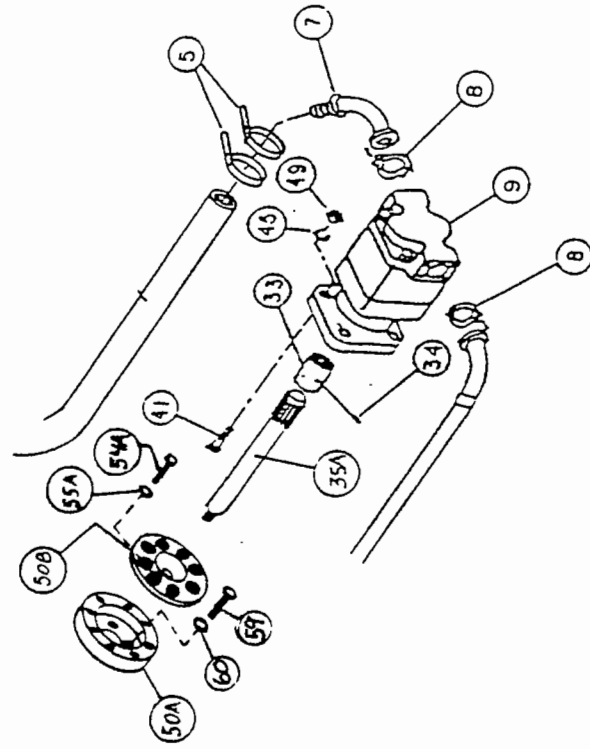
NOTE: SEE NEXT PAGE FOR FRONT  
PUMP MOUNTING ON JD-6405 AND 6410



**BOOM MOWER / LOADER  
DECK FEEDLINE ASSEMBLY  
JOHN DEERE 6200 - 6410, CAB, 2WD, HIGH PRESSURE**

Ref. NO.	PARTS DESCRIPTION	NO. REQ.	PART NO.
1	NIPPLE - 1-1/2" x 4"	1	6T3808
2	1-1/2" BALL VALVE	1	6T4238
3	ST. EL. - 1-1/2" x 90 DEG.	2	6T3612
4	KING NIPPLE - 1-1/2"	1	6T3800
5	BANDIT CLAMP	4	6T3018
6	SUCTION HOSE - 1-1/2" SHOP	70"	22897
7	KING NIPPLE #20 FLNG. 45 DEG.	1	22631
8	FLANGE KIT #20	2	TF4852
9	DECK FEEDLINE PUMP (P350 - 1-3/4" GEAR)	1	23152
10	STAR LOCKWASHER - 3/8"	1	6T2665
11	HOSE - 1" x 60" (1" MP x 20 FLNG. 45 DEG)	1	25198
12	TEE - 1" MP x 1" FP x 1" FP	1	TF4862
13	PREFORMED TEE HP	1	24030
14	O-RING	1	6T3904A
	<b>SOLENOID VALVE ASSY.</b>	<b>AVAIL.</b>	<b>27360</b>
15	SOLENOID BLOCK	1	6T3907
16	SOLENOID CARTRIDGE	1	6T3906
17	SOLENOID BODY	1	27398
18	RELIEF VALVE (3400 PSI)	1	6T3910
19	HOSE - 1" x 83" (MP - MP)	1	TF4807
20	SWIVEL - 1-1/4" MP - 1" FPX	1	22890
21	1-1/4" BALL VALVE	1	6T4237
22	CLOSE NIP - 1-1/4" XHD	1	6T3825
23	ST. EL. - 1-1/4" x 90 DEG. XHD	1	6T3601
	<b>RESERVOIR TANK ASSY (2WD)</b>	<b>AVAIL.</b>	<b>28061</b>
24	IN-TANK FILTER ASSEMBLY	1	6T0640
25	RESERVOIR TANK (2WD)	1	6T1219D
26	BUSHING - 1/2" x 2"	1	6T4231
27	RESERVOIR TANK BREATHER	1	6T1200N
28	PRESSURE GAUGE	1	6T0649
29	TANK SIGHT GLASS	1	6T1209
30	SWIVEL - 1" MP - 1" FPX 90 DEG.	1	TF4870
31	HOSE - 1" x 47" (MP - FJX)	1	24039
32	HOSE - 1" x 57" (MP - FJX)	1	31248
33	SPLINE COUPLING (INCLUDES ZERK)	1	6T0375B
34	GREASE ZERK - 1/4" STRAIGHT	1	6T3207
35	PUMP DRIVE SHAFT (22-1/4")	1	30129
35A	<b>JD-6410 AND 6405 PUMP DRIVE SHAFT ( 24-7/8")</b>	1	32641
36	ADAPTER - 1-1/4" OR x 1" FP	1	TF4872
37	HEX NUT - 3/8"	2	21625
38	SPLIT HOSE	3	6T3200
39	HOSE CLAMP	6	23568
40	SWIVEL - 1" MP x 1" FPX	1	TF4868

**FRONT PUMP MOUNTING FOR JD-6405 AND 6410  
REQUIRE USE OF PARTS 35A, 50A, 50B, 54A AND 55A  
AS SHOWN BELOW.**





**BOOM MOWER / LOADER  
DECK FEEDLINE ASSEMBLY  
JOHN DEERE 6200 - 6410, CAB, 2WD, HIGH PRESSURE**

Ref. NO.	PARTS DESCRIPTION	NO. REQ.	PART NO.
41	CAPSCREW - 1/2" x 1-3/4" NC	4	21732
42	CAPSCREW - 3/8" x 3" NC	2	21638
43	CAPSCREW - 14MM x 40MM (2.0 PITCH)	4	6T2514
44	LOCKWASHER - 14MM	4	6T2624
45	LOCKWASHER - 1/2"	4	21990
46	LOCKWASHER - 3/8"	1	21988
47	SWIVEL - 1" MP x 1" FPX 45 DEG.	3	TF4869
48	FLAT WASHER - 3/8"	2	22016
49	HEX NUT - 1/2"	4	21725
50	CRANKSHAFT ADAPTER PLATE	1	28853A
50A	<b>JD-6410 AND 6405</b> CRANKSHAFT ADAPTER PLATE	1	32583
50B	<b>JD-6410 AND 6405</b> CRANKSHAFT ADAPTER	1	6T0389
***	<b>CRANKSHAFT ADAPTER ASSY.</b>	<b>AVAIL.</b>	<b>24983A</b>
***51	YOKE ADAPTER PLATE	1	24984B
***52	BEARING U-JIONT KIT	1	24975
***53	YOKE WITH THREADED INSERT	1	24974
54	CAPSCREW - 5/16" x 1" NC	4	21580
54A	<b>JD-6410 AND 6405</b> CAPSCREW	4	6T2260
55	LOCKWASHER - 5/16"	4	21987
55A	<b>JD-6410 AND 6405</b> LOCKWASHER - 7/16"	4	21989
56	PIPE PLUG - 1/8"	1	6T4197
57	TEMP SENDING UNIT	OPT.	6T3931
58	SWIVEL - 1" MJ x 1" FJX 45 DEG.	2	24724
59	CAPSCREW - JD6405 AND 6410	4	6T2501
60	LOCKWASHER - JD6405 AND 6410	4	32691
61	EDGE GUARD - FRONT PUMP MOUNT	2'	28053

\*\*\* OMIT FOR JD-6410 AND 6405 UNITS

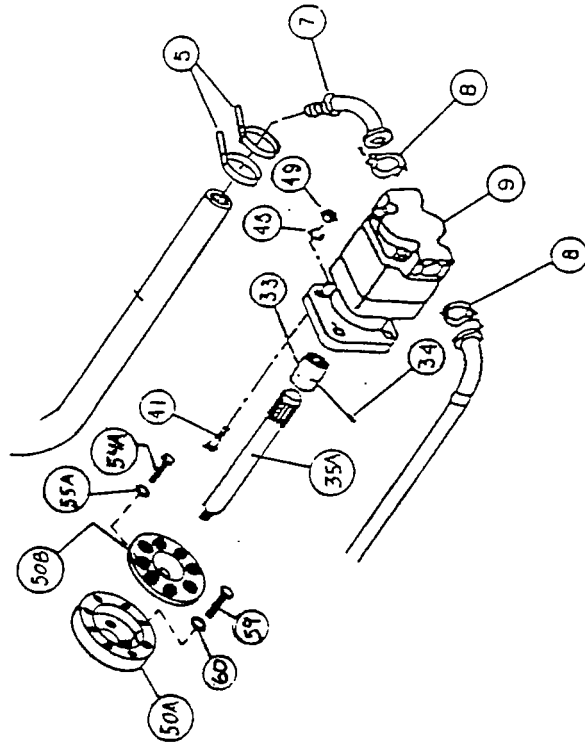
SHEET 2 of 2



**BOOM MOWER / LOADER  
DECK FEEDLINE ASSEMBLY  
JOHN DEERE 6200 - 6410, CAB, 4WD, HIGH PRESSURE**

Ref. NO.	PARTS DESCRIPTION	NO. REQ.	PART NO.
1	NIPPLE - 1-1/2" x 4"	1	6T3808
2	1-1/2" BALL VALVE	1	6T4238
3	ST. EL. - 1-1/2" x 90 DEG.	2	6T3612
4	KING NIPPLE - 1-1/2"	1	6T3800
5	BANDIT CLAMP	4	6T3018
6	SUCTION HOSE - 1-1/2" SHOP	70"	22897
7	KING NIPPLE #20 FLNG. 45 DEG.	1	22631
8	FLANGE KIT #20	2	TF4852
9	DECK FEEDLINE PUMP (P350 - 1-3/4" GEAR)	1	23152
10	STAR LOCKWASHER - 3/8"	1	6T2665
11	HOSE - 1" x 60" (1" MP x 20 FLNG. 45 DEG)	1	25198
12	TEE - 1" MP x 1" FP x 1" FP	1	TF4862
13	PREFORMED TEE HP	1	24030
14	O-RING	1	6T3904A
	<b>SOLENOID VALVE ASSY.</b>	<b>AVAIL.</b>	<b>27360</b>
15	SOLENOID BLOCK	1	6T3907
16	SOLENOID CARTRIDGE	1	6T3906
17	SOLENOID BODY	1	27398
18	RELIEF VALVE (3400 PSI)	1	6T3910
19	HOSE - 1" x 96" (MP - MP)	1	30402
20	SWIVEL - 1-1/4" MP - 1" FPX	1	22890
21	1-1/4" BALL VALVE	1	6T4237
22	CLOSE NIP - 1-1/4" XHD	1	6T3825
23	ST. EL. - 1-1/4" x 90 DEG. XHD	1	6T3601
	<b>RESERVOIR TANK ASSY (4WD)</b>	<b>AVAIL.</b>	<b>28193</b>
24	IN-TANK FILTER ASSEMBLY	1	6T0640
25	RESERVOIR TANK (4WD)	1	28192B
26	BUSHING - 1/2" x 2"	1	6T4231
27	RESERVOIR TANK BREATHER	1	6T1200N
28	PRESSURE GAUGE	1	6T0649
29	TANK SIGHT GLASS	1	6T1209
30	SWIVEL - 1" MP - 1" FPX 90 DEG.	1	TF4870
31	HOSE - 1" x 47" (MP - FJX)	1	24039
32	HOSE - 1" x 57" (MP - FJX)	1	31248
33	SPLINE COUPLING (INCLUDES ZERK)	1	6T0375B
34	GREASE ZERK - 1/4" STRAIGHT	1	6T3207
35	PUMP DRIVE SHAFT (22-1/4")	1	30129
35A	<b>JD-6410 AND 6405 PUMP DRIVE SHAFT ( 24-7/8")</b>	1	32641
36	ADAPTER - 1-1/4" OR x 1" FP	1	TF4872
37	HEX NUT - 3/8"	2	21625
38	SPLIT HOSE	3	6T3200
39	HOSE CLAMP	6	23568
40	SWIVEL - 1" MP x 1" FPX	1	TF4868

**FRONT PUMP MOUNTING FOR JD-6405 AND 6410  
REQUIRE USE OF PARTS 35A, 50A, 50B, 54A AND 55A  
AS SHOWN BELOW.**



**BOOM MOWER / LOADER  
DECK FEEDLINE ASSEMBLY  
JOHN DEERE 6200 - 6410, CAB, 4WD, HIGH PRESSURE**

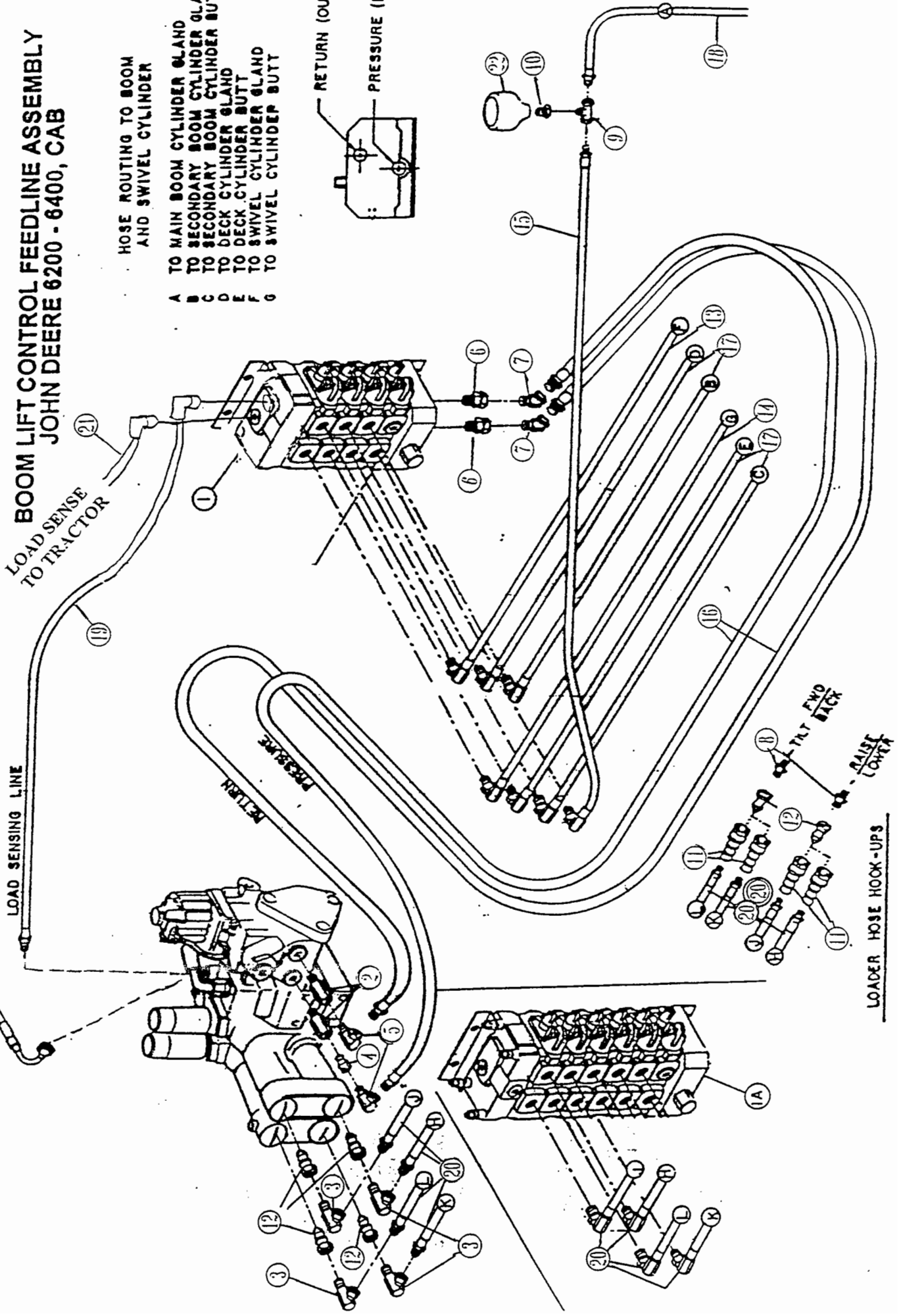
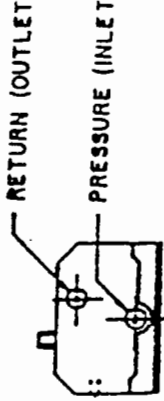
Ref. NO.	PARTS DESCRIPTION	NO. REQ.	PART NO.
41	CAPSCREW - 1/2" x 1-3/4" NC	4	21732
42	CAPSCREW - 3/8" x 3" NC	2	21638
43	CAPSCREW - 14MM x 40MM (2.0 PITCH)	4	6T2514
44	LOCKWASHER - 14MM	4	6T2624
45	LOCKWASHER - 1/2"	4	21990
46	LOCKWASHER - 3/8"	1	21988
47	SWIVEL - 1" MP x 1" FPX 45 DEG.	3	TF4869
48	FLAT WASHER - 3/8"	2	22016
49	HEX NUT - 1/2"	4	21725
50	CRANKSHAFT ADAPTER PLATE	1	28853A
50A	<b>JD-6410 AND 6405</b> CRANKSHAFT ADAPTER PLATE	1	32583
50B	<b>JD-6410 AND 6405</b> CRANKSHAFT ADAPTER	1	6T0389
***	<b>CRANKSHAFT ADAPTER ASSY.</b>	<b>AVAIL.</b>	<b>24983A</b>
***51	YOKE ADAPTER PLATE	1	24984B
***52	BEARING U-JIONT KIT	1	24975
***53	YOKE WITH THREADED INSERT	1	24974
54	CAPSCREW - 5/16" x 1" NC	4	21580
54A	<b>JD-6410 AND 6405</b> CAPSCREW	4	6T2260
55	LOCKWASHER - 5/16"	4	21987
55A	<b>JD-6410 AND 6405</b> LOCKWASHER - 7/16"	4	21989
56	PIPE PLUG - 1/8"	1	6T4197
57	TEMP SENDING UNIT	OPT.	6T3931
58	SWIVEL - 1" MJ x 1" FJX 45 DEG.	2	24724
59	CAPSCREW - JD6405 AND 6410	4	6T2501
60	LOCKWASHER - JD6405 AND 6410	4	32691
61	EDGE GUARD - FRONT PUMP MOUNT	2'	28053

\*\*\* OMIT FOR JD-6410 AND 6405 UNITS

SHEET 2 of 2

# BOOM LIFT CONTROL FEEDLINE ASSEMBLY JOHN DEERE 6200 - 6400, CAB

- HOSE ROUTING TO BOOM  
AND SWIVEL CYLINDER
- A TO MAIN BOOM CYLINDER GLAND
  - B TO SECONDARY BOOM CYLINDER GLAND
  - C TO SECONDARY BOOM CYLINDER BUTT
  - D TO DECK CYLINDER GLAND
  - E TO DECK CYLINDER BUTT
  - F TO SWIVEL CYLINDER GLAND
  - G TO SWIVEL CYLINDER BUTT



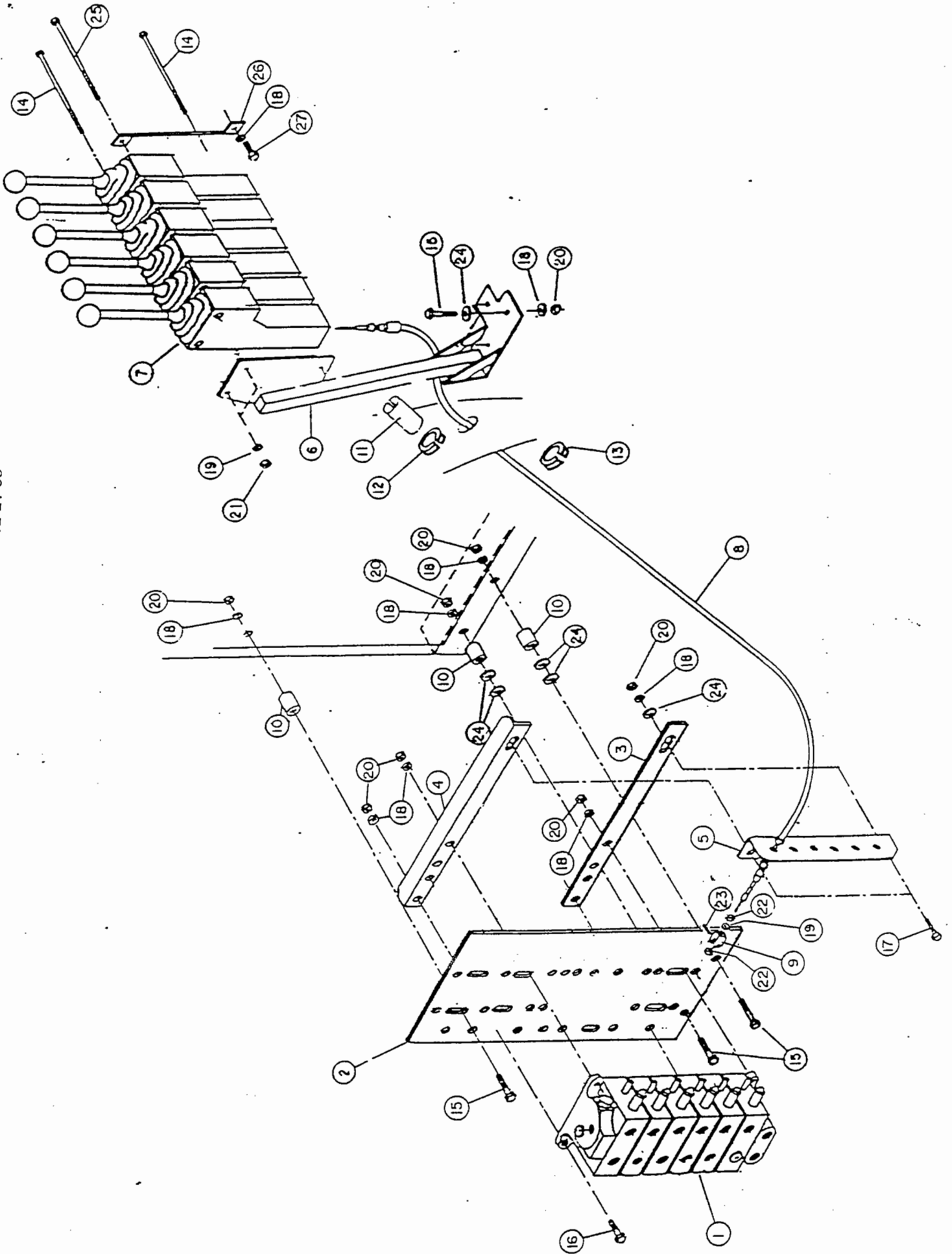
EXISTING PILOT OIL LINE

**BOOM/LOADER LIFT CONTROL FEEDLINE ASSEMBLY  
JOHN DEERE 6200 - 6410, CAB**

REF. NO.	PARTS DESCRIPTION	NO. REQ.	PART NO.
1	VALVE, 4-SPOOL, TRB	1	31041
	VALVE, 4-SPOOL, TBF	AVAIL.	31158
1a	VALVE, 6-SPOOL, TRB/LDR	1	31524
	VALVE, 6-SPOOL, TBF/LDR	AVAIL.	31526
2	ADAPTER, 22mm OR x 1/2" FP	2	30548
3	SWIVEL, 1/2" MP x 1/2" FPX 90°	4	TF4879
4	SWIVEL, 1/2" MP x 1/2" FPX 90° (SHORT)	3	27145
5	SWIVEL, 1/2" MP x 1/2" FPX	1	6T4240
6	SWIVEL, 5/8" OR x 1/2" FPX	1	TB1094
7	SWIVEL, 5/8" MP x 1/2" FPX 90°	1	TB1095
8	UNION, 1/2" MP x 1/2" MJ	4	6T4280
9	TEE, 1/4" MP x 1/4" FPX x 1/4" FPX	1	30054
10	ADAPTER, 1/2" OR x 1/4" FP	1	6T4234
11	QUICK COUPLER, 1/2" FEMALE	4	6T4221A
12	QUICK COUPLER, 1/2" MALE	8	6T4221
13	HOSE, 1/4" x 72" (1/2" MP - 1/2" MOR 90°) (F)	1	28859
14	HOSE, 1/4" x 77" (1/2" MP - 1/2" MOR 90°) (G)	1	28860
15	HOSE, 1/4" x 90" (1/4" MP - 1/2" MOR 90°)	1	28988
16	HOSE, 1/2" x 50" (MP - MP) (PRESSURE) (RETURN)	2	6T1412
17	HOSE, 1/4" x 98" (5/16" MJ - 1/2" MOR 90°) (B,C,D,E)	4	28863
18	HOSE, 1/4" x 55" (1/4" MP - 1/2" MP) (A)	1	TB2035
19	HOSE, 1/4" x 52" (3/8" MORB 90° x 3/8" FFS 90°) (L.S.)	1	31972
20	HOSE, 3/8" x 148" (1/2" MP - 1/2" MP) (H,J,K,L)	4	30368
20a	HOSE, 3/8" x 122" (1/2" MP - 1/2" MORB 90°) (H,J,K,L), OPT.		28924
21	HOSE, 1/4" x 52" (3/8" MORB 90° x 1/4" FFS 45°)	1	31971
22	ACCUMULATOR	1	24300

PB 80517

10-7-97





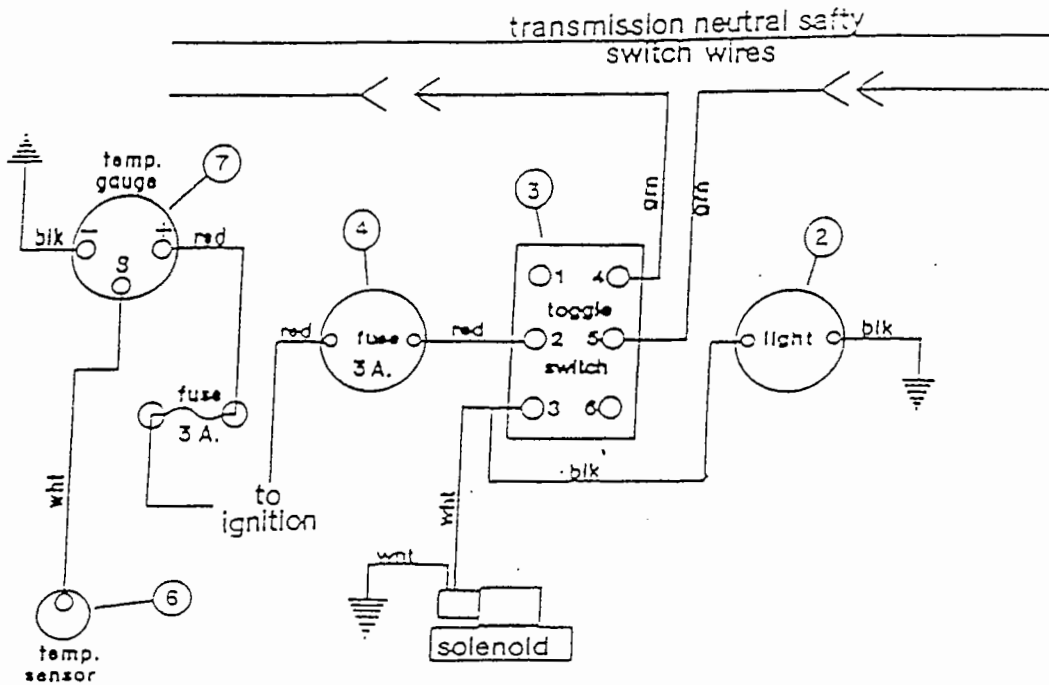
**BOOM / LOADER CABLE CONTROL ASSEMBLY  
JOHN DEERE 6200 - 6410, CAB**

REF.	NO.	PARTS DESCRIPTION	NO. REQ.	PART NO.
	1	VALVE, 6-SPOOL	REF.	*
	2	MOUNTING PLATE	1	28856C
	3	VALVE PLATE MOUNTING ANGLE, LF	1	22148-1D
	4	VALVE PLATE MOUNTING ANGLE, RT	1	22148-2D
	5	CABLE MOUNTING ANGLE	1	6T4330
	6	CABLE CONTROL MOUNTING BRACKET	1	23865B
	7	CABLE CONTROL BOX, 180°	6	6T1251
	8	CONTROL CABLES, 72" W/HARDWARE	6	6T4415
	9	CABLE CONTROL CLEVIS	6	6T4411
	10	SPACER 1" OD x 7/16" ID x 1-3/16"	3	27082B
	11	SPLIT HOSE, 6"	1	6T3200
	12	TRIM LOCK	8"	TB3440
	13	TRIM LOCK	8"	28053
	14	REDI-ROD, 1/4" x 10-1/2" NC (W/NUT)	2	6T2188
	15	CAPSCREW, 3/8" x 2-1/4" NC	6	21635
	16	CAPSCREW, 3/8" x 1-1/4" NC	4	21631
	17	CAPSCREW, 3/8" x 1" NC	2	21630
	18	LOCKWASHER, 3/8"	13	21988
	19	LOCKWASHER, 1/4"	9	21986
	20	HEX NUT, 3/8" NC	12	21625
	21	HEX NUT, 1/4" NC	3	21525
	22	HEX NUT, 1/4" NF	12	21500
	23	ROLL PIN	6	6T3017
	24	FLATWASHER, 3/8"	9	22016
	25	REDI-ROD, 1/4" x 11" NC (W/NUT)	1	6T2189
	26	SUPPORT BRACKET	1	30750A
	27	CAPSCREW, 10mm x 25mm (1.5 PITCH)	1	27513

\* Refer To Lift Control Feedline Assembly For Valve Information

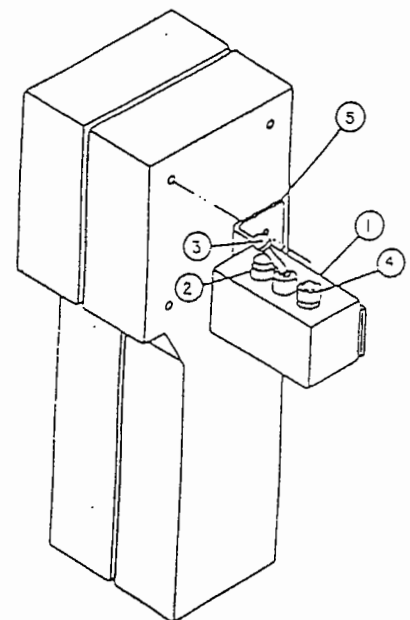
PB 80586

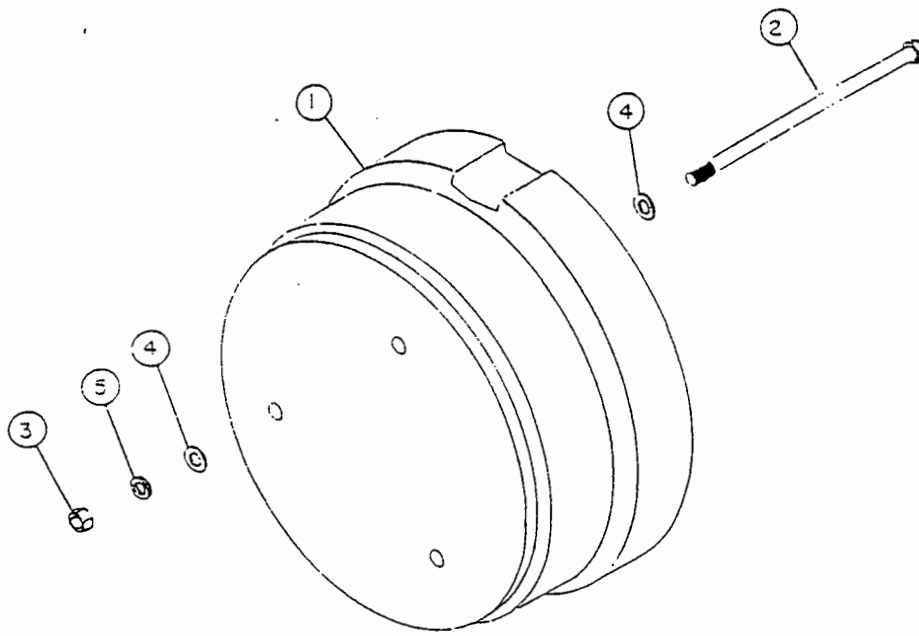
12-21-95



### SOLENOID VALVE SWITCH AND WIRING INSTALLATION CABLE CONTROLS

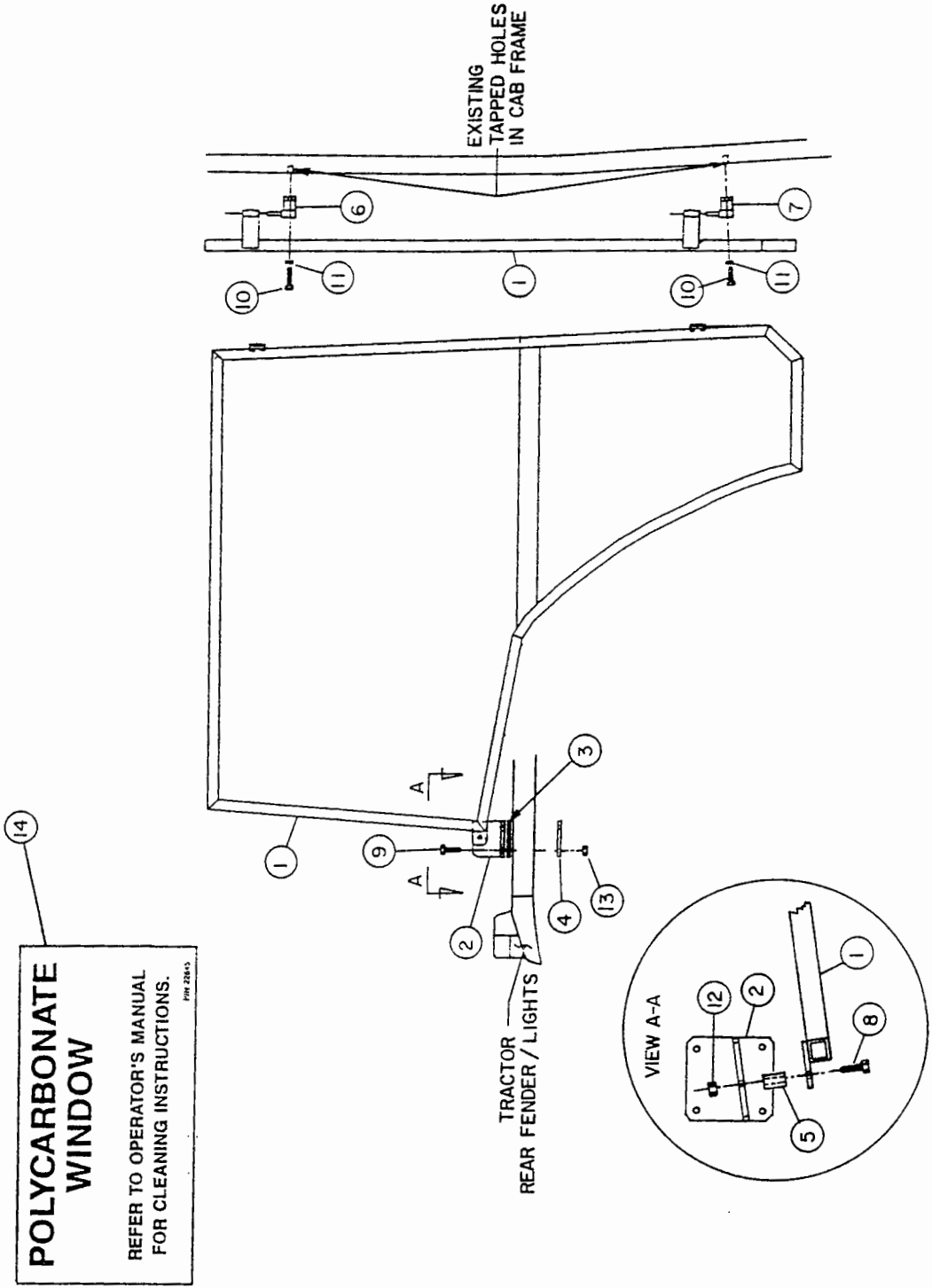
REF. NO.	PARTS DESCRIPTION	NO. REQ.	PART NO.
	<b>SWITCH ASSEMBLY</b>	AVAIL.	27401
1	SWITCH BOX	1	31301
2	SWITCH "ON" LIGHT	1	6T3923
3	SWITCH HARNESS	1	PT3905A
4	FUSE HOLDER	1	6T3924
5	SWITCH MOUNTING BRKT.	1	6T3949A
6	TEMPERATURE SENSOR	OPT.	6T3931
7	OIL TEMPERATURE GAUGE	OPT.	6T3934





**BOOM MOWER WHEEL WEIGHT ASSEMBLY  
JOHN DEERE 6200-6410**

REF. NO.	PARTS DESCRIPTION	NO. REQ.	PART NO.
1	WHEEL WEIGHT, 3 HOLE, 14-1/2" O.C.	1	TB3228
2	CAPSCREW, 3/4" x 18" NC	3	6T2339
3	HEX NUT, 3/4" NC	3	21825
4	FLATWASHER 3/4"	6	22021
5	LOCKWASHER 3/4"	3	21993



**BOOM SAFETY WINDOW ASSEMBLY  
JOHN DEERE 6200-6410,CAB**

REF. NO.	PARTS DESCRIPTION	NO. REQ.	PART NO.
1	SAFETY WINDOW ASSEMBLY	1	28902
2	MOUNTING BRACKET	1	28904
3	RUBBER PAD	1	30707B
4	MOUNTING PLATE	1	28905
5	SPACER	1	27082B
6	UPPER HINGE	1	28903A
7	LOWER HINGE	1	28907A
8	CAPSCREW, 5/16" x 2-1/4" NC	1	21585
9	CAPSCREW, 1/4" x 1" NC	4	21530
10	CAPSCREW, 8MM x 20MM (1.25 PITCH)	2	27508
11	LOCKWASHER, 8MM	2	6T2619
12	NYLOCK NUT, 5/16" NC	1	21577
13	NYLOCK NUT, 1/4" NC	4	21527
14	DECAL, POLYCARBONATE WINDOW	1	22645

PB 80829

01-17-96

## NOTES

---