

SIDE MOUNTED FLAIL MOWER

JOHN DEERE 6200 - 6410

2 WD, NON-CAB

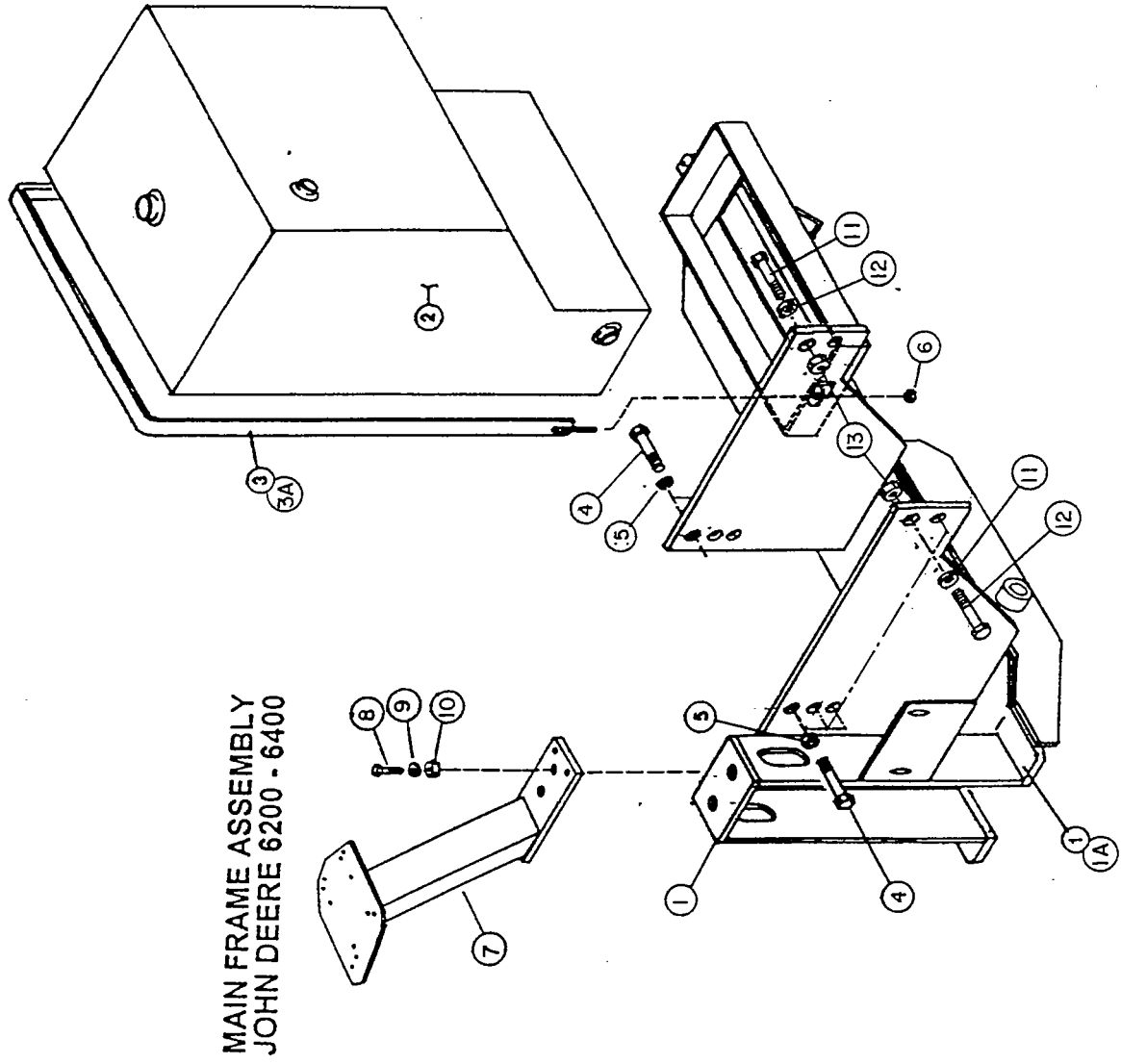
HIGH PRESSURE

Main Frame	PB80443
Deck Feedline	PB80510
Lift Control Feedline	PB80756
Switch Wiring (Cab).....	PB80142

COMMON ASSEMBLY PB: 25101

Current As Of: 5/5/98

PB:31047



MAIN FRAME ASSEMBLY
JOHN DEERE 6200 - 6400

**MAIN FRAME ASSEMBLY
JOHN DEERE 6200 - 6410
NON-CAB**

REF. NO.	PARTS DESCRIPTION	NO. REQ.	PART NO.
1	MAIN FRAME (2WD)	1	30701A
1a	MAIN FRAME (4WD)	OPT.	28732F
2	RESERVOIR TANK	REF.	*
3a	RESERVOIR TANK STRAP (2WD)	1	6T1279B
3	RESERVOIR TANK STRAP (4WD)	OPT.	28191B
4	CAPSCREW 20MM x 50MM (2.5 PITCH)	10	27512
5	LOCKWASHER, 20MM	10	24881
6	NYLOCK NUT, 3/8" NC	2	21627
7	VALVE STAND	1	30080D
8	CAPSCREW, 5/8" x 2" NC	2	21783
9	LOCKWASHER, 5/8"	2	21992
10	HEX NUT, 5/8" NC	2	21775
11	HEX NUT - 20MM	2	31722

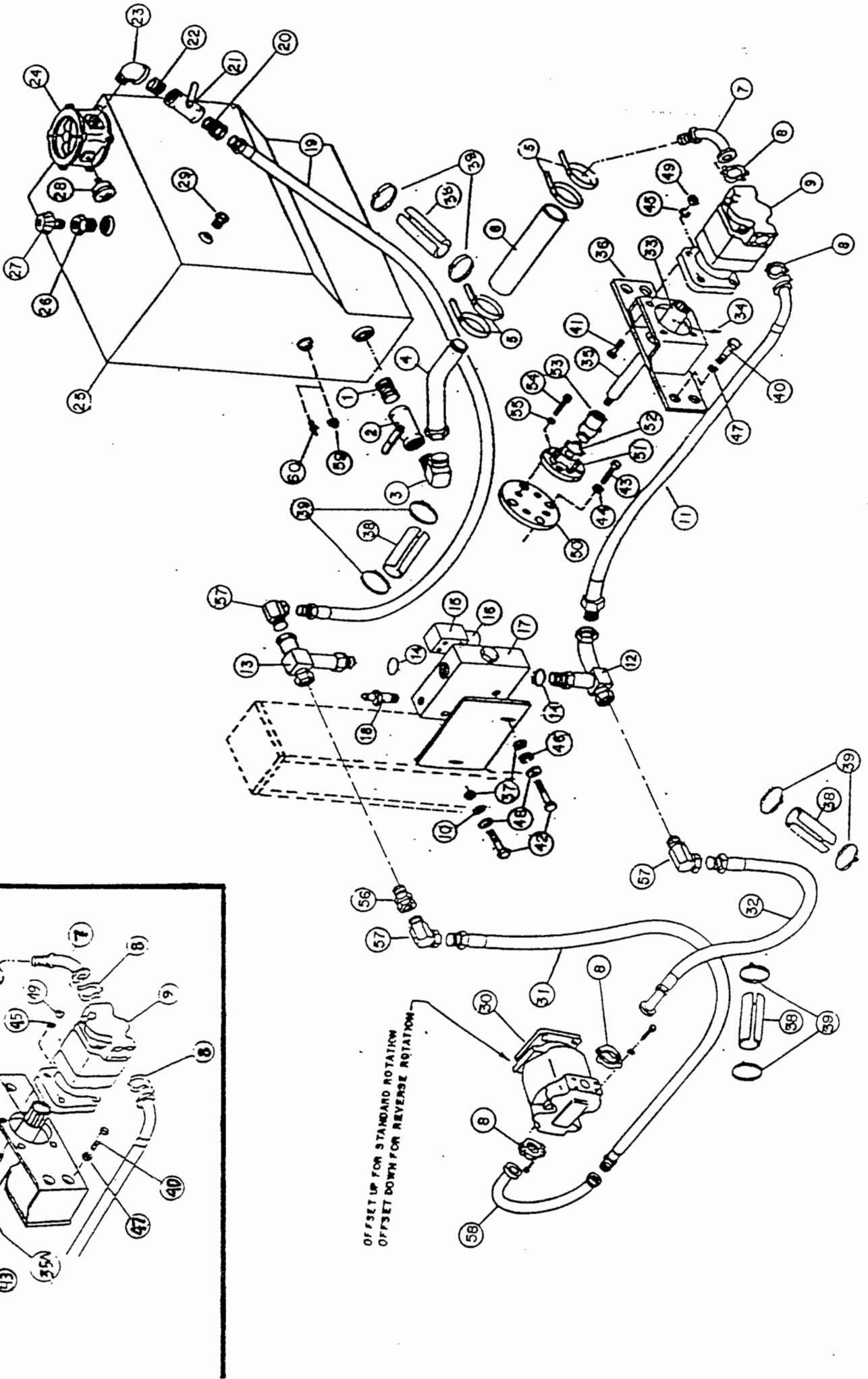
PB 80443

5/5/98

**DECK FEEDLINE ASSEMBLY
JOHN DEERE 6200 - 6410, CAB
HIGH PRESSURE**

PB 80510 5/5/98

**NOTE: FOR JD-6410 AND
JD-6405, SUBSTITUTE PART #'S
35A, 36A, 50A, 50B, 54A, AND 55A
IN FRONT PUMP MOUNTING**



OFFSET UP FOR STANDARD ROTATION
OFFSET DOWN FOR REVERSE ROTATION

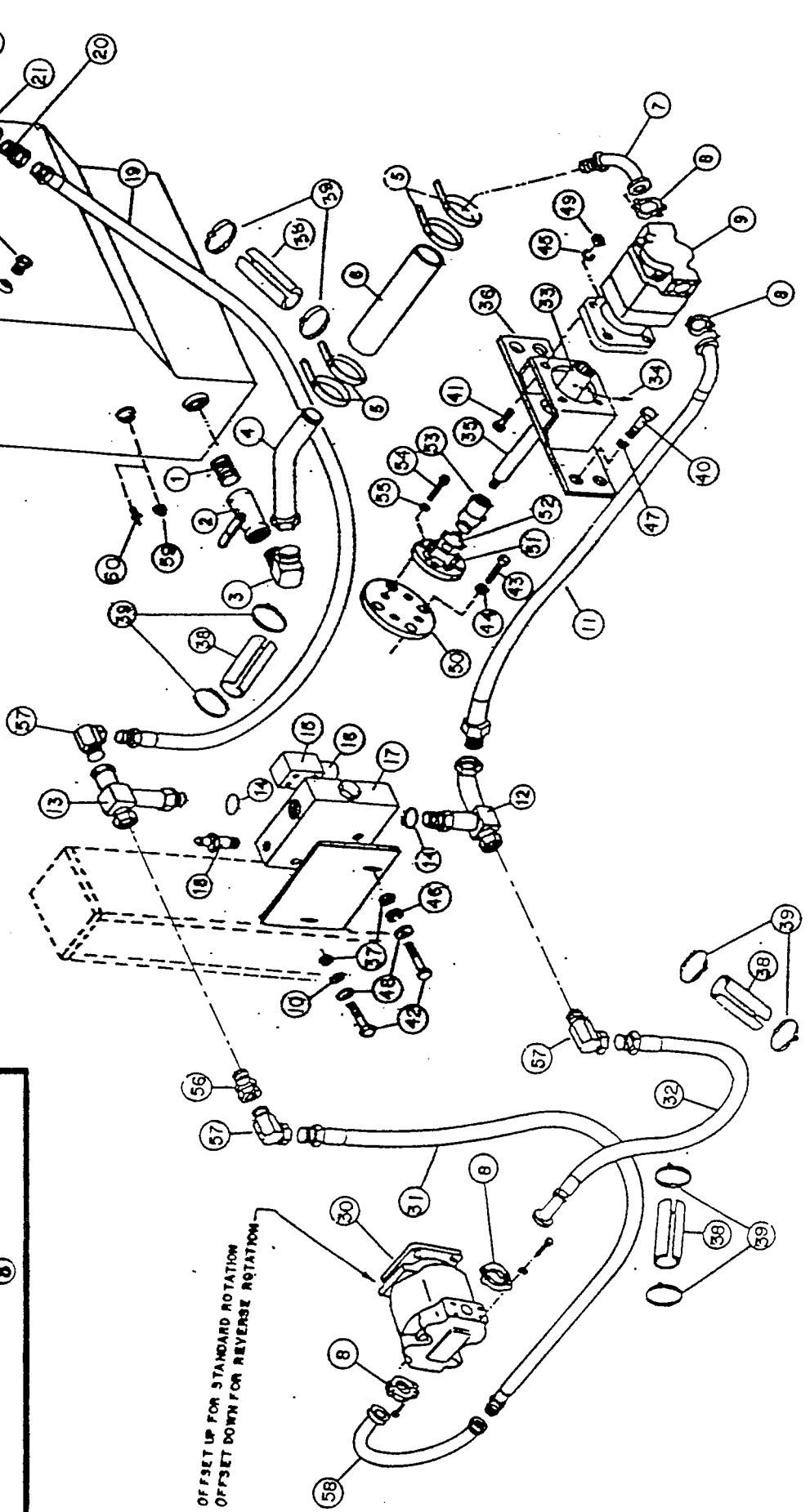
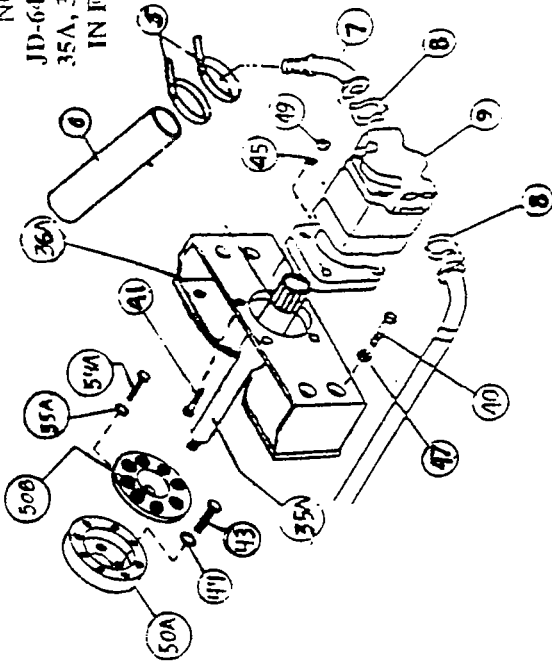
**SIDE MOUNTED FLAIL MOWER
DECK FEEDLINE ASSEMBLY
JOHN DEERE 6200 - 6410, CAB, 2WD, HIGH PRESSURE**

Ref. NO.	PARTS DESCRIPTION	NO. REQ.	PART NO.
1	1-1/2" CLOSE NIP XHD	1	6T3801
2	1-1/2" BALL VALVE	1	6T4238
3	ADAPTER - 1-1/2" MP - 1-1/2" MJ 90 DEG. EL	1	6T3900
4	PREFORMED TUBE #309	1	6T3901
5	BANDIT CLAMP	4	6T3018
6	SUCTION HOSE - 1-1/2"	60"	22897
7	KING NIPPLE #20 FLNG. 45 DEG.	1	22631
8	FLANGE KIT #20	4	TF4852
9	DECK FEEDLINE PUMP (P350 - 1-3/4" GEAR)	1	23152
10	STAR LOCKWASHER - 3/8"	1	6T2665
11	HOSE - 1" x 60" (1" MP x 20 FLNG. 45 DEG)	1	25198
12	PREFORMED TEE HP	1	23158
13	PREFORMED TEE HP	1	24030
14	O-RING	2	6T3904A
	SOLENOID VALVE ASSY.	AVAIL.	27360
15	SOLENOID BLOCK	1	6T3907
16	SOLENOID CARTRIDGE	1	6T3906
17	SOLENOID BODY	1	27398
18	RELIEF VALVE (3400 PSI)	1	6T3910
19	HOSE - 1" x 83" (MP - MP)	1	TF4807
20	SWIVEL - 1-1/4" MP - 1" FPX	1	22890
21	1-1/4" BALL VALVE	1	6T4237
22	CLOSE NIP - 1-1/4" XHD	1	6T3825
23	ST. EL. - 1-1/4" x 90 DEG. XHD	1	6T3601
	RESERVOIR TANK ASSY (2WD)	AVAIL.	28061
24	IN-TANK FILTER ASSEMBLY	1	6T0640
25	RESERVOIR TANK (2WD)	1	6T1219D
26	BUSHING - 1/2" x 2"	1	6T4231
27	RESERVOIR TANK BREATHER	1	6T1200N
28	PRESSURE GAUGE	1	6T0649
29	TANK SIGHT GLASS	1	6T1209
30	MOTOR (M350 - 1-3/4" GEAR)	1	23174
31	HOSE - 1" x 83" (MP - MP)	1	TF4807
32	HOSE - 1" x 63" (MP - 20 FLNG. 45 DEG.)	1	25294
33	SPLINE COUPLING	1	6T0375B
34	GREASE ZERK - 1/4" STRAIGHT	1	6T3207
35	PUMP DRIVE SHAFT (25-7/8")	1	28857A
35A	JD-6410 AND 6405 PUMP DRIVE SHAFT (28-5/8")	1	32640
36	PUMP MOUNTING BRACKET	1	6T0357F
36A	JD-6410 AND 6405 PUMP MOUNTING BRACKET	1	32642
37	HEX NUT - 3/8"	2	21625
38	SPLIT HOSE	4	6T3200
39	HOSE CLAMP	8	23568
40	CAPSCREW 20MM x 40MM (2.5 PITCH)	4	24860

**DECK FEEDLINE ASSEMBLY
JOHN DEERE 6200 - 6410, CAB
HIGH PRESSURE**

PB 80510 5/5/98

**NOTE: FOR JD-6410 AND
JD-6405, SUBSTITUTE PART #'s
35A, 36A, 50A, 50B, 54A, AND 55A
IN FRONT PUMP MOUNTING**

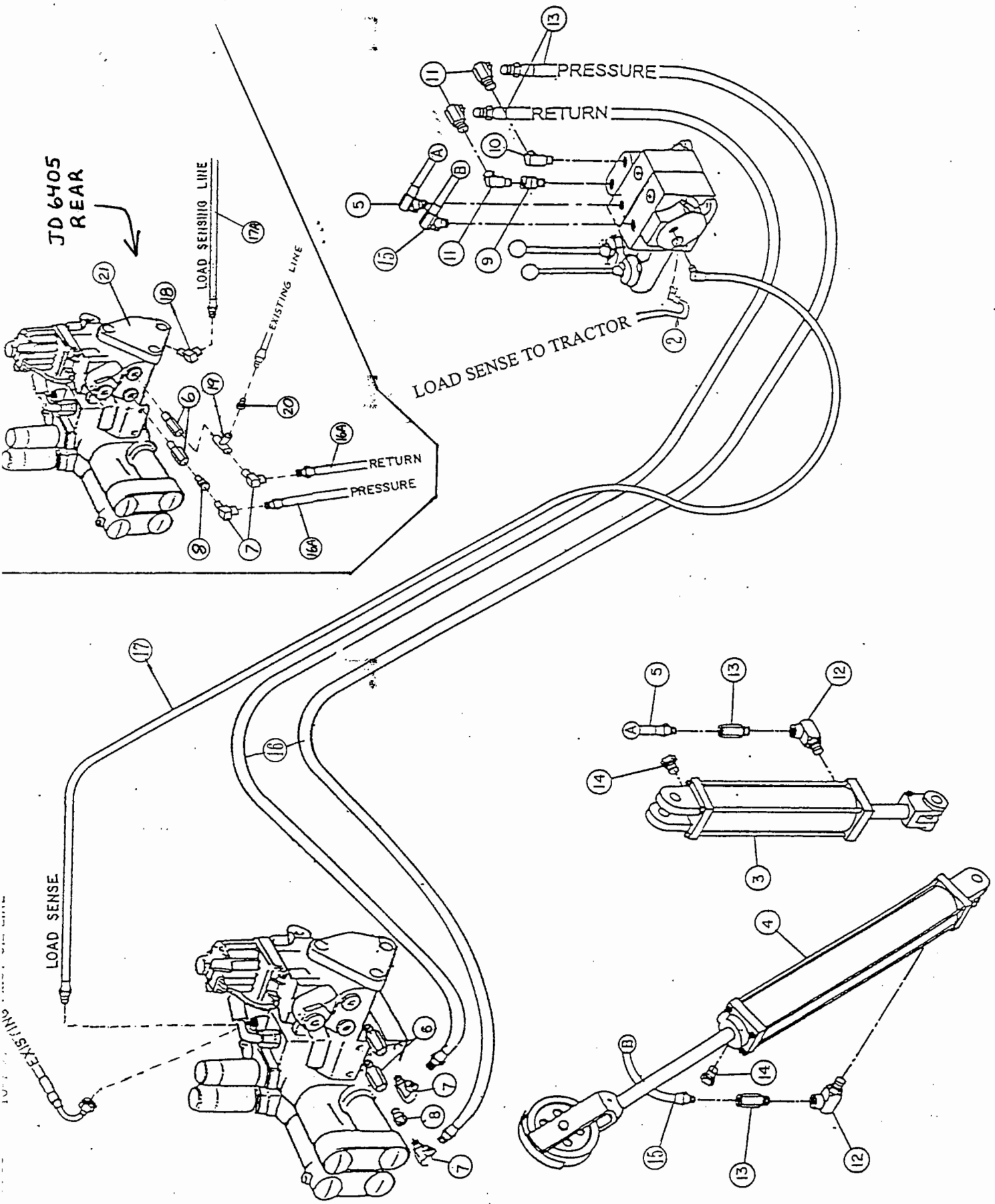


OFFSET UP FOR STANDARD ROTATION
OFFSET DOWN FOR REVERSE ROTATION

**SIDE MOUNTED FLAIL MOWER
DECK FEEDLINE ASSEMBLY
JOHN DEERE 6200 - 6410, CAB, 2WD, HIGH PRESSURE**

Ref. NO.	PARTS DESCRIPTION	NO. REQ.	PART NO.
41	CAPSCREW - 1/2" x 1-3/4" NC	4	21732
42	CAPSCREW - 3/8" x 3" NC	2	21638
43	CAPSCREW	4	6T2501
44	LOCKWASHER	4	32691
45	LOCKWASHER	4	21990
46	LOCKWASHER - 3/8"	1	21988
47	LOCKWASHER - 20MM	4	24881
48	FLAT WASHER - 3/8"	2	22016
49	HEX NUT - 1/2"	4	21725
50	CRANKSHAFT ADAPTER PLATE	1	28853A
50A	JD-6410 AND 6405 CRANKSHAFT ADAPTER PLATE	1	32583
50B	JD-6410 AND 6405 CRANKSHAFT ADAPTER	1	6T0389
***	CRANKSHAFT ADAPTER ASSY.	AVAIL.	24983A
***51	YOKE ADAPTER PLATE	1	24984B
***52	BEARING U-JIONT KIT	1	24975
***53	YOKE WITH THREADED INSERT	1	24974
54	CAPSCREW - 5/16" x 1" NC	4	21580
54A	JD-6410 AND 6405 CAPSCREW	4	6T2260
55	LOCKWASHER - 5/16"	4	21987
55A	JD-6410 AND 6405 LOCKWASHER - 7/16"	4	21989
56	SWIVEL - 1" MP x 1" FPX	1	TF4868
57	SWIVEL - 1" MP x 1" FPX 90 DEG.	4	TF4870
58	PREFORM TUBE (1" FPX - 20 FLNG.)	1	31124
59	PIPE PLUG - 1/8"	1	6T4197
60	TEMP SENDING UNIT	OPT.	6T3931
61	EDGE GUARD - PUMP MOUTING BRACKET	2'	28053

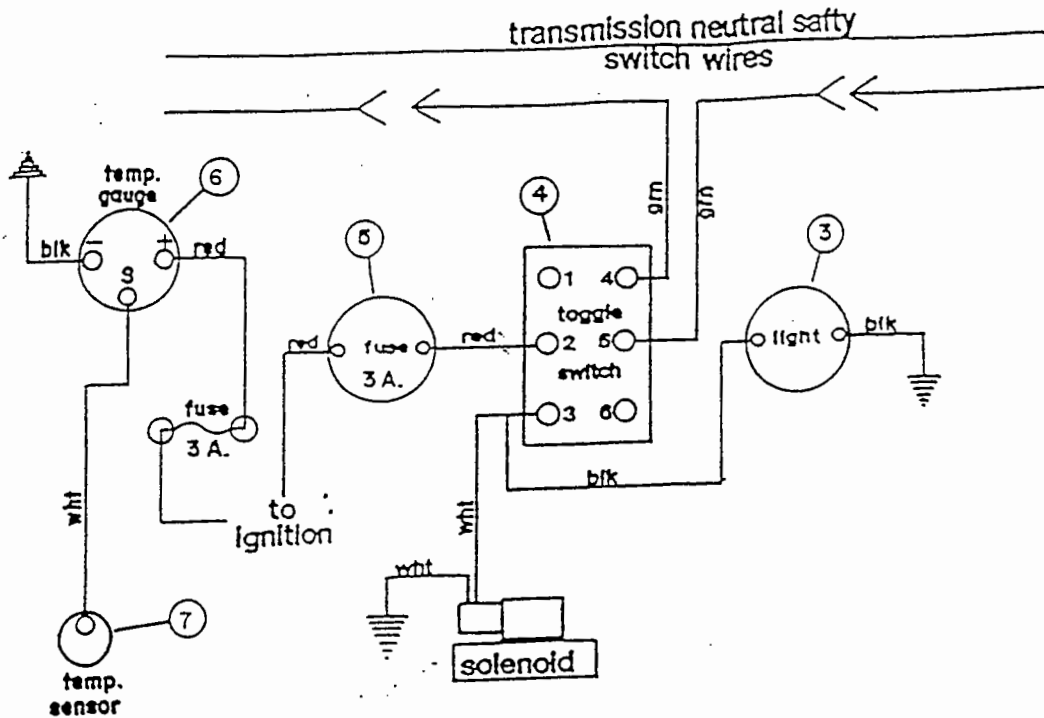
*** OMIT FOR JD-6410 AND 6405 UNITS



**SIDE MOWER
LIFT CONTROL FEEDLINE ASSEMBLY
JOHN DEERE, 6200 - 6410, NON-CAB, 2WD**

REF. NO.	PARTS DESCRIPTION	NO. REQ.	PART NO.
1	2-SPOOL VALVE	1	31320
2	HOSE, 1/4" 130"(3/8 MORB 90° x 1/4" FFS 45°)	1	31969
3	INBOARD CYLINDER 3" x 10"	1	6T0151R
4	OUTBOARD CYLINDER 3" x 18"	1	6T0150
5	HOSE, 1/4" x 48" (1/2" MP - 1/2" MORB 90°) (A)	1	30005
6	ADAPTER, 22mm OR x 1/2" FP	2	30548
7	SWIVEL 1/2" MP x 1/2" FPX 90°(SHORT)	2	27145
8	SWIVEL, 1/2" MP x 1/2" FPX	1	6T4240
9	SWIVEL, 5/8" OR x 1/2" FPX	1	TB1094
10	SWIVEL, 5/8" OR x 1/2" FPX 90°	1	TB1095
11	SWIVEL, 1/2" MP x 1/2" FPX 90°	3	TF4879
12	FITTING 1/2" ADJ. O-RING x 1/2" FP 90° EL.	2	6T0157
13	RESTRICTOR .0625, 1/2" MP x 1/2" FPX	2	31189
14	BREATHER 1/2" O-RING	2	6T4258
15	HOSE, 1/4" x 60" (1/2" MP - 1/2" MORB 90°) (B)	1	28894
16	HOSE, 1/2" x 120" (MP - MP) (RETURN) (PRESSURE)	2	6T7027
16A	HOSE - JD6405	2	31016
17	HOSE, 1/4" x 130"(3/8 MORB 90° x 3/8" FFS 90°)(L.S)	1	31970
17A	HOSE - JD6405	1	32650
18	ELBOW	1	31739
19	TEE	1	32651
20	HOSE END	1	32195
21	LOAD SENSE COVER	1	AL112432

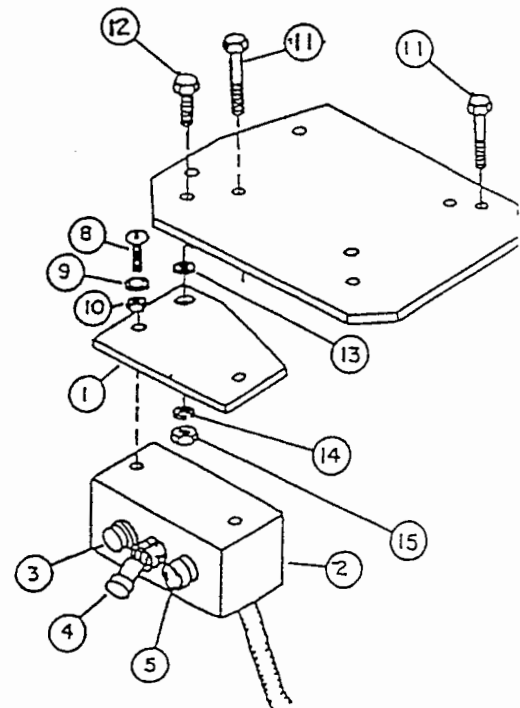
PB 80756 6/4/98



SOLENOID VALVE SWITCH AND WIRING INSTALLATION

REF. NO.	PARTS DESCRIPTION	NO. REQ.	PART NO.
1	SWITCH MOUNTING BRACKET	1	6T3950
2	SWITCH MOUNTING BOX	1	6T3925
3	SWITCH "ON" LIGHT	1	6T3923
4	SWITCH HARNESS	1	6T3905
5	FUSE HOLDER	1	6T3924
6	OIL TEMPERATURE GAUGE	OPT.	6T3934
7	TEMPERATURE SENSOR	OPT.	6T3931
8	MACHINE SCREW 8/32" x 1/2" NC	2	6T3951
9	FLAT WASHER NO. 8	2	6T3953
10	HEX NUT 8/32" NYLOCK	2	6T3952
11	CAPSCREW 3/8" x 2-1/2" NC	3	21636
+11a	CAPSCREW 3/8" x 1-1/4" NC	4	21631
12	CAPSCREW 3/8" x 1" NC	1	21630
13	FLAT WASHER 3/8"	2	22016
14	LOCKWASHER 3/8"	4	21988
15	HEX NUT 3/8" NC	4	21625
16	SWITCH ASSY. (INCLUDES 1,2,3,4,5,8,9,10)	AVAIL	6T3905N

+ Use With Sectional Valves Only



NOTES

NOTES
