

SIDE ROTARY MOWER
JOHN DEERE 6200 - 6410
2 WD, CAB
HIGH PRESSURE

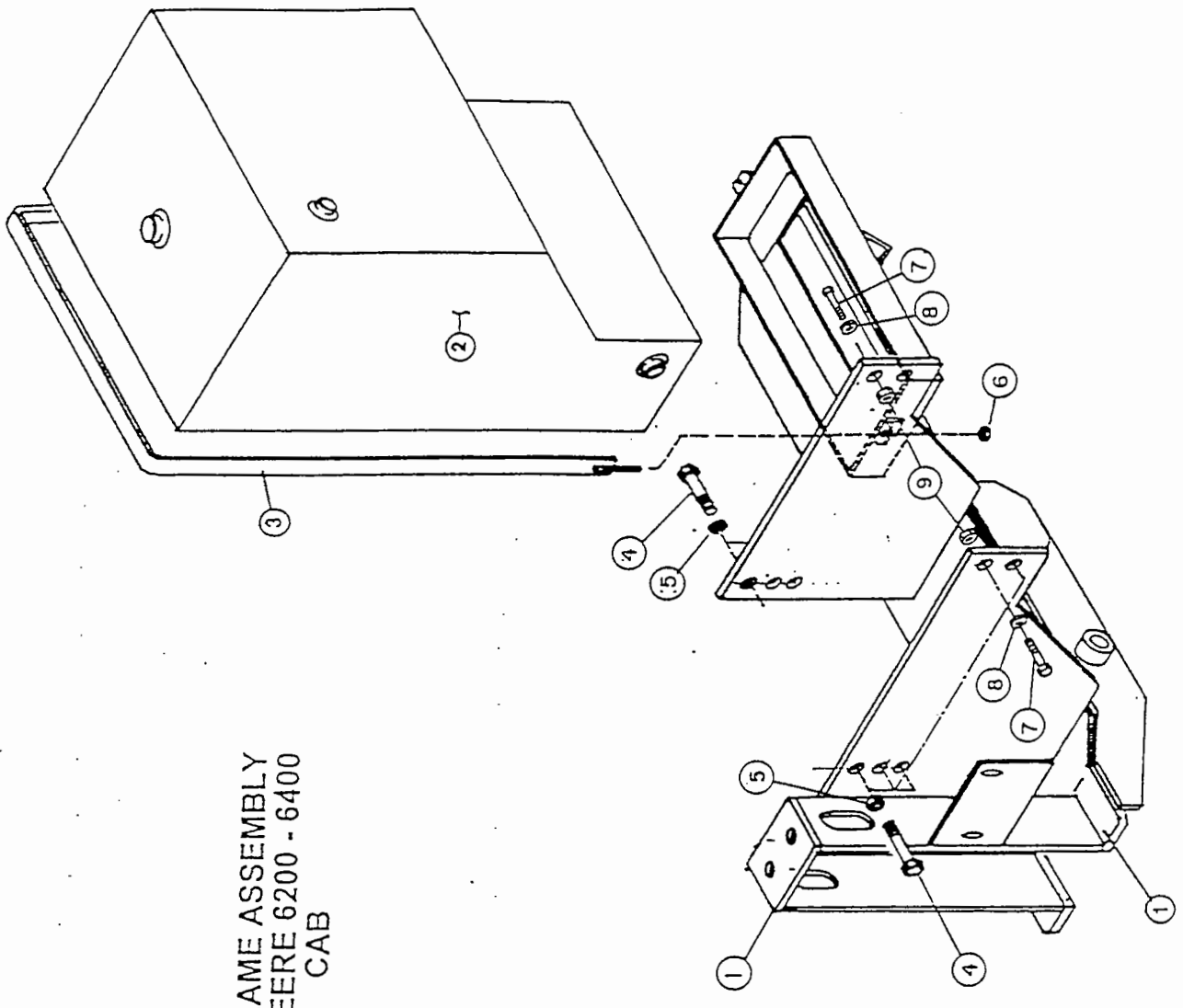
Main Frame	PB80438
Deck Feedline	PB80439
Lift Control Feedline (Cab)	PB80757
Cable Control Assembly (Cab)	PB80790
Switch Wiring (Cab)	PB80033

COMMON ASSEMBLY PB: 24885

Current As Of: 5/4/98

PB:28981

MAIN FRAME ASSEMBLY
JOHN DEERE 6200 - 6400
CAB



MAIN FRAME ASSEMBLY
JOHN DEERE 6200 - 6410, CAB, 2WD, HIGH PRESSURE

Ref. NO.	PARTS DESCRIPTION	NO. REQ.	PART NO.
1	MAIN FRAME (2WD)	1	30701A
1A	MAIN FRAME (4WD)	OPT.	28732F
*2	RESERVOIR TANK	REF.	*
3	RESERVOIR TANK STRAP (2WD)	1	6T1279B
3A	RESERVOIR TANK STRAP (4WD)	OPT.	28191B
4	CAPSCREW - 20MM x 50MM (2.5P)	10	27512
5	LOCKWASHER - 20MM	10	24881
6	NYLOCK NUT - 3/8" NC	2	21627
#7	CAPSCREW - 3/4" x 2-1/4" NC	2	21833
#8	LOCKWASHER - 3/4"	2	21993
#9	HEX NUT - 3/4" NC	2	21825
**10	JD-6405 AND 6410 LIGHT RELOCATION BRKT. (LEFT)	1	32643
**11	JD-6405 AND 6410 LIGHT RELOCATION BRKT. (RIGHT)	1	32644
**12	JD-6405 AND 6410 LIGHT RELOC. BRKT. COVER	2	32645
**13	MACHINE SCREW - #8 x 1/2"	8	6T3951
14	HEX NUTS - 20MM - (SOME JD6405 AND 6410)	2	31722

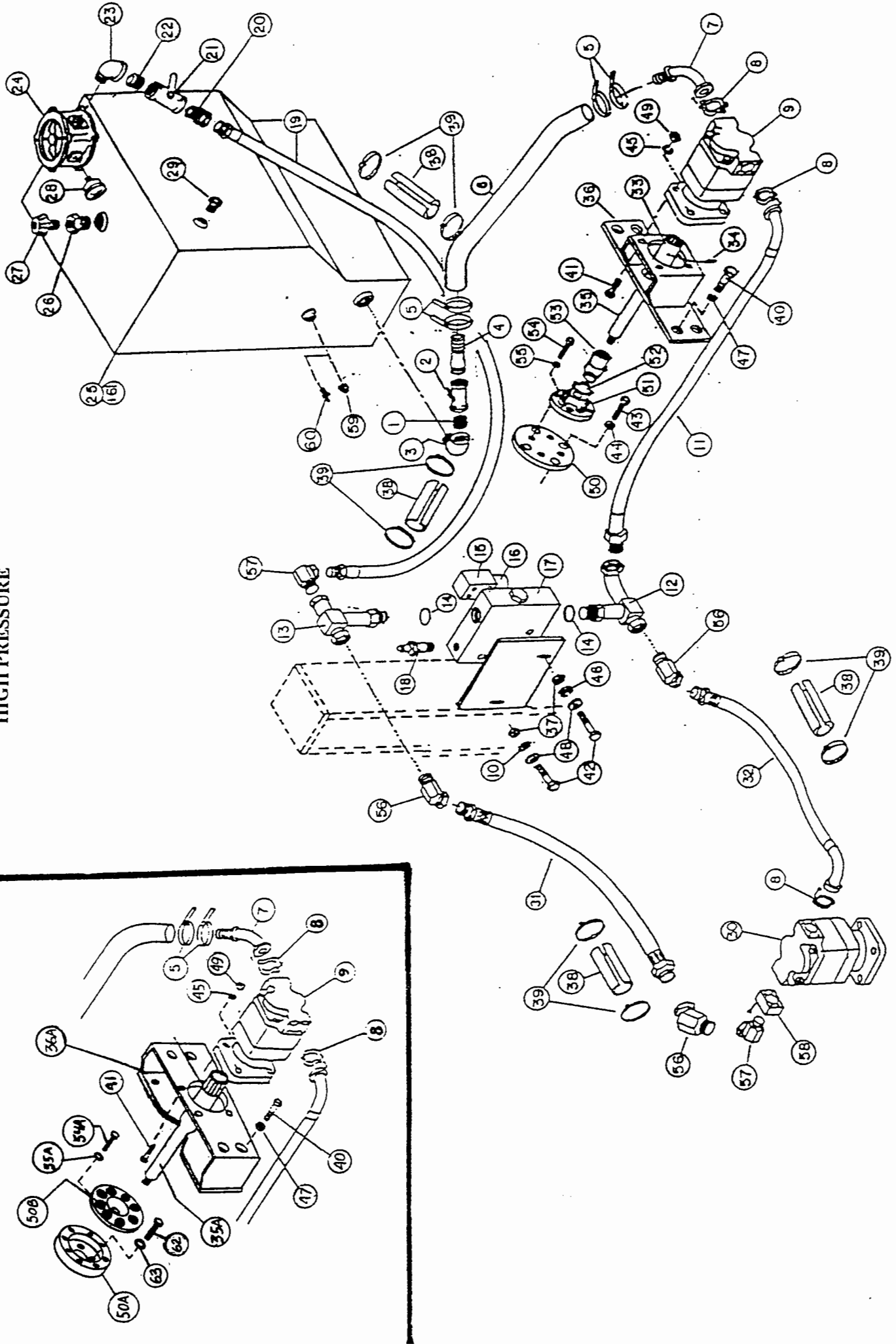
* REFER TO DECK FEEDLINE ASSEMBLY FOR RESERVOIR TANK INFO.

DEPENDING ON TRACTOR, ITEMS 7, 8, AND 9 MAY NEED TO BE SUBSTITUTED WITH ITEMS 4 AND 5

** ITEMS 10 THRU 13 ARE NOT PICTURED AND ARE USED WITH **JD-6405 AND 6410** W/ CAB ONLY.

NOTE: FOR JD-6410 AND JD-6405, SUBSTITUTE PART #'s 35A, 36A, 50A, 50B, 54A, AND 55A IN FRONT PUMP MOUNTING

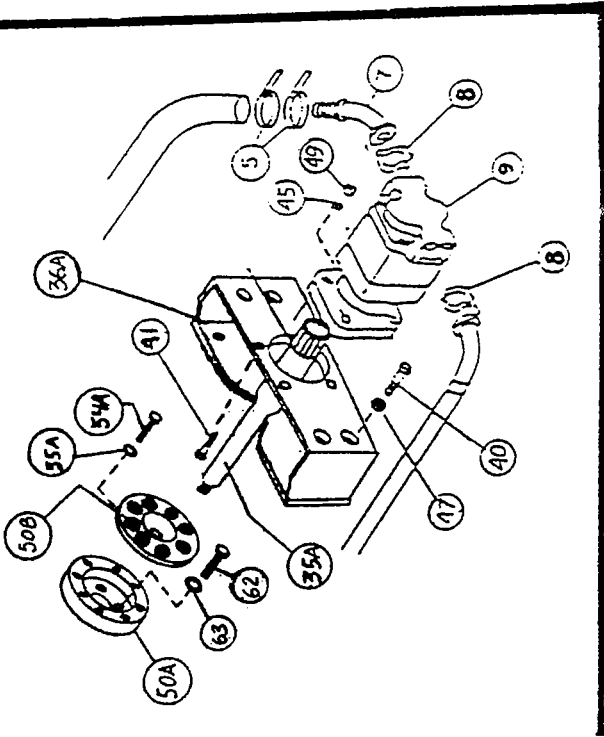
ROTARY MOWER DECK FEEDLINE ASSEMBLY JOHN DEERE 6200 - 6410, CAB HIGH PRESSURE



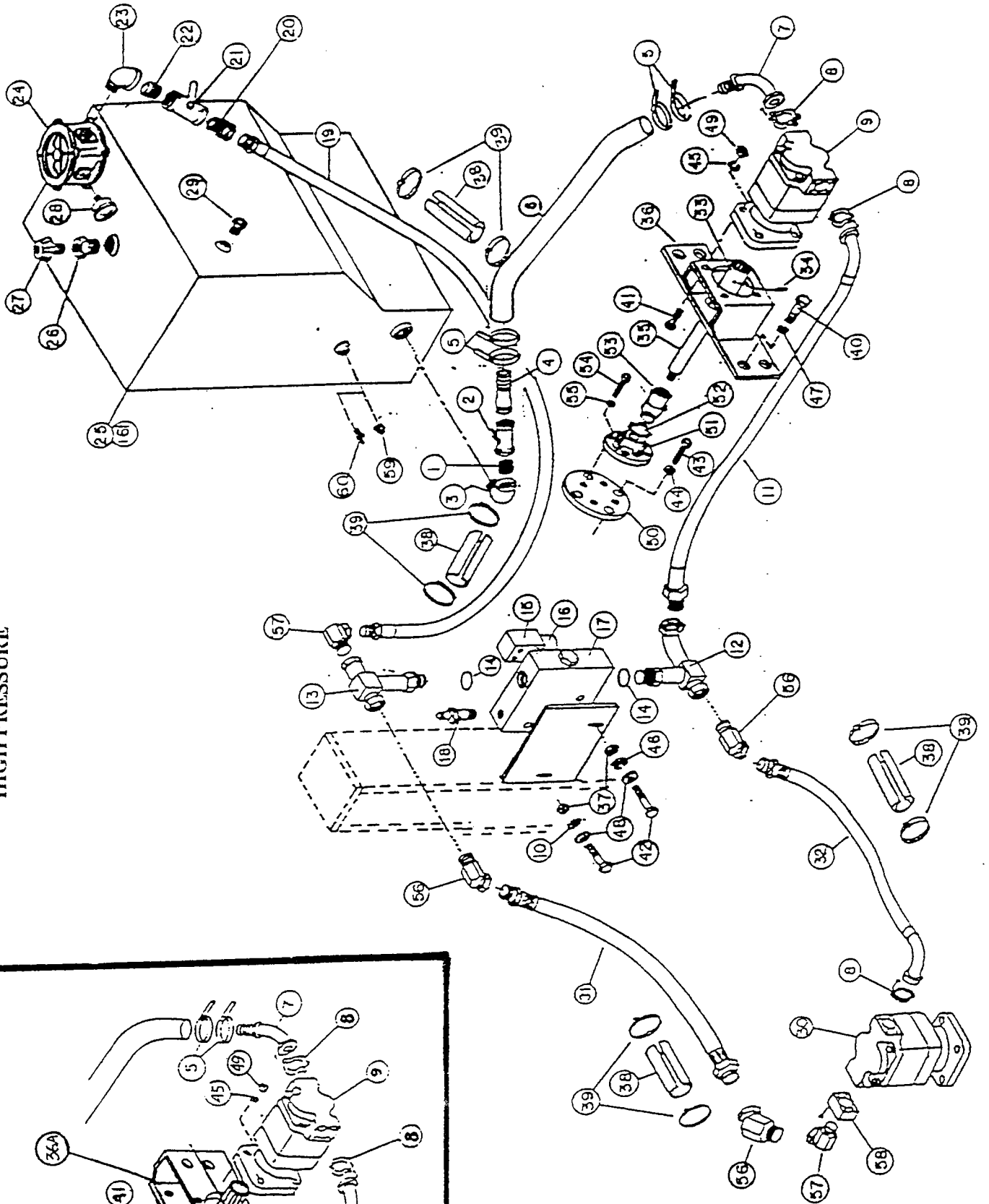
**ROTARY MOWER
DECK FEEDLINE ASSEMBLY
JOHN DEERE 6200 - 6410, CAB, HIGH PRESSURE**

Ref. NO.	PARTS DESCRIPTION	NO. REQ.	PART NO.
1	1-1/2" CLOSE NIP XHD	1	6T3801
2	1-1/2" BALL VALVE	1	6T4238
3	ST. EL - 1-1/2" x 90 DEG.	1	6T3612
4	KING NIPPLE - 1-1/2"	1	6T3800
5	BANDIT CLAMP	4	6T3018
6	SUCTION HOSE - 1-1/2"	60"	22897
7	KING NIPPLE #20 FLNG. 45 DEG.	1	22631
8	FLANGE KIT #20	3	TF4852
9	DECK FEEDLINE PUMP (P350 - 1-3/4" GEAR)	1	23152
10	STAR LOCKWASHER - 3/8"	1	6T2665
11	HOSE - 1" x 60" (1" MP x 20 FLNG. 45 DEG)	1	25198
12	PREFORMED TEE HP	1	23158
13	PREFORMED TEE HP	1	24030
14	O-RING	2	6T3904A
	SOLENOID VALVE ASSY.	AVAIL.	27360
15	SOLENOID BLOCK	1	6T3907
16	SOLENOID CARTRIDGE	1	6T3906
17	SOLENOID BODY	1	27398
18	RELIEF VALVE (3400 PSI)	1	6T3910
19	HOSE - 1" x 83" (MP - MP)	1	TF4807
20	SWIVEL - 1-1/4" MP - 1" FPX	1	22890
21	1-1/4" BALL VALVE	1	6T4237
22	CLOSE NIP - 1-1/4" XHD	1	6T3825
23	ST. EL. - 1-1/4" x 90 DEG. XHD	1	6T3601
	RESERVOIR TANK ASSY (2WD)	AVAIL.	28061
24	IN-TANK FILTER ASSEMBLY	1	6T0640
25	RESERVOIR TANK (2WD)	1	6T1219D
26	BUSHING - 1/2" x 2"	1	6T4231
27	RESERVOIR TANK BREATHER	1	6T1200N
28	PRESSURE GAUGE	1	6T0649
29	TANK SIGHT GLASS	1	6T1209
30	MOTOR (M365 - 2" GEAR)	1	22680
*30A	MOTOR (M365 - 2-1/2" GEAR)	AVAIL.	21222
31	HOSE - 1" x 78" (MP - MP)	1	23878
**31A	HOSE - 1" x 84" (MP - MP)	OPT.	27066
32	HOSE - 1" x 70" (MP - 20 FLNG. 90 DEG.)	1	23880
**32A	HOSE - 1" x 76" (MP - 20 FLNG. 90 DEG.)	OPT.	27067
33	SPLINE COUPLING	1	6T0375B
34	GREASE ZERK - 1/4" STRAIGHT	1	6T3207
35	PUMP DRIVE SHAFT (25-7-8")	1	28857A
35A	JD-6410 AND 6405 PUMP DRIVE SHAFT (28-5/8")	1	32640
36	PUMP MOUNTING BRACKET	1	6T0357F
36A	JD-6410 AND 6405 PUMP MOUNTING BRACKET	1	32642
37	HEX NUT - 3/8"	2	21625
38	SPLIT HOSE	4	6T3200
39	HOSE CLAMP	8	23568
40	CAPSCREW 20MM x 40MM (2.5 PITCH)	4	24860
	* USED WITH 72" DECK ONLY		
	** DECK HOSES USED WITH 60" DECK & 6' EXTENDED DRAFT BEAM OR 72" DECK WITH COMINATION DRAFT BEAM		

NOTE: FOR JD-6410 AND
 JD-6405, SUBSTITUTE PART #'s
 35A, 36A, 50A, 50B, 54A, AND 55A
 IN FRONT PUMP MOUNTING



ROTARY MOWER
 DECK FEEDLINE ASSEMBLY
 JOHN DEERE 6200 - 6410, CAB
 HIGH PRESSURE



**ROTARY MOWER
DECK FEEDLINE ASSEMBLY
JOHN DEERE 6200 - 6410, CAB, HIGH PRESSURE**

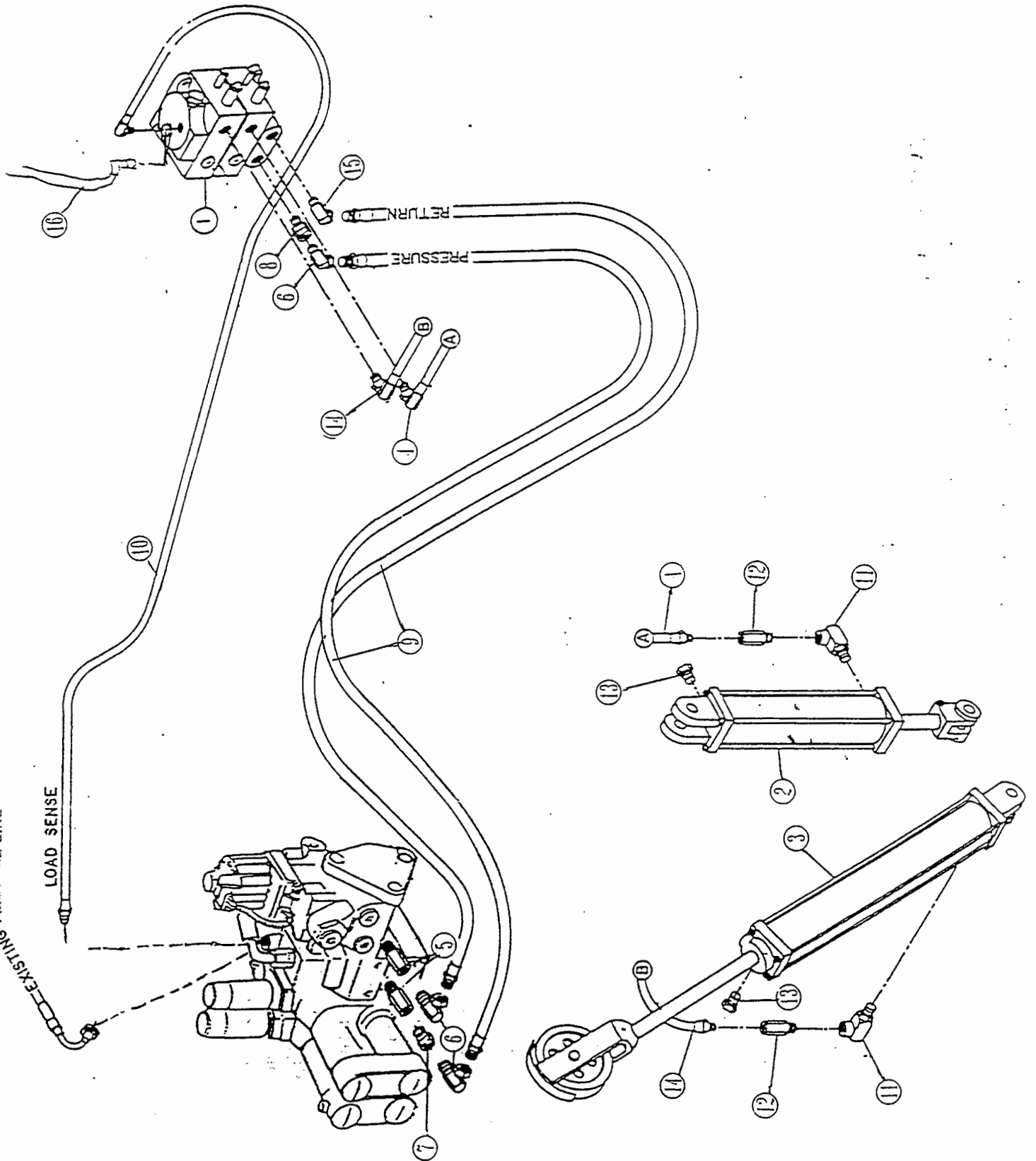
Ref. NO.	PARTS DESCRIPTION	NO. REQ.	PART NO.
41	CAPSCREW - 1/2" x 1-3/4" NC	4	21732
42	CAPSCREW - 3/8" x 3" NC	2	21638
43	CAPSCREW	4	6T2514
44	LOCKWASHER	4	6T2624
45	LOCKWASHER - 1/2"	4	21990
46	LOCKWASHER - 3/8"	1	21988
47	LOCKWASHER - 20MM	4	24881
48	FLAT WASHER - 3/8"	2	22016
49	HEX NUT - 1/2"	4	21725
50	CRANKSHAFT ADAPTER PLATE	1	28853A
50A	JD-6410 AND 6405 CRANKSHAFT ADAPTER PLATE	1	32583
50B	JD-6410 AND 6405 CRANKSHAFT ADAPTER	1	6T0389
***	CRANKSHAFT ADAPTER ASSY.	AVAIL.	24983A
***51	YOKE ADAPTER PLATE	1	24984B
***52	BEARING U-JIONT KIT	1	24975
***53	YOKE WITH THREADED INSERT	1	24974
54	CAPSCREW - 5/16" x 1" NC	4	21580
54A	JD-6410 AND 6405 CAPSCREW	4	6T2260
55	LOCKWASHER - 5/16"	4	21987
55A	JD-6410 AND 6405 LOCKWASHER - 7/16"	4	21989
56	SWIVEL - 1" MP x 1" FPX 45 DEG.	3	TF4869
57	SWIVEL - 1" MP x 1" FPX 90 DEG.	2	TF4870
58	ADAPTER BLOCK - 20 FLNG. - 1" NPT	1	TF4850
59	PIPE PLUG - 1/8"	1	6T4197
60	TEMP SENDING UNIT	OPT.	6T3931
61	EDGE GUARD - PUMP MOUNT BRKT	2'	28053
****	RESERVOIR TANK ASSEMBLY (4WD) (INCL 24, 61)	AVAIL.	28193
****	RESERVOIR TANK (4WD)	OPT.	28192D
62	CAPSCREW - SOME JD6405 AND 6410	4	6T2501
63	LOCKWASHER - SOME JD6405 AND 6410	4	32691

*** OMIT FOR JD-6410 AND 6405 UNITS

**** USED WITH 4WD UNITS ONLY

SHEET 2 of 2

EXISTING Figure 4 Line



**SIDE MOWER
LIFT CONTROL FEEDLINE ASSEMBLY
JOHN DEERE, 6200 - 6410, CAB**

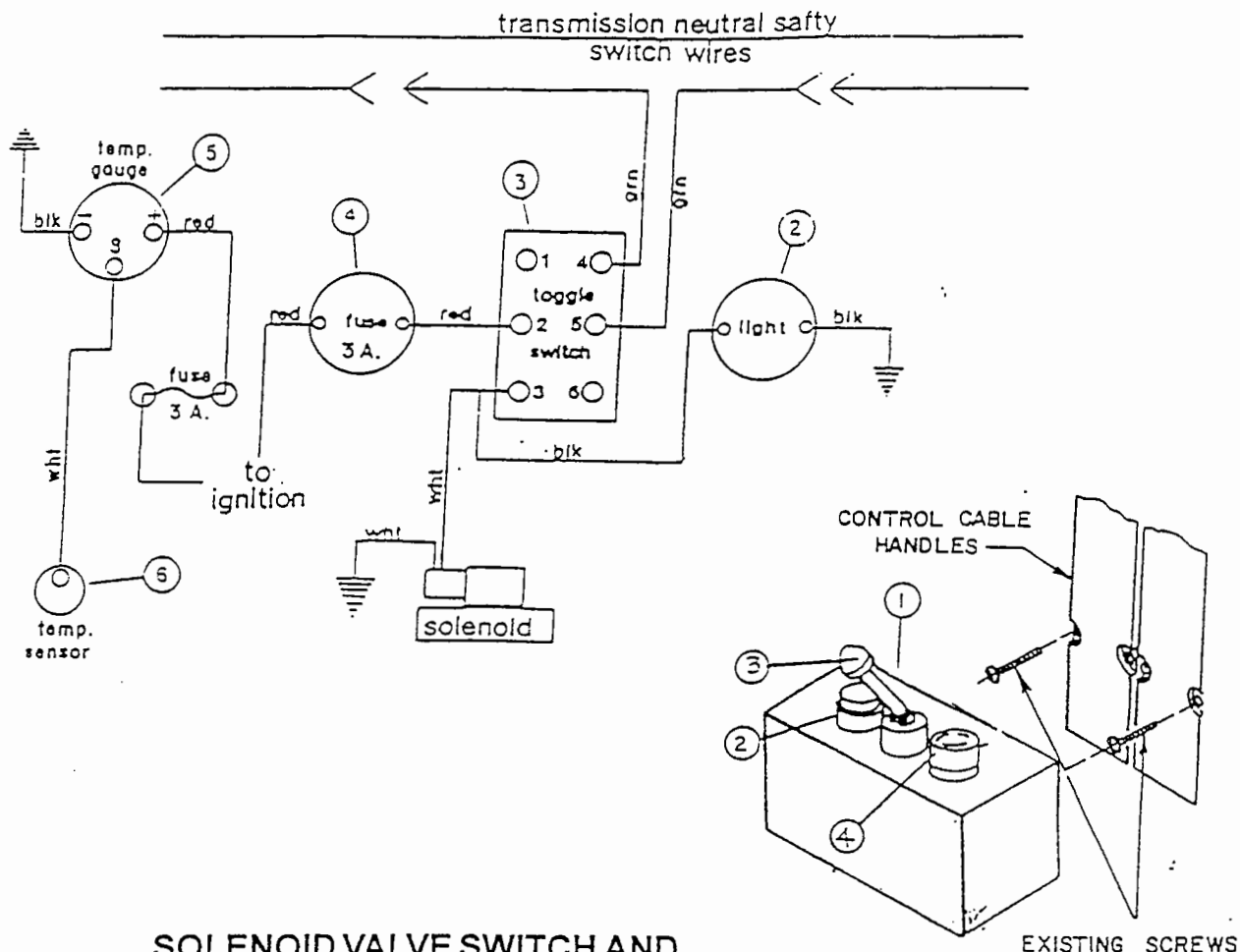
REF. NO.	PARTS DESCRIPTION	NO. REQ.	PART NO.
1	2-SPOOL VALVE, ROTARY	1	31320
2	INBOARD CYLINDER 3" x 10"	1	6T0151R
3	OUTBOARD CYLINDER 3" x 18"	1	6T0150
4	HOSE, 1/4" x 90" (1/2" MP - 1/2" MORB 90°)	1	28934
5	ADAPTER, 22mm OR x 1/2" FP	2	30548
6	SWIVEL 1/2" MP x 1/2" FPX 90°(SHORT)	3	27145
7	SWIVEL, 1/2" MP x 1/2" FPX	1	6T4240
8	SWIVEL, 5/8" OR x 1/2" FPX	1	TB1094
9	HOSE, 1/2" x 50" (MP - MP) (RETURN) (PRESSURE)	2	6T1443
10	HOSE, 1/4" x 52" (1/4" MP - 3/8" MORB 90°) (LOAD SENSE)	1	31972
11	FITTING 1/2" ADJ. O-RING x 1/2" FP 90° EL.	2	6T0157
12	RESTRICTOR .0625, 1/2" MP x 1/2" FPX	2	31189
13	BREATHER 1/2" O-RING	2	6T4258
14	HOSE, 1/4" x 100" (1/2" MP - 1/2" MORB 90°)	1	28938
15	SWIVEL, 5/8" OR x 1/2" FPX 90°	1	TB1095
16	HOSE, 1/4" x 52" (3/8" MORB 90° x 1/4" FFS 45°)	1	31971

PB 80757 10-7-97

**SIDE MOWER CABLE CONTROL ASSEMBLY
JOHN DEERE 6200 - 6410, CAB**

REF. NO.	PARTS DESCRIPTION	NO. REQ.	PART NO.
1	VALVE, 2-SPOOL	REF.	*
2	MOUNTING PLATE	1	28856C
3	VALVE PLATE MOUNTING ANGLE, LF	1	22148-1D
4	VALVE PLATE MOUNTING ANGLE, RT	1	22148-2D
5	CABLE MOUNTING ANGLE	1	6T4325
6	CABLE CONTROL MOUNTING BRACKET	1	23865B
7	CABLE CONTROL BOX, 180°	2	6T1251
8	CONTROL CABLES, 72" W/HARDWARE	2	6T4415
9	CABLE CONTROL CLEVIS	2	6T4411
10	SPACER 1" OD x 7/16" ID x 1-3/16"	3	27082B
11	SPLIT HOSE, 6"	1	6T3200
12	TRIM LOCK	8"	TB3440
13	TRIM LOCK	8"	28053
14	CAPSCREW, 1/4" x 4" NC	3	21542
15	CAPSCREW, 3/8" x 2-1/4" NC	3	21635
16	FLAT WASHER, 3/8"	9	22016
17	CAPSCREW, 3/8" x 1" NC	4	21630
18	LOCKWASHER, 3/8"	14	21988
19	LOCKWASHER, 1/4"	5	21986
20	HEX NUT, 3/8" NC	13	21625
21	HEX NUT, 1/4" NC	3	21525
22	HEX NUT, 1/4" NF	4	21500
23	ROLL PIN	2	6T3017
24	CAPSCREW, 3/8" x 2-1/2" NC	3	21636
25	CAPSCREW, 3/8" X 1-1/2" NC	4	21632

* Refer To Lift Control Feedline Assembly For Valve Information



SOLENOID VALVE SWITCH AND WIRING INSTALLATION

REF. NO.	PARTS DESCRIPTION	NO. REQ.	PART NO.
	SWITCH ASSY	AVAIL	31302
1	SWITCH MOUNTING BOX	1	6T3925
2	SWITCH "ON" LIGHT	1	6T3923
3	SWITCH HARNESS	1	6T3905
4	FUSE HOLDER	1	6T3924
5	OIL TEMPERATURE GAUGE	OPT.	6T3934
6	SENDING UNIT, TEMPERATURE GAUGE	OPT.	6T3931

NOTES
