

**TWIN ROTARY/LOADER
HIGH PRESSURE
JOHN DEERE 6200 - 6410
4 WD / CAB**

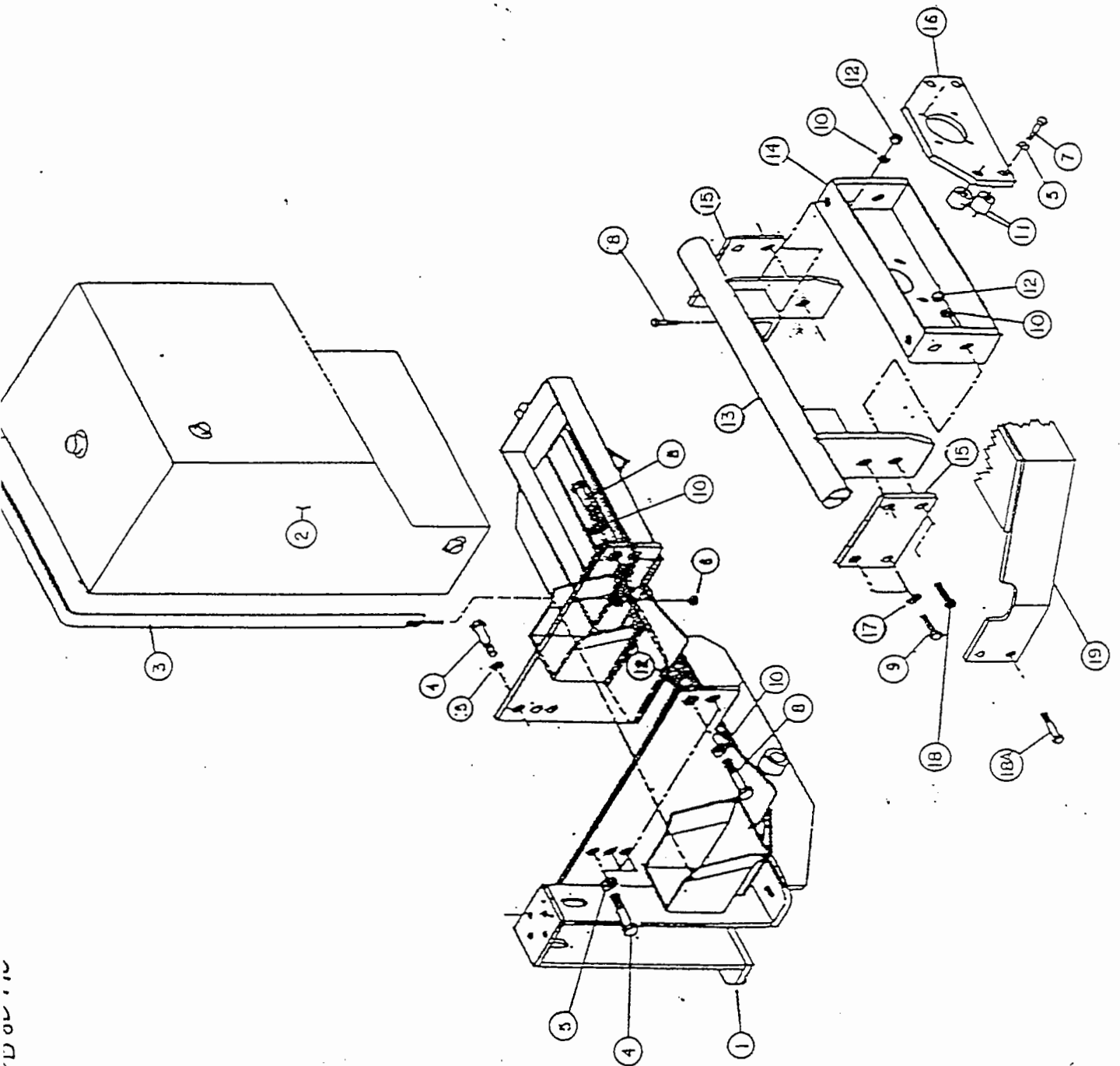
Main Frame Assembly	PB80490
Deck Feedline Assembly	PB80491
Lift Control Feedline Assembly (3-PT to Remotes)	PB80758
Lift Control Feedline Assembly (3-PT to Valve)	PB80759
Cable Control Assembly	PB80429
Cooler Mounting & Assembly	PB80484
Switch Wiring	PB80118

COMMON ASSEMBLY PB: 24328

Current As Of: 5/01/98

PB: 30287

FIG. 1



**TWIN ROTARY / LOADER
MAIN FRAME ASSEMBLY
JOHN DEERE 6200 - 6410, CAB, 4WD, HIGH PRESSURE**

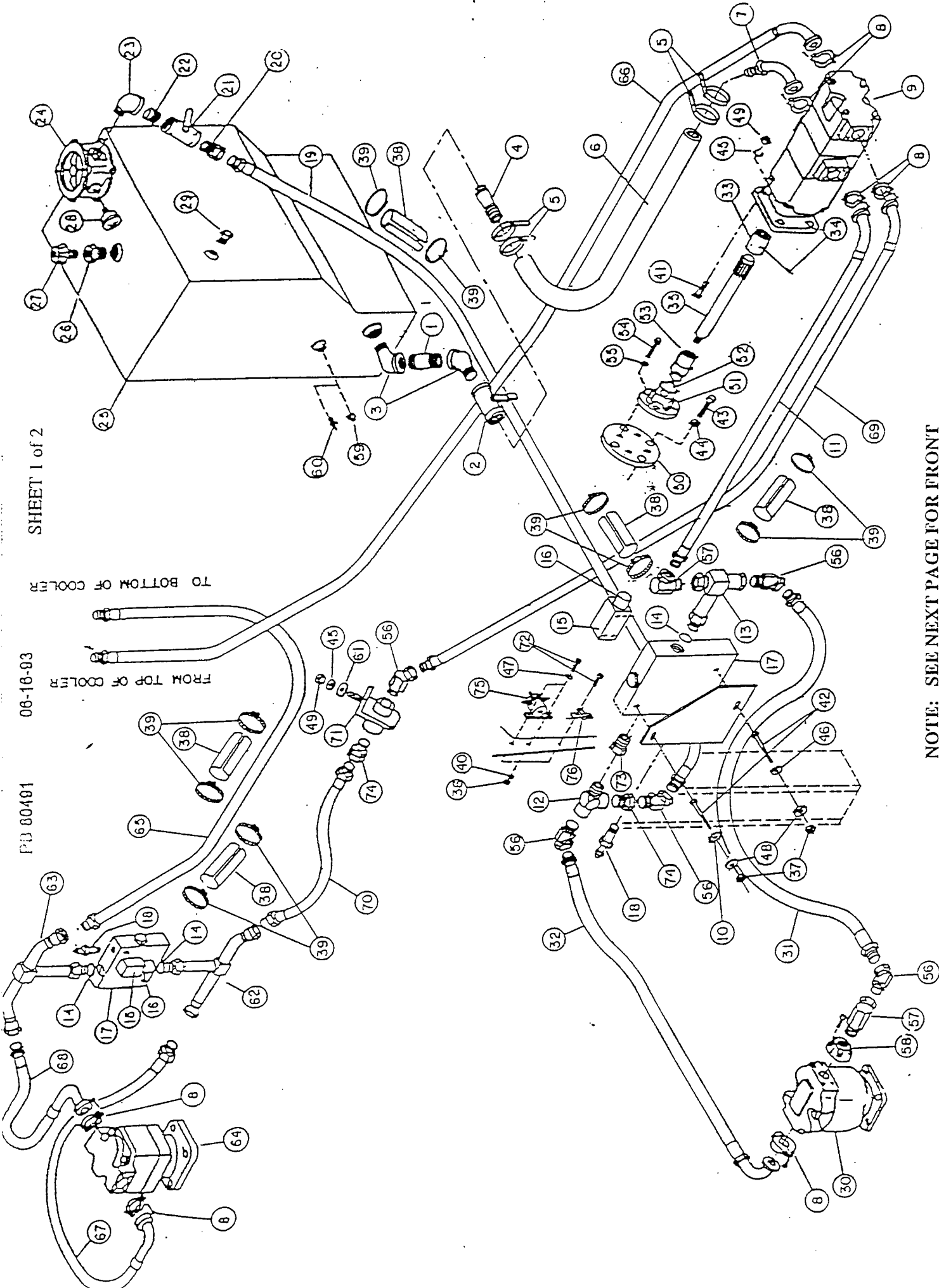
Ref. NO.	PARTS DESCRIPTION	NO. REQ.	PART NO.
1	MAIN FRAME	1	30088F
*2	RESERVOIR TANK	REF.	*
3	RESERVOIR TANK STRAP	1	28191B
4	CAPSCREW - 20MM x 50MM (2.5P)	10	27512
5	LOCKWASHER - 20MM	14	24881
6	NYLOCK NUT - 3/8" NC	2	21627
7	CAPSCREW - 20MM x 80MM (2.5P)	4	28399
#8	CAPSCREW - 3/4" x 2-1/4" NC	4	21833
9	CAPSCREW - 16MM x 65MM (2.0P)	4	6T2530
#10	LOCKWASHER - 3/4"	8	21993
11	SPACER	4	30091A
#12	HEX NUT - 3/4" NC	8	21825
13	FRONT CARRIER BRACKET	1	30489A
14	TOP CARRIER BRACKET	1	30999A
15	LOADER BRACKET	2	30530A
16	PUMP MOUNTING BRACKET	1	30090B
17	LOCKWASHER - 16MM	4	6T2625
18	CAPSCREW - 3/4" x 2-3/4" NC	4	21835
**18A	CAPSCREW - 3/4" x 3" NC	OPT.	21836
**19	FRONT PUMP GUARD	OPT.	31357
***20	JD-6405 AND 6410 LIGHT RELOCATION BRKT. (LEFT)	1	32643
***21	JD-6405 AND 6410 LIGHT RELOCATION BRKT. (RIGHT)	1	32644
***22	JD-6405 AND 6410 LIGHT RELOC. BRKT. COVER	2	32645
***23	MACHINE SCREW - #8 x 1/2"	8	6T3951
24	HEX NUT - 20MM	2	31722

* REFER TO DECK FEEDLINE ASSEMBLY FOR RESERVOIR TANK INFO.

DEPENDING ON TRACTOR, ITEMS 8, 10, AND 12 MAY NEED TO BE SUBSTITUTED WITH ITEMS 4 AND 5

** FONT PUMP GUARD OPTION

*** ITEMS 20 THRU 23 ARE NOT PICTURED AND ARE USED WITH **JD-6405 AND 6410** ONLY.



NOTE: SEE NEXT PAGE FOR FRONT PUMP MOUNTING ON JD-6405 AND 6410

**TWIN ROTARY MOWER - DECK FEEDLINE ASSEMBLY
JOHN DEERE 6200 - 6410, 4WD, CAB, HIGH PRESSURE**

Ref. NO.	PARTS DESCRIPTION	NO. REQ.	PART NO.
1	NIPPLE 1-1/2" x 4"	1	6T3808
2	1-1/2" BALL VALVE	1	6T4238
3	ST. EL. 1-1/2" 90 DEG.	2	6T3612
4	KING NIPPLE 1-1/2"	1	6T3800
5	BANDIT CLAMP	4	6T3018
6	SUCTION HOSE 1-1/2"	70"	22897
7	KING NIPPLE #20 FLNG. 45 DEG	1	22631
8	FLANGE KIT #20	7	TF4852
9	TANDUM PUMP (P350 1-3/4" - 1-1/2")	1	22679
10	STAR LOCKWASHER 3/8"	2	6T2665
11	HOSE 1" x 60" (1" MP x 20 FLNG. 45 DEG.)	1	25198
12	TEE, 1" MP x 1" FP x 1" FP	1	TF4862
13	PREFORMED TEE HP	1	24030
14	O-RING	3	6T3904A
	SOLENOID VALVE ASSY	AVAIL.	27360
15	SOLENOID BLOCK	2	6T3907
16	SOLENOID CARTRIDGE	2	6T39.6
17	SOLENOID BODY	2	27398
18	RELIEF VALVE (3400 PSI)	2	6T3910
19	HOSE 1" x 90" (MP _ MP)	1	22858
20	SWIVEL 1-1/4" MP - 1" FPX	1	22890
21	1-1/4" BALL VALVE	1	6T4237
22	CLASE NIP 1-1/4" XHD	1	6T3825
23	ST. EL. 1-1/4" x 90 DEG. XHD	1	6T3601
	RESERVOIR TANK ASSY (4WD)	AVAIL.	28193
24	IN-TANK FILTER ASSEMBLY	1	6T0640
25	RESERVOIR TANK (4WD)	1	28192B
26	BUSHING 1/2" x 2"	1	6T4231
27	RESERVOIR TANK BREATHER	1	6T1200N
28	PRESSURE GUAGE	1	6T0649
29	TANK SITE GLASS	1	6T1209
30	MOTOR (M365-2" GEAR)	1	22680
31	HOSE 1" x 106" (MP-MP)	1	24021
32	HOSE 1" x 95" (MP - 20 FLNG. 90 DEG.)	1	23488
33	SPLINE COUPLING (INCLUDES ZERK)	1	6T0375B
*34	GREASE ZERK 1/4" STRAIGHT	REF.	6T2307
35	PUMP DRIVE SHAFT (22-1/4")	1	30129
35A	JD-6410 AND 6405 PUMP DRIVE SHAFT (24-7/8")	1	32641
36	HEX NUT 1/4" NC	3	21825
37	HEX NUT 3/8"	4	21625
38	SPLIT HOSE	5	6T3200
39	HOSE CLAMP	10	23568
40	LOCKWASHER 1/4"	3	21986

SHEET 1 OF 2

! Deck Hoses Used With 60" Deck & 6' Extended Draft Beam or 72" Deck

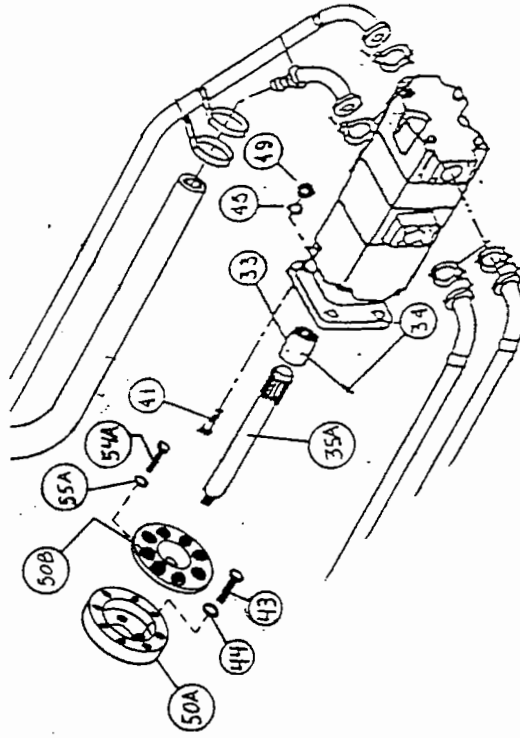
! Used With 72" Deck Only

* Refer to Boom Common parts

5/1/98

PB-80491

FRONT PUMP MOUNTING FOR JD-6405 AND 6410
REQUIRES USE OF PARTS 35A, 50A, 50B, 54A AND 55A
AS SHOWN BELOW.



**TWIN ROTARY MOWER - DECK FEEDLINE ASSEMBLY
JOHN DEERE 6200 - 6410, 4WD, CAB, HIGH PRESSURE**

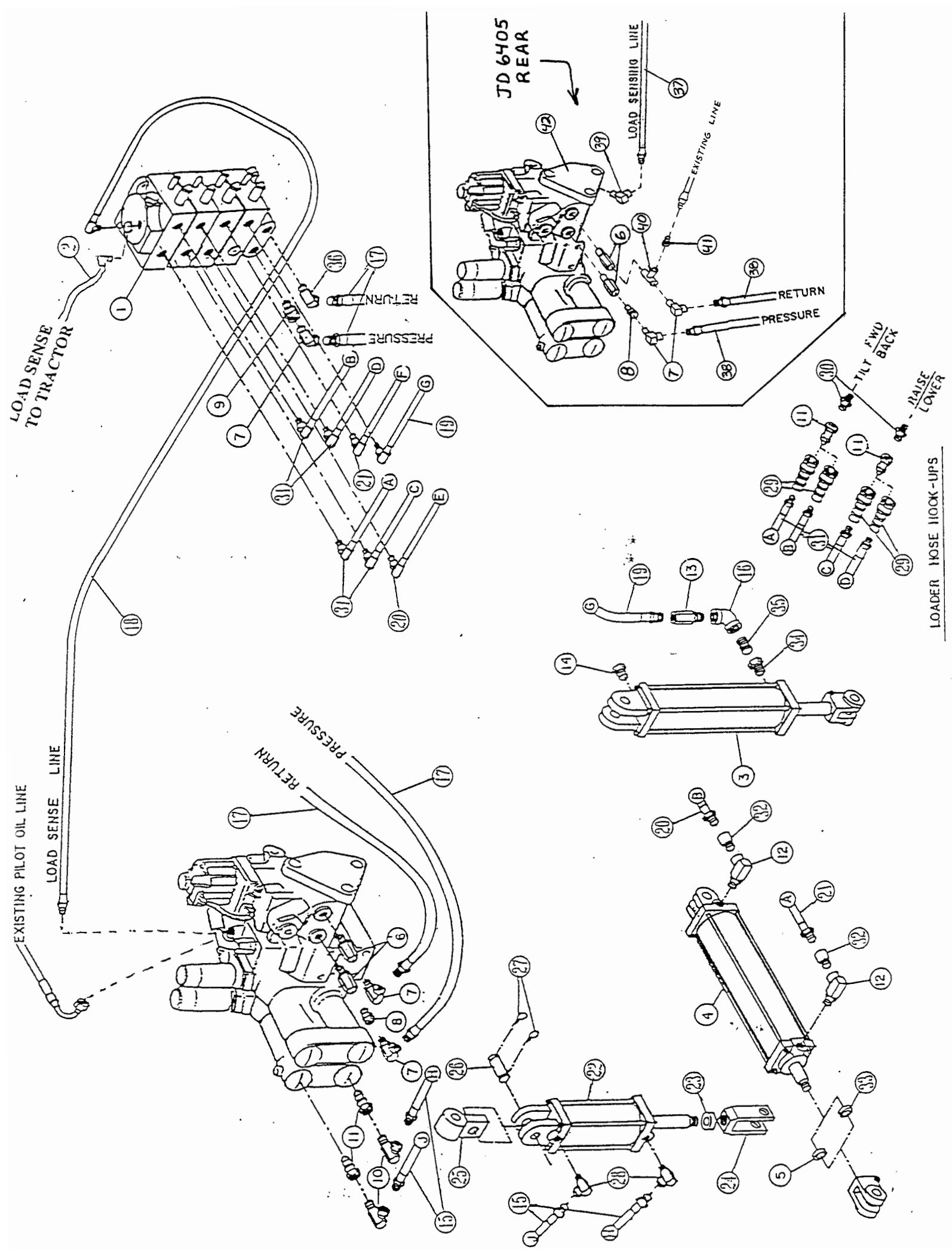
Ref. NO.	PARTS DESCRIPTION	NO. REQ.	PART NO.
41	CAPSCREW 1/2" x 2" NC	4	21733
42	CAPSCREW 3/8" x 3" NC	4	21638
43	CAPSCREW	4	6T2501
44	LOCKWASHER	4	32691
45	LOCKWASHER 1/2"	5	21990
46	LOCKWASHER 3/8"	2	21988
47	FLAT WASHER 1/4"	2	22014
48	FLAT WASHER 3/8"	4	22016
49	HEX NUT 1/2"	5	21725
50	CRANKSHAFT ADAPTER PLATE	1	28853A
50A	JD-6410 AND 6405 CRANKSHAFT ADAPTER PLATE	1	32583
50B	JD-6410 AND 6405 CRANKSHAFT ADAPTER	1	6T0389
**	CRANKSHAFT ADAPTER ASSY.	AVAIL.	24983A
**51	YOKE ADAPTER PLATE	1	24984
**52	BEARING U-JOINT KIT	1	24975
**53	YOKE WITH THREAD INSERT	1	24974
54	CAPSCREW 5/16" x 1" NC	4	21580
54A	JD-6410 AND 6405 CAPSCREW	4	6T2260
55	LOCKWASHER 5/16"	4	21987
55A	JD-6410 AND 6405 LOCKWASHER - 7/16"	4	21989
56	SWIVEL 1" MP x 1" FPX 45 DEG.	5	TF4869
57	SWIVEL 1" MP x 1" FPX 90 DEG.	2	TF4870
58	ADAPTER BLOCK, 20 FLNG - 1" NPT	1	TF4850
59	PIPE PLUG 1/8"	1	6T4197
60	TEMP SENDING UNIT	OPT.	6T3931
61	FLAT WASHER - 1/2"	1	22018
62	PREFORMED TUBE (HP)	1	24031
63	PREFORMED TUBE (HP)	1	24032
64	MOTOR - M365 1-3/4"	1	21469
65	HOSE - 1" x 158" (MP - MP)	1	28437
66	HOSE - 1" x 223" (MP - #20 FLG 45 DEG.)	1	30106
67	HOSE - 1" x 31" (MP - #20 FLG 90 DEG.)	1	22667
68	HOSE - 1" x 24" (MP - #20 FLG 90 DEG.)	1	22668
69	HOSE - 1" x 155" (MP - #20 FLG 45 DEG.)	1	30115
70	HOSE - 1" x 65-1/2" (MP - MP)	1	22666
71	UNION BLOCK - 1"	1	23283A
72	CAPSCREW - 1/4" x 3/4" NC	3	21529
73	ADAPTER - 1-1/4" O.R. x 1" FP	1	TF4872
74	SWIVEL - 1" MP x 1" FPX	2	TF4868
75	CONTINUOUS DUTY SOLENOID	1	6T3927
76	CIRCUIT BREAKER	1	6T3957
77	EDGE GUARD - FRONT PUMP MOUNT	2'	28053

SHEET 2 OF 2

** NOT USED WITH JD-6410

5/1/98

PB-80491

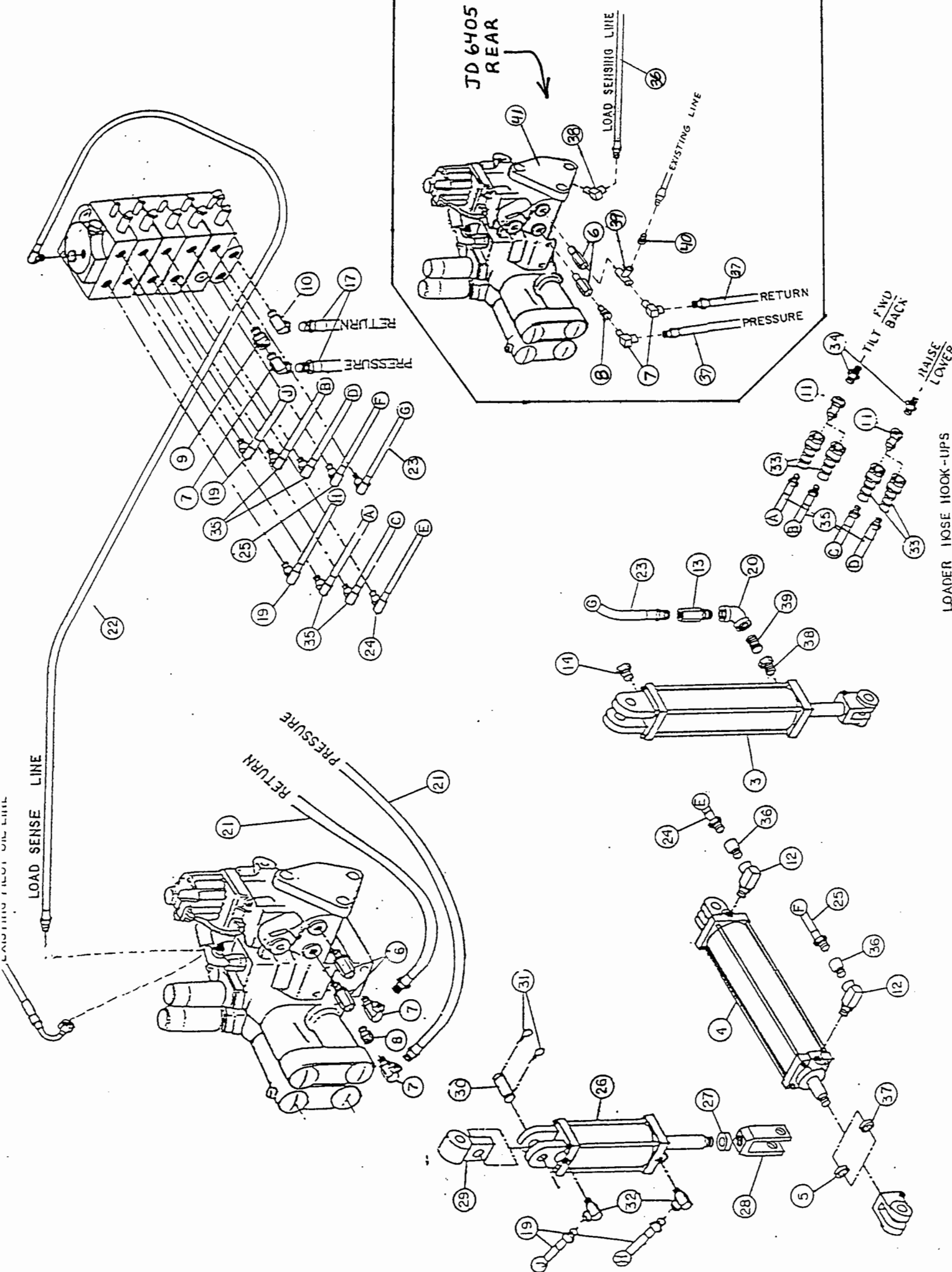


LOADER HOSE-HOOK-UPS

**TWIN ROTARY LOADER WITH COMBINATION DRAFT BEAM
LIFT CONTROL FEEDLINE ASSEMBLY
JOHN DEERE, 6200 - 6410, CAB**

REF. NO.	PARTS DESCRIPTION	NO. REQ.	PART NO.	REF. NO.	PARTS DESCRIPTION	NO. REQ.	PART NO.
1	4-SPOOL VALVE	1	31535	19	HOSE, 1/4" x 90" (1/2" MP - 1/2" MORB 90°) (G)	1	28934
2	HOSE, 1/4" x 52"(3/8" MORB 90° x 1/4" FFS 45°)	1	31971	20	HOSE, 1/4" x 90" (1/4" MP - 1/2" MORB 90°) (E)	1	28988
3	INBOARD CYLINDER 3" x 10"	1	6T0151R	21	HOSE, 1/4" x 109" (1/4" MP - 1/2" MORB 90°) (F)	1	30210
4	OUTBOARD CYLINDER 3" x 12"	1	25343		CYLINDER ASSEMBLY	1-REQ	31211
5	SPACER (5/16")	IF REQ'D	22077	22	CYLINDER, 3" x 8"	1	30481
6	ADAPTER, 22mm OR x 1/2" FP	2	30548	23	SPACER, 1/2"	1	31208
7	SWIVEL 1/2" MP x 1/2" FPX 90° (SHORT)	3	27145	24	CYLINDER CLEVIS (LOWER)	1	30184D
8	SWIVEL, 1/2" MP x 1/2" FPX	1	6T4240	25	CYLINDER CLEVIS (UPPER)	1	30181A
9	SWIVEL, 5/8" OR x 1/2" FPX	1	TB1094	26	PIN 1" x 3-1/2"	1	6T3003
10	SWIVEL, 1/2" MP x 1/2" FPX 90°	2	TF4879	27	R-CLIP	2	6T3004
11	QUICK COUPLER, 1/2" MALE	6	6T4221	28	SWIVEL, 1/2" OR x 1/2" FPX 90°	2	6T0158
12	FITTING 1/2" ADJ. O-RING x 1/2" FP 90° EL.	2	6T0157	29	QUICK COUPLER, 1/2" FEMALE	4	6T4221A
13	RESTRICTOR 1/2" .0625, 1/2" MP x 1/2" FPX	1	31189	30	UNION, 1/2" MP x 1/2" MJ	4	6T4280
14	BREATHER 1/2" O-RING	1	6T4258	31	HOSE, 3/8" x 122" (1/2" MP - 1/2" MORB 90° (A,B,C,D))	4	28924
15	HOSE, 1/4" x 24" (1/2" MP - 1/2" MP) (H,J)	2	28721	32	RESTRICTOR, 1/16" ORIFICE (NPT)	2	6T4256
16	ELBOW, 1/2" x 90°	1	6T3412	33	SPACER (1/4")	IF REQ'D	22076
17	HOSE, 1/2" x 50" (MP - MP) (PRESSURE)(RETURN)	2	6T1412	34	ADAPTER, 1/2" OR x 1/2" FP	1	6T4224
18	HOSE, 1/4" x 52" (3/8" MORB 90° x 3/8" FFS 90°)(L,S)	1	31972	35	NIPPLE, 1/2" x 2"	1	25011
				36	SWIVEL, 5/8" OR x 1/2" FPX 90°	1	TB1095
				37	HOSE	1	32650
				38	HOSE	2	31016
				39	ELBOW	1	31739
				40	TEE	1	32651
				41	HOSE END	1	32195
				42	LOAD SENSE COVER	1	AL112432

+ These Parts When Plumbing Three-Point Directly To Lift Valve



CAUTION FIRST OIL LINE

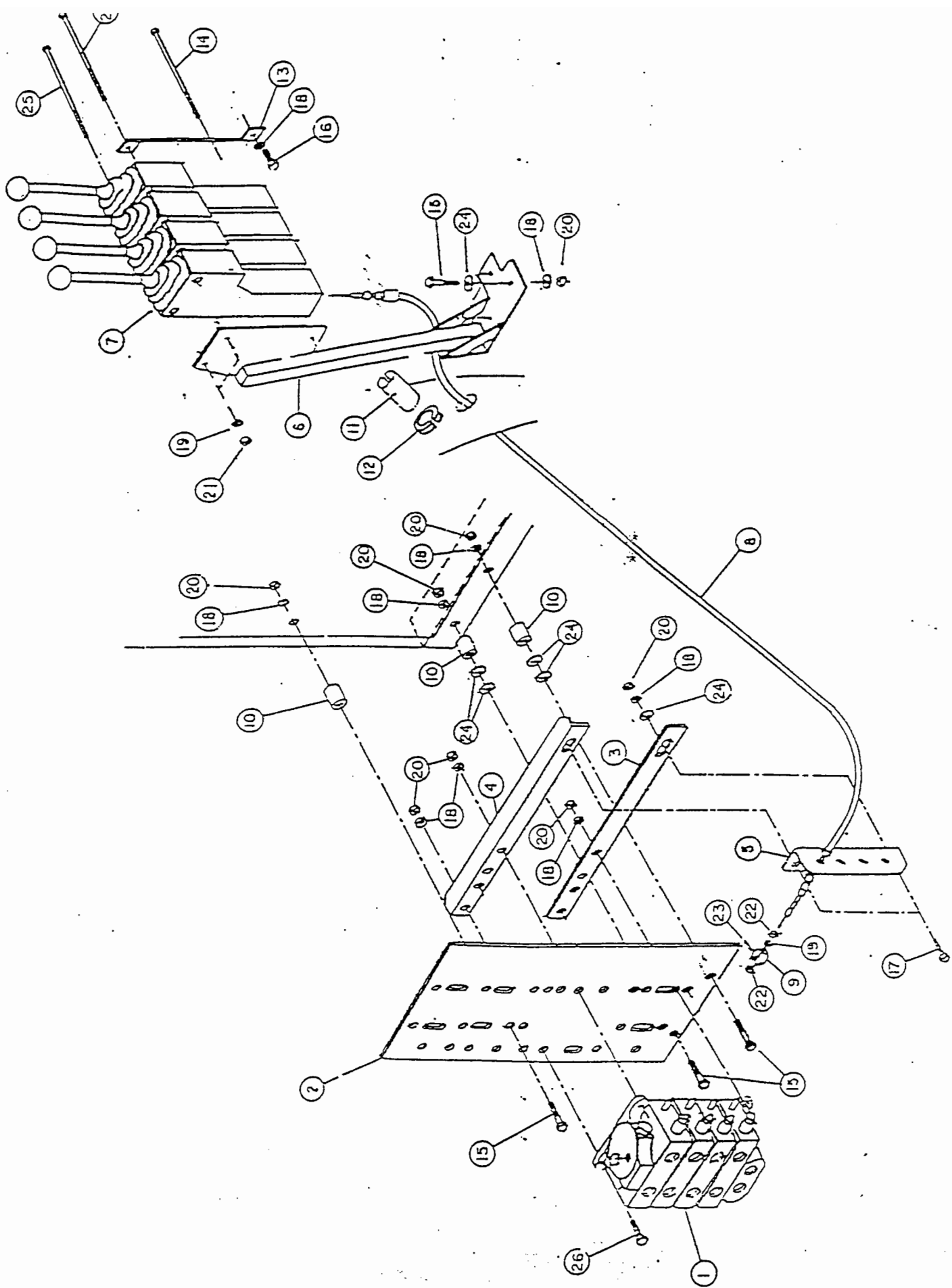
JD 6405 REAR

LOADER NOSE HOOK-UPS

**TWIN ROTARY LOADER WITH COMBINATION DRAFT BEAM
LIFT CONTROL FEEDLINE ASSEMBLY
JOHN DEERE, 6200 - 6410, CAB**

REF. NO.	PARTS DESCRIPTION	NO. REQ.	PART NO.	REF. NO.	PARTS DESCRIPTION	NO. REQ.	PART NO.
1	5-SPOOL VALVE	1	31667	19	HOSE, 1/4" x 90" (1/2" MP - 1/2" MORB 90°) (G)	1	28934
2	HOSE, 1/4" x 52" (3/8" MORB 90° x 1/4" FFS 90°)	1	31971	20	HOSE, 1/4" x 90" (1/4" MP - 1/2" MORB 90°) (E)	1	28988
3	INBOARD CYLINDER 3" x 10"	1	6T0151R	21	HOSE, 1/4" x 109" (1/4" MP - 1/2" MORB 90°) (F)	1	30210
4	OUTBOARD CYLINDER 3" x 12"	1	25343		CYLINDER ASSEMBLY	1-REQ	31211
5	SPACER (5/16")	IF REQD	22077	22	CYLINDER, 3" x 8"	1	30481
6	ADAPTER, 22mm OR x 1/2" FP	2	30548	23	SPACER, 1/2"	1	31208
7	SWIVEL 1/2" MP x 1/2" FPX 90° (SHORT)	3	27145	24	CYLINDER CLEVIS (LOWER)	1	30184D
8	SWIVEL, 1/2" MP x 1/2" FPX	1	6T4240	25	CYLINDER CLEVIS (UPPER)	1	30181A
9	SWIVEL, 5/8" OR x 1/2" FPX	1	TB1094	26	PIN 1" x 3-1/2"	1	6T3003
10	SWIVEL, 5/8" OR x 1/2" FPX 90°	1	TB1095	27	R-CLIP	2	6T3004
11	QUICK COUPLER, 1/2" MALE	4	6T4221	28	SWIVEL, 1/2" OR x 1/2" FPX 90°	2	6T0158
12	FITTING 1/2" ADJ. O-RING x 1/2" FP 90° EL.	2	6T0157	29	QUICK COUPLER, 1/2" FEMALE	4	6T4221A
13	RESTRICTOR 1/2" .0625, 1/2" MP x 1/2" FPX	1	31189	30	UNION, 1/2" MP x 1/2" MJ	4	6T4280
14	BREATHER 1/2" O-RING	1	6T4258	31	HOSE, 3/8" x 122" (1/2" MP - 1/2" MORB 90° (A,B,C,D))	4	28924
15	HOSE, 1/4" x 72" (1/2" MP - 1/2" MORB 90°) (H,J)	2	28859	32	RESTRICTOR, 1/16" ORIFICE (NPT)	2	6T4256
16	ELBOW, 1/2" x 90°	1	6T3412	33	SPACER (1/4")	IF REQD	22076
17	HOSE, 1/2" x 50" (MP - MP) (PRESSURE)(RETURN)	2	6T1412	34	ADAPTER, 1/2" OR x 1/2" FP	1	6T4224
18	HOSE, 1/4" x 52" (3/8" MORB 90° x 3/8" FFS 90°)(L,S)	1	28923	35	NIPPLE, 1/2" x 2"	1	25011
				36	HOSE	1	32650
				37	HOSE	2	31016
				38	ELBOW	1	31739
				39	TEE	1	32651
				40	HOSE END	1	32195
				41	LOAD SENSE COVER	1	AL112432

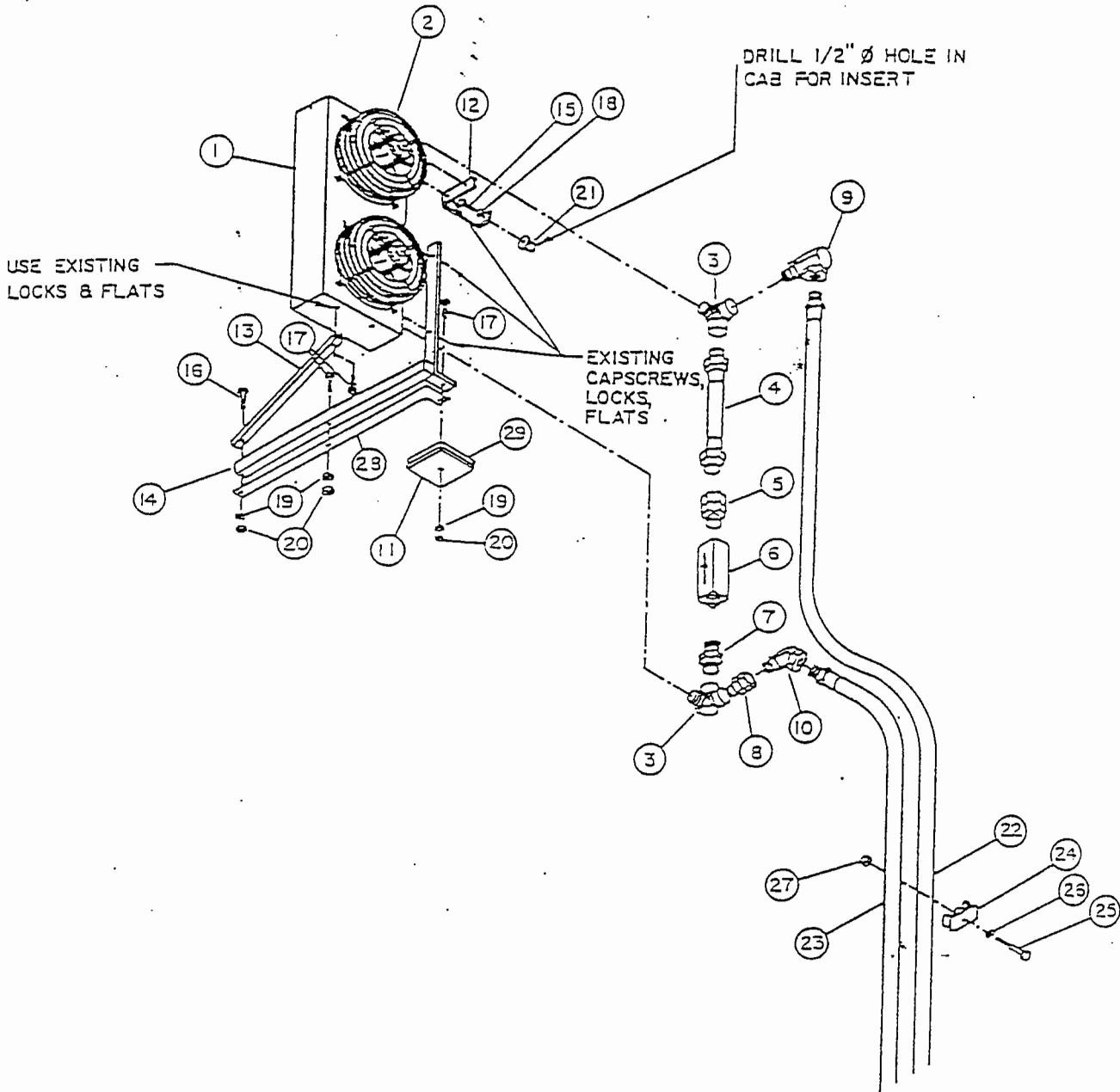
FIGURE 4



**BOOM CABLE CONTROL ASSEMBLY
JOHN DEERE 6200 - 6410, CAB**

REF. NO.	PARTS DESCRIPTION	NO. REQ.	PART NO.
1	VALVE, 4-SPOOL	REF.	
2	MOUNTING PLATE	1	28856C
3	VALVE PLATE MOUNTING ANGLE, LF	1	22148-1D
4	VALVE PLATE MOUNTING ANGLE, RT	1	22148-2D
5	CABLE MOUNTING ANGLE	1	6T4325
6	CABLE CONTROL MOUNTING BRACKET	1	23865B
7	CABLE CONTROL BOX, 180°	4	6T1251
8	CONTROL CABLES, 60" W/HARDWARE	4	31356
9	CABLE CONTROL CLEVIS	4	6T4411
10	SPACER 1" OD x 7/16" ID x 1-3/16"	3	27082B
11	SPLIT HOSE, 6"	1	6T3200
12	TRIM LOCK	8"	TB3440
13	SUPPORT BRACKET	1	30750A
14	CAPSCREW, 1/4" x 7" NC	1	21546
15	CAPSCREW, 3/8" x 2-1/4" NC	6	21635
16	CAPSCREW, 10mm x 25mm (1.5 PITCH)	1	27513
17	CAPSCREW, 3/8" x 1" NC	2	21630
18	LOCKWASHER, 3/8"	13	21988
19	LOCKWASHER, 1/4"	7	21986
20	HEX NUT, 3/8" NC	12	21625
21	HEX NUT, 1/4" NC	3	21525
22	HEX NUT, 1/4" NF	8	21500
23	ROLL PIN	4	6T3017
24	FLATWASHER, 3/8"	9	22016
25	CAPSCREW, 1/4" x 8" NC	2	21547
26	CAPSCREW, 3/8" x 1-1/2" NC	4	21632

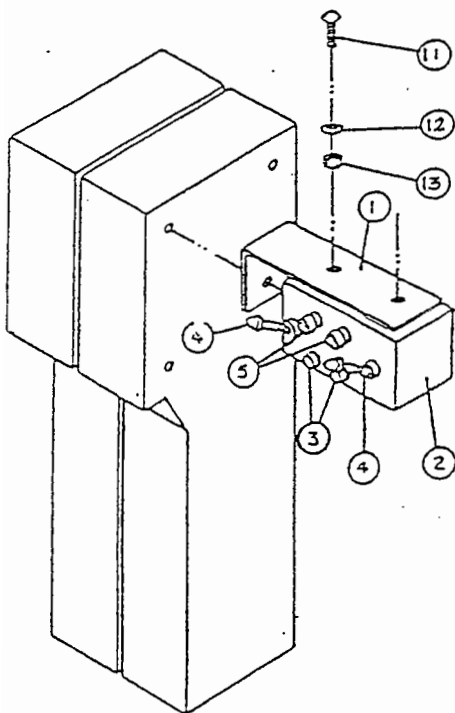
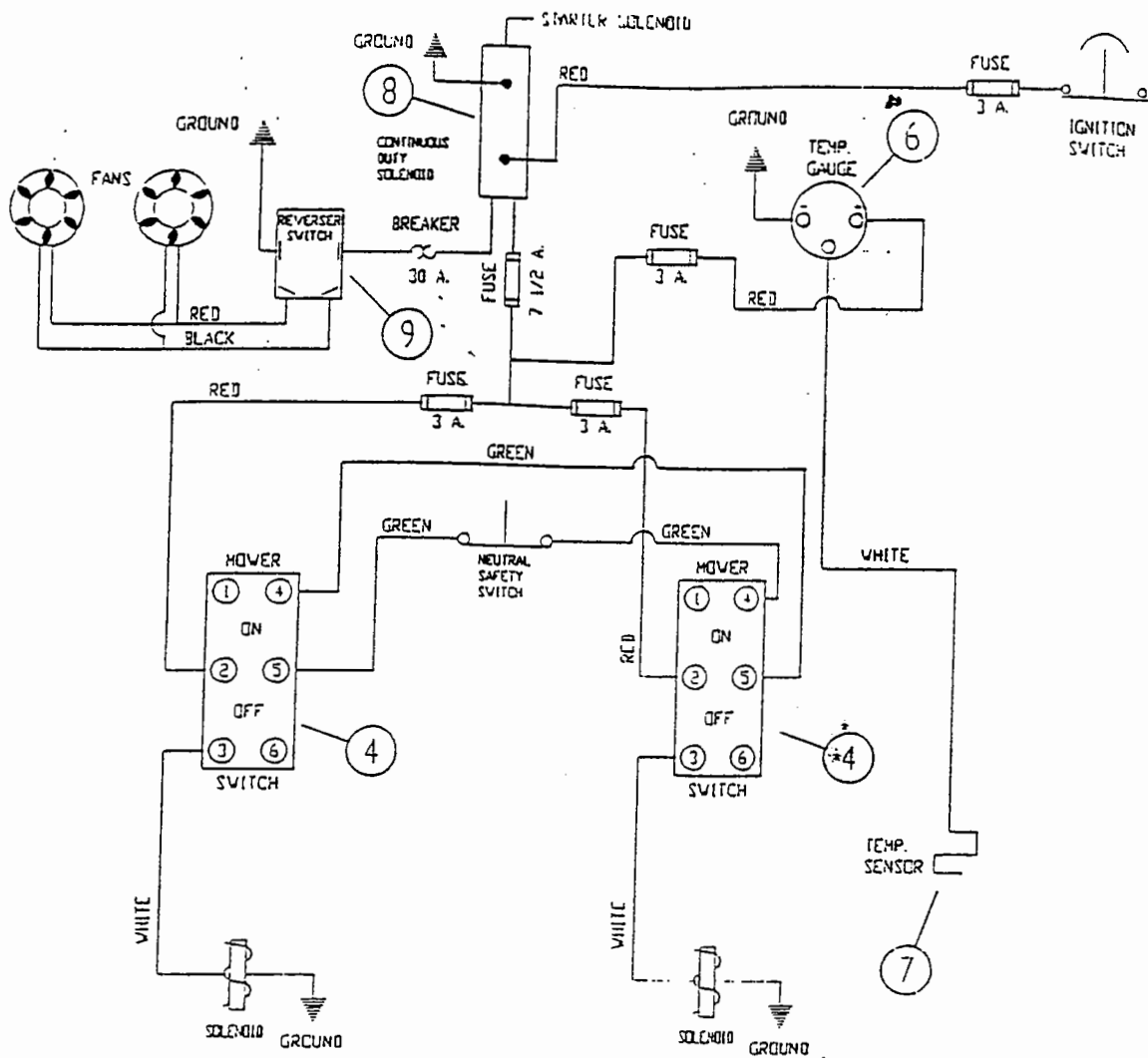
* Refer To Lift Control Feedline Assembly For Valve Information



COOLER MOUNTING AND ASSEMBLY
JD 62 - 6410
CAB, HIGH PRESSURE

REF. NO.	PARTS DESCRIPTION	NO. REQ.	PART NO.
	COOLER ASSEMBLY	AVAIL.	30206
1	COOLER	AVAIL.	TF4619
	COOLER COIL	1	TF4614
2	FAN ASSEMBLY	AVAIL.	27053
	BLADE	2	TF4615
	GUARD	2	TF4616
	MOTOR BRACKET	(2 SETS)	TF4617
	MOTOR	2 *	TF4618
3	ELBOW, 3/4" MP x 1" FP x 1" FP 90°	2 *	22763
4	HOSE, 1" x 13-3/4" (1" MP - 3/4" MP)	1	22671
5	SWIVEL, 3/4" MP x 3/4" FPX	1	6T3503
6	CHECK VALVE, #20	1	22813
7	UNION, 1" MP x 3/4" MP	1	22675
8	SWIVEL, 1" MP x 1" FPX	1	TF4868
9	SWIVEL, 1" MP x 1" FPX 90°	1	TF4870
10	SWIVEL, 1" MP x 1" FPX 45°	1	TF4869
11	FENDER BRACKET	1	30229
12	UPPER COOLER BRACKET	1	30230
13	SUPPORT CHANNEL	1	30231
14	LOWER COOLER BRACKET	1	30232
15	CAPSCREW, 3/8" x 1" NC	1	21630
16	CAPSCREW, 1/4" x 1-1/2" NC	1	21532
17	CAPSCREW, 1/4" x 1-1/4" NC	3	21531
18	LOCKWASHER, 3/8"	1	21988
19	LOCKWASHER, 1/4"	3	21986
20	HEX NUT, 1/4" NC	3	21525
21	THREADED INSERT, 3/8" NC	1	6T2293
+22	HOSE	REF.	REF.
+23	HOSE	REF.	REF.
24	TUBE CLAMP	1	TB3031
25	CAPSCREW, 5/16" x 2-3/4" NC	1	21587
26	LOCKWASHER, 5/16"	1	21987
27	HEX NUT, 5/16" NC	1	21575
28	RUBBER PAD	1	30306
29	RUBBER PAD	1	30307B

+ These hoses and their routing may vary depending on which mower system you have.
Refer to the Deck Feedline Assembly for your unit.



REF. NO.	PARTS DESCRIPTION	NO. REQ.	PART NO.
1	SWITCH MOUNTING BRACKET (CAB)	1	6T3949
2	SWITCH-MOUNTING BOX	1	6T3926
3	SWITCH "ON" LIGHT	2	6T3923
4	SWITCH HARNESS, FORD	2	6T3905
5	IN-DASH FUSE HOLDER	2	6T3924
6	OIL TEMPERATURE GAUGE	OPT.	6T3934
7	SENDING UNIT, TEMPERATURE GAUGE	OPT.	6T3931
8	CONTINUOUS DUTY SOLENOID	1	6T3927
9	REVERSING SWITCH	1	30260
10	SWITCH BOX WITH HARNESS	1	6T3928
11	MACHINE SCREW 8/32" x 1/2" NC	2	6T3951
12	FLAT WASHER NO. 8	2	6T3953
13	HEX NUT 8/32" NYLOCK	2	6T3952
	SWITCH ASSEMBLY (INCLUDES 1,2,3,4,5)	AVAIL.	27847

NOTES

NOTES
