



SIDE FLAIL ASSEMBLIES

JD5085 - 5115M

TIER 4

Current as of 07/24/2012

PARTS LISTING WITH
MOUNTING AND OPERATING
INSTRUCTIONS

Tiger Corporation
3301 N. Louise Ave.
Sioux Falls, SD 57107
1-800-843-6849
1-605-336-7900
www.tiger-mowers.com

06010028

TO THE OWNER / OPERATOR / DEALER

All implements with moving parts are potentially hazardous. There is no substitute for a cautious, safe-minded operator who recognizes the potential hazards and follows reasonable safety practices. The manufacturer has designed this implement to be used with all its safety equipment properly attached to minimize the chance of accidents.

BEFORE YOU START!! Read the safety messages on the implement and shown in this manual. Observe the rules of safety and use common sense!

READ AND UNDERSTAND THIS MANUAL! Non-English speaking operators will need to GET THE MANUAL TRANSLATED as needed!



DANGER

FAILING TO FOLLOW SAFETY MESSAGES AND OPERATING INSTRUCTIONS CAN CAUSE SERIOUS BODILY INJURY OR EVEN DEATH TO OPERATOR AND OTHERS IN THE AREA.



1. Study and understand Operator's Manuals, Safety Decals, and Instructional Decals for tractor and implement to prevent misuse, abuse, and accidents. Practice before operating in a confined area or near passersby.

● Learn how to stop engine suddenly in an emergency. Be alert for passersby and especially children

2. Allow no children on or near folding mower or tractor. Allow no riders on tractor or implement. Falling off may cause serious injury or death from being run over by tractor or mower or contact with rotating blades.

3. Operate only with tractor having Roll-Over Protective Structure (ROPS) and with seat belt securely fastened to prevent injury and possible death from falling off or tractor overturn.

● Personal Protective Equipment such as Hard Hat, Safety Glasses, Safety Shoes, & Ear Plugs are recommended.

4. Block up or support raised machine and all lifted components securely before putting hands or feet under or working underneath any lifted component to prevent crushing injury or death from sudden dropping or inadvertent operation of controls. Make certain area is clear before lowering or folding

5. Before transporting, put Lift Lever in detent or full-lift position. Install Transport Safety Devices securely on folding mowers. Put Booms securely in Transport Rest.

● Folding and Boom Mowers have raised center of gravity. Slow down when turning and on hillsides.

6. Make certain that SMV sign, warning lights, and reflectors are clearly visible. Follow local traffic codes.

7. Never operate with Cutting Head or Folding Section raised if passersby, bystanders, or traffic are in the area to reduce possibility of injury or death from objects thrown by Blades under Guards or mower structure.

8. Before dismounting, secure implement in transport position or lower to ground.

● Put tractor in park or set brake, disengage PTO, stop engine, remove key, and wait until noise of rotation has ceased to prevent crushing by entanglement in rotating parts which could cause injury or death.

● Never mount or dismount a moving vehicle. Crushing from runover may cause serious injury or death.



02967827

Warranty Information: Read and understand the complete Warranty Statement found in this manual. Fill out the Warranty Registration form in full and return it within 90 days. Make certain the Serial Number of the machine is recorded on the Warranty Card, and form that you retain.

FORWARD

This manual contains information about many features of the Tiger mowing and roadside maintenance equipment. Some of these include: Safety precautions, Assembly instructions, Operations, Maintenance and Parts. This manual will also assist you in the proper break-in, daily care, and troubleshooting of your new mower.

We recommend that you read carefully the entire manual before operating the unit. Also, time spent in becoming fully acquainted with its performance features, adjustments, and maintenance schedules will be repaid in a long and satisfactory life of the equipment.

Troubleshooting - Please, before you call, help us to help you!

Please look at the equipment to observe what is happening, then:

- Classify the problem
 - Hydraulic, electrical or mechanical - Read the trouble shooting section
 - Tractor or Truck chassis - Contact vehicle dealer

- If unable to correct the problem yourself, contact your local Tiger Dealer after gathering:
 - Machine model _____
 - Serial number _____
 - Dealer name _____
 - Detailed information about the problem including results of troubleshooting

Attention Owner / Operator / Dealer: It is your obligation to read, and understand, the warranty information section located at the back of this manual denoting that the purchaser understands the safety issues relating to this machine and has received and will read a copy of this manual.

If at any time, you have a service problem with your Tiger mower, Contact your local dealer for service and parts needed.

MANUFACTURED BY:

Tiger Corporation

3301 N. Louise Ave.

Sioux Falls, SD 57107

1-800-843-6849

1-605-336-7900

www.tiger-mowers.com

DISTRIBUTED BY:

1- _____ - _____ - _____

1- _____ - _____ - _____

TABLE OF CONTENTS

SAFETY SECTION_____	1
ASSEMBLY / MOUNTING SECTION_____	2
OPERATION SECTION_____	3
MAINTENANCE SECTION_____	4
PARTS SECTION_____	5
COMMON PARTS SECTION_____	6
WARRANTY INFORMATION_____	7



1012

This symbol means:

CAUTION – YOUR SAFETY IS AT RISK!

When you see this symbol, read and follow the associated instructions carefully or personal injury or damage may result.

Tiger is a registered trademark.



SAFETY

SAFETY SECTION

SAFETY

General Safety Instructions and Practices

A safe and careful operator is the best operator. Safety is of primary importance to the manufacturer and should be to the owner / operator. Most accidents can be avoided by being aware of your equipment, your surroundings, and observing certain precautions. The first section of this manual includes a list of Safety Messages that, if followed, will help protect the operator and bystanders from injury or death. Read and understand these Safety Messages before assembling, operating or servicing this mower. This equipment should only be operated by those persons who have read the Manual, who are responsible and trained, and who know how to do so safely and responsibly.



1000

The Safety Alert Symbol combined with a Signal Word, as seen below, is used throughout this manual and on decals which are attached to the equipment. The Safety Alert Symbol means: “**ATTENTION! BECOME ALERT! YOUR SAFETY IS INVOLVED!**” The symbol and signal word are intended to warn the owner / operator of impending hazards and the degree of possible injury when operating this equipment.

Practice all usual and customary safe working precautions and above all -- remember safety is up to YOU! Only YOU can prevent serious injury or death from unsafe practices.

DANGER!



Indicates an imminently hazardous situation that, if not avoided, WILL result in DEATH OR VERY SERIOUS INJURY.

WARNING!



Indicates an imminently hazardous situation that, if not avoided, COULD result in DEATH OR SERIOUS INJURY.

CAUTION!



Indicates an imminently hazardous situation that, if not avoided, MAY result in MINOR INJURY.

IMPORTANT!

Identifies special instructions or procedures that, if not strictly observed, could result in damage to, or destruction of the machine, attachments or the environment.

NOTE: *Identifies points of particular interest for more efficient or convenient operation or repair.* (SG-1)

READ, UNDERSTAND, and FOLLOW the following Safety Messages. Serious injury or death may occur unless care is taken to follow the warnings and instructions stated in the Safety Messages. Always use good common sense to avoid hazards. (SG-2)

SAFETY INSTRUCTIONS



SAFETY

PELIGRO!



Si no lee Ingles, pida ayuda a alguien que si lo lea para que le traduzca las medidas de seguridad. (SG-3)

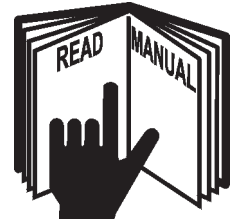


¡ LEA EL INSTRUCTIVO!

DANGER!



Never operate the Tractor or Implement until you have read and completely understand this Manual, the Tractor Operator's Manual, and each of the Safety Messages found in the Manual or on the Tractor and Implement. Learn how to stop the tractor engine suddenly in an emergency. Never allow inexperienced or untrained personnel to operate the Tractor and Implement without supervision. Make sure the operator has fully read and understands the manuals prior to operation. (SG-4)



WARNING!



Always maintain the safety decals in good readable condition. If the decals are missing, damaged, or unreadable, obtain and install replacement decals immediately. (SG-5)

WARNING!



Make certain that the "Slow Moving Vehicle" (SMV) sign is installed in such a way as to be clearly visible and legible. When transporting the Equipment use the Tractor flashing warning lights and follow all local traffic regulations. (SG-6)



WARNING!



Operate this Equipment only with a Tractor equipped with an approved roll-over-protective system (ROPS). Always wear seat belts. Serious injury or even death could result from falling off the tractor--particularly during a turnover when the operator could be pinned under the ROPS. (SG-7)



WARNING!

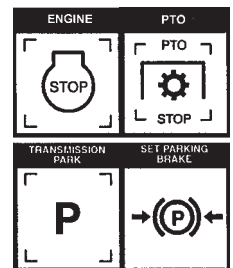


Do not modify or alter this Implement. Do not permit anyone to modify or alter this Implement, any of its components or any Implement function. (SG-8)

DANGER!



BEFORE leaving the tractor seat, always engage the brake and/or set the tractor transmission in parking gear, disengage the PTO, stop the engine, remove the key, and wait for all moving parts to stop. Place the tractor shift lever into a low range or parking gear to prevent the tractor from rolling. Never dismount a Tractor that is moving or while the engine is running. Operate the Tractor controls from the tractor seat only. (SG-9)



SAFETY

DANGER!



Never allow children or other persons to ride on the Tractor or Implement. Falling off can result in serious injury or death.

(SG-10)



DANGER!



Never allow children to operate or ride on the Tractor or Implement.

(SG-11)



WARNING!



Do not mount the tractor while the tractor is moving. Mount the tractor only when the tractor and all moving parts are completely stopped.

(SG-12)



DANGER!



Start tractor only when properly seated in the tractor seat. Starting a tractor in gear can result in injury or death. Read the tractor operators manual for proper starting instructions.

(SG-13)



DANGER!



Never work under the Implement, the framework, or any lifted component unless the Implement is securely supported or blocked up to prevent sudden or inadvertent falling which could cause serious injury or even death.

(SG-14)



DANGER!



Do not operate this Equipment with hydraulic oil leaking. Oil is expensive and its presence could present a hazard. Do not check for leaks with your hand! Use a piece of heavy paper or cardboard. High-pressure oil streams from breaks in the line could penetrate the skin and cause tissue damage including gangrene. If oil does penetrate the skin, have the injury treated immediately by a physician knowledgeable and skilled in this procedure.

(SG-15)

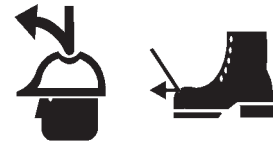


SAFETY

WARNING!



The operator and all support personnel should wear hard hats, safety shoes, safety glasses, and proper hearing protection at all times for protection from injury including injury from items thrown by the equipment. (SG-16)



CAUTION!



PROLONGED EXPOSURE TO LOUD NOISE MAY CAUSE PERMANENT HEARING LOSS! Tractors with or without an Implement attached can often be noisy enough to cause permanent hearing loss. We recommend that you always wear hearing protection if the noise in the operator's position exceeds 80db. Noise over 85db over an extended period of time will cause severe hearing loss. Noise over 90db adjacent to the operator over an extended period of time will cause permanent or total hearing loss. *Note:* Hearing loss from loud noise [from tractors, chain saws, radios, and other such sources close to the ear] is cumulative over a lifetime without hope of natural recovery. (SG-17)



WARNING!

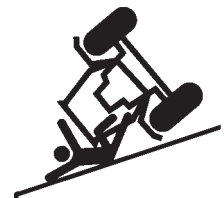


Transport only at safe speeds. Serious accidents and injuries can result from operating this equipment at unsafe speeds. Understand the Tractor and Implement and how it handles before transporting on streets and highways. Make sure the Tractor steering and brakes are in good condition and operate properly.



Before transporting the Tractor and Implement, determine the safe transport speeds for you and the equipment. Make sure you abide by the following rules:

1. Test the tractor at a slow speed and increase the speed slowly. Apply the brakes smoothly to determine the stopping characteristics of the Tractor and Implement. As you increase the speed of the Tractor the stopping distance increases. Determine the maximum safe transport speed for you and this equipment.
2. Test the equipment at a slow speed in turns. Increase the speed through the turn only after you determine that it is safe to operate at a higher speed. Use extreme care and reduce your speed when turning sharply to prevent the tractor and implement from turning over. Determine the maximum safe turning speed for you and this equipment before operating on roads or uneven ground.
3. Only transport the Tractor and Implement at the speeds that you have determined are safe and which allow you to properly control the equipment.



Be aware of the operating conditions. Do not operate the Tractor with weak or faulty brakes. When operating down a hill or on wet or rain slick roads, the braking distance increases: use extreme care and reduce your speed. When operating in traffic always use the Tractor's flashing warning lights and reduce your speed. Be aware of traffic around you and watch out for the other guy. (SG-19)

SAFETY

WARNING!



Never attempt to lubricate, adjust, or remove material from the Implement while it is in motion or while tractor engine is running. Make sure the tractor engine is **OFF** before working on the Implement.

(SG-20)



WARNING!



Periodically inspect all moving parts for wear and replace when necessary with authorized service parts. Look for loose fasteners, worn or broken parts, and leaky or loose fittings. Make sure all pins are properly secured. Serious injury may occur from not maintaining this machine in good working order. (SG-21)



WARNING!



Always read carefully and comply fully with the manufacturers instructions when handling oil, solvents, cleansers, and any other chemical agent. (SG-22)



DANGER!



Never run the tractor engine in a closed building or without adequate ventilation. The exhaust fumes can be hazardous to your health.

(SG-23)

DANGER!



KEEP AWAY FROM ROTATING ELEMENTS to prevent entanglement and possible serious injury or death.

(SG-24)



DANGER!



Never allow children to play on or around Tractor or Implement. Children can slip or fall off the Equipment and be injured or killed. Children can cause the Implement to shift or fall crushing themselves or others. (SG-25)

WARNING!



Do not exceed the rated PTO speed for the Implement. Excessive PTO speeds can cause Implement driveline or blade failures resulting in serious injury or death. (SG-26)

SAFETY

DANGER!



NEVER use drugs or alcohol immediately before or while operating the Tractor and Implement. Drugs and alcohol will affect an operator's alertness and coordination and therefore affect the operator's ability to operate the equipment safely. Before operating the Tractor or Implement, an operator on prescription or over-the-counter medication must consult a medical professional regarding any side effects of the medication that would hinder their ability to operate the Equipment safely. **NEVER** knowingly allow anyone to operate this equipment when their alertness or coordination is impaired. Serious injury or death to the operator or others could result if the operator is under the influence of drugs or alcohol. (SG-27)



DANGER!



Operate the Tractor and/or Implement controls only while properly seated in the Tractor seat with the seat belt securely fastened around you. Inadvertent movement of the Tractor or Implement may cause serious injury or death. (SG-29)

WARNING!



Mow only in conditions where you have clear visibility in daylight or with adequate artificial lighting. Never mow in darkness or foggy conditions where you cannot clearly see at least 100 yards in front and to the sides of the tractor and mower. Make sure that you can clearly see and identify passersby, steep slopes, ditches, drop-offs, overhead obstructions, power lines, debris and foreign objects. If you are unable to clearly see this type of items discontinue mowing. (SGM-1)

DANGER!



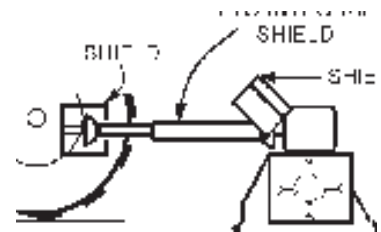
There are obvious and hidden potential hazards in the operation of this Mower. **REMEMBER!** This machine is often operated in heavy brush and in heavy weeds. The Blades of this Mower can throw objects if shields are not properly installed and maintained. Serious injury or even death may occur unless care is taken to insure the safety of the operator, bystanders, or passersby in the area. Do not operate this machine with anyone in the immediate area. Stop mowing if anyone is within 100 yards of mower. (SFL-1)



DANGER!



All Safety Shields, Guards and Safety devices including (but not limited to) - the Deflectors, Steel Guards, Gearbox Shields, PTO integral shields, and Retractable Door Shields should be used and maintained in good working condition. All safety devices should be inspected carefully at least daily for missing or broken components. Missing, broken, or worn items must be replaced at once to reduce the possibility of injury or death from thrown objects, entanglement, or blade contact. (SFL-5)



SAFETY

DANGER!



The rotating parts of this machine have been designed and tested for rugged use. However, the blades could fail upon impact with heavy, solid objects such as metal guard rails and concrete structures. Such impact could cause the broken objects to be thrown outward at very high velocities. To reduce the possibility of property damage, serious injury, or even death, never allow the cutting blades to contact such obstacles. (SGM-4)

WARNING!



Extreme care should be taken when operating near loose objects such as gravel, rocks, wire, and other debris. Inspect the area before mowing. Foreign objects should be removed from the site to prevent machine damage and/or bodily injury or even death. Any objects that cannot be removed must be clearly marked and carefully avoided by the operator. Stop mowing immediately if blades strike a foreign object. Repair all damage and make certain rotor or blade carrier is balanced before resuming mowing. (SGM-5)



WARNING!



Many varied objects, such as wire, cable, rope, or chains, can become entangled in the operating parts of the mower head. These items could then swing outside the housing at greater velocities than the blades. Such a situation is extremely hazardous and could result in serious injury or even death. Inspect the cutting area for such objects before mowing. Remove any like object from the site. Never allow the cutting blades to contact such items. (SGM-6)

WARNING!



Mow at the speed that you can safely operate and control the tractor and mower. Safe mowing speed depends on terrain condition and grass type, density, and height of cut. Normal ground speed range is from 0 to 5 mph. Use slow mowing speeds when operating on or near steep slopes, ditches, drop-offs, overhead obstructions, power lines, or when debris and foreign objects are to be avoided. (SGM-7)

WARNING!



Avoid mowing in reverse direction when possible. Check to make sure there are no persons behind the mower and use extreme care when mowing in reverse. Mow only at a slow ground speed where you can safely operate and control the tractor and mower. Never mow an area that you have not inspected and removed debris or foreign material. (SGM-8)

DANGER!



Replace bent or broken blade with new blades. NEVER ATTEMPT TO STRAIGHTEN OR WELD ON BLADES SINCE THIS WILL LIKELY CRACK OR OTHERWISE DAMAGE THE BLADE WITH SUBSEQUENT FAILURE AND POSSIBLE SERIOUS INJURY FROM THROWN BLADES. (SGM-10)

WARNING!



Do not mow with two machines in the same area except with Cab tractors with the windows closed. (SGM-11)

SAFETY

DANGER!



Flail Mowers are capable under adverse conditions of throwing objects for great distances (100 yards or more) and causing serious injury or death. Follow safety messages carefully.

STOP MOWING IF PASSERSBY ARE WITHIN 100 YARDS UNLESS:

- Front and Rear Deflectors are installed and in good, working condition;
- Mower Head is running close to and parallel to the ground without exposed Blades;
- Passersby are outside the existing thrown-object zone;
- All areas have been thoroughly inspected and all foreign material such as rocks, cans, glass, and general debris has been removed.

NOTE: Where there are grass and weeds high enough to hide debris that could be struck by the blades, the area should be: inspected and large debris removed, mowed at an intermediate height, inspected closely with any remaining debris being removed, and mowed again at desired final height. (SFL-6)



DANGER!



Do not put hands or feet under mower decks. Blade Contact can result in serious injury or even death. Stay away until all motion has stopped and the decks are securely blocked up. (SFL-2)



WARNING!



Each Rear Wheel must have a minimum of 1,000 pounds contact with the surface to prevent lateral instability and possible tip-over which could result in serious bodily injury or even death. Widen the wheel tread and add weights if needed. Refer to the mounting instructions or call Customer Service if you need assistance with Counterweight Procedure. (SFL-3)



WARNING!



Do not operate Mower if excessive vibration exists. Shut down PTO and the Tractor engine. Inspect the Mower to determine the source of the vibration. If Mower blades are missing or damaged replace them immediately. Do not operate the mower until the blades have been replaced and the Mower operates smoothly. Operating the Mower with excessive vibration can result in component failure and broken objects to be thrown outward at very high velocities. To reduce the possibility of property damage, serious injury, or even death, never allow the Mower to be operated with blades missing. (SFL-4)

WARNING!



Be particularly careful when transporting the Implement with the Tractor. Turn curves or go up hills only at a low speed and using a gradual steering angle. Rear mounted implements move the center of gravity to the rear and remove weight from the front wheels. Make certain, by adding front ballast, that at least 20% of the tractor's weight is on the front wheels to prevent rearing up, loss of steering control or Tractor tip-over. Slow down on rough or uneven surfaces to prevent loss of steering control which could result in property damage or possible injury. Do not transport unless 3-Point lift lever is fully raised and in the latched transport position. Dropping implement in transport can cause serious damage to the tractor and/or Implement and possibly cause the operator or others to be injured or killed. (S3PT-2)

SAFETY

DANGER!



Always disconnect the main PTO Driveline from the Tractor before performing service on the Mower. Never work on the Mower with the tractor PTO driveline connected and running. Blades or Drivelines could turn without warning and cause immediate entanglement, injury or death.

(SRM-3)

WARNING!



Do not let the Blades turn when the Mower Deck is raised for any reason, including clearance or for turning. Raising the Mower deck exposes the Cutting Blades which creates a potentially serious hazard and could cause serious injury or even death from objects thrown from the Blades.

(SRM-7)



WARNING!



Never leave Tractor and Implement unattended while the implement is in the lifted position. Accidental operation of lifting lever or a hydraulic failure may cause sudden drop of unit with injury or death by crushing. To properly park the implement when disconnecting it from the tractor, lower the stand and put the retaining pin securely in place, or put a secure support under the A-Frame. Lower the implement carefully to the ground. Do not put hands or feet under lifted components.

(SPT-1)

DANGER!



Make sure the PTO shield, integral driveline shields, and input shields are installed when using PTO-driven equipment. Always replace any shield if it is damaged or missing.

(S3PT-8)



WARNING!



Relieve hydraulic pressure prior to doing any maintenance or repair work on the Implement. Place the Implement on the ground or securely blocked up, disengage the PTO, and turn off the tractor engine. Push and pull the Remote Cylinder lever in and out several times prior to starting any maintenance or repair work.

(S3PT-9)



WARNING!



Use extreme care when lowering or unfolding the implement's wings. Make sure no bystanders are close by or underneath the wings. Allow ample clearance around the implement when folding or unfolding the wings. Use extreme caution around buildings or overhead power lines.

(S3PT-5)

DANGER!



When the Wings are folded for transport, the center of gravity is raised and the possibility of overturn is increased. Drive slowly and use extreme caution when turning on hillsides. Overturning the Implement could cause the Implement to overturn the Tractor and vice versa resulting in serious injury or even death. Never fold wings on a hillside...the Implement may overturn.

(STI-2)

DANGER!



DO NOT allow any person under a folded wing unless wing is securely locked up or supported. **DO NOT** approach the Implement unless the Tractor is turned off and all motion has ceased. Never work under the frame work, or any lifted component unless the implement is securely supported or blocked up. A sudden or inadvertent fall by any of these components could cause serious injury or even death.

(STI-3)



SAFETY

DANGER!



The flail cutter shaft is designed for standard rotation (same rotation as the tractor wheels during forward travel). **Never operate the cutter shaft in the reverse rotation.** Operating this mower in reverse rotation may cause objects to be thrown out the front of the mower head.



WARNING!



The rotating parts of this machine continue to rotate even after the PTO has been turned off. The operator should remain in his seat for 60 seconds after the brake has been set, the PTO disengaged, the tractor turned off, and all evidence of rotation has ceased.

(3PT-10)

“Wait a minute...Save a life!”

WARNING!



Engine Exhaust, some of its constituents, and certain components contain or emit chemicals known to the state of California to cause cancer and birth or other reproductive harm.

WARNING!



Battery posts, terminals and related accessories contain lead and lead compounds, chemicals known to the state of California to cause cancer and birth or other reproductive harm. **Wash hands after handling!**

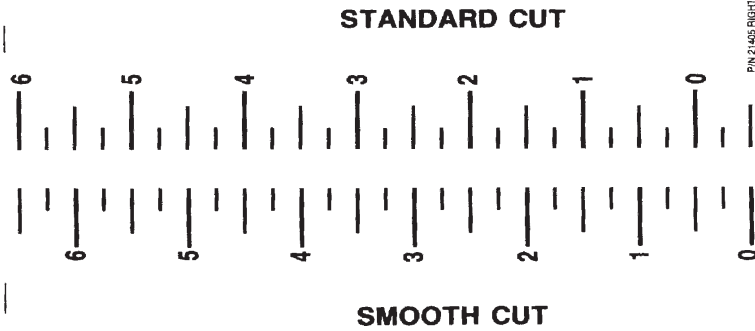
Tiger mowers use balanced and matched system components for blade carriers, blades, cutter-shafts, knives, knife hangers, rollers, drive-train components and bearings. These parts are made and tested to Tiger specifications. Non-genuine “will fit” parts do not consistently meet these specifications. The use of “will fit” parts may reduce mower performance, void mower warranties and present a safety hazard. Use genuine Tiger mower parts for economy and safety.

SEE YOUR  DEALER

In addition to the design and configuration of this Implement, including Safety Signs and Safety Equipment, hazard control and accident prevention are dependent upon the awareness, concern, prudence, and proper training of personnel involved in the operation, transport, maintenance, and storage of the machine. Refer also to Safety Messages and operation instruction in each of the appropriate sections of the Tractor and Equipment Manuals. Pay close attention to the Safety Signs affixed to the Tractor and Equipment. (SG-18)

SAFETY

PART NO.
LOCATION



06550095
MOWER DECK

**DO NOT LUBRICATE WITH AUTOMATIC
GREASE GUN. GREASE WITH HAND
GREASE GUN ONLY.**

P/N22839

22839
MOWER DECK



22840
INSIDE OF CAB

WARNING

INSPECT REAR FLAP FREQUENTLY TO BE SURE IT IS IN SAFE WORKING CONDITION. DO NOT OPERATE MOWER WITH FLAP REMOVED OR WORN.

24028

24028
MOWER DECK

SAFETY



PART NO.
LOCATION


10" x 5.5" 31522
MOWER DECK
18.25" x 10" 31523
HYDRAULIC TANK



42350
MOWER DECK

**MOWING
SAFETY TIPS**

- 1. Read & understand the Operators Manual.
- 2. Wear Your Seat Belt.
- 3. Keep all shields and guards in place.
- 4. Make sure equipment is in proper working condition.
- 5. Never attempt to get off or on a moving tractor.
- 6. Never allow riders on tractor or equipment.
- 7. Only start the tractor from the seat with the key.
- 8. Always inspect the area before mowing. Remove all foreign debris.
- 9. Always keep bystanders and coworkers a minimum of 300 feet away.
- 10. Never allow the mower blades to contact solid objects or foreign material.
- 11. Never approach rotating elements.
- 12. Disengage the PTO, place transmission in "Park", set parking brake, shut off engine, and remove key and wait until all rotating motion has stopped before leaving seat.



33743

33743
INSIDE OF CAB

SAFETY

PART NO.
LOCATION



42399
MOWER DECK



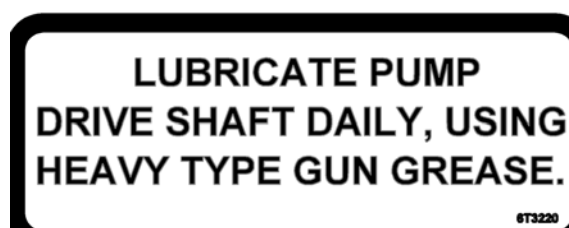
42400
MOWER DECK



6T3217
MOWER DECK



6T3219
INSIDE OF CAB



6T3220
FRONT PUMP MOUNT

SAFETY



PART NO.
LOCATION

6T3221
INSIDE OF CAB

NOTICE:
Engine will not
start when mower
is engaged.



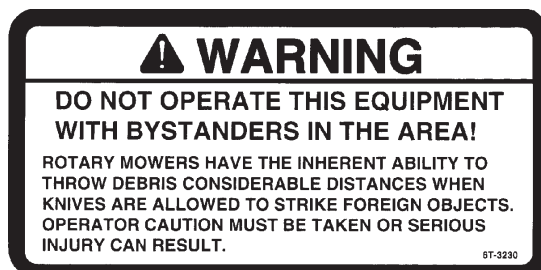
6T3222
INSIDE OF CAB



6T3223
INSIDE OF CAB



6T3224
MOWER DECK



6T3230
INSIDE OF CAB

SAFETY

PART NO.
LOCATION



6T3233
HYDRAULIC TANK



6T3234
INSIDE OF CAB



6T3236
MOWER DECK
HYDRAULIC TANK



6T3243
INSIDE OF CAB

SAFETY



Tiger Corporation

800-843-6849

www.tiger-mowers.com

Description	Application	General Specification	Recommended Lubricant
Tractor Hydraulics	Reservoir	JD-20C	Mobilfluid® 424
Mower Hydraulics Cold Temperatures 0°F Start-up Normal Temperatures 10°F Start-up Normal Temperatures 15°F Start-up High Operating Temperatures Above 90°F Ambient	Reservoir	ISO 46 Anti-Wear/ Low Temp JD-20C ISO 46 Anti-Wear ISO 100 Anti-Wear	Mobil DTE® 15M Mobilfluid® 424 Mobil DTE® 25 Mobil DTE® 18M
Flail Rear Gearbox	Reservoir	PAO Synthetic Extreme Pressure Gear Lube	Mobilube SHC® 75W-90, Mobil 1 Synthetic Gear Lubricant
Cutter Shaft and Ground Roller Shaft (Flail)	Grease Gun	Lithium Complex, NLGI 2 ISO 320	Mobilgrease® CM-S
Drive Shaft Coupler (Rotary and Flail)	Grease Gun	Lithium Complex, NLGI 2 ISO 320	Mobilgrease® CM-S
Boom Swivel, Boom Cylinder Pivots (Rotary and Flail Boom Type)	Grease Gun	Lithium Complex, NLGI 2 ISO 320	Mobilgrease® CM-S
Deck Boom Pivot & Deck Stop Adjustment (Rotary and Flail)	Grease Gun	Lithium Complex, NLGI 2 ISO 320	Mobilgrease® CM-S
Deck Spindle (Rotary)	Grease Gun	Tiger Spindle Lubricant	Mobilith SHC 220

For Mobil product information, availability, or technical information, call 1-800-662-4525.

Tiger PN 34852

34852

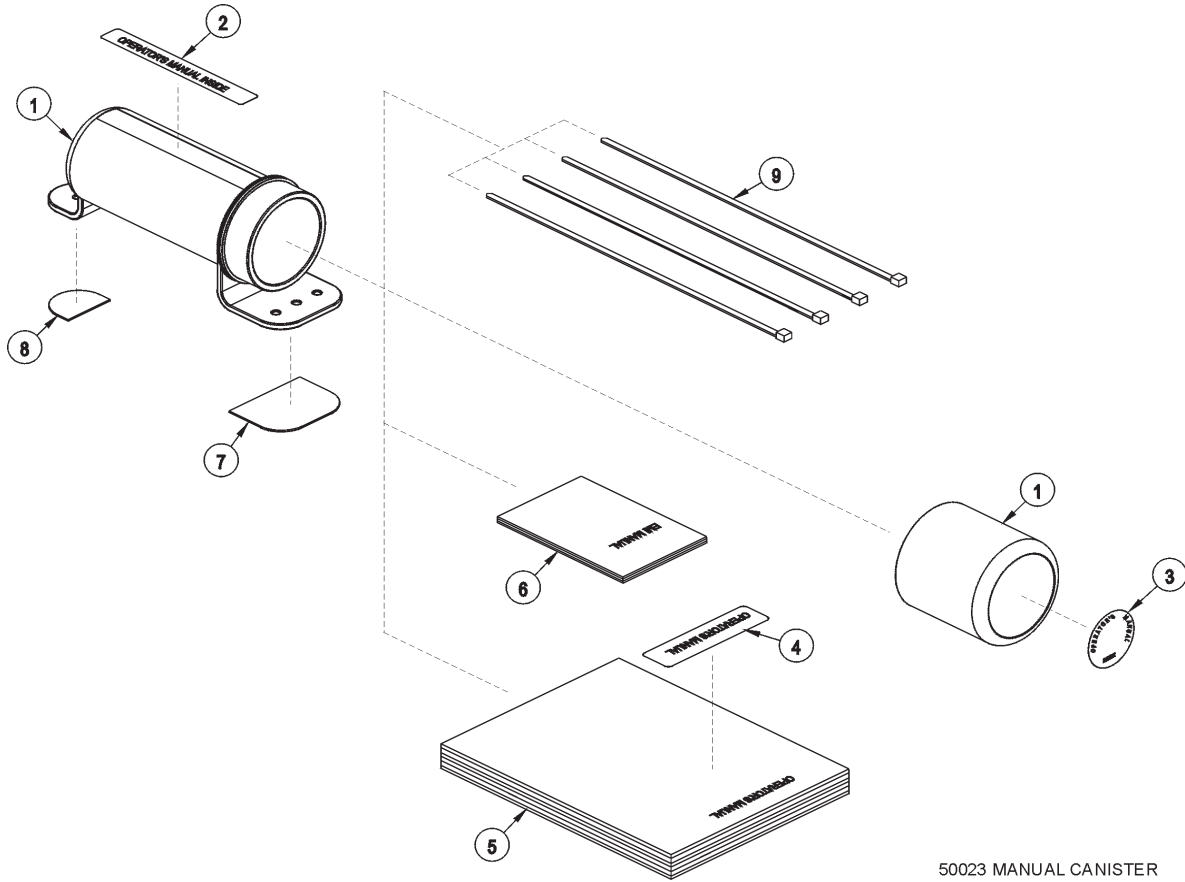
HYDRAULIC TANK

<div style="background-color: red; color: white; padding: 5px; font-weight: bold; font-size: 1.2em;">⚠ DANGER</div> <p style="font-weight: bold; margin-top: 10px;">THROWN OBJECT HAZARD</p> <p>Do not operate mower when cutter shaft is in reverse rotation unless:</p> <ul style="list-style-type: none"> Reverse Rotation Front Guard is in place, and Guard is in good condition 		<div style="background-color: red; color: white; padding: 5px; font-weight: bold; font-size: 1.2em;">⚠ PELIGRO</div> <p style="font-weight: bold; margin-top: 10px;">RIESGO DE OBJETO LANZADO</p> <p>No funcione el cortacésped cuando el eje de cortador esta en rotación inverso al menos que:</p> <ul style="list-style-type: none"> El Guardia Delantero de Rotación Inversa esta en su lugar y El guardia esta en buenas condiciones
<p>Reverse Rotation Front Guard</p>	<p>06550054</p>	<p>Guardia Delantero De Rotación Inverso</p>

06550054

ON MOWER HEAD

SAFETY



ITEM	PART NO.	QTY.	DESCRIPTION
	50023	AVAIL	MANUAL CANISTER COMPLETE
1	00776031	1	ROUND MANUAL CANISTER
	33997	1	DECAL, SHEET, MANUAL CANISTER
2		*	DECAL
3		*	DECAL
4		*	DECAL
5	*	AVAIL	SPECIFIC PRODUCT MANUAL
6	33753	1	E M I SAFETY MANUAL
7	34296	1	FRONT ADHESIVE PAD
8	34297	1	REAR ADHESIVE PAD
9	6T1823	4	ZIPTIE 14" LONG

NOTE:

The manual canister can be bolted, zip tied or adhered to a variety of surfaces. Locate a protected area within the view of the operator. Then select an installation method and attach the canister. **CAUTION - AVOID DRILLING HOLES INTO UNKNOWN AREAS**, wires and other parts may be located behind these areas. When adhering the canister to a surface, thoroughly clean that surface before installing the canister.

SAFETY

FEDERAL LAWS AND REGULATIONS

This section is intended to explain in broad terms the concept and effect of federal laws and regulations concerning employer and employee equipment operators. This section is not intended as a legal interpretation of the law and should not be considered as such.

Employer-Employee Operator Regulations

U.S. Public Law 91-596 (The Williams-Steiger Occupational and Health Act of 1970) OSHA

This Act Seeks:

“...to assure so far as possible every working man and woman in the nation safe and healthful working conditions and to preserve our human resources...”

DUTIES

Sec. 5 (a) Each employer-

(1) shall furnish to each of his employees employment and a place of employment which are free from recognized hazards that are causing or are likely to cause death or serious physical harm to his employees;

(2) shall comply with occupational safety and health standards promulgated under this Act.

(b) Each employee shall comply with occupational safety and health standards and all rules, regulations and orders issued pursuant to this Act which are applicable to his own actions and conduct.

OSHA Regulations

OSHA regulations state in part: “At the time of initial assignment and at least annually thereafter, the employer shall instruct every employee in the safe operation and servicing of all equipment with which the employee is, or will be involved.”

Employer Responsibilities:

To ensure employee safety during Tractor and Implement operation, it is the employer’s responsibility to:

1. Train the employee in the proper and safe operation of the Tractor and Implement.
2. Require that the employee read and fully understand the Tractor and Implement Operator’s manual.
3. Permit only qualified and properly trained employees to operate the Tractor and Implement.
4. Maintain the Tractor and Implement in a safe operational condition and maintain all shields and guards on the equipment.
5. Ensure the Tractor is equipped with a functional ROPS and seat belt and require that the employee operator securely fasten the safety belt and operate with the ROPS in the raised position at all times.
6. Forbid the employee operator to carry additional riders on the Tractor or Implement.
7. Provide the required tools to maintain the Tractor and Implement in a good safe working condition and provide the necessary support devices to secure the equipment safely while performing repairs and service.

Child Labor Under 16 Years of Age

Some regulations specify that no one under the age of 16 may operate power machinery. It is your responsibility to know what these regulations are in your own area or situation. (Refer to U.S. Dept. of Labor, Employment Standard Administration, Wage & Home Division, Child Labor Bulletin #102.)

SAFETY

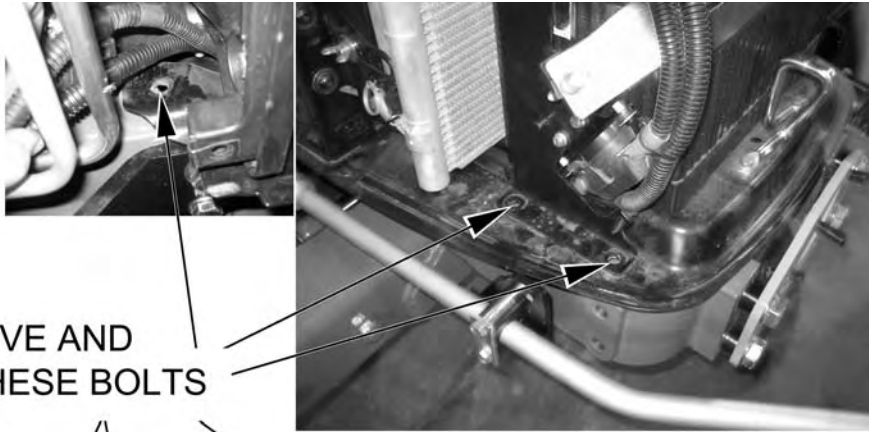
>8) LLLA !HG:

5 GG9 A 6 @MG97 HCB

5 GG9 A 6 @M

7 F5 B? G<5 : H'5 7 7 9 GG

V| Á&&^•Á@ Á&|æ\•@æÁ Á@ÁÖÍ €Í T Áæ|áÁ €Í í ÈFÍ T ÈÁÁQ |Á|Á|Á ^áÁÁ Á^Á& c
ã Á@Á| } of Á@Á|æ&| Á&æ ç| * ÈÁV@ Á&æ| Á|æ^Á|Á|Á ^áÁÁ Á^Á&æ ^áÁÁ Á& Á@ÁQ |
æ| áÁ&æ&Á@Á&|æ\•@æÁ&æ ç| ÈÁV| Á| Á@Á ÈÁ^ { [ç^Áæ| áÁæ^Á@Á| Á@|áá * Á@
à&æ|^ Á|æ^Á Á@Á&æ&| Á|æ ^È



REMOVE AND
RETAIN THESE BOLTS



Çe| Á@Á| Á@Áæ^Á^ Á^ { [ç^áÈ^ Á^Á| Á&æ Á&æ ^Á@Á&æ|^ Á|æ ÈÁV } & Á@Á|æ^Á
|æ^áÈ^ Á^Á|æ| | | | Á&æ Á| & Á| Á^ Á@Á&æ|^ Á|æ Á&æ^áÈ
(ASM-JD-0227)



WÙÒÁÜÿÁÓÇÈ
VUÁÜÇÈÒ
ÓÇÈ/VÓÜÿÁŠVÒ



WÙÒ
ÇÈÜÜUÜÜÇÈVÒ
ÓŠUÓŠ



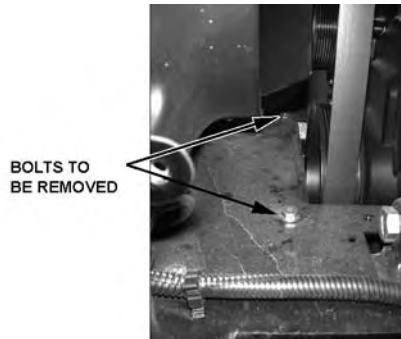
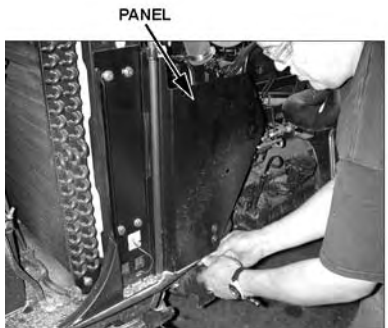
5 GG9 A 6 @M

7 F5 B? G<5 : H'5 7 7 9 GG' fWc bHbi YXL

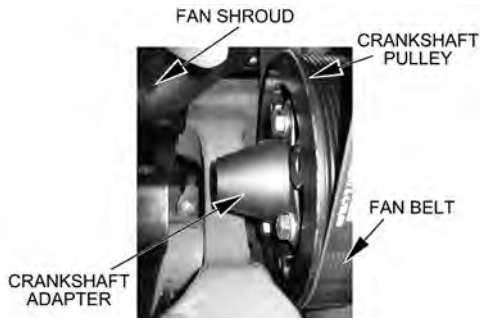
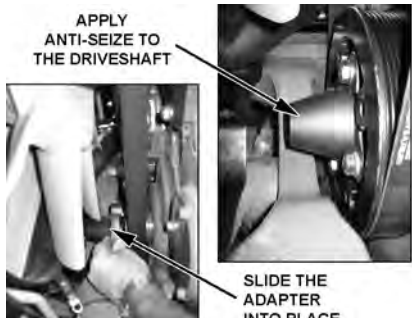
T ^æ ~ ! ^ Áæ áÁ æ! Á@ Ái q! Á [&ææ } Á } Á@ Á [} óÁ } áÁ Á@ Á ææ q ! Á @ } Á ^ | , DÁV @ Á æ |
 • @ ~ | áÁ ^ Á & } ó! ^ áÁæ á Á F D + Áæ [ç ^ Á @ Á [] Á [| ó Á | ^ • Á @ Á [] } ó Áæ ç * ÉÁV • ^ Á F D + Á Q | ^ Á æ
 ç & ó Á Q | ^ Á [Á @ Á i q! ^ • @æ ÉÁV } & Á @ Á Q | ^ Á & ó Á [~ Á q! Á ^ Áæ | ^ Á [| \ Á @ [~ * @ Á @ Á Q | ^ Áæ á
 • ^ Á @ Á i q! ^ • @æ & [ç ^ ! ÉÁ



V @ Áá i q! ^ • @æ & [ç ^ Á Á @ | á Á] Á ^ Á [Áà | ó ÉÁV | Á ^ [ç ^ Á @ • ^ Áà | ó Áæ ^ Á - Á @ Á] æ ^ |
 & [ç ^ ! q * Á @ Áæ ÉÁV @ } Á [~ Á q! Á @æ ^ Áæ & • Á Á @ Á [| ó Á } Á @ Á i q! ^ • @æ & [ç ^ ! É



V @ Áææ ! ^ Á ææ Á q! Á ^ áÁ Áæ Á | çææ áÁ ! Á @ Á i q! ^ • @æææ ç ! Á Á ^ Á • çæ ^ áÁ } Á @ Á
 & æ \ • @æ ç ~ | ^ ÉÁV á @ Á & i q! ^ • @ææææ ç ! Áæ á Á | æ ^ Áæ q Á | æ ^ ÉÁ
 Ó - | ^ Á q * Á @ Á i q! ^ • @æ ç q Á @ Á i q! ^ • @ææææ ç ! Éæ } | ^ Á ç æ i ^ á ^ Á à | ææ ç Á Á
 @ Á] q ^ Á Á @ Á i q! ^ • @æ ÉÁV Éæ } | ^ Á ç æ i ^ á ^ Á } & Áæ ^ æ Áææ ! Á @æ ÉÁ
 Çæ ! Á @ Á & i q! ^ • @ææææ ç ! Á Á q! ^ • çæ ^ á Á B Á q | ~ ^ á ÉÁ ^ { [ç ^ Áà | & Áæ á Á ^ Éæ • çæ | Áà | ó Á @æ
 , ^ ! ^ Á ^ { [ç ^ á Á Á [] Á] Á @ Áææ ! ^ Á æ ÉÁ (ASM-JD-0238)



5 GG9 A 6 @M

8 F=J9 G<5 : H/ ' : FCBH'DI AD'ACI BH#B;

V@^aaÁ@Á {] Áiã^• @eoa d Á@Áiã\• @eoaãã c'É
 Ûiã^Á]ã^áÁiã^• @eoa] |'Á } d Á@Á {] Áiã^• @eoaQ• ca|Á@Á {] Á } d Á@Á [] É
 ã * Áiã^• dÁ UVÒÁ@Á {] Á Á -^Á Á } ^Áã^ã } É@Á {] Á @ |áÁ^Á • ca|áÁ á@Á@Á -É
 •^Áã^Á } Á] ÉQ• ca|Á@á, á^Á |Á^& |ã * Á {] Á Á@Á {] Á [] } dÁUÁ UVÁ@ } É
 Q• ca|Á {] Á áÁã } Á [Á@Á]ã^áÁ]ã * Áã Á^Á [ç^áÁUÓÁÚSÓY Dáá Áã áÁ |cÁ
 à Á@á áÉÁ [ca|Á] |'Á Áã áÁ@& Á^Á |áé Áç'í ÁDÁ } ÉVá @ } Á {] Á [] } ç * Ái |cÁ
 •^&•ã } Á & @ & ã * Á |Á]ã^Á]ã * Á^Á |áé ÉÁ { [ç^Á@Á {] Á [] } ç * Áiã^• dÁ [cÁ
 [] ^ÁáÁ^Á Áã áÁ] | Á@Á^áÁ & ã * Á^Á } ÉVá @ } Á@•^Á [cÁ Á^&•ã } Éãã Á@& É
 ã * Á |Á^Á |áé Á@Áiã^• @eoaE c'ÁÁ [cÁ Á^Á |' ^áÉ@Á } áÁ |áé } Á@Áiã^• @eoa
 • @ |áÁ^Á Á^Á ÁD +Éã áÁ] |'Á @ |áÁ [ç^Á^Á Á á@á áÁ!•• ^ÉÁ } áÁ |áé Á•• Á
 c@ ÁD +Éã áÁ@Á } áÁ Á@Á @eoa Á@Á ç^Á@Á [] |'Á } áÁ |áé ÉÁ@!Á Á [|'Á@Á ÁD +Á -Á
 ^ } áÁ |áé É^c' ; Á@Á @eoa á@Á ^ááãã } • Á |Á] * Á |Á @eoa
 75I HCB. "8C' BCH'GH5 FH'H<9 HF57 HCF' i BH=@5 @@< CG9G'5 F9'5H57 <98 ŽH5 B? '
 =G: =@@8 'K #<'DFCD9F 'C=@5 B8 '65 @@J5 @9G'5 F9'CD9B""GH5 FH#B; '5H'H<=G'HA9 '
 K =@@75I G9'G9F=Ci G'85A5; 9'HC'H<9'DI AD'" (ASM-C-0091)

58>I GH#B; F95 F'K <99 @G

Ûiã^Á^áÁ -Áã&d |Á } d Áã É çã á• ÉÁ c`ck`h Y]bgfi W]cbg]b'h Y'kfUWcf'ck bYfjg
 a Ubi U'Zcf'UX1 gh]b']hfYg'UbX'f]a g ÉÁV@^ÁáÁ @^• Á WUVÁ ^Áãã• c'áÁ Á@Á á^• c
 •^ã * ÉÁ UVÒÁ@Á çã Á^~ á^Á, áã@ * Á@Á @^• Á Á] [] • á^Á á^Á -Áã&d |ÉÁ@ [Áã^
] [c'Á Áã^Á á@Á^• dãã } • Á @ } Áã } [] ç * Á^Áã |ÉÁ@ |Á ç^Á Á • ca|áÁ } ÉÁ Á^• d
 |áé Á@Á^áÁ @^• Á^ [ç^ÁÁ |ã * Á • ca|áÁ } Á Á@Á [, ^ÉÁ (ASM-B-0001)



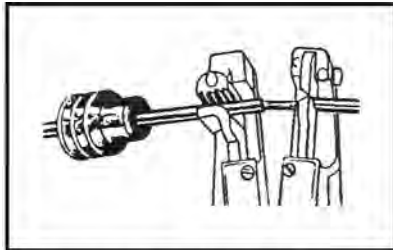
5 GG9 A 6 @M

K 95H<9F!D57 ? #A 9HF =D57 ? '5 GG9 A 6 @M

V@•^Á }•d` &ç }•Á } |` Á Á [c@Y ^æ@! ÈúæÁ Á } áÁ ^d ä } æÁ Á [} ^&ç |•È

BCH9.1 gYH YgdYWZWrcc`Zf`H YmdYcZWbbYWcf`nci `UfYUggYa V]b["

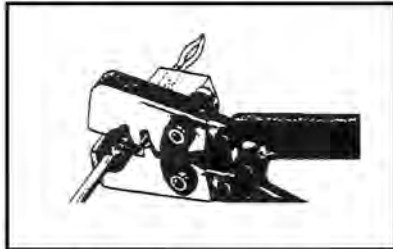
(ASM-C-0009)



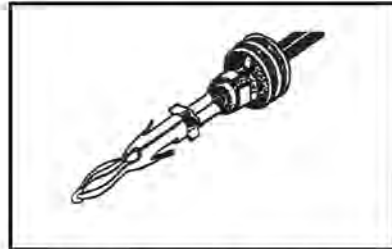
1. Apply seal to cable, before stripping insulation.



2. Align seal with cable insulation.



3. Put terminal in crimping tool, then



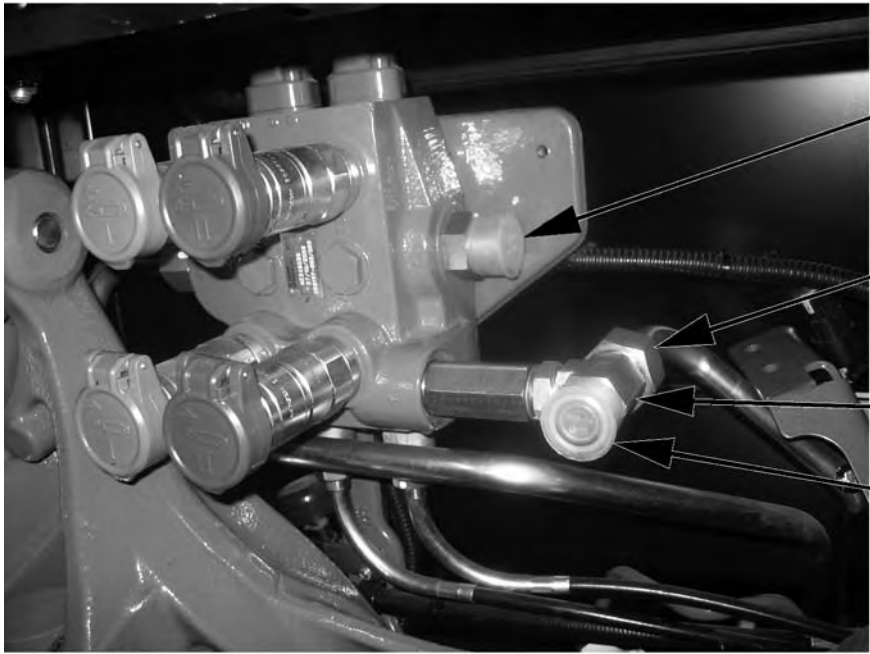
4. Crimp and visually inspect for a good



5 GG9 A 6 @M

DF9 GGI F9' @B9' BGH5 @@5HCB

V@Á@á:æ|æÁ!^•~!^Áá^Á q|Á^Á|{ à^á/ q Á@Á:æq!•Á[, ^!Á^[] } áÁ[!|dÁ[&æ^Á@Á
][, ^!Á^[] } áÁ[!|dÁ } Á@Á]] ^!Áá @Á á^Á Á@Á:æq!Á^æÁ^ { [c•É^ [ç^Á@Á] * Á^!Á Á
 c@Á|•dæ } Á^[] , Áá áÁ@Á:æcÁ^&ç } dÁcÉ!Á@Á | * Á^Á^ [ç^áÉ] } ^&Á@Á:æç c!Áá áÁ
 ! [c^Á@Áq•^Á [{ Á@Á:æç c!Á Á@Á:æç^É Á @ , } Áá@Á:æcÁ^&ç } ÉÁ (ASM-JD-0089)



Power Beyond Port

Line From MidMount Valve
 or Install Cap on Tractors
 Without a MidMount Valve

Branch Tee

Return Line

F9HI FB' @B9' BGH5 @@5HCB

V@Á^c!} Áá^Á q|Á^Á|{ à^á/ q Á@Á:[] } dÁ Á@Á:æ &Á^É Á @ , } Á^!Áçá~•Á|•dæ
 ç } ÉÁ @Á q|Á^Á•^ { à^á/ q Á@Á:æç c!Á[&æ^áÁ^[] , Á@Á:æq!cÁ[, ^!Á^[] } áÁ[!|dÁ
 Ü^ [ç^Á@Á]à[, Á!Á | * Á [{ Á@Á^æÁ^ { [c•Áá^Á] } }] | áÁÁ:æ &Á^ÉÁ
 Ô } } ^&Á@Á^Á [{ Á@Á^æ [~ } dÁç^Á Á@Á:æ &Á^ÉÁ [~!Á:æq!Á^!Á [dÁç^Á
 T^æ [~ } dÁç^Á } Á•ç|Á@Á]] | á^á/ q Á } Á@Á:æ Á á^Á Á@Á:æ &Á^ÉÁ | { àÁ@Á
 !^c!} Áá^Á [{ Á@Á:[] } dÁ Á@Á:æ &Á^É Á@Á:æç c!Á } Á@Á:æç^ÉÁ (ASM-JD-0090)



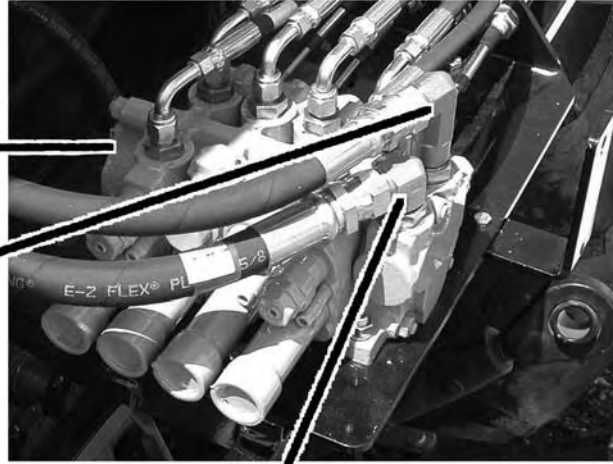
5 GG9 A 6 @M

A 5 BI 5 @ @ H'J5 @9 'DCFHG

Á

LOAD SENSE

RETURN PORT



PRESSURE PORT

(ASM-C-0057)

A 5 BI 5 @GK #7 <6 CL'ACI BHB;

ÁV@Á, ä&@ [c/Á Á Á^Á^&'!áÁ Á@Á] ^æ | CÁ ä^Á -Á@Á } d [|Á@ á|^ Á | Á ç^Á ç áÉ
Ü^Á | Á Á@ Á á Á^&ç } Á | Á • ^ { á | Á á Á {] [] ^ } • Á ^ á á É (ASM-C-0071)



5 GG9 A 6 @M

†BCH9`CB`<I G7 C`7 CBHFC @J5 @9G†

T æ ~ æ†Bca|^&| } d[||^aAP`•&| &| } d[|&çç^D&| [{ Á [, ^•Á~`ã^&@&| ççç^•Á` ã@ç çÈ
 †aÁ^•d&ç` Á`|ãã^Á&É í €GHI D&•çç^a/â Á@&| } d[|&çç^Á` [| Á [| ç Á@ç&^&| } ^&ç`ãÁ` Á
 ç@Á`|ç`ãÁ` } a•Á` Á@Á` çç` çç`ãÁ^&| } aã` Á [[{ &| ç`ãÁ`•ÉÁV@&@&| ççç^Á`ççç` , •Á`ãÁ` Á^Á
 -| , Á`ç` Á@Á`|ç`ãÁ` } aÁ` Á@Á` çç` çç`ãÁ^&| } aã` Á [[{ &| ç`ãÁ`•ÉÁV@&@&| ççç^Á`ççç` , Á`ç` Á@Á
 &| ç`ãÁ`É@`!^`Á`| [çãã`* Á`| [] ^!Á` [[{ &| } d[|ÉÁV@&@&| ççç^ÉÁÉ í €GHI Ç^ } á`|ÁFJÍ Ì ÜÉ
 ÉÍ HD& Á`ã` çç`çç` çç` ^ççç` &Á` ÁQ`•^Áççç` ç`!ÁHGI F&ç`ãÁ`ççç` ç`!ÁHI HUI É` ççç` Á`|ãã^ÉÁ
 V@`•^&| { [] ^ } ç`çç` Á^Á`ç` } çã`ãÁ`ç` Á`| [] , •Éç`ãÁ`ç` Á^Á`ç` çç^aÁ`!Á`çç` Á`&ç` } Á`|Á@Á
 |ãççç^ÉÁ ASM-HUSCO-0001)



5 GG9 A 6 @M

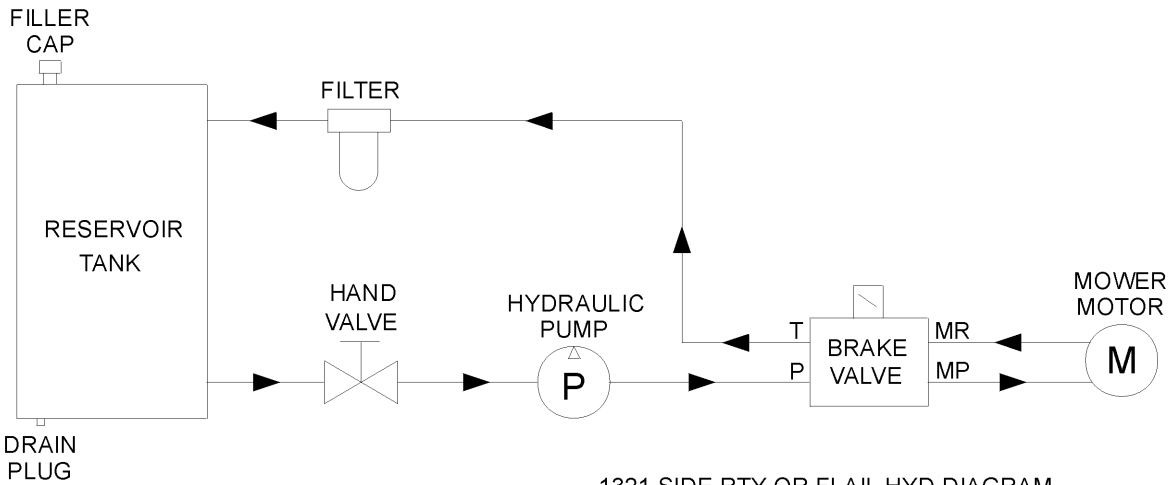
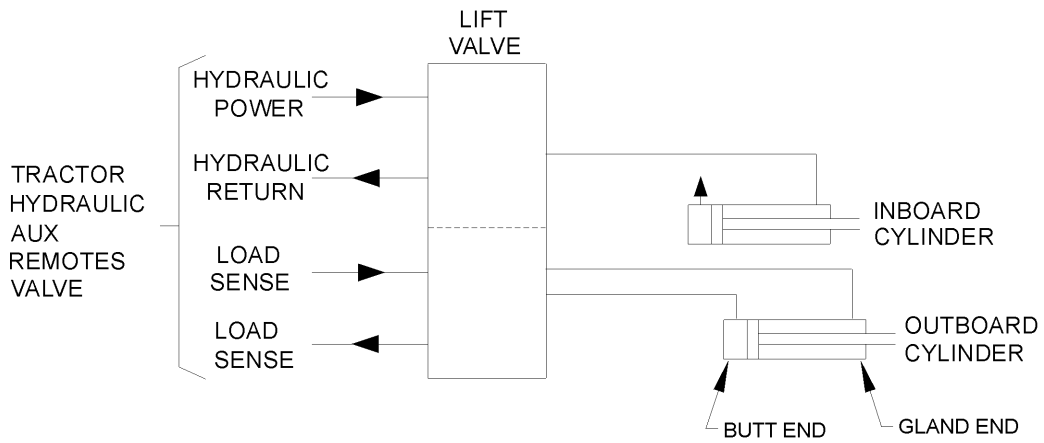
: 9B89F'7I H: CF'K <99 @K 9 @@H5 B?

ÁCÁ [&@ q|Á@e^Á Á^Á& 0á q Á@Á-Á^áÁ} á^Á Á Á[[, Á[[{ Á|Á@Á@aé |ÁÁ\ Á|Á!
}^& ÉÁ@Á [&@ q |áÁ áÁÁÁÁÁ &@•Á| { Á@Á^áÁ| } ^|Á -Á@Á} á^ÁÁ} á&^áÁÁÁÁ &@
á^Á] Á&Á@ÁÁ ÁÁ &@•Á| } ÉÁ|á Á| & Á @ |áÁ^Á•^áÁ} Á@Á @Á] Áá^•ÉÁ (ASM-JD-0092)ÁÁ



5 GG9 A 6 @M

G-89 ACK 9F < M8 F5I @7 8 5; F5A



1321 SIDE RTY OR FLAIL HYD DIAGRAM

(ASM-C-0090)



@A H'GK H7 < 'A CI BHB;

ASSEMBLING LIMIT SWITCH

T [~ } oš|æš^oFÉÉ ð +š[, } ÁV[{ Á[] Áá^Á } Á@Á
 ā • ā^Á -Á@Á^æšš { Á -Á@Ášš^æš ÉÁÁ ÉÁÁ ~ æ^Á
 , š@š • ā^Á [] ^Á š@Á @ , } Á š@š@Á ~ æ^Á [] ^Á
 æ šš • oš { ÉÁV ^láÁ š@Á [Á [^Á@š Á ð +ÁFð +Á } Á[] Á
 æ Á @ , } É
 Oš • ^ { à^Áā šÁ , š@š@ š@š @^Á [] Á[] á^Á ā^Á ~
 æš { Áš } áÁ š@š@Á^æšš { Á [~ } oš|æš } ^áÁ š@š ~|o@
 } [&@š } š@š { Á@Á @ , } š@š ÉÁÉÁOš@š c } Áā šÁ , š@š@š
 đ Á@ } } ^oš š@š@Á ÉÁ +ÁÁÉÉC-Á ā Á[] ošš áÁšæ , æ @:
 æ Á @ , } š@š ÉÁÉ

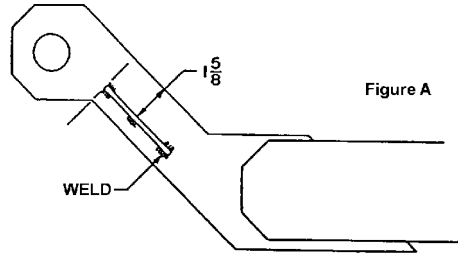


Figure A

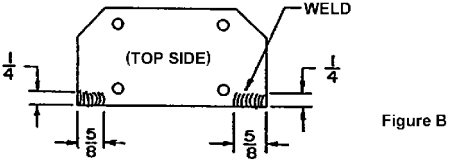


Figure B

ADJUSTING LIMIT SWITCH

V[Ášš • oš , š@š@š [Áš Á [] , • K
 FÉV š@š@š š@š |æšš š@š áÁ ā Á[] oš • cš^áÉšš^Á [, ^
 đ Áš • ā^Á @ đ -Áš * |É
 GÉV š@š ā Á[] oš [• ^ } ^áÁš } Áš Á } đÁ [] ^Á [] [] , ^Áš • c
 ^áš@ • Á^æšš Áš^Áš ~ ^ÁOšš áÁ@ • Á ā Á[] É
 HÉV š@š , š@š@š { Á [~ } oš &^ , Áš^Áš ~ ^ÁOš [• ^Áš }
 • @š@š^Áš ÉÁÁ š@š &^ , áš^Áš š@š &š } Á ~
 { [] , ^Áš^Áš @^ÁQ |áā * Á [] [] , ^Áš šš • ošš Á^æš
 ~ } đÁ , š@š@š • Á -Áš áÁQ |áÁ @^Áš @ } ā š@š
 { [~ } oš &^ , É

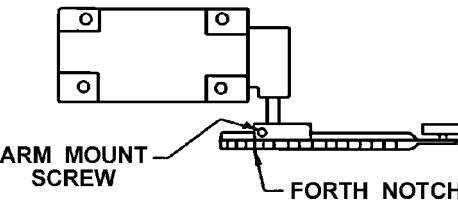


Figure C

WIRING LIMIT SWITCH

Ü^ [ç^Áđ] Á [ç^Á [] Á , š@š@đ Á@ [• ^Áš { ā š@š É
 Ó [] } ^š@š^áÁ ā^Á Á š@š^Á -Á@Ášš Áš { ā š@š Éšš áÁ@
 àšš Á ā^Á Á@Á @^Ášš Áš { ā š@š ÉÁO š@š @^Á ā
 đ Á [] [š@š@š^Ášš |æšš [• ^Áš @^Áš@š * ^Á , š@š@š
 Ó [] } ^š@š@Á^áÁ ā^Á Á } ^Á -Á@šš oš } áÁš áÁ@Ášš
 , ā^Á Á@Á @^Áš } áÁV @š [] } ^š@š @Á , š@š@š Á^á •
 , š@š@Á [] [š@š@š^Á (ASM-C-0028)

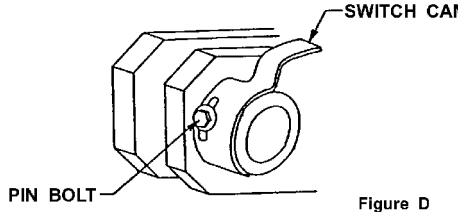


Figure D

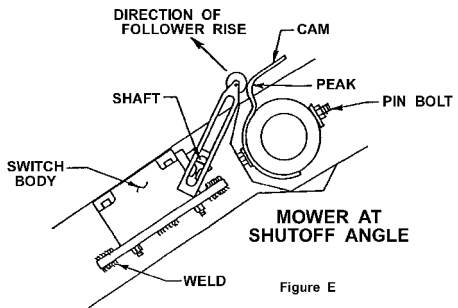


Figure E



5 GG9 A 6 @M

@A #H'GK #H7 <

(ASM-C-0029)



@ H'7 CBHFC @: 998 @B9G

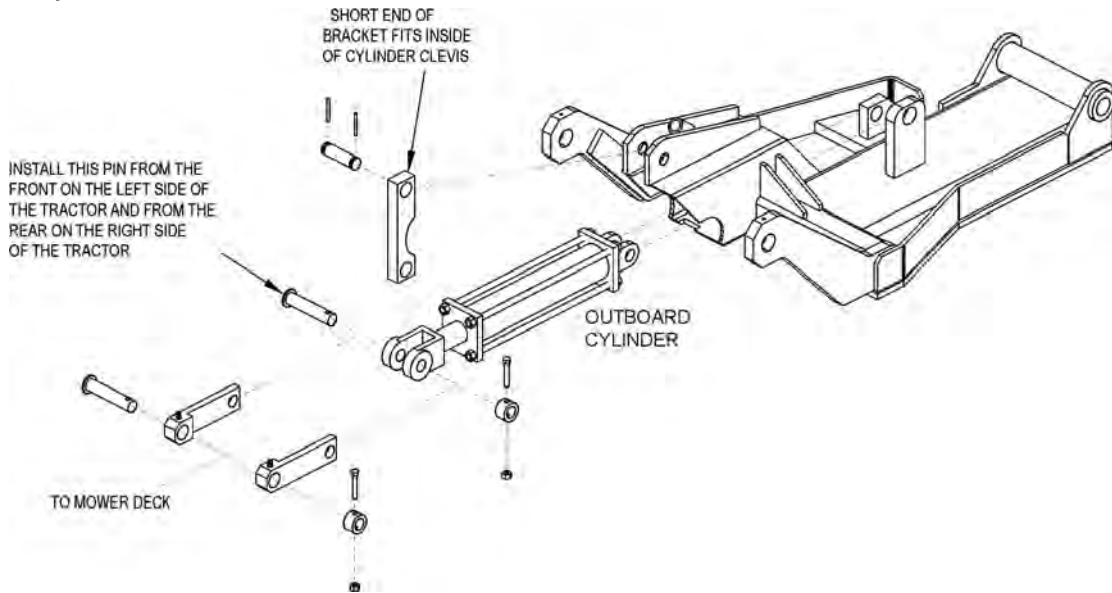
P[.^^^}*c@Á ã|Áæ^ Á^c ^^} Áæd |Á} |ææ} •Á ~ &@e Áæææ áÁ[] ÈæÁ } æ ÈÁ^^Á@Á
Úæo Á^&ç } Á@æÁ^|ææ •Á Á[~ |Áæd |Á |Á@ •^Áæ] |ææ } •É
Q •æ|Á@ •^Á[{ Á@Á[ç { Á |Á } ^|Áæç^Á | |oÁ^ @ áÁææÁ |ÁæÁ } æ È } Áæ áÁ |Á[] È
&æÁ } æ È Á@Á •dæd |Á } Á@Á à æá& |á á^|Á } æ È
Q •æ|Á@ •^Á[{ Á@Á] ^|Á |Á ~ ç |Áæç^Á | |oÁ Á@Á •dæd |Á } Á@Á ç |æá& |á á^|Á ç È
Ú^^Áæo Á^&ç } Á |Á æó { à^|Á æ á@ •^Á[~ ç * Á | ~ dææ } •È (ASM-C-0093)



ACK 9F`ACI BHB;

Ô@& Á@æ|Á!æ^Á\·Á@æ^Á^} Á·æ|áÁ Á@Á!ææ^æ ·Á æ[óæ{ ÊÁ-óÁ\æ^Áæ{ ÊÁ
 !á @Á\æ^Áæ{ ÊÁ áÁæ|á á!Á [] ç*Áæ·È

Wá *Áæ|çá Á á Á áÁ ||Á á·È} }^&ó@Á æ[óæ{ Á Á!çá Á }Á!ææ^æ ÈÁÁUVÒÁ æ^Á
 ·!^Á@Á }*^!Áææ &ÁÁç ^} Á@Áæ ç~óæ áÁ@Á} áÁ-Á@Á æ[óæ{ Á Á!··óÁ Á@Á!ææÁ
 àæ Á æ[óæ·Á }Á@Á} ç!Á à^Á Á @, } Á@Á!ææ!æ Á!|, ÈÁÁ[Á æ^Á!^Á@Áæ ç~óÁ
 [] Á@Á æ[óæ{ Áæ·Á ç Á à^Á-Á!ææ^æ È(ASM-C-0077)



Ù|æ^Á ç!Á} áÁ-Á æ[óæ{ Á æ@ç!óææ &ÁÁç ^} Á@Áæ ç~óæ áÁ@Á} áÁ-Á@Á æ[óæ
 æ{ È ç Á@Áæ|á á!Á!çá ÈÁ^çÈÁ^Á }Á@Áç!·Á-Á@Á-óæ áÁ@Á ç!óæ{ ·Á~ç^Á
 [-Á@Áæ|á á!Á!çá Á!·ÈÁ } }^&óá æ@Á\æ^Á á È Á ·ÁæÁ~á!áÈÁ[·Èæ·&^, ÈÁ
 || &, æ@!Áæ áÁ@çÁ~óæ Á @, }È

V|Á } }^&ó@Á } }^óÁ Á@Á!ææ^æ È|æ^Á@Áç·}·} Áæ{ ·Á-Á@Á!ææ^æ ÁÁç ^} Á
 ç@Á [] ç*Áæ·Á }Á@Á}^!Á} áÁ-Á@Á } }^ÈÁÁ^Á }Á@Áç!·Áæ áÁ&!^Á æ@, æ^!Á á È
 &æ È &^ ÈÁ & È æ@!È áÁ@çÁ~óæ| ç!óæ·ÈÁ^Á æ·Á[\Á]·çæ} È

P^çÈ|æ^Á-Áæ áÁ@Á\æ^Áæ{ ·Á} Á Á@Á|| ç!Á æÁ }Á@Áæ^Á-Á@Á^Á È
 Ù&!^Á æ@Á\æ^Á á È Á ·È[·Èæ·&^, È| &, æ@!Áæ áÁ@çÁ~ÈÁ^Á]·çæ} Á
 Úæ·Á^æ} È



5 GG9 A 6 @M

HF5J9 @@C7 ? -BGH5 @@HCB

ÿ[~!Áã^ÁãÁ[]^G DÁ æ Áæ^Á & { ^Á ãQ ~ ó@Áæ^Á & ÁQ [\ Á ^|á^áÁ } ÉÁV@
 ã Áá[]^Áæc!Áæ•^ à| ÁÁ } •! ^Áá![]^!ÁáÁ Á[~!Á~ã]{ ^ } dÁO[]], Á@Á[]], á*
 •c]•Áq Áææ&Á@Áæ^Á & ÉÁ æ^ •!^Áq Á ^æÁ@Á![]^!Á!•[]æÁ! [c&ç}
 ^~á{ ^ } dÉ

FÈ T[~} ó@Á-óá áD!Áã @Áæ^Á & Á:æ^ó Á[•!^ Á Áæ&Áã^Á-Á@Á æóÁæ ^É
 Ü^!Á Á@ÁÚæó Á^&ç } Á@Á æ~æÁ!Á æóÁ {i{ æá } É

GÈ Üæ^ÁæÁ[]^ó Á] Á Á@áÁ@ @•Á[•ãá } É

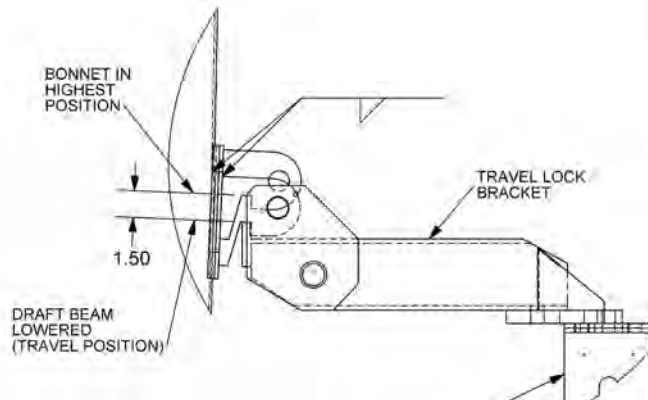
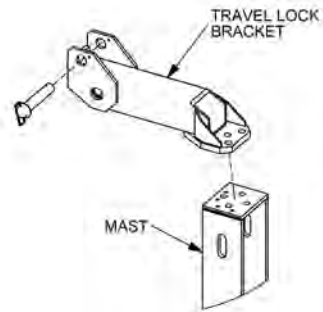
HÈ Š, ^!Á:æóÁæ & |á á!•ÁÉÉ&@•Á!Áæ^Á & ÁQ [\ Á^ææ & É

I È T[~} ó@ÁQ [\ Á Á@Áæ^Á & Á:æ^ó á@Áæ^Á & Á á Á |æÉ

I È Šá^Á] Á@Áæ^Á & Á |æ^Á [ÁæóÁ &]c!^áÁ ã@ÁÁæ^Á & ÁQ [\ Á } Áæ@
 •ã^É

Î È Y^|áÁ@Á |æ•Á Á@Á[]^ó É

Ï È Y^|áÁ@ÁQ [\ •Á Á@Á |æ•È" (ASM-T3F-0025)



897? #ACHCF: 998 @B9

Q•œ|Á@Á+ÁQ•^•Á|{ Á@Á [d |Á Á@Á [| } [ãÁç^ÉÚ^~!Á Á@ÁÚæ•ÁÚ&ç } Á | Á
á^œ^á/ { | { œ } Áœ [~ 0Q•^•Á } áÁãç *•Á | Á@Á } | Áœ } É

Q•œ|Á | ÁQ•^•Áœ [~ } á@á|æ | ÁQ•^•Á @ | ^ Á@ ^ Á } œÁ œ } Á * ^ • É | Áœ ^ Á @ | Á
^á * ^ • Áœœ } œ Á ^ áQ•^•É

ÓÁ ~ | ^ Á@œ|Á | ^ œ ^ Á | \ • Áœ ^ Á • œ | ^ á/ Á @ Á | œœ^æ Á ç Á | • • ^ • ÉÚO | ^ œ ^ Á | Áœ ^ Á
@ Á | œœ^æ Á œ & | áá * Á Á@Á • d ~ &ç } • Á @ Á œ ç } œ & ÁÚ &ç } ÉÚÉ@ & Á | Áãç * • Á | Á
œ @ ^ • É

Q|Á@á|æ | Áœ \ Á œÁ ãÁœ Á & { { ^ } á^á/ Á @ Á œ ç } œ & ÁÚ &ç } ÉÚG9'GI F9'HC'
CD9B'H<9'65 @UJ5 @9G'ÁÚœœ@Áœœç | Áœ á/ Á | ^ œ Á@Á | œá& | ç á^ Á@ | * @Á@Á } œ^Á
• d | \ ^ Áœ áÁ@Á ~ œ | œá& | ç á^ Á@ | * @Á@Á | ç { Á Á d | \ ^ Á | ^ œ á/ Á | Áœ Á@Á * • Á ÁœÉ
8C'BCH'fi b'ci HvcUfX'Wn]bXY'f'ci hlc'Z ``gffc_Yi bh]'ghcd'Vc'h\ Ug'VYYb'UX'f ghX'

Ó@& Á | Á çÁ œ • Áœ | Áãç * • Áœ á/ Á } } ^ &ç } • Á • ç * Áœ ç & Á Á ç | Á | Áœ á/ | œáá | œáÉÚOÁ
| œ Á Á | } áÉ [~ Á ~ • Á @ Á | , } Á@Áœç | Áœ á^ Á@Á & œ | Á@œÁ } Á@Á | } } áÉÚO ~ | ^ Á
œ { } ç * Á Áœ Á@Á œ É [~ Á ~ • Áœ œ Á@Áœç^Á@á | ^ Á ^ ç | ç Á ^ • Á | Á ç ^ Á
] | ^ • • | ^ Á @ Á * ÉÚ8C'BCH'I G9'<5B8G'HC'7<97??: CF': @ - @5?G°

Úœ ^ Á@Á@^ Á | ç 0œ&@ ç á&@ & Á@Áœç | Á ç } çÁ@á|æ | Áœ É | Á | ^ | Á ^ ç | Á
} ^ á^áÉ (ASM-C-0079)

GHCD'6 C @H'58>I GHA9BH

Óœ } áÁ@Á ~ œ | œá& | ç á^ Á | Á@Á œ Á ~ ÉÚOá•œ@Áç | Áœá•ç ^ } œ | | ç œœ^á/ } Á@
ç | Á Á@Áœœ^æ DÁ ~ Ó } çÁÁ Á | Áœ œ • œ@Á } } ^ ÉÚS | & Á@Á | | } } Á œœ@Á +@ç
} ~ É

PUVONAY @ } Á@Á ~ œ | œá& | ç á^ Á | Á | Áç } á^áÉ@Á } } ^ ç | Á & Á @ | | ááœ | Á^Á }
œ œ • œ@Áç | Á | Áœœ | Á | & • Áœ ^ Á • œ | ^ á/ Á @ | | á^Á } Áœ œ • œ@Áœœ | Á | & ÉÚOÁ œ Á
} ^ & • œ ^ Á Á • ^ Á œ | Áç } ç | Á ç } ç Á | * • Á } Á@Á | ç á^ Á | Áœœ | | ^ & ç d | \ ^ ÉÚO@
& œ | Á@œÁ Áœ œ • œ@Áç | Áœ áÁ@Á | ç á^ Á | Áç | \ ^ Á { œ ç * ÉÁ | ç ~ • Áœ œ Á ç | Á & | É
Ú | & ^ á/ Á ç ç | ^ } ç } Á | Á | ^ } Á • d ~ &ç } • Á } Á@Á ^ ç œ ^ É (ASM-SIDE MNTS-0003)



5 GG9 A 6 @M



CD9 F 5 H=CB' G9 7 H=CB

UJ ^!aa } A^&a } A-E

CD9F5HCB

%CD9F5HCF F9EI F9A9BHG

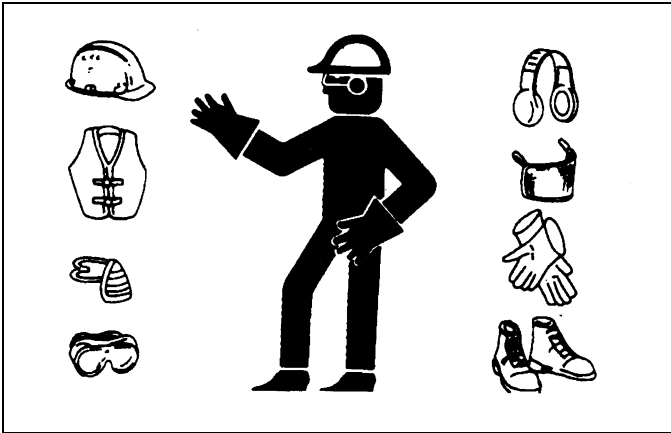
Úæ^Á] ^íææ } Á Á@Á } æ Á@Á | ^•] [] • æææ Á Áææ æææ áÁ] ^íææ | ÉÁÓÁ æææ áÁ] ^íææ | Á@Á ^æææ á
 ~ } á^íææ } á Á@Á] | { ^ } ^ææ áÁæææ | ÁU] ^íææ | qÁT æææ æææ áÁ Á@Á] ^íææ } & áÁÁ ÁÁ] | { ^ } ^ææ áÁæææ |
 [] ^íææ } Áææ áÁÁææ • [æææ áÁæææ Á | æææ • ÉÁÓÁ æææ áÁÁ } Á Á@Á æææ Á ^••æ^ÁÁ } æææ áÁÁ Á@Á } æææ æææ
 •æææ Á • æ } • Áæ^Áæææ áÁÁ Á@Á] | { ^ } ^ææ áÁæææ | ÉÁÓÁæææ Á æææ Á@Á] ^íææ } Áææ áÁææÁ • ÁÁ Á@Á
 ^~ æ { ^ } ^ææ Á | æææ { } | ^ææ Á } á^íææ | [áÁÁ] • | ^æææ æææ æææ áÁÁÁæææ ÁÁÁ | æææ { } | ^æææ } É

QÁ@Á] ^íææ | Áææ } [^æææ Á@Á } æææ æææ Á@Á { • ÁÁÁ ÁÁÁ [^ ÁÁÁ | æææ { } | ^ææ Á } á^íææ } áÁ@Á] ^íææ } Á Á@Á
 ^~ æ { ^ } ^ææ Á@ÁÁ • [] • æææ Á Á@Á] ^íææ | ÁÁ ÁÁæææ áÁÁ } æææ Á@Á } æææ æææ Á | æææ • Éææ á
 [] ^íææ } Á • c & c } • ÁÁ Á@Á] ^íææ | É

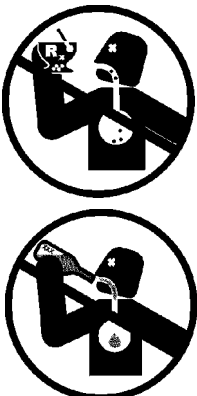
Úæ^Á] ^íææ } Á Á~ æ { ^ } ^ææ áÁ@Á@Á] ^íææ | Á ^æææ } | ç^áÁÁ] • [] æææ | ç & ç ÁÁ~ æ { ^ } ^ææ Á@Á
 ç | Á@Á ÁÁ } áÁÁ } • Á @ } Áææææ • É] ^íææ } É ÁÁÁ } Éææ áÁÁ } æææ Á@Á~ æ { ^ } ^ææ Á@ÁÁÁ • æ } ^áÁÁ
] | [çæ^Á] ^íææ | Á | ç & c } Áææ áÁÁ & ^ áÁ Á@Á] | , æ * Áæææ Á ^ææ

D9FGCB5 @DFCH97HJ9 9EI -DA9BHfDD9L

- ~ Çææ æ^Á ^æææææ Á@Áæææ
- ~ PææáÁææ
- ~ Úæ^ÁÁ ^ÁÁæææ ÁÁ [ç ^ææ
- ~ Ó | ç^
- ~ P^æææ * ÁÁ | ç & c }
- ~ Ó | • ÁÁæææ * ÁÁ | çææ *
- ~ Ú^•] áææ | Á Á@Á ÁÁ ææ ÁÁ ^ } áÁÁ } Á
 [] ^íææ } Á } áÁÁ } • DÁ (OPS-U-0002)



POXOUA • ^ÁÁ • • Á ÁÁæææ @ | ÁÁ { ^áæææ ÁÁÁ | ^ÁÁ Á @ÁÁ] ^íææ } Á@Á
 V íæææ | Áææ áÁÁ] | { ^ } ^ææ • • Áææ áÁÁ æææ @ | Á, æ | Áæææ & Á@Á] ^íææ | ç
 æææ ç^• Áææ áÁÁ [| ááæææ } Áææ áÁ@Á | ^ ÁÁæææ & Á@Á] ^íææ | ç Áææææ ÁÁ
 [] ^íææ Á@Á~ æ { ^ } ^æææ ÁÁÁ | ^ÁÁ] ^íææ } Á@Á íæææ | ÁÁÁ] | { ^ } ^ææ
 æææ ÁÁÁ } ÁÁÁ • & æææ } ÁÁÁ ç^íææææ } ^ ÁÁÁ } • çææ } • | ç
 æææ ^áÁæææ Á | ^••æ } æææ * æææ * Áææ ÁÁÁ ^ & Á Á@Á ^áÁæææ } Á@Á
 , [~ | áÁ@Á áÁÁ@Á æææææ ÁÁ Á] ^íææ Á@Á~ æ { ^ } ^æææ ÁÁÁ P O X O U
 \] , æ * | ÁÁÁ , Áææ [] ^ ÁÁÁ] ^íææ Á@Á~ æ { ^ } ^ææ @ } Á@Á ÁÁÁ ç^• ÁÁÁ
 & [| ááæææ } ÁÁÁ] æææ áÁÁÁÁ } • ÁÁÁ ÁÁÁ ÁÁÁ Á@Á] ^íææ | ÁÁÁ @ | •
 & ~ | áÁÁ~ | çæææ ÁÁÁ] ^íææ | ÁÁÁ } áÁÁ@ÁÁÁ ^ } & ÁÁÁ • • ÁÁÁ ÁÁÁ @ | ÁÁÁ



Úæ^Áææ áÁÁ^æææææ U] ^íææ } ÁÁÁ & c } ÁÁÁ

CD9F5HCB

CD9F5HCB



Œ, æ•A•@o@AViædq;A&{ }|c|Aâ[, }E] |æ^Ac@Adæ•{ a•q }Aq A] æ\ Eæ] aA^oAc@]æ] q *A:æ^A^q|^A^ [^A:æ^ []^A:æ^ []o A:æ^]^&oq;Aa& } }^&oAc@AQ]|^ ^)c æ] aA:ædq;A&@•E_{CHUVÉFD}

CD9F5HCB

)%7cbbYWqbl 'H YFYU': `UJ`hc`H YHFUWcf

FÈ T æ^A•|^A^o@Adædq;Aa^A~`q]^aA, æoAc@ &||^&oUVUA @æo@æ *^A @æo A^a^aÈ

GÈ Uq|c)A: A^ [c^A^o@Adædq;Aa:æ] ææA: Aæ[æ] q c|A: ^) &A, @)A:æ] q *Aæ] aA||, ^]q *A^o@ { [, ^]È

HÈ Q] æaA^o@Adædq;Aa] aA^æo@A) *q^EJU•æ] } c@Adædq;Aq Ac@A [, ^]A, æoAc@A-H] [q o]æc æ{ •A]•æ] ^aA^c, ^^) Ac@A^•]^&æ^A^o~ { [, ^]Ac@E:æ ^A]æo^ *•E **Note:** Set the 3-point lift control to "Position Control" so that the lift arms maintain a constant height when attaching the mower. See the tractor Operator's Manual for correct settings when attaching 3-point equipment.



I È V`|)A -A^o@Adædq;A) *q^Aæ] aA]æ { [~] dA I È U]^A]æoAæ { AæAæAc^ E]æ]æ } Aæ { A^ } aAq|^ a^c ^^) Ac@A^o^ -Ac@E:æ ^A]æo^ *•E Q•^]o@æ&@]q Ac@|^ * @c@A^ * Aæ] aAæ { Aq|^•Aæ] aAq•^]c]^æ] q * A] q Aq Ac@] q È



I È Y æ] Aæ [~] aAq A [] [•æ^A•æ^Aæ] aA:]^æ]|| &a~|^A: A^ { æ] q * A]æo { Aæ] aA]æo] q È I È Qc|) aA:] A^dæo^H] [q o] [Aq \ A: Aæ] /æ A) a q|^A, æoAc@Aq|^A] Ac@A [, ^]q Ad] Aq \ E Q•^]o@A:] Aq \ Ac@] q Aæ] aAq•^]o^æ] q *] q Aq Ac@] q È

Oæb•oæ^A, ^]Aq \ &@& &@æ •E~ æ^A|| &•E: •, æAa|| &•Ad] A:]c^) oAc@A [, ^]A: { A, æ] q * •æ^A: A^æ^Aæ] aA] [•æ^A: } æoA, æoAc@Adædq;A^æcæ^È

B UVòAU~•^oAcæ] q;A]æ&@•Aæ^Aæ]æa|^A: A] [•æ] } Ac@A [, ^]A: Ac@A~o^;Aa @EAT [, ^]•A] æoAU~•^oAcæ] q;A&@•& } }^&oq; Ac@A]E] [q Ac@]o@Aæ ^A] æAæ Ac@A [, ^]Ac@E:æ ^È

Uæ^Aæ] aA]æo]æ U] ^]æ] } A]æ&] } A]E

CD9F5HCB

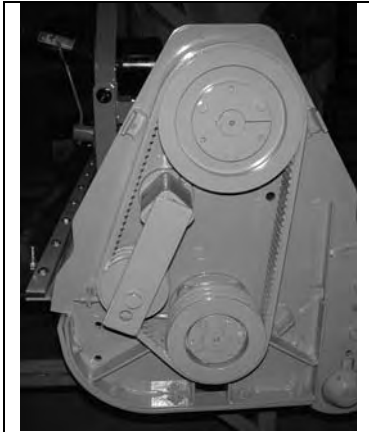
CD9F5HCB

- 0) 1) 2) 3) 4) 5) 6) 7) 8) 9) 10) 11) 12) 13) 14) 15) 16) 17) 18) 19) 20) 21) 22) 23) 24) 25) 26) 27) 28) 29) 30) 31) 32) 33) 34) 35) 36) 37) 38) 39) 40) 41) 42) 43) 44) 45) 46) 47) 48) 49) 50) 51) 52) 53) 54) 55) 56) 57) 58) 59) 60) 61) 62) 63) 64) 65) 66) 67) 68) 69) 70) 71) 72) 73) 74) 75) 76) 77) 78) 79) 80) 81) 82) 83) 84) 85) 86) 87) 88) 89) 90) 91) 92) 93) 94) 95) 96) 97) 98) 99) 100)

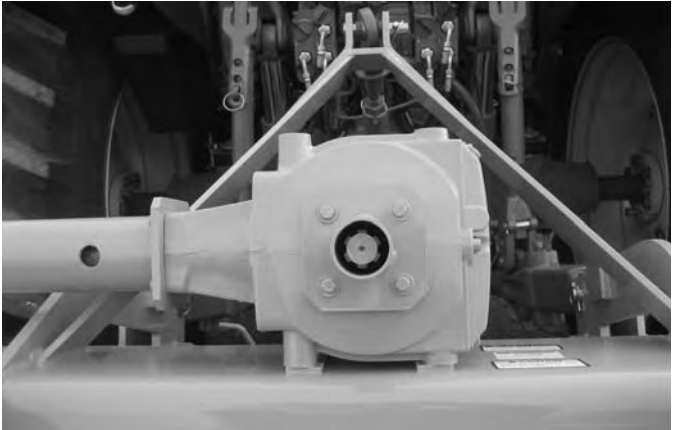


Op-255

- 0) 1) 2) 3) 4) 5) 6) 7) 8) 9) 10) 11) 12) 13) 14) 15) 16) 17) 18) 19) 20) 21) 22) 23) 24) 25) 26) 27) 28) 29) 30) 31) 32) 33) 34) 35) 36) 37) 38) 39) 40) 41) 42) 43) 44) 45) 46) 47) 48) 49) 50) 51) 52) 53) 54) 55) 56) 57) 58) 59) 60) 61) 62) 63) 64) 65) 66) 67) 68) 69) 70) 71) 72) 73) 74) 75) 76) 77) 78) 79) 80) 81) 82) 83) 84) 85) 86) 87) 88) 89) 90) 91) 92) 93) 94) 95) 96) 97) 98) 99) 100)



- 0) 1) 2) 3) 4) 5) 6) 7) 8) 9) 10) 11) 12) 13) 14) 15) 16) 17) 18) 19) 20) 21) 22) 23) 24) 25) 26) 27) 28) 29) 30) 31) 32) 33) 34) 35) 36) 37) 38) 39) 40) 41) 42) 43) 44) 45) 46) 47) 48) 49) 50) 51) 52) 53) 54) 55) 56) 57) 58) 59) 60) 61) 62) 63) 64) 65) 66) 67) 68) 69) 70) 71) 72) 73) 74) 75) 76) 77) 78) 79) 80) 81) 82) 83) 84) 85) 86) 87) 88) 89) 90) 91) 92) 93) 94) 95) 96) 97) 98) 99) 100)



Uñ^Áë áÁÜ^æÁ/2æ

U] ^!æë } ÁÜ^æ } ÁËÍ

CD9F5HCB

Q.] ^&0&~ 0:A} q^•A} aA} a^A q•A: A
|| [•^)^••A} aA0&••q^A ^aEIT a^A~!^A0A
{ [, ^!A^A^&~!^! A|| &^aA] A^f!^A&æ |ã* A
a^)^a0A^] |a&A&æ a^aE [!] E} aA a•q* A
\} q^•A0 A{ [] ^c^A^0 A: A a} a} &~ 0:•00A
aa} &^E
Ü^ { [ç^A} ^A: a•A: A c0: A^a: aA } @0A aA
a^A: |a} ^aA[~] aA0&~ 0:•00E
Q.] ^&0&@A} a} a} A- A& A\ aA @^•A} aA
00a, a^E OPS-F- 0007



CD9F5HCB

Üa^A} aA^aA} aA

U] ^! a} A^&a} A^i

CD9F5HCB

Flail Mower PRE-OPERATION Inspection



O qy gt'KF %aaaaaaaaaaaaaaaaaaaaaa O cmg aaaaaaaaaaaaaaaaaaaaaaa

F cvg<"*****"aaaaaaaaaaaaaaaaaaaaaa Uj khv aaaaaaaaaaaaaaaaaaaaaaa



6 YZ:fY Wc bXi Wj b[' h Y']bgdYWjcbž a U_Y gi fY h Y hfUWcf' Yb[]bY']g'cZZ U''fcUjcb
 \ Ug' gfcddYX' UbX' h Y hfUWcf']g']b' dUf_ 'k]h ' h Y dUf_]b[' VfU_Y Yb[U' YX'' AU_Y' gi fY
 h Y a ck Yf']g' fYgh]b[' cb' h Y' [fci bX' cf' gYW fY mi V' cW_YX' i d' U bX' U'' \ mXfU']W
 dfYggi fY\ Ug' VYYb' fY]Yj YX"

Table 1:

| Kgo | Eqpf kkp'cv'
Uctv'qh'Uj khv | Ur gekhe'Ego o gpw'kh'
pqv'QOMD |
|---|--------------------------------|------------------------------------|
| Vj g'Qr gtcvtat'O cpwcn'ku'lp'vj g'ecplugt | | |
| Cm'uchgv' f gecnu'ctg'lp'r rneg'cpf 'rgi kdn | | |
| Vj g'O qwp'kpi 'Itco g'dqnu'ctg'lp'r rneg'cpf 'ki j v | | |
| Vj g'eappgevkp'dqnu' ('r kpu'ctg'ki j v | | |
| Vj gtg'ctg'pq'etcem'lp'o qy gt | | |
| Vj g'J { f tcwle'E { rpf gtu'r kpu'ctg'ki j v | | |
| Vj g'J { f tcwle'Rwo r'] qug'eappgevkpu'ctg'ki j v | | |
| Vj g'J { f tcwle'Xcxg'] qug'eappgevkpu'ctg'ki j v | | |
| Vj g'J { f tcwle'Xcxg'eapv'qnu'hvpevkp'r tqr gtn | | |
| Vj gtg'ctg'pq'rgcnkpi 'qt' f co ci gf'] qugu | | |
| Vj g'J { f tcwle'Qknhxgn'ku'hwm | | |
| Vj gtg'ku'pq'gxkf gpeg'qh'J { f tcwle'rgcmu | | |
| Vj g'Drcf gu'ctg'pqv'ej k r r gf . 'etcemgf 'qt'dgpv | | |
| Vj g'Drcf g'dqnu'ctg'ki j v | | |
| Vj g'F ghgexqtu'ctg'lp'r rneg'cpf 'lp'i qaf 'eqpf kkp | | |
| Vj g'uj krf u'ctg'lp'r rneg'cpf 'lp'i qaf 'eqpf kkp | | |
| Vj g'Unkf 'uj qgu'ctg'lp'i qaf 'eqpf kkp' ('ki j v | | |
| Vj g'J { f 0o qvt'o qwp'kpi 'dqnu'ctg'ki j v | | |

Qr gtcvtat'Uki pcwtg<

DO NOT OPERATE an UNSAFE TRACTOR or BOOM

Uā^ Áā } áŮ^ āā / Qāā

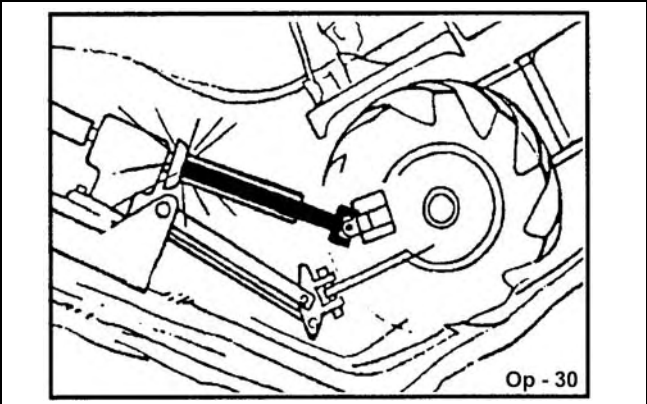
U] ^! āā } Ů^ &ā } ÁĒĪ

CD9F5HCB

CD9F5HCB

- ' 7 fcgglbl ' 8]HW Yg 'UbX'GHYd' bW]bYg

Y @ } Á&[••á * Áã&@•Á ã@ c^] Áã } \•Á! Á[á * Á]
 • @] Áá &á ^• ÉÁÁ Á [••ã | ^Á@ã@Á Áã Áá! á^á ^
 á } ^! Á! [- á^ Á! á! ^] ^ dæ Áá d Á@ Á ~ c! Á@ ~ •á * Áé Áã
 { áá ~ { Áá^] c@ } dÁ@ Áã • ^ { à | Áá &á { ^• Á [| á
 Gá! á^á ^ Áã Áã Áã Áã d^ { ^ Á @ | c• o^ } * @ Á V @ Á ^
 [- Áã ~ • á^ Á [^ | áá } Á&á Á&á • ^ Á ^ á ~ • Áãá á ^ Á d
 c@ Áã d! Áá á Á [, ^! Áá! á^ Á ^ • @ * Á@ Á V U Á d
 c@ Áã d! Áá á Á@ [~ * @ Á@ Á •] [| Áá á á * Á [|
 á [, , , á á Á] d Á@ Á V U Á @ c@ Á ^ á á * Á Á - É

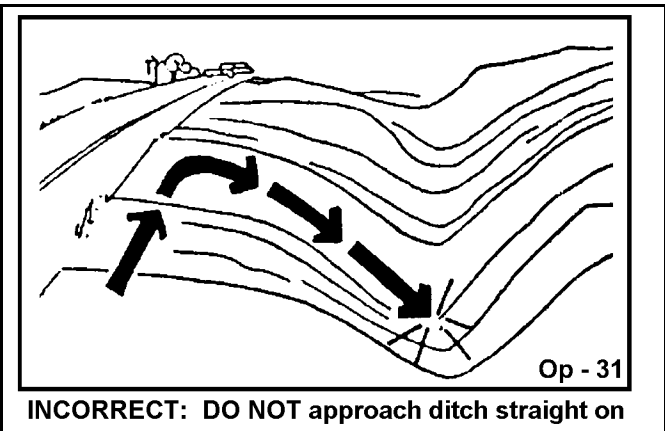


WARNING

Öá á Á^• | á * Á [{ Á c^! Éá || áá • ^ Á - Á@ Áá! á^á ^ á } ^! Á! [- á Áá á Áá Á ~ c! Á@ ~ •á *
 { á á || , Á@ Áá! á^á ^ Á Á { ^ Á [• ^ Á [{ Á@ Áã d! Á @ @ Á ~ | á á • ^ Á [á á Á b! ^ Á Á@
 [] ^! áá | Á! Áã • áá • áá á d! Á c^ } • á^ Áã á á Á Á@ Áã d! Á! Á@] [^ } É OPS-R-0020

Y @ } Á&[- [] c^ Á ã @ Á Áá &á ^ Á! | Áã & @ Á [Á] c
 á } | | á @ Á [{ Áá Áá * | Á @ @ Á Á ^! ^ } á á | á Á!
 • d á @ Á } Áã Áá á á ^ á Á d Á [c^! Á& || áá • ^ Á - Á@
 á! á^á ^ Á á á & & É

Y @ } Á&[••á * Á ~ & @ Á || áá É@ Áá] [^ } c^ @ ~ | á
 á ^ Á ~ | Á [, ^! á á Á! | Áá [, ^! Á&) c! Á - Á! á á á á á á
 á á á á á á á á OPS-R-0021



INCORRECT: DO NOT approach ditch straight on

Uá ^ Áá á Á V á Á d! áá

U] ^! áá } Á V & á } Á É G

CD9F5HCB

CD9F5HCB

☞ "G i Hjb| '8ck b' h Y=a d`Ya Ybh

V| Á @ óá[, } Á@Á [] | { ^ } ÉÁ• óá[q * Á@Á dæd |
 d Áæ [{] | ^ Á d [] ÉÁV@ } Á [, } Á@Á [] | { ^ } c
 à ^ Á à ~ & q * Á@Á } * q ^ Á] ^ à Á ^ f | ^ Á à ^ } * æ q *
 @ Á Ú V U É Á Y æ Á f | Á [] { [] } Á d Á • d [] Á à f | ^
] | { & ^ à q * Á É Á ^ Á | Á @ óá[, } Á@Á dæd | È"



Op-37

Úæ Á @ Á d æ d [] Á Á ^ ç | Á • | æ É Á | æ Á @
 d æ { ~ q } Á q Á] æ Á [] Á ^ d æ Á æ á Á d [] | ^ Á @
] æ q * Á | æ ^ É [, ^ Á @ Á æ æ @ á Á [] | { ^ } ó Á @
 * | { } á É @ óá[, } Á@Á } * q ^ É Á [] ç Á @ Á ^ É q á
 , æ Á f | Á [] { } Á É [] { ^ Á d Á æ Á [] | ^ Á • d []
 à f | ^ Á ç q * Á @ Á dæd | É OPS-F- 0011



Op-266

☞ '8 =G7 CBB97HB; 'H<9`ACK 9F` : FCA`H<9`HF57HCF

Ó f | ^ Á æ & [] ^ & q * Á @ Á [, ^ É Á @ Á Ú V U Á ~ • ó Á
 á à ^ } * æ ^ á Á æ á Á d [] { } Á æ Á æ [] | ^ Á • d [] É
 T [ç Á @ Á [, ^ Á d Á æ Á ^ ç | Á • d | æ ^ Á [& æ] Á q á
 [, ^ Á à [ó Á æ Á [, ^ Á d Á @ Á * | { }] á É Á @
 { [, ^ Á q | Á Á d | ^ á Á æ @ Á ^ & d } • Á @ Á æ á
 [] • q } É Á ^ | ^ Á @ Á @ Á æ | Á [& • Á ^ Á } * æ ^ á É
 ó Á [, ^ Á Á [ó Á • q * Á ^ & | ^ Á } Á @ Á | { }] á É
 à [& Á @ Á [, ^ Á] Á ^ & | ^ Á ^ f | ^ Á æ [] q * Á
 á à & [] ^ & ó Á [{ } Á @ Á dæd | É Á ^ Á d ^ ^ Á æ Á
 \ ^ Á Á ^ Á æ á Á q á Á [{ } Á } á ^ Á @ Á [, ^ Á q á
 & ^ æ Á Á ^ Á q & [] q É OPS-F-0012_A



Op - 55

Ú æ Á q á Á ^ æ Á d æ

U] ^ æ [] Á ^ & [] Á É U

CD9F5HCB

CD9F5HCB

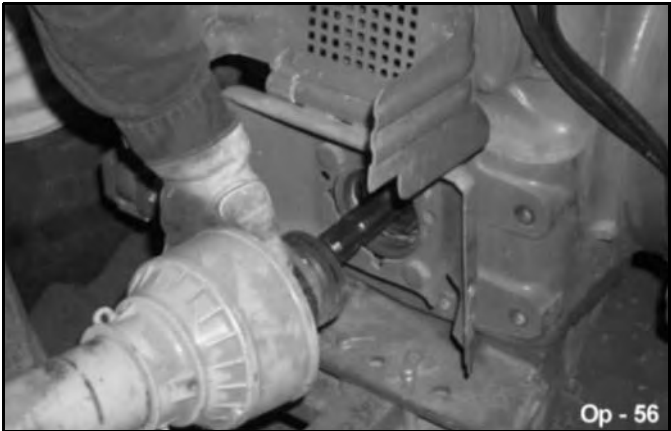


☹️, æ•Á• @ º@AVIædq |Á&{ } |'º' Áá[, } É] |æ^Ac@Adæ•{ º•q } Áq A] æ\ Éæ] áÁ^ºAc@] æ\ q * Áá:æ^Á^q |^Á[~ Á | Áæ ^ [] ^ Á | • ^ Áæ { } | º Á | Á& } } ^ ºÁ | Áæ & } } ^ ºÁ @ ÁQ] |' ^) c æ] áÁIædq |Á&@• É^{CHUVÉI D}

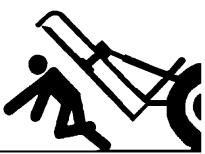


Þ^ç^Á^æ] áÁ | Áæ], Áæ] [º | Á | • [] Á | Áæ] áÁæç ^ ^ Áæ^ } } q * ÁIædq | Áæ] áÁ @ ÁT [, ^ | , @ } Áæ & } } ^ ºq * Á @ ÁQ] |' ^) º [{ Á @ ÁIædq | ÁÉ [q º Á & @ ÁQ, æ•Á @ º @ ÁIædq | Á ~ & { } |' º | Áæ] áÁ^ºAc@ Á æ\ q * Áá:æ^Á^q |^Áæ { } | º Á | Áæ & } } ^ ºÁ @ ÁT [, ^ | Á q • Á | { º @ ÁIædq | Á&@É

☹️ | Áæ & } } ^ ºq * Á @ ÁIædq [q • É ^ { [ç ^ Ac@ { [, ^ | Áá:æ^Á^q ^ Á | { Á @ ÁIædq | ÁUVUÁ @æÉæ º @ Áá:æ^Á^q ^ Áá[, } Áæ ~ |' Á | Áæ] áÁæ æ q * º @ Áá:æ^Á^q ^ Á | Á @ ÁIædq [Á | º º @ Áá:æ^Á^q ^ æ | Á q Á ~ áÁ | ÁáæÉ, @Á&@ Á& } } æ] q æ^Á @ à^æq * Áæ] áÁ • @ |' º | Áæ] áÁæ^Á^q ^ Á @ Áá:æ^Á^q ^ É OPS-F-0013



Þ^ç^Á^A, [| \ A ~ } áÁIac@AQ] |' ^) º @ Áæ æ ^, [| É [| Áæ ^ Áæ º á & { } [] ^) º } | • • Á @ ÁQ] |' ^) º Á ^ & ^ |' Á ~] [| º áÁ | Áá [& ^ áÁ] q Á | ^ ç ^ º ~ áá ^ Á | Áæ æç |' º | º æ] q * Á @ Á& | áÁææ • ^ Á ^ | q ~ q Þ |' Á | Áç ^ } Á ^ æ @ Á^{QÜÉI D}



Úæ^Áæ] áÁU^æÁQææ

U] ^ | ææ] } ÁU^æç] } ÁÉÉ

CD9F5HCB

CD9F5HCB

Uã^Áa}áÜ^as/Qã

U] ^!ã } Á^&ã } Á.í

Í "4235"Crno q'I tqwr "Kpe0

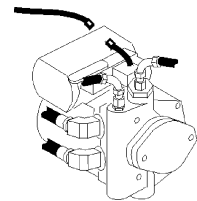
A 5 =BH9 B5 B7 9 'G9 7 H=C B

T aq c} aq &^Á^&ā } Á Ě

A5-BH9B5B79



CE, a6•Aaã&}}^&Ac@A, a^A^ aã•A+[{ Ac@A([, ^!A] ~ {] A•[^]{ aã
 à^f!^A^!f!{ a*^A^!cã^A} A@A!aãd!A!A^, ^!E^V^A^!aãd!A} A} @}
 [\ a * A } A@A!aãd!A!A^, ^!E^V^A!aãd!A} * a^A^ ~ •o^A^A^ d]] ^a
 à^f!^A [\ a * A } A^, ^!A!A!aãd!E^V@A^ [, ^!A!aãd!A} ~ |a^aãç!^} d^ A^A^!} ^a^A}
 , a@~ d^ a} a * A} a^A^•^A^ { ^aãe^Aã { ^{ à^!{ ^} d^ b!^ A!A^aãd!A} UOT #Gãd



FYI i`Uf`A UjbybUbWf

V@A^!cã^ AãA @A^~ |a^A^!cãã * A @ ~ |a^A^A^ } ^A^A^aã^a^A} A@~!•A^A^!^!aãd! E^V^A^A^A^aãd!•A@~!
 { ^A^!A^ A^A^!{ a^A^ @} A^~ |a^A^!cãã * A^A^~ a^a^E

8 U]mcf`9j Yfm, `<ci fg

| #9A` | G9FJ`9 | 7CAA9BHG |
|--|---------------------|--|
| Ö!ã^A^@eã[\ ^E^V^E^ a c
BÁJc`àA^ec | Ö!^a^ | Ö!^a^A^A^•d` &c^a^A^
a^aã^a^A^ aã d^A^&d^ |
| Ú {] A^!ã^A^@eã[~] ^! | Ö@& A^ a^A^`à` | Q•~!^A^!ã^A^@eã[a^A^ a^ |
| Ô!a^ \ • @eã[A^a^ c^!A | Ö@& A^`à^!A^!{ { ^o | Ü^! a^A^!{ { ^o A^A^
a^a^ a^A^!A^ a•a* |
| Úã[o^A^ a^o | S` à!aãe^ | Q^b&c^!^a^A^} d^A^
a^] ^a^•A^A^} a• |
| P^ a!a^ a^A^a^ * | Ö@& A^!A^a• | Vã @} A^ @} A^ A^a^a^E
Ö! A^! c^•A^@eã[a•A^ A
&@& A^!A^a^•E^A^
{ aã c^} a^ &^A^!^aãd! }• |
| S)ã^•A | Ö@& A^ | Q•]^&c^!A^ a•a*^A^!A^aã a^a^
\}ã^•E^A^@eã[^A^A^a^a^E |
| Ó!o | Ö@& E^A^b•c | Ö@& A^A^! \ ^} E^A^ @} A^ A^~ a^a^E |
| T aã A^a^ a^A^ a^A
Ö^& | Ö@& A^ | Ü^d!~^A^! o^A^ A^!~^
•]^&aãeã }•A^ A^@A^&d^ |

Úã^A^ a^A^a^A^aã T aã c^} a^ &^A^!^aãd! } A E^H

A5-BH9B5B79

A5 -BH9 B5 B7 9

M95 F @MCF'9J9FM) \$\$' <CI FG

#9A

G9FJ=9

7CAA9BHG

P^ a!æ |æVæ \ ÁQ~ æ

Ô@ * ^

QÁæ \ Á^ a!æ |æVæ \ ÁQ~ æ ÁQæ!
fl\$'a JWcb'Z'HyL

Ô@ * ^

QËæ ^ Á ÚQæ!
fl\$'a JWcb'Z'HyL

Ô@ * ^ ~~~~~!

Ô@ * ^ Á @} Á aææ a
à Á^ dææ } Á aææ | È

P^ a!æ |æVæ \ ÁQ^ æ@!

Ô@ * ^

Ùæ^ Áæ a ÁU^ æ ÁQæ

T ææ æ } æ & ÁU^ &æ } Á È

A5 -BH9 B5 B7 9

A5-BH9B5B79

V@^Áæ^Áq c) á^áÁq Áà^Á^ ^) ^!çÁ^ ^&áæá } • ÈÛ^^Ádæç |Á[] ^!æ | • Á[|Á^ ^!çæ^Á{ æ } çÁ- |Á^ çæç
 • | ^&áæá } • Á[|Á[^ |Á] æ È

@ 6F=75HCB'F97CAA9B85HCBG

Ö^ & | q ç } Á[] | çá } Ö^) ^!çÁ^ ^&áæá } Ü^ & { { ^ } á^á
 AcVJ^ @ Vf]Wubh

V|æç | Á^ á!æ | æ Á[] ^!ç[á RÖEÖ T [àq^ áí

T [, ^!Á^ á!æ | æ Á[] ^!ç[á
 Ô [|áÁ^ {] ^!æ | ^ • Á » Á[]
 Ü ç ç È] Ò U Á Í Á ç ç È ^ ç È
 Þ [{ ç Á ^ {] ^!æ | ^ • Á[] Š [, Á ^ {]
 F Í » Á[] ç ç È] Á[] Ò U Á Í Á ç ç È ^ ç È Þ^ ç í Á Í È [àq^ Ö V ò Í ç

Ö ç Á^ á^ Ö ç á à [ç Á[] ^!ç[á Ú ç Á^ } @ ç Á^ ç d ^ ^
 Ú | ^ • • ^ Á^ á^ Š^ á^ T [àq^ Á^ } @ ç Á^ ç
 Š^ á^ ç ç Ö U Á Í Y È €
 T [àq^ Ö ^ ç ç Á^ } @ ç
 Í Í Y È €

Ö^ ç | Á^ ç ç Á^ Ö [^] á Á[] ^ ç ^
 Ü [| Á^ ç ç ç ç D Ö^ } Š ç { È [{] ^ ç
 Þ S Ö ç ç U Á ç È T [àq^ Ö ^ ç ç Á^ ç d ^ ^ Á^ ç ç È
 T [àq^ | ^ ç ç Á^ Ö T È

Ö: ç Á^ ç ç Ö [^] | ^
 Ö ç Á^ ç ç á Á [ç ^ D Ö: | ^ ç ^
 Ö^ } Š ç { È [{] ^ ç
 Þ S Ö ç ç U Á ç È T [àq^ Ö ^ ç ç Á^ ç d ^ ^ Á^ ç ç È
 T [àq^ | ^ ç ç Á^ Ö T È

Ö: ç Á^ ç ç Á^ \ ^ È Ö: | ^ ç ^
 W È ç ç ç Á^ ç ç á Á^ ç ç Ö^ } Š ç { È [{] ^ ç
 Ö ç d ^ ^ Á^ ç ç ^ Á^ ç ç È
 Þ S Ö ç ç U Á ç È

Ü ç Á^ ç ç á Á^ ç ç ç ç T ç ç ç ç ç & Á^ ç ç ç } Á È

A5-BH9B5B79

A5-BH9B5B79

A5-BH9B5B79

HC FEI 9 GD97 = 7 5HCBG

Torque for Standard Fasteners

| Nominal Dia.
(in.) | threads per inch | Grade 2 | | | Grade 5 | | | Grade 8 | | | Grade 9 | | |
|-----------------------|------------------|-------------------|------------------------|-----------------------|-------------------|------------------------|-----------------------|-------------------|------------------------|-----------------------|-------------------|------------------------|-----------------------|
| | | Tightening Torque | | | Tightening Torque | | | Tightening Torque | | | Tightening Torque | | |
| | | Lubed
K = 0.15 | Dry Plated
K = 0.17 | Dry plain
K = 0.20 | Lubed
K = 0.15 | Dry Plated
K = 0.17 | Dry plain
K = 0.20 | Lubed
K = 0.15 | Dry Plated
K = 0.17 | Dry plain
K = 0.20 | Lubed
K = 0.15 | Dry Plated
K = 0.17 | Dry plain
K = 0.20 |

Unified Coarse Thread Series

| Nominal Dia. (in.) | Threads per inch | 49 in-lbs | 59 in-lbs | 66 in-lbs | 76 in-lbs | 86 in-lbs | 101 in-lbs | 107 in-lbs | 122 in-lbs | 143 in-lbs | 126 in-lbs | 143 in-lbs | 168 in-lbs |
|--------------------|------------------|-----------|-----------|-----------|-----------|-----------|------------|------------|------------|------------|------------|------------|------------|
| 1/4 | 20 | 49 | 59 | 66 | 76 | 86 | 101 | 107 | 122 | 143 | 126 | 143 | 168 |
| 5/16 | 18 | 101 | 122 | 135 | 157 | 178 | 209 | 221 | 251 | 295 | 259 | 294 | 346 |
| 3/8 | 16 | 15 ft-lbs | 18 ft-lbs | 20 ft-lbs | 23 ft-lbs | 26 ft-lbs | 31 ft-lbs | 33 ft-lbs | 37 ft-lbs | 44 ft-lbs | 38 ft-lbs | 43 ft-lbs | 51 ft-lbs |
| 7/16 | 14 | 24 | 29 | 32 | 37 | 42 | 49 | 52 | 59 | 70 | 61 | 70 | 82 |
| 1/2 | 13 | 37 | 44 | 49 | 57 | 64 | 75 | 80 | 90 | 106 | 94 | 106 | 125 |
| 9/16 | 12 | 53 | 63 | 70 | 82 | 92 | 109 | 115 | 130 | 154 | 135 | 153 | 180 |
| 5/8 | 11 | 73 | 87 | 97 | 113 | 128 | 150 | 159 | 180 | 212 | 186 | 211 | 248 |
| 3/4 | 10 | 129 | 155 | 172 | 200 | 227 | 267 | 282 | 320 | 376 | 331 | 375 | 441 |
| 7/8 | 9 | 125 | 150 | 167 | 322 | 365 | 429 | 455 | 515 | 606 | 533 | 604 | 710 |
| 1 | 8 | 187 | 225 | 250 | 483 | 547 | 644 | 681 | 772 | 909 | 799 | 905 | 1065 |
| 1 1/8 | 7 | 266 | 319 | 354 | 596 | 675 | 794 | 836 | 966 | 1095 | 1288 | 1283 | 1510 |
| 1 1/4 | 7 | 375 | 450 | 500 | 840 | 952 | 1121 | 1163 | 1363 | 1545 | 1817 | 1810 | 2130 |
| 1 1/2 | 6 | 652 | 783 | 869 | 1462 | 1657 | 1950 | 2031 | 2688 | 3162 | 2779 | 3150 | 3706 |

Fine Thread Series

| Nominal Dia. (in.) | Threads per inch | 56 in-lbs | 68 in-lbs | 75 in-lbs | 87 in-lbs | 99 in-lbs | 116 in-lbs | 123 in-lbs | 139 in-lbs | 164 in-lbs | 144 in-lbs | 163 in-lbs | 192 in-lbs |
|--------------------|------------------|-----------|-----------|-----------|-----------|-----------|------------|------------|------------|------------|------------|------------|------------|
| 1/4 | 28 | 56 | 68 | 75 | 87 | 99 | 116 | 123 | 139 | 164 | 144 | 163 | 192 |
| 5/16 | 24 | 112 | 135 | 150 | 174 | 197 | 231 | 245 | 278 | 327 | 287 | 325 | 383 |
| 3/8 | 24 | 17 ft-lbs | 20 ft-lbs | 23 ft-lbs | 26 ft-lbs | 30 ft-lbs | 35 ft-lbs | 37 ft-lbs | 42 ft-lbs | 49 ft-lbs | 43 ft-lbs | 49 ft-lbs | 58 ft-lbs |
| 7/16 | 20 | 27 | 32 | 36 | 41 | 47 | 55 | 58 | 66 | 78 | 68 | 78 | 91 |
| 1/2 | 20 | 41 | 49 | 55 | 64 | 72 | 85 | 90 | 102 | 120 | 105 | 120 | 141 |
| 9/16 | 18 | 59 | 71 | 78 | 91 | 103 | 121 | 128 | 146 | 171 | 151 | 171 | 201 |
| 5/8 | 18 | 82 | 99 | 110 | 127 | 144 | 170 | 180 | 204 | 240 | 211 | 239 | 281 |
| 3/4 | 16 | 144 | 173 | 192 | 223 | 253 | 297 | 315 | 357 | 420 | 369 | 418 | 492 |
| 7/8 | 14 | 138 | 165 | 184 | 355 | 403 | 474 | 502 | 568 | 669 | 588 | 666 | 784 |
| 1 | 14 | 210 | 252 | 280 | 542 | 614 | 722 | 765 | 867 | 1020 | 896 | 1016 | 1195 |
| 1 1/8 | 12 | 298 | 357 | 397 | 668 | 757 | 890 | 1083 | 1227 | 1444 | 1269 | 1439 | 1693 |
| 1 1/4 | 12 | 415 | 498 | 553 | 930 | 1055 | 1241 | 1509 | 1710 | 2012 | 1768 | 2004 | 2358 |
| 1 1/2 | 12 | 734 | 880 | 978 | 1645 | 1865 | 2194 | 2668 | 3024 | 3557 | 3127 | 3544 | 4169 |

Torque values for 1/4 and 5/16 in series are in inch-pounds. All other torque values are in foot-pounds. K = 0.15 for "lubricated" conditions
 Torque values calculated from formula T=KDF, where K = 0.17 for zinc plated and dry conditions
 D = Nominal Diameter F = Clamp Load
 K = 0.20 for plain and dry conditions

Torque-Tension Relationship for Metric Fasteners

| Nominal Dia. (mm) | Pitch | Class 4.6 | | | Class 8.8 | | | Class 10.9 | | | Class 12.9 | |
|-------------------|-------|-------------------|------------------------|-----------------------|-------------------|------------------------|-----------------------|-------------------|------------------------|-----------------------|-------------------|-----------------------|
| | | Tightening Torque | | | Tightening Torque | | | Tightening Torque | | | Tightening Torque | |
| | | Lubed
K = 0.15 | Dry Plated
K = 0.17 | Dry plain
K = 0.20 | Lubed
K = 0.15 | Dry Plated
K = 0.17 | Dry plain
K = 0.20 | Lubed
K = 0.15 | Dry Plated
K = 0.17 | Dry plain
K = 0.20 | Lubed
K = 0.15 | Dry plain
K = 0.20 |
| 3 | 0.5 | 0.28 | 0.32 | 0.38 | 0.73 | 0.82 | 0.97 | 1.0 | 1.2 | 1.4 | 1.2 | 1.6 |
| 3.5 | 0.6 | 0.44 | 0.50 | 0.59 | 1.1 | 1.3 | 1.5 | 1.6 | 1.9 | 2.2 | 1.9 | 2.5 |
| 4 | 0.7 | 0.66 | 0.74 | 0.87 | 1.7 | 1.9 | 2.3 | 2.4 | 2.7 | 3.2 | 2.8 | 3.8 |
| 5 | 0.8 | 1.3 | 1.5 | 1.8 | 3.4 | 3.9 | 4.5 | 4.9 | 5.5 | 6.5 | 5.7 | 7.6 |
| 6 | 1 | 2.3 | 2.6 | 3.0 | 5.8 | 6.6 | 7.7 | 8.3 | 9.4 | 11 | 9.7 | 13 |
| 6 | 1.25 | 2.1 | 2.3 | 2.7 | 5.3 | 6.0 | 7.0 | 7.6 | 8.6 | 10 | 8.8 | 12 |
| 7 | 1 | 3.8 | 4.3 | 5.0 | 9.7 | 11 | 13 | 14 | 16 | 19 | 16 | 22 |
| 8 | 1 | 5.9 | 6.6 | 7.8 | 15 | 17 | 20 | 22 | 24 | 29 | 25 | 34 |
| 8 | 1.25 | 5.5 | 6.2 | 7.3 | 14 | 16 | 19 | 20 | 23 | 27 | 24 | 31 |
| 10 | 1.25 | 11 | 13 | 15 | 29 | 33 | 39 | 42 | 48 | 56 | 49 | 66 |
| 10 | 1.5 | 11 | 12 | 14 | 28 | 32 | 37 | 40 | 45 | 53 | 47 | 62 |
| 12 | 1.25 | 21 | 23 | 28 | 53 | 60 | 71 | 76 | 86 | 101 | 89 | 119 |
| 12 | 1.5 | 20 | 22 | 26 | 51 | 58 | 68 | 73 | 82 | 97 | 85 | 113 |
| 12 | 1.75 | 19 | 21 | 25 | 49 | 55 | 65 | 70 | 79 | 93 | 81 | 108 |
| 14 | 1.25 | 26 | 29 | 34 | 66 | 75 | 89 | 95 | 108 | 127 | 111 | 148 |
| 14 | 1.5 | 28 | 32 | 37 | 72 | 82 | 96 | 103 | 117 | 138 | 121 | 161 |
| 14 | 2 | 30 | 34 | 40 | 78 | 88 | 104 | 111 | 126 | 148 | 130 | 173 |
| 16 | 1.5 | 50 | 57 | 67 | 129 | 146 | 171 | 184 | 208 | 245 | 215 | 287 |
| 16 | 2 | 47 | 53 | 62 | 121 | 137 | 161 | 173 | 196 | 230 | 202 | 269 |
| 18 | 1.5 | 73 | 82 | 97 | 187 | 212 | 249 | 268 | 303 | 357 | 313 | 417 |
| 18 | 2.5 | 65 | 73 | 86 | 167 | 189 | 222 | 239 | 270 | 318 | 279 | 372 |
| 20 | 2.5 | 91 | 104 | 122 | 236 | 267 | 314 | 337 | 382 | 449 | 394 | 525 |

Clamp load calculated as 75% of the proof load for specified bolts. K = 0.15 for "lubricated" conditions
 All torque values are listed in foot-pounds K = 0.17 for zinc plated, dry conditions
 Torque values calculated from formula T=KDF, where K = 0.20 for plain and dry conditions
 D = Nominal Diameter F = Clamp Load

Uā^Aā āĀ^āāāā

T āā āā &Ā^āā } Ā Ē

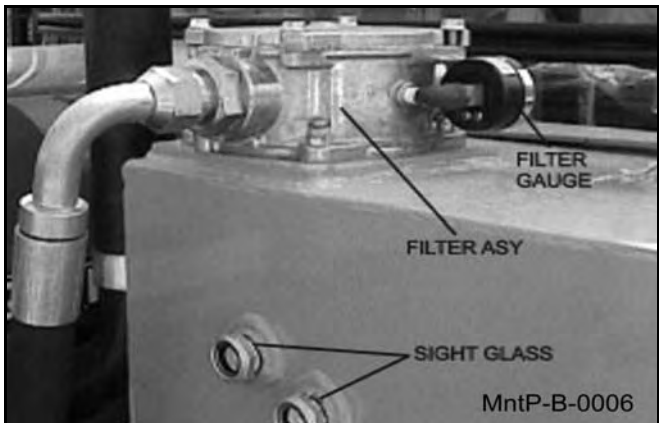
A5-BH9B5B79

A5-BH9B5B79

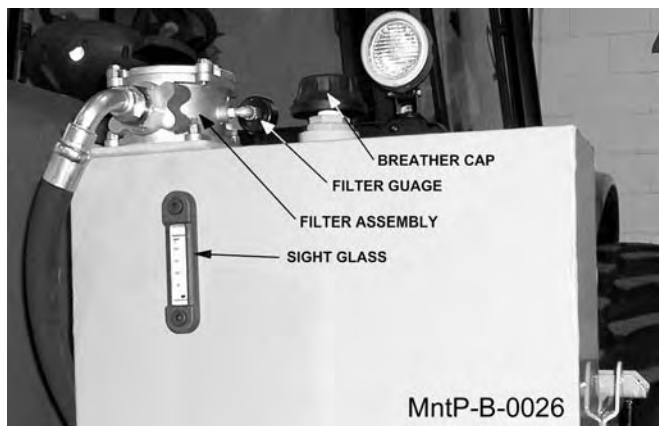
F97CAA9B898 : =@B; `BGFH 7HCBG: CF`<M8F5I @7` F9G9FJ=CFG

Y @ } Áqā * Á: & @ & ā * Á @ Á qā Ç^ | É @ Á } ā @ ~ | ā
à^ Á æ^ á^ Á } Á qā Ç^ | Á : - æ^ É @ Á U @ @ É ā ā | ,
• ~ ā } á qā ^ Á qā Á [| Á qā ā ā } á qā [] ^ æ^ | ^ É V ^
& æ qā } Á @ } Á ^ [[çā * Á @ Á | ^ • • | ā^ á^ Á | ^ æ @ | É
Ö | Á | á | æ^ Á - æ^ Á ç^ | Á [] ^ } ā * Á @ } Á ^ [[çā *
à^ á^ æ @ | É

QÁ` | Á^ • Á | ç [ā Á @ Á [Á ā @ Á * | æ • • Á Á V @
| ^ • Á | ç [ā Á @ ~ | ā Á ^ Á qā | ā Á qā Á @ Á qā] Á - Á @ Á [. Á
• ā @ Á | æ • Á } Á @ Á ā^ Á - Á @ Á qā \ É Ö | Á [á ç^ | É qā | É
V @ Á^ • Á | ç [ā Á @ Á ^) Á ç^ | É qā | ā Á @ } Á qā qā qā |
ā Á @ Á] | Á | ā @ Á | æ • É Á qā \ Á @ Á [Á ~ & Ö | á É @
^ ç & • • Á qā æ Á^ Á ç | ^ | ā Á @ [~ * Á @ Á | ^ • • | ā^ á^
à^ á^ æ @ | É



QÁ` | Á^ • Á | ç [ā Á @ Á] ^ Á ā @ Á * | æ • • Á [] ^ æ^ | ^
* æ^ Á Á V @ Á^ • Á | ç [ā Á @ ~ | ā Á ^ Á qā | ā Á qā Á @ Á qā } á qā ~
@ Á ā @ Á | æ • Á } Á @ Á ā^ Á - Á @ Á qā \ É Ö | Á [á ç^ | É
qā | É qā | É Á @ Á qā \ Á @ Á [Á ~ & Ö | á É @ Á ç & • • Á qā æ Á^
^ ç | ^ | ā Á @ [~ * Á @ Á | ^ • • | ā^ á^ Á | ^ æ @ | É



F9D@7-B; `B!H5B?`<M8F5I @7` : =@9F.

Š [• ^ } Á @ Á qā ~ | Á qā [| Á qā } Á qā ç^ | Á - Á @ Á qā |
@ ~ • ā * É V | } Á qā ç^ | Á qā } á qā | É [& . ā^ Á } á qā ç^ | Á qā
+ ^ É V ^ [[ç^ Á qā ā Á ^ | æ^ Á qā | É V ^ | æ^ Á qā] Á qā ç^ |
qā ā Á qā ç^ | Á qā [| Á qā] [• ā^ Á | ā^ Á qā | ^ Á qā [ç^ á É



Ú ā^ Á qā ā Á qā qā | É

T qā ç } qā & Á^ Á qā } Á qā É

A5-BH9 B5 B7 9

A5-BH9 B5 B7 9

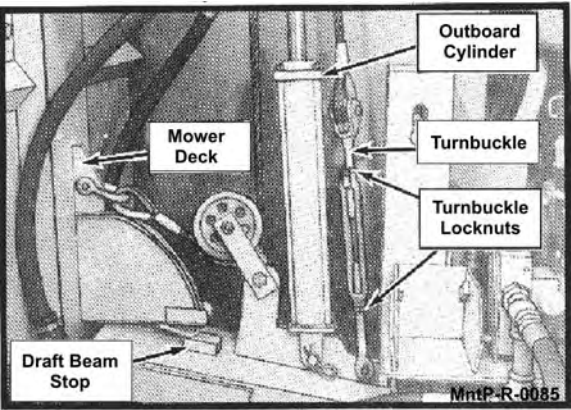
8 F=J9`G<5: H'MC?9ŽI !>C-BH`GHI 6`G<5: H

Y ã@^> * ã ^Á•d]] ^ãĀã b & ÁŠã@ { ĒO [] | cÁ^cd ^ { ^Á } | ^•• ^ Á ^ ^æ ^ Á & } + ! { ã * Ád Áp ŠÖ ĒĒU ÁHGĒ
 •] ^ & ã ã ã) • Á d Á } ã ^ • ã Ā ã • Ā ã ã Á Ā Ā [\ ^ Á } Ā Á ^ ^æ ^ Ā ã] ^æ • Ā Ā @ Á ^ ã ĒÖ ^æ ^ Á @ { Ā ã Ā Ā Ā Ā ^ Ā
 @ ^ ! • Ē



58>I GHB; `H<9`756 @`@ H

Öcc } ã Á @ Á ^ ã [ã ã Á & ĩ ã ã ^ Á } Ā Á @ Á [, ^ ! Á ^ & Ā
 d ^ & @ • Á ã Á • d] Á [} Á c @ Á ã : ã ã Á ^ ã Ā Á ã ã Á • @ , } Ē
NOTE: Make sure the cable turnbuckle is loose enough to allow the cylinder to reach full extension before the head reaches the stop. Áp [, Áq ĩ á Á c @
 @ ã ã Á ã ã ã • c Á @ Á • d] Á ã ã á Ā @ ^ } Á c @ Á c ! } ã ^ & | ^
 } Ā Á @ Á ã ã | ^ Á Ā Ā @ Ē Š [, ^ ! Á ã ã á Á ã ã ^ Á c @ Á c @ ã Ā Ā
 & @ & Á c @ Á ã ã ã • d ^ } Ē V @ Á c @ ã Ā • @ ^ ĩ á Ā d ^ & @ Á ã
 • d] Á ã Á c @ Á • ã ^ Á Ā ^ Á c @ Á & ĩ ã ã ^ Á ! Á ! ^ ã ã @ • Á ~ ||
 ^ c c } • ã } Ē V Ā @ ^ } Á c ! } ã ^ & | Á [& Á } ^ Á • ^ & ^ ! ^
 ã ã ! Á ã ã ã • d ^ } c Ā Á [{] | c Ē



Ù ã ^ Á ã ã á Á ^ ã ã Ā Ā ã ã

T ã ã c } ã & ^ Á ^ & Ā } Á Ē I

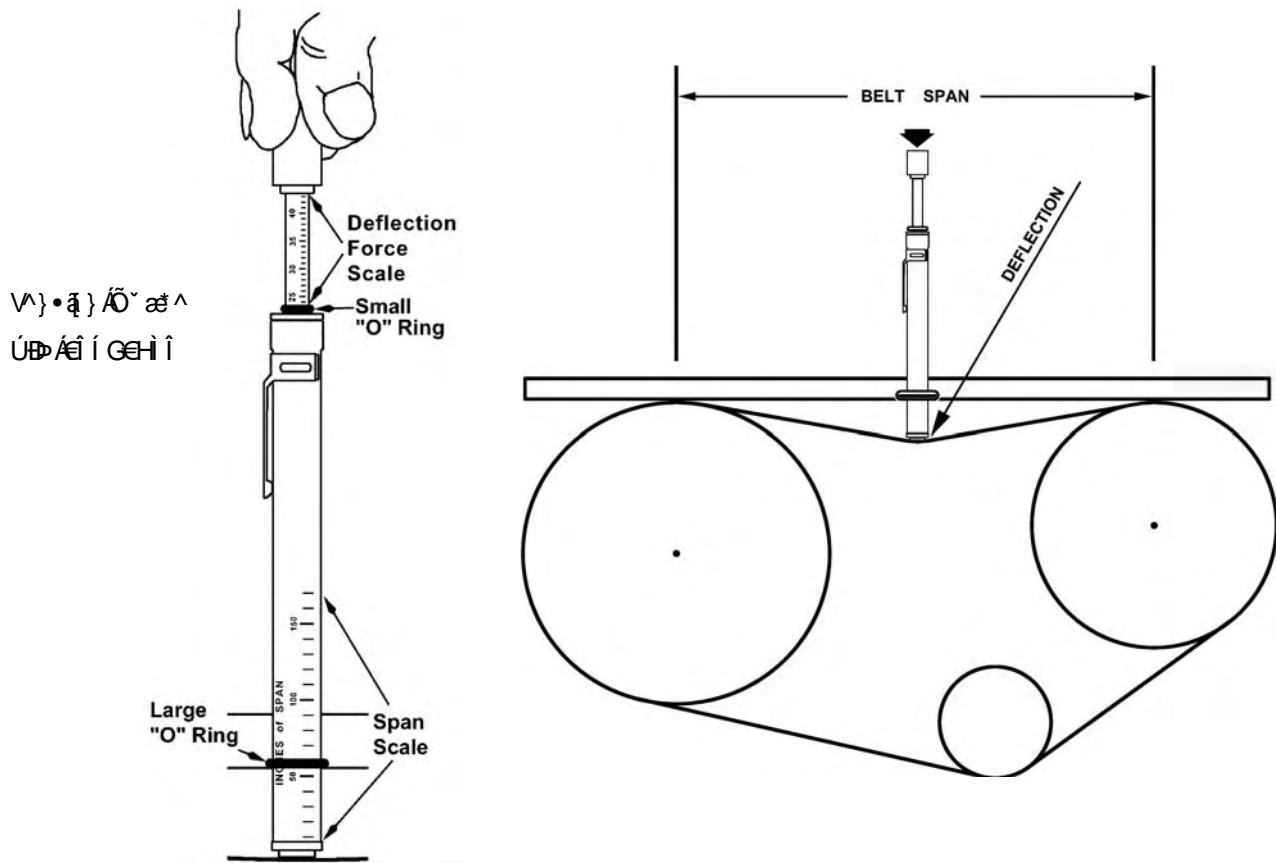
A5-BH9B5B79

A5-BH9B5B79

H9BG-CB9F`A95GI F9A9BH'DFC798I F9

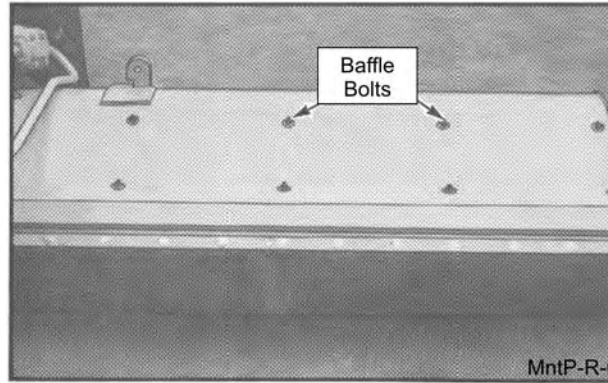
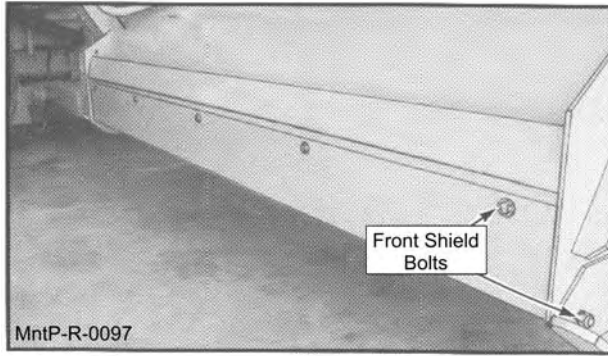
- FÈ T^æ~!^Á@ÁÓ|ÓÚ] æ ÁÚÓÒÁÚSÒVÔPÈ
- GÈ Ú[•æ] Á@Á[Ú { Á-Á@Áæ^ÁÁÚ+ÁÚ] * Á } Á@ÁÚ] æ ÁÚ&æ^Á@Á@Á ^æ~!^Á@ÁÓ|ÓÚ] æ È
- HÈ Ú^Á@ÁÚ] æÁÁÚ+ÁÚ] * Á } Á@ÁÓ^+&æ] ÁÚ]!&ÁÚ&æ^Á Á^!È
- IÈ Ú[æ^Á@Á]•æ] Áæ^Á~æ^!Á} Á@Á|Á@Á@Á] Ú!Á-Á@Á|Á] æ ÈÁ]!ÁÁ!&Á} Á@Á]!} *^!Á^!^] áæ] æÁ Á@Á|Á] æ Á] Á@Á[Ú { Á-Á@Áæ^ÁÁÚ+ÁÚ] * Á ÁÇ^] Á @Á@Á[Ú { Á-Á æÁæ@Á^Á^ÁæÁ[••Á@Á@æ^È
- ÍÈ Ú^ { [ÇÁ@Á]•æ] Áæ^Á^] áÁæÁ@Á!&Á] |áÁ[{ Á@Á[Ú { Á-Á@ÁÚ] æÁÁÚ+ÁÚ] * Á } Á@Á Ó^+&æ] ÁÚ]!&ÁÚ&æ^È
- ÎÈ Ó[] æ^Á@Á!&Á^] [ÚÁÁ^Á@ÁÚ] æÁÁÚ+ÁÚ] * Á @Á@Áæ^Á@Á, } ÈÁ@Á!&Á@~|áÁ^Á áÇ^] Á@Áæ^Á@Á] Á!Á@Á!Á^, ÁÓ|Á!Á^Á@Á]È
- ÏÈ T æ^Á^!^Á Á^Á@Á!&Áæ^Á^] áÁ@Á] æ Á^ Áæ~!^Á@Á@&ÈÁ^Á@!æ^Á@Á!&Á áÁ@Á] æ Á^ Áæ~!^Á@Á^] Ú ^Ç^È
- İÈ ÞUVÒÁ@Áæ^Á-Á@Á^+&æ] Á Á|Á] æ ÁÁÈ! Á@Á@Á] æ Á^ Áæ~!^ { ^ } È

Deflection Force Values - Standard Duty New Belt: 20 to 25 pounds Used Belt: 12 to 20 pounds



Úæ^Áæ] áÁÚ^æÁÚ]æ T æ^ Ç } æ &^Á^+&æ] Á ÈJ

A5-BH9B5B79

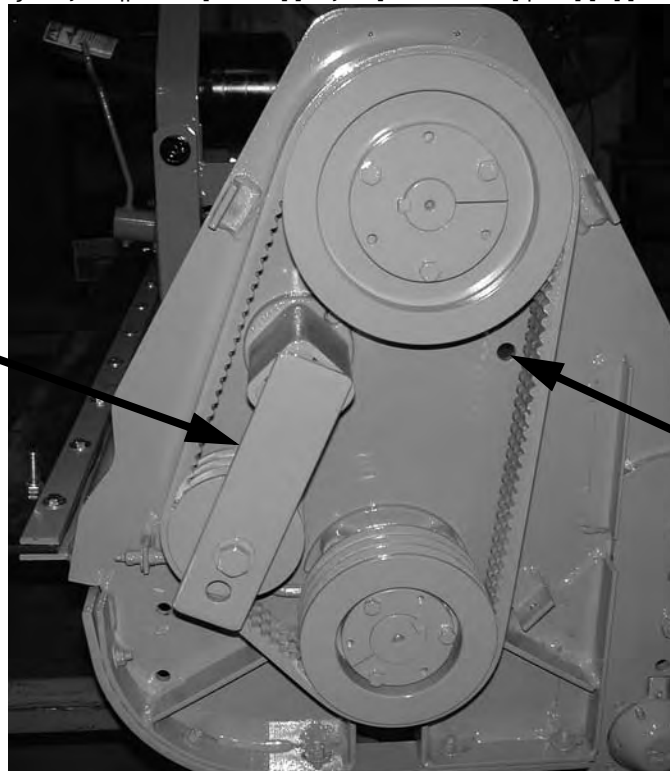


A5-BH9B5B79

F9J9FG-B; 'ACK 9F' FCH5HCB'C: 'G8' F95F': @=@ACK 9FG

Ü^ { [ç^ Á@ Á @ |áÁ^ ~ ááÁá áÁá |á @ |á ÉÁ^ çÉÁ^ [ç^ Á@ ÁÜ [• çÁ^ ç] Áá áÁ [(• ^) Á@ ÁÜ [• çÁ^) • á } ^ |
751 HCB Á@ ÁÜ [• çÁ^) • á } ^ | Á Á } á^ | Á^ |á | Á • • ^ ÉÁÜ^ áá^ Á^ | á^ Á Á @ Á | Á • • ^ | Á^ á Á á^ Á^ | á^ ~
 á b | ÉÁÜ^ { [ç^ Á@ ÁÜ [• çÁ^) • á } ^ | Áá áÁ^ | & çÁ^ Á @ ÁÜ^ çÁ^ • ^ ÁÜ [çÁ^ } Á^) • á } ^ | Á [& çÁ^ } ÉÁÜ^ á * Á@
 Ü [• çÁ^ | ^) & çÁ^ } çÁ^ } Á@ Á^ | ÉÁÜ^ } Áá @ } Á@ ÁÜ [• çÁ^ | ÉÁÜ^ @ & Á@ Á^) • á } Áá áÁáá • çÁ^ Á^ áÁáÁ @ }
 ç@ Á [| ^ & çÁ^) • á } Á Á @ çÁ^ á Áá • çÁ^ Á@ ÁÜ [• çÁ^ çÁ^] Áá áÁ | ^ Á@ Á^ | çÁ^ | | | á^ | É

Ü [• çÁ^
 V) • á } ^ |



Ü^ çÁ^ | ^ ÁÜ [çÁ^ }
 V) • á } ^ | Á [& çÁ^ }

Üá^ Áá áÁÜ^ áÁÜ^

T áá ç) á & ÁÜ^ & çÁ^ } Á ÉÇ

A5-BH9B5 B7 9

Flail Axe Blade Bolt Inspection

Q.] ^ & o l a a ^ A O l o s a a f A f i A ^ a s A f i a e s e ^ A s e A f i l l , . K

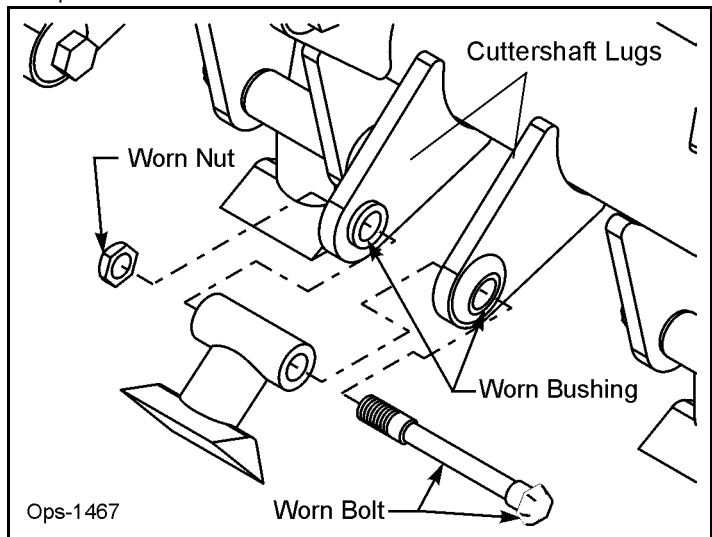


Q.] ^ & o l a a ^ A O l o s a a f A f i A a } [] { a s A ^ a s A f i o u s c o o A e s s A o s c o o A o u s v u A } A o A s e a i A Q T O O O V O S Y A a s A f i o A e A K

- X a a i ^ A s a i . A !
- Q s o A s i a a ^ A f i o s A f i [] A f i A s e ^ A s e . . a s a s e A s a a i ^ A } A o A s i d e A !
- Q O l a a ^ A O l o s a a f A f i ^ * ^ . A f i A e A f i ^ a s e a e A f i !
- Q O . @ * A a A f i [. ^ A s A o A U] q i A U e e E

Q e a i ^ A f i A ^ l a a ^ A a } [] { a f i A f i [] A a l o A f i A a . @ * . A e s A f i a a f i A s e e d [] @ A a a i ^ A f i A o A s i a a a . A e a a b o c a } A A o A s i [\ ^] A a o s A e A e s e ^ A s e a i a . A s i a a f i b i ^ A f i A s e a e A

O f e s e A ^ l a a ^ A O l a a ^ A O l o s a a f A f i a a i ^ A s i l o A s e a a ^ . A s . @ * . A } ^ c ^ A ^ l a a ^ * A o A l a a ^ . E M A a @ ^ A s i l o a s a a . o E a . o s } l A o a a A f i A f i d e A s e A s e ^ A s e A a a @ ^ A s i l o A s e a a . o A s . o A } [* @ A s e l . A o A s i a a ^ A f i . a * A f i l l E a a a A f i a a A o A s e e . @ e o f * . E a s e e . @ e o f * . A s e A s e ^ A s e ^ A f i c ^ A a a @ ^ a * o A s i a a ^ A f i A f i [o A . a * A f i l l E M M O P S - U - 0 0 4 3



A5-BH9B5 B7 9

U a a A s e a A U a s A O l a a

T a a e } a s A U ^ & a } A e e

MAINTENANCE

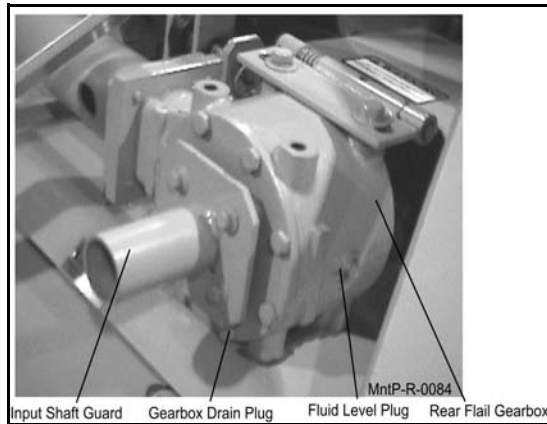
MAINTENANCE

RECOMMENDED FILLING INSTRUCTIONS FOR REAR FLAIL GEARBOX

When filling or checking the fluid level, the unit should be parked on a level surface with rear flail down on surface, shut OFF, and cold, (at ambient temperature).

Remove the fluid level plug located on the side of the gear box. The gear box should be filled to the bottom of the fluid level hole. If necessary, use 75-90 wt. PAO Synthetic Extreme Pressure Gear Lube to raise level to bottom of the hole.

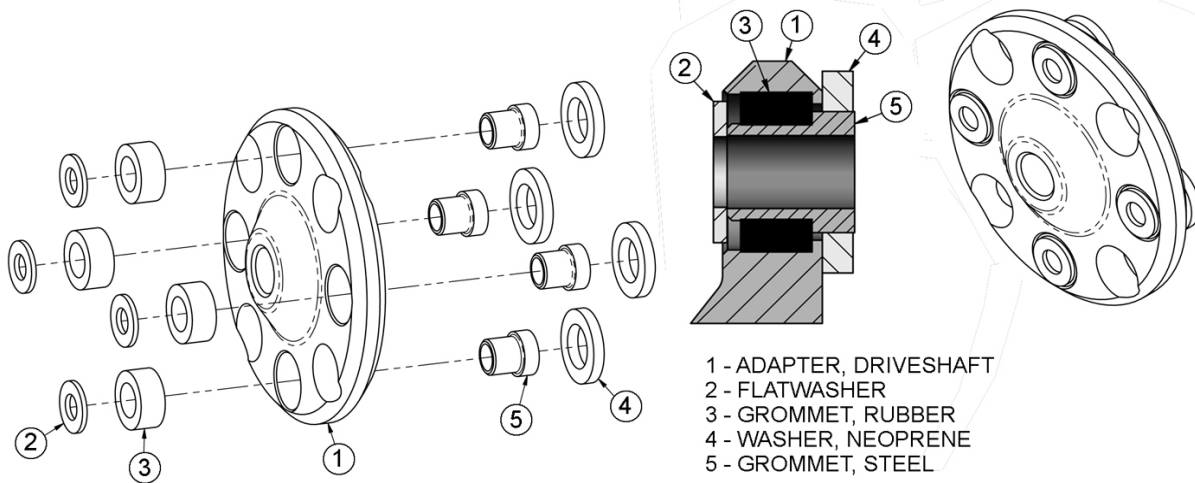
Do not overfill. excessive gear oil will run back out of the hole. Reinstall fluid level plug into gearbox. If gearbox has been overfilled, the excess may be expelled through the pressurized breather.



MAINTENANCE OF CRANKSHAFT ADAPTER ASSEMBLY (RIGID ENGINE MOUNT TRACTORS ONLY)

If replacement of components of the crankshaft adapter assembly is required, follow the assembly procedures shown below. Seat rubber grommet completely into counterbore, then seat steel grommet completely into rubber grommet while rubber grommet is supported.

(ASM-JD-0051 CRANKSHAFT ADAPTER MAINTENANCE)



A5-BH9B5B79

D5; 9-BH9BH-CB5 @M @: H'6 @B?

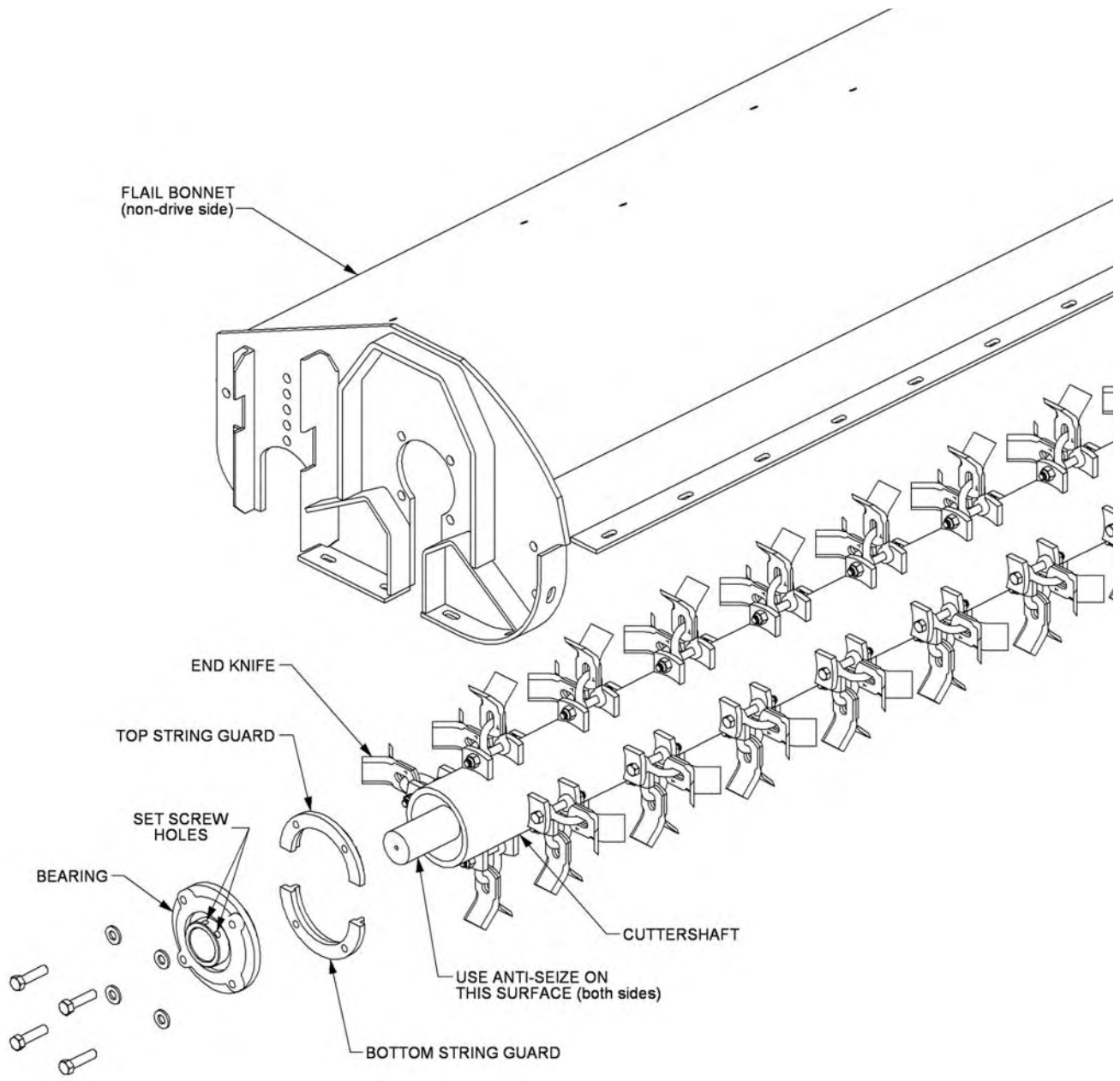
A5-BH9B5B79

Ùã^Áæ áÄ^æÄQæä

Tæ ç} æ &^Ä^&ä } Á ÈU

A5-BH9B5B79

A5-BH9B5B79



Uā^Áā áÁ^āāQāā

Tāāē}āē&^Á^āā}ÁēēF

PARTS SECTION

PART NAME INDEX

| | |
|---|----|
| RCTVUQTFGT&I 'I W&G | 5 |
| VTCEVQT'O QWP V'MK | 6 |
| VTCEVQT'O QWP V'MK/'J [FTCWNEU | 8 |
| 4'URQQN'ECDNG'EQP VTQN'UVCP F | : |
| ECDNG'O CP WCN+'N&H'XCNXG/'4'URQQN | 32 |
| ECDNG'O CP WCN+'N&H'XCNXG'DTGCMF QY P '/'46: 95 | 34 |
| Y J GGN'URCEGT | 36 |

PARTS ORDERING GUIDE

The following instructions are offered to help eliminate needless delay and error in processing purchase orders for the equipment in this manual.

1. The Parts Section is prepared in logical sequence and grouping of parts that belong to the basic machine featured in this manual. Part Numbers and Descriptions are given to help locate the parts and quantities required.
2. The Purchase Order must indicate the **Name and Address** of the person or organization ordering the parts, **who should be charged**, and if possible, the **serial number of the machine** for which the parts are being ordered.
3. The purchase order must clearly list the **quantity of each part**, the complete and correct **part number**, and the basic **name of the part**.
4. The manufacturer reserves the right to substitute parts where applicable.
5. Some parts may be unlisted items which are special production items not normally stocked and are subject to special handling. Request a quotation for such parts before sending a purchase order.
6. The manufacturer reserves the right to change prices without prior notice.

NOTE: When ordering replacement decals, refer to the part numbers and descriptions listed in the safety section in the front of this manual.

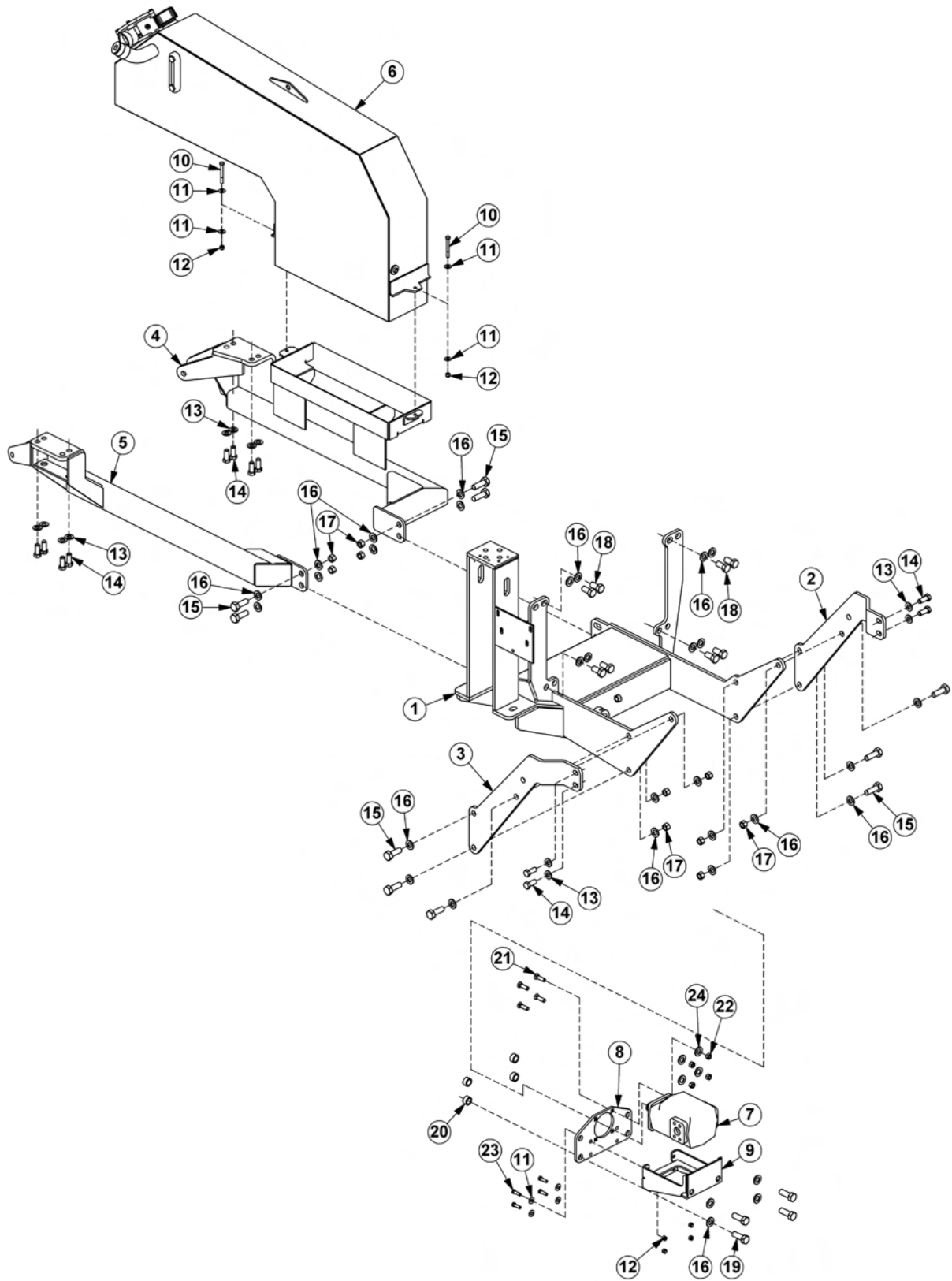


For maximum safety and to guarantee optimum product reliability, always use genuine **Tiger** replacement parts. The use of inferior replacement parts may cause premature or catastrophic failure which could result in serious injury or death.

Direct any questions regarding parts to:

Tiger Corporation
3301 N. Louise Ave.
Sioux Falls, SD 57107
1-800-843-6849
1-605-336-7900

TRACTOR MOUNT KIT



TRACTOR MOUNT KIT

Continued...

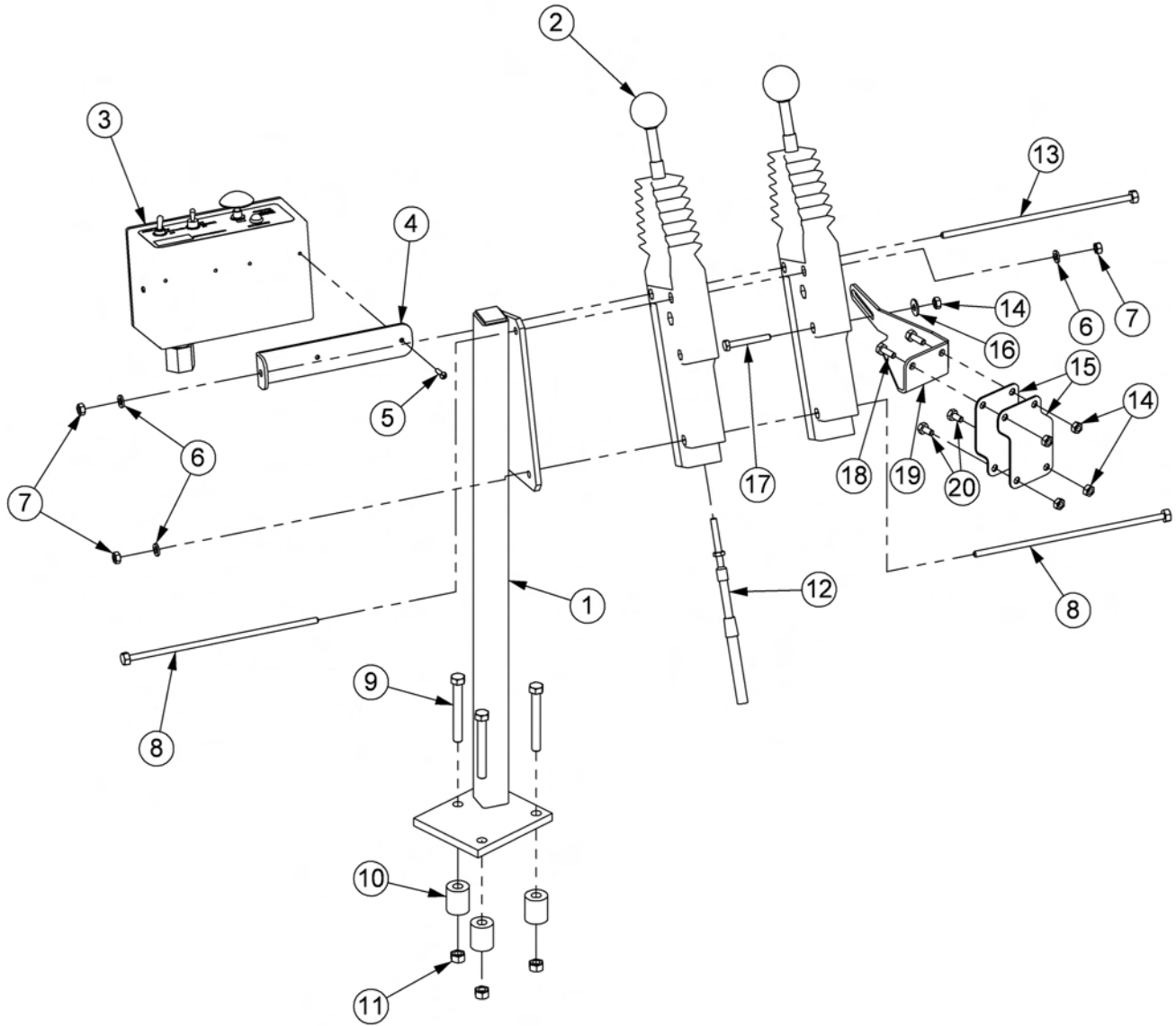
| ITEM | PART NO. | QTY. | DESCRIPTION |
|------|------------|------|---|
| 3 | 28522397 | 3 | O CR'HTCOG |
| 4 | 28632: ; | 3 | WRTH J V.NJ |
| 5 | 28632: ; ; | 3 | WRTH J V.TJ |
| 6 | 28522333 | 3 | CZNG'DTE.NJ |
| 7 | 28522332 | 3 | CZNG'DTE.TJ |
| /// | 28522352 | 3 | CZNG'DTE.TJ "UR I NG'EQNWO P "DO TUV+ |
| 8 | 289222; 3 | 3 | VCP MTGUY J GGN'Y GNN.CUUJ |
| /// | 285: 2237 | 3 | VCP MTGUY J GGN'Y GNN.Y GNFO GP V |
| 9 | 45374 | 3 | RWOR |
| : | 28623256 | 3 | O QWP V.RWOR |
| ; | 285: 2253 | 3 | I WCTF .RWOR |
| 32 | 4385; | 4 | ECRUETGY .51 \$Z"5/316\$.PE |
| 33 | 44238 | : | HNCVY CUI GT.51 \$ |
| 34 | 43849 | 8 | P[NQEMP WW.51 \$.PE |
| 35 | 55986 | 34 | HNCVY CUI GT.71 \$.UCG |
| 36 | 44643 | 34 | ECRUETGY .380 O "Z"62O O .40R |
| 37 | 43: 54 | 32 | ECRUETGY .516\$Z"4\$.PE |
| 38 | 55: : 2 | 54 | HNCVY CUI GT.516\$.UCG |
| 39 | 43: 47 | 32 | J GZ" P WW.516\$.PE |
| 3: | 46: 82 | : | ECRUETGY .420 O "Z"62O O .40R |
| /// | 28752756 | : | ECRUETGY .420 O "Z"342O O .40R"NQCF GT"O QWP V+ |
| 3; | 494: 4 | 6 | ECRUETGY .420 O "Z"77O O .40R |
| 42 | 46: 6; | 6 | URCEGT.91 \$R"Z"3/316\$QF"Z"71 \$ |
| 43 | 454: 5 | 6 | RNQY .DQNV.34\$Z"3/516\$.PE |
| 44 | 43947 | 6 | J GZ" P WW.34\$.PE |
| 45 | 43853 | 6 | ECRUETGY .51 \$Z"3/316\$.PE |
| 46 | 28755226 | 6 | HNCVY CUI GT.34\$ |

TRACTOR MOUNT KIT - HYDRAULICS

Continued...

| ITEM | PART NO. | QTY. | DESCRIPTION |
|------|-----------|------|---|
| 5 | 2864236; | 3 | FTX"UJ HV.470 : \$ |
| 6 | SJ23950 | 3 | IQJ P'F GGT'GRWNGI 'MKV |
| 7 | 45335 | 3 | ECRUETGY .320 O'Z'520 O .30R |
| 8 | VD5234 | 4 | ENCORJ QUG |
| 9 | 289222; 3 | 3 | VCP.MCUUJ .Y J GGN'Y GNN |
| /// | 285: 2237 | 3 | VCP.MTGU.Y J GGN'Y GNN.Y NFO P V |
| : | 28727289 | 3 | UK J V'I CWI G |
| /// | 28725358 | 3 | UGCN'MK'.UK J V'I WCI G |
| ; | 28727266 | 3 | HNVT'CUUJ .R/VCP.MERNV.UCG32OR |
| 32 | 43849 | 6 | P[NQEMP.WV.51 \$.PE |
| 33 | 8727349 | 3 | RNWI .UCG.%42 |
| 34 | 8V286; | 3 | HKNVGT'I CWI G |
| 35 | VH6: : : | 3 | UVTGGV'GNDQY .31 \$'Z'"; 2a |
| 36 | 28727299 | 3 | ECR.DTGC.VI GT.Q/T#I |
| 37 | 287252: 6 | 3 | GNDQY .3/34\$HQT'Z'3/34\$HQT.O CEJ |
| 38 | 287252: 5 | 3 | CF.CRVGT.3/34\$O QT'Z'3/34\$O QT |
| 39 | 5652; | 3 | DCNN'XCXNG.3/34\$HQT |
| 3: | 56932 | 3 | CF.CRVGT.3/34\$O QT'Z'3/34\$O L |
| 3; | 28722849 | 3 | J QUG.3/34\$Z'"; : \$ |
| 42 | VH6: 74 | 4 | MKV.HNCPI G.%42 |
| 43 | 28722764 | 3 | J QUG.3\$Z'89\$ |
| 44 | 56339 | 3 | GNDQY .3\$O QT'Z'3\$O L; 2.HQTI GF |
| 45 | 287322: 5 | 3 | XCXNG.DTCMG |
| 46 | 55776 | 5 | GNDQY .3\$O QT'Z'3\$O L67a |
| 47 | 287225: ; | 3 | J QUG.3\$Z'336\$ |
| 48 | 56286 | 3 | CF.CRVGT.3/36\$O QT'Z'3\$O L |
| 49 | 8522333 | 3 | CZNG'DTE.NJ |
| 4: | 545: 4 | 5 | DTCEMGV.J QUG |
| 4; | 439: 4 | 4 | ECRUETGY .71 \$'Z'3/516\$.PE |
| 52 | 55986 | 7 | HNCVY CUJ GT.71 \$.UCG |
| 53 | 43997 | 4 | J GZ'P.WV.71 \$.PE |
| 54 | 44643 | 3 | ECRUETGY .380 O'Z'620 O .40R |
| 55 | 8V4837 | 3 | Y CUJ GT.HGP.FGT.51 \$ |
| 56 | 44645 | 3 | ECRUETGY .380 O'Z'720 O .40R |
| 57 | 52477 | 3 | URCEGT.3/36\$QF'Z'516\$F'Z'516\$ |
| 58 | 43866 | 4 | ECRUETGY .51 \$'Z'7\$.PE |
| 59 | 44238 | 4 | HNCVY CUJ GT.51 \$ |
| 5: | 43849 | 4 | P[NQEMP.WV.51 \$.PE |
| 5; | //// | / | O CR'HTCO G', TGHGT'VQ'VTCEVQT'O QWP V'MK'RCI G |
| 62 | 2872264; | 3 | J QUG.3\$Z'"; 2\$*TGVWTP + |
| 63 | 28722652 | 3 | J QUG.3\$Z'"; 4\$*RTGUWTF+ |

2 SPOOL CABLE CONTROL STAND

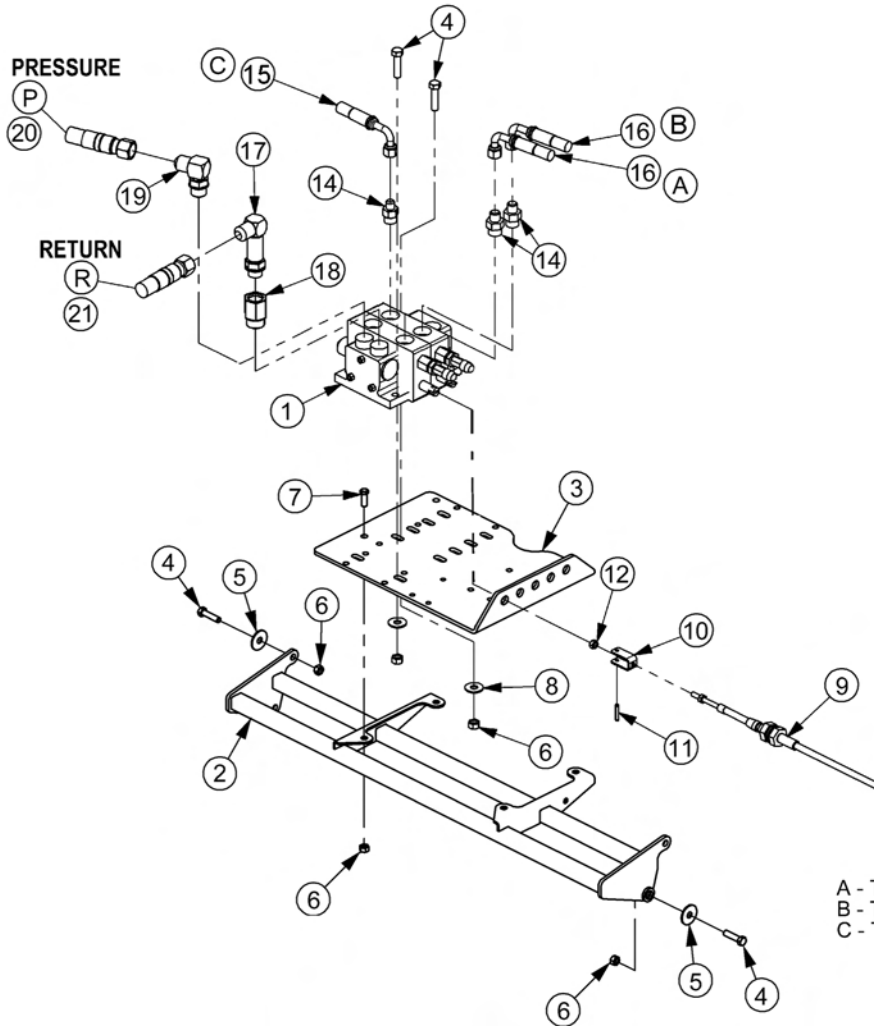
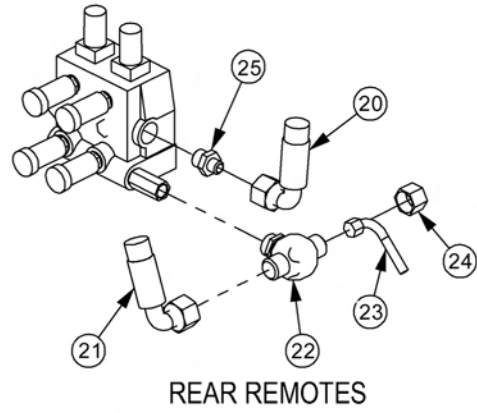
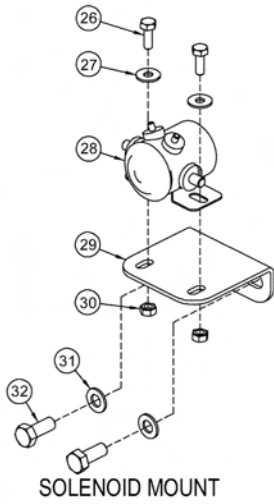


2 SPOOL CABLE CONTROL STAND

Continued...

| ITEM | PART NO. | QTY. | DESCRIPTION |
|------|----------|------|---------------------------|
| 1 | 31923 | 1 | BRKT,CTRL,CBL |
| 2 | 6T1251 | 2 | CBL CTRL BOX,180 DEG |
| 3 | 06510102 | 1 | SWITCH BOX,SIDE |
| 4 | 34496 | 1 | BRKT,SWITCH BOX |
| 5 | 6T3951 | 2 | SCREW,MACHINE,8-32 X 1/2" |
| 6 | 21986 | 3 | LOCKWASHER,1/4" |
| 7 | 21525 | 3 | HEX NUT,1/4",NC |
| 8 | 21542 | 2 | CAPSCREW,1/4" X 4",NC |
| 9 | 21635 | 3 | CAPSCREW,3/8" X 2-1/4",NC |
| 10 | 27082B | 3 | SPACER |
| 11 | 21627 | 3 | NYLOCK NUT,3/8",NC |
| 12 | 06505100 | 2 | CBL,CNTRL,108" |
| 13 | 21544 | 1 | CAPSCREW,1/4" X 5",NC |
| 14 | 21527 | 5 | NYLOCK NUT,1/4",NC |
| 15 | 06411086 | 2 | BRKT,MNT |
| 16 | 22014 | 1 | FLATWASHER,1/4" |
| 17 | 21534 | 1 | CAPSCREW,1/4" X 2",NC |
| 18 | 21529 | 2 | CAPSCREW,1/4" X 3/4",NC |
| 19 | 06411087 | 1 | BRKT,STABILIZER |
| 20 | 21528 | 2 | CAPSCREW,1/4" X 1/2",NC |

CABLE (MANUAL) LIFT VALVE - 2 SPOOL

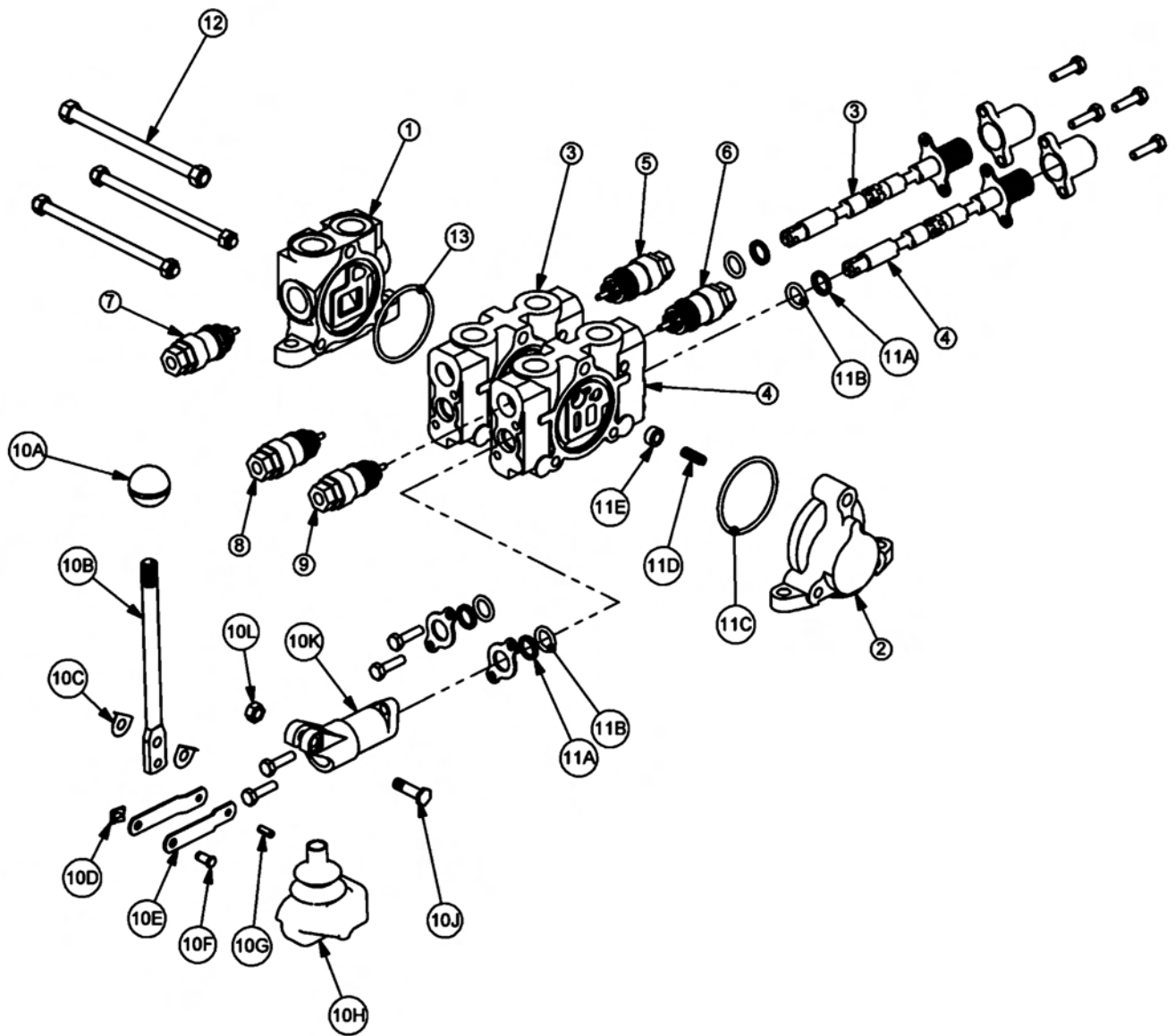


CABLE (MANUAL) LIFT VALVE - 2 SPOOL

Continued...

| ITEM | PART NO. | QTY. | DESCRIPTION |
|------|----------|------|---|
| 1 | 24873 | 1 | VALVE,2SP,HSC,OC |
| 2 | 06340033 | 1 | VALVE MNT |
| 3 | 34622 | 1 | PLATE,VALVE,REAR MNT |
| 4 | 21632 | 9 | CAPSCREW,3/8" X 1-1/2",NC |
| 5 | 6T2615 | 4 | WASHER,FENDER,3/8" |
| 6 | 21627 | 13 | NYLOCK NUT,3/8",NC |
| 7 | 21630 | 4 | CAPSCREW,3/8" X 1",NC |
| 8 | 22016 | 4 | FLATWASHER,3/8" |
| 9 | 06505100 | 2 | CBL,CNTRL,108" |
| 10 | 6T4411 | 2 | CLEVIS,CBL CTRL,3/16" |
| 11 | 6T3017 | 2 | ROLLPIN,3/16" X 1" |
| 12 | 21500 | 4 | HEX NUT,1/4",NF |
| 14 | 33271 | 3 | ADAPTER,1/2"MOR X 3/8"MJ |
| 15 | 33652 | 1 | HOSE,1/4" X 130" |
| 16 | 33364 | 2 | HOSE,1/4" X 120" |
| 17 | 33293 | 1 | ELBOW,LONG,1/2"MOR X 1/2"MJ 90 |
| 18 | 32678 | 1 | ADAPTER,5/8"MOR X 1/2"FOR |
| 19 | 33383 | 1 | ELBOW,5/8"MOR X 1/2"MJ X 90 |
| 20 | 06500467 | 1 | HOSE,1/2" X 31" |
| 21 | 06500468 | 1 | HOSE,1/2" X 33" |
| 22 | 06503130 | 1 | TEE,BRANCH |
| 23 | ----- | - | PRFRMD TUBE (TRACTORS WITH MID-MOUNT VALVE) |
| 24 | 06503129 | 1 | CAP,3/4"FS (TRACTORS W/OUT MID-MOUNT VALVE) |
| 25 | RE267820 | 1 | ADAPTER,PB |
| 26 | 21529 | 2 | CAPSCREW,1/4" X 3/4",NC |
| 27 | 22014 | 2 | FLATWASHER,1/4" |
| 28 | 6T3927 | 1 | SOLENOID,CONTINUOUS DUTY |
| 29 | 06411085 | 1 | BRKT,MNT,SOLENOID |
| 30 | 21527 | 2 | NYLOCK NUT,1/4",NC |
| 31 | 32724 | 2 | FLATWASHER,10MM |
| 32 | 27513 | 2 | CAPSCREW,10MM X 35MM,1.5P |

CABLE (MANUAL) LIFT VALVE BREAKDOWN - 24873

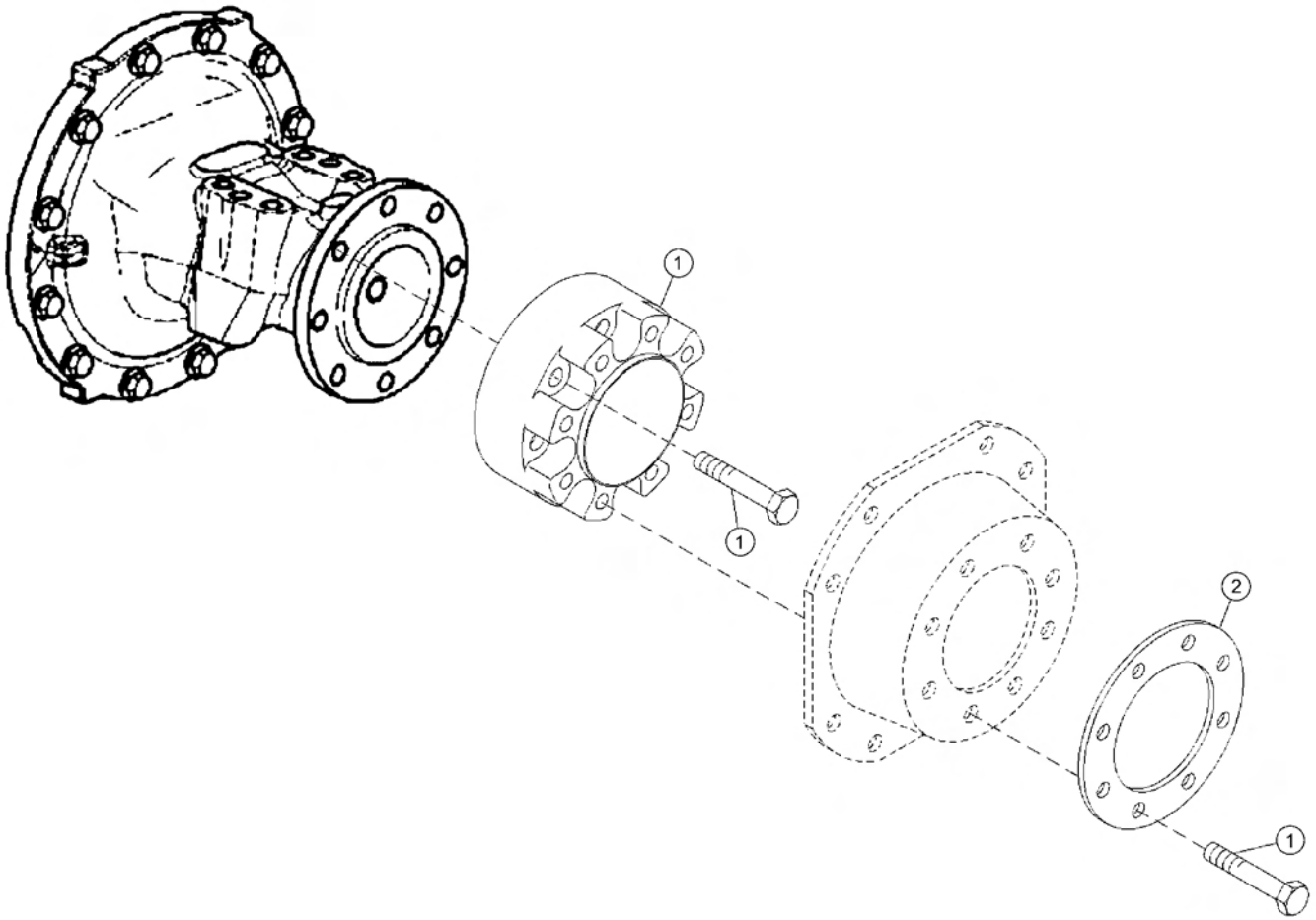


CABLE (MANUAL) LIFT VALVE BREAKDOWN - 24873

Continued...

| ITEM | PART NO. | QTY. | DESCRIPTION |
|------|----------|------|--|
| 1 | TB1017S | 1 | INLET END COVER |
| 2 | TB1701 | 1 | END COVER,OPEN CENTER |
| 3 | TF3009 | 1 | VALVE SECTION (DOUBLE ACTING,DETENT-FLOAT) |
| 4 | TF3009 | 1 | VALVE SECTION (DOUBLE ACTING,DETENT-FLOAT) |
| 5 | 06503067 | 1 | #10 O-RING PLUG |
| 6 | 31861 | 1 | RELIEF VALVE, 360 PSI |
| 7 | TB1017E | 1 | RELIEF VALVE, 2250 PSI |
| 8 | TB1017M | 1 | SHUT-OFF PLUG |
| 9 | TB1017M | 1 | SHUT-OFF PLUG |
| 10 | TB1017L | 2 | LEVER KIT (FOR ONE SECTION) |
| 10A | ----- | 1 | LEVER KNOB |
| 10B | ----- | 1 | LEVER |
| 10C | ----- | 2 | LEVER WASHER |
| 10D | ----- | 1 | LEVER CLIP |
| 10E | ----- | 2 | LINKAGE |
| 10F | ----- | 1 | LEVER PIN |
| 10G | ----- | 1 | ROLL PIN |
| 10H | ----- | 1 | LEVER BOOT |
| 10J | ----- | 1 | LEVER BOLT |
| 10K | ----- | 1 | LEVER DUST COVER |
| 10L | ----- | 1 | LEVER NUT |
| 11 | TB1017A | 2 | VALVE SEAL KIT (FOR ONE SECTION) |
| 11A | ----- | 2 | WIPER |
| 11B | ----- | 2 | O-RING SMALL |
| 11C | ----- | 2 | O-RING LARGE |
| 11D | ----- | 1 | SPRING |
| 11E | ----- | 1 | PUCKET |
| 12 | TB1017X | 1 | TIE ROD KIT |
| 13 | 24214 | 1 | O-RING, LARGE |

WHEEL SPACER



| ITEM | PART NO. | QTY. | DESCRIPTION |
|------|----------|------|----------------------|
| 1 | 06770025 | 1 | KIT,SPCR,WHL,JD |
| 2 | 06400919 | 1 | RING,SPACER,WHEEL,JD |

COMMON SIDE FLAIL - SUPER DUTY

PARTS SECTION

PART NAME INDEX

| | |
|---|----|
| PARTS ORDERING GUIDE..... | 3 |
| COMBO DRAFT BEAM..... | 4 |
| 63IN SIDE FLAIL - STANDARD ROTATION..... | 6 |
| 63IN SIDE FLAIL - REVERSE ROTATION..... | 8 |
| 75IN SIDE FLAIL - STANDARD ROTATION..... | 10 |
| 75IN SIDE FLAIL - REVERSE ROTATION..... | 12 |
| SIDE FLAIL DRIVE ASSEMBLY..... | 14 |
| 3IN X 10IN HYDRAULIC CYLINDER BREAKDOWN..... | 16 |
| 3IN X 12IN HYDRAULIC CYLINDER BREAKDOWN..... | 17 |
| PUMP AND GRILL GUARD OPTIONS..... | 18 |
| RESERVOIR TANK FILTER ASSEMBLY..... | 19 |
| CABLE (MANUAL) LIFT VALVE BREAKDOWN - 30198..... | 20 |
| CABLE (MANUAL) LIFT VALVE BREAKDOWN - 31752..... | 22 |
| CABLE (MANUAL) LIFT VALVE BREAKDOWN - 31320..... | 24 |
| CABLE (MANUAL) LIFT VALVE BREAKDOWN - 31322..... | 26 |
| CABLE (MANUAL) LIFT VALVE BREAKDOWN - 06502040..... | 28 |
| CABLE (MANUAL) LIFT VALVE BREAKDOWN - 06502042..... | 30 |
| FRONT HYDRAULIC PUMP BREAKDOWN..... | 32 |
| FLAIL MOTOR BREAKDOWN..... | 34 |
| COOLER ASSEMBLY..... | 36 |
| BRAKE VALVE ASSEMBLY..... | 37 |
| BRAKE VALVE HYDRAULIC SCHEMATIC..... | 38 |
| SIDE FLAIL TRAVEL LOCK..... | 39 |
| DRAFT BEAM TRAVEL LOCK..... | 40 |
| SWITCH BOX..... | 41 |
| SWITCH BOX SCHEMATIC..... | 42 |
| FIRE SUPPRESSION SYSTEM..... | 43 |
| FIRE SUPPRESSION 3-POINT MOUNT..... | 44 |
| FIRE SUPPRESSION FRONT MOUNT..... | 46 |
| FIRE SUPPRESSION SYSTEM ELECTRICAL SCHEMATIC..... | 48 |
| WETCUT..... | 49 |
| WETCUT 50 GALLON TANK - 3PNT MOUNT..... | 50 |
| WETCUT 100 OR 150 GALLON TANK - 3PNT MOUNT..... | 51 |
| WETCUT 3PNT PLUMBING - 50IN MOWERS..... | 52 |
| WETCUT 3PNT PLUMBING - LARGE MOWERS..... | 54 |
| WETCUT FRONT PLUMBING - 50IN MOWERS..... | 56 |
| WETCUT FRONT PLUMBING - LARGE MOWERS..... | 58 |
| WETCUT 50IN SPRAYER HEAD ASSEMBLY..... | 60 |
| WETCUT 60IN SPRAYER HEAD ASSEMBLY..... | 62 |
| WETCUT CABLES..... | 64 |

COMMON SIDE FLAIL - SD

PARTS ORDERING GUIDE

The following instructions are offered to help eliminate needless delay and error in processing purchase orders for the equipment in this manual.

1. The Parts Section is prepared in logical sequence and grouping of parts that belong to the basic machine featured in this manual. Part Numbers and Descriptions are given to help locate the parts and quantities required.
2. The Purchase Order must indicate the **Name and Address** of the person or organization ordering the parts, **who should be charged**, and if possible, the **serial number of the machine** for which the parts are being ordered.
3. The purchase order must clearly list the **quantity of each part**, the complete and correct **part number**, and the basic **name of the part**.
4. The manufacturer reserves the right to substitute parts where applicable.
5. Some parts may be unlisted items which are special production items not normally stocked and are subject to special handling. Request a quotation for such parts before sending a purchase order.
6. The manufacturer reserves the right to change prices without prior notice.

NOTE: When ordering replacement decals, refer to the part numbers and descriptions listed in the safety section in the front of this manual.

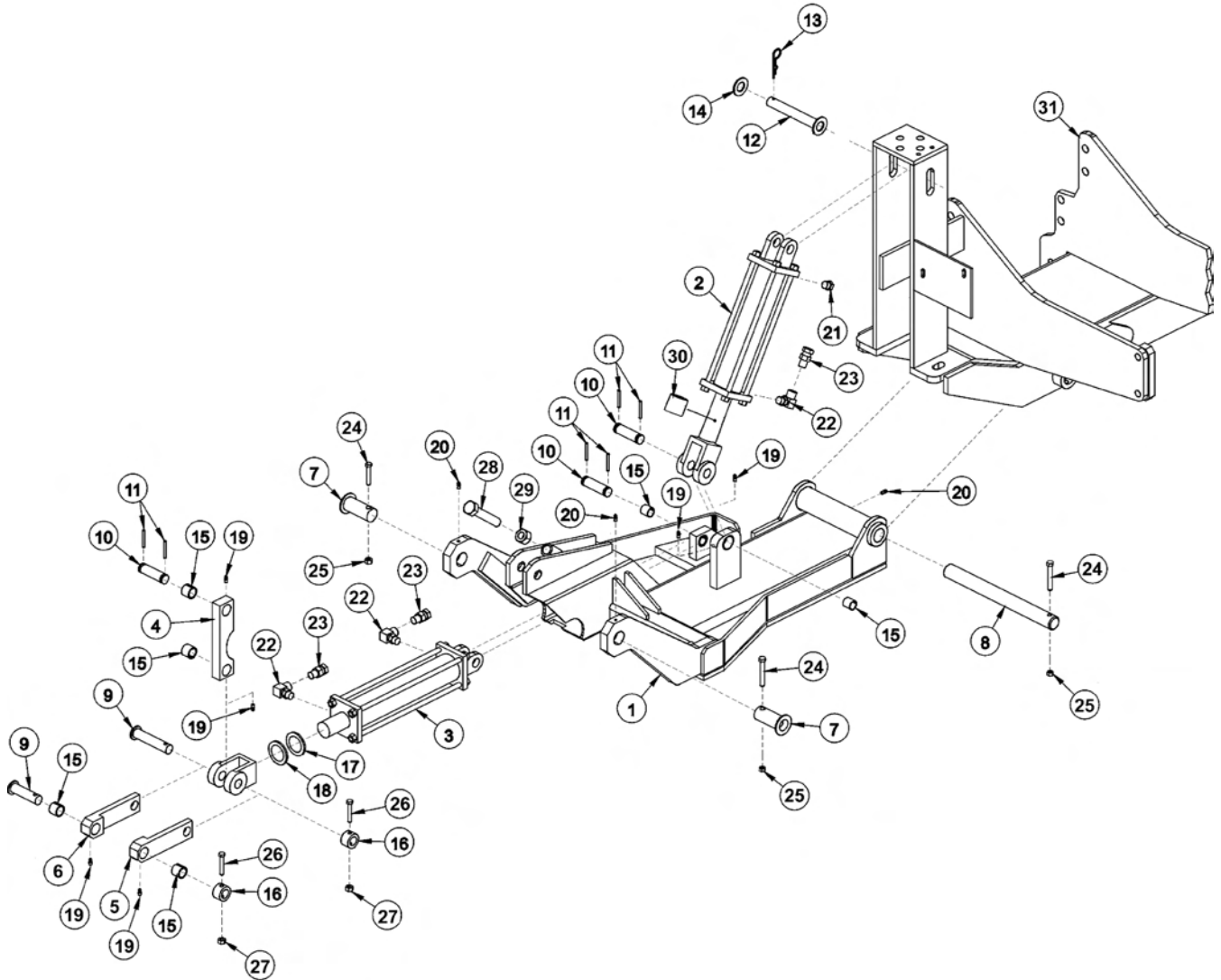


For maximum safety and to guarantee optimum product reliability, always use genuine **Tiger** replacement parts. The use of inferior replacement parts may cause premature or catastrophic failure which could result in serious injury or death.

Direct any questions regarding parts to:

Tiger Corporation
3301 N. Louise Ave.
Sioux Falls, SD 57107
1-800-843-6849
1-605-336-7900

COMBO DRAFT BEAM



NOTES:

1. ITEM 30 IS USED ON THE GLAND END OF ITEM 2 (AS NEEDED)
2. ORIENTATION OF ITEMS 4,5 & 6 ARE CRITICAL

COMBO DRAFT BEAM

Continued...

| ITEM | PART NO. | QTY. | DESCRIPTION |
|------|----------|------|---|
| 1 | 32143 | 1 | COMBO DRAFT BEAM -STD DTY FLAIL |
| 2 | 6T0151R | 1 | HYD. CYLINDER 3" X 10" |
| 3 | 32215 | 1 | HYD. CYLINDER 3" X 12" - STD DTY |
| 4 | TF4500A | 1 | PIVOT ARM |
| 5 | TF4507B | 1 | RIGHT LINKAGE ARM |
| 6 | TF4506B | 1 | LEFT LINKAGE ARM |
| 7 | 30126B | 2 | PIN, HEAD PIVOT |
| 8 | 6T3001 | 1 | PIN, BEAM PIVOT |
| 9 | TF4519 | 2 | PIN, LINKAGE |
| 10 | TB1033 | 3 | PIN, CLEVIS |
| 11 | 06537021 | 6 | ROLLPIN |
| 12 | 6T3005 | 1 | PIN, 1" W/ CAP |
| 13 | 6T3004 | 1 | R-CLIP HAIRPIN |
| 14 | 22023 | 1 | FLATWASHER 1" |
| 15 | TB3010 | 8 | BUSHING 1" |
| 16 | 22847A | 2 | BOSS, LINKAGE PIN |
| 17 | 22076 | 1 | SPACER, HYD. CYLINDER 1/4" (AS NEEDED) |
| 18 | 22077 | 1 | SPACER, HYD. CYLINDER 5/16" (AS NEEDED) |
| 19 | 6T3207 | 6 | GREASE ZERK 1/4" |
| 20 | 6T3211 | 3 | GREASE ZERK 1/8" |
| 21 | 6T4258 | 1 | BREATHER 1/2" |
| 22 | 34244 | 3 | ELBOW FITTING 1/2" |
| 23 | 34396 | 3 | SWIVEL RESTRICTOR |
| 24 | 21688 | 3 | CAPSCREW 7/16" X 3 1/4" |
| 25 | 21677 | 3 | NYLOCK NUT 7/16" |
| 26 | 21635 | 2 | CAPSCREW 3/8" X 2 1/4" |
| 27 | 21627 | 2 | NYLOCK NUT 3/8" |
| 28 | 21831 | 1 | CAPSCREW 3/4" X 1 3/4" |
| 29 | 21825 | 1 | HEX NUT 3/4" |
| 30 | 06700095 | 1 | CYLINDER SPACER W/SET SCREW |
| 31 | ----- | - | MAIN FRAME *REFER TO TRACTOR MOUNT PAGE |

COMMON SIDE FLAIL - SD

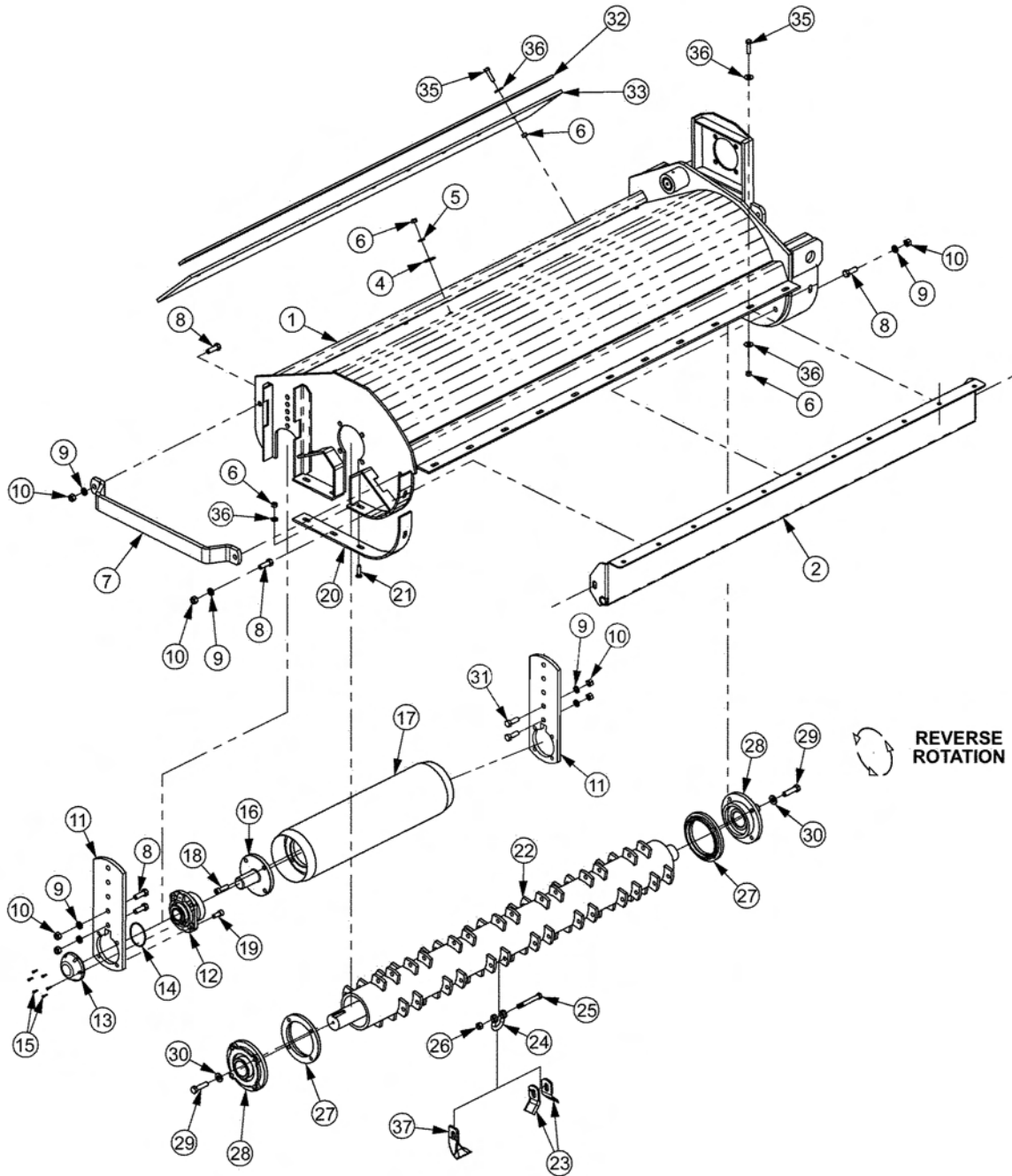
63IN SIDE FLAIL - STANDARD ROTATION

Continued...

| ITEM | PART NO. | QTY. | DESCRIPTION |
|-------|----------|------|-----------------------------------|
| 1 | 28647E | 1 | BONNET,63",STD,COMBO |
| 2 | 28665A | 1 | BAFFLE,63",STD ROT |
| 3 | 6T2283 | 8 | CARRIAGE BOLT,3/8" X 1",NC |
| 4 | 6T2615 | 8 | WASHER,FENDER 3/8" |
| 5 | 21988 | 8 | LOCKWASHER,3/8" |
| 6 | 21625 | 40 | HEX NUT,3/8",NC |
| 7 | 27975A | 1 | GUARD,CUTTERSHAFT |
| 8 | 21731 | 4 | CAPSCREW,1/2" X 1-1/2",NC |
| 9 | 21990 | 6 | LOCKWASHER,1/2" |
| 10 | 21725 | 6 | HEX NUT,1/2",NC |
| 11 | 28735 | 2 | GROUND ROLLER ADJ BRKT,STD DTY |
| 12 | 06520028 | 2 | BEARING,FLANGE,1-3/8",GRNDRLR |
| 13 | 06520027 | 2 | CAP,BEARING,GRNDRLR |
| 14 | 06520029 | 2 | O-RING,2-3/4" X 3/32",AS568A-148 |
| 15 | 06530001 | 12 | CAPSCREW,SKT HD,8-32 X 1/2",SS |
| 16 | TF1045B | 2 | STUB SHAFT,GROUND ROLLER |
| 17 | 28650A | 1 | GROUND ROLLER,63" |
| 18 | 6T2330 | 8 | CAPSCREW,SKT HD,7/16" X 1-1/2",NC |
| 19 | 6T2331 | 8 | CAPSCREW,SKT HD,7/16" X 1",NC |
| 20 | 28086A | 2 | SKID SHOE,STD DUTY REAR FLAIL |
| 21 | 30013 | 10 | PLOW BOLT,3/8" X 1-1/4",NC,GR5 |
| ----- | 28743 | - | CUTTERSHAFT ASSY,STANDARD |
| 22 | 28642C | 1 | CUTTERSHAFT,63" |
| 23 | 33713 | 64 | KNIFE,FLAIL,SHORT,FORGES GORCE |
| 24 | TF1020 | 32 | KNIFE MTG CLEVIS,FLAIL |
| 25 | 34011 | 32 | CAPSCREW,7/16" X 3-7/16",NC,GR8 |
| 26 | 21677 | 32 | NYLOCK NUT,7/16",NC |
| 27 | 33863 | 2 | STRING GUARD,STD |
| 28 | 28683 | 2 | BEARING,FLANGE,1-15/16",STD,TSF |
| 29 | 06530217 | 8 | CAPSCREW,1/2" X 2",NC,L9 |
| 30 | 06533006 | 8 | FLATWASHER,1/2",SAE,L9 |
| 31 | 21732 | 2 | CAPSCREW,1/2" X 1-3/4",NC |
| 32 | 28700 | 2 | BAR,FLAP,TSF/TBF,63" |
| 33 | 28701 | 1 | FLAP,DEFLECTOR,TSF,63" |
| 34 | 06520241 | 1 | FLAP,63",FRONT |
| 35 | 21632 | 22 | CAPSCREW,3/8" X 1-1/2",NC |
| 36 | 22016 | 32 | FLATWASHER,3/8" |

COMMON SIDE FLAIL - SD

63IN SIDE FLAIL - REVERSE ROTATION



COMMON SIDE FLAIL - SD

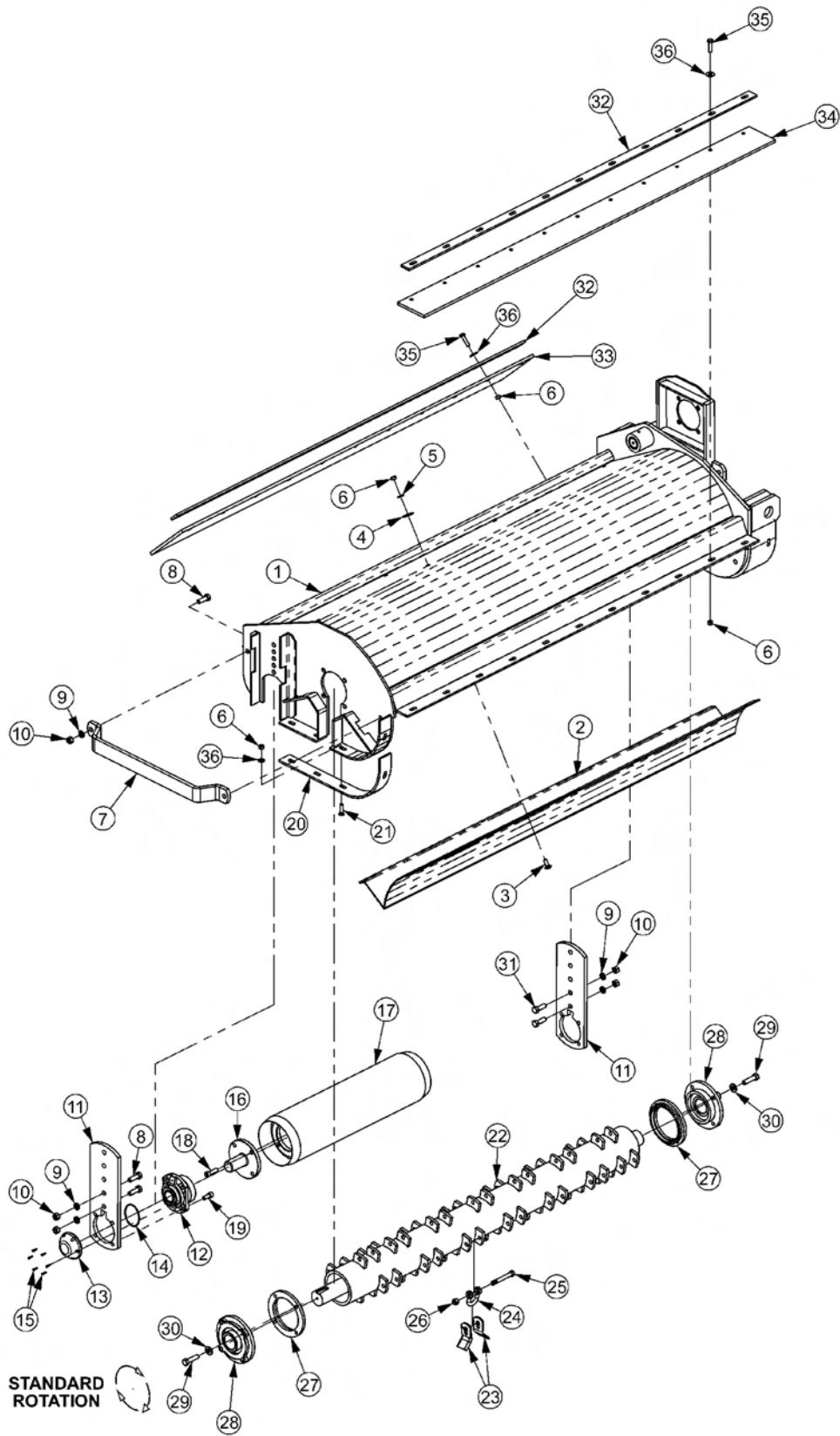
63IN SIDE FLAIL - REVERSE ROTATION

Continued...

| ITEM | PART NO. | QTY. | DESCRIPTION |
|------|----------|------|-----------------------------------|
| 1 | 28647E | 1 | BONNET,63",STD,COMBO |
| 2 | 28969A | 1 | TRASH GUARD,63",REV ROT |
| 3 | 6T2283 | 8 | CARRIAGE BOLT,3/8" X 1",NC |
| 4 | 6T2615 | 8 | WASHER,FENDER,3/8" |
| 5 | 21988 | 8 | LOCKWASHER,3/8" |
| 6 | 21625 | 40 | HEX NUT,3/8",NC |
| 7 | 27975A | 1 | GUARD,CUTTERSHAFT |
| 8 | 21731 | 6 | CAPSCREW,1/2" X 1-1/2",NC |
| 9 | 21990 | 8 | LOCKWASHER,1/2" |
| 10 | 21725 | 8 | HEX NUT,1/2",NC |
| 11 | 28735 | 2 | GROUND ROLLER ADJ BRKT,STD DTY |
| 12 | 06520028 | 2 | BEARING,FLANGE,1-3/8",GRNDRLR |
| 13 | 06520027 | 2 | CAP,BEARING,GRNDRLR |
| 14 | 06520029 | 2 | O-RING,2-3/4" X 3/32",AS568A-148 |
| 15 | 06530001 | 12 | CAPSCREW,SKT HD,8-32 X 1/2",SS |
| 16 | TF1045B | 2 | STUB SHAFT,GROUND ROLLER |
| 17 | 28650A | 1 | GROUND ROLLER,63" |
| 18 | 6T2330 | 8 | CAPSCREW,SKT HD,7/16" X 1-1/2",NC |
| 19 | 6T2331 | 8 | CAPSCREW,SKT HD,7/16" X 1",NC |
| 20 | 28086A | 2 | SKID SHOE,STD DUTY REAR FLAIL |
| 21 | 30013 | 10 | PLOW BOLT,3/8" X 1-1/4",NC,GR5 |
| --- | 28743 | - | CUTTERSHAFT ASSY,STANDARD CUT |
| ---- | 28744 | - | CUTTERSHAFT ASSY,SMOOTH CUT |
| 22 | 28642C | 1 | CUTTERSHAFT,63" |
| 23 | 33713 | 64 | FLAIL KNIVES (STANDARD CUT) |
| 24 | TF1020 | 32 | KNIFE MTG CLEVIS,FLAIL |
| 25 | 34011 | 32 | CAPSCREW,7/16" X 3-7/16",NC,GR8 |
| 26 | 21677 | 32 | NYLOCK NUT,7/16",NC |
| 27 | 33863 | 2 | STRING GUARD,STD |
| 28 | 28683 | 2 | BEARING,FLANGE,1-15/16",STD,TSF |
| 29 | 06530217 | 8 | CAPSCREW,1/2" X 2",NC,L9 |
| 30 | 06533006 | 8 | FLATWASHER,1/2",SAE,L9 |
| 31 | 21732 | 2 | CAPSCREW,1/2" X 1-3/4",NC |
| 32 | 28700 | 2 | BAR,FLAP,TSF/TBF,63" |
| 33 | 28701 | 1 | FLAP,DEFLECTOR,TSF,63" |
| 35 | 21632 | 22 | CAPSCREW,3/8" X 1-1/2",NC |
| 36 | 22016 | 43 | FLATWASHER,3/8" |
| 37 | 28184A | 32 | FLAIL KNIVES (SMOOTH CUT) |

COMMON SIDE FLAIL - SD

75IN SIDE FLAIL - STANDARD ROTATION



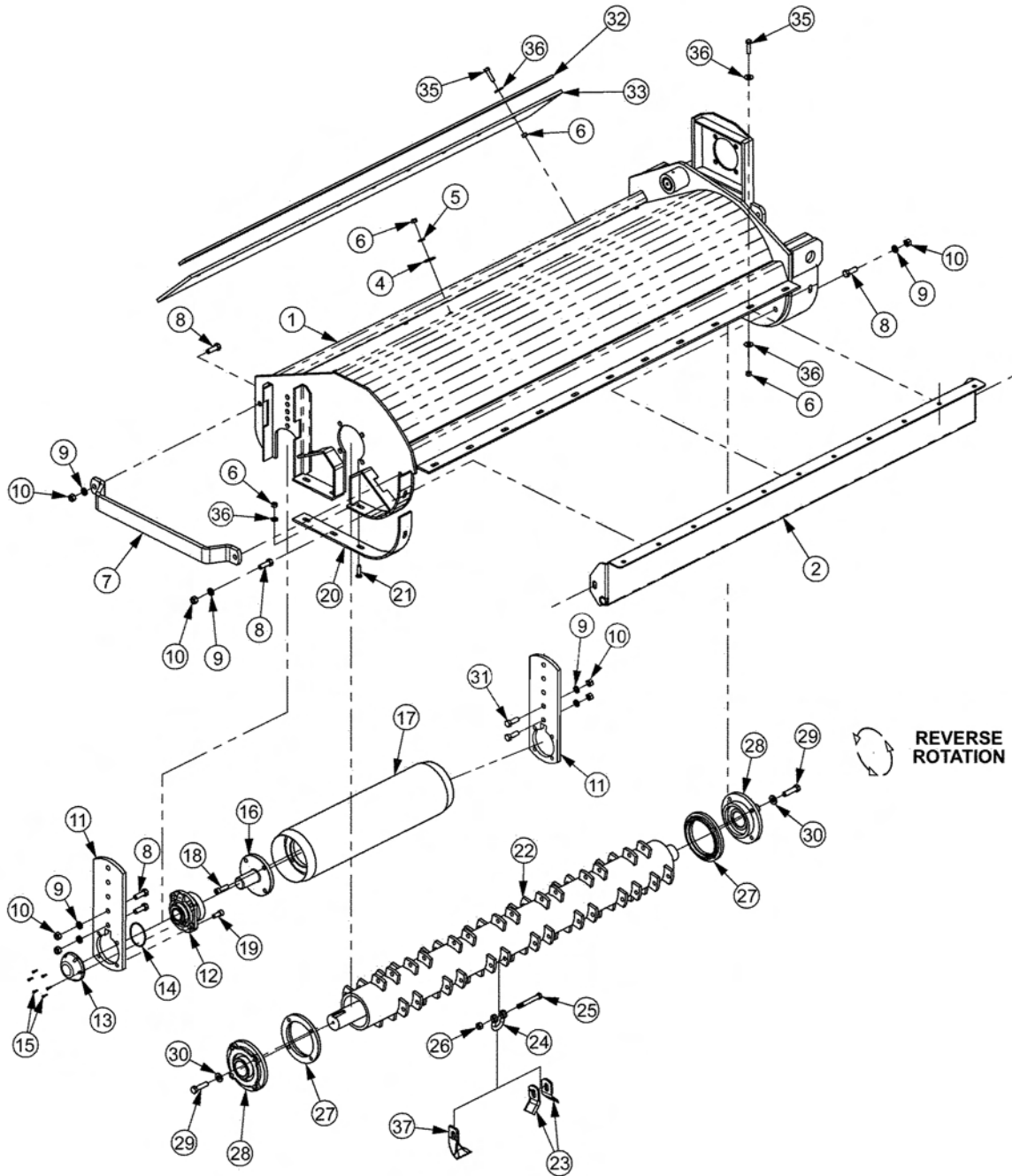
75IN SIDE FLAIL - STANDARD ROTATION

Continued...

| ITEM | PART NO. | QTY. | DESCRIPTION |
|-------|----------|------|--------------------------------------|
| 1 | 28736D | 1 | BONNET,75",STD,T3F,RT |
| 2 | 28737 | 1 | BAFFLE,75",STD ROT-STD |
| 3 | 6T2283 | 10 | CARRIAGE BOLT,3/8" X 1",NC |
| 4 | 6T2615 | 10 | WASHER,FENDER,3/8" |
| 5 | 21988 | 10 | LOCKWASHER,3/8" |
| 6 | 21625 | 46 | HEX NUT,3/8",NC |
| 7 | 27975A | 1 | GUARD,CUTTERSHAFT |
| 8 | 21731 | 4 | CAPSCREW,1/2" X 1-1/2",NC |
| 9 | 21990 | 6 | LOCKWASHER,1/2" |
| 10 | 21725 | 6 | HEX NUT,1/2",NC |
| 11 | 28735 | 2 | GROUND ROLLER ADJ BRKT,STD DTY |
| 12 | 06520028 | 2 | BEARING,FLANGE,1-3/8,GRNDRLR |
| 13 | 06520027 | 2 | CAP,BEARING,GRNDRLR |
| 14 | 06520029 | 2 | O-RING,2-3/4 X 3/32",AS568A-148 |
| 15 | 06530001 | 12 | CAPSCREW,SKT HD,8-32 X 1/2",SS |
| 16 | TF1045B | 2 | STUB SHAFT,GROUND ROLLER |
| 17 | 28738 | 1 | GROUND ROLLER,75" |
| 18 | 6T2330 | 8 | CAPSCREW,SKT HD,7/16" X 1-1/2",NC |
| 19 | 6T2331 | 8 | CAPSCREW,SKT HD,7/16" X 1",NC |
| 20 | 28086A | 2 | SKID SHOE,STD DUTY REAR FLAIL |
| 21 | 30013 | 10 | PLOW BOLT,3/8" X 1-1/4",NC,GR5 |
| ----- | 28747 | - | CUTTERSHAFT ASSY,STANDARD |
| 22 | 28643B | 1 | CUTTERSHAFT,75" |
| 23 | 33713 | 80 | KNIFE,FLAIL,SHORT,FORGES GORCE |
| 24 | TF1020 | 40 | KNIFE MTG CLEVIS,FLAIL |
| 25 | 34011 | 40 | CAPSCREW,7/16" X 3-7/16",NC,GR8 |
| 26 | 21677 | 40 | NYLOCK NUT,7/16",NC |
| ----- | 06200639 | - | STRING GUARD KIT,SD (ITEMS 27,29,30) |
| 27 | 33863 | 2 | STRING GUARD,STD |
| 28 | 28683 | 2 | BEARING,FLANGE,1-15/16",STD,TSF |
| 29 | 06530217 | 8 | CAPSCREW,1/2" X 2",NC,L9 |
| 30 | 06533006 | 8 | FLATWASHER,1/2",SAE,L9 |
| 31 | 21732 | 2 | CAPSCREW,1/2" X 1-3/4",NC |
| 32 | TF1029 | 2 | BAR,FLAP,TSF/TBF,75" |
| 33 | TF1016 | 1 | FLAP,DEFLECTOR,TSF,75" |
| 34 | 06520242 | 1 | FLAP,75",FRONT |
| 35 | 21632 | 26 | CAPSCREW,3/8" X 1-1/2",NC |
| 36 | 22016 | 36 | FLATWASHER,3/8" |

COMMON SIDE FLAIL - SD

75IN SIDE FLAIL - REVERSE ROTATION



COMMON SIDE FLAIL - SD

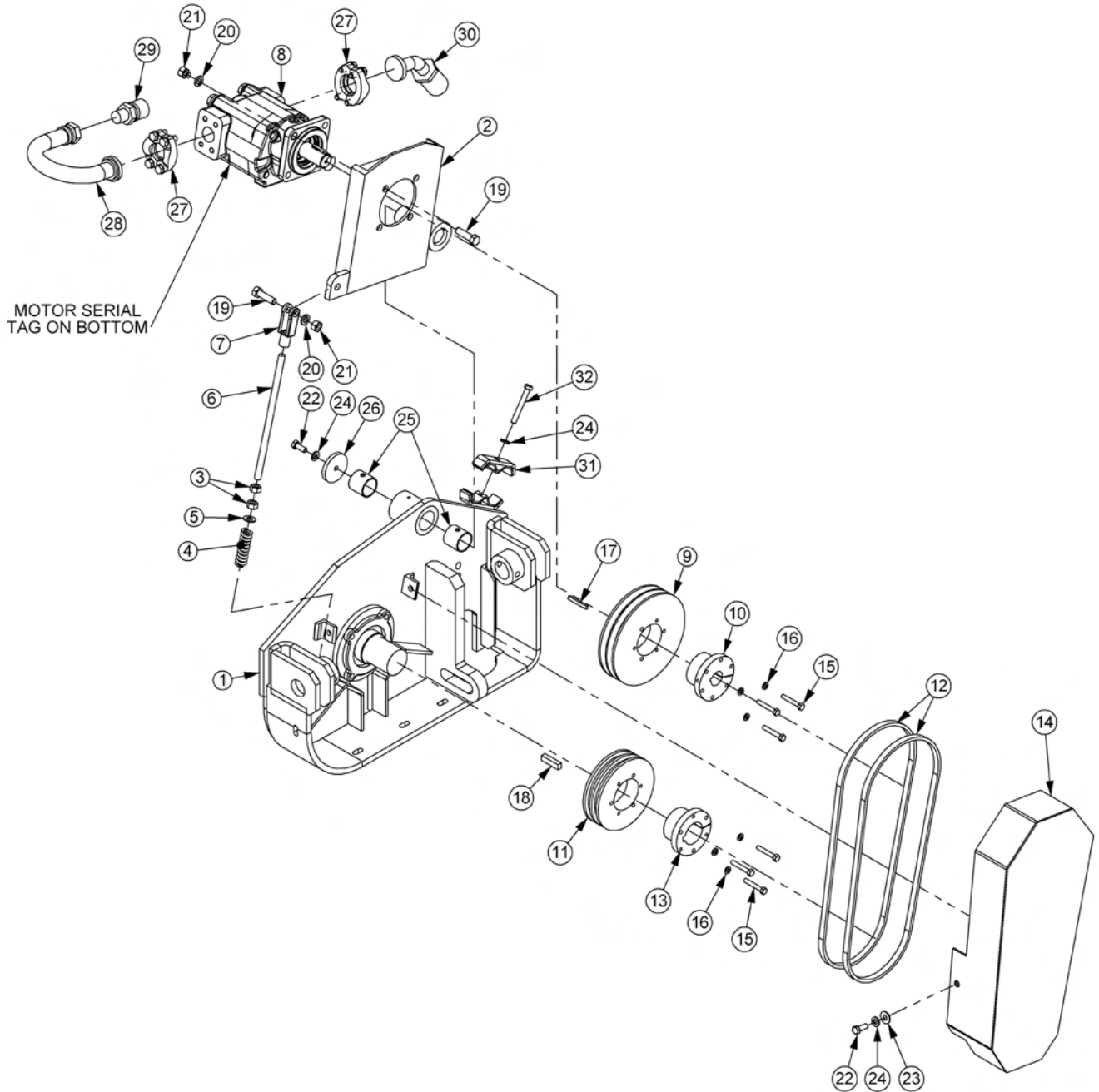
75IN SIDE FLAIL - REVERSE ROTATION

Continued...

| ITEM | PART NO. | QTY. | DESCRIPTION |
|-------|----------|------|---|
| 1 | 28736D | 1 | BONNET,75,STD,T3F,RT |
| 2 | 28968A | 1 | TRASH GUARD,75" |
| 3 | 6T2283 | 10 | CARRIAGE BOLT,3/8" X 1",NC |
| 4 | 6T2615 | 10 | WASHER,FENDER,3/8" |
| 5 | 21988 | 10 | LOCKWASHER,3/8" |
| 6 | 21625 | 36 | HEX NUT,3/8",NC |
| 7 | 27975A | 1 | GUARD,CUTTERSHAFT |
| 8 | 21731 | 6 | CAPSCREW,1/2" X 1-1/2",NC |
| 9 | 21990 | 8 | LOCKWASHER,1/2" |
| 10 | 21725 | 8 | HEX NUT,1/2",NC |
| 11 | 28735 | 2 | GROUND ROLLER ADJ BRKT,STD DTY |
| 12 | 06520028 | 2 | BEARING,FLANGE,1-3/8",GRNDRLR |
| 13 | 06520027 | 2 | CAP,BEARING,GRNDRLR |
| 14 | 06520029 | 2 | O-RING,2-3/4" X 3/32",AS568A-148 |
| 15 | 06530001 | 12 | CAPSCREW,SKT HD,8-32 X 1/2",SS |
| 16 | TF1045B | 2 | STUB SHAFT,GROUND ROLLER |
| 17 | 28738 | 1 | GROUND ROLLER,75" |
| 18 | 6T2330 | 8 | CAPSCREW,SKT HD,7/16" X 1-1/2",NC |
| 19 | 6T2331 | 8 | CAPSCREW,SKT HD,7/16" X 1",NC |
| 20 | 28086A | 2 | SKID SHOE,STD DUTY REAR FLAIL |
| 21 | 30013 | 9 | PLOW BOLT,3/8" X 1-1/4",NC,GR5 |
| ----- | 28747 | - | CUTTERSHAFT ASSY,STANDARD (22, 23, 24, 25 & 26) |
| ----- | 28748 | - | CUTTERSHAFT ASSY,SMOOTH (22, 23, 24, 25 & 37) |
| 22 | 28643B | 1 | CUTTERSHAFT,75" |
| 23 | 33713 | 80 | FLAIL KNIVES (STANDARD CUT) |
| 24 | TF1020 | 40 | KNIFE MTG CLEVIS,FLAIL |
| 25 | 34011 | 40 | CAPSCREW,7/16" X 3-7/16",NC,GR8 |
| 26 | 21677 | 40 | NYLOCK NUT,7/16",NC |
| ----- | 06200639 | - | STRING GUARD KIT, SD (ITEMS 27,29,30) |
| 27 | 33863 | 2 | STRING GUARD,STD |
| 28 | 28683 | 2 | BEARING,FLANGE,1-15/16",STD,TSF |
| 29 | 06530217 | 8 | CAPSCREW,1/2" X 2",NC,L9 |
| 30 | 06533006 | 8 | FLATWASHER,1/2",SAE,L9 |
| 31 | 21732 | 2 | CAPSCREW,1/2" X 1-3/4",NC |
| 32 | TF1029 | 1 | BAR,FLAP,TSF/TBF,75" |
| 33 | TF1016 | 1 | FLAP,DEFLECTOR,TSF,75" |
| 35 | 21632 | 22 | CAPSCREW,3/8" X 1-1/2",NC |
| 36 | 22016 | 49 | FLATWASHER,3/8" |
| 37 | 28184A | 40 | FLAIL KNIVES (SMOOTH CUT) |

COMMON SIDE FLAIL - SD

SIDE FLAIL DRIVE ASSEMBLY



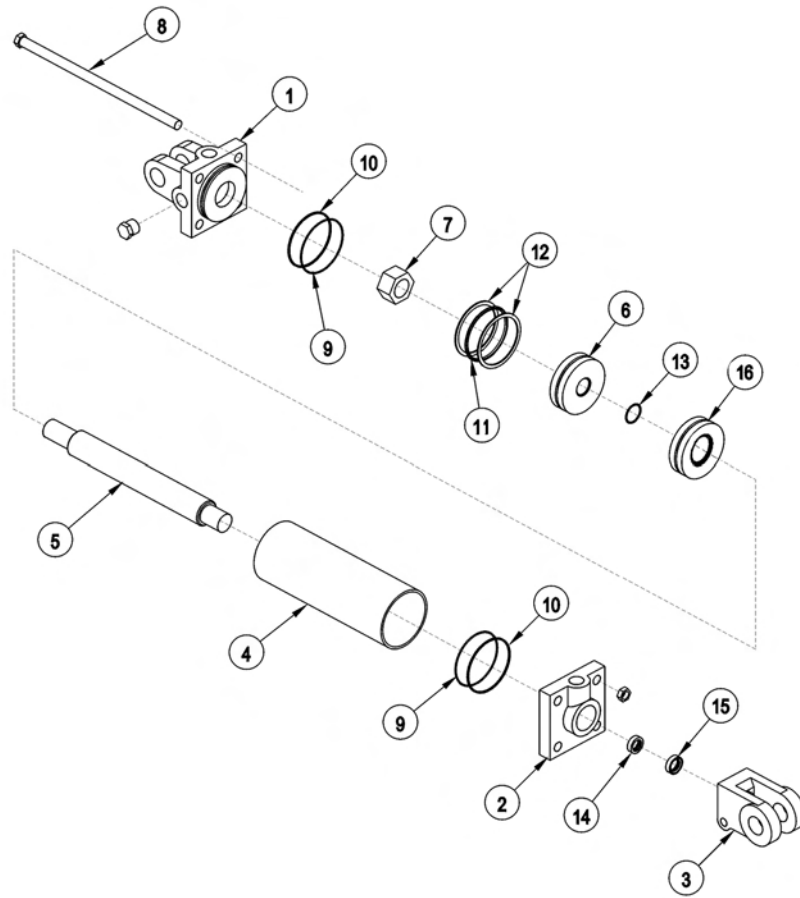
SIDE FLAIL DRIVE ASSEMBLY

Continued...

| ITEM | PART NO. | QTY. | DESCRIPTION |
|------|----------|------|---------------------------------------|
| 1 | ----- | - | BONNET *REFER TO HEAD PARTS |
| 2 | 28679B | 1 | MOTOR CHANNEL |
| 3 | 21700 | 2 | HEX NUT, 1/2", NF |
| 4 | TF3620A | 1 | SPRING,TENSIONER |
| 5 | 27938 | 1 | BUSHING,MACH,1ODX1/2IDX14GA. |
| 6 | 40496 | 1 | ROD,THREADED,1/2NFX8 |
| 7 | PT3611A | 1 | CLEVIS,6" |
| 8 | 06504013 | 1 | MOTOR, M350-1 3/4 GEAR |
| 9 | TF3044 | 1 | SHEAVE,8.0 |
| 10 | TF3013 | 1 | BUSHING,QD,SK 1-1/4,1/4 KEY |
| 11 | TF3040 | 1 | SHEAVE,6.3 |
| 12 | 28702 | 2 | V-BELT,(500) |
| 13 | 28723 | 1 | BUSHING,QD,SK 1-15/16 |
| 14 | 28703B | 1 | GUARD,BELT,TSF,STD |
| 15 | 21584 | 6 | CAPSCREW, 5/16 X 2,NC |
| 16 | 21987 | 6 | LOCKWASHER, 5/16" |
| 17 | 06504028 | 1 | KEY (KEY FROM MOTOR) |
| 18 | 26142A | 1 | KEY,1/2 X 1/2 X 2 |
| 19 | 21732 | 5 | CAPSCREW, 1/2 X 1 3/4,NC |
| 20 | 21990 | 5 | LOCKWASHER, 1/2" |
| 21 | 21725 | 5 | HEX NUT,1/2 NC |
| 22 | 21630 | 3 | CAPSCREW, 3/8 X 1,NC |
| 23 | 22016 | 2 | FLATWASHER,3/8" |
| 24 | 21988 | 3 | LOCKWASHER, 3/8" |
| 25 | 27580 | 2 | BEARING,DX,1-1/2",GRM |
| 26 | 28682 | 1 | RETAINING,WASHER 2-1/2 X 5/16 |
| 27 | TF4852 | 2 | KIT,FLANGE,#20 |
| 28 | 34227 | 1 | PREFORMED TUBE |
| 29 | ----- | - | HOSE (RETURN FOR STANDARD ROTATION) |
| 30 | ----- | - | HOSE (PRESSURE FOR STANDARD ROTATION) |
| 31 | TB3031 | 1 | CLAMP,HOSE |
| 32 | 21638 | 1 | CAPSCREW,3/8 X 3,NC |

COMMON SIDE FLAIL - SD

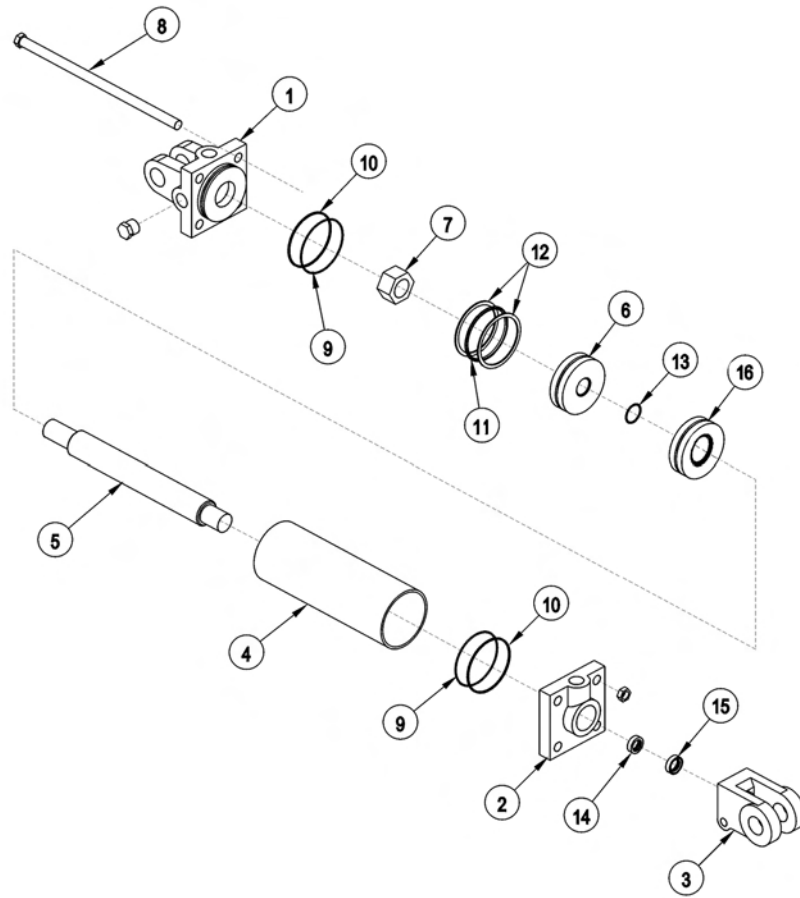
3IN X 10IN HYDRAULIC CYLINDER BREAKDOWN



| ITEM | PART NO. | QTY. | DESCRIPTION |
|-------|----------|------|------------------------|
| ----- | 6T0151R | - | HYD. CYLINDER 3" X 10" |
| 1 | 6T0167 | 1 | CYLINDER BUTT |
| 2 | 6T0170 | 1 | CYLINDER GLAND |
| 3 | 6T0178 | 1 | CLEVIS END |
| 4 | 6T0164 | 1 | CYLINDER TUBE |
| 5 | 6T0161 | 1 | PISTON ROD |
| 6 | 6T0173 | 1 | PISTON |
| 7 | 6T0179 | 1 | LOCKNUT |
| 8 | 6T0176 | 4 | TIE ROD ASY |
| ----- | 6T0187 | - | SEAL KIT |
| 9 | ----- | 2 | O - RING |
| 10 | ----- | 2 | BACK - UP WASHER |
| 11 | ----- | 1 | O - RING |
| 12 | ----- | 2 | BACK - UP WASHER |
| 13 | ----- | 1 | O - RING |
| 14 | ----- | 1 | U - CUP |
| 15 | ----- | 1 | WIPER |

COMMON SIDE FLAIL - SD

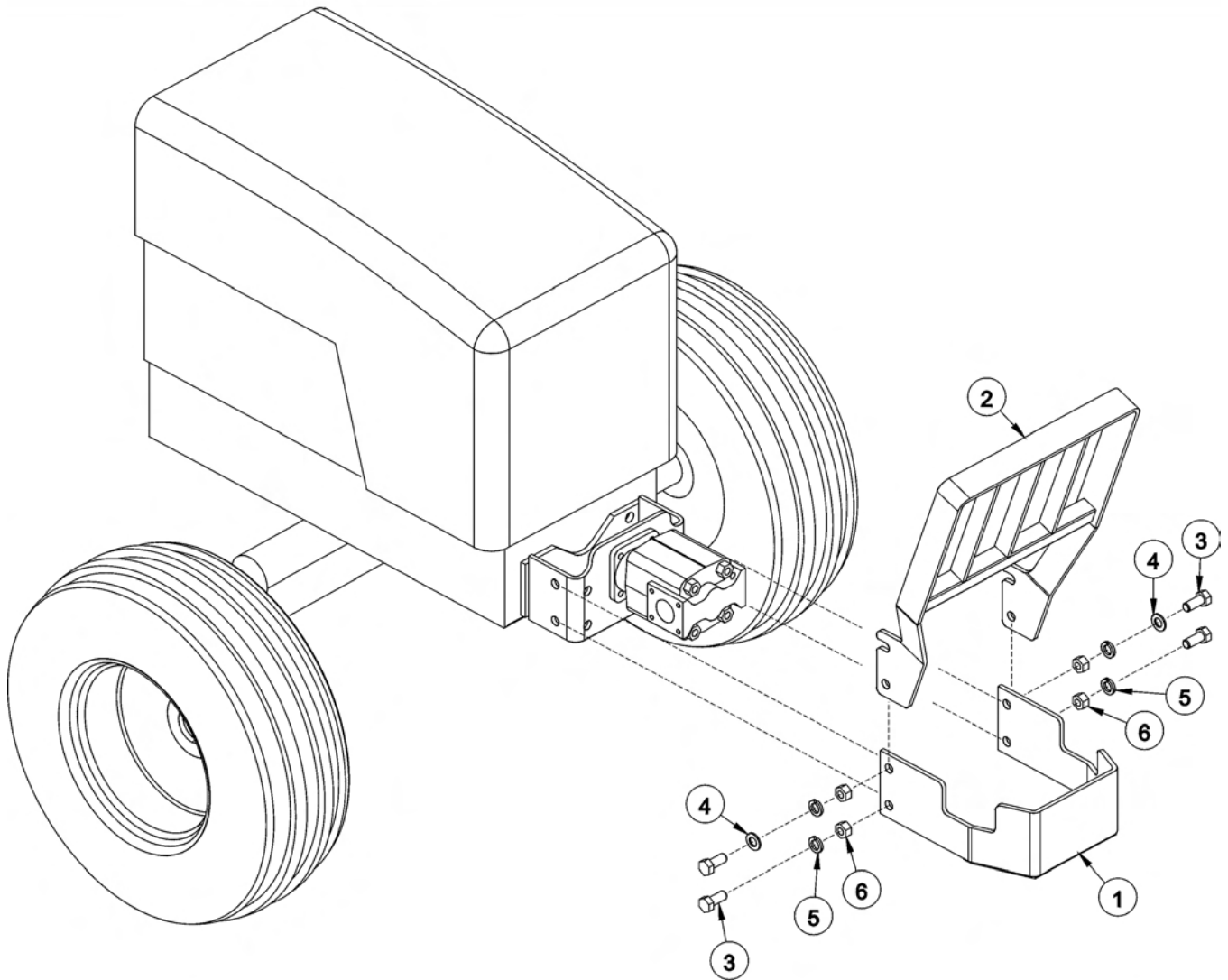
3IN X 12IN HYDRAULIC CYLINDER BREAKDOWN



| ITEM | PART NO. | QTY. | DESCRIPTION |
|-------|----------|------|------------------------|
| ----- | 32215 | - | HYD. CYLINDER 3" X 12" |
| 1 | 6T0167 | 1 | CYLINDER BUTT |
| 2 | 6T0170 | 1 | CYLINDER GLAND |
| 3 | 6T0178 | 1 | CLEVIS END |
| 4 | 6T0204 | 1 | CYLINDER TUBE |
| 5 | 6T0203 | 1 | PISTON ROD |
| 6 | 6T0173 | 1 | PISTON |
| 7 | 6T0179 | 1 | LOCKNUT |
| 8 | 6T0205 | 4 | TIE ROD ASY |
| ----- | 6T0187 | - | SEAL KIT |
| 9 | ----- | 2 | O - RING |
| 10 | ----- | 2 | BACK - UP WASHER |
| 11 | ----- | 1 | O - RING |
| 12 | ----- | 2 | BACK - UP WASHER |
| 13 | ----- | 1 | O - RING |
| 14 | ----- | 1 | U - CUP |
| 15 | ----- | 1 | WIPER |

COMMON SIDE FLAIL - SD

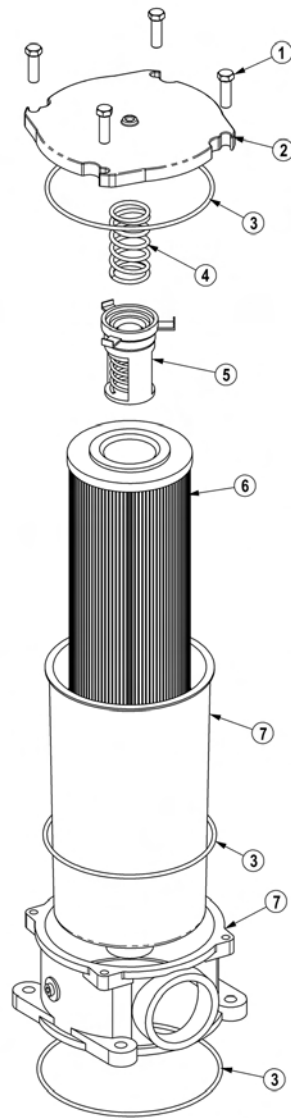
PUMP AND GRILL GUARD OPTIONS



| ITEM | PART NO. | QTY. | DESCRIPTION |
|------|----------|------|---------------------------|
| 1 | 32430 | 1 | UNIVERSAL PUMP GUARD |
| 2 | 32737 | 1 | UNIVERSAL GRILL GUARD |
| 3 | 21833 | 4 | CAPSCREW,3/4" X 2-1/4",NC |
| 4 | 22021 | 2 | FLATWASHER,3/4" |
| 5 | 21993 | 4 | LOCKWASHER,3/4" |
| 6 | 21825 | 4 | HEX NUT,3/4",NC |

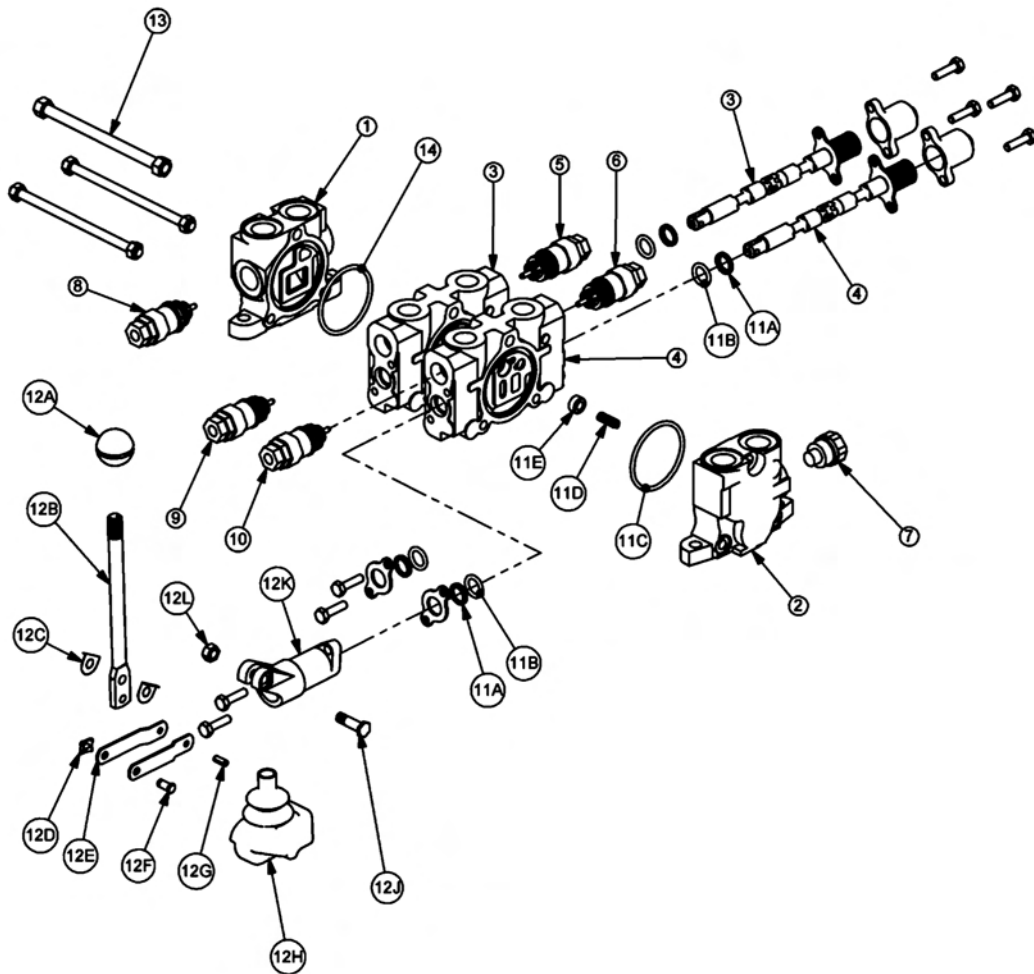
COMMON SIDE FLAIL - SD

RESERVOIR TANK FILTER ASSEMBLY



| ITEM | PART NO. | QTY. | DESCRIPTION |
|-------|----------|------|----------------------------------|
| ----- | 06505044 | - | FILTER ASSY SAE 10 MICRON |
| 1 | 28583 | 4 | CAPSCREW, 8MM X 25MM(1.25 PITCH) |
| 2 | 06505045 | 1 | COVER |
| 3 | 06505046 | 1 | SEAL KIT |
| 4 | 06505047 | 1 | SPRING |
| 5 | 06505048 | 1 | BYPASS |
| 6 | 35259 | 1 | FILTER, 10 MIC, RETURN LINE |
| 7 | 06505049 | 1 | CAN/BODY |

CABLE (MANUAL) LIFT VALVE BREAKDOWN - 30198



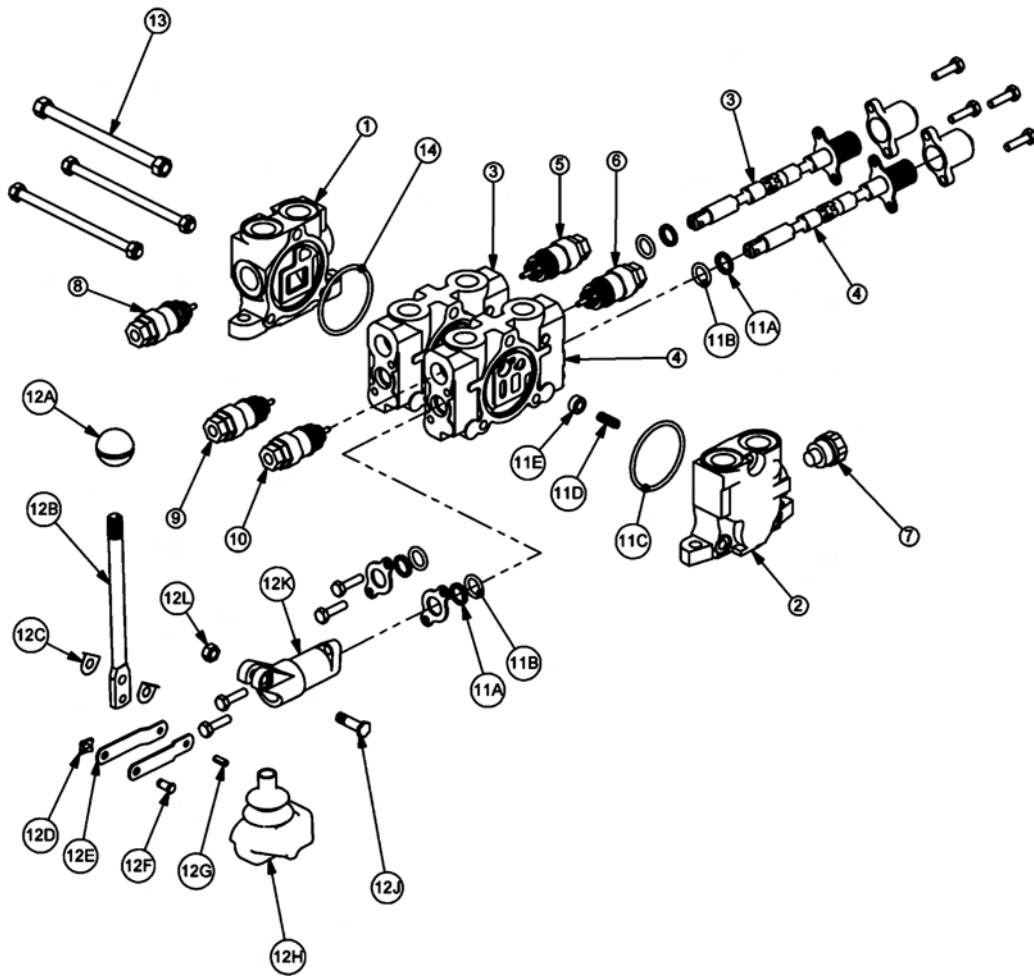
COMMON SIDE FLAIL - SD

CABLE (MANUAL) LIFT VALVE BREAKDOWN - 30198

Continued...

| ITEM | PART NO. | QTY. | DESCRIPTION |
|------|----------|------|---|
| 1 | TB1017S | 1 | INLET END COVER |
| 2 | TB1702 | 1 | END COVER, POWER BEYOND |
| 3 | TF3009 | 1 | VALVE SECTION (DOUBLE ACTING, DETENT - FLOAT) |
| 4 | TF3009 | 1 | VALVE SECTION (DOUBLE ACTING, DETENT - FLOAT) |
| 5 | 06503067 | 1 | RELIEF PLUG |
| 6 | TF4212 | 1 | RELIEF VALVE, 200 PSI |
| 7 | TB1017M | 1 | SHUT-OFF PLUG |
| 8 | TB1017E | 1 | RELIEF VALVE, 2250 PSI |
| 9 | TB1017M | 1 | SHUT-OFF PLUG |
| 10 | TB1017M | 1 | SHUT-OFF PLUG |
| 11 | TB1017A | 2 | VALVE SEAL KIT (FOR ONE SECTION) |
| 11A | ----- | 2 | WIPER |
| 11B | ----- | 2 | O-RING SMALL |
| 11C | ----- | 1 | O-RING LARGE |
| 11D | ----- | 1 | SPRING |
| 11E | ----- | 1 | PUCKET |
| 12 | TB1017L | 2 | LEVER KIT (FOR ONE SECTION) |
| 12A | ----- | 1 | LEVER KNOB |
| 12B | ----- | 1 | LEVER |
| 12C | ----- | 2 | LEVER WASHER |
| 12D | ----- | 1 | LEVER CLIP |
| 12E | ----- | 2 | LINKAGE |
| 12F | ----- | 1 | LEVER PIN |
| 12G | ----- | 1 | ROLL PIN |
| 12H | ----- | 1 | LEVER BOOT |
| 12J | ----- | 1 | LEVER BOLT |
| 12K | ----- | 1 | LEVER DUST COVER |
| 12L | ----- | 1 | LEVER NUT |
| 13 | TB1017X | 1 | TIE ROD KIT |
| 14 | 24214 | 1 | O-RING, LARGE |

CABLE (MANUAL) LIFT VALVE BREAKDOWN - 31752



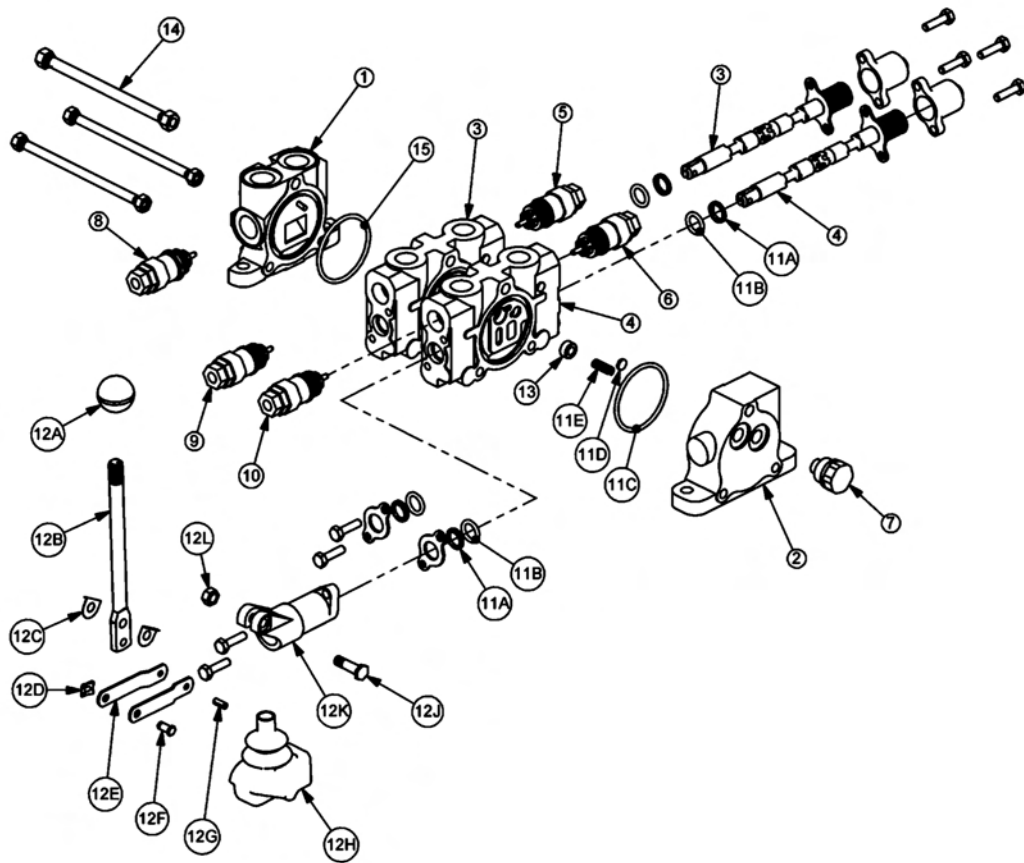
COMMON SIDE FLAIL - SD

CABLE (MANUAL) LIFT VALVE BREAKDOWN - 31752

Continued...

| ITEM | PART NO. | QTY. | DESCRIPTION |
|------|----------|------|--|
| 1 | TB1017S | 1 | INLET END COVER |
| 2 | TB1702 | 1 | END COVER, POWER BEYOND |
| 3 | TB1017P | 1 | VALVE SECTION (SINGLE ACTING, SPRING DETENT) |
| 4 | TB1017P | 1 | VALVE SECTION (SINGLE ACTING, SPRING DETENT) |
| 5 | N/A | - | N/A |
| 6 | N/A | - | N/A |
| 7 | TB1017M | 1 | SHUT-OFF PLUG |
| 8 | TB1017E | 1 | RELIEF VALVE, 2250 PSI |
| 9 | TB1017M | 1 | SHUT-OFF PLUG |
| 10 | TB1017M | 1 | SHUT-OFF PLUG |
| 11 | TB1017A | 2 | VALVE SEAL KIT (FOR ONE SECTION) |
| 11A | ----- | 2 | WIPER |
| 11B | ----- | 2 | O-RING SMALL |
| 11C | ----- | 1 | O-RING LARGE |
| 11D | ----- | 1 | SPRING |
| 11E | ----- | 1 | PUCKET |
| 12 | TB1017L | 2 | LEVER KIT (FOR ONE SECTION) |
| 12A | ----- | 1 | LEVER KNOB |
| 12B | ----- | 1 | LEVER |
| 12C | ----- | 2 | LEVER WASHER |
| 12D | ----- | 1 | LEVER CLIP |
| 12E | ----- | 2 | LINKAGE |
| 12F | ----- | 1 | LEVER PIN |
| 12G | ----- | 1 | ROLL PIN |
| 12H | ----- | 1 | LEVER BOOT |
| 12J | ----- | 1 | LEVER BOLT |
| 12K | ----- | 1 | LEVER DUST COVER |
| 12L | ----- | 1 | LEVER NUT |
| 13 | TB1017X | 1 | TIE ROD KIT |
| 14 | 24214 | 1 | O-RING, LARGE |

CABLE (MANUAL) LIFT VALVE BREAKDOWN - 31320



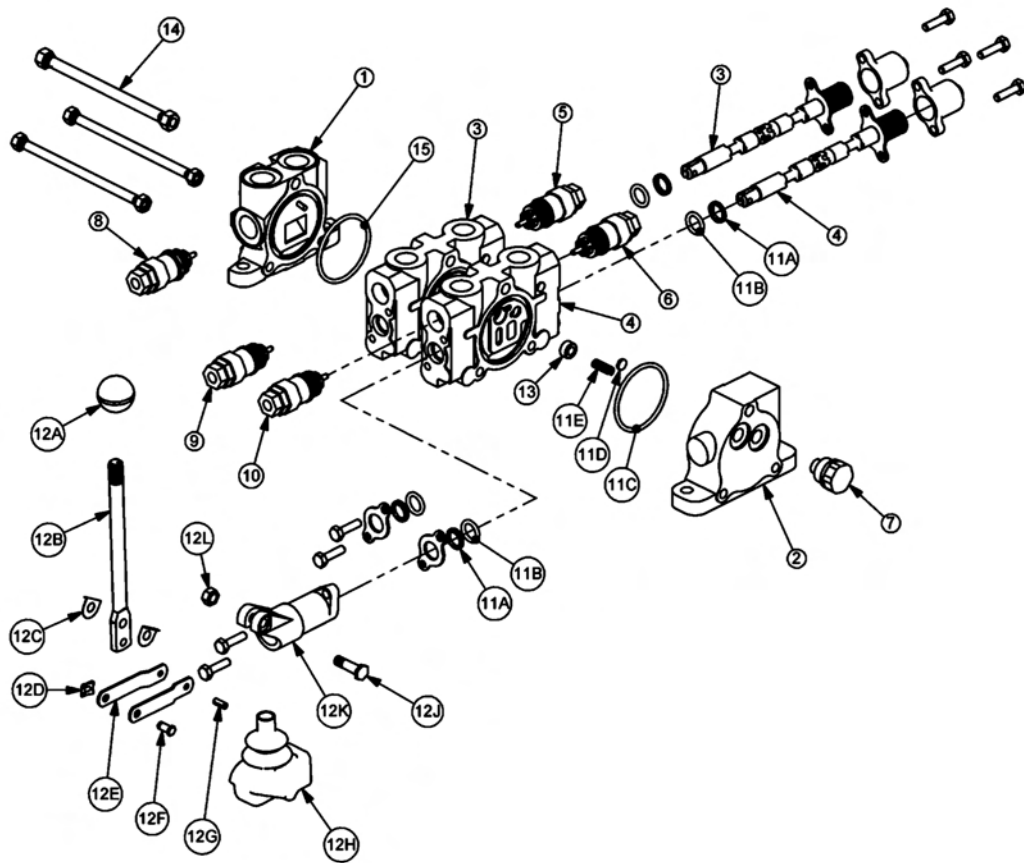
COMMON SIDE FLAIL - SD

CABLE (MANUAL) LIFT VALVE BREAKDOWN - 31320

Continued...

| ITEM | PART NO. | QTY. | DESCRIPTION |
|------|----------|------|--|
| 1 | 31595 | 1 | INLET END COVER |
| 2 | 31594 | 1 | END COVER, LOAD SENSE |
| 3 | 31597 | 1 | VALVE SECTION (DOUBLE ACTING, CENTER SPRING) |
| 4 | 31597 | 1 | VALVE SECTION (DOUBLE ACTING, CENTER SPRING) |
| 5 | 06503067 | 1 | RELIEF PLUG |
| 6 | 06503067 | 1 | RELIEF PLUG |
| 7 | N/A | - | N/A |
| 8 | 6T4209 | 1 | RELIEF PLUG |
| 9 | 31862 | 1 | RELIEF VALVE, 2175 PSI |
| 10 | 31862 | 1 | RELIEF VALVE, 2175 PSI |
| 11 | 31593 | 2 | VALVE SEAL KIT (FOR ONE SECTION) |
| 11A | ----- | 2 | WIPER |
| 11B | ----- | 2 | O-RING SMALL |
| 11C | ----- | 1 | O-RING LARGE |
| 11D | ----- | 1 | SHUTTLE DISC |
| 11E | ----- | 1 | SPRING |
| 12 | TB1017L | 2 | LEVER KIT (FOR ONE SECTION) |
| 12A | ----- | 1 | LEVER KNOB |
| 12B | ----- | 1 | LEVER |
| 12C | ----- | 2 | LEVER WASHER |
| 12D | ----- | 1 | LEVER CLIP |
| 12E | ----- | 2 | LINKAGE |
| 12F | ----- | 1 | LEVER PIN |
| 12G | ----- | 1 | ROLL PIN |
| 12H | ----- | 1 | LEVER BOOT |
| 12J | ----- | 1 | LEVER BOLT |
| 12K | ----- | 1 | LEVER DUST COVER |
| 12L | ----- | 1 | LEVER NUT |
| 13 | 31603 | 2 | COMPENSATOR |
| 14 | TB1017X | 1 | TIE ROD KIT |
| 15 | 24214 | 1 | O-RING, LARGE |

CABLE (MANUAL) LIFT VALVE BREAKDOWN - 31322



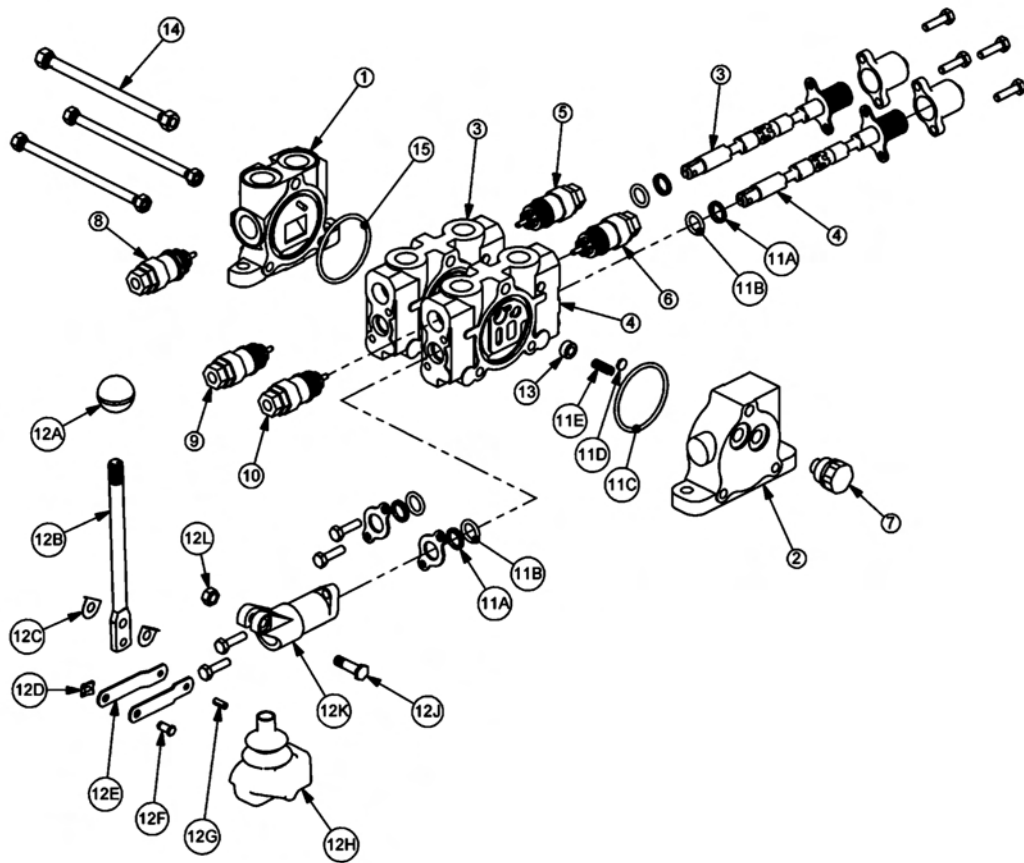
COMMON SIDE FLAIL - SD

CABLE (MANUAL) LIFT VALVE BREAKDOWN - 31322

Continued...

| ITEM | PART NO. | QTY. | DESCRIPTION |
|------|----------|------|---|
| 1 | 31595 | 1 | INLET END COVER |
| 2 | 31594 | 1 | END COVER, LOAD SENSE |
| 3 | 31600 | 1 | VALVE SECTION (DOUBLE ACTING, DETENT-FLOAT) |
| 4 | 31600 | 1 | VALVE SECTION (DOUBLE ACTING, DETENT-FLOAT) |
| 5 | 06503067 | 1 | RELIEF PLUG |
| 6 | 31861 | 1 | RELIEF VALVE, 360 PSI |
| 7 | N/A | - | N/A |
| 8 | 6T4209 | 1 | RELIEF PLUG |
| 9 | 31862 | 1 | RELIEF VALVE, 2175 PSI |
| 10 | 31862 | 1 | RELIEF VALVE, 2175 PSI |
| 11 | 31593 | 2 | VALVE SEAL KIT (FOR ONE SECTION) |
| 11A | ----- | 2 | WIPER |
| 11B | ----- | 2 | O-RING SMALL |
| 11C | ----- | 1 | O-RING LARGE |
| 11D | ----- | 1 | SHUTTLE DISC |
| 11E | ----- | 1 | SPRING |
| 12 | TB1017L | 2 | LEVER KIT (FOR ONE SECTION) |
| 12A | ----- | 1 | LEVER KNOB |
| 12B | ----- | 1 | LEVER |
| 12C | ----- | 2 | LEVER WASHER |
| 12D | ----- | 1 | LEVER CLIP |
| 12E | ----- | 2 | LINKAGE |
| 12F | ----- | 1 | LEVER PIN |
| 12G | ----- | 1 | ROLL PIN |
| 12H | ----- | 1 | LEVER BOOT |
| 12J | ----- | 1 | LEVER BOLT |
| 12K | ----- | 1 | LEVER DUST COVER |
| 12L | ----- | 1 | LEVER NUT |
| 13 | 31603 | 2 | COMPENSATOR |
| 14 | TB1017X | 1 | TIE ROD KIT |
| 15 | 24214 | 1 | O-RING, LARGE |

CABLE (MANUAL) LIFT VALVE BREAKDOWN - 06502040



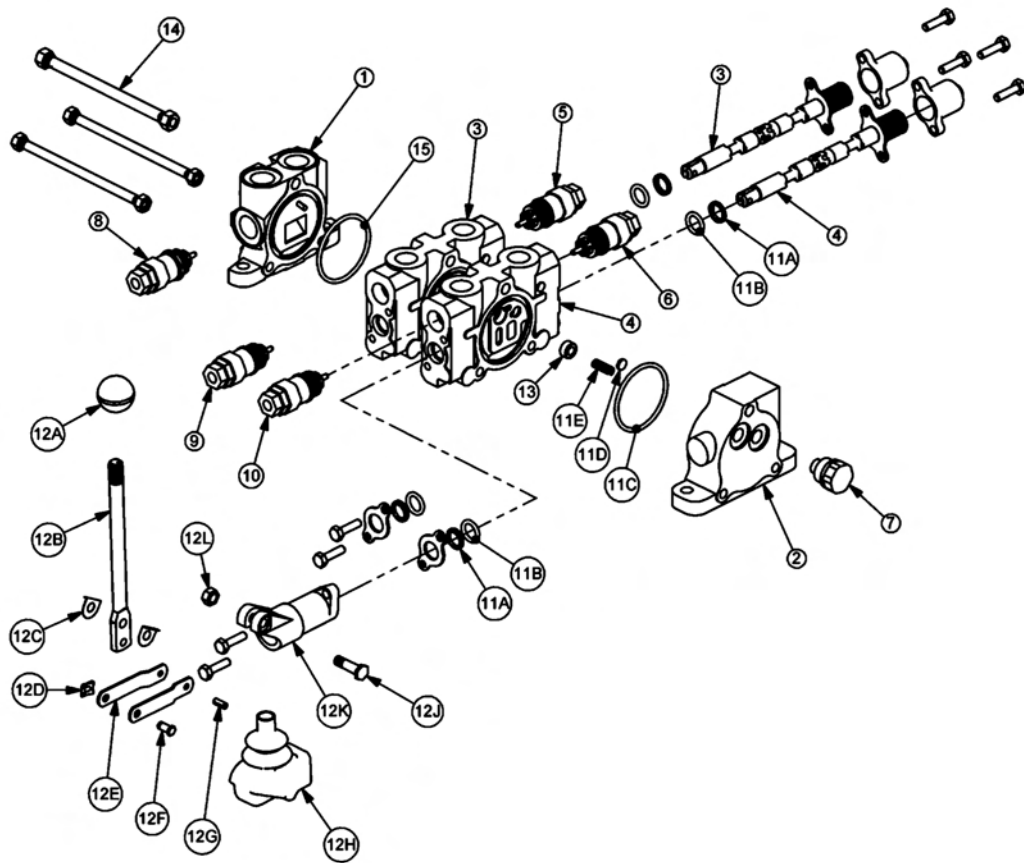
COMMON SIDE FLAIL - SD

CABLE (MANUAL) LIFT VALVE BREAKDOWN - 06502040

Continued...

| ITEM | PART NO. | QTY. | DESCRIPTION |
|------|----------|------|--|
| 1 | 31595 | 1 | INLET END COVER |
| 2 | 31594 | 1 | END COVER, LOAD SENSE |
| 3 | 31597 | 1 | VALVE SECTION (DOUBLE ACTING, CENTER SPRING) |
| 4 | 31597 | 1 | VALVE SECTION (DOUBLE ACTING, CENTER SPRING) (REMOVE SHUTTLE DISC) |
| 5 | 06503067 | 1 | RELIEF PLUG |
| 6 | 06503067 | 1 | RELIEF PLUG |
| 7 | 06503068 | 1 | RELIEF PLUG |
| 8 | N/A | - | N/A |
| 9 | 31862 | 1 | RELIEF VALVE, 2175 PSI |
| 10 | 31862 | 1 | RELIEF VALVE, 2175 PSI |
| 11 | 31593 | 2 | VALVE SEAL KIT (FOR ONE SECTION) |
| 11A | ----- | 2 | WIPER |
| 11B | ----- | 2 | O-RING SMALL |
| 11C | ----- | 1 | O-RING LARGE |
| 11D | ----- | 1 | SHUTTLE DISC |
| 11E | ----- | 1 | SPRING |
| 12 | TB1017L | 2 | LEVER KIT (FOR ONE SECTION) |
| 12A | ----- | 1 | LEVER KNOB |
| 12B | ----- | 1 | LEVER |
| 12C | ----- | 2 | LEVER WASHER |
| 12D | ----- | 1 | LEVER CLIP |
| 12E | ----- | 2 | LINKAGE |
| 12F | ----- | 1 | LEVER PIN |
| 12G | ----- | 1 | ROLL PIN |
| 12H | ----- | 1 | LEVER BOOT |
| 12J | ----- | 1 | LEVER BOLT |
| 12K | ----- | 1 | LEVER DUST COVER |
| 12L | ----- | 1 | LEVER NUT |
| 13 | 31603 | 2 | COMPENSATOR |
| 14 | TB1017X | 1 | TIE ROD KIT |
| 15 | 24214 | 1 | O-RING, LARGE |

CABLE (MANUAL) LIFT VALVE BREAKDOWN - 06502042



COMMON SIDE FLAIL - SD

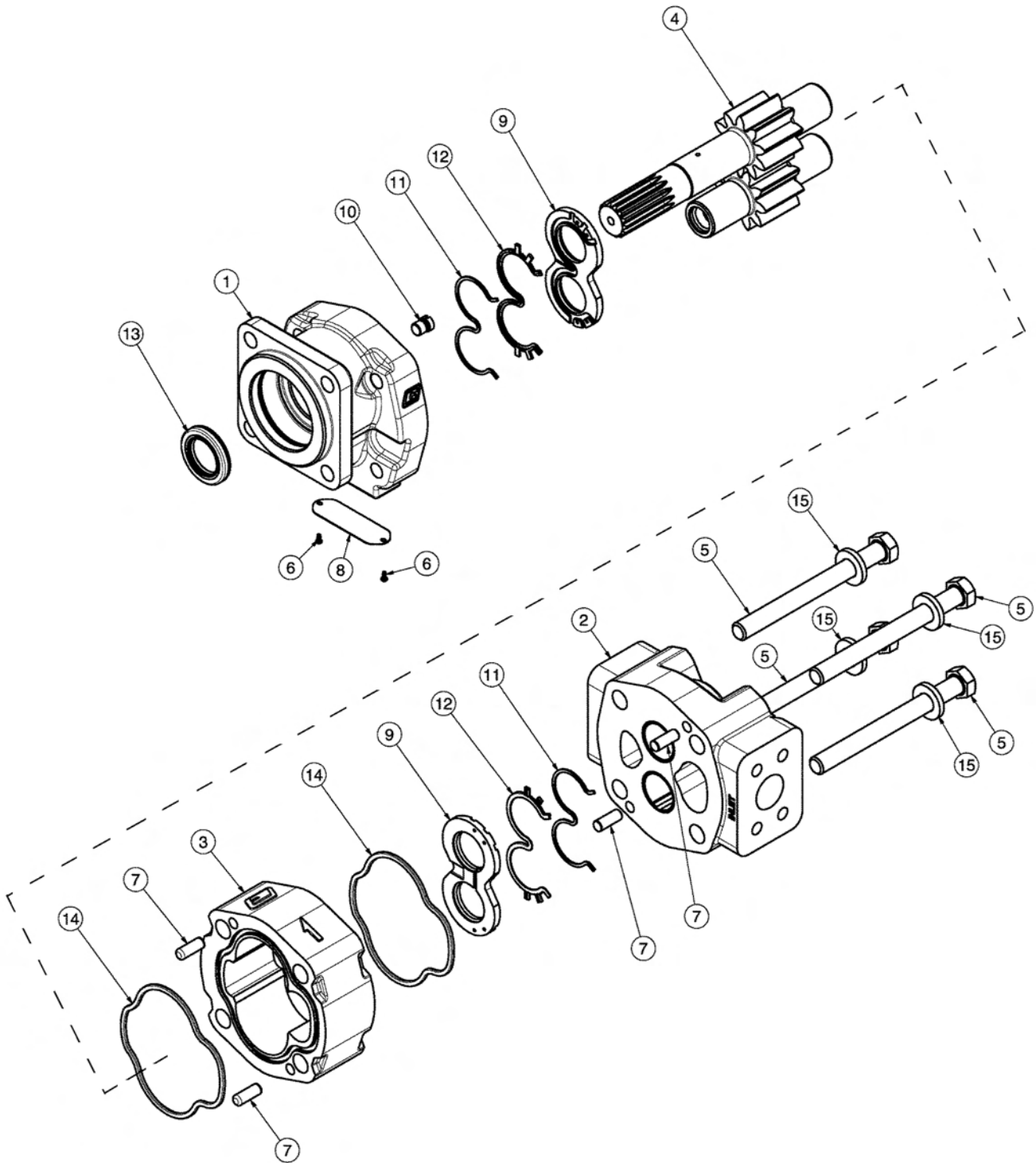
CABLE (MANUAL) LIFT VALVE BREAKDOWN - 06502042

Continued...

| ITEM | PART NO. | QTY. | DESCRIPTION |
|------|----------|------|---|
| 1 | 31595 | 1 | INLET END COVER |
| 2 | 31594 | 1 | END COVER, LOAD SENSE |
| 3 | 31600 | 1 | VALVE SECTION (DOUBLE ACTING, DETENT FLOAT) |
| 4 | 31600 | 1 | VALVE SECTION (DOUBLE ACTING, DETENT FLOAT) (REMOVE SHUTTLE DISC) |
| 5 | 06503067 | 1 | RELIEF PLUG |
| 6 | 31861 | 1 | RELIEF VALVE, 360 PSI |
| 7 | 06503068 | 1 | RELIEF PLUG |
| 8 | 6T4209 | 1 | RELIEF PLUG |
| 9 | 31862 | 1 | RELIEF VALVE, 2175 PSI |
| 10 | 31862 | 1 | RELIEF VALVE, 2175 PSI |
| 11 | 31593 | 2 | VALVE SEAL KIT (FOR ONE SECTION) |
| 11A | ----- | 2 | WIPER |
| 11B | ----- | 2 | O-RING SMALL |
| 11C | ----- | 1 | O-RING LARGE |
| 11D | ----- | 1 | SHUTTLE DISC |
| 11E | ----- | 1 | SPRING |
| 12 | TB1017L | 2 | LEVER KIT (FOR ONE SECTION) |
| 12A | ----- | 1 | LEVER KNOB |
| 12B | ----- | 1 | LEVER |
| 12C | ----- | 2 | LEVER WASHER |
| 12D | ----- | 1 | LEVER CLIP |
| 12E | ----- | 2 | LINKAGE |
| 12F | ----- | 1 | LEVER PIN |
| 12G | ----- | 1 | ROLL PIN |
| 12H | ----- | 1 | LEVER BOOT |
| 12J | ----- | 1 | LEVER BOLT |
| 12K | ----- | 1 | LEVER DUST COVER |
| 12L | ----- | 1 | LEVER NUT |
| 13 | 31603 | 2 | COMPENSATOR |
| 14 | TB1017X | 1 | TIE ROD KIT |
| 15 | 24214 | 1 | O-RING, LARGE |

COMMON SIDE FLAIL - SD

FRONT HYDRAULIC PUMP BREAKDOWN



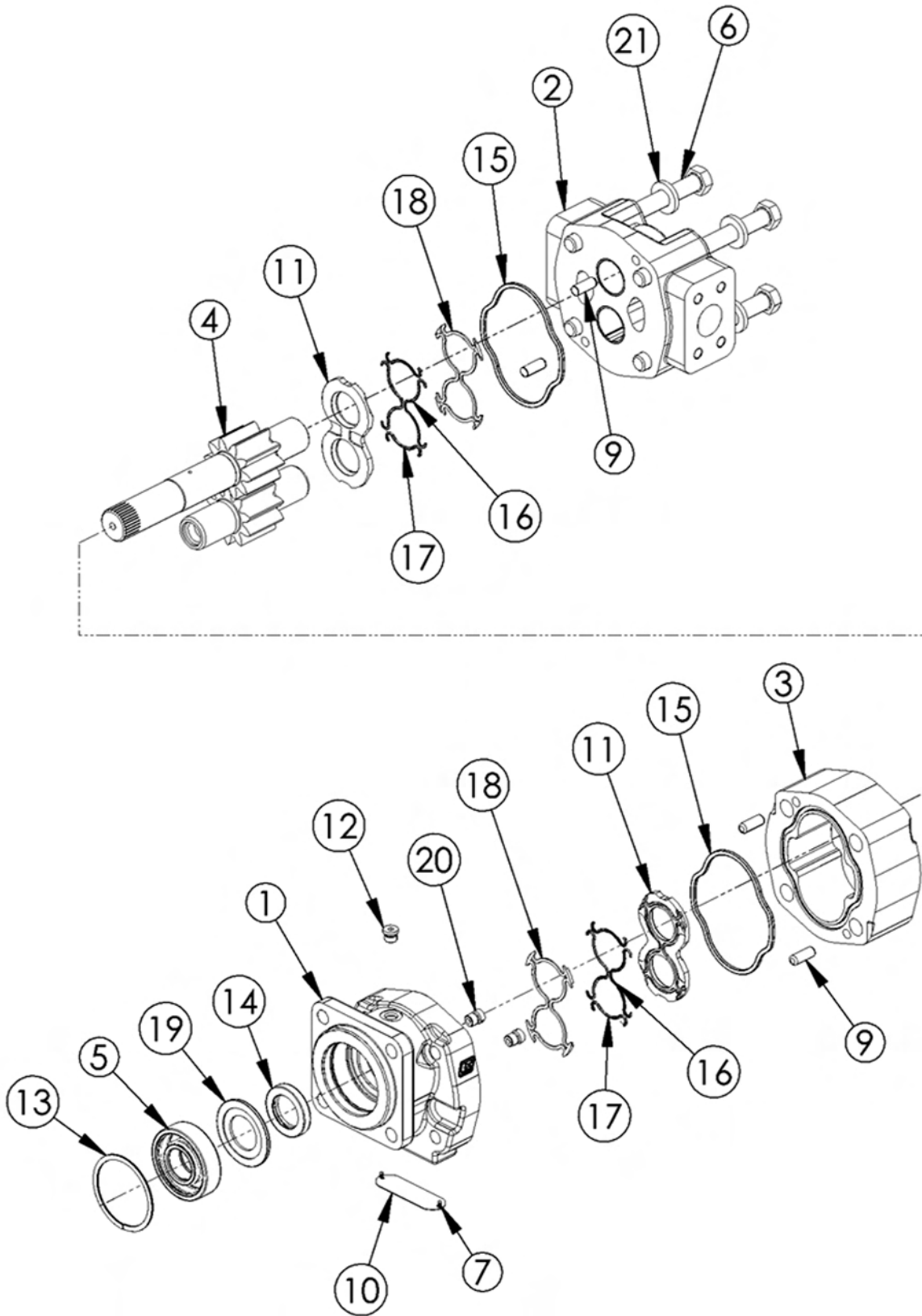
COMMON SIDE FLAIL - SD

FRONT HYDRAULIC PUMP BREAKDOWN

Continued...

| ITEM | PART NO. | QTY. | DESCRIPTION |
|------|----------|------|---------------------------------------|
| --- | 23152 | 1 | PUMP ASSEMBLY,1-3/4",COMPLETE |
| 1 | 22766 | 1 | SHAFT END COVER |
| 2 | 22779 | 1 | PORT END COVER |
| 3 | 22774 | 1 | GEAR HOUSING,1-3/4" |
| 4 | 22771 | 1 | GEAR SET |
| 5 | 23824 | 4 | CAPSCREW |
| 6 | 06504078 | 2 | SCREW,DRIVE |
| 7 | 22773 | 4 | DOWEL PINS |
| 8 | 06504077 | 1 | NAMEPLATE |
| 9 | 22770 | 2 | THRUST PLATE |
| 10 | 22767 | 1 | PLUG |
| 11 | 06504075 | 2 | SEAL,BK-UP |
| 12 | 06504074 | 2 | SEAL,CHAN |
| 13 | 22765 | 1 | SEAL,LIP |
| 14 | 06504076 | 2 | SEAL,SQ-R |
| 15 | 02961917 | 4 | WASHER |
| --- | 24150 | 1 | SEAL KIT (INCLUDES 11, 12, 13 AND 14) |

FLAIL MOTOR BREAKDOWN



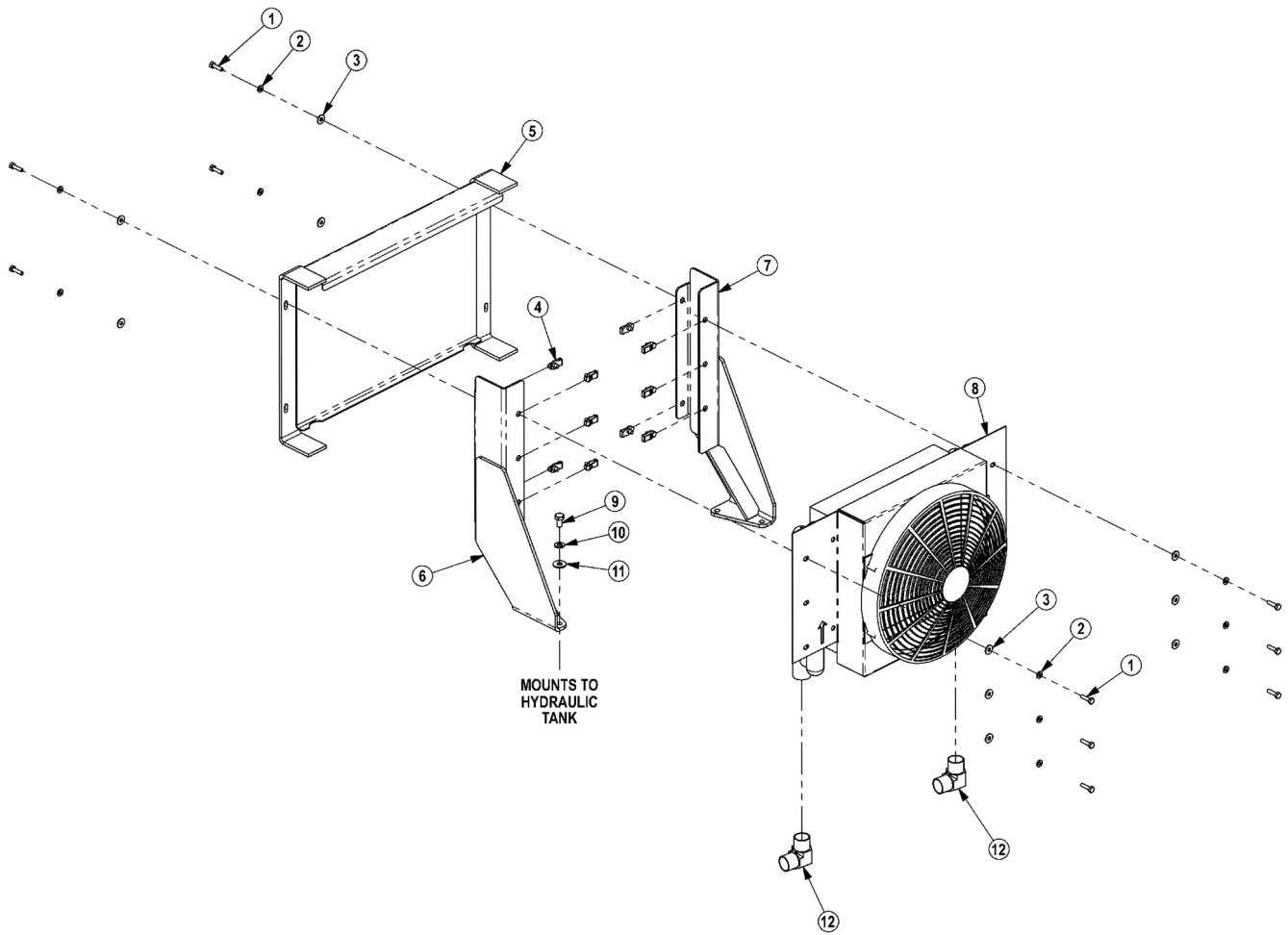
COMMON SIDE FLAIL - SD

FLAIL MOTOR BREAKDOWN

Continued...

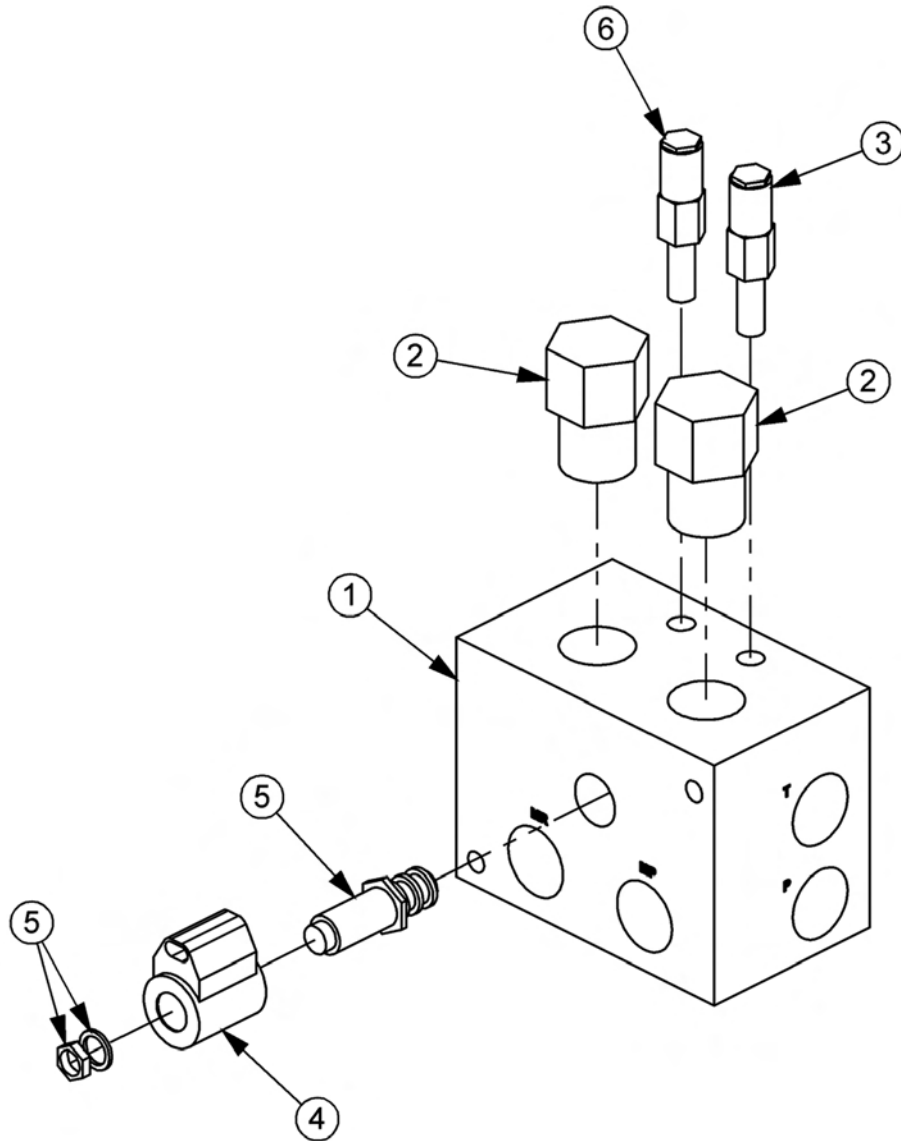
| ITEM | PART NO. | QTY. | DESCRIPTION |
|-------|----------|------|--|
| ----- | 06504013 | - | MOTOR ASSEMBLY 350 - TSF |
| 1 | 06504039 | 1 | SHAFT END COVER |
| 2 | 06504040 | 1 | PORT END COVER |
| 3 | 06504041 | 1 | GEAR HOUSING |
| 4 | 06504042 | 1 | MATCHED GEAR SET |
| 5 | TF4402 | 1 | BALL BEARING |
| 6 | 06504043 | 4 | CAP SCREW |
| 7 | 06504044 | 2 | SET SCREW |
| 8 | 06504028 | 1 | KEY |
| 9 | 06504045 | 4 | DOWEL PIN |
| 10 | ----- | 1 | NAMEPLATE |
| 11 | 22763759 | 2 | THRUSTPLATE |
| 12 | 02961940 | 1 | HEX PLUG |
| 13 | TF4401 | 1 | SNAP RING |
| 14 | 06504049 | 1 | LIP SEAL (INCLUDED IN SEAL KIT) |
| 15 | TF4410 | 2 | GASKET SEAL (INCLUDED IN SEAL KIT) |
| 16 | 06504046 | 4 | SIDE SEAL (INCLUDED IN SEAL KIT) |
| 17 | 06504047 | 4 | END SEAL (INCLUDED IN SEAL KIT) |
| 18 | TF4407 | 2 | BACK-UP SEAL (INCLUDED IN SEAL KIT) |
| 19 | 06504048 | 1 | SEAL RETAINER |
| 20 | 6T5809 | 2 | CHECK ASSEMBLY |
| 21 | 02961917 | 4 | WASHER |
| ----- | 06504023 | - | SEAL KIT (INCLUDES 14, 15, 16, 17, AND 18) |

COOLER ASSEMBLY



| ITEM | PART NO. | QTY. | DESCRIPTION |
|------|----------|------|---------------------------|
| 1 | 21530 | 10 | CAPSCREW,1/4 X1 NC |
| 2 | 21986 | 10 | LOCKWASHER,1/4 |
| 3 | 22014 | 10 | FLATWASHER,1/4 |
| 4 | 35176 | 10 | 1/4 U-NUT |
| 5 | 06370015 | 1 | SCREEN,COOLER,FRNT |
| 6 | 06380006 | 1 | MNT,COOLER,BUMPER TANK,RH |
| 7 | 06380007 | 1 | MNT,COOLER,BUMPER TANK,LH |
| 8 | 06510026 | 1 | COOLER,FRONT MNT |
| --- | 06510029 | 1 | FAN ASSY, ONLY |
| 9 | 21629 | 4 | CAPSCREW,3/8 X 3/4 NC |
| 10 | 21988 | 4 | LOCKWASHER,3/8 |
| 11 | 22016 | 4 | FLATWASHER,3/8 |
| 12 | 34117 | 2 | ELBOW,1MOR X 1MJ90,FORGED |

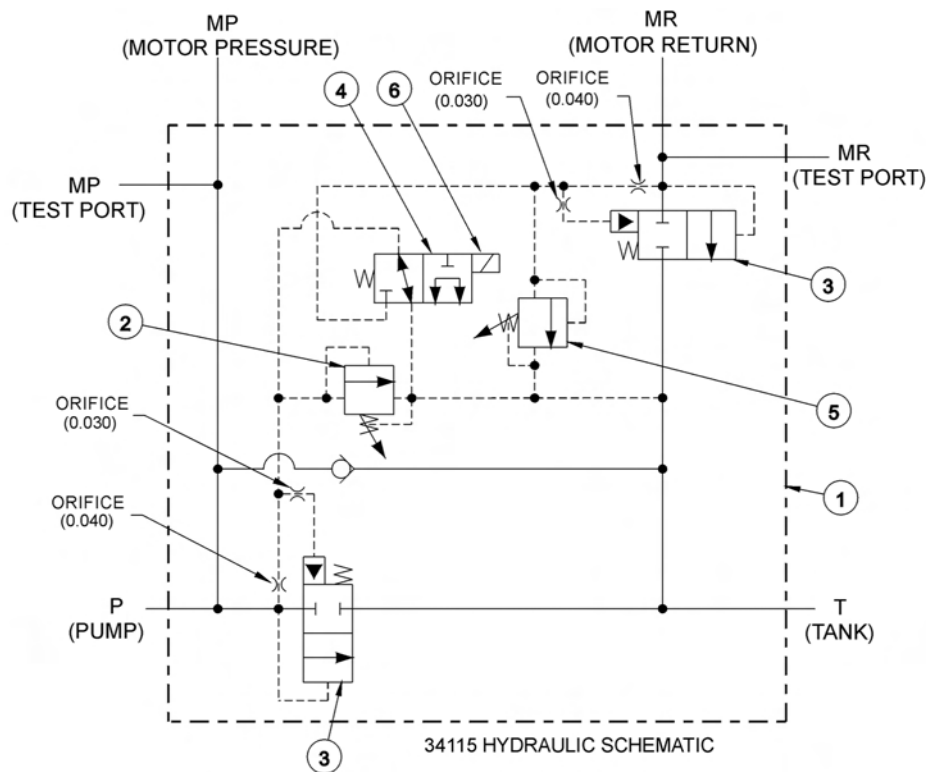
BRAKE VALVE ASSEMBLY



| ITEM | PART NO. | QTY. | DESCRIPTION |
|------|----------|------|--|
| --- | 06510083 | 1 | BRAKE VALVE, ASSY |
| 1 | 34092 | 1 | BRAKE VALVE, BLANK |
| 2 | 34094 | 2 | LOGIC ELEMENT |
| 3 | 34095 | 1 | RELIEF VALVE, 3000 PSI |
| 4 | 06510095 | 1 | METRI PAK COIL |
| 5 | 34093 | 1 | CARTRIDGE, 2 POSITION, 3 WAY (WITH NUT & WASHER) |
| 6 | 34091 | 1 | RELIEF VALVE, 2600 PSI |
| --- | 34096 | 2 | RELIEF SEAL KIT |
| ---- | 34097 | 1 | SOLENOID SEAL KIT |
| --- | 34098 | 2 | ELEMENT SEAL KIT |

COMMON SIDE FLAIL - SD

BRAKE VALVE HYDRAULIC SCHEMATIC



BRAKE VALVE TROUBLESHOOTING

FAILURE MODE:

- MOWER WILL NOT START - system pressure is low (engine not lugging).
- MOWER WILL NOT START - system pressure is high (engine lugging). "MR" port will be high pressure.
- MOWER WILL NOT ROTATE AT FULL SPEED - limited power.
- MOWER BLADE WILL NOT STOP - blade will not stop in proper time.

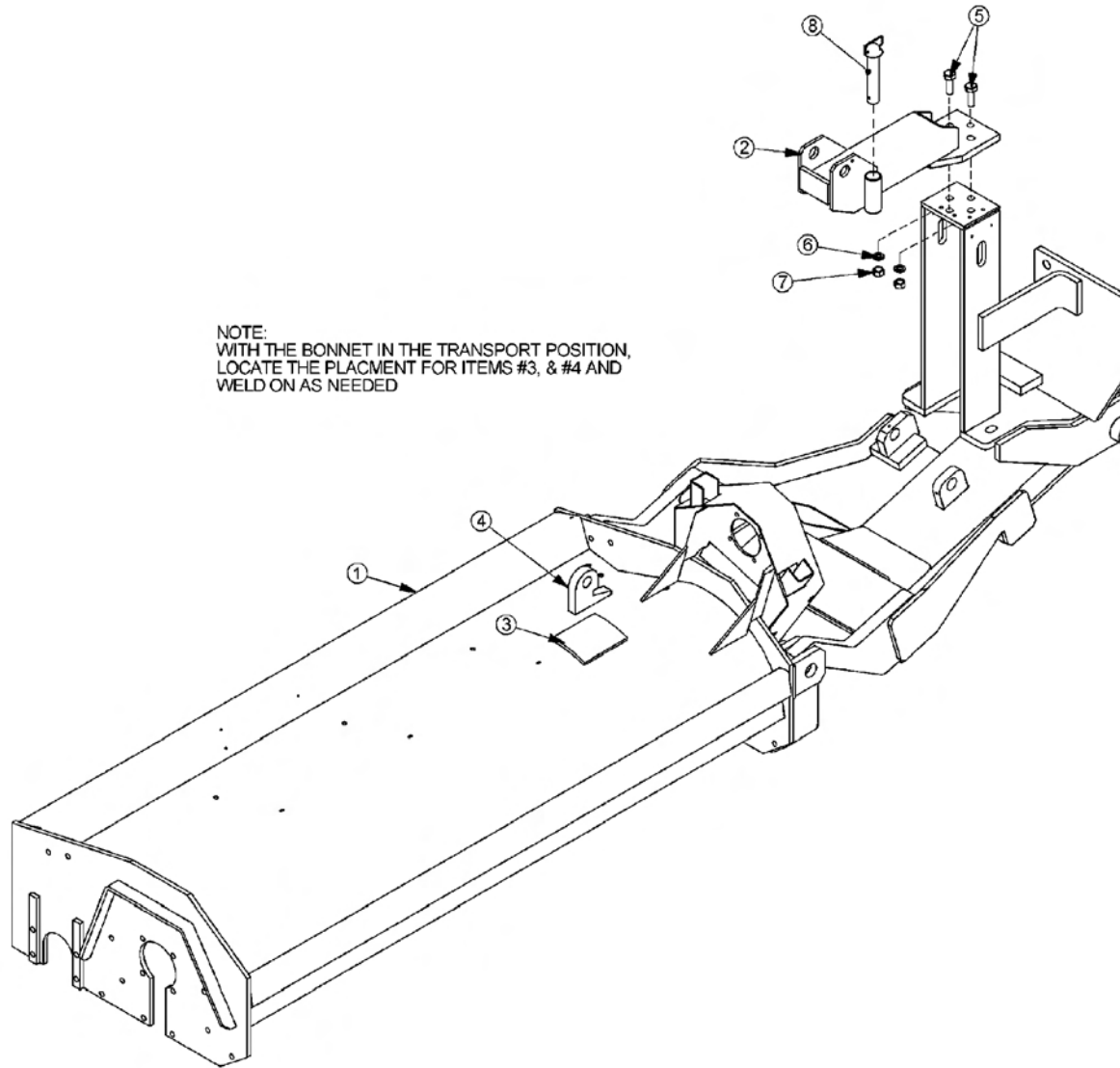
CHECK STEPS

- 1 thru 6
- 7
- 3 thru 5
- 7 thru 9

CORRECTIVE STEPS:

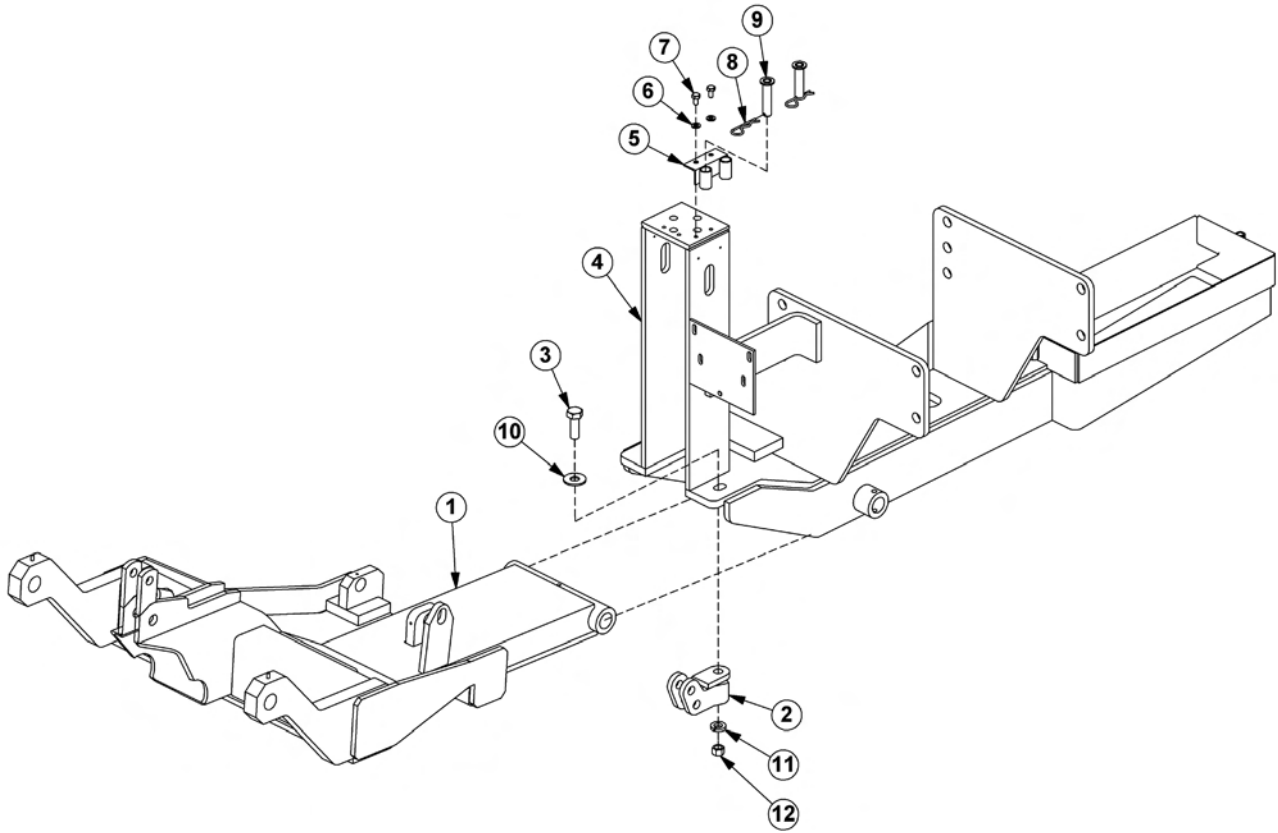
1. Check for voltage at solenoid (item 6), voltage must be between 10.2 volts and 13.8 volts.
2. Remove, inspect solenoid and cartridge (items 4, 6) for wear or contamination.
3. Remove, inspect logic elements near "P" port (item 3) for wear or contamination.
4. Remove, inspect 3000 psi relief valve (item 2) for wear or contamination.
5. Remove and inspect orifices near "P" port for contamination.
6. Remove "P" port hose and fitting, visually inspect for contamination, check ball for movement.
7. Remove and inspect orifices near "MR" port for contamination.
8. Remove, inspect 2600 psi relief valve (item 5) for wear of contamination.
9. Remove, inspect logic element near "MR" port (item 3) for wear or contamination.

SIDE FLAIL TRAVEL LOCK



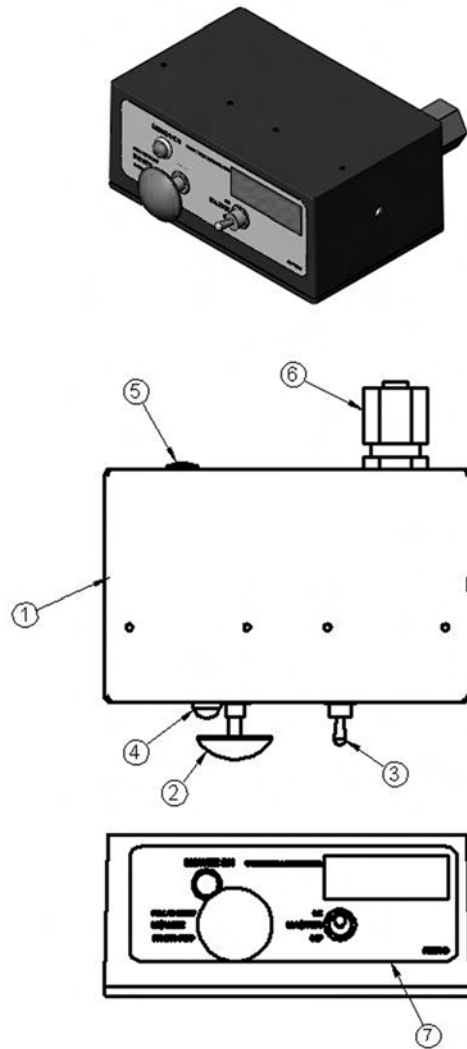
| ITEM | PART NO. | QTY. | DESCRIPTION |
|------|----------|------|---------------------------------|
| 1 | ----- | - | BONNET *REFER TO FLAIL ASSEMBLY |
| 2 | 30531A | 1 | BRACKET, TRAVEL LOCK |
| 3 | TF4248 | 1 | PLATE, TRAVEL LOCK |
| 4 | 23745 | 1 | TRAVEL LOCK HOOK |
| 5 | 21783 | 2 | CAPSCREW, 5/8" X 2" NC |
| 6 | 21992 | 2 | LOCKWASHER, 5/8" |
| 7 | 21775 | 2 | HEX NUT, 5/8" NC |
| 8 | TF4250 | 1 | PIN, TRAVEL LOCK |

DRAFT BEAM TRAVEL LOCK



| ITEM | PART NO. | QTY. | DESCRIPTION |
|------|----------|------|------------------------------------|
| 1 | 32143 | 1 | DRAFT BEAM |
| 2 | 6T0106 | 1 | TRAVEL LOCK BRACKET |
| 3 | 21833 | 1 | CAPSCREW 3/4" X 2 1/4" |
| 4 | ----- | - | MAIN FRAME *REFER TO PARTS SECTION |
| 5 | 33856 | 1 | BRKT,PIN HOLDER |
| 6 | 21988 | 2 | LOCK WASHER 3/8" |
| 7 | 21629 | 2 | CAPSCREW 3/8" X 3/4" |
| 8 | 6T3020 | 2 | R - CLIP 5/32" |
| 9 | 6T0107 | 2 | TRAVEL LOCK PINS 3/4" X 3 1/4" |
| 10 | 22021 | 1 | FLAT WASHER 3/4" |
| 11 | 21993 | 1 | LOCK WASHER 3/4" |
| 12 | 21825 | 1 | HEX NUT 3/4" |

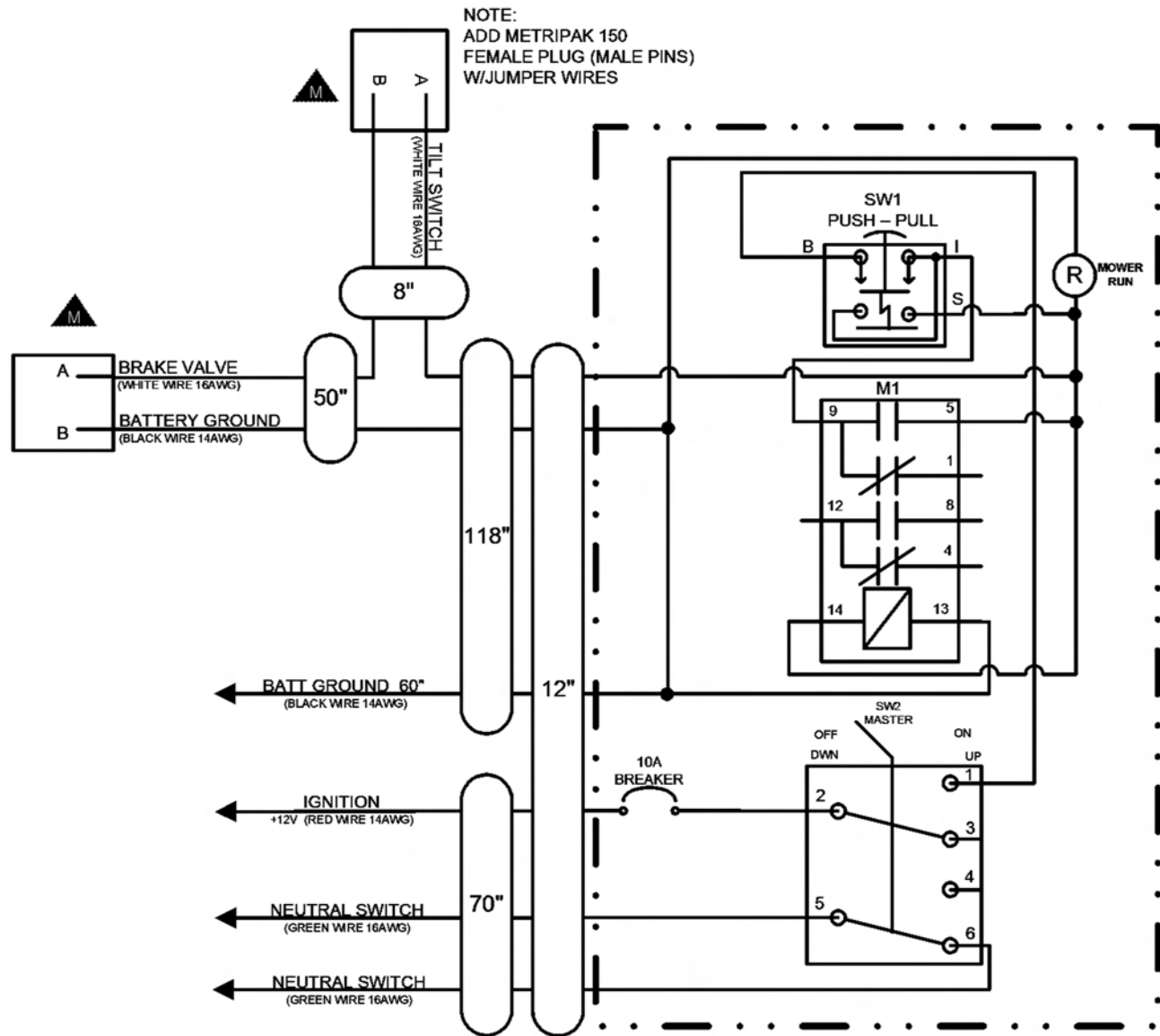
SWITCH BOX



| ITEM | PART NO. | QTY. | DESCRIPTION |
|------|----------|------|-------------------------------|
| 1 | 06514013 | 1 | SWBX,ALUM,BLK,06510102 |
| 2 | 35226 | 1 | SWITCH,MOWER,COLEHERSEE |
| 3 | 33811 | 1 | SWITCH,MASTER/DECK FLOAT |
| 4 | 6T3923 | 1 | INDICTATOR LIGHT,ON,RED |
| 5 | 06514014 | 1 | BREAKER,10A,SWBX |
| 6 | 34540 | 1 | STRAIN RELIEF,3/4,BLACK,NYLON |
| 7 | 06550018 | 1 | DECAL,SWTCHBX,TM/TSF,CG |
| 8 | 35227 | 1 | RELAY,DP,DT,12V,LY2F,35226 |

SWITCH BOX SCHEMATIC

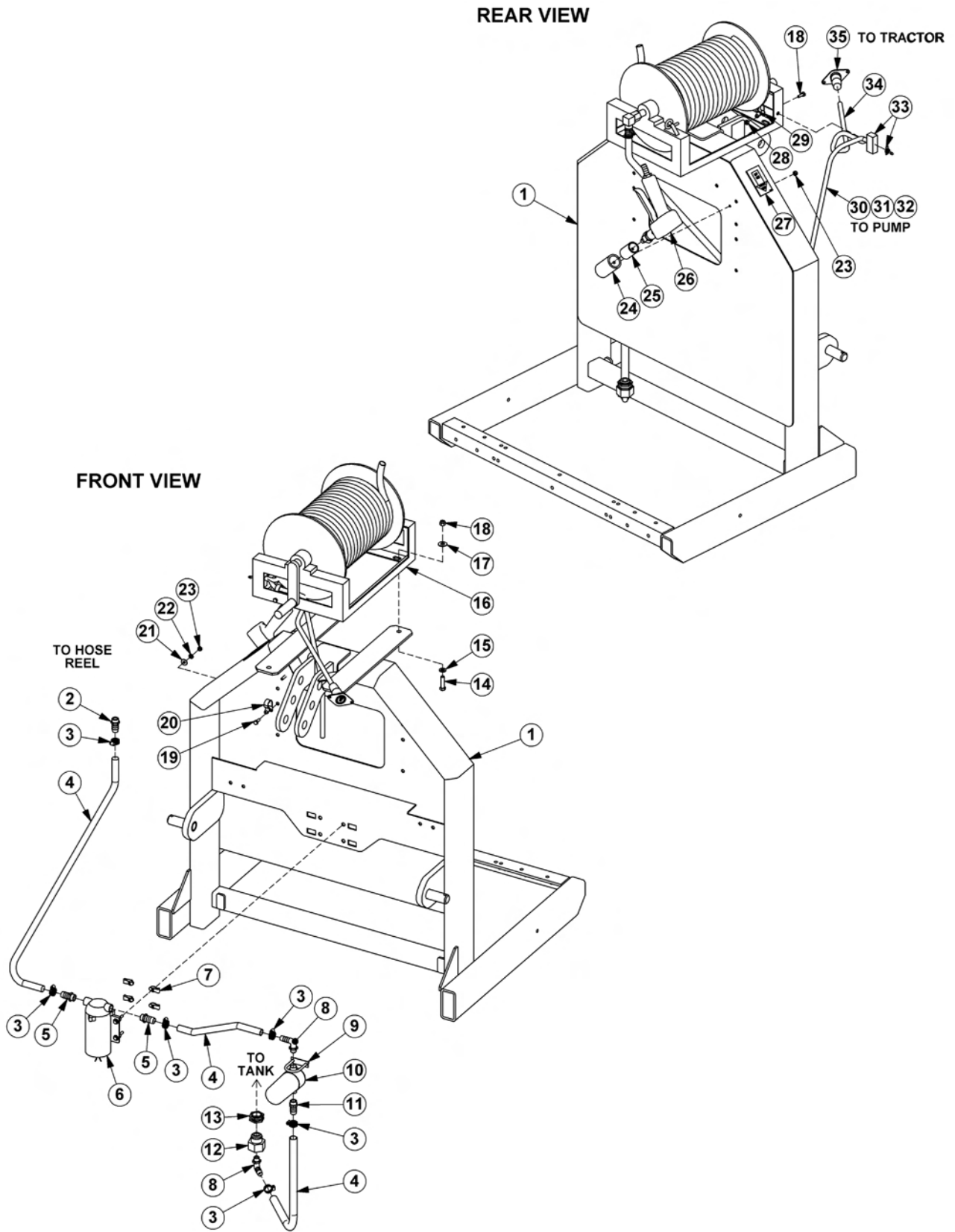
06510102 SCHEMATIC COMMON GROUND SWITCH BOX SIDE MOWER



SEE DRAWING # 06515000 FOR A FULL DESCRIPTION OF ALL CONNECTORS

**FIRE SUPPRESSION SYSTEM
SECTION**

FIRE SUPPRESSION 3-POINT MOUNT



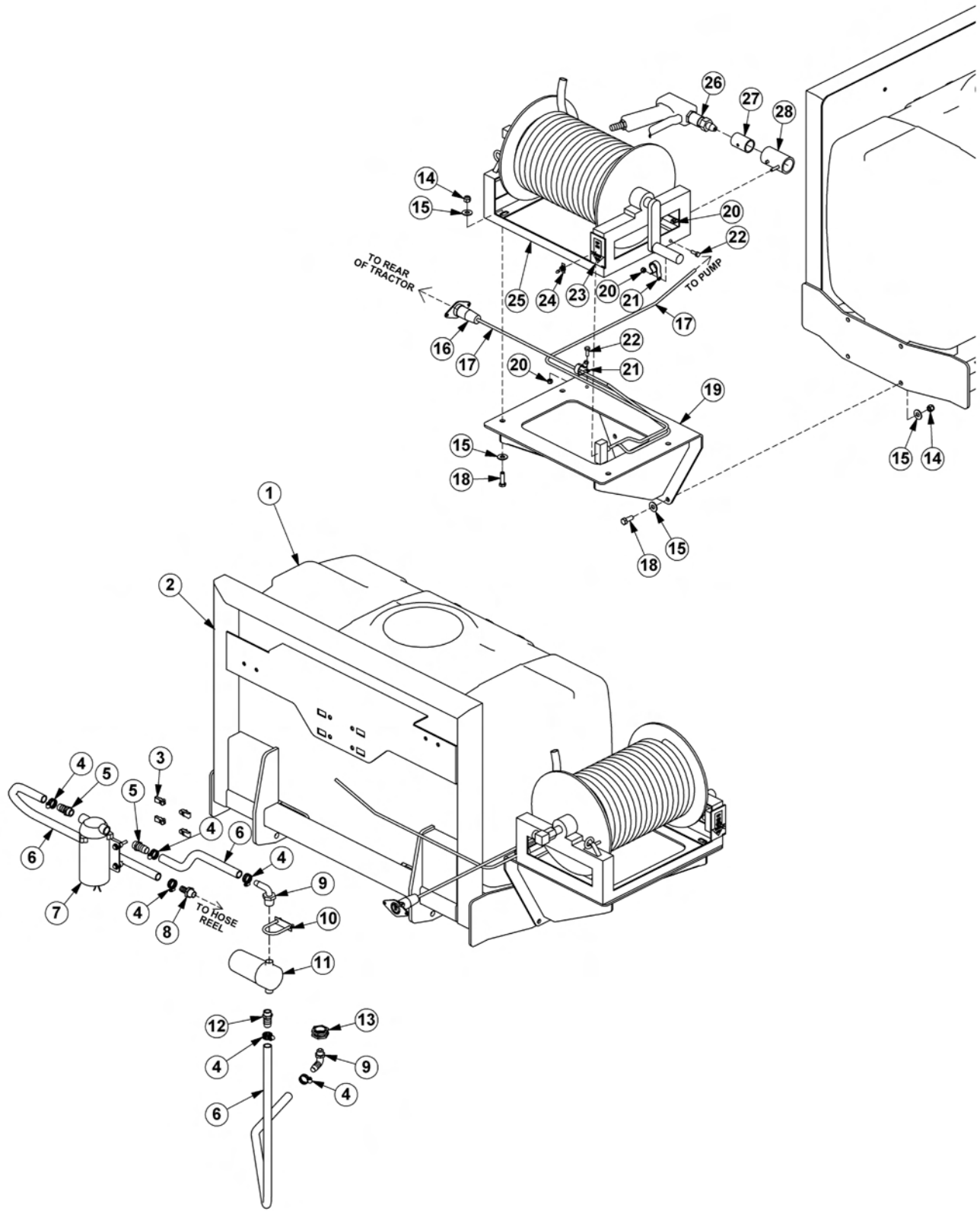
FIRE SUPPRESSION 3-POINT MOUNT

Continued...

| ITEM | PART NO. | QTY. | DESCRIPTION |
|------|----------|------|---|
| 1 | 06370137 | 1 | MOUNT,3PNT,FIRE SYS |
| 2 | 06503108 | 1 | FITTING,1/2"BARB X 1/2"MP |
| 3 | 35091 | 6 | CLAMP,HOSE,#6 |
| 4 | 06520469 | 5 | HOSE,1/2",BULK (FEET) |
| 5 | 06503168 | 2 | SWIVEL,1/2"STR,POLY |
| 6 | 06520359 | 1 | PUMP,LARGE |
| 7 | 35176 | 4 | U-NUT,1/4" |
| 8 | 06520367 | 2 | ELBOW,1/2"BARB X 1/2"MP,POLY |
| 9 | 27329 | 1 | U-BOLT,1/4" |
| 10 | 06520361 | 1 | FILTER |
| --- | 06520351 | 1 | ELEMENT,FILTER |
| 11 | 06520349 | 1 | FITTING,BARB,HOSE |
| 12 | 06503169 | 1 | REDUCER,BUSHING (100 & 150 GALLON TANKS ONLY) |
| 13 | 06520346 | 1 | FITTING,BULKHEAD (50 GALLON TANKS ONLY) |
| 14 | 21632 | 4 | CAPSCREW,3/8" X 1-1/2",NC |
| 15 | 21988 | 4 | LOCKWASHER,3/8" |
| 16 | 06520360 | 1 | HOSE REEL |
| 17 | 22016 | 4 | FLATWASHER,3/8" |
| 18 | 21627 | 4 | NYLOCK NUT,3/8",NC |
| 19 | 21529 | 2 | CAPSCREW,1/4" X 3/4",NC |
| 20 | 06510258 | 1 | CLAMP,3/4" |
| 21 | 22014 | 1 | FLATWASHER,1/4" |
| 22 | 21986 | 1 | LOCKWASHER,1/4" |
| 23 | 21525 | 2 | HEX NUT,1/4",NC |
| 24 | 06370121 | 1 | HOLSTER |
| 25 | 06430090 | 1 | SLEEVE |
| 26 | 06520366 | 1 | GUN,FIRE SYS |
| 27 | 6T3222 | 1 | DECAL |
| 28 | 21527 | 1 | NYLOCK NUT,1/4",NC |
| 29 | 06510257 | 1 | CLAMP,3/8" |
| 30 | 28055 | 5 | WIRE,BLACK,14GA (FEET) |
| 31 | 24200 | 5 | WIRE,RED,14GA (FEET) |
| 32 | 22802 | 5 | WIRE WRAP (FEET) |
| 33 | PT3905A | 1 | SWITCH |
| 34 | 06510256 | 4 | CABLE,14GA,4WIRE (FEET) |
| 35 | 06510255 | 1 | PLUG,7PIN,TRCTR |

COMMON SIDE FLAIL - SD

FIRE SUPPRESSION FRONT MOUNT



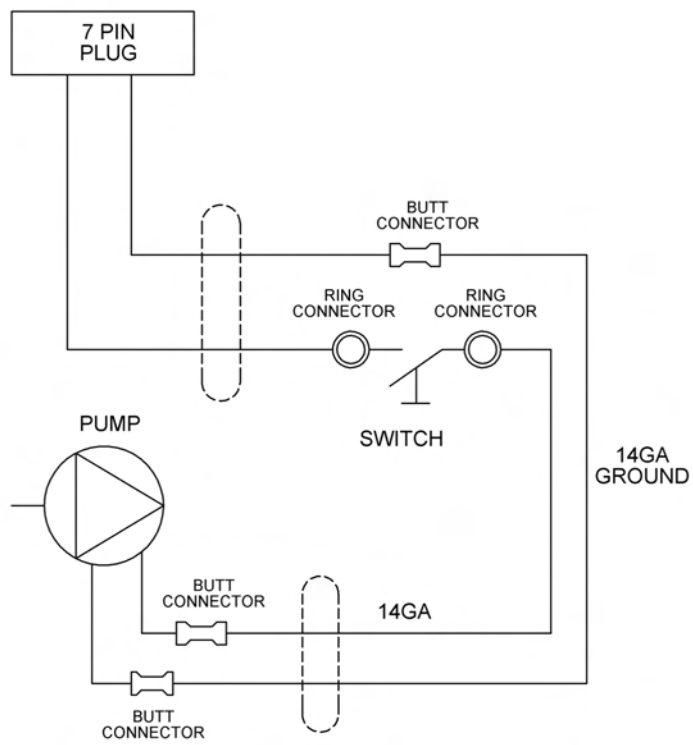
COMMON SIDE FLAIL - SD

FIRE SUPPRESSION FRONT MOUNT

Continued...

| ITEM | PART NO. | QTY. | DESCRIPTION |
|------|----------|------|-----------------------------|
| 1 | 06520342 | 1 | TANK,50 GALLON |
| 2 | 06370204 | 1 | MNT,TANK,FRNT,50 GALLON |
| 3 | 35176 | 4 | U-NUT,1/4,3/4 TO CENTER |
| 4 | 35091 | 6 | CLAMP,HOSE,#6 |
| 5 | 06503168 | 2 | SWIVEL,1/2 STR,POLY |
| 6 | 06520469 | 8 | HOSE,1/2,SPRAYER |
| 7 | 06520359 | 1 | PUMP,FIRE KIT |
| 8 | 06503108 | 1 | FITTING,1/2" BARB X 1/2"MP |
| 9 | 06520367 | 2 | ELBOW,1/2MPX1/2BARB,POLY |
| 10 | 27329 | 1 | U-BOLT,1/4X2X1 |
| 11 | 06520361 | 1 | FILTER,FIRE KIT,RAILKUT |
| --- | 06520351 | 1 | STRAINER,40 MESH |
| 12 | 06520349 | 1 | FITTING,BARB,HOSE,WETCUT |
| 13 | 06520346 | 1 | FITTING,BULKHEAD |
| 14 | 21627 | 8 | NYLOCK NUT,3/8 NC |
| 15 | 22016 | 16 | FLATWASHER,3/8,GR8 |
| 16 | 06510255 | 1 | PLUG,7PIN,TRCTR |
| 17 | 06510256 | 22 | WIRE,14GA,4WIRE (FEET) |
| 18 | 21631 | 8 | CAPSCREW,3/8X1 1/4, NC,GR8 |
| 19 | 06370207 | 1 | MNT,FIRE SUPPRESSION |
| 20 | 21527 | 3 | NYLOCK NUT,1/4 NC |
| 21 | 06510257 | 2 | CLAMP,3/8X1/4,INS |
| 22 | 21529 | 2 | CAPSCREW,1/4 X 3/4 NC |
| 23 | 6T3222 | 1 | DECAL,CONTROL,ON-OFF SWITCH |
| 24 | PT3905A | 1 | SWITCH,MOWER |
| 25 | 06520360 | 1 | HOSE REEL,FIRE KIT,RAILKUT |
| 26 | 06520366 | 1 | GUN,FIRE KIT,RAILKUT |
| 27 | 06430090 | 1 | SLEEVE,GUN,FIRE SYS |
| 28 | 06370121 | 1 | HOLSTER,FIRESYS,RAILKUT |

FIRE SUPPRESSION SYSTEM ELECTRICAL SCHEMATIC

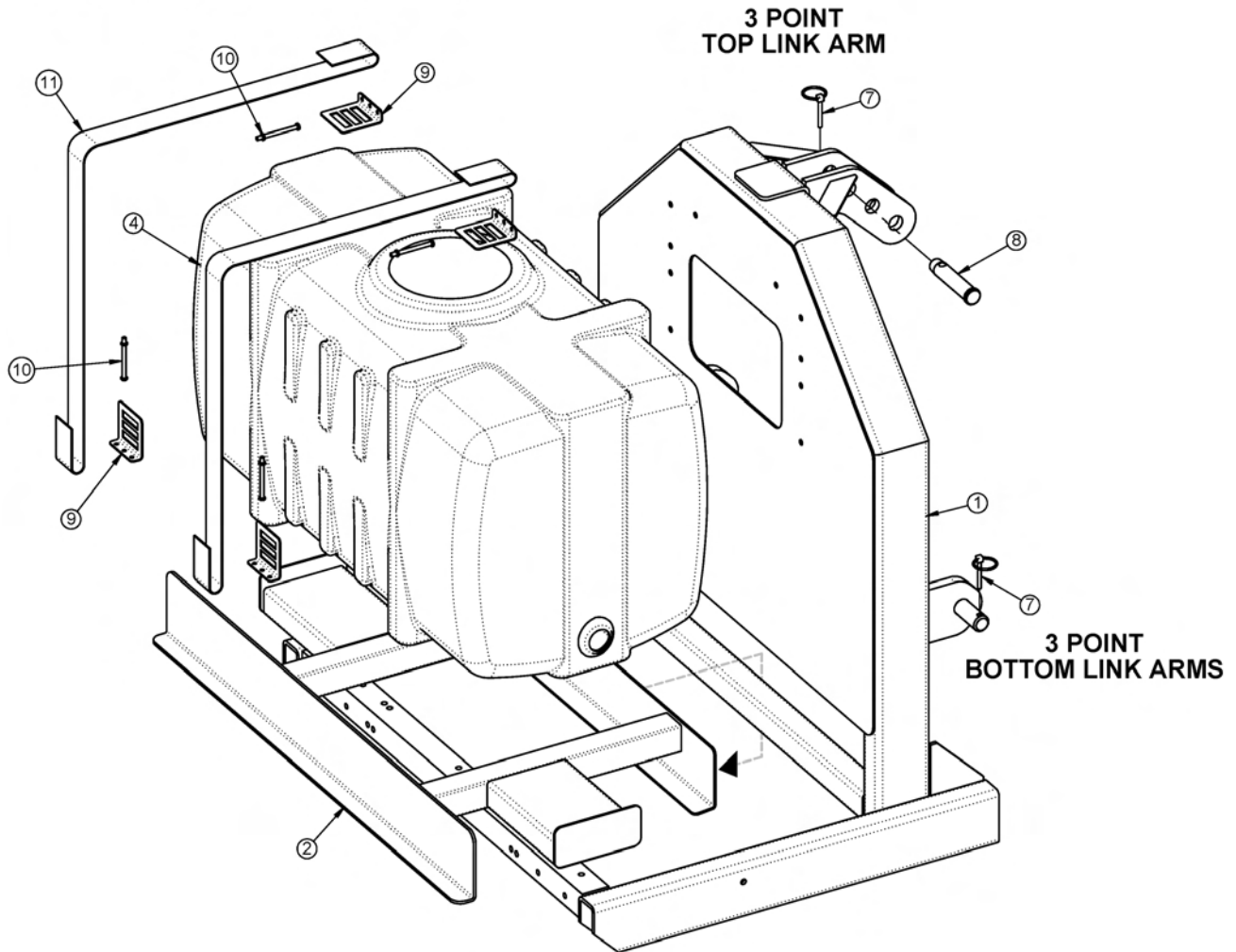


WETCUT

**WETCUT
SECTION**

WETCUT 50 GALLON TANK - 3PNT MOUNT

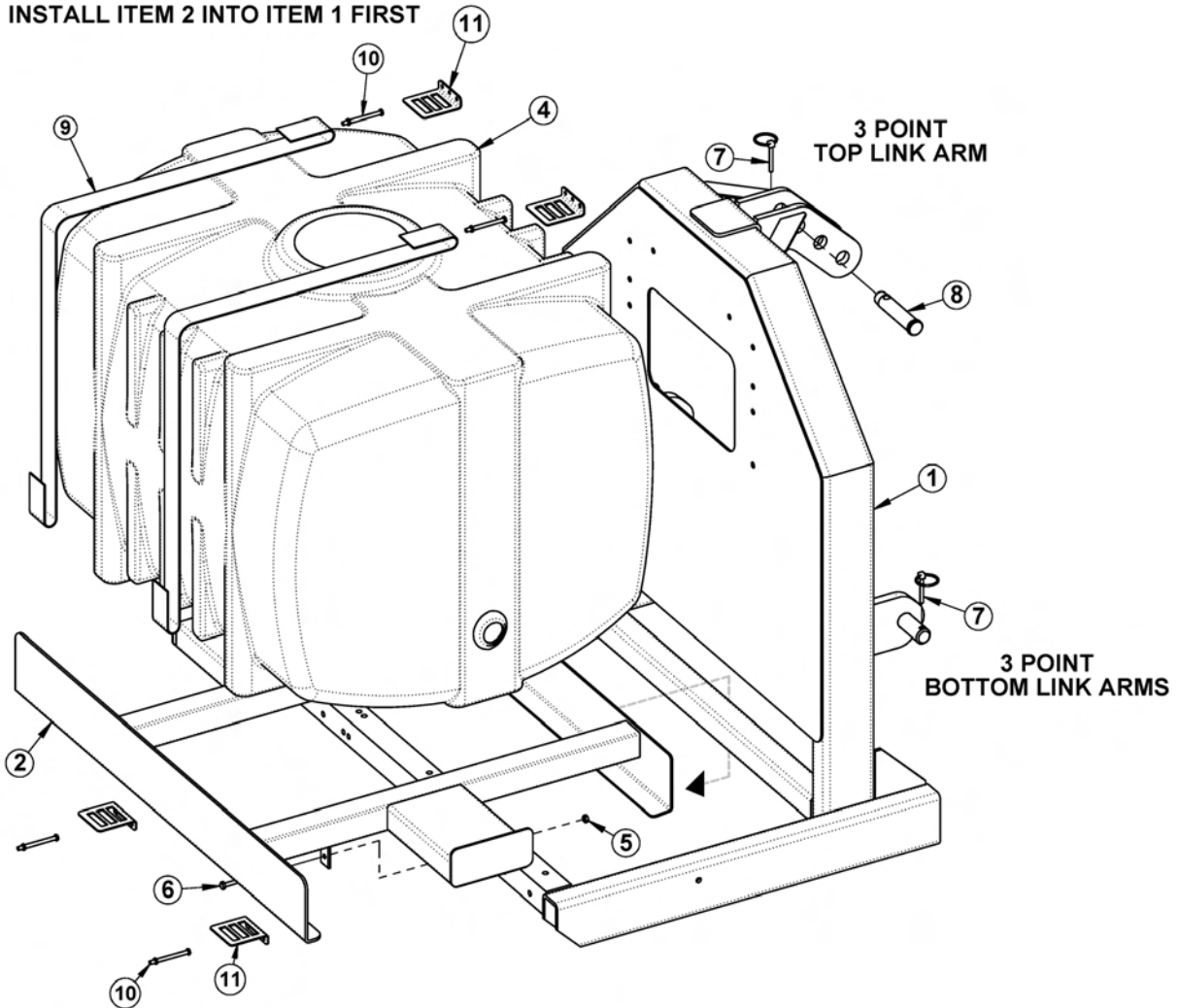
INSTALL ITEM 2 INTO ITEM 1 FIRST



| ITEM | PART NO. | QTY. | DESCRIPTION |
|------|----------|------|------------------------------|
| 1 | 06370128 | 1 | MNT,3PNT,UNI |
| 2 | 06370136 | 1 | MNT,TANK,50GAL,WETCUT |
| 4 | 06520342 | 1 | TANK,50GA.,WETCUT |
| 7 | RD1032 | 3 | PIN,LYNCH 1/4" X 2" |
| 8 | TB1036 | 1 | PIN,SEC BOOM SWIV 1X4-11/16" |
| 9 | 06520343 | 4 | ANCHOR,STRAP,WETCUT |
| 10 | 06520344 | 4 | BOLT,STRAP,TANK,WETCUT |
| 11 | 06520345 | 2 | STRAP,TANK,WETCUT |

WETCUT 100 OR 150 GALLON TANK - 3PNT MOUNT

INSTALL ITEM 2 INTO ITEM 1 FIRST

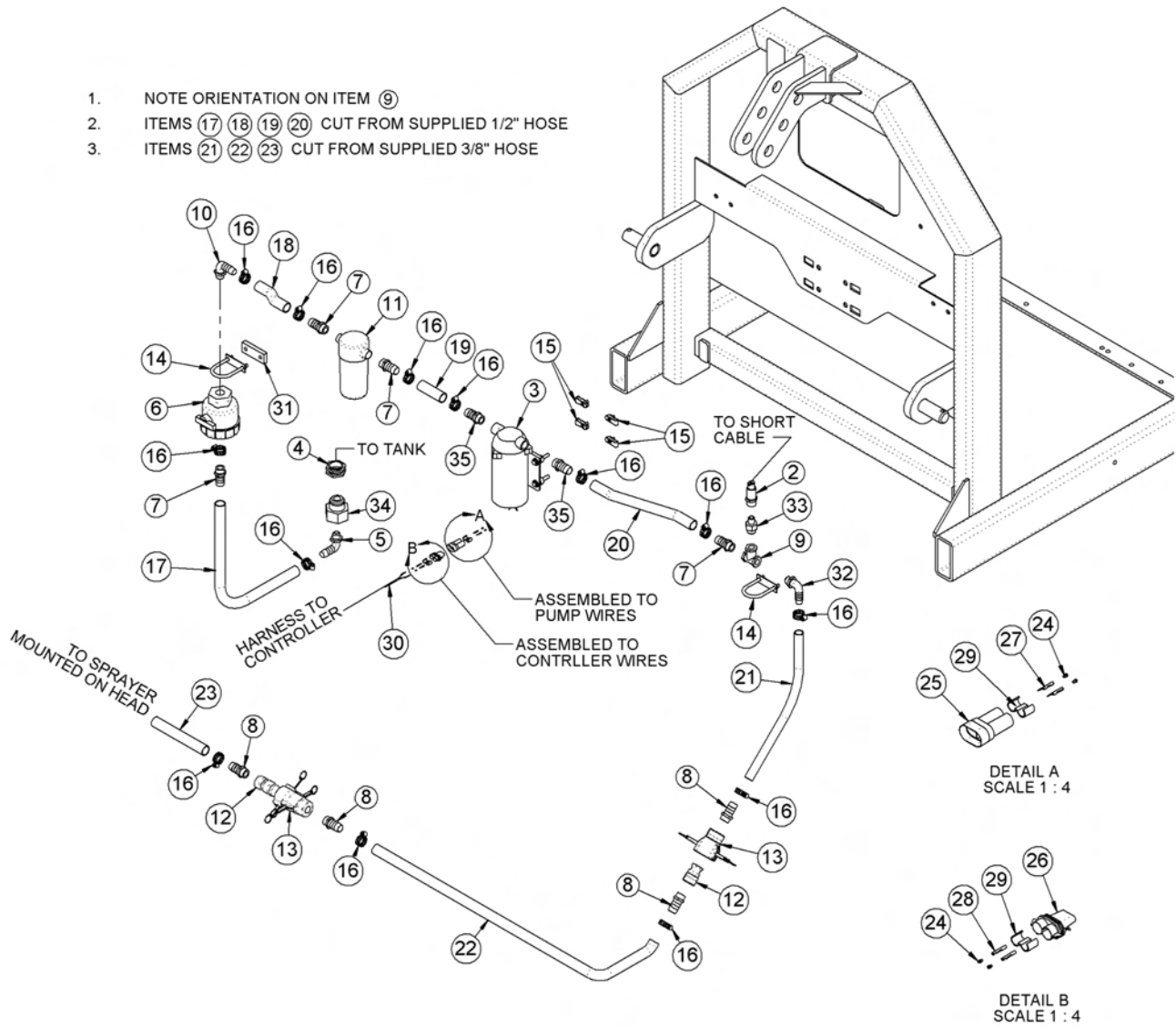


| ITEM | PART NO. | QTY. | DESCRIPTION |
|-------|----------|------|------------------------------|
| 1 | 06370128 | 1 | MNT,3PNT,UNI |
| 2 | 06370138 | 1 | MNT,TANK,100GAL,WETCUT |
| ----- | 06370139 | - | MNT,TANK,150GAL,WETCUT |
| 4 | 06520372 | 1 | TANK,100GA.,WETCUT |
| ----- | 06520373 | - | TANK,150GA.,WETCUT |
| 5 | 21527 | 2 | HEX NUT,NYLOCK,1/4" NC |
| 6 | 21530 | 2 | CAPSCREW,1/4" X 1" NC |
| 7 | RD1032 | 3 | PIN,LYNCH 1/4" X 2" |
| 8 | TB1036 | 1 | PIN,SEC BOOM SWIV 1X4-11/16" |
| 9 | 06520345 | 2 | STRAP,TANK,WETCUT |
| 10 | 06520344 | 4 | BOLT,STRAP,TANK,WETCUT |
| 11 | 06520343 | 4 | ANCHOR,STRAP,WETCUT |

COMMON SIDE FLAIL - SD

WETCUT 3PNT PLUMBING - 50IN MOWERS

1. NOTE ORIENTATION ON ITEM ⑨
2. ITEMS ⑰ ⑱ ⑲ ⑳ CUT FROM SUPPLIED 1/2" HOSE
3. ITEMS ㉑ ㉒ ㉓ CUT FROM SUPPLIED 3/8" HOSE



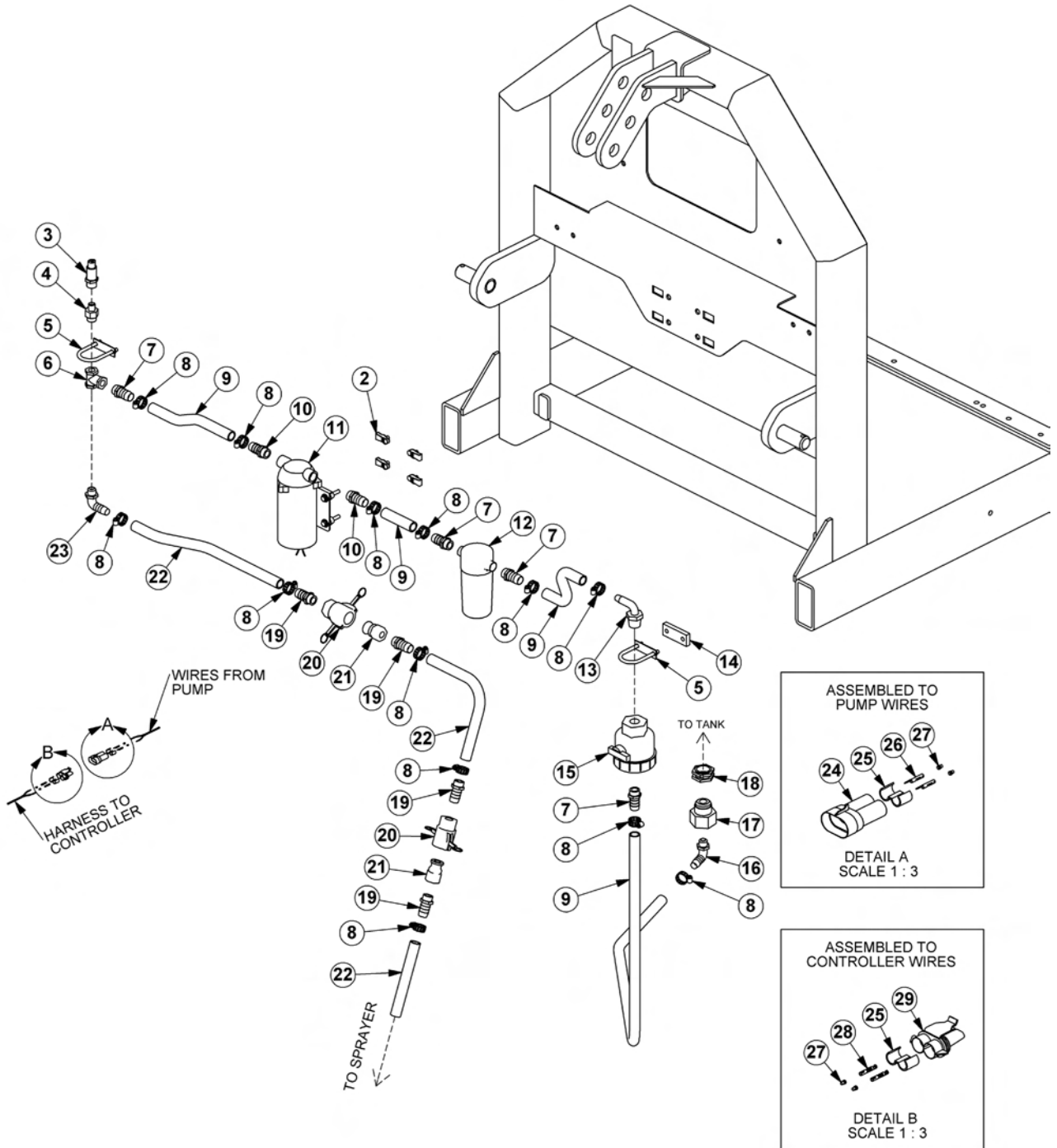
WETCUT 3PNT PLUMBING - 50IN MOWERS

Continued...

| ITEM | PART NO. | QTY. | DESCRIPTION |
|---------|----------|------|---|
| 1 | 06370128 | 1 | MNT,3PNT,UNI |
| 2 | 06520336 | 1 | CNTRLR,SENSOR,06520333 |
| 3 | 06520341 | 1 | PUMP,WETCUT |
| 4 | 06520346 | 1 | FITTING,BULKHEAD,WETCUT (50 GALLON TANKS ONLY) |
| 5 | 06520347 | 1 | FITTING,ELBOW,WETCUT |
| 6 | 06520348 | 1 | VLV,BALL,WETCUT |
| 7 | 06520349 | 4 | FITTING,BARB,HOSE,WETCUT |
| 8 | 06503173 | 4 | FITTING,1/2MP X 3/8" BARB |
| 9 | 06520353 | 1 | FITTING,TEE,WETCUT |
| 10 | 06520367 | 1 | ELBOW,1/2" X 1/2" BARB,POLY |
| 11 | 06520361 | 1 | FILTER,FIRE KIT,RAILKUT |
| 12 | 06520400 | 2 | QUIK CPLR,MALE,1/2",WETCUT |
| 13 | 06520401 | 2 | QUIK CPLR,FEM,1/2",WETCUT |
| 14 | 27329 | 2 | U-BOLT,1/4" X 1" X 2" |
| 15 | 35176 | 4 | U-NUT,1/4",3/4" TO CENTER |
| 16 | 35091 | 13 | CLAMP, HOSE #6 |
| 17 - 20 | 06520469 | 5 | 1/2" HOSE (FEET) |
| 21 - 23 | 06520316 | - | 3/8" HOSE (INCLUDED WITH SPRAYER) |
| 24 | 06510051 | 4 | SEAL,16-18GA,METPAK |
| 25 | 06510052 | 1 | CONN.,BODY,MALE,METRIPACK 150 |
| 26 | 06510053 | 1 | CONN.,BODY,FEM,METRIPACK 150 |
| 27 | 06510054 | 2 | TERMINAL,MALE,16/18GA.METPAK |
| 28 | 06510055 | 2 | TERMINAL,FEM,16/18GA.METPAK |
| 29 | 06510056 | 2 | TPA |
| 30 | 06520337 | 1 | INCLUDED WITH CONTROLLER |
| 31 | 06401133 | 1 | SPACER,Ø.31" X 1.75" X .38" |
| 32 | 06503165 | 1 | ELBOW,1/2"MP X 3/8" BARB |
| 33 | 06520354 | 1 | BUSHING,REDUCER,WETCUT |
| 34 | 06503169 | 1 | BUSHING,1"MP X 1/2"FP (100 & 150 GALLON TANKS ONLY) |
| 35 | 06503176 | 2 | FITTING,BARB,3/8"MP X 1/2" BARB |

COMMON SIDE FLAIL - SD

WETCUT 3PNT PLUMBING - LARGE MOWERS



WETCUT 3PNT PLUMBING - LARGE MOWERS

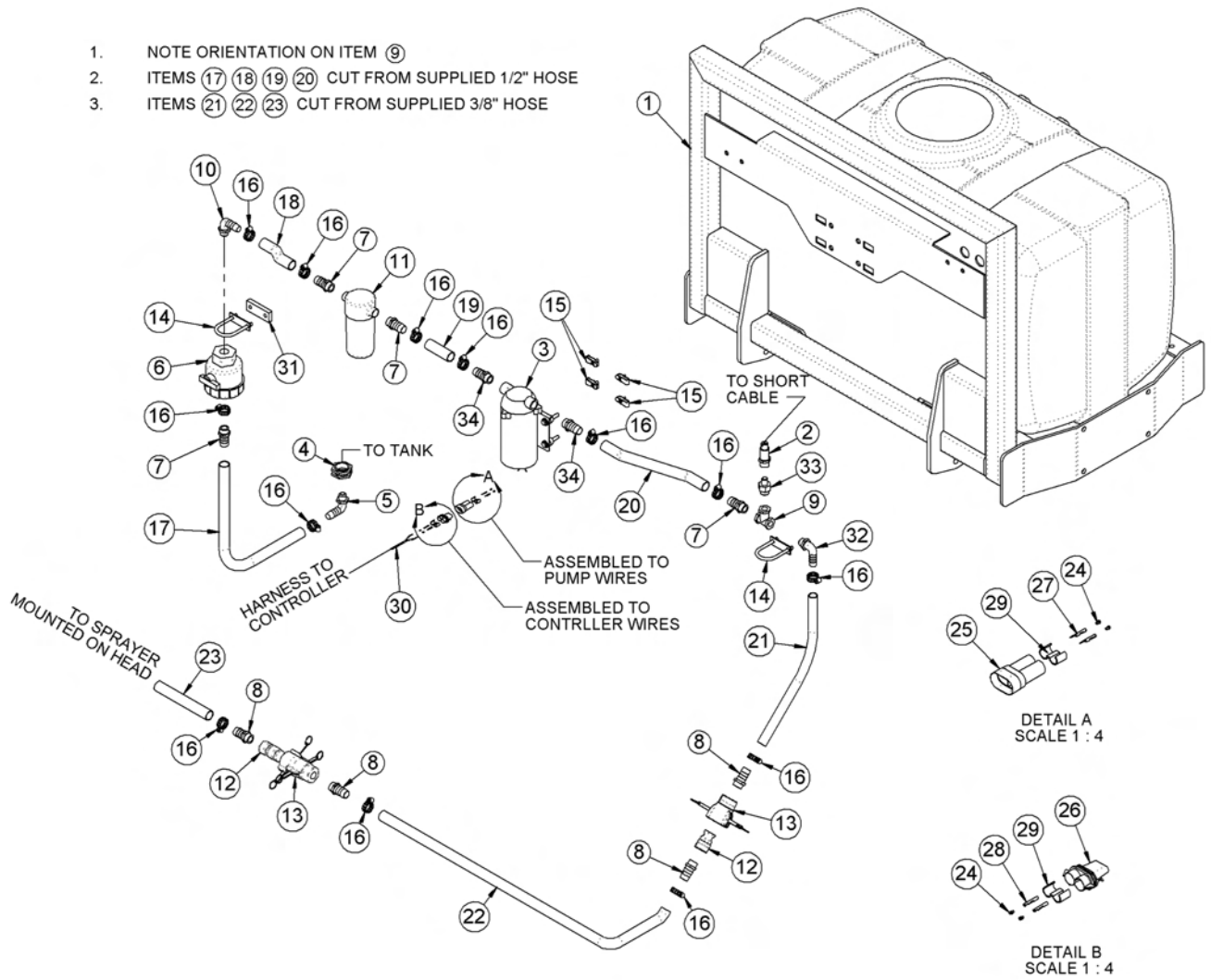
Continued...

| ITEM | PART NO. | QTY. | DESCRIPTION |
|------|----------|------|---|
| 1 | 06370128 | 1 | MNT,3PNT,UNI |
| 2 | 35176 | 4 | U-NUT,1/4,3/4 TO CENTER |
| 3 | 06520336 | 1 | CNTRLR,SENSOR,06520333 |
| 4 | 06520354 | 1 | BUSHING,REDUCER,WETCUT |
| 5 | 27329 | 2 | U-BOLT,1/4" X 1" X 2" |
| 6 | 06520353 | 1 | FITTING,TEE,WETCUT |
| 7 | 06520349 | 4 | FITTING,BARB,HOSE,WETCUT |
| 8 | 35091 | 13 | CLAMP, HOSE #6 |
| 9 | 06520469 | 5 | 1/2" HOSE (FEET) |
| 10 | 06503168 | 2 | SWIVEL,1/2" STR |
| 11 | 06520359 | 1 | PUMP,LARGE |
| 12 | 06520361 | 1 | FILTER,FIRE KIT,RAILKUT |
| --- | 06520351 | 1 | STRAINER,40MESH |
| 13 | 06520367 | 1 | ELBOW,1/2X1/2BARB,POLY |
| 14 | 06401133 | 1 | SPACER,Ø.31X1.75X.38 |
| 15 | 06520348 | 1 | VLV,BALL,WETCUT |
| 16 | 06520347 | 1 | FITTING,ELBOW,WETCUT |
| 17 | 06503169 | 1 | BUSHING,1MPX1/2FP (100 & 150 GALLON TANKS ONLY) |
| 18 | 06520346 | 1 | FITTING,BULKHEAD,WETCUT (50 GALLON TANKS ONLY) |
| 19 | 06520352 | 4 | FITTING,NIPPLE,1/2X3/8,WETCUT |
| 20 | 06520401 | 2 | QUIK CPLR,FEM,1/2,WETCUT |
| 21 | 06520400 | 2 | QUIK CPLR,MALE,1/2,WETCUT |
| 22 | 06520316 | - | 3/8" HOSE (INCLUDED WITH SPRAYER) |
| 23 | 06503165 | 1 | ELBOW,1/2X3/8BARB,POLY |
| 24 | 06510052 | 1 | CONN.,BODY,MALE,METRIPACK 150 |
| 25 | 06510056 | 2 | TPA |
| 26 | 06510054 | 2 | TERMINAL,MALE,16/18GA.METPAK |
| 27 | 06510051 | 4 | SEAL,16-18GA,METPAK |
| 28 | 06510055 | 2 | TERMINAL,FEM,16/18GA.METPAK |
| 29 | 06510053 | 1 | CONN.,BODY,FEM,METRIPACK 150 |

COMMON SIDE FLAIL - SD

WETCUT FRONT PLUMBING - 50IN MOWERS

1. NOTE ORIENTATION ON ITEM ⑨
2. ITEMS ⑰ ⑱ ⑲ ⑳ CUT FROM SUPPLIED 1/2" HOSE
3. ITEMS ㉑ ㉒ ㉓ CUT FROM SUPPLIED 3/8" HOSE



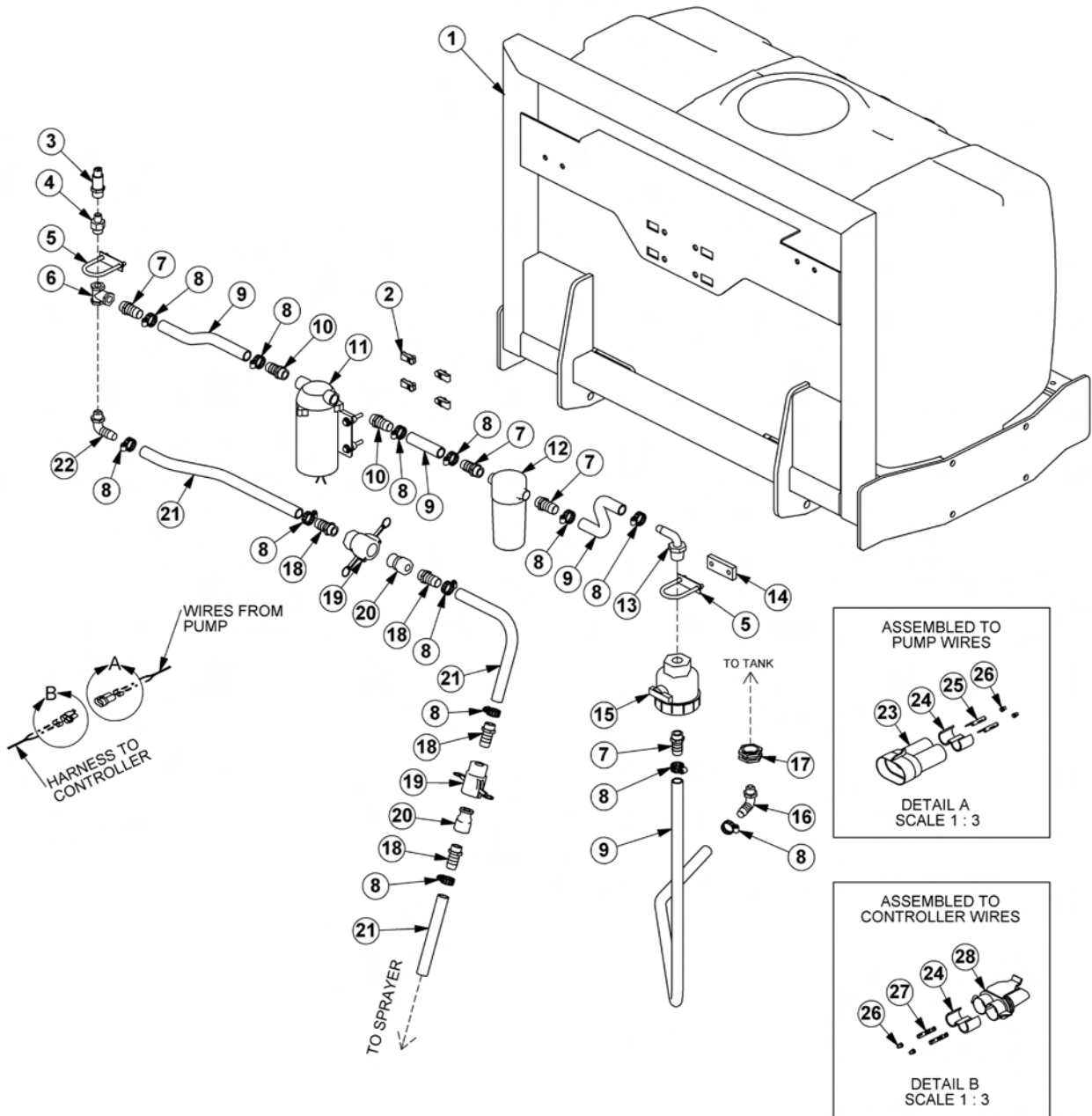
WETCUT FRONT PLUMBING - 50IN MOWERS

Continued...

| ITEM | PART NO. | QTY. | DESCRIPTION |
|---------|----------|------|-----------------------------------|
| 1 | 06370204 | 1 | MNT,FRONT,UNI |
| 2 | 06520336 | 1 | CNTRLR,SENSOR,06520333 |
| 3 | 06520341 | 1 | PUMP,WETCUT |
| 4 | 06520346 | 1 | FITTING,BULKHEAD,WETCUT |
| 5 | 06520347 | 1 | FITTING,ELBOW,WETCUT |
| 6 | 06520348 | 1 | VLV,BALL,WETCUT |
| 7 | 06520349 | 4 | FITTING,BARB,HOSE,WETCUT |
| 8 | 06503173 | 4 | FITTING,1/2"MP X 3/8"BARB |
| 9 | 06520353 | 1 | FITTING,TEE,WETCUT |
| 10 | 06520367 | 1 | ELBOW,1/2"MP X 1/2"BARB,POLY |
| 11 | 06520361 | 1 | FILTER,FIRE KIT,RAILKUT |
| --- | 06520351 | 1 | STRAINER,40MESH |
| 12 | 06520400 | 2 | QUIK CPLR,MALE,1/2",WETCUT |
| 13 | 06520401 | 2 | QUIK CPLR,FEM,1/2",WETCUT |
| 14 | 27329 | 2 | U-BOLT,1/4" X 1" X 2" |
| 15 | 35176 | 4 | U-NUT,1/4",3/4" TO CENTER |
| 16 | 35091 | 13 | CLAMP,HOSE #6 |
| 17 - 20 | 06520469 | 5 | 1/2" HOSE (FEET) |
| 21 - 23 | 06520316 | - | 3/8" HOSE (INCLUDED WITH SPRAYER) |
| 24 | 06510051 | 4 | SEAL,16-18GA,METPAK |
| 25 | 06510052 | 1 | CONN.,BODY,MALE,METRIPACK 150 |
| 26 | 06510053 | 1 | CONN.,BODY,FEM,METRIPACK 150 |
| 27 | 06510054 | 2 | TERMINAL,MALE,16/18GA.METPAK |
| 28 | 06510055 | 2 | TERMINAL,FEM,16/18GA.METPAK |
| 29 | 06510056 | 2 | TPA |
| 30 | 06520337 | 1 | INCLUDED WITH CONTROLLER |
| 31 | 06401133 | 1 | SPACER,Ø.31" X 1.75" X .38" |
| 32 | 06503165 | 1 | ELBOW,1/2"MP X 3/8"BARB,POLY |
| 33 | 06520354 | 1 | BUSHING,REDUCER,WETCUT |
| 34 | 06503176 | 2 | FITTING,3/8"MP X 1/2"BARB |

COMMON SIDE FLAIL - SD

WETCUT FRONT PLUMBING - LARGE MOWERS



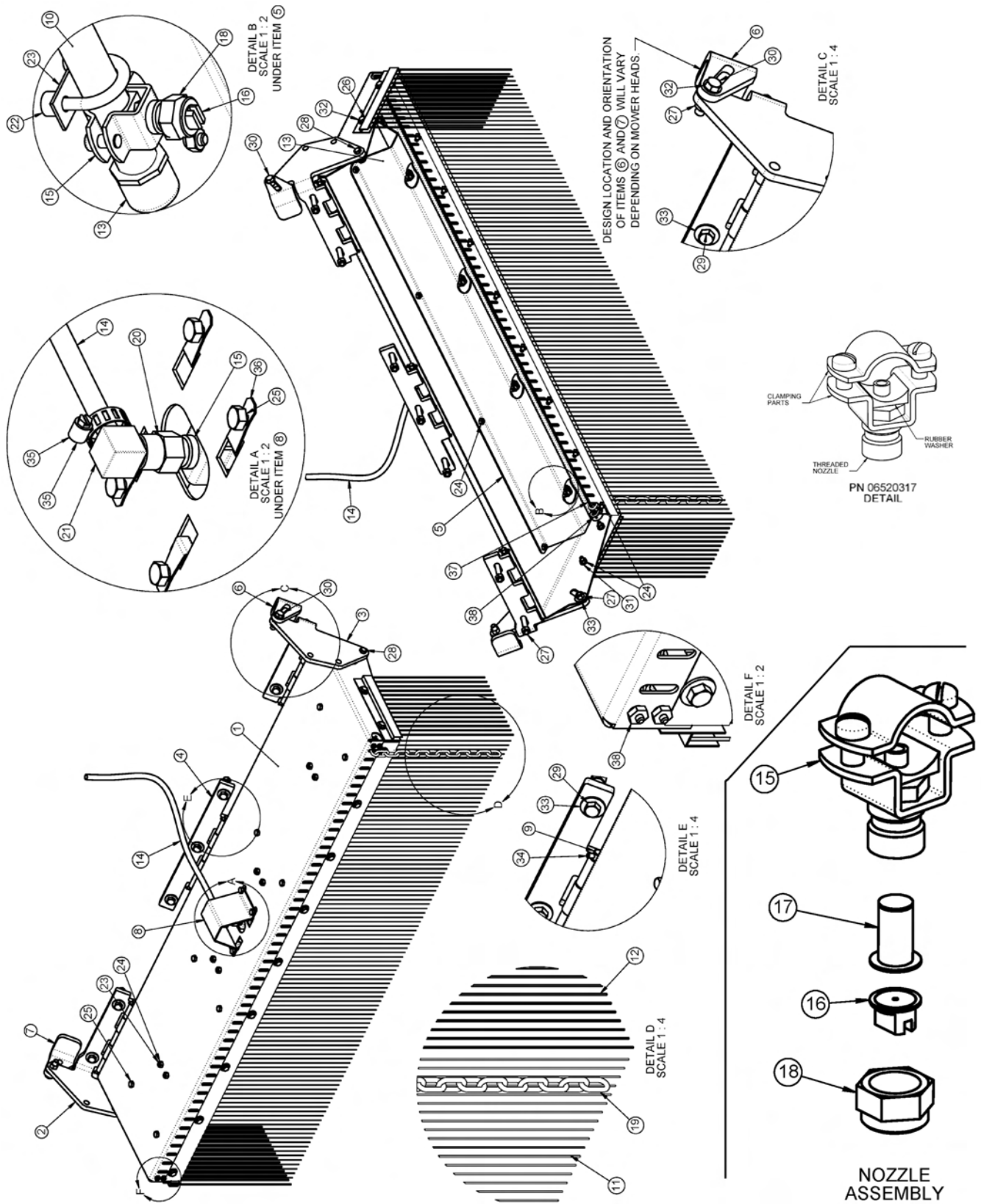
WETCUT FRONT PLUMBING - LARGE MOWERS

Continued...

| ITEM | PART NO. | QTY. | DESCRIPTION |
|------|----------|------|-----------------------------------|
| 1 | 06370204 | 1 | MNT,FRONT,UNIV |
| 2 | 35176 | 4 | U-NUT,1/4,3/4 TO CENTER |
| 3 | 06520336 | 1 | CNTRLR,SENSOR,06520333 |
| 4 | 06520354 | 1 | BUSHING,REDUCER,WETCUT |
| 5 | 27329 | 2 | U-BOLT,1/4" X 1" X 2" |
| 6 | 06520353 | 1 | FITTING,TEE,WETCUT |
| 7 | 06520349 | 4 | FITTING,BARB,HOSE,WETCUT |
| 8 | 35091 | 13 | CLAMP, HOSE #6 |
| 9 | 06520469 | 5 | 1/2" HOSE (FEET) |
| 10 | 06503168 | 2 | SWIVEL,1/2" STR |
| 11 | 06520359 | 1 | PUMP,LARGE |
| 12 | 06520361 | 1 | FILTER,FIRE KIT,RAILKUT |
| --- | 06520351 | 1 | STRAINER,40MESH |
| 13 | 06520367 | 1 | ELBOW,1/2X1/2BARB,POLY |
| 14 | 06401133 | 1 | SPACER,Ø.31X1.75X.38 |
| 15 | 06520348 | 1 | VLV,BALL,WETCUT |
| 16 | 06520347 | 1 | FITTING,ELBOW,WETCUT |
| 17 | 06520346 | 1 | FITTING,BULKHEAD,WETCUT |
| 18 | 06520352 | 4 | FITTING,NIPPLE,1/2X3/8,WETCUT |
| 19 | 06520401 | 2 | QUIK CPLR,FEM,1/2,WETCUT |
| 20 | 06520400 | 2 | QUIK CPLR,MALE,1/2,WETCUT |
| 21 | 06520316 | - | 3/8" HOSE (INCLUDED WITH SPRAYER) |
| 22 | 06503165 | 1 | ELBOW,1/2X3/8BARB,POLY |
| 23 | 06510052 | 1 | CONN.,BODY,MALE,METRIPACK 150 |
| 24 | 06510056 | 2 | TPA |
| 25 | 06510054 | 2 | TERMINAL,MALE,16/18GA.METPAK |
| 26 | 06510051 | 4 | SEAL,16-18GA,METPAK |
| 27 | 06510055 | 2 | TERMINAL,FEM,16/18GA.METPAK |
| 28 | 06510053 | 1 | CONN.,BODY,FEM,METRIPACK 150 |

COMMON SIDE FLAIL - SD

WETCUT 50IN SPRAYER HEAD ASSEMBLY



COMMON SIDE FLAIL - SD

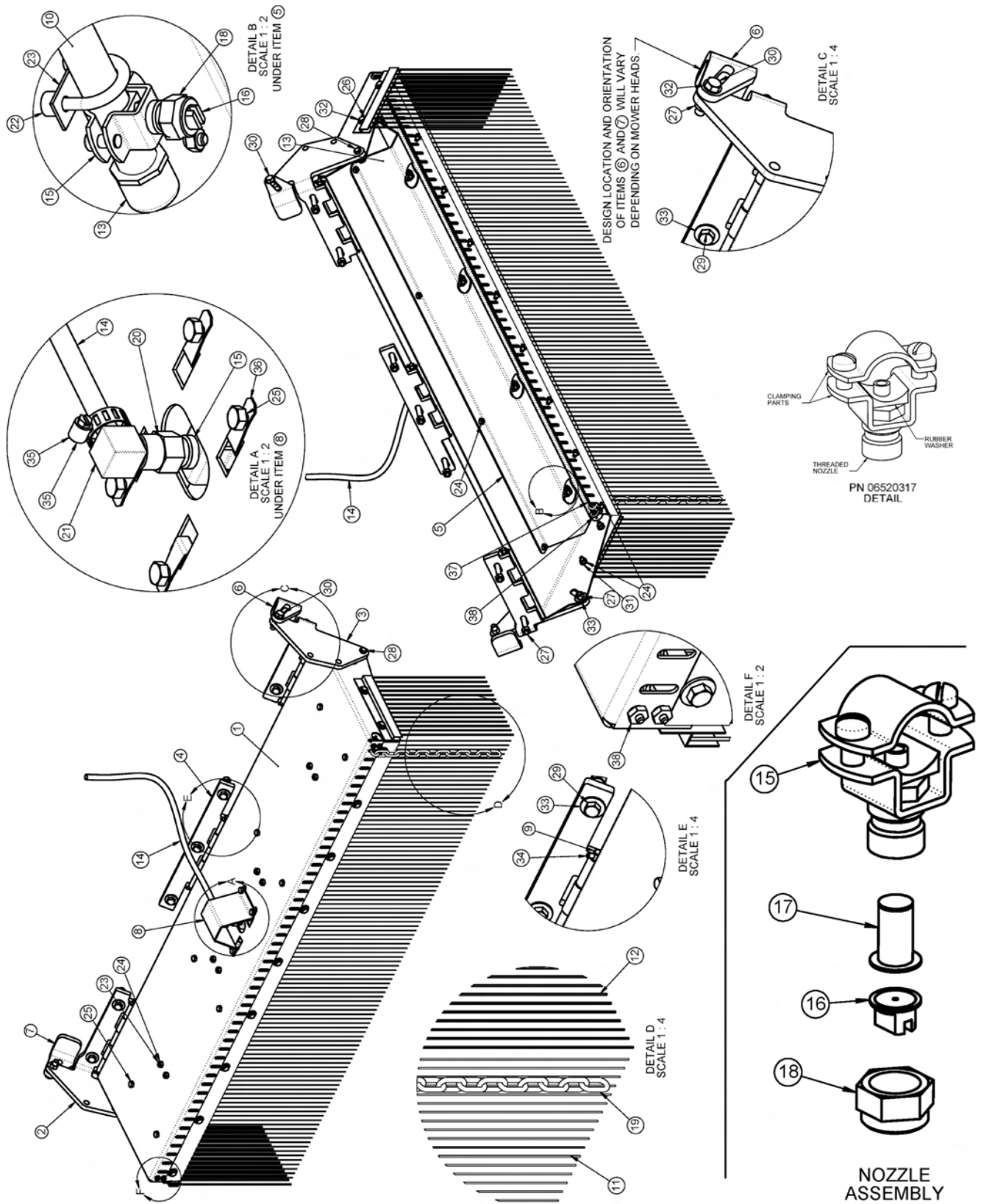
WETCUT 50IN SPRAYER HEAD ASSEMBLY

Continued...

| ITEM | PART NO. | QTY. | DESCRIPTION |
|------|----------|------|---|
| 1 | 06370105 | 1 | HOOD,SPRAYER |
| 2 | 06370106 | 1 | HINGE,LH,SPRAYER |
| 3 | 06370107 | 1 | HINGE,RH,SPRAYER |
| 4 | 06370108 | 1 | HINGE,CNTR,SPRAYER |
| 5 | 06410668 | 1 | GUARD,SPRAYER,WETCUT |
| 6 | 06410753 | 1 | MNT,RH,WET CUT (FLAIL) |
| --- | 06410942 | 1 | MNT,RH,WET CUT (ROTARY) |
| 7 | 06410754 | 1 | MNT,LH,WET CUT (FLAIL) |
| --- | 06410943 | 1 | MNT,LH,WET CUT (ROTARY) |
| 8 | 06410796 | 1 | GUARD,HOSE,WETCUT |
| 9 | 06420069 | 3 | PIN,HINGE,WET CUT |
| 10 | 06497003 | 1 | TUBE,LG,SPRAYER |
| 11 | 06499012 | 1 | SKIRT,ANTI SPRAY,50 |
| 12 | 06499013 | 2 | SKIRT,ANTI SPRAY,7 |
| 13 | 06520314 | 2 | TUBE,CAP,SPRAYER |
| 14 | 06520316 | 15 | HOSE,SPRAYER (FEET) |
| 15 | 06520317 | 5 | NOZZLE,SPRAYER |
| 16 | 06520319 | 4 | TIP,NOZZLE,SPRAYER |
| 17 | 06520320 | 4 | FILTER,NOZZLE,SPRAYER |
| 18 | 06520321 | 4 | NUT,NOZZLE,SPRAYER |
| 19 | 06520322 | 49 | CHAIN,.18" X 1.31" X 13LINKS |
| 20 | 06520381 | 1 | ADAPTER,1/4"NPT,WETCUT |
| 21 | 06520382 | 1 | ELBOW,BARB,3/8" X 1/4"NPT |
| 22 | 06520383 | 8 | SPACER,.50"O.D. X .252" I.D. X .38",NYLON |
| 23 | 32550 | 4 | U-BOLT,1/4" X 1" X 1" X 1-3/4" |
| 24 | 21527 | 29 | HEX NUT,NYLOCK,1/4",NC |
| 25 | 21528 | 12 | CAPSCREW,1/4" X 1/2",NC |
| 26 | 21529 | 13 | CAPSCREW,1/4" X 3/4",NC |
| 27 | 21625 | 11 | HEX NUT,3/8",NC |
| 28 | 21630 | 2 | CAPSCREW,3/8" X 1",NC |
| 29 | 21634 | 7 | CAPSCREW,3/8" X 2",NC |
| 30 | 21632 | 2 | CAPSCREW,3/8" X 1-1/2",NC |
| 31 | 21986 | 4 | LOCKWASHER,1/4" |
| 32 | 22014 | 15 | FLATWASHER,1/4" |
| 33 | 22016 | 9 | FLATWASHER,3/8",GR8 |
| 34 | 34698 | 6 | ROLL PIN, PLAIN, 3/16" X 7/8" |
| 35 | 35091 | 1 | CLAMP,HOSE #6 |
| 36 | 35176 | 4 | U-NUT,1/4",3/4" TO CENTER |
| 37 | 06520376 | 5 | CABLE,3/16" |
| 38 | 06537022 | 2 | U-BOLT,CABLE,3/16" |

COMMON SIDE FLAIL - SD

WETCUT 60IN SPRAYER HEAD ASSEMBLY



COMMON SIDE FLAIL - SD

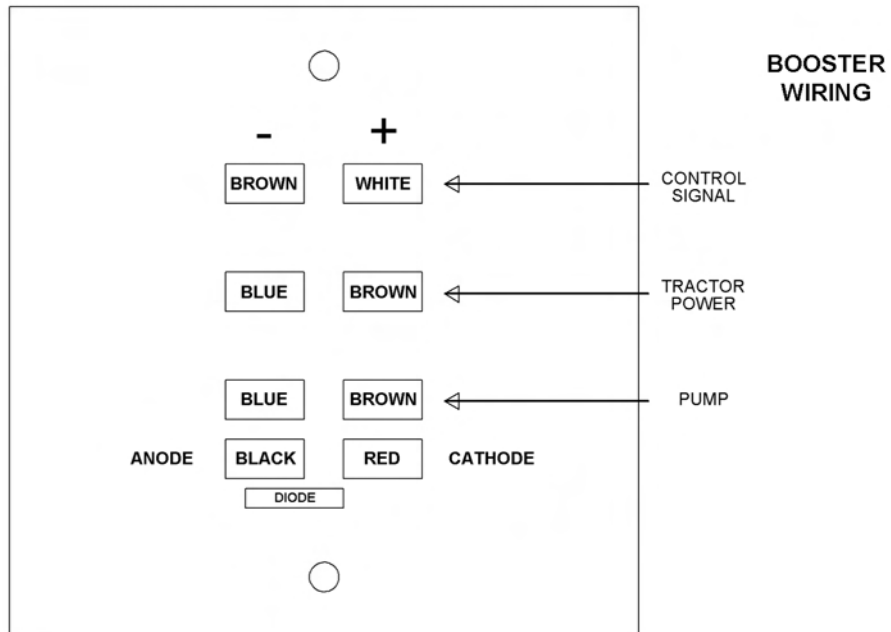
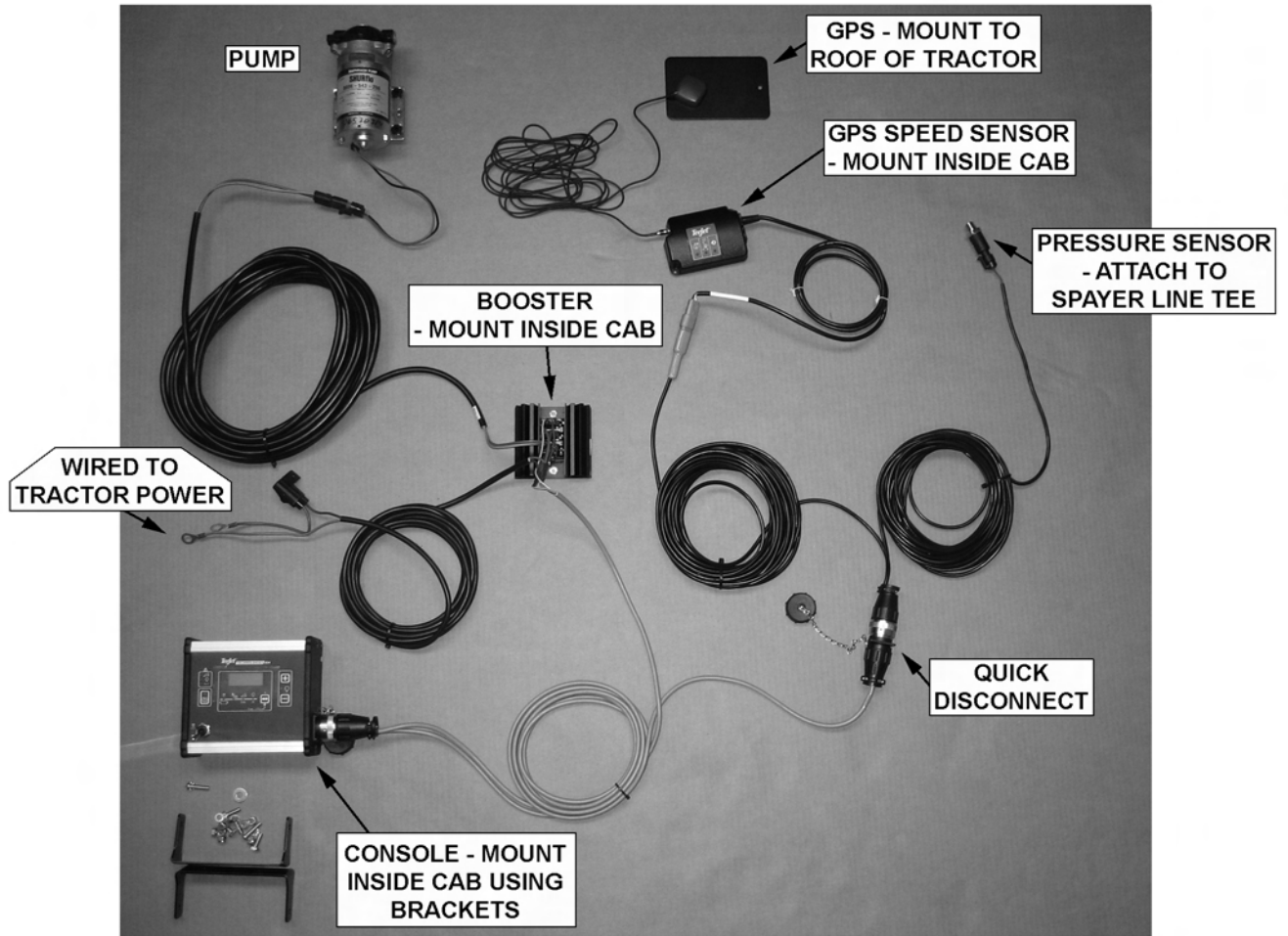
WETCUT 60IN SPRAYER HEAD ASSEMBLY

Continued...

| ITEM | PART NO. | QTY. | DESCRIPTION |
|------|----------|------|---|
| 1 | 06370210 | 1 | HOOD,SPRAYER |
| 2 | 06370106 | 1 | HINGE,LH,SPRAYER |
| 3 | 06370107 | 1 | HINGE,RH,SPRAYER |
| 4 | 06370108 | 1 | HINGE,CNTR,SPRAYER |
| 5 | 06411234 | 1 | GUARD,SPRAYER,WETCUT |
| 6 | 06410753 | 1 | MNT,RH,WET CUT (FLAIL) |
| --- | 06410942 | 1 | MNT,RH,WET CUT (ROTARY) |
| 7 | 06410754 | 1 | MNT,LH,WET CUT (FLAIL) |
| --- | 06410943 | 1 | MNT,LH,WET CUT (ROTARY) |
| 8 | 06410796 | 1 | GUARD,HOSE,WETCUT |
| 9 | 06420069 | 3 | PIN,HINGE,WET CUT |
| 10 | 06497009 | 1 | TUBE,LG,SPRAYER |
| 11 | 06499018 | 1 | SKIRT,ANTI SPRAY,60 |
| 12 | 06499013 | 2 | SKIRT,ANTI SPRAY,7 |
| 13 | 06520314 | 2 | TUBE,CAP,SPRAYER |
| 14 | 06520316 | 15 | HOSE,SPRAYER (FEET) |
| 15 | 06520317 | 6 | NOZZLE,SPRAYER |
| 16 | 06520319 | 5 | TIP,NOZZLE,SPRAYER |
| 17 | 06520320 | 5 | FILTER,NOZZLE,SPRAYER |
| 18 | 06520321 | 5 | NUT,NOZZLE,SPRAYER |
| 19 | 06520322 | 61 | CHAIN,.18" X 1.31" X 13LINKS |
| 20 | 06520381 | 1 | ADAPTER,1/4"NPT,WETCUT |
| 21 | 06520382 | 1 | ELBOW,BARB,3/8" X 1/4"NPT |
| 22 | 06520383 | 10 | SPACER,.50"O.D. X .252" I.D. X .38",NYLON |
| 23 | 32550 | 5 | U-BOLT,1/4" X 1" X 1" X 1-3/4" |
| 24 | 21527 | 33 | HEX NUT,NYLOCK,1/4",NC |
| 25 | 21528 | 15 | CAPSCREW,1/4" X 1/2",NC |
| 26 | 21529 | 13 | CAPSCREW,1/4" X 3/4",NC |
| 27 | 21625 | 13 | HEX NUT,3/8",NC |
| 28 | 21630 | 2 | CAPSCREW,3/8" X 1",NC |
| 29 | 21634 | 7 | CAPSCREW,3/8" X 2",NC |
| 30 | 21632 | 4 | CAPSCREW,3/8" X 1-1/2",NC |
| 31 | 21986 | 4 | LOCKWASHER,1/4" |
| 32 | 22014 | 33 | FLATWASHER,1/4" |
| 33 | 22016 | 11 | FLATWASHER,3/8",GR8 |
| 34 | 34698 | 6 | ROLL PIN, PLAIN, 3/16" X 7/8" |
| 35 | 35091 | 1 | CLAMP,HOSE #6 |
| 36 | 35176 | 4 | U-NUT,1/4",3/4" TO CENTER |
| 37 | 06520376 | 6 | CABLE,3/16" (FEET) |
| 38 | 06537022 | 2 | U-BOLT,CABLE,3/16" |

COMMON SIDE FLAIL - SD

WETCUT CABLES



**WARRANTY
SECTION**

WARRANTY INFORMATION

Tiger Corporation, 3301 N. Louise, Sioux Falls, South Dakota, warrants to the original Retail Customer, the new Tiger equipment is free of defects in material and workmanship. Any part of equipment that in Tiger's judgement, show evidence of such defects will be repaired or replaced without charge, provided that the failure of part(s) shall have occurred within twelve (12) months from the date of delivery of said equipment to the Retail Customer. Expendable components such as knives, oil, chain sprockets, skid shoes, knife mounting disks and the like are excluded but not limited to this warranty.

The Retail Customer must pay the transportation cost to and from the Tiger Dealer's service shop for warranty service. Warranty service will be performed by the Tiger Dealer from whom the equipment was purchased, during service shop regularly scheduled days and hours of operation.

All Tiger obligation under this warranty shall be terminated if the equipment is modified or altered in ways not approved in writing by Tiger, if repair parts other than genuine Tiger repair parts have been used, or if the equipment has been subject to misuse, neglect, accident, improper maintenance or improper operation.

Tiger Corporation reserves the right to make improvements in design or changes in specification at any time without incurring any obligation to owners of equipment previously sold.

No agent or person has authority to alter, add to or waive the above warranties which are agreed to be in the only warranties, representations or promises, expressed or implied, as to the quality or performance of the products covered and which do not include any implied warranty of merchantability or fitness. In no event will Tiger be liable for incidental or consequential damages or injuries, including, but not limited to, loss of profits, rental or substitute equipment or other commercial loss.

**THERE ARE NO WARRANTIES WHICH EXTEND
BEYOND THOSE EXPRESSED HEREIN.**

It is the Purchasers obligation to sign the warranty registration form **AFTER** he / she has Read and Understands the Operation and Safety Instructions stated within this manual.

ONE LAST WORD

This manual cannot possibly cover all of the potentially hazardous situations you will encounter. By being familiar with the safety rules, operating and maintenance instructions in this manual you can help prevent accidents. The objective of this manual is to help make you a better operator. Remember, **SAFETY IS YOU!**



1012

Your safety and the safety of those around you depends on **YOU**. Common sense should play a large role in the operation of this machine.

Since we at Tiger Corporation are constantly striving to improve our products, we reserve the right to change specifications or design at any time.

TO THE OWNER / OPERATOR / DEALER



To keep your implement running efficiently and safely, read your manual thoroughly and follow these directions and the Safety Messages in this manual and on the machine. The table of contents clearly identifies each section where you can easily find the information you need.

The Occupational Safety and Health Act (OSHA 1928.51 subpart C) makes the following minimum requirements for tractor operators.

OWNER REQUIREMENTS:

1. Provide a Roll-Over-Protective Structure that meets the requirements of this Standard; and
2. Provide Seatbelts that meet the requirements of this Standard and SAE J3C; and
3. Ensure that each employee uses such Seatbelt while the tractor is moving; and
4. Ensure that each employee tightens the Seatbelt sufficiently to confine the employee to the protected area provided by the ROPS.

OPERATOR REQUIREMENTS:

1. Securely fasten seatbelt if the tractor has a ROPS.
2. Where possible, avoid operating the tractor near steep ditches, embankments, and holes.
3. Reduce speed when turning, crossing slopes, and on rough, slick, or muddy surfaces.
4. Stay off slopes too steep for safe operation.
5. Watch where you are going – especially at row ends, on roads, and around trees.
6. Do Not permit others to ride.
7. Operate the tractor smoothly – no jerky turns, starts, or stops.
8. Hitch only to the draw-bar and hitch points recommended by the tractor manufacturer.
9. When the tractor is stopped, set brakes securely and use park lock, if available



Printed in USA
© Tiger Corporation