



Ô` !!^) cæ [ ~3E|EDEFÎ

# SIDE FLAIL ASSEMBLIES

RÖÎ FÉÍ ÈÍ T  
RÖÎ FÉÍ ÈÍ Ü

ÚOËÛVÙ ŠQŃVQ Õ Y QP  
T UWPVQ Õ QP Ö UÚOÛOËVQ Õ  
Q ÛVÛWÔVQ ßÙ

**Tiger Corporation**  
HHEF PÈŠ[ ˇ ã ^ QÇ ^ È  
Ùq ˇ ç Qæ| • ÈÛÖ Í Î FÉİ  
1-800-843-6849  
1-605-336-7900  
[www.tiger-mowers.com](http://www.tiger-mowers.com)

06011024

# TO THE OWNER / OPERATOR / DEALER

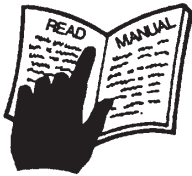



ഈ ക്യാബിനിലെ എല്ലാ ക്രമീകരണങ്ങളും കൃത്യമായി ചെയ്യാതെ വരുമ്പോൾ ഉപയോഗിക്കരുത്. മുന്നോടിയായി ഉപയോഗിക്കുന്നതിന് മുമ്പ് ഈ ക്യാബിനിലെ എല്ലാ ക്രമീകരണങ്ങളും കൃത്യമായി ചെയ്യാതെ വരുമ്പോൾ ഉപയോഗിക്കരുത്. മുന്നോടിയായി ഉപയോഗിക്കുന്നതിന് മുമ്പ് ഈ ക്യാബിനിലെ എല്ലാ ക്രമീകരണങ്ങളും കൃത്യമായി ചെയ്യാതെ വരുമ്പോൾ ഉപയോഗിക്കരുത്. മുന്നോടിയായി ഉപയോഗിക്കുന്നതിന് മുമ്പ് ഈ ക്യാബിനിലെ എല്ലാ ക്രമീകരണങ്ങളും കൃത്യമായി ചെയ്യാതെ വരുമ്പോൾ ഉപയോഗിക്കരുത്.

**BEFORE YOU START!!** ഈ ക്യാബിനിലെ എല്ലാ ക്രമീകരണങ്ങളും കൃത്യമായി ചെയ്യാതെ വരുമ്പോൾ ഉപയോഗിക്കരുത്. മുന്നോടിയായി ഉപയോഗിക്കുന്നതിന് മുമ്പ് ഈ ക്യാബിനിലെ എല്ലാ ക്രമീകരണങ്ങളും കൃത്യമായി ചെയ്യാതെ വരുമ്പോൾ ഉപയോഗിക്കരുത്.

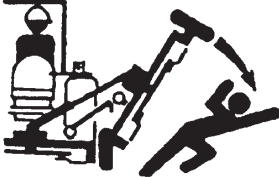
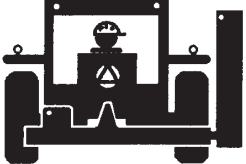


**READ AND UNDERSTAND THIS MANUAL! Non-English speaking operators will need to GET THE MANUAL TRANSLATED as needed!**

# ! DANGER

**FAILING TO FOLLOW SAFETY MESSAGES AND OPERATING INSTRUCTIONS CAN CAUSE SERIOUS BODILY INJURY OR EVEN DEATH TO OPERATOR AND OTHERS IN THE AREA.**

<p>1. </p>	<p>2. NO RIDERS. NO CHILDREN OPERATORS. </p>	<p>3. USE SAFETY SHOES, HARD HAT, SAFETY GLASSES, SEAT BELTS, ROPS &amp; OPS </p>	<p>4. BLOCK UP SECURELY BEFORE WORKING UNDER. </p>
---	---	--	---

1. Study and understand Operator's Manuals, Safety Decals, and Instructional Decals for tractor and implement to prevent misuse, abuse, and accidents. Practice before operating in a confined area or near passersby.
  - Learn how to stop engine suddenly in an emergency. Be alert for passersby and especially children
2. Allow no children on or near folding mower or tractor. Allow no riders on tractor or implement. Falling off may cause serious injury or death from being run over by tractor or mower or contact with rotating blades.
3. Operate only with tractor having Roll-Over Protective Structure (ROPS) and with seat belt securely fastened to prevent injury and possible death from falling off or tractor overturn.
  - Personal Protective Equipment such as Hard Hat, Safety Glasses, Safety Shoes, & Ear Plugs are recommended.
4. Block up or support raised machine and all lifted components securely before putting hands or feet under or working underneath any lifted component to prevent crushing injury or death from sudden dropping or inadvertent operation of controls. Make certain area is clear before lowering or folding
5. Before transporting, put Lift Lever in detent or full-lift position. Install Transport Safety Devices securely on folding mowers. Put Booms securely in Transport Rest.
  - Folding and Boom Mowers have raised center of gravity. Slow down when turning and on hillsides.
6. Make certain that SMV sign, warning lights, and reflectors are clearly visible. Follow local traffic codes.
7. Never operate with Cutting Head or Folding Section raised if passersby, bystanders, or traffic are in the area to reduce possibility of injury or death from objects thrown by Blades under Guards or mower structure.
8. Before dismounting, secure implement in transport position or lower to ground.
  - Put tractor in park or set brake, disengage PTO, stop engine, remove key, and wait until noise of rotation has ceased to prevent crushing by entanglement in rotating parts which could cause injury or death.
  - Never mount or dismount a moving vehicle. Crushing from runover may cause serious injury or death.

<p>5. TRANSPORT SAFELY, LOCK UP. </p>	<p>6. USE SMV, LIGHTS, &amp; REFLECTORS. </p>	<p>7. DO NOT OPERATE WITH CUTTER OR WING RAISED. </p>	<p>8. DO NOT MOUNT OR DISMOUNT WHILE MOVING. </p>
--	--	---	--

Warranty Information: Read and understand the complete Warranty Statement found in this manual. Fill out the Warranty Registration form in full and return it within 90 days. Make certain the Serial Number of the machine is recorded on the Warranty Card, and form that you retain.







# TABLE OF CONTENTS

SAFETY SECTION	1
ASSEMBLY / MOUNTING SECTION	2
OPERATION SECTION	3
MAINTENANCE SECTION	4
PARTS SECTION	5
COMMON PARTS SECTION	6
WARRANTY INFORMATION	7



1012

This symbol means

**CAUTION – YOUR SAFETY IS AT RISK!**

Y @} ^ [ ~ • ^ ^ c @ • ^ { à [ | È ^ a a a a  
f || | , c @ æ • [ & æ ^ a a • d ~ & a } • & æ ^ ~ || ^  
[ | ] ^ • [ ] æ a b ^ [ | ] a a æ æ ^ { æ ! ^ ~ | È

Vã ^ | ã æ ! ^ \* ã c ^ ^ a d a a ^ { æ \ È





# SAFETY

# SAFETY SECTION

# SAFETY

## General Safety Instructions and Practices

CE•æ^ æá &æ^~|[[^|æ|ã @ à^•c|^|æ|É Úæ^c ã [~]ã æ^ ã ]|æ & ð @  
 { æ^ æ^c|^|æ æá •@^|á à^ ð @ [ , }|^|É|^|æ|É T[•cæ&æ^]e &æ^ à^ æ[æ^á à^ à^ã \*  
 æ æ^ [~|^|^~ã { ^}É [~|^|^|~]ãã \*Éæ^ á [à^|^çã \* &|^æ ]|^ææ }•É V@ -ã•c  
 •^&æ } [~@ { æ^ æã ã^• æãc [~Úæ^c T^••æ^• @æÉ-|[[ , ^áÉ, ã @]] ]|^æc@  
 []|^|æ|^|æ á à^•æ^á^• +[{ ãb|^ [|^áæ@É Úáæ æá ~]á^•æ^ á @^• Úæ^c T^••æ^•  
 á^|^æ^•^ àã \*É|^|ææ \* [|^|^çãã \* @ { [ , ^É V@ ^~ã { ^}c •@^|á []|^|æ  
 []|^|æ^á à^ @^•|^|æ }• , @ @æ^|^|æ @ T æ^ æÉ, @ æ^|^|æ }•æ|^|æ æá dæ^ áÉæ^ á  
 , @ \ ] , @ , ð á [ •æ|^|æ æá|^|æ }•æ|^|æ



1000

V@ Úæ^c @|^|cÚ { à|^|æ { àã^á , æ@æÚæ }æ Y|^|áÉæ •^} à|^| , Éæ ~•^á  
 @|^| \* @^|c@ { æ^ ææ^á []|^|á &æ , @æ@æ^ ææ@á ð @ ^~ã { ^}É V@  
 Úæ^c @|^|cÚ { à|^|æ ^æ^•K“**ATTENTION! BECOME ALERT! YOUR SAFETY IS INVOLVED!**” V@ •^ { à|^|æ á •æ^ }æ , [|^|æ á ð ]|^|á ð , æ } @ [ , }|^|É  
 []|^|æ|^|æ [~ã ]|^|áãã \* ææá • æá @ á^|^|^ [~][•æ|^|æ ãb|^ , @] []|^|ææ \*  
 @ ^~ã { ^}É

**Practice all usual and customary safe working precautions and above all -- remember safety is up to YOU! Only YOU can prevent serious injury or death from unsafe practices.**

DANGER!



Qáææ^• æ ã { ã^} ð @ææá [~••æææ } @æÉ-} [ cæ[ æ^áÉY ÖŠ^•|^çã ÖÖÖ/P  
 UÜ XÖÜY ÒÖÜWÜ @RWÜÉ

WARNING!



Qáææ^• æ ã { ã^} ð @ææá [~••æææ } @æÉ-} [ cæ[ æ^áÉÖUWSÖ|^•|^çã  
 ÖÖÖ/P UÜ ÒÖÜWÜ @RWÜÉ

CAUTION!



Qáææ^• æ ã { ã^} ð @ææá [~••æææ } @æÉ-} [ cæ[ æ^áÉT Ö|^|^çã T @UÜ  
 @RWÜÉ

**IMPORTANT!**

@^|ææ^• •|^|æãã ð •ð &æ } • [ ]|^|æ &á|^|^ @æÉ-} [ c•dæð [ à^|^çã^áÉ&~|^|^çã|^|^çã  
 ã áæ æ^ ð É|^|á^•ð &æ } [~@ { æ@^Éææ&@^} • [|^|æ ]|^|æ } çã [ ^}É

**NOTE:** Identifies points of particular interest for more efficient or convenient operation or repair.

ÚÖÖÖÊMP ÖÖÜ ÒÖÜVÖÖÖÖÉæ^ á ÖÜŠŠUY @ +[[ , ã \* Úæ^c T^••æ^•É  
 Ú|^|á ~• ãb|^ [|^|áæ@ { æ [ &|^|^ ]|^|^ &æ^ã æ^ } ð +[[ , @  
 , æ } ã \* æ^ á ð •ð &æ } •æ^ á ð @ Úæ^c T^••æ^•ÉÖÖ , æ^ •^  
 \* [ | &|^|^ { [ ]|^|^ } •^ ð æ[ æ @ææá •É

**SAFETY INSTRUCTIONS**



# SAFETY

**PELIGRO!**



Úb) [ ]^ Q\*|^É} ñææ~ áæææ~ } ~ ^  
 •á[ ]^æ} ææ~ ^|^ dææ: &æ|æ { ^áñææ  
 á^•^\*|^ñææÉ(SG-3)

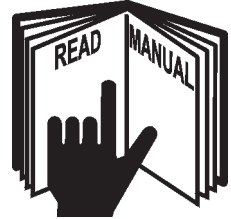


**¡ LEA EL INSTRUCTIVO!**

**DANGER!**



Þ^ç^ [ ]^ææ @ Viææ: [ ] Q ]|^ ^c} ã^ [ ~ @ç^|^ææ æá  
 & { ]|^|^ } á^•æá @ @ T æ} æÉ@ Viææ: [ U ]|^æ: [ q T æ} æÉ  
 æá^æ@ ~@ Þææ^ T^•æ^• } á ð @ T æ} æ [ ] [ ] @ Viææ: [ ]  
 æá Q ]|^ ^c} É S^æ } @, d • d ] @ dææ: [ ] \* ð ^• áá^ }|^ ð æ  
 ^ [ ]|^ ^c} & . Þ^ç^æ æ [ ] , ð ^ç|^æ } & á [ ] } dææ^á ]|^ • [ ] }|^ d  
 [ ]|^ææ @ Viææ: [ ] æá Q ]|^ ^c} , ñç^ c }|^ çææ }|^ É æ^•|^  
 @ [ ]|^ææ: @ ~|^|^ææ æá }|^ á^•æá @ { æ} æ }|^ ð: d  
 [ ]|^ææ }|^ É(SG-4)



**WARNING!**

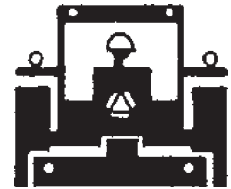


Ç, æ • { æ } @ @ •æ^ ç á&æ ð \* [ ]|^ææ|^ & } áá }|^ É @ @  
 á&æ æ^ { ð • ð • Éáæ æ^á|^|^ }|^ææ|^|^ áææ æá ð •ææ|^|^ææÉ  
 [ ]|^ çá&æ ð { ^áææ|^|^ É(SG-5)

**WARNING!**



T æ^ &|^ææ @ @ % [ ] , T [ ç ð \* X^ @|^+ Ç T X D • ð } ð •æ|^ á ð  
 • &ææ, æ æ ç á &|^æ } çææ|^ æá ]|^æ|^ É Y @ } d æ • [ ]|^ ç \* @  
 Ö } ð [ ]|^ ç • ^ @ Viææ: [ ] ææ \* , æ ð \* |æ @ æá ç [ ] , æ [ ] &æææ  
 ]|^ }|^ææ }|^ É(SG-6)



**WARNING!**



U ]|^ææ @ @ Ö } ð [ ]|^ ç [ ]|^ , ñææ Viææ: [ ]|^ ð ]|^ á , ñææ  
 æ ]|^ ç á ]|^ [ ]|^ ç|^|^ [ ]|^ ç &æ^ • • ç { Ç U U U É Ç Ç, æ • , ^æ • ^æ  
 á|^ É Þ|^ ð • ð b|^ [ ]|^ ç^ á^ææ &|^|^ á|^|^ ç [ ]|^ ç ð \* [ ~@  
 dææ: [ ]|^ ææ }|^ á ]|^ ç \* æç [ ]|^ ç^ , @ } @ [ ]|^ææ: [ ]|^ á á  
 ]|^ }|^ á }|^ á|^ @ U U U É(SG-7)



**WARNING!**

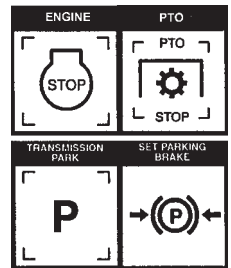


Ö [ ]|^ ç [ ]|^ áæ [ ]|^ æ|^ @ Q ]|^ ^c} É Ö [ ]|^ ç|^ ñææ ]|^ ^ d { ]|^ áæ  
 [ ]|^ æ|^ @ Q ]|^ ^c} É æ^ [ ~æ & { [ ]|^ }|^ @ [ ]|^ æ^ Q ]|^ ^c  
 ~ } &æ }|^ É (SG-8)

**DANGER!**



ÓÒØÞÜÖ|^ææ \* @ dææ: [ ]|^ æææ, æ • ^ }|^ æ^ @ á:æ^ æá ð ]|^ • ç  
 @ dææ: [ ]|^ d æ • { ð • ð } ð ]|^ æ ð \* ^æÉáá^ }|^ æ^ @ Þ V U É • ç ]|^ @  
 ^ }|^ æ^É^ [ ]|^ ç @ \^ Éæ á , æ ç [ ]|^ ç ð \* ]|^ ç • ç d • ç ]|^ É Þ|^ææ @  
 dææ: [ ]|^ @ ç|^ ç ð ç æ [ ]|^ , ]|^ æ^ [ ]|^ æ ð \* ^æ ç ]|^ ç^ c @ dææ: [ ]|^  
 ç [ ]|^ [ ]|^ ð • É Þ^ç^ áá { [ ]|^ çæ Viææ: [ ]|^ ææ [ ]|^ ç ð \* [ ]|^ , @ @ ^ }|^ ð  
 á }|^ }|^ ð • É U ]|^ææ @ Viææ: [ ]|^ d [ ]|^ ç [ ]|^ @ dææ: [ ]|^ ææ ]|^ É  
 (SG-9)



# SAFETY

**DANGER!**



ပင်လုံး၊ ဝင်္ကျာကို ဝတ်ထားပြီး နေရာပြင်ဆင်ပြီးမှ ဝန်ထုပ် ဝန်ယူခြင်းဖြင့် လုပ်ဆောင်ရမည်။ (SG-10)

(SG-10)



**DANGER!**



ပင်လုံး၊ ဝင်္ကျာကို ဝတ်ထားပြီးမှ ဝန်ထုပ် ဝန်ယူခြင်းဖြင့် လုပ်ဆောင်ရမည်။ (SG-11)

(SG-11)



**WARNING!**



ဝင်္ကျာကို ဝတ်ပြီးမှ ဝန်ထုပ် ဝန်ယူခြင်းဖြင့် လုပ်ဆောင်ရမည်။ (SG-12)

(SG-12)



**DANGER!**



ပင်လုံး၊ ဝင်္ကျာကို ဝတ်ပြီးမှ ဝန်ထုပ် ဝန်ယူခြင်းဖြင့် လုပ်ဆောင်ရမည်။ (SG-13)

(SG-13)

**!** **DANGER**

**Start only from seat in park or neutral. Starting in gear kills.**

**DANGER!**



ပင်လုံး၊ ဝင်္ကျာကို ဝတ်ပြီးမှ ဝန်ထုပ် ဝန်ယူခြင်းဖြင့် လုပ်ဆောင်ရမည်။ (SG-14)

(SG-14)



**DANGER!**



ဝင်္ကျာကို ဝတ်ပြီးမှ ဝန်ထုပ် ဝန်ယူခြင်းဖြင့် လုပ်ဆောင်ရမည်။ (SG-15)

(SG-15)













# SAFETY

**DANGER!**



අනතුරු, අහිමි වීම සහ අනතුරු වැළැක්වීම සඳහා මෙම අවදානම් සලකුණු සිටින්න. මෙම අවදානම් සලකුණු සිටින්න. මෙම අවදානම් සලකුණු සිටින්න.

**STOP MOWING IF PASSERSBY ARE WITHIN 100 YARDS UNLESS:**

මෙම අවදානම් සලකුණු සිටින්න. මෙම අවදානම් සලකුණු සිටින්න. මෙම අවදානම් සලකුණු සිටින්න.



අනතුරු වැළැක්වීම සඳහා මෙම අවදානම් සලකුණු සිටින්න. මෙම අවදානම් සලකුණු සිටින්න. මෙම අවදානම් සලකුණු සිටින්න.

**DANGER!**



අනතුරු වැළැක්වීම සඳහා මෙම අවදානම් සලකුණු සිටින්න. මෙම අවදානම් සලකුණු සිටින්න. මෙම අවදානම් සලකුණු සිටින්න.



**WARNING!**



අනතුරු වැළැක්වීම සඳහා මෙම අවදානම් සලකුණු සිටින්න. මෙම අවදානම් සලකුණු සිටින්න. මෙම අවදානම් සලකුණු සිටින්න.



**WARNING!**



අනතුරු වැළැක්වීම සඳහා මෙම අවදානම් සලකුණු සිටින්න. මෙම අවදානම් සලකුණු සිටින්න. මෙම අවදානම් සලකුණු සිටින්න.

**WARNING!**



අනතුරු වැළැක්වීම සඳහා මෙම අවදානම් සලකුණු සිටින්න. මෙම අවදානම් සලකුණු සිටින්න. මෙම අවදානම් සලකුණු සිටින්න.

# SAFETY

**DANGER!**

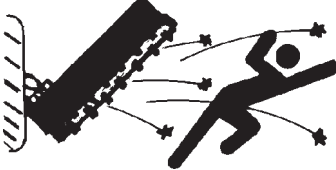


ဝေ့ ဆေံး အံးဇွဲ မှီ ၎င်းတို့သည် မြေဩဇာ ပြောင်းလဲမှုကို ရှောင်ကြဉ်ရန် သို့မဟုတ် သေဆုံးခြင်းကို ရှောင်ကြဉ်ရန် ရှိပါသည်။  
(SRM-3)

**WARNING!**



ဝေ့ ဆေံး အံးဇွဲ မှီ ၎င်းတို့သည် မြေဩဇာ ပြောင်းလဲမှုကို ရှောင်ကြဉ်ရန် သို့မဟုတ် သေဆုံးခြင်းကို ရှောင်ကြဉ်ရန် ရှိပါသည်။  
(SRM-7)



**WARNING!**



ပင်လျှင်လျှင် မြေဩဇာ ပြောင်းလဲမှုကို ရှောင်ကြဉ်ရန် သို့မဟုတ် သေဆုံးခြင်းကို ရှောင်ကြဉ်ရန် ရှိပါသည်။  
(PT-1)

**DANGER!**



ပင်လျှင်လျှင် မြေဩဇာ ပြောင်းလဲမှုကို ရှောင်ကြဉ်ရန် သို့မဟုတ် သေဆုံးခြင်းကို ရှောင်ကြဉ်ရန် ရှိပါသည်။  
(S3PT-8)



**WARNING!**



ပင်လျှင်လျှင် မြေဩဇာ ပြောင်းလဲမှုကို ရှောင်ကြဉ်ရန် သို့မဟုတ် သေဆုံးခြင်းကို ရှောင်ကြဉ်ရန် ရှိပါသည်။  
(S3PT-9)



**WARNING!**



ပင်လျှင်လျှင် မြေဩဇာ ပြောင်းလဲမှုကို ရှောင်ကြဉ်ရန် သို့မဟုတ် သေဆုံးခြင်းကို ရှောင်ကြဉ်ရန် ရှိပါသည်။  
(S3PT-5)

**DANGER!**



ပင်လျှင်လျှင် မြေဩဇာ ပြောင်းလဲမှုကို ရှောင်ကြဉ်ရန် သို့မဟုတ် သေဆုံးခြင်းကို ရှောင်ကြဉ်ရန် ရှိပါသည်။  
(STL-2)

**DANGER!**



DO NOT ဆိုပြီး ဆိုပါသည်။ သို့မဟုတ် သေဆုံးခြင်းကို ရှောင်ကြဉ်ရန် ရှိပါသည်။  
(STL-3)



# SAFETY

**DANGER!**



V@ -[ ] & ȳ | • @ecã à^•ã } ^à -[ ] • ȳ àãà | [ ] ȳ ^ | [ ] ȳ } ȳ c@ dãđ | , @^ | • à~ | ȳ \* -[ ] , ȳ àã dãđ | **Never operate the cutter shaft in the reverse rotation.** U | ȳ ȳ \* c@ { [ , ^ | ȳ | ^ȳ^ | • ^ | [ ] ȳ } { ȳ &ã • ^ [ à^& ȳ đ à^ @ [ , ] [ ~ c@ -[ ] ] c [ ~ c@ { [ , ^ | @ããÉ



**WARNING!**



V@ | [ ] ȳ \* ] ȳ c@ [ ~ c@ { ȳ ȳ ^ & } đ ~ ^ đ | [ ] ȳ ^ȳ^ } ȳ c@ ÚVU @ à^ } ȳ | ^à [ -ÉV@ [ ] | ȳ ȳ | • ȳ | à | ^ { ȳ ȳ ȳ @ • ^ ȳ -[ ] | € • ^ & } à • ȳ c@ à | ȳ ^ @ à^ } • ^ É c@ ÚVU àã^ } \* ȳ àãÉ c@ dãđ | ȳ | ^à [ -É ȳ à ȳ | ^ȳ^ } & [ - | [ ] ȳ } @ & ȳ àãÉ

**“Wait a minute...Save a life!”**

**WARNING!**



ò } \* ȳ ^ à ȳ c@ • cÉ • [ { ^ [ ~ ȳ & } • ȳ ^ } ȳ É ȳ à & | ȳ ȳ & { [ ] | ^ } ȳ ȳ [ | ^ { ȳ & @ { ȳ ȳ \ } [ , ] đ c@ • ȳ [ ~ ȳ ȳ | ] } ȳ đ ȳ & • ^ & ȳ & | ȳ à àã c@ [ | [ c@ | | ^ ] | à ~ & ȳ ^ @ã { É

**WARNING!**



Óãã | ^ [ ] • ȳ É c@ | { ȳ ȳ ȳ à | ^ ȳ ȳ à ȳ & • • [ | à • & } ȳ ȳ | ȳ ȳ ȳ à | ȳ ȳ & { [ ] | ~ } à • É & @ { ȳ ȳ \ } [ , ] đ c@ • ȳ [ ~ ȳ ȳ | ] } ȳ đ ȳ & • ^ & ȳ & | ȳ à àã c@ [ | [ c@ | | ^ ] | à ~ & ȳ ^ @ã { É **Wash hands after handling!**

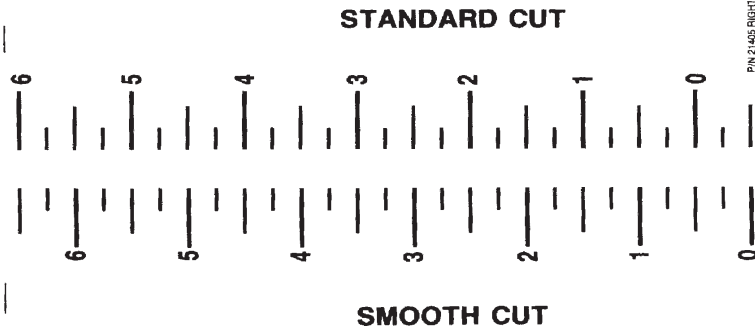
Vã | { [ , ^ | • ~ • ^ àã ȳ & à ȳ à { ȳ @ à • • ȳ { & { [ ] | ^ } ȳ ȳ | àã^ & ȳ | • É | àã^ • É & ȳ | É • @ã É } ȳ • É } à @ ȳ \* | • É | [ | ^ | • É | àã ȳ ȳ ȳ & { [ ] | ^ } ȳ ȳ à àã ȳ \* • É V@ • ^ ] ȳ c@ ȳ { ȳ ^ ȳ ȳ à ȳ • ȳ à đ Vã | • ^ àã ȳ } • É P [ ] É ^ } ȳ ^ % ȳ | ȳ ȳ ȳ c@ à [ ] c & } • ȳ ȳ } đ { ^ c@ • ^ • ^ àã ȳ } • É V@ ~ • ^ [ ~ % ȳ | ȳ ȳ ] ȳ c@ { ȳ | à ~ & { [ , ^ | ^ | | { ȳ & É c@ ȳ [ , ^ | , ȳ ȳ ȳ } ȳ à | ^ • ^ } cã ȳ c@ @ããÉ W • ^ \* ^ } ȳ ^ Vã | { [ , ^ | ] ȳ c@ -[ ] & } [ { ^ ȳ à • ȳ c@ É



In addition to the design and configuration of this Implement, including Safety Signs and Safety Equipment, hazard control and accident prevention are dependent upon the awareness, concern, prudence, and proper training of personnel involved in the operation, transport, maintenance, and storage of the machine. Refer also to Safety Messages and operation instruction in each of the appropriate sections of the Tractor and Equipment Manuals. Pay close attention to the Safety Signs affixed to the Tractor and Equipment. ȳ ȳ ȳ | ȳ

# SAFETY

ÚŒÛVPUÈ  
ŠUÔŒ/QP



06550095  
TUY ÒÛ ÖÖÔŠ

**DO NOT LUBRICATE WITH AUTOMATIC GREASE GUN. GREASE WITH HAND GREASE GUN ONLY.**

P/N22839

GGĤ HJ  
TUY ÖÛ ÖÖÔŠ



GGĤ I €  
ŒÛŒÖ ÒÛ ÖÖÔŠ

**WARNING**

**INSPECT REAR FLAP FREQUENTLY TO BE SURE IT IS IN SAFE WORKING CONDITION. DO NOT OPERATE MOWER WITH FLAP REMOVED OR WORN.**

24028

G €Ĥ  
TUY ÖÛ ÖÖÔŠ



# SAFETY



ÚŒÛVPUÈ  
ŠUÔŒ/WP

F€+ç í Ě+ HFÍ GG  
T UY ÒÜ ÖÒÔS  
FÌ ĚĚ + çF€+ HFÍ GH  
PÿÖÜŒŒŠŒŒVŒS



I GHÍ €  
T UY ÒÜ ÖÒÔS

**MOWING  
SAFETY TIPS**

- Read & understand the Operators Manual.
- Wear Your Seat Belt.
- Keep all shields and guards in place.
- Make sure equipment is in proper working condition.
- Never attempt to get off or on a moving tractor.
- Never allow riders on tractor or equipment.
- Only start the tractor from the seat with the key.
- Always inspect the area before mowing. Remove all foreign debris.
- Always keep bystanders and coworkers a minimum of 300 feet away.
- Never allow the mower blades to contact solid objects or foreign material.
- Never approach rotating elements.
- Disengage the PTO, place transmission in "Park", set parking brake, shut off engine, and remove key and wait until all rotating motion has stopped before leaving seat.

**Tiger**

33743

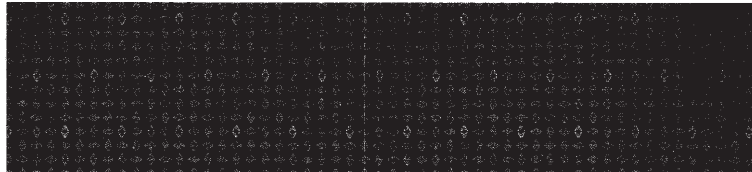
HĪ I H  
Œ ÛŒŒ ÛŒ ŒŒŒ

# SAFETY



ÚŒÛVPUÈ  
ŠUÔŒ/WP

I GHJ  
T UY ÒÜ ÖÖÔS



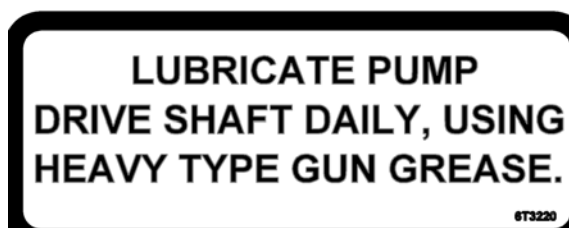
I G €€  
T UY ÒÜ ÖÖÔS



Î VHGFİ  
T UY ÒÜ ÖÖÔS



Î VHGFJ  
Œ ÛŒŒ ÛŒ ŒŒŒ



Î VHGGÈ  
ŒÛŒVÚWT Ú T UWŒV



# SAFETY

**⚠ CAUTION**

LUBRICATE SPINDLE DAILY OR EVERY 10 HOURS OF USE. **WITH MOWER AND TRACTOR OFF**, INJECT TWO PUMPS OF TIGER SPINDLE LUBRICANT INTO SPINDLE BEFORE USING.

NOTE: SEE OPERATORS MANUAL FOR SUBSTITUTE LUBRICANT AND MORE DETAILED INSTRUCTIONS.

6T3221

ÚØËVPUÈ  
 ŠUÔØ/ØP  
 Î VHGGF  
 Ø ÙØÒ UØ ÔØÓ

**NOTICE:**  
 Engine will not start when mower is engaged.



6T3222

Î VHGGG  
 Ø ÙØÒ UØ ÔØÓ



Î VHGGH  
 Ø ÙØÒ UØ ÔØÓ

**⚠ DANGER**

 STAY CLEAR,  
 DISCHARGE  
 OPENING

6T3224

Î VHGGI  
 T UY ÒÙ ÔØÔŠ

**⚠ WARNING**

**DO NOT OPERATE THIS EQUIPMENT WITH BYSTANDERS IN THE AREA!**

ROTARY MOWERS HAVE THE INHERENT ABILITY TO THROW DEBRIS CONSIDERABLE DISTANCES WHEN KNIVES ARE ALLOWED TO STRIKE FOREIGN OBJECTS. OPERATOR CAUTION MUST BE TAKEN OR SERIOUS INJURY CAN RESULT.

6T-9230

Î VHGHE  
 Ø ÙØÒ UØ ÔØÓ

# SAFETY

ÚÆÛV ÞUÈ  
ŠU ÔÆ/ŒÞ



Î VHGH  
PÿÖÜÆŠŒVÆS



Î VHGH  
Œ ÛŒÒ UØ ÔÆ



Î VHGH  
TUY ÒÛ ÖÖS  
PÿÖÜÆŠŒVÆS



Î VHGH  
Œ ÛŒÒ UØ ÔÆ

# SAFETY



**Tiger Corporation**

800-843-6849

www.tiger-mowers.com

Description	Application	General Specification	Recommended Lubricant
Tractor Hydraulics	Reservoir	JD-20C	Mobilfluid® 424
Mower Hydraulics Cold Temperatures 0°F Start-up Normal Temperatures 10°F Start-up Normal Temperatures 15°F Start-up High Operating Temperatures Above 90°F Ambient	Reservoir	ISO 46 Anti-Wear/ Low Temp JD-20C ISO 46 Anti-Wear ISO 100 Anti-Wear	Mobil DTE® 15M Mobilfluid® 424 Mobil DTE® 25 Mobil DTE® 18M
Flail Rear Gearbox	Reservoir	PAO Synthetic Extreme Pressure Gear Lube	Mobilube SHC® 75W-90, Mobil 1 Synthetic Gear Lubricant
Cutter Shaft and Ground Roller Shaft (Flail)	Grease Gun	Lithium Complex, NLGI 2 ISO 320	Mobilgrease® CM-S
Drive Shaft Coupler (Rotary and Flail)	Grease Gun	Lithium Complex, NLGI 2 ISO 320	Mobilgrease® CM-S
Boom Swivel, Boom Cylinder Pivots (Rotary and Flail Boom Type)	Grease Gun	Lithium Complex, NLGI 2 ISO 320	Mobilgrease® CM-S
Deck Boom Pivot & Deck Stop Adjustment (Rotary and Flail)	Grease Gun	Lithium Complex, NLGI 2 ISO 320	Mobilgrease® CM-S
Deck Spindle (Rotary)	Grease Gun	Tiger Spindle Lubricant	Mobilith SHC 220

**For Mobil product information, availability, or technical information, call 1-800-662-4525.**

Tiger PN 34852

HIÍG  
PÿÖÜÖVŠÓ VÖPŠ

<p><b>⚠ DANGER</b></p> <p><b>THROWN OBJECT HAZARD</b></p> <p>Do not operate mower when cutter shaft is in reverse rotation unless:</p> <ul style="list-style-type: none"> <li>• Reverse Rotation Front Guard is in place, and</li> <li>• Guard is in good condition</li> </ul>		<p><b>⚠ PELIGRO</b></p> <p><b>RIESGO DE OBJETO LANZADO</b></p> <p>No funcione el cortacésped cuando el eje de cortador esta en rotación inverso al menos que:</p> <ul style="list-style-type: none"> <li>• El Guardia Delantero de Rotación Inversa esta en su lugar y</li> <li>• El guardia esta en buenas condiciones</li> </ul>
<p>Reverse Rotation Front Guard</p>	<p>06550054</p>	<p>Guardia Delantero De Rotación Inverso</p>

éííéí  
UP T UY ÖÜ PÖÖÖ



# SAFETY

## FEDERAL LAWS AND REGULATIONS

V@ • ^ & d } a b c } a^a d ^ c | a b c d e f { • @ & } & ^ c a s a ^ - ^ & c [ ~ ^ a ^ i a j k • s a i ^ \* ^ | a b c } • & } & ^ i j \* ^ { ] [ ^ ^ i k a ^ { ] [ ^ ^ ^ ^ ~ a { ^ } c [ ] ^ i a b c } • E V @ • ^ & d } a } [ c d e } a^a s e l ^ \* s b c d i | ^ a b c } [ ~ @ | a b c d e } a • @ ^ i a } [ c a ^ & } • i e i ^ a s • ^ & @

### Employer-Employee Operator Regulations

W@E@U a^k S@ JFE JI @ Y a b c • E i a ^ i U & } a b c } s a s a P ^ a b c d e f [ ~ F J I E D U U P C E

#### This Act Seeks:

W@E@U a^k S@ JFE JI @ Y a b c • E i a ^ i U & } a b c } s a s a P ^ a b c d e f [ ~ F J I E D U U P C E

#### DUTIES

U^ & E i @ a b c d e f g h i j k l m n o p q r s t u v w x y z

#### OSHA Regulations

U U P C E i a b c d e f g h i j k l m n o p q r s t u v w x y z

#### Employer Responsibilities:

V [ ^ } • i a ^ { ] [ ^ ^ • a b c d e f g h i j k l m n o p q r s t u v w x y z

F E V i a b c d e f g h i j k l m n o p q r s t u v w x y z

G E U ^ ~ a ^ o a b c d e f g h i j k l m n o p q r s t u v w x y z

H E U ^ i { a b c d e f g h i j k l m n o p q r s t u v w x y z

I E T a b c d e f g h i j k l m n o p q r s t u v w x y z

I E O ) • i a ^ o a b c d e f g h i j k l m n o p q r s t u v w x y z

I E Q i a b c d e f g h i j k l m n o p q r s t u v w x y z

I E U i c a b c d e f g h i j k l m n o p q r s t u v w x y z

#### Child Labor Under 16 Years of Age

U { ^ i a ^ \* ^ a b c d e f g h i j k l m n o p q r s t u v w x y z

# SAFETY

# **ASSEMBLY SECTION**

# ASSEMBLY

**Before attempting to mount your Tiger mower, it is important to read and understand all of the safety messages in the Safety Section of this manual.**

Check complete shipment list against the packing list to make sure there are no shortages. Make certain the tractor model is the appropriate one for the mower received!



Always use a floor jack, hoist or fork lift to lift and raise heavy parts.

Read and understand the entire Assembly Section instructions before attempting to mount your Tiger mower. Refer to the Parts Section of this manual for detailed illustrations to locate all parts. (ASM-C-0001)

## TRACTOR PREPARATION

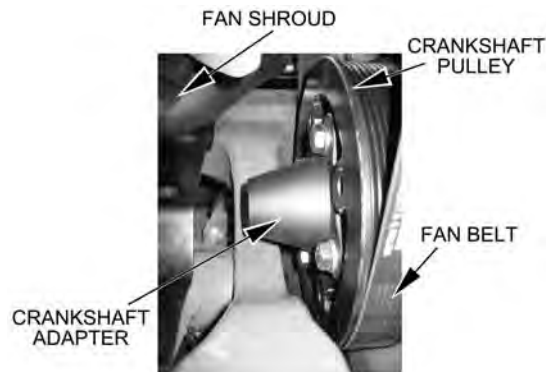
- A. Remove right and left hand steps.
- B. Disconnect battery cables from both batteries.
- C. Remove engine side panels, or raise hood to access front pulley.
- D. Remove plugs from tractor casting where mainframe and pump mount will be attached.
- E. Remove any front weights and weight supports.
- F. Raise the tractor onto jack-stands and remove the right and left rear wheels.

(ASM-JD-0001)

## CRANKSHAFT ADAPTER

If necessary, remove the four capscrews from the crankshaft pulley. Then install the crankshaft adapter to the pulley with capscrews and lockwashers as shown in the Parts Section.

(ASM-JD-0051)





# ASSEMBLY

## FRONT CRANKSHAFT PULLEY

Tiger has found that the front crankshaft pulley used by John Deere will not allow for the installation of a front drive system. You will need to order a different pulley, washer and bolt from John Deere to allow for a front drive to be installed on your tractor.

Inspect the front pulley on your tractor to verify you have the correct pulley needed to mount the spacer plate. If your pulley has the (4) four holes needed to mount the spacer, your pulley is the correct one needed. If your pulley does not have the (4) four holes in the pulley, you will need to order the correct pulley, washer and bolt from John Deere.

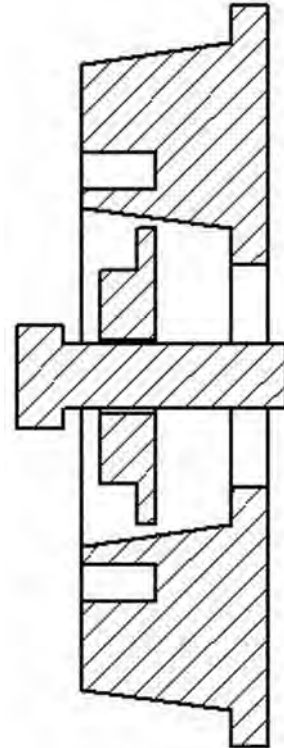
### PARTS REQUIRED TO PURCHASE FROM JOHN DEERE:

Pulley from JD - R516320

Washer from JD - R517237

Bolt from JD - R516648

Torque on the pulley bolt with Loctite is 369 lb-ft.



### Solution:

1. Clean nose of crankshaft using TY16285 clean and cure primer.
2. Apply a light 2-3mm bead of TY15969 retaining compound around the leading edge of the crankshaft nose.
3. Dip damper mounting capscrew in clean SAE30 engine oil (Always use a new capscrew).
4. Position damper/pulley on the crankshaft and thread capscrew up tight (do not rely on the capscrew to pull the pulley straight onto the taper).
5. Tighten capscrew to specification 500Nm (369lb-ft) (the engine will most likely have to be pinned).
6. Measure run-out on the pulley, spec is 0.003" or less.

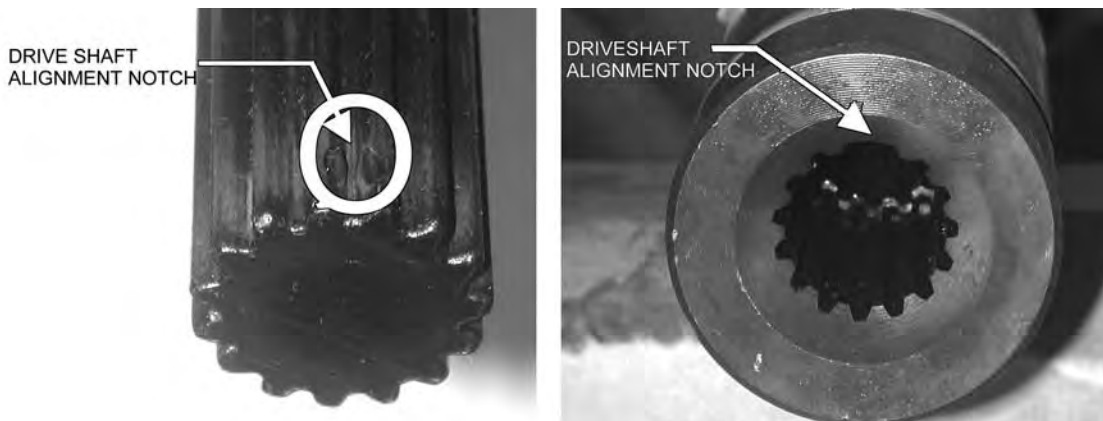
(ASM-JD-0080)

# ASSEMBLY

## DRIVESHAFT AND FRONT PUMP MOUNTING

Install spacer plate on tractor engine using bolts and lockwashers as shown in Parts Section. Grease sleeve section of the driveshaft and install from the side of the engine compartment. Once you have the sleeve section in place, bolt to spacer plate using bolts and lockwashers as shown in Parts Section. Install shaft end of driveshaft through opening and into driveshaft sleeve. Shaft and sleeve yokes should be aligned, if shaft does not insert easily in sleeve, turn shaft 180°, and then install. Align the notches on the shaft and yoke tube as shown in picture below. **Shaft end must be installed in correct orientation, failure to do so may result in damage to tractor and/or driveshaft.** After installation of shaft end, install pump mount. Next, install pump. After pump is secured, install driveshaft in to pump shaft. The end of driveshaft should be no more than 1/2" away from contact with pump housing. Tighten crimping bolt on driveshaft. Lube driveshaft and check all hoses, flanges, the pump, pump mount, driveshaft and mounting plate to ensure all fasteners are tightened before operation.

**CAUTION: DO NOT START THE TRACTOR UNTIL ALL HOSES ARE ATTACHED, TANK IS FILLED WITH PROPER OIL AND BALL VALVES ARE OPEN! STARTING AT THIS TIME WILL CAUSE SERIOUS DAMAGE TO THE PUMP.** (ASM-JD-0007)



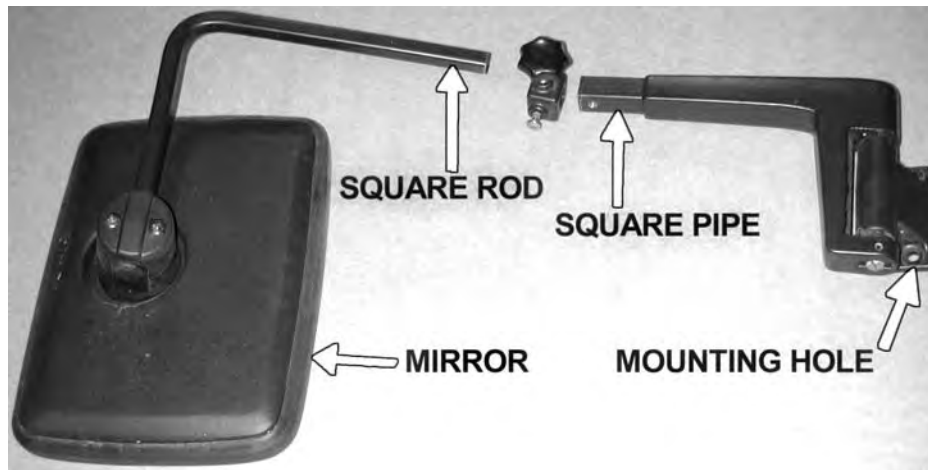
## ADJUSTING REAR WHEELS

Raise rear of tractor onto jack-stands. **Follow the instructions in the tractor owner's manual for adjusting tires and rims.** The back wheels **MUST** be adjusted to the widest setting. NOTE: This may require switching the wheels to opposite sides of tractor. Also take note of any width restrictions when transporting by trailer. (For ease of installation, it is best to leave the rear wheels removed during installation of the mower.) (ASM-B-0001)

# ASSEMBLY

## SIDE MIRROR MOUNTING

Disassemble the right side mirror bracket. Cut the square rod and pipe (shown in picture below) 6-1/4". Assemble them together. Mount the right mirror bracket and hardware on the upper right corner of the tractor cab as shown in picture below. Refer the Parts Section--safety screen, cab for hardware details. (ASM-JD7220-0001)



# ASSEMBLY

## MAINFRAME INSTALLATION

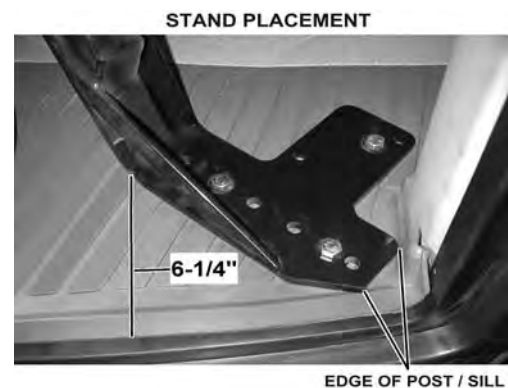
With an overhead hoist and / or jack-stands, raise one side of the frame up to the correctly matching mounting holes. Install capscrews and other hardware to secure the sides of the mainframe to the tractor casting, as shown on the tractor mount kit page in the Parts Section. DO NOT tighten at this time. Remove the capscrews one at a time and apply a thread locking agent. Reinsert the capscrews and tighten / torque to values noted in the torque chart located in the Maintenance Section of this manual. (ASM-C-0003)

## CABLE CONTROL LEVER STAND

On the corner cab post, mark a point at 1-3/8" from the windshield and 22-1/2" from the floor; then cut a 3/4" diameter hole through the outer plastic shell. This will expose a threaded steel boss to attach the control box support bracket.

The rear corner of the cable control stand is placed approximately 6-1/4" from the edge of the mat. The front edge of the stand is up against the corner cab post and the door sill lip of the mat. Before you mark or drill any holes, check for support plates or wires under the mat and the cab floor. **NOTE: Cutting into plates or wires could be dangerous.** When you know where the wires/plates lie, mark one of the mounting holes. Drill a 3/8" hole through the mat and through the floor of the cab. Lift the mat up and mark the other two holes on the cab floor. Drill the holes through the floor. Mark the mat and drill the other two 3/8" holes. Use a 1" hole saw and cut a 1" hole through the mat over each 3/8" hole. Secure the stand to the floor with the spacers, capscrews and nylock nuts provided.

Secure cables and wires from the control stand with zip ties and route past the right side of the driver's seat to the rear of the cab. Drill a 2-1/4" diameter hole in the triangular area behind the seat. Drill a hole to the outside rear of the cab. Wrap the cables with 6" split hose where they pass through the hole and secure with zip ties. Apply RTV sealer around individual cables and split hose, inside and outside the cab, for a watertight seal. Install upper support bracket from cab post to control lever stand. (ASM-JD-0247 T4)



# ASSEMBLY

## SWITCHBOX WIRING

Power for the switchbox is accessed through the port located on the right rear of the cab. A John Deere plug is used, part number RE67651. DO NOT connect the plug to the cab port until the wiring is completed. The wires in the plug are colored RED, BLACK and ORANGE. The RED wire will always be hot, so it needs to be capped. Attach connector 34538 to end of RED wire and tape wire back on itself. The BLACK and ORANGE wires are hot when tractor key is turned to "on." Connect the BLACK wire of the plug to the BLACK wire from the switchbox. Then connect the ORANGE wire of the plug to the RED wire from the switchbox. **IMPORTANT: In some cases the red and orange wires may be switched.** ALWAYS test the wires to be certain which wire is which.

The two GREEN wires must be connected to the neutral safety wire by cutting the neutral safety wire and connecting one GREEN wire to one end and the second GREEN wire to the other. Refer to the switchbox schematic and wiring diagram for additional information.

The Neutral Safety wire is a brown wire located under steering column. Cut a slot in the right side of column to access, WATCH OUT for existing wires.

After connecting the power to the switchbox, route the white wire along the cables or wires to the solenoid valve. (ASM-JD-0245)

## MANUAL SWITCHBOX MOUNTING

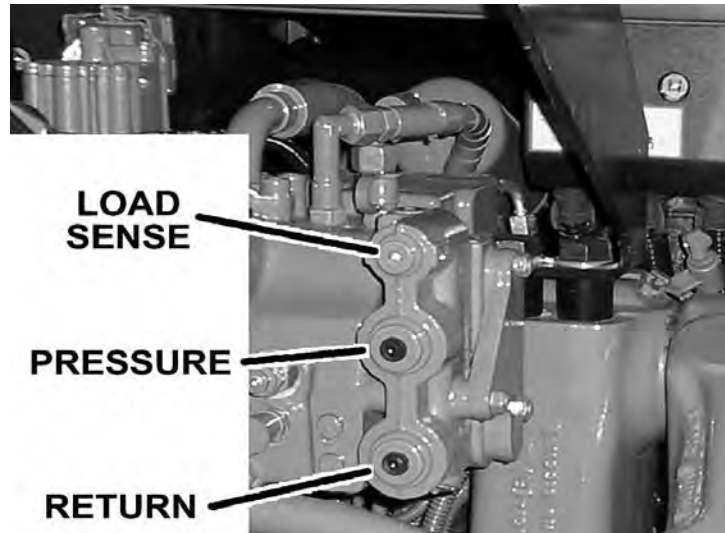
The switchbox is to be secured to the operator's side of the control handles, or valve stand. Refer to the Parts Section for assembly and components needed. (ASM-C-0053a)



# ASSEMBLY

## HYDRAULIC PORTS

These ports are located at the rear of the tractor, under the lift valve, where the valve mounting bracket attaches to the tractor. The load sense port is on top, then the pressure and finally the return port, as shown in the image below. Refer to the Parts Section for additional information. (ASM-JD60-7030-0004)



## PRESSURE LINE INSTALLATION

The hydraulic pressure line will be plumbed into the rear of the tractor remote valve. Locate the pressure port on the rear remotes and remove the plug (refer to the Hydraulic Ports illustration and the Parts Section pages for position of the pressure port). After the plug is removed install 27mm adapter. Next, connect a 1/2" hose from the tractor remote valve to the Tiger valve. (ASM-27mmPRESSURE-0001)

## RETURN LINE INSTALLATION

The return line will be plumbed next to the pressure line on the tractor remote valve. Locate the return port and remove the plug (refer to the Hydraulic Ports illustration and the Parts Section for the position of the return port). After the plug is removed install 27mm adapter or elbow. Next, connect a 1/2" hose from the tractor remote valve to the Tiger valve. (ASM-27mmRETURN-0001)

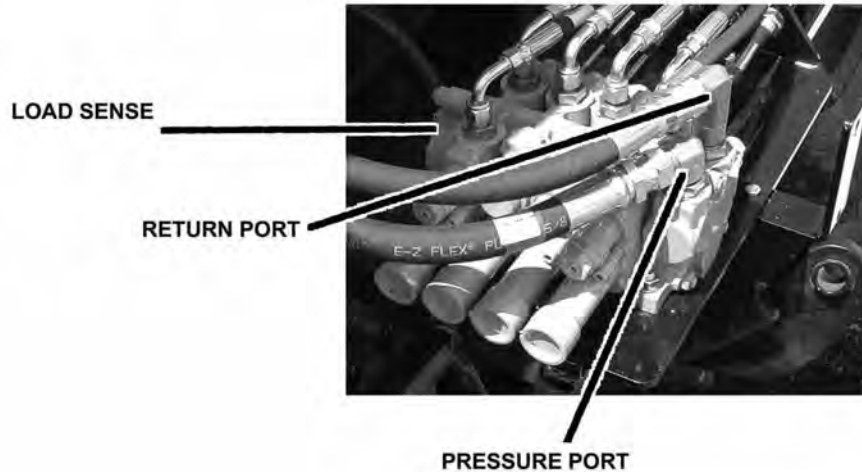
## LOAD SENSE LINE INSTALLATION

The load sense line will be plumbed into the bottom of the tractor remote valve (refer to the Hydraulic Ports illustration and the Parts Section pages for the position of the load sense port). Locate the plug on the tractor rear remotes for the load sense, and remove the plug. Install a 14mm adapter or elbow and run a 1/4" hose from the remotes to the Tiger valve. Refer to the Parts Section pages for an exploded diagram of the tractor remote valve hookup. (ASM-14mmLOAD SENSE-0001)

# ASSEMBLY

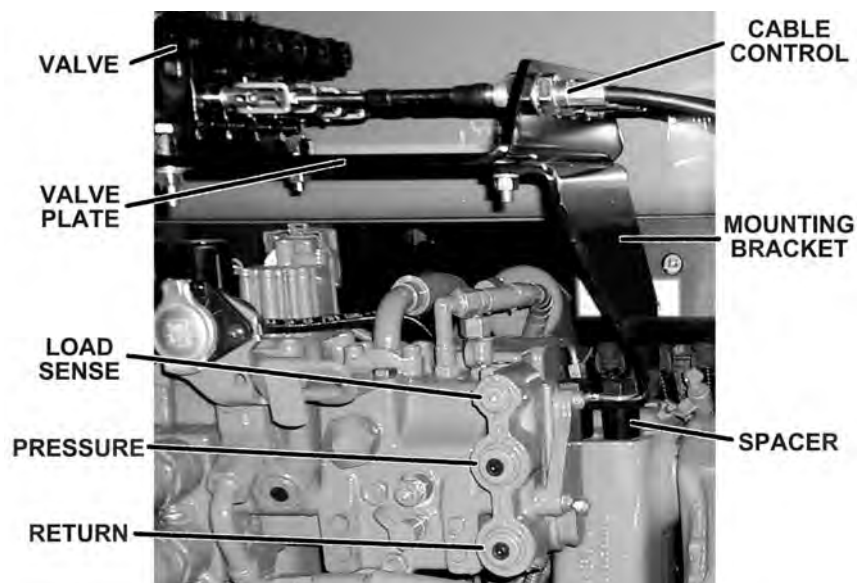
## MANUAL LIFT VALVE PORTS

(ASM-C-0057)



## VALVE MOUNTING

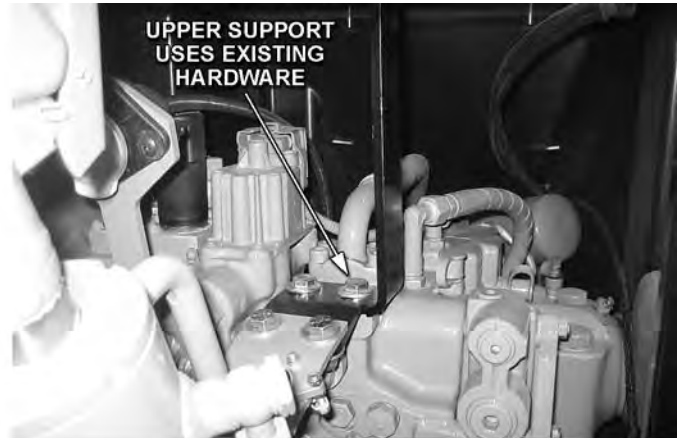
Locate the existing holes on top of the tractor remote valve at the rear of the tractor. Spacers are needed under the valve mounting bracket to raise the valve mounting system to the required height. Secure the bracket to the tractor with hardware shown in the Parts Section of the manual. Attach the valve mounting plate to the valve mounting bracket on the rear of the tractor as shown below. Align the holes for the cables on the Husco control valves and center the Danfoss valve on the valve plate. Then align the holes on the valve with the plate holes and secure the lift valve on top of the mounting plate. Route the hydraulic lines from the lift valve to the hydraulic cylinders as noted on the lift valve page of the Parts Section. Install the control cables to the valve and the mounting plate on the Husco valves. On the Danfoss valves, attach the electrical control cables. (ASM-JD7X30-0001)



# ASSEMBLY

## 6105-25R VALVE MOUNTING

The mounting bracket for JD 6105-25R series tractors features two long legs which need to be attached as shown in the photos below. Secure the bracket to the tractor with hardware shown in the Parts Section of the manual. Align the holes for the cables on the Husco control valves and center the Danfoss valve on the valve plate. Then align the holes on the valve with the plate holes and secure the lift valve on top of the mounting plate. Route the hydraulic lines from the lift valve to the hydraulic cylinders as noted on the lift valve page of the Parts Section. Install the control cables to the valve and the mounting plate on the Husco valves. On the Danfoss valves, attach the electrical control cables. (ASM-JD7X30-0001 JD6105R)





# ASSEMBLY

## FILLING HYDRAULIC RESERVOIR

Refer to the Maintenance Section for filling specifications and hydraulic oil requirements.

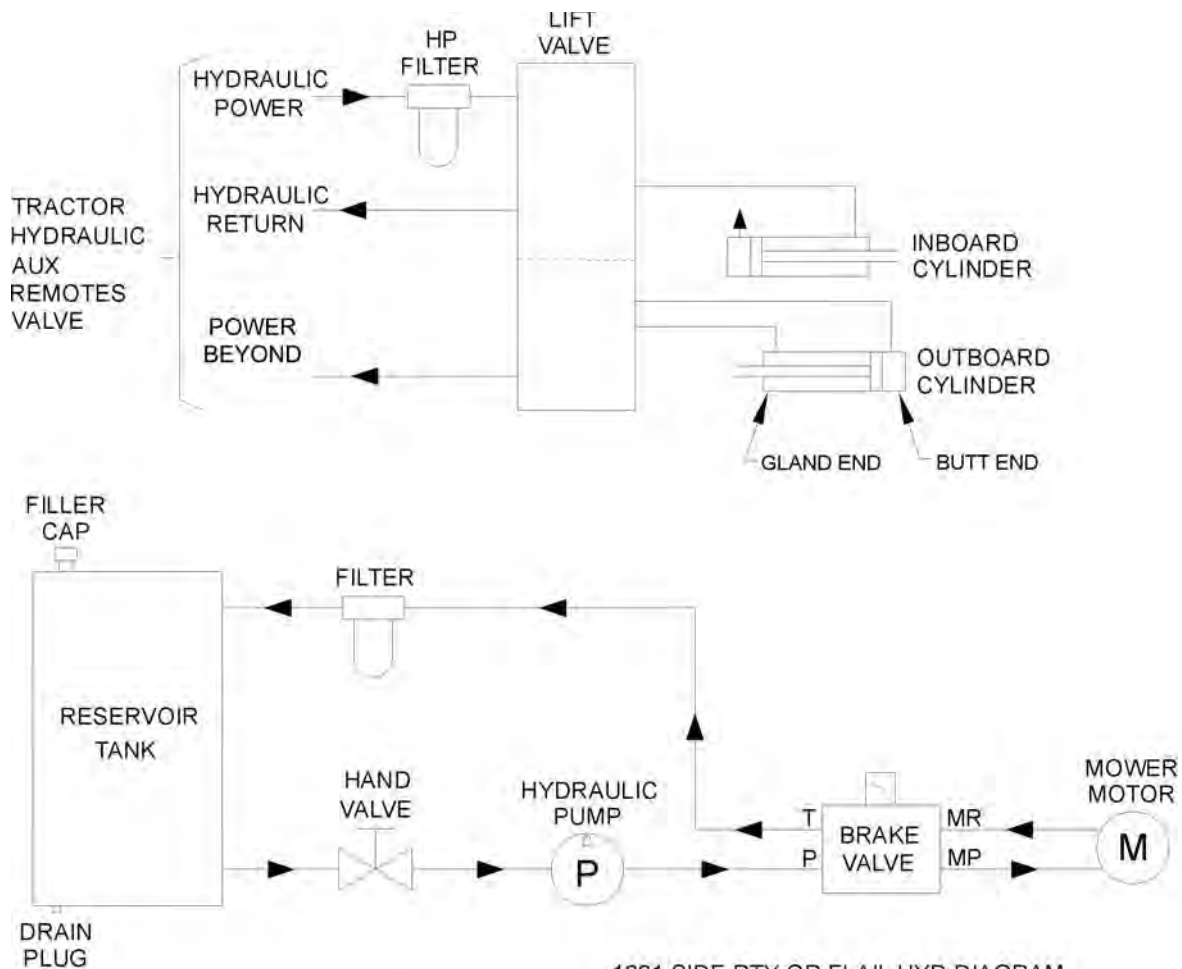
**NOTE: Starting or running your Tiger mower before filling reservoir will cause serious damage to the hydraulic pump.**

(ASM-C-0004hydro resrv)

## WHEEL SPACERS

When mounting a boom mower, a spacer kit is needed for both rear wheels (part # 06200637). After removing the wheels attach the spacer to the wheel portion of the axle with the hardware provided. When you are ready to re-attach the wheel, the wheel goes on first then the reinforcement ring and finally the hardware provided. (ASM-JD-0099)

## SIDE MOWER HYDRAULIC DIAGRAM



1321 SIDE RTY OR FLAIL HYD DIAGRAM

(ASM-C-0090 T4)

# ASSEMBLY

## WHEEL WELL HYDRAULIC TANK INSTALLATION

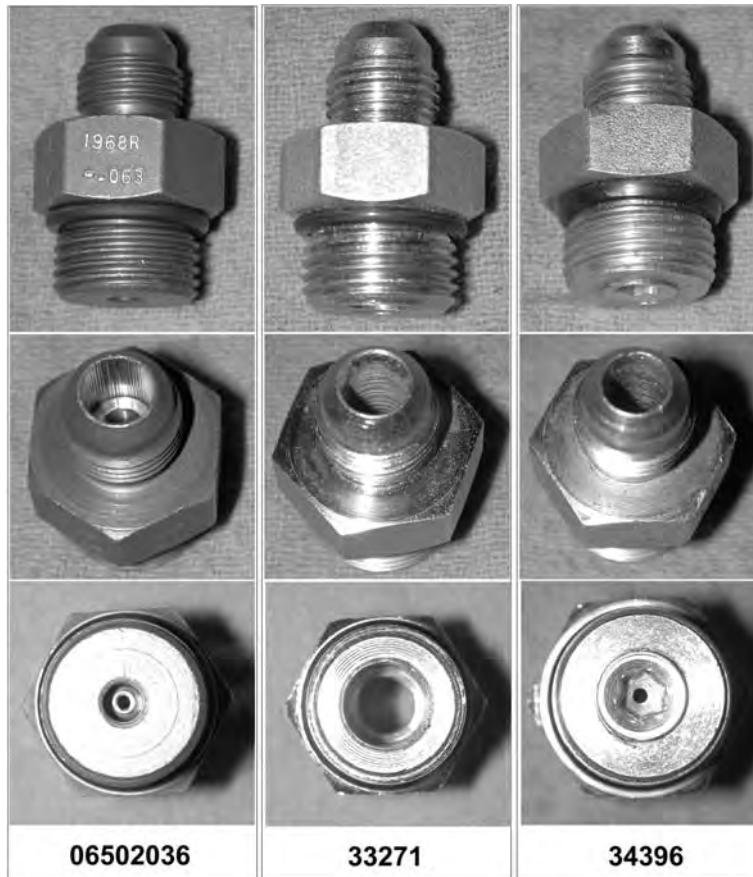
Install all fittings and tubes into tank and tank filter as shown in the Parts Section illustration. Insert tank sight glass onto the tractor side of the tank.

Place the tank in the mounting bracket on the axle brace as shown in the Parts Section. Secure the tank with the hardware provided.

Install the filter gauge into the filter housing so that it points to the rear of the tractor and is clearly visible to the operator. The tank breather cap is ready for use as the tank is filled. Some of these items may already be installed. (ASM-C-0103)

### \*NOTE ON HUSCO CONTROL VALVES\*

Manual, cable controlled (Husco control valve) boom mowers require check valves with integral restricting orifice (#06502036) installed in the control valve work ports that are connected to the gland ends of the main and secondary boom cylinders. This check valve allows oil to free flow into the gland end of the main and secondary boom cylinders, but restricts flow out of the cylinder, thereby providing proper boom control. This check valve, #06502036 (Vendor #1968R-.063) is similar in appearance to hose adapter #33271 and Adapter #34396, with .06 orifice. These components can be identified as follows, and are to be installed per Parts Section for the lift valve. (ASM-HUSCO-0001)



# ASSEMBLY

## GENERAL HOSE INSTALLATION

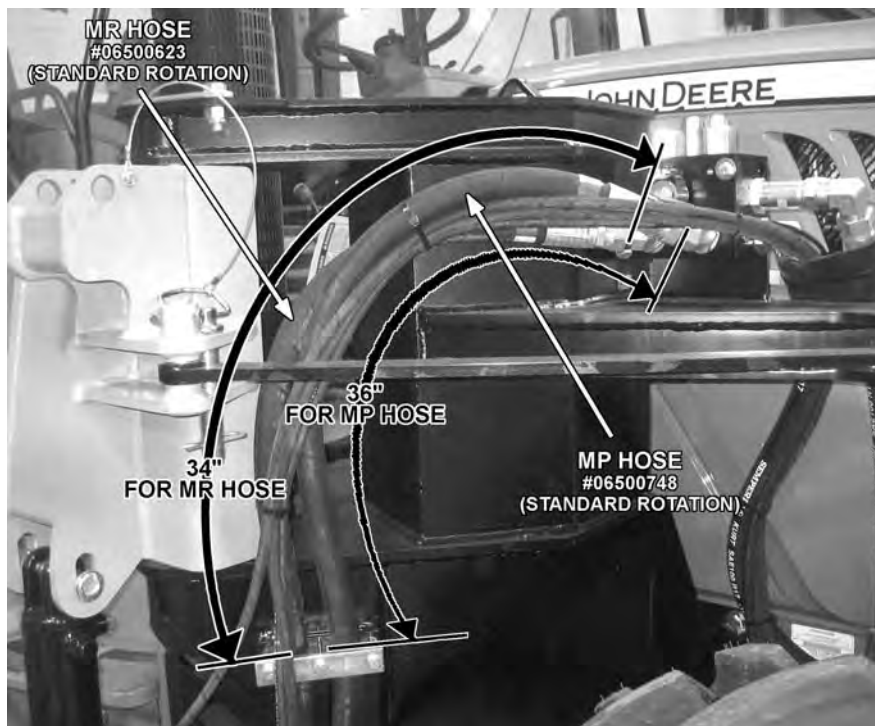
Refer to the Parts Section for more information about hoses and fittings for this application.

When mounting the suction hose between the pump and the tank, the stainless steel bands that are provided must be used. CAUTION: DO NOT use regular hose clamps for this purpose.

For protection of hoses in contact with metal edges, wrap hoses with split hose sections and fasten with hose clamps or zip ties as needed. (ASM-C-0011a)

## SIDE FLAIL HOSE ROUTING

Orient mower "MP" and "MR" hoses as shown in the photo below. Measure along hose from JIC swivel fitting on hose to top of hose clamp on mainframe. Also, to provide adequate clearance for hoses, the bottom 4" of the right hand steps need to be cut off as indicated in the second photo. (ASM-JD-6105M SIDE FLAIL HOSE ROUTING) .



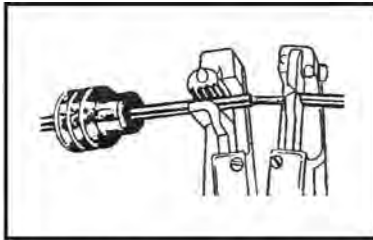
# ASSEMBLY

## WEATHER-PACK / METRI-PACK ASSEMBLY

These instructions apply to both Weather-Pack and Metri-Pack connectors.

**NOTE: Use the specific tool for the type of connector you are assembling.**

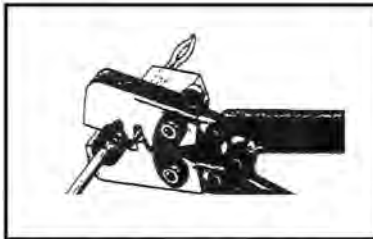
(ASM-C-0009)



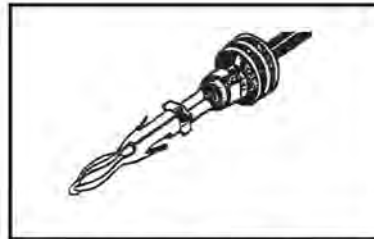
1. Apply seal to cable, before stripping insulation.



2. Align seal with cable insulation.



3. Put terminal in crimping tool, then position wire and seal in place.



4. Crimp and visually inspect for a good crimp before installing in connector body.

## HOSE COVERING

Secure hoses together with zip ties wherever loose. Wrap the hoses with the hose covers as illustrated in the Parts Section. Where hoses may contact the frame or other edges, wrap with split hose and secure with hose clamps or zip ties. On non-cab units the pressure and return hoses from the control valve will also need to be routed inside the protective clear hose wrap.

(ASM-C-0019)

## SOLENOID BRAKE VALVE

Install a solenoid valve mounting bracket with the supplied hardware. While installing fittings to the brake valve, the electrical coil on the spool must be removed to make room. When reinstalling the coil, it is important to use no more than 5 ft. lbs. (or 60 in. lbs.) torque. **Over torque to the coil will result in hydraulic failure of spool.** (ASM-C-0017)

## TEMPERATURE GAUGE MOUNTING (OPTIONAL)

Mount the temperature gauge where it is clearly visible to the operator. Attach the green (-) wire from the negative post on the gauge to a grounded bolt on the tractor frame. Remove paint if needed to make a good ground. Remove the pipe plug from the side of the hydraulic reservoir and install the temperature sensor using thread sealing tape. Run the white wire from the (s) sensor post of the gauge to the temperature sensor on the hydraulic reservoir tank. (ASM-C-0051)

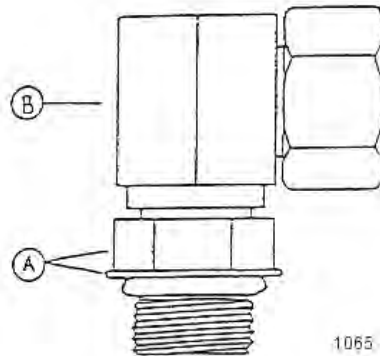
# ASSEMBLY

## INSTALLING NATIONAL PIPE FITTINGS

Whenever installing a pipe fitting, wrap the threads clockwise (looking at the end) with teflon tape. In this way, the tape will be tightened when installed. NOTE: It is not necessary to tape O-ring fittings, or those installed in swivels.

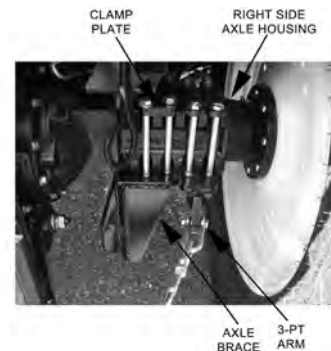
## INSTALLING O-RING FITTINGS

Installing straight, 45 degree and 90 degree O-ring fittings requires that the O-ring, washer and nut (A) be up against the swivel body (B). Insert the swivel and turn in until the swivel is pointed in the right direction and O-ring contact is made. Hold swivel in set direction with a wrench and turn the O-ring nut away from the swivel body and carefully tighten. (ASM-C-0002)



## AXLE BRACE MOUNTING

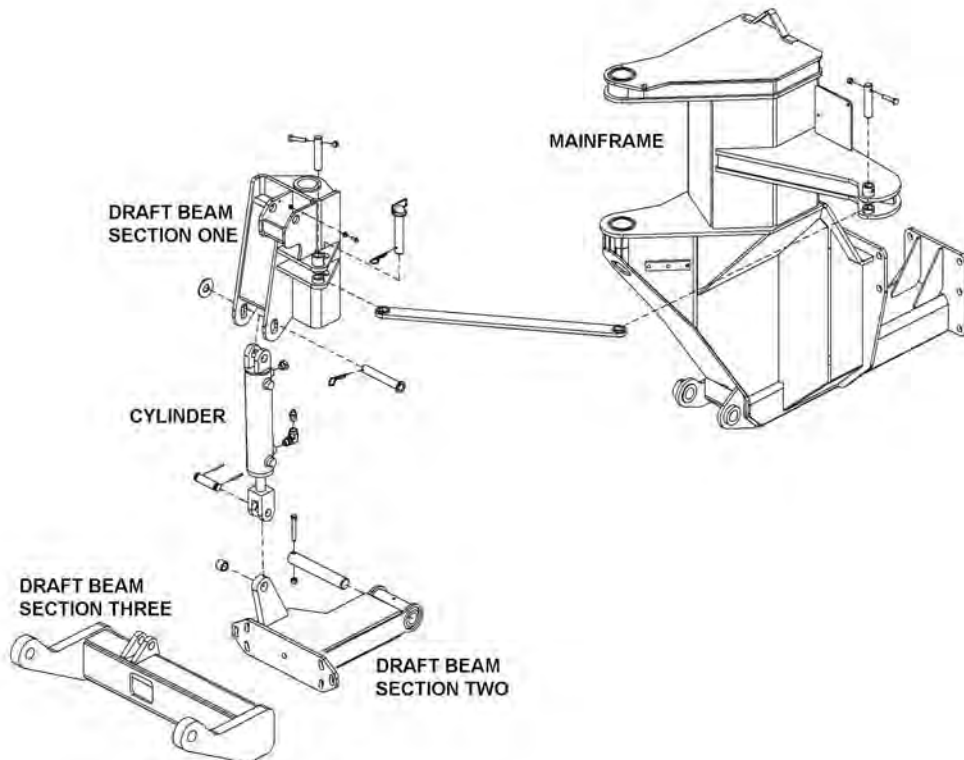
Position the right axle brace under the tractor right hand side. Raise the brace up to the matching mounting holes in the mainframe and rear axle housing. Note the right side brace is installed on outside edge of the mainframe and the left side brace is installed on the inside edge of the mainframe. Pictures below show right side brace installation. Install the clamp plate with capscrews, washers and nuts as shown in the mainframe Parts Section. Apply Loctite to the threads and torque to the values noted in the torque chart located in the Maintenance Section of this manual. (ASM-JD-0072).



# ASSEMBLY

## T4 DRAFT BEAM INSTALLATION

Install draft beam section one (06350025) onto mainframe. Install draft beam section two (06350026) onto mainframe. Install elbow and restrictor fitting into gland end of draft beam cylinder. Connect hose (06500741) into restrictor in gland end of draft beam cylinder. Connect other end of hose to A-port of first section of Husco lift valve. Install breather into butt end port of draft beam cylinder. Install draft beam section three (06350027 flail or 06350028 rotary) onto draft beam section two. See Parts Section for hardware used. *(ASM-SIDE MNTS-0001 T4 flail)*

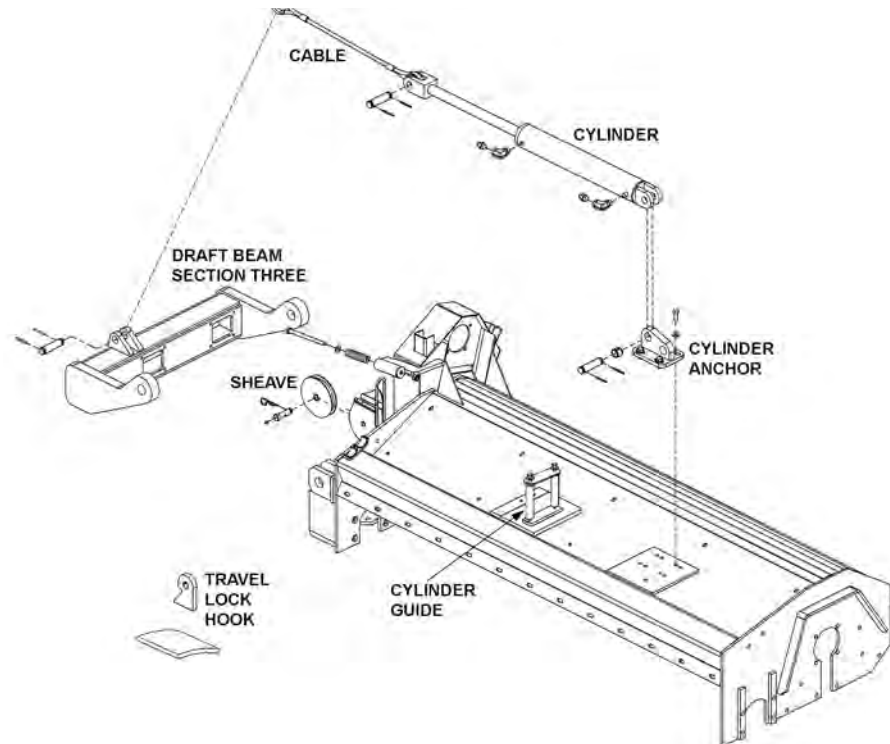


# ASSEMBLY

## FLAIL MOUNTING T4

Check that all grease zerks have been installed in the draft beam's pivot arm, linkage arms and cylinder mounting ears.

Install mower onto draft beam 06350027 (flail) using the hardware shown in the Parts Section. Orient bottom of flail skid shoes horizontal to ground and tighten bolts securing the third section of the draft beam to the second section. Install cylinder anchor and cylinder onto mower, placing cylinder through cylinder guide. Install sheave, cable and hardware to the mower and draft beam. Install elbow and restrictor into both ports of cylinder 06501023.



Connect one of the hoses to each end of the cylinder. Connect the hose from the gland end of the cylinder to the A-port of the second section of the Husco lift valve. Connect the hose from the butt end of the the cylinder to the B-port of the second section of the Husco lift valve. See illustration in the Parts Section. (ASM-SIDE MNTS-0002 flail T4)

# ASSEMBLY

## LIMIT SWITCH MOUNTING

### ASSEMBLING LIMIT SWITCH

Mount bracket as shown on the rear arm of the draft beam, (Fig. A) parallel to the draft beam arm. Weld plate as shown.

Assemble limit switch with wheel on body side of arm and with the rear of arm mount aligned with fourth notch on arm as shown in Fig. C. Fasten limit switch cam to bonnet with pin bolt and flatwasher. See the Parts Section for more information and hardware used.

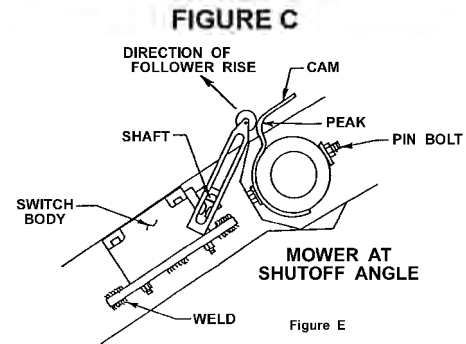
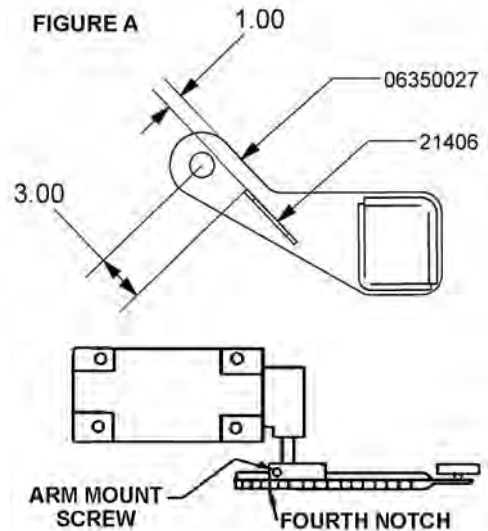
### ADJUSTING LIMIT SWITCH

To adjust switch do as follows:

1. With cam in place and pin bolt installed, raise mower to desired shutoff angle.
2. With pin bolt loosened turn cam until roller follower just reaches peak (see Figure E) and tighten pin bolt.
3. With switch arm mount screw loosen turnshaft with screwdriver in direction of follower rise while holding follower against cam peak until switch clicks off and hold while tightening arm mount screw.

### WIRING LIMIT SWITCH

Remove top cover on switch to expose terminals. Connect red wire to either of the back terminals, and the black wire to the other back terminal. Cut the white wire to solenoid valve at a place closest to the tilt-angle switch. Connect the red wire to one of the cut ends and the black wire to the other end. This connects the switch in series with the solenoid valve. (ASM-C-0028a)



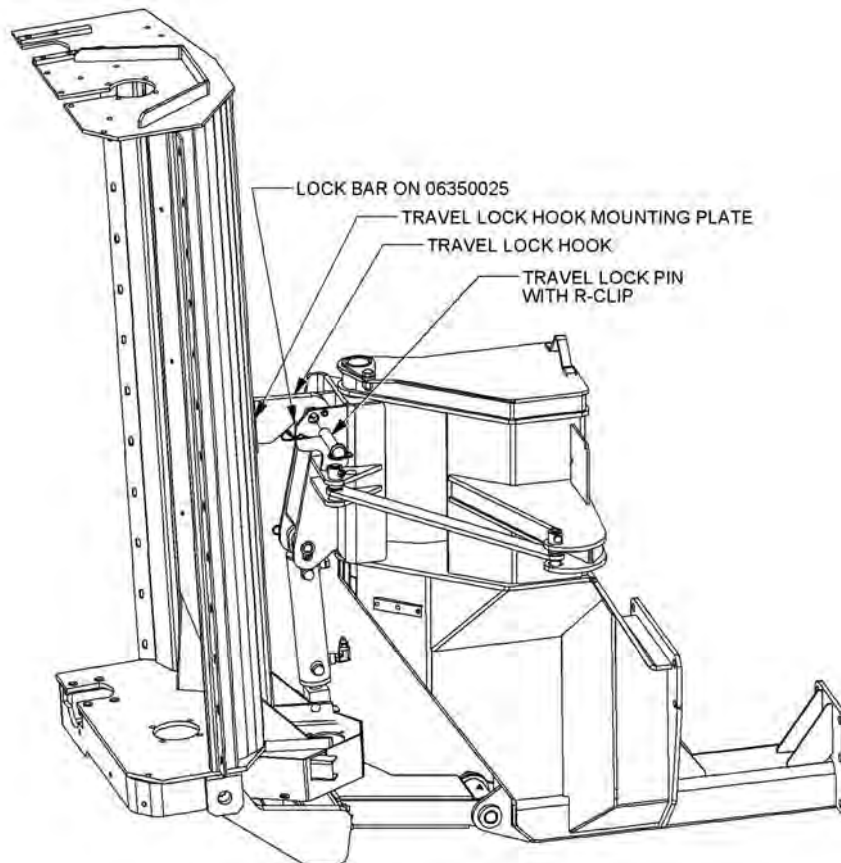


# ASSEMBLY

## FLAIL TRAVEL LOCK MOUNTING

To install the travel lock hook, lift the mower, operating draft beam cylinder to within 3/4" of fully retracted. Operate deck roll cylinder to within 1/8" of fully retracted. Adjust location of cylinder anchor #06350014 to orient the mower to approximately vertical. Then position travel lock hook #06402389 onto lock bar on #06350025 weldment and mounting plate TF4248 onto mower. Tack weld mounting plate to mower and hook to mounting plate. Lower mower to horizontal and finish weld with 1/4" fillet all around base of plate and hook.

Raise the flail to its upright position as shown below. Insert the supplied pin through hole and secure with the R clip. *(ASM-SIDE TRVL LOCK-0002 flail T4)*



# ASSEMBLY

## FLAIL / MOTOR FEEDLINE

Install one 1" hose with a 90 degree flange on the side of the motor facing the front of the tractor to the MR port of the solenoid valve. Secure to the motor using the flange kit. Install the other 1" hose with a 90 degree flange on the side of the motor facing the rear of the tractor to the MP port of the solenoid valve. Secure to the motor using the flange kit. For reverse rotation, switch the hoses to the opposite locations at the solenoid valve.

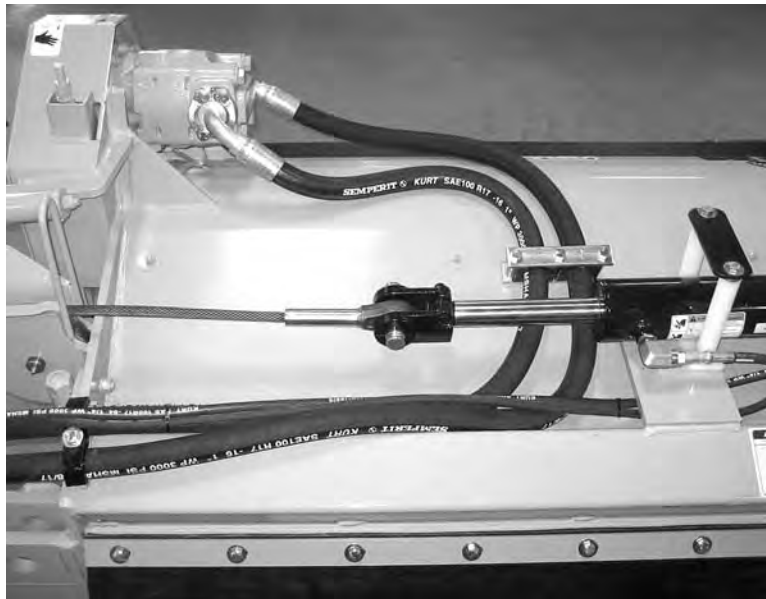
Install split hoses around hydraulic hoses where they contact sharp edges, or any other edges that may rub hoses. Wrap the hoses in the hose wrap and route as shown below. Hose installation is close to the cylinder rod clevis end. Check to ensure that the cylinder clevis clears hoses.

Be sure that all grease zerks are installed in the draft beam pin bosses. Grease all areas of the draft beam according to the instructions in the Maintenance Section. Re-check all fittings for tightness and be sure teflon tape has been used at all pipe thread connections.

Fill hydraulic tank with fluid as recommended in the Maintenance Section. **BE SURE TO OPEN THE BALL VALVES.** Start the tractor and operate the inboard cylinder through the entire stroke and the outboard cylinder through the bottom  $\frac{3}{4}$  stroke repeatedly to clear the lines of air.

Check for oil leaks at all fittings and connections using a piece of paper or cardboard. If a leak is found, you must shut down the tractor and set the cutter head on the ground. Before attempting to fix the leak, you must actuate the lift valve handles several times to relieve any pressure in the lines. **DO NOT USE HANDS TO CHECK FOR FLUID LEAKS!**

Raise the three point hitch and check the tractor internal hydraulics, fill to proper level if needed. (ASM-SIDE MNTS-0007 flailT4)



# ASSEMBLY

## FINAL PREPARATION FOR OPERATION

Place operator's safety and operation decals on the steering column and side console where they are clearly visible to the operator. These decals should be understood by each operator of the machine in conjunction with the Safety and Operation Sections of this book. The decals are to remain in good condition as a reminder to the operator, and should be replaced if damaged.

Double check that all pivot points have been greased. Secure all hoses together with zip ties and wrap with split hose sections where friction may occur on the hose.



**BEFORE** starting or operating the tractor you must read and understand the Safety and Operation Sections of this manual completely.

**Before operating the mower**, the cutter head and draft beam should be slowly moved throughout the full range of motion. Watch for any condition that would cause pinching or excess stress on the hoses. The steering and front axle travel should also be carefully moved through their full range of motion. If any condition occurs in which the hoses contact the tires, the steering and / or front axle travel may need to be limited as described in the tractor operator's manual. This should also be done if the tires rub, or are extremely close to any other part of the mower such as the hydraulic tank or draft beam. This may include adding shims, or adjusting stop bolts in the tractor front to solve the problem. While checking motion, you should also check that the control circuits are connected according to the operator's decal for the valve handles.

## MOWER TESTING

Take the tractor to a place free of loose objects on the ground. Operate the cylinders through their full range of motion again, to clear the lines of air. Follow the instructions in the Operation Section to operate the mower. Vibration of the mower should be minimal at all times. After a 5 minute test run, the knife bolts should be retorqued and once again after the first few hours of operation.

**If any parts of this Assembly Section, or any other section of this manual are not clearly understood you must contact your dealer or the address on the front of this manual for assistance!** (ASM-C-0022)

# ASSEMBLY

# OPERATION SECTION

Operation Section 3-1

# OPERATION

## TIGER SIDE AND REAR FLAIL MOWER OPERATING INSTRUCTIONS

Tiger Side and Rear flail mowers are manufactured with quality material by skilled workers. These mowers are designed for cutting grass and small weeds. The mower is equipped with protective deflectors to prevent objects being thrown from the mower by the blades, however, no shielding is 100% effective. All shields, guards, and deflectors equipped on the mower must be maintained in good operational condition.

It is the operator's responsibility to be knowledgeable of all potential operating hazards and to take every reasonable precaution to ensure oneself, others, animals, and property are not injured or damaged by the mower, tractor, or a thrown object. Do not operate the mower if passersby, pets, livestock, or property are within 100 yards of the unit.

This section of the Operator's Manual is designed to familiarize, instruct, and educate safe and proper mower use to the operator. Pictures contained in this section are intended to be used as a visual aid to assist in explaining the operation of a Side and Rear flail mower and are not specific to any model. Some pictures may show shields removed for picture clarity. NEVER operate implement without all shields in place and in good operational condition. The operator must be familiar with the mower and tractor and all associated safety practices before operating the mower and tractor. Proper operation of the mower, as detailed in this manual, will help ensure years of safe and satisfactory use of the mower.

**IMPORTANT:** To avoid mower damage, retorque all bolts after the first 10 hours of operation. Refer to the Torque Chart at the end of the Maintenance Section to ensure bolts are properly tightened.

**READ AND UNDERSTAND THE ENTIRE OPERATING INSTRUCTIONS AND SAFETY SECTION OF THIS MANUAL AND THE TRACTOR MANUAL BEFORE ATTEMPTING TO USE THE TRACTOR AND IMPLEMENT.** If you do not understand any of the instructions, contact your nearest authorized dealer for a full explanation. Pay close attention to all safety signs and safety messages contained in this manual and those affixed to the implement and tractor. (OPS-U-0001)

READ, UNDERSTAND, and FOLLOW the following Safety Messages. Serious injury or death may occur unless care is taken to follow the warnings and instructions stated in the Safety Messages. Always use good common sense to avoid hazards. (SG-2)



Si no lee ingles, pida ayuda a alguien que si lo lea para que le traduzca las medidas de seguridad. (SG-3)



# OPERATION

## 1. OPERATOR REQUIREMENTS

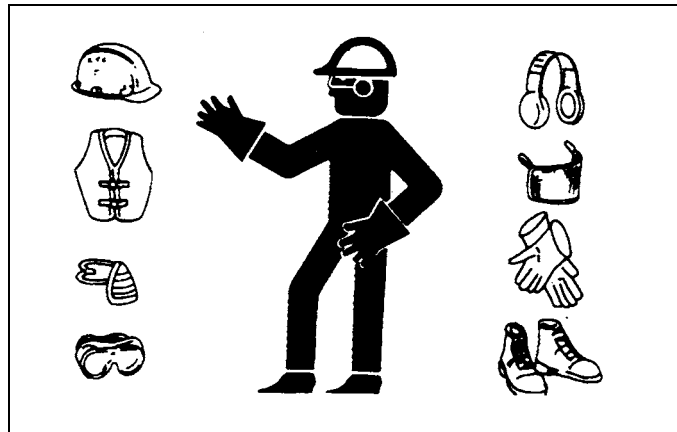
Safe operation of the unit is the responsibility of a qualified operator. A qualified operator has read and understands the implement and tractor Operator's Manuals and is experienced in implement and tractor operation and all associated safety practices. In addition to the safety messages contained in this manual, safety signs are affixed to the implement and tractor. If any part of the operation and safe use of this equipment is not completely understood, consult an authorized dealer for a complete explanation.

If the operator cannot read the manuals for themselves or does not completely understand the operation of the equipment, it is the responsibility of the supervisor to read and explain the manuals, safety practices, and operating instructions to the operator.

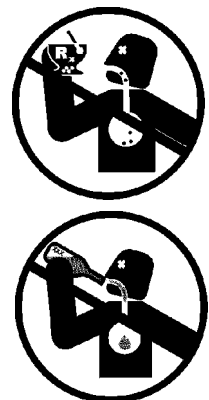
Safe operation of equipment requires that the operator wear approved Personal Protective Equipment (PPE) for the job conditions when attaching, operating, servicing, and repairing the equipment. PPE is designed to provide operator protection and includes the following safety wear:

### PERSONAL PROTECTIVE EQUIPMENT (PPE)

- Always Wear Safety Glasses
- Hard Hat
- Steel Toe Safety Footwear
- Gloves
- Hearing Protection
- Close Fitting Clothing
- Respirator or Filter Mask (depends on operating conditions) (OPS-U-0002)



NEVER use drugs or alcohol immediately before or while operating the Tractor and Implement. Drugs and alcohol will affect an operator's alertness and coordination and therefore affect the operator's ability to operate the equipment safely. Before operating the Tractor or Implement, an operator on prescription or over-the-counter medication must consult a medical professional regarding any side effects of the medication that would hinder their ability to operate the E quipment safely. NEVER knowingly allow anyone to operate this equipment when their alertness or coordination is impaired. Serious injury or death to the operator or others could result if the operator is under the influence of drugs or alcohol. (SG-27)



# OPERATION

## **2. TRACTOR REQUIREMENTS**

The tractor used to operate the mower must have the power, capacity and required equipment to safely operate the mower at a ground speed between 2 and 5 MPH. Operating the mower with a tractor that does not meet the following requirements may cause tractor or mower damage and could be a potential danger to the operator and passersby.

### **Tractor Requirements and Capabilities**

- ASAE approved Roll-Over Protective Structure (ROPS) or ROPS cab and seat belt.
- Tractor Safety Devices ..... Slow Moving Vehicle (SMV) emblem, lighting, PTO master shield
- Tractor Horsepower-Minimum ..... 65 HP Min Recommended
- Power Take Off ..... 540 RPM

### **2.1 ROPS and Seat Belt**

The tractor must be equipped with a Roll-Over-Protective-Structure (ROPS) (tractor cab or roll-bar) and seat belt to protect the operator from falling off the tractor, especially during a roll over where the driver could be crushed and killed. Only operate the tractor with the ROPS in the raised position and seat belt fastened. Tractor models not equipped with a ROPS and seat belt should have these life saving features installed by an authorized dealer. *OPS-U- 0003*



Operate this Equipment only with a Tractor equipped with an approved roll-over-protective system (ROPS). Always wear seat belts. Serious injury or even death could result from falling off the tractor--particularly during a turnover when the operator could be pinned under the ROPS. (SG-7)



### **2.2 Tractor Safety Devices**

If transporting or operating the tractor and implement near a public roadway, the tractor must be equipped with proper warning lighting and a Slow Moving Vehicle (SMV) emblem which are clearly visible from the rear of the unit. Lights and a SMV emblem must be equipped directly on implements if the visibility of the tractor warning signals are obscured.

Maintain all manufacturer equipped safety shields and guards. Always replace shields and guards that were removed for access to connect, service, or repair the tractor or implement. Never operate the tractor PTO with the PTO master shield missing or in the raised position. *OPS-U- 0004*

### **2.3 Tractor Horsepower**

The horsepower required to operate the mower depends on many factors including the vegetation to be cut, terrain condition, operator experience, and condition of the mower and tractor. For most mowing conditions, the Side and Rear mowers require a tractor with at least 65HP. Operating the mower with a tractor that does not have adequate power may damage the tractor engine.



# OPERATION

## 2.4 Front End Weight

Maintain a minimum of 20% total tractor weight on the tractor front end at all times. Front end weight is critical to maintain steering ability and to prevent the front end from rearing up. Consult your authorized tractor dealer for front weights and carriers.

## 2.5 Power Take Off (PTO)

Only operate the mower on a tractor equipped to operate at 540 rpm PTO speed. Tractors operating at 540 rpm will have a 1-3/8" diameter 6-spline PTO shaft stub. Refer to the tractor operator's manual for operating the PTO at the proper speed.

If operating an older model tractor where the tractor's transmission and PTO utilize one master clutch, an over-running clutch must be used between the PTO output shaft and the driveline of the mower. Consult an authorized tractor dealer to purchase and install an over-running clutch if needed.



**DO NOT** use a PTO adapter to attach a non-matching Implement driveline to a Tractor PTO. Use of an adapter can double the operating speed of the Implement resulting in excessive vibration, thrown objects, and blade and implement failure. Adapter use will also change the working length of the driveline exposing unshielded driveline areas. Serious bodily injury and/or equipment failure can result from using a PTO adapter. Consult an authorized dealer for assistance if the Implement driveline does not match the Tractor PTO.

(S3PT-14)



Never operate the Tractor and Mower if the Implement input driveline is directly connected to the Tractor transmission. Tractor braking distances can be substantially increased by the momentum of the rotating Mower blades driving the Tractor transmission even though the Tractor clutch has been disengaged. Install an over running clutch between the Tractor PTO and the Mower driveline to prevent this potentially dangerous situation. (S3PT-16)

## 3. GETTING ON AND OFF THE TRACTOR

Before getting onto the tractor, the operator must read and completely understand the implement and tractor operator manuals. If any part of either manual is not completely understood, consult an authorized dealer for a complete explanation. OPS-U-0007



Do not mount or dismount the Tractor while the tractor is moving. Mount the Tractor only when the Tractor and all moving parts are completely stopped. (SG-12)



# OPERATION

## 3.1 Boarding the Tractor

Use both hands and equipped handrails and steps for support when boarding the tractor. Never use control levers for support when mounting the tractor. Seat yourself in the operator's seat and secure the seat belt around you.

Never allow passengers to ride on the tractor or attached equipment. Riders can easily fall off and be seriously injured or killed from falling off and being ran over. It is the operator's responsibility to forbid all extra riders at all times. OPS-U- 0008



Never allow children to operate, ride on, or come close to the Tractor or Implement. Usually, 16-17 year-old children who are mature and responsible can operate the implement with adult supervision, if they have read and understand the Operator's Manuals, been trained in proper operation of the tractor and Implement, and are physically large enough to reach and operate the controls easily. (SG-11)



Never allow children or other persons to ride on the Tractor or Implement. Falling off can result in serious injury or death. (SG-10)



Do not mount or dismount the Tractor while the tractor is moving. Mount the Tractor only when the Tractor and all moving parts are completely stopped. (SG-12)



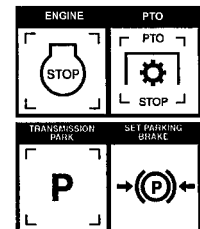
## 3.2 Dismounting the Tractor

Before dismounting, park the tractor and implement on a reasonably level surface, apply the parking brake, idle the engine down, disengage the PTO, and lower the implement to the ground. Shut down the tractor engine according to the operator's manual, remove the key, and wait for all motion to completely stop. Never leave the seat until the tractor, its engine and all moving parts have come to a complete stop.

Use hand rails and steps when exiting the tractor. Be careful of your step and use extra caution when mud, ice, snow or other matter has accumulated on the steps or hand rails. Use all handrails and steps for support and never rush or jump off the tractor. OPS-U- 0009



BEFORE leaving the tractor seat, always set the parking brake and/or set the tractor transmission in parking gear, disengage the PTO, stop the engine, remove the key, and wait for all moving parts to stop. Place the tractor shift lever into a low range or parking gear to prevent the tractor from rolling. Never dismount a Tractor that is moving or while the engine is running. Operate the Tractor controls from the tractor seat only. (SG-9)



# OPERATION

## 4. STARTING THE TRACTOR

The operator must have a complete understanding of the placement, function, and operational use of all tractor controls before starting the tractor. Review the tractor operator's manual and consult an authorized dealer for tractor operation instructions if needed.

Essential Tractor Controls:

- Locate the light control switch.
- Locate the engine shut off control.
- Locate the brake pedals and the clutch.
- Locate the PTO control.
- Locate the 3-point hitch control lever.
- Locate the hydraulic remote control levers.

Before starting the tractor ensure the following:

- Conduct all pre-start operation inspection and service according to the tractor operator's manual.
- Make sure all guards, shields, and other safety devices are securely in place.
- The parking brake is on.
- The PTO control lever is disengaged.
- The 3-point hitch control lever is in the lowered position.
- The hydraulic remote control levers are in the neutral position.
- The tractor transmission levers are in park or neutral.

Refer to the tractor owner's manual for tractor starting procedures. Only start the tractor while seated and belted in the tractor operator's seat. Never bypass the ignition switch by short circuiting the starter solenoid.

After the tractor engine is running, avoid accidental contact with the tractor transmission to prevent sudden



Never run the Tractor engine in a closed building or without adequate ventilation. The exhaust fumes can be hazardous to your health. (SG-23)



Start tractor only when properly seated in the Tractor seat. Starting a tractor in gear can result in injury or death. Read the Tractor operators manual for proper starting instructions. (SG-13)



## 5. CONNECTING THE MOWER TO THE TRACTOR

Use extreme caution when connecting the mower to the tractor. The mower should be securely resting at ground level or setting on blocks. Keep hands and feet from under the mower deck and clear of pinch points between the tractor hitch arms and mower pins. OPS-R-0001

# OPERATION



Always shut the Tractor completely down, place the transmission in park, and set the parking brake before you or anyone else attempts to connect or disconnect the Implement and Tractor hitches. (S3PT-15)

## 5.1 Connecting the Rear Flail to the Tractor

1. Make sure the tractor is equipped with the correct PTO shaft. Change shafts if needed.
2. Shorten or remove the tractor drawbar to avoid interference when raising and lowering the mower.
3. Board the tractor and start the engine. Position the tractor to the mower with the 3-point lift arms positioned between the respective set of mower A-frame lift lugs. **Note:** Set the 3-point lift control to "Position Control" so that the lift arms maintain a constant height when attaching the mower. See the tractor Operator's Manual for correct settings when attaching 3-point equipment.
4. Turn off the tractor engine and dismount.
5. One lift arm at a time, align arm end hole between the set of A-frame lift lugs. Insert hitch pin through the lug and arm holes and insert retaining pin into hitch pin.
6. Walk around to opposite side and repeat procedure for remaining lift arm and hitch pin.
7. Extend or retract 3-point top link to align its end hole with the holes of the mower's top link. Insert the top link hitch pin and insert retaining pin into hitch pin.

Adjust any lower link check chains, guide blocks, or sway blocks to prevent the mower from swaying side to side and possible contact with tractor rear tires.



NOTE: Offset Adaptor Hitches are available to position the mower to the left or right. Mowers with Offset Adaptor hitches connect to the 3-Point hitch the same way as the mower A-frame.

# OPERATION

## 5.2 Connecting the Side Flails to the Tractor

1. Install the Draft Beam onto the Main Frame.
2. Raise the Draft Beam to line up with the the 'ears' on the Side Flail and install Pins and hardware.
3. Connect the Linkage and Cylinder to the Side Flail for a Combo Lift set-up or route and connect the cable to the Side Flail if it's a Cable Lift set-up.
4. Route and connect the hydraulic lines to the cylinders and from the Brake Valve to the Side Flail motor.



### **WARNING**

Do not operate this Equipment with hydraulic oil or fuel leaking. Oil and fuel are explosive and their presence could present a hazard. Do not check for leaks with your hand! High-pressure oil streams from breaks in the line could penetrate the skin and cause tissue damage including gangrene. To check for a hose leak, SHUT the unit ENGINE OFF and remove all hydraulic pressure. Wear oil impenetrable gloves, safety glasses and use Cardboard to check for evidence of oil leaks. If you suspect a leak, REMOVE the HOSE and have it tested at a Dealer. If oil does penetrate the skin, have the injury treated immediately by a physician knowledgeable and skilled in this procedure. (SG-15)



### **WARNING**

Avoid contact with hot surfaces including hydraulic oil tanks, pumps, motors, valves and hose connections. Relieve hydraulic pressure before performing maintenance or repairs. Use gloves and eye protection when servicing hot components. Contact with a hot surface or fluid can cause serious injury from burns or scalding. (SG-34)

### **DANGER**

**DO NOT** allow any person under a side mower unless mower is securely locked up or supported. **DO NOT** approach the Implement unless the Tractor is turned off and all motion has ceased. Never work under the frame work, or any lifted component unless the implement is securely supported or blocked up. A sudden or inadvertent fall by any of these components could cause serious injury or even death. (STI-03\_A)



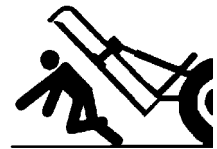
# OPERATION

## 6. SETTING THE MOWER

Properly setting the cutting height is essential for efficient and safe operation. A properly set mower will make a more uniform cut, distribute clippings more evenly, require minimal tractor work, and follow the contour of uneven terrain. **NOTE:** Avoid very low cutting heights, striking the ground with the blades gives the most damaging shock loads and will cause damage to the mower and drive. Blades contacting the ground may cause objects to be thrown out from under the mower deck. Always avoid operating the mower at a height which causes the blades to contact the ground. OPS-U- 0010



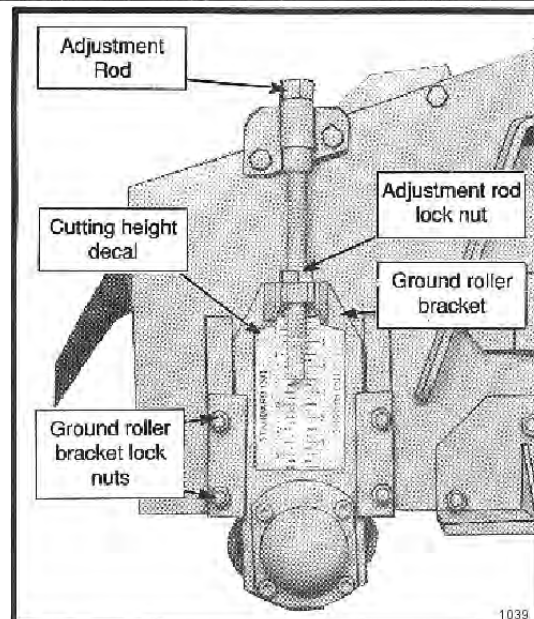
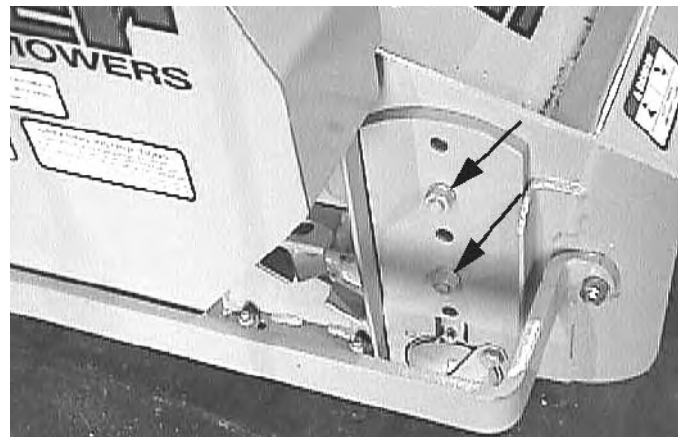
Never work under the Implement, the framework, or any lifted component unless the Implement is securely supported or blocked up to prevent sudden or inadvertent falling which could cause serious injury or even death. (SG-14)



### 6.1 Roller Height Adjustment

1. The mower's cutting height is set by positioning the roller assembly for each mower section. Each section must be set at the same height to ensure an even cut across the entire width of the mower.
2. Place the tractor and mower on a level surface and completely lower the mower to the ground.
3. Shut down the tractor, place the transmission in park, and set the parking brake before dismounting.
4. One section at a time, place lifting device (scissors jack or hydraulic jack) under center of cutter housing.
5. Remove hex nuts, washers and carriage bolts from brackets at each end of roller. Make certain that roller bracket is free to move once the fasteners are removed. A stuck roller could drop unexpectedly and cause injury.
6. For Standard Duty flails, use lifting device to reposition cutter housing to desired cutting height. Align bracket holes with cutter housing, then reinstall hardware.
7. For Heavy Duty flails, loosen the Adjustment rod lock nut and adjust height by turning the Adjustment Rod. Retighten the Adjustment rod lock nut and then reinstall hardware.
8. Lower cutter housing to the ground and remove lifting device.

Standard Duty



Side and Rear Flail

Operation Section 3-10

Heavy Duty

# OPERATION

Set cutting height according to procedures above for remaining two cutter sections. Make sure that all three rollers are set at the same height to ensure an even cut across the entire width of the mower.

## **6.2 Leveling Rear Flail Deck**

To facilitate a safe and efficient mowing operation, the mower should be operated parallel to the ground at all times. Never operate if front or rear of mower is tilted upward. Objects may be discharged at high speeds causing possible injury or even death.

Adjust Top Link to level mower roller adjustment. Side Skid Shoes should always be parallel to ground throughout the full adjustment range. Adjust cutting height of machine by raising or lowering rear roller as specified in Operation Section.



### **⚠️ WARNING**

Do not let the Blades turn when the Mower Deck is raised for any reason, including clearance or for turning. Raising the Mower deck exposes the Cutting Blades which creates a potentially serious hazard and could cause serious injury or even death from objects thrown from the Blades. (SRM-07)



## **7. DRIVELINE ATTACHMENT**

The driveline yoke and tractor PTO shaft must be dirt free and greased for attachment.

To connect the mower driveline to the tractor PTO output shaft, pull the driveline yoke collar back and align the grooves and splines of the yoke with those of the PTO shaft. Push the driveline yoke onto the PTO shaft, release the locking collar, and position the yoke until the locking collar balls are seated onto the PTO shaft. Push and pull the driveline back and forth several times to ensure a secure attachment.



After the driveline is securely attached, place the tractor PTO master shield back in the operating position. OPS-R-0003

# OPERATION

## **WARNING**

When attaching the Implement input driveline to the Tractor PTO, it is important that the connecting yoke spring activated locking collar slides freely and the locking balls are seated securely in the groove on the Tractor PTO shaft. Push and pull the driveline back and forth several times to ensure it is securely attached. A driveline not attached correctly to the Tractor PTO shaft could come loose and result in personal injury and damage to the Implement. (S3PT-17)

## **7.1 Driveline Length Check**

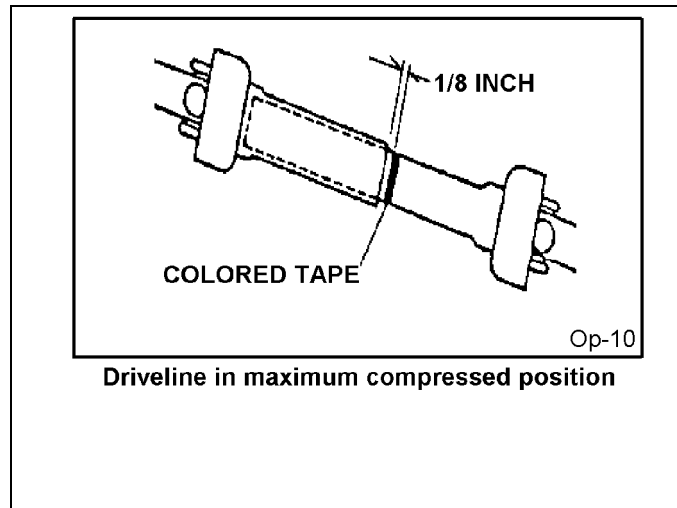
## **WARNING**

Before operating the Implement, check to make sure the Implement input driveline will not bottom out or become disengaged. Bottoming out occurs when the inner shaft penetrates the outer housing until the assembly becomes solid-it can shorten no more. Bottoming out can cause serious damage to the Tractor PTO by pushing the PTO into the Tractor and through the support bearings or downward onto the PTO shaft, breaking it off. A broken driveline can cause personal injury. (S3PT-18)

When fitting the mower to the tractor, the telescoping driveline must be inspected to ensure that at its most compressed position, the profiles do not “bottom out”, and when at its farthest extended position, there is sufficient engagement between the profiles to operate safely. At its shortest length, there must be at least a 1” clearance between each profile end and opposite profile universal joint. At its farthest operating extension, a minimum profile engagement of 12” must be maintained.

### **“Bottoming Out” Check Procedure**

- Disconnect driveline from the tractor and slide the profiles together until fully compressed.
- Place a mark on the inner shield 1/8” from the end of the outer shield and reattach the driveline to the PTO Shaft.
- With the **PTO NOT TURNING**, slowly drive the tractor with mower attached through the sharpest turn possible and watch shaft movement. With the **PTO NOT TURNING**, slowly drive the tractor with the mower attached through the most severe terrain conditions expected and watch shaft movement.
- If the distance between the mark and the outer shield becomes less than 2” at any point there is a potential problem bottoming out the driveline and the driveline should be shortened. OPS-F-0001

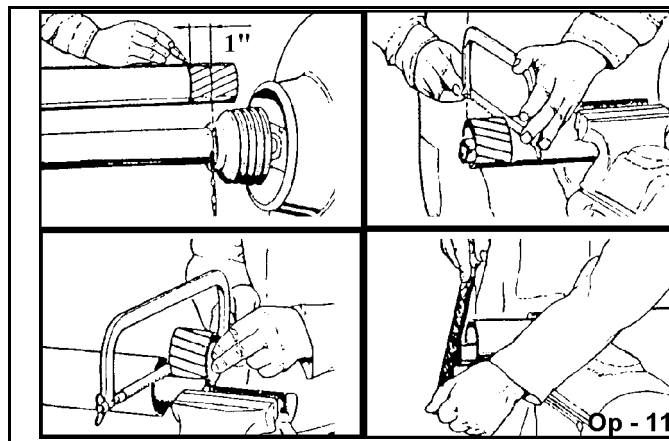




# OPERATION

## Shorten the driveline profiles as follows:

- Remove the driveline from the tractor.
- Position the mower to the point with the shortest distance between the tractor PTO shaft and cutter gearbox. Shut down the tractor and securely block the mower in this position.
- Pull driveline apart and reattach yoke to PTO shaft.
- Hold driveline sections parallel to one another and measure back 1" from yoke of each shaft and place mark on opposite section. Cut this length off with a saw.
- Round off all sharp edges and debur.
- Thoroughly grease then reinstall the driveline.
- Recheck for proper operation.



## Engagement Check Procedure

- With the driveline attached, position the mower to the point where the telescoping driveline is at its maximum extension. Completely shut down the tractor and secure in position.
- Mark the inner driveline shield 1/8" from the end of the outer shield.
- Disconnect the driveline from the tractor and separate the two driveline halves.
- Measure the distance from the mark to the end of the inner profile. This length is the amount the driveline profiles were engaged.
- If the engaged length is less than 12" the shaft is considered too short and should be replaced with a longer shaft. Consult an authorized dealer to purchase the required driveline length.

**NOTE:** If the driveline cannot be shortened and still maintain the required profile engagement, the operator must be made aware of terrain conditions and avoid situations which pose a potential problem to avoid damaging the driveline. OPS-F-0002

## 8. PRE-OPERATION INSPECTION AND SERVICE

Before each use, a pre-operation inspection and service of the implement and tractor must be performed. This includes routine maintenance and scheduled lubrication, inspecting that all safety devices are equipped and functional, and performing needed repairs. DO NOT operate the unit if the pre-operation inspection reveals any condition affecting safe operation. Perform repairs and replacement of damaged and missing parts as soon as noticed. By performing a thorough pre-operation inspection and service, valuable down time and repair cost can be avoided. OPS-U-0029



Always disconnect the main PTO Driveline from the Tractor before performing service on the Implement. Never work on the Implement with the tractor PTO driveline connected and running. Rotating Parts, Blades or Drivelines could turn without warning and cause immediate entanglement, injury or death. (S3PT-11)

# OPERATION

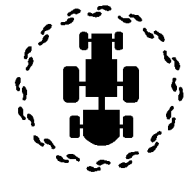
## **DANGER**

**DO NOT** allow any person under a folded wing unless wing is securely locked up or supported. **DO NOT** approach the Implement unless the Tractor is turned off and all motion has ceased. Never work under the frame work, or any lifted component unless the implement is securely supported or blocked up. A sudden or inadvertent fall by any of these components could cause serious injury or even death. (STI-03)



## **WARNING**

Periodically inspect all moving parts for wear and replace when necessary with authorized service parts. Look for loose fasteners, worn or broken parts, and leaky or loose fittings. Make sure all pins have attaching hardware. Serious injury may occur from not maintaining this machine in good working order. (SG-21\_A)



## **8.1 Tractor Pre-Operation Inspection/Service**

Refer to the tractor operator's manual to ensure a complete pre-operation inspection and scheduled service is performed according to the manufacturers recommendations. The following are some of the items that require daily service and inspection:

- Tire condition/air pressure
- Wheel lug bolts
- Steering linkage
- PTO shield
- SMV sign is clean and visible
- Tractor's lights are clean and functional
- Tractor Seat belt is in good condition
- Tractor ROPS is in good condition
- ROPS is in the raised position
- No tractor oil leaks
- Radiator free of debris
- Engine oil level and condition
- Engine coolant level and condition
- Power brake fluid level
- Power steering fluid level
- Fuel condition and level
- Sufficient lubrication at all lube points
- Air filter condition *OPS-U-0030*



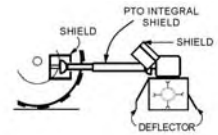
# OPERATION

## 8.2 Mower Pre-Operation Inspection/Service

Before each mower use, a complete inspection and service is required to ensure the mower is in a good and safe working condition. Damaged and/or broken parts should be repaired and/or replaced immediately. To ensure the mower is ready for operation, conduct the following. OPS-R-0007



All Safety Shields, Guards and Safety devices including (but not limited to) - the Deflectors, Steel Guards, Gearbox Shields, PTO integral shields, and Retractable Door Shields should be used and maintained in good working condition. All safety devices should be inspected carefully at least daily for missing or broken components. Missing, broken, or worn items must be replaced at once to reduce the possibility of injury or death from thrown objects, entanglement, or



Replace bent or broken blades with new blades. NEVER ATTEMPT TO STRAIGHTEN, WELD, OR WELD HARDFACING ON BLADES SINCE THIS WILL LIKELY CRACK OR OTHERWISE DAMAGE THE BLADE WITH SUBSEQUENT FAILURE AND POSSIBLY CAUSE SERIOUS INJURY FROM THROWN BLADES. (SGM-10)

The operator's manual and safety signs affixed on the unit contain important instructions on the safe and proper use of the equipment. Maintain these important safety features on the implement in good condition to ensure the information is available to the operator at all times.

- Ensure all safety signs are in place and legible. Replace missing, damaged, and illegible decals. OPS-U-0011\_A



- Check that the main driveline is securely attached to the tractor and the locking collar is seated in the groove of the PTO Shaft.
- Inspect that the 3-point hitch pins are the proper size, correctly installed and secured to the tractor lift arms with retaining pins inserted.
- Ensure side mower hydraulics are secure at both ends. OPS-F-0015\_A



# OPERATION

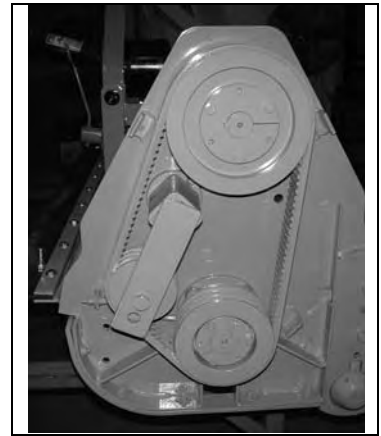
## OPERATION

- Ensure rubber deflectors are in position and not damaged. Replace worn, broken, and missing sections immediately.
- Ensure the rollers are in good condition and rotate freely.
- Ensure the driveline integral shield is in good condition and rotate freely.
- Inspect that all bolts and screws are in position and are properly torqued. *OPS-F- 0004*

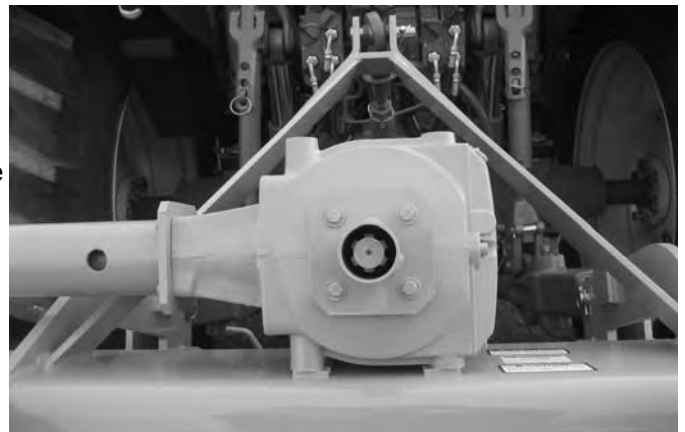


Op-255

- Inspect the condition of the side mowers and rear mower drive belts.
- Ensure the slip clutch (rear mower section only) is properly adjusted and the friction plates are not frozen together. Reference the Maintenance Section for proper slip clutch maintenance.
- Ensure the slip clutch shield and drive belts shields are in place and in good repair.
- Ensure the tractor PTO master shield is in place, lowered and in good condition. *OPS-F- 0005\_A*



- Inspect oil level in gearbox and replenish if needed. A low oil level is a warning sign that the gearbox may be cracked or its seal is damaged and needs to be replaced.
- Check the oil level in tank and replenish if needed. **NOTE:** Do not fill the tank with oil above the level of the sight gauge. Over filling the tank with oil after initial filling may result in oil being discharged through the breather cap on the top of the hydraulic tank.
- Perform scheduled lubrication as specified in the Maintenance Section. *OPS-F- 0006\_A*



## OPERATION

- Inspect cutter knives and knife pins for looseness and excessive wear. Make sure the mower is securely blocked up before crawling beneath. Replace damaged, worn, and missing knives as complete sets to maintain cuttershaft balance.
- Remove any grass or other debris which may be wrapped around the cuttershafts.
- Inspect the condition of deck skid shoes and hardware. *OPS-F- 0007*



OPERATION

# OPERATION

## Flail Mower PRE-OPERATION Inspection



O qy gt K %aaaaaaaaaaaaaaaaa      O cmg aaaaaaaaaaaaaaaaaaaaa

F cvg< aaaaaaaaaaaaaaaaa      Uj khv aaaaaaaaaaaaaaaaaaaaa



Before conducting the inspection, make sure the tractor engine is off, all rotation has stopped and the tractor is in park with the parking brake engaged. Make sure the mower is resting on the ground or securely blocked up and all hydraulic pressure has been relieved.

Table 1:

Kgo	Eqpf kkp cv Uctvqh Uj khv	Ur gekhe Eqo o gpw kh pqv QOM
Vj g Qr gtcvt ai O cpwcnku kp vj g ecplugt		
Cmuchgv f gecnu ctg kp r rceg cpf rgi kdng		
Vj g O qwpvpi Itco g dqnu ctg kp r rceg cpf vki j v		
Vj g eqppgevkpu dqnu ( r kpu ctg vki j v		
Vj gtg ctg pq etcemu kp o qy gt		
Vj g J { ftcwle E { rpf gtur kpu ctg vki j v		
Vj g J { ftcwle Rwo r j qug eqppgevkpu ctg vki j v		
Vj g J { ftcwle Xcixg j qug eqppgevkpu ctg vki j v		
Vj g J { ftcwle Xcixg eqpvtqu hpevkpu r tqr gtnf		
Vj gtg ctg pq rgnkpi qt fco ci gf j qugu		
Vj g J { ftcwle Qknrgxgnku hwm		
Vj gtg ku pq gxkf gpeg qhJ { ftcwle rcmu		
Vj g Drcf gu ctg pqvej kr r gf . etcemgf qt dgpv		
Vj g Drcf g dqnu ctg vki j v		
Vj g F ghrgvqtu ctg kp r rceg cpf kp i qaf eqpf kkp		
Vj g uj krf u ctg kp r rceg cpf kp i qaf eqpf kkp		
Vj g Unkf uj qgu ctg kp i qaf eqpf kkp ( vki j v		
Vj g J { f0o qvt o qwpvpi dqnu ctg vki j v		

Qr gtcvt ai Uki pcwtg<

**DO NOT OPERATE an UNSAFE TRACTOR or BOOM**

OPERATION

# OPERATION

## Tractor PRE-OPERATION Inspection



O qy gt F %aaaaaaaaaaaaaaaa

O cmg aaaaaaaaaaaaaaaaaaaaa

F cvg< aaaaaaaaaaaaaaaaaaaaa

Uj kMv aaaaaaaaaaaaaaaaaaaaa



Before conducting the inspection, make sure the tractor engine is off, all rotation has stopped and the tractor is in park with the parking brake engaged. Make sure the mower is resting on the ground or securely blocked up and all hydraulic pressure has been relieved.

**OPERATION**

Kgo	Eqpf kklap cvUctv qhUj kMv	Ur gekhe Eqo o gpw khpqvQMD
Vj g hruj lpi nk j vu hpxekqp r tqr gtnf		
Vj g UO X Uki p ku engcp cpf xkuldng		
Vj g vtgu ctg kp i qaf eqpf kklap y kj r tqr gt r tguwtg		
Vj g y j ggnwi dqmuctg w i j v		
Vj g vcevt dtenguctg kp i qaf eqpf kklap		
Vj g uvgtkpi rpnctg kulp i qaf eqpf kklap		
Vj gtg ctg pq xkuldng qknrcmu		
Vj g j { ftcwke eqpvtqnu hpxekqp r tqr gtnf		
Vj g TQRUqt TQDU Ecd kulp i qaf eqpf kklap		
Vj g ugcvdgrv kulp r rreg cpf kp i qaf eqpf kklap		
Vj g 5/r qkpvj kej kulp i qaf eqpf kklap		
Vj g ftcy dcr kpu ctg ugewtgnf klp r rreg		
Vj g RVQ o cuvt uj kgrf kulp r rreg		
Vj g gpi kpg qknrxgnku hwn		
Vj g dtcng hwnf rnxgnku hwn		
Vj g r qy gt uvgtkpi hwnf rnxgnku hwn		
Vj g hwnrxgnku cf gs wcvg		
Vj g gpi kpg eqqrcpv hwnf rnxgnku hwn		
Vj g tcf kvqt ku htgg qhf gdtku		
Vj g ckt hwnf kulp i qaf eqpf kklap		

Qr gtcvqt ai Uki pcwtg< \_\_\_\_\_

**DO NOT OPERATE an UNSAFE TRACTOR or MOWER**

This Inspection Form may be freely duplicated for extra copies.

# OPERATION

## 9. DRIVING THE TRACTOR AND IMPLEMENT

Safe tractor transport requires the operator possess a thorough knowledge of the model being operated and precautions to take while driving with an attached implement. Ensure the tractor has the capacity to handle the weight of the implement and the tractor operating controls are set for safe transport. To ensure safety while driving the tractor with an attached implement, review the following. *OPS-U- 0012*



This Implement may be wider than the Tractor. Be careful when operating or transporting this equipment to prevent the Implement from running into or striking sign posts, guard rails, concrete abutments or other solid objects. Such an impact could cause the Implement and Tractor to pivot violently resulting in loss of steering control, serious injury, or even death. Never allow the Implement to contact obstacles. (S3PT-12)



Transport only at speeds where you can maintain control of the equipment. Serious accidents and injuries can result from operating this equipment at high speeds. Understand the Tractor and Implement and how it handles before transporting on streets and highways. Make sure the Tractor steering and brakes are in good condition and operate properly.



Before transporting the Tractor and Implement, determine the proper transport speeds for you and the equipment. Make sure you abide by the following rules:

Test the tractor at a slow speed and increase the speed slowly. Apply the Brakes smoothly to determine the stopping characteristics of the Tractor and Implement. As you increase the speed of the Tractor the stopping distance increases. Determine the maximum transport speed not to exceed 20 mph (30 kph) for transporting this equipment.

Test the equipment at a slow speed in turns. Increase the speed through the turn only after you determine that the equipment can be operated at a higher speed. Use extreme care and reduce your speed when turning sharply to prevent the tractor and implement from turning over. Determine the maximum turning speed for you and this equipment before operating on roads or uneven ground.



Only transport the Tractor and Implement at the speeds which allow you to properly control the equipment.

Be aware of the operating conditions. Do not operate the Tractor with weak or faulty brakes or worn tires. When operating down a hill or on wet or rain slick roads, the braking distance increases: use extreme care and reduce your speed. When operating in traffic always use the Tractor's flashing warning lights and reduce your speed. Be aware of traffic around you and watch out for the other guy. (SG-19)



# OPERATION

## **9.1 Starting the Tractor**

The procedure to start the tractor is model specific. Refer to the tractor operator's manual for starting procedures for your particular tractor. Consult an authorized dealer if the starting procedure is unclear. Ensure the 3-point control lever is in the lowered position and the PTO is disengaged before starting the tractor. OPS-U-0033



## **9.2 Brake and Differential Lock Setting**

Make sure the tractor brakes are in good operating condition. Tractor brakes can be set to operate independently allowing single rear wheel braking action or locked together to provide simultaneous rear wheel braking. FOR MOST DRIVING AND OPERATING CONDITIONS, THE BRAKE PEDALS SHOULD BE LOCKED TOGETHER TO PROVIDE THE MOST EFFECTIVE BRAKING ACTION.

Always disengage the tractor differential lock when turning. When engaged the differential lock will prevent or limit the tractor from turning. During normal cutting conditions, locking the differential provides no benefit and should not be used.

OPS-U-0013



Raising the Mower

# OPERATION

Using the tractor 3-point hitch control lever, raise the mower off the ground about 6", or just high enough to clear any ground obstacles. When raising the mower, make sure all connection points are securely attached and at least 1" clearance is maintained between the driveline and the deck. If necessary, place an upper lift strip on the 3-point hitch control lever to limit the height the mower can be raised to avoid driveline damage.



## **9.3 Driving the Tractor and Implements**

Start off driving at a slow speed and gradually increase your speed while maintaining complete control of the tractor and units. Moving slowly at first will also prevent the tractor from rearing up and loss of steering control. The tractor should never be operated at speeds that cannot be safely handled or which will prevent the operator from stopping quickly during an emergency. If the power steering or engine ceases operating, stop the tractor immediately as the tractor will be difficult to control.



Drive the tractor with the 3-point lift arms in the raised position and lock the control lever in the transport detent position to prevent damage to the mower driveline when turning.

Perform turns with the tractor and units at slow speeds to determine how the tractor with an attached mower handles a turn. Determine the safe speed to maintain proper control of the tractor when making turns.



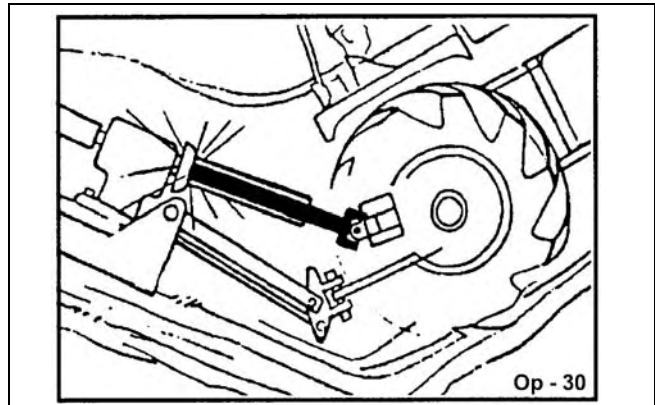
To avoid overturns, drive the tractor with care and at safe speeds, especially when operating over rough ground, crossing ditches or slopes, and turning corners. Tractor wheel tread spacing should be increased when working on inclines or rough ground to reduce the possibility of tipping.

Use extreme caution when operating on steep inclines.

# OPERATION

## 9.4 Crossing Ditches and Steep Inclines

When crossing ditches with steep banks or going up sharp inclines, it is possible that the main driveline inner profile will penetrate into the outer housing to its maximum depth until the assembly becomes solid (driveline is at its extreme shortest length). This type of abusive operation can cause serious damage to the tractor and mower drive by pushing the PTO into the tractor and through the support bearings or downward onto the PTO shaft, breaking it off.

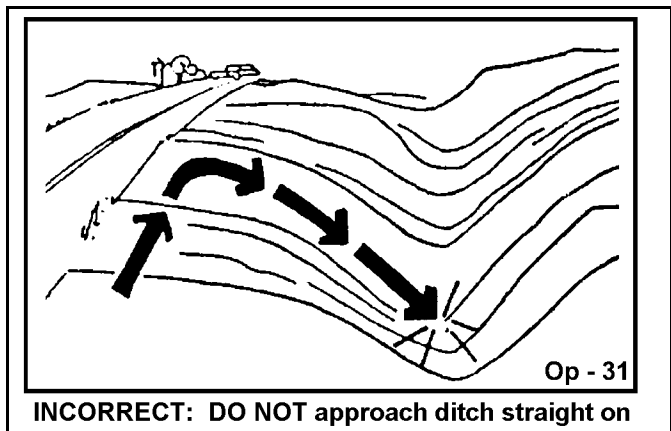


### **WARNING**

Damage resulting from over-collapse of the driveline's inner profile and its outer housing may allow the driveline to come loose from the Tractor which could cause bodily injury to the operator or bystanders and/or extensive damage to the Tractor or Implement. OPS-R-0020

When confronted with an incline or ditch, do not approach from an angle which is perpendicular or straight on as damage to over collapse of the driveline may occur.

When crossing such terrain, the implement should be fully lowered for a lower center of gravity and added stability. OPS-R-0021

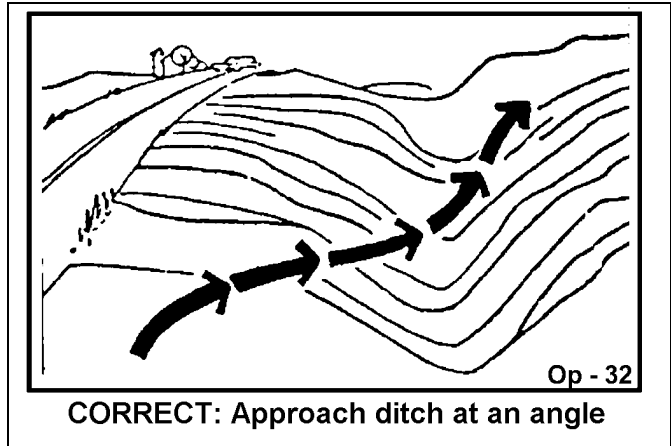


# OPERATION

Inclines and ditches should be approached along a line which is at an angle as shown. This type of path will reduce the possibility of over-collapse of the driveline and resulting damage. If the gradient is so steep that such an approach increases the possibility of a tractor roll-over, select an alternate crossing path.

When operating the tractor and mower across slopes and inclines, through ditches, and other uneven terrain conditions, it is important to maintain sufficient deck to ground clearance. Blade contact with the ground may cause soil, rocks and other debris to be thrown out from under the mower resulting in possible injury and/or property damage. Ground contact also produces a severe shock load on the mower drive and to the mower blades resulting in possible damage and premature wear.

OPS-R-0022



## 10. OPERATING THE TRACTOR AND IMPLEMENT

**THE OPERATOR MUST COMPLETELY UNDERSTAND HOW TO OPERATE THE TRACTOR AND IMPLEMENT AND ALL CONTROLS BEFORE ATTEMPTING TO OPERATE.** The operator must read and understand the Safety and Operation Sections of the implement and tractor operator's manuals. These manuals must be read and explained to any operator who cannot read. Never allow someone to operate the implement and tractor without complete operating instructions.

Before starting any operation, the operator must become familiar with the area to be worked in and any obstacles and hazards contained within to ensure safety to the operator, bystanders, and equipment. Special attention should be paid to foreign debris, rough terrain, steep slopes, and passersby and animals in the area.

OPS-U-0015



Extreme care should be taken when operating near loose objects such as gravel, rocks, wire, and other debris. Inspect the area before mowing. Foreign objects should be removed from the site to prevent machine damage and/or bodily injury or even death. Any objects that cannot be removed must be clearly marked and carefully avoided by the operator. Stop mowing immediately if blades strike a foreign object. Repair all damage and make certain rotor or blade carrier is balanced before resuming mowing. (SGM-05)



# OPERATION

## **WARNING**

Many varied objects, such as wire, cable, rope, or chains, can become entangled in the operating parts of the mower head. These items could then swing outside the housing at greater velocities than the blades. Such a situation is extremely hazardous and could result in serious injury or even death. Inspect the cutting area for such objects before mowing. Remove any like object from the site. Never allow the cutting blades to contact such items.

(SGM-06)

### **10.1 Foreign Debris Hazards**

Before mowing, inspect the area to make sure there are no foreign objects that the mower blades could hit or become entangled with. Remove all foreign objects and debris. If objects are too big to remove, mark them clearly and be sure to prevent the mower blades from contacting them.

If you hit a solid object or foreign debris, stop the mower and tractor at once. Immediately idle the engine speed and disengage the PTO. Wait for all mower rotating motion to stop, then raise the mower and move the tractor and implement off the object. Inspect the area and remove, or mark the location of the debris. Inspect the condition of the mower and make any needed repairs immediately. Make sure the blades are not damaged and the carrier is balanced before resuming operation.

Always wear your seat belt securely fastened and only operate the tractor and mower with the ROPS in the raised position. If the tractor or mower hits a tree stump, rock, or bump, a sudden movement could throw you off of the seat and under the tractor and/or mower. The seat belt is your best protection from falling off the tractor and the ROPS provides protection from being crushed during a tractor roll-over. *OPS-F-0010*



### **10.2 Bystanders/Passersby Precautions**

If a bystander comes within 300 feet of the tractor while the mower is being operated, stop the tractor at once, idle the engine and disengage the PTO. Do not engage the PTO again until all bystanders are well past the 300 foot distance. *OPS-R-0024*

# OPERATION



Flail Mowers are capable under adverse conditions of throwing objects for great distances (300 feet or more) and causing serious injury or death. Follow safety messages carefully.



STOP MOWING IF PASSERSBY ARE WITHIN 300 FEET UNLESS:

-Front and Rear Deflectors, Chain Guards, or Bands are installed and in good, workable condition;

-Mower sections are running close to and parallel to the ground without exposed Blades;

-All areas have been thoroughly inspected and all foreign material such as rocks, cans, glass, and general debris has been removed.

**NOTE:** Where there are grass and weeds high enough to hide debris that could be struck by the blades, the area should be: inspected and large debris removed, mowed at an intermediate height, inspected closely with any remaining debris being removed, and mowed again at desired final height. (This will also reduce power required to mow, reduce wear and tear on the Mower drivetrain, spread cut material better, eliminate

## 10.3 Engaging the Power Take Off (PTO)

Before engaging the PTO, make certain that the area is clear of bystanders and passersby. The implement must be completely lowered and the deck positioned at a safe operating height. NEVER engage the PTO with the implement in the raised position.

Set the tractor engine speed at approximately 1,000 RPM before engaging the PTO. Shift the PTO control to the on position, and slowly increase the engine speed until the PTO is operating at the rated speed. If you hear unusual noises or see or feel abnormal vibrations, disengage the PTO immediately. Inspect the implement to determine the cause of the noise or vibration and repair the abnormality. OPS-U- 0027



Do not let the Blades turn when the Mower Deck is raised for any reason, including clearance or for turning. Raising the Mower deck exposes the Cutting Blades which creates a potentially serious hazard and could cause serious injury or even death from objects thrown from the Blades. (SRM-07)



Do not put hands or feet under mower decks. Blade Contact can result in serious injury or even death. Stay away until all motion has stopped and the decks are securely blocked up. (SGM-09)



# OPERATION

## **10.4 PTO RPM and Ground Speed**

Ground speed for mowing will depend upon the height, type, and density of vegetation to be cut. Recommended speed for efficient mower performance is between 2 and 5 mph(3-8 kph). Operate the mower at its full rated PTO speed to maintain blade speed for a clean cut. Refer to the tractor operator's manual or the tractor instrument panel for the engine speed and gear to provide the required PTO and desired ground speed. Make sure that the mower is operating at its full rated speed before entering the vegetation to be cut. If it becomes necessary to temporarily regulate engine speed, increase or decrease the throttle gradually.

Ground speed is achieved by transmission gear selection and not by the engine operating speed. The operator may be required to experiment with several gear range combinations to determine the best gear and range which provides the most ideal performance from the mower and most efficient tractor operation. As the severity of cutting conditions increase, the ground speed should be decreased by selecting a lower gear to maintain the proper operating PTO speed. OPS-R-0025



Do not exceed the rated PTO speed for the Implement. Excessive PTO speeds can cause Implement driveline or blade failures resulting in serious injury or death. (SG-26)



Mow at the speed that you can safely operate and control the tractor and mower. The correct mowing speed depends on terrain condition and grass type, density, and height of cut. Normal ground speed range is from 2 to 5 mph(3-8 kph). Use slow mowing speeds when operating on or near steep slopes, ditches, drop-offs, overhead obstructions, power lines, or when debris and foreign objects are to be avoided. (SGM-07)

## **10.5 Operating the Mower**

Only operate the mower from the tractor operator's seat with the seatbelt securely fastened. The tractor must be equipped with a ROPS in the raised position or a ROPS cab.

The mower is designed to cut vegetation up to 2" in diameter. Sharp blades will produce a cleaner cut and require less power. Travel at a speed that allows the mower sufficient time to cut through the vegetation and maintain the PTO operating speed to prevent overloading the mower and tractor. Choose a driving pattern that provides the maximum pass length and minimizes turning.

Under certain conditions, tractor tires may roll some grasses down preventing them from being cut at the same height as the surrounding area. When this occurs, reduce the tractor ground speed while maintaining the operating speed of the mower. A slower ground speed will permit grasses to at least partially rebound and be cut. Taking a partial cut and/or reversing the direction of travel may also help produce a cleaner cut.

Avoid mowing in the reverse direction when possible. In situations where the mower must be backed to access areas to be cut, make sure there are no persons or other foreign debris behind the mower before mowing in reverse. When mowing in reverse, operate the tractor and mower at a reduced ground speed to ensure tractor and mower control is maintained. OPS-R-0026

# OPERATION

**WARNING**

Do not mow with two machines in the same area except with Cab tractors with the windows closed. (SGM-11)

**WARNING**

Mow only in conditions where you have clear visibility in daylight or with adequate artificial lighting. Never mow in darkness or foggy conditions where you cannot clearly see at least 300 feet (90 m) in front and to the sides of the tractor and mower. Make sure that you can clearly see and identify passersby, steep slopes, ditches, drop-offs, overhead obstructions, power lines, debris and foreign objects. If you are unable to clearly see these type of items discontinue mowing. (SGM-01)

**WARNING**

Avoid mowing in reverse direction when possible. Check to make sure there are no persons behind the mower and use extreme care when mowing in reverse. Mow only at a slow ground speed where you can safely operate and control the tractor and mower. Never mow an area that you have not inspected and removed debris or foreign material. (SGM-08)

**WARNING**

Follow these guidelines to reduce the risk of equipment and grass fires while operating, servicing, and repairing the Mower and Tractor:



- Equip the Tractor with a fire extinguisher in an accesible location.
- Do Not operate the Mower on a Tractor with an underframe exhaust.
- Do Not smoke or have an open flame near the Mower and Tractor.
- Do Not drive into burning debris or freshly burnt areas.
- Ensure slip clutches are properly adjusted to prevent excessive slippage and plate heating.
- Never allow clippings or debris to collect near drivelines, slip clutches, and gearboxes. Periodically shut down the Tractor and Mower and clean clippings and collected debris from the mower deck. (SGM-12)



# OPERATION

## **10.6 Shutting Down the Implement**

To shut down the implement, first bring the tractor to a complete stop. Then slow down the implement by reducing the engine speed before disengaging the PTO. Wait for all motion to stop before proceeding to drive or shut down the tractor.



Park the tractor on a level surface, place the transmission in park or neutral and apply the parking brake, lower the attached implement to the ground, shut down the engine, remove the key, and wait for all motion to come to a complete stop before exiting the tractor. OPS-F-0011



## **11. DISCONNECTING THE MOWER FROM THE TRACTOR**

Before disconnecting the mower, the PTO must be disengaged and all motion at a complete stop. Move the mower to a level storage location and lower both side mowers to the ground. If the mower will be stored with the sections in the raised position, be sure that the travel locks are engaged. If the mower is not resting securely on the ground, block the mower up securely before attempting to disconnect it from the tractor. Use extreme care to keep feet and hands from under the mower and clear of any pinch points. OPS-F-0012\_A



# OPERATION

**DANGER**

Always shut the Tractor completely down, place the transmission in park, and set the parking brake before you or anyone else attempts to connect or disconnect the Implement and Tractor hitches. (S3PT-15)

**DANGER**

Never stand or allow another person to stand between a running Tractor and the Mower when disconnecting the Implement from the Tractor 3-point hitch. Always shut the Tractor off completely and set the parking brake before attempting to disconnect the Mower pins from the Tractor hitch.

OPERATION

After disconnecting the 3 lift points, remove the mower driveline from the tractor PTO shaft. Lay the driveline down carefully to avoid damaging the driveline or its shield. Do not let the driveline fall into mud or dirt, which can contaminate the bearing and shorten the life of the driveline.

OPS-F-0013



**DANGER**

Never work under the Implement, the framework, or any lifted component unless the Implement is securely supported or blocked up to prevent sudden or inadvertent falling which could cause serious injury or even death. (SG-14)



# OPERATION

## 12. MOWER STORAGE

It is recommended that the mower be stored with the center section and both side mowers fully lowered to ground level. If the mower is stored with the side mowers in the raised position, select a level area and engage travel locks and travel lock pins to prevent the side mowers from falling BEFORE disconnecting the rear mower.

Properly preparing and storing the mower at the end of the season is critical to maintaining its appearance and to help ensure years of dependable service. The following are suggested storage procedures:

- Thoroughly clean all debris off the mower to prevent damage from rotting grass and standing water.
- Lubricate all mower grease points and fill gearbox oil levels as detailed in the Maintenance Section.
- Tighten all bolts and pins to the recommended torque.
- Check the mower for worn and damaged parts. Perform repairs and make replacements immediately so that the mower will be ready for use at the start of the next season.
- Store the mower in a clean, dry place with the mower housing resting securely on blocks or at ground level.
- Keep the driveline yoke from sitting in water, dirt and other contaminants.
- Use spray touch-up enamel where necessary to prevent rust and maintain the appearance of the mower.



It is critical that driveline clutches slip when an obstacle or heavy load is encountered to avoid mower and/or tractor damage. If the mower sits outside for an extended period of time or is exposed to rain and/or humid air, the clutch lining plates must be inspected to ensure they are not frozen together from rust or corrosion. If the mower has been exposed to such conditions, at the start of each mowing season, and any time it is



Never allow children to play on or around Tractor or Implement. Children can slip or fall off the Equipment and be injured or killed. Children can cause the Implement to shift or fall crushing themselves or others. (SG-25)

# OPERATION

## 13. TRANSPORTING THE TRACTOR AND IMPLEMENT

Inherent hazards of operating the tractor and implement and the possibility of accidents are not left behind when you finish working in an area. Therefore, the operator must employ good judgement and safe operation practices when transporting the tractor and implement between locations. By using good judgement and following safe transport procedures, the possibility of accidents while moving between locations can be substantially minimized. OPS-U-0017



Never allow children or other persons to ride on the Tractor or Implement. Falling off can result in serious injury or death. (SG-10)



OPERATION

Before transporting the tractor and mower, idle the tractor engine, disengage the PTO and wait for all mower moving parts to come to a complete stop. Raise the mower sections and ensure transport locks engage and install the travel lock pins. OPS-F-0021



# OPERATION

Before transporting the tractor on a public roadway or boarding a trailer for transport, the tractor brake pedals should be locked together. Locking the pedals ensures that both wheels brake simultaneously while stopping, especially when making an emergency stop.



Use extreme caution and avoid hard applications of the tractor brakes when carrying equipment at road speeds. Never haul the implement at speeds greater than 20 MPH (32 kph). OPS-U- 0018\_A

If the tractor's hydraulic pump is not independent of the tractor PTO, or if the tractor PTO has to be run to have hydraulic power, disconnect the mower driveline from the tractor PTO output shaft. Secure the driveline to the mower deck to prevent driveline damage or loss during transport.

## **13.1 Transporting on Public Roadways**

Extreme caution should be used when transporting the tractor and implement on public roadways. The tractor must be equipped with all required safety warning features including a SMV emblem and flashing warning lights to alert drivers of the tractor's presence. Remember that roadways are primarily designed for automotive drivers and most drivers will not be looking out for you, therefore, you must look out for them. Check your side view mirrors frequently and remember that vehicles will approach quickly because of the tractor's slower speed. Be extremely cautious when the piece of equipment that you are carrying is wider than the tractor tire width and/or extends beyond your lane of the road. OPS-U- 0019\_A

**NOTE:** Ensure that the mower sections are fully raised and that the transport locks are engaged for each section.



Only carry the Implement behind a properly sized and equipped Tractor which exceeds the weight of the Implement by at least 20%. DO NOT carry the Implement behind a truck or other type of vehicle. Never carry the Implement and another Implement connected in tandem. Never carry the Implement at speeds over 20 MPH. (STI-06\_A)



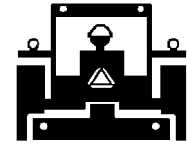
Never allow children or other persons to ride on the Tractor or Implement. Falling off can result in serious injury or death. (SG-10)



# OPERATION

## **WARNING**

Make certain that the "Slow Moving Vehicle" (SMV) sign is installed in such a way as to be clearly visible and legible. When transporting the Equipment use the Tractor flashing warning lights and follow all local traffic regulations. (SG-6+)



## OPERATION

The SMV (Slow-Moving Vehicle) emblem is universal symbol used to alert drivers of the presence of equipment traveling on roadways at a slow speed. SMV signs are a triangular bright orange with reflective red trim for both easy day and night visibility. Make sure the SMV sign is clean and visible from the rear of the unit before transporting the tractor and implement on a public roadway. Replace the SMV emblem if faded, damaged, or no longer reflective. OPS-U-0020



Make sure that all tractor flashing warning lights, headlights, and brake/tail lights are functioning properly before proceeding onto public roads. While newer model tractors have plenty of lighting to provide warning signals and operating lighting, most older models are only equipped with operating lights. Consult an authorized tractor dealer for lighting kits and modifications available to upgrade the lighting on older tractor models. OPS-U-0021



When operating on public roads, have consideration for other road users. Pull to the side of the road occasionally to allow all following traffic to pass. Do not exceed the legal speed limit set in your country for agricultural tractors. Always stay alert when transporting the tractor and implement on public roads. Use caution and reduce speed if other vehicles or pedestrians are in the area. OPS-U-0022



# OPERATION

Reduce speed before turning or applying the brakes. Ensure that both brake pedals are locked together when operating on public roads. *OPS-U- 0023*



## **13.2 Hauling the Tractor and Implement**

Before transporting a loaded tractor and implement, measure the height and width dimensions and gross weight of the complete loaded unit. Ensure that the load will be in compliance with the legal limits set for the areas that will be traveled through. *OPS-U- 0024*



Use adequately sized and rated trailers and equipment to transport the tractor and implement. Consult an authorized dealer to determine the proper equipment required. Using adequately sized chains, heavy duty straps, cables and/or binders, securely tie down both the front and rear of the tractor utilizing the proper tie down locations as specified by the tractor manufacturer. *OPS-U- 0025*



# OPERATION

## OPERATION

Side and Rear Flail

Operation Section 3-36



# MAINTENANCE SECTION

T aš c} aš & Ú^&č } | Ě

# MAINTENANCE

MAINTENANCE

## General Instructions

Vãá T[ , Á· æ^ à·á }^à ÷| Æ @| Á| ÷| { æ & æ à | \*\*^ à á | æ Æ È^ c, æ @· á | ] à { æ } æ & ÈV @ ] ~| [· ^ [ ~@ æ^ & á ] [ ~@ { æ } æ Æ ð @ ] | @ [ ] Á| æ| ð @ |^ \*| æ ·^ | ð æ ·^ [ ~@ { [ , ÁÈÛ^ \*| æ { æ } æ & æ @ ð ð ð { ^ } ^}^ , ÷| Á· | ð @ { æ Æ } { ^-æ } & æ à [ ] \*| Æ [ ~@ Vãá T[ , ÁÈ Y @ ] ^ [ ~ | & æ æ Vãá T[ , ÁÈ ^ [ ~ æ· æ ~ á æ [ @ ] ð æ æ Á æ ·^ ÈVãá ] æ [ ] \* æ Æ æ } ÈÛ | | æ Æ æ à ^-æ } c·^ | ð æ æ \* æ æ ð à @ & · ð { Á · æ æ-æ } ÷| { æ ^ æ ÈVãá ] æ \ \ } , æ @ @ à { æ · ÷| ^-æ } & È æ æ æ à ^} æ & á ] ð æ & á ] ð æ [ ~@ Vãá T[ , ÁÈ

## Maintenance Precautions

- " Ó·^ |^ à [ ~^ |^ æ ^ \* } æ à æ \* · æ & á æ à ÷| Á· · ð \* ÈÛ^ à æ ð & à ð ð ð à æ ð \* · È^ æ È, æ @ ·^ |^ æ , ÷| & æ ·^ á { ^ à æ à æ æ È
- " ÖÛ ÞUV ·^ æ [ , Á· ^ |^ æ ^ \* } ð ÷| à æ æ à æ ð \* · ÈV @ ·^ |^ ·^ á ð ð · { æ æ à á æ æ æ [ ~ ] · [ ~ ÷| à æ æ } ÈÛ^ à ð ð @ à æ æ à { æ } æ & ·^ & ÷| · |^ á æ æ ÷| à æ æ } ð · ð & æ } · ÈÛ ÞUV [ ð · È ·^ |^ æ à æ ð \* · È
- " Ñ ð æ , ð à [ , · · @ ÷| à à , æ @ à , æ @ ð ð · { æ [ ] á ð ·^ } c æ à ÷| Á· , æ { , æ ÁÈ · ð \* æ [ · æ |^ æ · ] [ ] \* ^ [ ] · [ · æ | @ ÖÛ ÞUV ·^ æ æ æ æ ÷| | æ æ á æ & á æ ·^ [ ] { ^ æ · æ æ ·^ [ ] | ð æ , ð à [ , ·^ Á
- " Ó æ ÷| ð { æ } æ & ð à æ æ ÷| · · & æ @ ð ð æ æ \ ð ð | Á· ·^ |^ \* æ \* · È à æ æ | æ ·^ | ð ð á æ @ \* æ \* · È & ÈV æ @ ·^ ·^ á à æ æ } ð & | ð & æ } | ð ð ð { · ð { ^ à æ È È
- " Þ Á |^ æ [ ~ ] Á· ^ ÷| { | Á· ·^ |^ á à ·^ ·^ { } { æ æ ·^ ð æ æ ð ð } c æ æ æ æ [ ~ & | ð á · È | · · á à } | Á |^ æ [ ~ & | Á· ·^ á · | ð \* · È Û ÷| Á· á æ } ^ & æ \* æ ð @ ·^ |^ ð ð | Á· ·^ |^ á · @ æ \* ð æ ð | ð È ·^ æ \* & ð [ ] \* | ð } á æ æ æ æ \* | á ð ð ð æ æ ð á · È



**WARNING** ÖÛ ÞUV ·^ æ æ · ð & @ & ÷| · · |^ & à | ð æ · ð @ à æ æ @ ·^ Á Þ^ á æ æ ð ð ð ð ð ð ·^ ·^ à | Á· ·^ |^ á æ æ æ æ ·^ ·^ c ÷| & ð [ ] ^ ð æ · ð æ à æ ·^ ·^ á · ð · ð ð | È ð ð æ ð ð & à ð ð ð · ð ð È ð { ·^ c á ·^ |^ æ æ | Á [ ð á , æ æ æ , @ ÷| [ ] \* æ \* ^ } { æ |^ | ÈV ·^ æ { æ } æ & [ ~ , [ ] [ ] & æ à [ æ à È ] c æ à · È ð ·^ æ & @ ÷| ] ð @ ·^ | ð ·^ Á æ æ } ^ & æ } · æ æ æ æ æ à @ ·^ ·^ á ð ð ·^ æ } [ c á æ æ à à ÷| Á· æ ] | ð \* | Á· ·^ |^ È

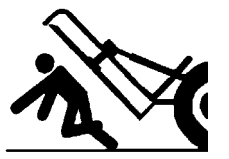
## Break in Period

Q æ æ æ } ð ÷| [ ] , ð \* @ à æ æ ð ð ð · ð & æ } · ÷| ^ [ ] æ æ æ æ ð æ æ È @ ð æ æ æ @ à æ æ ð ð æ ð ð · @ ÷| à à |^ | æ à æ æ @ ð · c | È @ ÷| [ ~ ·^ | ð ÈV @ |^ æ æ @ ð ð · @ ÷| à à |^ | æ à á ð · È | È @ ÷| · È | Á æ È , æ @ ð ð & { ·^ ·^ á ð

Þ Á |^ ÷| Á· , @ |^ |^ ·^ æ æ ð · c æ æ @ ÷| [ ~ ] Á· æ æ } æ à ] Á· ð à æ æ @ |^ æ æ ÈÛ^ ð ÷| Á· ^ & æ æ } · | æ à ð ð @ ð æ æ ð ·^ | ð æ { æ } æ ÷| ÷| [ ] æ æ æ æ { [ á È Wheel lugs must always be re-torqued whenever a wheel is removed and reinstalled.



**DANGER** Þ Á ð | , [ ] ^ ÷| à | @ Q ] |^ |^ È @ ÷| æ ·^ , [ ] È [ ] æ | ð ·^ á & { } [ ] ^ } |^ ·^ @ Q ] |^ |^ c á ·^ & |^ ·^ [ ] [ ] à [ ] à [ & á } ð [ ] | ð ð ·^ á à [ ] ð æ æ ð ð } c æ æ æ , æ @ & ÷| à æ ·^ ·^ á ·^ · ð ð | ð ð á æ æ È ð ð ð ð

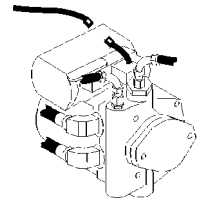


**WARNING** Ö [ ] [ c [ á æ [ ] æ æ @ Q ] |^ |^ È Ö [ ] [ c ] Á |^ æ æ } ^ ð { [ á æ [ ] æ æ @ Q ] |^ |^ È æ } [ ~ æ & { } [ ] ^ } [ ] æ æ } c ~ & æ } È ð ð ð ð

# MAINTENANCE



Caution: Before performing any maintenance or repair work, always disconnect the power source. To avoid electrical shock, ensure the power is completely off before working on the machine. Always use proper safety procedures and wear appropriate personal protective equipment (PPE). For more information, refer to the operator's manual.



MAINTENANCE

## Regular Maintenance

Refer to the operator's manual for detailed maintenance instructions. Regular maintenance is essential for the safe and reliable operation of the machine. Always follow the manufacturer's recommendations for maintenance intervals and procedures.

### Daily or Every 8 Hours

ITEM	SERVICE	COMMENTS
Oil level check	Oil level	Oil level should be between the min and max marks.
Water level check	Water level	Water level should be checked and topped up if necessary.
Belt tension	Belt tension	Check the tension of the drive belts and adjust if required.
Electrical system	Electrical system	Check for loose connections, damaged wires, and proper operation of all electrical components.
Pressure washer	Pressure washer	Check the spray lance, trigger gun, and hose for wear and damage.
Oil change	Oil change	Replace the engine oil at the recommended interval. Use the specified oil grade.
Filter cleaning	Filter cleaning	Clean or replace the air and fuel filters as specified in the manual.
Tightening	Tightening	Check and tighten all bolts and nuts, especially those on the motor housing and drive shaft.
General inspection	General inspection	Inspect the machine for signs of wear, damage, or leaks. Report any issues to a qualified technician.

Always refer to the operator's manual for detailed maintenance instructions and safety procedures.

# MAINTENANCE

**MAINTENANCE**

ITEM	SERVICE	COMMENTS
P^ á:æ  æ Ø~ æ Š^ç^	Ô@&	Qáá æ-^~ á^á ]^  + æ  ^& { { ^} áææ }•
Û^æ Qææ Ô:æ^ Ç-æ ]  ææ ^D Š~ à:ææ^ Ó^ææ* Qææ*^ æ á Û@æcÔ[~ ] ^	Š~ à:ææ^	Ô:ææ^ æ æ•d~ &ç^á æ á^ææ^á { ææ ç } æ &•^&æ } T æ ÛÈÛÈÈ
Ô:æ! Û@æc	Š~ à:ææ^	Ô:ææ^ æ æ•d~ &ç^á æ á^ææ^á { ææ ç } æ &•^&æ }
Ô:[~ } á Û[   ^  Ó^ææ*•	Š~ à:ææ^	Ô:ææ^ æ æ•d~ &ç^á æ á^ææ^á { ææ ç } æ &•^&æ }

## WEEKLY OR EVERY 50 HOURS

ITEM	SERVICE	COMMENTS
Q Væ\ P^ áÈQ~ æ Qæç! Q10 micron filterD	Ô@æ*^	Ô@æ*^ ææ! -á•cí € Q~!• [ ] ^È@} ^ç^!^ Í €€ Q~!• [ ] ^ææ^
Q Èæ^ P á @Û ^••~ ^ Qæç! Q10 micron filterD	Ô@æ*^	Ô@æ*^ ææ! -á•cí € Q~!• [ ] ^È@} ^ç^!^ Í €€ Q~!• [ ] ^ææ^

## MONTHLY OR EVERY 150 HOURS

P^ á:æ  æ Ø~ æ Š^ç^	Ô@&	Qáá æ }^^á^á
P^ áÈVæ\ Ó:ææ@!  Û^æ Vá^ V ]^ ^ I   È È H F   È È H F   È È H	Ô:ææ ç È @ & ç  ææ^	Ô:ææ [ ] ^ ^ ææ^ Ô ^ { ^ } çæ  ^~ á^á  T æ ÛÈÛÈÈ G G G

Ûæ^ æ á Û^æ Qææ T ææ ç } æ & Û^ææ } | È

# MAINTENANCE

## YEARLY OR EVERY 500 HOURS

**MAINTENANCE**

ITEM	SERVICE	COMMENTS
P^ á:æ  æ Væ\ \ Ø~ æ	Ô@* ^	
Q Væ\ P^ á:æ  æ Ø~ æ Øç! <b>(10 micron filter)</b>	Ô@* ^	
Q Èá ^ PÚ Øç! <b>(10 micron filter)</b>	Ô@* ^	[   Ô@* ^, @} á àææá à  ^•dæç} á àææ  È
P^ á:æ  æ Væ\ \ Ó^æ@!	Ô@* ^	

Ùæ^ æ á Û^æ Øææ T æç } æ & Û^æç } | È



# MAINTENANCE

# MAINTENANCE

Í&Ë Ü^ { [ç^ |æ\*^ } ~ c[ } • ã^ [ ~ |æ\*^ çæç^ à[ & ÈÜ^ { [ç^ • ] | ð \* Èæ á ~ • ^ } ^^á^ } [ • ^ çã^ \* | ð ç ] ~ || • [ ] [ ] + [ { à [ & ÈÖ@& à [ & æ á • ] [ ] [ ] } | & } æ ð æ ç æ á • & æ @ • È Ò^æ ] æ ç [ | | ^ ] | æ ã • & æ @ • á È

**Oil Temperature rises above 200 deg. F**

FÈŠ [ , [ ð ^ ç ^ |  
GÈS ð ^ á [ | à [ & ^ á @ • ^  
HÈY [ ] } { } [ ð ] [ ç ]

FÈ Ó ð \* [ ð ç ] | [ ] ^ | ^ ç ^ | È  
GÈ Ö • ^ & È ^ | æ È [ | | ] | æ ã @ • ^ • È  
HÈ Ö ã æ ^ æ á | ^ | æ È

**Motor runs but will not cut**

FÈÓ ^ | ç  
GÈV • ð } ^ |

FÈ Ö • ^ & ç à ^ | ç æ á ] ~ || ^ • È Ü ^ | æ ã  
à ^ | ç æ á | ^ | æ æ } ^^á^ á È  
GÈ Ö ã ð • ç ^ } • ð } ^ | } ~ c } ç } ç æ æ @ |  
ã } ~ • @, æ @ ç ] [ ~ \* ~ ã ^ È

**Mower turns slowly or not at all**

FÈÖ [ ] æ ð æ ç  
| ^ • d æ ç \* • [ ] [ ] [ ]  
{ [ ç ^ { ^ } ç ð  
çæç^ à [ á • È  
  
GÈÜ ~ & ç } | ð ^ •  
[ á • d ~ & ç á  
HÈŠ [ , [ ð ^ ç ^ |

FÈ Ü ^ { [ç^ |æ\*^ } ~ c[ } • ã^ [ ~ |æ\*^ çæç^ à[ & ÈÜ^ { [ç^ • ] | ð \* Èæ á ~ • ^ } ^^á^ } [ • ^ çã^ \* | ð ç ] ~ || • [ ] [ ] + [ { à [ & ÈÖ@& à [ & æ á • ] [ ] [ ] } | & } æ ð æ ç æ á • & æ @ • È Ò^æ ] æ ç [ | | ^ ] | æ ã • & æ @ • á È  
GÈ Ò @ & } | | ^ | ð \ • [ | | á • d ~ & ç } ð  
• ~ & ç } @ • ^ È  
HÈ Ò @ & P ^ á È æ \ | ^ ç ^ | æ á ð | È

**Pump will not work**

FÈÖ ç & • • ð ^ , ^ æ  
[ ] ð ç ^ | æ ] æ ç

FÈ Ö ã æ • ^ { à | ^ æ á | ^ | æ È

**Motor will not work**

FÈÖ ç & • • ð ^ , ^ æ  
[ ] ð ç ^ | æ ] æ ç

FÈ Ö ã æ • ^ { à | ^ æ á | ^ | æ È

**NOTE:** If flow meter is available, check pressure and flow volume for all suspected hydraulic problems. If the solution to your problem cannot be found in this section, call the Technical Service representative at the number shown on the front cover of this manual.

# MAINTENANCE

V@•^ æ^ ð ç} à^à ç à^ \*^ }^ìæ •]^&ãæ}•È Ù^ dæç [ ]^ìæ [ ] •^ìçæ { æ^ æ [ ] ^çæc •]^&ãæ} • [ ] ^ [ ] } æÈ

## LUBRICATION RECOMMENDATIONS

Ö^•&ð ç} } Ü^&ç [ ] ä	Ü^•^ìç [ ] ä	Ö^•^ìç Ù]^&ãæ}	Ü^&ç { } ^} à^à Mobil Lubricant
Vìæç   P^ àìæ  æ	Ü^•^ìç [ ] ä	RÖEÖ	T [ àä ]^ äí
T [ , ^ì P^ àìæ  æ Ö [ ] à V^ { ] ^ìæ } ^• € » Ø Ùæç ð ] P [ ] { æ V^ { ] ^ìæ } ^• Fí » Ø Ùæç ð ]	Ü^•^ìç [ ] ä	ÙU [ ] ì ç æ } ^æð Š [ , V^ { ] ÙU [ ] ì ç æ } ^æ	T [ àä ÖVòì Fí T P^ ç í Pí ÈT [ àä ÖVòì ç
Øæ Ü^æ Ö^æ à [ ç	Ü^•^ìç [ ] ä	ÚU Ù^ } çæ Öç ð^ { ^ Úì^•• } ^ Ö^æ Š^ à^	T [ àä F Ù^ } çæ Ö^æ Š^ àìæ ç Š Ù Ì Í Y È € T [ àä Ö^ìçæ Ù^ } çæ Ì Í Y È €
Ö^ ç^ Ù^ ç B Ö [ ] ^ } à Ù [ ] ^ Ù^ ç Øæ D	Ö^•^æ^ Ö^ }	Šæ { È [ ] { ] ^ ç P Š Ö Ç ð U H Ç È	T [ àä Ö^ìçæ Ýç^ ^ Ö^•^æ^ È T [ àä^•^æ^ ÖT È Ù
Ö^ ç^ Ù^ ç Ö [ ] ^ } ^ì Øæ ç à Ù [ ç^ D	Ö^•^æ^ Ö^ }	Šæ { È [ ] { ] ^ ç P Š Ö Ç ð U H Ç È	T [ àä Ö^ìçæ Ýç^ ^ Ö^•^æ^ È T [ àä^•^æ^ ÖT È Ù
Ö^ ç^ Ù^ ç Ý [ ] ^ È Wè ç ç B Ù ç à Ù^ ç	Ö^•^æ^ Ö^ }	Šæ { È [ ] { ] ^ ç Öç ð^ { ^ Úì^•• } ^ P Š Ö Ç ð U H Ç È	T [ àä^•^æ^ ÖT È Ù

MAINTENANCE





Ùæ^ ç à Ù^æ Øæ T æ ç } ç & Ù^&ç } | È



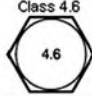
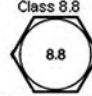
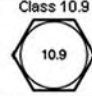

# MAINTENANCE

MAINTENANCE

## TORQUE SPECIFICATIONS

Torque for Standard Fasteners													
Nominal Dia. (in.)	threads per inch	 Grade 2			 Grade 5			 Grade 8			 Grade 9		
		Tightening Torque			Tightening Torque			Tightening Torque			Tightening Torque		
		Lubed	Dry Plated	Dry plain	Lubed	Dry Plated	Dry plain	Lubed	Dry Plated	Dry plain	Lubed	Dry Plated	Dry plain
		K = 0.15	K = 0.17	K = 0.20	K = 0.15	K = 0.17	K = 0.20	K = 0.15	K = 0.17	K = 0.20	K = 0.15	K = 0.17	K = 0.20
Unified Coarse Thread Series													
1/4	20	49 in-lbs	59 in-lbs	66 in-lbs	76 in-lbs	86 in-lbs	101 in-lbs	107 in-lbs	122 in-lbs	143 in-lbs	126 in-lbs	143 in-lbs	168 in-lbs
5/16	18	101	122	135	157	178	209	221	251	295	259	294	346
3/8	16	15 ft-lbs	18 ft-lbs	20 ft-lbs	23 ft-lbs	26 ft-lbs	31 ft-lbs	33 ft-lbs	37 ft-lbs	44 ft-lbs	38 ft-lbs	43 ft-lbs	51 ft-lbs
7/16	14	24	29	32	37	42	49	52	59	70	61	70	82
1/2	13	37	44	49	57	64	75	80	90	106	94	106	125
9/16	12	53	63	70	82	92	109	115	130	154	135	153	180
5/8	11	73	87	97	113	128	150	159	180	212	186	211	248
3/4	10	129	155	172	200	227	267	282	320	376	331	375	441
7/8	9	125	150	167	322	365	429	455	515	606	533	604	710
1	8	187	225	250	483	547	644	681	772	909	799	905	1065
1 1/8	7	266	319	354	596	675	794	831	955	1132	1000	1132	1340
1 1/4	7	375	450	500	840	952	1121	1168	1345	1545	1360	1545	1830
1 1/2	6	652	783	869	1462	1657	1950	2037	2371	2779	2440	2779	3306
Fine Thread Series													
1/4	28	56 in-lbs	68 in-lbs	75 in-lbs	87 in-lbs	99 in-lbs	116 in-lbs	123 in-lbs	139 in-lbs	164 in-lbs	144 in-lbs	163 in-lbs	192 in-lbs
5/16	24	112	135	150	174	197	231	245	278	327	287	325	383
3/8	24	17 ft-lbs	20 ft-lbs	23 ft-lbs	26 ft-lbs	30 ft-lbs	35 ft-lbs	37 ft-lbs	42 ft-lbs	49 ft-lbs	43 ft-lbs	49 ft-lbs	58 ft-lbs
7/16	20	27	32	36	41	47	55	58	66	78	68	78	91
1/2	20	41	49	55	64	72	85	90	102	120	105	120	141
9/16	18	59	71	78	91	103	121	128	146	171	151	171	201
5/8	18	82	99	110	127	144	170	180	204	240	211	239	281
3/4	16	144	173	192	223	253	297	315	357	420	369	418	492
7/8	14	138	165	184	355	403	474	502	568	669	588	666	784
1	14	210	252	280	542	614	722	765	867	1020	896	1016	1195
1 1/8	12	298	357	397	668	757	890	1083	1227	1444	1269	1439	1693
1 1/4	12	415	498	553	930	1055	1241	1509	1710	2012	1768	2004	2358
1 1/2	12	734	880	978	1645	1865	2194	2668	3024	3557	3127	3544	4169

Torque values for 1/4 and 5/16-in series are in inch-pounds. All other torque values are in foot-pounds. K = 0.15 for "lubricated" conditions  
K = 0.17 for zinc plated and dry conditions  
K = 0.20 for plain and dry conditions  
D = Nominal Diameter  
F = Clamp Load

Torque-Tension Relationship for Metric Fasteners												
Nominal Dia. (mm)	Pitch	 Class 4.6			 Class 8.8			 Class 10.9			 Class 12.9	
		Tightening Torque			Tightening Torque			Tightening Torque			Tightening Torque	
		Lubed	Dry Plated	Dry plain	Lubed	Dry Plated	Dry plain	Lubed	Dry Plated	Dry plain	Lubed	Dry plain
		K = 0.15	K = 0.17	K = 0.20	K = 0.15	K = 0.17	K = 0.20	K = 0.15	K = 0.17	K = 0.20	K = 0.15	K = 0.20
3	0.5	0.28	0.32	0.38	0.73	0.82	0.97	1.0	1.2	1.4	1.2	1.6
3.5	0.6	0.44	0.50	0.59	1.1	1.3	1.5	1.6	1.9	2.2	1.9	2.5
4	0.7	0.66	0.74	0.87	1.7	1.9	2.3	2.4	2.7	3.2	2.8	3.8
5	0.8	1.3	1.5	1.8	3.4	3.9	4.5	4.9	5.5	6.5	5.7	7.6
6	1	2.3	2.6	3.0	5.8	6.6	7.7	8.3	9.4	11	9.7	13
6	1.25	2.1	2.3	2.7	5.3	6.0	7.0	7.6	8.6	10	8.8	12
7	1	3.8	4.3	5.0	9.7	11	13	14	16	19	16	22
8	1	5.9	6.6	7.8	15	17	20	22	24	29	25	34
8	1.25	5.5	6.2	7.3	14	16	19	20	23	27	24	31
10	1.25	11	13	15	29	33	39	42	48	56	49	66
10	1.5	11	12	14	28	32	37	40	45	53	47	62
12	1.25	21	23	28	53	60	71	76	86	101	89	119
12	1.5	20	22	26	51	58	68	73	82	97	85	113
12	1.75	19	21	25	49	55	65	70	79	93	81	108
14	1.25	26	29	34	66	75	89	95	108	127	111	148
14	1.5	28	32	37	72	82	96	103	117	138	121	161
14	2	30	34	40	78	88	104	111	126	148	130	173
16	1.5	50	57	67	129	146	171	184	208	245	215	287
16	2	47	53	62	121	137	161	173	196	230	202	269
18	1.5	73	82	97	187	212	249	268	303	357	313	417
18	2.5	65	73	86	167	189	222	239	270	318	279	372
20	1.5	101	115	135	270	306	360	374	424	498	437	583
20	2.5	91	104	122	236	267	314	337	382	449	394	525

Clamp load calculated as 75% of the proof load for specified bolts. K = 0.15 for "lubricated" conditions  
K = 0.17 for zinc plated, dry conditions  
K = 0.20 for plain and dry conditions  
D = Nominal Diameter  
F = Clamp Load

ပုံအံ့ ဆံ့ အံ့ ပုံအံ့

T ဆံ့ ဇံ့ ဆံ့ & ပုံအံ့ } | ဝံ့

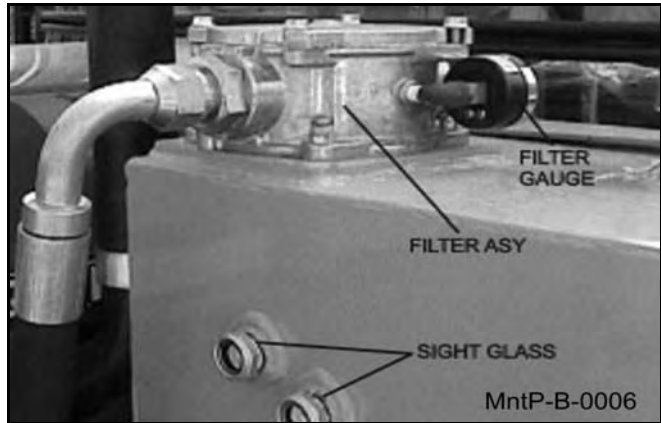
# MAINTENANCE

MAINTENANCE

## RECOMMENDED FILLING INSTRUCTIONS FOR HYDRAULIC RESERVOIRS

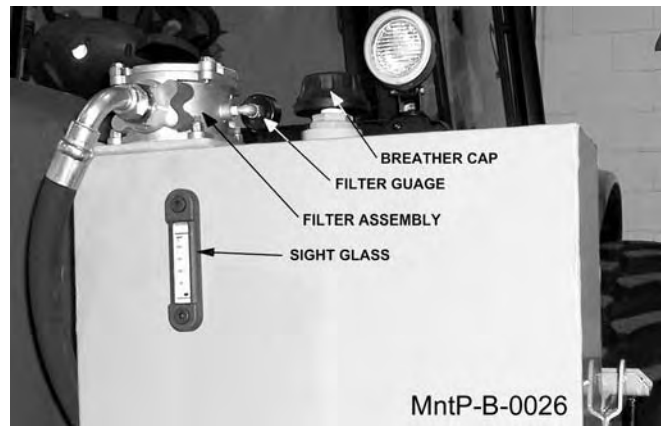
Y @} -qā \* [! &@&ā \* @ [ā|ā|ē@ ~} k•@~|ā à^ ]k^ā [ } k^ā| •!-kēē• @cU@ēā ā k[ , •~kē}cā ^ d &[| d k àā}c{ ]^k^!ēV^ &kēē } , @} !^ [ā \* @ ]!^•!ā^ā à^k@!ē Ö [ } [c] |kē -kē [ ā [ ]^} ā \* , @} !^ [ā \* à^k@!ē

Q ^ [ ~! !^•!ā [ ā @ c [ •ā @ \* |k•^•K V@ !^•!ā [ ā @ ~|ā à^ -ā|ā d @ d [ ~@ [ , ^ •ā @ \* |k• [ ] @ •kē [ ~@ kē \ É Ö [ ] [c] ā|ē V@ !^•!ā [ ā @ à^ ] [ā|ē|ā , @} [ā ā ā kē| ā @ ~] ]^ •ā @ \* |k• É Q kē \ @ d [ { ~ &@ ā|ē @ ^ &•• { kē à^ ^ā |^ā @ [ ~ \* @ @ ] !^•• !ā^ā à^k@!ē



MntP-B-0006

Q ^ [ ~! !^•!ā [ ā @ [ ] ^ •ā @ \* |k•kē [ ] !kē !^ \* kē^K V@ !^•!ā [ ā @ ~|ā à^ -ā|ā d @ & ) c [ ~ @ •ā @ \* |k• [ ] @ •kē [ ~@ kē \ É Ö [ ] [c] ā|ē -ā|ē Q @ kē \ @ d [ { ~ &@ ā|ē @ ^ &•• { kē à^ ^ā |^ā @ [ ~ \* @ @ ] !^•• !ā^ā à^k@!ē



MntP-B-0026

## REPLACING IN-TANK HYDRAULIC FILTER:

Š [ •^ ) @ d ~! : à [ | @ [ ] @ d ] & ā [ ~@ -ā|ē @ ~•ā \* É V ! } & ā [ & ~ } c [ & , ā ~ } kē & ā -^ É Ü^ { [ā kē à !^ ] kē -ā|ē Ü^ ] kē d ] & ā kē à & ā & ā [ | @ ā [ ] ] [ •kē [ !ā^ kē !^ [ ā|ē



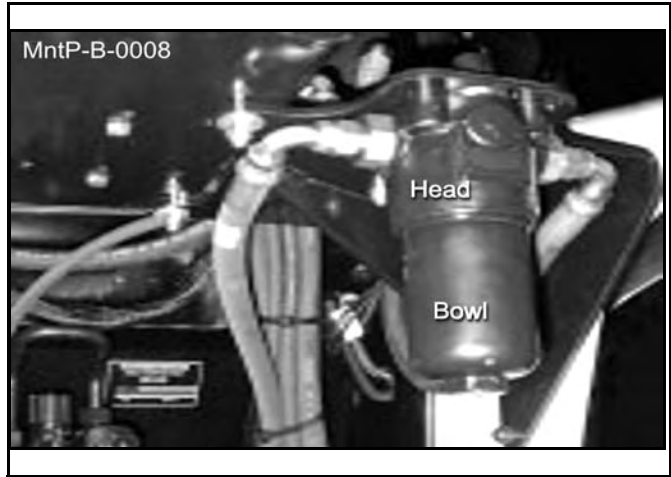
MntP-B-0007

Ùkē kē à Ükē Qkē

T kē c } kē & Ükē } | ē €

# MAINTENANCE

## REPLACING HIGH PRESSURE HYDRAULIC FILTER ELEMENT:



MAINTENANCE

Ó)•~!^ @æ@•^•{ @ à^} •@câ[, } ã à à^É  
 ]!^•~!ã^àÈŠ &æ Pa @Ú!^•~!^ Òç! @~•ã\*É  
 Ô[} -ã{ @æ@ ^!^ { }cç à^ ã•æ!^ã{ æ&@• @  
 ^!^ { }c] } @ ~ç! { [ã^| æÉ (Example:  
 V3.0510-06 (world line 100, HD049 model). Š &æ  
 @ à[ç{ [~ @ Pa @Ú!^•~!^ Ó, |ÈVã\* @  
 ç!| [ ]!æ • ] ç}!^, |^}&@[ |!æ@É ç! } ã æ  
 &~}ç!& [ &, ã^! [æ] Èç [ã]\* æ@ à[ç{ [~  
 @ à[, |Dç !^ [ç^ @ à[, |+ [ @ @æÈV@  
 -ã•c &~]!^ [cæ] •, ã! ^!^ { ç @æ @ [Èã\*  
 ] æ^• @ •^çã\* +æ ÈU) & @ [Èã\* @ &^æ!^  
 @ •^çã\* +æ @ à[, |•@~!ã } ã +^!ÈVæã\*  
 &æ!^ [çç à[ ] @ à[, |Èã ã @!^ [çã\* @ à[, |  
 + [ @ @æÈ

**WARNING: bowl will be full of oil!** Ú~! @ [ã+ [ @ à[, |ãç æ& } æ!ÈV@ [ã•@~!ã à^ & } •æ!^ã  
 & } æ ã æ!^ã ç @ [~çãÈã ãã&ç] [~+ [ , @ [ \* @æ ^!^ { }ÉÔ!^æ @ ã•æ!^ [~@ à[, |ã-ããç  
 ]!^•~!^ÉÚ!^ [ç^ @ [ã^!^ { }c+ [ { @ ~ç! @æ à^ ]!ã\* , ã@æ! [æ] } { [ç] ÈÔã] [•^ [~@ ~•ã  
 ^!^ { }c] ]!^!ÈÚ!^ [ç^ @ }^, ^!^ { }c+ [ { @ ] æ! çã\* ÈVã\* ^~! -ã\*!Èãæ çã! à!ææ @ [Èã\*  
 ã @ ç] [~@ }^, ^!^ { }c, ã@ çÈç•æ @ }^, ^!^ { }cãç çã! } @ { [ ] ç\* à! •, ã@ @ @æÈ  
 Ó)•~!^ @æ@ ^!^ { }cã ~!^ •^æ!^ } @ à! •ÈÔ!^æ çã ãã •^&c@ [Èã\* @æã æã!^ã ç @ à[, | çã  
 | à!ææ , ã@ çÈVã\* æ& [ &, ã^! [æ] È&^, @ à[, |àæã çç @ @æÈ^ )•~!ã\* @æ@ à[, | @ } [ç  
 à^} & [•È@æ!^ã çç @ @æÈÔ [ ] ç^ ç ç @ } @ à[, |ãç @ @æÈ^ •ã\* @ • ] ç}!^, |^}&@[ |  
 !æ&ÈV@ : [æ] } [~@ à[, |, ã! à^ & { ^ ç @! [ ] & @ [Èã\* ^] \* ç^• @ •^çã\* +æ ÈU) & @ à[, |  
 @ à[ç { ^ã [~ÉãæÈÈ ~@ à[, |ã^ FÈ ç! } ÈV@ ^)•~!^ @æ@ [Èã\* ã •^æ!^ ]!^!^ , ã@ @  
 •^çã\* +æ ÈÔ!^ { }c&@ç\* ^ [~çã! à! È•^ { à! ã } [ , & [ ]!^ÈÚçc@ { æ@^ çã ãã •^&c@ ~ç!  
 çã&È&ãã\* @æ@ !^ ã } [ ã!æãã\* + [ { @ ~ç! ç•^ { à! ÈÚ!^ ] æ! @ ~ç! -ã•cæ! € @~! [~  
 [ ]!^æ] È@ } ^æ! ç € @~! •D [ , @ } ããæã à à^ !^•çã } ããæ! È

## GREASING INNER AND OUTER DRAFT BEAM PIVOT POINTS

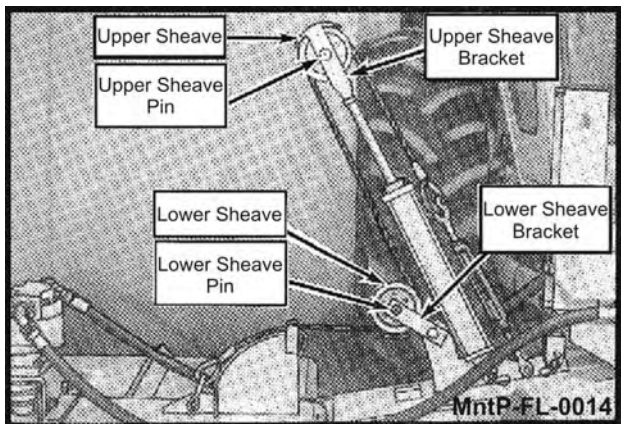
Š &æ @ \*!^æ^ : ^!^ [ ] @ ã }!^ çã [~ç! à!æçà^æ ] ç [çà [•^•Èçç&c Šã@ { È [ ]!^ç Óçç { ^  
 Ú!^•~!^!^!^æ& } + [ { ã\* ç PŠÓÈÈU HÇ•^&ãæã } •ãç ^æ@: ^!^ ~ } ç!^æ^ ]!^ã^ + [ { çãç È  
 Ô!^æ^ æ] ç [çã [ ]!^ç!^!^ @~! [~•^!çãÈ

Úæ^ çã à Úæç Òæã T ççç } ç & Úæç } | ÈF

# MAINTENANCE

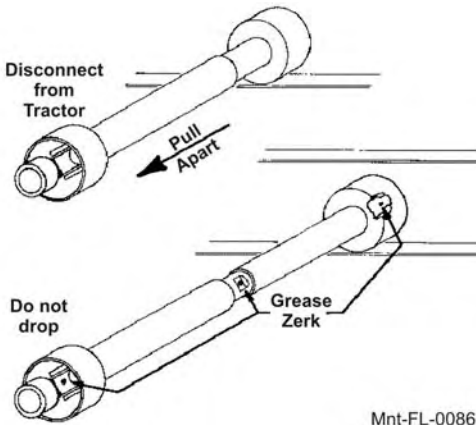
## GREASING THE UPPER AND LOWER SHEAVES

Š[ &æ @ \* ^æ^ : ^\ \ [ ] @ ^ } à • [ ~ @ ~ ] ^  
æ á [ , ^ \ @ æ ^ ] æ • É Mnt-R-0018 Q b & S æ { È  
Ö [ ] ^ Ø d ^ { ^ Ú ^ • ~ ^ ^ ^ æ ^ & } f i { æ \* d  
P S O Ø W U H G E • ] ^ & æ æ æ } • æ d ^ æ @ æ } } ð æ  
] i [ d ~ á ^ • - [ { @ ^ } à • É V @ ^ • @ ~ | à æ [ à ^  
\* ^ æ ^ à á æ æ [ i f i ^ Ç ^ i ^ i @ ~ | • [ ~ • ^ i Ç æ È



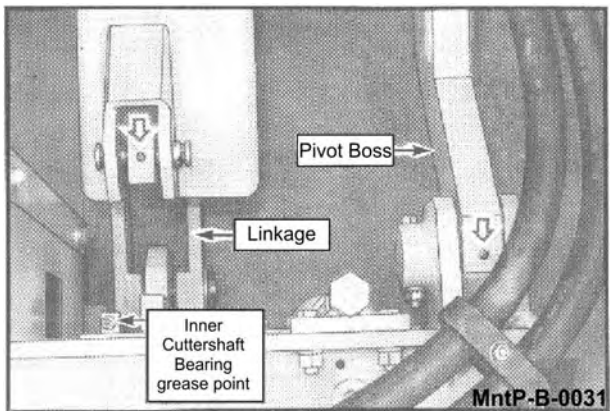
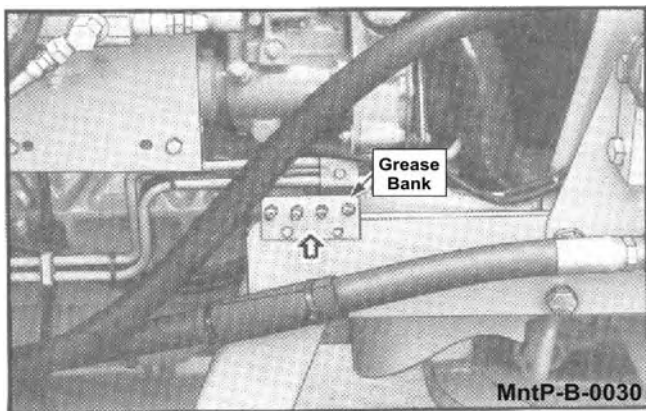
## GREASING PTO SHAFTS

O E l à à æ \* æ \* @ d æ æ f i d æ æ { [ ] ^ l • d ] È • @ c [ ~  
@ @ ^ } \* æ ^ æ á ^ { [ Ç @ Ú V U • @ æ - [ { @  
d æ æ f i È Ú æ æ @ @ • @ æ æ æ æ c d ^ l [ • ^ @ @ \* ^ æ ^  
: ^ \ È Ö i ^ æ ^ @ @ • @ æ æ æ æ æ } } { ] • [ ~ \* ^ i æ ^ æ á á  
@ W æ æ æ æ } } ð æ \* ^ i æ ^ ] i [ d ~ á ^ • - [ { & æ } ] ^  
@ • & @ á ~ | à æ æ l i Ç æ æ æ @ { æ æ l } æ & ^ ^ & æ } È



## GREASING INNER AND OUTER DRAFT BEAM PIVOT POINTS

Š[ &æ @ \* ^ æ ^ : ^ \ \ [ ] @ æ } ^ i æ á á æ æ æ } æ [ c à [ • • • È Q b & S æ { È Ö [ ] ^ Ø d ^ { ^  
Ú ^ • • ~ ^ ^ i ^ æ ^ & } f i { æ \* d P S O Ø W U H G E • ] ^ & æ æ æ æ } • æ d ^ æ @ : ^ \ ~ } ð æ \* ^ i æ ^ ] i [ d ~ á ^ • - [ { æ æ • È  
Ö i ^ æ ^ æ ] æ [ c [ æ • á æ æ [ i ^ Ç ^ i ^ i @ ~ | • [ ~ • ^ i Ç æ È



Ú æ ^ æ á Ú æ æ Ö æ æ

T æ æ l } æ & Ú ^ & æ } i È G

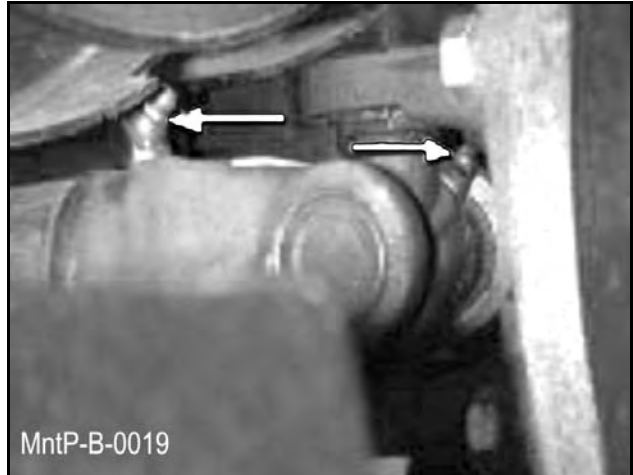
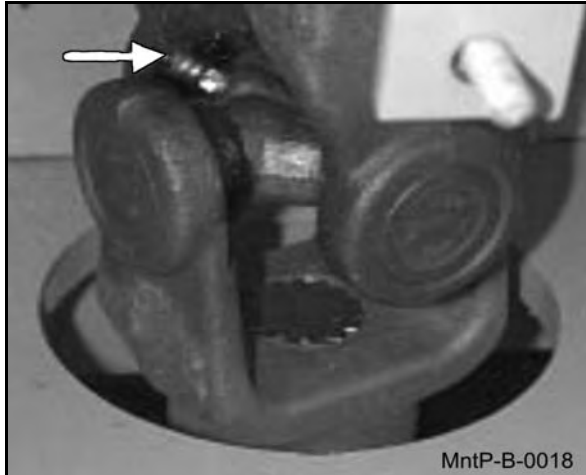


# MAINTENANCE

MAINTENANCE

## DRIVE SHAFT YOKE, U-JOINT STUB SHAFT

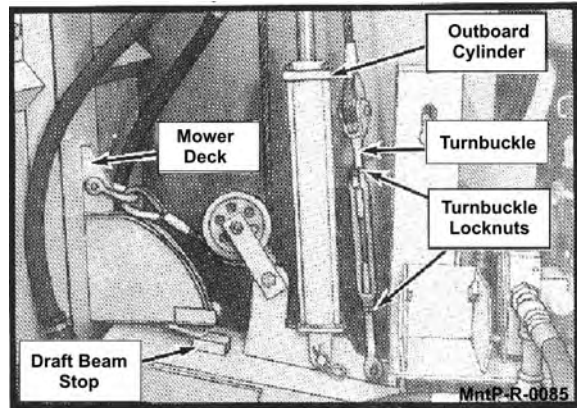
Yoke and U-joint stub shaft assembly. The yoke is attached to the drive shaft and the U-joint is attached to the stub shaft. The U-joint is a universal joint that allows the drive shaft to rotate at an angle to the stub shaft.



## ADJUSTING THE CABLE LIFT

Adjusting the cable lift. The cable turnbuckle is used to adjust the tension of the cable. The turnbuckle is located on the mower deck. The turnbuckle locknuts are used to lock the turnbuckle in place. The draft beam stop is used to stop the draft beam from moving.

**NOTE:** Make sure the cable turnbuckle is loose enough to allow the cylinder to reach full extension before the head reaches the stop. If the turnbuckle is too tight, the head will not reach the stop and the mower deck will not lift properly.



U-joint and U-joint stub shaft

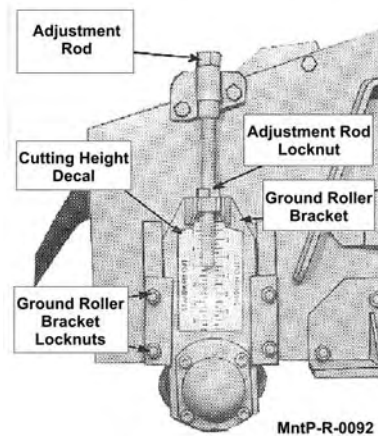
Tensioning the cable lift

# MAINTENANCE

MAINTENANCE

## ADJUSTING THE CUTTING HEIGHT

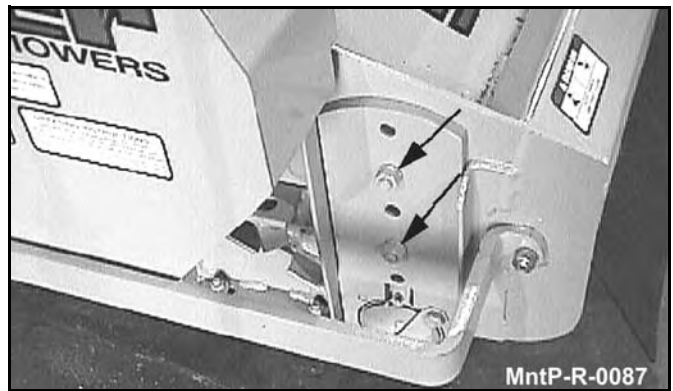
Adjusting the cutting height involves loosening the adjustment rod locknut and adjusting the rod to the desired height. The cutting height decal provides a visual reference for the correct setting. Once the desired height is reached, the locknut should be tightened to secure the setting.



MntP-R-0092

## ADJUSTING STANDARD DUTY CUT HEIGHT

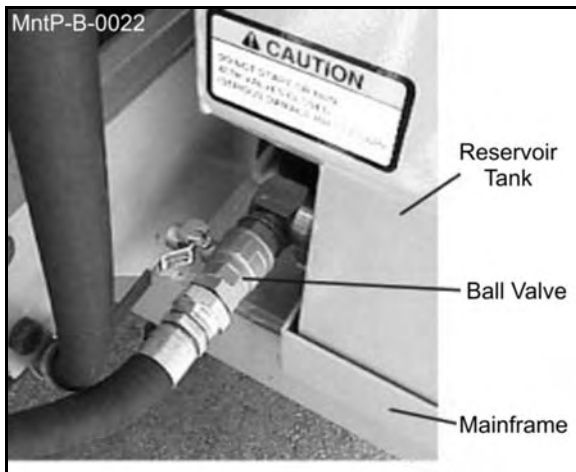
Adjusting the standard duty cut height involves loosening the locknuts on the ground roller brackets and adjusting the brackets to the desired height. The cutting height decal provides a visual reference for the correct setting. Once the desired height is reached, the locknuts should be tightened to secure the setting.



MntP-R-0087

## BALL VALVES

The ball valve must be open (handle parallel with valve) when the tractor is restarted or the pump is coupled to the motor or PTO. This ensures proper hydraulic flow and prevents damage to the system.



MntP-B-0022



MntP-R-200

Ensure the ball valve is open.

The handle should be parallel to the valve body.

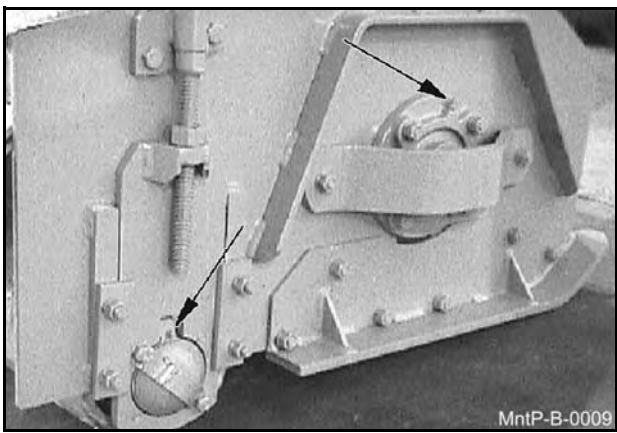


# MAINTENANCE

MAINTENANCE

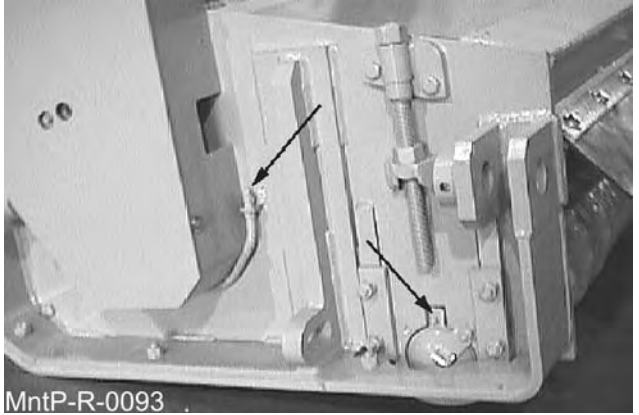
## GREASING CUTTER SHAFT-FLAIL MOWERS

ඉහළ ක්ෂේත්‍රයේ ලබා දුන් බර්වික්ස් මාර්ග දර්ශන පද්ධතියට අනුව වැඩිදුරටත් සවිස්තරව ලබා දෙන ලදී. සවිස්තරව ලබා දෙන ලදී. සවිස්තරව ලබා දෙන ලදී. සවිස්තරව ලබා දෙන ලදී. සවිස්තරව ලබා දෙන ලදී. සවිස්තරව ලබා දෙන ලදී. සවිස්තරව ලබා දෙන ලදී.



## GREASING GROUND ROLLER SHAFT-FLAIL

ඉහළ ක්ෂේත්‍රයේ ලබා දුන් බර්වික්ස් මාර්ග දර්ශන පද්ධතියට අනුව වැඩිදුරටත් සවිස්තරව ලබා දෙන ලදී. සවිස්තරව ලබා දෙන ලදී. සවිස්තරව ලබා දෙන ලදී. සවිස්තරව ලබා දෙන ලදී. සවිස්තරව ලබා දෙන ලදී. සවිස්තරව ලබා දෙන ලදී. සවිස්තරව ලබා දෙන ලදී.



## GREASING THE IDLER TENSION ARMS

ඉහළ ක්ෂේත්‍රයේ ලබා දුන් බර්වික්ස් මාර්ග දර්ශන පද්ධතියට අනුව වැඩිදුරටත් සවිස්තරව ලබා දෙන ලදී. සවිස්තරව ලබා දෙන ලදී. සවිස්තරව ලබා දෙන ලදී. සවිස්තරව ලබා දෙන ලදී. සවිස්තරව ලබා දෙන ලදී. සවිස්තරව ලබා දෙන ලදී. සවිස්තරව ලබා දෙන ලදී.

පුස්තකයේ වැඩිදුරටත් විස්තර

මෙහි ඇති ඡායාරූප සඳහා



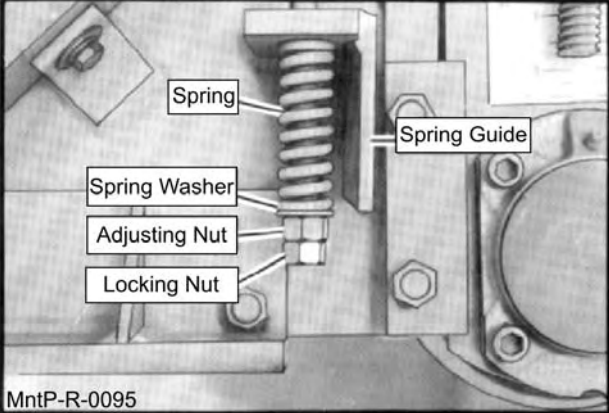
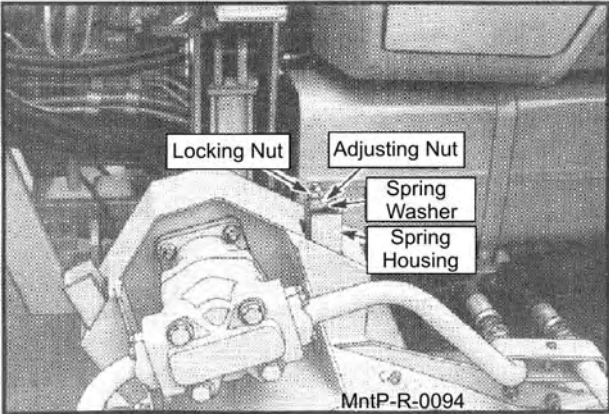
# MAINTENANCE

MAINTENANCE

## IDLER TENSION

၎င်းအား ဝတ်ဆင်ရာတွင် အောက်ဖော်ပြပါအတိုင်း ဝတ်ဆင်ရမည်။  
 ၁။ အောက်ဖော်ပြပါအတိုင်း ဝတ်ဆင်ရမည်။  
 ၂။ အောက်ဖော်ပြပါအတိုင်း ဝတ်ဆင်ရမည်။  
 ၃။ အောက်ဖော်ပြပါအတိုင်း ဝတ်ဆင်ရမည်။  
 ၄။ အောက်ဖော်ပြပါအတိုင်း ဝတ်ဆင်ရမည်။  
 ၅။ အောက်ဖော်ပြပါအတိုင်း ဝတ်ဆင်ရမည်။  
 ၆။ အောက်ဖော်ပြပါအတိုင်း ဝတ်ဆင်ရမည်။  
 ၇။ အောက်ဖော်ပြပါအတိုင်း ဝတ်ဆင်ရမည်။  
 ၈။ အောက်ဖော်ပြပါအတိုင်း ဝတ်ဆင်ရမည်။  
 ၉။ အောက်ဖော်ပြပါအတိုင်း ဝတ်ဆင်ရမည်။  
 ၁၀။ အောက်ဖော်ပြပါအတိုင်း ဝတ်ဆင်ရမည်။

၁။ အောက်ဖော်ပြပါအတိုင်း ဝတ်ဆင်ရမည်။  
 ၂။ အောက်ဖော်ပြပါအတိုင်း ဝတ်ဆင်ရမည်။  
 ၃။ အောက်ဖော်ပြပါအတိုင်း ဝတ်ဆင်ရမည်။  
 ၄။ အောက်ဖော်ပြပါအတိုင်း ဝတ်ဆင်ရမည်။  
 ၅။ အောက်ဖော်ပြပါအတိုင်း ဝတ်ဆင်ရမည်။  
 ၆။ အောက်ဖော်ပြပါအတိုင်း ဝတ်ဆင်ရမည်။  
 ၇။ အောက်ဖော်ပြပါအတိုင်း ဝတ်ဆင်ရမည်။  
 ၈။ အောက်ဖော်ပြပါအတိုင်း ဝတ်ဆင်ရမည်။  
 ၉။ အောက်ဖော်ပြပါအတိုင်း ဝတ်ဆင်ရမည်။  
 ၁၀။ အောက်ဖော်ပြပါအတိုင်း ဝတ်ဆင်ရမည်။



ပုံဆွဲရေးအဖွဲ့မှ ဖြစ်ပေါ်လာခဲ့ပါသည်။

# MAINTENANCE

## ROSTA TENSIONER

### STANDARD DUTY REAR FLAILS

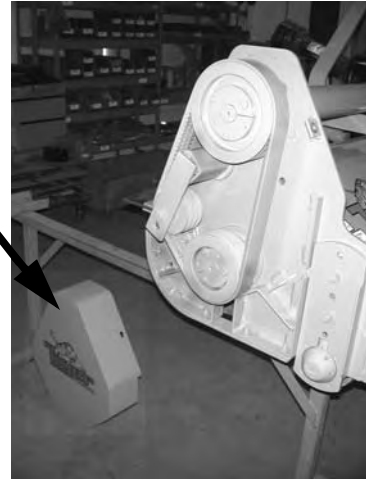
Ü^ { [ç^ @ • @|ã \*~ æã [ç^! @ @^|c • @|ã È P^æÉ!^ { [ç^ @ @^|c • @|ã @æ& ç^! • @ @ }^!É à^|cæ } à • @æ^ • È

MAINTENANCE



ÓÒŠV ÛPŦŠÖ

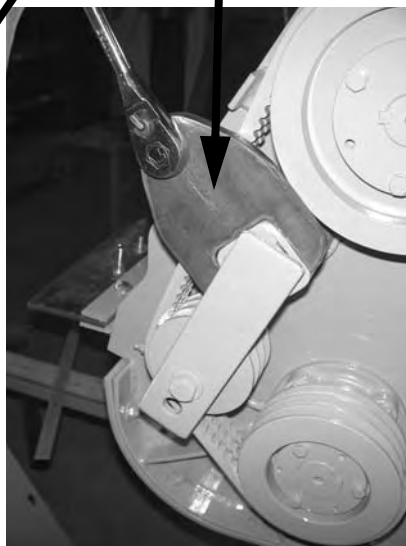
ÛPŦŠÖ  
ÖWÆÛÖ



Ú|æ^ æ • dæ@ ^ã^ [ç^! à [ @ • @æ^ • æã { ^æ^!^ @ @^|c @ }^!É } Ç^ VÒP ÛŦPÖÛ  
T ÖŦWÛÖT ÖP V ÛÛ ÖŦŦWÛÖÈ V æb • c @ Û [ • æ V^ } • æ }^!É -ã • É [ [ • ^ ) @ Û [ • æ Û ] æã  
Û [ • æ Ó [ c @æ • ^ & !^ • @ Û [ • æ ç @ -æ È P^æ c^ • ^ @ Y !^ ) & @ Û P È | È Ç H æ æ æ |^ D ç æb • c  
@ @ }^!É } [ ~ @ @^|c È È! @ @ }^!É } @ @^!^ • ^ È • ^ & !^ @ Û [ • æ Û ] æã |^ È !^ • ^ @ Û [ • æ  
Ó [ ç ç • ]^ & • È

ÛVÛÆŦP V ÖÖÖÖ

ÛU ÛVÆY ÛÖPÖP



ÛU ÛVÆ ÛVÛ



ÛU ÛVÆ  
VÒP ÛŦPÖÛ

Úæ^ æã à Ûæ Ŧæ

T æ ç } æ & Û & ç } | È

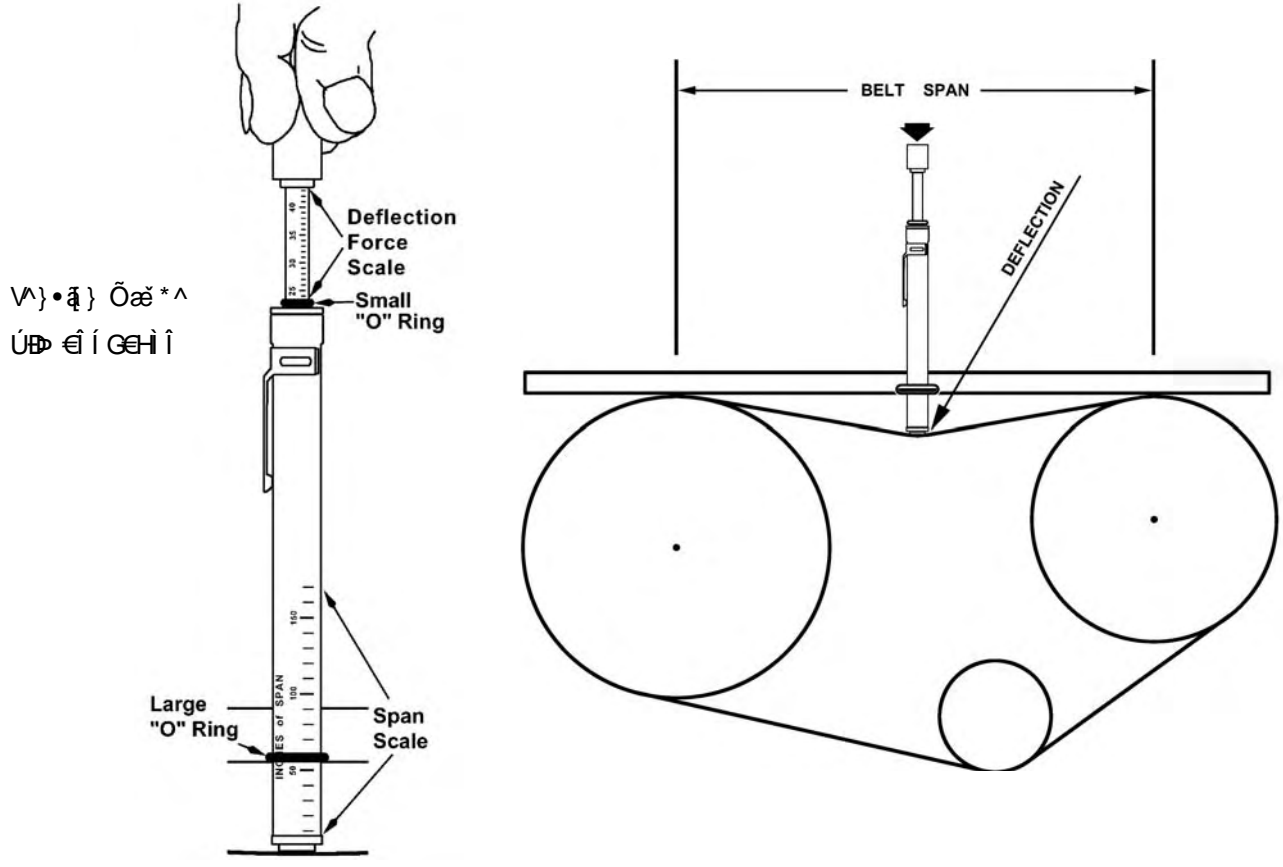
# MAINTENANCE

MAINTENANCE

## TENSIONER MEASUREMENT PROCEDURE

- FÈ T^æ~|^ @ Ó|cÙ] æ ÑÒÒ ÙSÒVÓPÈ
- GÈ Ú[•æ] @ à[œ { [-@ Šæ^ ^+Ù] \* [] @ Ù] æ Ù&æ æ@ { ^æ~|^à Ó|cÙ] æ È
- HÈ Ù^c@ Ù{ æ ^+Ù] \* [] @ Ò^+&æ] Ò!& Ù&æ ð Z^!È
- IÈ Ù]æ @ ò[•æ] \* æ^•~ æ^| [] @ à|cæ@ &] ò[ [-@ à|c•] æ È] | æ-!& [] @ ]|^] \*^| ]^|^] àæ] æ ð @ à|c•] æ ~] ð @ à[œ { [-@ Šæ^ ^+Ù] \* à ^ç^}, æ@ @ à[œ { [-@ æ^æ @^à^ |ææ æ[•• @ •@æ^•È
- ÍÈ Ù^ [ç^ @ ò[•æ] \* æ^• æ à|^æ @ -!& æ] |æ-+[- @ à[œ { [-@ Ù{ æ ^+Ù] \* [] @ Ò^+&æ] Ò!& Ù&æÈ
- ÎÈ Ó[ ] æ @ -!& à^] [ç^ à^ @ Ù{ æ ^+Ù] \* , æ@ çæ^••@, } ÈV@ -!& •@^|à à^ à^ç^ @ çæ^••@ -!& -!& æ^, Ó|c|! W^à Ó|cÈ
- ÏÈ T æ^~|^ ð ~^ @ -!& çæ^••] [ ~] à^ @ •] æ { ^æ~|^à] æ @ ÈW^ \æ] \*!æ • [-!& à^ @ •] æ { ^æ~|^à] æ &] ð ^ç^È
- ìÈ ÙVÓKV@ |ææ [-@ à^+&æ] ð à|c•] æ à FÞ] æ ^æ@! ~] æ [- ^æ~|^ ^] È

**Deflection Force Values - Standard Duty**  
**New Belt: 20 to 25 pounds**  
**Used Belt: 12 to 20 pounds**



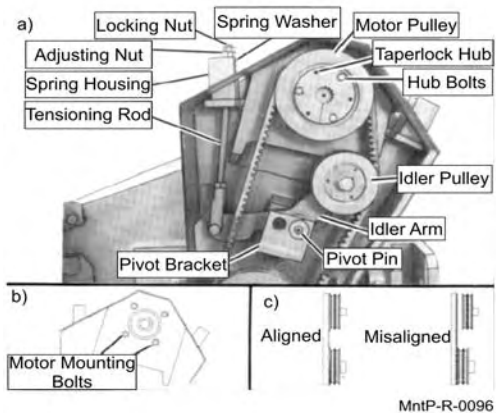
Ùæ^ æ à Ù^æ Òææ T æ] ò[ æ & Ù^&æ] | ÈJ

# MAINTENANCE

MAINTENANCE

## REVERSING MOWER ROTATION OF SIDE FLAIL MOWERS

1. Turn the engine off and disconnect the battery. 2. Remove the side flail mower cover. 3. Locate the motor pulley and idler pulley. 4. Loosen the tensioning rod and adjusting nut. 5. Reverse the rotation of the motor pulley. 6. Tighten the tensioning rod and adjusting nut. 7. Reinstall the side flail mower cover. 8. Reconnect the battery and start the engine. 9. Test the mower operation.



10. Turn the engine off and disconnect the battery. 11. Remove the side flail mower cover. 12. Locate the motor pulley and idler pulley. 13. Loosen the tensioning rod and adjusting nut. 14. Reverse the rotation of the motor pulley. 15. Tighten the tensioning rod and adjusting nut. 16. Reinstall the side flail mower cover. 17. Reconnect the battery and start the engine. 18. Test the mower operation.

19. Turn the engine off and disconnect the battery. 20. Remove the side flail mower cover. 21. Locate the motor pulley and idler pulley. 22. Loosen the tensioning rod and adjusting nut. 23. Reverse the rotation of the motor pulley. 24. Tighten the tensioning rod and adjusting nut. 25. Reinstall the side flail mower cover. 26. Reconnect the battery and start the engine. 27. Test the mower operation.

28. Turn the engine off and disconnect the battery. 29. Remove the side flail mower cover. 30. Locate the motor pulley and idler pulley. 31. Loosen the tensioning rod and adjusting nut. 32. Reverse the rotation of the motor pulley. 33. Tighten the tensioning rod and adjusting nut. 34. Reinstall the side flail mower cover. 35. Reconnect the battery and start the engine. 36. Test the mower operation.

37. Turn the engine off and disconnect the battery. 38. Remove the side flail mower cover. 39. Locate the motor pulley and idler pulley. 40. Loosen the tensioning rod and adjusting nut. 41. Reverse the rotation of the motor pulley. 42. Tighten the tensioning rod and adjusting nut. 43. Reinstall the side flail mower cover. 44. Reconnect the battery and start the engine. 45. Test the mower operation.

46. Turn the engine off and disconnect the battery. 47. Remove the side flail mower cover. 48. Locate the motor pulley and idler pulley. 49. Loosen the tensioning rod and adjusting nut. 50. Reverse the rotation of the motor pulley. 51. Tighten the tensioning rod and adjusting nut. 52. Reinstall the side flail mower cover. 53. Reconnect the battery and start the engine. 54. Test the mower operation.

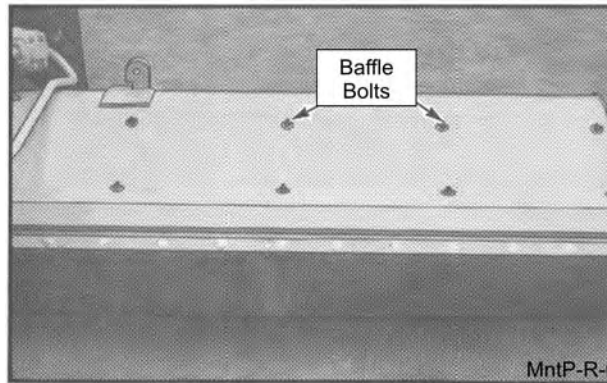
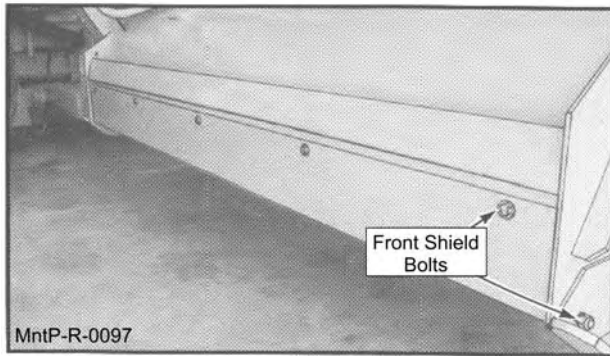
55. Turn the engine off and disconnect the battery. 56. Remove the side flail mower cover. 57. Locate the motor pulley and idler pulley. 58. Loosen the tensioning rod and adjusting nut. 59. Reverse the rotation of the motor pulley. 60. Tighten the tensioning rod and adjusting nut. 61. Reinstall the side flail mower cover. 62. Reconnect the battery and start the engine. 63. Test the mower operation.

64. Turn the engine off and disconnect the battery. 65. Remove the side flail mower cover. 66. Locate the motor pulley and idler pulley. 67. Loosen the tensioning rod and adjusting nut. 68. Reverse the rotation of the motor pulley. 69. Tighten the tensioning rod and adjusting nut. 70. Reinstall the side flail mower cover. 71. Reconnect the battery and start the engine. 72. Test the mower operation.

Turn the engine off and disconnect the battery.

Remove the side flail mower cover.

# MAINTENANCE

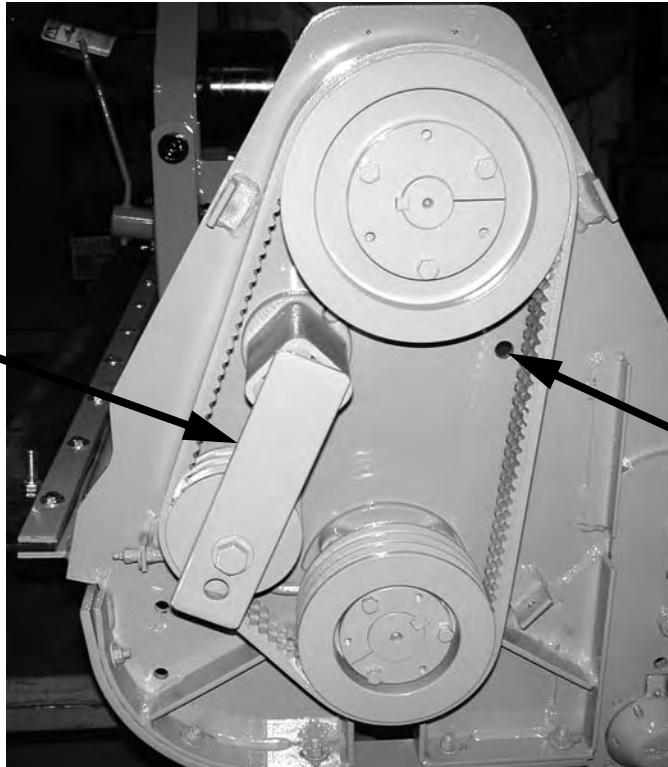


MAINTENANCE

## REVERSING MOWER ROTATION OF SD REAR FLAIL MOWERS

CAUTION: Before attempting to reverse the rotation of the rear flail mower, ensure the mower is in neutral and the PTO is disengaged. The rear flail mower is a high-speed rotating component and can cause serious injury if not properly maintained. Always use proper safety procedures when working on the mower. Refer to the operator's manual for more information.

Ü[•æ  
V})•q}^!



Ü^ç^!•^ Ü[æq}  
V})•q}^! || &æq}

Üæ^ q}^ Ü^æ Qæq

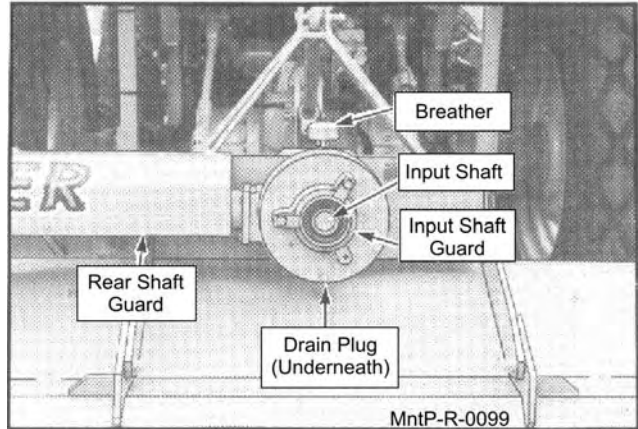
Tæq}^ q}^ & Ü^æq} | Èç

# MAINTENANCE

MAINTENANCE

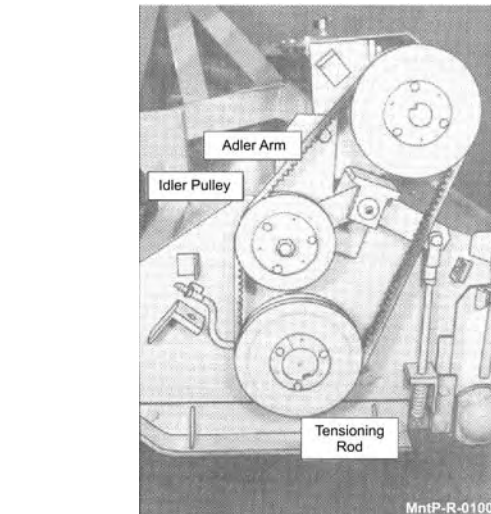
## REVERSING MOWER ROTATION REAR MECHANICAL DRIVEN FLAIL MOWERS

1. Turn the engine off and disconnect the battery.



2. Remove the rear shaft guard.

3. Remove the input shaft guard.



4. Remove the input shaft.

5. Remove the input shaft guard.

6. Remove the input shaft.

7. Remove the input shaft guard.

8. Remove the input shaft.

Turn the engine off and disconnect the battery.

# MAINTENANCE

MAINTENANCE

## Flail Blades Inspection

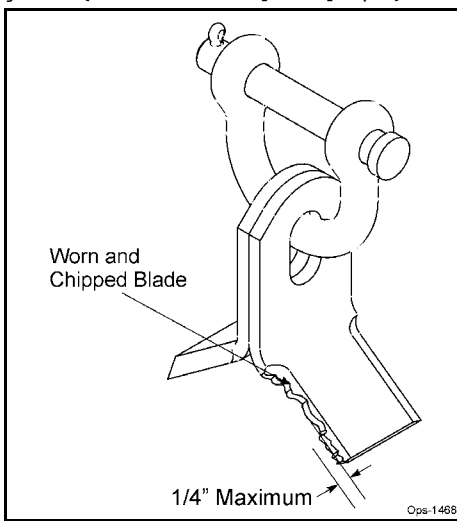


**WARNING:** Flail blades are extremely sharp. Always wear safety glasses and heavy gloves when inspecting, cleaning, or changing flail blades. Do not touch the sharp edge of the blade.

- Use a file to remove burrs from the blade.
- Always wear safety glasses and heavy gloves.
- Do not touch the sharp edge of the blade.
- Do not use a hammer to remove a blade.
- Do not use a pry bar to remove a blade.
- Do not use a screwdriver to remove a blade.
- Do not use a wrench to remove a blade.
- Do not use a mallet to remove a blade.

**DO NOT** touch the blade. Do not use a hammer, pry bar, screwdriver, wrench, mallet, or any other tool to remove the blade.

Do not use a file to remove burrs from the blade. Do not use a pry bar, screwdriver, wrench, mallet, or any other tool to remove the blade.



Use a file to remove burrs from the blade.

- Use a file to remove burrs from the blade.
- Always wear safety glasses and heavy gloves.
- Do not touch the sharp edge of the blade.
- Do not use a hammer to remove a blade.
- Do not use a pry bar to remove a blade.
- Do not use a screwdriver to remove a blade.
- Do not use a wrench to remove a blade.
- Do not use a mallet to remove a blade.



**Important:** Always use a file to remove burrs from the blade. Do not use a pry bar, screwdriver, wrench, mallet, or any other tool to remove the blade.



**CAUTION:** Do not use a hammer, pry bar, screwdriver, wrench, mallet, or any other tool to remove the blade. OPS-U-0044

Use a file to remove burrs from the blade.

Do not use a pry bar, screwdriver, wrench, mallet, or any other tool to remove the blade.





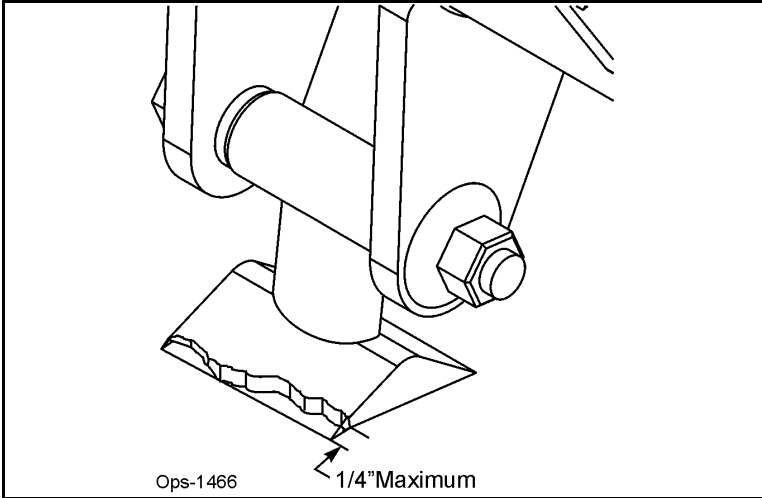
# MAINTENANCE

## Flail Axe Blades Inspection



Use the following instructions to inspect the flail axe blades. If you find any damage to the blades, stop the machine immediately and contact your dealer for replacement. Do not operate the machine until the blades are replaced. Failure to inspect the blades properly could result in personal injury or death.

- Look for cracks, bends, or other damage to the blades.
- Check the blades for sharp edges.
- Check the blades for proper alignment.
- Check the blades for proper spacing.
- Check the blades for proper rotation.
- Check the blades for proper tension.
- Check the blades for proper lubrication.



The gap between blades should be a maximum of 1/4 inch. If the gap is larger than 1/4 inch, the blades should be replaced. Failure to maintain the proper gap between blades could result in personal injury or death.

- Inspect the blades for any damage.
- Replace any damaged blades.
- Adjust the blade spacing to 1/4 inch.
- Lubricate the blades.
- Tighten the blade tension.
- Rotate the blades.
- Check the blade alignment.



**Important:** Always use proper technique when operating the machine. Do not reach into the rotating parts of the machine. Failure to use proper technique could result in personal injury or death.



**CAUTION:** Always use proper technique when operating the machine. Do not reach into the rotating parts of the machine. Failure to use proper technique could result in personal injury or death. OPS-U-0042

Use the following instructions to inspect the flail axe blades. **T** 2013 John Deere L-Series Tractor

MAINTENANCE



# MAINTENANCE



DO NOT re-use the locking hex nuts for mounting the knives. If hex nut becomes loose, or required removal for knife replacement or any other reason, it must be discarded and replaced with a new nut.

## 63" BOOM FLAIL KNIFE REPLACEMENT

- FÈ Q\} Ñ^• æ^ àæ æ^à [! àæ!^ , [! ]Éc@^ , ã} ^^à d à^ !^ |æ^à æ æ^cÉÜ^ |æÑ \* æÑ \* ^ \ } ã &æ &æ • ^ • ^ç^ / ^ çæ!ææ } æ à [ • • æ | ^ àæ æ^ d @ { [ , ^!É
- GÈ QÈ • ^ { à^ \ } Ñ^ • É&^çã Èà [ | ç æ à } ~ ç æ • @ , } ã Úæç Ú^&æ } [ ~ { æ ~ æÈ
- HÈ Q • æ | [ & ã \* @ç } ~ ç • [ c@ç@ ~ææ^ [ ~ ] ~ çã d , æã • c@ \ } ãÈ
- I È Q | ] [ [ &æ %æ F+ [ ! ^ ~ Ñæ^ } ç d @^æ • È
- Í È V [ ! ~ ^ } ~ ç d HÍ ØVÈŠÓUÈS } ã { ~ • ç , ã \* ~ ^ ^ | È



DO NOT re-use the locking hex nuts for mounting the knives. If hex nut become loose, or require removal for knife replacement or any other reason, they must be discarded and replaced with new nuts.

Knives should not be welded on for any reason.



## STANDARD OR HEAVY DUTY SIDE OR REAR FLAIL KNIFE REPLACEMENT

- FÈ Q\} Ñ^• æ^ àæ æ^à [! àæ!^ , [! ]Éc@^ , ã} ^^à d à^ !^ |æ^à æ æ^cÉÜ^ |æÑ \* æÑ \* ^ \ } ã &æ &æ • ^ • ^ç^ / ^ çæ!ææ } æ à [ • • æ | ^ àæ æ^ d @ { [ , ^!É
- GÈ QÈ • ^ { à^ \ } Ñ^ • É&^çã Èà [ | ç æ à } ~ ç æ • @ , } ã Úæç Ú^&æ } [ ~ { æ ~ æÈ
- HÈ Q • æ | [ & ã \* @ç } ~ ç • [ c@ç@ ~ææ^ [ ~ ] ~ çã d , æã • c@ \ } ãÈ
- I È Q | ] [ [ &æ %æ F+ [ ! ^ ~ Ñæ^ } ç d @^æ • È
- Í È V [ ! ~ ^ } ~ ç d HÍ ØVÈŠÓUÈS } ã { ~ • ç , ã \* ~ ^ ^ | È



ÖU ÞUV!^È • ^ c@ [ [ & ã \* @ç } ~ ç { [ ~ } ã \* c@ \ } Ñ^ • Éç @ç } ~ ç à^ & { ^ [ [ • ^ È | ! ^ ~ ã^ !^ { [ çæ ã | \ } ã^ !^ |æ^ { ^ } ç [ ! æ ~ [ c@ | !^æ ] } Éc@^ { ~ • ç à^ àæ &æ à^ à æ à !^ |æ^ à , æ@^ , } ~ ç È



S} Ñ^ • @ ~ | à } [ c à^ , ^ | à^ à [ ] ã | æ ^ !^æ [ ] È

MAINTENANCE

# MAINTENANCE

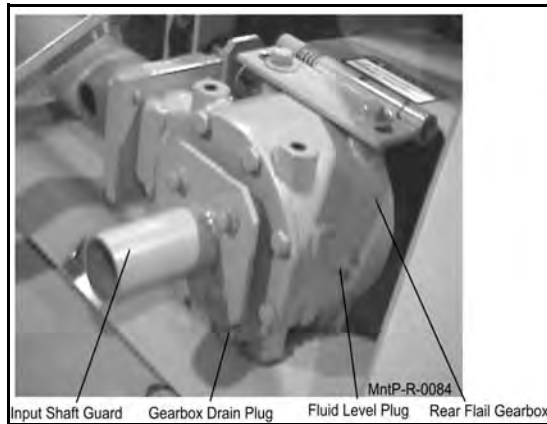
MAINTENANCE

## RECOMMENDED FILLING INSTRUCTIONS FOR REAR FLAIL GEARBOX

When filling or checking the fluid level, the unit should be parked on a level surface with rear flail down on surface, shut OFF, and cold, (at ambient temperature).

Remove the fluid level plug located on the side of the gear box. The gear box should be filled to the bottom of the fluid level hole. If necessary, use 75-90 wt. PAO Synthetic Extreme Pressure Gear Lube to raise level to bottom of the hole.

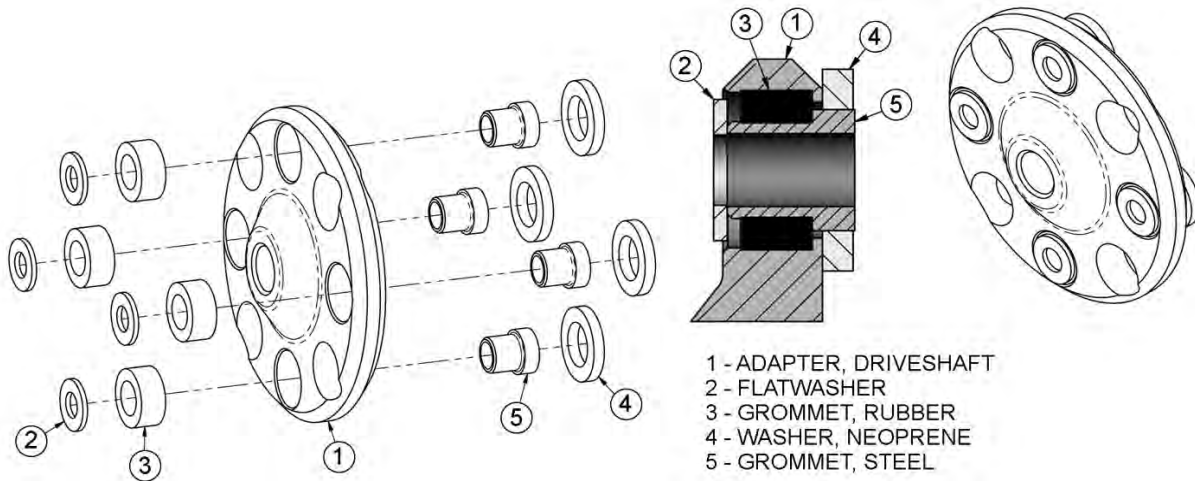
Do not overfill. excessive gear oil will run back out of the hole. Reinstall fluid level plug into gearbox. If gearbox has been overfilled, the excess may be expelled through the pressurized breather.



## MAINTENANCE OF CRANKSHAFT ADAPTER ASSEMBLY (RIGID ENGINE MOUNT TRACTORS ONLY)

If replacement of components of the crankshaft adapter assembly is required, follow the assembly procedures shown below. Seat rubber grommet completely into counterbore, then seat steel grommet completely into rubber grommet while rubber grommet is supported.

(ASM-JD-0051 CRANKSHAFT ADAPTER MAINTENANCE)



**MAINTENANCE**

**PAGE INTENTIONALLY LEFT BLANK**

**MAINTENANCE**

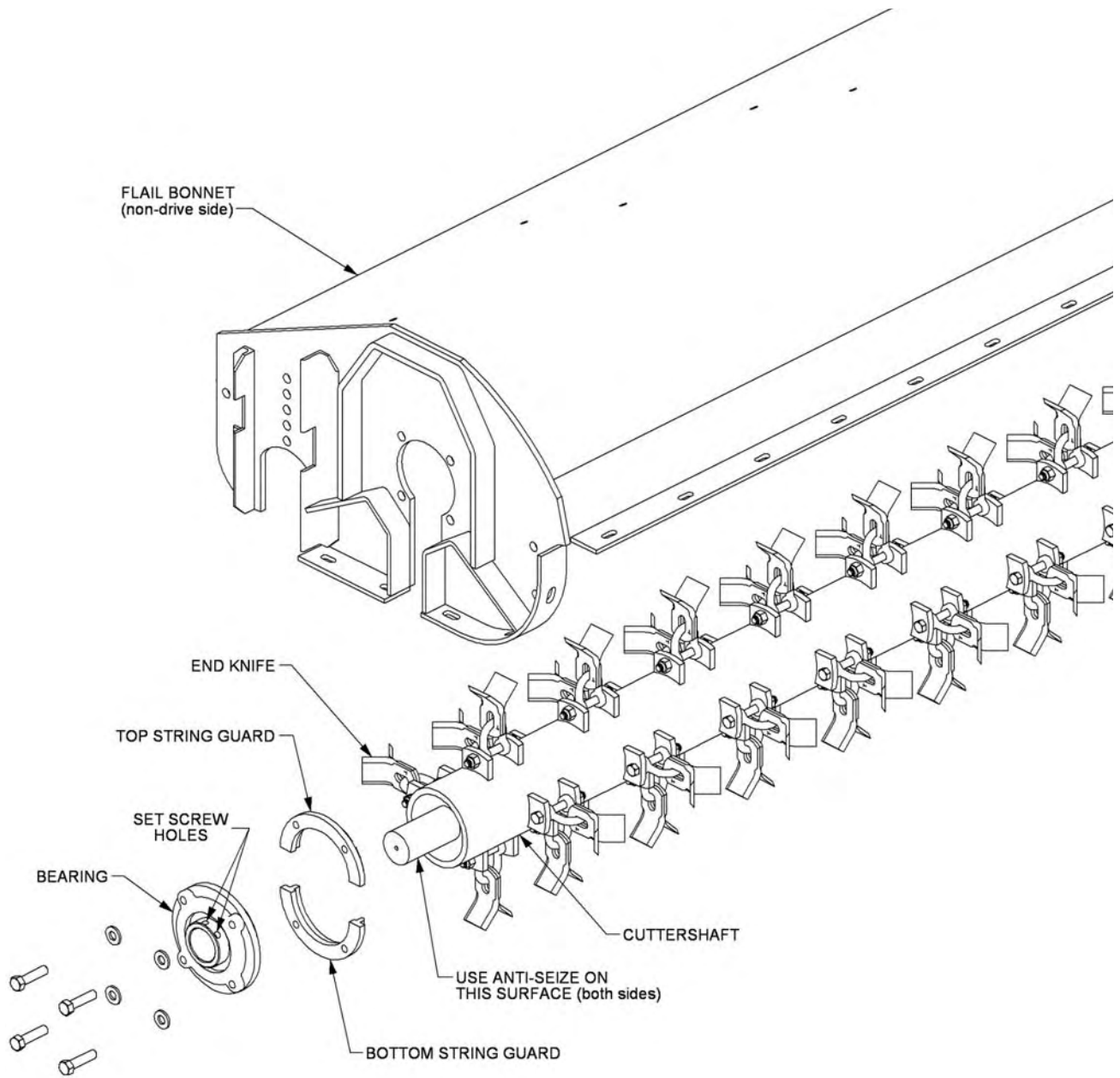
Ùã^ æ à Ü^æ Øãã

T æ ç } æ & ^ Ü^æ } | ÈG



# MAINTENANCE

MAINTENANCE



Ùæ^ æ à Ù^æ Øææ

T æ ç } æ & Ù^æ } | ÈF

# MAINTENANCE

MAINTENANCE

## DAILY MAINTENANCE SCHEDULE

V@ f|||, 3\* •^içæ• •@~|â à^ ]^f|{ ^â àæñ [i ^ç^i^ ì @~i• [~•^içæÈ f|||, 3\* @â à^æñ^â { æñ^ } æ & 3•d~ &ñ } • 3 @ [ ]^iæñ^iç { æ~æñ

~~~~~ Û { } Õiç^ Û@ecKÕ@& f|i^}â ]æ 3 àiç^• @ecD&~ ]^i æ à | àiçæ^ æ: \•È

~~~~~ Õiæ \• @ecæñ^ç ò^iKQ^~ 3 ]^â, æ@~ àà^i \* | [ { ^ç & @ & & ] àæñ } È^ ]æ^ à- { 3•3\* [ i àæ æ^âÈ

~~~~~ Ûç [c] [ 3•çKQç&c\*!^æ^~ } ã çæ } ^æ• æ^ } â•È

~~~~~ P^âiæ ]æ ãç \*•KÕ@& f|i ^æ•, æ@ ]æ^i [i &æâà [ æâÈ Vã @^ } çç \*• [ i ]^ ]æ^ @•^â { ^âæ^È

~~~~~ S) ç^•KQ• ]^&c f|i { 3•3\* [ i àæ æ^â \ } ç^•È&ç \*^ Ç ]^ & { ]^ç^•^ç Dæ } ^^â^âÈ

~~~~~ Õ^çKÕ@& ÈVã @^ ]^ ]æ^ à^ç ç } ^^â^âÈ

~~~~~ T æñ Õiæ ^È^&KW ]^•• [ @^, 3^• ]^ &âââ à | d i ~^ à | ç æ& ]^â 3\* ç ç i ~^• ]^ &âææ } • 3 @â •^&ç } È

~~~~~ P^âiæ ]æ Õ^ ç Ñç^iKÇââÈ^i^~ â^âÈ ]^i f ç ^& { { ^ } àæñ } •È

~~~~~ Û^æ Õiæ Õiç^È Õ^æ 3\* Õiæ \*^ æ à Û@ec Õ [ ~ ]^i • Ç-æ ]^ ]æñ^içKÕi^æ^ æ 3•d~ &ç^â 3 @â à^æñ^â { æñ^ } æ & •^&ç } È

~~~~~ Õ^ ç Û@ecæ à Õi [ ~ } â Û [ ]^iKÕi^æ^ æ 3•d~ &ç^â 3 @â à^æñ^â T æñ^ } æ & Û^&ç } È

Û^içæ ]^i f|i { ^â à^ K ~~~~~~ Õæ^K ~~~~ ð ~~~~ ð ~~~~ P [ ~ ]

T^ç^iK ~~~~~~

T æñ^ } æ & Û^&ç }

ÈV@ ]æ^ { æ à^ & ] 3^â ç à ~^â ç ] æç [ ~@â æñ^ { æñ^ } æ & [ ~ ç^È

Û^â ç à Û^æ Õiæ T æñ^ } æ & Û^&ç } | ÈG



**PARTS SECTION**

# PART NAME INDEX

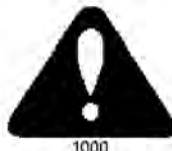
|  |    |
|--|----|
| PARTS ORDERING GUIDE.....                          | 3  |
| TRACTOR MOUNT KIT.....                             | 4  |
| TRACTOR MOUNT KIT, HYDRAULICS.....                 | 6  |
| DRAFT BEAM ASSEMBLY.....                           | 8  |
| TSF DECK ATTACHMENT ASSEMBLY.....                  | 10 |
| CABLE (MANUAL) LIFT VALVE - 2 SPOOL.....           | 12 |
| 75IN XD SIDE FLAIL,TIER 4 - STANDARD ROTATION..... | 14 |
| 75IN XD SIDE FLAIL,TIER 4 - REVERSE ROTATION.....  | 16 |
| SIDE FLAIL DRIVE ASSEMBLY.....                     | 18 |
| SIDE FLAIL TRAVEL LOCK.....                        | 20 |
| NOTES.....   | 21 |
| 3IN X 10IN WELDED CYLINDER BREAKDOWN.....          | 22 |
| 3IN X 18IN WELDED CYLINDER BREAKDOWN.....          | 23 |
| PANORAMIC POLYCARBONATE SAFETY WINDOW.....         | 24 |
| POLYCARBONATE SAFETY WINDOW.....                   | 26 |
| PUMP DRIVESHAFT BREAKDOWN.....                     | 27 |
| WHEEL SPACER.....                                  | 28 |

## PARTS ORDERING GUIDE

The following instructions are offered to help eliminate needless delay and error in processing purchase orders for the equipment in this manual.

1. The Parts Section is prepared in logical sequence and grouping of parts that belong to the basic machine featured in this manual. Part Numbers and Descriptions are given to help locate the parts and quantities required.
2. The Purchase Order must indicate the **Name and Address** of the person or organization ordering the parts, **who should be charged**, and if possible, the **serial number of the machine** for which the parts are being ordered.
3. The purchase order must clearly list the **quantity of each part**, the complete and correct **part number**, and the basic **name of the part**.
4. The manufacturer reserves the right to substitute parts where applicable.
5. Some parts may be unlisted items which are special production items not normally stocked and are subject to special handling. Request a quotation for such parts before sending a purchase order.
6. The manufacturer reserves the right to change prices without prior notice.

NOTE: When ordering replacement decals, refer to the part numbers and descriptions listed in the safety section in the front of this manual.

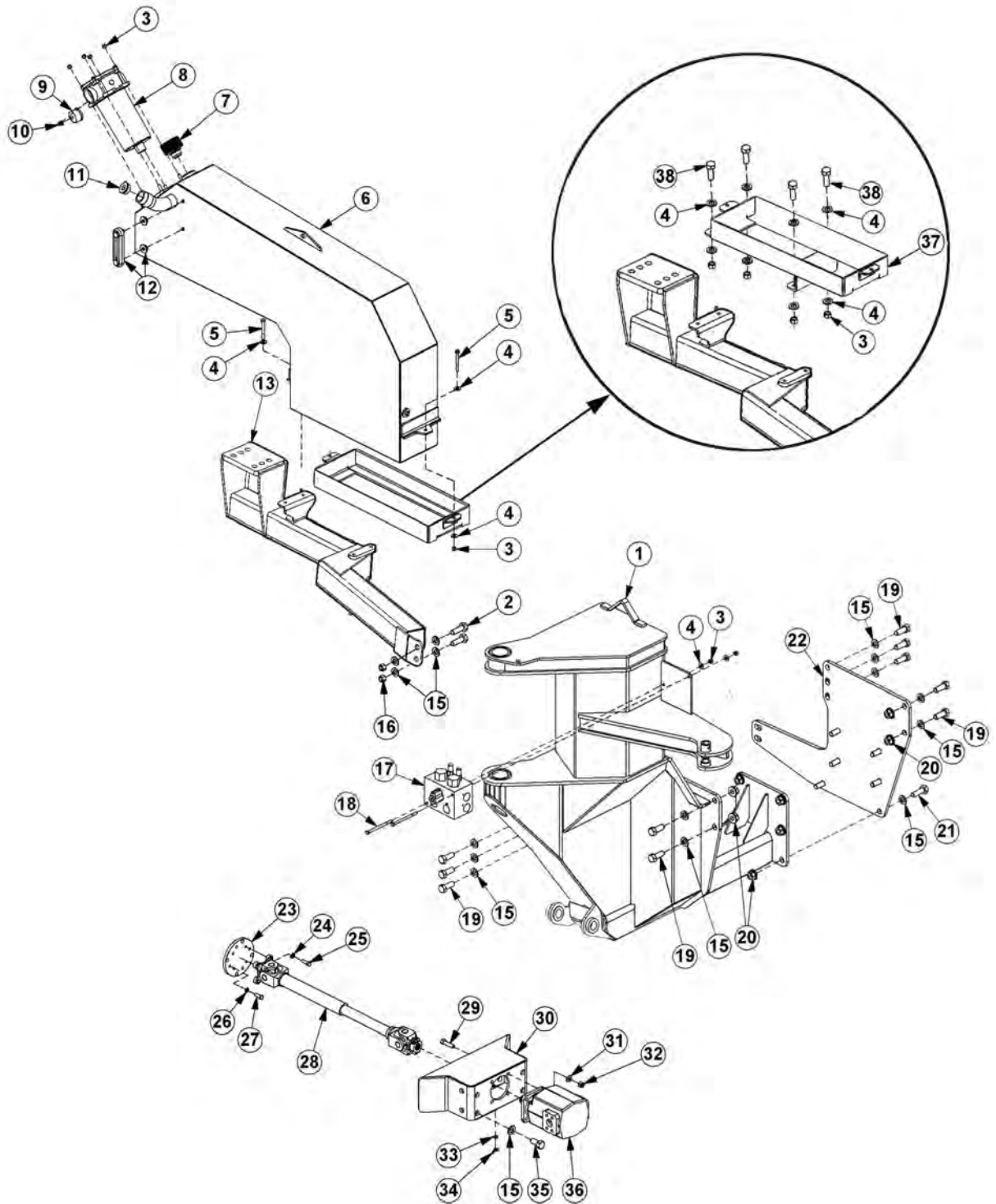


For maximum safety and to guarantee optimum product reliability, always use genuine **Tiger** replacement parts. The use of inferior replacement parts may cause premature or catastrophic failure which could result in serious injury or death.

Direct any questions regarding parts to:

**Tiger Corporation**  
3301 N. Louise Ave.  
Sioux Falls, SD 57107  
1-800-843-6849  
1-605-336-7900

# TRACTOR MOUNT KIT

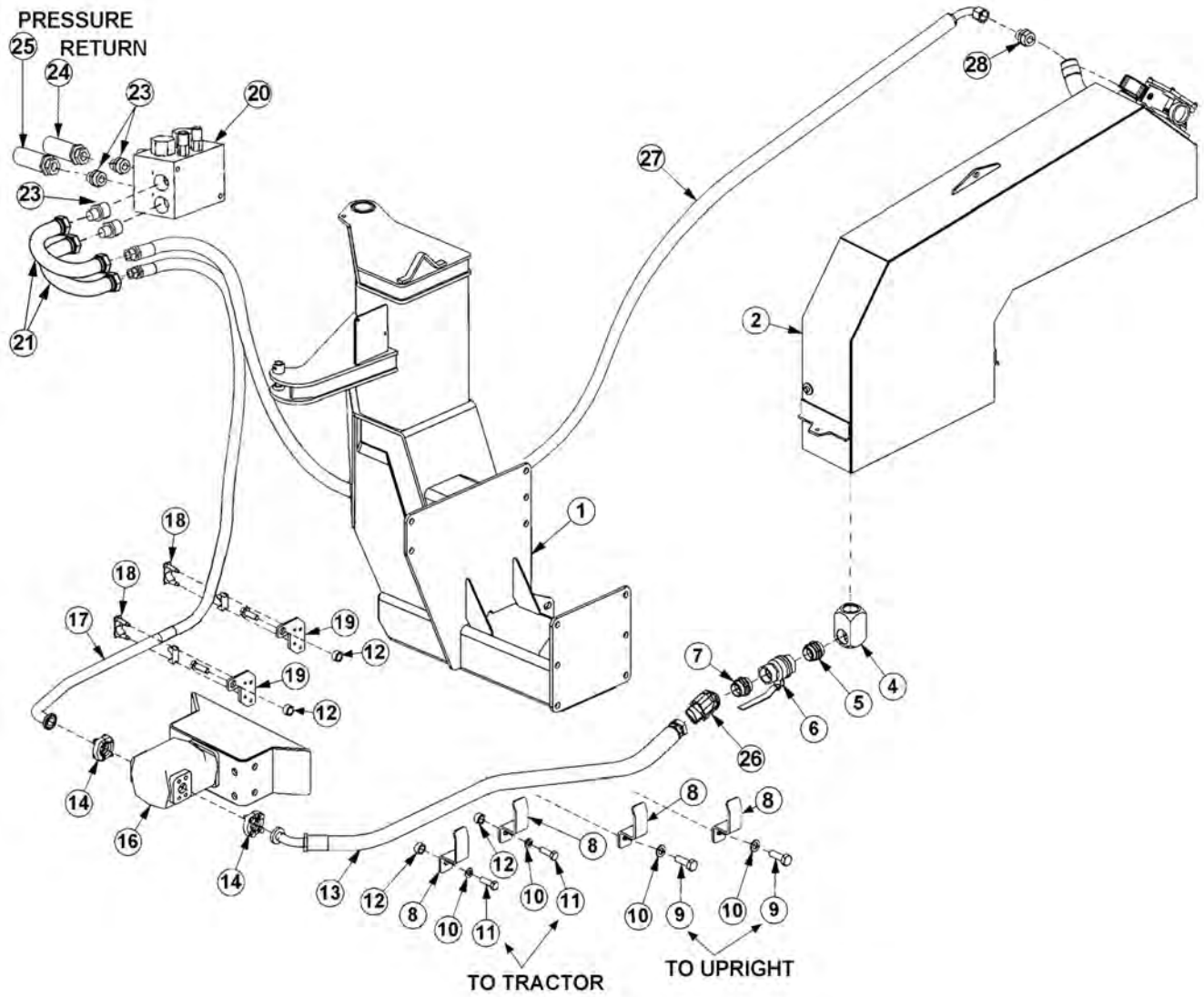


## TRACTOR MOUNT KIT

Continued...

| ITEM | PART NO.  | QTY. | DESCRIPTION                          |
|------|-----------|------|--------------------------------------|
| 3    | 2852246:  | 3    | O CR HTCOG                           |
| 4    | 43: 55    | 4    | ECRUETGY .516\$ Z 4/316\$.PE         |
| 5    | 43849     | :    | P [ NQEMP WW.51 \$\$.PE              |
| 6    | 44238     | 6    | HNCVY CUJ GT.51: \$                  |
| 7    | 4385;     | 4    | ECRUETGY .51: \$ Z 5/316\$.PE        |
| 8    | 289222: 3 | 3    | VCP MY J GGN Y GNN.CUUGO DN[         |
| 9    | 28727299  | 3    | ECR.DTGC VJ GT.Q/T R I               |
| :    | 28727266  | 3    | HKNVGT. R /VCP M                     |
| ;    | 8V286;    | 3    | HKNVGT I CWI G                       |
| 32   | VH: : :   | 3    | UVTGGV GNDQY .31: \$P RV             |
| 33   | 28727349  | 3    | RNWI .%2 UCG                         |
| 34   | 28727289  | 3    | UK J V I CWI G.NGP \                 |
| ///  | 28725397  | 3    | MKV.UGCN.UK J V I CWI G              |
| 35   | 28522479  | 3    | CZNGDTCEG.NJ                         |
| 37   | 55: : 2   | 52   | HNCVY CUJ GT.516\$.UCG               |
| 38   | 43: 47    | :    | J GZ P WW.516\$.PE                   |
| 39   | 287322: 6 | 3    | DTCMG XCNXG                          |
| 3:   | 43866     | 4    | ECRUETGY .51: \$ Z 7\$.PE            |
| 3;   | 53953     | 32   | ECRUETGY .42O O Z 72O O .40R         |
| 42   | 53944     | 32   | J GZ P WW.42O O .HNPI .40R           |
| 43   | 494: 3    | 8    | ECRUETGY .42O O Z 82O O .40R         |
| 44   | 28624422  | 3    | WRTH J V.NJ                          |
| 45   | 56; : :   | 3    | URCEGT.FTK&GUJ CHV                   |
| 46   | 43; : :   | 6    | NQEMY CUJ GT.9B8\$                   |
| 47   | 438: 2    | 6    | ECRUETGY .9B8\$ Z 3/316\$.PE         |
| 48   | 548: 3    | 6    | NQEMY CUJ GT.32O O                   |
| 49   | 45335     | 6    | ECRUETGY .32O O Z 52O O .30R         |
| 4:   | 56; : :   | 3    | FTK&GUJ CHV.WIQ R V                  |
| 4;   | 43955     | 6    | ECRUETGY .34\$ Z 4\$.PE              |
| 52   | 56; : 5   | 3    | RWORO QWP V                          |
| 53   | 28755226  | 6    | HNCVY CUJ GT.34\$.UCG                |
| 54   | 43949     | 6    | P [ NQEMP WW.34\$.PE                 |
| 55   | 44236     | 3    | HNCVY CUJ GT.316\$                   |
| 56   | 5473;     | 3    | Y R I P WW.316\$                     |
| 57   | 46: 82    | 6    | ECRUETGY .42O O Z 62O O .40R         |
| 58   | 46: 9;    | 8    | ECRUETGY . 42O O Z 87O O . 40R       |
| 59   | 285: 228: | 3    | O QWP V. VCP M J [ FTQ               |
| 5:   | 43853     | 6    | ECRUETGY . 51: \$ Z 3/316\$.PE. I T: |

# TRACTOR MOUNT KIT, HYDRAULICS

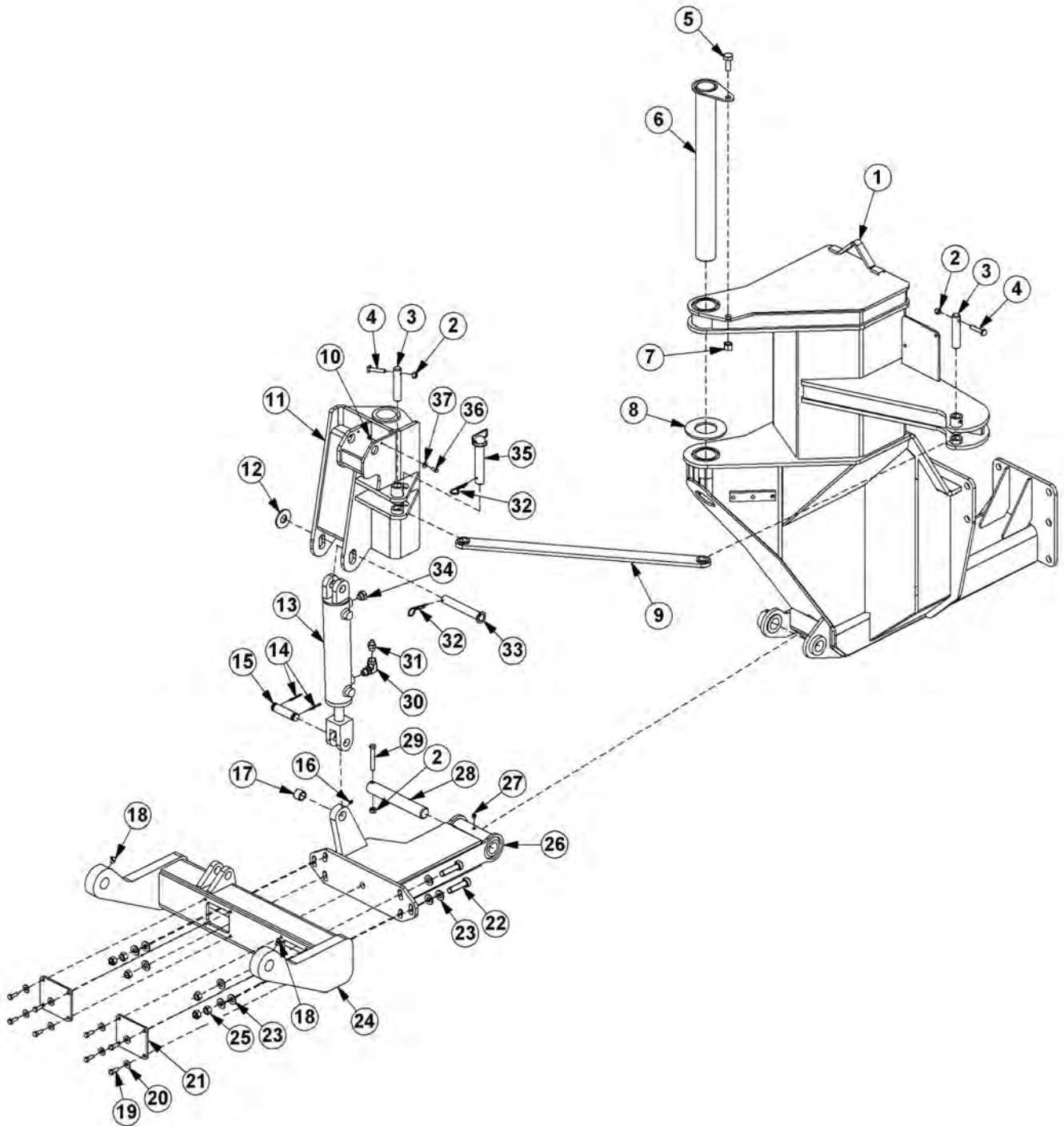


## TRACTOR MOUNT KIT, HYDRAULICS

Continued...

| ITEM | PART NO. | QTY. | DESCRIPTION                                |
|------|----------|------|--|
| 1    | -----    | -    | MAIN FRAME *REFER TO TRACTOR MOUNT KIT     |
| 2    | -----    | -    | HYDRAULIC TANK *REFER TO TRACTOR MOUNT KIT |
| 4    | 06503084 | 1    | ELBOW,1-1/2"FOR X 1-1/2"FOR                |
| 5    | 06503083 | 1    | ADAPTER,1-1/2"MOR X 1-1/2"MOR              |
| 6    | 34309    | 1    | BALL VALVE,1-1/2"FOR                       |
| 7    | 34710    | 1    | ADAPTER,1-1/2"MOR X 1-1/2"MJ               |
| 8    | 32382    | 4    | BRACKET,HOSE                               |
| 9    | 27281    | 2    | CAPSCREW,20MMM X 60MM,2.5P                 |
| 10   | 33880    | 4    | FLATWASHER,3/4",SAE                        |
| 11   | 30708    | 3    | CAPSCREW,20MM X 90MM,2.5P                  |
| 12   | 24849    | 4    | SPACER                                     |
| 13   | 06500692 | 1    | HOSE,1-1/2" X 110"                         |
| 14   | TF4852   | 2    | KIT,FLANGE                                 |
| 16   | 23152    | 1    | PUMP                                       |
| 17   | 06500549 | 1    | HOSE,1" X 87"                              |
| 18   | 06505017 | 2    | CLAMP KIT,1"                               |
| 19   | 34626    | 2    | BRACKET,CLAMP                              |
| 20   | 06510084 | 1    | BRAKE VALVE                                |
| 21   | 06506012 | 2    | U-TUBE, PREFORMED                          |
| 23   | 33555    | 4    | ADAPTER,1"MB X 1"MJ                        |
| 24   | 06500616 | 1    | HOSE,1" X 104" (RETURN)                    |
| 25   | 06500617 | 1    | HOSE,1" X 106" (PRESSURE)                  |
| 27   | 06500826 | 1    | HOSE,1" X 188"                             |
| 28   | 34064    | 1    | ADAPTER,1-1/4"MOR X 1"MJ                   |

# DRAFT BEAM ASSEMBLY



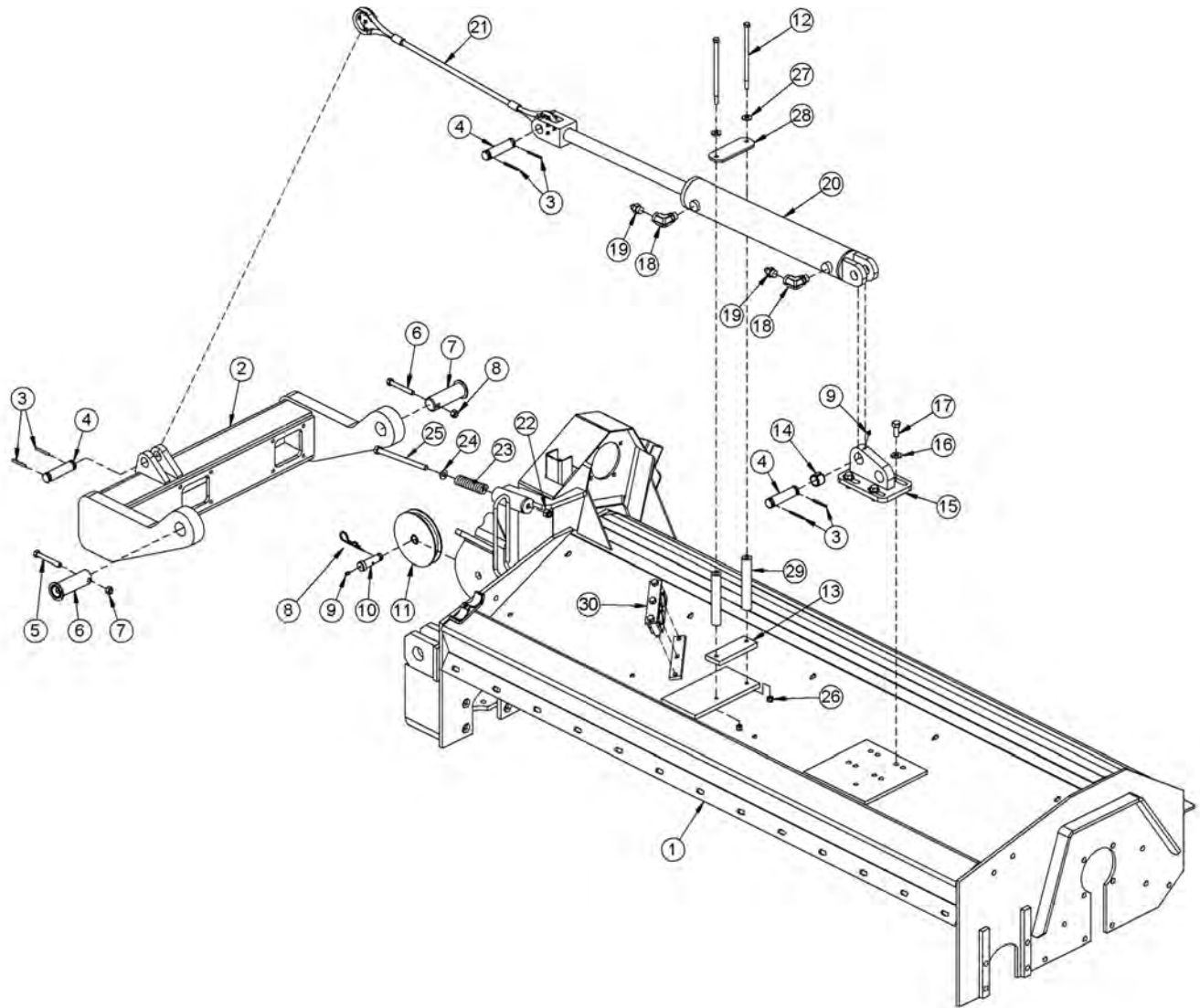


## DRAFT BEAM ASSEMBLY

Continued...

| ITEM | PART NO. | QTY. | DESCRIPTION                               |
|------|----------|------|---|
| 3    | /////    | /    | O CRP HICOG, TGHGT VQ VTCEVQT O QWP V MKV |
| 4    | 43899    | 5    | P [ NQEMP WW.9B8\$.PE                     |
| 5    | 545: 2   | 4    | RRP .3\$Z 6/7: \$                         |
| 6    | 438: 5   | 4    | ECRUETGY .9B8\$Z 4\$.PE                   |
| 7    | 439: 4   | 3    | ECRUETGY .7: \$Z 3/516\$.PE               |
| 8    | 545: 3   | 3    | RRP .4/314\$Z 46/516\$                    |
| 9    | 43999    | 3    | P [ NQEMP WW.7: \$.PE                     |
| :    | 28742472 | 3    | DGCTRI .VJ TWUV                           |
| ;    | 28592436 | 3    | UVTWW                                     |
| 32   | 43749    | 3    | P [ NQEMP WW.316\$.PE                     |
| 33   | 28572247 | 3    | FTCHVDGCO .3                              |
| 34   | 44245    | 3    | HNCVY CUJ GT.3\$                          |
| 35   | 28723232 | 3    | E [ NRFGT .5\$Z 32\$                      |
| 36   | 28759243 | 4    | TQNNRRP .7O O                             |
| 37   | VD3255   | 3    | RRP .3\$Z 5\$                             |
| 38   | 8V5429   | 3    | I TGCUG \ GTM316\$/42                     |
| 39   | VD5232   | 3    | DWUJ RI .3\$                              |
| 3:   | 8V5432   | 4    | I TGCUG \ GTM3: \$PRVZ ; 2                |
| 3;   | 43852    | :    | ECRUETGY .5: \$Z 3\$.PE                   |
| 42   | 44238    | :    | HNCVY CUJ GT.5: \$                        |
| 43   | 28624585 | 4    | EQXGT                                     |
| 44   | 439: 7   | 8    | ECRUETGY .7: \$Z 4/314\$.PE.I T:          |
| 45   | 55986    | 34   | HNCVY CUJ GT.7: \$                        |
| 46   | 28572249 | 3    | FTCHVDGCO .5                              |
| 47   | 54: 5:   | 8    | J GZ P WW.7: \$.PE                        |
| 48   | 28572248 | 3    | FTCHVDGCO .4                              |
| 49   | 8V5433   | 3    | I TGCUG \ GTM3: \$PRV                     |
| 4:   | 5453;    | 3    | RRP .3/314\$Z ;/516\$                     |
| 4;   | 438: :   | 3    | ECRUETGY .9B8\$Z 5/316\$.PE               |
| 52   | 56466    | 3    | GNDQY .314\$O QT Z 314\$HQT               |
| 53   | 565: 8   | 3    | CF CRVGT.TGUMTEVQT                        |
| 54   | 8V5226   | 4    | T/ENRR                                    |
| 55   | 8V5227   | 3    | RRP .3\$Z 8/7: \$                         |
| 56   | 8V647:   | 3    | DTGCVJ GT.314\$O QT                       |
| 57   | VH6472   | 3    | VTCXGNNQEMRRP                             |
| 58   | 4374;    | 3    | ECRUETGY .316\$Z 516\$.PE                 |
| 59   | 44236    | 3    | HNCVY CUJ GT.316\$                        |

# TSF FLAIL ATTACHMENT ASSEMBLY

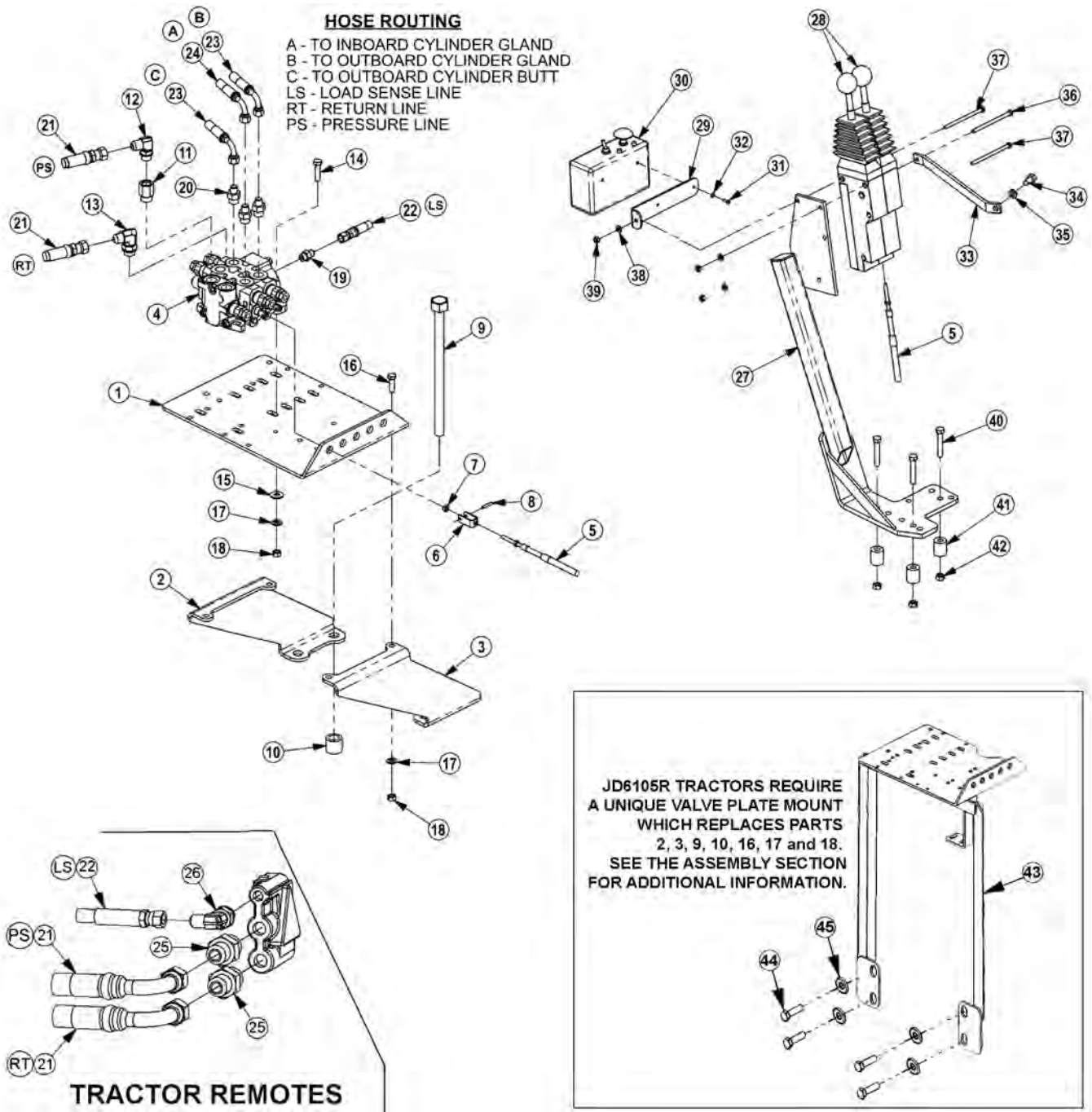


## TSF FLAIL ATTACHMENT ASSEMBLY

Continued...

| ITEM | PART NO.  | QTY. | DESCRIPTION                              |
|------|-----------|------|--|
| 3    | ///       | /    | HNCN DQPPGV, TGHGT VQ HNCN CUU           |
| 4    | /////     | /    | FTCHVDGCO , TGHGT VQ FTCHVDGCO CUU       |
| 5    | 28759243  | 8    | TQNNRP .70 O                             |
| 6    | VD3255    | 5    | RP .3\$                                  |
| 7    | 438: :    | 4    | ECRUETGY .9B8\$Z 5/316\$.PE              |
| 8    | VH6736C   | 4    | RP .3/314\$                              |
| 9    | 43899     | 4    | P[ NQEMPWW.9B8\$.PE                      |
| :    | 8V5226    | 3    | T/ENR.5B8\$                              |
| ;    | 8V5429    | 4    | I TGCUG\ GTM.316\$                       |
| 32   | 8V5232    | 3    | RP .516\$                                |
| 33   | 5598:     | 3    | UJ GCXG CUU                              |
| 34   | 28752457  | 4    | ECRUETGY .HNVUMVJ F .51 \$Z : \$.PE      |
| 35   | 286; 9234 | 3    | RCF                                      |
| 36   | VD5232    | 3    | DWUJ RP I .3\$                           |
| 37   | 28572236  | 3    | VCPI .E[ N                               |
| 38   | 28755226  | 6    | HNCVY CUJ GT.314\$.UCG                   |
| 39   | 43952     | 6    | ECRUETGY .314\$Z 3/316\$.PE              |
| 3:   | 56466     | 4    | GNDQY .314\$O QT Z 314\$HQT              |
| 3;   | 565; 8    | 4    | CF CRVGT.314\$O QT Z 51 \$O LØ8\$TUVTEVT |
| 42   | 28723245  | 3    | E[ NR FGT.5\$Z 3: \$                     |
| 43   | 28742749  | 3    | ECDNG.314\$                              |
| 44   | 43949     | 3    | P[ NQEMPWW.314\$.PE                      |
| 45   | 49227     | 3    | URTR I                                   |
| 46   | 49; 5:    | 3    | DWUJ RP I .3\$QF Z 314\$F Z 36I C        |
| 47   | 43967     | 3    | ECRUETGY .314\$Z 9\$.PE                  |
| 48   | 286245: 8 | 3    | OQWP V                                   |
| 49   | 44238     | 4    | Y CUJ GT. 51 \$                          |
| 4:   | 286245; 5 | 3    | DCT                                      |
| 4;   | 286; 9235 | 4    | VWDG                                     |
| 52   | 57353     | 3    | J QUGENCORMK                             |

# CABLE (MANUAL) LIFT VALVE - 2 SPOOL



| ITEM | PART NO. | QTY. | DESCRIPTION             |
|------|----------|------|-------------------------|
| 1    | 34622    | 1    | VALVE MOUNTING PLATE    |
| 2    | 06410430 | 1    | MOUNT, VALVE, LEFT      |
| 3    | 06410429 | 1    | MOUNT, VALVE, RIGHT     |
| 4    | 06502042 | 1    | VALVE, 2SPHSC, TSF, LS  |
| 5    | 06505100 | 2    | CABLE CONTROL, 108"     |
| 6    | 6T4411   | 2    | CLEVIS, CBL CTRL, 3/16" |

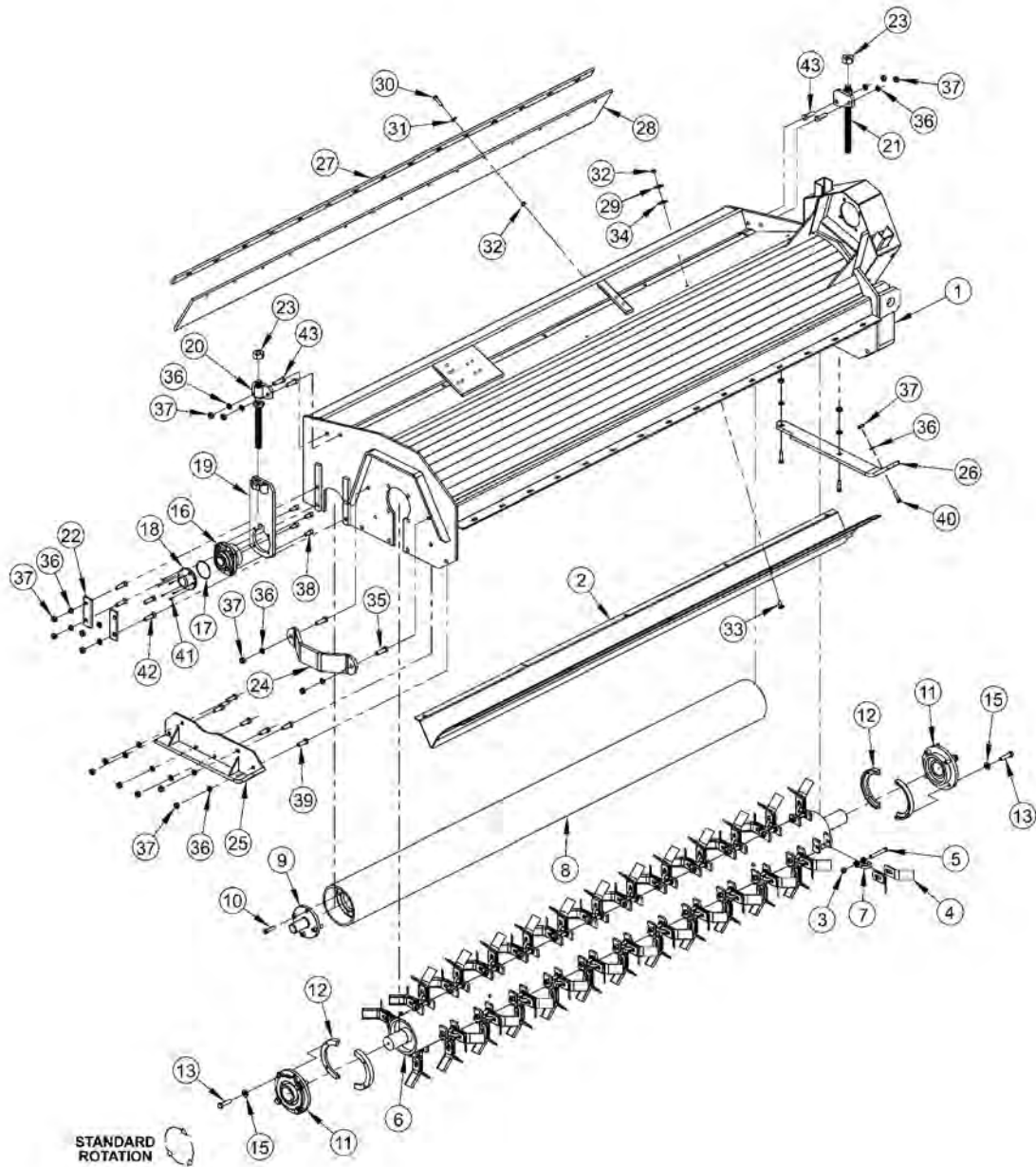
## CABLE (MANUAL) LIFT VALVE - 2 SPOOL

Continued...

| ITEM | PART NO. | QTY. | DESCRIPTION                        |
|------|----------|------|------------------------------------|
| 7    | 21500    | 4    | HEX NUT,1/4",NF                    |
| 8    | 6T3017   | 2    | ROLL PIN                           |
| 9    | 06530514 | 4    | CAPSCREW,18MM X 290MM,2.5P,GR10.9  |
| 10   | 34519    | 4    | SPACER,1-1/4" X 13/16" X 1-1/8"    |
| 11   | 32678    | 1    | ADAPTER,5/8MOR X 1/2FOR            |
| 12   | 33382    | 1    | ELBOW,1/2MOR X 1/2MJ X 90          |
| 13   | 33383    | 1    | ELBOW,5/8MOR X 1/2MJ X 90          |
| 14   | 21632    | 4    | CAPSCREW,3/8" X 1-1/2",NC          |
| 15   | 22016    | 4    | FLATWASHER,3/8"                    |
| 16   | 21631    | 4    | CAPSCREW,3/8" X 1-1/4",NC          |
| 17   | 21988    | 8    | LOCKWASHER,3/8"                    |
| 18   | 21625    | 8    | HEX NUT,3/8",NC                    |
| 19   | 32901    | 1    | ADAPTER,3/8MOR X 3/8MJ             |
| 20   | 33271    | 3    | ADAPTER,1/2MOR X 3/8MJ             |
| 21   | 34612    | 2    | HOSE,1/2" X 34"                    |
| 22   | 06500400 | 1    | HOSE,1/4" X 34"                    |
| 23   | 06500742 | 2    | HOSE,1/4" X 306"                   |
| ---- | 06500795 | 2    | HOSE,1/4" X 336" (JD6105/25R ONLY) |
| 24   | 06500741 | 1    | HOSE,1/4" X 238"                   |
| 25   | 33463    | 2    | ADAPTER,22MM MOR X 1/2" MJ         |
| 26   | 06503013 | 1    | ELBOW,14MM MOR X 5/16" MJ          |
| 27   | 23865B   | 1    | CBL CTRL MT BRK                    |
| 28   | 6T1251   | 2    | CBL CTRL BOX,180 DEG               |
| 29   | 34496    | 1    | BRKT,SWITCHBOX,UNI                 |
| 30   | 06510102 | 1    | SWITCHBOX,SIDE,GND                 |
| 31   | 6T3951   | 2    | SCREW,MACHINE 8/32" X 1/2"         |
| 32   | 32360    | 2    | LOCKWASHER,#8                      |
| 33   | 30750A   | 1    | BRKT,CBL CTRL,JD6000               |
| 34   | 33534    | 1    | CAPSCREW,10MM X 20MM,1.5P          |
| 35   | 32691    | 1    | LOCKWASHER,10MM                    |
| 36   | 21543    | 1    | CAPSCREW,1/4" X 4-1/2",NC          |
| 37   | 21542    | 2    | CAPSCREW,1/4" X 4",NC              |
| 38   | 21986    | 3    | LOCKWASHER,1/4"                    |
| 39   | 21525    | 3    | HEX NUT,1/4",NC                    |
| 40   | 21636    | 3    | CAPSCREW,3/8" X 2-1/2",NC          |
| 41   | 27082B   | 3    | SPACER                             |
| 42   | 21627    | 3    | NYLOCK NUT,3/8",NC                 |
| 43   | 06340052 | 1    | VALVE MNT, JD6105/25R              |
| 44   | 24860    | 4    | CAPSCREW, 20MM X 40MM              |
| 45   | 33880    | 4    | FLATWASHER, 3/4" GR8               |

JD6105-125M/R TSF

## 75IN XD SIDE FLAIL, TIER 4 - STANDARD ROTATION



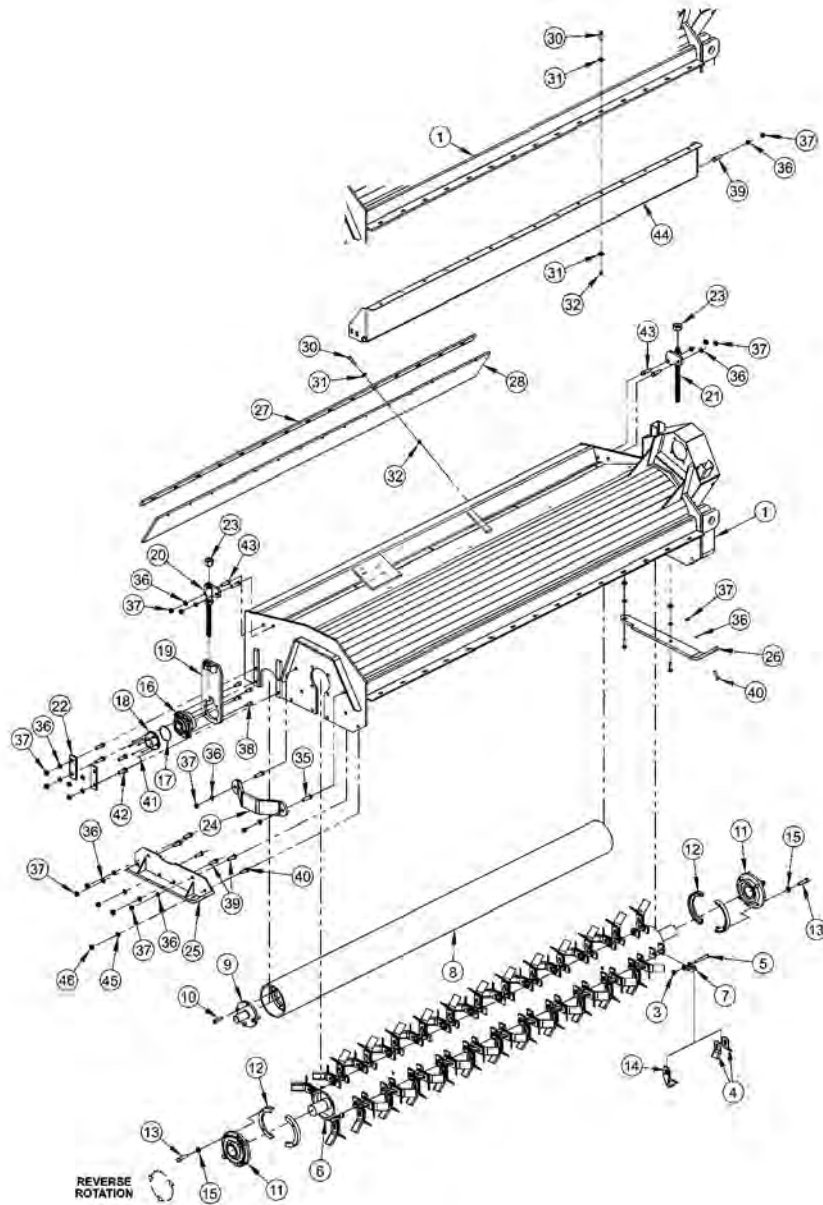
| ITEM  | PART NO. | QTY. | DESCRIPTION                 |
|-------|----------|------|-----------------------------|
| 1     | 06320151 | 1    | BONNET,75,T4                |
| 2     | TF1402A  | 1    | BAFFLE,FLAIL,75HD,STD ROT   |
| ----- | TF1002A  | 1    | CUTSFT ASSY,75HD,STD KNIVES |
| 3     | 21677    | 40   | NYLOCK NUT,7/16 NC          |

## 75IN XD SIDE FLAIL,TIER 4 - STANDARD ROTATION

Continued...

| ITEM  | PART NO. | QTY. | DESCRIPTION                         |
|-------|----------|------|-------------------------------------|
| 4     | 33714    | 80   | KNIFE,FLAIL,STANDARD                |
| 5     | 34011    | 40   | CAPSCREW,7/16X3 7/16,NC GR8         |
| 6     | TF1002   | 1    | CUTTERSHAFT,75,HD                   |
| 7     | TF1020   | 40   | KNIFE MTG CLEVIS,FLAIL              |
| 8     | 28738    | 1    | GROUND ROLLER,75                    |
| 9     | TF1045B  | 2    | STUB SHAFT,GROUND ROLLER            |
| 10    | 6T2330   | 8    | CAPSCREW,SKT HD,7/16X1-1/2NC        |
| 11    | TF1018   | 2    | BEARING,FLANGE,2-3/16               |
| ----- | 06200347 | -    | STRING GUARD,KIT,HD(ITEMS 12,13,15) |
| 12    | 31204    | 2    | STRING GUARD, HD                    |
| 13    | 06530217 | 8    | CAPSCREW,1/2 X 2,NC,L9              |
| 15    | 06533006 | 12   | FLATWASHER,1/2,SAE,L9               |
| 16    | 06520028 | 2    | BEARING,FLANGE,1 3/8,GRNDRLR        |
| 17    | 06520029 | 2    | O-RING,2 3/4X3/32,AS568A-148        |
| 18    | 06520027 | 2    | CAP,BEARING,GRNDRLR                 |
| 19    | TF4333A  | 2    | GROUND ROLLER ADJ,BRKT              |
| 20    | TF4334   | 1    | ROD,GROUND ROLLER ADJ,RT            |
| 21    | TF4335   | 1    | ROD,GROUND ROLLER ADJ,LF            |
| 22    | TF4336   | 4    | PLATE,GROUND ROLLER LOCK            |
| 23    | 21399    | 2    | HEX NUT,3/4 (ACME) BULK             |
| 24    | TF1040   | 1    | GUARD,CUTTER SHAFT                  |
| 25    | TF4371   | 1    | SKID SHOE,L/PROFILE-OUTER           |
| 26    | 23272A   | 1    | SKID SHOE,T3F,INNER                 |
| 27    | TF1029   | 2    | BAR,FLAP,TSF/TRF 75                 |
| 28    | TF1016   | 1    | FLAP,DEFLECTOR,TSF/TRF 75           |
| 29    | 06520242 | 1    | FLAP,75",FRONT                      |
| 30    | 21632    | 30   | CAPSCREW,3/8 X 1-1/2 NC             |
| 31    | 22016    | 60   | FLATWASHER,3/8                      |
| 32    | 21625    | 40   | HEX NUT,3/8 NC                      |
| 33    | 6T2283   | 10   | CARRIAGE BOLT,3/8 X 1 NC            |
| 34    | 6T2615   | 10   | WASHER,FENDER 3/8                   |
| 35    | 21732    | 2    | CAPSCREW,1/2 X 1-3/4 NC             |
| 36    | 21990    | 23   | LOCKWASHER,1/2                      |
| 37    | 21725    | 23   | HEX NUT,1/2 NC                      |
| 38    | 6T2331   | 8    | CAPSCREW,SKT HD,7/16 X 1 NC         |
| 39    | 21730    | 6    | CAPSCREW,1/2 X 1-1/4 NC             |
| 40    | 23293    | 3    | PLOW,BOLT,1/2 X 1-3/4 NC            |
| 41    | 06530001 | 12   | CAPSCREW,SKT HD,8-32X1/2,SS         |
| 42    | 6T2291   | 8    | PLOW BOLT,1/2 X 2 NC GR5            |
| 43    | 21731    | 4    | CAPSCREW,1/2 X 1-1/2 NC             |

## 75IN XD SIDE FLAIL, TIER 4 - REVERSE ROTATION



| ITEM  | PART NO. | QTY. | DESCRIPTION                  |
|-------|----------|------|------------------------------|
| 1     | 06320151 | 1    | BONNET,75,HD,T4              |
| ----- | TF1002A  | -    | CUTSFT ASSY,75HD,STD KNIVE   |
| 3     | 21677    | 40   | NYLOCK NUT,7/16 NC           |
| 4     | 33714    | 80   | KNIFE,FLAIL,STANDARD         |
| 5     | 34011    | 40   | CAPSCREW,7/16X3 7/16,NC GR8  |
| 6     | TF1002   | 1    | CUTTERSHAFT,75,HD            |
| 7     | TF1020   | 40   | KNIFE MTG CLEVIS,FLAIL       |
| 8     | 28738    | 1    | GROUND ROLLER,75             |
| 9     | TF1045B  | 2    | STUB SHAFT,GROUND ROLLER     |
| 10    | 6T2330   | 8    | CAPSCREW,SKT HD,7/16X1-1/2NC |

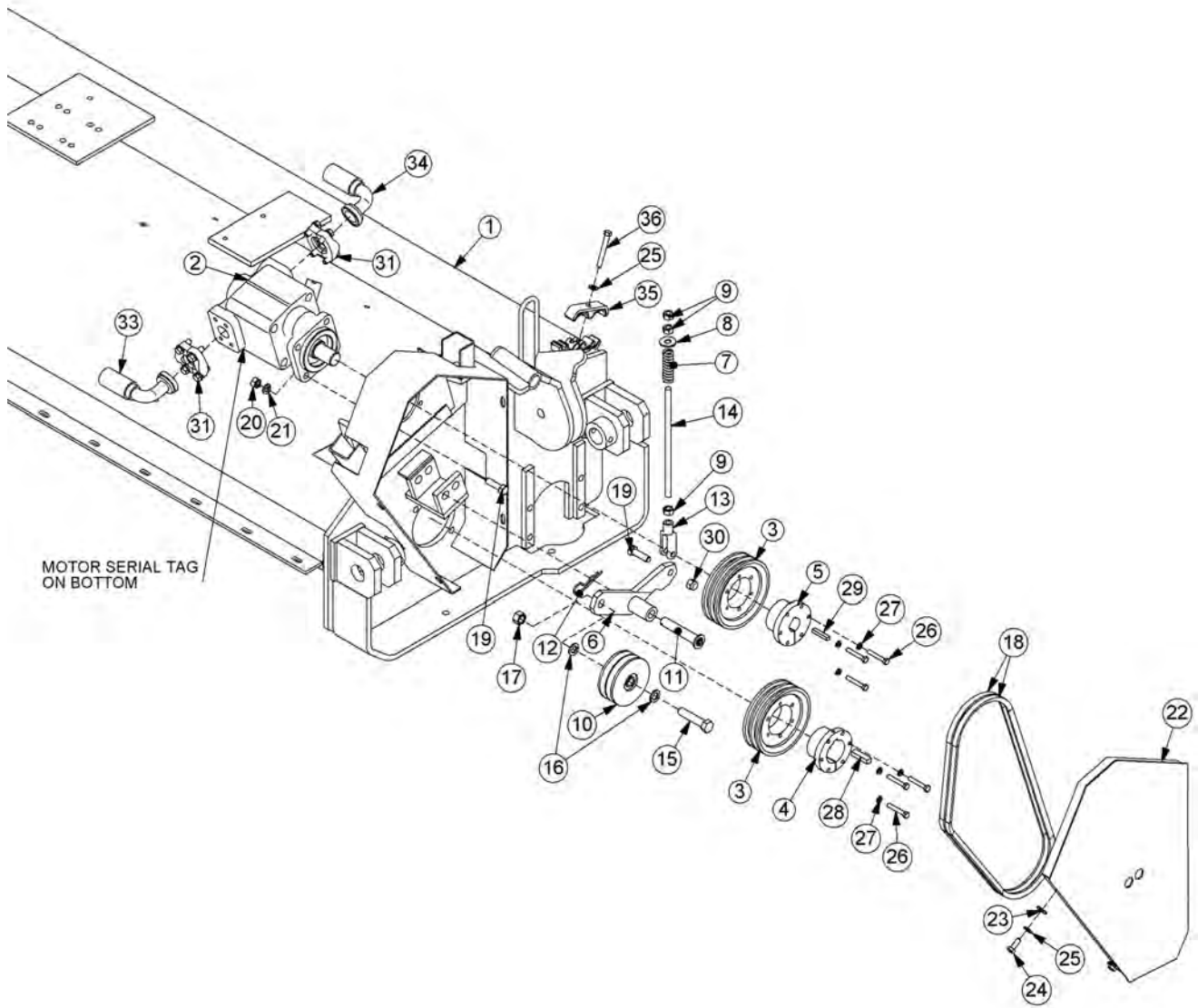


## 75IN XD SIDE FLAIL,TIER 4 - REVERSE ROTATION

Continued...

| ITEM  | PART NO. | QTY. | DESCRIPTION                         |
|-------|----------|------|-------------------------------------|
| 11    | TF1018   | 2    | BEARING,FLANGE,2-3/16               |
| ----- | 06200347 | -    | STRING GUARD,KIT,HD(ITEMS 12,13,15) |
| 12    | 31204    | 2    | STRING GUARD, HD                    |
| 13    | 06530217 | 8    | CAPSCREW,1/2 X 2,NC,L9              |
| 14    | TF1019F  | 40   | KNIFE,FLAIL (SMOOTH CUT)            |
| 15    | 06533006 | 12   | FLATWASHER,1/2,SAE,L9               |
| 16    | 06520028 | 2    | BEARING,FLANGE,1 3/8,GRNDRLR        |
| 17    | 06520029 | 2    | O-RING,2 3/4X3/32,AS568A-148        |
| 18    | 06520027 | 2    | CAP,BEARING,GRNDRLR                 |
| 19    | TF4333A  | 2    | GROUND ROLLER ADJ,BRKT              |
| 20    | TF4334   | 1    | ROD,GROUND ROLLER ADJ,RT            |
| 21    | TF4335   | 1    | ROD,GROUND ROLLER ADJ,LF            |
| 22    | TF4336   | 4    | PLATE,GROUND ROLLER LOCK            |
| 23    | 21399    | 2    | HEX NUT,3/4 (ACME) BULK             |
| 24    | TF1040   | 1    | GUARD,CUTTER SHAFT                  |
| 25    | TF4371   | 1    | SKID SHOE,L/PROFILE-OUTER           |
| 26    | 23272A   | 1    | SKID SHOE,T3F,INNER                 |
| 27    | TF1029   | 1    | BAR,FLAP,TSF/TRF 75                 |
| 28    | TF1016   | 1    | FLAP,DEFLECTOR,TSF/TRF 75           |
| 29    | 06520242 | 1    | FLAP,75",FRONT                      |
| 30    | 21632    | 30   | CAPSCREW,3/8 X 1-1/2 NC             |
| 31    | 22016    | 60   | FLATWASHER,3/8                      |
| 32    | 21625    | 40   | HEX NUT,3/8 NC                      |
| 33    | 6T2283   | 10   | CARRIAGE BOLT,3/8 X 1 NC            |
| 34    | 6T2615   | 10   | WASHER,FENDER 3/8                   |
| 35    | 21732    | 2    | CAPSCREW,1/2 X 1-3/4 NC             |
| 36    | 21990    | 23   | LOCKWASHER,1/2                      |
| 37    | 21725    | 23   | HEX NUT,1/2 NC                      |
| 38    | 6T2331   | 8    | CAPSCREW,SKT HD,7/16 X 1 NC         |
| 39    | 21730    | 6    | CAPSCREW,1/2 X 1-1/4 NC             |
| 40    | 23293    | 3    | PLOW,BOLT,1/2 X 1-3/4 NC            |
| 41    | 06530001 | 12   | CAPSCREW,SKT HD,8-32X1/2,SS         |
| 42    | 6T2291   | 8    | PLOW BOLT,1/2 X 2 NC GR5            |
| 43    | 21731    | 4    | CAPSCREW,1/2 X 1-1/2 NC             |
| 44    | TF1403   | 1    | TRASH GUARD,75REV ROT-HD            |
| 45    | 22018    | 1    | FLATWASHER,1/2,WIDE                 |
| 46    | 21727    | 1    | NYLOCK NUT,1/2 NC                   |

# SIDE FLAIL DRIVE ASSEMBLY



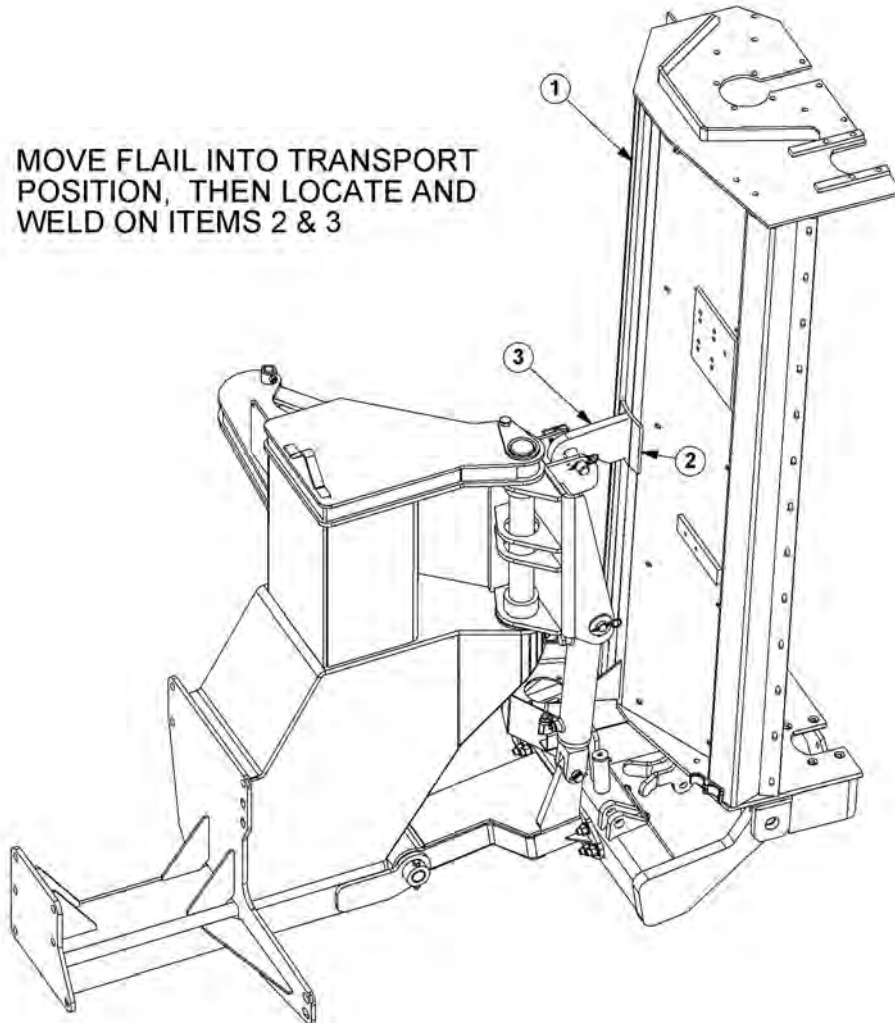
## SIDE FLAIL DRIVE ASSEMBLY

Continued...

| ITEM  | PART NO. | QTY. | DESCRIPTION                              |
|-------|----------|------|--|
| 1     | -----    | -    | BONNET *REFER TO FLAIL PARTS             |
| 2     | 06504132 | 1    | MOTOR,TSF                                |
| 3     | TF3040   | 2    | SHEAVE,6.3                               |
| 4     | TF3011   | 1    | BUSHING,QD,SK,2-3/16"                    |
| 5     | TF3013   | 1    | BUSHING,QD,SK 1-1/4"                     |
| 6     | TF4346   | 1    | IDLER ARM (STANDARD ROTATION)            |
| ----- | TF4345   | -    | IDLER ARM (REVERSE ROTATION - NOT SHOWN) |
| 7     | TF3620A  | 1    | SPRING,TENSIONER                         |
| 8     | 22018    | 1    | FLATWASHER,1/2",WIDE                     |
| 9     | 21700    | 3    | HEX NUT, 1/2", NF                        |
| 10    | 31293    | 1    | SHEAVE,IDLER ASSY, 4.4 O.D.              |
| 11    | TF3605   | 1    | PIN,IDLER ARM 3/4"X4-1/4"                |
| 12    | 6T3004   | 1    | R-CLIP (HAIRPIN COTTER, 3/16")           |
| 13    | PT3611A  | 1    | CLEVIS,6"                                |
| 14    | 32494    | 1    | ROD, THREADED, 1/2-20NF                  |
| 15    | 21787    | 1    | CAPSCREW,5/8" X 3", NC                   |
| 16    | 21992    | 2    | LOCKWASHER, 5/8                          |
| 17    | 21775    | 1    | HEX NUT, 5/8                             |
| 18    | TF3020   | 2    | V-BELT, (530)                            |
| 19    | 21732    | 5    | CAPSCREW, 1/2 X 1 3/4,NC                 |
| 20    | 21725    | 4    | HEX NUT, 1/2" NC                         |
| 21    | 21990    | 4    | LOCKWASHER, 1/2"                         |
| 22    | TF4564   | 1    | BELT SHEILD (RIGHT)                      |
| 23    | 22016    | 4    | FLATWASHER,3/8"                          |
| 24    | 21630    | 4    | CAPSCREW, 3/8 X 1,NC                     |
| 25    | 21988    | 5    | LOCKWASHER, 3/8"                         |
| 26    | 21584    | 6    | CAPSCREW, 5/16 X 2,NC                    |
| 27    | 21987    | 6    | LOCKWASHER, 5/16"                        |
| 28    | TF1025   | 1    | KEY,1/4" X 1/2" X 1-7/8" SQ              |
| 29    | TF1125   | 1    | KEY,3/8" X 1/2" X 1-7/8" SQ              |
| 30    | 21727    | 1    | NYLOCK NUT, 1/2                          |
| 31    | TF4852   | 2    | KIT,FLANGE,#20                           |
| 33    | -----    | -    | HOSE (RETURN FOR STANDARD ROTATION)      |
| 34    | -----    | -    | HOSE (PRESSURE FOR STANDARD ROTATION)    |
| 35    | TB3031   | 1    | CLAMP,HOSE                               |
| 36    | 21638    | 1    | CAPSCREW,3/8 X 3,NC                      |

## SIDE FLAIL TRAVEL LOCK

MOVE FLAIL INTO TRANSPORT  
POSITION, THEN LOCATE AND  
WELD ON ITEMS 2 & 3

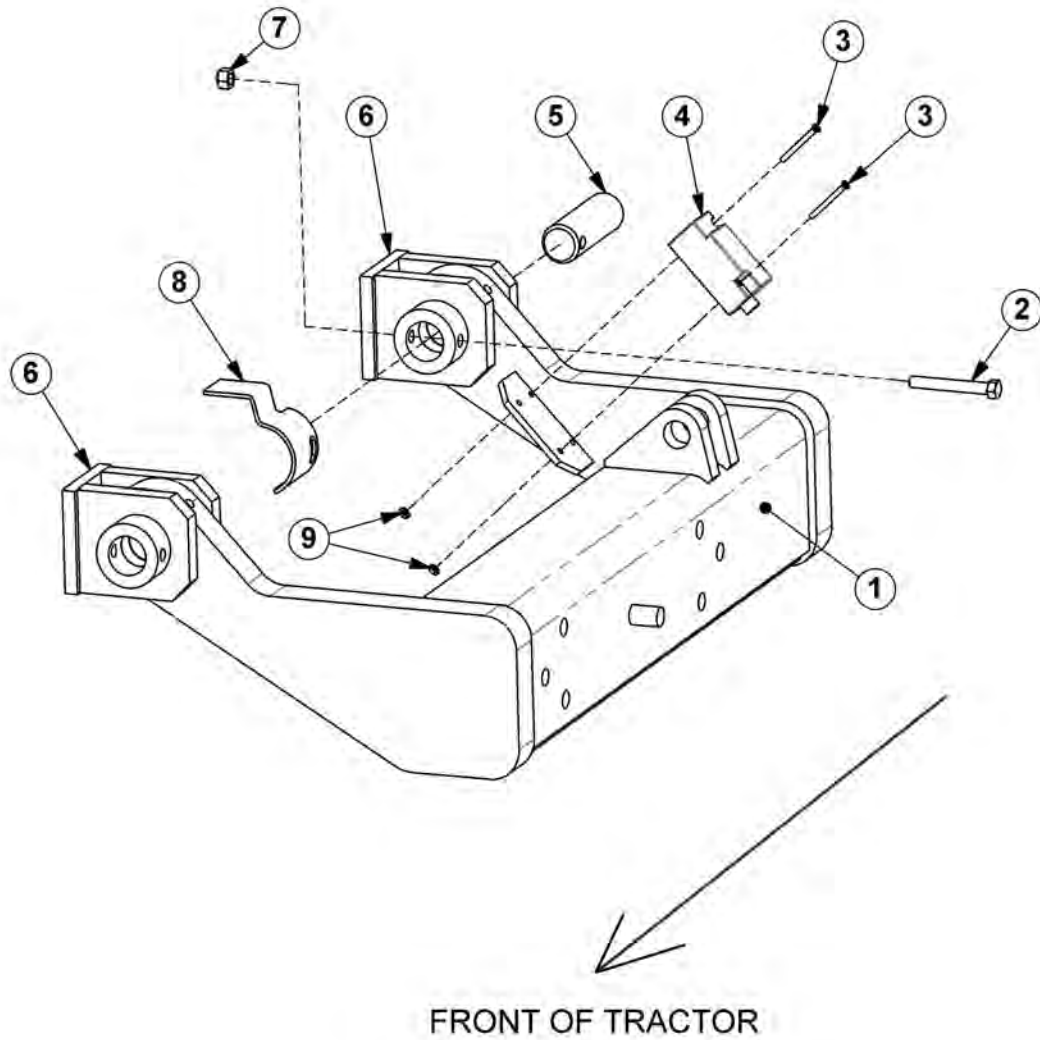


| ITEM | PART NO. | QTY. | DESCRIPTION                  |
|------|----------|------|------------------------------|
| 1    | -----    | -    | BONNET *REFER TO FLAIL PARTS |
| 2    | TF4248   | 1    | HOOK MOUNTING PLATE          |
| 3    | 06402389 | 1    | TRAVEL LOCK HOOK             |

**NOTES**

**NOTES**

# LIMIT SWITCH

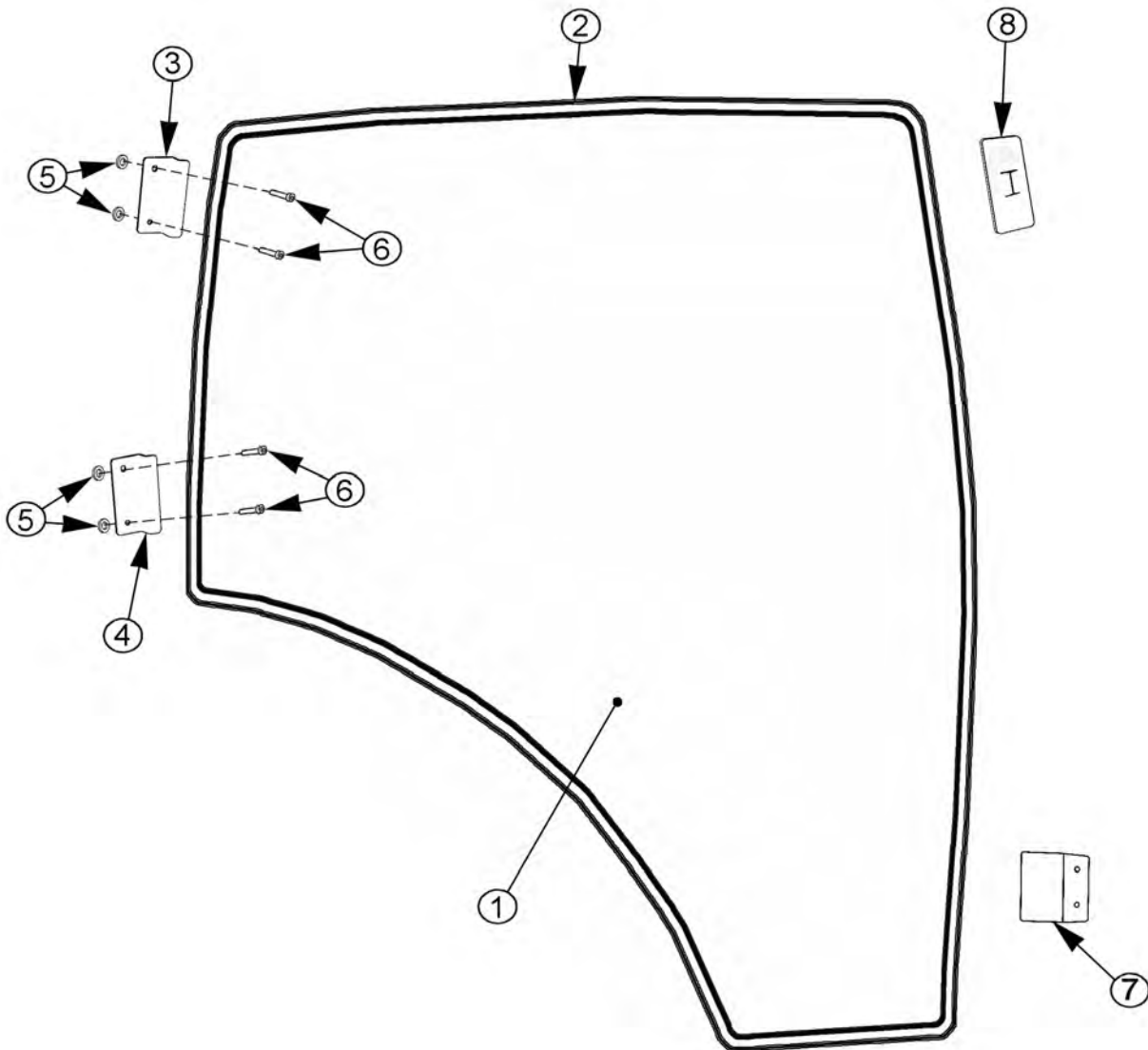


## LIMIT SWITCH

Continued...

| ITEM | PART NO. | QTY. | DESCRIPTION                       |
|------|----------|------|-----------------------------------|
| 1    | 06350027 | 1    | DB,T4,TSF,3                       |
| 2    | 21688    | 1    | CAPSCREW,7/16" X 3-1/4", NC       |
| 3    | 27594    | 2    | SCREW,MCHN,10-24 X 2"             |
| 4    | 6T3917   | 1    | SWITCH,ANGLE TILT LEVER TYPE      |
| 5    | TF4514A  | 1    | PIN,1.50" X 4.50" X .47 Ø         |
| 6    | ----     | -    | HEAD ASSEMBLY DECK SWIVEL BRACKET |
| 7    | 21677    | 1    | NYLOCK NUT,7/16", NC              |
| 8    | 21278A   | 1    | CAM,TILT SWITCH,T3F,RT            |
| 9    | 24890    | 2    | HEX NUT,10-24 NYLOCK              |

PANORAMIC POLYCARBONATE SAFETY WINDOW



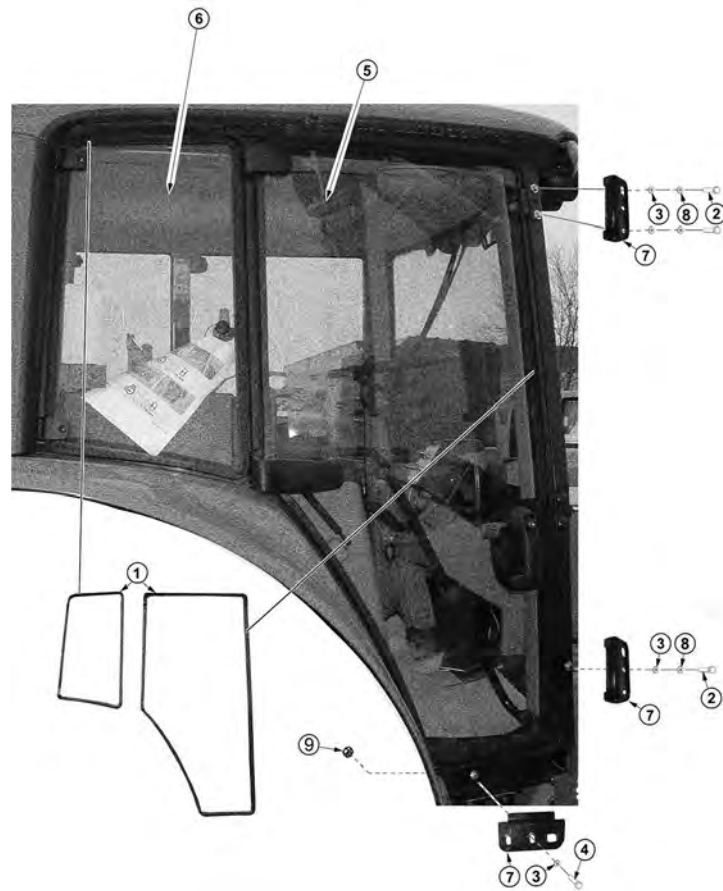


## PANORAMIC POLYCARBONATE SAFETY WINDOW

Continued...

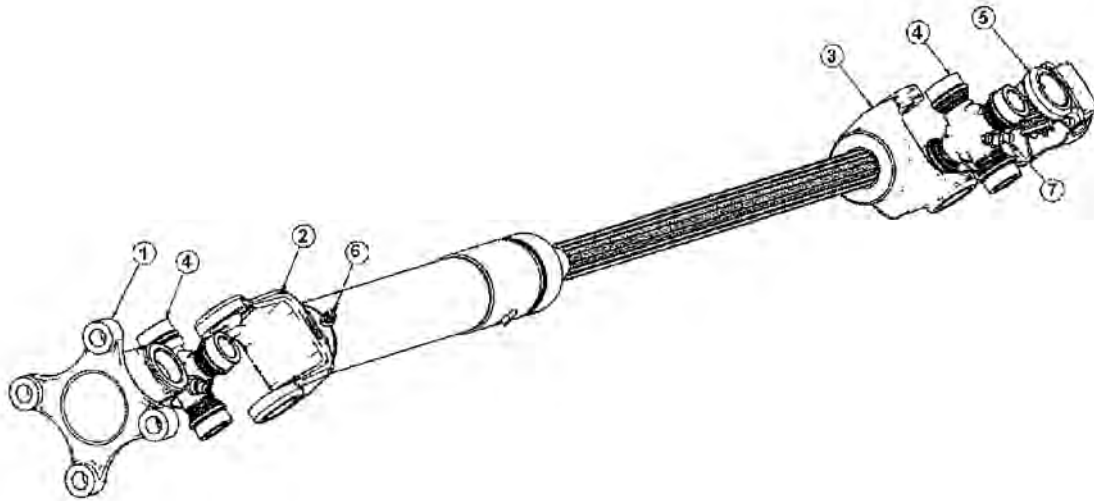
| ITEM | PART NO. | QTY. | DESCRIPTION                         |
|------|----------|------|-------------------------------------|
| 1    | 06490047 | 1    | POLYCARB,FRMD,DOOR,RH               |
| 2    | 31965    | 22   | TRIM SEAL,3/8" CLIP X 3/4"OD (FEET) |
| ---  | 06537005 | 1    | ADHESIVE *NOT SHOWN                 |
| 3    | 06330042 | 1    | BRKT,SFTY SCRN,UPPER                |
| 4    | 06330041 | 1    | BRKT,SFTY SCRN,LOWER                |
| 5    | 06402170 | 4    | SPACER,1" X 5/8" X 3/16"            |
| 6    | 19M7561  | 4    | SCREW *EXISTING                     |
| 7    | L209050  | 1    | BRACKET *EXISTING                   |
| 8    | L209049  | 1    | BRACKET *EXISTING                   |

## POLYCARBONATE SAFETY WINDOW



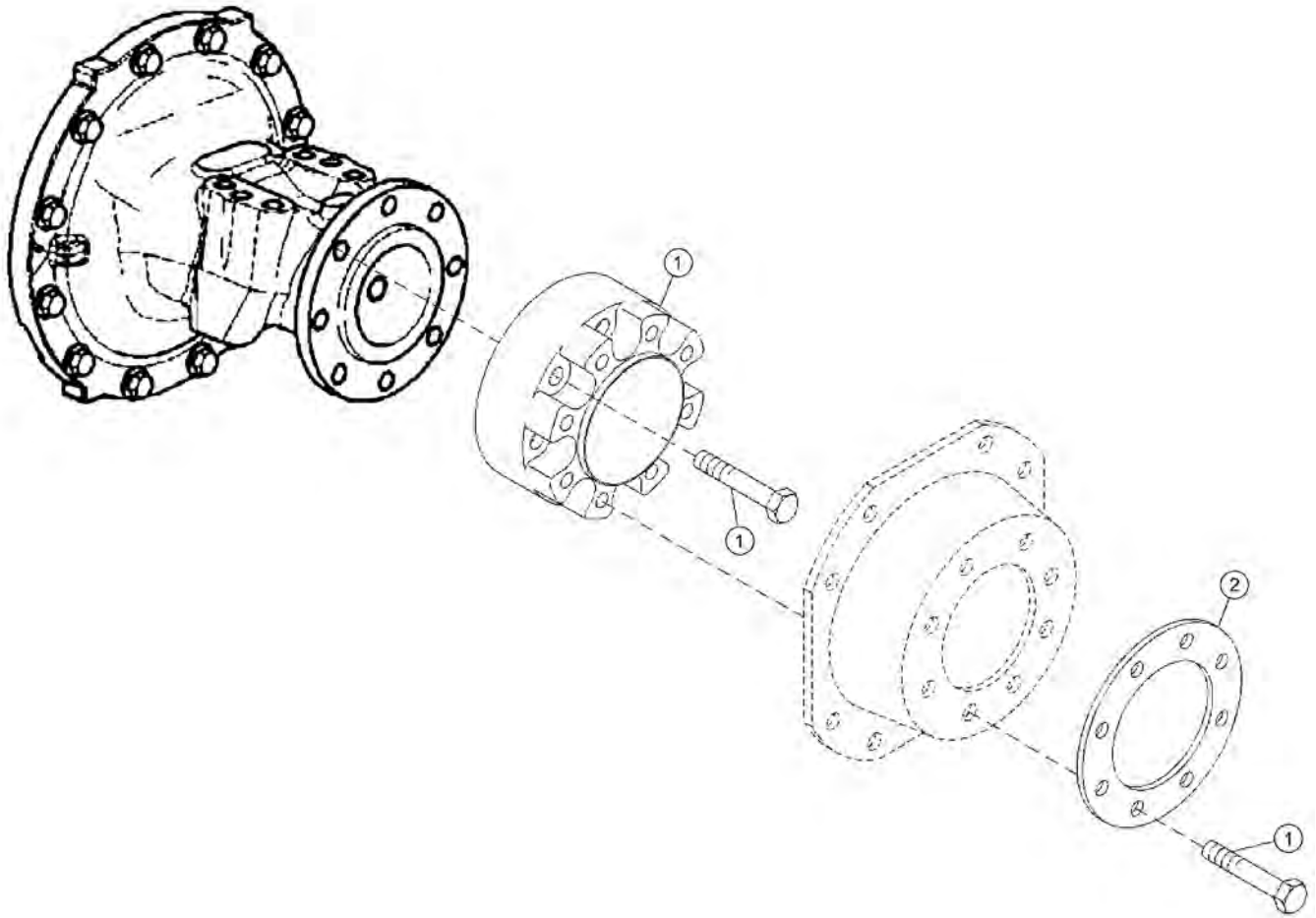
| ITEM | PART NO. | QTY. | DESCRIPTION                         |
|------|----------|------|-------------------------------------|
| 1    | 31965    | 22   | TRIM SEAL,3/8" CLIP X 3/4"OD (FEET) |
| 2    | 27508    | 3    | CAPSCREW,8MM X 20MM,1.25P           |
| 3    | 22015    | 4    | FLATWASHER,5/16"                    |
| 4    | 21581    | 1    | CAPSCREW,5/16" X 1-1/4",NC          |
| 5    | 06490005 | 1    | POLYCARB,FRMD,DOOR,RH               |
| 6    | 06490027 | 1    | POLYCARB,FRMD,REAR,RH               |
| 7    | 06520040 | 3    | BRKT,JD,POLY,RETAIN                 |
| 8    | 6T2619   | 3    | LOCKWASHER,8MM                      |
| 9    | 21577    | 1    | NYLOCK NUT,5/16",NC                 |

## PUMP DRIVESHAFT BREAKDOWN



| ITEM | PART NO. | QTY. | DESCRIPTION             |
|------|----------|------|-------------------------|
| ---  | 34999    | 1    | DRIVESHAFT,U-JOINT,ASSY |
| 1    | 06505004 | 1    | YOKE PULLEY             |
| 2    | 06505005 | 1    | SLEEVE                  |
| 3    | 06505006 | 1    | SHAFT                   |
| 4    | 06505007 | 2    | CROSS                   |
| 5    | 06505008 | 1    | YOKE DRIVE              |
| 6    | 6T3203   | 1    | GREASE ZERK,1/4" X 45   |
| 7    | 6T3207   | 3    | GREASE ZERK,1/4" X STR  |

# WHEEL SPACER



| ITEM | PART NO. | QTY. | DESCRIPTION          |
|------|----------|------|----------------------|
| 1    | 06770025 | 1    | KIT,SPCR,WHL,JD      |
| 2    | 06400919 | 1    | RING,SPACER,WHEEL,JD |

# COMMON SIDE FLAIL - EXTREME DUTY

## PARTS SECTION

# NOTES

# PART NAME INDEX

|   |    |
|---|----|
| RCTVUQTF GT&I 'I W&G  | 7  |
| ECDNG'F TCHV'DGCO 'CUUGO DN[                                | 8  |
| EQO DQ'F TCHV'DGCO 'CUUGO DN[ :                             |    |
| 82R'ECDNG'UF G'HNCN'/'UVCP F CTF 'TQVC VQP                  | 32 |
| 82R'ECDNG'UF G'HNCN'/'TGXGTUG'TQVC VQP                      | 34 |
| 82R'EQO DQ'UF G'HNCN'/'UVCP F CTF 'TQVC VQP                 | 36 |
| 82R'EQO DQ'UF G'HNCN'/'TGXGTUG'TQVC VQP                     | 38 |
| 97R'ECDNG'UF G'HNCN'/'UVCP F CTF 'TQVC VQP                  | 3: |
| 97R'ECDNG'UF G'HNCN'/'TGXGTUG'TQVC VQP                      | 42 |
| 97R'EQO DQ'UF G'HNCN'/'UVCP F CTF 'TQVC VQP                 | 44 |
| 97R'EQO DQ'UF G'HNCN'/'TGXGTUG'TQVC VQP                     | 46 |
| ; 2R'ECDNG'UF G'HNCN'/'UVCP F CTF 'TQVC VQP                 | 48 |
| ; 2R'ECDNG'UF G'HNCN'/'TGXGTUG'TQVC VQP                     | 4: |
| ; 2R'EQO DQ'UF G'HNCN'/'UVCP F CTF 'TQVC VQP                | 52 |
| ; 2R'EQO DQ'UF G'HNCN'/'TGXGTUG'TQVC VQP                    | 54 |
| HIQP V'HNCR'/'UVCP F CTF 'TQVC VQP 'O QY GTU                | 56 |
| ECDNG'UF G'HNCN'F T&G'CUUGO DN[                             | 58 |
| EQO DQ'UF G'HNCN'F T&G'CUUGO DN[                            | 5: |
| ECDNG'NHV'CTO 'CUUGO DN[                                    | 62 |
| 5R'Z'32R'J [ F T C W N E 'E [ N R F G T 'D T G C M F Q Y P  | 64 |
| 5R'Z'34R'J [ F T C W N E 'E [ N R F G T 'D T G C M F Q Y P  | 65 |
| 5R'Z'3: R'J [ F T C W N E 'E [ N R F G T 'D T G C M F Q Y P | 66 |
| RWO R'CP F 'I T&N'I WCTF 'QRVQP                             | 67 |
| TGUGT XQK'VCP MHNVT'CUUGO DN[                               | 68 |
| ECDNG*O CP WCN+NHV'XCNXG'DTGCMF QY P '/'523; :              | 6: |
| ECDNG*O CP WCN+NHV'XCNXG'DTGCMF QY P '/'53542               | 72 |
| ECDNG*O CP WCN+NHV'XCNXG'DTGCMF QY P '/'53544               | 74 |
| ECDNG*O CP WCN+NHV'XCNXG'DTGCMF QY P '/'53974               | 76 |
| ECDNG*O CP WCN+NHV'XCNXG'DTGCMF QY P '/'28724262            | 78 |
| ECDNG*O CP WCN+NHV'XCNXG'DTGCMF QY P '/'28724264            | 7: |
| HIQP V'J [ F T C W N E 'RWO R'DTGCMF QY P                   | 82 |
| HNCN'O QVQT'DTGCMF QY P                                     | 84 |
| EQQNGT'CUUGO DN[  | 86 |
| DTCMG'XCNXG'CUUGO DN[                                       | 88 |
| DTCMG'XCNXG'J [ F T C W N E 'UEJ GO C V E                   | 89 |
| UF G'HNCN'VTCXGN'NQEM                                       | 8: |
| ECDNG'NHV'DGCO 'VTCXGN'NQEM                                 | 8; |
| EQO DQ'NHV'DGCO 'VTCXGN'NQEM                                | 92 |
| UY K/EJ 'DQZ  | 93 |
| UY K/EJ 'DQZ'UEJ GO C V E                                   | 94 |

COMMON SIDE FLAIL - XD

# PART NAME INDEX

|  |     |
|--|-----|
| HKT'G'UWRRT'GUKQP 'U UVGO (                          | 95  |
| HKT'G'UWRRT'GUKQP '5/RQ' V'O QWP V(                  | 96  |
| HKT'G'UWRRT'GUKQP 'HT'QP V'O QWP V(                  | 98  |
| HKT'G'UWRRT'GUKQP 'U UVGO 'GN'GE VT'ECN'UEJ GO CV'E( | 9:  |
| Y GVE W(   | 9;  |
| Y GVE W'72'I CNNQP 'VCP M/'5RP V'O QWP V(            | : 2 |
| Y GVE W'322'QT'372'I CNNQP 'VCP M/'5RP V'O QWP V(    | : 3 |
| Y GVE W'5RP V'RNWO D'I '72' O QY GTU(                | : 4 |
| Y GVE W'5RP V'RNWO D'I 'NCTI G'O QY GTU(             | : 6 |
| Y GVE W'HT'QP V'RNWO D'I '72' O QY GTU(              | : 8 |
| Y GVE W'HT'QP V'RNWO D'I 'NCTI G'O QY GTU(           | : : |
| Y GVE W'72' 'URTC[ GT'J GCF 'CUUGO DN(               | ; 2 |
| Y GVE W'82' 'URTC[ GT'J GCF 'CUUGO DN(               | ; 4 |
| Y GVE W'ECDNGU(                                      | ; 6 |



## PARTS ORDERING GUIDE

The following instructions are offered to help eliminate needless delay and error in processing purchase orders for the equipment in this manual.

1. The Parts Section is prepared in logical sequence and grouping of parts that belong to the basic machine featured in this manual. Part Numbers and Descriptions are given to help locate the parts and quantities required.
2. The Purchase Order must indicate the **Name and Address** of the person or organization ordering the parts, **who should be charged**, and if possible, the **serial number of the machine** for which the parts are being ordered.
3. The purchase order must clearly list the **quantity of each part**, the complete and correct **part number**, and the basic **name of the part**.
4. The manufacturer reserves the right to substitute parts where applicable.
5. Some parts may be unlisted items which are special production items not normally stocked and are subject to special handling. Request a quotation for such parts before sending a purchase order.
6. The manufacturer reserves the right to change prices without prior notice.

NOTE: When ordering replacement decals, refer to the part numbers and descriptions listed in the safety section in the front of this manual.

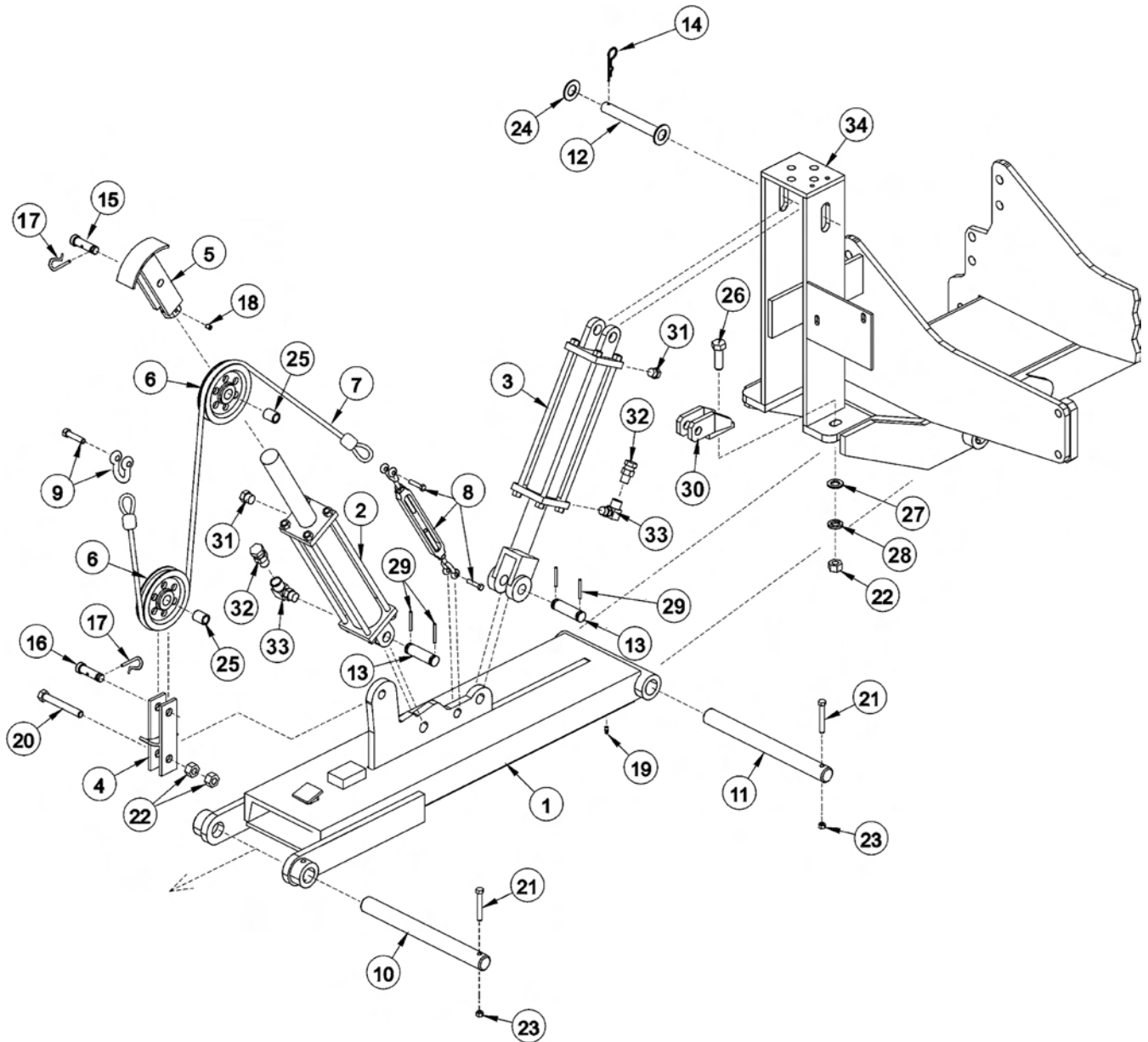


For maximum safety and to guarantee optimum product reliability, always use genuine **Tiger** replacement parts. The use of inferior replacement parts may cause premature or catastrophic failure which could result in serious injury or death.

Direct any questions regarding parts to:

**Tiger Corporation**  
3301 N. Louise Ave.  
Sioux Falls, SD 57107  
1-800-843-6849  
1-605-336-7900

# CABLE DRAFT BEAM ASSEMBLY



COMMON SIDE FLAIL - XD

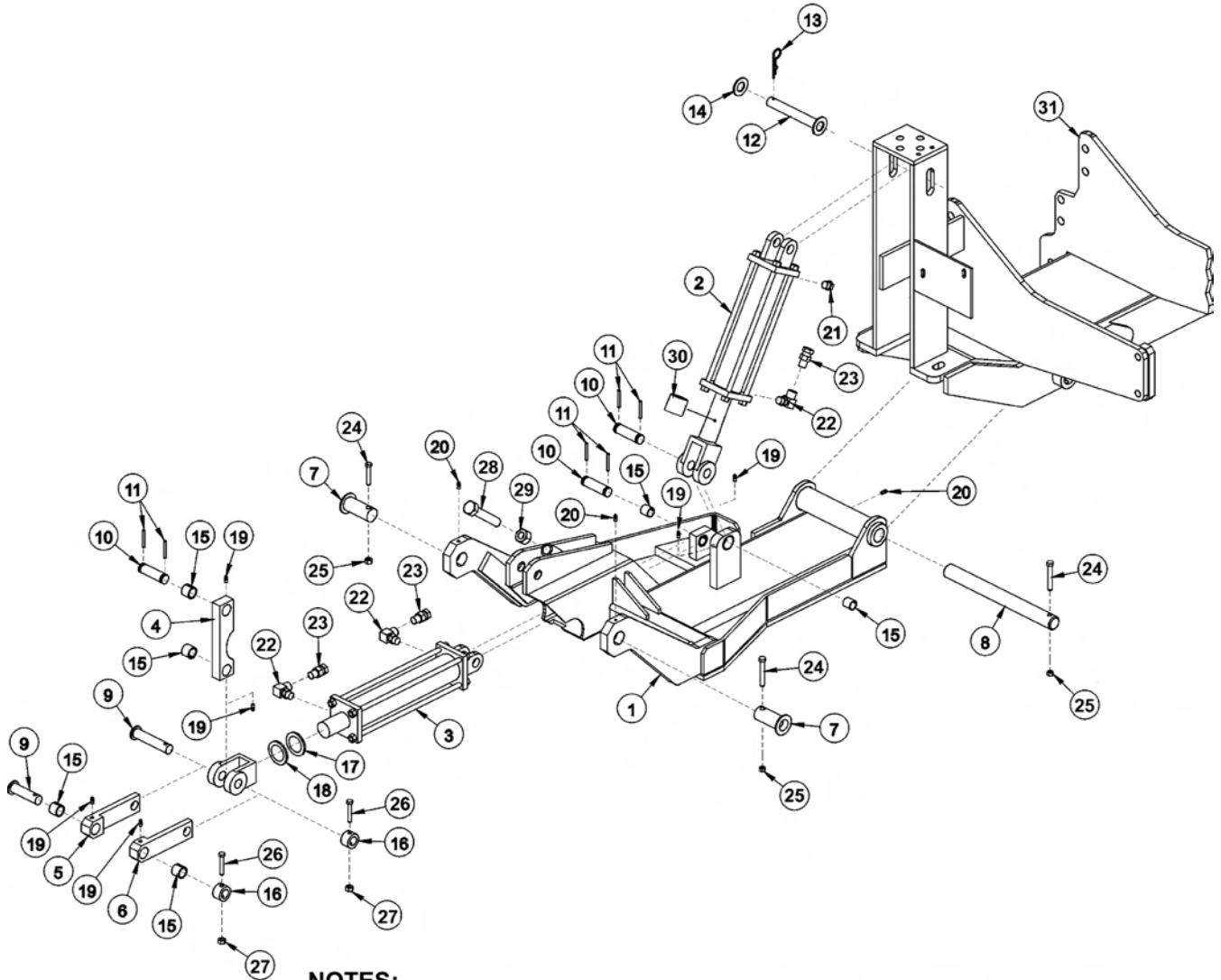
## CABLE DRAFT BEAM ASSEMBLY

Continued...

| ITEM  | PART NO. | QTY. | DESCRIPTION                                |
|-------|----------|------|--|
| 1     | 6T0103E  | -    | DRAFT BEAM (EXTENDED 6" 4WD)               |
| ----- | 6T0105   | -    | DRAFT BEAM (STD WITH TRAVEL LOCK)          |
| ----- | 6T0108   | -    | DRAFT BEAM (30 LB CHANNEL, 45 3/8")        |
| 2     | 6T0150   | 1    | CYLINDER 3" X 18"                          |
| 3     | 6T0151R  | 1    | HYD. CYLINDER 3" X 10"                     |
| 4     | 6T0100   | 1    | LOWER SHEAVE BRACKET                       |
| 5     | 6T0101   | 1    | UPPER SHEAVE BRACKET                       |
| 6     | 33768    | 2    | SHEAVE                                     |
| 7     | 6T0110   | 1    | LIFT CABLE (STD 1/2" X 87 1/2")            |
| ----- | 6T0110E  | -    | LIFT CABLE (EXTENDED 6" 4WD)               |
| ----- | 6T0110L  | -    | LIFT CABLE (EXTENDED 15")                  |
| 8     | 6T0115   | 1    | TURN BUCKLE                                |
| 9     | 6T0112   | 1    | SHACKLE WITH PIN                           |
| 10    | 6T2999   | 1    | OUTER DRAFT BEAM PIN 1 1/2" X 14 1/2"      |
| 11    | 6T3001   | 1    | INNER DRAFT BEAM PIN 1 1/2" X 15 3/4"      |
| 12    | 6T3005   | 1    | CYLINDER PIN 1" X 6 5/8"                   |
| 13    | TB1033   | 2    | CLEVIS PIN 1" X 4"                         |
| 14    | 6T3004   | 1    | R - CLIP 3/16"                             |
| 15    | 6T3010   | 1    | UPPER SHEAVE PIN WITH ZERK 3/4" X 3"       |
| 16    | 6T3009   | 1    | LOWER SHEAVE PIN WITH ZERK 3/4" X 2 1/2"   |
| 17    | 6T3020   | 2    | R - CLIP 5/32"                             |
| 18    | 6T2272   | 1    | SET SCREW 3/8" X 1/2"                      |
| 19    | 6T3211   | 1    | GREASE ZERK 1/8" STRAIGHT                  |
| 20    | 21837    | 1    | CAPSCREW 3/4" X 3 1/4"                     |
| 21    | 21688    | 2    | CAPSCREW 7/16" X 3 1/4"                    |
| 22    | 21825    | 2    | HEX NUT 3/4"                               |
| 23    | 21677    | 2    | NYLOCK NUT 7/16"                           |
| 24    | 22023    | 1    | FLAT WASHER 1"                             |
| 25    | 6T0104N  | 2    | SHEAVE PIN BUSHING 1" OD X 3/4" ID         |
| 26    | 21833    | 1    | CAPSCREW 3/4" X 2 1/4"                     |
| 27    | 22021    | 1    | FLAT WASHER 3/4"                           |
| 28    | 21993    | 1    | LOCK WASHER 3/4"                           |
| 29    | 06537021 | 4    | ROLL PIN                                   |
| 30    | 6T0106   | 1    | TRAVEL LOCK BRACKET                        |
| 31    | 6T4258   | 2    | BREATHER 1/2"                              |
| 32    | 34396    | 2    | RESTRICTOR                                 |
| 33    | 34244    | 2    | ELBOW FITTING 1/2"                         |
| 34    | -----    | -    | MAIN FRAME *REFER TO TRACTOR PARTS SECTION |

COMMON SIDE FLAIL - XD

# COMBO DRAFT BEAM ASSEMBLY



## NOTES:

1. ITEM 30 IS USED ON THE GLAND END OF ITEM 2 (AS NEEDED)
2. ORIENTATION OF ITEMS 4,5 & 6 ARE CRITICAL

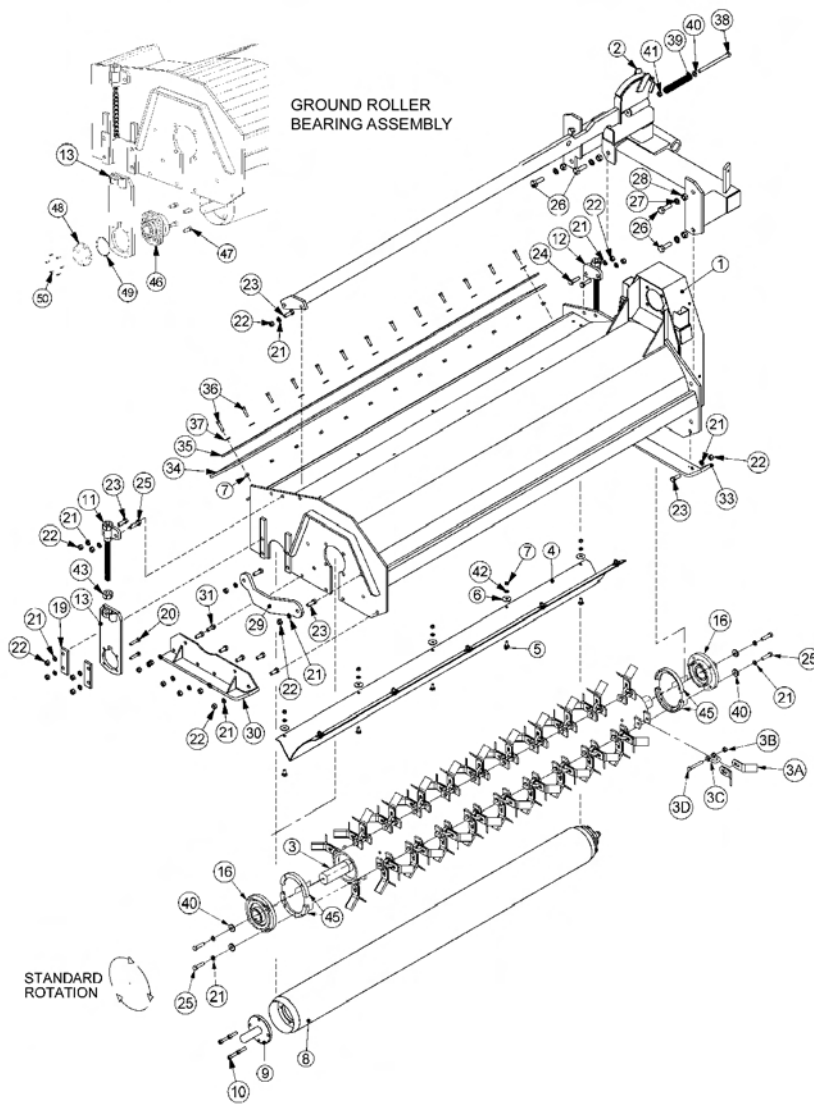
## COMBO DRAFT BEAM ASSEMBLY

Continued...

| ITEM | PART NO. | QTY. | DESCRIPTION                                |
|------|----------|------|--|
| 1    | 28955D   | 1    | COMBO DRAFT BEAM -HVY DTY FLAIL            |
| 2    | 6T0151R  | 1    | HYD. CYLINDER 3" X 10"                     |
| 3    | 25343    | 1    | HYD. CYLINDER 3" X 12" - HVY DTY           |
| 4    | TF4500A  | 1    | PIVOT ARM                                  |
| 5    | TF4507B  | 1    | RIGHT LINKAGE ARM                          |
| 6    | TF4506B  | 1    | LEFT LINKAGE ARM                           |
| 7    | TF4514A  | 2    | PIN, HEAD PIVOT                            |
| 8    | 6T3001   | 1    | PIN, BEAM PIVOT                            |
| 9    | TF4519   | 2    | PIN, LINKAGE                               |
| 10   | TB1033   | 3    | PIN, CLEVIS                                |
| 11   | 06537021 | 6    | ROLLPIN                                    |
| 12   | 6T3005   | 1    | PIN, 1" W/ CAP                             |
| 13   | 6T3004   | 1    | R-CLIP HAIRPIN                             |
| 14   | 6T2614   | 1    | FLATWASHER 1"                              |
| 15   | TB3010   | 8    | BUSHING 1"                                 |
| 16   | 22847    | 2    | BOSS, LINKAGE PIN                          |
| 17   | 22076    | 1    | SPACER, HYD. CYLINDER 1/4" (AS NEEDED)     |
| 18   | 22077    | 1    | SPACER, HYD. CYLINDER 5/16" (AS NEEDED)    |
| 19   | 6T3207   | 6    | GREASE ZERK 1/4"                           |
| 20   | 6T3211   | 3    | GREASE ZERK 1/8"                           |
| 21   | 6T4258   | 1    | BREATHER 1/2"                              |
| 22   | 34244    | 3    | ELBOW FITTING 1/2"                         |
| 23   | 34396    | 3    | SWIVEL RESTRICTOR                          |
| 24   | 21688    | 3    | CAPSCREW 7/16" X 3 1/4"                    |
| 25   | 21677    | 3    | NYLOCK NUT 7/16"                           |
| 26   | 21635    | 2    | CAPSCREW 3/8" X 2 1/4"                     |
| 27   | 21625    | 2    | HEX NUT 3/8"                               |
| 28   | 21831    | 1    | CAPSCREW 3/4" X 1 3/4"                     |
| 29   | 21825    | 1    | HEX NUT 3/4"                               |
| 30   | 06700095 | 1    | CYLINDER SPACER W/SET SCREW                |
| 31   | -----    | -    | MAIN FRAME *REFER TO TRACTOR PARTS SECTION |

COMMON SIDE FLAIL - XD

## 60IN CABLE SIDE FLAIL - STANDARD ROTATION



| ITEM | PART NO. | QTY. | DESCRIPTION                |
|------|----------|------|----------------------------|
| 1    | 22031    | 1    | BONNET,60",HD,TSF          |
| 2    | 21297C   | 1    | MOUNTING FRAME             |
| ---  | TF1807A  | -    | CUTTERSHAFT,ASSY,60" HD    |
| 3    | TF1807   | 1    | CUTTERSHAFT,60"            |
| 3A   | 33714    | 64   | KNIFE,FLAIL,STANDARD       |
| 3B   | 21677    | 32   | NYLOCK NUT,7/16" NC        |
| 3C   | TF1020   | 32   | KNIFE MTG CLEVIS,FLAIL     |
| 3D   | 34011    | 32   | KNIFE MTG BOLT,FLAIL       |
| 4    | TF1802A  | 1    | BAFFLE,FLAIL,60" HD,STC    |
| 5    | 6T2283   | 10   | CARRIAGE BOLT,3/8" X 1",NC |
| 6    | 6T2615   | 10   | WASHER,FENDER,3/8"         |
| 7    | 21625    | 20   | HEX NUT,3/8",NC            |

COMMON SIDE FLAIL - XD

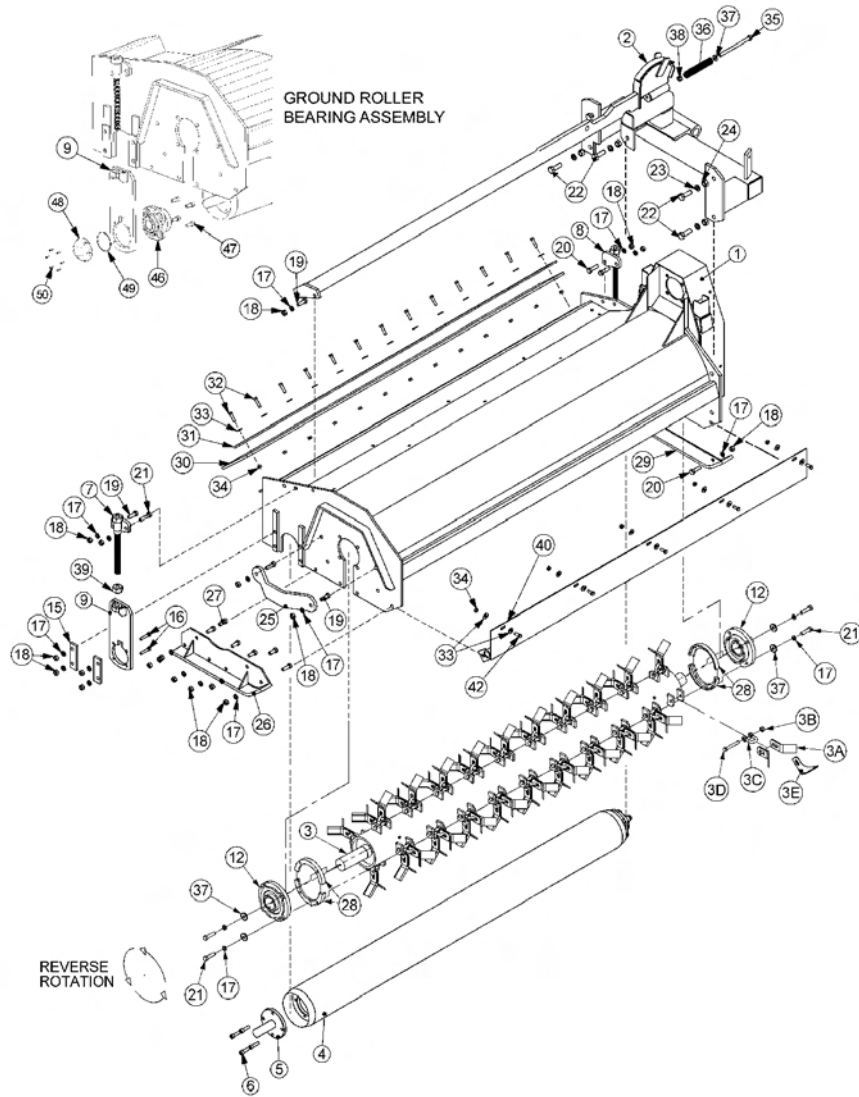
## 60IN CABLE SIDE FLAIL - STANDARD ROTATION

Continued...

| ITEM | PART NO. | QTY. | DESCRIPTION                      |
|------|----------|------|----------------------------------|
| 8    | 30277    | 1    | GROUND ROLLER                    |
| 9    | TF1045B  | 2    | GRND ROLLER STUB SHAFT           |
| 11   | TF4334   | 1    | ROD,GROUND ROLLER ADJ,RT         |
| 12   | TF4335   | 1    | ROD,GROUND ROLLER ADJ,LF         |
| 13   | TF4333A  | 2    | GROUND ROLLER ADJ BRK            |
| 16   | TF1018   | 2    | BEARING,FLANGE,2-3/16"           |
| 19   | TF4336   | 4    | CLAMPING BLOCK,LH                |
| 20   | 6T2291   | 8    | PLOW BOLT,1/2" X 2",NC           |
| 21   | 21990    | 31   | LOCKWASHER,1/2"                  |
| 22   | 21725    | 23   | HEX NUT,1/2",NC                  |
| 23   | 21731    | 6    | CAPSCREW,1/2" X 1-1/2",NC        |
| 24   | 21732    | 2    | CAPSCREW,1/2" X 1-3/4",NC        |
| 25   | 21733    | 9    | CAPSCREW,1/2" X 2",NC            |
| 26   | 21783    | 5    | CAPSCREW,5/8" X 2",NC            |
| 27   | 21992    | 5    | LOCKWASHER,5/8"                  |
| 28   | 21775    | 5    | HEX NUT,5/8"                     |
| 29   | TF1040   | 1    | GUARD,CUTTER SHAFT               |
| 30   | TF4371   | 1    | SKID SHOE,L/PROFILE - OUTER      |
| 31   | 21730    | 6    | CAPSCREW,1/2" X 1-1/4",NC        |
| 33   | TF4365   | 1    | SKID SHOE,L/PROFILE - INNER      |
| 34   | TF1804   | 1    | FLAP,DEFLECTOR,TSF/TRF,60"       |
| 35   | TF1803   | 1    | FLAP RETAINING BAR               |
| 36   | 21632    | 10   | CAPSCREW,3/8" X 1-1/2",NC        |
| 37   | 22016    | 10   | FLATWASHER,3/8"                  |
| 38   | 21745    | 1    | CAPSCREW,1/2" X 7",NC            |
| 39   | 27005    | 1    | SPRING, PUSHOFF,SIDE RTRY        |
| 40   | 27938    | 3    | BUSHING,MACH,1OD X 1/2ID X 14GA. |
| 41   | 21727    | 1    | NYLOCK NUT,1/2"                  |
| 42   | 21988    | 10   | LOCKWASHER,3/8"                  |
| 43   | 21399    | 2    | HEX NUT,3/4" (ACME THRD)         |
| 45   | 31204    | 2    | STRING GUARD,HD                  |
| 46   | 06520028 | 2    | BEARING,FLANGE,1-3/8"            |
| 47   | 6T2331   | 8    | CAPSCREW,7/16" X 1",SOCKET HEAD  |
| 48   | 06520027 | 2    | CAP,BEARING,GRND ROLLER          |
| 49   | 06520029 | 2    | O-RING,2-3/4" X 3/32"            |
| 50   | 06530001 | 12   | CAPSCREW,SKT HD                  |

COMMON SIDE FLAIL - XD

## 60IN CABLE SIDE FLAIL - REVERSE ROTATION



| ITEM | PART NO. | QTY. | DESCRIPTION              |
|------|----------|------|--------------------------|
| 1    | 22031    | 1    | BONNET,60",HD,TSF        |
| 2    | 21297C   | 1    | MOUNTING FRAME           |
| ---  | TF1807A  | -    | CUTTERSHAFT,ASSY,60" HD  |
| 3    | TF1807   | 1    | CUTTERSHAFT,60"          |
| 3A   | 33714    | 64   | KNIFE,FLAIL,STANDARD     |
| 3B   | 21677    | 32   | NYLOCK NUT,7/16" NC      |
| 3C   | TF1020   | 32   | KNIFE MTG CLEVIS,FLAIL   |
| 3D   | 34011    | 32   | KNIFE MTG BOLT,FLAIL     |
| 3E   | TF1019F  | 32   | KNIFE,FLAIL (SMOOTH CUT) |
| 4    | 30277    | 1    | GROUND ROLLER            |
| 5    | TF1045B  | 2    | GRND ROLLER STUB SHAFT   |
| 7    | TF4334   | 1    | ROD,GROUND ROLLER ADJ,RT |

COMMON SIDE FLAIL - XD



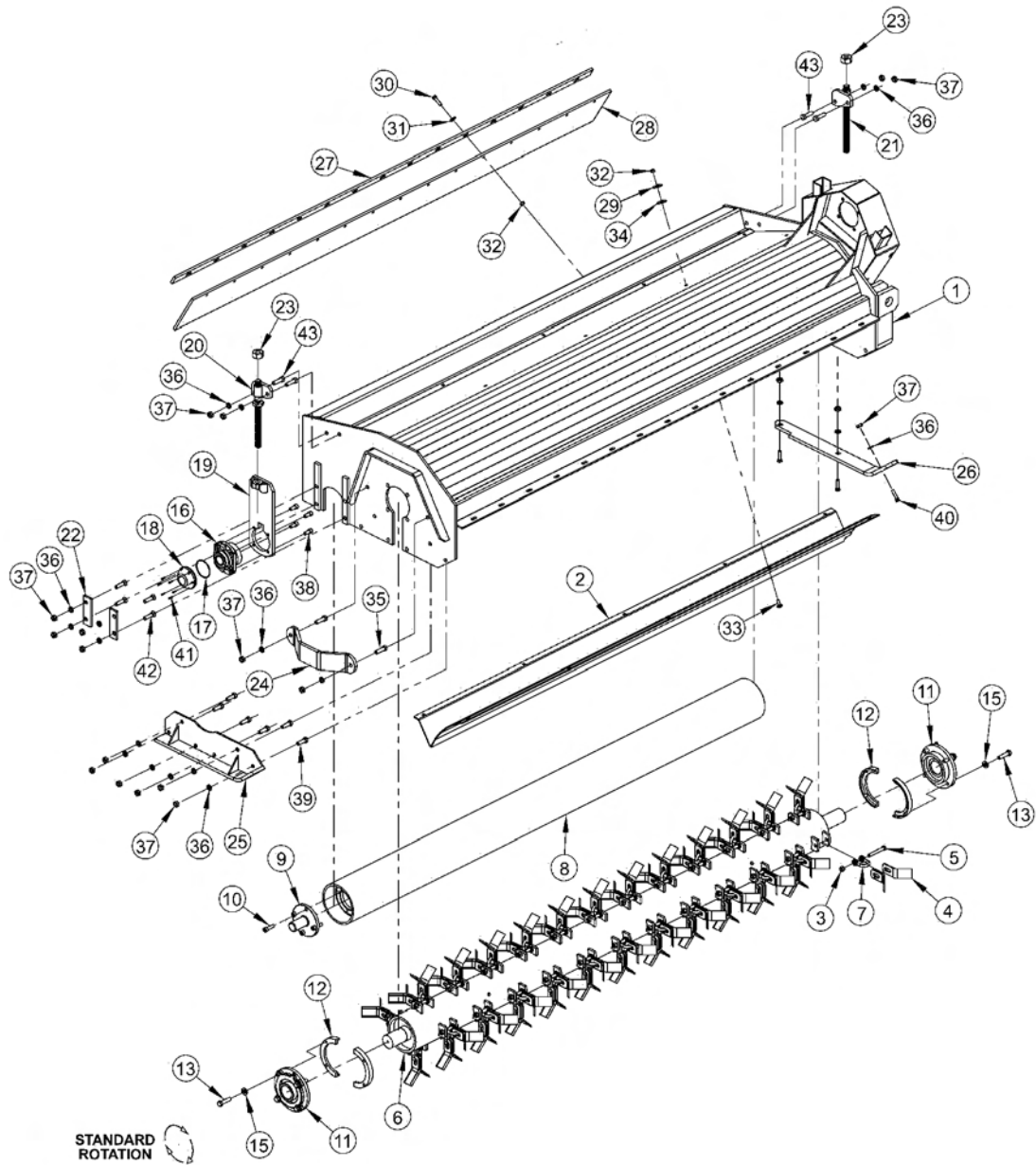
## 60IN CABLE SIDE FLAIL - REVERSE ROTATION

Continued...

| ITEM | PART NO. | QTY. | DESCRIPTION                      |
|------|----------|------|----------------------------------|
| 8    | TF4335   | 1    | ROD,GROUND ROLLER ADJ,LF         |
| 9    | TF4333A  | 2    | GROUND ROLLER ADJ BRK            |
| 12   | TF1018   | 2    | BEARING,FLANGE,2-3/16"           |
| 15   | TF4336   | 4    | CLAMPING BLOCK,LH                |
| 16   | 6T2291   | 8    | PLOW BOLT,1/2" X 2",NC           |
| 17   | 21990    | 31   | LOCKWASHER,1/2"                  |
| 18   | 21725    | 23   | HEX NUT,1/2",NC                  |
| 19   | 21731    | 6    | CAPSCREW,1/2" X 1-1/2",NC        |
| 20   | 21732    | 3    | CAPSCREW,1/2" X 1-3/4",NC        |
| 21   | 21733    | 5    | CAPSCREW,1/2" X 2",NC            |
| 22   | 21783    | 5    | CAPSCREW,5/8" X 2",NC            |
| 23   | 21992    | 5    | LOCKWASHER,5/8"                  |
| 24   | 21775    | 5    | HEX NUT,5/8"                     |
| 25   | TF1040   | 1    | GUARD,CUTTER SHAFT               |
| 26   | TF4371   | 1    | SKID SHOE,L/PROFILE - OUTER      |
| 27   | 21730    | 5    | CAPSCREW,1/2" X 1-1/4",NC        |
| 28   | 31204    | 2    | STRING GUARD,HD                  |
| 29   | TF4365   | 1    | SKID SHOE,L/PROFILE - INNER      |
| 30   | TF1804   | 1    | FLAP,DEFLECTOR,TSF/TRF,60"       |
| 31   | TF1803   | 1    | FLAP RETAINING BAR               |
| 32   | 21632    | 10   | CAPSCREW,3/8" X 1-1/2",NC        |
| 33   | 22016    | 20   | FLATWASHER,3/8"                  |
| 34   | 21625    | 15   | HEX NUT,3/8",NC                  |
| 35   | 21745    | 1    | CAPSCREW,1/2" X 7",NC            |
| 36   | 27005    | 1    | SPRING,PUSHOFF                   |
| 37   | 27938    | 9    | BUSHING,MACH,1OD X 1/2ID X 14GA. |
| 38   | 21727    | 1    | NYLOCK NUT,1/2"                  |
| 39   | 21399    | 2    | HEX NUT,3/4" (ACME THRD)         |
| 40   | TF1801   | 1    | FRONT TRASH GUARD                |
| 42   | 21630    | 5    | CAPSCREW,3/8" X 1",NC            |
| 46   | 06520028 | 2    | BEARING,FLANGE,1-3/8"            |
| 47   | 6T2331   | 8    | CAPSCREW,7/16" X 1",SOCKET HEAD  |
| 48   | 06520027 | 2    | CAP,BEARING,GRND ROLLER          |
| 49   | 06520029 | 2    | O-RING,2-3/4" X 3/32"            |
| 50   | 06530001 | 12   | CAPSCREW,SKT HD                  |

COMMON SIDE FLAIL - XD

## 60IN COMBO SIDE FLAIL - STANDARD ROTATION



| ITEM | PART NO. | QTY. | DESCRIPTION                 |
|------|----------|------|-----------------------------|
| 1    | 33913    | 1    | BONNET 60" COMBO            |
| 2    | TF1802A  | 1    | BAFFLE,FLAIL,60" HD,STC     |
| ---  | TF1807A  | 1    | CUTTERSHAFT,ASSY,60" HD,STC |
| 3    | 21677    | 32   | NYLOCK NUT,7/16 NC          |

COMMON SIDE FLAIL - XD

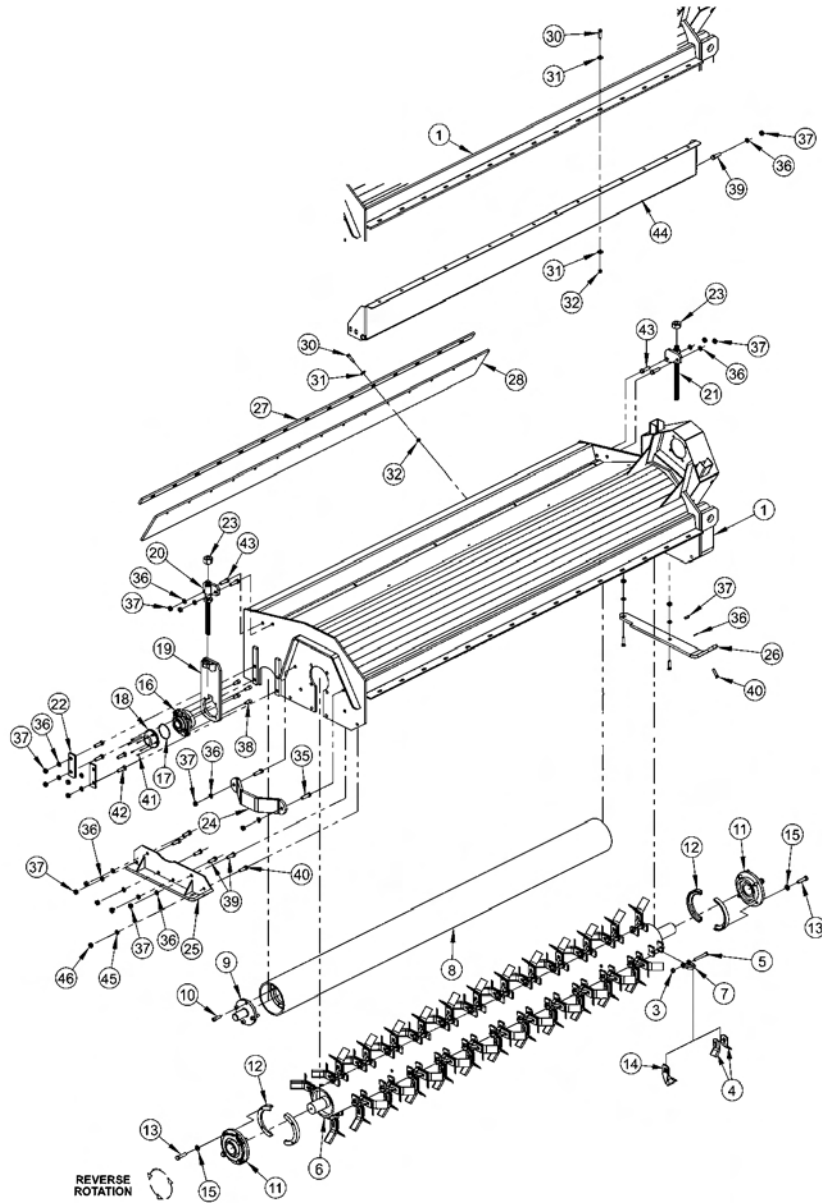
## 60IN COMBO SIDE FLAIL - STANDARD ROTATION

Continued...

| ITEM | PART NO. | QTY. | DESCRIPTION                         |
|------|----------|------|-------------------------------------|
| 4    | 33714    | 64   | KNIFE,FLAIL,STANDARD                |
| 5    | 34011    | 32   | CAPSCREW,7/16X3 7/16,NC GR8         |
| 6    | TF1807   | 1    | CUTTERSHAFT,60" HD                  |
| 7    | TF1020   | 32   | KNIFE MTG CLEVIS,FLAIL              |
| 8    | 30277    | 1    | GROUND ROLLER 60"                   |
| 9    | TF1045B  | 2    | STUB SHAFT,GROUND ROLLER            |
| 10   | 6T2330   | 8    | CAPSCREW,SKT HD,7/16X1-1/2NC        |
| 11   | TF1018   | 2    | BEARING,FLANGE,2-3/16               |
| ---  | 06200347 | -    | STRING GUARD,KIT,HD(ITEMS 12,13,15) |
| 12   | 31204    | 2    | STRING GUARD, HD                    |
| 13   | 06530217 | 8    | CAPSCREW,1/2 X 2,NC,L9              |
| 15   | 06533006 | 12   | FLATWASHER,1/2,SAE,L9               |
| 16   | 06520028 | 2    | BEARING,FLANGE,1 3/8,GRNDRLR        |
| 17   | 06520029 | 2    | O-RING,2 3/4X3/32,AS568A-148        |
| 18   | 06520027 | 2    | CAP,BEARING,GRNDRLR                 |
| 19   | TF4333A  | 2    | GROUND ROLLER ADJ,BRKT              |
| 20   | TF4334   | 1    | ROD,GROUND ROLLER ADJ,RT            |
| 21   | TF4335   | 1    | ROD,GROUND ROLLER ADJ,LF            |
| 22   | TF4336   | 4    | PLATE,GROUND ROLLER LOCK            |
| 23   | 21399    | 2    | HEX NUT,3/4 (ACME) BULK             |
| 24   | TF1040   | 1    | GUARD,CUTTER SHAFT                  |
| 25   | TF4371   | 1    | SKID SHOE,L/PROFILE-OUTER           |
| 26   | 23272A   | 1    | SKID SHOE,T3F,INNER                 |
| 27   | TF1803   | 1    | BAR,FLAP,TSF/TRF 60                 |
| 28   | TF1804   | 1    | FLAP,DEFLECTOR,TSF 60               |
| 29   | 21988    | 8    | LOCKWASHER,3/8                      |
| 30   | 21632    | 10   | CAPSCREW,3/8 X 1-1/2 NC             |
| 31   | 22016    | 10   | FLATWASHER,3/8                      |
| 32   | 21625    | 18   | HEX NUT,3/8 NC                      |
| 33   | 6T2283   | 8    | CARRIAGE BOLT,3/8 X 1 NC            |
| 34   | 6T2615   | 8    | WASHER,FENDER 3/8                   |
| 35   | 21732    | 2    | CAPSCREW,1/2 X 1-3/4 NC             |
| 36   | 21990    | 23   | LOCKWASHER,1/2                      |
| 37   | 21725    | 23   | HEX NUT,1/2 NC                      |
| 38   | 6T2331   | 8    | CAPSCREW,SKT HD,7/16 X 1 NC         |
| 39   | 21730    | 6    | CAPSCREW,1/2 X 1-1/4 NC             |
| 40   | 23293    | 3    | PLOW,BOLT,1/2 X 1-3/4 NC            |
| 41   | 06530001 | 12   | CAPSCREW,SKT HD,8-32X1/2,SS         |
| 42   | 6T2291   | 8    | PLOW BOLT,1/2 X 2 NC GR5            |
| 43   | 21731    | 4    | CAPSCREW,1/2 X 1-1/2 NC             |

COMMON SIDE FLAIL - XD

## 60IN COMBO SIDE FLAIL - REVERSE ROTATION



| ITEM | PART NO. | QTY. | DESCRIPTION                  |
|------|----------|------|------------------------------|
| 1    | 33913    | 1    | BONNET 60" COMBO             |
| ---  | TF1807A  | -    | CUTTERSHAFT,ASSY,60" HD,STC  |
| 3    | 21677    | 32   | NYLOCK NUT,7/16 NC           |
| 4    | 33714    | 64   | KNIFE,FLAIL,STANDARD         |
| 5    | 34011    | 32   | CAPSCREW,7/16X3 7/16,NC GR8  |
| 6    | TF1807   | 1    | CUTTERSHAFT,60" HD           |
| 7    | TF1020   | 32   | KNIFE MTG CLEVIS,FLAIL       |
| 8    | 30277    | 1    | GROUND ROLLER 60"            |
| 9    | TF1045B  | 2    | STUB SHAFT,GROUND ROLLER     |
| 10   | 6T2330   | 8    | CAPSCREW,SKT HD,7/16X1-1/2NC |

COMMON SIDE FLAIL - XD

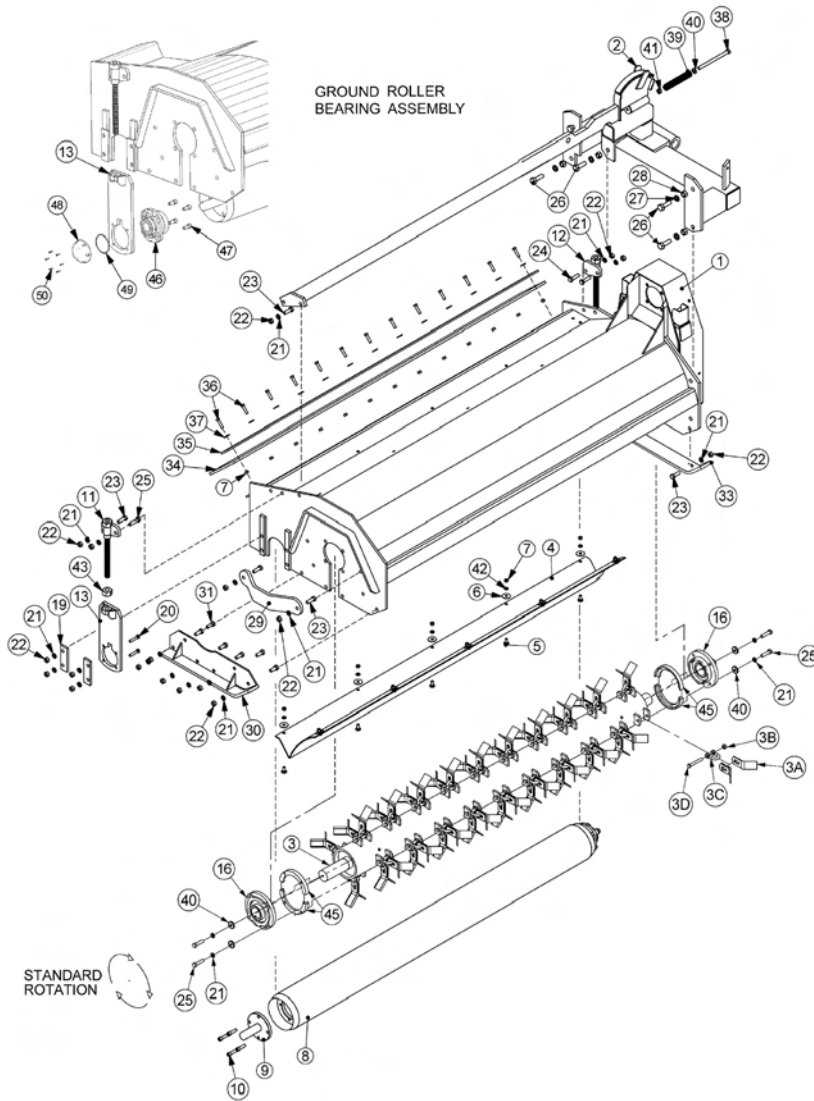
## 60IN COMBO SIDE FLAIL - REVERSE ROTATION

Continued...

| ITEM | PART NO. | QTY. | DESCRIPTION                         |
|------|----------|------|-------------------------------------|
| 11   | TF1018   | 2    | BEARING,FLANGE,2-3/16               |
| ---  | 06200347 | -    | STRING GUARD,KIT,HD(ITEMS 12,13,15) |
| 12   | 31204    | 2    | STRING GUARD, HD                    |
| 13   | 06530217 | 8    | CAPSCREW,1/2 X 2,NC,L9              |
| 14   | TF1019F  | 32   | KNIFE,FLAIL (SMOOTH CUT)            |
| 15   | 06533006 | 12   | FLATWASHER,1/2,SAE,L9               |
| 16   | 06520028 | 2    | BEARING,FLANGE,1 3/8,GRNDRLR        |
| 17   | 06520029 | 2    | O-RING,2 3/4X3/32,AS568A-148        |
| 18   | 06520027 | 2    | CAP,BEARING,GRNDRLR                 |
| 19   | TF4333A  | 2    | GROUND ROLLER ADJ,BRKT              |
| 20   | TF4334   | 1    | ROD,GROUND ROLLER ADJ,RT            |
| 21   | TF4335   | 1    | ROD,GROUND ROLLER ADJ,LF            |
| 22   | TF4336   | 4    | PLATE,GROUND ROLLER LOCK            |
| 23   | 21399    | 2    | HEX NUT,3/4 (ACME) BULK             |
| 24   | TF1040   | 1    | GUARD,CUTTER SHAFT                  |
| 25   | TF4371   | 1    | SKID SHOE,L/PROFILE-OUTER           |
| 26   | 23272A   | 1    | SKID SHOE,T3F,INNER                 |
| 27   | TF1803   | 1    | BAR,FLAP,TSF/TRF 60                 |
| 28   | TF1804   | 1    | FLAP,DEFLECTOR,TSF 60               |
| 30   | 21632    | 20   | CAPSCREW,3/8 X 1-1/2 NC             |
| 31   | 22016    | 30   | FLATWASHER,3/8                      |
| 32   | 21625    | 20   | HEX NUT,3/8 NC                      |
| 35   | 21732    | 2    | CAPSCREW,1/2 X 1-3/4 NC             |
| 36   | 21990    | 23   | LOCKWASHER,1/2                      |
| 37   | 21725    | 23   | HEX NUT,1/2 NC                      |
| 38   | 6T2331   | 8    | CAPSCREW,SKT HD,7/16 X 1 NC         |
| 39   | 21730    | 6    | CAPSCREW,1/2 X 1-1/4 NC             |
| 40   | 23293    | 3    | PLOW,BOLT,1/2 X 1-3/4 NC            |
| 41   | 06530001 | 12   | CAPSCREW,SKT HD,8-32X1/2,SS         |
| 42   | 6T2291   | 8    | PLOW BOLT,1/2 X 2 NC GR5            |
| 43   | 21731    | 4    | CAPSCREW,1/2 X 1-1/2 NC             |
| 44   | TF1801   | 1    | TRASH GUARD,60REV ROT-HD            |
| 45   | 22018    | 1    | FLATWASHER,1/2,WIDE                 |
| 46   | 21727    | 1    | NYLOCK NUT,1/2 NC                   |

COMMON SIDE FLAIL - XD

## 75IN CABLE SIDE FLAIL - STANDARD ROTATION



| ITEM  | PART NO. | QTY. | DESCRIPTION               |
|-------|----------|------|---------------------------|
| 1     | 22032    | 1    | BONNET,75,HD,TSF          |
| 2     | 21298C   | 1    | MOUNTING FRAME            |
| ----- | TF1002A  | -    | CUTTERSHAFT,ASSY,75" HD   |
| 3     | TF1002   | 1    | CUTTERSHAFT,75"           |
| 3A    | 33714    | 80   | KNIFE,FLAIL,STANDARD      |
| 3B    | 21677    | 40   | NYLOCK NUT,7/16" NC       |
| 3C    | TF1020   | 40   | KNIFE MTG CLEVIS,FLAIL    |
| 3D    | 34011    | 40   | KNIFE MTG BOLT,FLAIL      |
| 4     | TF1402A  | 1    | BAFFLE,FLAIL,75" HD,STC   |
| 5     | 6T2283   | 10   | CARRIAGE BOLT,3/8" X 1"NC |
| 6     | 6T2615   | 10   | WASHER,FENDER 3/8"        |
| 7     | 21625    | 23   | HEX NUT,3/8",NC           |

COMMON SIDE FLAIL - XD

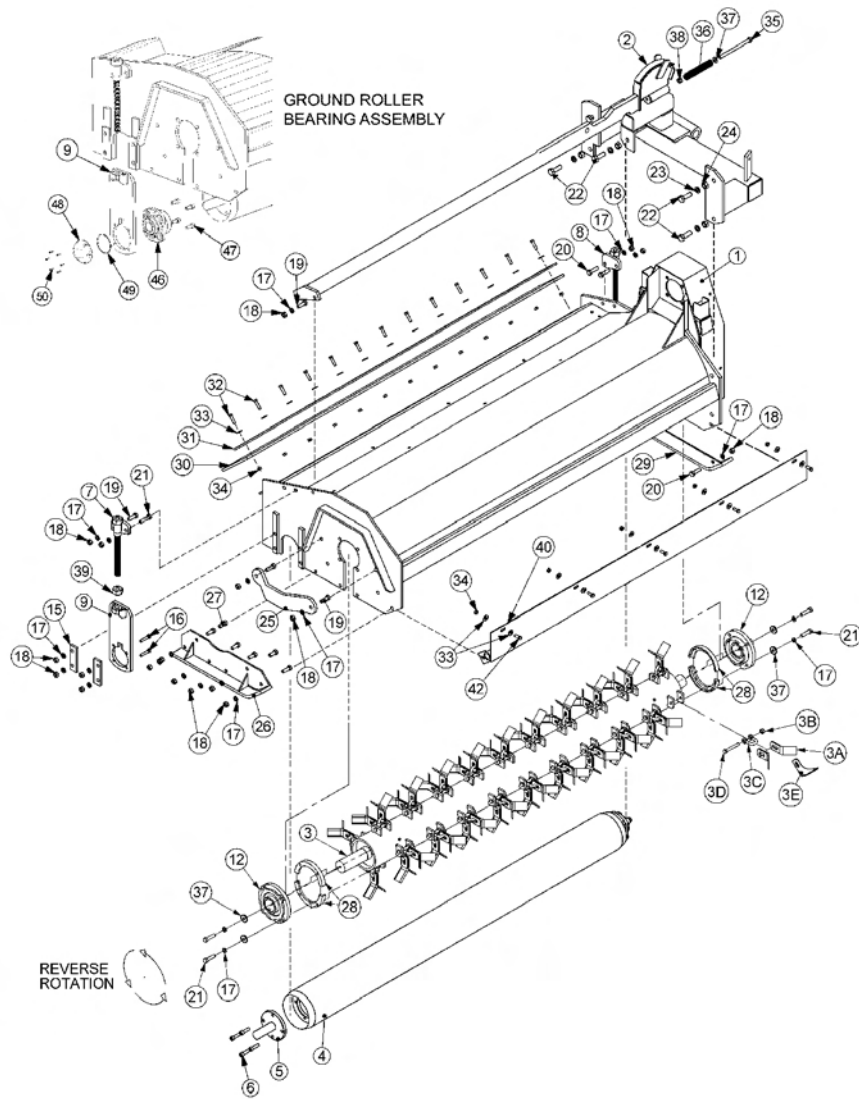
## 75IN CABLE SIDE FLAIL - STANDARD ROTATION

Continued...

| ITEM | PART NO. | QTY. | DESCRIPTION                         |
|------|----------|------|-------------------------------------|
| 8    | 28738    | 1    | GROUND ROLLER                       |
| 9    | TF1045B  | 2    | GRND ROLLER STUB SHAFT              |
| 10   | 6T2330   | 8    | CAPSCREW,7/16" X 1-1/2",SOCKET HEAD |
| 11   | TF4334   | 1    | ROD,GROUND ROLLER ADJ,RT            |
| 12   | TF4335   | 1    | ROD,GROUND ROLLER ADJ,LF            |
| 13   | TF4333A  | 2    | GROUND ROLLER ADJ BRK               |
| 16   | TF1018   | 2    | BEARING,FLANGE,2-3/16"              |
| 19   | TF4336   | 4    | CLAMPING BLOCK, LH                  |
| 20   | 6T2291   | 8    | PLOW BOLT,1/2" X 2" NC              |
| 21   | 21990    | 31   | LOCKWASHER, 1/2"                    |
| 22   | 21725    | 23   | HEX NUT, 1/2" NC                    |
| 23   | 21731    | 6    | CAPSCREW, 1/2 X 1 1/2,NC            |
| 24   | 21732    | 2    | CAPSCREW, 1/2 X 1 3/4,NC            |
| 25   | 21733    | 9    | CAPSCREW, 1/2 X 2,NC                |
| 26   | 21783    | 5    | CAPSCREW, 5/8 X 2,NC                |
| 27   | 21992    | 5    | LOCKWASHER, 5/8                     |
| 28   | 21775    | 5    | HEX NUT, 5/8                        |
| 29   | TF1040   | 1    | GUARD, CUTTER SHAFT                 |
| 30   | TF4371   | 1    | SKID SHOE,L/PROFILE - OUTER         |
| 31   | 21730    | 6    | CAPSCREW, 1/2 X 1 1/4,NC            |
| 33   | TF4365   | 1    | SKID SHOE,L/PROFILE - INNER         |
| 34   | TF1016   | 1    | FLAP,DEFLECTOR,TSF/TRF 75           |
| 35   | TF1029   | 1    | FLAP RETAINING BAR                  |
| 36   | 21632    | 13   | CAPSCREW,3/8" X 1-1/2" NC           |
| 37   | 22016    | 13   | FLATWASHER,3/8"                     |
| 38   | 21745    | 1    | CAPSCREW, 1/2 X 7,NC                |
| 39   | 27005    | 1    | SPRING, PUSHOFF, SIDE RTRY          |
| 40   | 27938    | 3    | BUSHING,MACH,1ODX1/2IDX14GA.        |
| 41   | 21727    | 1    | NYLOCK NUT, 1/2"                    |
| 42   | 21988    | 10   | LOCKWASHER, 3/8"                    |
| 43   | 21399    | 2    | HEX NUT, 3/4" (ACME THRD)           |
| 45   | 31204    | 2    | STRING GUARD, HD                    |
| 46   | 06520028 | 2    | BEARING,FLANGE, 1 3/8"              |
| 47   | 6T2331   | 8    | CAPSCREW, 7/16" X 1", SOCKET HEAD   |
| 48   | 06520027 | 2    | CAP,BEARING, GRND ROLLER            |
| 49   | 06520029 | 2    | O-RING,2 3/4" X 3/32"               |
| 50   | 06530001 | 12   | CAPSCREW, SKT HD                    |

COMMON SIDE FLAIL - XD

## 75IN CABLE SIDE FLAIL - REVERSE ROTATION



| ITEM | PART NO. | QTY. | DESCRIPTION                         |
|------|----------|------|-------------------------------------|
| 1    | 22032    | 1    | BONNET,75,HD,TSF                    |
| 2    | 21298C   | 1    | MOUNTING FRAME                      |
| ---  | TF1002A  | -    | CUTTERSHAFT,ASSY,75" HD             |
| 3    | TF1002   | 1    | CUTTERSHAFT,75"                     |
| 3A   | 33714    | 80   | KNIFE,FLAIL,STANDARD                |
| 3B   | 21677    | 40   | NYLOCK NUT,7/16" NC                 |
| 3C   | TF1020   | 40   | KNIFE MTG CLEVIS,FLAIL              |
| 3D   | 34011    | 40   | KNIFE MTG BOLT,FLAIL                |
| 3E   | TF1019F  | 40   | KNIFE,FLAIL (SMOOTH CUT)            |
| 4    | 28738    | 1    | GROUND ROLLER                       |
| 5    | TF1045B  | 2    | GRND ROLLER STUB SHAFT              |
| 6    | 6T2330   | 8    | CAPSCREW,7/16" X 1-1/2",SOCKET HEAD |

COMMON SIDE FLAIL - XD



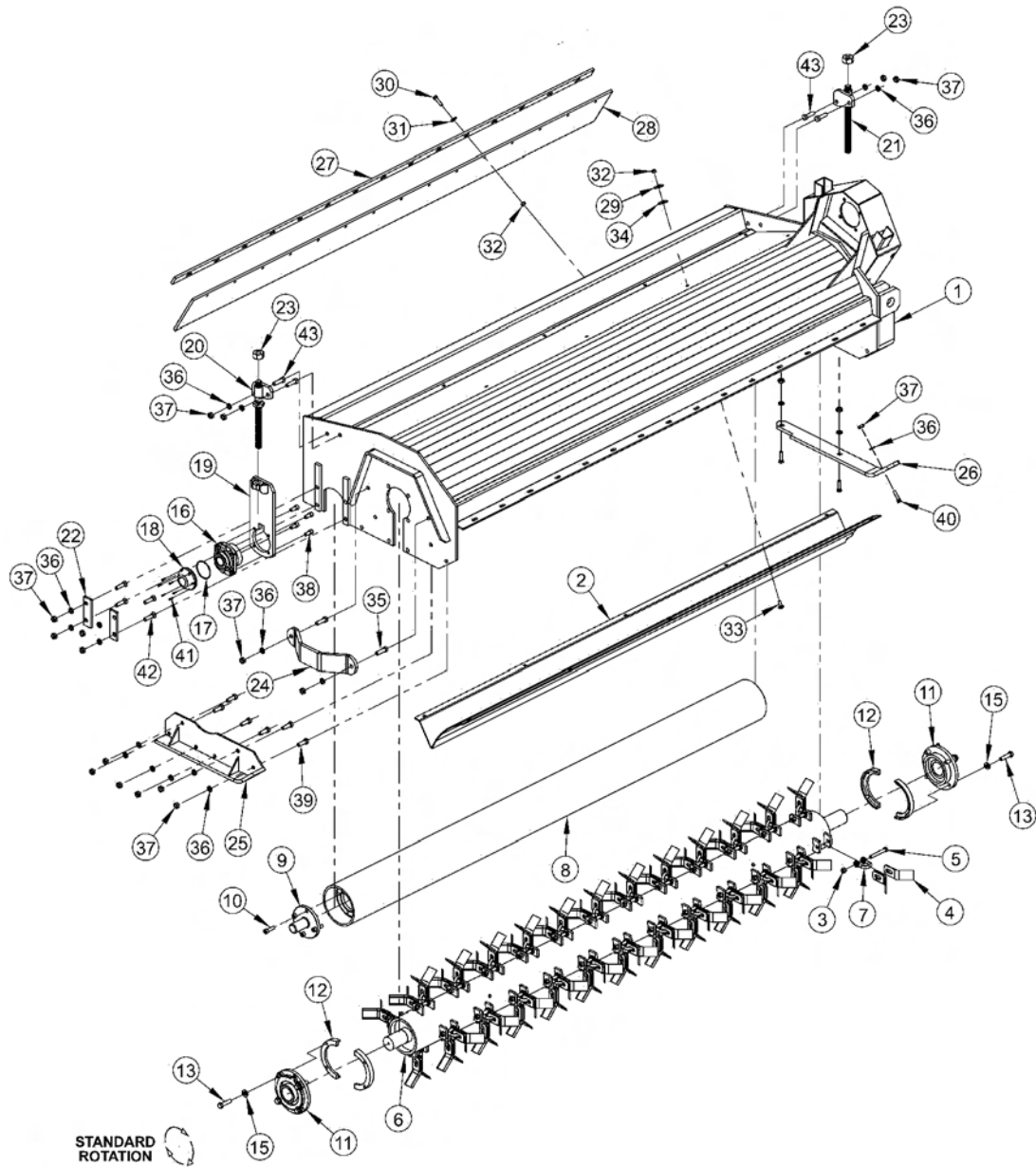
## 75IN CABLE SIDE FLAIL - REVERSE ROTATION

Continued...

| ITEM | PART NO. | QTY. | DESCRIPTION                       |
|------|----------|------|-----------------------------------|
| 7    | TF4334   | 1    | ROD,GROUND ROLLER ADJ,RT          |
| 8    | TF4335   | 1    | ROD,GROUND ROLLER ADJ,LF          |
| 9    | TF4333A  | 2    | GROUND ROLLER ADJ BRK             |
| 12   | TF1018   | 2    | BEARING,FLANGE,2-3/16"            |
| 15   | TF4336   | 4    | CLAMPING BLOCK, LH                |
| 16   | 6T2291   | 8    | PLOW BOLT,1/2" X 2" NC            |
| 17   | 21990    | 31   | LOCKWASHER, 1/2"                  |
| 18   | 21725    | 23   | HEX NUT, 1/2" NC                  |
| 19   | 21731    | 6    | CAPSCREW, 1/2 X 1 1/2,NC          |
| 20   | 21732    | 3    | CAPSCREW, 1/2 X 1 3/4,NC          |
| 21   | 21733    | 5    | CAPSCREW, 1/2 X 2,NC              |
| 22   | 21783    | 5    | CAPSCREW, 5/8 X 2,NC              |
| 23   | 21992    | 5    | LOCKWASHER, 5/8                   |
| 24   | 21775    | 5    | HEX NUT, 5/8                      |
| 25   | TF1040   | 1    | GUARD, CUTTER SHAFT               |
| 26   | TF4371   | 1    | SKID SHOE,L/PROFILE - OUTER       |
| 27   | 21730    | 5    | CAPSCREW, 1/2 X 1 1/4,NC          |
| 28   | 31204    | 2    | STRING GUARD, HD                  |
| 29   | TF4365   | 1    | SKID SHOE,L/PROFILE - INNER       |
| 30   | TF1016   | 1    | FLAP,DEFLECTOR,TSF/TRF 75         |
| 31   | TF1029   | 1    | FLAP RETAINING BAR                |
| 32   | 21632    | 13   | CAPSCREW,3/8" X 1-1/2" NC         |
| 33   | 22016    | 23   | FLATWASHER,3/8"                   |
| 34   | 21625    | 18   | HEX NUT,3/8",NC                   |
| 35   | 21745    | 1    | CAPSCREW, 1/2 X 7,NC              |
| 36   | 27005    | 1    | SPRING, PUSHOFF, SIDE RTRY        |
| 37   | 27938    | 9    | BUSHING,MACH,1ODX1/2IDX14GA.      |
| 38   | 21727    | 1    | NYLOCK NUT, 1/2                   |
| 39   | 21399    | 2    | HEX NUT, 3/4" (ACME THRD)         |
| 40   | TF1403   | 1    | FRONT TRASH GUARD                 |
| 42   | 21630    | 5    | CAPSCREW, 3/8 X 1,NC              |
| 46   | 06520028 | 2    | BEARING,FLANGE, 1 3/8"            |
| 47   | 6T2331   | 8    | CAPSCREW, 7/16" X 1", SOCKET HEAD |
| 48   | 06520027 | 2    | CAP,BEARING, GRND ROLLER          |
| 49   | 06520029 | 2    | O-RING,2 3/4" X 3/32"             |
| 50   | 06530001 | 12   | CAPSCREW, SKT HD                  |

COMMON SIDE FLAIL - XD

## 75IN COMBO SIDE FLAIL - STANDARD ROTATION



| ITEM | PART NO. | QTY. | DESCRIPTION                 |
|------|----------|------|-----------------------------|
| 1    | 21499A   | 1    | BONNET,75,HD                |
| 2    | TF1402A  | 1    | BAFFLE,FLAIL,75HD,STD ROT   |
| ---  | TF1002A  | -    | CUTSFT ASSY,75HD,STD KNIVES |
| 3    | 21677    | 40   | NYLOCK NUT,7/16 NC          |

COMMON SIDE FLAIL - XD

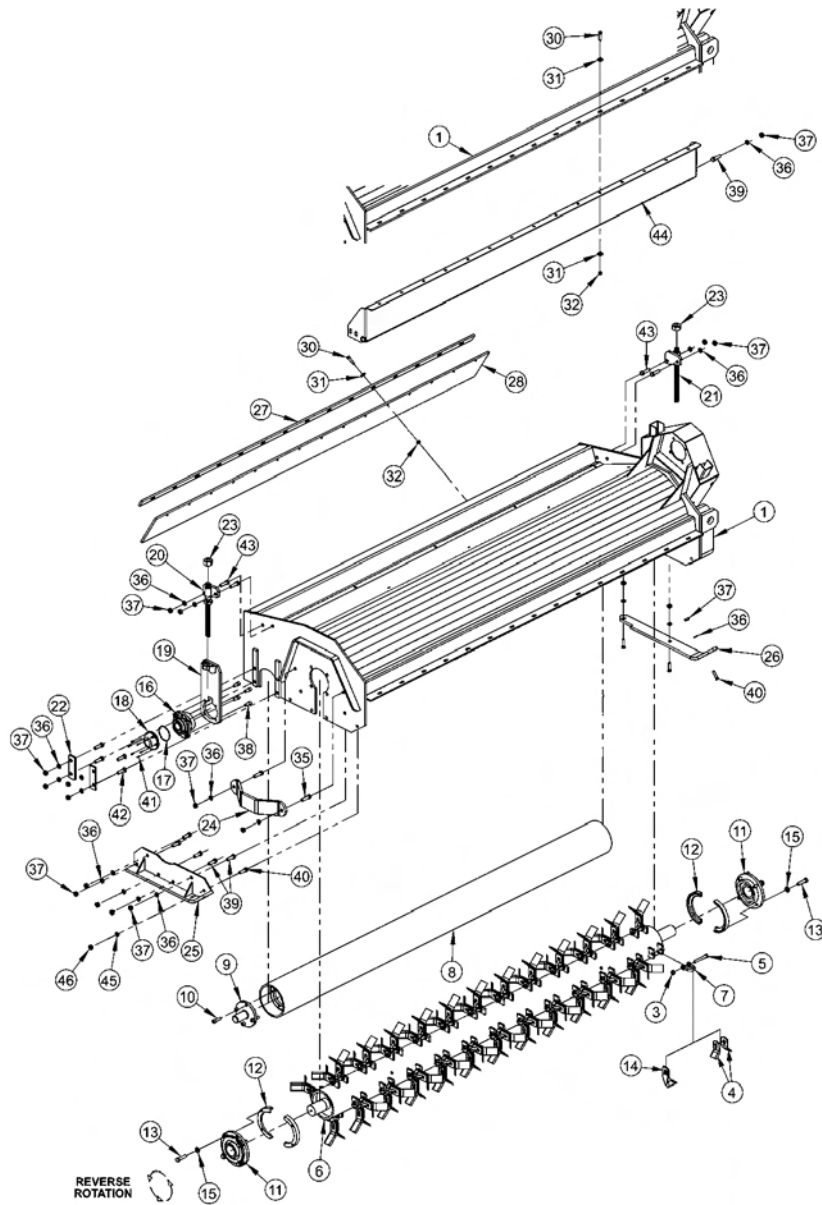
## 75IN COMBO SIDE FLAIL - STANDARD ROTATION

Continued...

| ITEM | PART NO. | QTY. | DESCRIPTION                         |
|------|----------|------|-------------------------------------|
| 4    | 33714    | 80   | KNIFE,FLAIL,STANDARD                |
| 5    | 34011    | 40   | CAPSCREW,7/16X3 7/16,NC GR8         |
| 6    | TF1002   | 1    | CUTTERSHAFT,75,HD                   |
| 7    | TF1020   | 40   | KNIFE MTG CLEVIS,FLAIL              |
| 8    | 28738    | 1    | GROUND ROLLER,75                    |
| 9    | TF1045B  | 2    | STUB SHAFT,GROUND ROLLER            |
| 10   | 6T2330   | 8    | CAPSCREW,SKT HD,7/16X1-1/2NC        |
| 11   | TF1018   | 2    | BEARING,FLANGE,2-3/16               |
| ---  | 06200347 | -    | STRING GUARD,KIT,HD(ITEMS 12,13,15) |
| 12   | 31204    | 2    | STRING GUARD, HD                    |
| 13   | 06530217 | 8    | CAPSCREW,1/2 X 2,NC,L9              |
| 15   | 06533006 | 12   | FLATWASHER,1/2,SAE,L9               |
| 16   | 06520028 | 2    | BEARING,FLANGE,1 3/8,GRNDRLR        |
| 17   | 06520029 | 2    | O-RING,2 3/4X3/32,AS568A-148        |
| 18   | 06520027 | 2    | CAP,BEARING,GRNDRLR                 |
| 19   | TF4333A  | 2    | GROUND ROLLER ADJ,BRKT              |
| 20   | TF4334   | 1    | ROD,GROUND ROLLER ADJ,RT            |
| 21   | TF4335   | 1    | ROD,GROUND ROLLER ADJ,LF            |
| 22   | TF4336   | 4    | PLATE,GROUND ROLLER LOCK            |
| 23   | 21399    | 2    | HEX NUT,3/4 (ACME) BULK             |
| 24   | TF1040   | 1    | GUARD,CUTTER SHAFT                  |
| 25   | TF4371   | 1    | SKID SHOE,L/PROFILE-OUTER           |
| 26   | 23272A   | 1    | SKID SHOE,T3F,INNER                 |
| 27   | TF1029   | 1    | BAR,FLAP,TSF/TRF 75                 |
| 28   | TF1016   | 1    | FLAP,DEFLECTOR,TSF/TRF 75           |
| 29   | 21988    | 10   | LOCKWASHER,3/8                      |
| 30   | 21632    | 13   | CAPSCREW,3/8 X 1-1/2 NC             |
| 31   | 22016    | 13   | FLATWASHER,3/8                      |
| 32   | 21625    | 23   | HEX NUT,3/8 NC                      |
| 33   | 6T2283   | 10   | CARRIAGE BOLT,3/8 X 1 NC            |
| 34   | 6T2615   | 10   | WASHER,FENDER 3/8                   |
| 35   | 21732    | 2    | CAPSCREW,1/2 X 1-3/4 NC             |
| 36   | 21990    | 23   | LOCKWASHER,1/2                      |
| 37   | 21725    | 23   | HEX NUT,1/2 NC                      |
| 38   | 6T2331   | 8    | CAPSCREW,SKT HD,7/16 X 1 NC         |
| 39   | 21730    | 6    | CAPSCREW,1/2 X 1-1/4 NC             |
| 40   | 23293    | 3    | PLOW,BOLT,1/2 X 1-3/4 NC            |
| 41   | 06530001 | 12   | CAPSCREW,SKT HD,8-32X1/2,SS         |
| 42   | 6T2291   | 8    | PLOW BOLT,1/2 X 2 NC GR5            |
| 43   | 21731    | 4    | CAPSCREW,1/2 X 1-1/2 NC             |

COMMON SIDE FLAIL - XD

## 75IN COMBO SIDE FLAIL - REVERSE ROTATION



| ITEM | PART NO. | QTY. | DESCRIPTION                  |
|------|----------|------|------------------------------|
| 1    | 21499A   | 1    | BONNET,75,HD                 |
| ---  | TF1002A  | -    | CUTSHFT ASSY,75HD            |
| 3    | 21677    | 40   | NYLOCK NUT,7/16 NC           |
| 4    | 33714    | 80   | KNIFE,FLAIL,STANDARD         |
| 5    | 34011    | 40   | CAPSCREW,7/16X3 7/16,NC GR8  |
| 6    | TF1002   | 1    | CUTTERSCHAFT,75,HD           |
| 7    | TF1020   | 40   | KNIFE MTG CLEVIS,FLAIL       |
| 8    | 28738    | 1    | GROUND ROLLER,75             |
| 9    | TF1045B  | 2    | STUB SHAFT,GROUND ROLLER     |
| 10   | 6T2330   | 8    | CAPSCREW,SKT HD,7/16X1-1/2NC |

COMMON SIDE FLAIL - XD

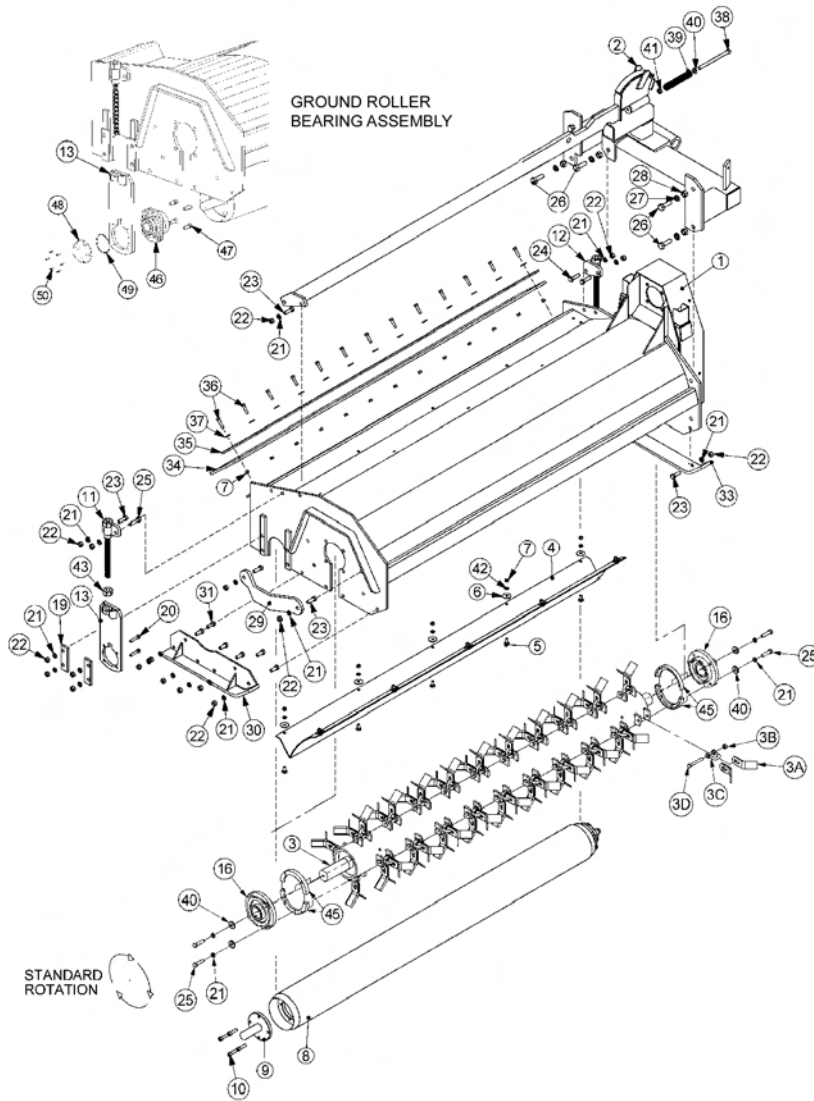
## 75IN COMBO SIDE FLAIL - REVERSE ROTATION

Continued...

| ITEM | PART NO. | QTY. | DESCRIPTION                         |
|------|----------|------|-------------------------------------|
| 11   | TF1018   | 2    | BEARING,FLANGE,2-3/16               |
| ---  | 06200347 | -    | STRING GUARD,KIT,HD(ITEMS 12,13,15) |
| 12   | 31204    | 2    | STRING GUARD, HD                    |
| 13   | 06530217 | 8    | CAPSCREW,1/2 X 2,NC,L9              |
| 14   | TF1019F  | 40   | KNIFE,FLAIL (SMOOTH CUT)            |
| 15   | 06533006 | 12   | FLATWASHER,1/2,SAE,L9               |
| 16   | 06520028 | 2    | BEARING,FLANGE,1 3/8,GRNDRLR        |
| 17   | 06520029 | 2    | O-RING,2 3/4X3/32,AS568A-148        |
| 18   | 06520027 | 2    | CAP,BEARING,GRNDRLR                 |
| 19   | TF4333A  | 2    | GROUND ROLLER ADJ,BRKT              |
| 20   | TF4334   | 1    | ROD,GROUND ROLLER ADJ,RT            |
| 21   | TF4335   | 1    | ROD,GROUND ROLLER ADJ,LF            |
| 22   | TF4336   | 4    | PLATE,GROUND ROLLER LOCK            |
| 23   | 21399    | 2    | HEX NUT,3/4 (ACME) BULK             |
| 24   | TF1040   | 1    | GUARD,CUTTER SHAFT                  |
| 25   | TF4371   | 1    | SKID SHOE,L/PROFILE-OUTER           |
| 26   | 23272A   | 1    | SKID SHOE,T3F,INNER                 |
| 27   | TF1029   | 1    | BAR,FLAP,TSF/TRF 75                 |
| 28   | TF1016   | 1    | FLAP,DEFLECTOR,TSF/TRF 75           |
| 30   | 21632    | 26   | CAPSCREW,3/8 X 1-1/2 NC             |
| 31   | 22016    | 39   | FLATWASHER,3/8                      |
| 32   | 21625    | 26   | HEX NUT,3/8 NC                      |
| 35   | 21732    | 2    | CAPSCREW,1/2 X 1-3/4 NC             |
| 36   | 21990    | 23   | LOCKWASHER,1/2                      |
| 37   | 21725    | 23   | HEX NUT,1/2 NC                      |
| 38   | 6T2331   | 8    | CAPSCREW,SKT HD,7/16 X 1 NC         |
| 39   | 21730    | 6    | CAPSCREW,1/2 X 1-1/4 NC             |
| 40   | 23293    | 3    | PLOW,BOLT,1/2 X 1-3/4 NC            |
| 41   | 06530001 | 12   | CAPSCREW,SKT HD,8-32X1/2,SS         |
| 42   | 6T2291   | 8    | PLOW BOLT,1/2 X 2 NC GR5            |
| 43   | 21731    | 4    | CAPSCREW,1/2 X 1-1/2 NC             |
| 44   | TF1403   | 1    | TRASH GUARD,75REV ROT-HD            |
| 45   | 22018    | 1    | FLATWASHER,1/2,WIDE                 |
| 46   | 21727    | 1    | NYLOCK NUT,1/2 NC                   |

COMMON SIDE FLAIL - XD

## 90IN CABLE SIDE FLAIL - STANDARD ROTATION



| ITEM  | PART NO. | QTY. | DESCRIPTION                 |
|-------|----------|------|-----------------------------|
| 1     | 27047    | 1    | BONNET,90,HD,TSF            |
| 2     | 27048A   | 1    | MOUNTING FRAME              |
| ----- | TF1102A  | -    | CUTTERSHAFT,ASSY,90" HD,STC |
| 3     | TF1102   | 1    | CUTTERSHAFT,90"             |
| 3A    | 33714    | 96   | KNIFE,FLAIL,STANDARD        |
| 3B    | 21677    | 48   | NYLOCK NUT,7/16" NC         |
| 3C    | TF1020   | 48   | KNIFE MTG CLEVIS,FLAIL      |
| 3D    | 34011    | 48   | KNIFE MTG BOLT,FLAIL        |
| 4     | TF1502A  | 1    | BAFFLE,FLAIL,90" HD,STC     |
| 5     | 6T2283   | 10   | CARRIAGE BOLT,3/8" X 1"NC   |
| 6     | 6T2615   | 10   | WASHER,FENDER 3/8"          |
| 7     | 21625    | 23   | HEX NUT,3/8",NC             |

COMMON SIDE FLAIL - XD

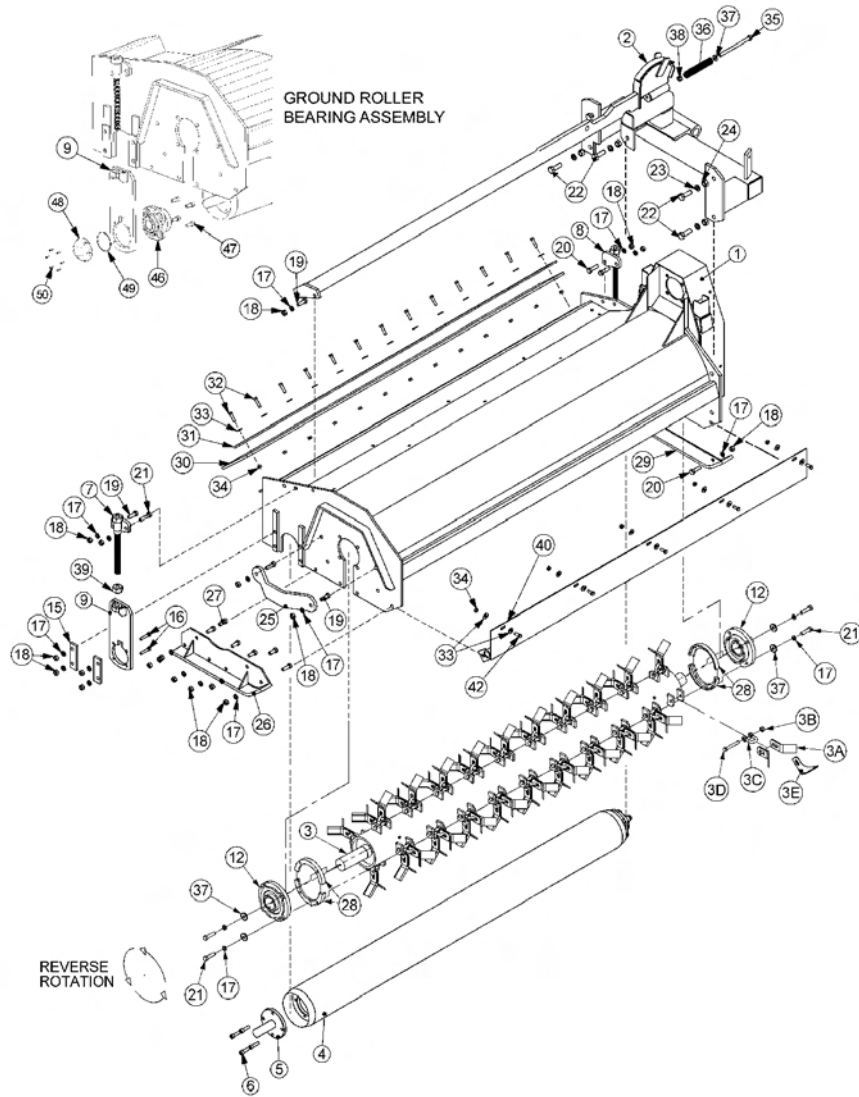
## 90IN CABLE SIDE FLAIL - STANDARD ROTATION

Continued...

| ITEM | PART NO. | QTY. | DESCRIPTION                         |
|------|----------|------|-------------------------------------|
| 8    | 27972A   | 1    | GROUND ROLLER                       |
| 9    | TF1045B  | 2    | GRND ROLLER STUB SHAFT              |
| 10   | 6T2330   | 8    | CAPSCREW, 7/16 X 1 1/2, SOCKET HEAD |
| 11   | TF4334   | 1    | ROD,GROUND ROLLER ADJ,RT            |
| 12   | TF4335   | 1    | ROD,GROUND ROLLER ADJ,LF            |
| 13   | TF4333A  | 2    | GROUND ROLLER ADJ BRK               |
| 16   | TF1018   | 2    | BEARING,FLANGE,2-3/16"              |
| 19   | TF4336   | 4    | CLAMPING BLOCK, LH                  |
| 20   | 6T2291   | 8    | PLOW BOLT,1/2" X 2" NC              |
| 21   | 21990    | 31   | LOCKWASHER, 1/2"                    |
| 22   | 21725    | 23   | HEX NUT, 1/2" NC                    |
| 23   | 21731    | 6    | CAPSCREW, 1/2 X 1 1/2,NC            |
| 24   | 21732    | 2    | CAPSCREW, 1/2 X 1 3/4,NC            |
| 25   | 21733    | 9    | CAPSCREW, 1/2 X 2,NC                |
| 26   | 21783    | 5    | CAPSCREW, 5/8 X 2,NC                |
| 27   | 21992    | 5    | LOCKWASHER, 5/8                     |
| 28   | 21775    | 5    | HEX NUT, 5/8                        |
| 29   | TF1040   | 1    | GUARD, CUTTER SHAFT                 |
| 30   | TF4371   | 1    | SKID SHOE,L/PROFILE - OUTER         |
| 31   | 21730    | 6    | CAPSCREW, 1/2 X 1 1/4,NC            |
| 33   | TF4365   | 1    | SKID SHOE,L/PROFILE - INNER         |
| 34   | TF1116   | 1    | FLAP,DEFLECTOR,TSF/TRF 90           |
| 35   | TF1135   | 1    | FLAP RETAINING BAR                  |
| 36   | 21632    | 13   | CAPSCREW,3/8" X 1-1/2" NC           |
| 37   | 22016    | 13   | FLATWASHER,3/8"                     |
| 38   | 21745    | 1    | CAPSCREW, 1/2 X 7,NC                |
| 39   | 27005    | 1    | SPRING, PUSHOFF, SIDE RTRY          |
| 40   | 27938    | 9    | BUSHING,MACH,1ODX1/2IDX14GA.        |
| 41   | 21727    | 1    | NYLOCK NUT, 1/2                     |
| 42   | 21988    | 10   | LOCKWASHER, 3/8"                    |
| 43   | 21399    | 2    | HEX NUT, 3/4" (ACME THRD)           |
| 45   | 31204    | 2    | STRING GUARD, HD                    |
| 46   | 06520028 | 2    | BEARING,FLANGE, 1 3/8"              |
| 47   | 6T2331   | 8    | CAPSCREW, 7/16" X 1", SOCKET HEAD   |
| 48   | 06520027 | 2    | CAP,BEARING, GRND ROLLER            |
| 49   | 06520029 | 2    | O-RING,2 3/4" X 3/32"               |
| 50   | 06530001 | 12   | CAPSCREW, SKT HD                    |

COMMON SIDE FLAIL - XD

## 90IN CABLE SIDE FLAIL - REVERSE ROTATION



| ITEM | PART NO. | QTY. | DESCRIPTION                         |
|------|----------|------|-------------------------------------|
| 1    | 27047    | 1    | BONNET,90,HD,TSF                    |
| 2    | 27048A   | 1    | MOUNTING FRAME                      |
| ---  | TF1102A  | -    | CUTTERSHAFT,ASSY,90" HD,STC         |
| 3    | TF1102   | 1    | CUTTERSHAFT,90"                     |
| 3A   | 33714    | 96   | KNIFE,FLAIL,STANDARD                |
| 3B   | 21677    | 48   | NYLOCK NUT,7/16" NC                 |
| 3C   | TF1020   | 48   | KNIFE MTG CLEVIS,FLAIL              |
| 3D   | 34011    | 48   | KNIFE MTG BOLT,FLAIL                |
| 3E   | TF1019F  | 48   | KNIFE,FLAIL (SMOOTH CUT)            |
| 4    | 27972A   | 1    | GROUND ROLLER                       |
| 5    | TF1045B  | 2    | GRND ROLLER STUB SHAFT              |
| 6    | 6T2330   | 8    | CAPSCREW, 7/16 X 1-1/2, SOCKET HEAD |

COMMON SIDE FLAIL - XD



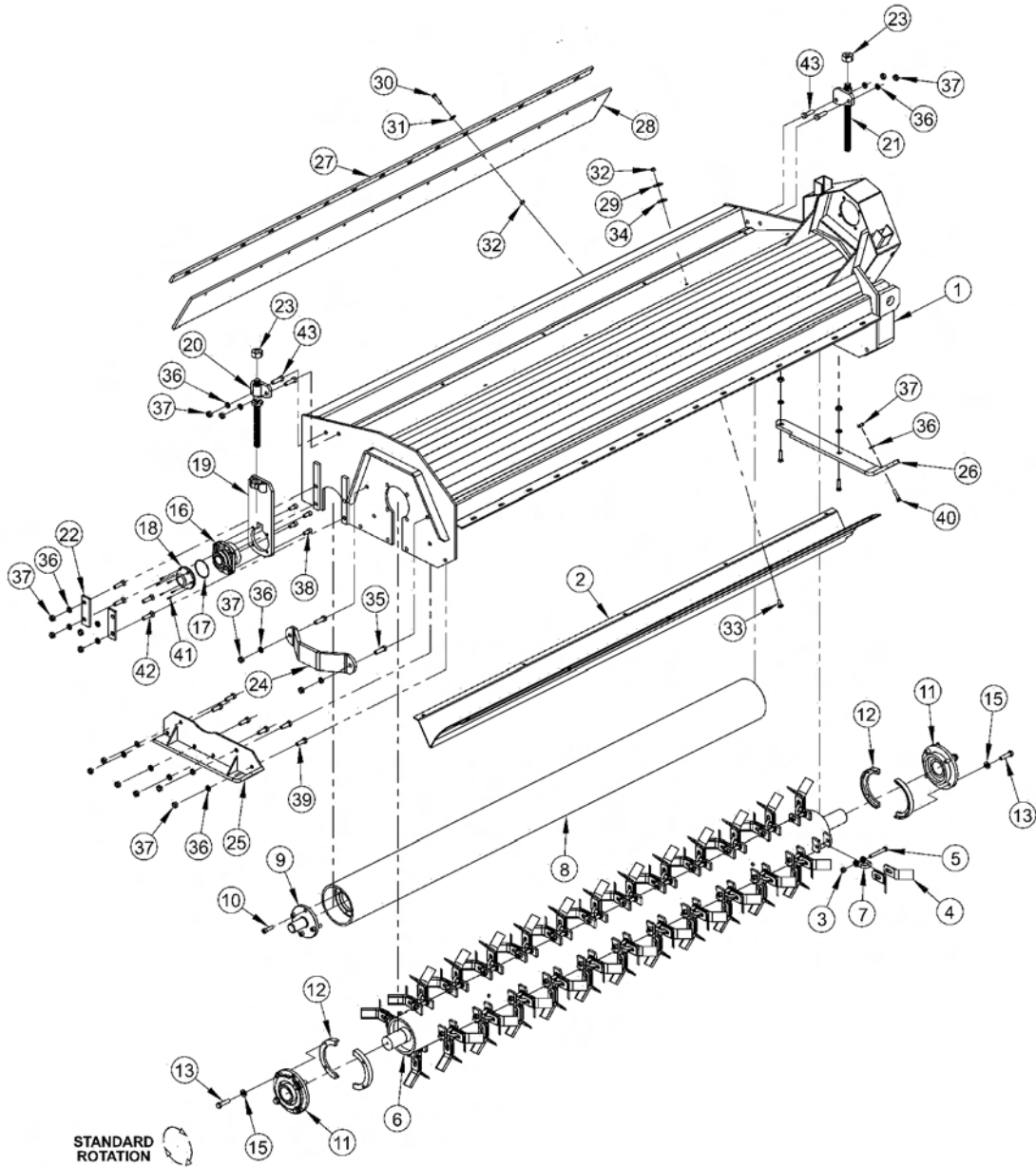
## 90IN CABLE SIDE FLAIL - REVERSE ROTATION

Continued...

| ITEM | PART NO. | QTY. | DESCRIPTION                       |
|------|----------|------|-----------------------------------|
| 7    | TF4334   | 1    | ROD,GROUND ROLLER ADJ,RT          |
| 8    | TF4335   | 1    | ROD,GROUND ROLLER ADJ,LF          |
| 9    | TF4333A  | 2    | GROUND ROLLER ADJ BRK             |
| 12   | TF1018   | 2    | BEARING,FLANGE,2-3/16"            |
| 15   | TF4336   | 4    | CLAMPING BLOCK, LH                |
| 16   | 6T2291   | 8    | PLOW BOLT,1/2" X 2" NC            |
| 17   | 21990    | 31   | LOCKWASHER, 1/2"                  |
| 18   | 21725    | 23   | HEX NUT, 1/2" NC                  |
| 19   | 21731    | 6    | CAPSCREW, 1/2 X 1-1/2,NC          |
| 20   | 21732    | 3    | CAPSCREW, 1/2 X 1-3/4,NC          |
| 21   | 21733    | 9    | CAPSCREW, 1/2 X 2,NC              |
| 22   | 21783    | 5    | CAPSCREW, 5/8 X 2,NC              |
| 23   | 21992    | 5    | LOCKWASHER, 5/8                   |
| 24   | 21775    | 5    | HEX NUT, 5/8                      |
| 25   | TF1040   | 1    | GUARD, CUTTER SHAFT               |
| 26   | TF4371   | 1    | SKID SHOE,L/PROFILE - OUTER       |
| 27   | 21730    | 5    | CAPSCREW, 1/2 X 1-1/4,NC          |
| 28   | 31204    | 2    | STRING GUARD, HD                  |
| 29   | TF4365   | 1    | SKID SHOE,L/PROFILE - INNER       |
| 30   | TF1116   | 1    | FLAP,DEFLECTOR,TSF/TRF 90         |
| 31   | TF1135   | 1    | FLAP RETAINING BAR                |
| 32   | 21632    | 13   | CAPSCREW,3/8" X 1-1/2" NC         |
| 33   | 22016    | 23   | FLATWASHER,3/8"                   |
| 34   | 21625    | 18   | HEX NUT,3/8",NC                   |
| 35   | 21745    | 1    | CAPSCREW, 1/2 X 7,NC              |
| 36   | 27005    | 1    | SPRING, PUSHOFF, SIDE RTRY        |
| 37   | 27938    | 9    | BUSHING,MACH,1ODX1/2IDX14GA.      |
| 38   | 21727    | 1    | NYLOCK NUT, 1/2                   |
| 39   | 21399    | 2    | HEX NUT, 3/4" (ACME THRD)         |
| 40   | TF1503   | 1    | FRONT TRASH GUARD                 |
| 42   | 21630    | 5    | CAPSCREW, 3/8 X 1,NC              |
| 46   | 06520028 | 2    | BEARING,FLANGE, 1-3/8"            |
| 47   | 6T2331   | 8    | CAPSCREW, 7/16" X 1", SOCKET HEAD |
| 48   | 06520027 | 2    | CAP,BEARING, GRND ROLLER          |
| 49   | 06520029 | 2    | O-RING,2-3/4" X 3/32"             |
| 50   | 06530001 | 12   | CAPSCREW, SKT HD                  |

COMMON SIDE FLAIL - XD

# 90IN COMBO SIDE FLAIL - STANDARD ROTATION



| ITEM | PART NO. | QTY. | DESCRIPTION               |
|------|----------|------|---------------------------|
| 1    | 22083A   | 1    | BONNET,90,HD,ASSY         |
| 2    | TF1502A  | 1    | BAFFLE,FLAIL,90HD,STD ROT |
| ---  | TF1102A  | -    | CUTSHFT ASSY,90HD         |
| 3    | 21677    | 48   | NYLOCK NUT,7/16 NC        |

COMMON SIDE FLAIL - XD

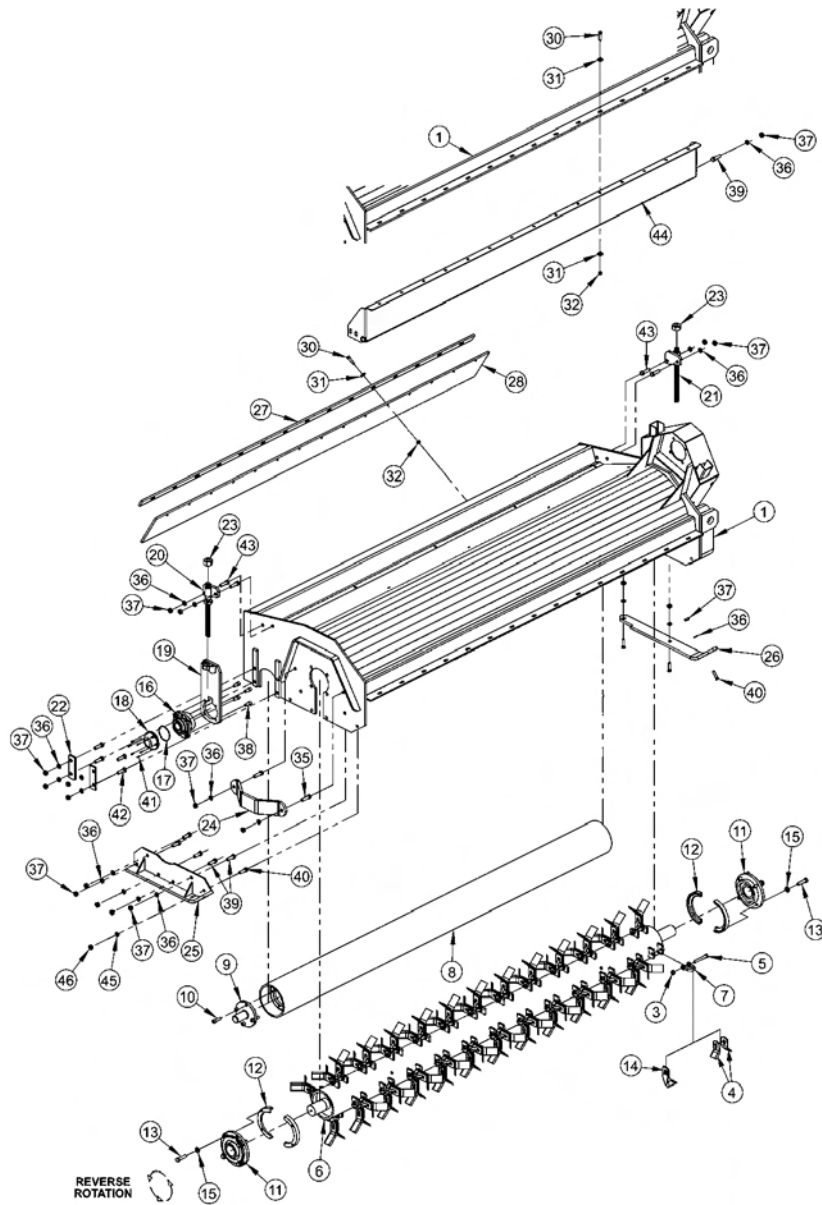
## 90IN COMBO SIDE FLAIL - STANDARD ROTATION

Continued...

| ITEM | PART NO. | QTY. | DESCRIPTION                         |
|------|----------|------|-------------------------------------|
| 4    | 33714    | 96   | KNIFE,FLAIL,STANDARD                |
| 5    | 34011    | 48   | CAPSCREW,7/16X3 7/16,NC GR8         |
| 6    | TF1102   | 1    | CUTTERSHAFT,90,HD                   |
| 7    | TF1020   | 48   | KNIFE MTG CLEVIS,FLAIL              |
| 8    | 27972A   | 1    | GROUND ROLLER,90                    |
| 9    | TF1045B  | 2    | STUB SHAFT,GROUND ROLLER            |
| 10   | 6T2330   | 8    | CAPSCREW,SKT HD,7/16X1-1/2NC        |
| 11   | TF1018   | 2    | BEARING,FLANGE,2-3/16               |
| ---  | 06200347 | -    | STRING GUARD,KIT,HD(ITEMS 12,13,15) |
| 12   | 31204    | 2    | STRING GUARD, HD                    |
| 13   | 06530217 | 8    | CAPSCREW,1/2 X 2,NC,L9              |
| 15   | 06533006 | 12   | FLATWASHER,1/2,SAE,L9               |
| 16   | 06520028 | 2    | BEARING,FLANGE,1 3/8,GRNDRLR        |
| 17   | 06520029 | 2    | O-RING,2 3/4X3/32,AS568A-148        |
| 18   | 06520027 | 2    | CAP,BEARING,GRNDRLR                 |
| 19   | TF4333A  | 2    | GROUND ROLLER ADJ,BRKT              |
| 20   | TF4334   | 1    | ROD,GROUND ROLLER ADJ,RT            |
| 21   | TF4335   | 1    | ROD,GROUND ROLLER ADJ,LF            |
| 22   | TF4336   | 4    | PLATE,GROUND ROLLER LOCK            |
| 23   | 21399    | 2    | HEX NUT,3/4 (ACME) BULK             |
| 24   | TF1040   | 1    | GUARD,CUTTER SHAFT                  |
| 25   | TF4371   | 1    | SKID SHOE,L/PROFILE-OUTER           |
| 26   | 23272A   | 1    | SKID SHOE,T3F,INNER                 |
| 27   | TF1135   | 1    | BAR,FLAP,TSF/TRF 90                 |
| 28   | TF1116   | 1    | FLAP,DEFLECTOR,TSF/TRF 90           |
| 29   | 21988    | 10   | LOCKWASHER,3/8                      |
| 30   | 21632    | 15   | CAPSCREW,3/8 X 1-1/2 NC             |
| 31   | 22016    | 15   | FLATWASHER,3/8                      |
| 32   | 21625    | 25   | HEX NUT,3/8 NC                      |
| 33   | 6T2283   | 10   | CARRIAGE BOLT,3/8 X 1 NC            |
| 34   | 6T2615   | 10   | WASHER,FENDER 3/8                   |
| 35   | 21732    | 2    | CAPSCREW,1/2 X 1-3/4 NC             |
| 36   | 21990    | 23   | LOCKWASHER,1/2                      |
| 37   | 21725    | 23   | HEX NUT,1/2 NC                      |
| 38   | 6T2331   | 8    | CAPSCREW,SKT HD,7/16 X 1 NC         |
| 39   | 21730    | 6    | CAPSCREW,1/2 X 1-1/4 NC             |
| 40   | 23293    | 3    | PLOW,BOLT,1/2 X 1-3/4 NC            |
| 41   | 06530001 | 12   | CAPSCREW,SKT HD,8-32X1/2,SS         |
| 42   | 6T2291   | 8    | PLOW BOLT,1/2 X 2 NC GR5            |
| 43   | 21731    | 4    | CAPSCREW,1/2 X 1-1/2 NC             |

COMMON SIDE FLAIL - XD

## 90IN COMBO SIDE FLAIL - REVERSE ROTATION



| ITEM | PART NO. | QTY. | DESCRIPTION                 |
|------|----------|------|-----------------------------|
| ---  | 22083A   | -    | BONNET,90,HD,ASSY           |
| 1    | 22084A   | 1    | BONNET 90"                  |
| ---  | TF1102A  | -    | CUTSHT ASSY,90HD,STD KNIVES |
| 3    | 21677    | 48   | NYLOCK NUT,7/16 NC          |
| 4    | 33714    | 96   | KNIFE,FLAIL,STANDARD        |
| 5    | 34011    | 48   | CAPSCREW,7/16X3 7/16,NC GR8 |
| 6    | TF1102   | 1    | CUTTERSHAFT,90,HD           |
| 7    | TF1020   | 48   | KNIFE MTG CLEVIS,FLAIL      |
| 8    | 27972A   | 1    | GROUND ROLLER,90            |
| 9    | TF1045B  | 2    | STUB SHAFT,GROUND ROLLER    |

COMMON SIDE FLAIL - XD

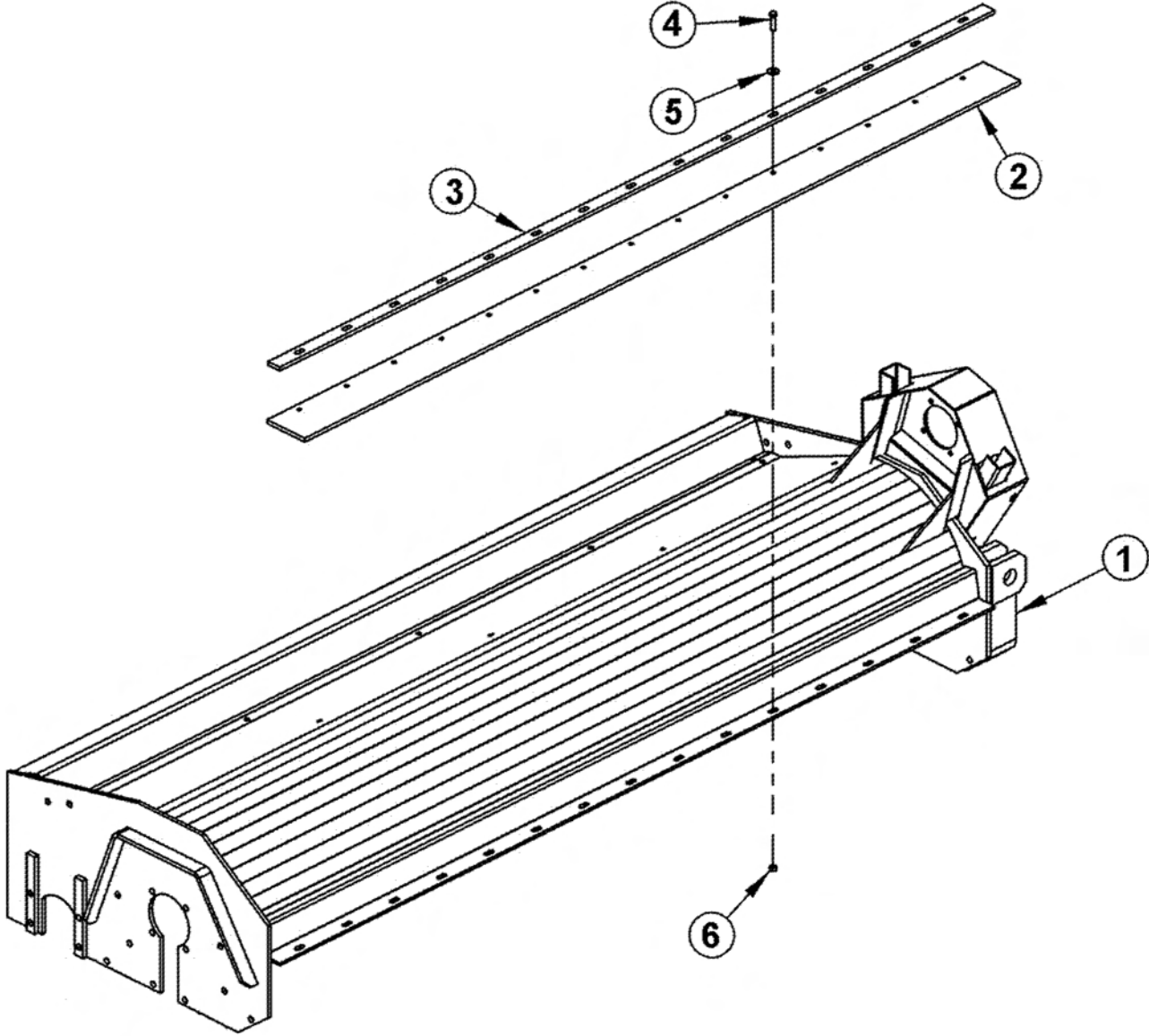
## 90IN COMBO SIDE FLAIL - REVERSE ROTATION

Continued...

| ITEM | PART NO. | QTY. | DESCRIPTION                         |
|------|----------|------|-------------------------------------|
| 10   | 6T2330   | 8    | CAPSCREW,SKT HD,7/16X1-1/2NC        |
| 11   | TF1018   | 2    | BEARING,FLANGE,2-3/16               |
| ---  | 06200347 | -    | STRING GUARD,KIT,HD(ITEMS 12,13,15) |
| 12   | 31204    | 2    | STRING GUARD, HD                    |
| 13   | 06530217 | 8    | CAPSCREW,1/2 X 2,NC,L9              |
| 14   | TF1019F  | 48   | KNIFE,FLAIL (SMOOTH CUT)            |
| 15   | 06533006 | 12   | FLATWASHER,1/2,SAE,L9               |
| 16   | 06520028 | 2    | BEARING,FLANGE,1 3/8,GRNDRLR        |
| 17   | 06520029 | 2    | O-RING,2 3/4X3/32,AS568A-148        |
| 18   | 06520027 | 2    | CAP,BEARING,GRNDRLR                 |
| 19   | TF4333A  | 2    | GROUND ROLLER ADJ,BRKT              |
| 20   | TF4334   | 1    | ROD,GROUND ROLLER ADJ,RT            |
| 21   | TF4335   | 1    | ROD,GROUND ROLLER ADJ,LF            |
| 22   | TF4336   | 4    | PLATE,GROUND ROLLER LOCK            |
| 23   | 21399    | 2    | HEX NUT,3/4 (ACME) BULK             |
| 24   | TF1040   | 1    | GUARD,CUTTER SHAFT                  |
| 25   | TF4371   | 1    | SKID SHOE,L/PROFILE-OUTER           |
| 26   | 23272A   | 1    | SKID SHOE,T3F,INNER                 |
| 27   | TF1135   | 1    | BAR,FLAP,TSF/TRF 90                 |
| 28   | TF1116   | 1    | FLAP,DEFLECTOR,TSF/TRF 90           |
| 30   | 21632    | 30   | CAPSCREW,3/8 X 1-1/2 NC             |
| 31   | 22016    | 45   | FLATWASHER,3/8                      |
| 32   | 21625    | 30   | HEX NUT,3/8 NC                      |
| 35   | 21732    | 2    | CAPSCREW,1/2 X 1-3/4 NC             |
| 36   | 21990    | 23   | LOCKWASHER,1/2                      |
| 37   | 21725    | 23   | HEX NUT,1/2 NC                      |
| 38   | 6T2331   | 8    | CAPSCREW,SKT HD,7/16 X 1 NC         |
| 39   | 21730    | 6    | CAPSCREW,1/2 X 1-1/4 NC             |
| 40   | 23293    | 3    | PLOW,BOLT,1/2 X 1-3/4 NC            |
| 41   | 06530001 | 12   | CAPSCREW,SKT HD,8-32X1/2,SS         |
| 42   | 6T2291   | 8    | PLOW BOLT,1/2 X 2 NC GR5            |
| 43   | 21731    | 4    | CAPSCREW,1/2 X 1-1/2 NC             |
| 44   | TF1503   | 1    | TRASH GUARD,90REV ROT-HD            |
| 45   | 22018    | 1    | FLATWASHER,1/2,WIDE                 |
| 46   | 21727    | 1    | NYLOCK NUT,1/2 NC                   |

COMMON SIDE FLAIL - XD

FRONT FLAP - STANDARD ROTATION MOWERS



COMMON SIDE FLAIL - XD

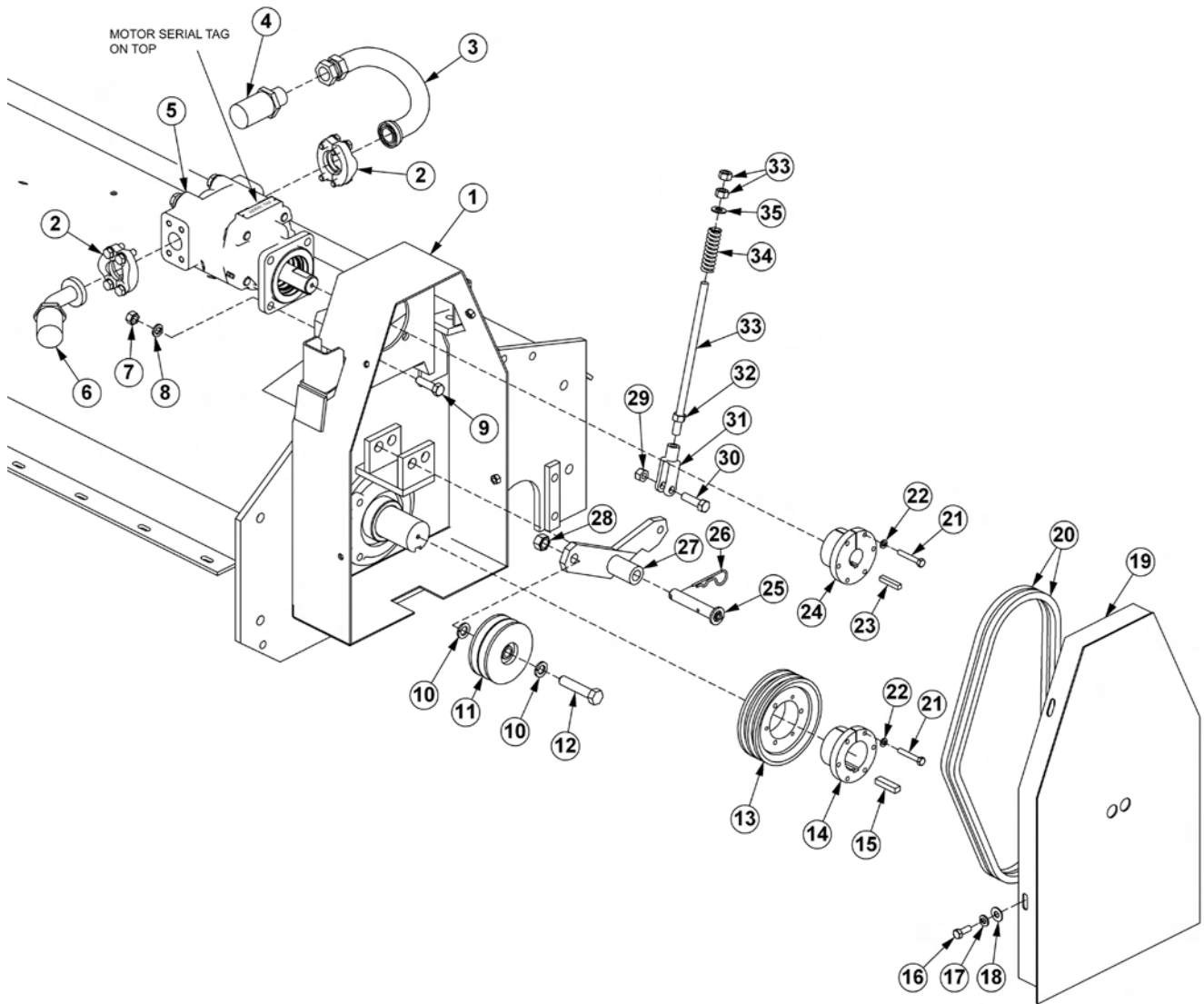
## FRONT FLAP - STANDARD ROTATION MOWERS

Continued...

| ITEM | PART NO. | QTY. | DESCRIPTION                            |
|------|----------|------|--|
| 1    | -----    | -    | BONNET *REFER TO HEAD ASSEMBLY         |
| 2    | 06520240 | 1    | FLAP,FRONT,60IN                        |
| ---  | 06520242 | 1    | FLAP,FRONT,75IN                        |
| ---- | 06520243 | 1    | FLAP,FRONT,90IN                        |
| 3    | TF1803   | 1    | BAR,FLAP,60IN                          |
| ---  | TF1029   | 1    | BAR,FLAP,75IN                          |
| ---- | TF1135   | 1    | BAR,FLAP,90IN                          |
| 4    | 21632    | 10   | CAPSCREW,3/8" X 1-1/2",NC (60IN FLAIL) |
| ---  | -----    | 13   | CAPSCREW,3/8" X 1-1/2",NC (75IN FLAIL) |
| ---- | -----    | 15   | CAPSCREW,3/8" X 1-1/2",NC (90IN FLAIL) |
| 5    | 22016    | 10   | FLATWASHER,3/8" (60IN FLAIL)           |
| ---  | -----    | 13   | FLATWASHER,3/8" (75IN FLAIL)           |
| ---- | -----    | 15   | FLATWASHER,3/8" (90IN FLAIL)           |
| 6    | 21625    | 10   | HEX NUT,3/8",NC (60IN FLAIL)           |
| ---  | -----    | 13   | HEX NUT,3/8",NC (75IN FLAIL)           |
| ---- | -----    | 15   | HEX NUT,3/8",NC (90IN FLAIL)           |

COMMON SIDE FLAIL - XD

# CABLE SIDE FLAIL DRIVE ASSEMBLY



COMMON SIDE FLAIL - XD



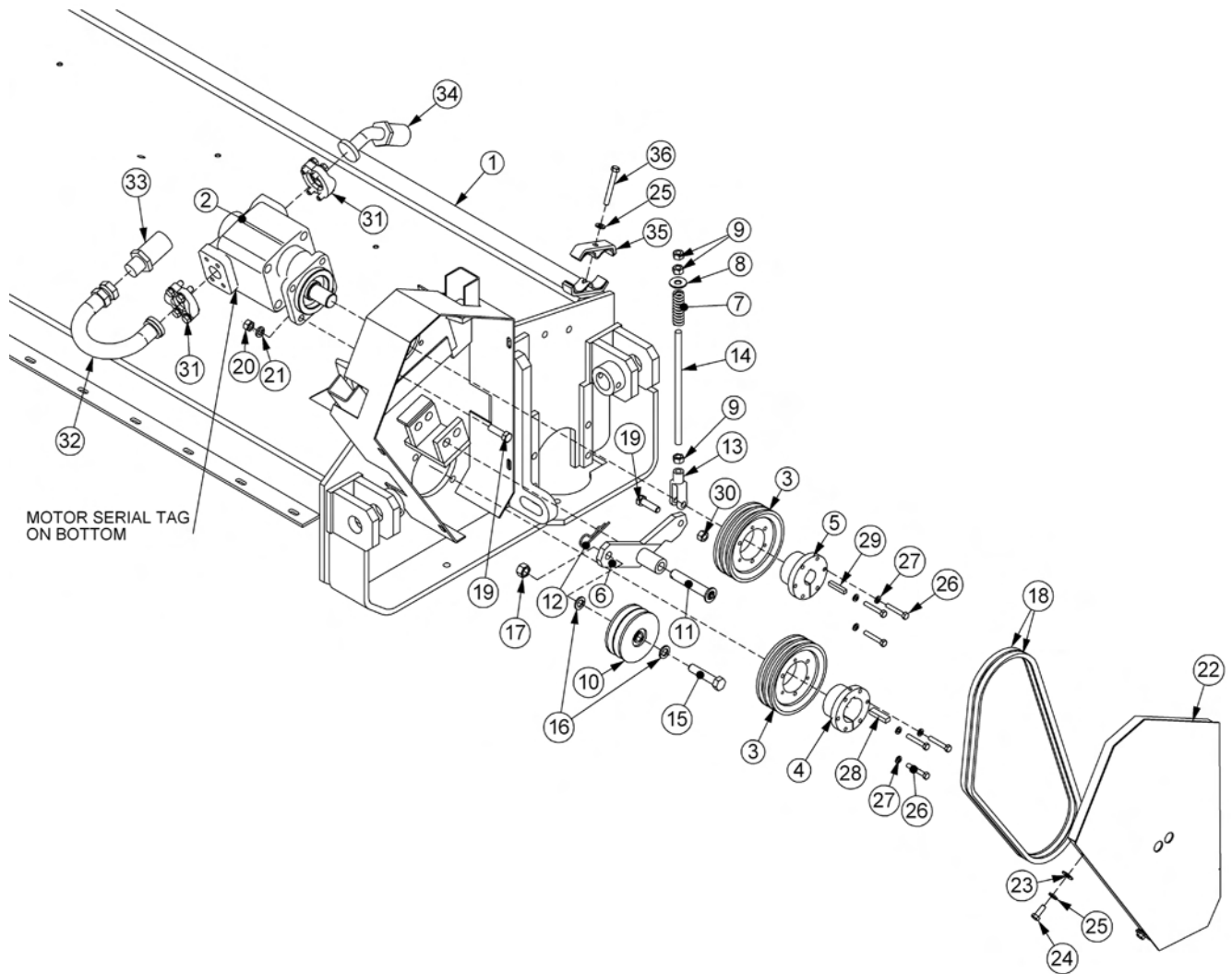
## CABLE SIDE FLAIL DRIVE ASSEMBLY

Continued...

| ITEM  | PART NO. | QTY. | DESCRIPTION                              |
|-------|----------|------|--|
| 1     | -----    | -    | BONNET *REFER TO FLAIL PARTS             |
| 2     | TF4852   | 2    | KIT,FLANGE,#20                           |
| 3     | 34227    | 1    | PREFORMED TUBE                           |
| 4     | -----    | -    | HOSE (RETURN FOR STANDARD ROTATION)      |
| 5     | 06504134 | 1    | MOTOR                                    |
| 6     | -----    | -    | HOSE (PRESSURE FOR STANDARD ROTATION)    |
| 7     | 21725    | 4    | HEX NUT,1/2,NC                           |
| 8     | 21990    | 4    | LOCKWASHER,1/2                           |
| 9     | 21732    | 4    | CAPSCREW,1/2 X 1-3/4,NC                  |
| 10    | 21992    | 2    | LOCKWASHER,5/8                           |
| 11    | 31293    | 1    | SHEAVE,IDLER,ASSY,4.4 O.D.               |
| 12    | 21787    | 1    | CAPSCREW,5/8 X 3,NC                      |
| 13    | TF3040   | 1    | SHEAVE,6.3 O.D.                          |
| 14    | TF3011   | 1    | BUSHING,2-3/16                           |
| 15    | TF1025   | 1    | KEY,3/8 X 1/2                            |
| 16    | 21630    | 4    | CAPSCREW,3/8 X 1,NC                      |
| 17    | 21988    | 4    | LOCKWASHER,3/8                           |
| 18    | 22016    | 4    | FLATWASHER,3/8                           |
| 19    | TF1404   | 1    | SHIELD                                   |
| 20    | TF3020   | 2    | V-BELT (530)                             |
| 21    | 21584    | 6    | CAPSCREW,5/16 X 2,NC                     |
| 22    | 21987    | 6    | LOCKWASHER,5/16                          |
| 23    | TF1125   | 1    | KEY,5/16 SQUARE                          |
| 24    | TF3013   | 1    | BUSHING,1-1/4                            |
| 25    | TF3605   | 1    | IDLER ARM PIN                            |
| 26    | 6T3004   | 1    | R-CLIP                                   |
| 27    | TF4346   | 1    | IDLER ARM (STANDARD ROTATION)            |
| ----- | TF4345   | -    | IDLER ARM (REVERSE ROTATION - NOT SHOWN) |
| 28    | 21775    | 1    | HEX NUT,5/8,NC                           |
| 29    | 6T2418   | 1    | HEX NUT,1/2,NC,STOVER                    |
| 30    | 21732    | 1    | CAPSCREW,1/2 X 1-3/4,NC                  |
| 31    | PT3611A  | 1    | CLEVIS                                   |
| 32    | 21700    | 3    | HEX NUT,1/2,NF                           |
| 33    | 32494    | 1    | ROD,THREADED                             |
| 34    | TF3620A  | 1    | TENSIONER SPRING                         |
| 35    | 27938    | 1    | MACHINED BUSHING                         |

COMMON SIDE FLAIL - XD

# COMBO SIDE FLAIL DRIVE ASSEMBLY



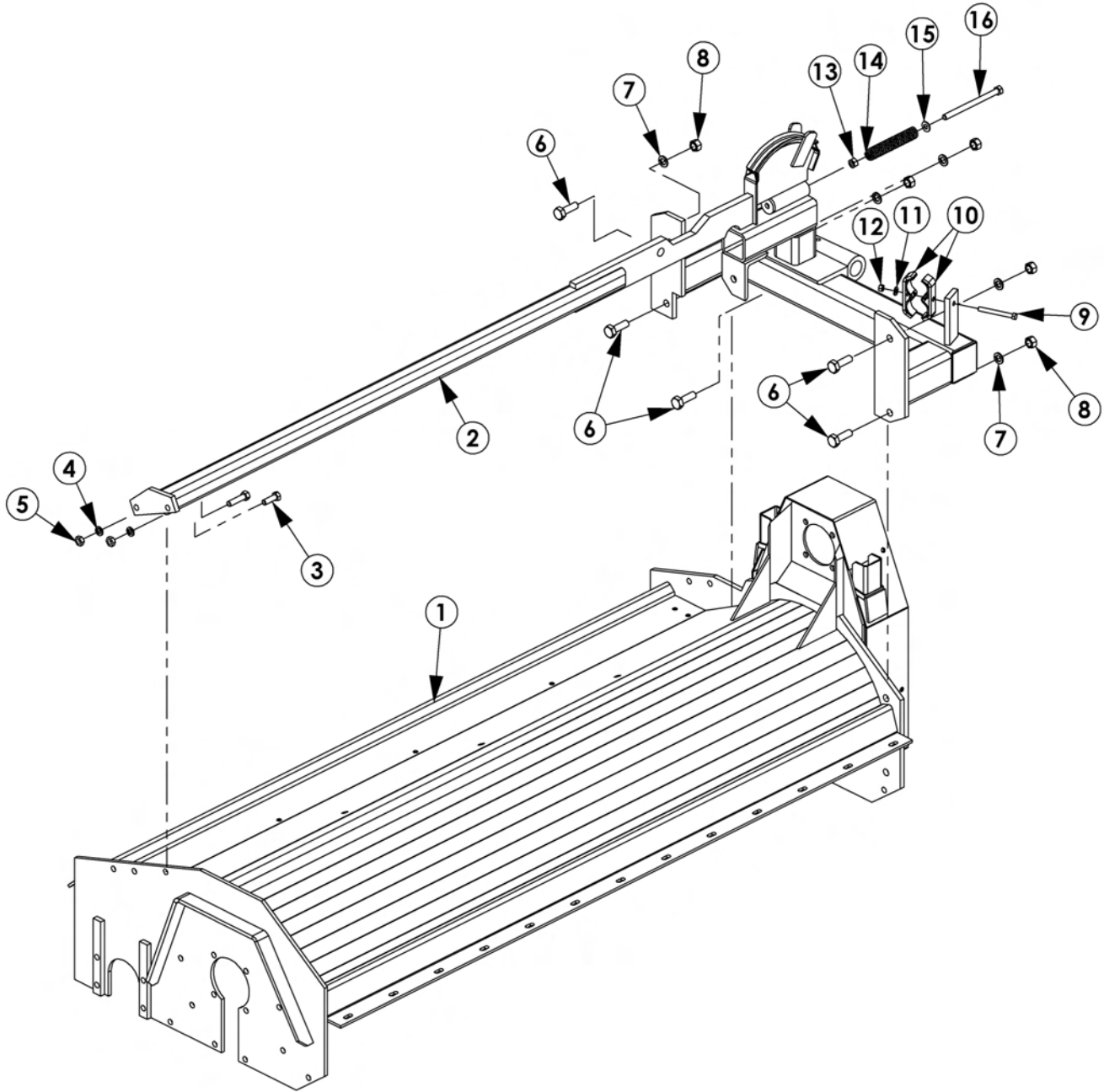
## COMBO SIDE FLAIL DRIVE ASSEMBLY

Continued...

| ITEM  | PART NO. | QTY. | DESCRIPTION                              |
|-------|----------|------|--|
| 1     | -----    | -    | BONNET *REFER TO FLAIL PARTS             |
| 2     | 06504134 | 1    | MOTOR,TSF                                |
| 3     | TF3040   | 2    | SHEAVE,6.3                               |
| 4     | TF3011   | 1    | BUSHING,QD,SK,2-3/16"                    |
| 5     | TF3013   | 1    | BUSHING,QD,SK 1-1/4"                     |
| 6     | TF4346   | 1    | IDLER ARM (STANDARD ROTATION)            |
| ----- | TF4345   | -    | IDLER ARM (REVERSE ROTATION - NOT SHOWN) |
| 7     | TF3620A  | 1    | SPRING,TENSIONER                         |
| 8     | 22018    | 1    | FLATWASHER,1/2",WIDE                     |
| 9     | 21700    | 3    | HEX NUT, 1/2", NF                        |
| 10    | 31293    | 1    | SHEAVE,IDLER ASSY, 4.4 O.D.              |
| 11    | TF3605   | 1    | PIN,IDLER ARM 3/4"X4-1/4"                |
| 12    | 6T3004   | 1    | R-CLIP (HAIRPIN COTTER, 3/16")           |
| 13    | PT3611A  | 1    | CLEVIS,6"                                |
| 14    | 32494    | 1    | ROD, THREADED, 1/2-20NF                  |
| 15    | 21787    | 1    | CAPSCREW,5/8" X 3", NC                   |
| 16    | 21992    | 2    | LOCKWASHER, 5/8                          |
| 17    | 21775    | 1    | HEX NUT, 5/8                             |
| 18    | TF3020   | 2    | V-BELT, (530)                            |
| 19    | 21732    | 5    | CAPSCREW, 1/2 X 1 3/4,NC                 |
| 20    | 21725    | 4    | HEX NUT, 1/2" NC                         |
| 21    | 21990    | 4    | LOCKWASHER, 1/2"                         |
| 22    | TF4564   | 1    | BELT SHGLD (RIGHT)                       |
| 23    | 22016    | 4    | FLATWASHER,3/8"                          |
| 24    | 21630    | 4    | CAPSCREW, 3/8 X 1,NC                     |
| 25    | 21988    | 5    | LOCKWASHER, 3/8"                         |
| 26    | 21584    | 6    | CAPSCREW, 5/16 X 2,NC                    |
| 27    | 21987    | 6    | LOCKWASHER, 5/16"                        |
| 28    | TF1025   | 1    | KEY,1/4" X 1/2" X 1-7/8" SQ              |
| 29    | TF1125   | 1    | KEY,3/8" X 1/2" X 1-7/8" SQ              |
| 30    | 21727    | 1    | NYLOCK NUT, 1/2                          |
| 31    | TF4852   | 2    | KIT,FLANGE,#20                           |
| 32    | 34227    | 1    | PREFORMED TUBE                           |
| 33    | -----    | -    | HOSE (RETURN FOR STANDARD ROTATION)      |
| 34    | -----    | -    | HOSE (PRESSURE FOR STANDARD ROTATION)    |
| 35    | TB3031   | 1    | CLAMP,HOSE                               |
| 36    | 21638    | 1    | CAPSCREW,3/8 X 3,NC                      |

COMMON SIDE FLAIL - XD

# CABLE LIFT ARM ASSEMBLY



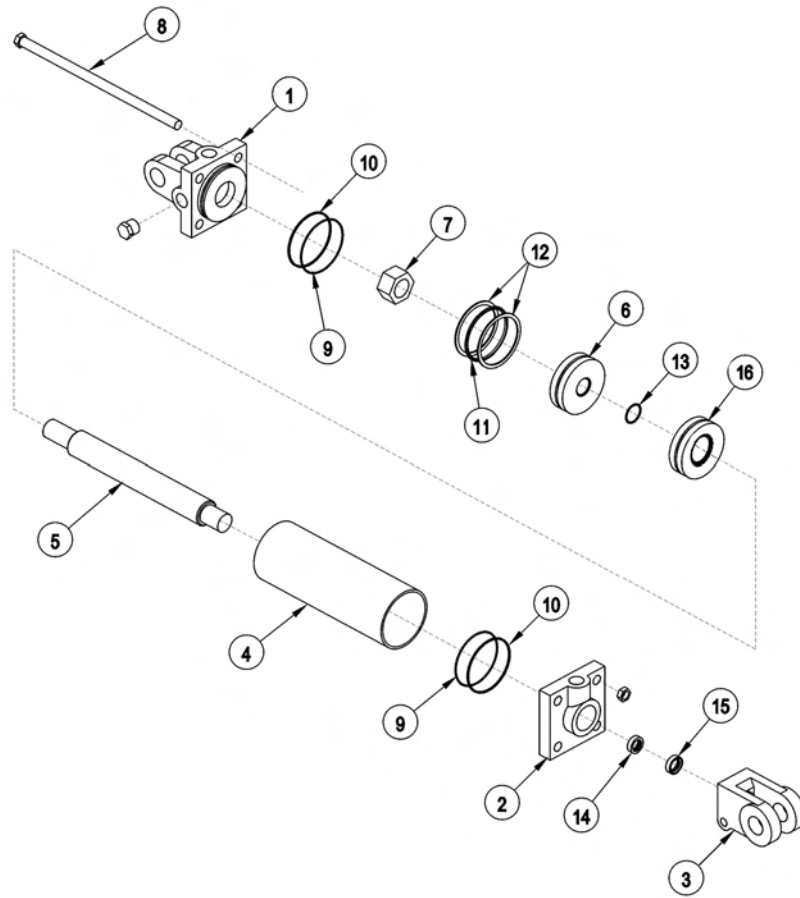
COMMON SIDE FLAIL - XD

## CABLE LIFT ARM ASSEMBLY

Continued...

| ITEM  | PART NO. | QTY. | DESCRIPTION                  |
|-------|----------|------|------------------------------|
| 1     | -----    | -    | BONNET *REFER TO FLAIL PARTS |
| 2     | 21297C   | 1    | LIFT ARM,TSF,60,CPLT         |
| ----- | 21298C   | -    | LIFT ARM,TSF,75,CPLT         |
|       | 27048A   | -    | LIFT ARM,TSF,90,CPLT         |
| 3     | 21733    | 2    | CAPSCREW,1/2 X 2,NC          |
| 4     | 21990    | 2    | LOCKWASHER,1/2               |
| 5     | 21725    | 2    | HEX NUT,1/2,NC               |
| 6     | 21783    | 5    | CAPSCREW,5/8 X 2,NC          |
| 7     | 21992    | 5    | LOCKWASHER,5/8               |
| 8     | 21775    | 5    | HEX NUT,5/8,NC               |
| 9     | 21640    | 1    | CAPSCREW,3/8 X 3-1/2,NC      |
| 10    | TB3031   | 2    | CLAMP,HOSE                   |
| 11    | 21988    | 1    | LOCKWASHER,3/8               |
| 12    | 21625    | 1    | HEX NUT,3/8,NC               |
| 13    | 21727    | 1    | NYLOCK NUT,1/2,NC            |
| 14    | 27005    | 1    | SPRING,PUSH-OFF              |
| 15    | 27938    | 1    | MACHINED BUSHING             |
| 16    | 21745    | 1    | CAPSCREW,1/2 X 7,NC          |

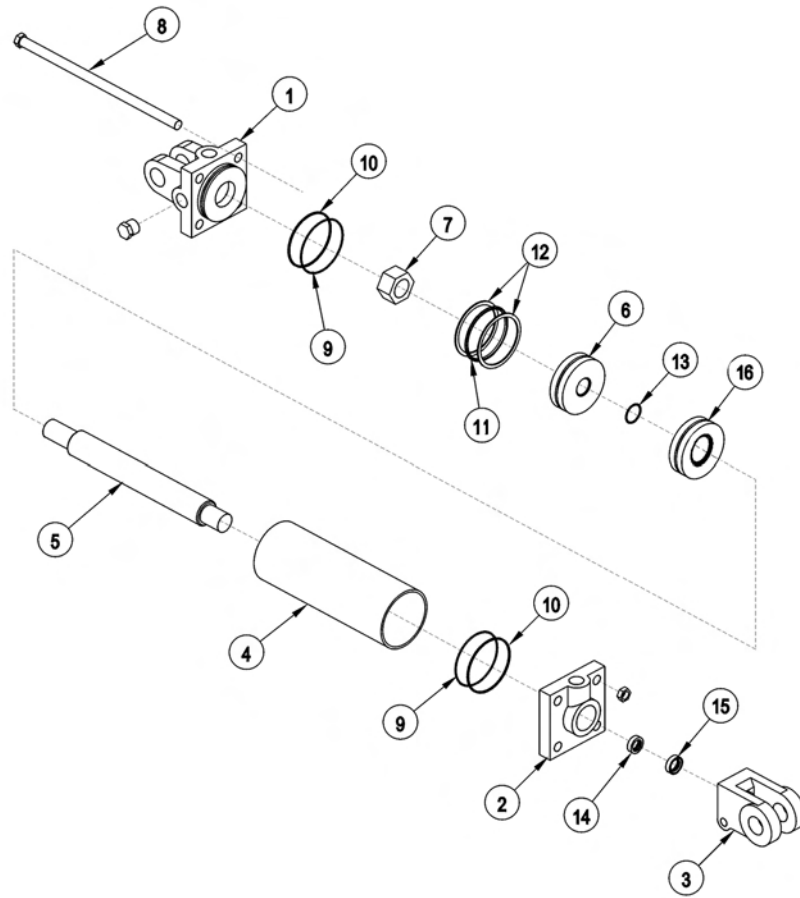
## 3IN X 10IN HYDRAULIC CYLINDER BREAKDOWN



| ITEM  | PART NO. | QTY. | DESCRIPTION       |
|-------|----------|------|-------------------|
| ----- | 6T0151R  | -    | CYLINDER 3" X 10" |
| 1     | 6T0167   | 1    | CYLINDER BUTT     |
| 2     | 6T0170   | 1    | CYLINDER GLAND    |
| 3     | 6T0178   | 1    | CLEVIS END        |
| 4     | 6T0164   | 1    | CYLINDER TUBE     |
| 5     | 6T0161   | 1    | PISTON ROD        |
| 6     | 6T0173   | 1    | PISTON            |
| 7     | 6T0179   | 1    | LOCKNUT           |
| 8     | 6T0176   | 4    | TIE ROD ASY       |
| ----- | 6T0187   | -    | SEAL KIT          |
| 9     | -----    | 2    | O - RING          |
| 10    | -----    | 2    | BACK - UP WASHER  |
| 11    | -----    | 1    | O - RING          |
| 12    | -----    | 2    | BACK - UP WASHER  |
| 13    | -----    | 1    | O - RING          |
| 14    | -----    | 1    | U - CUP           |
| 15    | -----    | 1    | WIPER             |
| 16    | NA       | -    | NA                |

COMMON SIDE FLAIL - XD

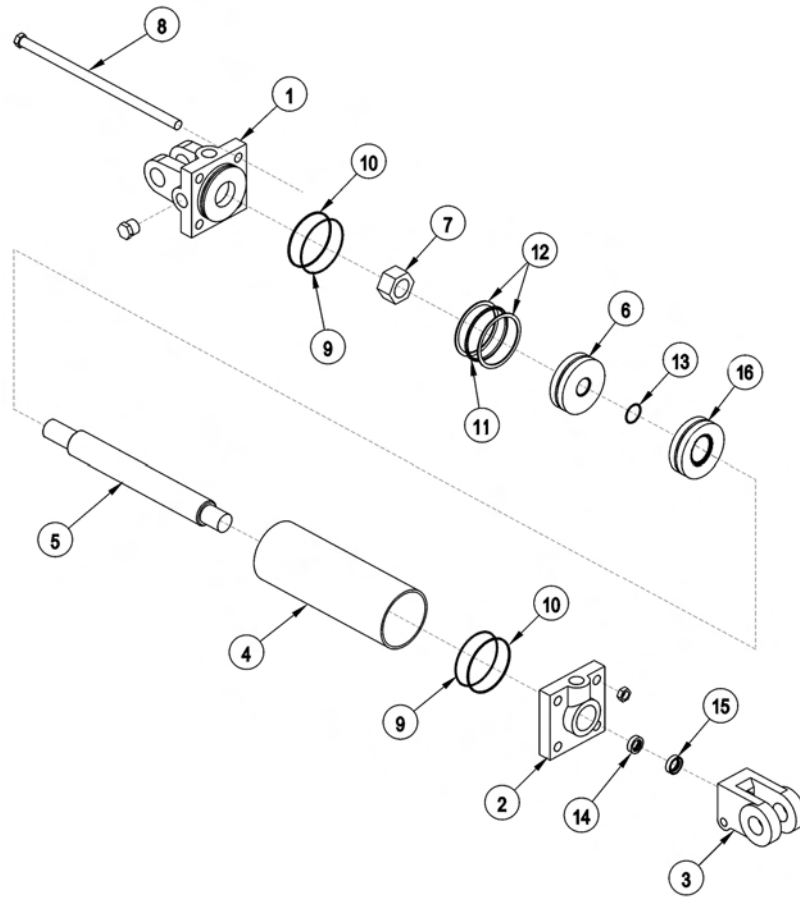
## 3IN X 12IN HYDRAULIC CYLINDER BREAKDOWN



| ITEM  | PART NO. | QTY. | DESCRIPTION       |
|-------|----------|------|-------------------|
| ----- | 25343    | -    | CYLINDER 3" X 12" |
| 1     | 6T0167   | 1    | CYLINDER BUTT     |
| 2     | 6T0170   | 1    | CYLINDER GLAND    |
| 3     | 6T0178   | 1    | CLEVIS END        |
| 4     | 6T0204   | 1    | CYLINDER TUBE     |
| 5     | 6T0203   | 1    | PISTON ROD        |
| 6     | 6T0173   | 1    | PISTON            |
| 7     | 6T0179   | 1    | LOCKNUT           |
| 8     | 6T0205   | 4    | TIE ROD ASY       |
| ----- | 6T0187   | -    | SEAL KIT          |
| 9     | -----    | 2    | O - RING          |
| 10    | -----    | 2    | BACK - UP WASHER  |
| 11    | -----    | 1    | O - RING          |
| 12    | -----    | 2    | BACK - UP WASHER  |
| 13    | -----    | 1    | O - RING          |
| 14    | -----    | 1    | U - CUP           |
| 15    | -----    | 1    | WIPER             |
| 16    | 6T0206   | 1    | SPACER            |

COMMON SIDE FLAIL - XD

## 3IN X 18IN HYDRAULIC CYLINDER BREAKDOWN

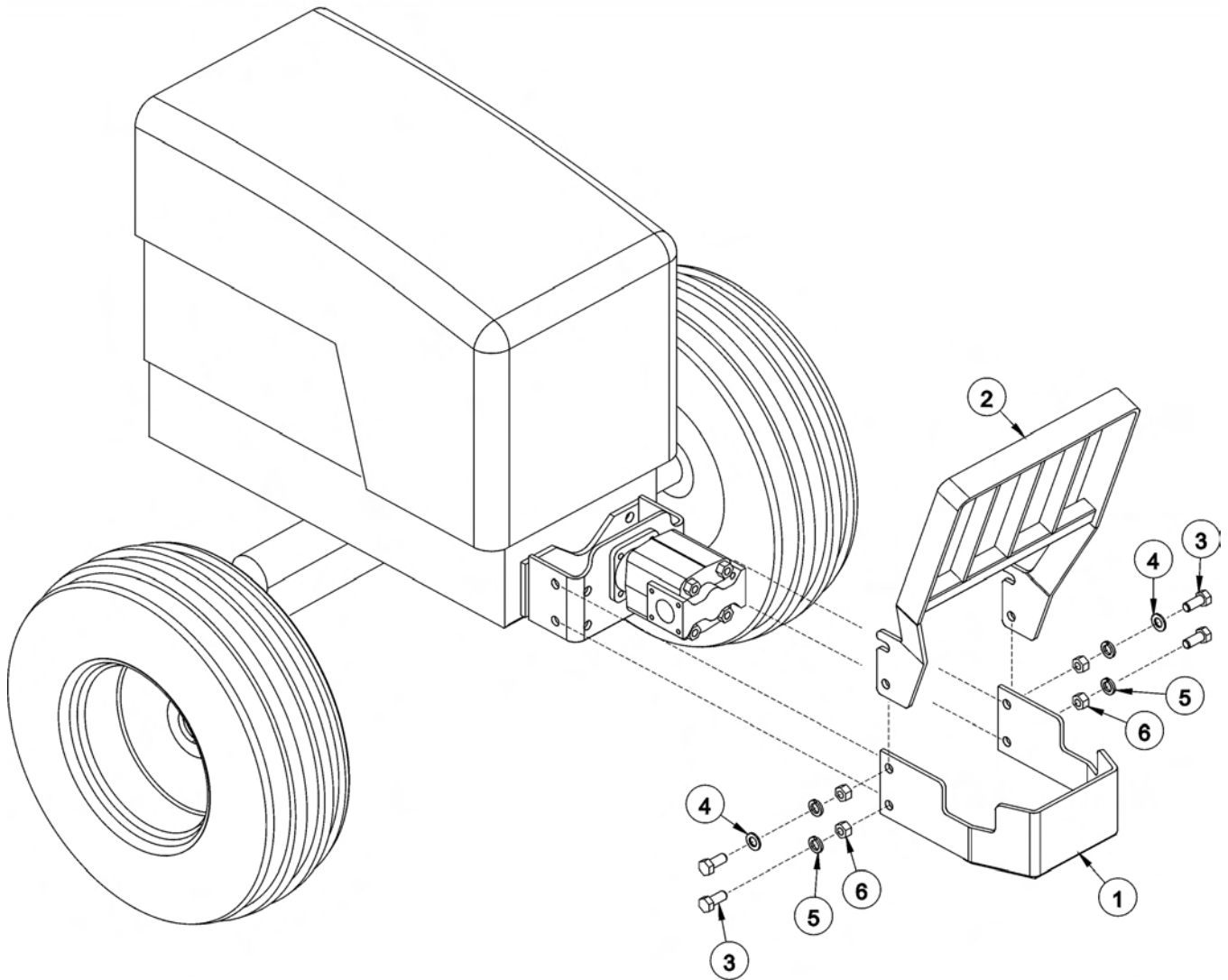


| ITEM  | PART NO. | QTY. | DESCRIPTION       |
|-------|----------|------|-------------------|
| ----- | 6T0150   | -    | CYLINDER 3" X 18" |
| 1     | 6T0167   | 1    | CYLINDER BUTT     |
| 2     | 6T0170   | 1    | CYLINDER GLAND    |
| 3     | 6T0178   | 1    | CLEVIS END        |
| 4     | 6T0165   | 1    | CYLINDER TUBE     |
| 5     | 6T0162   | 1    | PISTON ROD        |
| 6     | 6T0173   | 1    | PISTON            |
| 7     | 6T0179   | 1    | LOCKNUT           |
| 8     | 6T0177   | 4    | TIE ROD ASY       |
| ----- | 6T0187   | -    | SEAL KIT          |
| 9     | -----    | 2    | O - RING          |
| 10    | -----    | 2    | BACK - UP WASHER  |
| 11    | -----    | 1    | O - RING          |
| 12    | -----    | 2    | BACK - UP WASHER  |
| 13    | -----    | 1    | O - RING          |
| 14    | -----    | 1    | U - CUP           |
| 15    | -----    | 1    | WIPER             |
| 16    | N/A      | -    | N/A               |

COMMON SIDE FLAIL - XD



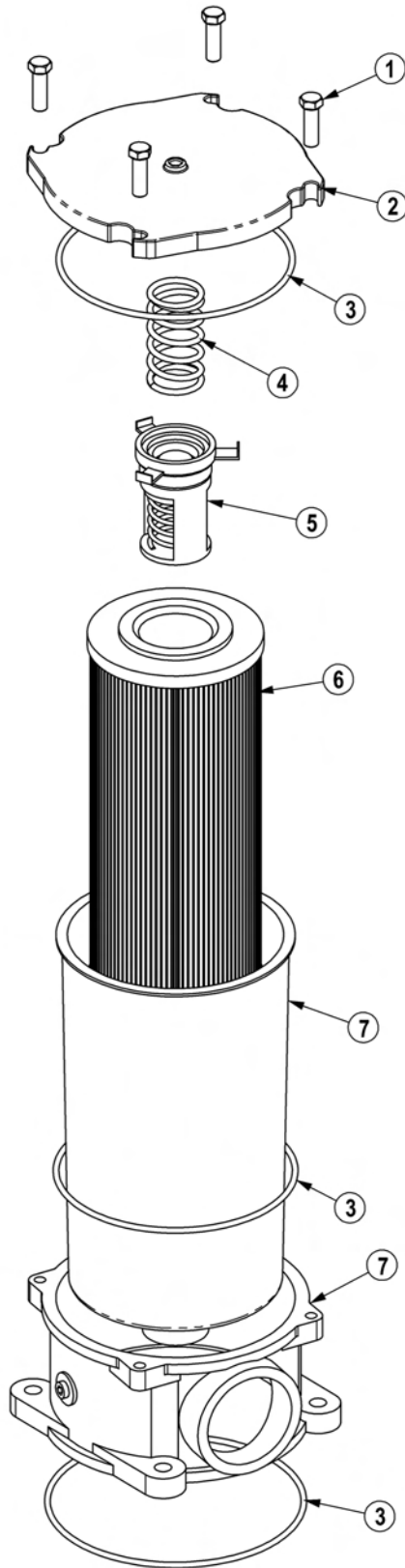
## PUMP AND GRILL GUARD OPTIONS



| ITEM | PART NO. | QTY. | DESCRIPTION               |
|------|----------|------|---------------------------|
| 1    | 32430    | 1    | UNIVERSAL PUMP GUARD      |
| 2    | 32737    | 1    | UNIVERSAL GRILL GUARD     |
| 3    | 21833    | 4    | CAPSCREW,3/4" X 2-1/4",NC |
| 4    | 22021    | 2    | FLATWASHER,3/4"           |
| 5    | 21993    | 4    | LOCKWASHER,3/4"           |
| 6    | 21825    | 4    | HEX NUT,3/4",NC           |

COMMON SIDE FLAIL - XD

# RESERVOIR TANK FILTER ASSEMBLY

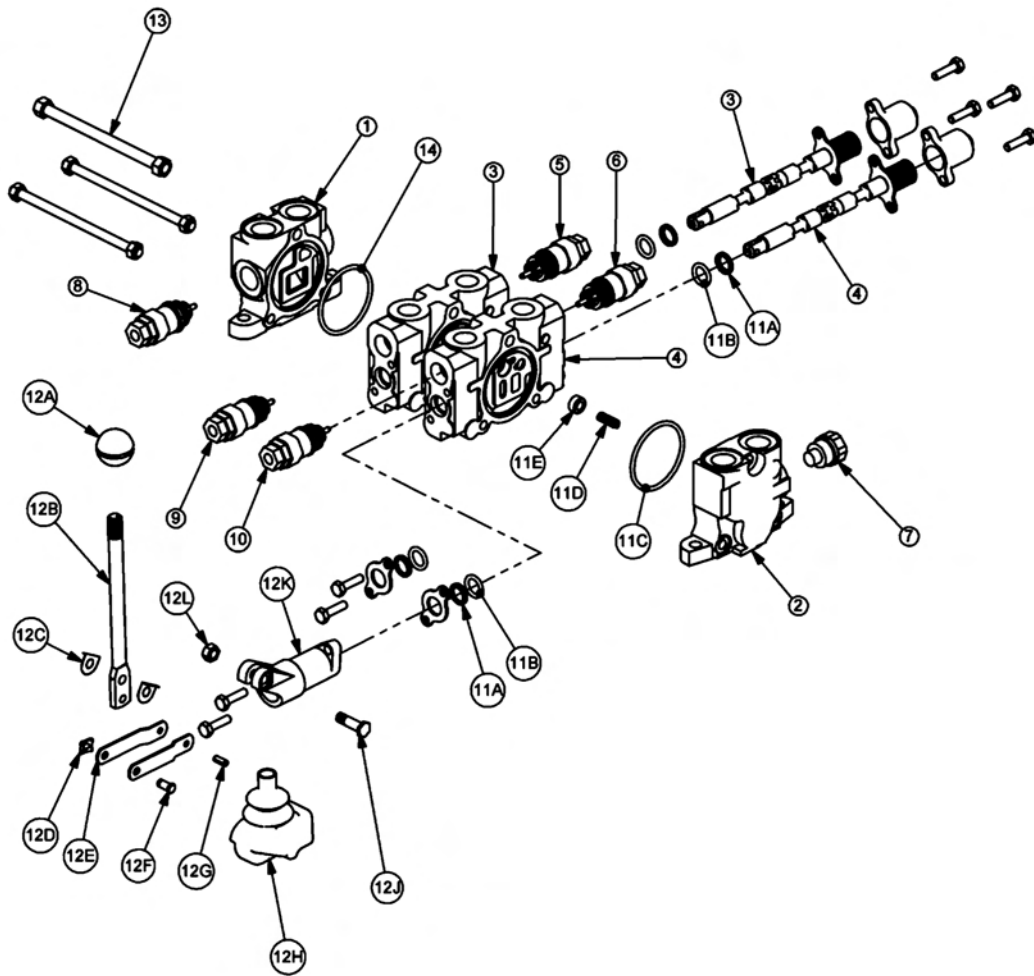


## RESERVOIR TANK FILTER ASSEMBLY

Continued...

| ITEM  | PART NO. | QTY. | DESCRIPTION                     |
|-------|----------|------|---------------------------------|
| ----- | 06505044 | -    | FILTER ASSY SAE 10 MICRON       |
| 1     | 28583    | 4    | CAPSCREW,8MM X 25MM(1.25 PITCH) |
| 2     | 06505045 | 1    | COVER                           |
| 3     | 06505046 | 1    | SEAL KIT                        |
| 4     | 06505047 | 1    | SPRING                          |
| 5     | 06505048 | 1    | BYPASS                          |
| 6     | 35259    | 1    | FILTER,10 MIC,RETURN LINE       |
| 7     | 06505049 | 1    | CAN/BODY                        |

CABLE (MANUAL) LIFT VALVE BREAKDOWN - 30198



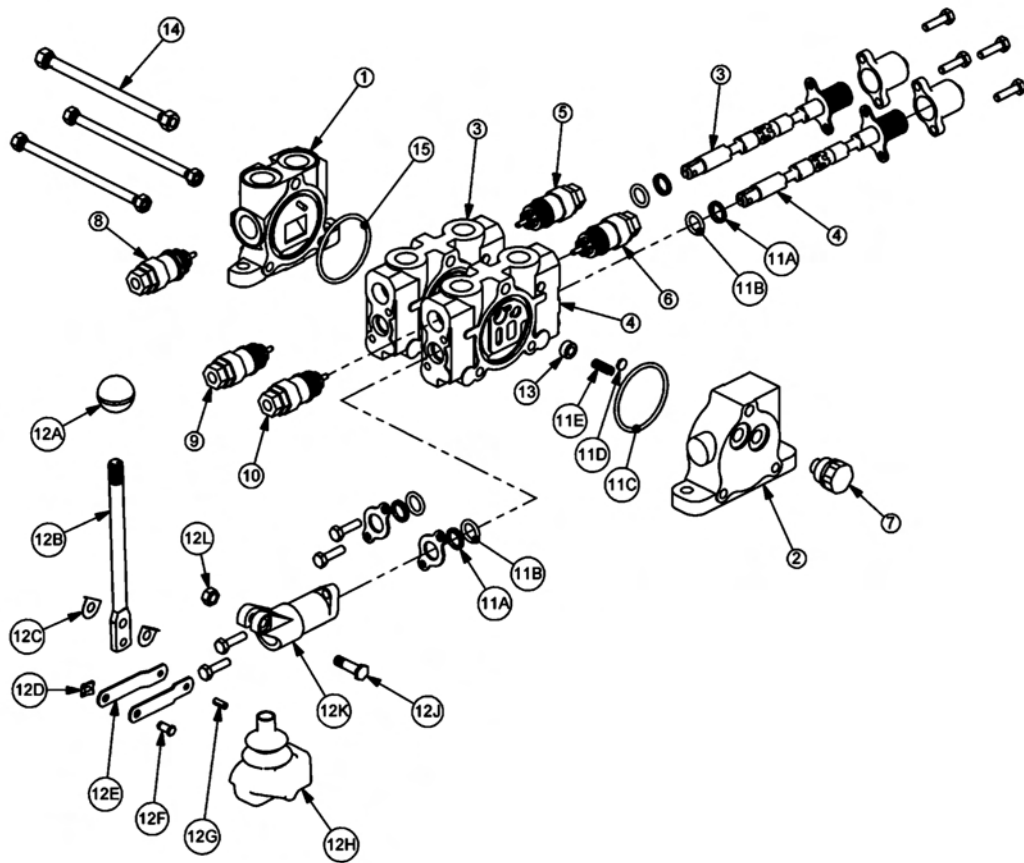
COMMON SIDE FLAIL - XD

## CABLE (MANUAL) LIFT VALVE BREAKDOWN - 30198

Continued...

| ITEM | PART NO. | QTY. | DESCRIPTION                                   |
|------|----------|------|---|
| 1    | TB1017S  | 1    | INLET END COVER                               |
| 2    | TB1702   | 1    | END COVER, POWER BEYOND                       |
| 3    | TF3009   | 1    | VALVE SECTION (DOUBLE ACTING, DETENT - FLOAT) |
| 4    | TF3009   | 1    | VALVE SECTION (DOUBLE ACTING, DETENT - FLOAT) |
| 5    | 06503067 | 1    | RELIEF PLUG                                   |
| 6    | TF4212   | 1    | RELIEF VALVE, 200 PSI                         |
| 7    | TB1017M  | 1    | SHUT-OFF PLUG                                 |
| 8    | TB1017E  | 1    | RELIEF VALVE, 2250 PSI                        |
| 9    | TB1017M  | 1    | SHUT-OFF PLUG                                 |
| 10   | TB1017M  | 1    | SHUT-OFF PLUG                                 |
| 11   | TB1017A  | 2    | VALVE SEAL KIT (FOR ONE SECTION)              |
| 11A  | -----    | 2    | WIPER   |
| 11B  | -----    | 2    | O-RING SMALL                                  |
| 11C  | -----    | 1    | O-RING LARGE                                  |
| 11D  | -----    | 1    | SPRING  |
| 11E  | -----    | 1    | PUCKET  |
| 12   | TB1017L  | 2    | LEVER KIT (FOR ONE SECTION)                   |
| 12A  | -----    | 1    | LEVER KNOB                                    |
| 12B  | -----    | 1    | LEVER   |
| 12C  | -----    | 2    | LEVER WASHER                                  |
| 12D  | -----    | 1    | LEVER CLIP                                    |
| 12E  | -----    | 2    | LINKAGE                                       |
| 12F  | -----    | 1    | LEVER PIN                                     |
| 12G  | -----    | 1    | ROLL PIN                                      |
| 12H  | -----    | 1    | LEVER BOOT                                    |
| 12J  | -----    | 1    | LEVER BOLT                                    |
| 12K  | -----    | 1    | LEVER DUST COVER                              |
| 12L  | -----    | 1    | LEVER NUT                                     |
| 13   | TB1017X  | 1    | TIE ROD KIT                                   |
| 14   | 24214    | 1    | O-RING, LARGE                                 |

# CABLE (MANUAL) LIFT VALVE BREAKDOWN - 31320



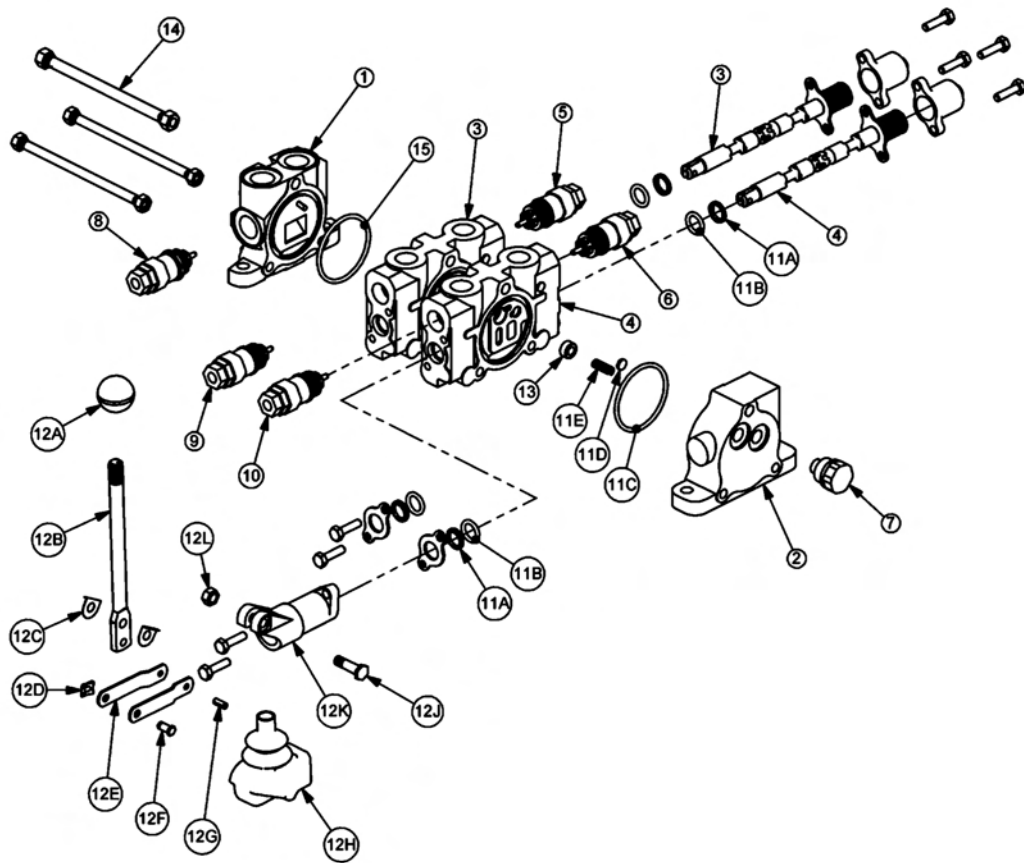
COMMON SIDE FLAIL - XD

## CABLE (MANUAL) LIFT VALVE BREAKDOWN - 31320

Continued...

| ITEM | PART NO. | QTY. | DESCRIPTION                                  |
|------|----------|------|--|
| 1    | 31595    | 1    | INLET END COVER                              |
| 2    | 31594    | 1    | END COVER, LOAD SENSE                        |
| 3    | 31597    | 1    | VALVE SECTION (DOUBLE ACTING, CENTER SPRING) |
| 4    | 31597    | 1    | VALVE SECTION (DOUBLE ACTING, CENTER SPRING) |
| 5    | 06503067 | 1    | RELIEF PLUG                                  |
| 6    | 06503067 | 1    | RELIEF PLUG                                  |
| 7    | N/A      | -    | N/A  |
| 8    | 6T4209   | 1    | RELIEF PLUG                                  |
| 9    | 31862    | 1    | RELIEF VALVE, 2175 PSI                       |
| 10   | 31862    | 1    | RELIEF VALVE, 2175 PSI                       |
| 11   | 31593    | 2    | VALVE SEAL KIT (FOR ONE SECTION)             |
| 11A  | -----    | 2    | WIPER  |
| 11B  | -----    | 2    | O-RING SMALL                                 |
| 11C  | -----    | 1    | O-RING LARGE                                 |
| 11D  | -----    | 1    | SHUTTLE DISC                                 |
| 11E  | -----    | 1    | SPRING                                       |
| 12   | TB1017L  | 2    | LEVER KIT (FOR ONE SECTION)                  |
| 12A  | -----    | 1    | LEVER KNOB                                   |
| 12B  | -----    | 1    | LEVER  |
| 12C  | -----    | 2    | LEVER WASHER                                 |
| 12D  | -----    | 1    | LEVER CLIP                                   |
| 12E  | -----    | 2    | LINKAGE                                      |
| 12F  | -----    | 1    | LEVER PIN                                    |
| 12G  | -----    | 1    | ROLL PIN                                     |
| 12H  | -----    | 1    | LEVER BOOT                                   |
| 12J  | -----    | 1    | LEVER BOLT                                   |
| 12K  | -----    | 1    | LEVER DUST COVER                             |
| 12L  | -----    | 1    | LEVER NUT                                    |
| 13   | 31603    | 2    | COMPENSATOR                                  |
| 14   | TB1017X  | 1    | TIE ROD KIT                                  |
| 15   | 24214    | 1    | O-RING, LARGE                                |

# CABLE (MANUAL) LIFT VALVE BREAKDOWN - 31322





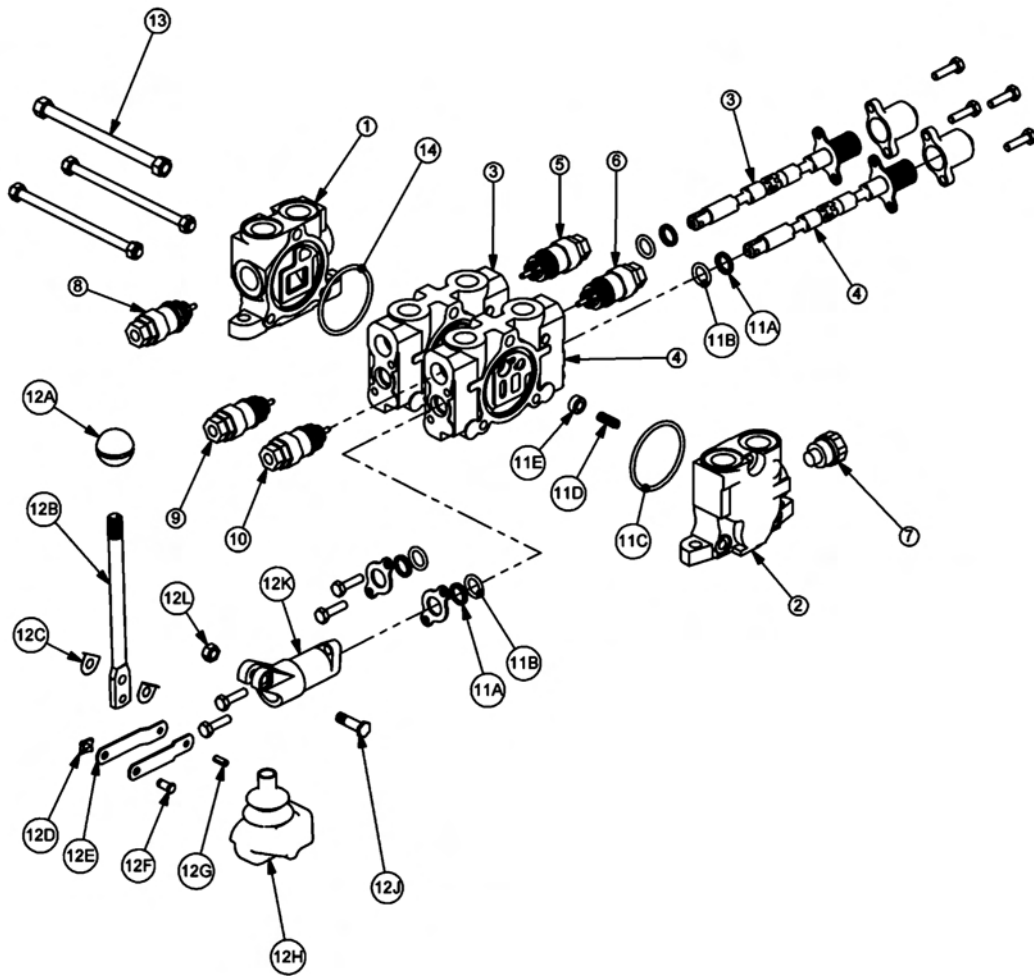
## CABLE (MANUAL) LIFT VALVE BREAKDOWN - 31322

Continued...

| ITEM | PART NO. | QTY. | DESCRIPTION                                 |
|------|----------|------|---|
| 1    | 31595    | 1    | INLET END COVER                             |
| 2    | 31594    | 1    | END COVER, LOAD SENSE                       |
| 3    | 31600    | 1    | VALVE SECTION (DOUBLE ACTING, DETENT-FLOAT) |
| 4    | 31600    | 1    | VALVE SECTION (DOUBLE ACTING, DETENT-FLOAT) |
| 5    | 06503067 | 1    | RELIEF PLUG                                 |
| 6    | 31861    | 1    | RELIEF VALVE, 360 PSI                       |
| 7    | N/A      | -    | N/A   |
| 8    | 6T4209   | 1    | RELIEF PLUG                                 |
| 9    | 31862    | 1    | RELIEF VALVE, 2175 PSI                      |
| 10   | 31862    | 1    | RELIEF VALVE, 2175 PSI                      |
| 11   | 31593    | 2    | VALVE SEAL KIT (FOR ONE SECTION)            |
| 11A  | -----    | 2    | WIPER                                       |
| 11B  | -----    | 2    | O-RING SMALL                                |
| 11C  | -----    | 1    | O-RING LARGE                                |
| 11D  | -----    | 1    | SHUTTLE DISC                                |
| 11E  | -----    | 1    | SPRING                                      |
| 12   | TB1017L  | 2    | LEVER KIT (FOR ONE SECTION)                 |
| 12A  | -----    | 1    | LEVER KNOB                                  |
| 12B  | -----    | 1    | LEVER                                       |
| 12C  | -----    | 2    | LEVER WASHER                                |
| 12D  | -----    | 1    | LEVER CLIP                                  |
| 12E  | -----    | 2    | LINKAGE                                     |
| 12F  | -----    | 1    | LEVER PIN                                   |
| 12G  | -----    | 1    | ROLL PIN                                    |
| 12H  | -----    | 1    | LEVER BOOT                                  |
| 12J  | -----    | 1    | LEVER BOLT                                  |
| 12K  | -----    | 1    | LEVER DUST COVER                            |
| 12L  | -----    | 1    | LEVER NUT                                   |
| 13   | 31603    | 2    | COMPENSATOR                                 |
| 14   | TB1017X  | 1    | TIE ROD KIT                                 |
| 15   | 24214    | 1    | O-RING, LARGE                               |

COMMON SIDE FLAIL - XD

# CABLE (MANUAL) LIFT VALVE BREAKDOWN - 31752



COMMON SIDE FLAIL - XD

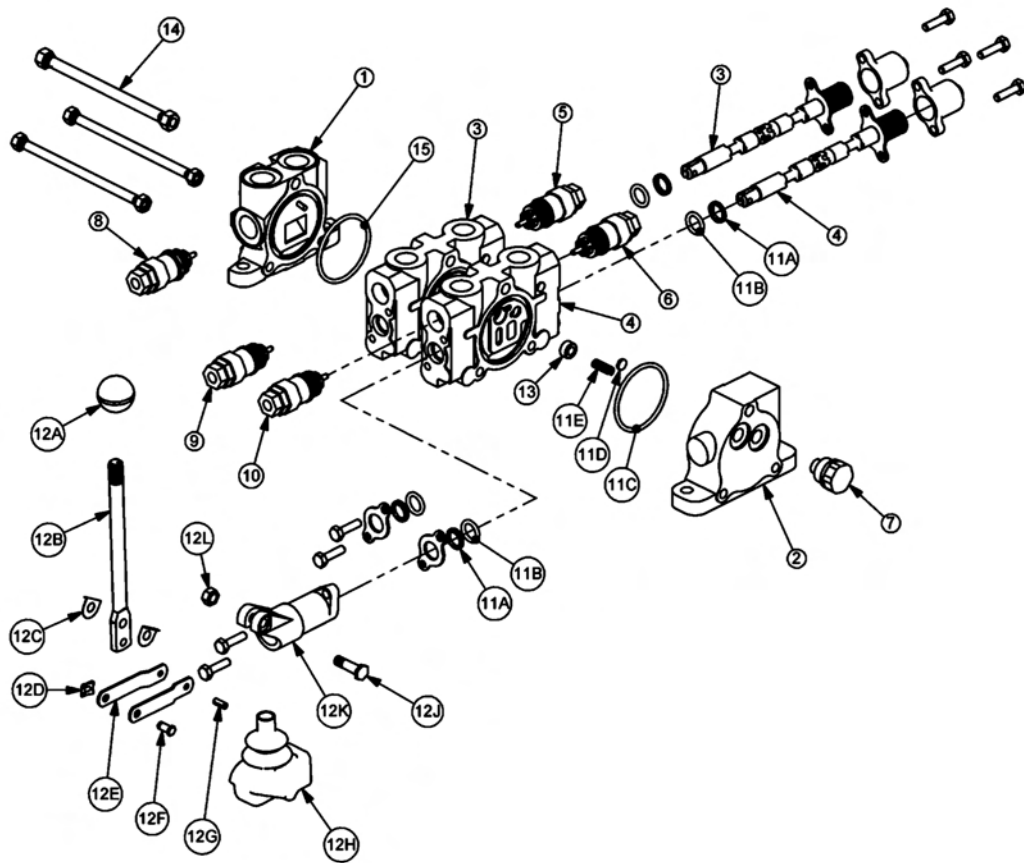
## CABLE (MANUAL) LIFT VALVE BREAKDOWN - 31752

Continued...

| ITEM | PART NO. | QTY. | DESCRIPTION                                  |
|------|----------|------|--|
| 1    | TB1017S  | 1    | INLET END COVER                              |
| 2    | TB1702   | 1    | END COVER, POWER BEYOND                      |
| 3    | TB1017P  | 1    | VALVE SECTION (SINGLE ACTING, SPRING DETENT) |
| 4    | TB1017P  | 1    | VALVE SECTION (SINGLE ACTING, SPRING DETENT) |
| 5    | N/A      | -    | N/A  |
| 6    | N/A      | -    | N/A  |
| 7    | TB1017M  | 1    | SHUT-OFF PLUG                                |
| 8    | TB1017E  | 1    | RELIEF VALVE, 2250 PSI                       |
| 9    | TB1017M  | 1    | SHUT-OFF PLUG                                |
| 10   | TB1017M  | 1    | SHUT-OFF PLUG                                |
| 11   | TB1017A  | 2    | VALVE SEAL KIT (FOR ONE SECTION)             |
| 11A  | -----    | 2    | WIPER  |
| 11B  | -----    | 2    | O-RING SMALL                                 |
| 11C  | -----    | 1    | O-RING LARGE                                 |
| 11D  | -----    | 1    | SPRING                                       |
| 11E  | -----    | 1    | PUCKET                                       |
| 12   | TB1017L  | 2    | LEVER KIT (FOR ONE SECTION)                  |
| 12A  | -----    | 1    | LEVER KNOB                                   |
| 12B  | -----    | 1    | LEVER  |
| 12C  | -----    | 2    | LEVER WASHER                                 |
| 12D  | -----    | 1    | LEVER CLIP                                   |
| 12E  | -----    | 2    | LINKAGE                                      |
| 12F  | -----    | 1    | LEVER PIN                                    |
| 12G  | -----    | 1    | ROLL PIN                                     |
| 12H  | -----    | 1    | LEVER BOOT                                   |
| 12J  | -----    | 1    | LEVER BOLT                                   |
| 12K  | -----    | 1    | LEVER DUST COVER                             |
| 12L  | -----    | 1    | LEVER NUT                                    |
| 13   | TB1017X  | 1    | TIE ROD KIT                                  |
| 14   | 24214    | 1    | O-RING, LARGE                                |

COMMON SIDE FLAIL - XD

# CABLE (MANUAL) LIFT VALVE BREAKDOWN - 06502040

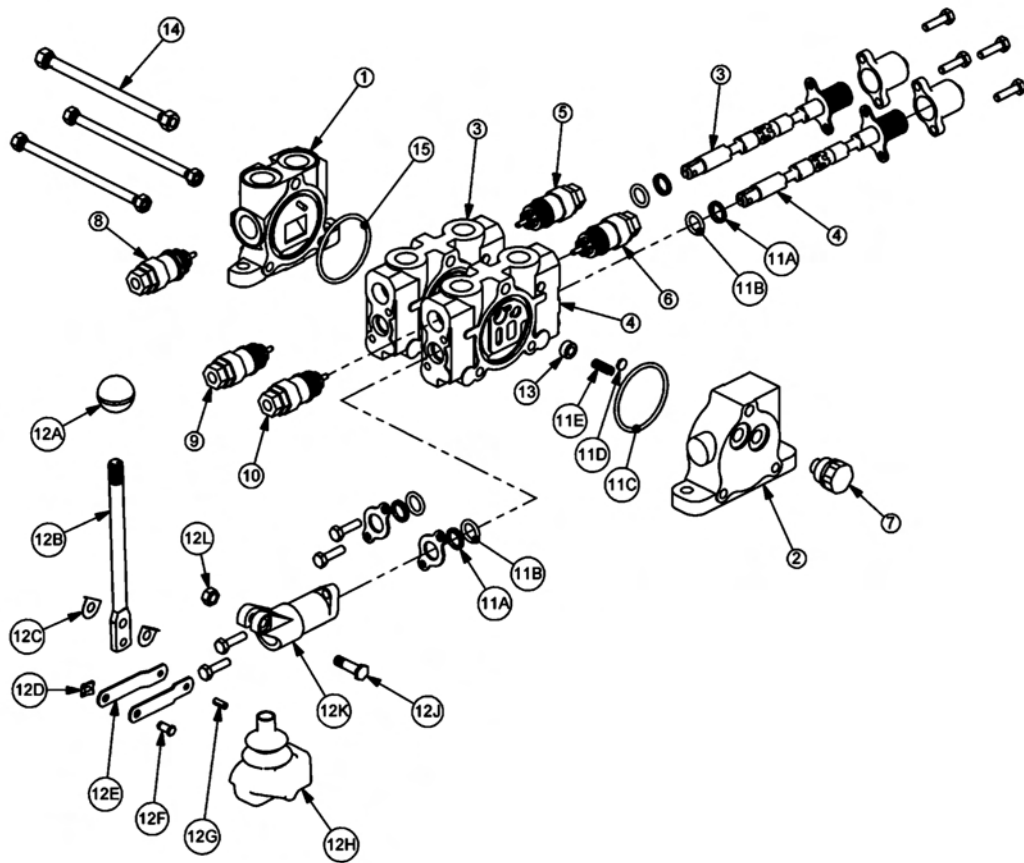


## CABLE (MANUAL) LIFT VALVE BREAKDOWN - 06502040

Continued...

| ITEM | PART NO. | QTY. | DESCRIPTION  |
|------|----------|------|--|
| 1    | 31595    | 1    | INLET END COVER  |
| 2    | 31594    | 1    | END COVER, LOAD SENSE  |
| 3    | 31597    | 1    | VALVE SECTION (DOUBLE ACTING, CENTER SPRING)                       |
| 4    | 31597    | 1    | VALVE SECTION (DOUBLE ACTING, CENTER SPRING) (REMOVE SHUTTLE DISC) |
| 5    | 06503067 | 1    | RELIEF PLUG  |
| 6    | 06503067 | 1    | RELIEF PLUG  |
| 7    | 06503068 | 1    | RELIEF PLUG  |
| 8    | N/A      | -    | N/A  |
| 9    | 31862    | 1    | RELIEF VALVE, 2175 PSI   |
| 10   | 31862    | 1    | RELIEF VALVE, 2175 PSI   |
| 11   | 31593    | 2    | VALVE SEAL KIT (FOR ONE SECTION)                                   |
| 11A  | -----    | 2    | WIPER  |
| 11B  | -----    | 2    | O-RING SMALL   |
| 11C  | -----    | 1    | O-RING LARGE   |
| 11D  | -----    | 1    | SHUTTLE DISC   |
| 11E  | -----    | 1    | SPRING   |
| 12   | TB1017L  | 2    | LEVER KIT (FOR ONE SECTION)  |
| 12A  | -----    | 1    | LEVER KNOB   |
| 12B  | -----    | 1    | LEVER  |
| 12C  | -----    | 2    | LEVER WASHER   |
| 12D  | -----    | 1    | LEVER CLIP   |
| 12E  | -----    | 2    | LINKAGE  |
| 12F  | -----    | 1    | LEVER PIN  |
| 12G  | -----    | 1    | ROLL PIN   |
| 12H  | -----    | 1    | LEVER BOOT   |
| 12J  | -----    | 1    | LEVER BOLT   |
| 12K  | -----    | 1    | LEVER DUST COVER   |
| 12L  | -----    | 1    | LEVER NUT  |
| 13   | 31603    | 2    | COMPENSATOR  |
| 14   | TB1017X  | 1    | TIE ROD KIT  |
| 15   | 24214    | 1    | O-RING, LARGE  |

CABLE (MANUAL) LIFT VALVE BREAKDOWN - 06502042



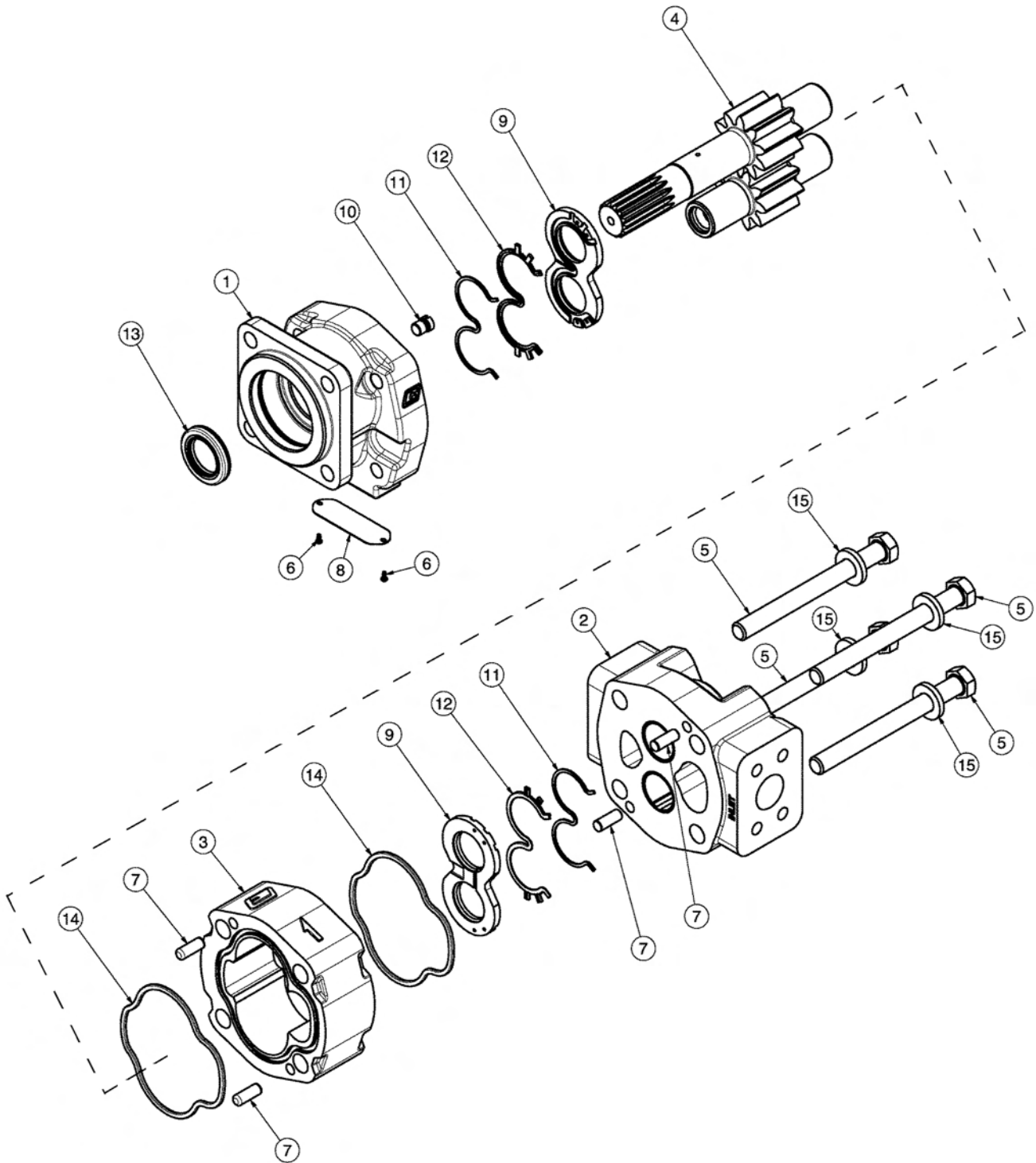
## CABLE (MANUAL) LIFT VALVE BREAKDOWN - 06502042

Continued...

| ITEM | PART NO. | QTY. | DESCRIPTION   |
|------|----------|------|---|
| 1    | 31595    | 1    | INLET END COVER   |
| 2    | 31594    | 1    | END COVER, LOAD SENSE   |
| 3    | 31600    | 1    | VALVE SECTION (DOUBLE ACTING, DETENT FLOAT)                       |
| 4    | 31600    | 1    | VALVE SECTION (DOUBLE ACTING, DETENT FLOAT) (REMOVE SHUTTLE DISC) |
| 5    | 06503067 | 1    | RELIEF PLUG   |
| 6    | 31861    | 1    | RELIEF VALVE, 360 PSI   |
| 7    | 06503068 | 1    | RELIEF PLUG   |
| 8    | 6T4209   | 1    | RELIEF PLUG   |
| 9    | 31862    | 1    | RELIEF VALVE, 2175 PSI  |
| 10   | 31862    | 1    | RELIEF VALVE, 2175 PSI  |
| 11   | 31593    | 2    | VALVE SEAL KIT (FOR ONE SECTION)                                  |
| 11A  | -----    | 2    | WIPER   |
| 11B  | -----    | 2    | O-RING SMALL  |
| 11C  | -----    | 1    | O-RING LARGE  |
| 11D  | -----    | 1    | SHUTTLE DISC  |
| 11E  | -----    | 1    | SPRING  |
| 12   | TB1017L  | 2    | LEVER KIT (FOR ONE SECTION)                                       |
| 12A  | -----    | 1    | LEVER KNOB  |
| 12B  | -----    | 1    | LEVER   |
| 12C  | -----    | 2    | LEVER WASHER  |
| 12D  | -----    | 1    | LEVER CLIP  |
| 12E  | -----    | 2    | LINKAGE   |
| 12F  | -----    | 1    | LEVER PIN   |
| 12G  | -----    | 1    | ROLL PIN  |
| 12H  | -----    | 1    | LEVER BOOT  |
| 12J  | -----    | 1    | LEVER BOLT  |
| 12K  | -----    | 1    | LEVER DUST COVER  |
| 12L  | -----    | 1    | LEVER NUT   |
| 13   | 31603    | 2    | COMPENSATOR   |
| 14   | TB1017X  | 1    | TIE ROD KIT   |
| 15   | 24214    | 1    | O-RING, LARGE   |

COMMON SIDE FLAIL - XD

# FRONT HYDRAULIC PUMP BREAKDOWN



COMMON SIDE FLAIL - XD

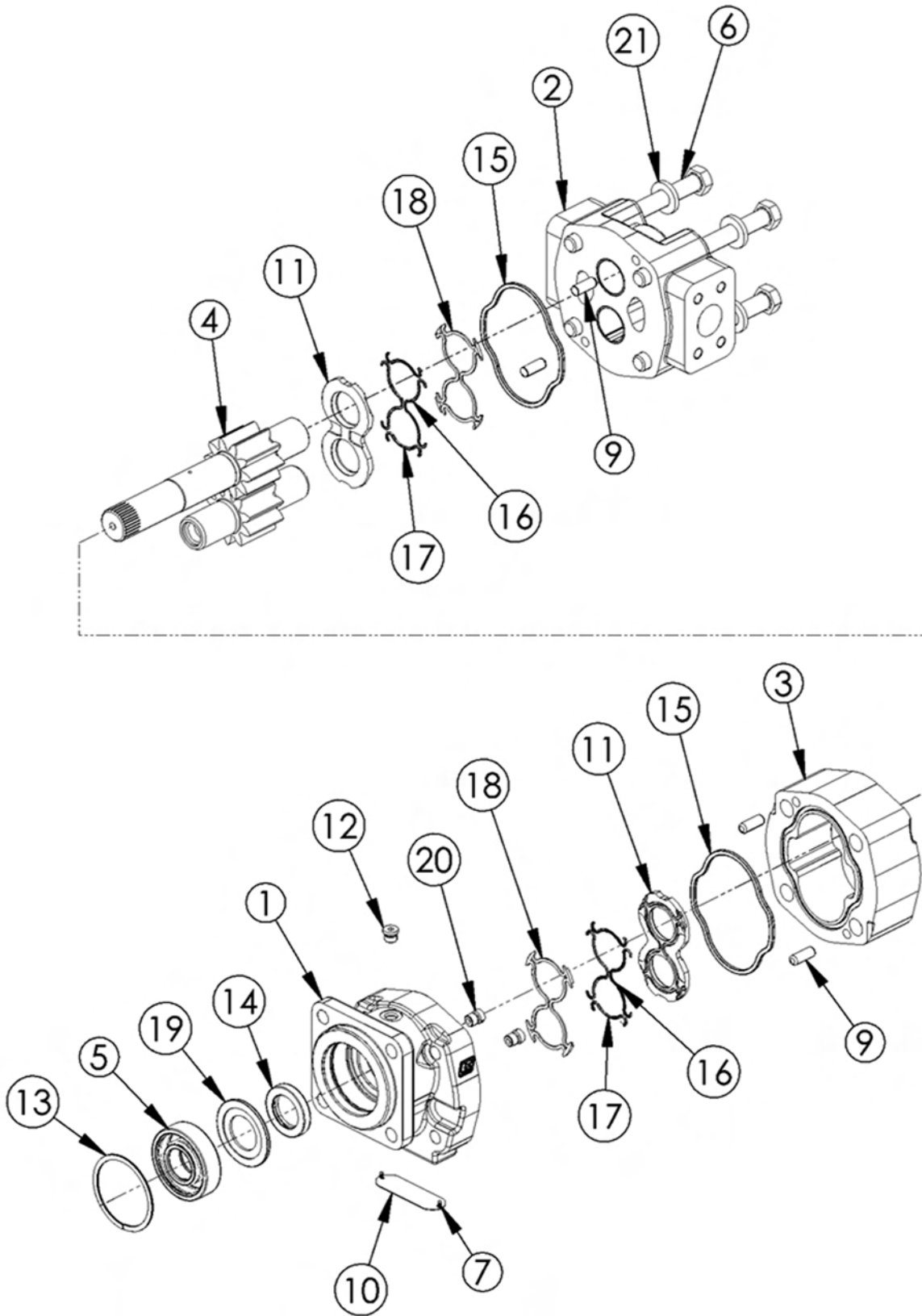


## FRONT HYDRAULIC PUMP BREAKDOWN

Continued...

| ITEM | PART NO. | QTY. | DESCRIPTION                           |
|------|----------|------|---------------------------------------|
| ---  | 23152    | 1    | PUMP ASSEMBLY,1-3/4",COMPLETE         |
| 1    | 22766    | 1    | SHAFT END COVER                       |
| 2    | 22779    | 1    | PORT END COVER                        |
| 3    | 22774    | 1    | GEAR HOUSING,1-3/4"                   |
| 4    | 22771    | 1    | GEAR SET                              |
| 5    | 23824    | 4    | CAPSCREW                              |
| 6    | 06504078 | 2    | SCREW,DRIVE                           |
| 7    | 22773    | 4    | DOWEL PINS                            |
| 8    | 06504077 | 1    | NAMEPLATE                             |
| 9    | 22770    | 2    | THRUST PLATE                          |
| 10   | 22767    | 1    | PLUG                                  |
| 11   | 06504075 | 2    | SEAL,BK-UP                            |
| 12   | 06504074 | 2    | SEAL,CHAN                             |
| 13   | 22765    | 1    | SEAL,LIP                              |
| 14   | 06504076 | 2    | SEAL,SQ-R                             |
| 15   | 02961917 | 4    | WASHER                                |
| ---  | 24150    | 1    | SEAL KIT (INCLUDES 11, 12, 13 AND 14) |

# FLAIL MOTOR BREAKDOWN



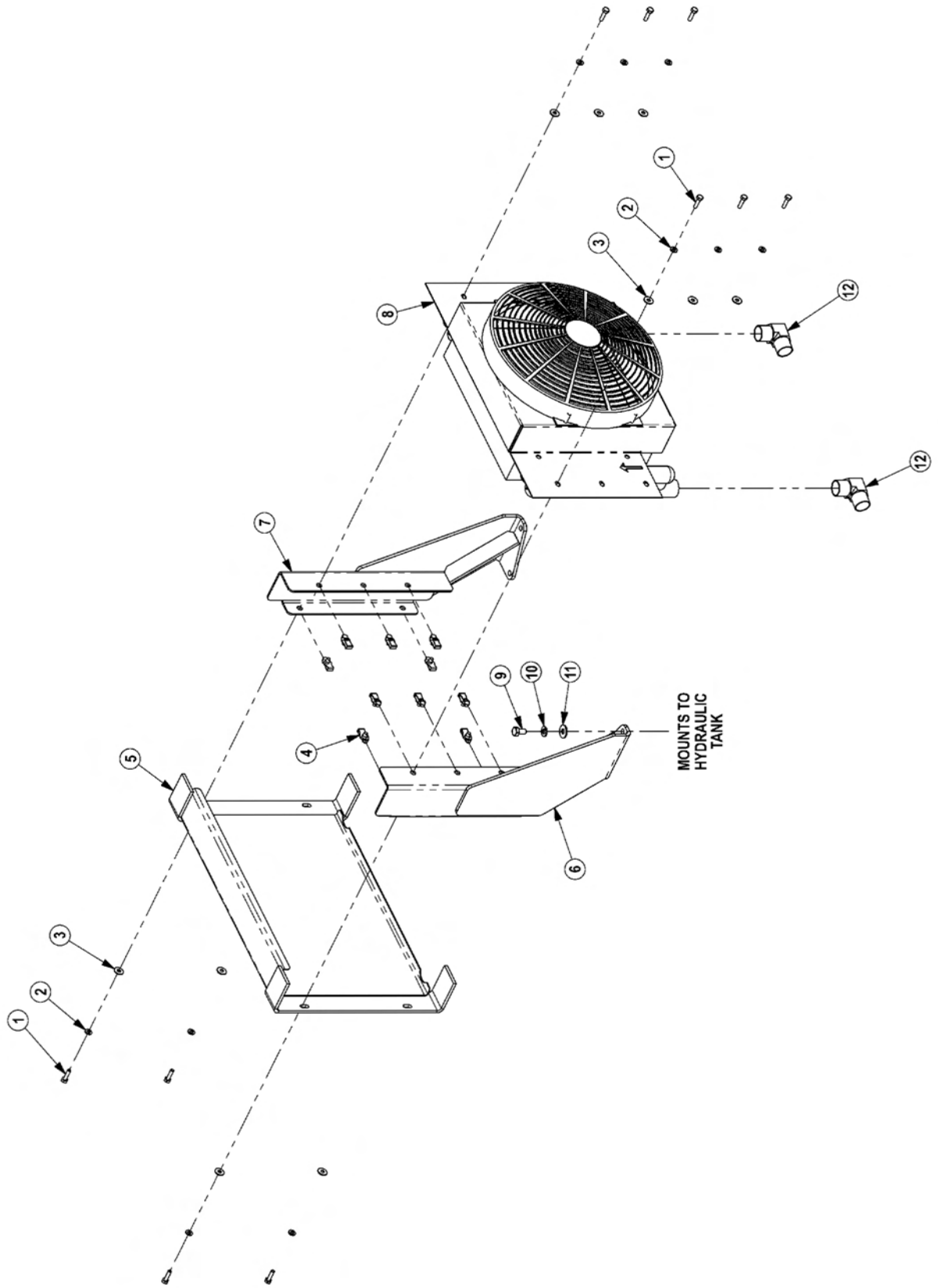
COMMON SIDE FLAIL - XD

## FLAIL MOTOR BREAKDOWN

Continued...

| ITEM  | PART NO. | QTY. | DESCRIPTION                                |
|-------|----------|------|--|
| ----- | 06504134 | -    | MOTOR ASSEMBLY 350 - TSF                   |
| 1     | 06504039 | 1    | SHAFT END COVER                            |
| 2     | 06504040 | 1    | PORT END COVER                             |
| 3     | 06504041 | 1    | GEAR HOUSING                               |
| 4     | 06504042 | 1    | MATCHED GEAR SET                           |
| 5     | TF4402   | 1    | BALL BEARING                               |
| 6     | 06504043 | 4    | CAP SCREW                                  |
| 7     | 06504044 | 2    | SET SCREW                                  |
| 8     | 06504028 | 1    | KEY  |
| 9     | 06504045 | 4    | DOWEL PIN                                  |
| 10    | -----    | 1    | NAMEPLATE                                  |
| 11    | 22763759 | 2    | THRUSTPLATE                                |
| 12    | 02961940 | 1    | HEX PLUG                                   |
| 13    | TF4401   | 1    | SNAP RING                                  |
| 14    | 06504049 | 1    | LIP SEAL (INCLUDED IN SEAL KIT)            |
| 15    | TF4410   | 2    | GASKET SEAL (INCLUDED IN SEAL KIT)         |
| 16    | 06504046 | 4    | SIDE SEAL (INCLUDED IN SEAL KIT)           |
| 17    | 06504047 | 4    | END SEAL (INCLUDED IN SEAL KIT)            |
| 18    | TF4407   | 2    | BACK-UP SEAL (INCLUDED IN SEAL KIT)        |
| 19    | 06504048 | 1    | SEAL RETAINER                              |
| 20    | 6T5809   | 2    | CHECK ASSEMBLY                             |
| 21    | 02961917 | 4    | WASHER                                     |
| ----- | 06504116 | -    | SEAL KIT (INCLUDES 14, 15, 16, 17, AND 18) |

# COOLER ASSEMBLY



COMMON SIDE FLAIL - XD

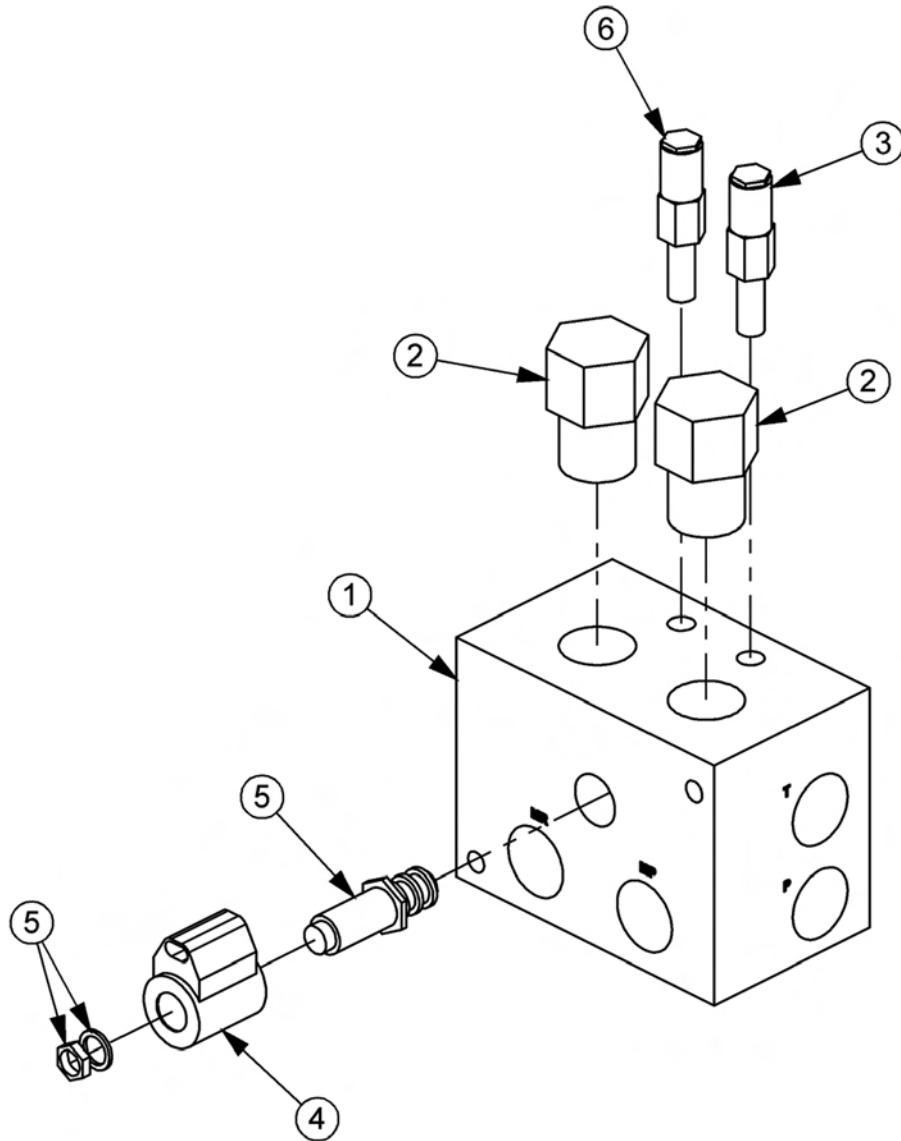
## COOLER ASSEMBLY

Continued...

| ITEM | PART NO. | QTY. | DESCRIPTION               |
|------|----------|------|---------------------------|
| 1    | 21530    | 10   | CAPSCREW,1/4 X1 NC        |
| 2    | 21986    | 10   | LOCKWASHER,1/4            |
| 3    | 22014    | 10   | FLATWASHER,1/4            |
| 4    | 35176    | 10   | 1/4 U-NUT                 |
| 5    | 06370015 | 1    | SCREEN,COOLER,FRNT        |
| 6    | 06380006 | 1    | MNT,COOLER,BUMPER TANK,RH |
| 7    | 06380007 | 1    | MNT,COOLER,BUMPER TANK,LH |
| 8    | 06510026 | 1    | COOLER,FRONT MNT          |
| 9    | 21629    | 4    | CAPSCREW,3/8 X 3/4 NC     |
| 10   | 21988    | 4    | LOCKWASHER,3/8            |
| 11   | 22016    | 4    | FLATWASHER,3/8            |
| 12   | 34117    | 2    | ELBOW,1MOR X 1MJ90,FORGED |

COMMON SIDE FLAIL - XD

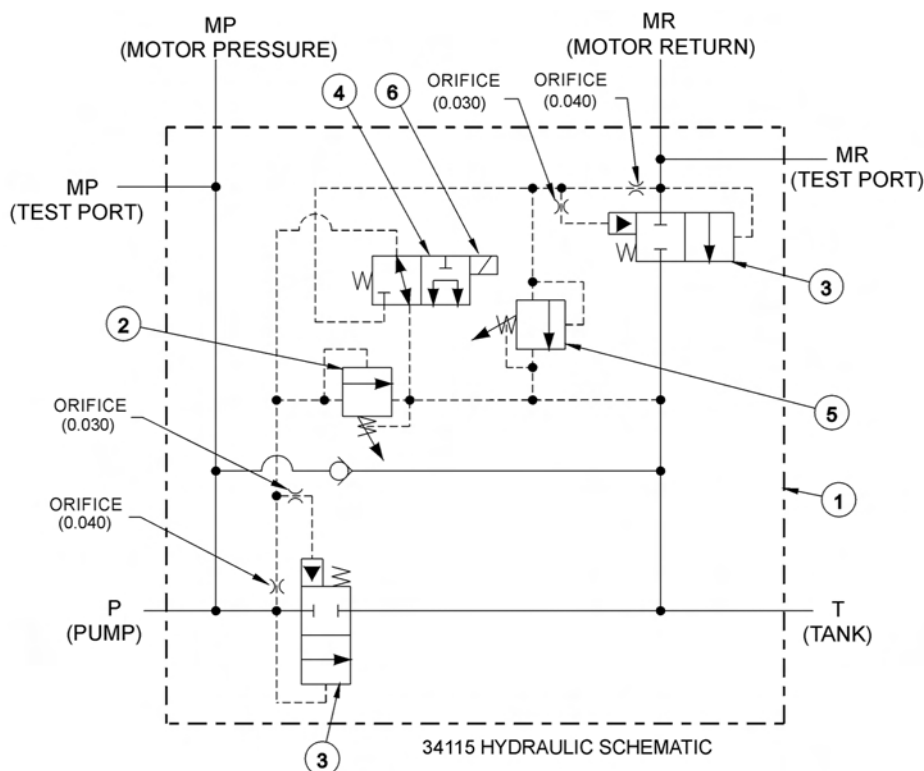
## BRAKE VALVE ASSEMBLY



| ITEM | PART NO. | QTY. | DESCRIPTION                                      |
|------|----------|------|--|
| ---  | 06510083 | 1    | BRAKE VALVE, ASSY                                |
| 1    | 34092    | 1    | BRAKE VALVE, BLANK                               |
| 2    | 34094    | 2    | LOGIC ELEMENT                                    |
| 3    | 34095    | 1    | RELIEF VALVE, 3000 PSI                           |
| 4    | 06510095 | 1    | METRI PAK COIL                                   |
| 5    | 34093    | 1    | CARTRIDGE, 2 POSITION, 3 WAY (WITH NUT & WASHER) |
| 6    | 34091    | 1    | RELIEF VALVE, 2600 PSI                           |
| ---  | 34096    | 2    | RELIEF SEAL KIT                                  |
| ---- | 34097    | 1    | SOLENOID SEAL KIT                                |
| ---  | 34098    | 2    | ELEMENT SEAL KIT                                 |

COMMON SIDE FLAIL - XD

## BRAKE VALVE HYDRAULIC SCHEMATIC



### BRAKE VALVE TROUBLESHOOTING

#### FAILURE MODE:

- MOWER WILL NOT START - system pressure is low (engine not lugging).
- MOWER WILL NOT START - system pressure is high (engine lugging). "MR" port will be high pressure.
- MOWER WILL NOT ROTATE AT FULL SPEED - limited power.
- MOWER BLADE WILL NOT STOP - blade will not stop in proper time.

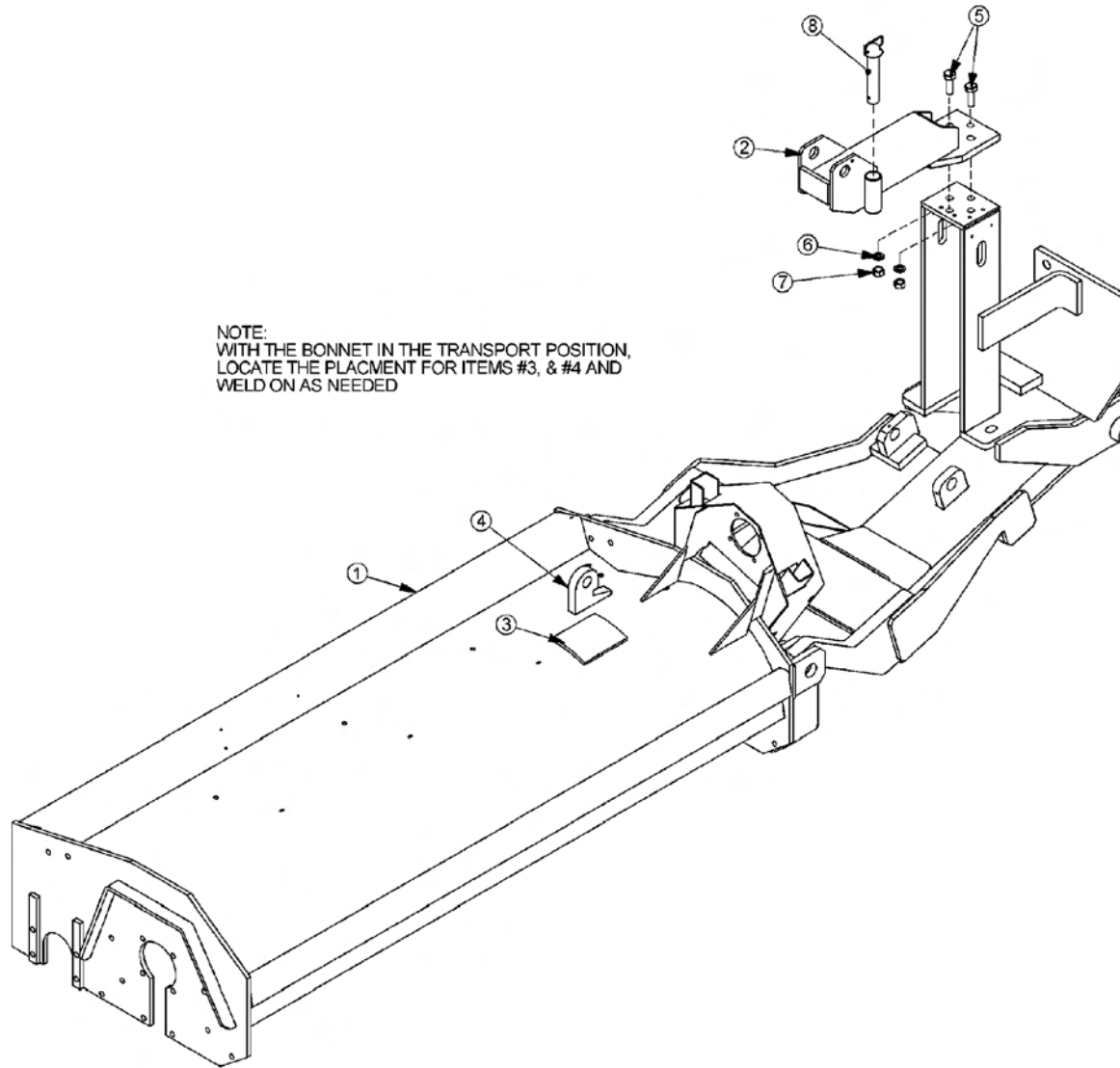
#### CHECK STEPS

- 1 thru 6
- 7
- 3 thru 5
- 7 thru 9

#### CORRECTIVE STEPS:

1. Check for voltage at solenoid (item 6), voltage must be between 10.2 volts and 13.8 volts.
2. Remove, inspect solenoid and cartridge (items 4, 6) for wear or contamination.
3. Remove, inspect logic elements near "P" port (item 3) for wear or contamination.
4. Remove, inspect 3000 psi relief valve (item 2) for wear or contamination.
5. Remove and inspect orifices near "P" port for contamination.
6. Remove "P" port hose and fitting, visually inspect for contamination, check ball for movement.
7. Remove and inspect orifices near "MR" port for contamination.
8. Remove, inspect 2600 psi relief valve (item 5) for wear of contamination.
9. Remove, inspect logic element near "MR" port (item 3) for wear or contamination.

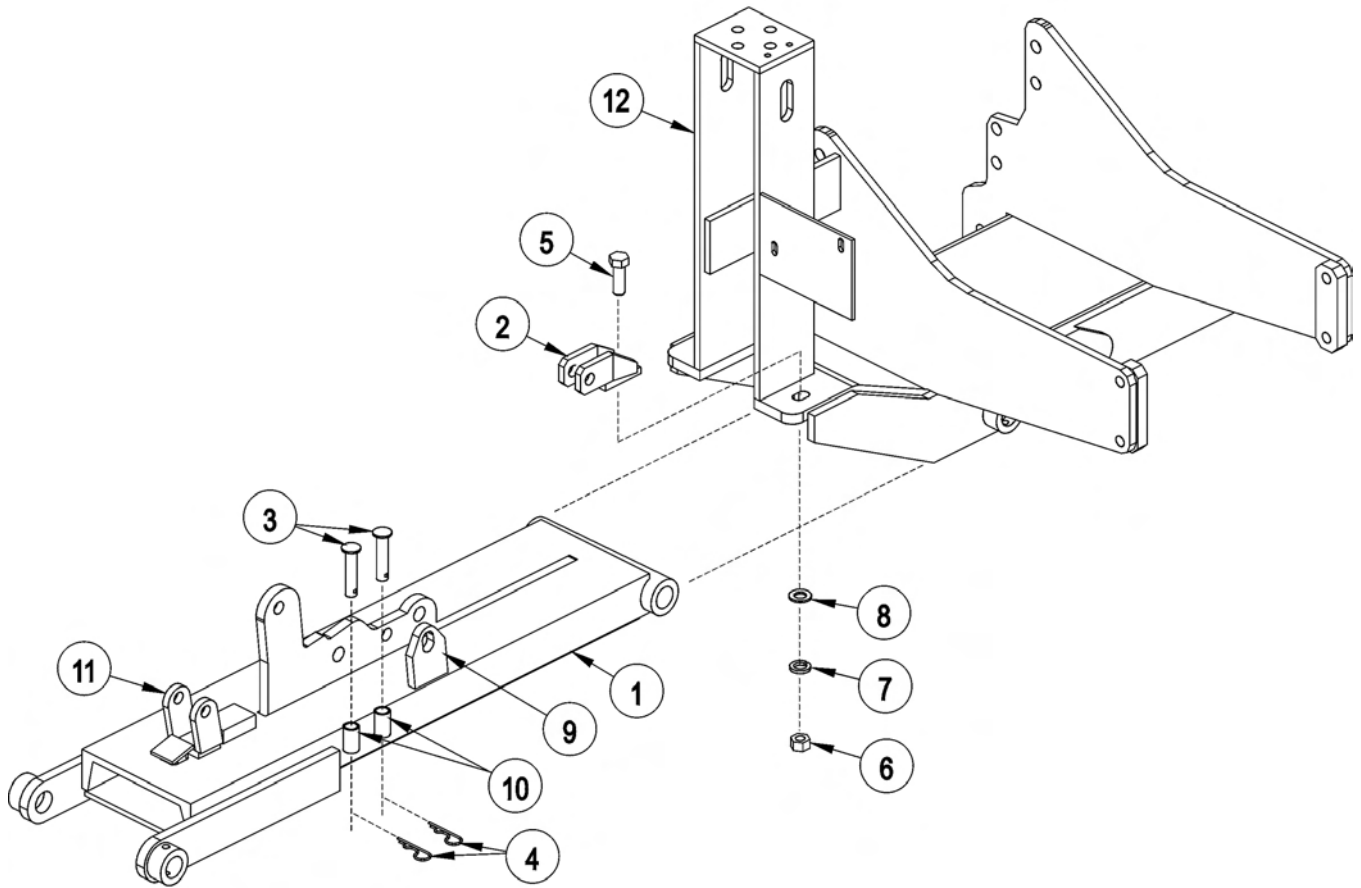
## SIDE FLAIL TRAVEL LOCK



| ITEM | PART NO. | QTY. | DESCRIPTION                     |
|------|----------|------|---------------------------------|
| 1    | -----    | -    | BONNET *REFER TO FLAIL ASSEMBLY |
| 2    | 30531A   | 1    | BRACKET, TRAVEL LOCK            |
| 3    | TF4248   | 1    | PLATE, TRAVEL LOCK              |
| 4    | 23745    | 1    | TRAVEL LOCK HOOK                |
| 5    | 21783    | 2    | CAPSCREW, 5/8" X 2" NC          |
| 6    | 21992    | 2    | LOCKWASHER, 5/8"                |
| 7    | 21775    | 2    | HEX NUT, 5/8" NC                |
| 8    | TF4250   | 1    | PIN, TRAVEL LOCK                |

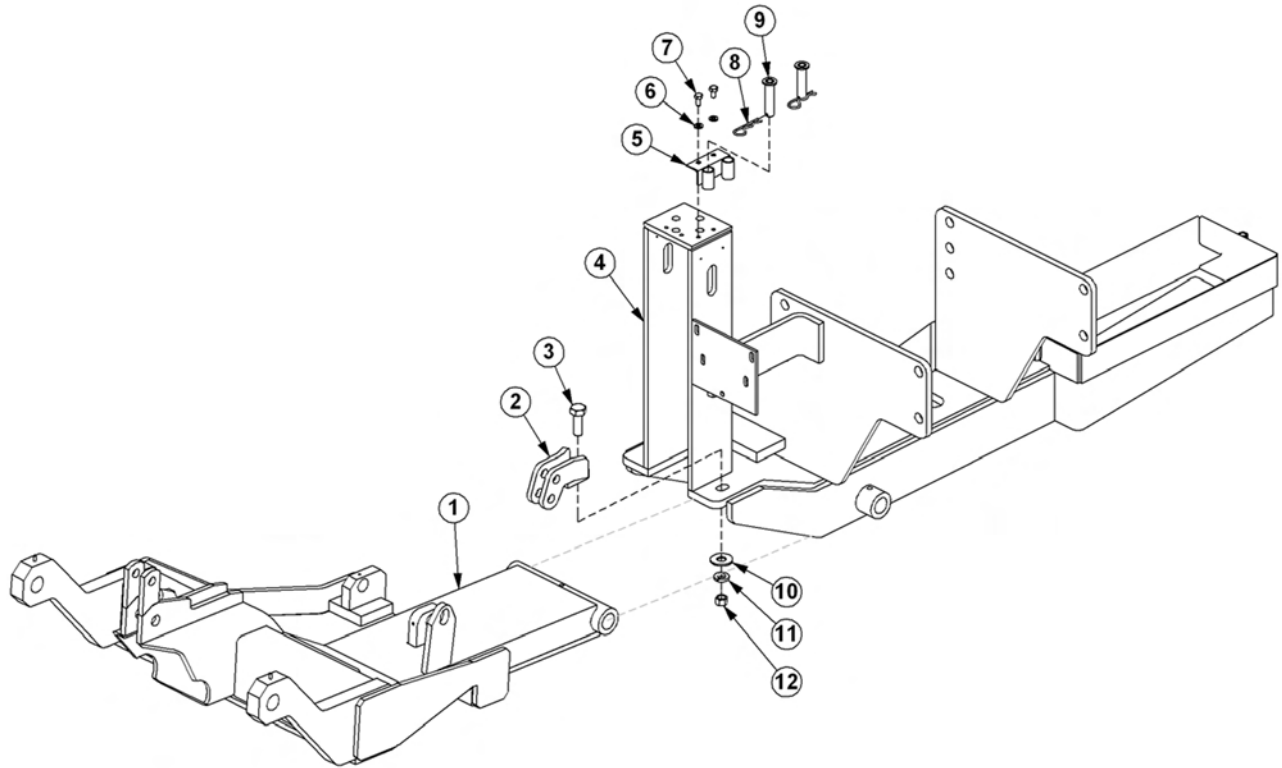


## CABLE LIFT BEAM TRAVEL LOCK



| ITEM  | PART NO. | QTY. | DESCRIPTION                              |
|-------|----------|------|--|
| 1     | 6T0105   | 1    | DRAFT BEAM (STD WITH TRAVEL LOCKS)       |
| ----- | 27241    | -    | DRAFT BEAM EXT 6 (STD WITH TRAVEL LOCKS) |
| 2     | 6T0106   | 1    | TRAVEL LOCK BRACKET                      |
| 3     | 6T0107   | 2    | TRAVEL LOCK PINS 3/4" X 3 1/4"           |
| 4     | 6T3020   | 2    | R - CLIP 5/32"                           |
| 5     | 21833    | 1    | CAPSCREW 3/4" X 2 1/4"                   |
| 6     | 21825    | 1    | HEX NUT 3/4"                             |
| 7     | 21993    | 1    | LOCK WASHER 3/4"                         |
| 8     | 22021    | 1    | FLAT WASHER 3/4"                         |
| 9     | 22600    | 1    | TRAVEL LOCK EAR                          |
| 10    | 22604    | 2    | PIN HOLDER                               |
| 11    | 22601C   | 1    | TRAVEL LOCK ASY                          |
| 12    | -----    | -    | MAIN FRAME *REFER TO PARTS SECTION       |

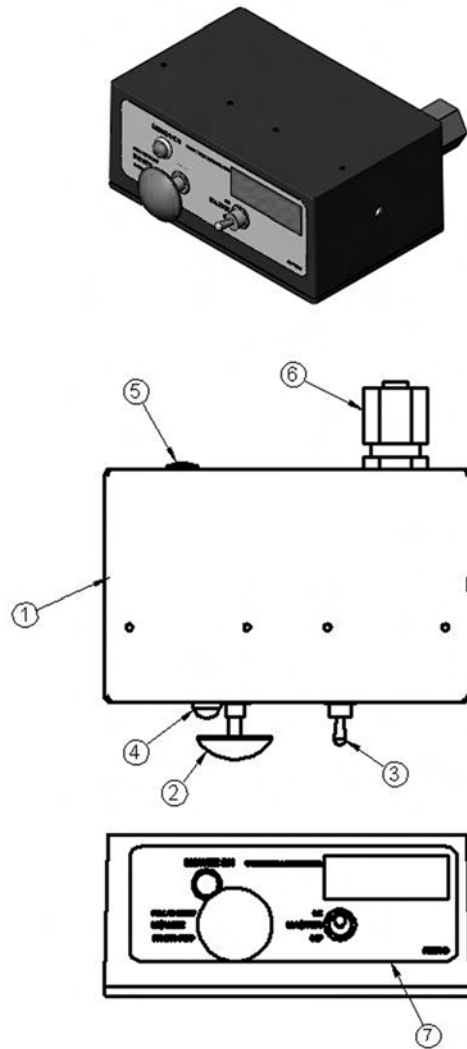
## COMBO LIFT BEAM TRAVEL LOCK



| ITEM | PART NO. | QTY. | DESCRIPTION                        |
|------|----------|------|------------------------------------|
| 1    | 31063    | 1    | DRAFT BEAM                         |
| 2    | 6T0106   | 1    | TRAVEL LOCK BRACKET                |
| 3    | 21833    | 1    | CAPSCREW 3/4" X 2 1/4"             |
| 4    | -----    | -    | MAIN FRAME *REFER TO PARTS SECTION |
| 5    | 33856    | 1    | BRKT,PIN HOLDER                    |
| 6    | 21988    | 2    | LOCK WASHER 3/8"                   |
| 7    | 21629    | 2    | CAPSCREW 3/8" X 3/4"               |
| 8    | 6T3020   | 2    | R - CLIP 5/32"                     |
| 9    | 6T0107   | 2    | TRAVEL LOCK PINS 3/4" X 3 1/4"     |
| 10   | 22021    | 1    | FLAT WASHER 3/4"                   |
| 11   | 21993    | 1    | LOCK WASHER 3/4"                   |
| 12   | 21825    | 1    | HEX NUT 3/4"                       |

COMMON SIDE FLAIL - XD

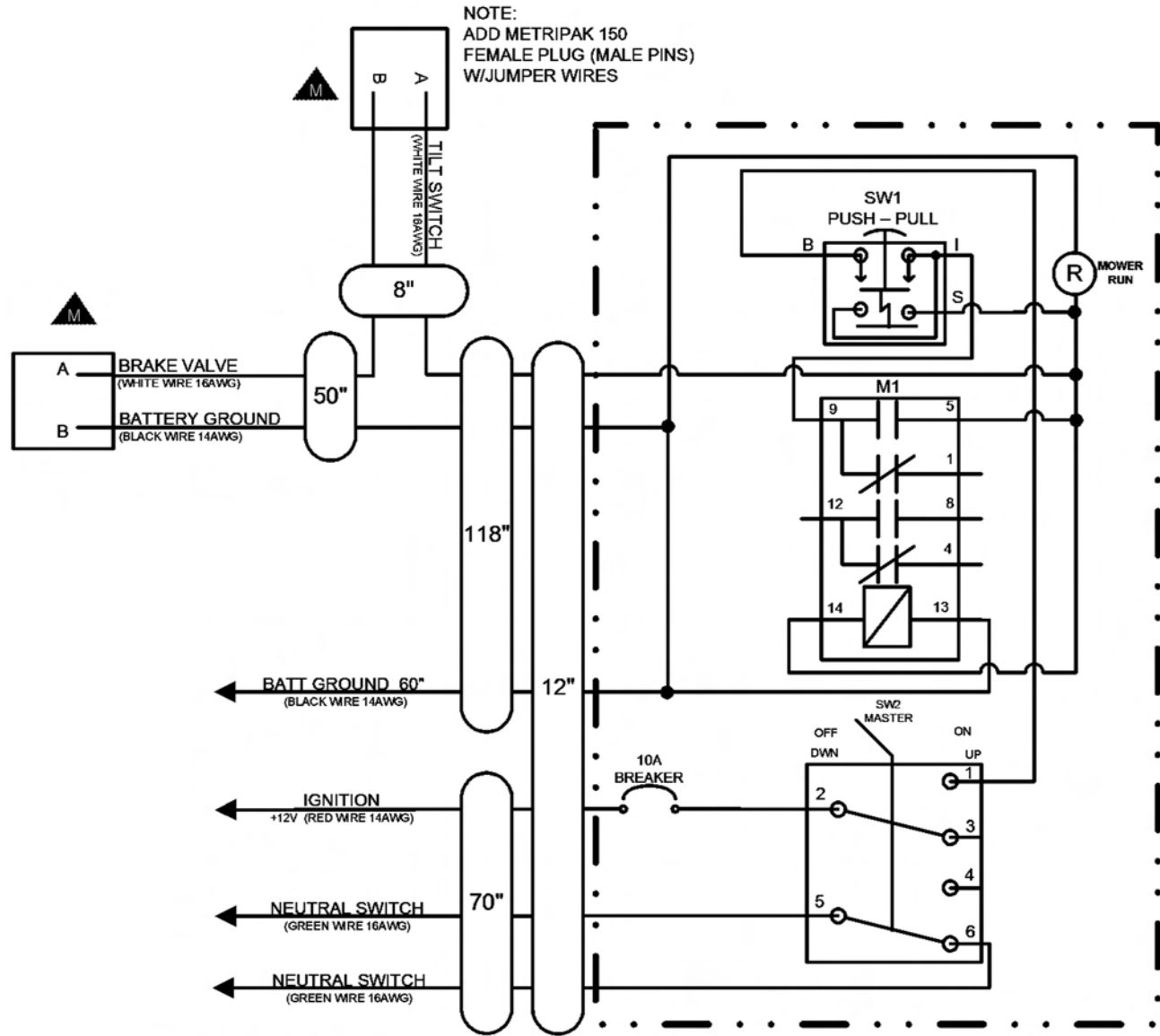
## SWITCH BOX



| ITEM | PART NO. | QTY. | DESCRIPTION                   |
|------|----------|------|-------------------------------|
| 1    | 06514013 | 1    | SWBX,ALUM,BLK,06510102        |
| 2    | 35226    | 1    | SWITCH,MOWER,COLEHERSEE       |
| 3    | 33811    | 1    | SWITCH,MASTER/DECK FLOAT      |
| 4    | 6T3923   | 1    | INDICTATOR LIGHT,ON,RED       |
| 5    | 06514014 | 1    | BREAKER,10A,SWBX              |
| 6    | 34540    | 1    | STRAIN RELIEF,3/4,BLACK,NYLON |
| 7    | 06550018 | 1    | DECAL,SWTCHBX,TM/TSF,CG       |
| 8    | 35227    | 1    | RELAY,DP,DT,12V,LY2F,35226    |

# SWITCH BOX SCHEMATIC

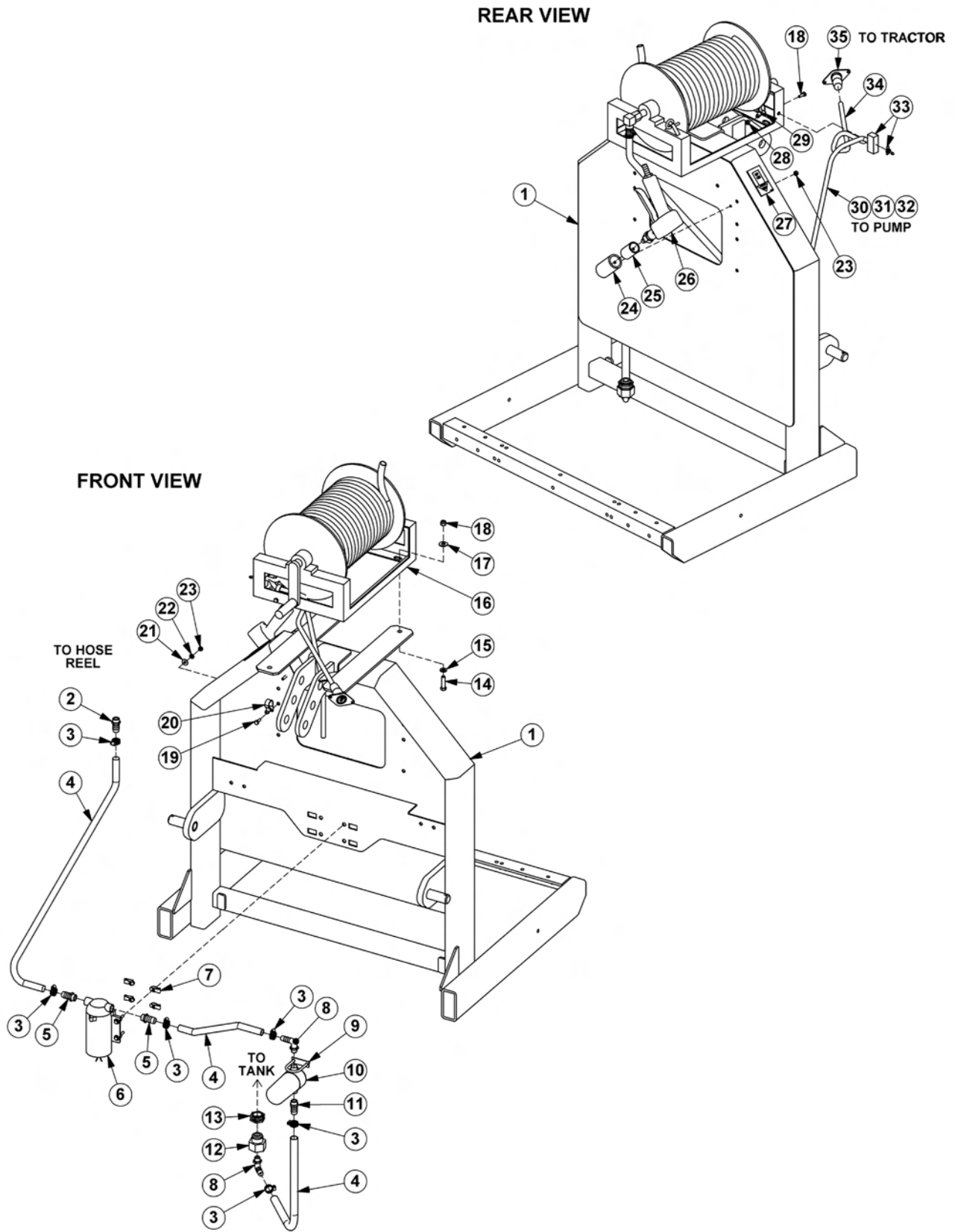
## 06510102 SCHEMATIC COMMON GROUND SWITCH BOX SIDE MOWER



SEE DRAWING # 06515000 FOR A FULL DESCRIPTION OF ALL CONNECTORS

**FIRE SUPPRESSION SYSTEM  
SECTION**

# FIRE SUPPRESSION 3-POINT MOUNT



COMMON SIDE FLAIL - XD

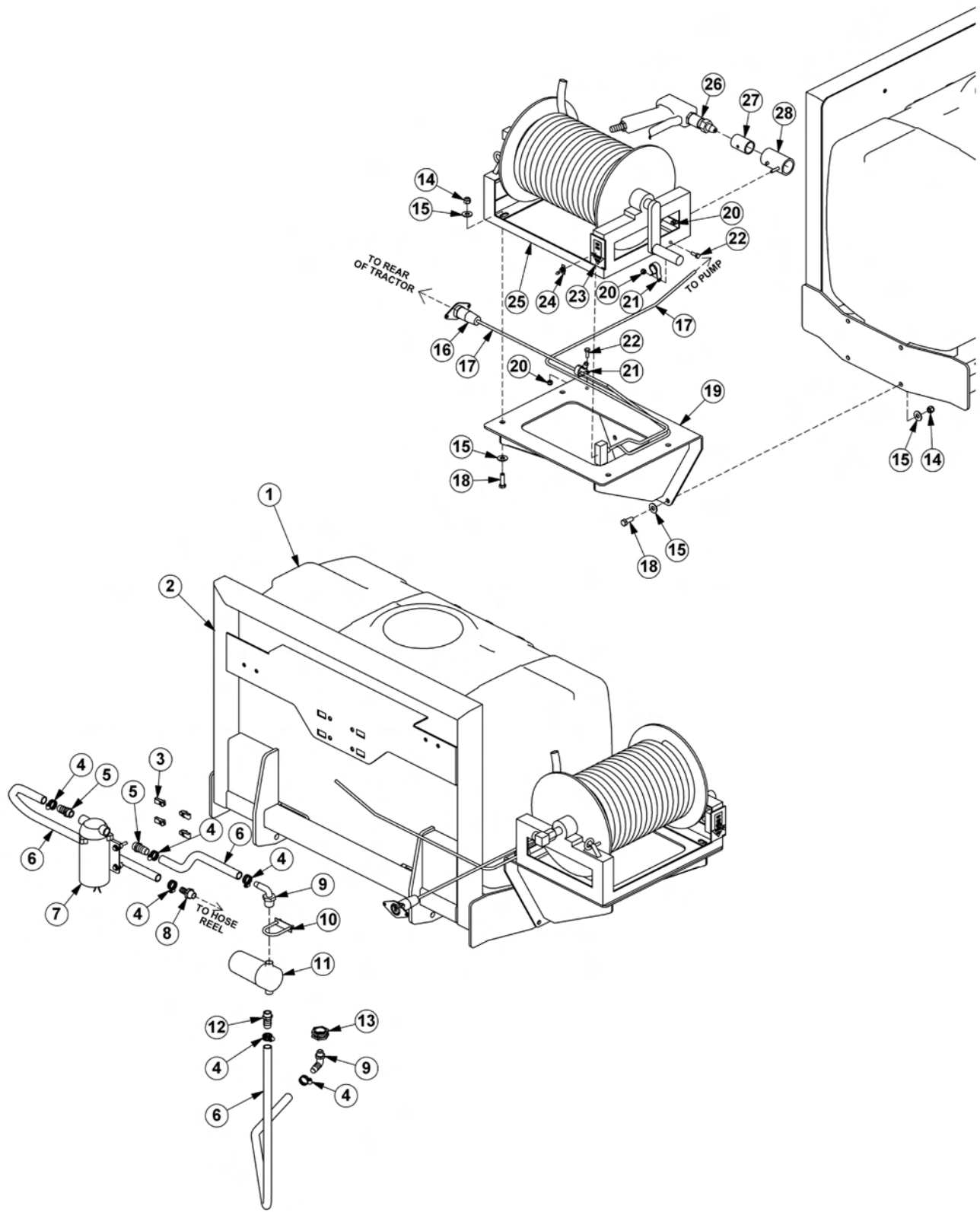
## FIRE SUPPRESSION 3-POINT MOUNT

Continued...

| ITEM | PART NO. | QTY. | DESCRIPTION                                   |
|------|----------|------|---|
| 1    | 06370137 | 1    | MOUNT,3PNT,FIRE SYS                           |
| 2    | 06503108 | 1    | FITTING,1/2"BARB X 1/2"MP                     |
| 3    | 35091    | 6    | CLAMP,HOSE,#6                                 |
| 4    | 06520469 | 5    | HOSE,1/2",BULK (FEET)                         |
| 5    | 06503168 | 2    | SWIVEL,1/2"STR,POLY                           |
| 6    | 06520359 | 1    | PUMP,LARGE                                    |
| 7    | 35176    | 4    | U-NUT,1/4"                                    |
| 8    | 06520367 | 2    | ELBOW,1/2"BARB X 1/2"MP,POLY                  |
| 9    | 27329    | 1    | U-BOLT,1/4"                                   |
| 10   | 06520361 | 1    | FILTER  |
| ---  | 06520351 | 1    | ELEMENT,FILTER                                |
| 11   | 06520349 | 1    | FITTING,BARB,HOSE                             |
| 12   | 06503169 | 1    | REDUCER,BUSHING (100 & 150 GALLON TANKS ONLY) |
| 13   | 06520346 | 1    | FITTING,BULKHEAD (50 GALLON TANKS ONLY)       |
| 14   | 21632    | 4    | CAPSCREW,3/8" X 1-1/2",NC                     |
| 15   | 21988    | 4    | LOCKWASHER,3/8"                               |
| 16   | 06520360 | 1    | HOSE REEL                                     |
| 17   | 22016    | 4    | FLATWASHER,3/8"                               |
| 18   | 21627    | 4    | NYLOCK NUT,3/8",NC                            |
| 19   | 21529    | 2    | CAPSCREW,1/4" X 3/4",NC                       |
| 20   | 06510258 | 1    | CLAMP,3/4"                                    |
| 21   | 22014    | 1    | FLATWASHER,1/4"                               |
| 22   | 21986    | 1    | LOCKWASHER,1/4"                               |
| 23   | 21525    | 2    | HEX NUT,1/4",NC                               |
| 24   | 06370121 | 1    | HOLSTER                                       |
| 25   | 06430090 | 1    | SLEEVE  |
| 26   | 06520366 | 1    | GUN,FIRE SYS                                  |
| 27   | 6T3222   | 1    | DECAL   |
| 28   | 21527    | 1    | NYLOCK NUT,1/4",NC                            |
| 29   | 06510257 | 1    | CLAMP,3/8"                                    |
| 30   | 28055    | 5    | WIRE,BLACK,14GA (FEET)                        |
| 31   | 24200    | 5    | WIRE,RED,14GA (FEET)                          |
| 32   | 22802    | 5    | WIRE WRAP (FEET)                              |
| 33   | PT3905A  | 1    | SWITCH  |
| 34   | 06510256 | 4    | CABLE,14GA,4WIRE (FEET)                       |
| 35   | 06510255 | 1    | PLUG,7PIN,TRCTR                               |

COMMON SIDE FLAIL - XD

# FIRE SUPPRESSION FRONT MOUNT



COMMON SIDE FLAIL - XD

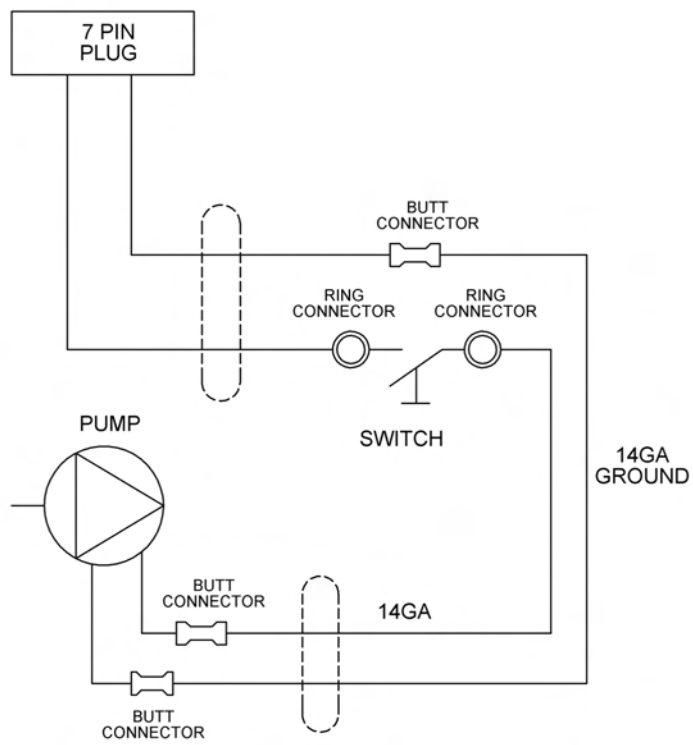


## FIRE SUPPRESSION FRONT MOUNT

Continued...

| ITEM | PART NO. | QTY. | DESCRIPTION                 |
|------|----------|------|-----------------------------|
| 1    | 06520342 | 1    | TANK,50 GALLON              |
| 2    | 06370204 | 1    | MNT,TANK,FRNT,50 GALLON     |
| 3    | 35176    | 4    | U-NUT,1/4,3/4 TO CENTER     |
| 4    | 35091    | 6    | CLAMP,HOSE,#6               |
| 5    | 06503168 | 2    | SWIVEL,1/2 STR,POLY         |
| 6    | 06520469 | 8    | HOSE,1/2,SPRAYER            |
| 7    | 06520359 | 1    | PUMP,FIRE KIT               |
| 8    | 06503108 | 1    | FITTING,1/2" BARB X 1/2"MP  |
| 9    | 06520367 | 2    | ELBOW,1/2MPX1/2BARB,POLY    |
| 10   | 27329    | 1    | U-BOLT,1/4X2X1              |
| 11   | 06520361 | 1    | FILTER,FIRE KIT,RAILKUT     |
| ---  | 06520351 | 1    | STRAINER,40 MESH            |
| 12   | 06520349 | 1    | FITTING,BARB,HOSE,WETCUT    |
| 13   | 06520346 | 1    | FITTING,BULKHEAD            |
| 14   | 21627    | 8    | NYLOCK NUT,3/8 NC           |
| 15   | 22016    | 16   | FLATWASHER,3/8,GR8          |
| 16   | 06510255 | 1    | PLUG,7PIN,TRCTR             |
| 17   | 06510256 | 22   | WIRE,14GA,4WIRE (FEET)      |
| 18   | 21631    | 8    | CAPSCREW,3/8X1 1/4, NC,GR8  |
| 19   | 06370207 | 1    | MNT,FIRE SUPPRESSION        |
| 20   | 21527    | 3    | NYLOCK NUT,1/4 NC           |
| 21   | 06510257 | 2    | CLAMP,3/8X1/4,INS           |
| 22   | 21529    | 2    | CAPSCREW,1/4 X 3/4 NC       |
| 23   | 6T3222   | 1    | DECAL,CONTROL,ON-OFF SWITCH |
| 24   | PT3905A  | 1    | SWITCH,MOWER                |
| 25   | 06520360 | 1    | HOSE REEL,FIRE KIT,RAILKUT  |
| 26   | 06520366 | 1    | GUN,FIRE KIT,RAILKUT        |
| 27   | 06430090 | 1    | SLEEVE,GUN,FIRE SYS         |
| 28   | 06370121 | 1    | HOLSTER,FIRESYS,RAILKUT     |

# FIRE SUPPRESSION SYSTEM ELECTRICAL SCHEMATIC

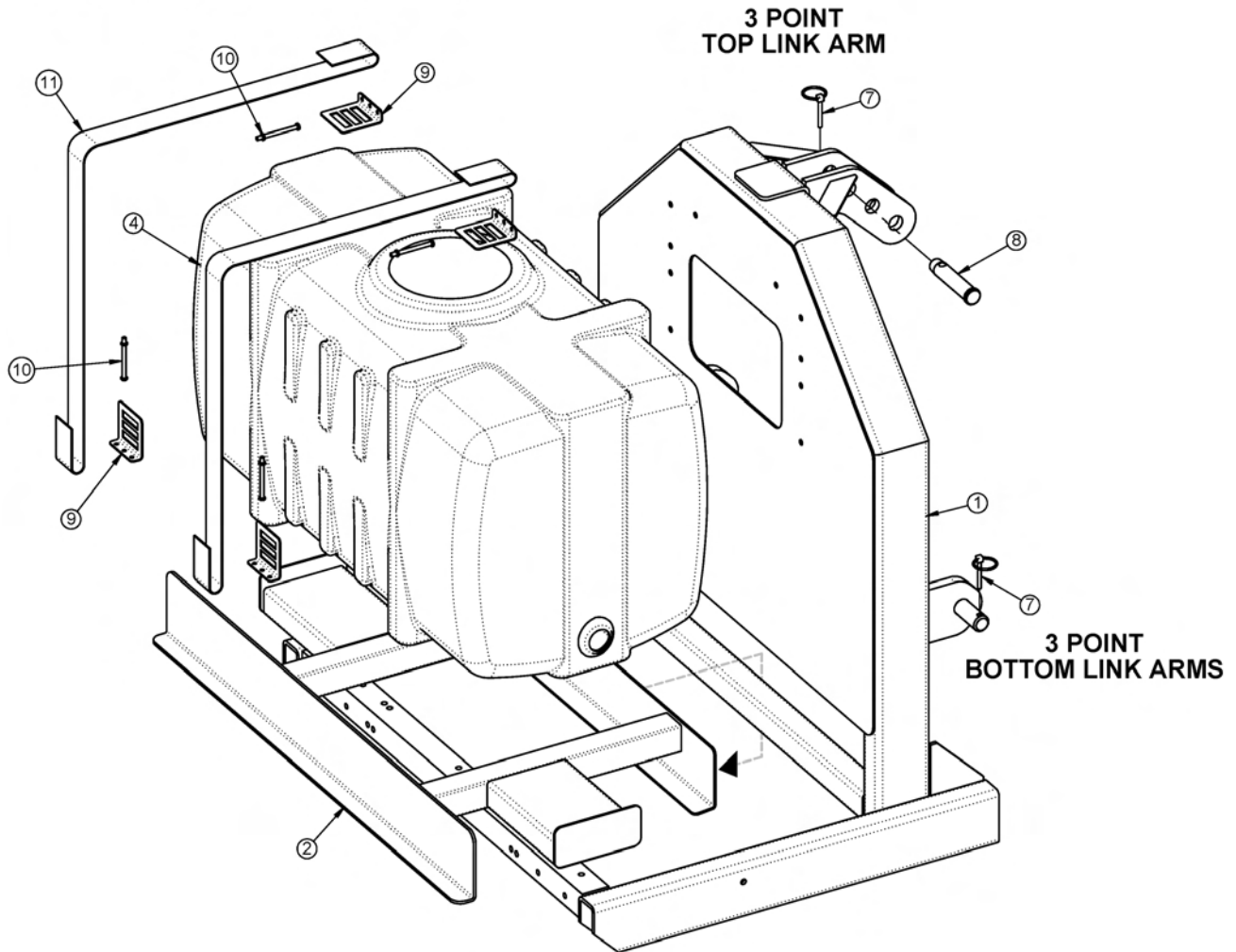


**WETCUT**

**WETCUT  
SECTION**

## WETCUT 50 GALLON TANK - 3PNT MOUNT

**INSTALL ITEM 2 INTO ITEM 1 FIRST**

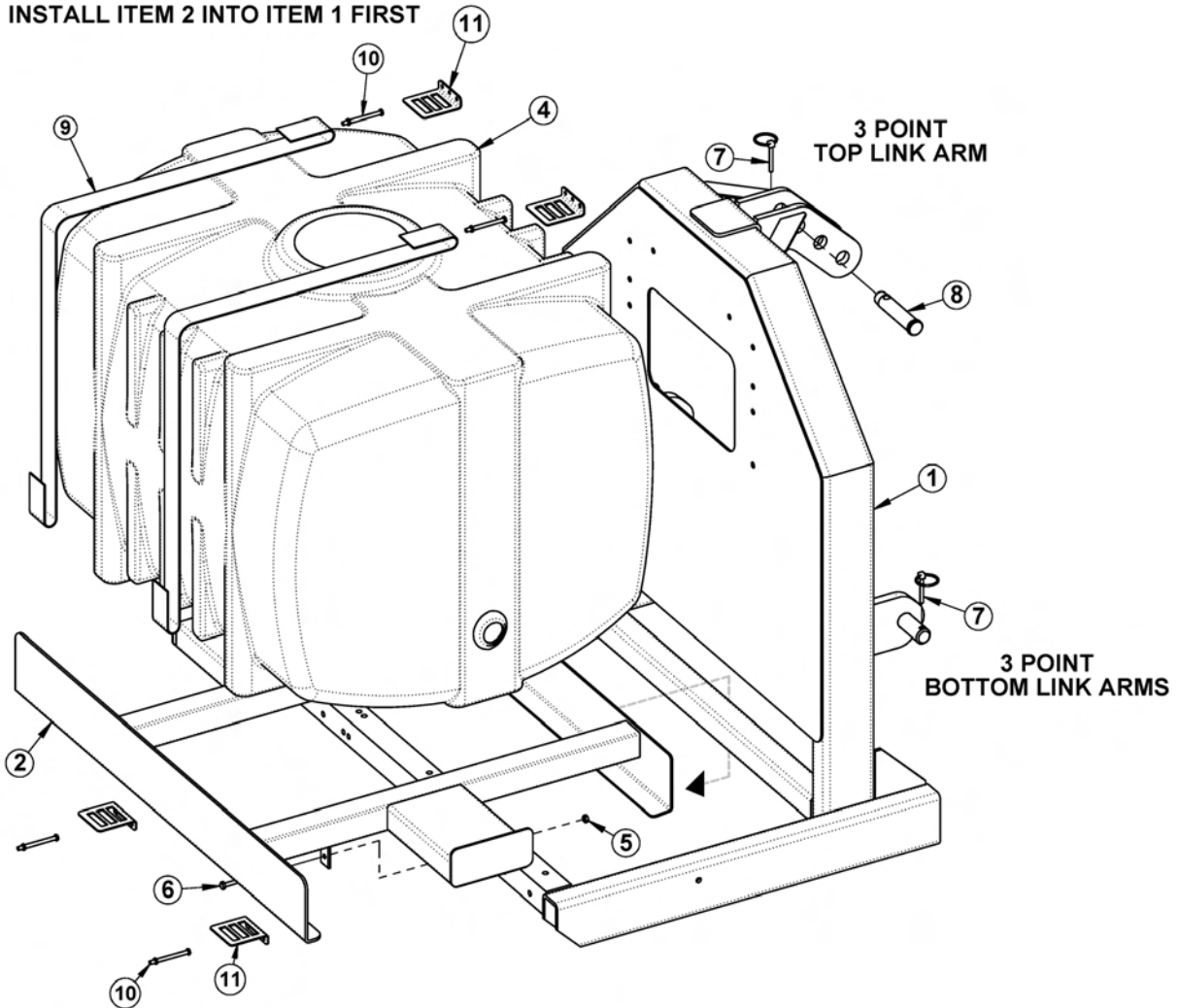


| ITEM | PART NO. | QTY. | DESCRIPTION                  |
|------|----------|------|------------------------------|
| 1    | 06370128 | 1    | MNT,3PNT,UNI                 |
| 2    | 06370136 | 1    | MNT,TANK,50GAL,WETCUT        |
| 4    | 06520342 | 1    | TANK,50GA.,WETCUT            |
| 7    | RD1032   | 3    | PIN,LYNCH 1/4" X 2"          |
| 8    | TB1036   | 1    | PIN,SEC BOOM SWIV 1X4-11/16" |
| 9    | 06520343 | 4    | ANCHOR,STRAP,WETCUT          |
| 10   | 06520344 | 4    | BOLT,STRAP,TANK,WETCUT       |
| 11   | 06520345 | 2    | STRAP,TANK,WETCUT            |

COMMON SIDE FLAIL - XD

## WETCUT 100 OR 150 GALLON TANK - 3PNT MOUNT

INSTALL ITEM 2 INTO ITEM 1 FIRST

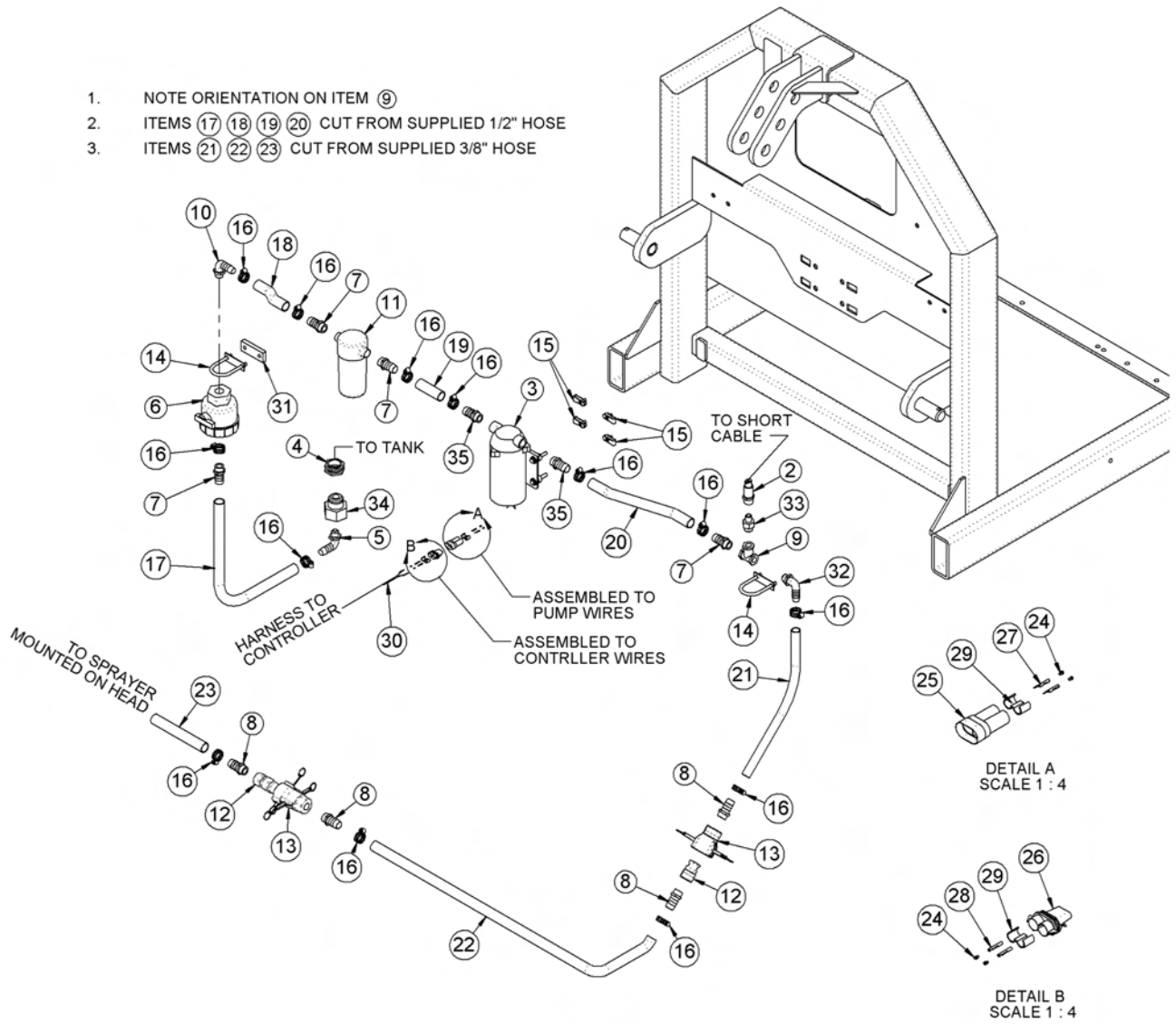


| ITEM  | PART NO. | QTY. | DESCRIPTION                  |
|-------|----------|------|------------------------------|
| 1     | 06370128 | 1    | MNT,3PNT,UNI                 |
| 2     | 06370138 | 1    | MNT,TANK,100GAL,WETCUT       |
| ----- | 06370139 | -    | MNT,TANK,150GAL,WETCUT       |
| 4     | 06520372 | 1    | TANK,100GA.,WETCUT           |
| ----- | 06520373 | -    | TANK,150GA.,WETCUT           |
| 5     | 21527    | 2    | HEX NUT,NYLOCK,1/4" NC       |
| 6     | 21530    | 2    | CAPSCREW,1/4" X 1" NC        |
| 7     | RD1032   | 3    | PIN,LYNCH 1/4" X 2"          |
| 8     | TB1036   | 1    | PIN,SEC BOOM SWIV 1X4-11/16" |
| 9     | 06520345 | 2    | STRAP,TANK,WETCUT            |
| 10    | 06520344 | 4    | BOLT,STRAP,TANK,WETCUT       |
| 11    | 06520343 | 4    | ANCHOR,STRAP,WETCUT          |

COMMON SIDE FLAIL - XD

# WETCUT 3PNT PLUMBING - 50IN MOWERS

1. NOTE ORIENTATION ON ITEM ⑨
2. ITEMS ⑰ ⑱ ⑲ ⑳ CUT FROM SUPPLIED 1/2" HOSE
3. ITEMS ㉑ ㉒ ㉓ CUT FROM SUPPLIED 3/8" HOSE



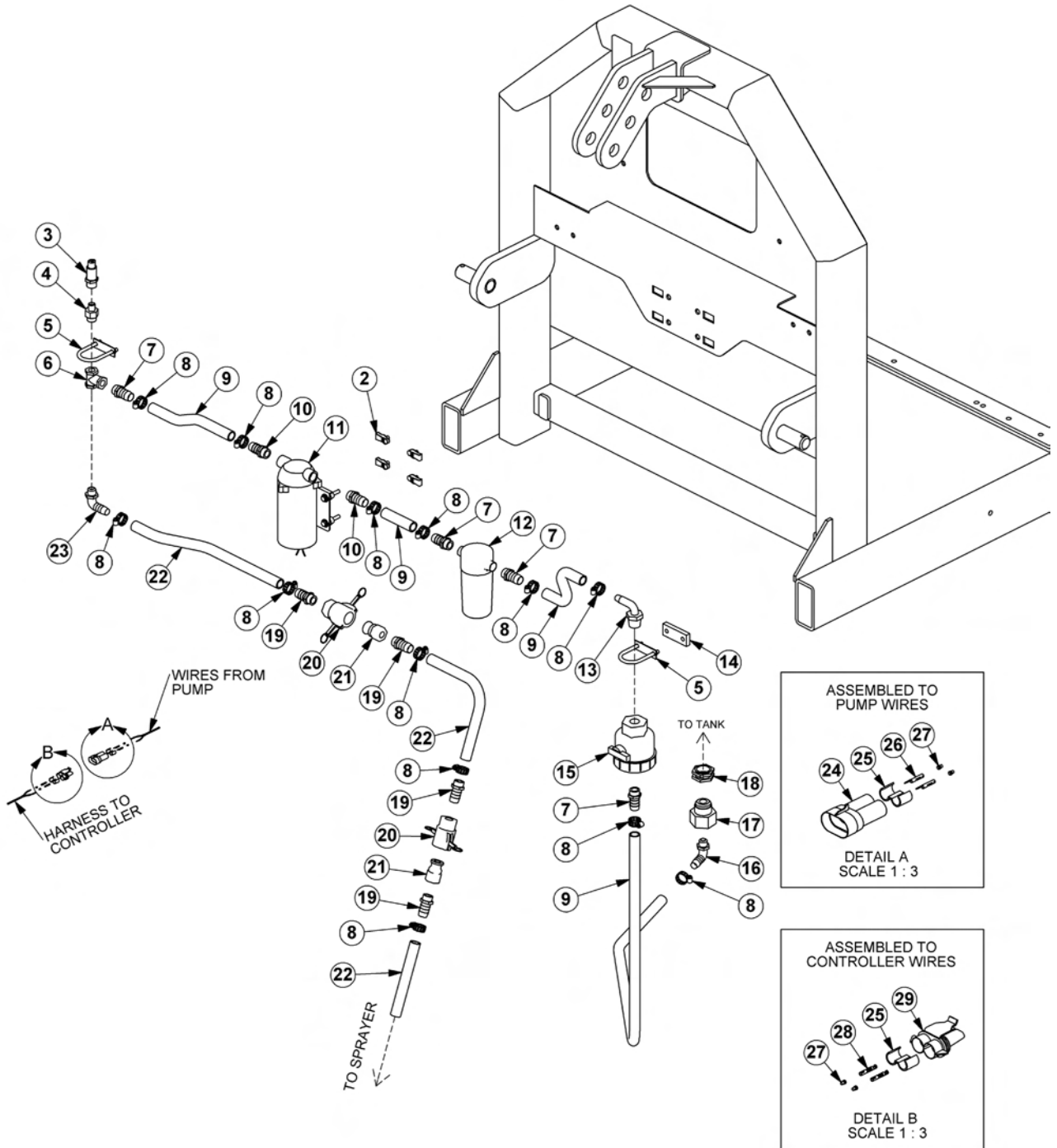
## WETCUT 3PNT PLUMBING - 50IN MOWERS

Continued...

| ITEM    | PART NO. | QTY. | DESCRIPTION   |
|---------|----------|------|---|
| 1       | 06370128 | 1    | MNT,3PNT,UNI  |
| 2       | 06520336 | 1    | CNTRLR,SENSOR,06520333                              |
| 3       | 06520341 | 1    | PUMP,WETCUT   |
| 4       | 06520346 | 1    | FITTING,BULKHEAD,WETCUT (50 GALLON TANKS ONLY)      |
| 5       | 06520347 | 1    | FITTING,ELBOW,WETCUT                                |
| 6       | 06520348 | 1    | VLV,BALL,WETCUT                                     |
| 7       | 06520349 | 4    | FITTING,BARB,HOSE,WETCUT                            |
| 8       | 06503173 | 4    | FITTING,1/2MP X 3/8" BARB                           |
| 9       | 06520353 | 1    | FITTING,TEE,WETCUT                                  |
| 10      | 06520367 | 1    | ELBOW,1/2" X 1/2" BARB,POLY                         |
| 11      | 06520361 | 1    | FILTER,FIRE KIT,RAILKUT                             |
| 12      | 06520400 | 2    | QUIK CPLR,MALE,1/2",WETCUT                          |
| 13      | 06520401 | 2    | QUIK CPLR,FEM,1/2",WETCUT                           |
| 14      | 27329    | 2    | U-BOLT,1/4" X 1" X 2"                               |
| 15      | 35176    | 4    | U-NUT,1/4",3/4" TO CENTER                           |
| 16      | 35091    | 13   | CLAMP, HOSE #6                                      |
| 17 - 20 | 06520469 | 5    | 1/2" HOSE (FEET)                                    |
| 21 - 23 | 06520316 | -    | 3/8" HOSE (INCLUDED WITH SPRAYER)                   |
| 24      | 06510051 | 4    | SEAL,16-18GA,METPAK                                 |
| 25      | 06510052 | 1    | CONN.,BODY,MALE,METRIPACK 150                       |
| 26      | 06510053 | 1    | CONN.,BODY,FEM,METRIPACK 150                        |
| 27      | 06510054 | 2    | TERMINAL,MALE,16/18GA.METPAK                        |
| 28      | 06510055 | 2    | TERMINAL,FEM,16/18GA.METPAK                         |
| 29      | 06510056 | 2    | TPA   |
| 30      | 06520337 | 1    | INCLUDED WITH CONTROLLER                            |
| 31      | 06401133 | 1    | SPACER,Ø.31" X 1.75" X .38"                         |
| 32      | 06503165 | 1    | ELBOW,1/2"MP X 3/8" BARB                            |
| 33      | 06520354 | 1    | BUSHING,REDUCER,WETCUT                              |
| 34      | 06503169 | 1    | BUSHING,1"MP X 1/2"FP (100 & 150 GALLON TANKS ONLY) |
| 35      | 06503176 | 2    | FITTING,BARB,3/8"MP X 1/2" BARB                     |

COMMON SIDE FLAIL - XD

# WETCUT 3PNT PLUMBING - LARGE MOWERS





## WETCUT 3PNT PLUMBING - LARGE MOWERS

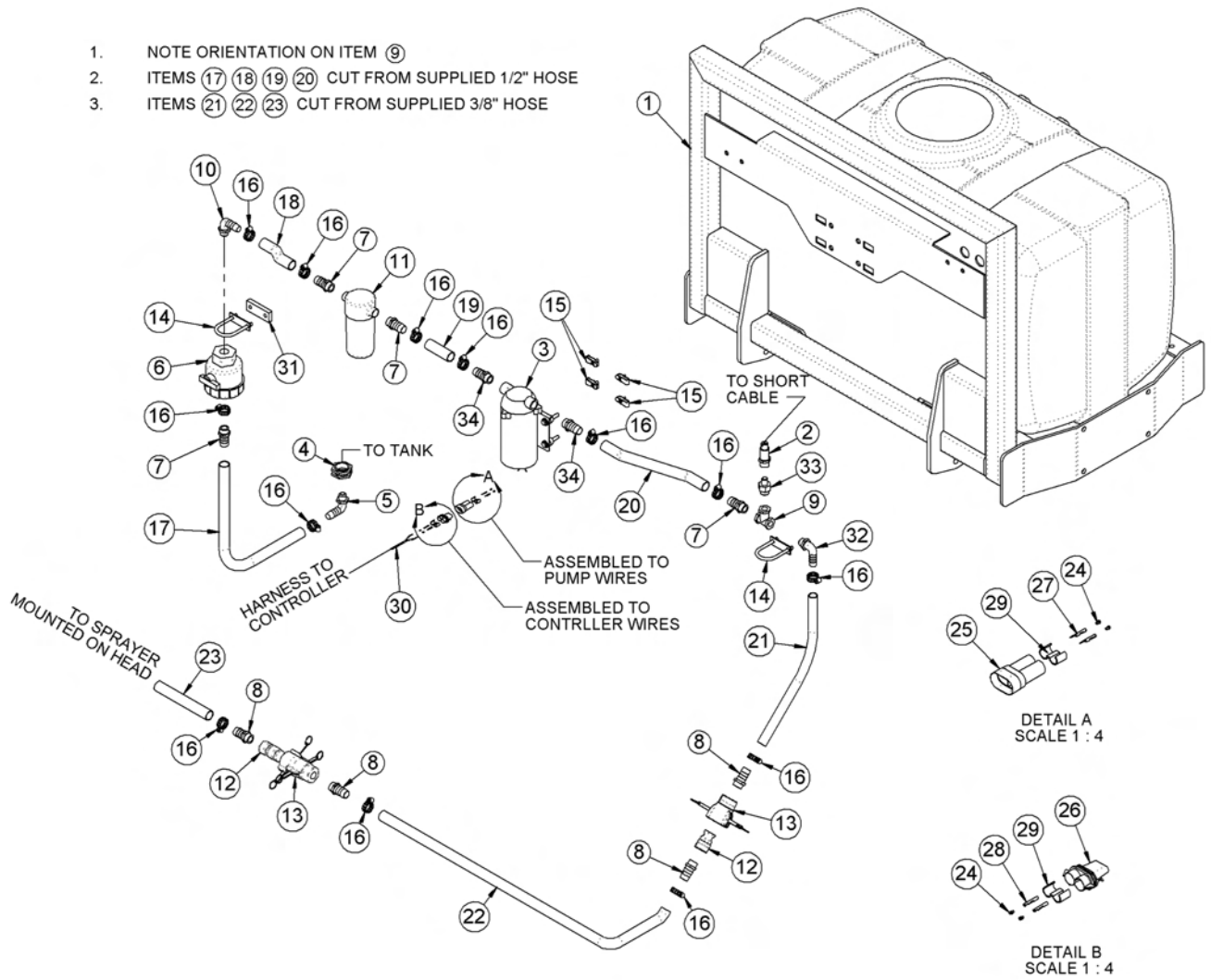
Continued...

| ITEM | PART NO. | QTY. | DESCRIPTION                                     |
|------|----------|------|---|
| 1    | 06370128 | 1    | MNT,3PNT,UNI                                    |
| 2    | 35176    | 4    | U-NUT,1/4,3/4 TO CENTER                         |
| 3    | 06520336 | 1    | CNTRLR,SENSOR,06520333                          |
| 4    | 06520354 | 1    | BUSHING,REDUCER,WETCUT                          |
| 5    | 27329    | 2    | U-BOLT,1/4" X 1" X 2"                           |
| 6    | 06520353 | 1    | FITTING,TEE,WETCUT                              |
| 7    | 06520349 | 4    | FITTING,BARB,HOSE,WETCUT                        |
| 8    | 35091    | 13   | CLAMP, HOSE #6                                  |
| 9    | 06520469 | 5    | 1/2" HOSE (FEET)                                |
| 10   | 06503168 | 2    | SWIVEL,1/2" STR                                 |
| 11   | 06520359 | 1    | PUMP,LARGE                                      |
| 12   | 06520361 | 1    | FILTER,FIRE KIT,RAILKUT                         |
| ---  | 06520351 | 1    | STRAINER,40MESH                                 |
| 13   | 06520367 | 1    | ELBOW,1/2X1/2BARB,POLY                          |
| 14   | 06401133 | 1    | SPACER,Ø.31X1.75X.38                            |
| 15   | 06520348 | 1    | VLV,BALL,WETCUT                                 |
| 16   | 06520347 | 1    | FITTING,ELBOW,WETCUT                            |
| 17   | 06503169 | 1    | BUSHING,1MPX1/2FP (100 & 150 GALLON TANKS ONLY) |
| 18   | 06520346 | 1    | FITTING,BULKHEAD,WETCUT (50 GALLON TANKS ONLY)  |
| 19   | 06503173 | 4    | FITTING,BARB,1/2X3/8,WETCUT                     |
| 20   | 06520401 | 2    | QUIK CPLR,FEM,1/2,WETCUT                        |
| 21   | 06520400 | 2    | QUIK CPLR,MALE,1/2,WETCUT                       |
| 22   | 06520316 | -    | 3/8" HOSE (INCLUDED WITH SPRAYER)               |
| 23   | 06503165 | 1    | ELBOW,1/2X3/8BARB,POLY                          |
| 24   | 06510052 | 1    | CONN.,BODY,MALE,METRIPACK 150                   |
| 25   | 06510056 | 2    | TPA   |
| 26   | 06510054 | 2    | TERMINAL,MALE,16/18GA.METPAK                    |
| 27   | 06510051 | 4    | SEAL,16-18GA,METPAK                             |
| 28   | 06510055 | 2    | TERMINAL,FEM,16/18GA.METPAK                     |
| 29   | 06510053 | 1    | CONN.,BODY,FEM,METRIPACK 150                    |

COMMON SIDE FLAIL - XD

# WETCUT FRONT PLUMBING - 50IN MOWERS

1. NOTE ORIENTATION ON ITEM ⑨
2. ITEMS ⑰ ⑱ ⑲ ⑳ CUT FROM SUPPLIED 1/2" HOSE
3. ITEMS ㉑ ㉒ ㉓ CUT FROM SUPPLIED 3/8" HOSE



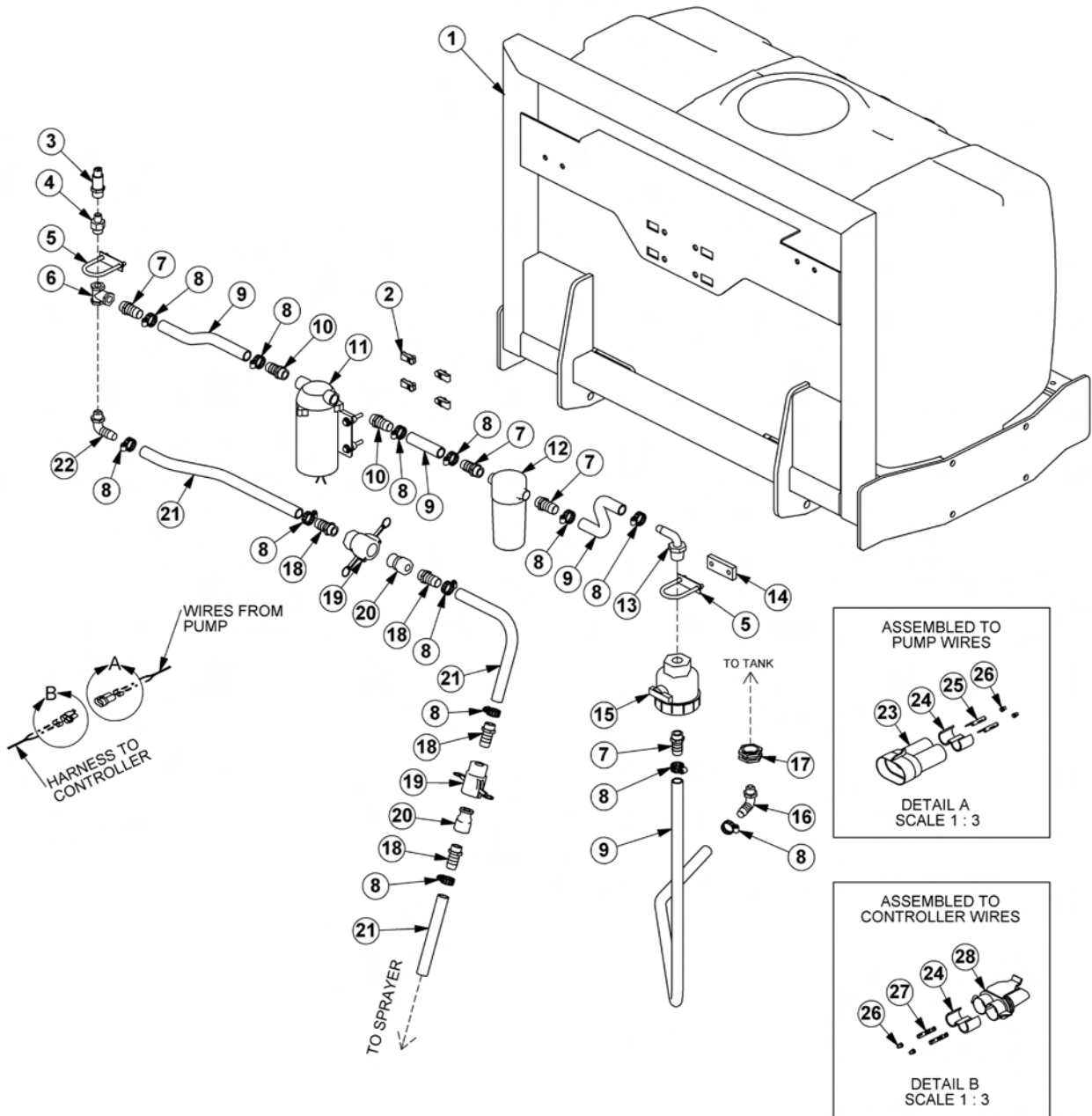
## WETCUT FRONT PLUMBING - 50IN MOWERS

Continued...

| ITEM    | PART NO. | QTY. | DESCRIPTION                       |
|---------|----------|------|-----------------------------------|
| 1       | 06370204 | 1    | MNT,FRONT,UNI                     |
| 2       | 06520336 | 1    | CNTRLR,SENSOR,06520333            |
| 3       | 06520341 | 1    | PUMP,WETCUT                       |
| 4       | 06520346 | 1    | FITTING,BULKHEAD,WETCUT           |
| 5       | 06520347 | 1    | FITTING,ELBOW,WETCUT              |
| 6       | 06520348 | 1    | VLV,BALL,WETCUT                   |
| 7       | 06520349 | 4    | FITTING,BARB,HOSE,WETCUT          |
| 8       | 06503173 | 4    | FITTING,1/2"MP X 3/8"BARB         |
| 9       | 06520353 | 1    | FITTING,TEE,WETCUT                |
| 10      | 06520367 | 1    | ELBOW,1/2"MP X 1/2"BARB,POLY      |
| 11      | 06520361 | 1    | FILTER,FIRE KIT,RAILKUT           |
| ---     | 06520351 | 1    | STRAINER,40MESH                   |
| 12      | 06520400 | 2    | QUIK CPLR,MALE,1/2",WETCUT        |
| 13      | 06520401 | 2    | QUIK CPLR,FEM,1/2",WETCUT         |
| 14      | 27329    | 2    | U-BOLT,1/4" X 1" X 2"             |
| 15      | 35176    | 4    | U-NUT,1/4",3/4" TO CENTER         |
| 16      | 35091    | 13   | CLAMP,HOSE #6                     |
| 17 - 20 | 06520469 | 5    | 1/2" HOSE (FEET)                  |
| 21 - 23 | 06520316 | -    | 3/8" HOSE (INCLUDED WITH SPRAYER) |
| 24      | 06510051 | 4    | SEAL,16-18GA,METPAK               |
| 25      | 06510052 | 1    | CONN.,BODY,MALE,METRIPACK 150     |
| 26      | 06510053 | 1    | CONN.,BODY,FEM,METRIPACK 150      |
| 27      | 06510054 | 2    | TERMINAL,MALE,16/18GA.METPAK      |
| 28      | 06510055 | 2    | TERMINAL,FEM,16/18GA.METPAK       |
| 29      | 06510056 | 2    | TPA                               |
| 30      | 06520337 | 1    | INCLUDED WITH CONTROLLER          |
| 31      | 06401133 | 1    | SPACER,Ø.31" X 1.75" X .38"       |
| 32      | 06503165 | 1    | ELBOW,1/2"MP X 3/8"BARB,POLY      |
| 33      | 06520354 | 1    | BUSHING,REDUCER,WETCUT            |
| 34      | 06503176 | 2    | FITTING,3/8"MP X 1/2"BARB         |

COMMON SIDE FLAIL - XD

# WETCUT FRONT PLUMBING - LARGE MOWERS



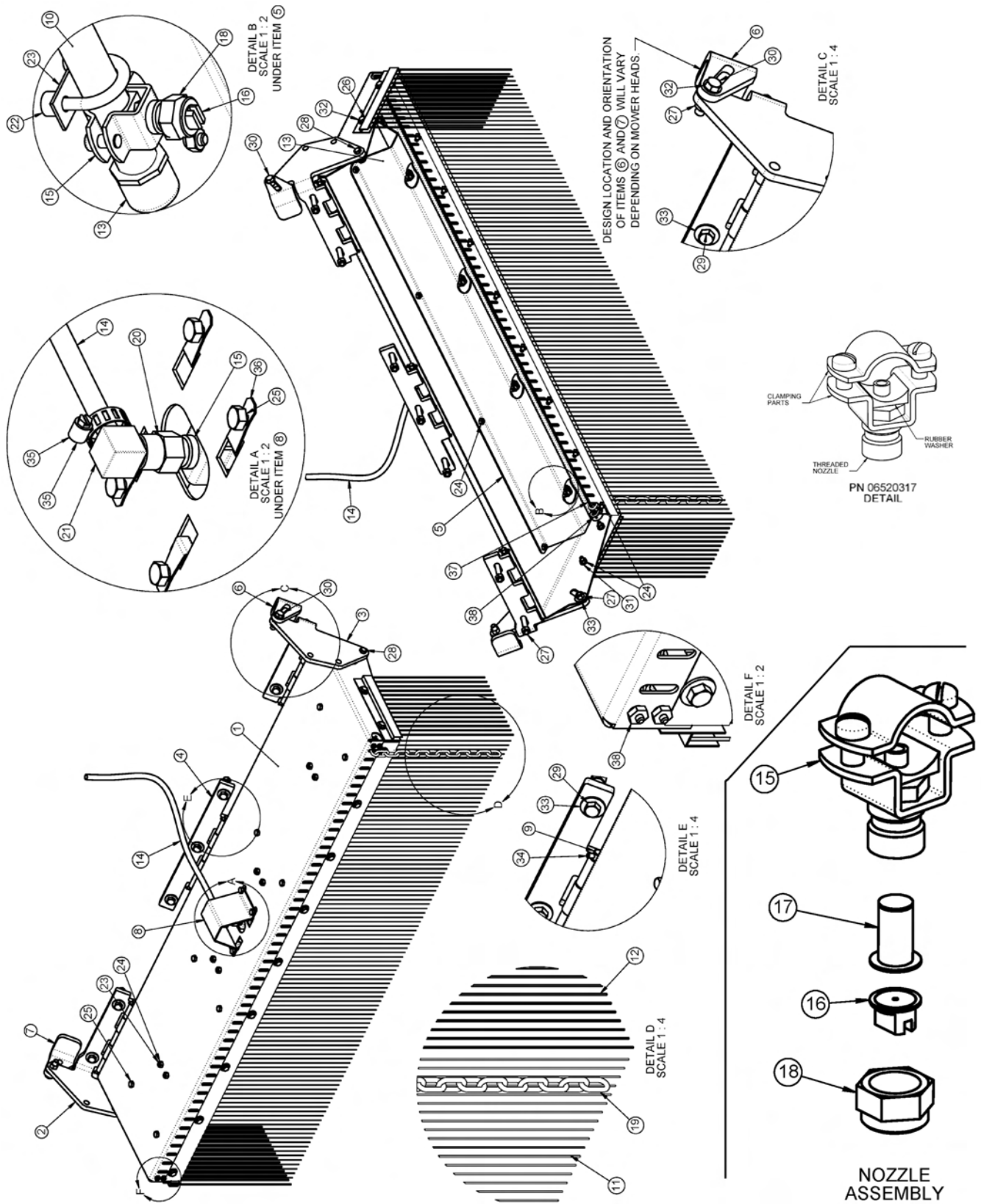
## WETCUT FRONT PLUMBING - LARGE MOWERS

Continued...

| ITEM | PART NO. | QTY. | DESCRIPTION                       |
|------|----------|------|-----------------------------------|
| 1    | 06370204 | 1    | MNT,FRONT,UNIV                    |
| 2    | 35176    | 4    | U-NUT,1/4,3/4 TO CENTER           |
| 3    | 06520336 | 1    | CNTRLR,SENSOR,06520333            |
| 4    | 06520354 | 1    | BUSHING,REDUCER,WETCUT            |
| 5    | 27329    | 2    | U-BOLT,1/4" X 1" X 2"             |
| 6    | 06520353 | 1    | FITTING,TEE,WETCUT                |
| 7    | 06520349 | 4    | FITTING,BARB,HOSE,WETCUT          |
| 8    | 35091    | 13   | CLAMP, HOSE #6                    |
| 9    | 06520469 | 5    | 1/2" HOSE (FEET)                  |
| 10   | 06503168 | 2    | SWIVEL,1/2" STR                   |
| 11   | 06520359 | 1    | PUMP,LARGE                        |
| 12   | 06520361 | 1    | FILTER,FIRE KIT,RAILKUT           |
| ---  | 06520351 | 1    | STRAINER,40MESH                   |
| 13   | 06520367 | 1    | ELBOW,1/2X1/2BARB,POLY            |
| 14   | 06401133 | 1    | SPACER,Ø.31X1.75X.38              |
| 15   | 06520348 | 1    | VLV,BALL,WETCUT                   |
| 16   | 06520347 | 1    | FITTING,ELBOW,WETCUT              |
| 17   | 06520346 | 1    | FITTING,BULKHEAD,WETCUT           |
| 18   | 06503173 | 4    | FITTING,BARB,1/2X3/8,WETCUT       |
| 19   | 06520401 | 2    | QUIK CPLR,FEM,1/2,WETCUT          |
| 20   | 06520400 | 2    | QUIK CPLR,MALE,1/2,WETCUT         |
| 21   | 06520316 | -    | 3/8" HOSE (INCLUDED WITH SPRAYER) |
| 22   | 06503165 | 1    | ELBOW,1/2X3/8BARB,POLY            |
| 23   | 06510052 | 1    | CONN.,BODY,MALE,METRIPACK 150     |
| 24   | 06510056 | 2    | TPA                               |
| 25   | 06510054 | 2    | TERMINAL,MALE,16/18GA.METPAK      |
| 26   | 06510051 | 4    | SEAL,16-18GA,METPAK               |
| 27   | 06510055 | 2    | TERMINAL,FEM,16/18GA.METPAK       |
| 28   | 06510053 | 1    | CONN.,BODY,FEM,METRIPACK 150      |

COMMON SIDE FLAIL - XD

# WETCUT 50IN SPRAYER HEAD ASSEMBLY



COMMON SIDE FLAIL - XD

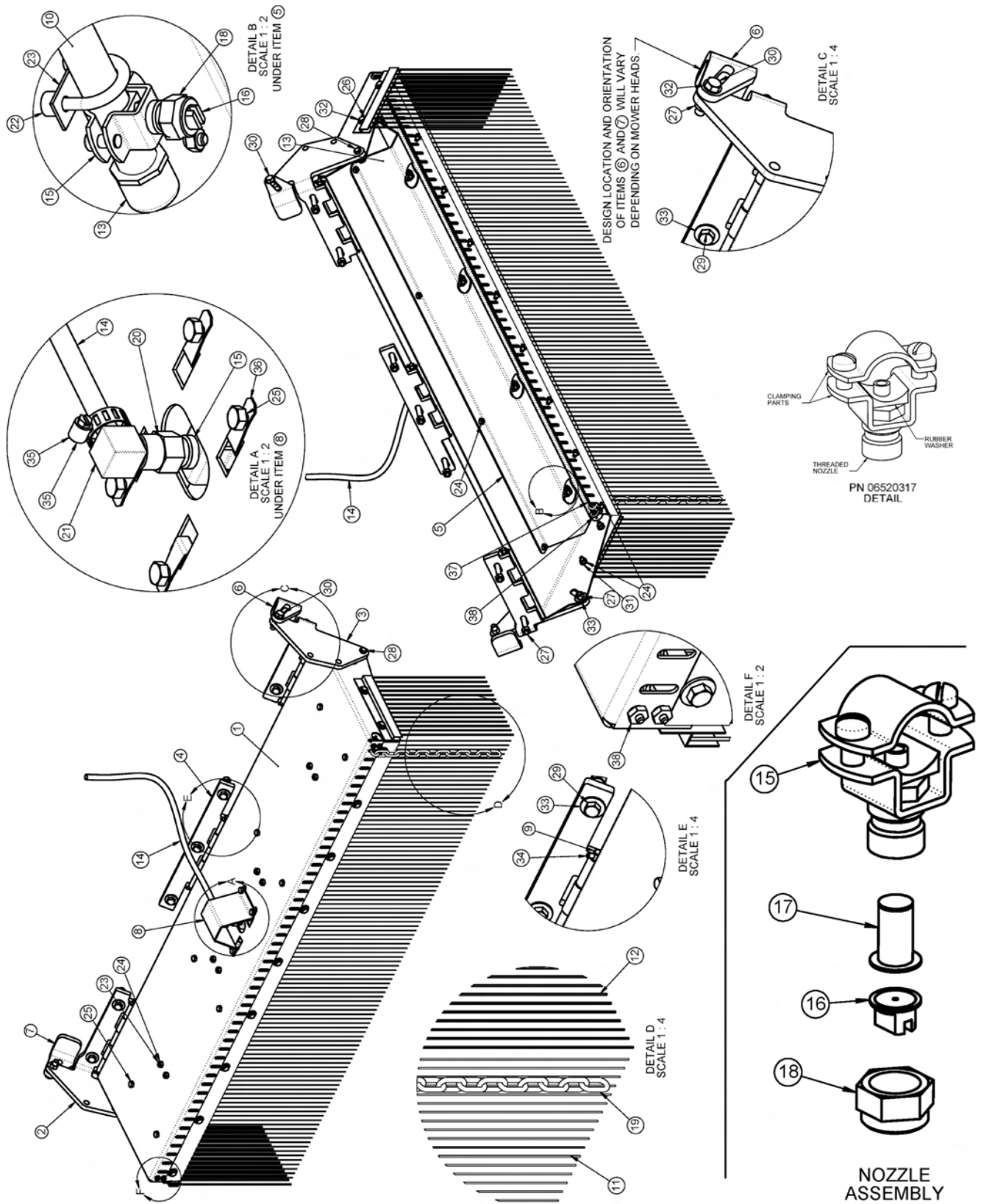
## WETCUT 50IN SPRAYER HEAD ASSEMBLY

Continued...

| ITEM | PART NO. | QTY. | DESCRIPTION                               |
|------|----------|------|---|
| 1    | 06370105 | 1    | HOOD,SPRAYER                              |
| 2    | 06370106 | 1    | HINGE,LH,SPRAYER                          |
| 3    | 06370107 | 1    | HINGE,RH,SPRAYER                          |
| 4    | 06370108 | 1    | HINGE,CNTR,SPRAYER                        |
| 5    | 06410668 | 1    | GUARD,SPRAYER,WETCUT                      |
| 6    | 06410753 | 1    | MNT,RH,WET CUT (FLAIL)                    |
| ---  | 06410942 | 1    | MNT,RH,WET CUT (ROTARY)                   |
| 7    | 06410754 | 1    | MNT,LH,WET CUT (FLAIL)                    |
| ---  | 06410943 | 1    | MNT,LH,WET CUT (ROTARY)                   |
| 8    | 06410796 | 1    | GUARD,HOSE,WETCUT                         |
| 9    | 06420069 | 3    | PIN,HINGE,WET CUT                         |
| 10   | 06497003 | 1    | TUBE,LG,SPRAYER                           |
| 11   | 06499012 | 1    | SKIRT,ANTI SPRAY,50                       |
| 12   | 06499013 | 2    | SKIRT,ANTI SPRAY,7                        |
| 13   | 06520314 | 2    | TUBE,CAP,SPRAYER                          |
| 14   | 06520316 | 15   | HOSE,SPRAYER (FEET)                       |
| 15   | 06520317 | 5    | NOZZLE,SPRAYER                            |
| 16   | 06520319 | 4    | TIP,NOZZLE,SPRAYER                        |
| 17   | 06520320 | 4    | FILTER,NOZZLE,SPRAYER                     |
| 18   | 06520321 | 4    | NUT,NOZZLE,SPRAYER                        |
| 19   | 06520322 | 49   | CHAIN,.18" X 1.31" X 13LINKS              |
| 20   | 06520381 | 1    | ADAPTER,1/4"NPT,WETCUT                    |
| 21   | 06520382 | 1    | ELBOW,BARB,3/8" X 1/4"NPT                 |
| 22   | 06520383 | 8    | SPACER,.50"O.D. X .252" I.D. X .38",NYLON |
| 23   | 32550    | 4    | U-BOLT,1/4" X 1" X 1" X 1-3/4"            |
| 24   | 21527    | 29   | HEX NUT,NYLOCK,1/4",NC                    |
| 25   | 21528    | 12   | CAPSCREW,1/4" X 1/2",NC                   |
| 26   | 21529    | 13   | CAPSCREW,1/4" X 3/4",NC                   |
| 27   | 21625    | 11   | HEX NUT,3/8",NC                           |
| 28   | 21630    | 2    | CAPSCREW,3/8" X 1",NC                     |
| 29   | 21634    | 7    | CAPSCREW,3/8" X 2",NC                     |
| 30   | 21632    | 2    | CAPSCREW,3/8" X 1-1/2",NC                 |
| 31   | 21986    | 4    | LOCKWASHER,1/4"                           |
| 32   | 22014    | 15   | FLATWASHER,1/4"                           |
| 33   | 22016    | 9    | FLATWASHER,3/8",GR8                       |
| 34   | 34698    | 6    | ROLL PIN, PLAIN, 3/16" X 7/8"             |
| 35   | 35091    | 1    | CLAMP,HOSE #6                             |
| 36   | 35176    | 4    | U-NUT,1/4",3/4" TO CENTER                 |
| 37   | 06520376 | 5    | CABLE,3/16"                               |
| 38   | 06537022 | 2    | U-BOLT,CABLE,3/16"                        |

COMMON SIDE FLAIL - XD

# WETCUT 60IN SPRAYER HEAD ASSEMBLY



COMMON SIDE FLAIL - XD



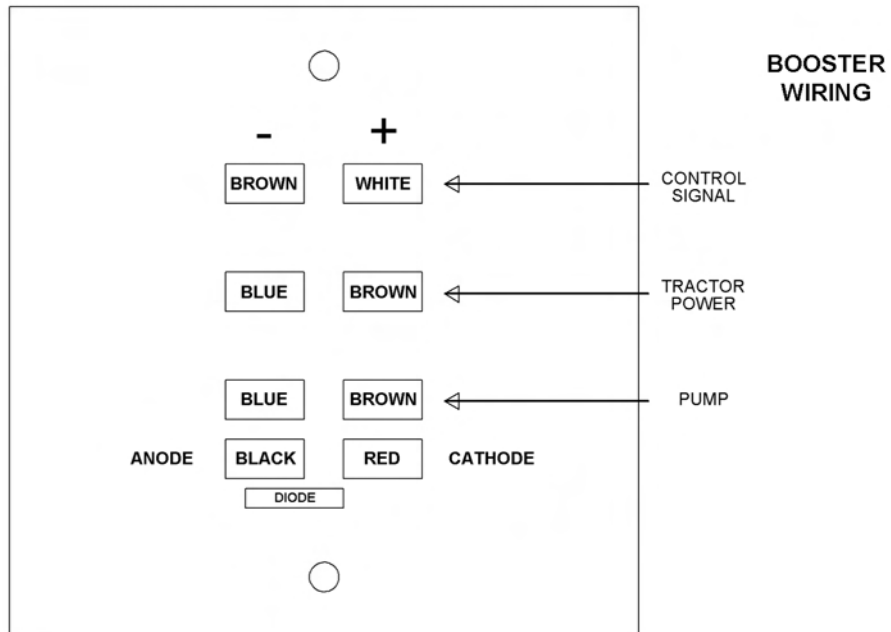
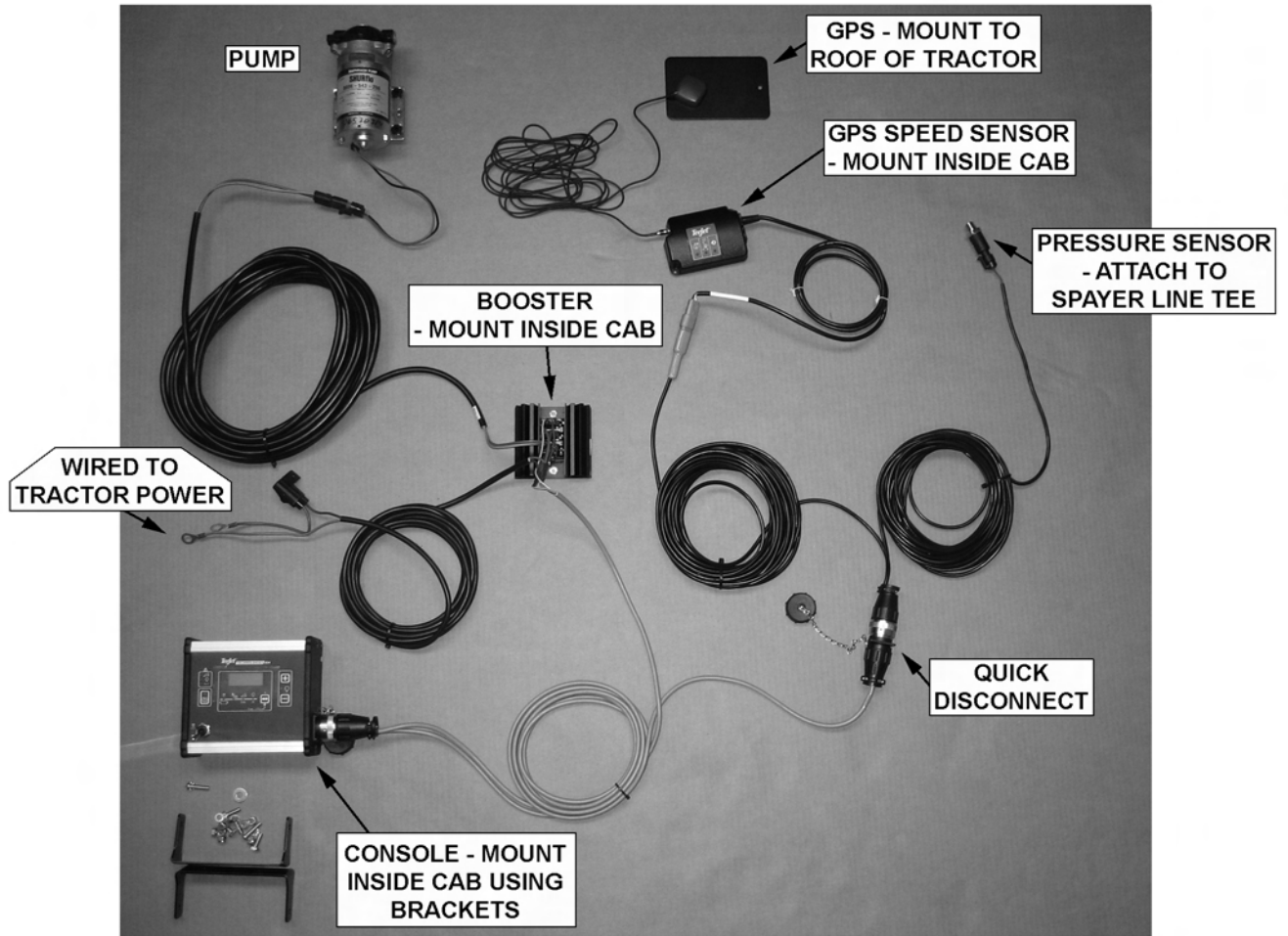
## WETCUT 60IN SPRAYER HEAD ASSEMBLY

Continued...

| ITEM | PART NO. | QTY. | DESCRIPTION                              |
|------|----------|------|--|
| 1    | 06370210 | 1    | HOOD,SPRAYER                             |
| 2    | 06370106 | 1    | HINGE,LH,SPRAYER                         |
| 3    | 06370107 | 1    | HINGE,RH,SPRAYER                         |
| 4    | 06370108 | 1    | HINGE,CNTR,SPRAYER                       |
| 5    | 06411234 | 1    | GUARD,SPRAYER,WETCUT                     |
| 6    | 06410753 | 1    | MNT,RH,WET CUT (FLAIL)                   |
| ---  | 06410942 | 1    | MNT,RH,WET CUT (ROTARY)                  |
| 7    | 06410754 | 1    | MNT,LH,WET CUT (FLAIL)                   |
| ---  | 06410943 | 1    | MNT,LH,WET CUT (ROTARY)                  |
| 8    | 06410796 | 1    | GUARD,HOSE,WETCUT                        |
| 9    | 06420069 | 3    | PIN,HINGE,WET CUT                        |
| 10   | 06497009 | 1    | TUBE,LG,SPRAYER                          |
| 11   | 06499018 | 1    | SKIRT,ANTI SPRAY,60                      |
| 12   | 06499013 | 2    | SKIRT,ANTI SPRAY,7                       |
| 13   | 06520314 | 2    | TUBE,CAP,SPRAYER                         |
| 14   | 06520316 | 15   | HOSE,SPRAYER (FEET)                      |
| 15   | 06520317 | 6    | NOZZLE,SPRAYER                           |
| 16   | 06520319 | 5    | TIP,NOZZLE,SPRAYER                       |
| 17   | 06520320 | 5    | FILTER,NOZZLE,SPRAYER                    |
| 18   | 06520321 | 5    | NUT,NOZZLE,SPRAYER                       |
| 19   | 06520322 | 61   | CHAIN,.18" X 1.31" X 13LINKS             |
| 20   | 06520381 | 1    | ADAPTER,1/4"NPT,WETCUT                   |
| 21   | 06520382 | 1    | ELBOW,BARB,3/8" X 1/4"NPT                |
| 22   | 06520383 | 10   | SPACER,.50"O.D. X .252"I.D. X .38",NYLON |
| 23   | 32550    | 5    | U-BOLT,1/4" X 1" X 1" X 1-3/4"           |
| 24   | 21527    | 33   | HEX NUT,NYLOCK,1/4",NC                   |
| 25   | 21528    | 15   | CAPSCREW,1/4" X 1/2",NC                  |
| 26   | 21529    | 13   | CAPSCREW,1/4" X 3/4",NC                  |
| 27   | 21625    | 13   | HEX NUT,3/8",NC                          |
| 28   | 21630    | 2    | CAPSCREW,3/8" X 1",NC                    |
| 29   | 21634    | 7    | CAPSCREW,3/8" X 2",NC                    |
| 30   | 21632    | 4    | CAPSCREW,3/8" X 1-1/2",NC                |
| 31   | 21986    | 4    | LOCKWASHER,1/4"                          |
| 32   | 22014    | 33   | FLATWASHER,1/4"                          |
| 33   | 22016    | 11   | FLATWASHER,3/8",GR8                      |
| 34   | 34698    | 6    | ROLL PIN, PLAIN, 3/16" X 7/8"            |
| 35   | 35091    | 1    | CLAMP,HOSE #6                            |
| 36   | 35176    | 4    | U-NUT,1/4",3/4" TO CENTER                |
| 37   | 06520376 | 6    | CABLE,3/16" (FEET)                       |
| 38   | 06537022 | 2    | U-BOLT,CABLE,3/16"                       |

COMMON SIDE FLAIL - XD

# WETCUT CABLES



**WARRANTY  
SECTION**



## WARRANTY INFORMATION

Tiger Corporation, 3301 N. Louise, Sioux Falls, South Dakota, warrants to the original Retail Customer, the new Tiger equipment is free of defects in material and workmanship. Any part of equipment that in Tiger's judgement, show evidence of such defects will be repaired or replaced without charge, provided that the failure of part(s) shall have occurred within twelve (12) months from the date of delivery of said equipment to the Retail Customer. Expendable components such as knives, oil, chain sprockets, skid shoes, knife mounting disks and the like are excluded but not limited to this warranty.

The Retail Customer must pay the transportation cost to and from the Tiger Dealer's service shop for warranty service. Warranty service will be performed by the Tiger Dealer from whom the equipment was purchased, during service shop regularly scheduled days and hours of operation.

All Tiger obligation under this warranty shall be terminated if the equipment is modified or altered in ways not approved in writing by Tiger, if repair parts other than genuine Tiger repair parts have been used, or if the equipment has been subject to misuse, neglect, accident, improper maintenance or improper operation.

Tiger Corporation reserves the right to make improvements in design or changes in specification at any time without incurring any obligation to owners of equipment previously sold.

No agent or person has authority to alter, add to or waive the above warranties which are agreed to be in the only warranties, representations or promises, expressed or implied, as to the quality or performance of the products covered and which do not include any implied warranty of merchantability or fitness. In no event will Tiger be liable for incidental or consequential damages or injuries, including, but not limited to, loss of profits, rental or substitute equipment or other commercial loss.

**THERE ARE NO WARRANTIES WHICH EXTEND  
BEYOND THOSE EXPRESSED HEREIN.**

It is the Purchasers obligation to sign the warranty registration form **AFTER** he / she has Read and Understands the Operation and Safety Instructions stated within this manual.

## **ONE LAST WORD**

This manual cannot possibly cover all of the potentially hazardous situations you will encounter. By being familiar with the safety rules, operating and maintenance instructions in this manual you can help prevent accidents. The objective of this manual is to help make you a better operator. Remember, **SAFETY IS YOU!**



1012

Your safety and the safety of those around you depends on **YOU**. Common sense should play a large role in the operation of this machine.

Since we at Tiger Corporation are constantly striving to improve our products, we reserve the right to change specifications or design at any time.

## TO THE OWNER / OPERATOR / DEALER



To keep your implement running efficiently and safely, read your manual thoroughly and follow these directions and the Safety Messages in this manual and on the machine. The table of contents clearly identifies each section where you can easily find the information you need.

The Occupational Safety and Health Act (OSHA 1928.51 subpart C) makes the following minimum requirements for tractor operators.

### **OWNER REQUIREMENTS:**

1. Provide a Roll-Over-Protective Structure that meets the requirements of this Standard; and
2. Provide Seatbelts that meet the requirements of this Standard and SAE J3C; and
3. Ensure that each employee uses such Seatbelt while the tractor is moving; and
4. Ensure that each employee tightens the Seatbelt sufficiently to confine the employee to the protected area provided by the ROPS.

### **OPERATOR REQUIREMENTS:**

1. Securely fasten seatbelt if the tractor has a ROPS.
2. Where possible, avoid operating the tractor near steep ditches, embankments, and holes.
3. Reduce speed when turning, crossing slopes, and on rough, slick, or muddy surfaces.
4. Stay off slopes too steep for safe operation.
5. Watch where you are going – especially at row ends, on roads, and around trees.
6. Do Not permit others to ride.
7. Operate the tractor smoothly – no jerky turns, starts, or stops.
8. Hitch only to the draw-bar and hitch points recommended by the tractor manufacturer.
9. When the tractor is stopped, set brakes securely and use park lock, if available



Printed in USA  
© Tiger Corporation