



G5 6 9 F 6 C C A
5 G G 9 A 6 @ 9 G

JD6140-50M/R

Current as of 4/5/18



PARTS LISTING WITH
MOUNTING AND OPERATING
INSTRUCTIONS

Hj[Yf 7 cfdcfU]cb
3301 N. Louise Ave.
Sioux Falls, SD 57107
%, \$\$, (' !* , (-
%* \$) !' ' * !+- \$\$
k k k 'h] Yf!a ck Yfg'Wca

\$* \$%/\$%

HC H<9 CK B9F #CD9F5HCF #895 @F

All implements with moving parts are potentially hazardous. There is no substitute for a cautious, safe-minded operator who recognizes the potential hazards and follows reasonable safety practices. The manufacturer has designed this implement to be used with all its safety equipment properly attached to minimize the chance of accidents.

69: CF9 MCI GH5FH° Read the safety messages on the implement and shown in this manual. Observe the rules of safety and use common sense!

F958 5B8 I B89FGH5B8 H<GA5BI 5 @ BcbE9b[`]g\ gdYU_]b[cdYfUrcfg k]` bYYX tc ; 9H H<9 A5BI 5 @HF5BG@H98 Ug bYYXYX°



DANGER

FAILING TO FOLLOW SAFETY MESSAGES AND OPERATING INSTRUCTIONS CAN CAUSE SERIOUS BODILY INJURY OR EVEN DEATH TO OPERATOR AND OTHERS IN THE AREA.

<p>1.</p>	<p>2. NO RIDERS. NO CHILDREN OPERATORS.</p>	<p>3. USE SAFETY SHOES, HARD HAT, SAFETY GLASSES, SEAT BELTS, ROPS & OPS</p>	<p>4. BLOCK UP SECURELY BEFORE WORKING UNDER.</p>
-----------	---	--	---

1. Study and understand Operator's Manuals, Safety Decals, and Instructional Decals for tractor and implement to prevent misuse, abuse, and accidents. Practice before operating in a confined area or near passersby.
 ● Learn how to stop engine suddenly in an emergency. Be alert for passersby and especially children

2. Allow no children on or near folding mower or tractor. Allow no riders on tractor or implement. Falling off may cause serious injury or death from being run over by tractor or mower or contact with rotating blades.

3. Operate only with tractor having Roll-Over Protective Structure (ROPS) and with seat belt securely fastened to prevent injury and possible death from falling off or tractor overturn.
 ● Personal Protective Equipment such as Hard Hat, Safety Glasses, Safety Shoes, & Ear Plugs are recommended.

4. Block up or support raised machine and all lifted components securely before putting hands or feet under or working underneath any lifted component to prevent crushing injury or death from sudden dropping or inadvertent operation of controls. Make certain area is clear before lowering or folding

5. Before transporting, put Lift Lever in detent or full-lift position. Install Transport Safety Devices securely on folding mowers. Put Booms securely in Transport Rest.
 ● Folding and Boom Mowers have raised center of gravity. Slow down when turning and on hillsides.

6. Make certain that SMV sign, warning lights, and reflectors are clearly visible. Follow local traffic codes.

7. Never operate with Cutting Head or Folding Section raised if passersby, bystanders, or traffic are in the area to reduce possibility of injury or death from objects thrown by Blades under Guards or mower structure.

8. Before dismounting, secure implement in transport position or lower to ground.
 ● Put tractor in park or set brake, disengage PTO, stop engine, remove key, and wait until noise of rotation has ceased to prevent crushing by entanglement in rotating parts which could cause injury or death.
 ● Never mount or dismount a moving vehicle. Crushing from runover may cause serious injury or death.

<p>5. TRANSPORT SAFELY, LOCK UP.</p>	<p>6. USE SMV, LIGHTS, & REFLECTORS.</p>	<p>7. DO NOT OPERATE WITH CUTTER OR WING RAISED.</p>	<p>8. DO NOT MOUNT OR DISMOUNT WHILE MOVING.</p>
--------------------------------------	--	--	--

02967827

Y cttepv{ Kphqto cvkq< Tgcf cpf wpf gtucpf vj g eqo r ngv Y cttepv{ Ucvgo gpvhqwpf kp vj ku o cpwci0 Hkmqwwj g Y cttepv{ Tgi kvvcvkp hqto kp hmcnpf tgwtp kvj kj kp ; 2 f c {u0 O cng egtvcp vj g UgtkcnP wo dgt qh vj g o cej kpg ku tgeqtf gf qp vj g Y cttepv{ Ectf. cpf hqto vj cv {qwtgvckp0

FORWARD

This manual contains information about many features of the Tiger mowing and roadside maintenance equipment. Some of these include: Safety precautions, Assembly instructions, Operations, Maintenance and Parts. This manual will also assist you in the proper break-in, daily care, and troubleshooting of your new mower.

We recommend that you read carefully the entire manual before operating the unit. Also, time spent in becoming fully acquainted with its performance features, adjustments, and maintenance schedules will be repaid in a long and satisfactory life of the equipment.

Troubleshooting - Please, before you call, help us to help you!

Please look at the equipment to observe what is happening, then:

- Classify the problem
 - Hydraulic, electrical or mechanical - Read the trouble shooting section
 - Tractor or Truck chassis - Contact vehicle dealer

- If unable to correct the problem yourself, contact your local Tiger Dealer after gathering:
 - Machine model _____
 - Serial number _____
 - Dealer name _____
 - Detailed information about the problem including results of troubleshooting

Attention Owner / Operator / Dealer: It is your obligation to read, and understand, the warranty information section located at the back of this manual denoting that the purchaser understands the safety issues relating to this machine and has received and will read a copy of this manual.

If at any time, you have a service problem with your Tiger mower, Contact your local dealer for service and parts needed.

MANUFACTURED BY:

Tiger Corporation

3301 N. Louise Ave.

Sioux Falls, SD 57107

1-800-843-6849

1-605-336-7900

www.tiger-mowers.com

DISTRIBUTED BY:

1- _____ - _____ - _____

1- _____ - _____ - _____

TABLE OF CONTENTS

SAFETY SECTION_____	1
ASSEMBLY / MOUNTING SECTION_____	2
OPERATION SECTION_____	3
MAINTENANCE SECTION_____	4
PARTS SECTION_____	5
COMMON PARTS SECTION_____	6
WARRANTY INFORMATION_____	7



1012

This symbol means:

CAUTION – YOUR SAFETY IS AT RISK!

When you see this symbol, read and follow the associated instructions carefully or personal injury or damage may result.

Tiger is a registered trademark.



G5 : 9HM

G5 : 9HM
G97 HCB

G5 : 9HM

: YbYfU GUZYm-bglfi Wjcbg UbX DfUWjWg

A safe and careful operator is the best operator. Safety is of primary importance to the manufacturer and should be to the owner / operator. Most accidents can be avoided by being aware of your equipment, your surroundings, and observing certain precautions. The first section of this manual includes a list of Safety Messages that, if followed, will help protect the operator and bystanders from injury or death. Read and understand these Safety Messages before assembling, operating or servicing this mower. This equipment should only be operated by those persons who have read the Manual, who are responsible and trained, and who know how to do so safely and responsibly.



1000

The Safety Alert Symbol combined with a Signal Word, as seen below, is used throughout this manual and on decals which are attached to the equipment. The Safety Alert Symbol means: **¡ 5HH9BHCB° 697CA95 @FH° MCI F G5 : 9HM-G -BJC@98 °** The symbol and signal word are intended to warn the owner / operator of impending hazards and the degree of possible injury when operating this equipment.

DfUWjW U` i gi U UbX W glca UfmgUZ k cf_]b[dfYUj h]cbg UbX
 Uvcj Y U` !! fYa Ya VYf gUZym]g i d hc MCI ° Cb`mMCI WUb
 dfYj YbhgYf]ci g]b¹ fmcf XYUA Zca i bgUZ dfUWjWg"

DANGER!



Indicates an imminently hazardous situation that, if not avoided, WILL result in DEATH OR VERY SERIOUS INJURY.

WARNING!



Indicates an imminently hazardous situation that, if not avoided, COULD result in DEATH OR SERIOUS INJURY.

CAUTION!



Indicates an imminently hazardous situation that, if not avoided, MAY result in MINOR INJURY.

ADCFH5 BH°

Identifies special instructions or procedures that, if not strictly observed, could result in damage to, or destruction of the machine, attachments or the environment.

BCH9. @^} cã•][ã • [~] æ cã |æ ã c^!^•c-! { [!^ ^ ~ã } c[! & } çã } ã } c[] ^!æã } [!
 !^} æã (SG-1)

READ, UNDERSTAND, and FOLLOW the following Safety Messages. Serious injury or death may occur unless care is taken to follow the warnings and instructions stated in the Safety Messages. Always use good common sense to avoid hazards. (SG-2)

SAFETY INSTRUCTIONS



G5 : 9HM

D9 @; FC°



Si no lee Ingles, pida ayuda a alguien que si lo lea para que le traduzca las medidas de seguridad. *U /5+



• @5 9@
=BGHFI 7HJC°

85B; 9F°



Never operate the Tractor or Implement until you have read and completely understand this Manual, the Tractor Operator's Manual, and each of the Safety Messages found in the Manual or on the Tractor and Implement. Learn how to stop the tractor engine suddenly in an emergency0 Never allow inexperienced or untrained personnel to operate the Tractor and Implement without supervision. Make sure the operator has fully read and understands the manuals prior to operation. *U /6+



K5FB-B; °



Always maintain the safety decals in good readable condition. If the decals are missing, damaged, or unreadable, obtain and install replacement decals immediately. *U /7+

K5FB-B; °



Make certain that the "Slow Moving Vehicle" (SMV) sign is installed in such a way as to be clearly visible and legible. When transporting the Equipment use the Tractor flashing warning lights and follow all local traffic regulations. *U /8+



K5FB-B; °



Operate this Equipment only with a Tractor equipped with an approved roll-over-protective system (ROPS). Always wear seat belts. Serious injury or even death could result from falling off the tractor--particularly during a turnover when the operator could be pinned under the ROPS. *U /9+



K5FB-B; °



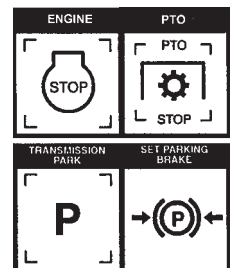
Do not modify or alter this Implement. Do not permit anyone to modify or alter this Implement, any of its components or any Implement function. *U /;+

85B; 9F°



BEFORE leaving the tractor seat, always engage the brake and/or set the tractor transmission in parking gear, disengage the PTO, stop the engine, remove the key, and wait for all moving parts to stop. Place the tractor shift lever into a low range or parking gear to prevent the tractor from rolling. Never dismount a Tractor that is moving or while the engine is running. Operate the Tractor controls from the tractor seat only.

*U /;+



G5 : 9HM

85B; 9F°



Never allow children or other persons to ride on the Tractor or Implement. Falling off can result in serious injury or death.

*UI /32+



85B; 9F°



Never allow children to operate or ride on the Tractor or Implement.

*UI /33+



K5FB-B; °



Do not mount the tractor while the tractor is moving. Mount the tractor only when the tractor and all moving parts are completely stopped.

*UI /34+



85B; 9F°



Start tractor only when properly seated in the tractor seat. Starting a tractor in gear can result in injury or death. Read the tractor operators manual for proper starting instructions. *UI /35+



85B; 9F°



Never work under the Implement, the framework, or any lifted component unless the Implement is securely supported or blocked up to prevent sudden or inadvertent falling which could cause serious injury or even death. *UI /36+



85B; 9F°



Do not operate this Equipment with hydraulic oil leaking. Oil is expensive and its presence could present a hazard. Do not check for leaks with your hand! Use a piece of heavy paper or cardboard. High-pressure oil streams from breaks in the line could penetrate the skin and cause tissue damage including gangrene. If oil does penetrate the skin, have the injury treated immediately by a physician knowledgeable and skilled in this procedure. *UI /37+



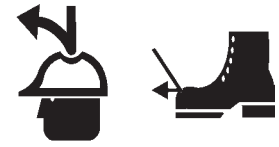
G5 : 9HM

K 5FB-B; °



The operator and all support personnel should wear hard hats, safety shoes, safety glasses, and proper hearing protection at all times for protection from injury including injury from items thrown by the equipment.

*UI /38+



75I HCB°



DFC@CB; 98 9LDCGI F9 HC @CI 8 BC-G9 A5M75I G9 D9FA5! B9BH <95 F-B; @CGG° Tractors with or without an Implement attached can often be noisy enough to cause permanent hearing loss. We recommend that you always wear hearing protection if the noise in the operator's position exceeds 80db. Noise over 85db over an extended period of time will cause severe hearing loss. Noise over 90db adjacent to the operator over an extended period of time will cause permanent or total hearing loss. *P[dK*Hearing loss from loud noise [from tractors, chain saws, radios, and other such sources close to the ear] is cumulative over a lifetime without hope of natural recovery.^{UI /19+}



K 5FB-B; °



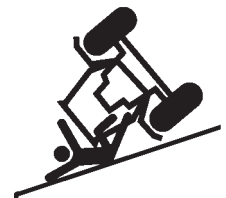
Transport only at safe speeds. Serious accidents and injuries can result from operating this equipment at unsafe speeds. Understand the Tractor and Implement and how it handles before transporting on streets and highways. Make sure the Tractor steering and brakes are in good condition and operate properly

6 YZ:fY fUbgdcfH]b[h Y HfUWcf UbX -a d`Ya YblzXYHfa]bY h Y gUZf fUbgdcfhdYXXg Zcf nci UbX h Y YeI]da Ybh' AU_Y gi fY nci UV]XY VmH Y Zc`ck]b[fi `Yg.

% HYghh Y fUWcf UhU g`ck gdYYX UbX]bWYUgY h Y gdYYX g`ck `mI 5 dd`mH Y VfU_Yg ga cch `mrc XYHfa]bY h Y glcdd]b[W fUWYf]g]Wg cZH Y HfUWcf UbX -a d`Ya Ybh' 5 g nci]bWYUgY h Y gdYYX cZH Y HfUWcf h Y glcdd]b[X]ghUbW]bWYUgYg" 8 YHfa]bY h Y a U]a i a gUZf fUbgdcfhdYXX Zcf nci UbX h]g YeI]da Ybh'

&" Test the equipment at a slow speed in turns. Increase the speed through the turn only after you determine that it is safe to operate at a higher speed. Use extreme care and reduce your speed when turning sharply to prevent the tractor and implement from turning over. Determine the maximum safe turning speed for you and this equipment before operating on roads or uneven ground.

' " Only transport the Tractor and Implement at the speeds that you have determined are safe and which allow you to properly control the equipment.



6 Y Uk fY cZH Y cdYfU]b[WcbX]H]cbg" 8 c bchcdYfUH h Y HfUWcf k]h k YU_ cf ZU `hmVfU_Yg" K \ Yb cdYfU]b[Xck b U \]` cf cb k Yh cf fU]b g`]W fcUXgzh Y VfU_]b[X]ghUbW]bWYUgYg. i gY YI fYa Y WfY UbX fYXi W nci f gdYYX" K \ Yb cdYfU]b[]b fUZ]WUk Ung i gY h Y HfUWcf]g ZUg\]b[k Ufb]b[`][\ hg UbX fYXi W nci f gdYYX" 6 Y Uk fY cZH fUZ]WUfci bX nci UbX k UHW ci hZcf h Y cH Yf [i nI fB; 1% L

G5 : 9HM

K 5FB-B; °



Never attempt to lubricate, adjust, or remove material from the Implement while it is in motion or while tractor engine is running. Make sure the tractor engine is **C** : : before working on the Implement.

*UI /42+



K 5FB-B; °



Periodically inspect all moving parts for wear and replace when necessary with authorized service parts. Look for loose fasteners, worn or broken parts, and leaky or loose fittings. Make sure all pins are properly secured. Serious injury may occur from not maintaining this machine in good working order.*UI /43+



K 5FB-B; °



Always read carefully and comply fully with the manufacturers instructions when handling oil, solvents, cleansers, and any other chemical agent. *UI /44+



85B; 9F°



Never run the tractor engine in a closed building or without adequate ventilation. The exhaust fumes can be hazardous to your health.

*UI /45+

85B; 9F°



KEEP AWAY FROM ROTATING ELEMENTS to prevent entanglement and possible serious injury or death.

*UI /46+



85B; 9F°



Never allow children to play on or around Tractor or Implement. Children can slip or fall off the Equipment and be injured or killed. Children can cause the Implement to shift or fall crushing themselves or others.*UI /47+

G5 : 9HM

85B; 9F°



B9J9F i gY Xfi [g cf UW\ c` immediately before or while operating the Tractor and Implement. Drugs and alcohol will affect an operator's alertness and coordination and therefore affect the operator's ability to operate the equipment safely. Before operating the Tractor or Implement, an operator on prescription or over-the-counter medication must consult a medical professional regarding any side effects of the medication that would hinder their ability to operate the Equipment safely. **B9J9F** knowingly allow anyone to operate this equipment when their alertness or coordination is impaired. Serious injury or death to the operator or others could result if the operator is under the influence of drugs or alcohol. *UI /49+



85B; 9F°



Operate the Tractor and/or Implement controls only while properly seated in the Tractor seat with the seat belt securely fastened around you. Inadvertent movement of the Tractor or Implement may cause serious injury or death. *UI /4; +

K 5FB-B; °



Mow only in conditions where you have clear visibility in daylight or with adequate artificial lighting. Never mow in darkness or foggy conditions where you cannot clearly see at least 100 yards in front and to the sides of the tractor and mower. Make sure that you can clearly see and identify passersby, steep slopes, ditches, drop-offs, overhead obstructions, power lines, debris and foreign objects. If you are unable to clearly see this type of items discontinue mowing. *UI 0/3+

85B; 9F°



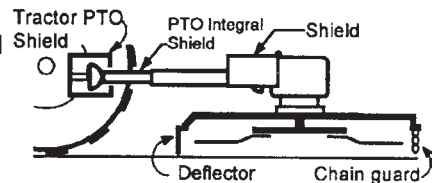
There are obvious and hidden potential hazards in the operation of this Mower. REMEMBER! This machine is often operated in heavy brush and in heavy weeds. The Blades of this Mower can throw objects if shields are not properly installed and maintained. Serious injury or even death may occur unless care is taken to insure the safety of the operator, bystanders, or passersby in the area. Do not operate this machine with anyone in the immediate area. Stop mowing if anyone is within 100 yards of mower. *UI 0/4+



85B; 9F°



All Safety Shields, Guards and Safety devices including (but not limited to) - the Deflectors, Chain Guards, Steel Guards, Gearbox Shields, PTO integral shields, and Retractable Door Shields should be used and maintained in good working condition. All safety devices should be inspected carefully at least daily for missing or broken components. Missing, broken, or worn items must be replaced at once to reduce the possibility of injury or death from thrown objects, entanglement, or blade contact. *UI 0/5+



G5 : 9HM

85B; 9F°



The rotating parts of this machine have been designed and tested for rugged use. However, the blades could fail upon impact with heavy, solid objects such as metal guard rails and concrete structures. Such impact could cause the broken objects to be thrown outward at very high velocities. To reduce the possibility of property damage, serious injury, or even death, never allow the cutting blades to contact such obstacles. *UI O/6+

K 5 FB-B; °



Extreme care should be taken when operating near loose objects such as gravel, rocks, wire, and other debris. Inspect the area before mowing. Foreign objects should be removed from the site to prevent machine damage and/or bodily injury or even death. Any objects that cannot be removed must be clearly marked and carefully avoided by the operator. Stop mowing immediately if blades strike a foreign object. Repair all damage and make certain rotor or blade carrier is balanced before resuming mowing. *UI O/7+



K 5 FB-B; °



Many varied objects, such as wire, cable, rope, or chains, can become entangled in the operating parts of the mower head. These items could then swing outside the housing at greater velocities than the blades. Such a situation is extremely hazardous and could result in serious injury or even death. Inspect the cutting area for such objects before mowing. Remove any like object from the site. Never allow the cutting blades to contact such items. *UI O/8+

K 5 FB-B; °

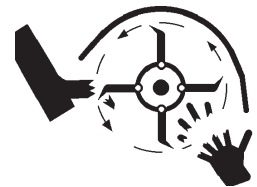


Mow at the speed that you can safely operate and control the tractor and mower. Safe mowing speed depends on terrain condition and grass type, density, and height of cut. Normal ground speed range is from 0 to 5 mph. Use slow mowing speeds when operating on or near steep slopes, ditches, drop-offs, overhead obstructions, power lines, or when debris and foreign objects are to be avoided. *UI O/9+

K 5 FB-B; °



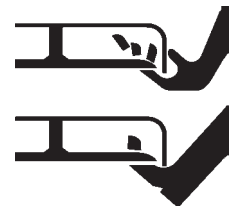
Avoid mowing in reverse direction when possible. Check to make sure there are no persons behind the mower and use extreme care when mowing in reverse. Mow only at a slow ground speed where you can safely operate and control the tractor and mower. Never mow an area that you have not inspected and removed debris or foreign material. *UI O/; +



K 5 FB-B; °



Do not put hands or feet under mower decks. Blade Contact can result serious injury or even death. Stay away until all motion has stopped and the decks are securely blocked up. *UI O/; +



85B; 9F°



Replace bent or broken blade with new blades. NEVER ATTEMPT TO STRAIGHTEN OR WELD ON BLADES SINCE THIS WILL LIKELY CRACK OR OTHERWISE DAMAGE THE BLADE WITH SUBSEQUENT FAILURE AND POSSIBLE SERIOUS INJURY FROM THROWN BLADES. *UI O/32+

G5 : 9HM

K 5FB-B; °



Do not mow with two machines in the same area except with Cab tractors with the windows closed. *U O/33+

85B; 9F°



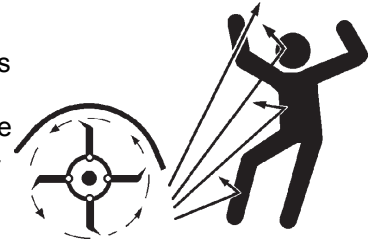
Rotary and Flail Mowers are capable under adverse conditions of throwing objects for great distances (100 yards or more) and causing serious injury or death. Follow safety messages carefully.

GHCDA CK -B; = D5 GG9FG6 M5 F9 K +k -B %\$\$ M5 F8 G I B!
@ GG.

- Front and Rear Deflectors are installed and in good, working condition;
- Mower Head is running close to and parallel to the ground without exposed Blades;
- Passersby are outside the existing thrown-object zone;
- All areas have been thoroughly inspected and all foreign material such as rocks, cans, glass, and general debris has been removed.



NOTE: Where there are grass and weeds high enough to hide debris that could be struck by the blades, the area should be: inspected and large debris removed, mowed at an intermediate height, inspected closely with any remaining debris being removed, and mowed again at desired final height. *UDO/3+



85B; 9F°



Use extreme caution when raising the Mower head. Stop the Blades from turning when the Mower Head is raised and passersby are within 100 yards. Raising the Mower head exposes the Cutting Blades which creates a potentially serious hazard and can cause serious injury by objects thrown from the Blades or by contact with the Blades.

*UDO/4+

85B; 9F°



Be particularly careful in transport. The Mower has raised the center of gravity for the tractor and has increased the possibility of overturn. Turn curves or go up slopes only at low speed and using a gradual turning angle. Slow down on rough or uneven surfaces. *UDO/5+



K 5FB-B; °



Never Leave the mower unattended while the head is in the raised position. The mower could fall causing serious injury to anyone who might inadvertently be under the mower

*UDO/6+



K 5FB-B; °



The rotating parts of this machine continue to rotate even after the Tractor has been turned off. The operator should remain in his seat for 60 seconds after the brake has been set, the PTO disengaged, the tractor turned off, and all evidence of rotation has ceased. *UDO/7+

Í K UjhUa jbi hY""GUj Y U`jZ`Í

G5 : 9HM

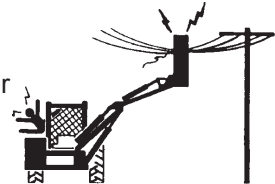


Relieve hydraulic pressure prior to doing any maintenance or repair work on the Implement. Place the Mower Head on the ground or securely supported on blocks or stands, disengage the PTO, and turn off the engine. Push and pull the control Levers or Joystick several times to relieve pressure prior to starting any maintenance or repair work. *UDO /8+

85B; 9F°



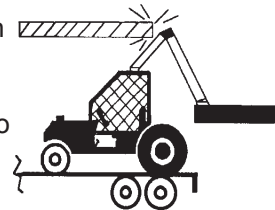
Always keep a careful lookout and use extreme care when working around overhead obstructions. Never allow the Mower head or boom within 10 feet of any power line. When working close to overhead power lines consult your electric company for a safe code of operation. *UDO /9+



85B; 9F°



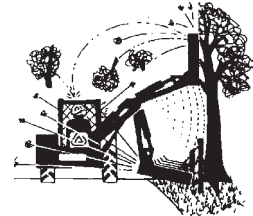
When transporting Boom Mower on a truck or trailer, the height or width may exceed legal limits when the boom is in the transport position. Contact with side or overhead structures or power lines can cause property damage or serious injury or death. If necessary lower boom to reduce height and/or remove mowing head to reduce width to the legal limits. *UDO /; +



85B; 9F°



Never operate the Tractor and Mower Unit without an OPS (Operators Protective Structure) or Cab to prevent injury from objects thrown from ground or from overhead trimming. Stop mowing if workers or passersby are within 100 yards. *UDO /; +



85B; 9F°



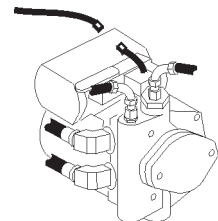
Left Rear Wheel must have a minimum of 1500 pound contact with the surface to prevent lateral instability and possible tip-over which could result in serious bodily injury or even death. Widen the wheel tread and add weights if needed. Refer to the mounting instructions or call Customer Service if you need assistance with Counterweight Procedure. *UDO /33+



85B; 9F°



Always disconnect the wire leads from the mower pump solenoid before performing service on the Tractor or Mower. Use caution when working on the Tractor or Mower. Tractor engine must be stopped before working on Mower or Tractor. The Mower Blades could inadvertently be turned on without warning and cause immediate dismemberment, injury or death. *UDO /34+



85B; 9F°



The flail cutter shaft is designed for standard rotation (same rotation as the tractor wheels during forward travel). Operating this mower in reverse rotation may cause objects to be thrown out the front of the mower head.



G5 : 9HM

K 5FB-B; °



Engine Exhaust, some of its constituents, and certain components contain or emit chemicals known to the state of California to cause cancer and birth or other reproductive harm.

K 5FB-B; °



Battery posts, terminals and related accessories contain lead and lead compounds, chemicals known to the state of California to cause cancer and birth or other reproductive harm. K Ugl \ UbXg UZhYf \ UbX`]b[°

Tiger mowers use balanced and matched system components for blade carriers, blades, cutter-shafts, knives, knife hangers, rollers, drive-train components and bearings. These parts are made and tested to Tiger specifications. Non-genuine "will fit" parts do not consistently meet these specifications. The use of "will fit" parts may reduce mower performance, void mower warranties and present a safety hazard. Use genuine Tiger mower parts for economy and safety.



≠b UXX]h]cb lc R Y XYg][b UbX WtbZ][i fU]cb cZH]g =a d`Ya Yblž]bWi X]b[GUZYmG][bg UbX GUZYm 9ei]da Yblž \ UnUfX Wtb]fc` UbX UWW]XYbhdYj Yb]cb UfY XYdYbXYbhi dcb R Y Uk UfYbYggž WtbWf]bž dfi XYbWYžUbX dfcdYf HfU]b]b[cZdYfgcbbY]bj c`j YX]b R Y cdYfU]cbž]fUbgdcf]ž a U]bhYbUbWYž UbX glcfU[Y cZH Y a UW]bY" FYZyf Ugc lc GUZYmA YggU[Yg UbX cdYfU]cb]bg]fi W]cb]b YUW cZH Y Uddfcdf]UH gYW]cbg cZH Y H fUW]cf UbX 9ei]da YbhA Ubi Ug" DUm WcgY UH]b]cb lc R Y GUZYmG][bg UZ]l YX lc R Y HfUW]cf UbX 9ei]da Ybh' (SG-18)

PART NO.
LOCATION

DANGER

FAILING TO FOLLOW SAFETY MESSAGES AND OPERATING INSTRUCTIONS CAN CAUSE SERIOUS BODILY INJURY OR EVEN DEATH TO OPERATOR AND OTHERS IN THE AREA.

<p>1. </p> <p>1. READ MANUAL</p>	<p>2. </p> <p>2. NO RIDERS, NO CHILDREN OPERATORS</p>	<p>3. </p> <p>3. USE SAFETY SHOES, HARD HAT, SAFETY GLASSES, SEAT BELTS, & ROPS</p>	<p>4. </p> <p>4. BLOCK UP SECURELY BEFORE WORKING UNDER</p>
---	--	--	--

1. Study and understand Operator's Manuals, Safety Signs, and Instructional Decals for tractor & flail mower to prevent misuse, abuse & accidents. Practice before operating mower in a confined area or near passersby.

- Learn how to stop engine suddenly in an emergency. Be alert for passersby and especially children.

2. Allow no children on or near implement or tractor. Allow no riders on tractor or implement. Falling off can cause serious injury or death from being runover by tractor or mower or contact with Flail Mower Blades.

3. Operate only with tractor having Roll-Over Protective Structure (ROPS) and with seatbelt fastened securely and snugly to prevent injury and possible death from falling off or tractor overturn. Personal Protective Equipment such as Hard Hat, Safety Glasses, Safety Shoes, and Ear Plugs are recommended.

4. Block up or support raised machine and all lifted components securely before putting hands or feet under or working underneath any lifted component to prevent crushing injury or death from sudden dropping or inadvertent operation of controls. Make certain that area is clear before lowering or folding.

5. Before transporting, put Lift Lever in detent or full-lift position. Install Transport Safety Devices securely on folding implements. Slow down when turning and on hillsides.

- Install **Resistor in folding circuit to slow down lowering and unfolding if action is faster than is desirable.

6. Make certain that SMV sign, Warning Lights, and Reflectors are clearly visible. Follow local traffic codes.

7. Never operate with Flail Mower or Folding Section raised if passersby, bystanders or traffic are in the area to reduce possibility of injury or death from objects thrown by Blades under Shields or implement structure.

8. Before dismounting, secure flail mower in transport position or lower to ground.

- Put tractor in park or set brake, disengage PTO, stop engine, remove key, and wait until noise of rotation has ceased to prevent entanglement in rotating parts which may cause injury or death.
- Never mount or dismount a moving vehicle. Crushing from runover may cause injury or death.

<p>5. </p> <p>5. TRANSPORT SAFELY, LOCK UP</p>	<p>6. </p> <p>6. USE SMV, LIGHTS, & REFLECTORS</p>	<p>7. </p> <p>7. DO NOT OPERATE WITH MOWER OR WING RAISED</p>	<p>8. </p> <p>8. DO NOT MOUNT OR DISMOUNT WHILE MOVING</p>
---	---	--	---

002369
HYDRAULIC TANK

PELIGRO

Si No Lee Ingles, Pida Ayuda a Alguien Que Si Lo Lea. Para Que le Traduzca las Medidas de Seguridad.

LEA EL INSTRUCTIVO

0023746

00725746
INSIDE OF CAB

DANGER

<p>THROWN OBJECTS</p>	<p>CUTTING BLADES</p>
-----------------------	-----------------------

KEEP AWAY - ROTATING BLADES

BEING HIT BY THROWN OBJECTS OR CONTACTING ROTATING BLADES CAN CAUSE INJURY OR DEATH.

- Stop mowing if passersby enter the area of thrown objects (See Operator's Manual).
- Use special care if Mower Head or Wing is raised off the ground. (See Manual).
- Operate only if all Guards-Deflectors are in place and in good condition.

00769737

00769737
MOWER DECK

G5 : 9HM



PART NO.
LOCATION

00758194
MOWER DECK



02962764
MAIN BOOM, SECONDARY BOOM, MAIN FRAME



02962765
MAIN FRAME

02965262
HYDRAULICTANK

! DANGER

CUTTING BLADES



THROWN OBJECTS



KEEP AWAY - ROTATING BLADES

BEING HIT BY THROWN OBJECTS OR CONTACTING ROTATING BLADES CAN CAUSE INJURY OR DEATH

- Stop mowing if passersby enter the area of thrown objects. (See Operator's Manual)
- Use special care when Flail or Wing is raised off the ground. (See Oper. Manual)
- Operate only if all Guards-Deflectors are in place and in good condition.

PART NO.
LOCATION

02967668
MOWER DECK

02971123
HYDRAULICTANK

03200285
OUTSIDE OF CAB

22645
INSIDE OF CAB

22839
MOWER DECK

! CAUTION
WATCH YOUR
STEP

03200285

POLYCARBONATE
WINDOW

REFER TO OPERATORS MANUAL
FOR CLEANING INSTRUCTIONS

DO NOT LUBRICATE WITH AUTOMATIC
GREASE GUN. GREASE WITH HAND
GREASE GUN ONLY.

P/N22839

G5 : 9HM



PART NO.
LOCATION

22840
INSIDE OF CAB



24028
MOWER DECK

25387
INSIDE OF CAB



10" x 5.5" 31522
MOWER DECK, MAIN BOOM
18.25" x 10" 31523
HYDRAULIC TANK

G5 : 9HM

PART NO.
LOCATION



32428
MAIN BOOM



32449
HYDRAULICTANK

G5 : 9HM

PART NO.
LOCATION

DANGER

1. EACH REAR WHEEL MUST HAVE A MINIMUM OF 1500 POUNDS CONTACT WITH THE SURFACE TO PREVENT LATERAL INSTABILITY AND POSSIBLE TIP-OVER WITH **BODILY INJURY**. WIDEN WHEEL TREAD AND ADD WEIGHTS IF NEEDED. SEE MANUAL OR CALL TIGER CUSTOMER SERVICE FOR COUNTERWEIGHT PROCEDURE.

2. TRANSPORT CAREFULLY! SLOW DOWN EVEN MORE ON SLOPES AND WHEN TURNING; NEVER TURN UP A SLOPE SHARPLY OR AT HIGH SPEED; AND USE EXTRA CARE IN ROUGH OR BUMPY AREAS TO PREVENT OVERTURN AND POSSIBLE CRUSHING INJURY OR DEATH. IF YOUR VIEW TO THE REAR IS BLOCKED, IT IS YOUR RESPONSIBILITY TO **INSTALL MIRRORS** THAT PROVIDE A REAR VIEW TO PREVENT ACCIDENTS FROM BLIND SPOTS.

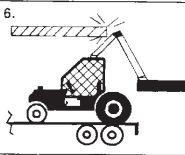
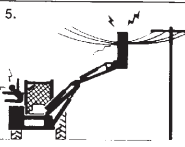
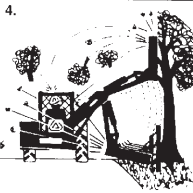
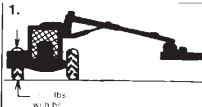
3. REAR-MOUNTED BOOM MOWERS MOVE CENTER OF GRAVITY TO THE REAR AND REMOVE WEIGHT FROM FRONT WHEELS. ADD FRONT BALLAST UNTIL AT LEAST 20% OF TRACTOR'S WEIGHT IS ON FRONT WHEELS TO PREVENT REARING UP, LOSS OF STEERING CONTROL, AND POSSIBLE INJURY.

4. NEVER OPERATE UNIT WITHOUT AN OPS (OPERATOR PROTECTIVE STRUCTURE) OR CAB TO PREVENT INJURY FROM OBJECTS THROWN FROM GROUND AND OVERHEAD TRIMMING. STOP CUTTING IF ANYONE IS WITHIN 100 YARDS.

5. KEEP THE BOOM AND CUTTERHEAD AT LEAST 10 FEET FROM ELECTRIC LINES AND PIPE LINES TO PREVENT ACCIDENTAL CONTACT AND POSSIBLE SERIOUS INJURY OR EVEN DEATH.

6. WHEN TRANSPORTING BOOM MOWERS ON A TRUCK OR TRAILER, THE HEIGHT OR WIDTH MAY EXCEED LEGAL LIMITS. CONTACT WITH SIDE OR OVERHEAD STRUCTURES OR POWER LINES CAN CAUSE SERIOUS INJURY OR DEATH.

LOWER BOOM TO REDUCE HEIGHT AND/OR REMOVE MOWING HEAD TO REDUCE WIDTH TO THE LEGAL LIMITS, IF NEEDED. 32707



32707
HYDRAULICTANK

ATTENTION

**SERVICE HYDRAULIC SYSTEM
WITH UNIVERSAL TRACTOR
HYDRAULIC OIL.**

32708

32708
HYDRAULICTANK

CAUTION

For your safety and to guarantee optimum product reliability, always use genuine TIGER replacement parts. The use of inferior "will-fit" parts will void warranty of your TIGER implement and may cause premature or catastrophic failure which can result in serious injury or death. If you have any questions concerning the repair parts you are using, contact TIGER, 3301 N. LOUISE AVE., SIOUX FALLS, SD 57107

32709

32709
INSIDE OF CAB

G5 : 9HM

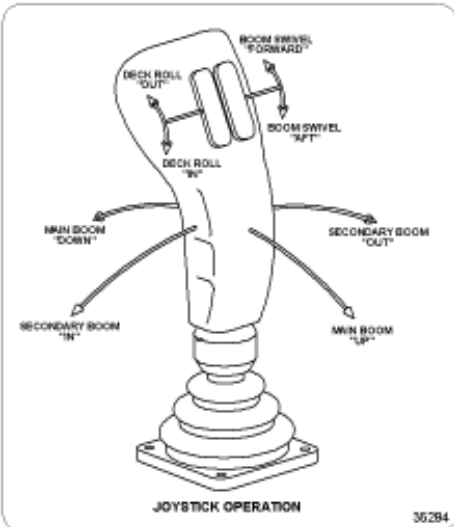
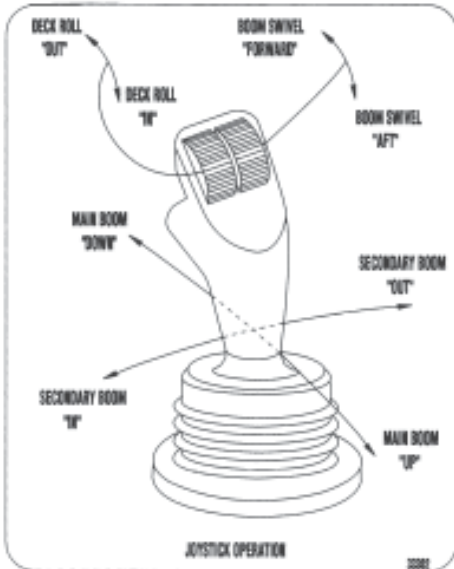
PART NO.
LOCATION

33224
MOWER DECK

33302
INSIDE OF CAB

35284
INSIDE OF CAB

33438
MAIN BOOM



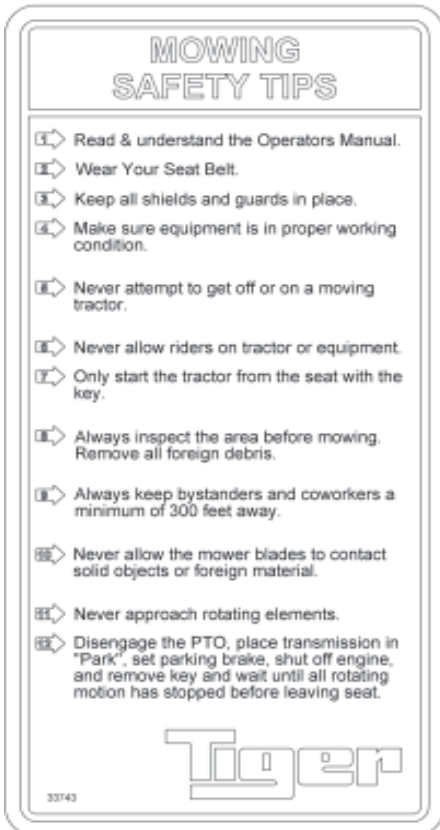
Tiger™

G5 : 9HM

PART NO.
LOCATION



33512
INSIDE OF CAB



33743
INSIDE OF CAB



42350
MOWER DECK

G5 : 9HM



PART NO.
LOCATION
RED 42399
REFLECTIVE TAPE
MOWER DECK



AMBER 42400
REFLECTIVE TAPE
MOWER DECK



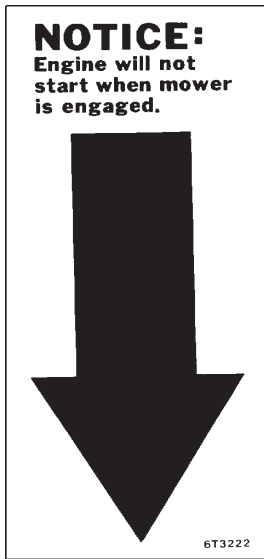
6T3217
MOWER DECK



6T3219
INSIDE OF CAB

6T3220
FRONT PUMP MOUNT

G5 : 9HM

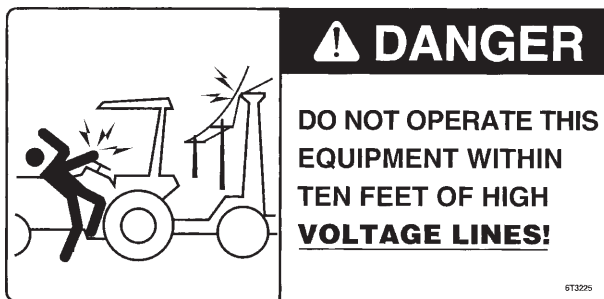


PART NO.
LOCATION

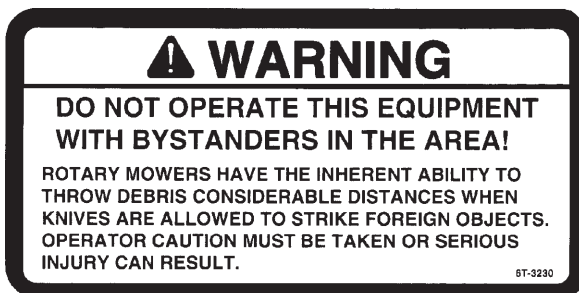
6T3222
INSIDE OF CAB



6T3224
MOWER DECK



6T3225
INSIDE OF CAB



6T3230
INSIDE OF CAB

G5 : 9HM



PART NO.
LOCATION

6T3233
HYDRAULICTANK



6T3234
INSIDE OF CAB



6T3236
MOWER DECK



6T3243
INSIDE OF CAB



6T3249A
MOWER DECK

G5 : 9HM

GREASING INSTRUCTIONS

GROUND ROLLER BEARING

GREASE EVERY 8 HRS. OR DAILY

NOTE: If unusual environmental conditions exist-extreme temperatures, moisture, or contaminants-more frequent lubrication is required.

873241

PART NO.
LOCATION

6T3261
MOWER DECK

WARNING

DO NOT OPERATE MOWER
WITH SAFETY SHIELD REMOVED.

TB1011

TB1011
MOWER DECK



Tiger Corporation

800-843-6849

www.tiger-mowers.com

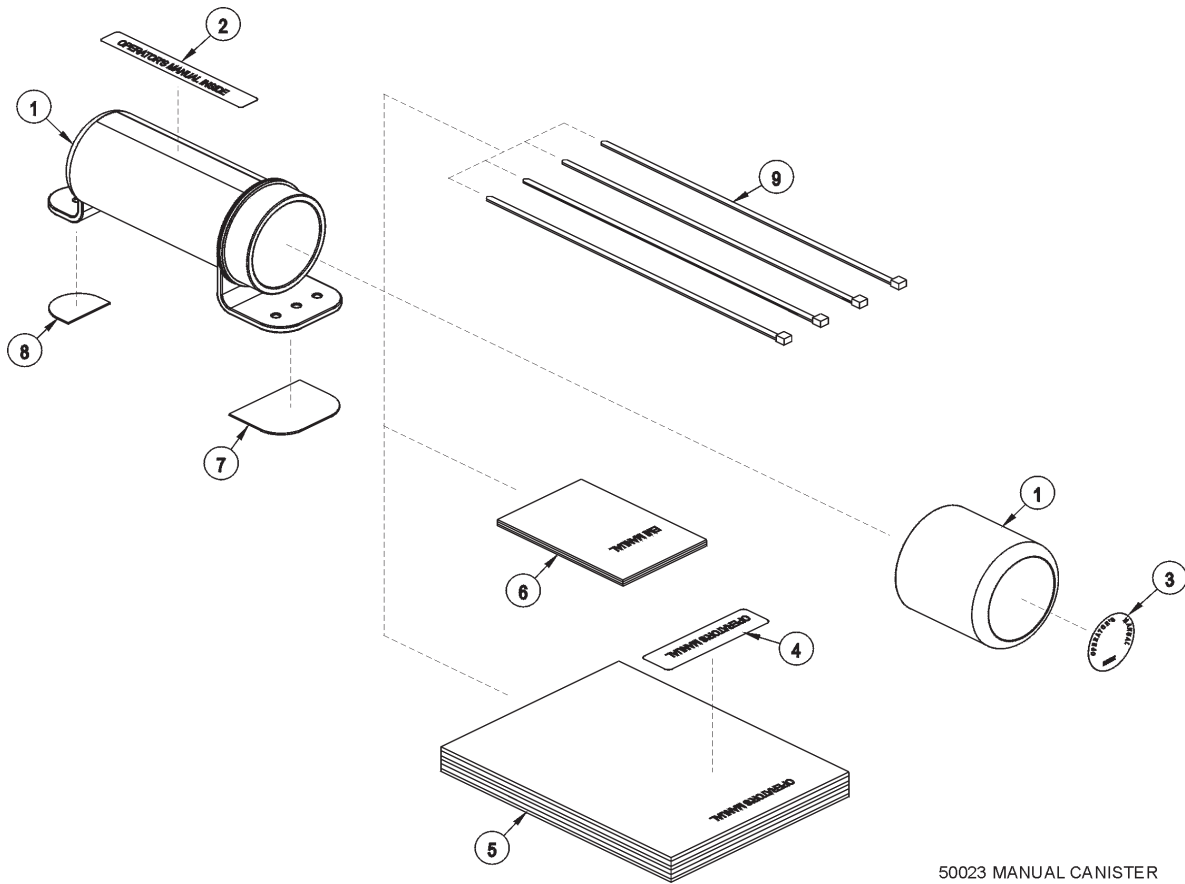
Description	Application	General Specification	Recommended Lubricant
Tractor Hydraulics	Reservoir	JD-20C	Mobilfluid® 424
Mower Hydraulics	Reservoir	ISO 46 Anti-Wear/ Low Temp JD-20C	Mobil DTE® 15M
Cold Temperatures 0°F Start-up		ISO 46 Anti-Wear	Mobilfluid® 424
Normal Temperatures 10°F Start-up		ISO 100 Anti-Wear	Mobil DTE® 25
Normal Temperatures 15°F Start-up			Mobil DTE® 18M
High Operating Temperatures Above 90°F Ambient			
Flail Rear Gearbox	Reservoir	PAO Synthetic Extreme Pressure Gear Lube	Mobilube SHC® 75W-90, Mobil 1 Synthetic Gear Lubricant
Cutter Shaft and Ground Roller Shaft (Flail)	Grease Gun	Lithium Complex, NLGI 2 ISO 320	Mobilgrease® CM-S
Drive Shaft Coupler (Rotary and Flail)	Grease Gun	Lithium Complex, NLGI 2 ISO 320	Mobilgrease® CM-S
Boom Swivel, Boom Cylinder Pivots (Rotary and Flail Boom Type)	Grease Gun	Lithium Complex, NLGI 2 ISO 320	Mobilgrease® CM-S
Deck Boom Pivot & Deck Stop Adjustment (Rotary and Flail)	Grease Gun	Lithium Complex, NLGI 2 ISO 320	Mobilgrease® CM-S
Deck Spindle (Rotary)	Grease Gun	Tiger Spindle Lubricant	Mobilith SHC 220

For Mobil product information, availability, or technical information, call 1-800-862-4526.

Tiger PN 34852

34852
HYDRAULIC TANK

G5 : 9HM



#9A	D5 FHBC"	EHM'	89G7 F-DHCB
1	00776031 33997	1 1	ROUND MANUAL CANISTER DECAL, SHEET, MANUAL CANISTER
2		*	DECAL
3		*	DECAL
4		*	DECAL
5	*	AVAIL	SPECIFIC PRODUCT MANUAL
6	33753	1	E M I SAFETY MANUAL
7	34296	1	FRONT ADHESIVE PAD
8	34297	1	REAR ADHESIVE PAD
9	6T1823	4	ZIPTIE 14" LONG

BCH9.

The manual canister can be bolted, zip tied or adhered to a variety of surfaces. Locate a protected area within the view of the operator. Then select an installation method and attach the canister. Wires and other parts may be located behind these areas. When adhering the canister to a surface, thoroughly clean that surface before installing the canister.

G5 : 9HM

: 989F5 @5K G5 B8 F9; I @5HCBG

This section is intended to explain in broad terms the concept and effect of federal laws and regulations concerning employer and employee equipment operators. This section is not intended as a legal interpretation of the law and should not be considered as such"

9a d`cmYf!9a d`cmY CdyUrcf FY[i `Ujcbg

U.S. Public Law 91-596 (The Williams-Steiger Occupational and Health Act of 1970) OSHA

H jg 5 WhGYG_g.

"...to assure so far as possible every working man and woman in the nation safe and healthful working conditions and to preserve our human resources..."

8 I H9G

Sec. 5 (a) Each employer-

(1) shall furnish to each of his employees employment and a place of employment which are free from recognized hazards that are causing or are likely to cause death or serious physical harm to his employees;

(2) shall comply with occupational safety and health standards promulgated under this Act.

(b) Each employee shall comply with occupational safety and health standards and all rules, regulations and orders issued pursuant to this Act which are applicable to his own actions and conduct.

CG<5 FY[i `Ujcbg

OSHA regulations state in part: "At the time of initial assignment and at least annually thereafter, the employer shall instruct every employee in the safe operation and servicing of all equipment with which the employee is, or will be involved."

9a d`cmYf FYgdcbg[V] JhYg.

To ensure employee safety during Tractor and Implement operation, it is the employer's responsibility to:

1. Train the employee in the proper and safe operation of the Tractor and Implement.
2. Require that the employee read and fully understand the Tractor and Implement Operator's manual.
3. Permit only qualified and properly trained employees to operate the Tractor and Implement.
4. Maintain the Tractor and Implement in a safe operational condition and maintain all shields and guards on the equipment.
5. Ensure the Tractor is equipped with a functional ROPS and seat belt and require that the employee operator securely fasten the safety belt and operate with the ROPS in the raised position at all times.
6. Forbid the employee operator to carry additional riders on the Tractor or Implement.
7. Provide the required tools to maintain the Tractor and Implement in a good safe working condition and provide the necessary support devices to secure the equipment safely while performing repairs and service.

7\ JX @Vcf I bXYf % MYUfg cZ5[Y

Some regulations specify that no one under the age of 16 may operate power machinery. It is your responsibility to know what these regulations are in your own area or situation. (Refer to U.S. Dept. of Labor, Employment Standard Administration, Wage & Home Division, Child Labor Bulletin #102.)

G5 : 9HM

ASSEMBLY SECTION

ASSEMBLY

Before attempting to mount your Tiger mower, it is important to read and understand all of the safety messages in the Safety Section of this manual.

Check complete shipment list against the packing list to make sure there are no shortages. Make certain the tractor model is the appropriate one for the mower received!



Always use a floor jack, hoist or fork lift to lift and raise heavy parts.

Read and understand the entire Assembly Section instructions before attempting to mount your Tiger mower. Refer to the Parts Section of this manual for detailed illustrations to locate all parts. (ASM-C-0001)

TRACTOR PREPARATION

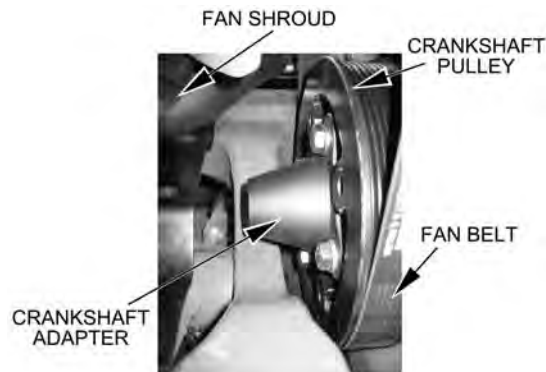
- A. Remove right and left hand steps.
- B. Disconnect battery cables from both batteries.
- C. Remove engine side panels, or raise hood to access front pulley.
- D. Remove plugs from tractor casting where mainframe and pump mount will be attached.
- E. Remove any front weights and weight supports.
- F. Raise the tractor onto jack-stands and remove the right and left rear wheels.

(ASM-JD-0001)

CRANKSHAFT ADAPTER

If necessary, remove the four capscrews from the crankshaft pulley. Then install the crankshaft adapter to the pulley with capscrews and lockwashers as shown in the Parts Section.

(ASM-JD-0051)



ASSEMBLY

FRONT CRANKSHAFT PULLEY

Tiger has found that the front crankshaft pulley used by John Deere will not allow for the installation of a front drive system. You will need to order a different pulley, washer and bolt from John Deere to allow for a front drive to be installed on your tractor.

Inspect the front pulley on your tractor to verify you have the correct pulley needed to mount the spacer plate. If your pulley has the (4) four holes needed to mount the spacer, your pulley is the correct one needed. If your pulley does not have the (4) four holes in the pulley, you will need to order the correct pulley, washer and bolt from John Deere.

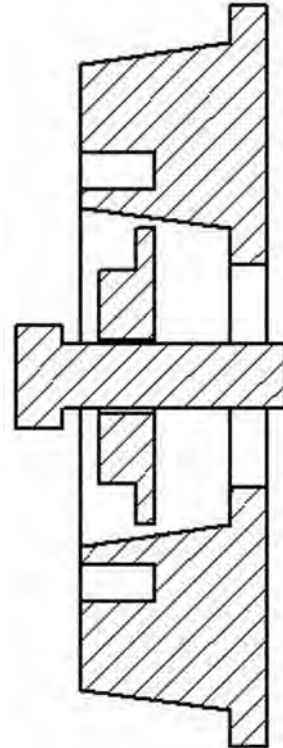
PARTS REQUIRED TO PURCHASE FROM JOHN DEERE:

Pulley from JD - R516320

Washer from JD - R517237

Bolt from JD - R516648

Torque on the pulley bolt with Loctite is 369 lb-ft.



Solution:

1. Clean nose of crankshaft using TY16285 clean and cure primer.
2. Apply a light 2-3mm bead of TY15969 retaining compound around the leading edge of the crankshaft nose.
3. Dip damper mounting capscrew in clean SAE30 engine oil (Always use a new capscrew).
4. Position damper/pulley on the crankshaft and thread capscrew up tight (do not rely on the capscrew to pull the pulley straight onto the taper).
5. Tighten capscrew to specification 500Nm (369lb-ft) (the engine will most likely have to be pinned).
6. Measure run-out on the pulley, spec is 0.003" or less.

(ASM-JD-0080)

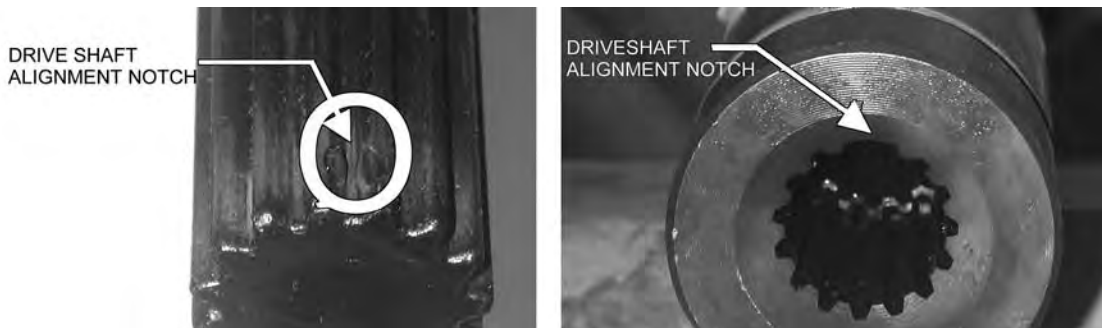


ASSEMBLY

DRIVESHAFT AND FRONT PUMP MOUNTING

Remove bolts from radiator unit and lift unit to a sufficient height to allow room for installation of driveshaft. Remove and discard plastic sheet from floor of engine compartment. Install spacer plate on tractor engine using bolts and lockwashers as shown in Parts Section. Grease sleeve section of the driveshaft and install from the side of the engine compartment. Once you have the sleeve section in place, bolt to spacer plate using bolts and lockwashers as shown in the Parts Section. Install shaft end of driveshaft through opening and into driveshaft sleeve. Shaft and sleeve yokes should be aligned. If shaft does not insert easily in sleeve, turn shaft 180° and then install. Align the notches on the shaft and yoke tube as shown in picture below. **Shaft end must be installed in correct orientation, failure to do so may result in damage to tractor and/or driveshaft.** After installation of shaft end, install pump mount. Next, install pump. After pump is secured, install driveshaft in to pump shaft. The end of the driveshaft should be no more than 1/2" away from contact with pump housing. Tighten crimping bolt on driveshaft. Lube driveshaft and check all hoses, flanges, the pump, pump mount, driveshaft and mounting plate to ensure all fasteners are tightened before operation. Lower radiator unit and replace bolts.

CAUTION: DO NOT START THE TRACTOR UNTIL ALL HOSES ARE ATTACHED, TANK IS FILLED WITH PROPER OIL AND BALL VALVES ARE OPEN! STARTING AT THIS TIME WILL CAUSE SERIOUS DAMAGE TO THE PUMP. (ASM-JD-0243)



ADJUSTING REAR WHEELS

Raise rear of tractor onto jack-stands. **Follow the instructions in the tractor owner's manual for adjusting tires and rims.** The back wheels **MUST** be adjusted to the widest setting. **NOTE:** This may require switching the wheels to opposite sides of tractor. Also take note of any width restrictions when transporting by trailer. (For ease of installation, it is best to leave the rear wheels removed during installation of the mower.) (ASM-B-0001)

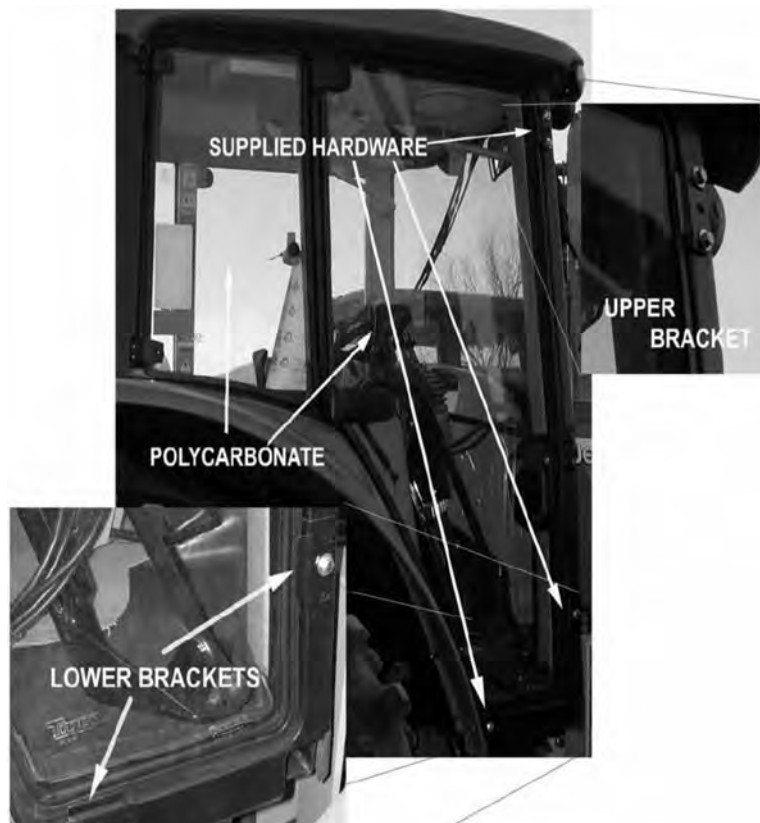


ASSEMBLY

POLYCARBONATE SAFETY WINDOW

NOTE: Installing a boom mower requires that all of the right side windows be replaced or protected with a polycarbonate window. This should be done before mounting the mainframe.

1. Disconnect gas shock at door. Remove the right side cab door/window glass from tractor cab by removing hinge pins. Also, remove rear right side window.
2. Remove the existing hardware and discard factory glass door and window.
3. Place small bead of adhesive seal in the bottom of the trim lock bubble seal.
4. Install trim lock bubble seal on polycarbonate starting at the center bottom horizontal portion.
5. Install existing hardware removed from glass door and window on the polycarbonate.
6. Install the polycarbonate assembly in the cab with existing and supplied hardware.
7. Place the retaining brackets on the upper front and lower front (if applicable) of the cab door/window with the 8mm capscrews.
8. Place the last bracket at the bottom of the door by the fender as shown in the illustration below. Hold the bracket in place and mark the door jam.
9. Drill a $21/64$ " hole in the door jam for the $5/16$ " capscrew and mount the bracket.
10. Install the right rear poly window into place where the factory window was removed (if applicable). (ASM-JD-0052)



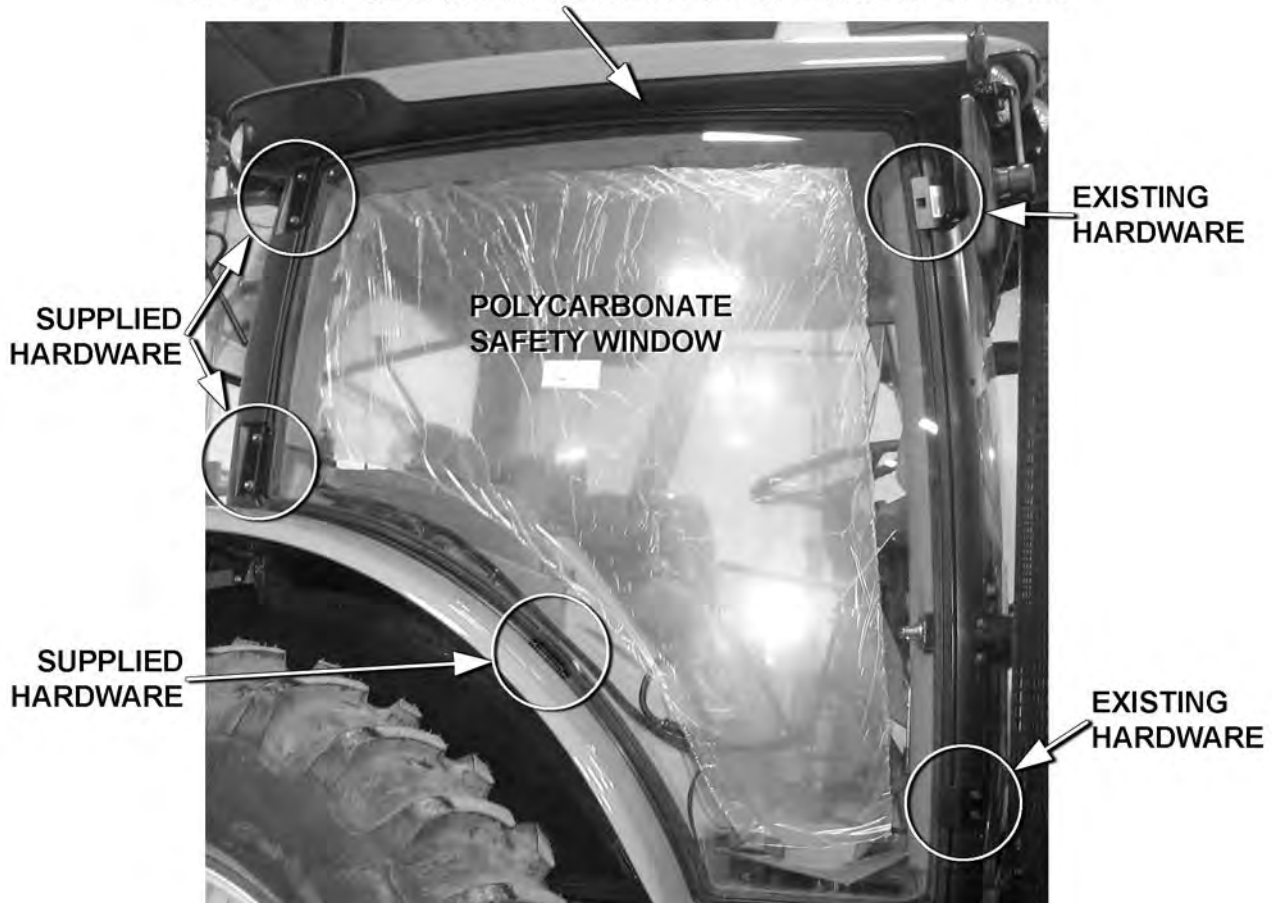
ASSEMBLY

PANORAMIC POLYCARBONATE SAFETY WINDOW

NOTE: Installing a boom mower requires that all of the right side windows be replaced or protected with a polycarbonate window. This should be done before mounting the mainframe. John Deere R series tractors require a panoramic safety window.

1. Disconnect gas shock at door. Remove the right side cab door/window glass from tractor cab by removing hinge pins.
2. Remove the existing hardware and discard factory glass door.
3. Place small bead of adhesive seal in the bottom of the trim lock bubble seal.
4. Install trim lock bubble seal on polycarbonate starting at the center bottom horizontal portion.
5. Install existing hardware removed from glass door and window on the polycarbonate.
6. Install the polycarbonate assembly in the cab with existing and supplied hardware.
7. Place the existing and supplied retaining brackets on the upper and lower front and rear of the panoramic cab window.
8. Locate the third fender screw from the bottom and place the retaining clip between the fender and the cab.
9. Apply RTV silicone liberally along the entire length of the top edge of the polycarbonate safety window. (JD-0052_pan)

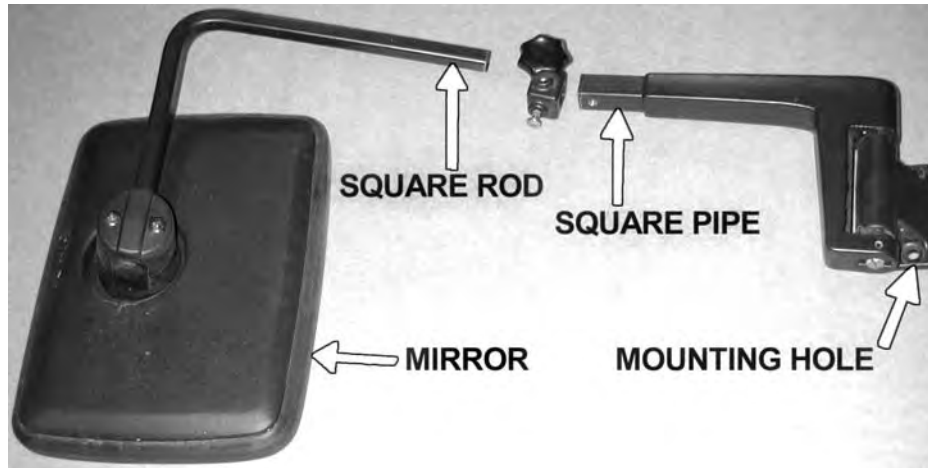
APPLY RTV SILICONE ALONG ENTIRE TOP EDGE OF WINDOW



ASSEMBLY

SIDE MIRROR MOUNTING

Disassemble the right side mirror bracket. Cut the square rod and pipe (shown in picture below) 6-1/4". Assemble them together. Mount the right mirror bracket and hardware on the upper right corner of the tractor cab as shown in picture below. Refer the Parts Section-- safety screen, cab for hardware details. (ASM-JD7220-0001)



MAINFRAME INSTALLATION

With an overhead hoist and / or jack-stands, raise one side of the frame up to the correctly matching mounting holes. Install capscrews and other hardware to secure the sides of the mainframe to the tractor casting, as shown on the tractor mount kit page in the Parts Section. DO NOT tighten at this time. Remove the capscrews one at a time and apply a thread locking agent. Reinsert the capscrews and tighten / torque to values noted in the torque chart located in the Maintenance Section of this manual. (ASM-C-0003)



ASSEMBLY

SWITCHBOX WIRING

Power for the switchbox is accessed through the port located on the right rear of the cab. A John Deere plug is used, part number RE67651. DO NOT connect the plug to the cab port until the wiring is completed. The wires in the plug are colored RED, BLACK and ORANGE. The RED wire will always be hot, so it needs to be capped. Attach connector 34538 to end of RED wire and tape wire back on itself. The BLACK and ORANGE wires are hot when tractor key is turned to "on." Connect the BLACK wire of the plug to the BLACK wire from the switchbox. Then connect the ORANGE wire of the plug to the RED wire from the switchbox. **IMPORTANT: In some cases the red and orange wires may be switched.** ALWAYS test the wires to be certain which wire is which.

The two GREEN wires must be connected to the neutral safety wire by cutting the neutral safety wire and connecting one GREEN wire to one end and the second GREEN wire to the other. Refer to the switchbox schematic and wiring diagram for additional information.

The Neutral Safety wire is a brown wire located under steering column. Cut a slot in the right side of column to access, WATCH OUT for existing wires.

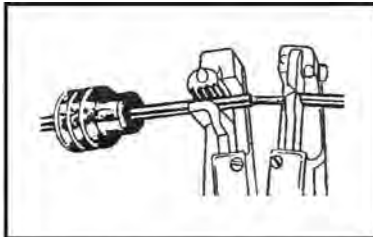
After connecting the power to the switchbox, route the white wire along the cables or wires to the solenoid valve. (ASM-JD-0245)

WEATHER-PACK / METRI-PACK ASSEMBLY

These instructions apply to both Weather-Pack and Metri-Pack connectors.

NOTE: Use the specific tool for the type of connector you are assembling.

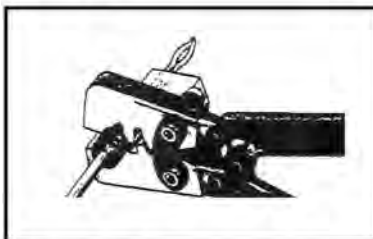
(ASM-C-0009)



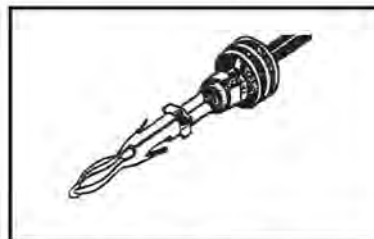
1. Apply seal to cable, before stripping insulation.



2. Align seal with cable insulation.



3. Put terminal in crimping tool, then position wire and seal in place.



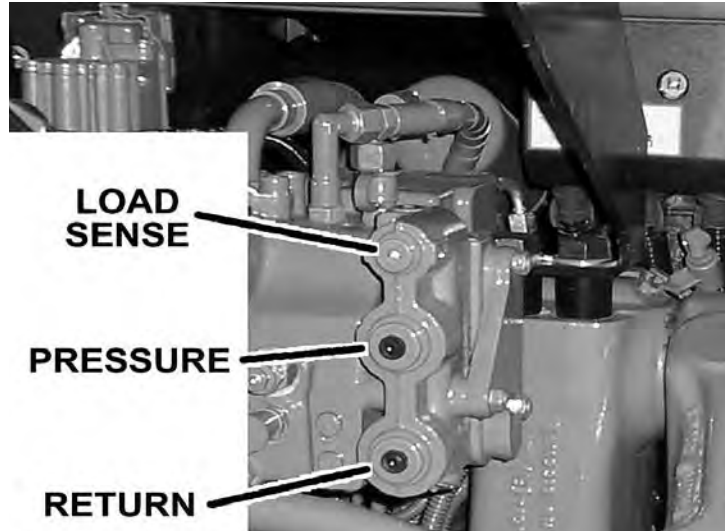
4. Crimp and visually inspect for a good crimp before installing in connector body.



ASSEMBLY

HYDRAULIC PORTS

These ports are located at the rear of the tractor, under the lift valve, where the valve mounting bracket attaches to the tractor. The load sense port is on top, then the pressure and finally the return port, as shown in the image below. Refer to the Parts Section for additional information. (ASM-JD60-7030-0004)



PRESSURE LINE INSTALLATION

The hydraulic pressure line will be plumbed into the rear of the tractor remote valve. Locate the pressure port on the rear remotes and remove the plug (refer to the Hydraulic Ports illustration and the Parts Section pages for position of the pressure port). After the plug is removed install 27mm adapter. Next, connect a 1/2" hose from the tractor remote valve to the Tiger valve. (ASM-27mmPRESSURE-0001)

RETURN LINE INSTALLATION

The return line will be plumbed next to the pressure line on the tractor remote valve. Locate the return port and remove the plug (refer to the Hydraulic Ports illustration and the Parts Section for the position of the return port). After the plug is removed install 27mm adapter or elbow. Next, connect a 1/2" hose from the tractor remote valve to the Tiger valve. (ASM-27mmRETURN-0001)

LOAD SENSE LINE INSTALLATION

The load sense line will be plumbed into the bottom of the tractor remote valve (refer to the Hydraulic Ports illustration and the Parts Section pages for the position of the load sense port). Locate the plug on the tractor rear remotes for the load sense, and remove the plug. Install a 14mm adapter or elbow and run a 1/4" hose from the remotes to the Tiger valve. Refer to the Parts Section pages for an exploded diagram of the tractor remote valve hookup.

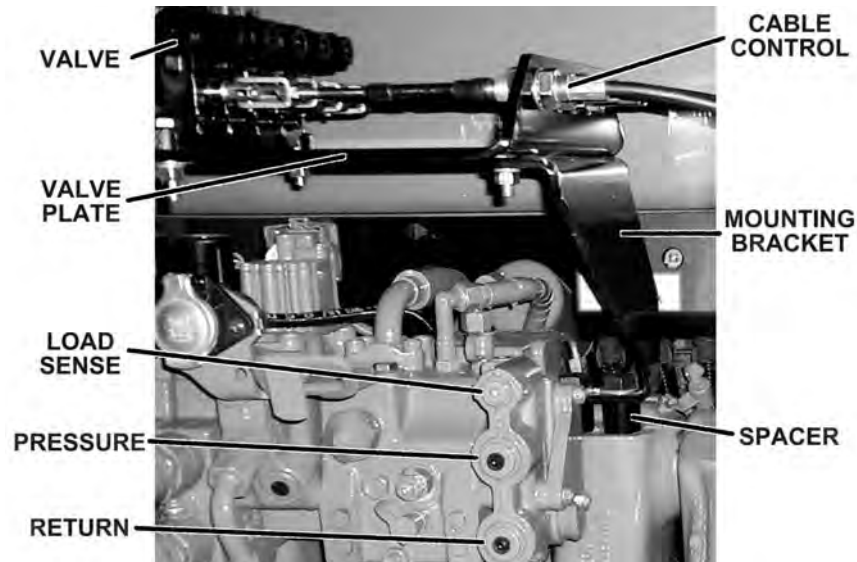
(ASM-14mmLOAD SENSE-0001)



ASSEMBLY

VALVE MOUNTING

Locate the existing holes on top of the tractor remote valve at the rear of the tractor. Spacers are needed under the valve mounting bracket to raise the valve mounting system to the required height. Secure the bracket to the tractor with hardware shown in the Parts Section of the manual. Attach the valve mounting plate to the valve mounting bracket on the rear of the tractor as shown below. Align the holes for the cables on the Husco control valves and center the Danfoss valve on the valve plate. Then align the holes on the valve with the plate holes and secure the lift valve on top of the mounting plate. Route the hydraulic lines from the lift valve to the hydraulic cylinders as noted on the lift valve page of the Parts Section. Install the control cables to the valve and the mounting plate on the Husco valves. On the Danfoss valves, attach the electrical control cables. (ASM-JD7X30-0001)



ASSEMBLY

CABLE CONTROL LEVER STAND

On the corner cab post, mark a point at 1-3/8" from the windshield and 22-1/2" from the floor; then cut a 3/4" diameter hole through the outer plastic shell. This will expose a threaded steel boss to attach the control box support bracket.

The rear corner of the cable control stand is placed approximately 6-1/4" from the edge of the mat. The front edge of the stand is up against the corner cab post and the door sill lip of the mat. Before you mark or drill any holes, check for support plates or wires under the mat and the cab floor. **NOTE:** Cutting into plates or wires makes more work for everyone and could be dangerous. When you know where the wires/plates lie, mark one of the mounting holes. Drill a 3/8" hole through the mat and through the floor of the cab. Next, lift the mat up and mark the other two holes on the cab floor. Drill the holes through the floor. Mark the mat and drill the other two 3/8" holes. Use a 1" hole saw and cut a 1" hole through the mat over each 3/8" hole. Secure the stand to the floor with the spacers, capscrews and nylock nuts provided.



Secure cables and wires from the control stand with zip ties and route past the right side of the driver's seat. Drill a 2 1/4" diameter hole in the triangular area behind the driver's seat. Drill a hole to the outside rear of the tractor.

Wrap the cables with the 6" split hose at the point they pass through the hole, and secure the zip-ties. Apply RTV sealer in and around individual cables and split hose, inside and outside of the cab for a water tight seal. Install upper support bracket from cab post to the control lever stand.

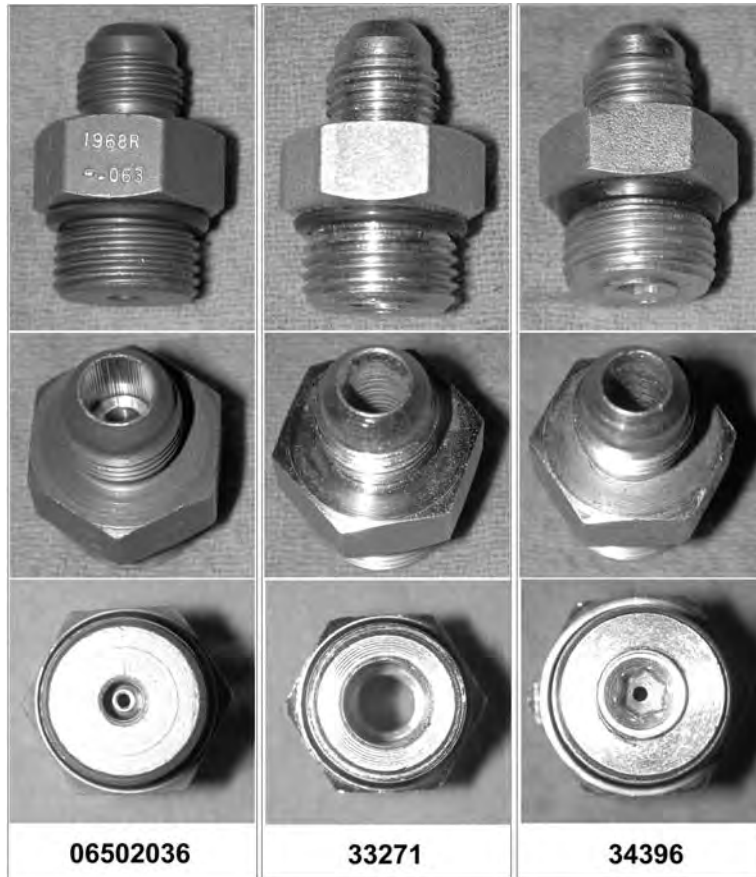
(ASM-JD CBL MNT-0002b)



ASSEMBLY

NOTE ON HUSCO CONTROL VALVES

Manual, cable controlled (Husco control valve) boom mowers require check valves with integral restricting orifice (#06502036) installed in the control valve work ports that are connected to the gland ends of the main and secondary boom cylinders. This check valve allows oil to free flow into the gland end of the main and secondary boom cylinders, but restricts flow out of the cylinder, thereby providing proper boom control. This check valve, #06502036 (Vendor #1968R-.063) is similar in appearance to hose adapter #33271 and Adapter #34396, with .06 orifice. These components can be identified as follows, and are to be installed per Parts Section for the lift valve. (ASM-HUSCO-0001)



ASSEMBLY

JOYSTICK SWITCHBOX MOUNTING

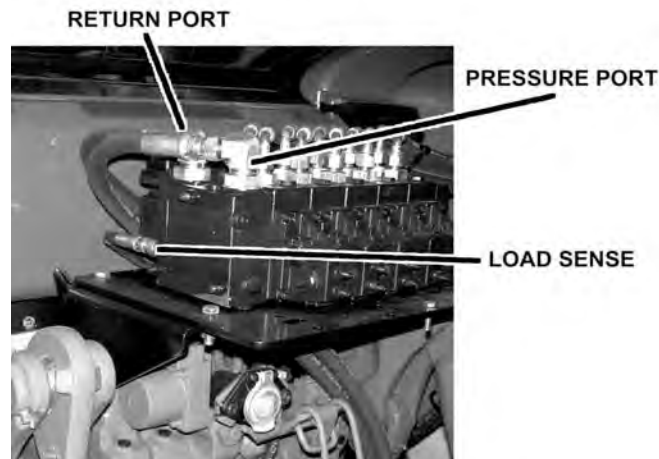
Locate the two holes in the right front corner of the cab frame. These will be the mounting holes for the two mounting bolts of the switchbox bracket. See picture below. Mount the bracket using the hardware supplied, as noted in the Parts Section. (ASM-JD-0081)



ELECTRONIC LIFT VALVE PORTS

(ASM-C-0089)

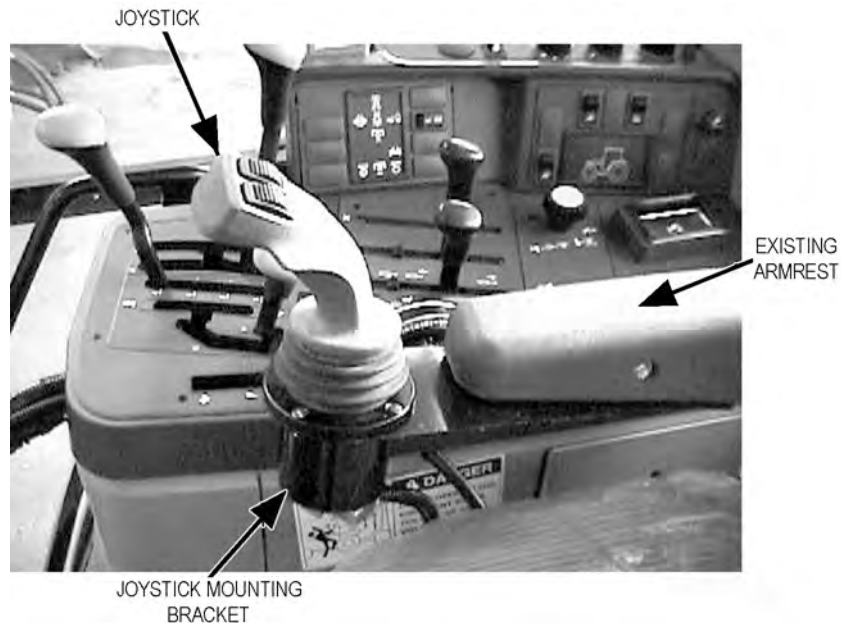
DANFOSS VALVE



ASSEMBLY

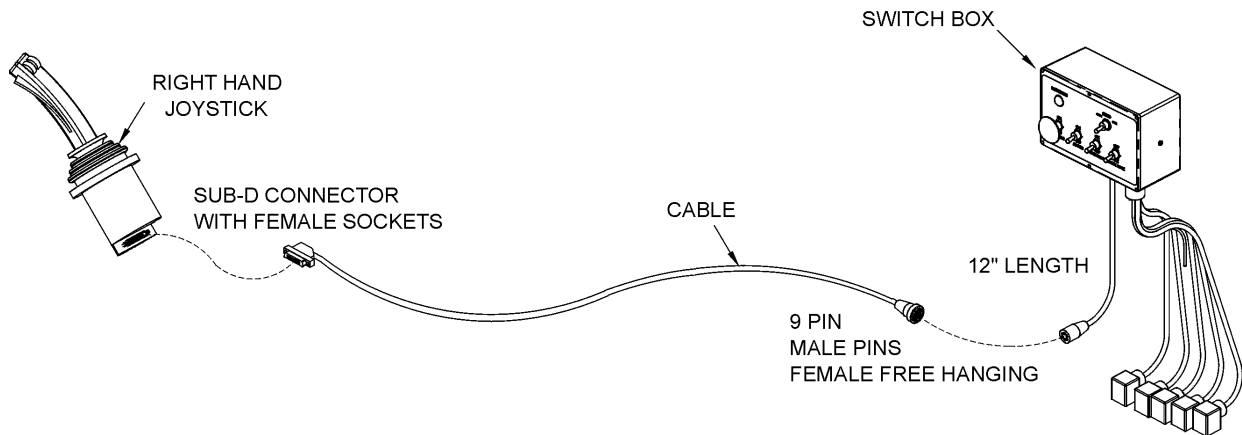
JOYSTICK CONTROL MOUNTING

Mounting the joystick control requires that the right armrest be modified and an additional bracket attached to accommodate the joystick. The armrest must be removed by sliding off the plastic cover and removing the capscrew from the lower right side of the seat. This will leave the armrest loose so it can be removed. Once the armrest is removed, place the joystick holder under the armrest, so the indentation on the outside of the armrest is lined up with the hole in the armrest bracket which the capscrew will need to pass through. Once they are lined up, mark the armrest where the hole passes through the armrest bracket. A 1/2" hole must be drilled through the armrest so that the bracket can be secured. After the initial 1/2" hole is drilled, on the inside of the armrest the hole must be cut to a larger diameter up to the metal plate in the armrest, so that a spacer and hex nut can be fastened to the capscrew which will secure the bracket. Install the armrest bracket on the armrest with the hardware shown in the Parts Section. Once the bracket is installed, re-attach the armrest to the seat using the existing hardware previously removed. Then install the joystick in the bracket with the machine screws shown in the Parts Section. Route the lift valve wires from the switchbox through the cab and out the back window. Cover with conduit and secure with ties or clamps as necessary. (ASM-JD-0082)



ASSEMBLY

BOOM JOYSTICK CONTROL CALIBRATION (FOR SABER) SUB-D



This Danfoss PVG32 control valve is now equipped with higher-resolution actuators on Main Boom, Secondary Boom, Deck Roll, and Swivel functions. These actuators have “active fault monitoring”. The Deck Shield section does not have “active fault monitoring”. The joystick is unchanged and provides a ratio-metric voltage signal. The neutral signal voltage is half or 50% of tractor supply voltage. A 25% signal voltage will shift the valve spool to full “A-Port”, and 75% signal voltage will shift the spool to full “B-Port” in the Main, Secondary, and Swivel valve sections. On the Deck Roll function a 34% signal voltage will shift the valve spool to full “A-Port” and a 68% signal voltage will shift the spool to full “B-port”. If an actuator with active fault monitoring receives a signal from the joystick that is less than 15% or greater than 85% of supply voltage the actuator will “fault out” and shut down. Also if there is an internal failure in the actuator or if the spool position is greater than that specified by the signal voltage from the joystick, the actuator will “fault out” and shut down. An “active fault” condition causes the actuator to drive the spool to neutral, shut down, and activate a “red” LED on the top of the actuator. The active fault can be canceled by simply cycling the Master Switch “OFF” and then “ON”, which resets the fault monitoring, and causes the LED on top of the actuator be “green” again.



The joystick control is equipped with signal adaption potentiometers.

These provide the capability to individually adjust the oil flow to each boom function. It is important that the boom functions do not travel too fast. Excessive boom speed can reduce the stability of the unit and decrease operator control.

Note: Use a Phillips screwdriver and be sure to adjust the screws carefully! DO NOT turn the potentiometers beyond their stopping point, potentiometers are very delicate! Turning the “A” or “B” port potentiometers clockwise increases the oil flow to increase the boom function speed, and turning them counterclockwise decreases the oil flow to decrease the boom function speed. See the graphic on the next few pages for help in adjusting. (ASM-DF CALIBRATION SBR-0001)



ASSEMBLY

Run tractor at normal operating RPM to adjust the settings as follows.

Set the dead band compensation potentiometer first.

Set the dead band compensation potentiometer at 50%, or halfway between full clockwise and full counter-clockwise.

Setting Signal Adaptation Potentiometers:

Disconnect the Deutsch connectors from the actuators of the valve. Use a Volt/Ohm meter to measure signal voltage and adjust the signal adaptation potentiometers as needed. Pin #4 is tractor supply voltage. Pin #1 is signal voltage from the joystick, and pin #3 is ground. First measure supply voltage between pins 4 and 3. Then measure signal voltage between pins 1 and 3 while indexing the joystick function fully in both the "A" and "B" port direction. Divide the signal voltage by the supply voltage to get signal voltage as a % of supply voltage. This percentage should not be less than 25% or greater than 75% for the Main Boom, Secondary Boom, or Swivel function. This percentage should not be less than 30% or greater than 62% for the Deck Roll function. Note these initial settings for the Deck Roll function should prevent the spool from shifting into float. *After making this first adjustment to deck roll if the spool still goes into float, adjust the "B" port screw additionally counterclockwise.*

Reconnect Deutsch connectors on control cables to actuators on Danfoss valve. Run tractor until hydraulic system is at operating temperature. Now refine the adjustments of the signal adaptation potentiometers for both "A" and "B" ports for all proportional functions to achieve the following function times. Note: turning potentiometer clockwise increases the flow or the function speed, and turning them counter-clockwise decreases the flow or the function speed. Note, if during this procedure the trim potentiometer is set to full "counterclockwise" but the function is still too fast, use the mechanical stops at the manual actuator end of the valve section to further limit flow. Turn limit screw in or clockwise to limit flow. The upper limit screw limits flow to "B-port", and the lower limit screw limits flow to "A-port". However DO NOT adjust the limit screw on "B-port" of deck



ASSEMBLY

MAIN BOOM:“A” Port, Boom UP:8-10 Seconds

(Note: Extend secondary boom completely; roll deck to be level with ground, and lower main boom until deck is on ground. Now index main boom “up” function and determine the time required for main boom to rise completely.)

“B” Port, Boom Down:6-8 Seconds

(Note: Extend secondary boom completely, roll deck to be level with ground, and raise the main boom to “full up”. Then index the main boom “down” function to determine the amount of time required for the deck to contact the ground. CAUTION: Stop the boom just as the deck contacts the ground.)

SECONDARY

BOOM: “A” Port, Boom Out:8-10 Seconds

(Position main boom full up, roll deck out until deck cylinder is fully retracted, and bring secondary boom in completely. Then index the secondary boom “out” function and determine the time required for boom to extend out completely.)

“B” Port, Boom In:8-10 Seconds

(Position the main boom full up, roll deck out until deck cylinder is fully retracted, and extend secondary boom completely. Then index the secondary boom “in” function and determine the time required for boom to come in.)

DECK ROLL:“A” Port, Deck Out:7-9 Seconds

(Raise main boom to vertical, extend secondary boom out slightly so that deck can be articulated without contacting the main boom, and roll deck in until deck cylinder is completely extended. Then index the deck roll “out” function and determine the time required for the deck to roll out.)

“B” Port, Deck In: Target 5-6 Seconds (but DO NOT use Limit Screw)

(Raise main boom to vertical, extend secondary boom out slightly so that deck can be articulated without contacting the main boom, and roll deck out until deck cylinder is completely retracted. Then index the deck roll “in” function and determine the time required for the deck to roll in.)

BOOM

SWIVEL:“A” Port, Boom Aft:11-13 Seconds

(Extend booms completely; rotate head to be level with ground, lower main boom until deck is just above ground, and swivel boom full forward. Then index the boom swivel “aft” function and determine the time required for the boom to swivel full aft. Use caution when doing this, stop boom before main boom contacts tire.)

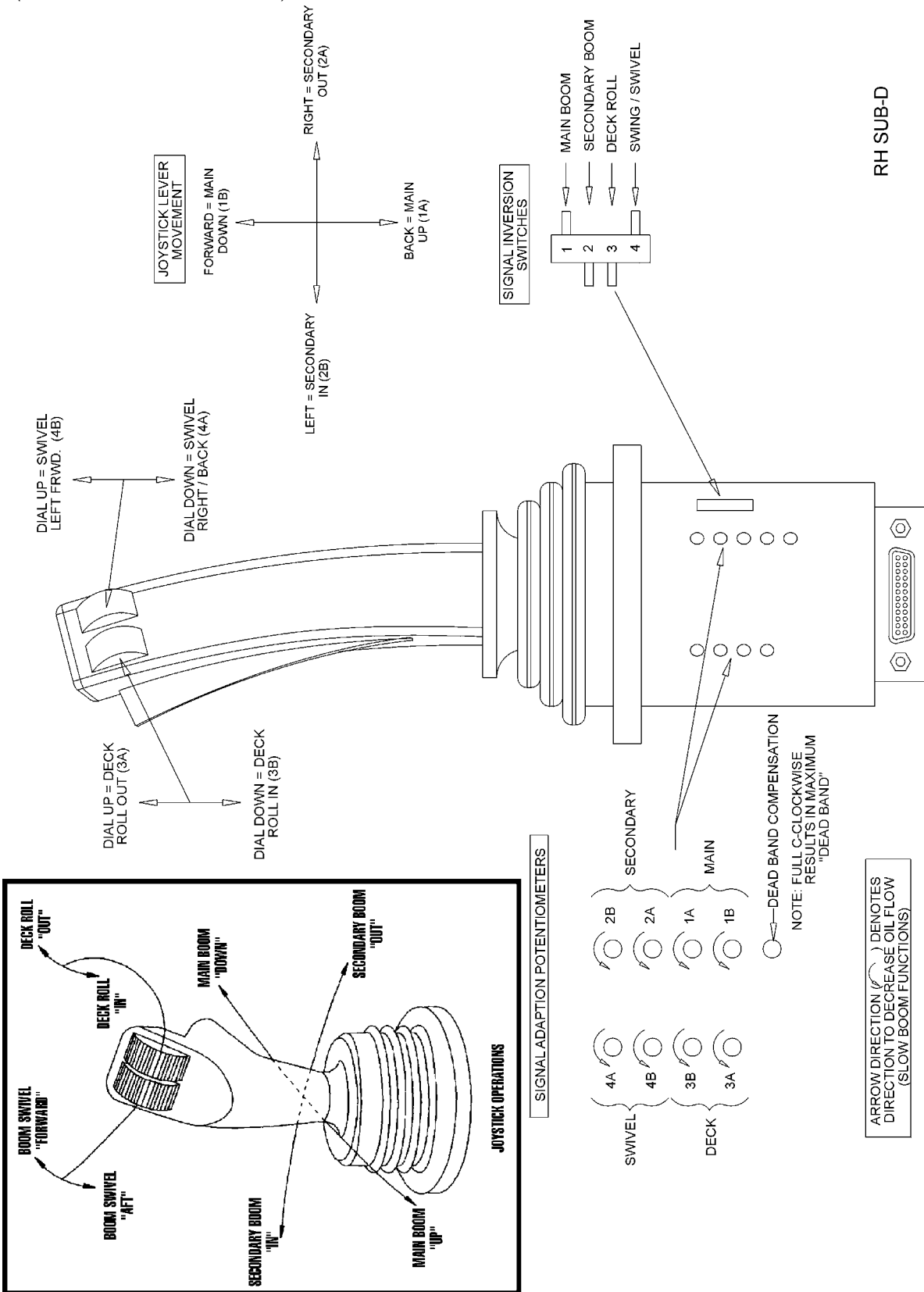
“B” Port, Boom Forward:11-13 Seconds

(Extend booms completely, rotate head to be level with ground, lower main boom until



ASSEMBLY

(ASM-DF CALIBRATION SBR-0001)



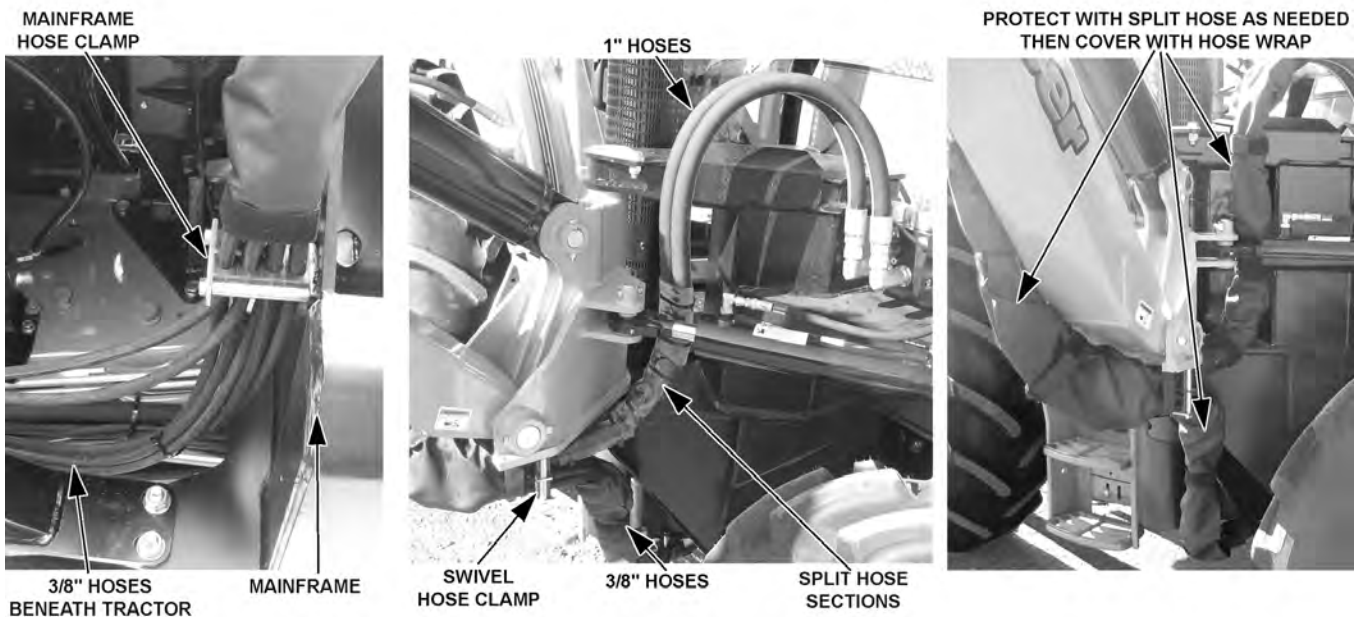
RH SUB-D



ASSEMBLY

REAR STOW SABER HOSE ROUTING

WARNING NOTE: The sudden release of hydraulic pressure could cause the sudden movement of very heavy parts. Anyone in the way of these parts could be severely hurt or killed. DO NOT ALLOW these hydraulic hoses to BREAK or BURST. To prevent hydraulic failure make sure the hoses do not pinch or stretch as boom moves. Measure TWICE, check TWICE then proceed with caution.



Route the 3/8" hoses from beneath the tractor through the clamp attached to the side of the mainframe, and then up to the clamp beneath the swivel. Route the 1" pressure and return hoses as shown in the photos. Wrap the 1" hoses with split hose sections and secure with zip ties where they may come in contact with the swivel or the cylinder. Connect the hoses to the boom preformed tubes or hoses and move the boom arm to a few feet from full forward. Make sure there is enough slack for all hoses to pivot at the joint where the main boom arm bends in the swivel, and tighten the hoses in the clamp. Cover the hoses on either side of the clamp with the hose wrap. This will protect the hoses from abrasion and heat.

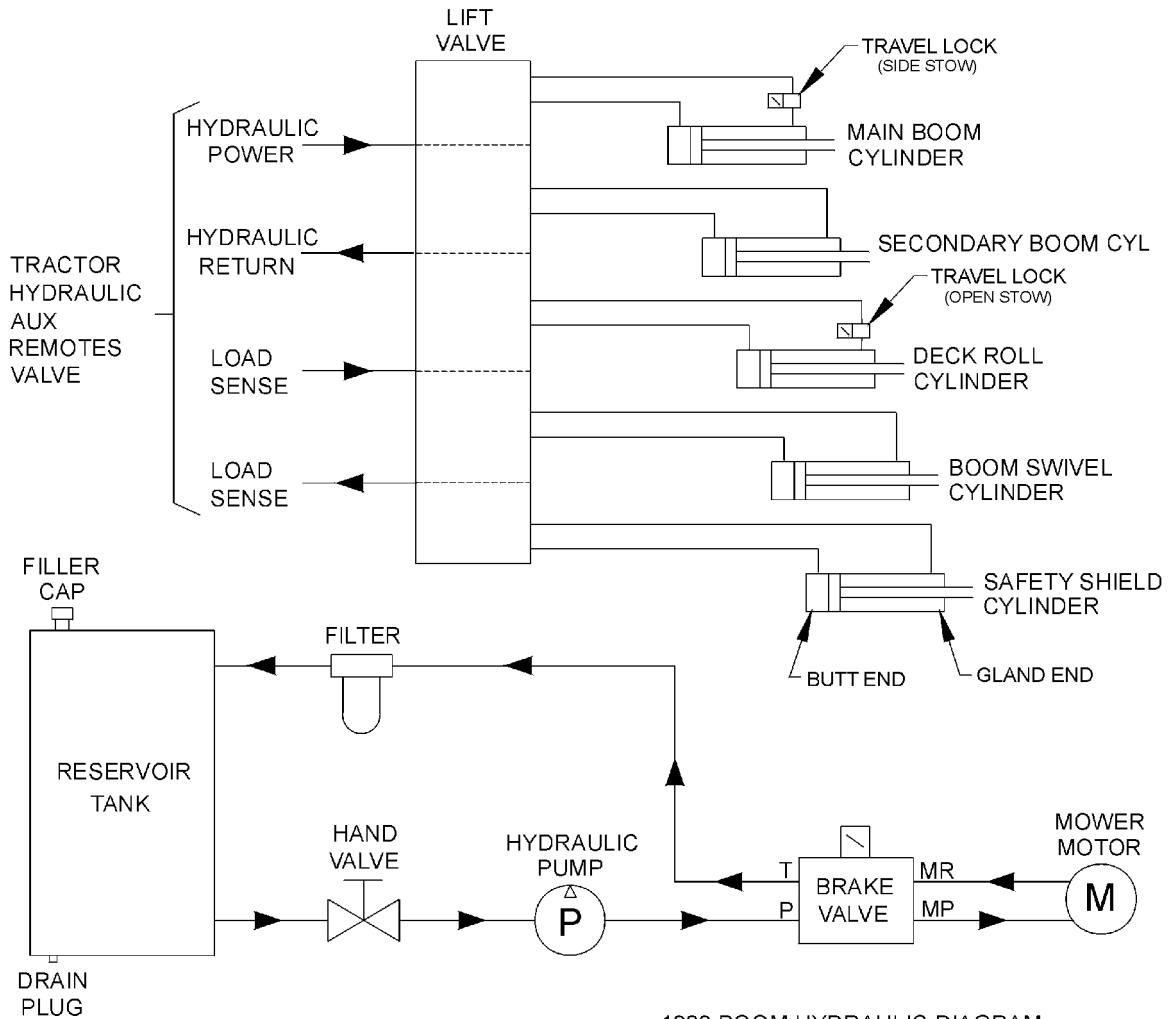
Make sure the 1" hoses do not kink as the boom arm is moved into the stowing position. If this happens the hoses will have to be shortened, because there is too much hose between clamps. (ASM-T4 HOSE ROUTING-0001A SABER)



ASSEMBLY

(ASM-C-0023)

BOOM HYDRAULIC DIAGRAM



WHEEL WELL HYDRAULIC TANK INSTALLATION

Install all fittings and tubes into tank and tank filter as shown in the Parts Section illustration. Insert tank sight glass onto the tractor side of the tank.

Place the tank in the mounting bracket on the axle brace as shown in the Parts Section. Secure the tank with the hardware provided.

Install the filter gauge into the filter housing so that it points to the rear of the tractor and is clearly visible to the operator. The tank breather cap is ready for use as the tank is filled. Some of these items may already be installed. (ASM-C-0103)

WHEEL SPACERS

When mounting a boom mower, a spacer kit is needed for both rear wheels (part # 06200637). After removing the wheels attach the spacer to the wheel portion of the axle with the hardware provided. When you are ready to re-attach the wheel, the wheel goes on first then the reinforcement ring and finally the hardware provided. (ASM-JD-0099)



ASSEMBLY

FILLING HYDRAULIC RESERVOIR

Refer to the Maintenance Section for filling specifications and hydraulic oil requirements.

NOTE: Starting or running your Tiger mower before filling reservoir will cause serious damage to hydraulic pump.

INSTALLING O-RING FITTINGS

Installing straight, 45° and 90° O-rings requires that the O-ring and washer be up against the swivel body. Insert the swivel and turn in until the swivel is pointed in the desired direction and O-ring contact is made. Hold swivel in set direction with a wrench and turn the O-ring nut away from the swivel body and carefully tighten. *(ASM-C-0056)*

INSTALLING NATIONAL PIPE FITTINGS

Whenever installing a pipe fitting, wrap the threads clockwise (looking at the end) with teflon tape. In this way, the tape will be tightened when installed. **NOTE:** It is not necessary to tape O-ring fittings, or those installed in swivels. *(ASM-C-0088)*

GENERAL HOSE INSTALLATION

Refer to the Parts Section for more information about hoses and fittings for this application.

When mounting the suction hose between the pump and the tank, the stainless steel bands that are provided must be used. **CAUTION:** DO NOT use regular hose clamps for this purpose.

HOSE COVERING

Secure hoses together with zip ties wherever loose. Wrap the hoses between the swivel and main boom with the hose cover provided. Wrap the hoses between the main boom and secondary boom with the hose cover provided. Where hoses may contact the frame or other edges, wrap with split hose and secure with hose clamps or zip ties.

On non-cab units, the pressure and return hoses from the control valve will also need to be routed inside the protective hose wrap. Cover the valve and valve fittings with the hose cover and secure with the string provided. *(ASM-C-0058)*

ACCUMULATOR INSTALLATION

Install the accumulator bracket on the right mainframe mast or lift valve mount, if applicable, with the capscrews, lockwashers and spacers, if applicable, as shown in the Parts Section. Install the accumulator in the bracket and secure with the hardware shown. Install fittings and hoses to the cylinder and control valve as shown in the Parts Section. **Use teflon tape on all pipe fittings (except O-rings).** *(ASM-C-0012)*



ASSEMBLY

SOLENOID BRAKE VALVE

Install a solenoid valve on the mounting bracket with the supplied hardware as shown in the Parts Section in this manual. While installing the fittings to the brake valve, the electrical coil on the spool may have to be removed to make room. When reinstalling the coil, it is important to use no more than 5 ft. lbs. (or 60in. lbs.) torque. **WARNING: OVER TORQUE TO THE COIL WILL RESULT IN HYDRAULIC FAILURE OF SPOOL.** (ASM-C-

TEMPERATURE GAUGE MOUNTING (OPTIONAL)

Mount the temperature gauge where it is clearly visible to the operator. Attach the green (-) wire from the negative post on the gauge to a grounded bolt on the tractor frame. Remove paint if needed to make a good ground. Remove the pipe plug from the side of the hydraulic reservoir and install the temperature sensor using thread sealing tape. Run the white wire from the (s) sensor post of the gauge to the temperature sensor on the hydraulic reservoir tank. (ASM-C-0051)

WHEEL WEIGHT MOUNTING

For all tractors using a boom mower, a wheel weight will be required for the rear left side wheel. It will be necessary to mount the weight in the wheel using the long capscrews, lockwashers, flatwashers, spacers (if applicable), and hex nuts per the diagram in the Parts Section.

Installation is most easily done with a fork lift, inserting a fork in the center slot of the wheel weight. The head of the capscrews is to be toward the OUTSIDE of the weight, with flatwashers on both the inside and outside of the assembly.

The left rear tire may also be filled with a mixture of water and calcium chloride at about five pounds per gallon. Tire air pressure should be maintained according to the Maintenance Section. (ASM-C-0055)

MAIN BOOM INSTALLATION

Using a hoist, install the boom swivel into the mainframe as shown in the Parts Section. Line up holes in swivel and mainframe for large swivel pin and insert pin. Secure with hardware as shown.

Attach the inner end of the main boom to the swivel bracket with the cylinder anchors positioned upward and at a right angle to the tractor. Secure it with the horizontal hinge pin. Secure the hinge pin in the boss with capscrews, etc. (see Parts Section).

Attach the butt end of the main boom cylinder to the swivel bracket anchor with the special "bracket head" cylinder pin and roll pin shown in Parts Section.

Install the travel lock on the butt end of the main boom cylinder. This should be facing the butt end of the cylinder after installation.

Install the fittings and hoses to the main boom cylinder per Parts Section.

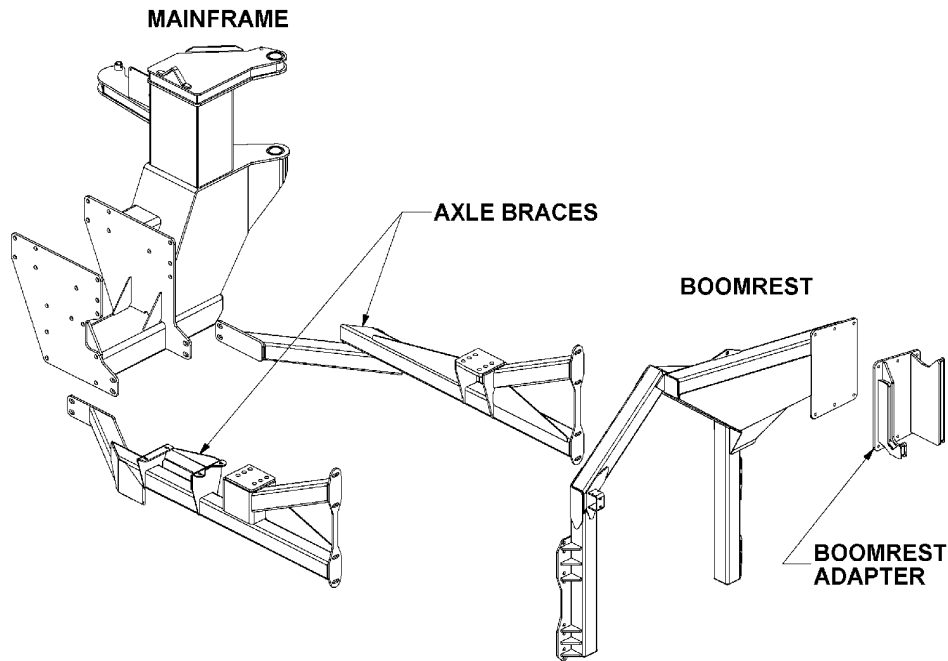
GREASELESS BEARINGS ARE DARK GRAY AND SHOULD NEVER BE GREASED. THE MAIN BOOM CYLINDER AND THE SECONDARY CYLINDER ARE NOT GREASELESS AND NEED TO BE GREASED. (ASM-MN BM LRS-0001)



ASSEMBLY

RS AXLE BRACE MOUNTING

The rear stow axle braces are to be mounted under the rear axle of the tractor. The other end of the axle brace mounts on the outside of the lower rear corners of the mainframe. After attaching the boomrest, it should fit tightly and level under the tractor. Attach the axle brace(s) to the mainframe with hardware shown in the Parts Section and tighten. Attach the axle braces to the rear axle using the mounting hardware shown in the Parts Section, but **DO NOT** tighten.



RS BOOMREST MOUNTING

Carefully raise the rear stow boomrest and align the holes with those of the axle brace. Now install all attaching hardware, as shown in the Parts Section, loosely, to allow for the alignment with the left and right axle brace. Tighten / torque all hardware on the brace and the boomrest. Finally, add the rest strips to the boomrest. (*ASM-JDBOOM-*



ASSEMBLY

DECK ATTACHMENT

Attach the head to the secondary boom using the pins and hardware shown in the Parts Section to attach linkages. Install the square tube on the top of the head into the head mount and secure using the mounting plate and hardware as shown. The mount should be positioned to the left side of the cutter head. Install the deck pivot cylinder using the pins and hardware also shown in the Parts Section.

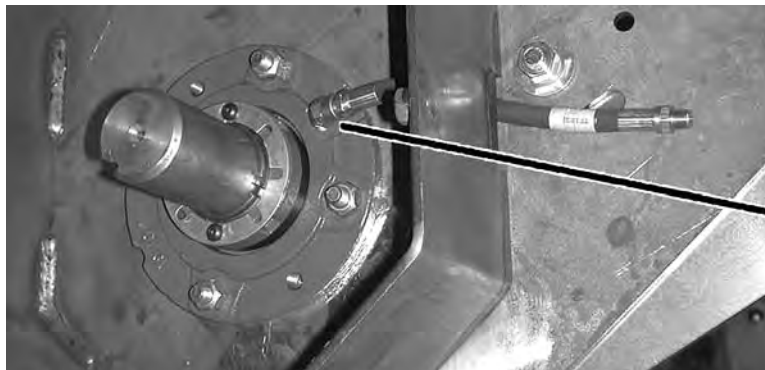
Connect the fittings and hoses from the pivot cylinder to the small preformed tubes on the boom arm. Connect the fittings and hoses from the motor to the large preformed tubes on the boom arm.

Connect all remaining hoses from the control valve to the cylinders and / or preformed tubes on the boom arm. Refer to Parts Section for diagrams.

Before proceeding to the final preparation step, double check the complete assembly from the mainframe to the cutter head against the diagrams in the Parts Section for proper placement and assembly of all components. (ASM-C-0060)

EXTENDING ZERK ON FLAIL HEAD

Because the belt shield covers the cutter shaft bearing on the flail head, a hose, elbow, and grease zerk have been added to the bearing. Remove the existing grease zerk from the bearing and discard. Attach the elbow to the bearing. Next, attach the hose to the elbow, route through the belt shield (shown below) and attach to the outside of the shield. The additional zerk is connected to the end of the hose for easier bearing maintenance.



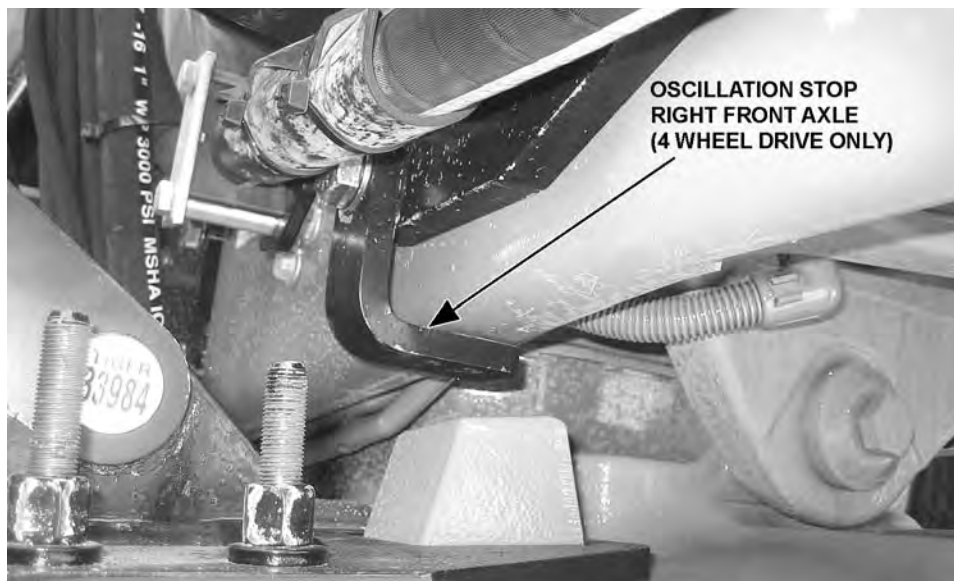
**ATTACH
HOSE
HERE**

After assembling all components, double check the complete assembly from the mainframe to the cutter head. Check the diagrams in the Parts Section for proper placement and assembly of all components. (ASM-FLAIL-0001)



OSCILLATION STOP

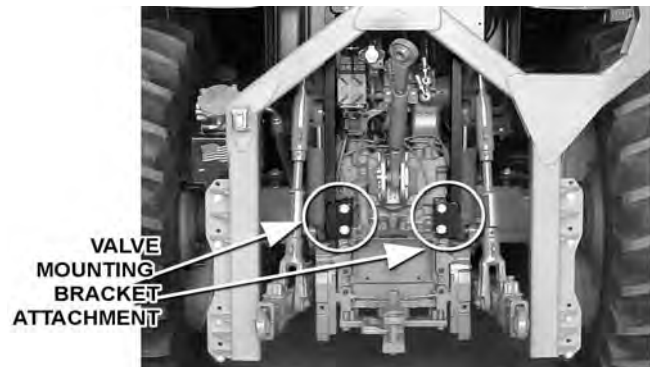
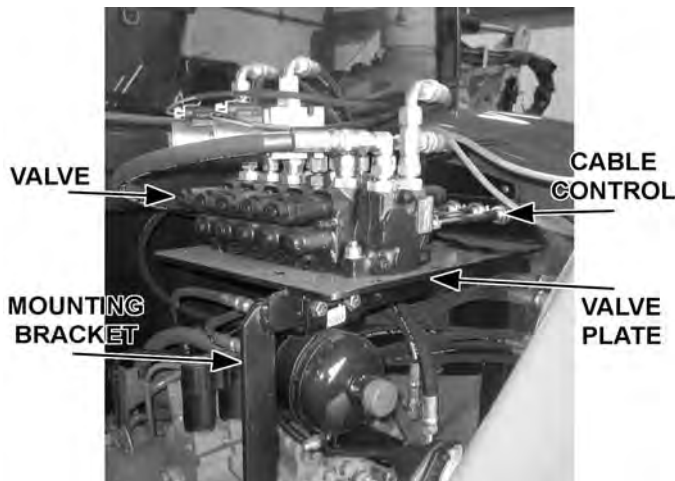
JD6140-50M/R tractors with 4-wheel drive require an oscillation stop for Saber boom applications. The stop will be installed on the right side over the front axle. Stops are also needed for tractors equipped with triple link suspension. See the mount kit page of the Parts Section for more information. (ASM-JD-0249 STOP OSS)



ASSEMBLY

VALVE MOUNTING JD6140-50R

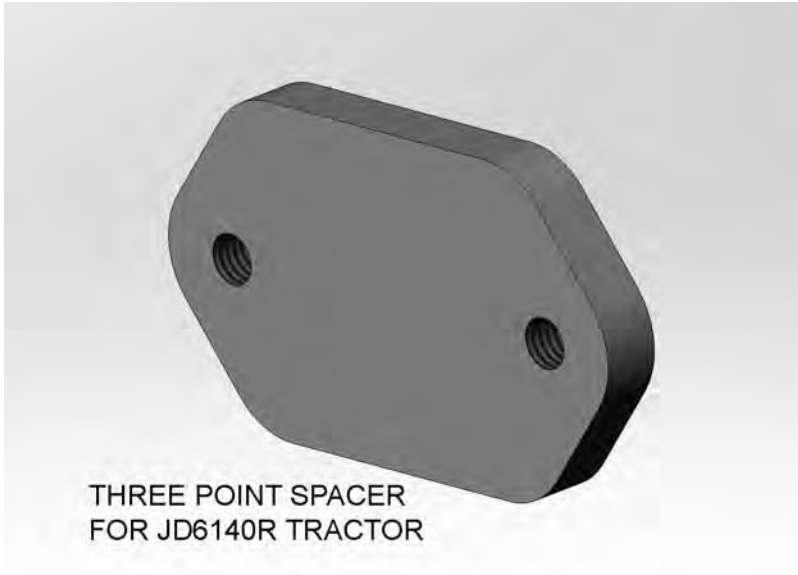
The mounting bracket for JD 6140-50R series tractors features two long legs which need to be attached as shown in the photo below. Secure the bracket to the tractor with hardware shown in the Parts Section of the manual. Align the holes for the cables on the Husco control valves and center the Danfoss valve on the valve plate. Then align the holes on the valve with the plate holes and secure the lift valve on top of the mounting plate. Route the hydraulic lines from the lift valve to the hydraulic cylinders as noted on the lift valve page of the Parts Section. Install the control cables to the valve and the mounting plate on the Husco valves. On the Danfoss valves, attach the electrical control cables. (ASM-JD7X30-0001 JD6140R)



ASSEMBLY

3-POINT SPACER BLOCKS FOR JD6140-50R

To help stabilize the 3-point arms on JD6140-50R tractors for Open Stow, Legal Rear Stow or Triple flail applications, 3-Point Spacers (P/N 06402260) need to be installed. To attach the spacer blocks on JD6140-50R tractors, 5/8" capscrews (P/N 21784) and 5/8" flatwashers (P/N 33764) will be used. *(ASM-C-0036 jd6140Rev)*



ASSEMBLY

GREASELESS BEARING INSTALLATION

It is recommended that grease be applied to the bore to aid in insertion of the greaseless bearing. (ASM-GRSLSS BRNG-0001)

Assembly

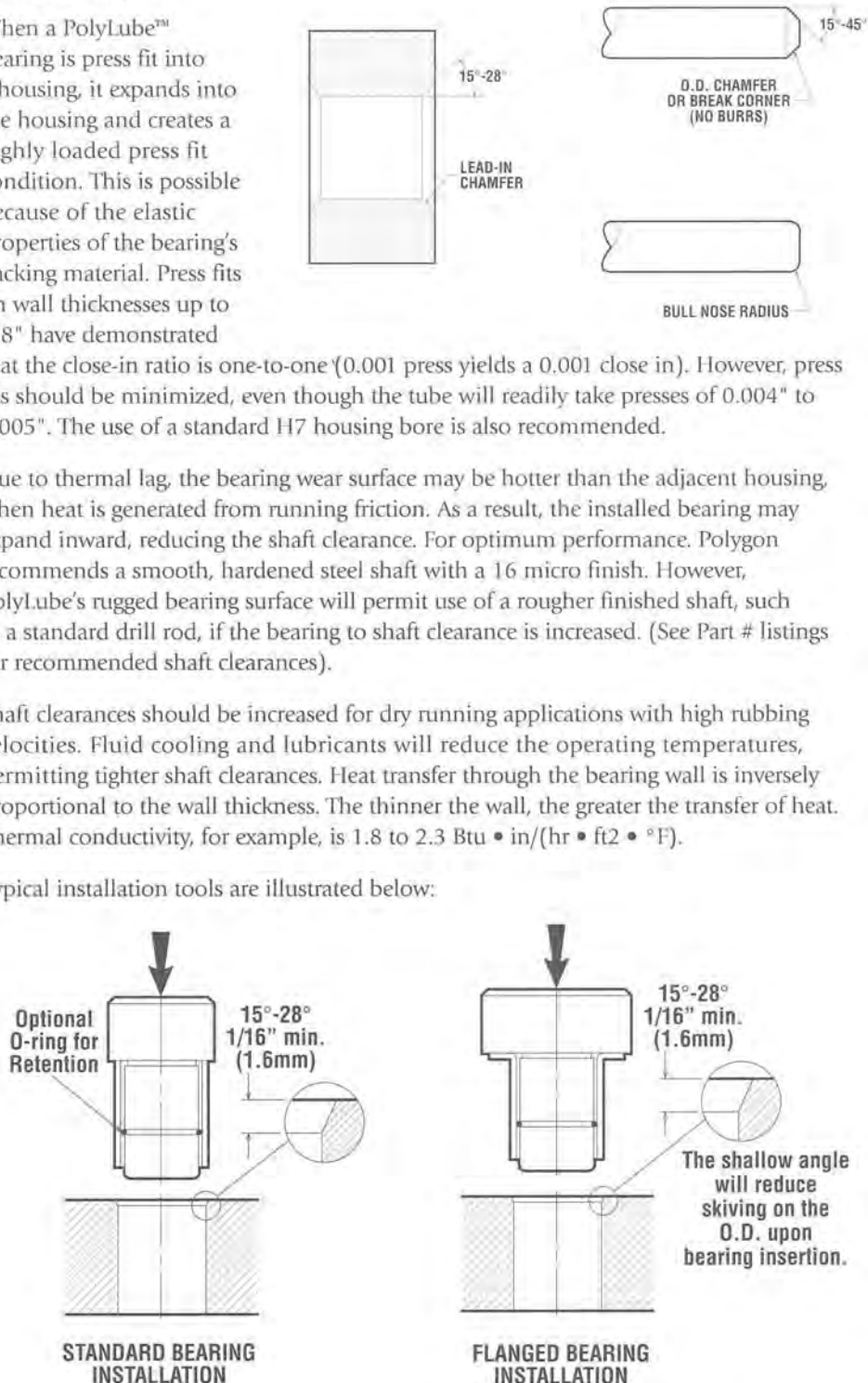
When a PolyLube™ bearing is press fit into a housing, it expands into the housing and creates a highly loaded press fit condition. This is possible because of the elastic properties of the bearing's backing material. Press fits on wall thicknesses up to 1/8" have demonstrated

that the close-in ratio is one-to-one (0.001 press yields a 0.001 close in). However, press fits should be minimized, even though the tube will readily take presses of 0.004" to 0.005". The use of a standard H7 housing bore is also recommended.

Due to thermal lag, the bearing wear surface may be hotter than the adjacent housing, when heat is generated from running friction. As a result, the installed bearing may expand inward, reducing the shaft clearance. For optimum performance, Polygon recommends a smooth, hardened steel shaft with a 16 micro finish. However, PolyLube's rugged bearing surface will permit use of a rougher finished shaft, such as a standard drill rod, if the bearing to shaft clearance is increased. (See Part # listings for recommended shaft clearances).

Shaft clearances should be increased for dry running applications with high rubbing velocities. Fluid cooling and lubricants will reduce the operating temperatures, permitting tighter shaft clearances. Heat transfer through the bearing wall is inversely proportional to the wall thickness. The thinner the wall, the greater the transfer of heat. Thermal conductivity, for example, is 1.8 to 2.3 Btu • in/(hr • ft² • °F).

Typical installation tools are illustrated below:



ASSEMBLY

FINAL PREPARATION FOR OPERATION

Place operator's safety and operation decals on the steering column and side console where they are clearly visible to the operator. These decals should be understood by each operator of the machine in conjunction with the Safety and Operation Sections of this book. The decals are to be maintained in good condition as a reminder to the operator, and should be replaced if damaged.

All bosses, pins and pivot points will need to be greased as instructed in the Maintenance Section of this manual. The hydraulic reservoir can also be filled with the recommended fluid (see Maintenance Section) and the filter installed in the top of the tank. Double check all fittings and fasteners BEFORE starting tractor. Also secure any loose hoses together with zip ties and wrap with split hoses where friction may occur on the hoses.



BEFORE starting or operating the tractor you must read and understand the Safety and Operation Sections of this manual completely.

BE SURE THE BALL VALVES ARE OPEN! Start tractor and allow instruments to stabilize. Using a piece of paper or cardboard as noted in the Safety and Maintenance Sections, check all fittings and connections for hydraulic leaks.

If a leak is found, you must shut down the tractor and set the cutter on the ground. Before attempting to fix the leak, you must actuate the lift valve handles several times to relieve any pressure in the lines.

Before operating the mower, the cutter head and boom should be slowly moved throughout the full range of motion. Watch for any condition that would cause pinching or excess stress on the hoses. The steering and front axle travel should also be carefully moved through their full range of motion. If any condition occurs in which the hoses contact the tires, the steering and / or front axle travel may need to be limited as described in the tractor operator's manual. This should also be done if the tires rub, or are extremely close to any other part of the mower, such as the hydraulic tank or draft beam. This may include adding shims or adjusting stop bolts in the tractor front to solve the problem. While checking motion, you should also check that the control circuits are connected according to the operator's decal for the valve handles.

MOWER TESTING

Take the tractor to a place free of loose objects on the ground. Operate the cylinders through their full range of motion again, to clear the lines of air. Follow the instructions in the Operation Section to operate the mower. Vibration of the mower should be minimal at all times. After a 5 minute test run, the knife bolts should be retorqued, and retorqued once again after the first few hours of operation.

If any parts of this Assembly Section, or any other section of this manual are not clearly understood you must contact your dealer or the address on the front of this manual for assistance! *(ASM-C-0010)*



ASSEMBLY



CD9 F5 HCB G97 HCB

Operation Section 3-1

CD9F5HCB

Safe Operation of the Unit

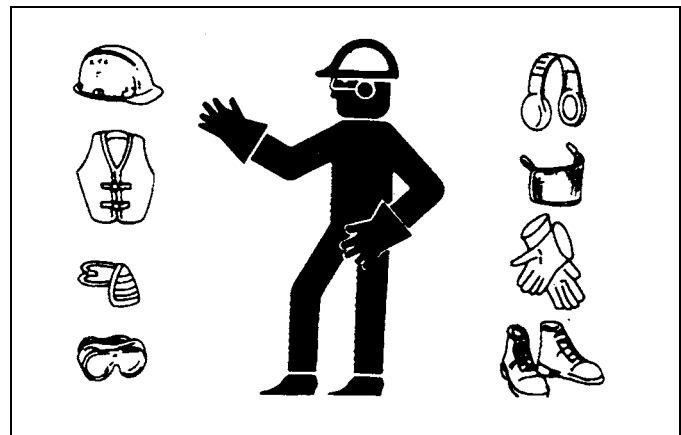
Safe operation of the unit is the responsibility of a qualified operator. A qualified operator has read and understands the implement and tractor Operator's Manuals and is experienced in implement and tractor operation and all associated safety practices. In addition to the safety messages contained in this manual, safety signs are affixed to the implement and tractor. If any part of the operation and safe use of this equipment is not completely understood, consult an authorized dealer for a complete explanation.

If the operator cannot read the manuals for themselves or does not completely understand the operation of the equipment, it is the responsibility of the supervisor to read and explain the manuals, safety practices, and operating instructions to the operator.

Safe operation of equipment requires that the operator wear approved Personal Protective Equipment (PPE) for the job conditions when attaching, operating, servicing, and repairing the equipment. PPE is designed to provide operator protection and includes the following safety wear:

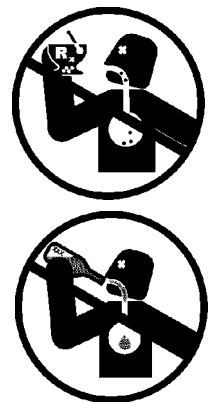
Required Personal Protective Equipment (PPE)

- Always Wear Safety Glasses
- Hard Hat
- Steel Toe Safety Footwear
- Gloves
- Hearing Protection
- Close Fitting Clothing
- Respirator or Filter Mask (depends on operating conditions)



⚠ DANGER

NEVER use drugs or alcohol immediately before or while operating the Tractor and Implement. Drugs and alcohol will affect an operator's alertness and coordination and therefore affect the operator's ability to operate the equipment safely. Before operating the Tractor or Implement, an operator on prescription or over-the-counter medication must consult a medical professional regarding any side effects of the medication that would hinder their ability to operate the Equipment safely. NEVER knowingly allow anyone to operate this equipment when their alertness or coordination is impaired. Serious injury or death to the operator or others could result if the operator is under the influence of drugs or alcohol. (SG-27)



CD9F5HCB

CD9F5HCB

CD9F5HCB

Additional Requirements

In addition to tractor horsepower and size required to operate the boom unit, the tractor must also be properly equipped to provide operator protection, to alert approaching vehicle drivers of the tractor's presence, and to ensure tractor stability when mowing with the boom fully extended.

Operator Protection

- ASAE approved Roll-Over Protective Structure (ROPS) or ROPS cab and seat belt.
- Operator Protection Tractor must be equipped with protective structure such as operator's cage or lexan window to protect operator from thrown object and falling objects
- Tractor Safety Devices Slow Moving Vehicle (SMV) emblem, lighting,
- Tractor Ballast As required to maintain at least 1500 lbs. on left rear tire

Roll-Over-Protective-Structure (ROPS)

The tractor must be equipped with a Roll-Over-Protective-Structure (ROPS) (tractor cab or roll-bar) and seat belt to protect the operator from falling off the tractor, especially during a roll over where the driver could be crushed and killed. Only operate the tractor with the ROPS in the raised position and seat belt fastened. Tractor models not equipped with a ROPS and seat belt should have these life saving features installed by an authorized dealer. *UUBNEEEH*



Operate this Equipment only with a Tractor equipped with an approved roll-over-protective system (ROPS). Always wear seat belts. Serious injury or even death could result from falling off the tractor--particularly during a turnover when the operator could be pinned under the ROPS. (SG-7)



Operator Protection - Shatter Resistant Safety Windows

The tractor must be equipped with protective equipment to shield the operator from falling and thrown objects. For cab tractors, the tractor must be equipped with an operator safety screen on its right side or the right side windows must be fitted with a shatter resistant safety window. For non-cab tractors, the tractor must be equipped with a ROPS and operator protective safety cage that provides protection to the right and above the operator seat. DO NOT remove the ROPS from non-cab tractors to equip a safety cage.

UUBNEEEH



Never operate the Tractor and Mower Unit without an OPS (Operators Protective Structure) or Cab to prevent injury from objects thrown from ground or from overhead trimming. Stop mowing if workers or passersby are within 300 feet. (SBM-9)



CD9F5HCB

Operating on a Public Roadway

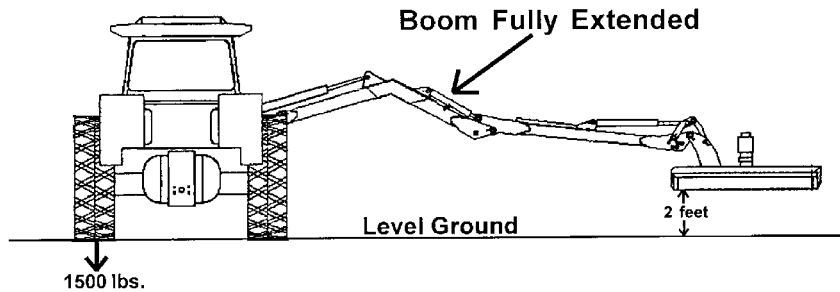
If the tractor will be operated near or traveled on a public roadway it must be equipped with proper warning lighting and a Slow Moving Vehicle (SMV) emblem which are clearly visible from the rear of the unit. Most tractors have different settings for operating and transporting lighting. Refer to the tractor operator's manual for using the tractor's light switch and operating the turn signals.

UÚÜÖ€€€Fí

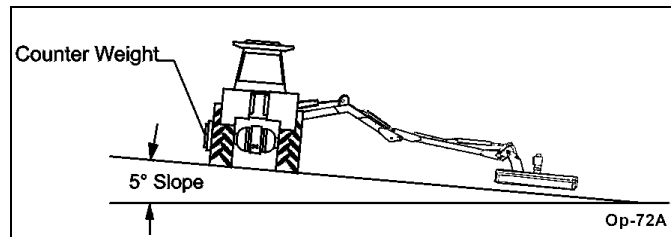


Ballast Requirement

To ensure tractor stability when operating on flat surfaces the left rear tractor tire MUST exert a minimum down force (weight) of 1500 lbs. on the ground when the tractor is on level ground, its boom is fully extended and the mower head is horizontal and two feet above the ground. For units which have the ability to operate on either side of the tractor, these requirements must also be met for the right side tire when the boom is extended to the left side as described above. A tractor that does not meet this criteria is DANGEROUS and should not be operated as upset of the unit can occur resulting in possible serious injury and property damage. NOTE: All factory mounted units are tested and meet the ballast requirement before shipment; further testing is not required unless the unit is operated in a manner other than what is considered standard operating conditions.



If the unit is operated on slopes greater than 5°, additional counterweight will be required. Operation of the unit on slopes greater than 11 percent (6.4 degrees) is not recommended under any circumstances. On a tractor with a 96" outside to outside tire spread, an 11 percent (6.4 degrees) slope occurs when one rear tractor tire is about 8" lower than the other rear tire. UÚÜÖ€€€Fí



CD9F5HCB

CD9F5HCB

CD9F5HCB

Before Getting on the Tractor

Before getting onto the tractor, the operator must read and completely understand the implement and tractor operator manuals. If any part of either manual is not completely understood, consult an authorized dealer for a complete explanation. *U U U E N E E E E I*



Do not mount or dismount the Tractor while the tractor is moving. Mount the Tractor only when the Tractor and all moving parts are completely stopped. (SG-12)



Never operate the Tractor and Mower Unit without an OPS (Operators Protective Structure) or Cab to prevent injury from objects thrown from ground or from overhead trimming. Stop mowing if workers or passersby are within 300 feet. (SBM-9)



Boarding the Tractor

Use both hands and equipped handrails and steps for support when boarding the tractor. Never use control levers for support when mounting the tractor. Seat yourself in the operator's seat and secure the seat belt around you.

Never allow passengers to ride on the tractor or attached equipment. Riders can easily fall off and be seriously injured or killed from falling off and being ran over. It is the operator's responsibility to forbid all extra riders at all times. *U U U E N E E E E I*



Never allow children to operate, ride on, or come close to the Tractor or Implement. Usually, 16-17 year-old children who are mature and responsible can operate the implement with adult supervision, if they have read and understand the Operator's Manuals, been trained in proper operation of the tractor and Implement, and are physically large enough to reach and operate the controls easily. (SG-11)



Exiting the Tractor

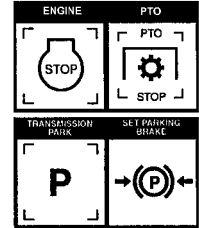
Before dismounting the tractor, idle the tractor engine down, disengage the head and retract the boom arm to the transport position. Park the tractor on a level surface, place the transmission in neutral and set the parking brake. Shut down the tractor engine, remove the key, and wait for all motion to come to a complete stop before exiting the operator's seat. NEVER leave the seat until the tractor, its engine, and mower head movement have come to a complete stop.

Use hand rails and extra steps when exiting the tractor. Be careful of your step and use extra caution when mud, ice, snow, and other matter has accumulated on the steps and handrails. Never rush or jump off the tractor. *U U U E N E E E E G*

CD9F5HCB



BEFORE leaving the tractor seat, always set the parking brake and/or set the tractor transmission in parking gear, disengage the PTO, stop the engine, remove the key, and wait for all moving parts to stop. Place the tractor shift lever into a low range or parking gear to prevent the tractor from rolling. Never dismount a Tractor that is moving or while the engine is running. Operate the Tractor controls from the tractor seat only. (SG-9)



Essential Tractor Controls

The operator must have a complete understanding of the placement, function, and operational use of all tractor controls before starting the tractor. Review the tractor operator's manual and consult an authorized dealer for tractor operation instructions if needed.

Essential Tractor Controls:

- Locate the ignition key/switch
- Locate the engine shut off control
- Locate the hydraulic control levers
- Locate the light control lever
- Locate the brake pedals and clutch
- Locate the PTO control
- Locate the 3 point hitch control lever
- Locate the boom operating controls (joystick or valve bank)

Before starting the tractor ensure the following:

- Conduct all pre-start operation inspection and service according to the tractor operator's manual.
- Make sure all guards, shields, and other safety devices are securely in place.
- The parking brake is on.
- The tractor transmission levers are in park or neutral.
- The boom operating controls are in the neutral and off position.
- The PTO control lever is disengaged.
- The hydraulic remote control levers are in the neutral position.

Refer to the tractor owner's manual for tractor starting procedures. Only start the tractor while seated and belted in the tractor operator's seat. Never bypass the ignition switch by short circuiting the starter solenoid. After the tractor engine is running, avoid accidental contact with the tractor transmission to prevent sudden and unexpected tractor movement.



Never run the Tractor engine in a closed building or without adequate ventilation. The exhaust fumes can be hazardous to your health. (SG-23)

CD9F5HCB

CD9F5HCB

CD9F5HCB



Start tractor only when properly seated in the Tractor seat. Starting a tractor in gear can result in injury or death. Read the Tractor operators manual for proper starting instructions. (SG-13)



When rotating parts are in motion, serious injury may occur if caution is not used or danger is not recognized. Never allow bystanders within 300 yards of the machine when mower is in operation.



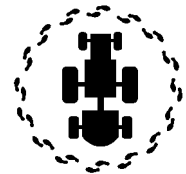
Be sure the ball valve on the mower hydraulic tank are OPEN before starting the tractor. Serious damage to the hydraulic system can occur if the valves are not open

Before each use, a pre-operation inspection and service of the implement and tractor must be performed.

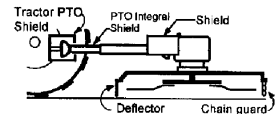
This includes routine maintenance and scheduled lubrication, inspecting that all safety devices are equipped and functional, and performing needed repairs. DO NOT operate the unit if the pre-operation inspection reveals any condition affecting safe operation. Perform repairs and replacement of damaged and missing parts as soon as noticed. By performing a thorough pre-operation inspection and service, valuable down time and repair cost can be avoided. UUUUEEGJ



Periodically inspect all moving parts for wear and replace when necessary with authorized service parts. Look for loose fasteners, worn or broken parts, and leaky or loose fittings. Make sure all pins have attaching hardware. Serious injury may occur from not maintaining this machine in good working order. (SG-21_A)



All Safety Shields, Guards and Safety devices including (but not limited to) - the Deflectors, Chain Guards, Steel Guards, Gearbox Shields, PTO integral shields, and Retractable Door Shields should be used and maintained in good working condition. All safety devices should be inspected carefully at least daily for missing or broken components. Missing, broken, or worn items must be replaced at once to reduce the possibility of injury or death from thrown objects, entanglement, or blade contact. (SGM-3)



CD9 F5 HCB

Pre-Operation Inspection

Refer to the tractor operator's manual to ensure a complete pre-operation inspection and scheduled service is performed according to the manufacturers recommendations. The following are some of the items that require daily service and inspection:



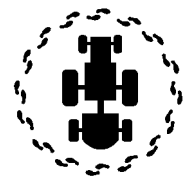
- Tire condition/air pressure
- Wheel lug bolts
- Steering linkage
- PTO shield
- SMV sign is clean and visible
- Tractor's lights are clean and functional
- Tractor Seat belt is in good condition
- Tractor ROPS is in good condition
- ROPS is in the raised position
- No tractor oil leaks
- Radiator free of debris
- Engine oil level and condition
- Engine coolant level and condition
- Power brake fluid level
- Power steering fluid level
- Fuel condition and level
- Sufficient lubrication at all lube points
- Air filter condition

Inspect and Service the Boom Arm and Head

Inspect and service the boom arm and head prior to operation. Damaged and/or broken parts should be repaired and/or replaced immediately. To ensure the unit is ready for operation, conduct the following:



Periodically inspect all moving parts for wear and replace when necessary with authorized service parts. Look for loose fasteners, worn or broken parts, and leaky or loose fittings. Make sure all pins have attaching hardware. Serious injury may occur from not maintaining this machine in good working order. (SG-21_A)



CD9F5HCB

CD9F5HCB

The operator's manual and safety signs affixed on the unit contain important instructions on the safe and proper use of the equipment. Maintain these important safety features on the implement in good condition to ensure the information is available to the operator at all times.

- Ensure all safety signs are in place and legible. Replace missing, damaged, and illegible decals. UÚÙÈÈ€€FF' CE



FRAME ASSEMBLY

- Inspect condition of mounting frame weldment.
- Inspect condition of Swivel Assy.
- Ensure all bolts and screws are in position and are properly torqued.
- Ensure all pins are in place and fastened with screws.
- Ensure frame is properly mounted to tractor and hardware is properly installed and tightened.

UÚÙÈÈ€€GF' UÓÙ



Never Leave the mower unattended while the head is in the raised position. The mower could fall causing serious injury to anyone who might inadvertently be under the mower (SBM-4)



Relieve hydraulic pressure prior to doing any maintenance or repair work on the Implement. Place the Mower Head on the ground or securely supported on blocks or stands, disengage the PTO, and turn off the engine. Push and pull the control Levers or Joystick several times to relieve pressure prior to starting any maintenance or repair work. (SBM-6)

CD9F5HCB

CD9F5HCB

BOOM ARM ASSEMBLY

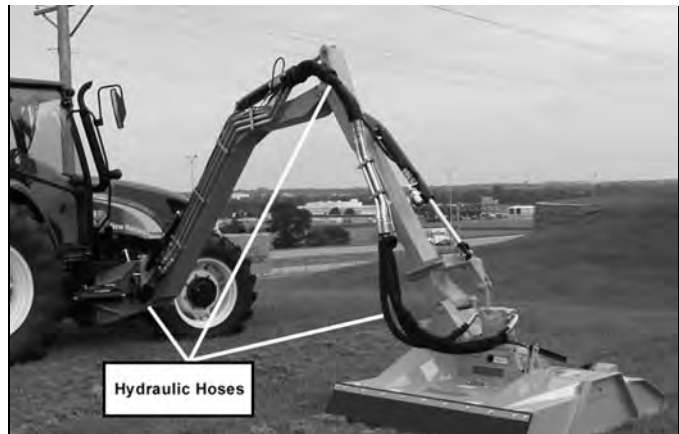
- Inspect condition of each arm section weldment
- Ensure all pins are in place.
- Ensure all bolts, nuts and rollpins are properly installed.
- Check condition of bushings at boom pivot points and hydraulic cylinder tangs.
- Ensure each hydraulic cylinder is installed and retained correctly. Ensure the proper size pins are used to retain the cylinders in place and are secured properly. UUUÖE€GG' Ö



Never attempt to lubricate, adjust, or remove material from the Implement while it is in motion or while tractor engine is running. (SG-20)

HYDRAULIC LINE INSPECTION

- Check for hydraulic leaks along hoses, cylinders and fittings. **ADCFH5BH** DO NOT use your hands to check for oil leaks. Use a piece of heavy paper or cardboard to check for hydraulic oil leaks.
- Inspect the condition of the valve mounting.
- Ensure fittings are properly connected. UUUÖE€GG' Ö



Do not operate this Equipment with hydraulic oil or fuel leaking. Oil and fuel are explosive and their presence could present a hazard. Do not check for leaks with your hand! High-pressure oil streams from breaks in the line could penetrate the skin and cause tissue damage including gangrene. To check for a hose leak, SHUT the unit ENGINE OFF and remove all hydraulic pressure. Wear oil impenetrable gloves, safety glasses and use Cardboard to check for evidence of oil leaks. If you suspect a leak, REMOVE the HOSE and have it tested at a Dealer. If oil does penetrate the skin, have the injury treated immediately by a physician knowledgeable and skilled in this procedure. (SG-15)



CD9F5HCB

CD9F5HCB

HYDRAULIC PUMP/OIL RESERVOIR

- Check oil reservoir level and oil condition. (Add specific type oil if low)
- Change hydraulic oil filter and hydraulic oil according to maintenance schedule.
- Ensure there are no oil leaks and fitting are properly connected
- Inspect overall condition of hydraulic pump.
- Inspect pump drive shaft.



Check the fluid level in the Hydraulic Tank on the Tractor, and add oil if required. As the air has been forced out of the Cylinders and Hoses, it goes into the Hydraulic Tank and reduces the volume of oil. Maintain the oil level within the sight gauge located on the side of the reservoir. Never fill the tank above the sight gauge to allow for the expansion of the oil. The tank maintains pressure after the mower has been run. Stand off to one side when removing the breather cap element to prevent possible injury. *UUUE€€G 'O*

WARNING

Attention: Oil Filler Cap is also the Pressure Relief Cap.

Remove cap slowly to relieve pressure before removing cap completely. Stay clear to prevent being scalded with hot oil that may spray out of the tank that is still pressurized and may cause serious injury to eyes, face, and exposed skin. *Qr u/2223/O.H.E.+

WARNING

Avoid contact with hot surfaces including hydraulic oil tanks, pumps, motors, valves and hose connections. Relieve hydraulic pressure before performing maintenance or repairs. Use gloves and eye protection when servicing hot components. Contact with a hot surface or fluid can cause serious injury from burns or scalding. (SG-34)

CD9F5HCB

ROTARY HEAD INSPECTION

- Inspect blades and blade bolts for looseness and excessive wear. Rotate to 90° to make for checking easier. Replace damaged, worn, and missing blades as complete sets to maintain rotary balance.
- Ensure motor bolts and nuts are tightened to the appropriate torque.
- Ensure rubber deflectors are in position and not damaged. Replace worn, broken, and missing sections immediately.
- Ensure hydraulic lines are properly connected to the hydraulic motor. Check for hydraulic leaks along hoses and fittings. DO NOT use your hands to check for oil leaks. Use a piece of heavy paper or cardboard to check for hydraulic oil leaks.
- Inspect the condition of deck skid shoes and hardware. *UÜÜÖEeG*



Do not put hands or feet under mower decks. Blade Contact can result in serious injury or even death. Stay away until all motion has stopped and the decks are securely blocked up. (SGM-09)



All Safety Shields, Guards and other safety devices including (but not limited to) - Deflectors, Steel Guards and Gearbox Shields must be used and maintained in good working condition. All safety devices should be inspected carefully at least daily for missing or broken components. Missing, broken, or worn items must be replaced at once to reduce the possibility of injury or death from thrown objects, entanglement, or blade contact. (SSM-07)

CD9F5HCB

CD9F5HCB

Boom PRE-OPERATION Inspection



O qy gt K %aaaaaaaaaaaaaaaaaaaaaa O cmg aaaaaaaaaaaaaaaaaaaaaaa
 F cvg< aaaaaaaaaaaaaaaaaaaaaaa Uj klv aaaaaaaaaaaaaaaaaaaaaaa



6 YZ:fY W:bXi W]b[H Y]bgdYW]cbž a U_Y gi fY H Y fUWcf Yb[]bY]g cZZ U` f cU]cb \ Ug
 glcddYX UbX H Y fUWcf]g]b dUf_ k]H H Y dUf_]b[VfU_Y Yb[U] YX" AU_Y gi fY H Y
 a ck Yf]g fYg]b[cb H Y [fci bX cf gYW fY mVcW_YX i d UbX U` \ mXfUf `]WdfYggi fY \ Ug
 VYYb fY]Yj YX"

Table 1:

Kgo	Eqpf kklp cvUctv qhUj klv	Ur gekle Ego o gpvu khpqvQCMO
Vj g Qr gtcvt ai O epwenku kp vj g stcvqt		
Cmuchgv f gecnu ctg kp r rneg cpf rj klg		
Vj g o qwpkpi lico g dqu ctg kp r rneg cpf vj j v		
Vj g dqgo eqppgekq dqu (r kpu ctg vj j v		
Vj gtg ctg pq etcemu kp dqgo		
Vj g j { ftcwle e] kpf gtur kpu ctg vj j v		
Vj g j { ftcwle rwo r j qug eqppgekqpu ctg vj j v		
Vj g j { ftcwle xcrxg eqpvqu hpevkap r tqr gtn		
Vj gtg ctg pq rgenkpi qt fco ci gf j qugu		
Vj g j { ftcwle qkrxgnku hwm		
Vj gtg ku pq gxkf gpeg qhj { ftcwle rcmu		
Vj g drcf gu ctg pqvej kr gf . etcengf qt dgpv		
Vj g drcf g dqu ctg vj j v		
Vj g f ghgvtu ctg kp r rneg cpf kp i qaf eqpf kklp		
Vj g dqgo uj krf u ctg kp r rneg cpf kp i qaf eqpf kklp		
Vj g unkf uj qgu ctg kp i qaf eqpf kklp cpf vj j v		
Vj gtg ctg pq etcemu qt j qrgu kp dqgo f gem		
Vj g j { ftcwle o qvt o qwpkpi dqu ctg vj j v		
Vj g dqgo j gcf ur kpf rg j qwukpi ku vj j v cpf nwdtkecvf		

Qr gtcvt ai Uki pcwtg<

DO NOT OPERATE an UNSAFE TRACTOR or MOWER

CD9F5HCB

Tractor PRE-OPERATION Inspection



O qy gt F %aaaaaaaaaaaaaaaa

O cmg aaaaaaaaaaaaaaaaaaaaa

F cvg< aaaaaaaaaaaaaaaaaaaaa

Uj klv aaaaaaaaaaaaaaaaaaaaa



WARNING 6 YZ:fY W:bXi W]b[H Y]bgdYW]cbž a U_Y gi fY H Y fUWcf Yb[]bY]g cZZ U` fclU]cb \ Ug glcddYX UbX H Y fUWcf]g]b dUf _k]H H Y dUf]b[VfU_Y Yb[U] YX" AU_Y gi fY H Y a ck Yf]g fYgh]b[cb H Y [fci bX cf gYW fYm VcW_YX i d UbX U` \ mXfU] `jW dfYggi fY \ Ug VYYb fY]Yj YX"

CD9F5HCB

Kgo	Eqpf kklp cvUctv qhUj klv	Ur gekhe Eqo o gpw khpqvQMO
Vj g hruj lpi nk j vu hpxekqp r tqr gtn		
Vj g UO X Uki p ku ergcp cpf xkukdr		
Vj g ktgu ctg kp i qaf eqpf kklp y kj r tqr gt r tguwgt		
Vj g y j ggnwi dqmuctg wj j v		
Vj g vcevqt dtenguctg kp i qaf eqpf kklp		
Vj g uvgtkpi rpnici g kulp i qaf eqpf kklp		
Vj gtg ctg pq xkukdr qknrgemu		
Vj g j { ftcwke eqpvtqu hpxekqp r tqr gtn		
Vj g TQRUqt TQDU Ecd kulp i qaf eqpf kklp		
Vj g ugcvgvku kp r rreg cpf kp i qaf eqpf kklp		
Vj g 5/r qkpvj kej kulp i qaf eqpf kklp		
Vj g ftcy dct r kpu ctg ugewgn kp r rreg		
Vj g RVQ o cvgt uj krf kulp r rreg		
Vj g gpi kpg qknrgxgnku hwn		
Vj g dteng hwkf rnxgnku hwn		
Vj g r qy gt uvgtkpi hwkf rnxgnku hwn		
Vj g hwnrgxgnku cf gs wcv		
Vj g gpi kpg eqqrpvhwkf rnxgnku hwn		
Vj g tcf kvqt ku htgg qh f gdtku		
Vj g ckt hngt kulp i qaf eqpf kklp		

Qr gtcvqt ai Uki pcwtg<

DO NOT OPERATE an UNSAFE TRACTOR or MOWER

This Inspection Form may be freely duplicated for extra copies.

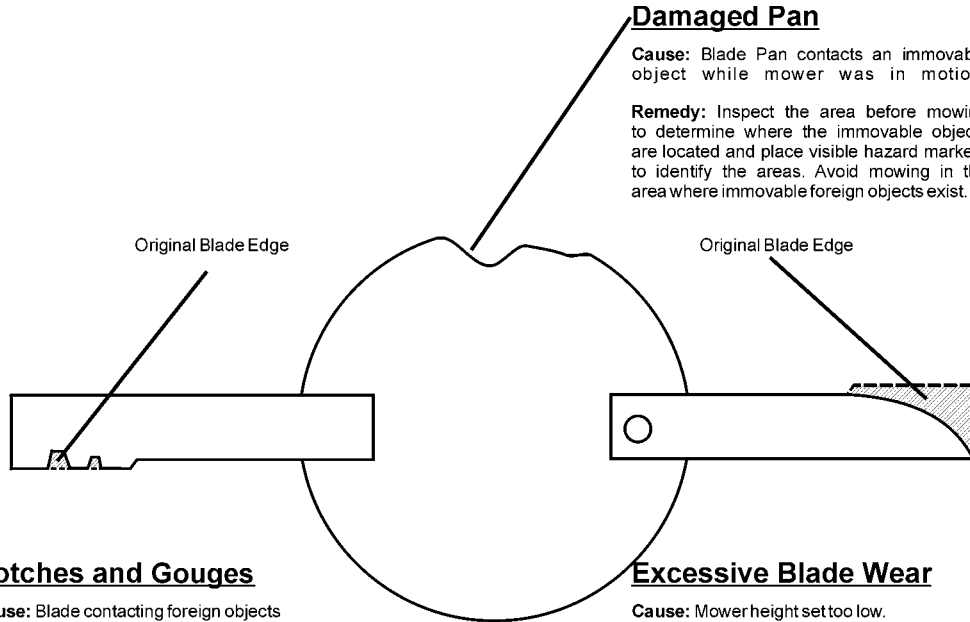
CD9F5HCB

CD9F5HCB

Inspect blade pan and blade assembly for the following:

Inspect blade pan and blade assembly for the following:

UUÜBMECH



Damaged Pan

Cause: Blade Pan contacts an immovable object while mower was in motion.

Remedy: Inspect the area before mowing to determine where the immovable objects are located and place visible hazard markers to identify the areas. Avoid mowing in the area where immovable foreign objects exist.

Notches and Gouges

Cause: Blade contacting foreign objects

Remedy: Inspect the area to be mowed and remove foreign objects that could cause damage to the blades

Excessive Blade Wear

Cause: Mower height set too low. Blade used past intended life.

Remedy: Replace blades more often. Adjust mower height for mowing Conditions to eliminate blade-to-ground contact

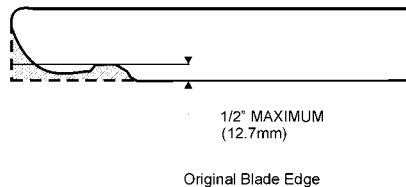
Op-22



Inspect the Blades daily for abnormal wear. REPLACE BOTH BLADES on that carrier IMMEDIATELY if either blade has:

- Become bent or deformed from its original shape or
- Any cracks are visible, or
- Deep gouges in the blade's surface are present, or
- Gouges or chipped areas in the cutting edge are larger than 1/2" (12.7mm), or
- The material on the leading edge has been worn away by more than 1/2" (12.7mm)"

Failure to replace abnormally worn blades may lead to catastrophic failure of the blades and ejection of the broken part with tremendous force which may cause serious bodily injury or death. UUÜBMECHG



1/2" MAXIMUM
(12.7mm)

Original Blade Edge

NOTE:
Replace Blades in pairs after no more than 1/2" (12.7mm) wear
Op-23

CD9 F5 HCB

Inspect Blade Bolt Head daily for wear as followed:

Excessive Blade Bolt Wear

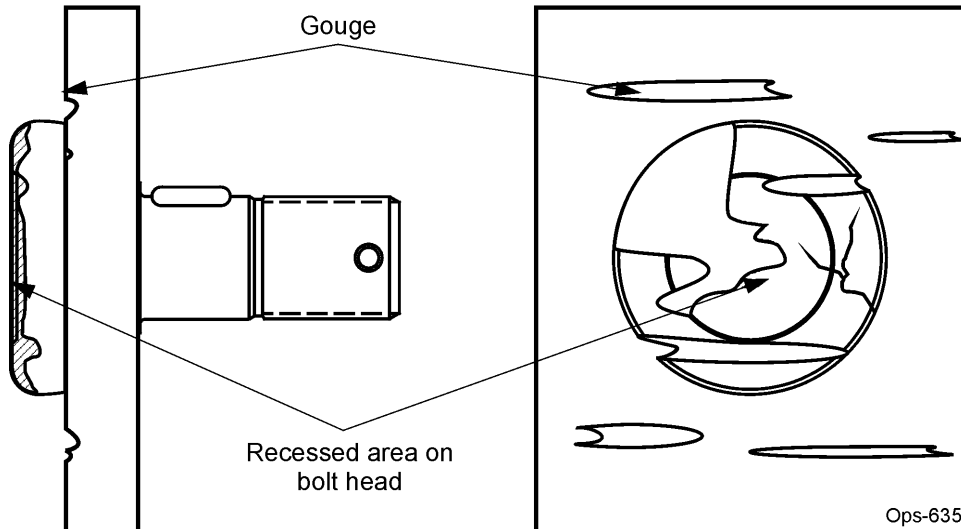
Cause: Blade Bolt contacts a foreign or solid object while Blade is in motion.

Remedy: Inspect the area before mowing to determine where the foreign objects are located and place visible hazard markers to identify the areas where immovable foreign objects exist, and avoid hitting the objects.

Notches and Gouges

Cause: Blade Bolt contacting foreign objects.

Remedy: Inspect area to be mowed and remove foreign objects that could cause damage to the blade bolt.



Inspect the Blade Bolt Heads daily for abnormal wear. REPLACE BOTH BLADE BOLTS on the Blades IMMEDIATELY if either blade bolts has:

- Visible cracks or
- If the recessed area on blade bolt is worn off or
- If Blade Bolt has gouges or chipped areas.

Failure to replace abnormally worn blade bolts may lead to catastrophic failure of the blades and ejection of the broken part which may cause serious bodily injury or death.

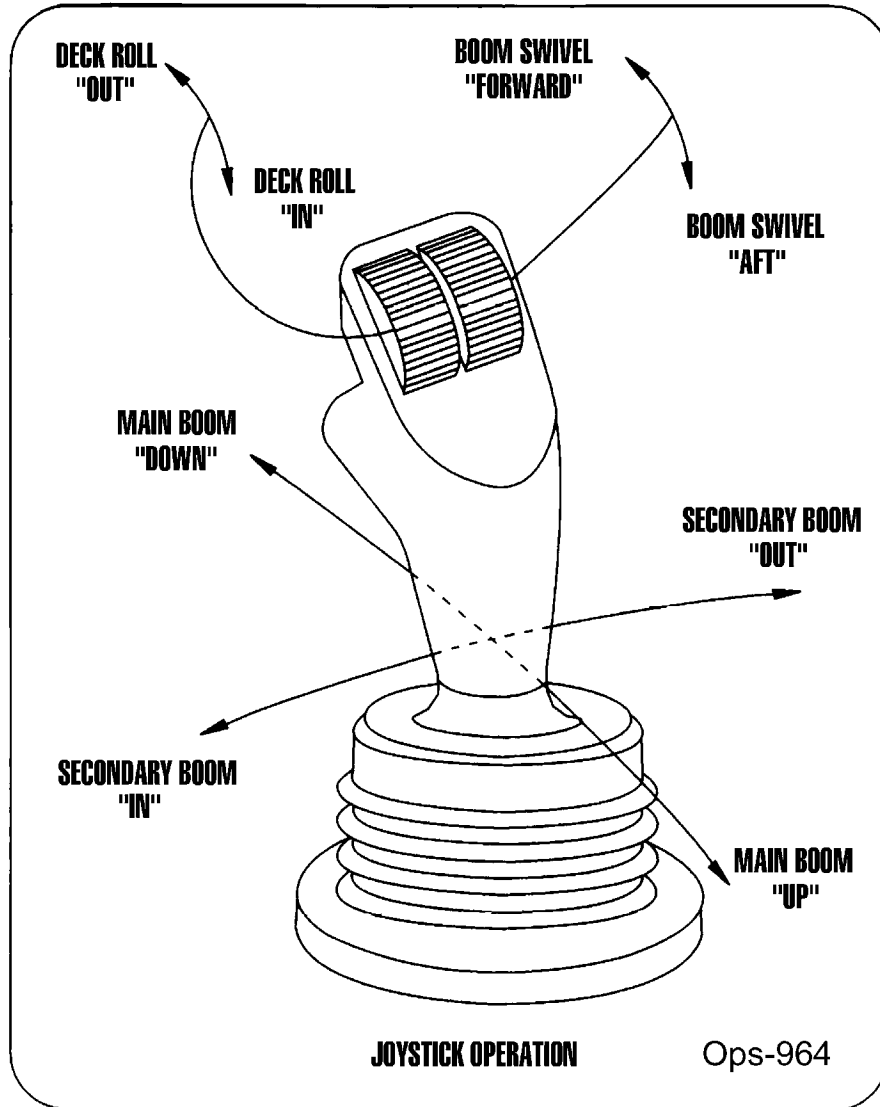
5`k Uhg fYd`UWY 6`UXY 6 c`hg k]A bYk Vc`hg k\ YbYj Yf fYd`UWYb[A Y 6`UXYg" UÚÜÈVÈÈH`

CD9 F5 HCB

CD9F5 HCB

* ">CMGH7 ? 7CBHFC@

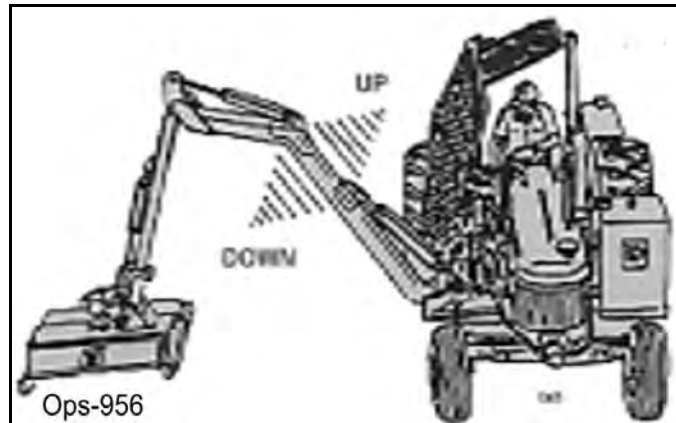
CD9F5 HCB



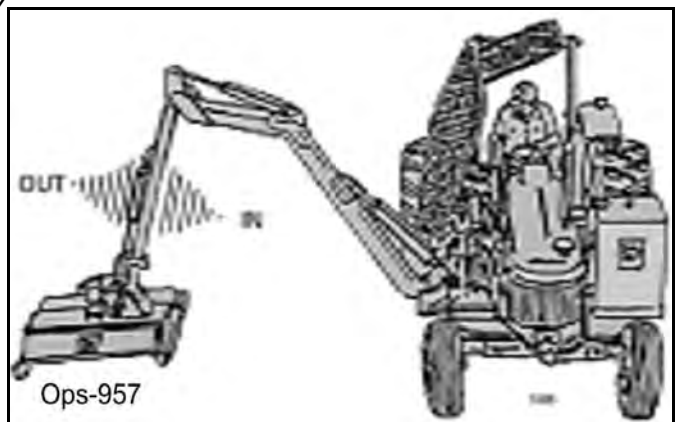
CD9F5HCB

CD9F5HCB

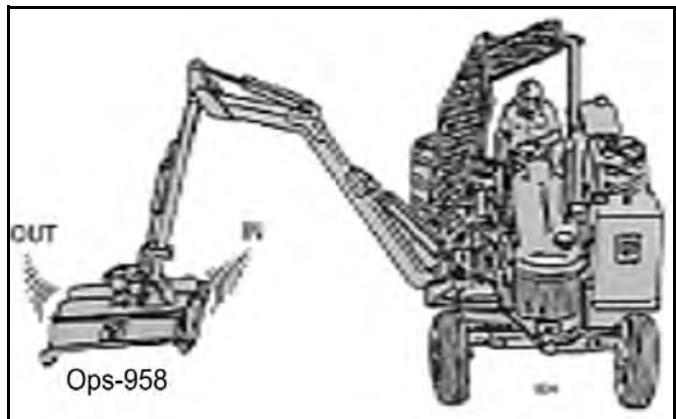
JOYSTICK FW/BACK MOVES MAIN BOOM



JOYSTICK LEFT/RIGHT MOVES SECONDARY BOOM



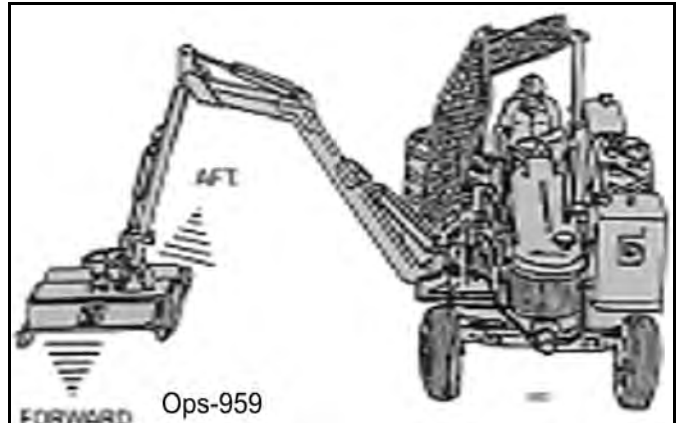
LEFT JOYSTICK ROLLER MOVES DECK ROLL



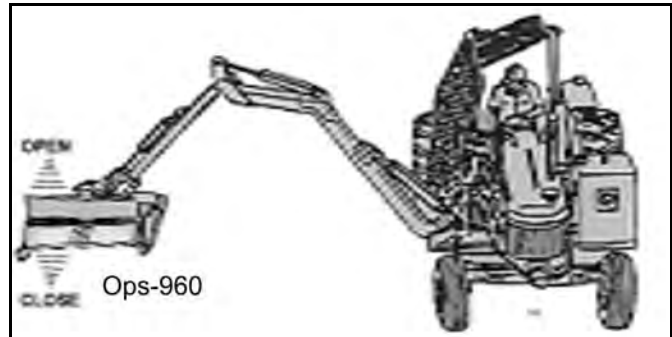
CD9F5HCB

CD9F5HCB

RIGHT JOYSTICK ROLLER MOVES BOOM SWIVEL



SHIELD SWITCH(on switch box) OPERATES SAFETY SHIELD




* Safety Shield

The Safety Shield lever opens and closes the shield located on the front of the cutter head. When moving at or near the ground, always have the shield in the closed position. When moving in the brush or in trees above ground level the shield may be opened for easier cutting. Read and follow the warnings on the decal shown on the next page.



CD9F5HCB

CD9F5HCB

 DANGER	
SAFETY SHIELD & DEFLECTOR OPERATION	
 <p>SAFETY SHIELD</p> <p>DEFLECTOR</p>	<ul style="list-style-type: none">• Failure to close Safety Shield and Deflector may allow objects to be thrown outward with great force which can cause property damage, bodily injury, or death. <ol style="list-style-type: none">1. Keep Safety Shield and Deflector fully closed when cutting grass and weeds to reduce possibility of objects being thrown outward by the Blades if persons are in the area.2. Before Cutting brush, trimming limbs, or other such operations, raise the Deflector and Safety Shield fully to allow the blades to contact the material if area is clear of passerby. Operator must stop cutting and close shield if passerby enters the thrown objects area or blade contact area.3. Repair or replace Safety Shield and Deflectors as needed.4. Always transport with Safety Shield and Deflector closed. <p>02967867</p>



Never Leave the mower unattended while the head is in the raised position. The mower could fall causing serious injury to anyone who might inadvertently be under the mower (SBM-4)



Check to make sure mower switch is in the "OFF" position. The unit is designed not to start if the switch is in the "ON" position. If tractor starts with switch on, turn off tractor and contact your local Tiger dealership for assistance.

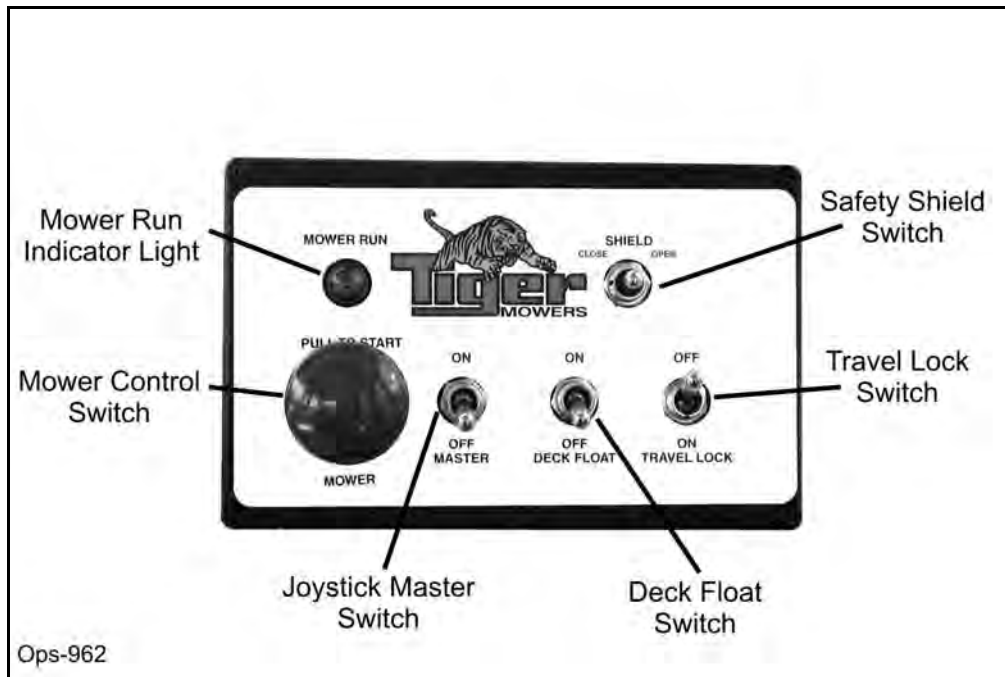
Start the tractor and allow the instruments to stabilize. Without starting the mower, practice positioning the boom and deck. Remember speed and skill will be attained easier if the necessary time is spent familiarizing yourself with the machine and its operations. When you feel comfortable at controlling the position of the mower, return the mower to the travel position, and transport the mower to the desired mowing location.

If mowing for the first time with a Tiger Saber Boom Mower, we recommend choosing a ditch or area relatively flat with a minimum of sign posts, guard rails, etc. As always, you should inspect the area for other objects that can cause potential hazards.

CD9F5HCB

CD9F5HCB

* & AUjb 7 cbfrc` Gk jHW 6 cl



The Mower Control switch turns the mower “ON” and “OFF”. This switch is to be in the “OFF” position to start the tractor. If the switch is “ON” and the tractor ignition switch is turned to “ON” the red “mower run” indicator light will come on. However, the tractor will not start again with the Mower Control switch in the “ON” position. Upon starting the tractor the “mower run” indicator light may flash briefly, and may flash briefly again when the tractor is shut down.

WARNING

If tractor starts with switch on, turn off tractor and contact your local Tiger dealership for assistance.

WARNING

NOTE: 8C BCH operate mower head while boom is in the boom rest! Red “Mower Run” light indicates mower is “ON” when tractor engine is running.

The boom functions are controlled by an electric joystick. The Joystick Master Switch enables the joystick control for controlling the boom motion functions. This switch is to be in the “OFF” position when starting the tractor and when boom is stowed for transporting the machine.

CAUTION

If the joystick is not operating properly, turn the master switch to the “OFF” position. Install the manual valve handle onto valve and operate the functions individually to stow boom. After boom is stowed in rest, transport the unit to the maintenance facility and contact your Tiger dealer for assistance.

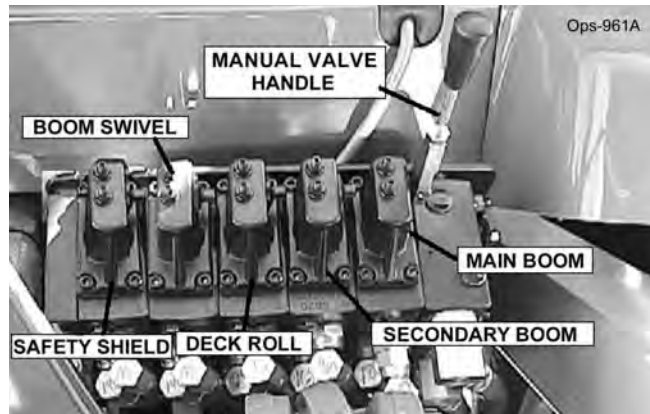
CAUTION

8C BCH attempt to operate the valve manually for mowing operations!

Note: Pushing manual valve handles “out” or “away” from the tractor cab will bring the main boom “up”, secondary boom “out”, roll deck “out” and swivel boom “aft”. Pulling manual handles toward cab will let main boom “down”, secondary boom “in”, roll deck “in”, swivel boom “forward”, and “close” the safety shield.

CD9F5HCB

CD9F5HCB



The Master Switch also provides power to the “Deck Float”, “Shield” and “Travel Lock” Functions of the mower deck.

The Deck Float function allows the ground roller of the flail mower head to follow the contour of the ground. To operate the deck float function, the Master switch must be in the “ON” position and the Travel Lock switch must be in the “OFF” position. Lower the mower head to just touch the ground, then turn the deck float switch “ON”.

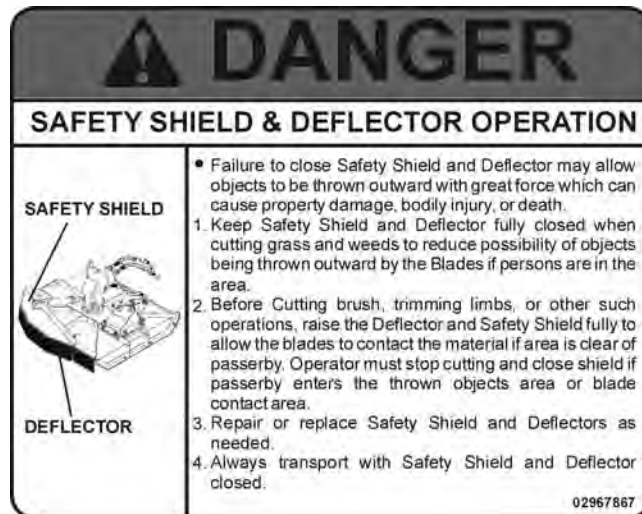


The Deck Float is to be used ONLY when the flail mower head is on the ground. The mower head CAN NOT be controlled with the joystick when Deck Float is “ON”.



The deck float is to be used only when mowing with a flail head, using the deck float with a rotary head may damage the mower.

The Safety Shield switch opens and closes the shield located on the front of the cutter head. When mowing at or near the ground, always have the shield in the closed position. When mowing in brush or in trees above ground level the shield may be opened for easier cutting. Read and follow the warnings on the decal shown below.



The Travel Lock function locks the mower head in the up-right position for road travel. Prepare unit for travel by rolling deck completely out (mower deck rolled back adjacent to secondary boom.) Then place main and secondary booms in boom rest. The Travel Lock switch can now be engaged.

NOTE: The tractor ignition switch and the Master Switch must be “ON” and the Travel Lock must be “OFF” to allow articulation of the mower deck.

CD9F5HCB

CD9F5HCB

Safe Transport of Tractor with Boom

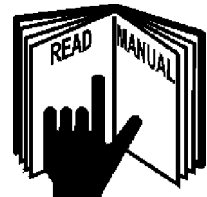
Safe tractor transport requires the operator to possess a thorough knowledge of the model being operated and precautions to take while driving with an attached implement. Ensure the tractor has the capacity to handle the weight of the boom and the tractor operating controls are set for safe transport. To ensure safety while driving the tractor with a boom, review the following.

Read all safety instructions. Decals on the Boom warn you of particular and multiple hazards. Some decals are attached close to part of the Boom where there is a possible hazard. Read and make sure you understand the safety messages before you operate the implement. Keep all decals clean and readable. Replace lost or damaged decals, refer to safety section for more information.

Keep all person's well clear of mower since blades can throw objects with great velocity for a considerable distance! **KEEP CLEAR!**



Never operate the Tractor or Implement until you have read and completely understand this Manual, the Tractor Operator's Manual, and each of the Safety Messages found in the Manual or on the Tractor and Implement. Learn how to stop the tractor engine suddenly in an emergency. Never allow inexperienced or untrained personnel to operate the Tractor or Implement without supervision. Make sure the operator has fully read and understood the manuals prior to operation. (SG-4)



Always maintain the safety signs in good readable condition. If the safety signs are missing, damaged, or unreadable, obtain and install replacement safety signs immediately. (SG-5)

CD9F5HCB

WARNING

Transport only at speeds where you can maintain control of the equipment. Serious accidents and injuries can result from operating this equipment at high speeds. Understand the Tractor and Implement and how it handles before transporting on streets and highways. Make sure the Tractor steering and brakes are in good condition and operate properly.

Before transporting the Tractor and Implement, determine the proper transport speeds for you and the equipment. Make sure you abide by the following rules:

Test the tractor at a slow speed and increase the speed slowly. Apply the Brakes smoothly to determine the stopping characteristics of the Tractor and Implement. As you increase the speed of the Tractor the stopping distance increases. Determine the maximum transport speed not to exceed 20 mph (30 kph) for transporting this equipment.

Test the equipment at a slow speed in turns. Increase the speed through the turn only after you determine that the equipment can be operated at a higher speed. Use extreme care and reduce your speed when turning sharply to prevent the tractor and implement from turning over. Determine the maximum turning speed for you and this equipment before operating on roads or uneven ground.

Only transport the Tractor and Implement at the speeds which allow you to properly control the equipment.

Be aware of the operating conditions. Do not operate the Tractor with weak or faulty brakes or worn tires. When operating down a hill or on wet or rain slick roads, the braking distance increases: use extreme care and reduce your speed. When operating in traffic always use the Tractor's flashing warning lights and reduce your speed. Be aware of traffic around you and watch out for the other guy. (SG-19)



CD9F5HCB

Starting the Tractor

The procedure to start the tractor is model specific. Refer to the tractor operator's manual for starting procedures for your particular tractor. Consult an authorized dealer if the starting procedure is unclear. Ensure the 3-point control lever is in the lowered position and the PTO is disengaged before starting the tractor.



Op-24

CD9F5HCB

CD9F5HCB

Brake Pedals

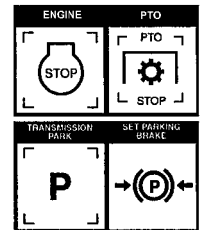
Make sure the tractor brakes are in good operating condition. Tractor brakes can be set to operate independently allowing single rear wheel braking action or locked together to provide simultaneous rear wheel braking. FOR MOST DRIVING AND OPERATING CONDITIONS, THE BRAKE PEDALS SHOULD BE LOCKED TOGETHER TO PROVIDE THE MOST EFFECTIVE BRAKING ACTION.

Always disengage the tractor differential lock when turning. When engaged the differential lock will prevent or limit the tractor from turning. During normal cutting conditions, locking the differential provides no benefit and should not be used.

UÚÜËÑ€€FH



BEFORE leaving the tractor seat, always set the parking brake and/or set the tractor transmission in parking gear, disengage the PTO, stop the engine, remove the key, and wait for all moving parts to stop. Place the tractor shift lever into a low range or parking gear to prevent the tractor from rolling. Never dismount a Tractor that is moving or while the engine is running. Operate the Tractor controls from the tractor seat only. (SG-9)



Never Leave the mower unattended while the head is in the raised position. The mower could fall causing serious injury to anyone who might inadvertently be under the mower (SBM-4)



CD9F5HCB

"CD9F5HB; H<9 6CCA I B#5B8 5H57<98 <958

H<9 CD9F5HCF AIGH 7CAD@H9@M I B89FGH5B8 <CK HC CD9F5H9 H<9 HF5 7HCF 5B8 ACK 9F 5B8 5@@7CBHFC@G69: CF9 5HH9ADHB; HC ACK " The operator must read and understand the Safety and Operation Sections of this manual and the tractor operator's manuals. These manuals must be read and explained to any operator who cannot read. Never allow someone to operate the unit without complete operating instructions.

To ensure safety to the operator, bystanders, and equipment and before starting any mowing operation. The operator must become familiar with the area to be mowed, and any obstacles and hazards contained within. Special attention should be paid to foreign debris, overhead obstructions, rough terrain, steep slopes, passersby and animals in the area.

Only operate the mower head from the tractor operator's seat with the seatbelt securely fastened. Only operate a boom and equipped head on cabbed tractor that is equipped with a polycarbonate safety-protected right side window or a non cabbed tractor equipped with a ROPS and operator safety screen.

Avoid operating in the reverse direction when possible. In situations where the boom and mower must be backed to access areas to be cut, make sure there are no persons or other foreign debris behind the tractor. When backing, operate the tractor at a much reduced ground speed to ensure complete control of the unit is maintained. UUUDEEEI



Do not mow with two machines in the same area except with Cab tractors with the windows closed. (SGM-11)



Mow only in conditions where you have clear visibility in daylight or with adequate artificial lighting. Never mow in darkness or foggy conditions where you cannot clearly see at least 300 feet (90 m) in front and to the sides of the tractor and mower. Make sure that you can clearly see and identify passersby, steep slopes, ditches, drop-offs, overhead obstructions, power lines, debris and foreign objects. If you are unable to clearly see these type of items discontinue mowing. (SGM-01)



Avoid mowing in reverse direction when possible. Check to make sure there are no persons behind the mower and use extreme care when mowing in reverse. Mow only at a slow ground speed where you can safely operate and control the tractor and mower. Never mow an area that you have not inspected and removed debris or foreign material. (SGM-08)



Never operate the mower head tilted down where the operator can see the blades of the mower. The blade could throw an object toward the operator causing serious injury or death. Never operate the mower without an Operator Protective Structure. Always wear safety glasses and a hard hat. (Ops-0005-MISC)

CD9 F5 HCB

CD9 F5 HCB

Preparation for Mowing

An area to be cut must first be inspected for objects that could be thrown or that could damage the machine. Walk through the area looking for fences, boulders, rocks, culverts, stumps or metal objects. Mark the inspected area with flags. If the area is dense and cannot be walked thoroughly it may be necessary to inspect a smaller area as well as possible, then trim away the part that has been inspected and can safely be removed. Walk each new area again and repeat the inspection before cutting more away. Repeat as often as necessary until the area is cleared. It can be damaging and/or dangerous to work the cutter in an area that has not been visually inspected.

Place DANGER signs at least 300 feet beyond the perimeter of the area to be worked, not just 300 feet from where the machine started operating! It is convenient in many cases to work in 300 foot sections. Move the first Danger sign to the beginning of the freshly cleared area, place it, then take the first cutting area flag up to the end of the freshly cleared area 300 feet away. Walk and inspect the next 300 feet and place the second cutting area flag. Pick up the second DANGER sign, and take it a further 300 feet along the road or trail. Note that in many cases the DANGER area will extend in front of and behind the machine as well as along each side. Post signs accordingly.



Extreme care should be taken when operating near loose objects such as gravel, rocks, wire, and other debris. Inspect the area before mowing. Foreign objects should be removed from the site to prevent machine damage and/or bodily injury or even death. Any objects that cannot be removed must be clearly marked and carefully avoided by the operator. Stop mowing immediately if blades strike a foreign object. Repair all damage and make certain rotor or blade carrier is balanced before resuming mowing. (SGM-05)



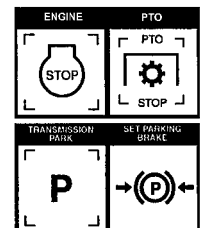
Many varied objects, such as wire, cable, rope, or chains, can become entangled in the operating parts of the mower head. These items could then swing outside the housing at greater velocities than the blades. Such a situation is extremely hazardous and could result in serious injury or even death. Inspect the cutting area for such objects before mowing. Remove any like object from the site. Never allow the cutting blades to contact such items. (SGM-06)



Mow at the speed that you can safely operate and control the tractor and mower. The correct mowing speed depends on terrain condition and grass type, density, and height of cut. Normal ground speed range is from 2 to 5 mph (3-8 kph). Use slow mowing speeds when operating on or near steep slopes, ditches, drop-offs, overhead obstructions, power lines, or when debris and foreign objects are to be avoided. (SGM-07)



BEFORE leaving the tractor seat, always set the parking brake and/or set the tractor transmission in parking gear, disengage the PTO, stop the engine, remove the key, and wait for all moving parts to stop. Place the tractor shift lever into a low range or parking gear to prevent the tractor from rolling. Never dismount a Tractor that is moving or while the engine is running. Operate the Tractor controls from the tractor seat only. (SG-9)



CD9F5HCB

CD9F5HCB

"&CdYfUjfb[GdYYX UbX : fci bX GdYYX

Ground speed for mowing will depend upon the height, type, and density of vegetation to be cut. Do Not exceed 5 MPH while operating. Operate the mower at its full rated RPM to maintain blade speed for a clean cut. Refer to the tractor operator's manual or the tractor instrument panel for the engine speed and gear to provide the desired ground speed. Make sure that the mower is operating at its full rated speed before entering the vegetation to be cut. Always start and stop cutting blades with engine near idle.

Ground speed is achieved by transmission gear selection and not by the engine operating speed. The operator may be required to experiment with several gear range combinations to determine the best gear and range which provides the most ideal performance from the implement and most efficient tractor operation. As the severity of cutting conditions increase, the ground speed should be decreased. UUUUEEEJ' UOU



There are obvious and hidden potential hazards in the operation of this Mower. REMEMBER! This machine is often operated in heavy brush and in heavy weeds. The Blades of this Mower can throw objects if shields are not properly installed and maintained. Serious injury or even death may occur unless care is taken to insure the safety of the operator, bystanders, or passersby in the area. Do not operate this machine with anyone in the immediate area. Stop mowing if anyone is within 300 feet of mower. (SGM-02)



Mow at the speed that you can safely operate and control the tractor and mower. The correct mowing speed depends on terrain condition and grass type, density, and height of cut. Normal ground speed range is from 2 to 5 mph(3-8 kph). Use slow mowing speeds when operating on or near steep slopes, ditches, drop-offs, overhead obstructions, power lines, or when debris and foreign objects are to be avoided. (SGM-07)

" Ack Yf CdYfUjfb

The rotating parts in this machine have been designed and tested for rugged use. However, they could fail upon impact with heavy solid objects-such as steel guard rails, concrete abutments,etc., causing them to be thrown at a very high velocity. Never allow cutter head to contact such objects. Inspecting the cutting area for such objects and removing them prior to mowing can help eliminate these potential hazards.

Once on location, lower the mower deck slightly above the material to be cut, so the mower does not have to start under a load. With the tractor at an idle, engage mower. Bring tractor R.P.M. up to 1900-2200 R.P.M. and g'ck mlower deck to ground level.



Ops-1159

CD9F5HCB

CD9F5HCB

A flail mower deck should be carried so that the part of the deck weight is carried by the boom and part carried by the ground roller, when moving on the ground. When the flail mower is carried this way, the ground roller follows the contour of the ground more easily during mowing operations.

The rotary mower deck should always be carried rather than dragged on the skid shoes when mowing on the ground. Dragging the rotary mower deck increases the side loads on the boom, decreases the horsepower available to the cutter head, and reduces the ability of the accumulator to carry part of the weight of the boom during mowing operations.

WARNING When rotating parts are in motion, serious injury may occur if caution is not used or danger is not recognized. Never allow bystanders within 3 feet of the machine when in operation. Extreme care should be taken when operating near loose objects—such as gravel, rocks, and debris. These conditions should be avoided.

50" and 60" boom rotary brush mower

The 50" and 60" boom rotary brush mower was designed for cutting brush and foliage up to 6 inches in diameter or multiple branches that have a total cross section area equivalent to one 6 inch branch.

During mower operation, the hand throttle must be used to maintain engine speed at 1900-2200 R.P.M. This prevents radical changes in mower spindle speed, reducing the possibility of cutter assembly damage.

The horizontal positioning action of the boom is designed to position the cutting head and provide a limited pressure relief when excessive pressure is applied to the boom. Do not force the cutting head into heavy branches or stumps. Damage to the unit may result.

CAUTION When using the rotary cutting head for trimming trees and shrubs, let the mower saw into them. Do not lower the mower head down directly into a tree or stump. The mower blades are designed to cut with the end, and misuse can cause damage to the blade and a hazardous situation for the operator.

CAUTION Powering the boom down, forcing mower deck onto ground may damage mower deck and its attachment to the boom, creating a potentially hazardous situation.

To ensure a clean cut, engine speed should be maintained at approximately 1900-2200 R.P.M. If the tractor slows to less than 1800 R.P.M., shift to the next lower gear. DO NOT ride the clutch, this will cause premature clutch failure. If the tractor slows to less than 1800 R.P.M., shift to the next lower gear. DO NOT

For cutting brush it is usually best to stop the tractor and swivel the boom and mower into foliage. The horizontal positioning action of the boom is designed to position the cutting head and provide a limited pressure relief when excessive pressure is applied to the boom.

CAUTION Do not use excessive force when positioning cutting head into heavy branches or stumps. Damage to the unit may result. It is best to let the cutter head "eat away" slowly at heavy cutting jobs.

CAUTION If foliage falls on top of mower deck causing tractor to become unstable, move the boom "Forward" and "Out" to relieve tipping of the tractor. Lower mower deck to ground and shut down unit. After all motion stops, remove foliage from mower deck.

The mower will operate more efficiently in tougher conditions and with less power if the knives are kept sharp. If the mower begins to vibrate, stop the tractor, check for wire wrapped in the spindle or damaged knives. When replacing knives, replace all knives with new knives to ensure proper balance so the mower will not vibrate. Severe vibration will result, if knives with unequal wear are used.

Begin a pass at the top side of the trees and work down with each consecutive pass. When cutting trees and shrubs, use a lower speed to allow the knives time to cut as well as mulch the foliage.

WARNING If bystanders approach within 300 feet while mower is in operation turn mower switch "OFF" immediately! After shutdown, never leave the tractor or allow bystanders to approach within 3 feet of the unit until all motion stops completely.

If cutter shaft jams and stops, turn mower switch to "OFF", and swivel boom "AFT". Normally this action will clear the cutter head. If not, roll mower deck until adjacent to the secondary boom, then lower boom to rest mower deck on ground. Shut off the tractor, set parking break, allow all motion to cease. At that point it is safe to leave the tractor and clear the cutter heads manually.

Begin each pass at the top side of the trees and work down with each consecutive pass. Use a low speed to allow the cutting blades time to mulch as well as cut the foliage. When the initial pass has been made,

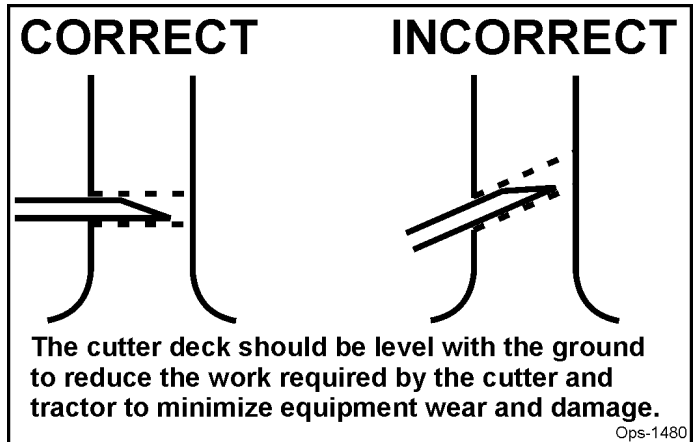
CD9F5HCB

CD9F5HCB

disengage the mower, and return boom to a safe travel position. Return to starting point and make next pass, etc.

After the first day of operation, all bolts should be checked and tightened securely. This should be done periodically to ensure the bolts do not become loose and cause damage to the tractor or mower, or injury to the operator.

When cutting trees and brush approach material to be cut with the head perpendicular to material. The cutting edge of the blades should be the only elements in contact with material. The blade bar should not contact with material. The mower head and blades should be moved perpendicularly into the material rather lowering the mower head on top of material. If the blade bar edges are gouged or rounded from wear, the mower head is being used incorrectly in an abusive manner. The blade bar is not intended to cut material or to be a wear item like the blades. Do Not allow the blades or blade bar to contact the ground, rocks or solid objects. Contact with the ground can result in rocks and solid objects being thrown out from under the mower head which can cause serious injuries to the operator and bystanders. This type of operation can lead to bent or broken blade bars, broken blade bolts and broken blade bar assembly bolts which can be dangerous to the operator and bystanders.



QUICK TIP

60" Rotary Cutter Operation

The 60" boom rotary grass mower was designed for cutting grass only. The cutter speed must be maintained for proper cutting. To insure that the cutter is rotating at maximum speed, run tractor at full throttle during mowing operations. If cutter assembly slows to the point that the knives are folding back, move the mower head away from the foliage and allow the cutter shaft to regain full speed.

During mower operation, the hand throttle must be used to maintain engine speed at 1900-2200 R.P.M. This prevents radical changes in mower spindles speed, reducing the possibility of cutter assembly damage.

The horizontal positioning action of the boom is designed to position the cutting head and provide a limited pressure relief when excessive pressure is applied to the boom. Do not force the cutting head into heavy grass. Damage to the unit may result.



When using the rotary cutting head for cutting heavy grass, let the mower saw into it. Do not lower the mower head down directly into the heavy grass. The mower blades are designed to cut with the edge, and misuse can cause damage to the blades and a hazardous situation for the operator.



Powering the boom down, forcing mower deck onto ground may damage mower deck and its attachment to the boom, creating a potentially hazardous situation.

To ensure a clean cut, engine speed should be maintained at approximately 1900-2200 R.P.M. If the tractor slows to less than 1800 R.P.M., shift to the next lower gear. DO NOT ride the clutch, this will cause premature clutch failure.

CD9F5HCB

CD9F5HCB

50" Boom Flail Mower

The 50" boom flail mower was designed for cutting brush and foliage up to 2 inches in diameter or multiple branches that have a total cross section area equivalent to one 2 inch branch. Cutting multiple limbs at the same time may overload the mower causing it to slow down or stall completely. Regardless of the size of material being cut, the cutter shaft speed must be maintained. To ensure that the cutter shaft is running at maximum speed, run the tractor at full throttle during mowing operations. If the cutter shaft slows to the point that the knives are folding back, move the mower head away from the foliage and allow the cutter shaft to regain full speed.



WARNING

Operating the mower in a manner that allows the knives to continually fold back or allowing knife lugs to contact foliage will cause permanent damage to the cutter shaft drum, knives, and knife attachment parts.

WARNING

The 50" boom flail cutter shaft is designed for standard rotation (same rotation as the tractor wheels during forward travel). Operating this mower in reverse rotation may cause objects to be thrown out the front of the mower head.

WARNING

The 50" boom flail equipped with free swinging brush knives is intended for brush cutting only. Cutting grass is not recommended.

WARNING

Do not allow knives to cut down to the ground. Position ground roller to maintain knife arc at a minimum of 2 inches above the ground. Knife contact or lug contact with ground will cause permanent damage to cutter shaft, knives, and knife attachment parts.

63" Boom Flail Mower

The 63" boom flail mower was designed for cutting grass. The cutter shaft speed must be maintained for proper cutting. To insure that the cutter shaft is rotating at maximum speed, run tractor at full throttle during mowing operations. If cutter shaft slows to the point that the knives are folding back against the cutter shaft, move the mower head away from the foliage and allow the cutter shaft to regain full speed.



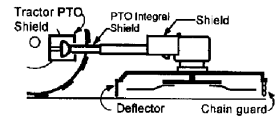
DANGER

The rotating parts of this machine have been designed and tested for rugged use. However, the blades could fail upon impact with heavy, solid objects such as metal guard rails and concrete structures. Such impact could cause the broken objects to be thrown outward at very high velocities. To reduce the possibility of property damage, serious injury, or even death, never allow the cutting blades to contact such obstacles. (SGM-4)

CD9F5HCB

⚠ DANGER

All Safety Shields, Guards and Safety devices including (but not limited to) - the Deflectors, Chain Guards, Steel Guards, Gearbox Shields, PTO integral shields, and Retractable Door Shields should be used and maintained in good working condition. All safety devices should be inspected carefully at least daily for missing or broken components. Missing, broken, or worn items must be replaced at once to reduce the possibility of injury or death from thrown objects, entanglement, or blade contact. (SGM-3)



CD9F5HCB

⚠ GUYf : `U]

The Saber flail mower was designed for cutting brush and foliage up to 4 inches in diameter or multiple branches that have a total cross section area equivalent to one 4 inch branch. Cutting multiple limbs at the same time may overload the mower causing it to slow down or stall completely. Regardless of the size of material being cut, the cutter shaft speed must be maintained. To ensure that the cutter shaft slows to the point that the knives are folding back against the cutter shaft move the mower head away from the foliage and allow the cutter shaft to regain full speed.

⚠ WARNING

Operating the mower in a manner that allows the cutting knives to contact the drum will cause permanent damage to the cutter shaft drum, knives, and knife attachments.

⚠ WARNING

The Saber flail cutter shaft is designed for standard rotation (same rotation as the tractor wheels during forward travel). Never operate the cutter shaft in the reverse rotation. Operating this mower in reverse rotation may cause objects to be thrown out the front of the mower head.

⚠ GUYf FcUfm

The Saber Rotary mower was designed for cutting brush and foliage up to 8 inches in diameter or multiple branches that have a total cross section area equivalent to one 8 inch branch. Cutting multiple limbs at the same time may overload the mower causing it to slow down or stall completely. Regardless of the size of material being cut, the speed of the cutter head must be maintained. To ensure that the cutter head is running at maximum speed, run the tractor at full throttle during mowing operations. If the cutter head slows to the point that the knives are folding back, move the mower head away from the foliage and allow the cutter head to regain full speed.

⚠ WARNING

Operating the mower in a manner that allows the cutting knives to continually fold back will cause permanent damage to the knives, rotary disk, and spindle assembly.

⚠ WARNING

The Saber Rotary cutter head is designed for clockwise rotation (clockwise as seen from the top of the cutter head). Never operate the cutter head in the counterclockwise rotation. Operating this mower in counterclockwise rotation may cause objects to be thrown towards the tractor.

CD9F5HCB

CD9F5HCB

Shutting Down the Tractor

To shut down attached mower head, first bring the tractor to a complete stop. Decrease engine RPM to idle then disengage cutterhead. The mower head will come to a complete stop within a suitable amount of time. Do not engage or disengage the cutterheads at a high RPM unless there is an emergency situation.

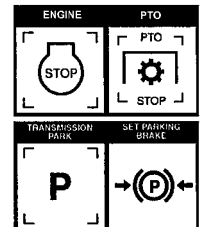


Park the tractor on a level surface, place the transmission in park or neutral and apply the parking brake, shut down the engine, remove the key, and wait for all motion to come to a complete stop before exiting the tractor.



⚠ DANGER

BEFORE leaving the tractor seat, always set the parking brake and/or set the tractor transmission in parking gear, disengage the PTO, stop the engine, remove the key, and wait for all moving parts to stop. Place the tractor shift lever into a low range or parking gear to prevent the tractor from rolling. Never dismount a Tractor that is moving or while the engine is running. Operate the Tractor controls from the tractor seat only. (SG-9)



⚠ DANGER

Never allow children to play on or around Tractor or Implement. Children can slip or fall off the Equipment and be injured or killed. Children can cause the Implement to shift or fall crushing themselves or others. (SG-25)

⚠ WARNING

Perform service, repairs and lubrication according to the maintenance section. Ensure the unit is properly lubricated as specified in the lubrication schedule and all bolts and nuts are properly torqued. Failure to properly service, repair and maintain this Implement in good operating condition could cause component failure and possible serious injury or even death. (SG-35)

CD9F5HCB

CD9F5HCB

- 'HF5BGDCFHCB; H<9 HF57HCF 5 B8 AD@A9BH

Inherent hazards of operating the tractor and implement and the possibility of accidents are not left behind when you finish working in an area. Therefore, the operator must employ good judgement and safe operation practices when transporting the tractor and implement between locations. By using good judgement and following safe transport procedures, the possibility of accidents while moving between locations can be substantially minimized. *UUUENEEFI*

- '%l bgtck]b[h Y6cca

To un-stow the boom from the boom rest, proceed as follows. Extend secondary boom "OUT" and move main boom "UP" off of horizontal support. Swivel boom "FORWARD" perpendicular to tractor and switch travel lock to "OFF" (ONLY FOR DANFOSS SWITCH). The head and booms are now ready for full operation.

- '&HfUbgdcf]b[i bXYf h Y I b]hg ck b dck Yf

When transporting between job sites, the following procedure should be followed:

- Idle the tractor engine and bring it down to speed.
- Shut off the power to the cutting head and allow all motion to come to a complete stop.
- Roll the mower deck all the way back until it is adjacent to the secondary boom.
- Extend the secondary boom out to clear the boom rest.
- Swivel the boom until close to the boom rest, then position the main boom just above the horizontal boom support of the boom rest.
- Slowly and carefully swivel the boom "AFT" until the main boom contacts the vertical pad.
- Lower the main boom until it contacts the upper pad, now the secondary boom can be lowered to contact the pad on the boom rest.
- Place the "Travel Lock" switch on the main control switch box to the "ON" position.
- Lastly, turn the joystick master control switch to the "OFF" position. The unit is now ready for self transportation.



CD9F5HCB

CD9F5HCB

- " HfUbgdcfHjb[cb Di V]WFcUXk Ung

Extreme caution should be used when transporting the tractor and mower on public roadways. The tractor must be equipped with all required safety warning features including a SMV emblem and flashing warning lights to alert drivers of the tractor's presence. Remember that roadways are primarily designed for automotive drivers and most drivers will not be looking for you, therefore, you must look out for them. Check your sideview mirrors frequently and remember that vehicles will approach quickly because of the tractor's slower speed. Be extremely cautious when the piece of equipment that you are towing, is wider than the tractor tire width and/or extends beyond your lane of the road.

The SMV (Slow-Moving Vehicle) emblem is universal symbol used to alert drivers of the presence of equipment traveling on roadways at a slow speed. SMV signs are a triangular bright orange with reflective red trim for both easy day and night visibility. Make sure the SMV sign is clean and visible from the rear of the unit before transporting the tractor and implement on a public roadway. Replace the SMV emblem if faded, damaged, or no longer reflective. UUUENEECE



Make sure that all tractor flashing warning lights, headlights, and brake/taillights are functioning properly before proceeding onto public roads. While newer model tractors have plenty of lighting to provide warning signals and operating lighting, most older models were only equipped with operating lights. Consult an authorized tractor dealer for lighting kits and modifications available to upgrade the lighting on older tractor models. UUUDEEF



CD9F5HCB

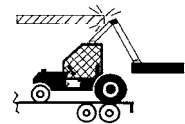
CD9F5HCB

When operating on public roads, have consideration for other road users. Pull to the side of the road occasionally to allow all following traffic to pass. Do not exceed the legal speed limit set in your state or municipality for agricultural tractors. Always stay alert when transporting the tractor and mower on public roads. Especially in busy cities, the boom extends to right farther than the tractors width, so be careful there are no bystanders, poles, large obstructions or any vehicles that may be in path of the mower head or boom. Use caution and reduce speed if other vehicles or pedestrians are in the area. UUUUEE€FI



⚠ DANGER

When transporting Boom Mower on a truck or trailer, the height or width may exceed legal limits when the boom is in the transport position. Contact with side or overhead structures or power lines can cause property damage or serious injury or death. If necessary lower boom to reduce height and/or remove mowing head to reduce width to the legal limits. (SBM-8)



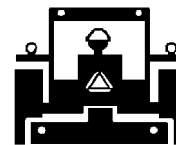
⚠ DANGER

Never allow children or other persons to ride on the Tractor or Implement. Falling off can result in serious injury or death. (SG-10)



⚠ WARNING

Make certain that the "Slow Moving Vehicle" (SMV) sign is installed in such a way as to be clearly visible and legible. When transporting the Equipment use the Tractor flashing warning lights and follow all local traffic regulations. (SG-6+)



Reduce speed before turning or applying the brakes. Ensure that both brake pedals are locked together when operating on public roads. UUUUEE€GH



CD9F5HCB

UWVX HUJYf

Park flatbed on level area. Drive tractor onto center of flatbed to avoid uneven distribution of weight and staying within local width restrictions. If boom is over local height restrictions, you will need to extend booms outward enough to clear front of tractor when boom is pivoted forward. Pivot mower deck into a horizontal position, and lower the boom until deck is slightly above trailer bed. Remove cylinder pin from outer end of the boom swivel cylinder.



If trailer is not perfectly level, the boom will tend to swing towards the lower side. Have other personnel ready to control its swinging motion when cylinder pin is removed.

Retract swivel cylinder and secure to main frame. Pivot boom forward to the center of flat bed. Lower deck onto the trailer bed, and shut off the tractor. The tractor and the mower head should now be chained down securely to the trailer bed.



If any part of this operating section, or any other section of this manual is not completely understood, contact your Tiger dealer or the address on the cover of this manual for assistance!

UUBX a dYa Ybh

Before transporting a loaded tractor and implement, measure the height and width dimensions and gross weight of the complete loaded unit. Ensure that the load will be in compliance with the legal limits set for the areas that will be traveled through. UUBX a dYa Ybh



Use adequately sized and rated trailers and equipment to transport the tractor and implement. Consult an authorized dealer to determine the proper equipment required. Using adequately sized chains, heavy duty straps, cables and/or binders, securely tie down both the front and rear of the tractor utilizing the proper tie down locations as specified by the tractor manufacturer. UUBX a dYa Ybh



CD9F5HCB

CD9F5HCB

Arrange the chains so that when tightened, the chains are pulling downward and against themselves. Carefully tighten the securing chains or other fasteners using boomers or binders to apply maximum tension. Use extreme care when attaching and removing the securing devices as the extreme tension involved when released has the potential to inflict serious injury.

While hauling the tractor and implement, make occasional stops to check that the tractor and implement have not moved or shifted and that the securing chains have maintained tension. If during transport a hard braking, sharp turning, or swerving action was performed, stop at the next safe location to inspect the security of the load.



Op - 48

Preparation and Storage

Properly preparing and storing the unit at the end of the season is critical to maintaining its appearance and to help ensure years of dependable service. The following are suggested storage procedures:

- Thoroughly clean all debris from boom and head to prevent damage from rotting grass and standing water.
- Lubricate all grease points and fill oil levels according to the maintenance lubrication schedule.
- Tighten all bolts to the proper torque. Ensure all pins and other hardware are in place.
- Check the boom arm and head for worn and damaged parts. Perform repairs and make replacements so that the mower will be ready for use at the start of the next season.
- Store the unit in a clean and dry location.
- Use spray touch-up enamel where necessary on bare metal surfaces to prevent rust and to maintain the appearance of the mower.



UÚÜÖ€€FG Ô

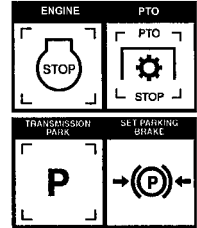


Never allow children to play on or around Tractor or Implement. Children can slip or fall off the Equipment and be injured or killed. Children can cause the Implement to shift or fall crushing themselves or others. (SG-25)

CD9F5HCB

⚠ DANGER

BEFORE leaving the tractor seat, always set the parking brake and/or set the tractor transmission in parking gear, disengage the PTO, stop the engine, remove the key, and wait for all moving parts to stop. Place the tractor shift lever into a low range or parking gear to prevent the tractor from rolling. Never dismount a Tractor that is moving or while the engine is running. Operate the Tractor controls from the tractor seat only. (SG-9)



⚠ WARNING

Perform service, repairs and lubrication according to the maintenance section. Ensure the unit is properly lubricated as specified in the lubrication schedule and all bolts and nuts are properly torqued. Failure to properly service, repair and maintain this Implement in good operating condition could cause component failure and possible serious injury or even death. (SG-35)

CD9F5HCB

CD9F5 HCB

CD9F5 HCB

Saber

Operation Section 3-42

MAINTENANCE SECTION

Maintenance Section 4-1

MAINTENANCE

General Instructions

Tiger Mowers are designed for high performance and rugged durability, yet with simplified maintenance. The purpose of this section of the manual is to help the operator in the regular servicing of the mower. Regular maintenance at the intervals mentioned will result in the maximum efficiency and long life of the Tiger Mower.

When you purchase a Tiger Mower you also acquire another valuable asset, Tiger's parts organization. Our rapid and efficient service has guaranteed the customer satisfaction for many years. Tiger parts keep up with the demands for efficiency, safety and endurance expected of the Tiger Mower.

Maintenance Precautions

- Be sure end of grease gun and zerks are clean before using. Debris injected into bearings, etc. with grease will cause immediate damage.
- DO NOT use a power grease gun to lubricate bearings. These require very small and exact amounts of lubrication. Refer to the detailed maintenance section for specific lubrication instructions. DO NOT over-grease bearings.
- Lexan windows should be washed with mild soap or detergent and luke warm water, using a soft clean sponge or soft cloth. DO NOT use abrasive or alkaline cleaners or metal scrapers on lexan windows!
- Be alert to maintenance indicators such as the in-tank filter pressure gauge, hydraulic reservoir sight gauge, etc. Take the required action to correct any problems immediately.
- Release of energy from pressurized systems may cause inadvertent actuation of cylinders, or sudden release of compressed springs. Before disconnecting any hoses relieve pressure by shutting tractor off, setting cutter on ground and actuating lift valve handles.

WARNING

Do not operate this Equipment with hydraulic oil or fuel leaking. Oil and fuel are explosive and their presence could present a hazard. Do not check for leaks with your hand! High-pressure oil streams from breaks in the line could penetrate the skin and cause tissue damage including gangrene. To check for a hose leak, SHUT the unit ENGINE OFF and remove all hydraulic pressure. Wear oil impenetrable gloves, safety glasses and use Cardboard to check for evidence of oil leaks. If you suspect a leak, REMOVE the HOSE and have it tested at a Dealer. If oil does penetrate the skin, have the injury treated immediately by a physician knowledgeable and skilled in this procedure. (SG-15)



Break in Period

In addition to following the break in instructions for your particular tractor, the in-tank hydraulic fluid filter should be replaced after the first 50 hours of service. Thereafter the filter should be replaced every 500 hours, or yearly, whichever comes first.

Re-torque wheel lugs after first five hours of operation and periodically thereafter. See torque specifications listed in the tractor's service manual for your particular model. **Wheel lugs must always be re-torqued whenever a wheel is removed and reinstalled.**

MAINTENANCE



Never work under the Implement, the framework, or any lifted component unless the Implement is securely supported or blocked up to prevent sudden or inadvertent falling which could cause serious injury or even death. (SG-14)



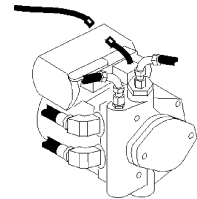
Do not modify or alter this Implement. Do not permit anyone to modify or alter this Implement, any of its components or any Implement function. (SG-8)



Relieve hydraulic pressure prior to doing any maintenance or repair work on the Implement. Place the Mower Head on the ground or securely supported on blocks or stands, disengage the PTO, and turn off the engine. Push and pull the control Levers or Joystick several times to relieve pressure prior to starting any maintenance or repair work. (SBM-6)



Always disconnect the wire leads from the mower pump solenoid before performing service on the Tractor or Mower. Use caution when working on the Tractor or Mower. Tractor engine must be stopped before working on Mower or Tractor. The Mower Blades could inadvertently be turned on without warning and cause immediate dismemberment, injury or death. (SBM-12a)



MAINTENANCE

Regular Maintenance

The intervals at which regular servicing should be done are based on hours of operation. Use the tractors hour meter to determine when regular servicing is required.

Daily or Every 8 Hours

ITEM	SERVICE	COMMENTS
Drive Shaft Yoke, U-Joint & Stub Shaft	Grease	Grease as instructed in detailed maintenance section
Pump Drive Shaft Coupler	Check and Lube	Insure drive shaft end play
Crankshaft Adapter	Check rubber grommets	Replace grommets if damaged or missing
Pivot Points	Lubricate	Inject grease until it appears at end

MAINTENANCE

MAINTENANCE

ITEM	SERVICE	COMMENTS
Hydraulic Fittings	Check for leaks	Tighten when needed. Do Not use hands to check for leaks, see maintenance precautions
Knives	Check	Inspect for missing or damaged knives, change as needed or sharpen as needed.
Spindle mounting bolts (spindle to deck)	Check	Torque to 315 ft lbs lubricated. Torque to 357 ft lbs dry.
Knife mounting bolts (knife to disk or blade bar)	Check	Pre-lubricate threads w/ anti-seize, torque to: 1-1/8" knife bolts to 800 ft. lbs. 1-3/4" knife bolts to 2,000 ft. lbs.
Disk or blade bar mntg bolts (disk or blade bar to spindle)	Check	Retorque bolts: 3/4" bolts to 357 dry or 315 oiled ft. lbs. 5/8" bolts to 204 dry or 180 oiled ft. lbs.
Belts	Check/Adjust	Check if broken, tighten as required
Main Frame and Deck	Check	Retorque bolts to torque specifications in this section
Hydraulic Fluid Level	Check	Add if required per fluid recommendations
Rear Flail Drive-(if applicable) Bearing Flange and Shaft Coupler	Lubricate	Grease as instructed in detailed maintenance section.
Ground Roller Bearings	Lubricate	Grease as instructed in detailed maintenance section.
Cuttershaft Bearings (Flail)	Lubricate	Grease as instructed in detailed maintenance section.

MAINTENANCE

WEEKLY OR EVERY 40 HOURS

ITEM	SERVICE	COMMENTS
Rotary Spindle	Lubricate	Every 40 hours or weekly

WEEKLY OR EVERY 50 HOURS

ITEM	SERVICE	COMMENTS
In Tank Hyd. Fluid Filter (10 micron filter)	Change	Change after first 50 hours only, then every 500 hrs. yearly or if indicated by the restriction indicator.
In-Line High Pressure Filter (10 micron filter)	Change	Change after first 50 hours only, then every 500 hrs. yearly or if indicated by the restriction indicator.

MONTHLY OR EVERY 150 HOURS

ITEM	SERVICE	COMMENTS
Hydraulic Fluid Level	Check	Add as needed
Hyd. Tank Breather	Clean/Check/Replace	Clean or replace Element as required
Rear Tire Type	Max P.S.I.	
480/80R38	29	
18.4-34	26	
18.4-38	26	

YEARLY OR EVERY 500 HOURS

ITEM	SERVICE	COMMENTS
Spindle Grease	Change	
Hyd. Tank Fluid	Change	
In Tank Hyd. Fluid Filter (10 micron filter)	Change	
In-Line HP Filter (10 micron filter)	Change or	Change when indicated by restriction indicator.
Hyd. Tank Breather	Change	
Motor to Cuttershaft Spline Connection of TBF50 DD	Change	Grease as indicated in detailed maintenance section.
Saber	Maintenance Section 4-5	

MAINTENANCE

MAINTENANCE

TROUBLESHOOTING

SYMPTOMS	CAUSE	REMEDY
Vibration	<ol style="list-style-type: none"> 1. Loose Bolts 2. Cutter assembly Unbalanced 	<ol style="list-style-type: none"> 1. Check all bolts and tighten to recommended torque specifications 2a. Check for damage blades, disc or cutter shaft. Replace if needed. 2b. Check for wire, rope, etc. entangled in the cutter assembly
Mower will not lift	<ol style="list-style-type: none"> 1. Hyd. Fluid Low 2. Leaks in line 3. Faulty relief valve 4. Kinked or blocked 5. Faulty cylinder 	<ol style="list-style-type: none"> 1. Check and refill Hyd Fluid 2. Tighten or replace fittings and hoses 3. Check pressure in line. Line pressure in Control Valve should be at least 2500 P.S.I. 4. Clean or replace lines 5. Inspect, repair or replace cylinder
Mower will not start or run	<ol style="list-style-type: none"> 1. Blown fuse 2. Ball valves closed 3. Low oil level 4. Line leak 5. Electronic solenoid faulty 	<ol style="list-style-type: none"> 1. Check fuse between mower switch and ignition/replace 2. Make sure valves are open 3. Check Hyd. tank and fill 4. Check all fittings and lines, re-tighten or replace 5a. Without the tractor running, turn the mower switch to on. A low audible click is not heard if the solenoid is engaging the solenoid spool. If click is not heard, leave switch in on position and with a screwdriver or other steel object, touch the small nut on the end of the solenoid. If the metallic object is not attracted to the nut, check the fuse and wiring for an open circuit. If the object is attracted but no "click" is heard, replace the solenoid. 5b. Remove the four bolts holding the small block to the main block. Lift and remove small block being careful not to damage O-rings/filter. Clean filter and re-install. 5c. Remove large nut on side of large valve block. Remove spring, and use needle nose vise grip to pull spool from block. Check block for contaminates and scratches. Clean parts or replace if scratched.

MAINTENANCE

TROUBLESHOOTING (Continued)

SYMPTOMS	CAUSE	REMEDY
Motor runs but will not cut.	<ol style="list-style-type: none"> 1. Belts 2. Tensioner 	<ol style="list-style-type: none"> 1. Inspect belts and pulleys. Replace belts and repair as needed. 2. Adjust tensioner nut flat washer washer is flush with top of guide.
Mower turns slowly or not at all.	<ol style="list-style-type: none"> 1. Contaminants restricting spool movement in valve body. 2. Suction lines obstructed 3. Low oil level 	<ol style="list-style-type: none"> 1. Remove large nut on side of large valve block. Remove spring, and use needle nose vise grip to pull spool from block. Check block and spool for contaminants and scratches. Clean parts or replace if scratched. 2. Check for kinks or obstruction in suction hose. 3. Check Hyd. tank level and fill.
Pump will not work	<ol style="list-style-type: none"> 1. Excessive wear on internal parts 	<ol style="list-style-type: none"> 1. Disassemble and repair.
Motor will not work	<ol style="list-style-type: none"> 1. Excessive wear on internal parts 	<ol style="list-style-type: none"> 1. Disassemble and repair.

NOTE: If flow meter is available, check pressure and flow volume for all suspected hydraulic problems.

If the solution to your problem cannot be found in this section, call the Technical Service representative at the number shown on the front cover of this manual.

MAINTENANCE

MAINTENANCE

LUBRICATION RECOMMENDATIONS

Description	Application	General Specification	Recommended Mobil Lubricant
Tractor Hydraulics	Reservoir	JD-20C	Mobilfluid® 424
Mower Hydraulics Cold Temperatures 0° F Start-Up Normal Temperatures 15° F Start-Up	Reservoir	ISO 46 Anti-Wear-Low Temp ISO 46 Anti-Wear	Mobil DTE® 15M Nuto®H46, Mobil DTE®25
Flail Rear Gearbox	Reservoir	PAO Synthetic Extreme Pressure Gear Lube	Mobil® 1 Synthetic Gear Lubricant LS 75W-90, Mobil Delvac Synthetic Gear Oil 75W-90
Cutter Shaft & Ground Roller Shaft(Flail)	Grease Gun	Lithium-Complex NLGI 2-ISO 320	Mobil Delvac® Xtreme Grease Mobilgrease CM-S
Drive Shaft Coupler (Flail and Rotary)	Grease Gun	Lithium-Complex NLGI 2-ISO 320	Mobil Delvac® Xtreme Grease Mobilgrease CM-S
Drive Shaft Yoke, U-joint & Stub Shaft	Grease Gun	Lithium-Complex NLGI 2-ISO 320	Mobil Delvac® Xtreme Grease Mobilgrease CM-S
Boom Swivel Boom Cylinder Pivots (Rotary & Flail Boom)	Grease Gun	Lithium Complex NLGI 2-ISO 320	Mobil Delvac® Xtreme Grease Mobilgrease CM-S
Deck Boom Pivot & Deck Stop Adjustment Rotary & Flail)	Grease Gun	Lithium Complex NLGI 2-ISO 320	Mobil Delvac® Xtreme Grease Mobilgrease CM-S
Deck Spindle(Rotary)	Grease Gun	Lithium Complex NLGI 2-ISO 220, PAO Synthetic Grease	Mobilith SHC 220, Tiger Part #06540000
Motor to Cuttershaft Spline Connection of TBF50	Fill Female Spline in Cuttershaft		Accrolube with PTFE

Saber





Maintenance Section 4-8

MAINTENANCE





MAINTENANCE

MAINTENANCE

TORQUE SPECIFICATIONS

Nominal Dia. (in.)	threads per inch	 Grade 2			 Grade 5			 Grade 8			 Grade 9		
		Tightening Torque			Tightening Torque			Tightening Torque			Tightening Torque		
		Lubed K = 0.15	Dry Plated K = 0.17	Dry plain K = 0.20	Lubed K = 0.15	Dry Plated K = 0.17	Dry plain K = 0.20	Lubed K = 0.15	Dry Plated K = 0.17	Dry plain K = 0.20	Lubed K = 0.15	Dry Plated K = 0.17	Dry plain K = 0.20
Unified Coarse Thread Series													
1/4	20	49 in-lbs	59 in-lbs	66 in-lbs	76 in-lbs	86 in-lbs	101 in-lbs	107 in-lbs	122 in-lbs	143 in-lbs	126 in-lbs	143 in-lbs	168 in-lbs
5/16	18	101	122	135	157	178	209	221	251	295	259	294	346
3/8	16	15 ft-lbs	18 ft-lbs	20 ft-lbs	23 ft-lbs	26 ft-lbs	31 ft-lbs	33 ft-lbs	37 ft-lbs	44 ft-lbs	38 ft-lbs	43 ft-lbs	51 ft-lbs
7/16	14	24	29	32	37	42	49	52	59	70	61	70	82
1/2	13	37	44	49	57	64	75	80	90	106	94	106	125
9/16	12	53	63	70	82	92	109	115	130	154	135	153	180
5/8	11	73	87	97	113	126	150	159	180	212	186	211	248
3/4	10	129	155	172	200	227	267	282	320	376	331	375	441
7/8	9	125	150	167	322	365	429	455	515	606	533	604	710
1	8	187	225	250	483	547	644	681	772	909	799	905	1065
1 1/8	7	266	319	354	596	675	794	866	1095	1288	1132	1283	1510
1 1/4	7	375	450	500	840	952	1121	1363	1545	1817	1597	1810	2130
1 1/2	6	652	783	869	1462	1657	1950	2371	2688	3162	2779	3150	3706
Fine Thread Series													
1/4	28	56 in-lbs	68 in-lbs	75 in-lbs	87 in-lbs	99 in-lbs	116 in-lbs	123 in-lbs	139 in-lbs	164 in-lbs	144 in-lbs	163 in-lbs	192 in-lbs
5/16	24	112	135	150	174	197	231	245	278	327	287	325	383
3/8	24	17 ft-lbs	20 ft-lbs	23 ft-lbs	26 ft-lbs	30 ft-lbs	35 ft-lbs	37 ft-lbs	42 ft-lbs	49 ft-lbs	43 ft-lbs	49 ft-lbs	58 ft-lbs
7/16	20	27	32	36	41	47	55	58	66	78	68	78	91
1/2	20	41	49	55	64	72	85	90	102	120	105	120	141
9/16	18	59	71	78	91	103	121	128	146	171	151	171	201
5/8	18	82	99	110	127	144	170	180	204	240	211	239	281
3/4	16	144	173	192	223	253	297	315	357	420	369	418	492
7/8	14	136	165	184	355	403	474	502	568	669	588	666	784
1	14	210	252	280	542	614	722	765	867	1020	896	1016	1195
1 1/8	12	298	357	397	668	757	890	1083	1227	1444	1269	1439	1693
1 1/4	12	415	498	553	930	1055	1241	1509	1710	2012	1768	2004	2358
1 1/2	12	734	880	978	1645	1865	2194	2668	3024	3557	3127	3544	4169

Torque values for 1/4 and 5/16-in series are in inch-pounds. All other torque values are in foot-pounds. K = 0.15 for "lubricated" conditions D = Nominal Diameter
 Torque values calculated from formula T=KDF, where K = 0.17 for zinc plated and dry conditions F = Clamp Load
 K = 0.20 for plain and dry conditions

Torque-Tension Relationship for Metric Fasteners													
Nominal Dia. (mm)	Pitch	 Class 4.6			 Class 8.8			 Class 10.9			 Class 12.9		
		Tightening Torque			Tightening Torque			Tightening Torque			Tightening Torque		
		Lubed K = 0.15	Dry Plated K = 0.17	Dry plain K = 0.20	Lubed K = 0.15	Dry Plated K = 0.17	Dry plain K = 0.20	Lubed K = 0.15	Dry Plated K = 0.17	Dry plain K = 0.20	Lubed K = 0.15	Dry Plated K = 0.17	Dry plain K = 0.20
3	0.5	0.28	0.32	0.38	0.73	0.82	0.97	1.0	1.2	1.4	1.2	1.6	
3.5	0.6	0.44	0.50	0.59	1.1	1.3	1.5	1.6	1.9	2.2	1.9	2.5	
4	0.7	0.66	0.74	0.87	1.7	1.9	2.3	2.4	2.7	3.2	2.8	3.8	
5	0.8	1.3	1.5	1.8	3.4	3.9	4.5	4.9	5.5	6.5	5.7	7.6	
6	1	2.3	2.6	3.0	5.8	6.6	7.7	8.3	9.4	11	9.7	13	
6	1.25	2.1	2.3	2.7	5.3	6.0	7.0	7.6	8.6	10	8.8	12	
7	1	3.8	4.3	5.0	9.7	11	13	14	16	19	16	22	
8	1	5.9	6.6	7.8	15	17	20	22	24	29	25	34	
8	1.25	5.5	6.2	7.3	14	16	19	20	23	27	24	31	
10	1.25	11	13	15	29	33	39	42	48	56	49	66	
10	1.5	11	12	14	28	32	37	40	45	53	47	62	
12	1.25	21	23	28	53	60	71	76	86	101	89	119	
12	1.5	20	22	26	51	58	68	73	82	97	85	113	
12	1.75	19	21	25	49	55	65	70	79	93	81	108	
14	1.25	26	29	34	66	75	89	95	108	127	111	148	
14	1.5	28	32	37	72	82	96	103	117	138	121	161	
14	2	30	34	40	78	88	104	111	126	148	130	173	
16	1.5	50	57	67	129	146	171	184	208	245	215	287	
16	2	47	53	62	121	137	161	173	196	230	202	269	
18	1.5	73	82	97	187	212	249	268	303	357	313	417	
18	2.5	65	73	86	167	189	222	239	270	318	279	372	
20	1.5	101	115	135	270	306	360	374	424	498	437	583	
20	2.5	91	104	122	236	267	314	337	382	449	394	525	

Clamp load calculated as 75% of the proof load for specified bolts. K = 0.15 for "lubricated" conditions D = Nominal Diameter
 All torque values are listed in foot-pounds K = 0.17 for zinc plated, dry conditions F = Clamp Load
 Torque values calculated from formula T=KDF, where K = 0.20 for plain and dry conditions

*These are general specifications. Check your tractor operators or service manual for exact specifications.

MAINTENANCE

POLYCARBONATE CARE & MAINTENANCE

The proprietary UV and Abrasion Resistant Surface coating on SHIELDS® SUPERCOATED™ polycarbonate significantly improves performance. Periodic cleaning using proper procedures and compatible cleaners are recommended to prolong service life. Tiger Corp. polycarbonate is SUPERCOATED™ on both sides.

CLEANING THE SUPERCOAT™ HARD-COAT

1. Wash with a mild solution of soap or detergent and lukewarm water.
2. Using a soft cloth or sponge, gently wash the sheet to loosen dirt and grime and rinse well with clean water.
3. To prevent water spotting, thoroughly dry with chamois or cellulose sponge.
4. Avoid the use of abrasive cleaners, squeegees and/or other cleaning implements that may mar or gouge the coating.

CLEANING AGENTS WHICH HAVE BEEN FOUND TO BE COMPATIBLE UNDER LABORATORY CONDITIONS:

- Aqueous Solutions of Soaps and Detergents

Windex(1)	Top Job(2)	Joy(2)	Mr Clean(2)
Fantastik(3)	Formula 409(4)	Sumalight D12	Brucodecid

- Organic Solvents

Butyl Cellosolve	Kerosene	Hexel, F.O. 554	Naphtha (VM&P grade)
Neleco-Placer	Turco 5042		

- Alcohols

Methanol	Isopropyl
----------	-----------

All residual organic solvents should be removed with a secondary rinse.

GRAFFITI REMOVAL

Butyl cellosolve (for removal of paints, marking pen inks, lipstick, etc.) The use of masking tape, adhesive tape or lint removal tools work well for lifting off old weathered paints.

To remove labels, stickers, etc., the use of kerosene or VM&P naphtha are generally effective. When the solvent will not penetrate sticker material, apply heat (hair dryer) to soften the adhesive and promote removal.

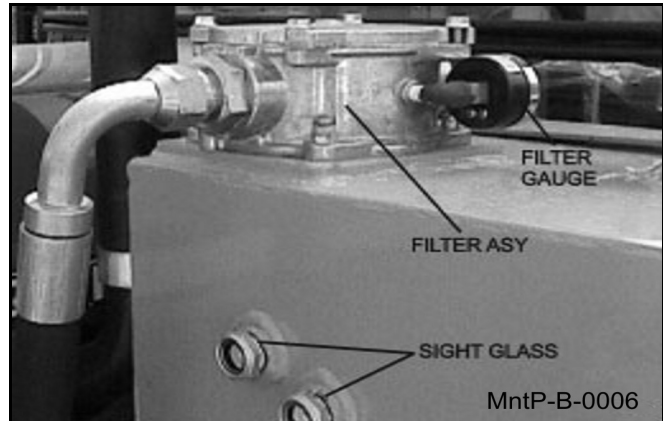
IMPORTANT: If a material is found to be incompatible in a short-term test, it will usually be found to be incompatible in the field. The converse, however, is not always true. Favorable performance is no guarantee that actual end-use conditions have been duplicated. Therefore, these results should be used as a guide only, and it is recommended that the user test the products under actual end-use conditions.

MAINTENANCE

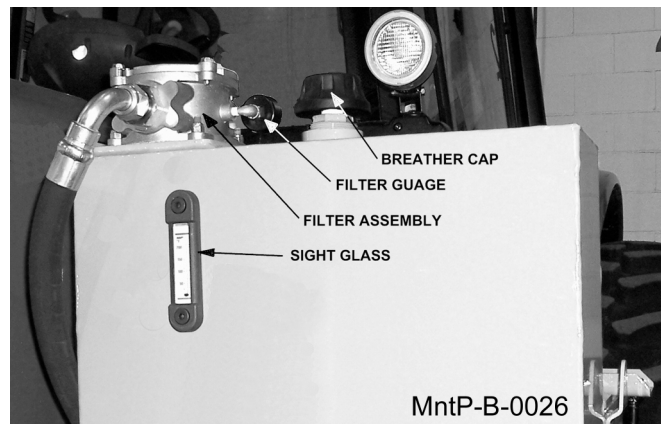
RECOMMENDED FILLING INSTRUCTIONS FOR HYDRAULIC RESERVOIRS

When filling or checking the oil level, the unit should be parked on a level surface., shut "OFF", and allow sufficient time to cool to ambient temperature. Use caution when removing the pressurized breather. Do not place face over opening when removing breather.

If your reservoir has two sight glasses: The reservoir should be filled to the top of the lower sight glass on the side of the tank. Do not overfill. The reservoir has been over-filled when oil is visible in the upper sight glass. If tank has too much oil, the excess may be expelled through the pressurized breather.



If your reservoir has one sight glass/temperature gage: The reservoir should be filled to the center of the sight glass on the side of the tank. Do not overfill. If the tank has too much oil, the excess may be expelled through the pressurized breather.



DETAILED MAINTENANCE

REPLACING IN-TANK HYDRAULIC FILTER:

Loosen the four bolts on the top cover of the filter housing. Turn cover counter-clockwise until cover is free. Remove and replace filter. Replace top cover and cover bolts in opposite order as removed.



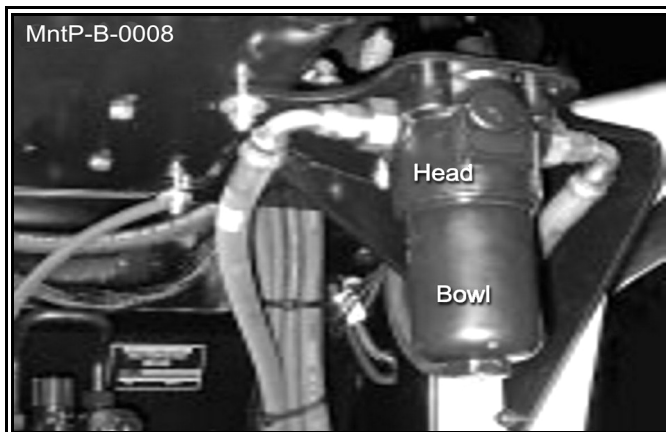
MAINTENANCE

MAINTENANCE

DETAILED MAINTENANCE

REPLACING HIGH PRESSURE HYDRAULIC FILTER ELEMENT:

Ensure system has been shut down and depressurized. Locate High Pressure Filter housing. Confirm that the element to be installed matches the element p/n on the filter model tag. *Example: V3.0510-06 (world line 100, HD049 model)* Locate the bottom of the High Pressure Bowl. Using the appropriate spanner wrench or ratchet, turn in a counterclockwise rotation, (looking at the bottom of the bowl) to remove the bowl from the head. The first couple rotations will seem tight as the o-ring passes the sealing flats. Once the o-ring has cleared the sealing flats the bowl should spin freely.

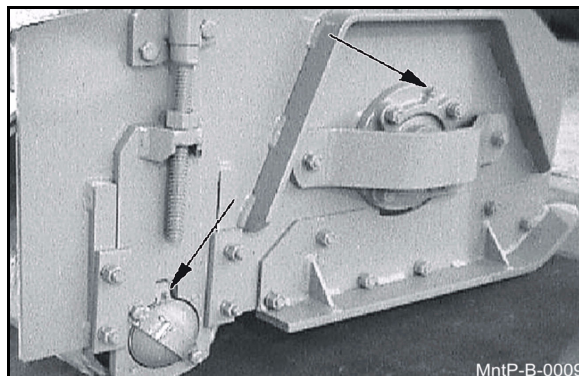


Taking care not to drop the bowl, finish removing the bowl from the head. **WARNING: bowl will be full of oil!**

Pour the oil from the bowl into a container. This oil should be considered contaminated because the flow through the element is outside-in. Clean the inside of the bowl if dirt is present. Remove the old element from the filter head by pulling with a rotation motion. Dispose of the used element properly. Using your finger, dab and lubricate the o-ring in the top of the new element with oil. Install the new element onto the mounting boss within the head. Ensure that the element is fully seated on the boss. Clean and inspect the o-ring that is affixed in the bowl and lubricate with oil. Using a clockwise rotation, screw the bowl back into the head, ensuring that the bowl has not been cross-threaded into the head. Continue to tighten the bowl into the head, using the spanner wrench or ratchet. The rotation of the bowl will become tighter once the o-ring engages the sealing flats. Once the bowl has bottomed out, back-off the bowl by 1/6 turn. This ensures that the o-ring is seated properly within the sealing flats. Element change out and re-assembly is now complete. Start the machine and inspect the filter area checking that there is no oil leaking from the filter assembly. Replace the filter element first at 50 hours of operation, then yearly (500 hours) or when indicated by restriction indicator.

GREASING CUTTERSHAFT - FLAIL MOWERS

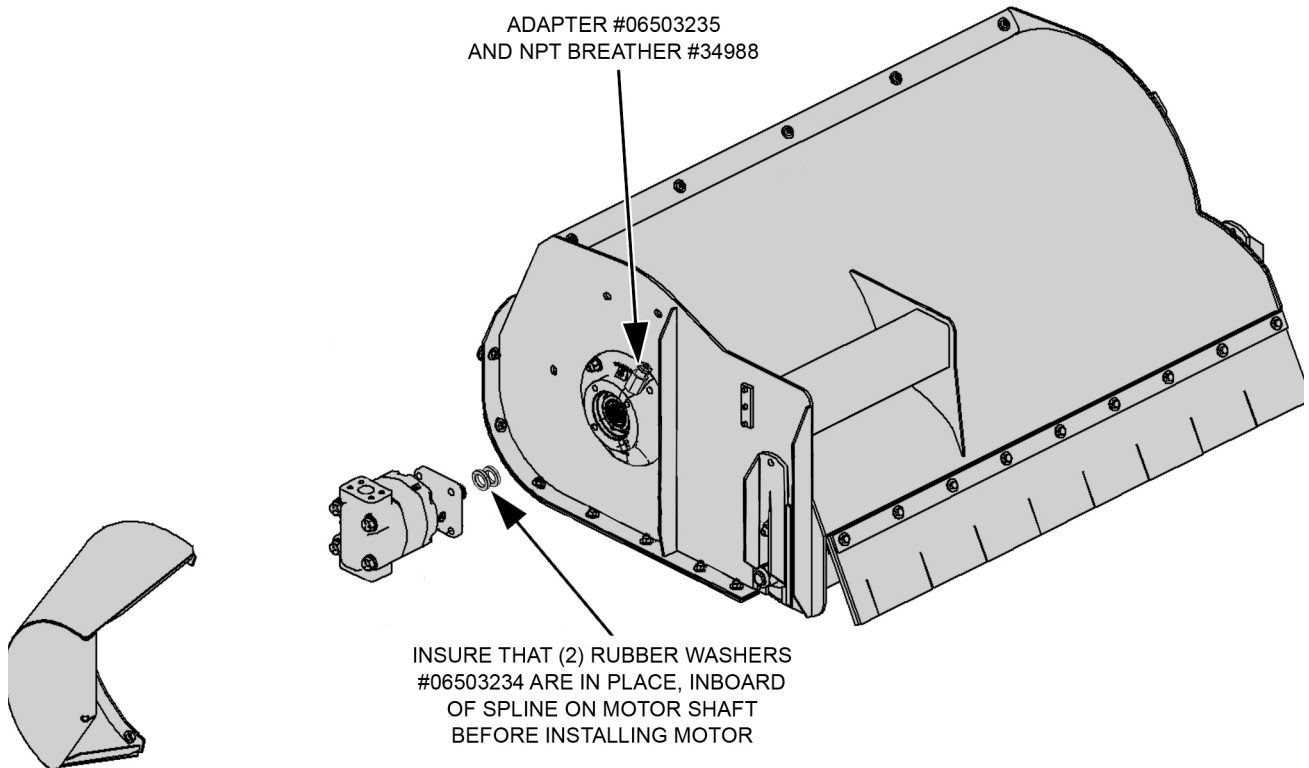
Locate grease zerks on each end of cuttershaft(s), these are located on the bearing cover. Normal conditions require one or two pumps in each bearing, using Lithium-Complex Extreme Pressure grease conforming to NLGI2-ISO 320 specifications. This is to be done with a standard grease gun daily or at **8 hour intervals**. **CAUTION: Over greasing may cause premature seal failure.**



MAINTENANCE

SABER DIRECT DRIVE

GREASING MOTOR SPLINE TO CUTTERSHAFT SPLINE CONNECTION



MAINTENANCE

1. Remove motor from bearing housing and clean old grease from splines on motor shaft and splines in cuttershaft.
2. Fill female splined bore in cuttershaft with new grease, Accrolube with PTFE (part #06520310)
3. Insure that (2) rubber washers (part #06503231) are in place, inboard of spline on motor shaft before installing motor.
4. Re-install motor and torque bolts per torque chart.

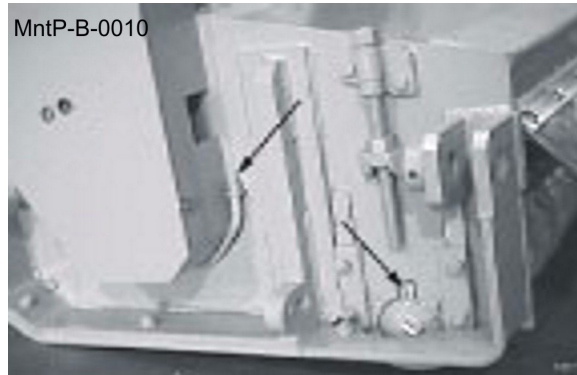
Change grease yearly or every 500 hours.

MAINTENANCE

MAINTENANCE

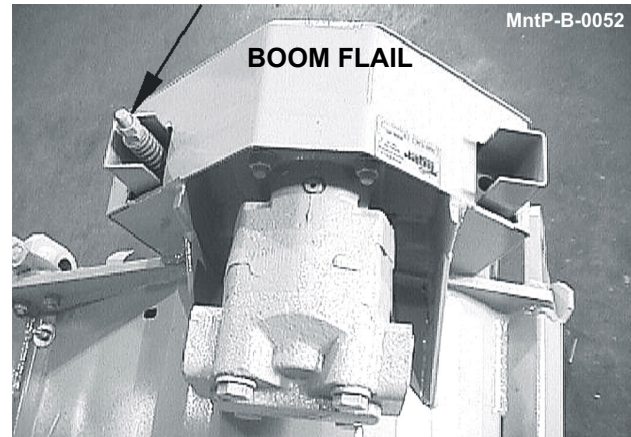
GREASING GROUND ROLLER SHAFT-FLAIL

Locate grease zerks on each end of roller tube at lower end of head. Normal conditions require one or two pumps in each bearing, using Lithium-Complex Extreme Pressure grease conforming to NLGI2-ISO 320 specifications. This is to be done with a standard grease gun daily or at **8 hour intervals**. **CAUTION: Over greasing may cause premature seal failure.**



ADJUSTING/CHECKING BELT TENSION

To adjust belt tension or replace belts on flail cutter head, remove four bolts that secure belt to cover and remove cover. The hex nuts shown below can be adjusted to increase/decrease the belt tension as needed. **(NOTE: Location of adjustment nuts may vary on flail cutter heads.) Be sure to replace the belt cover BEFORE operating mower!**

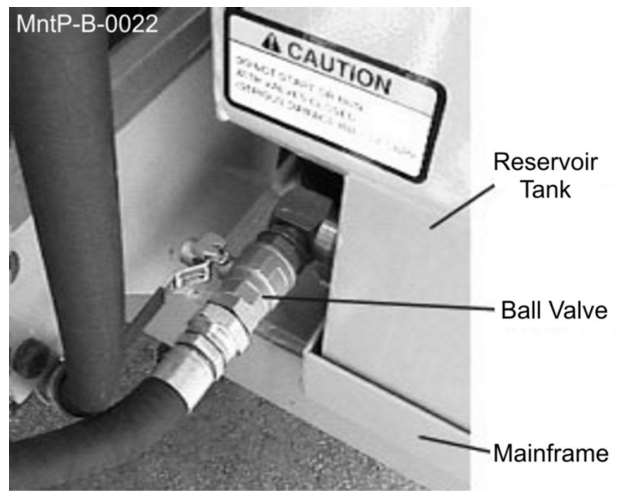


MAINTENANCE

MAINTENANCE

BALL VALVES

The ball valve at the hydraulic reservoir may need to be closed during certain maintenance or repair procedures. **THE BALL VALVES MUST BE OPEN (handle parallel with valve) WHEN TRACTOR IS RE-STARTED OR PUMP IS COUPLED TO MOTOR OR PTO!** Failure to do so will result in component failure!



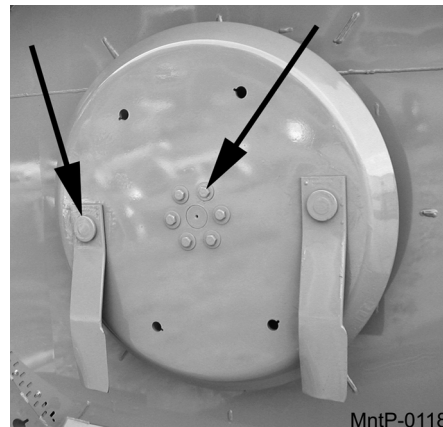
TIGHTENING KNIFE BOLTS AND DISK BOLTS:

BOOM ROTARY (SABER X3) - After every 8 hours of operation or daily, the Knife Bolts and Disk Bolts should be tightened as follows:

1-1/8" knife mounting bolts (2 ea.) torque to 870 ft. lbs. lubricated.

5/8" disk mounting bolts (6 ea.) torque to 180 ft lbs lubricated with Loctite 271, 204 ft. lbs. dry.

d

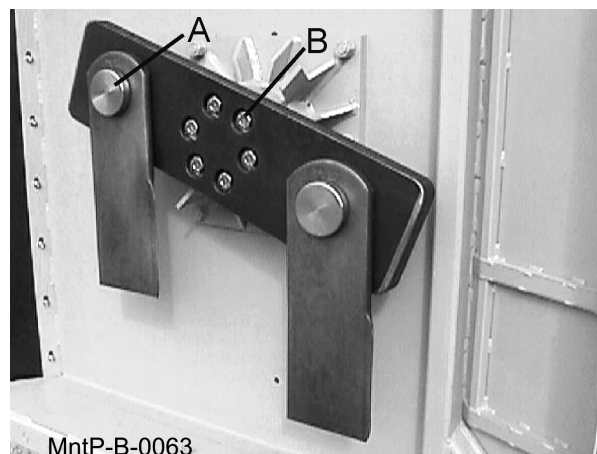


BOOM ROTARY

SABER ROTARY - After every 8 hours of operation or daily, the knife bolts and blade bar bolts should be tightened as follows:

Knife mounting bolts (A): Torque to 2000 ft. lbs., lubricated.

3/4" blade bar mounting bolts (B): Torque to 315 ft. lbs. lubed (Loctite® 271) or 357 ft. lbs. dry (plated bolts).



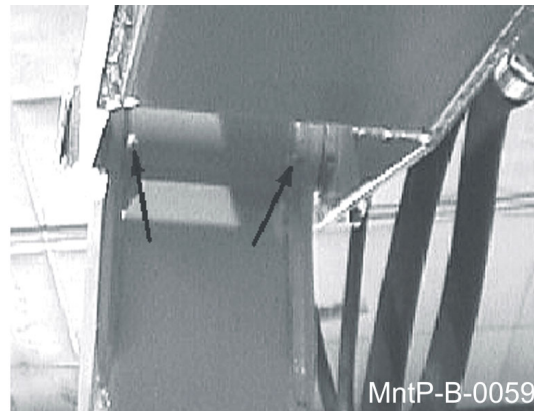
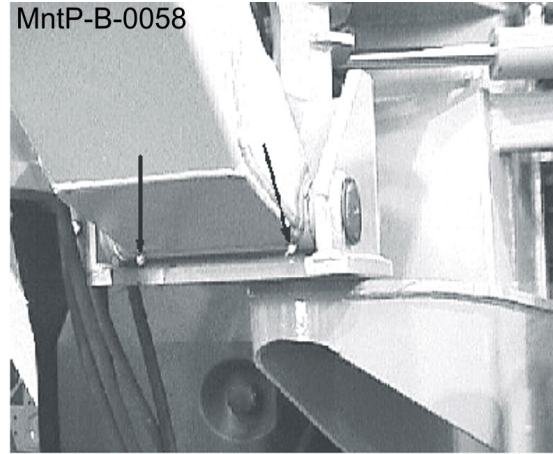
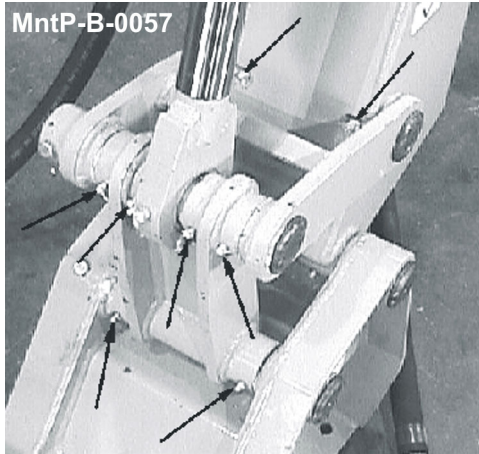
SABER ROTARY

MAINTENANCE

GREASING POINTS ON BOOM AND PIVOT

Locate grease zerks (8) on deck pivot assembly, (2) on the deck end of secondary boom, (2) at main/secondary boom joint, and (2) at swivel end of main boom. Inject Lithium-Complex Extreme Pressure grease conforming to NLGI2-ISO 320 specifications until grease begins to protrude from ends.

SABER



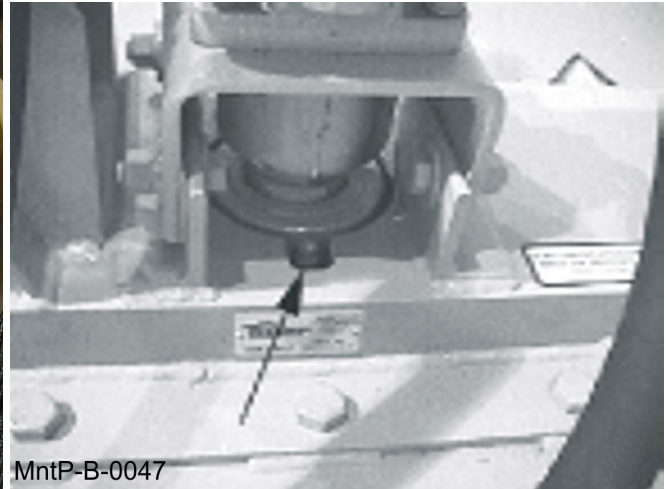
MAINTENANCE

MAINTENANCE

MAINTENANCE

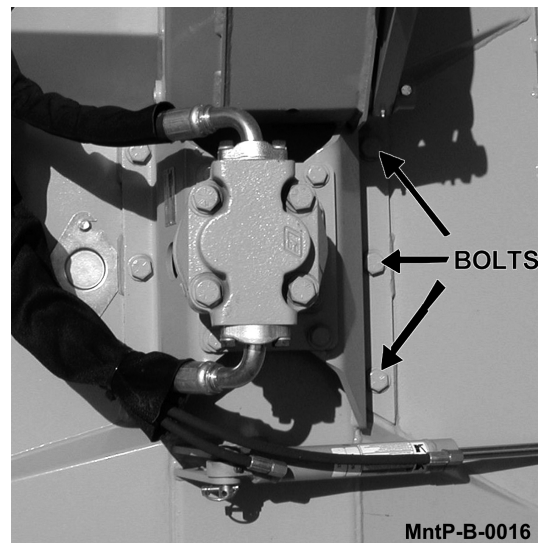
GREASING SPINDLE

Locate grease fitting on inside of deck housing. Inject Tiger Spindle Lubricant, part number 06540000 into spindle housing. Fill with lubricant until lubricant weeps out of top spindle seal. Lubricate spindle weekly or every 40 hours of use.



TIGHTENING SPINDLE BOLTS

The spindle mounting bolts should be checked and retorqued daily or every 10 hours of service. Torque the (6) bolts shown below to 331 ft. lbs.

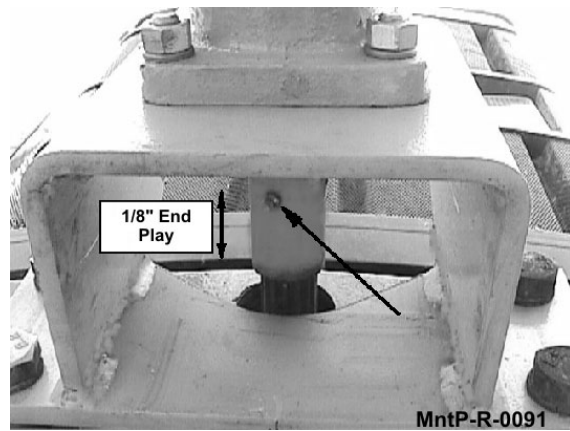


MAINTENANCE

MAINTENANCE

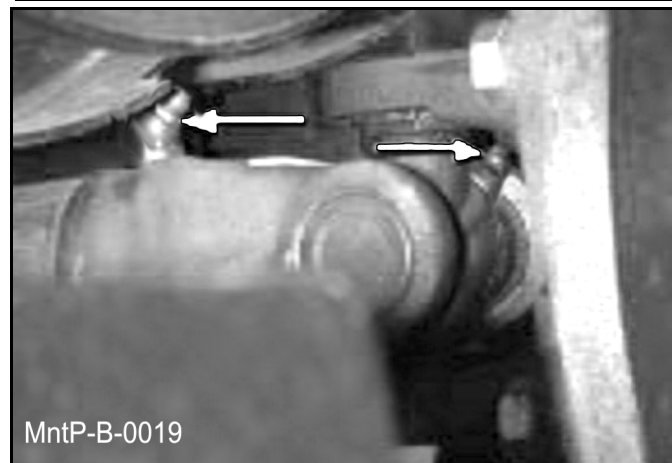
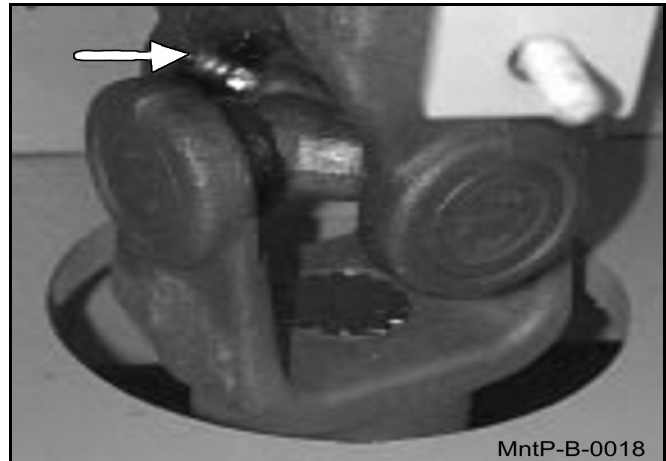
GREASING PUMP DRIVESHAFT COUPLER

With engine stopped, ensure driveshaft alignment by grasping coupler and sliding back and forth. Coupler should slide freely with approximately 1/8" of end play. If coupler does not slide freely, inspect for loose pump mount bolts, or damaged or loose crank shaft adapter. Inject Lithium-Complex Extreme Pressure grease conforming to NLG12-ISO 320 specifications into coupler until grease begins to protrude from ends. Grease daily or every 8 hours. Do not over grease.



DRIVE SHAFT YOKE, U-JOINT 7STUB SHAFT

With engine stopped, inject Lithium-Complex extreme pressure grease conforming to NLG12-ISO 320 specifications into universal joints and slip yoke until grease appears at the seal. Grease them daily or every 8 hours.

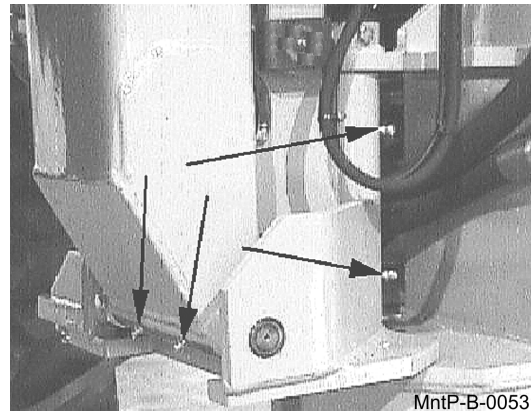


MAINTENANCE

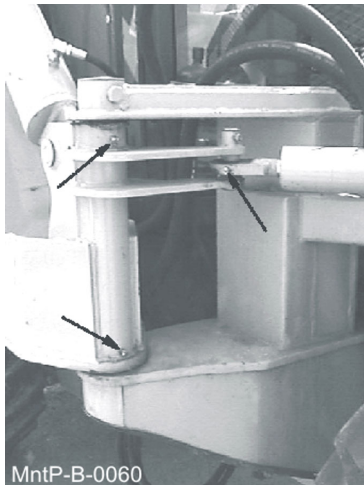
MAINTENANCE

GREASING THE BOOM SWIVEL

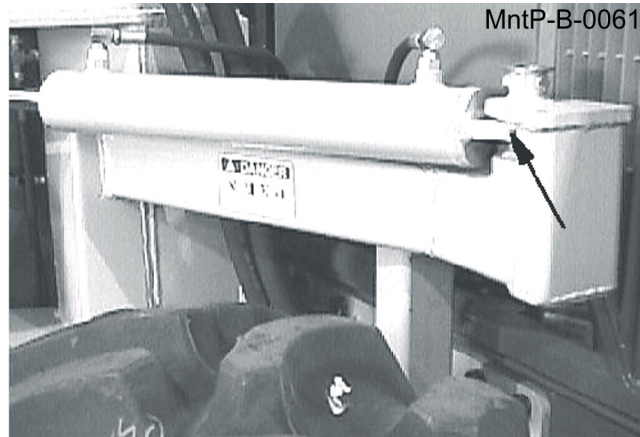
Locate the zerks on the main swivel boss (2), main boom pivot boss (2) and on both ends of the boom swivel cylinder. Inject Lithium-Complex Extreme Pressure grease conforming to NLGI2-ISO 320 specification until grease begins to protrude from ends every 8 hours.



BOOM SWIVEL



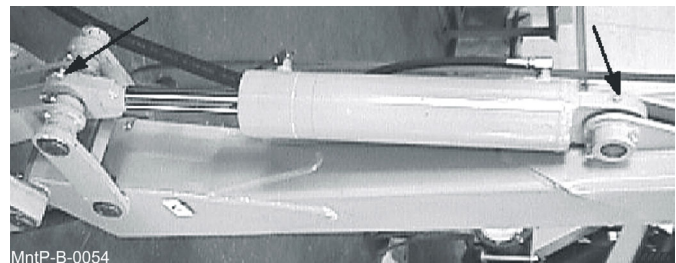
SABER SWIVEL



SABER SWIVEL

GREASING BOOM CYLINDER(S) PIVOT POINTS

Locate the zerk on the butt end tang of cylinder and on rod end tang. Inject Lithium-Complex Extreme Pressure grease confirming to NLGI2-ISO 320 specifications until grease begins to protrude from ends. This procedure is to be used on the main boom cylinder, secondary boom cylinder, deck pivot, and swivel cylinders daily or at 8 hour intervals.



MAINTENANCE

Blades

Check the Blades for cracks and wear and Blade Bolts for tightness, daily. Blades should be replaced when they are worn excessively, bent, deformed, or out of balance.

CAUTION

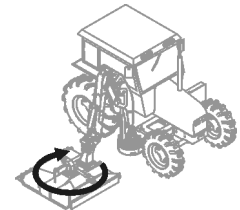
Blades should always be replaced in pairs. Blades of different weights can cause serious imbalance and damage to the machine and personnel. When replacing blades, take care to replace the blade bolts, nuts, and washers.

Important




Make sure the mower blades are turning clockwise when looking down from the top of the mower. Follow the color coding on the hydraulic hoses and fittings to make sure the motor and hydraulics hoses are assembled properly. Connect the red hose connection only to red fitting. Connect the blue hose connection only to the blue fitting. The blade rotation on the leading edge of the mower should discharge the cut material away from the tractor and operator.

WARNING

If the leading edge of the mower blades are rotating backwards they can discharge material toward the operator. If this occurs discontinue mowing immediately and reverse the direction of the motor rotation by correctly installing the motor pressure and return hoses. Contact your dealer or Alamo Industrial for specific information on the hose routing.



1.

WARNING	ADVERTENCIA
TO AVOID SERIOUS INJURY AND DEATH FROM THROWN OBJECTS: <ul style="list-style-type: none">• MAKE CERTAIN blades rotate the correct direction.	PARA EVITAR LESION SERIA O MUERTE POR OBJETOS LANZADOS: <ul style="list-style-type: none">• ASEGURE que las cuchillas giran en la dirección correcta.
BLADE ROTATION  ROTACIÓN DE CUCHILLAS	
 Return Retorno BLUE	 Pressure Presión RED

D619

MAINTENANCE

ROTARY KNIFE REPLACEMENT (TRB 50)

1. Be sure you have a complete matching set of new knives for replacement.
2. Remove knives and inspect holes for damage. Also watch for cracks in the disk around the holes.
3. Lube threads with anti-seize. Install bolts through knife and disk from bottom side of disk. Install new self-locking nuts and torque them to 800 ft. lbs.
4. The knives should swing freely to absorb shocks from impact when striking objects.



WHEN CUTTING HEAVY BRUSH, KNIFE BOLTS SHOULD BE INSPECTED HOURLY AND RETORQUED TO 800 LUBRICATED FT. LBS.

ROTARY KNIFE REPLACEMENT (SABER 50" ROTARY)

1. Be sure you have a complete matching set of new knives for replacement.
2. Remove knives and inspect holes for damage. Also watch for cracks in the disk around the holes.
3. Lube threads with anti-seize. Install bolts through knife and disk from the bottom side of disk. Install new self-locking nuts and torque them to 2000 ft lbs.
4. The knives should swing freely to absorb shocks from impact when striking objects.

REPLACEMENT OF ROTARY DISK (TRB 50)

1. The bolts that attach the disk to the spindle must be grade 8. These 5/8 inch bolts are to be torqued to 204 dry or 180 ft. lbs lubed with Loctite 271.
2. A thread locking agent may be applied to threads of all mounting bolts before they are installed.
3. **Disks must be inspected daily for hairline cracks between spindle mounting bolts or around the knife mounting bolts. These cracks indicate metal fatigue caused by severe abuse. If cracks are present the disk must be replaced.**
4. Inspect the disk mounting bolts daily when checking tightness of knife mounting bolts. If a disk mounting bolt is loose, it must be removed, threads cleaned, fresh thread locking agent applied, and tightened to proper torque value.
5. If a knife mounting bolt is loose, the self locking nut must be replaced as a safety precaution. Lubricate threads with anti-seize. Install bolts through knife and disk from bottom side of disk. Install self locking nuts and torque them to 800 ft. lbs.

REPLACEMENT OF SABER 50" ROTARY BLADE BAR

1. The bolts that attach the blade bar must be grade 8. These 3/4" bolts are to be torqued to 357 ft lbs dry or 315 ft lbs lubed with Loctite 271.
2. A thread locking agent may be applied to threads of all mounting bolts before they are installed.
3. Inspect daily for hairline cracks around knife and blade bar mounting bolts. These cracks indicate metal fatigue caused by severe abuse. If cracks are present the knives and blade bar must be replaced.
4. Inspect the blade bar mounting bolts when checking tightness of knife mounting bolts. If a blade mounting bolt is loose, it must be removed, threads cleaned, fresh thread locking agent applied, and tightened to proper torque value.
5. If a knife mounting bolt is loose, the self-locking nut must be replaced as a safety precaution. Lubricate threads with anti-seize. Install bolts and self-locking nuts and torque to 2000 ft lbs.

MAINTENANCE

Flail Blades Inspection

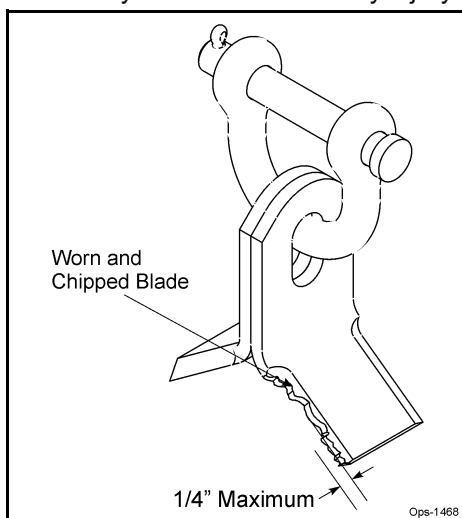


Inspect the Blades daily for abnormal wear. REPLACE ALL BLADES on the carrier IMMEDIATELY if any blades have:

- Become bent or deformed from its original shape, or
- Wear inside the blade bolt hole, or
- Any cracks are visible, or
- Deep gouges in the blade's surface are present, or
- Gouges or chipped areas in the cutting edge are larger than 1/4"(8mm), or
- The material on the leading edge has been worn away by more than 1/4"(8mm)

DO NOT straighten, sharpen, weld or hard-face blades

Failure to replace worn or damaged blades may lead to catastrophic failure of the blades and ejection of the broken part with tremendous force which may cause serious bodily injury or death.



Always replace blades in sets

- Blades that are damaged may indicate severe service or abuse. If one blade is worn or damaged other blades on the same shaft will have been subjected to the same severe service or abuse.
- The Flail rotor turns at speeds exceeding 2000 RPM and is dynamically balanced at the factory. Differences in blade weight between used blades with loss of material from gouges or wear as compared to new blades can cause severe vibration and damage to the Flail rotor. Always replace blades as complete sets.

Important

Use only genuine Alamo Industrial replacement blades and fasteners. Other blades and fasteners may not meet the Alamo Industrial requirements and could fail during operation resulting in part being thrown out from under the mower.



Never attempt to sharpen blades. OPS-U-0044

MAINTENANCE

Blade Pins and D-Ring Inspection

Inspect Blade Pins and D-Rings daily for wear or damage as follows:

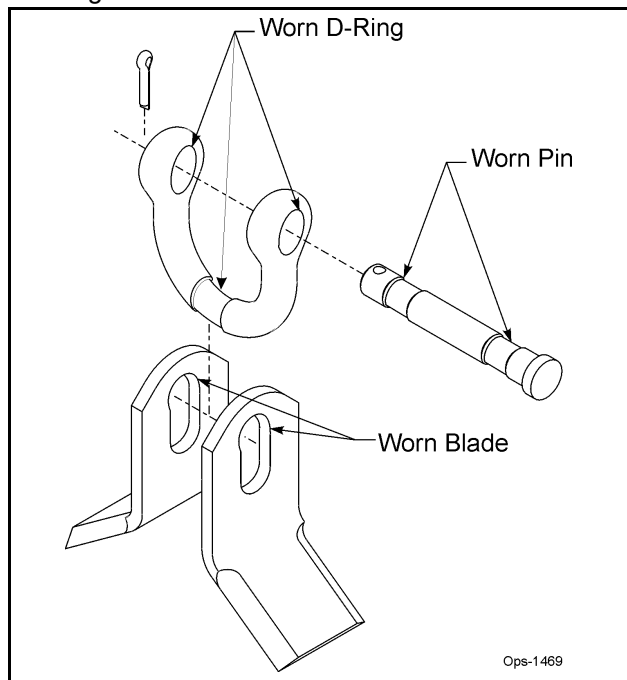


Inspect the Blade pins and D-Rings daily for abnormal wear. Make sure the cotter pins are in place and properly spread. REPLACE BLADE Pins and D-Rings IMMEDIATELY if they have:

- Visible cracks or
- If a Pin or D-Ring has visible worn areas, or
- If a Pin or D-Ring has gouges or chipped areas

Failure to replace abnormally worn pins or D-Rings may lead to catastrophic failure and ejection of the broken part, which may cause serious bodily injury or death.

Always replace the pins and D-Rings whenever excessive wear is noticed.



Important

If the cotter pins are broken by contact with other flail blades, remove the pin and reverse the direction the pin is inserted through the D-Ring so that the cotter pin is on the opposite side of the D-Ring. This will prevent the next set of blades from swinging back and hitting the cotter pin. OPS-U-0045

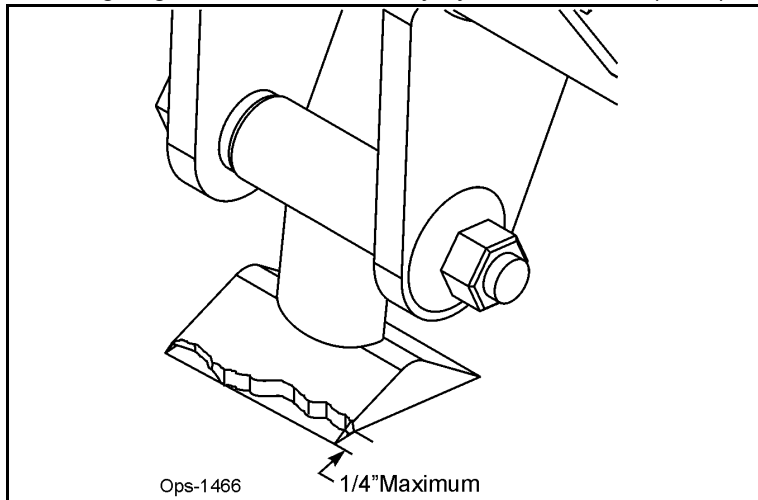
MAINTENANCE

Flail Axe Blades Inspection



Inspect the Blades daily for abnormal wear. REPLACE ALL BLADES on the carrier IMMEDIATELY if any blades have:

- Become bent or deformed from its original shape, or
- Oval shape wear inside the blade bolt hole, or
- Any cracks are visible, or
- Deep gouges in the blade's surface are present, or
- Gouges or chipped areas in the cutting edge are larger than 1/4"(8mm), or
- The material on the leading edge has been worn away by more than 1/4"(8mm)



Failure to replace worn or damaged blades may lead to catastrophic failure of the blades and ejection of the broken part with tremendous force which may cause serious bodily injury or death.

Always replace blades in sets

- Blades that are damaged may indicate severe service or abuse. If one blade is worn or damaged other blades on the same shaft will have been subjected to the same severe service or abuse.
- The Flail Axe rotor turns at speeds exceeding 2000 RPM and is dynamically balanced at the factory. Differences in blade weight between used blades with loss of material from gouges or wear, as compared to new blades, can cause severe vibration and damage to the Flail Axe rotor. Always replace blades as complete sets.

Important

Use only genuine Alamo Industrial replacement blades, blade bolts and fasteners. Other blades and bolts may not meet the requirements of Alamo Industrial and may fail during operation, resulting in the part failing and being thrown out from under the mower.



Never attempt to sharpen blades. OPS-U-0042

MAINTENANCE

Flail Axe Blade Bolt Inspection

Inspect Blade Bolts daily for wear or damage as follows:

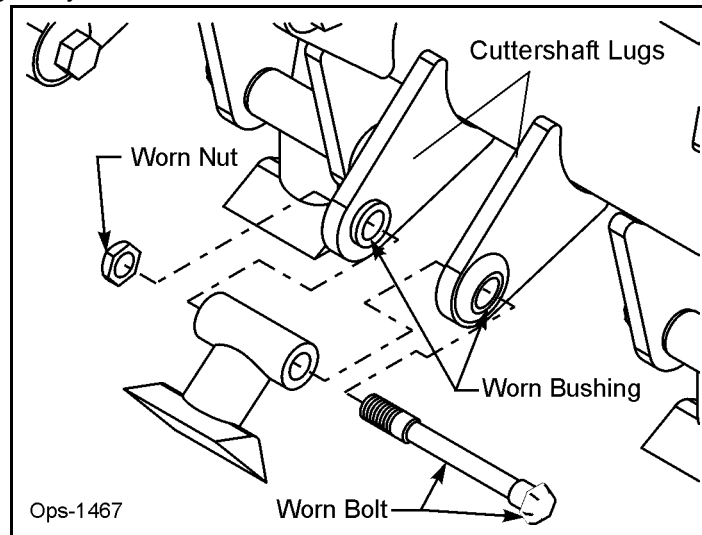


Inspect the Blade Bolt daily for abnormal wear. REPLACE ALL BLADE BOLTS on the carrier IMMEDIATELY if any bolts have:

- Visible cracks or
- If the blade bolt is worn or any recessed area is visible on the bolt, or
- If Blade Bolt has gouges or chipped areas. or
- If Bushing fits loose in the Rotor Shaft.

Failure to replace abnormally worn bolts or bushings may lead to catastrophic failure of the blades and ejection of the broken part, which may cause serious bodily injury or death.

Always replace Blade Bolts with new bolts and new bushings whenever replacing the Blades. To tighten bolts and nuts, first apply thread lock to nut. Make sure to tighten bolts and nuts just enough to allow the blades to swing freely and not bend the cuttershaft lugs. If cuttershaft lugs are bent together because of over tightening the blades will not swing freely. OPS-U-0043



50" FLAIL KNIFE BLADE REPLACEMENT

1. If knives are damaged or badly worn, they will need to be replaced as a set. Replacing a single knife can cause severe vibration and possible damage to the mower. The knife should not be welded on for any reason.
2. Always replace the knife bolts when replacing the knives. DO NOT REUSE THE KNIFE BOLTS OR NUTS.
3. Assemble knives, bushings, bolts and nuts as shown in part section of the manual.
4. Install the locking hex nut so that the flat face of the nut is towards the knife.
5. Apply Loctite® "271" or equivalent to threads.
6. Torque nut to 52 ft. lbs. Knife must swing freely.

MAINTENANCE



DO NOT re-use the locking hex nuts for mounting the knives. If hex nut becomes loose, or requires removal for knife replacement or any other reason, they must be discarded and replaced with new nuts.



Knives should not be welded on for any reason.

63" BOOM FLAIL KNIFE REPLACEMENT

1. If knives are damaged or badly worn, they will need to be replaced as a set. Replacing a single knife can cause severe vibration and possible damage to the mower.
2. Assemble knives, clevis, bolts and nuts as shown in part section of manual.
3. Install locking hex nut so that the flat face of nut is towards the knife.
4. Apply Loctite 271 or equivalent to threads.
5. Torque nut to 52 ft lbs. Knife must swing freely.



DO NOT re-use the locking hex nuts for mounting the knives. If hex nut become loose, or require removal for knife replacement or any other reason, they must be discarded and replaced with new nuts.



Knives should not be welded on for any reason.

FLAIL AXE BLADE KNIFE REPLACEMENT

If knives are damaged or badly worn, they will need to be replaced as a set. Replacing a single knife can cause severe vibration and possible damage to the mower. The knives should not be welded on for any reason. When replacing knives, replace bushings, bolts and hex nuts.

Apply Loctite® 271 or equivalent to threads and install the locking hex nuts so that the flat face of the nut is towards the knife. Torque the hex nut to 159 ft. lbs. lubricated.



DO NOT re-use the locking hex nuts for mounting the knives. If hex nut becomes loose, or requires removal for knife replacement or any other reason, they must be discarded and replaced with new nuts.



Knives should not be welded on for any reason.

MAINTENANCE

HEAVY DUTY SPINDLE ASSEMBLY INSTALLATION AND BEARING ADJUSTMENT



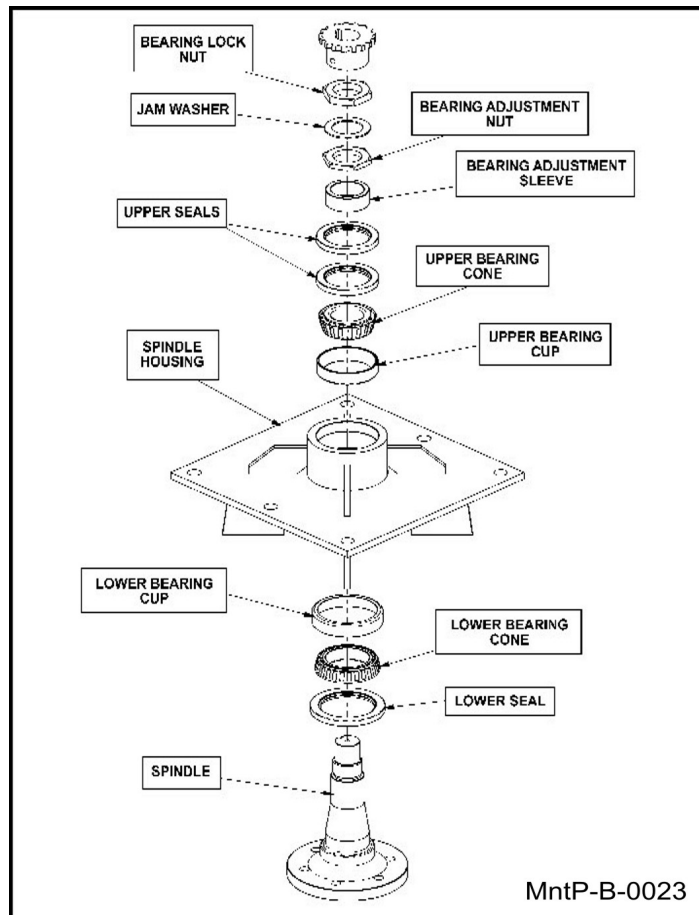
A press **MUST** be used to install bearing cups, bearing cones, and seals. **DO NOT** use a hammer to install races, bearings, or seals. The parts of assembly may be damaged.

NOTE: The grease zerk and gussets are located on the top side of the spindle housing. Be sure the spindle is assembled correctly.

Be sure to wear eye protection and other protective equipment as needed when working on spindle assembly.

THE SPINDLE ASSEMBLY

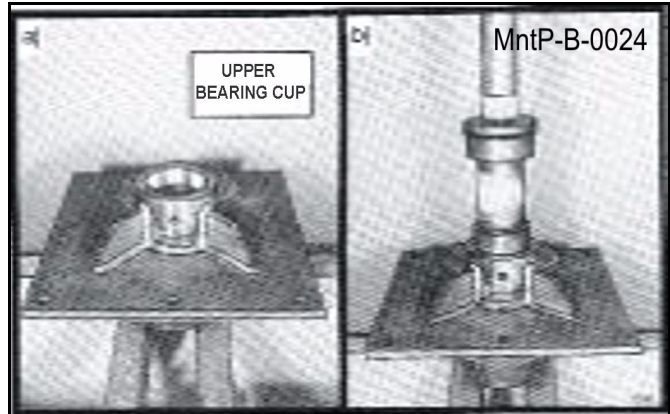
See the diagram below for identification of spindle parts, while servicing.



MAINTENANCE

SPINDLE BEARING INSTALLATION

1. Press upper bearing cup into the spindle housing
2. Turn the spindle housing over and press in the lower bearing cup.
3. Place the lower bearing cone in the bearing cup. Next press the seal into the spindle housing. The inner lip of the seal must be DOWN, towards the bearing, so lubricant is sealed inside the housing.
4. Install the spindle in the housing. Lightly tap the end of the spindle with a soft faced hammer to seat the spindle against the bearing inner race.
5. Turn the spindle housing over (up position) and fill with Tiger Spindle Lubricant (part number 06540000) to the top edge of the upper bearing cup.
6. Support the bottom of the spindle and press the upper bearing cone and bearing adjustment sleeve onto the spindle.

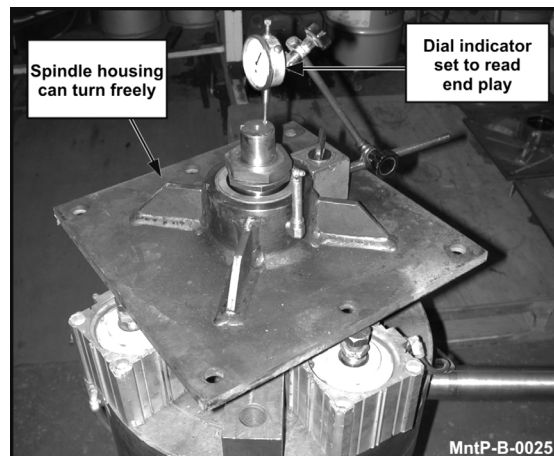


NOTE: The spindle housing must turn freely when seating the bearing cone and sleeve.

7. Press the two upper seals into the spindle housing. The inner lip of the seals must be UP, away from the bearing, so excess lubricant can escape.
8. Install the bearing adjustment nut (thin nut) so there is 1-1/6" clearance between the nut and the sleeve. Install the jam washer, placing the tab into the key-way. Install the bearing locknut (thin nut) and hand tighten against jam washer and adjustment nut. See the following section for bearing adjustment.

SPINDLE BEARING ADJUSTMENT

1. Clamp the bottom end of the spindle securely in a vise so the spindle housing turns freely.
2. Position a magnetic base dial indicator on the outer diameter of the spindle housing. Locate the end of the dial indicator against the flat end of the spindle shaft. The dial indicator will now measure accurately bearing end play.
3. Tighten the bearing adjustment nut until there is .012 inch movement when the spindle housing is pried upward away from the vise jaws.
4. When there is .012 inch free play between the spindle and housing, install the bearing lock nut (thick nut). Hold the adjusting nut securely and tighten the lock nut to 300 ft. lbs. of torque.
5. After the lock nut is tightened, there must be .001 inch to .003 inch of free play when lightly prying up on the spindle housing.



If the end play is correct, .001 inch to .003 inch, bend tabs up on jam washer to prevent the locknut from loosening.

If the end play is NOT correct, loosen the lock nut and turn the adjustment nut as required and re-tighten the locknut. Repeat first part of step 5.

MAINTENANCE

Boom Cylinder Removal and Replacement Instructions

1. Clear the area of all personnel before lowering the boom mower head.
2. From the tractor seat with your seat belt fastened around you, lower the boom mower head to the ground. Extend the boom to the furthest reach and lower the mower head flat on the ground. DO NOT attempt to replace the cylinders with the boom in the raised or transport position.
3. Shut off the tractor, engage the parking brake, place the tractor transmission in the park position, and remove the key before dismounting.
4. Allow the system to cool to room temperature before removing any hydraulic components
5. Wear safety glasses and impenetrable gloves when working with hydraulic hoses and fittings.
6. Release all oil pressure from the hydraulic circuit by manually stroking each valve section with the tractor engine off. Utilize the manual override function if the unit is equipped with an electric over hydraulic valve.
7. Utilize blocks, jack stands or a suitable over head hoist to support the weight of the boom section and remove pressure from the cylinder mounting pins.
8. Check to see that the cylinder to be replaced is not under pressure by moving the cylinder pins by hand. The pins should be loose and should slide from the pin bore easily. If the pins are tight and cannot be moved, the cylinder may be under pressure. Make sure the boom components are properly supported and that the pressure is relieved from the circuit.
9. Cylinder assemblies are heavy and can fall when the pins are removed. Support the hydraulic cylinder with a suitable hoist or jack.
10. Slowly loosen the hydraulic connections to the cylinder. Carefully unscrew hose fitting and allow any remaining pressure to bleed off. **Use extreme care.** Oil must be cool, and the technician should stand to the side to prevent exposure to any hydraulic oil. Always consult the Material Safety Data Sheet and wear any required personal protective equipment. A catch pan may be required to retain any spilled oil.
11. Cap both ends of the fitting with suitably sized metal caps.
12. Remove the cylinder pins starting with the ROD end cylinder pin. Make sure the cylinder is properly supported, and remove the base end cylinder pin. The cylinder may be heavy, use proper lifting techniques to lift and handle the cylinder. If needed, get assistance from another person to safely lift the cylinder from the machine.
13. Measure the distance between the cylinder pin holes and extend the new cylinder the correct length prior to attempting an installation.
14. Install the new cylinder in place and install both cylinder pins and retaining hardware.
15. Remove the metal caps, and re-install the hydraulic hoses.
16. Check the hydraulic reservoir of the boom mower to ensure there is sufficient oil. Follow the manufactures recommendations for proper oil type and filtering techniques and requirements to add oil to the system.
17. Clear the area of all persons prior to starting the tractor.
18. Consult the Operator's Manual for instruction in regard to the proper operating procedure.
19. From the tractor seat, with the seat belt fastened, operate the boom to ensure proper operation of the boom function.
20. From the tractor seat, with the seat belt fastened, operate the boom controls to fully extend and retract the new cylinder several times to purge any trapped air from the system.
21. From the tractor seat, with the seat belt fastened, look for signs of and oil leak. If an oil leak is observed, shut the tractor down and follow the steps to remove pressure from the hydraulic circuit. Identify the source of the leak, and resolve the issue.
22. Upon completion of the required repairs, return to Step # 16 to recheck the cylinder for proper operation.

MAINTENANCE

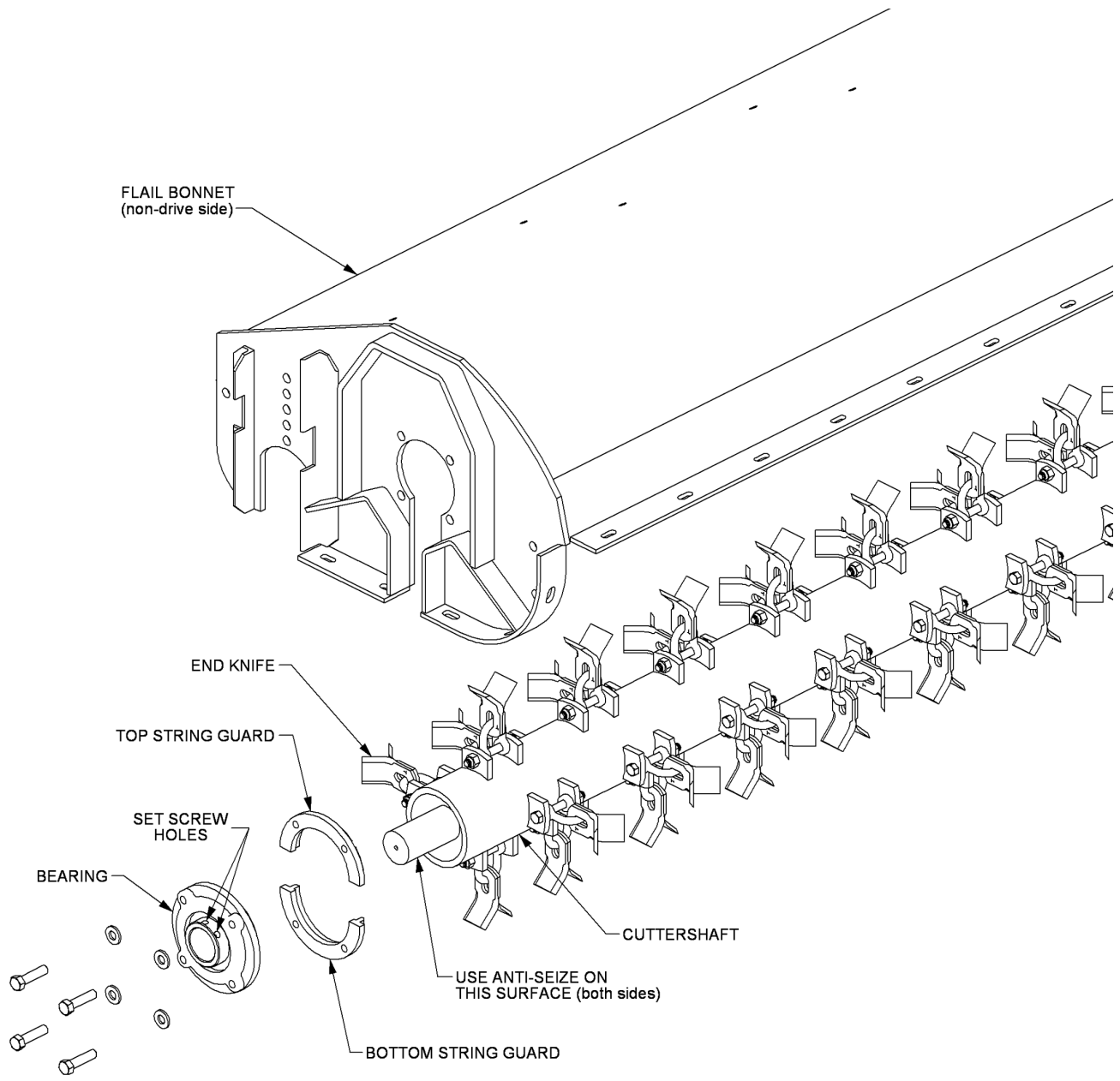
CUTTERSHAFT BEARING REPLACEMENT FOR FLAIL MOWERS

1. Remove existing cuttershaft, bearings and string guards.
2. Make sure that the end knives on each end of the cuttershaft are oriented as shown.
3. Apply anti-seize on cuttershaft as shown on next page.
4. Install non-drive side bearing first.
5. Install the top of the string guard on the non-drive side first. Use Loctite-271 or equivalent and torque (95 ft-lb or 104ft-lb if you use an extension).
6. Install the bearing and top string guard on the drive side.
7. Center the cuttershaft between the string guards. Use Loctite-271 or equivalent and torque (95ft-lb or 104ft-lb if you use an extension) the top string guard on the drive side.
8. Install, use Loctite-271 or equivalent, and torque (95ft-lb or 104ft-lb if you use an extension) the bottom string guard on both sides.
9. Make sure the cuttershaft is centered. On the non-drive side, tighten one set screw in the bearing onto the cuttershaft.
10. Remove the other set screw and drill a 5/16" hole into the cuttershaft 3/16" deep through the hole in the bearing. BE CAREFUL NOT TO DAMAGE THE THREADS IN THE BEARING HOLE.
11. Replace the set screw in the bearing, use Loctite-271 or equivalent, and tighten onto the cuttershaft through the new hole.
12. Remove the other set screw and repeat the drilling procedure (Step 10). Replace the set screw as stated in Step 11.
13. Repeat steps 9 through 12 on the drive side.
14. Grease both bearings properly.

See illustration on next page

MAINTENANCE

MAINTENANCE



MAINTENANCE

MAINTENANCE

DAILY MAINTENANCE SCHEDULE

The following services should be performed daily or every 8 hours of service, following the detailed maintenance instructions in the operator's manual.

- _____ Pump driveshaft: If required with drive shaft/coupler check for end play and lubricate at zerks.
- _____ Crankshaft adapter: If equipped with rubber grommets check condition, replace if missing or damaged.
- _____ Pivot points: Inject grease until it appears at ends.
- _____ Hydraulic fittings: Check for leaks with paper or cardboard. Tighten fittings or replace hoses immediately.
- _____ Knives: Inspect for missing or damaged knives, change (only complete sets) as needed.
- _____ Knife Bolts (SABER 1-3/4"): Check/torque to 2,000 ft. lb.
- _____ Bolts: disk/spindle (SABER 3/4" x 2"): Check/torque to 331 ft. lb.
- _____ Belts: Check/tighten/replace belts as needed.
- _____ Mainframe/deck: Unless otherwise specified retorque bolts according to torque specifications in this section.
- _____ Hydraulic fluid level: Add, if required, per fluid recommendations.
- _____ Rear flail drive, bearing flange and shaft couplers: Grease as instructed in the detailed maintenance section.
- _____ Cuttershaft and ground roller: Grease as instructed in the detailed maintenance section.

Service performed by: _____ Date: ___/___/___ Hour

Meter: _____

Maintenance Section

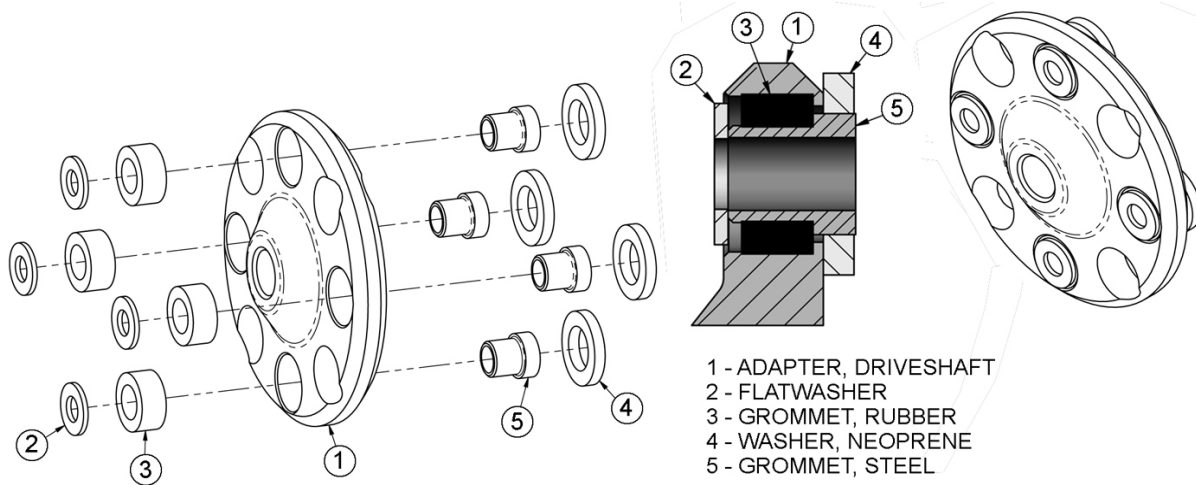
**This page may be copied and used as part of the daily maintenance routine.

MAINTENANCE

MAINTENANCE OF CRANKSHAFT ADAPTER ASSEMBLY (RIGID ENGINE MOUNT TRACTORS ONLY)

If replacement of components of the crankshaft adapter assembly is required, follow the assembly procedures shown below. Seat rubber grommet completely into counterbore, then seat steel grommet completely into rubber grommet while rubber grommet is supported.

(ASM-JD-0051 CRANKSHAFT ADAPTER MAINTENANCE)



MAINTENANCE

MAINTENANCE

MAINTENANCE

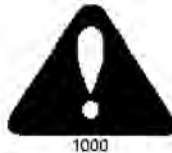
JD* % \$!) \$M#F G569F 6CCA

**PARTS
SECTION**

The following instructions are offered to help eliminate needless delay and error in processing purchase orders for the equipment in this manual.

1. The Parts Section is prepared in logical sequence and grouping of parts that belong to the basic machine featured in this manual. Part Numbers and Descriptions are given to help locate the parts and quantities required.
2. The Purchase Order must indicate the **Name and Address** of the person or organization ordering the parts, **who should be charged**, and if possible, the **serial number of the machine** for which the parts are being ordered.
3. The purchase order must clearly list the **quantity of each part**, the complete and correct **part number**, and the basic **name of the part**.
4. The manufacturer reserves the right to substitute parts where applicable.
5. Some parts may be unlisted items which are special production items not normally stocked and are subject to special handling. Request a quotation for such parts before sending a purchase order.
6. The manufacturer reserves the right to change prices without prior notice.

NOTE: When ordering replacement decals, refer to the part numbers and descriptions listed in the safety section in the front of this manual.



For maximum safety and to guarantee optimum product reliability, always use genuine **Tiger** replacement parts. The use of inferior replacement parts may cause premature or catastrophic failure which could result in serious injury or death.

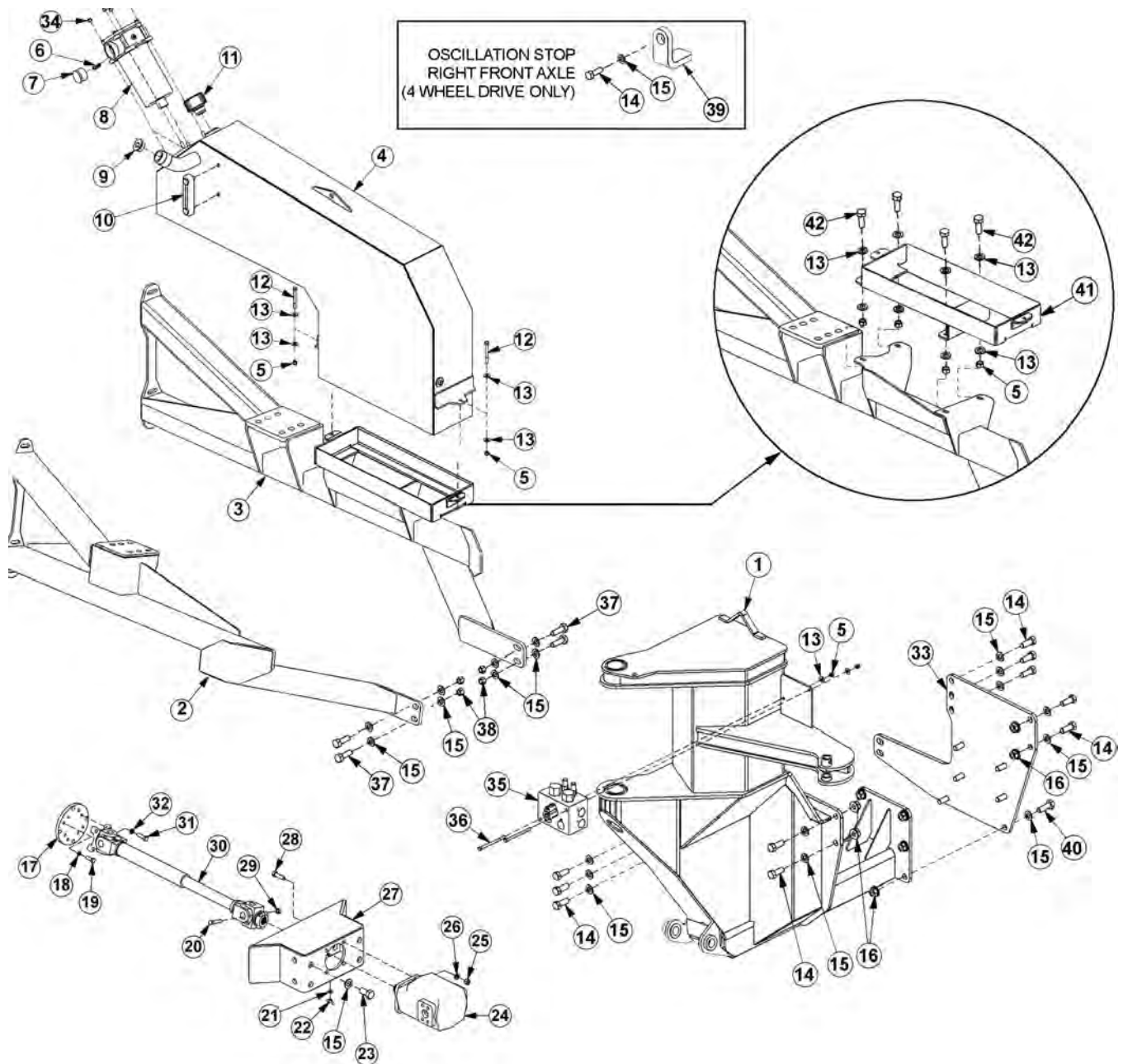
Direct any questions regarding parts to:

Tiger Corporation
3301 N. Louise Ave.
Sioux Falls, SD 57107
1-800-843-6849
1-605-336-7900

PART NAME INDEX

TRACTOR MOUNT KIT.....	4
TRACTOR MOUNT KIT, HYDRAULICS.....	6
ELECTRONIC PROPORTIONAL LIFT VALVE.....	8
JOYSTICK AND SWITCHBOX MOUNT.....	10
CABLE (MANUAL) LIFT VALVE 5 SPOOL.....	12
5 SPOOL CABLE CONTROL MOUNT.....	14
BOOM MOUNT KIT.....	16
AXLE BRACES AND BOOMREST.....	18
AXLE STABILIZER.....	20
OPTIONAL COOLER ASSEMBLY.....	22
OPTIONAL COOLER MOUNT.....	24
POLYCARBONATE SAFETY WINDOW.....	26
POLYCARBONATE SAFETY WINDOW FOR R SERIES.....	27
PUMP DRIVESHAFT.....	28
WHEEL WEIGHT SABER 2014.....	29
WHEEL WEIGHT SABER XB 2014.....	30

TRACTOR MOUNT KIT



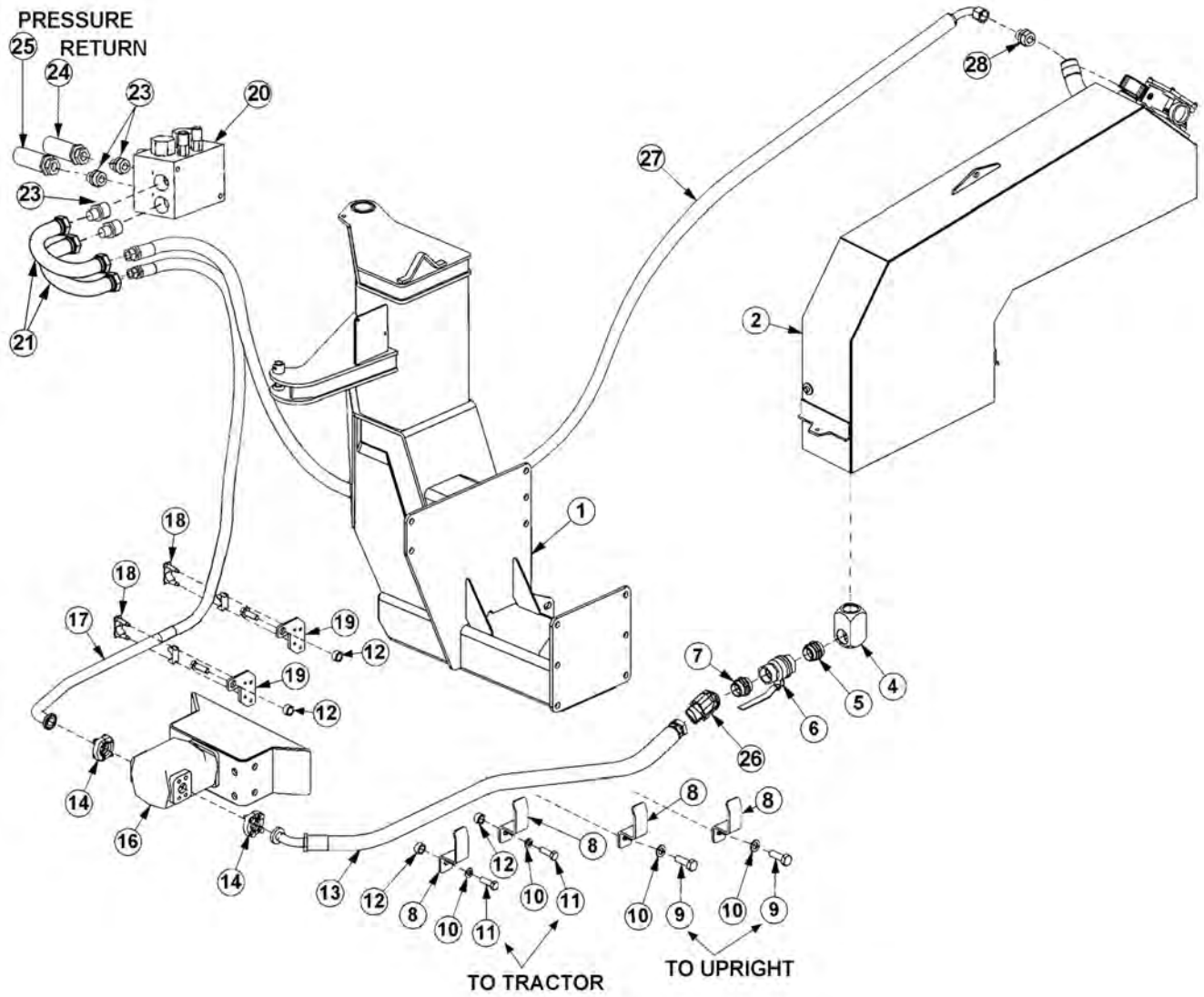
ITEM	PART NO.	QTY.	DESCRIPTION
1	06300249	1	MAIN FRAME, JD 6140/6150R
2	06300253	1	AXLE BRACE, LH
3	06300252	1	AXLE BRACE, RH
4	06700091	1	TANK, RES, WHEEL WELL, ASSY
5	21627	8	NYLOCK NUT, 3/8", NC
6	TF4888	1	STREET ELBOW, 1/8" X 90DEG
7	6T0649	1	FILTER GAUGE
8	06505044	1	FLTR ASSY, IN-TANK CPLT, SAE 10MP

TRACTOR MOUNT KIT

Continued...

ITEM	PART NO.	QTY.	DESCRIPTION
9	06505127	1	PLUG, SAE, #20
10	06505067	1	SIGHT GAUGE
11	06505077	1	CAP, PRESSURE, 3.0PSA
12	21639	4	CAPSCREW, 3/8" X 3-1/4", NC
13	22016	20	FLATWASHER, 3/8"
14	31731	16	CAPSCREW, 20MM X 50MM, 2.5 PITCH
15	33880	32	FLATWASHER, 3/4", GR 8, SAE
16	31722	12	HEX NUT, 20MM, 2.5 PITCH
17	34998	1	SPACER, DRIVESHAFT, JD72-7510/20
18	32691	4	LOCKWASHER, 10MM
19	23113	4	CAPSCREW, 10MM X 30MM, 1.5 PITCH
20	21658	1	CAPSCREW, 7/16" X 2", NF, GR8
21	22014	1	FLATWASHER 1/4"
22	32519	1	WING NUT, 1/4", NC
23	24860	4	CAPSCREW, 20MM X 40MM, 2.5 PITCH
24	23152	1	PUMP, P350 - 1-3/4" GEAR
25	21727	4	NYLOCK NUT, 1/2", NC
26	06533004	4	FLATWASHER, 1/2", SAE, GR8
27	34993	1	PUMP MNT, JD, U DRIVE
28	21733	4	CAPSCREW, 1/2" X 2" NC
29	34848	1	HEX NUT, 7/16" NF, GR8 (STOVER)
30	34999	1	DRIVESHAFT, U-JOINT
31	21680	4	CAPSCREW, 7/16" X 1-1/4", NC, GR5
32	21989	4	LOCKWASHER, 7/16"
33	06402240	1	UPRIGHT, LH, JD6150R
34	21627	8	NYLOCK NUT, 3/8", NC
35	06510084	1	BRAKE VALVE, SOL, 3500PSI, METRI
36	21644	2	CAPSCREW 3/8 X 5", NC
37	21833	4	CAPSCREW 3/4" X 2-1/4", NC
38	21854	4	HEX NUT 3/4", NC
39	06411656	1	STOP, OSS, JD6140-50M/R (4-WHL DR ONLY)
40	27281	7	CAPSCREW, 20MM X 60MM 2.5P
41	06380060	1	MNT, TANK, WHL WLL, ADJ
42	21631	4	CAPSCREW, 3/8" X 1-1/4", NC GR8

TRACTOR MOUNT KIT, HYDRAULICS

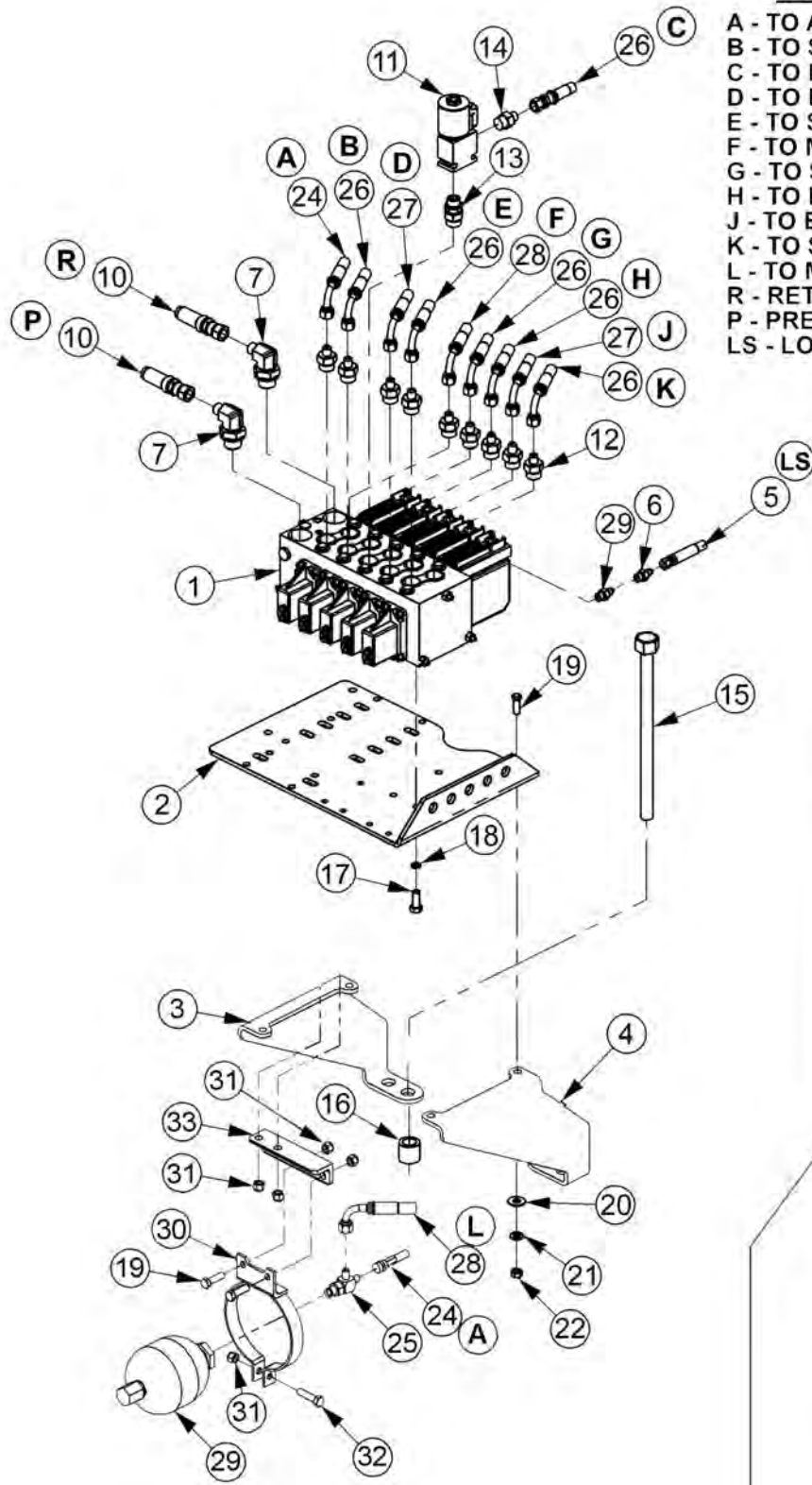


TRACTOR MOUNT KIT, HYDRAULICS

Continued...

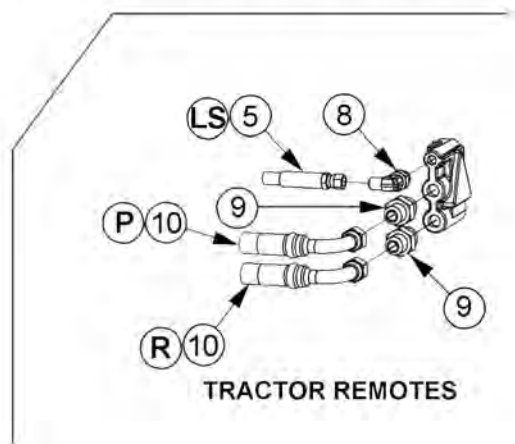
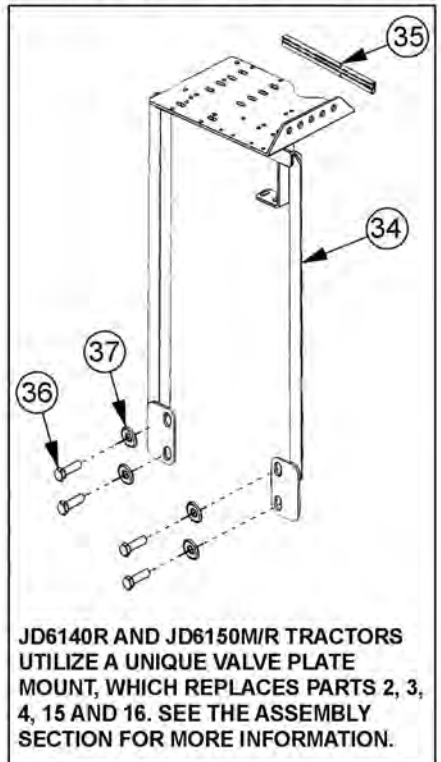
ITEM	PART NO.	QTY.	DESCRIPTION
1	-----	-	MAIN FRAME *REFER TO TRACTOR MOUNT KIT
2	-----	-	HYDRAULIC TANK *REFER TO TRACTOR MOUNT KIT
4	06503084	1	ELBOW,1-1/2"FOR X 1-1/2"FOR
5	06503083	1	ADAPTER,1-1/2"MOR X 1-1/2"MOR
6	34309	1	BALL VALVE,1-1/2"FOR
7	34710	1	ADAPTER,1-1/2"MOR X 1-1/2"MJ
8	32382	4	BRACKET,HOSE
9	27281	2	CAPSCREW,20MM X 60MM,2.5P
10	33880	4	FLATWASHER,3/4",SAE
11	30708	3	CAPSCREW,20MM X 90MM,2.5P
12	24849	4	SPACER
13	06500701	1	HOSE,1-1/2" X 126"
14	TF4852	2	KIT,FLANGE
16	23152	1	PUMP
17	06500827	1	HOSE,1" X 97" 100R12
18	6505017	2	CLAMP KIT,1"
19	34626	2	BRACKET,CLAMP
20	06510084	1	BRAKE VALVE
21	06506012	2	U-TUBE, PREFORMED
23	33555	4	ADAPTER, 1" MB X 1" MJ
24	33546	1	HOSE,1" X 94" (RETURN)
25	33546	1	HOSE,1" X 94" (PRESSURE)
27	06500034	1	HOSE,1" X 186"
28	34064	1	ADAPTER,1-1/4"MOR X 1"MJ

ELECTRONIC PROPORTIONAL LIFT VALVE



HOSE ROUTING

- A - TO ACCUMULATOR
- B - TO SECONDARY CYLINDER GLAND
- C - TO DECK ROLL CYLINDER GLAND
- D - TO BOOM SWIVEL CYLINDER BUTT
- E - TO SHIELD CYLINDER GLAND
- F - TO MAIN BOOM CYLINDER BUTT
- G - TO SECONDARY CYLINDER BUTT
- H - TO DECK ROLL CYLINDER BUTT
- J - TO BOOM SWIVEL CYLINDER GLAND
- K - TO SHIELD CYLINDER BUTT
- L - TO MAIN BOOM CYLINDER GLAND
- R - RETURN, VALVE TO REMOTES
- P - PRESSURE, VALVE TO REMOTES
- LS - LOAD SENSE, VALVE TO REMOTES

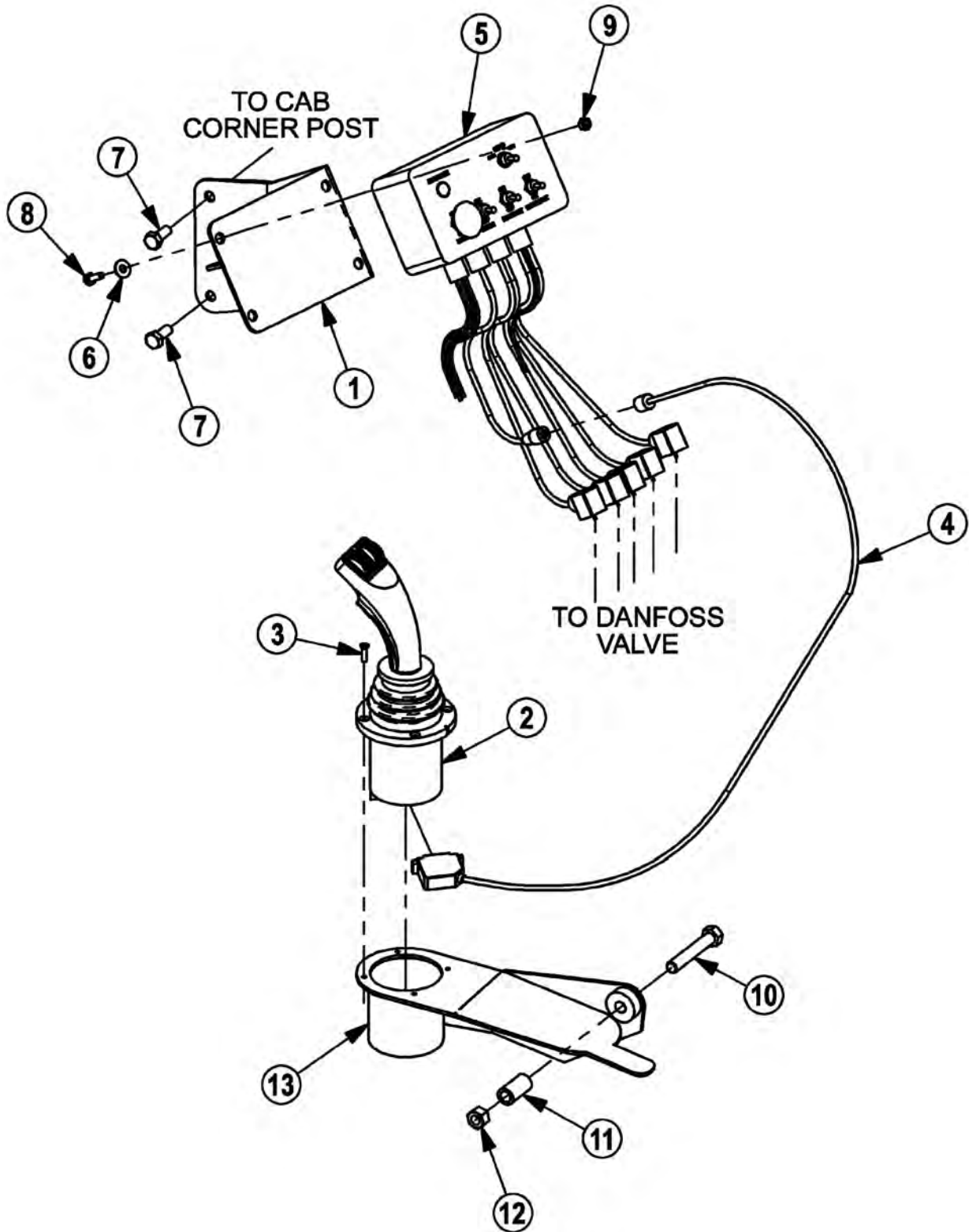


ELECTRONIC PROPORTIONAL LIFT VALVE

Continued...

ITEM	PART NO.	QTY.	DESCRIPTION
1	06502146	1	VALVE,5SP,DF,PVEA
2	34622	1	PLATE,VALVE,REAR MNT
3	06410430	1	MOUNT,VALVE,LEFT
4	06410429	1	MOUNT,VALVE,RIGHT
5	06500400	1	HOSE, 1/4" X 34"
6	33392	1	ADAPTER,5/16"MOR X 3/8"MJ
7	33294	2	ELBOW,3/4"MOR X 1/2"MJ 90
8	06503013	1	ELBOW, 14MM MOR X 5/16" MJ
9	33463	2	ADAPTER, 22MM ORB X 1/2" MJ
10	34612	2	HOSE, 1/2" X 34"
11	6510050	1	TRV LCK,METRIPACK COIL
12	32807	9	ADAPTER,5/8"MOR X 3/8"MJ
13	31611	1	ADAPTER,5/8"MOR X 1/2"ADJ MOR
14	33271	1	ADAPTER,1/2"MOR X 3/8"MJ
15	06530514	4	CAPSCREW,18MM X 290MM,2.5P
16	34519	4	SPACER,1-1/4" X 13/16" X 1-1/8"
17	21579	4	CAPSCREW,5/16" X 3/4",NC
18	21987	4	LOCKWASHER,5/16"
19	21631	4	CAPSCREW,3/8" X 1-1/4",NC
20	22016	4	FLATWASHER,3/8"
21	21988	4	LOCKWASHER,3/8"
22	21625	4	HEX NUT,3/8",NC
24	06500708	1	HOSE,3/8" X 34"
25	06503029	1	TEE,RUN,1/2"MOR X 3/8"MJ X 3/8"MJ
26	06500763	6	HOSE,3/8" X 268"
27	06500707	2	HOSE,3/8" X 212"
28	06500764	2	HOSE,3/8" X 238"
29	24300	1	ACCUMULATOR
30	23888	1	BRKT, ACCUMULATOR
31	21627	5	NYLOCK NUT, 3/8" NC
32	21632	1	CAPSCREW, 3/8" X 1-1/2" NC
33	06460072	1	BRKT, MNT, ACCUM, JD6R
34	06340048	1	VALVE MOUNT, (JD6140-50R ONLY)
35	28053	1	TRIM LOCK, 9/16" X 1/8" FN (JD6140-50R ONLY)
36	24860	4	CAPSCREW, 20MM X 40MM 2.5P, 10.9 (JD6140-50R ONLY)
37	33880	4	FLATWASHER, 3/4", GR8, SAE (JD6140-50R ONLY)

JOYSTICK AND SWITCHBOX MOUNT



JOYSTICK AND SWITCHBOX MOUNT

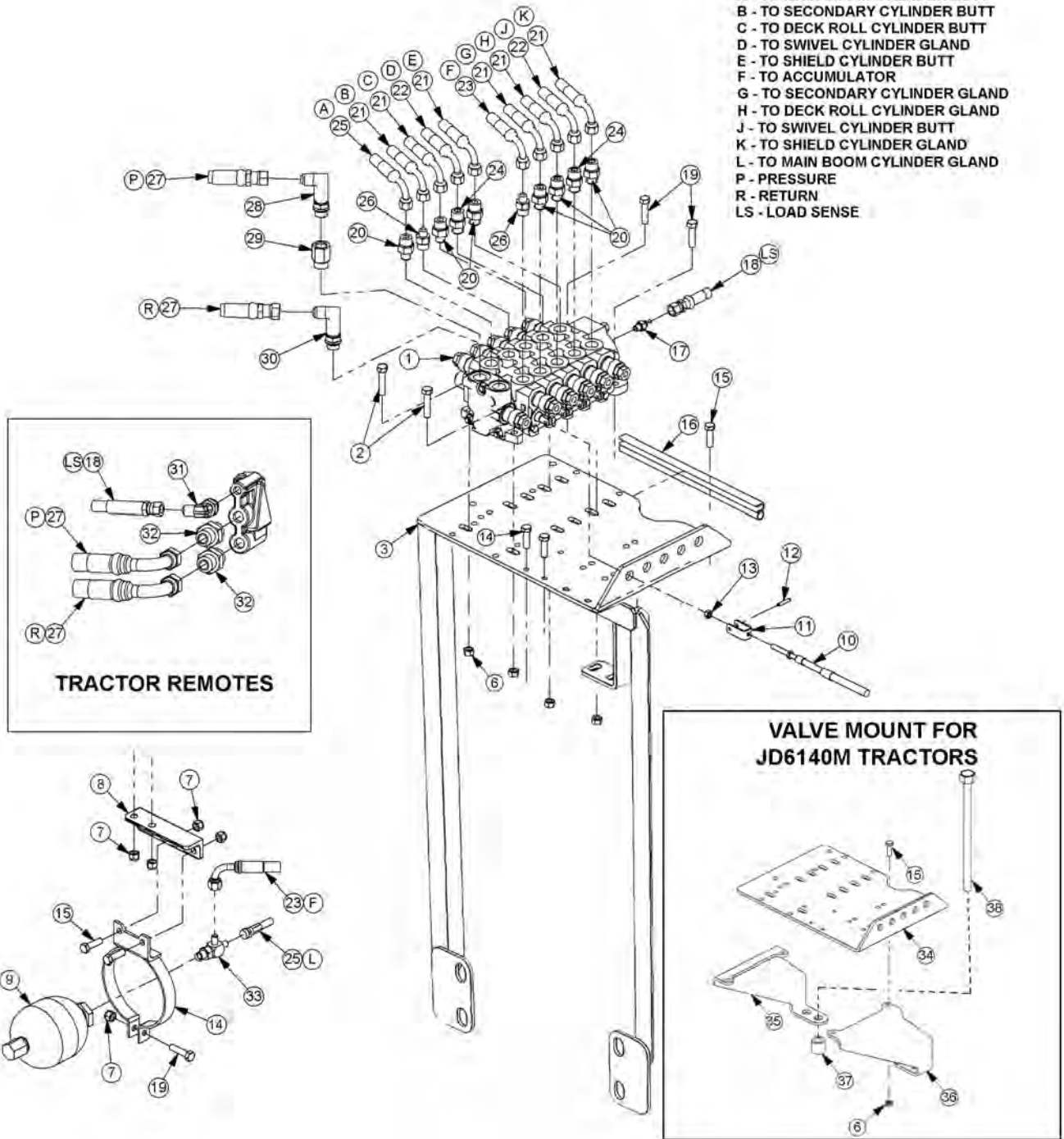
Continued...

ITEM	PART NO.	QTY.	DESCRIPTION
1	33355	1	MNT,BRKT,SWITCH BOX
2	33691	1	JOYST,4AXIS,RH,DF
3	32829	4	SCREW,MACHINE,10-32 X 3/4",FLTHD
4	33693	1	CBL,EXT,4FT,JOYST
5	06510196	1	SWITCH BOX
6	22014	4	FLATWASHER,1/4"
7	27513	2	CAPSCREW,10MMX25MM(1.5 PITCH)
8	21529	4	CAPSCREW,1/4" X 3/4",NC
9	21527	4	NYLOCK NUT,1/4",NC
10	21737	1	CAPSCREW,1/2" X 3",NC
11	33359	1	TUBE,SPACER
12	21727	1	NYLOCK NUT,1/2",NC
13	33356	1	ARMREST,JOYSTICK

CABLE (MANUAL) LIFT VALVE 5 SPOOL

HOSE ROUTING

- A - TO MAIN BOOM CYLINDER BUTT
- B - TO SECONDARY CYLINDER BUTT
- C - TO DECK ROLL CYLINDER BUTT
- D - TO SWIVEL CYLINDER GLAND
- E - TO SHIELD CYLINDER BUTT
- F - TO ACCUMULATOR
- G - TO SECONDARY CYLINDER GLAND
- H - TO DECK ROLL CYLINDER GLAND
- J - TO SWIVEL CYLINDER BUTT
- K - TO SHIELD CYLINDER GLAND
- L - TO MAIN BOOM CYLINDER GLAND
- P - PRESSURE
- R - RETURN
- LS - LOAD SENSE



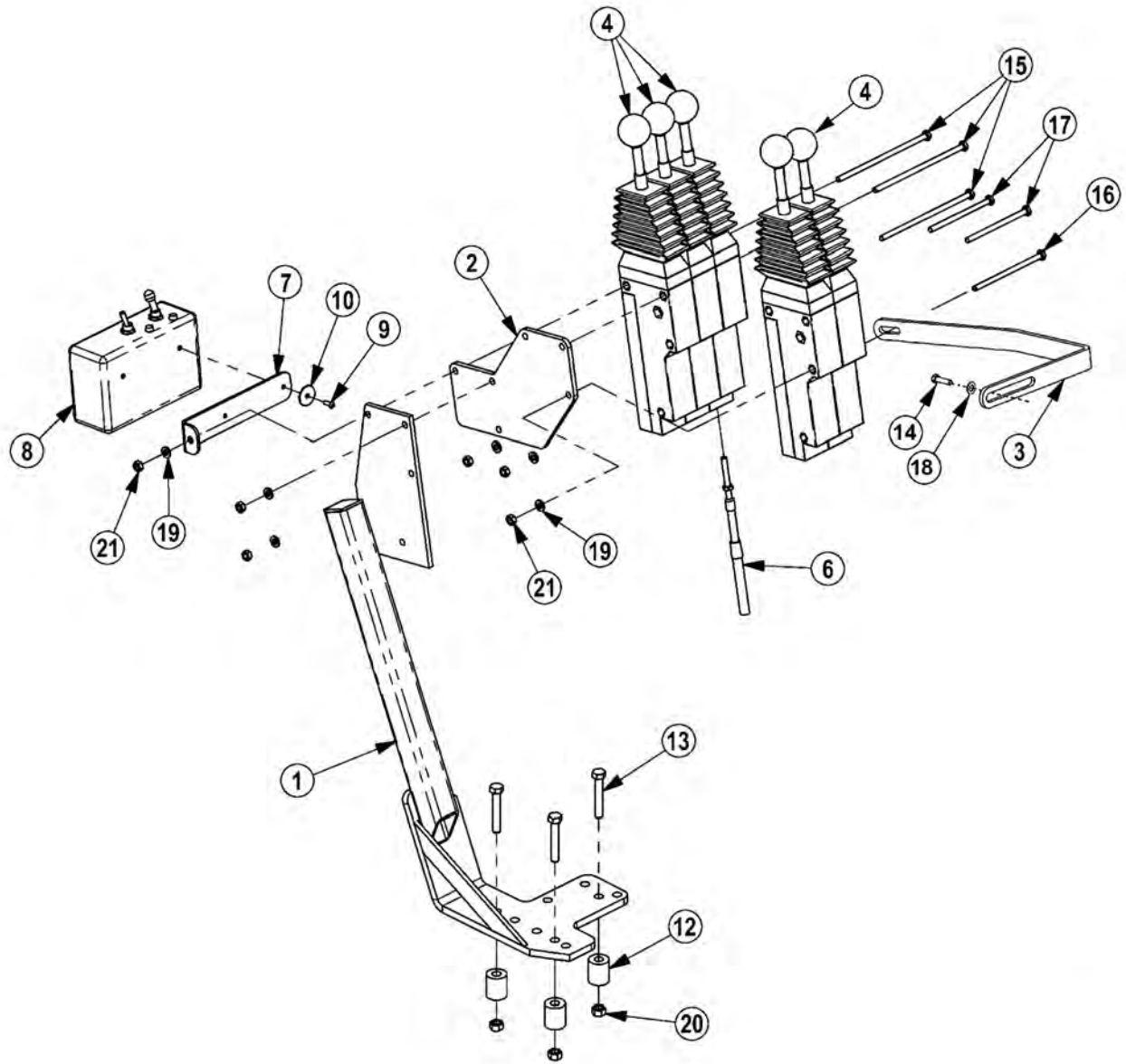
ITEM	PART NO.	QTY.	DESCRIPTION
1	06502038	1	VALVE,CABLE,5 SPOOL
2	21633	2	CAPSCREW,3/8" X 1-3/4",NC
3	06340048	1	PLATE,VALVE,REAR MNT

CABLE (MANUAL) LIFT VALVE 5 SPOOL

Continued...

ITEM	PART NO.	QTY.	DESCRIPTION
4	22016	4	FLATWASHER,3/8"
5	21988	8	LOCKWASHER,3/8"
6	21625	8	HEX NUT,3/8",NC
7	21627	5	NYLOCK NUT,3/8",NC
8	06460072	1	BRACKET
9	24300	1	ACCUMULATOR
10	06505100	5	CBL,CNTRL,108"
11	6T4411	5	CLEVIS,CBL CTRL,3/16"
12	6T3017	5	ROLLPIN,3/16" X 1"
13	21500	5	HEX NUT,1/4",NF
14	23888	1	BRKT,ACCUMULATOR
15	21631	8	CAPSCREW,3/8" X 1-1/4",NC
16	28053	1	TRM LK,9/16X1/8FN PBL*100-1/8
17	32901	1	ADAPTER,3/8"MOR X 3/8"MJ
18	06500350	1	HOSE,1/4" X 26"
19	21632	3	CAPSCREW,3/8" X 1-1/2",NC
20	33271	6	ADAPTER,1/2"MOR X 3/8"MJ
21	06500687	6	HOSE,1/4" X 268"
22	06500697	2	HOSE,1/4" X 210"
23	33744	1	HOSE,1/4" X 34"
24	34396	2	ADAPTER,RSTRCT,.06" OUT
25	06500688	2	HOSE,1/4" X 288"
26	06502036	2	VLV,CHECK,W/.06" ORF,1/2"MOR
27	34612	2	HOSE,1/2" X 34"
28	33293	1	ELBOW,LONG
29	32678	1	ADAPTER,5/8"MOR X 1/2"FOR
30	33383	1	ELBOW,LONG
31	06503013	1	ELBOW,14MM MOR X 5/16"MJ
32	33463	2	ADAPTER,22MM MOR X 1/2"MJ
33	06503029	1	TEE,RUN
34	34622	1	PLATE,VALVE,REAR MNT
35	06410430	1	MOUNT, VALVE, LEFT
36	06410429	1	MOUNT, VALVE, RIGHT
37	34519	1	SPACER, 1-1/4" X 13/16" X 1-1/8"
38	06530514	1	CAPSCREW, 18MM X 290MM, 2.5P

5 SPOOL CABLE CONTROL MOUNT

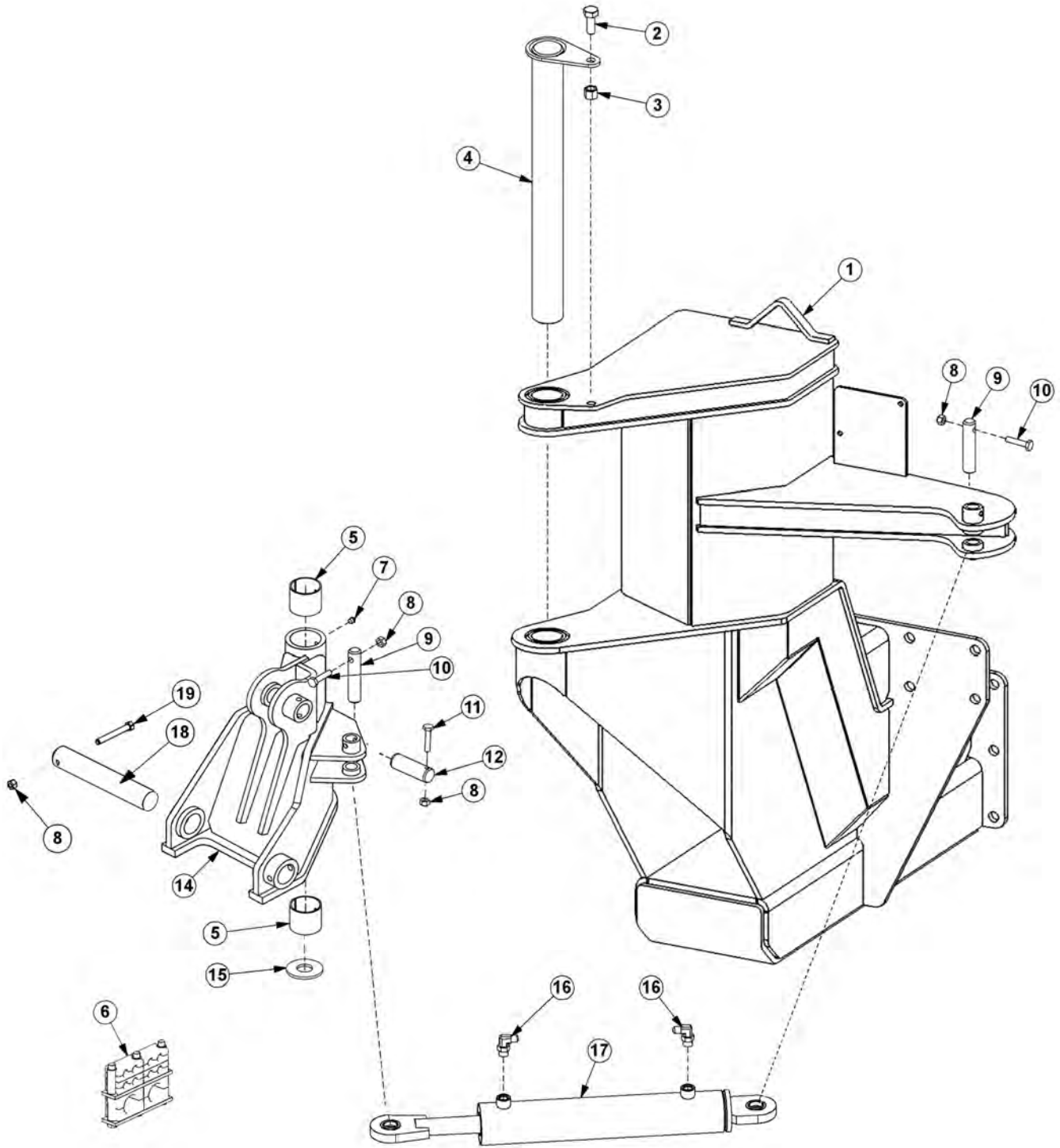


5 SPOOL CABLE CONTROL MOUNT

Continued...

ITEM	PART NO.	QTY.	DESCRIPTION
1	23865B	1	CBL CTRL MT BRK
2	06400179	1	MNT,ADPTR,CNTRL BOX,2 ROW
3	06410239	1	SUPPORT,MNT,CNTRL BOX,2 ROW
4	6T1251	5	CBL CTRL BOX,180 DEG
6	06505100	5	CBL,CNTRL,108
7	34496	1	BRKT,SWITCHBOX,UNI
8	06510100	1	SWITCHBOX ASSY,BOOM
9	6T3951	2	SCREW,MACHINE,8/32" X 1/2"
10	32360	2	LOCKWASHER,#8
12	27082B	3	SPACER
13	21636	3	CAPSCREW,3/8" X 2-1/2",NC
14	33534	1	CAPSCREW,10MM X 20MM,1.5PITCH
15	21545	3	CAPSCREW,1/4" X 6",NC
16	21543	1	CAPSCREW,1/4" X 4-1/2",NC
17	21542	2	CAPSCREW,1/4" X 4",NC
18	32691	1	LOCKWASHER,10MM
19	21986	6	LOCKWASHER,1/4"
20	21627	3	NYLOCK NUT,3/8",NC
21	21525	6	HEX NUT,1/4",NC

BOOM MOUNT KIT

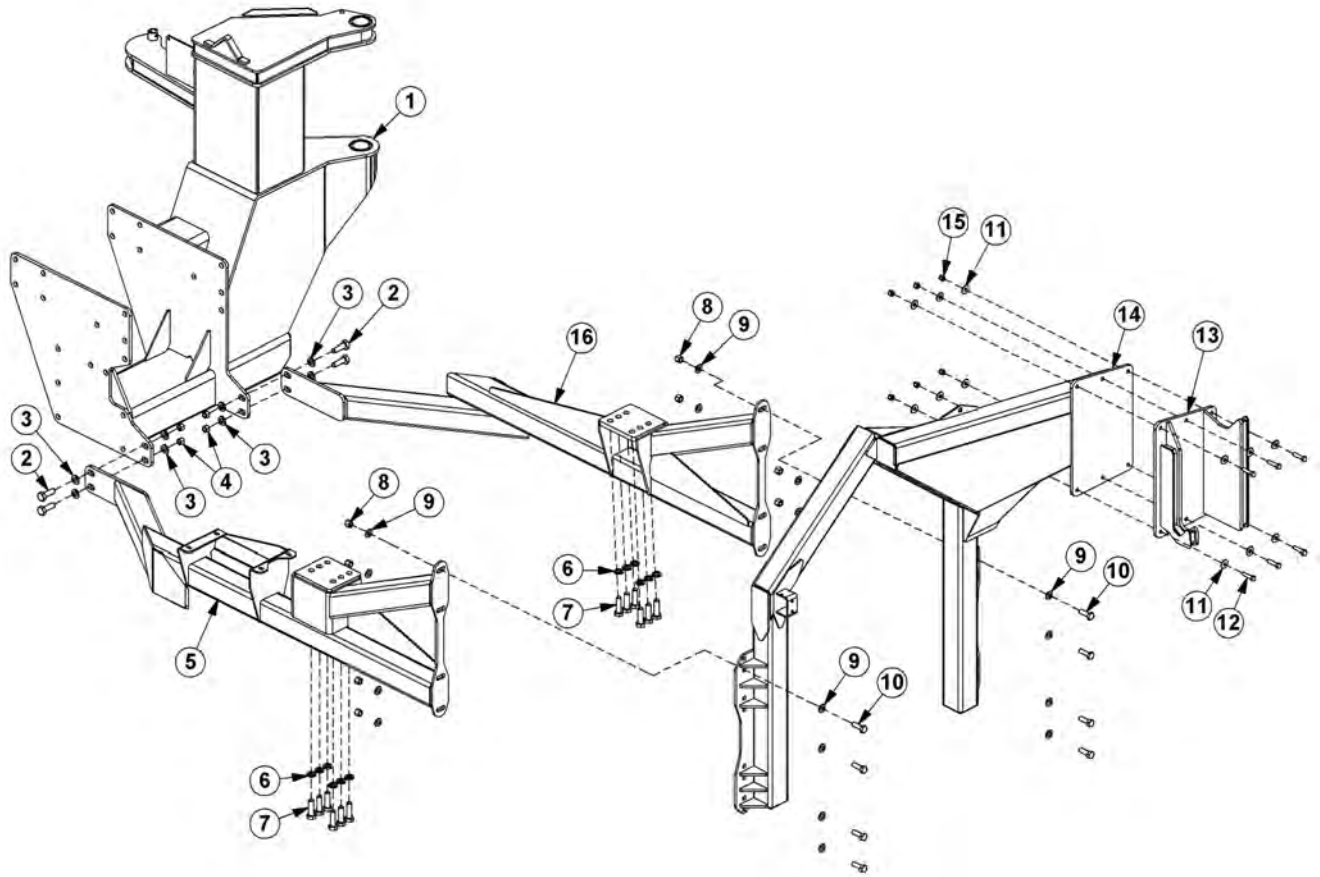


BOOM MOUNT KIT

Continued...

ITEM	PART NO.	QTY.	DESCRIPTION
1	---	-	MAINFRAME *REFER TO TRACTOR MOUNT KIT
2	21782	1	CAPSCREW, 5/8" X 1-3/4", NC
3	21777	1	NYLOCK NUT, 5/8", NC
4	32381	1	PIN, 2.5" X 24.75", CAP
5	32322	2	BUSHING
6	06505186	1	CLAMP KIT
7	6T3211	2	GREASE ZERK, 1/8" NPT
8	21677	4	NYLOCK NUT, 7/16"
9	32380	2	PIN, 1"
10	21683	2	CAPSCREW, 7/16" X 2", NC
11	21687	1	CAPSCREW, 7/16" X 3" NC
12	32372	1	PIN
13	---	-	SPHERICAL BEARING *NOT FOR SALE
14	06700222	1	SWIVEL ASSEMBLY
---	06310191	1	SWIVEL WELDMENT
15	06520250	1	BEARING, WASHER, SWING, SBR
16	32810	2	ADAPTER, ELBOW
17	06501029	1	CYLINDER, 3" X 13.88"
18	32378	1	PIN, 2" X 12.97"
19	21688	1	CAPSCREW, 7/16" X 3-1/4"

AXLE BRACES AND BOOMREST



AXLE BRACES AND BOOMREST

Continued...

ITEM	PART NO.	QTY.	DESCRIPTION
1	-----	1	MAINFRAME *REFER TO TRACTOR MOUNT KIT
2	21833	4	CAPSCREW,3/4" X 2-1/4",NC
3	33880	8	FLATWASHER,3/4",SAE
4	21825	4	HEX NUT,3/4",NC
5	06300253	1	AXLE BRACE,LEFT HAND
6	24881	12	LOCKWASHER,20MM
7	24879	12	CAPSCREW,20MM X 65MM,2.5P
8	21777	8	NYLOCK NUT,5/8",NC
9	33764	16	FLATWASHER,5/8",SAE
10	21783	8	CAPSCREW,5/8" X 2",NC
11	22018	12	FLATWASHER,1/2",WIDE
12	21733	6	CAPSCREW,1/2" X 2",NC
13	06310168	1	ADAPTER,BOOMREST,SABER
---	06310169	-	ADAPTER, BOOMREST, SABER XB
14	06310158	1	BOOMREST,SABER
15	21727	6	NYLOCK NUT,1/2",NC
16	06300252	1	AXLE BRACE,RIGHT HAND

AXLE STABILIZER

HOSE ROUTING KEY

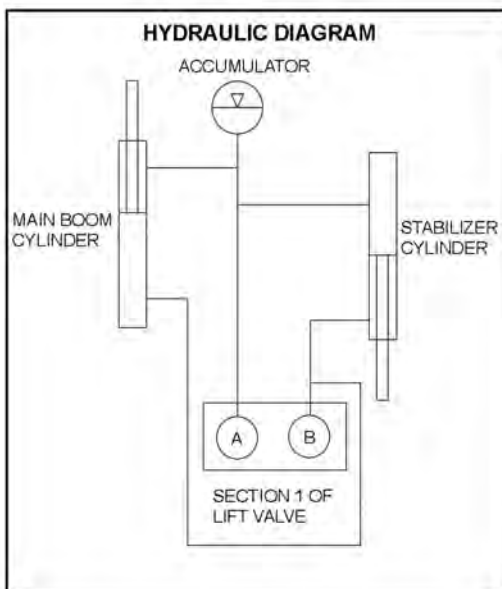
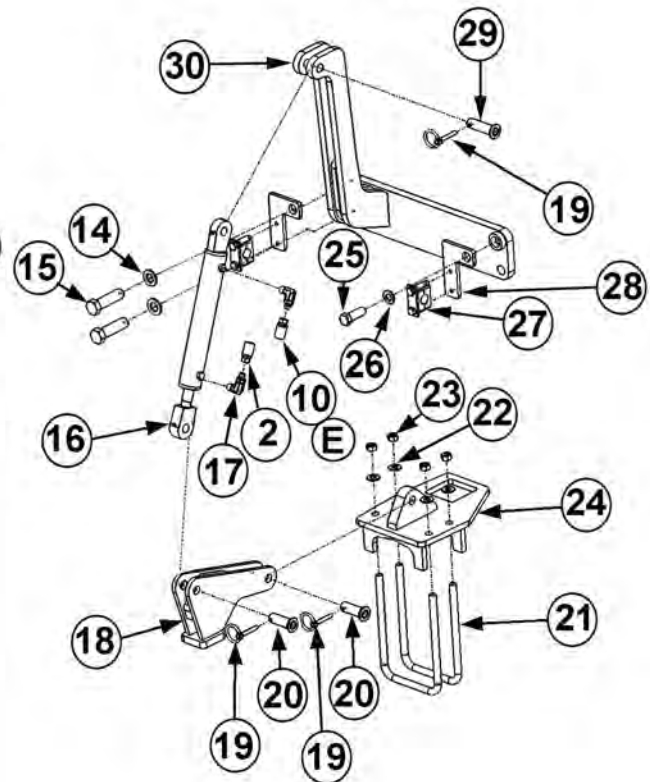
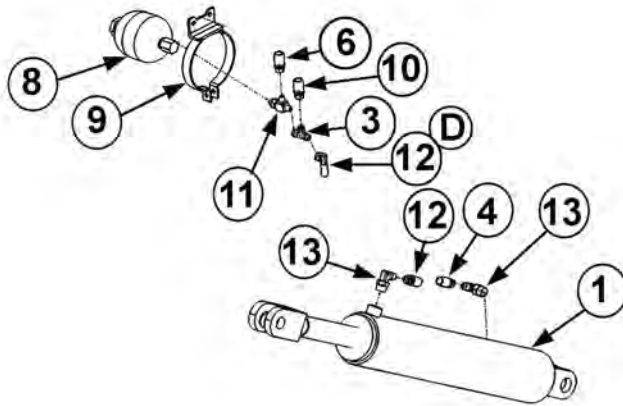
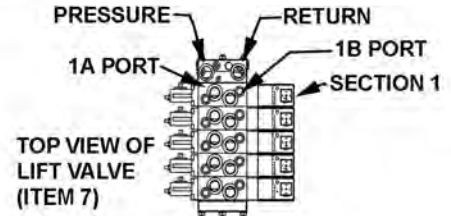
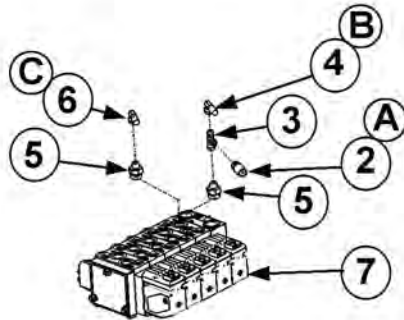
A- FROM 1B PORT ON LIFT VALVE
TO STABILIZER CYLINDER GLAND

B- FROM 1B PORT ON LIFT VALVE
TO MAIN BOOM CYLINDER BUTT

C- FROM 1A PORT ON LIFT VALVE
TO ACCUMULATOR

D- FROM ACCUMULATOR
TO MAIN BOOM CYLINDER GLAND

E- FROM STABILIZER CYLINDER BUTT
TO ACCUMULATOR



LOCATE HOLE IN ITEM 24 AROUND AXLE STOP
ON RIGHT FRONT AXLE.

USE ITEMS 21, 22, & 23 TO CLAMP ITEM 24 TO AXLE.

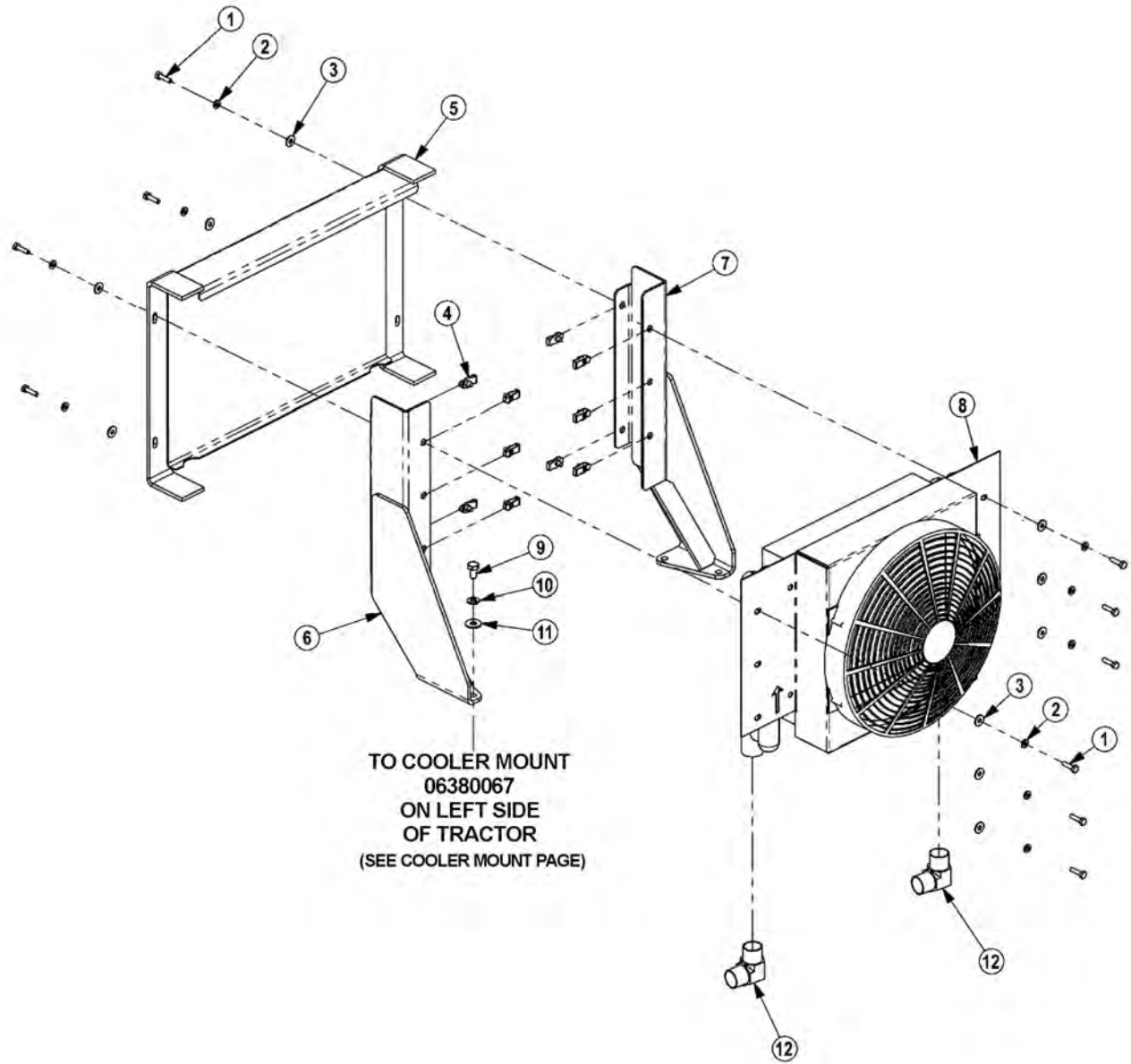
AFTER INSTALLATION, ARTICULATE FRONT AXLE
FROM STOP TO STOP AND EXTEND AND RETRACT
CYLINDER FULLY TO ENSURE A PROPER FIT.

AXLE STABILIZER

Continued...

ITEM	PART NO.	QTY.	DESCRIPTION
1	-----	-	BOOM CYLINDER *REFER TO COMMON SECTION
2	06500730	1	HOSE,3/8" X 227"
3	06503048	2	RUN TEE,3/8"MJ X 3/8"FJX X 3/8"MJ
4	-----	-	HOSE *REFER TO LIFT VALVE PAGE
5	-----	-	ADAPTER *REFER TO LIFT VALVE PAGE
6	-----	-	HOSE *REFER TO LIFT VALVE PAGE
7	-----	-	LIFT VALVE *REFER TO LIFT VALVE PAGE
8	-----	-	ACCUMULATOR *REFER TO LIFT VALVE PAGE
9	-----	-	ACCUMULATOR BRKT *REFER TO LIFT VALVE PAGE
10	06500731	1	HOSE,3/8" X 234"
11	-----	-	RUN TEE *REFER TO LIFT VALVE PAGE
12	-----	-	HOSE *REFER TO LIFT VALVE PAGE
13	-----	-	ELBOW *REFER TO LIFT VALVE PAGE
14	33880	2	FLATWASHER,3/4",SAE
15	32703	2	CAPSCREW,20MM X 100MM,2.5P
16	33785	1	CYLINDER,1-1/2" X 8"
17	06503055	2	ELBOW,1/4"MOR X 3/8"MJ
18	06310132	1	LINK,PIVOT,STABILIZER
19	RD1032	3	LYNCH PIN
20	33984	2	PIN,3/4" X 2-7/16"
21	06420164	2	U-BOLT
22	06533004	4	FLATWASHER,1/2",SAE
23	21700	4	HEX NUT,1/2",UNC
24	06310176	1	MOUNT,AXLE
25	-----	-	CAPSCREW *REFER TO LIFT VALVE PAGE
26	-----	-	FLATWASHER *REFER TO LIFT VALVE PAGE
27	-----	-	CLAMP KIT *REFER TO LIFT VALVE PAGE
28	-----	-	BRACKET *REFER TO LIFT VALVE PAGE
29	34799	1	PIN,3/4" X 2-15/16"
30	06310177	1	STABILIZER,AXLE,CYL MNT

OPTIONAL COOLER ASSEMBLY

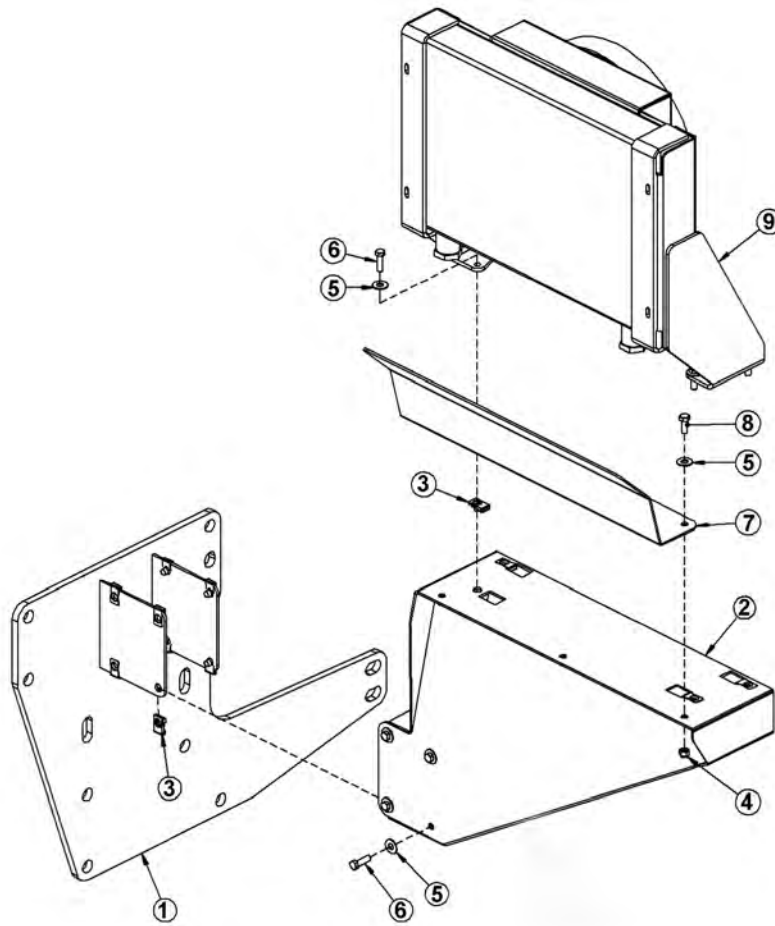


OPTIONAL COOLER ASSEMBLY

Continued...

ITEM	PART NO.	QTY.	DESCRIPTION
1	21530	10	CAPSCREW,1/4 X1 NC
2	21986	10	LOCKWASHER,1/4
3	22014	10	FLATWASHER,1/4
4	35176	10	1/4 U-NUT
5	06370015	1	SCREEN,COOLER,FRNT
6	06380006	1	MNT,COOLER,BUMPER TANK,RH
7	06380007	1	MNT,COOLER,BUMPER TANK,LH
8	06510026	1	COOLER,FRONT MNT
---	06510029	1	FAN ASSY, ONLY
9	21629	4	CAPSCREW,3/8 X 3/4 NC
10	21988	4	LOCKWASHER,3/8
11	22016	4	FLATWASHER,3/8
12	34117	2	ELBOW,1MOR X 1MJ90,FORGED

OPTIONAL COOLER MOUNT

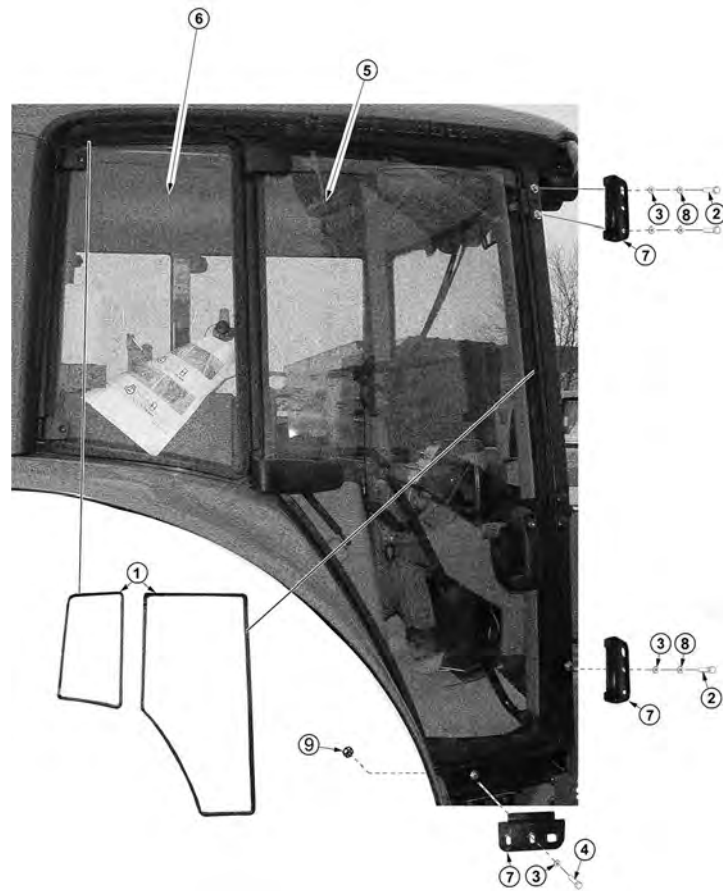


OPTIONAL COOLER MOUNT

Continued...

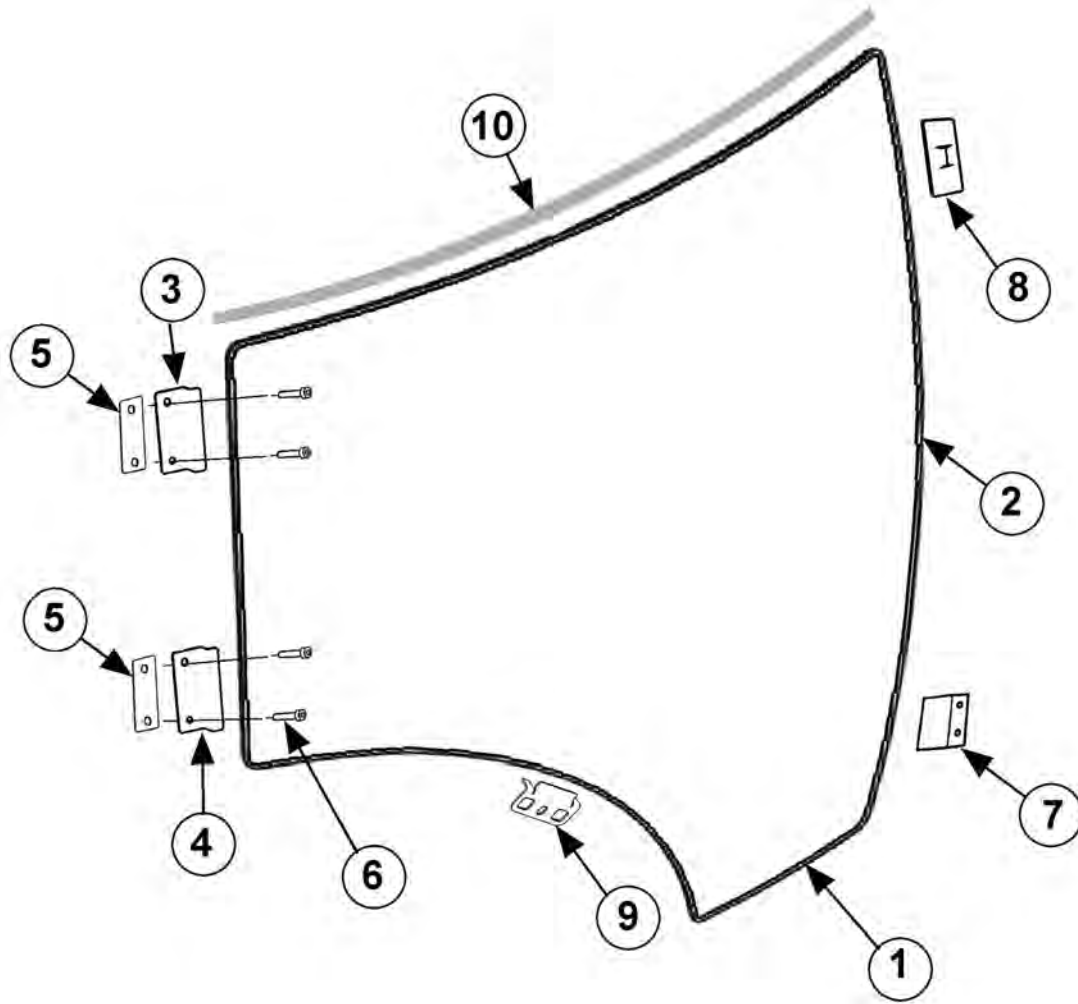
ITEM	PART NO.	QTY.	DESCRIPTION
1	06300226	1	MNFRM, LH, CLR MNT, JD6105/25R
2	06380067	1	COOLER MOUNT
3	06537029	12	U-NUT, 3/8" NC, 3/4" TO CENTER
4	21627	3	NYLOCK NUT, 3/8" NC
5	22016	15	FLATWASHER, 3/8", GR8
6	21631	12	CAPSCREW, 3/8" X 1-1/4", NC, GR8
7	06411443	1	MUD GUARD
8	21630	3	CAPSCREW, 3/8" X 1" NC
9	06510026	1	COOLER, FRONT MNT

POLYCARBONATE SAFETY WINDOW



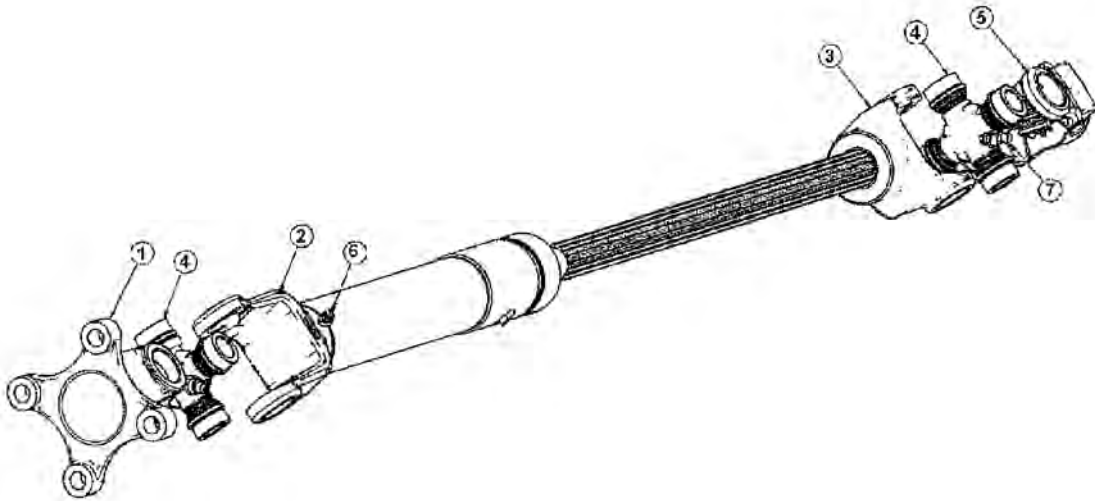
ITEM	PART NO.	QTY.	DESCRIPTION
1	31965	22	TRIM SEAL,3/8" CLIP X 3/4"OD (FEET)
2	27508	3	CAPSCREW,8MM X 20MM,1.25P
3	22015	4	FLATWASHER,5/16"
4	21581	1	CAPSCREW,5/16" X 1-1/4",NC
5	06490005	1	POLYCARB,FRMD,DOOR,RH
6	06490027	1	POLYCARB,FRMD,REAR,RH
7	06520040	3	BRKT,JD,POLY,RETAIN
8	6T2619	3	LOCKWASHER,8MM
9	21577	1	NYLOCK NUT,5/16",NC

POLYCARBONATE SAFETY WINDOW FOR R SERIES



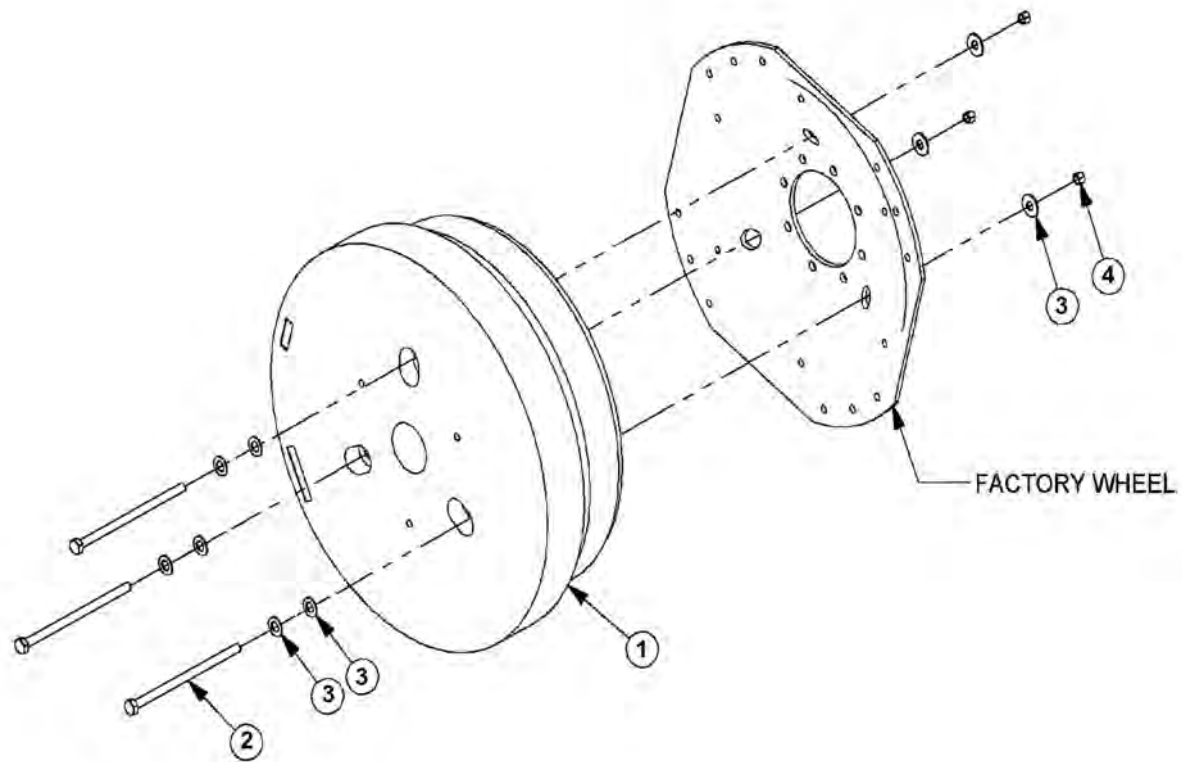
ITEM	PART NO.	QTY.	DESCRIPTION
1	06490047	1	POLYCARB, FRMD, JD6R,PAN, RH
2	06537005	1	ADHESIVE, WTHR STRP, BLK, 3M
3	06330042	1	BRKT, SFTY, SCRN, UPPR, JD61XXR
4	06330041	1	BRKT, SFTY, SCRN, LWR, JD61XXR
5	L171945	2	SEAL
6	19M7561	4	SCREW
7	L209050	1	BRACKET
8	L209049	1	BRACKET
9	06520040	1	BRKT, JD, POLY, RETAIN
10	----	1	RTV SILICONE ADHESIVE

PUMP DRIVESHAFT



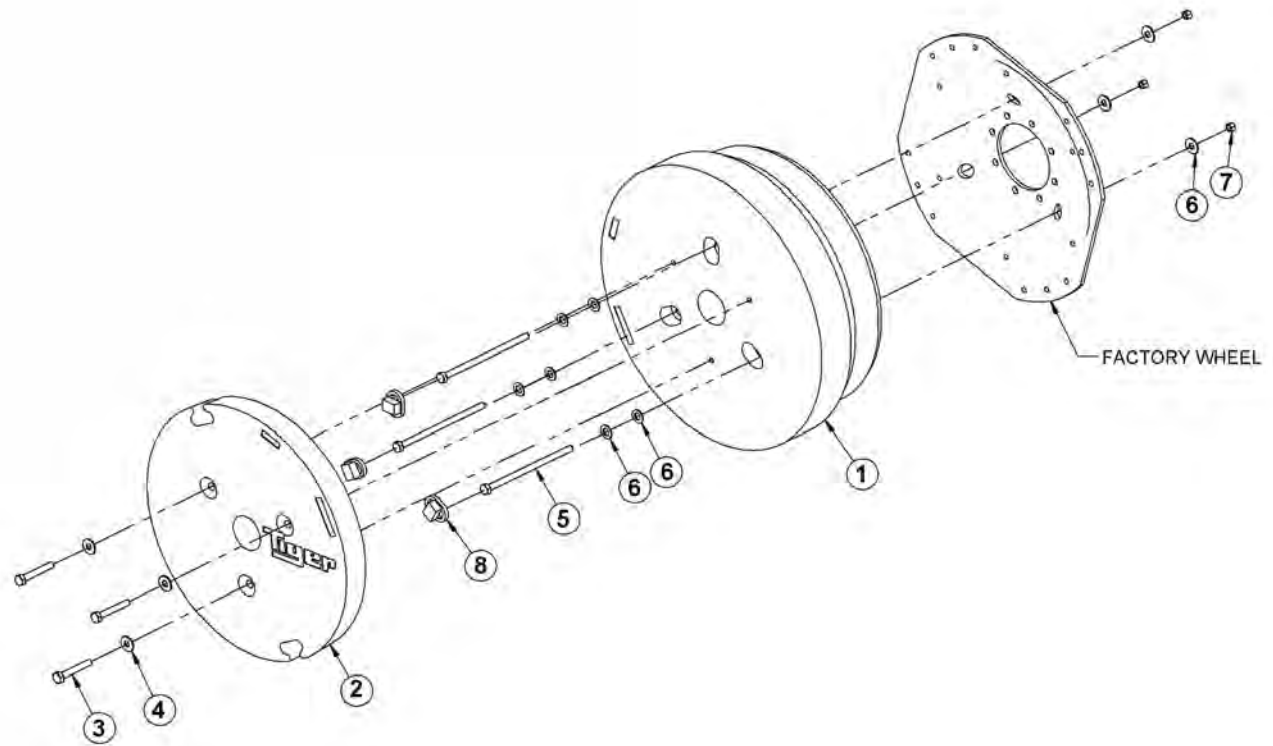
ITEM	PART NO.	QTY.	DESCRIPTION
---	34999	1	DRIVESHAFT,U-JOINT,ASSY
1	06505004	1	YOKE PULLEY
2	06505005	1	SLEEVE
3	06505006	1	SHAFT
4	06505007	2	CROSS
5	06505008	1	YOKE DRIVE
6	6T3203	1	GREASE ZERK,1/4" X 45
7	6T3207	3	GREASE ZERK,1/4" X STR

WHEEL WEIGHT SABER 2014



ITEM	PART NO.	QTY.	DESCRIPTION
1	06499010	1	3400# WEIGHT
2	06530227	3	CAPSCREW, 1" X 19-1/2",NC
3	06533007	6	FLATWASHER, 1"
4	31581	3	HEX NUT, 1",NC

WHEEL WEIGHT SABER XB 2014



ITEM	PART NO.	QTY.	DESCRIPTION
1	06700108	1	3400# WEIGHT,TAPPED
2	32518	1	850# WEIGHT
3	21842	3	CAPSCREW,3/4" X 5",NC
4	33626	3	FLATWASHER,3/4",USS
5	06530227	3	CAPSCREW,1" X 20",NC
6	06533007	6	FLATWASHER,1"
7	31581	3	HEX NUT, 1",NC
8	06370223	3	SPACER,WHEEL WEIGHT

COMMON SABER BOOM H

PARTS SECTION

PART NAME INDEX

PARTS ORDERING GUIDE.....	4
NOTES.....	5
BOOM SWIVEL ASSEMBLY.....	6
QUICK COUPLERS.....	8
SABER BOOM ASSEMBLY.....	10
SABER MB BOOM ASSEMBLY.....	12
SABER XB BOOM ASSEMBLY.....	14
50IN FLAIL ASSEMBLY.....	16
50IN FLAIL ASSEMBLY, PASS-THROUGH KNIVES.....	18
50IN FLAIL DRIVE ASSEMBLY.....	20
SABER DIRECT DRIVE FLAIL ASSY.....	22
SABER DIRECT DRIVE ASSEMBLY.....	24
63IN FLAIL ASSEMBLY.....	26
63IN FLAIL DRIVE ASSEMBLY.....	28
50IN SABER ROTARY MOWER.....	30
50IN SABER MB ROTARY MOWER.....	32
50IN SABER XB ROTARY MOWER.....	34
60IN SABER ROTARY MOWER.....	36
60IN ROTARY KNIFE AND DISH OPTION.....	38
SABER SPINDLE ASSEMBLY.....	40
SABER XB & 60IN SPINDLE ASSY.....	42
ROTARY MOWER SPINDLE ASSEMBLY.....	44
3IN X 17-1/2IN WELDED CYLINDER BREAKDOWN.....	46
4IN X 15IN WELDED CYLINDER BREAKDOWN.....	47
4-1/2IN X 26-1/2IN WELDED CYLINDER BREAKDOWN.....	48
5IN X 25IN WELDED CYLINDER BREAKDOWN.....	49
PUMP AND GRILL GUARD OPTIONS.....	50
RESERVOIR TANK FILTER ASSEMBLY.....	51
50IN AND 63IN FLAIL MOTOR BREAKDOWN.....	52
FRONT HYDRAULIC PUMP.....	54
50IN FLAIL DIRECT DRIVE MOTOR BREAKDOWN.....	56
50IN AND 60IN ROTARY MOTOR BREAKDOWN.....	58
COOLER ASSEMBLY.....	60
CABLE (MANUAL) LIFT VALVE, 4 SPOOL - 06502104.....	62
CABLE (MANUAL) LIFT VALVE, 5 SPOOL - 06502103.....	64
5 SPOOL ELECTRONIC VALVE - 06502146.....	66
BRAKE VALVE ASSEMBLY.....	68
BRAKE VALVE HYDRAULIC SCHEMATIC.....	69
SOLENOID SWITCH BOX AND WIRING.....	70
MANUAL LIFT VALVE SWITCH BOX.....	71

COMMON SABER T4

PART NAME INDEX

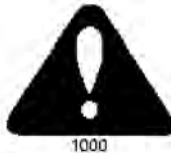
MANUAL LIFT VALVE SCHEMATIC.....	72
ELECTRONIC LIFT VALVE SWITCH BOX.....	73
ELECTRONIC LIFT VALVE SCHEMATIC.....	74
BOOM TRAVEL LOCK.....	75
JOYSTICK SWITCHBOX SCHEMATIC.....	76
TROUBLESHOOTING.....	77
TROUBLESHOOTING - CONTINUED.....	78
HYDRAULIC TROUBLESHOOTING GUIDE.....	79
ELECTRICAL TROUBLESHOOTING GUIDE.....	80

PARTS ORDERING GUIDE

The following instructions are offered to help eliminate needless delay and error in processing purchase orders for the equipment in this manual.

1. The Parts Section is prepared in logical sequence and grouping of parts that belong to the basic machine featured in this manual. Part Numbers and Descriptions are given to help locate the parts and quantities required.
2. The Purchase Order must indicate the **Name and Address** of the person or organization ordering the parts, **who should be charged**, and if possible, the **serial number of the machine** for which the parts are being ordered.
3. The purchase order must clearly list the **quantity of each part**, the complete and correct **part number**, and the basic **name of the part**.
4. The manufacturer reserves the right to substitute parts where applicable.
5. Some parts may be unlisted items which are special production items not normally stocked and are subject to special handling. Request a quotation for such parts before sending a purchase order.
6. The manufacturer reserves the right to change prices without prior notice.

NOTE: When ordering replacement decals, refer to the part numbers and descriptions listed in the safety section in the front of this manual.



For maximum safety and to guarantee optimum product reliability, always use genuine **Tiger** replacement parts. The use of inferior replacement parts may cause premature or catastrophic failure which could result in serious injury or death.

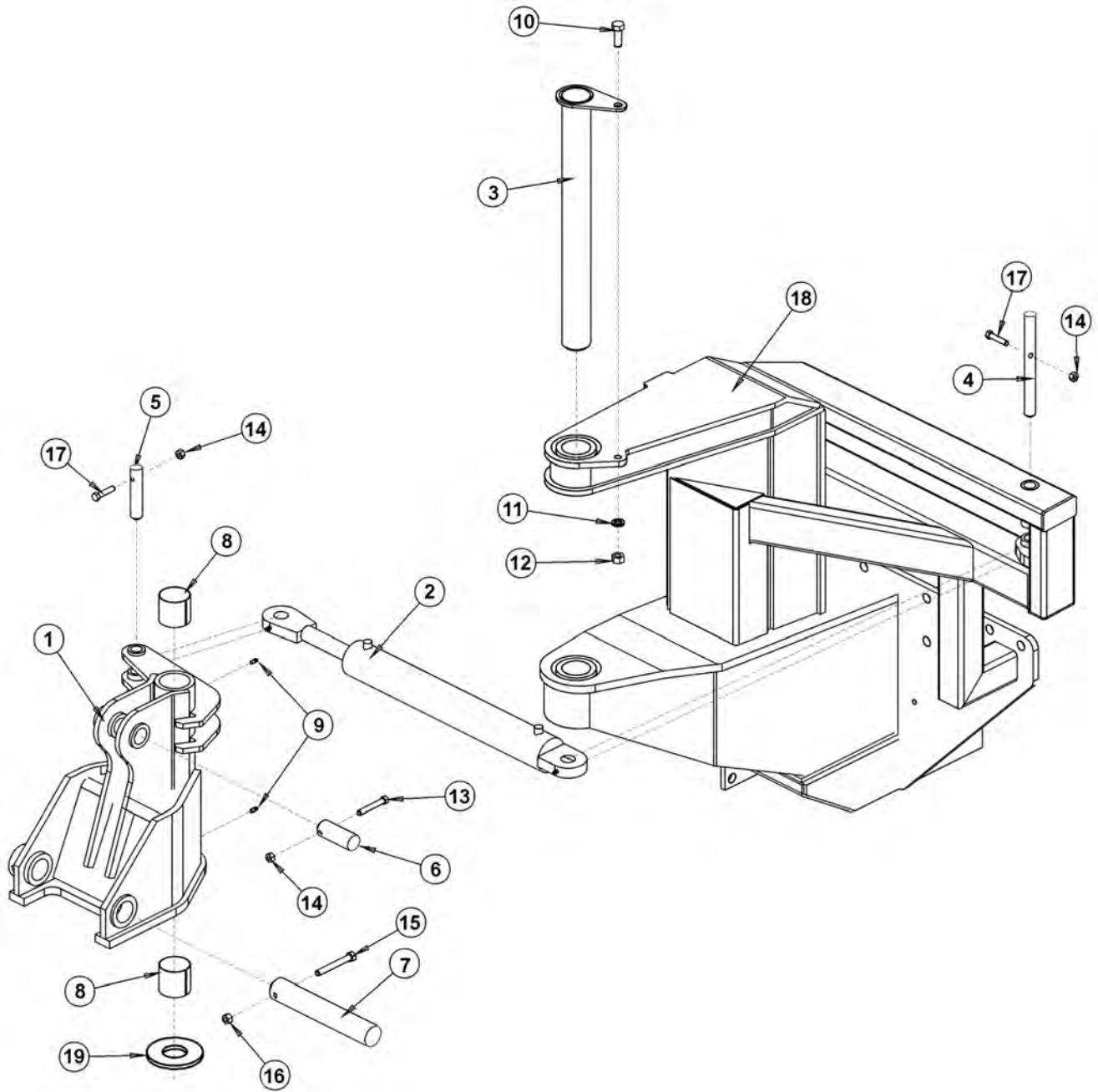
Direct any questions regarding parts to:

Tiger Corporation
3301 N. Louise Ave.
Sioux Falls, SD 57107
1-800-843-6849
1-605-336-7900

NOTES

NOTES

BOOM SWIVEL ASSEMBLY

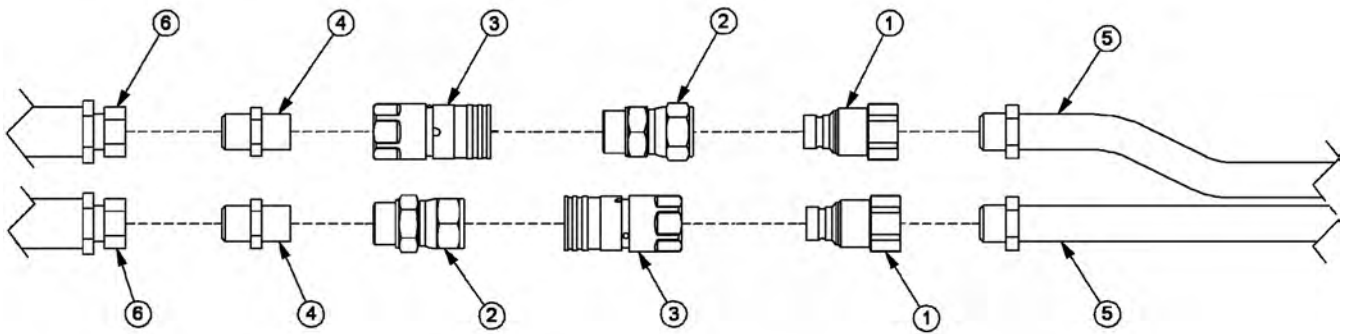


BOOM SWIVEL ASSEMBLY

Continued...

ITEM	PART NO.	QTY.	DESCRIPTION
---	32742	1	SWIVEL W/BUSHINGS,BOOM,SABER
1	32376	1	SWIVEL,BOOM,SABER,W/O BUSHING
2	06501029	1	CYLINDER,3 X 13.88
3	32381	1	PIN,2 1/2,SWIVEL,SABER
4	33710	1	PIN,CYLINDER,1,SWIVEL,SABER
5	32380	1	PIN,CYL,1,SWIVEL,SABER
6	32372	1	PIN,CYLINDER,STAGE,2ND
7	32378	1	PIN,BOOM TO SWIVEL,SABER
8	32322	2	BEARING,DX,2 1/2X2 1/2LONG,
9	6T3211	2	GREASE ZERK,1/8
10	21782	1	CAPSCREW,5/8 X 1-3/4 NC
11	21992	1	LOCKWASHER,5/8
12	21775	1	HEX NUT,5/8 NC
13	21687	1	CAPSCREW,7/16 X 3 NC
14	21677	3	NYLOCK NUT,7/16 NC
15	21741	1	CAPSCREW,1/2 X 4 NC
16	21727	1	NYLOCK NUT,1/2 NC
17	21683	2	CAPSCREW,7/16 X 2 NC
18	-----	-	MAIN FRAME - REFER TO MAIN FRAME PARTS
19	06520250	1	BEARING, WASHER

QUICK COUPLERS



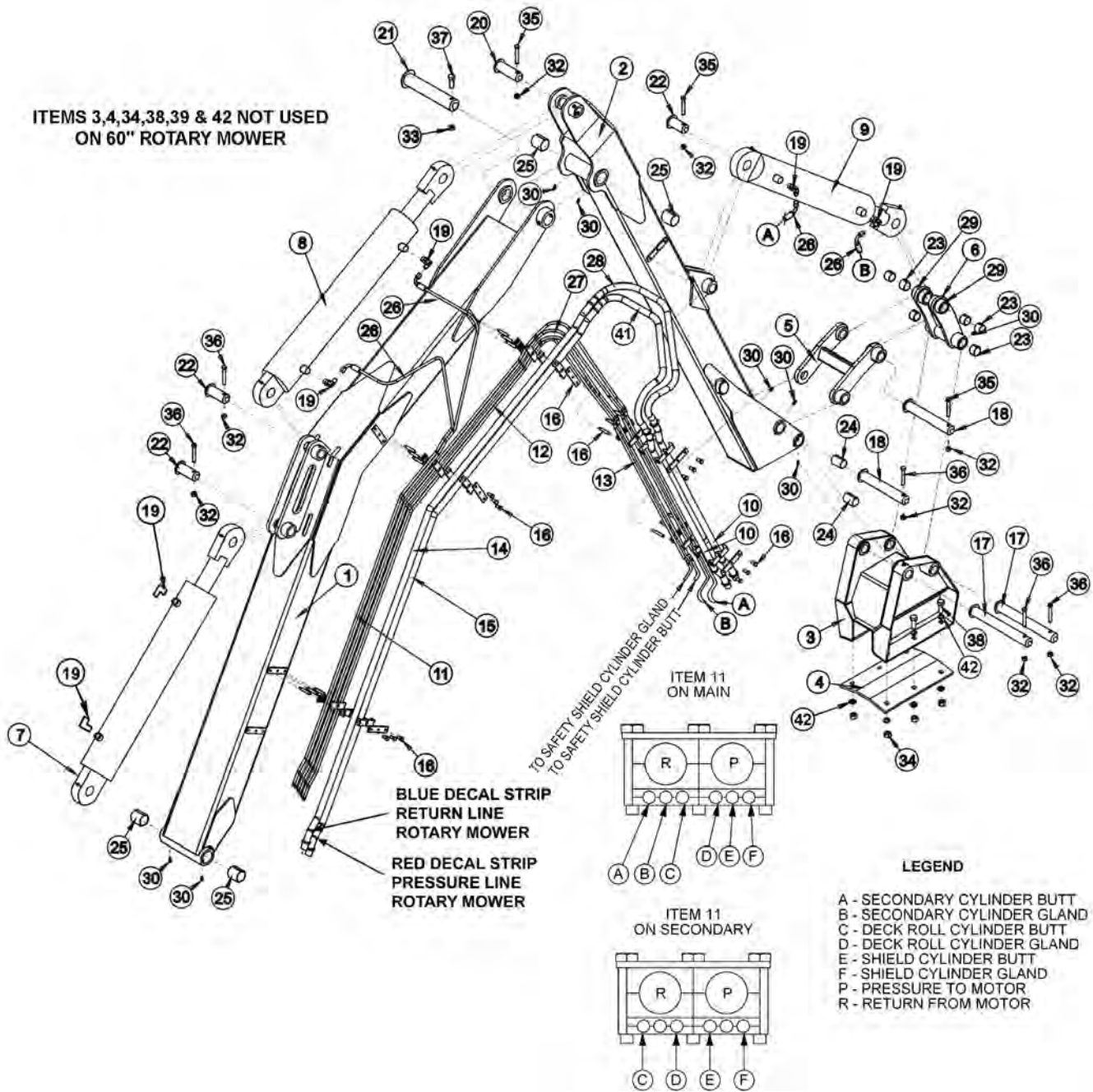
QUICK COUPLERS

Continued...

ITEM	PART NO.	QTY.	DESCRIPTION
1	34392	2	ADAPTER,1ORBX1FJX
2	06503028	2	QUICK COUPLER,1"SAE,MALE,FLAT
3	06503027	2	QUICK COUPLER,1"SAE,FEM,FLAT
4	33555	2	ADAPTER,1MORBX1MJIC
5	-----	-	PREFORMED TUBES - REFER TO BOOM ARM PARTS
6	-----	-	#16 HOSE - REFER TO HYDRAULICS PARTS

SABER BOOM ASSEMBLY

ITEMS 3,4,34,38,39 & 42 NOT USED
ON 60" ROTARY MOWER



ITEM	PART NO.	QTY.	DESCRIPTION
1	32743	1	MAIN BOOM W/BEARING
2	06310164	1	SECONDARY BOOM, SBR T4
3	32311	1	MOUNT, SWIVEL HEAD
4	32309	1	MOUNT HEAD PLATE
5	32316	1	LINKAGE, BOOM TO CYLINDER
6	32745	1	LINKAGE W/BEARING, CYLINDER TO SWIVEL

COMMON SABER T4

SABER BOOM ASSEMBLY

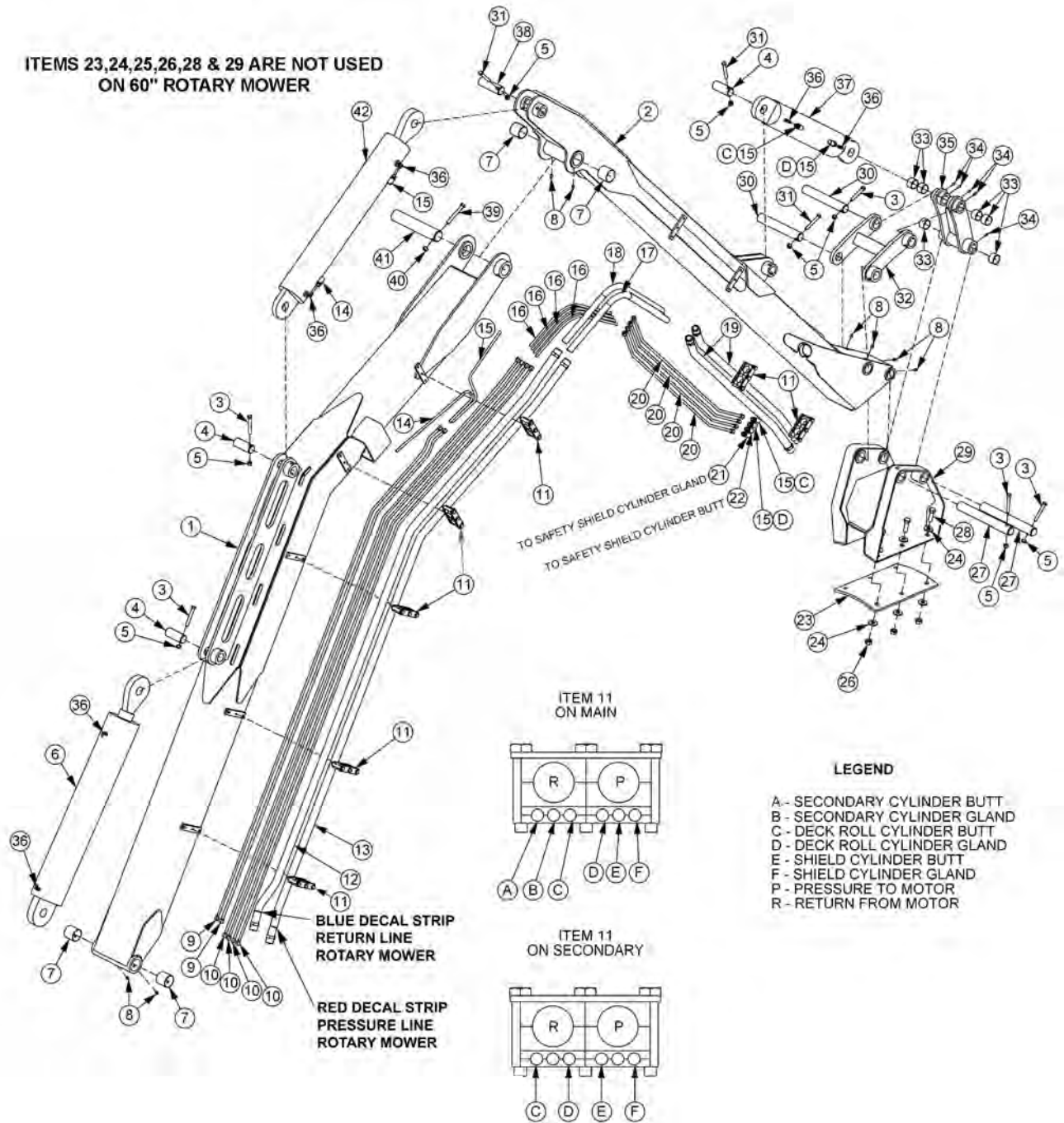
Continued...

ITEM	PART NO.	QTY.	DESCRIPTION
7	32363	1	CYLINDER,5" X 25"
8	32364	1	CYLINDER,4-1/2" X 26-1/2"
9	32365	1	CYLINDER,4" X 15"
10	33542	2	PREFORMED TUBE,1"
11	06506062	2	PREFORMED TUBE,3/8"
12	06506063	4	PREFORMED TUBE,3/8"
13	32629	4	PREFORMED TUBE,3/8"
14	06506060	1	PREFORMED TUBE,1" (ROTARY RETURN)
15	06506061	1	PREFORMED TUBE,1" (ROTARY PRESSURE)
16	33215	6	TUBE CLAMP KIT
17	32313	2	PIN
18	32319	2	PIN
19	32810	6	ELBOW
20	32372	1	PIN
21	32374	1	PIN
22	32375	3	PIN
23	32318	6	BEARING
24	32321	4	BEARING
25	32362	4	BEARING
26	32818	4	HOSE,3/8" X 24"
27	32680	4	HOSE,3/8" X 43"
28	33544	1	HOSE,1" X 40"
29	6T3207	6	GREASE ZERK
30	6T3211	8	GREASE ZERK
32	21677	8	NYLOCK NUT,7/16",NC
33	21727	1	NYLOCK NUT,1/2",NC
34	6T2408	6	HEX NUT,5/8",NC
35	21687	3	CAPSCREW,7/16" X 3",NC
36	21688	5	CAPSCREW,7/16" X 3-1/4",NC
37	21741	1	CAPSCREW,1/2" X 4",NC
38	6T2290	6	CAPSCREW,5/8" X 2",NC
40	35260	1	HOSE COVER (NOT SHOWN)
41	33543	1	HOSE,1" X 39"
42	25270	12	FLATWASHER,5/8",USS

COMMON SABER T4

SABER MB BOOM ASSEMBLY

ITEMS 23,24,25,26,28 & 29 ARE NOT USED ON 60" ROTARY MOWER



ITEM	PART NO.	QTY.	DESCRIPTION
1	06310075	1	BOOM,MB,PRIMARY,SABER
2	06310165	1	BOOM,MB,SECONDARY,SABER MB, T4
3	21688	5	CAPSCREW,7/16" X 3-1/4,NC
4	32375	3	PIN,1-1/2" X 3-13/16",W/HOLE
5	21677	8	NYLOCK NUT,7/16",NC
6	32363	1	CYLINDER,5" X 25"

COMMON SABER T4

SABER MB BOOM ASSEMBLY

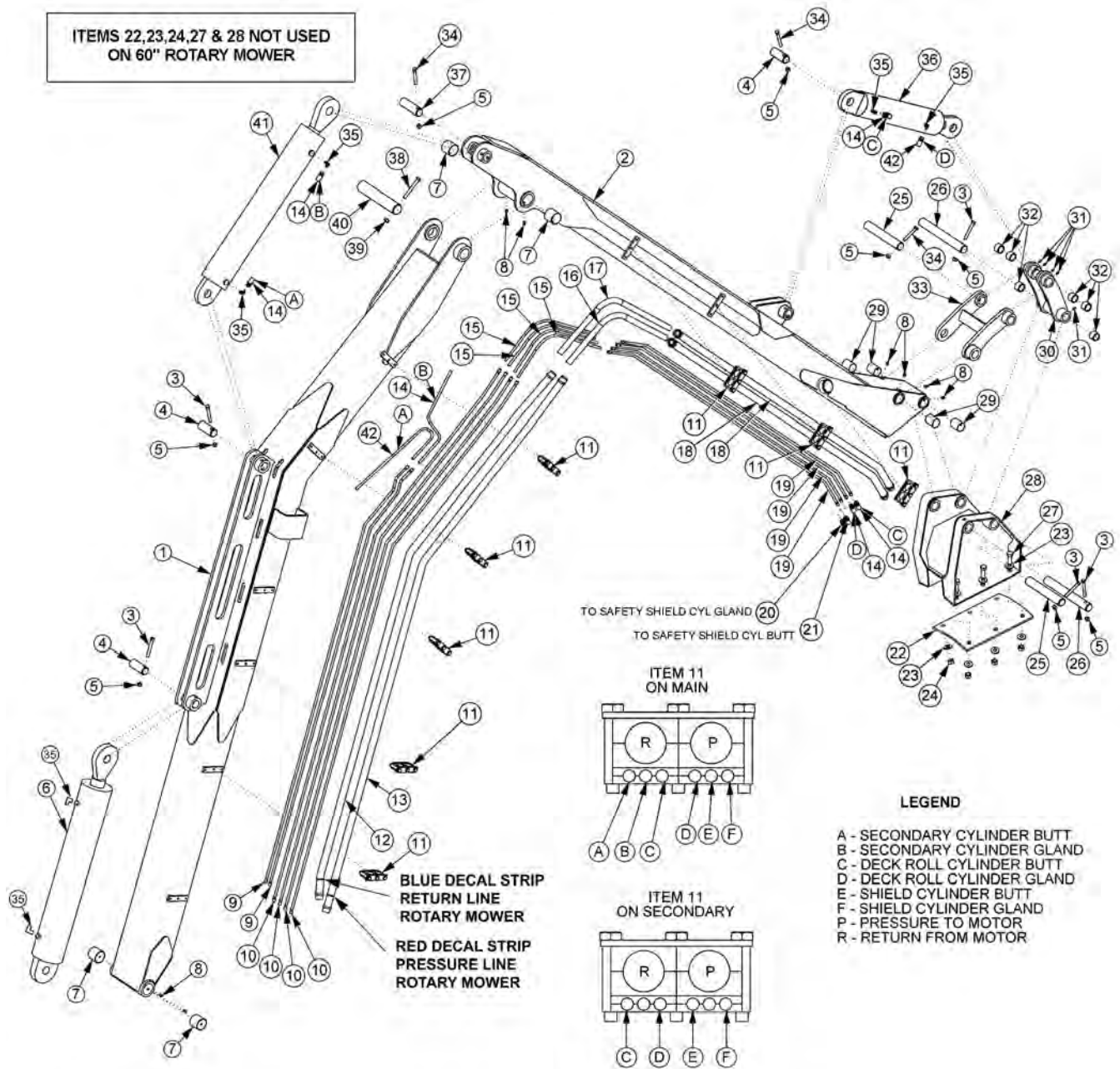
Continued...

ITEM	PART NO.	QTY.	DESCRIPTION
7	32362	4	BEARING,DX,2" X 2" LONG
8	6T3211	8	GREASE ZERK,1/8" X STR
9	06506050	2	PRFRMD,1,MAIN,SABER MB T4
10	06506051	4	PRFRMD,2,MAIN,SABER MB T4
11	33215	7	TUBE CLAMP KIT
12	06506045	1	PRFRMD,4,MAIN,SABER MB (ROTARY RETURN)
13	06506044	1	PRFRMD,3,MAIN,SABER MB (ROTARY PRESSURE)
14	06500488	1	HOSE,3/8" X 39"
15	32818	3	HOSE,3/8" X 24"
16	32680	4	HOSE,3/8" X 43"
17	33543	1	HOSE,1" X 39"
18	33544	1	HOSE,1" X 40"
19	33542	2	PRFRMD,2,SEC,SABER
20	32629	4	PRFRMD,1,SEC,SABER
21	06500670	1	HOSE,3/8" X 108"
22	06500366	1	HOSE,3/8" X 98"
23	32309	1	PLATE,MOUNT,HEAD,MOWER
24	25270	12	FLATWASHER,5/8",GR 8
25	21992	6	LOCKWASHER,5/8"
26	6T2408	6	HEX NUT,5/8",NF
27	32313	2	PIN,MOUNT,SWIVEL
28	6T2290	6	CAPSCREW,5/8" X 2",NF,GR 8
29	32311	1	MOUNT,SWIVEL,HEAD,MOWER
30	32319	2	PIN,LINKAGE,BOOM
31	21687	3	CAPSCREW,7/16" X 3",NC
32	32316	1	LINKAGE,BOOM TO CYLINDER,SABER
33	32318	6	BEARING,DX,1-1/2" X 1" LONG
34	6T3207	6	GREASE ZERK,1/4"
35	32745	1	LINKAGE W/BUSHINGS,SABER
36	32810	6	ELBOW,1/2ORB X 3/8MJ
37	32365	1	CYLINDER,4" X 15"
38	32372	1	PIN,CYLINDER,STAGE,2ND
39	21741	1	CAPSCREW,1/2" X 4",NC
40	21727	1	NYLOCK NUT,1/2"
41	32374	1	PIN,BOOM,STAGE 1ST TO 2ND
42	32364	1	CYLINDER,WELDED,4-1/2" X 26-1/2"

COMMON SABER T4

SABER XB BOOM ASSEMBLY

ITEMS 22,23,24,27 & 28 NOT USED
ON 60" ROTARY MOWER



ITEM	PART NO.	QTY.	DESCRIPTION
1	06310031	1	BOOM, LONG, PRIMARY, SABER
2	06310166	1	BOOM, LONG, SECONDARY, SABER XB, T4
3	21688	5	CAPSCREW, 7/16" X 3-1/4", NC
4	32375	3	PIN, 1-1/2" X 3-13/16", W/HOLE
5	21677	8	NYLOCK NUT, 7/16", NC
6	32363	1	CYLINDER, 5" X 25"
7	32362	4	BEARING, DX, 2" X 2" LONG
8	6T3211	8	GREASE ZERK, 1/8" X STR

COMMON SABER T4

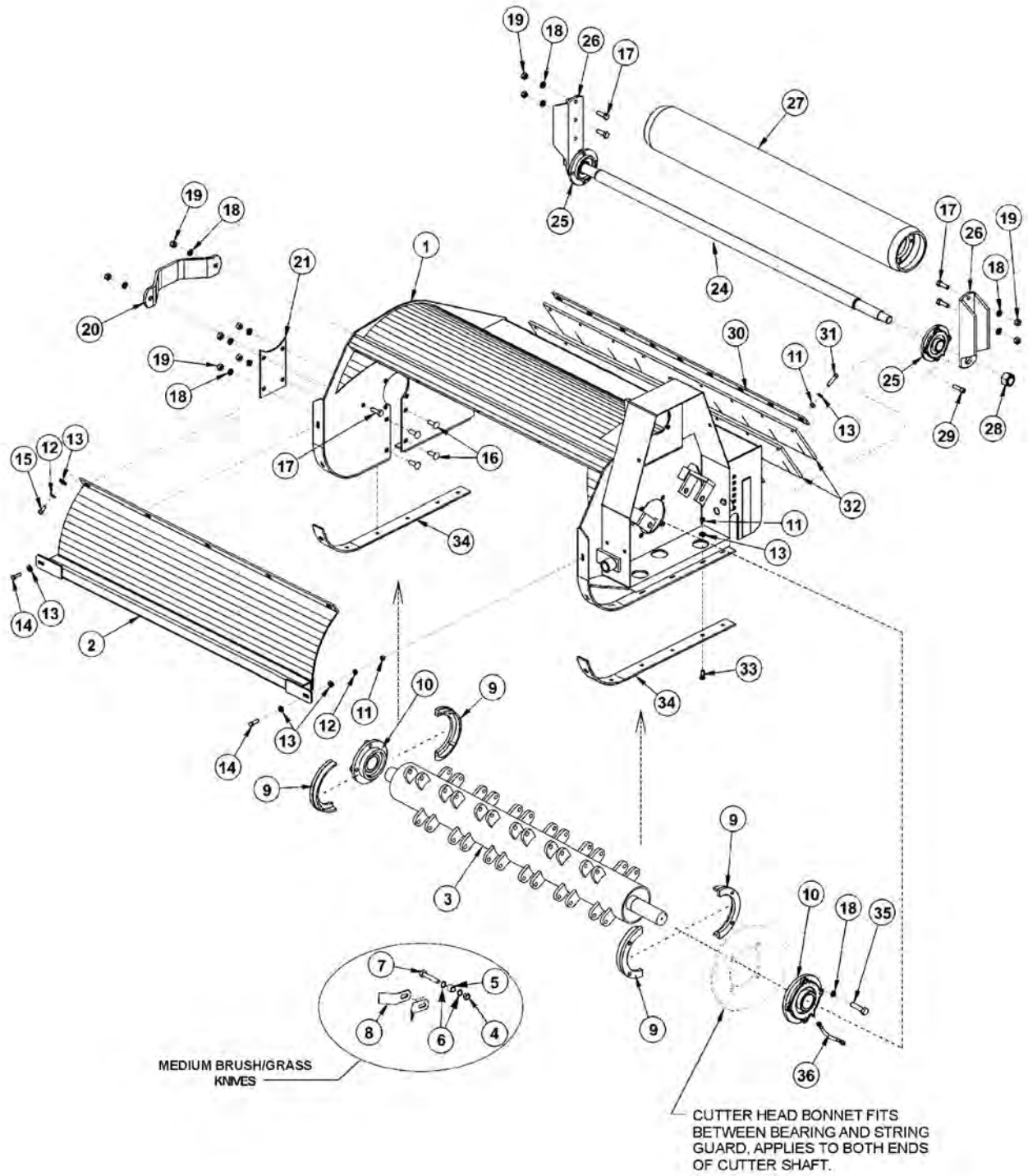
SABER XB BOOM ASSEMBLY

Continued...

ITEM	PART NO.	QTY.	DESCRIPTION
9	06506042	2	PRFRMD,1,MAIN,SABER XB
10	06506043	4	PRFRMD,2,MAIN,SABER XB
11	33215	8	TUBE CLAMP KIT
12	06506045	1	PRFRMD,4,MAIN,SABER XB (ROTARY RETURN)
13	06506044	1	PRFRMD,3,MAIN,SABER XB (ROTARY PRESSURE)
14	32818	3	HOSE,3/8" X 24"
15	32680	4	HOSE,3/8" X 43"
16	33543	1	HOSE,1" X 39"
17	33544	1	HOSE,1" X 40"
18	06506034	2	PRFRMD,2,SEC,SABER XB
19	06506033	4	PRFRMD,1,SEC,SABER XB
20	33223	1	HOSE,3/8" X 70"
21	33222	1	HOSE,3/8" X 59"
22	32309	1	PLATE,MOUNT,HEAD,MOWER
23	25270	12	FLATWASHER,5/8",GR 8
24	6T2408	6	HEX NUT,5/8",NF
25	32319	2	PIN,LINKAGE,BOOM
26	32313	2	PIN,MOUNT,SWIVEL,HEAD,MOWER
27	6T2290	6	CAPSCREW,5/8" X 2",NF,GR 8
28	32311	1	MOUNT,SWIVEL,HEAD,MOWER
29	32321	4	BEARING,DX,1-1/2" X 2" LONG
30	32745	1	LINKAGE W/BUSHINGS,SABER
31	6T3207	6	GREASE ZERK,1/4"
32	32318	6	BEARING,DX,1-1/2" X 1" LONG
33	32316	1	LINKAGE,BOOM TO CYLINDER,SABER
34	21687	3	CAPSCREW,7/16" X 3", NC
35	32810	6	ELBOW,1/2ORB X 3/8MJ
36	32365	1	CYLINDER,4" X 15"
37	32372	1	PIN,CYLINDER,STAGE,2ND
38	21741	1	CAPSCREW,1/2" X 4",NC
39	21727	1	NYLOCK NUT,1/2"
40	32374	1	PIN,BOOM,STAGE 1ST TO 2ND
41	32364	1	CYLINDER,WELDED,4-1/2" X 26-1/2"
42	06500488	1	HOSE, 3/8" X 39"

COMMON SABER T4

50IN FLAIL ASSEMBLY

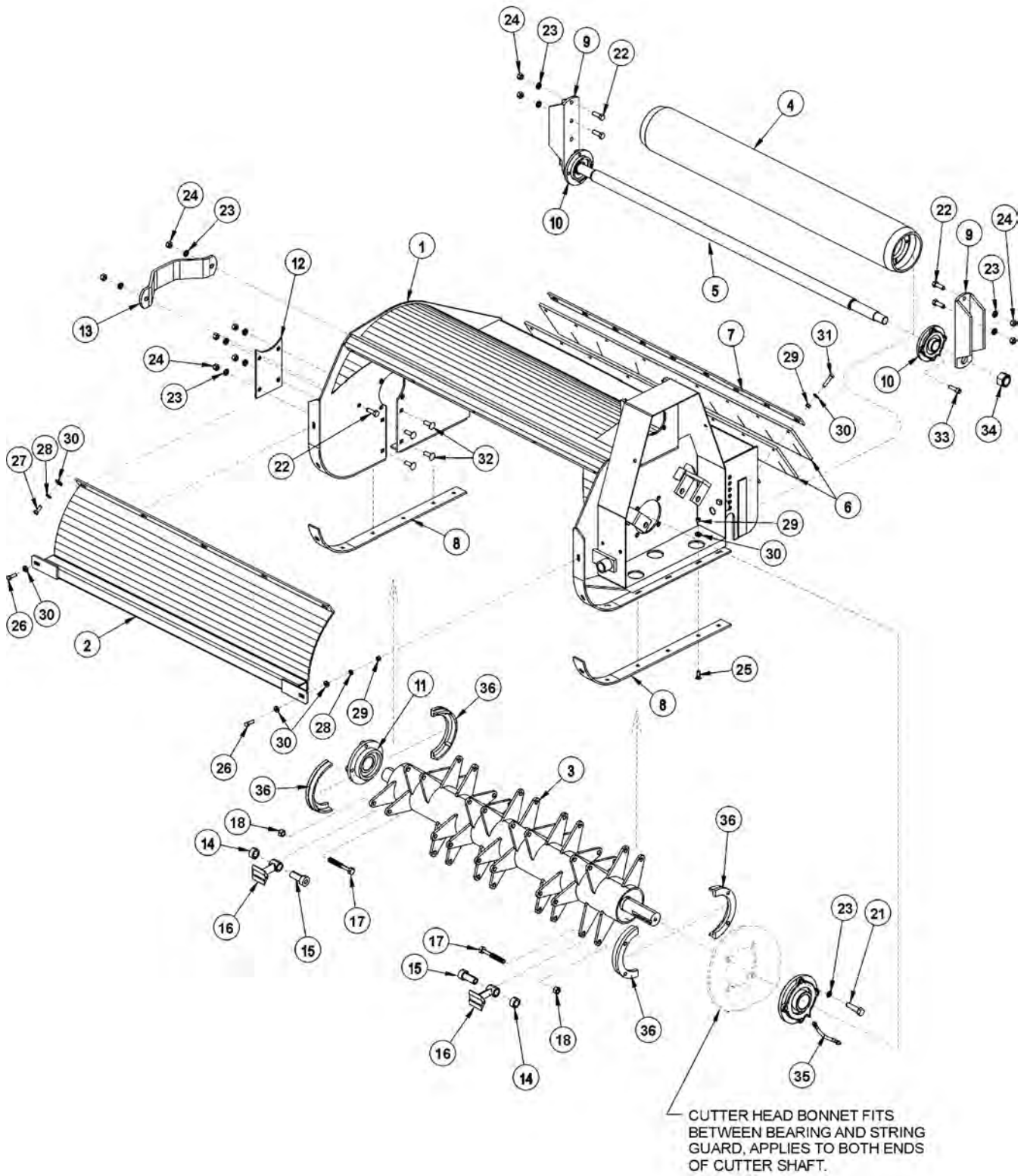


50IN FLAIL ASSEMBLY

Continued...

ITEM	PART NO.	QTY.	DESCRIPTION
----	06742138	1	FLAIL,BOOM,50,MD GRASS,CPLT ASSY (MEDIUM BRUSH/GRASS)
1	06320145	1	CUTTER HEAD BONNET
2	TF3004	1	FRONT SHIELD
3	06700115	1	TBF50 (MEDIUM BRUSH/GRASS KNIFE ASSY)
4	6T2419	24	HEX NUT,9/16",NC,STOVER
5	41725.01	24	BUSHING,1"OD X 5/8"ID
6	06430122	48	SPACER (MEDIUM BRUSH/GRASS KNIVES)
7	34786	24	CAPSCREW,9/16" X 3-1/2",NC
8	06521007	48	KNIFE (MEDIUM BRUSH/GRASS CUTTING)
9	31204	2	STRING GUARD SET (2 PIECES PER SET)
10	TF1018	2	FLANGE BEARING,2-3/16"
11	21625	23	HEX NUT,3/8",NC
12	21988	7	LOCKWASHER,3/8"
13	22016	30	FLATWASHER,3/8"
14	21631	2	CAPSCREW,3/8" X 1-1/4",NC
15	21630	5	CAPSCREW,3/8" X 1",NC
16	6T7031D	4	PLOW BOLT,1/2" X 1-1/2",NC
17	21731	6	CAPSCREW,1/2" X 1-1/2",NC
18	21990	18	LOCKWASHER,1/2"
19	21725	10	HEX NUT,1/2",NC
20	TF1040	1	CUTTER SHAFT GUARD
21	TF3007A	1	COVER PLATE
24	TF3406	1	GROUND ROLLER TIE ROD
25	TF1022	2	FLANGE BEARING,1-3/8"
26	TF3407	2	GROUND ROLLER ADJUSTMENT BRACKET
27	TF3405	1	GROUND ROLLER
28	6T1023R	2	NYLOCK NUT,1-1/8",NF
29	6T2330	8	CAPSCREW,7/16" X 1-1/2",SOCKET HEAD
30	TB1008	1	FLAP RETAINING BAR
31	21633	9	CAPSCREW,3/8" X 1-3/4",NC
32	TB1006A	2	DEFLECTOR FLAP
33	6T2270	12	PLOWBOLT,3/8" X 1",NC
34	TF3001	2	SKID SHOE
35	06530218	8	CAPSCREW,1/2" X 1-3/4",NC
36	TF1032	1	FLANGE BEARING GREASE HOSE

50IN FLAIL ASSEMBLY, PASS-THROUGH KNIVES



50IN FLAIL ASSEMBLY, PASS-THROUGH KNIVES

Continued...

ITEM	PART NO.	QTY.	DESCRIPTION
---	06742135	1	FLAIL,BOOM,50,CPLT ASSY
1	06320145	1	CUTTER HEAD BONNET
2	TF3004	1	FRONT SHIELD
3	33717	1	TBF50,CUTTERSHAFT,PASS THRU KNIVES
4	TF3405	1	GROUND ROLLER
5	TF3406	1	GROUND ROLLER TIE ROD
6	TB1006A	2	DEFLECTOR FLAP
7	TB1008	1	FLAP RETAINING BAR
8	TF3001	2	SKID SHOE
9	TF3407	2	GROUND ROLLER ADJUSTMENT BRACKET
10	TF1022	2	FLANGE BEARING,1-3/8"
11	TF1018	2	FLANGE BEARING,2-3/16"
12	TF3007A	1	COVER PLATE
13	TF1040	1	CUTTER SHAFT GUARD
14	33858	24	SPACER,COLLAR
15	33857	24	SHOULDER,BUSHING
16	46399.01	24	KNIFE,FLAIL,FORGED
17	33854	24	CAPSCREW,5/8" X 4-1/2",NC
18	32674	24	HEX NUT,5/8",NC
21	21732	8	CAPSCREW,1/2" X 1-3/4",NC
22	21731	6	CAPSCREW,1/2" X 1-1/2",NC
23	21990	18	LOCKWASHER,1/2"
24	21725	10	HEX NUT,1/2",NC
25	6T2270	12	PLOWBOLT,3/8" X 1",NC
26	21631	2	CAPSCREW,3/8" X 1-1/4",NC
27	21630	5	CAPSCREW,3/8" X 1",NC
28	21988	7	LOCKWASHER,3/8"
29	21625	23	HEX NUT,3/8",NC
30	22016	30	FLATWASHER,3/8"
31	21633	9	CAPSCREW,3/8" X 1-3/4",NC
32	6T7031D	4	PLOW BOLT,1/2" X 1-1/2",NC
33	6T2330	8	CAPSCREW,7/16" X 1-1/2",NC,SCKT HD
34	6T1023R	2	NYLOCK NUT,1-1/8",NF
35	TF1032	1	FLANGE BEARING GREASE HOSE
36	31204	2	STRING GUARD SET (2 PIECES PER SET)

50IN FLAIL DRIVE ASSEMBLY

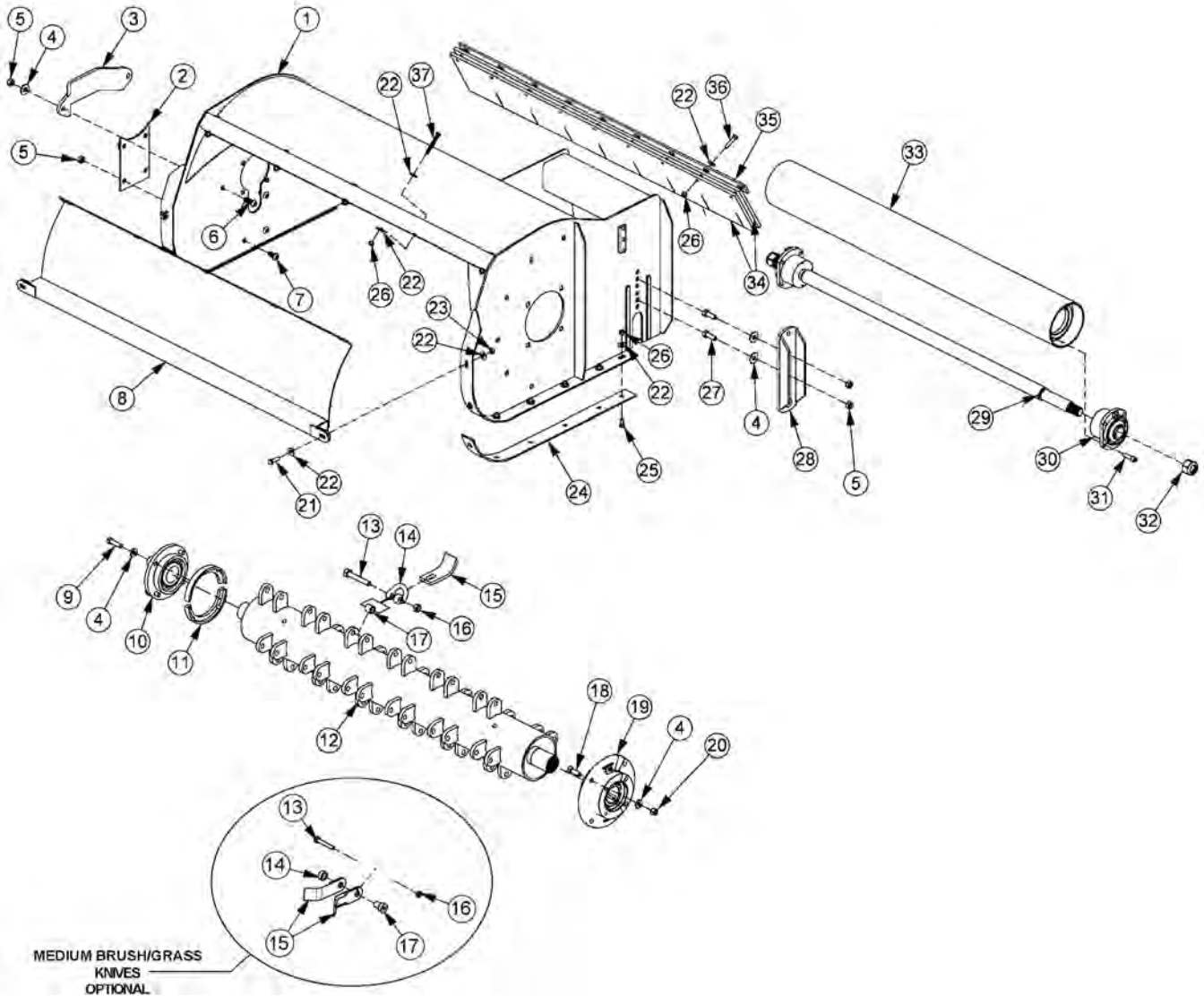
Continued...

ITEM	PART NO.	QTY.	DESCRIPTION
1	06504132	1	MOTOR
2	TF3006	1	BELT GUARD
3	TF3043	2	SHEAVE
4	TF3013	1	BUSHING
5	TF3011	1	BUSHING
6	TF3034	1	IDLER PULLEY
7	TF3205	1	IDLER ARM
8	TF3206	2	IDLER PULLEY SPACER
9	TF3605	1	IDLER ARM PIN WITH ZERK
10	6T3004	1	R - CLIP
11	PT3611A	1	CLEVIS
12	32481	1	THREADED ROD
13	TF3620	1	COMPRESSION SPRING
14	21789	1	CAPSCREW,5/8" X 3-1/2",NC
15	21992	1	LOCKWASHER,5/8"
16	21775	1	HEX NUT,5/8",NC
17	21732	5	CAPSCREW,1/2" X 1-3/4",NC
18	21990	4	LOCKWASHER,1/2"
19	21725	4	HEX NUT,1/2",NC
20	6T2418	1	LOCK NUT,1/2"
21	21630	4	CAPSCREW,3/8" X 1",NC
22	21988	4	LOCKWASHER,3/8"
23	22016	4	FLATWASHER,3/8"
24	21584	6	CAPSCREW,5/16" X 2",NC
25	21987	6	LOCKWASHER,5/16"
26	27938	1	FLATWASHER,1/2"
27	21700	2	HEX NUT,1/2",NF
28	TF3021	2	BELT
29	TF1125	1	SQUARE KEY
30	TF1025	1	SQUARE KEY MOTOR
31	TF4852	2	FLANGE KIT
32	06506038	1	PREFORMED TUBE
33	06500728	1	HOSE,1 X 103 (RETURN)
34	06500796	1	HOSE,1 X 111 (PRESSURE)
35	24724	2	SWIVEL FITTING
36	-----	-	CUTTER HEAD
37	06505130	1	CLAMP,HOSE

COMMON SABER T4

SABER DIRECT DRIVE FLAIL ASSY

Parts of this machine are protected by U.S. Patent number 7,930,872 B2



ITEM	PART NO.	QTY.	DESCRIPTION
---	06742086	1	BONNET,SBF50,DD,ASSY (LIGHT BRUSH)
----	06742142	1	BONNET,SBF50,DD,ASSY (MEDIUM BRUSH)

SABER DIRECT DRIVE FLAIL ASSY

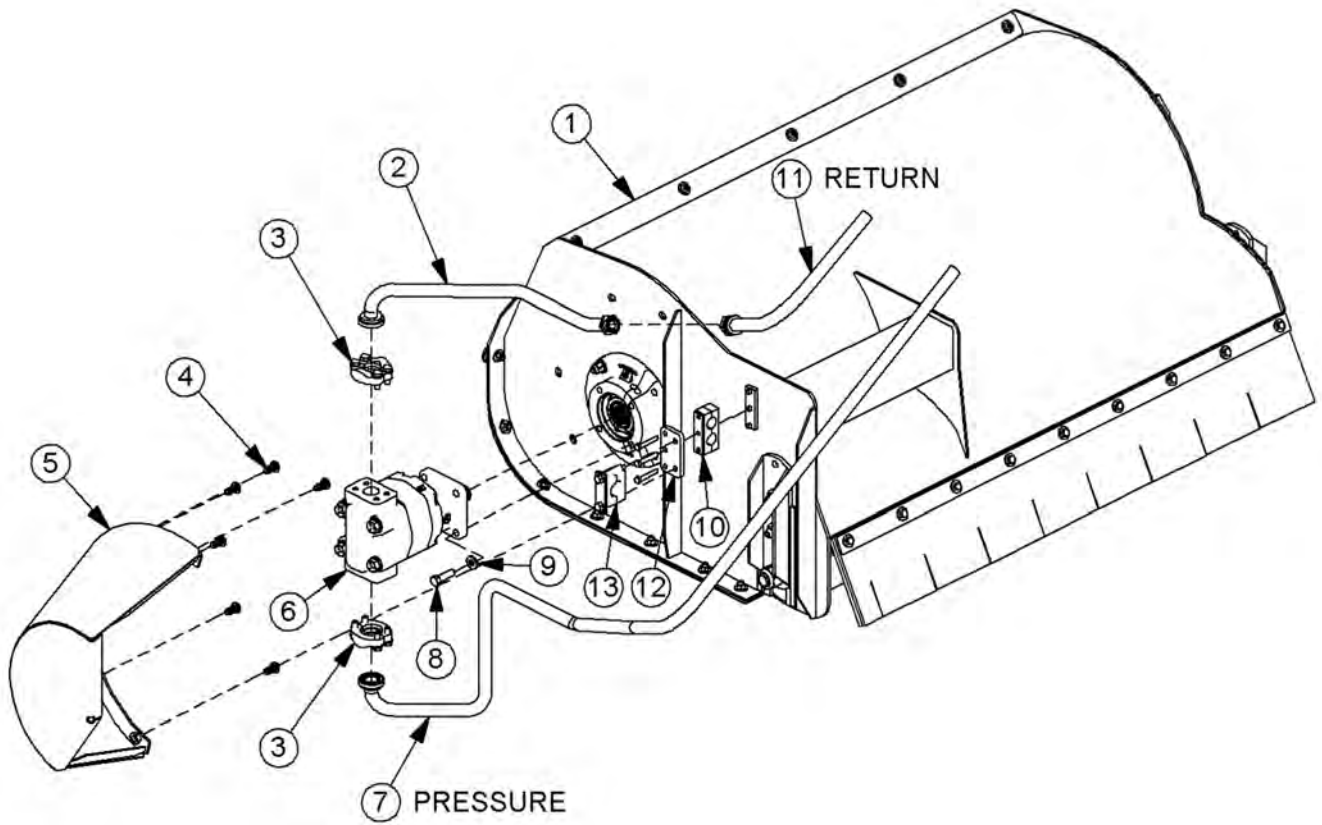
Continued...

ITEM	PART NO.	QTY.	DESCRIPTION
1	06320112	1	BONNET
2	TF3007A	1	COVER PLATE
3	06410794	1	GUARD
4	06533006	14	FLATWASHER,1/2",GR 9
5	21727	10	NYLOCK NUT,1/2",NC
6	06530404	2	CAPSCREW,SKT/BUT HD,1/2" X 1-1/2",NC
7	06530401	4	CAPSCREW,SKT/BUT HD,1/2" X 1",NC
8	06320127	1	DOOR,SBF50 DD
9	06530218	4	CAPSCREW,1/2" X 1-3/4",NC,L9
10	06520211	1	BEARING W/ HOUSING
11	31204	1	STRING GUARD
---	06700123	1	CUTTERSHAFT ASSY (LIGHT BRUSH)
----	06700153	1	CUTTERSHAFT ASSY (MEDIUM BRUSH)
12	06370124	1	CUTTERSHAFT W/ INSERT
13	34786	24	KNIFE MNTG BOLT
14	34782	24	KNIFE MNTG CLEVIS (LIGHT BRUSH)
---	06420183	24	SPACER (MEDIUM BRUSH)
15	34780	24	KNIFE (LIGHT BRUSH)
---	06521007	48	KNIFE (MEDIUM BRUSH)
16	6T2419	24	HEX NUT,9/16",STOVER
17	06420182	24	BUSHING
18	06537030	4	PLOW BOLT,1/2" X 1-3/4",NC,GR8
19	06520190	1	BEARING,DRIVE
20	06531005	4	HEX NUT,1/2",NC,L9
21	21631	2	CAPSCREW,3/8" X 1-1/4",NC,GR8
22	22016	35	FLATWASHER,3/8"
23	21627	2	NYLOCK NUT,3/8",NC
24	06410802	2	SKID SHOE
25	6T2270	12	PLOW BOLT,3/8" X 1",NC
26	21625	26	HEX NUT,3/8",NC
27	21732	4	CAPSCREW,1/2" X 1-3/4",NC
28	06320125	2	BRACKET,GROUND ROLLER
29	31452	1	AXLE,TIE-ROD
30	TF1022	2	BEARING,GROUND ROLLER
31	6T2330	8	CAPSCREW,SKT HD,7/16" X 1-1/2",NC
32	6T1023R	2	NYLOCK NUT,1-1/8",NF
33	TF3405	1	GROUND ROLLER
34	TB1006A	2	FLAP
35	TB1008	1	FLAP BAR
36	21633	9	CAPSCREW,3/8" X 1-3/4",NC,GR8
37	06530402	5	CAPSCREW,SKT/BUT HD,3/8" X 2-3/4",NC

COMMON SABER T4

SABER DIRECT DRIVE ASSEMBLY

Parts of this machine are
protected by U.S. Patent
number 7,930,872 B2

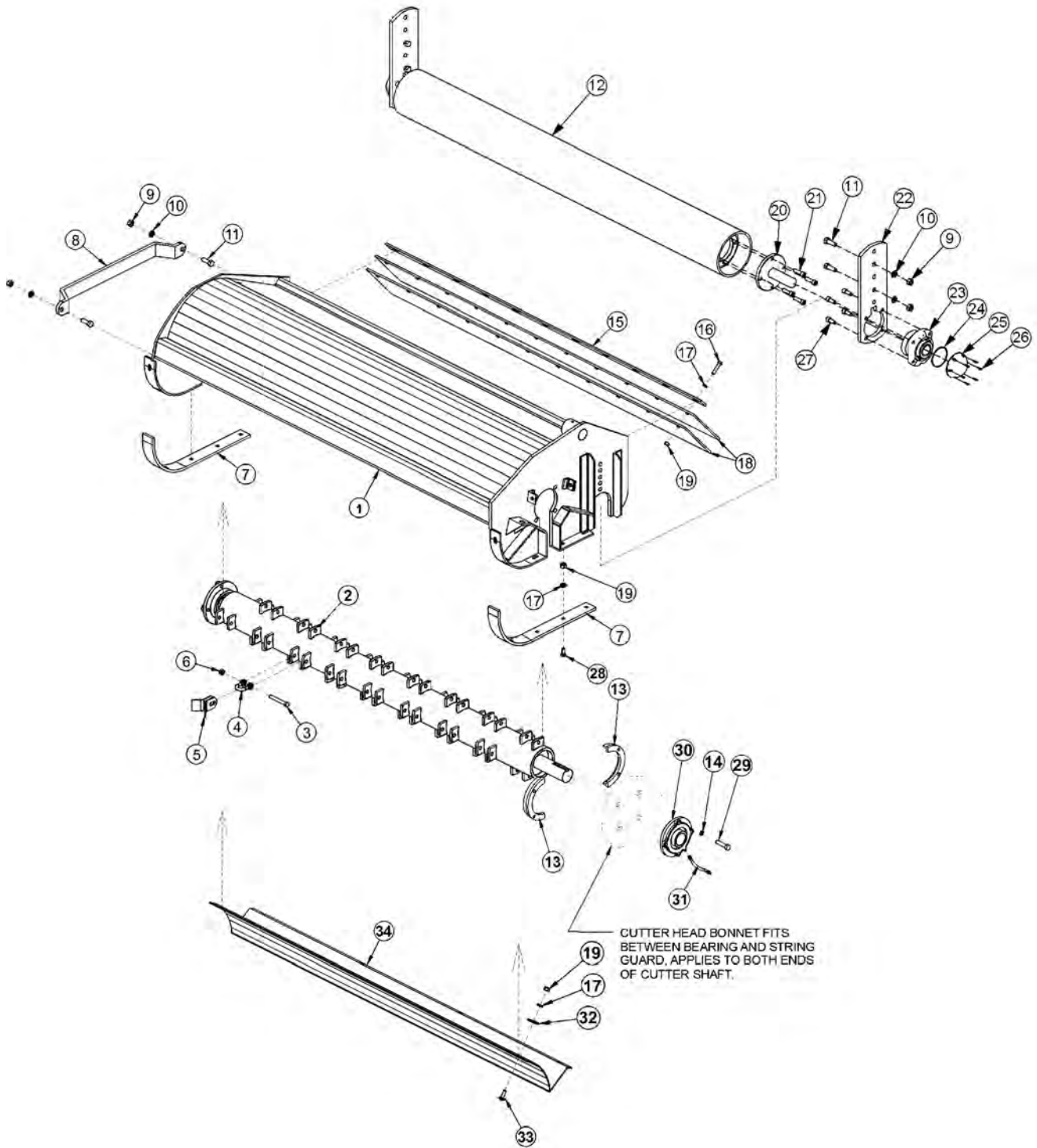


SABER DIRECT DRIVE ASSEMBLY

Continued...

ITEM	PART NO.	QTY.	DESCRIPTION
1	-----	-	BONNET *REFER TO BONNET ASSY
2	06506040	1	PREFORMED TUBE
3	TF4852	2	FLANGE KIT
4	06530401	6	CAPSCREW,SKT/BUT HD,1/2" X 1",NC
5	06320126	1	MOTOR GUARD
6	06504003	1	MOTOR,DD
7	06500539	1	HOSE,1" X 82"
8	06530218	4	CAPSCREW,1/2" X 1-3/4",NC,GR9
9	06533006	4	FLATWASHER,1/2",GR9
10	06505014	1	CLAMP KIT
11	06500386	1	HOSE,1" X 52"
12	06401418	1	PLATE,CLAMP
13	06505017	1	CLAMP KIT,HOSE

63IN FLAIL ASSEMBLY



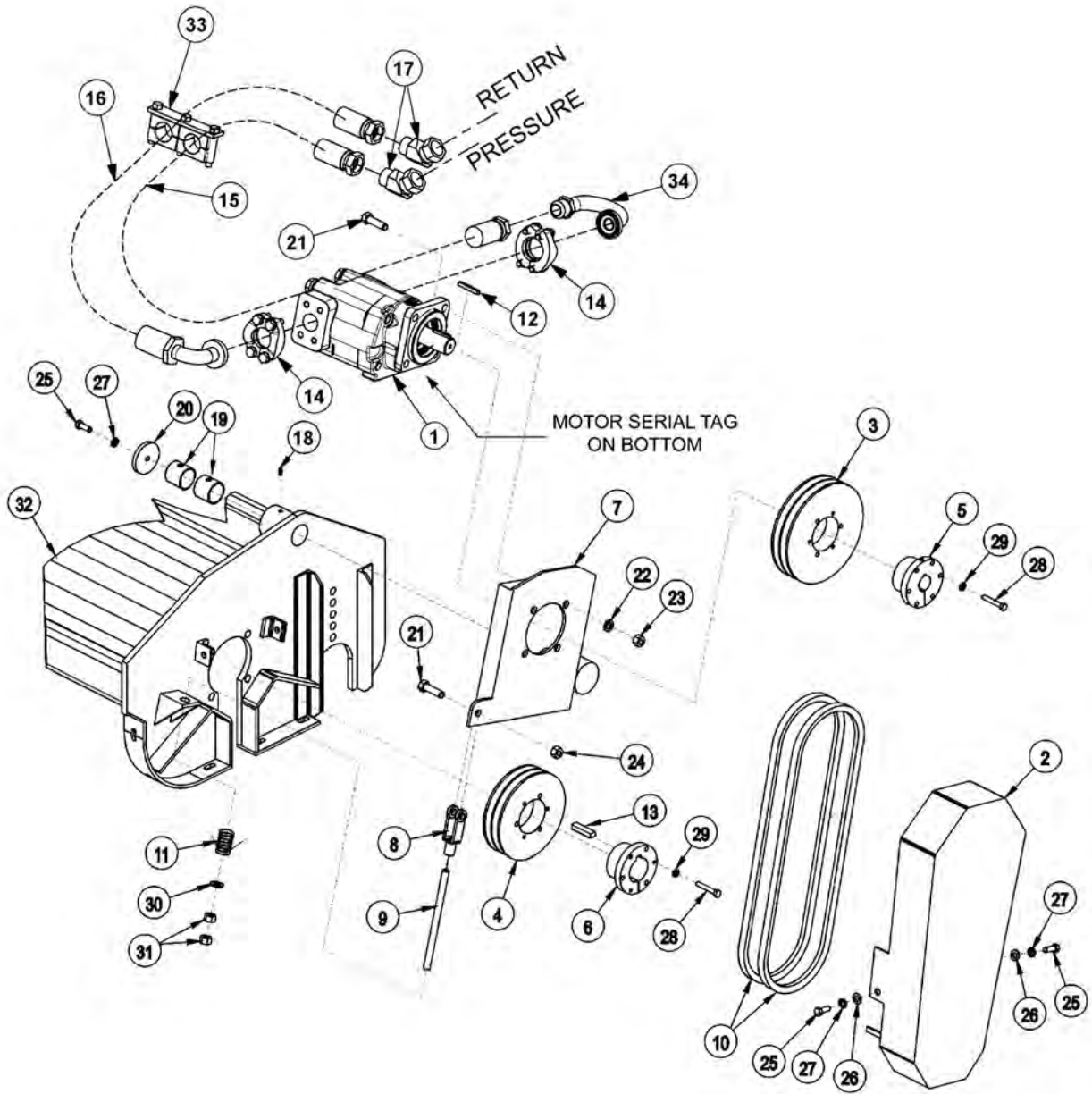
63IN FLAIL ASSEMBLY

Continued...

ITEM	PART NO.	QTY.	DESCRIPTION
-----	06200658	1	FLAIL,BOOM,63",GRASS,CPLT ASSY
1	06320110	1	CUTTER HEAD BONNET
2	28743	1	CUTTER SHAFT / KNIFE ASSY STANDARD GRASS
-----	28642C	1	CUTTER SHAFT,63",STD
3	TF1021B	36	FLAIL KNIFE MOUNTING BOLT
4	TF1020	36	FLAIL KNIFE MOUNTING CLEVIS
5	33713	72	FLAIL KNIFE - STANDARD
6	21677	36	NYLOCK NUT
7	28086A	2	SKID SHOE
8	27975A	1	CUTTER SHAFT GUARD
9	21725	14	HEX NUT,1/2",NC
10	21990	14	LOCKWASHER,1/2"
11	21731	6	CAPSCREW,1/2" X 1-1/2",NC
12	06320240	1	GROUND ROLLER
13	21838	1	CAPSCREW,3/4" X 3-1/2",NC
14	21825	1	HEX NUT,3/4",NC
15	28700	1	FLAP RETAINING BAR
16	21633	11	CAPSCREW,3/8" X 1-3/4",NC
17	21988	28	LOCKWASHER,3/8"
18	28701	2	DEFLECTOR FLAP
19	21625	28	HEX NUT,3/8",NC
20	TF1045B	2	GROUND ROLLER STUB SHAFT
21	6T2330	8	CAPSCREW,7/16" X 1-1/2",SKT HD,NC
22	28735	2	ADJUSTABLE ROLLER BRACKET
23	06520028	2	BEARING,FLANGE,1-3/8",GRNDRLLR
24	06520029	2	O-RING
25	06520027	2	CAP,BEARING,GROUNDROLLER
26	06530001	12	CAPSCREW,SKT HD,8-32 X 1/2",SS
27	6T2331	8	CAPSCREW,7/16" X 1" SKT HD,NC
28	6T2270	10	PLOW BOLT,3/8" X 1-1/4",NC
29	21733	8	CAPSCREW,1/2" X 2",NC
30	28683	2	FLANGE BEARING
31	TF1032	1	FLANGE BEARING GREASE HOSE
32	6T2615	7	FENDER WASHER,3/8"
33	6T2283	7	CARRIAGE BOLT,3/8" X 1",NC
34	28665A	1	BAFFLE (INSIDE UPPER REAR OF CUTTER HEAD)

COMMON SABER T4

63IN FLAIL DRIVE ASSEMBLY

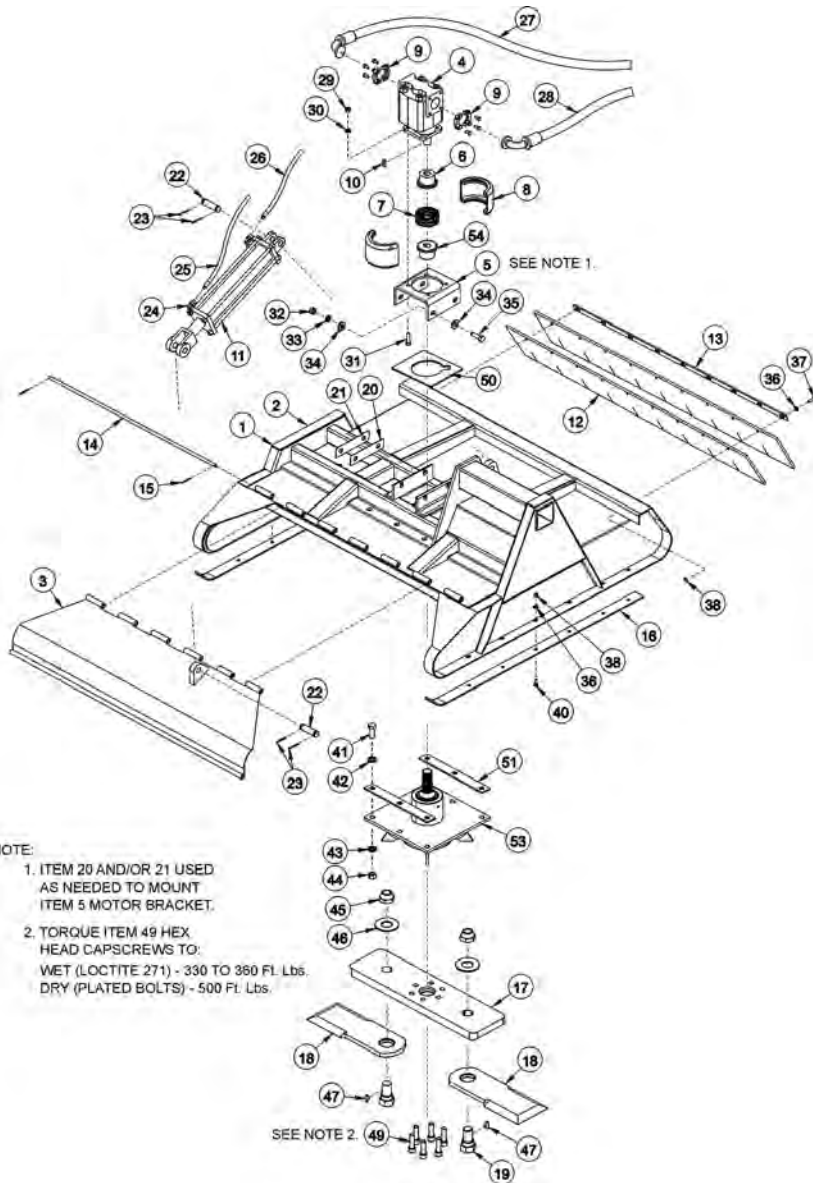


63IN FLAIL DRIVE ASSEMBLY

Continued...

ITEM	PART NO.	QTY.	DESCRIPTION
1	06504132	1	MOTOR (M350-1 3/4 GEAR)
2	28703B	1	BELT GUARD
3	TF3044	1	UPPER SHEAVE
4	TF3040	1	LOWER SHEAVE
5	TF3013	1	BUSHING
6	28723	1	BUSHING
7	28679B	1	MOTOR CHANNEL
8	PT3611A	1	CLEVIS
9	40496	1	THREADED ROD
10	28702	2	BELT
11	TF3620A	1	TENSIONER SPRING
12	28572	1	SQUARE KEY
13	TF1025	1	SQUARE KEY
14	TF4852	2	FLANGE KIT
15	30308	1	HOSE,1" X 143" (PRESSURE)
16	30309	1	HOSE,1" X 143" (RETURN)
17	24724	2	SWIVEL FITTING
18	TF1033	1	GREASE ZERK
19	27580	1	BUSHING
20	28682	1	MOTOR CHANNEL WASHER
21	21732	5	CAPSCREW,1/2" X 1-3/4",NC
22	21990	5	LOCKWASHER,1/2"
23	21725	4	HEX NUT,1/2",NC
24	21727	1	NYLOCK NUT,1/2",NC
25	21630	3	CAPSCREW,3/8" X 1",NC
26	22016	2	FLATWASHER,3/8"
27	21988	3	LOCKWASHER,3/8"
28	21584	6	CAPSCREW,5/16" X 2",NC
29	21987	6	LOCKWASHER,5/16"
30	27938	1	FLATWASHER,1/2"
31	21700	2	HEX NUT,1/2",NF
32	-----	-	CUTTER HEAD *REFER TO MOWER ASSY
33	35131	1	CLAMP,HOSE
34	06506038	1	PREFORMED TUBE

50IN SABER ROTARY MOWER



ITEM	PART NO.	QTY.	DESCRIPTION
1	36979	-	ROTARY,SABER 50",ASSY
2	32914	1	ROTARY,SABER 50",DECK *Y GNFO GP V QPN +
3	32915	1	SHIELD,50" ROTARY,SABER
4	06504012	1	MOTOR
5	33198	1	MOTOR MOUNTING BRACKET
6	34479	1	SPROCKET,MOTOR
7	34482	1	CHAIN COUPLING
8	34483	1	COVER COUPLING
9	TF4852	2	FLANGE KIT
10	TF1124	1	KEY,WOODRUFF
11	33185	1	CYLINDER

COMMON SABER T4

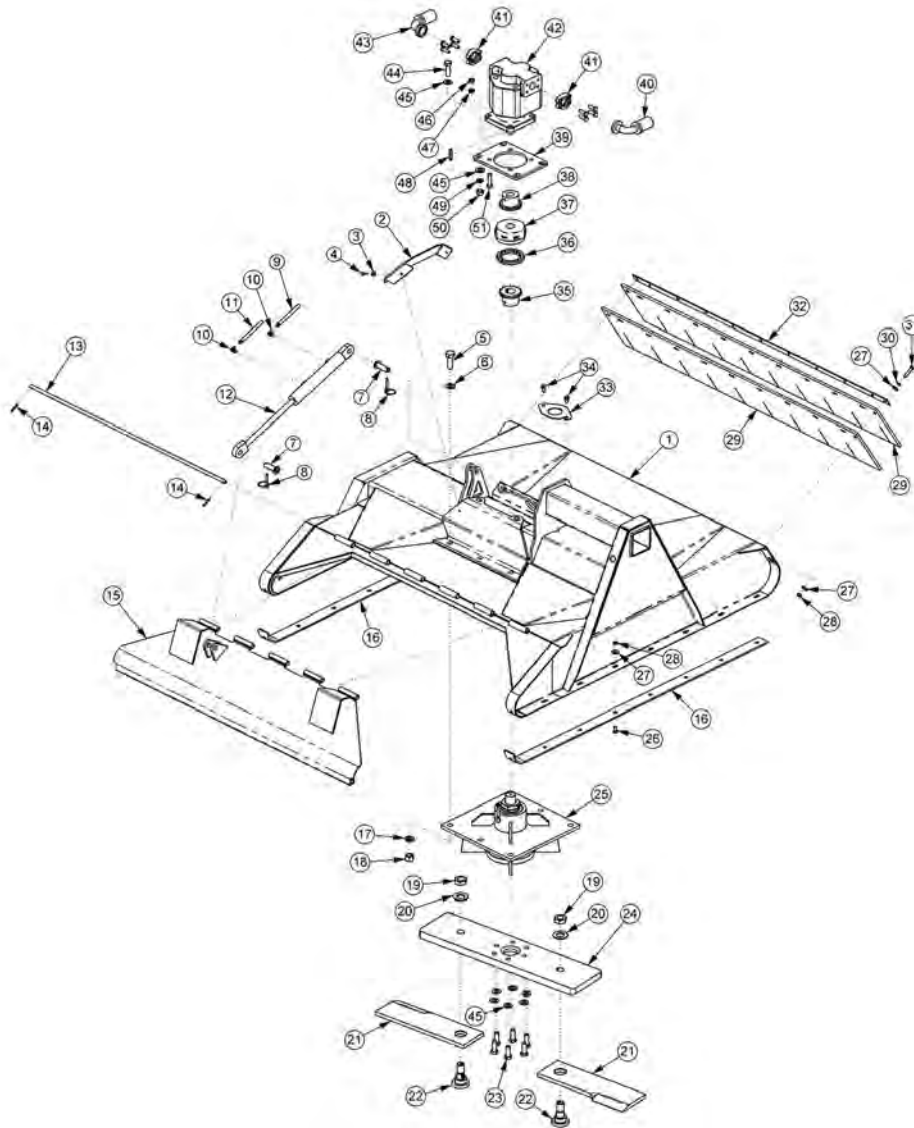
50IN SABER ROTARY MOWER

Continued...

ITEM	PART NO.	QTY.	DESCRIPTION
12	32952	2	DEFLECTOR FLAP
13	33211	1	RETAINING BAR,FLAP
14	32951	1	HINGE PIN,SHIELD
15	33924	2	ROLLPIN,HINGE PIN
16	32936	2	SKID SHOE
17	34509	1	BAR,KNIVE MOUNTING
18	33203	1	KNIVES,SET OF 2,ROTARY,3/4"
19	34883	2	BOLT,KNIFE
20	6T0822	3	SHIM,MOTOR MOUNT,THIN
21	6T0822A	3	SHIM,MOTOR MOUNT,THICK
22	TB1033	2	CLEVIS PIN
23	06537021	4	ROLL PIN,CLEVIS
24	3334306	2	ELBOW,3/8MP X 3/8MJ90
25	33223	1	HOSE,CYLINDER,3/8" X 70"
26	33222	1	HOSE,CYLINDER,3/8" X 59"
27	33548	1	HOSE,MOTOR - RETURN (BLUE DECAL STRIP)
28	33549	1	HOSE,MOTOR - PRESSRUE (RED DECAL STRIP)
29	21725	4	HEX NUT,1/2",NC
30	21990	4	LOCK WASHER,1/2"
31	21733	4	CAPSCREW,1/2" X 2",NC
32	6T2408	4	HEX NUT,5/8",NF
33	21992	4	LOCK WASHER,5/8"
34	33764	8	FLAT WASHER,5/8"
35	6T2290	4	CAPSCREW,5/8" X 2",NF
36	22016	25	FLAT WASHER,3/8"
37	21633	9	CAPSCREW,3/8" X 1-3/4",NC
38	21625	25	HEX NUT,3/8",NC
40	6T2270	14	PLOW BOLT,3/8" X 1",NC
41	33879	6	CAPSCREW,3/4" X 2-1/2",NF
42	33880	6	FLAT WASHER,3/4"
43	21993	6	LOCK WASHER,3/4"
44	6T2413	6	HEX NUT,3/4",NF
45	33860	2	HEX NUT,KNIFE
46	33859	2	FLAT WASHER,KNIFE
47	PT209	2	KEY,WOODRUFF
49	34475	6	HEX HD CAPSCREW,3/4" X 2",NF
50	33614	1	PLATE,SPINDLE COLLAR
51	33617	2	SHIM,STRAP,SPINDLE
53	33219	1	SPINDLE
54	-----	-	SPROCKET *REFER TO SPINDLE PARTS
---	33891	-	KIT,KNIVES (INCLUDES ITEMS 18,19,39,45,46,47)

COMMON SABER T4

50IN SABER MB ROTARY MOWER



ITEM	PART NO.	QTY.	DESCRIPTION
---	06741036	-	ROTARY,SABER,ASSY
1	06320009	1	ROTARY,SABER,DECK
2	06410439	1	COVER,MOTOR MNT
3	22014	2	FLATWASHER,1/4"
4	21530	2	CAPSCREW,1/4" X 1",NC
5	33879	6	CAPSCREW,3/4" X 2-1/4",NF,GR 8
6	33880	6	FLATWASHER,3/4",GR 8,SAE
7	33984	2	PIN,SHIELD,50"
8	RD1032	2	PIN,LYNCH,1/4" X 2"
9	06500366	1	HOSE,3/8" X 98"
10	32810	2	ELBOW,1/2" X 3/8"
11	06500670	1	HOSE,3/8" X 108"

COMMON SABER T4

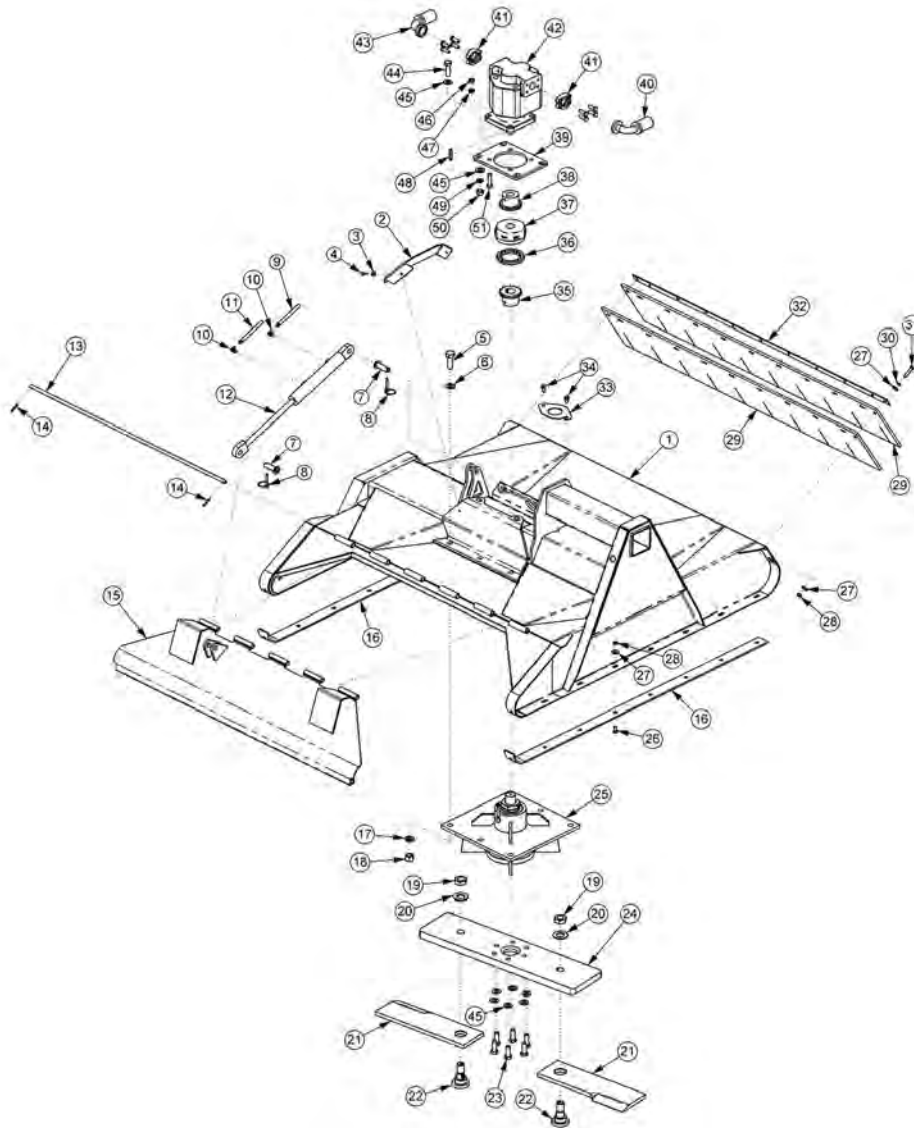
50IN SABER MB ROTARY MOWER

Continued...

ITEM	PART NO.	QTY.	DESCRIPTION
12	33785	1	CYL,1-1/2 X 8"
13	33778	1	HINGE PIN,50" RTRY
14	6T3017	2	ROLLPIN,3/16" X 1"
15	33754	1	SHIELD,50" RTRY
16	33777	2	SKID SHOE,50" RTRY
17	21993	6	LOCKWASHER,3/4",GR 8
18	6T2413	6	HEX NUT,3/4",NF,GR 8
19	6T1023R	2	KNIFE MTG NUT,1-1/8",NF,GR8
20	06533002	2	FLATWASHER,1-1/8",GR8
21	06521001	2	KNIFE,TRB 50,5/8"
22	06538000	2	KNIFE MTG BOLT,5/8",SHOULDER
23	6T2259	6	CAPSCREW,5/8" X 1-3/4",NF,GR8
24	06400388	1	BAR,BLADE,TRB
25	6T1024H5	1	SPINDLE
26	6T2270	16	PLOW BOLT,3/8" X 1",NC,GR5
27	22016	29	FLATWASHER,3/8"
28	21625	29	HEX NUT,3/8",NC
29	33775	2	FLAP,50" RTRY
30	21988	13	LOCKWASHER,3/8"
31	21633	13	CAPSCREW,3/8" X 1-3/4",NC
32	33774	1	FLAP RETAINER,50" RTRY
33	33779	1	PLATE,COVER,KNF HOLE
34	33881	2	CAPSCREW,FLG,3/8" X 3/4",NC
35	-----	-	SPROCKET *REFER TO SPINDLE PARTS
36	6T1029	1	CHAIN,COUPLING (5016)
37	6T1033	1	COVER,COUPLING
38	21223	1	SPROKET,1-1/4" BORE
39	33776	1	MOTOR MOUNT,PLATE,50" RTRY
40	06500495	1	HOSE - PRESSURE (RED DECAL STRIP)
41	TF4852	2	KIT,FLANGE #20
42	06504012	1	MOTOR,(M365-1-1/2" GEAR)
43	06500669	1	HOSE - RETURN (BLUE DECAL STRIP)
44	6T2290	4	CAPSCREW,5/8" X 2",NF,GR 8
45	33764	14	FLATWASHER,5/8",GR 8,SAE
46	21725	4	HEX NUT,1/2" NC
47	21990	4	LOCKWASHER,1/2"
48	TF1124	1	KEY,WOODRUFF
49	21992	4	LOCKWASHER,5/8"
50	6T2408	4	HEX NUT,5/8",NF
51	21733	4	CAPSCREW,1/2" X 2",NC
52	6T2259	6	CAPSCREW,5/8" X 1-3/4",NF,GR 8

COMMON SABER T4

50IN SABER XB ROTARY MOWER



ITEM	PART NO.	QTY.	DESCRIPTION
---	06741036	-	ROTARY,SABER XB,ASSY
1	06320009	1	ROTARY,SABER XB,DECK
2	06410439	1	COVER,MOTOR MNT
3	22014	2	FLATWASHER,1/4"
4	21530	2	CAPSCREW,1/4" X 1",NC
5	33879	6	CAPSCREW,3/4" X 2-1/4",NF,GR 8
6	33880	6	FLATWASHER,3/4",GR 8,SAE
7	33984	2	PIN,SHIELD,50"
8	RD1032	2	PIN,LYNCH,1/4" X 2"
9	06500291	1	HOSE,3/8" X 74"
10	32810	2	ELBOW,1/2" X 3/8"
11	06500292	1	HOSE,3/8" X 85"

COMMON SABER T4

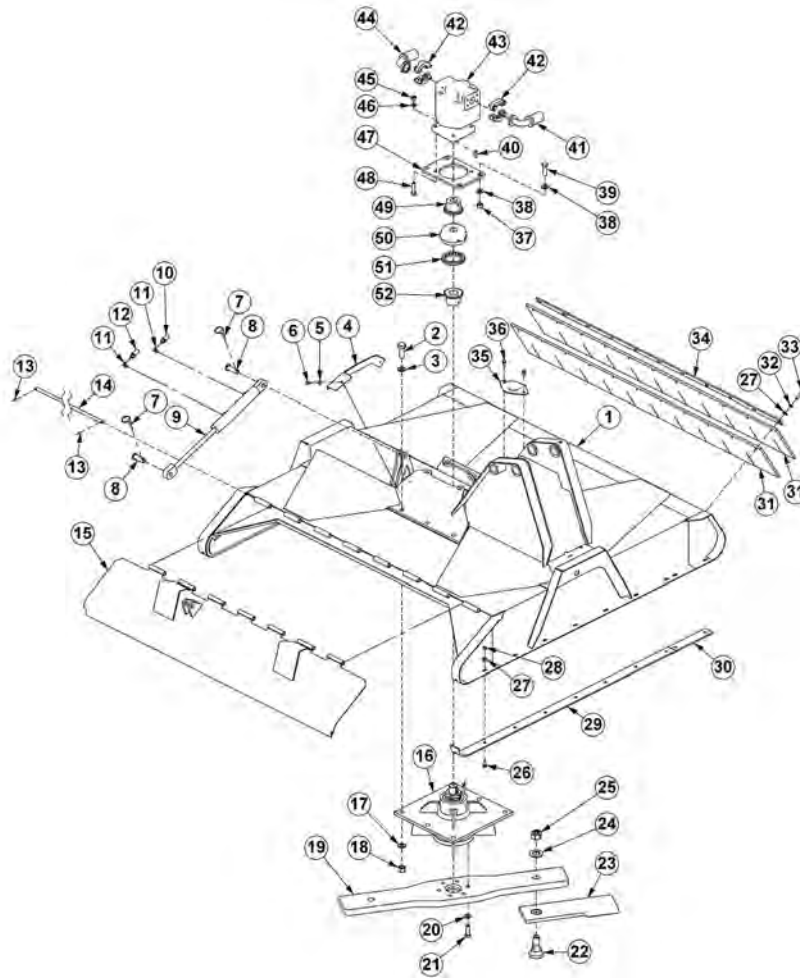
50IN SABER XB ROTARY MOWER

Continued...

ITEM	PART NO.	QTY.	DESCRIPTION
12	33785	1	CYL,1-1/2 X 8"
13	33778	1	HINGE PIN,50" RTRY
14	6T3017	2	ROLLPIN,3/16" X 1"
15	33754	1	SHIELD,50" RTRY
16	33777	2	SKID SHOE,50" RTRY
17	21993	6	LOCKWASHER,3/4",GR 8
18	6T2413	6	HEX NUT,3/4",NF,GR 8
19	6T1023R	2	KNIFE MTG NUT,1-1/8",NF,GR8
20	06533002	2	FLATWASHER,1-1/8",GR8
21	06521001	2	KNIFE,TRB 50,5/8"
22	06538000	2	KNIFE MTG BOLT,5/8",SHOULDER
23	6T2259	6	CAPSCREW,5/8" X 1-3/4",NF,GR8
24	06400388	1	BAR,BLADE,TRB
25	6T1024H5	1	SPINDLE
26	6T2270	16	PLOW BOLT,3/8" X 1",NC,GR5
27	22016	29	FLATWASHER,3/8"
28	21625	29	HEX NUT,3/8",NC
29	33775	2	FLAP,50" RTRY
30	21988	13	LOCKWASHER,3/8"
31	21633	13	CAPSCREW,3/8" X 1-3/4",NC
32	33774	1	FLAP RETAINER,50" RTRY
33	33779	1	PLATE,COVER,KNF HOLE
34	33881	2	CAPSCREW,FLG,3/8" X 3/4",NC
35	-----	-	SPROCKET *REFER TO SPINDLE PARTS
36	6T1029	1	CHAIN,COUPLING (5016)
37	6T1033	1	COVER,COUPLING
38	21223	1	SPROKET,1-1/4" BORE
39	33776	1	MOTOR MOUNT,PLATE,50" RTRY
40	33549	1	HOSE - PRESSURE (RED DECAL STRIP)
41	TF4852	2	KIT,FLANGE #20
42	06504012	1	MOTOR,(M365-1-1/2" GEAR)
43	33548	1	HOSE - RETURN (BLUE DECAL STRIP)
44	6T2290	4	CAPSCREW,5/8" X 2",NF,GR 8
45	33764	14	FLATWASHER,5/8",GR 8,SAE
46	21725	4	HEX NUT,1/2" NC
47	21990	4	LOCKWASHER,1/2"
48	TF1124	1	KEY,WOODRUFF
49	21992	4	LOCKWASHER,5/8"
50	6T2408	4	HEX NUT,5/8",NF
51	21733	4	CAPSCREW,1/2" X 2",NC
52	6T2259	6	CAPSCREW,5/8" X 1-3/4",NF,GR 8

COMMON SABER T4

60IN SABER ROTARY MOWER



ITEM	PART NO.	QTY.	DESCRIPTION
---	06741072	-	ROTARY,SABER 60",ASSY
1	06320169	1	ROTARY,SABER 60",DECK
2	33879	6	CAPSCREW, 3/4" X 2-1/4",NF GR 8
3	33880	6	FLATWASHER,3/4",GR 8,SAE
4	06410439	1	COVER,MOTOR MNT
5	22014	2	FLATWASHER,1/4"
6	21530	2	CAPSCREW,1/4" X 1",NC
7	RD1032	2	PIN,LYNCH,1/4" X 2"
8	33984	2	PIN,SHIELD
9	33785	1	CYL,1-1/2" X 8"
10	06500292	1	HOSE,3/8" X 85"
---	06500389	1	HOSE,3/8" X 88" (SABER MB)
11	32810	2	ELBOW,1/2" X 3/8"
12	06500384	1	HOSE,3/8" X 94"
---	06500366	1	HOSE,3/8" X 98" (SABER MB)
13	6T3017	2	ROLLPIN,3/16" X 1"

COMMON SABER T4

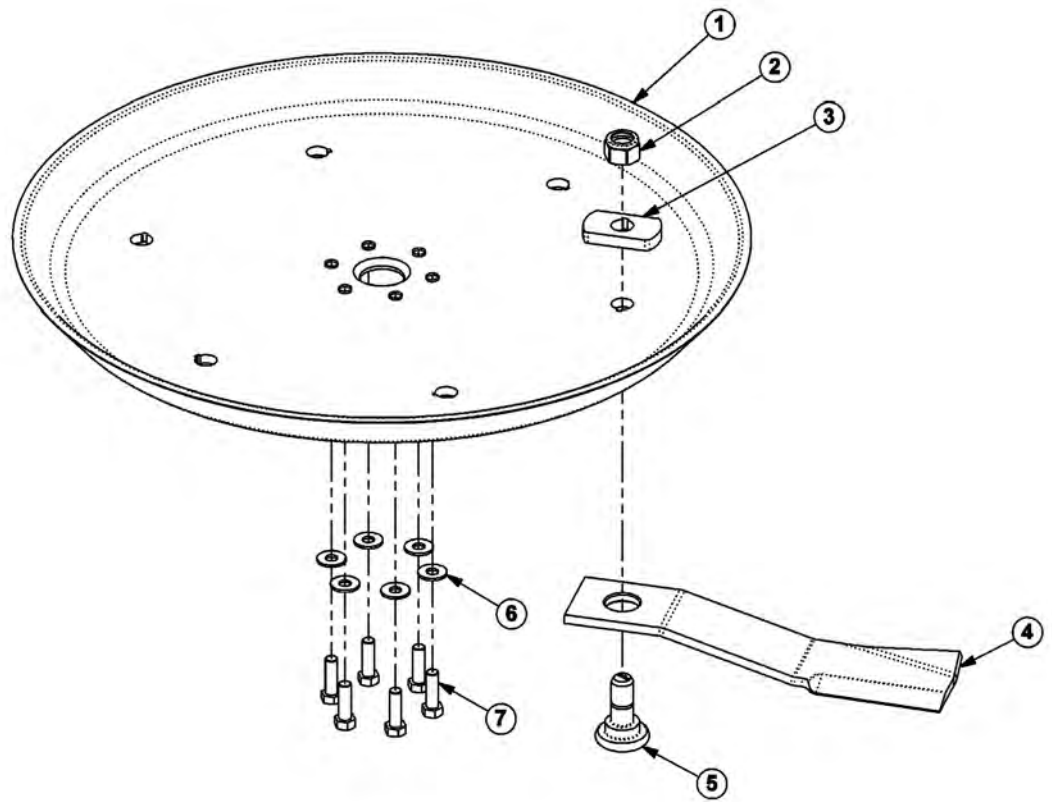
60IN SABER ROTARY MOWER

Continued...

ITEM	PART NO.	QTY.	DESCRIPTION
14	06420139	1	HINGE PIN,60" RTRY
15	06320162	1	SHIELD,60" RTRY
16	6T1024H5	1	SPINDLE
17	21993	6	LOCKWASHER,3/4",GR 8
18	6T2413	6	HEX NUT,3/4",NF,GR 8
19	06400690	1	BAR,BLADE,60" RTRY
20	33764	6	FLATWASHER,5/8",GR 8,SAE
21	6T2259	6	CAPSCREW,5/8" X 1-3/4",NF,GR 8
22	06538000	2	KNIFE MTG BOLT,5/8" SHOULDER
23	06521001	2	KNIFE,TRB50,5/8"
24	06533002	2	FLATWASHER,1-1/8",GR 8
25	6T1023R	2	KNIFE MTG NUT,1-1/8",NF,GR 8
26	6T2270	20	PLOW BOLT,3/8" X 1",NC,GR5
27	22016	31	FLATWASHER,3/8"
28	21625	20	HEX NUT,3/8",NC
29	33777	2	SKID SHOE,50" RTRY
30	06401245	2	SKID SHOE,60" RTRY
31	06520238	2	FLAP,DEFLECTOR,60" RTRY
32	21988	11	LOCKWASHER,3/8"
33	21633	11	CAPSCREW,3/8" X 1-3/4",NC
34	6T0823	1	FLAP RETAINER,60" RTRY
35	33779	1	PLATE,COVER,KNF HOLE
36	33881	2	CAPSCREW,FLG,3/8" X 3/4",NC
37	6T2408	4	HEX NUT,5/8",NF
38	33764	8	FLATWASHER,5/8",GR 8,SAE
39	6T2290	4	CAPSCREW,5/8" X 2",NF,GR 8
40	TF1124	1	KEY,WOODRUFF
41	33549	1	HOSE - PRESSURE (RED DECAL STRIP)
---	33548	1	HOSE - PRESSURE (SABER MB) (RED DECAL STRIP)
42	TF4852	2	KIT,FLANGE #20
43	06504011	1	MOTOR,(M365-2-1/4" GEAR)
44	33548	1	HOSE - RETURN (BLUE DECAL STRIP)
---	06500495	1	HOSE - RETURN (SABER MB) (BLUE DECAL STRIP)
45	21727	4	NYLOCK NUT,1/2",NC
46	06533004	4	FLATWASHER,1/2",GR 8,SAE
47	33776	1	MOTOR MOUNT,PLATE,50" RTRY
48	21733	4	CAPSCREW,1/2" X 2",NC
49	21223	1	SPROCKET,1-1/4" BORE
50	6T1033	1	COVER,COUPLING
51	6T1029	1	CHAIN,COUPLING (5016)
52	-----	-	SPROCKET *REFER TO SPINDLE PARTS

COMMON SABER T4

60IN ROTARY KNIFE AND DISH OPTION



60IN ROTARY KNIFE AND DISH OPTION

Continued...

ITEM	PART NO.	QTY.	DESCRIPTION
1	34876	1	BLADE MOUNTING DISK
2	6T1023R	2	NYLOCK NUT,1-1/8"
3	34878	2	SPACER
4	34684	2	GRASS KNIFE
5	34497	2	KNIFE MOUNTING BOLT
6	33764	6	FLATWASHER
7	6T2259	6	CAPSCREW
---	27167	1	BOLT KIT (INCLUDES ITEMS 6 & 7)
----	6T1825	1	LOCTITE - USED ON ALL DISK MOUNTING BOLTS
---	33893	1	KNIFE KIT (INCLUDES ITEMS 2, 4 & 5)

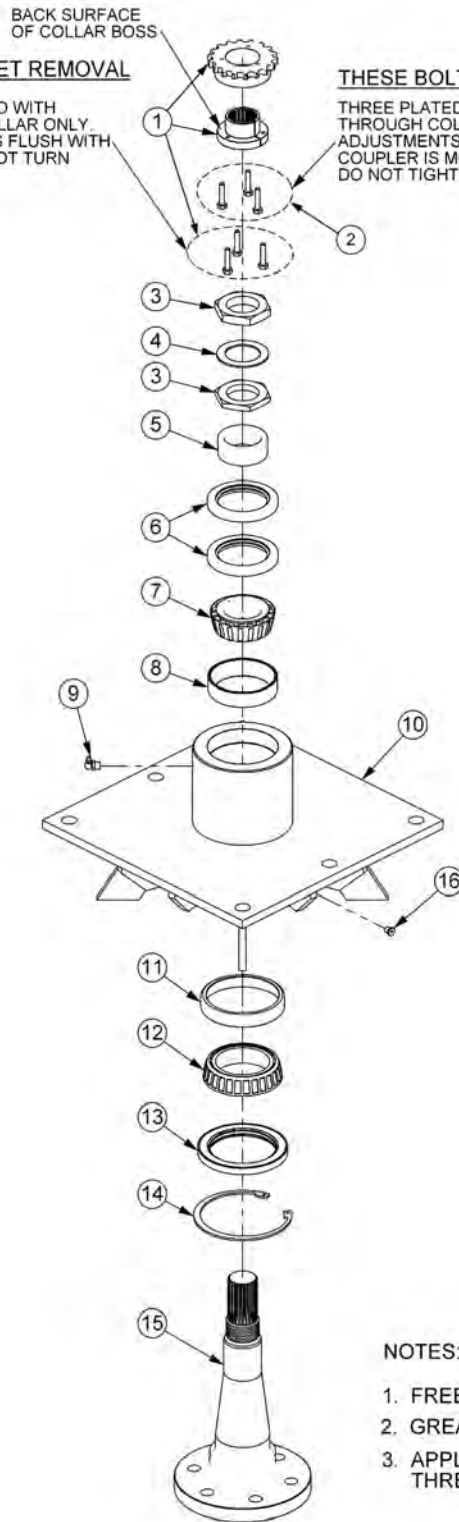
SABER SPINDLE ASSEMBLY

THESE BOLTS ARE FOR SPROCKET REMOVAL

THREE BLACK COLORED BOLTS SUPPLIED WITH TAPERLOCK BEARING. THREAD INTO COLLAR ONLY. TURN BOLTS INTO COLLAR UNTIL BOLT IS FLUSH WITH BACK SURFACE OF COLLAR BOSS. DO NOT TURN IN ANY FURTHER OR TIGHTEN.

THESE BOLTS ARE FOR ASSEMBLY

THREE PLATED BOLTS. THESE BOLTS SLIP THROUGH COLLAR AND THREAD INTO SPROCKET. ADJUSTMENTS ARE REQUIRED WHEN CHAIN COUPLER IS MOUNTED TO SPINDLE ASSEMBLY. DO NOT TIGHTEN BOLTS UNTIL THAT TIME.



NOTES:

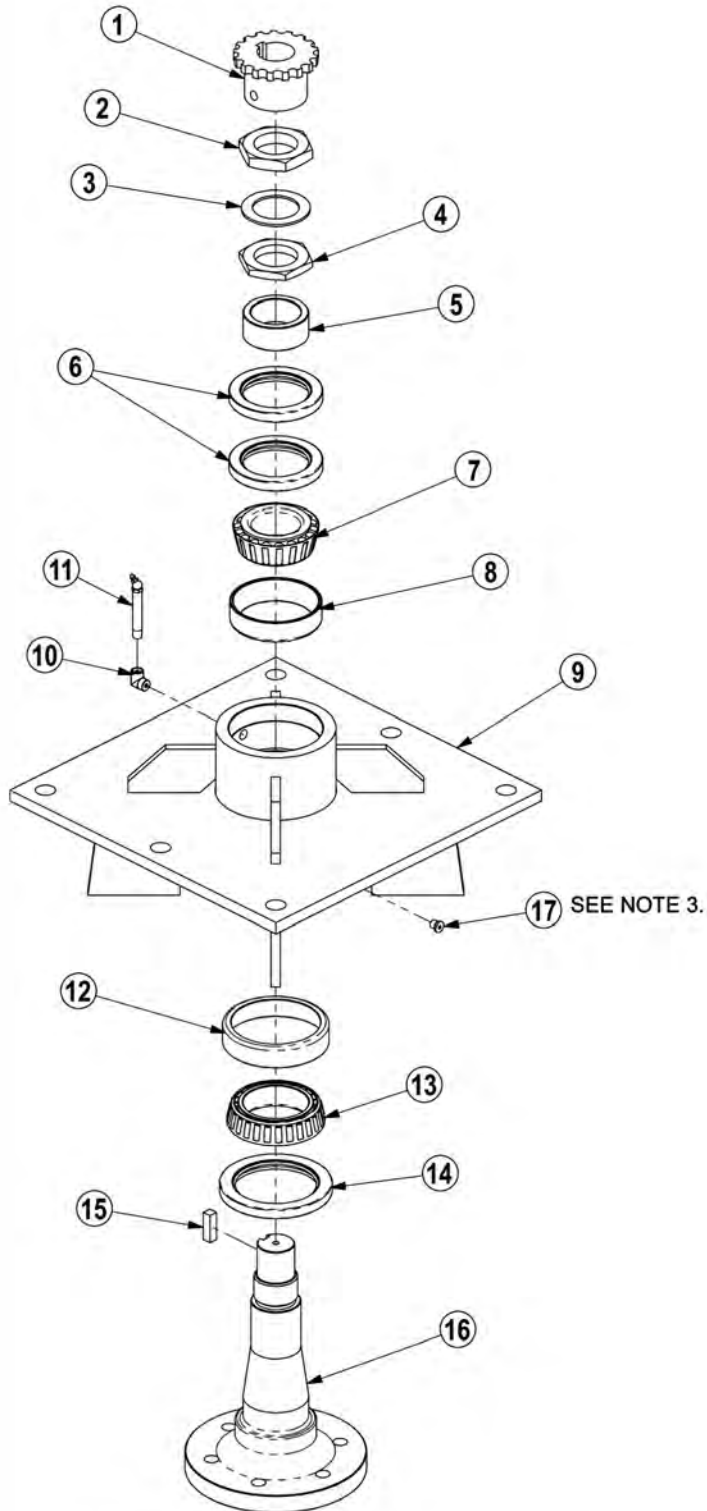
1. FREEPLAY: .001" - .003"
2. GREASE: FILL WITH MOBILITH SHC 220.
3. APPLY LOCKTIGHT "271" TO O-RING PLUG THREADS.

SABER SPINDLE ASSEMBLY

Continued...

ITEM	PART NO.	QTY.	DESCRIPTION
---	33219	-	SPINDLE ASSY,ROTARY
1	34480	1	TAPERLOCK SPROCKET
2	21530	3	CAPSCREW,1/4" X 1",NC
3	6T1015	2	BEARING LOCK NUT,THIN
4	22596	1	JAMWASHER
5	6T1014	1	BEARING ADJUST SLEEVE
6	6T1011	2	UPPER SEAL,SMALL
7	6T1012	1	BEARING CONE,SMALL
8	6T1013	1	BEARING CUP,SMALL
9	6T3210	1	GREASE ZERK
10	32953	1	SPINDLE HOUSING,SABER
11	33200	1	BEARING CUP,LARGE
12	33199	1	BEARING CONE,LARGE
13	33201	1	LOWER SEAL,LARGE
14	33202	1	SNAP RING
15	33186	1	SPINDLE,SABER
16	06503064	1	O-RING PLUG,1/8"

SABER XB & 60IN SPINDLE ASSY



NOTES:

1. FREEPLAY: .001" - .003"
2. GREASE: FILL WITH MOBILITH SHC 220.
3. APPLY LOCTITE "271" TO O-RING PLUG THRDS.

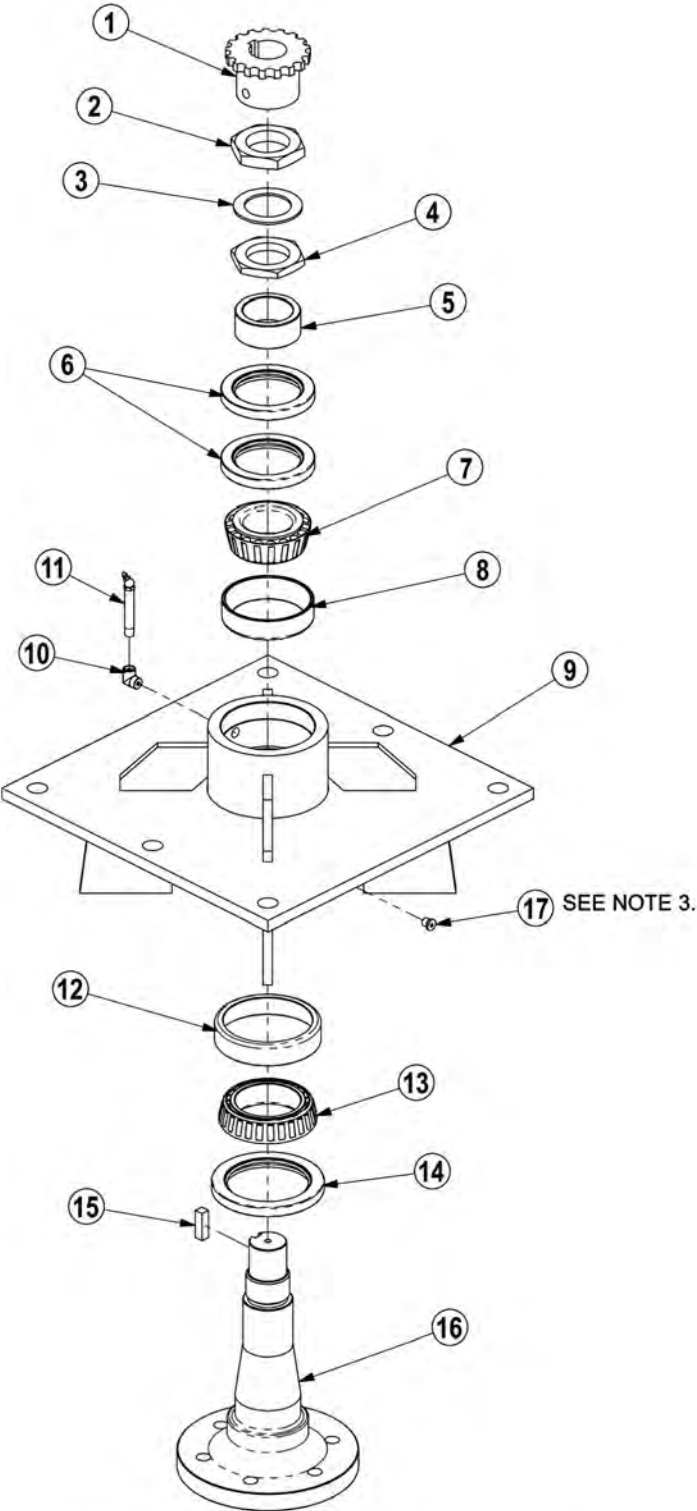
SABER XB & 60IN SPINDLE ASSY

Continued...

ITEM	PART NO.	QTY.	DESCRIPTION
---	6T1024H5	-	SPINDLE ASSEMBLY
1	6T1031	1	SPROCKET
2	6T1016	1	BEARING LOCK NUT,THICK
3	22596	1	JAM WASHER
4	6T1015	1	BEARING ADJUSTMENT NUT,THIN
5	6T1014	1	BEARING ADJUSTMENT SLEEVE
6	6T1011	1	UPPER SEAL (SET OF 2)
7	6T1012	1	BEARING CONE
8	6T1013	1	BEARING CUP
9	6T1010H	1	SPINDLE HOUSING
10	30570	1	FITTING,STREET ELBOW
11	33990	1	GREASE ZERK
12	6T1013H	1	BEARING CUP
13	6T1012H	1	BEARING CONE
14	6T1011H	1	LOWER SEAL
15	6T1019	1	SPINDLE KEY
16	PT1018H-5	1	SPINDLE
17	06503064	1	O-RING PLUG,1/8"
---	32572	-	SPINDLE REBUILD KIT (ITEMS 2 THRU 8 & 12 THRU 15)

COMMON SABER T4

ROTARY MOWER SPINDLE ASSEMBLY



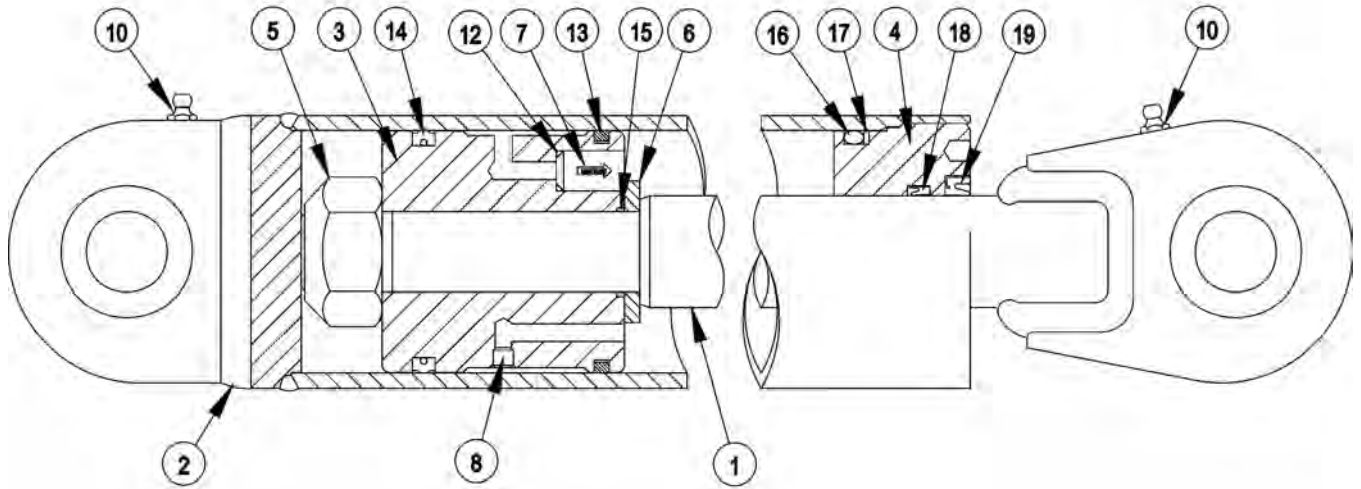
- NOTES:
1. FREEPLAY: .001" - .003"
 2. GREASE: FILL WITH MOBILITH SHC 220.
 3. APPLY LOCTITE "271" TO O-RING PLUG THRDS.

ROTARY MOWER SPINDLE ASSEMBLY

Continued...

ITEM	PART NO.	QTY.	DESCRIPTION
-----	6T1024H5	-	SPINDLE ASSEMBLY COMPLETE
1	6T1031	1	SPROCKET
2	6T1016	1	BEARING LOCK NUT - THICK
3	22596	1	JAM WASHER
4	6T1015	1	BEARING ADJUSTMENT NUT - THIN
5	6T1014	1	BEARING ADJUSTMENT SLEEVE
6	6T1011	1	UPPER SEAL - SET OF 2
7	6T1012	1	BEARING CONE
8	6T1013	1	BEARING CUP
9	6T1010H	1	SPINDLE HOUSING
10	30570	1	FITTING STREET ELBOW
11	33990	1	GREASE ZERK
12	6T1013H	1	BEARING CUP
13	6T1012H	1	BEARING CONE
14	6T1011H	1	LOWER SEAL
15	6T1019	1	SPINDLE KEY
16	PT1018H-5	1	SPINDLE
17	06503064	1	O-RING PLUG, 1/8"
-----	31771	-	SPINDLE REBUILD KIT (INCLUDES ITEMS 2 - 8 AND 12 - 15)

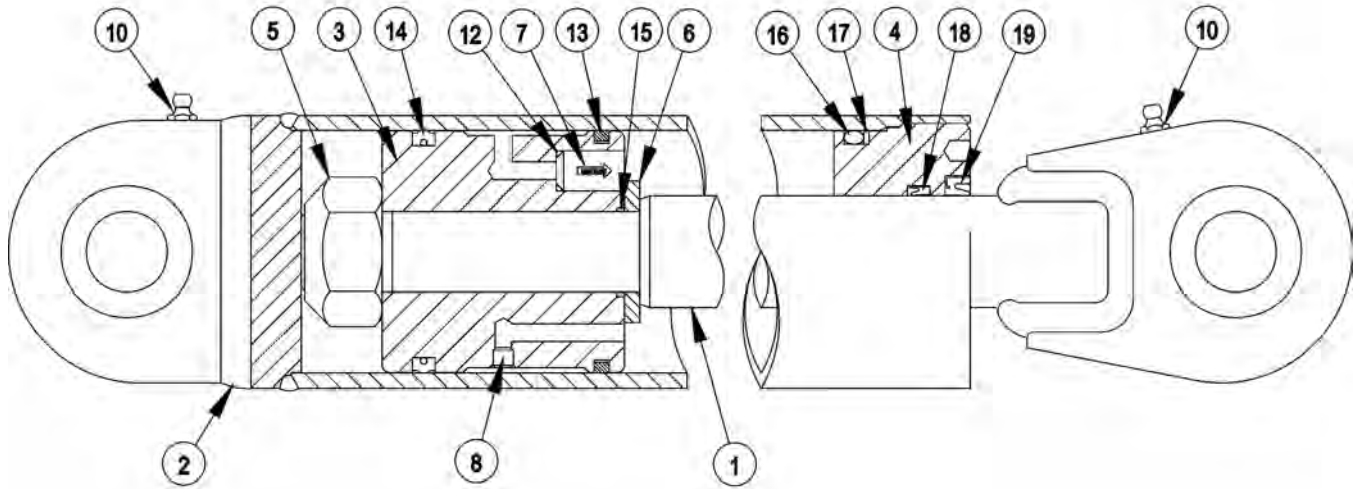
3IN X 17-1/2IN WELDED CYLINDER BREAKDOWN



WARNING - MECHANICAL FASTENERS MUST BE TORQUED TO RECOMMENDED SPECIFICATIONS DURING REPAIR TO PREVENT PERSONAL INJURY OR EQUIPMENT DAMAGE.

ITEM	PART NO.	QTY.	DESCRIPTION
---	33705	-	CYLINDER,WELDED,3" X 17-1/2"
1	34571	1	PISTON ROD ASSY
2	34572	1	BUTT & TUBE ASSY
3	34573	1	PISTON
4	34574	1	GLAND
5	34575	1	LOCK NUT,1"-14 UNS (TORQUE TO 315 FT.LB.)
6	34576	1	SPACER
7	34577	1	CHECK VALVE,KEPNER
8	34578	1	ORIFICE
9	33761	1	SEAL KIT,PACKING (ITEMS 12 THRU 19)
10	-----	2	GREASE ZERK
12	-----	1	O - RING
13	-----	1	CAST IRON PISTON RING
14	-----	1	CROWN SEAL
15	-----	1	O - RING
16	-----	1	O - RING
17	-----	1	BACK - UP WASHER
18	-----	1	U - CUP
19	-----	1	WIPER
20	34334	-	SPHERICAL BEARING (NOT SHOWN)

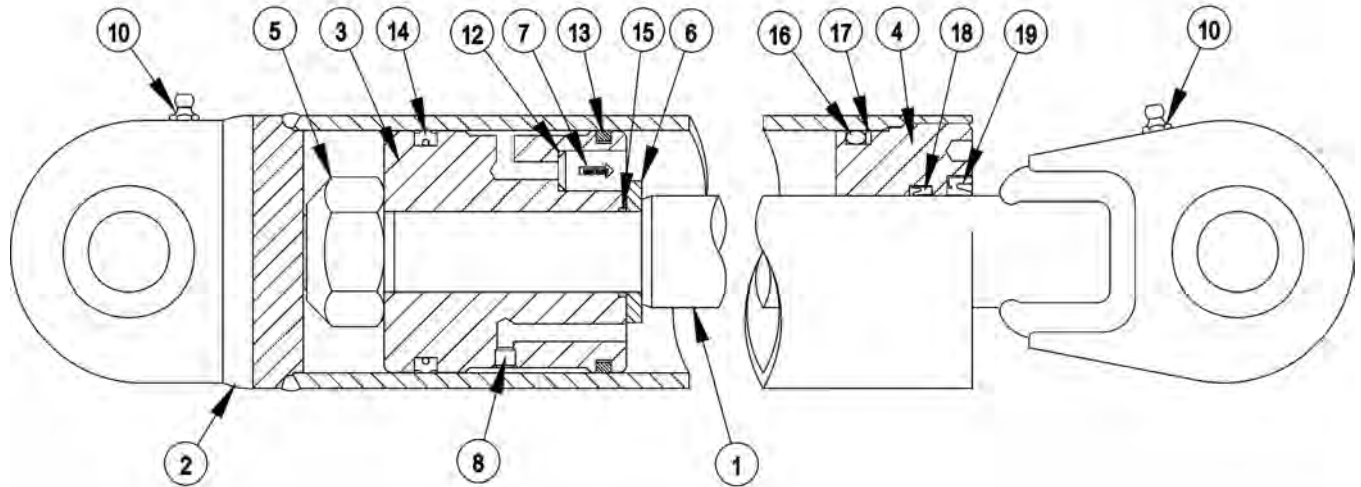
4IN X 15IN WELDED CYLINDER BREAKDOWN



WARNING - MECHANICAL FASTENERS MUST BE TORQUED TO RECOMMENDED SPECIFICATIONS DURING REPAIR TO PREVENT PERSONAL INJURY OR EQUIPMENT DAMAGE.

ITEM	PART NO.	QTY.	DESCRIPTION
---	32365	-	CYLINDER,WELDED,4" X 15"
1	34580	1	PISTON ROD ASSY
2	34581	1	BUTT & TUBE ASSY
3	34582	1	PISTON
4	34583	1	GLAND
5	34584	1	LOCK NUT,1-1/4"-12 UNF (TORQUE TO 510 FT.LB.)
9	33757	1	SEAL KIT,PACKING (ITEMS 12 THRU 19)
10	-----	2	GREASE ZERK
12	-----	1	O - RING
13	-----	1	CAST IRON PISTON RING
14	-----	1	CROWN SEAL
15	-----	1	O - RING
16	-----	1	O - RING
17	-----	1	BACK - UP WASHER
18	-----	1	U - CUP
19	-----	1	WIPER
20	34335	-	SPHERICAL BEARING (NOT SHOWN)

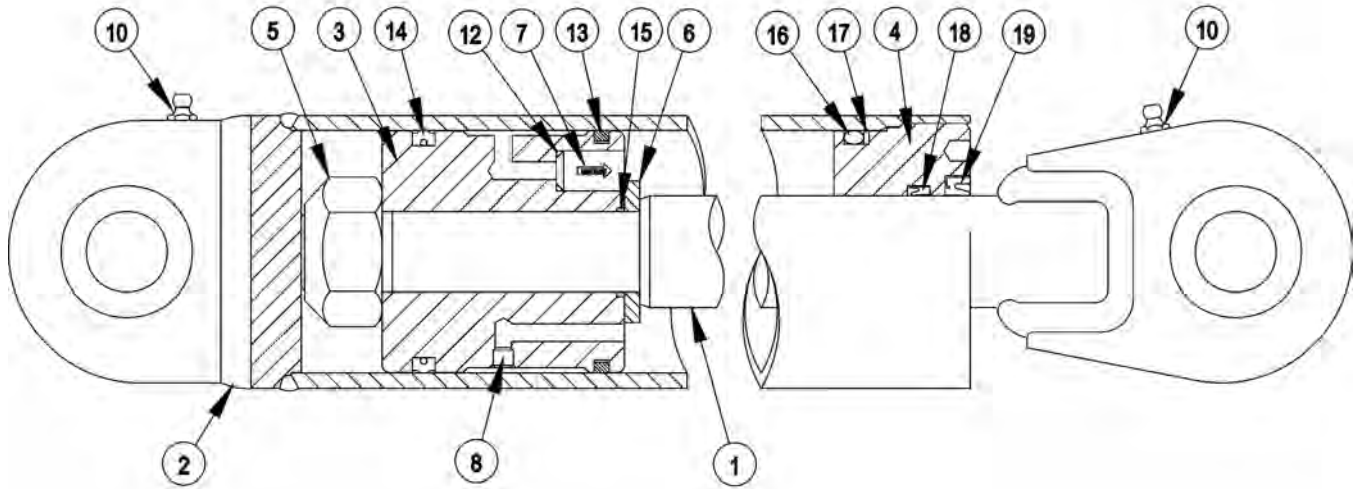
4-1/2IN X 26-1/2IN WELDED CYLINDER BREAKDOWN



WARNING - MECHANICAL FASTENERS MUST BE TORQUED TO RECOMMENDED SPECIFICATIONS DURING REPAIR TO PREVENT PERSONAL INJURY OR EQUIPMENT DAMAGE.

ITEM	PART NO.	QTY.	DESCRIPTION
---	32364	-	CYLINDER,WELDED,4-1/2" X 26-1/2"
1	34586	1	PISTON ROD ASSY
2	34587	1	BUTT & TUBE ASSY
3	34588	1	PISTON
4	34589	1	GLAND
5	34590	1	LOCK NUT,1-1/4"-12 UNF (TORQUE TO 510 FT.LB.)
9	33758	1	SEAL KIT,PACKING (ITEMS 12 THRU 19)
10	-----	2	GREASE ZERK
12	-----	1	O - RING
13	-----	1	CAST IRON PISTON RING
14	-----	1	CROWN SEAL
15	-----	1	O - RING
16	-----	1	O - RING
17	-----	1	BACK - UP WASHER
18	-----	1	U - CUP
19	-----	1	WIPER
20	34335	-	SPHERICAL BEARING (NOT SHOWN)

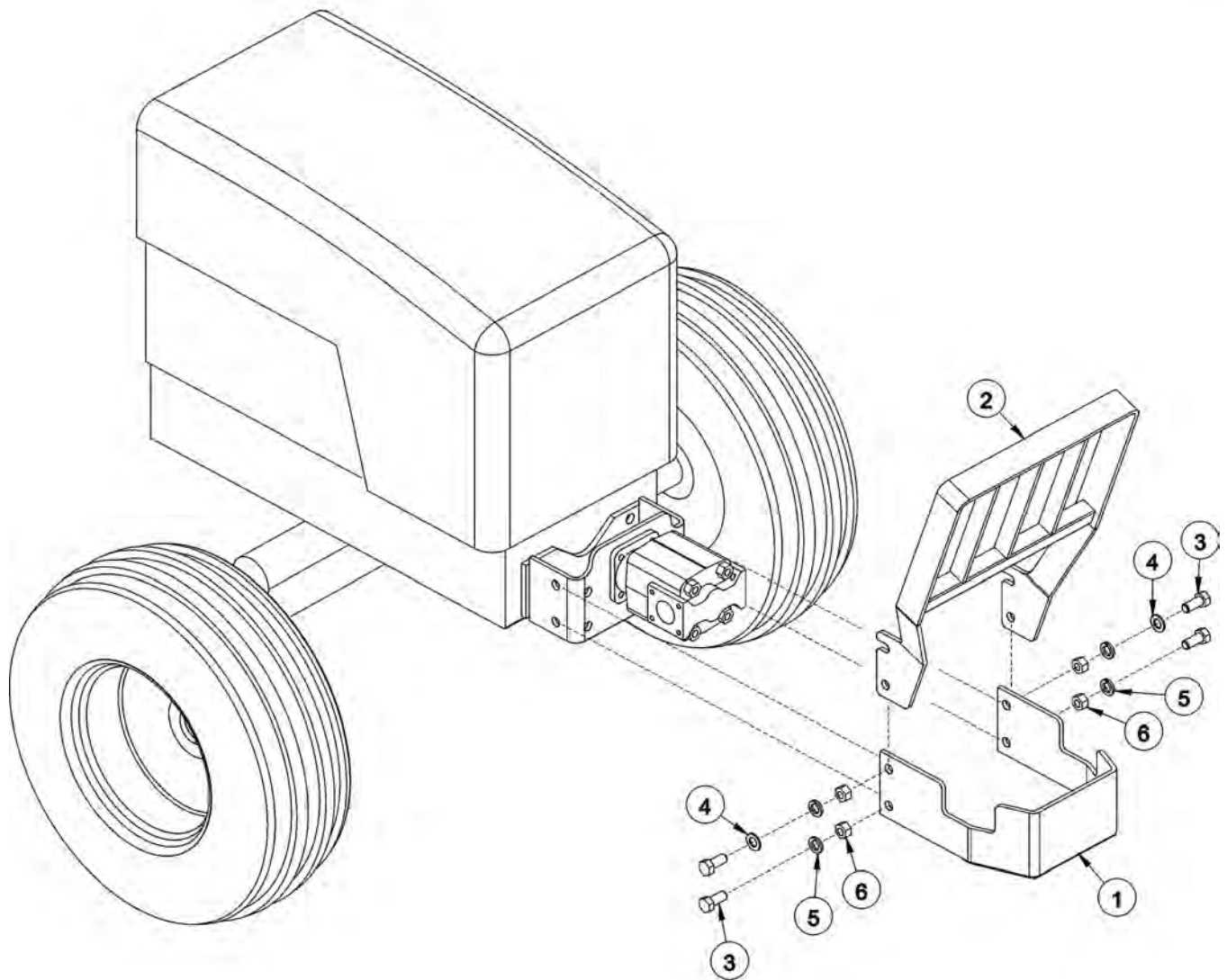
5IN X 25IN WELDED CYLINDER BREAKDOWN



WARNING - MECHANICAL FASTENERS MUST BE TORQUED TO RECOMMENDED SPECIFICATIONS DURING REPAIR TO PREVENT PERSONAL INJURY OR EQUIPMENT DAMAGE.

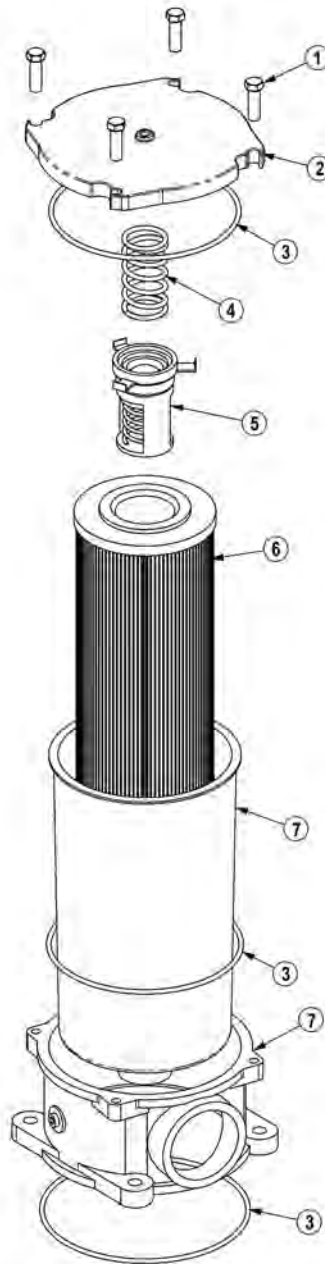
ITEM	PART NO.	QTY.	DESCRIPTION
---	32363	-	CYLINDER,WELDED,5" X 25"
1	34592	1	PISTON ROD ASSY
2	34593	1	BUTT & TUBE ASSY
3	34594	1	PISTON
4	34595	1	GLAND
5	34596	1	LOCK NUT,1-3/4"-12 UNF (TORQUE TO 1800 - 2000 FT.LB.)
7	34597	1	CHECK VALVE,KEPNER
8	34598	1	ORIFICE
9	33759	1	SEAL KIT,PACKING (ITEMS 12 THRU 19)
10	-----	2	GREASE ZERK
12	-----	1	O - RING
13	-----	1	CAST IRON PISTON RING
14	-----	1	CROWN SEAL
15	-----	1	O - RING
16	-----	1	O - RING
17	-----	1	BACK - UP WASHER
18	-----	1	U - CUP
19	-----	1	WIPER
20	34335	-	SPHERICAL BEARING (NOT SHOWN)

PUMP AND GRILL GUARD OPTIONS



ITEM	PART NO.	QTY.	DESCRIPTION
1	32430	1	UNIVERSAL PUMP GUARD
2	32737	1	UNIVERSAL GRILL GUARD
3	21833	4	CAPSCREW,3/4" X 2-1/4",NC
4	22021	2	FLATWASHER,3/4"
5	21993	4	LOCKWASHER,3/4"
6	21825	4	HEX NUT,3/4",NC

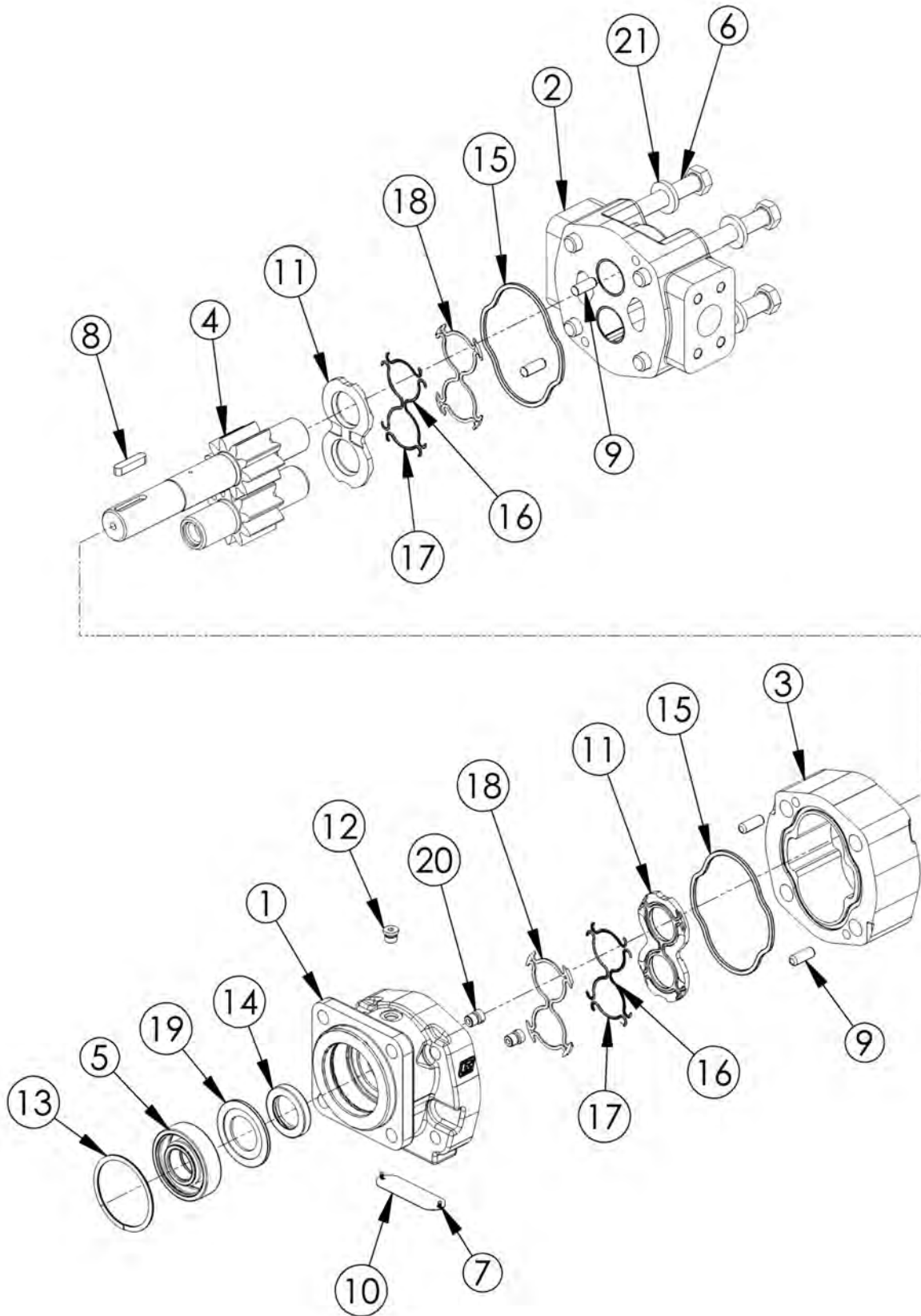
RESERVOIR TANK FILTER ASSEMBLY



ITEM	PART NO.	QTY.	DESCRIPTION
-----	06505044	-	FILTER ASSY SAE 10 MICRON
1	28583	4	CAPSCREW,8MM X 25MM(1.25 PITCH)
2	06505045	1	COVER
3	06505046	1	SEAL KIT
4	06505047	1	SPRING
5	06505048	1	BYPASS
6	35259	1	FILTER,10 MIC,RETURN LINE
7	06505049	1	CAN/BODY

COMMON SABER T4

50IN AND 63IN FLAIL MOTOR BREAKDOWN



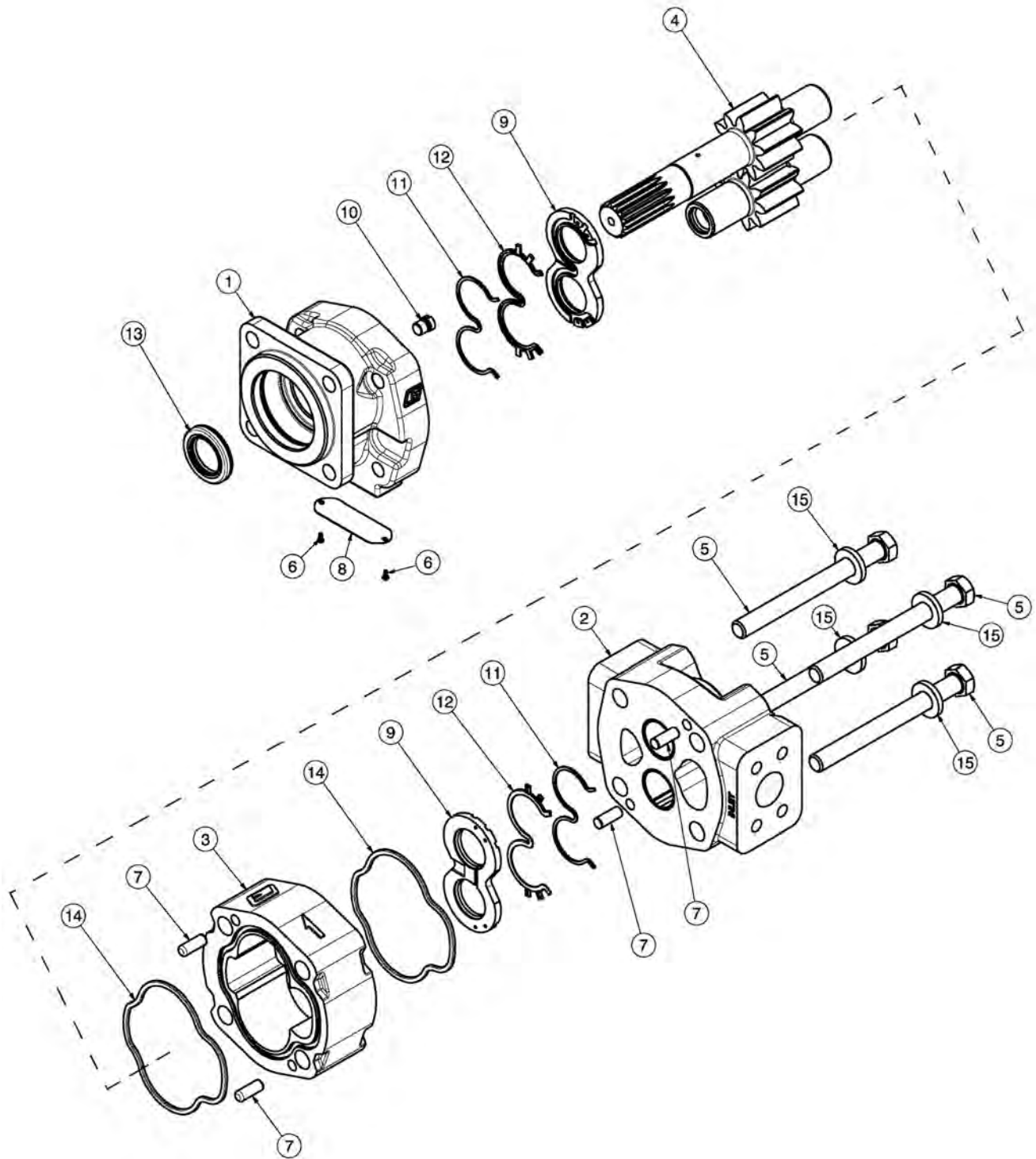
COMMON SABER T4

50IN AND 63IN FLAIL MOTOR BREAKDOWN

Continued...

ITEM	PART NO.	QTY.	DESCRIPTION
-----	06504132	-	MOTOR ASSEMBLY 350
1	06504039	1	SHAFT END COVER
2	06504040	1	PORT END COVER
3	06504041	1	GEAR HOUSING
4	06504042	1	MATCHED GEAR SET
5	TF4402	1	BALL BEARING
6	06504043	4	CAP SCREW
7	06504044	2	SET SCREW
8	06504028	1	KEY
9	06504045	4	DOWEL PIN
10	-----	1	NAMEPLATE
11	763759	2	THRUSTPLATE
12	02961940	1	HEX PLUG
13	TF4401	1	SNAP RING
14	06504049	1	LIP SEAL
15	TF4410	2	GASKET SEAL
16	06504046	4	SIDE SEAL
17	06504047	4	END SEAL
18	TF4407	2	BACK-UP SEAL
19	06504048	1	SEAL RETAINER
20	6T5809	2	CHECK ASSEMBLY
21	02961917	4	WASHER
-----	06504116	-	SEAL KIT (INCLUDES 14, 15, 16, 17, AND 18)

FRONT HYDRAULIC PUMP

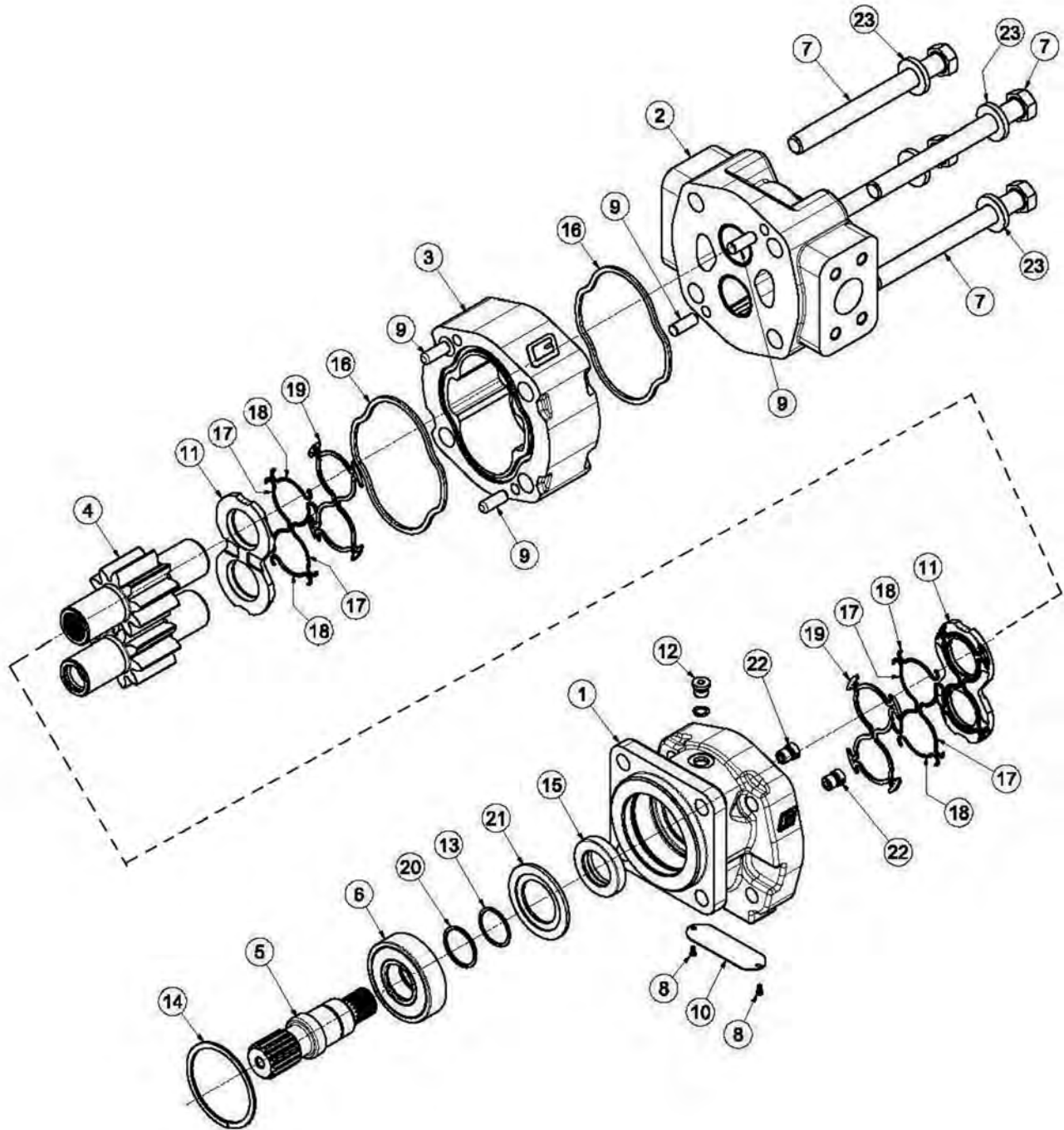


FRONT HYDRAULIC PUMP

Continued...

ITEM	PART NO.	QTY.	DESCRIPTION
---	23152	1	PUMP ASSEMBLY,1-3/4",COMPLETE
1	22766	1	SHAFT END COVER
2	22779	1	PORT END COVER
3	22774	1	GEAR HOUSING,1-3/4"
4	22771	1	GEAR SET
5	23824	4	CAPSCREW
6	06504078	2	SCREW,DRIVE
7	22773	4	DOWEL PINS
8	06504077	1	NAMEPLATE
9	22770	2	THRUST PLATE
10	22767	1	PLUG
11	06504075	2	SEAL,BK-UP
12	06504074	2	SEAL,CHAN
13	22765	1	SEAL,LIP
14	06504076	2	SEAL,SQ-R
15	02961917	4	WASHER
---	24150	1	SEAL KIT (INCLUDES 11, 12, 13 AND 14)

50IN FLAIL DIRECT DRIVE MOTOR BREAKDOWN

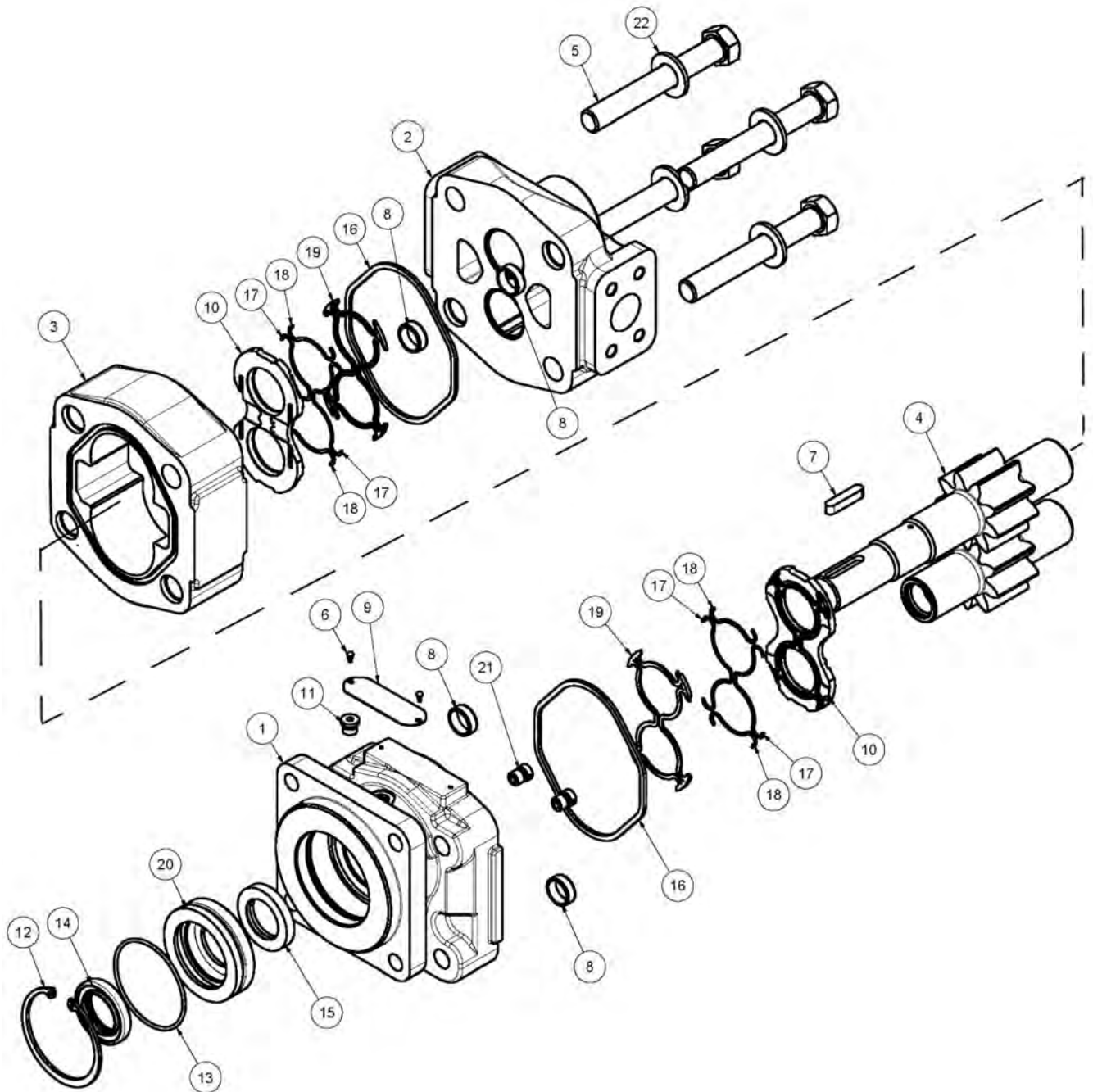


50IN FLAIL DIRECT DRIVE MOTOR BREAKDOWN

Continued...

ITEM	PART NO.	QTY.	DESCRIPTION
---	06504003	-	MOTOR ASSEMBLY,DIRECT DRIVE
1	06504039	1	HOUSING,SEC
2	06504040	1	HOUSING,PEC
3	06504041	1	HOUSING,GEAR
4	06504117	1	GEAR,SET
5	06504118	1	SHAFT,CONTINENTAL
6	TF4402	1	BRG,BALL
7	06504043	4	CAPSCREW
8	06504044	2	SCREW,DRIVE
9	06504045	4	PIN,DOWEL
10	06504077	1	NAME PLATE
11	763759	2	THRPL
12	02961940	1	PLUG,ODT
13	06504119	1	RING,SNAP
14	TF4401	1	RING,SNAP
15	06504120	1	SEAL,LIP
16	TF4410	2	SEAL,SQ-R
17	06504046	4	SEAL,SIDE
18	06504047	4	SEAL,END
19	TF4407	2	SEAL,BACK-UP
20	06504121	1	SPACER,BRG
21	06504122	1	RTNR,SEAL
22	6T5809	2	CHECK ASSY
23	02961917	4	WASHER
---	06504116	1	SEAL KIT - ITEMS 14 THRU 19 (NOT SHOWN)

50IN AND 60IN ROTARY MOTOR BREAKDOWN

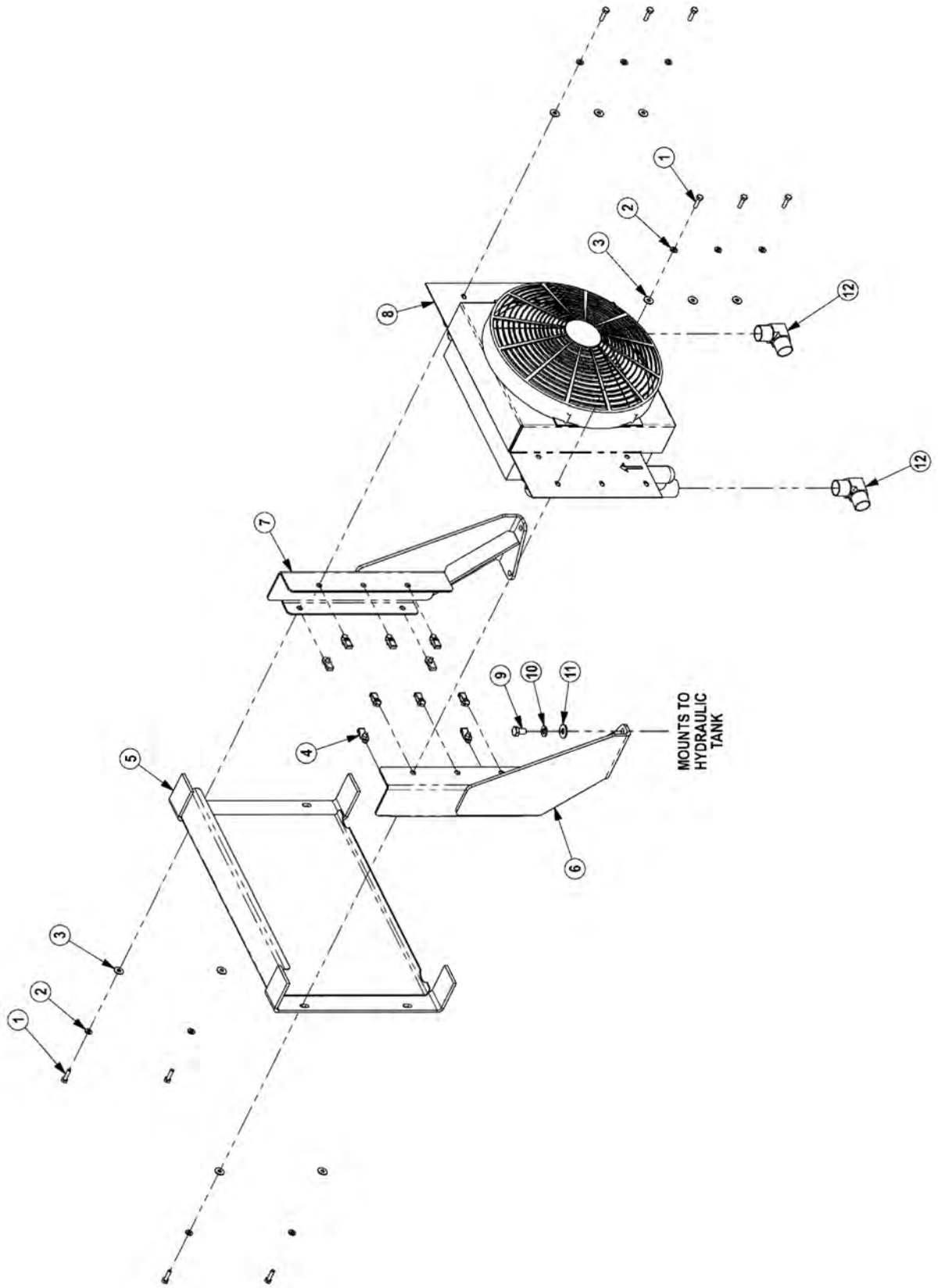


50IN AND 60IN ROTARY MOTOR BREAKDOWN

Continued...

ITEM	PART NO.	QTY.	DESCRIPTION
	06504011	-	MOTOR ASSEMBLY,TRB60
	06504012	-	MOTOR ASSEMBLY,TRB50
1	22790	1	HOUSING, SEC
2	06504088	1	HOUSING, PEC
3	06504062	1	HOUSING, GEAR,TRB60
-----	06504089	-	HOUSING, GEAR,TRB50
4	06504090	1	SET, GEAR SHAFT
5	06504104	4	CAP SCREW,TRB60
-----	06504091	-	CAP SCREW,TRB50
6	06504078	2	SCREW, DRIVE
7	06504092	1	KEY
8	06504093	4	PIN, DOWEL
9	06504094	1	NAME PLATE
10	06504095	2	THRPL
11	2961940	1	PLUG, ODT
12	2962200	1	RING, SNAP
13	06504096	1	O RING
14	6T5101	1	SEAL, LIP
15	06504097	1	SEAL, LIP
16	22797	2	SEAL, SQ-R
17	06504098	4	SEAL, SIDE CHAN
18	06504099	4	SEAL, END CHAN
19	06504100	2	SEAL, BK-UP
20	06504101	1	RTNR, SEAL
21	6T5809	2	CHECK ASS'Y
22	06504102	4	WASHER
-----	06504103	-	SEAL KIT

COOLER ASSEMBLY

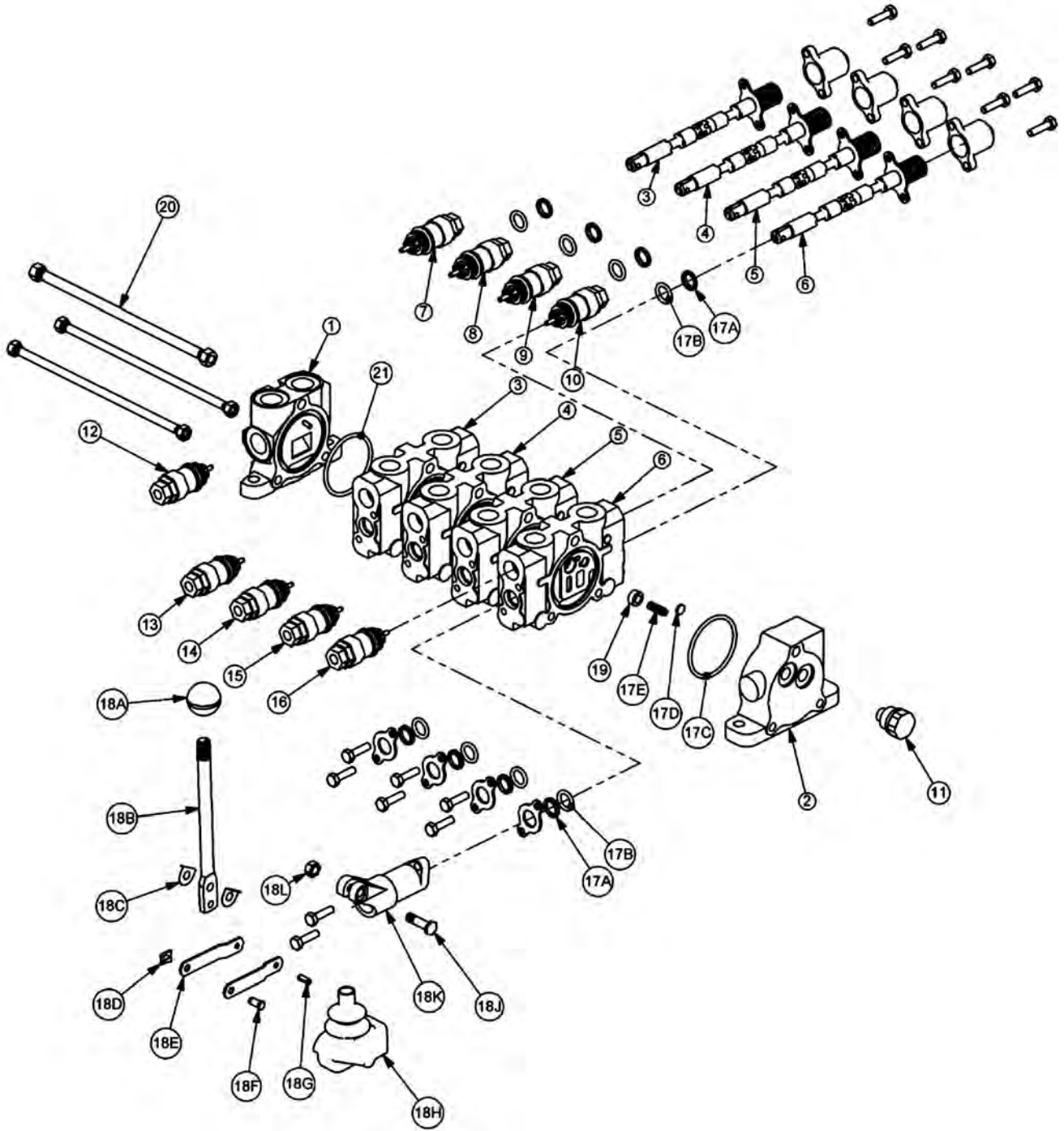


COOLER ASSEMBLY

Continued...

ITEM	PART NO.	QTY.	DESCRIPTION
1	21530	10	CAPSCREW,1/4 X1 NC
2	21986	10	LOCKWASHER,1/4
3	22014	10	FLATWASHER,1/4
4	35176	10	1/4 U-NUT
5	06370015	1	SCREEN,COOLER,FRNT
6	06380006	1	MNT,COOLER,BUMPER TANK,RH
7	06380007	1	MNT,COOLER,BUMPER TANK,LH
8	06510350	1	COOLER,FRONT MNT
---	06510029	1	FAN ASSY, ONLY
9	21629	4	CAPSCREW,3/8 X 3/4 NC
10	21988	4	LOCKWASHER,3/8
11	22016	4	FLATWASHER,3/8
12	34117	2	ELBOW,1MOR X 1MJ90,FORGED

CABLE (MANUAL) LIFT VALVE, 4 SPOOL - 06502104



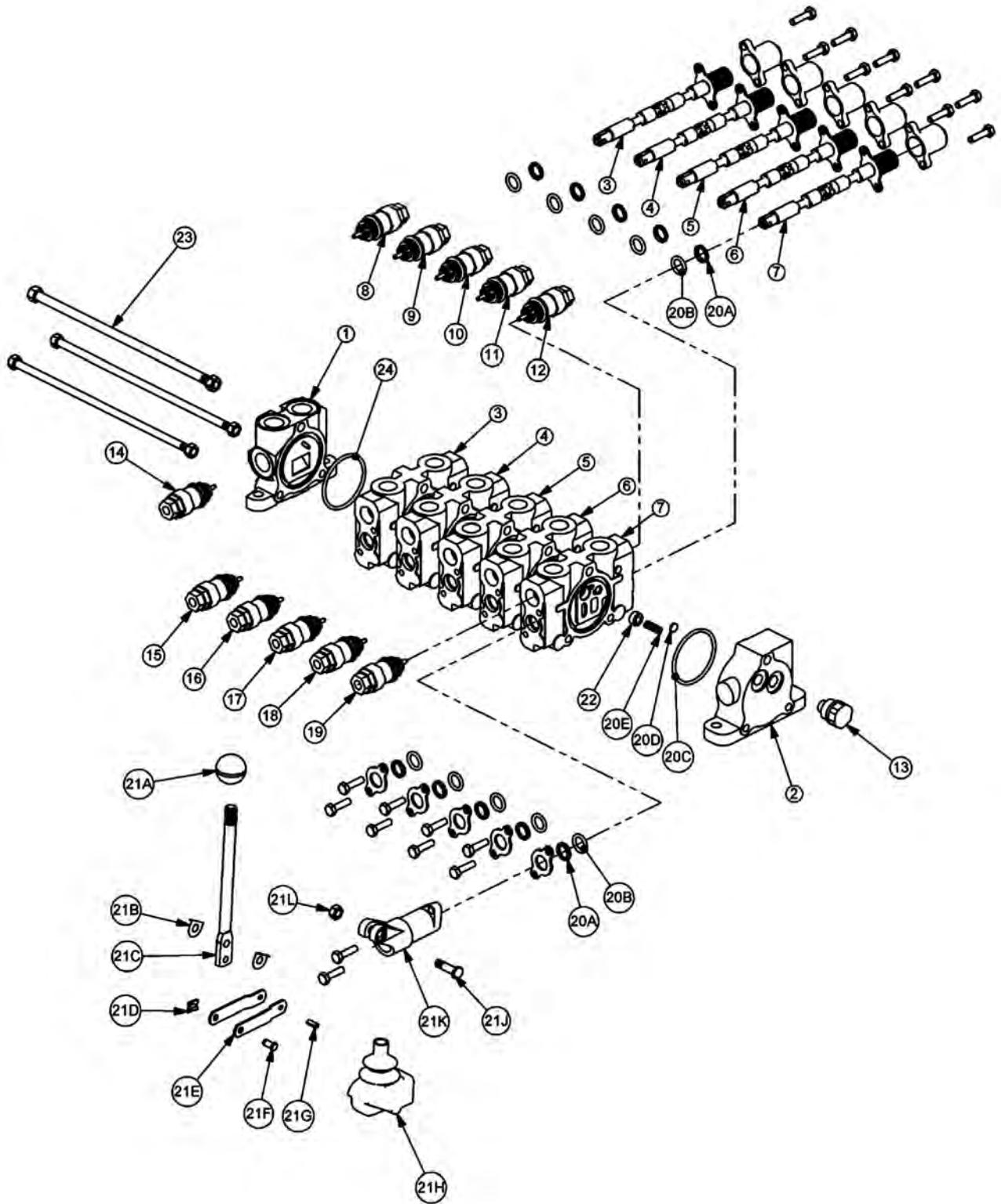
CABLE (MANUAL) LIFT VALVE, 4 SPOOL - 06502104

Continued...

ITEM	PART NO.	QTY.	DESCRIPTION
1	31595	1	INLET END COVER
2	31594	1	END COVER, LOAD SENSE
3	31597	1	VALVE SECTION (DOUBLE ACTING, CENTER SPRING)
4	31597	1	VALVE SECTION (DOUBLE ACTING, CENTER SPRING)
5	31600	1	VALVE SECTION (DOUBLE ACTING, DETENT-FLOAT)
6	31598	1	VALVE SECTION (DOUBLE ACTING, CENTER SPRING, METERED)
7	06503067	1	#10 O-RING PLUG
8	06502003	1	RELIEF VALVE, 2500 PSI
9	31862	1	RELIEF VALVE, 2175 PSI
10	TB1017H	1	RELIEF VALVE, 1750 PSI
11	06503068	1	#6 O-RING PLUG
12	6T4209	1	#10 O-RING PLUG
13	06502085	1	RELIEF VALVE, 3000 PSI
14	TB1017H	1	RELIEF VALVE, 1750 PSI
15	TB1017H	1	RELIEF VALVE, 1750 PSI
16	TB1017H	1	RELIEF VALVE, 1750 PSI
17	31593	4	VALVE SEAL KIT (FOR ONE SECTION)
17A	-----	2	WIPER
17B	-----	2	O-RING SMALL
17C	-----	1	O-RING LARGE
17D	-----	1	SHUTTLE DISC
17E	-----	1	SPRING
18	TB1017L	4	LEVER KIT (FOR ONE SECTION)
18A	-----	1	LEVER KNOB
18B	-----	1	LEVER
18C	-----	2	LEVER WASHER
18D	-----	1	LEVER CLIP
18E	-----	2	LINKAGE
18F	-----	1	LEVER PIN
18G	-----	1	ROLL PIN
18H	-----	1	LEVER BOOT
18J	-----	1	LEVER BOLT
18K	-----	1	LEVER DUST COVER
18L	-----	1	LEVER NUT
19	31603	4	COMPENSATOR
20	TB1017U	1	TIE ROD KIT
21	24214	1	O-RING, LARGE

COMMON SABER T4

CABLE (MANUAL) LIFT VALVE, 5 SPOOL - 06502103



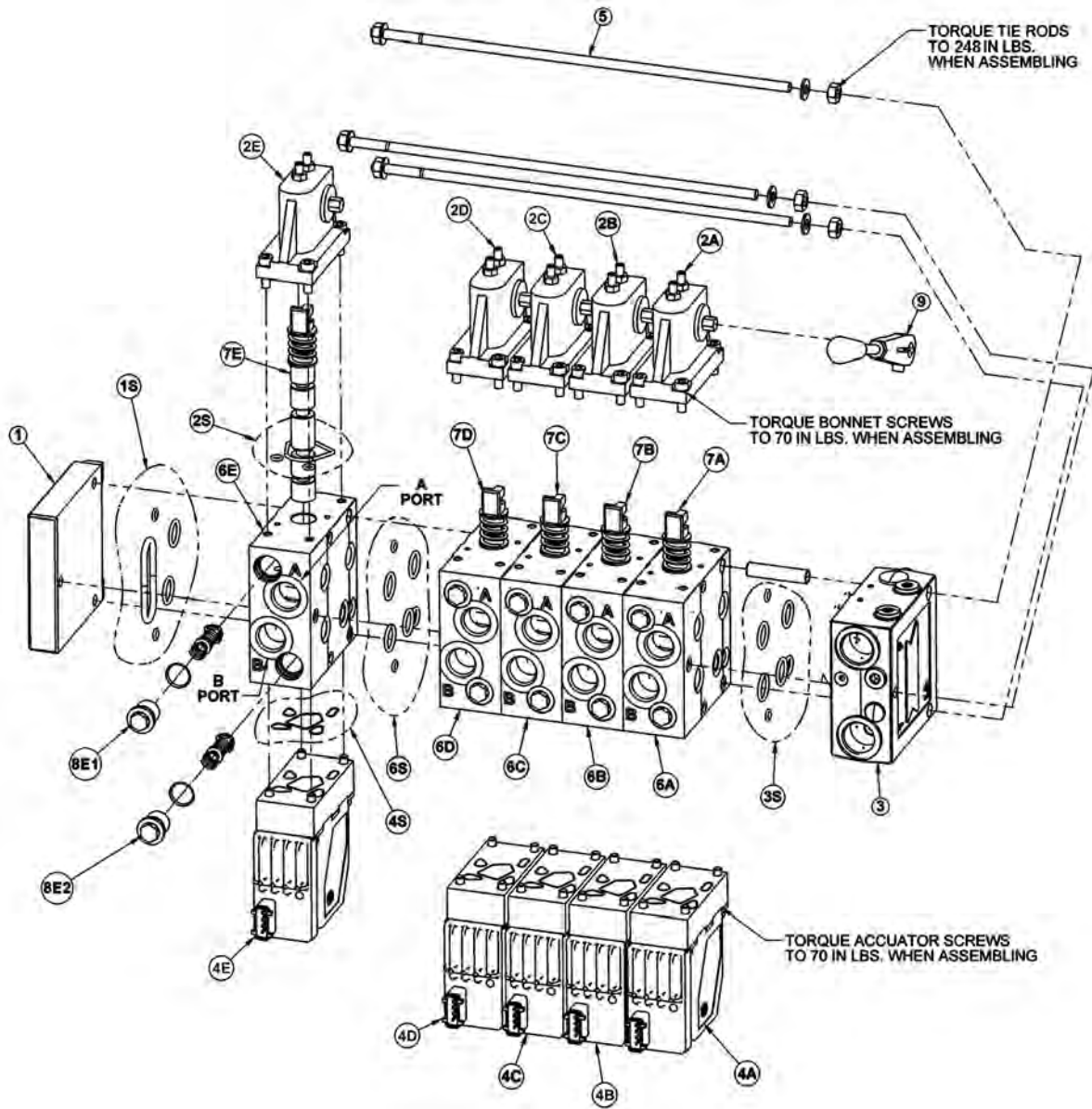
CABLE (MANUAL) LIFT VALVE, 5 SPOOL - 06502103

Continued...

ITEM	PART NO.	QTY.	DESCRIPTION
1	31595	1	INLET END COVER
2	31594	1	END COVER, LOAD SENSE
3	31597	1	VALVE SECTION (DOUBLE ACTING, CENTER SPRING)
4	31597	1	VALVE SECTION (DOUBLE ACTING, CENTER SPRING)
5	31597	1	VALVE SECTION (DOUBLE ACTING, CENTER SPRING)
6	31598	1	VALVE SECTION (DOUBLE ACTING, CENTER SPRING, METERED)
7	31597	1	VALVE SECTION (DOUBLE ACTING, CENTER SPRING) (REMOVE SHUTTLE DISC)
8	06503067	1	RELIEF PLUG, #10 O-RING
9	TB1017K	1	RELIEF VALVE, 2500 PSI
10	TB1017J	1	RELIEF VALVE, 2175 PSI
11	TB1017H	1	RELIEF VALVE, 1750 PSI
12	22588	1	RELIEF VALVE, 500 PSI
13	06503068	1	RELIEF PLUG, #6 O-RING
14	6T4209	1	RELIEF PLUG, #10 O-RING
15	06502085	1	RELIEF VALVE, 3000 PSI
16	TB1017F	1	RELIEF VALVE, 1750 PSI
17	TB1017F	1	RELIEF VALVE, 1750 PSI
18	TB1017H	1	RELIEF VALVE, 1750 PSI
19	22588	1	RELIEF VALVE, 500 PSI
20	31593	5	VALVE SEAL KIT (FOR ONE SECTION)
20A	-----	2	WIPER
20B	-----	2	O-RING SMALL
20C	-----	1	O-RING LARGE
20D	-----	1	SHUTTLE DISC
20E	-----	1	SPRING
21	TB1017L	5	LEVER KIT (FOR ONE SECTION)
21A	-----	1	LEVER KNOB
21B	-----	1	LEVER
21C	-----	2	LEVER WASHER
21D	-----	1	LEVER CLIP
21E	-----	2	LINKAGE
21F	-----	1	LEVER PIN
21G	-----	1	ROLL PIN
21H	-----	1	LEVER BOOT
21J	-----	1	LEVER BOLT
21K	-----	1	LEVER DUST COVER
21L	-----	1	LEVER NUT
22	31603	5	COMPENSATOR
23	TB1017V	1	TIE ROD KIT
24	24214	1	O-RING, LARGE

COMMON SABER T4

5 SPOOL ELECTRONIC VALVE - 06502146



ITEM	PART NO.	QTY.	DESCRIPTION
-----	06502146	-	VLV,5SP,32PVG, SABER
1	06502074	1	END PLATE
1S	06505013	1	END PLATE SEAL KIT
2	-----	5	BONNET
2S	06505042	1	BONNET SEAL KIT
2A	42197	1	MAIN BOOM BONNET
2B	42197	1	SECONDARY BOOM BONNET
2C	42197	1	DECK ROLL BONNET
2D	42197	1	BOOM SWIVEL BONNET
2E	42197	1	DECK SHIELD BONNET

COMMON SABER T4

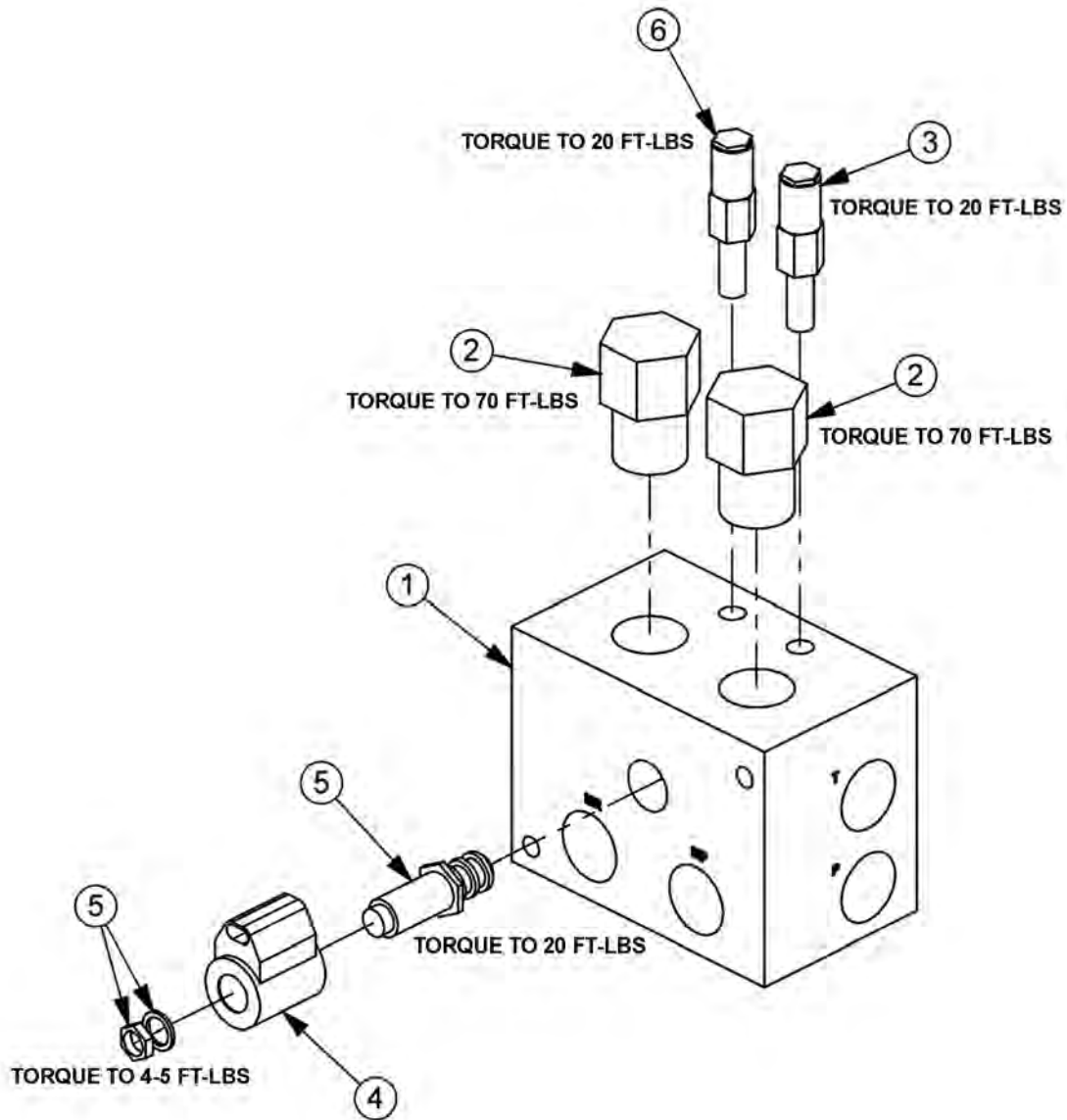
5 SPOOL ELECTRONIC VALVE - 06502146

Continued...

ITEM	PART NO.	QTY.	DESCRIPTION
3	34308	1	INLET SECTION
3S	06505013	1	INLET SECTION SEAL KIT
4	-----	5	ELECTRONIC ACCUATOR
4A	06502101	1	MAIN BOOM ELECTRONIC ACCUATOR
4B	06502101	1	SECONDARY BOOM ELECTRONIC ACCUATOR
4C	06502100	1	DECK ROLL ELECTRONIC ACCUATOR
4D	06502101	1	BOOM SWIVEL ELECTRONIC ACCUATOR
4E	06502099	1	DECK SHIELD ELECTRONIC ACCUATOR
5	42202	1	TIE-BOLT KIT
6	-----	5	SECTION
6S	06505013	1	SECTION SEAL KIT
6A	42698	1	MAIN BOOM SECTION
6B	42698	1	SEC BOOM SECTION
6C	06502076	1	DECK ROLL SECTION
6D	42698	1	BOOM SWIVEL SECTION
6E	06502077	1	SHIELD SECTION
7	-----	5	SPOOL
7A	42697	1	MAIN BOOM SPOOL
7B	42697	1	SEC BOOM SPOOL
7C	4242106	1	DECK ROLL SPOOL
7D	06502073	1	BOOM SWIVEL SPOOL
7E	42201	1	DECK SHIELD SPOOL
8	-----	10	ANTI CAV/SHOCK RELIEF
8A1	42650	1	MAIN BOOM A PORT RELIEF
8A2	06502069	1	MAIN BOOM B PORT RELIEF
8B1	42650	1	SEC BOOM A PORT RELIEF
8B2	42295	1	SEC BOOM B PORT RELIEF
8C1	42296	1	DECK ROLL A PORT RELIEF
8C2	42295	1	DECK ROLL B PORT RELIEF
8D1	42295	1	BOOM SWIVEL A PORT RELIEF
8D2	06502083	1	BOOM SWIVEL B PORT RELIEF
8E1	06502069	1	DECK SHIELD A PORT RELIEF
8E2	06502069	1	DECK SHIELD B PORT RELIEF
9	33459	1	HANDLE

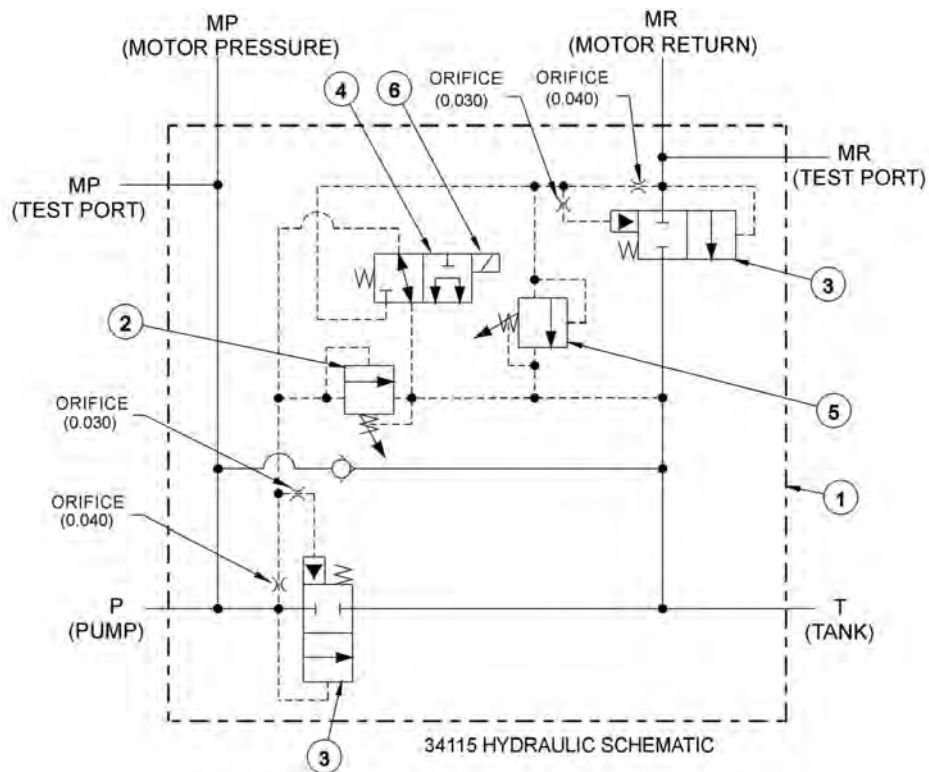
COMMON SABER T4

BRAKE VALVE ASSEMBLY



ITEM	PART NO.	QTY.	DESCRIPTION
---	06510084	1	BRAKE VALVE, ASSY
1	34092	1	BRAKE VALVE, BLANK
2	34094	2	LOGIC ELEMENT
3	34090	1	RELIEF VALVE, 3500 PSI
4	06510095	1	METRI PAK COIL
5	34093	1	CARTRIDGE, 2 POSITION, 3 WAY (WITH NUT & WASHER)
6	34091	1	RELIEF VALVE, 2600 PSI
---	34096	2	RELIEF SEAL KIT
----	34097	1	SOLENOID SEAL KIT
---	34098	2	ELEMENT SEAL KIT

BRAKE VALVE HYDRAULIC SCHEMATIC



BRAKE VALVE TROUBLESHOOTING

FAILURE MODE:

- MOWER WILL NOT START - system pressure is low (engine not lugging).
- MOWER WILL NOT START - system pressure is high (engine lugging). "MR" port will be high pressure.
- MOWER WILL NOT ROTATE AT FULL SPEED - limited power.
- MOWER BLADE WILL NOT STOP - blade will not stop in proper time.

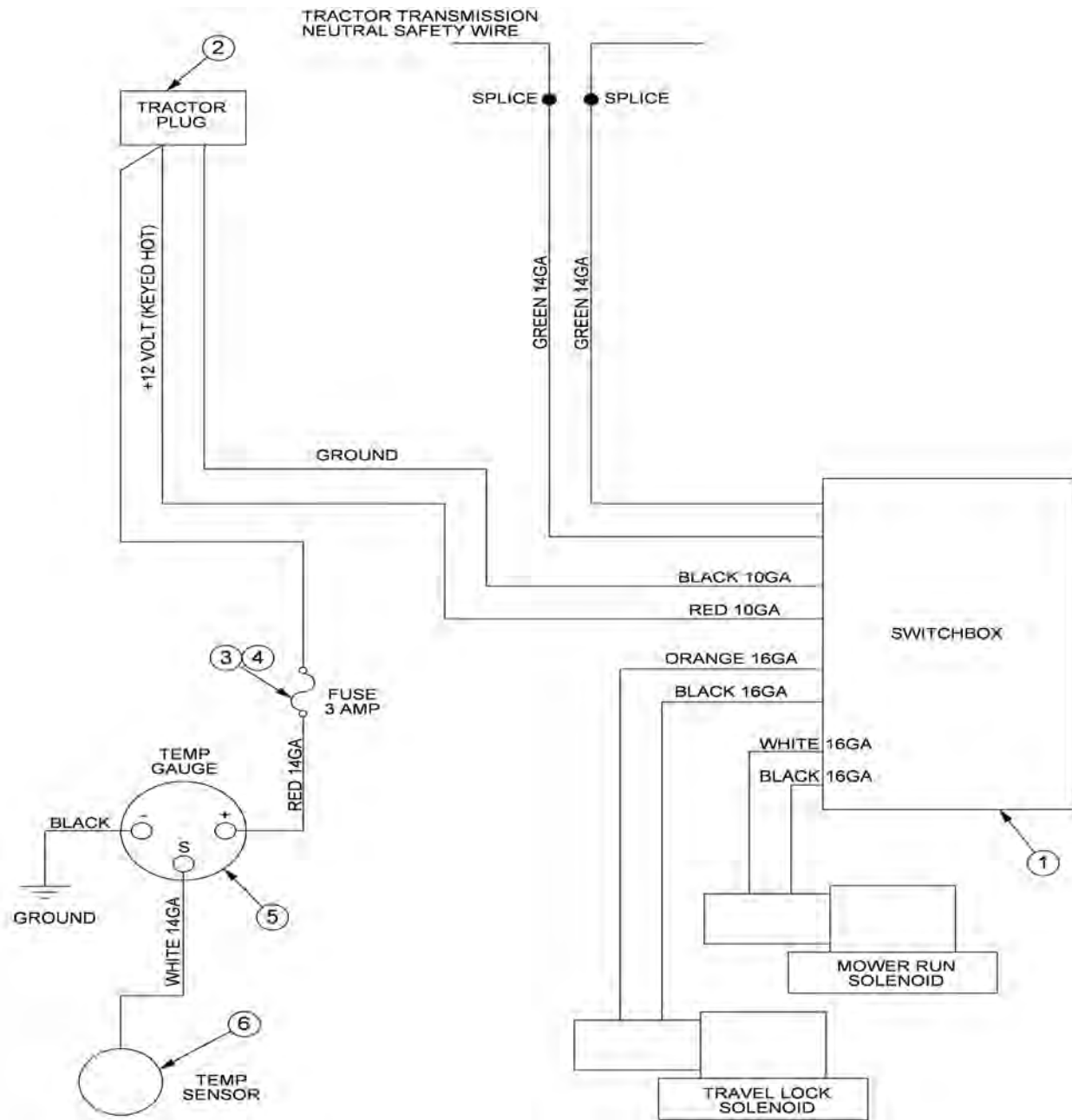
CHECK STEPS

- 1 thru 6
- 7
- 3 thru 5
- 7 thru 9

CORRECTIVE STEPS:

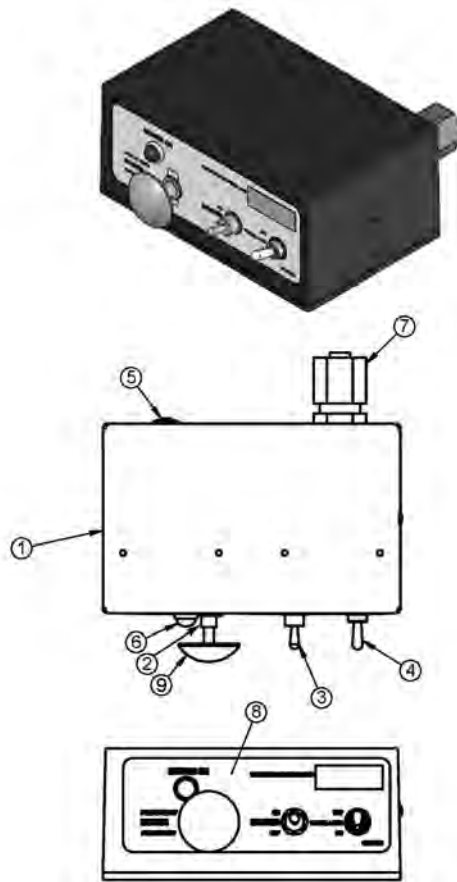
1. Check for voltage at solenoid (item 6), voltage must be between 10.2 volts and 13.8 volts.
2. Remove, inspect solenoid and cartridge (items 4, 6) for wear or contamination.
3. Remove, inspect logic elements near "P" port (item 3) for wear or contamination.
4. Remove, inspect 3000 psi relief valve (item 2) for wear or contamination.
5. Remove and inspect orifices near "P" port for contamination.
6. Remove "P" port hose and fitting, visually inspect for contamination, check ball for movement.
7. Remove and inspect orifices near "MR" port for contamination.
8. Remove, inspect 2600 psi relief valve (item 5) for wear of contamination.
9. Remove, inspect logic element near "MR" port (item 3) for wear or contamination.

SOLENOID SWITCH BOX AND WIRING



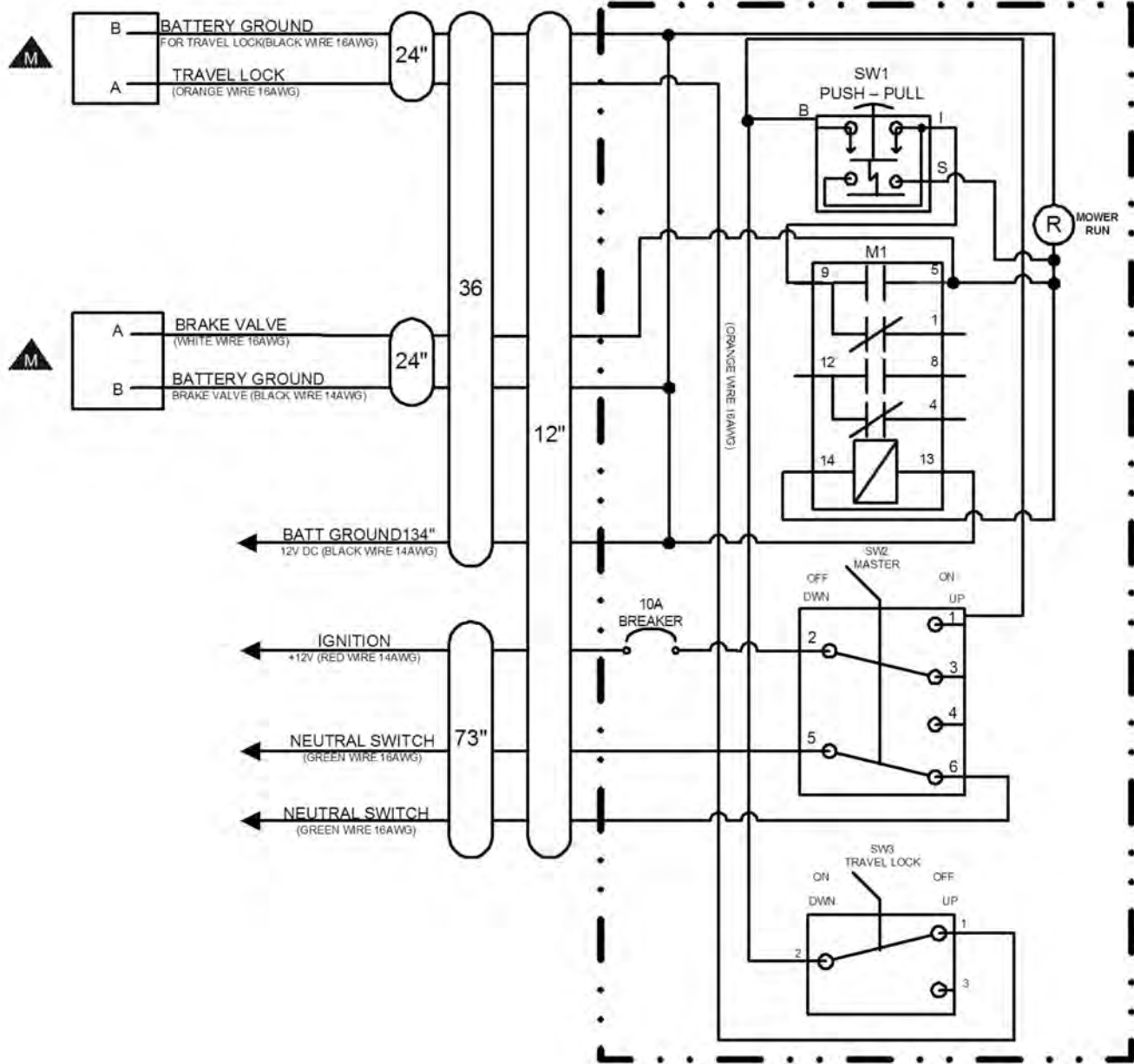
ITEM	PART NO.	QTY.	DESCRIPTION
1	-----	-	SWITCH BOX
2	RE37651	1	PLUG,AUX PWR
3	24204	-	FUSE HOLDER,IN-LINE (OPTION)
4	6T3965	-	FUSE,3AMP (OPTION)
5	6T3934	-	TEMPERATURE GAUGE (OPTION)
6	6T3931	-	TEMPERATURE SENSOR (OPTION)

MANUAL LIFT VALVE SWITCH BOX

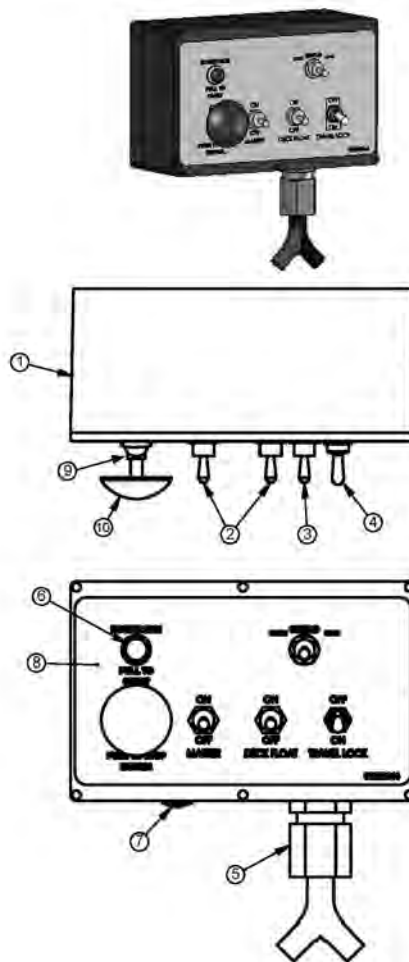


ITEM	PART NO.	QTY.	DESCRIPTION
1	06514012	1	SWBX,ALUM,BLK,06510100
2	35226	1	SWITCH,MOWER,COLEHERSEE
3	33811	1	SWITCH,MASTER/DECK FLOAT
4	34532	1	SWITCH,TRVL LCK
5	06514014	1	BREAKER,10A,SWBX
6	6T3923	1	INDICTATOR LIGHT,ON,RED
7	34540	1	STRAIN RELIEF,3/4,BLACK,NYLON
8	06550019	1	DECAL,SWTCHBX,BOOM,CG
9	02964063	1	KNOB,RED
10	35227	1	RELAY,DP,DT,12V,LY2F,35226

MANUAL LIFT VALVE SCHEMATIC

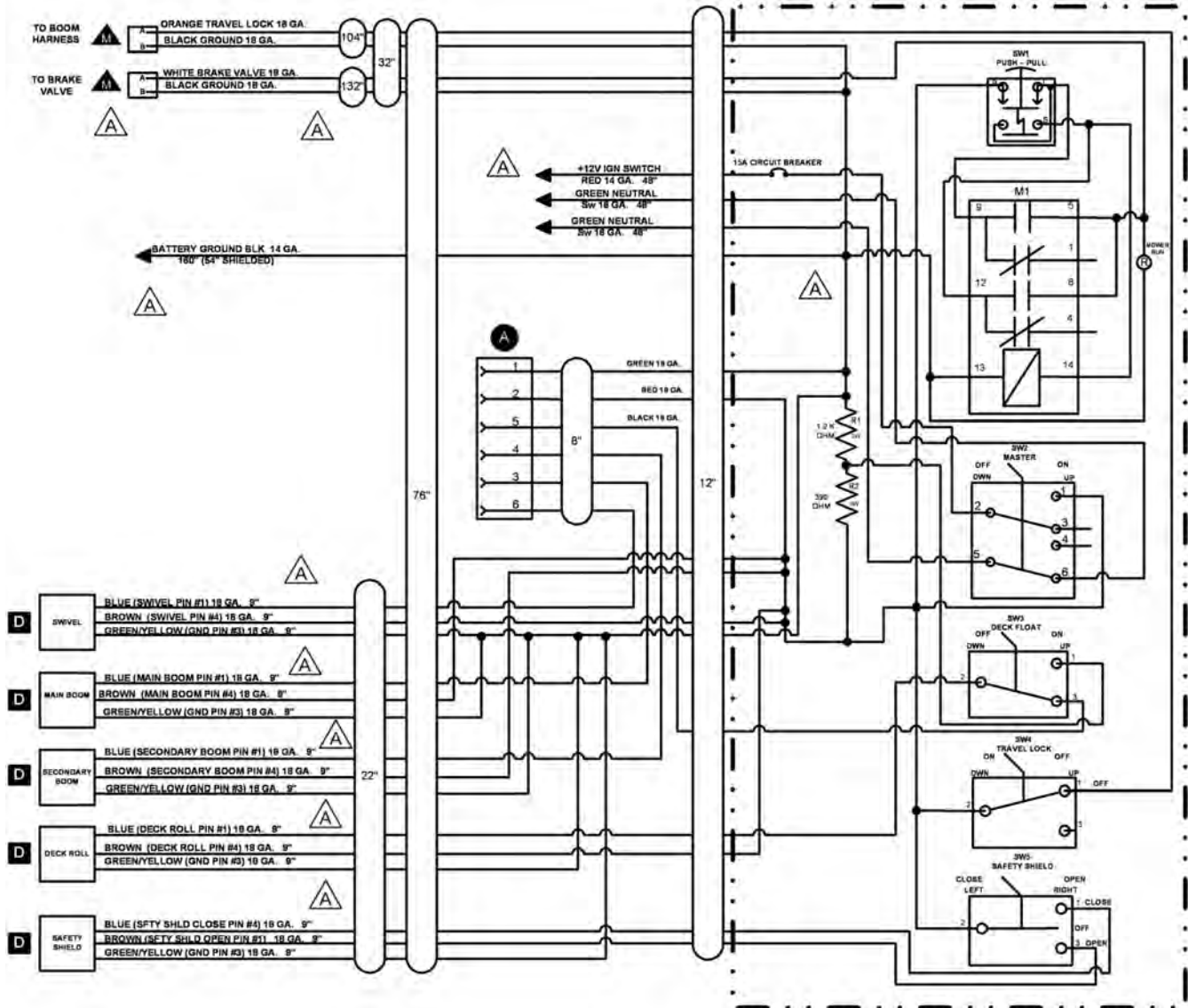


ELECTRONIC LIFT VALVE SWITCH BOX

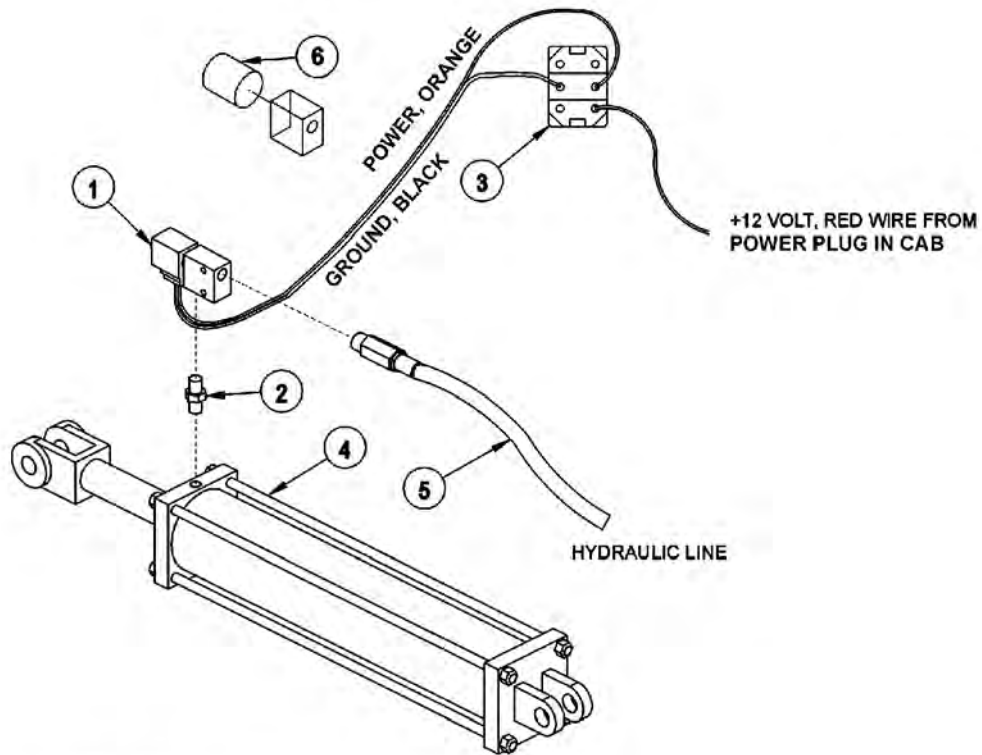


ITEM	PART NO.	QTY.	DESCRIPTION
1	06510196	1	SWBX,ASSY
2	33811	2	SWITCH,MASTER/DECK FLOAT
3	33813	1	SWITCH,SFTY SHIELD
4	34532	1	SWITCH,TRVL LCK
5	34540	1	STRAIN RELIEF,3/4",BLACK,NYLON
6	6T3923	1	INDICTATOR LIGHT,ON,RED
7	06514006	1	BREAKER,15A,SWBX
8	06550044	1	DECAL,SWBX,06510047
9	35226	1	SWITCH,MOWER,COLEHERSEE
10	02964063	1	KNOB,RED
11	35227	1	RELAY,DP,DT,12V,LY2F,35226

ELECTRONIC LIFT VALVE SCHEMATIC



BOOM TRAVEL LOCK



DANFOSS SWITCH BOX



TRAVEL LOCK SWITCH

HUSCO SWITCH BOX



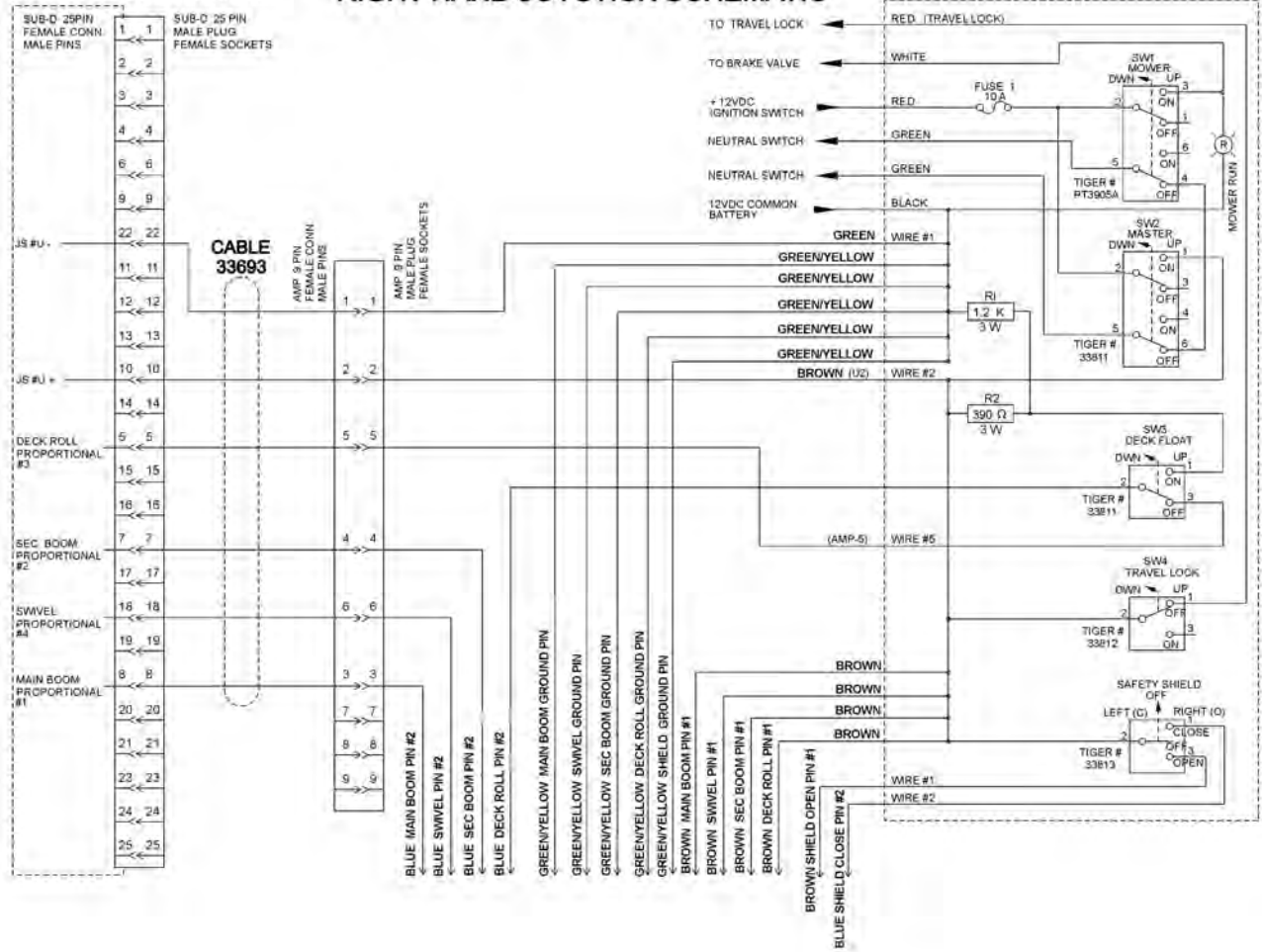
TRAVEL LOCK SWITCH

ITEM	PART NO.	QTY.	DESCRIPTION
1	31328	1	HYDRAULIC TRAVEL LOCK VALVE
2	31329	1	ADAPTER - STANDARD BOOM
3	34532	1	SWITCH,TRAVEL LOCK
4	-----	-	MAIN BOOM CYLINDER *REFER TO BOOM ASSY
5	-----	-	HOSE / FITTINGS *REFER TO BOOM HYD ASSY
6	34796	1	COIL ,TRAVEL LOCK

JOYSTICK SWITCHBOX SCHEMATIC

RIGHT HAND JOYSTICK # 33691

RIGHT HAND JOYSTICK SCHEMATIC



JOYSTICK TROUBLESHOOTING

Boom operation not responding to joystick movement.

Isolate hydraulic vs. electronic symptom.

Turn off electronic master switch (preventing electronic actuator on valve from attempting to hold spool in neutral position). With tractor engine running, operate the valve section with the manual handle. If function operates normally, continue with electronic inspection. If function does not operate normally, continue with hydraulic inspection.

Electronic inspection.

Connect a voltmeter to the cable connector of the valve section that is not operating. This will allow you to measure supply and signal voltage when the joystick is operated.

Main, Secondary, and Swivel Valves – signal voltage should be 50% of supply voltage with joystick in Neutral position, up to 75% of supply voltage in B direction, down to 25% of supply voltage in A direction. Signal voltage should change smoothly with lever movement.

Pin #1 – Signal Voltage, Pin #4 – Power Voltage, Pin #3 – Ground

Deck Roll Valve or Float Valve – signal voltage should be 50% of supply voltage with joystick in Neutral position, up to 65% of supply voltage in B direction, down to 35% of supply voltage in A direction. Signal voltage should change smoothly with lever movement. Signal voltage should be approximately 75% of supply voltage when float switch is operated.

Pin #1 – Signal Voltage, Pin #4 – Power Voltage, Pin #3 – Ground

Shield Valve or On/Off Valve – Voltage on pin #1 should be equal to supply voltage when switch is operated in A direction. Voltage on pin #4 should be equal to supply voltage when switch is operated in B direction.

Pin #1 – Signal Voltage (Shield Open), Pin #4 – Signal Voltage (Shield Close), Pin #3 – Ground

If none of the valve will operate with electrical signal, verify that there is oil pressure at the valve inlet. Electrical Valves must have pilot supply oil to move the spools.

Possible electronic problems.

Open circuit (broken wire, bad connection or loose connection in switchbox).

Shorted to positive, ground, or other.

Incorrect voltage signal from joystick.

Continued on next sheet

TROUBLESHOOTING - CONTINUED

Hydraulic inspection.

Install 3 pressure gauges, on the valve inlet (use M port, or tee into hose supplying oil from the pump to the inlet), on the workport that is not operating, and on the LS port.

With the spools in Neutral

Gear pump – P should be approximately 200 psi, LS = 0, workport – pressure on cylinder or function.

LS pump – P should equal pump standby pressure, LS = 0, workport – pressure on cylinder or function.

Pressure Comp pump – P should equal pump standby pressure, LS = 0, workport – pressure on cylinder or function.

Gear pump – P should be approximately 200 psi higher than LS, LS should equal workport, workport – pressure on cylinder or function.

LS pump – P should be LS + standby, LS should equal workport, workport – pressure on cylinder or function.

Pressure Comp pump – P should equal pump standby pressure, LS should equal workport, workport – pressure on cylinder or function.

Operate one spool, measure pressures with function at end of travel or stop

Gear pump – P should equal valve relief setting or workport shock valve setting. LS should equal workport. Workport should equal relief setting or workport shock valve setting.

LS pump – P should equal valve relief setting, pump max pressure setting, or workport shock valve setting. LS should equal workport. Workport should equal relief setting, pump max pressure setting, or workport shock valve setting.

Pressure Comp pump – P should equal pump standby pressure, LS should equal workport. Workport should equal pump standby pressure or workport shock valve setting.

Operate more than one spool.

Gear pump – P should approximately 200 psi higher than LS. LS should equal highest workport pressure. Workport – pressure on cylinder or function.

LS pump – P should be LS + standby pressure. LS should equal highest workport pressure. Workport – pressure on cylinder or function.

Pressure Comp pump. P should equal pump standby pressure. LS should equal highest workport pressure. Workport – pressure on cylinder or function.

Possible hydraulic problems.

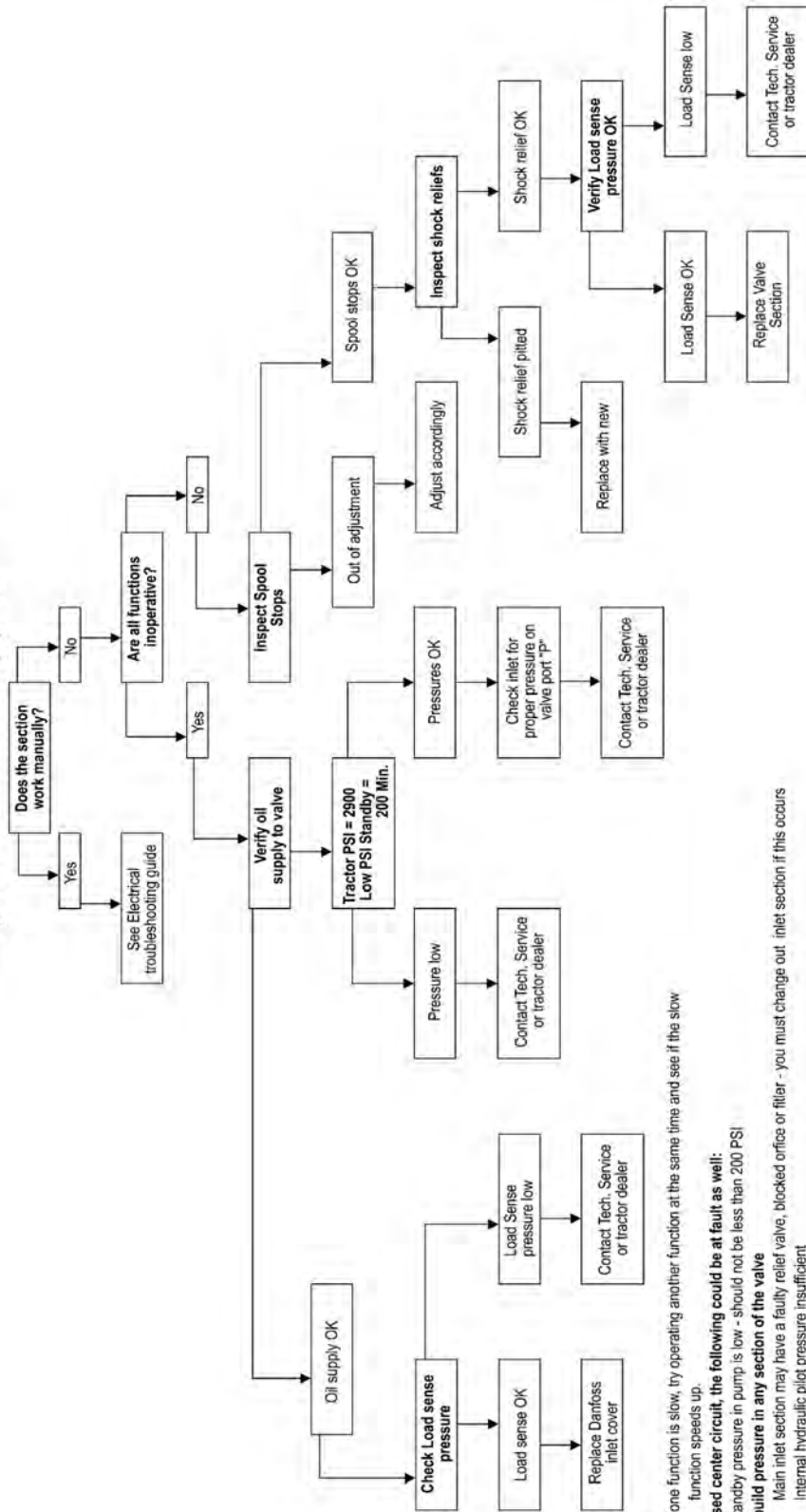
Cylinder leak.

LS signal leaking to tank before reaching pump LS port.

Hydraulic system or pump not supplying flow to valve.

HYDRAULIC TROUBLESHOOTING GUIDE

Hydraulic Troubleshooting guide



Notes: If one function is slow, try operating another function at the same time and see if the slow function speeds up.

On a closed center circuit, the following could be at fault as well:

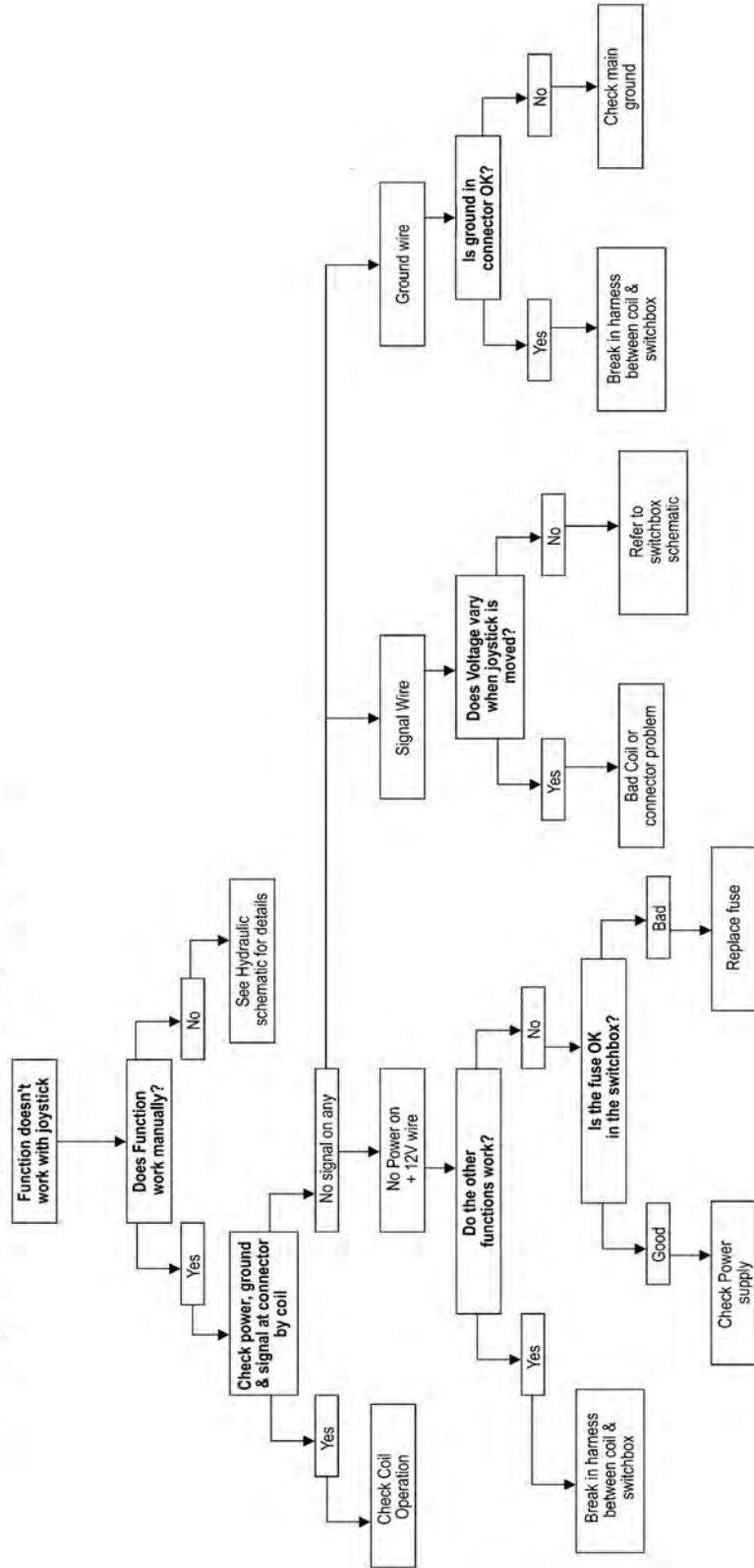
Tractor standby pressure in pump is low - should not be less than 200 PSI

Cannot build pressure in any section of the valve

Main inlet section may have a faulty relief valve, blocked orifice or filter - you must change out inlet section if this occurs
Internal hydraulic pilot pressure insufficient

ELECTRICAL TROUBLESHOOTING GUIDE

Joystick Electrical Troubleshooting guide





TIGER CORPORATION
WARRANTY INFORMATION

Tiger Corporation, 3301 N. Louise, Sioux Falls, South Dakota, warrants to the original Retail Customer, the new Tiger equipment is free of defects in material and workmanship. Any part of said equipment that in Tiger's adjustment, show evidence of such defects will be repaired or replaced without charge, provided that the failure of part(s) shall have occurred within twelve (12) months from the date of delivery of said equipment to the Retail Customer. Expendable components such as knives, oil, chain sprockets, skid shoes, knife mounting disks and the like are excluded but not limited to this warranty.

The Retail Customer must pay the transportation cost to and from the Tiger Dealer's service shop for warranty service. Warranty service will be performed by the Tiger Dealer from whom the equipment was purchased, in his service shop and during his regularly scheduled days and hours of operation.

All Tiger obligation under this warranty shall be terminated if the equipment is modified or altered in ways not approved in writing by Tiger, if repair parts other than genuine Tiger repair parts have been used, or if the equipment has been subject to misuse, neglect, accident, improper maintenance or improper operation.

Tiger Corporation reserves the right to make improvements in design or changes in specification at any time without incurring any obligation to owners of equipment previously sold.

No agent or person has authority to alter, add to or waive the above warranties which are agreed to be in the only warranties, representations or promises, expressed or implied, as to the quality or performance of the products covered and which do not include any implied warranty of merchantability or fitness. In no event will Tiger be liable for incidental or consequential damages or injuries, including, but not limited to, loss of profits, rental or substitute equipment or other commercial loss.

**THERE ARE NO WARRANTIES WHICH EXTEND
BEYOND THOSE EXPRESSED HEREIN.**

It is the Purchasers obligation to sign the warranty registration form **AFTER** he / she has Read and Understands the Operation and Safety Instructions stated within this manual.

ONE LAST WORD

This manual cannot possibly cover all of the potentially hazardous situations you will encounter. By being familiar, though, with the safety rules, operating and maintenance instructions in this manual you can help prevent accidents. The objective of this manual is to help make you a better operator. Remember, **SAFETY IS YOU!**



Your safety and the safety of those around you depends on **YOU**. Common sense should play a large role in the operation of this machine.

Since we at Tiger Corporation are constantly striving to improve our products, we reserve the right to change specifications or design at any time.