



SIDE ROTARY ASSEMBLIES

NH TS6020-6030 CAB

Current as of €1/FJ/201G

PARTS LISTING WITH MOUNTING AND OPERATING INSTRUCTIONS

Tiger Corporation
3301 N. Louise Ave.
Sioux Falls, SD 57107
1-800-843-6849
1-605-336-7900
www.tiger-mowers.com

06020015

TO THE OWNER / OPERATOR / DEALER

All implements with moving parts are potentially hazardous. There is no substitute for a cautious, safe-minded operator who recognizes the potential hazards and follows reasonable safety practices. The manufacturer has designed this implement to be used with all its safety equipment properly attached to minimize the chance of accidents.

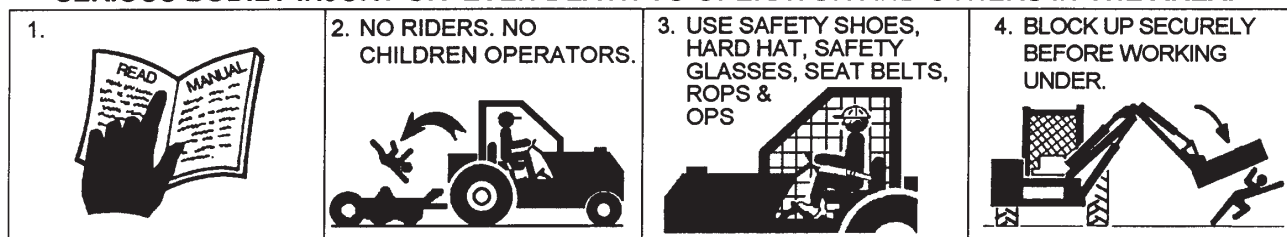
BEFORE YOU START!! Read the safety messages on the implement and shown in this manual. Observe the rules of safety and use common sense!

READ AND UNDERSTAND THIS MANUAL! Non-English speaking operators will need to GET THE MANUAL TRANSLATED as needed!



DANGER

FAILING TO FOLLOW SAFETY MESSAGES AND OPERATING INSTRUCTIONS CAN CAUSE SERIOUS BODILY INJURY OR EVEN DEATH TO OPERATOR AND OTHERS IN THE AREA.



1. Study and understand Operator's Manuals, Safety Decals, and Instructional Decals for tractor and implement to prevent misuse, abuse, and accidents. Practice before operating in a confined area or near passersby.

● Learn how to stop engine suddenly in an emergency. Be alert for passersby and especially children

2. Allow no children on or near folding mower or tractor. Allow no riders on tractor or implement. Falling off may cause serious injury or death from being run over by tractor or mower or contact with rotating blades.

3. Operate only with tractor having Roll-Over Protective Structure (ROPS) and with seat belt securely fastened to prevent injury and possible death from falling off or tractor overturn.

● Personal Protective Equipment such as Hard Hat, Safety Glasses, Safety Shoes, & Ear Plugs are recommended.

4. Block up or support raised machine and all lifted components securely before putting hands or feet under or working underneath any lifted component to prevent crushing injury or death from sudden dropping or inadvertent operation of controls. Make certain area is clear before lowering or folding

5. Before transporting, put Lift Lever in detent or full-lift position. Install Transport Safety Devices securely on folding mowers. Put Booms securely in Transport Rest.

● Folding and Boom Mowers have raised center of gravity. Slow down when turning and on hillsides.

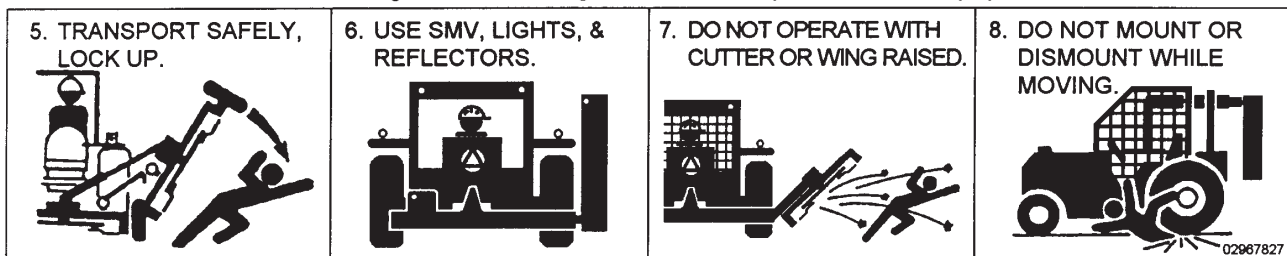
6. Make certain that SMV sign, warning lights, and reflectors are clearly visible. Follow local traffic codes.

7. Never operate with Cutting Head or Folding Section raised if passersby, bystanders, or traffic are in the area to reduce possibility of injury or death from objects thrown by Blades under Guards or mower structure.

8. Before dismounting, secure implement in transport position or lower to ground.

● Put tractor in park or set brake, disengage PTO, stop engine, remove key, and wait until noise of rotation has ceased to prevent crushing by entanglement in rotating parts which could cause injury or death.

● Never mount or dismount a moving vehicle. Crushing from rollover may cause serious injury or death.



02967827

Warranty Information: Read and understand the complete Warranty Statement found in this manual. Fill out the Warranty Registration form in full and return it within 90 days. Make certain the Serial Number of the machine is recorded on the Warranty Card, and form that you retain.

FORWARD

This manual contains information about many features of the Tiger mowing and roadside maintenance equipment. Some of these include: Safety precautions, Assembly instructions, Operations, Maintenance and Parts. This manual will also assist you in the proper break-in, daily care, and troubleshooting of your new mower.

We recommend that you read carefully the entire manual before operating the unit. Also, time spent in becoming fully acquainted with its performance features, adjustments, and maintenance schedules will be repaid in a long and satisfactory life of the equipment.

Troubleshooting - Please, before you call, help us to help you!

Please look at the equipment to observe what is happening, then:

- Classify the problem
 - Hydraulic, electrical or mechanical - Read the trouble shooting section
 - Tractor or Truck chassis - Contact vehicle dealer

- If unable to correct the problem yourself, contact your local Tiger Dealer after gathering:
 - Machine model _____
 - Serial number _____
 - Dealer name _____
 - Detailed information about the problem including results of troubleshooting

Attention Owner / Operator / Dealer: It is your obligation to read, and understand, the warranty information section located at the back of this manual denoting that the purchaser understands the safety issues relating to this machine and has received and will read a copy of this manual.

If at any time, you have a service problem with your Tiger mower, Contact your local dealer for service and parts needed.

MANUFACTURED BY:

Tiger Corporation

3301 N. Louise Ave.

Sioux Falls, SD 57107

1-800-843-6849

1-605-336-7900

www.tiger-mowers.com

DISTRIBUTED BY:

1- _____ - _____ - _____

1- _____ - _____ - _____

TABLE OF CONTENTS

SAFETY SECTION_____	1
ASSEMBLY / MOUNTING SECTION_____	2
OPERATION SECTION_____	3
MAINTENANCE SECTION_____	4
PARTS SECTION_____	5
COMMON PARTS SECTION_____	6
WARRANTY INFORMATION_____	7



1012

This symbol means:

CAUTION – YOUR SAFETY IS AT RISK!

When you see this symbol, read and follow the associated instructions carefully or personal injury or damage may result.

Tiger is a registered trademark.



SAFETY SECTION

SAFETY

General Safety Instructions and Practices

A safe and careful operator is the best operator. Safety is of primary importance to the manufacturer and should be to the owner / operator. Most accidents can be avoided by being aware of your equipment, your surroundings, and observing certain precautions. The first section of this manual includes a list of Safety Messages that, if followed, will help protect the operator and bystanders from injury or death. Read and understand these Safety Messages before assembling, operating or servicing this mower. This equipment should only be operated by those persons who have read the Manual, who are responsible and trained, and who know how to do so safely and responsibly.



The Safety Alert Symbol combined with a Signal Word, as seen below, is used throughout this manual and on decals which are attached to the equipment. The Safety Alert Symbol means: “**ATTENTION! BECOME ALERT! YOUR SAFETY IS INVOLVED!**” The symbol and signal word are intended to warn the owner / operator of impending hazards and the degree of possible injury when operating this equipment.

Practice all usual and customary safe working precautions and above all -- remember safety is up to YOU! Only YOU can prevent serious injury or death from unsafe practices.

DANGER!



Indicates an imminently hazardous situation that, if not avoided, WILL result in DEATH OR VERY SERIOUS INJURY.

WARNING!



Indicates an imminently hazardous situation that, if not avoided, COULD result in DEATH OR SERIOUS INJURY.

CAUTION!



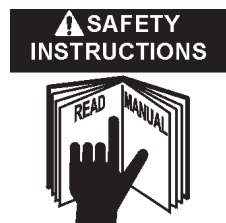
Indicates an imminently hazardous situation that, if not avoided, MAY result in MINOR INJURY.

IMPORTANT!

Identifies special instructions or procedures that, if not strictly observed, could result in damage to, or destruction of the machine, attachments or the environment.

NOTE: *Identifies points of particular interest for more efficient or convenient operation or repair.* (SG-1)

READ, UNDERSTAND, and FOLLOW the following Safety Messages. Serious injury or death may occur unless care is taken to follow the warnings and instructions stated in the Safety Messages. Always use good common sense to avoid hazards. (SG-2)



SAFETY

SAFETY

PELIGRO!



Si no lee Ingles, pida ayuda a alguien qui si lo lea para que le traduzca las medida de seguridad. (SG-3)

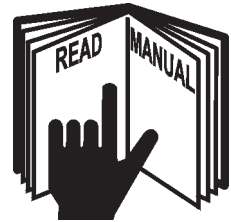


¡ LEA EL INSTRUCTIVO!

DANGER!



Never operate the Tractor or Implement until you have read and completely understand this Manual, the Tractor Operator's Manual, and each of the Safety Messages found in the Manual or on the Tractor and Implement. Learn how to stop the tractor engine suddenly in an emergency. Never allow inexperienced or untrained personnel too operate the Tractor and Implement without supervision. Make sure the operator has fully read and understood the manuals prior to operation. (SG-4)



WARNING!



Always maintain the safety decals in good readable condition. If the decals are missing, damaged, or unreadable, obtain and install replacement decals immediately. (SG-5)

WARNING!



Make certain that the "Slow Moving Vehicle" (SMV) sign is installed in such a way as to be clearly visible and legible. When transporting the Equipment use the Tractor flashing warning lights and follow all local traffic regulations. (SG-6)



WARNING!



Operate this Equipment only with a Tractor equipped with an approved roll-over-protective system (ROPS). Always wear seat belts. Serious injury or even death could result from falling off the tractor--particularly during a turnover when the operator could be pinned under the ROPS. (SG-7)



WARNING!

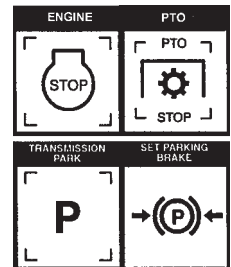


Do not modify or alter this Implement. Do not permit anyone to modify or alter this Implement, any of its components or any Implement function. (SG-8)

DANGER!



BEFORE leaving the tractor seat, always engage the brake and/or set the tractor transmission in parking gear, disengage the PTO, stop the engine, remove the key, and wait for all moving parts to stop. Place the tractor shift lever into a low range or parking gear to prevent the tractor from rolling. Never dismount a Tractor that is moving or while the engine is running. Operate the Tractor controls from the tractor seat only. (SG-9)



SAFETY

SAFETY

DANGER!



Never allow children or other persons to ride on the Tractor or Implement. Falling off can result in serious injury or death.

(SG-10)



DANGER!



Never allow children to operate or ride on the Tractor or Implement.

(SG-11)



WARNING!



Do not mount the Tractor while the tractor is moving. Mount the Tractor only when the Tractor and all moving parts are completely stopped.

(SG-12)



DANGER!



Start tractor only when properly seated in the Tractor seat. Starting a tractor in gear can result in injury or death. Read the Tractor operators manual for proper starting instructions. (SG-13)



DANGER!



Never work under the Implement, the framework, or any lifted component unless the Implement is securely supported or blocked up to prevent sudden or inadvertent falling which could cause serious injury or even death. (SG-14)



DANGER!



Do not operate this Equipment with hydraulic oil leaking. Oil is expensive and its presence could present a hazard. Do not check for leaks with your hand! Use a piece of heavy paper or cardboard. High-pressure oil streams from breaks in the line could penetrate the skin and cause tissue damage including gangrene. If oil does penetrate the skin, have the injury treated immediately by a physician knowledgeable and skilled in this procedure. (SG-15)

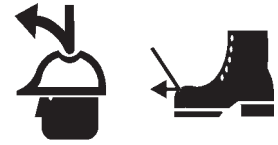


SAFETY

WARNING!



The operator and all support personnel should wear hard hats, safety shoes, safety glasses, and proper hearing protection at all times for protection from injury including injury from items thrown by the equipment. (SG-16)



CAUTION!



PROLONGED EXPOSURE TO LOUD NOISE MAY CAUSE PERMANENT HEARING LOSS! Tractors with or without an Implement attached can often be noisy enough to cause permanent hearing loss. We recommend that you always wear hearing protection if the noise in the Operator's position exceeds 80db. Noise over 85db over an extended period of time will cause severe hearing loss. Noise over 90db adjacent to the Operator over an extended period of time will cause permanent or total hearing loss. *Note:* Hearing loss from loud noise [from tractors, chain saws, radios, and other such sources close to the ear] is cumulative over a lifetime without hope of natural recovery. (SG-17)



WARNING!

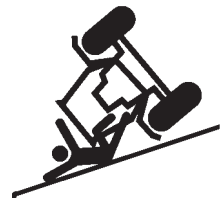


Transport only at safe speeds. Serious accidents and injuries can result from operating this equipment at unsafe speeds. Understand the Tractor and Implement and how it handles before transporting on streets and highways. Make sure the Tractor steering and brakes are in good condition and operate properly.



Before transporting the Tractor and Implement, determine the safe transport speeds for you and the equipment. Make sure you abide by the following rules:

1. **Test the tractor at a slow speed and increase the speed slowly. Apply the Brakes smoothly to determine the stopping characteristics of the Tractor and Implement. As you increase the speed of the Tractor the stopping distance increases. Determine the maximum safe transport speed for you and this Equipment.**
2. **Test the equipment at a slow speed in turns. Increase the speed through the turn only after you determine that it is safe to operate at a higher speed. Use extreme care and reduce your speed when turning sharply to prevent the tractor and implement from turning over. Determine the maximum safe turning speed for you and this equipment before operating on roads or uneven ground. Only transport the Tractor and Implement at the speeds that you have determined are safe and which allow you to properly control the equipment.**
3. **Be aware of the operating conditions. Do not operate the Tractor with weak or faulty brakes. When operating down a hill or on wet or rain slick roads, the braking distance increases: use extreme care and reduce your speed. When operating in traffic always use the Tractor's flashing warning lights and reduce your speed. Be aware of traffic around you and watch out for the other guy.** (SG-19)



SAFETY

SAFETY

WARNING!



Never attempt to lubricate, adjust, or remove material from the Implement while it is in motion or while tractor engine is running. Make sure the tractor engine is off before working on the Implement.

(SG-20)

WARNING!



Periodically inspect all moving parts for wear and replace when necessary with authorized service parts. Look for loose fasteners, worn or broken parts, and leaky or loose fittings. Make sure all pins have cotter pins and washers. Serious injury may occur from not maintaining this machine in good working order. (SG-21)



WARNING!



Always read carefully and comply fully with the manufacturers instructions when handling oil, solvents, cleansers, and any other chemical agent. (SG-22)



DANGER!



Never run the tractor engine in a closed building or without adequate ventilation. The exhaust fumes can be hazardous to your health.

(SG-23)

DANGER!



KEEP AWAY FROM ROTATING ELEMENTS to prevent entanglement and possible serious injury or death. (SG-24)



DANGER!



Never allow children to play on or around Tractor or Implement. Children can slip or fall off the Equipment and be injured or killed. Children can cause the Implement to shift or fall crushing themselves or others. (SG-25)

DANGER!



DO NOT allow any person under a folded wing unless wing is securely locked up or supported. **DO NOT** approach the Implement unless the Tractor is turned off and all motion has ceased. Never work under the frame work, or any lifted component unless the implement is securely supported or blocked up. A sudden or inadvertent fall by any of these components could cause serious injury or even death. (STI-3)



SAFETY

CAUTION!



On a fully-assembled unit, do not remove the Wing Retaining Strap until hoses are attached to the tractor and the Wing Cylinders are filled with oil. Lower the Wings slowly and carefully. Keep bystanders away during operations. (STI-5)

DANGER!



NEVER use drugs or alcohol immediately before or while operating the Tractor and Implement. Drugs and alcohol will affect an operator's alertness and coordination and therefore affect the operator's ability to operate the equipment safely. Before operating the Tractor or Implement, an operator on prescription or over-the-counter medication must consult a medical professional regarding any side effects of the medication that would hinder their ability to operate the Equipment safely. **NEVER** knowingly allow anyone to operate this equipment when their alertness or coordination is impaired. Serious injury or death to the operator or others could result if the operator is under the influence of drugs or alcohol. (SG-27)



DANGER!



Operate the Tractor and/or Implement controls only while properly seated in the Tractor seat with the seat belt securely fastened around you. Inadvertent movement of the Tractor or Implement may cause serious injury or death. (SG-29)

WARNING!



Mow only in conditions where you have clear visibility in daylight or with adequate artificial lighting. Never mow in darkness or foggy conditions where you cannot clearly see at least 100 yards in front and to the sides of the tractor and mower. Make sure that you can clearly see and identify passersby, steep slopes, ditches, drop-offs, overhead obstructions, power lines, debris and foreign objects. If you are unable to clearly see this type of items discontinue mowing. (SGM-1)

DANGER!



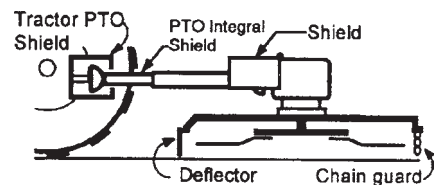
There are obvious and hidden potential hazards in the operation of this Mower. **REMEMBER!** This machine is often operated in heavy brush and in heavy weeds. The Blades of this Mower can throw objects if shields are not properly installed and maintained. Serious injury or even death may occur unless care is taken to insure the safety of the operator, bystanders, or passersby in the area. Do not operate this machine with anyone in the immediate area. Stop mowing if anyone is within 100 yards of mower. (SGM-2)



DANGER!



All Safety Shields, Guards and Safety devices including (but not limited to) - the Deflectors, Chain Guards, Steel Guards, Gearbox Shields, PTO integral shields, and Retractable Door Shields should be used and maintained in good working condition. All safety devices should be inspected carefully at least daily for missing or broken components. Missing, broken, or worn items must be replaced at once to reduce the possibility of injury or death from thrown objects, entanglement, or blade contact. (SGM-3)



SAFETY

SAFETY

DANGER!



The rotating parts of this machine have been designed and tested for rugged use. However, the blades could fail upon impact with heavy, solid objects such as metal guard rails and concrete structures. Such impact could cause the broken objects to be thrown outward at very high velocities. To reduce the possibility of property damage, serious injury, or even death, never allow the cutting blades to contact such obstacles. (SGM-4)

WARNING!



Extreme care should be taken when operating near loose objects such as gravel, rocks, wire, and other debris. Inspect the area before mowing. Foreign objects should be removed from the site to prevent machine damage and/or bodily injury or even death. Any objects that cannot be removed must be clearly marked and carefully avoided by the operator. Stop mowing immediately if blades strike a foreign object. Repair all damage and make certain rotor or blade carrier is balanced before resuming mowing. (SGM-5)



WARNING!



Many varied objects, such as wire, cable, rope, or chains, can become entangled in the operating parts of the mower head. These items could then swing outside the housing at greater velocities than the blades. Such a situation is extremely hazardous and could result in serious injury or even death. Inspect the cutting area for such objects before mowing. Remove any like object from the site. Never allow the cutting blades to contact such items. (SGM-6)

WARNING!



Mow at the speed that you can safely operate and control the tractor and mower. Safe mowing speed depends on terrain condition and grass type, density, and height of cut. Normal ground speed range is from 0 to 5 mph. Use slow mowing speeds when operating on or near steep slopes, ditches, drop-offs, overhead obstructions, power lines, or when debris and foreign objects are to be avoided. (SGM-7)

WARNING!



Avoid mowing in reverse direction when possible. Check to make sure there are no persons behind the mower and use extreme care when mowing in reverse. Mow only at a slow ground speed where you can safely operate and control the tractor and mower. Never mow an area that you have not inspected and removed debris or foreign material. (SGM-8)

WARNING!



Do not put hands or feet under mower decks. Blade Contact can result serious injury or even death. Stay away until all motion has stopped and the decks are securely blocked up. (SGM-9)



DANGER!



Replace bent or broken blade with new blades. NEVER ATTEMPT TO STRAIGHTEN OR WELD ON BLADES SINCE THIS WILL LIKELY CRACK OR OTHERWISE DAMAGE THE BLADE WITH SUBSEQUENT FAILURE AND POSSIBLE SERIOUS INJURY FROM THROWN BLADES. (SGM-10)

WARNING!



Do not mow with two machines in the same area except with Cab tractors with the windows closed. (SGM-11)

SAFETY

DANGER!



Rotary Mowers are capable under adverse conditions of throwing objects for great distances (100 yards or more) and causing serious injury or death. Follow safety messages carefully.

STOP MOWING IF PASSERSBY ARE WITHIN 100 YARDS UNLESS:

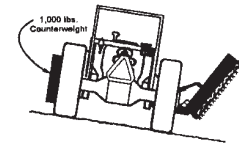
- Front and Rear Deflectors are installed and in good, working condition;
- Mower Head is running close to and parallel to the ground without exposed Blades;
- Passersby are outside the existing thrown-object zone;
- All areas have been thoroughly inspected and all foreign material such as rocks, cans, glass, and general debris has been removed.

NOTE: Where there are grass and weeds high enough to hide debris that could be struck by the blades, the area should be: inspected and large debris removed, mowed at an intermediate height, inspected closely with any remaining debris removed, and mowed again at desired final height. (SBM-1)

WARNING!



Each Rear Wheel must have a minimum of 1,000 pounds contact with the surface to prevent lateral instability and possible tip-over which could result in serious bodily injury or even death. Widen the wheel tread and add weights if needed. Refer to the mounting instructions or call Customer Service if you need assistance with Counterweight Procedure. (SFL-3)



WARNING!



Do not operate Mower if excessive vibration exists. Shut down PTO and the Tractor engine. Inspect the Mower to determine the source of the vibration. If Mower blades are missing or damaged replace them immediately. Do not operate the mower until the blades have been replaced and the Mower operates smoothly. Operating the Mower with excessive vibration can result in component failure and broken objects to be thrown outward at very high velocities. To reduce the possibility of property damage, serious injury, or even death, never allow the Mower to be operated with blades missing. (SFL-4)

WARNING!



Do not let the Blades turn when the Mower Deck is raised for any reason, including clearance or for turning. Raising the Mower deck exposes the Cutting Blades which creates a potentially serious hazard and could cause serious injury or even death from objects thrown from the Blades. (SRM-7)



DANGER!



Use extreme caution when raising the Mower head. Stop the Blades from turning when the Mower Head is raised and passersby are within 100 yards. Raising the Mower head exposes the Cutting Blades which creates a potentially serious hazard and can cause serious injury by objects thrown from the Blades or by contact with the Blades.

(SBM-2)

SAFETY

SAFETY

WARNING!



Never leave the Tractor and Implement unattended while the Implement is in the lifted position. Accidental operation of lifting lever or a hydraulic failure may cause sudden drop of unit with injury or death by crushing. To properly park the implement when disconnecting it from the tractor, lower the stand and put the retaining pin securely in place, or put a secure support under the A-Frame. Lower the implement carefully to the ground. Do not put hands or feet under lifted components. (S3PT-1)

WARNING!

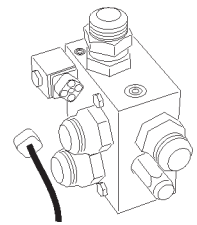


Relieve hydraulic pressure prior to doing any maintenance or repair work on the Implement. Place the Mower Head on the ground or securely supported on blocks or stands, disengage the PTO, and turn off the engine. Push and pull the control Levers or Joystick several times to relieve pressure prior to starting any maintenance or repair work. (SBM-6)

DANGER!



Always disconnect the wire leads from the mower valve solenoid before performing service on the Tractor or Mower. Use caution when working on the Tractor or Mower. Tractor engine must be stopped before working on Mower or Tractor. The Mower Blades could inadvertently be turned on without warning and cause immediate dismemberment, injury or death. (SBM-12)



WARNING!



Use extreme care when lowering or unfolding the implement's wings. Make sure no bystanders are close by or underneath the wings. Allow ample clearance around the implement when folding or unfolding the wings. Use extreme caution around buildings or overhead power lines.

(S3PT-

5)

WARNING!



Relieve hydraulic pressure prior to doing any maintenance or repair work on the Implement. Place the Implement on the ground or securely blocked up, disengage the PTO, and turn off the tractor engine. Push and pull the Remote Cylinder lever in and out several times prior to starting any maintenance or repair work. (S3PT-9)



DANGER!



This Implement is wider than the Tractor. Be careful when operating or transporting this equipment to prevent the Implement from running into or striking sign posts, guard rails, concrete abutments or other solid objects. Such an impact could cause the Implement and Tractor to pivot violently resulting in loss of steering control, serious injury, or even death. Never allow the Implement to contact obstacles. (S3PT-12)

DANGER!



The flail cutter shaft is designed for standard rotation (same rotation as the tractor wheel during forward travel). **Never operate the cutter shaft in the reverse rotation.** Operating this mower in reverse rotation may cause objects to be thrown out the front of the mower head.



SAFETY

SAFETY

WARNING!



The rotating parts of this machine continue to rotate even after the Tractor has been turned off. The operator should remain in his seat for 60 seconds after the brake has been set, the PTO disengaged, the tractor turned off, and all evidence of rotation has ceased. (SBM-5)

“Wait a minute...Save a life!”

WARNING!



Engine Exhaust, some of its constituents, and certain components contain or emit chemicals known to the state of California to cause cancer and birth or other reproductive harm.

WARNING!



Battery post, terminals and related accessories contain lean and lead compounds, chemicals known to the state of California to cause cancer and birth or other reproductive harm. **Wash hands after handling!**

Tiger mowers use balanced and matched system components for blade carriers, blades, cutter-shafts, knives, knife hangers, rollers, drive-train components and bearings. These parts are made and tested to Tiger specifications. Non-genuine “will fit” parts do not consistently meet these specifications. The use of “will fit” parts may reduce mower performance, void mower warranties and present a safety hazard. Use genuine Tiger mower parts for economy and safety.

SEE YOUR

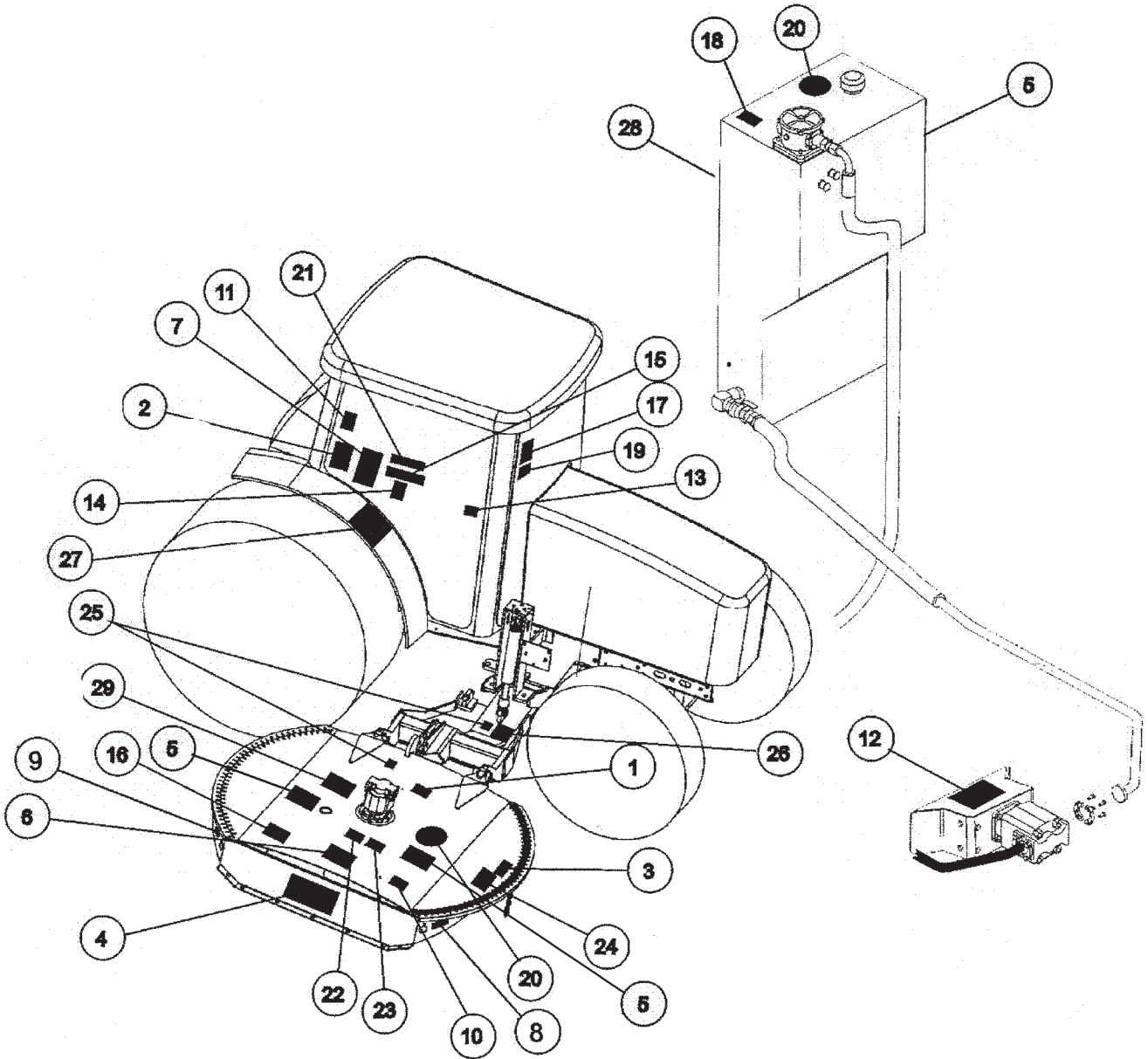


DEALER

In addition to the design and configuration of this Implement, including Safety Signs and Safety Equipment, hazard control and accident prevention are dependent upon the awareness, concern, prudence, and proper training of personnel involved in the operation, transport, maintenance, and storage of the machine. Refer also to Safety Messages and operation instruction in each of the appropriate sections of the Tractor and Equipment Manuals. Pay close attention to the Safety Signs affixed to the Tractor and Equipment. (SG-18)

SAFETY

SAFETY



SAFETY

SAFETY

ITEM	PART NO.	QTY.		DESCRIPTION
1	22839	1	INSTRUCT	Don Not Lubricate With Automatic Grease Gun
2	22840	1	WARNING	Foreign Objects Contacted
3	24028	1	WARNING	Inspect Rear Flap
4	31522	1	LOGO	TIGER MOWERS
5	31523	3	LOGO	TIGER MOWERS
6	42350	1	DANGER	Cuttershaft Direction
7	33743	1	INSTRUCT	Mowing Safet Tips
8	42399	1	REFLECT	Red Reflector
9	42400	1	REFLECT	Amber Reflector
10	6T3217	1	DANGER	Keep Hands and Feet Clear
11	6T3219	1	WARNING	Read Operators and Maintenance Manuals
12	6T3220	1	INTRUCT	Lubricate Pump, Driveshaft Daily
13	6T3221	1	CAUTION	Lubricate Spindle When Mower and Tractor Off
14	6T3222	1	INSTRUCT	Engine will not start when mower is engaged
15	1059	1	INSTRUCT	Mower Positions
16	6T3224	1	DANGER	Stay Clear, Discharge Opening
17	6T3230	1	WARNING	Don't Operate with Bystanders in Area
18	6T3233	1	CAUTION	DONOT Start or Run with Valves closed
19	6T3234	1	CAUTION	Check Crankshaft Adapter Daily
20	6T3236	1	LOGO	Made In USA
21	6T3243	1	WARNING	Replace Bolts and Locknut if damaged
22	6T3249A	1	INSTRUCT	Grease Inst. Cuttershaft Bearing
23	6T3261	1	INSTRUCT	Grease Inst. Ground Roller Bearing
24	TB1011	1	WARNING	Do Not Work Mower with Safety Shiel Removed
25	02962764	1	WARNING	Pinch Point
26	02965262	1	WARNING	Hydraulic Hose Repair
27	02967827	1	DANGER	Multi Warn Messages
28	34852	1	INSTRUCT	Hydraulic Specifications
29	00756059	1	WARNING	Check Hydraulic Hose with Cardboard

SAFETY

SAFETY

DO NOT LUBRICATE WITH AUTOMATIC GREASE GUN. GREASE WITH HAND GREASE GUN ONLY.

P/N22839

PART NO.
LOCATION

22839
MOWER DECK



22840
INSIDE OF CAB

WARNING

INSPECT REAR FLAP FREQUENTLY TO BE SURE IT IS IN SAFE WORKING CONDITION. DO NOT OPERATE MOWER WITH FLAP REMOVED OR WORN.

24028

24028
MOWER DECK



10"X5.5" 31522
MOWER DECK

18.25"X10" 31523
HYDRAULIC TANK

SAFETY

⚠ DANGER

TO AVERT THROWN OBJECTS,
CUTTER SHAFT MUST TURN IN THIS



DIRECTION

PART NO.
LOCATION

42350
MOWER DECK

MOWING SAFETY TIPS ⚠

- ▶ Read & understand the Operator's Manual.
- ▶ Wear Your Seat Belt.
- ▶ Keep all shields and guards in place.
- ▶ Make sure equipment is in proper working order.
- ▶ Never attempt to get off or on a moving truck.
- ▶ Never allow riders on truck or equipment.
- ▶ Only start the truck from the seat with the key.
- ▶ Always inspect the area before mowing.
Remove all foreign debris.
- ▶ Always keep bystanders and coworkers a minimum of 300 feet away.
- ▶ Never allow the mower blades to contact solid objects or foreign material.
- ▶ Never approach rotating elements.
- ▶ Disengage mower head. Shut down Aux. Engine place transmission in park, set parking brake, shut off truck engine, and remove key. Wait till all rotating motion has stopped before leaving seat.



33743
INSIDE OF CAB

5



42399
MOWER DECK



42400
MOWER DECK

SAFETY

SAFETY

SAFETY



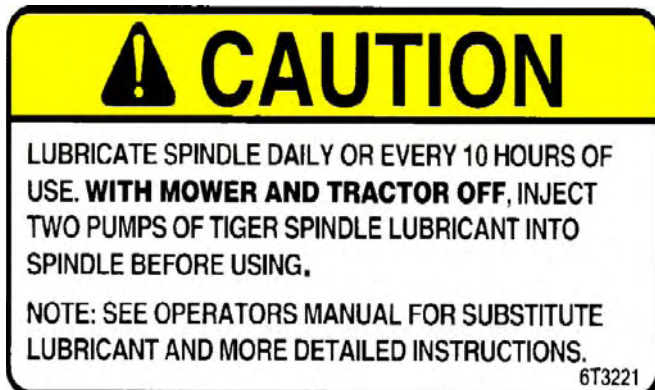
PART NO.
LOCATION

6T3217
MOWER DECK



6T3219
INSIDE OF CAB

6T3220
FRONT PUMP MOUNT



6T3221
INSIDE OF CAB

29-6T3221

SAFETY

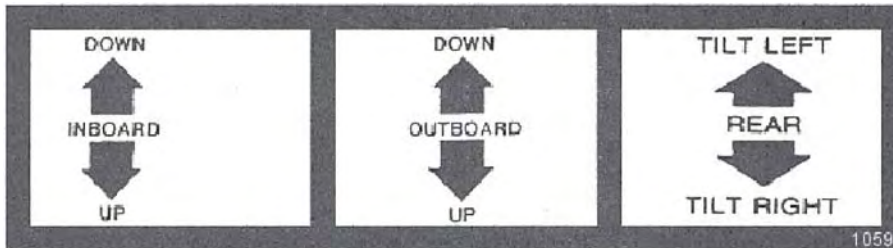
NOTICE:
Engine will not
start when mower
is engaged.



6T3222

PART NO.
LOCATION

6T3233
INSIDE OF CAB



1059

1059

6T3234
INSIDE OF CAB



6T3236
MOWER DECK



6T-3230

6T3243
INSIDE OF CAB

SAFETY

SAFETY

SAFETY

PART NO.
LOCATION



6T3233
HYDRAULIC TANK



6T3234
INSIDE OF CAB



6T3236
MOWER DECK
HYDRAULIC TANK

6T3243
INSIDE OF CAB

SAFETY

PART NO.
LOCATION

GREASING INSTRUCTIONS

GROUND SHAFT BEARING
GREASE EVERY 8 HRS. OR DAILY

NOTE: If unusual environmental conditions exist; extreme temperatures, moisture, or contaminants more frequent lubrication is required.

6T3249A

6T3249A
MOWER DECK

GREASING INSTRUCTIONS

GROUND ROLLER BEARING
GREASE EVERY 8 HRS. OR DAILY

NOTE: If unusual environmental conditions exist; extreme temperatures, moisture, or contaminants more frequent lubrication is required.

6T3261

6T3261
MOWER DECK

WARNING

**DO NOT OPERATE MOWER
WITH SAFETY SHIELD REMOVED.**

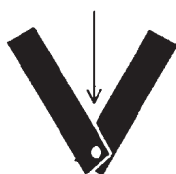
TB1011

TB1011
MOWER DECK



WARNING

PINCH POINTS



02962764

02962764
MOWER DECK
DRAFT BEAM

SAFETY

SAFETY

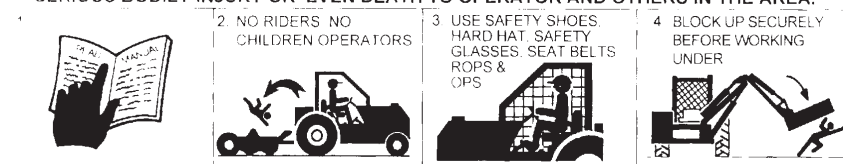
SAFETY

PART NO.
LOCATION

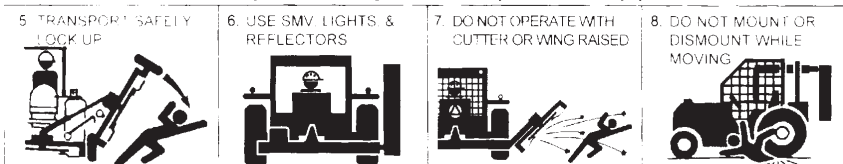
02965262
DRAFT BEAM

DANGER

FAILING TO FOLLOW SAFETY MESSAGES AND OPERATING INSTRUCTIONS CAN CAUSE SERIOUS BODILY INJURY OR EVEN DEATH TO OPERATOR AND OTHERS IN THE AREA.



1. Study and understand Operator's Manuals, Safety Decals, and Instructional Decals for tractor and implement to prevent misuse, abuse, and accidents. Practice before operating in a confined area or near passersby.
 - Learn how to stop engine suddenly in an emergency. Be alert for passersby and especially children.
2. Allow no children on or near folding mower or tractor. Allow no riders on tractor or implement. Falling off may cause serious injury or death from being run over by tractor or mower or contact with rotating blades.
3. Operate only with tractor having Roll-Over Protective Structure (ROPS) and with seat belt securely fastened to prevent injury and possible death from falling off or tractor overturn.
 - Personal Protective Equipment such as Hard Hat, Safety Glasses, Safety Shoes, & Ear Plugs are recommended.
4. Block up or support raised machine and all lifted components securely before putting hands or feet under or working underneath any lifted component to prevent crushing injury or death from sudden dropping or inadvertent operation of controls. Make certain area is clear before lowering or folding.
5. Before transporting, put Lift Lever in detent or full-lift position. Install Transport Safety Devices securely on folding mowers. Put Booms securely in Transport Rest.
 - Folding and Boom Mowers have raised center of gravity. Slow down when turning and on hillsides.
6. Make certain that SMV sign, warning lights, and reflectors are clearly visible. Follow local traffic codes.
7. Never operate with Cutting Head or Folding Section raised if passersby, bystanders, or traffic are in the area to reduce possibility of injury or death from objects thrown by Blades under Guards or mower structure.
8. Before dismounting, secure implement in transport position or lower to ground.
 - Put tractor in park or set brake, disengage PTO, stop engine, remove key, and wait until noise of rotation has ceased to prevent crushing by entanglement in rotating parts which could cause injury or death.
 - Never mount or dismount a moving vehicle. Crushing from rollover may cause serious injury or death.



02967827
CAB FENDER

SAFETY



Tiger Corporation

800-843-6849

www.tiger-mowers.com

SAFETY

Description	Application	General Specification	Recommended Lubricant
Tractor Hydraulics	Reservoir	JD-20C	Mobilfluid® 424
Mower Hydraulics Cold Temperatures 0°F Start-up Normal Temperatures 10°F Start-up Normal Temperatures 15°F Start-up High Operating Temperatures Above 90°F Ambient	Reservoir	ISO 46 Anti-Wear/ Low Temp JD-20C ISO 46 Anti-Wear ISO 100 Anti-Wear	Mobil DTE® 15M Mobilfluid® 424 Mobil DTE® 25 Mobil DTE® 18M
Flail Rear Gearbox	Reservoir	PAO Synthetic Extreme Pressure Gear Lube	Mobilube SHC® 75W-90, Mobil 1 Synthetic Gear Lubricant
Cutter Shaft and Ground Roller Shaft (Flail)	Grease Gun	Lithium Complex, NLGI 2 ISO 320	Mobilgrease® CM-S
Drive Shaft Coupler (Rotary and Flail) Drive Shaft Yoke, U - Joint and Stub Shaft	Grease Gun	Lithium Complex, NLGI 2 ISO 320	Mobilgrease® CM-S
Boom Swivel, Boom Cylinder Pivots (Rotary and Flail Boom Type)	Grease Gun	Lithium Complex, NLGI 2 ISO 320	Mobilgrease® CM-S
Deck Boom Pivot & Deck Stop Adjustment (Rotary and Flail)	Grease Gun	Lithium Complex, NLGI 2 ISO 320	Mobilgrease® CM-S
Deck Spindle (Rotary)	Grease Gun	Tiger Spindle Lubricant	Tiger Part #25351

For Mobil product information, availability, or technical information, call 1-800-662-4525.

Tiger PN 34852

34852
HYDRAULIC TANK

WARNING

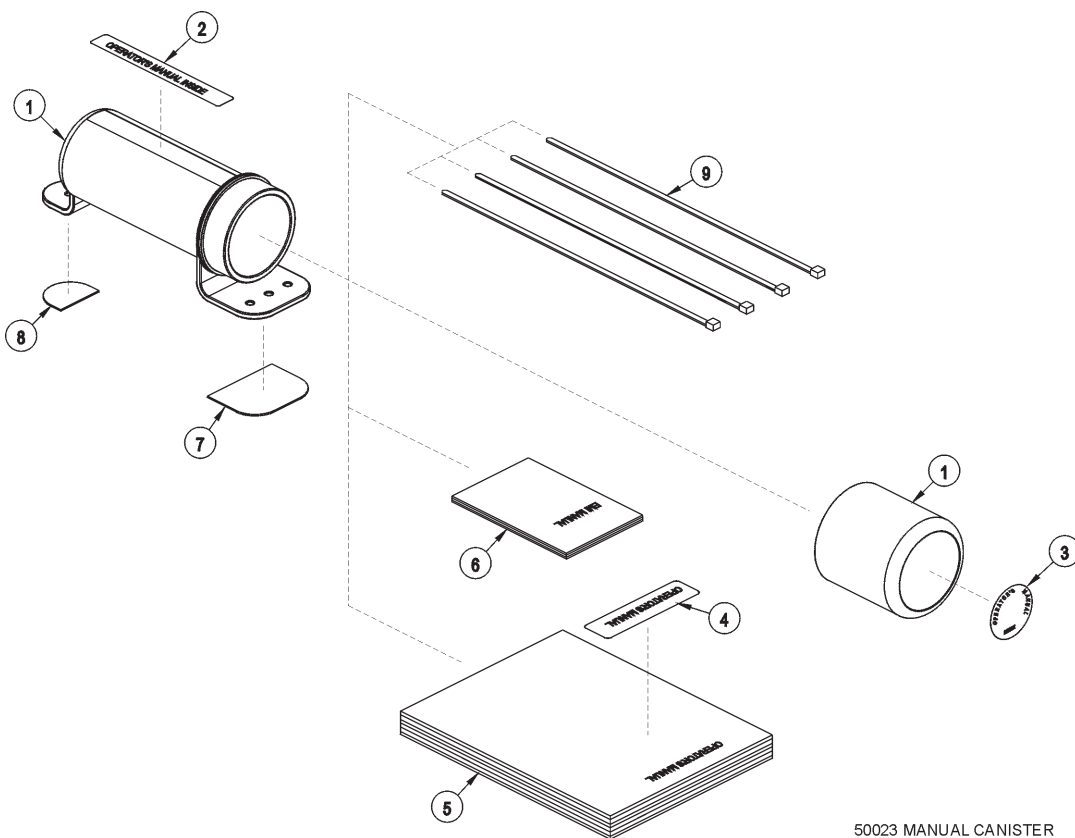
USE PAPER OR CARDBOARD TO CHECK FOR LEAKS. **NEVER USE YOUR HAND.** IF OIL PENETRATES SKIN, GANGRENE OR OTHER SERIOUS INJURY COULD OCCUR. **GET IMMEDIATE MEDICAL ATTENTION.**
See Operator's Manual.

00756059

00756059
MOWER DECK

SAFETY

SAFETY



50023 MANUAL CANISTER

ITEM	PART NO.	QTY.	DESCRIPTION
	50023	AVAIL	MANUAL CANISTER COMPLETE
1	00776031	1	Round Manual Canister
	33997	1	Decal, Sheet, Manual Canister
2		*	Decal
3		*	Decal
4		*	Decal
5	*	AVAIL	Specification Product Manual
6	33753	1	EMI Safety Manual
7	34296	1	Front Adhesive Pad
8	34297	1	Rear Adhesive Pad
9	6T1823	4	Zip Tie 14" Long

NOTE:

The manual canister can be bolted, zip tied or adhered to a variety of surfaces. Locate a protected area within the view of the operator. Then select an installation method and attach the canister. **CAUTION-AVOID DRILLING HOLES INTO UNKNOWN AREAS**, wires and other parts may be located behind these areas. When adhering the canister to a surface, thoroughly clean that surface before installing the canister.

SAFETY

FEDERAL LAWS AND REGULATIONS

This section is intended to explain in broad terms the concept and effect of federal laws and regulations concerning employer and employee equipment operators. This section is not intended as a legal interpretation of the law and should not be considered as such.

Employer-Employee Operator Regulations

U.S. Public Law 91-596 (The Williams-Steiger Occupational and Health Act of 1970) OSHA

This Act Seeks:

“...to assure so far as possible every working man and woman in the nation safe and healthful working conditions and to preserve our human resources...”

DUTIES

Sec. 5 (a) Each employer-

(1) shall furnish to each of his employees employment and a place of employment which are free from recognized hazards that are causing or are likely to cause death or serious physical harm to his employees;

(2) shall comply with occupational safety and health standards promulgated under this Act.

(b) Each employee shall comply with occupational safety and health standards and all rules, regulations and orders issued pursuant to this Act which are applicable to his own actions and conduct.

OSHA Regulations

OSHA regulations state in part: “At the time of initial assignment and at least annually thereafter, the employer shall instruct every employee in the safe operation and servicing of all equipment with which the employee is, or will be involved.”

Employer Responsibilities:

To ensure employee safety during Truck and Implement operation, it is the employer’s responsibility to:

1. Train the employee in the proper and safe operation of the Truck and Implement.
2. Require that the employee read and fully understand the Truck and Implement Operator’s manual.
3. Permit only qualified and properly trained employees to operate the Truck and Implement.
4. Maintain the Truck and Implement in a safe operational condition and maintain all shields and guards on the equipment.
5. Ensure the Truck is equipped with functional seat belts and require that the employee operator securely fasten the safety belts at all times.
6. Forbid the employee operator to carry additional riders on the Truck.
7. Provide the required tools to maintain the Truck and Implement in a good safe working condition and provide the necessary support devices to secure the equipment safely while performing repairs and service.

Child Labor Under 16 Years of Age

Some regulations specify that no one under the age of 16 may operate power machinery. It is your responsibility to know what these regulations are in your own area or situation. (Refer to U.S. Dept. of Labor, Employment Standard Administration, Wage & Home Division, Child Labor Bulletin #102.)

SAFETY

SAFETY

7 B< 'HG* \$&\$!'G=8 9 'FCH5 FM

5 GG9 A 6 @M G9 7 H=C B

5 GG9 A 6 @M

GK #7 < 6 CL`K #B;

Ü^!Á Á@Áæ•Á^&ç}Á|Á ää*Áæ|æ •ÉÜ^ { [ç^Á] Á•d` { ^} d|æ^|Áæ@Á} áÁ
 @~|Á ^c|DÁ|Á&&••Á Á@Á ä^É

Ü[~cÁ@Á^áá} áÁ|^} Á, æ&@ [cÁ ä^Á { Á@Á, æ&@ [cÁ Á@Á| d| { Áá @Á|} ^|Á
 [-Á@Á•d` { ^} d|æ^|Á^æÁ äá, ÉÜ{}} ^&@Á^áá ä^Á Á@Á @Á ä^É@ d| @} Á
 \^ Á Á@Á} d| •ää } D

BCH9`CB@M: CF`9 @7HFCB#7`J5 @9.`Ž&JC @HG9 @7HF#75 @DCK9F`

AI GH`69`H5?9B: FCA`5`GCI F79`@C75HCB`K <9F9`H`G`@J9`CB@M

K <9B`H <9`# B#HCB`GK #7 <`G`B`H <9`Í CBÍ`DCG#CB" `H <G`K #9`AI GH`

69: I G98`5`H <9`GCI F79`@C75HCB"

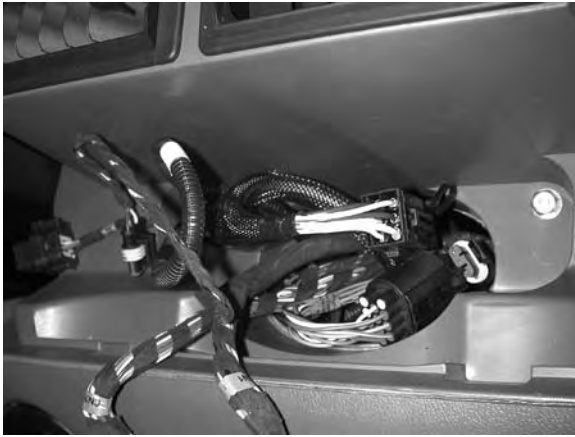
Ü[~cÁ@Á @Á ä^Á Á@Á ä^Á|æ|æÁ| |^} [ää|áá^Áçç^É

V@Á, æ&@ [cÁ Á^Á^&|áÁ Á@Á] ^|æ| •Á ä^Á Á@Á} d| |Áæ| á|^É|Á|} ^|Á

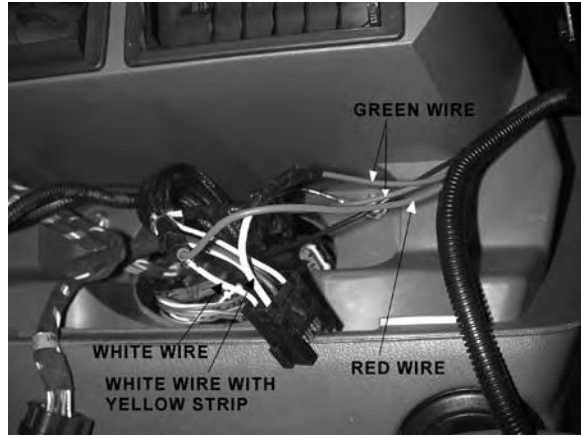
•, æ&@ [cÁ [~] É

V@Á|^} Á ä^Á ä^Á|} ^&@ Á@Á^ dçÁæcÁ, æ&@ ä^Áç @Á ä^Á| |, Á

•dç^É} áÁ Á@Á, |Áæ^|É (ASM-NH-0061)



óòøüòá ùøõ



øñvòúá ùøõ



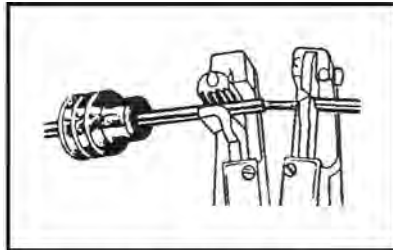
5 GG9 A 6 @M

K 95H<9F!D5 7 ? #A 9 HF =D5 7 ? `5 GG9 A 6 @M

V@•^Á•d`&ā }•Á} |`Á Á[cÁ ^æ@!ÛJæ Á} áÁ ^dā æÁ & } ^&ā !•È

BCH9. 'l gY'h YgdYWZWrcc`Zf'h YhdYcZWbbYWcf'mci 'UfY'UggYa V'b["

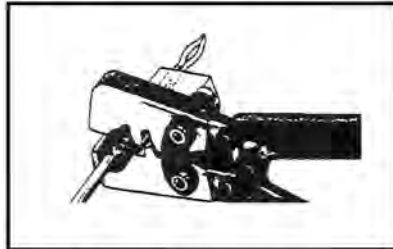
(ASM-C-0009)



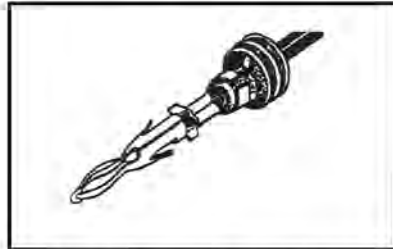
1. Apply seal to cable, before stripping insulation.



2. Align seal with cable insulation.



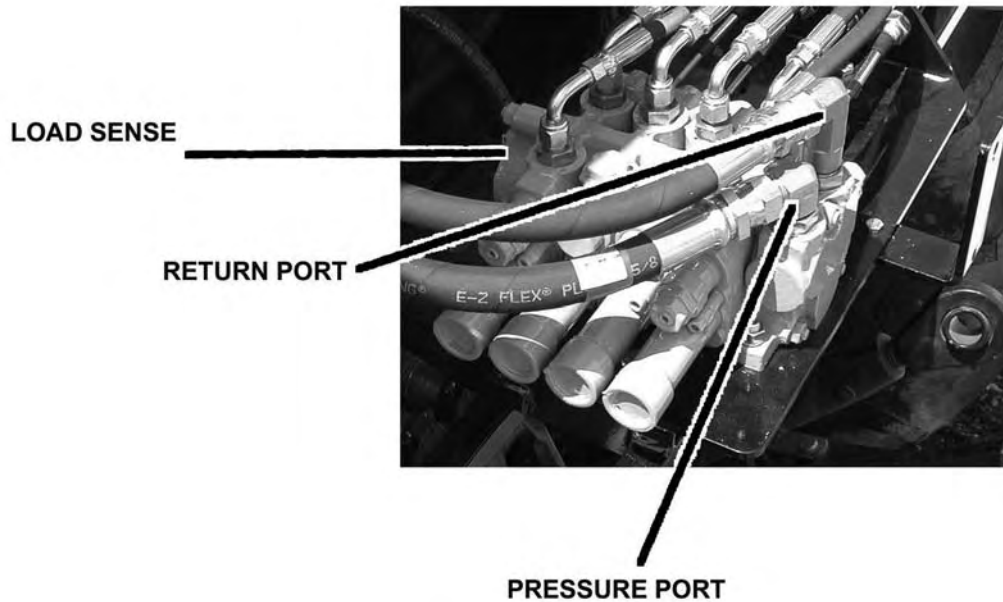
3. Put terminal in crimping tool, then



4. Crimp and visually inspect for a good

A5 BI 5 @@ H'J5 @9`DCFHG

Á



(ASM-C-0057)

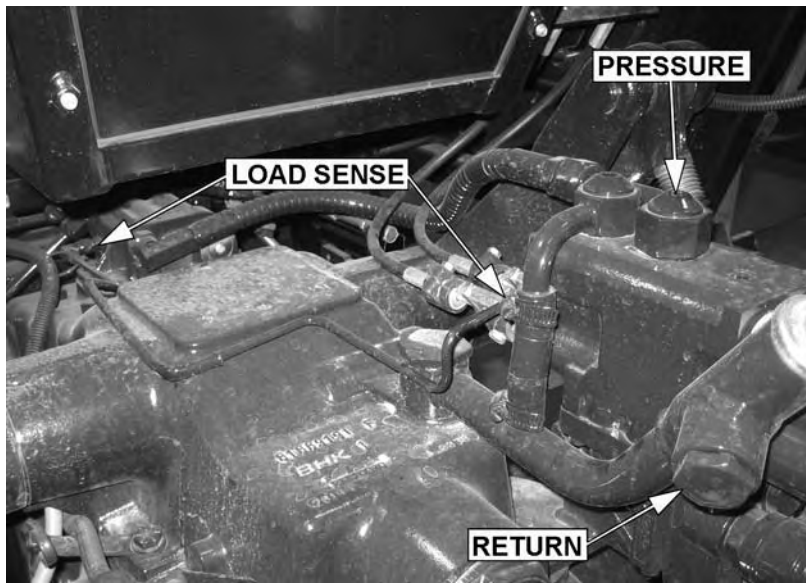


5 GG9 A 6 @M

HF57HCF`@C58`G9BG9ZDF9GGI F9/`F9HI FB

V@Áãóçç^Á•^•Á@ÁÚ!••~!^ËÜ^c!} Áã áÁ[ááÁ^}•^Á} Á@Áãçç!CÁãÁ^ { [c^Á
•çá ËV@Á[!c^Á•^ááá^Áã^&d^Á} á!Á@Áçç^Á [] ç*Á|æÈ
V@ÁÚ!••~!^Á@•^ÁÁ[~c^áÁ[{ Á@Á[] Á Á@Áãçç!Á^ { [c^Áçá Á Á@Á[|c^Á
] [!c^Á Á@ÁÚÁç^!Á} Á@Áçç^Á [] ç*Á!áá^ ËV@) Ë@Á~c^c^Á [!c^Á Á@ÁÚÁ
ççç!Á Á@Á!••~!^Á[!c^Á} Á@Áãóçç^È
V@ÁÚ^c!} Á@•^Á^}•Á[{ Á@Á^c!} Á [!c^Á Á@Áãóçç^Á Á@Áãçç!Á^ { [c^•È
V@Á[ááÁ^}•^Áá^ÁÁ[~c^áÁ[{ Á@Á[ááÁ^}•^Á[!c^Á Á@Áãóçç^Á ÁÁ^Á
ã•çç^ááÁ Á@Á[ááÁ^}•^Á[!c^Á} á!Á@ÁçááV@Áãçç!Áçáá^Á[!Á@Á[ááÁ
•^}•^Á[~c^áÁ[{ Á@Á[ááÁ^}•^Á[!c^Á} á!Á@ÁçááÁ Á@Á^ { [c^Áçá Á
!^] |æ^áá á@Áçç^È
ç!Á [!c^Á [!c^Á] { [çç] Á^!Á[Á@ÁÚççÁ^&ç] Á ç^Á[!ÁÁ[{] |c^Áááç!ç Á Á@Á
ççç!Áçç^Áç [] ËÁ

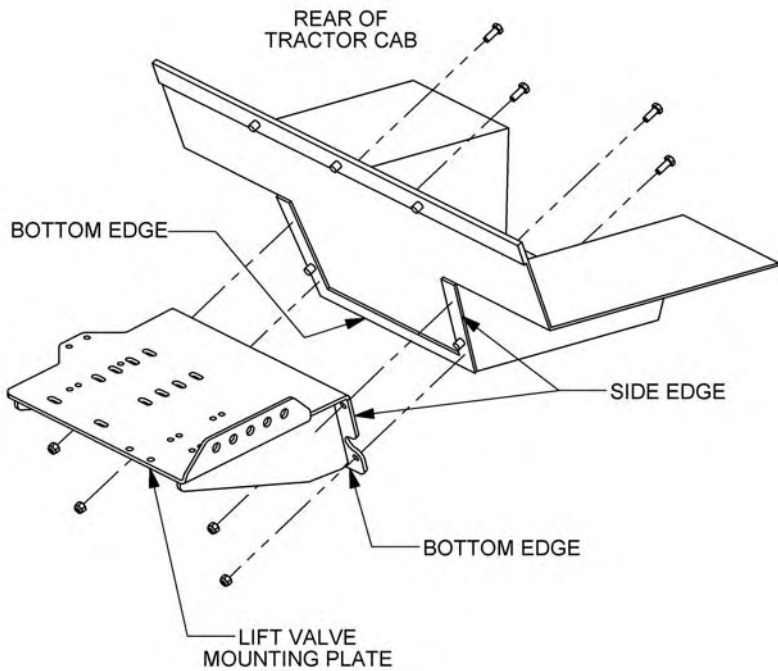
ASM-NH-0103)



5 GG9 A 6 @M

@ H'J5 @9'ACI BH-B;

Ó-†!^Á [~ } ç * Á@ Áãçç^Á! Áç! É[~ Á ç! Á^áÁ Á [~ } ó@ Áãçç^Á [~ } ç * Á Úæ^Á Á@ Áãçç! ÁãÉÁ • ÉÁ ^Á] Á@ Áãçç^Á [~ } ç * Á Úæ^Á á@ Á [ç { Á^á^Á ç áÁ ç^Á^Á^Á Á@ Áãçç! ÁãÁ Á @, } Á^! , ÉÁ^çÉ ç! Á@ Á [çç } Á Á@ Á^! Á { [~ } ç * Á ç! • ÉÁ ç! Á ç! • Á Á@ Áãçç! ÁãÉÁ @! Á@ Áãçç ç Á ç! áÁ ÉÁ Áãçç] ó Á H-Á çç • & ^ • ÉÁ çç! Á@ Áãçç^Á [~ } ç * Á Óáç! ó • ç * Á@ Áãçç, ç^Á^!] | ç áÁ Á @, } Á á^! , ÉÁ^Á^! Á Á@ Á Úç • Á^ çç } Á! Á^ çç Á ç áÁ çç, ç^Á^! áÁ ÉÁ (ASM-NH-0104)



<= <'DF9 GGI F9': =@H9F' 1756 @'7CBHFC@

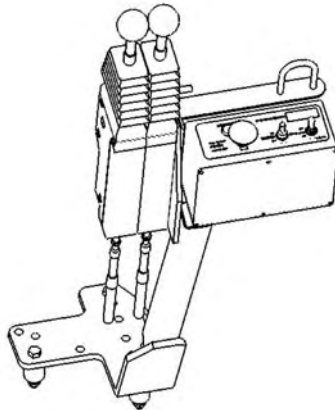
V@ Á ç ç! Á^ • ^ Á ç! Á Á [~ } ç áÁ Á@ Áã çç^Á [~ } ç * Á áÁ çç^Á á@ Á çç, ç^Á ÉÁ • ç, } Á Á@ Á çç • Á^ çç } ÉÁ çç çç! Á çç ç! • Á Á@ Á çç! ÉÁ V@ Á! Á^ • ^ Á çç^Á [Á@ Áãçç ç! Á Á [ç áÁ Á@ Á çç! ÉÁ çç^Á Á@ Á çç! ÉÁ V@ Á! Á^ • ^ Á çç^Á çç çç çç! Á@ Á çç @ Á çç^Á Á@ Á çç! Á [~ } ç áÁ Á@ Á! Á^ • ^ Á [í ó Á@ Á çç^Á Á çç çç (ASM-C-0031)



5 GG9 A 6 @M

A5 BI 5 @GK #H7 <6 CL`ACI BH#B;

ÁV@Á, ã&@[c/Á Á Á^Á^&~!^áÁ Á@Áã @Áã^Á Á@Á} d[|Á@ á^Á [~} ç*Á|æÁ æÁ@, }Á^|, ÉÜ^~!Á Á@ÁÚæ@Á^&ç} Á|Áæ•^ { à| Á ç áÁ {] [] ^ } ç Á^á^áÉ

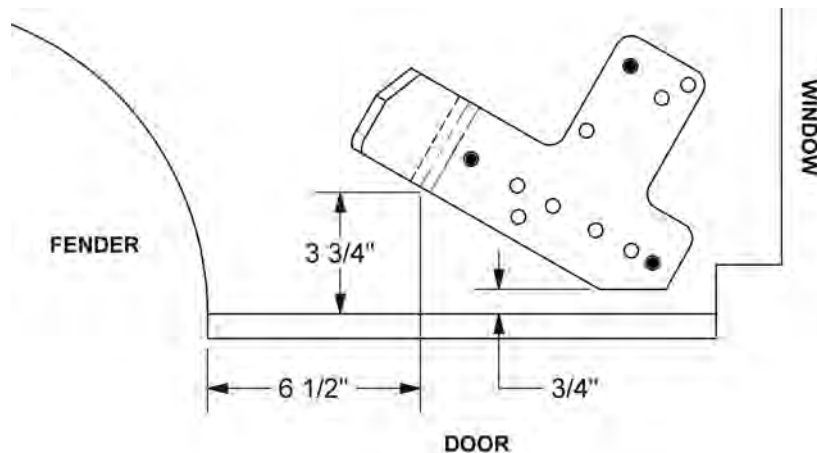


(ASM-NH-0110)

756 @ `7 CBHFC @ @ J9F`GH5 B8

Úæ^Á@Á^ç^!áá^Á Á@Á~]] [!óáæ^óÁD+Á Á çç^|Á Á@Á [|ÉÑ| &æ^Á@Á •~]] [!óáæ^óÁ] [çæ^ Á ÉBÁ { Á@Á} á^Á çÁ Á@Á { ^áá^Á Á@Áæ^óÁ æÁ@, }Á^|, ÉÜ^~!Á^á@Á| &ç} Á Á@Á ç áÁ ç|Á, Á^æç &Á^ç ^ Á@Á &æ^Á} d[|Á@ á^Á ç áÁ ç ç *Á ç^!Áç^! É ÉÑ| [É æç^ ó^ Á áá *Á á àæ^óÁ} á^! ^æç@Á ç Á @} Á|æç *Á@Áæ^óÁ |Á| çá *É

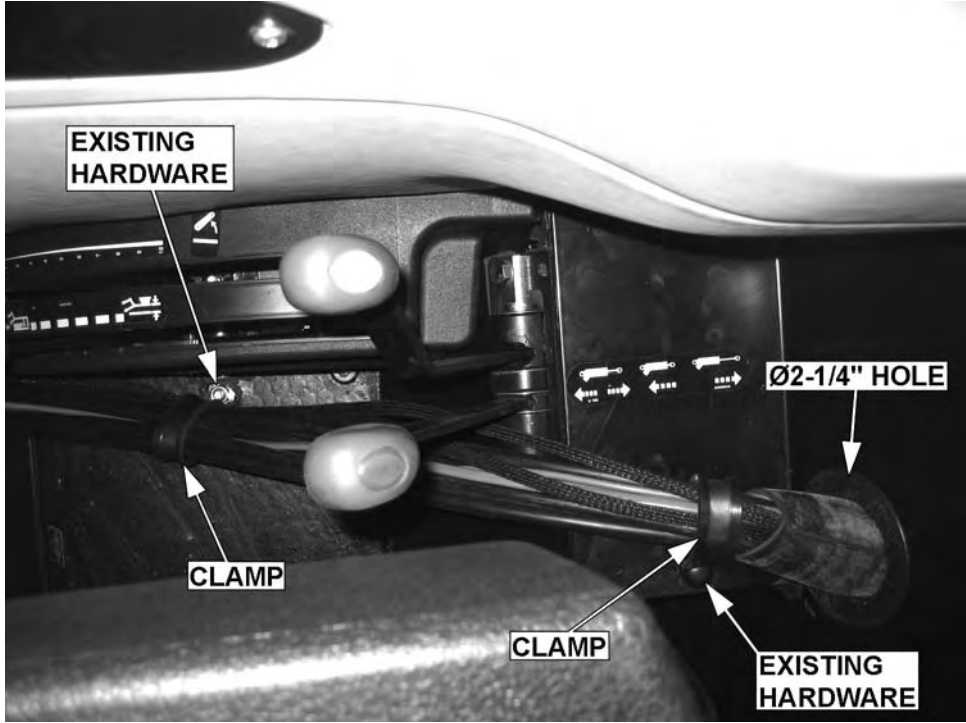
W ç *Á@Á~]] [!óáæ^óÁ ç Á ç {] æ É ç ç áÁ ç|Á@ÁÁ ç^!Á ç ç @ áÁ^|, Á ç áÁ^&~!Á ç ç &^, •Á ç áÁ^| & Á^ ç Á [ç áÁ Á@Á ç Á^&ç } É (ASM-NH-0105)



5 GG9 A 6 @M

@ H'J5 @9 756 @ FCI H-B;

Ô~ óÁ GÉD +ÁQ |^Á Á@ ÁæÁ Á -Á@ ÁæÁ !ÁæÁ Á @, } Á^|, ÉÁQ •æÁ Áá Á | & Áæ[~ } áÁ@
^á^•Á -Á@ ÁQ |ÉÁÚ | ~ c^Á@ ÁæÁ |^•Á | { Á@Á æ ~ æÁ^ç^!•Áæ } áÁ á^•Á | { Á@Á, á&@ [Áæ] *
c@Á | | Á ~ c@ÁæÁ Á -Á@ ÁæÁ Á@ ÁæÁæ^ÉÁ | æ Á@ ÁæÁ |^•Á áÁ á^•Á á@Á | ÁQ •^ÁæÁ@
] [á Á @!^Á@^ Á æ •Á@ | ~ * @Á@ ÁæÁ !Á æÁá áÁá Á@Á | ÁQ •^Á^& |^| É
W^Á@Á cā cā * Áæá, æ^Á Á@Á | Áæ } •Á @, } Á^|, Á Á •æÁ@ Áæ } •Á@ ÁÉ | GÉFHÉ



W^ÁÜVXÁ Á^æÁ@ ÁQ |^ÁæÁ æ Áæ c@ÁæÁ Á -Á@ ÁæÁ !ÁæÁ Á @ (ASM-NH-0109)

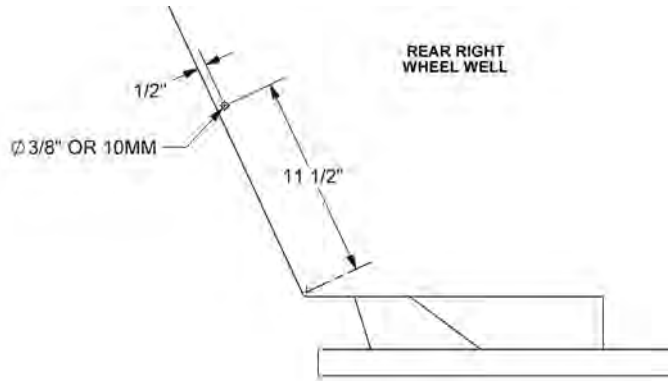


5 GG9 A 6 @M

@: H'J5 @9 <CG9 FCI HB;

0rca&@&@&|æ] Á Á@Áã @Á^æÁ @^|Á ^||Á|Á|] ^|Á@^Á| ~ ç * ÉÁV^Á@ Á| , ^|Á^æ &| } ^|Á Á@Á @^|Á ^||Áæ } Á|ã Á|Á ^æ ~ |ã * ÉÁV@Á@|Á@ ~ |ãÁ^Á F€ { Á|Á HD +Á^æ Á ç Á&&] ÁD +@æ, æ^É

T^æ ~ |^Á| { Á@&| } ^|Á Á@Á @^|Á ^||ÁFFÉBÁæ } * Á@ÁæÁ Áã * ÉÁV^Á^æ ~ æ^Áç { ^æ ~ |^ÁFDBÁ| { Á@Áã^ÉÁ^Á|Á Á@Á æ^ÁÁ| , Á Á^Á@Á@|Á|æ { ^ } É
 BCH9. 8C BCH7I H=BHC HI 69G#<CG9G#K F9G'K <9B'8F=@B; 'H<FCI ; <'A9H5 @
CF'D@GH7°



Ú|æ&Áæ Á ç ^Á@^Á Á@&|æ] Á@æÁ ç|Á-ãÁ æ@ ~ ç&| {]| { ç ç * Á|Á^æ ~ |ÉÁV@ } Á^æ ~ |^ Á@ÁUÙÓÓÇF ÚÁç| í GEFHDÁ Á@Á@|Á|Á|Áã Á@Á@ÁÓÉJUÙÓY ÉD +YÁF+É ÓÁÇFí HEDæ ç ÞÝSUÔSÁVWÉD +É ÓÁÇFí G ÉÁV@Á@^Á@æÁ| } çÁç ç Á@&|æ] Áæ^Áç Á^Á^æ ~ |^ÁÁ Á@ [ç@:Á ç@Á ç Éæ ÉÁÇ|Á| ç &ç } Á Á@^Á Á| } çæÁ ç@Á ^çÁÁ^Á É |æ Á@^Á ç@Á] ç @^Á^æ } Á ç Áæ ç } Á ç@Á@^Áæ] Á|Á ç Éæ Áæ Á ^ÁãÁÉ (ASM-NH-0108)

5L @ 6F579 ACI BH;

Ú| çæ } Á@Áã @Áæ|Á|æ^Á } á^|Á@Áæç |Áã @Áçæ } áÁ çÁÉÁæ^Á@Á|æ^Á } Á Á@ { æ&ç * Á | ~ } ç * Á@|Á^Á Á@Á çæ çæ ^Áç çÁ^æÁæ^Á@ ~ ç * ÉÁV [çÁçæÁ ç@Á çÁç áÁ^Á çæ] |ææ|Áæ|Á|æ^Áæ^Á çæ|ÁáÁ } Á ~ ç çÁ^Á^Á Á@Á çæ çæ ^ÉÁV çæ|Á@Áæ|Á|æ^Áæ ~ ç@çæ } &^ Éæ ç@:Á ç ç Á ç } Á@Á çæ Áæ Á ç@Á^æ } ÉÁV] | Á| &É/æ Áç ç@Á@^æ Á ç áÁ | ~ ^Á Á@Á ç ^Á | ç áÁ Á@Á | ~ ^Áç@Á| çæ áÁ Á@Á çæ ç } ç &Á^Á&ç] Á@Á ç ç É (ASM-NH-0033)



5 GG9 A 6 @M

: =@@B; `<MBF5I @7`F9G9FJC=F

Ü^~!Á Á@Á æ c} æ &Á^&ç} Á|Áq} *Á] ^&æææ} •Áæ áÁ@á!æ |æÁ áÁ^~ á^ { ^} •È

BCH9.'GHUfj[b[`cf'fi bb]b[`nci f'H][Yf` a ck Yf` VYZfY'Z`][b[`fYgYfj c]f`k]`WU gY gYf]ci g`XUa U Y`fc` nXfU `]Wdi a d"

(ASM-C-0004hydro resrv)

=BGH5 @@B; `C!F=B; `: =HHB; G

Q•æq} *Á dææ @Á | óæ áÁ€ÁÜËå *•Á^~ á^•Á@æ@ÁÜËå *Áæ áÁ æ @!Á^Á] Áæ æ •Á@ •. æ^|Á [á`ÈQ•^!ó@Á, æ^|Áæ áÁ; } Á] çÁ@Á, æ^|Á [á`ç`áÁ Á@Á^•á^áÁ^&ç} Áæ áÁË È |å *Á& } æóÁ Á æ^ÈÁ [|áÁ, æ^|Á Á^óÁ á^&ç} Á] æóÁ |^ } &@æ áÁ; } Á@ÁÜËå *Á^~ óæ æ +[{ Á@Á, æ^|Á [á`æ áÁæ^~ ||`Áæ @] È (ASM-C-0056)

=BGH5 @@B; `B5HC B5 @D=D9` : =HHB; G

Y @ } ^ç!Á; •æq} *Áæ á^Áæ * È |æ Á@Á@^æ •Á& | &, á^Á [|å *Áæ@Á] áD æóÁ +[} æ^ÈÁ@Á æ È@Áæ Á] Á^Á@ } ^áÁ @ } Á; æ^áÈÁ UVÒÁÁ [ó^&••æ Á Áæ ^ÁË È |å *Áæ *•È |Á@^Á; •æq} áÁ, æ^|Á È (ASM-C-0088)

; 9B9F5 @<CG9`BGH5 @HCB

Ü^~!Á Á@Áæ •Á^&ç} Á|Á^æáÁ } |{ ææ } Áæ [`ó@••Áæ áÁæ *Á|Á@Áæ] |ææ } È (ASM-C-0011)

<CG9`7CJ9F=B;

Ü^& |^Á@••Á^ *^@!Á æóÁ Áæ •Á @!^ç!Á [•ÈÁ |æ Á@Á@••Á^ç ^ } Á@Á, æ^|Áæ á { æ Áá [[{ Á, æ@Á@Á@^Á& ç!Á] | çæ^áÈÁ |æ Á@Á@••Á^ç ^ } Á@Á æ Á [[{ Áæ á •Á& } áæ^ Áá [[{ Á æó@Á@^Á& ç!Á] | çæ^áÈÁ @!^Á@••Á^ æ Á& } æó@Á!æ ^Á|Á @! ^á^•È |æ Á æóÁ] |á@^Áæ áÁ^& |^Á æó@^Á&æ] •Á|Áæ Áæ •È U } Á [] ÁæÁ } æ È@Á |^•• |^Áæ áÁ^ç } |@••Á [{ Á@Á& } d | Áæç^Á] Áæ [Á^áÁ Á^ | [`ç`áÁ •æ^Á@Á | ç&ç^Á&æ@•Á |æ ÈÁ [ç!Á@Á çæç^Áæç^Áæç *Á æó@Á^Á] |, Á@•Á & ç!Áæ áÁ^& |^Á æóÁ |æ Á dæ *Á | çæ^áÈÁ (ASM-C-0058)

GC @BC=8`6F5?9`J5 @9

Q•æq} Á [^] [æçç^Á } Á@Á [^ } ç *Á!æ^ç æó@Á] | áÁæá, æ^Áæ Á @, } Á Á@ Úæ •Á^&ç } Á Á@Á æ^ æÈÁ @^Á; •æq} *Á@Áæç *Á Á@Á!æ^Áçç^È@Á | ç&ç^Á ç } @Á] [| Á æ Áæ^Á Á^Á^ [ç^áÁ Á æ^Á [[ÈÁ @ } Á^á •æq} *Á@Á& çÈÁ Á] | çæç Á^ •Á [Á [|^Á@Á Á ÁÈÁ ÈÇ | Á Èá ÈÁ | ^ÈÁ çÈÁ ç ÈÁ XÒÁ ÚÁ ÚÚWÓÁ VUÁ PÓÁ ÚS Y SÁ ÚÓÚWSVÁ PÁ PÝÓÚÇV SÓÁ ÇS WÜÓÁ ÚÁ ÚÚU SÈ (ASM-C-0025)

H9AD9F5HI F9` ; 5I ; 9`ACI BH=B; `QUVWPOSD

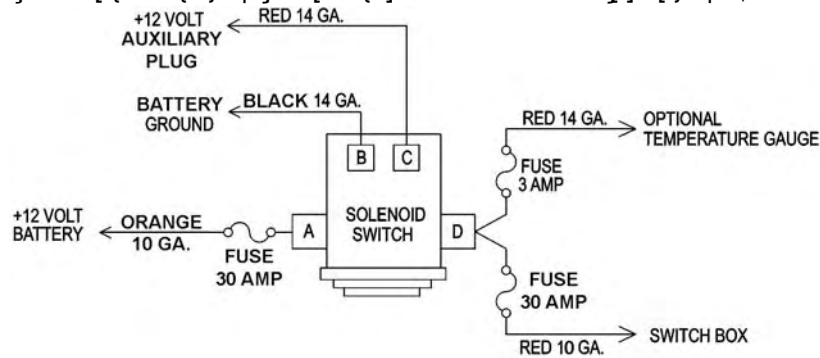
T [^ } ó@Á [] |æ |^Áæ *^Á @!^Á^Á^æ | Áæ æ | Áæ Á@Á] |æ | ÈÁæ@Á |^Á } ÁÈ , á^Á [{ Á@Á^•æç^Á [•ó } Á@Áæ *^Á Áæ | [^ } á^Á [|ó } Á@Áæç | Áæ ^ÈÁ^ [ç^Áæ ç äÁ^á^áÁ Á æ^Á [[ÁÁ | ^ } áÈÁ^ [ç^Á@Á ç^Á] *Á [{ Á@Áæ^Á Á@Á@á!æ |æÁ^•ç [á æ áÁ; •æq} Á@Á [] |æ |^Á^• [|Á •á *Á@^æ^Áæç *Áæ ^ÈÁ^ } Á@Á @Á á^Á [{ Á@Á@D •^ } • |Á [•ó } Á@Áæ *^Á Á@Á [] |æ |^Á^• [|Á } Á@Á@á!æ |æÁ^•ç [áæ] È (ASM-C-0051)



5 GG9 A 6 @M

7 CBHBI CI G'8I HMGC @BC-B GK #7 <

T [~ } ó @ Á [| ^ } [ã Á , ã & @ ã : a | @ | ^ • Á Á æ & @ ã ^ & • • æ ^ ã Á ã ã : ^ Á ã ã Á ^ | | Á | | ç & ç á ã æ ^ ã Á
Ù & ^ ^ Á æ Á @ , } Á Á @ Á æ ç Á ^ & ç } Á ã ç | | ç ã ^ á Á ð + Á ç + & ç • & ^ , • Ë | & , æ @ : ã ã ã Á @ ç Á ~ • È
Ü [~ ç Á á ^ Á ã ã ã Á [{ Á @ Á } ç ~ [~ • Ö ç Á [| ^ } [ã Á , ã & @ ã Á @ , } Á ^ | | , È
Ø Á Ü Ç Ø Ó Á È Ò Ç Á á Á [{ Á : { á æ Á Ç ð Á É F G Á æ ç ^ Á • ã ^ Á ç \ È
Ó Á Ü Ö Ö Á È Ò Ç Á á Á [{ Á : { á æ Á Ç ð Á Á æ ç | Á | ~ * Á Á æ ç È
Ô Á Ó Ç Ö Ö Á È Ò Ç Á á Á [{ Á : { á æ Á Ç ð Á É F G Á æ ç ^ Á [• È
Ø Á Ü Ö Ö Á È Ò Ç Á á Á [{ Á : { á æ Á Ç ð Á Á æ ç | Á È
Ø Á Ü Ö Ö Á È Ò Ç Á á Á [{ Á : { á æ Á Ç ð Á Á [^ | æ ^ Á æ * ^ Á Ç] ç } æ ð Á (ASM-NH-0032)



5 GG9 A 6 @M

7 CC @F "ACI BHB; '!G-89'H5 B?

T[] } á@ & [|!Á [] } ç * Á!áá ^o Á } Á@ Á [Á^áá Áá^ Á @Á áá @á!áá \ ÉÁ
Š [&á Á@ Á [|á |áá • Á } Á@ Á [Á Á@ Áá \ Áá á Á^ & !^ Á@ Áá] [] |áá Á [|!Á!áá ^o Á Á
@ Áá \ Á á@ Á@ Ááá, á^ Á! [çá^ áá ÉÁ Ááá @ Á & ^ } Áá á Á [|!Á Á@ Á!áá ^o ÉÁ
ç Á@ Ááá o Á^ & ç } Á Ááá @ Á@ Á@ • Á Áá ááá ç! • Á Á@ Á [|!ÉÁ (ASM-C-0092)



897?`#ACHCF`: 998 @B9

Q•œ|Á@Á-ÁQ•^•Á|{ Á@Á [d |Á Á@Á [| } [ãÁçç^ÉÜ^~Á|Á Á@ÁÚæ•Á^&ç } Á |Á
á^œ|áÁ { | { œ } Áæ[~ óQ•^•Áæ áÁãç *•Á |Á@Á } |Áœ } É

Q•œ|Á |ÁQ•^•Áæ[~ } áÁ@áæ |ÁQ•^•Á @^Á@^Á } œóÁ @ } Áá^•É |Áæ ^Á @ |Á
^á^•Á@œ } æÁ^ áÁQ•^•É

ÓÁ~!^Á@œ|Á!^æ^Á^! \ •Á^Á •œ|áÁ Á@Á|æóÁ^æ Á ç Á [•••ÉÜO!^æ^Á|Áæ^Á-Á
@Á|æóÁ^æ Á&|áç *Á Á@Á •d`&ç } •Á Á@Á œ ç } æ & Á^&ç } ÉÜ^É@& Áç *Á |Á
ç @ ^•É

Q|@áæ |Áç |Á ãÁ~ ãÁ Á& { { ^ } ááÁ Á@Á œ ç } æ & Á^&ç } ÉÜ6 9`GI F9`HC`
CD9B`H<9`65 @J5 @9G`ÁæóÁ@Áæç |Áç áÁ |^æ^Á@Á [æá& |ç á^Á@ [~ * @Á@Á] ç^Á
•d [\^Áæ áÁ@Á^ ç | æá& |ç á^Á@ [~ * @Á@Á [ç { Á Á d [\^Á^] ^æ^Á |Á Á|æóÁ@Á^•Á-ÁæÉ
8C`BCH`fi b`ci HcUfX`Wn]bXY`ci hlc`Z ``glfc`Yi bh]`glcd`Vc`h] Ug VYyb`UX1`ghX`

Ó@& Á |Á çÁæ •Áæ|Áç *•Áç áÁ } } ^&ç } •Á ç *Áç ç&Á-Á ç |Á |Áæáá [æáÉÜOÁ
|^æ^Á~ } áÉ [~ Á ~ •ó @ ó [, } Á@Áæç |Áç áÁ^ó@Á^ ç |Á@æÁ } Á@Á [~ } áÉÜO^ |Á
æ {] ç *Á ÁçÁ@Áæ É [~ Á ~ •óç æ^Á@Áçç^Á@ç á^•Á^ç^Áç ^•Á Á |Áç^Áç ^Á
] |^•~ |Á Á@Á^•ÉÜ6 8C`BCH`I G9`<5B8G`HC`7<97?`: CF`: @`8`@5?G`

Üæ^Á@Á^Á [ç Á@Á ç á&@& Á@Áæç |Á ç } ç@áæ |Á ÉÁ |Á [] |Á^ç^Á
} ^^á^áÉ(ASM-C-0079)

GHCD`6 C @H`58>I`GHA9BH

Óç } áÁ@Á^ ç | æá& |ç á^Á|Áç Á@Á æÁ~ ÉÜOáb •ó@Á ç] Áæó •ç ^ } ó [|ó [çæ^Á } Á@
ç] Á Á@Á|æóÁ^æ É [~ ó } çÁ Á] Áæ ç •ó@Á [] } ^ÉÜ6 [& Á@Á [|ó [, } Á æó@Á -Á@ç
} ~ É

PUVÒÁY @ } Á@Á^ ç | æá& |ç á^Á|Áç Á |^Áç } ááÉÜOÁ [] } ^ó |Á&Á @ |Áç |Áç^Á]
æ ç •ó@Á ç] Á |Áç^Á |Á & •Á^Á •œ|áÁ ÉÜOÁ @ |Áç^Á] Áæ ç •ó@Áç^Á |Á & ÉÜOÁ æ Á^
} ^&•• æ Á Á^Á ç |Áç } çÁ |Á ç } çÁ |^•Á } Á@Á |ç á^Á|Áç Á^ó@Á |Á |Á&ó d [\^ÉÜOÁ@
& ç |Á@æÁ Áæ ç •ó@Á ç] Áç áÁ@Á |ç á^Á|Áç Á ç \^Á { ç ç *ÉÁ |ç ~ Áæ æ^Á ç |Á && |É
Ú [&^áÁ ç çÁ |^ } ç } Á |Á |Áæ } Á •d`&ç } •Á } Á@Á^ç ç^É(ASM-SIDE MNTS-0003)



5 GG9 A 6 @M

897 ? 'ACI BH-B; '5 B8 ' @ H'5 GG9 A 6 @M

Q•œÁ@Á]]^!Á @æ^Á:æ!^oÁ}Á@Á~cà[æá&|á^!Á}áá@}Á^&|^!Áææ•oÁ
]ãq}Á[áÁQ~|á!ÉWVã@}Á@Á^oÁ&^,Éã}ááã}Á@Á:æoÁ^æÉ

Q•œÁ@Á,^!Á @æ^Á:æ!^oÁ}Á@Á:æoÁ^æÁã@Á^æÉ,Á}áÁ[Á@oÁ
 }~oÁÁ@,}Á}Á@Áæ!æÁ}Á@Á^oÁæ^É

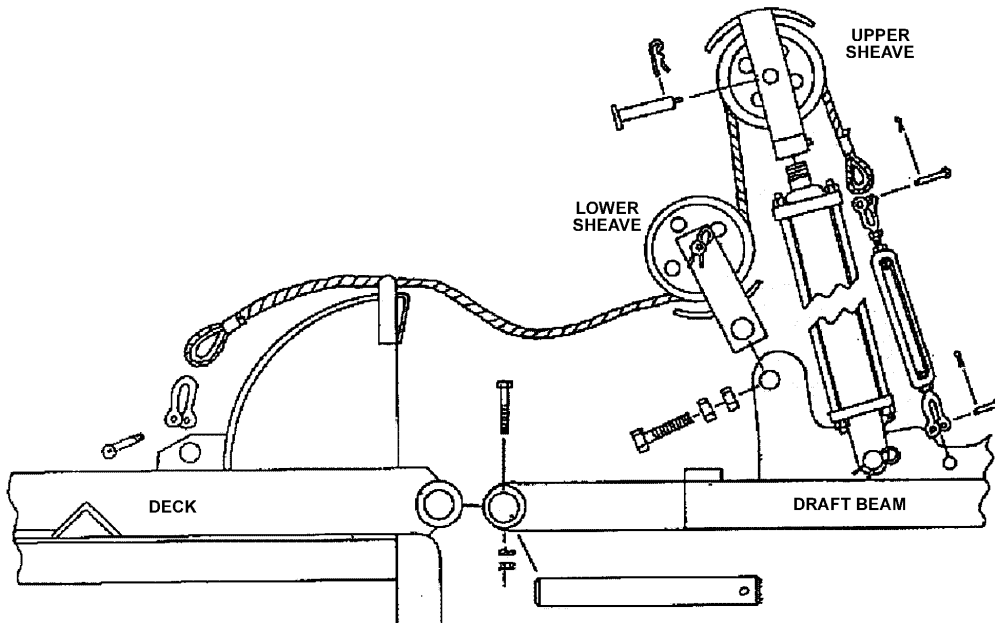
œã}Á@Á&Áã@Á:æoÁ^æÁ[~}ç*ÁQ|^Á}á}œÁ@Á~oÁ:æoÁ^æÁ}ÉWV
 œã}Á@ÁQ|^Á}Á@Á:æoÁ^æÁ}Áã@ÁQ|^Á}Á@Á[•Á}áÁ&|^!Áã@ÁÉ&^,É
 [|&Éæ@!Á}áÁ@oÁ^É

Úæ•Á@Áã@Á^Á@[~*oÁ]]^!Á @æ^Á:æ!^oÁ}ááæ&Á}Á}Á&|^!Áã@Á}Á
 à&|^!Á}á}á}Á^ÉWVœã}Á}Á&|^!Á:æoÁ^æÁã@Á}Á}Á&|^!Á}á}á}Á^Á
 \^É

Úæ^Á@Áã@Á^Á}Á@Á]]^!Á @æ^Á:æ!^oÁã@Á^Á}Á}Á}Á@Á @^ÉWV
 Ú&|^!Á @^!Áã@Áæ^Á}Á}Áã@Á^æ^Á^!Dæ}áÚÉ}ÉWVÚæ^Áã@Á^Á}Á,^!Á
 •@æ^Á^!],Á@Á @^!Á}á}œÁ @æ^Áã@Á}Á}Áã@Á^æ^Á^!Dæ}áÚÉ}ÉWV}Á
 }•œÁ@Á

V@Áã@Á^Á}Á[,Á^Áæ&áÁ}Á@Á&Á[~}ç*Á:æ!^oÁã@Á @^ÉWV
 Vã@}Á @^!Á}á}Á&|^!ÉWV**BCH9. 8C'BCHH| \ hb'h Yh fb'vi W'YUhH Jg'hja Y
 FYZf'hc'h Y7 ca a cb'GYW|cb'z'f'z fh Yf'fYZfYbW'UbX'dUfhibi a Vyfg"**

(ASM-CBL DRFT BEAM-0002)



HI FB6I 7 ? @ '58 >I GHA 9BH

Oœ}áÁ@Á~cà[æá&|á^!Á}çÁ@Á&Á}~&•Á@Áq]Á}Á@Á:æoÁ^æÉWV[|áÁ@
 á&Á}Á@Á[•ã}Á}Áãb•oÁ@Áã@Á^Á}•ã}ÉWVãb•oÁ}á&|^!Á}çÁã@Á^Á}Á@É

S[,^!Á}áÁæ^Á@Á&Á}Á&@Áãb•q^}ÉWV@Á[,^!Á&Á@~|áÁæ&œÁ}Áq]Á}
 @Á:æoÁ^æÁ}Á@Áæ^Á}Á@Á~cà[æá&|á^!Áæ&•Á}Ácd^(\^Áœ}ááÁ[•ã}É

œæ}Áã@}Á@Á}á&|^!Á&Á}c^Á&|^!ÉWV}Á}Á&•æÁ}Áãb•oÁ@Á}á
 à&|^!Áæ^Á@Á^Á@Á^Á&@Á}Á[Á^ÉWV(ASM-SIDE MNTS-0005)



5 GG9 A 6 @M

: B5 @DF9 D5 F5 HCB: CF CD9 F5 HCB

Ujæ^Á] ^iæ | Á æ^c Áæ áÁ] ^iææ } Á^&æ^ Á } Á@Á c^iá * Á | { } Áæ áÁ æ^Á } . [| Á @ | Á c@ ^ Áæ^Á^æ | Áæ æ^Á Á@ Á] ^iææ | ÉÁV@ ^ Á^&æ^ Á @ | áÁ^Á } á^i . d [áÁ^ Áæ@] ^iææ | Á ~ c@ Á æ@ ^ Á } b } &æ } Á æ@ Áæ^c Áæ áÁ] ^iææ } Á^&æ } Á Á@ Á [| ÉÁV@ Á^&æ^ Áæ^Á æ^Á ææ^ áÁ Á [| áÁ } áæ } Áæ Áæ^ { } á^i Ád Á@ Á] ^iææ | Éæ áÁ @ | áÁ^Á^ | æ^áÁ áæ æ^áÉ

Qæ æ | ÉæÁ [. . . É] á . Áæ áÁ æ [ó] [á . Á . á] ^áÁd Á^Á^iæ^áÁæ Áæ . d ~ &c^áÁæ Ác@ Á ææ c } æ & Á^&æ } Á Á@ Á æ æ^ÉÁV@ Á@ áææ | Á^Á^iá | áÁææ Áæ . [Á^ÁÁ^áÁ æ@ Á ^ Á | { } ^ } á^áÁ^ æÁG^ÁT ææ c } æ & Á^&æ } Dæ áÁc@ Áæ^Áæ . æ^áÁæ Á@ Á] Á Á@ Á æ | É Á^ Á^ Á@ & Á Áæ^Áæ * Áæ áÁæ c } ^i . ÁÓÓÓUÓÁææ * Áææd | ÉÁV@ | Á^&^ Áæ^ Á [| . Á@ . Á . d * ^ c@ | Á æ@ áÁ Áæ^ Áæ áÁ | æ Á æ@ | á@ . Á . Á @ | Á^Áææ } Á æ Á &^ Á } Á@ Á@ . Á . É



ÓÓÓÓUÓÁææ * Á | Á] ^iææ * Á@ Áææd | Á | Á ~ Á ~ . Á^ææ Áæ áÁ } á^i . ææ áÁ@ Á Áæ^c Áæ áÁ] ^iææ } Á^&æ } . Á Á@ Á æ æ^Á | { } | ^ c | É

69 'G' F9 'H' c9 '65 @J5 @9G'5F9 'CD9B''''UææÁææd | Áæ áÁæ [, Áæ . d { } ^ } Á Áææá^É Wá * Áææ áÁ Á æ^Á^ Á æ^Á | Áææáá [æáÁæ Á [c^áÁ Á@ Áæ^c Áæ áÁ ææ c } æ & Á^&æ } . Éæ@ & Áææ ææ * Áæ áÁæ } } ^ &æ } . Á | Á@ áææ | Á^Áæ . É

Qæ^Áæ Áæ Á^ } áÉ [~ Á ~ . Á @ ÁÁ [, } Ác@ Áææd | É^Á@ Áæ^ Áæ^ Á | } Ác@ Á^i [~ } áÉÁÁ^ | ^ Áæ { } | cæ * Á Áæ Á@ Á^áæ É [~ Á ~ . Áææ æ^Ác@ Áæ^Áæ^ Áæ^ á^ . Á^c^iáÁæ^ Á^ Ád Á^iáÁæ^ | | . Á . ^ Áæ Á@ Áæ^ Á . É

6 YZfY'cdYfUjB] 'H Y'a ck YfÉ@ &^ Á@ Áæææ áÁ [[| Á @ | áÁ^Á | , | Á [c^áÁ@ | ~ * @ ~ c c@ Á | Áæ * Á^ Á [cæ] ÉÁV æ&@ Á | Áæ^ Áæ } áææ } Á@ Á [| áÁææ . Á áá áá * Á | Ác& . . Á d . . Á } c@ Á@ . Á . ÉÁV@ Á c^iá * Áæ áÁ [} Áæ^ Áæ^ Á @ | áÁæ [Á^Áæ^ ~ | | Á [c^áÁ@ | ~ * @@ áÁ | | æ * Á^ Á [cæ] ÉÁV@ Áæ^ Áæ } Á &^ | . Á Á @ Á@ Á@ . Á . Á } ææ@ Á^ . É@ Á c^iá * Áæ áÁ [| Á] | Áæ^ Áæ^ Áæ^ Áæ^ Á^áÁ Á^Áá æ^Áæ Áæ^ & æ^áÁ Ác@ Áææd | Á] ^iææ | Áæ æ^ÉÁV@ . @ | áÁæ [Á^Á] ^ Á@ Á^ . Á^ áÉ | Áæ^Ác^ | ^ Á | . Á^ Áæ^ Áæ^ Ác@ | Áæ^ Á@ Á [, ^iÁ^ &æ c@ Á@ áææ | Á | Áææ^ Áæ ÉÁV@ Á ææ &^ áÁæáá * Á @ . É | Áææ . cæ * Á d | Á [| Á@ Á@ dææd | Á] | Á Á [c^Á@ Á | | á^ { ÉÁV @ | Á@ & áá * Á [cæ] É [~ Á @ | áÁæ [Á@ & Á@ Á@ Á] d | &á & áÁæ^ Á } } ^ &c^áÁææ | áá * Á Á@ Á] ^iææ | Áæ^ Áæ^ Á@ Áæ^ Áæ^ á^ . É

ACK 9F 'H9GHB;

Væ Á@ Áææd | Á Áæ | Áæ^Á^ Á^ Á [| . Á^ áá & Á } Á@ Á | { } áÉÁV] ^iææ Á@ Áæ | áá^i . Á@ | ~ * @ c@ áÁ | Áæ * Á^ Á [cæ] Áæ ææ ÉÁ Áæ^Áæ Áæ^ Á^ Á^ ÁæÉÁV [| | , Á@ Áæ . d ~ &æ } . Á@ Á@ Á] ^iææ } . Á^ &æ } Á Á] ^iææ Á@ Á [, ^iÉÁV æ^iææ } Á Á@ Á [, ^iÁ @ | áÁ^Á áá æ^Áæ^Áá ^ . ÉÁV@ Áæ^ Áæ^ { } á^ c^Á . Á^ } É@ Á } áÁ | | . Á @ | áÁ^Á^ d | ~ áÁæ áÁ } & Áæ ææ Áæ^ Á@ Áá . Á^ , Á@ | . Á ~ [] ^iææ } É

Z UbmIdUfhg'cZk Jg' 5ggYa V'miGYWjcbz'cf'Ubmich Yf' gYWjcb'cZk Jg'a Ubi U'fY bchWYUf'mii bXYfglrcX'nei 'a i ghWbHJWine i f'XYUYf'cf'H YUXXfYgg'cb'H YZcbhcZ H Jg'a Ubi U'Zf'UggjghUbWf' (ASM-C-0010)



CD9 F5 HCB'G97 HCB

UJ ^!aa } Á^&a } ÁË

CD9F5HCB

CD9F5HCB



⚠ **DANGER** OPS-R-001



⚠ **DANGER** OPS-R-001



DANGER
Start only from seat in park or neutral. Starting in gear kills.

* "7 CBB97HB; 'H<9'ACK 9F'HC'H<9'HF57HCF

⚠ **DANGER** OPS-R-001

* "%7 cbbYWib['Ack Yf'<mXfUi `Wj'

OPS-R-0104



Ops-1252

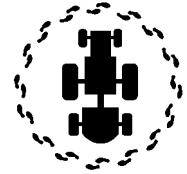


⚠ **WARNING** OPS-R-001

CD9F5HCB

WARNING

U^i q a a e a f A q .] ^ & o a e l A [c a * A a e o A l A ^ a e a e a A ^ | a e A a @ }
 } ^ & . . a e A a e o e l a a a A a l c a e A a e o e A s [\ A e l A [. ^ A e e } ^ l . E a []
 [l a l \ \ ^ } A a e o e A a a A a e ^ A l A [. ^ A a e a * . E a t a e ^ A ^ l a e l A a . A e a ^
 a a e a e a * A e a a , a e e A U l a q ~ . A b l ^ A a e A & l A l { A [o l a e a e a q * A e
 { a e a e l A a [[a A [l \ a q * A l a a l E a e o e f o e



CD9F5HCB

V @ A] ^ l a e l i q A a e ~ a a e a a A a e c A a } . A e a ^ a A }
 c @ A } a e l } a e a l [[l a e o e . d ^ & a } . A } A e A a e
 a e a A [[] ^ A . ^ A ^ A e A ^ ~ a { ^ } e A t a e a e A e o . ^
 a [[l a e o e a e c A a e l ^ . A } A e A l] l ^ { ^ } o e A [[a
 & l } a a e } A l A } . ^ l A e A e l { a e a } A a e a e a l A l
 c @ A] ^ l a e l A e a l A a ^ . E



Op-14

- ~ O) . ^ l a e l A a e c A a } . A e ^ A a l a e A e a A ^ * a l ^ E
 U l] a e A { a . a * E a a e a e ^ a e A a e a l ^ a l
 a ^ & a e e A O P S - U - 0011 _ A

NOTE: The mower Operator's Manual and affixed Decals contain important instructions on the safe and proper use of the mower. Maintain these important safety features on the mower in good condition to ensure the information is available to the operator at all times.

OPERATOR'S MANUAL

- ~ Q .] ^ & o e l } a a e } A A [^ } a * A a e ^ A ^ l a { ^ } e
- ~ Q .] ^ & o e l } a a e } A A a e ^ A e . ^ { a l ^ E
- ~ O) . ^ l a e l A l o A e a A & l . A e ^ A a l [. a e } A e a
 a e A l [[] ^ l A l ^ ~ a e
- ~ O) . ^ l a e l A a . A e ^ A a l a e A e a a e e } ^ a A a e
 . & l . E
- ~ O) . ^ l A a e ^ A a A l [[] ^ l A l { [^ } e a A e A d a e d l
 a e a A e a , a e A a A l [[] ^ l A a . a l a A a e a
 e a } ^ a e A O P S - R - 0099



Ops-1250

U O O A U U V O E Y

U] ^ a e l } A ^ & a } A e f f

CD9F5HCB

CD9F5HCB

YOUCEVNSOASQOAPUOOVQJ

- " Ô@&Á f|Á @á:æ |æÁ |æ•Á æ| }*Á @••É
- & |æ á^!•Áæ áÁæ *É -A DCFH5 BHÁÖUÁUV
- ~•^Á [~|Áæ á•Áç Á&@& Áç |Á çÁ^æ •ÉÁV^Áæ
-] æ&Á -Á@æç Á çÁ^!Á |Áæáà| æáÁç Á&@& Áç |
- @á:æ |æÁ çÁ^æ •ÉÁ
- " Q•] ^&Á@Áç } ááá } Á -Á@Áçç^Á ^|á (^) É
- " Ö) •^Áæç *Á çÁ [|] ^| | Áç } } ^&c^á
- " Q•] ^&Áç } ááá } Á -Á • @ *É OPS-R-0100_A



WARNING

Ö| Á [ö] ^!æ Áç Ö ~ ç { ^ } ö @á:æ |æÁ çÁ^!Á^æ ç *ÉÁ ç

æ áÁ^!Áæ^Áç [| • ç^Áæ áÁç çÁ^!Á^ } & Áç ~ |áÁ^!Á^ } çÁçæ æáÉÖ|

} [ç&@& Áç |Á^æ •Á çÁ [~|Áæ áÁç çÁ ç |Á^•• |Á çÁ çÁ^æ •Áç {

á^æ •Á çÁ çÁ^!Áç ~ |áÁ^!Á^ çÁ çÁ^!Á ç Á ç Á çæ •Á ç ~ Á çæ ç^

ç & ç á ç *Á ç *Á^ ^ÉÁ |Á ç Á ç Á ç •Á ç ÉÁ PWA@Á } ç Ö Ö Ö

U Ö Ö ç áÁ^ [ç Á ç Á ç |Á^•• |Á ç Á ç çÁ ç] ^ çæ |Á [| ç • É

•æ^ç Á çæ •Á ç áÁ •Á çæáà| æáÁç Á&@& Áç |Á çæ^ } & Á -Á çÁ^æ •ÉÁ

^ ~ Á • ^ çÁ çÁ ç ÉÜ Ö T U X Ö Á ç Á U Ö Á ç áÁ çæ^ Á ç • ç áÁ ç Ö ç Á É

ç Á ç Á [^ Á ^ ^ çæ Á ç Á ç É ç ç Á ç ç b | Á^æ ç Á ç { ^ áæ | Á^ çæ

] @ • çæ Á [| , |á^æ çÁ ç áÁ ç |áÁ ç Á ç Á [| & á^ |Á ç ÉÁ ç Ö É | D



ÜÖÖÁUVÖÜ

U| ^!æç } Á^&ç } ÁÉG

CD9F5HCB

CD9F5HCB

ÜUVOËÿÁPÒÇÖÁÐÙÚÓÔVQÞ

- " Q•] ^&0À|ææ^•Áæ} àÀ|ææ^Áæ| |ø Áÿ !Á| [•^] ^•• æ} àÁç&•• ß^Á ^æÈÚ| æ^Á Á|€»Á Á æ^Áÿ ! &@& ð * Á^æ æ|ÈÁÙ^| |æ^Ááæ æ^áÈÁ, [!] È æ} àÁ{ æ•ð * Áà|ææ^•Áæ Á& [] |ø Á•^ø Áç { æ} æ} Á| æ^ Áææ} &È
- " Ö)~ !^Áà|ææ^Á&æ| æ|Á)~ ø Áæ^Áç !~^áÁç]!| ^!Á ^&æææ} •È
- " Ö)~ !^Á^ àà^!Á^~^&ç !•Áæ^Áç Á| [•æ} Áæ} à }| çáæ æ^áÈÁÙ^| |æ^Á, [!] Èà| \^ Èæ} à { æ•ð * Á^áç} •Á { ^áæ^È È
- " Ö)~ !^Á@á|æ} æÁç^•Áæ^Á| [] |^ Á& [] ^&ç á ç Áç@Á@á|æ} æÁç [ç |ÈÁç@& Áÿ !Á@á|æ} æ |æ^Áæ •Áç } Áç^•Áæ} àÁæ} * ÈÖUÁPUVÁ •^ [^!Áç} à Áÿ Á&@& Áÿ !Á ç^æ •ÈV^Áæ} æ& [Á@æ^ Á] æ^!Á| Á&æàà| æáÁç Á&@& Áÿ ! @á|æ} æÁ ç^æ •È
- " Q•] ^&0À|Á| } áæ} Á Á& Á| æÁ ç^•Áæ} àÁæ, æ^ÈOPS-R-216



WARNING

Ö| Á| ç^ øÁç} à Á| Á^Áç} á^!Á [, ^!Á& •ÈÖ|ææ^Áç] æ&æ} Á^~ |ç ð Á^!ç ~ Á ç^! Á^Áç^| Á^æçÈÁçæ} Áæ} æ Á} çÁç|Á [ç } Áç^ Áç]]^á æ} àÁç@Á& •Áæ^Á^& !^ Á| Á| &^áÁ] ÈÁçÈÁç



DANGER

Ö| Á| ç^ øÁç} à Á| Á^Áç} á^!Á [, ^!Á& •ÈÖ|ææ^Áç] æ&æ} Á^~ |ç ð Á^!ç ~ Á ç^! Á^Áç^| Á^æçÈÁçæ} Áæ} æ Á} çÁç|Á [ç } Áç^ Áç]]^á æ} àÁç@Á& •Áæ^Á^& !^ Á| Á| &^áÁ] ÈÁçÈÁç



ÙÇÒÀÛUVOËÿ

U| ^!æ} Á^&ç } ÁÈ|

CD9F5HCB

Tractor PRE-OPERATION Inspection



Mower ID# _____ Make _____

Date: _____ Shift _____



WARNING 6 YZ:fY Wc bXi Wj b['H Y] bgdYWj cbž a U_Y gi fY' H Y' fUWcf 'Yb[]bY' g' cZZ U'' fclUj cb \ Ug' gfc ddYX' UbX' H Y' fUWcf 'jg']b' dUf _' k]H 'H Y' dUf _]b['VfU_Y Yb[U] YX'' A U_Y gi fY H Y' a ck Yf 'jg' fYgh] b['cb' H Y' [fci bX' cf' gYW fY mV' cW_YX' i d' UbX' U'' \ mXfUi 'jW dfYggi fY\ Ug' VYYb' fY] Yj YX''

CD9F5HCB

Item	Condition at Start of Shift	Specific Comments if not O.K.
The flashing lights function properly		
The SMV Sign is clean and visible		
The tires are in good condition with proper pressure		
The wheel lug bolts are tight		
The tractor brakes are in good condition		
The steering linkage is in good condition		
There are no visible oil leaks		
The hydraulic controls function properly		
The ROPS or ROBS Cab is in good condition		
The seatbelt is in place and in good condition		
The 3-point hitch is in good condition		
The drawbar pins are securely in place		
The PTO master shield is in place		
The engine oil level is full		
The brake fluid level is full		
The power steering fluid level is full		
The fuel level is adequate		
The engine coolant fluid level is full		
The radiator is free of debris		
The air filter is in good condition		

Operator's Signature: _____

DO NOT OPERATE an UNSAFE TRACTOR or MOWER

V@AQ·^&ā } A] ;{ Á æ Á^Á^Λ^ Á~]|ææ^áÁ!Á cca&] | ā•È

ÙÖÒÄÜUVOÿÿ

U] ^!æā } Á^&ā } ÁÈï

CD9F5HCB

Side Rotary Mower PRE-OPERATION Inspection



Mower ID# _____ Make _____
 Date: _____ Shift _____



WARNING Read the operator's manual before operating the tractor. The operator must be trained and qualified to operate the tractor. The tractor is a piece of heavy machinery and should be used only for its intended purpose. The operator must wear the seat belt and use proper operating procedures. The tractor is not to be used for anything other than its intended purpose. The operator must be aware of the tractor's limitations and capabilities. The tractor is not to be used for anything other than its intended purpose. The operator must be aware of the tractor's limitations and capabilities. The tractor is not to be used for anything other than its intended purpose. The operator must be aware of the tractor's limitations and capabilities.

Table 1:

Item	Condition at Start of Shift	Specific Comments if not O.K.
The Operator's Manual is in the tractor		
All safety decals are in place and legible		
The hydraulic cylinders pins are tight		
There are no leaking or damaged hoses		
The mower deck is clear of cut grass and debris		
Chain guards/deflectors are in place & in good		
Blade carrier retaining nut is tight		
Blades are not chipped, cracked or bent		
Blade bolts are tight		
Wheel lug nuts are tight		
Transport locks are in good condition		

Operator's Signature: _____

DO NOT OPERATE an UNSAFE TRACTOR or MOWER

CD9F5HCB

CD9F5HCB

CD9F5HCB

+* '8 f]i]b] 'H YHfUWcf 'UbX'a d`Ya Ybh

Úcœœ -Áiãã * ÁœÁÁ [, Á] ^^áÁã áÁiãã œ^ Á & ^œ^Á [^Á] ^^áÁ @^Á œœ œãã * Á& [] | ^œ^Á } d [| Á -Á @ dœœ | Áã áÁ } ÆÏ [çã * Á [,] ÁœÁ • çã áÁœ [Á ^ç^) ó@Áœœ | Á [{ Á^œã * Á } Áã áÁ [• • Á -Á ç^ã * Á&] d [| È V@Áœœ | Á @ ^ | áÁ ^ç^ | Á^Á] ^iœ^áÁœÁ ^^á • ÁœœÁœ } [óÁ^Áœ^ | Áœã áÁáÁ | Á @œÁ áÁ ^ç^) ó@ [] ^iœ^ | Á [{ Á d]] ã * Á ~ œ | Á ^ã * Áã { ^ * ^ } & ÈÏ@Á [, ^Á ç^ã * Á | Á } * ã^Áœ^ • Á] ^iœ^ * È d] c@Áœœ | Á { ^áœœ | Áœ ÁœÁœœ | Á áÁÁÁœœ | óÁ Á&] d [| È

Ú^i- [{ Á }] • Á œœ@Áœœ | Áã áÁ } œœÁ [, Á] ^^á • Á Áœ^ç^ { ã^Áœ , ÁœÁœœ | Á œœÁ Áœœœ@áÁiãã^Á | iã^Áœã áÁ • Áœ^ } ÈÏ^ç^ { ã^Áœ@ÁœœÁ] ^^áÁ Á œœ œãã Á [] ^iÁ&] d [| Á -Á @Áœœ | Á @ } Á œãã * Á } • È Y @ } Á } ã * Á œœÁ , ^áÁ [| ^) ÈÏ@Á ç^iœ^Á [| ã * Á } * çœÁ -ÁœÁ } œœ Á & ^œ^áÈÏ [, Áãããã } œ ð^œœ & Á | ÁœÁ } œ Á @ } Á } ã * È

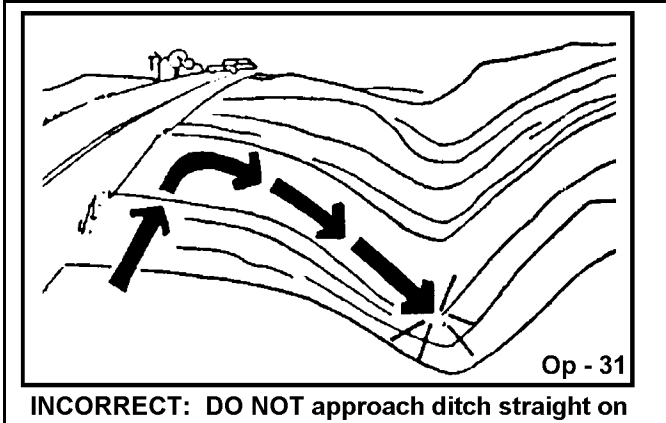
V | Áœ [ãÁ ç^ç^] • ÈÁiã^Áœ@Áœœ | Á œœÁœ^Áã áÁœœÁœ^Á] ^^á • È^ • ÁœœÁ } @ } Á] ^iœ^ * Á ç^iÁ [^ * @ * i [^] áÈ& [• • ã * Áœœ@Á | Á [] ^ • Èã áÁ } ã * Á&] ^i • ÈÁiœœ | Á @ ^ | ÁœœÁ] œãã * Á @ ^ | áÁ^Á & ^œ^á , @ } Á [| ã * Á } Á & ã^Á | Á [^ * çœÁ [^] áÁ Áã^ & ÁœÁ [• • ããã Á Á] ã * È

W^Áœç^ { ^Áœ çã } Á @ } Á] ^iœ^ * Á } Á ç^Á Á [] ^ • È^Á] ÁœÁœœ | Á ÁœÁ , Á^œÁ @ } Á [ã * Á [, } @ÈÏU PUVÁ& œœ | Á^ÁÈ @^Á& [, } @ÈÏOPS-U-0014

+*+*

Y @ } Á& [^ [] ç^áÁ œœÁ Á & ã^Á | Áã&œÁ [Á [ç œ] [| œœÁ [{ Áã Áã * ^Á @œÁ Á^] ^) áœœ | œÁ | • dœœ @Á } ÁœÁœ œ^Á œÁ & È

Y @ } Á& [• • ã * Á ~ & çœÁ] œœ ÈœÁ [| ^) çœÁ @ ^ | á á^Á | Á [, ^i^áÁ | ÁœÁ [, ^iÁ&] ç^iÁ -Á | œœÁ Áã á œã^áÁ œãã ÈÏOPS-R-206



ÚœœÁUUVœÿ

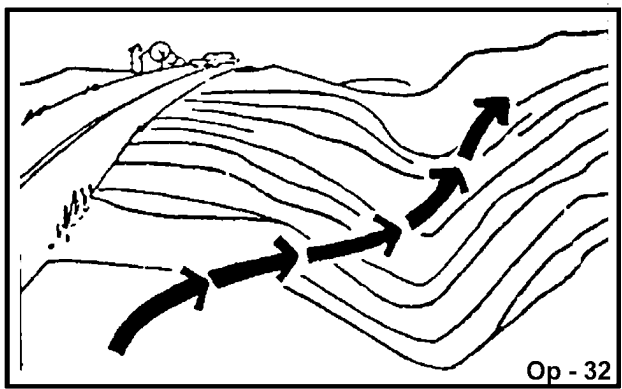
U] ^iœ^ } Á^Á&ç } ÁÈç

CD9F5HCB

CD9F5HCB

Q&ja ^•Ae aAs&@•A @ |aA^Ae } | | a&@ aAe } *Ae
 |a^A @&@A Aae } *^Ae A @ , } EAV@Ac] ^A ~
] ae@A |A^a^ &^A@A [••aaac A^A^ |ca *Aae ae^E
 Q@A^:aa^ } oA^A [A^A^] A@A^ &@Ae } | | a&@
 a &^ae^•A@A [••aaac A^A^ a&@A [A [|E c^A^A^&c
 ae } Aae } } ae A [••a *A ae@A

Y @ } A] ^ | aae *A@A^:ae d | Aae aA [, ^ | Aae [••
 • |] ^•Ae aAe &ja ^•E@ [~ * @Aae@•Eae aA c@ |
 ~ } ^c^ } A^:aa } A [aae } •Eae A [] | | cae oA A ae ae
 • ~ae } oA^A^ A^A [] ~ } aA^aeae &^E@aa^A [] ae c
 , ae@A^ [] ~ } aA ae Aae •^A [aE [& Aae aA c@ |
 a^a^A A^ A^A@ [, } A^ oA [{ A } a^A@A [, ^ |
 !•• |ca *Ae A [••aa^A b | ^Ae aA | A [] | ^c Aae ae^E
 O [] ~ } aA [] ae oA [A [] a^ &^A^c^A^A^ Q & A [ae
 [] A@A [, ^ | A^c^A^ aA A@A [, ^ | A^:aa^•
 !•• |ca *Ae A [••aa^A ae ae^Aae aA | ^ { ae | ^A^ ae E
 OPS-R-207



Op - 32
CORRECT: Approach ditch at an angle

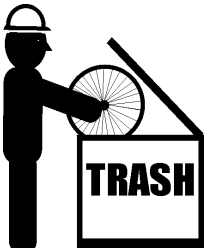
„CD9F5HB; H<9 HF57HCF 5 B8 AD@A9BH

H<9 CD9F5HCF AI GH7CAD@H9 @MI B89FGH5 B8 <CK HC CD9F5H9 H<9 HF57HCF 5 B8
 AD@A9BH5 B8 5 @7CBHFC @69: CF9 5HH9ADHB; HC CD9F5H9 A^@A] ^ | aae | A ~ •oA^aa^Ae a
 ~ } a^•cae aA@A^ae^c Aae aA] ^ | aae } A^&ca } •A^ A@A [] | ^ (^) oAe aA^:ae d | A] ^ | aae | qA ae ~ ae EAV@•^
 { ae ~ ae A ~ •oA^A^aa^Ae aA^c | aae aA^ Aae } A] ^ | aae | A Q Aae } [oA^aa^E^c^A^A^ [, A [{ ^ [] ^A^ A] ^ | aae A@
 a] | ^ (^) oAe aA^:ae d | A ae ~ oA [] | ^c^A] ^ | aae *Ae •d^ &ca } •E

O^ | ^A cae cae *Ae ^ A] ^ | aae } E@A] ^ | aae | A ~ •oA^A [^Aae aaeA ae@A^ae^ae^ A^A [] | ^ aAe Aae aAae ^
 [a^ cae^•Ae aA@ae ae a^A [] cae aA^ ae@A A^ A^ } •^A^ae^c A^ A@A] ^ | aae | E^•cae a^•Eae aA^ ~ a { ^ } EAV^ &ae
 ae^ } cae } A Q ~ | aA^A^ aa^A^ A^ | ^ a^ A^a^a^ E [~ •@A^:aa^ E^c^A^] A [] ^•Eae aA^ ae^•a^ a^ Aae aAae a^ ae^Ae A@A^ae
 OPS-U- 0015



Ocd^ { ^Aae^A @ ~ | aA^Aae^ } A @ } A] ^ | aae } A^ae A [•^A^ ab&@A^ &
 ae A^:ae^ | E [& •E^ a^ Eae aA c@ | A^a^a^ EAV@•] ^ &oA@Aae^ae^a^ | ^
 { [, a * EAV | ^ a } A^ ab&@A^ @ ~ | aA^A^ { [c^aA^ [{ A@A^ ae A^ A^c^ } c
 { ae@A^ Aae ae^Aae aA^ A^ [aq^ A^ b | ^ A^ A^c^ } A^ ae@A^ A^ ab&@A@ae
 &ae } [oA^A^ [c^aA^ ~ •oA^A^ae^ | A^ ae^a^Aae a^ae^~ | | Aae [ae^a^ A@
 [] ^ | aae | EAVUd] A [, a * A [{ ^ aae^ | A^ | aae^•A^ da^ Aae | ^ a } A^ ab&c^
 U^ } ae A^ | Aae ae^Aae aA^ ae^A^ | cae A [d | A^ | A^ | aae^ Aae | a^ | A^ | aae^ &a
 a^ | ^ A^ ~ { a * A [, a * EAVOT H D



UO00AUUV00Y U] ^ | aae } A^&ca } A^EG

CD9F5HCB

CD9F5HCB

Y @}Á} & } c'ia * Áa'í' Á^ç'í'Á } áã } Á @&@&e'•^•Á@Áiæd |Á Á çá|Éã^} * æ^Á [, ^Éã çáçáæd |É iæ^Á@Á [, ^Ái{ Á@& çÁ@Áiæd |Á ~Á aÁ } ^&Á@Á [, ^Éã|æ^•Á aÁã^Á |Á |Áæ æ^Á^ç'í'Á ^} * æ^Á [, ^Áæ æÉ

Q@Á|æ^•Áæ Á |Á ç] Éã^} * æ^Á@Á } &@& aÁæ^Á@Á@æÁ|ã @' Á |Áæ^Á@Áiæd |Á Éã |{ æ' Éã@ , á|Á^æÁ@Á ç'Á@æÉã [çÁ @ ç' ~Á@Á [, ^ç Éãæ^Á@Á ç'Á@æÉã } Á ~Á@Áiæd |Áæ aÁ^ó@] æ'á * Áiæ^Éç'í'Á [ç] Á ç } | | ^ç'í'Á æ^Á@Áiæd |Áæ aÁ|æÁ@Á çá * Á@æ^Á æ' æ'É

5ZYf'h YZfghXUmcZcdYfUjcbZU''Vc'lg'gl ci `X'VY'W YW'YX'Ub'X'hj \ hYbYX'gYW fY nt'V@Á @~ |áÁ^Á } ^] |á áæç'í'Á Á } ^ |Á@Á | | Á [çá & { ^Á [^Áæ aÁæ^Áæ æ^Á Á@Áiæd |Á |Á [, ^Éã |Á b'í'Á Á@ [] |æç |É

Y @}Á [^Á^ç'í'Á@Á } áÁ ~Áæ æ'Éã @' Áæ^Á@ { [, ^ÁçÉ +Dá^ç'í'Á } } á * Éã^ç'í'Áæ^Á@ { [, ^Á } ç'í'Á @' Á@Á|æ^•Áæ^Á } } á * Éã@ { [, ^Á ~•Á^Áæ^Á@ @'Á@Á ÁGÁ { Á | } } á |ç'í'Áæ^•Áæ^Á@Á [, ^Áæ aÁ æÁ |Áç'í'Á [, ^ | : çá } Á | Á { ^Á | Áæ { } | | ^ç'í'Á } Á^ç'í'Á] | &^áá * Á | Áæ^Á@Á [, ^Éã ÖXÓUÁæ^Á@ { [, ^Á @' Á@Á|æ^•Áæ^Á } } á * É



OPS-R-212

WARNING

Ö | Á [ç'í'Á@Á@Á|æ^•Á } } Á @ } Á@Á [, ^Á^Á & Á Áæ^ÁáÁ |Áæ ^ ^æ } Éã & } áá * Á|æææ &^Á |Á |Á } } á * Éãæá * Á@Á [, ^Á & ^ç'í'Á@Á çá * Á|æ^•Á @&@^æ^Á [ç] çá' Á^ç'í'Á ^Áæ æá æá áÁ |áæ^•Áá |á ~•Á |á ~•Á b'í'Á |Á ç'í'Á Áæ^Á { Á á b'í'Á@ [, } Á | { ç'í'Á@Á@Á^•Á ç'í'Á@Á D



Ö | Á [ç'í'Á [, Á |Á |á^Á@Áiæd |Á ç'í'Á æ'í'Á@Á^Á } } á * Á |Áæ^Á@Á & } ç'í'Á } çá áÁ æ'í'Á } çá Á ç'í'Á@Á } } á * Á æ'í'Á } æ'í'Á |áÁæ^•Á@ [, } Á | { Á@Á [, ^Á |Áæ^Á^ç'í'Á^çá } Á@Á á @ á } æ'í'Á^Áæ æ^Áæ^Á & } |Á @ } Á |áá * Á ç'í'Á@Á ç'í'Áæ^Á@Á aÁ^æ^Á } Á@Áiæd |Áæ áÁ [, ^Á |á |á } æ'í'Á^• |á * Á^ç'í'Á } } ^ } ç'í'Á@Á } Éãæ'í'Áæ^Á^ç'í'Á^çá * á @ |Á } Á@Áiæd |Áæ |Á ^Á |Á çá * á @ [] ^Á^Á^Á } & } c'í'ÁáÉ

CD9F5HCB

CD9F5HCB

ÙÒÀÛUVÖÿ

U] ^!æǻ } Á^&ǻ } ÁË G

A 5 =BH9 B5 B7 9 'G9 7 H=C B

T aq c} a} &^Á^&c} Á E

A5-BH9B5B79

K 99? @MCF'9J9FM(\$' < CI FG

#9A

G9FJ=9

7CAA9BHG

Ü[æ^ Á] ã á^

Š à|ææ^

Òç^!^ Á €Á@~!•Á!Á ^\|

K 99? @MCF'9J9FM)\$' < CI FG

#9A

G9FJ=9

7CAA9BHG

Q Á/æ \ Á^ á!æ |æÁ|~ ã
Qç^! Á/\$' a]Wcb' Z' hYfL

Ô@æ * ^

Ô@æ * ^ Áæç! Áá•Á €Á@~!•Á!} |
@} Áç^!^ Á €Á@~!•Á! Á^æ|

Q Ěš ^ Á p ā @Á!^•~ | ^
Qç^! Á/\$' a]Wcb' Z' hYfL

Ô@æ * ^

Ô@æ * ^ Áæç! Áá•Á €Á@~!•Á!} |
@} Áç^!^ Á €Á@~!•Á! Á^æ|

ACBH< @MCF'9J9FM%' \$' < CI FG

#9A

G9FJ=9

7CAA9BHG

P^ á!æ |æÁ|~ ã Š ç^! Á

Ô@&

Qāáæ Á ^ á á

P^ á!æ |æÁ|~ \ Á!^ æ@:

Ô^æ ħ @ & ħ | ^ | æ^

Ô^æ Á! Á^ | æ^ Á
Ô^ { ^ } áæ Á^~ á á

F YU' HfY' HndY
ÁÁÁÁÁÁ Á Ē Ē ÜH
ÁÁÁÁÁÁ Á Ē Ē
ÁÁÁÁÁÁ Á Ē Ē

AU 'D'G'É
GJ
G
G

ÜÖÖÜUVÖÜY

T æ ç } æ & Á^ & ç } Á Ē

A5-BH9B5B79

A5-BH9 B5 B7 9

HC FEI 9 GD97 = 7 5H CBG

Torque for Standard Fasteners

Nominal Dia. (in.)	threads per inch	Grade 2			Grade 5			Grade 8			Grade 9		
		Tightening Torque			Tightening Torque			Tightening Torque			Tightening Torque		
		Lubed	Dry Plated	Dry plain	Lubed	Dry Plated	Dry plain	Lubed	Dry Plated	Dry plain	Lubed	Dry Plated	Dry plain
		K = 0.15	K = 0.17	K = 0.20	K = 0.15	K = 0.17	K = 0.20	K = 0.15	K = 0.17	K = 0.20	K = 0.15	K = 0.17	K = 0.20

Nominal Dia. (in.)	Threads per inch	49 in-lbs	59 in-lbs	66 in-lbs	76 in-lbs	86 in-lbs	101 in-lbs	107 in-lbs	122 in-lbs	143 in-lbs	126 in-lbs	143 in-lbs	168 in-lbs
1/4	20	49	59	66	76	86	101	107	122	143	126	143	168
5/16	18	101	122	135	157	178	209	221	251	295	259	294	346
3/8	16	15 ft-lbs	18 ft-lbs	20 ft-lbs	23 ft-lbs	26 ft-lbs	31 ft-lbs	33 ft-lbs	37 ft-lbs	44 ft-lbs	38 ft-lbs	43 ft-lbs	51 ft-lbs
7/16	14	24	29	32	37	42	49	52	59	70	61	70	82
1/2	13	37	44	49	57	64	75	80	90	106	94	106	125
9/16	12	53	63	70	82	92	109	115	130	154	135	153	180
5/8	11	73	87	97	113	128	150	159	180	212	186	211	248
3/4	10	129	155	172	200	227	267	282	320	376	331	375	441
7/8	9	125	150	167	322	365	429	455	515	606	533	604	710
1	8	187	225	250	483	547	644	681	772	909	799	905	1065
1 1/8	7	266	319	354	596	675	794	966	1095	1288	1132	1283	1510
1 1/4	7	375	450	500	840	952	1121	1363	1545	1817	1597	1810	2130
1 1/2	6	652	783	869	1462	1657	1950	2371	2688	3162	2779	3150	3706

Nominal Dia. (in.)	Threads per inch	56 in-lbs	68 in-lbs	75 in-lbs	87 in-lbs	99 in-lbs	116 in-lbs	123 in-lbs	139 in-lbs	164 in-lbs	144 in-lbs	163 in-lbs	192 in-lbs
1/4	28	56	68	75	87	99	116	123	139	164	144	163	192
5/16	24	112	135	150	174	197	231	245	278	327	287	325	383
3/8	24	17 ft-lbs	20 ft-lbs	23 ft-lbs	26 ft-lbs	30 ft-lbs	35 ft-lbs	37 ft-lbs	42 ft-lbs	49 ft-lbs	43 ft-lbs	49 ft-lbs	58 ft-lbs
7/16	20	27	32	36	41	47	55	58	66	78	68	78	91
1/2	20	41	49	55	64	72	85	90	102	120	105	120	141
9/16	18	59	71	78	91	103	121	128	146	171	151	171	201
5/8	18	82	99	110	127	144	170	180	204	240	211	239	281
3/4	16	144	173	192	223	253	297	315	357	420	369	418	492
7/8	14	138	165	184	355	403	474	502	568	669	588	666	784
1	14	210	252	280	542	614	722	765	867	1020	896	1016	1195
1 1/8	12	298	357	397	668	757	890	1083	1227	1444	1269	1439	1693
1 1/4	12	415	498	553	930	1055	1241	1509	1710	2012	1768	2004	2358
1 1/2	12	734	880	978	1645	1865	2194	2668	3024	3557	3127	3544	4169

Torque values for 1/4 and 5/16 in series are in inch-pounds. All other torque values are in foot-pounds. K = 0.15 for "lubricated" conditions D = Nominal Diameter
 Torque values calculated from formula T=KDF, where K = 0.17 for zinc plated and dry conditions F = Clamp Load
 K = 0.20 for plain and dry conditions

A5-BH9 B5 B7 9

Torque-Tension Relationship for Metric Fasteners

Nominal Dia. (mm)	Pitch	Class 4.6			Class 8.8			Class 10.9			Class 12.9	
		Tightening Torque			Tightening Torque			Tightening Torque			Tightening Torque	
		Lubed	Dry Plated	Dry plain	Lubed	Dry Plated	Dry plain	Lubed	Dry Plated	Dry plain	Lubed	Dry plain
		K = 0.15	K = 0.17	K = 0.20	K = 0.15	K = 0.17	K = 0.20	K = 0.15	K = 0.17	K = 0.20	K = 0.15	K = 0.20
		(ft-lbs)	(ft-lbs)	(ft-lbs)	(ft-lbs)	(ft-lbs)	(ft-lbs)	(ft-lbs)	(ft-lbs)	(ft-lbs)	(ft-lbs)	(ft-lbs)
3	0.5	0.28	0.32	0.38	0.73	0.82	0.97	1.0	1.2	1.4	1.2	1.6
3.5	0.6	0.44	0.50	0.59	1.1	1.3	1.5	1.6	1.9	2.2	1.9	2.5
4	0.7	0.66	0.74	0.87	1.7	1.9	2.3	2.4	2.7	3.2	2.8	3.8
5	0.8	1.3	1.5	1.8	3.4	3.9	4.5	4.9	5.5	6.5	5.7	7.6
6	1	2.3	2.6	3.0	5.8	6.6	7.7	8.3	9.4	11	9.7	13
6	1.25	2.1	2.3	2.7	5.3	6.0	7.0	7.6	8.6	10	8.8	12
7	1	3.8	4.3	5.0	9.7	11	13	14	16	19	16	22
8	1	5.9	6.6	7.8	15	17	20	22	24	29	25	34
8	1.25	5.5	6.2	7.3	14	16	19	20	23	27	24	31
10	1.25	11	13	15	29	33	39	42	48	56	49	66
10	1.5	11	12	14	28	32	37	40	45	53	47	62
12	1.25	21	23	28	53	60	71	76	86	101	89	119
12	1.5	20	22	26	51	58	68	73	82	97	85	113
12	1.75	19	21	25	49	55	65	70	79	93	81	108
14	1.25	26	29	34	66	75	89	95	108	127	111	148
14	1.5	28	32	37	72	82	96	103	117	138	121	161
14	2	30	34	40	78	88	104	111	126	148	130	173
16	1.5	50	57	67	129	146	171	184	208	245	215	287
16	2	47	53	62	121	137	161	173	196	230	202	269
18	1.5	73	82	97	187	212	249	268	303	357	313	417
18	2.5	65	73	86	167	189	222	239	270	318	279	372
20	2.5	91	104	122	236	267	314	337	382	449	394	525

Clamp load calculated as 75% of the proof load for specified bolts. K = 0.15 for "lubricated" conditions D = Nominal Diameter
 All torque values are listed in foot-pounds K = 0.17 for zinc plated, dry conditions F = Clamp Load
 Torque values calculated from formula T=KDF, where K = 0.20 for plain and dry conditions

© 2012 Alamo Group Inc.

T 33 3 } 3 & A' & 3 } A E

A5-BH9B5B79

@ 6F75HCB F97CAA9B85HCBG

89G7F-DHCB 5DD@75HCB ; 9B9F5 @GD97 = 75HCB F97CAA9B898
AC6=@@ 6F75BH

Viæd | Å^ à!æ |æ Ü^•^!ç[ä RÖËEÖ
T ØÁ FFHÍ ÈÁ FFI F
ØPPT GÖFH ÖÁØP PGEFD T [àä~ äi Á G

T [, ^!Å^ à!æ |æ Ü^•^!ç[ä
Ö [|äÅ^ { } ^!æ |^• Å×ØÁæðM ØUÁÍ ÁØ æÿ ^æ È [, Å^ { } T [àäÖVÒÁÍ T
P [| { æÅ^ { } ^!æ |^• Å×ØÁæðM RÖËEÖ T [àä~ äi Á G
ØPÁ Á GÖFH ÖÁØP PGEFD
P [| { æÅ^ { } ^!æ |^• ÁÍ »ØÁæðM ØUÁÍ ÁØ æÿ ^æ T [àäÖVÒÁÍ
Pä @Ü ^!æä * Å^ { } ÈÖ [ç^ÁÍ×Ø ØUÁÍ ÁØ æÿ ^æ T [àäÖVÒÁÍ T

ØäÜ^æ^Ö^æà [ç Ö!^æ^ ÚØUÁ~ } @æÖcd^ ^
Ü!^•~ |^Ö^æ^ Å^ à^ T [àäÜPÖÁÍ Y ÈÈ
T [àäÜ^ } @æÖ^æ

Ö^ ç^!ÁÜ@æBÁÖ [~ } á Ö!^æ^Ö~ } Šäç { ÈÖ [{ } |^ç
Öçd^ { ^ÁÜ!^•~ |^ T [àä* ^æ^ÁÖT ÈÜ
Ü [|^!ÁÜ@æÖ [çäD ÞŠÖÇÖÖUÁÇÈ

Ö!ç^ÁÜ@æÖ [~ } |^ | Ö!^æ^Ö~ } Šäç { ÈÖ [{ } |^ç
Öçd^ { ^ÁÜ!^•~ |^ T [àä* ^æ^ÁÖT ÈÜ
ØäÜ^æ^ áÜ [ç^ D ÞŠÖÇÖÖUÁÇÈ

Ö!ç^ÁÜ@æÖ [\^Ê Ö!^æ^Ö~ } Šäç { ÈÖ [{ } |^ç
Öçd^ { ^ÁÜ!^•~ |^ T [àä* ^æ^ÁÖT ÈÜ
WÈ ã ç^BÁÜç àÜ@æc ÞŠÖÇÖÖUÁÇÈ

Ö^ & ÁÜ] ã à^!ÁÜ [ç^ D Ö!^æ^Ö~ } Vå ^!ÁÜæóÜ] ã à^! Å^ à!æ ç
Úæó~ { à^!ÁÜ [| | €€€€ T [àä@ÜPÖÁÇÈ

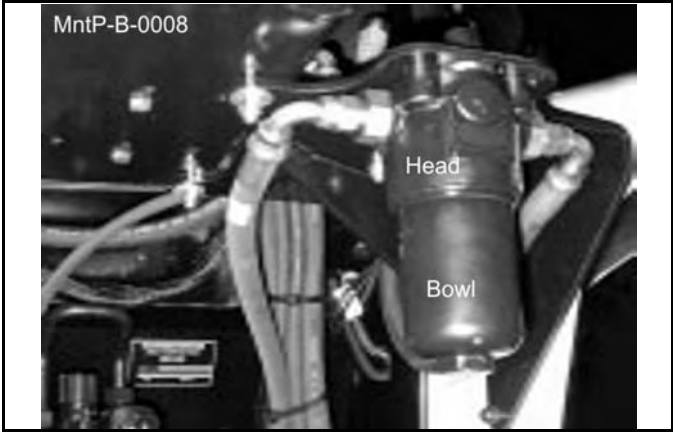
ÜÖÒÁÜVÖÿ T ä ç } æ & ÁÜ^ç } Á È€

A5-BH9B5B79

A5-BH9B5B79

F9D@7-B; <=> <'DF9GGI F9<M8F5I @7': =@9F'9 @A9BH

0E~!^Á•••c{ Á @eÀ à^^}Á•@ó à[. }Á ð à
 à^!^••~!à^àÈ Š| &æ^Á Pã @Á Ú!^••~!^Á ðe!
 @~•q *ÉÖ[]-ã{ Ác@eÁc@Á^!^ { ^} óc@eÁ Áæã[~óq
 à^Áq•æ^!áÁ æ&@•Ác@Á^!^ { ^} óq ð Á }Ác@Áq!
 { [à^!Ác@e ÉÖc@e] ^!ÁX^HÉ FÉÉ ÁÇ []!áÁq ^ÁFÉÉÉ
 PÖEÍ JÁ{ [à^!DÁŠ| &æ^Ác@Áà[q{ Á[Ác@ÁPã @
 Ú!^••~!^ÁÖ[, |Éq àÁ•^Ác@Áq]! []!æ^Á•} ð }^!
 , !^} &É!Éæ&@óq àÁ! } q *Á Áæ&[~ } e!&[& , á^
 ! [cæã] ÉÖ[[] q *ÁæÁc@Á[q{ Á Ác@Á[, |DÁ^ [ç
 c@Á[, |Á[{ Ác@Ác@æÉV@Áá•ó&[~]^!Á[cæã]•
 , q!Á^! Áæ @Ác@Á Éq *Á æ•^•Ác@Á^æq *Áæ ÉU
 U} &Ác@Á Éq *Ác@Áq^æ^áÁc@Á^æq *Áæ ÉÖc@
 à[, |Á @~!áÁ } q Á^!ÉVá q *Áæ^Á [Áq Á[] Ác@
 à[, |Éq à @^! [çq *Ác@Á[, |Á[{ Ác@Ác@æÉ



A5-BH9B5B79

WARNING: Bowl will be full of oil!ÁÚ[~!Ác@Á qÁ[{ Ác@Á[, |Áq q Áæ&[} cæã^!ÉÖc@Á qÁ @~!áÁ^Á&[]•æ^!á
 &[} cæã q æ^!áÁ^!Áq Ác@Á[, Áá&á&á } Ác@[~ @c@Á^!^ { ^} óq Á •æ^!ÉÖ!^æq Ác@Áq•æ^!Á Ác@Á[, |ÁÁááááá
]!^••~!^ÁÖ[[ç^Ác@Á|áÁ^!^ { ^} óq{ { Ác@Áqç!Ác@æÁá^Á^ ||q *Á q æc@Á[cæã] Á [ç } ÉÖá] [^Á Ác@Á^á
 ^!^ { ^} óq []!^!ÉÜ^ [ç^Ác@Á^ , Á^!^ { ^} óq{ { Ác@Áæ&æ q *ÉVá q *Á [~!Áq *^!ÉææÁq áÁ à!ææ Ác@Á Éq *
 q Ác@Á[] Á Ác@Á^ Á^!^ { ^} óq cæã Ác@Á^ , Á^!^ { ^} óq q Áq àÁ } Ác@Á [~ } ç *Á[••Á q c@Ác@Ác@æÉæ•!
 c@eÁc@Á^!^ { ^} óq Á^!^ Á^æ^!áÁ } Ác@Á[••ÉÖ!^æq Áq áÁq • ^&Ác@Á Éq *Ác@Á Ác@Á^áÁq Ác@Á[, |É~!á!ææ
 , æóq qÉVá q *Áæ&[& , á^!Á[cæã] É~!Á^ , Ác@Á[, |Áæ& Áq q Ác@Ác@æÉæ•!q *Ác@Ác@Á[, |Ác@Á [óá^!
 &[••Ác@Áæ^!áÁq q Ác@Ác@æÉÖ[] ç~!Áq Ác@Á @^!^ Ác@Á[, |Áq q Ác@Ác@æÉ• q *Ác@Á] ð }^!Á !^} &É!É
 !æ&@c@Á[cæã] Á Ác@Á[, |Á q!Á&[{ ^Áá @!Á } &Ác@Á Éq *Á } *æ^!Ác@Á^æq *Áæ ÉU } &Ác@Á[, |
 c@Á[q{ ^áÁ^ ÉVáæÉ É~!Ác@Á[, |Á ÁÉÉÁc! } ÉÖc@Áæ•!^•Ác@Ác@Á Éq *Á Á^æ^!áÁ! []!^!Á æóq Ác@
 ^áq *Áæ ÉÖ!^ { ^} óq q *Á^~óq áÁ^Éæ•^! à! ÁÁ[, Áq []!c@ÁUc@Ác@Á æ&@Áq áÁq • ^&Ác@Áqç!
 æ^!á&@& q *Ác@Ác@!ÁÁ Á[Á qÁ^æ q *Á[{ Ác@Áqç!Áæ•^! à! ÉV @Á Áá•óq Áá^Á[] ^ÁæÁ ÉÁq ~!
 []!^!æã } ÉÖc@) Á^æ! Áq ÉÉÁq ~!•D! Á @} Áq áææ^!Á Á^•d&á } Áq áææ! É

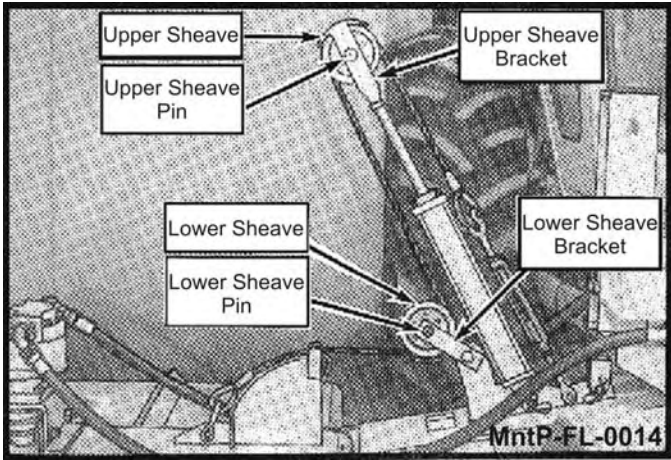
ÜÖÖÁUUVÖÿ T æç } æ & Á^! &á } Á ÉH

A5-BH9 B5 B7 9

A5-BH9 B5 B7 9

; F95 G-B; 'H<9 'I DD9F '5 B8 'C@K 9F 'G<95J9G

Š[&æ^Á@Á !^æ^Á \!·Á } Á@Á } á·Á Á@Á]]^!
 æ] áÁ[, ^!Á· @æ^Á] æ·Áæ^Á @ , } Áà^[[, ÈQb&c
 Šæ@ { È[{] |^cÁ Qæ^ { ^Á Ú!^··~!^Á!^æ^
 &[} -!{ } æ·Áq Áb ŠÖ@ÈUÁHGÉÁ·] ^8áæææ } ·Áæ d
 ^æ@] æ^Á } dÁáÁ] [d~ á·Á+ [Ác@Á } á·ÉV@·^
 ·@~ |áÁæ [Á^Á!^æ^ á·Áææ Á!Á! Ác^!^ ÁÁ@~!·Á-
 ·^!çæ^É



H< <H9B-B; '6 @ 89 '6 C @HG'5 B8 '8 =G? '6 C @HG

Öè! Ác^!^ ÁÁ@~!·Á-Á] ^!ææ } Á! Áææ Èc@Á } á·
 à[|·Áæ] áÁá \ Á[|·Á@~ |áÁ^Áæ @ } ^áÁæ Á[] | , ·K
 S) á·Á [~ } æ·ÁÓ[|·ÁcÁ æÁÁ!] ~^ÁÁ Á €€Á æ·áÁæÉ
 |á·É
 Öè \ Á [~ } æ·ÁÓ[|·ÁcÁ æÁÁ!] ~^ÁÁ Á €€Á Á! Á! €
 [æ·áÁææ·É



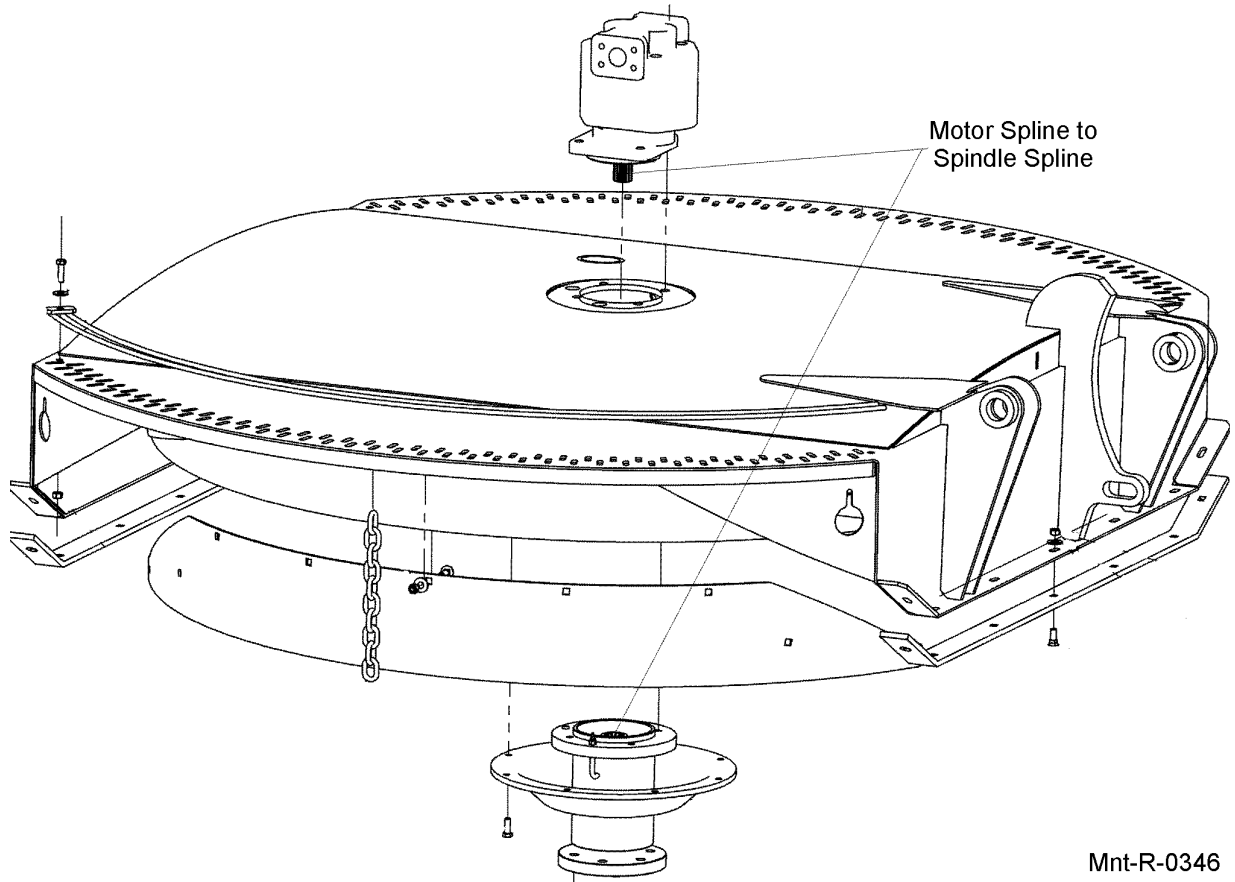
ÙÖÒÀÛUVOËÿ T ææ ç } æ &^Á^&æ } Á È!

A5-BH9 B5 B7 9

A5-BH9 B5 B7 9

; F95 G-B; ACHCF GD@B9 HC GD-B8 @ GD@B9

Q | Áã^&óáíã^Á [, ^i•Éí &æ^Á [d!Á] |ã^Áã] áá!^Á] |ã^Á} Á@Á [, ^!Á^&ÉÖ!^æ^Á] |ã^Á} á@ [áã { [| Á GAV^Áã [~ Á Á } &^Á Á!^æ^ÉÖ @ã *^Á!^æ^Á^æ | Á! Áç!^ Á €€@ ;i•É



Mnt-R-0346

ÙÖÖÁÛVÖÛÿ

T æ ç } æ &^Á^&ç } Á È Ì

A5-BH9B5B79

A5-BH9B5B79

6`UXYg

Ó@& Á@ÁÓ|æ^Á|Á&æ. Áæ áÁ ^æÁæ áÁÓ|æ^ÁÓ| Á|Á|Á @ ^• Éáæ ÉÓ|æ^Á @ ~|áÁ^Á^| |æ^áÁ @ }
 @^ Áæ^Á |{ } Á&•• æ^| Éá^ } Éá^+{| ^áÉ|Á^ |Á Áææ } &É

CAUTION

Ó|æ^Á @ ~|áÁæ æ^ÁÁ^| |æ^áÁ Á æ^ÉÓ|æ^Á -Áá-^| ^} |Á @ Áæ Áæ^Á^| á ~ •
 á áææ &Áæ áÁææ æ^Á| Á@Á æ@Á^æ áÁ^|{ } ^|ÉY @ } Á^| |æá * Á|æ^Á Éáæ^Áæ^Á|
 ^| |æ^Á@Á|æ^Á| |Á Éá^ • Éáæ áÁ æ @! •É

Important

T æ^Á^ |^Á@Á [, ^|Á|æ^Áæ^Áæ^Á } á * Á&| & , á^Á @ } Á| [| á *
 á[, } Á+| { Á@Á| Á| -Á@Á| [, ^|ÉÁ|| |, Á@Á&| | |Á&| áá * Á| } Á@
 @ á:æ |æÁ@ • ^• Áæ áÁæá * Á| Á æ^Á^ |^Á@Á| [| Áæ áÁ@ áæ |æ •
 @ • ^• Áæ^Áæ^Á | á^áÁ| [| ^| ÉÓ| } ^&Á@Á^Á@ • ^Á| } ^&á } Á| |
 | Á^áÁæá * ÉÓ| } ^&Á@Á^Á| ^Á@ • ^Á&| } ^&á } Á| | Á| Á@Á| ^
 -áá * ÉV @ Á|æ^Á| [æá } Á| } Á@Áæá * Á^Á^Á -Á@Á| [, ^|Á @ ~|á
 áá &æ^Á@Á& |Á æ^|áææ æ Á| { Á@Áæ&| Áæ áÁ| ^|æ| ÉÁ

WARNING

Á@Áæá * Á^Á^Á -Á@Á| [, ^|Á|æ^Áæ^Á| æá * Áææ, æáÁ@^
 &æ Áá &æ^Á æ^|áæ| æáÁ@Á| ^|æ| ÉÁ@Á &• |Áá&| } ç ^
 { [, á * Á| { ^áææ| Áæ áÁ^Á^Á -Á@Áá&á } Á -Á@Á| [| Á| æá } Á^
 &| |^&á Áá • æá * Á@Á| [| Á| |Á • ^|Áæ áÁ^Á^Á } Á@ • ^• ÉÓ| } ç æ&
 ^| ^|Á^æ^Á| Á| Á| [Á| á^ • dæÁ| Á| ^&áá } +| { æá } Á| Á@Á@ • ^
 | | ç * É



⚠ WARNING	⚠ ADVERTENCIA
<p>TO AVOID SERIOUS INJURY AND DEATH FROM THROWN OBJECTS:</p> <ul style="list-style-type: none"> • MAKE CERTAIN blades rotate the correct direction. 	<p>PARA EVITAR LESION SERIA O MUERTE POR OBJETOS LANZADOS:</p> <ul style="list-style-type: none"> • ASEGURE que las cuchillas giran en la dirección correcta.
<p>BLADE ROTATION</p> <p>ROTACIÓN DE CUCHILLAS</p>	
<p>Return Retorno OSWO</p>	<p>Pressure Presión UOO</p>

D619

ÙÒÒÁÙVÒÛÿ

T ææ ç } æ &Á^Áæ } Á ÉJ

<95JM8 I HMGD-B8 @ '5 GG9 A6 @M-BGH5 @ @H-CB'5 B8 '6 95 F-B; ' 58>I GHA9BH



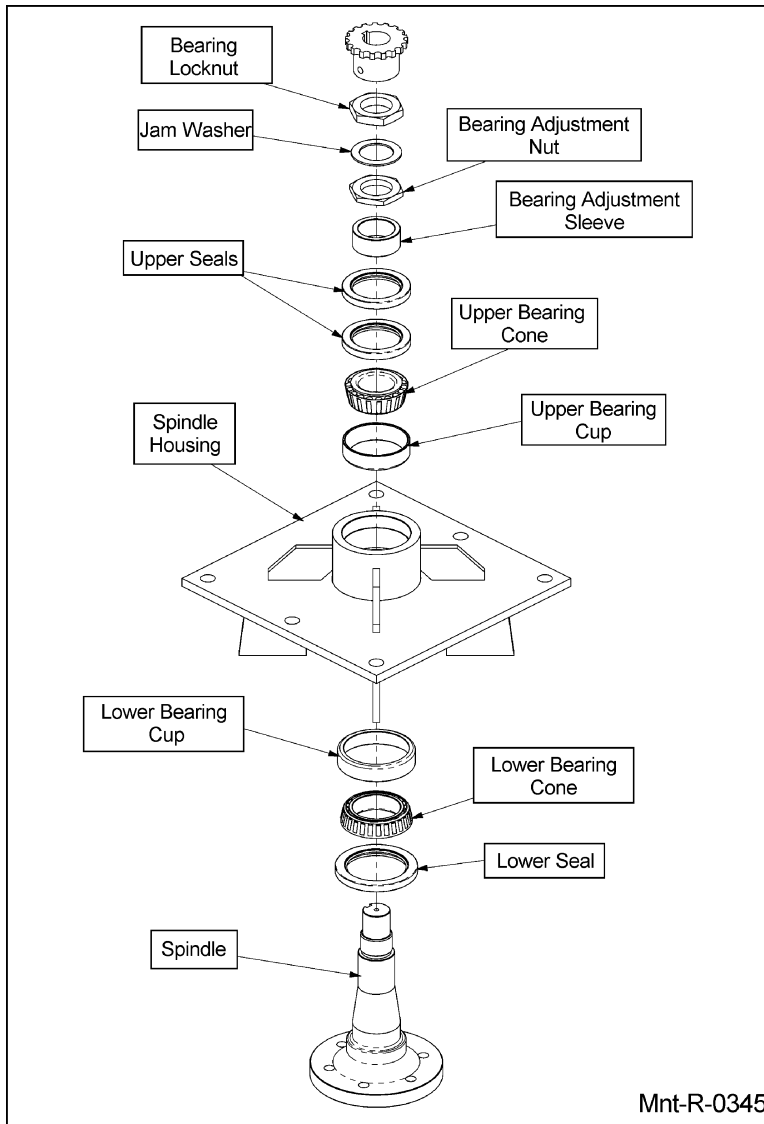
CAUTION: The grease zerk and gussets are located on the top side of the spindle housing. Be sure the spindle is assembled correctly.

NOTE: The grease zerk and gussets are located on the top side of the spindle housing. Be sure the spindle is assembled correctly.

6 Y gi fY'lc'k YUf'Ym' dfchWj'cb'UbX' ch Yf' dfchWj'j Y'Yei]da Ybh Ug'bYYXY'k \ Yb'k cf_]b['cb'gd]bX'Y UggYa V'mf

H<9'GD-B8 @ '5 GG9 A6 @M

Ü^A@Aa|a A^|, A|A^} a@a } A-A] a^A a o E } @^A^ca * E



Mnt-R-0345

A5 -BH9 B5 B7 9

A5 -BH9 B5 B7 9

ÙÖÒÄÛUVOËÿ

T æ ç } æ & ^ Á ^ & ç } Á Ë

PARTS SECTION

PART NAME INDEX

RCTVUQTFGT&I 'I W&G	5
VTCEVQT'O QWP V'MK	6
VTCEVQT'O QWP V'MK/'J [FTCWN&U	8
4'URQQN'ECDNG'EQP VTQN'O QWP V	:
ECDNG'O CP WCN+N&H'XCNXG/'4'URQQN'NQCF 'UGP UG/'ECDNG	32
CZNG'DTCEG'CUUGO DN	34
PQVGU'3	36

PARTS ORDERING GUIDE

The following instructions are offered to help eliminate needless delay and error in processing purchase orders for the equipment in this manual.

1. The Parts Section is prepared in logical sequence and grouping of parts that belong to the basic machine featured in this manual. Part Numbers and Descriptions are given to help locate the parts and quantities required.
2. The Purchase Order must indicate the **Name and Address** of the person or organization ordering the parts, **who should be charged**, and if possible, the **serial number of the machine** for which the parts are being ordered.
3. The purchase order must clearly list the **quantity of each part**, the complete and correct **part number**, and the basic **name of the part**.
4. The manufacturer reserves the right to substitute parts where applicable.
5. Some parts may be unlisted items which are special production items not normally stocked and are subject to special handling. Request a quotation for such parts before sending a purchase order.
6. The manufacturer reserves the right to change prices without prior notice.

NOTE: When ordering replacement decals, refer to the part numbers and descriptions listed in the safety section in the front of this manual.

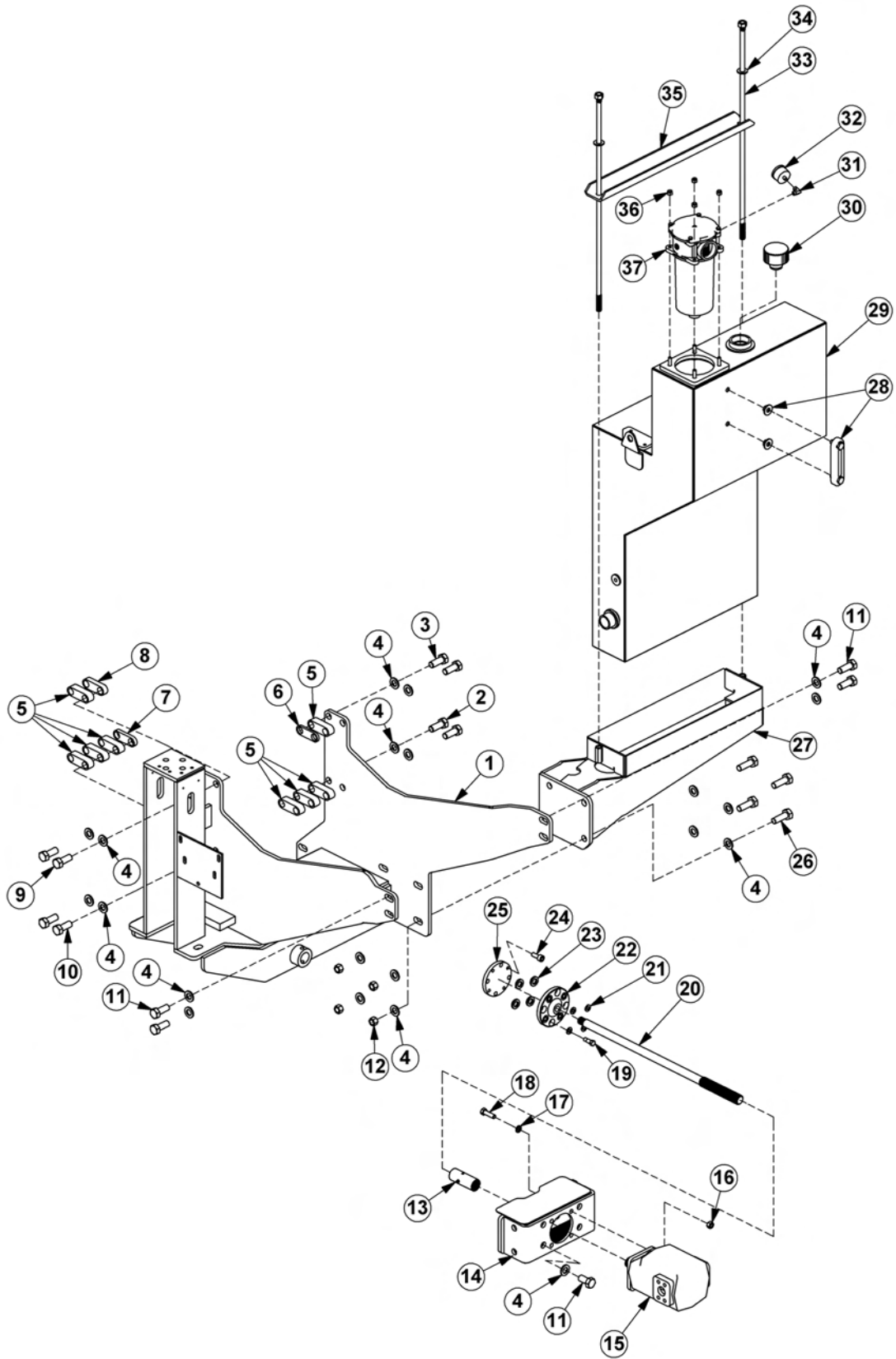


For maximum safety and to guarantee optimum product reliability, always use genuine **Tiger** replacement parts. The use of inferior replacement parts may cause premature or catastrophic failure which could result in serious injury or death.

Direct any questions regarding parts to:

Tiger Corporation
3301 N. Louise Ave.
Sioux Falls, SD 57107
1-800-843-6849
1-605-336-7900

TRACTOR MOUNT KIT

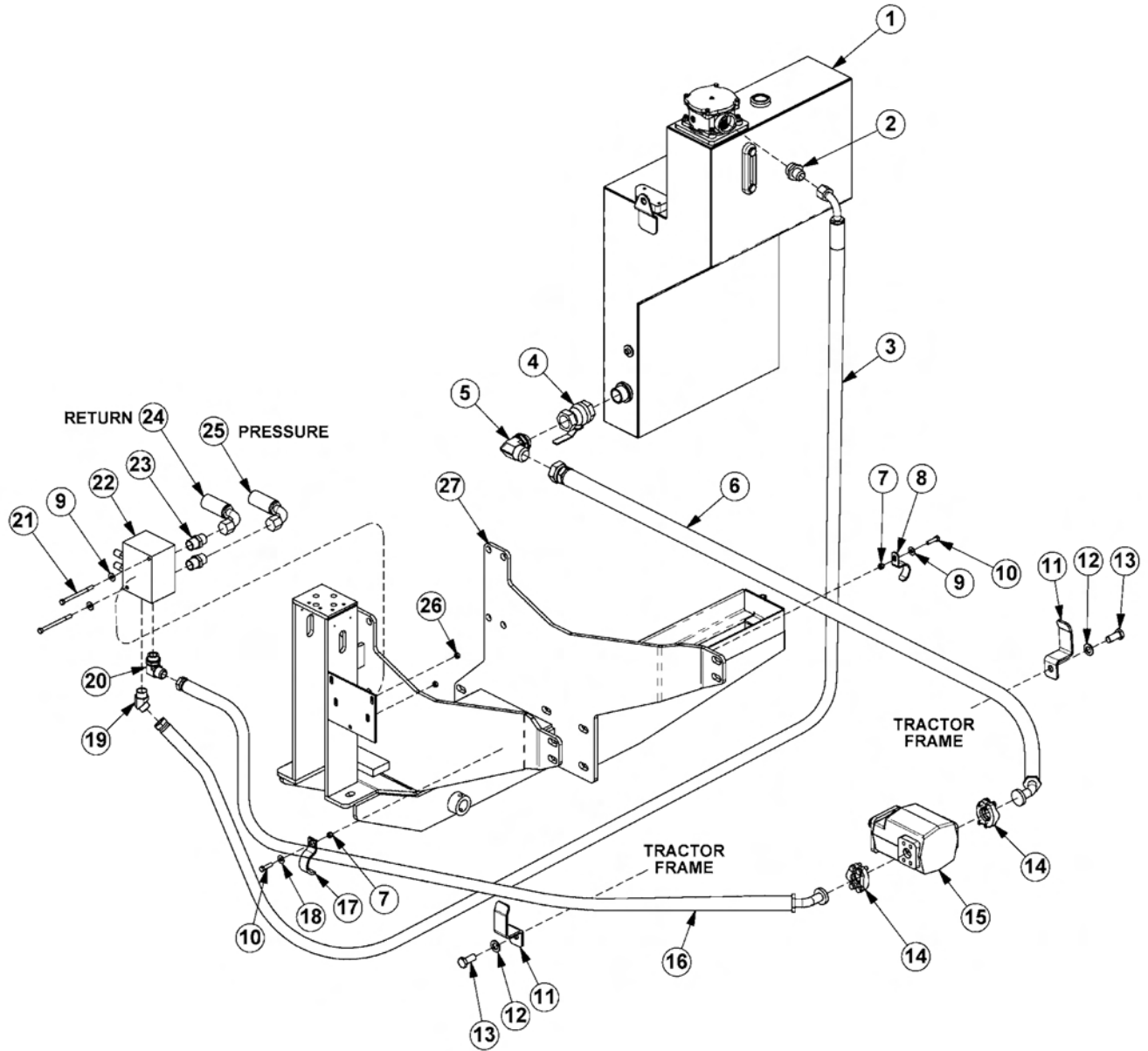


TRACTOR MOUNT KIT

Continued...

ITEM	PART NO.	QTY.	DESCRIPTION
1	06300167	1	MAIN FRAME
2	31240	2	CAPSCREW,20MM X 110MM,2.5P
3	32285	2	CAPSCREW,20MM X 75MM,2.5P
4	33880	20	FLATWASHER,3/4",SAE
5	06401627	8	SPACER,1"
6	06401630	1	SPACER,5/16"
7	06401629	1	SPACER,1/2"
8	06401628	1	SPACER,3/4"
9	30708	2	CAPSCREW,20MM X 90MM,2.5P
10	06530537	2	CAPSCREW,20MM X 125MM,2.5P
11	21831	8	CAPSCREW,3/4" X 1-3/4",NC
12	21825	4	HEX NUT,3/4",NC
13	6T0375B	1	COUPLER
14	06380042	1	MOUNT,PUMP
15	23152	1	PUMP
16	21725	4	HEX NUT,1/2",NC
17	06533004	4	FLATWASHER,1/2",SAE
18	21732	4	CAPSCREW,1/2" X 1-3/4",NC
19	06535000	4	CAPSCREW,7/16" X 1-1/4",NC,CUTOFF
20	06420063	1	DRIVESHAFT
21	24937	4	FLATWASHER,7/16",SAE
22	6T0389	1	KIT,ADAPTER,DRIVESHAFT
23	31674	1	CRANSHAFT,ADAPTER,W/O WASHER
---	06537004	4	WASHER,NEOPRENE
24	-----	-	CAPSCREW *EXISTING HARDWARE
25	06420144	1	SPACER,DRIVESHAFT
26	21833	4	CAPSCREW,3/4" X 2-1/4",NC
27	06300060	1	MOUNT,TANK,SIDE
28	06505067	1	SIGHT GAGE
29	06700090	1	HYDRAULIC TANK,ASSY
30	06380012	1	HYDRAULIC TANK
---	06505077	1	CAP,BREATHER,O-RING
31	TF4888	1	ELBOW,STREET,1/8" X 90°
32	6T0649	1	FILTER GAGE
33	06380014	2	TIE BOLT,SIDE TANK
34	33764	2	FLATWASHER,5/8",SAE
35	06410352	1	CHANNEL,MOUNT,SIDE TANK
36	21627	4	NYLOCK NUT,3/8",NC
37	06505044	1	FILTER ASSY,IN-TANK

TRACTOR MOUNT KIT - HYDRAULICS

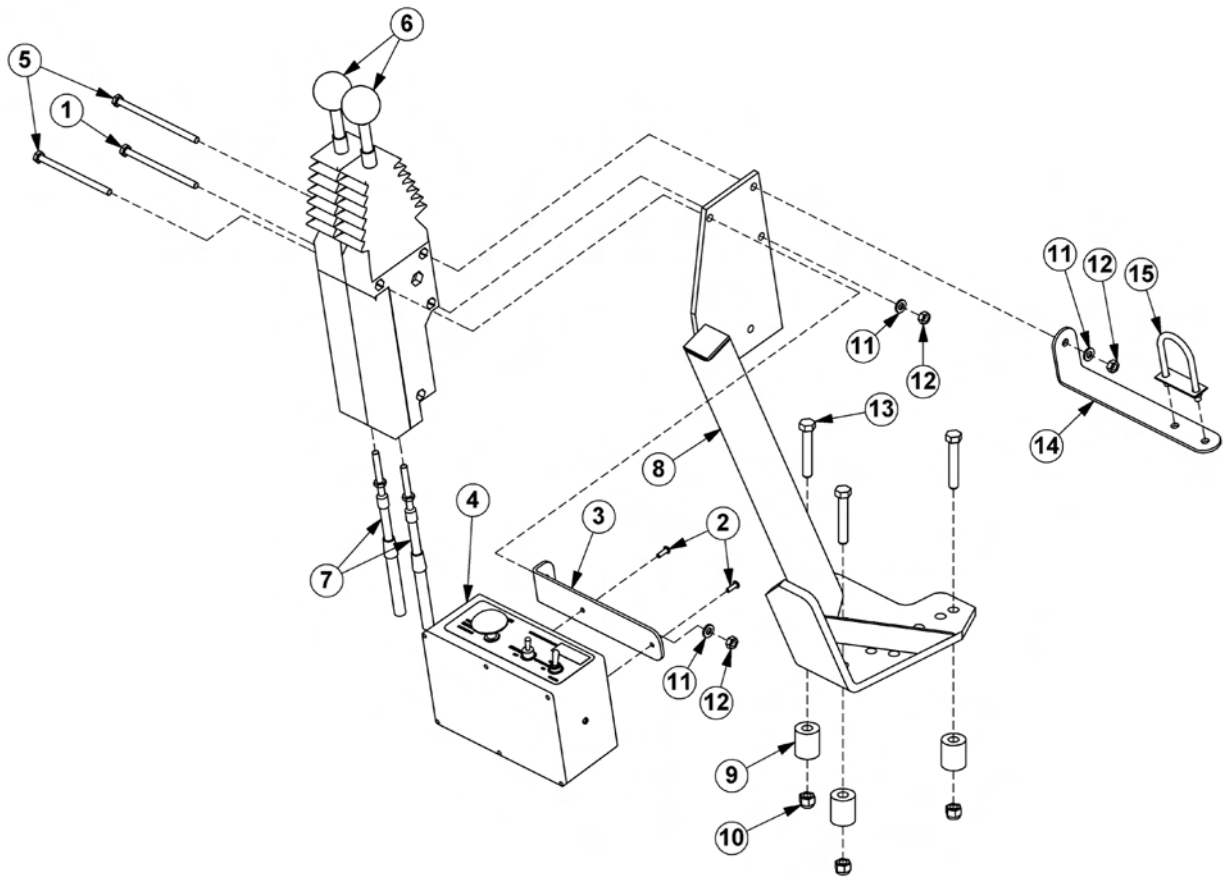


TRACTOR MOUNT KIT - HYDRAULICS

Continued...

ITEM	PART NO.	QTY.	DESCRIPTION
1	-----	-	HYDRAULIC TANK *REFER TO TRACTOR MOUNT KIT PAGE
2	34064	1	ADAPTER,1-1/4"MOR X 1"MJ
3	34082	1	HOSE,1" X 89"
4	34309	1	BALL VALVE,1-1/2"FOR
5	34655	1	ELBOW,1-1/2"MOR X 1-1/2"MJ
6	06500309	1	HOSE,1-1/2" X 70"
7	21627	2	NYLOCK NUT,3/8",NC
8	06411136	1	CLAMP,HOSE,2"
9	22016	3	FLATWASHER,3/8"
10	21632	2	CAPSCREW,3/8" X 1-1/2",NC
11	32382	2	BRACKET,HOSE
12	33880	2	FLATWASHER,3/4",SAE
13	21831	2	CAPSCREW,3/4" X 1-3/4"
14	TF4852	2	KIT,FLANGE,#20
15	-----	-	PUMP *REFER TO TRACTOR MOUNT KIT PAGE
16	06500593	1	HOSE,1" X 67"
17	TB3012	1	CLAMP,HOSE,1-1/4"
18	24937	1	FLATWASHER,7/16"
19	33554	1	ELBOW,1"MOR X 1"MJ,45°
20	34117	1	ELBOW,1"MOR X 1"MJ,90°
21	21644	2	CAPSCREW,3/8" X 5",NC
22	06510083	1	BRAKE VALVE
23	33555	2	ADAPTER,1"MOR X 1"MJ
24	34639	1	HOSE,1" X 104" (RETURN)
25	34638	1	HOSE,1" X 107" (PRESSURE)
26	21625	2	HEX NUT,3/8",NC
27	-----	1	MAIN FRAME *REFER TO TRACTOR MOUNT KIT PAGE

2 SPOOL CABLE CONTROL MOUNT



2 SPOOL CABLE CONTROL MOUNT

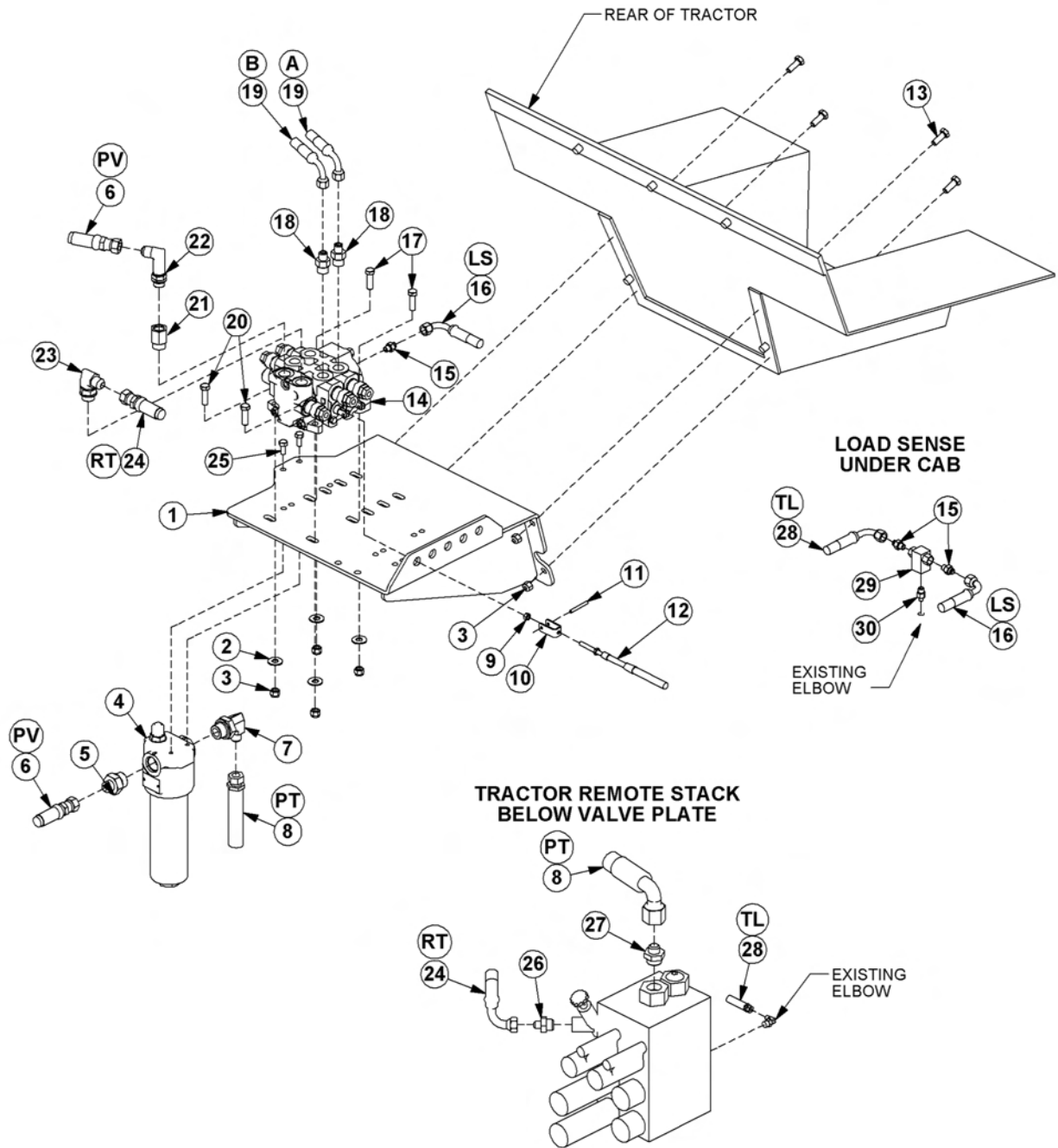
Continued...

ITEM	PART NO.	QTY.	DESCRIPTION
1	21542	1	CAPSCREW,1/4" X 4",NC
2	6T3951	2	SCREW,MACHINE,8/32 X 1/2"
3	34496	1	BRKT,SWITCHBOX,UNI
4	06510102	1	SWITCHBOX,SIDE
5	21543	2	CAPSCREW,1/4" X 4-1/2",NC
6	6T1251	2	CBL CTRL BOX,180 DEG
7	06505100	2	CBL,CTRL,108"
8	23865B	1	BRKT,MOUNT,CBL CTRL
9	27082B	3	SPACER
10	21627	3	NYLOCK NUT,3/8",NC
11	21986	3	LOCKWASHER,1/4"
12	21525	3	HEX NUT,1/4"
13	21636	3	CAPSCREW,3/8" X 2-1/2",NC
14	06411376	1	BRACKET,CBL CNTRL
15	27329	1	U-BOLT,ASSY

CABLE (MANUAL) LIFT VALVE - 2 SPOOL LOAD SENSE - CABLE

HOSE ROUTING

A - TO OUTBOARD CYLINDER BUTT
 B - TO INBOARD CYLINDER GLAND
 LS - LOAD SENSE VALVE TO TRACTOR
 TL - TRACTOR LOAD SENSE
 PT - PRESSURE FROM TRACTOR
 RT - RETURN TO TRACTOR
 PV - PRESSURE FROM FILTER TO LIFT VALVE

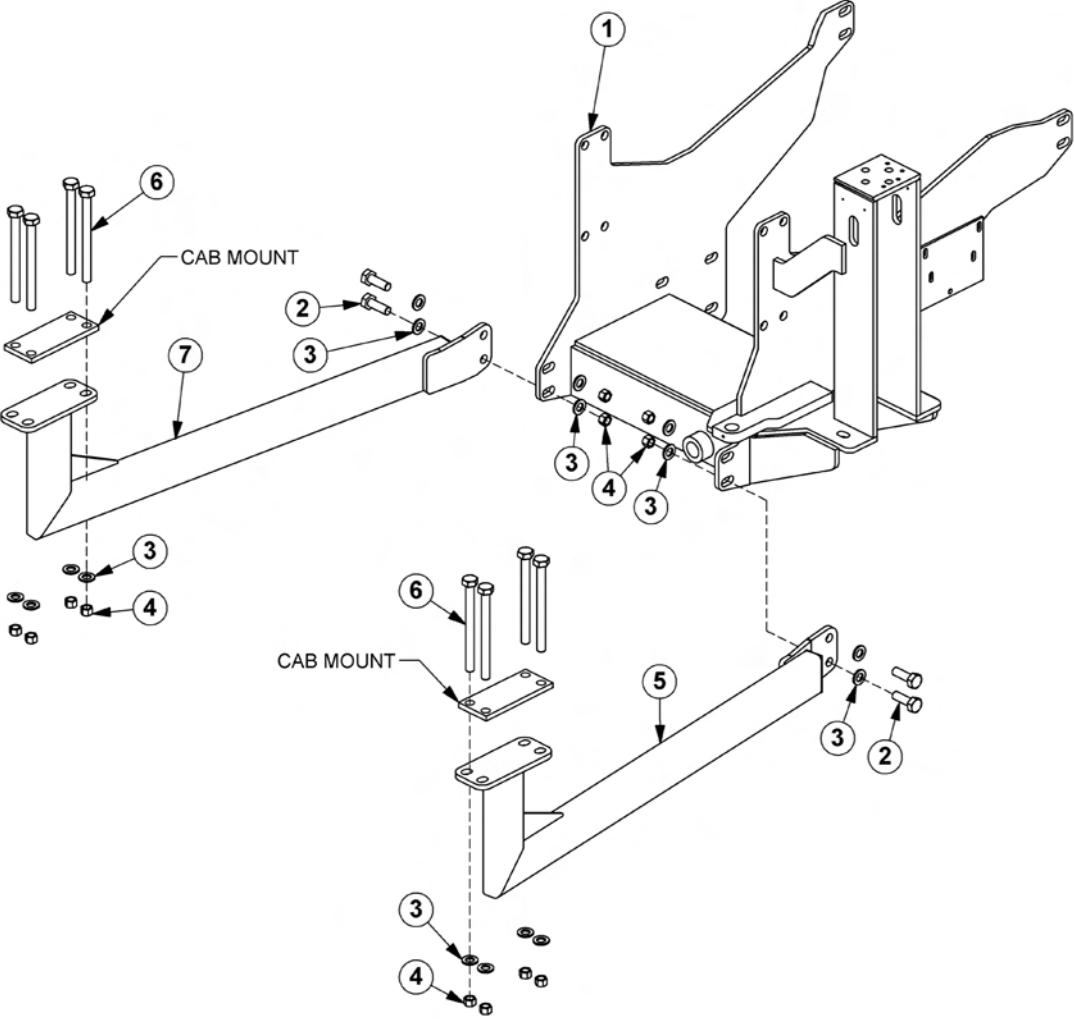


CABLE (MANUAL) LIFT VALVE - 2 SPOOL LOAD SENSE - CABLE

Continued...

ITEM	PART NO.	QTY.	DESCRIPTION
1	06340039	1	MOUNT,VALVE
2	22016	4	FLATWASHER,3/8"
3	21627	8	NYLOCK NUT,3/8",NC
4	06505029	1	FILTER,HP,ASSY
---	06505039	1	ELEMENT,FILTER
----	06505081	1	INDICATOR,FILTER
5	33591	1	ADAPTER,3/4"MOR X 1/2"MJ
6	06500595	1	HOSE,1/2" X 15"
7	33294	1	ELBOW,3/4"MOR X 1/2"MJ
8	06500596	1	HOSE,1/2" X 18"
9	21500	2	HEX NUT,1/4",NF
10	6T4411	2	CLEVIS,CBL CNTRL
11	6T3017	2	ROLL PIN,CBL CNTRL
12	06505100	2	CBL CNTRL,108"
13	21630	4	CAPSCREW,3/8" X 1",NC
14	06502040	1	VALVE,2 SPOOL,LS
15	32901	3	ADAPTER,3/8"MOR X 3/8"MJ
16	06500450	1	HOSE,1/4" X 42"
17	21632	2	CAPSCREW,3/8" X 1-1/2",NC
18	33271	2	ADAPTER,1/2"MOR X 3/8"MJ
19	34631	2	HOSE,1/4" X 126"
20	21633	2	CAPSCREW,3/8" X 1-3/4",NC
21	32678	1	ADAPTER,5/8"MOR X 1/2"FOR
22	33293	1	ELBOW,1/2"MOR L X 1/2"MJ
23	33383	1	ELBOW,5/8"MOR X 1/2"MJ
24	33410	1	HOSE,1/2" X 48"
25	21579	2	CAPSCREW,5/16" X 3/4",NC
26	06503059	1	ADAPTER,5/8"MJ X 3/4"BSPP
27	06503167	1	ADAPTER,BANJO
28	06500594	1	HOSE,1/4" X 28" (REPLACES HARDLINE)
29	3338806	1	TEE,SHUTTLE,3/8"FOR
30	06503166	1	ADAPTER,3/8"MOR X 1/4"FJX

AXLE BRACE ASSEMBLY



AXLE BRACE ASSEMBLY

Continued...

ITEM	PART NO.	QTY.	DESCRIPTION
1	-----	-	MAIN FRAME *REFER TO TRACTOR MOUNT KIT PAGE
2	21833	4	CAPSCREW,3/4" X 2-1/4",NC
3	33880	16	FLATWASHER,3/4"
4	21825	12	HEX NUT,3/4",NC
5	06300168	1	AXLE BRACE,RH
6	21846	8	CAPSCREW,3/4" X 9",NC
7	06300169	1	AXLE BRACE,LH

NOTES

COMMON SIDE ROTARY

PARTS SECTION

NOTES



PART NAME INDEX

PARTS ORDERING GUIDE.....	5
CABLE DRAFT BEAM ASSEMBLY.....	6
COMBO DRAFT BEAM ASSEMBLY.....	8
60IN SIDE CABLE TM ROTARY MOWER.....	10
72IN SIDE CABLE TM ROTARY MOWER.....	12
60IN SIDE COMBO TM ROTARY MOWER.....	14
72IN SIDE COMBO TM ROTARY MOWER.....	16
60IN SIDE TM CHAIN GUARDS.....	18
72IN SIDE TM CHAIN GUARDS.....	20
60IN SIDE TSR ROTARY MOWER.....	22
60IN SIDE TSR REAR GUARDS.....	24
SIDE ROTARY CASTER WHEEL ASSEMBLY.....	26
CASTER WHEEL ASSEMBLY.....	28
ROTARY DISK AND KNIVES.....	29
TM MOWER SPINDLE ASSEMBLY.....	30
TSR MOWER SPINDLE ASSEMBLY.....	32
ROTARY MOTOR BREAKDOWN.....	34
60IN TSR ROTARY MOTOR BREAKDOWN.....	36
FRONT HYDRAULIC PUMP BREAKDOWN.....	38
PUMP AND GRILL GUARD OPTIONS.....	40
RESERVOIR TANK FILTER ASSEMBLY.....	41
COOLER ASSEMBLY.....	42
3IN X 10IN HYDRAULIC CYLINDER BREAKDOWN.....	43
3IN X 12IN HYDRAULIC CYLINDER BREAKDOWN.....	44
3IN X 18IN HYDRAULIC CYLINDER BREAKDOWN.....	45
CABLE (MANUAL) LIFT VALVE BREAKDOWN - 30801.....	46
CABLE (MANUAL) LIFT VALVE BREAKDOWN - 31320.....	48
CABLE (MANUAL) LIFT VALVE BREAKDOWN - 31321.....	50
CABLE (MANUAL) LIFT VALVE BREAKDOWN - 31752.....	52
CABLE (MANUAL) LIFT VALVE BREAKDOWN - 06502040.....	54
CABLE (MANUAL) LIFT VALVE BREAKDOWN - 06502041.....	56
BRAKE VALVE ASSEMBLY.....	58
BRAKE VALVE HYDRAULIC SCHEMATIC.....	59
CABLE DRAFT BEAM TRAVEL LOCK.....	60
COMBO DRAFT BEAM TRAVEL LOCK.....	61
SWITCH BOX.....	62
SWITCH BOX SCHEMATIC.....	63
NOTES 1.....	64
FIRE SUPPRESSION SYSTEM.....	65
FIRE SUPPRESSION 3-POINT MOUNT.....	66

COMMON SIDE ROTARY

PART NAME INDEX

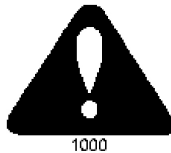
FIRE SUPPRESSION FRONT MOUNT.....	68
FIRE SUPPRESSION SYSTEM ELECTRICAL SCHEMATIC.....	70
WETCUT.....	71
WETCUT 50 GALLON TANK - 3PNT MOUNT.....	72
WETCUT 100 OR 150 GALLON TANK - 3PNT MOUNT.....	73
WETCUT 3PNT PLUMBING - 50IN MOWERS.....	74
WETCUT 3PNT PLUMBING - LARGE MOWERS.....	76
WETCUT FRONT PLUMBING - 50IN MOWERS.....	78
WETCUT FRONT PLUMBING - LARGE MOWERS.....	80
WETCUT 50IN SPRAYER HEAD ASSEMBLY.....	82
WETCUT 60IN SPRAYER HEAD ASSEMBLY.....	84
WETCUT CABLES.....	86

PARTS ORDERING GUIDE

The following instructions are offered to help eliminate needless delay and error in processing purchase orders for the equipment in this manual.

1. The Parts Section is prepared in logical sequence and grouping of parts that belong to the basic machine featured in this manual. Part Numbers and Descriptions are given to help locate the parts and quantities required.
2. The Purchase Order must indicate the **Name and Address** of the person or organization ordering the parts, **who should be charged**, and if possible, the **serial number of the machine** for which the parts are being ordered.
3. The purchase order must clearly list the **quantity of each part**, the complete and correct **part number**, and the basic **name of the part**.
4. The manufacturer reserves the right to substitute parts where applicable.
5. Some parts may be unlisted items which are special production items not normally stocked and are subject to special handling. Request a quotation for such parts before sending a purchase order.
6. The manufacturer reserves the right to change prices without prior notice.

NOTE: When ordering replacement decals, refer to the part numbers and descriptions listed in the safety section in the front of this manual.

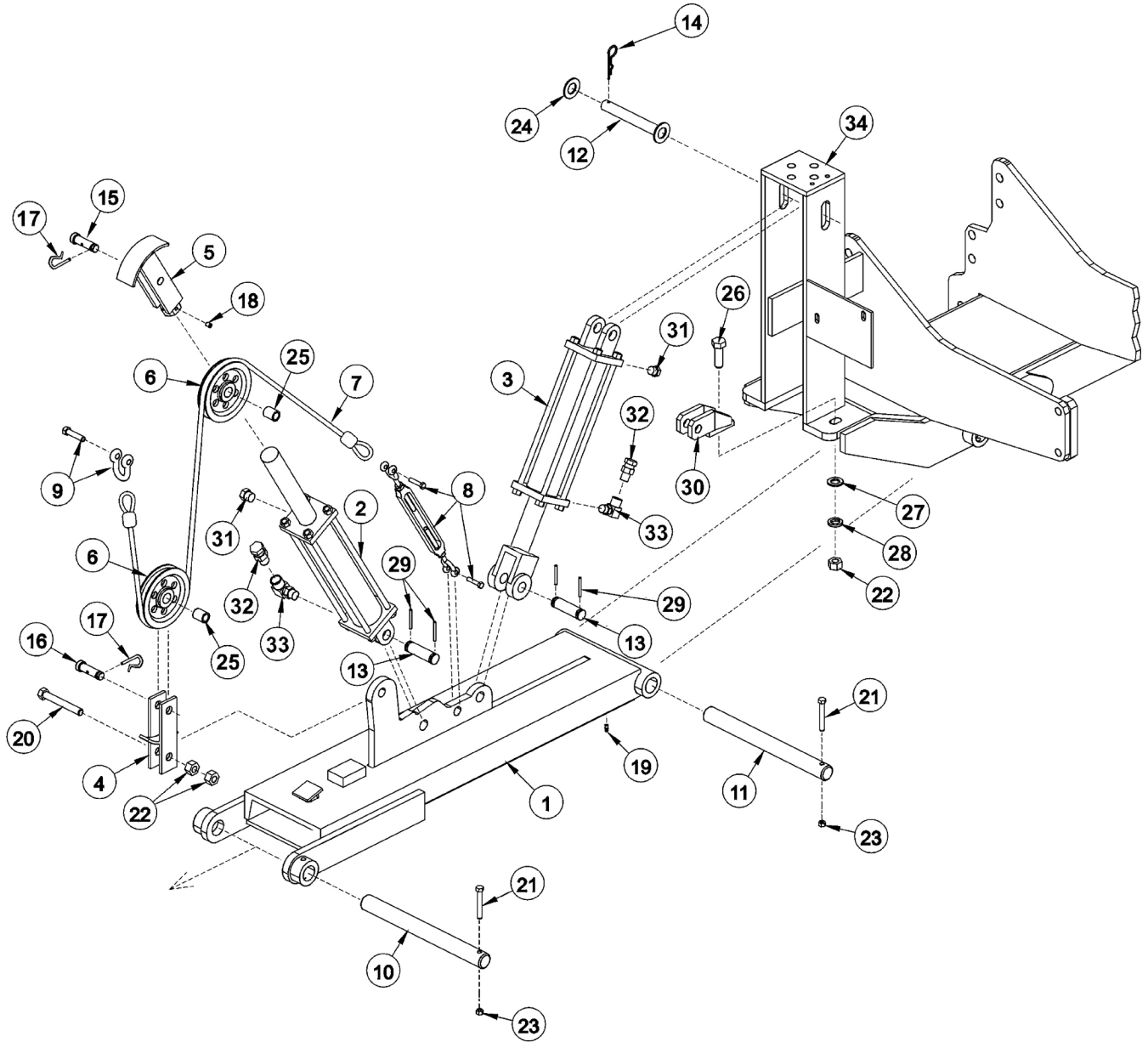


For maximum safety and to guarantee optimum product reliability, always use genuine **Tiger** replacement parts. The use of inferior replacement parts may cause premature or catastrophic failure which could result in serious injury or death.

Direct any questions regarding parts to:

Tiger Corporation
3301 N. Louise Ave.
Sioux Falls, SD 57107
1-800-843-6849
1-605-336-7900

CABLE DRAFT BEAM ASSEMBLY



COMMON SIDE ROTARY

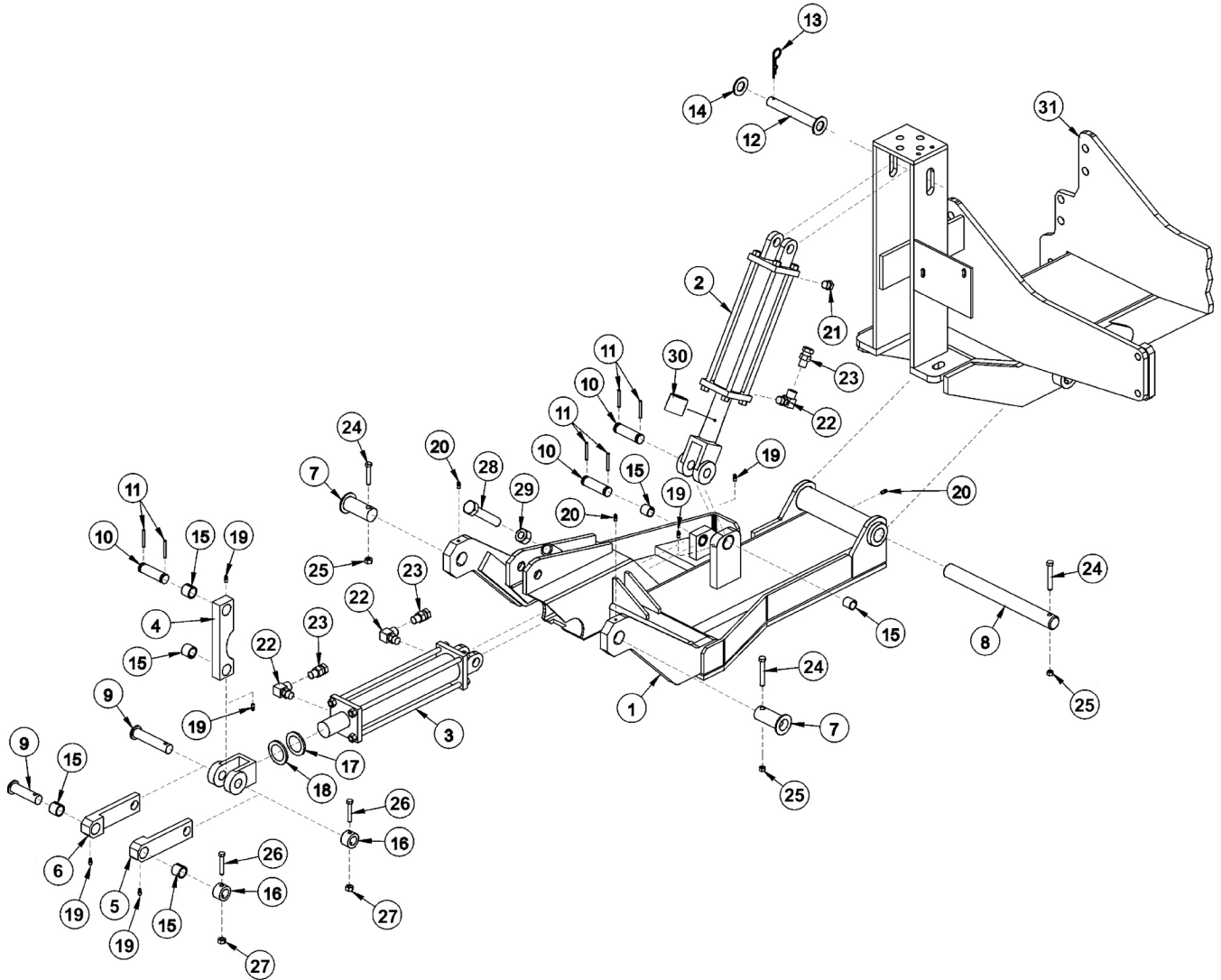
CABLE DRAFT BEAM ASSEMBLY

Continued...

ITEM	PART NO.	QTY.	DESCRIPTION
1	6T0105	-	DRAFT BEAM (STD WITH TRAVEL LOCK)
-----	27241	-	DRAFT BEAM (EXTENDED 6")
2	6T0150	1	CYLINDER 3" X 18"
3	6T0151R	1	HYD. CYLINDER 3" X 10"
4	6T0100	1	LOWER SHEAVE BRACKET
5	6T0101	1	UPPER SHEAVE BRACKET
6	33768	2	SHEAVE
7	6T0110	1	LIFT CABLE (STD 1/2" X 87 1/2")
-----	6T0110E	-	LIFT CABLE (EXTENDED 6")
8	6T0115	1	TURN BUCKLE
9	6T0112	1	SHACKLE WITH PIN
10	6T2999	1	OUTER DRAFT BEAM PIN 1 1/2" X 14 1/2"
11	6T3001	1	INNER DRAFT BEAM PIN 1 1/2" X 15 3/4"
12	6T3005	1	CYLINDER PIN 1" X 6 5/8"
13	TB1033	2	CLEVIS PIN 1" X 4"
14	6T3004	1	R - CLIP 3/16"
15	6T3010	1	UPPER SHEAVE PIN WITH ZERK 3/4" X 3"
16	6T3009	1	LOWER SHEAVE PIN WITH ZERK 3/4" X 2 1/2"
17	6T3020	2	R - CLIP 5/32"
18	6T2272	1	SET SCREW 3/8" X 1/2"
19	6T3211	1	GREASE ZERK 1/8" STRAIGHT
20	21837	1	CAPSCREW 3/4" X 3 1/4"
21	21688	2	CAPSCREW 7/16" X 3 1/4"
22	21825	2	HEX NUT 3/4"
23	21677	2	NYLOCK NUT 7/16"
24	22023	1	FLAT WASHER 1"
25	6T0104N	2	SHEAVE PIN BUSHING 1" OD X 3/4" ID
26	21833	1	CAPSCREW 3/4" X 2 1/4"
27	22021	1	FLAT WASHER 3/4"
28	21993	1	LOCK WASHER 3/4"
29	06537021	4	ROLL PIN
30	6T0106	1	TRAVEL LOCK BRACKET
31	6T4258	2	BREATHER 1/2"
32	34396	2	RESTRICTOR
33	34244	2	ELBOW FITTING 1/2"
34	-----	-	MAIN FRAME *REFER TO TRACTOR PARTS SECTION

COMMON SIDE ROTARY

COMBO DRAFT BEAM ASSEMBLY



NOTES:

1. ITEM 30 IS USED ON THE GLAND END OF ITEM 2 (AS NEEDED)
2. ORIENTATION OF ITEMS 4,5 & 6 ARE CRITICAL

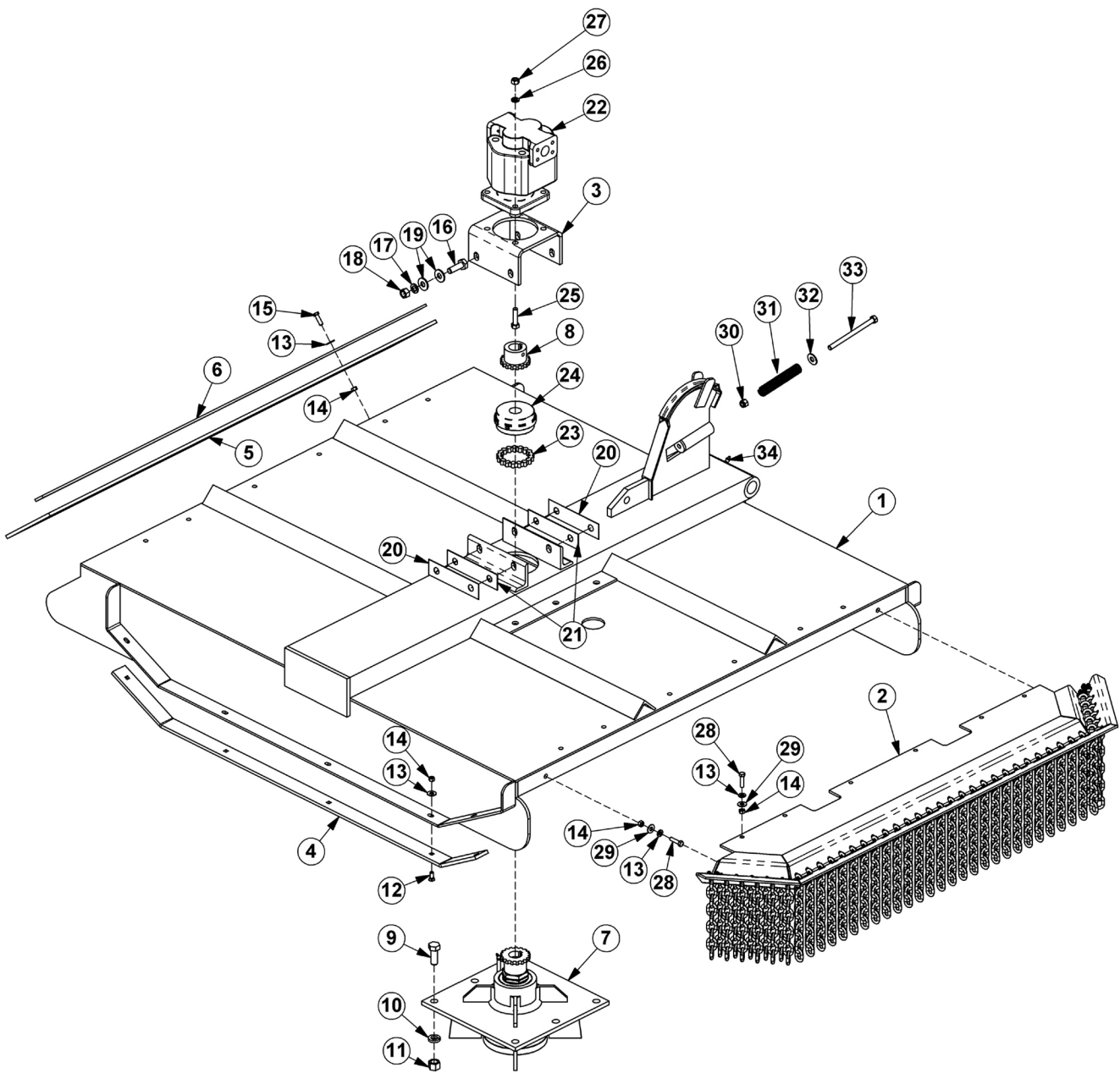
COMBO DRAFT BEAM ASSEMBLY

Continued...

ITEM	PART NO.	QTY.	DESCRIPTION
1	06350001	1	COMBO DRAFT BEAM - STD DTY ROTARY
---	31063	-	COMBO DRAFT BEAM - HVY DTY ROTARY
2	6T0151R	1	HYD. CYLINDER 3" X 10"
3	32215	1	HYD. CYLINDER 3" X 12" - STD DTY
---	25343	-	HYD. CYLINDER 3" X 12" - HVY DTY
4	TF4500A	1	PIVOT ARM
5	TF4507B	1	RIGHT LINKAGE ARM
6	TF4506B	1	LEFT LINKAGE ARM
7	30126B	2	PIN, HEAD PIVOT - STD DTY
---	TF4514A	-	PIN, HEAD PIVOT - HVY DTY
8	6T3001	1	PIN, BEAM PIVOT
9	TF4519	2	PIN, LINKAGE
10	TB1033	3	PIN, CLEVIS
11	06537021	6	ROLLPIN
12	6T3005	1	PIN, 1" W/ CAP
13	6T3004	1	R-CLIP HAIRPIN
14	6T2614	1	FLATWASHER 1"
15	TB3010	8	BUSHING 1"
16	22847	2	BOSS, LINKAGE PIN
17	22076	1	SPACER, HYD. CYLINDER 1/4"
18	22077	1	SPACER, HYD. CYLINDER 5/16"
19	6T3207	6	GREASE ZERK 1/4"
20	6T3211	3	GREASE ZERK 1/8"
21	6T4258	1	BREATHER 1/2"
22	34244	3	ELBOW FITTING 1/2"
23	34396	3	SWIVEL RESTRICTOR
24	21688	3	CAPSCREW 7/16" X 3 1/4"
25	21677	3	NYLOCK NUT 7/16"
26	21635	2	CAPSCREW 3/8" X 2 1/4"
27	21625	2	HEX NUT 3/8"
28	21831	1	CAPSCREW 3/4" X 1 3/4"
29	21825	1	HEX NUT 3/4"
30	06700095	1	CYLINDER SPACER W/SET SCREW
31	-----	-	MAIN FRAME *REFER TO TRACTOR MOUNT PAGE

COMMON SIDE ROTARY

60IN SIDE CABLE TM ROTARY MOWER



COMMON SIDE ROTARY

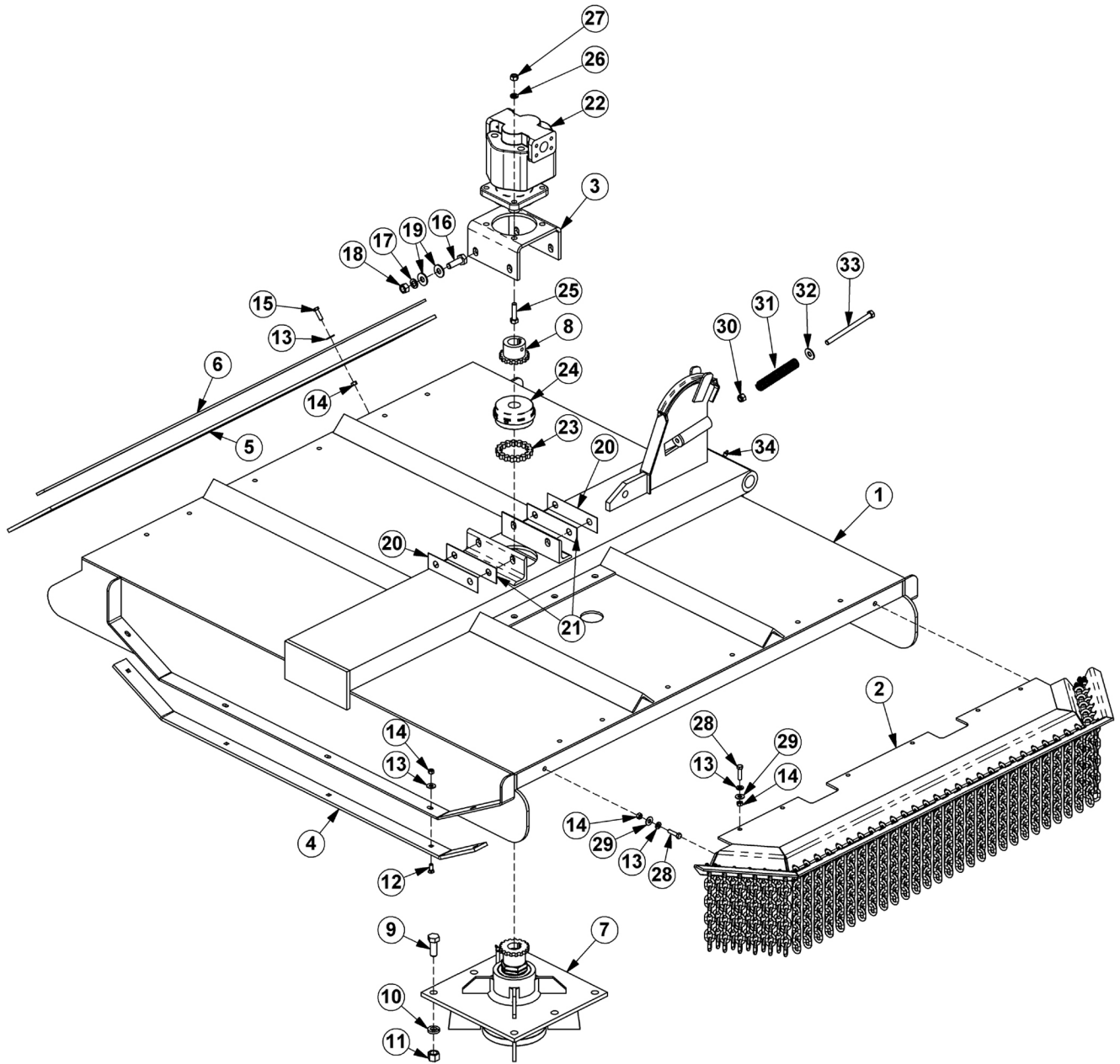
60IN SIDE CABLE TM ROTARY MOWER

Continued...

ITEM	PART NO.	QTY.	DESCRIPTION
1	32099	1	RTRY, 60" DECK, CABLE
2	31773	1	GAURD,CHAIN,FRONT,SR60
3	6T1001	1	BRKT, MOTOR MTG, 60"SIDE RTRY
4	6T0820H	2	SKID SHOE, TM60
5	22592	1	FLAP, DEFLECTOR, TM60
6	6T0823	1	BAR, FLAP, TM60
7	6T1024H5	1	SPINDLE ASSY,CPLT,HD,5/8" HOLES
8	21223	1	SPROCKET, 1-1/4" BORE
9	6T2277	6	CAPSCREW,3/4" X 2",NF
10	21993	6	LOCKWASHER,3/4",GR 8
11	6T2413	6	HEX NUT,3/4",NF,GR 8
12	6T2270	10	PLOW BOLT,3/8" X 1",NC
13	22016	29	FLATWASHER,3/8"
14	21625	29	HEX NUT,3/8",NC
15	21631	11	CAPSCREW, 3/8" X 1-1/4",NC
16	21783	4	CAPSCREW, 5/8" X 2",NC
17	21992	4	LOCKWASHER, 5/8"
18	21775	4	HEX NUT, 5/8"
19	25270	8	FLATWASHER,5/8",GR 8
20	6T0822	2	SHIM, MOTOR MOUNT, 14GA. (AS NEEDED)
21	6T0822A	2	SHIM, MOTOR MOUNT, 18 GA. (AS NEEDED)
22	06504011	1	MOTOR,(M365-2 1/4" GEAR)
23	6T1029	1	CHAIN, COUPLING
24	6T1033	1	COVER, COUPLING
25	21733	4	CAPSCREW, 1/2" X 2",NC
26	21990	4	LOCKWASHER,1/2"
27	21725	4	HEX NUT, 1/2",NC
28	21632	8	CAPSCREW,3/8" X 1-1/2",NC
29	21988	8	LOCKWASHER,3/8"
30	21727	1	NYLOCK NUT,1/2",NC
31	27005	1	SPRING,PUSHOFF,SIDE RTRY
32	22018	1	FLATWASHER,1/2",WIDE
33	21745	1	CAPSCREW,1/2" X 7",NC
34	6T3211	1	GREASE ZERK

COMMON SIDE ROTARY

72IN SIDE CABLE TM ROTARY MOWER



COMMON SIDE ROTARY

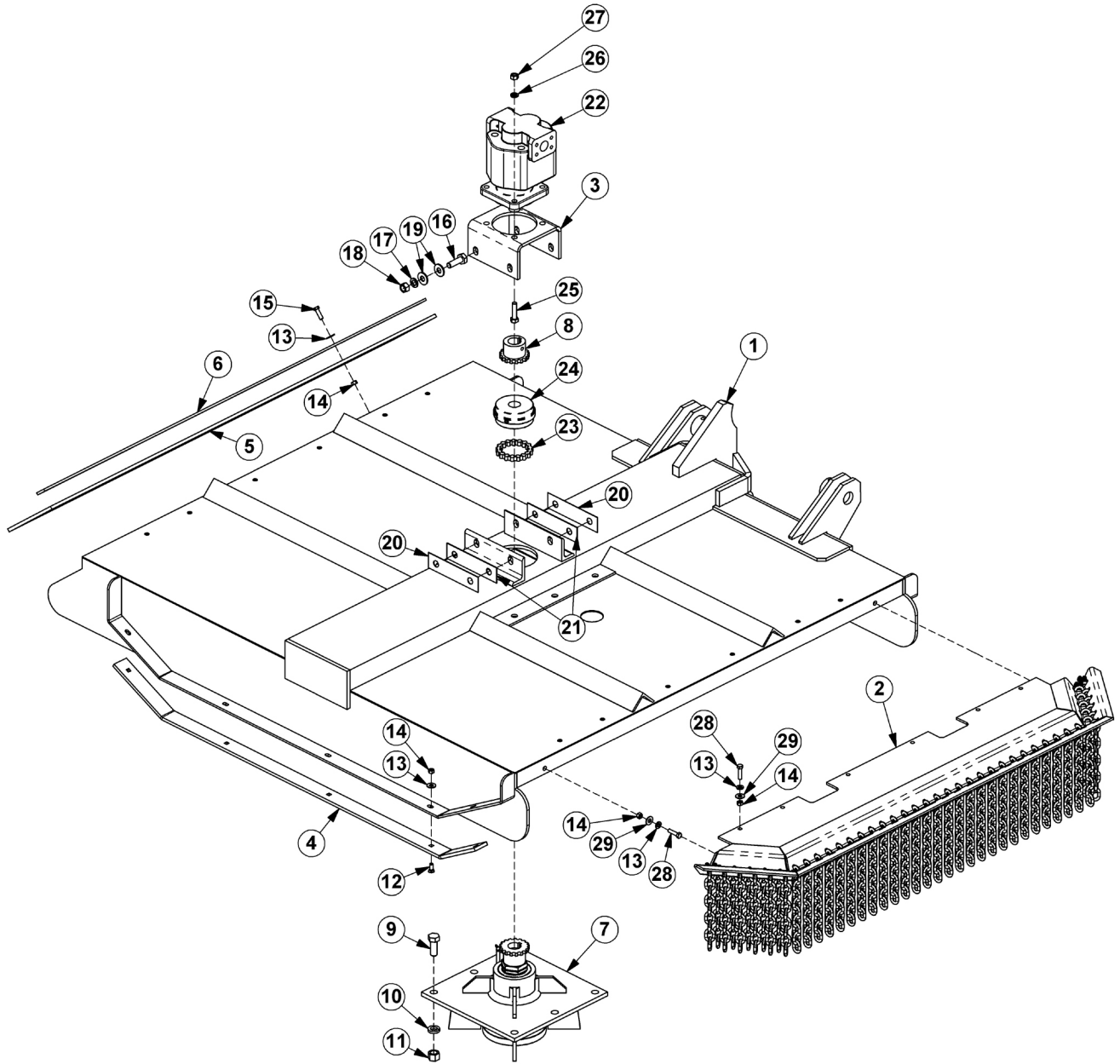
72IN SIDE CABLE TM ROTARY MOWER

Continued...

ITEM	PART NO.	QTY.	DESCRIPTION
1	21225B	1	RTRY,72" DECK, CABLE
2	31931	1	GUARD,CHAIN,FRONT,SR72
3	6T1001	1	BRKT, MOTOR MTG, 60"SIDE RTRY
4	21248	2	SKID SHOE, TM72
5	21295B	1	FLAP, DEFLECTOR, TM72
6	21242A	1	BAR, FLAP, TM72
7	6T1024H5	1	SPINDLE ASSY,CPLT,HD,5/8" HOLES
8	21223	1	SPROCKET, 1-1/4" BORE
9	6T2277	6	CAPSCREW,3/4" X 2",NF
10	21993	6	LOCKWASHER,3/4",GR 8
11	6T2413	6	HEX NUT,3/4",NF,GR 8
12	6T2270	10	PLOW BOLT,3/8" X 1",NC
13	22016	29	FLATWASHER,3/8"
14	21625	29	HEX NUT,3/8",NC
15	21631	11	CAPSCREW, 3/8" X 1-1/4",NC
16	21783	4	CAPSCREW, 5/8" X 2",NC
17	21992	4	LOCKWASHER, 5/8"
18	21775	4	HEX NUT, 5/8"
19	25270	8	FLATWASHER,5/8",GR 8
20	6T0822	2	SHIM, MOTOR MOUNT, 14GA. (AS NEEDED)
21	6T0822A	2	SHIM, MOTOR MOUNT, 18 GA. (AS NEEDED)
22	06504011	1	MOTOR,(M365-2 1/4" GEAR)
23	6T1029	1	CHAIN, COUPLING
24	6T1033	1	COVER, COUPLING
25	21733	4	CAPSCREW, 1/2" X 2",NC
26	21990	4	LOCKWASHER,1/2"
27	21725	4	HEX NUT, 1/2",NC
28	21632	8	CAPSCREW,3/8" X 1-1/2",NC
29	21988	8	LOCKWASHER,3/8"
30	21727	1	NYLOCK NUT,1/2",NC
31	27005	1	SPRING,PUSHOFF,SIDE RTRY
32	22018	1	FLATWASHER,1/2",WIDE
33	21745	1	CAPSCREW,1/2" X 7",NC
34	6T3211	1	GREASE ZERK

COMMON SIDE ROTARY

60IN SIDE COMBO TM ROTARY MOWER



COMMON SIDE ROTARY

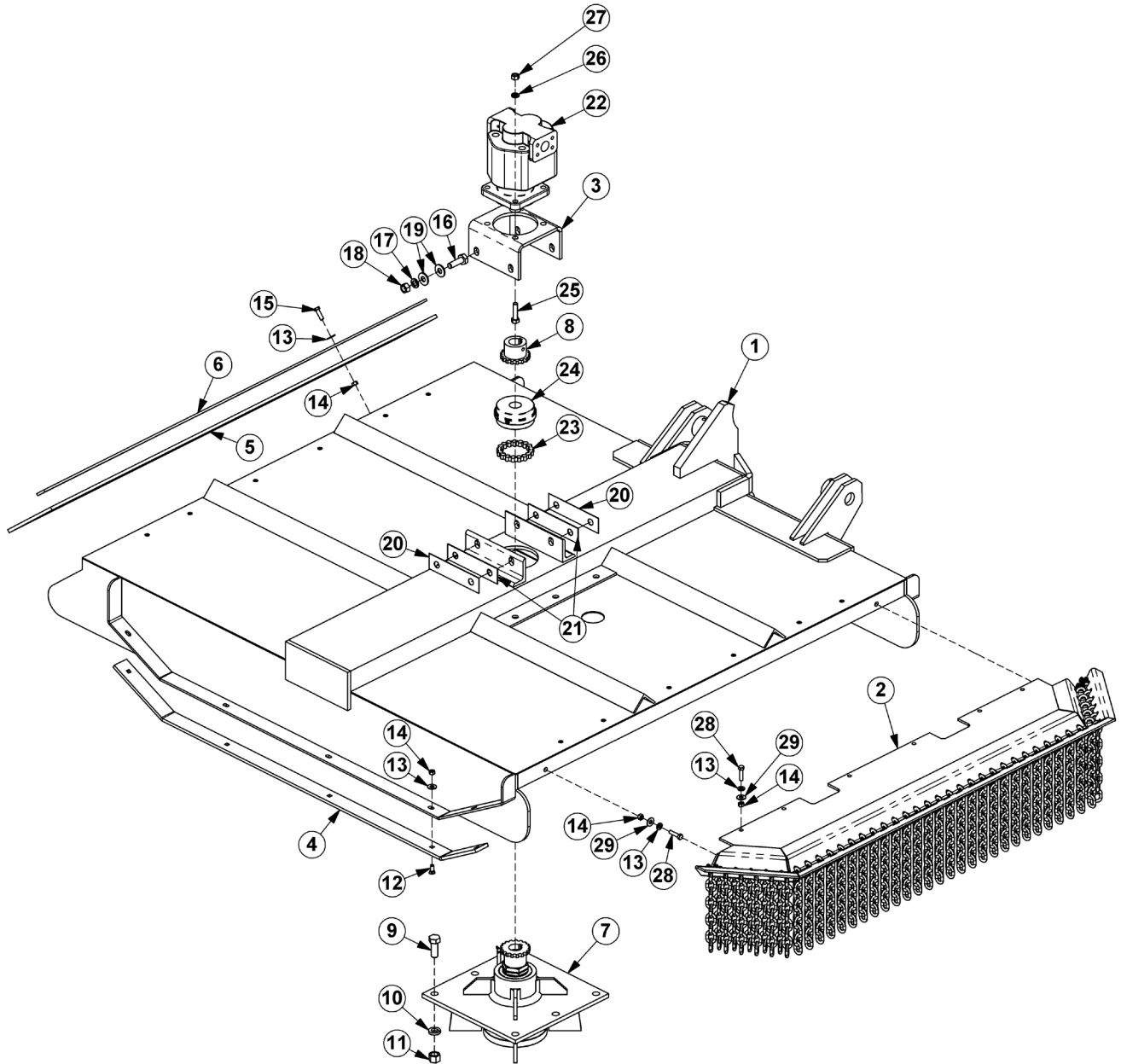
60IN SIDE COMBO TM ROTARY MOWER

Continued...

ITEM	PART NO.	QTY.	DESCRIPTION
1	30087D	1	RTRY, 60" DECK, COMBO - STD DUTY
---	32617	1	RTRY, 60" DECK, COMBO - HEAVY DUTY
2	31773	1	GUARD,CHAIN,FRONT,SR60
3	6T1001	1	BRKT, MOTOR MTG, 60"SIDE RTRY
4	6T0820H	2	SKID SHOE, TM60
5	22592	1	FLAP, DEFLECTOR, TM60
6	6T0823	1	BAR, FLAP, TM60
7	6T1024H5	1	SPINDLE ASSY,CPLT,HD,5/8" HOLES
8	21223	1	SPROCKET, 1-1/4" BORE
9	6T2277	6	CAPSCREW,3/4" X 2",NF
10	21993	6	LOCKWASHER,3/4",GR 8
11	6T2413	6	HEX NUT,3/4",NF,GR 8
12	6T2270	10	PLOW BOLT,3/8" X 1",NC
13	22016	29	FLATWASHER,3/8"
14	21625	29	HEX NUT,3/8",NC
15	21631	11	CAPSCREW, 3/8" X 1-1/4",NC
16	21783	4	CAPSCREW, 5/8" X 2",NC
17	21992	4	LOCKWASHER, 5/8"
18	21775	4	HEX NUT, 5/8"
19	25270	8	FLATWASHER,5/8",GR 8
20	6T0822	2	SHIM, MOTOR MOUNT, 14GA. (AS NEEDED)
21	6T0822A	2	SHIM, MOTOR MOUNT, 18 GA. (AS NEEDED)
22	06504011	1	MOTOR,(M365-2 1/4" GEAR)
23	6T1029	1	CHAIN, COUPLING
24	6T1033	1	COVER, COUPLING
25	21733	4	CAPSCREW, 1/2" X 2",NC
26	21990	4	LOCKWASHER,1/2"
27	21725	4	HEX NUT, 1/2",NC
28	21632	8	CAPSCREW,3/8" X 1-1/2",NC
29	21988	8	LOCKWASHER,3/8"

COMMON SIDE ROTARY

72IN SIDE COMBO TM ROTARY MOWER



COMMON SIDE ROTARY

72IN SIDE COMBO TM ROTARY MOWER

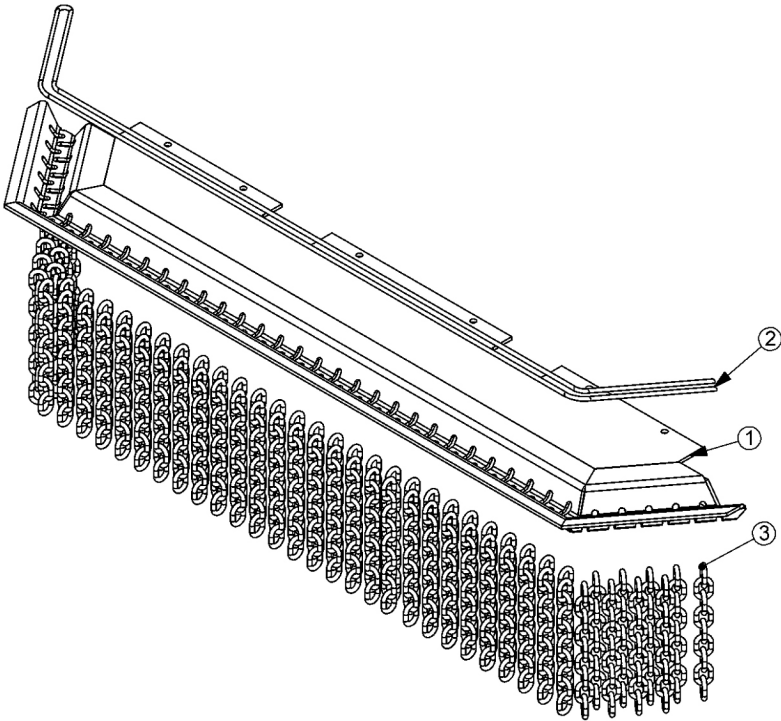
Continued...

ITEM	PART NO.	QTY.	DESCRIPTION
1	34260	1	RTRY, 72" DECK, COMBO - STD DUTY
---	31408A	1	RTRY, 72" DECK, COMBO - HEAVY DUTY
2	31931	1	GUARD,CHAIN,FRONT,SR72
3	6T1001	1	BRKT, MOTOR MTG, 60"SIDE RTRY
4	21248	2	SKID SHOE, TM72
5	21295B	1	FLAP, DEFLECTOR, TM72
6	21242A	1	BAR, FLAP, TM72
7	6T1024H5	1	SPINDLE ASSY,CPLT,HD,5/8" HOLES
8	21223	1	SPROCKET, 1-1/4" BORE
9	6T2277	6	CAPSCREW,3/4" X 2",NF
10	21993	6	LOCKWASHER,3/4",GR 8
11	6T2413	6	HEX NUT,3/4",NF,GR 8
12	6T2270	10	PLOW BOLT,3/8" X 1",NC
13	22016	29	FLATWASHER,3/8"
14	21625	29	HEX NUT,3/8",NC
15	21631	11	CAPSCREW, 3/8" X 1-1/4",NC
16	21783	4	CAPSCREW, 5/8" X 2",NC
17	21992	4	LOCKWASHER, 5/8"
18	21775	4	HEX NUT, 5/8"
19	25270	8	FLATWASHER,5/8",GR 8
20	6T0822	2	SHIM, MOTOR MOUNT, 14GA. (AS NEEDED)
21	6T0822A	2	SHIM, MOTOR MOUNT, 18 GA. (AS NEEDED)
22	06504011	1	MOTOR,(M365-2 1/4" GEAR)
23	6T1029	1	CHAIN, COUPLING
24	6T1033	1	COVER, COUPLING
25	21733	4	CAPSCREW, 1/2" X 2",NC
26	21990	4	LOCKWASHER,1/2"
27	21725	4	HEX NUT, 1/2",NC
28	21632	8	CAPSCREW,3/8" X 1-1/2",NC
29	21988	8	LOCKWASHER,3/8"

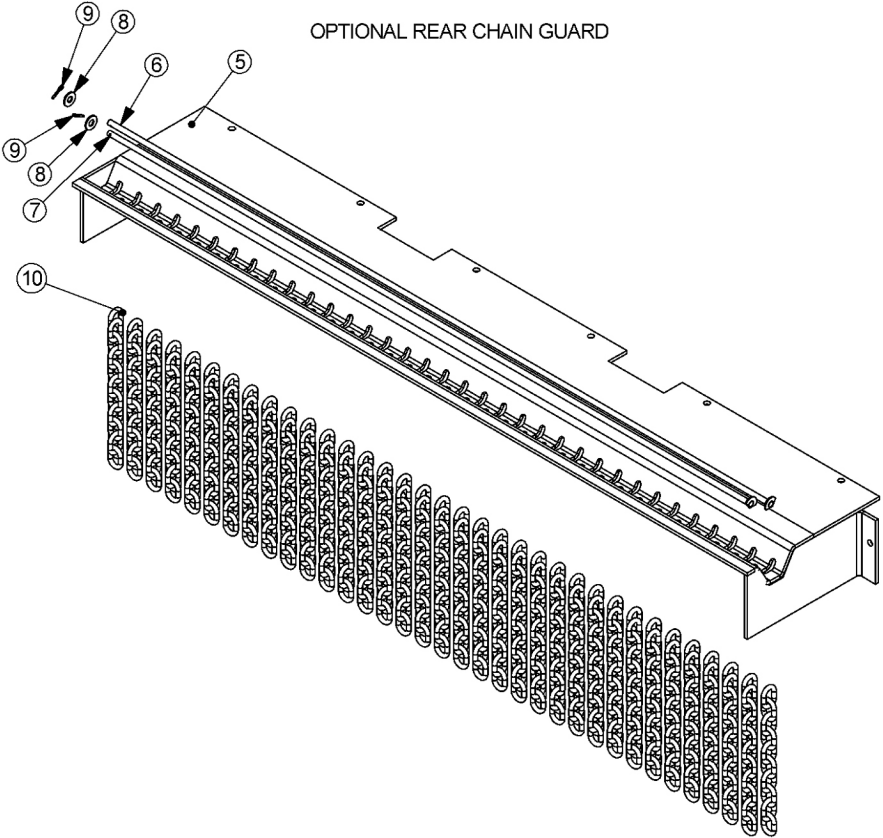
COMMON SIDE ROTARY

60IN SIDE TM CHAIN GUARDS

STANDARD FRONT CHAIN GUARD



OPTIONAL REAR CHAIN GUARD



60IN SIDE TM CHAIN GUARDS

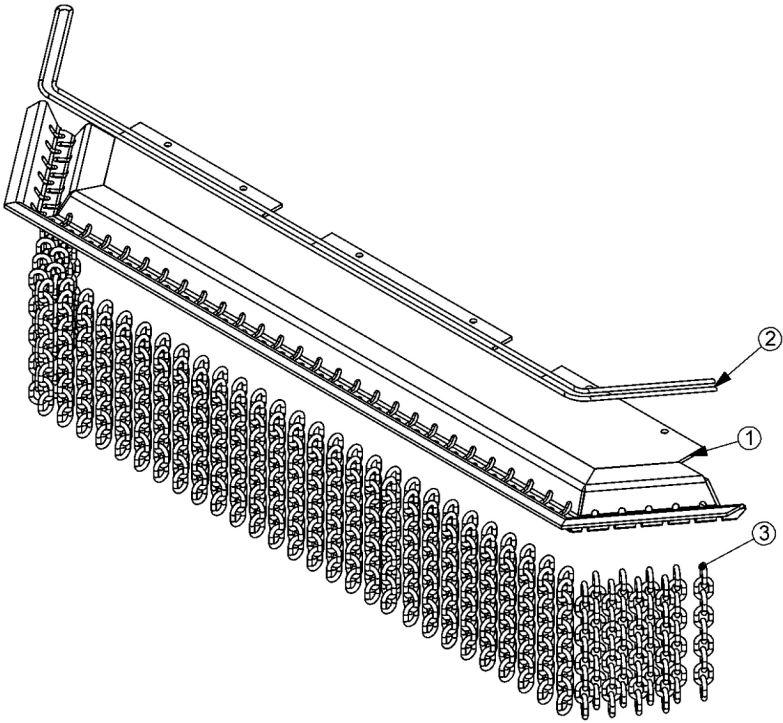
Continued...

ITEM	PART NO.	QTY.	DESCRIPTION
---	31773	-	GUARD,CHAIN,TM60,FRONT,ASSY
1	31762	1	GUARD,CHAIN,TM60,FRONT
2	28407	12	CABLE,5/16",BULK (QTY IN FEET)
3	22993	77	CHAIN,5/16",GR30,9 LINK
4	28408	4	U-BOLT,CABLE,5/16" (NOT SHOWN)
---	31774	-	GUARD,CHAIN,TM60,REAR,ASSY
5	31763	1	GUARD,CHAIN,TM60,REAR
6	31879	1	ROD,SHORT,TM60
7	31878	1	ROD,LONG,TM60
8	22016	2	FLATWASHER,3/8",GR8
9	6T3028	2	COTTER PIN,1/8" X 1"
10	22992	69	CHAIN,5/16",GR30,10 LINK

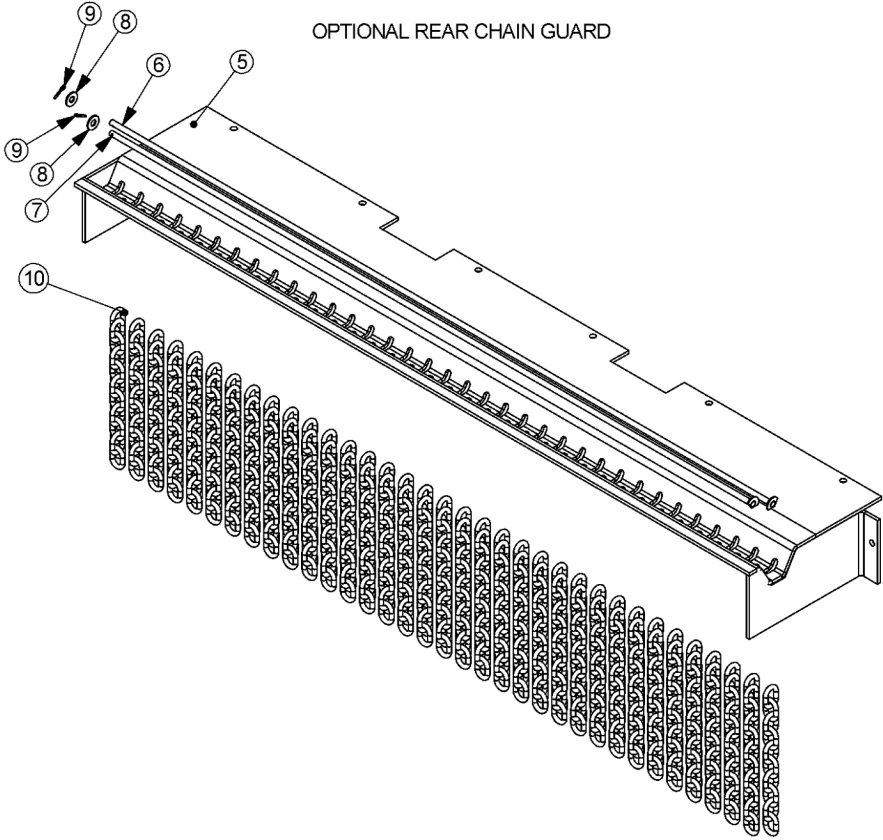
COMMON SIDE ROTARY

72IN SIDE TM CHAIN GUARDS

STANDARD FRONT CHAIN GUARD



OPTIONAL REAR CHAIN GUARD



72IN SIDE TM CHAIN GUARDS

Continued...

ITEM	PART NO.	QTY.	DESCRIPTION
---	31931	-	GUARD,CHAIN,TM72,FRONT,ASSY
1	31863	1	GUARD,CHAIN,TM72,FRONT
2	28407	14	CABLE,5/16",BULK (QTY IN FEET)
3	22993	91	CHAIN,5/16",GR30,9 LINK
4	28408	4	U-BOLT,CABLE,5/16" (NOT SHOWN)
---	31932	-	GUARD,CHAIN,TM60,REAR,ASSY
5	31864	1	GUARD,CHAIN,TM60,REAR
6	31934	1	ROD,LONG,TM72
7	31933	1	ROD,SHORT,TM72
8	22016	2	FLATWASHER,3/8",GR8
9	6T3028	2	COTTER PIN,1/8" X 1"
10	22992	83	CHAIN,5/16",GR30,10 LINK

COMMON SIDE ROTARY

60IN SIDE TSR ROTARY MOWER

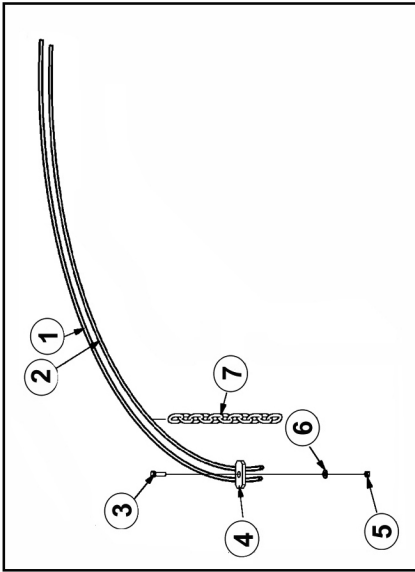
Continued...

ITEM	PART NO.	QTY.	DESCRIPTION
1	34975	1	HEAVY DUTY GRASSKAT COMBO
-----	06320005	1	STD DUTY GRASSKAT COMBO
-----	06320008	1	HEAVY DUTY GRASSKAT CABLE
2	34980	1	SPINDLE ASSY,TM 60"
3	06504016	1	CURRENT MOTOR,(M365-1 1/4" 14-SPLINE)
4	06410254	2	SKID,OUTBOARD,TM60
5	22992	156	CHAIN,10 LINK
6	6T2270	14	PLOW BOLT,3/8" X 1" NC
7	22016	26	FLATWASHER,3/8"
8	21625	30	HEX NUT,3/8",NC
9	06320011	2	SPACER,TSF,SPINDLE
10	6T1025	4	CAPSCREW, 1/2 X 2,GR 8,NC
11	06533004	12	FLATWASHER,1/2,SAE,GR 8
12	06370029	1	TIRE GUARD, LEFT
13	21725	8	HEX NUT, 1/2",NC
14	21990	8	LOCKWASHER, 1/2"
15	22018	8	FLATWASHER, 1/2",WIDE
16	21731	4	CAPSCREW, 1/2" X 1-1/2" NC
17	06530221	8	CAPSCREW,1/2 X 2-1/4,NF,GR8
18	21745	1	NYLOCK NUT, 1/2
19	21727	1	SPRING, PUSHOFF, SIDE RTRY
20	27005	1	CAPSCREW, 1/2 X 7,NC
21	22018	1	FLATWASHER,1/2",WIDE
22	34972	4	PLATE,CAP,CHAIN
23	21631	16	CAPSCREW, 3/8 X 1-1/4,NC
24	21988	16	LOCKWASHER, 3/8"
25	34974	2	ROD,CHAIN,INNER,TM60
26	34973	2	ROD,CHAIN,OUTER,TM60

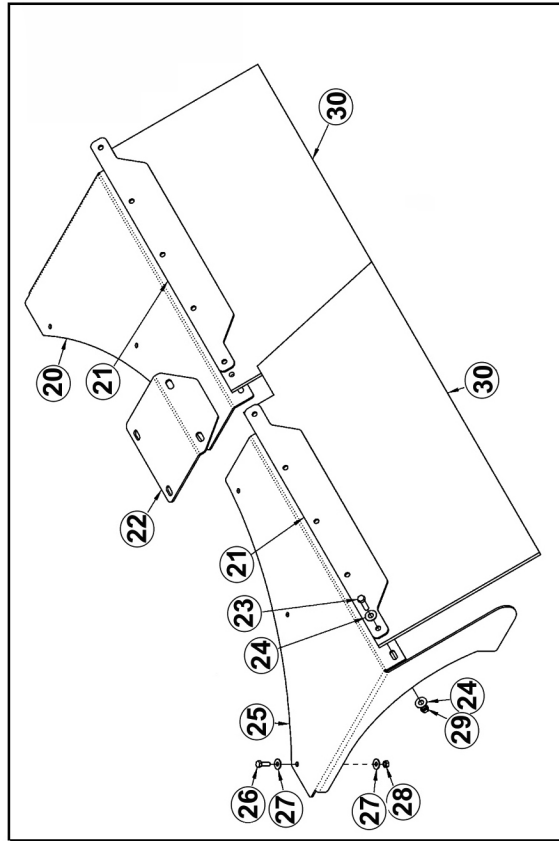
COMMON SIDE ROTARY

60IN SIDE TSR REAR GUARDS

OPTIONAL REAR CHAIN GUARD



STANDARD SQUARE REAR FLAP GUARD



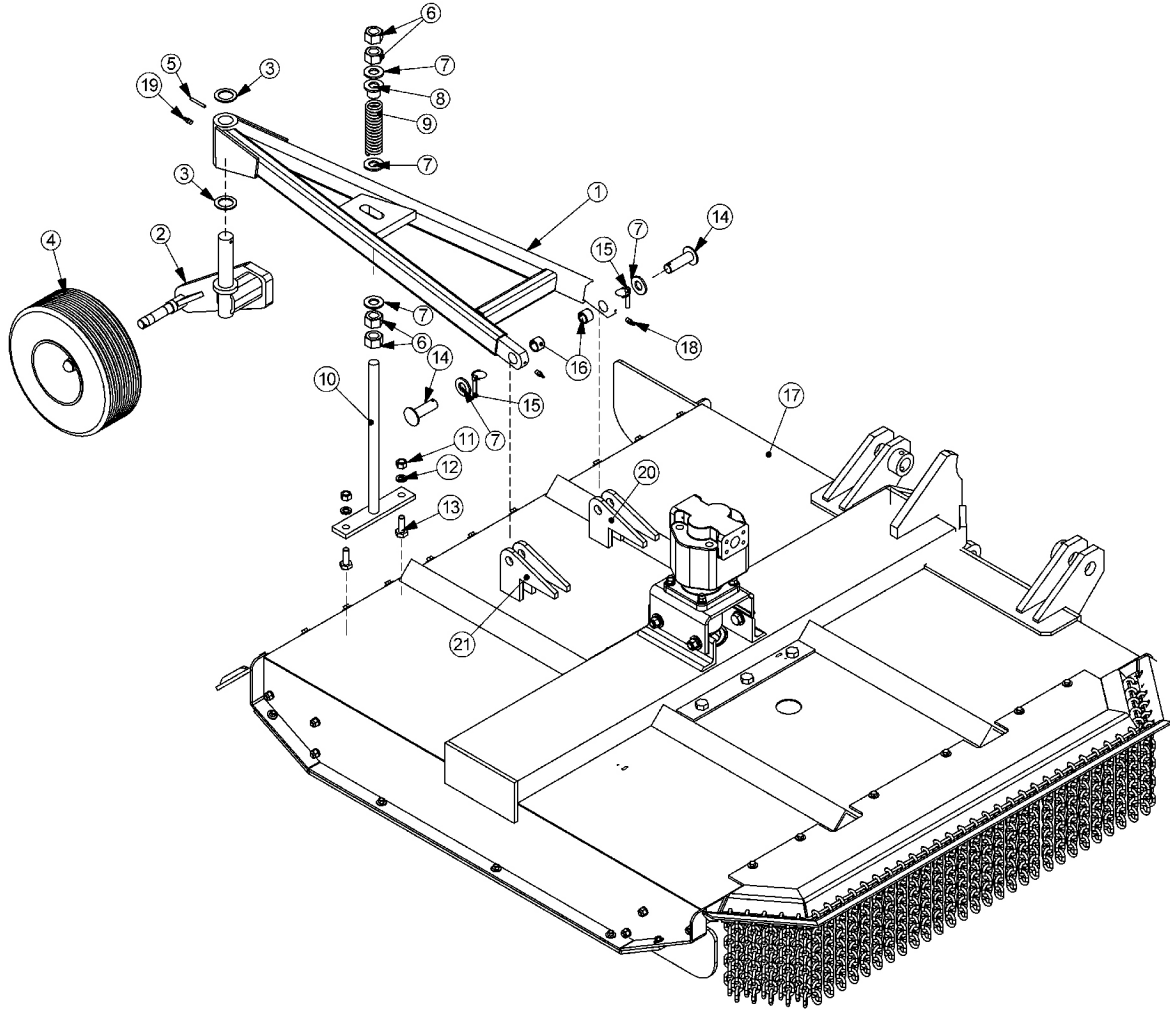
60IN SIDE TSR REAR GUARDS

Continued...

ITEM	PART NO.	QTY.	DESCRIPTION
1	34973	2	ROD,CHAIN,OUTER,TM60
2	34974	2	ROD,CHAIN,INNER,TM60
3	21631	16	CAPSCREW, 3/8 X 1-1/4,NC
4	34972	4	PLATE,CAP,CHAIN
5	21625	30	HEX NUT,3/8",NC
6	21988	16	LOCKWASHER, 3/8"
7	22992	156	CHAIN,10 LINK
20	06410947	1	MNT,FLAP,RH,EXT,TSR
21	06401184	2	STRAP,FLAP,EXT,TSR
22	06410948	1	COVER,FLAP,EXT,TSR
23	21632	10	CAPSCREW,3/8" X 1-1/2" NC
24	22016	20	FLATWASHER,3/8",GR8
25	06410946	1	MNT,FLAP,LH,EXT,TSR
26	21580	6	CAPSCREW,5/16 X 1 NC
27	22015	12	FLATWASHER,5/16
28	21577	6	NYLOCK NUT, 5/16,NC
29	21625	10	HEX NUT,3/8",NC
30	06520331	2	FLAP,EXT,TSR

COMMON SIDE ROTARY

SIDE ROTARY CASTER WHEEL ASSEMBLY



COMMON SIDE ROTARY

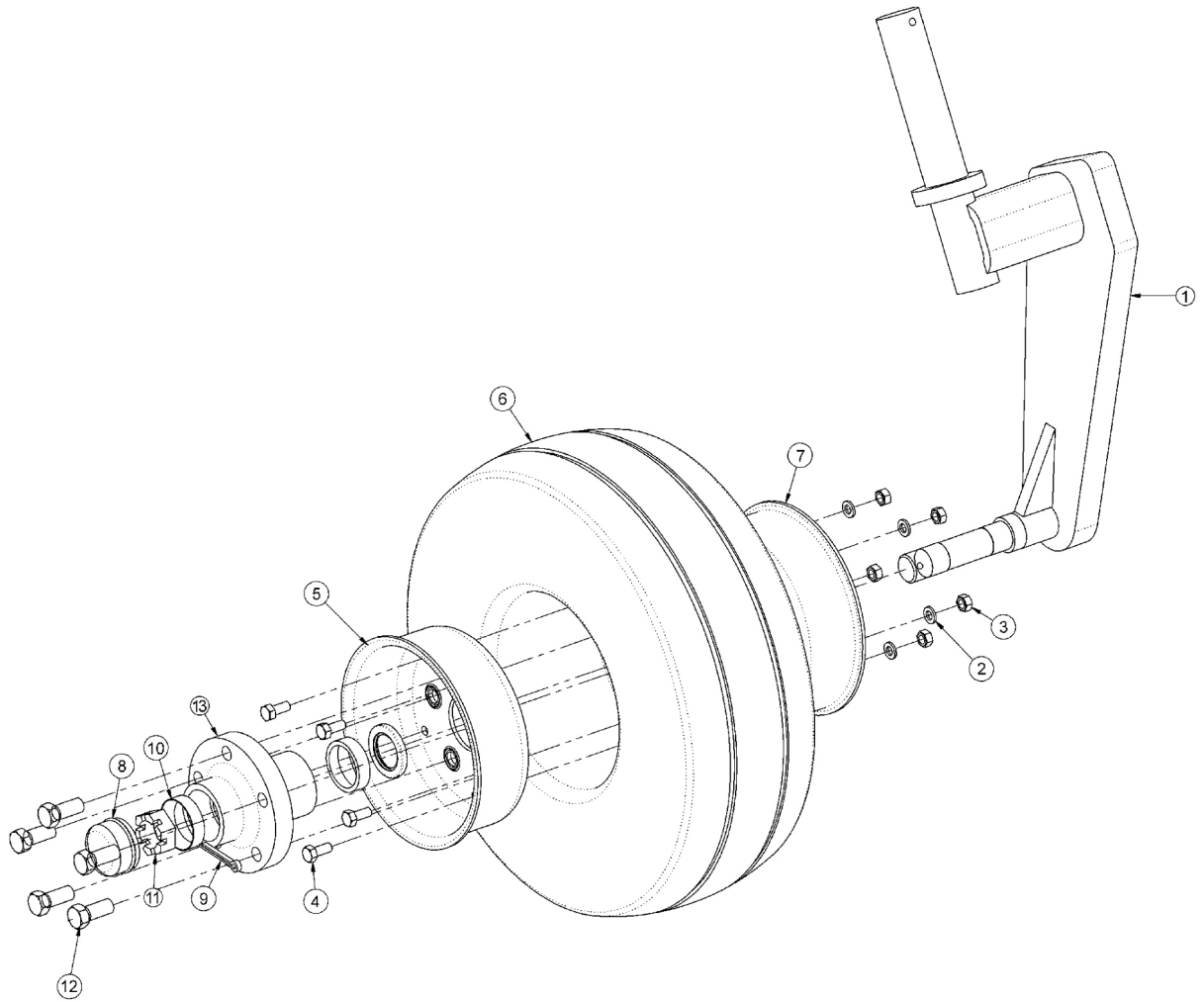
SIDE ROTARY CASTER WHEEL ASSEMBLY

Continued...

ITEM	PART NO.	QTY.	DESCRIPTION
1	25214C	1	FRAME,CASTER,WHL (TM60)
---	28297A	-	FRAME,CASTER WHL (TM72)
2	22057	1	SPINDLE,CASTER AXLE,ASSY
3	6T2617	2	BUSHING,MACH,1-1/2IDX 2-1/4OD
4	28548	1	CASTER WHEEL,SOLID TIRE
---	22065	1	HUB,ASSY,CASTER
----	22066	1	HUB,CASTER
---	22070	1	DUST CAP
----	22071	5	HUB STUD
---	22073	1	HEX NUT,1",NF (SLOTTED)
----	22533	1	COTTER PIN,3/16" X 2"
---	6T0830	2	BEARING,CONE,CASTER WHEEL
----	6T0838	1	SEAL
---	23329	1	WHEEL,CPLT,SOLID TIRE
----	21416	1	TIRE,SOLID
---	22697	1	RIM,OUTER
----	22696	1	RIM,CASTER
5	6T3014	1	ROLL PIN,1/4" X 2"
6	21925	4	HEX NUT,1",NC
7	22023	5	FLATWASHER,1"
8	22753	1	TUBE,PROTECTOR
9	22058	1	SPRING,REAR RTRY
10	22059B	1	ADJ ROD,TRR
11	21775	2	HEX NUT,5/8"
12	21992	2	LOCKWASHER,5/8"
13	21782	2	CAPSCREW,5/8" X 1-3/4",NC
14	22060	2	CASTER FRAME PIN
15	TF1143	2	PIN,LYNCH,7/16" X 2"
16	TB3010	2	BUSHING,1"
17	-----	1	RTRY,CPLT,TM
18	6T3207	2	GREASE ZERK,1/4" X STR
19	6T3211	1	GREASE ZERK,1/8" X STR
20	21441	2	CASTER FRAME ANCHOR (TM60)
---	42527	2	CASTER FRAME ANCHOR (TM72)
21	21442	2	CASTER FRAME ANCHOR (TM60)
---	42527	2	CASTER FRAME ANCHOR (TM72)

COMMON SIDE ROTARY

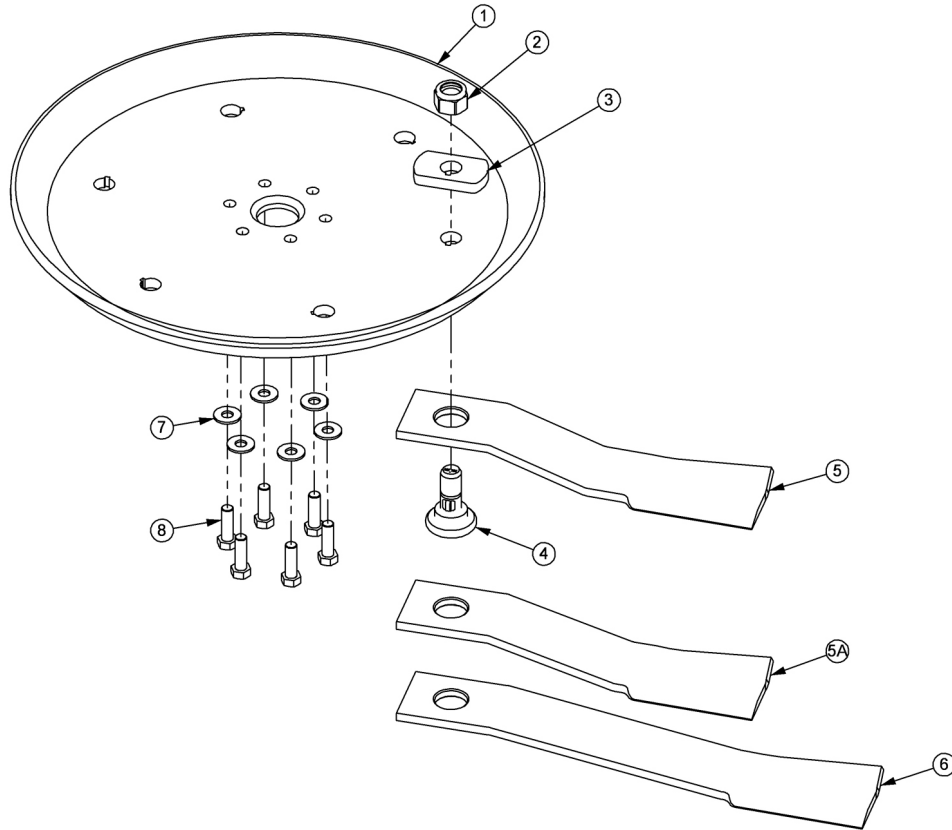
CASTER WHEEL ASSEMBLY



ITEM	PART NO.	QTY.	DESCRIPTION
1	22057	1	SPINDLE,CASTER AXLE,ASSY
2	21987	5	LOCKWASHER,5/16"
3	21575	5	HEX NUT,5/16"
4	28548	5	CAPSCREW,5/16" X 3/4",NC
5	22697	1	RIM,OUTER,CASTER ASSY
6	21416	1	TIRE,SOLID
7	22696	1	RIM,CASTER WHEEL
8	22070	1	DUST CAP
9	22533	1	COTTER PIN,3/16" X 2"
10	6T0836	2	CUP,CASTER WHEEL
11	22073	1	HEX NUT,1",NF (SLOTTED JAM NUT)
12	22071	5	HUB STUD
13	22066	1	HUB,CASTER WHEEL

COMMON SIDE ROTARY

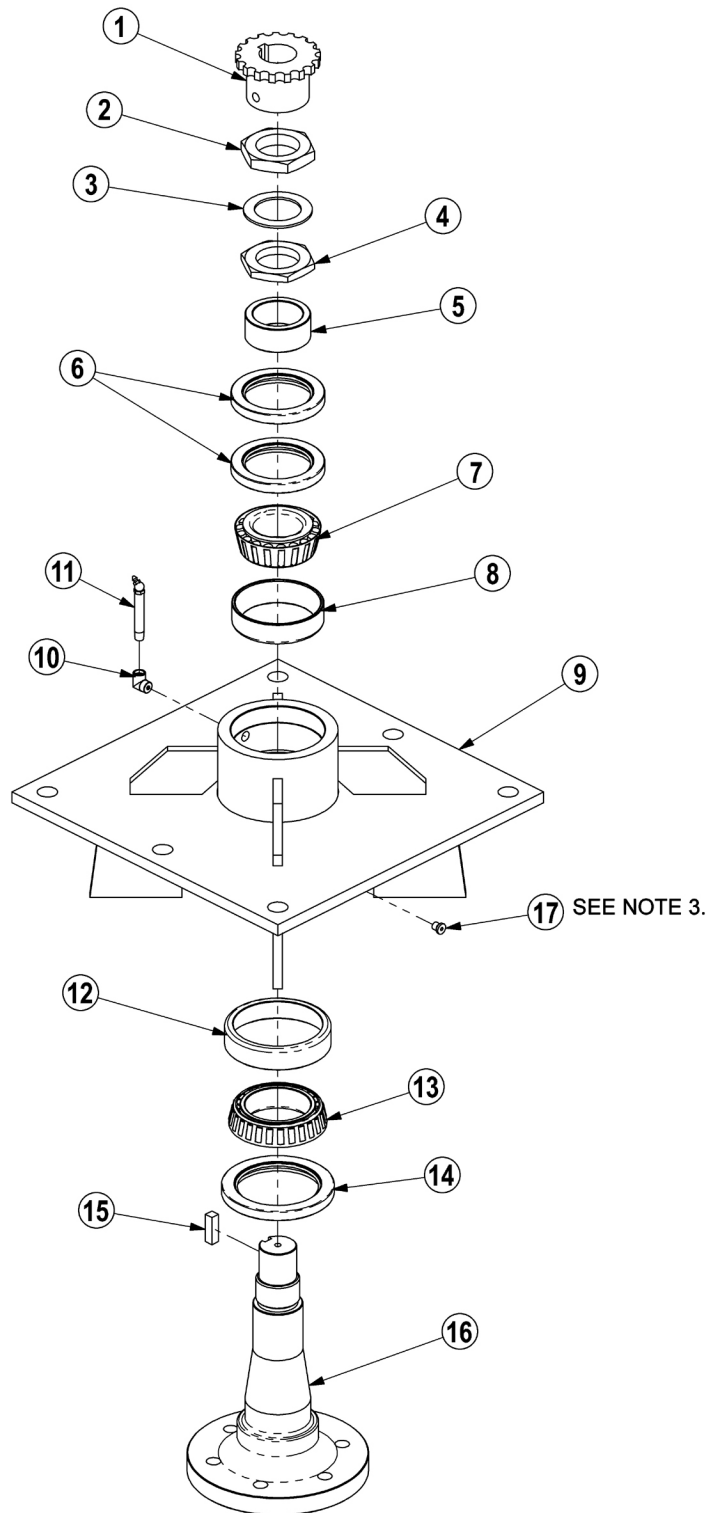
ROTARY DISK AND KNIVES



ITEM	PART NO.	QTY.	DESCRIPTION
1	34876	1	BLADE MOUNTING DISK
2	6T1023R	2	NYLOCK NUT,1-1/8"
3	34878	2	SPACER
4	34497	2	KNIFE MOUNTING BOLT
5	34685	2	KNIFE,60" HIGH SUCTION - STANDARD
5A	34684	2	KNIFE,60" - OPTIONAL
6	34682	2	KNIFE 72" (MOUNT ON 72" MOWER ONLY)
7	25270	6	FLATWASHER,5/8",USS,GR8
8	6T2259	6	CAPSCREW,5/8" X 1-3/4",NF
----	6T1825	-	LOCTITE - USED ON ALL DISK MOUNTING BOLTS
---	27167	-	BOLT KIT (INCLUDE ITEMS 7 & 8)
----	06700002	-	KIT,60/72,DISK,KNF MTG (INCLUDE ITEM 1, 3,7 & 8)

COMMON SIDE ROTARY

TM MOWER SPINDLE ASSEMBLY



NOTES:

1. FREEPLAY: .001" - .003"
2. GREASE: FILL WITH MOBILITH SHC 220.
3. APPLY LOCTITE "271" TO O-RING PLUG THRDS.

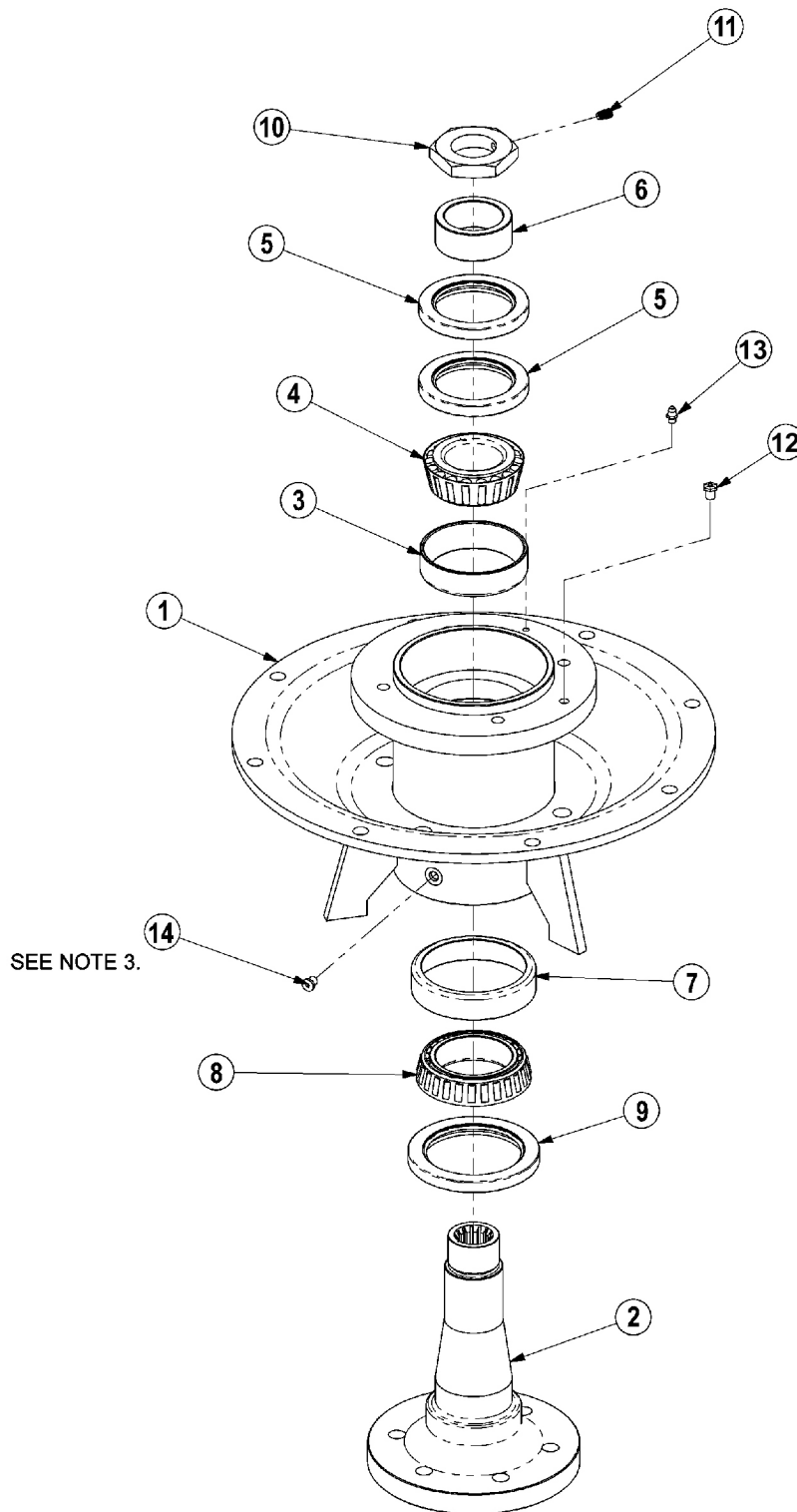
TM MOWER SPINDLE ASSEMBLY

Continued...

ITEM	PART NO.	QTY.	DESCRIPTION
-----	6T1024H5	-	SPINDLE ASSEMBLY COMPLETE
1	6T1031	1	SPROCKET
2	6T1016	1	BEARING LOCK NUT - THICK
3	22596	1	JAM WASHER
4	6T1015	1	BEARING ADJUSTMENT NUT - THIN
5	6T1014	1	BEARING ADJUSTMENT SLEEVE
6	6T1011	1	UPPER SEAL - SET OF 2
7	6T1012	1	BEARING CONE
8	6T1013	1	BEARING CUP
9	6T1010H	1	SPINDLE HOUSING
10	30570	1	FITTING STREET ELBOW
11	33990	1	GREASE ZERK
12	6T1013H	1	BEARING CUP
13	6T1012H	1	BEARING CONE
14	6T1011H	1	LOWER SEAL
15	6T1019	1	SPINDLE KEY
16	PT1018H-5	1	SPINDLE
17	06503064	1	O-RING PLUG, 1/8"
-----	31771	-	SPINDLE REBUILD KIT (INCLUDES ITEMS 2 - 8 AND 12 - 15)

COMMON SIDE ROTARY

TSR MOWER SPINDLE ASSEMBLY



NOTES:

1. FREEPLAY: .001" - .003"
2. GREASE: FILL WITH MOBILITH SHC 220.
3. APPLY LOCTITE "271" TO O-RING PLUG THRDS.

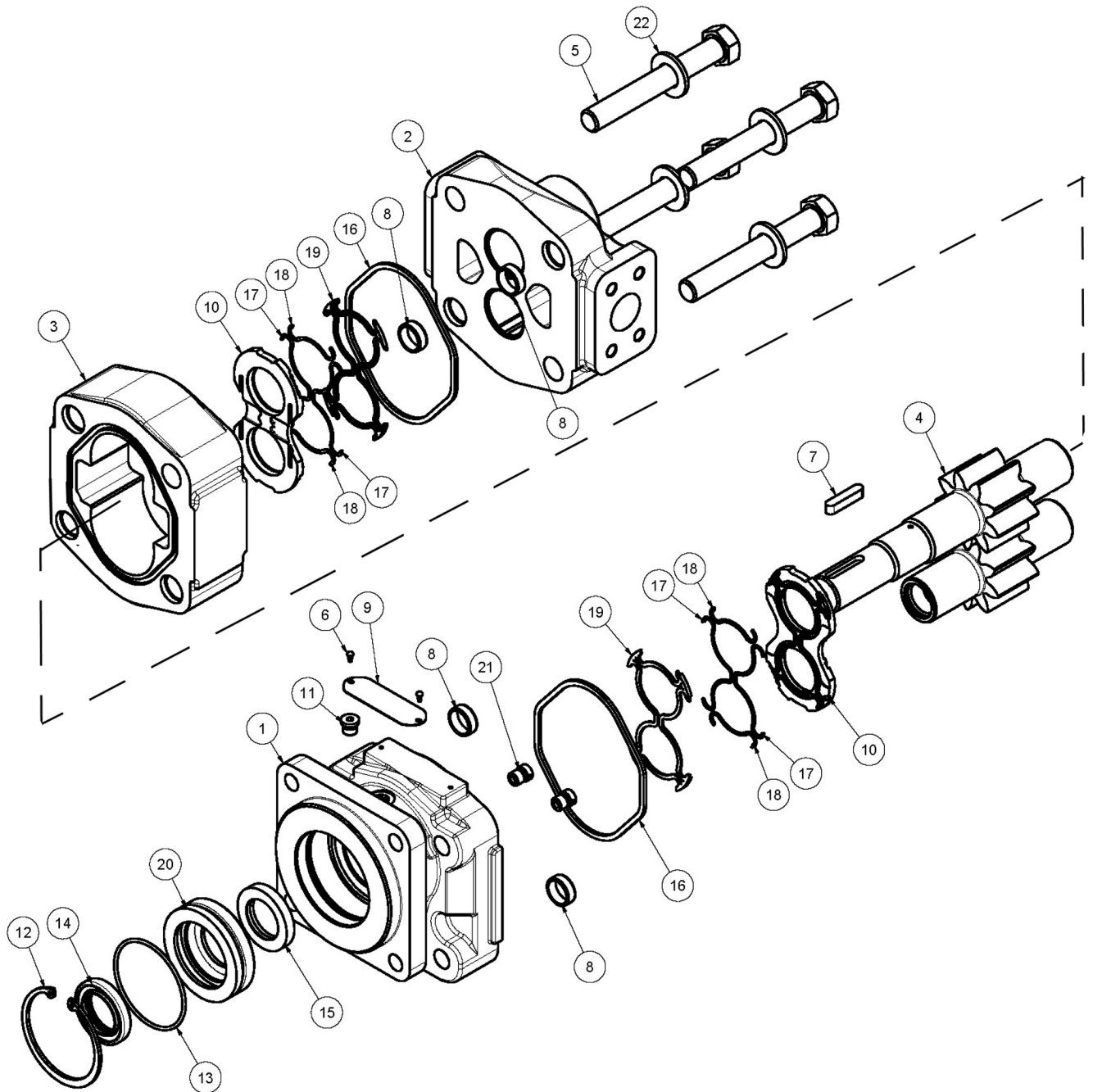
TSR MOWER SPINDLE ASSEMBLY

Continued...

ITEM	PART NO.	QTY.	DESCRIPTION
-----	34980	-	SPINDLE ASSEMBLY COMPLETE
1	34978	1	SPINDLE MOUNT
2	34979	1	SPINDLE,TM60
3	6T1013	1	BEARING CUP
4	6T1012	1	BEARING CONE
5	6T1011	1	UPPER SEAL - SET OF 2
6	6T1014	1	BEARING ADJUSTMENT SLEEVE
7	6T1013H	1	BEARING,CUP,HD
8	6T1012H	1	BEARING CONE,HD
9	6T1011H	1	SEAL,LOWER,HD
10	34985	1	NUT W/SETSCREW
11	6T2275	1	SETSCREW,5/16" X 1/2",NC
12	34988	1	RELIEF,1PSI,1/8" NPT
13	6T3207	1	ZERK,1/4" X STR
14	06503064	1	O-RING PLUG, 1/8"

COMMON SIDE ROTARY

ROTARY MOTOR BREAKDOWN



COMMON SIDE ROTARY

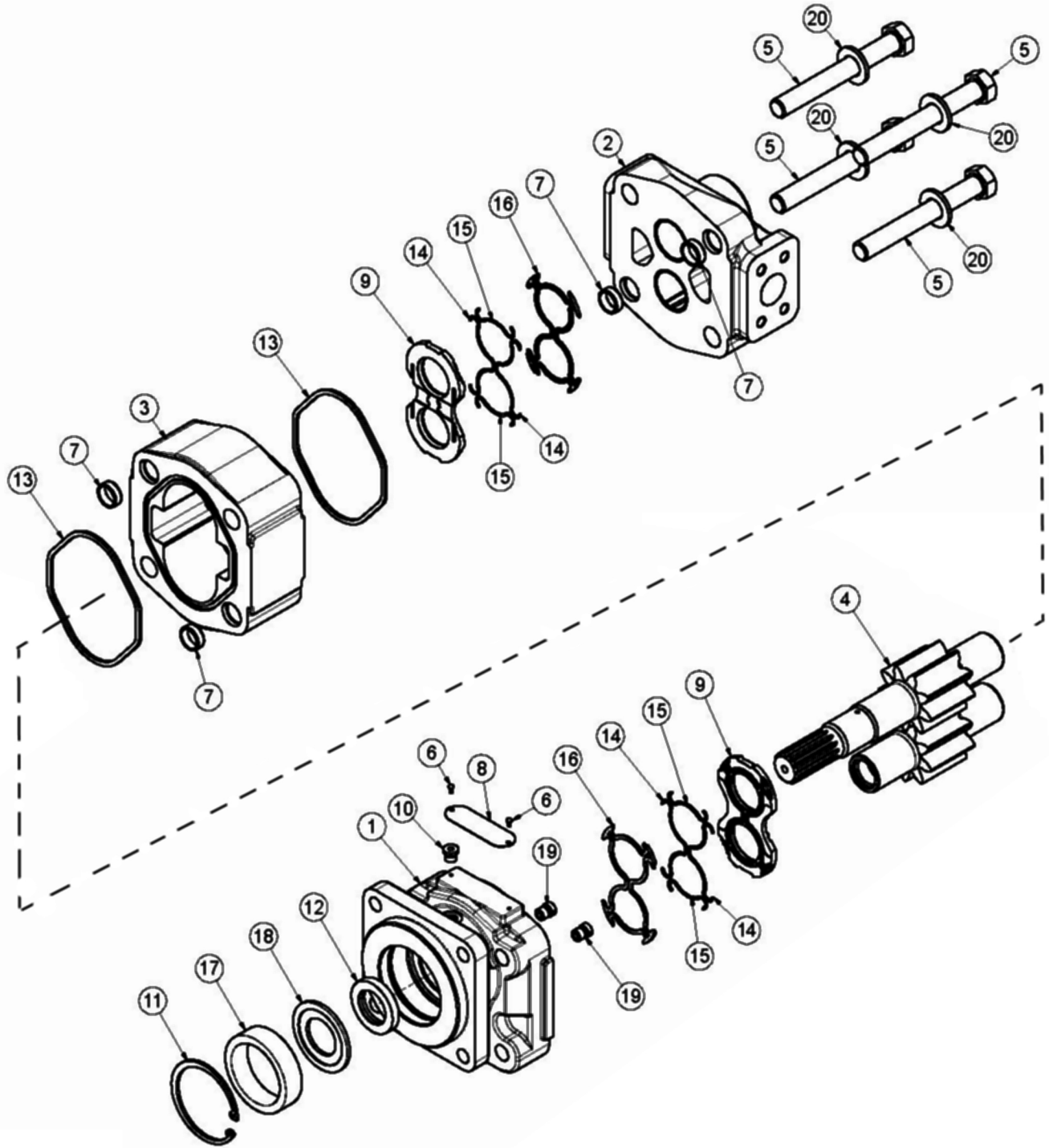
ROTARY MOTOR BREAKDOWN

Continued...

ITEM	PART NO.	QTY.	DESCRIPTION
	06504011	-	MOTOR ASSEMBLY
1	22790	1	END,COVER
2	06504088	1	HOUSING, PEC
3	06504111	1	HOUSING, GEAR
4	06504026	1	SET, GEAR SHAFT
5	06504104	4	CAPSCREW
6	06504078	2	SCREW, DRIVE
7	06504092	1	KEY
8	06504093	4	PIN, DOWEL
9	06504094	1	NAME PLATE
10	06504095	2	THRPL
11	2961940	1	PLUG, ODT
12	2962200	1	RING, SNAP
13	06504096	1	O RING
14	6T5101	1	SEAL, LIP
15	06504097	1	SEAL, LIP
16	22797	2	SEAL, SQ-R
17	06504098	4	SEAL, SIDE CHAN
18	06504099	4	SEAL, END CHAN
19	06504100	2	SEAL, BK-UP
20	06504101	1	RTNR, SEAL
21	6T5809	2	CHECK ASS'Y
22	06504102	4	WASHER
---	06504103	-	SEAL KIT

COMMON SIDE ROTARY

60IN TSR ROTARY MOTOR BREAKDOWN



COMMON SIDE ROTARY

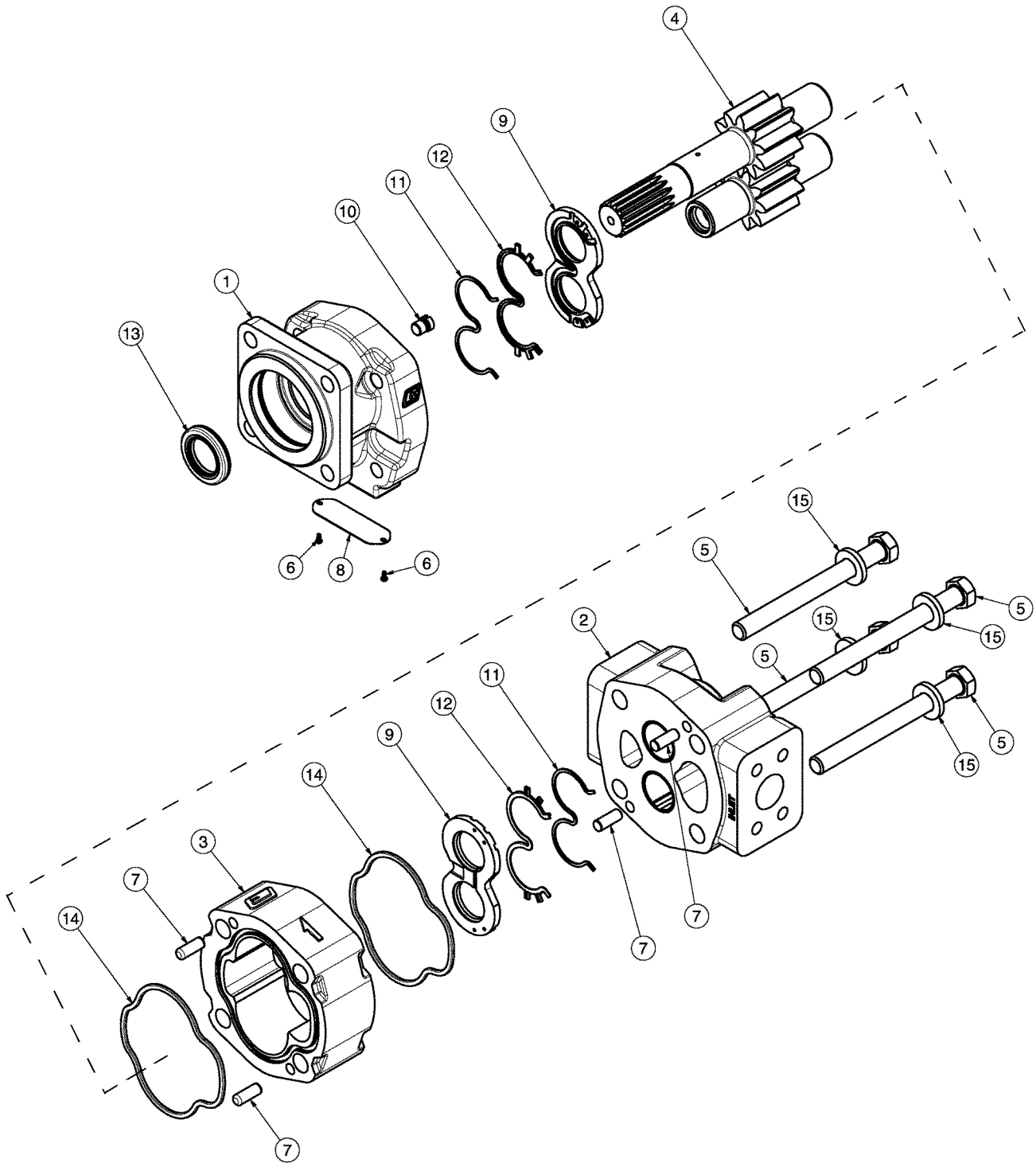
60IN TSR ROTARY MOTOR BREAKDOWN

Continued...

ITEM	PART NO.	QTY.	DESCRIPTION
	06504016	-	MOTOR(M365-1 1/4SPLINE),SEALED
1	22790	1	COVER,END
2	06504088	1	HOUSING,PEC
3	06504111	1	HOUSING,GEAR
4	06504110	1	SET,GEAR SHAFT
5	06504104	4	CAP SCREW
6	06504078	2	SCREW,DRIVE
7	06504093	4	PIN,DOWEL
8	06504094	1	NAME PLATE
9	06504095	2	THRPL
10	02961940	1	PLUG,ODT (0.25)
11	6T5200	1	RING,SNAP
12	06504097	1	SEAL,LIP
13	22797	2	SEAL,SQ-R
14	06504098	4	SEAL,SIDE CHAN
15	06504099	4	SEAL,END CHAN
16	06504100	2	SEAL,BK-UP
17	06504112	1	SPACER
18	06504113	1	RTNR,SEAL
19	6T5809	2	CHECK ASS'Y
20	06504102	4	WASHER
---	06504022	1	SEAL KIT

COMMON SIDE ROTARY

FRONT HYDRAULIC PUMP BREAKDOWN



COMMON SIDE ROTARY

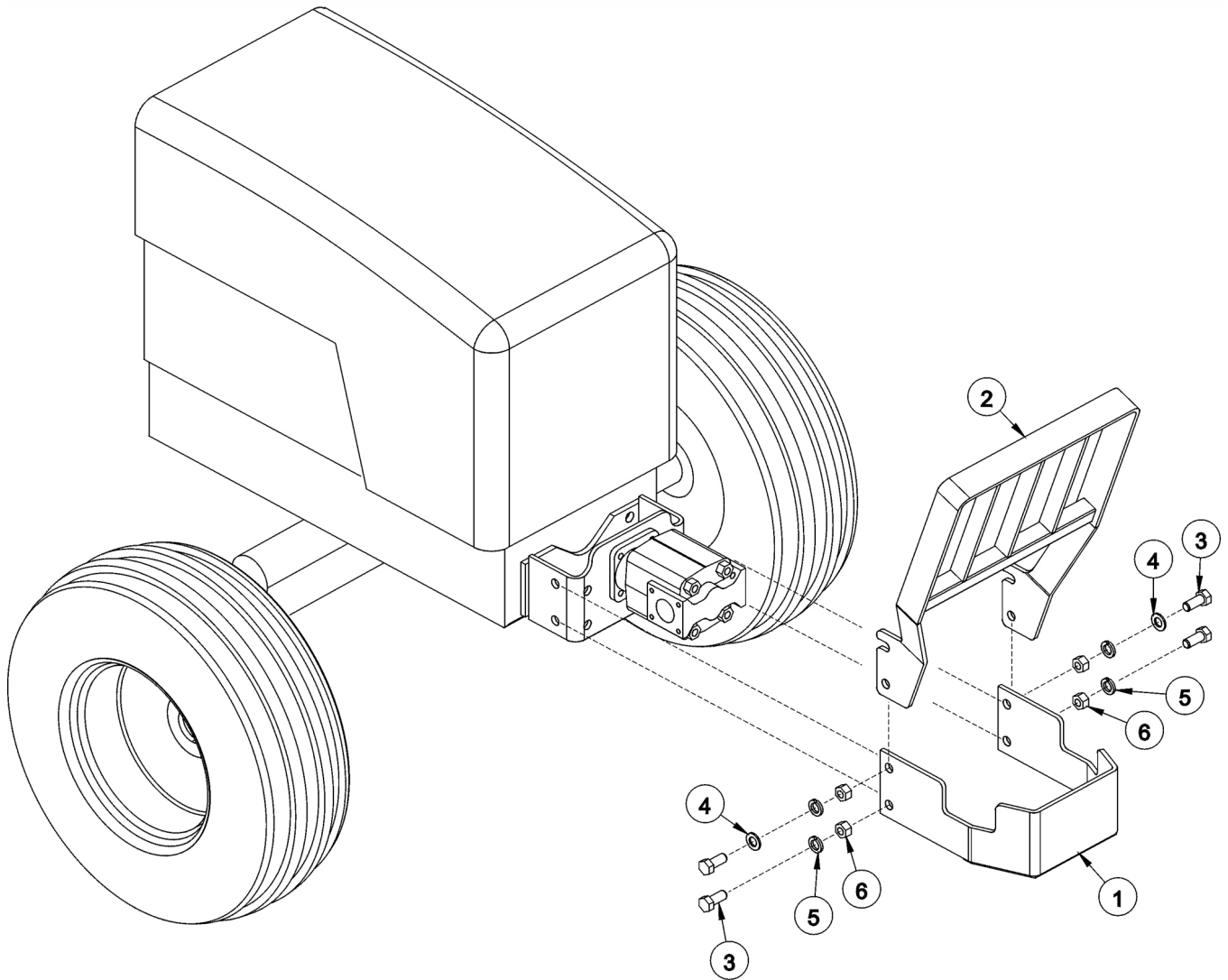
FRONT HYDRAULIC PUMP BREAKDOWN

Continued...

ITEM	PART NO.	QTY.	DESCRIPTION
---	23152	1	PUMP ASSEMBLY,1-3/4",COMPLETE
1	22766	1	SHAFT END COVER
2	22779	1	PORT END COVER
3	22774	1	GEAR HOUSING,1-3/4"
4	22771	1	GEAR SET
5	23824	4	CAPSCREW
6	06504078	2	SCREW,DRIVE
7	22773	4	DOWEL PINS
8	06504077	1	NAMEPLATE
9	22770	2	THRUST PLATE
10	22767	1	PLUG
11	06504075	2	SEAL,BK-UP
12	06504074	2	SEAL,CHAN
13	22765	1	SEAL,LIP
14	06504076	2	SEAL,SQ-R
15	02961917	4	WASHER
---	24150	1	SEAL KIT (INCLUDES 11, 12, 13 AND 14)

COMMON SIDE ROTARY

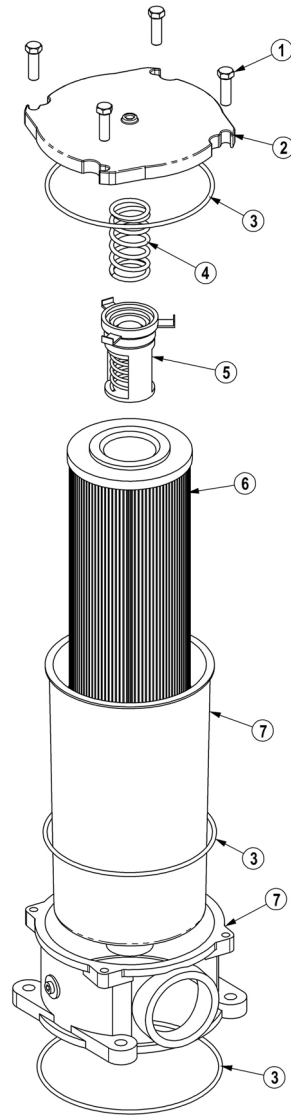
PUMP AND GRILL GUARD OPTIONS



ITEM	PART NO.	QTY.	DESCRIPTION
1	32430	1	UNIVERSAL PUMP GUARD
2	32737	1	UNIVERSAL GRILL GUARD
3	21833	4	CAPSCREW,3/4" X 2-1/4",NC
4	22021	2	FLATWASHER,3/4"
5	21993	4	LOCKWASHER,3/4"
6	21825	4	HEX NUT,3/4",NC

COMMON SIDE ROTARY

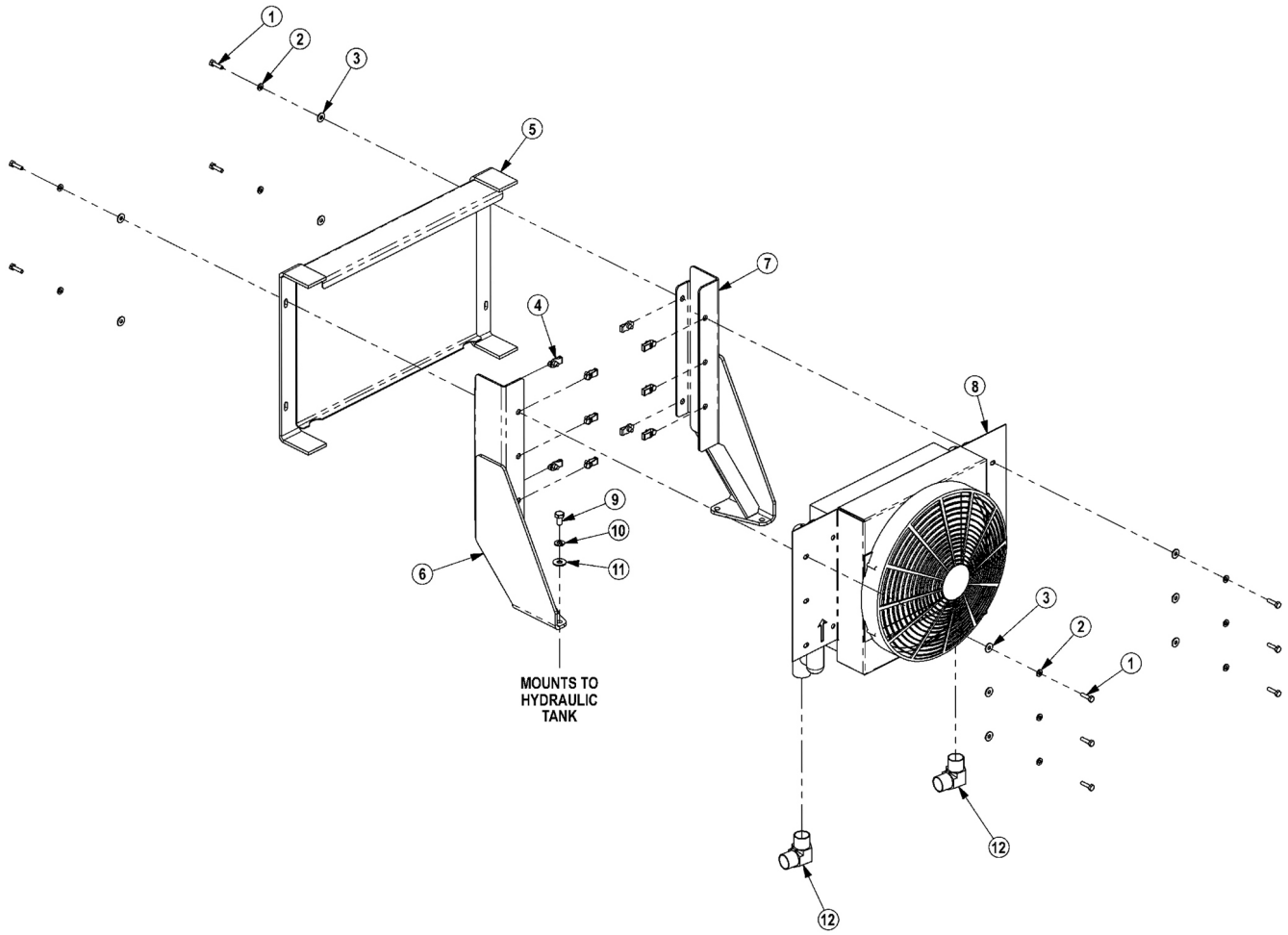
RESERVOIR TANK FILTER ASSEMBLY



ITEM	PART NO.	QTY.	DESCRIPTION
---	06505044	-	FILTER ASSY SAE 10 MICRON
1	28583	4	CAPSCREW, 8MM X 25MM(1.25 PITCH)
2	06505045	1	COVER
3	06505046	1	SEAL KIT
4	06505047	1	SPRING
5	06505048	1	BYPASS
6	35259	1	FILTER, 10 MIC, RETURN LINE
7	06505049	1	CAN/BODY

COMMON SIDE ROTARY

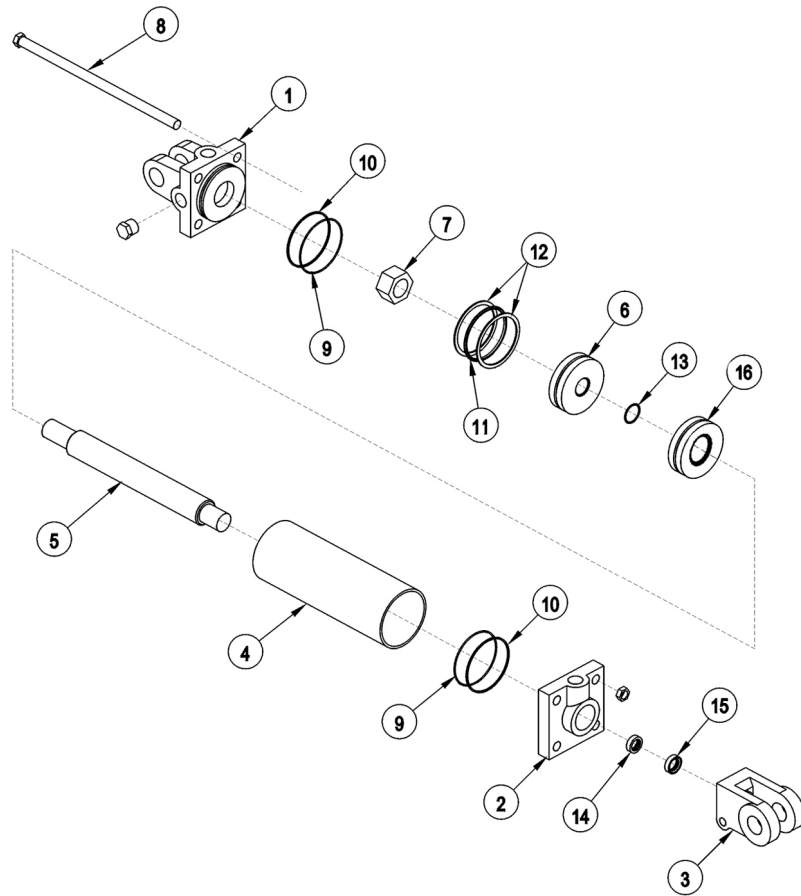
COOLER ASSEMBLY



ITEM	PART NO.	QTY.	DESCRIPTION
1	21530	10	CAPSCREW,1/4 X1 NC
2	21986	10	LOCKWASHER,1/4
3	22014	10	FLATWASHER,1/4
4	35176	10	1/4 U-NUT
5	06370015	1	SCREEN,COOLER,FRNT
6	06380006	1	MNT,COOLER,BUMPER TANK,RH
7	06380007	1	MNT,COOLER,BUMPER TANK,LH
8	06510026	1	COOLER,FRONT MNT
---	06510029	1	FAN ASSY, ONLY
9	21629	4	CAPSCREW,3/8 X 3/4 NC
10	21988	4	LOCKWASHER,3/8
11	22016	4	FLATWASHER,3/8
12	34117	2	ELBOW,1MOR X 1MJ90,FORGED

COMMON SIDE ROTARY

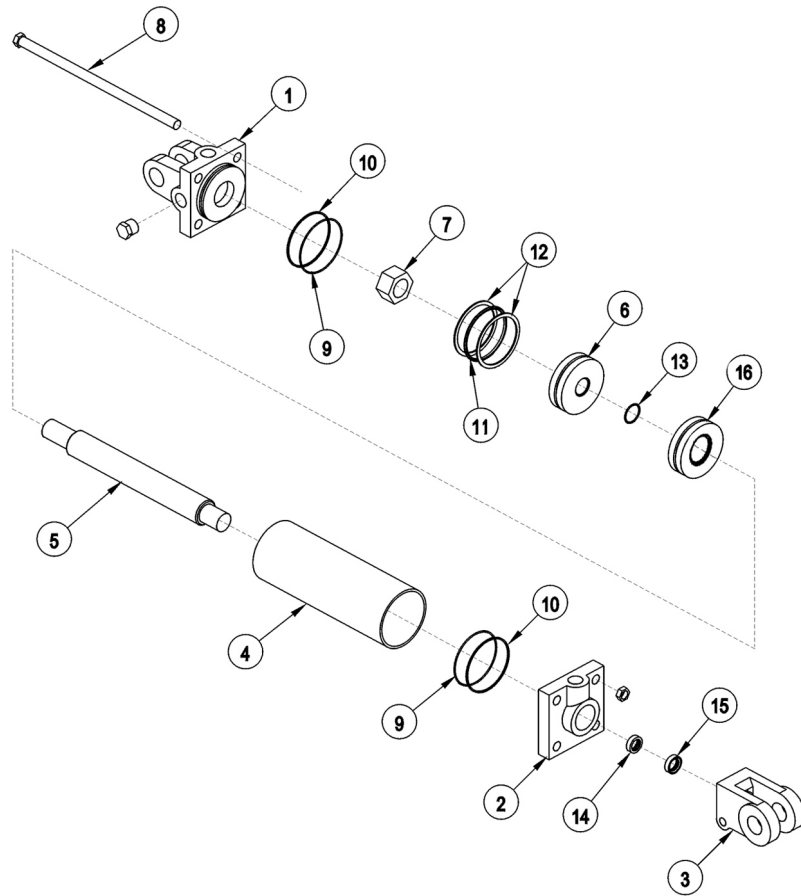
3IN X 10IN HYDRAULIC CYLINDER BREAKDOWN



ITEM	PART NO.	QTY.	DESCRIPTION
-----	6T0151R	-	HYD. CYLINDER 3" X 10"
1	6T0167	1	CYLINDER BUTT
2	6T0170	1	CYLINDER GLAND
3	6T0178	1	CLEVIS END
4	6T0164	1	CYLINDER TUBE
5	6T0161	1	PISTON ROD
6	6T0173	1	PISTON
7	6T0179	1	LOCKNUT
8	6T0176	4	TIE ROD ASY
-----	6T0187	-	SEAL KIT
9	-----	2	O - RING
10	-----	2	BACK - UP WASHER
11	-----	1	O - RING
12	-----	2	BACK - UP WASHER
13	-----	1	O - RING
14	-----	1	U - CUP
15	-----	1	WIPER

COMMON SIDE ROTARY

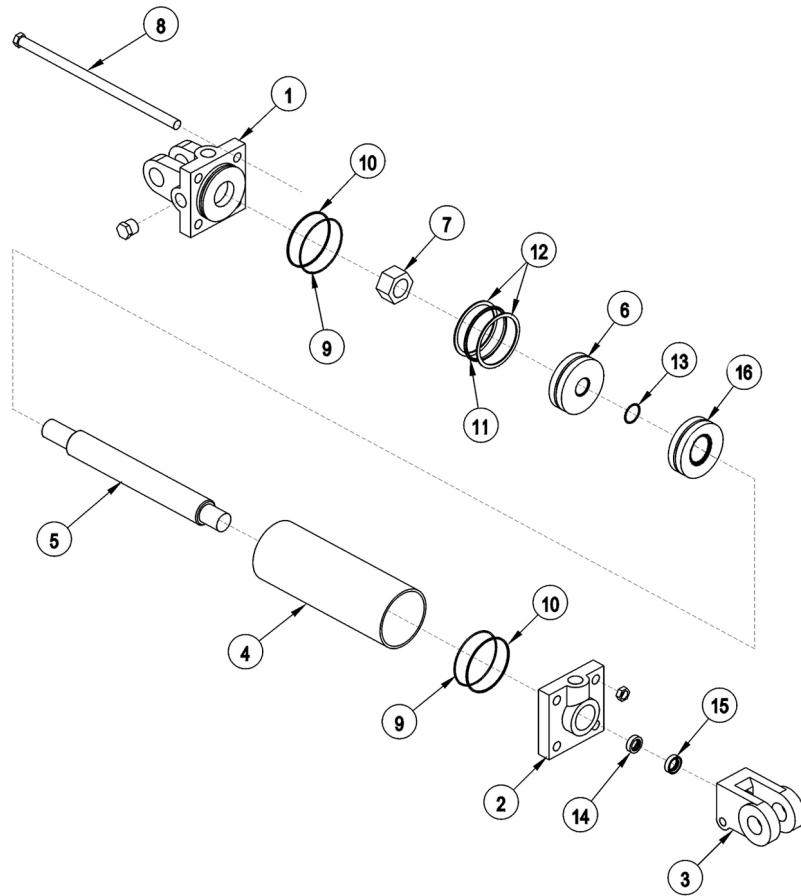
3IN X 12IN HYDRAULIC CYLINDER BREAKDOWN



ITEM	PART NO.	QTY.	DESCRIPTION
-----	32215	-	HYD. CYLINDER 3" X 12" (STD DUTY)
-----	25343	-	HYD. CYLINDER 3" X 12" (HVY DUTY)
1	6T0167	1	CYLINDER BUTT
2	6T0170	1	CYLINDER GLAND
3	6T0178	1	CLEVIS END
4	6T0204	1	CYLINDER TUBE
5	6T0203	1	PISTON ROD
6	6T0173	1	PISTON
7	6T0179	1	LOCKNUT
8	6T0205	4	TIE ROD ASY
-----	6T0187	-	SEAL KIT
9	-----	2	O - RING
10	-----	2	BACK - UP WASHER
11	-----	1	O - RING
12	-----	2	BACK - UP WASHER
13	-----	1	O - RING
14	-----	1	U - CUP
15	-----	1	WIPER

COMMON SIDE ROTARY

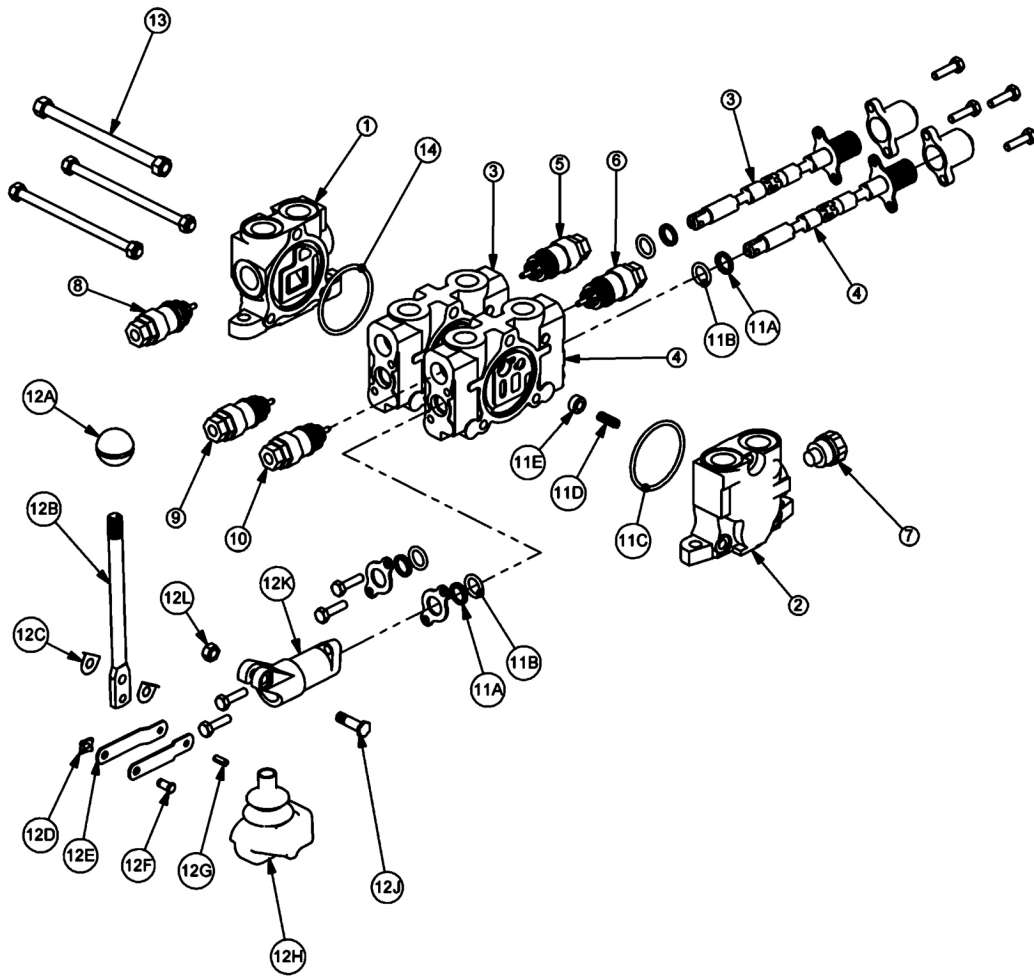
3IN X 18IN HYDRAULIC CYLINDER BREAKDOWN



ITEM	PART NO.	QTY.	DESCRIPTION
-----	6T0150	-	CYLINDER 3" X 18"
1	6T0167	1	CYLINDER BUTT
2	6T0170	1	CYLINDER GLAND
3	6T0178	1	CLEVIS END
4	6T0165	1	CYLINDER TUBE
5	6T0162	1	PISTON ROD
6	6T0173	1	PISTON
7	6T0179	1	LOCKNUT
8	6T0177	4	TIE ROD ASY
-----	6T0187	-	SEAL KIT
9	-----	2	O - RING
10	-----	2	BACK - UP WASHER
11	-----	1	O - RING
12	-----	2	BACK - UP WASHER
13	-----	1	O - RING
14	-----	1	U - CUP
15	-----	1	WIPER
16	6T0206	1	SPACER

COMMON SIDE ROTARY

CABLE (MANUAL) LIFT VALVE BREAKDOWN - 30801



COMMON SIDE ROTARY

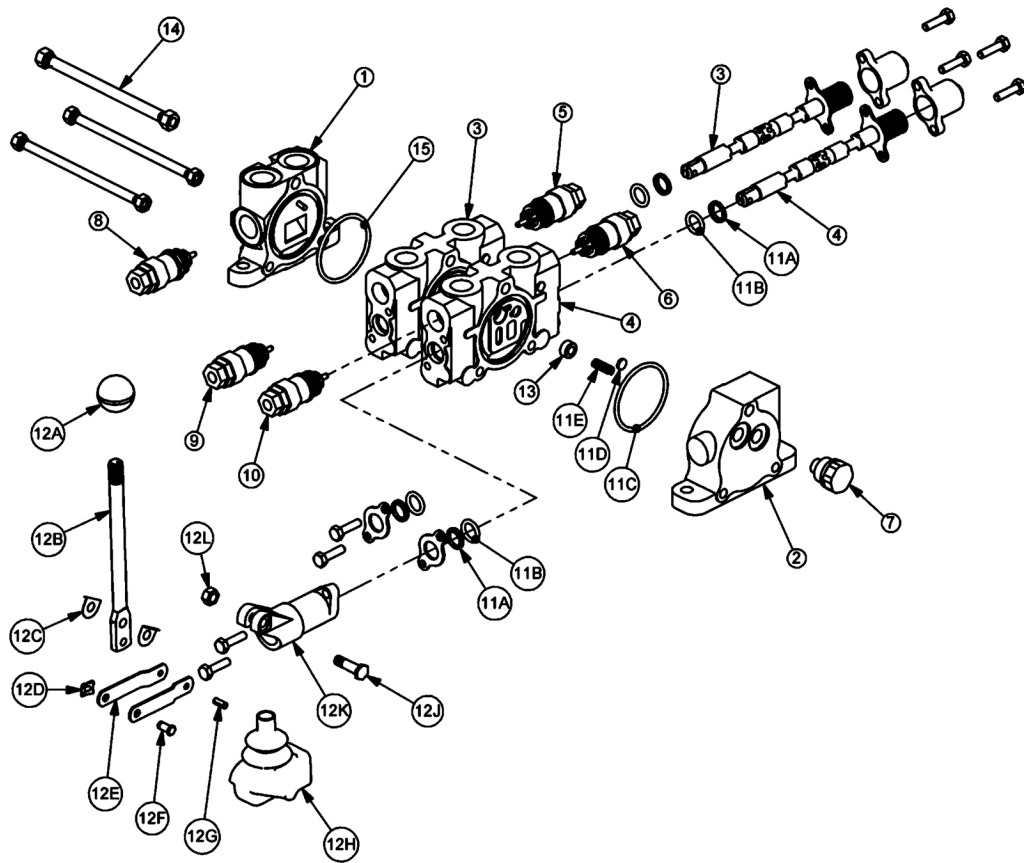
CABLE (MANUAL) LIFT VALVE BREAKDOWN - 30801

Continued...

ITEM	PART NO.	QTY.	DESCRIPTION
1	TB1017S	1	INLET END COVER
2	TB1702	1	END COVER, POWER BEYOND
3	TB1017P	1	VALVE SECTION (SINGLE ACTING, SPRING DETENT)
4	06502091	1	VALVE SECTION (DOUBLE ACTING, CENTER SPRING) (NO AUX VALVE PORTS)
5	N/A	-	N/A
6	N/A	-	N/A
7	TB1017M	1	SHUT-OFF PLUG
8	TB1017E	1	RELIEF VALVE, 2250 PSI
9	TB1017M	1	SHUT-OFF PLUG
10	N/A	-	N/A
11	TB1017A	2	VALVE SEAL KIT (FOR ONE SECTION)
11A	-----	2	WIPER
11B	-----	2	O-RING SMALL
11C	-----	1	O-RING LARGE
11D	-----	1	SPRING
11E	-----	1	PUCKET
12	TB1017L	2	LEVER KIT (FOR ONE SECTION)
12A	-----	1	LEVER KNOB
12B	-----	1	LEVER
12C	-----	2	LEVER WASHER
12D	-----	1	LEVER CLIP
12E	-----	2	LINKAGE
12F	-----	1	LEVER PIN
12G	-----	1	ROLL PIN
12H	-----	1	LEVER BOOT
12J	-----	1	LEVER BOLT
12K	-----	1	LEVER DUST COVER
12L	-----	1	LEVER NUT
13	TB1017X	1	TIE ROD KIT
14	24214	1	O-RING, LARGE

COMMON SIDE ROTARY

CABLE (MANUAL) LIFT VALVE BREAKDOWN - 31320



COMMON SIDE ROTARY

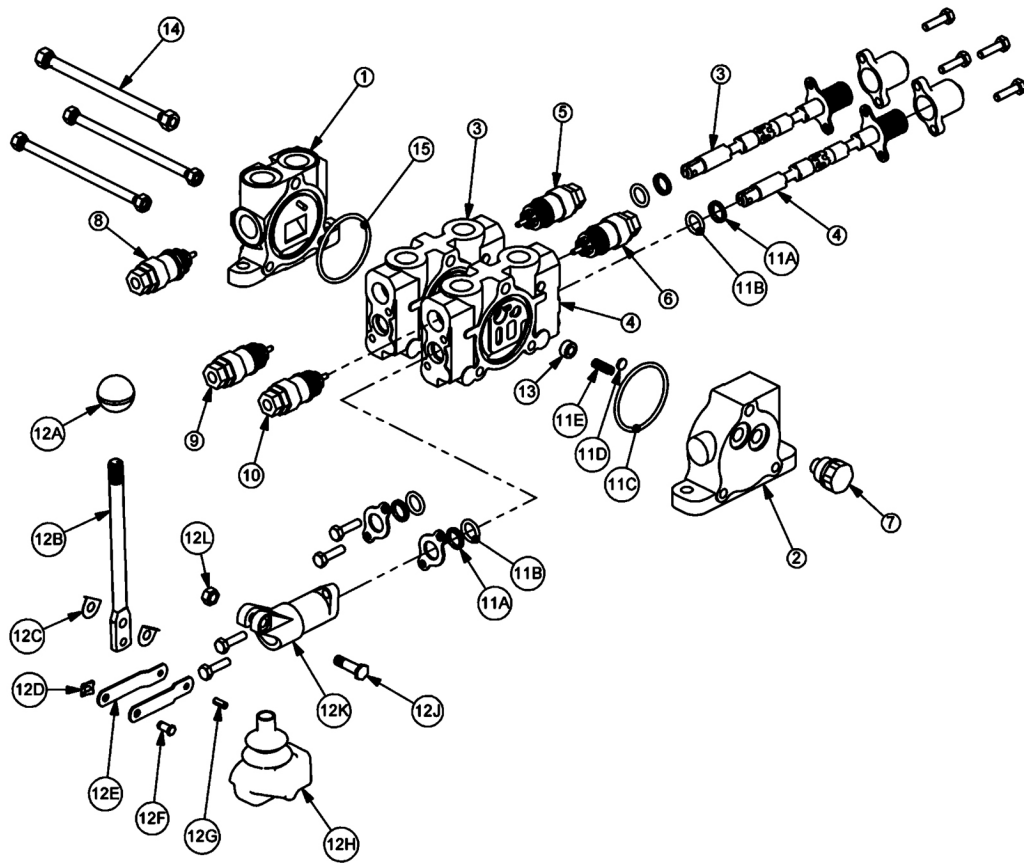
CABLE (MANUAL) LIFT VALVE BREAKDOWN - 31320

Continued...

ITEM	PART NO.	QTY.	DESCRIPTION
1	31595	1	INLET END COVER
2	31594	1	END COVER, LOAD SENSE
3	31597	1	VALVE SECTION (DOUBLE ACTING, CENTER SPRING)
4	31597	1	VALVE SECTION (DOUBLE ACTING, CENTER SPRING)
5	06503067	1	RELIEF PLUG
6	06503067	1	RELIEF PLUG
7	N/A	-	N/A
8	6T4209	1	RELIEF PLUG
9	31862	1	RELIEF VALVE, 2175 PSI
10	31862	1	RELIEF VALVE, 2175 PSI
11	31593	2	VALVE SEAL KIT (FOR ONE SECTION)
11A	-----	2	WIPER
11B	-----	2	O-RING SMALL
11C	-----	1	O-RING LARGE
11D	-----	1	SHUTTLE DISC
11E	-----	1	SPRING
12	TB1017L	2	LEVER KIT (FOR ONE SECTION)
12A	-----	1	LEVER KNOB
12B	-----	1	LEVER
12C	-----	2	LEVER WASHER
12D	-----	1	LEVER CLIP
12E	-----	2	LINKAGE
12F	-----	1	LEVER PIN
12G	-----	1	ROLL PIN
12H	-----	1	LEVER BOOT
12J	-----	1	LEVER BOLT
12K	-----	1	LEVER DUST COVER
12L	-----	1	LEVER NUT
13	31603	2	COMPENSATOR
14	TB1017X	1	TIE ROD KIT
15	24214	1	O-RING, LARGE

COMMON SIDE ROTARY

CABLE (MANUAL) LIFT VALVE BREAKDOWN - 31321



COMMON SIDE ROTARY

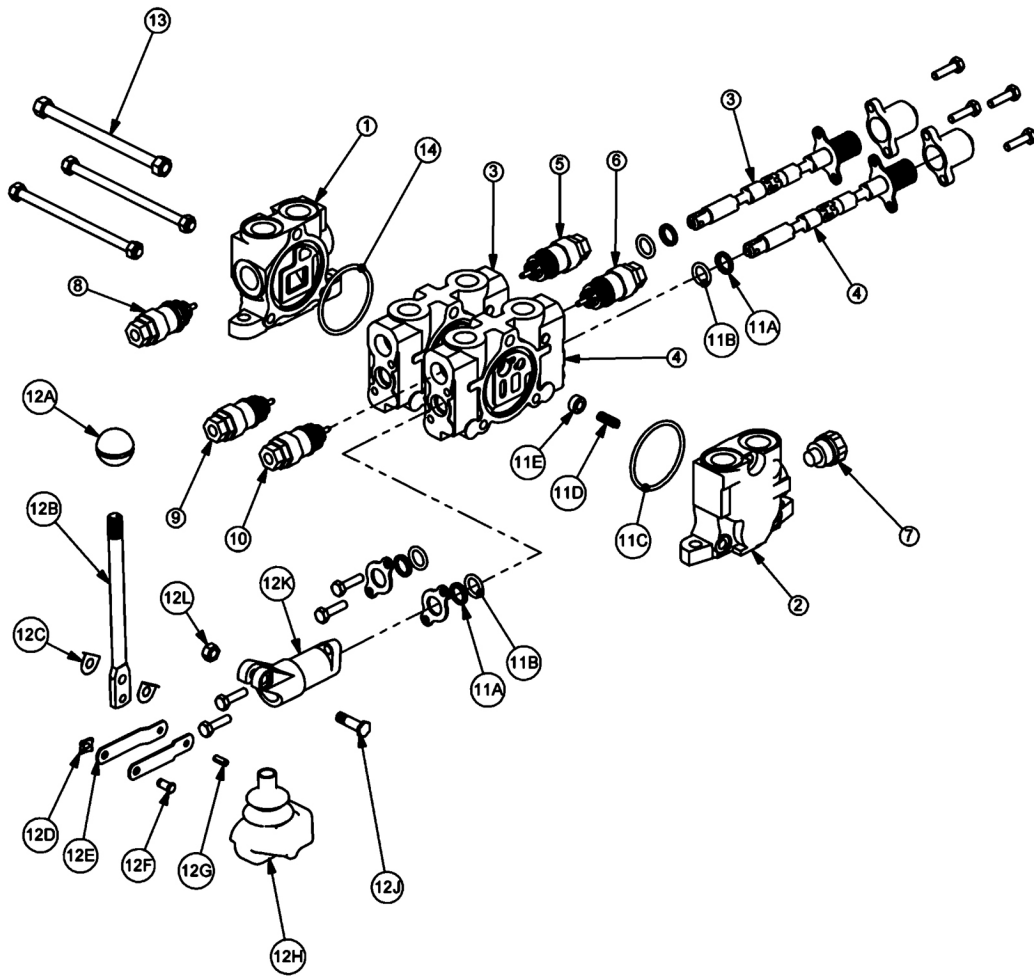
CABLE (MANUAL) LIFT VALVE BREAKDOWN - 31321

Continued...

ITEM	PART NO.	QTY.	DESCRIPTION
1	31595	1	INLET END COVER
2	31594	1	END COVER, LOAD SENSE
3	31597	1	VALVE SECTION (DOUBLE ACTING, CENTER SPRING)
4	31597	1	VALVE SECTION (DOUBLE ACTING, CENTER SPRING)
5	06503067	1	RELIEF PLUG
6	31861	1	RELIEF VALVE, 360 PSI
7	N/A	-	N/A
8	6T4209	1	RELIEF PLUG
9	31862	1	RELIEF VALVE, 2175 PSI
10	31862	1	RELIEF VALVE, 2175 PSI
11	31593	2	VALVE SEAL KIT (FOR ONE SECTION)
11A	-----	2	WIPER
11B	-----	2	O-RING SMALL
11C	-----	1	O-RING LARGE
11D	-----	1	SHUTTLE DISC
11E	-----	1	SPRING
12	TB1017L	2	LEVER KIT (FOR ONE SECTION)
12A	-----	1	LEVER KNOB
12B	-----	1	LEVER
12C	-----	2	LEVER WASHER
12D	-----	1	LEVER CLIP
12E	-----	2	LINKAGE
12F	-----	1	LEVER PIN
12G	-----	1	ROLL PIN
12H	-----	1	LEVER BOOT
12J	-----	1	LEVER BOLT
12K	-----	1	LEVER DUST COVER
12L	-----	1	LEVER NUT
13	31603	2	COMPENSATOR
14	TB1017X	1	TIE ROD KIT
15	24214	1	O-RING, LARGE

COMMON SIDE ROTARY

CABLE (MANUAL) LIFT VALVE BREAKDOWN - 31752



COMMON SIDE ROTARY

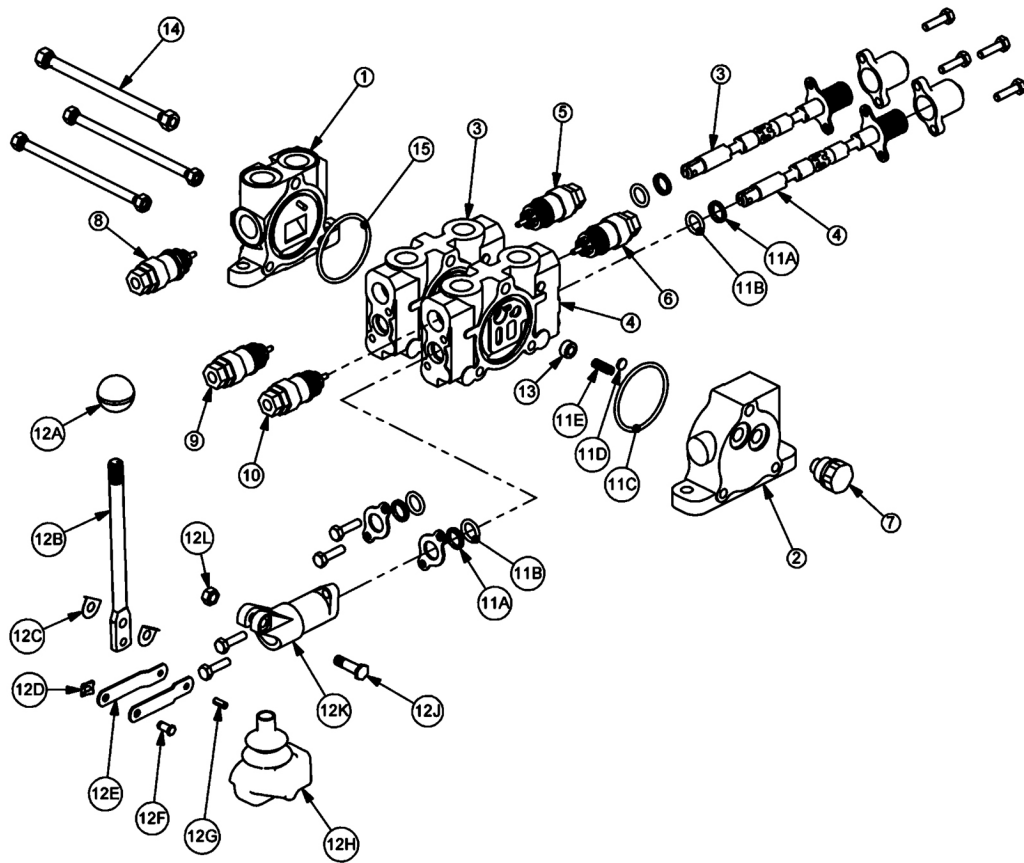
CABLE (MANUAL) LIFT VALVE BREAKDOWN - 31752

Continued...

ITEM	PART NO.	QTY.	DESCRIPTION
1	TB1017S	1	INLET END COVER
2	TB1702	1	END COVER, POWER BEYOND
3	TB1017P	1	VALVE SECTION (SINGLE ACTING, SPRING DETENT)
4	TB1017P	1	VALVE SECTION (SINGLE ACTING, SPRING DETENT)
5	N/A	-	N/A
6	N/A	-	N/A
7	TB1017M	1	SHUT-OFF PLUG
8	TB1017E	1	RELIEF VALVE, 2250 PSI
9	TB1017M	1	SHUT-OFF PLUG
10	TB1017M	1	SHUT-OFF PLUG
11	TB1017A	2	VALVE SEAL KIT (FOR ONE SECTION)
11A	-----	2	WIPER
11B	-----	2	O-RING SMALL
11C	-----	1	O-RING LARGE
11D	-----	1	SPRING
11E	-----	1	PUCKET
12	TB1017L	2	LEVER KIT (FOR ONE SECTION)
12A	-----	1	LEVER KNOB
12B	-----	1	LEVER
12C	-----	2	LEVER WASHER
12D	-----	1	LEVER CLIP
12E	-----	2	LINKAGE
12F	-----	1	LEVER PIN
12G	-----	1	ROLL PIN
12H	-----	1	LEVER BOOT
12J	-----	1	LEVER BOLT
12K	-----	1	LEVER DUST COVER
12L	-----	1	LEVER NUT
13	TB1017X	1	TIE ROD KIT
14	24214	1	O-RING, LARGE

COMMON SIDE ROTARY

CABLE (MANUAL) LIFT VALVE BREAKDOWN - 06502040



COMMON SIDE ROTARY

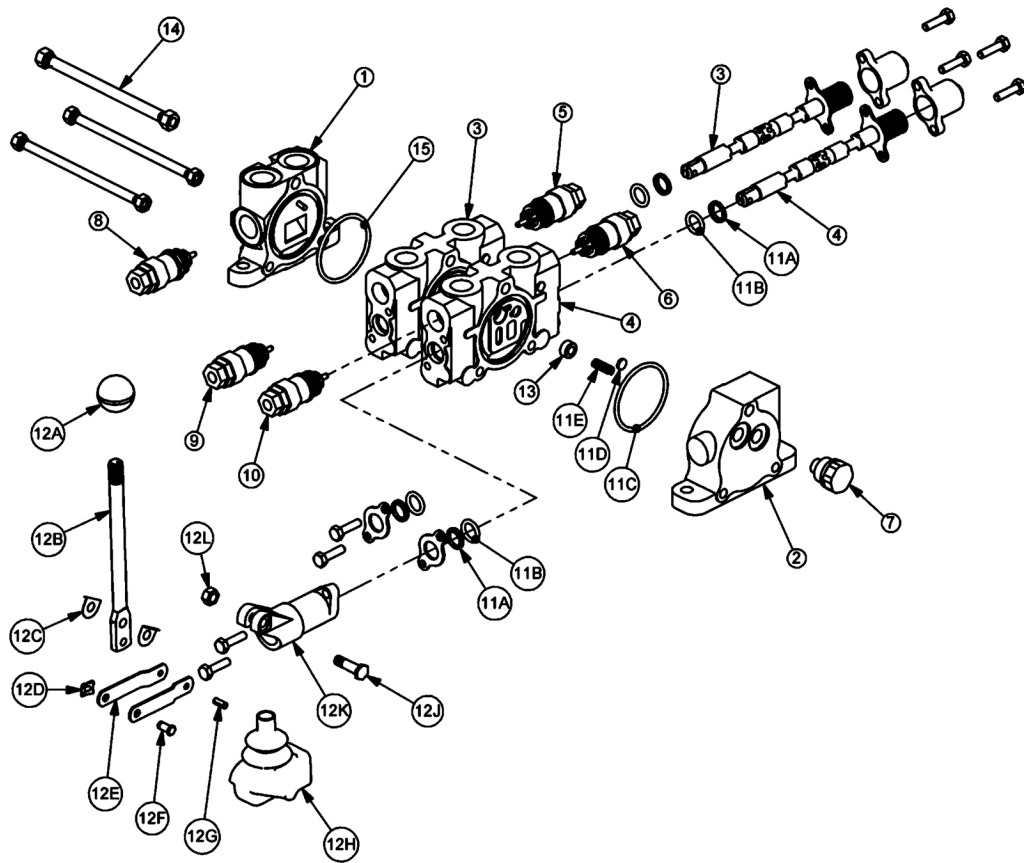
CABLE (MANUAL) LIFT VALVE BREAKDOWN - 06502040

Continued...

ITEM	PART NO.	QTY.	DESCRIPTION
1	31595	1	INLET END COVER
2	31594	1	END COVER, LOAD SENSE
3	31597	1	VALVE SECTION (DOUBLE ACTING, CENTER SPRING)
4	31597	1	VALVE SECTION (DOUBLE ACTING, CENTER SPRING) (REMOVE SHUTTLE DISC)
5	06503067	1	RELIEF PLUG
6	06503067	1	RELIEF PLUG
7	06503068	1	RELIEF PLUG
8	N/A	-	N/A
9	31862	1	RELIEF VALVE, 2175 PSI
10	31862	1	RELIEF VALVE, 2175 PSI
11	31593	2	VALVE SEAL KIT (FOR ONE SECTION)
11A	-----	2	WIPER
11B	-----	2	O-RING SMALL
11C	-----	1	O-RING LARGE
11D	-----	1	SHUTTLE DISC
11E	-----	1	SPRING
12	TB1017L	2	LEVER KIT (FOR ONE SECTION)
12A	-----	1	LEVER KNOB
12B	-----	1	LEVER
12C	-----	2	LEVER WASHER
12D	-----	1	LEVER CLIP
12E	-----	2	LINKAGE
12F	-----	1	LEVER PIN
12G	-----	1	ROLL PIN
12H	-----	1	LEVER BOOT
12J	-----	1	LEVER BOLT
12K	-----	1	LEVER DUST COVER
12L	-----	1	LEVER NUT
13	31603	2	COMPENSATOR
14	TB1017X	1	TIE ROD KIT
15	24214	1	O-RING, LARGE

COMMON SIDE ROTARY

CABLE (MANUAL) LIFT VALVE BREAKDOWN - 06502041



COMMON SIDE ROTARY

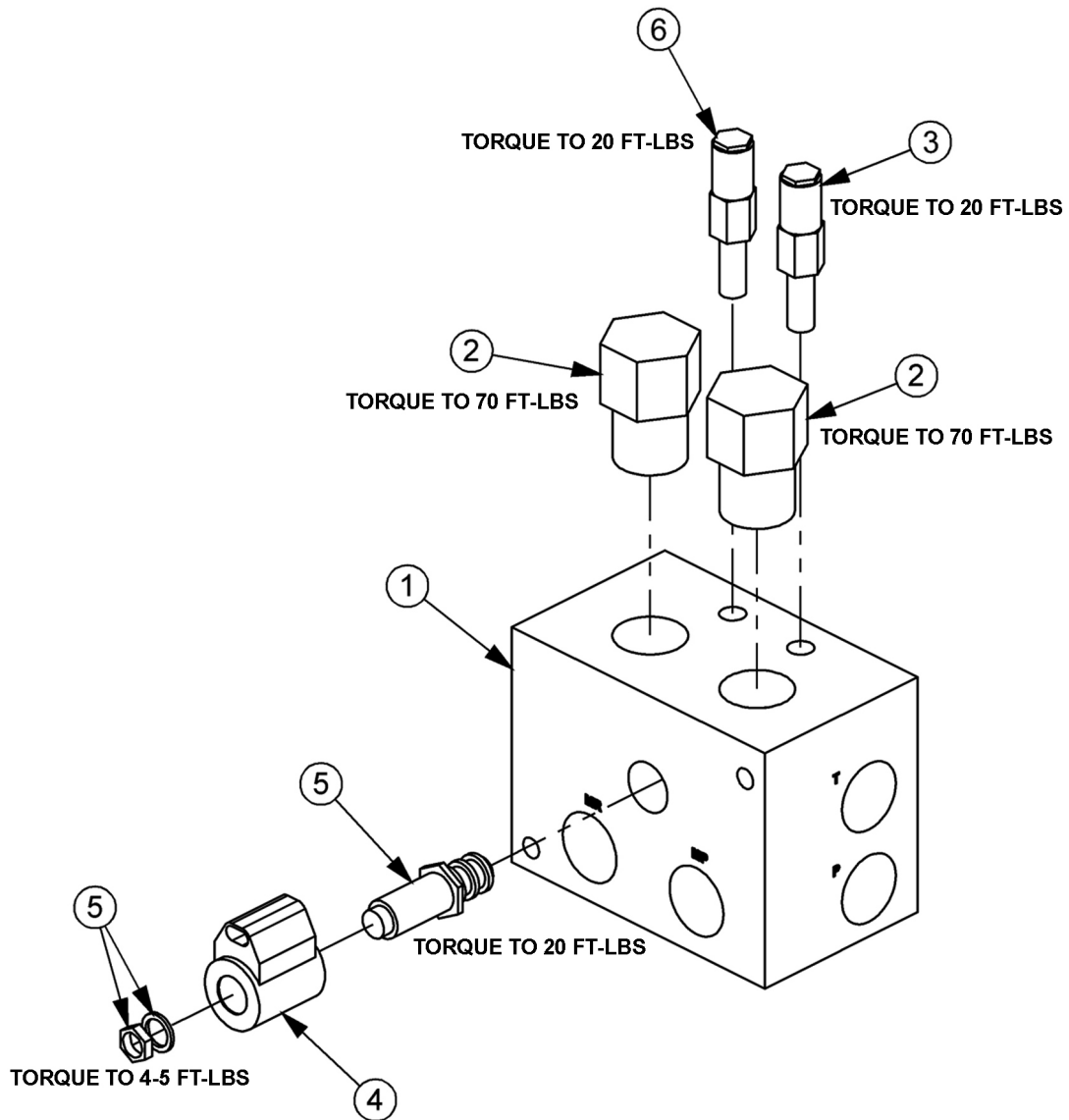
CABLE (MANUAL) LIFT VALVE BREAKDOWN - 06502041

Continued...

ITEM	PART NO.	QTY.	DESCRIPTION
1	31595	1	INLET END COVER
2	31594	1	END COVER, LOAD SENSE
3	31597	1	VALVE SECTION (DOUBLE ACTING, CENTER SPRING)
4	31597	1	VALVE SECTION (DOUBLE ACTING, CENTER SPRING)
5	06503067	1	RELIEF PLUG
6	31861	1	RELIEF VALVE, 360 PSI
7	06503068	1	RELIEF PLUG
8	6T4209	1	RELIEF PLUG
9	31862	1	RELIEF VALVE, 2175 PSI
10	31862	1	RELIEF VALVE, 2175 PSI
11	31593	2	VALVE SEAL KIT (FOR ONE SECTION)
11A	-----	2	WIPER
11B	-----	2	O-RING SMALL
11C	-----	1	O-RING LARGE
11D	-----	1	SHUTTLE DISC
11E	-----	1	SPRING
12	TB1017L	2	LEVER KIT (FOR ONE SECTION)
12A	-----	1	LEVER KNOB
12B	-----	1	LEVER
12C	-----	2	LEVER WASHER
12D	-----	1	LEVER CLIP
12E	-----	2	LINKAGE
12F	-----	1	LEVER PIN
12G	-----	1	ROLL PIN
12H	-----	1	LEVER BOOT
12J	-----	1	LEVER BOLT
12K	-----	1	LEVER DUST COVER
12L	-----	1	LEVER NUT
13	31603	2	COMPENSATOR
14	TB1017X	1	TIE ROD KIT
15	24214	1	O-RING, LARGE

COMMON SIDE ROTARY

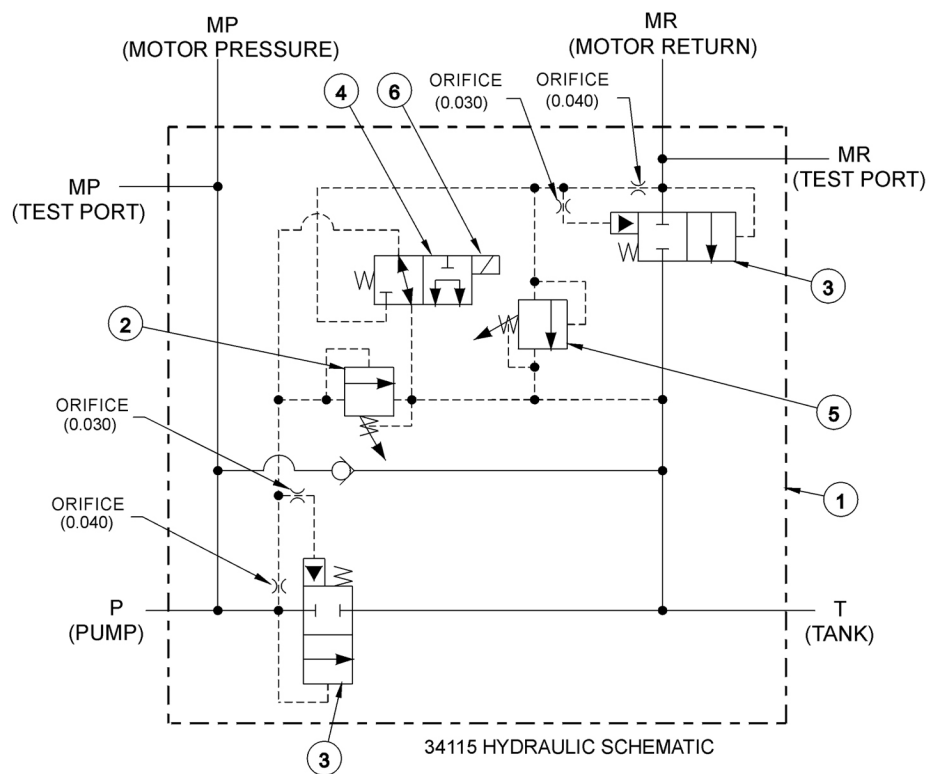
BRAKE VALVE ASSEMBLY



ITEM	PART NO.	QTY.	DESCRIPTION
---	06510083	1	BRAKE VALVE, ASSY
1	34092	1	BRAKE VALVE, BLANK
2	34094	2	LOGIC ELEMENT
3	34095	1	RELIEF VALVE, 3000 PSI
4	06510095	1	METRI PAK COIL
5	34093	1	CARTRIDGE, 2 POSITION, 3 WAY (WITH NUT & WASHER)
6	34091	1	RELIEF VALVE, 2600 PSI
---	34096	2	RELIEF SEAL KIT
----	34097	1	SOLENOID SEAL KIT
---	34098	2	ELEMENT SEAL KIT

COMMON SIDE ROTARY

BRAKE VALVE HYDRAULIC SCHEMATIC



BRAKE VALVE TROUBLESHOOTING

FAILURE MODE:

- MOWER WILL NOT START - system pressure is low (engine not lugging).
- MOWER WILL NOT START - system pressure is high (engine lugging). "MR" port will be high pressure.
- MOWER WILL NOT ROTATE AT FULL SPEED - limited power.
- MOWER BLADE WILL NOT STOP - blade will not stop in proper time.

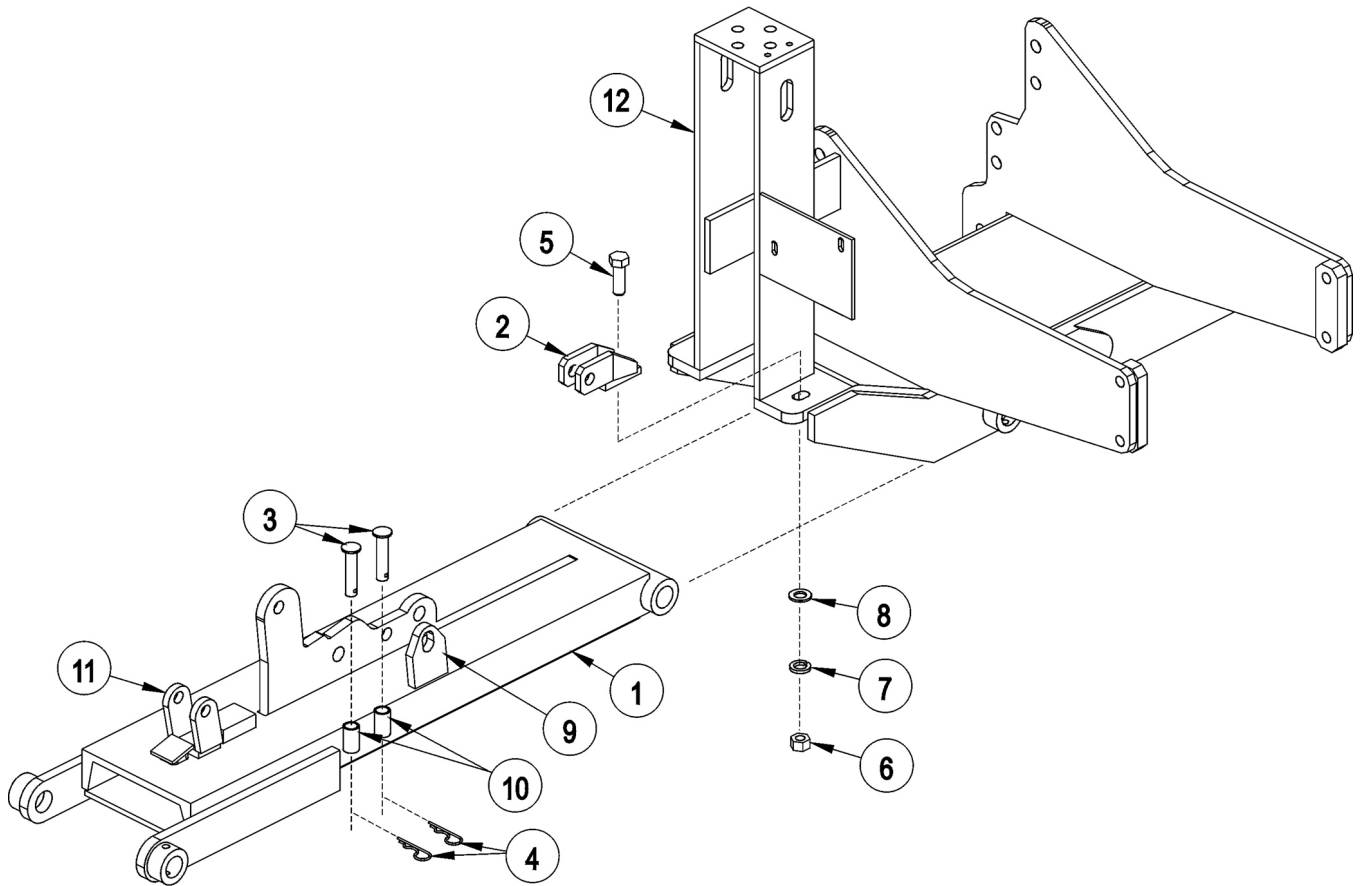
CHECK STEPS

- 1 thru 6
- 7
- 3 thru 5
- 7 thru 9

CORRECTIVE STEPS:

1. Check for voltage at solenoid (item 6), voltage must be between 10.2 volts and 13.8 volts.
2. Remove, inspect solenoid and cartridge (items 4, 6) for wear or contamination.
3. Remove, inspect logic elements near "P" port (item 3) for wear or contamination.
4. Remove, inspect 3000 psi relief valve (item 2) for wear or contamination.
5. Remove and inspect orifices near "P" port for contamination.
6. Remove "P" port hose and fitting, visually inspect for contamination, check ball for movement.
7. Remove and inspect orifices near "MR" port for contamination.
8. Remove, inspect 2600 psi relief valve (item 5) for wear of contamination.
9. Remove, inspect logic element near "MR" port (item 3) for wear or contamination.

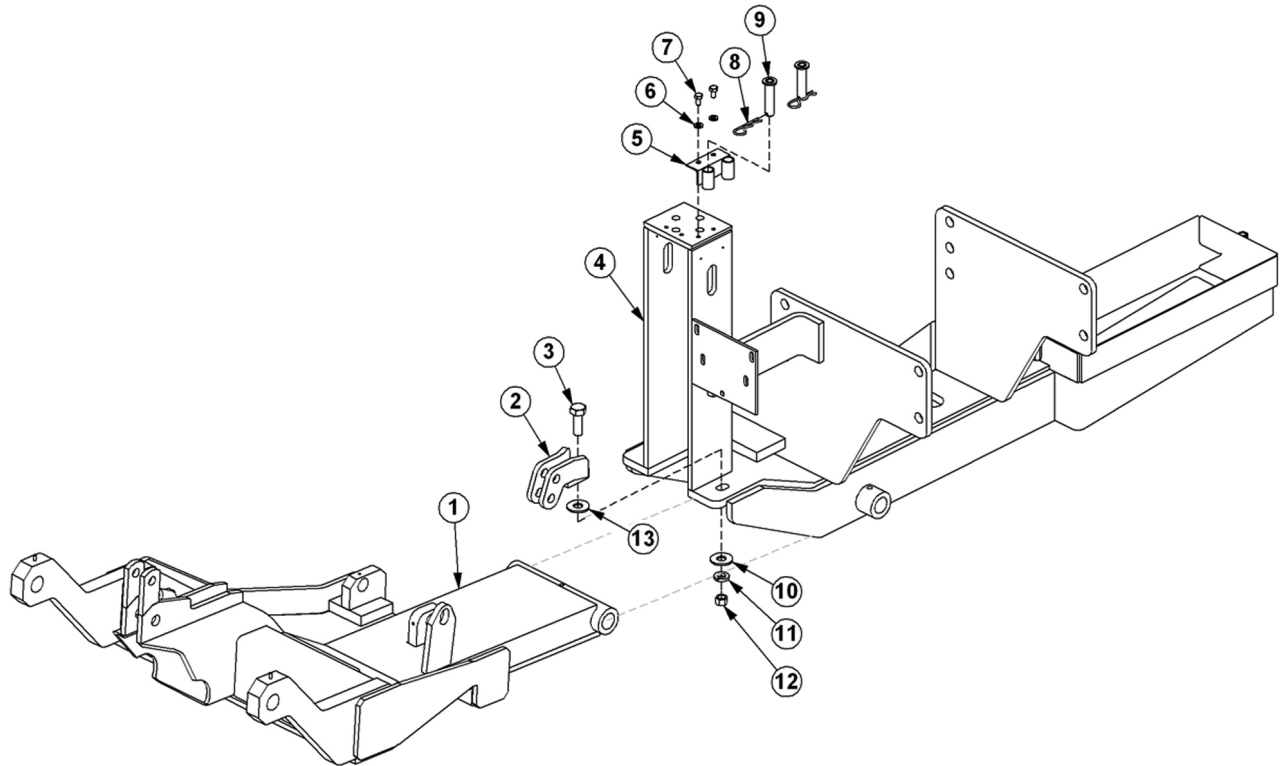
CABLE DRAFT BEAM TRAVEL LOCK



ITEM	PART NO.	QTY.	DESCRIPTION
1	-----	-	CABLE DRAFT BEAM
2	6T0106	1	TRAVEL LOCK BRACKET
3	6T0107	2	TRAVEL LOCK PINS 3/4" X 3 1/4"
4	6T3020	2	R - CLIP 5/32"
5	21833	1	CAPSCREW 3/4" X 2 1/4"
6	21825	1	HEX NUT 3/4"
7	21993	1	LOCK WASHER 3/4"
8	22021	1	FLAT WASHER 3/4"
9	22600	1	TRAVEL LOCK EAR
10	22604	2	PIN HOLDER
11	22601C	1	TRAVEL LOCK ASY
12	-----	-	MAIN FRAME *REFER TO PARTS SECTION

COMMON SIDE ROTARY

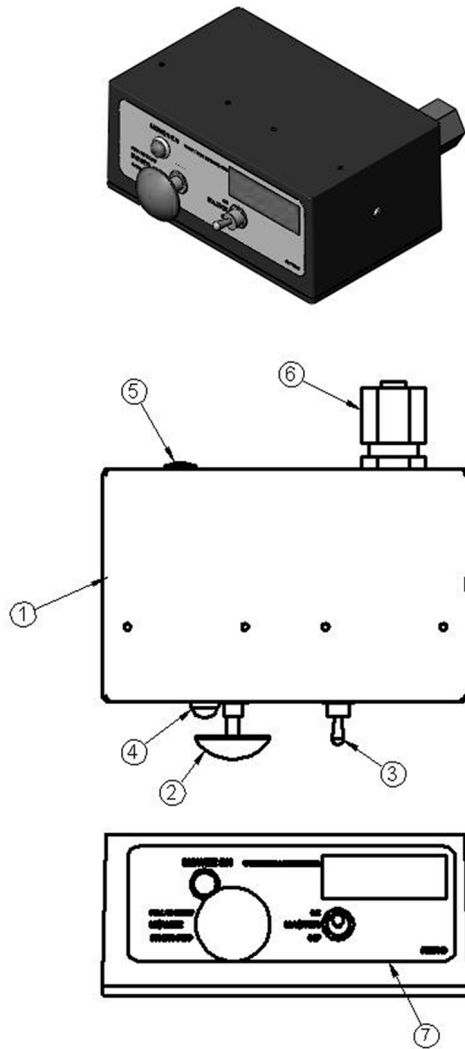
COMBO DRAFT BEAM TRAVEL LOCK



ITEM	PART NO.	QTY.	DESCRIPTION
1	-----	-	COMBO DRAFT BEAM
2	6T0106	1	TRAVEL LOCK BRACKET
3	21835	1	CAPSCREW,3/4" X 2-3/4",NC
4	-----	-	MAIN FRAME *REFER TO PARTS SECTION
5	33856	1	BRKT,PIN HOLDER
6	21988	2	LOCKWASHER,3/8"
7	21629	2	CAPSCREW,3/8" X 3/4",NC
8	6T3020	2	R-CLIP,5/32"
9	6T0107	2	TRAVEL LOCK PINS,3/4" X 3-1/4"
10	22021	1	FLATWASHER,3/4"
11	21993	1	LOCKWASHER,3/4"
12	21825	1	HEX NUT,3/4",NC
13	06430147	1	SPACER

COMMON SIDE ROTARY

SWITCH BOX

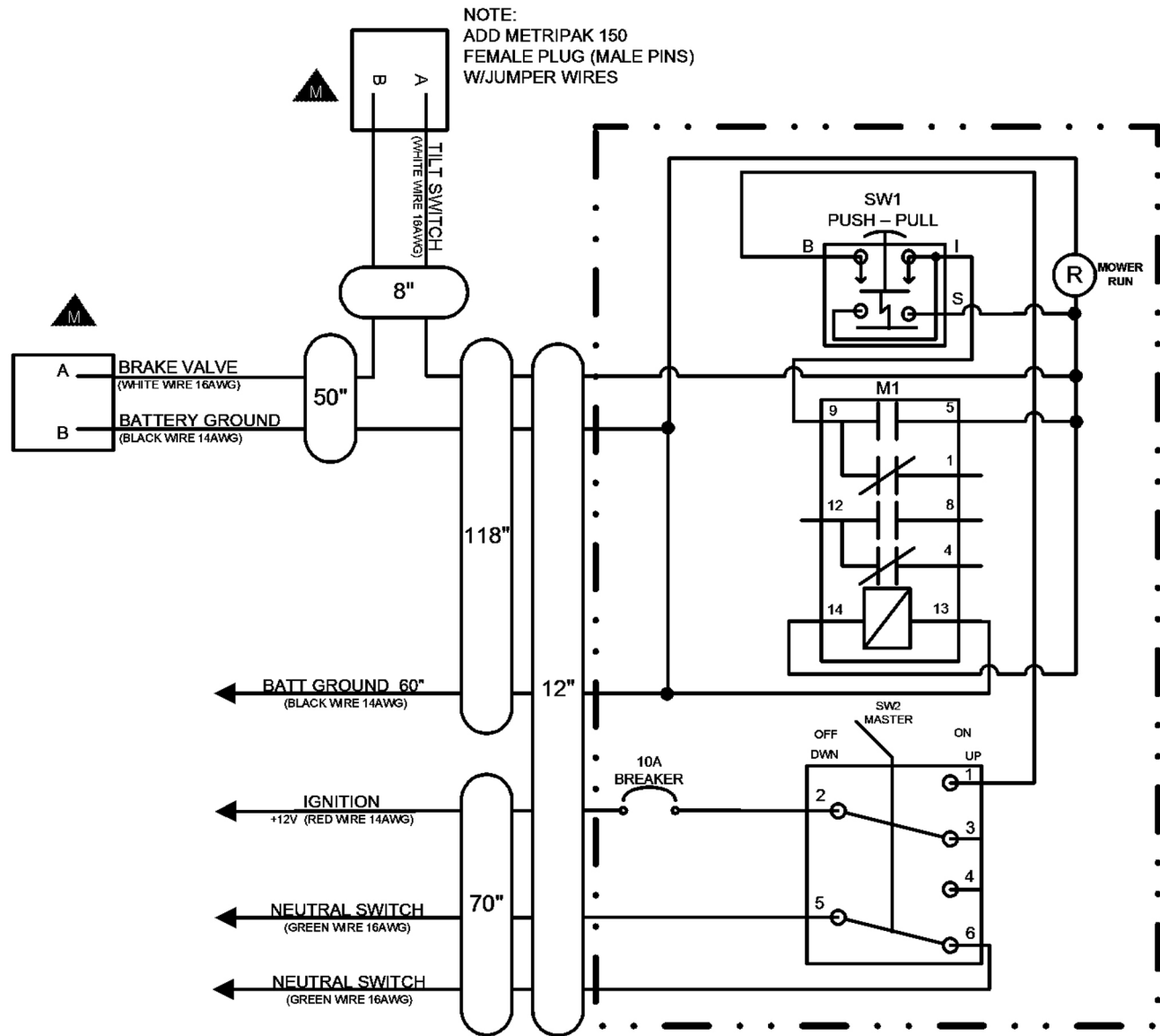


ITEM	PART NO.	QTY.	DESCRIPTION
1	06514013	1	SWBX,ALUM,BLK,06510102
2	35226	1	SWITCH,MOWER,COLEHERSEE
3	33811	1	SWITCH,MASTER/DECK FLOAT
4	6T3923	1	INDICTATOR LIGHT,ON,RED
5	06514014	1	BREAKER,10A,SWBX
6	34540	1	STRAIN RELIEF,3/4,BLACK,NYLON
7	06550018	1	DECAL,SWTCHBX,TM/TSF,CG
8	35227	1	RELAY,DP,DT,12V,LY2F,35226

COMMON SIDE ROTARY

SWITCH BOX SCHEMATIC

06510102 SCHEMATIC COMMON GROUND SWITCH BOX SIDE MOWER

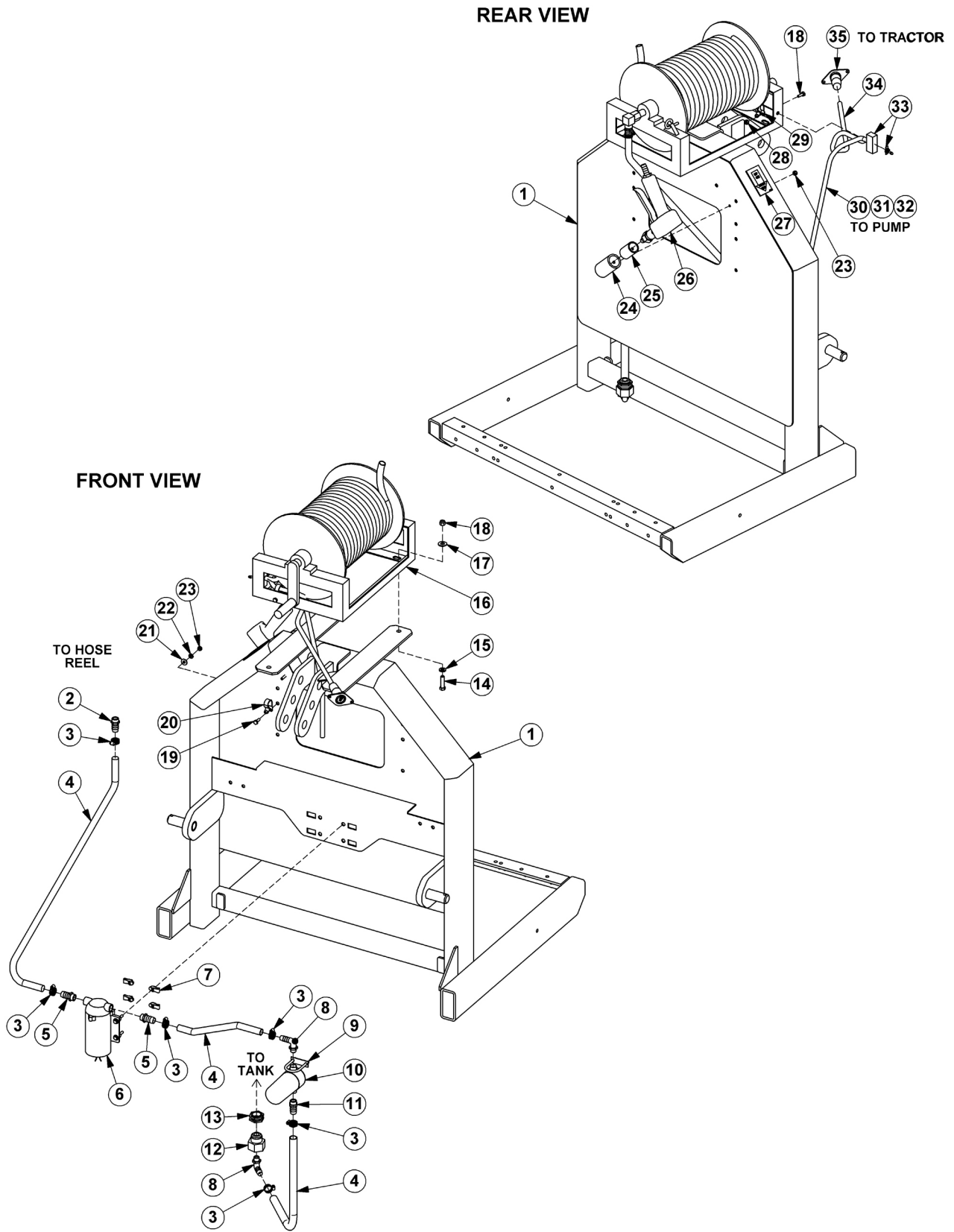


SEE DRAWING # 06515000 FOR A FULL DESCRIPTION OF ALL CONNECTORS

NOTES

**FIRE SUPPRESSION SYSTEM
SECTION**

FIRE SUPPRESSION 3-POINT MOUNT



COMMON SIDE ROTARY

FIRE SUPPRESSION 3-POINT MOUNT

Continued...

ITEM	PART NO.	QTY.	DESCRIPTION
1	06370137	1	MOUNT,3PNT,FIRE SYS
2	06503108	1	FITTING,1/2"BARB X 1/2"MP
3	35091	6	CLAMP,HOSE,#6
4	06520469	5	HOSE,1/2",BULK (FEET)
5	06503168	2	SWIVEL,1/2"STR,POLY
6	06520359	1	PUMP,LARGE
7	35176	4	U-NUT,1/4"
8	06520367	2	ELBOW,1/2"BARB X 1/2"MP,POLY
9	27329	1	U-BOLT,1/4"
10	06520361	1	FILTER
---	06520351	1	ELEMENT,FILTER
11	06520349	1	FITTING,BARB,HOSE
12	06503169	1	REDUCER,BUSHING (100 & 150 GALLON TANKS ONLY)
13	06520346	1	FITTING,BULKHEAD (50 GALLON TANKS ONLY)
14	21632	4	CAPSCREW,3/8" X 1-1/2",NC
15	21988	4	LOCKWASHER,3/8"
16	06520360	1	HOSE REEL
17	22016	4	FLATWASHER,3/8"
18	21627	4	NYLOCK NUT,3/8",NC
19	21529	2	CAPSCREW,1/4" X 3/4",NC
20	06510258	1	CLAMP,3/4"
21	22014	1	FLATWASHER,1/4"
22	21986	1	LOCKWASHER,1/4"
23	21525	2	HEX NUT,1/4",NC
24	06370121	1	HOLSTER
25	06430090	1	SLEEVE
26	06520366	1	GUN,FIRE SYS
27	6T3222	1	DECAL
28	21527	1	NYLOCK NUT,1/4",NC
29	06510257	1	CLAMP,3/8"
30	28055	5	WIRE,BLACK,14GA (FEET)
31	24200	5	WIRE,RED,14GA (FEET)
32	22802	5	WIRE WRAP (FEET)
33	PT3905A	1	SWITCH
34	06510256	4	CABLE,14GA,4WIRE (FEET)
35	06510255	1	PLUG,7PIN,TRCTR

COMMON SIDE ROTARY

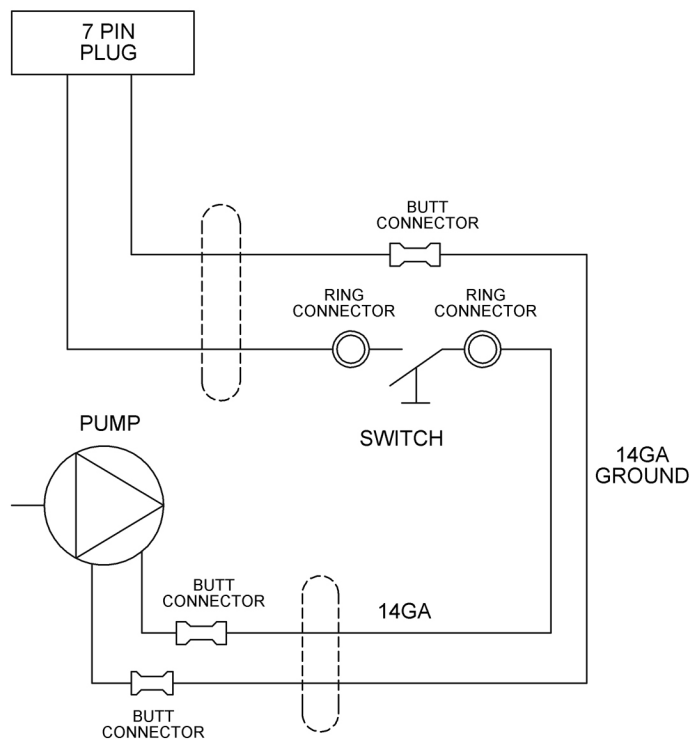
FIRE SUPPRESSION FRONT MOUNT

Continued...

ITEM	PART NO.	QTY.	DESCRIPTION
1	06520342	1	TANK,50 GALLON
2	06370204	1	MNT,TANK,FRNT,50 GALLON
3	35176	4	U-NUT,1/4,3/4 TO CENTER
4	35091	6	CLAMP,HOSE,#6
5	06503168	2	SWIVEL,1/2 STR,POLY
6	06520469	8	HOSE,1/2,SPRAYER
7	06520359	1	PUMP,FIRE KIT
8	06503108	1	FITTING,1/2" BARB X 1/2"MP
9	06520367	2	ELBOW,1/2MPX1/2BARB,POLY
10	27329	1	U-BOLT,1/4X2X1
11	06520361	1	FILTER,FIRE KIT,RAILKUT
---	06520351	1	STRAINER,40 MESH
12	06520349	1	FITTING,BARB,HOSE,WETCUT
13	06520346	1	FITTING,BULKHEAD
14	21627	8	NYLOCK NUT,3/8 NC
15	22016	16	FLATWASHER,3/8,GR8
16	06510255	1	PLUG,7PIN,TRCTR
17	06510256	22	WIRE,14GA,4WIRE (FEET)
18	21631	8	CAPSCREW,3/8X1 1/4, NC,GR8
19	06370207	1	MNT,FIRE SUPPRESSION
20	21527	3	NYLOCK NUT,1/4 NC
21	06510257	2	CLAMP,3/8X1/4,INS
22	21529	2	CAPSCREW,1/4 X 3/4 NC
23	6T3222	1	DECAL,CONTROL,ON-OFF SWITCH
24	PT3905A	1	SWITCH,MOWER
25	06520360	1	HOSE REEL,FIRE KIT,RAILKUT
26	06520366	1	GUN,FIRE KIT,RAILKUT
27	06430090	1	SLEEVE,GUN,FIRE SYS
28	06370121	1	HOLSTER,FIRESYS,RAILKUT

COMMON SIDE ROTARY

FIRE SUPPRESSION SYSTEM ELECTRICAL SCHEMATIC



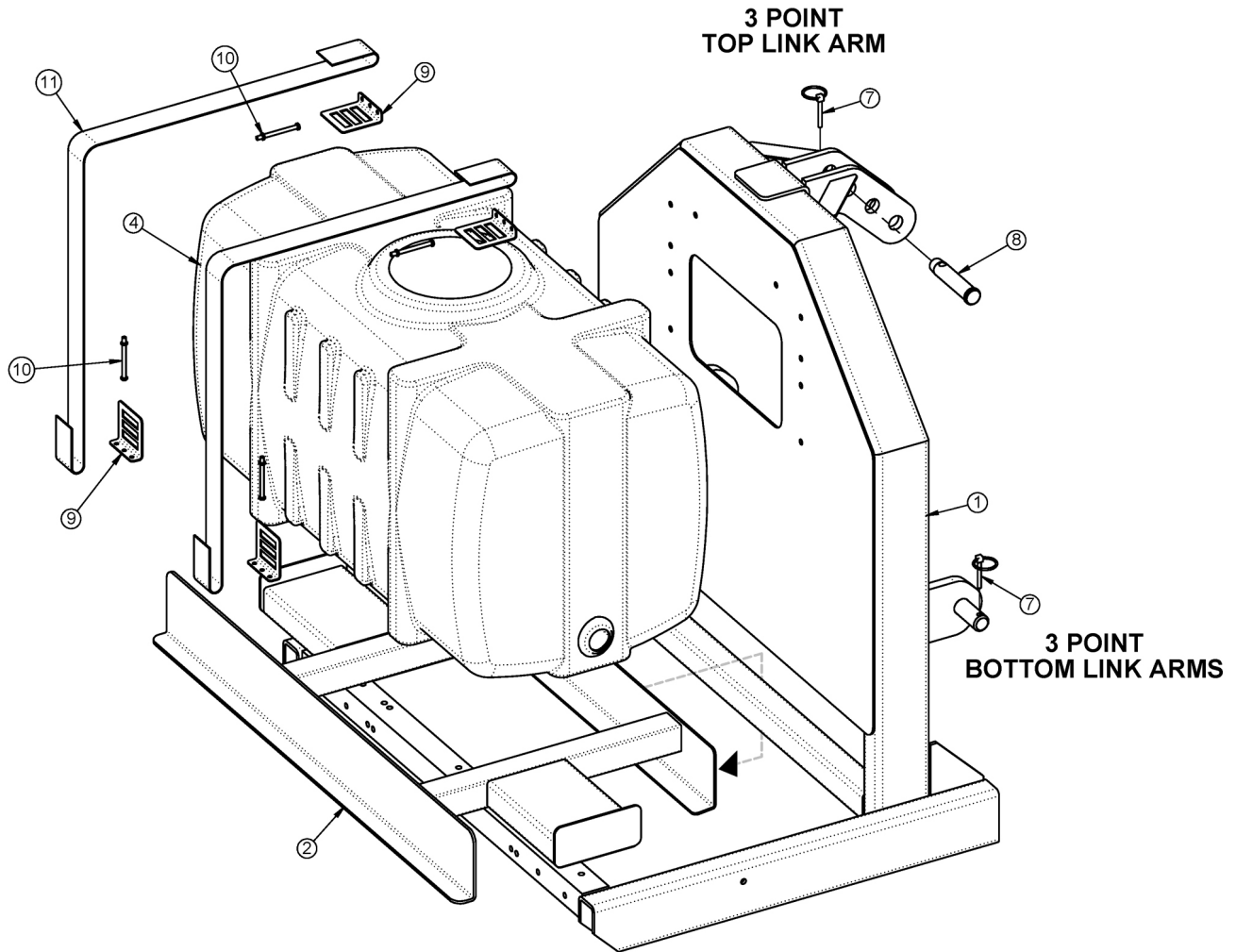
WETCUT

**WETCUT
SECTION**

COMMON SIDE ROTARY

WETCUT 50 GALLON TANK - 3PNT MOUNT

INSTALL ITEM 2 INTO ITEM 1 FIRST

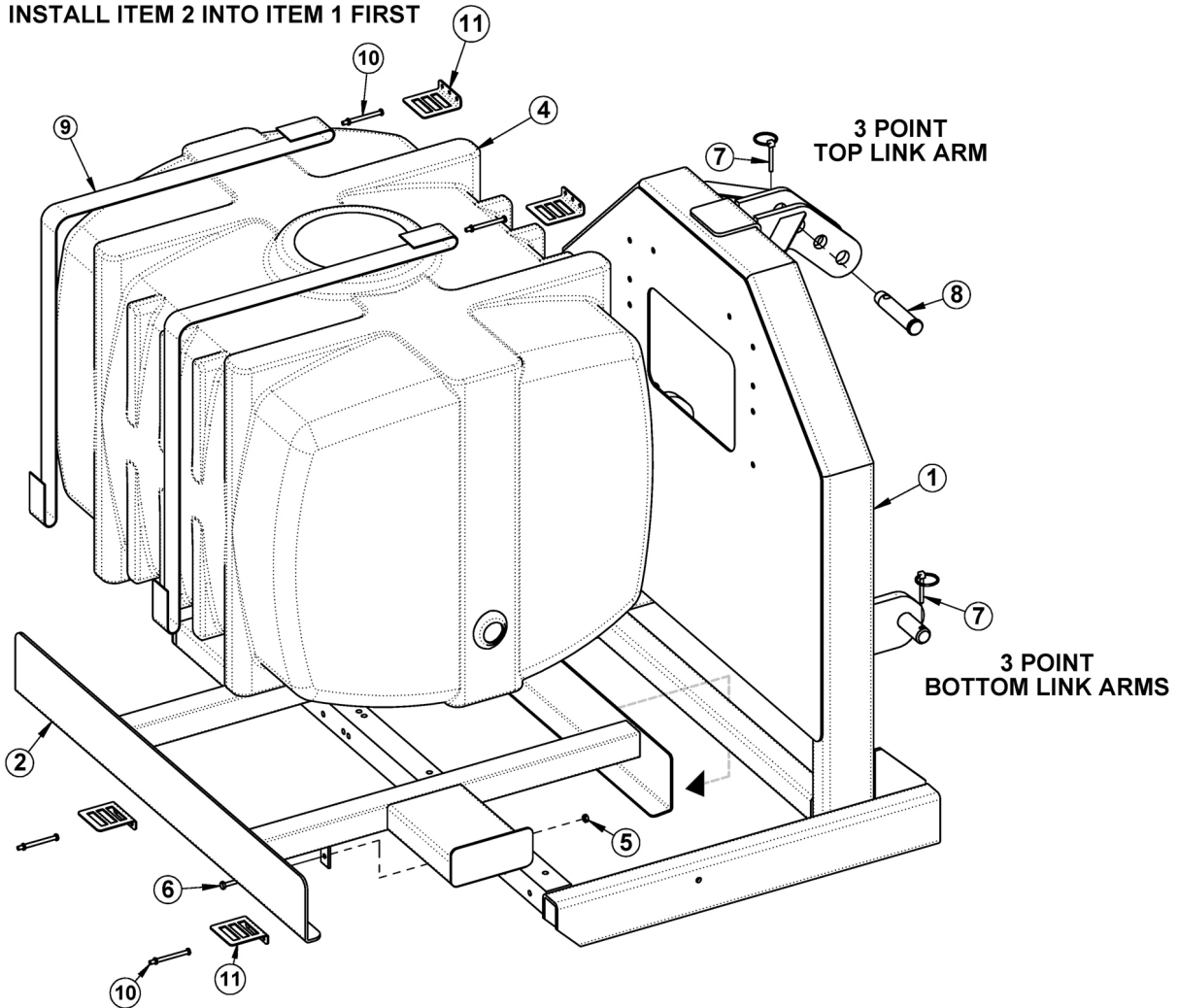


ITEM	PART NO.	QTY.	DESCRIPTION
1	06370128	1	MNT,3PNT,UNI
2	06370136	1	MNT,TANK,50GAL,WETCUT
4	06520342	1	TANK,50GA.,WETCUT
7	RD1032	3	PIN,LYNCH 1/4" X 2"
8	TB1036	1	PIN,SEC BOOM SWIV 1X4-11/16"
9	06520343	4	ANCHOR,STRAP,WETCUT
10	06520344	4	BOLT,STRAP,TANK,WETCUT
11	06520345	2	STRAP,TANK,WETCUT

COMMON SIDE ROTARY

WETCUT 100 OR 150 GALLON TANK - 3PNT MOUNT

INSTALL ITEM 2 INTO ITEM 1 FIRST

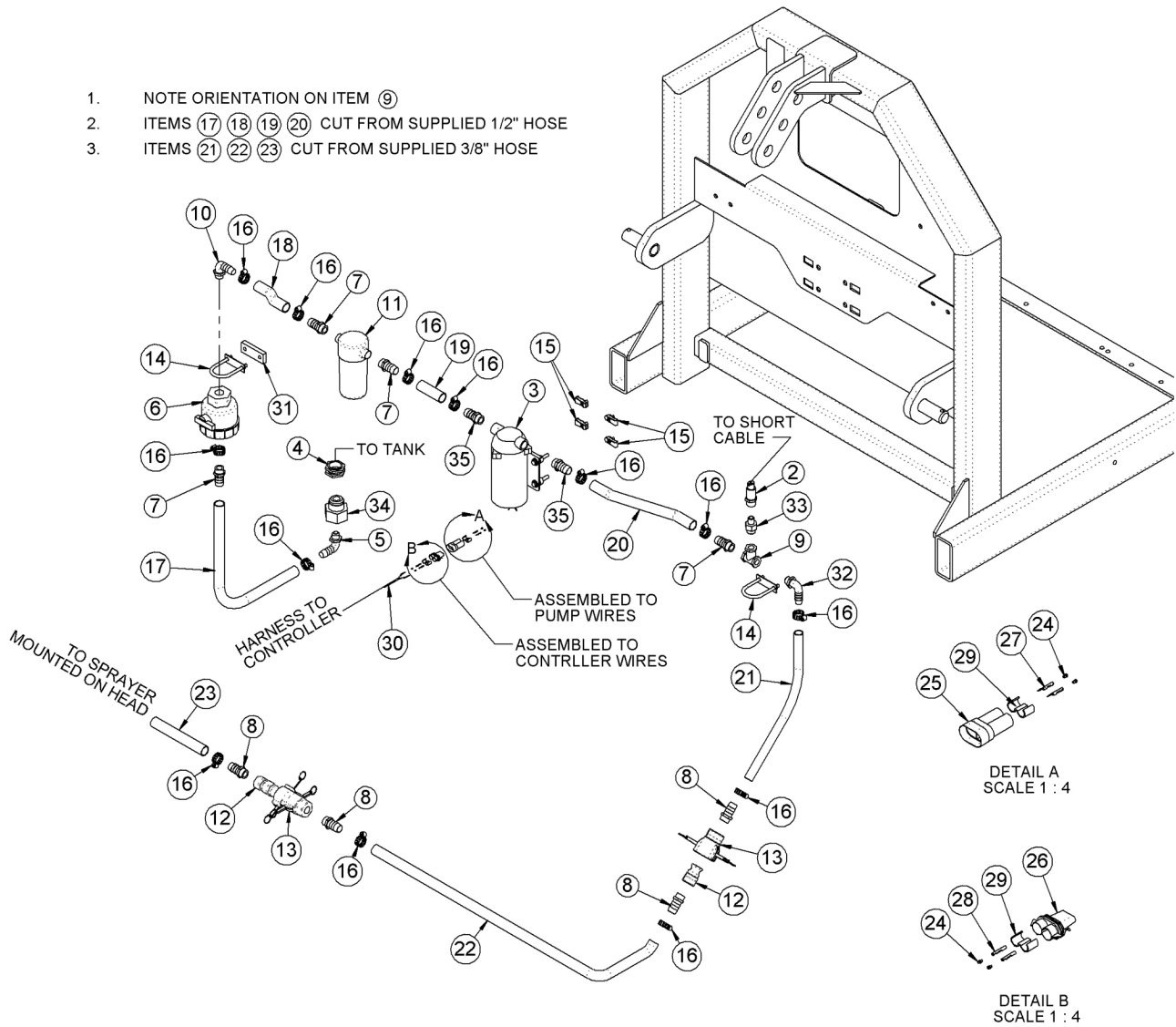


ITEM	PART NO.	QTY.	DESCRIPTION
1	06370128	1	MNT,3PNT,UNI
2	06370138	1	MNT,TANK,100GAL,WETCUT
-----	06370139	-	MNT,TANK,150GAL,WETCUT
4	06520372	1	TANK,100GA.,WETCUT
-----	06520373	-	TANK,150GA.,WETCUT
5	21527	2	HEX NUT,NYLOCK,1/4" NC
6	21530	2	CAPSCREW,1/4" X 1" NC
7	RD1032	3	PIN,LYNCH 1/4" X 2"
8	TB1036	1	PIN,SEC BOOM SWIV 1X4-11/16"
9	06520345	2	STRAP,TANK,WETCUT
10	06520344	4	BOLT,STRAP,TANK,WETCUT
11	06520343	4	ANCHOR,STRAP,WETCUT

COMMON SIDE ROTARY

WETCUT 3PNT PLUMBING - 50IN MOWERS

1. NOTE ORIENTATION ON ITEM ⑨
2. ITEMS ⑰ ⑱ ⑲ ⑳ CUT FROM SUPPLIED 1/2" HOSE
3. ITEMS ㉑ ㉒ ㉓ CUT FROM SUPPLIED 3/8" HOSE



COMMON SIDE ROTARY

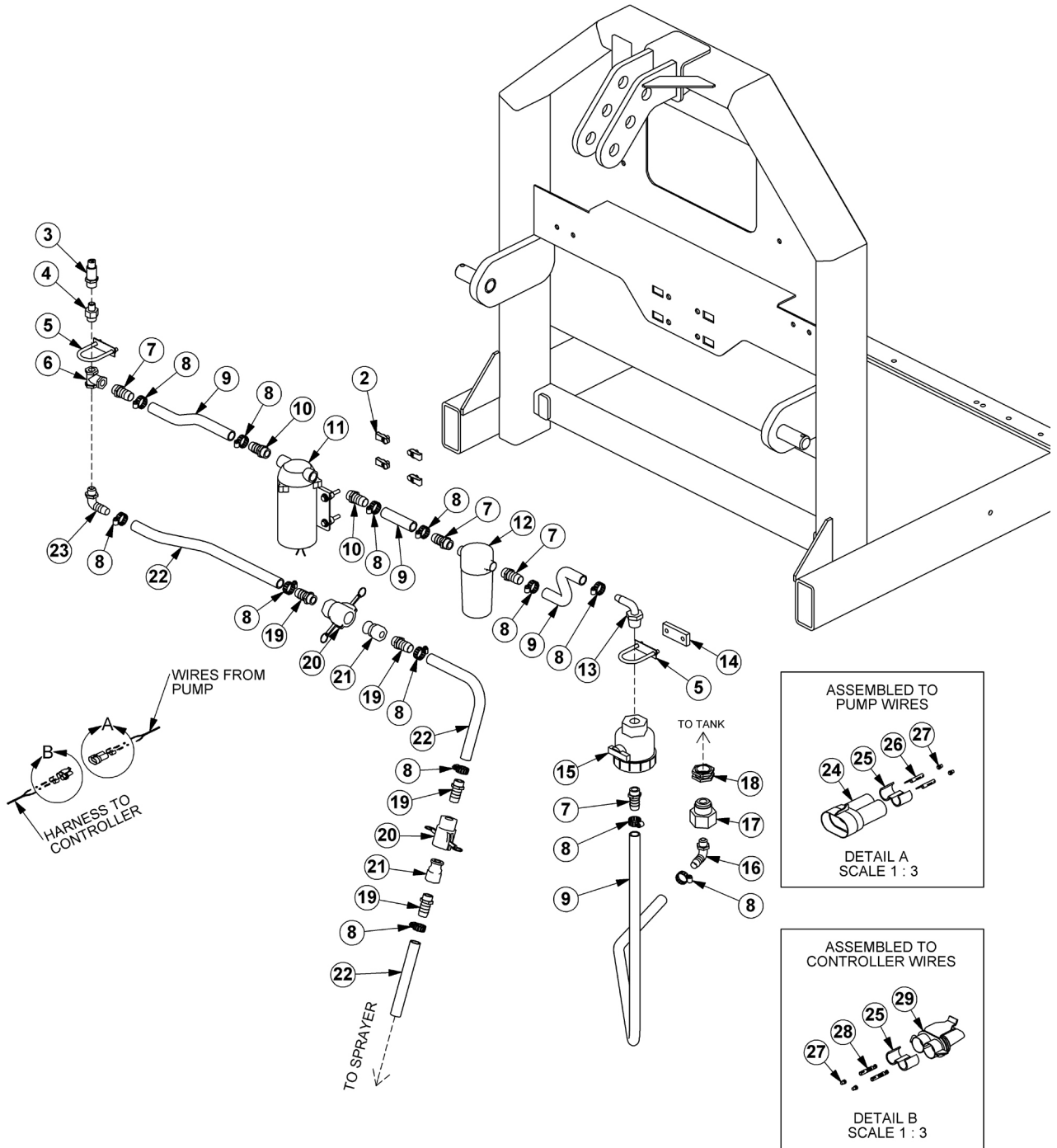
WETCUT 3PNT PLUMBING - 50IN MOWERS

Continued...

ITEM	PART NO.	QTY.	DESCRIPTION
1	06370128	1	MNT,3PNT,UNI
2	06520336	1	CNTRLR,SENSOR,06520333
3	06520341	1	PUMP,WETCUT
4	06520346	1	FITTING,BULKHEAD,WETCUT (50 GALLON TANKS ONLY)
5	06520347	1	FITTING,ELBOW,WETCUT
6	06520348	1	VLV,BALL,WETCUT
7	06520349	4	FITTING,BARB,HOSE,WETCUT
8	06503173	4	FITTING,1/2MP X 3/8" BARB
9	06520353	1	FITTING,TEE,WETCUT
10	06520367	1	ELBOW,1/2" X 1/2" BARB,POLY
11	06520361	1	FILTER,FIRE KIT,RAILKUT
12	06520400	2	QUIK CPLR,MALE,1/2",WETCUT
13	06520401	2	QUIK CPLR,FEM,1/2",WETCUT
14	27329	2	U-BOLT,1/4" X 1" X 2"
15	35176	4	U-NUT,1/4",3/4" TO CENTER
16	35091	13	CLAMP, HOSE #6
17 - 20	06520469	5	1/2" HOSE (FEET)
21 - 23	06520316	-	3/8" HOSE (INCLUDED WITH SPRAYER)
24	06510051	4	SEAL,16-18GA,METPAK
25	06510052	1	CONN.,BODY,MALE,METRIPACK 150
26	06510053	1	CONN.,BODY,FEM,METRIPACK 150
27	06510054	2	TERMINAL,MALE,16/18GA.METPAK
28	06510055	2	TERMINAL,FEM,16/18GA.METPAK
29	06510056	2	TPA
30	06520337	1	INCLUDED WITH CONTROLLER
31	06401133	1	SPACER,Ø.31" X 1.75" X .38"
32	06503165	1	ELBOW,1/2"MP X 3/8" BARB
33	06520354	1	BUSHING,REDUCER,WETCUT
34	06503169	1	BUSHING,1"MP X 1/2"FP (100 & 150 GALLON TANKS ONLY)
35	06503176	2	FITTING,BARB,3/8"MP X 1/2" BARB

COMMON SIDE ROTARY

WETCUT 3PNT PLUMBING - LARGE MOWERS



COMMON SIDE ROTARY

WETCUT 3PNT PLUMBING - LARGE MOWERS

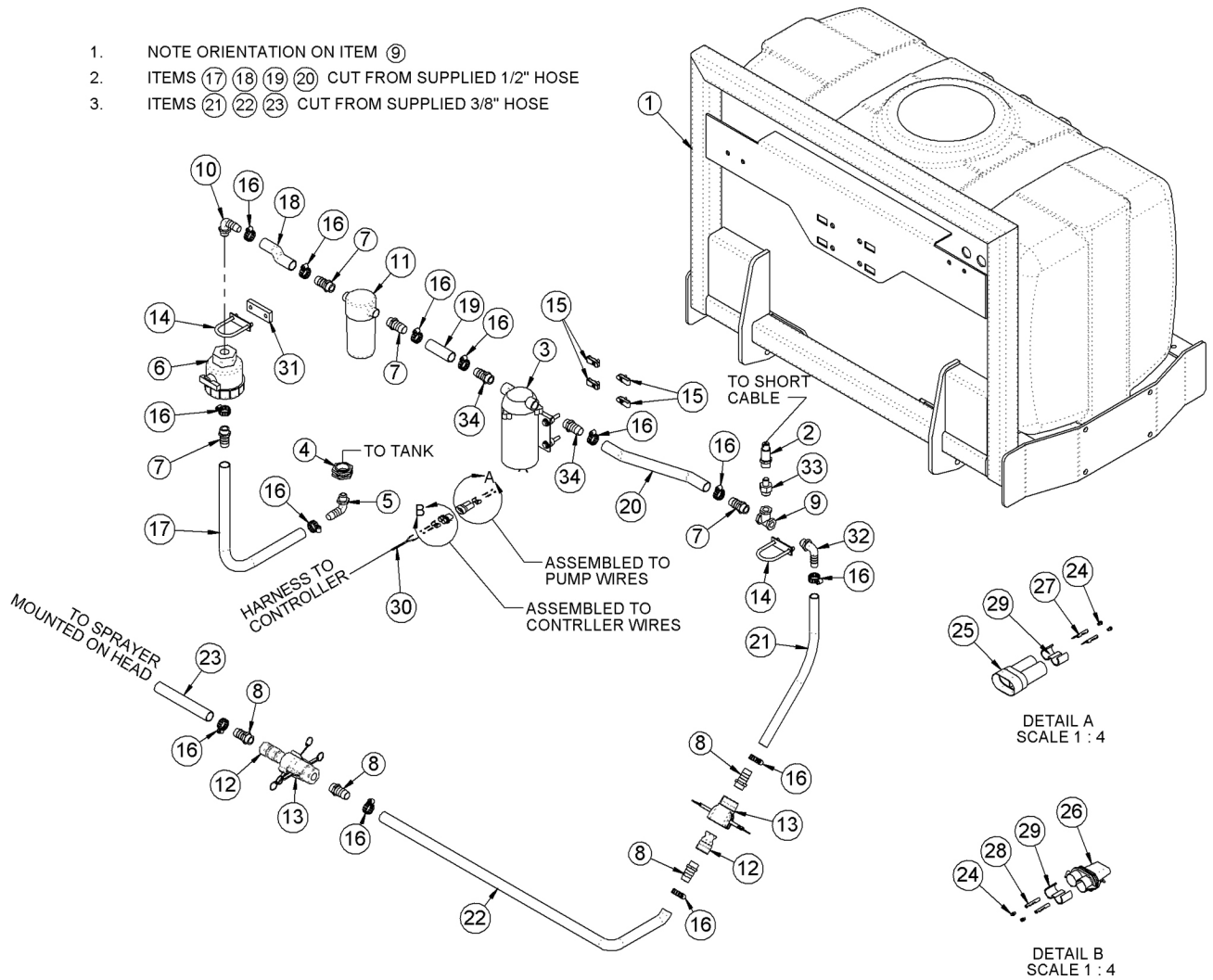
Continued...

ITEM	PART NO.	QTY.	DESCRIPTION
1	06370128	1	MNT,3PNT,UNI
2	35176	4	U-NUT,1/4,3/4 TO CENTER
3	06520336	1	CNTRLR,SENSOR,06520333
4	06520354	1	BUSHING,REDUCER,WETCUT
5	27329	2	U-BOLT,1/4" X 1" X 2"
6	06520353	1	FITTING,TEE,WETCUT
7	06520349	4	FITTING,BARB,HOSE,WETCUT
8	35091	13	CLAMP, HOSE #6
9	06520469	5	1/2" HOSE (FEET)
10	06503168	2	SWIVEL,1/2" STR
11	06520359	1	PUMP,LARGE
12	06520361	1	FILTER,FIRE KIT,RAILKUT
---	06520351	1	STRAINER,40MESH
13	06520367	1	ELBOW,1/2X1/2BARB,POLY
14	06401133	1	SPACER,Ø.31X1.75X.38
15	06520348	1	VLV,BALL,WETCUT
16	06520347	1	FITTING,ELBOW,WETCUT
17	06503169	1	BUSHING,1MPX1/2FP (100 & 150 GALLON TANKS ONLY)
18	06520346	1	FITTING,BULKHEAD,WETCUT (50 GALLON TANKS ONLY)
19	06503173	4	FITTING,BARB,1/2X3/8,WETCUT
20	06520401	2	QUIK CPLR,FEM,1/2,WETCUT
21	06520400	2	QUIK CPLR,MALE,1/2,WETCUT
22	06520316	-	3/8" HOSE (INCLUDED WITH SPRAYER)
23	06503165	1	ELBOW,1/2X3/8BARB,POLY
24	06510052	1	CONN.,BODY,MALE,METRIPACK 150
25	06510056	2	TPA
26	06510054	2	TERMINAL,MALE,16/18GA.METPAK
27	06510051	4	SEAL,16-18GA,METPAK
28	06510055	2	TERMINAL,FEM,16/18GA.METPAK
29	06510053	1	CONN.,BODY,FEM,METRIPACK 150

COMMON SIDE ROTARY

WETCUT FRONT PLUMBING - 50IN MOWERS

1. NOTE ORIENTATION ON ITEM ⑨
2. ITEMS ⑰ ⑱ ⑲ ⑳ CUT FROM SUPPLIED 1/2" HOSE
3. ITEMS ㉑ ㉒ ㉓ CUT FROM SUPPLIED 3/8" HOSE



COMMON SIDE ROTARY

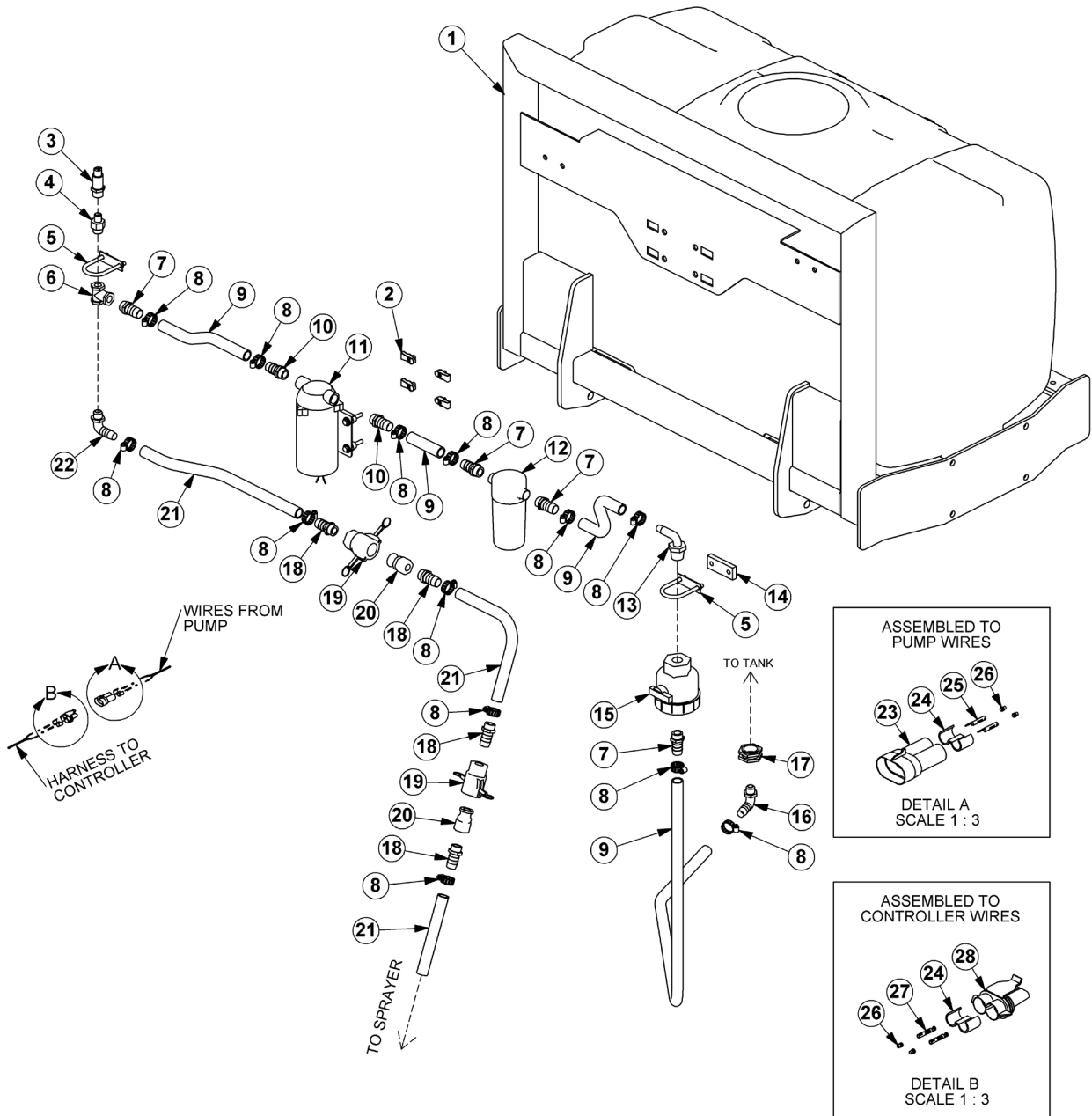
WETCUT FRONT PLUMBING - 50IN MOWERS

Continued...

ITEM	PART NO.	QTY.	DESCRIPTION
1	06370204	1	MNT,FRONT,UNI
2	06520336	1	CNTRLR,SENSOR,06520333
3	06520341	1	PUMP,WETCUT
4	06520346	1	FITTING,BULKHEAD,WETCUT
5	06520347	1	FITTING,ELBOW,WETCUT
6	06520348	1	VLV,BALL,WETCUT
7	06520349	4	FITTING,BARB,HOSE,WETCUT
8	06503173	4	FITTING,1/2"MP X 3/8"BARB
9	06520353	1	FITTING,TEE,WETCUT
10	06520367	1	ELBOW,1/2"MP X 1/2"BARB,POLY
11	06520361	1	FILTER,FIRE KIT,RAILKUT
---	06520351	1	STRAINER,40MESH
12	06520400	2	QUIK CPLR,MALE,1/2",WETCUT
13	06520401	2	QUIK CPLR,FEM,1/2",WETCUT
14	27329	2	U-BOLT,1/4" X 1" X 2"
15	35176	4	U-NUT,1/4",3/4" TO CENTER
16	35091	13	CLAMP,HOSE #6
17 - 20	06520469	5	1/2" HOSE (FEET)
21 - 23	06520316	-	3/8" HOSE (INCLUDED WITH SPRAYER)
24	06510051	4	SEAL,16-18GA,METPAK
25	06510052	1	CONN.,BODY,MALE,METRIPACK 150
26	06510053	1	CONN.,BODY,FEM,METRIPACK 150
27	06510054	2	TERMINAL,MALE,16/18GA.METPAK
28	06510055	2	TERMINAL,FEM,16/18GA.METPAK
29	06510056	2	TPA
30	06520337	1	INCLUDED WITH CONTROLLER
31	06401133	1	SPACER,Ø.31" X 1.75" X .38"
32	06503165	1	ELBOW,1/2"MP X 3/8"BARB,POLY
33	06520354	1	BUSHING,REDUCER,WETCUT
34	06503176	2	FITTING,3/8"MP X 1/2"BARB

COMMON SIDE ROTARY

WETCUT FRONT PLUMBING - LARGE MOWERS



COMMON SIDE ROTARY

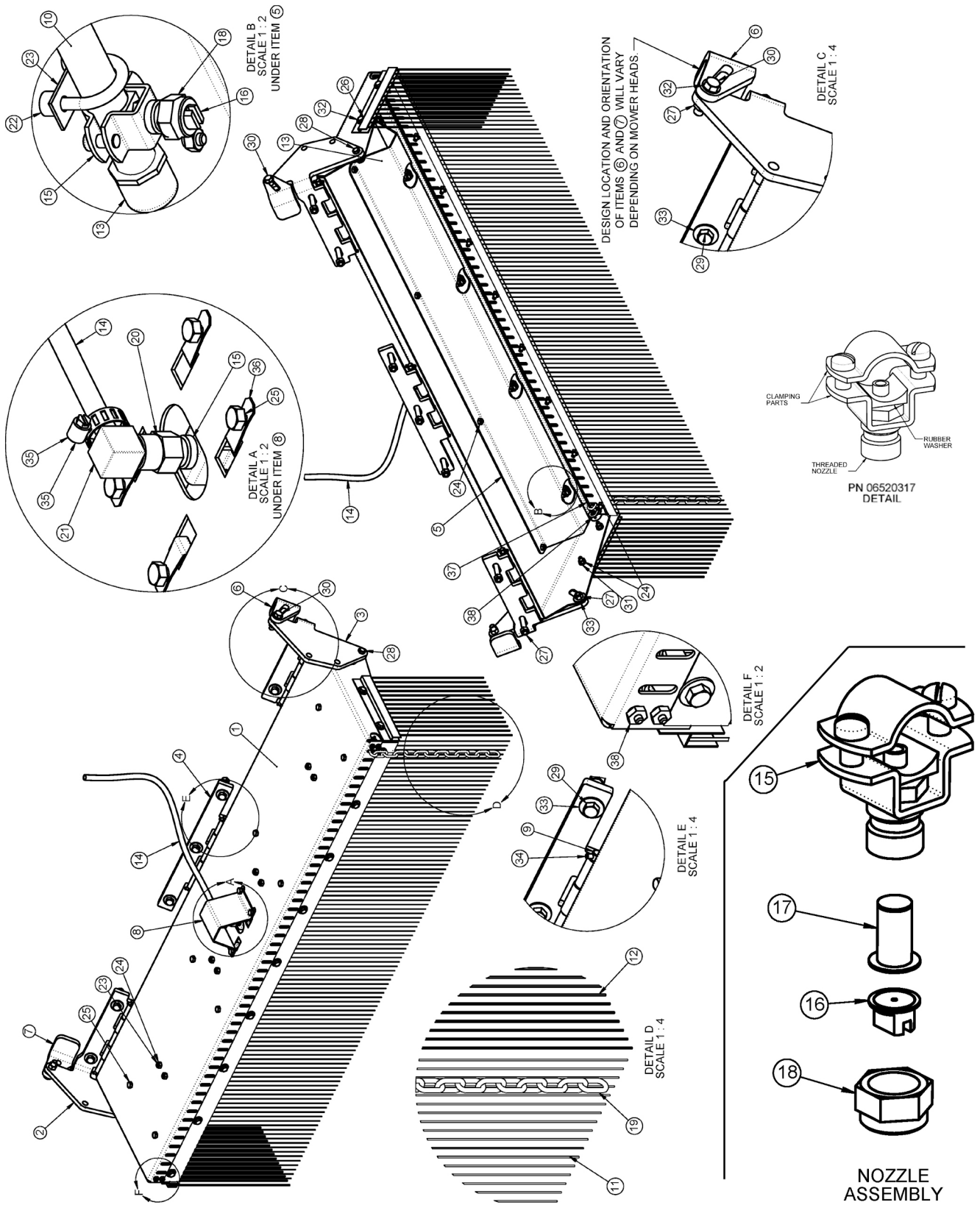
WETCUT FRONT PLUMBING - LARGE MOWERS

Continued...

ITEM	PART NO.	QTY.	DESCRIPTION
1	06370204	1	MNT,FRONT,UNIV
2	35176	4	U-NUT,1/4,3/4 TO CENTER
3	06520336	1	CNTRLR,SENSOR,06520333
4	06520354	1	BUSHING,REDUCER,WETCUT
5	27329	2	U-BOLT,1/4" X 1" X 2"
6	06520353	1	FITTING,TEE,WETCUT
7	06520349	4	FITTING,BARB,HOSE,WETCUT
8	35091	13	CLAMP, HOSE #6
9	06520469	5	1/2" HOSE (FEET)
10	06503168	2	SWIVEL,1/2" STR
11	06520359	1	PUMP,LARGE
12	06520361	1	FILTER,FIRE KIT,RAILKUT
---	06520351	1	STRAINER,40MESH
13	06520367	1	ELBOW,1/2X1/2BARB,POLY
14	06401133	1	SPACER,Ø.31X1.75X.38
15	06520348	1	VLV,BALL,WETCUT
16	06520347	1	FITTING,ELBOW,WETCUT
17	06520346	1	FITTING,BULKHEAD,WETCUT
18	06503173	4	FITTING,BARB,1/2X3/8,WETCUT
19	06520401	2	QUIK CPLR,FEM,1/2,WETCUT
20	06520400	2	QUIK CPLR,MALE,1/2,WETCUT
21	06520316	-	3/8" HOSE (INCLUDED WITH SPRAYER)
22	06503165	1	ELBOW,1/2X3/8BARB,POLY
23	06510052	1	CONN.,BODY,MALE,METRIPACK 150
24	06510056	2	TPA
25	06510054	2	TERMINAL,MALE,16/18GA.METPAK
26	06510051	4	SEAL,16-18GA,METPAK
27	06510055	2	TERMINAL,FEM,16/18GA.METPAK
28	06510053	1	CONN.,BODY,FEM,METRIPACK 150

COMMON SIDE ROTARY

WETCUT 50IN SPRAYER HEAD ASSEMBLY



COMMON SIDE ROTARY

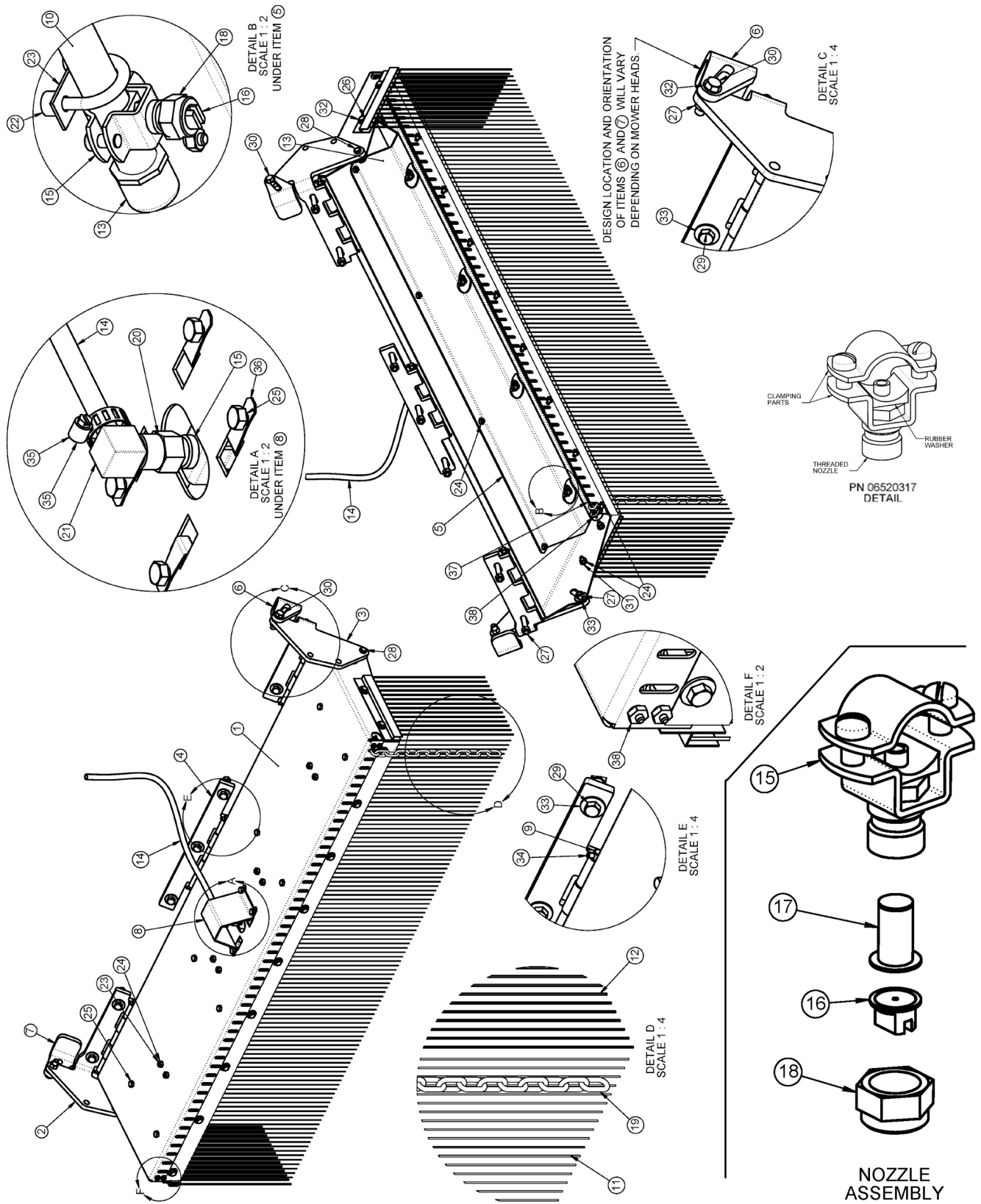
WETCUT 50IN SPRAYER HEAD ASSEMBLY

Continued...

ITEM	PART NO.	QTY.	DESCRIPTION
1	06370105	1	HOOD,SPRAYER
2	06370106	1	HINGE,LH,SPRAYER
3	06370107	1	HINGE,RH,SPRAYER
4	06370108	1	HINGE,CNTR,SPRAYER
5	06410668	1	GUARD,SPRAYER,WETCUT
6	06410753	1	MNT,RH,WET CUT (FLAIL)
---	06410942	1	MNT,RH,WET CUT (ROTARY)
7	06410754	1	MNT,LH,WET CUT (FLAIL)
---	06410943	1	MNT,LH,WET CUT (ROTARY)
8	06410796	1	GUARD,HOSE,WETCUT
9	06420069	3	PIN,HINGE,WET CUT
10	06497003	1	TUBE,LG,SPRAYER
11	06499012	1	SKIRT,ANTI SPRAY,50
12	06499013	2	SKIRT,ANTI SPRAY,7
13	06520314	2	TUBE,CAP,SPRAYER
14	06520316	15	HOSE,SPRAYER (FEET)
15	06520317	5	NOZZLE,SPRAYER
16	06520319	4	TIP,NOZZLE,SPRAYER
17	06520320	4	FILTER,NOZZLE,SPRAYER
18	06520321	4	NUT,NOZZLE,SPRAYER
19	06520322	49	CHAIN,.18" X 1.31" X 13LINKS
20	06520381	1	ADAPTER,1/4"NPT,WETCUT
21	06520382	1	ELBOW,BARB,3/8" X 1/4"NPT
22	06520383	8	SPACER,.50"O.D. X .252" I.D. X .38",NYLON
23	32550	4	U-BOLT,1/4" X 1" X 1" X 1-3/4"
24	21527	29	HEX NUT,NYLOCK,1/4",NC
25	21528	12	CAPSCREW,1/4" X 1/2",NC
26	21529	13	CAPSCREW,1/4" X 3/4",NC
27	21625	11	HEX NUT,3/8",NC
28	21630	2	CAPSCREW,3/8" X 1",NC
29	21634	7	CAPSCREW,3/8" X 2",NC
30	21632	2	CAPSCREW,3/8" X 1-1/2",NC
31	21986	4	LOCKWASHER,1/4"
32	22014	15	FLATWASHER,1/4"
33	22016	9	FLATWASHER,3/8",GR8
34	34698	6	ROLL PIN, PLAIN, 3/16" X 7/8"
35	35091	1	CLAMP,HOSE #6
36	35176	4	U-NUT,1/4",3/4" TO CENTER
37	06520376	5	CABLE,3/16"
38	06537022	2	U-BOLT,CABLE,3/16"

COMMON SIDE ROTARY

WETCUT 60IN SPRAYER HEAD ASSEMBLY



COMMON SIDE ROTARY

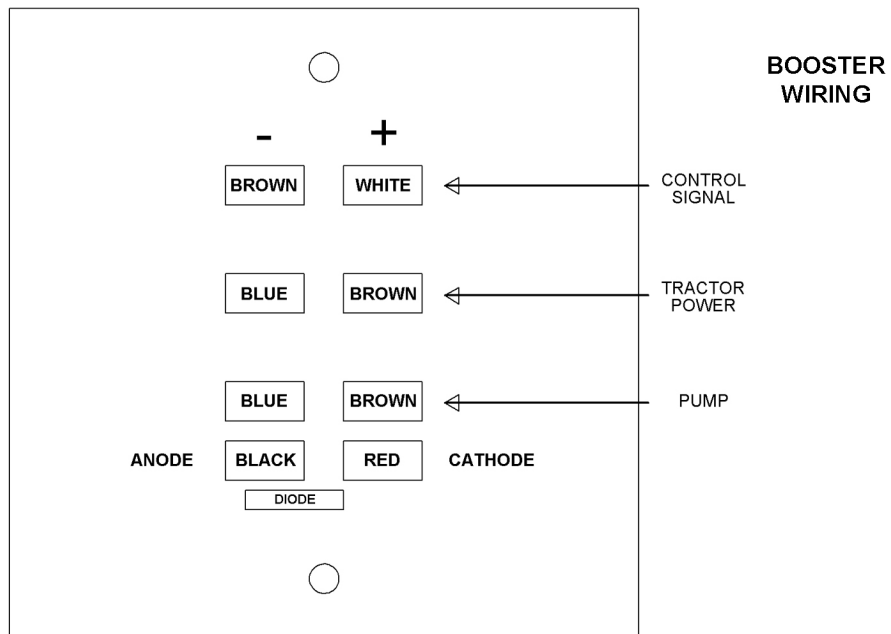
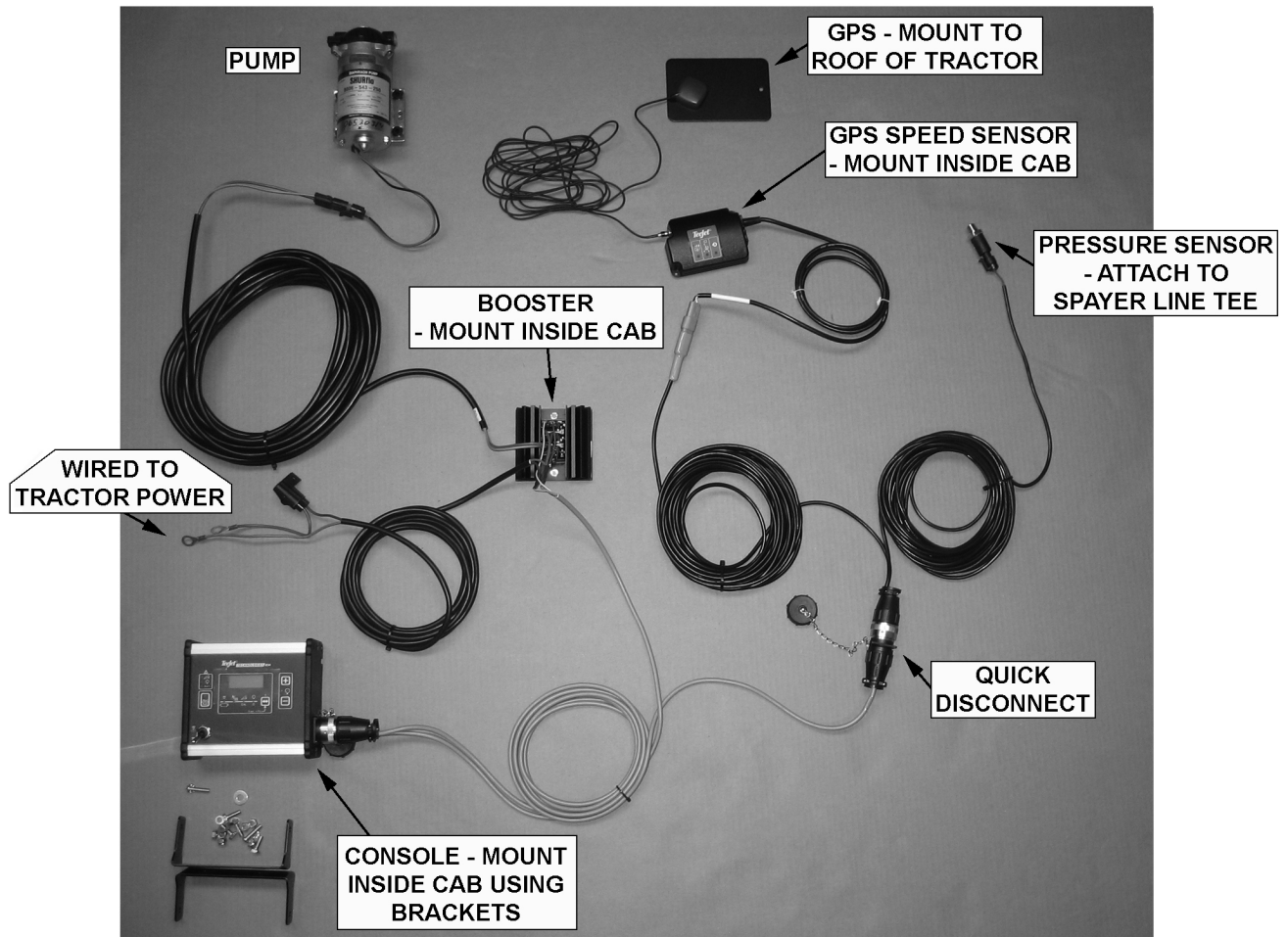
WETCUT 60IN SPRAYER HEAD ASSEMBLY

Continued...

ITEM	PART NO.	QTY.	DESCRIPTION
1	06370210	1	HOOD,SPRAYER
2	06370106	1	HINGE,LH,SPRAYER
3	06370107	1	HINGE,RH,SPRAYER
4	06370108	1	HINGE,CNTR,SPRAYER
5	06411234	1	GUARD,SPRAYER,WETCUT
6	06410753	1	MNT,RH,WET CUT (FLAIL)
---	06410942	1	MNT,RH,WET CUT (ROTARY)
7	06410754	1	MNT,LH,WET CUT (FLAIL)
---	06410943	1	MNT,LH,WET CUT (ROTARY)
8	06410796	1	GUARD,HOSE,WETCUT
9	06420069	3	PIN,HINGE,WET CUT
10	06497009	1	TUBE,LG,SPRAYER
11	06499018	1	SKIRT,ANTI SPRAY,60
12	06499013	2	SKIRT,ANTI SPRAY,7
13	06520314	2	TUBE,CAP,SPRAYER
14	06520316	15	HOSE,SPRAYER (FEET)
15	06520317	6	NOZZLE,SPRAYER
16	06520319	5	TIP,NOZZLE,SPRAYER
17	06520320	5	FILTER,NOZZLE,SPRAYER
18	06520321	5	NUT,NOZZLE,SPRAYER
19	06520322	61	CHAIN,.18" X 1.31" X 13LINKS
20	06520381	1	ADAPTER,1/4"NPT,WETCUT
21	06520382	1	ELBOW,BARB,3/8" X 1/4"NPT
22	06520383	10	SPACER,.50"O.D. X .252" I.D. X .38",NYLON
23	32550	5	U-BOLT,1/4" X 1" X 1" X 1-3/4"
24	21527	33	HEX NUT,NYLOCK,1/4",NC
25	21528	15	CAPSCREW,1/4" X 1/2",NC
26	21529	13	CAPSCREW,1/4" X 3/4",NC
27	21625	13	HEX NUT,3/8",NC
28	21630	2	CAPSCREW,3/8" X 1",NC
29	21634	7	CAPSCREW,3/8" X 2",NC
30	21632	4	CAPSCREW,3/8" X 1-1/2",NC
31	21986	4	LOCKWASHER,1/4"
32	22014	33	FLATWASHER,1/4"
33	22016	11	FLATWASHER,3/8",GR8
34	34698	6	ROLL PIN, PLAIN, 3/16" X 7/8"
35	35091	1	CLAMP,HOSE #6
36	35176	4	U-NUT,1/4",3/4" TO CENTER
37	06520376	6	CABLE,3/16" (FEET)
38	06537022	2	U-BOLT,CABLE,3/16"

COMMON SIDE ROTARY

WETCUT CABLES



WARRANTY SECTION

WARRANTY INFORMATION

Tiger Corporation, 3301 N. Louise, Sioux Falls, South Dakota, warrants to the original Retail Customer, the new Tiger equipment is free of defects in material and workmanship. Any part of equipment that in Tiger's judgement, show evidence of such defects will be repaired or replaced without charge, provided that the failure of part(s) shall have occurred within twelve (12) months from the date of delivery of said equipment to the Retail Customer. Expendable components such as knives, oil, chain sprockets, skid shoes, knife mounting disks and the like are excluded but not limited to this warranty.

The Retail Customer must pay the transportation cost to and from the Tiger Dealer's service shop for warranty service. Warranty service will be performed by the Tiger Dealer from whom the equipment was purchased, during service shop regularly scheduled days and hours of operation.

All Tiger obligation under this warranty shall be terminated if the equipment is modified or altered in ways not approved in writing by Tiger, if repair parts other than genuine Tiger repair parts have been used, or if the equipment has been subject to misuse, neglect, accident, improper maintenance or improper operation.

Tiger Corporation reserves the right to make improvements in design or changes in specification at any time without incurring any obligation to owners of equipment previously sold.

No agent or person has authority to alter, add to or waive the above warranties which are agreed to be in the only warranties, representations or promises, expressed or implied, as to the quality or performance of the products covered and which do not include any implied warranty of merchantability or fitness. In no event will Tiger be liable for incidental or consequential damages or injuries, including, but not limited to, loss of profits, rental or substitute equipment or other commercial loss.

**THERE ARE NO WARRANTIES WHICH EXTEND
BEYOND THOSE EXPRESSED HEREIN.**

It is the Purchasers obligation to sign the warranty registration form **AFTER** he / she has Read and Understands the Operation and Safety Instructions stated within this manual.

ONE LAST WORD

This manual cannot possibly cover all of the potentially hazardous situations you will encounter. By being familiar with the safety rules, operating and maintenance instructions in this manual you can help prevent accidents. The objective of this manual is to help make you a better operator. Remember, **SAFETY IS YOU!**



1012

Your safety and the safety of those around you depends on **YOU**. Common sense should play a large role in the operation of this machine.

Since we at Tiger Corporation are constantly striving to improve our products, we reserve the right to change specifications or design at any time.

TO THE OWNER / OPERATOR / DEALER



To keep your implement running efficiently and safely, read your manual thoroughly and follow these directions and the Safety Messages in this manual and on the machine. The table of contents clearly identifies each section where you can easily find the information you need.

The Occupational Safety and Health Act (OSHA 1928.51 subpart C) makes the following minimum requirements for tractor operators.

OWNER REQUIREMENTS:

1. Provide a Roll-Over-Protective Structure that meets the requirements of this Standard; and
2. Provide Seatbelts that meet the requirements of this Standard and SAE J3C; and
3. Ensure that each employee uses such Seatbelt while the tractor is moving; and
4. Ensure that each employee tightens the Seatbelt sufficiently to confine the employee to the protected area provided by the ROPS.

OPERATOR REQUIREMENTS:

1. Securely fasten seatbelt if the tractor has a ROPS.
2. Where possible, avoid operating the tractor near steep ditches, embankments, and holes.
3. Reduce speed when turning, crossing slopes, and on rough, slick, or muddy surfaces.
4. Stay off slopes too steep for safe operation.
5. Watch where you are going – especially at row ends, on roads, and around trees.
6. Do Not permit others to ride.
7. Operate the tractor smoothly – no jerky turns, starts, or stops.
8. Hitch only to the draw-bar and hitch points recommended by the tractor manufacturer.
9. When the tractor is stopped, set brakes securely and use park lock, if available



Printed in USA
© Tiger Corporation