



WILDKAT BOOM ASSEMBLIES

Current as of 10/11/2013

NH TS6.110



PARTS LISTING WITH
MOUNTING AND OPERATING
INSTRUCTIONS

Tiger Corporation
3301 N. Louise Ave.
Sioux Falls, SD 57107
1-800-843-6849
1-605-336-7900
www.tiger-mowers.com

06020018

TO THE OWNER / OPERATOR / DEALER

All implements with moving parts are potentially hazardous. There is no substitute for a cautious, safe-minded operator who recognizes the potential hazards and follows reasonable safety practices. The manufacturer has designed this implement to be used with all its safety equipment properly attached to minimize the chance of accidents.

BEFORE YOU START!! Read the safety messages on the implement and shown in this manual. Observe the rules of safety and use common sense!

READ AND UNDERSTAND THIS MANUAL! Non-English speaking operators will need to GET THE MANUAL TRANSLATED as needed!



DANGER

FAILING TO FOLLOW SAFETY MESSAGES AND OPERATING INSTRUCTIONS CAN CAUSE SERIOUS BODILY INJURY OR EVEN DEATH TO OPERATOR AND OTHERS IN THE AREA.



1. Study and understand Operator's Manuals, Safety Decals, and Instructional Decals for tractor and implement to prevent misuse, abuse, and accidents. Practice before operating in a confined area or near passersby.

● Learn how to stop engine suddenly in an emergency. Be alert for passersby and especially children

2. Allow no children on or near folding mower or tractor. Allow no riders on tractor or implement. Falling off may cause serious injury or death from being run over by tractor or mower or contact with rotating blades.

3. Operate only with tractor having Roll-Over Protective Structure (ROPS) and with seat belt securely fastened to prevent injury and possible death from falling off or tractor overturn.

● Personal Protective Equipment such as Hard Hat, Safety Glasses, Safety Shoes, & Ear Plugs are recommended.

4. Block up or support raised machine and all lifted components securely before putting hands or feet under or working underneath any lifted component to prevent crushing injury or death from sudden dropping or inadvertent operation of controls. Make certain area is clear before lowering or folding

5. Before transporting, put Lift Lever in detent or full-lift position. Install Transport Safety Devices securely on folding mowers. Put Booms securely in Transport Rest.

● Folding and Boom Mowers have raised center of gravity. Slow down when turning and on hillsides.

6. Make certain that SMV sign, warning lights, and reflectors are clearly visible. Follow local traffic codes.

7. Never operate with Cutting Head or Folding Section raised if passersby, bystanders, or traffic are in the area to reduce possibility of injury or death from objects thrown by Blades under Guards or mower structure.

8. Before dismounting, secure implement in transport position or lower to ground.

● Put tractor in park or set brake, disengage PTO, stop engine, remove key, and wait until noise of rotation has ceased to prevent crushing by entanglement in rotating parts which could cause injury or death.

● Never mount or dismount a moving vehicle. Crushing from runover may cause serious injury or death.



02967827

Warranty Information: Read and understand the complete Warranty Statement found in this manual. Fill out the Warranty Registration form in full and return it within 90 days. Make certain the Serial Number of the machine is recorded on the Warranty Card, and form that you retain.

FORWARD

This manual contains information about many features of the Tiger mowing and roadside maintenance equipment. Some of these include: Safety precautions, Assembly instructions, Operations, Maintenance and Parts. This manual will also assist you in the proper break-in, daily care, and troubleshooting of your new mower.

We recommend that you read carefully the entire manual before operating the unit. Also, time spent in becoming fully acquainted with its performance features, adjustments, and maintenance schedules will be repaid in a long and satisfactory life of the equipment.

Troubleshooting - Please, before you call, help us to help you!

Please look at the equipment to observe what is happening, then:

- Classify the problem
 - Hydraulic, electrical or mechanical - Read the trouble shooting section
 - Tractor or Truck chassis - Contact vehicle dealer

- If unable to correct the problem yourself, contact your local Tiger Dealer after gathering:
 - Machine model _____
 - Serial number _____
 - Dealer name _____
 - Detailed information about the problem including results of troubleshooting

Attention Owner / Operator / Dealer: It is your obligation to read, and understand, the warranty information section located at the back of this manual denoting that the purchaser understands the safety issues relating to this machine and has received and will read a copy of this manual.

If at any time, you have a service problem with your Tiger mower, Contact your local dealer for service and parts needed.

MANUFACTURED BY:

Tiger Corporation

3301 N. Louise Ave.

Sioux Falls, SD 57107

1-800-843-6849

1-605-336-7900

www.tiger-mowers.com

DISTRIBUTED BY:

1- _____ - _____ - _____

1- _____ - _____ - _____

TABLE OF CONTENTS

SAFETY SECTION_____	1
ASSEMBLY / MOUNTING SECTION_____	2
OPERATION SECTION_____	3
MAINTENANCE SECTION_____	4
PARTS SECTION_____	5
COMMON PARTS SECTION_____	6
WARRANTY INFORMATION_____	7



1012

This symbol means:

CAUTION – YOUR SAFETY IS AT RISK!

When you see this symbol, read and follow the associated instructions carefully or personal injury or damage may result.

Tiger is a registered trademark.



SAFETY

SAFETY SECTION

SAFETY

General Safety Instructions and Practices

A safe and careful operator is the best operator. Safety is of primary importance to the manufacturer and should be to the owner / operator. Most accidents can be avoided by being aware of your equipment, your surroundings, and observing certain precautions. The first section of this manual includes a list of Safety Messages that, if followed, will help protect the operator and bystanders from injury or death. Read and understand these Safety Messages before assembling, operating or servicing this mower. This equipment should only be operated by those persons who have read the Manual, who are responsible and trained, and who know how to do so safely and responsibly.



1000

The Safety Alert Symbol combined with a Signal Word, as seen below, is used throughout this manual and on decals which are attached to the equipment. The Safety Alert Symbol means: “**ATTENTION! BECOME ALERT! YOUR SAFETY IS INVOLVED!**” The symbol and signal word are intended to warn the owner / operator of impending hazards and the degree of possible injury when operating this equipment.

Practice all usual and customary safe working precautions and above all -- remember safety is up to YOU! Only YOU can prevent serious injury or death from unsafe practices.

DANGER!



Indicates an imminently hazardous situation that, if not avoided, WILL result in DEATH OR VERY SERIOUS INJURY.

WARNING!



Indicates an imminently hazardous situation that, if not avoided, COULD result in DEATH OR SERIOUS INJURY.

CAUTION!



Indicates an imminently hazardous situation that, if not avoided, MAY result in MINOR INJURY.

IMPORTANT!

Identifies special instructions or procedures that, if not strictly observed, could result in damage to, or destruction of the machine, attachments or the environment.

NOTE: *Identifies points of particular interest for more efficient or convenient operation or repair.* (SG-1)

READ, UNDERSTAND, and FOLLOW the following Safety Messages. Serious injury or death may occur unless care is taken to follow the warnings and instructions stated in the Safety Messages. Always use good common sense to avoid hazards. (SG-2)

SAFETY INSTRUCTIONS



SAFETY

PELIGRO!



Si no lee Ingles, pida ayuda a alguien que si lo lea para que le traduzca las medidas de seguridad. (SG-3)



¡ LEA EL INSTRUCTIVO!

DANGER!



Never operate the Tractor or Implement until you have read and completely understand this Manual, the Tractor Operator's Manual, and each of the Safety Messages found in the Manual or on the Tractor and Implement. Learn how to stop the tractor engine suddenly in an emergency. Never allow inexperienced or untrained personnel to operate the Tractor and Implement without supervision. Make sure the operator has fully read and understood the manuals prior to operation. (SG-4)



WARNING!



Always maintain the safety decals in good readable condition. If the decals are missing, damaged, or unreadable, obtain and install replacement decals immediately. (SG-5)

WARNING!



Make certain that the "Slow Moving Vehicle" (SMV) sign is installed in such a way as to be clearly visible and legible. When transporting the Equipment use the Tractor flashing warning lights and follow all local traffic regulations. (SG-6)



WARNING!



Operate this Equipment only with a Tractor equipped with an approved roll-over-protective system (ROPS). Always wear seat belts. Serious injury or even death could result from falling off the tractor--particularly during a turnover when the operator could be pinned under the ROPS. (SG-7)



WARNING!

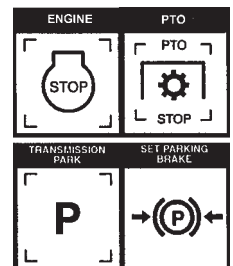


Do not modify or alter this Implement. Do not permit anyone to modify or alter this Implement, any of its components or any Implement function. (SG-8)

DANGER!



BEFORE leaving the tractor seat, always engage the brake and/or set the tractor transmission in parking gear, disengage the PTO, stop the engine, remove the key, and wait for all moving parts to stop. Place the tractor shift lever into a low range or parking gear to prevent the tractor from rolling. Never dismount a Tractor that is moving or while the engine is running. Operate the Tractor controls from the tractor seat only. (SG-9)



SAFETY

DANGER!



Never allow children or other persons to ride on the Tractor or Implement. Falling off can result in serious injury or death.

(SG-10)



DANGER!



Never allow children to operate or ride on the Tractor or Implement.

(SG-11)



WARNING!



Do not mount the Tractor while the tractor is moving. Mount the Tractor only when the Tractor and all moving parts are completely stopped.

(SG-12)

(SG-12)



DANGER!



Start tractor only when properly seated in the Tractor seat. Starting a tractor in gear can result in injury or death. Read the Tractor operators manual for proper starting instructions.

(SG-13)



DANGER!



Never work under the Implement, the framework, or any lifted component unless the Implement is securely supported or blocked up to prevent sudden or inadvertent falling which could cause serious injury or even death.

(SG-14)



DANGER!



Do not operate this Equipment with hydraulic oil leaking. Oil is expensive and its presence could present a hazard. Do not check for leaks with your hand! Use a piece of heavy paper or cardboard. High-pressure oil streams from breaks in the line could penetrate the skin and cause tissue damage including gangrene. If oil does penetrate the skin, have the injury treated immediately by a physician knowledgeable and skilled in this procedure.

(SG-15)

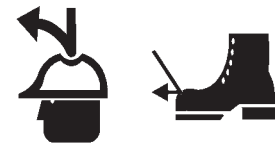


SAFETY

WARNING!



The operator and all support personnel should wear hard hats, safety shoes, safety glasses, and proper hearing protection at all times for protection from injury including injury from items thrown by the equipment. (SG-16)



CAUTION!



PROLONGED EXPOSURE TO LOUD NOISE MAY CAUSE PERMANENT HEARING LOSS! Tractors with or without an Implement attached can often be noisy enough to cause permanent hearing loss. We recommend that you always wear hearing protection if the noise in the Operator's position exceeds 80db. Noise over 85db over an extended period of time will cause severe hearing loss. Noise over 90db adjacent to the Operator over an extended period of time will cause permanent or total hearing loss. *Note:* Hearing loss from loud noise [from tractors, chain saws, radios, and other such sources close to the ear] is cumulative over a lifetime without hope of natural recovery. (SG-17)



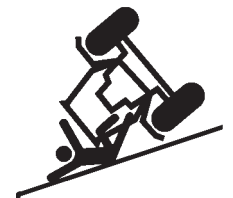
WARNING!



Transport only at safe speeds. Serious accidents and injuries can result from operating this equipment at unsafe speeds. Understand the Tractor and Implement and how it handles before transporting on streets and highways. Make sure the Tractor steering and brakes are in good condition and operate properly.

Before transporting the Tractor and Implement, determine the safe transport speeds for you and the equipment. Make sure you abide by the following rules:

1. Test the tractor at a slow speed and increase the speed slowly. Apply the Brakes smoothly to determine the stopping characteristics of the Tractor and Implement. As you increase the speed of the Tractor the stopping distance increases. Determine the maximum safe transport speed for you and this Equipment.
2. Test the equipment at a slow speed in turns. Increase the speed through the turn only after you determine that it is safe to operate at a higher speed. Use extreme care and reduce your speed when turning sharply to prevent the tractor and implement from turning over. Determine the maximum safe turning speed for you and this equipment before operating on roads or uneven ground.
3. Only transport the Tractor and Implement at the speeds that you have determined are safe and which allow you to properly control the equipment.



Be aware of the operating conditions. Do not operate the Tractor with weak or faulty brakes. When operating down a hill or on wet or rain slick roads, the braking distance increases: use extreme care and reduce your speed. When operating in traffic always use the Tractor's flashing warning lights and reduce your speed. Be aware of traffic around you and watch out for the other guy. (SG-19)

SAFETY

WARNING!



Never attempt to lubricate, adjust, or remove material from the Implement while it is in motion or while tractor engine is running. Make sure the tractor engine is off before working on the Implement.

(SG-20)

WARNING!



Periodically inspect all moving parts for wear and replace when necessary with authorized service parts. Look for loose fasteners, worn or broken parts, and leaky or loose fittings. Make sure all pins are properly secured. Serious injury may occur from not maintaining this machine in good working order. (SG-21)



WARNING!



Always read carefully and comply fully with the manufacturers instructions when handling oil, solvents, cleansers, and any other chemical agent. (SG-22)



DANGER!



Never run the tractor engine in a closed building or without adequate ventilation. The exhaust fumes can be hazardous to your health.

(SG-23)

DANGER!



KEEP AWAY FROM ROTATING ELEMENTS to prevent entanglement and possible serious injury or death. (SG-24)



DANGER!



Never allow children to play on or around Tractor or Implement. Children can slip or fall off the Equipment and be injured or killed. Children can cause the Implement to shift or fall crushing themselves or others. (SG-25)

SAFETY

DANGER!



NEVER use drugs or alcohol immediately before or while operating the Tractor and Implement. Drugs and alcohol will affect an operator's alertness and coordination and therefore affect the operator's ability to operate the equipment safely. Before operating the Tractor or Implement, an operator on prescription or over-the-counter medication must consult a medical professional regarding any side effects of the medication that would hinder their ability to operate the Equipment safely. **NEVER** knowingly allow anyone to operate this equipment when their alertness or coordination is impaired. Serious injury or death to the operator or others could result if the operator is under the influence of drugs or alcohol. (SG-27)



DANGER!



Operate the Tractor and/or Implement controls only while properly seated in the Tractor seat with the seat belt securely fastened around you. Inadvertent movement of the Tractor or Implement may cause serious injury or death. (SG-29)

WARNING!



Mow only in conditions where you have clear visibility in daylight or with adequate artificial lighting. Never mow in darkness or foggy conditions where you cannot clearly see at least 100 yards in front and to the sides of the tractor and mower. Make sure that you can clearly see and identify passersby, steep slopes, ditches, drop-offs, overhead obstructions, power lines, debris and foreign objects. If you are unable to clearly see this type of items discontinue mowing. (SGM-1)

DANGER!



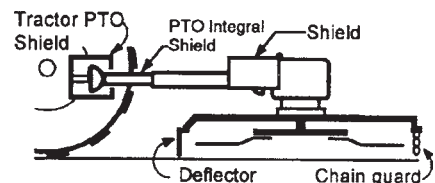
There are obvious and hidden potential hazards in the operation of this Mower. **REMEMBER!** This machine is often operated in heavy brush and in heavy weeds. The Blades of this Mower can throw objects if shields are not properly installed and maintained. Serious injury or even death may occur unless care is taken to insure the safety of the operator, bystanders, or passersby in the area. Do not operate this machine with anyone in the immediate area. Stop mowing if anyone is within 100 yards of mower. (SGM-2)



DANGER!



All Safety Shields, Guards and Safety devices including (but not limited to) - the Deflectors, Chain Guards, Steel Guards, Gearbox Shields, PTO integral shields, and Retractable Door Shields should be used and maintained in good working condition. All safety devices should be inspected carefully at least daily for missing or broken components. Missing, broken, or worn items must be replaced at once to reduce the possibility of injury or death from thrown objects, entanglement, or blade contact. (SGM-3)



SAFETY

DANGER!



The rotating parts of this machine have been designed and tested for rugged use. However, the blades could fail upon impact with heavy, solid objects such as metal guard rails and concrete structures. Such impact could cause the broken objects to be thrown outward at very high velocities. To reduce the possibility of property damage, serious injury, or even death, never allow the cutting blades to contact such obstacles. (SGM-4)

WARNING!



Extreme care should be taken when operating near loose objects such as gravel, rocks, wire, and other debris. Inspect the area before mowing. Foreign objects should be removed from the site to prevent machine damage and/or bodily injury or even death. Any objects that cannot be removed must be clearly marked and carefully avoided by the operator. Stop mowing immediately if blades strike a foreign object. Repair all damage and make certain rotor or blade carrier is balanced before resuming mowing. (SGM-5)



WARNING!



Many varied objects, such as wire, cable, rope, or chains, can become entangled in the operating parts of the mower head. These items could then swing outside the housing at greater velocities than the blades. Such a situation is extremely hazardous and could result in serious injury or even death. Inspect the cutting area for such objects before mowing. Remove any like object from the site. Never allow the cutting blades to contact such items. (SGM-6)

WARNING!



Mow at the speed that you can safely operate and control the tractor and mower. Safe mowing speed depends on terrain condition and grass type, density, and height of cut. Normal ground speed range is from 0 to 5 mph. Use slow mowing speeds when operating on or near steep slopes, ditches, drop-offs, overhead obstructions, power lines, or when debris and foreign objects are to be avoided. (SGM-7)

WARNING!



Avoid mowing in reverse direction when possible. Check to make sure there are no persons behind the mower and use extreme care when mowing in reverse. Mow only at a slow ground speed where you can safely operate and control the tractor and mower. Never mow an area that you have not inspected and removed debris or foreign material. (SGM-8)

WARNING!



Do not put hands or feet under mower decks. Blade Contact can result serious injury or even death. Stay away until all motion has stopped and the decks are securely blocked up. (SGM-9)



DANGER!



Replace bent or broken blade with new blades. NEVER ATTEMPT TO STRAIGHTEN OR WELD ON BLADES SINCE THIS WILL LIKELY CRACK OR OTHERWISE DAMAGE THE BLADE WITH SUBSEQUENT FAILURE AND POSSIBLE SERIOUS INJURY FROM THROWN BLADES. (SGM-10)

SAFETY

WARNING!



Do not mow with two machines in the same area except with Cab tractors with the windows closed. (SGM-11)

DANGER!



Rotary and Flail Mowers are capable under adverse conditions of throwing objects for great distances (100 yards or more) and causing serious injury or death. Follow safety messages carefully. **STOP MOWING IF PASSERSBY ARE WITHIN 100 YARDS UNLESS:**

- Front and Rear Deflectors are installed and in good, working condition;
- Mower Head is running close to and parallel to the ground without exposed Blades;
- Passersby are outside the existing thrown-object zone;
- All areas have been thoroughly inspected and all foreign material such as rocks, cans, glass, and general debris has been removed.



NOTE: Where there are grass and weeds high enough to hide debris that could be struck by the blades, the area should be: inspected and large debris removed, mowed at an intermediate height, inspected closely with any remaining debris being removed, and mowed again at desired final height. (SBM-1)



DANGER!



Use extreme caution when raising the Mower head. Stop the Blades from turning when the Mower Head is raised and passersby are within 100 yards. Raising the Mower head exposes the Cutting Blades which creates a potentially serious hazard and can cause serious injury by objects thrown from the Blades or by contact with the Blades. (SBM-2)

DANGER!



Be particularly careful in transport. The Mower has raised the center of gravity for the tractor and has increased the possibility of overturn. Turn curves or go up slopes only at low speed and using a gradual turning angle. Slow down on rough or uneven surfaces. (SBM-3)



WARNING!



Never Leave the mower unattended while the head is in the raised position. The mower could fall causing serious injury to anyone who might inadvertently be under the mower. (SBM-4)



WARNING!



The rotating parts of this machine continue to rotate even after the Tractor has been turned off. The operator should remain in his seat for 60 seconds after the brake has been set, the PTO disengaged, the tractor turned off, and all evidence of rotation has ceased. (SBM-5)

“Wait a minute...Save a life!”

SAFETY

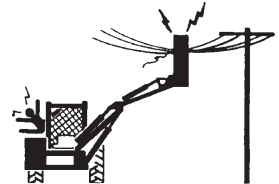


Relieve hydraulic pressure prior to doing any maintenance or repair work on the Implement. Place the Mower Head on the ground or securely supported on blocks or stands, disengage the PTO, and turn off the engine. Push and pull the control Levers or Joystick several times to relieve pressure prior to starting any maintenance or repair work. (SBM-6)

DANGER!



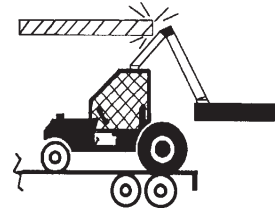
Always keep a careful lookout and use extreme care when working around overhead obstructions. Never allow the Mower head or boom within 10 feet of any power line. When working close to overhead power lines consult your electric company for a safe code of operation. (SBM-7)



DANGER!



When transporting Boom Mower on a truck or trailer, the height or width may exceed legal limits when the boom is in the transport position. Contact with side or overhead structures or power lines can cause property damage or serious injury or death. If necessary lower boom to reduce height and/or remove mowing head to reduce width to the legal limits. (SBM-8)



DANGER!



Never operate the Tractor and Mower Unit without an OPS (Operators Protective Structure) or Cab to prevent injury from objects thrown from ground or from overhead trimming. Stop mowing if workers or passersby are within 100 yards. (SBM-9)



DANGER!



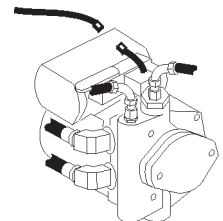
Each Rear Wheel must have a minimum of 1500 pound contact with the surface to prevent lateral instability and possible tip-over which could result in serious bodily injury or even death. Widen the wheel tread and add weights if needed. Refer to the mounting instructions or call Customer Service if you need assistance with Counterweight Procedure. (SBM-11)



DANGER!



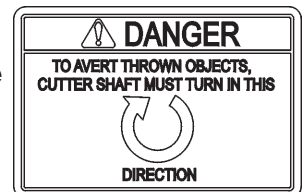
Always disconnect the wire leads from the mower pump solenoid before performing service on the Tractor or Mower. Use caution when working on the Tractor or Mower. Tractor engine must be stopped before working on Mower or Tractor. The Mower Blades could inadvertently be turned on without warning and cause immediate dismemberment, injury or death. (SBM-12a)



DANGER!



The flail cutter shaft is designed for standard rotation (same rotation as the tractor wheels during forward travel). **Never operate the cutter shaft in the reverse rotation.** Operating this mower in reverse rotation may cause objects to be thrown out the front of the mower head.



SAFETY

WARNING!



Engine Exhaust, some of its constituents, and certain components contain or emit chemicals known to the state of California to cause cancer and birth or other reproductive harm.

WARNING!



Battery posts, terminals and related accessories contain lead and lead compounds, chemicals known to the state of California to cause cancer and birth or other reproductive harm. **Wash hands after handling!**

Tiger mowers use balanced and matched system components for blade carriers, blades, cutter-shafts, knives, knife hangers, rollers, drive-train components and bearings. These parts are made and tested to Tiger specifications. Non-genuine “will fit” parts do not consistently meet these specifications. The use of “will fit” parts may reduce mower performance, void mower warranties and present a safety hazard. Use genuine Tiger mower parts for economy and safety.

SEE YOUR  DEALER

In addition to the design and configuration of this Implement, including Safety Signs and Safety Equipment, hazard control and accident prevention are dependent upon the awareness, concern, prudence, and proper training of personnel involved in the operation, transport, maintenance, and storage of the machine. Refer also to Safety Messages and operation instruction in each of the appropriate sections of the Tractor and Equipment Manuals. Pay close attention to the Safety Signs affixed to the Tractor and Equipment. (SG-18)

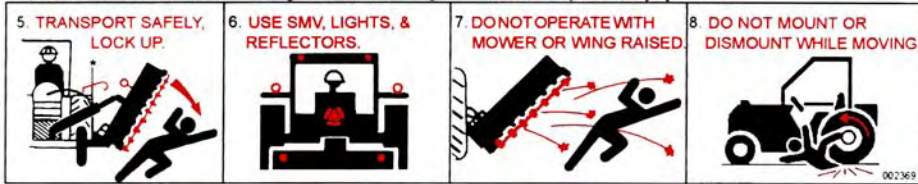
SAFETY

DANGER

FAILING TO FOLLOW SAFETY MESSAGES AND OPERATING INSTRUCTIONS CAN CAUSE SERIOUS BODILY INJURY OR EVEN DEATH TO OPERATOR AND OTHERS IN THE AREA.

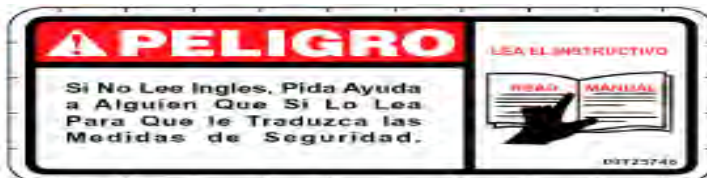


1. Study and understand Operator's Manuals, Safety Signs, and Instructional Decals for tractor & flail mower to prevent misuse, abuse, & accidents. Practice before operating mower in a confined area or near passersby.
 - Learn how to stop engine suddenly in an emergency. Be alert for passersby and especially children.
2. Allow no children on or near implement or tractor. Allow no riders on tractor or implement. Falling off can cause serious injury or death from being runover by tractor or mower or contact with Flail Mower Blades.
3. Operate only with tractor having Roll-Over Protective Structure (ROPS) and with seatbelt fastened securely and snugly to prevent injury and possible death from falling off or tractor overturn. Personal Protective Equipment such as Hard Hat, Safety Glasses, Safety Shoes, and Ear Plugs are recommended.
4. Block up or support raised machine and all lifted components securely before putting hands or feet under or working underneath any lifted component to prevent crushing injury or death from sudden dropping or inadvertent operation of controls. Make certain that area is clear before lowering or folding.
5. Before transporting, put Lift Lever in detent or full-lift position. Install Transport Safety Devices securely on folding implements. Slow down when turning and on hillsides.
 - Install **Restrictor in folding circuit to slow down lowering and unfolding if action is faster than is desirable.
6. Make certain that SMV sign, Warning Lights, and Reflectors are clearly visible. Follow local traffic codes.
7. Never operate with Flail Mower or Folding Section raised if passersby, bystanders or traffic are in the area to reduce possibility of injury or death from objects thrown by Blades under Shields or implement structure.
8. Before dismounting, secure flail mower in transport position or lower to ground.
 - Put tractor in park or set brake, disengage PTO, stop engine, remove key, and wait until noise of rotation has ceased to prevent entanglement in rotating parts which may cause injury or death.
 - Never mount or dismount a moving vehicle. Crushing from runover may cause injury or death.



PART NO.
LOCATION

002369
HYDRAULIC TANK



00725746
INSIDE OF CAB

DANGER

THROWN OBJECTS

CUTTING BLADES



KEEP AWAY - ROTATING BLADES

BEING HIT BY THROWN OBJECTS OR CONTACTING ROTATING BLADES CAN CAUSE INJURY OR DEATH.

- Stop mowing if passersby enter the area of thrown objects (See Operator's Manual).
- Use special care if Mower Head or Wing is raised off the ground. (See Manual).
- Operate only if all Guards-Deflectors are in place and in good condition.

00769737
MOWER DECK

SAFETY



PART NO.
LOCATION

00758194
MOWER DECK



02962764
MAIN BOOM, SECONDARY BOOM, MAIN FRAME



02962765
MAIN FRAME

02965262
HYDRAULIC TANK

SAFETY

DANGER

CUTTING BLADES



THROWN OBJECTS



KEEP AWAY - ROTATING BLADES

BEING HIT BY THROWN OBJECTS OR CONTACTING ROTATING BLADES CAN CAUSE INJURY OR DEATH

- Stop mowing if passersby enter the area of thrown objects. (See Operator's Manual)
- Use special care when Flail or Wing is raised off the ground. (See Oper. Manual)
- Operate only if all Guards-Deflectors are in place and in good condition.

PART NO.
LOCATION

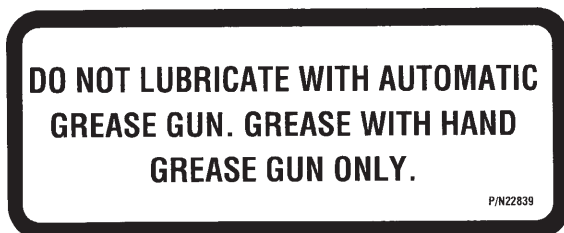
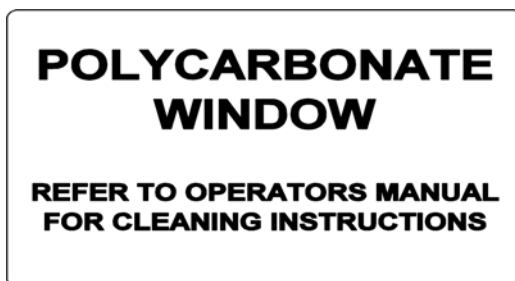
02967668
MOWER DECK

02971123
HYDRAULIC TANK

03200285
OUTSIDE OF CAB

22645
INSIDE OF CAB

22839
MOWER DECK



SAFETY



PART NO.
LOCATION

22840
INSIDE OF CAB



24028
MOWER DECK

25387
INSIDE OF CAB



10" x 5.5" 31522
MOWER DECK, MAIN BOOM
18.25" x 10" 31523
HYDRAULIC TANK

SAFETY






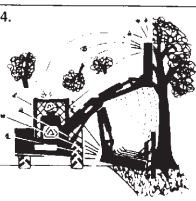

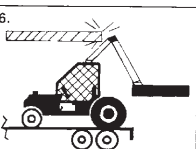
PART NO.
LOCATION

27001
INSIDE OF CAB



31935
INSIDE OF CAB

DANGER

1. EACH REAR WHEEL MUST HAVE A MINIMUM OF 1500 POUNDS CONTACT WITH THE SURFACE TO PREVENT LATERAL INSTABILITY AND POSSIBLE TIP-OVER WITH BODILY INJURY. WIDEN WHEEL TREAD AND ADD WEIGHTS IF NEEDED. SEE MANUAL OR CALL TIGER CUSTOMER SERVICE FOR COUNTERWEIGHT PROCEDURE.
 
2. TRANSPORT CAREFULLY! SLOW DOWN EVEN MORE ON SLOPES AND WHEN TURNING; NEVER TURN UP A SLOPE SHARPLY OR AT HIGH SPEED; AND USE EXTRA CARE IN ROUGH OR BUMPY AREAS TO PREVENT OVERTURN AND POSSIBLE CRUSHING INJURY OR DEATH. IF YOUR VIEW TO THE REAR IS BLOCKED, IT IS YOUR RESPONSIBILITY TO INSTALL MIRRORS THAT PROVIDE A REAR VIEW TO PREVENT ACCIDENTS FROM BLIND SPOTS.
 
3. REAR-MOUNTED BOOM MOWERS MOVE CENTER OF GRAVITY TO THE REAR AND REMOVE WEIGHT FROM FRONT WHEELS. ADD FRONT BALLAST UNTIL AT LEAST 20% OF TRACTOR'S WEIGHT IS ON FRONT WHEELS TO PREVENT REARING UP, LOSS OF STEERING CONTROL, AND POSSIBLE INJURY.
 
4. NEVER OPERATE UNIT WITHOUT AN OPS (OPERATOR PROTECTIVE STRUCTURE) OR CAB TO PREVENT INJURY FROM OBJECTS THROWN FROM GROUND AND OVERHEAD TRIMMING. STOP CUTTING IF ANYONE IS WITHIN 100 YARDS.
 
5. KEEP THE BOOM AND CUTTERHEAD AT LEAST 10 FEET FROM ELECTRIC LINES AND PIPE LINES TO PREVENT ACCIDENTAL CONTACT AND POSSIBLE SERIOUS INJURY OR EVEN DEATH.
 
5. WHEN TRANSPORTING BOOM MOWERS ON A TRUCK OR TRAILER, THE HEIGHT OR WIDTH MAY EXCEED LEGAL LIMITS. CONTACT WITH SIDE OR OVERHEAD STRUCTURES OR POWER LINES CAN CAUSE SERIOUS INJURY OR DEATH. LOWER BOOM TO REDUCE HEIGHT AND/OR REMOVE MOWING HEAD TO REDUCE WIDTH TO THE LEGAL LIMITS, IF NEEDED. 32707
 

32707
HYDRAULIC TANK



42350
MOWER DECK

SAFETY

ATTENTION

**SERVICE HYDRAULIC SYSTEM
WITH UNIVERSAL TRACTOR
HYDRAULIC OIL.**

32708

PART NO.
LOCATION

32708
HYDRAULIC TANK

CAUTION

For your safety and to guarantee optimum product reliability, always use genuine TIGER replacement parts. The use of inferior "will-fit" parts will void warranty of your TIGER implement and may cause premature or catastrophic failure which can result in serious injury or death. If you have any questions concerning the repair parts you are using, contact TIGER, 3301 N. LOUISE AVE., SIOUX FALLS, SD 57107

32709

32709
INSIDE OF CAB

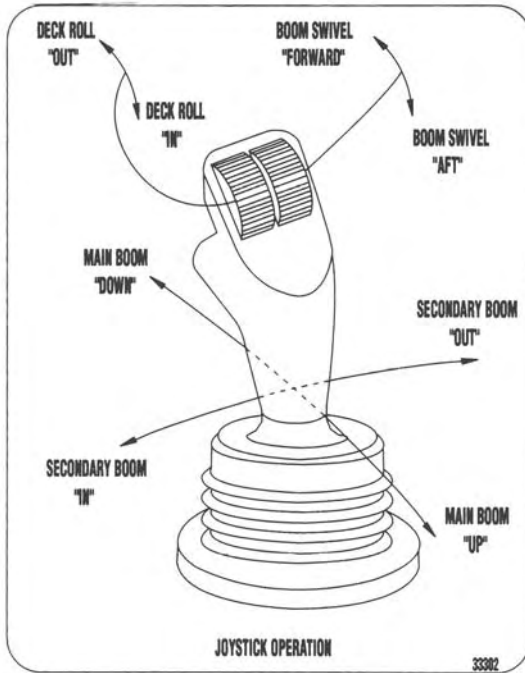
33224
MOWER DECK

Tiger™

33438
MAIN BOOM

SAFETY


PART NO.
LOCATION



33302
INSIDE OF CAB

MOWING SAFETY TIPS

- Read & understand the Operators Manual.
- Wear Your Seat Belt.
- Keep all shields and guards in place.
- Make sure equipment is in proper working condition.
- Never attempt to get off or on a moving tractor.
- Never allow riders on tractor or equipment.
- Only start the tractor from the seat with the key.
- Always inspect the area before mowing. Remove all foreign debris.
- Always keep bystanders and coworkers a minimum of 300 feet away.
- Never allow the mower blades to contact solid objects or foreign material.
- Never approach rotating elements.
- Disengage the PTO, place transmission in "Park", set parking brake, shut off engine, and remove key and wait until all rotating motion has stopped before leaving seat.



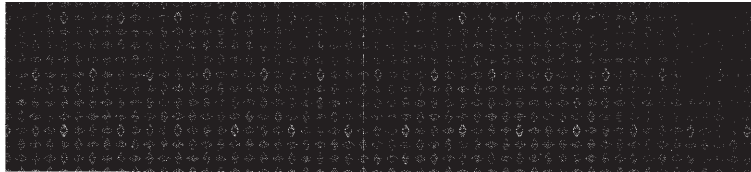
33743

33743
INSIDE OF CAB

SAFETY



PART NO.
LOCATION
RED 42399
REFLECTIVE TAPE
MOWER DECK



AMBER 42400
REFLECTIVE TAPE
MOWER DECK



6T3217
MOWER DECK



6T3219
INSIDE OF CAB

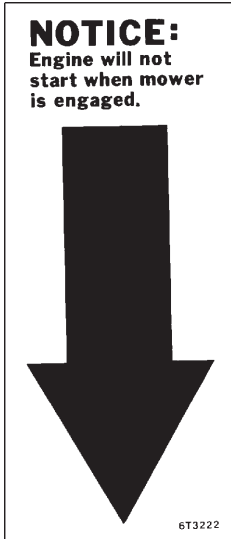
6T3220
FRONT PUMP MOUNT

SAFETY



PART NO.
LOCATION

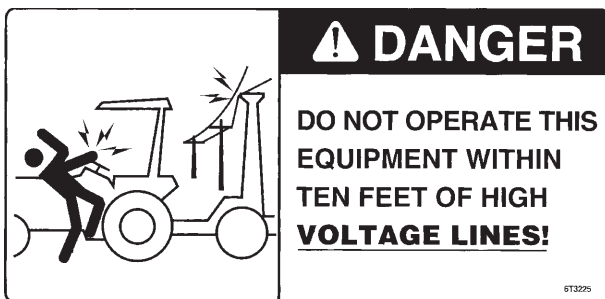
6T3221
INSIDE OF CAB



6T3222
INSIDE OF CAB

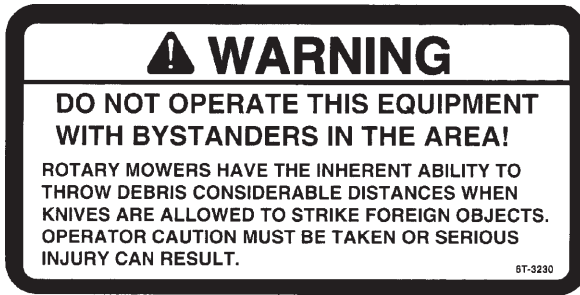


6T3224
MOWER DECK



6T3225
INSIDE OF CAB

SAFETY



PART NO.
LOCATION

6T3230
INSIDE OF CAB



6T3231
INSIDE OF CAB



6T3233
HYDRAULIC TANK



6T3234
INSIDE OF CAB



6T3236
MOWER DECK

SAFETY

⚠ WARNING

WHEN CUTTING HEAVY BRUSH, BLADE BOLTS SHOULD BE INSPECTED HOURLY AND RETORQUED TO 600 FT. LBS.

6T-3237

6T3237

PART NO.
LOCATION
6T3237
INSIDE OF CAB

DOWN ↑ MAIN BOOM ↓ UP	OUT ↑ SECONDARY BOOM ↓ IN	OUT ↑ DECK ROLL ↓ IN	FORWARD ↑ SWING ↓ BACKWARD <small>6T-3241</small>
-----------------------------------	---------------------------------------	----------------------------------	---

6T3241

6T3241
INSIDE OF CAB

DOWN ↑ MAIN BOOM ↓ UP	OUT ↑ SECONDARY BOOM ↓ IN	OUT ↑ DECK ROLL ↓ IN	FORWARD ↑ SWING ↓ BACKWARD	CLOSE ↑ SHIELD ↓ OPEN <small>34206</small>
-----------------------------------	---------------------------------------	----------------------------------	--	--

34206
INSIDE OF CAB

<p style="text-align: center;">⚠ WARNING</p> <p style="font-size: x-small;">IT IS RECOMMENDED THAT THE BOLT AND LOCK NUT BE REPLACED WHENEVER BLADES ARE REPLACED. REPLACE THESE ANY TIME THEY ARE DAMAGED OR WORN AS FAILURE TO DO SO CAN LEAD TO BLADES COMING OFF CAUSING SERIOUS INJURY OR DEATH.</p>	<p style="text-align: center;">IMPORTANT</p> <ul style="list-style-type: none"> • WHEN REPLACING BLADES, IT IS RECOMMENDED THAT ALL BLADES BE REPLACED FOR PROPER BALANCE TO AVOID EXCESSIVE VIBRATIONS WHICH CAN DAMAGE SPINDLE ASSEMBLY. • SEE YOUR OPERATOR'S MANUAL FOR PROPER INSTALLATION INSTRUCTIONS. <p style="text-align: right; font-size: x-small;"><small>6T-3243</small></p>
--	---

6T3243
INSIDE OF CAB

GREASING INSTRUCTIONS

CUTTER SHAFT BEARING

GREASE EVERY 8 HRS. OR DAILY

NOTE: If unusual environmental conditions exist-extreme temperatures, moisture, or contaminants-more frequent lubrication is required.

6T3249A

6T3249A
MOWER DECK

GREASING INSTRUCTIONS

GROUND ROLLER BEARING

GREASE EVERY 8 HRS. OR DAILY

NOTE: If unusual environmental conditions exist-extreme temperatures, moisture, or contaminants-more frequent lubrication is required.

6T3261

6T3261
MOWER DECK

SAFETY



TB1011
MOWER DECK



Tiger Corporation

800-843-6849
www.tiger-mowers.com

Description	Application	General Specification	Recommended Lubricant
Tractor Hydraulics	Reservoir	JD-20C	Mobilfluid® 424
Mower Hydraulics Cold Temperatures 0°F Start-up Normal Temperatures 10°F Start-up Normal Temperatures 15°F Start-up High Operating Temperatures Above 90°F Ambient	Reservoir	ISO 46 Anti-Wear/ Low Temp JD-20C ISO 46 Anti-Wear ISO 100 Anti-Wear	Mobil DTE® 15M Mobilfluid® 424 Mobil DTE® 25 Mobil DTE® 18M
Flail Rear Gearbox	Reservoir	PAO Synthetic Extreme Pressure Gear Lube	Mobilube SHC® 75W-90, Mobil 1 Synthetic Gear Lubricant
Cutter Shaft and Ground Roller Shaft (Flail)	Grease Gun	Lithium Complex, NLGI 2 ISO 320	Mobilgrease® CM-S
Drive Shaft Coupler (Rotary and Flail)	Grease Gun	Lithium Complex, NLGI 2 ISO 320	Mobilgrease® CM-S
Boom Swivel, Boom Cylinder Pivots (Rotary and Flail Boom Type)	Grease Gun	Lithium Complex, NLGI 2 ISO 320	Mobilgrease® CM-S
Deck Boom Pivot & Deck Stop Adjustment (Rotary and Flail)	Grease Gun	Lithium Complex, NLGI 2 ISO 320	Mobilgrease® CM-S
Deck Spindle (Rotary)	Grease Gun	Tiger Spindle Lubricant	Mobilith SHC 220

For Mobil product information, availability, or technical information, call 1-800-662-4525.

Tiger PN 34852

34852
HYDRAULIC TANK

SAFETY



50023 MANUAL CANISTER

ITEM	PART NO.	QTY.	DESCRIPTION
	50023	AVAIL	MANUAL CANISTER COMPLETE
1	00776031	1	ROUND MANUAL CANISTER
	33997	1	DECAL, SHEET, MANUAL CANISTER
2		*	DECAL
3		*	DECAL
4		*	DECAL
5	*	AVAIL	SPECIFIC PRODUCT MANUAL
6	33753	1	E M I SAFETY MANUAL
7	34296	1	FRONT ADHESIVE PAD
8	34297	1	REAR ADHESIVE PAD
9	6T1823	4	ZIPTIE 14" LONG

NOTE:

The manual canister can be bolted, zip tied or adhered to a variety of surfaces. Locate a protected area within the view of the operator. Then select an installation method and attach the canister. **CAUTION - AVOID DRILLING HOLES INTO UNKNOWN AREAS**, wires and other parts may be located behind these areas. When adhering the canister to a surface, thoroughly clean that surface before installing the canister.

SAFETY

FEDERAL LAWS AND REGULATIONS

This section is intended to explain in broad terms the concept and effect of federal laws and regulations concerning employer and employee equipment operators. This section is not intended as a legal interpretation of the law and should not be considered as such.

Employer-Employee Operator Regulations

U.S. Public Law 91-596 (The Williams-Steiger Occupational and Health Act of 1970) OSHA

This Act Seeks:

“...to assure so far as possible every working man and woman in the nation safe and healthful working conditions and to preserve our human resources...”

DUTIES

Sec. 5 (a) Each employer-

(1) shall furnish to each of his employees employment and a place of employment which are free from recognized hazards that are causing or are likely to cause death or serious physical harm to his employees;

(2) shall comply with occupational safety and health standards promulgated under this Act.

(b) Each employee shall comply with occupational safety and health standards and all rules, regulations and orders issued pursuant to this Act which are applicable to his own actions and conduct.

OSHA Regulations

OSHA regulations state in part: “At the time of initial assignment and at least annually thereafter, the employer shall instruct every employee in the safe operation and servicing of all equipment with which the employee is, or will be involved.”

Employer Responsibilities:

To ensure employee safety during Tractor and Implement operation, it is the employer’s responsibility to:

1. Train the employee in the proper and safe operation of the Tractor and Implement.
2. Require that the employee read and fully understand the Tractor and Implement Operator’s manual.
3. Permit only qualified and properly trained employees to operate the Tractor and Implement.
4. Maintain the Tractor and Implement in a safe operational condition and maintain all shields and guards on the equipment.
5. Ensure the Tractor is equipped with a functional ROPS and seat belt and require that the employee operator securely fasten the safety belt and operate with the ROPS in the raised position at all times.
6. Forbid the employee operator to carry additional riders on the Tractor or Implement.
7. Provide the required tools to maintain the Tractor and Implement in a good safe working condition and provide the necessary support devices to secure the equipment safely while performing repairs and service.

Child Labor Under 16 Years of Age

Some regulations specify that no one under the age of 16 may operate power machinery. It is your responsibility to know what these regulations are in your own area or situation. (Refer to U.S. Dept. of Labor, Employment Standard Administration, Wage & Home Division, Child Labor Bulletin #102.)

SAFETY

ASSEMBLY SECTION

ASSEMBLY

Before attempting to mount your Tiger mower, it is important to read and understand all of the safety messages in the Safety Section of this manual.

Check complete shipment list against the packing list to make sure there are no shortages. Make certain the tractor model is the appropriate one for the mower received!



Always use a floor jack, hoist or fork lift to lift and raise heavy parts.

Read and understand the entire Assembly Section instructions before attempting to mount your Tiger mower. Refer to the Parts Section of this manual for detailed illustrations to locate all parts. (ASM-C-0001)

TRACTOR PREPARATION

- A. Remove right and left hand steps.
- B. Disconnect battery cables from both batteries.
- C. Remove engine side panels, or raise hood to access front pulley.
- D. Remove plugs from tractor casting where mainframe and pump mount will be attached.
- E. Remove any front weights and weight supports.
- F. Raise the tractor onto jack-stands and remove the right and left rear wheels.

(ASM-C-0024)

CRANKSHAFT ADAPTER

If necessary, remove the four capscrews from the crankshaft pulley. Then install the crankshaft adapter to the pulley with capscrews and lockwashers as shown in the Parts Section.

(ASM-NH-0050)

ADJUSTING REAR WHEELS

Raise rear of tractor onto jack-stands. **Follow the instructions in the tractor owner's manual for adjusting tires and rims.** The back wheels **MUST** be adjusted to the widest setting. **NOTE:** This may require switching the wheels to opposite sides of tractor. Also take note of any width restrictions when transporting by trailer. (For ease of installation, it is best to leave the rear wheels removed during installation of the mower.) (ASM-B-0001)

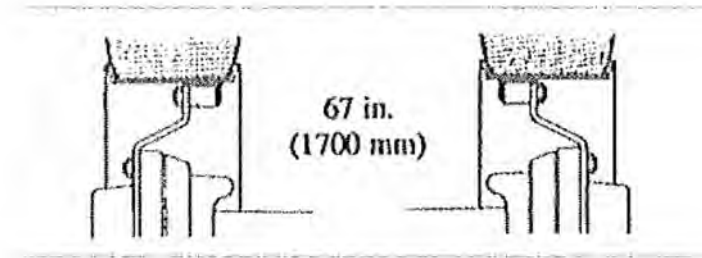


ASSEMBLY

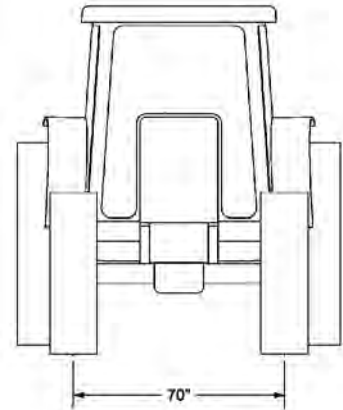
4WD FRONT WHEEL ADJUSTMENT

In order to prevent interference with mounted equipment, the front wheels on a 4WD TS6020 or TS6.1XX tractor will have to be adjusted to be approximately 70" center to center distance (see illustration below). Adjust wheels to 67" spacing according to the tractor's Operators Manual. Double check the wheel spacing after adjustment for interference by oscillating and turning the tires fully. Adjust steering stops as needed.

(ASM-NH-0107)



LOOKING FROM THE FRONT



FRONT PUMP MOUNTING

Install the pump mounting bracket on the front of the tractor with capscrews and washers as shown in the Parts Section illustration. DO NOT tighten fasteners at this time.

Thread the pump driveshaft into the crankshaft adapter. The end with the splines should match up with the coupler.

Slide the splined drive shaft coupler onto the pump driveshaft. Install the pump onto the mounting bracket. NOTE: The shaft is offset to one direction, the pump should be installed with the offset side on top. Install hardware for securing pump to the pump mount, DO NOT tighten.

Align pump so that splined coupling can be moved back and forth by hand. Tighten pump mounting bolts in succession, rechecking for spline coupling movement. Remove the pump mounting bracket bolts one at a time and apply a thread locking agent. Tighten these bolts in succession, again checking for free movement in the driveshaft. After all bolts are torqued, the end play on the driveshaft should be 1/16" to 1/8", and the coupler should move freely with hand pressure. If end play is less than 1/16", grind the end of the shaft to achieve the proper end play. If there is more than 1/4" of end play, return the shaft with specifications for a longer shaft.

CAUTION: DO NOT START THE TRACTOR UNTIL ALL HOSES ARE ATTACHED, TANK IS FILLED WITH PROPER OIL AND BALL VALVES ARE OPEN! STARTING AT THIS TIME WILL CAUSE SERIOUS DAMAGE TO THE PUMP. (ASM-NH-0024)



ASSEMBLY

POLYCARBONATE SAFETY WINDOW

NOTE: Installing a boom mower requires that all of the right side windows be replaced, or protected with a polycarbonate window. This should be done before mounting the mainframe.

1. Disconnect gas shock at door. Remove the right side cab door/window glass from tractor cab by removing hinge pins. Also, remove rear right side window.
2. Remove the existing hardware, door handle and bar handle and discard factory glass door and window.
3. Place small bead of adhesive seal in the bottom of the trim lock bubble seal.
4. Install trim lock bubble seal on polycarbonate starting at the center bottom horizontal portion.
5. Install existing hardware removed from glass door and window on the polycarbonate.
6. Install the polycarbonate assembly in the cab with existing and supplied hardware as shown in the Parts Section.
7. Assemble corner bracket to the control stand inside the cab.
8. Locate and drill a $\text{\O}1/4"$ hole through polycarbonate, with a bit that is **only** used for polycarbonate, to match the corner bracket.
9. Assemble the bracket and tighten the hardware to secure the polycarbonate.
10. Assemble the clamp in the upper front corner by the mirror.
11. Adjust the clamp to achieve a secure hold.
12. Replace the rear corner window with the hardware removed from the window.

(ASM-NH-0101)



INSIDE
VIEW



ASSEMBLY

MAINFRAME INSTALLATION

With an overhead hoist and / or jack-stands, raise one side of the frame up to the correctly matching mounting holes. Install capscrews and other hardware to secure the sides of the mainframe to the tractor casting, as shown on the tractor mount kit page in the Parts Section. DO NOT tighten at this time. Remove the capscrews one at a time and apply a thread locking agent. Reinsert the capscrews and tighten / torque to values noted in the torque chart located in the Maintenance Section of this manual. (ASM-C-0003)

SWITCHBOX WIRING

Route the green wires from the switchbox to the bottom right corner of the instrument panel near window. Cover the wires from the switchbox with the provided plastic wire wrap. Locate the neutral safety switch wire (white with yellow stripe) in the ignition switch, under the cowl panel as shown below. Cut the neutral safety switch wire and connect the green wires from the switchbox.

NOTE: ONLY FOR ELECTRONIC VALVE: +12 VOLTS ELECTRICAL POWER MUST BE TAKEN FROM A SOURCE LOCATION WHERE IT IS LIVE ONLY WHEN THE IGNITION SWITCH IS IN THE "ON" POSITION. THIS WIRE MUST BE FUSED AT THE SOURCE LOCATION.

Route the red 10ga and black 10ga wires from the switchbox to the auxilliary plug.

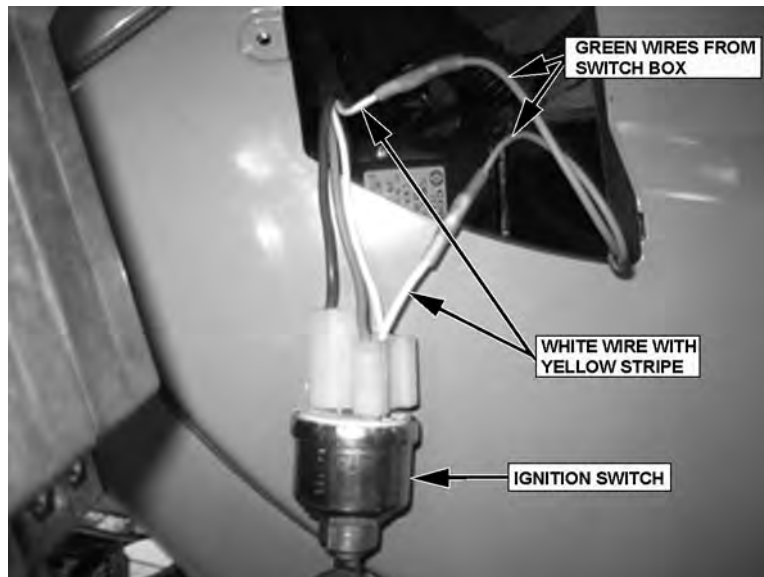
Route the white and black wires to the hydraulic solenoid brake valve.

Route the orange and black wires to the travel lock on the main boom cylinder.

Route the red 14ga wire, keyed hot, from the auxilliary plug to the signal post of the continuous duty solenoid if applicable.

The switchbox is to be secured to the right side of the cable control bracket as shown in the Parts Section.

(ASM-NH-0121)



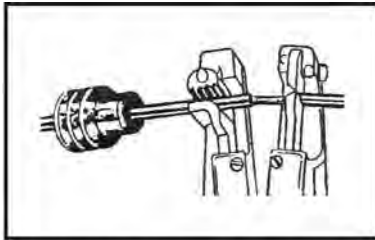
ASSEMBLY

WEATHER-PACK / METRI-PACK ASSEMBLY

These instructions apply to both Weather-Pack and Metri-Pack connectors.

NOTE: Use the specific tool for the type of connector you are assembling.

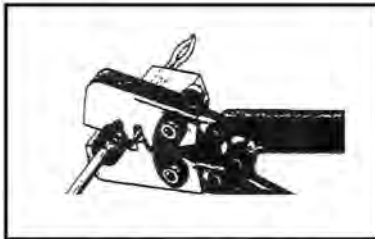
(ASM-C-0009)



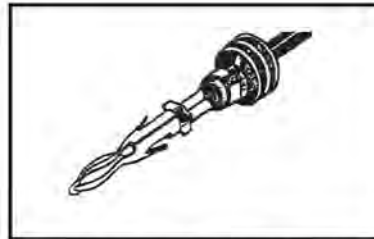
1. Apply seal to cable, before stripping insulation.



2. Align seal with cable insulation.



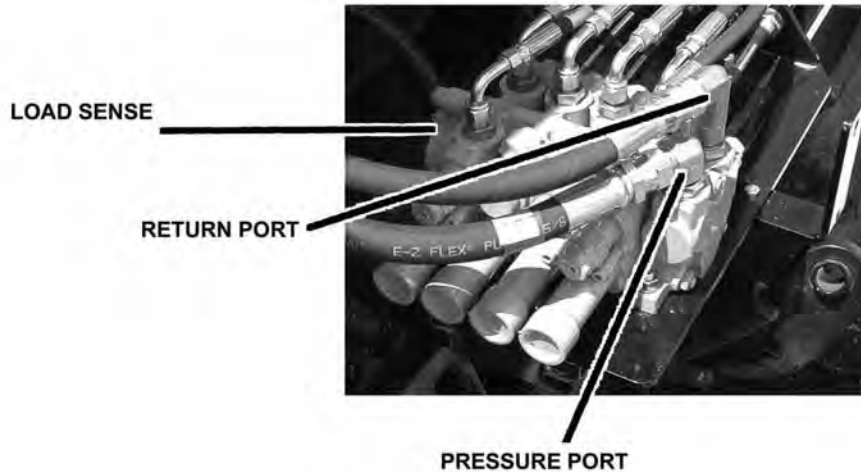
3. Put terminal in crimping tool, then position wire and seal in place.



4. Crimp and visually inspect for a good crimp before installing in connector body.

MANUAL LIFT VALVE PORTS

(ASM-C-0057)



ASSEMBLY

TRACTOR LOAD SENSE, PRESSURE & RETURN

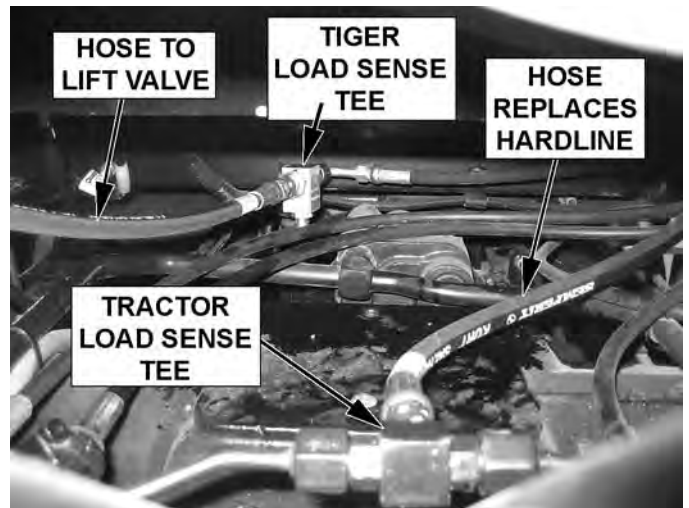
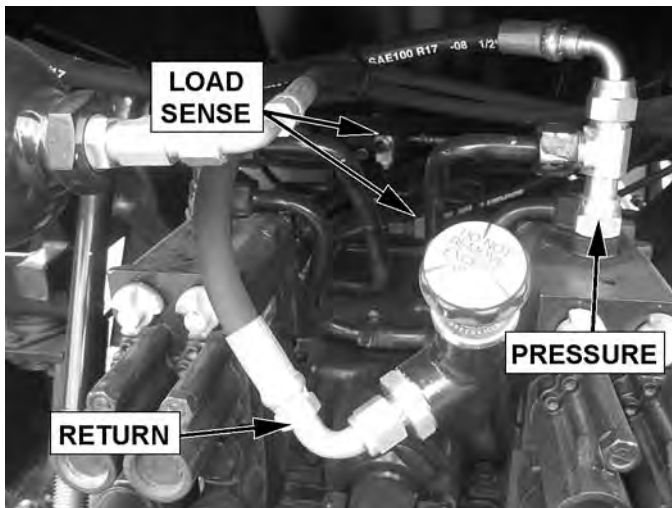
The lift valve uses the Pressure, Return and Load Sense on the tractor's rear remote stack. The ports used are directly under the valve mounting plate.

The Pressure hose is routed from the top of the tractor right side remote stack to the pressure port of the lift valve.

The Return hose runs from the return port of the lift valve to the tractor remotes.

The Load Sense line is routed from the load sense port of the lift valve to a Tee installed in the load sense port under the cab. The tractor hardline for the load sense, which is routed from the load sense port under the cab to the tractor remote stack(s), is replaced with a hose.

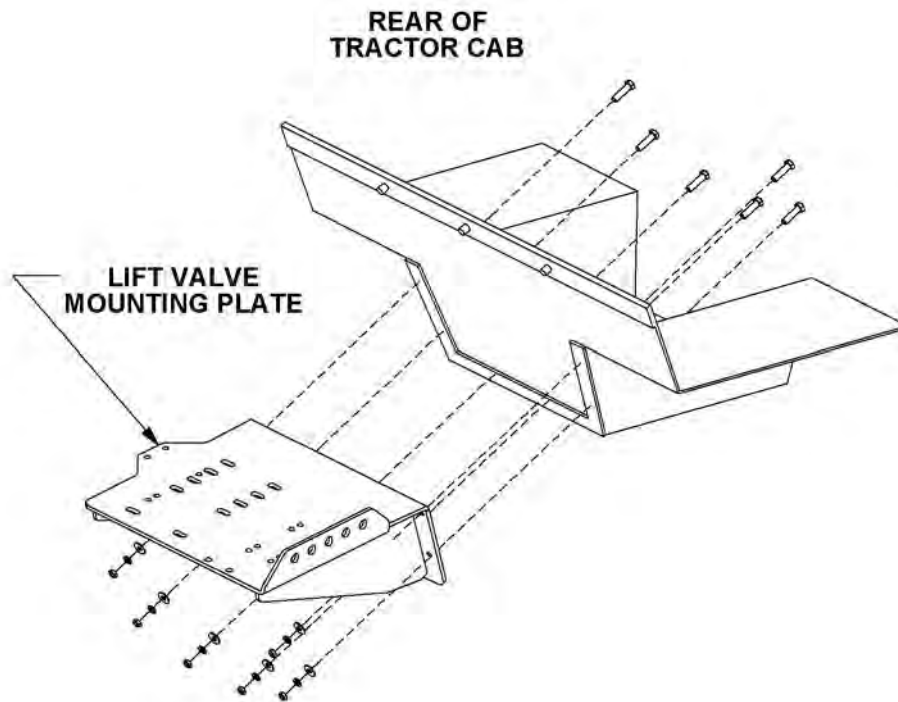
For more information refer to the Parts Section page for a complete diagram of the tractor valve hookup. (ASM-NH-0125)



ASSEMBLY

LIFT VALVE MOUNTING

Before mounting the lift valve, you will need to mount the Lift Valve Mounting Plate to the tractor cab. First, remove the capscrews from the tractor cab as shown below. Next, replace the capscrews and install the Lift Valve Mounting Bracket as shown below. Refer to the Parts Section for details and hardware needed.. (ASM-NH-0104)



ASSEMBLY

MANUAL SWITCHBOX MOUNTING

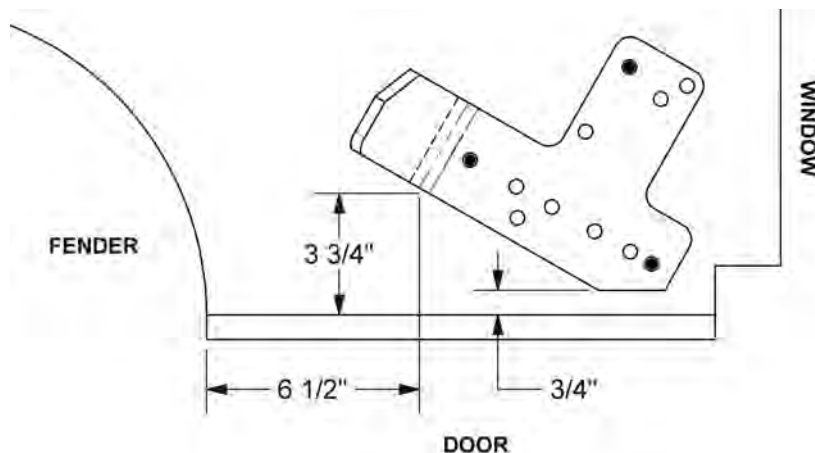
The switchbox is to be secured to the right side of the manual control bracket. Refer to the Parts Section for assembly and components needed. (ASM-NH-0122)



CABLE CONTROL/JOYSTICK STAND

Place the beveled edge of the support bracket $3/4$ " in parallel to the door. Locate the support bracket approximately $6-1/2$ " from the fender wall to the formed edge of the bracket as shown below. Be sure that the location of the stand will allow clearance between the cable control handles and all existing interior levers, etc. Also, watch out for wiring and brackets underneath the cab when placing the bracket for drilling.

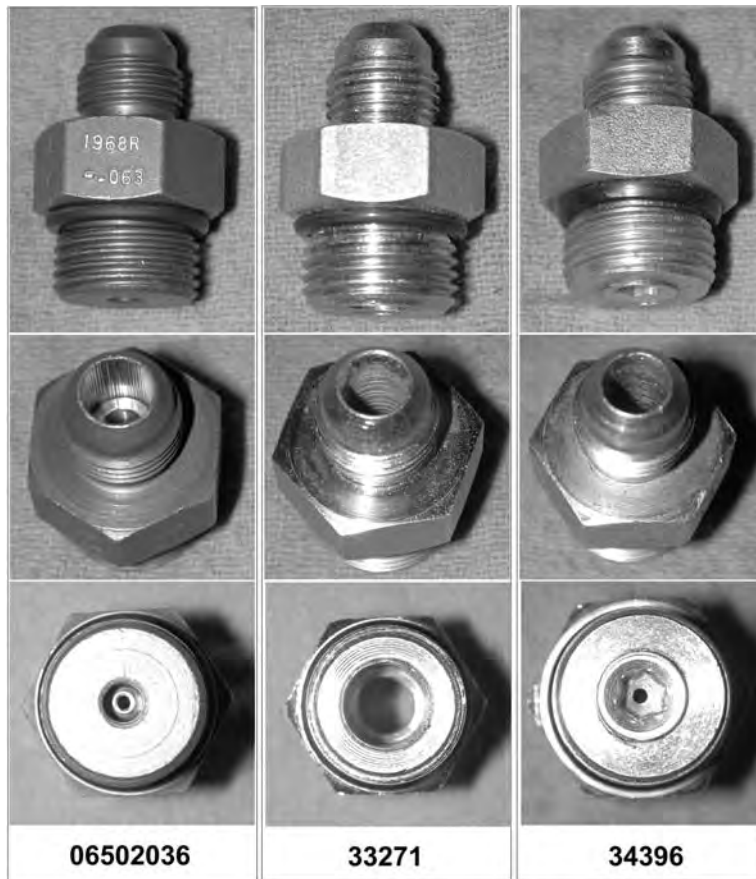
Using the support bracket as a template, mark and drill the 3 holes highlighted below and secure with capscrews and nylock nuts noted in the Parts Section. (ASM-NH-0105)



ASSEMBLY

NOTE ON HUSCO CONTROL VALVES

Manual, cable controlled (Husco control valve) boom mowers require check valves with integral restricting orifice (#06502036) installed in the control valve work ports that are connected to the gland ends of the main and secondary boom cylinders. This check valve allows oil to free flow into the gland end of the main and secondary boom cylinders, but restricts flow out of the cylinder, thereby providing proper boom control. This check valve, #06502036 (Vendor #1968R-.063) is similar in appearance to hose adapter #33271 and Adapter #34396, with .06 orifice. These components can be identified as follows, and are to be installed per Parts Section for the lift valve. (ASM-HUSCO-0001)

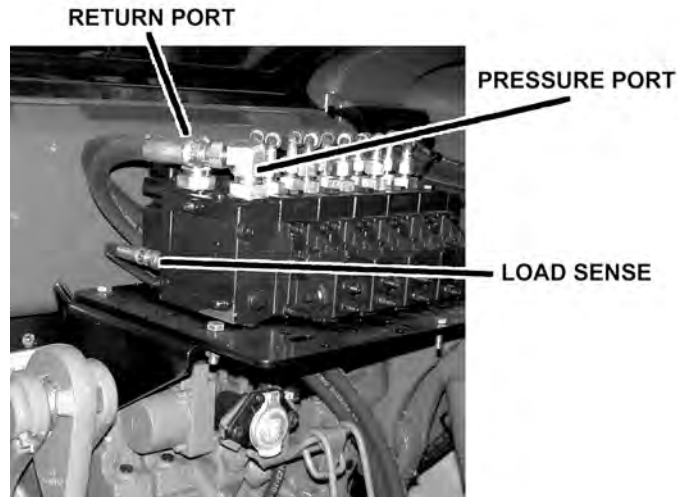


ASSEMBLY

ELECTRONIC LIFT VALVE PORTS

(ASM-C-0089)

DANFOSS VALVE



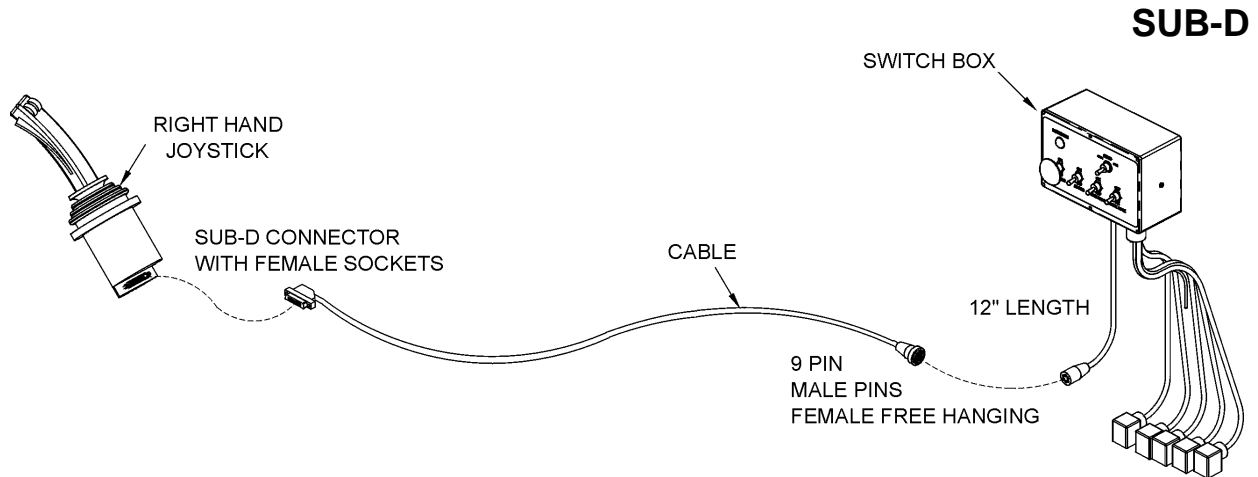
JOYSTICK SWITCHBOX MOUNTING

The switchbox is to be secured to the joystick/switchbox stand. Refer to the Parts Section for assembly and components needed. (ASM-NH-0137)



ASSEMBLY

BOOM JOYSTICK CONTROL CALIBRATION



This Electronic control valve is equipped with high-resolution actuators on Boom, Side Shift, Deck Roll, and Boom Swivel functions. These actuators have active fault monitoring. The Deck Shield section does not have active fault monitoring. The joystick provides a ratio-metric voltage signal. The neutral signal voltage is half or 50% of tractor supply voltage. A 25% signal voltage will shift the valve spool to full A-Port, and 75% signal voltage will shift the spool to full B-Port in the Boom, Side Shift, and Boom Swivel valve sections. On the Deck Roll function a 34% signal voltage will shift the valve spool to full A-Port and a 68% signal voltage will shift the spool to full B-port. If an actuator with active fault monitoring receives a signal from the joystick that is less than 15% or greater than 85% of supply voltage the actuator will fault out and shut down. Also, if there is an internal failure in the actuator or if the spool position is greater than that specified by the signal voltage from the joystick, the actuator will “fault out” and shut down. An active fault condition causes the actuator to drive the spool to neutral, shut down, and activate a red LED on the top of the actuator. The active fault can be canceled by simply cycling the Master Switch OFF and then ON, which resets the fault monitoring, and causes the LED on top of the actuator be green again.



The joystick control is equipped with signal adaption potentiometers.

These provide the capability to individually adjust the oil flow to each boom function. It is important that the boom functions do not travel too fast. Excessive boom speed can reduce the stability of the unit and decrease operator control.

Note: Use a Phillips screwdriver and be sure to adjust the screws carefully! DO NOT turn the potentiometers beyond their stopping point, potentiometers are very delicate! Turning the “A” or “B” port potentiometers clockwise increases the oil flow to increase the boom function speed, and turning them counterclockwise decreases the oil flow to decrease the boom function speed. See the graphic on the next few pages for help in adjusting.



ASSEMBLY

BOOM JOYSTICK CONTROL CALIBRATION (CONTINUED)

Run tractor at normal operating RPM to adjust the settings as follows.

Set the dead band compensation potentiometer first.

Set the dead band compensation potentiometer at 50%, or halfway between full clockwise and full counter-clockwise.

Setting Signal Adaptation Potentiometers:

Disconnect the Deutsch connectors from the actuators of the valve. Use a Volt/Ohm meter to measure signal voltage and adjust the signal adaptation potentiometers as needed. Pin #4 is tractor supply voltage. Pin #1 is signal voltage from the joystick, and pin #3 is ground. First, measure supply voltage between pins 4 and 3. Then measure signal voltage between pins 1 and 3 while indexing the joystick function fully in both the "A" and "B" port direction. Divide the signal voltage by the supply voltage to get signal voltage as a % of supply voltage. This percentage should not be less than 25% or greater than 75% for the Boom, Side Shift or Boom Swivel function. This percentage should not be less than 30% or greater than 62% for the Deck Roll function. Note these initial settings for the Deck Roll function should prevent the spool from shifting into float. *After making this first adjustment to deck roll if the spool still goes into float, adjust the "B" port screw additionally counterclockwise.*

Reconnect Deutsch connectors on control cables to actuators on Electronic valve. Run tractor until hydraulic system is at operating temperature. Now refine the adjustments of the signal adaptation potentiometers for both "A" and "B" ports for all proportional functions to achieve the following function times. Note: turning potentiometer clockwise increases the flow or the function speed, and turning them counter-clockwise decreases the flow or the function speed. Note, if during this procedure the trim potentiometer is set to full counterclockwise but the function is still too fast, use the mechanical stops at the manual actuator end of the valve section to further limit flow. Turn limit screw in or clockwise to limit flow. The upper limit screw limits flow to "B-port", and the lower limit screw limits flow to A-port. However DO NOT adjust the limit screw on B-port of deck roll function. Limiting B-port will prevent float function.



ASSEMBLY

BOOM JOYSTICK CONTROL CALIBRATION (CONTINUED)

BOOM: "A" Port, Boom Up: 7-9 Seconds

(Note: Roll deck to be level with ground, and lower boom until deck is on ground. Now index boom "up" function and determine the time required for boom to rise completely.)

"B" Port, Boom Down: 6-8 Seconds

(Note: Roll deck to be level with ground, and raise the boom to "full up". Then index the boom "down" function to determine the amount of time required for the deck to contact the ground. CAUTION: Stop the boom just as the deck contacts the ground.)

SIDE

SHIFT: "A" Port, Side Shift Out: 8-10 Seconds

(Position deck above ground and shift completely inboard. Then index the side shift "out" function and determine the time required for the deck to shift completely outboard.)

"B" Port, Side Shift In: 8-10 Seconds

(Position deck above ground and shift completely outboard. Then index the side shift "in" function and determine the time required for the deck to shift completely inboard.)

DECK ROLL: "A" Port, Deck Out: 7-9 Seconds

(Raise boom and shift deck so that deck can be articulated without contacting the boom, and roll deck in until deck cylinder is completely extended. Then index the deck roll "out" function and determine the time required for the deck to roll out.)

"B" Port, Deck In: Target 7-9 Seconds (but DO NOT use Limit Screw)

(Raise boom and shift deck so that deck can be articulated without contacting the boom, and roll deck out until deck cylinder is completely retracted. Then index the deck roll "in" function and determine the time required for the deck to roll in.)

BOOM

SWIVEL: "A" Port, Boom Aft: 10-12 Seconds

(Position boom, rotate head to be level with ground, lower boom until deck is just above ground, and swivel boom full forward. Then index the boom swivel "aft" function and determine the time required for the boom to swivel full aft. Use caution when doing this, stop boom before boom contacts tire.)

"B" Port, Boom Forward: 10-12 Seconds

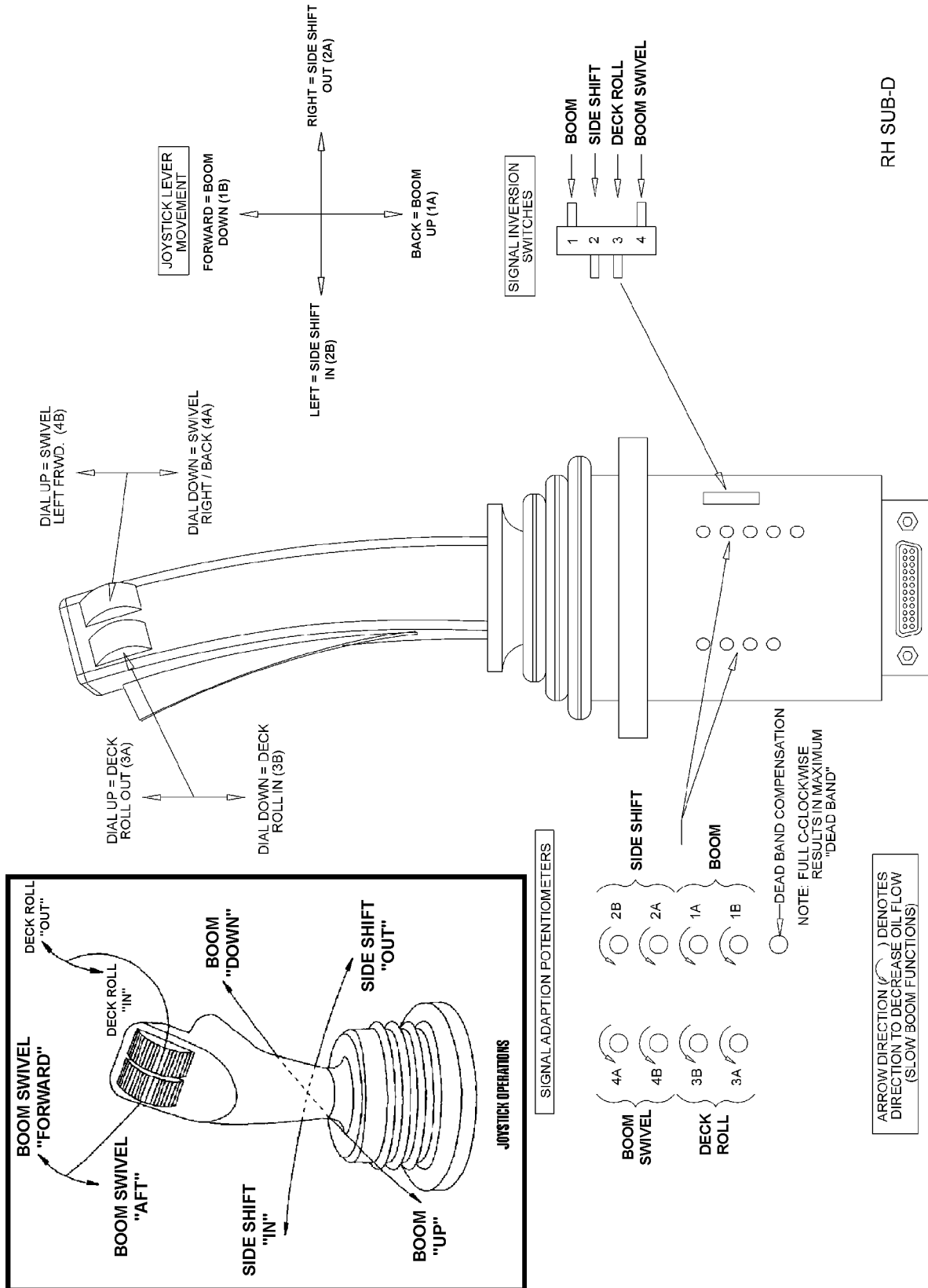
(Position boom, rotate head to be level with ground, lower boom until deck is just above ground, and swivel boom aft until near tire. Then index the boom swivel "forward" function and determine the time required for the boom to swivel full forward.)

(ASM-DF CALIBRATION RSS-0001)



ASSEMBLY

BOOM JOYSTICK DIAGRAM (ASM-DF CALIBRATION RSS-0001A)

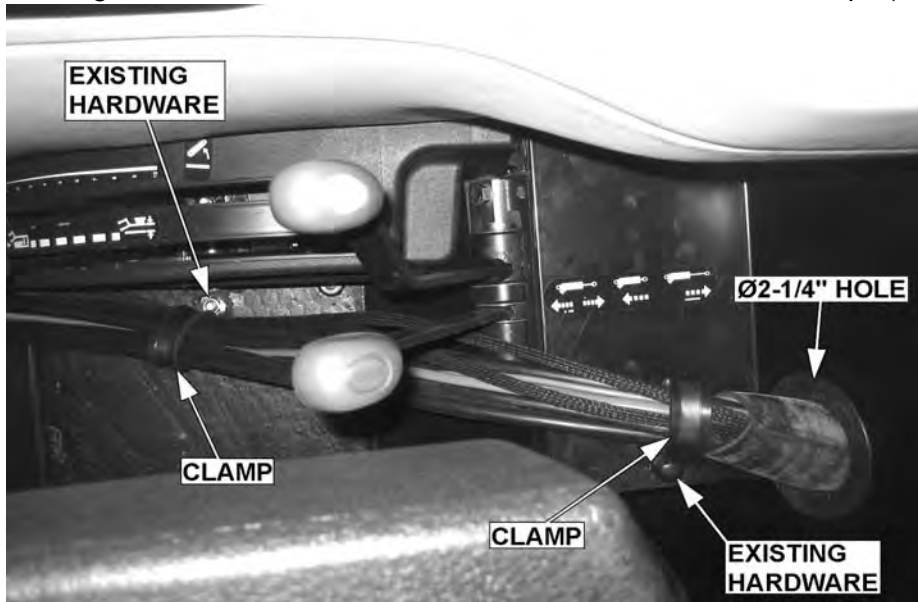


ASSEMBLY

LIFT VALVE CABLE/WIRE ROUTING

Cut a $\text{Ø}2\text{-}1/4\text{'}$ hole in the back of the tractor cab as shown below. Install trim lock around the edges of the hole. Route the cables from the manual levers, or wires from the joystick, along with the wires from the switchbox along the floor out the back of the cab to the lift valve. Wrap the cables and wires with split hose at the point where they pass through the tractor wall and zip tie the split hose securely.

Use the existing hardware in the locations shown below to install the clamps (P/N 06520013).



Use RTV to seal the hole that was cut in the back of the tractor cab. (ASM-NH-0109)



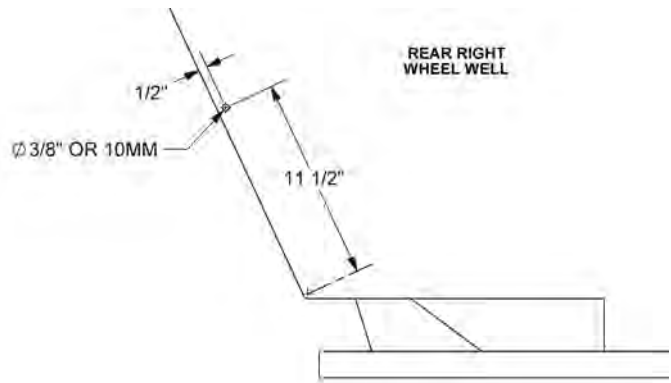
ASSEMBLY

LIFT VALVE HOSE ROUTING

Attach the clamp to the right rear wheel well for proper hose routing. Use the lower rear corner of the wheel well as an origin for measuring. The hole should be $\text{Ø}10\text{mm}$ or $\text{Ø}3/8$ " reamed to accept $3/8$ " hardware.

Measure from the corner of the wheel well $11\text{-}1/2$ " along the back edge. Use a square to measure $1/2$ " in from the edge. Refer to the images below to see the hole placement.

NOTE: DO NOT CUT INTO TUBES / HOSES / WIRES WHEN DRILLING THROUGH METAL OR PLASTIC!



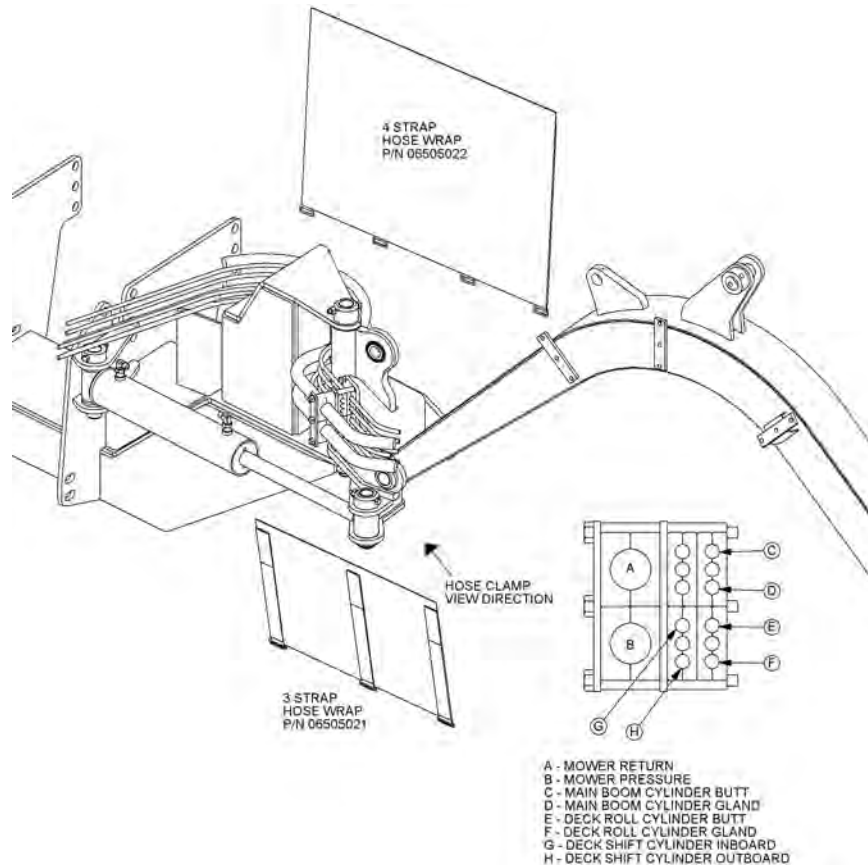
Place as many hoses in the clamp that will fit without compromising pressure. Then secure the HOSE CLAMP (06520013) to the hole drilled with the CAPSCREW, $3/8$ " X 1 ", NC (21630) and NYLOCK NUT, $3/8$ ", NC (21627). The hoses that don't fit into the clamp are to be secured to the others with zip-ties. For protection of hoses in contact with metal edges, wrap hoses with split hose sections and fasten with hose clamps or zip-ties as needed. (ASM-NH-0108)



ASSEMBLY

REAR STOW SIDE MOWER HOSE ROUTING

WARNING NOTE: The sudden release of hydraulic pressure could cause the sudden movement of very heavy parts. Anyone in the way of these parts could be severely hurt or killed. To prevent hydraulic failure, DO NOT ALLOW these hydraulic hoses to BREAK or BURST. Make sure the hoses do not pinch or stretch as boom moves. Measure TWICE, check TWICE, then proceed with caution.

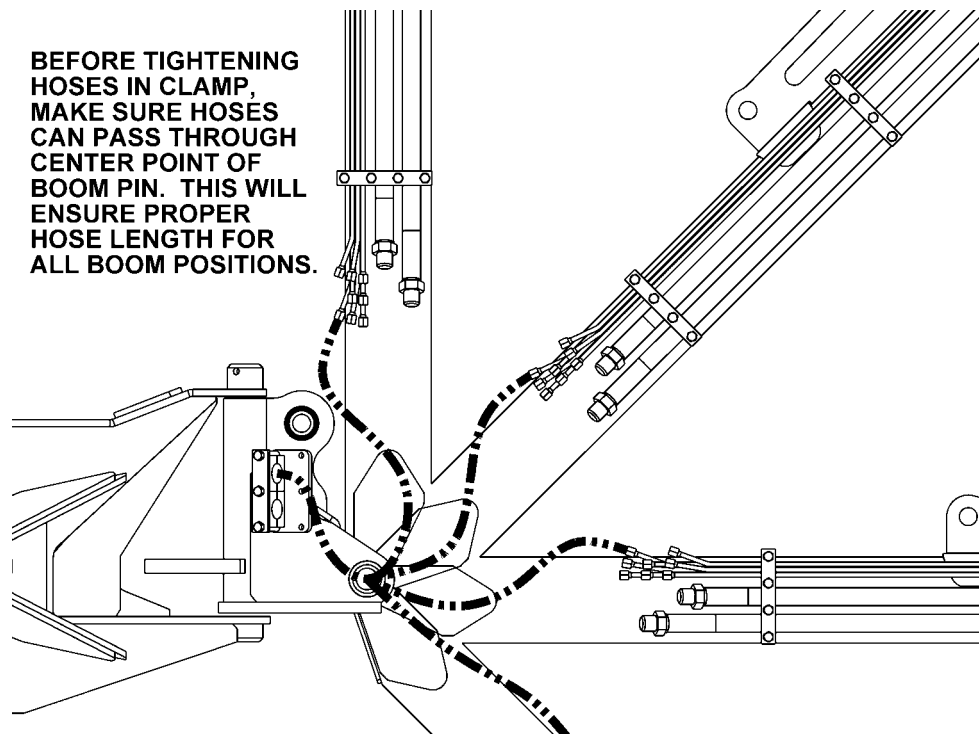


Route the hoses through the space between the swivel and the boom mounting bracket. Connect the hoses to the boom hoses and move the boom arm to a few feet from full forward. Assemble the swivel clamp and place the return hose for the motor on top and the pressure line on the bottom. Place the $\frac{1}{4}$ " hoses in the hose clamp as shown above. Next, make sure there is enough slack for all hoses to pivot at the joint where the main boom arm bends in the swivel, as shown in the next image, and tighten the hoses in the clamp. (ASM-RSS HOSE ROUTING-0001A)



ASSEMBLY

REAR STOW SIDE MOWER HOSE ROUTING (CONT.)



Arrange the hoses in the clamp that attaches to the boom mounting bracket as shown above. Pull the hoses snug from the swivel to the mounting bracket clamps, when main boom is still forward, and tighten the hoses in the clamp.

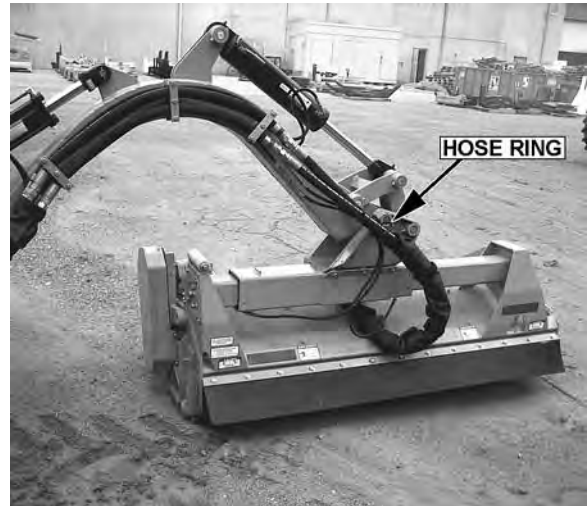
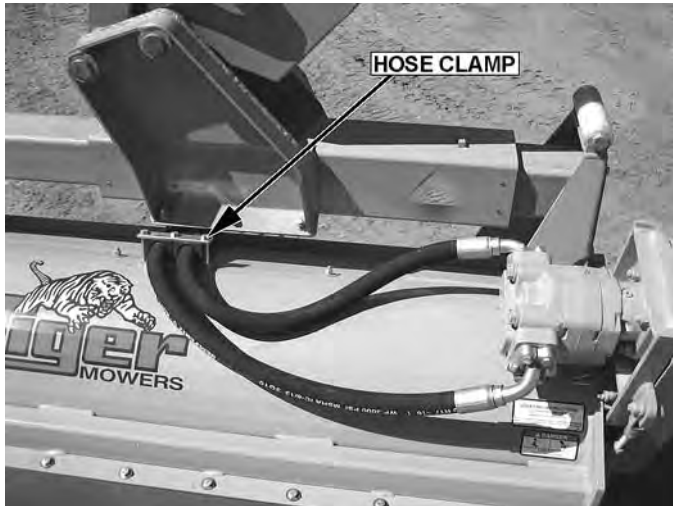
Make sure the 1" motor hoses do not kink as the boom arm is moved into the stowing position. If this happens the motor hoses will have to be shortened, because there is too much hose between clamps. (ASM-RSS HOSE ROUTING-0001B)



ASSEMBLY

REAR STOW SIDE FLAIL HOSE ROUTING

WARNING NOTE: The sudden release of hydraulic pressure could cause the sudden movement of very heavy parts. Anyone in the way of these parts could be severely hurt or killed. In order to prevent hydraulic failure, **DO NOT ALLOW** these hydraulic hoses to **BREAK** or **BURST**. Make sure the hoses do not pinch or stretch as boom moves. Measure **TWICE**, check **TWICE**, then proceed with caution.



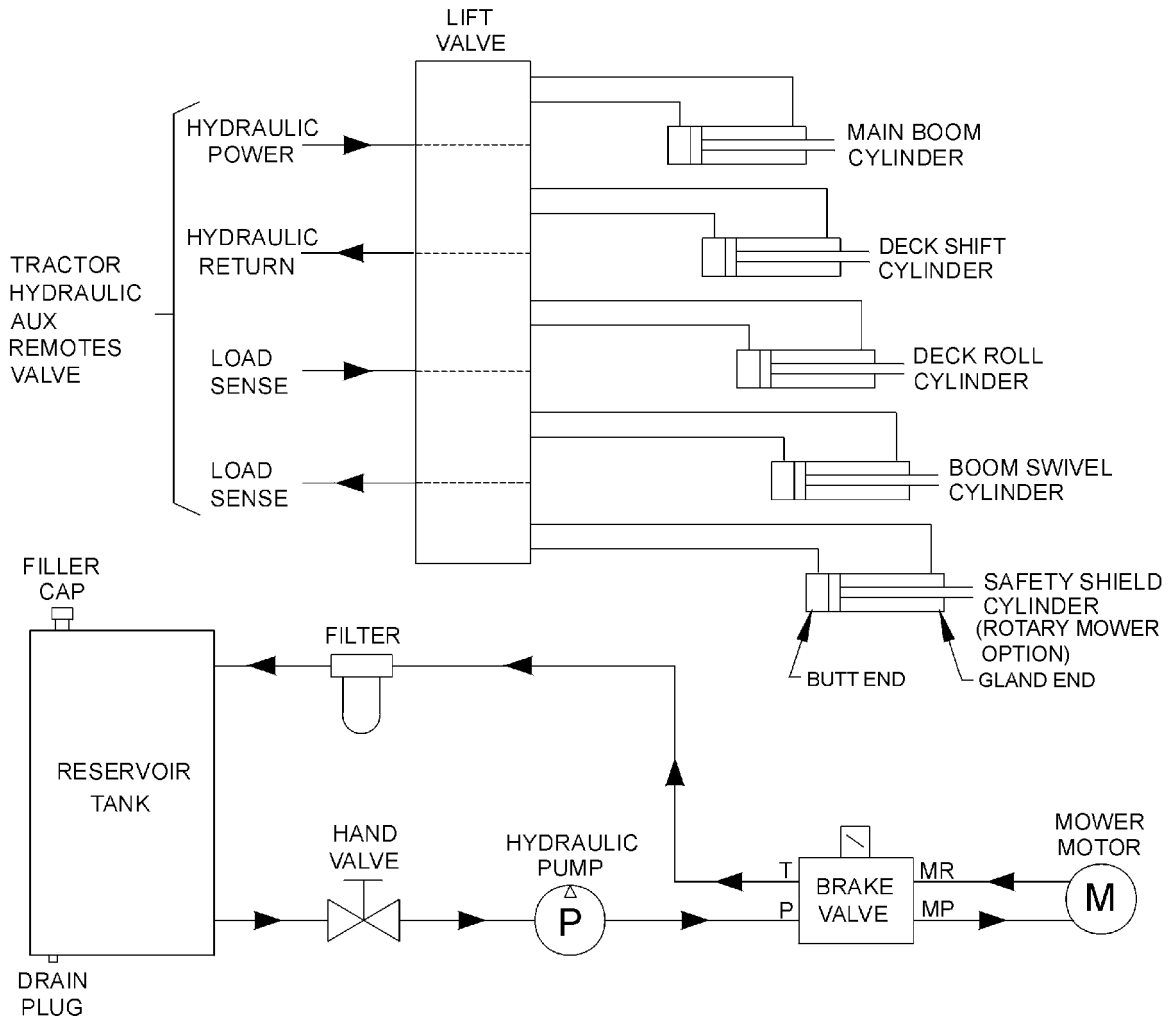
Route the hoses from the flail motor through the space between the slider assembly and the flail deck as shown above. Clamp the hoses with hose clamp P/N 35131, but do not tighten at this time. Next, route the hoses from the hose clamp through the hose ring and attach them to the boom hoses. Before tightening the hose clamp, make sure the hoses do not pinch, stretch or rub on any edges when the flail head moves through its articulation and sliding. Finally, attach the hose cover P/N 06505020 between the hose clamp and the hose ring. Refer to the Parts Section for hardware. (ASM-RSS HOSE ROUTING-0002)



ASSEMBLY

(ASM-C-0100)

BOOM HYDRAULIC DIAGRAM



SIDE HYDRAULIC TANK INSTALLATION

Install all fittings and tubes into tank and tank filter as shown in the Parts Section illustration. Insert tank sight glass into front side of tank.

Place the tank in the mounting bracket on the mainframe as shown in the Parts Section. Secure the tank with the tank channel mount by placing the channel mount on top of the tank and the washers over the holes. Thread the tie bolts through the washers and holes to the threaded holes on the mainframe. Tighten the tank channel mount by using the hex heads on the end of the tie bolts.

Install the filter gauge into the filter housing so that it points to the rear of the tractor and is clearly visible to the operator. The tank breather cap is ready for use as the tank is filled. Some of the previously mentioned items may already be installed. (ASM-MOTOR HYDRO-0001)

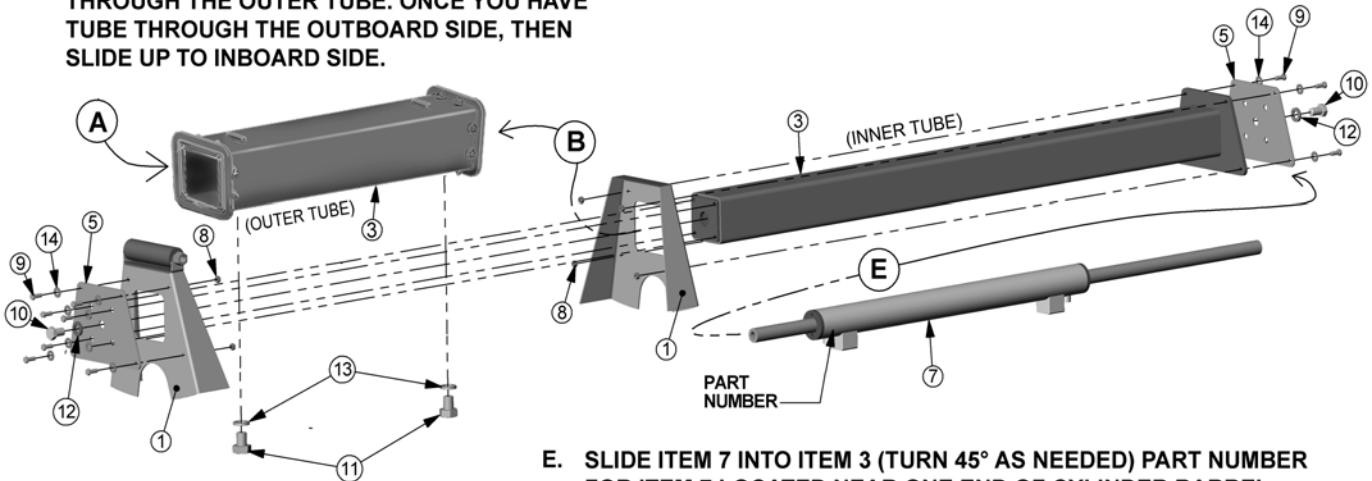


ASSEMBLY

REAR STOW SIDE SLIDE ASSEMBLY

TIGER RECOMMENDS USING
LOCTITE 271™ ON ALL FASTENERS
BEFORE INSTALLING.

- A. THE INNER AND OUTER TUBES ARE SUPPLIED AS AN ASSEMBLY. REMOVE THE INNER FROM THE OUTER TO ASSEMBLE TO MOWER HEAD.
- B. SLIDE THE INNER TUBE OF ITEM 3 INTO ITEM 1 FROM OUTBOARD SIDE (OPPOSITE ROLLER ASSEMBLY) AS SHOWN. SLIDE THE INNER TUBE THROUGH THE OUTER TUBE. ONCE YOU HAVE TUBE THROUGH THE OUTBOARD SIDE, THEN SLIDE UP TO INBOARD SIDE.
- C. ONCE ITEM 3 IS IN PLACE, SECURE INBOARD END CAP (ITEM 5) WITH ITEMS 9 (QTY 8), 14 (QTY 8) & 8 (QTY 4). LEAVE FASTENERS LOOSE TO ALLOW FOR NEXT STEP
- D. SLIDE OUTER TUBE ALL THE WAY OUTBOARD.



- E. SLIDE ITEM 7 INTO ITEM 3 (TURN 45° AS NEEDED) PART NUMBER FOR ITEM 7 LOCATED NEAR ONE END OF CYLINDER BARREL MUST GO TOWARD INBOARD END! LINE UP MOUNTING BLOCKS WITH HOLES IN OUTER TUBE. LOOSELY SECURE WITH ITEMS 11 (QTY 2) AND 13 (QTY 2). LOOSELY ASSEMBLE ITEMS TO OUTBOARD END WITH ITEMS 9 (QTY 4) AND 8 (QTY 4).
- F. WITH ALL ITEMS IN PLACE, CENTER ITEM 3 IN OPENINGS IN ITEM 1 AT BOTH ENDS, THEN TIGHTEN FASTENERS. THEN TIGHTEN FASTENERS ON ROD ENDS. FINALLY, TIGHTEN BOLTS ON UNDERSIDE OF CYLINDER.

See the Slide Assembly page in the Common Parts Section for parts numbers and additional detail. (ASM-RSS SLIDE ASSEMBLY 2017)



ASSEMBLY

FILLING HYDRAULIC RESERVOIR

Refer to the Maintenance Section for filling specifications and hydraulic oil requirements.

NOTE: Starting or running your Tiger mower before filling reservoir will cause serious damage to the hydraulic pump.

(ASM-C-0004hydro resrv)

INSTALLING O-RING FITTINGS

Installing straight, 45° and 90° O-rings requires that the O-ring and washer be up against the swivel body. Insert the swivel and turn in until the swivel is pointed in the desired direction and O-ring contact is made. Hold swivel in set direction with a wrench and turn the O-ring nut away from the swivel body and carefully tighten. *(ASM-C-0056)*

INSTALLING NATIONAL PIPE FITTINGS

Whenever installing a pipe fitting, wrap the threads clockwise (looking at the end) with teflon tape. In this way, the tape will be tightened when installed. NOTE: It is not necessary to tape O-ring fittings, or those installed in swivels. *(ASM-C-0088)*

GENERAL HOSE INSTALLATION

Refer to the Parts Section for detailed information about hoses and fittings for this application. *(ASM-C-0011)*

HOSE COVERING

Secure hoses together with zip ties wherever loose. Wrap the hoses between the swivel and main boom with the hose cover provided. Wrap the hoses between the main boom and secondary boom with the hose cover provided. Where hoses may contact the frame or other edges, wrap with split hose and secure with hose clamps or zip ties.

On non-cab units, the pressure and return hoses from the control valve will also need to be routed inside the protective hose wrap. Cover the valve and valve fittings with the hose cover and secure with the string provided. *(ASM-C-0058)*

SOLENOID BRAKE VALVE

Install a solenoid valve on the right riser plate of the mainframe with the supplied hardware as shown in the Parts Section in this manual. While installing the fittings to the brake valve, the electrical coil on the spool may have to be removed to make room. When reinstalling the coil, it is important to use no more than 5 ft. lbs. (or 60in. lbs.) torque. **WARNING: OVER TORQUE TO THE COIL WILL RESULT IN HYDRAULIC FAILURE OF SPOOL.** *(ASM-C-0106)*

TEMPERATURE GAUGE MOUNTING (OPTIONAL)

Mount the temperature gauge where it is clearly visible to the operator. Attach the green (-) wire from the negative post on the gauge to a grounded bolt on the tractor frame. Remove paint if needed to make a good ground. Remove the pipe plug from the side of the hydraulic reservoir and install the temperature sensor using thread sealing tape. Run the white wire from the (s) sensor post of the gauge to the temperature sensor on the hydraulic reservoir tank. *(ASM-C-0051)*



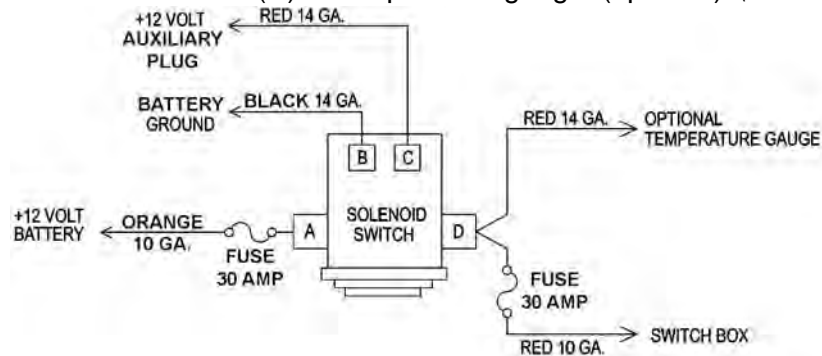
ASSEMBLY

CONTINUOUS DUTY SOLENOID SWITCH

Mount the solenoid switch, drill holes to match if necessary, in a dry and well protected area. Secure as shown in the Parts Section with provided 3/8" x 1" capscrews, lockwashers, and hex nuts.

Route wires to and from the Continuous Duty Solenoid Switch as shown below.

- A.) ORANGE 10 GA. wire from terminal (A) to +12V battery fusible link.
- B.) RED 14 GA. wire from terminal (C) to tractor plug in cab.
- C.) BLACK 14 GA. wire from terminal (B) to -12V battery post.
- D.) RED 10 GA. wire from terminal (D) to switch box.
- E.) RED 14 GA. wire from terminal (D) to temperature gauge. (optional). (ASM-NH-0032)



COOLER MOUNTING - SIDE TANK

Mount the cooler mounting brackets on the top rear side of the side hydraulic tank. Locate the bolt plates on the top of the tank and secure the appropriate cooler bracket to the tank with the hardware provided. Attach the screen and cooler to the brackets. Refer to the Parts Section to attach the hoses and adapters to the cooler. (ASM-C-0092)



ASSEMBLY

SWIVEL BRACKET MOUNTING

Install the boom swivel bracket onto the mainframe with the swivel pin. Secure the pin in place using the capscrews, etc. through the hole in the boss and pin. NOTE: The head of the capscrew must be toward the front of the tractor.

Install all new swivels and fittings on the swing cylinder with swivel openings facing each other. Fittings will vary in type and direction depending on your application; refer to the Parts Section for more details.

Install bearings in the mainframe anchor for the swing cylinder. This may have already been done for you.

Install the swing cylinder between the boom mounting bracket cylinder anchor and the boom swivel with the pins. Insert roll pins through the top and the bottom hole in the pins.

Attach hoses from the control valve to the swing cylinder. (ASM-C-0015)

MAIN BOOM INSTALLATION

Using a hoist, install the boom swivel into the mainframe as shown in the Parts Section. Line up holes in swivel and mainframe for large swivel pin and insert pin. Secure with hardware as shown.

Attach the inner end of the main boom to the swivel bracket with the cylinder anchors positioned upward, and at a right angle to the tractor. Secure it with the horizontal hinge pin. Secure the hinge pin in the boss with capscrews, etc. (see Parts Section).

Attach the butt end of the main boom cylinder to the swivel with the cylinder pin and roll pins shown in the Parts Section.

Install the travel lock on the rod end of the main boom cylinder. This should be facing the butt end of the cylinder after installation.

Install the fittings and hoses to the main boom cylinder per Parts Section.

GREASE HINGE PIN ZERKS ON BOOM AFTER ASSEMBLY, ONCE UNDER LOAD WITH BOOM ELEVATED, AND AGAIN AT REST WITH BOOM SUPPORTED. (ASM-C-0013)

DECK ATTACHMENT

Attach the head to the secondary boom using the pins and hardware shown in the Parts Section. Install the deck pivot cylinder using the pins and hardware also shown in the Parts Section.

Connect the fittings and hoses from the pivot cylinder to the small hoses or preformed tubes on the boom arm. Connect the fittings and hoses from the motor to the large hoses or preformed tubes on the boom arm. If attaching a rotary mower make sure that the hose with the red stripe sticker is attached to the motor pressure port which is marked with a red dot sticker.

Connect all remaining hoses from the control valve to the cylinders and/or hoses or preformed tubes on the boom arm. (ASM-C-0086)

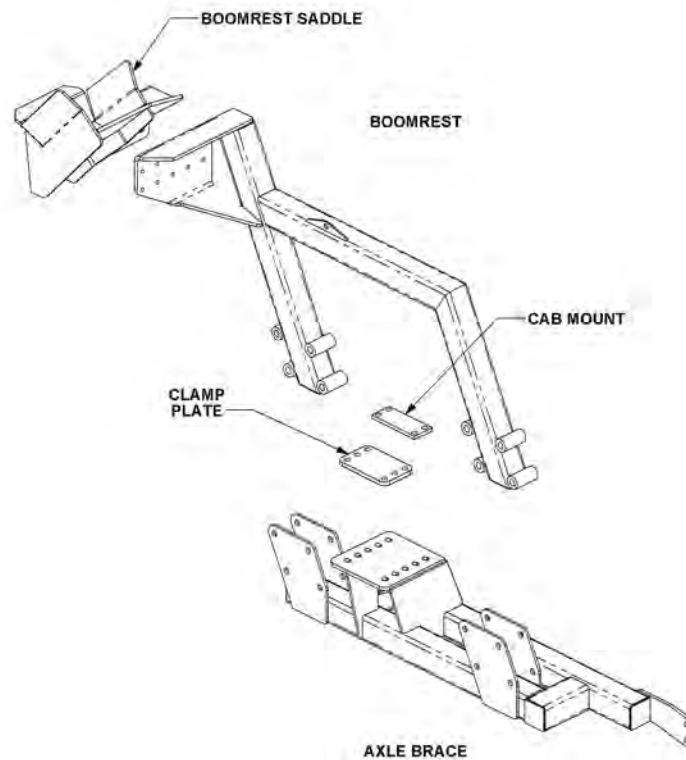


ASSEMBLY

SINGLE COLUMN BOOMREST

Carefully lower the boomrest and align the holes with those of the axle brace. Now install all attaching hardware as shown in the Parts Section loosely, to allow for the alignment with the axle brace. Tighten / torque all hardware on the axle brace and the boomrest. Finally, add the Boomrest Saddle using the hardware provided and space the hardware apart as far as possible.

(ASM-NH-0135)



ASSEMBLY

FINAL PREPARATION FOR OPERATION

Place operator's safety and operation decals on the steering column and side console where they are clearly visible to the operator. These decals should be understood by each operator of the machine in conjunction with the Safety and Operation Sections of this book. The decals are to be maintained in good condition as a reminder to the operator, and should be replaced if damaged.

All bosses, pins and pivot points will need to be greased as instructed in the Maintenance Section of this manual. The hydraulic reservoir can also be filled with the recommended fluid (see Maintenance Section) and the filter installed in the top of the tank. Double check all fittings and fasteners BEFORE starting tractor. Also secure any loose hoses together with zip ties and wrap with split hoses where friction may occur on the hoses.



BEFORE starting or operating the tractor you must read and understand the Safety and Operation Sections of this manual completely.

BE SURE THE BALL VALVES ARE OPEN! Start tractor and allow instruments to stabilize. Using a piece of paper or cardboard as noted in the Safety and Maintenance Sections, check all fittings and connections for hydraulic leaks.

If a leak is found, you must shut down the tractor and set the cutter on the ground. Before attempting to fix the leak, you must actuate the lift valve handles several times to relieve any pressure in the lines.

Before operating the mower, the cutter head and boom should be slowly moved throughout the full range of motion. Watch for any condition that would cause pinching or excess stress on the hoses. The steering and front axle travel should also be carefully moved through their full range of motion. If any condition occurs in which the hoses contact the tires, the steering and / or front axle travel may need to be limited as described in the tractor operator's manual. This should also be done if the tires rub, or are extremely close to any other part of the mower, such as the hydraulic tank or draft beam. This may include adding shims or adjusting stop bolts in the tractor front to solve the problem. While checking motion, you should also check that the control circuits are connected according to the operator's decal for the valve handles.

MOWER TESTING

Take the tractor to a place free of loose objects on the ground. Operate the cylinders through their full range of motion again, to clear the lines of air. Follow the instructions in the Operation Section to operate the mower. Vibration of the mower should be minimal at all times. After a 5 minute test run, the knife bolts should be retorqued, and retorqued once again after the first few hours of operation.

If any parts of this Assembly Section, or any other section of this manual are not clearly understood you must contact your dealer or the address on the front of this manual for assistance! (ASM-C-0010)



ASSEMBLY



CD9 F5 HCB' G97 HCB

UJ ^!aa } A^&a } AÆ

CD9F5HCB

H 9F'6CCA'ACK 9F

CD9F5HB; 'BGHFI 7HCBG

CD9F5HCB

Va^!AO[[{ •Ae^A e} ~ eac !^aA a@a ~ aac A ae !aeA A a]aA [!^! •EAV@AO[[{ Aa Aa •a } ^aA Aeac&O A Ae
daed !Ae aA] ^!ae^Aca q ~ •A@aa •A !Ae aA A e *^A A^*^aeA A ae e } e &Ae] |Aae } •EAV@Aa[[{ Aa a
@aa •Ae^A ~ a] ^aA a@a ae^c A e } a *Aa&e E] | e &ca^Aa^ !&d ! •E @ | a •Ee aA @ !A ae^c A ae !^A
] | ca^A] ^!ae !Ae aA ae •^!a^ A] | e &ca] E@, ^c^!E [A @ | a q * A EEA Ae& !ae EACSSA ae^c A ~ a { ^ } a
•ae^c A e } a * Aa&e A ~ •Ae^A ae ae aA] A@A } aA A [[aA] ^!ae } ae] aA] AeA | A ~ E

GA A@A] ^!ae ! q A^•] | •aaac A A^A] |, | a^*aa | A Aca] | e } caA] ^!ae * A@e aa •Ae aA A Ae^c A^c^!
!^ae] ae^A | ^&e ca] A A } • !^A } ^•^! E @ ! •Ee a e Ee aA] | ^!c Ae^A [e b !^aA !Aae ae^aA^ A@
a [[A } aA ae d ! A ! Aa@] ,] A b &ca] A [e] ^!ae A@A [[A } aA ae&@ aA@ aa Aa ~ ca a^! •E ae •^! •a^E
] ^c A ! A^• d & Ae^A a@ A EEA^c A@A } ae

V@ A^&ca } A A@A] ^!ae ! q A e } ae A Aa •a } ^aA Ae ae aae a^E •d^ &ca aA a^ ae^A] ^!ae ! •A A@A ae^A a
] |] ^!A •^A A@A [[A } aA ae&@ aA@ aa EAUac !^A] | ca aA A A@A^&ca } Ae^A e } a^aA Aa^•^a Ae Ae
ca ~ ae^A Ae Ae •a e A] | ca a * A@A] ^!ae } A A@A [[A } aA Ae^A [e] ^!ae A@A [[A } aA ae^c A ~ a { ^ } a
•e, A @ | a •A { [ca^A A } @e &Aa ~ ae^A ae EAOXOU] ^!ae A@A [[A } aA ae^c A ~ a { ^ } a
] | ae^A aA A [[aA] ^!ae } ae A e] aA] EAV@A] ^!ae ! A ~ •Ae^A ae aae A a@a@A [[A } aA ae aAcaed !
] | ^!ae } Ae aA Ae^c A ! ae ca •A^ ! ^A^* a } a * A] ^!ae } EAU [] ^!A] ^!ae } Ae Aa^c aA A@A e } ae^A a
@] A } • !^A^ae A A ae^A aA ae ae d ! A •^A A@A [[

F958'5B8'I B89FGH5B8'Hk9'9BHf9'CD9F5HB; 'BGHFI 7HCBG'5B8'G5: 9HMG97HCB'C: 'Hk-G
A5BI 5 @ 5B8' Hk9' HF57HCF' A5BI 5 @ 69: CF9' 5HH9ADHB; 'HC' I G9' Hk9' HF57HCF' 5B8
-AD@A9BH' GA [~ A [A [e] a^! •ca aAe ~ A A@A •d^ &ca } Ee } caeA [~ ! A^ae^• Ae ca | a^aAa^ a^! A Ae
~ | A c] | ca ae } EAU ae A [•^Ae } ca] A A A ae^c A a } •Ae aA ae^c A ~ •ae^• Ae } ca aA A@A e } ae^A a
ca •^Ae a^aA A@A] | { ^ } aA ae d ! EAUOPS-U-0001)

UOCOEAV OOUUVOP OEa aAUSSUY A@A] | |, a * Aae^c A ~ •ae^• EAU | a ~ •A b !^A !
a^ae ca ae A &A ! A] | •• Ae^A Ae^A } A A] | |, A@A e } a * Ae aA •d^ &ca } •A ae aA A@
Uae^c A ~ •ae^• EAU, ae •A •^A [[aA] | { [] A^ } •^A Ae] aA Ae ae a • EAUOPS-U-0001

SAFETY INSTRUCTIONS



PELIGRO

Ua [A^A * | •E aae aae^* a } A^A A [A ae^c A^A : cae
{ ^a ae A^A^* | ae EAUOPS-U-0001

LEA EL INSTRUCTIVO!



U] ^!ae } A^&ca } AEG

CD9F5HCB

CD9F5HCB

17 CBB97 HB; 5H57 < B; < 958 G'HC'H<9'6 CCA'

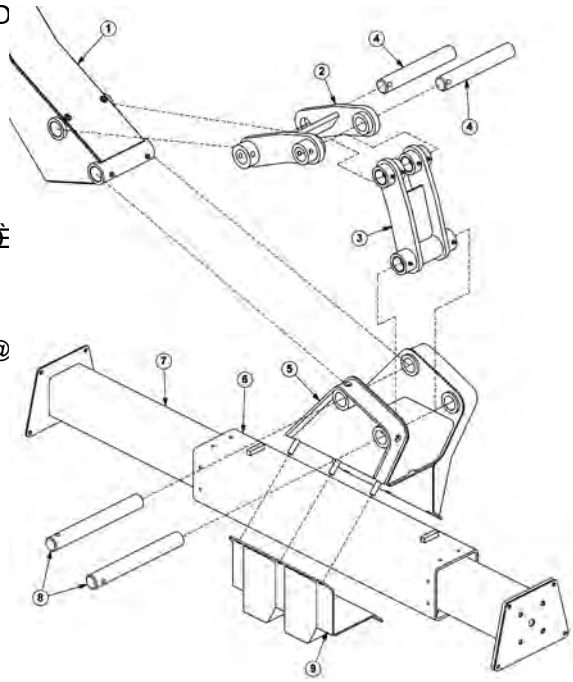
FÄVÜ cäsÄà Áccas&@ * Ác@ Á q[óáíæá ^cçDÁq Ác@ Áí [{ ÇD ~ ä * Á] ä Ç DÁq áÁc@sá, æ^ÉÄÁ^cçÁccas&@c@ Á& |ä á^!Áq á] q[óáíæá ^cçDÁq Ác@ Á q[ó áíæá ^cçDÁ ~ ä * Á] ä Ç DÁq á c@sá, æ^É

GÄV@ } Áccas&@c@ Ác^cç DÁq Ác@ Á |ä^Áæ • ^{ à| Ç DÁ ~ ä * &|æ] Ç DÁq áÁc@sá, æ^É

HÄV^ÁcÁ@ ä óç Á|, ^!Ác@ Áí [{ ÇDÁ[, } Áç Ác@ Áí ^cç DÈ Ç • ^!Ác@ Á]] ^!Á ç Ç DÁq [~ @c@ Áí ^cç DÁq áÁc@ Á] áÁ Ác@ à [[{ ÇDÁc@s&@ } äc@sá, æ^É

I ÄV@ } Áq } Ác@ Áí ^cç DÁq áÁc@ Á q[óáíæá ^cçDÁc@s&@ } äc@] ä Ç DÁq áÁc@sá, æ^É

Í Éçq æ| Á æ^Á ~ !^Áq|Á | ó È ~ ó Èq áÁ ç ä • Áæ^Áæ @ ^ áÁí !^& { { ^ } á^áÁí ! ~ ^ÉOPS-RSS-0001



WARNING

Çç [äÁ&| } cäs@ } äc@ç ó ~ !-æ&^Áq &| ää * Ác@ áíæ |äÁ äÁc@sá \ • ÉÄ ~ { } • ÉÄ [ç | • Éçcç ^ • Áq á @ • ^Á&| } } ^&ç | • ÉÄÜ^|äç^Ác@ áíæ |äÁ ! • • ^!Áæ^!^!Á^!ç | { ä * Á] æç } ä & Á | Á^ } æ • É W^Á^ [ç^ Áq áÁ^ Á | | ç &ç | } @ } Á^!çqä * Áç Á&| { [] ^ } ó ÈÖ [} cäs@ } äc@s@ ó ~ !-æ [!Á^ äÁq } Áæ • ^Á^!ä ~ Áq b | Á [{ Á ~ | } • Á | Á &çä ä * ÉÄÜÖÈ D

WARNING

Ö| Á [ó | ^!æ Ác@ ÁÖ ~ ä { ^ } ó } äc@ áíæ |äÁ äÁ | Á^!Á^ä ä * ÉÄÜ ä ä áÁ^ | Áæ^Áç | | • ä^Áq áÁc@sá | Á^ • ^ } & Á&| ~ | äÁ | Á^ • ^ } óæçæ ääÉÖ [] | Á&@ & Á& | Á^ä • Á } äc@ [~ !Ác@s äÄP ä @] | Á^ • ^ } !^Á ç ä d^æ • Á^ [àíæä • Áq Ác@ Áq ^Á&| ~ | äÁ ^ } ^dæ Ác@ Á | ä Áq áÁæé • ^Áæ • ^Áæ æ^ Á ä &| ää * Á] ää * ^ } ^ÉÄV Á&@ & Á& | Á&ç • ^Á^ ä ÉÄP WÁc@ Á } äÖP ÖÇ Ö UÖÖÄq áÁ^ [ç^ Áq | Ác@ áíæ |äÁ ! • • ^!ÉÄV ^æ ä ç | Á^ } ^dæ | Á [ç^ É • æç Á | æ • ^ • Áq áÁ^ ÁÖ ääà [ääÁ&| Á&@ & Á& | Áç ä^ } & Á^ - Á ç ä • ÉÖ ~ [~ Á ~] ^ &ç | Áæ ÉÄÜ ÖT UXÖÁc@ ÁPUÖÖÄq áÁc@ Áq • ç áÁæÁÖ ç | É Ç | äÁ [Á^ Á^ } ^dæ Ác@ Á | ä Éc@ Ác@ Áq b | Á^æ äÁ | { ^ äæ | Á^ Áæ] @ • ääq Á [, | ä^ äæ | Áq áÁ | äÁ Ác@ Á | | & á^ !^ÉÄÜÖÈ D



Ö [{ U] ^!æä } Ä^&ç | ÁÈ

CD9F5HCB

CD9F5HCB

ÜUVÖÿÄËÒÖÄÜÜÖÖVWÞ

- " Q.] ^ & ð | æ ã • Æ ð ã Æ | æ ã Æ [| ò Ä | Ä [• ^ } ^ • • Ä æ ð ã Ä ç & • • Æ ^ Ä ^ æ Æ Ü [æ Ä Ä Ä € Ä Ä Ä æ ^ Ä ÷ | Æ @ & ä * Ä æ ã | Æ Ü ^ | æ Æ Æ æ æ ^ ä Æ [|] Æ æ ð ã Ä ä • ä * Æ | æ ã • Æ Ä [|] | Æ Ä ^ ò Ä Ä { æ æ Ä | æ Æ æ æ & É
- " Ö.] ^ Ä [÷ | Æ [| ò Ä ä ä ^ ò Ä ^ Ä @ ^ ä Ä Ä @ Ä] |] | æ Ä | ^ É
- " Ö.] ^ Ä ^ ä ä | Ä ^ ÷ & ÷ | • Æ ^ Ä Ä [• æ] Ä ä Ä } [ò æ æ æ ^ ä Æ Ü ^ | æ Ä [|] Æ [| \ ^ } Æ ä ä { ä • ä * Ä ^ & ç } • Ä { ^ ä æ | É
- " Ö.] ^ Ä @ ä ä æ | Ä Ä ^ • Æ ^ Ä | | ^ | Ä } } ^ & ç ä Ä ÷ Ä @ Ä @ ä ä æ | Ä [÷ | Æ @ & Ä | Ä @ ä ä æ | Ä | æ • Ä } * Ä @ • • Ä ä ä Ä * • Æ Ü Ä Ü V Ä • Ä ^ [| Ä @ ä ä Ä & Ä | Ä | Ä ä ä • Ä V ^ Ä ä & Ä [Ä @ æ Ä æ ^ Ä | Ä ä ä ä | æ ä Ä & @ & Ä | Ä @ ä ä æ | Ä ä ä • É
- " Q.] ^ & ð @ Ä | ä ä } Ä Ä & Ä ä Ä @ Ä • Ä ä ä ä, æ ^ Ä OPS-RSS-0003



WARNING

Ö | Ä [÷ | ^ ç ä ä • Ä | Ä ^ ç } ä | Ä [, ^ | Ä & • Æ Ü | æ ã Ä Ö [} æ ð & ç Ä ^ | ç ä Ä | ä ^ • Ä ð | ^ Ä | Ä ç ^ | Ä æ æ Ü ç ä Ä æ æ Ä } ç Ä Ä [ç] Ä @ Ä ÷] ^ ä æ ð ä @ Ä & • Æ ^ Ä ^ & | ^ | Ä [& | ä Ä] Æ Ü Ö T Ü J D



DANGER

Ü Ä Ü æ ç Ä Ü @ | ä • Æ Ö ^ æ ä • Ä æ ä Ä | @ | Ä • æ ç Ä ä ç æ • Ä & | ä ä * Ä ç ^ ç } [ç] ä æ ä Ä ç Ä É Ö ^ ÷ & ÷ | • Æ Ü ç ^ | Ä Ö ^ æ ä ä | ç Ä Ü @ | ä • Ä | ^ • ä ä Ä ^ ^ ä Ä ä Ä | æ æ æ ^ ä Ä Ä [| ä , | \ ä * Ä } ä ä } Æ Ü Ä æ ç Ä ç æ • Ä @ ^ | ä Ä Ä •] ^ & ç ä ä æ ^ | | Ä ç æ ç ä Ä | Ä ä • ä * [| Ä [| \ ^ } Ä { |] ^ } ç Ä ä • ä * Æ [| \ ^ } Ä | Ä [|] Ä { • Ä ^ • ç Ä Ä ^ | æ ä ä Ä } & Ä Ä Ä ä ^ & @ Ä | • • ä ä ç Ä Ä ð | ^ Ä | Ä æ ç Ä [Ä @ , } Ä ä ð & ç Ä } ç * | ^ ^ } Ä | Ä | æ ã Ä | ç æ ç Ä Ü T Ü J D

Ö [{ U] ^ | æ } Ä ^ & ç } Ä Ü |

CD9F5HCB

Tractor PRE-OPERATION Inspection



Mower ID# _____ Make _____

Date: _____ Shift _____



WARNING 6 YZ:fY Wc:bXi W]b[' R Y]bgdYW]cbž a U_Y gi fY' R Y fUWcf 'Yb[]bY']g'cZZ U''fcU]cb \ Ug' grcddYX' UbX' R Y fUWcf ']g']b' dUf_ 'k]h ' R Y dUf_]b[' VfU_Y Yb[U[YX" A U_Y gi fY R Y' a ck Yf']g' fYgh]b[' cb' R Y ' [fci bX' cf' gYW fYmi VcW_YX' i d'UbX' U'' \ mXfU']W dfYggi fY\ Ug' VYYb' fY]Yj YX"

CD9F5HCB

Item	Condition at Start of Shift	Specific Comments if not O.K.
The flashing lights function properly		
The SMV Sign is clean and visible		
The tires are in good condition with proper pressure		
The wheel lug bolts are tight		
The tractor brakes are in good condition		
The steering linkage is in good condition		
There are no visible oil leaks		
The hydraulic controls function properly		
The ROPS or ROBS Cab is in good condition		
The seatbelt is in place and in good condition		
The 3-point hitch is in good condition		
The drawbar pins are securely in place		
The PTO master shield is in place		
The engine oil level is full		
The brake fluid level is full		
The power steering fluid level is full		
The fuel level is adequate		
The engine coolant fluid level is full		
The radiator is free of debris		
The air filter is in good condition		

Operator's Signature: _____

DO NOT OPERATE an UNSAFE TRACTOR or MOWER

V@AQ • ^&ā } A] ;{ Á æ Á^Á^Á^ Á~]|ææ^áÁ!Áccā&| ā•È

Ó[{

U] ^!æā } Á^&ā } ÁÈï

CD9F5HCB

Boom PRE-OPERATION Inspection



Mower ID# _____ Make _____
 Date: _____ Shift _____



WARNING 6 YZ:fY'W:bXi W]b['H Y']bgdYW]cbžā U_Y gi fY'H Y'fUWcf 'Yb[]bY'g'cZZU''fcHU]cb'\ Ug
 glcddYX' UbX' H Y' fUWcf ']g']b' dUf_ ' k]H ' H Y' dUf_]b[' VfU_Y Yb[U] YX'' AU_Y gi fY' H Y'
 a ck Yf ']g'fYg]b[' cb' H Y[fci bX'cf'gYW fYmiV'cW_YX'i d'UbX'U''\ mXfU']WdfYggi fY'\ Ug
 VYYb'fY]Yj YX''

Table 1:

Item	Condition at Start of Shift	Specific Comments if not O.K.
The Operator's Manual is in the tractor		
All safety decals are in place and legible		
The mounting frame bolts are in place and tight		
The boom connection bolts & pins are tight		
There are no cracks in boom		
The hydraulic cylinders pins are tight		
The hydraulic pump hose connections are tight		
The hydraulic valve controls function properly		
There are no leaking or damaged hoses		
The hydraulic oil level is full		
There is no evidence of hydraulic leaks		
The blades are not chipped, cracked or bent		
The blade bolts are tight		
The deflectors are in place and in good condition		
The boom shields are in place and in good condition		
The skid shoes are in good condition and tight		
There are no cracks or holes in boom deck		
The hydraulic motor mounting bolts are tight		
The boom head spindle housing is tight and lubricated		

Operator's Signature: _____

DO NOT OPERATE an UNSAFE TRACTOR or MOWER

Ó [{

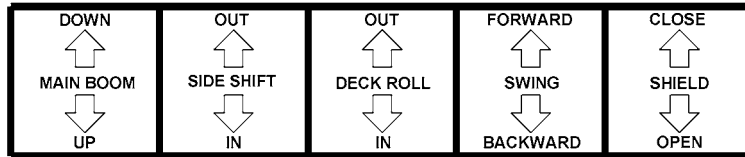
U] ^! aā } Á ^ & cā } Á Æ Ì

CD9F5HCB

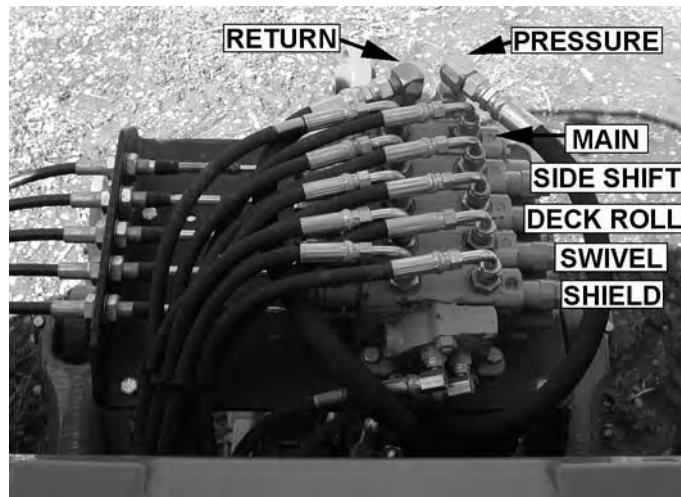
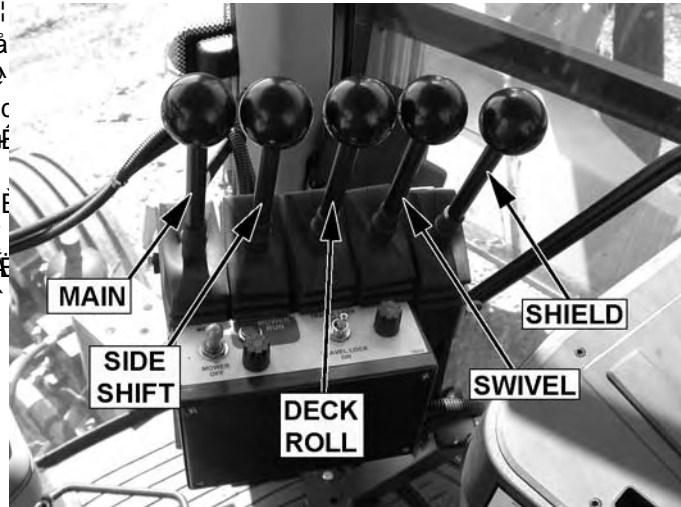
CD9F5HCB

Cable Controlled Mowers

CD9F5HCB is a cable controlled mower designed for use on compact tractors. It features a main boom, side shift, deck roll, swivel, and shield for precise mowing control.



The CD9F5HCB mower is equipped with five main control levers: MAIN BOOM, SIDE SHIFT, DECK ROLL, SWING, and SHIELD. Each lever has an up and down arrow indicating the direction of movement. The mower is designed for easy operation and maintenance.



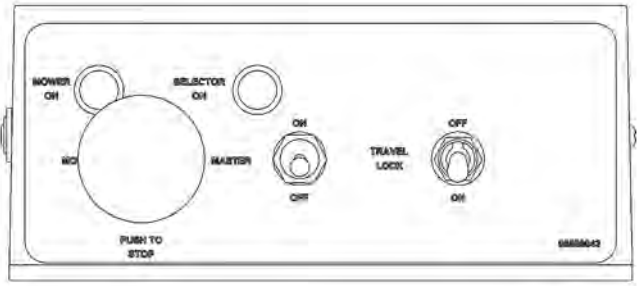
CD9F5HCB


CD9F5HCB

CD9F5HCB

* 'Y 'Gk JHW Vcl

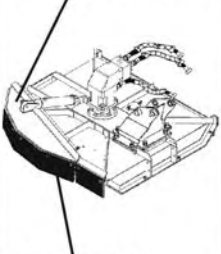
V@ÁÚæ^c ÁÚ@|áÁ^ç^iÁ] ^} • Áæ áÁ&| [• ^ • Á@Á @|á
 || &æ^áÁ } Á@Á^ [] çÁ Á@Á&^ c^! Á@æÉY @) Á [çá *
 æÁ^!Á ^æÁ@Á^! [~ } áÉæ, æ • Á@æ^Á@Á @|áÁÁ Á@
 &| • ^áÁ [• æá } ÉY @) Á [, á * Áá Á@Á! ~ • @Á^!Áá
 ç^ • Á@á [ç^Á^! [~ } áÁ^ç^!Á@Á @|áÁ æ Á^Á] ^} ^á
 †!Áæ á^!Á&^ çá * ÉÚ^æáÁæ áÁ^ || , Á@Á æ } á * Á^ }
 c@Á^ &ç^ Á @ , } Á^! [, ÉÖ [Á [ç^ } Á@Á&^ c^! Á@æ
 á ç Á æ^! æÁæ * ^! Á@æ Á ^! áæ ^ c^! É





DANGER

SAFETY SHIELD & DEFLECTOR OPERATION

<p style="text-align: center; font-weight: bold;">SAFETY SHIELD</p>  <p style="text-align: center; font-weight: bold;">DEFLECTOR</p>	<ul style="list-style-type: none"> • Failure to close Safety Shield and Deflector may allow objects to be thrown outward with great force which can cause property damage, bodily injury, or death. <ol style="list-style-type: none"> 1. Keep Safety Shield and Deflector fully closed when cutting grass and weeds to reduce possibility of objects being thrown outward by the Blades if persons are in the area. 2. Before Cutting brush, trimming limbs, or other such operations, raise the Deflector and Safety Shield fully to allow the blades to contact the material if area is clear of passerby. Operator must stop cutting and close shield if passerby enters the thrown objects area or blade contact area. 3. Repair or replace Safety Shield and Deflectors as needed. 4. Always transport with Safety Shield and Deflector closed.
---	--

02967867

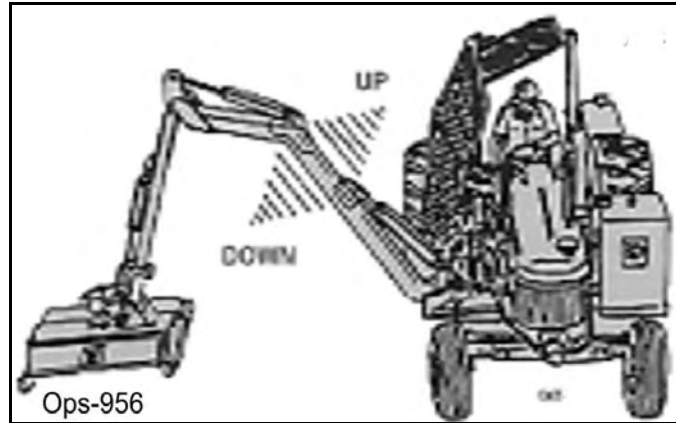
Ö [{

U] ^! æá } Á^ & çá } Á^ É

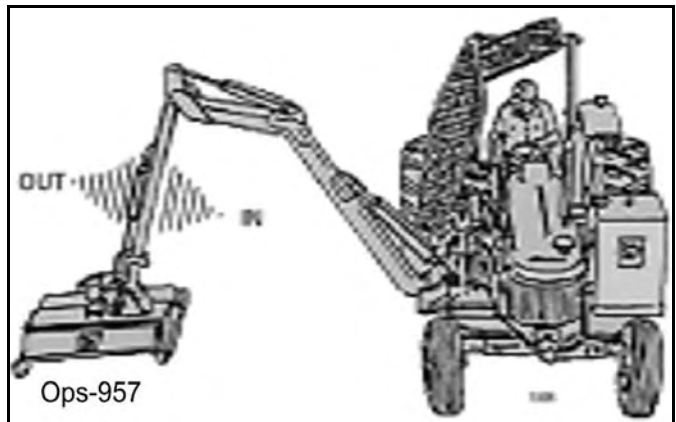
CD9F5HCB

CD9F5HCB

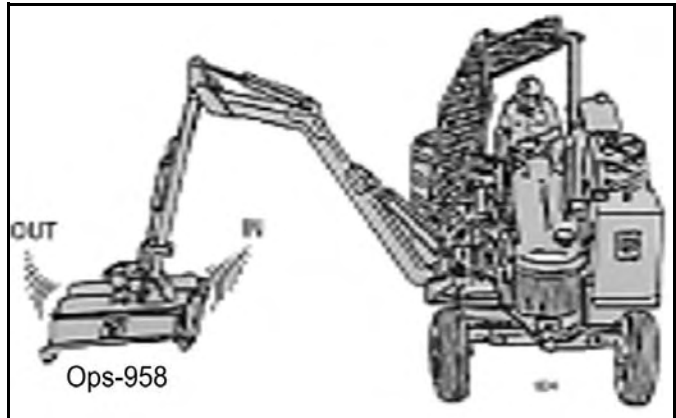
ΣΧΟΔΙΑΣΜΟΣ ΑΝΟΙΞΗΣ



ΣΧΟΔΙΑΣΜΟΣ ΑΝΟΙΞΗΣ



ΣΧΟΔΙΑΣΜΟΣ ΑΝΟΙΞΗΣ



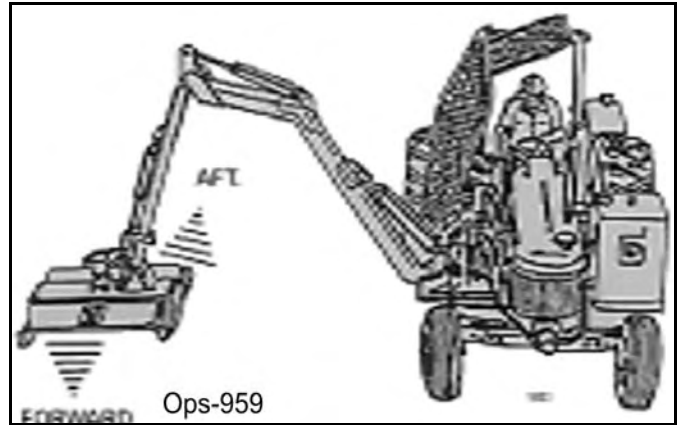
Όλες οι πληροφορίες

για τον CD9F5HCB

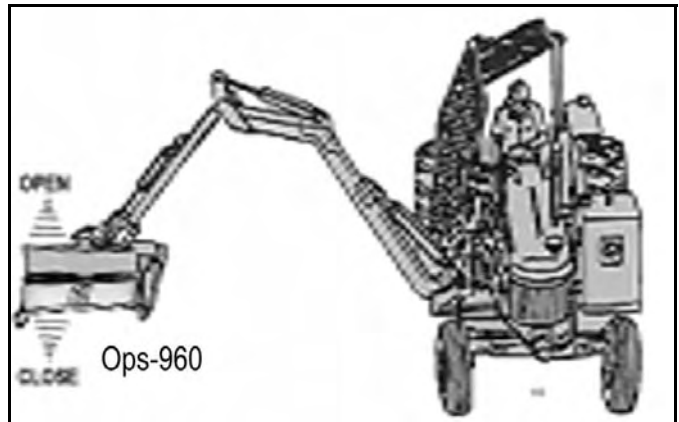
CD9F5 HCB

CD9F5 HCB

ΣΧΟΔΙΑΣ ΜΟΥΤΑΚΟΣ



ΣΧΟΔΙΑΣ ΜΟΥΤΑΚΟΣ



Όλες οι πληροφορίες σχετικά με τον εξοπλισμό μας είναι διαθέσιμες στην ιστοσελίδα μας.

Όλες οι πληροφορίες σχετικά με τον εξοπλισμό μας είναι διαθέσιμες στην ιστοσελίδα μας.

CD9F5HCB

CD9F5HCB

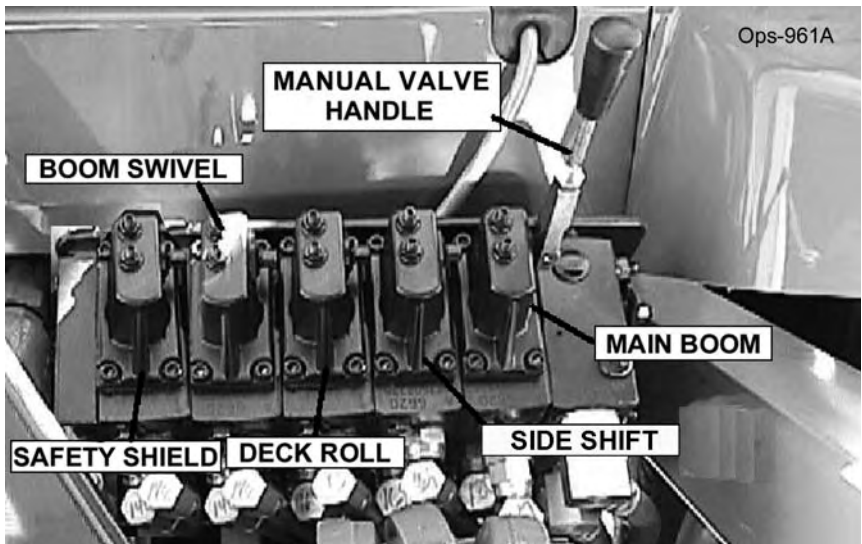
WARNING

WARNING Before operating the machine, read the operator's manual. Failure to read the operator's manual may result in injury or death.

Before operating the machine, read the operator's manual. Failure to read the operator's manual may result in injury or death.

CAUTION Before operating the machine, read the operator's manual. Failure to read the operator's manual may result in injury or death.

CAUTION Before operating the machine, read the operator's manual. Failure to read the operator's manual may result in injury or death.



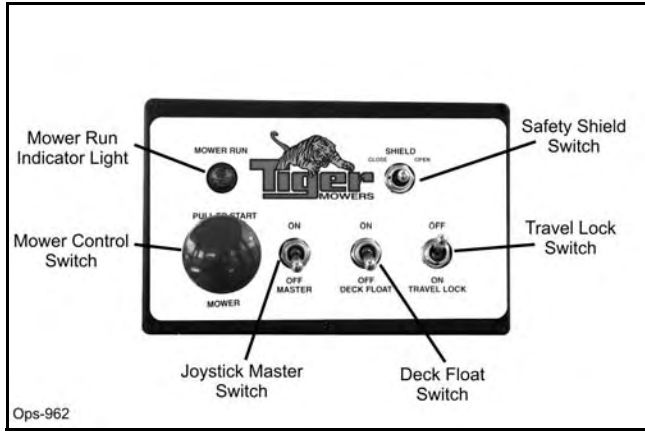
© 2013 Alamo Group Inc.

CD9F5HCB

CD9F5HCB

Control Panel

Refer to the operator's manual for detailed information on the controls and safety features of this machine. The controls are located on the right side of the operator's seat.



The control panel includes a Mower Run Indicator Light, a Mower Control Switch, a Joystick Master Switch, a Safety Shield Switch, a Travel Lock Switch, and a Deck Float Switch. The Safety Shield Switch is used to engage the safety shield, which is a critical safety feature. The Travel Lock Switch is used to lock the travel controls when the machine is parked. The Deck Float Switch is used to adjust the deck height. The Joystick Master Switch is used to control the direction and speed of the machine.

! **DANGER**

SAFETY SHIELD OPERATION

- Failure to close Safety Shield may allow objects to be thrown outward with great force which can cause property damage, bodily injury, or death.

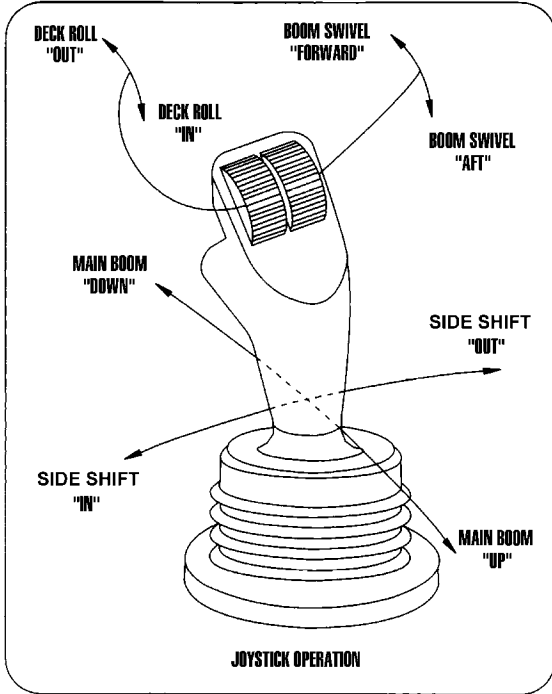
1. Keep Safety Shield fully closed when cutting grass and weeds to reduce possibility of objects being thrown outward by the Blades and to prevent contact with the Blades if persons are in the area.
2. Before cutting brush, trimming limbs, or other such operations, raise Safety Shield fully to allow the blades to contact the material if area is clear of passersby. Operator must stop cutting and close shield if passerby enters the thrown objects area or blade contact area.
3. Repair or replace Safety Shield as needed.
4. Always transport with Safety Shield closed. Ops-963

©2013 Alamo Group Inc.

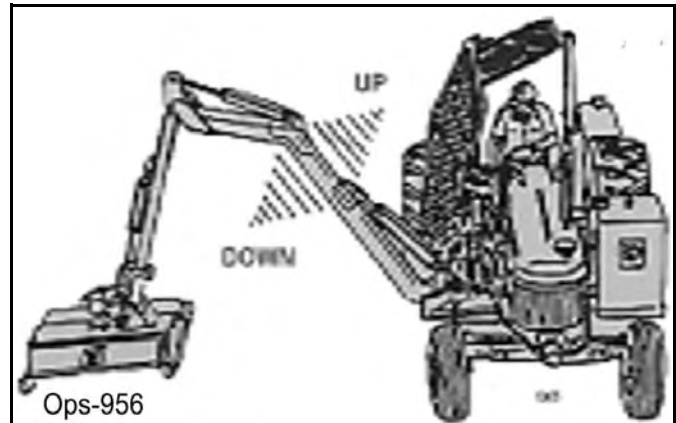
CD9F5HCB

CD9F5HCB

>cmghjW '7 cbhfc`



RU YÙVÔSÁY ÔÉÔSÁ UXÒÚÁ CD ÁÓUT



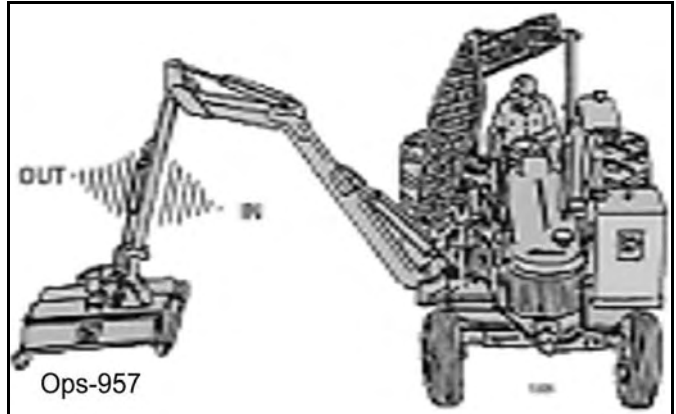
Ó[[{

U] ^! aã } Á^ &ã } ÁÉÉ

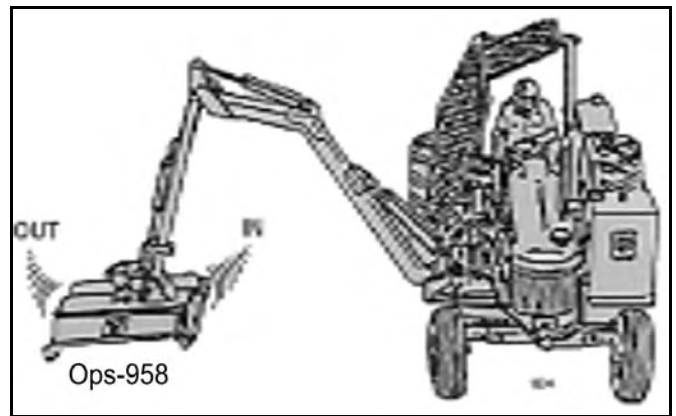
CD9F5 HCB

CD9F5 HCB

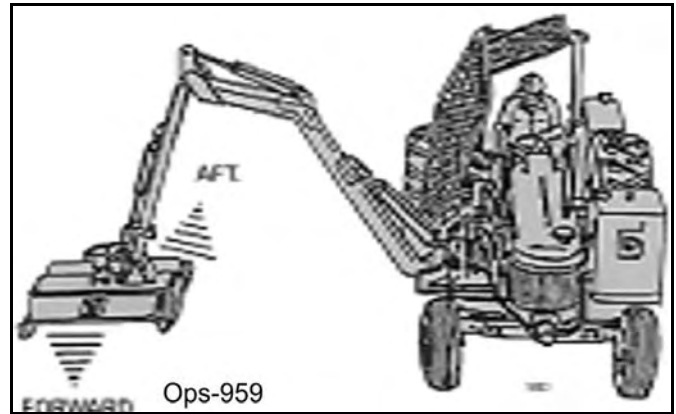
RU'YUVOS ŠO'VBJ'OPVÁ'P'OVÚÁ'P'Ó'Ó'Ó'SÁ'U'Ó'Ó
VU'Á'U'Ó'Ó



ŠO'VÁ'RU'YUVOSÁ'U'ŠŠ'Ó'Ú'Á' U'X'Ó'Ú'Á'Ó'Ó'SÁ'U'ŠŠ'



Ú'OPVÁ'RU'YUVOSÁ'U'ŠŠ'Ó'Ú'Á' U'X'Ó'Ú' Á' Ó'U'U'T
Ú'Y' Ó'Ó'S'



Ó'[[{'

U] ^! aã } Á' & a } Á' E Ć

CD9F5HCB

CD9F5HCB

W^A x~ x| A • a^A A x aA | x^A A d x^A • A x a
 ^~ q { ^ } o d A d x } [| o c @ A x x d | A x a A q] | ^ { ^ } d E
 O [] • | o x A x o q | a^A A^ x | A^ A^ c | { q^A A @ A | [| ^ |
 ^~ q { ^ } o A^~ a^A A V q * A x x ~ x | A a^A A & x • E
 @ x^ A^ c A d x • E x x | • A x a p | A q a^A • E^ A & | ^ | A x
 a [,] A [o @ A | { } o x a^A x A - A @ A x x d | A q a q * A @
] | [| ^ | A A A [,] A [& x x] • A x A | ^ x a a^A A^ A @ A x x d |
 { x } x x c | ^ | EOPS-U- 0025



Op-47

O E : x * ^ A c @ A & x • A • [A c x A , @ } A c @ } ^ a E A c @
 & x • A x A^ ~ | | q * A [,] , x a A x a A x x x • c
 o @ { • ^ | c ^ • E A x x ~ | | A x @ } A c A^ & | q * A & x • A |
 [c @ | A x c } ^ | • A • q * A a [{ | ^ | A | A a q a^A • A | A x] |
 { x x ~ { A c } • q } E A A^ A^ c d ^ { ^ A x x A , @ }
 x x x @ * A x a A^ { | c q * A c A^ & | q * A^ c x A • A x A @
 ^ c d ^ { ^ A c } • q } A q c | c^ a A , @ } A | ^ x a^A A c @
] | c } x x A | x x c A^ | q ~ • x b | ^ E



Op - 48

Y @^A x | q * A c @ A d x d | A x a A q] | ^ { ^ } d E { x^A
 [& x q } x A • d | • A d A & @ & A c @ A c @ A d x d | A x a
 q] | ^ { ^ } o c x^A | o d | c^ a A | A^ c a^A x a^A c @
 • A & | q * A & x • A c x^A x x x a^A } • q } E A A^ | q *
 d x } [| o x A x a A | x q * E x x | A^ | q * E | A^ | c q *
 x x d | } A x A^ | ^ | { ^ a E d | A x c @ A^ c o A x A | x x x]
 d | x • | ^ x c @ A^ & | x A - A @ A | x x EOPS-U- 0026

CAUTION

Q A x x | A A | o d | ^ A d^ A^ c | E A c A [{ | A q | A } a A A , q * A , x a • A @ A | , ^ | A x A E x x^A c @ |
 | ^ | [] } ^ | A^ x x A x x } d | A A , q * q * A [c q } A @ } A x | q a^A q A A^ { | c^ a E x x A^ | ^ A @
 | ^ | [] } ^ | A^ A | o x x } • x } A^ A^ c A | A^ • @ a A^ A , q * q * A [{ E

U^ d x c A , x | A | q a^A A x a^A & | ^ A^ A x x A x x^ E A | o x [{ | A | , x a A A c @ A } c | A^ A x x a^A E | , ^ | A & A } d
 c @ A x x | A^ a E x a A @ o^ - A @ A x x d | E V @ A x x d | A x a A @ A | , ^ | A c x x A @ ~ | a A | , A^ A & x^ a A [, } A^ & | ^ |
 d A c @ A x x | A^ a E

CAUTION

Q A x ^ A x o d | A c A | ^ | x x x^ A^ & d | E A | A x ^ A c @ | A^ & d | A^ A c A x x^ A x x^ A | o x { | | c | ^
 ~ } a^ | • d [a E x } x x A [~ | A V a^ | A^ x | A | A c @ A x x a^A • A | A c @ A x c^ | A^ A c A x x^ A x x^ A |
 x • a x x & A

O [{ U | x x } A^ & d } A E G

MAINTENANCE SECTION

T aq c} a} &^Á^&ç } Á Æ

MAINTENANCE

MAINTENANCE

General Instructions

Use the following instructions to help you maintain your equipment. Read the manual carefully before using the equipment. Always use proper safety techniques when working on the equipment. Do not use the equipment if you are not qualified to do so. Always use proper safety techniques when working on the equipment. Do not use the equipment if you are not qualified to do so.

Maintenance Precautions

- Always use proper safety techniques when working on the equipment. Do not use the equipment if you are not qualified to do so.
- Always use proper safety techniques when working on the equipment. Do not use the equipment if you are not qualified to do so.
- Always use proper safety techniques when working on the equipment. Do not use the equipment if you are not qualified to do so.
- Always use proper safety techniques when working on the equipment. Do not use the equipment if you are not qualified to do so.



Always use proper safety techniques when working on the equipment. Do not use the equipment if you are not qualified to do so.

Break in Period

During the break-in period, use the equipment at low speeds and light loads. Do not use the equipment for heavy work during this period.

Whenever a wheel is removed and reinstalled, the wheel lugs must always be re-torqued.



Always use proper safety techniques when working on the equipment. Do not use the equipment if you are not qualified to do so.



Always use proper safety techniques when working on the equipment. Do not use the equipment if you are not qualified to do so.

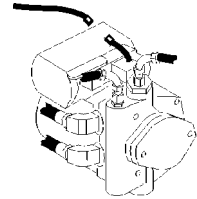
MAINTENANCE

WARNING

Relieve hydraulic pressure prior to doing any maintenance or repair work on the Implement. Place the Mower Head on the ground or securely supported on blocks or stands, disengage the PTO, and turn off the engine. Push and pull the control Levers or Joystick several times to relieve pressure prior to starting any maintenance or repair work. (SBM-6)

DANGER

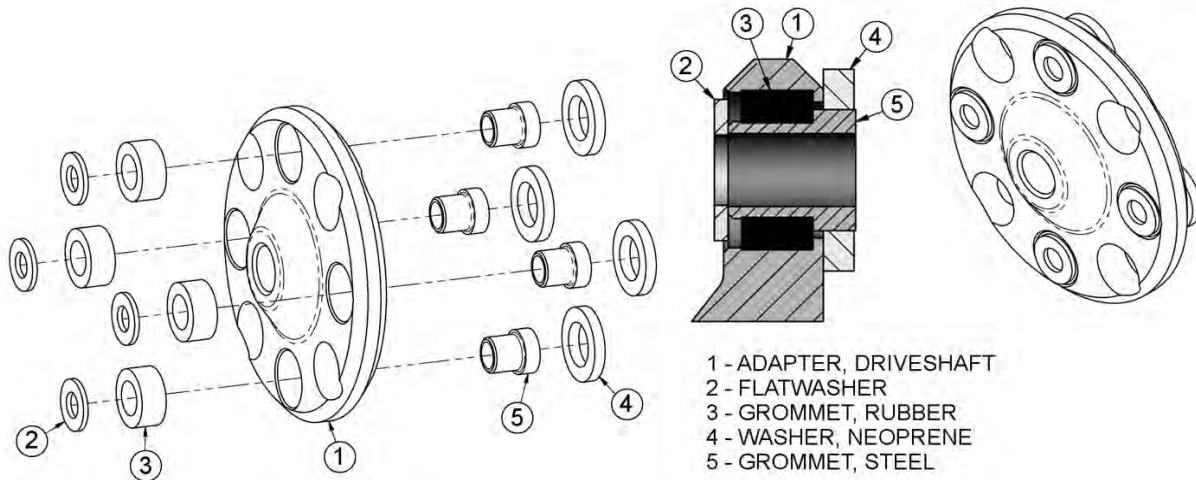
Always disconnect the wire leads from the mower pump solenoid before performing service on the Tractor or Mower. Use caution when working on the Tractor or Mower. Tractor engine must be stopped before working on Mower or Tractor. The Mower Blades could inadvertently be turned on without warning and cause immediate dismemberment, injury or death. (SBM-12a)



MAINTENANCE OF CRANKSHAFT ADAPTER ASSEMBLY (RIGID ENGINE MOUNT TRACTORS ONLY)

If replacement of components of the crankshaft adapter assembly is required, follow the assembly procedures shown below. Seat rubber grommet completely into counterbore, then seat steel grommet completely into rubber grommet while rubber grommet is supported.

(ASM-JD-0051 CRANKSHAFT ADAPTER MAINTENANCE)

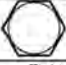





MAINTENANCE

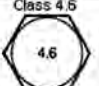
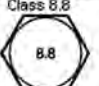
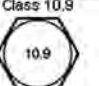

MAINTENANCE

MAINTENANCE

TORQUE SPECIFICATIONS

Torque for Standard Fasteners													
Nominal Dia. (in.)	threads per inch	 Grade 2			 Grade 5			 Grade 8			 Grade 9		
		Tightening Torque			Tightening Torque			Tightening Torque			Tightening Torque		
		Lubed K = 0.15	Dry Plated K = 0.17	Dry plain K = 0.20	Lubed K = 0.15	Dry Plated K = 0.17	Dry plain K = 0.20	Lubed K = 0.15	Dry Plated K = 0.17	Dry plain K = 0.20	Lubed K = 0.15	Dry Plated K = 0.17	Dry plain K = 0.20
Unified Coarse Thread Series													
1/4	20	49 in-lbs	59 in-lbs	66 in-lbs	76 in-lbs	86 in-lbs	101 in-lbs	107 in-lbs	122 in-lbs	143 in-lbs	126 in-lbs	143 in-lbs	168 in-lbs
5/16	18	101	122	135	157	178	209	221	251	295	259	294	346
3/8	16	15 ft-lbs	18 ft-lbs	20 ft-lbs	23 ft-lbs	26 ft-lbs	31 ft-lbs	33 ft-lbs	37 ft-lbs	44 ft-lbs	38 ft-lbs	43 ft-lbs	51 ft-lbs
7/16	14	24	29	32	37	42	49	52	59	70	61	70	82
1/2	13	37	44	49	57	64	75	80	90	106	94	106	125
9/16	12	53	63	70	82	92	109	115	130	154	135	153	180
5/8	11	73	87	97	113	128	150	159	180	212	186	211	248
3/4	10	129	155	172	200	227	267	282	320	376	331	375	441
7/8	9	125	150	167	322	365	429	455	515	606	533	604	710
1	8	187	225	250	483	547	644	681	772	909	799	905	1065
1 1/8	7	266	319	354	596	675	794	836	966	1132	988	1132	1341
1 1/4	7	375	450	500	840	952	1121	1163	1333	1545	1341	1537	1810
1 1/2	6	652	783	869	1462	1657	1950	2011	2311	2688	2311	2679	3150
Fine Thread Series													
1/4	28	56 in-lbs	68 in-lbs	75 in-lbs	87 in-lbs	99 in-lbs	116 in-lbs	123 in-lbs	139 in-lbs	164 in-lbs	144 in-lbs	163 in-lbs	192 in-lbs
5/16	24	112	135	150	174	197	231	245	278	327	287	325	383
3/8	24	17 ft-lbs	20 ft-lbs	23 ft-lbs	26 ft-lbs	30 ft-lbs	35 ft-lbs	37 ft-lbs	42 ft-lbs	49 ft-lbs	43 ft-lbs	49 ft-lbs	58 ft-lbs
7/16	20	27	32	36	41	47	55	58	66	78	68	78	91
1/2	20	41	49	55	64	72	85	90	102	120	105	120	141
9/16	18	59	71	78	91	103	121	128	146	171	151	171	201
5/8	18	82	99	110	127	144	170	180	204	240	211	239	281
3/4	16	144	173	192	223	253	297	315	357	420	369	418	492
7/8	14	138	165	184	365	403	474	502	588	669	588	666	784
1	14	210	252	280	542	614	722	765	867	1020	896	1016	1195
1 1/8	12	298	357	397	668	757	890	1083	1227	1444	1269	1439	1693
1 1/4	12	415	498	553	930	1055	1241	1509	1710	2012	1768	2004	2358
1 1/2	12	734	880	978	1645	1865	2194	2668	3024	3557	3127	3544	4169

Torque values for 1/4 and 5/16-in series are in inch-pounds. All other torque values are in foot-pounds. K = 0.15 for "lubricated" conditions; D = Nominal Diameter
 Torque values calculated from formula T=KDF, where K = 0.17 for zinc plated and dry conditions; F = Clamp Load
 K = 0.20 for plain and dry conditions

Torque-Tension Relationship for Metric Fasteners													
Nominal Dia. (mm)	Pitch	 Class 4.6			 Class 8.8			 Class 10.9			 Class 12.9		
		Tightening Torque			Tightening Torque			Tightening Torque			Tightening Torque		
		Lubed K = 0.15	Dry Plated K = 0.17	Dry plain K = 0.20	Lubed K = 0.15	Dry Plated K = 0.17	Dry plain K = 0.20	Lubed K = 0.15	Dry Plated K = 0.17	Dry plain K = 0.20	Lubed K = 0.15	Dry Plated K = 0.17	Dry plain K = 0.20
3	0.5	0.28	0.32	0.38	0.73	0.82	0.97	1.0	1.2	1.4	1.2	1.8	
3.5	0.6	0.44	0.50	0.59	1.1	1.3	1.5	1.6	1.9	2.2	1.9	2.5	
4	0.7	0.66	0.74	0.87	1.7	1.9	2.3	2.4	2.7	3.2	2.8	3.8	
5	0.8	1.3	1.5	1.8	3.4	3.9	4.5	4.8	5.5	6.5	5.7	7.6	
6	1	2.3	2.6	3.0	5.8	6.6	7.7	8.3	9.4	11	9.7	13	
6	1.25	2.1	2.3	2.7	5.3	6.0	7.0	7.6	8.6	10	8.6	12	
7	1	3.8	4.3	5.0	9.7	11	13	14	16	19	16	22	
8	1	5.8	6.6	7.8	15	17	20	22	24	29	25	34	
8	1.25	5.5	6.2	7.3	14	16	19	20	23	27	24	31	
10	1.25	11	13	15	29	33	39	42	48	56	49	66	
10	1.5	11	12	14	28	32	37	40	45	53	47	62	
12	1.25	21	23	28	53	60	71	76	86	101	89	119	
12	1.5	20	22	26	51	58	68	73	82	97	85	113	
12	1.75	19	21	25	49	55	65	70	79	93	81	108	
14	1.25	26	29	34	66	75	89	95	108	127	111	148	
14	1.5	28	32	37	72	82	96	103	117	138	121	161	
14	2	30	34	40	78	88	104	111	126	148	130	173	
16	1.5	50	57	67	129	146	171	184	208	245	215	287	
16	2	47	53	62	121	137	161	173	196	230	202	269	
18	1.5	73	82	97	187	212	249	268	303	357	313	417	
18	2.5	65	73	86	167	189	222	239	270	318	279	372	
20	1.5	101	115	135	270	306	360	374	424	498	437	583	
20	2.5	91	104	122	238	267	314	337	382	449	394	525	

Clamp load calculated as 75% of the proof load for specified bolts. K = 0.15 for "lubricated" conditions; D = Nominal Diameter
 All torque values are listed in foot-pounds; K = 0.17 for zinc plated, dry conditions; F = Clamp Load
 Torque values calculated from formula T=KDF, where K = 0.20 for plain and dry conditions

MAINTENANCE

LUBRICATION RECOMMENDATIONS

MAINTENANCE

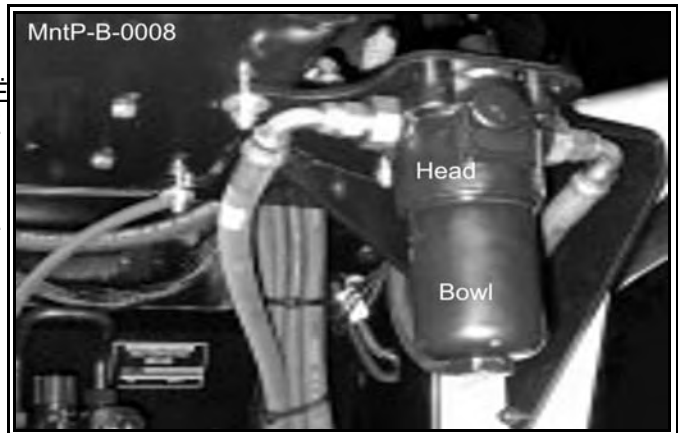
Description	Application	General Specification	Recommended Mobil Lubricant
Viæd P^ â!æ æ•Á	Ü^•^!ç[ä	RÖËËÖ T ØÄ FFHÍ Ê FFI F ØPT GÖFHÍ ÖÇP PGEFD	T[àã~ æÁ G
T[, ^!P^ â!æ æ• Ö[âÁ^ { } ^!æ ^•Æ ÜæðM	Ü^•^!ç[ä	ØUÁÍ ÁÇ æY ^æË , Á^ { }	T[àãÖVÒFI T
P[{ æÁ^ { } ^!æ ^• F»ÁÜæðM	Ü^•^!ç[ä	RÖËËÖ T ØÄ FFHÍ Ê FFI F ØPÁT GÖFHÍ ÖÇP PGEFD	T[àã~ æÁ G Á
P[{ æÁ^ { } ^!æ ^•Á FÍ »ÁÜæðM	Ü^•^!ç[ä	ØUÁÍ ÁÇ æY ^æ	T[àãÖVÒÁG
Pä @Á] ^!æ * Á^ { } É Öä[ç^ÁÉ»Ø	Ü^•^!ç[ä	ØUÁÍ ÁÇ æY ^æ	T[àãÖVÒFI T
ØæÁÜæÖ^æà[ç Ü^•^!ç[ä	Ü^•^!ç[ä	ÜÖÜÁ^ } @æÖçd^ { ^ Ü!^•~ ^•Á^æS^ à^	T[àãÜPÖÁÍ Y ÈÉ T[àãÁÜ^ } @æÖ^æ
Ö^ æ!ÁÜ @æBÁÖ[~ } á Ü[^!ÁÜ @æD Ö^ }	Ö!^æ^ Ö^ }	Šæ { Ö[{ } ^ç Öçd^ { ^Á!^•~ ^ PŠÖÖÜÁGE	T[àã~ ^æ^ÁÖT ÈÜ
Ö!æÁÜ @æÖ[~] ^! Ö!æ áÁÜ[æ^ D	Ö!^æ^ Ö^ }	Šæ { Ö[{ } ^ç Öçd^ { ^Á!^•~ ^ PŠÖÖÜÁGE	T[àã~ ^æ^ÁÖT ÈÜ
Ö!æÁÜ @æÁ[\^É WÈ ä çBÁÜc àÁÜ@ec	Ö!^æ^ Ö^ }	Šæ { Ö[{ } ^ç Öçd^ { ^Á!^•~ ^ PŠÖÖÜÁGE	T[àã~ ^æ^ÁÖT ÈÜ
Ö[{ { ÁÜ, æ^ Ö[{ { Ö^ ä^!ÁÜæ[ç Ö[{ { æ^ BÁÜæÁ[{ D	Ö!^æ^Á Ö^ }	Šæ { Ö[{ } ^ç Öçd^ { ^Á!^•~ ^ PŠÖÖÜÁGEÁ	T[àã~ ^æ^ÁÖT ÈÜ
Ö^ & ÁÖ[{ { ÁÜæ[çB Ö^ & ÁÜç] ÁÜæ^ ç ^ } c Ü[{ { æ^ BÁÜæÁ[{ D	Ö!^æ^ Ö^ }	Šæ { Ö[{ } ^ç Öçd^ { ^Á!^•~ ^ PŠÖÖÜÁGEÁ	T[àã~ ^æ^ÁÖT ÈÜ
Ö^ & ÁÜ] ä á^Ö[{ { ç^ D	Ö!^æ^ Ö^ }	Vä ^!ÁÜ] ä á^S^ à!æç c] æç { à^!ÁÜ ^!ÉÉÉÉ	T[àãÜPÖÁGGE

ÜÜÜ T æ ç } æ & ÁÜ^æç } Á È

MAINTENANCE

DETAILED MAINTENANCE

REPLACING HIGH PRESSURE HYDRAULIC FILTER ELEMENT:



MAINTENANCE

1. Turn the hydraulic filter housing clockwise to the open position. The filter housing will be in the open position when the handle is in the down position.

2. Remove the old filter element.

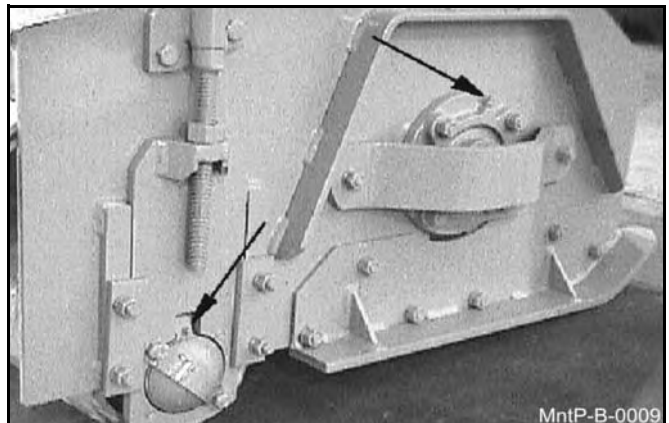
3. Insert the new filter element into the filter housing.

4. Turn the hydraulic filter housing counter-clockwise to the closed position. The filter housing will be in the closed position when the handle is in the up position.

5. Check for leaks.

GREASING CUTTER SHAFT-FLAIL MOWERS

Grease the cutter shaft-flail mowers at 8-hour intervals. CAUTION: Over greasing may cause premature seal failure.



MAINTENANCE

MAINTENANCE

GREASING GROUND ROLLER SHAFT-FLAIL

Š[&æ^Á^!^æ^Á^!^•Á^} Á^æ^Á^} áÁ^ -Á^ [||^!^Á^ à^Á^æ
||, ^!^Á^} áÁ^ -Á^ @æ^Á^ [!{ æ^Á^} ááá^} •Á^~ á^Á^} ^Á^!
ç [Á^~ {] •Á^ Á^æ^Á^ @á^æá^ * Á^ •á^ * Á^æ^Á^ { ÉÖ [{] ^ç
Öçd^ { ^Á^!^••~!^Á^!^æ^Á^ [} +!{ á^ * Á^ Á^ SÖÖÉÖU
HGEÁ^] ^&ááæá^ } •ÉÁV@Á^ Á^ Á^ Á^ Á^ Á^ [] ^Á^, á@æ
•æ^ ááá^Á^!^æ^Á^~ } Á^æá^ Á^!^æ^Á^ 8 hour intervals.
CAUTION: Over greasing may cause premature seal failureÉ



TIGHTENING KNIFE BOLTS AND DISK BOLTS:

ÖE^!^Á^ç^!^ Á^ Á^ç^!^ •Á^ -Á^] ^!^æá^ } Á^!^Á^æá^ Éö@Á^} á^
Ö [|ö^ Á^} á^Öá^ \Á^Ö [|ö^ Á^ç^!^ |á^Á^Á^ç^!^ } ^á^Á^ Á^ [||, •K
S) á^Á^ [~ } ç^ * Á^ [|ö^ Á^!^ ~ ^Á^ Á^ ÉÉÁ^ á^Á^Á^Á^ •É
Öá^ \Á^ [~ } ç^ * Á^ [|ö^ Á^ç^!^ á^Á^!^ ~ ^Á^ Á^ç^!^ Á^!^ Á^!^ Á^!^ É
[á^Á^Á^Á^Á^ •É

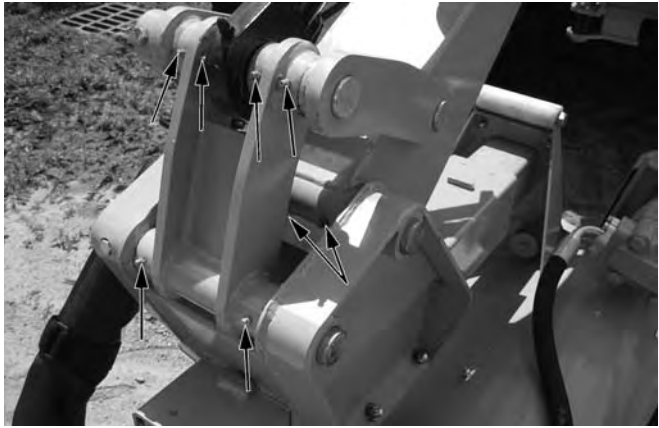


MAINTENANCE

MAINTENANCE

GREASING POINTS ON BOOM AND PIVOT

S[&ae^Á!^æ^Á^!·Á } Á^&Á Á [óæ·^ { à| É } Á@
 á^&Á) áÁ Á@Á [[{ Éæ} áÁæÁ, æ^Á) áÁ Á ææ
 à[[{ ÉÁQb&óÁšæ { É[{]|^cÁÓcd^ ^ÁÚ!^··^!
 *!^æ^Á& } f|{ á * Á Á SÖÖÉUÁGEÁ] ^&æææ } ·
 ~ } áÁ!^æ^Á^*á · Á Á!|d^ á^Á! { Á } á·É



GREASING SPINDLE

S[&ae^Á!^æ^Á^æ * Á } Áá · æ^Á! Á^&Á@~ · á * É
 Qb&óÁ vā^!Á Ú] á á^Á S` à|ææ dÁ] æó } { à!
 é | | €€€€Áá d Á] á á^Á@~ · á * ÉÁQb] á@Á!` à|ææ c
 ~ } áÁ!` à|ææ ó, ^^] · Á [~ ó [Á] Á ·] á á^Á · ^æÉ
 S` à|ææ Á] á á^Á ^!| Á! Áç!^ Á €Á@~! · Á Á · ^É

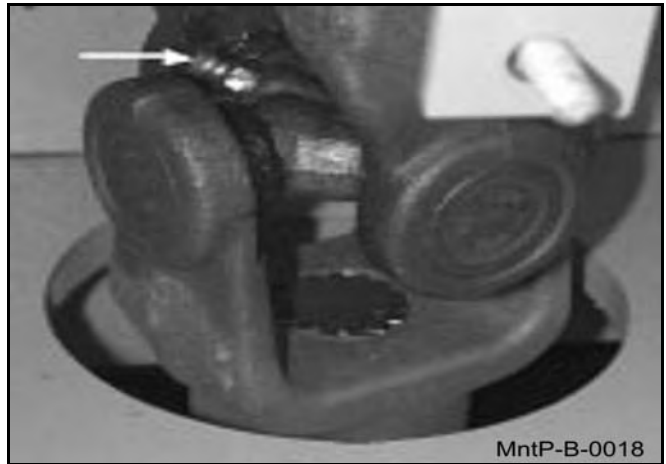


MAINTENANCE

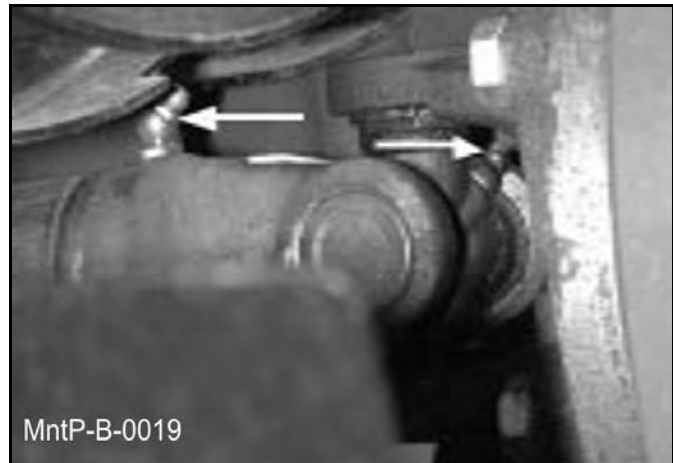
MAINTENANCE

DRIVE SHAFT YOKE, U-JOINT STUB SHAFT

Yoke and U-joint stub shaft assembly. The image shows the drive shaft yoke and the U-joint stub shaft. The yoke is a large, curved metal component that connects to the U-joint. The U-joint is a universal joint that allows the shaft to transmit torque at an angle. The stub shaft is the shorter shaft that connects to the U-joint. The yoke has a large hole for the drive shaft and a smaller hole for the U-joint. The U-joint has four yokes, two on each side. The stub shaft has a yoke on one end and a flange on the other. The yoke and U-joint are made of steel and are painted black. The stub shaft is made of steel and is painted black. The yoke and U-joint are shown in a close-up view. The stub shaft is shown in a close-up view. The yoke and U-joint are shown in a close-up view. The stub shaft is shown in a close-up view.



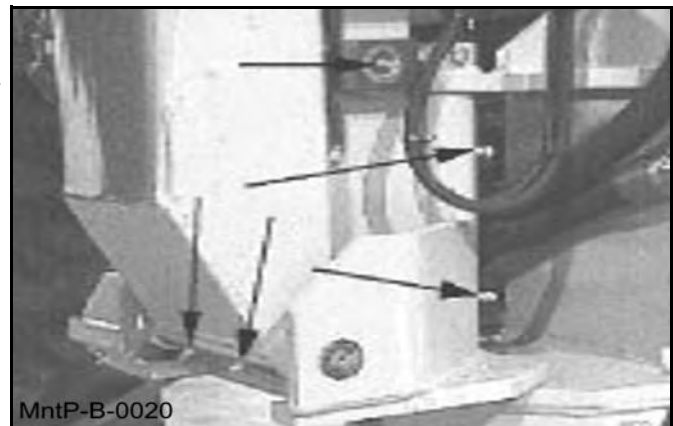
MntP-B-0018



MntP-B-0019

GREASING THE BOOM SWIVEL

Greasing the boom swivel. The image shows the boom swivel assembly. The boom swivel is a large metal component that allows the boom to rotate. It has a central hub and four yokes. The yokes are connected to the boom. The boom swivel is made of steel and is painted black. The boom is made of steel and is painted black. The boom swivel is shown in a close-up view. The boom is shown in a close-up view. The boom swivel is shown in a close-up view. The boom is shown in a close-up view.



MntP-B-0020

UÙÙ

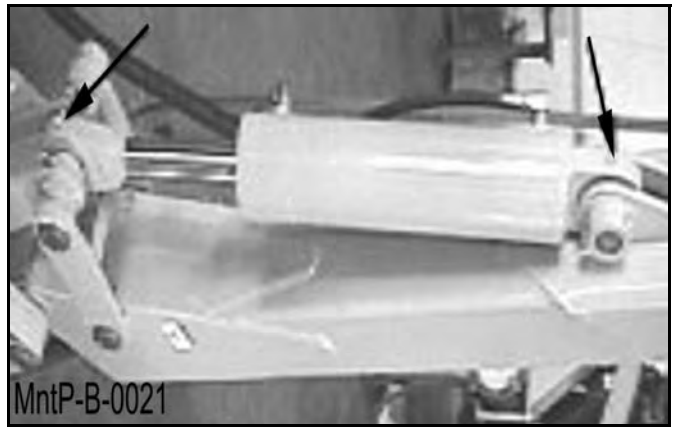
T 3 4 5 6 7 8 9 10 11 12 13 14 15 16 17 18 19 20 21 22 23 24 25 26 27 28 29 30 31 32 33 34 35 36 37 38 39 40 41 42 43 44 45 46 47 48 49 50 51 52 53 54 55 56 57 58 59 60 61 62 63 64 65 66 67 68 69 70 71 72 73 74 75 76 77 78 79 80 81 82 83 84 85 86 87 88 89 90 91 92 93 94 95 96 97 98 99 100

MAINTENANCE

MAINTENANCE

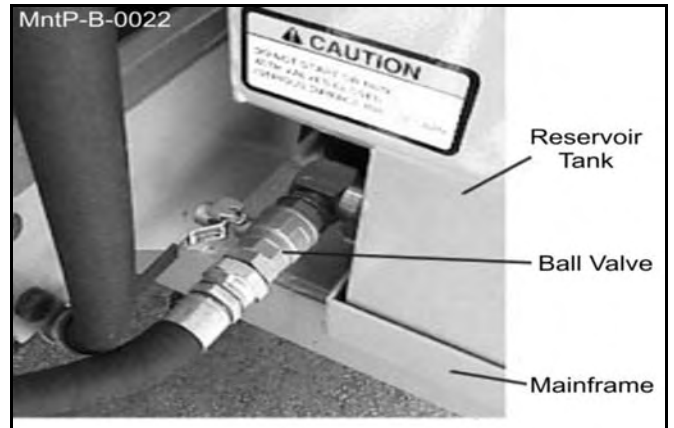
GREASING BOOM CYLINDER(S) PIVOT POINTS

Š[&æ^Á@Á^!\Á} Á@Á^ wÁ) áÁæ * Á -Á& |á á^!Áæ á
 [] Á[áÁ) áÁæ * ÉQp &ÁŠæ { ÉÖ[] |^ÁÁÖæ^ ^
 Ú!^••^!Á^!^æ^Á& } -á{ á * Áđ Á ŠÖÖÉ ÖUÁHGE
 •] ^&ááæ } •Á } á^!^æ^Á^* á • Áđ Á | | d^ á^Á! {
 ^) á • ÉV@ Á | | &á^!^Á^ Á^Á^ •^áÁ } Á@Á^ æ
 à[[{ Á& |á á^!ÉÁ •^& } áæ^ Á à[[{ Á& |á á^!ÉÁ^&
] á | dÁæ áÁ •, á^!Á& |á á^! • Ááæ Á | ÁæÁ Á @^!
 á á^!áæ É



BALL VALVES

V@ Áæ! Áæ! Áæ! Áæ! Áæ! Áæ! Áæ! Áæ! Áæ! Áæ!
 đ Á^Á& | •^áÁ^ |á * Á& |æ Á æ é } á & Á | Á^ } æ
] | | &á^!^ • É **THE BALL VALVES MUST BE OPEN**
(handle parallel with valve) WHEN TRACTOR IS
RE-STARTED OR PUMP IS COU PLED TO
MOTOR OR PTO! Áæ! Áæ! Áæ! Áæ! Áæ! Áæ!
 & {] [] ^) Áæ! Áæ!



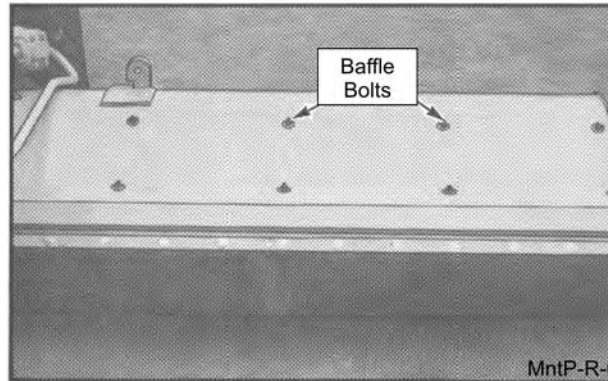
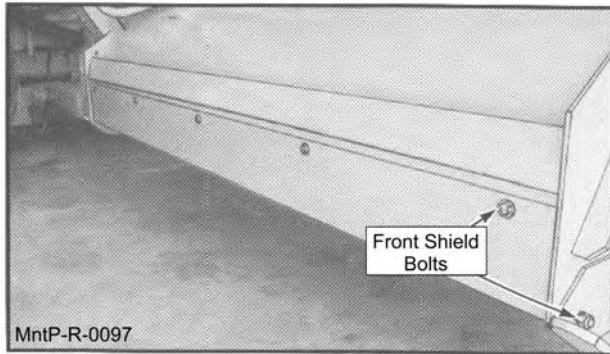
MAINTENANCE

REVERSING MOWER ROTATION OF RSS FLAIL MOWERS

1. Turn the mower off and disconnect the battery. 2. Remove the front shield bolts. 3. Turn the mower over. 4. Remove the baffle bolts. 5. Turn the mower back over. 6. Reinstall the front shield bolts. 7. Reinstall the baffle bolts. 8. Turn the mower on and test the rotation.

9. Turn the mower off and disconnect the battery. 10. Remove the front shield bolts. 11. Turn the mower over. 12. Remove the baffle bolts. 13. Turn the mower back over. 14. Reinstall the front shield bolts. 15. Reinstall the baffle bolts. 16. Turn the mower on and test the rotation.

MAINTENANCE



MAINTENANCE

Blades

Ó@& Á@ÁÓ|æ^•Á|Á&æ•Áæ áÁ ^æÁæ áÁÓæ^ÁÓ| Á|Áæ @ ^•Éææ ÉÓ|æ^•Á @ ~|áÁ^Á^|æ^áÁ @ }
 @^ Áæ^Á |} Á&••æ^|Éæ^}Éæ^|{ ^áÉ|Á^|Á^|Áæ^} &É

CAUTION

Óæ^•Á @ ~|áÁæ, æ^•Á^Á^|æ^áÁ Á æ^ÉÓ|æ^•Á -Áæ-^| ^} ó^ Áæ Áææ^•Á^|á ~•
 á áææ &Áæ áÁææ æ^Á| Á@Á æ@Á^æ áÁ^|} ^|ÉY @} Á^|æá * Á|ææ^•Éæ^Áææ^Á|
 ^|}æ^Á@Á|ææ^Á| |•É} •Éæ} áÁ æ @!•É

Important

T æ^Á^|^Á@Á |, ^|Á|ææ^•Áæ^Á^|} á *Á&| & , æ^Á @} Á| | \ á *
 á| , }Á|{ Á@Á^|} Á -Á@Á | , ^|ÉÁ| | | , Á@Á&| | | Á&| áá * Á| } Á@
 @ á|æ| Á@••Áæ áÁæá * Á| Á æ^Á^|^Á@Á | | Áæ áÁ@ áæ|æ•
 @••Áæ^Áæ^| á|áÁ| | ^| ÉÓ|} ^&@Á^Á@•Á&|} ^&á } Á| |
 | Á^áÁæá * ÉÓ|} ^&@Á^Á| ^Á@•Á&|} ^&á } Á| | Á| Á@Á| ^
 -áæ * ÉV@Á|ææ^Á| ææ } Á| } Á@Áæá * Á^Á^Á -Á@Á |, ^|Á @ ~|á
 áá &æ^Á@Á&| Áæ^Áææ æ Á|{ Á@Áæ&| Áæ áÁ| ^|æ| ÉÁ

WARNING

Á@Áæá * Á^Á^Á -Á@Á |, ^|Á|ææ^•Áæ^Á| ææ * Áææ, æá•Á@~
 &æ Áæ &æ^Á æ|^æá| æáÁ@Á| ^|æ| ÉÁ@Á &• Áæ &| } ç ~
 { |, á * Á| { ^áææ|^ Áæ áÁæ^|•^Á@Áæ^&á } Á -Á@Á | | Á| ææ } Áæ
 &| | ^&| Áá •æ|á * Á@Á | | Á| | ^•|^Áæ áÁ^| } Á@••ÉÓ| } c ææ
 ^| ^|Á^æ^|Á| Á@æ | Á| á •dæÁ| Á| ^&æá | | { ææ } Á| Á@Á@•
 | | ç * É



MAINTENANCE

WARNING	ADVERTENCIA
<p>TO AVOID SERIOUS INJURY AND DEATH FROM THROWN OBJECTS:</p> <ul style="list-style-type: none"> • MAKE CERTAIN blades rotate the correct direction. 	<p>PARA EVITAR LESION SERIA O MUERTE POR OBJETOS LANZADOS:</p> <ul style="list-style-type: none"> • ASEGURE que las cuchillas giran en la dirección correcta.
<p>BLADE ROTATION</p> <p>ROTACIÓN DE CUCHILLAS</p>	
<p>Return Retorno ÓŠWÒ</p>	<p>Pressure Presión ÜÖÖ</p>
D619	

ÜÜÜ

T ææ ç } æ &Á^&á } Á ÈJ

MAINTENANCE

MAINTENANCE

Blade Pins and D-Ring Inspection

Q.] ^ & c @ A | j a q . A a O E j a * . A a A | A a } [] { a A ^ a E a A ~ | A @ A | a q . A a a A | a A a A | [] ^ | A | A a E U O U S O O A O S O O A j a . A a O E j a * . A T O O E V O S Y A A @ ^ K

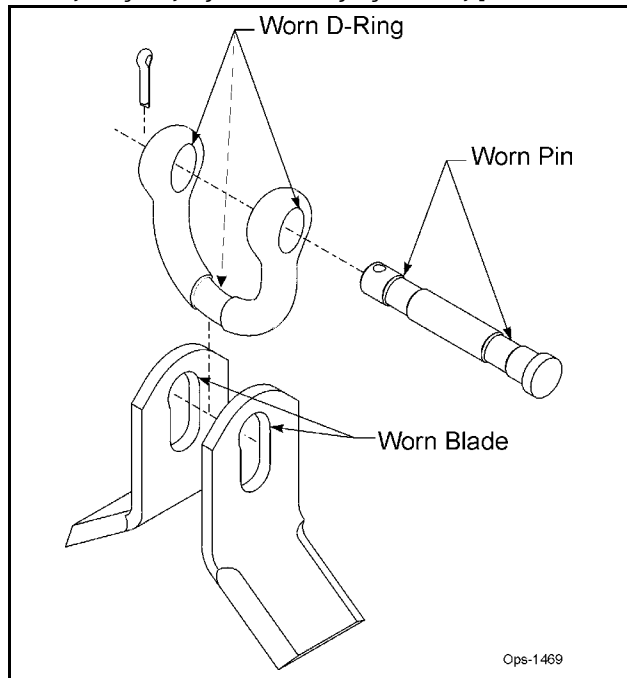
DANGER

Q.] ^ & c @ A | j a q . A a O E j a * . A a A | A a } [] { a A ^ a E a A ~ | A @ A | a q . A a a A | a A a A | [] ^ | A | A a E U O U S O O A O S O O A j a . A a O E j a * . A T O O E V O S Y A A @ ^ K

- " X a a | A a . A |
- " Q a A j a A | A O E j a * A a A a a | A | [] A a a E |
- " Q a A j a A | A O E j a * A a A [~ ^ A | A & Q] A a A a a

Q a | A A | a A a } [] { a A | [] A a . A | A O E j a * . A a A a A | A a a d [] A a | A a a A b & q } A A @ A | [\ ^] a a A a a A a ~ ^ A | a ~ . A | a a b | A | A a a E

Q.] a A ^ | a A a A | j a q . A a O E j a * . A @ } ^ c ^ | A c & . a A ^ a A | a A [a A a E



Important

Q a @ A | a q . A a A | [\ ^] A a A | } a a a a a @ [~ ^ A | A O E j a * A | A a a @ A | a q . A a A | [] { a a A A A O E j a * E V a A | A ^ c ^ } a @ A ^ c ^ a o A | a a A | [A , a * a * A a A a a A a a * a A | a q . E U O U S O O A O S O O A j a . A a O E j a * . A T O O E V O S Y A A @ ^ K

U U U

T a a c } a A A & q } A E G

MAINTENANCE

MAINTENANCE

BOOM FLAIL KNIFE REPLACEMENT

- FÈ GÁ } ã^• Áe^Áaæ æ^ãÁ!Áæá|Á [!] Èö^ Á ã|Á ^^ãÁq Á^ÁÁ |æ^ãÁe Áe^ÁcÜ^ |æã * Áeã ã^|Á } ã
&æ Áe^Áç^!Áçá|æã } Áæ áÁ [•• ã|Áææ æ^ÁÁ Á@Á [, ^|È
- GÈ Qe•^ { à|Á } ã^• È|çã Èã [|o Áæ ãÁ~ o Áe Á @, } Á Á æó^&ã } Á -Á æ~ æÈ
- HÈ Q•æ|Á & ã * Á@çÁ~ oÁ [Á@eÁ@ÁæÁæ^Á -Á~ oÁ Á, æã• Á@Á } ãÈ
- I È Q| | Áç &æ^Áçí FÁ!Á~ ãæ^ } oÁ Á@^æ•È
- Í È V| :~ ^Á~ oÁ Áí ÁVÈSÓUÈS } ãÁ~ •oÁ, ã * Á^|È



DO NOT re-use the locking hex nuts for mounting the knives. If hex nut become loose, or require removal for knife replacement or any other reason, they must be discarded and replaced with new nuts.



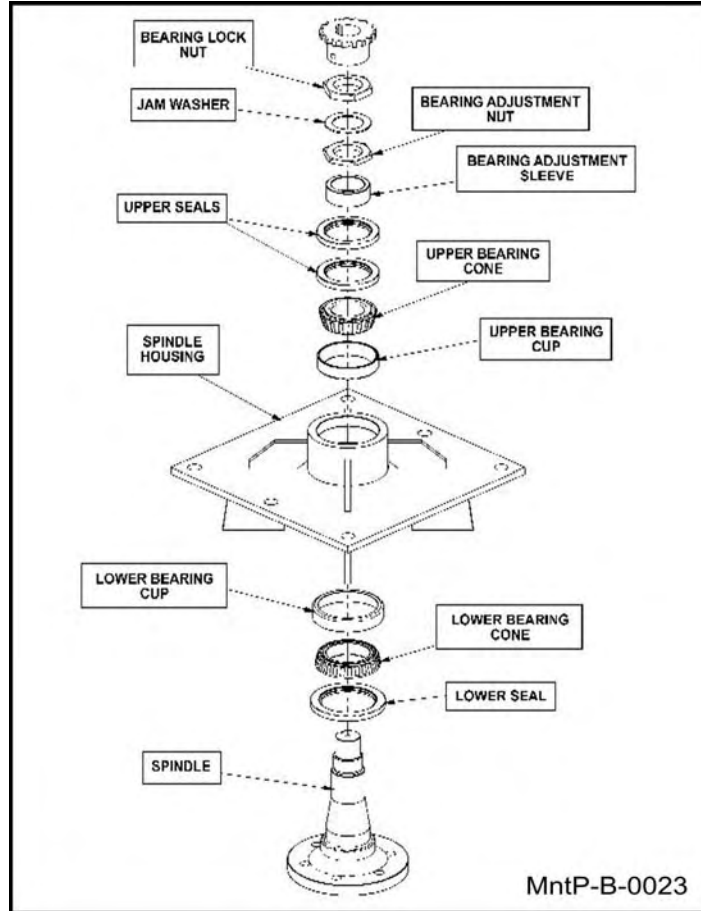
Knives should not be welded on for any reason.

MAINTENANCE

THE SPINDLE ASSEMBLY

Ü^Á@Áæ!æÁ^|, Á|Á^)æææ}Á-Á]æá^ÁæóÉ@Á^!çæá*É

MAINTENANCE

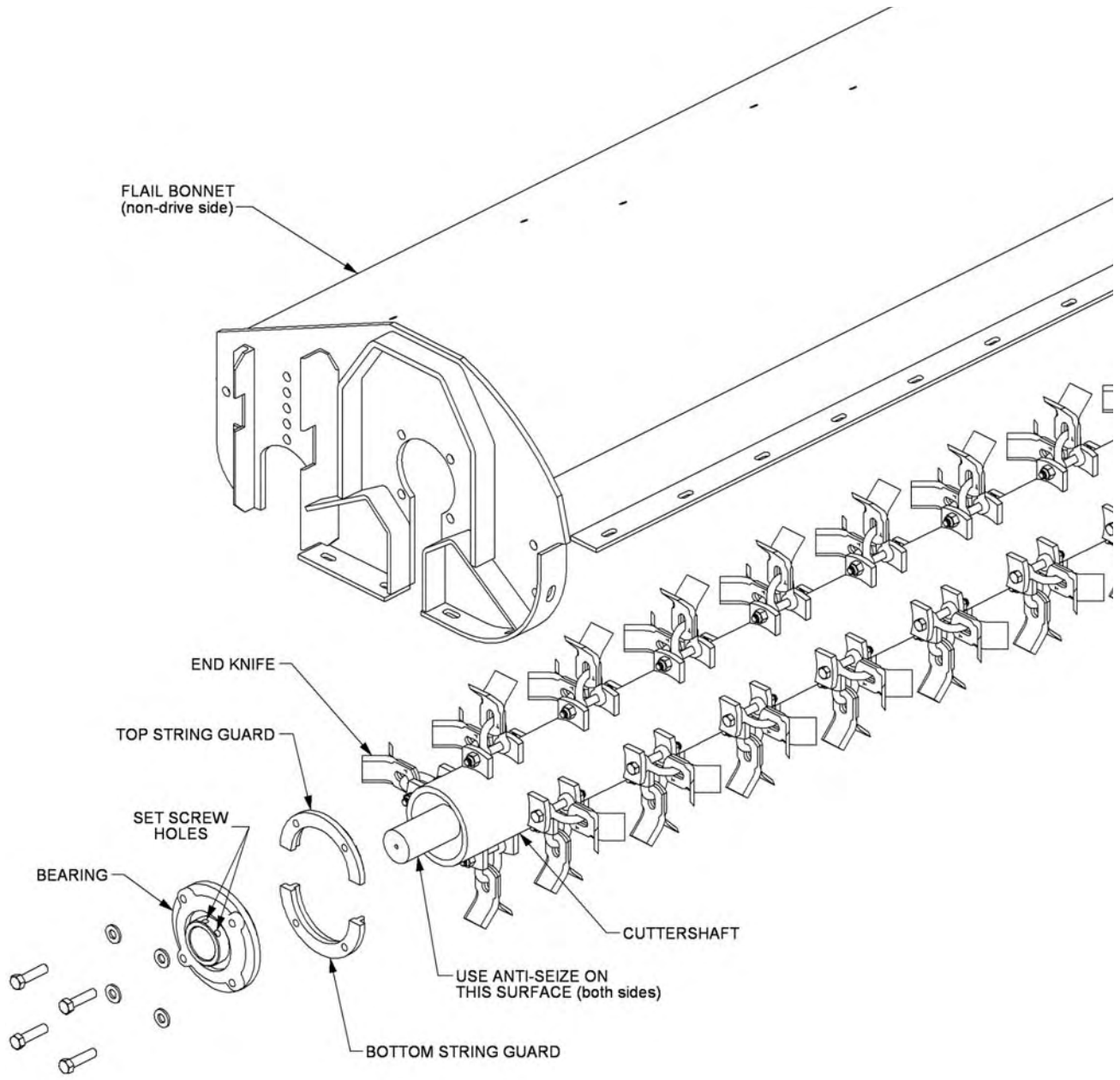


ÜÜÜ

Tæç}æ&Á^&ç}ÁÉ

MAINTENANCE

MAINTENANCE



MAINTENANCE

MAINTENANCE

000

T a } a & ^ Á ^ & a } Á Ë €

PARTS SECTION

PART NAME INDEX

RCTVUQTFGT&I 'I W&G	5
DQOO 'O QWP V'MK	6
VTCEVQT'O QWP V'MK	8
VTCEVQT'O QWP V'MK/'J [F TCWN&U	:
CZNG'DTCEG'CUUGO DN[32
UR I NG'EQNWO P 'DQO TGUV('DCVVG['DQZ	34
6"URQQN'ECDNG'EQP VTQN'O QWP V	36
ECDNG'*O CP WCN+'N&H'XCNXG/'6"URQQN	38
7"URQQN'ECDNG'EQP VTQN'O QWP V	3:
ECDNG'*O CP WCN+'N&H'XCNXG/'7"URQQN	42
LQ[UV&M'CP F 'UY &EJ 'DQZ'O QWP V	44
GNGEVTQP &'RTQRQTV&P CN'N&H'XCNXG'O QWP V	46
ECDNG'*O CP WCN+'N&H'XCNXG'DTGCMF QY P '/'28724349	48
ECDNG'*O CP WCN+'N&H'XCNXG'DTGCMF QY P '/'2872434:	4:
RQN[ECTDQP CVG'UCHGV['Y &F QY	52
P QVGLU	54

PARTS ORDERING GUIDE

The following instructions are offered to help eliminate needless delay and error in processing purchase orders for the equipment in this manual.

1. The Parts Section is prepared in logical sequence and grouping of parts that belong to the basic machine featured in this manual. Part Numbers and Descriptions are given to help locate the parts and quantities required.
2. The Purchase Order must indicate the **Name and Address** of the person or organization ordering the parts, **who should be charged**, and if possible, the **serial number of the machine** for which the parts are being ordered.
3. The purchase order must clearly list the **quantity of each part**, the complete and correct **part number**, and the basic **name of the part**.
4. The manufacturer reserves the right to substitute parts where applicable.
5. Some parts may be unlisted items which are special production items not normally stocked and are subject to special handling. Request a quotation for such parts before sending a purchase order.
6. The manufacturer reserves the right to change prices without prior notice.

NOTE: When ordering replacement decals, refer to the part numbers and descriptions listed in the safety section in the front of this manual.

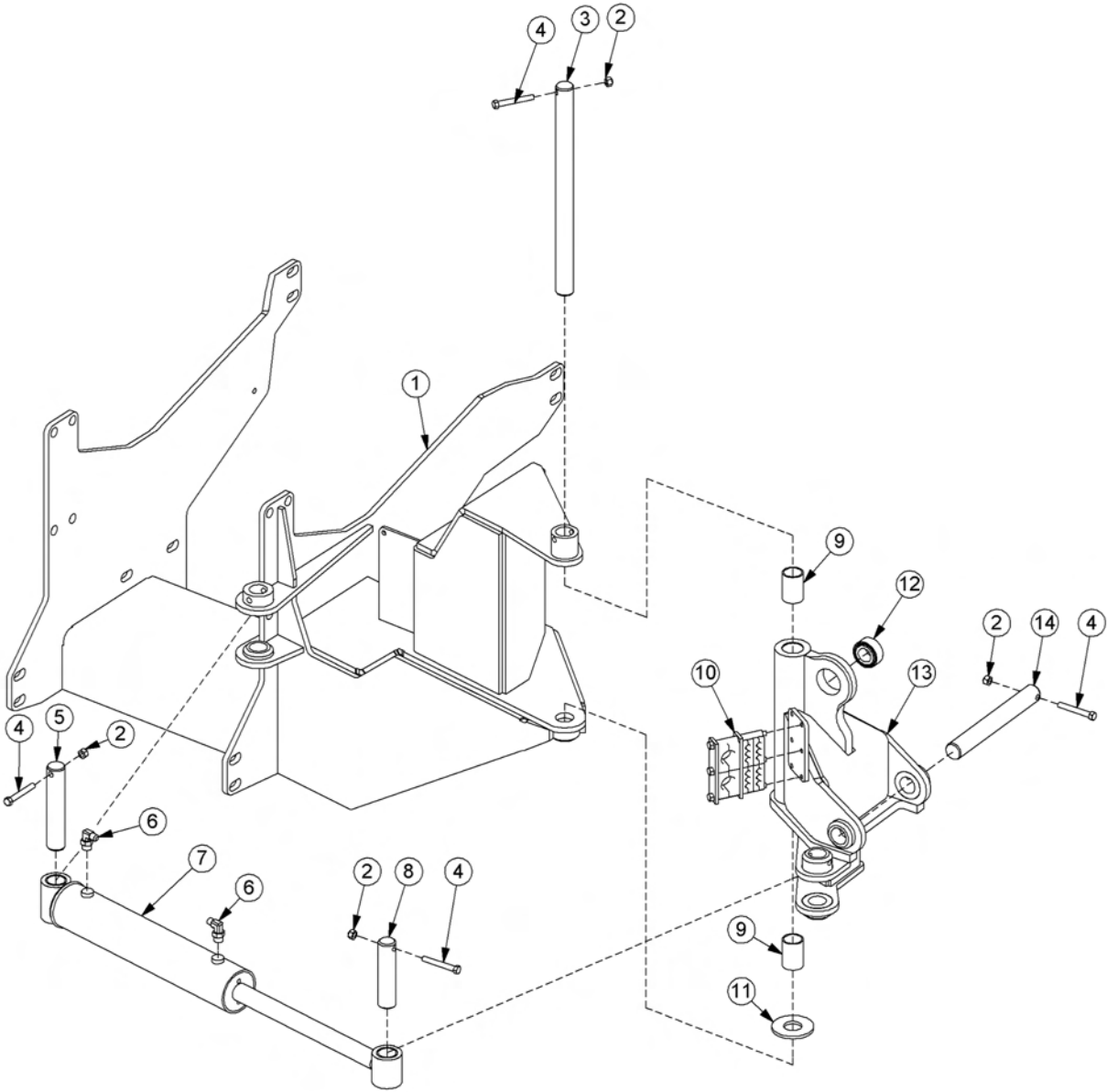


For maximum safety and to guarantee optimum product reliability, always use genuine **Tiger** replacement parts. The use of inferior replacement parts may cause premature or catastrophic failure which could result in serious injury or death.

Direct any questions regarding parts to:

Tiger Corporation
3301 N. Louise Ave.
Sioux Falls, SD 57107
1-800-843-6849
1-605-336-7900

BOOM MOUNT KIT

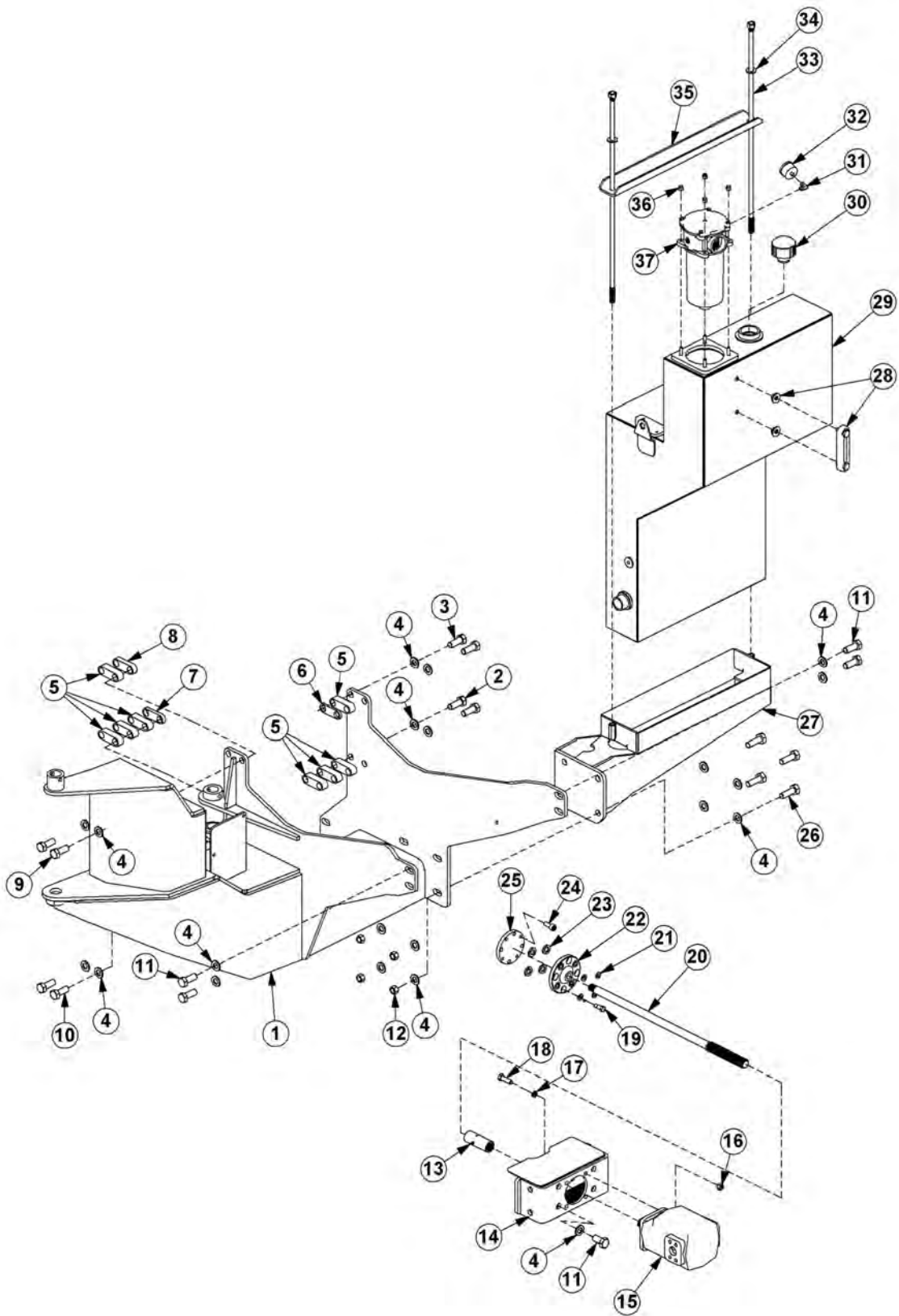


BOOM MOUNT KIT

Continued...

ITEM	PART NO.	QTY.	DESCRIPTION
3	/////	/	O CR 'HTCOG', TGHGT"VQ"VTCEVQT"OPVMK"RCI G
4	43899	6	P [NQEMP WW.9B8\$.PE
5	28642235	3	RK .3/34\$Z'3; /91 \$
6	438: :	6	ECRUETGY .9B8\$Z'5/316\$.PE
7	28642346	3	RK .3/34\$Z'9/35 B8\$
8	54: 32	4	GNDQY
9	28723248	3	E[NR FGT.5\$Z'37\$
:	286422; ;	3	RK .3/34\$Z'8/5 B8\$
;	28742633	4	DGCTRI .3/34\$F "Z"4/34\$.EQOR
32	287272: 7	3	J QU'ENCOR
33	2874226; ;	3	DGCTRI .3/34\$F "Z"316\$.EQOR
34	/////	/	DGCTRI .URJ GT'ECN", P QV'HQT"UCNG
///	28922336	3	UY KGN'CUUGO DN[.EQORNGVG
35	28532337	3	UY KGN.Y GNF O GP V
36	28642244	3	RK .3/34\$Z'34\$

TRACTOR MOUNT KIT

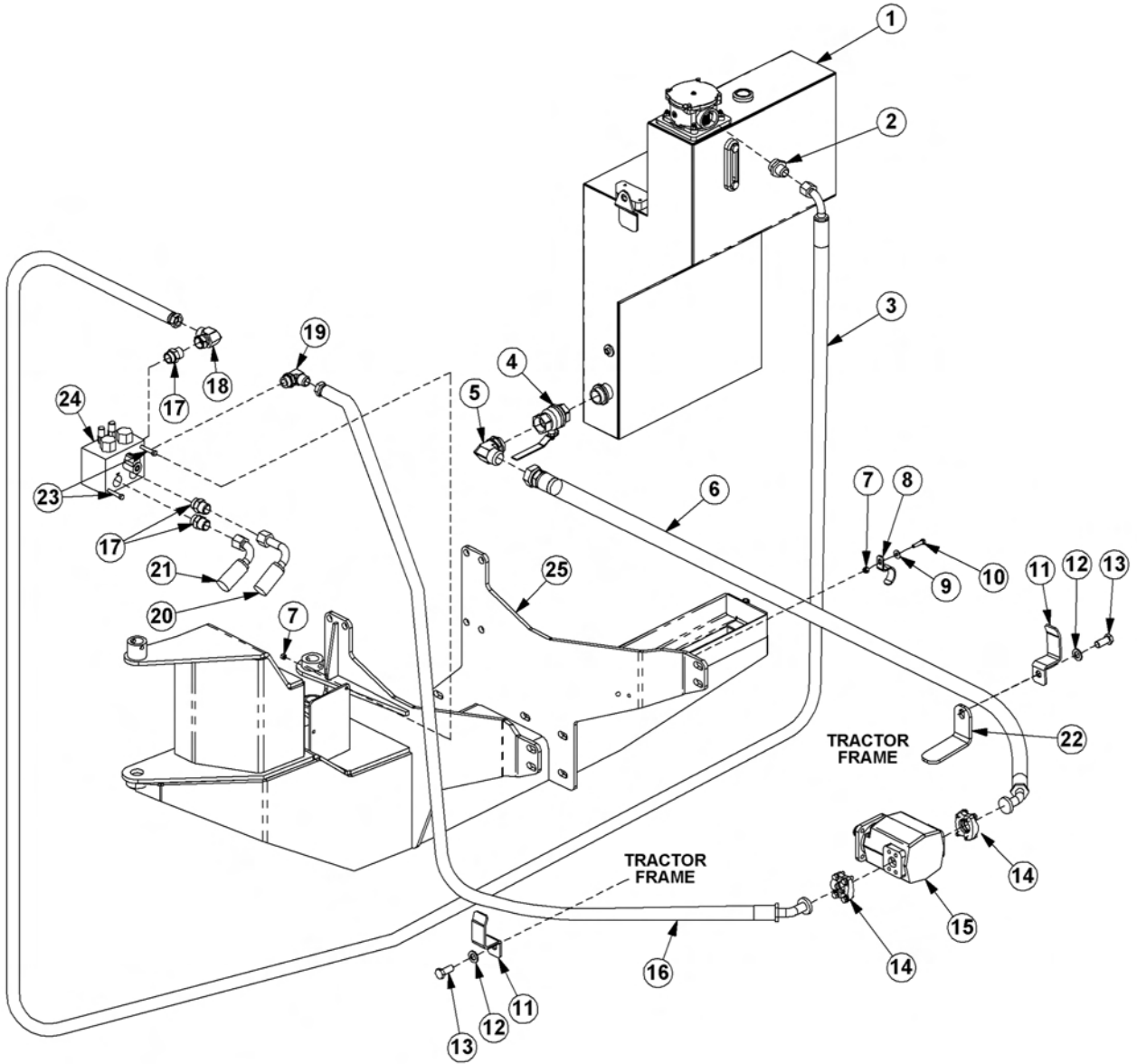


TRACTOR MOUNT KIT

Continued...

ITEM	PART NO.	QTY.	DESCRIPTION
3	28522443	3	O CRP HTCOG
4	28752759	4	ECRUETGY .420 O "Z" 3420 O .40R
5	544: 7	4	ECRUETGY .420 O "Z" 970 O .40R
6	55: : 2	46	HNCVY CUJ GT.516\$.UCG
7	28623849	:	URCEGT.3\$
8	28623852	3	URCEGT.7138\$
9	2862384;	3	URCEGT.314\$
:	2862384:	3	URCEGT.516\$
;	5292:	4	ECRUETGY .420 O "Z"; 20 O .40R
32	28752764	4	ECRUETGY .420 O "Z" 3520 O .40R
33	43: 53	6	ECRUETGY .516\$ "Z" 3/516\$.PE
34	43: 47	6	J GZ "P WW.516\$.PE
35	8V2597D	3	EQWRNGT
36	285: 2264	3	O QWP V.RWOR
37	45374	3	RWOR
38	43947	6	J GZ "P WW.314\$.PE
39	28755226	6	HNCVY CUJ GT.314\$.UCG
3:	43954	:	ECRUETGY .314\$ "Z" 3/516\$.PE
3;	28757222	6	ECRUETGY .9138\$ "Z" 3/316\$.PE.EWWQHH
42	28642375	3	FTK&GUJ CHV
43	46; 59	6	HNCVY CUJ GT.9138\$.UCG
44	8V25: ;	3	MKV.CF CRVGT.FTK&GUJ CHV
45	53896	3	ETCP UJ CHV.CF CRVGT.Y IQ"Y CUJ GT
///	8759226	6	Y CUJ GT.PGQRTGP G
46	/////	/	ECRUETGY " ; GZ KUV&I "J CTF Y CTG
47	28642366	3	URCEGT.FTK&GUJ CHV
48	43: 55	6	ECRUETGY .516\$ "Z" 4/316\$.PE
49	28522282	3	O QWP V.VCP MUF G
4:	28727289	3	UK J V" I CI G
///	28725397	3	MKV.UGC N.UK J V" I CI G
4;	289222; 2	3	J [FTCW&E"VCP M CUJ
52	285: 2234	3	J [FTCW&E"VCP M
///	28727299	3	ECR.DTGC VJ GT.Q/T&I
53	VH6: ::	3	GNDQY .UVTGGV.31\$ "Z"; 2a
54	8V286;	3	H&NVGT" I CI G
55	285: 2236	4	VIG'DQNV.UF G"VCP M
56	55986	4	HNCVY CUJ GT.71\$.UCG
57	28632574	3	EJ CPPGN.O QWP V.UF G"VCP M
58	43849	6	P [NQEMP WW.51\$.PE
59	28727266	3	H&NVGT" CUJ .R/VCP M

TRACTOR MOUNT KIT - HYDRAULICS

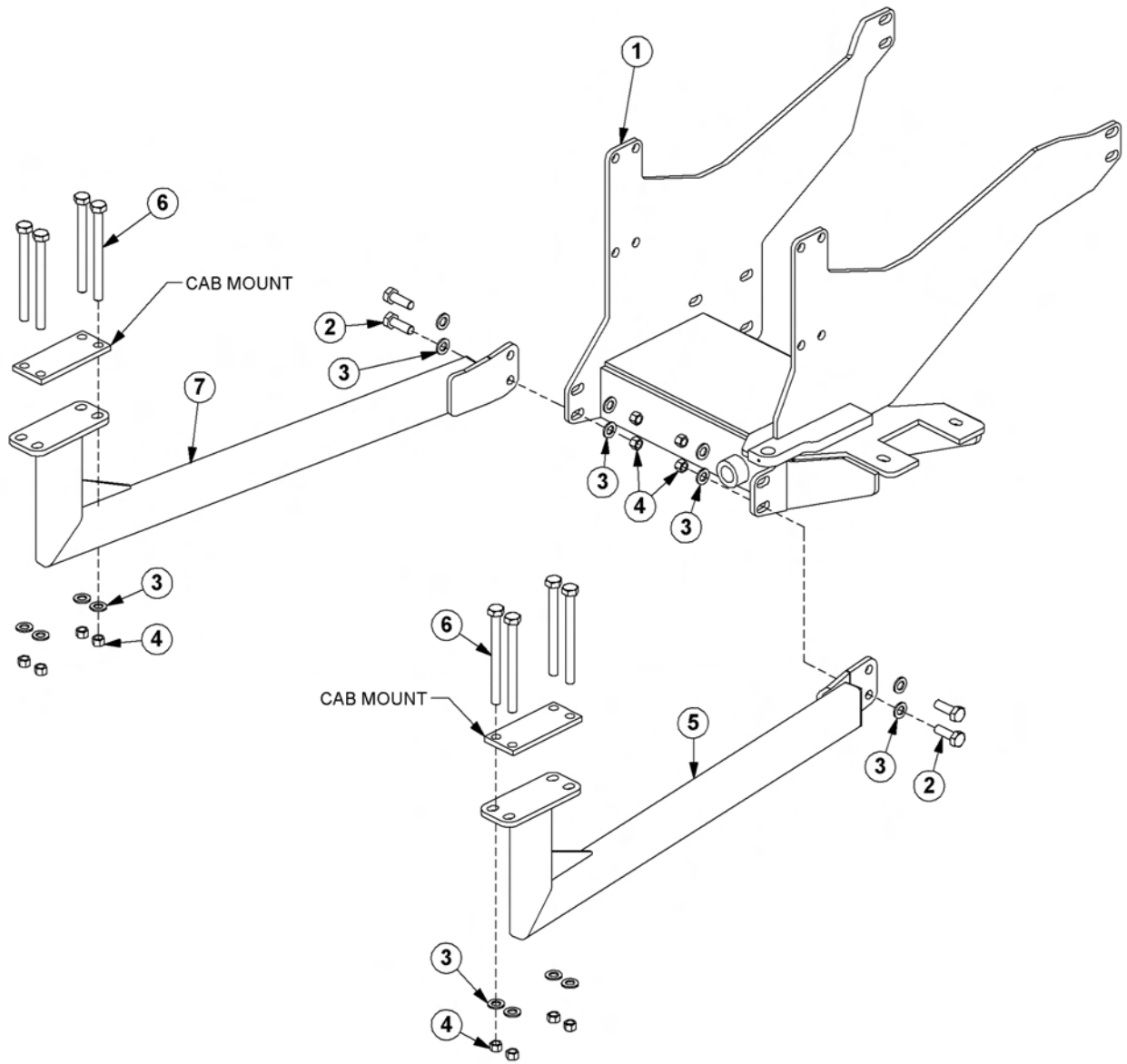


TRACTOR MOUNT KIT - HYDRAULICS

Continued...

ITEM	PART NO.	QTY.	DESCRIPTION
3	/////	/	J [FTCWNÆ"VCPM', TGHGT"VQ"VTCEVQT"O QWP V'MK'RCI G
4	56286	3	CF CRVGT.3/3 16\$O QT"Z"3\$O L
5	287224; ;	3	J QUG.3\$Z"; 6\$
6	5652;	3	DCNN'XCNXG.3/3 4\$HQT
7	56877	3	GNDQY .3/3 4\$O QT"Z"3/3 4\$O L
8	2872252;	3	J QUG.3/3 4\$Z"92\$
9	43849	5	P[NQEMP WW.51 \$.PE
:	28633358	3	ENCORJ QUG.4\$
;	44238	5	HNCVY CUJ GT.51 \$
32	43854	3	ECRUETGY .51 \$Z"3/3 4\$.PE
33	545: 4	4	DTCEMGV.J QUG
34	55: : 2	4	HNCVY CUJ GT.51 6\$.UCG
35	43: 53	4	ECRUETGY .51 6\$Z"3/5 16\$
36	VH6: 74	4	MK.V.HNCPI G.%42
37	/////	/	RWOR", TGHGT"VQ"VTCEVQT"O QWP V'MK'RCI G
38	287227; 9	3	J QUG.3\$Z"8: \$
39	55777	5	CF CRVGT.3\$O QT"Z"3\$O L
3:	5547;	3	GNDQY .3\$O L'Z"3\$HLZ
3;	56339	3	GNDQY .3\$O QT"Z"3\$O L; 2à
42	28722943	3	J QUG.3\$Z"32: \$*"RTGUWTG+
43	28722944	3	J QUG.3\$Z"332\$*"TGVWTP +
44	28633943	3	UVQR.QUEKNCVIQP
45	43866	4	ECRUETGY .51 \$Z"7\$.PE
46	287322: 5	3	DTCMG'XCNXG
47	/////	3	O CRP'HTCO G', TGHGT"VQ"VTCEVQT"O QWP V'MK'RCI G

AXLE BRACE ASSEMBLY

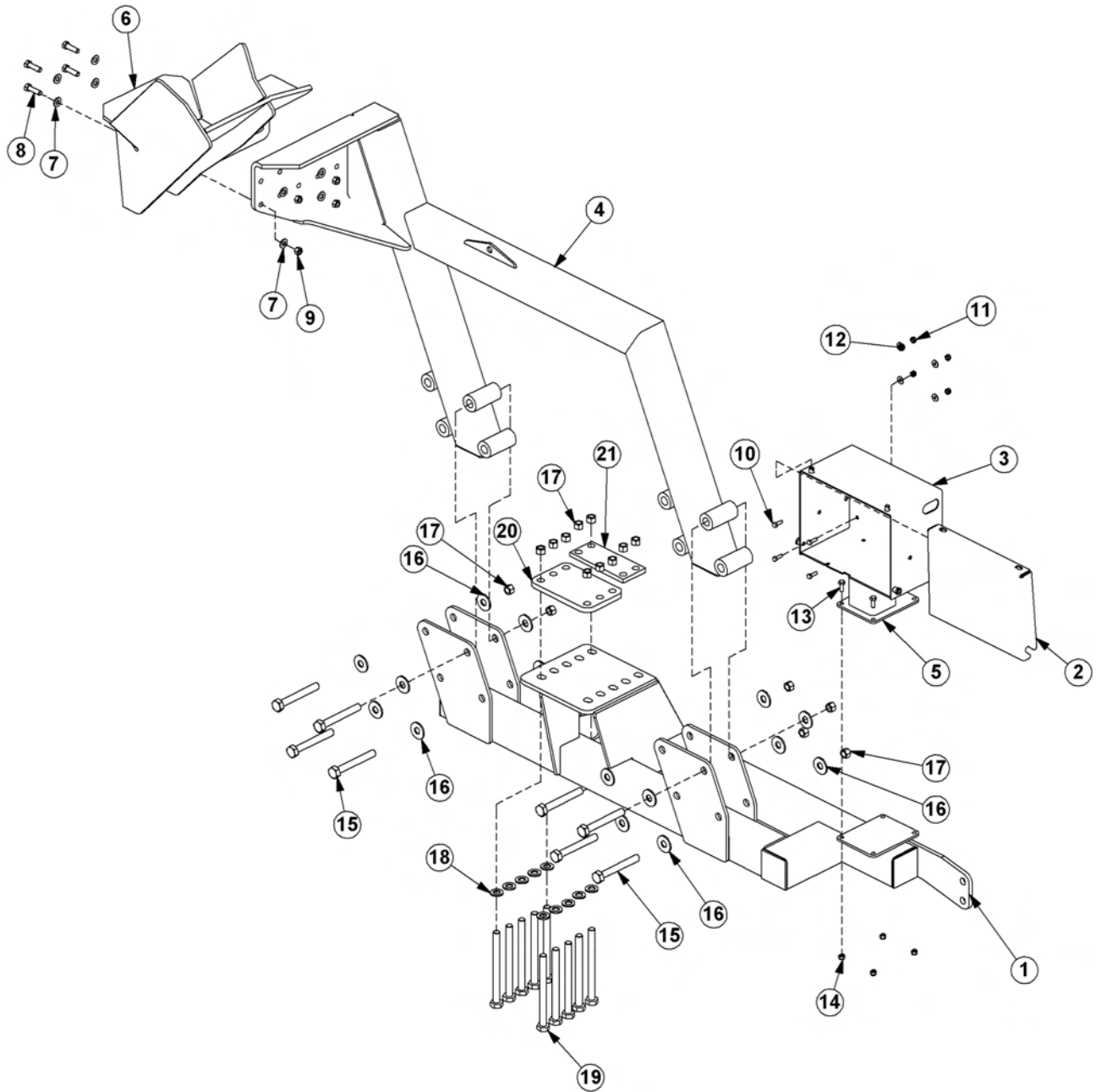


AXLE BRACE ASSEMBLY

Continued...

ITEM	PART NO.	QTY.	DESCRIPTION
3	/////	/	O CR 'HTCO G', TGHGT "VQ"VTCEVQT'O QWP V'MK/RCI G
4	43: 55	6	ECRUETGY .516\$Z '4/316\$.PE
5	55: : 2	38	HNCVY CUJ GT.516\$
6	43: 47	34	J GZ 'P W.516\$.PE
7	2852242:	3	CZNG'DTCEG.TJ "UF GUVQY +
////	28522427	3	CZNG'DTCEG.TJ "UPI NGEQNWOP 'DQQOTGUV+
8	43: 68	:	ECRUETGY .516\$Z ', \$.PE
9	2852242;	3	CZNG'DTCEG.NJ

SINGLE COLUMN BOOMREST & BATTERY BOX

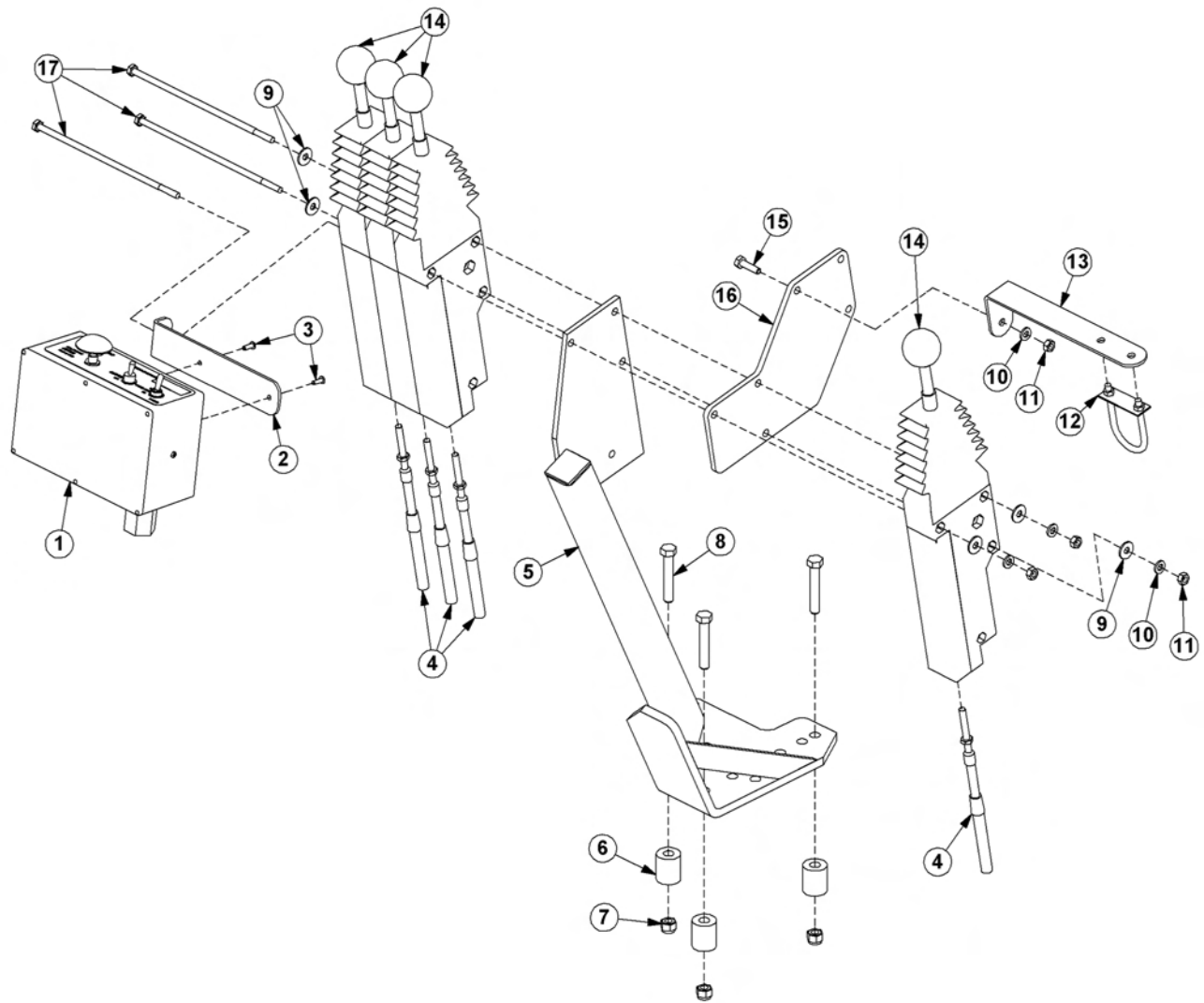


SINGLE COLUMN BOOMREST & BATTERY BOX

Continued...

ITEM	PART NO.	QTY.	DESCRIPTION
3	28522427	3	CZNGDTCEG.UR I NG'EQNWOP
4	56456	3	EQXGT.DCVVGT['DQZ
5	5659:	3	DCVVGT['DQZ
6	28532296	3	DQQO TGUV.UR I NG'EQNWOP
7	28623; 39	3	DCVVGT['DQZ' O QWP V
8	28532338	3	CF CRVGT.DQQO TGUV
9	28755226	:	HNCVY CUJ GT.34\$.UCG
:	43954	6	ECRUETGY .34\$Z'3/516\$.PE
;	43947	6	J GZ'P WW.34\$.PE
32	437: 2	6	ECRUETGY .7188\$.PE
33	43799	6	P[NQEMJ GZ'P WW.7188\$.PE
34	44237	6	HNCVY CUJ GT.7188\$
35	43852	6	ECRUETGY .51\$.Z'3\$.PE
36	43849	6	P[NQEMP WW.51\$.PE
37	43: 65	:	ECRUETGY .516\$Z'8\$.PE
38	44243	38	HNCVY CUJ GT.516\$
39	43: 97	3:	J GZ'P WW.516\$.PE
3:	55: : 2	32	HNCVY CUJ GT.516\$.UCG
3:	43: 68	32	ECRUETGY .516\$Z'\$.PE
42	28623; 34	3	RNCVGENCOR.'CZNG
43	/////	/	ECD'O QWP V**VTCEVQT'RCTV+

4 SPOOL CABLE CONTROL MOUNT

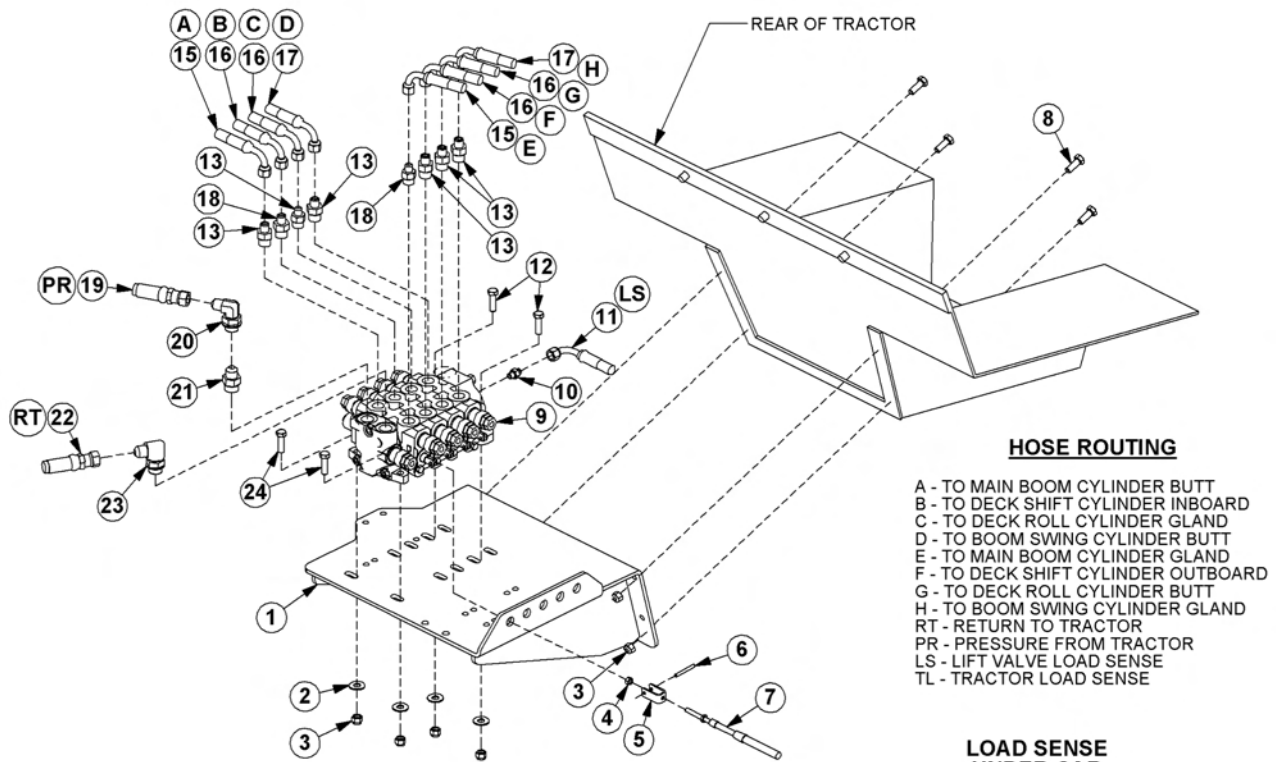


4 SPOOL CABLE CONTROL MOUNT

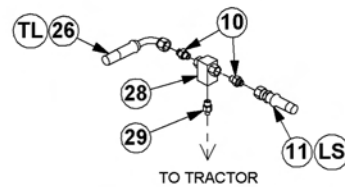
Continued...

ITEM	PART NO.	QTY.	DESCRIPTION
3	28732324	3	UY KVEJ 'DQZ
4	566; 8	3	DTCEMGV.UY KVEJ 'DQZ.WP KX
5	8V5; 73	4	UETGY .O CEJ .: /54'Z'3H\$
6	28727322	6	EDN'EP VTN.32: \$
7	45; 87D	3	UVCP F.EDN'EP VTN
8	492; 4D	5	URCEGT
9	43849	5	P[NQEMP WW.5: \$.PE
:	43858	5	ECRUETGY .5: \$'Z'4/3H\$.PE
;	44236	7	HNCVY CUJ GT.3.16\$
32	43; : 8	6	NQEMY CUJ GT.3.16\$
33	43747	6	J GZ'P WW.3.16\$.PE
34	2875925;	3	WDQNV.CUU
35	28633598	3	DTCEMGV.EDN'EP VTN
36	8V3473	6	EDN'EP VTN'DQZ.3: 2'F GI
37	43752	3	ECRUETGY .3.16\$'Z'3\$.PE
38	2862239;	3	OP V.CFCRVGT.EDN'EP VTN
39	43769	5	ECRUETGY .3.16\$'Z': \$.PE

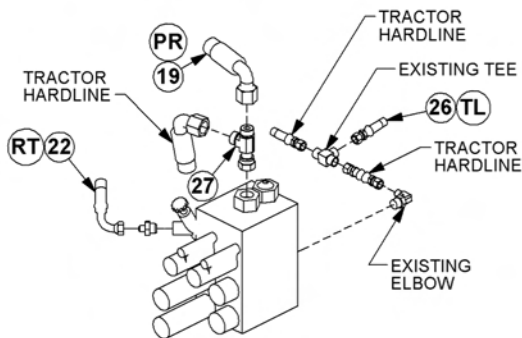
CABLE (MANUAL) LIFT VALVE - 4 SPOOL



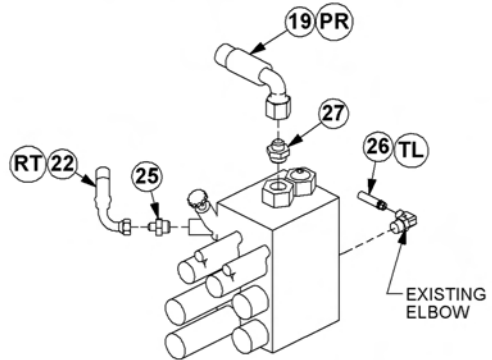
LOAD SENSE UNDER CAB



FOUR REMOTE STACKS BELOW VALVE PLATE



TWO REMOTE STACKS BELOW VALVE PLATE

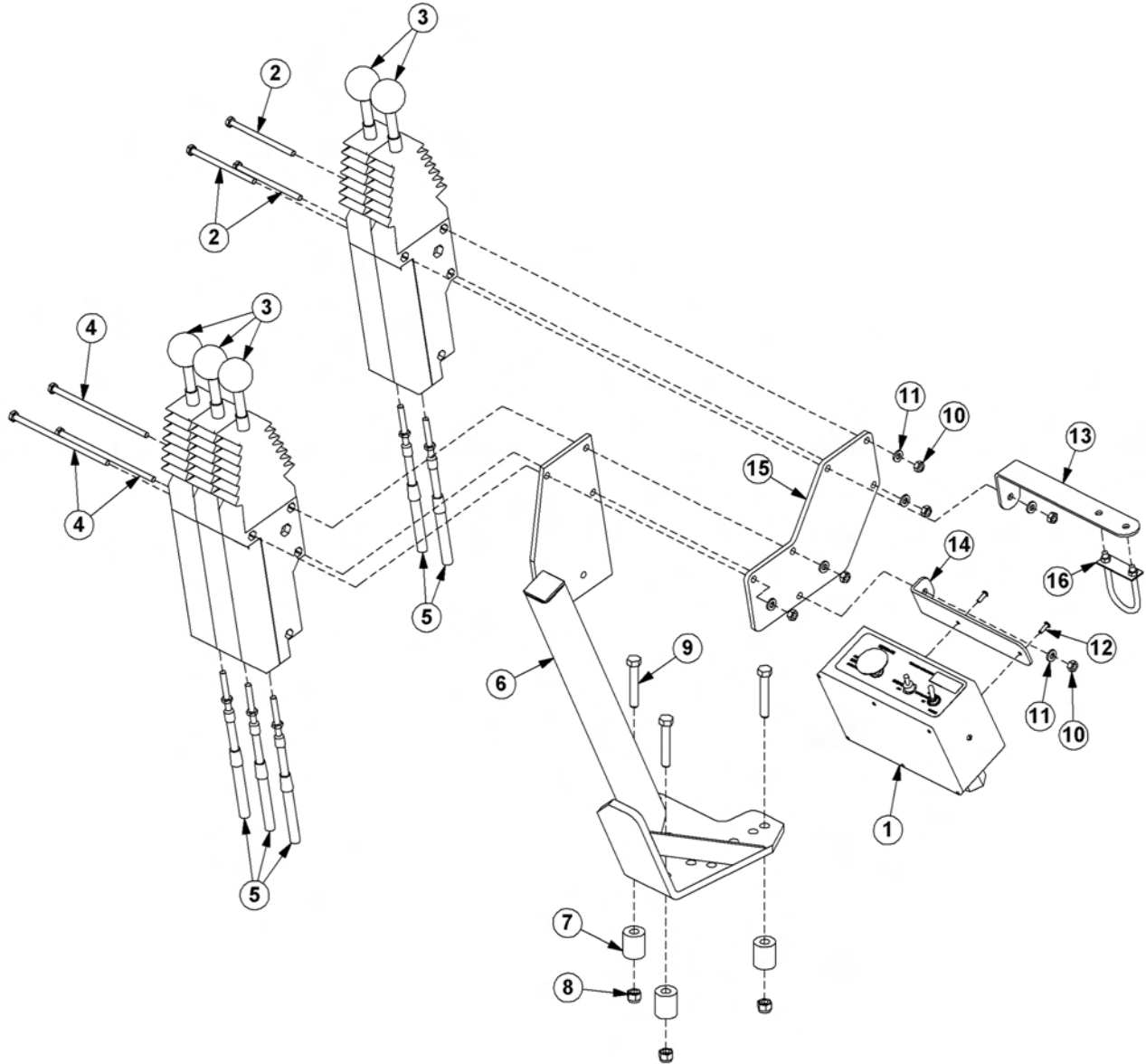


CABLE (MANUAL) LIFT VALVE - 4 SPOOL

Continued...

ITEM	PART NO.	QTY.	DESCRIPTION
3	2856225;	3	O QWP V.XCNXG
4	44238	6	HNCVY CUI GT.51 \$
5	43849	:	P[NQEMP WW.51 \$.PE
6	43722	6	J GZ'P WW.316\$.PH
7	8V6633	6	ENGXKUEDN'EP VTN
8	8V5239	6	TQNN'RPE.EDN'EP VTN
9	28727322	6	EDN'EP VTN.32: \$
:	43853	6	ECRUETGY .51 \$'Z'3/316\$.PE
;	28724349	3	XCNXG.6'URQQN.NU'HNCN'O QY GTU+
32	54; 23	5	CF CRVGT.51 \$O QT'Z'51 \$O L
33	28722635	3	J QUG.316\$'Z'53\$''VY Q'TGO QVG'UVCEMU+
///	28722672	3	J QUG.316\$'Z'64\$''HQWT'TGO QVG'UVCEMU+
34	43854	4	ECRUETGY .51 \$'Z'3/314\$.PE
35	55493	9	CF CRVGT.314\$O QT'Z'51 \$O L
37	28722885	4	J QUG.316\$'Z'3; 6\$
38	28722825	6	J QUG.316\$'Z'399\$
39	56854	4	J QUG.316\$'Z'337\$
3:	28724258	3	XCNXG.EJ GEMØ8\$QTH
3;	56577	3	J QUG.314\$'Z'56\$''VY Q'TGO QVG'UVCEMU+
///	2872255;	3	J QUG.314\$'Z'57\$''HQWT'TGO QVG'UVCEMU+
42	28725244	3	GNDQY .314\$O L'Z'314\$HLZ
43	28725233	3	CF CRVGT.71 \$O QT'Z'314\$O L
44	55632	3	J QUG.314\$'Z'6: \$
45	555: 5	3	GNDQY .71 \$O QT'Z'314\$O L
46	43855	4	ECRUETGY .51 \$'Z'3/516\$.PE
47	2872527;	3	CF CRVGT.71 \$O L'Z'516\$DURR
48	2872286:	3	J QUG.316\$'Z'52\$
49	28725389	3	CF CRVGT.DCP IQ''VY Q'TGO QVG'UVCEMU+
///	54: 94	3	VGG.TWP .71 \$HHZ'71 \$O HZ'71 \$O H''HQWT'TGO QVG'UVCEMU+
4:	555: : 28	3	VGG.UJ WVNNG.51 \$HQT
4;	28725388	3	CF CRVGT.51 \$O QT'Z'316\$HLZ

5 SPOOL CABLE CONTROL MOUNT

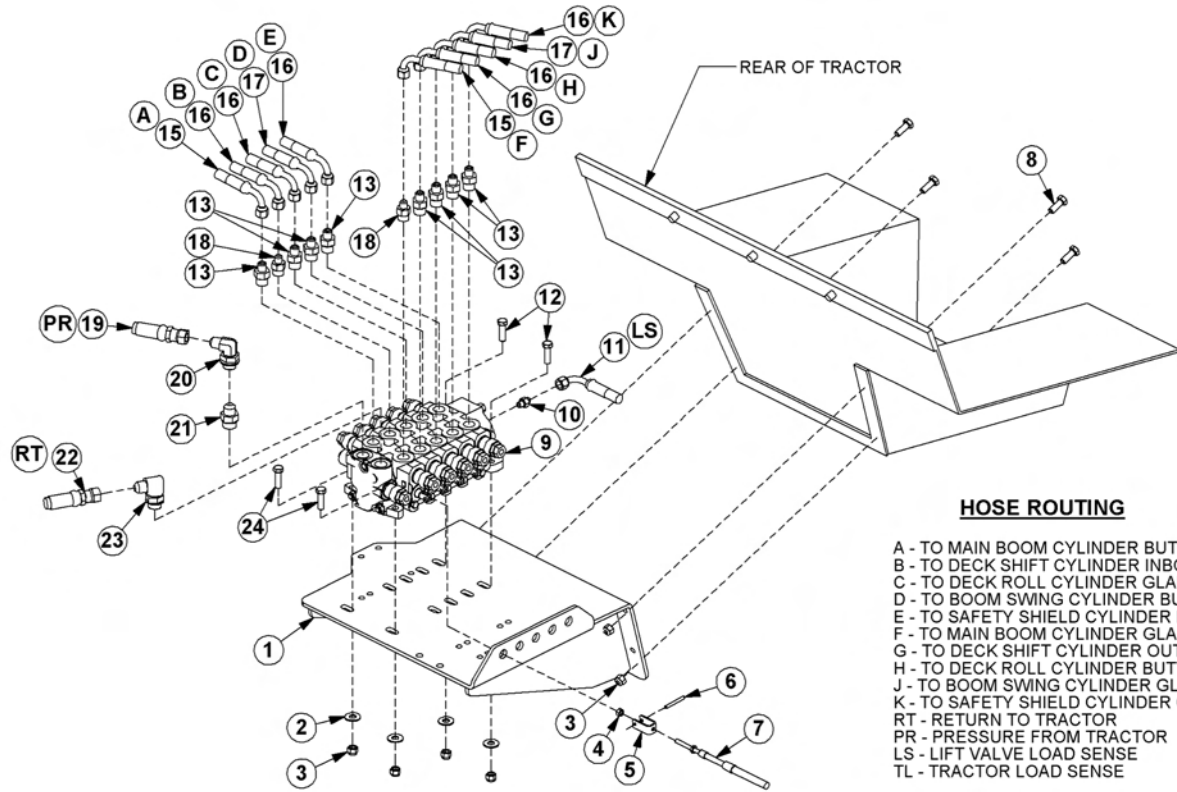


5 SPOOL CABLE CONTROL MOUNT

Continued...

ITEM	PART NO.	QTY.	DESCRIPTION
3	28732324	3	UY K/EJ 'DQZ
4	43764	5	ECRUETGY .316"Z '6\$.PE
5	8V3473	7	EDN'EP VTN'DQZ.3: 2'F GI
6	43767	5	ECRUETGY .316"Z '8\$.PE
7	28727322	7	EDN'EP VTN.32: \$
8	45: 87D	3	UVCP F.EDN'EP VTN
9	492: 4D	5	URCEGT
:	43849	5	P [NQEMP WW.51 \$.PE
;	43858	5	ECRUETGY .51 \$"Z'4/34\$.PE
32	43747	8	J GZ'P WW.316\$.PE
33	43: : 8	8	NQEMY CUJ GT.316\$
34	8V5; 73	4	UETGY .OCEJ .:/54"Z'34\$
35	28633598	3	DTCEMGV.EDN'EP VTN
36	566; 8	3	DTCEMGV.UY K/EJ 'DQZ.WP K
37	2862239;	3	OP V.CF CRVGT.EDN'EP VTN
38	2875925;	3	WDQNV.CUU

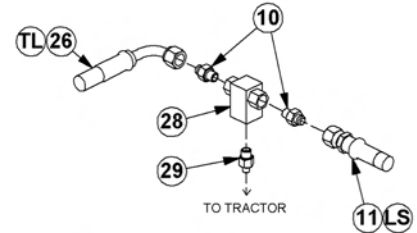
CABLE (MANUAL) LIFT VALVE - 5 SPOOL



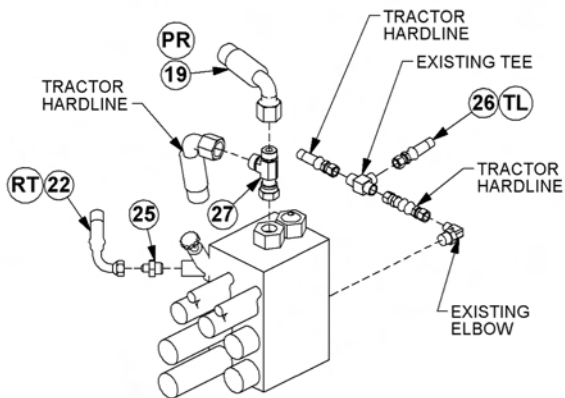
HOSE ROUTING

- A - TO MAIN BOOM CYLINDER BUTT
- B - TO DECK SHIFT CYLINDER INBOARD
- C - TO DECK ROLL CYLINDER GLAND
- D - TO BOOM SWING CYLINDER BUTT
- E - TO SAFETY SHIELD CYLINDER BUTT
- F - TO MAIN BOOM CYLINDER GLAND
- G - TO DECK SHIFT CYLINDER OUTBOARD
- H - TO DECK ROLL CYLINDER BUTT
- J - TO BOOM SWING CYLINDER GLAND
- K - TO SAFETY SHIELD CYLINDER GLAND
- RT - RETURN TO TRACTOR
- PR - PRESSURE FROM TRACTOR
- LS - LIFT VALVE LOAD SENSE
- TL - TRACTOR LOAD SENSE

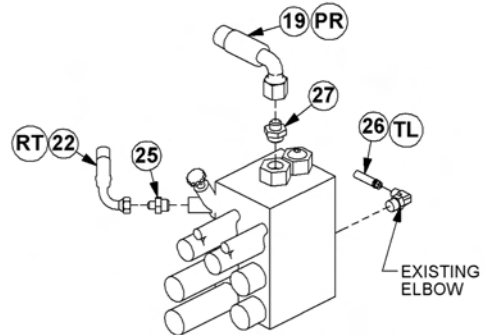
LOAD SENSE UNDER CAB



FOUR REMOTE STACKS BELOW VALVE PLATE



TWO REMOTE STACKS BELOW VALVE PLATE

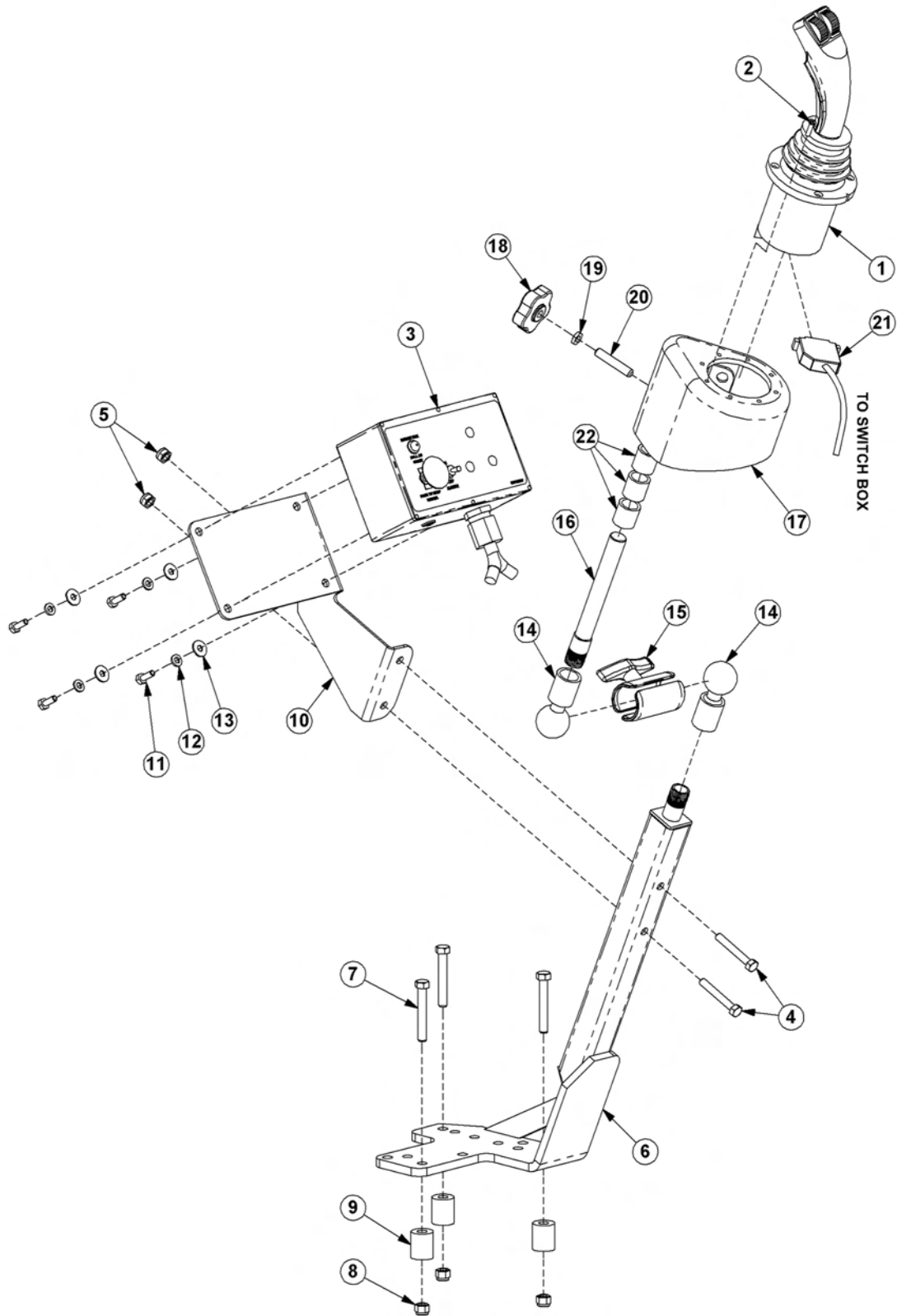


CABLE (MANUAL) LIFT VALVE - 5 SPOOL

Continued...

ITEM	PART NO.	QTY.	DESCRIPTION
3	2856225;	3	O QWP V.XCNXG
4	44238	6	HNCVY CUI GT.51 \$
5	43849	:	P[NQEMP WW.51 \$.PE
6	43722	7	J GZ 'P WW.3 16\$.PH
7	8V6633	7	ENGXKUEDN'EP VTN
8	8V5239	7	TQNN'RØ .EDN'EP VTN
9	28727322	7	EDN'EP VTN.32: \$
:	43853	6	ECRUETGY .51 \$'Z '3/3 16\$.PE
;	2872434:	3	XCNXG.7'URQQN.NU*TQVCT['O QY GTU+
32	54; 23	5	CF CRVGT.51 \$O QT'Z '51 \$O L
33	28722635	3	J QUG.3 16\$'Z '53\$
34	43854	4	ECRUETGY .51 \$'Z '3/3 14\$.PE
35	55493	;	CF CRVGT.3 14\$O QT'Z '51 \$O L
37	556; 5	4	J QUG.3 16\$'Z '3; 8\$
38	28722947	8	J QUG.3 16\$'Z '399\$
39	56854	4	J QUG.3 16\$'Z '337\$
3:	28724258	3	XCNXGEJ GEMØ8\$QTH
3;	56577	3	J QUG.3 14\$'Z '56\$
42	28725244	3	GNDQY .3 14\$O L'Z '3 14\$HLZ
43	28725233	3	CF CRVGT.71 \$O QT'Z '3 14\$O L
44	55632	3	J QUG.3 14\$'Z '6: \$
45	555: 5	3	GNDQY .71 \$O QT'Z '3 14\$O L
46	43855	4	ECRUETGY .51 \$'Z '3/5 16\$.PE
47	2872527;	3	CF CRVGT.71 \$O L'Z '5 16\$DURR
48	2872286:	3	J QUG.3 16\$'Z '52\$
49	54: 94	3	VGG.TWP .71 \$HHZ '71 \$O HZ '71 \$O H
4:	555: : 28	3	VGG.UJ WVNNG.51 \$HQ T
4:	28725388	3	CF CRVGT.51 \$O QT'Z '3 16\$HLZ

JOYSTICK AND SWITCH BOX MOUNT

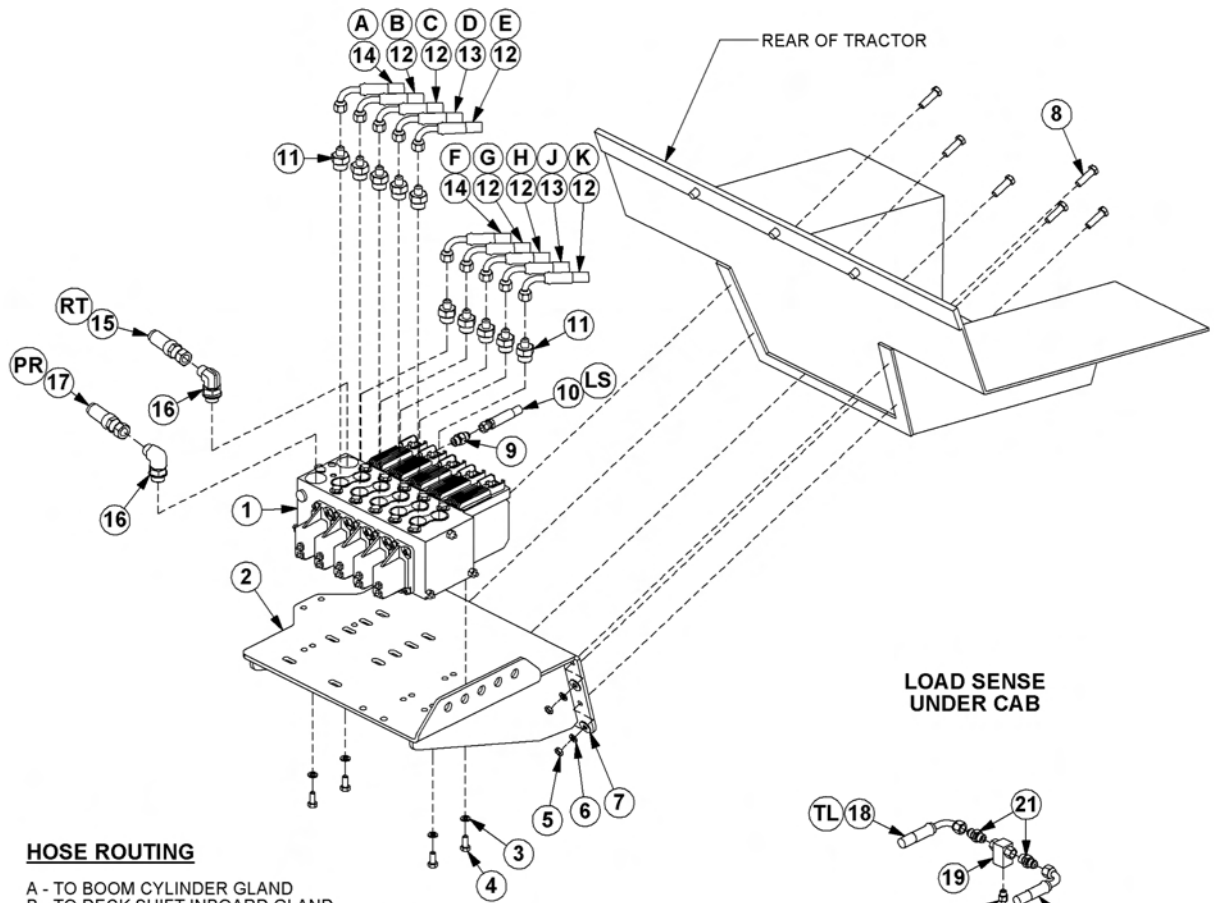


JOYSTICK AND SWITCH BOX MOUNT

Continued...

ITEM	PART NO.	QTY.	DESCRIPTION
3	558; 3	3	IQ[UVKEM
4	54; 4;	6	UETGY .O CEJ R G.32/54"Z"5 16\$.HNCVJ F
5	287323; 8	3	UY KVEJ "DQZ.F.HUU.QU
6	437; 7	4	ECRUETGY .7 B8\$Z"4/3 16\$.PE
7	43799	4	P [NQEMP WW.7 B8\$.PE
8	28562233	3	OP V.UVP F.IQ[UVKEM
9	4385;	5	ECRUETGY .51 \$Z"5/3 16\$.PE
:	43849	5	P [NQEMP WW.51 \$.PE
;	639; 6	5	URCEGT
32	28562237	3	UY KVEJ "DQZ"OP V
33	4374;	6	ECRUETGY .3 16\$Z"5 16\$.PE
34	43; : 8	6	NQEMY CUI GT.3 16\$
35	44236	6	HNCVY CUI GT.3 16\$
36	28742263	4	O QWP V.TCO .DCNN.3/3 14\$
37	28742242	3	O QWP V.TCO .CTO
38	28562232	3	TQF .3 14\$P RV"Z"9\$
39	57255	3	ECP.IQ[UVKEM.CUU
3:	57426	3	MP QD.51 \$.PE.R UGTV
3;	57428	3	J GZ" P WW.LCO D.51 \$.PE
42	57427	3	UGVUETGY .51 \$Z"4\$.PE.MP WTNGF
43	558; 5	3	EDN.GZ V.6HV.IQ[UVKEM
44	57478	5	DWUJ R I .P [NQP

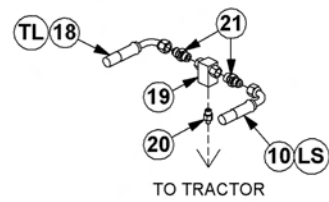
ELECTRONIC PROPORTIONAL LIFT VALVE MOUNT



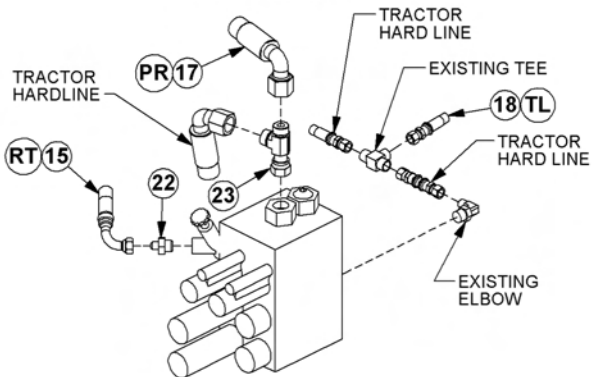
HOSE ROUTING

- A - TO BOOM CYLINDER GLAND
- B - TO DECK SHIFT INBOARD GLAND
- C - TO DECK ROLL CYLINDER GLAND
- D - TO BOOM SWING CYLINDER BUTT
- E - TO SAFETY SHIELD CYLINDER GLAND
- F - TO BOOM CYLINDER BUTT
- G - TO DECK SHIFT OUTBOARD GLAND
- H - TO DECK ROLL CYLINDER BUTT
- J - TO BOOM SWING CYLINDER GLAND
- K - TO SAFETY SHIELD CYLINDER BUTT
- RT - RETURN TO TRACTOR
- PR - PRESSURE FROM TRACTOR
- LS - LIFT VALVE LOAD SENSE
- TL - TRACTOR LOAD SENSE

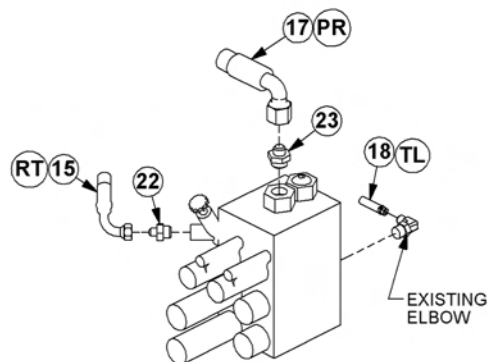
LOAD SENSE UNDER CAB



FOUR REMOTE STACKS BELOW VALVE PLATE



TWO REMOTE STACKS BELOW VALVE PLATE

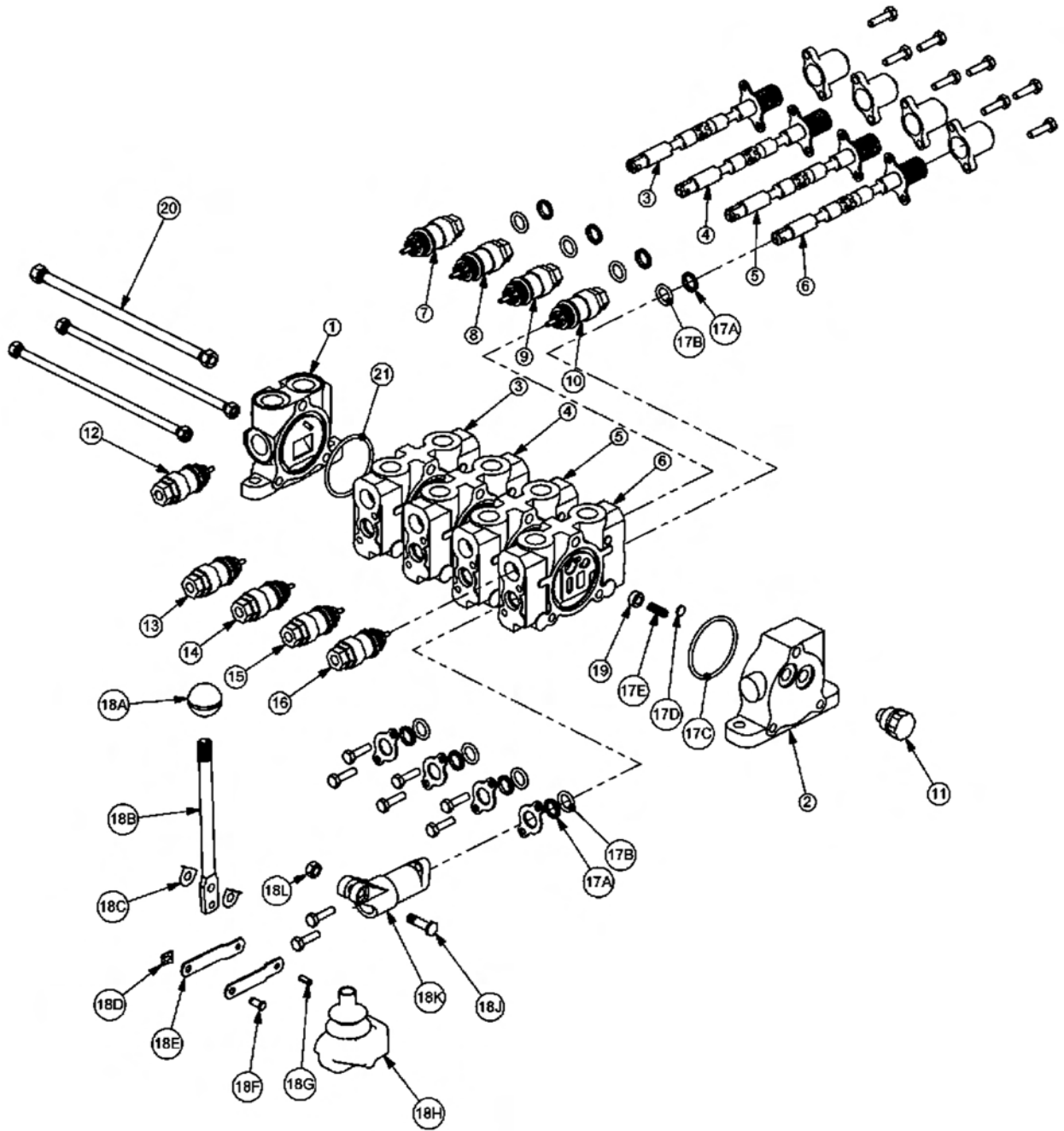


ELECTRONIC PROPORTIONAL LIFT VALVE MOUNT

Continued...

ITEM	PART NO.	QTY.	DESCRIPTION
3	287242; 8	3	XCNXG.7"URQQN.FH
4	2856225;	3	O QWP V.XCNXG
5	43; : 9	6	NQEMY CUI GT.7B8\$
6	4379;	6	ECRUETGY .7B8\$Z'5'16\$.PE
7	44373	8	J GZ'P WW.: O O .3047R
8	8V483;	8	NQEMY CUI GT.: O O
9	44237	8	HNCVY CUI GT.7B8\$
:	8V46; 4	8	ECRUETGY .: O O 'Z'57O O .3047R
;	555; 4	3	CF CRVGT.7B8\$O QT'Z'5'1 \$O L
32	28722672	3	J QUG.3'16\$Z'64\$'NQCF 'UGPUG+
33	54; 29	32	CF CRVGT.7'1 \$O QT'Z'5'1 \$O L
34	28722947	8	J QUG.3'16\$Z'399\$
35	56854	4	J QUG.3'16\$Z'337\$
36	556; 5	4	J QUG.3'16\$Z'3; 8\$
37	55632	3	J QUG.3'14\$Z'6: \$''*TGWWTP +
38	554; 6	4	CF CRVGT.5'16\$O QT'Z'3'14\$O L
39	2872255;	3	J QUG.3'14\$Z'57\$'RTGUWTG+'*VY Q'TGO QVG'UVCEMU+
///	56577	3	J QUG.3'14\$Z'56\$'RTGUWTG+'*HQWT'TGO QVG'UVCEMU+
3:	287227; 6	3	J QUG.3'16\$Z'4: \$''*VY Q'TGO QVG'UVCEMU+
///	2872286:	3	J QUG.3'16\$Z'52\$'HQWT'TGO QVG'UVCEMU+
3;	555: : 28	3	VGG.UJ WVNNG.5'1 \$HQT
42	28725388	3	CF CRVGT.5'1 \$O QT'Z'3'16\$HLZ
43	54; 23	4	CF CRVGT.5'1 \$O QT'Z'5'1 \$O L
44	2872527;	3	CF CRVGT.7'1 \$O LZ'5'16\$DURR
45	28725389	3	CF CRVGT.DCP IQ '*VY Q'TGO QVG'UVCEMU+
///	54: 94	3	VGG.TWP.7'1 \$HHZ'7'1 \$O HZ'7'1 \$O H'*HQWT'TGO QVG'UVCEMU+

CABLE (MANUAL) LIFT VALVE BREAKDOWN - 06502127



CABLE (MANUAL) LIFT VALVE BREAKDOWN - 06502127

Continued...

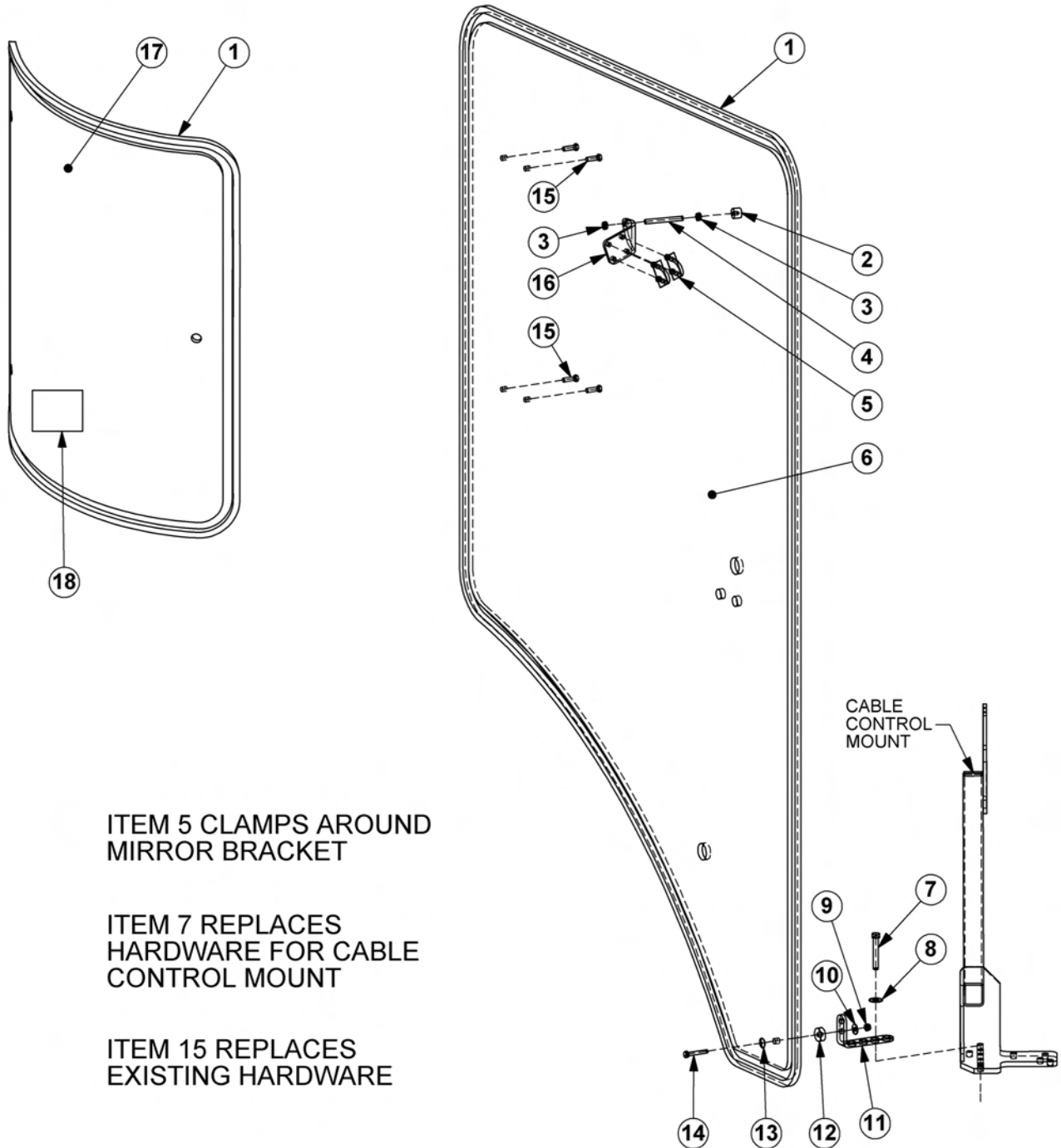
ITEM	PART NO.	QTY.	DESCRIPTION
3	537; 7	3	R NGV"GP F "EQXGT
4	537; 6	3	GP F "EQXGT."NQCF "UGP UG
5	53822	3	XCNXG"UGE VIQP *F QWDNG"CEVRI . "F GVG P V"/"HNQCV+
6	537; 9	3	XCNXG"UGE VIQP *F QWDNG"CEVRI . "EGP VGT"URTRI +
7	53822	3	XCNXG"UGE VIQP *F QWDNG"CEVRI . "F GVG P V"/"HNQCV+
8	537; :	3	XCNXG"UGE VIQP *F QWDNG"CEVRI . "EGP VGT"URTRI . O GVG TGF +*TGO QXG"UJ WVNNG"FKLE+
9	28725289	3	%2"Q/TRI "RNW
:	VD3239M	3	TGNKGH"XCXNG."4372"RUK
;	VD3239L	3	TGNKGH"XCXNG."3: 22"RUK
32	VD3239J	3	TGNKGH"XCXNG."3972"RUK
33	2872528:	3	%8"Q/TRI "RNW
34	8V642;	3	%2"Q/TRI "RNW
35	28724225	3	TGNKGH"XCXNG."4722"RUK
36	VD3239M	3	TGNKGH"XCXNG."4372"RUK
37	VD3239H	3	TGNKGH"XCXNG."3722"RUK
38	VD3239J	3	TGNKGH"XCXNG."3972"RUK
39	537; 5	6	XCNXG"UGC N"MK" *HQT"QP G"UGE VIQP +
""39C	/////	4	""Y RGT
""39D	/////	4	""Q/TRI "UO CNN
""39E	/////	3	""Q/TRI "NCTI G
""39F	/////	3	""U WVNNG"FKLE
""39G	/////	3	""URTRI
3:	VD3239N	6	NGXGT"MK" *HQT"QP G"UGE VIQP +
""3: C	/////	3	""NGXGT"MP QD
""3: D	/////	3	""NGXGT
""3: E	/////	4	""NGXGT"Y CU GT
""3: F	/////	3	""NGXGT"ENR
""3: G	/////	4	""NRP MCI G
""3: H	/////	3	""NGXGT"RRP
""3: I	/////	3	""TQNN"RRP
""3: J	/////	3	""NGXGT"DQQV
""3: L	/////	3	""NGXGT"DQNV
""3: M	/////	3	""NGXGT"F WUV"EQXGT
""3: N	/////	3	""NGXGT"P WW
3;	53825	6	EQO RGP UC VQT
42	VD3239W	3	VIG" TQF "MK
43	46436	3	Q/TRI .NCTI G

CABLE (MANUAL) LIFT VALVE BREAKDOWN - 06502128

Continued...

ITEM	PART NO.	QTY.	DESCRIPTION
3	537; 7	3	R NGV"GP F "EQXGT
4	537; 6	3	GP F "EQXGT ."NQCF "UGP UG
5	537; 9	3	XCNXG"UGE VIQP "F QWDNG"CEV R I . "EGP VGT"URT R I +
6	537; 9	3	XCNXG"UGE VIQP "F QWDNG"CEV R I . "EGP VGT"URT R I +
7	537; 9	3	XCNXG"UGE VIQP "F QWDNG"CEV R I . "EGP VGT"URT R I +
8	537; :	3	XCNXG"UGE VIQP "F QWDNG"CEV R I . "EGP VGT"URT R I ."O G VGTGF +
9	537; 9	3	XCNXG"UGE VIQP "F QWDNG"CEV R I . "EGP VGT"URT R I + "TGO QXG"UJ WVNNG" F RUE +
:	28725289	3	%2"Q/T R I "RNW
;	VD3239M	3	TGNKGH"XCNXG."4372"RUK
32	VD3239L	3	TGNKGH"XCNXG."3: 22"RUK
33	VD3239J	3	TGNKGH"XCNXG."3972"RUK
34	447; :	3	TGNKGH"XCNXG."722"RUK
35	2872528:	3	%8"Q/T R I "RNW
36	8V642;	3	%2"Q/T R I "RNW
37	28724225	3	TGNKGH"XCNXG."4722"RUK
38	VD3239M	3	TGNKGH"XCNXG."4372"RUK
39	VD3239H	3	TGNKGH"XCNXG."3722"RUK
3:	VD3239J	3	TGNKGH"XCNXG."3972"RUK
3;	447; :	3	TGNKGH"XCNXG."722"RUK
42	537; 5	7	XCNXG"UGC N"MK" "HQT"QP G"UGE VIQP +
""42C	/////	4	""Y RGT
""42D	/////	4	""Q/T R I "UO CNN
""42E	/////	3	""Q/T R I "NCTI G
""42F	/////	3	""UJ WVNNG" F RUE
""42G	/////	3	""URT R I
43	VD3239N	7	NGXGT"MK" "HQT"QP G"UGE VIQP +
""43C	/////	3	""NGXGT"MP QD
""43D	/////	3	""NGXGT
""43E	/////	4	""NGXGT"Y CUJ GT
""43F	/////	3	""NGXGT"ENR
""43G	/////	4	""N R MCI G
""43H	/////	3	""NGXGT"R R
""43I	/////	3	""TQNN"R R
""43J	/////	3	""NGXGT"DQ QV
""43L	/////	3	""NGXGT"DQ NV
""43M	/////	3	""NGXGT" F WUVE"EQXGT
""43N	/////	3	""NGXGT" P WW
44	53825	7	EQO RGP UC VQT
45	VD3239X	3	VKG" TQF "MKV
46	46436	3	Q/T R I ."NCTI G

POLYCARBONATE SAFETY WINDOW



ITEM 5 CLAMPS AROUND MIRROR BRACKET

ITEM 7 REPLACES HARDWARE FOR CABLE CONTROL MOUNT

ITEM 15 REPLACES EXISTING HARDWARE

POLYCARBONATE SAFETY WINDOW

Continued...

ITEM	PART NO.	QTY.	DESCRIPTION
1	31965	23	TRIMLOCK (IN FEET)
2	33477	1	ISOLATOR
3	21575	2	HEX NUT,5/16",NC
4	33478	1	ROD,THREADED,5/16" X 3"
5	32550	2	U-BOLT,ASSY
6	06490039	1	POLYCARBONATE,DOOR
7	21636	1	CAPSCREW,3/8" X 2-1/2",NC
8	22016	1	FLATWASHER,3/8"
9	21527	1	NYLOCK NUT,1/4",NC
10	22014	1	FLATWASHER,1/4"
11	06410672	1	BRACKET,BOTTOM
12	06537000	1	WASHER,NEOPRENE
13	06537001	1	WASHER,RUBBER
14	21533	1	CAPSCREW,1/4" X 1-3/4",NC
15	28583	4	CAPSCREW,8MM X 25MM,1.25P
16	06411375	1	BRACKET,TOP
17	06490040	1	POLYCARBONATE,REAR
18	22645	1	DECAL

NOTES

NOTES

COMMON REAR STOW SIDE

PARTS SECTION

PART NAME INDEX

PARTS ORDERING GUIDE.....	4
BOOM MOUNT KIT.....	5
CYLINDER TANG MOUNT.....	6
BOOM ASSEMBLY - FLAIL.....	8
BOOM ASSEMBLY - ROTARY.....	10
60IN ROTARY MOWER.....	12
60IN ROTARY DISK AND KNIVES.....	14
60IN BLADE BAR AND KNIVES.....	16
NOTES.....	17
ROTARY MOWER SPINDLE ASSEMBLY.....	18
75IN FLAIL - STANDARD ROTATION.....	20
75IN FLAIL - REVERSE ROTATION.....	22
FLAIL DRIVE ASSEMBLY.....	24
BOOM PIVOT ASSEMBLY.....	26
SLIDE ASSEMBLY.....	28
HOSE RING ASSEMBLY.....	30
2-1/2IN X 30IN CYLINDER BREAKDOWN.....	31
3IN X 15IN CYLINDER BREAKDOWN.....	32
4IN X 14IN CYLINDER BREAKDOWN.....	33
4IN X 15IN CYLINDER BREAKDOWN.....	34
NOTES 1.....	35
5 SPOOL ELECTRONIC VALVE.....	36
FRONT PUMP BREAKDOWN.....	38
ROTARY MOTOR BREAKDOWN.....	40
FLAIL MOTOR BREAKDOWN.....	42
COOLER ASSEMBLY - OPTION.....	44
RESERVOIR TANK FILTER ASSEMBLY.....	46
PUMP AND GRILL GUARD OPTIONS.....	47
MANUAL LIFT VALVE SWITCH BOX.....	48
MANUAL LIFT VALVE SWITCH BOX SCHEMATIC.....	49
ELECTRONIC LIFT VALVE SWITCH BOX.....	50
ELECTRONIC LIFT VALVE SCHEMATIC.....	51
SOLENOID SWITCH BOX AND WIRING.....	52
BRAKE VALVE ASSEMBLY.....	53
BRAKE VALVE HYDRAULIC SCHEMATIC.....	54
ELECTRICAL TROUBLESHOOTING GUIDE.....	55
HYDRAULIC TROUBLESHOOTING GUIDE.....	56
TROUBLESHOOTING.....	57
TROUBLESHOOTING - CONTINUED.....	58
FIRE SUPPRESSION SYSTEM.....	59

COMMON RSS

PART NAME INDEX

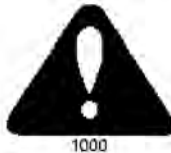
FIRE SUPPRESSION 3-POINT MOUNT.....	60
FIRE SUPPRESSION FRONT MOUNT.....	62
FIRE SUPPRESSION SYSTEM ELECTRICAL SCHEMATIC.....	64
WETCUT.....	65
WETCUT 50 GALLON TANK - 3PNT MOUNT.....	66
WETCUT 100 OR 150 GALLON TANK - 3PNT MOUNT.....	67
WETCUT 3PNT PLUMBING - 50IN MOWERS.....	68
WETCUT 3PNT PLUMBING - LARGE MOWERS.....	70
WETCUT FRONT PLUMBING - 50IN MOWERS.....	72
WETCUT FRONT PLUMBING - LARGE MOWERS.....	74
WETCUT 50IN SPRAYER HEAD ASSEMBLY.....	76
WETCUT 60IN SPRAYER HEAD ASSEMBLY.....	78
WETCUT CABLES.....	80

PARTS ORDERING GUIDE

The following instructions are offered to help eliminate needless delay and error in processing purchase orders for the equipment in this manual.

1. The Parts Section is prepared in logical sequence and grouping of parts that belong to the basic machine featured in this manual. Part Numbers and Descriptions are given to help locate the parts and quantities required.
2. The Purchase Order must indicate the **Name and Address** of the person or organization ordering the parts, **who should be charged**, and if possible, the **serial number of the machine** for which the parts are being ordered.
3. The purchase order must clearly list the **quantity of each part**, the complete and correct **part number**, and the basic **name of the part**.
4. The manufacturer reserves the right to substitute parts where applicable.
5. Some parts may be unlisted items which are special production items not normally stocked and are subject to special handling. Request a quotation for such parts before sending a purchase order.
6. The manufacturer reserves the right to change prices without prior notice.

NOTE: When ordering replacement decals, refer to the part numbers and descriptions listed in the safety section in the front of this manual.

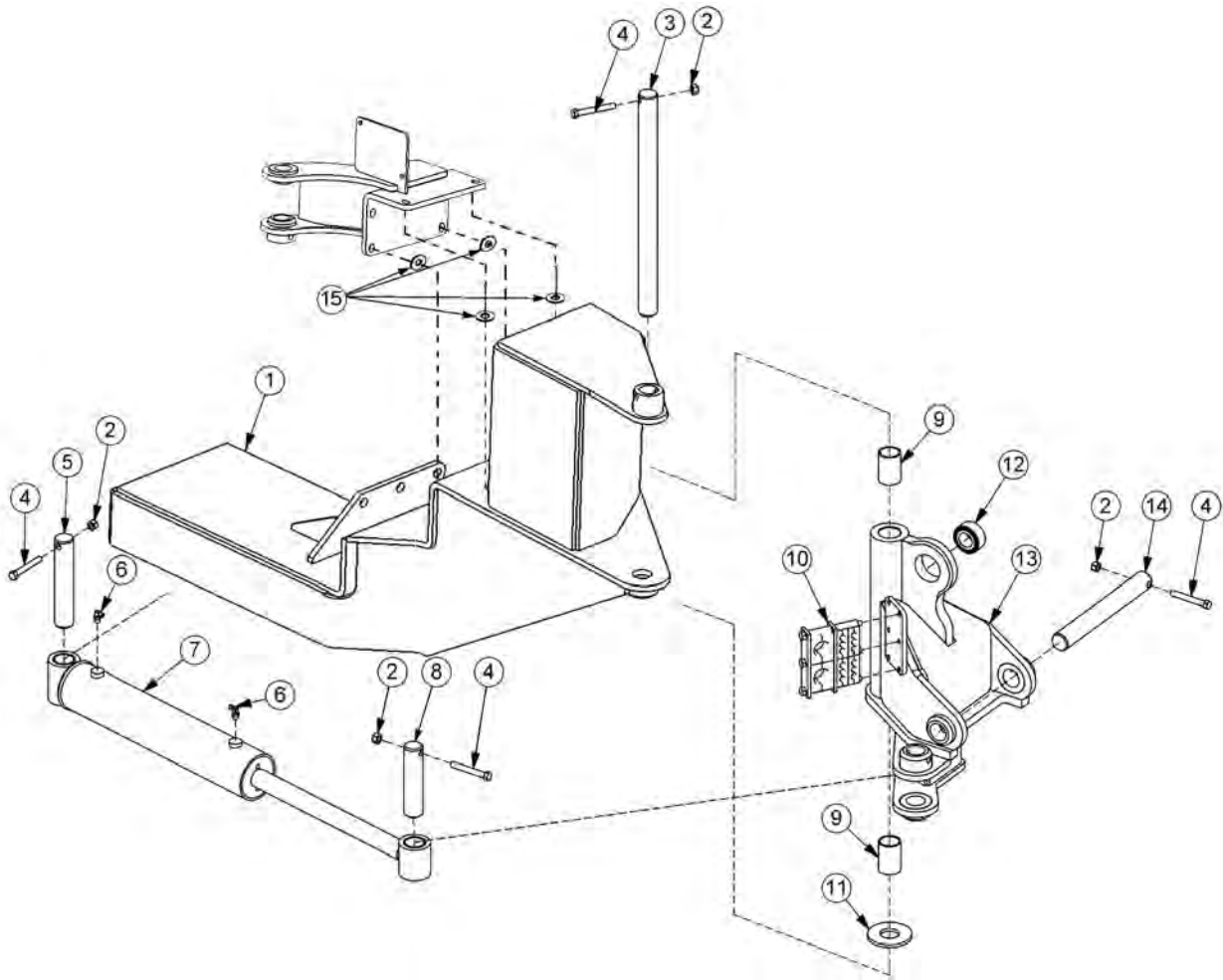


For maximum safety and to guarantee optimum product reliability, always use genuine **Tiger** replacement parts. The use of inferior replacement parts may cause premature or catastrophic failure which could result in serious injury or death.

Direct any questions regarding parts to:

Tiger Corporation
3301 N. Louise Ave.
Sioux Falls, SD 57107
1-800-843-6849
1-605-336-7900

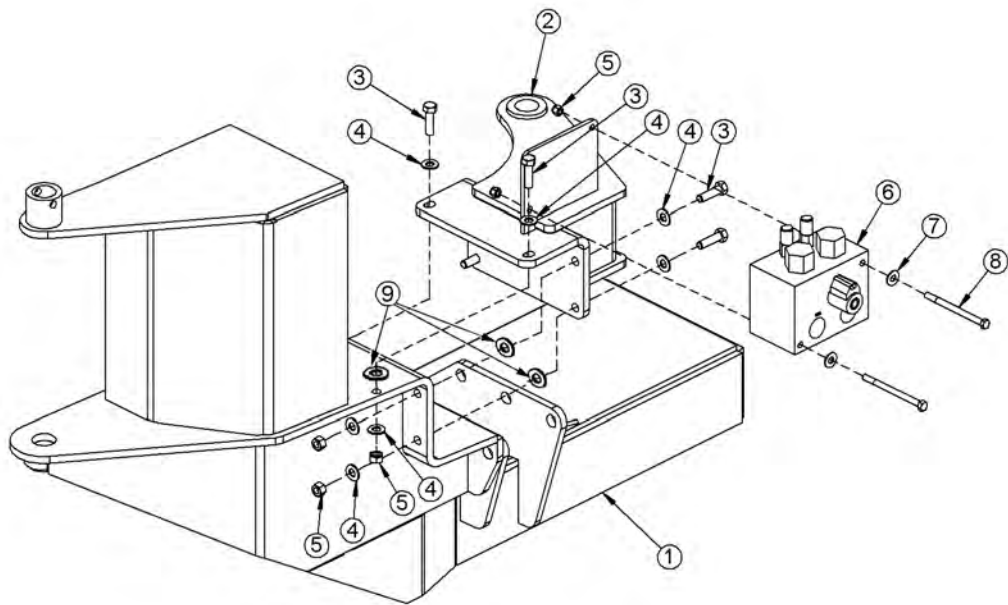
BOOM MOUNT KIT



ITEM	PART NO.	QTY.	DESCRIPTION
1	-----	-	MAIN FRAME *REFER TO TRACTOR MOUNT KIT PAGE
2	21677	4	NYLOCK NUT,7/16",NC
3	06420013	1	PIN,1-1/2" X 19-7/8"
4	21688	4	CAPSCREW,7/16" X 3-1/4",NC
5	06420124	1	PIN,1-1/2" X 7-13/16"
6	32810	2	ELBOW,3/8"MJ X 1/2" MOR ADJ
7	06501026	1	CYLINDER,3" X 15"
8	06420099	1	PIN,1-1/2" X 6-3/16"
9	06520411	2	BEARING,1-1/2"ID X 2-1/2",COMP
10	35131	1	HOSE CLAMP
11	06520049	1	BEARING,1-1/2"ID X 1/4",COMP
12	-----	-	BEARING,SPHERICAL *NOT FOR SALE
---	06700114	1	SWIVEL ASSEMBLY,COMPLETE
13	06310115	1	SWIVEL,WELDMENT
14	06420022	1	PIN,1-1/2" X 12"
15	27938	4	MACHINED BUSHING (AS NEEDED)

COMMON RSS

CYLINDER TANG MOUNT



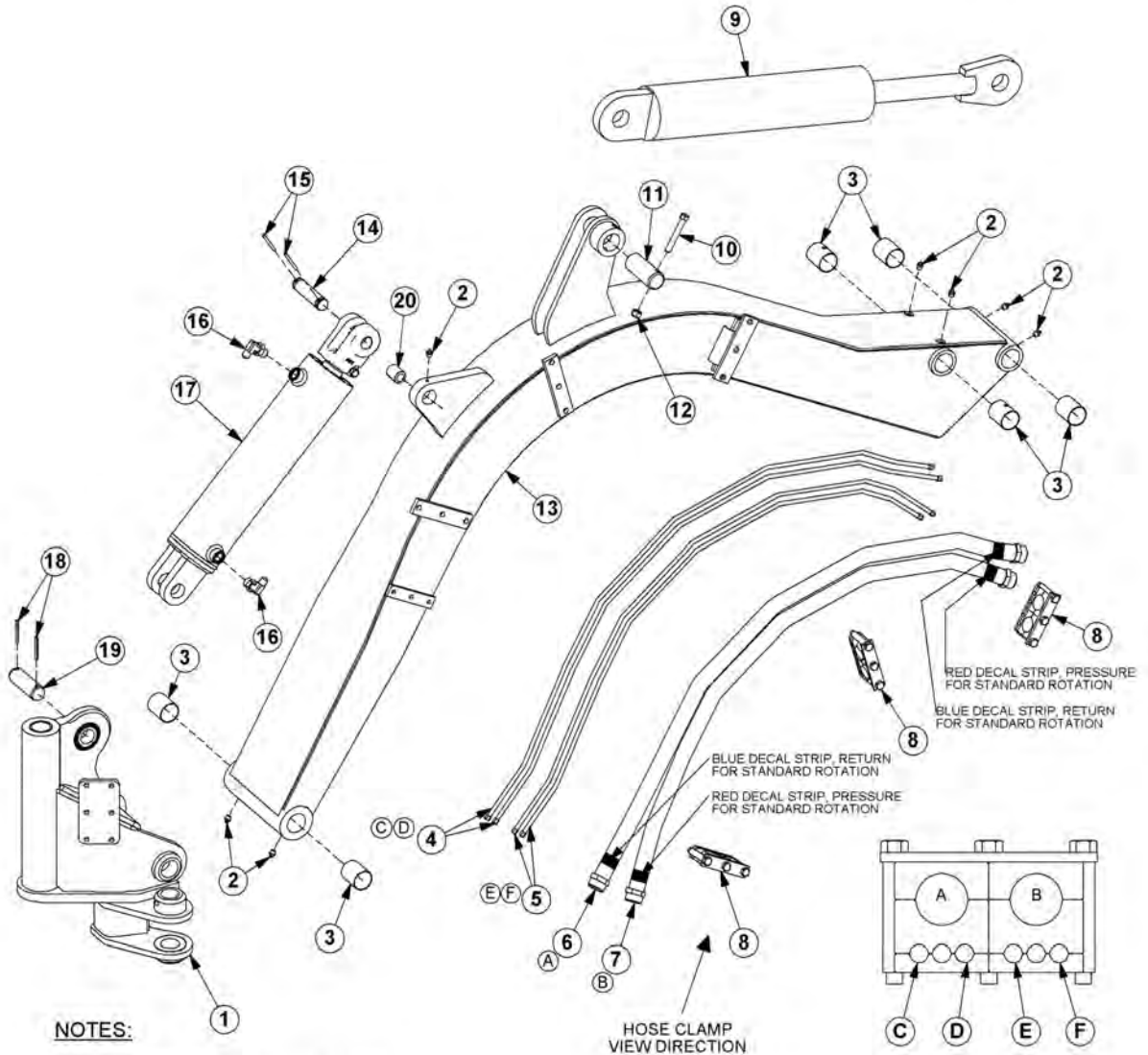
CYLINDER TANG MOUNT

Continued...

ITEM	PART NO.	QTY.	DESCRIPTION
1	-----	-	MAIN FRAME *REFER TO TRACTOR MOUNT KIT
2	06300242	1	CYLINDER TANG
3	6T1027	6	CAPSCREW,1/2" X 1-3/4",NC
4	06533004	12	FLATWASHER,1/2",SAE
5	21727	6	NYLOCK NUT,1/2",NC
6	-----	-	BRAKE VALVE *REFER TO TRACTOR MOUNT KIT
7	-----	-	FLATWASHER *REFER TO TRACTOR MOUNT KIT
8	-----	-	CAPSCREW *REFER TO TRACTOR MOUNT KIT
9	27938	4	BUSHING, MACHINED (AS NEEDED)

COMMON RSS

BOOM ASSEMBLY - FLAIL



NOTES:

1. RETURN AND PRESSURE HOSES ON FLAIL ARE REVERSED FOR REVERSE ROTATION BOOM FLAILS
2. IMPORTANT: ALIGN GREASE HOLE IN BEARING (ITEM 3) WITH GREASE ZERK IN BOOM. MAINTAIN ALIGNMENT DURING BEARING INSTALLATION
3. GREASE (ITEM 4) HINGE PIN ZERKS ON BOOM AFTER ASSEMBLY, ONCE UNDER LOAD WITH BOOM ELEVATED AND AGAIN AT REST WITH BOOM SUPPORTED

- A - MOWER RETURN
- B - MOWER PRESSURE
- C - DECK ROLL CYLINDER BUTT
- D - DECK ROLL CYLINDER GLAND
- E - DECK SLIDE CYLINDER INBOARD
- F - DECK SLIDE CYLINDER OUTBOARD

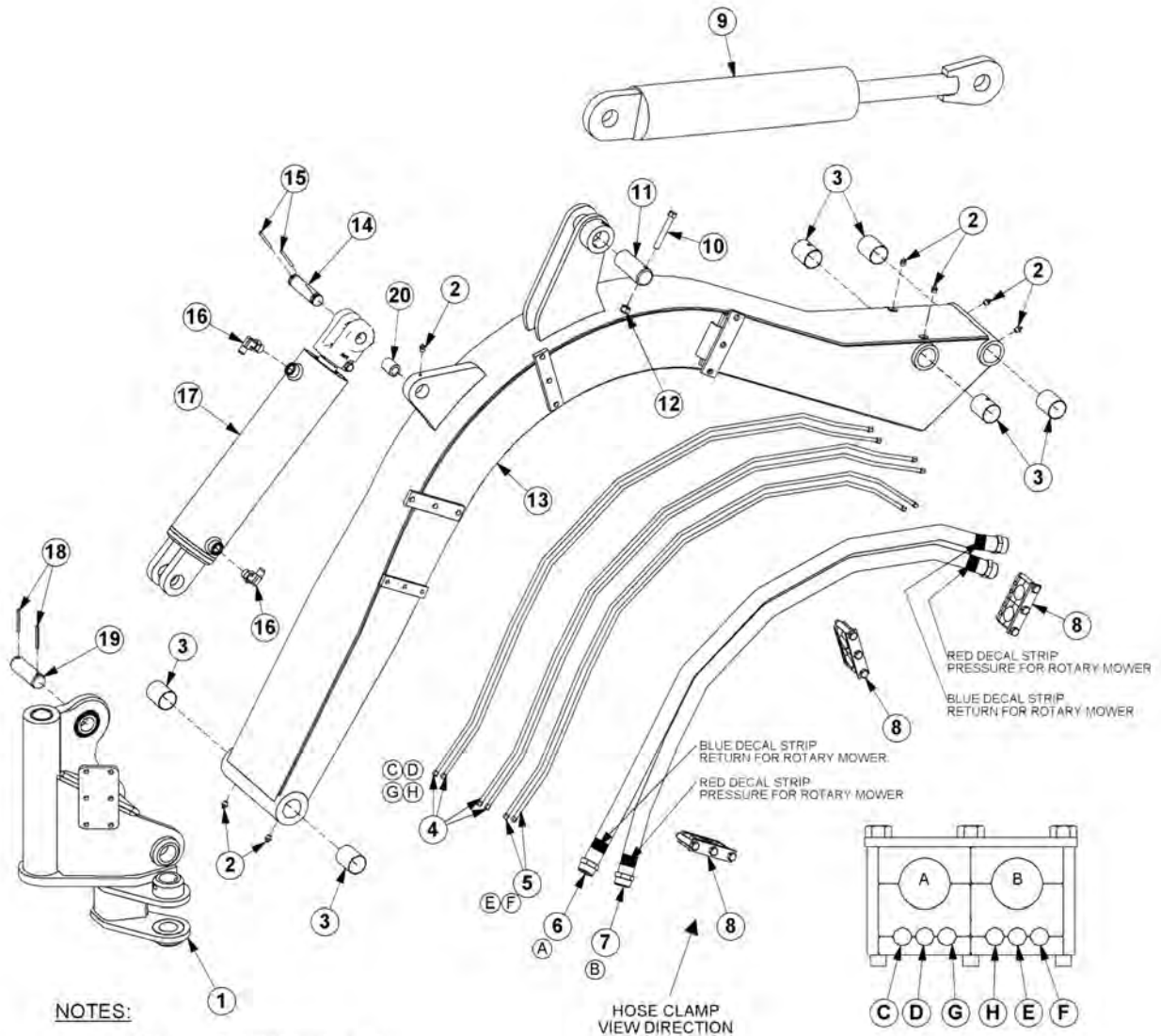
BOOM ASSEMBLY - FLAIL

Continued...

ITEM	PART NO.	QTY.	DESCRIPTION
1	-----	-	SWIVEL ASSY *REFER TO BOOM MOUNT KIT PAGE
2	6T3211	7	GREASE ZERK,1/8"
3	32321	6	BEARING
4	06500723	2	HOSE,1/4" X 52"
5	06500724	2	HOSE,1/4" X 70"
6	-----	1	HOSE *REFER TO TRACTOR SPECIFIC PARTS
7	-----	1	HOSE *REFER TO TRACTOR SPECIFIC PARTS
8	06505116	3	HOSE CLAMP
9	32365	1	CYLINDER,4" X 15",WELDED
10	21687	1	CAPSCREW,7/16" X 3",NC
11	32375	1	PIN,1-1/2"OD
12	21677	1	NYLOCK NUT,7/16"
13	06700000	1	BOOM ASSEMBLY,COMPLETE
---	35331	1	BOOM WELDMENT
14	TB1033	1	PIN,CLEVIS
15	06537021	2	ROLL PIN,5MM
16	32810	2	ELBOW
17	06501028	1	CYLINDER,4" X 14",WELDED
18	TB1023	2	ROLL PIN,7/16"
19	06420100	1	PIN,1-1/4"OD
20	TB3010	1	SPLIT BUSHING

COMMON RSS

BOOM ASSEMBLY - ROTARY



NOTES:

1. IMPORTANT: ALIGN GREASE HOLE IN BEARING (ITEM 3) WITH GREASE ZERK IN BOOM. MAINTAIN ALIGNMENT DURING BEARING INSTALLATION
2. GREASE (ITEM 4) HINGE PIN ZERKS ON BOOM AFTER ASSEMBLY, ONCE UNDER LOAD WITH BOOM ELEVATED AND AGAIN AT REST WITH BOOM SUPPORTED

- A - MOWER RETURN
- B - MOWER PRESSURE
- C - DECK ROLL CYLINDER BUTT
- D - DECK ROLL CYLINDER GLAND
- E - SHIELD CYLINDER BUTT
- F - SHIELD CYLINDER GLAND
- G - DECK SLIDE CYLINDER INBOARD
- H - DECK SLIDE CYLINDER OUTBOARD

BOOM ASSEMBLY - ROTARY

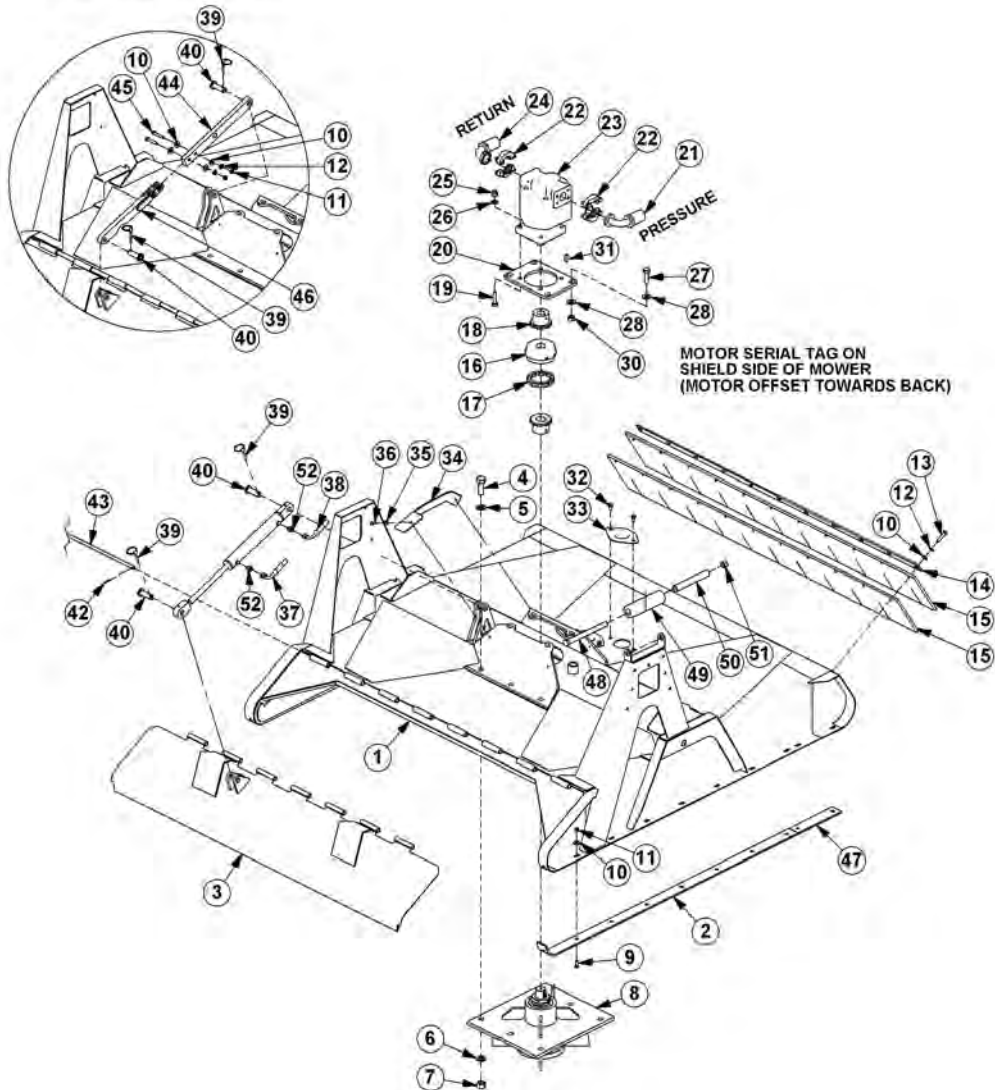
Continued...

ITEM	PART NO.	QTY.	DESCRIPTION
1	-----	-	SWIVEL ASSY *REFER TO BOOM MOUNT KIT PAGE
2	6T3211	7	GREASE ZERK,1/8"
3	32321	6	BEARING
4	06500723	4	HOSE,1/4" X 52"
5	06500724	2	HOSE,1/4" X 70"
6	-----	1	HOSE *REFER TO TRACTOR SPECIFIC PARTS
7	-----	1	HOSE *REFER TO TRACTOR SPECIFIC PARTS
8	06505116	3	HOSE CLAMP
9	32365	1	CYLINDER,4" X 15",WELDED
10	21687	1	CAPSCREW,7/16" X 3",NC
11	32375	1	PIN,1-1/2"OD
12	21677	1	NYLOCK NUT,7/16"
13	06700000	1	BOOM ASSEMBLY,COMPLETE
---	35331	1	BOOM WELDMENT
14	TB1033	1	PIN,CLEVIS
15	06537021	2	ROLL PIN,5MM
16	32810	2	ELBOW
17	06501028	1	CYLINDER,4" X 14",WELDED
18	TB1023	2	ROLL PIN,7/16"
19	06420100	1	PIN,1-1/4"OD
20	TB3010	1	SPLIT BUSHING

COMMON RSS

60IN ROTARY MOWER

LINK TO THE SHIELD (OPTIONAL)



ITEM	PART NO.	QTY.	DESCRIPTION
1	06320183	1	DECK,WLDMNT,60" RTRY,RSS
2	33777	2	SKID SHOE,RTRY
3	06320162	1	SHIELD,60"RTRY
4	33879	6	CAPSCREW,3/4" X 2-1/4",NF,GR 8
5	33880	6	FLATWASHER,3/4",GR 8,SAE
6	21993	6	LOCKWASHER,3/4",GR 8
7	6T2413	6	HEX NUT,3/4",NF,GR 8
8	6T1024H5	1	SPINDLE ASSY,CPLT,HD,5/8 HOLES
9	6T2270	16	PLOW BOLT,3/8" X 1",NC
10	22016	33	FLATWASHER,3/8"
11	21625	20	HEX NUT,3/8",NC
12	21988	11	LOCKWASHER,3/8"

COMMON RSS

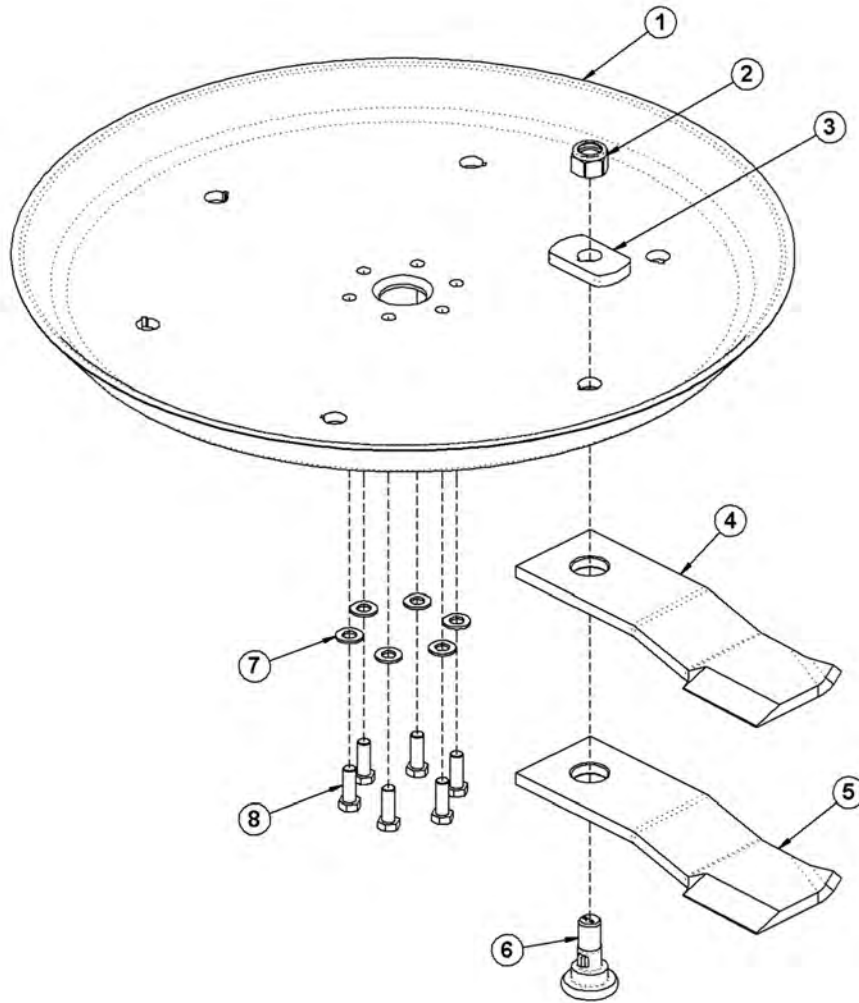
60IN ROTARY MOWER

Continued...

ITEM	PART NO.	QTY.	DESCRIPTION
13	21633	11	CAPSCREW,3/8" X 1-3/4",NC
14	6T0823	1	FLAP RETAINER,60" RTRY
15	06520238	2	FLAP,60" RTRY
16	6T1033	1	COUPLER COVER
17	6T1029	1	COUPLER CHAIN
18	21223	1	SPROCKET
19	21733	4	CAPSCREW,1/2" X 2",NC
20	33776	1	MOTOR MOUNT,PLATE,RTRY
21	06500458	1	HOSE,1" X 95" (PRESSURE)
22	TF4852	2	FLANGE KIT,#20
23	06504011	1	MOTOR
24	06500613	1	HOSE,1" X 87" (RETURN)
25	21727	4	NYLOCK NUT,1/2",NC
26	06533004	4	FLATWASHER,1/2"
27	6T2290	4	CAPSCREW,5/8" X 2",NF,GR 8
28	33764	8	FLATWASHER,5/8",GR 8,SAE
29	21992	4	LOCKWASHER,5/8"
30	6T2408	4	HEX NUT,5/8",NF
31	TF1124	1	SQUARE KEY
32	33881	4	CAPSCREW,FLG,3/8" X 3/4",NC
33	33779	1	PLATE,COVER,KNF HOLE
34	06410439	2	COVER
35	22014	2	FLATWASHER,1/4"
36	21530	2	CAPSCREW,1/4" X 1",NC
37	06500141	1	HOSE,1/4" X 92"
38	06500443	1	HOSE,1/4" X 83"
39	RD1032	2	LYNCH PIN
40	33984	2	PIN,SHIELD
41	33785	1	CYLINDER,1-1/2" X 8"
42	6T3017	2	ROLLPIN
43	06420139	1	HINGE PIN,60" RTRY
44	33772	1	LINK,SHIELD,RTRY
45	21634	2	CAPSCREW,3/8" X 2",NC
46	33773	1	LINK 2,SHIELD,RTRY
47	06401245	2	SKID SHOE,TRB60
48	06530226	1	CAPSCREW,3/4" X 8-1/2",NC
49	35340	1	ROLLER
50	35339	1	BUSHING
51	21825	1	HEX NUT,3/4",NC
52	06503057	2	ADAPTER,1/4"MOR X 3/8"MJ

COMMON RSS

60IN ROTARY DISK AND KNIVES



COMMON RSS

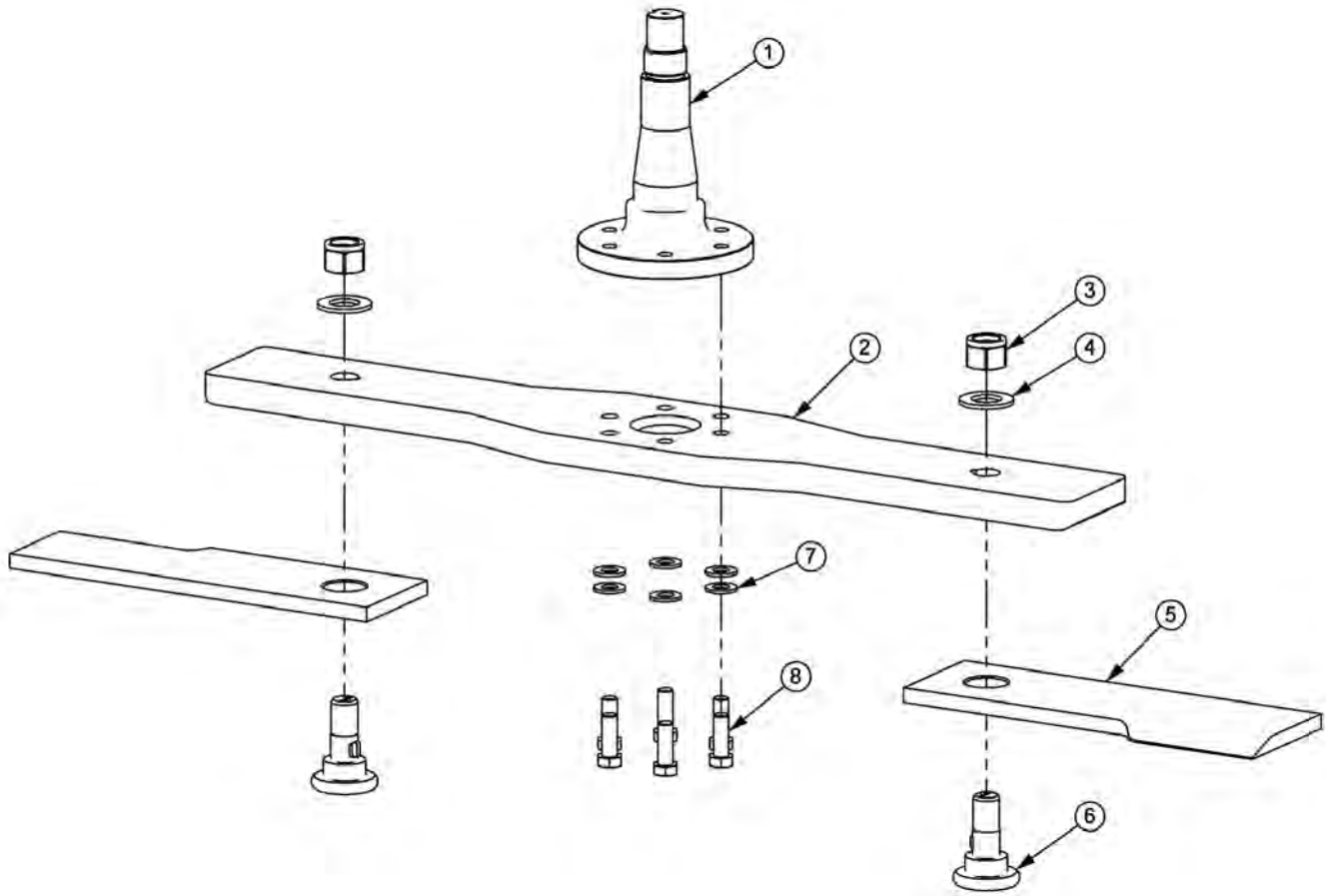
60IN ROTARY DISK AND KNIVES

Continued...

ITEM	PART NO.	QTY.	DESCRIPTION
---	27167	1	BOLT KIT (INCLUDES ITEMS 7, 8 & LOCTITE)
1	34876	1	BLADE MOUNTING DISK
2	6T1023R	2	NYLOCK NUT,1-1/8",NF
3	34878	2	SPACER
4	34684	2	STANDARD GRASS KNIFE
5	34685	2	HIGH SUCTION GRASS KNIFE (OPTIONAL)
6	34497	2	KNIFE MOUNTING BOLT
7	25270	6	FLATWASHER,5/8",GR8,USS
8	6T2259	6	CAPSCREW,5/8" X 1-3/4",NF
---	6T1825	1	LOCTITE (USED ON ITEM 8)
----	33893	1	KNIFE KIT (ITEMS 2,4 & 6)

COMMON RSS

60IN BLADE BAR AND KNIVES



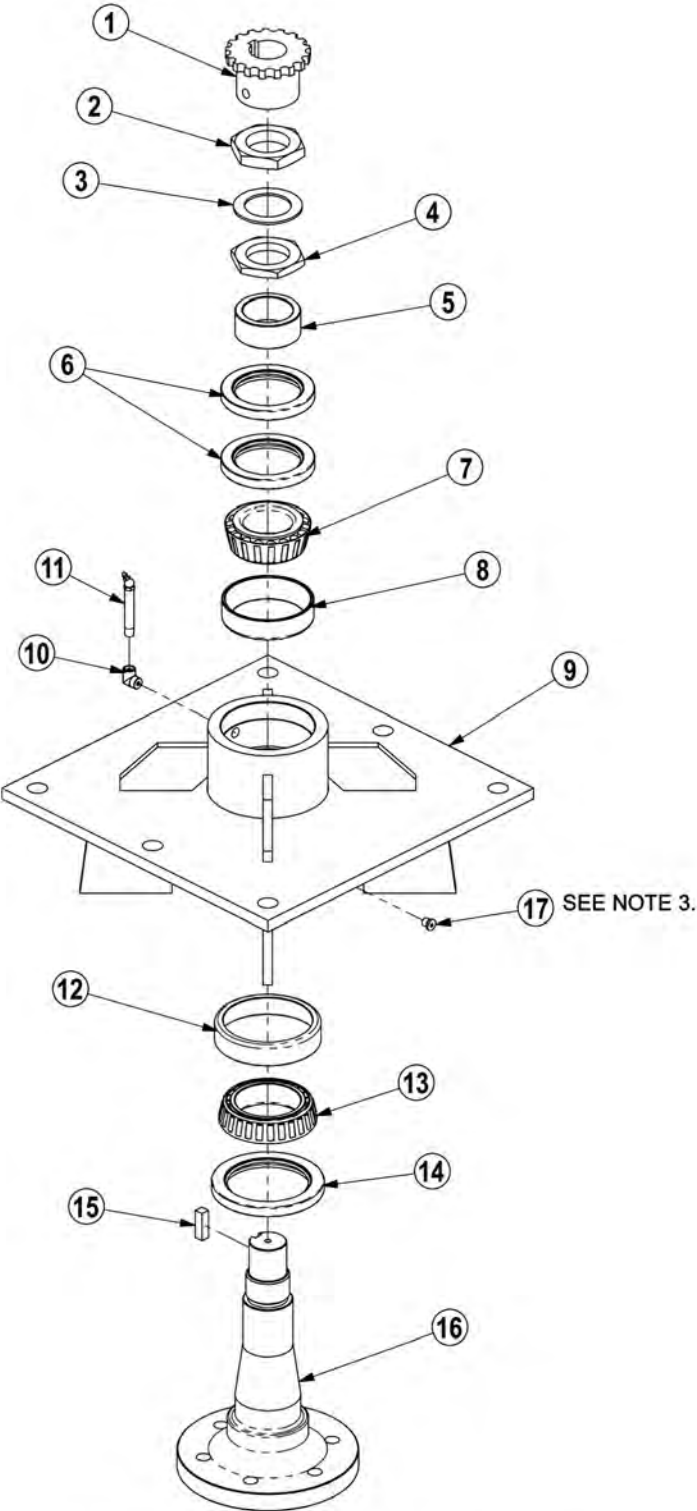
ITEM	PART NO.	QTY.	DESCRIPTION
1	PT1018H5	1	SPINDLE
2	06400690	1	BAR, BLADE, RTRY60
3	6T1023R	2	KNIFE MTG NUT, 1-1/8, NYLOCK, NF
4	06533002	2	FLATWASHER, 1-1/8, GR8
5	06521001	2	KNIFE, TRB50, 5/8
6	06538000	2	KNIFE MTG BOLT, 5/8 SHOULDER
7	33764	6	FLATWASHER, 5/8, GR 8, SAE
8	6T2259	6	CAPSCREW, 5/8 X 1-3/4, NF, GR8

COMMON RSS

NOTES

NOTES

ROTARY MOWER SPINDLE ASSEMBLY



- NOTES:
1. FREEPLAY: .001" - .003"
 2. GREASE: FILL WITH MOBILITH SHC 220.
 3. APPLY LOCTITE "271" TO O-RING PLUG THRDS.

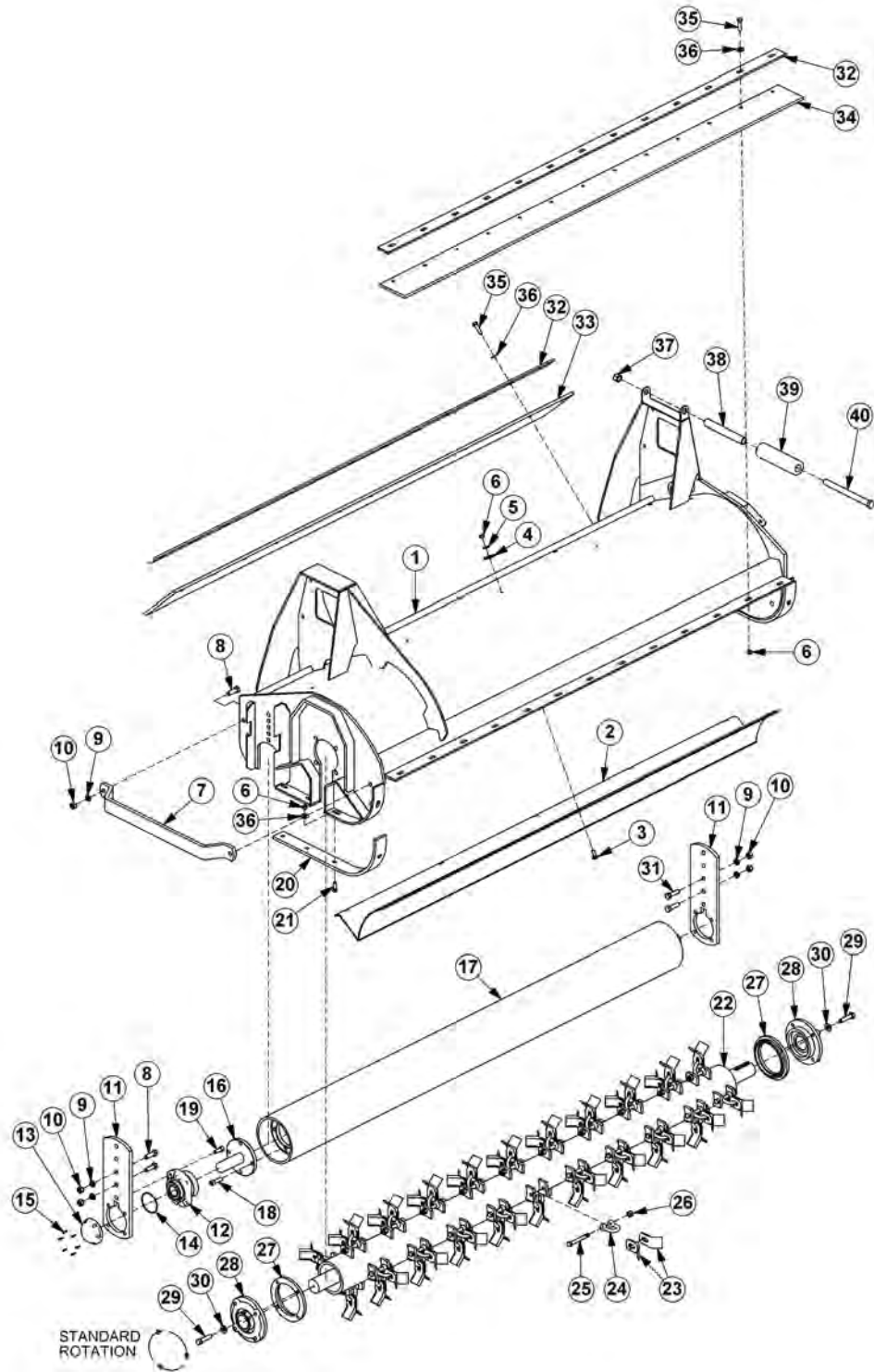
ROTARY MOWER SPINDLE ASSEMBLY

Continued...

ITEM	PART NO.	QTY.	DESCRIPTION
---	6T1024H5	-	SPINDLE ASSEMBLY COMPLETE
1	6T1031	1	SPROCKET
2	6T1016	1	BEARING LOCK NUT - THICK
3	22596	1	JAM WASHER
4	6T1015	1	BEARING ADJUSTMENT NUT - THIN
5	6T1014	1	BEARING ADJUSTMENT SLEEVE
6	6T1011	1	UPPER SEAL - SET OF 2
7	6T1012	1	BEARING CONE
8	6T1013	1	BEARING CUP
9	6T1010H	1	SPINDLE HOUSING
10	30570	1	FITTING STREET ELBOW
11	33990	1	GREASE ZERK
12	6T1013H	1	BEARING CUP
13	6T1012H	1	BEARING CONE
14	6T1011H	1	LOWER SEAL
15	6T1019	1	SPINDLE KEY
16	PT1018H-5	1	SPINDLE
17	06503064	1	O-RING PLUG, 1/8"
---	31771	-	SPINDLE REBUILD KIT (INCLUDES ITEMS 2 - 8 AND 12 - 15)

COMMON RSS

75IN FLAIL - STANDARD ROTATION



ITEM	PART NO.	QTY.	DESCRIPTION
1	06320185	1	BONNET,75",STD,RSS
2	28737	1	BAFFLE,75",STD

COMMON RSS

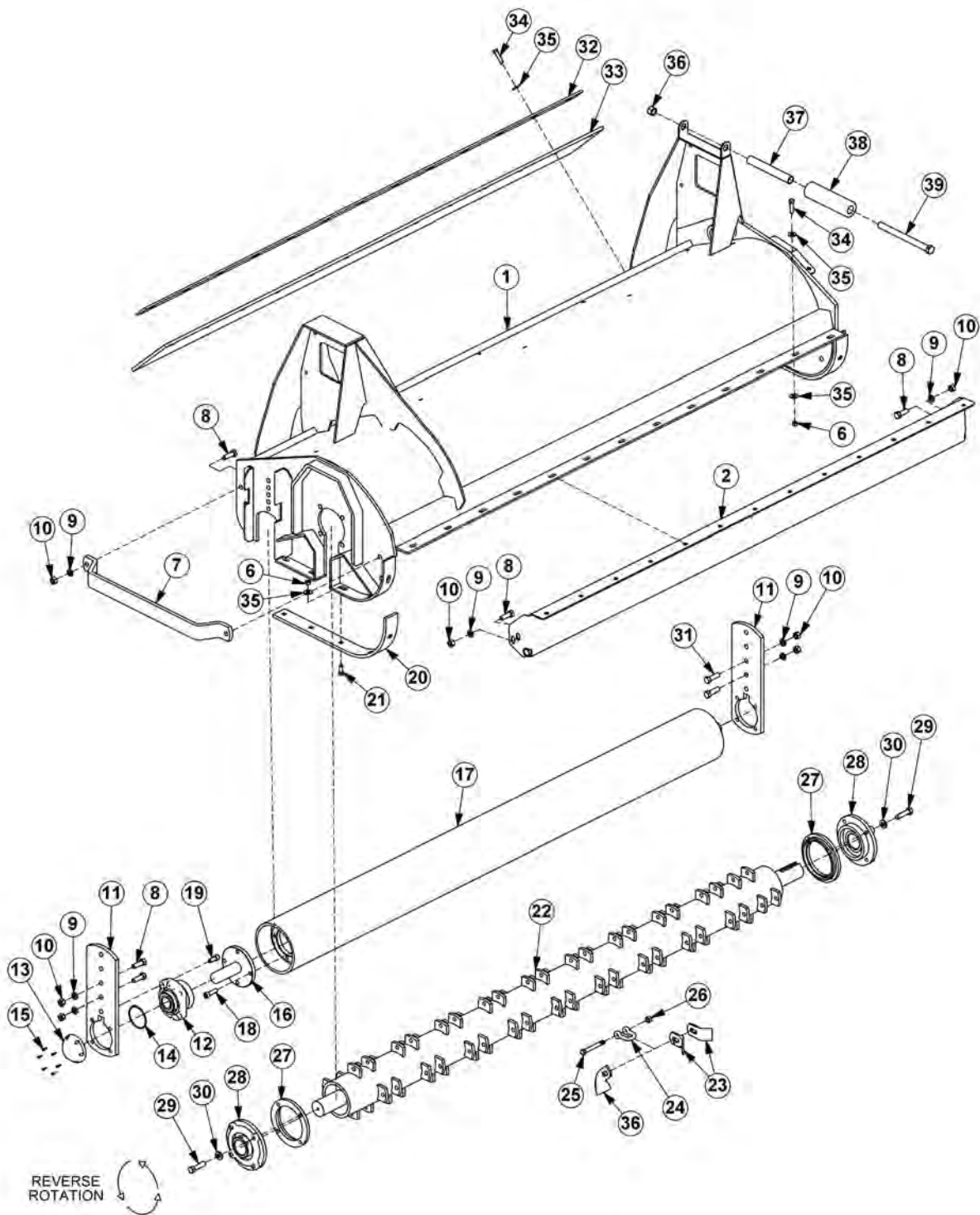
75IN FLAIL - STANDARD ROTATION

Continued...

ITEM	PART NO.	QTY.	DESCRIPTION
3	6T2283	10	CARRIAGE BOLT,3/8" X 1",NC
4	6T2615	10	WASHER,FENDER,3/8"
5	21988	10	LOCKWASHER,3/8"
6	21625	46	HEX NUT,3/8",NC
7	27975A	1	GUARD,CUTTERSHAFT
8	21731	4	CAPSCREW,1/2" X 1-1/2",NC
9	21990	6	LOCKWASHER,1/2"
10	21725	6	HEX NUT,1/2",NC
11	28735	2	GROUND ROLLER ADJ BRKT,STD DTY
12	06520028	2	BEARING,FLANGE,1-3/8,GRNDRLR
13	06520027	2	CAP,BEARING,GRNDRLR
14	06520029	2	O-RING,2-3/4 X 3/32",AS568A-148
15	06530001	12	CAPSCREW,SKT HD,8-32 X 1/2",SS
16	TF1045B	2	STUB SHAFT,GROUND ROLLER
17	28738	1	GROUND ROLLER,75"
18	6T2330	8	CAPSCREW,SKT HD,7/16" X 1-1/2",NC
19	6T2331	8	CAPSCREW,SKT HD,7/16" X 1",NC
20	28086A	2	SKID SHOE,STD DUTY REAR FLAIL
21	30013	10	PLOW BOLT,3/8" X 1-1/4",NC,GR5
---	28747	-	CUTTERSHAFT ASSY,STANDARD
22	28643B	1	CUTTERSHAFT,75"
23	33713	80	KNIFE,FLAIL,SHORT
24	TF1020	40	KNIFE MTG CLEVIS,FLAIL
25	34011	40	CAPSCREW,7/16" X 3-7/16",NC,GR8
26	21677	40	NYLOCK NUT,7/16",NC
---	06200639	-	STRING GUARD KIT,SD (ITEMS 27,29,30)
27	33863	2	STRING GUARD,STD
28	28683	2	BEARING,FLANGE,1-15/16",STD,TSF
29	06530217	8	CAPSCREW,1/2" X 2",NC,L9
30	06533006	8	FLATWASHER,1/2",SAE,L9
31	21732	2	CAPSCREW,1/2" X 1-3/4",NC
32	TF1029	2	BAR,FLAP,TSF/TBF,75"
33	TF1016	1	FLAP,DEFLECTOR,TSF,75"
34	06520242	1	FLAP,75",FRONT
35	21632	26	CAPSCREW,3/8" X 1-1/2",NC
36	22016	36	FLATWASHER,3/8"
37	21825	1	HEX NUT,3/4",NC
38	35339	1	BUSHING
39	35340	1	ROLLER
40	06530226	1	CAPSCREW,3/4" X 8-1/2",NC

COMMON RSS

75IN FLAIL - REVERSE ROTATION



ITEM	PART NO.	QTY.	DESCRIPTION
1	06320185	1	BONNET,75,STD,RSS
2	28968A	1	TRASH GUARD,75"

COMMON RSS

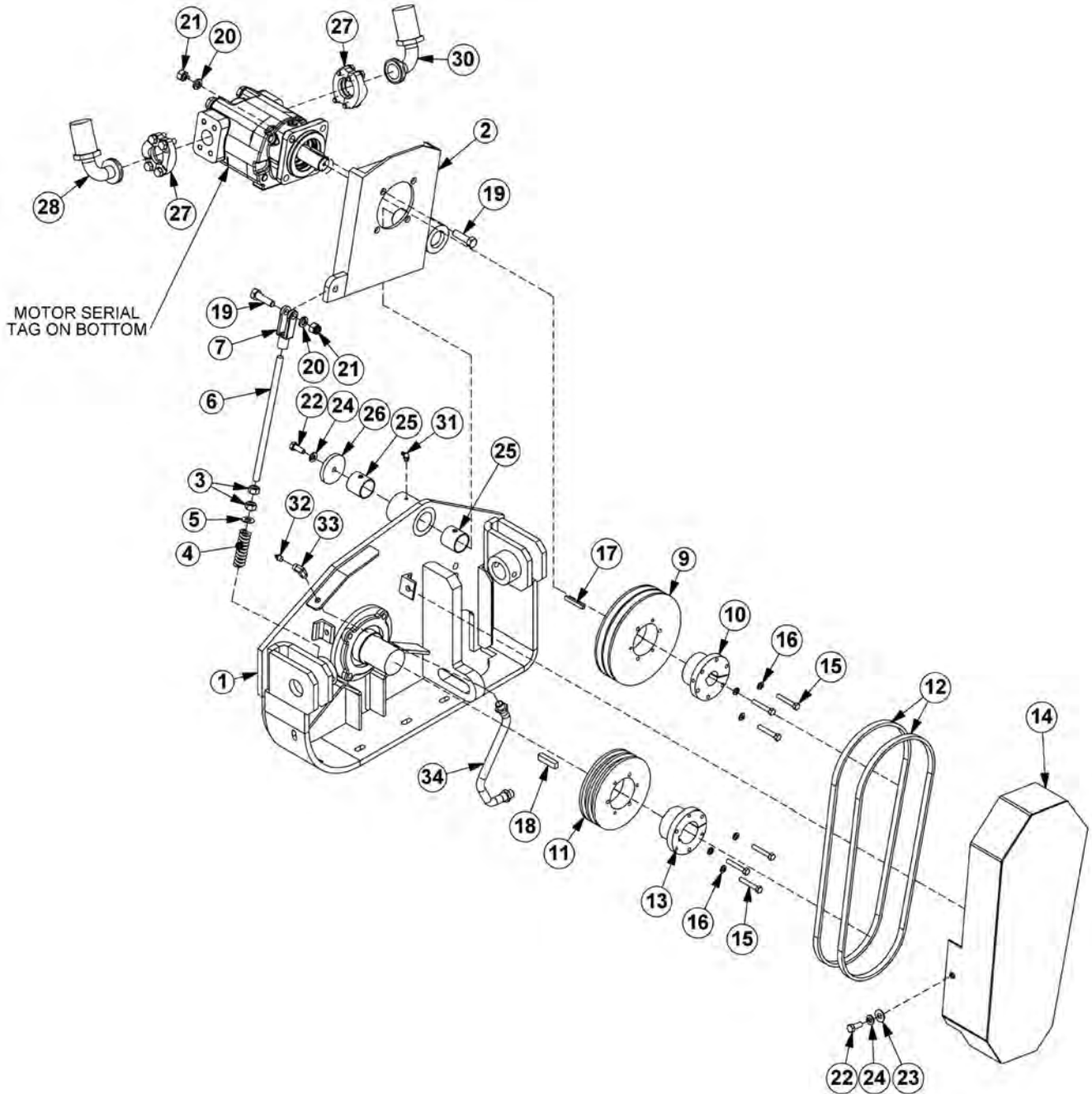
75IN FLAIL - REVERSE ROTATION

Continued...

ITEM	PART NO.	QTY.	DESCRIPTION
3	6T2283	10	CARRIAGE BOLT,3/8" X 1",NC
4	6T2615	10	WASHER,FENDER,3/8"
5	21988	10	LOCKWASHER,3/8"
6	21625	36	HEX NUT,3/8",NC
7	27975A	1	GUARD,CUTTERSHAFT
8	21731	6	CAPSCREW,1/2" X 1-1/2",NC
9	21990	8	LOCKWASHER,1/2"
10	21725	8	HEX NUT,1/2",NC
11	28735	2	GROUND ROLLER ADJ BRKT,STD DTY
12	06520028	2	BEARING,FLANGE,1-3/8",GRNDRLR
13	06520027	2	CAP,BEARING,GRNDRLR
14	06520029	2	O-RING,2-3/4" X 3/32",AS568A-148
15	06530001	12	CAPSCREW,SKT HD,8-32 X 1/2",SS
16	TF1045B	2	STUB SHAFT,GROUND ROLLER
17	28738	1	GROUND ROLLER,75"
18	6T2330	8	CAPSCREW,SKT HD,7/16" X 1-1/2",NC
19	6T2331	8	CAPSCREW,SKT HD,7/16" X 1",NC
20	28086A	2	SKID SHOE,STD DUTY REAR FLAIL
21	30013	9	PLOW BOLT,3/8" X 1-1/4",NC,GR5
---	28747	-	CUTTERSHAFT ASSY,STANDARD (22, 23, 24, 25 & 26)
----	28748	-	CUTTERSHAFT ASSY,SMOOTH (22, 23, 24, 25 & 37)
22	28643B	1	CUTTERSHAFT,75"
23	33713	80	FLAIL KNIVES (STANDARD CUT)
24	TF1020	40	KNIFE MTG CLEVIS,FLAIL
25	34011	40	CAPSCREW,7/16" X 3-7/16",NC,GR8
26	21677	40	NYLOCK NUT,7/16",NC
---	06200639	-	STRING GUARD KIT, SD (ITEMS 27,29,30)
27	33863	2	STRING GUARD,STD
28	28683	2	BEARING,FLANGE,1-15/16",STD,TSF
29	06530217	8	CAPSCREW,1/2" X 2",NC,L9
30	06533006	8	FLATWASHER,1/2",SAE,L9
31	21732	2	CAPSCREW,1/2" X 1-3/4",NC
32	TF1029	1	BAR,FLAP,TSF/TBF,75"
33	TF1016	1	FLAP,DEFLECTOR,TSF,75"
34	21632	22	CAPSCREW,3/8" X 1-1/2",NC
35	22016	49	FLATWASHER,3/8"
36	28184A	40	FLAIL KNIVES (SMOOTH CUT)
37	35339	1	BUSHING
38	35340	1	ROLLER
39	06530226	1	CAPSCREW,3/4" X 8-1/2",NC

COMMON RSS

FLAIL DRIVE ASSEMBLY



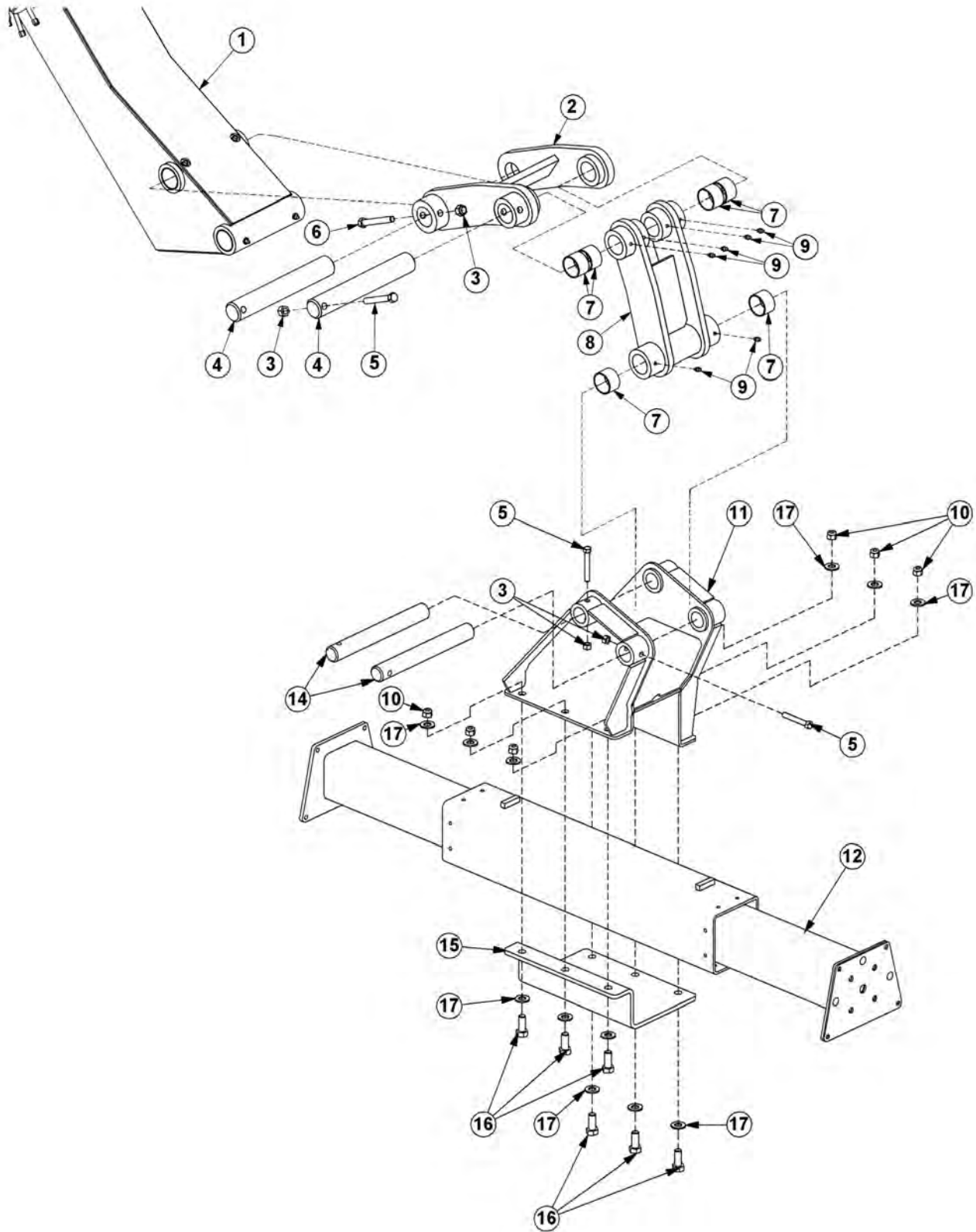
FLAIL DRIVE ASSEMBLY

Continued...

ITEM	PART NO.	QTY.	DESCRIPTION
1	-----	-	BONNET *REFER TO HEAD PARTS
2	32287	1	MOTOR CHANNEL
3	21700	2	HEX NUT,1/2",NF
4	TF3620A	1	SPRING,TENSIONER
5	27938	1	BUSHING,MACH,1"OD X 1/2"ID X 14GA.
6	40496	1	ROD,THREADED,1/2"NF X 8"
7	PT3611A	1	CLEVIS,6"
8	06504013	1	MOTOR
9	TF3044	1	SHEAVE,8.0"
10	TF3013	1	BUSHING,QD,SK 1-1/4",1/4" KEY
11	TF3040	1	SHEAVE,6.3"
12	28702	2	V-BELT (500)
13	28723	1	BUSHING,QD,SK 1-15/16"
14	32569	1	GUARD,BELT
15	21584	6	CAPSCREW,5/16" X 2",NC
16	21987	6	LOCKWASHER,5/16"
17	06504028	1	KEY (KEY FROM MOTOR)
18	26142A	1	KEY,1/2" X 1/2" X 2"
19	21732	5	CAPSCREW,1/2" X 1-3/4",NC
20	21990	5	LOCKWASHER,1/2"
21	21725	5	HEX NUT,1/2",NC
22	21630	3	CAPSCREW,3/8" X 1",NC
23	22016	2	FLATWASHER,3/8"
24	21988	3	LOCKWASHER,3/8"
25	27580	2	BEARING,DX,1-1/2",GRM
26	28682	1	RETAINING,WASHER,2-1/2" X 5/16"
27	TF4852	2	KIT,FLANGE,#20
28	06500616	1	HOSE,1" X 104" (RETURN FOR STANDARD ROTATION)
30	06500617	1	HOSE,1" X 106" (PRESSURE OF STANDARD ROTATION)
31	6T3204	1	GREASE ZERK,1/4" X 90°
32	6T3211	1	GREASE ZERK,1/8"
33	22085	1	ELBOW,1/8" X 90°
34	TF1032	1	GREASE HOSE

COMMON RSS

BOOM PIVOT ASSEMBLY



BOOM PIVOT ASSEMBLY

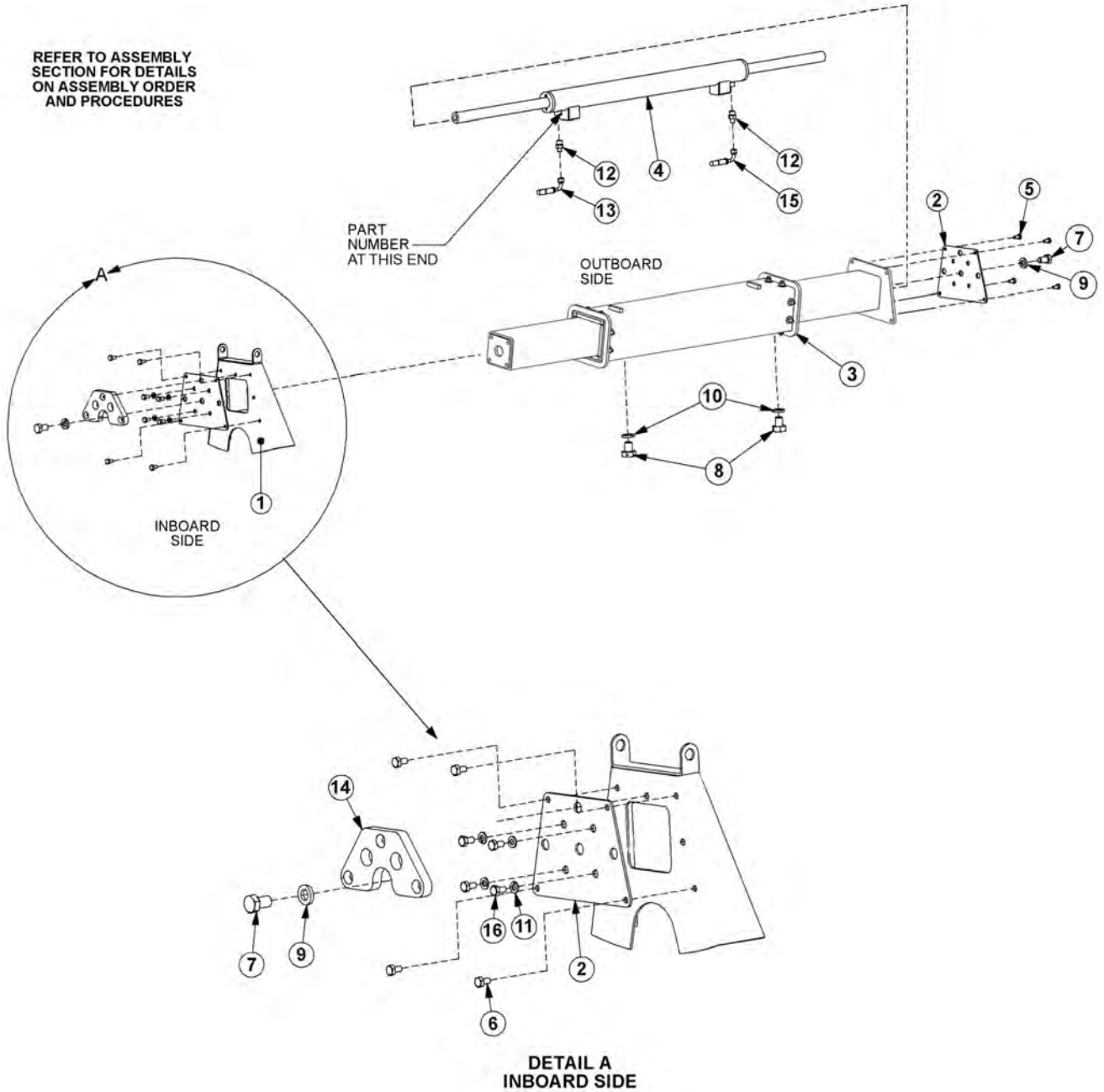
Continued...

ITEM	PART NO.	QTY.	DESCRIPTION
1	-----	1	BOOM *REFER TO BOOM ASSEMBLY
2	32316	1	LINKAGE, BOOM TO CYLINDER
3	21677	4	NYLOCK NUT, 7/16",NC
4	32319	2	PIN,LINKAGE
5	21687	3	CAPSCREW, 7/16" X 3" NC
6	21688	1	CAPSCREW, 7/16" X 3-1/4" NC
7	32318	6	BEARING
8	32745	1	LINKAGE,CYLINDER TO TREE
9	6T3207	6	GREASE ZERK, 1/4"
10	32838	6	HEX NUT, 5/8" NC
11	06310181	1	TREE, WILDKAT
12	06770096	1	SLIDE ASSEMBLY
14	32313	2	PIN,TREE
15	06412199	1	CLAMP,TREE, WILDKAT
16	06530208	6	CAPSCREW,5/8" X 1-1/2",NC
17	33764	-	FLATWASHER, 5/8" SAE

COMMON RSS

SLIDE ASSEMBLY

REFER TO ASSEMBLY SECTION FOR DETAILS ON ASSEMBLY ORDER AND PROCEDURES



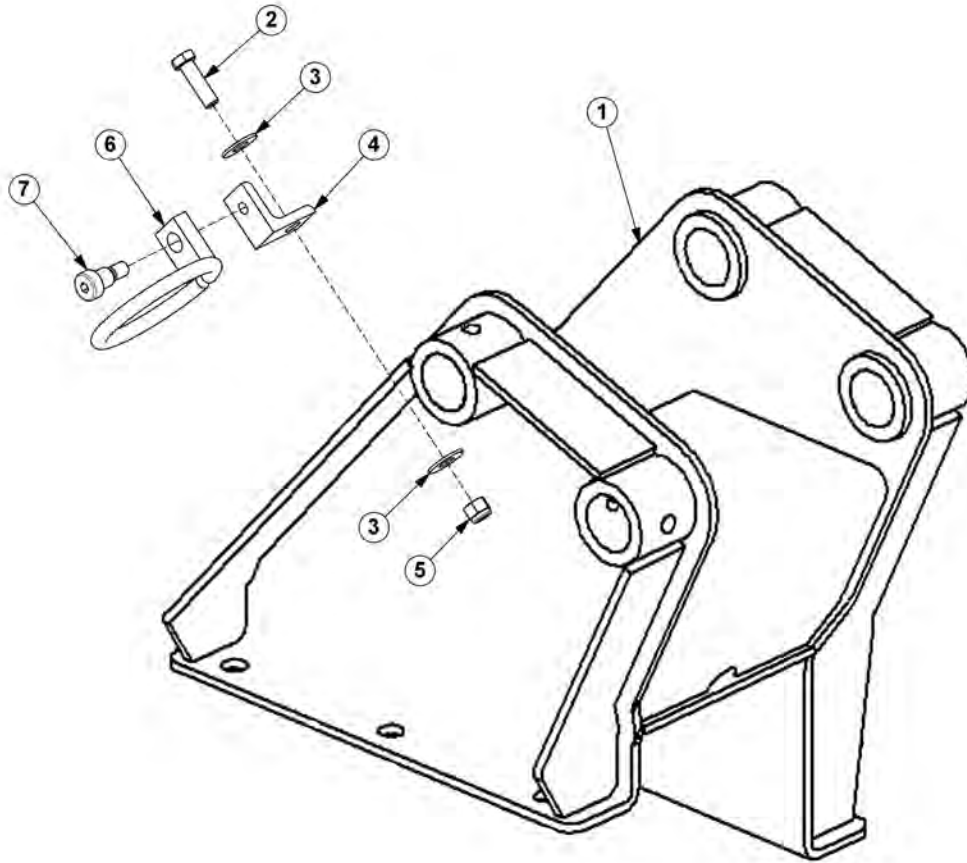
SLIDE ASSEMBLY

Continued...

ITEM	PART NO.	QTY.	DESCRIPTION
1	-----	-	MOWER *REFER TO MOWER ASSEMBLY PAGE
2	35336	2	CAP
3	06770096	1	SLIDE ASSEMBLY
4	06501027	1	CYLINDER, 2-1/2" X 30"
5	21632	4	CAPSCREW, 3/8" X 1-1/2" NC
6	21630	4	CAPSCREW, 3/8" X 1" NC
7	21804	2	CAPSCREW, 3/4" X 1-1/4" NF
8	21929	2	CAPSCREW, 1" X 1-1/4" NC
9	21993	2	LOCKWASHER, 3/4"
10	21995	2	LOCKWASHER, 1"
11	21990	4	LOCKWASHER, 1/4"
12	33271	2	ADAPTER, 1/2" MOR X 3/8" MJ
13	35109	1	HOSE, 1/4" X 126" (ROTARY MOWERS)
---	06500449	1	HOSE, 1/4" X 53" (FLAIL MOWERS)
14	06497006	1	BUMPER, RSS
15	06500480	1	HOSE, 1/4" X 107" (ROTARY MOWERS)
---	06500449	1	HOSE, 1/4" X 53" (FLAIL MOWERS)
16	21729	4	CAPSCREW, 1/2" X 1"

COMMON RSS

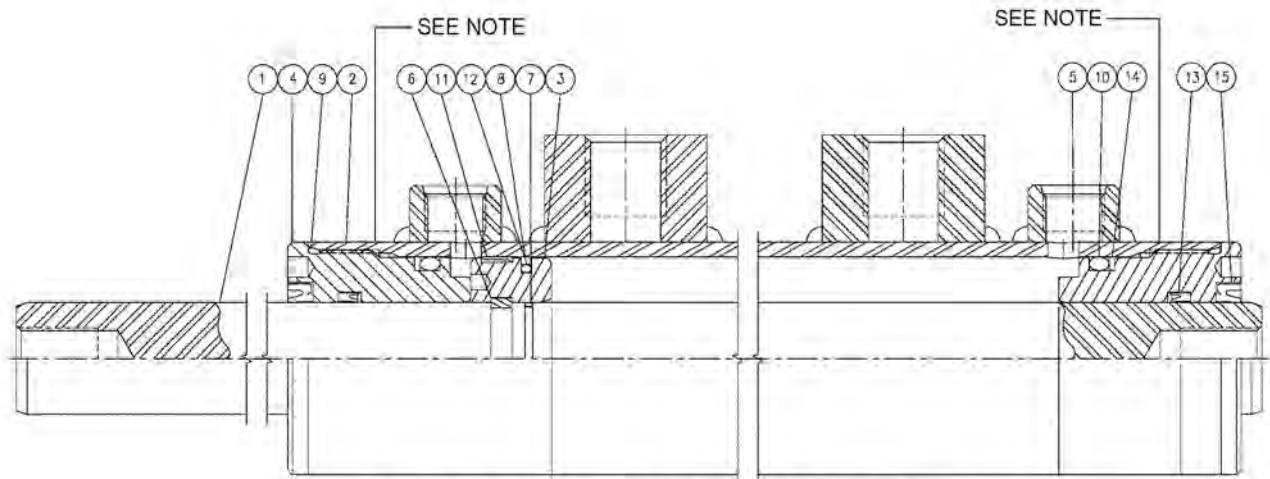
HOSE RING ASSEMBLY



ITEM	PART NO.	QTY.	DESCRIPTION
1	-----	-	TREE *REFER TO BOOM PIVOT ASSY PAGE
2	21631	1	CAPSCREW,3/8" X 1-1/4",NC
3	22016	2	FLATWASHER,3/8"
4	06460043	1	ANGLE,MOUNT
5	21627	1	NYLOCK NUT,3/8",NC
6	6310117	1	RING,HOSE
7	06530003	1	CAPSCREW,SHOULDER,SKT HD
---	06505021	1	COVER,HOSES (BOOM TO HOSE GUIDE) *NOT SHOWN
----	06505020	1	COVER,HOSES (HOSE GUIDE TO DECK) *NOT SHOWN

COMMON RSS

2-1/2IN X 30IN CYLINDER BREAKDOWN

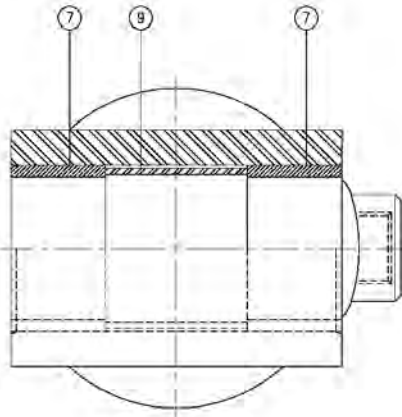
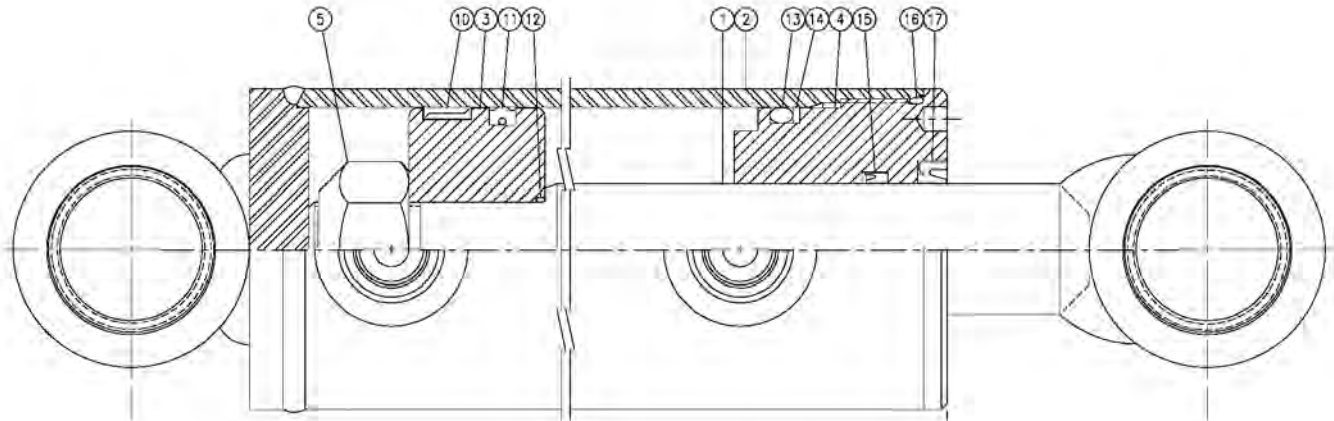


NOTE: BEFORE RE-ASSEMBLY, CLEAN THREADS OF GLAND (ITEM 4)
AND BUTT/TUBE ASSEMBLY (ITEM 2), AND APPLY (1) DROP OF
LOCTITE #277 TO THREADS OF GLAND (ITEM 4).

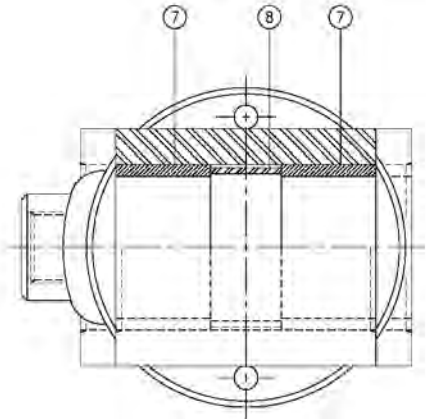
ITEM	PART NO.	QTY.	DESCRIPTION
---	06501027	-	CYLINDER,WELDED,2-1/2" X 30"
1	06501615	1	PISTON ROD ASSY
2	06501616	1	BUTT & TUBE ASSY
3	06501617	1	PISTON
4	06501618	1	GLAND
5	06501598	1	PORT PLUG
6-15	06501619	1	SEAL KIT

COMMON RSS

3IN X 15IN CYLINDER BREAKDOWN



BUTT END VIEW

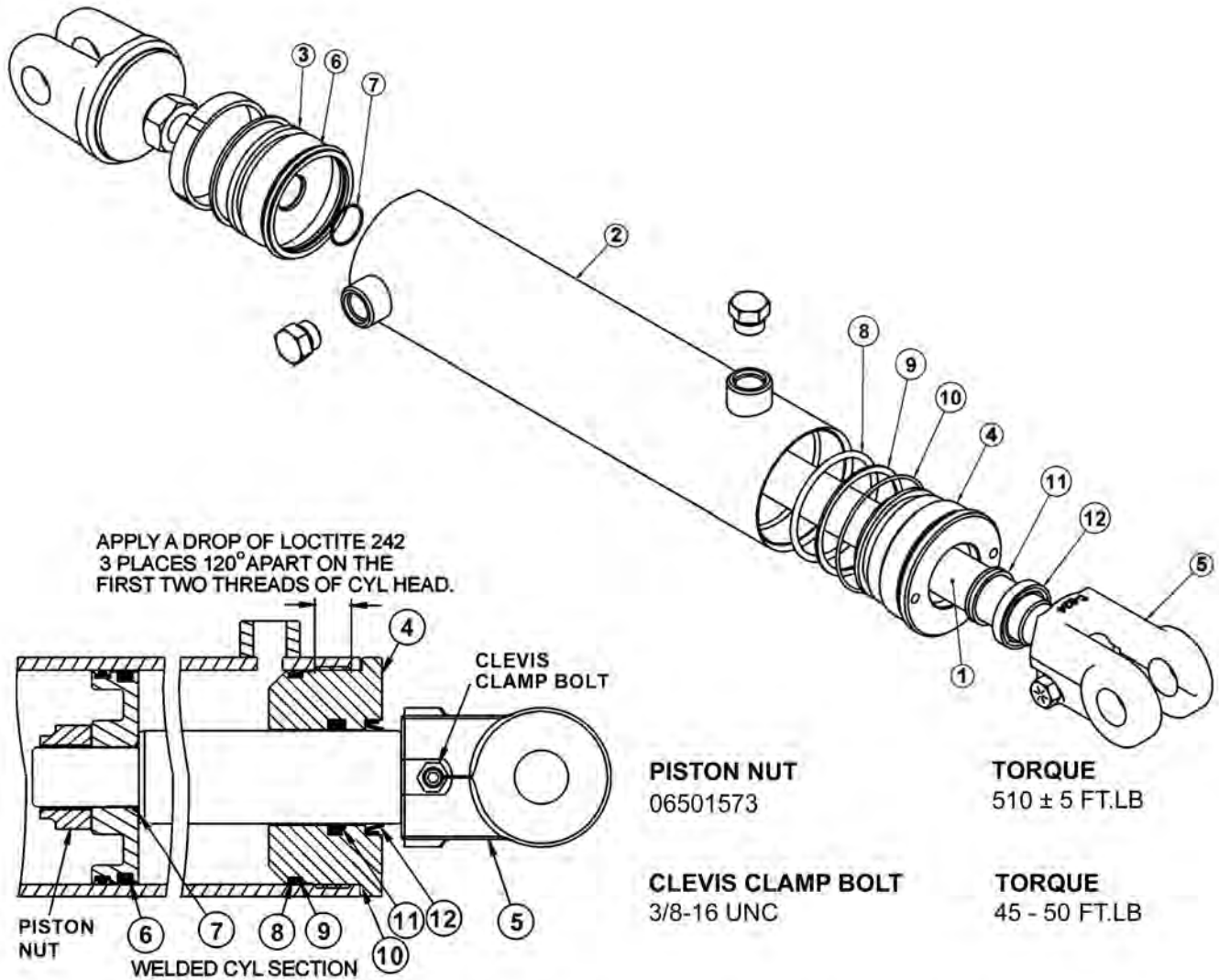


ROD END VIEW

ITEM	PART NO.	QTY.	DESCRIPTION
---	06501026	-	CYLINDER,WELDED,3" X 15"
1	06501608	1	PISTON ROD ASSY
2	06501609	1	BUTT & TUBE ASSY
3	06501610	1	PISTON
4	06501563	1	GLAND
5	6T0179	1	LOCK NUT,1-1/4"-12 UNF (TORQUE TO 315 FT.LB.)
6	06501598	2	PORT PLUG (NOT SHOWN)
7	06501611	4	BUSHING
8	06501612	1	SPACER,ROD END
9	06501613	1	SPACER,BUTT END
10-17	06501614	1	SEAL KIT

COMMON RSS

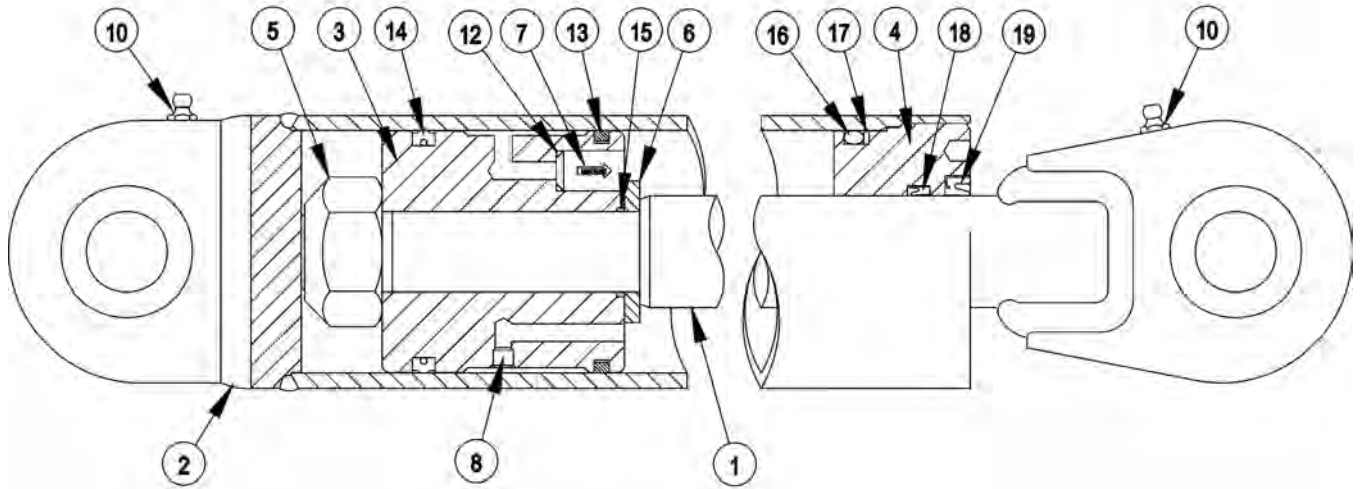
4IN X 14IN CYLINDER BREAKDOWN



WARNING - MECHANICAL FASTENERS MUST BE TORQUED TO RECOMMENDED SPECIFICATIONS DURING REPAIR TO PREVENT PERSONAL INJURY OR EQUIPMENT DAMAGE.

ITEM	PART NO.	QTY.	DESCRIPTION
-----	06501028	1	HYDRAULIC CYLINDER COMPLETE
1	06501623	1	ROD
2	06501624	1	TUBE WELDMENT
3	06501558	1	PISTON
4	06501607	1	CYLINDER HEAD
5	6T0172	1	CLEVIS
-----	06501560	1	SEAL REPAIR KIT (ITEMS 6 THROUGH 12)

4IN X 15IN CYLINDER BREAKDOWN

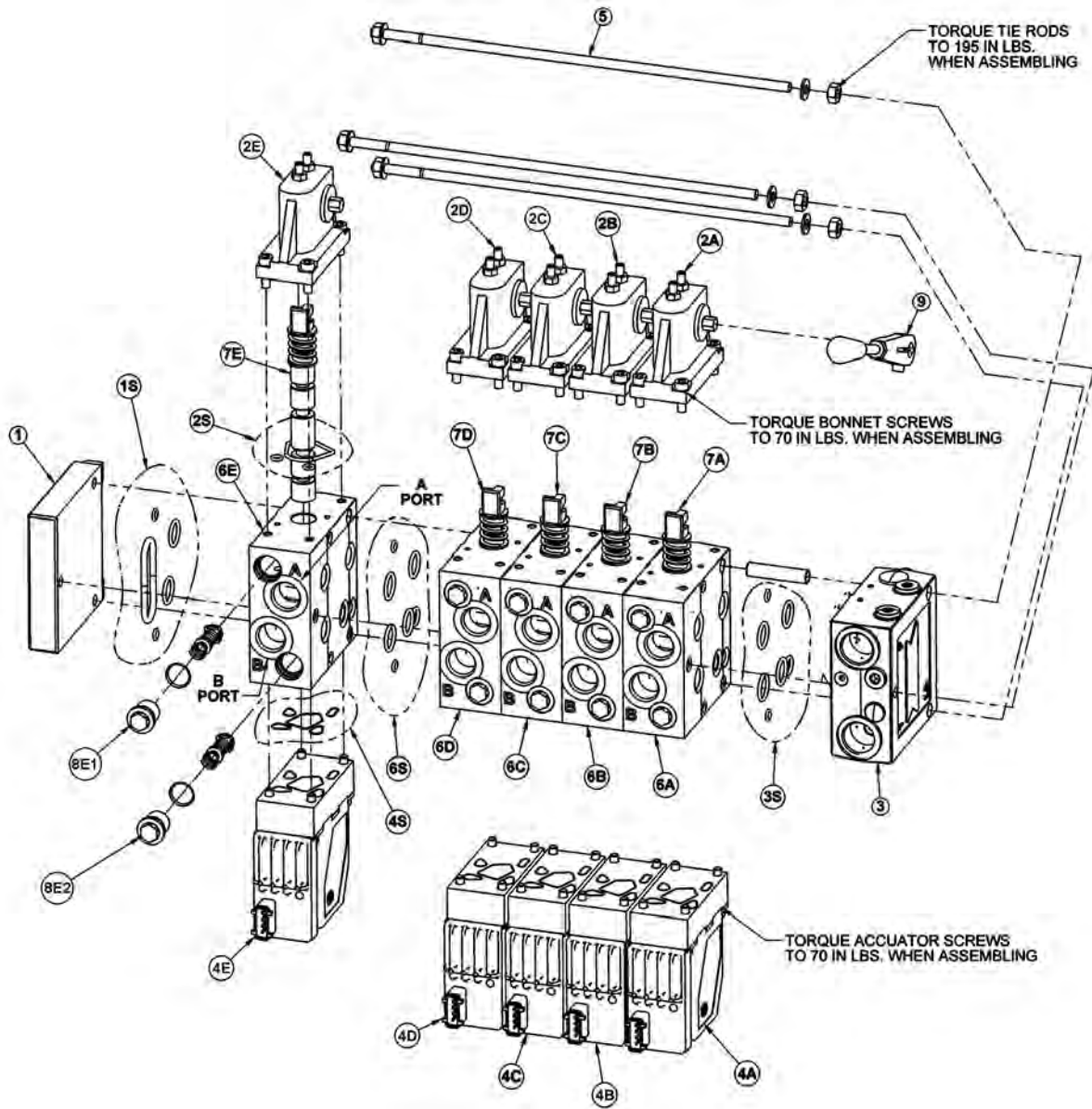


WARNING - MECHANICAL FASTENERS MUST BE TORQUED TO RECOMMENDED SPECIFICATIONS DURING REPAIR TO PREVENT PERSONAL INJURY OR EQUIPMENT DAMAGE.

ITEM	PART NO.	QTY.	DESCRIPTION
---	32365	-	CYLINDER,WELDED,4" X 15"
1	06501604	1	PISTON ROD ASSY
2	06501605	1	BUTT & TUBE ASSY
3	06501606	1	PISTON
4	06501607	1	GLAND
5	06501753	1	LOCK NUT,1-1/4"-12 UNF (TORQUE TO 510 FT.LB.)
9	33757	1	SEAL KIT,PACKING (ITEMS 12 THRU 19)
10	-----	2	GREASE ZERK
12	-----	1	O - RING
13	-----	1	CAST IRON PISTON RING
14	-----	1	CROWN SEAL
15	-----	1	O - RING
16	-----	1	O - RING
17	-----	1	BACK - UP WASHER
18	-----	1	U - CUP
19	-----	1	WIPER
20	34335	2	SPHERICAL BEARING (NOT SHOWN)

NOTES

5 SPOOL ELECTRONIC VALVE



ITEM	PART NO.	QTY.	DESCRIPTION
-----	06502096	-	VLV,5SP,32PVG,SIDE STOW
1	06502074	1	END PLATE
1S	06505013	1	END PLATE SEAL KIT
2	-----	5	BONNET
2S	06505042	1	BONNET SEAL KIT
2A	42197	1	MAIN BOOM BONNET
2B	42197	1	SECONDARY BOOM BONNET
2C	42197	1	DECK ROLL BONNET
2D	42197	1	BOOM SWIVEL BONNET
2E	42197	1	DECK SHIELD BONNET

COMMON RSS

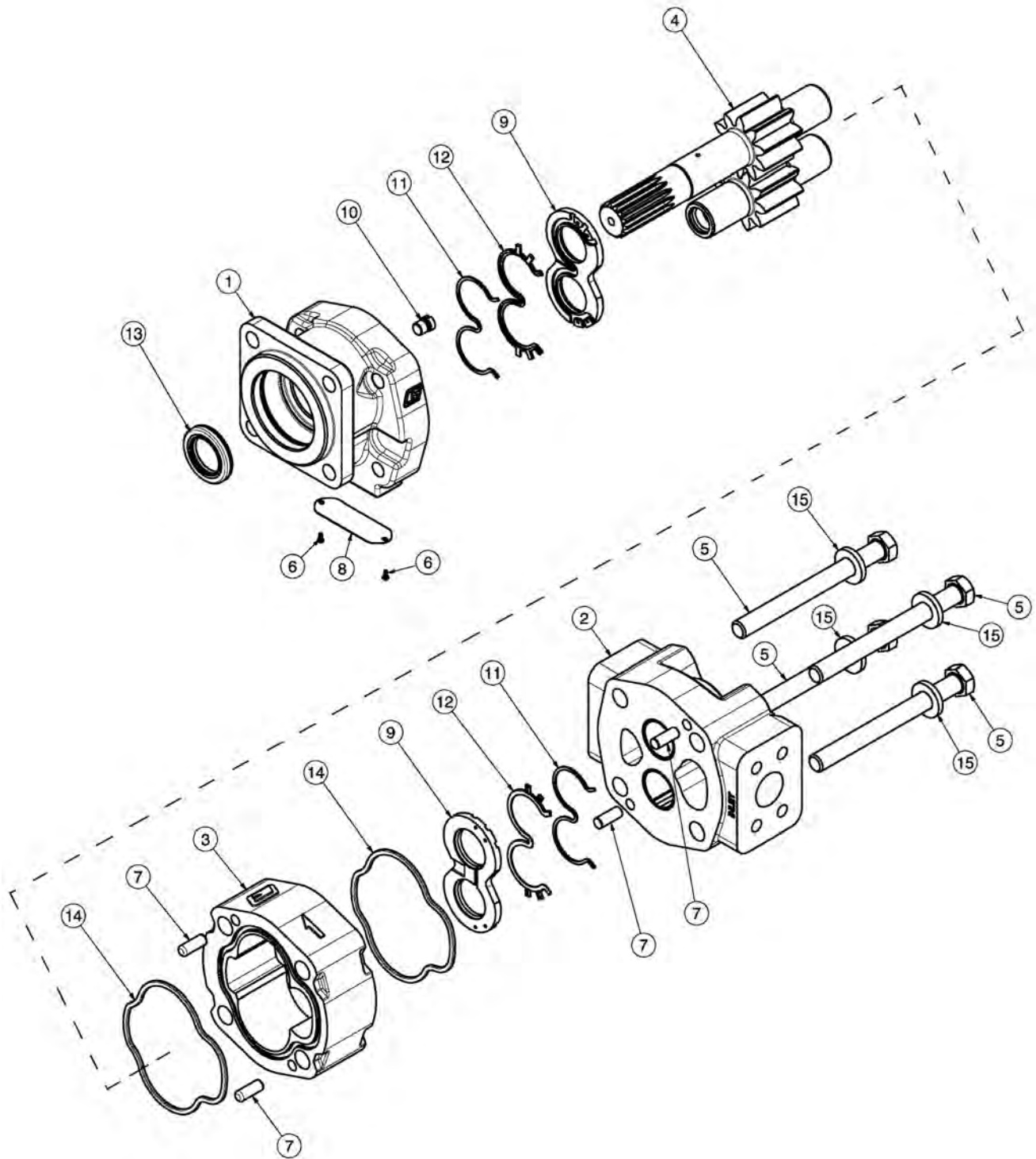
5 SPOOL ELECTRONIC VALVE

Continued...

ITEM	PART NO.	QTY.	DESCRIPTION
3	34308	1	INLET SECTION
3S	06505013	1	INLET SECTION SEAL KIT
4	-----	5	ELECTRONIC ACCUATOR
4A	06502101	1	MAIN BOOM ELECTRONIC ACCUATOR
4B	06502101	1	SECONDARY BOOM ELECTRONIC ACCUATOR
4C	06502100	1	DECK ROLL ELECTRONIC ACCUATOR
4D	06502101	1	BOOM SWIVEL ELECTRONIC ACCUATOR
4E	06502099	1	DECK SHIELD ELECTRONIC ACCUATOR
5	42202	1	TIE-BOLT KIT
6	-----	5	SECTION
6S	06505013	1	SECTION SEAL KIT
6A	42698	1	MAIN BOOM SECTION
6B	42698	1	SEC BOOM SECTION
6C	06502076	1	DECK ROLL SECTION
6D	42698	1	BOOM SWIVEL SECTION
6E	06502077	1	SHIELD SECTION
7	-----	5	SPOOL
7A	42697	1	MAIN BOOM SPOOL
7B	42697	1	SEC BOOM SPOOL
7C	4242106	1	DECK ROLL SPOOL
7D	06502073	1	BOOM SWIVEL SPOOL
7E	42201	1	DECK SHIELD SPOOL
8	-----	10	ANTI CAV/SHOCK RELIEF
8A1	42650	1	MAIN BOOM A PORT RELIEF
8A2	06502069	1	MAIN BOOM B PORT RELIEF
8B1	42650	1	SEC BOOM A PORT RELIEF
8B2	42295	1	SEC BOOM B PORT RELIEF
8C1	42296	1	DECK ROLL A PORT RELIEF
8C2	42295	1	DECK ROLL B PORT RELIEF
8D1	42295	1	BOOM SWIVEL A PORT RELIEF
8D2	42295	1	BOOM SWIVEL B PORT RELIEF
8E1	06502069	1	DECK SHIELD A PORT RELIEF
8E2	06502069	1	DECK SHIELD B PORT RELIEF
9	33459	1	HANDLE

COMMON RSS

FRONT PUMP BREAKDOWN



COMMON RSS

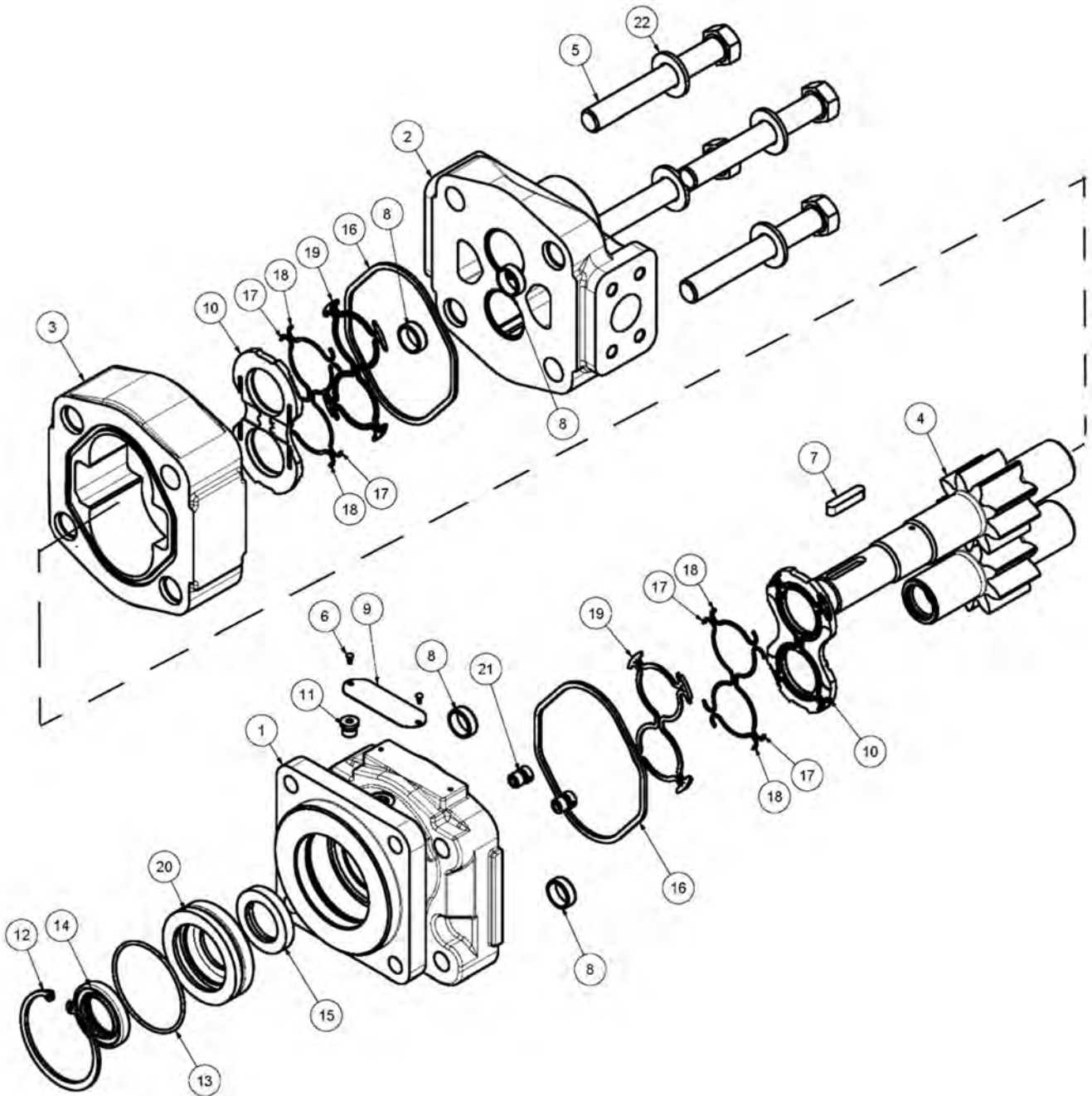
FRONT PUMP BREAKDOWN

Continued...

ITEM	PART NO.	QTY.	DESCRIPTION
---	23152	1	PUMP ASSEMBLY,1-3/4",COMPLETE
1	22766	1	SHAFT END COVER
2	22779	1	PORT END COVER
3	22774	1	GEAR HOUSING,1-3/4"
4	22771	1	GEAR SET
5	23824	4	CAPSCREW
6	06504078	2	SCREW,DRIVE
7	22773	4	DOWEL PINS
8	06504077	1	NAMEPLATE
9	22770	2	THRUST PLATE
10	22767	1	PLUG
11	06504075	2	SEAL,BK-UP
12	06504074	2	SEAL,CHAN
13	22765	1	SEAL,LIP
14	06504076	2	SEAL,SQ-R
15	02961917	4	WASHER
---	24150	1	SEAL KIT (INCLUDES 11, 12, 13 AND 14)

COMMON RSS

ROTARY MOTOR BREAKDOWN



COMMON RSS

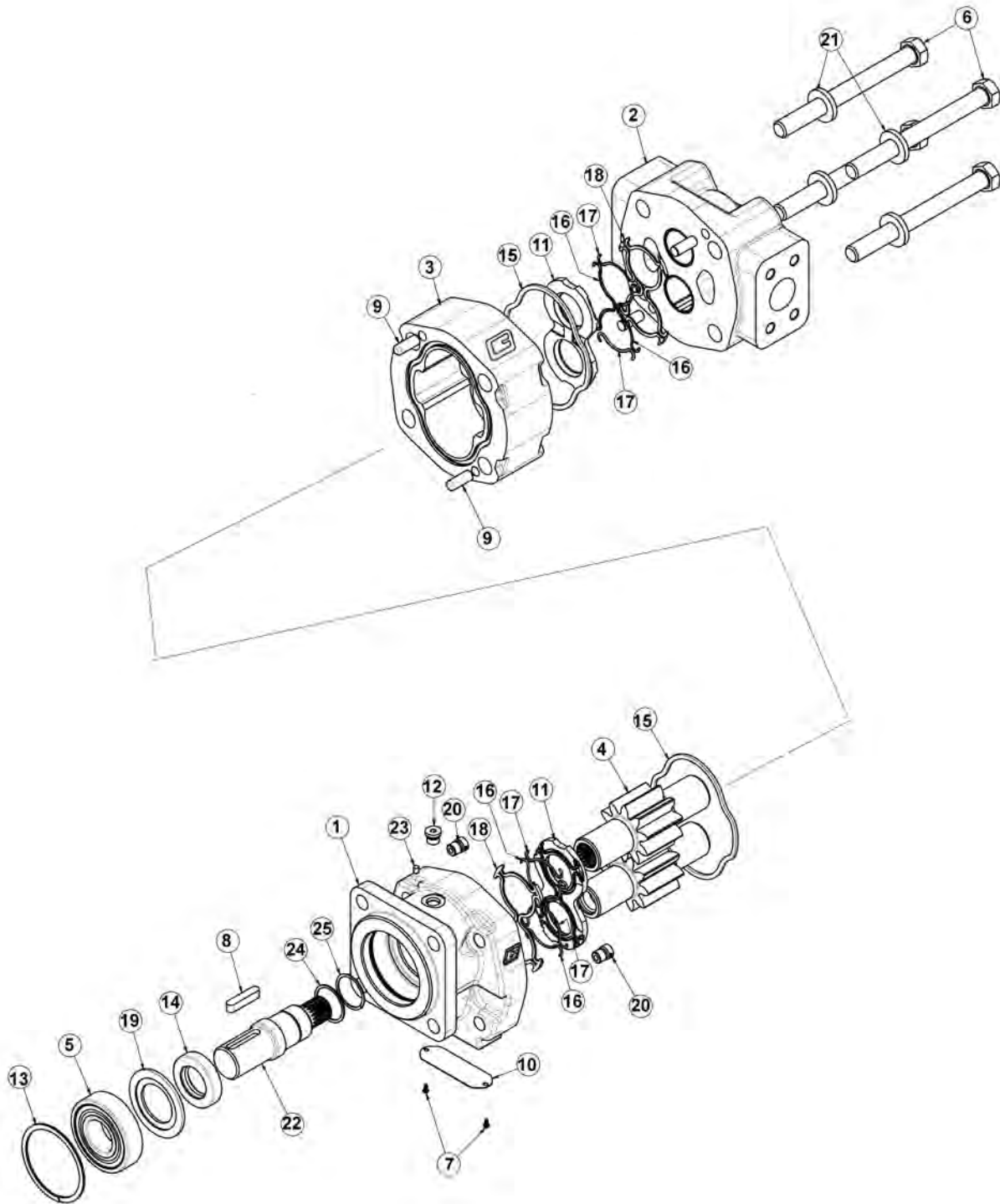
ROTARY MOTOR BREAKDOWN

Continued...

ITEM	PART NO.	QTY.	DESCRIPTION
---	06504011	-	MOTOR ASSEMBLY,TRB60
1	22790	1	END,COVER
2	06504088	1	HOUSING, PEC
3	06504062	1	HOUSING, GEAR,TRB60
4	06504090	1	SET, GEAR SHAFT
5	06504104	4	CAP SCREW,TRB60
6	06504078	2	SCREW, DRIVE
7	06504092	1	KEY
8	06504093	4	PIN, DOWEL
9	06504094	1	NAME PLATE
10	06504095	2	THRPL
11	2961940	1	PLUG, ODT
12	2962200	1	RING, SNAP
13	06504096	1	O RING
14	6T5101	1	SEAL, LIP
15	06504097	1	SEAL, LIP
16	22797	2	SEAL, SQ-R
17	06504098	4	SEAL, SIDE CHAN
18	06504099	4	SEAL, END CHAN
19	06504100	2	SEAL, BK-UP
20	06504101	1	RTNR, SEAL
21	6T5809	2	CHECK ASS'Y
22	06504102	4	WASHER
---	06504103	1	SEAL KIT

COMMON RSS

FLAIL MOTOR BREAKDOWN



COMMON RSS

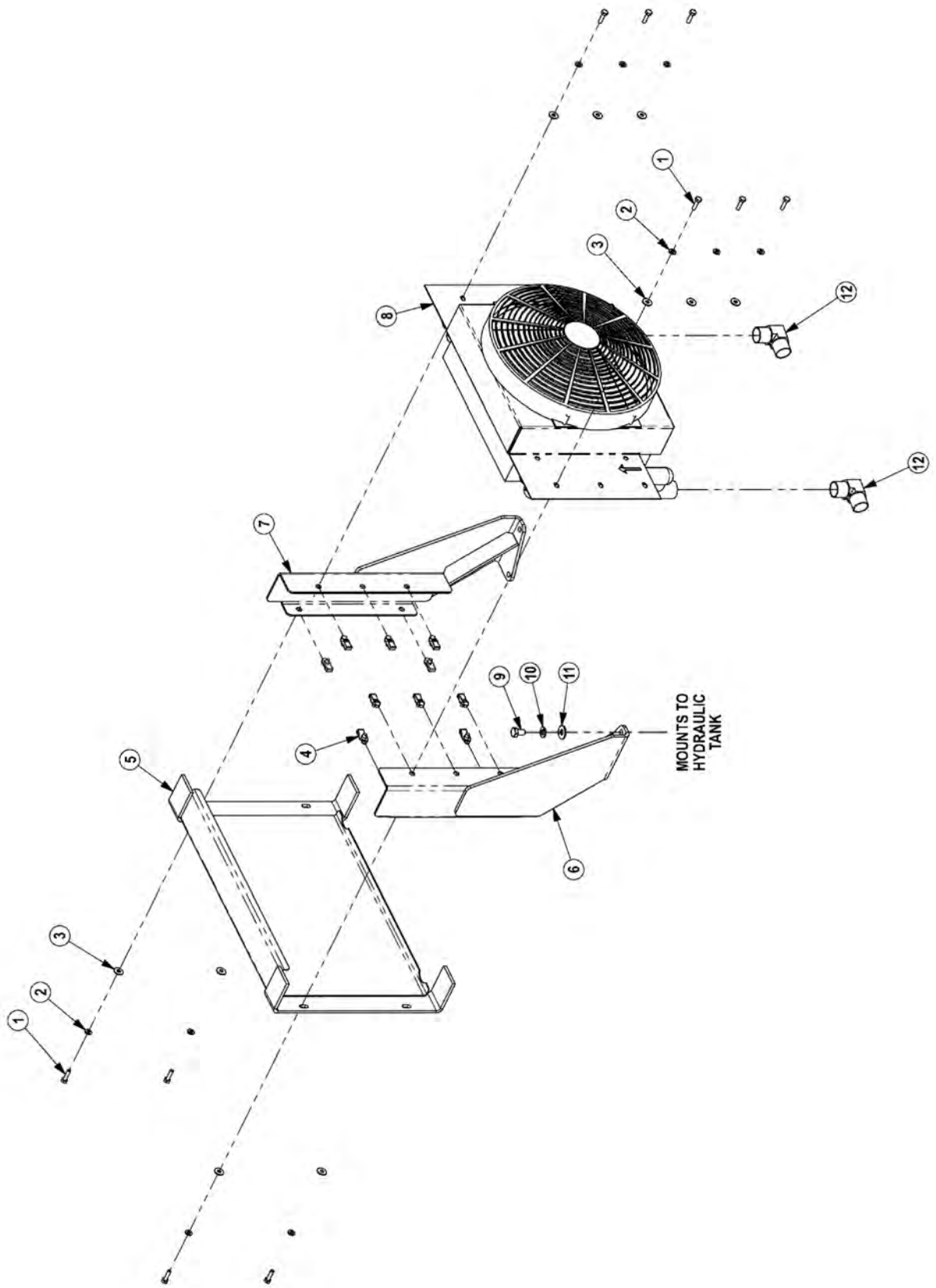
FLAIL MOTOR BREAKDOWN

Continued...

ITEM	PART NO.	QTY.	DESCRIPTION
---	06504132	1	MOTOR ASSEMBLY 350 - TBF50, TBF63
1	06504141	1	SHAFT END COVER
2	06504040	1	PORT END COVER
3	06504041	1	GEAR HOUSING
4	06504117	1	MATCHED GEAR SET
5	TF4402	1	BALL BEARING
6	06504043	4	CAP SCREW
7	06504044	2	SET SCREW
8	06504028	1	KEY
9	06504045	4	DOWEL PIN
10	-----	1	NAMEPLATE
11	0763759	1	THRUSTPLATE
12	02961940	1	PLUG, ODT (0.25)
13	TF4401	1	SNAP RING
14	06504142	1	LIP SEAL
15	TF4410	2	GASKET SEAL
16	06504046	4	SIDE SEAL
17	06504047	4	END SEAL
18	TF4407	2	BACK-UP SEAL
19	06504122	1	SEAL RETAINER
20	6T5809	2	CHECK ASSEMBLY
21	02961917	4	WASHER
22	06504140	1	SHAFT
23	06504139	1	BREATHER
24	06504121	1	SPACER, BRG
25	06504119	1	SNAP RING
---	06504022	1	SEAL KIT

COMMON RSS

COOLER ASSEMBLY - OPTION



COMMON RSS

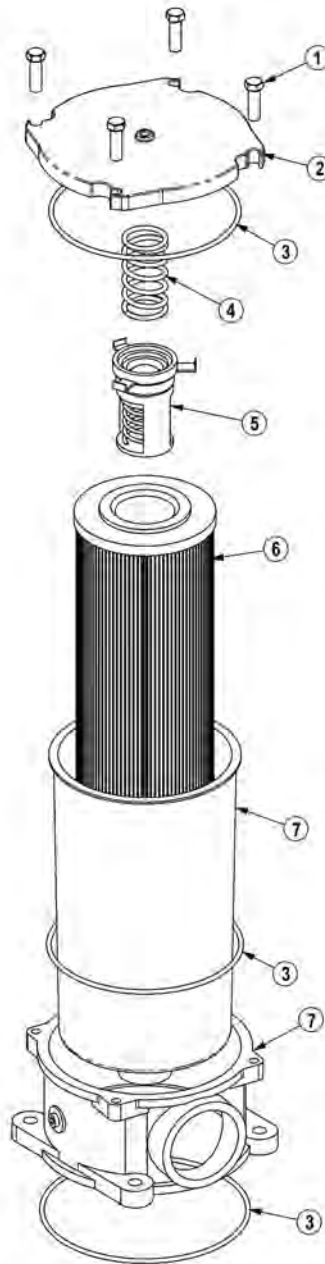
COOLER ASSEMBLY - OPTION

Continued...

ITEM	PART NO.	QTY.	DESCRIPTION
1	21530	10	CAPSCREW,1/4 X1 NC
2	21986	10	LOCKWASHER,1/4
3	22014	10	FLATWASHER,1/4
4	35176	10	1/4 U-NUT
5	06370015	1	SCREEN,COOLER,FRNT
6	06380006	1	MNT,COOLER,BUMPER TANK,RH
7	06380007	1	MNT,COOLER,BUMPER TANK,LH
8	06510026	1	COOLER,FRONT MNT
---	06510029	1	FAN ASSY, ONLY
9	21629	4	CAPSCREW,3/8 X 3/4 NC
10	21988	4	LOCKWASHER,3/8
11	22016	4	FLATWASHER,3/8
12	34117	2	ELBOW,1MOR X 1MJ90,FORGED

COMMON RSS

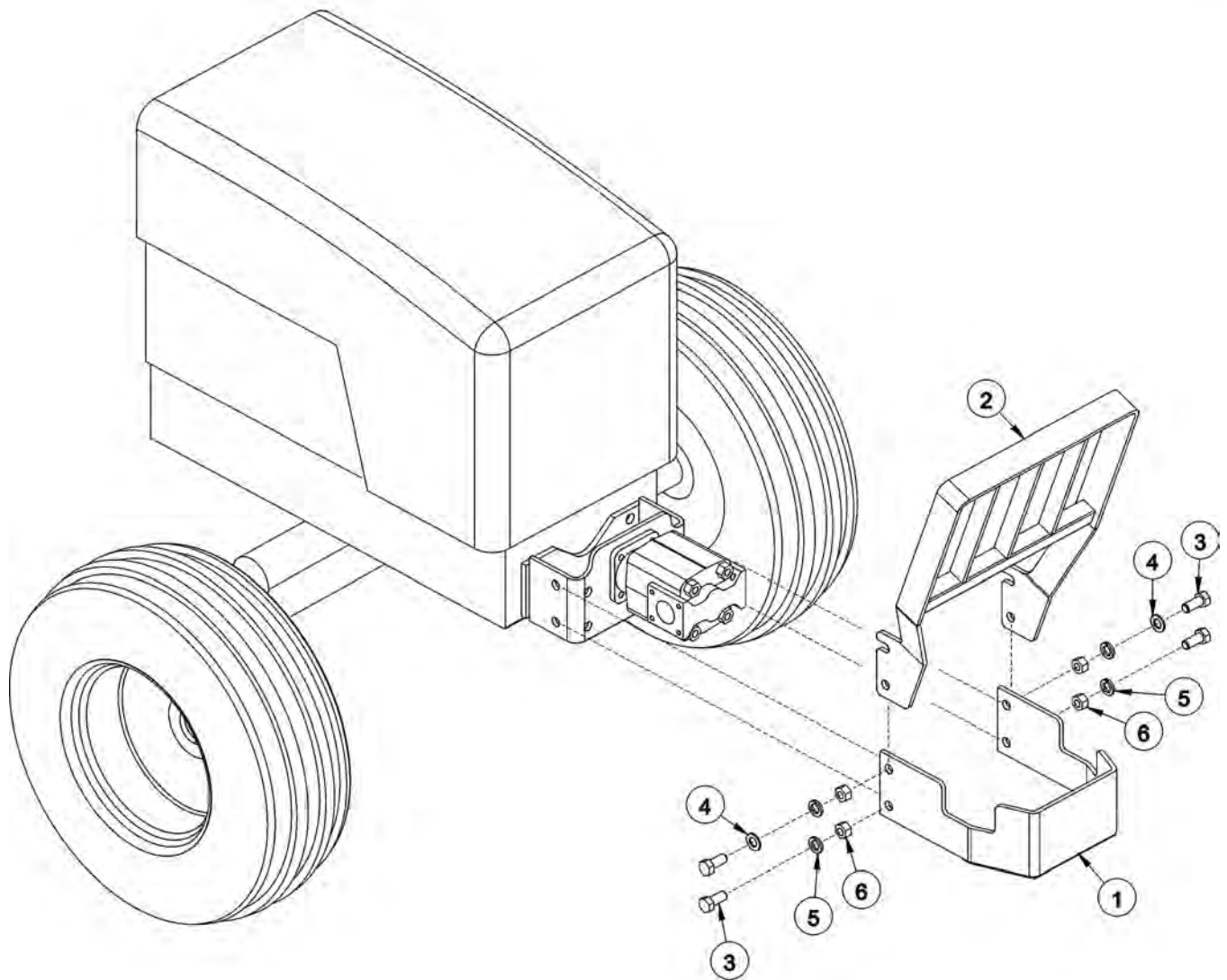
RESERVOIR TANK FILTER ASSEMBLY



ITEM	PART NO.	QTY.	DESCRIPTION
---	06505044	-	FILTER ASSY SAE 10 MICRON
1	28583	4	CAPSCREW,8MM X 25MM(1.25 PITCH)
2	06505045	1	COVER
3	06505046	1	SEAL KIT
4	06505047	1	SPRING
5	06505048	1	BYPASS
6	35259	1	FILTER,10 MIC,RETURN LINE
7	06505049	1	CAN/BODY

COMMON RSS

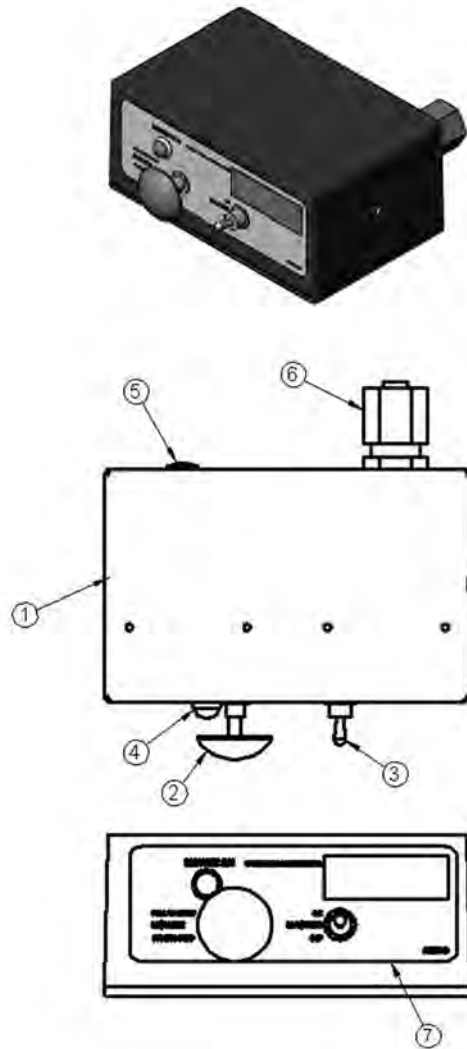
PUMP AND GRILL GUARD OPTIONS



ITEM	PART NO.	QTY.	DESCRIPTION
1	32430	1	UNIVERSAL PUMP GUARD
2	32737	1	UNIVERSAL GRILL GUARD
3	21833	4	CAPSCREW,3/4" X 2-1/4",NC
4	22021	2	FLATWASHER,3/4"
5	21993	4	LOCKWASHER,3/4"
6	21825	4	HEX NUT,3/4",NC

COMMON RSS

MANUAL LIFT VALVE SWITCH BOX

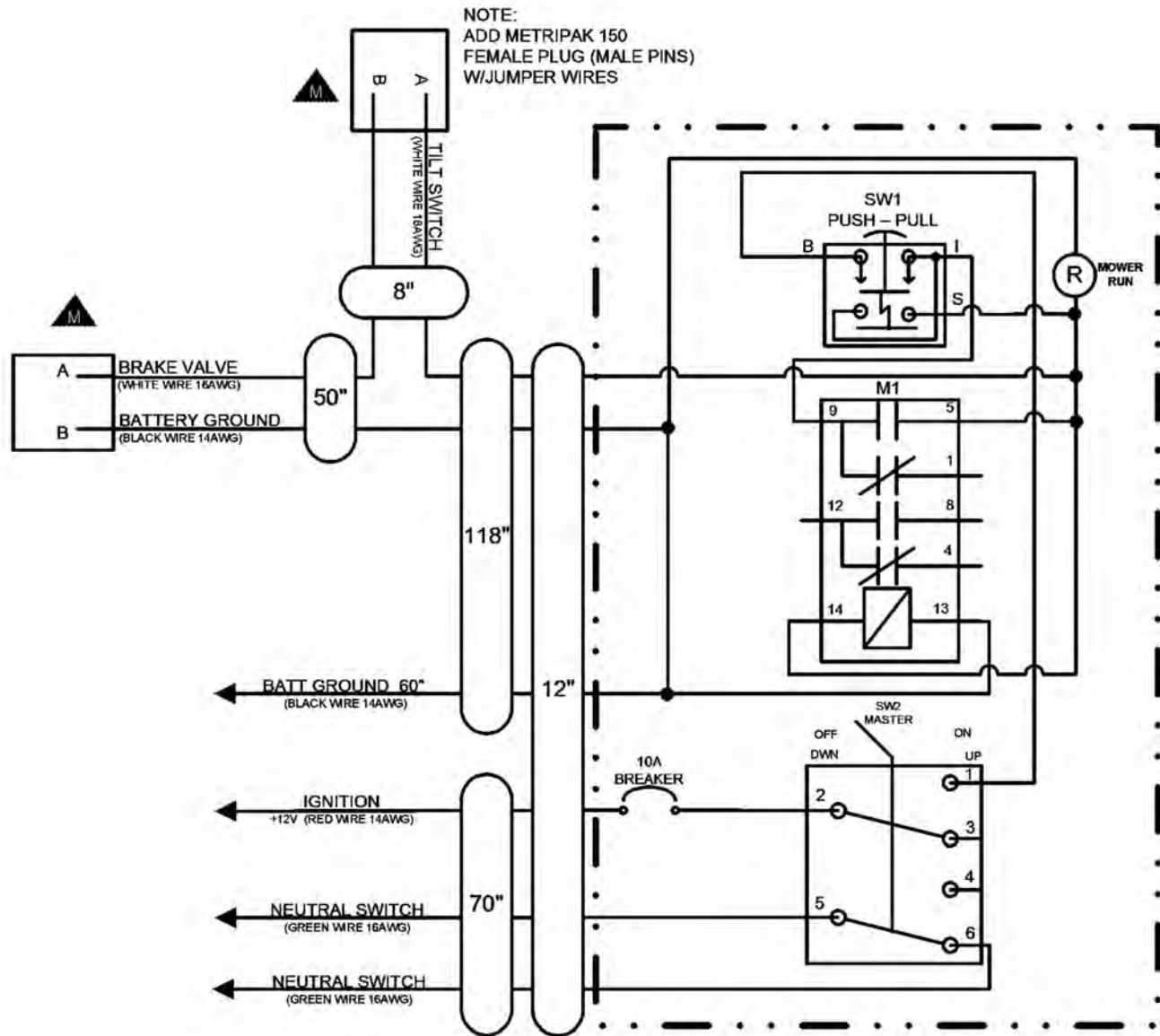


ITEM	PART NO.	QTY.	DESCRIPTION
1	06514013	1	SWBX,ALUM,BLK,06510102
2	35226	1	SWITCH,MOWER,COLEHERSEE
3	33811	1	SWITCH,MASTER/DECK FLOAT
4	6T3923	1	INDICTATOR LIGHT,ON,RED
5	06514014	1	BREAKER,10A,SWBX
6	34540	1	STRAIN RELIEF,3/4,BLACK,NYLON
7	06550018	1	DECAL,SWTCHBX,TM/TSF,CG
8	35227	1	RELAY,DP,DT,12V,LY2F,35226

COMMON RSS

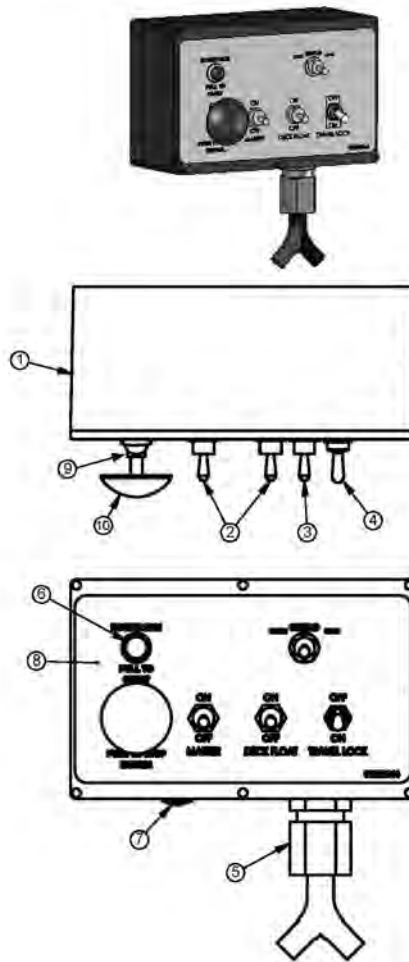
MANUAL LIFT VALVE SWITCH BOX SCHEMATIC

06510102 SCHEMATIC COMMON GROUND SWITCH BOX SIDE MOWER



SEE DRAWING # 06515000 FOR A FULL DESCRIPTION OF ALL CONNECTORS

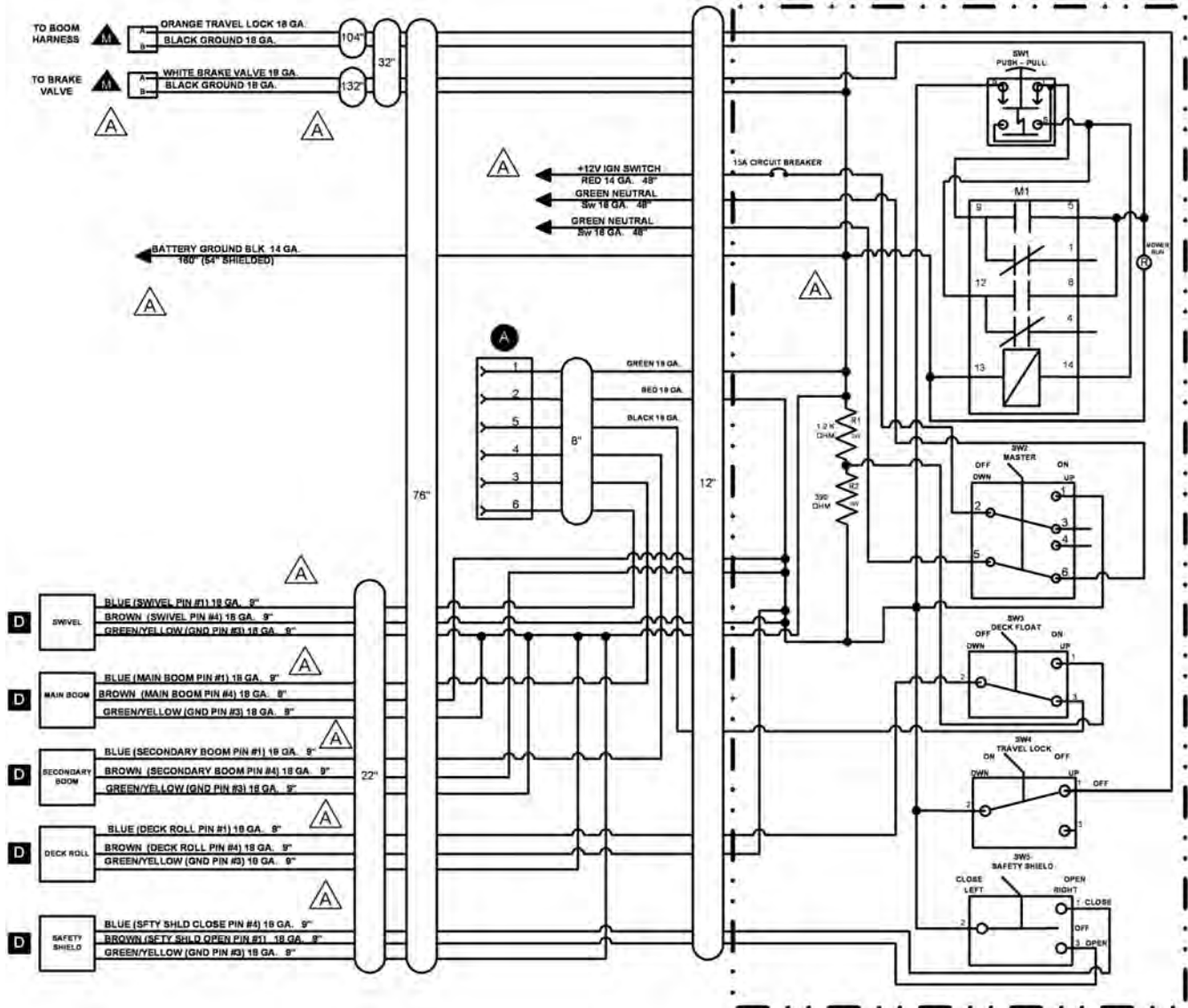
ELECTRONIC LIFT VALVE SWITCH BOX



ITEM	PART NO.	QTY.	DESCRIPTION
1	06510196	1	SWBX,ASSY
2	33811	2	SWITCH,MASTER/DECK FLOAT
3	33813	1	SWITCH,SFTY SHIELD
4	34532	1	SWITCH,TRVL LCK
5	34540	1	STRAIN RELIEF,3/4",BLACK,NYLON
6	6T3923	1	INDICTATOR LIGHT,ON,RED
7	06514006	1	BREAKER,15A,SWBX
8	06550044	1	DECAL,SWBX,06510047
9	35226	1	SWITCH,MOWER,COLEHERSEE
10	35227	1	RELAY,DP,DT,12V,LY2F,35226

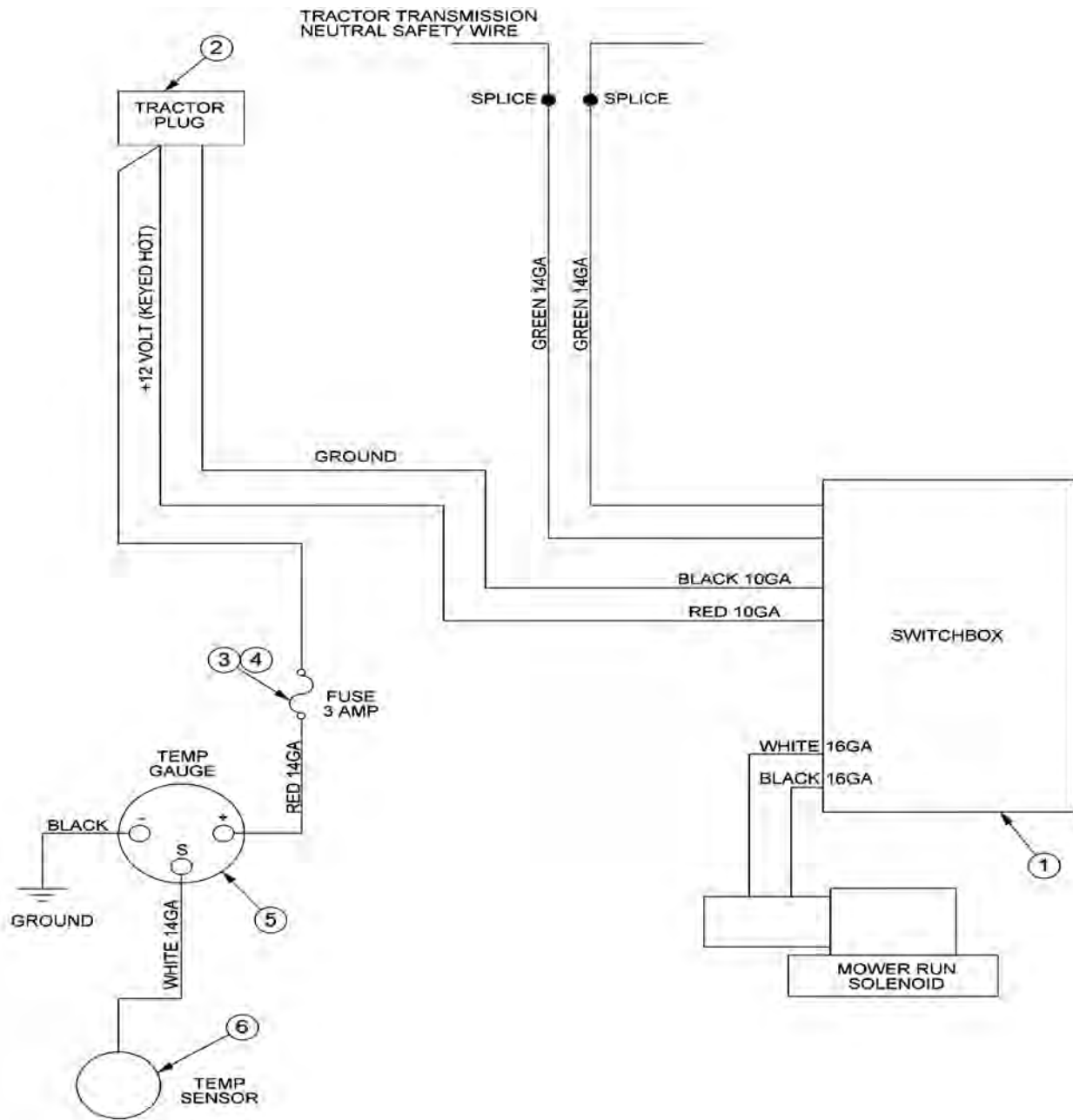
COMMON RSS

ELECTRONIC LIFT VALVE SCHEMATIC



COMMON RSS

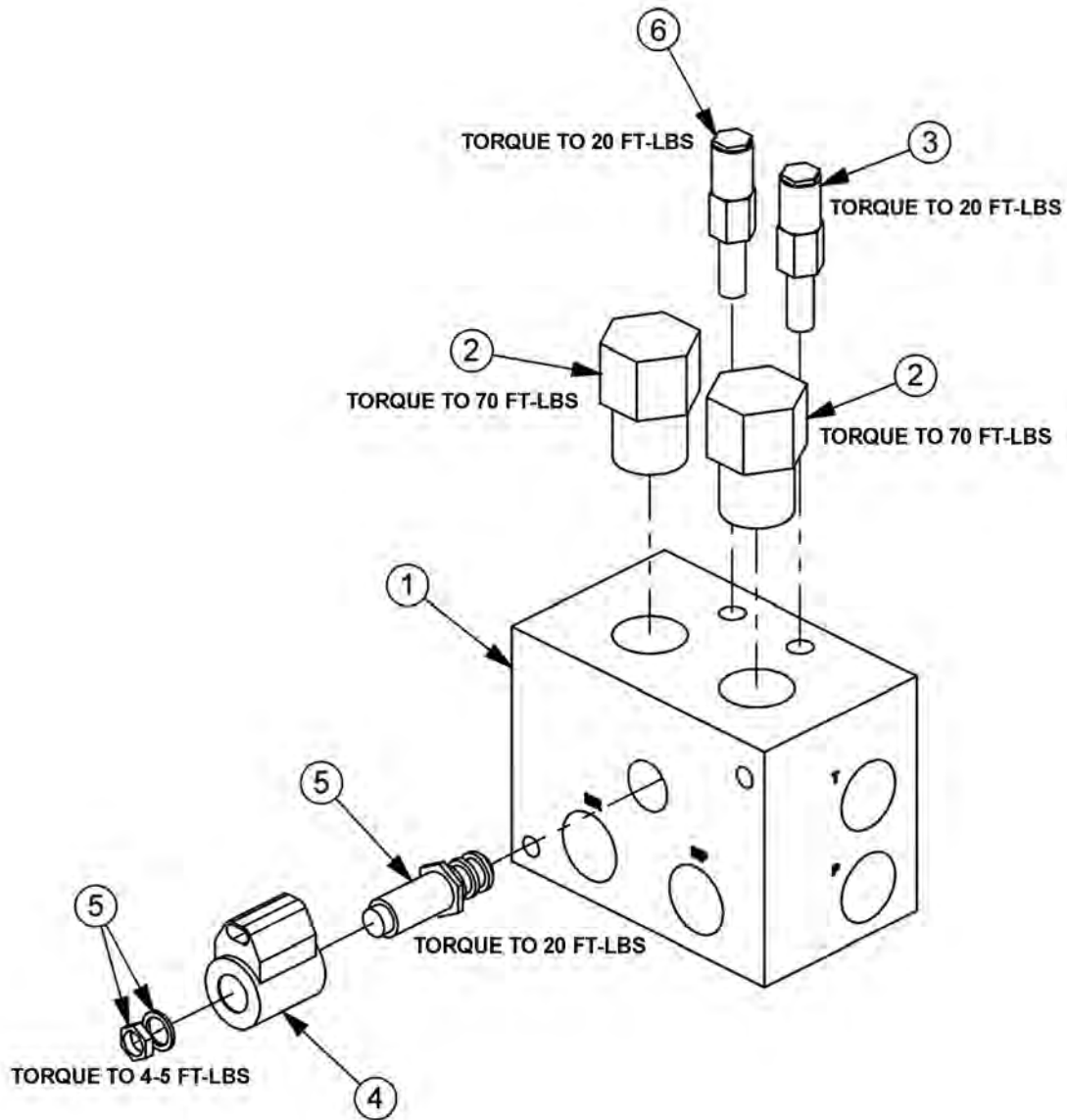
SOLENOID SWITCH BOX AND WIRING



ITEM	PART NO.	QTY.	DESCRIPTION
1	-----	-	SWITCH BOX
2	RE37651	1	PLUG,AUX PWR
3	24204	1	FUSE HOLDER,IN-LINE (OPTION)
4	6T3965	1	FUSE,3AMP (OPTION)
5	6T3934	1	TEMPERATURE GAUGE (OPTION)
6	6T3931	1	TEMPERATURE SENSOR (OPTION)

COMMON RSS

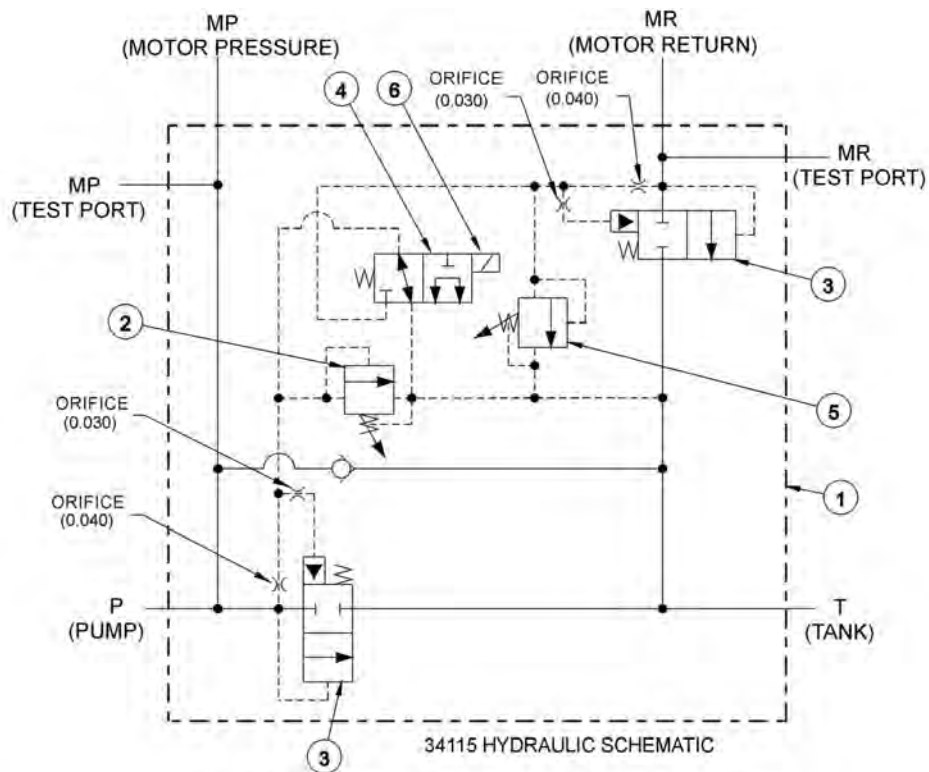
BRAKE VALVE ASSEMBLY



ITEM	PART NO.	QTY.	DESCRIPTION
---	06510083	1	BRAKE VALVE, ASSY
1	34092	1	BRAKE VALVE, BLANK
2	34094	2	LOGIC ELEMENT
3	34095	1	RELIEF VALVE, 3000 PSI
4	06510095	1	METRI PAK COIL
5	34093	1	CARTRIDGE, 2 POSITION, 3 WAY (WITH NUT & WASHER)
6	34091	1	RELIEF VALVE, 2600 PSI
---	34096	2	RELIEF SEAL KIT
----	34097	1	SOLENOID SEAL KIT
---	34098	2	ELEMENT SEAL KIT

COMMON RSS

BRAKE VALVE HYDRAULIC SCHEMATIC



BRAKE VALVE TROUBLESHOOTING

FAILURE MODE:

- MOWER WILL NOT START - system pressure is low (engine not lugging).
- MOWER WILL NOT START - system pressure is high (engine lugging). "MR" port will be high pressure.
- MOWER WILL NOT ROTATE AT FULL SPEED - limited power.
- MOWER BLADE WILL NOT STOP - blade will not stop in proper time.

CHECK STEPS

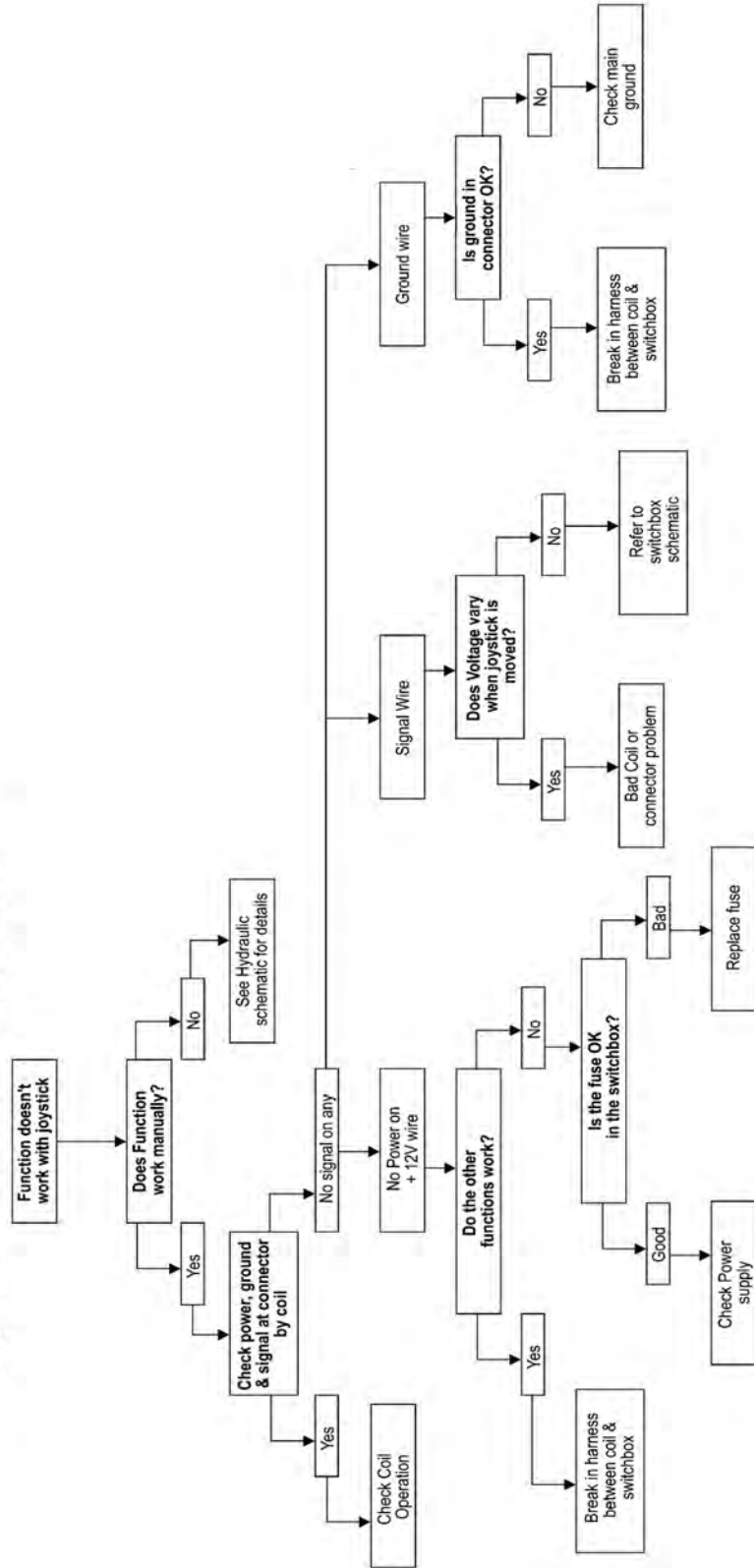
- 1 thru 6
- 7
- 3 thru 5
- 7 thru 9

CORRECTIVE STEPS:

1. Check for voltage at solenoid (item 6), voltage must be between 10.2 volts and 13.8 volts.
2. Remove, inspect solenoid and cartridge (items 4, 6) for wear or contamination.
3. Remove, inspect logic elements near "P" port (item 3) for wear or contamination.
4. Remove, inspect 3000 psi relief valve (item 2) for wear or contamination.
5. Remove and inspect orifices near "P" port for contamination.
6. Remove "P" port hose and fitting, visually inspect for contamination, check ball for movement.
7. Remove and inspect orifices near "MR" port for contamination.
8. Remove, inspect 2600 psi relief valve (item 5) for wear of contamination.
9. Remove, inspect logic element near "MR" port (item 3) for wear or contamination.

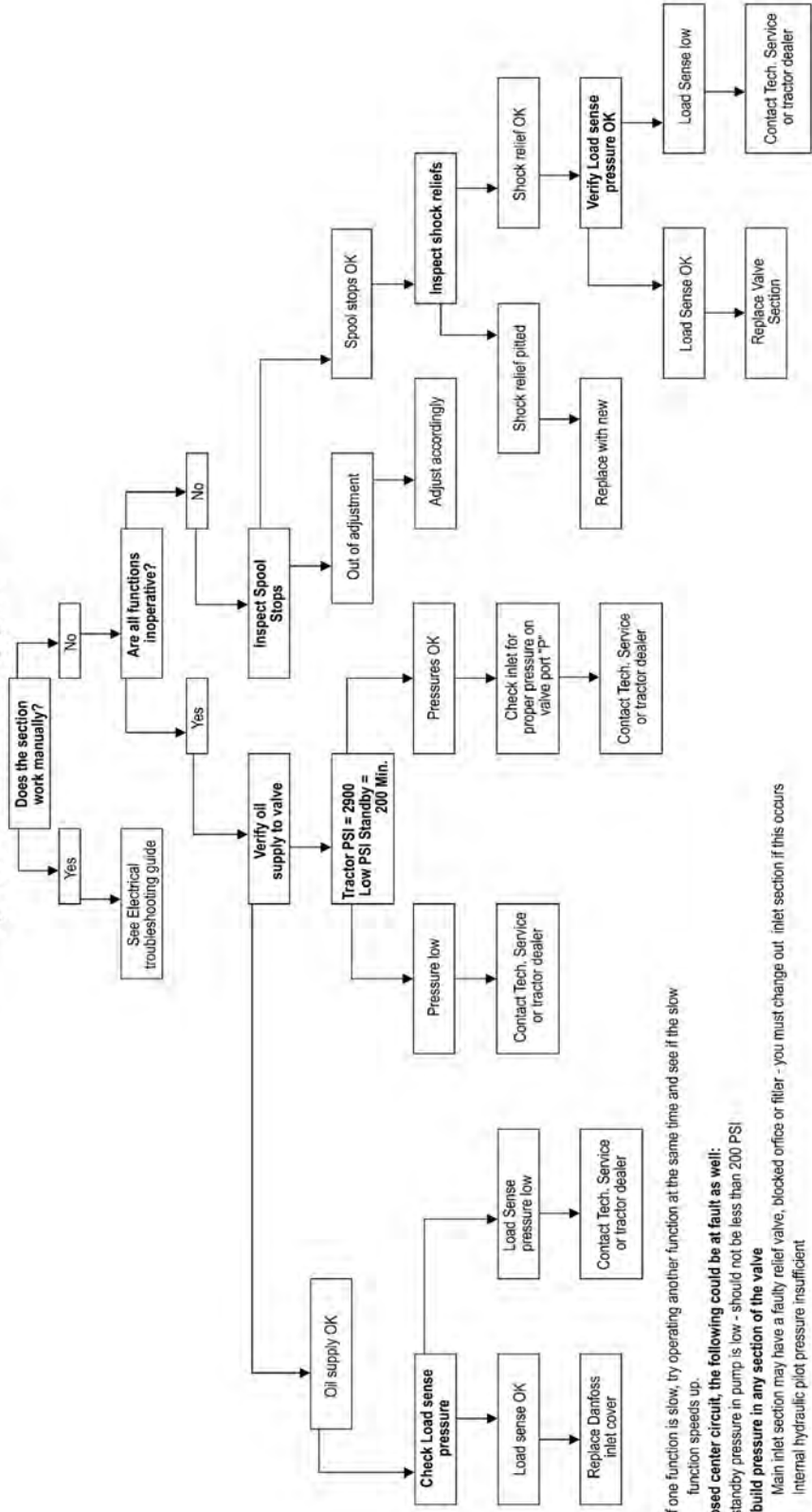
ELECTRICAL TROUBLESHOOTING GUIDE

Joystick Electrical Troubleshooting guide



HYDRAULIC TROUBLESHOOTING GUIDE

Hydraulic Troubleshooting guide



Notes: If one function is slow, try operating another function at the same time and see if the slow function speeds up.

On a closed center circuit, the following could be at fault as well:

Tractor standby pressure in pump is low - should not be less than 200 PSI

Cannot build pressure in any section of the valve

Main inlet section may have a faulty relief valve, blocked orifice or filter - you must change out inlet section if this occurs
Internal hydraulic pilot pressure insufficient

JOYSTICK TROUBLESHOOTING

Boom operation not responding to joystick movement.

Isolate hydraulic vs. electronic symptom.

Turn off electronic master switch (preventing electronic actuator on valve from attempting to hold spool in neutral position). With tractor engine running, operate the valve section with the manual handle. If function operates normally, continue with electronic inspection. If function does not operate normally, continue with hydraulic inspection.

Electronic inspection.

Connect a voltmeter to the cable connector of the valve section that is not operating. This will allow you to measure supply and signal voltage when the joystick is operated.

Main, Secondary, and Swivel Valves – signal voltage should be 50% of supply voltage with joystick in Neutral position, up to 75% of supply voltage in B direction, down to 25% of supply voltage in A direction. Signal voltage should change smoothly with lever movement.

Pin #1 – Signal Voltage, Pin #4 – Power Voltage, Pin #3 – Ground

Deck Roll Valve or Float Valve – signal voltage should be 50% of supply voltage with joystick in Neutral position, up to 65% of supply voltage in B direction, down to 35% of supply voltage in A direction. Signal voltage should change smoothly with lever movement. Signal voltage should be approximately 75% of supply voltage when float switch is operated.

Pin #1 – Signal Voltage, Pin #4 – Power Voltage, Pin #3 – Ground

Shield Valve or On/Off Valve – Voltage on pin #1 should be equal to supply voltage when switch is operated in A direction. Voltage on pin #4 should be equal to supply voltage when switch is operated in B direction.

Pin #1 – Signal Voltage (Shield Open), Pin #4 – Signal Voltage (Shield Close), Pin #3 – Ground

If none of the valve will operate with electrical signal, verify that there is oil pressure at the valve inlet. Electrical Valves must have pilot supply oil to move the spools.

Possible electronic problems.

Open circuit (broken wire, bad connection or loose connection in switchbox).

Shorted to positive, ground, or other.

Incorrect voltage signal from joystick.

Continued on next sheet

TROUBLESHOOTING - CONTINUED

Hydraulic inspection.

Install 3 pressure gauges, on the valve inlet (use M port, or tee into hose supplying oil from the pump to the inlet), on the workport that is not operating, and on the LS port.

With the spools in Neutral

Gear pump – P should be approximately 200 psi, LS = 0, workport – pressure on cylinder or function.

LS pump – P should equal pump standby pressure, LS = 0, workport – pressure on cylinder or function.

Pressure Comp pump – P should equal pump standby pressure, LS = 0, workport – pressure on cylinder or function.

Gear pump – P should be approximately 200 psi higher than LS, LS should equal workport, workport – pressure on cylinder or function.

LS pump – P should be LS + standby, LS should equal workport, workport – pressure on cylinder or function.

Pressure Comp pump – P should equal pump standby pressure, LS should equal workport, workport – pressure on cylinder or function.

Operate one spool, measure pressures with function at end of travel or stop

Gear pump – P should equal valve relief setting or workport shock valve setting. LS should equal workport. Workport should equal relief setting or workport shock valve setting.

LS pump – P should equal valve relief setting, pump max pressure setting, or workport shock valve setting. LS should equal workport. Workport should equal relief setting, pump max pressure setting, or workport shock valve setting.

Pressure Comp pump – P should equal pump standby pressure, LS should equal workport. Workport should equal pump standby pressure or workport shock valve setting.

Operate more than one spool.

Gear pump – P should approximately 200 psi higher than LS. LS should equal highest workport pressure. Workport – pressure on cylinder or function.

LS pump – P should be LS + standby pressure. LS should equal highest workport pressure. Workport – pressure on cylinder or function.

Pressure Comp pump. P should equal pump standby pressure. LS should equal highest workport pressure. Workport – pressure on cylinder or function.

Possible hydraulic problems.

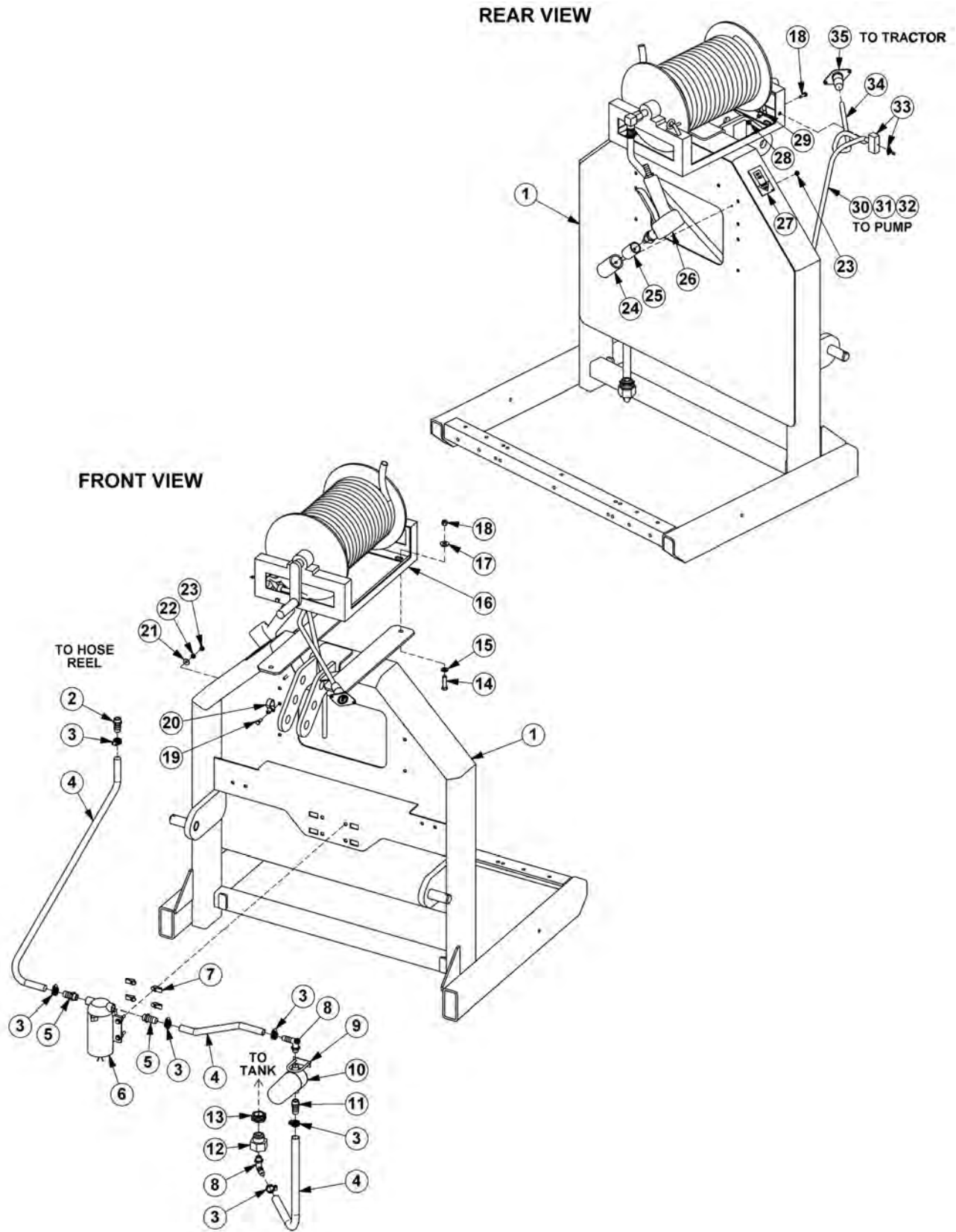
Cylinder leak.

LS signal leaking to tank before reaching pump LS port.

Hydraulic system or pump not supplying flow to valve.

**FIRE SUPPRESSION SYSTEM
SECTION**

FIRE SUPPRESSION 3-POINT MOUNT



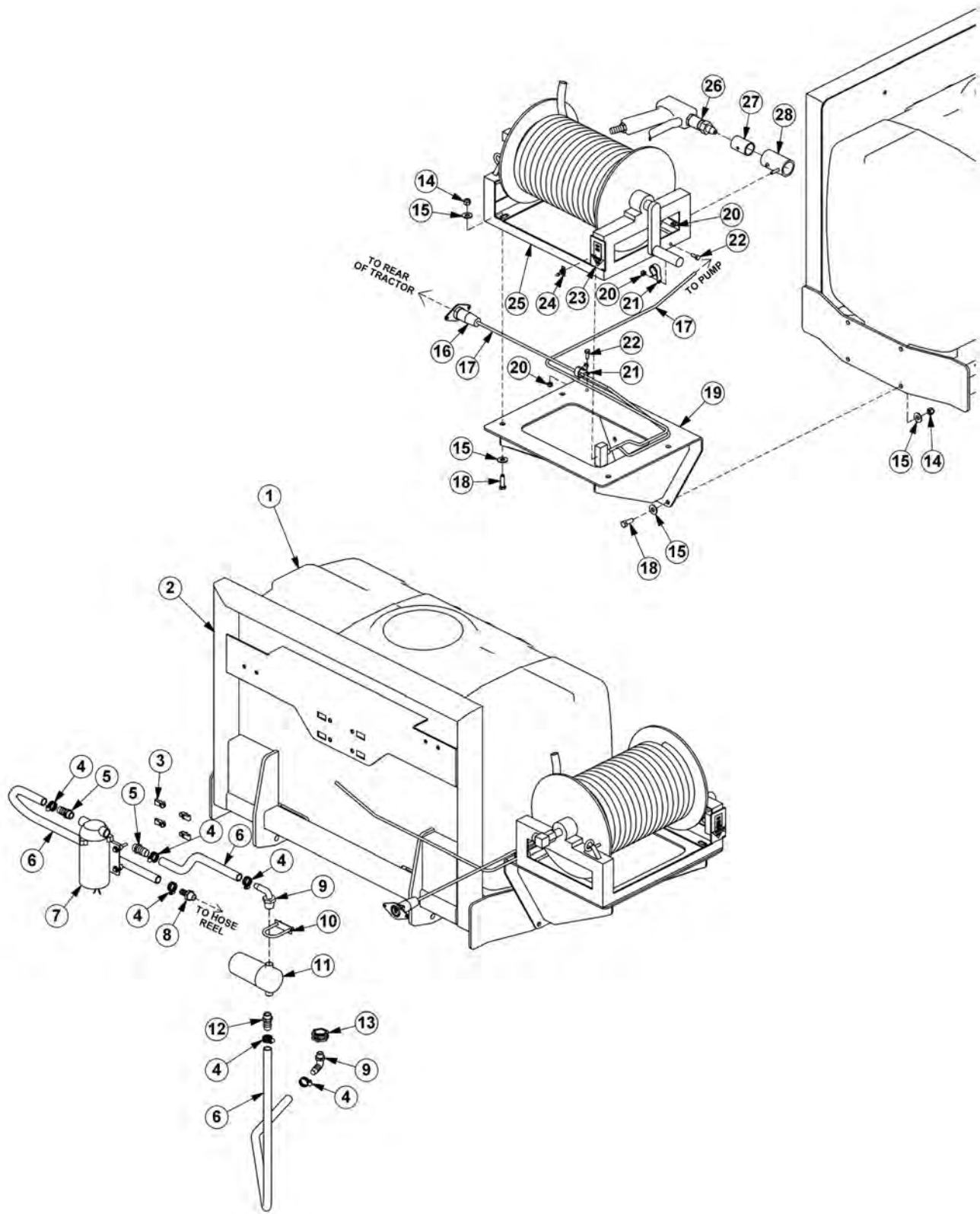
FIRE SUPPRESSION 3-POINT MOUNT

Continued...

ITEM	PART NO.	QTY.	DESCRIPTION
1	06370137	1	MOUNT,3PNT,FIRE SYS
2	06503108	1	FITTING,1/2"BARB X 1/2"MP
3	35091	6	CLAMP,HOSE,#6
4	06520469	5	HOSE,1/2",BULK (FEET)
5	06503168	2	SWIVEL,1/2"STR,POLY
6	06520359	1	PUMP,LARGE
7	35176	4	U-NUT,1/4"
8	06520367	2	ELBOW,1/2"BARB X 1/2"MP,POLY
9	27329	1	U-BOLT,1/4"
10	06520361	1	FILTER
---	06520351	1	ELEMENT,FILTER
11	06520349	1	FITTING,BARB,HOSE
12	06503169	1	REDUCER,BUSHING (100 & 150 GALLON TANKS ONLY)
13	06520346	1	FITTING,BULKHEAD (50 GALLON TANKS ONLY)
14	21632	4	CAPSCREW,3/8" X 1-1/2",NC
15	21988	4	LOCKWASHER,3/8"
16	06520360	1	HOSE REEL
17	22016	4	FLATWASHER,3/8"
18	21627	4	NYLOCK NUT,3/8",NC
19	21529	2	CAPSCREW,1/4" X 3/4",NC
20	06510258	1	CLAMP,3/4"
21	22014	1	FLATWASHER,1/4"
22	21986	1	LOCKWASHER,1/4"
23	21525	2	HEX NUT,1/4",NC
24	06370121	1	HOLSTER
25	06430090	1	SLEEVE
26	06520366	1	GUN,FIRE SYS
27	6T3222	1	DECAL
28	21527	1	NYLOCK NUT,1/4",NC
29	06510257	1	CLAMP,3/8"
30	28055	5	WIRE,BLACK,14GA (FEET)
31	24200	5	WIRE,RED,14GA (FEET)
32	22802	5	WIRE WRAP (FEET)
33	PT3905A	1	SWITCH
34	06510256	4	CABLE,14GA,4WIRE (FEET)
35	06510255	1	PLUG,7PIN,TRCTR

COMMON RSS

FIRE SUPPRESSION FRONT MOUNT



COMMON RSS

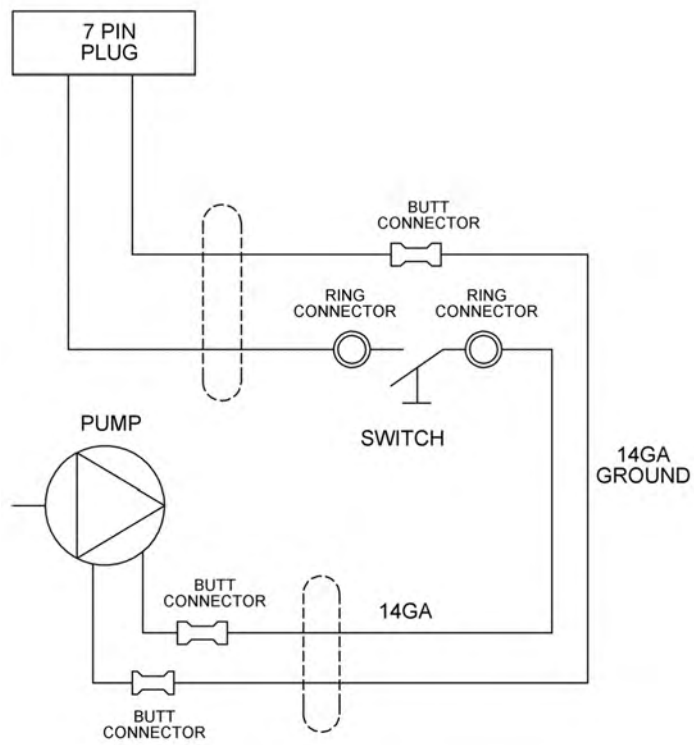
FIRE SUPPRESSION FRONT MOUNT

Continued...

ITEM	PART NO.	QTY.	DESCRIPTION
1	06520342	1	TANK,50 GALLON
2	06370204	1	MNT,TANK,FRNT,50 GALLON
3	35176	4	U-NUT,1/4,3/4 TO CENTER
4	35091	6	CLAMP,HOSE,#6
5	06503168	2	SWIVEL,1/2 STR,POLY
6	06520469	8	HOSE,1/2,SPRAYER
7	06520359	1	PUMP,FIRE KIT
8	06503108	1	FITTING,1/2" BARB X 1/2"MP
9	06520367	2	ELBOW,1/2MPX1/2BARB,POLY
10	27329	1	U-BOLT,1/4X2X1
11	06520361	1	FILTER,FIRE KIT,RAILKUT
---	06520351	1	STRAINER,40 MESH
12	06520349	1	FITTING,BARB,HOSE,WETCUT
13	06520346	1	FITTING,BULKHEAD
14	21627	8	NYLOCK NUT,3/8 NC
15	22016	16	FLATWASHER,3/8,GR8
16	06510255	1	PLUG,7PIN,TRCTR
17	06510256	22	WIRE,14GA,4WIRE (FEET)
18	21631	8	CAPSCREW,3/8X1 1/4, NC,GR8
19	06370207	1	MNT,FIRE SUPPRESSION
20	21527	3	NYLOCK NUT,1/4 NC
21	06510257	2	CLAMP,3/8X1/4,INS
22	21529	2	CAPSCREW,1/4 X 3/4 NC
23	6T3222	1	DECAL,CONTROL,ON-OFF SWITCH
24	PT3905A	1	SWITCH,MOWER
25	06520360	1	HOSE REEL,FIRE KIT,RAILKUT
26	06520366	1	GUN,FIRE KIT,RAILKUT
27	06430090	1	SLEEVE,GUN,FIRE SYS
28	06370121	1	HOLSTER,FIRESYS,RAILKUT

COMMON RSS

FIRE SUPPRESSION SYSTEM ELECTRICAL SCHEMATIC



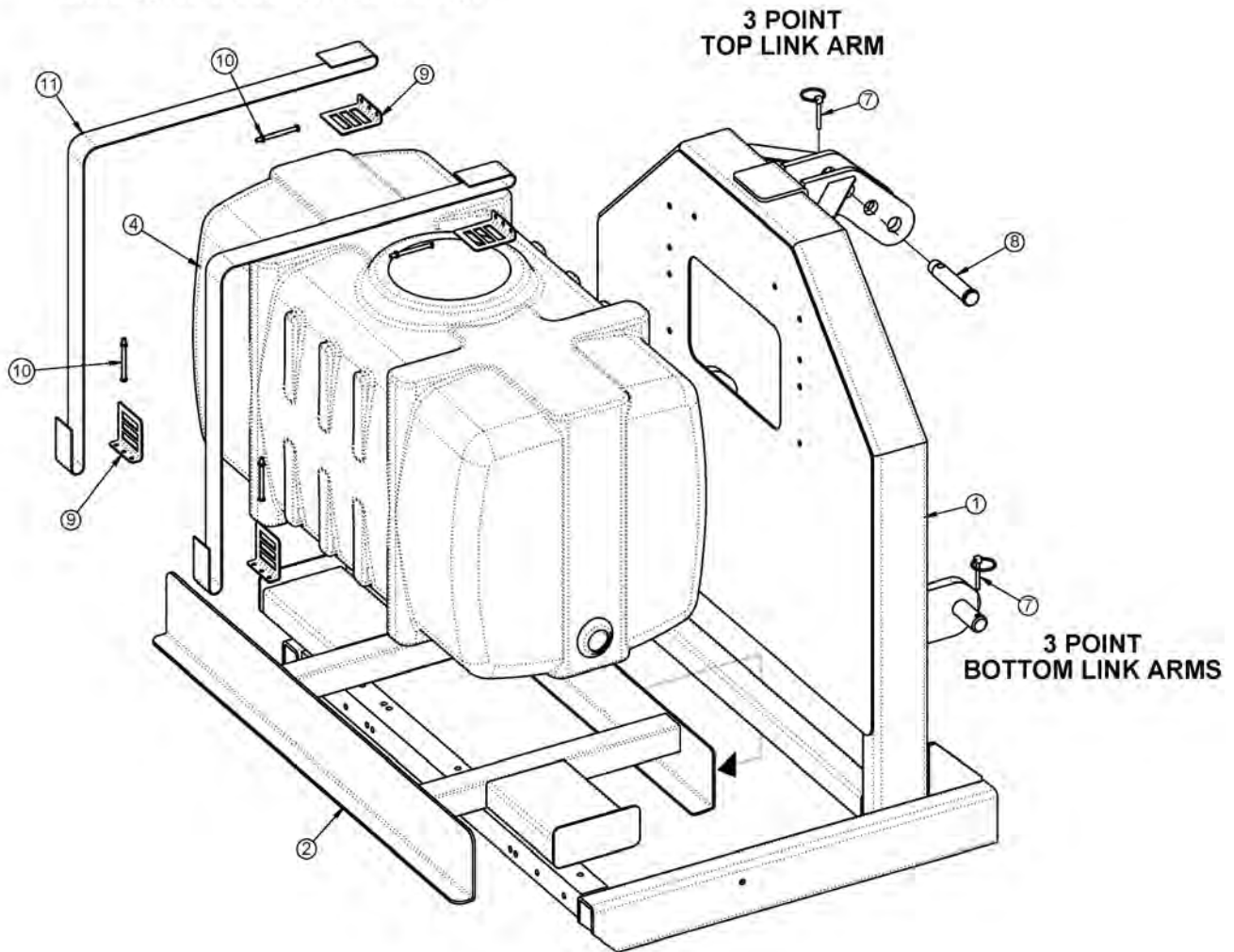
WETCUT

**WETCUT
SECTION**

COMMON RSS

WETCUT 50 GALLON TANK - 3PNT MOUNT

INSTALL ITEM 2 INTO ITEM 1 FIRST

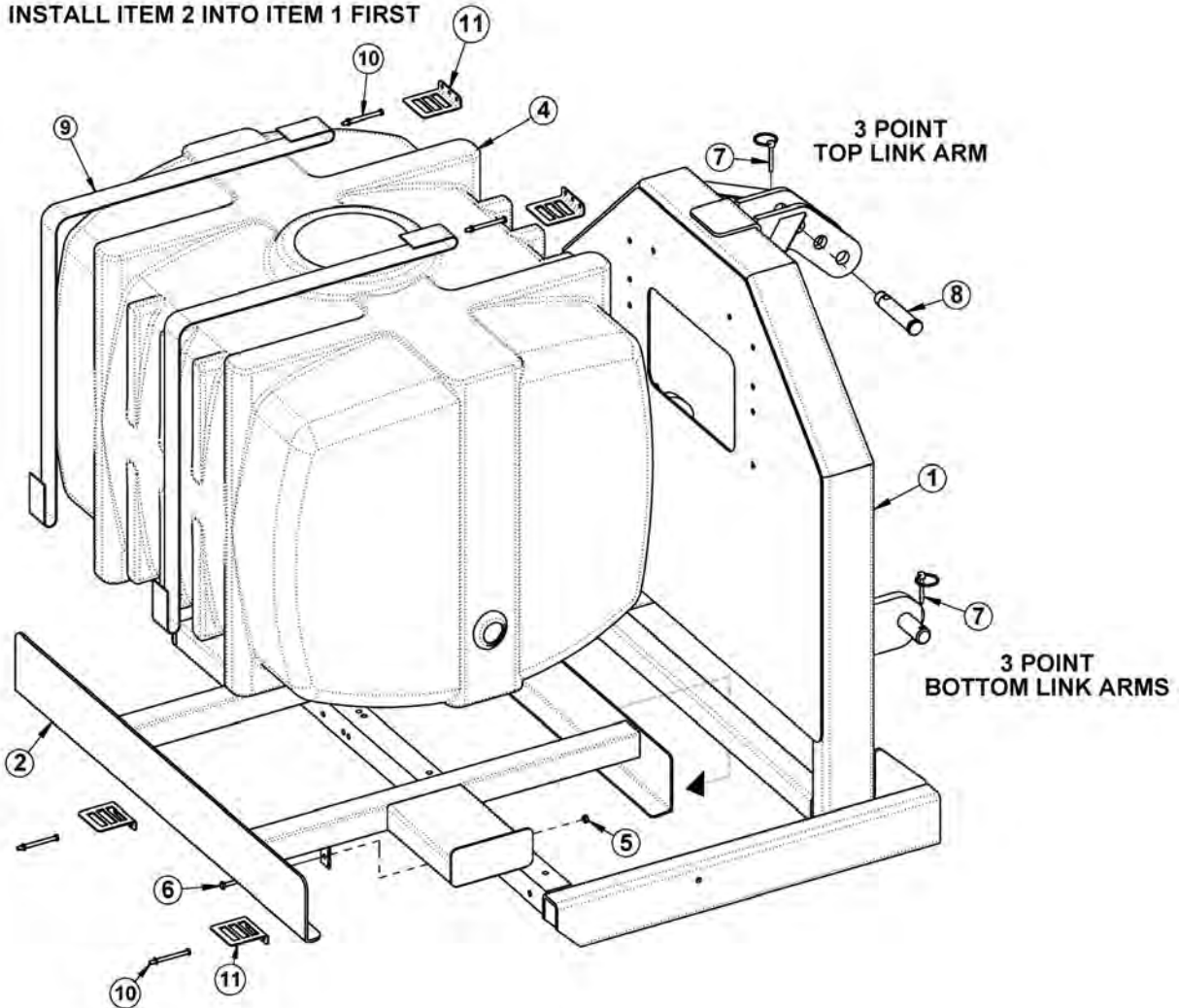


ITEM	PART NO.	QTY.	DESCRIPTION
1	06370128	1	MNT,3PNT,UNI
2	06370136	1	MNT,TANK,50GAL,WETCUT
4	06520342	1	TANK,50GA.,WETCUT
7	RD1032	3	PIN,LYNCH,1/4" X 2"
8	TB1036	1	PIN,SEC BOOM SWIV,1" X 4-11/16"
9	06520343	4	ANCHOR,STRAP,WETCUT
10	06520344	4	BOLT,STRAP,TANK,WETCUT
11	06520345	2	STRAP,TANK,WETCUT

COMMON RSS

WETCUT 100 OR 150 GALLON TANK - 3PNT MOUNT

INSTALL ITEM 2 INTO ITEM 1 FIRST

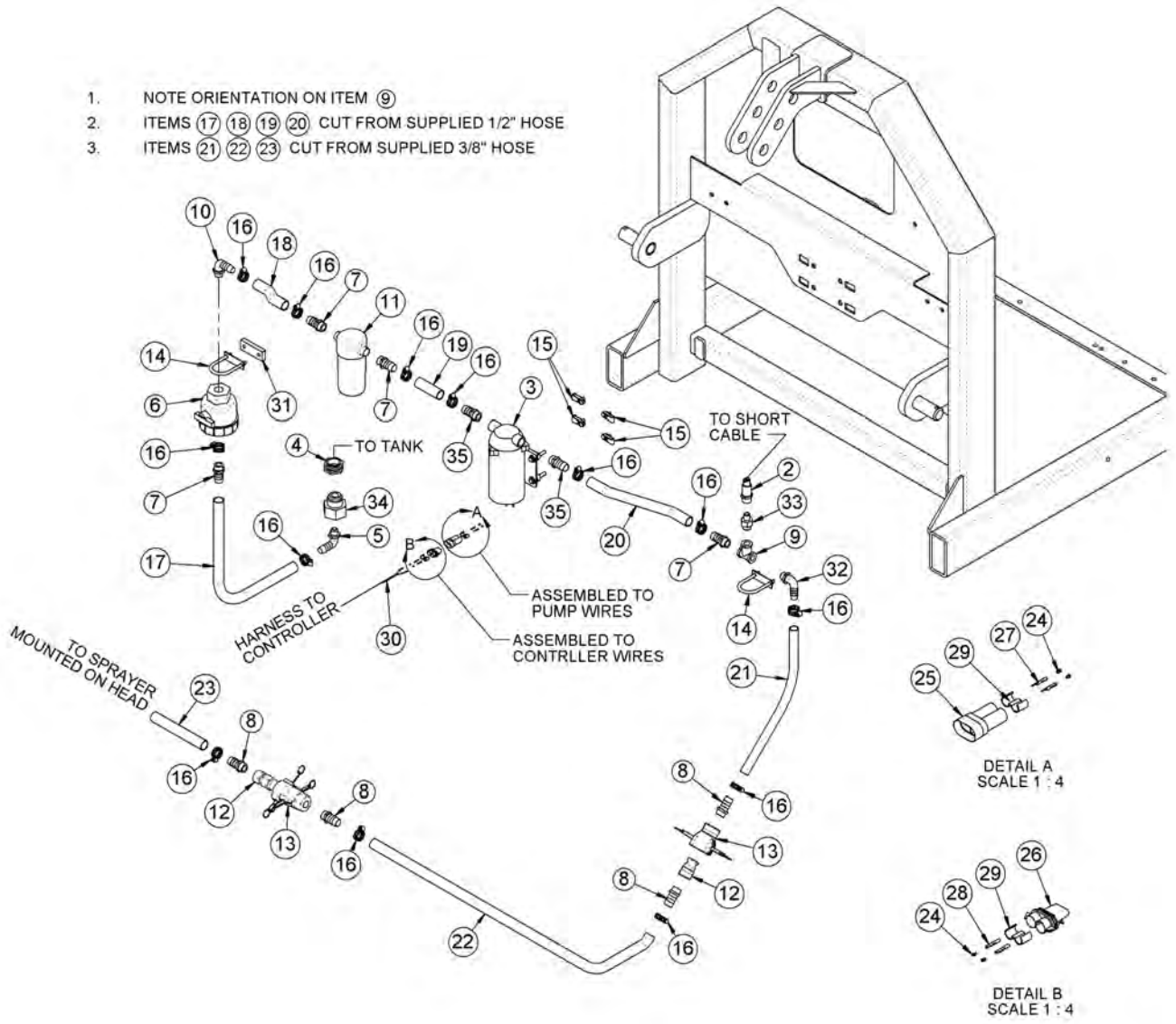


ITEM	PART NO.	QTY.	DESCRIPTION
1	06370128	1	MNT,3PNT,UNI
2	06370138	1	MNT,TANK,100GAL,WETCUT
---	06370139	-	MNT,TANK,150GAL,WETCUT
4	06520372	1	TANK,100GA.,WETCUT
---	06520373	-	TANK,150GA.,WETCUT
5	21527	2	HEX NUT,NYLOCK,1/4",NC
6	21530	2	CAPSCREW,1/4" X 1",NC
7	RD1032	3	PIN,LYNCH 1/4" X 2"
8	TB1036	1	PIN,SEC BOOM SWIV,1" X 4-11/16"
9	06520345	2	STRAP,TANK,WETCUT
10	06520344	4	BOLT,STRAP,TANK,WETCUT
11	06520343	4	ANCHOR,STRAP,WETCUT

COMMON RSS

WETCUT 3PNT PLUMBING - 50IN MOWERS

1. NOTE ORIENTATION ON ITEM 9
2. ITEMS 17 18 19 20 CUT FROM SUPPLIED 1/2" HOSE
3. ITEMS 21 22 23 CUT FROM SUPPLIED 3/8" HOSE



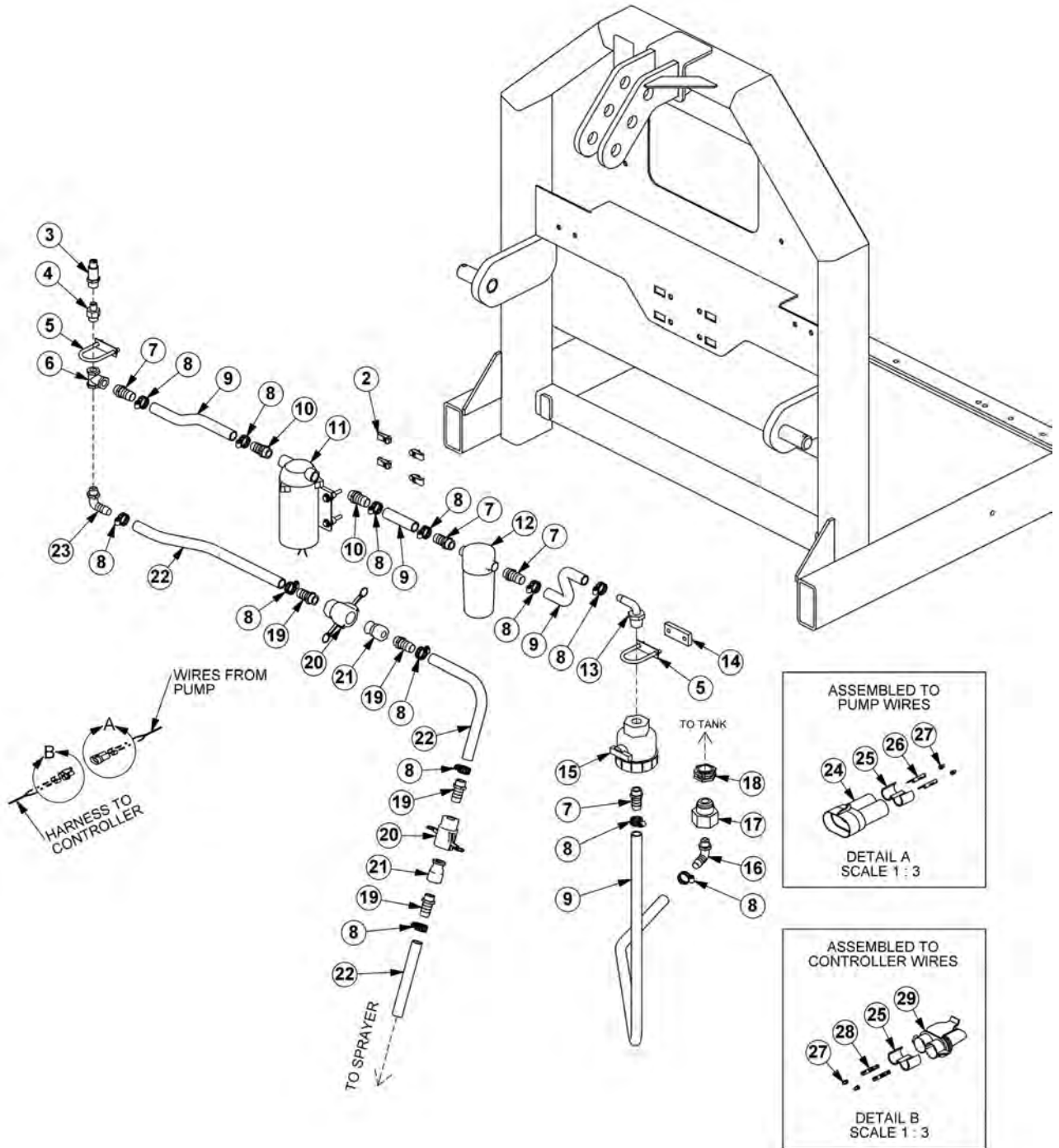
WETCUT 3PNT PLUMBING - 50IN MOWERS

Continued...

ITEM	PART NO.	QTY.	DESCRIPTION
1	06370128	1	MNT,3PNT,UNI
2	06520336	1	CNTRLR,SENSOR,06520333
3	06520341	1	PUMP,WETCUT
4	06520346	1	FITTING,BULKHEAD,WETCUT (50 GALLON TANKS ONLY)
5	06520347	1	FITTING,ELBOW,WETCUT
6	06520348	1	VLV,BALL,WETCUT
7	06520349	4	FITTING,BARB,HOSE,WETCUT
8	06503173	4	FITTING,1/2MP X 3/8" BARB
9	06520353	1	FITTING,TEE,WETCUT
10	06520367	1	ELBOW,1/2" X 1/2" BARB,POLY
11	06520361	1	FILTER,FIRE KIT,RAILKUT
12	06520400	2	QUIK CPLR,MALE,1/2",WETCUT
13	06520401	2	QUIK CPLR,FEM,1/2",WETCUT
14	27329	2	U-BOLT,1/4" X 1" X 2"
15	35176	4	U-NUT,1/4",3/4" TO CENTER
16	35091	13	CLAMP, HOSE #6
17 - 20	06520469	5	1/2" HOSE (FEET)
21 - 23	06520316	-	3/8" HOSE (INCLUDED WITH SPRAYER)
24	06510051	4	SEAL,16-18GA,METPAK
25	06510052	1	CONN.,BODY,MALE,METRIPACK 150
26	06510053	1	CONN.,BODY,FEM,METRIPACK 150
27	06510054	2	TERMINAL,MALE,16/18GA.METPAK
28	06510055	2	TERMINAL,FEM,16/18GA.METPAK
29	06510056	2	TPA
30	06520337	1	INCLUDED WITH CONTROLLER
31	06401133	1	SPACER,Ø.31" X 1.75" X .38"
32	06503165	1	ELBOW,1/2"MP X 3/8" BARB
33	06520354	1	BUSHING,REDUCER,WETCUT
34	06503169	1	BUSHING,1"MP X 1/2"FP (100 & 150 GALLON TANKS ONLY)
35	06503176	2	FITTING,BARB,3/8"MP X 1/2" BARB

COMMON RSS

WETCUT 3PNT PLUMBING - LARGE MOWERS



WETCUT 3PNT PLUMBING - LARGE MOWERS

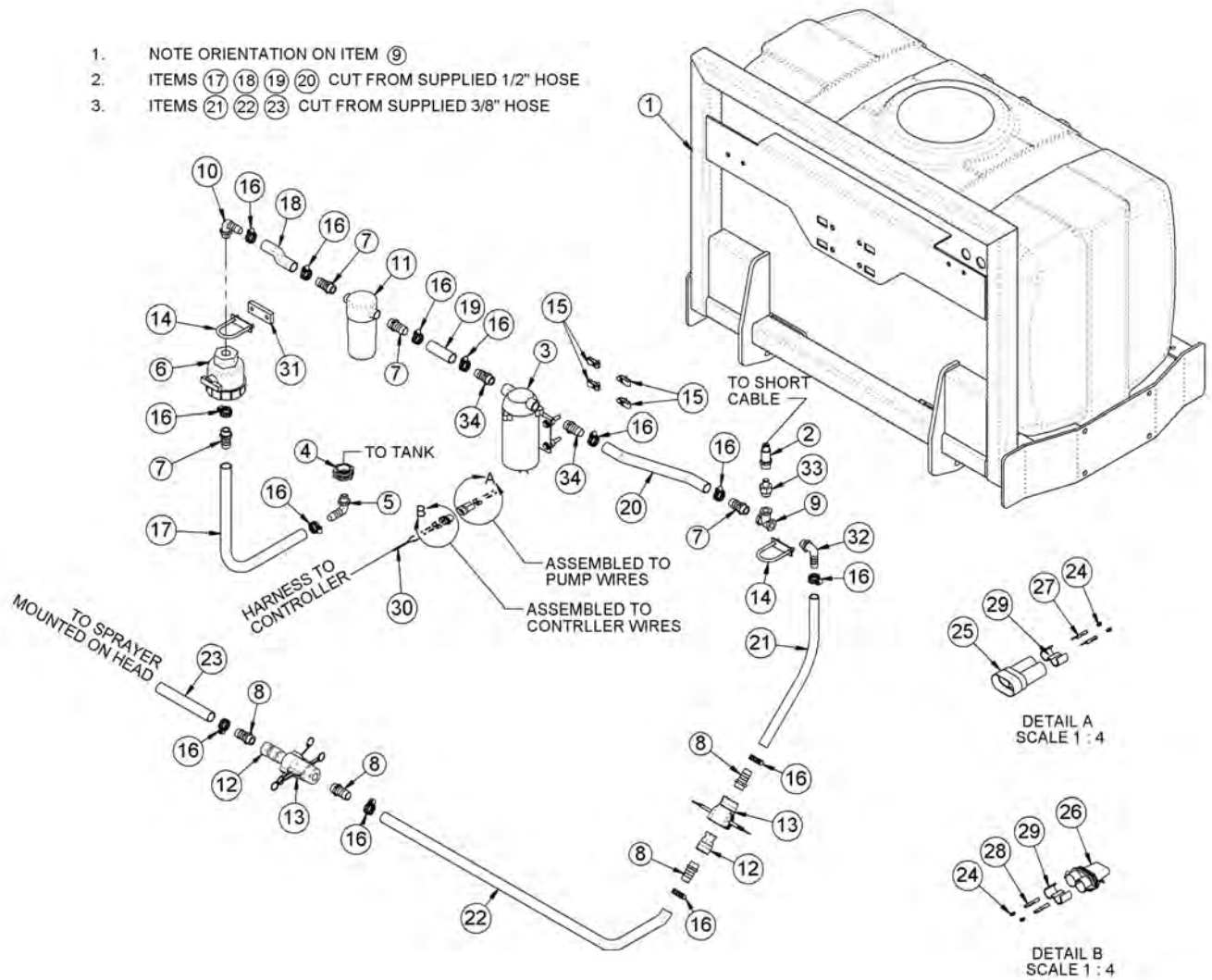
Continued...

ITEM	PART NO.	QTY.	DESCRIPTION
1	06370128	1	MNT,3PNT,UNI
2	35176	4	U-NUT,1/4,3/4 TO CENTER
3	06520336	1	CNTRLR,SENSOR,06520333
4	06520354	1	BUSHING,REDUCER,WETCUT
5	27329	2	U-BOLT,1/4" X 1" X 2"
6	06520353	1	FITTING,TEE,WETCUT
7	06520349	4	FITTING,BARB,HOSE,WETCUT
8	35091	13	CLAMP, HOSE #6
9	06520469	5	1/2" HOSE (FEET)
10	06503168	2	SWIVEL,1/2" STR
11	06520359	1	PUMP,LARGE
12	06520361	1	FILTER,FIRE KIT,RAILKUT
---	06520351	1	STRAINER,40MESH
13	06520367	1	ELBOW,1/2X1/2BARB,POLY
14	06401133	1	SPACER,Ø.31X1.75X.38
15	06520348	1	VLV,BALL,WETCUT
16	06520347	1	FITTING,ELBOW,WETCUT
17	06503169	1	BUSHING,1MPX1/2FP (100 & 150 GALLON TANKS ONLY)
18	06520346	1	FITTING,BULKHEAD,WETCUT (50 GALLON TANKS ONLY)
19	06503173	4	FITTING,BARB,1/2X3/8,WETCUT
20	06520401	2	QUIK CPLR,FEM,1/2,WETCUT
21	06520400	2	QUIK CPLR,MALE,1/2,WETCUT
22	06520316	-	3/8" HOSE (INCLUDED WITH SPRAYER)
23	06503165	1	ELBOW,1/2X3/8BARB,POLY
24	06510052	1	CONN.,BODY,MALE,METRIPACK 150
25	06510056	2	TPA
26	06510054	2	TERMINAL,MALE,16/18GA.METPAK
27	06510051	4	SEAL,16-18GA,METPAK
28	06510055	2	TERMINAL,FEM,16/18GA.METPAK
29	06510053	1	CONN.,BODY,FEM,METRIPACK 150

COMMON RSS

WETCUT FRONT PLUMBING - 50IN MOWERS

1. NOTE ORIENTATION ON ITEM ⑨
2. ITEMS ⑰ ⑱ ⑲ ⑳ CUT FROM SUPPLIED 1/2" HOSE
3. ITEMS ㉑ ㉒ ㉓ CUT FROM SUPPLIED 3/8" HOSE



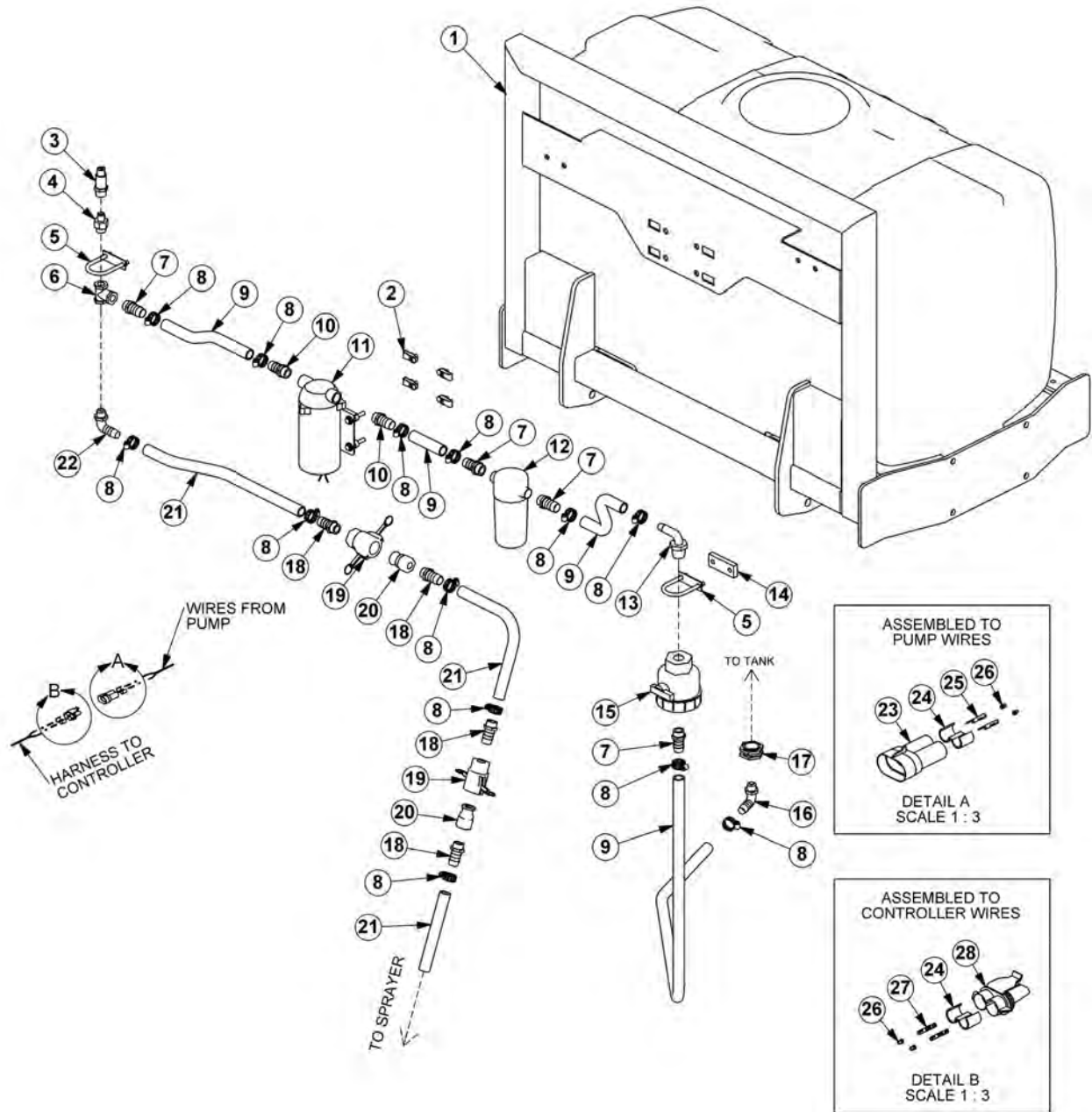
WETCUT FRONT PLUMBING - 50IN MOWERS

Continued...

ITEM	PART NO.	QTY.	DESCRIPTION
1	06370204	1	MNT,FRONT,UNI
2	06520336	1	CNTRLR,SENSOR,06520333
3	06520341	1	PUMP,WETCUT
4	06520346	1	FITTING,BULKHEAD,WETCUT
5	06520347	1	FITTING,ELBOW,WETCUT
6	06520348	1	VLV,BALL,WETCUT
7	06520349	4	FITTING,BARB,HOSE,WETCUT
8	06503173	4	FITTING,1/2"MP X 3/8"BARB
9	06520353	1	FITTING,TEE,WETCUT
10	06520367	1	ELBOW,1/2"MP X 1/2"BARB,POLY
11	06520361	1	FILTER,FIRE KIT,RAILKUT
---	06520351	1	STRAINER,40MESH
12	06520400	2	QUIK CPLR,MALE,1/2",WETCUT
13	06520401	2	QUIK CPLR,FEM,1/2",WETCUT
14	27329	2	U-BOLT,1/4" X 1" X 2"
15	35176	4	U-NUT,1/4",3/4" TO CENTER
16	35091	13	CLAMP,HOSE #6
17 - 20	06520469	5	1/2" HOSE (FEET)
21 - 23	06520316	-	3/8" HOSE (INCLUDED WITH SPRAYER)
24	06510051	4	SEAL,16-18GA,METPAK
25	06510052	1	CONN.,BODY,MALE,METRIPACK 150
26	06510053	1	CONN.,BODY,FEM,METRIPACK 150
27	06510054	2	TERMINAL,MALE,16/18GA.METPAK
28	06510055	2	TERMINAL,FEM,16/18GA.METPAK
29	06510056	2	TPA
30	06520337	1	INCLUDED WITH CONTROLLER
31	06401133	1	SPACER,Ø.31" X 1.75" X .38"
32	06503165	1	ELBOW,1/2"MP X 3/8"BARB,POLY
33	06520354	1	BUSHING,REDUCER,WETCUT
34	06503176	2	FITTING,3/8"MP X 1/2"BARB

COMMON RSS

WETCUT FRONT PLUMBING - LARGE MOWERS



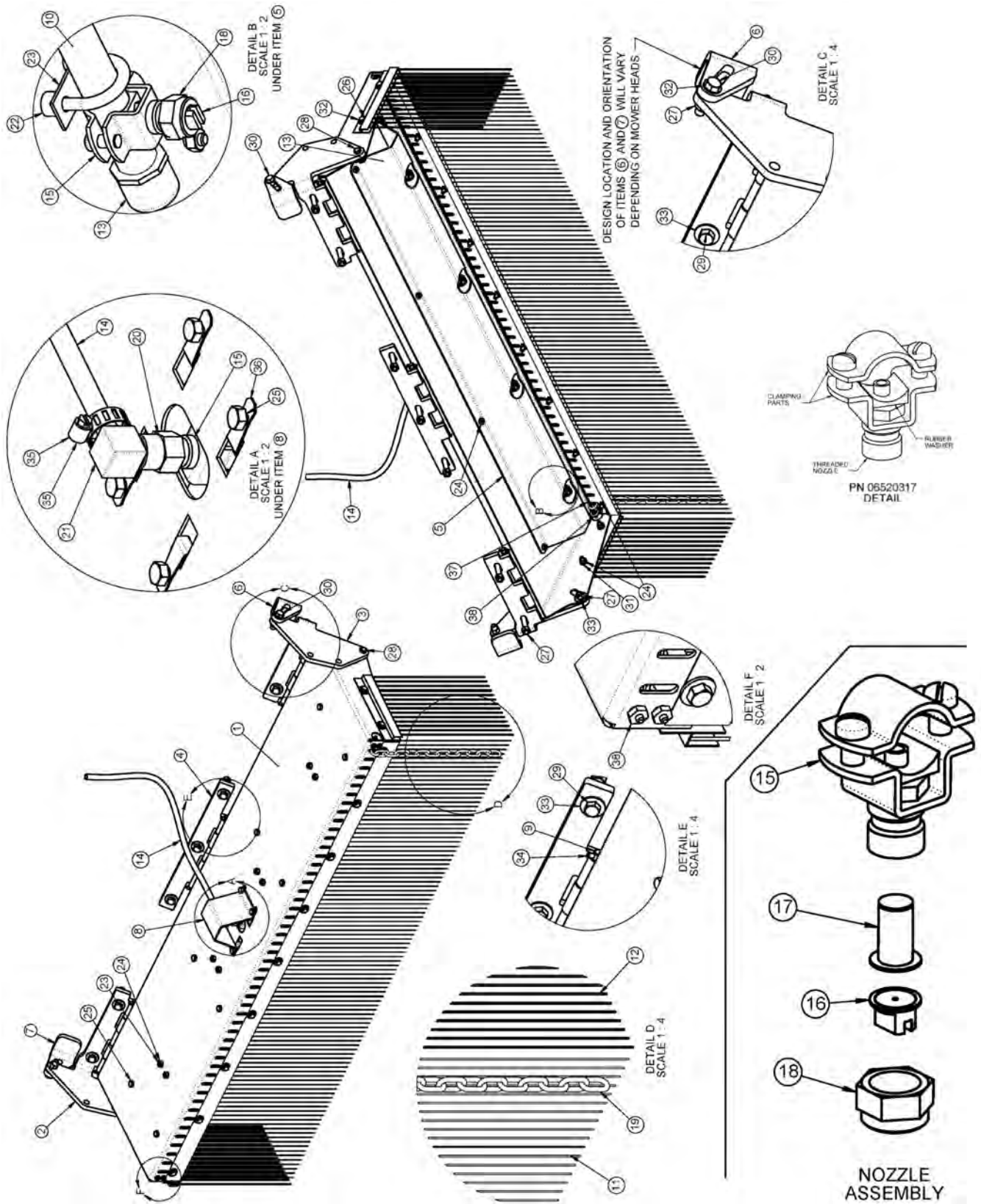
WETCUT FRONT PLUMBING - LARGE MOWERS

Continued...

ITEM	PART NO.	QTY.	DESCRIPTION
1	06370204	1	MNT,FRONT,UNIV
2	35176	4	U-NUT,1/4,3/4 TO CENTER
3	06520336	1	CNTRLR,SENSOR,06520333
4	06520354	1	BUSHING,REDUCER,WETCUT
5	27329	2	U-BOLT,1/4" X 1" X 2"
6	06520353	1	FITTING,TEE,WETCUT
7	06520349	4	FITTING,BARB,HOSE,WETCUT
8	35091	13	CLAMP, HOSE #6
9	06520469	5	1/2" HOSE (FEET)
10	06503168	2	SWIVEL,1/2" STR
11	06520359	1	PUMP,LARGE
12	06520361	1	FILTER,FIRE KIT,RAILKUT
---	06520351	1	STRAINER,40MESH
13	06520367	1	ELBOW,1/2X1/2BARB,POLY
14	06401133	1	SPACER,Ø.31X1.75X.38
15	06520348	1	VLV,BALL,WETCUT
16	06520347	1	FITTING,ELBOW,WETCUT
17	06520346	1	FITTING,BULKHEAD,WETCUT
18	06503173	4	FITTING,BARB,1/2X3/8,WETCUT
19	06520401	2	QUIK CPLR,FEM,1/2,WETCUT
20	06520400	2	QUIK CPLR,MALE,1/2,WETCUT
21	06520316	-	3/8" HOSE (INCLUDED WITH SPRAYER)
22	06503165	1	ELBOW,1/2X3/8BARB,POLY
23	06510052	1	CONN.,BODY,MALE,METRIPACK 150
24	06510056	2	TPA
25	06510054	2	TERMINAL,MALE,16/18GA.METPAK
26	06510051	4	SEAL,16-18GA,METPAK
27	06510055	2	TERMINAL,FEM,16/18GA.METPAK
28	06510053	1	CONN.,BODY,FEM,METRIPACK 150

COMMON RSS

WETCUT 50IN SPRAYER HEAD ASSEMBLY



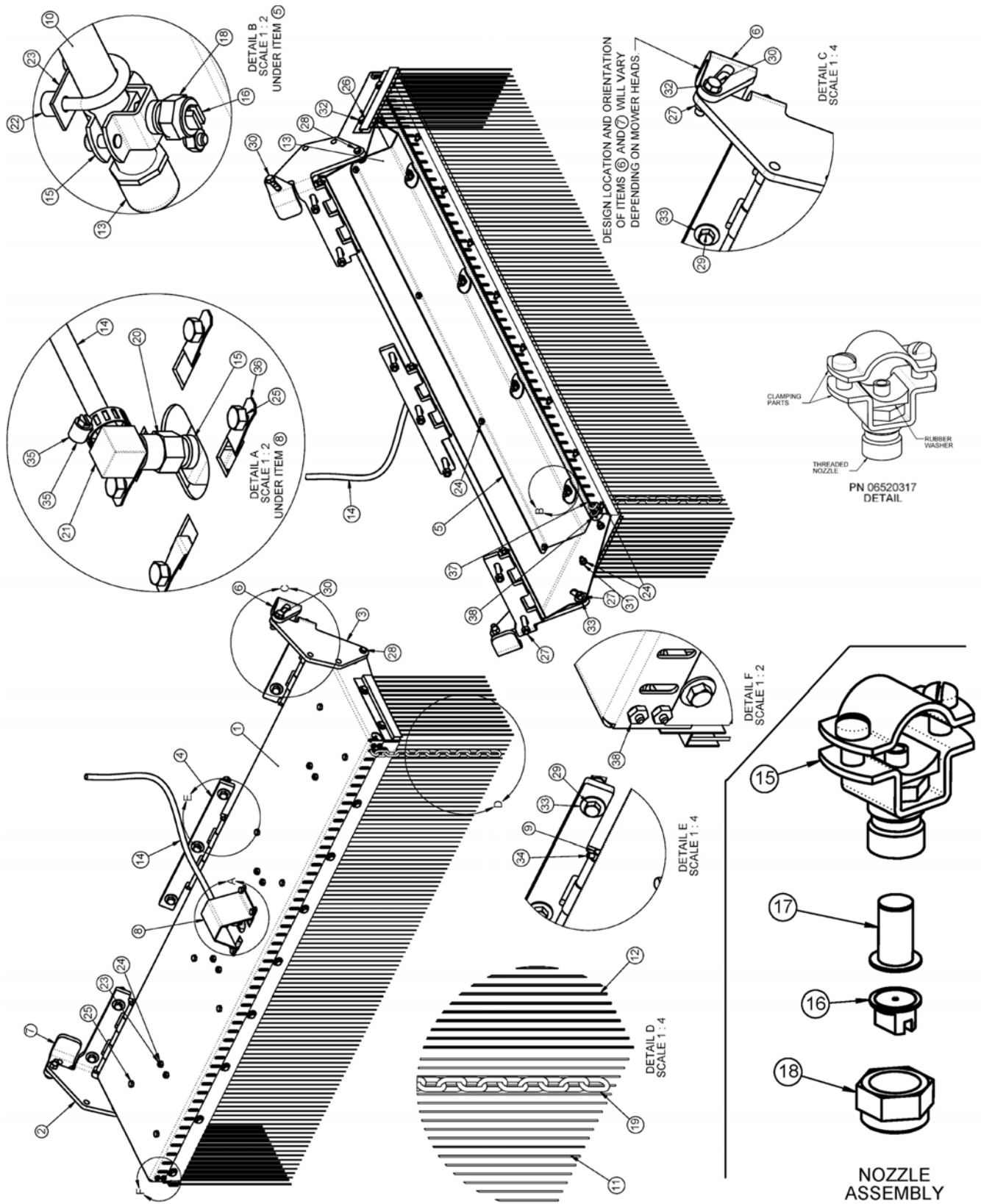
WETCUT 50IN SPRAYER HEAD ASSEMBLY

Continued...

ITEM	PART NO.	QTY.	DESCRIPTION
1	06370105	1	HOOD,SPRAYER
2	06370106	1	HINGE,LH,SPRAYER
3	06370107	1	HINGE,RH,SPRAYER
4	06370108	1	HINGE,CNTR,SPRAYER
5	06410668	1	GUARD,SPRAYER,WETCUT
6	06410753	1	MNT,RH,WET CUT (FLAIL)
---	06410942	1	MNT,RH,WET CUT (ROTARY)
7	06410754	1	MNT,LH,WET CUT (FLAIL)
---	06410943	1	MNT,LH,WET CUT (ROTARY)
8	06410796	1	GUARD,HOSE,WETCUT
9	06420069	3	PIN,HINGE,WET CUT
10	06497003	1	TUBE,LG,SPRAYER
11	06499012	1	SKIRT,ANTI SPRAY,50
12	06499013	2	SKIRT,ANTI SPRAY,7
13	06520314	2	TUBE,CAP,SPRAYER
14	06520316	15	HOSE,SPRAYER (FEET)
15	06520317	5	NOZZLE,SPRAYER
16	06520319	4	TIP,NOZZLE,SPRAYER
17	06520320	4	FILTER,NOZZLE,SPRAYER
18	06520321	4	NUT,NOZZLE,SPRAYER
19	06520322	49	CHAIN,.18" X 1.31" X 13LINKS
20	06520381	1	ADAPTER,1/4"NPT,WETCUT
21	06520382	1	ELBOW,BARB,3/8" X 1/4"NPT
22	06520383	8	SPACER,.50"O.D. X .252"I.D. X .38",NYLON
23	32550	4	U-BOLT,1/4" X 1" X 1" X 1-3/4"
24	21527	29	HEX NUT,NYLOCK,1/4",NC
25	21528	12	CAPSCREW,1/4" X 1/2",NC
26	21529	13	CAPSCREW,1/4" X 3/4",NC
27	21625	11	HEX NUT,3/8",NC
28	21630	2	CAPSCREW,3/8" X 1",NC
29	21634	7	CAPSCREW,3/8" X 2",NC
30	21632	2	CAPSCREW,3/8" X 1-1/2",NC
31	21986	4	LOCKWASHER,1/4"
32	22014	15	FLATWASHER,1/4"
33	22016	9	FLATWASHER,3/8",GR8
34	34698	6	ROLL PIN, PLAIN, 3/16" X 7/8"
35	35091	1	CLAMP,HOSE #6
36	35176	4	U-NUT,1/4",3/4" TO CENTER
37	06520376	5	CABLE,3/16"
38	06537022	2	U-BOLT,CABLE,3/16"

COMMON RSS

WETCUT 60IN SPRAYER HEAD ASSEMBLY



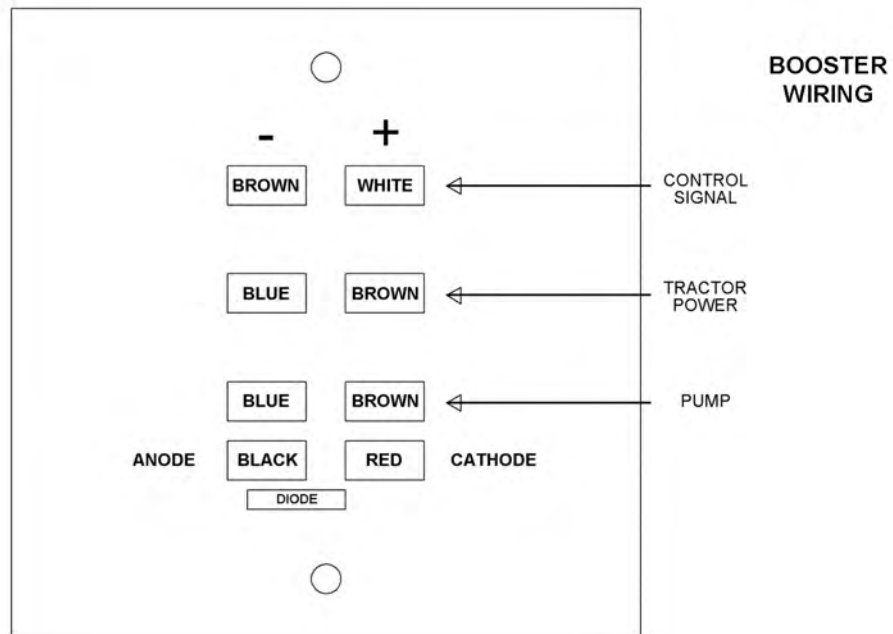
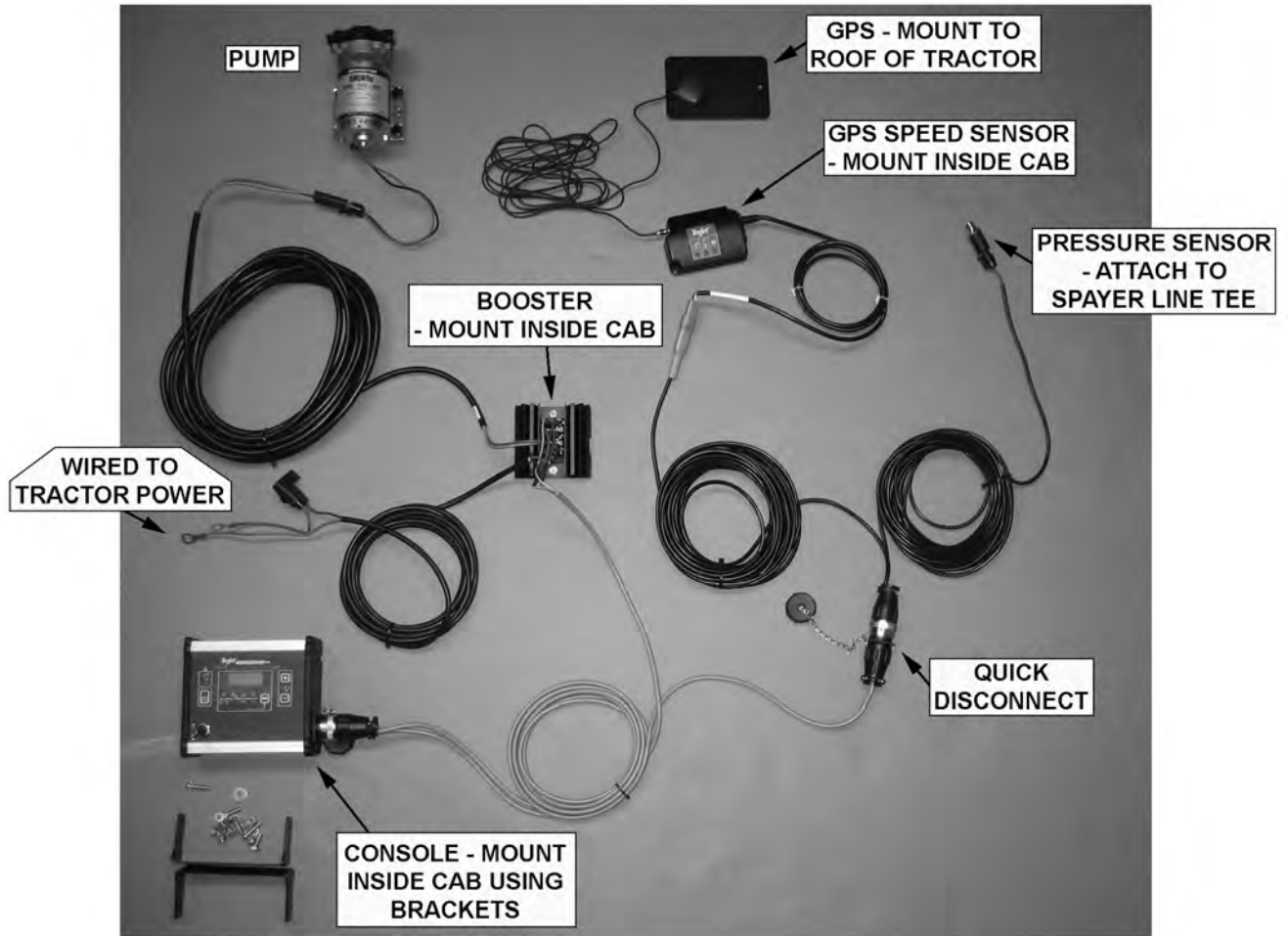
WETCUT 60IN SPRAYER HEAD ASSEMBLY

Continued...

ITEM	PART NO.	QTY.	DESCRIPTION
1	06370210	1	HOOD,SPRAYER
2	06370106	1	HINGE,LH,SPRAYER
3	06370107	1	HINGE,RH,SPRAYER
4	06370108	1	HINGE,CNTR,SPRAYER
5	06411234	1	GUARD,SPRAYER,WETCUT
6	06410753	1	MNT,RH,WET CUT (FLAIL)
---	06410942	1	MNT,RH,WET CUT (ROTARY)
7	06410754	1	MNT,LH,WET CUT (FLAIL)
---	06410943	1	MNT,LH,WET CUT (ROTARY)
8	06410796	1	GUARD,HOSE,WETCUT
9	06420069	3	PIN,HINGE,WET CUT
10	06497009	1	TUBE,LG,SPRAYER
11	06499018	1	SKIRT,ANTI SPRAY,60
12	06499013	2	SKIRT,ANTI SPRAY,7
13	06520314	2	TUBE,CAP,SPRAYER
14	06520316	15	HOSE,SPRAYER (FEET)
15	06520317	6	NOZZLE,SPRAYER
16	06520319	5	TIP,NOZZLE,SPRAYER
17	06520320	5	FILTER,NOZZLE,SPRAYER
18	06520321	5	NUT,NOZZLE,SPRAYER
19	06520322	61	CHAIN,.18" X 1.31" X 13LINKS
20	06520381	1	ADAPTER,1/4"NPT,WETCUT
21	06520382	1	ELBOW,BARB,3/8" X 1/4"NPT
22	06520383	10	SPACER,.50"O.D. X .252" I.D. X .38",NYLON
23	32550	5	U-BOLT,1/4" X 1" X 1" X 1-3/4"
24	21527	33	HEX NUT,NYLOCK,1/4",NC
25	21528	15	CAPSCREW,1/4" X 1/2",NC
26	21529	13	CAPSCREW,1/4" X 3/4",NC
27	21625	13	HEX NUT,3/8",NC
28	21630	2	CAPSCREW,3/8" X 1",NC
29	21634	7	CAPSCREW,3/8" X 2",NC
30	21632	4	CAPSCREW,3/8" X 1-1/2",NC
31	21986	4	LOCKWASHER,1/4"
32	22014	33	FLATWASHER,1/4"
33	22016	11	FLATWASHER,3/8",GR8
34	34698	6	ROLL PIN, PLAIN, 3/16" X 7/8"
35	35091	1	CLAMP,HOSE #6
36	35176	4	U-NUT,1/4",3/4" TO CENTER
37	06520376	6	CABLE,3/16" (FEET)
38	06537022	2	U-BOLT,CABLE,3/16"

COMMON RSS

WETCUT CABLES



WARRANTY SECTION

WARRANTY INFORMATION

Tiger Corporation, 3301 N. Louise, Sioux Falls, South Dakota, warrants to the original Retail Customer, the new Tiger equipment is free of defects in material and workmanship. Any part of equipment that in Tiger's judgement, show evidence of such defects will be repaired or replaced without charge, provided that the failure of part(s) shall have occurred within twelve (12) months from the date of delivery of said equipment to the Retail Customer. Expendable components such as knives, oil, chain sprockets, skid shoes, knife mounting disks and the like are excluded but not limited to this warranty.

The Retail Customer must pay the transportation cost to and from the Tiger Dealer's service shop for warranty service. Warranty service will be performed by the Tiger Dealer from whom the equipment was purchased, during service shop regularly scheduled days and hours of operation.

All Tiger obligation under this warranty shall be terminated if the equipment is modified or altered in ways not approved in writing by Tiger, if repair parts other than genuine Tiger repair parts have been used, or if the equipment has been subject to misuse, neglect, accident, improper maintenance or improper operation.

Tiger Corporation reserves the right to make improvements in design or changes in specification at any time without incurring any obligation to owners of equipment previously sold.

No agent or person has authority to alter, add to or waive the above warranties which are agreed to be in the only warranties, representations or promises, expressed or implied, as to the quality or performance of the products covered and which do not include any implied warranty of merchantability or fitness. In no event will Tiger be liable for incidental or consequential damages or injuries, including, but not limited to, loss of profits, rental or substitute equipment or other commercial loss.

**THERE ARE NO WARRANTIES WHICH EXTEND
BEYOND THOSE EXPRESSED HEREIN.**

It is the Purchasers obligation to sign the warranty registration form **AFTER** he / she has Read and Understands the Operation and Safety Instructions stated within this manual.

ONE LAST WORD

This manual cannot possibly cover all of the potentially hazardous situations you will encounter. By being familiar with the safety rules, operating and maintenance instructions in this manual you can help prevent accidents. The objective of this manual is to help make you a better operator. Remember, **SAFETY IS YOU!**



1012

Your safety and the safety of those around you depends on **YOU**. Common sense should play a large role in the operation of this machine.

Since we at Tiger Corporation are constantly striving to improve our products, we reserve the right to change specifications or design at any time.

TO THE OWNER / OPERATOR / DEALER



To keep your implement running efficiently and safely, read your manual thoroughly and follow these directions and the Safety Messages in this manual and on the machine. The table of contents clearly identifies each section where you can easily find the information you need.

The Occupational Safety and Health Act (OSHA 1928.51 subpart C) makes the following minimum requirements for tractor operators.

OWNER REQUIREMENTS:

1. Provide a Roll-Over-Protective Structure that meets the requirements of this Standard; and
2. Provide Seatbelts that meet the requirements of this Standard and SAE J3C; and
3. Ensure that each employee uses such Seatbelt while the tractor is moving; and
4. Ensure that each employee tightens the Seatbelt sufficiently to confine the employee to the protected area provided by the ROPS.

OPERATOR REQUIREMENTS:

1. Securely fasten seatbelt if the tractor has a ROPS.
2. Where possible, avoid operating the tractor near steep ditches, embankments, and holes.
3. Reduce speed when turning, crossing slopes, and on rough, slick, or muddy surfaces.
4. Stay off slopes too steep for safe operation.
5. Watch where you are going – especially at row ends, on roads, and around trees.
6. Do Not permit others to ride.
7. Operate the tractor smoothly – no jerky turns, starts, or stops.
8. Hitch only to the draw-bar and hitch points recommended by the tractor manufacturer.
9. When the tractor is stopped, set brakes securely and use park lock, if available



Printed in USA
© Tiger Corporation