



LYNX BOOM ASSEMBLIES

NEW HOLLAND TS6.110

Current as of 2/09/2013

PARTS LISTING WITH MOUNTING AND OPERATING INSTRUCTIONS

Tiger Corporation
3301 N. Louise Ave.
Sioux Falls, SD 57107
1-800-843-6849
1-605-336-7900
www.tiger-mowers.com

06020017

TO THE OWNER / OPERATOR / DEALER

All implements with moving parts are potentially hazardous. There is no substitute for a cautious, safe-minded operator who recognizes the potential hazards and follows reasonable safety practices. The manufacturer has designed this implement to be used with all its safety equipment properly attached to minimize the chance of accidents.

BEFORE YOU START!! Read the safety messages on the implement and shown in this manual. Observe the rules of safety and use common sense!

READ AND UNDERSTAND THIS MANUAL! Non-English speaking operators will need to GET THE MANUAL TRANSLATED as needed!



DANGER

FAILING TO FOLLOW SAFETY MESSAGES AND OPERATING INSTRUCTIONS CAN CAUSE SERIOUS BODILY INJURY OR EVEN DEATH TO OPERATOR AND OTHERS IN THE AREA.



1. Study and understand Operator's Manuals, Safety Decals, and Instructional Decals for tractor and implement to prevent misuse, abuse, and accidents. Practice before operating in a confined area or near passersby.

● Learn how to stop engine suddenly in an emergency. Be alert for passersby and especially children

2. Allow no children on or near folding mower or tractor. Allow no riders on tractor or implement. Falling off may cause serious injury or death from being run over by tractor or mower or contact with rotating blades.

3. Operate only with tractor having Roll-Over Protective Structure (ROPS) and with seat belt securely fastened to prevent injury and possible death from falling off or tractor overturn.

● Personal Protective Equipment such as Hard Hat, Safety Glasses, Safety Shoes, & Ear Plugs are recommended.

4. Block up or support raised machine and all lifted components securely before putting hands or feet under or working underneath any lifted component to prevent crushing injury or death from sudden dropping or inadvertent operation of controls. Make certain area is clear before lowering or folding

5. Before transporting, put Lift Lever in detent or full-lift position. Install Transport Safety Devices securely on folding mowers. Put Booms securely in Transport Rest.

● Folding and Boom Mowers have raised center of gravity. Slow down when turning and on hillsides.

6. Make certain that SMV sign, warning lights, and reflectors are clearly visible. Follow local traffic codes.

7. Never operate with Cutting Head or Folding Section raised if passersby, bystanders, or traffic are in the area to reduce possibility of injury or death from objects thrown by Blades under Guards or mower structure.

8. Before dismounting, secure implement in transport position or lower to ground.

● Put tractor in park or set brake, disengage PTO, stop engine, remove key, and wait until noise of rotation has ceased to prevent crushing by entanglement in rotating parts which could cause injury or death.

● Never mount or dismount a moving vehicle. Crushing from runover may cause serious injury or death.



02967827

Warranty Information: Read and understand the complete Warranty Statement found in this manual. Fill out the Warranty Registration form in full and return it within 90 days. Make certain the Serial Number of the machine is recorded on the Warranty Card, and form that you retain.

FORWARD

This manual contains information about many features of the Tiger mowing and roadside maintenance equipment. Some of these include: Safety precautions, Assembly instructions, Operations, Maintenance and Parts. This manual will also assist you in the proper break-in, daily care, and troubleshooting of your new mower.

We recommend that you read carefully the entire manual before operating the unit. Also, time spent in becoming fully acquainted with its performance features, adjustments, and maintenance schedules will be repaid in a long and satisfactory life of the equipment.

Troubleshooting - Please, before you call, help us to help you!

Please look at the equipment to observe what is happening, then:

- Classify the problem
 - Hydraulic, electrical or mechanical - Read the trouble shooting section
 - Tractor or Truck chassis - Contact vehicle dealer

- If unable to correct the problem yourself, contact your local Tiger Dealer after gathering:
 - Machine model _____
 - Serial number _____
 - Dealer name _____
 - Detailed information about the problem including results of troubleshooting

Attention Owner / Operator / Dealer: It is your obligation to read, and understand, the warranty information section located at the back of this manual denoting that the purchaser understands the safety issues relating to this machine and has received and will read a copy of this manual.

If at any time, you have a service problem with your Tiger mower, Contact your local dealer for service and parts needed.

MANUFACTURED BY:

Tiger Corporation

3301 N. Louise Ave.

Sioux Falls, SD 57107

1-800-843-6849

1-605-336-7900

www.tiger-mowers.com

DISTRIBUTED BY:

1- _____ - _____ - _____

1- _____ - _____ - _____

TABLE OF CONTENTS

SAFETY SECTION_____	1
ASSEMBLY / MOUNTING SECTION_____	2
OPERATION SECTION_____	3
MAINTENANCE SECTION_____	4
PARTS SECTION_____	5
COMMON PARTS SECTION_____	6
WARRANTY INFORMATION_____	7



1012

This symbol means:

CAUTION – YOUR SAFETY IS AT RISK!

When you see this symbol, read and follow the associated instructions carefully or personal injury or damage may result.

Tiger is a registered trademark.



SAFETY

SAFETY SECTION

SAFETY

General Safety Instructions and Practices

A safe and careful operator is the best operator. Safety is of primary importance to the manufacturer and should be to the owner / operator. Most accidents can be avoided by being aware of your equipment, your surroundings, and observing certain precautions. The first section of this manual includes a list of Safety Messages that, if followed, will help protect the operator and bystanders from injury or death. Read and understand these Safety Messages before assembling, operating or servicing this mower. This equipment should only be operated by those persons who have read the Manual, who are responsible and trained, and who know how to do so safely and responsibly.



1000

The Safety Alert Symbol combined with a Signal Word, as seen below, is used throughout this manual and on decals which are attached to the equipment. The Safety Alert Symbol means: “**ATTENTION! BECOME ALERT! YOUR SAFETY IS INVOLVED!**” The symbol and signal word are intended to warn the owner / operator of impending hazards and the degree of possible injury when operating this equipment.

Practice all usual and customary safe working precautions and above all -- remember safety is up to YOU! Only YOU can prevent serious injury or death from unsafe practices.

DANGER!



Indicates an imminently hazardous situation that, if not avoided, WILL result in DEATH OR VERY SERIOUS INJURY.

WARNING!



Indicates an imminently hazardous situation that, if not avoided, COULD result in DEATH OR SERIOUS INJURY.

CAUTION!



Indicates an imminently hazardous situation that, if not avoided, MAY result in MINOR INJURY.

IMPORTANT!

Identifies special instructions or procedures that, if not strictly observed, could result in damage to, or destruction of the machine, attachments or the environment.

NOTE: *Identifies points of particular interest for more efficient or convenient operation or repair.* (SG-1)

READ, UNDERSTAND, and FOLLOW the following Safety Messages. Serious injury or death may occur unless care is taken to follow the warnings and instructions stated in the Safety Messages. Always use good common sense to avoid hazards. (SG-2)

SAFETY INSTRUCTIONS



SAFETY

PELIGRO!



Si no lee Ingles, pida ayuda a alguien que si lo lea para que le traduzca las medidas de seguridad. (SG-3)

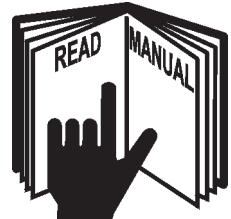


¡ LEA EL INSTRUCTIVO!

DANGER!



Never operate the Tractor or Implement until you have read and completely understand this Manual, the Tractor Operator's Manual, and each of the Safety Messages found in the Manual or on the Tractor and Implement. Learn how to stop the tractor engine suddenly in an emergency. Never allow inexperienced or untrained personnel to operate the Tractor and Implement without supervision. Make sure the operator has fully read and understood the manuals prior to operation. (SG-4)



WARNING!



Always maintain the safety decals in good readable condition. If the decals are missing, damaged, or unreadable, obtain and install replacement decals immediately. (SG-5)

WARNING!



Make certain that the "Slow Moving Vehicle" (SMV) sign is installed in such a way as to be clearly visible and legible. When transporting the Equipment use the Tractor flashing warning lights and follow all local traffic regulations. (SG-6)



WARNING!



Operate this Equipment only with a Tractor equipped with an approved roll-over-protective system (ROPS). Always wear seat belts. Serious injury or even death could result from falling off the tractor--particularly during a turnover when the operator could be pinned under the ROPS. (SG-7)



WARNING!

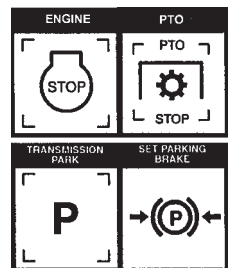


Do not modify or alter this Implement. Do not permit anyone to modify or alter this Implement, any of its components or any Implement function. (SG-8)

DANGER!



BEFORE leaving the tractor seat, always engage the brake and/or set the tractor transmission in parking gear, disengage the PTO, stop the engine, remove the key, and wait for all moving parts to stop. Place the tractor shift lever into a low range or parking gear to prevent the tractor from rolling. Never dismount a Tractor that is moving or while the engine is running. Operate the Tractor controls from the tractor seat only. (SG-9)



SAFETY

DANGER!



Never allow children or other persons to ride on the Tractor or Implement. Falling off can result in serious injury or death.

(SG-10)



DANGER!



Never allow children to operate or ride on the Tractor or Implement.

(SG-11)



WARNING!



Do not mount the Tractor while the tractor is moving. Mount the Tractor only when the Tractor and all moving parts are completely stopped.

(SG-12)

(SG-12)



DANGER!



Start tractor only when properly seated in the Tractor seat. Starting a tractor in gear can result in injury or death. Read the Tractor operators manual for proper starting instructions.

(SG-13)



DANGER!



Never work under the Implement, the framework, or any lifted component unless the Implement is securely supported or blocked up to prevent sudden or inadvertent falling which could cause serious injury or even death.

(SG-14)



DANGER!



Do not operate this Equipment with hydraulic oil leaking. Oil is expensive and its presence could present a hazard. Do not check for leaks with your hand! Use a piece of heavy paper or cardboard. High-pressure oil streams from breaks in the line could penetrate the skin and cause tissue damage including gangrene. If oil does penetrate the skin, have the injury treated immediately by a physician knowledgeable and skilled in this procedure.

(SG-15)

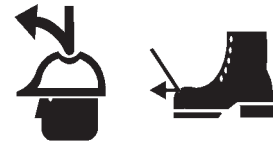


SAFETY

WARNING!



The operator and all support personnel should wear hard hats, safety shoes, safety glasses, and proper hearing protection at all times for protection from injury including injury from items thrown by the equipment. (SG-16)



CAUTION!



PROLONGED EXPOSURE TO LOUD NOISE MAY CAUSE PERMANENT HEARING LOSS! Tractors with or without an Implement attached can often be noisy enough to cause permanent hearing loss. We recommend that you always wear hearing protection if the noise in the Operator's position exceeds 80db. Noise over 85db over an extended period of time will cause severe hearing loss. Noise over 90db adjacent to the Operator over an extended period of time will cause permanent or total hearing loss. *Note:* Hearing loss from loud noise [from tractors, chain saws, radios, and other such sources close to the ear] is cumulative over a lifetime without hope of natural recovery. (SG-17)



WARNING!

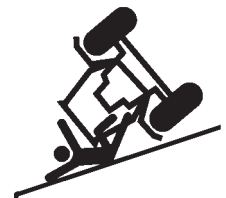


Transport only at safe speeds. Serious accidents and injuries can result from operating this equipment at unsafe speeds. Understand the Tractor and Implement and how it handles before transporting on streets and highways. Make sure the Tractor steering and brakes are in good condition and operate properly.



Before transporting the Tractor and Implement, determine the safe transport speeds for you and the equipment. Make sure you abide by the following rules:

1. Test the tractor at a slow speed and increase the speed slowly. Apply the Brakes smoothly to determine the stopping characteristics of the Tractor and Implement. As you increase the speed of the Tractor the stopping distance increases. Determine the maximum safe transport speed for you and this Equipment.
2. Test the equipment at a slow speed in turns. Increase the speed through the turn only after you determine that it is safe to operate at a higher speed. Use extreme care and reduce your speed when turning sharply to prevent the tractor and implement from turning over. Determine the maximum safe turning speed for you and this equipment before operating on roads or uneven ground.
3. Only transport the Tractor and Implement at the speeds that you have determined are safe and which allow you to properly control the equipment.



Be aware of the operating conditions. Do not operate the Tractor with weak or faulty brakes. When operating down a hill or on wet or rain slick roads, the braking distance increases: use extreme care and reduce your speed. When operating in traffic always use the Tractor's flashing warning lights and reduce your speed. Be aware of traffic around you and watch out for the other guy. (SG-19)

SAFETY

WARNING!



Never attempt to lubricate, adjust, or remove material from the Implement while it is in motion or while tractor engine is running. Make sure the tractor engine is off before working on the Implement.

(SG-20)

WARNING!



Periodically inspect all moving parts for wear and replace when necessary with authorized service parts. Look for loose fasteners, worn or broken parts, and leaky or loose fittings. Make sure all pins are properly secured. Serious injury may occur from not maintaining this machine in good working order. (SG-21)



WARNING!



Always read carefully and comply fully with the manufacturers instructions when handling oil, solvents, cleansers, and any other chemical agent. (SG-22)



DANGER!



Never run the tractor engine in a closed building or without adequate ventilation. The exhaust fumes can be hazardous to your health.

(SG-23)

DANGER!



KEEP AWAY FROM ROTATING ELEMENTS to prevent entanglement and possible serious injury or death.

(SG-24)



DANGER!



Never allow children to play on or around Tractor or Implement. Children can slip or fall off the Equipment and be injured or killed. Children can cause the Implement to shift or fall crushing themselves or others. (SG-25)

SAFETY

DANGER!



NEVER use drugs or alcohol immediately before or while operating the Tractor and Implement. Drugs and alcohol will affect an operator's alertness and coordination and therefore affect the operator's ability to operate the equipment safely. Before operating the Tractor or Implement, an operator on prescription or over-the-counter medication must consult a medical professional regarding any side effects of the medication that would hinder their ability to operate the Equipment safely. **NEVER** knowingly allow anyone to operate this equipment when their alertness or coordination is impaired. Serious injury or death to the operator or others could result if the operator is under the influence of drugs or alcohol. (SG-27)



DANGER!



Operate the Tractor and/or Implement controls only while properly seated in the Tractor seat with the seat belt securely fastened around you. Inadvertent movement of the Tractor or Implement may cause serious injury or death. (SG-29)

WARNING!



Mow only in conditions where you have clear visibility in daylight or with adequate artificial lighting. Never mow in darkness or foggy conditions where you cannot clearly see at least 100 yards in front and to the sides of the tractor and mower. Make sure that you can clearly see and identify passersby, steep slopes, ditches, drop-offs, overhead obstructions, power lines, debris and foreign objects. If you are unable to clearly see this type of items discontinue mowing. (SGM-1)

DANGER!



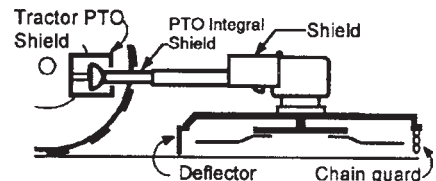
There are obvious and hidden potential hazards in the operation of this Mower. **REMEMBER!** This machine is often operated in heavy brush and in heavy weeds. The Blades of this Mower can throw objects if shields are not properly installed and maintained. Serious injury or even death may occur unless care is taken to insure the safety of the operator, bystanders, or passersby in the area. Do not operate this machine with anyone in the immediate area. Stop mowing if anyone is within 100 yards of mower. (SGM-2)



DANGER!



All Safety Shields, Guards and Safety devices including (but not limited to) - the Deflectors, Chain Guards, Steel Guards, Gearbox Shields, PTO integral shields, and Retractable Door Shields should be used and maintained in good working condition. All safety devices should be inspected carefully at least daily for missing or broken components. Missing, broken, or worn items must be replaced at once to reduce the possibility of injury or death from thrown objects, entanglement, or blade contact. (SGM-3)



SAFETY

DANGER!



The rotating parts of this machine have been designed and tested for rugged use. However, the blades could fail upon impact with heavy, solid objects such as metal guard rails and concrete structures. Such impact could cause the broken objects to be thrown outward at very high velocities. To reduce the possibility of property damage, serious injury, or even death, never allow the cutting blades to contact such obstacles. (SGM-4)

WARNING!



Extreme care should be taken when operating near loose objects such as gravel, rocks, wire, and other debris. Inspect the area before mowing. Foreign objects should be removed from the site to prevent machine damage and/or bodily injury or even death. Any objects that cannot be removed must be clearly marked and carefully avoided by the operator. Stop mowing immediately if blades strike a foreign object. Repair all damage and make certain rotor or blade carrier is balanced before resuming mowing. (SGM-5)



WARNING!



Many varied objects, such as wire, cable, rope, or chains, can become entangled in the operating parts of the mower head. These items could then swing outside the housing at greater velocities than the blades. Such a situation is extremely hazardous and could result in serious injury or even death. Inspect the cutting area for such objects before mowing. Remove any like object from the site. Never allow the cutting blades to contact such items. (SGM-6)

WARNING!



Mow at the speed that you can safely operate and control the tractor and mower. Safe mowing speed depends on terrain condition and grass type, density, and height of cut. Normal ground speed range is from 0 to 5 mph. Use slow mowing speeds when operating on or near steep slopes, ditches, drop-offs, overhead obstructions, power lines, or when debris and foreign objects are to be avoided. (SGM-7)

WARNING!



Avoid mowing in reverse direction when possible. Check to make sure there are no persons behind the mower and use extreme care when mowing in reverse. Mow only at a slow ground speed where you can safely operate and control the tractor and mower. Never mow an area that you have not inspected and removed debris or foreign material. (SGM-8)

WARNING!



Do not put hands or feet under mower decks. Blade Contact can result serious injury or even death. Stay away until all motion has stopped and the decks are securely blocked up. (SGM-9)



DANGER!



Replace bent or broken blade with new blades. NEVER ATTEMPT TO STRAIGHTEN OR WELD ON BLADES SINCE THIS WILL LIKELY CRACK OR OTHERWISE DAMAGE THE BLADE WITH SUBSEQUENT FAILURE AND POSSIBLE SERIOUS INJURY FROM THROWN BLADES. (SGM-10)

SAFETY

WARNING!



Do not mow with two machines in the same area except with Cab tractors with the windows closed. (SGM-11)

DANGER!



Rotary and Flail Mowers are capable under adverse conditions of throwing objects for great distances (100 yards or more) and causing serious injury or death. Follow safety messages carefully. **STOP MOWING IF PASSERSBY ARE WITHIN 100 YARDS UNLESS:**

- Front and Rear Deflectors are installed and in good, working condition;
- Mower Head is running close to and parallel to the ground without exposed Blades;
- Passersby are outside the existing thrown-object zone;
- All areas have been thoroughly inspected and all foreign material such as rocks, cans, glass, and general debris has been removed.



NOTE: Where there are grass and weeds high enough to hide debris that could be struck by the blades, the area should be: inspected and large debris removed, mowed at an intermediate height, inspected closely with any remaining debris being removed, and mowed again at desired final height. (SBM-1)



DANGER!



Use extreme caution when raising the Mower head. Stop the Blades from turning when the Mower Head is raised and passersby are within 100 yards. Raising the Mower head exposes the Cutting Blades which creates a potentially serious hazard and can cause serious injury by objects thrown from the Blades or by contact with the Blades. (SBM-2)

DANGER!



Be particularly careful in transport. The Mower has raised the center of gravity for the tractor and has increased the possibility of overturn. Turn curves or go up slopes only at low speed and using a gradual turning angle. Slow down on rough or uneven surfaces. (SBM-3)



WARNING!



Never Leave the mower unattended while the head is in the raised position. The mower could fall causing serious injury to anyone who might inadvertently be under the mower. (SBM-4)



WARNING!



The rotating parts of this machine continue to rotate even after the Tractor has been turned off. The operator should remain in his seat for 60 seconds after the brake has been set, the PTO disengaged, the tractor turned off, and all evidence of rotation has ceased. (SBM-5)

“Wait a minute...Save a life!”

SAFETY

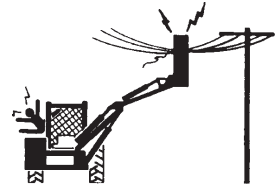


Relieve hydraulic pressure prior to doing any maintenance or repair work on the Implement. Place the Mower Head on the ground or securely supported on blocks or stands, disengage the PTO, and turn off the engine. Push and pull the control Levers or Joystick several times to relieve pressure prior to starting any maintenance or repair work. (SBM-6)

DANGER!



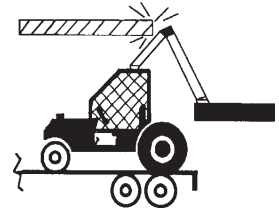
Always keep a careful lookout and use extreme care when working around overhead obstructions. Never allow the Mower head or boom within 10 feet of any power line. When working close to overhead power lines consult your electric company for a safe code of operation. (SBM-7)



DANGER!



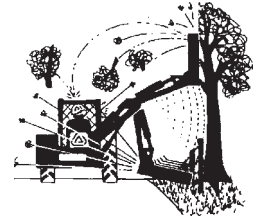
When transporting Boom Mower on a truck or trailer, the height or width may exceed legal limits when the boom is in the transport position. Contact with side or overhead structures or power lines can cause property damage or serious injury or death. If necessary lower boom to reduce height and/or remove mowing head to reduce width to the legal limits. (SBM-8)



DANGER!



Never operate the Tractor and Mower Unit without an OPS (Operators Protective Structure) or Cab to prevent injury from objects thrown from ground or from overhead trimming. Stop mowing if workers or passersby are within 100 yards. (SBM-9)



DANGER!



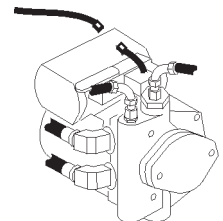
Each Rear Wheel must have a minimum of 1500 pound contact with the surface to prevent lateral instability and possible tip-over which could result in serious bodily injury or even death. Widen the wheel tread and add weights if needed. Refer to the mounting instructions or call Customer Service if you need assistance with Counterweight Procedure. (SBM-11)



DANGER!



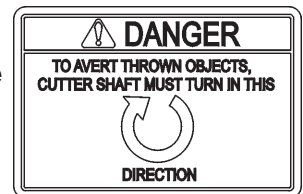
Always disconnect the wire leads from the mower pump solenoid before performing service on the Tractor or Mower. Use caution when working on the Tractor or Mower. Tractor engine must be stopped before working on Mower or Tractor. The Mower Blades could inadvertently be turned on without warning and cause immediate dismemberment, injury or death. (SBM-12a)



DANGER!



The flail cutter shaft is designed for standard rotation (same rotation as the tractor wheels during forward travel). **Never operate the cutter shaft in the reverse rotation.** Operating this mower in reverse rotation may cause objects to be thrown out the front of the mower head.



SAFETY

WARNING!



Engine Exhaust, some of its constituents, and certain components contain or emit chemicals known to the state of California to cause cancer and birth or other reproductive harm.

WARNING!



Battery posts, terminals and related accessories contain lead and lead compounds, chemicals known to the state of California to cause cancer and birth or other reproductive harm. **Wash hands after handling!**

Tiger mowers use balanced and matched system components for blade carriers, blades, cutter-shafts, knives, knife hangers, rollers, drive-train components and bearings. These parts are made and tested to Tiger specifications. Non-genuine “will fit” parts do not consistently meet these specifications. The use of “will fit” parts may reduce mower performance, void mower warranties and present a safety hazard. Use genuine Tiger mower parts for economy and safety.

SEE YOUR  DEALER

In addition to the design and configuration of this Implement, including Safety Signs and Safety Equipment, hazard control and accident prevention are dependent upon the awareness, concern, prudence, and proper training of personnel involved in the operation, transport, maintenance, and storage of the machine. Refer also to Safety Messages and operation instruction in each of the appropriate sections of the Tractor and Equipment Manuals. Pay close attention to the Safety Signs affixed to the Tractor and Equipment. (SG-18)

SAFETY

PART NO.
LOCATION

DANGER

FAILING TO FOLLOW SAFETY MESSAGES AND OPERATING INSTRUCTIONS CAN CAUSE SERIOUS BODILY INJURY OR EVEN DEATH TO OPERATOR AND OTHERS IN THE AREA.

<p>1.</p>	<p>2. NO RIDERS, NO CHILDREN OPERATORS</p>	<p>3. USE SAFETY SHOES, HARD HAT, SAFETY GLASSES, SEAT BELTS, & ROPS</p>	<p>4. BLOCK UP SECURELY BEFORE WORKING UNDER.</p>
-----------	--	--	---

1 Study and understand Operator's Manuals, Safety Signs, and Instructional Decals for tractor & flail mower to prevent misuse, abuse, & accidents. Practice before operating mower in a confined area or near passersby.
 • Learn how to stop engine suddenly in an emergency. Be alert for passersby and especially children.
 2 Allow no children on or near implement or tractor. Allow no riders on tractor or implement. Falling off can cause serious injury or death from being runover by tractor or mower or contact with Flail Mower Blades.
 3 Operate only with tractor having Roll-Over Protective Structure (ROPS) and with seatbelt fastened securely and snugly to prevent injury and possible death from falling off or tractor overturn. Personal Protective Equipment such as Hard Hat, Safety Glasses, Safety Shoes, and Ear Plugs are recommended.
 4 Block up or support raised machine and all lifted components securely before putting hands or feet under or working underneath any lifted component to prevent crushing injury or death from sudden dropping or inadvertent operation of controls. Make certain that area is clear before lowering or folding.
 5 Before transporting, put Lift Lever in detent or full-lift position. Install Transport Safety Devices securely on folding implements. Slow down when turning and on hillsides.
 • Install **Restrictor in folding circuit to slow down lowering and unfolding if action is faster than is desirable.
 6 Make certain that SMV sign, Warning Lights, and Reflectors are clearly visible. Follow local traffic codes.
 7 Never operate with Flail Mower or Folding Section raised if passersby, bystanders or traffic are in the area to reduce possibility of injury or death from objects thrown by Blades under Shields or implement structure.
 8 Before dismounting, secure flail mower in transport position or lower to ground.
 • Put tractor in park or set brake, disengage PTO, stop engine, remove key, and wait until noise of rotation has ceased to prevent entanglement in rotating parts which may cause injury or death.
 • Never mount or dismount a moving vehicle. Crushing from runover may cause injury or death.

<p>5. TRANSPORT SAFELY, LOCK UP.</p>	<p>6. USE SMV, LIGHTS, & REFLECTORS.</p>	<p>7. DONOT OPERATE WITH MOWER OR WING RAISED.</p>	<p>8. DO NOT MOUNT OR DISMOUNT WHILE MOVING.</p>
--------------------------------------	--	--	--

002369
HYDRAULIC TANK

PELIGRO

Si No Lee Ingles. Pida Ayuda a Alguien Que Si Lo Lea. Para Que le Traduzca las Medidas de Seguridad.

LEA EL INSTRUCTIVO

00725746

00725746
INSIDE OF CAB

DANGER

THROWN OBJECTS
CUTTING BLADES

KEEP AWAY - ROTATING BLADES

BEING HIT BY THROWN OBJECTS OR CONTACTING ROTATING BLADES CAN CAUSE INJURY OR DEATH.

- Stop mowing if passersby enter the area of thrown objects (See Operator's Manual).
- Use special care if Mower Head or Wing is raised off the ground. (See Manual).
- Operate only if all Guards-Deflectors are in place and in good condition.

00769737

00769737
MOWER DECK

SAFETY



PART NO.
LOCATION

00758194
MOWER DECK



02962764
MAIN BOOM, SECONDARY BOOM, MAIN FRAME



02962765
MAIN FRAME

02965262
HYDRAULIC TANK

SAFETY

DANGER

CUTTING BLADES



THROWN OBJECTS



KEEP AWAY - ROTATING BLADES

BEING HIT BY THROWN OBJECTS OR CONTACTING ROTATING BLADES CAN CAUSE INJURY OR DEATH

- Stop mowing if passersby enter the area of thrown objects. (See Operator's Manual)
- Use special care when Flail or Wing is raised off the ground. (See Oper. Manual)
- Operate only if all Guards-Deflectors are in place and in good condition.

PART NO.
LOCATION

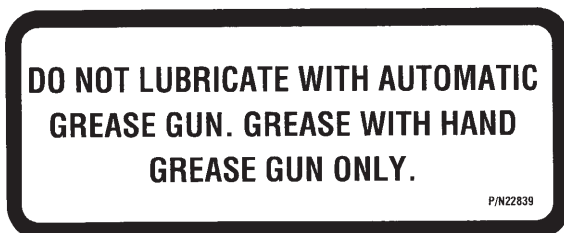
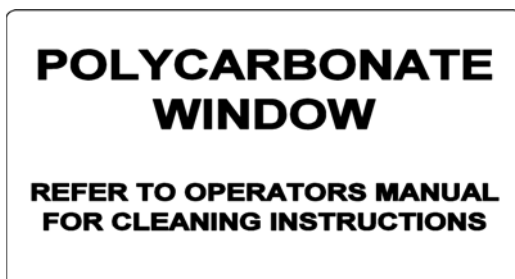
02967668
MOWER DECK

02971123
HYDRAULIC TANK

03200285
OUTSIDE OF CAB

22645
INSIDE OF CAB

22839
MOWER DECK



SAFETY



PART NO.
LOCATION

22840
INSIDE OF CAB



24028
MOWER DECK

25387
INSIDE OF CAB



10" x 5.5" 31522
MOWER DECK, MAIN BOOM
18.25" x 10" 31523
HYDRAULIC TANK

SAFETY



PART NO.
LOCATION

27001
INSIDE OF CAB



31935
INSIDE OF CAB

DANGER

1. EACH REAR WHEEL MUST HAVE A MINIMUM OF 1500 POUNDS CONTACT WITH THE SURFACE TO PREVENT LATERAL INSTABILITY AND POSSIBLE TIP-OVER WITH BODILY INJURY. WIDEN WHEEL TREAD AND ADD WEIGHTS IF NEEDED. SEE MANUAL OR CALL TIGER CUSTOMER SERVICE FOR COUNTERWEIGHT PROCEDURE.

2. TRANSPORT CAREFULLY! SLOW DOWN EVEN MORE ON SLOPES AND WHEN TURNING; NEVER TURN UP A SLOPE SHARPLY OR AT HIGH SPEED; AND USE EXTRA CARE IN ROUGH OR BUMPY AREAS TO PREVENT OVERTURN AND POSSIBLE CRUSHING INJURY OR DEATH. IF YOUR VIEW TO THE REAR IS BLOCKED, IT IS YOUR RESPONSIBILITY TO INSTALL MIRRORS THAT PROVIDE A REAR VIEW TO PREVENT ACCIDENTS FROM BLIND SPOTS.

3. REAR-MOUNTED BOOM MOWERS MOVE CENTER OF GRAVITY TO THE REAR AND REMOVE WEIGHT FROM FRONT WHEELS. ADD FRONT BALLAST UNTIL AT LEAST 20% OF TRACTOR'S WEIGHT IS ON FRONT WHEELS TO PREVENT REARING UP, LOSS OF STEERING CONTROL, AND POSSIBLE INJURY.

4. NEVER OPERATE UNIT WITHOUT AN OPS (OPERATOR PROTECTIVE STRUCTURE) OR CAB TO PREVENT INJURY FROM OBJECTS THROWN FROM GROUND AND OVERHEAD TRIMMING. STOP CUTTING IF ANYONE IS WITHIN 100 YARDS.

5. KEEP THE BOOM AND CUTTERHEAD AT LEAST 10 FEET FROM ELECTRIC LINES AND PIPE LINES TO PREVENT ACCIDENTAL CONTACT AND POSSIBLE SERIOUS INJURY OR EVEN DEATH.

6. WHEN TRANSPORTING BOOM MOWERS ON A TRUCK OR TRAILER, THE HEIGHT OR WIDTH MAY EXCEED LEGAL LIMITS. CONTACT WITH SIDE OR OVERHEAD STRUCTURES OR POWER LINES CAN CAUSE SERIOUS INJURY OR DEATH. LOWER BOOM TO REDUCE HEIGHT AND/OR REMOVE MOWING HEAD TO REDUCE WIDTH TO THE LEGAL LIMITS, IF NEEDED. 32707

32707
HYDRAULIC TANK

42350
MOWER DECK

Bengal Boom Safety Section 1-16

SAFETY

ATTENTION

**SERVICE HYDRAULIC SYSTEM
WITH UNIVERSAL TRACTOR
HYDRAULIC OIL.**

32708

PART NO.
LOCATION

32708
HYDRAULIC TANK

CAUTION

For your safety and to guarantee optimum product reliability, always use genuine TIGER replacement parts. The use of inferior "will-fit" parts will void warranty of your TIGER implement and may cause premature or catastrophic failure which can result in serious injury or death. If you have any questions concerning the repair parts you are using, contact TIGER, 3301 N. LOUISE AVE., SIOUX FALLS, SD 57107

32709

32709
INSIDE OF CAB

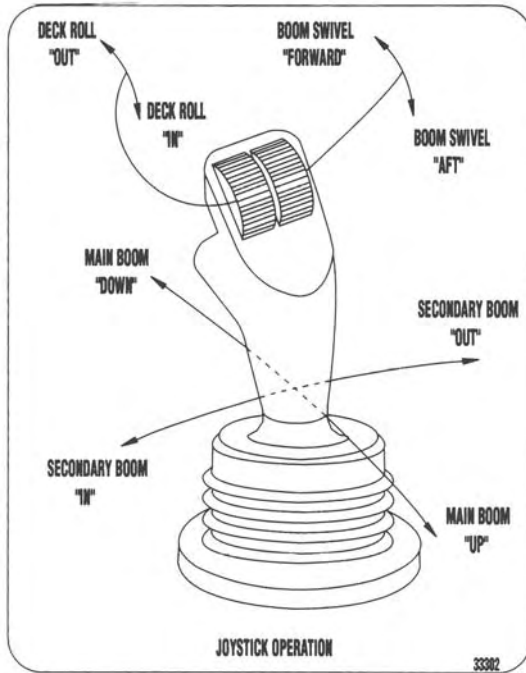
33224
MOWER DECK

Tiger™

33438
MAIN BOOM

SAFETY


PART NO.
LOCATION



33302
INSIDE OF CAB

MOWING SAFETY TIPS

- Read & understand the Operators Manual.
- Wear Your Seat Belt.
- Keep all shields and guards in place.
- Make sure equipment is in proper working condition.
- Never attempt to get off or on a moving tractor.
- Never allow riders on tractor or equipment.
- Only start the tractor from the seat with the key.
- Always inspect the area before mowing. Remove all foreign debris.
- Always keep bystanders and coworkers a minimum of 300 feet away.
- Never allow the mower blades to contact solid objects or foreign material.
- Never approach rotating elements.
- Disengage the PTO, place transmission in "Park", set parking brake, shut off engine, and remove key and wait until all rotating motion has stopped before leaving seat.



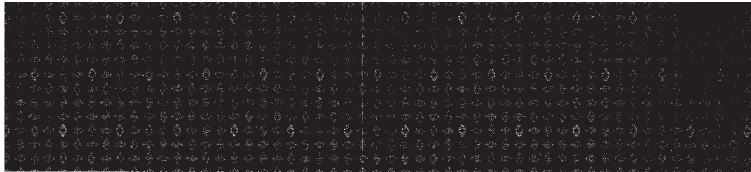
33743

33743
INSIDE OF CAB

SAFETY



PART NO.
LOCATION
RED 42399
REFLECTIVE TAPE
MOWER DECK



AMBER 42400
REFLECTIVE TAPE
MOWER DECK



6T3217
MOWER DECK



6T3219
INSIDE OF CAB

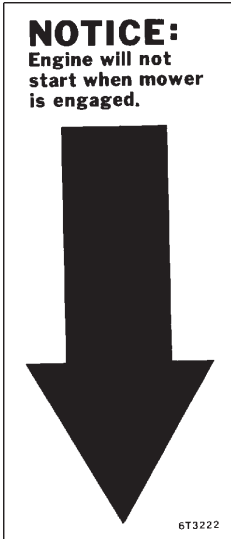
6T3220
FRONT PUMP MOUNT

SAFETY



PART NO.
LOCATION

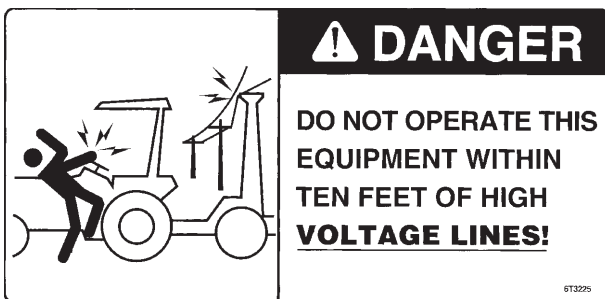
6T3221
INSIDE OF CAB



6T3222
INSIDE OF CAB

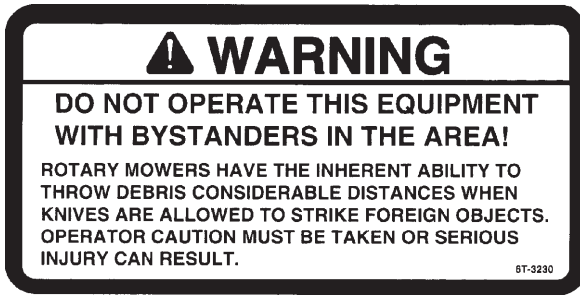


6T3224
MOWER DECK



6T3225
INSIDE OF CAB

SAFETY



PART NO.
LOCATION

6T3230
INSIDE OF CAB



6T3231
INSIDE OF CAB



6T3233
HYDRAULIC TANK



6T3234
INSIDE OF CAB



6T3236
MOWER DECK

SAFETY

⚠ WARNING

**WHEN CUTTING HEAVY BRUSH,
BLADE BOLTS SHOULD BE
INSPECTED HOURLY AND
RETORQUED TO 600 FT. LBS.**

6T-3237

6T3237

PART NO.
LOCATION
6T3237
INSIDE OF CAB

DOWN ↑ MAIN BOOM ↓ UP	OUT ↑ SECONDARY BOOM ↓ IN	OUT ↑ DECK ROLL ↓ IN	FORWARD ↑ SWING ↓ BACKWARD
-----------------------------------	---------------------------------------	----------------------------------	--

6T-3241

6T3241

6T3241
INSIDE OF CAB

DOWN ↑ MAIN BOOM ↓ UP	OUT ↑ SECONDARY BOOM ↓ IN	OUT ↑ DECK ROLL ↓ IN	FORWARD ↑ SWING ↓ BACKWARD	CLOSE ↑ SHIELD ↓ OPEN
-----------------------------------	---------------------------------------	----------------------------------	--	-----------------------------------

34206

34206
INSIDE OF CAB

<p style="text-align: center;">⚠ WARNING</p> <p style="font-size: x-small;">IT IS RECOMMENDED THAT THE BOLT AND LOCK NUT BE REPLACED WHENEVER BLADES ARE REPLACED. REPLACE THESE ANY TIME THEY ARE DAMAGED OR WORN AS FAILURE TO DO SO CAN LEAD TO BLADES COMING OFF CAUSING SERIOUS INJURY OR DEATH.</p>	<p style="text-align: center;">IMPORTANT</p> <ul style="list-style-type: none"> • WHEN REPLACING BLADES, IT IS RECOMMENDED THAT ALL BLADES BE REPLACED FOR PROPER BALANCE TO AVOID EXCESSIVE VIBRATIONS WHICH CAN DAMAGE SPINDLE ASSEMBLY. • SEE YOUR OPERATOR'S MANUAL FOR PROPER INSTALLATION INSTRUCTIONS. <p style="text-align: right; font-size: x-small;">6T-3243</p>
--	--

6T3243
INSIDE OF CAB

GREASING INSTRUCTIONS
CUTTER SHAFT BEARING

GREASE EVERY 8 HRS. OR DAILY

NOTE: If unusual environmental conditions exist-extreme temperatures, moisture, or contaminants-more frequent lubrication is required.

6T3249A

6T3249A
MOWER DECK

GREASING INSTRUCTIONS
GROUND ROLLER BEARING

GREASE EVERY 8 HRS. OR DAILY

NOTE: If unusual environmental conditions exist-extreme temperatures, moisture, or contaminants-more frequent lubrication is required.

6T3261

6T3261
MOWER DECK

SAFETY



TB1011
MOWER DECK



Tiger Corporation

800-843-6849
www.tiger-mowers.com

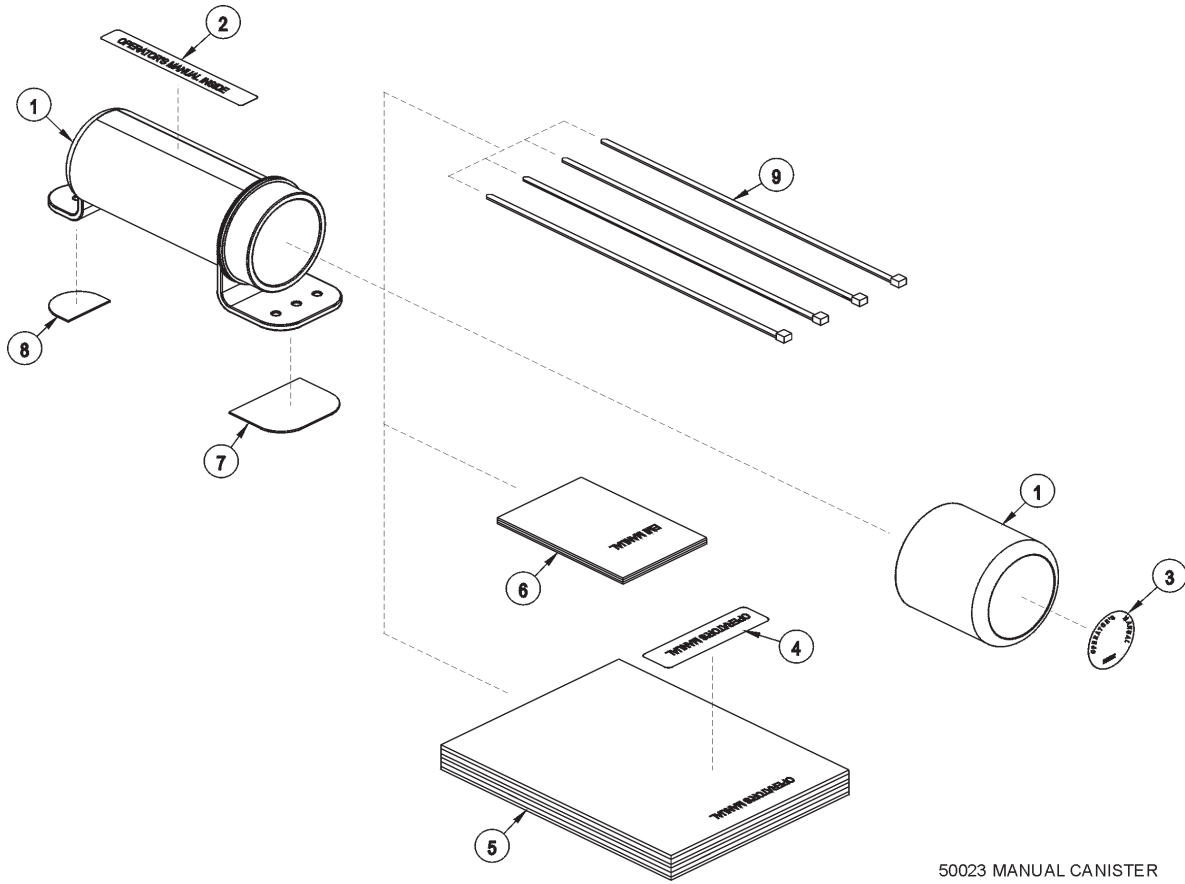
Description	Application	General Specification	Recommended Lubricant
Tractor Hydraulics	Reservoir	JD-20C	Mobilfluid® 424
Mower Hydraulics Cold Temperatures 0°F Start-up Normal Temperatures 10°F Start-up Normal Temperatures 15°F Start-up High Operating Temperatures Above 90°F Ambient	Reservoir	ISO 46 Anti-Wear/ Low Temp JD-20C ISO 46 Anti-Wear ISO 100 Anti-Wear	Mobil DTE® 15M Mobilfluid® 424 Mobil DTE® 25 Mobil DTE® 18M
Flail Rear Gearbox	Reservoir	PAO Synthetic Extreme Pressure Gear Lube	Mobilube SHC® 75W-90, Mobil 1 Synthetic Gear Lubricant
Cutter Shaft and Ground Roller Shaft (Flail)	Grease Gun	Lithium Complex, NLGI 2 ISO 320	Mobilgrease® CM-S
Drive Shaft Coupler (Rotary and Flail)	Grease Gun	Lithium Complex, NLGI 2 ISO 320	Mobilgrease® CM-S
Boom Swivel, Boom Cylinder Pivots (Rotary and Flail Boom Type)	Grease Gun	Lithium Complex, NLGI 2 ISO 320	Mobilgrease® CM-S
Deck Boom Pivot & Deck Stop Adjustment (Rotary and Flail)	Grease Gun	Lithium Complex, NLGI 2 ISO 320	Mobilgrease® CM-S
Deck Spindle (Rotary)	Grease Gun	Tiger Spindle Lubricant	Mobilith SHC 220

For Mobil product information, availability, or technical information, call 1-800-662-4525.

Tiger PN 34852

34852
HYDRAULIC TANK

SAFETY



50023 MANUAL CANISTER

ITEM	PART NO.	QTY.	DESCRIPTION
	50023	AVAIL	MANUAL CANISTER COMPLETE
1	00776031	1	ROUND MANUAL CANISTER
	33997	1	DECAL, SHEET, MANUAL CANISTER
2		*	DECAL
3		*	DECAL
4		*	DECAL
5	*	AVAIL	SPECIFIC PRODUCT MANUAL
6	33753	1	E M I SAFETY MANUAL
7	34296	1	FRONT ADHESIVE PAD
8	34297	1	REAR ADHESIVE PAD
9	6T1823	4	ZIPTIE 14" LONG

NOTE:

The manual canister can be bolted, zip tied or adhered to a variety of surfaces. Locate a protected area within the view of the operator. Then select an installation method and attach the canister. **CAUTION - AVOID DRILLING HOLES INTO UNKNOWN AREAS**, wires and other parts may be located behind these areas. When adhering the canister to a surface, thoroughly clean that surface before installing the canister.

SAFETY

FEDERAL LAWS AND REGULATIONS

This section is intended to explain in broad terms the concept and effect of federal laws and regulations concerning employer and employee equipment operators. This section is not intended as a legal interpretation of the law and should not be considered as such.

Employer-Employee Operator Regulations

U.S. Public Law 91-596 (The Williams-Steiger Occupational and Health Act of 1970) OSHA

This Act Seeks:

“...to assure so far as possible every working man and woman in the nation safe and healthful working conditions and to preserve our human resources...”

DUTIES

Sec. 5 (a) Each employer-

(1) shall furnish to each of his employees employment and a place of employment which are free from recognized hazards that are causing or are likely to cause death or serious physical harm to his employees;

(2) shall comply with occupational safety and health standards promulgated under this Act.

(b) Each employee shall comply with occupational safety and health standards and all rules, regulations and orders issued pursuant to this Act which are applicable to his own actions and conduct.

OSHA Regulations

OSHA regulations state in part: “At the time of initial assignment and at least annually thereafter, the employer shall instruct every employee in the safe operation and servicing of all equipment with which the employee is, or will be involved.”

Employer Responsibilities:

To ensure employee safety during Tractor and Implement operation, it is the employer’s responsibility to:

1. Train the employee in the proper and safe operation of the Tractor and Implement.
2. Require that the employee read and fully understand the Tractor and Implement Operator’s manual.
3. Permit only qualified and properly trained employees to operate the Tractor and Implement.
4. Maintain the Tractor and Implement in a safe operational condition and maintain all shields and guards on the equipment.
5. Ensure the Tractor is equipped with a functional ROPS and seat belt and require that the employee operator securely fasten the safety belt and operate with the ROPS in the raised position at all times.
6. Forbid the employee operator to carry additional riders on the Tractor or Implement.
7. Provide the required tools to maintain the Tractor and Implement in a good safe working condition and provide the necessary support devices to secure the equipment safely while performing repairs and service.

Child Labor Under 16 Years of Age

Some regulations specify that no one under the age of 16 may operate power machinery. It is your responsibility to know what these regulations are in your own area or situation. (Refer to U.S. Dept. of Labor, Employment Standard Administration, Wage & Home Division, Child Labor Bulletin #102.)

SAFETY

7 B< 'HG* '%\$!' @/BL

5 GG9 A 6 @/G9 7 H=C B

5 GG9 A 6 @M

6 YZcfY UHfYa dh]b['hc'a ci bhnci f' H][Yf'a ck YfZ]h]g]ja dcfhUbh
hc' fYUX'Ub'i bXYfghUbX' U`cZ H Y' GUZYmIA YggU[Yg]b`H Y'GUZYm
'GYW]cb'cZH]g'a Ubi U"

Ô@&Á& {]|^c'Á @ { ^} o'á o'á æ æ • o'á @ Á æ á * Á o'á Á æ ^ Á ~ | ^ Á @ | ^ Á æ ^ Á [Á Á
• @ | æ ^ Á • É Á æ ^ Á & | æ Á Á @ Á æ d | Á [á ^ | Á Á @ Á] [] | æ Á } ^ Á | Á @ Á [, ^ | Á ^ & Á æ ^ á Á



OE, æ • Á • ^ Á Á [| Á Á É @ á o'á | Á | Á o'á Á o'á á Á æ ^ Á @ æ ^ Á æ • É

Ü^æáÁæ áÁ } á^ | • æ á Á @ Á } c'á ^ Á • ^ { à | Á ^ & c'á } Á g • d ~ & c'á } • Á æ ^ | ^ Á æ {] c'á * Á | Á [~ } c
^ [~ | Á á ^ | Á [, ^ | É Á ^ Á | Á Á @ Á æ o'á Á ^ & c'á } Á Á @ Á æ ~ æ Á | Á ^ æ ^ á Á | • d æ } • Á | Á | & æ Á |
] æ • É (ASM-C-0001)

HF 57 HCF 'DF 9 D5 F 5 HCB

- OE Ü^ { [ç^ Á á @ Á } á Á ^ - Á @ } á Á c' } • É
- OE Ö ä & } } ^ & Á æ ^ | ^ Á æ | ^ Á | { Á [c' Á æ ^ | á • É
- OE Ü^ { [ç^ Á } * á ^ Á æ ^ Á æ ^ | • É | Á æ ^ Á @ [á Á Á & Á • Á | } o'á ~ | ^ É
- OE Ü^ { [ç^ Á | * Á | { Á æ d | Á æ c'á * Á @ | ^ Á æ ~ æ ^ Á æ á Á ~ {] Á [~ } o'á | Á ^ Á æ æ @ á É
- OE Ü^ { [ç^ Á } ^ Á | } o'á ^ á @ Á } á Á ^ á @ Á ~] [| • É
- OE Ü æ ^ Á @ Á æ d | Á } d Á É æ á • Á } á Á { [ç^ Á @ Á á @ Á } á Á - c'á æ Á @ ^ | • É

(ASM-C-0024)

7 F5 B? G<5: H'5 85 DH9F

GÁ ^ & Á • • æ ^ Á { [ç^ Á @ Á ~ | Á æ } & ^ , • Á | { Á @ Á æ } \ • @ æ o'á ~ | ^ É Á @ } Á • æ | Á @ Á æ } É
• @ æ o'á æ c'á | Á Á @ Á ~ | ^ Á æ & ^ , • Á } á Á & , æ @ | • Á Á @ , } Á Á @ Á æ o'á Á ^ & c'á } É
(ASM-NH-0050)

58 >I GH B; 'F95 F'K <99 @G

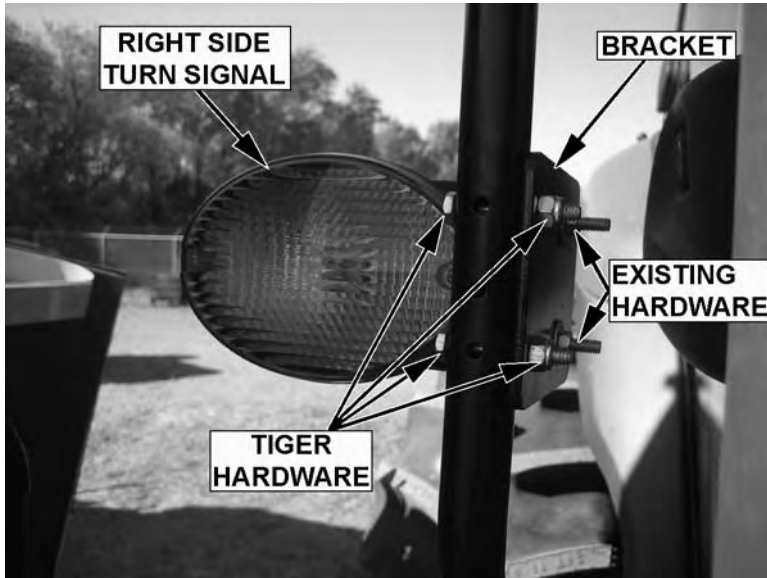
Ü æ ^ Á ^ æ Á - Á æ d | Á } d Á É É æ á • É Á c' c'k 'H Y']bgfi W]cbg]b`H Y' HfUWcf' ck bYfg
a Ubi U`Zf'UXf gh]b['HfYg' UbX'f]a g É Á @ Á æ Á } @ ^ | Á WUV Á ^ Á æ b • c'á Á d Á @ Á æ ^ c
• ^ æ * É Á UV Ö Á @ Á æ ^ Á ~ á Á , æ & c'á * Á @ Á @ ^ | Á Á] [] • æ Á æ ^ Á - Á æ d | É Á c' [Á æ ^
} [c' Á - Á } Á æ @ Á ^ d æ c'á } • Á @ } Á æ } [] c'á * Á Á æ | É Á | Á æ ^ Á Á • c'á æ } É Á Á ^ o'á
| æ ^ Á @ Á æ Á @ ^ | Á { [ç^ á Á ~ | á * Á • c'á æ } Á - Á @ Á [, ^ | É Á (ASM-B-0001)



5 GG9 A 6 @M

F = <H<5 B8 'HI FB'G= B5 @F9 @C75HCB

ÁQÁ iá^iÁ iÁ@Á[[{ Á Á^Á i [~ * @Á & [.^Á Á@Á áá [Ááá @Áá @Áá } áÁ } áÁ }
@Á^Á Á^Á^[[&ááÉ
QÁ•Á^ [ç^Á@Á] ááá ç^iá * Á Á ç [.^Á@Á áá [Ááá, á^Á^ [ç^Á@Á] Áá } áÁ } á
!^áá Á@Áá, á^Á Á^Á^•^áÉ
P^ááá@Á^]] | ááÁ áá^ ááá | €JHFDÁ Á@Áá } ááá [~ * @Á@Á çá ç * Á@ | •
á Á @ , } Á^ [, Á • á * Á@Á^ Ááá, á^Á@Á • & ^, ÉFD + Á^ÉD + Á@Á^ H D áá^ [& Á^ É
FD + Á@Á^ G É
Qá á [Á^ & !^Á@Á] Áá } áÁ } áÁ } áÁ^ Á^ • á * Á@Áé iá, á^Á@Áá á Á^ çá^ • |
!^ [ç^áá@Áá Á Á@Á] ááá ç^iÁ } [á^Á^ •^áá ASM-NH-0123)Á



5 GG9 A 6 @M

DC @M7 5 F 6 CB5H9 'G5 : 9 HMK -B8 CK

PUVÒKQ • cəjə * Ásá [{ Á [, ^ÁÁ~ á^ Á@ÁÁ Á@ÁÁ @Á ÁÁ á á [, • Á^Á^ | áá áÁ Á
] [c & c á Á á @Á [| ' & á à [} á Á á á [, ÉÁ @ Á @ ~ | á Á Á [} ^ Á Á ^ | Á Á [~ } cə * Á @ Á á á + á ^ É
 FÉÁ Á & } } ^ & Á á @ & Á Á [| ÉÁ Á ^ [c ^ Á @ Á Á @ Á Á Á Á Á [| É á á [, Á | á • Á ^ { Á á á á | Á á Á
 à ^ Á ^ { [c ə * Á @ * Á á á • ÉÁ Á [ÉÁ Á ^ [c ^ Á Á á Á Á @ Á Á Á á á [, É

GÉÁ Á ^ [c ^ Á @ Á c á c ə * Á á á , á ^ ÉÁ [| Á @ á | Á á á Á á Á @ á | Á á á á Á á & á Á á á á | ^ Á | á • Á [| Á
 á á á á á [, É

HÉÁ Á | á Á { á | Á ^ á Á Á á @ • á ^ Á ^ á Á Á @ Á Á c { Á Á @ Á á Á | & Á Á ~ à à ^ Á ^ á É

I ÉÁ Á • cəjə á á Á | & Á Á ~ à à ^ Á ^ á Á } Á [| ' & á à [} á Á á á c ə * Á á Á @ Á Á } c | Á Á c { Á @ | á [} cəjə [| c ə] É

Í ÉÁ Á • cəjə Á c á c ə * Á á á , á ^ Á Á ^ { [c ^ Á Á ^ { Á | á • Á [| Á á á á á [, Á } Á @ Á [| ' & á à [} á É

Î ÉÁ Á • cəjə Á @ Á [| ' & á à [} á Á á • Á ^ { à | Á Á Á @ Á Á Á á @ Á c á c ə * Á á á]] á á Á á á , á ^ Á Á @ , } Á
 á Á @ Á á @ Á Á ^ & c ə] É

Ï ÉÁ Á • Á ^ { à ^ Á Á | } ^ | Á Á á á ^ á Á Á @ Á Á } c | | Á á á á á • á ^ Á @ Á Á á É

Ì ÉÁ Á | á á Á á á | á Á Á FD + Á @ | ^ Á @ [~ * @ Á [| ' & á à [} á É , á @ Á á á á á Á c b m Á • Á á Á | Á [| ' & á É
 à [} á É Á Á á @ Á Á | } ^ | Á Á á á ^ É

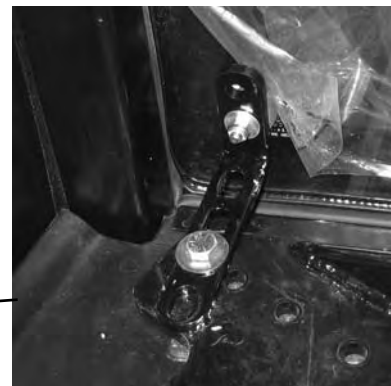
J ÉÁ Á • Á ^ { à ^ Á @ Á Á á á ^ á Á á á @ } Á @ Á á á , á ^ Á Á Á & ^ Á Á @ Á [| ' & á à [} á É

K ÉÁ Á • Á ^ { à ^ Á @ Á Á | á á } Á Á Á] ^ | Á Á [} c əjə | } ^ | Á Á ^ Á @ Á á | | É

FF ÉÁ Á á á • c @ Á Á á á } Á Á Á @ c ^ Á Á Á & ^ Á Á @ | á É

FG ÉÁ Á ^ | á Á @ Á Á á Á | } ^ | Á Á á á [, Á á @ Á Á á á , á ^ Á Á ^ { [c ^ Á Á ^ { Á @ Á á á [, É

(ASM-NH-0101)



INSIDE VIEW



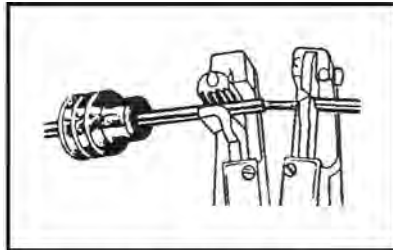
5 GG9 A 6 @M

K 95H<9F!D5 7 ? #A 9 HF =D5 7 ? `5 GG9 A 6 @M

V@•^Á/•d~&ç }•Áç }|^Á Á[c@Y ^æ@!Ëæ& Áç áÁ ^d ç æ& Áç } }^&ç !•È

BCH9.1 gY'H YgdYWZWrcc`Zcf'H YmdY'cZWbbYWcf'nci 'UfYUggYa V]b["

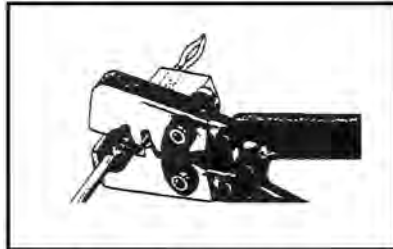
(ASM-C-0009)



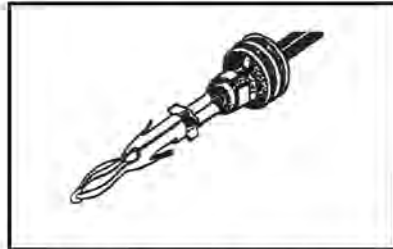
1. Apply seal to cable, before stripping insulation.



2. Align seal with cable insulation.



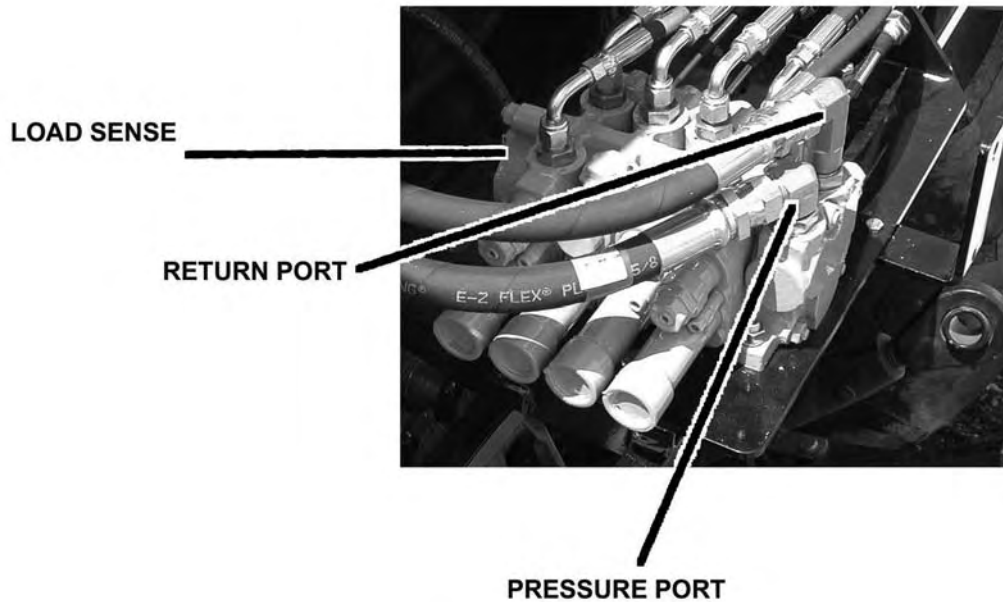
3. Put terminal in crimping tool, then



4. Crimp and visually inspect for a good

A5 BI 5 @@ H'J5 @9`DCFHG

Á



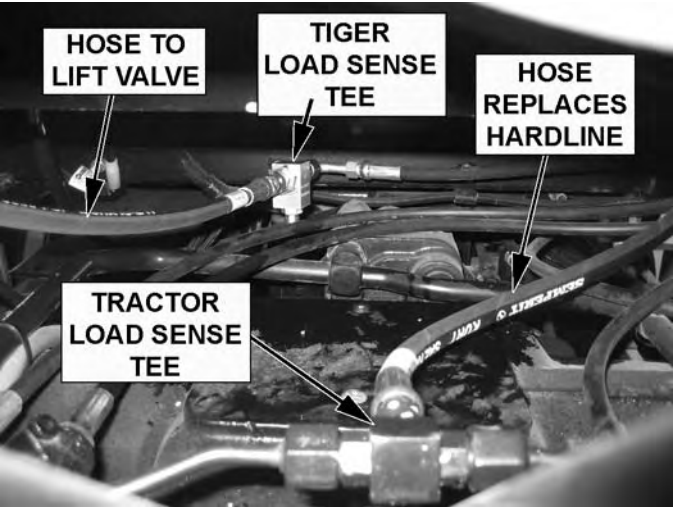
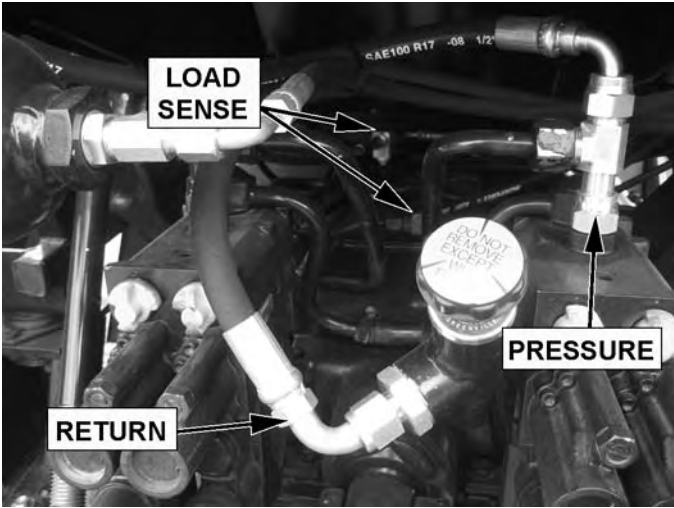
(ASM-C-0057)



5 GG9 A 6 @M

HF 57 HCF ' @C 58 'G9 BG9 ŽDF 9 GGI F 9 / ' F 9 HI FB

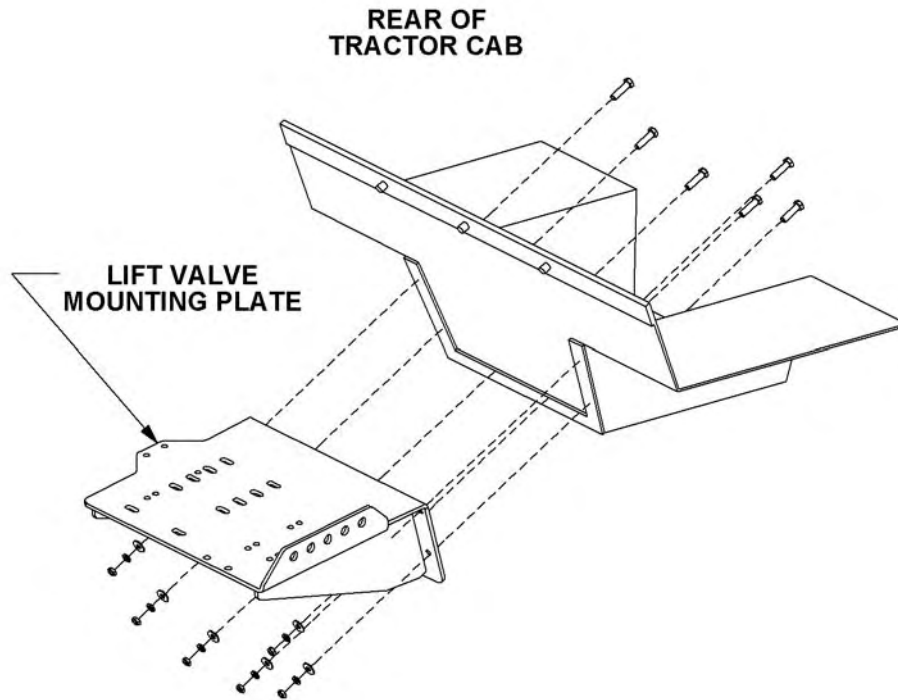
V @ Áãóçç^Á • ^ Á @ ÁÚ!^•• ~ !^ÉÚ^ç ! } Áã áã [äáÚ^ } • ^ Á } Á @ Áãçç ! • Á çá^ [[ç^Á çä ÉÄ
 V @ Á [! ç Á • ^ áã^ Á ä^ & ç^ Á } á^ ! Á @ Á çç^ Á [~] ç^ Á çä É
 V @ ÁÚ!^•• ~ !^Á @ • ^ Á [~ ç^ á^ [{ Á @ Á [] Á Á @ Áãçç ! Áã @ Á ç^ Á^ [[ç^Á çä Á [Á @ Á
] !^•• ~ !^Á [! ç^ Á @ Áãóçç^É
 V @ ÁÚ^ç ! } Á @ • ^ Á } • Á [{ Á @ Á^ç ! } Á [! ç^ Á @ Áãóçç^ Á [Á @ Áãçç ! Á^ [[ç^É
 V @ Á [äáÚ^ } • ^ Á ä^ Á [~ ç^ á^ [{ Á @ Á [äá^ } • ^ Á [! ç^ Á @ Áãóçç^ Á [Á @ Á^ Á
 ä • ç^ á^ Á @ Á [äá^ } • ^ Á [! ç^ Á } á^ ! Á @ Á çä É V @ Áãçç ! Á ç^ á^ Á [Á @ Á [äá^ } • ^ Á
 ! [~ ç^ á^ [{ Á @ Á [äá^ } • ^ Á [! ç^ Á } á^ ! Á @ Á çä Á [Á @ Áãçç ! Á^ [[ç^Á çä G D^ Á] çä^ á^ Á
 ä @ Á @ • ^ É
 Ç [Á [!^ Á [{ çä } Á^ - Á [Á @ ÁÚ ç^ Á^ & ç^ } Á ç^ Á [Á @ Á [] !^ Á çä ! çä Á Á @ Á
 çäçç ! ççç^ Á @ [\ ~] É (ASM-NH-0125)



5 GG9 A 6 @M

@ H'J5 @J9'ACI BHB;

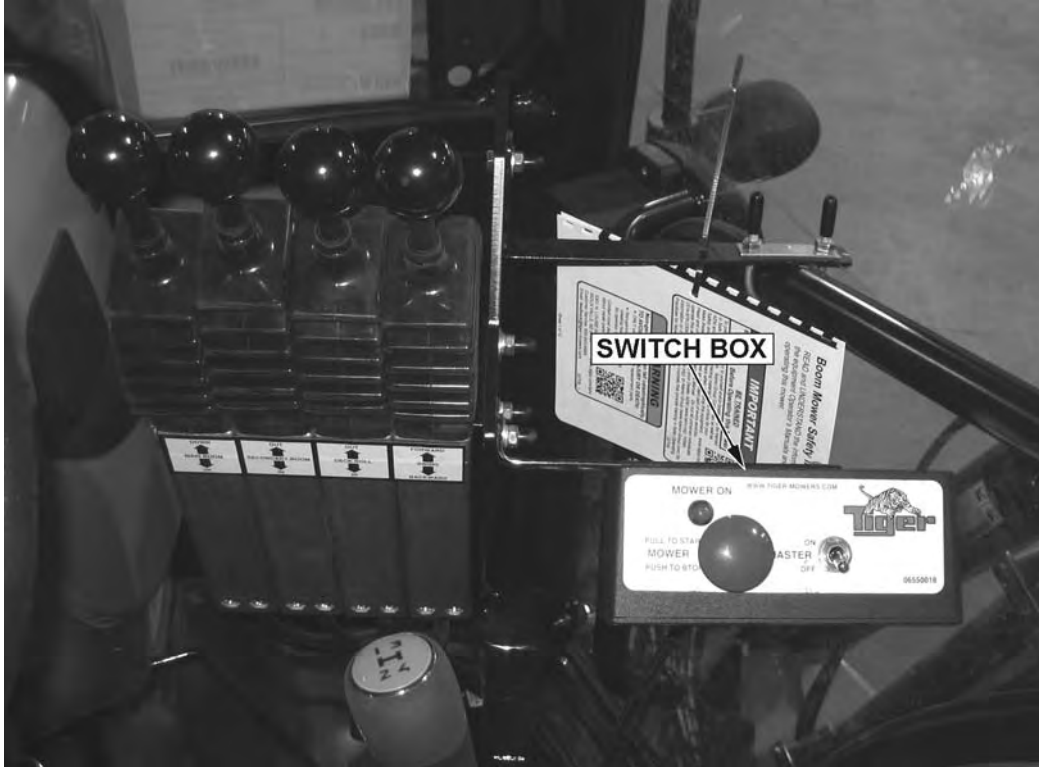
Ó^{|^Á [~ } ç * Á@ Áãçaç^Ê [~ Á ç|Á ^^áÁ Á [~ } ó@ Áãçaç^Á [~ } ç * Á|æ^Á Á@Á
dæç|ÁææÊÇÁ • çÁ^ { | ç^Á@Áç • &^, • Á| { Á@Áæç|ÁææÁ@, } Á^|, ÊÁ^ççÁ^|æ^Á@Á
&ç • &^, • Áç áÁ • ç|Á@ Áãçaç^Á [~ } ç * Á|æ^Á@, } Á^|, ÊÁ^ççÁ^|Á Á@Áç • Á^&É
ç } Á|Á^çç Áç áÁçá, æ^Á ^^á^áÊÁ (ASM-NH-0104)



5 GG9 A 6 @M

A5 BI 5 @GK #7 <6 CL'ACI BH#;

ÁV@Á, ä&@[c/Á Á^Á^&^!^áÁ Á@Áá @Á ä^Á Á@Á ð^ áÁ }d[|Á!áá ^dÁ^!Á Á@
Áúáó Á^&á } Á!Áé•^ { à Áá áÁ {] [] ^ } • Á ^ á á á Á (ASM-NH-0136)Á

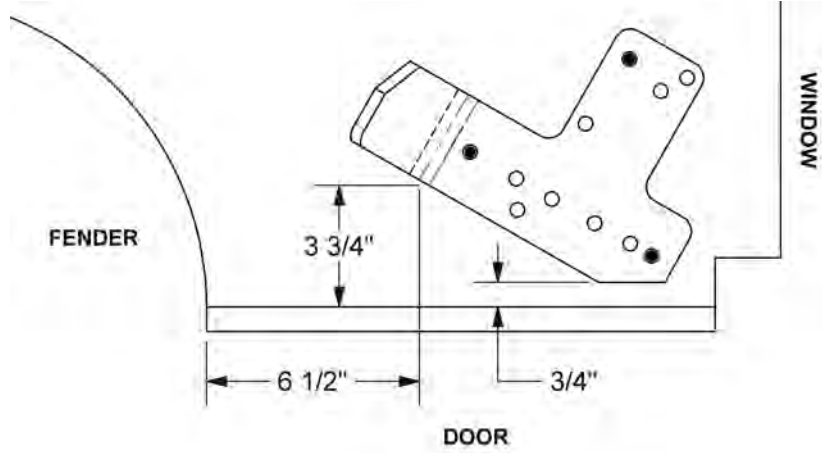


5 GG9 A 6 @M

7 5 6 @ ' 7 C B H F C @ @ J 9 F ' G H 5 B 8

Úlæ^Á@Á^ç^|áÁá^Á Á@Á^]][[íóáíæí^óÁD+Á Áæç^|Á Á@Á[[íÉÁí &æ^Á@Á^]][[íóÁ àíæí^óÁ]]| çá æ^| Á ÉÉDÁ[{ Á@Á^} á^|Á ç^|Á Á@Á^|{ ^áÁá^Á Á@Áíæí^óÁ Á@, } Á à^|, ÉÁ^Á^| Á@Á@Á^| &æí } Á Á@Á^ çá áÁ ç^|Á, Áí^æá &^Á^ç ^ ^} Á@Áæí^Áí } d[|Á@Á É á|^Áá á^|Á çá çá * Á ç^|Á Á^ç^| ÉÁ ÉÁ^í@É^| ÉÁ æ&ç^| ç^|Á áá * Áá á^|íæí^óÁ } á^| } ^æ@Á@Á &æí @ } Á íæá * Á@Áíæí^óÁ | Áí ç^|Á * É

Wá * Á@Á^]][[íóáíæí^óÁ Á@Á^|] æ^Éí æ^| Áá á^|Á ç^|Á Á@Á^| ç^|Á çá @^áÁ^|, Áá áÁ •^ & |^Á á@Áá • & ^, • Áá áÁ^| & Á^ ç^|Á [ç^|Á Á@Á^ ç^|Á^ & ç^|Á ÉÁ (ASM-NH-0105)



5 GG9 A 6 @M

†BCH9`CB`<I G7 C`7 CBHFC @J5 @9G†

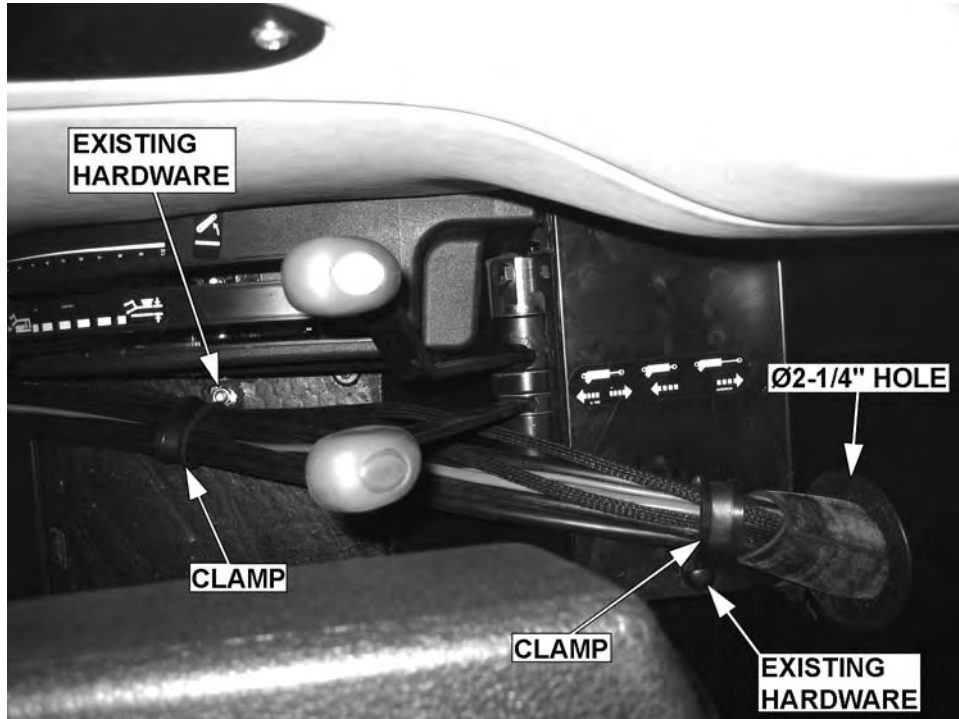
T æ ~ æEca|^\& } d[||^aAP`•& \& } d[|çac^Dâ[[{ Á [, ^i•Á~`ã^&@& çac^•Á ã@æ cÈ
 *IæÁ•dæç * Á iææ^ÁÆ í €GHI Dæ •æ^a/æ Á@& } d[|çac^Á [|Á|í o Á@ææ^& } ^&c aÁ Á
 c@Á|æ aÁ} a•Á -Á@Á ææ ææ aÁ^&} aæ`Á[[{ &|æ a^i•EÁ@&@& çac^Áæ||, •Á æÁ Á^^Á
 -||, Á d Á@Á|æ aÁ} aÁ -Á@Á ææ ææ aÁ^&} aæ`Á[[{ &|æ a^i•EÁ`oÁ•dæo Á|, Á`oÁ -Á@Á
 &|æ a^i•EÁ@!^a`Á| çææ * Á|] ^iÁ[[{ \& } d[|EÁV@&@& çac^EÁÆ í €GHI Ç^} a|:ÁFJí ÜE
 Eí HDæ Áã ææ/æ ææ ^æææ &Á ÁQ`^Áæææ c^iÁHGI FÁæ aÁDææ c^iÁHI HUI Éæ æcEí Á iææ^EÁ
 V@•^Á\{][]^} o Áææ Á^Áæ^} çæ aÁæ Á ||, •Eæ aÁæ^Á Á^Á •æ^aÁ ^iÁJæo ÁJ&ç } Á|Á@Á
 iæçac^EÁ ASM-HUSCO-0001)



5 GG9 A 6 @M

@ H'J5 @9 756 @ FCI H-B;

Ô` óÁ GÉD +ÁQ |^Á Á@ ÁæÁ Á -Á@ ÁæÁ !ÁæÁ Á @, } Á^|, ÉÁQ •æÁ Áá Á | & Áæ[~ } áÁ@
^á^•Á Á@ ÁQ |ÉÁÚ | ~ c^Á@ ÁæÁ |^•Á | { Á@ Á æ ~ æÁ^ç^!•Áæ } áÁ á^•Á | { Á@ Á, á&@ [Áæ] *
c@ Á | | Á ~ c@ ÁæÁ Á -Á@ ÁæÁ Á@ ÁæÁ ç^ÉÁ | æ Á@ ÁæÁ |^•Áæ } áÁ á^•Á á@Á | ÁQ •^ÁæÁ@
] [á Á @ !^Á@ ^ Á æ • Á@ | ~ * @Á@ ÁæÁ ! Á æÁ áÁ á Á@ Á | ÁQ •^Á^& !^ | É
W^ Á@ Á çá çá * Áæá, æ^ Á@ Á | Áæ } • Á @, } Á^|, Áæ Á •æÁ @ Áæ } • Á@ ÁÉ | GÉFHÉ



W^ ÁÜVXÁ Á^ æÁ@ ÁQ |^ÁæÁ æ Áæ` óÁ Á@ ÁæÁ Á -Á@ ÁæÁ !ÁæÁ ÉÁ (ASM-NH-0109)

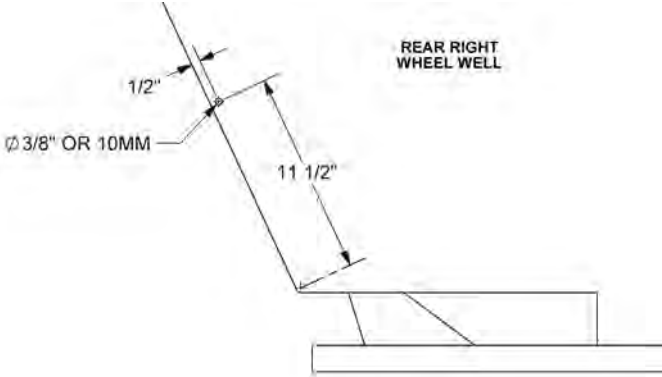


5 GG9 A 6 QM

Q: H'J5 @9 <CG9 FCI HB;

0rca&@A@&|æ] Å Å@Åã @Å^æÅ @^|Å ^||Å| Å||] ^|Å@•^Å| ~ ç *ÈÅV^Å@ Å|, ^|Å^æ &| } ^|Å -Å@Å @^|Å ^||Åæ Å Å|ã Å Å|Å ^æ ~|ã *ÈÅV@ÅQ|Å ÅQ~|ã Å^Å F€ { Å|Å HD+Å^æ Å ã ç Å&&] Å Ò +Åæã, æ^È

T^æ~|^|Å|{ Å@Å| } ^|Å -Å@Å @^|Å ^||ÅFÈB^Å| } *Å@ÅæÅ Åã^ÈÅV^Åæ~æ^Å| { ^æ~|^|ÅFÈB^Å| { Å@Åã^ÈÅV^|Å| Å@Å æ^•Å^||, Å Å^Å@ÅQ|Å|æ{ ^ } È
BCH9."8C'BCH7I H=BHC'HI 69G'#<CG9G'#K-F9G'K<9B'8F=@@B; 'H<FCI ; <'A9H5 @CF'D@GH7°



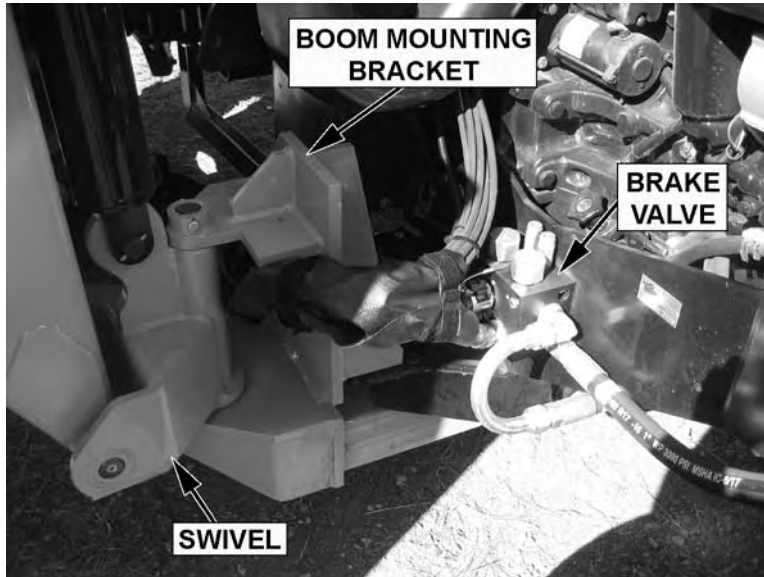
Ú|æ^Åæ Å æ^ÅQ••Å Å@Å|æ] ÅæÅ a|Å-ã Å æQ~c&|{]|{| æã*Å|^•~|^ÈÅV@} Å^&|^ @ÅP UÙÒÃÓŠŒ ÚÅÉ | ĞEFHÅ Å@ÅQ|Å|Å|ã Åã@ÅÙÖÙÖÙÖY ÈÈ+ÝF+È ÒÅÇFÍ HÈDæ ã ÞÝŠUÒSÁPVMÈÈ+È ÒÅÇFÍ Ğ ÈÅV@ÅQ••Å@æÅ| } ÅãÅ ç Å@Å|æ] Åæ^Å Å^Å^&|^ã Å@ [c@!•Å æ@ã Èã ÈÅÇ|Å| |c&ç } Å -ÅQ••Å Å| } çæS Å æQ~^ç Åã^•È |æ ÅQ••Å æ@] |æ Q•^Å^&ç } Åæ ã Åæ ç } Å æQ~^Å|æ] Å|Å ç Èã Åæ Å^ããÈ (ASM-NH-0108)



5 GG9 A 6 @M

G-8 9 'GHCK ' < CG9 ' F CI H-B;

K5FB-B; ' BCH9.ÁV@Á·~ áá^} Á|^æ^Á Á@á:æ|æ Á|^··|^Á&~|áÁ&æ·^Á@Á~ áá^}
 { [ç^ { ^} of Á^|^ Á@æ· Áæo ÉÁ@ [] ^ Á Á@Á æ Á Á@·^ Áæo &| |áÁ^Á^ç^|^|^ Á@|^ Á Á|^áÉ
 ÖUÁUVÁÜSSUY Á@·^ Á@á:æ|æÁ@·^ Á Á ÖÜÜCSÁ|^ÁWÜUVÁ Á|^Á|^ Á|^ç^} Á@á:æ|æÁæ|^ Á
 T æ^Á~|^Á@Á@·^ Á Á|^ Á|^ ç^ &Á|^ Á d^ &Á|^ Á|^ Á|^ ç^· ÉÁ|^æ~|^ÁY ÖÜÜ&@&ÁY ÖÜ
 @} Á|^| &^ÁÁ æ@æ ç} É



Ü|^ ç^Á@Á^+Á@á:æ|æÁ@·^ Á|^| { Á@·Á|^æ^ÁXæç^Á@|^|^ * @@Á|^ æ^Áæç^ ^} Á@ÁÜ, æ|^
 æ|^Á@Á|^| { Á|^|^} ç^ * Á|^æ|^æ|^ áÁ|^ Á@ÁÜ|^|^|^|^|^ ÁV^ á^·Á|^Á@·^ Á|^ Á@Á|^| { ÉÁV^·^Á@
 P|^·^Á|^æ|^] ÁÜBÁVÖHEI ÉÁæ|^Á@Á~] |áÁ@æá, æ^Á|^ Áæç|^Á@Á^+Á@·^ Á|^ç^ ^} Á@Á|^| {
 T|^|^} ç^ * Á|^æ|^æ|^ áÁ@Á|^·^Á|^æ|^] É

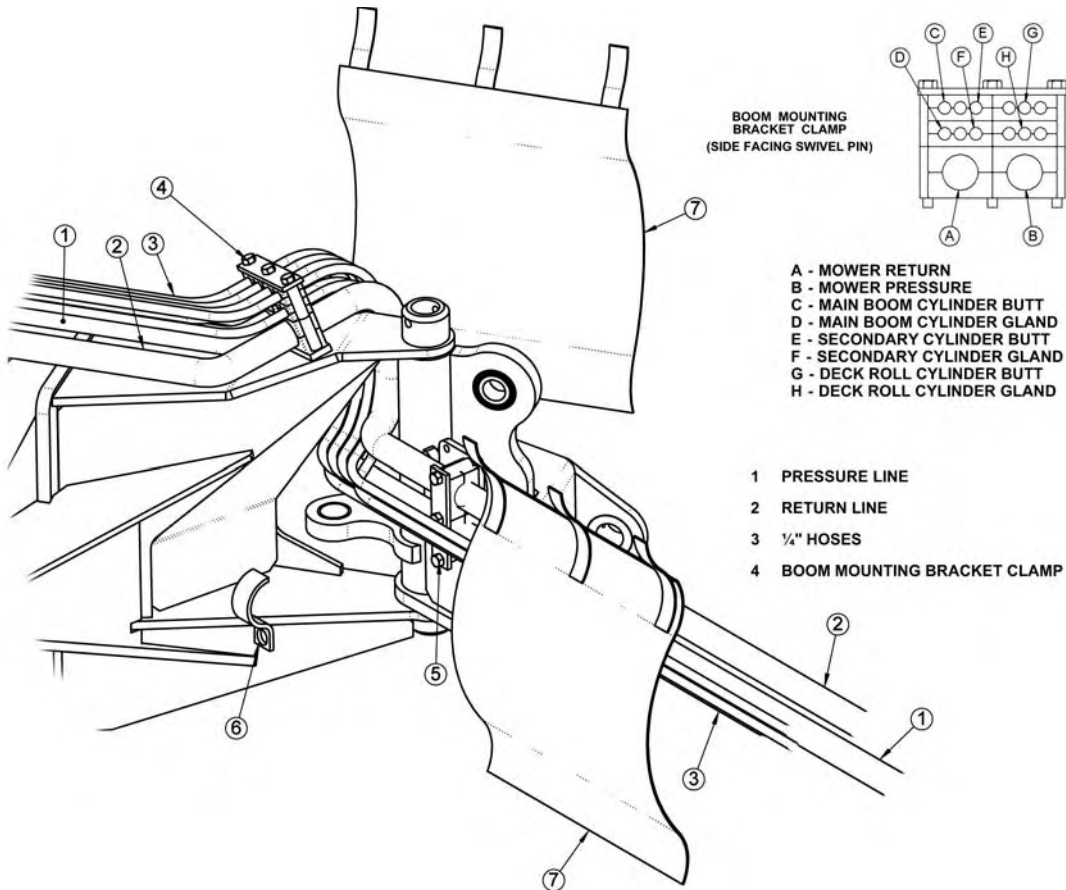
Ü|^ ç^Á@Á^+Á@á:æ|æÁ@·^ Á|^| { Á@·Á|^æ^ÁXæç^Á@|^|^} áÁ@Á|^| { Á|^|^} ç^ * Á|^æ|^æ|^ á
 ^|^|^, æ|^Á@Á^+Á@·^ Á|^ Á@ÁÜ|^|^|^|^|^ ÁV^ á^·Á|^Á|^| { Á|^·^· ÉÁV^·^Á@Á^+Á@·^ Á|^ç^
 @Á^+Á@·^ Á|^· Á|^· Á|^] |áÁÁá Áæ· Áæ|^ áÁ@·^ Á|^ç^|^|^ ÉÁV^ ASM-NH-0124)



5 GG9 A 6 @M

F95 F'GHCK ' @MBL '<CG9 FCI H#B;

K5FB-B; BCH9. ÁV@Á~ áá^} Á!^æ^Á[-Á@á!æ }ÁÁ] !^..~ !^Á&f~ |áÁ&æ•^Ác@Á• áá^} { [ç^ { ^} d^ Á^!^ Á@æ^ Á æ• ÉÚE^ [] ^ Á@Á æ Á -Á@•^ Á æ• Á&f~ |áÁ^ Á^ç^!^ Á@! d^ | Á q|áÉ ÖUÁUVÁÛSSUY Á@•^ Á@ á!æ }ÁÁQ•^ Á Á ÚÜÜCSÁ! ÁÓWÜÜVÁ Á |áÁ! Á Á!ç^} Á@ á!æ }ÁÁæ~ !^ T æ^ Á~ !^ Á@ÁQ•^ ÁÁ [Á] d^ á &ç^ | Á d^ &ç^ ÁÁ [{ Á [ç^ ÉÁ^ Áæ~ !^ ÁV ÖÜ&@ & ÁV ÖÜ ç@} Á! [&^ áÁ æ@æ ç] É

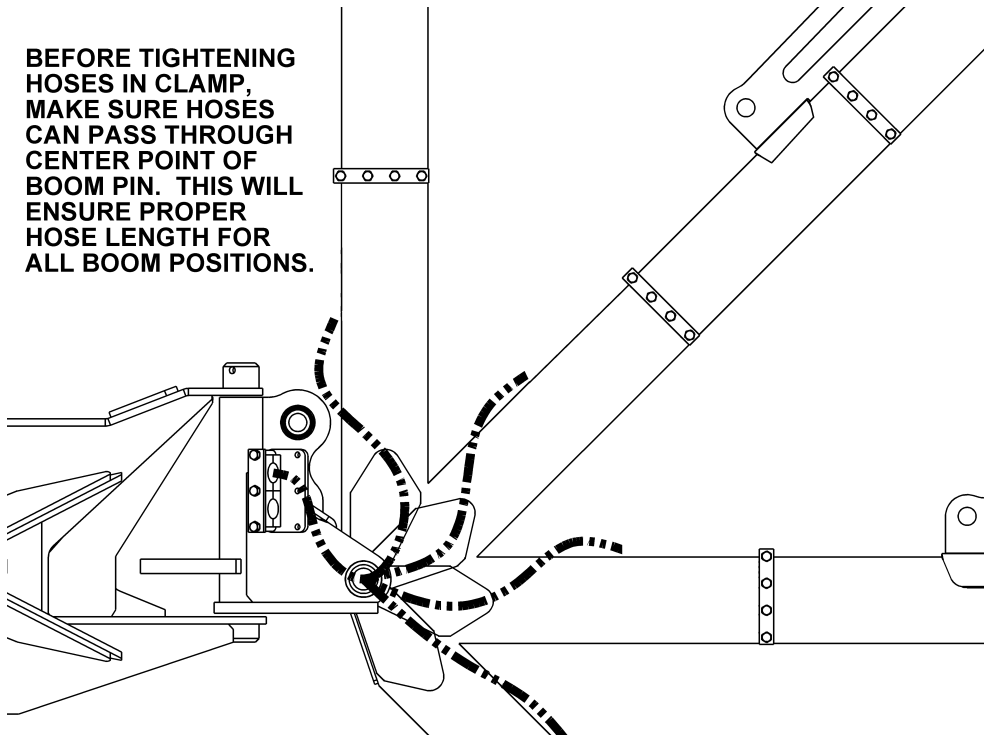


T æ^ Ác@Á^ç } Áq^ ÁG^ +æ} áA J+Á! [{ A c@Á^} áAç@æ} q|Á&f } } ^&ç^ Ác@ÁQ•^ Á^} Ác@ÁÁ [{ É V@•^ Á æ^ Á q|Á! &æ^ Ác@ÁQ•^ ÁÁ Ác@Á&f } Á æ^ Ác@æ^ Á^} Ác@Á, æ^ |Áæ} áÁÁ [{ Á [~ } ç} * á!æ^ Á^çÜ [~ ç^ Ác@ÁQ•^ ÁÁ @ [~ ç^ Ác@Á] æ^ Á^ç, ^} Ác@Á, æ^ |Áæ} áÁÁ [{ Á [~ } ç} * Á!æ^ Á^ç æ^ Á Q, } Áæ [ç^ ÉÚE [] } ^&ç@•^ ÁQ•^ Á Á Ác@Á [{ ÁQ•^ Áæ} áÁ [ç^ Ác@Á [{ Áæ { Á ÁÁÁ, ÁÁ^ç + [{ Á ||Á! , æ^ ÉÚE•^ { á^ Ác@Á, æ^ |Á&f } Áæ} áÁ |æ^ Ác@Á^ç } ÁQ•^ Á! Ác@Á [ç^ |Á] Á! } Áæ} á c@Á!^..~ !^ Áq^ Á^} Ác@ÁÁ [ç^ { ÉÚ|æ^ Ác@Á +ÁQ•^ Á Á Ác@ÁQ•^ Á&f } Áæ} áÁæ} áÁÁ Ác@ÁÁ [ç^ { •&^, Á -Ác@Á, æ^ |Á&f } ÉÚ^ ç^ÉÁ æ^ Á~ !^ Ác@Á^ ÁÁ } [~ ç^ Áæ} Á! Áæ|ÁQ•^ Á Á q| Á æ^ Ác@Á ç} á ç^ @!^ Ác@Á æ} ÁÁ [{ Áæ { Á^} á• ÁÁc@Á, æ^ |ÉÚE Á Q, } ÁÁc@Á^ ç^æ} æ^ ÉÚæ} áÁÁ ç^} Ác@ÁQ•^ ÁÁ Ác@Á&f] É



5 GG9 A 6 @M

BEFORE TIGHTENING
HOSES IN CLAMP,
MAKE SURE HOSES
CAN PASS THROUGH
CENTER POINT OF
BOOM PIN. THIS WILL
ENSURE PROPER
HOSE LENGTH FOR
ALL BOOM POSITIONS.



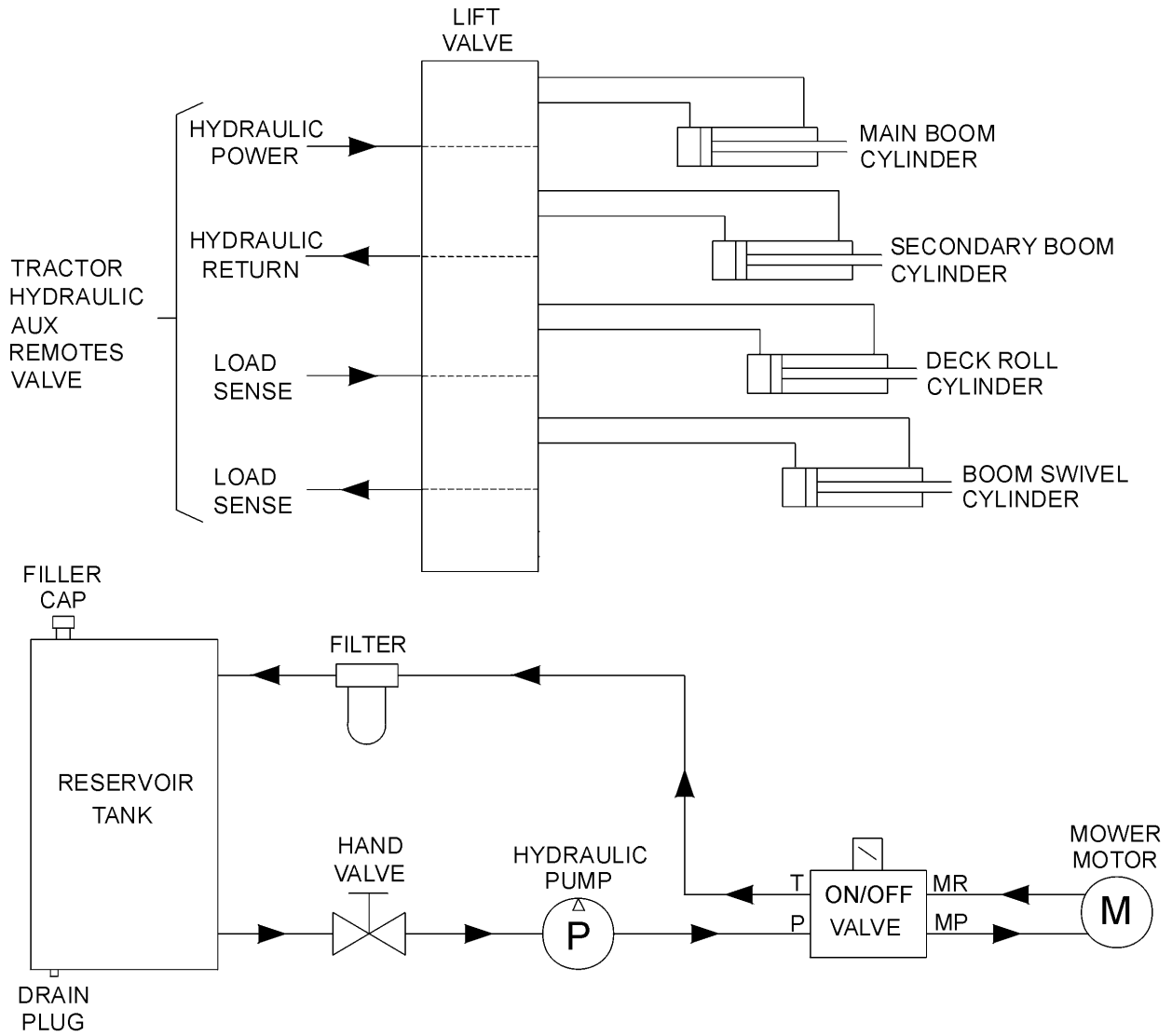
CEI a j * ^ A @ A Q . ^ . A A @ A S | a j] A @ A S a a @ . A A @ A S [[{ A [^ } a j * A | a a ^ a a A @ , } A a [c ^ E
, a @ A @ F + A [d | A Q . ^ . A S | . ^ . A A @ A S | a a ^ a a a @ A A c i } A Q . ^ A S | . ^ . A A @ A S [[{ A a { E U ~ ||
@ A Q . ^ . A } ~ A [{ A @ A , a ^ | A A @ A [^ } a j * A | a a ^ a a A @] . E j @ } A a j A [[{ A A a | A j , a a E
a j a A a @ } A @ A Q . ^ . A A @ A S | a j] E
T a ^ A ~ ^ A @ F + A [d | A Q . ^ . A S | A j [d a \ A a @ A a [[{ A a { A A [c ^ a A j d A @ A d , a *
] [. a j } E Q a @ A a] ^ } . A @ A [d | A Q . ^ . A a | A a ^ A A A @ | c } ^ a E a ^ a a @ ^ A A A [A ~ & @
Q . ^ A ^ c ^ ^ } A a j] . E (ASM-C-0059)



5 GG9 A 6 @M

È ÁASM-JD-0091)

BOOM HYDRAULIC DIAGRAM



5 GG9 A6 @M

7 CC @F "ACI BH#; '1G-89 'H5 B?

T [~ } o@A [['A [~ } c# * Aiaa ^ o A } A@A [A ad A a A A A@ A a a e | A A a \ E A S | a e e
c@A [| o | a e . A } A@A [A A@A a \ A a a a A ^ & ' A A@A a] [] | a e A [['A | a a a ^ o A A@A a \ A a o
c@A a a , a A A [[c a a ^ a E A a a o A A & ^ ^ } A a a A [['A | A A@A | a a a ^ o E A A ^ A | A A@A a o A A ^ & c a }
d A a a a o A A Q . A . A a a a a a c ' . A A@A [['A | A A (ASM-C-0092)



6 CCA 'ACI BH#; '6F57?9H

W a * A a A [['A a A a a d | A a A a a d a a a a ^ A o A [[{ A [~ } c# * Aiaa ^ o A } A A c A A a A | a a ^ A o
a | a a ^ o A d A [. a a } A } d A o A a a A a e ^ A e A Q , } A A@A a o A A ^ & c a } E
Q . a A A o A a A o [~ * A a a A a e ^ A a a Aiaa ^ E A A ^ & ' A A a o A a . & ^ , A a a A [| & A ~ o A [~ * @
c@A [. . A } A@A a a a e ^ E
U ^ & ' A A [~ } c# * Aiaa ^ o A A o A a a A a e ^ A a o A o A a a . & ^ . E A a a e @ | . E A o A a a e @ | .
a a A ^ | | & A ~ o A [[c a a ^ a E A A ^ & ' A A o [~ * A o A c [A [| c a a Q | . A } A o Aiaa ^ o A a a a a e ^ E
(ASM-C-0084)

GK =J9 @6 F57?9H 'ACI BH#;

Q . a A A o A [[{ A , a A | aiaa ^ o A } d A o A [[{ A [~ } c# * Aiaa ^ o A a o A A , a A | a a E A A ^ & ' A
c@A a a A | a a A . a * A o A a a . & ^ , E A a E A o [~ * A o A Q | A A A o A [. . A a a a a E A U V O K A V @ A o a a
[A o A a a . & ^ , A ~ o A A A , a a A o A A [] o A A o A a a d | E
Q . a A A a A ^ , A , a A | A a a A a c c# * A } A o A , a } * A e | a a A A a o A , a A | A [] ^ } a * A a a a * A a a o
[c@: E A a a a * A a | a a e A A c] ^ A a a A a a ^ & c a } A a ^ ^ } a a * A } A [~ | A a } | a a a } E A ^ A | A A [~ | A a o A A
U ^ & c a } A | A [| ^ A a a a . E
Q . a A A a a a * A A A o A a a a e ^ A a a e Q | A | A o A , a * A e | a a A E A A o A a a a a a ^ A a A [] ^
f | A [~ E
Q . a A A o A , a * A e | a a A a c ^ ^ } A o A [[{ A [~ } c# * Aiaa ^ o A } a a A a a e Q | A a a A o A [[{
. , a A | a a o A a a . E A o A | o A [| A a a A o [~ * A o A A] A a a A o A [c { A Q | A A A o A a a . E
P [, A o A Q . A . A a a A a a a a o a A [{ A o A } d | A a a A A A o A , a * A e | a a A E A (ASM-C-0015)



A5-B'6 CCA-BGH5 @@HCB

Q • c@/A@/A [{ A , q^/H d A@A a@ /a^ /A@A@ , } H A@A@A@A@A@ } A@a* A@a@ a c@Sg A^A] A@|^
a A , q^/A@ aA a@ A@a^ A^/A@a^* A^A , q^/A^ a@ a@^ /a^ d E@A^&^ /A^ a@A@a@ , a^ A@a@A @ , } E
Ora@A@A@A^/A^ } aA^ A@A^ a@ A@ [{ A^ A@A^ , q^/A@a^ /A^ a@A@A@ | a^ A@a@ &@!^ A^ [• a@] ^ a
~] , a@a@ a^ A@a@A@ A@ * |^ A^ A@A@a@ | E@A^&^ /A^ a@A@A@ | a] a@A@ * A^ a@ E@A^&^ /A^ A@A@ * A^ a@ H
c@A [•• A^ a@A@& •&^ , • E@a@E@^ A@A@A@A@] E
Ora@a@A@A^ c@A } aA^ A@A^ a@ A@ [{ A@ | a^ A^ A@A^ , q^/A^ a@A@A@ | a^ A^ a@ A@ | A^ a@ A@ , } H
c@A@A@A@A@A@] E
Q • c@/A@A@a^/A [& A] A@A [aA] aA^ A@A^ a@ A@ [{ A@ | a^ E@A@A@ A@ q^ | a^ A^ A@a@ * A@A^ c@A } aA^~
c@A@A@ | a^ A@a@A@/A • c@/a@A] E
Q • c@/A@A@a^ * • A@ a@A@ • • A^ A@A^ a@ A@ [{ A@ | a^ A^ A^ A@A@A@A@] E

; F95 G9 '<-B; 9'D-B'N9F?G'CB'6 CCA'5: H9F' 5 GG9 A6 @E CB79' I B89F' @C58' K H<' 6 CCA
9 @J5H98' 5 B8' 5; 5-B' 5H'F9GH'K H<' 6 CCA' G' DDCFH98 (ASM-C-0013)

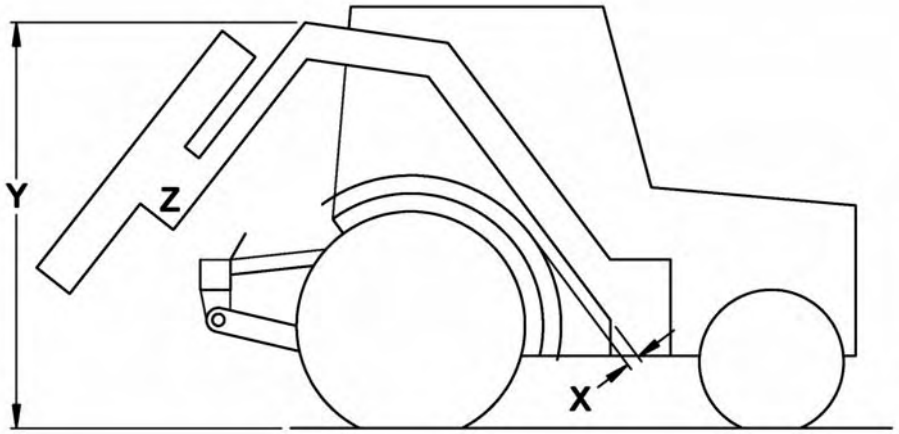
897? 5H57 <A9BH

Ora@a@A@A@aA^ A@A^ &] a@a^ A@ [{ A@a* A@a@A@a * A@a^ a@a@a , a^ A@a@ , } A@ A@A@A@
A@&] E@Q • c@/A@A@a^& A^ q^ [O& | a^ A^ a@a* A@a@A@a * A@a^ a@a@a , a^ A@a@ [A@a@ , } H A@A@A@
A@&] E
O [] ^&A@a@A@a@ * A@a^ a@a@ • • A^ [{ A@a@A^ q^ [O& | a^ A^ A@a@ { a@A@a • • A^ | A^ |^ | { ^ a^ a^
[] A@a@A@ [{ A@a@ E@A@] } ^&A@a@A@a@ * A@a^ a@a@ • • A^ [{ A@a@A^ [d | A^ A@a@A@a^* A@a@ • • A^ | A^ |^ | { ^ a
c^ a^ A^ } A@a@A@ [{ A@a@ E@A@a@a@a@ * A@a@ a@a@ A [, A^ a^ A^ |^ A@a@A@a@A@a@ • A^ a@a@A@a^ d a
• a^ A^ |^ A@a@a@ a@a@ A@a@A^ [d | A^ |^ • • |^ A^ | | O^ O^ A^ a^ a^ a^ a@a@A@a@ | O^ a^ | E
O [] ^&A@a^ | A^ { a@a^ a@a@ • • A^ | { A@a@A@a& } d [| A@a@A@a^ A@a@A@a^ | a^ A^ • A@a^ a@a^ | A@a@ • • A^ |
| |^ | { ^ a^ a^ a^ } A@a@A@ [{ A@a@ E@A@ (ASM-C-0086)



' !DC=BN'6 CCA 'F9GH'ACI BNB;

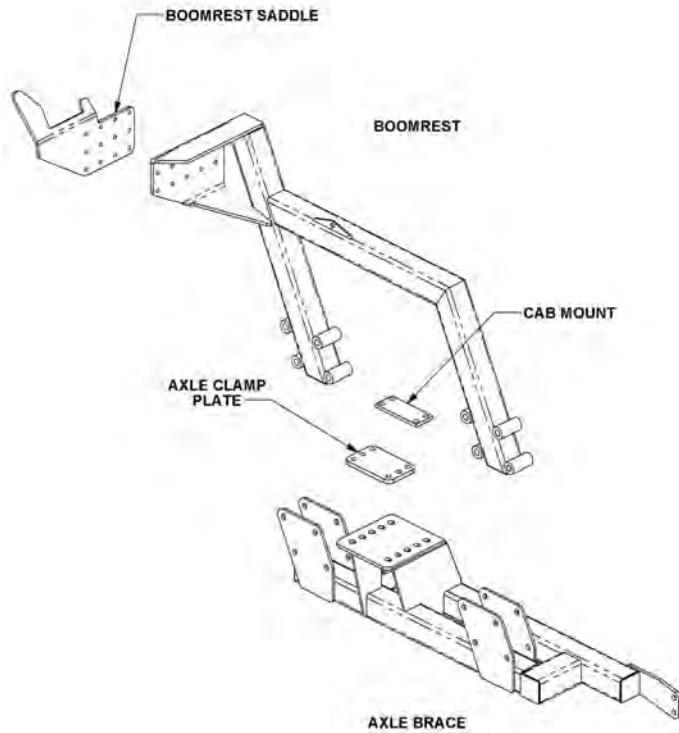
Q. ca/As@As[[{ A^oA } d A@A E [a A@A@a * A@A@a . A@A@ . } As A@A@a@A | . d a a } EAA
 Oab . o@A [d { A@A { . A [A@A [[{ A^A@a . A@A@a d | A^ } a^ | A^ D A a b . o@A [] A a \ A [A@A
 o@A [[{ A a a ^ A A }] | c a a e ^ A c ^ | A a o@A | ~ } a E U ^ E a b . oA } & A@A [[{ A A { E
] | ^ ^ | A . ca ^ a A a A] ^ a a ^ E A b . o@A [] A a \ A } d A@A [[{ A A |] | ^ | A ^ a a A A@A [[{ A
 | ^ . o Z D a a A [A a o A A@A [[{ A a & ^ a a * A@ . ^ . D A { ^ . A d A } ca o A a o@A a d | A a E A
 p ^ c d A . a * A@A a ^ A } | a & | ^ . E a b . o@A [[{ A a A [[{ A ^ . o A | A@A a A A@A a @A | A
] |] | ^ | A a o A . d a c } . E A O @ & A [^ | A | a a A a o A ^ ~ | a a } . A ^ | ^ A a } [| c a * A [^ | A [, ^ E A
 Y | ^ A a A ^ a A A a b . o@A [[{ | ^ . o A | A c ^ | a A@ a @ A e A ^ | A Y D A A (ASM-C-0054)



5 GG9 A 6 @M

G-B; @ 7 C @ AB 6 CCAF9GH

Ôæ^~||^Á, ^!Á@Á[[{ !^•ó} áÁ} } Á@ÁQ |^•Á ã@Q •^Á -Á@Áæ|Á!æ^ÉÁ[, Á•æ|Áæ
ææ&@ * Áæá, æ^Á@Á@, } Á@ÁÚæ•Á^&ç} Á[!^|ÉÁ Áæ[[, Á|Á@Áæ} { ^} Á ã@Á@Áæ|
à!æ^ÁVã @} ÁÁç |^~^Áæ|Áæá, æ^Á| } Á@Áæ |^Á!æ^Áæ áÁ@Á[[{ !^•ÉÁQ æ| ÉæáÁ@
Ó[[{ !^•Áæá^Á•ç * Á@Áæá, æ^Á| çæ^áÁ} áÁ] æ^Á@Áæá, æ^Áæ æÁæ Áæ Á[••æ|^É
(ASM-NH-0134)



5 GG9 A 6 @M

: B5 @DF 9 D5 F 5 HCB: CF CD9 F 5 HCB

Ujæ^Á] ^iæf !•Áæc Áæ áÁ] ^iæf } Á^ææ Á } Ác@Ác^iá * Áf | { } Áæ áÁæ^Áf } •[^Á @|^
c@^ Áæ^Áf^æf Áæ æ|Áf Ác@Á] ^iæf !ÉWV@•^Áææ Á @~ |áÁ^Á } á!•d [áÁ^ ÁææÁ] ^iæf |Á~
c@Á ææ^Áf } b } &æ } Á ææ@Áæc Áæ áÁ] ^iæf } Á^ææ } Á Ác@ Á [\ ÉWV@Áææ Áæ^Áf
áÁ } ææ^ÁáÁ Á [áÁf } áææ } Áæ ÁæÁ^ } á!Ád Ác@Á] ^iæf |Éæ } áÁ @~ |áÁ^Á^ |æáÁÁ
áæ æ^áÉ

Qæ æf ÉæfÁf ••^•É] á•Áæ áÁ] æ[cÁ] [á •Á. áÁ] ^áÁd Áá^Á^!ææ^áÁæ Áá •d~ &c^áÁ Ác@
Á ææ c } æ &Á^ææ } Á [-Ác@Á } æ~ æÉÁÁV@Ác@á!æ |æÁ^•^iç [áÁææ Áæ •[Áá^Áf^áÁ æææ
|^æ [{ ^ } ááÁ^ æÁG^Áæ ææ c } æ &Á^ææ } Dææ áÁc@Áæc!Áá •æf^áÁá Ác@Á] Á Ác@Á æ |É
Ö~ |Á^Á&@& ÁæÁææ * Áæ áÁæ c } ^i•ÁÖÖUÜÖÁ æææ * Áææd !ÉWV@ [Á^æ^Áf] Á [•ÁQ••
d *^c@!Á ææá Áæ •Áæ áÁ] æ Á ææ] |áÁQ••Á @|^Áææ } Á æ Á &&^Á } Ác@ÁQ••É



ÖÖUÜÖÁ æææ * Á!Á] ^iæf * Ác@Áææd !Á [~ Á ~ •c^æææ áÁ } á!•ææ áÁc@Á
Áæc Áæ áÁ] ^iæf } Á^ææ } •Á Ác@Á æ~ æÁf { } |c^|É

69`GI F9`H<9`65 @UJ5 @9G`5F9`CD9B`...ÜææÁææd !Áæ áÁæf [, Áá •d~ { ^ } •Áf Áææáá^É
Vá á * Áææ á &Á^ Áæ ^iÁ!Áææáá [æáÁæ Á [c^áÁ Ác@Áæc Áæ áÁ ææ c } æ &Á^ææ } •É&@& Áæ
ææ * Áæ áÁf } } ^ææ } •Áf !Ác@á!æ |æÁæ •É

QæÁæ Áæ Áf ~ } áÉ [~ Á ~ •c^ @c^á, } Ác@Áææd !É^Ác@Áæ^ c^Á } Ác@Á^i~ } áÉÁÖ~|^
ææ { } ç * Áf ÁæÁc@Á^æ É [~ Á ~ •c^æc æ^Ác@Áæc^Áææ á!Á^Á^ç^iææ Á^Ád Á^iç^Áæ^
|!••~|^Á Ác@Áá •É

6 YZfYcdYfUhb] `H Ya ck YfÉ@Á^ c^Ác@æææ áÁf [[Á @~ |áÁ^Áf] , |Á [ç^áÁc@~ * @~ c
c@Á] |Áææ * Áf Á [ç] ÉWV ææcÁf |Áæ^Áf } áææ } Ác@Á [~ |áÁææ^Áá &æ * Á!Ác&••Ád••Á }
c@ÁQ••ÉWV@Ác^iá * Áæ áÁ] } Áæ^Áææ^Á @~ |áÁæ [Á^Áææ~ |Á [ç^áÁc@~ * @c@áÁ~ |
!ææ * Áf Á [ç] ÉWVÁæ^Áf } áææ } Á &&^Áá Áææ@ÁQ••Áf } ææc@Áá^Éæ@Ác^iá * Áæ áÁ
[|Áf] } Áæ^Áææ^Áf æ Á^áÁf Áá^Áá æ^áÁæ Áá •&æáÁ Ác@Áææd !Á] ^iæf |cÁ æ~ æÉÁÁV@
• @~ |áÁæ [Á^Áf] ^Áá@Áá^Á áÉ |Áæ^Ác^ { ^|^Áf [^Áf Áæ^Ác@Áæc^Ác@Á [, ^iÁ^ &ææ
c@Ác@á!æ |æÁæ } Á!Áæææææ ÉWV@Á æ Áæ &^Áææáá * Á @ •É |Áææb •ç * Ád] Á [|c^Ác@
dææd !Áf] } Áf Á [ç^Ác@Á] |á!É ÉWV @Á^Ác@Áá * Á [ç] É [~ Á @~ |áÁæ [Á&@& Ác@ÁÁf] d [|
&&æ æ Áæ^Áf } } ^ææáÁæ&f |áá * Áf Ác@Á] ^iæf |cÁ^Áææ^Á Ác@Áæc^Áææ á!Á^É

ACK 9F`H9GHB;

Væ^Ác@Áææd !Áf Áæf |æáÁ^Á^Áf [••Áæ áÁ &c^Á } Ác@Á^i~ } áÉÁU] ^iæf Ác@Áæ |á á!Á^Ác@~ * @
c@áÁ] |Áææ * Áf Á [ç] Áæ ææ ÉÁf Áf^æÁc@Áá •Á ÁæÉWV [| , Ác@Áá •d~ &æ } •Á Ác@Á] ^iæf }
•^ææ } Áf Á] ^iæf Ác@Á [, ^iÉWVæiææ } Á Ác@Á [, ^iÁ @~ |áÁ^Áf áá ææææÁá^Á •ÉWVÉc^Áæf
{ á~ c^Ác@Á^ } Éæ@Á } áÁf |c^Á @~ |áÁ^Á^Ád |~^áÁæ áÁ } &Áæ ææ Áæc^Ác@Áá •c^Á, ÁQ~!Á~
[] ^iæf } É

=Z UbmdufHg'cZH]g'5 ggYa V mGYW]cbžcf`Ubmich Yf' gYW]cb`cZH]g'a Ubi U`UFY
bchWYUf`mii bXYfghccX`nci `a i ghVebhUWinc i f`XYUYf`cf`H YUXXfYgg`cb`H YZ`cbhcZ
H]g'a Ubi U`Zf`Ugg]ghUbwW` (ASM-C-0010)





CD9 F5 HCB'G97 HCB

UJ ^!aa } A^&a } A#

CD9F5HCB

H 9F'6CCA'ACK 9F

CD9F5HB; 'BGHFI 7HCBG

CD9F5HCB

Va^!ÁÓ[[{ •Áe^Á e} ~æc^!^áÁ ã@Á ~æc^Á æ^!æ^Á Á\á^áÁ [[!^!•ÉÁV@ÁÓ[[{ ÁÁ ÁÁ•á }^áÁ Áææ&@Á Áe
dæd^!Áe} áÁ] ^!æ^Áæá ~Á@æá•Á^!Áe} ã^Áe} *^Á Áç^*^ææ^Á æ} e} æ^Áæ} |ææ} •ÉÁV@Á[[{ Áe} á
@æá•Áe^Á ~} á] ^áÁ ã@Á æ^c^Á æ} } *Áá&æ ÉÁ [[e&ç^!Áá^!&ç^!•ÉÁ @|á•Ée} áÁ @!Áæ^c^Áæ^!^Áç
]] çæ^Á^!æ} Áe} áÁæ^!^Á^![[e&ç^! ÉQ, ^ç^!ÉÁ [Á @|áá *Á ÁÉÉÁ Áæ&^!æ ÉÁÇÉÁæ^c^Á ~} á { ^} e} á
•æ^c^Á æ} } *Áá&æ Á ~•e^Á æ} æ} á^Á } Á@Á } ãÁ Á[[áÁ] ^!æ} } æ} } áá } Áæ^!Á ~É

QÁ Á@Á^!æ} |çÁ^![[•ææ^Á Á^Á } |, |á^*ææ^Á Áç^![[e} çæ^Á] ^!æ} *Áe æá•Áe} áÁ Áæ^Áç^!
!^æ } æ^!Á^!æ} ç^! Á^Á } ^!Á } ^!^!ÉÁ @!•Ée} á æ^!e} áÁ [[!^!c^! Áe^Á] e} b^!áÁ^!Áæ æ^!áÁ^!Á@
à[[{ Á } ææ^!Á Á^!Á@,] Á áb&ç^!Á [e}] ^!æ^Á@Á[[{ Áe} áÁæ&@á@æ^!Á ~} æ^!^!ÉÁ æ^!^!á^!
] ^!ç^!Á^!Á^! & Áe^Á ã@Á ÁÉÉÁ^!Á @Á } æ

V@Á^!Áç^! } Á Á@Á] ^!æ} |çÁ e} æ^!Á Á^!Á } ^!Á Áe} ææá^!ÉÁ •ç^! &ç^! áÁ á ææ^Á] ^!æ} |•Á Á@Áæ^!e} á
]]] ^!Á^!Á Á@Á[[{ Áe} áÁæ&@á@æ^!Áæ^!Á^!Á } æ} á^!Á Á@Á^!Áç^! } Áe^!e} e} á^!Á Á^!Á^!Á^!Á
çá ~æ^!Á Áe} á e} Áç^!] æ} } *Á@Á] ^!æ} } Á Á@Á[[{ Áe} áÁæ^!Á [e}] ^!æ^!Á Á@Á[[{ Á } áÁ æ^!
•ç^! Á @|á•Á^! { ç^!Á Á } @e} &Áç^! ~æ^!ææ^! ÉÁ ÖXÓUÁ] ^!æ^!Á@Á[[{ Á } áÁ æ^! Áæ^c^Á ~} á { ^} e}
] æ^!Áe} áÁ Á[[áÁ] ^!æ} } æ^! Á } áá } ÉÁV@Á] ^!æ} |Á ~•e^!Áæ ææ^!Á ã@Á@Á[[{ Á } áÁ æ} áÁæd^!
]] ^!æ} } Áe} áÁæ^!Áæ^c^Á Áææ^!Á^!^!Á^! } } *Á] ^!æ} } ÉÁV[[!^!Á] ^!æ} } ÉÁ Á^!æ^!áÁ Á@Á e} æ^!e} á
@]] Á } ^!Á^!æ^! Áæ^!Áe} áÁæææd^! Á^!Á Á@Á[[{

F958'5B8'I B89FGH5B8'Hk'9'9BHf9'CD9F5HB; 'BGHFI 7HCBG'5B8'G5: 9HMG97HCB'C: 'Hk-G
A5BI 5 @ 5B8' Hk'9' HF57HCF' A5BI 5 @ 69: CF9' 5HH9ADHB; 'HC' I G9' Hk'9' HF57HCF' 5B8
-AD@A9BH' GÁ] ~Á[Á [e}] á^!e} áÁe} ^! Á@Á } d^! &ç^! •ÉÁ } ææ^!] ^!Áæ^!Áe} e} |á^!Ááæ^!Á^!
~||Áç^!] æ} æ} ÉÁæ^!Áe} |^!Áæ^! } ç^! } Á^! Áe} Áæ^c^Á Áe} •Áe} áÁæ^c^Á Á^!e} Áe} } æ} áÁ Á@Á e} æ^!
e} Áe} áÁ Á@Á] |{ ^} e} áÁæd^! ÉÁ OPS-U-0001)

ÜÖÇÉÁV@ÁÓ[[{ •Áe^Á e} ~æc^!^áÁ ã@Á ~æc^Á æ^!æ^Á Á\á^áÁ [[!^!•ÉÁV@ÁÓ[[{ ÁÁ ÁÁ•á }^áÁ Áææ&@Á Áe
dæd^!Áe} áÁ] ^!æ^Áæá ~Á@æá•Á^!Áe} ã^Áe} *^Á Áç^*^ææ^Á æ} e} æ^Áæ} |ææ} •ÉÁV@Á[[{ Áe} á
@æá•Áe^Á ~} á] ^áÁ ã@Á æ^c^Á æ} } *Áá&æ ÉÁ [[e&ç^!Áá^!&ç^!•ÉÁ @|á•Ée} áÁ @!Áæ^c^Áæ^!^Áç
]] çæ^Á^!æ} Áe} áÁæ^!^Á^![[e&ç^! ÉQ, ^ç^!ÉÁ [Á @|áá *Á ÁÉÉÁ Áæ&^!æ ÉÁÇÉÁæ^c^Á ~} á { ^} e} á
•æ^c^Á æ} } *Áá&æ Á ~•e^Á æ} æ} á^Á } Á@Á } ãÁ Á[[áÁ] ^!æ} } æ} } áá } Áæ^!Á ~É

SAFETY INSTRUCTIONS



PELIGRO

Ua] Á^!Áç^! } Á Á@Á] ^!æ} |çÁ e} æ^!Á Á^!Á } ^!Á Áe} ææá^!ÉÁ •ç^! &ç^! áÁ á ææ^Á] ^!æ} |•Á Á@Áæ^!e} á
]]] ^!Á^!Á Á@Á[[{ Áe} áÁæ&@á@æ^!Áæ^!Á^!Á } æ} á^!Á Á@Á^!Áç^! } Áe^!e} e} á^!Á Á^!Á^!Á^!Á
çá ~æ^!Á Áe} á e} Áç^!] æ} } *Á@Á] ^!æ} } Á Á@Á[[{ Áe} áÁæ^!Á [e}] ^!æ^!Á Á@Á[[{ Á } áÁ æ^!
•ç^! Á @|á•Á^! { ç^!Á Á } @e} &Áç^! ~æ^!ææ^! ÉÁ ÖXÓUÁ] ^!æ^!Á@Á[[{ Á } áÁ æ^! Áæ^c^Á ~} á { ^} e}
] æ^!Áe} áÁ Á[[áÁ] ^!æ} } æ^! Á } áá } ÉÁV@Á] ^!æ} |Á ~•e^!Áæ ææ^!Á ã@Á@Á[[{ Á } áÁ æ} áÁæd^!
]] ^!æ} } Áe} áÁæ^!Áæ^c^Á Áææ^!Á^!^!Á^! } } *Á] ^!æ} } ÉÁV[[!^!Á] ^!æ} } ÉÁ Á^!æ^!áÁ Á@Á e} æ^!e} á
@]] Á } ^!Á^!æ^! Áæ^!Áe} áÁæææd^! Á^!Á Á@Á[[{

LEA EL INSTRUCTIVO!



Ó[[{ U] ^!æ} } Á^!Áç^! } Á^!É

CD9F5HCB

%CD9F5HCF`F9EI`F9A9BHG

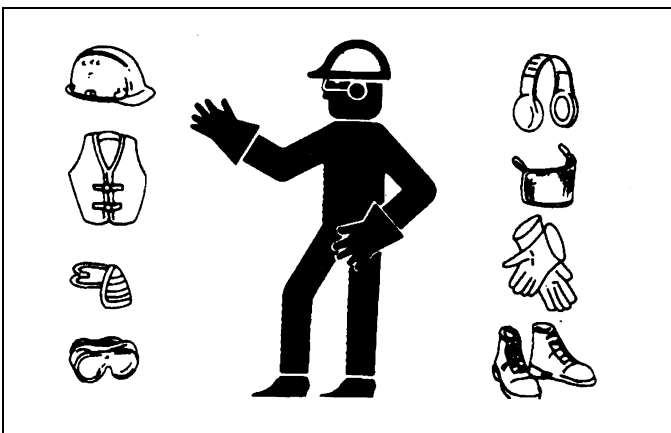
Ùæ^Á] ^ìææ } Á -Á@Á } æÁ Á@Á | ^•[] •æææ Á -Áæ~ ææá áÁ] ^ìææ | ÈÁÓÁ~ ææá áÁ] ^ìææ | Á@Á ^ææÁæ á
 ~ } á^•ææ á Á@Á Á] | ^ (^) óææ áÁæææ | ÁU] ^ìææ | çÁT æ } æ Áææ áÁæ Áæ] | ^æ } & áÁæ Áæ] | ^ (^) óææ áÁæææ |
 [] ^ìææ } Áæ áÁæ | Áæ • [&ææ áÁæææ Á] æææ • ÈÁÓÁæááææ } Áç Á@Á æææ Á ^••ææ Áæ] ææ áÁæ Á@Á æ } ææ
 •æææ Á æ } • Áæ Áæææ áÁæ Á@Á Á] | ^ (^) óææ áÁæææ | ÈÁÓÁææ ^ Á æóÁ -Á@Á] ^ìææ } Áæ áÁææ Á • ÁÁ -Á@Á
 ^~ æ { ^ } óæ Á] óæ { } | ^ç | Á } á^•ç [áææ] • | óææ Áæ ç | á áÁææææ Á] Áææ { } | ^ç | Á] æææ } È

ÇÁ@Á] ^ìææ | Áææ } [óÁææÁ@Á æ } æ Á] Á@Á { • | çÁ^ Á] Áæ [^ Á] óæ { } | ^ç | Á } á^•ææ áÁ@Á] ^ìææ } Á -Á@Á
 ^~ æ { ^ } ÈÁÓÁæ Á@Á Á • [] •ææææ Á -Á@Á ~ ^ìçæ [| Á Á ^ææÁæ áÁæ] ææ Á@Á æ } æ Èææææ Á] æææ • Èææ á
 [] ^ìæææ * Á • ç & ç } • Á Á@Á] ^ìææ | È

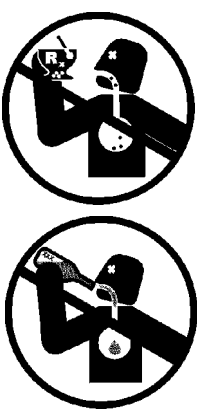
Ùæ^Á] ^ìææ } Á -Á~ æ { ^ } óÁ~ á^•Á@Á@Á] ^ìææ | Á ^æææ } | çÁÁÁ^• [] æÁU | ç & ç Á@Á~ æ { ^ } óçUÓU
 ç | Á@Á æ áÁæ] áææ } • Á @ } Áææææ * È] ^ìææ * È | ç & ç * Èæ áÁæ] æææ * Á@Á~ æ { ^ } ÈÁUÓUÁæ Áæ • æ } áÁæ
] | çæÁÁ] ^ìææ | Á] | ç & ç } Áæ áÁæ & } á^•Á@Á Á] | ç * Áæææ Á ^ææ

D9FGCB5 @DFCH97HJ9`9EI`DA9BH`DD9L

- ~ Çæ æ Á ^æÁæææ Á@Áæ • •
- ~ PæáÁææ
- ~ Ùæ^ÁÁ] ^Áææææ Á] | ç ^æ
- ~ Ó | ç ^
- ~ P^æææ * ÁU | ç & ç }
- ~ Ó | • ^ Áæææ * Á@Á çæ *
- ~ Ù^•] áææ | Á] Á@Á ç Áæ \ Áæ ^ ^ } á^•Á } Á
 [] ^ìæææ * Áæ } áææ } • È (OPS-U-0002)



POXOUA`^Áæi`*•Á] Áæææ ç | Áæ { ^ áæææ Áæ ç | ^ Á] Á @Á] ^ìæææ * Á@Á
 Væææ | Áææ áÁæ] | ^ (^) ÈÁÓÁ~ * Áææ áÁ æææ ç | Á, æ | Áæææ & Áææ Á] ^ìææ | ç
 æ^ç Á^• Áææ áÁæ [| áææææ } Áææ áÁ@Á^ç | ^ Áæææ & Á@Á] ^ìææ | ç Áææææ Áæ
 [] ^ìææ Á@Á~ æ { ^ } óÁæææ ÈÁÓÁ~ ç | ^ Á] ^ìæææ * Á@Áæææ | Á] Á@Á] | ^ (^) È
 æ Á] ^ìææ | Á } Á] ^• & æ ç } Á] Á ç | È@È] ç | Á ^ áææææ } Á ~ óæ } • | ç
 ææ ááæææ | | ^••æ } æÁ^* ææææ * Áæ ^ Áæ Áæææ & Á -Á@Á ^ áææææ } Á@Á
 , [^ | áÁ@Á á^•Á@Á æææææ Áæ Á] ^ìææ Á@Á~ æ { ^ } óÁæææ ÈÁÓÁÓU
 \ } , æ * | Áæ | , Áæ ^ [] ^ Áæ Á] ^ìææ Á@Á~ æ { ^ } óÁ @ } Á@Áæææ ç Á^• Á]
 & [| áææææ } Áæ Á] ææááæÁ] áæ • Áæ ç | Á] Áææææ Á@Á] ^ìææ | Á] Á@Á
 & } | áÁ^• | óæ Á@Á] ^ìææ | Áæ Á } á^•Á@Á ç | ^ } & Áæ Áæi`*•Á] Áæææ ç | Áææææ



CD9F5HCB

Ó | { U] ^ìæææ } ÁU & ç } ÁæÈ

CD9F5HCB



Ð^ç^!À] ^!æ^Aç@A\æç |Açç àAT [, ^!AV\ ãÀ ãQ ~ ^æç AUUUQU] ^!æç |
Ú: [ç &ç^ÀÚç ~ &ç |^DÀ |AÖæçÀç |Açç^ çç b | ^! [{ À àb &ç Àç@ [, } À [{
* | [^ } àÀ |À [{ À ç^! çæçÀç { ç * ÈUç] À [, ç * ÈÀ [| \ ^! ^! À ç • ^! ^! à
æ^À ãç ÀÈÈÀ^ çç ÇÖT ÈD



&" 'HfUWcf' @ [\ Hb ['UbX'GAJ '9a V'Ya

Qó@ Àçæç |À ç|À^À] ^!æç àÀ ^æç |Àçç^ |Àçç } Àçç
] ~ à|À [æç, æçÀçç • ç^À^~ ç] ^àÀ ãç | [] ^!
, æç ç * Àç çç * Àçç àÀçU [, À [çç * À^ çç^ | ÇU T XD
^ ç à \ { À çç^ Àçç^ | Àçç çç^ |Àçç { Àçç^ Àçç ~
çç^ } àÀ [• Àççç | ç Àçç^ Àçç^ | ^! ççç * Àçç |
[] ^!æçç * Àçç àÀçç • [] | çç * Àçç çç * ÈÀ^ ^! Àçç Àçç
dæçç |À [] ^!æç | ç Àçç çç çç^ |Àçç * ç * Àçç^ Àççç | ç
| çç^ , æççç àÀ] ^!æçç * Àçç^ |Àçç } çç È



OPS-B-0017

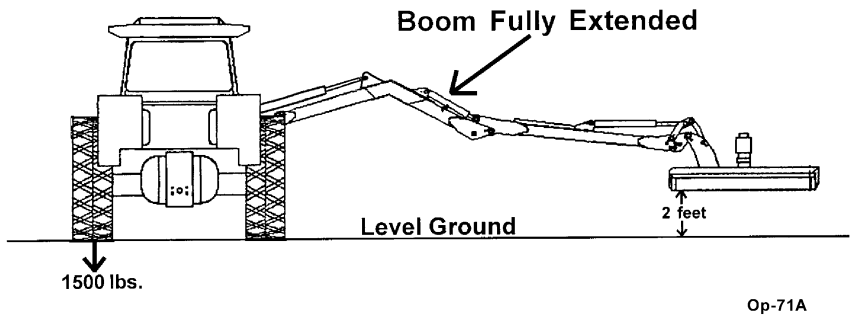
CD9F5HCB

CD9F5HCB

CD9F5HCB

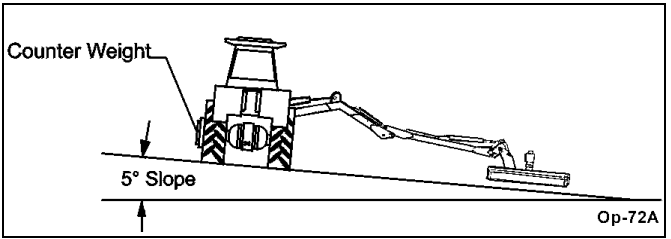
Uphill Operation

When operating the boom on a slope, the operator must be aware of the weight distribution and the stability of the machine. The boom is fully extended, and the counterweight is positioned over the rear of the machine. The ground is level, and the boom is 2 feet above the ground. The weight of the boom is 1500 lbs. The operator should always use proper technique to avoid tipping or instability.



Op-71A

When operating the boom on a slope, the operator must be aware of the weight distribution and the stability of the machine. The boom is fully extended, and the counterweight is positioned over the rear of the machine. The ground is level, and the boom is 2 feet above the ground. The weight of the boom is 1500 lbs. The operator should always use proper technique to avoid tipping or instability.



Op-72A

9HCB; CB5B8C: : H<9HF57HCF

When operating the boom on a slope, the operator must be aware of the weight distribution and the stability of the machine. The boom is fully extended, and the counterweight is positioned over the rear of the machine. The ground is level, and the boom is 2 feet above the ground. The weight of the boom is 1500 lbs. The operator should always use proper technique to avoid tipping or instability.

WARNING

Operator must be trained and certified to operate this equipment. Always use proper technique to avoid tipping or instability. Do not operate on uneven ground or slopes.



Uphill

Uphill Operation

CD9F5HCB

('GH5 FHCB; 'H<9 'HF57 HCF

V@Á] ^iæ |Á ~ •Á@æ^Áæ [] | ^Á } á^i •æ ãã * Á -Á@Á |æ { ^ } &ç } Èæ ãÁ] ^iææ } æÁ •^Á -Áæ
dæç |Á [] d | •Á^ | ^Á æç * Á@Áæç | ÈÁ^ç ã, Á@Áæç | Á] ^iæ | ç Á æ ~ æÁæ ãÁ [] • | çæ Áæ ç | ã á
á^æ^Á | Áæç | Á] ^iææ } / • d ~ &ç } • Á^ ^ááÉ

Ö • ^ } æÁæç | Á [] d | • K

- " S | æÁ@Á } æ } Á ^ É, æ&@
- " S | æÁ@Á } * ã ^ Á @ ç -Á [] d |
- " S | æÁ@Á @ áæ | æÁ [] d | | Á^ç^i • Á
- " S | æÁ@Á @ Áæ | æÁ [] d | | Á^ç^i
- " S | æÁ@Á @ Áæ ^ Á ^ áæ ç æ ã Áæ | æ &@
- " S | æÁ@Á VUÁ [] d | | Á
- " S | æÁ@Á Á [] ã Áæç | æÁ [] d | | Á^ç^i
- " S | æÁ@Á Á [] [{ Á] ^iææ * Á [] d | | Á^ç^i • æ Á | Áæç^ Áæ | D

Ö - | ^Áæç * Á@Áæç | Á } • | ^Á@Á [] | | , ã * Á

- " Ö [] á ~ &ç | Á | ^É æç | ^iææ } / • ^ &ç } Áæ ãÁ ^içæ^Áæç | ãã * Á Á@Áæç | Á] ^iæ | ç Á æ ~ æÁ
- " T æ ^ Á ~ | ^Áæç | Á } æ ã • È @ | ã • Èæ ãÁ @ | Áæç Á^çæ • Áæ^Á & | ^ | / Áæ É
- " V@Áæ ã * Áæ ^ Áæ | Á } È
- " V@Áæç | Áæ { • ã • ã } Á^ç^i • Áæ / Áæ | Á | Á ^ dæÈ
- " V@Á [] [{ Á] ^iææ * Á [] d | | Áæ / Áæ | Á ^ dæçæ ãÁ -Á [• æ } É
- " V@ÁVUÁ [] d | | Á^ç^i / Áæ ^ } * æ ^ áÉ
- " V@Á @ áæ | æÁ { [çÁ [] d | | Á^ç^i • Áæ / Áæ | Á ^ dæç | [• æ } È

Ü ^ - | Á Á@Áæç | Á , } ^iç Á æ ~ æÁ | Áæç | Áæç * Á [&á ~ | ^ • ÈÁ] | ^ Áæç Á@Áæç | Á @ Á ^ æ ãÁ ã
á | ç á Á Á@Áæç | Á] ^iæ | ç Á ^ æ È Á^ç^i Á ^ } æ • Á@Áæç } æ } Á, æ&@ Á @ | ç Áæç * Á@Áæç | Á [] [æ
Ö ç | Á@Áæç | Á } * ã ^ Á ^ } } ã * Èæç | æ Áæçæ ^ } æÁ [] çæç, æ@Á@Áæç | Áæ { • ã • ã } Á | Á^ç^i ç ^ áá }
æ ãÁ } ^ç | ^ç á Áæç | Á [ç { ^ } ÈÁ OPS-B- 0003



B^ç^i Á ~ } Á@Áæç | Á } * ã ^ Áæç Áæç | • Ááá ~ ããã * Á | Á æç ~ çææ ^ ~ æÁç^ } çæç } ÈÁV @
^çæç • Á { ^ Áæç Á^Áæç æá [~ • Á | Á ~ | Á@æç ÈÁ



Ü çæç Áæç | Á } | Á @ } Á [] | ^ | Á ^ æ á Á Á@Áæç | Á ^ æ ÈÁ çæç * Áæ
dæç | Á Á ^ æ Áæç Á ^ ~ | ç Áæç | Á | Á ^ æ ÈÁ ^ æ Á@Áæç | Á] ^iæ |
{ æ ~ æÁ | Á [] | ^iææç * / • d ~ &ç } • ÈÁ



Ö [{ U] ^iææ } Á ^ &ç } Á È

CD9F5HCB

CD9F5HCB

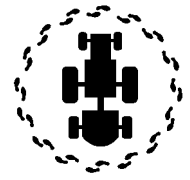
CD9F5HCB

* "6 cca 'l b]hDfY!CdYfU]cb'bgdYW]cb'UbX'GYf j]W

Q.] ^&ocaj aA^l;caA@Aa [[{ Aa{ Aa aA@aaA]a]A[A] ^laa } EAOa a^aa aA]A[\^] A aoc @ |aAa^ l^]aa^aa aA] |aa^aa { ^aa^ EAAV A } ^A@a^ } aa A^aa^ A[A] ^laa } EAX } a^ &oc@A[] |, a^ *K OPS-B- 0020A



U^]a aacaj Aa] ^&ocaj [ca * A] aoc A]A, ^aaAa aA^]aa^A, @ } ^&oc. a^ A aa aoc |a^aa^l;caA] aoc EAX [\ A[A [^Aaa } ^l; [] [Aa[\^] A aoc Eaa aA^aa^ A[A [^Aaa * EAT aa^A^ ^Aca] a A@a^ aac@ * A@a, a^ EAA^a ^ a B l^ A a A &^ A[{ A [A] aa aa a^ Aoc { aa@^/a A [[aA [] \ a^ A la^ EAX } EEF OED



V@A] ^laa] q A] a^ aa aA aoc A a } ^aa^aa A] aoc A] aaAX } aa A] [] aoc a^ d^ &ca } ^A] Aoc A aoc a aA] [] ^A^ ^A^ Aoc A^ a { ^ } EAT aa aa Aoc ^ a] [] aoc a aoc A aoc ^ A] Aoc A] [] ^ } a &] a aa } A[A } ^ ^A@a^] [{ aa } Aa Aaaaa^ A[aoc A] ^laa] aa^aa^ ^ . E



Op-14

" O) ^ ^A^a aoc A a } ^aa^aa A] aa^aa aA^ aa^ EAA U^] aa^aa a a ^ Eaa a^aa aA^ aa^aa aA^ aa^aa a^ &ca EAX OPS-U- 0011_A

DUCE DAUUT OSY

- " Q.] ^&ocaj } aa } A A [] } ca * A^aa ^A^] a [] a^ cE
- " Q.] ^&ocaj } aa } A A] a^] Aoc ^ . E
- " O) ^ ^A^aa] aoc aA^aa } ^aa^aa A] aa } aa aA aoc aA] [] ^] A] ^aa^aa
- " O) ^ ^A^aa] aoc aA^aa] aa^aa aA^aa } ^aa^aa aa^aa } ^aa^aa . E
- " O) ^ ^A^aa] aoc aA^aa] [] ^] A] [] } ca^aa Aaa] aA aoc aA^aa } ^aa^aa] [] ^] aoc aA^aa aA aoc aA^aa OPS-B- 0021_D



O [{

U] ^laa } A^aa } AEF

CD9F5HCB

WARNING

Ü|aç^A@aiaë|BÄ|!^•~|^Ä|q|Ä|Ä|ä *Äq^Ä qä c)ä &Ä|Ä^| qäÄ [|Ä }Ä@AQ]|^ ^)d
 Ü|aç^A@aiaë|BÄ|!^•~|^Ä|q|Ä|Ä|ä *Äq^Ä qä c)ä &Ä|Ä^| qäÄ [|Ä }Ä@AQ]|^ ^)d
 Ü|aç^A@aiaë|BÄ|!^•~|^Ä|q|Ä|Ä|ä *Äq^Ä qä c)ä &Ä|Ä^| qäÄ [|Ä }Ä@AQ]|^ ^)d

WARNING

Ü|aç^A@aiaë|BÄ|!^•~|^Ä|q|Ä|Ä|ä *Äq^Ä qä c)ä &Ä|Ä^| qäÄ [|Ä }Ä@AQ]|^ ^)d
 Ü|aç^A@aiaë|BÄ|!^•~|^Ä|q|Ä|Ä|ä *Äq^Ä qä c)ä &Ä|Ä^| qäÄ [|Ä }Ä@AQ]|^ ^)d



CD9F5HCB

OUUT AEUJOT OSY

- Q.]^&Ä|Ä| ääq }Ä|Ä|ä *Äq^Ä qä c)ä &Ä|Ä^| qäÄ [|Ä }Ä@AQ]|^ ^)d
- Ö.]^&Ä|Ä| ääq }Ä|Ä|ä *Äq^Ä qä c)ä &Ä|Ä^| qäÄ [|Ä }Ä@AQ]|^ ^)d
- Ö.]^&Ä|Ä| ääq }Ä|Ä|ä *Äq^Ä qä c)ä &Ä|Ä^| qäÄ [|Ä }Ä@AQ]|^ ^)d
- Ö.]^&Ä|Ä| ääq }Ä|Ä|ä *Äq^Ä qä c)ä &Ä|Ä^| qäÄ [|Ä }Ä@AQ]|^ ^)d
- Ö.]^&Ä|Ä| ääq }Ä|Ä|ä *Äq^Ä qä c)ä &Ä|Ä^| qäÄ [|Ä }Ä@AQ]|^ ^)d
- Ö.]^&Ä|Ä| ääq }Ä|Ä|ä *Äq^Ä qä c)ä &Ä|Ä^| qäÄ [|Ä }Ä@AQ]|^ ^)d
- Ö.]^&Ä|Ä| ääq }Ä|Ä|ä *Äq^Ä qä c)ä &Ä|Ä^| qäÄ [|Ä }Ä@AQ]|^ ^)d
- Ö.]^&Ä|Ä| ääq }Ä|Ä|ä *Äq^Ä qä c)ä &Ä|Ä^| qäÄ [|Ä }Ä@AQ]|^ ^)d
- Ö.]^&Ä|Ä| ääq }Ä|Ä|ä *Äq^Ä qä c)ä &Ä|Ä^| qäÄ [|Ä }Ä@AQ]|^ ^)d
- Ö.]^&Ä|Ä| ääq }Ä|Ä|ä *Äq^Ä qä c)ä &Ä|Ä^| qäÄ [|Ä }Ä@AQ]|^ ^)d

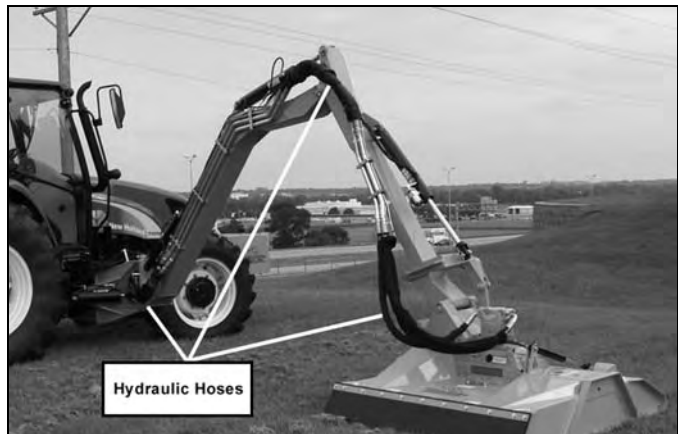


WARNING

Ü|aç^A@aiaë|BÄ|!^•~|^Ä|q|Ä|Ä|ä *Äq^Ä qä c)ä &Ä|Ä^| qäÄ [|Ä }Ä@AQ]|^ ^)d
 Ü|aç^A@aiaë|BÄ|!^•~|^Ä|q|Ä|Ä|ä *Äq^Ä qä c)ä &Ä|Ä^| qäÄ [|Ä }Ä@AQ]|^ ^)d

PYOUENSOSPOADUJOOVQJP

- Ö.]^&Ä|Ä| ääq }Ä|Ä|ä *Äq^Ä qä c)ä &Ä|Ä^| qäÄ [|Ä }Ä@AQ]|^ ^)d
- Ö.]^&Ä|Ä| ääq }Ä|Ä|ä *Äq^Ä qä c)ä &Ä|Ä^| qäÄ [|Ä }Ä@AQ]|^ ^)d
- Ö.]^&Ä|Ä| ääq }Ä|Ä|ä *Äq^Ä qä c)ä &Ä|Ä^| qäÄ [|Ä }Ä@AQ]|^ ^)d
- Ö.]^&Ä|Ä| ääq }Ä|Ä|ä *Äq^Ä qä c)ä &Ä|Ä^| qäÄ [|Ä }Ä@AQ]|^ ^)d
- Ö.]^&Ä|Ä| ääq }Ä|Ä|ä *Äq^Ä qä c)ä &Ä|Ä^| qäÄ [|Ä }Ä@AQ]|^ ^)d
- Ö.]^&Ä|Ä| ääq }Ä|Ä|ä *Äq^Ä qä c)ä &Ä|Ä^| qäÄ [|Ä }Ä@AQ]|^ ^)d
- Ö.]^&Ä|Ä| ääq }Ä|Ä|ä *Äq^Ä qä c)ä &Ä|Ä^| qäÄ [|Ä }Ä@AQ]|^ ^)d
- Ö.]^&Ä|Ä| ääq }Ä|Ä|ä *Äq^Ä qä c)ä &Ä|Ä^| qäÄ [|Ä }Ä@AQ]|^ ^)d
- Ö.]^&Ä|Ä| ääq }Ä|Ä|ä *Äq^Ä qä c)ä &Ä|Ä^| qäÄ [|Ä }Ä@AQ]|^ ^)d
- Ö.]^&Ä|Ä| ääq }Ä|Ä|ä *Äq^Ä qä c)ä &Ä|Ä^| qäÄ [|Ä }Ä@AQ]|^ ^)d



Ö|{

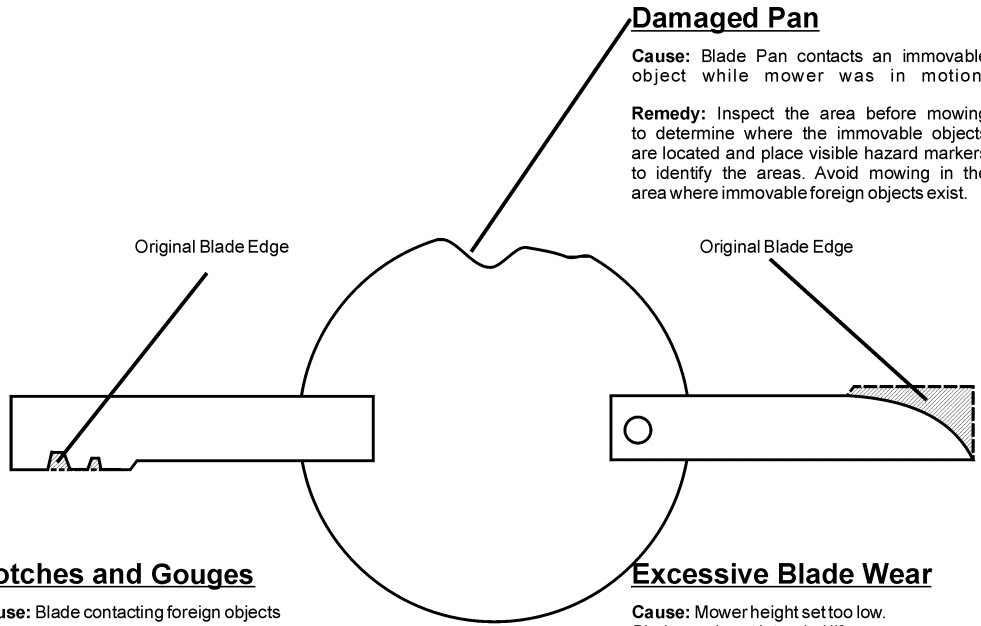
U|^|äq }Ä|Ä|ä *Äq^Ä qä c)ä &Ä|Ä^| qäÄ [|Ä }Ä@AQ]|^ ^)d

CD9F5HCB

CD9F5HCB

CD9F5HCB

OPS-U-0031



Notches and Gouges

Cause: Blade contacting foreign objects
Remedy: Inspect the area to be mowed and remove foreign objects that could cause damage to the blades

Excessive Blade Wear

Cause: Mower height set too low. Blade used past intended life.
Remedy: Replace blades more often. Adjust mower height for mowing conditions to eliminate blade-to-ground contact

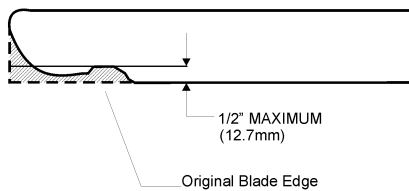
Op-22



DANGER ...

- ~
- ~
- ~
- ~
- ~

OPS-U-0032



NOTE: Replace Blades in pairs after no more than 1/2" (12.7mm) wear
 Op-23

U] ^&ca } A^&ca } A^E^

CD9F5HCB

Tractor PRE-OPERATION Inspection



Mower ID# _____ Make _____

Date: _____ Shift _____



WARNING 6 YZ:fY Wc:bXi W]b[' R Y]bgdYW]cbž a U_Y gi fY' R Y fUWcf 'Yb[]bY']g'cZZ U''fcU]cb \ Ug' grcddYX' UbX' R Y fUWcf ']g']b' dUf_ 'k]h ' R Y dUf_]b[' VfU_Y Yb[U[YX" A U_Y gi fY R Y' a ck Yf']g' fYgh]b[' cb' R Y ' [fci bX' cf' gYW fYmi VcW_YX' i d'UbX' U'' \ mXfU']W dfYggi fY\ Ug' VYYb' fY]Yj YX"

CD9F5HCB

Item	Condition at Start of Shift	Specific Comments if not O.K.
The flashing lights function properly		
The SMV Sign is clean and visible		
The tires are in good condition with proper pressure		
The wheel lug bolts are tight		
The tractor brakes are in good condition		
The steering linkage is in good condition		
There are no visible oil leaks		
The hydraulic controls function properly		
The ROPS or ROBS Cab is in good condition		
The seatbelt is in place and in good condition		
The 3-point hitch is in good condition		
The drawbar pins are securely in place		
The PTO master shield is in place		
The engine oil level is full		
The brake fluid level is full		
The power steering fluid level is full		
The fuel level is adequate		
The engine coolant fluid level is full		
The radiator is free of debris		
The air filter is in good condition		

Operator's Signature: _____

DO NOT OPERATE an UNSAFE TRACTOR or MOWER

V@AQ • ^&ā } A] ;{ Á æ Á^Á^Á^ Á~]|ææ^áÁ!Áccā&] | ā•È

Ó[{

U] ^!;æā } Á^&ā } ÁÈİ

CD9F5HCB

Boom PRE-OPERATION Inspection



Mower ID# _____ Make _____
 Date: _____ Shift _____



WARNING 6 YZ:fY'W:bXi W]b['H Y']bgdYW]cbžā U_Y gi fY'H Y'fUWcf 'Yb[]bY'g'cZZU''fcHU]cb'\ Ug
 glcddYX' UbX' H Y' fUWcf']g']b' dUf_ 'k]H ' H Y' dUf_]b[' VfU_Y Yb[U] YX'' AU_Y gi fY' H Y'
 a ck Yf ']g'fYg]b[' cb' H Y[fci bX'cf' gYW fYmiV'cW_YX'i d'UbX'U''\ mXfU']WdfYggi fY'\ Ug
 VYYb'fY]Yj YX''

Table 1:

Item	Condition at Start of Shift	Specific Comments if not O.K.
The Operator's Manual is in the tractor		
All safety decals are in place and legible		
The mounting frame bolts are in place and tight		
The boom connection bolts & pins are tight		
There are no cracks in boom		
The hydraulic cylinders pins are tight		
The hydraulic pump hose connections are tight		
The hydraulic valve controls function properly		
There are no leaking or damaged hoses		
The hydraulic oil level is full		
There is no evidence of hydraulic leaks		
The blades are not chipped, cracked or bent		
The blade bolts are tight		
The deflectors are in place and in good condition		
The boom shields are in place and in good condition		
The skid shoes are in good condition and tight		
There are no cracks or holes in boom deck		
The hydraulic motor mounting bolts are tight		
The boom head spindle housing is tight and lubricated		

Operator's Signature: _____

DO NOT OPERATE an UNSAFE TRACTOR or MOWER

Ó [{

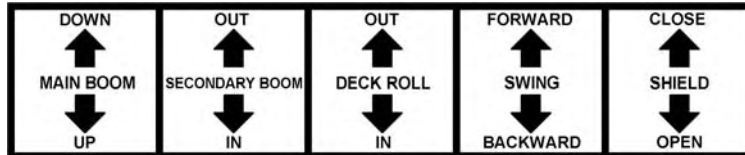
U] ^! æā } Á ^ & cā } Á Æ Ì

CD9F5HCB

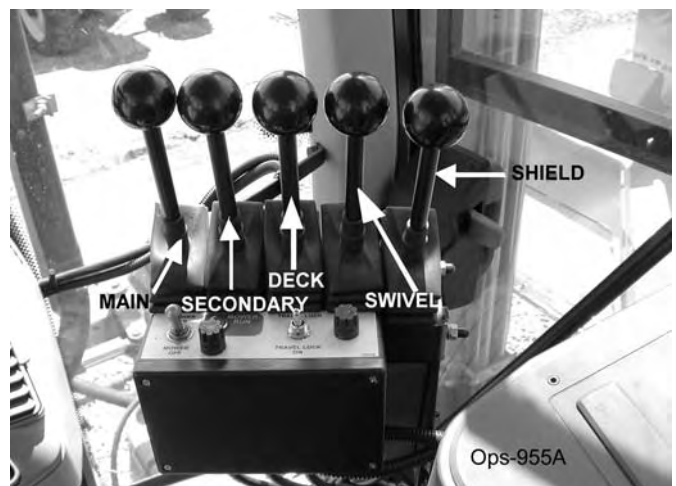
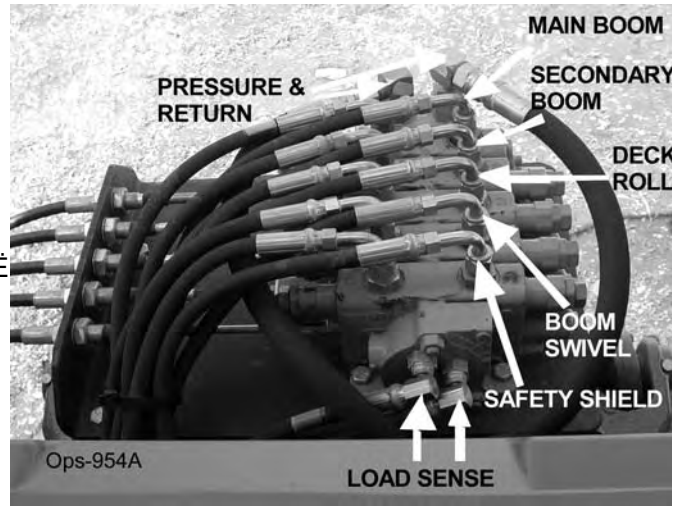
CD9F5HCB

Cable Controlled Mowers

CD9 F5 HCB



V@Á(æ Á& } d [Áçç^Á } Ác@Ávã^!ÁÓ[[{ ÁT [, ^!
@e Á[^!Á^&ç] • Á ã@çã ^!ÁãÁ [[[• ÉÁ [&æ^áÁ^æ
c@Áã @ÁããÁ Ác@Ác^!ã * Á @^!ÉV@Á ç } &ç }
[ÁcÁ^&ç } Á Ác@Áçç^Áá [^Á [ç ^ & • ææ^Ác@
!^ |æ& { ^ } cÁ Ác@Á^ ç^Á%æã \ +É [] ^ Ác@Á-æ c
• ^ & ç } ÉÓæc@Á^&ç } Á Ác@Áçç^Á& } d [• Áæ^! çæ
[[• çã } Á Ác@Á[[{ Á!Á&É ÉVæ^áÁÁc@Á^!æ] •
• ^æÉc@Á& } d [• Á+ [{ Á^cÁ Áã @Áæ^ÁÁFÉ!ã æ
Ç æã Dà [[{ ÉÁÇ^& } áæ^ Á[[{ ÉÁHÁæ^& Á [ÉÁI É
à [[{ Áç, æ^!D, á * Éæã áÁI ÉÁ [[{ Áçæ^cD @ |áÉ



CD9 F5 HCB

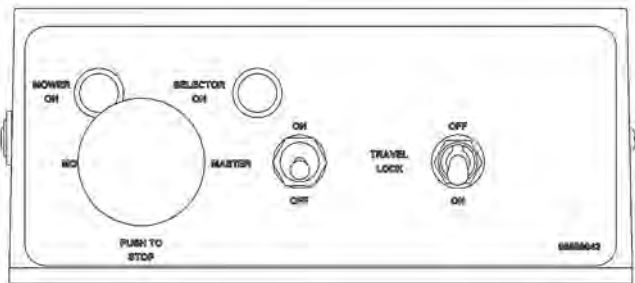
Op [{ U] ^!æã } Á^&ç } ÁÉJ

CD9F5HCB

CD9F5HCB

* 'Y 'Gk JHW Vcl

V@ÁÚæ^c ÁÚ@|áÁ^ç^iÁ] ^} • Áæ áÁ&| [• ^ • Á@Á @|á
 || &æ^áÁ } Á@Á^ [] çÁ Á@Á&^ c^! Á@æÉY @) Á [çá *
 æÁ^!Á ^æÁ@Á^! [~ } áÉæ, æ • Á@æ^Á@Á @|áÁÁ Á@
 &| • ^áÁ [• æá } ÉY @) Á [, á * Áá Á@Á! ~ • @Á^!Áá
 d^• Áæ [ç^Á^! [~ } áÁ^ç^!Á@Á @|áÁ æ Á^Á] ^} ^á
 †!Áæ á^!Á&^ çá * ÉÚ^æáÁæ áÁ^ || , Á@Á æ } á * Á^ }
 c@Á^ &ç^ Á @ , } Á^! [, ÉÖ [Á [ç^ } Á@Á&^ c^! Á@æ
 á ç Á æ^! æÁæ * ^! Á@æ Á^! áæ ^c^É



DANGER

SAFETY SHIELD & DEFLECTOR OPERATION

<p style="text-align: center; font-weight: bold;">SAFETY SHIELD</p> <p style="text-align: center; font-weight: bold;">DEFLECTOR</p>	<ul style="list-style-type: none"> • Failure to close Safety Shield and Deflector may allow objects to be thrown outward with great force which can cause property damage, bodily injury, or death. 1. Keep Safety Shield and Deflector fully closed when cutting grass and weeds to reduce possibility of objects being thrown outward by the Blades if persons are in the area. 2. Before Cutting brush, trimming limbs, or other such operations, raise the Deflector and Safety Shield fully to allow the blades to contact the material if area is clear of passerby. Operator must stop cutting and close shield if passerby enters the thrown objects area or blade contact area. 3. Repair or replace Safety Shield and Deflectors as needed. 4. Always transport with Safety Shield and Deflector closed.
---	---

02967867

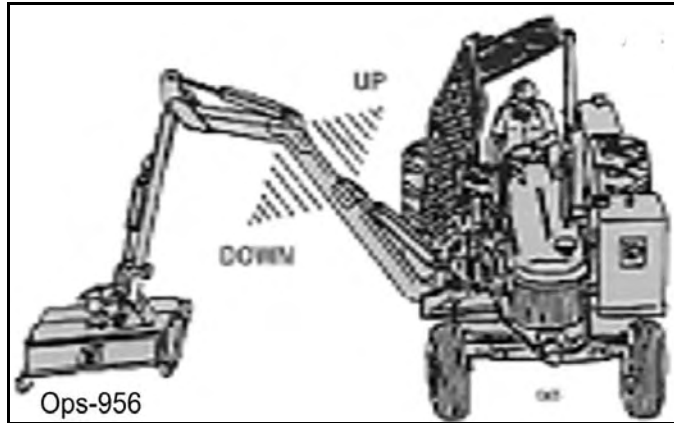
Ö [{

U] ^! æá } Á^ & çá } Á^ ÉÖ

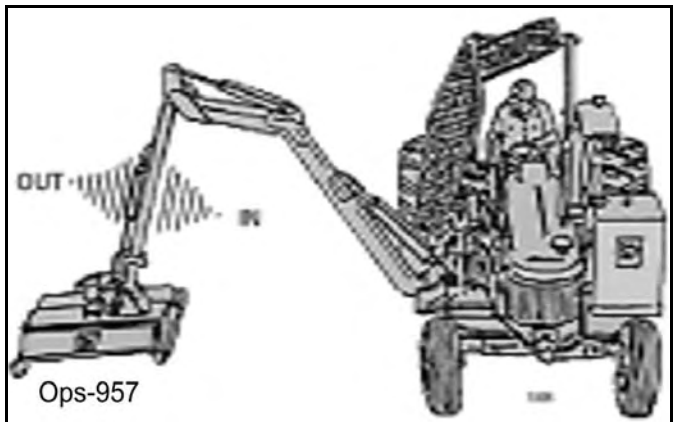
CD9F5HCB

CD9F5HCB

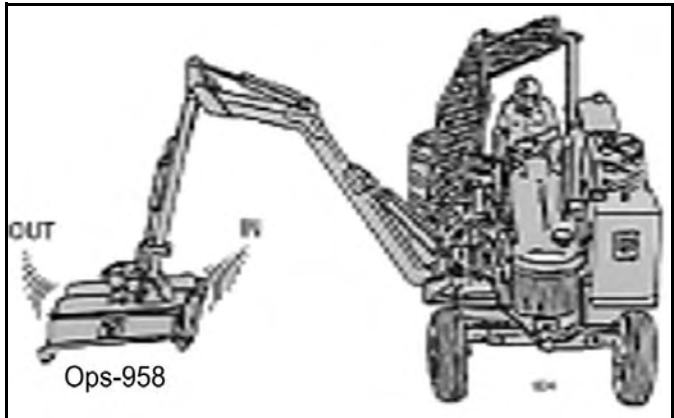
ŠÒXÒÜÄÄFÄT ÖÄÄÓUUT



ŠÒXÒÜÄÄGÄÜÒÖUÄÖÄÜÄÓUUT



ŠÒXÒÜÄÄHÖÖÖSÄÜÜŠŠ



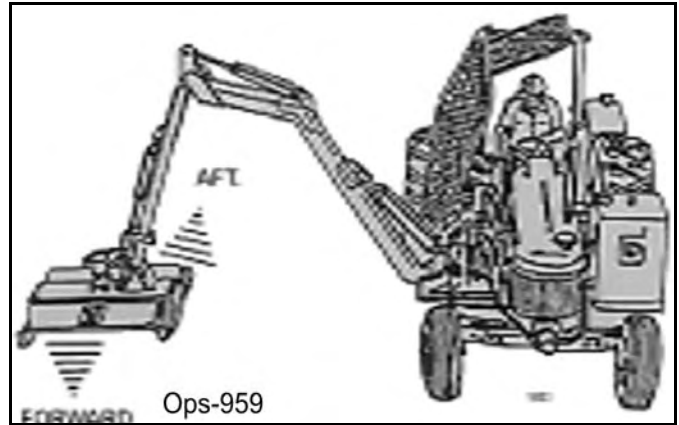
Ó[[{

U] ^! aä } Ä^ & ä } ÄÄÄ

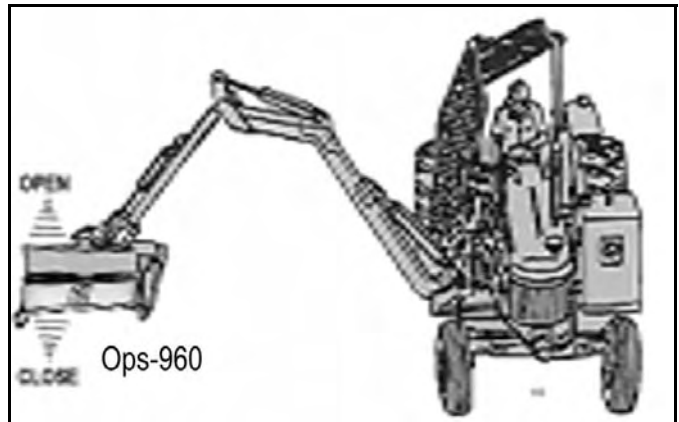
CD9F5 HCB

CD9F5 HCB

ΣΧΟΔΙΑΙ ΑΟΥΤ ΑΥ ΑΟΣ



ΣΧΟΔΙΑΙ ΑΟΥΤ ΑΥ ΠΟΣ



Ó[{

U] ^! aã } Á^ & ç } Á Ë G

CD9F5HCB

CD9F5HCB

WARNING

WARNING

CAUTION: Do not touch the boom or secondary boom when the boom is raised. The boom and secondary boom can move suddenly and without warning. This can cause injury or death.

When the boom is raised, the boom and secondary boom can move suddenly and without warning. This can cause injury or death. Do not touch the boom or secondary boom when the boom is raised.

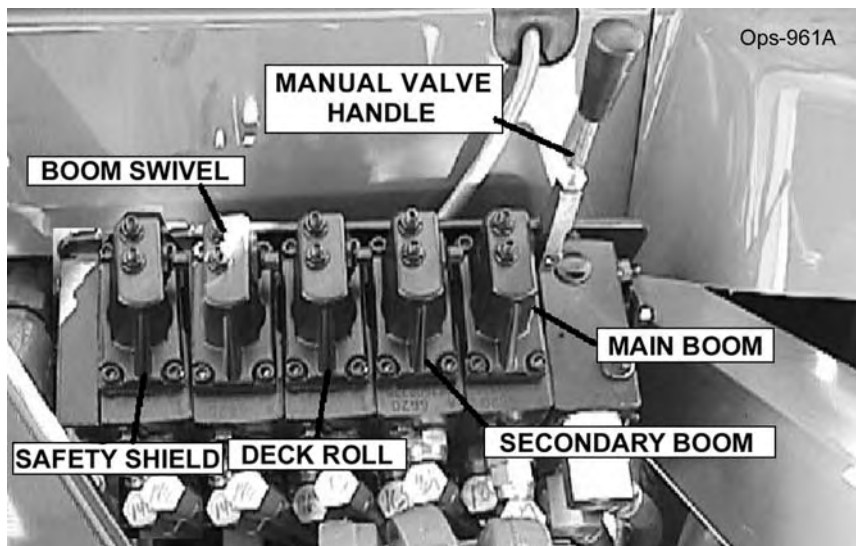
CAUTION

CAUTION: Do not touch the boom or secondary boom when the boom is raised. The boom and secondary boom can move suddenly and without warning. This can cause injury or death.

CAUTION

CAUTION: Do not touch the boom or secondary boom when the boom is raised.

When the boom is raised, the boom and secondary boom can move suddenly and without warning. This can cause injury or death. Do not touch the boom or secondary boom when the boom is raised.



U

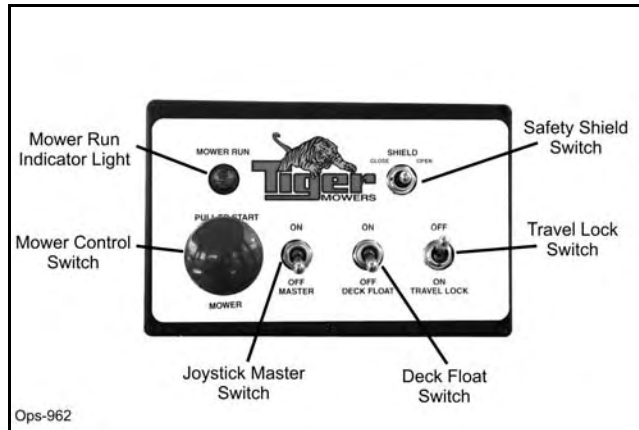
U

CD9F5HCB

CD9F5HCB

Operator Controls

Read the operator's manual before operating the mower. The operator's manual is located in the operator's compartment. The operator's manual contains important safety information and operating instructions. The operator's manual is also available on the website www.tiger-mowers.com.



The operator's manual contains important safety information and operating instructions. The operator's manual is also available on the website www.tiger-mowers.com. The operator's manual is located in the operator's compartment. The operator's manual contains important safety information and operating instructions. The operator's manual is also available on the website www.tiger-mowers.com.

! **DANGER**

SAFETY SHIELD OPERATION

- Failure to close Safety Shield may allow objects to be thrown outward with great force which can cause property damage, bodily injury, or death.

1. Keep Safety Shield fully closed when cutting grass and weeds to reduce possibility of objects being thrown outward by the Blades and to prevent contact with the Blades if persons are in the area.
2. Before cutting brush, trimming limbs, or other such operations, raise Safety Shield fully to allow the blades to contact the material if area is clear of passersby. Operator must stop cutting and close shield if passerby enters the thrown objects area or blade contact area.
3. Repair or replace Safety Shield as needed.
4. Always transport with Safety Shield closed. Ops-963

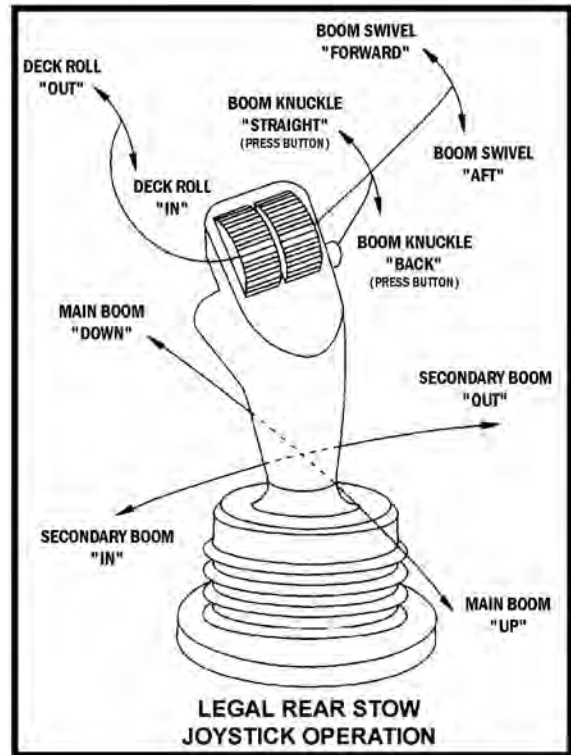
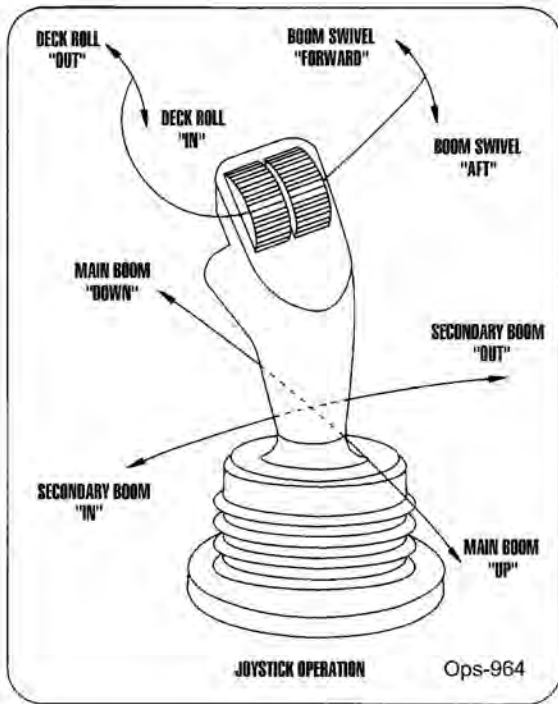
Operator's Manual

Operator's Manual

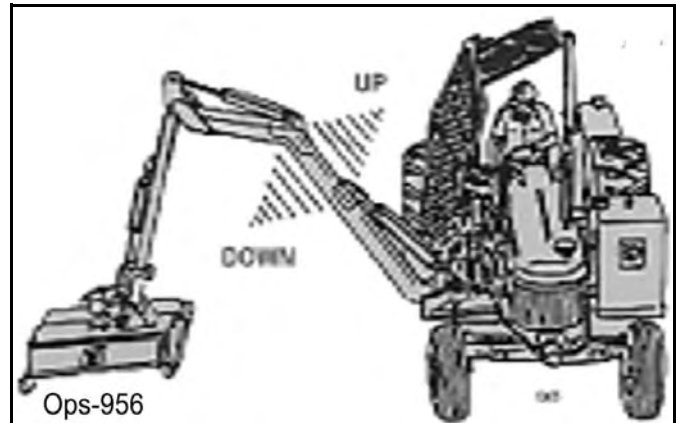
CD9 F5 HCB

CD9 F5 HCB

>cmghW `7 cbhfc`



RU YÜVÖSÁY ÖBÖSÁ UXÖÜÁ CD ÁOUT



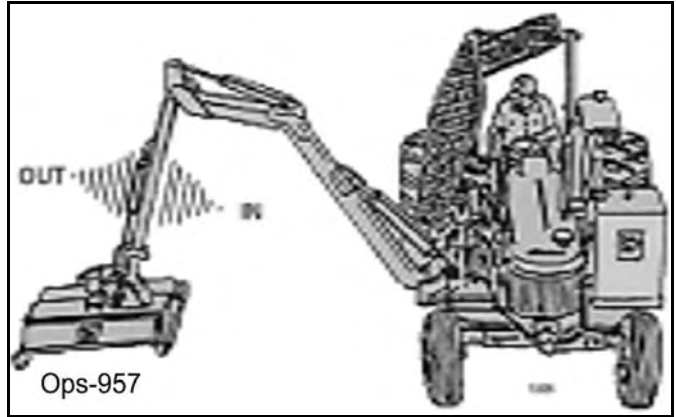
Ó[[{

U] ^! aã } Á^ &ã } ÁÉÉ

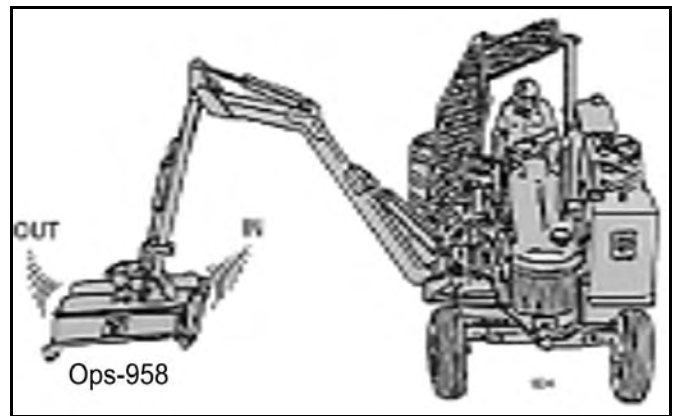
CD9F5 HCB

CD9F5 HCB

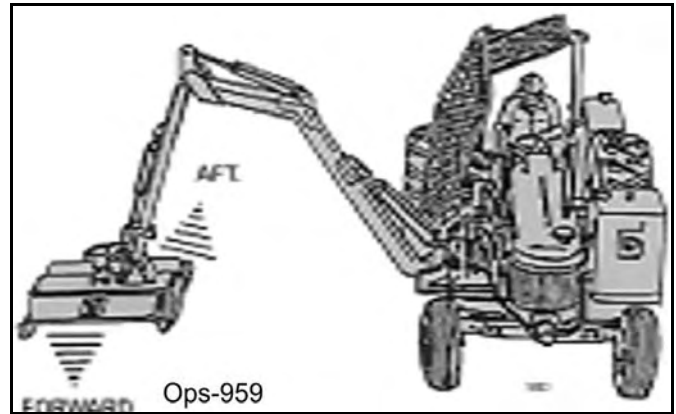
RU'YUVWXSASZOVWXPVAT UXOU'AU'OOUP'OEY'OUUT



SZOV'RU'YUVWXS'AU'SSOU'AT UXOU'AO'OS'AU'SS



UVW'VA' RU'YUVWXS'AU'SSOU'AT UXOU' A'OUUT
UY'XOS'



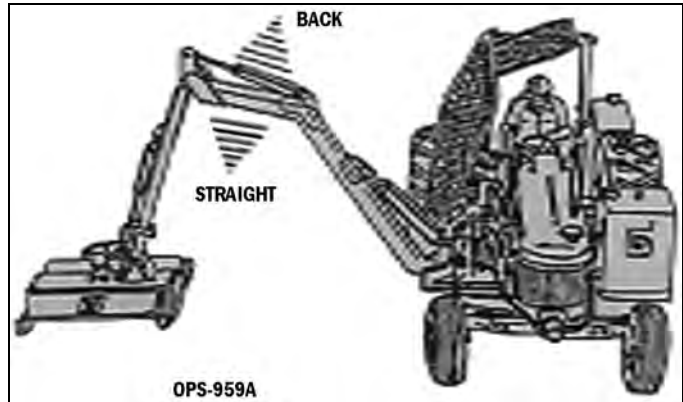
U'V'W'X'Y'Z'

U'V'W'X'Y'Z' A'B'C'D'E'F'G'H'I'

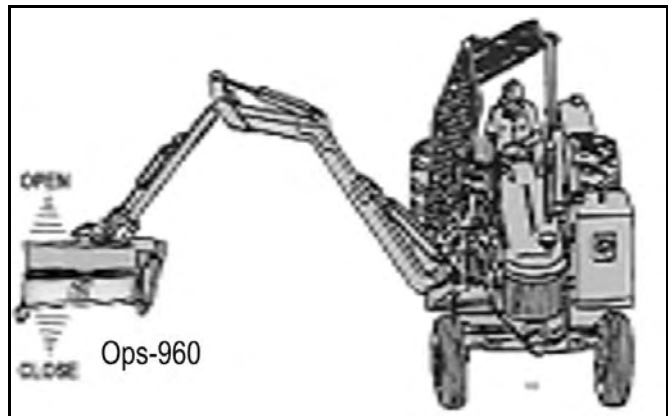
CD9F5HCB

CD9F5HCB

ÜÖPVARJYÜVÖSÄÜSŠÖ ÜÁY PŠÖÁÜÖ ÜÜÖÖ
 ÓVVUÞÁT UXÖUÁÖUUT ÁÞWÖSSÖÁÞPÁÖŠÖÖÖŠ
 ÜÖÖÜÁVUY ÁÖUUT



ÜPÖŠÖÁ ÜY ÖÖPÖ} Á•, ä&Á à[ÖDÁ UÜÖÜÖVÖÜ
 ÜÖÖÖVYÁPÖŠÖ



.'8 F = J - B; 'H < 9 'HF 57 HCF '5 B8 'A D @ A 9 BH

Üæ^Átæd [Átæ•] [!Á^~ a^Á@Á] ^!æ!Át Á [••••ÁÁ@! [~ @Á] [|á^Á Á@Á [á^Áá * Á] ^!æá
 æ áÁ ^ææ ç } •Át Áæ^Á @^Ááá * Á á@æ Áææ&@áÁ] |{ ^} ÖÖ) • ^Á@Átæd !Á@ Á@Áææ ææ Át
 @æ á^Á@Á ^á @Á Á@Á [[{ Áæ á@Átæd !Á] ^!æá * Á] d [| Áæ^Á^Át !Áæ^Átæ•] [|ÖÁ Á] • ^Áææ
 , @^Ááá * Á@Átæd !Á á@æ [[{ É^çá, Á@Átæ, á * É

Ü^æÁtæd Áææc Á • d & ç } •ÉÖ^æç Á} Á@ÁÖ [[{ Á æ} Á [~ Á Á ææ |ææ áÁ ~ |ç |Áææá • ÉÜ [{ ^Áá&ç
 æ^Áææ&@áÁ] • ^Át Á} æç | Á@ ÁÖ [[{ Á @^Á@Á^Áá Áá [•æ|Áææ ááÉÜ^ææ Áæ áÁ æ^Á • ^Á [~
 ~ } á! • çæ á@Áææc Á (••æ^Áá^! ^Á [~ Á] ^!æÁ@Át] |{ ^} ÖÖ^Á^Á Áæ|Áá&ç Á|Áæ Áæ áÁ^ææ|É
 Ü] |æ^Át • ç! Áææ æ^Áá&ç É^Á^Át Áææc Á&ç } Át Á [|Át |{ ææ } É

S^Á Áæ|Á^! • [] ÖÁ ^|Áá^Á Á [, ^Áá & Ááæá Áæ Á@ , Á áb & Á á@Á ^Áá^! | &æ Át !Áæ] • æ^Áæ|
 áá çæ & ÁÖÖÜÁÖÖÖÜÁÖPS-B- 0005

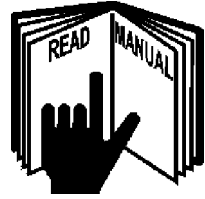
Ö [{ U] ^!ææ } Á^&ç } ÁÉ

CD9F5HCB



READ MANUAL

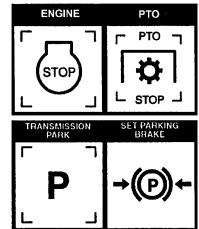
... READ MANUAL ...



... WARNING ...



... DANGER ...



CD9F5HCB

CD9F5HCB

" 8fj]bl`H YHfUWcf`UbX'6cca

Úcæç -Ááãä * ÁæÁá[[, Á] ^áááä ááãã ãä] Áä &^æ^Á[~!Á] ^ááá @^Á æä ää ä * Áä {]^áÁä } d[|Á -Á@
dæç |ÉÁ^ç^!Á] ^!æ^Á@Áæç |Áæ^ Á^á•Á@æá } [ó^Áæ^Á@ä á^áÁ!Á @æ@ä á!Á!^ç^} ó@^Á] ^!æ^
+[{ Áç]] ä * Á^ ãä] ^!á * ää Á{ ^!^} & ÉÖÖ@Á[, ^!Áæ^!ä * Á!Á} * ä^Áæ^Á] ^!æä * Éäç] Á@Áæç |
ä { ^áæ^Á ÁæÁ@Áæç |Á ä!Á^Áä-æ^ |ó^ Áä } d[|É

Ú!-f[{ Áç]} • Á ä@Á@Áæç |Áä äÁ [, ^!Áæ^ Á] ,
•] ^á•Áç Áæ^ { ä^Á@ , Á@Áæç |Á , ä@ä ä ä
ææ@äÁä] ^{ ^} ó@ä á!^Áæ^ } ÉÖÖ^! { ä^Á@
• æ^Á] ^áÁä Á æä ää |] ^!Áä } d[|Á -Á@Áæç |
, @} Á { æä * Áç]} • É Y @ } Áç]} ä * Á ä@ @
ä] ^{ ^} ó@^Á ç!ä!Á [| ä * Á^ } * ó@ä äÁ äóÄ ~
ó@^Á } ä^ Áä &^æ^ÁÉÖÖ[, Áæáää } ä!^æä &^Á!
ó@^Á } äÁ , @ } Áç]} ä * Á!Á , @ } Á æä * Á!æ^ Á
[à~ç &ç] • É



V[Áæ[äá ç^!ç]} • Éáã^Á@Áæç |Á ä@æ^Áä ä
æÁ•æ^Á] ^á•É^•] ^æç] Á , @} Á] ^!æä * Á ç!
!{ ~ * @^!{ } áÉ&[• ä * Áäæ@•Á!Á•] ^Éä ä
ç]} ä * Á ä] ^!• É W^Á ^ç^ ^Á æä ç } Á , @ }
[] ^!æä * Á } Áç^ Á [] ^É^ Á@Áæç |Á Áä] ,
*æä @} Á [ä * Áä , } @ÉÖÖÁ UVÁæ ç^ |Á^É
, @^!ä , } @É



OPS-B- 0006

CD9F5HCB

CD9F5HCB

CD9F5HCB

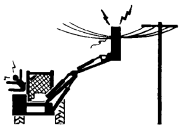
WARNING

Βαζανιστάσει το χέρι, το πόδι, τον ώμο ή το κεφάλι στο μύλο. Απομακρυνθείτε από τον μύλο και μην πιεζετε τον μύλο. Αν πιεστείτε, το χέρι ή το πόδι μπορεί να μασαχιστεί ή να σπαστεί.



DANGER

Οι εξεσκαφείς πρέπει να χρησιμοποιούν προστατευτική οπλήση. Η προστατευτική οπλήση πρέπει να είναι πάντα σε λειτουργία και να μην αφαιρεθεί ποτέ. Η προστατευτική οπλήση πρέπει να είναι πάντα καθαρή και ελεύθερη από λάσπη και άλλα υλικά. Η προστατευτική οπλήση πρέπει να ελεγχθεί πριν την εκκίνηση της μηχανής.



- "CD9F5HB; 'H<9'6CCA'I B#I5B8'5H#7<98'<958

H<9' CD9F5HCF' AI GH' 7CAD@H9@M'I B89FGH5B8' <CK' HC' CD9F5H9' H<9'HF5' 7HCF' 5B8
 ACK9F'5B8'5' @7CBHFC@G'9: CF9'5HH9ADH#; 'HC'ACK' "Α/Α/Α/Α] Λιάνη: Λ' ~ οΑΑΑΑΑ άΑ) άΛ•αέ ά
 Α/Α/Α/Α/Α άΑ/ Λιάνη: Λ' ~ οΑΑΑΑ άΑ) άΛ•αέ ά Α/Α/Α/Α/Α άΑ/ Λιάνη: Λ' ~ οΑΑΑΑ άΑ) άΛ•αέ ά
 Α/Α/Α/Α/Α άΑ/ Λιάνη: Λ' ~ οΑΑΑΑ άΑ) άΛ•αέ ά Α/Α/Α/Α/Α άΑ/ Λιάνη: Λ' ~ οΑΑΑΑ άΑ) άΛ•αέ ά

U] | Ά] Λιάνη: Λ' ~ οΑΑΑΑ άΑ) άΛ•αέ ά Α/Α/Α/Α/Α άΑ/ Λιάνη: Λ' ~ οΑΑΑΑ άΑ) άΛ•αέ ά Α/Α/Α/Α/Α άΑ/ Λιάνη: Λ' ~ οΑΑΑΑ άΑ) άΛ•αέ ά Α/Α/Α/Α/Α άΑ/ Λιάνη: Λ' ~ οΑΑΑΑ άΑ) άΛ•αέ ά

U] | Ά] Λιάνη: Λ' ~ οΑΑΑΑ άΑ) άΛ•αέ ά Α/Α/Α/Α/Α άΑ/ Λιάνη: Λ' ~ οΑΑΑΑ άΑ) άΛ•αέ ά Α/Α/Α/Α/Α άΑ/ Λιάνη: Λ' ~ οΑΑΑΑ άΑ) άΛ•αέ ά Α/Α/Α/Α/Α άΑ/ Λιάνη: Λ' ~ οΑΑΑΑ άΑ) άΛ•αέ ά

U] | Ά] Λιάνη: Λ' ~ οΑΑΑΑ άΑ) άΛ•αέ ά Α/Α/Α/Α/Α άΑ/ Λιάνη: Λ' ~ οΑΑΑΑ άΑ) άΛ•αέ ά Α/Α/Α/Α/Α άΑ/ Λιάνη: Λ' ~ οΑΑΑΑ άΑ) άΛ•αέ ά Α/Α/Α/Α/Α άΑ/ Λιάνη: Λ' ~ οΑΑΑΑ άΑ) άΛ•αέ ά

WARNING

Οι Α/Α/Α/Α/Α άΑ/ Λιάνη: Λ' ~ οΑΑΑΑ άΑ) άΛ•αέ ά Α/Α/Α/Α/Α άΑ/ Λιάνη: Λ' ~ οΑΑΑΑ άΑ) άΛ•αέ ά Α/Α/Α/Α/Α άΑ/ Λιάνη: Λ' ~ οΑΑΑΑ άΑ) άΛ•αέ ά

WARNING

T[] Ά] Λιάνη: Λ' ~ οΑΑΑΑ άΑ) άΛ•αέ ά Α/Α/Α/Α/Α άΑ/ Λιάνη: Λ' ~ οΑΑΑΑ άΑ) άΛ•αέ ά Α/Α/Α/Α/Α άΑ/ Λιάνη: Λ' ~ οΑΑΑΑ άΑ) άΛ•αέ ά Α/Α/Α/Α/Α άΑ/ Λιάνη: Λ' ~ οΑΑΑΑ άΑ) άΛ•αέ ά

Ο/Α [Λιάνη: Λ' ~ οΑΑΑΑ άΑ) άΛ•αέ ά Α/Α/Α/Α/Α άΑ/ Λιάνη: Λ' ~ οΑΑΑΑ άΑ) άΛ•αέ ά Α/Α/Α/Α/Α άΑ/ Λιάνη: Λ' ~ οΑΑΑΑ άΑ) άΛ•αέ ά

CD9F5HCB

CD9F5HCB

On-Off Switch

The On-Off Switch is used to start and stop the engine. It is located on the right side of the operator's seat. To start the engine, turn the key to the "ON" position. To stop the engine, turn the key to the "OFF" position.

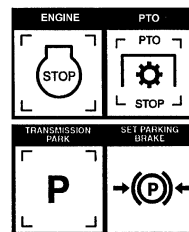


On-Off Switch

The On-Off Switch is used to start and stop the engine. It is located on the right side of the operator's seat. To start the engine, turn the key to the "ON" position. To stop the engine, turn the key to the "OFF" position.



The On-Off Switch is used to start and stop the engine. It is located on the right side of the operator's seat. To start the engine, turn the key to the "ON" position. To stop the engine, turn the key to the "OFF" position.



U] ^!&ç } Á&ç } Á&U

U] ^!&ç } Á&ç } Á&U

CD9F5HCB

CD9F5HCB

Operating Instructions: CD9F5HCB

Operating instructions for the CD9F5HCB loader. This manual contains important information for the safe and correct use of the machine. Please read this manual carefully before operating the machine. The operator must be trained and qualified to operate this machine. The manufacturer is not responsible for any damage or injury caused by the use of the machine if the operator does not follow the instructions in this manual.



1. Before starting the engine, ensure that the parking brake is applied and the loader is in the neutral position. 2. Turn the key to the "ON" position and check the warning lights. 3. Adjust the seat and mirrors to suit your height and weight. 4. Before moving the machine, check the surroundings for any obstacles or people. 5. Operate the machine at a safe speed, especially when reversing or in confined spaces. 6. Do not drink alcohol or use drugs before operating the machine. 7. Always wear your seat belt and use proper lifting techniques. 8. If you are unsure about any part of the operation, consult the operator's manual or a qualified technician. 9. Regular maintenance is essential for the safe and reliable operation of the machine. 10. Report any damage or defects to your supervisor immediately.



11. Always use proper lifting techniques to avoid injury. 12. Do not lift or move loads that are unstable or unbalanced. 13. Keep a safe distance from other people and vehicles. 14. Do not operate the machine on uneven or slippery surfaces. 15. Always use the correct attachment for the job. 16. Do not modify the machine without the manufacturer's approval. 17. Always use the correct PPE (Personal Protective Equipment). 18. Report any accidents or incidents to your supervisor. 19. Keep this manual in a safe place for future reference. 20. For more information, contact your local distributor or Bentley customer support.

© 2013 Alamo Group Inc. U.S. Patent & Trademark Office

CD9F5HCB

Y @)A []^!ææ* A {}A` àlæA ![ææ·ÈÀ @æ^ &})·æ^!ææ} À[!À @!À[ææ·^!·ÈÛ` ||À[À@·Àæ^ [-À@À[ææÀ &&æ æ } æ} À[Àæ||, Àæ||À[||, æ *Àæ-æ d Àæ·ÈÖ[À[ò^æ&^àÀ@·À* æÀ] ^^àÀÀ æÀ^æ ^[~!ÀææÀ[!À[] ææ ææ À[!Àæ:æ`|c |æÀdææd !·È OÈ æ·Àææ Àæ^!òÀ @)Àææ} [|!ç *À@Àææd !ææ à { [, ^!À[}À[`àlæA[ææ·ÈÖ` ^ææ} Àæ Àæ`·À&ææ·È @À[[{ Àææ } à·À[Àæ @Àæ@!À@) À@Àææd !·æææ [À^Àææ~|À@!Àæ^À[Àæ·ææ à^!·È [!·È |æ^·À[à·d` &æ }·À[!ææ` À^ææ·ÀææÀ æÀ^À } ææÀ ÀæÀ [, ^!ÀææÀ !À[[{ È^·Àææ ç } Àæ à !à` &À[^^àÀÀ @!À^ææ·À[!Àà^·dææ·Àæ^À @Àæ^æ OPS-B- 0016



Op-104

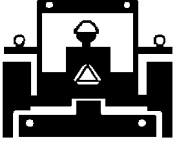
CD9F5HCB



DANGER: Do not use the tractor on public roads or highways. It is designed for use on private property only. Operating on public roads is illegal and dangerous.



WARNING: Do not use the tractor on uneven or slippery surfaces. The operator must wear the seat belt at all times. Failure to wear the seat belt can result in serious injury or death.



Uà` &À[^^àÀÀ[!À[] æ *À[!æ } |ç *À@Àææ·È Ò)·!ÀææÀ [çÀ| æ^À[àæ·Àæ^À[&^àÀ[^·æ@! , @)À[^!ææ *À[] À[`àlæA[ææ·È OPS-U- 0023



Op-25

Ó[{ U] ^!ææ } À^æç } ÀÈ H

CD9F5HCB

CD9F5HCB

OPS-U-0024

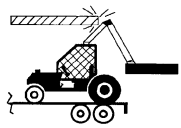
OPS-U-0024



Op - 46

⚠ DANGER

OPS-U-0024



OPS-U-0025



Op-47

OPS-U-0024

OPS-U-0025

CD9F5HCB

CD9F5HCB

Ó[{

U] ^! aã } Á^ &ã } ÁË î

MAINTENANCE SECTION

Maintenance Section 4-1

MAINTENANCE

General Instructions

Tiger Mowers are designed for high performance and rugged durability, yet with simplified maintenance. The purpose of this section of the manual is to help the operator in the regular servicing of the mower. Regular maintenance at the intervals mentioned will result in the maximum efficiency and long life of the Tiger Mower.

When you purchase a Tiger Mower you also acquire another valuable asset, Tiger's parts organization. Our rapid and efficient service has guaranteed the customer satisfaction for many years. Tiger parts keep up with the demands for efficiency, safety and endurance expected of the Tiger Mower.

Maintenance Precautions

- Be sure end of grease gun and zerks are clean before using. Debris injected into bearings, etc. with grease will cause immediate damage.
- DO NOT use a power grease gun to lubricate bearings. These require very small and exact amounts of lubrication. Refer to the detailed maintenance section for specific lubrication instructions. DO NOT over-grease bearings.
- Lexan windows should be washed with mild soap or detergent and lukewarm water, using a soft clean sponge or soft cloth. DO NOT use abrasive or alkaline cleaners or metal scrapers on lexan windows!
- Be alert to maintenance indicators such as the in-tank filter pressure gauge, hydraulic reservoir sight gauge, etc. Take the required action to correct any problems immediately.
- Release of energy from pressurized systems may cause inadvertent actuation of cylinders, or sudden release of compressed springs. Before disconnecting any hoses, relieve pressure by shutting tractor off, setting cutter on ground and actuating lift valve handles.



DO NOT use hands to check for suspected leaks in hydraulic hoses! Hydraulic fluid escaping under pressure can have sufficient force to penetrate skin and cause serious injury. If fluid is injected into skin, it must be surgically removed within a few hours or gangrene may result. Use a small piece of wood or cardboard, not hands, to search for pin hose leaks. Be sure all connections are tight and hoses and lines are not damaged before applying pressure.

Break in Period

In addition to following the break-in instructions for your particular tractor, the in-tank hydraulic fluid filter should be replaced after the first 50 hours of service. Thereafter the filter should be replaced every 500 hours, or yearly, whichever comes first.

Re-torque wheel lugs after first five hours of operation and periodically thereafter. See torque specifications listed in the tractor's service manual for your particular model. **Wheel lugs must always be re-torqued whenever a wheel is removed and reinstalled.**



Never work under the Implement, the framework, or any lifted component unless the Implement is securely supported or blocked up to prevent sudden or inadvertent falling which could cause serious injury or even death. (SG-14)



MAINTENANCE



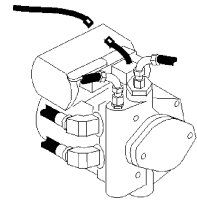
Do not modify or alter this Implement. Do not permit anyone to modify or alter this Implement, any of its components or any Implement function. (SG-8)



Relieve hydraulic pressure prior to doing any maintenance or repair work on the Implement. Place the Mower Head on the ground or securely supported on blocks or stands, disengage the PTO, and turn off the engine. Push and pull the control Levers or Joystick several times to relieve pressure prior to starting any maintenance or repair work. (SBM-6)



Always disconnect the wire leads from the mower pump solenoid before performing service on the Tractor or Mower. Use caution when working on the Tractor or Mower. Tractor engine must be stopped before working on Mower or Tractor. The Mower Blades could inadvertently be turned on without warning and cause immediate dismemberment, injury or death. (SBM-12a)

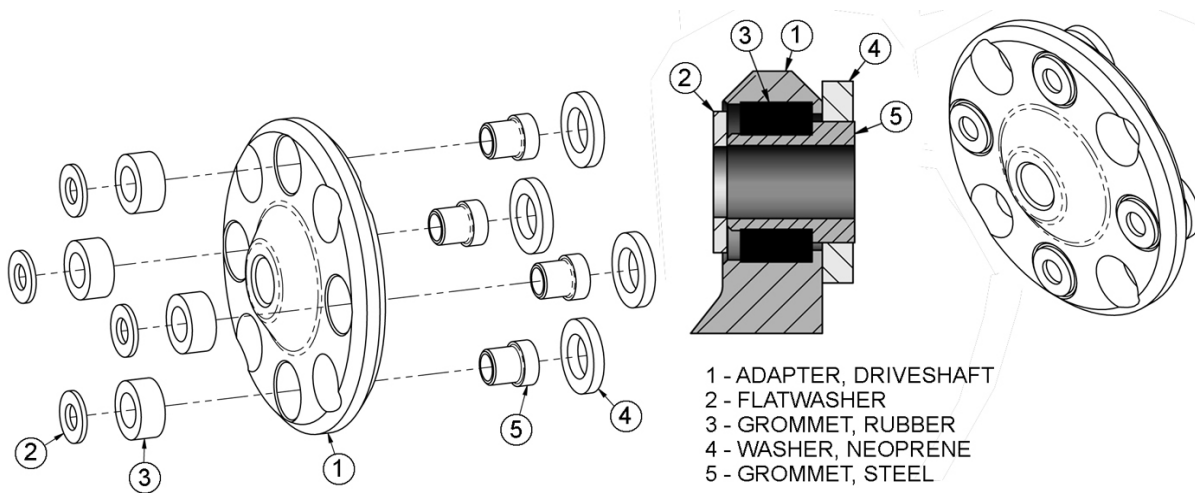


MAINTENANCE

MAINTENANCE OF CRANKSHAFT ADAPTER ASSEMBLY (RIGID ENGINE MOUNT TRACTORS ONLY)

If replacement of components of the crankshaft adapter assembly is required, follow the assembly procedures shown below. Seat rubber grommet completely into counterbore, then seat steel grommet completely into rubber grommet while rubber grommet is supported.

(ASM-JD-0051 CRANKSHAFT ADAPTER MAINTENANCE)



MAINTENANCE

MAINTENANCE

Regular Maintenance

The intervals at which regular servicing should be done are based on hours of operation. Use the tractors hour meter to determine when regular servicing is required.

Refer to the Detailed Maintenance section for further instructions on greasing. Copy and use the Daily Maintenance sheet located at the end of this section.

Daily or Every 8 Hours

ITEM	SERVICE	COMMENTS
Drive Shaft Yoke, U-Joint & Stub Shaft	Grease	Grease as instructed in detailed maintenance section
Pump Drive Shaft Coupler	Check and Lube	Insure driveshaft end play
Crankshaft Adapter	Check rubber grommets	Replace grommets if damaged or missing
Pivot Points	Lubricate	Inject grease until it appears at end
Hydraulic Fittings	Check for leaks	Tighten when needed. Do Not use hands to check for leaks, see maint. precautions
Knives	Check	Inspect for missing or damaged knives, change as needed.
Spindle mouting bolts (spindle to deck)	Check	Torque to 315 ft. lbs. lubricated Torque to 357 ft. lbs. dry
Knife mounting bolts (knife to disk or blade bar)	Check	Pre-lubricate threads with anti-seize torque to 800 ft. lbs.
Disk/Blade Bar mounting bolts (disk/blade bar to spindle)	Check	Torque to 180 ft. lbs. lubricated Torque to 204 ft. lbs. dry
Belts	Check/Adjust	Check if broken, tighten as required
Main Frame and Deck	Check	Retorque bolts to torque specifications in this section
Hydraulic Fluid Level	Check	Add if required per fluid recommendations
Rear Flail Drive(if applicable) Bear Flange and Shaft Coupler	Lubricate	Grease as instructed in detailed maintenance section
Cutter Shaft and Boom	Lubricate	Grease as instructed in Maintenance Section 4-4

MAINTENANCE

MAINTENANCE

Ground Roller detailed maintenance section

WEEKLY OR EVERY 40 HOURS

ITEM	SERVICE	COMMENTS
Rotary Spindle	Lubricate	Every 40 hours or weekly

WEEKLY OR EVERY 50 HOURS

ITEM	SERVICE	COMMENTS
In Tank Hyd. Fluid Filter (10 micron filter)	Change	Change after first 50 hours only, then every 500 hours or yearly
In-Line High Pressure Filter (10 micron filter)	Change	Change after first 50 hours only, then every 500 hours or yearly

MONTHLY OR EVERY 150 HOURS

ITEM	SERVICE	COMMENTS
Hydraulic Fluid Level	Check	Add as needed
Hyd. Tank Breather	Clean/Check/Replace	Clean or replace element as required
Rear Tire Type 480/80R38 18.4-34 18.4-38	Max P.S.I. 29 26 26	

YEARLY OR EVERY 500 HOURS

ITEM	SERVICE	COMMENTS
Spindle Grease Hyd. Tank Fluid In Tank Hyd. Fluid Filter (10 micron filter)	Change Change Change	
In-Line HP Filter (10 micron filter)	Change or	Change when indicated by restriction indicator.
Hyd. Tank Breather	Change	

Boom Maintenance Section 4-5

MAINTENANCE

TROUBLESHOOTING

SYMPTOMS	CAUSE	REMEDY
Vibration	1. Loose bolts	1. Check all bolts and tighten to recommended torque specs.
	2. Cutter assembly unbalanced	2a. Check for damaged blades, disc or cuttershaft. Replace if needed. 2b. Check for wire, rope, etc. entangled in the cutter assembly
Mower will not lift	1. Hyd. Fluid Low	1. Check and refill hyd fluid
	2. Leaks in line ROU 3. Faulty relief valve	2. Tighten or replace fittings and hoses 3. Check pressure in line. Line pressure in control valve should be at least 2500 P.S.I.
	5. Faulty cylinder	5. Inspect, repair or replace cylinder
Mower will not start or run	1. Blown fuse	1. Check fuse between mower switch and ignition/replace
	2. Ball valves closed	2. Make sure valves are open
	3. Low oil level	3. Check hyd. tank and fill
	4. Line leak	4. Check all fittings and lines, re-tighten or replace
	5. Electronic solenoid faulty	5a. Without the tractor running, turn the mower switch to on. A low audible click should be heard if the solenoid is engaging the solenoid spool. If click is not heard, leave switch in on position and with a screwdriver or other steel object, touch the small nut on the end of the solenoid. If the metallic object is not attracted to the nut, check the fuse and wiring for an open circuit. If the object is attracted but no "click" is heard, replace the solenoid. 5b. Remove the four bolts holding the small block to the main block. Lift and remove small block being careful not to damage O-rings/filter. Clean filter and re-install. 5c. Remove large nut on side of large valve block. Remove spring, and use needle nose vise grip to pull spool from block. Check block and spool for contaminants and scratches.

MAINTENANCE

Clean parts or replace if scratched.

TROUBLESHOOTING (CONTINUED)

SYMPTOMS	CAUSE	REMEDY
Motor runs but will not cut.	1. Belts	1. Inspect belts and pulleys. Replace belts and repair as needed.
	2. Tensioner	2. Adjust tensioner nut flatwasher washer is flush with top of guide.
Mower turns slowly or not at all.	1. Contaminants restricting spool movement in valve body.	1. Remove large nut on side of large valve block. Remove spring, and use needle nose vise grip to pull spool from block. Check block and spool for contaminants and scratches. Clean parts or replace if scratched.
	2. Suction lines obstructed	2. Check for kinks or obstruction in suction hose.
	3. Low oil level	3. Check hyd. tank level and fill.
Pump will not work	1. Excessive wear on internal parts	1. Disassemble and repair.
Motor will not work	1. Excessive wear on internal parts	1. Disassemble and repair.

NOTE: If flow meter is available, check pressure and flow volume for all suspected hydraulic problems.

If the solution to your problem cannot be found in this section, call the Technical Service representative at the number shown on the front cover of this manual.

MAINTENANCE

MAINTENANCE

Torque for Standard Fasteners													
Nominal Dia. (in.)	threads per inch	Grade 2			Grade 5			Grade 8			Grade 9		
		Tightening Torque			Tightening Torque			Tightening Torque			Tightening Torque		
		Lubed	Dry Plated	Dry plain	Lubed	Dry Plated	Dry plain	Lubed	Dry Plated	Dry plain	Lubed	Dry Plated	Dry plain
		K = 0.15	K = 0.17	K = 0.20	K = 0.15	K = 0.17	K = 0.20	K = 0.15	K = 0.17	K = 0.20	K = 0.15	K = 0.17	K = 0.20
Unified Coarse Thread Series													
1/4	20	49 in-lbs	59 in-lbs	66 in-lbs	76 in-lbs	86 in-lbs	101 in-lbs	107 in-lbs	122 in-lbs	143 in-lbs	126 in-lbs	143 in-lbs	168 in-lbs
5/16	18	101	122	135	157	178	209	221	251	295	259	294	346
3/8	16	15 ft-lbs	18 ft-lbs	20 ft-lbs	23 ft-lbs	26 ft-lbs	31 ft-lbs	33 ft-lbs	37 ft-lbs	44 ft-lbs	38 ft-lbs	43 ft-lbs	51 ft-lbs
7/16	14	24	29	32	37	42	49	52	59	70	61	70	82
1/2	13	37	44	49	57	64	75	80	90	106	94	106	125
9/16	12	53	63	70	82	92	109	115	130	154	135	153	180
5/8	11	73	87	97	113	128	150	159	180	212	186	211	248
3/4	10	129	155	172	200	227	267	282	320	376	331	375	441
7/8	9	125	150	167	322	365	429	455	515	606	533	604	710
1	8	187	225	250	483	547	644	681	772	909	799	905	1065
1 1/8	7	266	319	354	596	675	794	836	966	1288	1132	1283	1510
1 1/4	7	375	450	500	840	952	1121	1173	1363	1817	1597	1810	2130
1 1/2	6	652	783	869	1462	1657	1950	2031	2371	3162	2779	3150	3706
Fine Thread Series													
1/4	28	56 in-lbs	68 in-lbs	75 in-lbs	87 in-lbs	99 in-lbs	116 in-lbs	123 in-lbs	139 in-lbs	164 in-lbs	144 in-lbs	163 in-lbs	192 in-lbs
5/16	24	112	135	150	174	197	231	245	278	327	287	325	383
3/8	24	17 ft-lbs	20 ft-lbs	23 ft-lbs	26 ft-lbs	30 ft-lbs	35 ft-lbs	37 ft-lbs	42 ft-lbs	49 ft-lbs	43 ft-lbs	49 ft-lbs	58 ft-lbs
7/16	20	27	32	36	41	47	55	58	66	78	68	78	91
1/2	20	41	49	55	64	72	85	90	102	120	105	120	141
9/16	18	59	71	78	91	103	121	128	146	171	151	171	201
5/8	18	82	99	110	127	144	170	180	204	240	211	239	281
3/4	16	144	173	192	223	253	297	315	357	420	369	418	492
7/8	14	138	165	184	355	403	474	502	568	669	588	666	784
1	14	210	252	280	542	614	722	765	867	1020	896	1016	1195
1 1/8	12	298	357	397	668	757	890	1083	1227	1444	1269	1439	1693
1 1/4	12	415	498	553	930	1055	1241	1509	1710	2012	1768	2004	2358
1 1/2	12	734	880	978	1645	1865	2194	2668	3024	3557	3127	3544	4169

Torque values for 1/4 and 5/16-in series are in inch-pounds. All other torque values are in foot-pounds. K = 0.15 for "lubricated" conditions D = Nominal Diameter
 Torque values calculated from formula T=KDF, where K = 0.17 for zinc plated and dry conditions F = Clamp Load
 K = 0.20 for plain and dry conditions

Torque-Tension Relationship for Metric Fasteners													
Nominal Dia. (mm)	Pitch	Class 4.6			Class 8.8			Class 10.9			Class 12.9		
		Tightening Torque			Tightening Torque			Tightening Torque			Tightening Torque		
		Lubed	Dry Plated	Dry plain	Lubed	Dry Plated	Dry plain	Lubed	Dry Plated	Dry plain	Lubed	Dry Plated	Dry plain
		K = 0.15	K = 0.17	K = 0.20	K = 0.15	K = 0.17	K = 0.20	K = 0.15	K = 0.17	K = 0.20	K = 0.15	K = 0.20	
3	0.5	0.28	0.32	0.38	0.73	0.82	0.97	1.0	1.2	1.4	1.2	1.6	
3.5	0.6	0.44	0.50	0.59	1.1	1.3	1.5	1.6	1.9	2.2	1.9	2.5	
4	0.7	0.66	0.74	0.87	1.7	1.9	2.3	2.4	2.7	3.2	2.8	3.8	
5	0.8	1.3	1.5	1.8	3.4	3.9	4.5	4.9	5.5	6.5	5.7	7.6	
6	1	2.3	2.6	3.0	5.8	6.6	7.7	8.3	9.4	11	9.7	13	
6	1.25	2.1	2.3	2.7	5.3	6.0	7.0	7.6	8.6	10	8.8	12	
7	1	3.8	4.3	5.0	9.7	11	13	14	16	19	16	22	
8	1	5.9	6.6	7.8	15	17	20	22	24	29	25	34	
8	1.25	5.5	6.2	7.3	14	16	19	20	23	27	24	31	
10	1.25	11	13	15	29	33	39	42	48	56	49	66	
10	1.5	11	12	14	28	32	37	40	45	53	47	62	
12	1.25	21	23	28	53	60	71	76	86	101	89	119	
12	1.5	20	22	26	51	58	68	73	82	97	85	113	
12	1.75	19	21	25	49	55	65	70	79	93	81	108	
14	1.25	26	29	34	66	75	89	95	108	127	111	148	
14	1.5	28	32	37	72	82	96	103	117	138	121	161	
14	2	30	34	40	78	88	104	111	126	148	130	173	
16	1.5	50	57	67	129	146	171	184	208	245	215	287	
16	2	47	53	62	121	137	161	173	196	230	202	269	
18	1.5	73	82	97	187	212	249	268	303	357	313	417	
18	2.5	65	73	86	167	189	222	239	270	318	279	372	
20	1.5	101	115	135	270	306	360	374	424	498	437	583	
20	2.5	91	104	122	236	267	314	337	382	449	394	525	

Clamp load calculated as 75% of the proof load for specified bolts. K = 0.15 for "lubricated" conditions D = Nominal Diameter
 All torque values are listed in foot-pounds K = 0.17 for zinc plated, dry conditions F = Clamp Load
 Torque values calculated from formula T=KDF, where K = 0.20 for plain and dry conditions

MAINTENANCE

LUBRICATION RECOMMENDATIONS

MAINTENANCE

Description	Application	General Specification	Recomended Mobil Lubricant
Tractor Hydraulics	Reservoir	JD-20C MF M1135,M1141 FNHM2C134D (FNH201)	Mobilfluid 424
Mower Hydraulics Cold Temperatures 0° F Start-Up	Reservoir	ISO 46 Anti-Wear-Low Temp	Mobil DTE 15M
Normal Temperatures 10° F Start-Up		JD-20C MF M1135,M1141 FNH M2C134D(FNH201)	Mobilfluid 424
Normal Temperatures 15° F Start Up		ISO 46 Anti-Wear	Mobil DTE 25
High Operating Temp. Above 90° F		ISO 100 Anti-Wear	Mobil DTE 18M
Flail Rear Gearbox	Grease	PAO Synthetic Extreme Pressure Gear Lube	Mobil SHC 75W-90 Mobil 1 Synthetic Gear
Cutter Shaft & Ground Roller Shaft(Flail)	Grease Gun	Lithium-Complex Extreme Pressure NLGI-ISO 320	Mobilgrease CM-S
Drive Shaft Coupler (Flail and Rotary)	Grease Gun	Lithium-Complex Extreme Pressure NLGI2-ISO 320	Mobilgrease CM-S
Drive Shaft Yoke, U-joint & Stub Shaft	Grease Gun	Lithium-Complex Extreme Pressure NLGI2-ISO 320	Mobilgrease CM-S
Boom Swivel Boom Cylinder Pivots (Rotary & Flail Boom)	Grease Gun	Lithium Complex Extreme pressure NLGI2-ISO 320	Mobilgrease CM-S
Deck Boom Pivot & Deck Stop Adjustment Rotary & Flail)	Grease Gun	Lithium Complex Extreme Pressure NLGI-ISO 320	Mobilgrease CM-S
Deck Spindle(Rotary)	Grease Gun	Tiger Spindle Lubricant part number 06540000	Mobilith SHC 220

Boom

Maintenance Section 4-9

MAINTENANCE

POLYCARBONATE CARE AND MAINTENANCE

The propriety UV and Abrasion Resistant Surface coating on SHIELDS SUPERCOATED polycarbonate significantly improves performance. Periodic cleaning using proper procedures and compatible cleaners are recommended to prolong service life. Tiger Corp. polycarbonate is SUPERCOATED on both sides.

CLEANING THE SUPERCOAT HARD-COAT

1. Wash with a mild solution of soap or detergent and lukewarm water.
2. Using a soft cloth or sponge, gently wash the sheet to loosen dirt and grime and rinse well with clean water.
3. To prevent water spotting, thoroughly dry with chamois or cellulose sponge.
4. Avoid the use of abrasive cleaners, squeegees and/or other cleaning implements that may mar or gouge the coating.

CLEANING AGENTS WHICH HAVE BEEN FOUND TO BE COMPATIBLE UNDER LABORATORY CONDITIONS:

Aqueous Solutions of Soaps and Detergents

Windex(1)	Top Job(2)	Joy(2)	Mr Clean(2)
Fantastik(3)	Formula 409(4)	Sumalight D12	Brucodecid

Organic Solvents

Butyl Cellosolve	Kerosene	Hexel, F.O. 554	Naphtha(VM&P grade)
Neleco-Placer	Turco 5042		

Alcohols

Methanol	Isopropyl
----------	-----------

All residual organic solvents should be removed with a secondary rinse.

GRAFFITI REMOVAL

Butyl cellosolve (for removal of paints, marking pen inks, lipstick, etc.) The use of masking tape, adhesive tape or lint removal tools work well for lifting off old weathered paints.

To remove labels, stickers, etc., the use of kerosene or VM&P naphtha is generally effective. When the solvent will not penetrate sticker material, apply heat (hair dryer) to soften the adhesive and promote removal.

IMPORTANT: If a material is found to be incompatible in a short-term test, it will usually be found to be incompatible in the field. The converse, however, is not always true. Favorable performance is no guarantee that actual end-use conditions have been duplicated. Therefore, these results should be used as a guide only and it is recommended that the user test the products under actual end-use conditions.

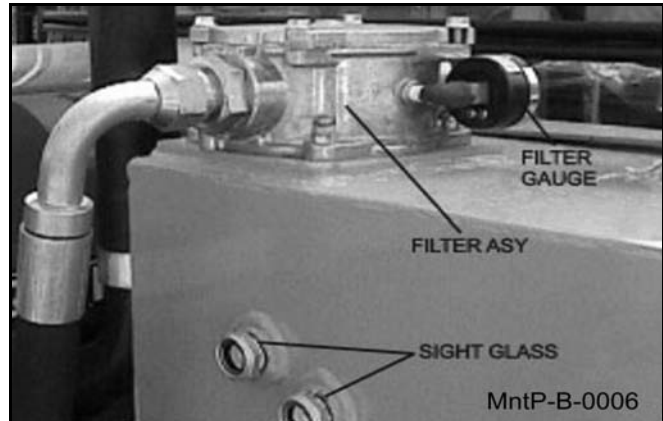
MAINTENANCE

MAINTENANCE

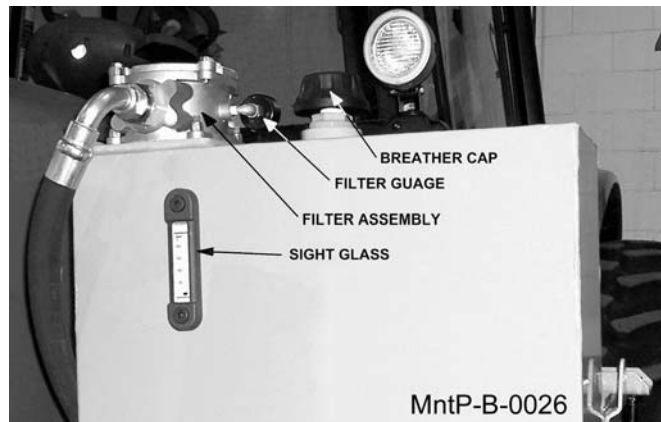
RECOMMENDED FILLING INSTRUCTIONS FOR HYDRAULIC RESERVOIRS

When filling or checking the oil level, the unit should be parked on a level surface., shut OFF, and allow sufficient time to cool to ambient temperature. Use caution when removing the pressurized breather. Do not place face over opening when removing breather.

If your reservoir has two sight glasses: The reservoir should be filled to the top of the lower sight glass on the side of the tank. Do not overfill. The reservoir has been overfilled when oil is visible in the upper sight glass. If tank has too much oil, the excess may be expelled through the pressurized breather.



If your reservoir has one sight glass/temperature gage: The reservoir should be filled to the center of the sight glass on the side of the tank. Do not over-fill. If the tank has too much oil, the excess may be expelled through the pressurized breather.



DETAILED MAINTENANCE

REPLACING IN-TANK HYDRAULIC FILTER:

Loosen the four bolts on the top cover of the filter housing. Turn cover counter-clockwise until cover is free. Remove and replace filter. Replace top cover and cover bolts in opposite order as removed.



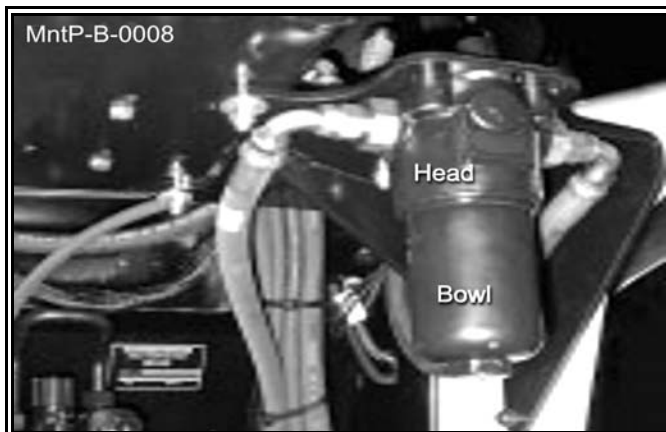
MAINTENANCE

MAINTENANCE

DETAILED MAINTENANCE

REPLACING HIGH PRESSURE HYDRAULIC FILTER ELEMENT:

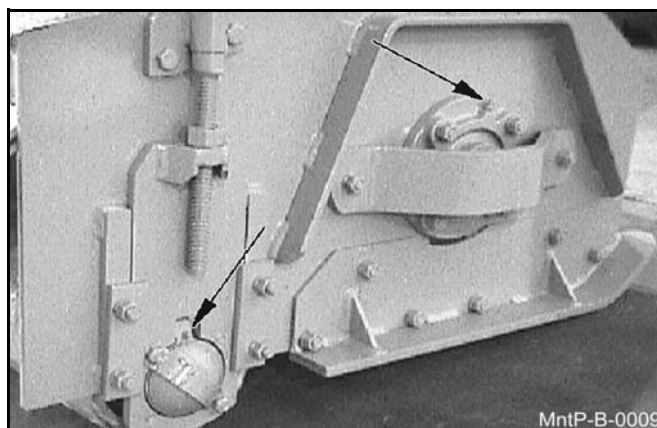
Ensure that the system has been shut down and de-pressurized. Locate High Pressure Filter housing. Confirm that the element that is about to be installed matches the element p/n on the filter model tag. *Example: V3.0510-06 (world line 100, HD049 model)* Locate the bottom of the High Pressure Bowl. Using the appropriate spanner wrench or ratchet, turn in a counterclockwise rotation, (looking at the bottom of the bowl) to remove the bowl from the head. The first couple of rotations will seem tight as the o-ring passes the sealing flats. Once the o-ring has cleared the sealing flats the bowl should spin freely. Taking care not to drop the bowl, finish removing the bowl from the head. **WARNING: bowl will be full of oil!**



Pour the oil from the bowl into a container. This oil should be considered contaminated because the flow direction through the element is outside-in. Clean the inside of the bowl if "dirt" is present. Remove the old element from the filter head by pulling with a rotation motion. Dispose of the used element properly. Remove the new element from the packaging. Using your finger, dab and lubricate the o-ring in the top of the new element with oil. Install the new element into and on the mounting boss within the head. Ensure that the element is fully seated on the boss. Clean and inspect the o-ring that is affixed in the bowl and lubricate with oil. Using a clockwise rotation, screw the bowl back into the head, ensuring that the bowl has not been cross threaded into the head. Continue to tighten the bowl into the head, using the spanner wrench or ratchet. The rotation of the bowl will become tighter once the o-ring engages the sealing flats. Once the bowl has bottomed out, back-off the bowl by 1/6 turn. This ensures that the o-ring is seated properly within the sealing flats. Element change out and re-assembly is now complete. Start the machine and inspect the filter area, checking that there is no oil leaking from the filter assembly. Replace the filter element first at 50 hours of operation, then yearly (500 hours) or when indicated by restriction indicator.

GREASING CUTTERSHAFT -- FLAIL MOWERS

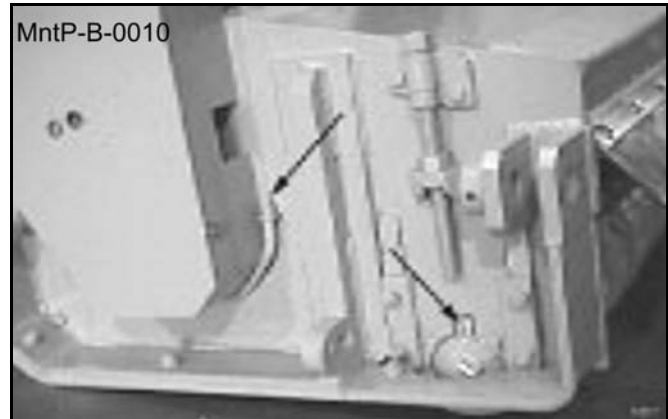
Locate grease zerks on each end of cuttershaft(s), these are located on the bearing cover. Normal conditions require one or two pumps in each bearing, using Lithium-Complex Extreme Pressure grease confirming to NLG12-ISO 320 specifications. This is to be done with a standard grease gun daily or at **8 hour intervals**. **CAUTION: Over greasing may cause premature seal failure.**



MAINTENANCE

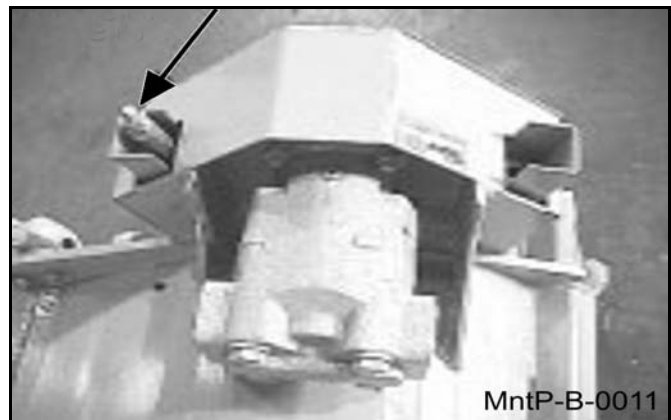
GREASING GROUND ROLLER SHAFT-- FLAIL

Locate grease zerks on each end of roller tube at lower end of head. Normal conditions require one or two pumps in each bearing, using Lithium-Complex Extreme Pressure grease conforming to NLGI2-ISO 320 specifications. This is to be done with a standard grease gun daily or at **8 hour intervals**. **CAUTION: Over greasing may cause premature seal failure.**



ADJUSTING/CHECKING BELT TENSION

To adjust belt tension or replace belts on flail cutter head, remove four bolts that secure the belt cover and remove cover. The hex nuts shown below can be adjusted to increase/decrease the belt tension as needed. (NOTE: Location of adjustment nuts may vary on flail cutter heads.) **Be sure to replace the belt cover BEFORE operating mower!**

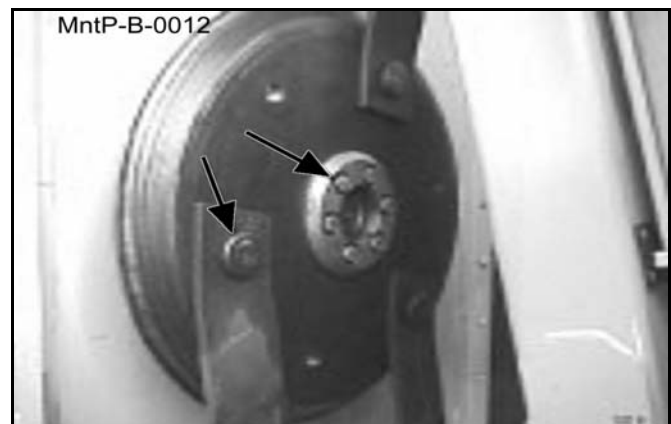


TIGHTENING KNIFE BOLTS AND DISK BOLTS:

After every 8 hours of operation or daily, the Knife Bolts and disk bolts should be tightened as follows:

Knife mounting bolts torque to 800 lubricated ft. lbs.

Disk mounting bolts (6ea.) torque to 204 dry or 180 lubricated ft. lbs.

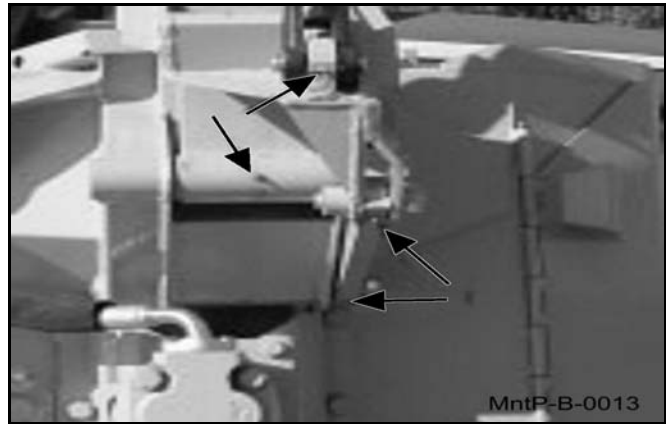


MAINTENANCE

MAINTENANCE

GREASING POINTS ON BOOM AND PIVOT

Locate grease zerks on deck pivot assembly, on the deck end of secondary boom, at main/secondary boom joint, and at swivel end of main boom. Inject Lithium-Complex Extreme Pressure grease conforming to NLGI2-ISO 320 specifications until grease begins to protrude from ends.



DECK STOP ADJUSTMENT

On boom flail, loosen locking nut. Turn adjustment bolt in, and run deck cylinder out to full extension. Adjust bolt out until the head just touches the boom, and tighten lock nut. **NOTE: Bolt should not hit boom before cylinder reaches full travel.**



GREASING SPINDLE

Locate grease fitting on inside of deck housing. Inject Tiger Spindle Lubricant, part number 06540000 into spindle housing. Fill with lubricant until lubricant weeps out of top spindle seal. Lubricate spindle weekly or every 40 hours of use.

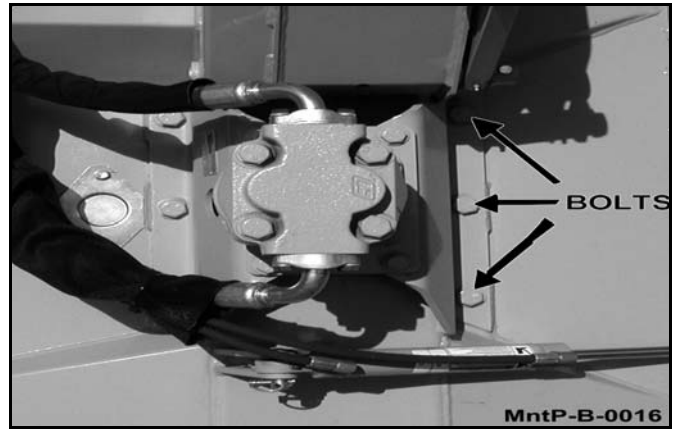


MAINTENANCE

MAINTENANCE

TIGHTENING SPINDLE BOLTS

The spindle mounting bolts should be checked and retorqued daily or every 8 hours of service. Torque the (6) bolts shown below to 357 dry or 315 ft. lbs. lubricated.



GREASING PUMP DRIVE SHAFT COUPLER

With engine stopped, ensure driveshaft alignment by grasping coupler and sliding back and forth. Coupler should slide freely with approximately 1/8" of end play. If coupler does not slide freely, inspect for loose pump mount bolts, or damaged or loose crankshaft adapter. Inject Lithium-Complex Extreme Pressure grease conforming to NLG12-ISO 320 specifications into coupler until grease begins to protrude from ends. Grease daily or every 8 hours. Do not over grease.

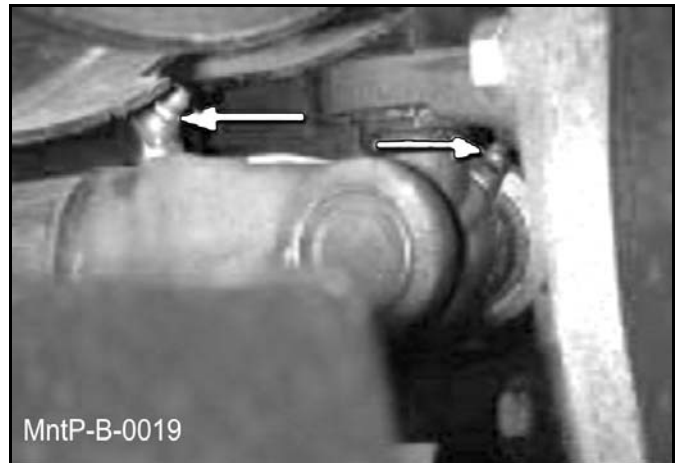
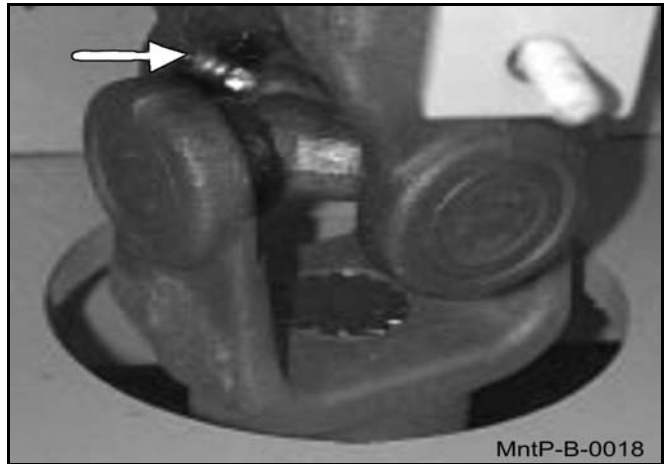


MAINTENANCE

MAINTENANCE

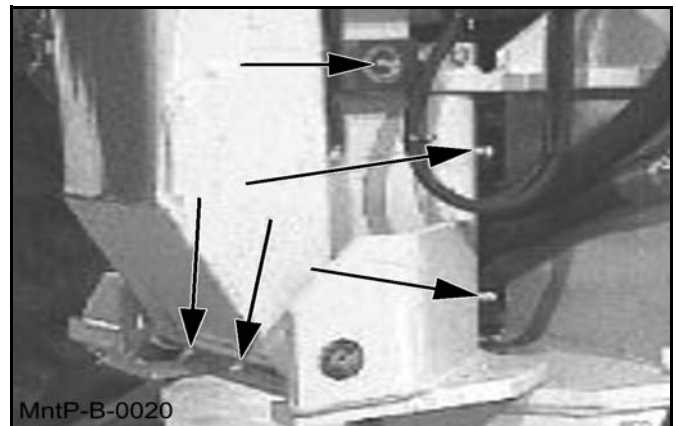
DRIVESHAFT YOKE, U-JOINT STUB SHAFT

With engine stopped, inject Lithium-Complex extreme pressure grease conforming to NLGI2-ISO 320 specifications into universal joints and slip yoke until grease appears at the seal. Grease them daily or every 8 hours.



GREASING THE BOOM SWIVEL

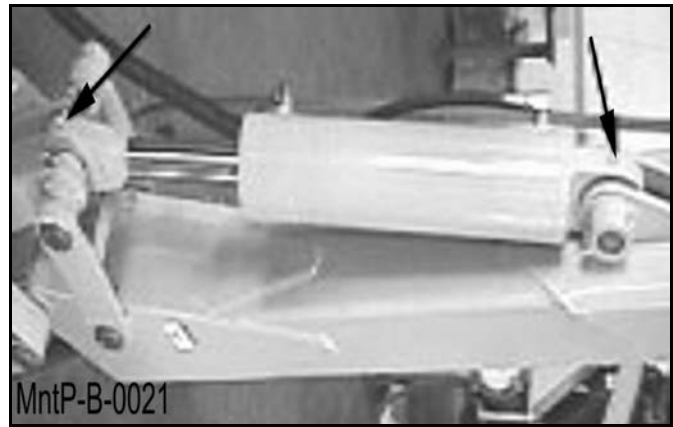
Locate the zerks on the main swivel boss (if applicable), main boom pivot boss (if applicable) and on both ends of the boom swivel cylinder. Inject Lithium-Complex Extreme Pressure grease conforming to NLGI2-ISO 320 specification until grease begins to protrude from ends.



MAINTENANCE

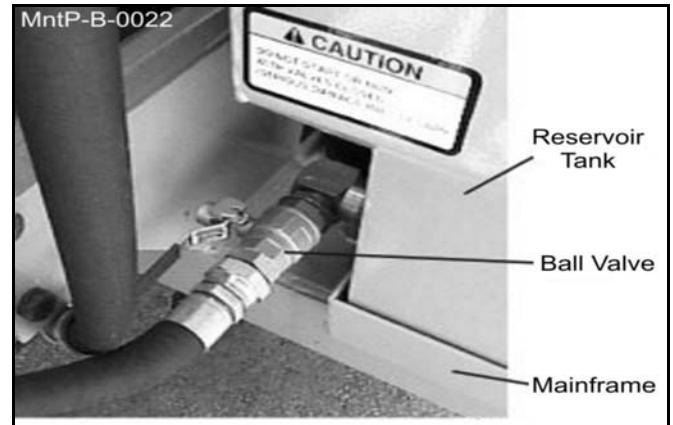
GREASING BOOM CYLINDER(S) PIVOT POINTS

Locate the zerk on the butt end tang of cylinder and on rod end tang. Inject Lithium-Complex Extreme Pressure grease conforming to NLGI2-ISO 320 specifications until grease begins to protrude from ends. This procedure is to be used on the main boom cylinder, secondary boom cylinder, deck pivot, and swivel cylinders daily or at 8 hour intervals.



BALL VALVES

The ball valve at the hydraulic reservoir may need to be closed during certain maintenance or repair procedures. **THE BALL VALVES MUST BE OPEN (handle parallel with valve) WHEN TRACTOR IS RE-STARTED OR PUMP IS COUPLED TO MOTOR OR PTO!** Failure to do so will result in component failure!



MAINTENANCE

MAINTENANCE

Blades

Check the Blades for cracks and wear and Blade Bolts for tightness, daily. Blades should be replaced when they are worn excessively, bent, deformed, or out of balance.

CAUTION

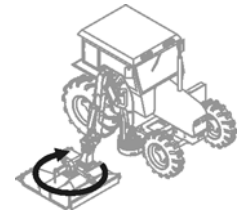
Blades should always be replaced in pairs. Blades of different weights can cause serious imbalance and damage to the machine and personnel. When replacing blades, take care to replace the blade bolts, nuts, and washers.


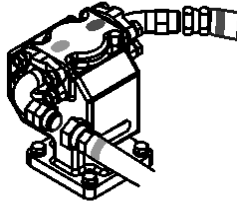
Important

Make sure the mower blades are turning clockwise when looking down from the top of the mower. Follow the color coding on the hydraulic hoses and fittings to make sure the motor and hydraulics hoses are assembled properly. Connect the red hose connection only to red fitting. Connect the blue hose connection only to the blue fitting. The blade rotation on the leading edge of the mower should discharge the cut material away from the tractor and operator.

WARNING

If the leading edge of the mower blades are rotating backwards they can discharge material toward the operator. If this occurs discontinue mowing immediately and reverse the direction of the motor rotation by correctly installing the motor pressure and return hoses. Contact your dealer or Alamo Industrial for specific information on the hose routing.



WARNING	ADVERTENCIA
TO AVOID SERIOUS INJURY AND DEATH FROM THROWN OBJECTS: <ul style="list-style-type: none">● MAKE CERTAIN blades rotate the correct direction.	PARA EVITAR LESION SERIA O MUERTE POR OBJETOS LANZADOS: <ul style="list-style-type: none">● ASEGURE que las cuchillas giran en la dirección correcta.
BLADE ROTATION  ROTACIÓN DE CUCHILLAS	
Return Retorno BLUE	 Pressure Presión RED

D619

MAINTENANCE

ROTARY KNIFE REPLACEMENT

1. Be sure you have a complete matching set of new knives for replacement.
2. Remove knives and inspect holes for damage. Also watch for cracks in the disk (if applicable) around the holes.
3. Lube threads with anti-seize. Install bolts through knife and disk from bottom side of disk/blade bar. Install new self-locking nuts and torque them to 800 ft. lbs.
4. The knives should swing freely to absorb shocks from impact when striking objects.



WHEN CUTTING HEAVY BRUSH, KNIFE BOLTS SHOULD BE INSPECTED HOURLY AND RETORQUED TO 800 LUBRICATED FT. LBS.

REPLACEMENT OF ROTARY DISK/BLADE BAR



Failure to follow the following warnings and instructions may result in serious injury or damage to the equipment or property!

1. The bolts that attach the disk to the spindle must be grade 8. These 5/8 inch bolts are to be torqued to 204 dry or 184 ft. lbs lubricated with Loctite 271.
2. A thread locking agent may be applied to threads of all mounting bolts before they are installed.
3. **Disks must be inspected daily for hairline cracks between spindle mounting bolts or around the knife mounting bolts. These cracks indicate metal fatigue caused by severe abuse. If cracks are present the disk must be replaced.**
4. Inspect the disk mounting bolts daily when checking tightness of knife mounting bolts. If a disk mounting bolt is loose, it must be removed, threads cleaned, fresh thread locking agent applied, and tightened to proper torque value.
5. If a knife mounting bolt is loose, the self locking nut must be replaced as a safety precaution. Lubricate threads with anti-seize. Install bolts through knife and disk/blade bar from bottom side. Install self locking nuts and torque them to 800 ft. lbs.

MAINTENANCE

Flail Blades Inspection

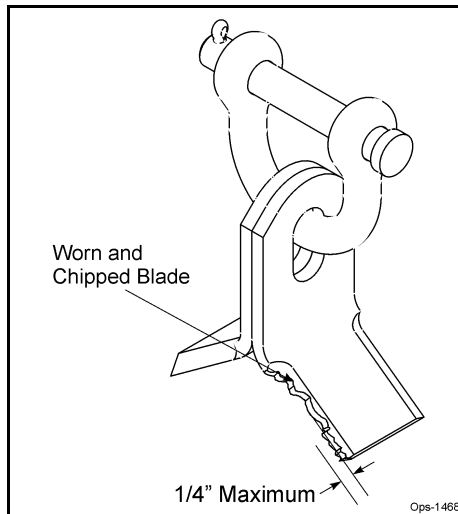


Inspect the Blades daily for abnormal wear. REPLACE ALL BLADES on the carrier IMMEDIATELY if any blades have:

- Become bent or deformed from its original shape, or
- Wear inside the blade bolt hole, or
- Any cracks are visible, or
- Deep gouges in the blade's surface are present, or
- Gouges or chipped areas in the cutting edge are larger than 1/4"(8mm), or
- The material on the leading edge has been worn away by more than 1/4"(8mm)

DO NOT straighten, sharpen, weld or hard-face blades

Failure to replace worn or damaged blades may lead to catastrophic failure of the blades and ejection of the broken part with tremendous force which may cause serious bodily injury or death.



Always replace blades in sets

- Blades that are damaged may indicate severe service or abuse. If one blade is worn or damaged other blades on the same shaft will have been subjected to the same severe service or abuse.
- The Flail rotor turns at speeds exceeding 2000 RPM and is dynamically balanced at the factory. Differences in blade weight between used blades with loss of material from gouges or wear as compared to new blades can cause severe vibration and damage to the Flail rotor. Always replace blades as complete sets.

MAINTENANCE

Blade Pins and D-Ring Inspection

Inspect Blade Pins and D-Rings daily for wear or damage as follows:

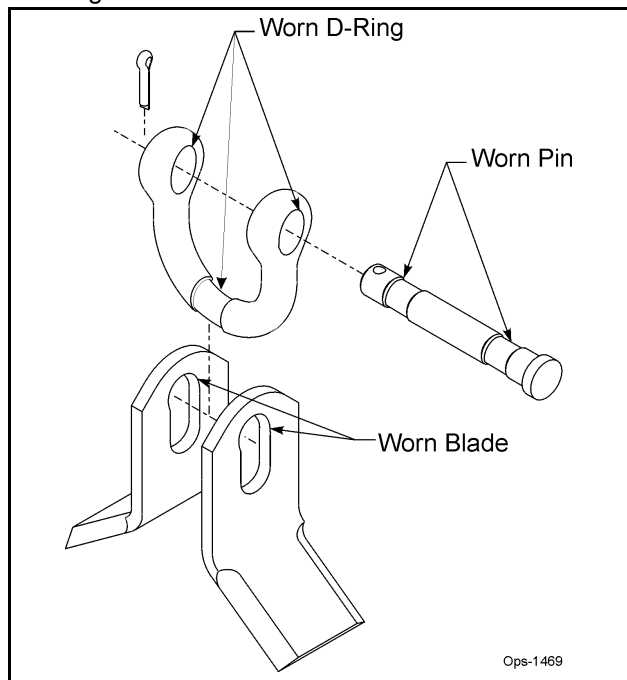


Inspect the Blade pins and D-Rings daily for abnormal wear. Make sure the cotter pins are in place and properly spread. REPLACE BLADE Pins and D-Rings IMMEDIATELY if they have:

- Visible cracks or
- If a Pin or D-Ring has visible worn areas, or
- If a Pin or D-Ring has gouges or chipped areas

Failure to replace abnormally worn pins or D-Rings may lead to catastrophic failure and ejection of the broken part, which may cause serious bodily injury or death.

Always replace the pins and D-Rings whenever excessive wear is noticed.



Important

If the cotter pins are broken by contact with other flail blades, remove the pin and reverse the direction the pin is inserted through the D-Ring so that the cotter pin is on the opposite side of the D-Ring. This will prevent the next set of blades from swinging back and hitting the cotter pin. OPS-U-0045

MAINTENANCE

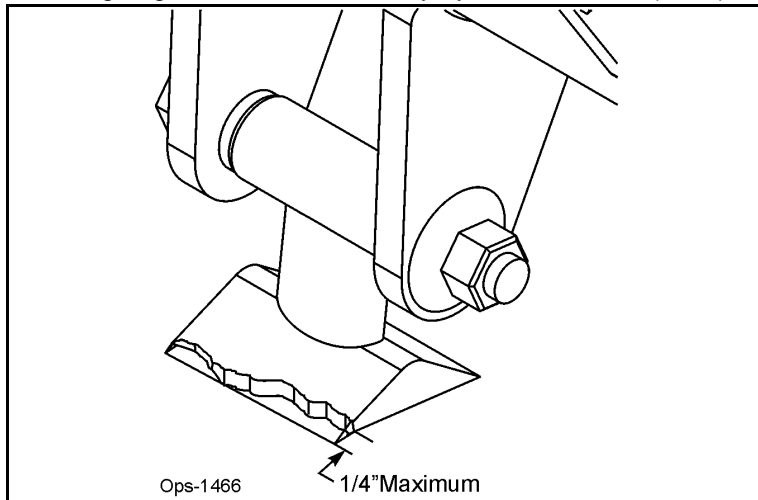
MAINTENANCE

Flail Axe Blades Inspection



Inspect the Blades daily for abnormal wear. REPLACE ALL BLADES on the carrier IMMEDIATELY if any blades have:

- Become bent or deformed from its original shape, or
- Oval shape wear inside the blade bolt hole, or
- Any cracks are visible, or
- Deep gouges in the blade's surface are present, or
- Gouges or chipped areas in the cutting edge are larger than 1/4"(8mm), or
- The material on the leading edge has been worn away by more than 1/4"(8mm)



Failure to replace worn or damaged blades may lead to catastrophic failure of the blades and ejection of the broken part with tremendous force which may cause serious bodily injury or death.

Always replace blades in sets

- Blades that are damaged may indicate severe service or abuse. If one blade is worn or damaged other blades on the same shaft will have been subjected to the same severe service or abuse.
- The Flail Axe rotor turns at speeds exceeding 2000 RPM and is dynamically balanced at the factory. Differences in blade weight between used blades with loss of material from gouges or wear, as compared to new blades, can cause severe vibration and damage to the Flail Axe rotor. Always replace blades as complete sets.

Important

Use only genuine Alamo Industrial replacement blades, blade bolts and fasteners. Other blades and bolts may not meet the requirements of Alamo Industrial and may fail during operation, resulting in the part failing and being thrown out from under the mower.



Never attempt to sharpen blades. OPS-U-0042

MAINTENANCE

Flail Axe Blade Bolt Inspection

Inspect Blade Bolts daily for wear or damage as follows:

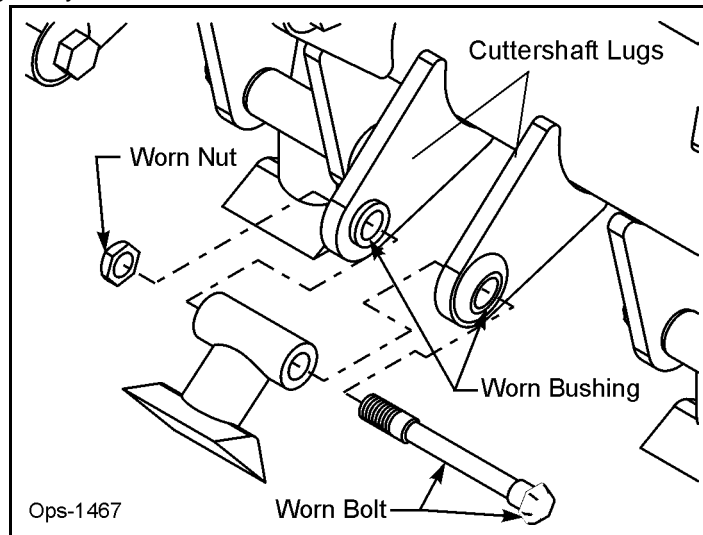


Inspect the Blade Bolt daily for abnormal wear. REPLACE ALL BLADE BOLTS on the carrier IMMEDIATELY if any bolts have:

- Visible cracks or
- If the blade bolt is worn or any recessed area is visible on the bolt, or
- If Blade Bolt has gouges or chipped areas. or
- If Bushing fits loose in the Rotor Shaft.

Failure to replace abnormally worn bolts or bushings may lead to catastrophic failure of the blades and ejection of the broken part, which may cause serious bodily injury or death.

Always replace Blade Bolts with new bolts and new bushings whenever replacing the Blades. To tighten bolts and nuts, first apply thread lock to nut. Make sure to tighten bolts and nuts just enough to allow the blades to swing freely and not bend the cuttershaft lugs. If cuttershaft lugs are bent together because of over tightening the blades will not swing freely. OPS-U-0043



MAINTENANCE

50" FLAIL KNIFE BLADE REPLACEMENT (Light Brush Grass)

1. If knives are damaged or badly worn, they will need to be replaced as a set. Replacing a single knife can cause severe vibration and possible damage to the mower. The knife should not be welded on for any reason.
2. Always replace the knife bolts when replacing the knives. DO NOT REUSE THE KNIFE BOLTS OR NUTS.
3. Assemble knives, bushings, bolts and nuts as shown in Parts Section of the manual.
4. Install the locking hex nut so that the flat face of the nut is towards the knife.
5. Apply Loctite 271 or equivalent to threads.
6. Torque nut to 50 ft. lbs. Knife must swing freely.



DO NOT re-use the locking hex nuts for mounting the knives. If hex nut becomes loose, or required removal for knife replacement or any other reason, they must be discarded and replaced with new nuts.

50" FLAIL KNIFE BLADE REPLACEMENT (Medium Brush Grass)

7. If knives are damaged or badly worn, they will need to be replaced as a set. Replacing a single knife can cause severe vibration and possible damage to the mower. The knife should not be welded on for any reason.
8. Always replace the knife bolts when replacing the knives. DO NOT REUSE THE KNIFE BOLTS OR NUTS.
9. Assemble knives, bushings, bolts and nuts as shown in Parts Section of the manual.
10. Install the locking hex nut so that the flat face of the nut is towards the knife.
11. Apply Loctite 271 or equivalent to threads.
12. Torque nut to 120 ft. lbs. Knife must swing freely.



DO NOT re-use the locking hex nuts for mounting the knives. If hex nut becomes loose, or required removal for knife replacement or any other reason, they must be discarded and replaced with new nuts.

50" FLAIL KNIFE BLADE REPLACEMENT (Heavy Duty Brush)

13. If knives are damaged or badly worn, they will need to be replaced as a set. Replacing a single knife can cause severe vibration and possible damage to the mower. The knife should not be welded on for any reason.
14. Always replace the knife bolts when replacing the knives. DO NOT REUSE THE KNIFE BOLTS OR NUTS.
15. Assemble knives, bushings, bolts and nuts as shown in Parts Section of the manual.
16. Install the locking hex nut so that the flat face of the nut is towards the knife.
17. Apply Loctite 271 or equivalent to threads.
18. Torque nut to 176 ft. lbs. Knife must swing freely.



DO NOT re-use the locking hex nuts for mounting the knives. If hex nut becomes loose, or required removal for knife replacement or any other reason, they must be discarded and replaced with new nuts.

MAINTENANCE

63" BOOM FLAIL KNIFE REPLACEMENT

1. If knives are damaged or badly worn, they will need to be replaced as a set. Replacing a single knife can cause severe vibration and possible damage to the mower.
2. Assemble knives, clevis, bolts and nuts as shown in part section of manual.
3. Install locking hex nut so that the flat face of nut is towards the knife.
4. Apply Loctite 271 or equivalent to threads.
5. Torque nut to 35 FT. LBS. Knife must swing freely.



DO NOT re-use the locking hex nuts for mounting the knives. If hex nut become loose, or require removal for knife replacement or any other reason, they must be discarded and replaced with new nuts.



Knives should not be welded on for any reason.

HEAVY DUTY SPINDLE ASSEMBLY INSTALLATION AND BEARING ADJUSTMENT

WARNING! A press **MUST** be used to install bearing cups, bearing cones, and seals. **DO NOT** use a hammer to install races, bearings, or seals. The parts of assembly may be damaged.

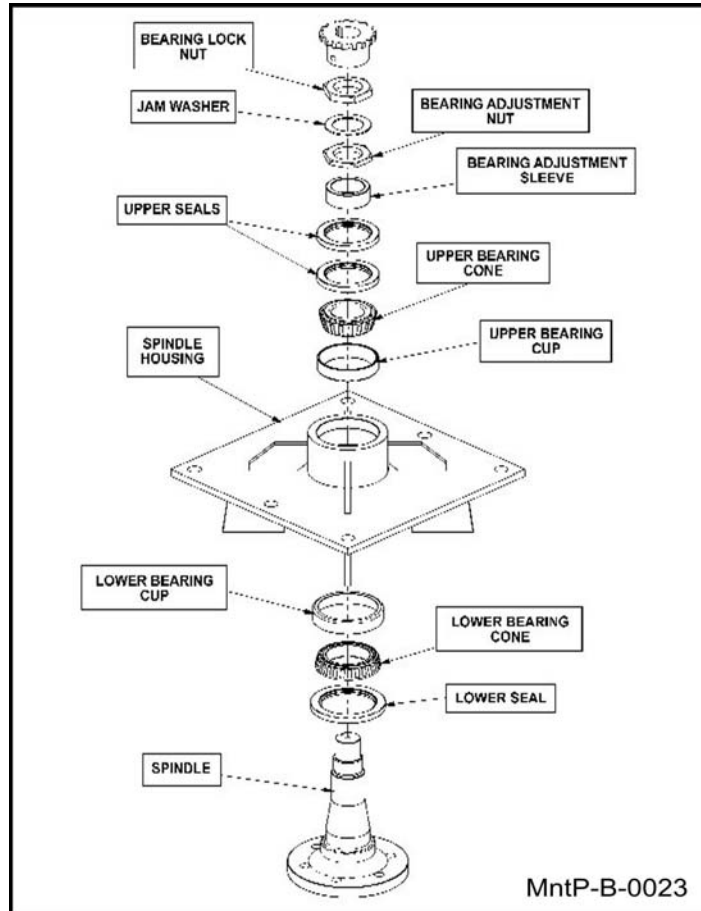
NOTE: The grease zerk and gussets are located on the top side of the spindle housing. Be sure the spindle is assembled correctly.

Be sure to wear eye protection and other protective equipment as needed when working on spindle assembly.

MAINTENANCE

THE SPINDLE ASSEMBLY

See the diagram below for identification of spindle parts, while servicing.

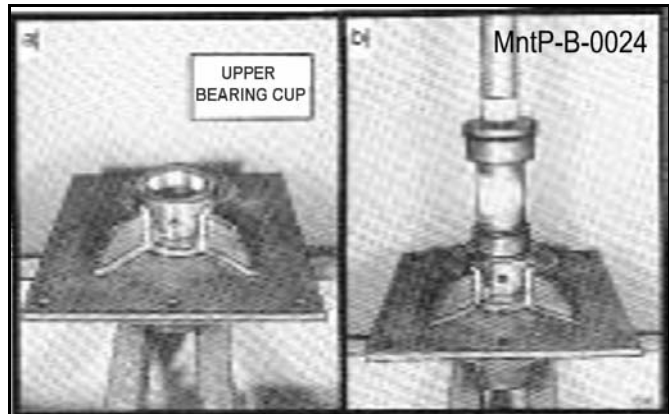


MAINTENANCE

MAINTENANCE

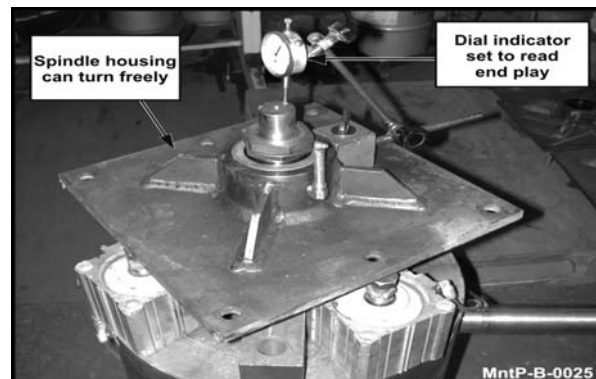
BEARING INSTALLATION

1. Press upper bearing cup into the spindle housing.
2. Turn the spindle housing over and press in the lower bearing cup.
3. Place the lower bearing cone in the bearing cup. Next press the seal into the spindle housing. The inner lip of the seal must be DOWN, towards the bearing, so lubricant is sealed inside the housing.
4. Install the spindle in the housing. Lightly press the spindle to seat the cone onto the spindle.
5. Support the bottom of the spindle and press the upper bearing cone and bearing adjustment sleeve onto the spindle.
6. **NOTE: The spindle housing must turn freely when seating the bearing cone and sleeve.**
7. Press the two upper seals into the spindle housing. The inner lip of the seals must be UP, away from the bearing, so excess lubricant can escape.
8. Install the bearing adjustment nut (thin nut) so there is 1-1/6" clearance between the nut and the sleeve. Install the jam washer, placing the tab into the key-way. Install the bearing lock nut (thin nut) and hand tighten against jam washer and adjustment nut. See the following section for bearing adjustment.
9. Position the spindle housing horizontally with the drain hole oriented "up". Grease through the zerk with Tiger Spindle Lubricant (part number 06540000) until the grease purges from the drain hole.
10. Install the plug into the drain hole.



BEARING ADJUSTMENT

1. Clamp the bottom end of the spindle housing securely in a vise so the spindle housing turns freely.
2. Position a magnetic base dial indicator on the outer diameter of the spindle housing. Locate the end of the dial indicator against the flat end of the spindle shaft. The dial indicator will now measure accurately bearing end play.
3. Tighten the bearing adjustment nut until there is .012 inch movement when the spindle housing is pried upward away from the vise jaws.
4. When there is .012 inch free play between the spindle and housing, install the bearing lock nut (thick nut). Hold the adjusting nut securely and tighten the lock nut to 300 ft. lbs. of torque.
5. After the lock nut is tightened, there must be .001 inch to .003 inch of free play when lightly prying up on the spindle housing.



If the end play is correct, .001 inch to .003 inch, bend tabs up on jam washer to prevent the lock nut from loosening.

If the end play is NOT correct, loosen the lock nut and turn the adjustment nut as required and re-tighten the lock nut. Repeat first part of step 5.

MAINTENANCE

Boom Cylinder Removal and Replacement Instructions

1. Clear the area of all personnel before lowering the boom mower head.
2. From the tractor seat with your seat belt fastened around you, lower the boom mower head to the ground. Extend the boom to the furthest reach and lower the mower head flat on the ground. **DO NOT** attempt to replace the cylinders with the boom in the raised or transport position.
3. Shut off the tractor, engage the parking brake, place the tractor transmission in the park position, and remove the key before dismounting.
4. Allow the system to cool to room temperature before removing any hydraulic components
5. Wear safety glasses and impenetrable gloves when working with hydraulic hoses and fittings.
6. Release all oil pressure from the hydraulic circuit by manually stroking each valve section with the tractor engine off. Utilize the manual override function if the unit is equipped with an electric over hydraulic valve.
7. Utilize blocks, jack stands or a suitable over head hoist to support the weight of the boom section and remove pressure from the cylinder mounting pins.
8. Check to see that the cylinder to be replaced is not under pressure by moving the cylinder pins by hand. The pins should be loose and should slide from the pin bore easily. If the pins are tight and cannot be moved, the cylinder may be under pressure. Make sure the boom components are properly supported and that the pressure is relieved from the circuit.
9. Cylinder assemblies are heavy and can fall when the pins are removed. Support the hydraulic cylinder with a suitable hoist or jack.
10. Slowly loosen the hydraulic connections to the cylinder. Carefully unscrew hose fitting and allow any remaining pressure to bleed off. **Use extreme care.** Oil must be cool, and the technician should stand to the side to prevent exposure to any hydraulic oil. Always consult the Material Safety Data Sheet and wear any required Personal Protective Equipment. A catch pan may be required to retain any spilled oil.
11. Cap both ends of the fitting with suitably sized metal caps.
12. Remove the cylinder pins starting with the ROD end cylinder pin. Make sure the cylinder is properly supported, and remove the base end cylinder pin. The cylinder may be heavy-- use proper lifting techniques to lift and handle the cylinder. If needed, get assistance from another person to safely lift the cylinder from the machine.
13. Measure the distance between the cylinder pin holes and extend the new cylinder the correct length prior to attempting an installation.
14. Install the new cylinder in place and install both cylinder pins and retaining hardware.
15. Remove the metal caps and re-install the hydraulic hoses.
16. Check the hydraulic reservoir of the boom mower to ensure there is sufficient oil. Follow the manufacturer's recommendations for proper oil type and filtering techniques and requirements to add oil to the system.
17. Clear the area of all persons prior to starting the tractor.
18. Consult the Operator's Manual for instructions in regard to the proper operating procedure.
19. From the tractor seat, with the seat belt fastened, operate the boom to ensure proper operation of the boom function.
20. From the tractor seat, with the seat belt fastened, operate the boom controls to fully extend and retract the new cylinder several times to purge any trapped air from the system.
21. From the tractor seat, with the seat belt fastened, look for signs of an oil leak. If an oil leak is observed, shut the tractor down and follow the steps to remove pressure from the hydraulic circuit. Identify the source of the leak and resolve the issue.
22. Upon completion of the required repairs return to Step # 16 to recheck the cylinder for proper operation.

MAINTENANCE

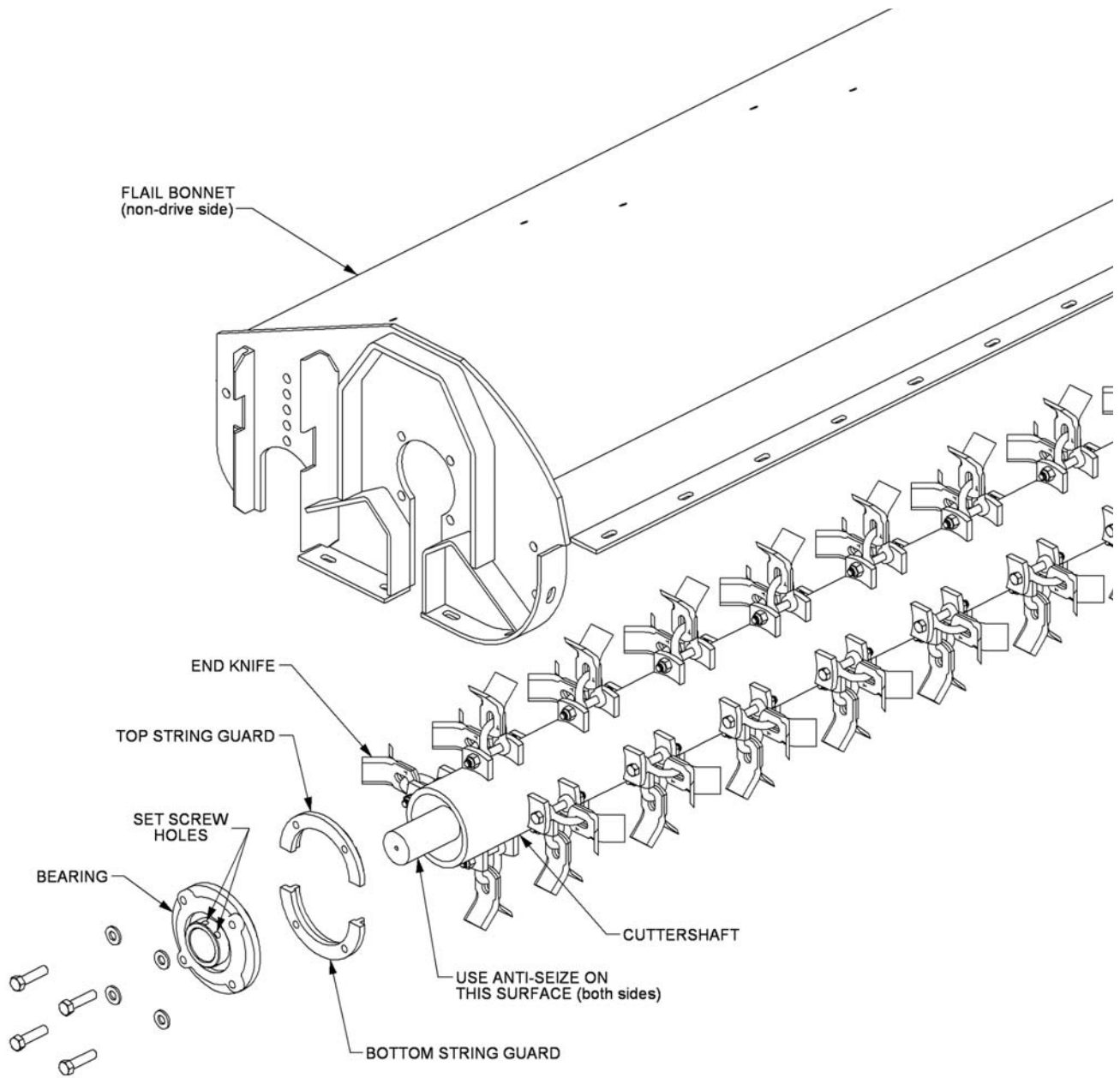
CUTTERSHAFT BEARING REPLACEMENT

1. Remove existing cuttershaft, bearings and string guards.
2. Make sure that the end knives on each end of the cuttershaft are oriented as shown.
3. Apply anti-seize on cuttershaft as shown on next page.
4. Install non-drive side bearing first.
5. Install the top of the string guard on the non-drive side first. Use Loctite 271 or equivalent and torque (95 ft-lb or 104ft-lb if you use an extension).
6. Install the bearing and top string guard on the drive side.
7. Center the cuttershaft between the string guards. Use Loctite 271 or equivalent and torque (95ft-lb or 104ft-lb if you use an extension) the top string guard on the drive side.
8. Install, use Loctite 271 or equivalent, and torque (95ft-lb or 104ft-lb if you use an extension) the bottom string guard on both sides.
9. Make sure the cuttershaft is centered. On the non-drive side, tighten one set screw in the bearing onto the cuttershaft.
10. Remove the other set screw and drill a 5/16" hole into the cuttershaft 3/16" deep through the hole in the bearing. **BE CAREFUL NOT TO DAMAGE THE THREADS IN THE BEARING HOLE.**
11. Replace the set screw in the bearing, use Loctite 271 or equivalent, and tighten onto the cuttershaft through the new hole.
12. Remove the other set screw and repeat the drilling procedure (Step 10). Replace the set screw as stated in Step 11.
13. Repeat steps 9 through 12 on the drive side.
14. Grease both bearings properly.

See illustration on next page

MAINTENANCE

MAINTENANCE



MAINTENANCE

DAILY MAINTENANCE SCHEDULE

The following services should be performed daily or every 8 hours of service, following the detailed maintenance instructions in the operator's manual.

_____ Pump driveshaft: If required with drive shaft/coupler check for end play and lubricate at zerks.

_____ Crankshaft adapter: If equipped with rubber grommets check condition, replace if missing or damaged.

_____ Pivot points: Inject grease until it appears at ends.

_____ Hydraulic fittings: Check for leaks with paper or cardboard. Tighten fittings or replace hoses immediately.

_____ Knives: Inspect for missing or damaged knives, change (only complete sets) as needed.

_____ Belts: Check/tighten/replace belts as needed.

_____ Mainframe/deck: Unless otherwise specified retorque bolts according to torque specifications in this section.

_____ Hydraulic fluid level: Add, if required, per fluid recommendations.

_____ Rear flail drive, bearing flange and shaft couplers: Grease as instructed in the detailed maintenance section.

_____ Cuttershaft and ground roller: Grease as instructed in the detailed maintenance section.

Service performed by: _____ Date: ____/____/____ Hour

Meter: _____

Maintenance Section

**This page may be copied and used as part of the daily maintenance routine.

MAINTENANCE

MAINTENANCE

Boom

Maintenance Section 4-32

PARTS SECTION

PART NAME INDEX

RCTVUQTFGT&I "I W&F G	5
VTCEVQT"O QWP V"MK	6
VTCEVQT"O QWP V"MK"/"J [FTCWN&E U	8
DQO "O QWP V"MK"/"U&F G"UVQY	:
DQO "O QWP V"MK"/"TGCT"UVQY	32
CZNG"DTCEG"CUUGO DN	34
DQO TGUVCUUGO DN "U&F I NG"EQNWO P	36
6"URQNECDNG"EQP VTQN"O QWP V	38
ECDNG"O CP WCN+"NHV"XCNXG"/"6"URQN"U&F G"UVQY	3:
ECDNG"O CP WCN+"NHV"XCNXG"/"6"URQN"TGCT"UVQY	42
ECDNG"O CP WCN+"NHV"XCNXG"DTGCMF QY P "/"2872425;	44
ECDNG"O CP WCN+"NHV"XCNXG"DTGCMF QY P "/"28724267	46
ECDNG"O CP WCN+"NHV"XCNXG"DTGCMF QY P "/"28724279	48
ECDNG"O CP WCN+"NHV"XCNXG"DTGCMF QY P "/"287242; 5	4:
RQN ECTDQPCVG"UCHGV "Y &F QY	52
Y J GGN"Y GK J V	54

PARTS ORDERING GUIDE

The following instructions are offered to help eliminate needless delay and error in processing purchase orders for the equipment in this manual.

1. The Parts Section is prepared in logical sequence and grouping of parts that belong to the basic machine featured in this manual. Part Numbers and Descriptions are given to help locate the parts and quantities required.
2. The Purchase Order must indicate the **Name and Address** of the person or organization ordering the parts, **who should be charged**, and if possible, the **serial number of the machine** for which the parts are being ordered.
3. The purchase order must clearly list the **quantity of each part**, the complete and correct **part number**, and the basic **name of the part**.
4. The manufacturer reserves the right to substitute parts where applicable.
5. Some parts may be unlisted items which are special production items not normally stocked and are subject to special handling. Request a quotation for such parts before sending a purchase order.
6. The manufacturer reserves the right to change prices without prior notice.

NOTE: When ordering replacement decals, refer to the part numbers and descriptions listed in the safety section in the front of this manual.

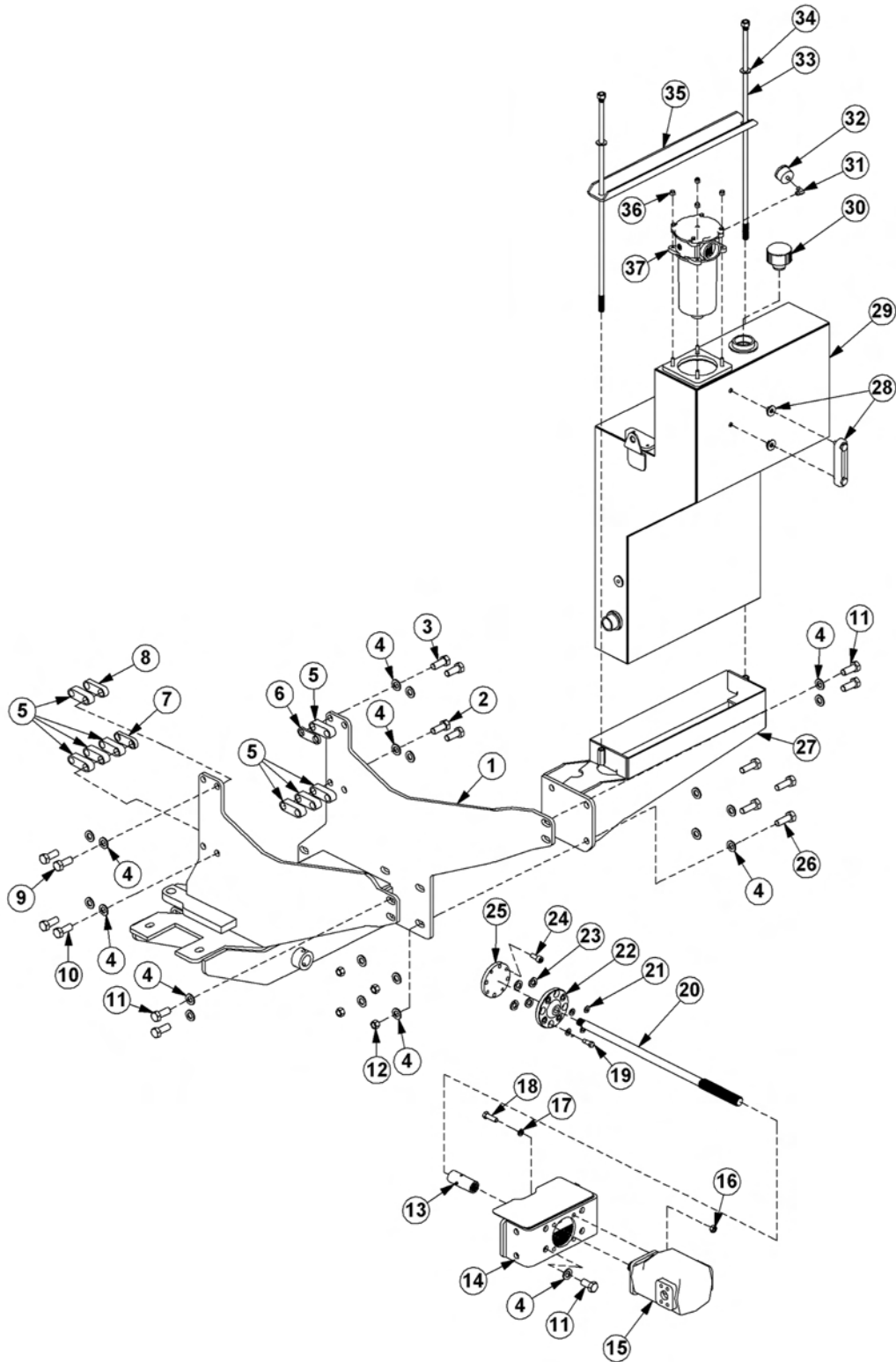


For maximum safety and to guarantee optimum product reliability, always use genuine **Tiger** replacement parts. The use of inferior replacement parts may cause premature or catastrophic failure which could result in serious injury or death.

Direct any questions regarding parts to:

Tiger Corporation
3301 N. Louise Ave.
Sioux Falls, SD 57107
1-800-843-6849
1-605-336-7900

TRACTOR MOUNT KIT

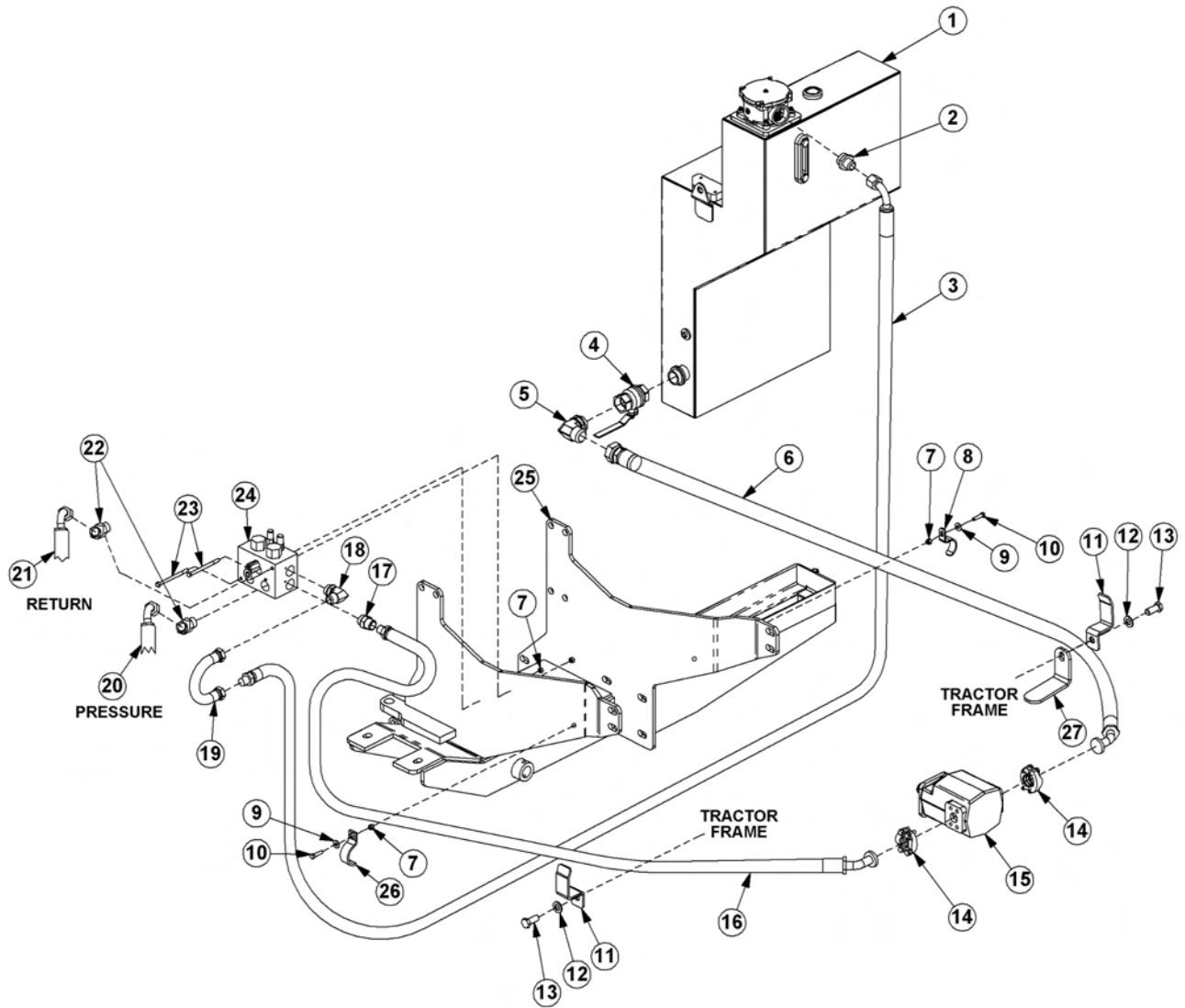


TRACTOR MOUNT KIT

Continued...

ITEM	PART NO.	QTY.	DESCRIPTION
3	28522394	3	O CRP HTCOG
4	28752759	4	ECRUETGY .420 O "Z" 3420 O .40R
5	544: 7	4	ECRUETGY .420 O "Z" 970 O .40R
6	55: : 2	46	HNCVY CUJ GT.516\$.UCG
7	28623849	:	URCEGT.3\$
8	28623852	3	URCEGT.7138\$
9	2862384;	3	URCEGT.314\$
:	2862384:	3	URCEGT.516\$
;	5292:	4	ECRUETGY .420 O "Z"; 20 O .40R
32	28752764	4	ECRUETGY .420 O "Z" 3520 O .40R
33	43: 53	6	ECRUETGY .516\$"Z" 3/516\$.PE
34	43: 47	6	J GZ "P WW.516\$.PE
35	8V2597D	3	EQWRNGT
36	285: 2264	3	O QWP V.RWOR
37	45374	3	RWOR
38	43947	6	J GZ "P WW.314\$.PE
39	28755226	6	HNCVY CUJ GT.314\$.UCG
3:	43954	:	ECRUETGY .314\$"Z" 3/516\$.PE
3;	28757222	6	ECRUETGY .9138\$"Z" 3/316\$.PE.EWWQHH
42	28642375	3	FTK&GUJ CHV
43	46; 59	6	HNCVY CUJ GT.9138\$.UCG
44	8V25: ;	3	MKV.CF CRVGT.FTK&GUJ CHV
45	53896	3	ETCP UJ CHV.CF CRVGT.Y IQ"Y CUJ GT
///	28759226	6	Y CUJ GT.PGQRTGP G
46	////	/	ECRUETGY " ; GZ KUV&I "J CTF Y CTG
47	28642366	3	URCEGT.FTK&GUJ CHV
48	43: 55	6	ECRUETGY .516\$"Z" 4/316\$.PE
49	28522282	3	O QWP V.VCP MUF G
4:	28727289	3	UK J V" I CI G
///	28725397	3	MKV.UGC N.UK J V" I CI G
4;	289222; 2	3	J [FTCW&E"VCP M CUJ
52	285: 2234	3	J [FTCW&E"VCP M
///	28727299	3	ECR.DTGC VJ GT.Q/T&I
53	VH6: ::	3	GNDQY .UVTGGV.31: \$"Z"; 2a
54	8V286;	3	H&NVGT" I CI G
55	285: 2236	4	VIG" DQNV.UF G" VCP M
56	55986	4	HNCVY CUJ GT.71: \$.UCG
57	28632574	3	EJ CPP GN.O QWP V.UF G" VCP M
58	43849	6	P [NQEMP WW.51: \$.PE
59	28727266	3	H&NVGT" CUJ .R / VCP M

TRACTOR MOUNT KIT - HYDRAULICS

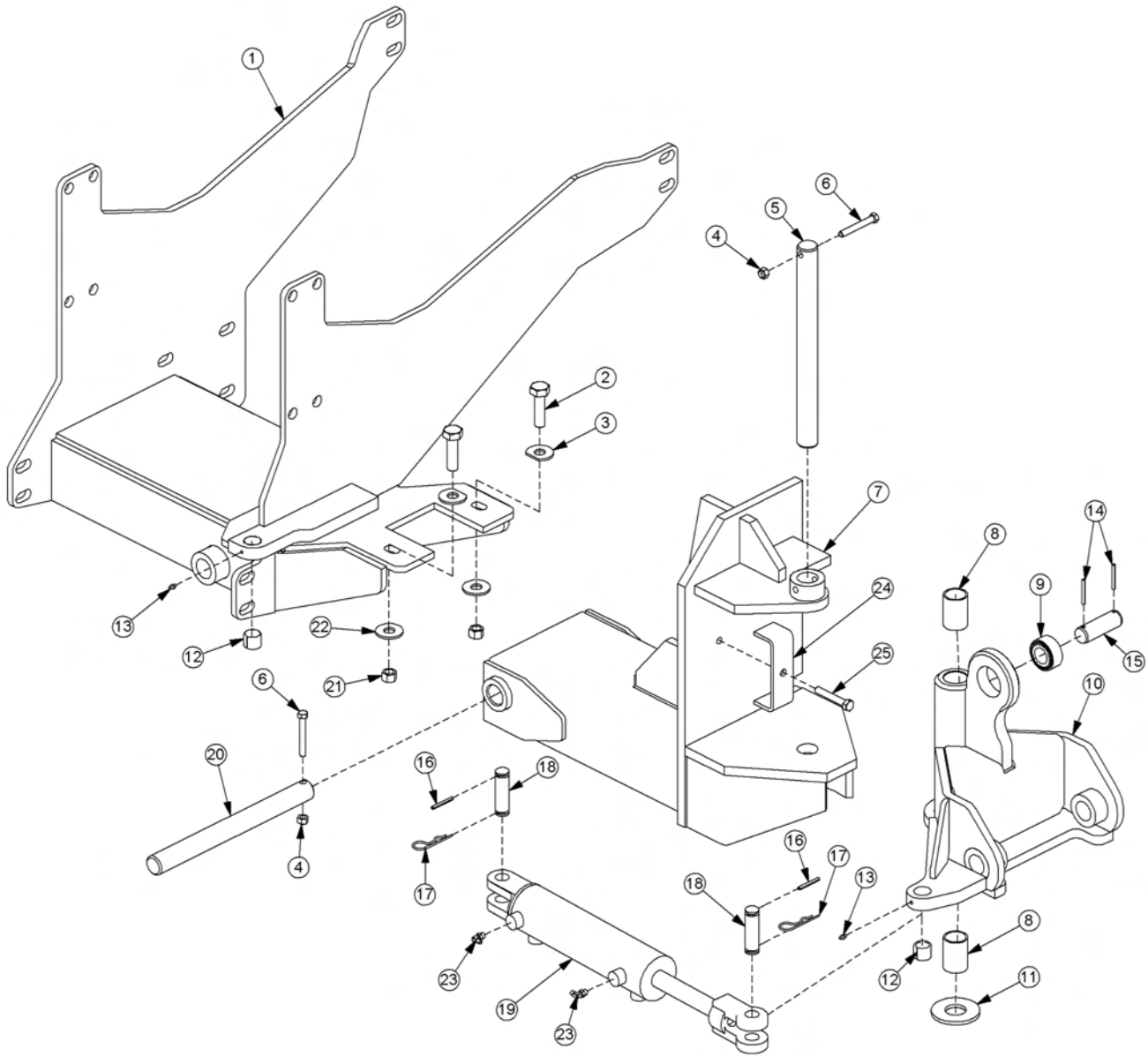


TRACTOR MOUNT KIT - HYDRAULICS

Continued...

ITEM	PART NO.	QTY.	DESCRIPTION
1	-----	-	HYDRAULIC TANK *REFER TO TRACTOR MOUNT KIT PAGE
2	34064	1	ADAPTER,1-1/4"MOR X 1"MJ
3	06500387	1	HOSE,1" X 81"
4	34309	1	BALL VALVE,1-1/2"FOR
5	34655	1	ELBOW,1-1/2"MOR X 1-1/2"MJ
6	06500309	1	HOSE,1-1/2" X 70"
7	21627	4	NYLOCK NUT,3/8",NC
8	06411136	1	CLAMP,HOSE,2"
9	22016	4	FLATWASHER,3/8"
10	21632	2	CAPSCREW,3/8" X 1-1/2",NC
11	32382	2	BRACKET,HOSE
12	33880	2	FLATWASHER,3/4",SAE
13	21831	2	CAPSCREW,3/4" X 1-3/4"
14	TF4852	2	KIT,FLANGE,#20
15	-----	-	PUMP *REFER TO TRACTOR MOUNT KIT PAGE
16	06500232	1	HOSE,1" X 63"
17	33555	1	ADAPTER,1"MOR X 1"MJ
18	34117	1	ELBOW,1"MOR X 1"MJ,90°
19	06506012	1	PREFORMED TUBE,180°
20	06500642	1	HOSE,1" X 62" (PRESSURE) (SIDE STOW)
---	34412	1	HOSE,1" X 85" (PRESSURE) (REAR STOW)
21	34606	1	HOSE,1" X 60" (RETURN) (SIDE STOW)
---	34082	1	HOSE,1" X 89" (RETURN) (REAR STOW)
22	33554	2	ELBOW,1"MOR X 1"MJ,45°
23	21644	2	CAPSCREW,3/8" X 5",NC
24	06510083	1	BRAKE VALVE
25	-----	1	MAIN FRAME *REFER TO TRACTOR MOUNT KIT PAGE
26	TB3012	1	CLAMP,HOSE
27	06411721	1	STOP,OSCILLATION

BOOM MOUNT KIT - SIDE STOW

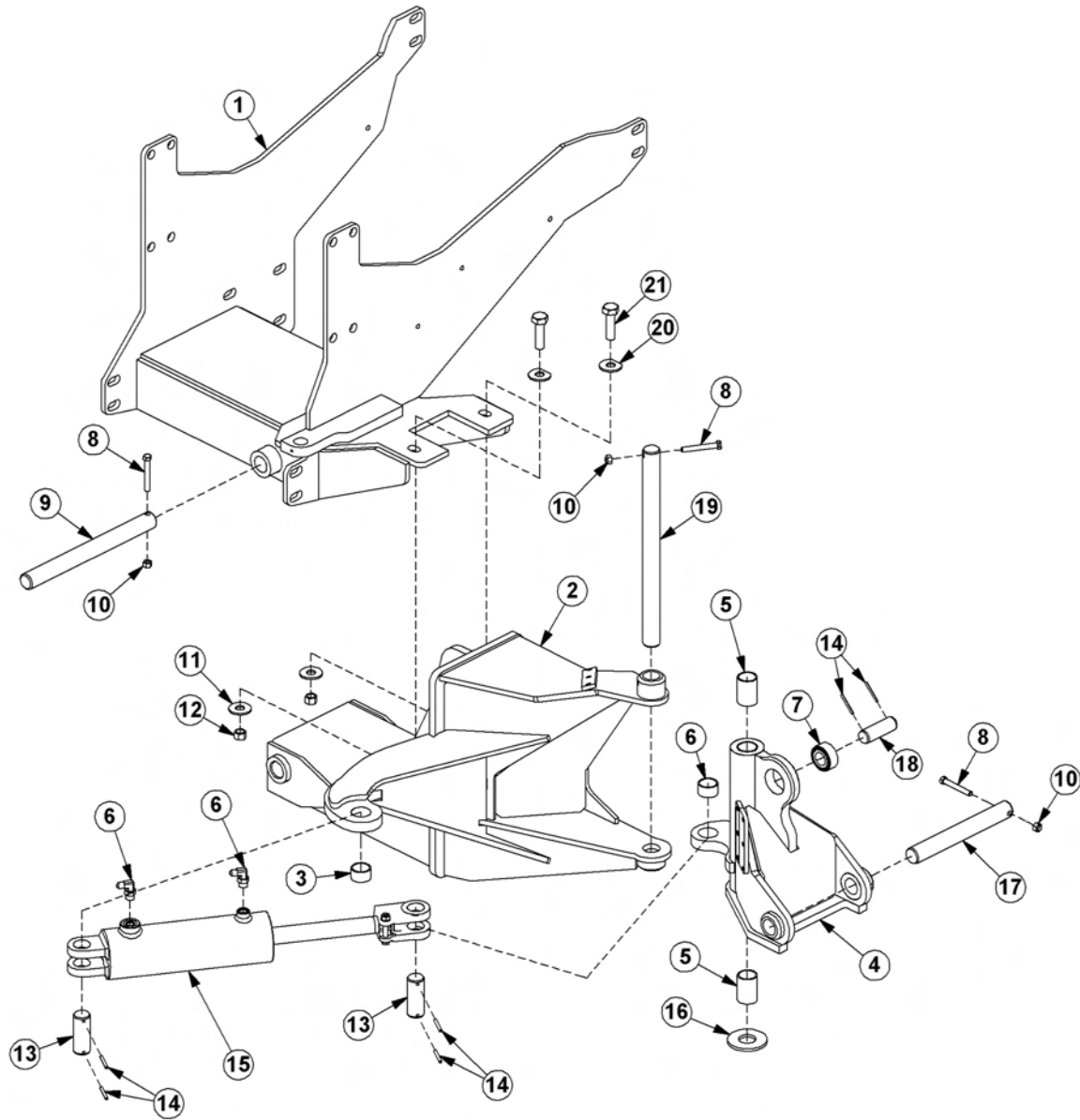


BOOM MOUNT KIT - SIDE STOW

Continued...

ITEM	PART NO.	QTY.	DESCRIPTION
1	-----	1	MAIN FRAME *REFER TO TRACTOR MOUNT KIT
2	21835	2	CAPSCREW,3/4" X 2-3/4",NC
3	6T2607	2	FLATWASHER,3/4",CUT
4	21677	2	NYLOCK NUT,7/16",NC
5	TB3014	1	SWIVEL PIN
6	21688	2	CAPSCREW,7/16" X 3-1/4",NC
---	TB3002B	-	SWIVEL,REV ASSY
7	TB3001C	1	BRKT,TRB MTG,W/CUTOUT
8	06520411	2	BEARING,1.50"ID X 2.50",SWING
9	-----	-	BEARING,SPHERICAL
10	24514B	1	BOOM SWIVEL BRACKET
11	06520049	1	BEARING,WASHER,SWING
12	TB3010	2	BUSHING,1"
13	6T3207	2	GREASE ZERK
14	TB1023	2	ROLL PIN
15	06420100	1	PIN,1-1/4"
16	06537021	2	ROLL PIN
17	6T3004	2	R-CLIP
18	TB1033	2	PIN,CLEVIS 1" X 3.5"
19	06501021	1	CYLINDER,3" X 10"
20	6T3001	1	INNER DRAFT BEAM PIN
21	21825	2	HEX NUT,3/4",NC
22	22021	2	FLATWASHER,3/4"
23	32810	2	ELBOW
24	TB3040	1	CLAMP,HOSE
25	21737	1	CAPSCREW,1/2" X 3",NC

BOOM MOUNT KIT - REAR STOW

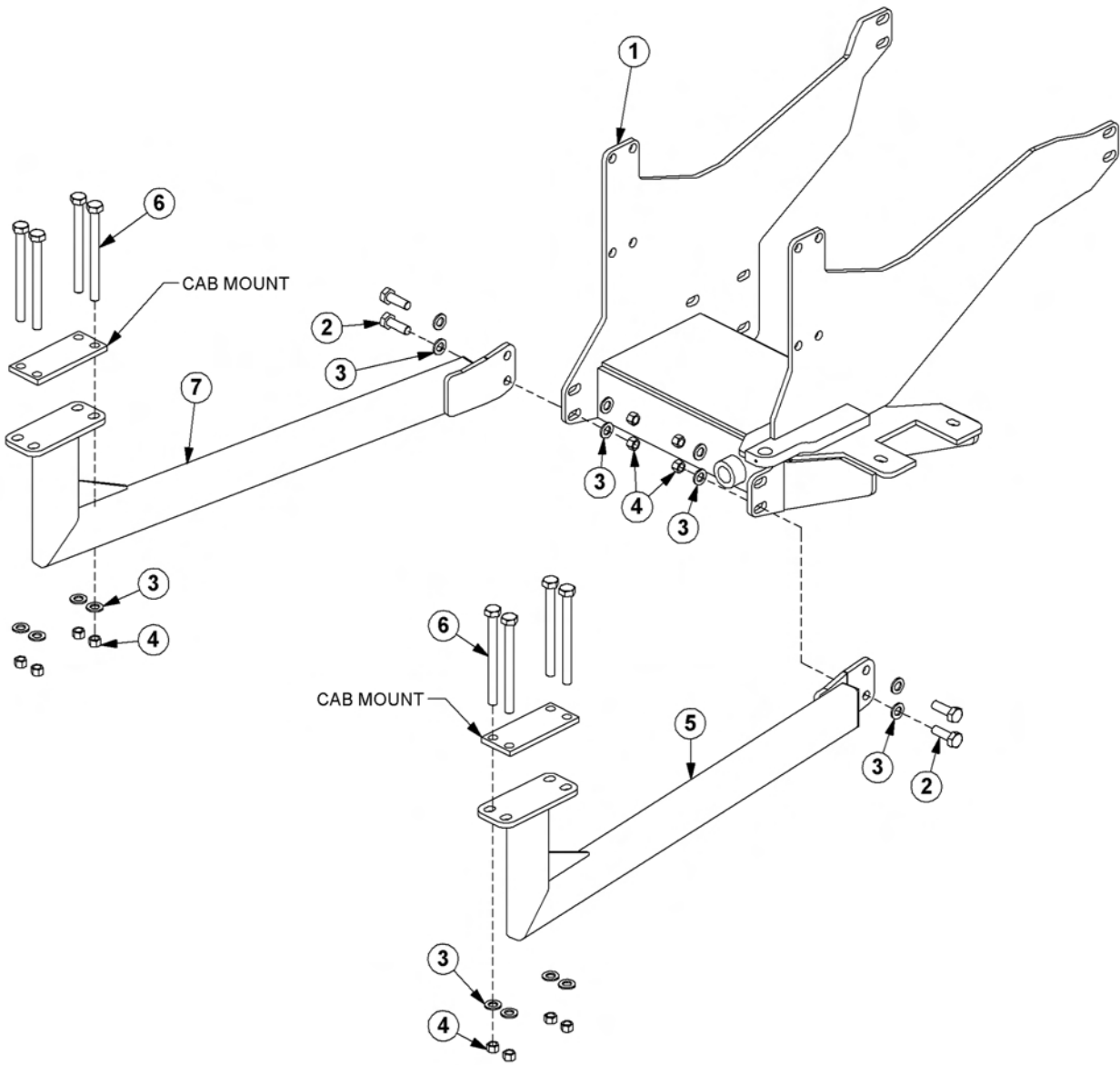


BOOM MOUNT KIT - REAR STOW

Continued...

ITEM	PART NO.	QTY.	DESCRIPTION
1	-----	-	MAIN FRAME *REFER TO TRACTOR MOUNT PAGE
---	06700040	1	MNT BRKT,BOOM,ASSY
2	06310005	1	MNT BRKT,BOOM
3	06520108	2	BEARING,1.50"ID X 1.00",COMPOSITE
---	06700017	1	SWIVEL,CPLT ASSY
4	06310003	1	SWIVEL
5	06520411	2	BEARING,1.50"ID X 2.50"
6	32810	2	ELBOW
7	-----	-	SPHERICAL BEARING *REFERENCE ONLY
8	21688	3	CAPSCREW,7/16" X 3-1/4",NC
9	6T3001	1	PIN,1-1/2" X 15-3/4"
10	21677	3	NYLOCK NUT,7/16" NC
11	22021	2	FLATWASHER,3/4"
12	21825	2	HEX NUT,3/4",NC
13	06420023	2	PIN,1.50" X 3.62",NIT
14	TB1023	6	ROLLPIN,7/32" X 2"
15	06501019	1	CYLINDER,4" X 9"
16	06520049	1	BEARING,WASHER,SWING
17	06420022	1	PIN,1.50" X 12.00",NIT
18	06420100	1	PIN,1.25" X 3.69",NIT
19	06420013	1	PIN,1.5" X 18.88",NIT
20	6T2607	2	FLATWASHER,3/4",CUT
21	21835	2	CAPSCREW,3/4" X 2-3/4",NC

AXLE BRACE ASSEMBLY

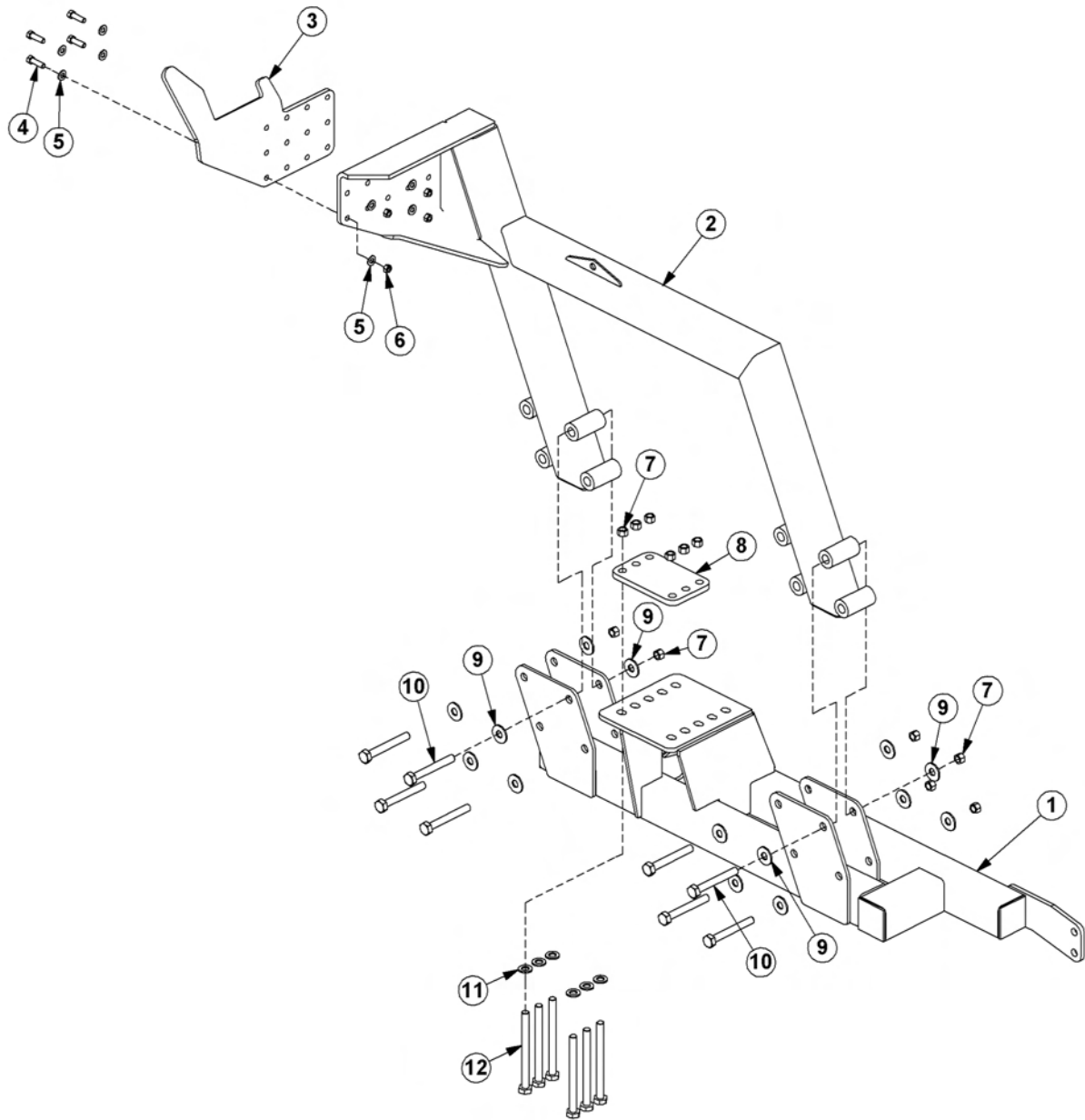


AXLE BRACE ASSEMBLY

Continued...

ITEM	PART NO.	QTY.	DESCRIPTION
1	-----	-	MAIN FRAME *REFER TO TRACTOR MOUNT KIT PAGE
2	21833	4	CAPSCREW,3/4" X 2-1/4",NC
3	33880	16	FLATWASHER,3/4"
4	21825	12	HEX NUT,3/4",NC
5	06300208	1	AXLE BRACE,RH (SIDE STOW)
---	06300206	1	AXLE BRACE,RH (REAR STOW)
----	06300205	1	AXLE BRACE,RH (SINGLE COLUMN BOOMREST)
6	21846	8	CAPSCREW,3/4" X 9",NC
7	06300209	1	AXLE BRACE,LH (SIDE STOW)
---	06300207	1	AXLE BRACE,LH (REAR STOW)

BOOMREST ASSEMBLY - SINGLE COLUMN

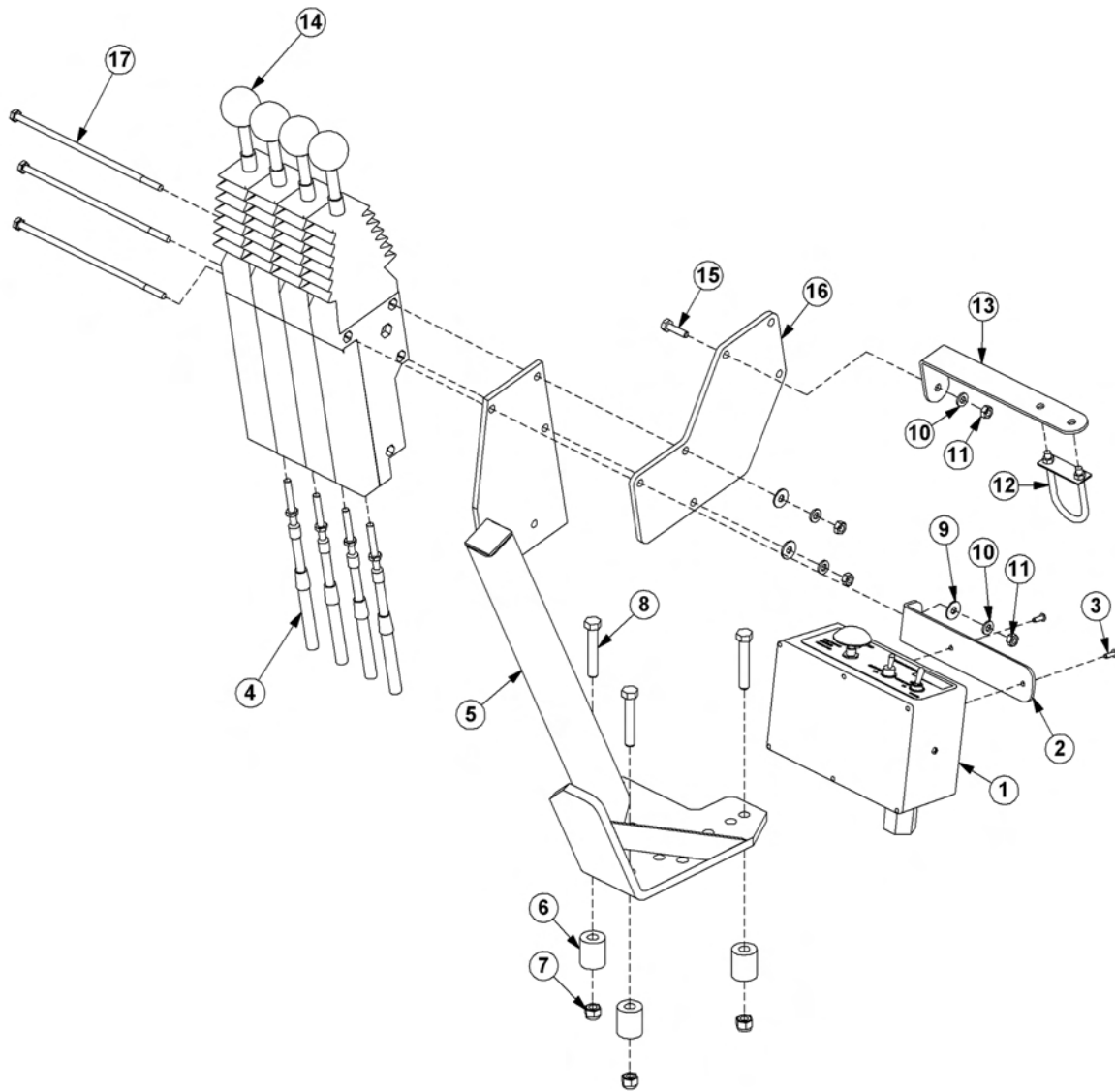


BOOMREST ASSEMBLY - SINGLE COLUMN

Continued...

ITEM	PART NO.	QTY.	DESCRIPTION
1	06300205	1	AXLE BRACE,SINGLE COLUMN
2	06310074	1	BOOMREST,SINGLE COLUMN
3	06410968	1	BOOMREST PLATE
4	21732	4	CAPSCREW,1/2" X 1-3/4",NC
5	22018	8	FLATWASHER,1/2",WIDE
6	21725	4	HEX NUT,1/2",NC
7	21875	14	HEX NUT,3/4",NC
8	06401912	1	PLATE,CLAMP,AXLE
9	22021	16	FLATWASHER,3/4"
10	21843	8	CAPSCREW,3/4" X 6",NC
11	33880	6	FLATWASHER,3/4",SAE
12	21846	6	CAPSCREW,3/4" X 9",NC

4 SPOOL CABLE CONTROL MOUNT

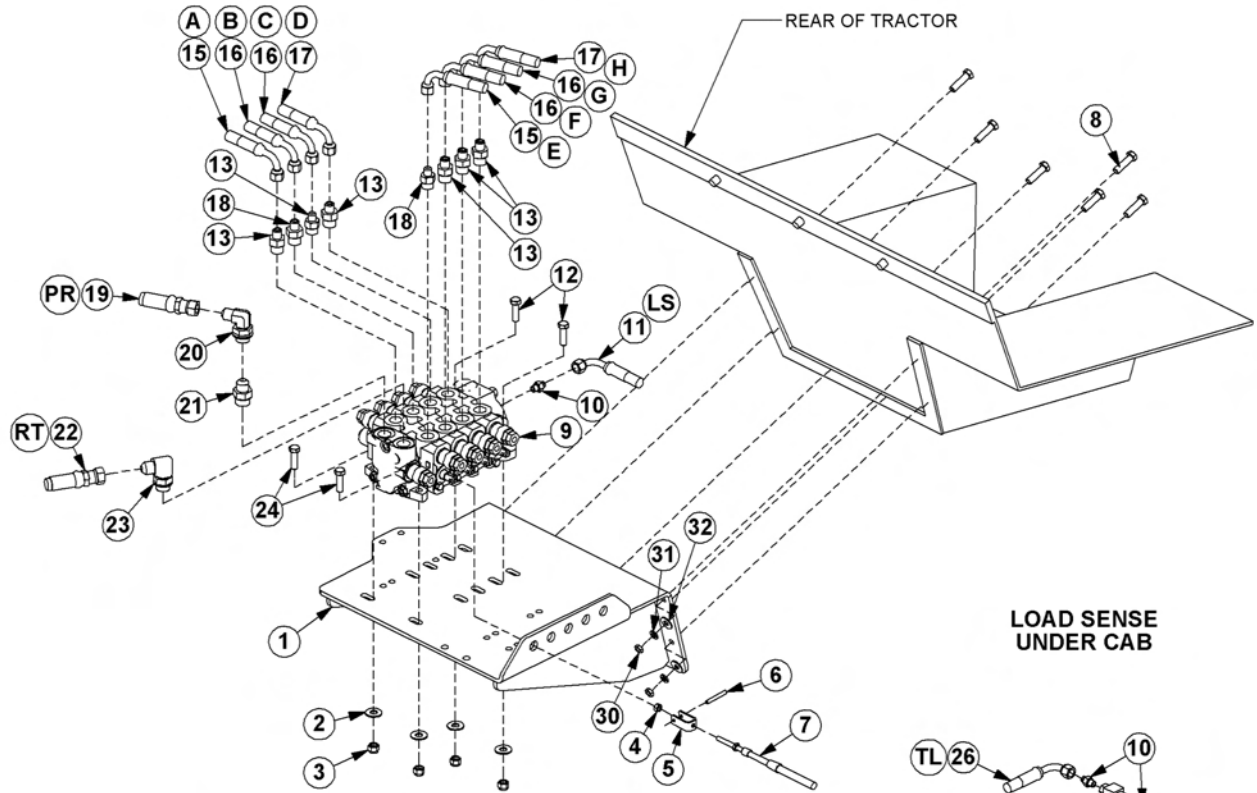


4 SPOOL CABLE CONTROL MOUNT

Continued...

ITEM	PART NO.	QTY.	DESCRIPTION
1	06510100	1	SWITCH BOX
2	34496	1	BRACKET,SWITCH BOX,UNIV
3	6T3951	2	SCREW,MACH,8-32 X 1/2"
4	06505100	4	CBL CNTRL,108"
5	23865B	1	STAND,CBL CNTRL
6	27082B	3	SPACER
7	21627	3	NYLOCK NUT,3/8",NC
8	21636	3	CAPSCREW,3/8" X 2-1/2",NC
9	22014	3	FLATWASHER,1/4"
10	21986	4	LOCKWASHER,1/4"
11	21525	4	HEX NUT,1/4",NC
12	06537039	1	U-BOLT,ASSY
13	06411376	1	BRACKET,CBL CNTRL
14	6T1251	4	CBL CNTRL BOX,180 DEG
15	21530	1	CAPSCREW,1/4" X 1",NC
16	06400179	1	MNT,ADAPTER,CBL CNTRL
17	21547	3	CAPSCREW,1/4" X 8",NC

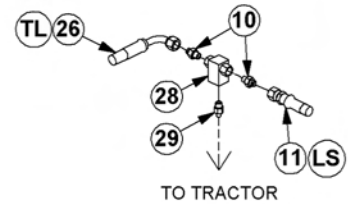
CABLE (MANUAL) LIFT VALVE - 4 SPOOL SIDE STOW



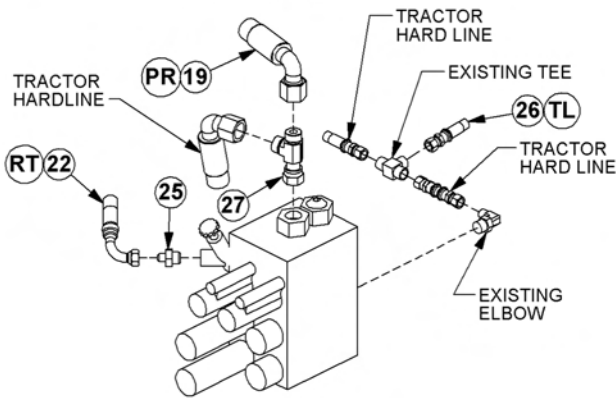
HOSE ROUTING

- A - TO MAIN BOOM CYLINDER BUTT
- B - TO SECONDARY CYLINDER GLAND
- C - TO DECK ROLL CYLINDER GLAND
- D - TO SWIVEL CYLINDER BUTT
- E - TO MAIN BOOM CYLINDER GLAND
- F - TO SECONDARY CYLINDER BUTT
- G - TO DECK ROLL CYLINDER BUTT
- H - TO SWIVEL CYLINDER GLAND
- RT - RETURN TO TRACTOR
- PR - PRESSURE FROM TRACTOR
- LS - LIFT VALVE LOAD SENSE
- TL - TRACTOR LOAD SENSE

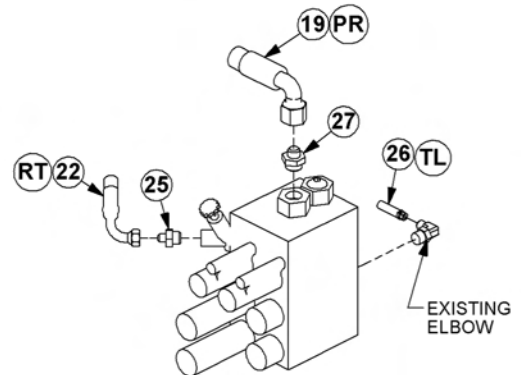
LOAD SENSE UNDER CAB



FOUR REMOTE STACKS BELOW VALVE PLATE



TWO REMOTE STACKS BELOW VALVE PLATE

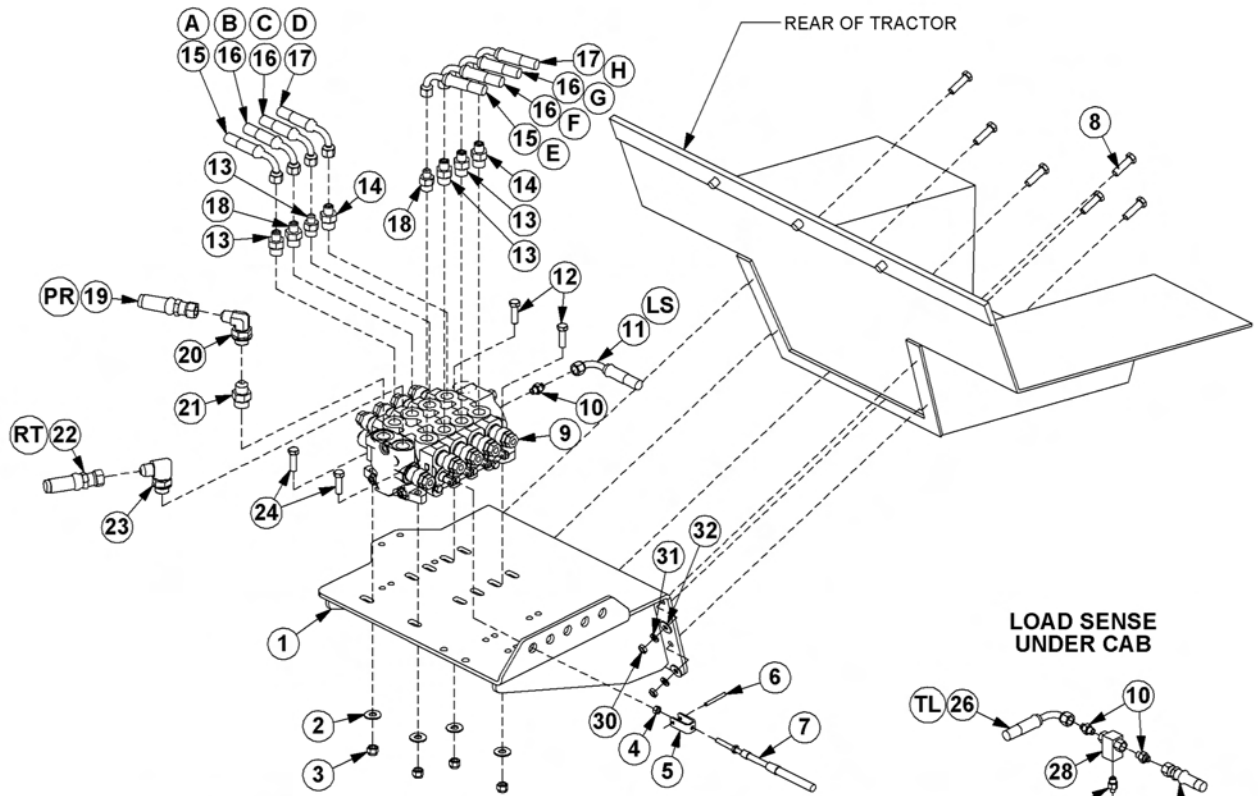


CABLE (MANUAL) LIFT VALVE - 4 SPOOL SIDE STOW

Continued...

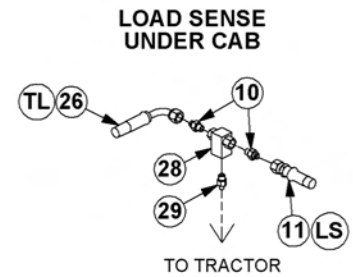
ITEM	PART NO.	QTY.	DESCRIPTION
1	06340039	1	MOUNT,VALVE
2	22016	4	FLATWASHER,3/8"
3	21627	8	NYLOCK NUT,3/8",NC
4	21500	4	HEX NUT,1/4",NF
5	6T4411	4	CLEVIS,CBL CNTRL
6	6T3017	4	ROLL PIN,CBL CNTRL
7	06505100	4	CBL CNTRL,108"
8	6T2492	6	CAPSCREW,8MM X 35MM,1.25P
9	06502039	1	VALVE,4 SPOOL,LS (ROTARY MOWERS)
---	06502045	1	VALVE,4 SPOOL,LS (FLAIL MOWERS)
10	32901	3	ADAPTER,3/8"MOR X 3/8"MJ
11	06500450	1	HOSE,1/4" X 42"
12	21632	2	CAPSCREW,3/8" X 1-1/2",NC
13	33271	6	ADAPTER,1/2"MOR X 3/8"MJ
15	06500149	2	HOSE,1/4" X 220"
16	06500172	4	HOSE,1/4" X 200"
17	06500139	2	HOSE,1/4" X 122"
18	06502036	2	VALVE,CHECK,.06"ORF
19	06500339	1	HOSE,1/2" X 35" (TWO REMOTE STACKS)
---	34355	1	HOSE,1/2" X 34" (FOUR REMOTE STACKS)
20	06503022	1	ELBOW,1/2"MJ X 1/2"FJX
21	06503011	1	ADAPTER,5/8"MOR X 1/2"MJ
22	33410	1	HOSE,1/2" X 48"
23	33383	1	ELBOW,5/8"MOR X 1/2"MJ
24	21633	2	CAPSCREW,3/8" X 1-3/4",NC
25	06503059	1	ADAPTER,5/8"MJ X 3/4"BSPP
26	06500594	1	HOSE,1/4" X 28" (TWO REMOTE STACKS)
---	06500648	1	HOSE,1/4" X 30" (FOUR REMOTE STACKS)
27	06503167	1	ADAPTER,BANJO (TWO REMOTE STACKS)
---	32872	1	TEE,RUN,5/8"FF X 5/8"MF X 5/8"MF (FOUR REMOTE STACKS)
28	3338806	1	TEE,SHUTTLE,3/8"FOR
29	06503166	1	ADAPTER,3/8"MOR X 1/4"FJX
30	22151	6	HEX NUT,8MM,1.25P
31	6T2619	6	LOCKWASHER,8MM
32	22015	6	FLATWASHER,5/16"

CABLE (MANUAL) LIFT VALVE - 4 SPOOL REAR STOW

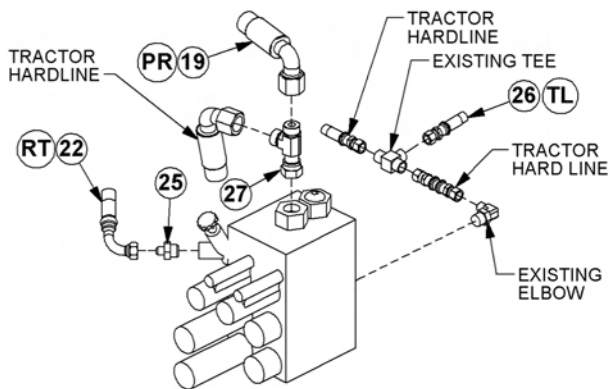


HOSE ROUTING

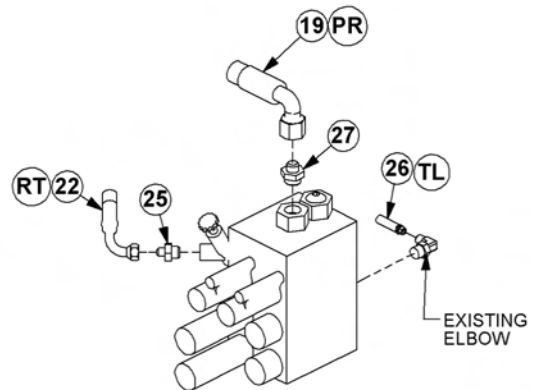
- A - TO MAIN BOOM CYLINDER BUTT
- B - TO SECONDARY CYLINDER GLAND
- C - TO DECK ROLL CYLINDER GLAND
- D - TO SWIVEL CYLINDER GLAND
- E - TO MAIN BOOM CYLINDER GLAND
- F - TO SECONDARY CYLINDER BUTT
- G - TO DECK ROLL CYLINDER BUTT
- H - TO SWIVEL CYLINDER BUTT
- RT - RETURN TO TRACTOR
- PR - PRESSURE FROM TRACTOR
- LS - LIFT VALVE LOAD SENSE
- TL - TRACTOR LOAD SENSE



FOUR REMOTE STACKS BELOW VALVE PLATE



TWO REMOTE STACKS BELOW VALVE PLATE

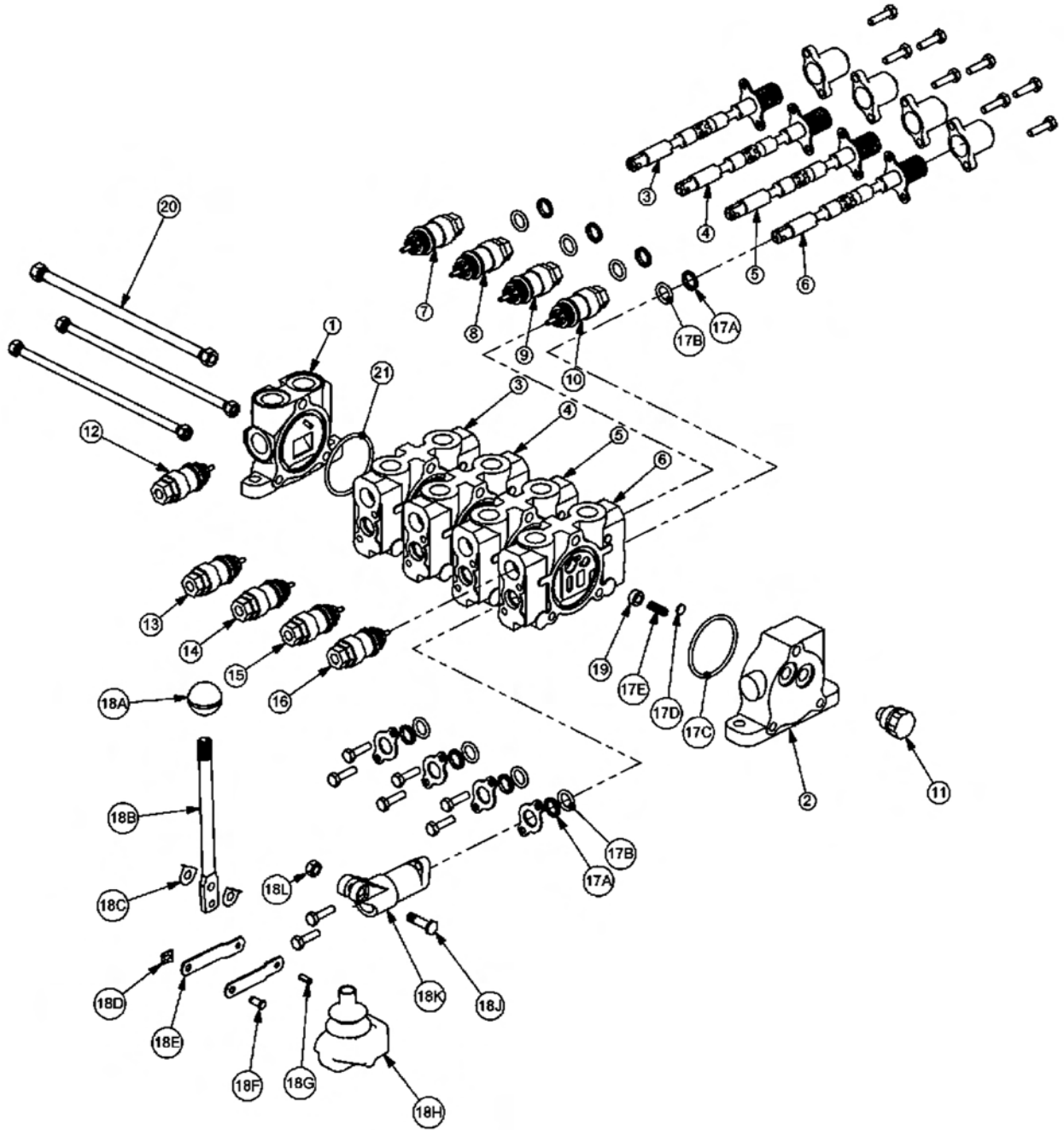


CABLE (MANUAL) LIFT VALVE - 4 SPOOL REAR STOW

Continued...

ITEM	PART NO.	QTY.	DESCRIPTION
1	06340039	1	MOUNT,VALVE
2	22016	4	FLATWASHER,3/8"
3	21627	8	NYLOCK NUT,3/8",NC
4	21500	4	HEX NUT,1/4",NF
5	6T4411	4	CLEVIS,CBL CNTRL
6	6T3017	4	ROLL PIN,CBL CNTRL
7	06505100	4	CBL CNTRL,108"
8	6T2492	6	CAPSCREW,8MM X 35MM,1.25P
9	06502093	1	VALVE,4 SPOOL,LS (ROTARY MOWERS)
---	06502057	1	VALVE,4 SPOOL,LS (FLAIL MOWERS)
10	32901	3	ADAPTER,3/8"MOR X 3/8"MJ
11	06500450	1	HOSE,1/4" X 42"
12	21632	2	CAPSCREW,3/8" X 1-1/2",NC
13	33271	4	ADAPTER,1/2"MOR X 3/8"MJ
14	34396	2	ADAPTER,.06"RSTRCTR
15	06500149	2	HOSE,1/4" X 220"
16	06500172	4	HOSE,1/4" X 200"
17	06500139	2	HOSE,1/4" X 122"
18	06502036	2	VALVE,CHECK,.06"ORF
19	06500339	1	HOSE,1/2" X 35" (TWO REMOTE STACKS)
---	34355	1	HOSE,1/2" X 34" (FOUR REMOTE STACKS)
20	06503022	1	ELBOW,1/2"MJ X 1/2"FJX
21	06503011	1	ADAPTER,5/8"MOR X 1/2"MJ
22	33410	1	HOSE,1/2" X 48"
23	33383	1	ELBOW,5/8"MOR X 1/2"MJ
24	21633	2	CAPSCREW,3/8" X 1-3/4",NC
25	06503059	1	ADAPTER,5/8"MJ X 3/4"BSPP
26	06500594	1	HOSE,1/4" X 28" (TWO REMOTE STACKS)
---	06500648	1	HOSE,1/4" X 30" (FOUR REMOTE STACKS)
27	06503167	1	ADAPTER,BANJO (TWO REMOTE STACKS)
---	32872	1	TEE,RUN,5/8"FF X 5/8"MF X 5/8"MF (FOUR REMOTE STACKS)
28	3338806	1	TEE,SHUTTLE,3/8"FOR
29	06503166	1	ADAPTER,3/8"MOR X 1/4"FJX
30	22151	6	HEX NUT,8MM,1.25P
31	6T2619	6	LOCKWASHER,8MM
32	22015	6	FLATWASHER,5/16"

CABLE (MANUAL) LIFT VALVE BREAKDOWN - 06502039

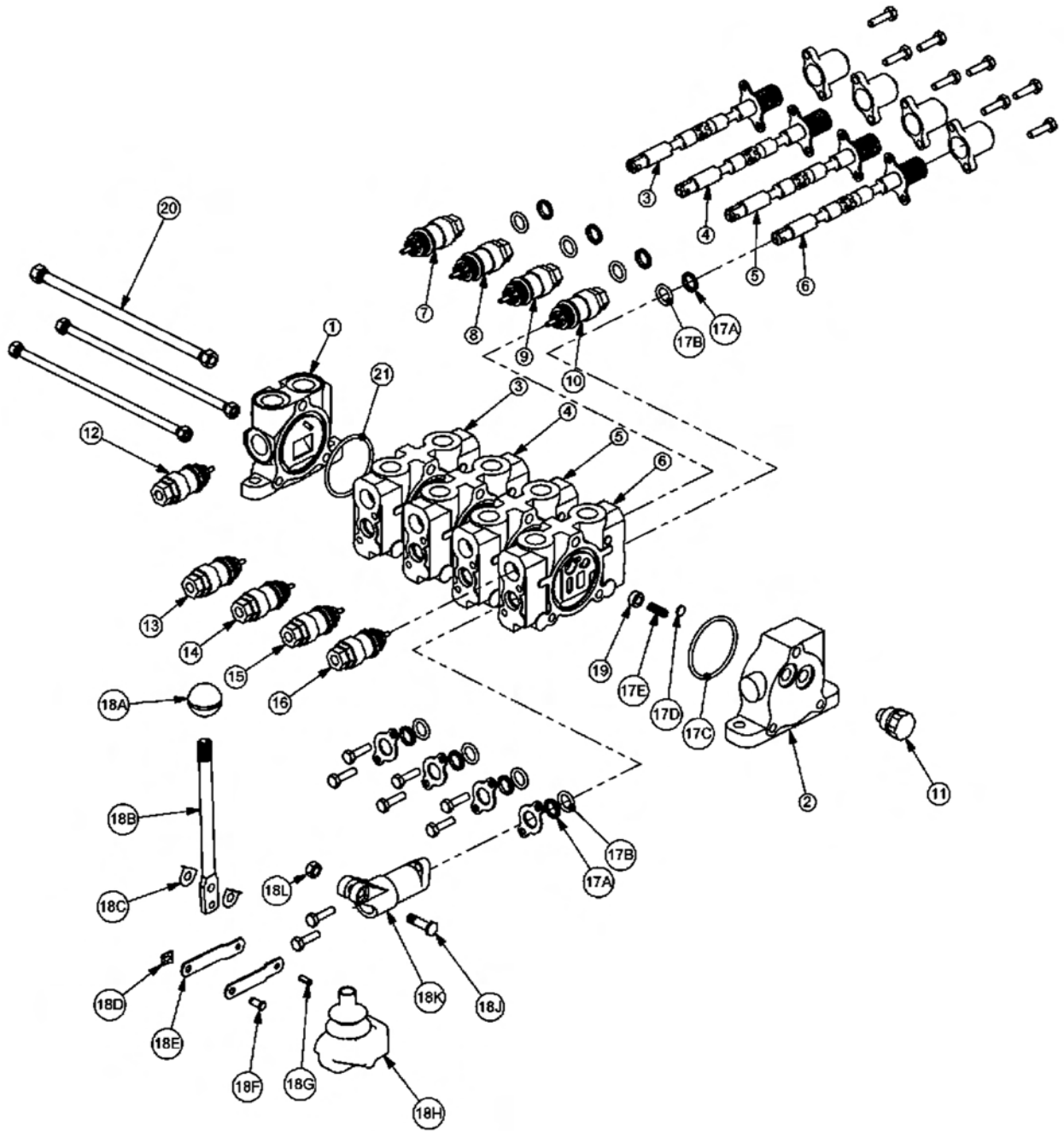


CABLE (MANUAL) LIFT VALVE BREAKDOWN - 06502039

Continued...

ITEM	PART NO.	QTY.	DESCRIPTION
1	31595	1	INLET END COVER
2	31594	1	END COVER, LOAD SENSE
3	31597	1	VALVE SECTION (DOUBLE ACTING, CENTER SPRING)
4	31597	1	VALVE SECTION (DOUBLE ACTING, CENTER SPRING)
5	31597	1	VALVE SECTION (DOUBLE ACTING, CENTER SPRING)
6	31598	1	VALVE SECTION (DOUBLE ACTING, CENTER SPRING,METERED) (REMOVE SHUTTLE DISC)
7	6503067	1	#10 O-RING PLUG
8	TB1017K	1	RELIEF VALVE, 2150 PSI
9	TB1017J	1	RELIEF VALVE, 1800 PSI
10	TB1017H	1	RELIEF VALVE, 1750 PSI
11	6503068	1	#6 O-RING PLUG
12	6T4209	1	#10 O-RING PLUG
13	6502003	1	RELIEF VALVE, 2500 PSI
14	TB1017F	1	RELIEF VALVE, 1500 PSI
15	TB1017F	1	RELIEF VALVE, 1500 PSI
16	TB1017H	1	RELIEF VALVE, 1750 PSI
17	31593	4	VALVE SEAL KIT (FOR ONE SECTION)
17A	-----	2	WIPER
17B	-----	2	O-RING SMALL
17C	-----	1	O-RING LARGE
17D	-----	1	SHUTTLE DISC
17E	-----	1	SPRING
18	TB1017L	4	LEVER KIT (FOR ONE SECTION)
18A	-----	1	LEVER KNOB
18B	-----	1	LEVER
18C	-----	2	LEVER WASHER
18D	-----	1	LEVER CLIP
18E	-----	2	LINKAGE
18F	-----	1	LEVER PIN
18G	-----	1	ROLL PIN
18H	-----	1	LEVER BOOT
18J	-----	1	LEVER BOLT
18K	-----	1	LEVER DUST COVER
18L	-----	1	LEVER NUT
19	31603	4	COMPENSATOR
20	TB1017U	1	TIE ROD KIT
21	24214	1	O-RING, LARGE

CABLE (MANUAL) LIFT VALVE BREAKDOWN - 06502045

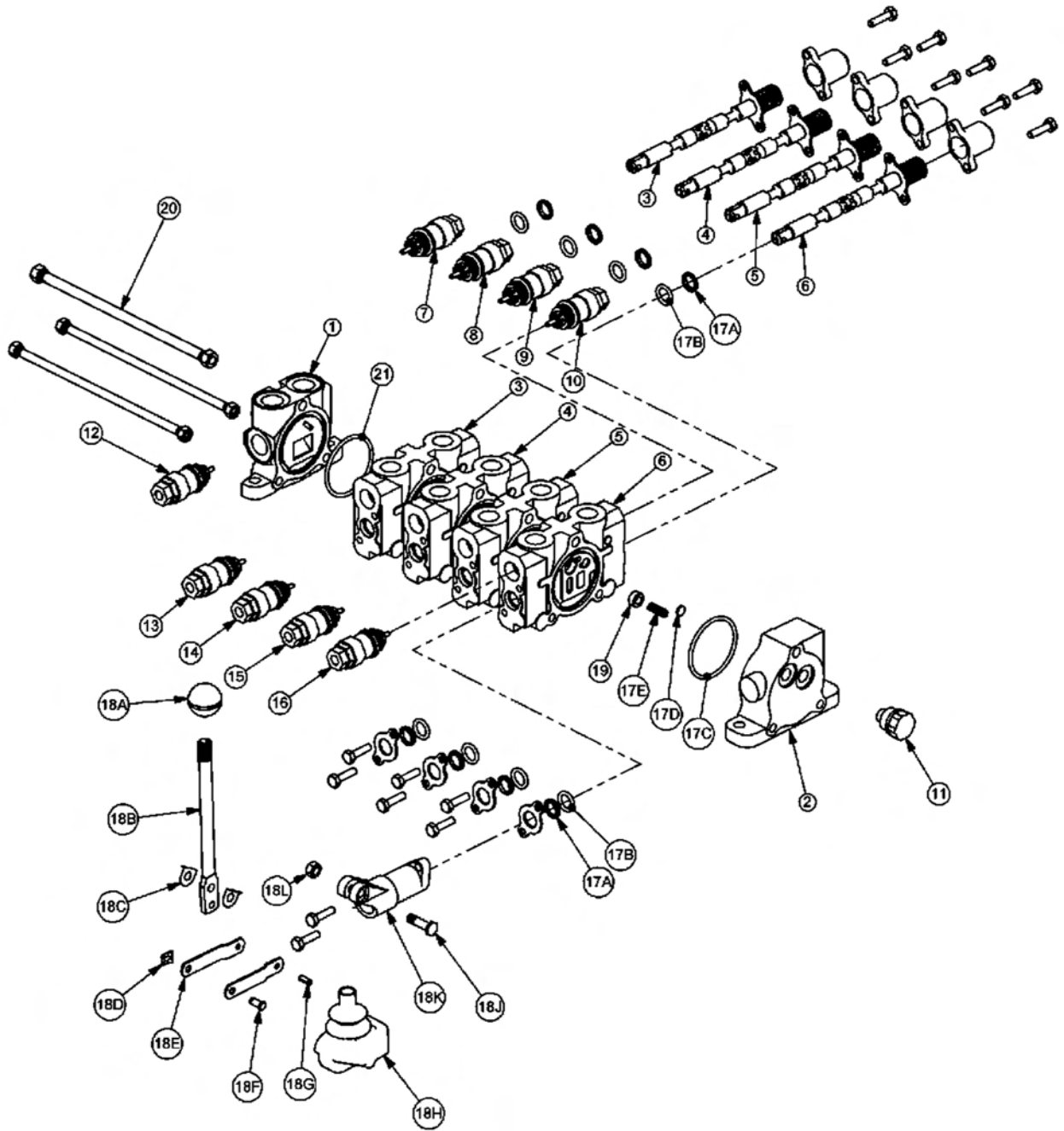


CABLE (MANUAL) LIFT VALVE BREAKDOWN - 06502045

Continued...

ITEM	PART NO.	QTY.	DESCRIPTION
1	31595	1	INLET END COVER
2	31594	1	END COVER, LOAD SENSE
3	31597	1	VALVE SECTION (DOUBLE ACTING, CENTER SPRING)
4	31597	1	VALVE SECTION (DOUBLE ACTING, CENTER SPRING)
5	31600	1	VALVE SECTION (DOUBLE ACTING, DETENT - FLOAT)
6	31598	1	VALVE SECTION (DOUBLE ACTING, CENTER SPRING,METERED) (REMOVE SHUTTLE DISC)
7	06503067	1	#10 O-RING PLUG
8	TB1017K	1	RELIEF VALVE, 2150 PSI
9	TB1017J	1	RELIEF VALVE, 1800 PSI
10	TB1017H	1	RELIEF VALVE, 1750 PSI
11	06503068	1	#6 O-RING PLUG
12	6T4209	1	#10 O-RING PLUG
13	06502003	1	RELIEF VALVE, 2500 PSI
14	TB1017F	1	RELIEF VALVE, 1500 PSI
15	TB1017F	1	RELIEF VALVE, 1500 PSI
16	TB1017H	1	RELIEF VALVE, 1750 PSI
17	31593	4	VALVE SEAL KIT (FOR ONE SECTION)
17A	-----	2	WIPER
17B	-----	2	O-RING SMALL
17C	-----	1	O-RING LARGE
17D	-----	1	SHUTTLE DISC
17E	-----	1	SPRING
18	TB1017L	4	LEVER KIT (FOR ONE SECTION)
18A	-----	1	LEVER KNOB
18B	-----	1	LEVER
18C	-----	2	LEVER WASHER
18D	-----	1	LEVER CLIP
18E	-----	2	LINKAGE
18F	-----	1	LEVER PIN
18G	-----	1	ROLL PIN
18H	-----	1	LEVER BOOT
18J	-----	1	LEVER BOLT
18K	-----	1	LEVER DUST COVER
18L	-----	1	LEVER NUT
19	31603	4	COMPENSATOR
20	TB1017U	1	TIE ROD KIT
21	24214	1	O-RING, LARGE

CABLE (MANUAL) LIFT VALVE BREAKDOWN - 06502057

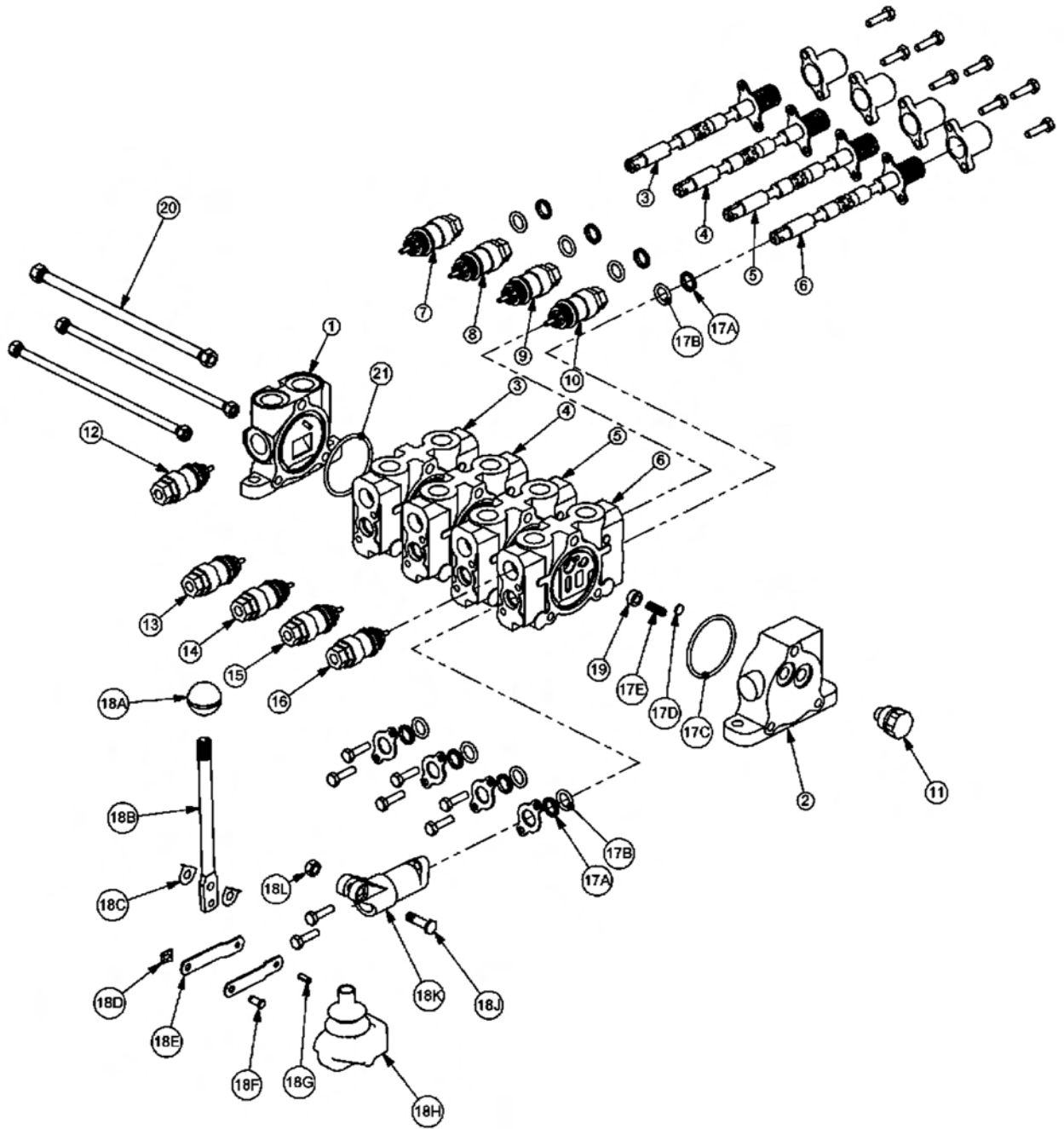


CABLE (MANUAL) LIFT VALVE BREAKDOWN - 06502057

Continued...

ITEM	PART NO.	QTY.	DESCRIPTION
1	31595	1	INLET END COVER
2	31594	1	END COVER, LOAD SENSE
3	31597	1	VALVE SECTION (DOUBLE ACTING, CENTER SPRING)
4	31597	1	VALVE SECTION (DOUBLE ACTING, CENTER SPRING)
5	31600	1	VALVE SECTION (DOUBLE ACTING, DETENT - FLOAT)
6	31598	1	VALVE SECTION (DOUBLE ACTING, CENTER SPRING, METERED) (REMOVE SHUTTLE DISC)
7	TF4212	1	RELIEF VALVE, 200 PSI
8	TB1017K	1	RELIEF VALVE, 2150 PSI
9	TB1017J	1	RELIEF VALVE, 1800 PSI
10	06502089	1	RELIEF VALVE, 2400 PSI
11	06503068	1	#6 O-RING PLUG
12	6T4209	1	#10 O-RING PLUG
13	06502085	1	RELIEF VALVE, 3000 PSI
14	TB1017F	1	RELIEF VALVE, 1500 PSI
15	TB1017F	1	RELIEF VALVE, 1500 PSI
16	6T3908	1	RELIEF VALVE, 2100 PSI
17	31593	4	VALVE SEAL KIT (FOR ONE SECTION)
17A	-----	2	WIPER
17B	-----	2	O-RING SMALL
17C	-----	1	O-RING LARGE
17D	-----	1	SHUTTLE DISC
17E	-----	1	SPRING
18	TB1017L	4	LEVER KIT (FOR ONE SECTION)
18A	-----	1	LEVER KNOB
18B	-----	1	LEVER
18C	-----	2	LEVER WASHER
18D	-----	1	LEVER CLIP
18E	-----	2	LINKAGE
18F	-----	1	LEVER PIN
18G	-----	1	ROLL PIN
18H	-----	1	LEVER BOOT
18J	-----	1	LEVER BOLT
18K	-----	1	LEVER DUST COVER
18L	-----	1	LEVER NUT
19	31603	4	COMPENSATOR
20	TB1017U	1	TIE ROD KIT
21	24214	1	O-RING, LARGE

CABLE (MANUAL) LIFT VALVE BREAKDOWN - 06502093

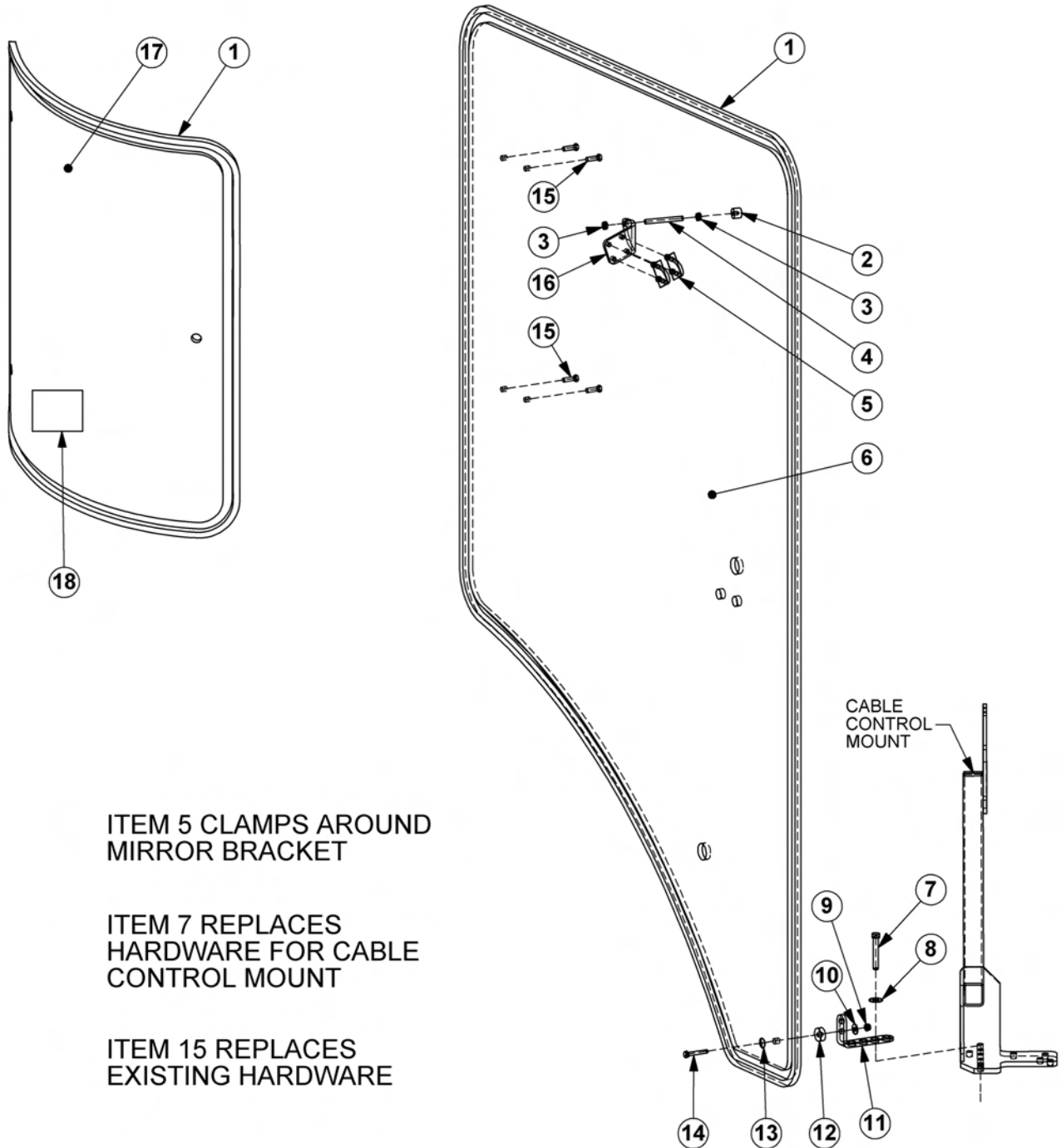


CABLE (MANUAL) LIFT VALVE BREAKDOWN - 06502093

Continued...

ITEM	PART NO.	QTY.	DESCRIPTION
1	31595	1	INLET END COVER
2	31594	1	END COVER, LOAD SENSE
3	31597	1	VALVE SECTION (DOUBLE ACTING, CENTER SPRING)
4	31597	1	VALVE SECTION (DOUBLE ACTING, CENTER SPRING)
5	31597	1	VALVE SECTION (DOUBLE ACTING, CENTER SPRING)
6	31598	1	VALVE SECTION (DOUBLE ACTING, CENTER SPRING,METERED) (REMOVE SHUTTLE DISC)
7	TF4212	1	RELIEF VALVE, 200 PSI
8	TB1017K	1	RELIEF VALVE, 2150 PSI
9	TB1017J	1	RELIEF VALVE, 1800 PSI
10	06502089	1	RELIEF VALVE, 2400 PSI
11	06503068	1	#6 O-RING PLUG
12	6T4209	1	#10 O-RING PLUG
13	06502085	1	RELIEF VALVE, 3000 PSI
14	TB1017F	1	RELIEF VALVE, 1500 PSI
15	TB1017F	1	RELIEF VALVE, 1500 PSI
16	06502120	1	RELIEF VALVE, 2100 PSI
17	31593	4	VALVE SEAL KIT (FOR ONE SECTION)
17A	-----	2	WIPER
17B	-----	2	O-RING SMALL
17C	-----	1	O-RING LARGE
17D	-----	1	SHUTTLE DISC
17E	-----	1	SPRING
18	TB1017L	4	LEVER KIT (FOR ONE SECTION)
18A	-----	1	LEVER KNOB
18B	-----	1	LEVER
18C	-----	2	LEVER WASHER
18D	-----	1	LEVER CLIP
18E	-----	2	LINKAGE
18F	-----	1	LEVER PIN
18G	-----	1	ROLL PIN
18H	-----	1	LEVER BOOT
18J	-----	1	LEVER BOLT
18K	-----	1	LEVER DUST COVER
18L	-----	1	LEVER NUT
19	31603	4	COMPENSATOR
20	TB1017U	1	TIE ROD KIT
21	24214	1	O-RING, LARGE

POLYCARBONATE SAFETY WINDOW



ITEM 5 CLAMPS AROUND
MIRROR BRACKET

ITEM 7 REPLACES
HARDWARE FOR CABLE
CONTROL MOUNT

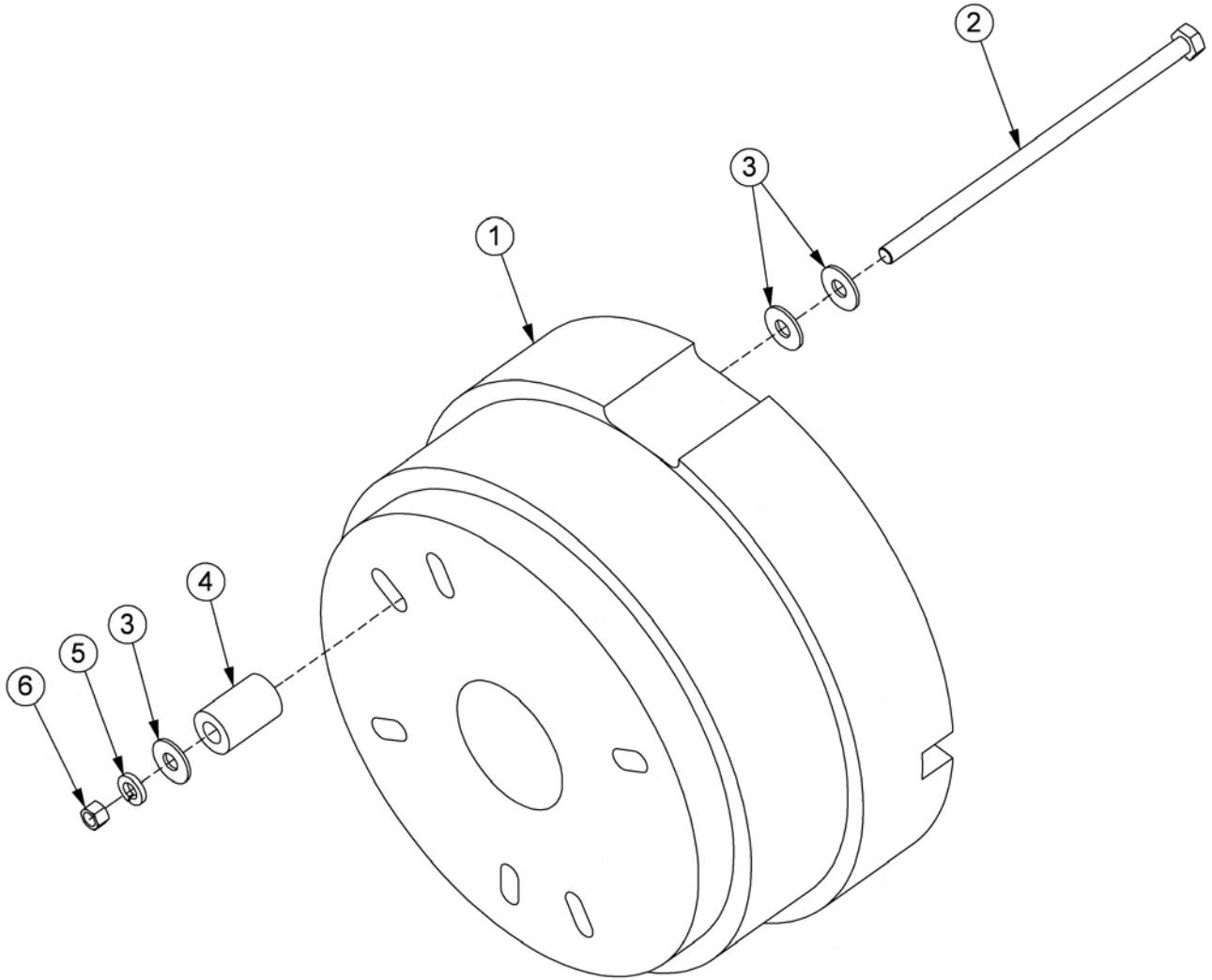
ITEM 15 REPLACES
EXISTING HARDWARE

POLYCARBONATE SAFETY WINDOW

Continued...

ITEM	PART NO.	QTY.	DESCRIPTION
1	31965	23	TRIMLOCK (IN FEET)
2	33477	1	ISOLATOR
3	21575	2	HEX NUT,5/16",NC
4	33478	1	ROD,THREADED,5/16" X 3"
5	32550	2	U-BOLT,ASSY
6	06490039	1	POLYCARBONATE,DOOR
7	21636	1	CAPSCREW,3/8" X 2-1/2",NC
8	22016	1	FLATWASHER,3/8"
9	21527	1	NYLOCK NUT,1/4",NC
10	22014	1	FLATWASHER,1/4"
11	06410672	1	BRACKET,BOTTOM
12	06537000	1	WASHER,NEOPRENE
13	06537001	1	WASHER,RUBBER
14	21533	1	CAPSCREW,1/4" X 1-3/4",NC
15	28583	4	CAPSCREW,8MM X 25MM,1.25P
16	06411375	1	BRACKET,TOP
17	06490040	1	POLYCARBONATE,REAR
18	22645	1	DECAL

WHEEL WEIGHT



ITEM	PART NO.	QTY.	DESCRIPTION
1	02970758	1	WHEEL WEIGHT,UNIVERSAL
2	31455	3	CAPSCREW,3/4" X 17",NC
3	33626	9	FLATWASHER,3/4",USS
4	TB3278	3	SPACER,3"
5	21993	3	LOCKWASHER,3/4"
6	21825	3	HEX NUT,3/4",NC

COMMON LYNX BOOM

PARTS SECTION

PART NAME INDEX

PARTS ORDERING GUIDE.....	4
BOOM HOSE ROUTING.....	5
BOOM ASSEMBLY - LYNX 18.....	6
BOOM ASSEMBLY - LYNX 22.....	8
BOOMREST ASSEMBLY - 3 PNT STOW.....	10
NOTES.....	11
50IN ROTARY MOWER ASSEMBLY.....	12
60IN ROTARY MOWER ASSEMBLY.....	14
50IN ROTARY KNIVES AND DISH.....	16
60IN ROTARY BLADE BAR AND KNIVES.....	17
ROTARY MOWER SPINDLE ASSEMBLY.....	18
BOOM ROTARY PIVOT ASSEMBLY.....	20
50IN FLAIL DRIVE ASSEMBLY.....	22
50IN FLAIL MOWER ASSEMBLY.....	24
50IN FLAIL MOWER ASSEMBLY, PASS THRU KNIVES.....	26
63IN FLAIL DRIVE ASSEMBLY.....	28
63IN FLAIL MOWER ASSEMBLY.....	30
BOOM FLAIL PIVOT ASSEMBLY.....	32
3IN X 10IN WELDED CYLINDER BREAKDOWN.....	34
3IN X 18IN WELDED CYLINDER BREAKDOWN.....	35
3-1/2IN X 20IN WELDED CYLINDER BREAKDOWN.....	36
4IN X 9IN WELDED CYLINDER BREAKDOWN.....	37
4IN X 20IN WELDED CYLINDER BREAKDOWN.....	38
RESERVOIR TANK FILTER ASSEMBLY.....	39
FRONT HYDRAULIC PUMP.....	40
50IN AND 60IN ROTARY MOTOR BREAKDOWN.....	42
50IN AND 63IN FLAIL MOTOR BREAKDOWN.....	44
COOLER OPTION.....	46
PUMP AND GRILL GUARD OPTIONS.....	48
MANUAL LIFT VALVE SWITCH BOX.....	49
MANUAL LIFT VALVE SCHEMATIC.....	50
SOLENOID SWITCH BOX AND WIRING.....	51
BRAKE VALVE ASSEMBLY.....	52
BRAKE VALVE HYDRAULIC SCHEMATIC.....	53
NOTES 1.....	54
CLEAN CUTTER HEAD.....	55
CLEAN CUTTER ASSEMBLY.....	56
CLEAN CUTTER OPERATION.....	57
CLEAN CUTTER OPERATION - CONTINUED.....	58
CLEAN CUTTER MAINTENANCE.....	59

COMMON LYNX

PART NAME INDEX

CLEAN CUTTER BLADE AND TEETH PARTS.....	60
CARBIDE TIP REPLACEMENT.....	61
NOTES 2.....	62
FIRE SUPPRESSION SYSTEM.....	63
FIRE SUPPRESSION 3-POINT MOUNT.....	64
FIRE SUPPRESSION FRONT MOUNT.....	66
FIRE SUPPRESSION SYSTEM ELECTRICAL SCHEMATIC.....	68
WETCUT.....	69
WETCUT 50 GALLON TANK - 3PNT MOUNT.....	70
WETCUT 100 OR 150 GALLON TANK - 3PNT MOUNT.....	71
WETCUT 3PNT PLUMBING - 50IN MOWERS.....	72
WETCUT 3PNT PLUMBING - LARGE MOWERS.....	74
WETCUT FRONT PLUMBING - 50IN MOWERS.....	76
WETCUT FRONT PLUMBING - LARGE MOWERS.....	78
WETCUT 50IN SPRAYER HEAD ASSEMBLY.....	80
WETCUT 60IN SPRAYER HEAD ASSEMBLY.....	82
WETCUT CABLES.....	84

PARTS ORDERING GUIDE

The following instructions are offered to help eliminate needless delay and error in processing purchase orders for the equipment in this manual.

1. The Parts Section is prepared in logical sequence and grouping of parts that belong to the basic machine featured in this manual. Part Numbers and Descriptions are given to help locate the parts and quantities required.
2. The Purchase Order must indicate the **Name and Address** of the person or organization ordering the parts, **who should be charged**, and if possible, the **serial number of the machine** for which the parts are being ordered.
3. The purchase order must clearly list the **quantity of each part**, the complete and correct **part number**, and the basic **name of the part**.
4. The manufacturer reserves the right to substitute parts where applicable.
5. Some parts may be unlisted items which are special production items not normally stocked and are subject to special handling. Request a quotation for such parts before sending a purchase order.
6. The manufacturer reserves the right to change prices without prior notice.

NOTE: When ordering replacement decals, refer to the part numbers and descriptions listed in the safety section in the front of this manual.

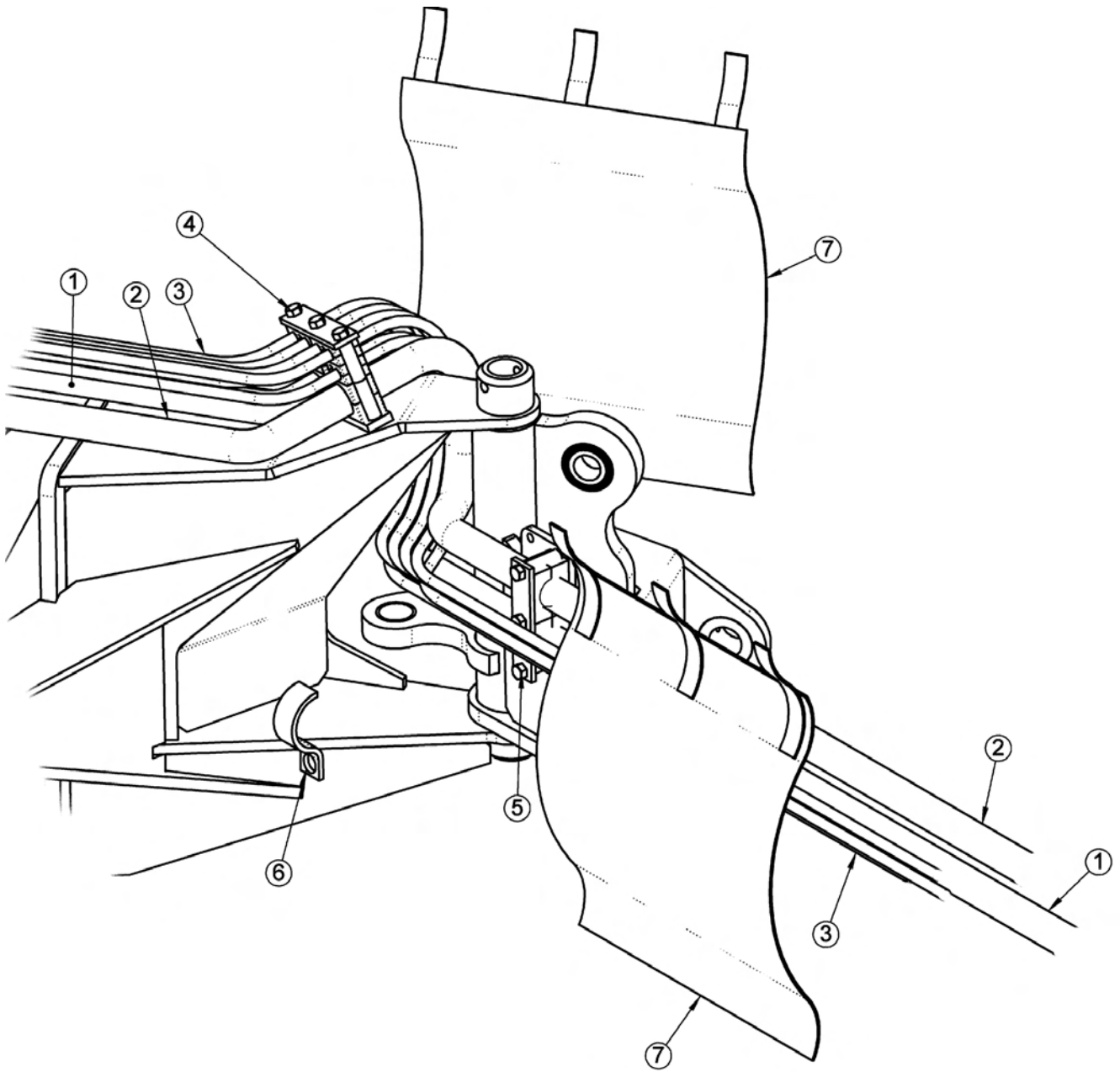


For maximum safety and to guarantee optimum product reliability, always use genuine **Tiger** replacement parts. The use of inferior replacement parts may cause premature or catastrophic failure which could result in serious injury or death.

Direct any questions regarding parts to:

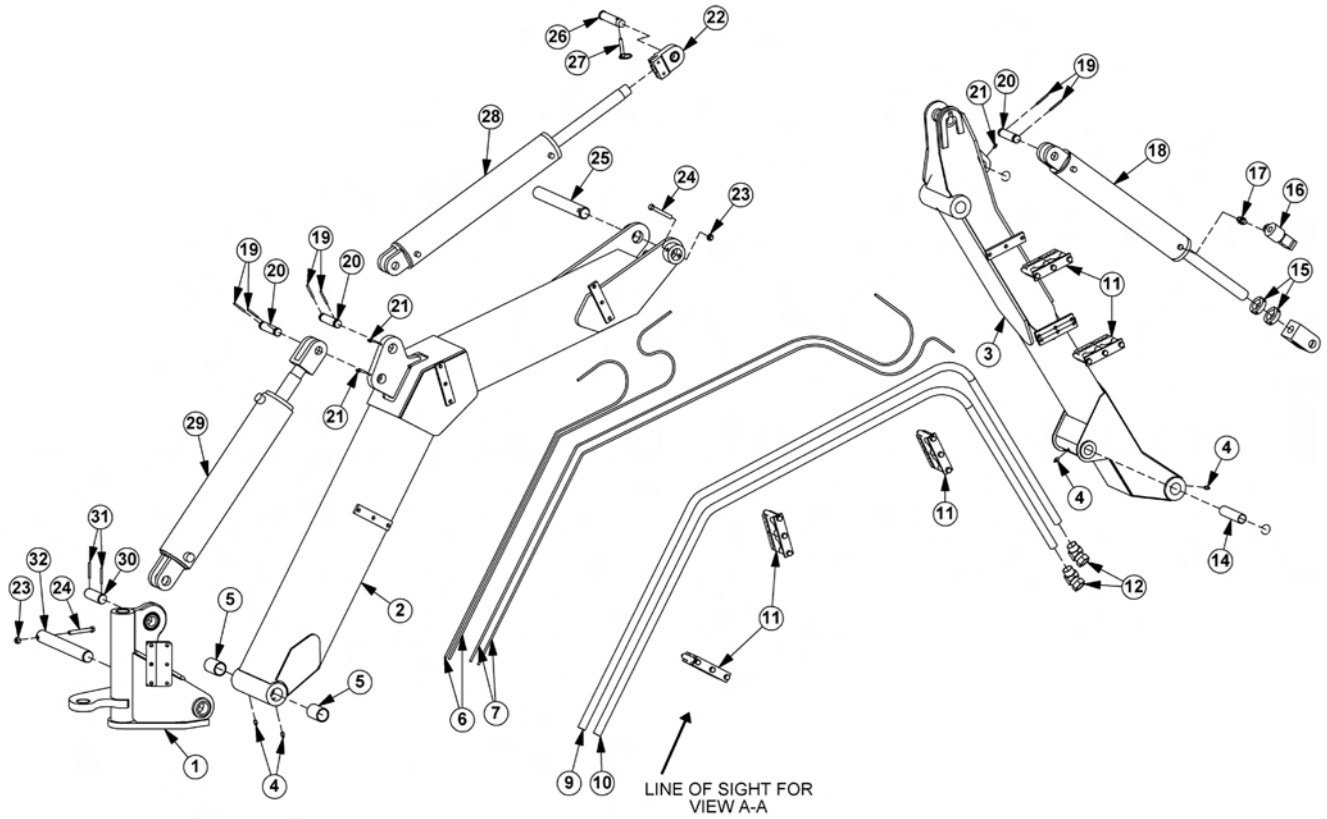
Tiger Corporation
3301 N. Louise Ave.
Sioux Falls, SD 57107
1-800-843-6849
1-605-336-7900

BOOM HOSE ROUTING



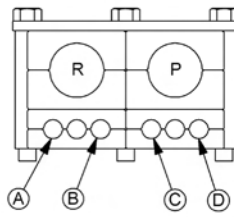
ITEM	PART NO.	QTY.	DESCRIPTION
1	-----	1	1" HOSE TO MAIN BOOM LOWER TUBE
2	-----	1	1" HOSE TO MAIN BOOM UPPER TUBE
3	-----	6	1/4" HOSE TO MAIN BOOM
4	06505085	1	CLAMP KIT
5	35131	1	CLAMP KIT
6	TB3012	1	CLAMP
7	06505021	2	HOSE COVER

BOOM ASSEMBLY - LYNX 18



NOTES:

1. RETURN AND PRESSURE HOSES ARE REVERSED FOR REVERSE ROTATION BOOM FLAILS
2. IMPORTANT: ALIGN GREASE HOLE IN BEARING (ITEMS 5 & 13) WITH GREASE ZERK IN BOOM. MAINTAIN ALIGNMENT DURING BEARING INSTALLATION
3. GREASE (ITEM 16) HINGE PIN ZERKS ON BOOM AFTER ASSEMBLY, ONCE UNDER LOAD WITH BOOM ELEVATED AND AGAIN AT REST WITH BOOM SUPPORTED.
4. ONLY ONE SET COLLAR (ITEM 15) NEEDED FOR ROTARY MOWERS



VIEW A-A

KEY

- A - SECONDARY BUTT
- B - SECONDARY GLAND
- C - DECK ROLL BUTT
- D - DECK ROLL GLAND
- R - RETURN
- P - PRESSURE

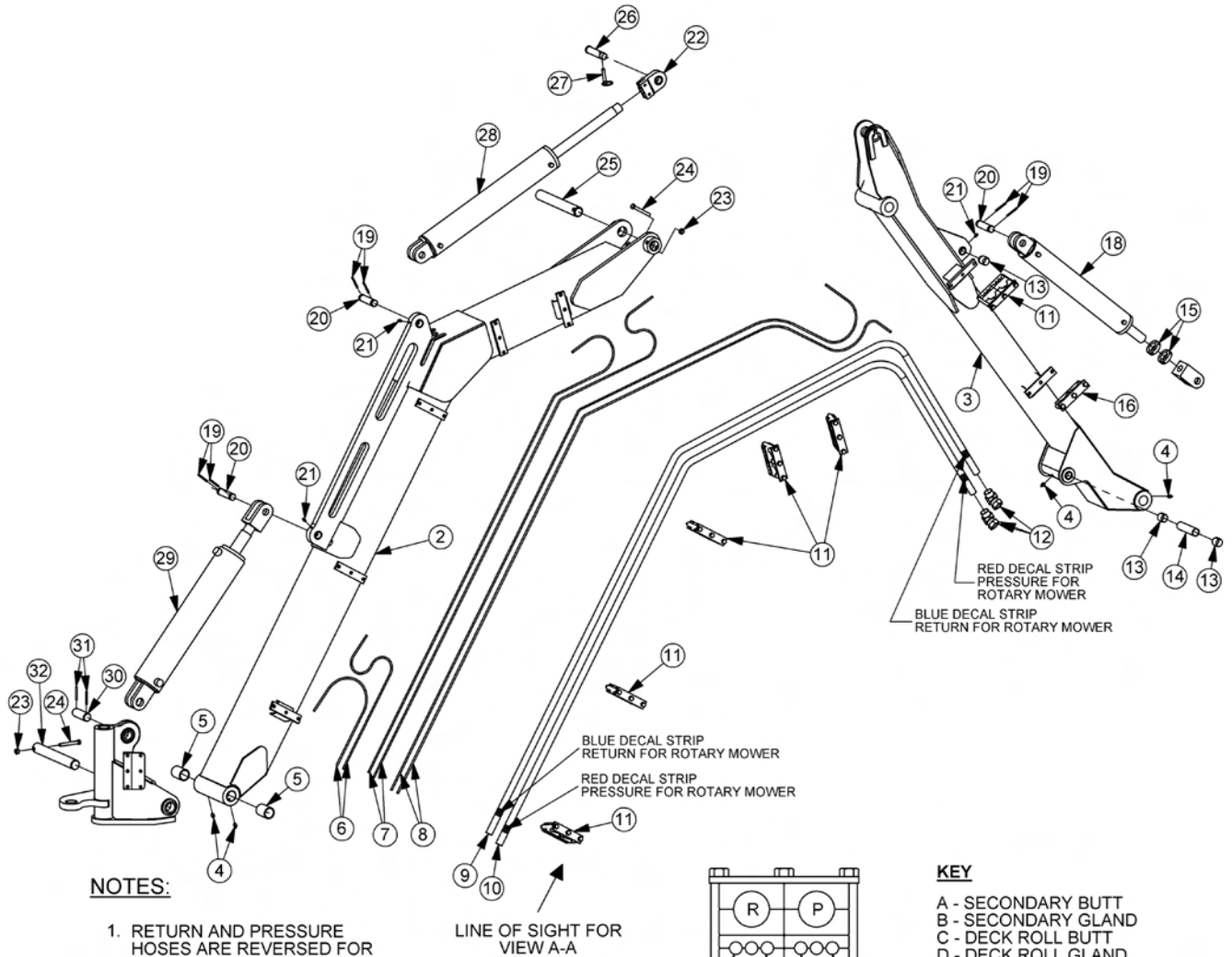
BOOM ASSEMBLY - LYNX 18

Continued...

ITEM	PART NO.	QTY.	DESCRIPTION
---	06700017	-	REAR STOW SWIVEL ASSY
1	06310003	1	REAR STOW SWIVEL
---	06700167	-	MAIN BOOM ASSY
2	06310111	1	MAIN BOOM WELDMENT
---	06700168	-	SECONDARY BOOM ASSY
3	06310112	1	SECONDARY BOOM WELDMENT
4	6T3211	4	GREASE ZERK,1/8"
5	06520075	2	BUSHING,1-1/2" X 2-1/2"
6	06500499	2	HOSE,1/4" X 50"
7	06500500	2	HOSE,1/4" X 108"
9	06500497	1	HOSE,1" X 100"
10	06500498	1	HOSE,1" X 96"
11	06505116	5	CLAMP KIT
12	24724	2	SWIVEL,1MJ X 1FJX45
13	TB3010	3	BUSHING
14	TB1035	1	BUSHING,SPACER
15	35312	2	SET COLLAR (ONLY ONE USED FOR ROTARY DECK)
16	06510050	1	ELECTRIC TRAVEL LOCK
17	31329	1	ADAPTER,1/2ORB X 1/2ORB ADJ
18	06501023	1	DECK ROLL CYLINDER,3" X 18"
19	06537021	6	ROLL PIN,5MM
20	TB1033	3	PIN,1"
21	6T3207	3	GREASE ZERK,1/4"
22	TB3033	1	CLEVIS WITH SPHERICAL BEARING
23	21677	2	NYLOCK NUT,7/16",NC
24	21688	2	CAPSCREW,7/16" X 3-1/4",NC
25	TB1025	1	PIN,1-1/2"
26	TB1036	1	PIN,1"
27	TF1143	1	PIN,LYNCH
28	06501024	1	SECONDARY CYLINDER,3-1/2" X 20"
29	06501022	1	MAIN CYLINDER,4" X 20"
30	06420100	1	PIN,1-1/4"
31	TB1023	2	ROLL PIN,7/32"
32	TB3013C	1	PIN,1-1/2"

COMMON LYNX

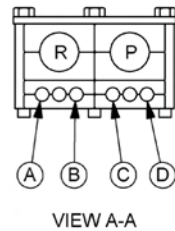
BOOM ASSEMBLY - LYNX 22



NOTES:

1. RETURN AND PRESSURE HOSES ARE REVERSED FOR STANDARD ROTATION BOOM FLAILS
2. IMPORTANT: ALIGN GREASE HOLE IN BEARING (ITEMS 5 & 13) WITH GREASE ZERK IN BOOM. MAINTAIN ALIGNMENT DURING BEARING INSTALLATION
3. GREASE (ITEM 4) HINGE PIN ZERKS ON BOOM AFTER ASSEMBLY, ONCE UNDER LOAD WITH BOOM ELEVATED AND AGAIN AT REST WITH BOOM SUPPORTED
4. ONLY ONE SET COLLAR (ITEM 15) NEEDED FOR ROTARY MOWERS
5. SWIVEL ADAPTERS (ITEM 12) ONLY USED ON FLAIL MOWERS

LINE OF SIGHT FOR VIEW A-A



KEY

- A - SECONDARY BUTT
- B - SECONDARY GLAND
- C - DECK ROLL BUTT
- D - DECK ROLL GLAND
- R - RETURN
- P - PRESSURE

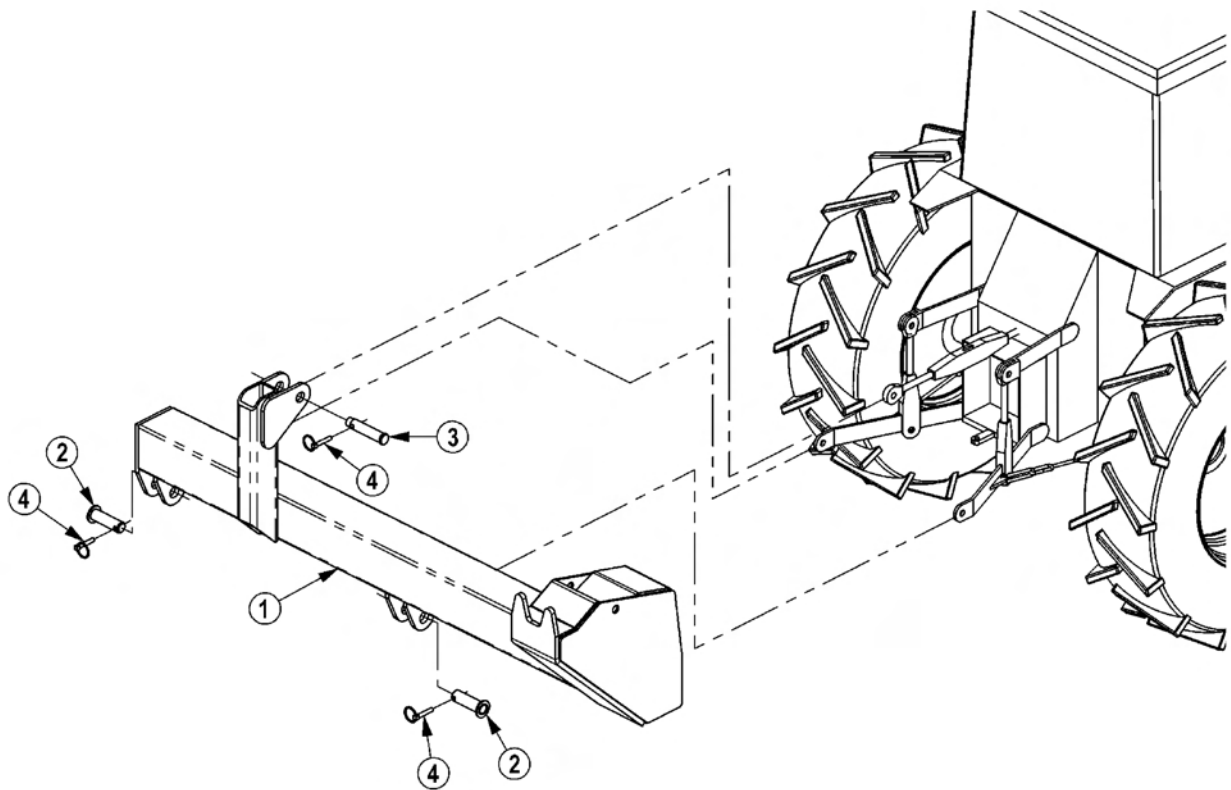
BOOM ASSEMBLY - LYNX 22

Continued...

ITEM	PART NO.	QTY.	DESCRIPTION
1	-----	1	SWIVEL ASSY *REFER TO TRACTOR MOUNT KIT
---	06700111	-	MAIN BOOM ASSY
2	06310083	1	MAIN BOOM WELDMENT
---	06700112	-	SECONDARY BOOM ASSY
3	06310084	1	SECONDARY BOOM WELDMENT
4	6T3211	4	GREASE ZERK,1/8"
5	32321	2	BUSHING,1-1/2" X 2"
6	06500499	2	HOSE,1/4" X 50"
7	06500569	2	HOSE,1/4" X 92"
8	06500568	2	HOSE,1/4" X 146"
9	06500540	1	HOSE,1" X 156"
10	06500541	1	HOSE,1" X 151"
11	06505116	6	CLAMP KIT
12	24724	2	SWIVEL,1MJ X 1FJX45 (FLAIL MOWERS ONLY)
13	TB3010	5	BUSHING
14	TB1035	1	BUSHING,SPACER
15	35312	2	SET COLLAR (ONLY ONE USED FOR ROTARY DECK)
16	35131	1	CLAMP KIT
18	06501023	1	DECK ROLL CYLINDER,3" X 18"
19	06537021	6	ROLL PIN,5MM
20	TB1033	3	PIN,1"
21	6T3207	3	GREASE ZERK,1/4"
22	TB3033	1	CLEVIS WITH SPHERICAL BEARING
23	21677	2	NYLOCK NUT,7/16",NC
24	21688	2	CAPSCREW,7/16" X 3-1/4",NC
25	TB1025	1	PIN,1-1/2"
26	TB1036	1	PIN,1"
27	TF1143	1	PIN,LYNCH
28	06501024	1	SECONDARY CYLINDER,3-1/2" X 20"
29	06501022	1	MAIN CYLINDER,4" X 20"
30	06420100	1	PIN,1-1/4"
31	TB1023	2	ROLL PIN,7/32"
32	-----	1	PIN *REFER TO TRACTOR MOUNT KIT

COMMON LYNX

BOOMREST ASSEMBLY - 3 PNT STOW

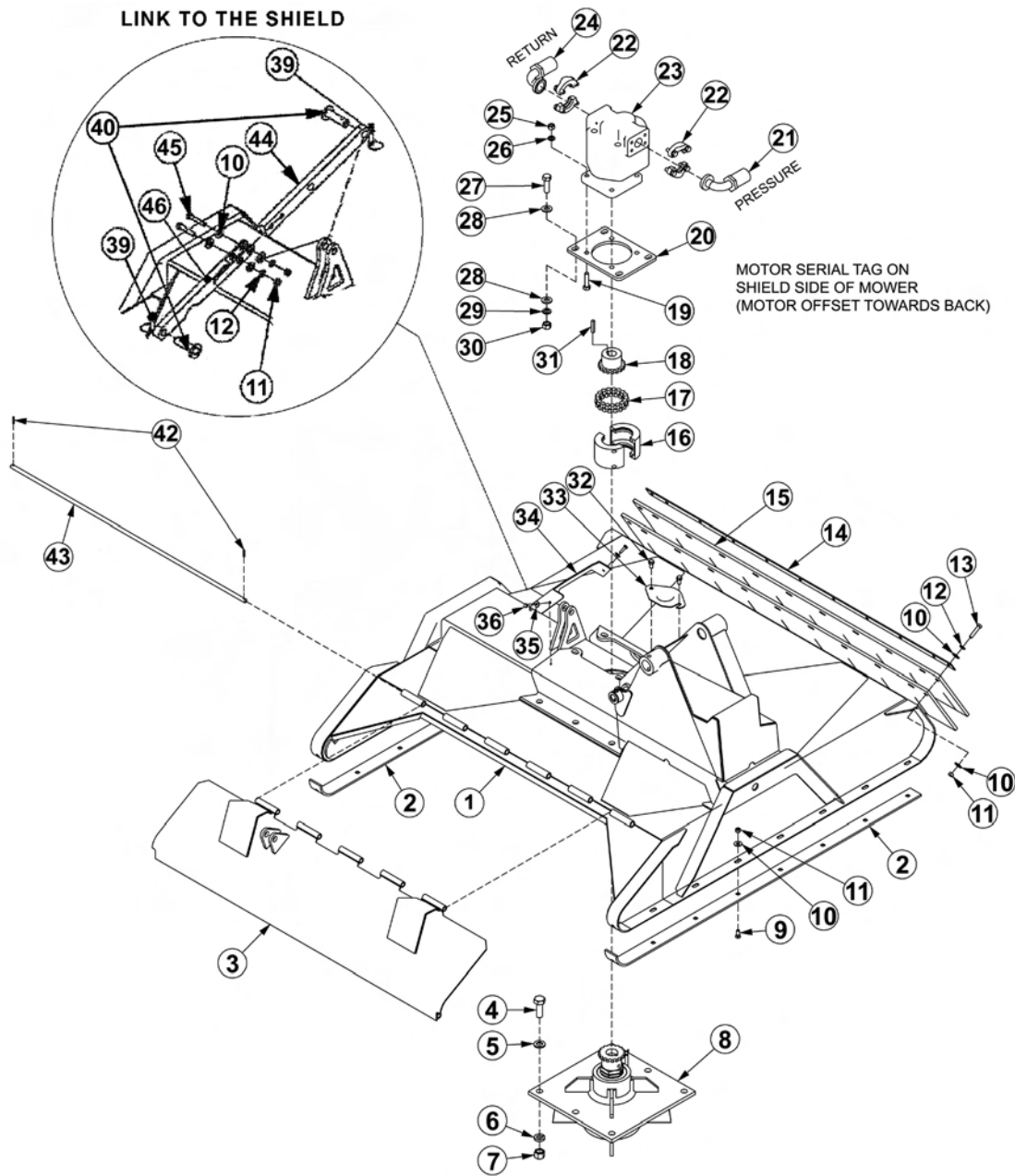


ITEM	PART NO.	QTY.	DESCRIPTION
1	06310023	1	BOOMREST,STD,3PNT
2	TF1120	2	PIN,(CAPPED),1-1/8" X 3-7/8"
3	TB1036	1	PIN,SEC BOOM SWIV,1" X 4-11/16"
4	TF1143	3	PIN,LYNCH,7/16" X 2"

NOTES

NOTES

50IN ROTARY MOWER ASSEMBLY



ITEM	PART NO.	QTY.	DESCRIPTION
1	33780	1	DECK,WLDMNT,50" RTRY
2	33777	2	SKID SHOE,50" RTRY
3	33754	1	SHIELD,50"RTRY
4	33879	6	CAPSCREW,3/4" X 2-1/4",NF,GR8
5	33880	6	FLATWASHER,3/4",GR8,SAE
6	21993	6	LOCKWASHER,3/4",GR8
7	6T2413	6	HEX NUT,3/4",NF,GR8
8	6T1024H5	1	SPINDLE ASSY,CPLT,HD,5/8" HOLES

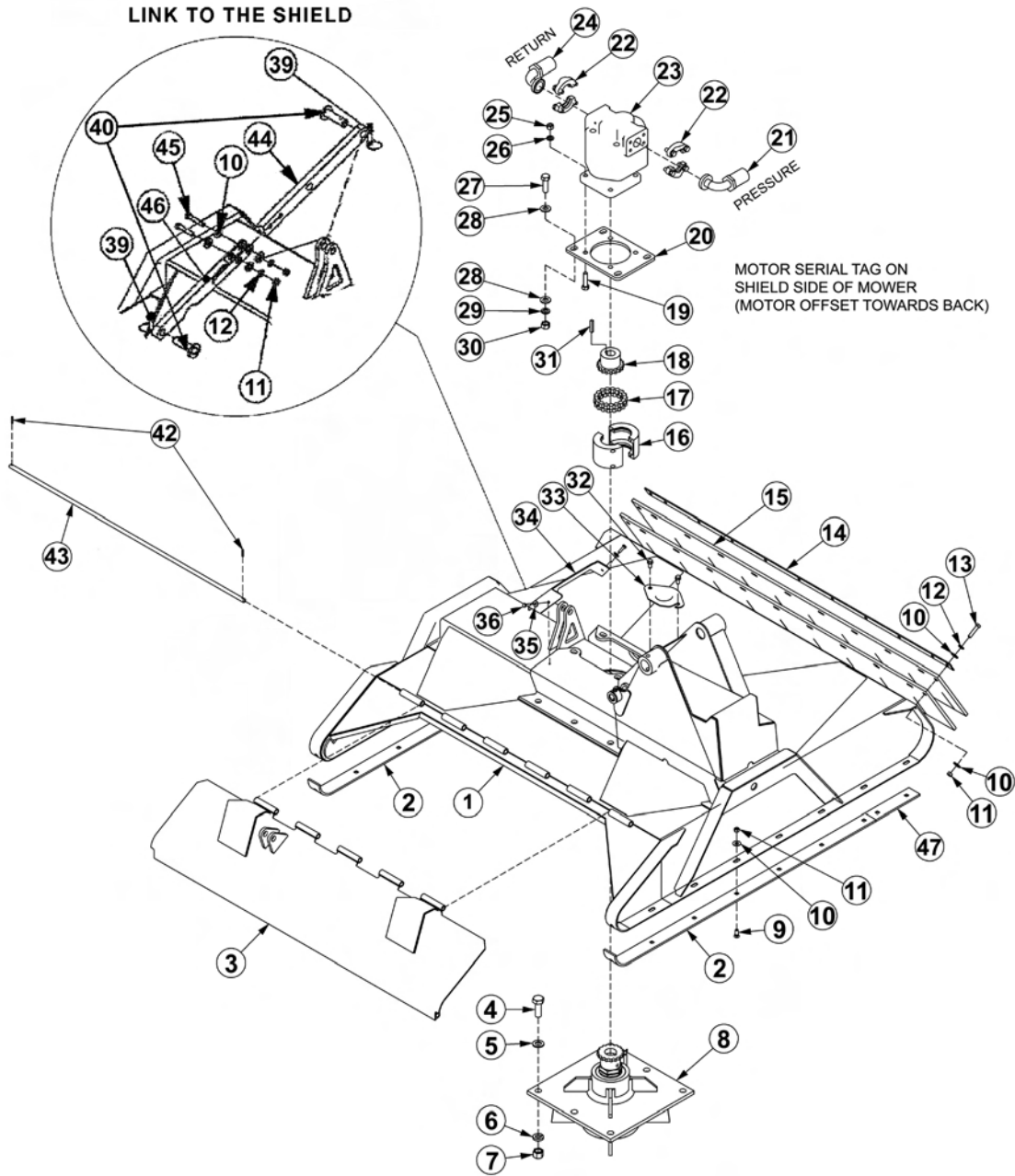
50IN ROTARY MOWER ASSEMBLY

Continued...

ITEM	PART NO.	QTY.	DESCRIPTION
9	6T2270	16	PLOW BOLT,3/8" X 1",NC
10	22016	33	FLATWASHER,3/8"
11	21625	20	HEX NUT,3/8",NC
12	21988	11	LOCKWASHER,3/8"
13	21633	11	CAPSCREW,3/8 X 1-3/4,NC
14	33774	1	FLAP RETAINER,50" RTRY
15	33775	2	FLAP,50" RTRY
16	6T1033	1	COUPLER COVER WITH HARDWARE AND SEALS
17	6T1029	1	COUPLER CHAIN
18	21223	1	SPROCKET
19	21733	4	CAPSCREW,1/2 X 2,NC
20	33776	1	MOTOR MOUNT,PLATE,50" RTRY
21	24490	1	HOSE - PRESSURE (RED DECAL STRIP)
22	TF4852	2	FLANGE KIT - #20
23	06504012	1	MOTOR (M365-1 3/4" GEAR)
24	24489	1	HOSE - RETURN (BLUE DECAL STRIP)
25	21725	4	HEX NUT,1/2",NC
26	06533004	4	FLATWASHER,1/2"
27	6T2290	4	CAPSCREW,5/8 X 2,NF,GR8
28	33764	8	FLATWASHER,5/8",GR8,SAE
29	21992	4	LOCKWASHER,5/8"
30	6T2408	4	HEX NUT,5/8",NF
31	TF1124	1	SQUARE KEY
32	33881	2	CAPSCREW,FLG,3/8" X 3/4",NC
33	33779	1	PLATE,COVER,KNF HOLE
34	06410439	1	COVER
35	22014	2	FLATWASHER,1/4"
36	21530	2	CAPSCREW,1/4" X 1",NC
39	RD1032	2	LYNCH PIN
40	33984	2	PIN,SHIELD,50"
42	6T3017	2	ROLLPIN
43	33778	1	HINGE PIN,50" RTRY
44	33772	1	LINK, SHIELD 50" RTRY
45	21634	2	CAPSCREW,3/8" X 2,NC
46	33773	1	LINK 2, SHIELD 50" RTRY

COMMON LYNX

60IN ROTARY MOWER ASSEMBLY



ITEM	PART NO.	QTY.	DESCRIPTION
1	06320159	1	DECK,WLDMNT,60" RTRY
2	33777	2	SKID SHOE,RTRY
3	06320162	1	SHIELD,60"RTRY
4	33879	6	CAPSCREW,3/4" X 2-1/4",NF,GR8
5	33880	6	FLATWASHER,3/4",GR8,SAE
6	21993	6	LOCKWASHER,3/4",GR8
7	6T2413	6	HEX NUT,3/4",NF,GR8
8	6T1024H5	1	SPINDLE ASSY,CPLT,HD,5/8" HOLES

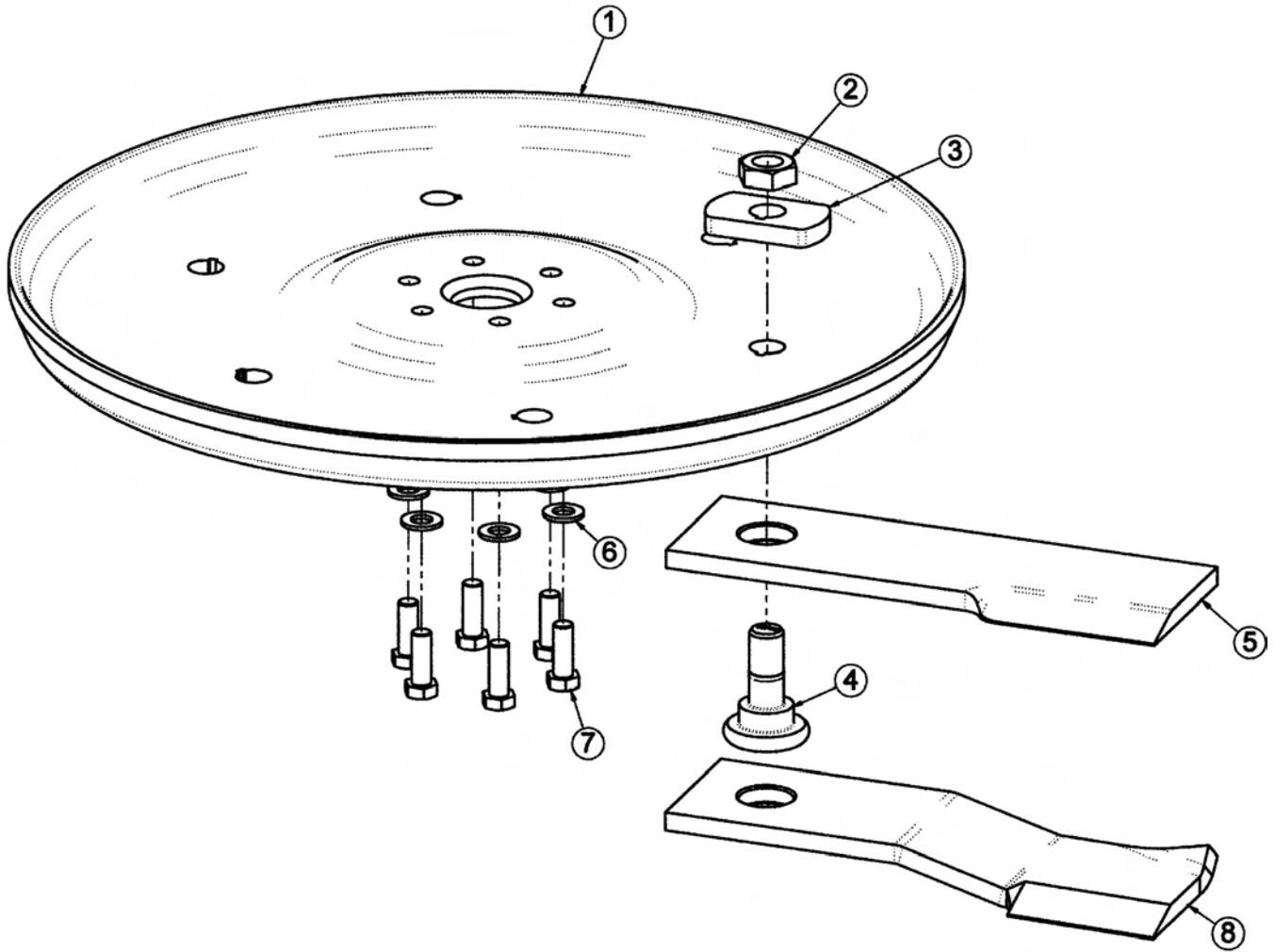
60IN ROTARY MOWER ASSEMBLY

Continued...

ITEM	PART NO.	QTY.	DESCRIPTION
9	6T2270	16	PLOW BOLT,3/8" X 1",NC
10	22016	33	FLATWASHER,3/8"
11	21625	20	HEX NUT,3/8",NC
12	21988	11	LOCKWASHER,3/8"
13	21633	11	CAPSCREW,3/8" X 1-3/4",NC
14	6T0823	1	FLAP RETAINER,60" RTRY
15	06520238	2	FLAP,60" RTRY
16	6T1033	1	COUPLER COVER WITH HARDWARE AND SEALS
17	6T1029	1	COUPLER CHAIN
18	21223	1	SPROCKET
19	21733	4	CAPSCREW,1/2" X 2",NC
20	33776	1	MOTOR MOUNT,PLATE,RTRY
21	24490	1	HOSE - PRESSURE (RED DECAL STRIP)
22	TF4852	2	FLANGE KIT - #20
23	06504011	1	MOTOR
24	24489	1	HOSE - RETURN (BLUE DECAL STRIP)
25	21725	4	HEX NUT,1/2",NC
26	06533004	4	FLATWASHER,1/2"
27	6T2290	4	CAPSCREW,5/8" X 2",NF,GR8
28	33764	8	FLATWASHER,5/8",GR8,SAE
29	21992	4	LOCKWASHER,5/8"
30	6T2408	4	HEX NUT,5/8",NF
31	TF1124	1	SQUARE KEY
32	33881	4	CAPSCREW,FLG,3/8" X 3/4",NC
33	33779	2	PLATE,COVER,KNF HOLE
34	06410439	1	COVER
35	22014	2	FLATWASHER,1/4"
36	21530	2	CAPSCREW,1/4" X 1",NC
39	RD1032	2	LYNCH PIN
40	33984	2	PIN,SHIELD
42	6T3017	2	ROLLPIN
43	06420139	1	HINGE PIN,60" RTRY
44	33772	1	LINK, SHIELD,RTRY
45	21634	2	CAPSCREW,3/8" X 2",NC
46	33773	1	LINK 2, SHIELD,RTRY
47	06401245	2	SKID SHOE,TRB60"

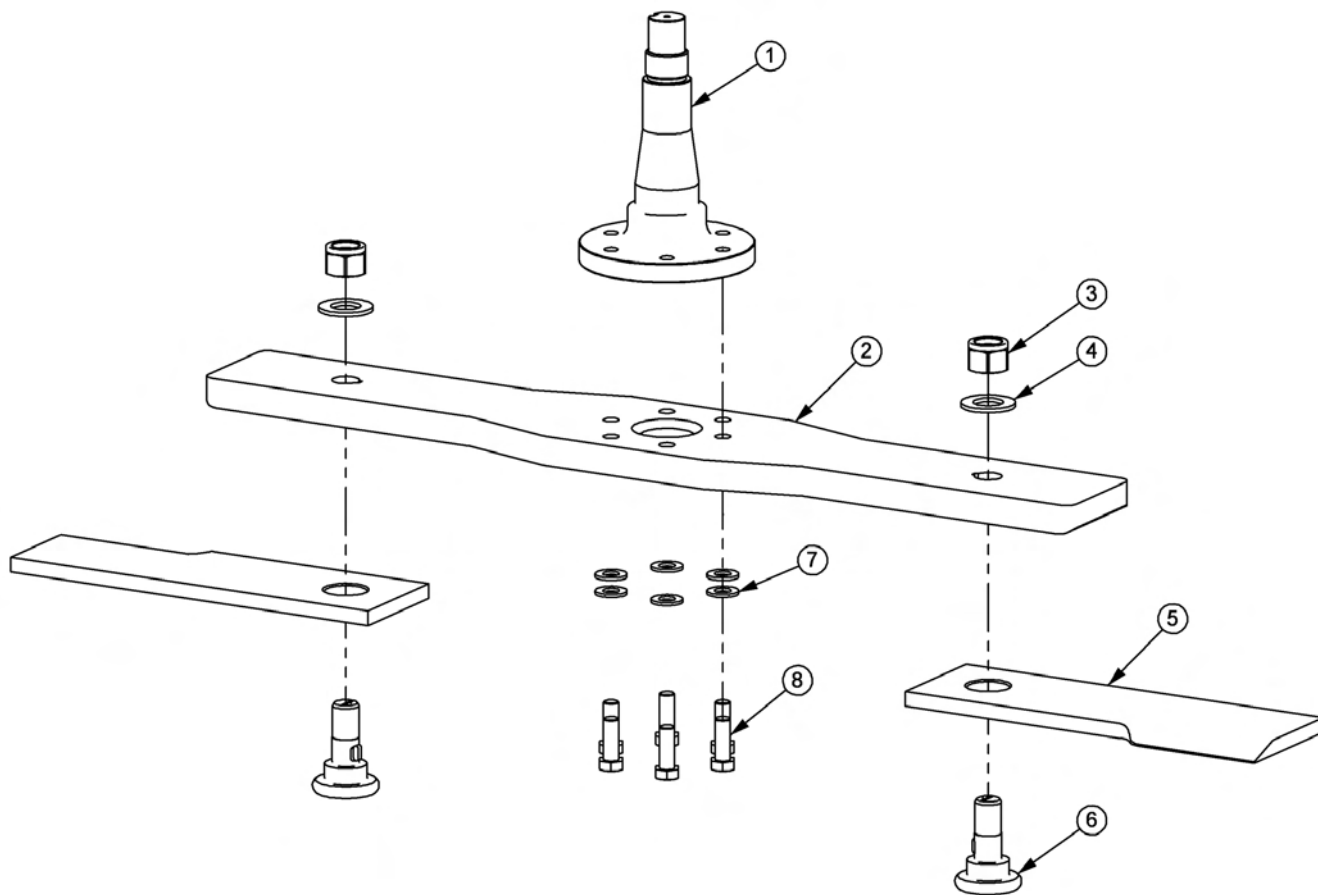
COMMON LYNX

50IN ROTARY KNIVES AND DISH



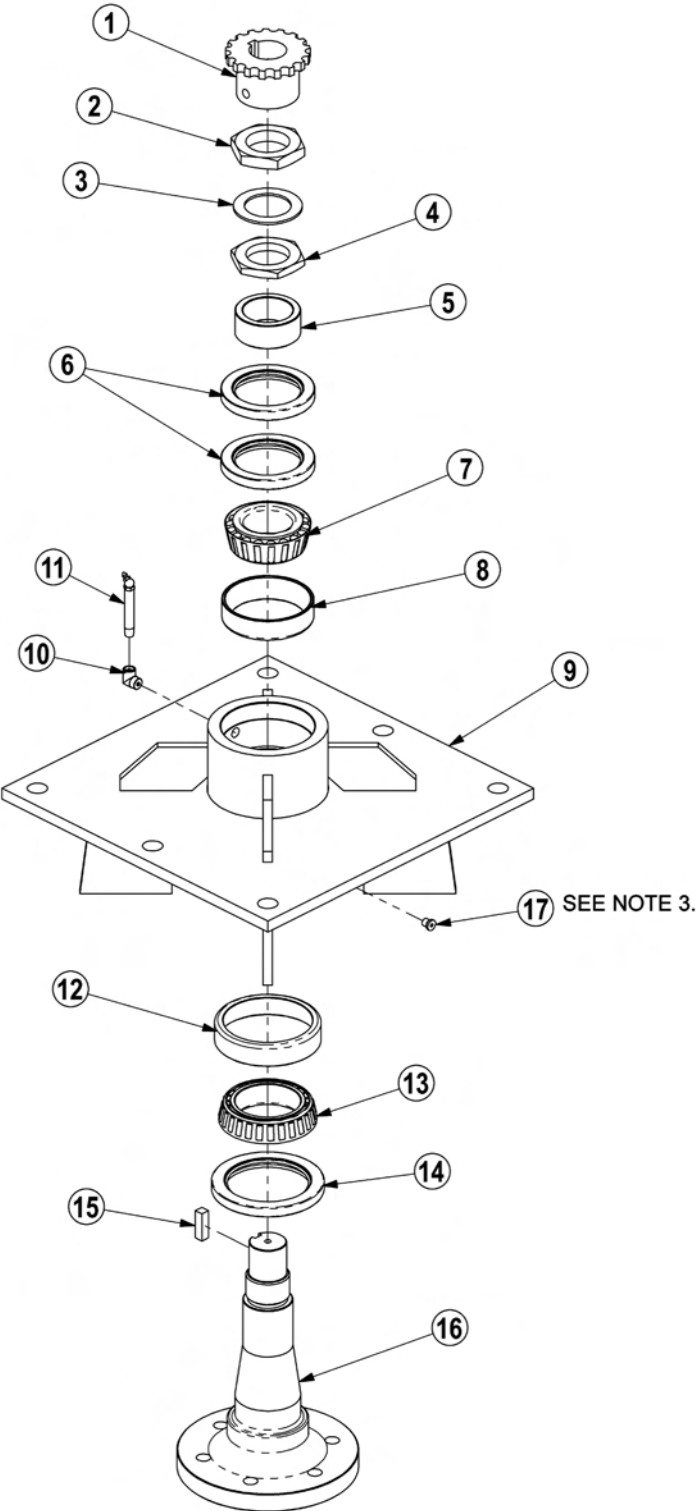
ITEM	PART NO.	QTY.	DESCRIPTION
-----	06700089	-	KIT,TRB50,DISK,W/BOLT KIT (INCLUDES ITEMS 1,3 & 7)
1	06770003	1	BLADE MOUNTING DISK
2	6T1023R	2	NYLOCK HEX NUT 1 1/8"
3	34878	2	SPACER
4	06538000	2	KNIFE MOUNTING BOLT
5	06521001	2	STANDARD KNIFE
6	33764	6	FLATWASHER
7	6T2259	6	CAPSCREW
-----	06770012	-	BOLT KIT (INCLUDES ITEMS 6, 7 & LOCTITE)
8	06521002	2	GRASS KNIFE (OPTIONAL)
-----	6T1825	-	LOCTITE - USED ON ALL DISK MOUNTING BOLTS

60IN ROTARY BLADE BAR AND KNIVES



ITEM	PART NO.	QTY.	DESCRIPTION
1	PT1018H5	1	SPINDLE
2	06400690	1	BAR,BLADE,RTRY60
3	6T1023R	2	KNIFE MTG NUT,1-1/8",NYLOCK,NF
4	06533002	2	FLATWASHER,1-1/8",GR8
5	06521001	2	KNIFE,TRB50,5/8"
6	06538000	2	KNIFE MTG BOLT,5/8" SHOULDER
7	33764	6	FLATWASHER,5/8",GR8,SAE
8	6T2259	6	CAPSCREW,5/8" X 1-3/4",NF,GR8

ROTARY MOWER SPINDLE ASSEMBLY



- NOTES:
1. FREEPLAY: .001" - .003"
 2. GREASE: FILL WITH MOBILITH SHC 220.
 3. APPLY LOCTITE "271" TO O-RING PLUG THRDS.

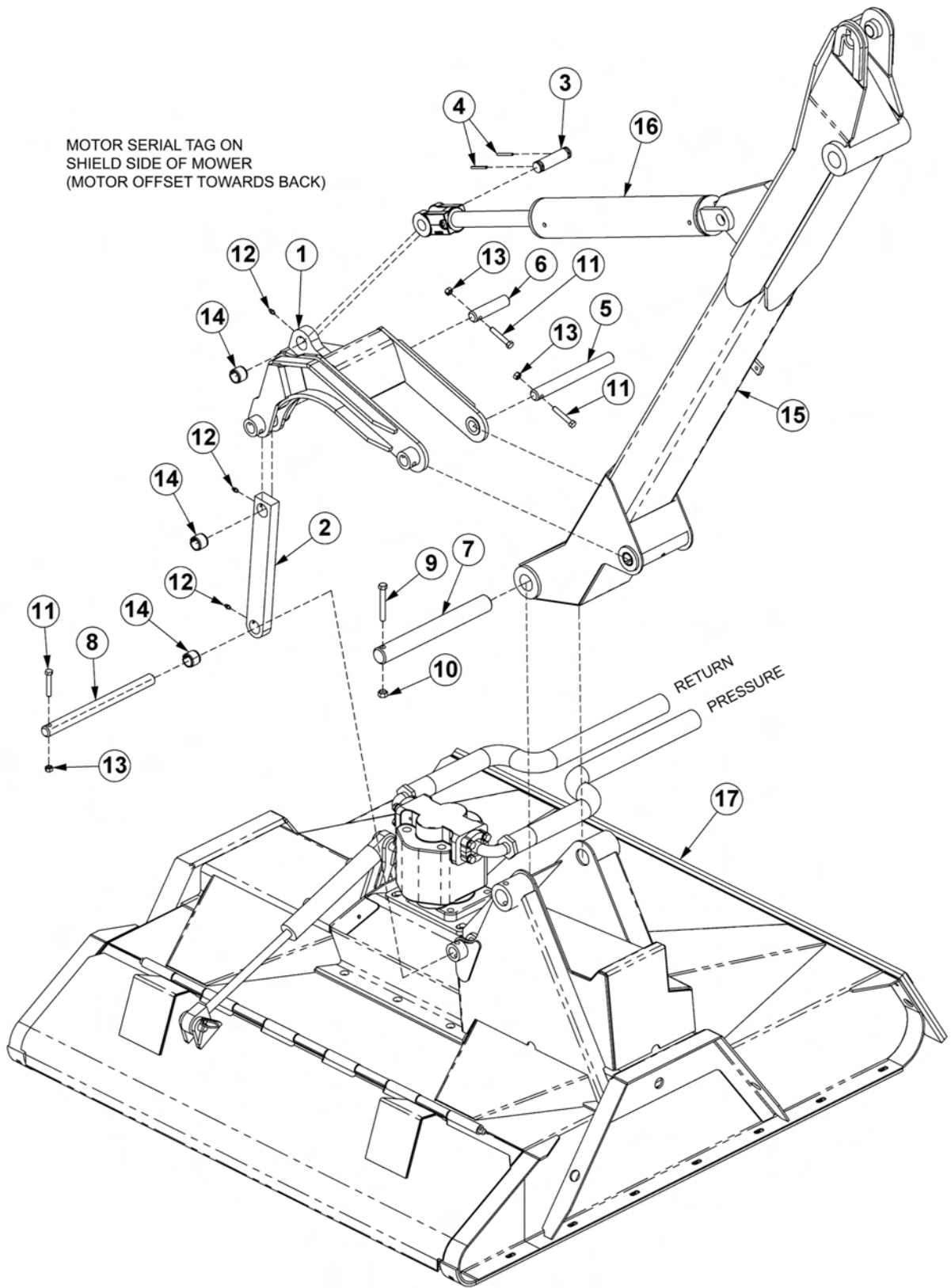
ROTARY MOWER SPINDLE ASSEMBLY

Continued...

ITEM	PART NO.	QTY.	DESCRIPTION
-----	6T1024H5	-	SPINDLE ASSEMBLY COMPLETE
1	6T1031	1	SPROCKET
2	6T1016	1	BEARING LOCK NUT - THICK
3	22596	1	JAM WASHER
4	6T1015	1	BEARING ADJUSTMENT NUT - THIN
5	6T1014	1	BEARING ADJUSTMENT SLEEVE
6	6T1011	1	UPPER SEAL - SET OF 2
7	6T1012	1	BEARING CONE
8	6T1013	1	BEARING CUP
9	6T1010H	1	SPINDLE HOUSING
10	30570	1	FITTING STREET ELBOW
11	33990	1	GREASE ZERK
12	6T1013H	1	BEARING CUP
13	6T1012H	1	BEARING CONE
14	6T1011H	1	LOWER SEAL
15	6T1019	1	SPINDLE KEY
16	PT1018H5	1	SPINDLE
17	06503064	1	O-RING PLUG, 1/8"
-----	33993	-	SPINDLE REBUILD KIT (INCLUDES ITEMS 2 - 8 AND 12 - 15)

COMMON LYNX

BOOM ROTARY PIVOT ASSEMBLY

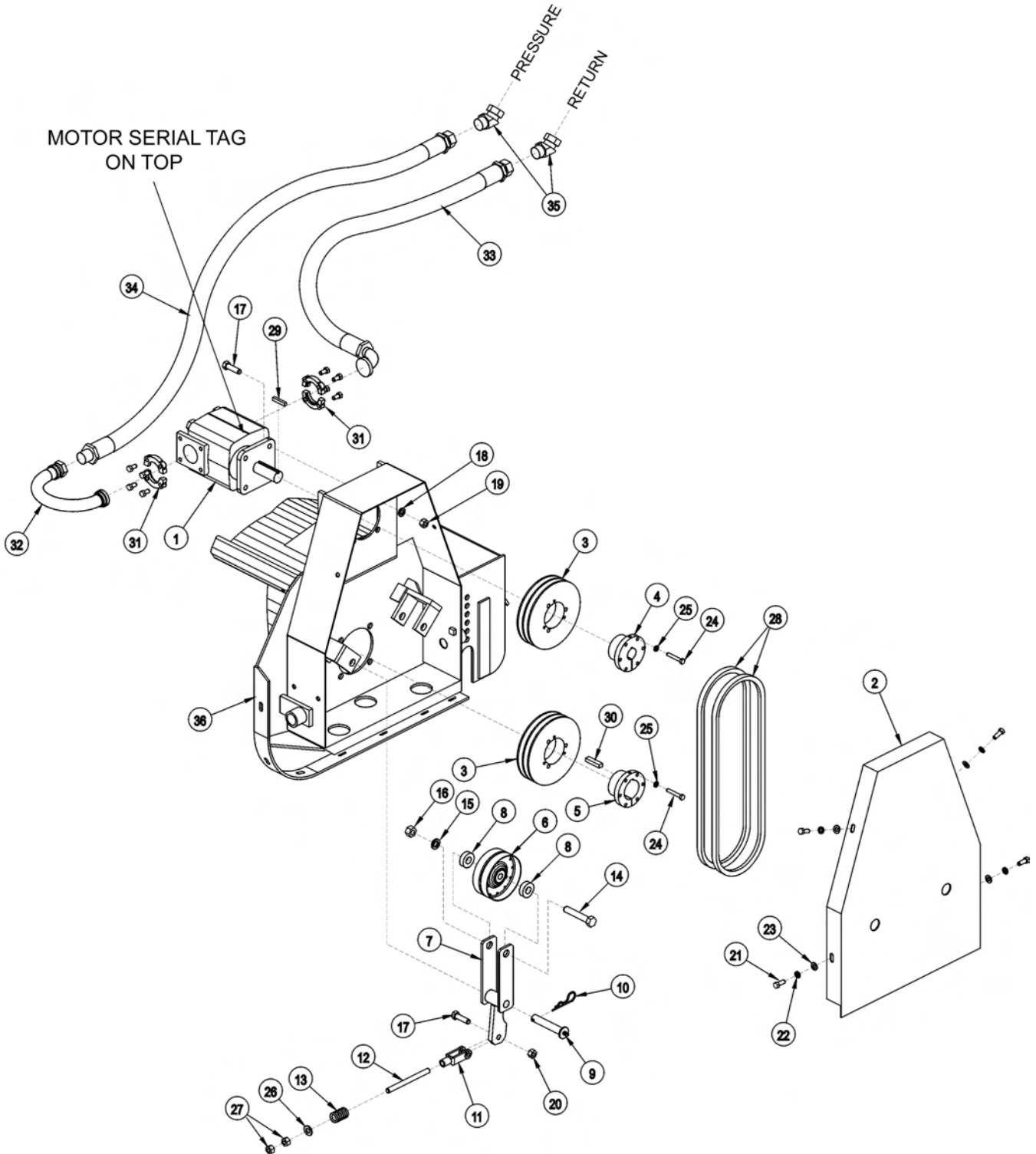


BOOM ROTARY PIVOT ASSEMBLY

Continued...

ITEM	PART NO.	QTY.	DESCRIPTION
1	TB1032	1	ROTARY PIVOT ASSY
2	TB1028	1	PIVOT ARM ASSY
3	TB1033	1	PIN,CLEVIS
4	06537021	2	ROLL PIN
5	TF3097	1	PIN
6	TB1030	1	PIN
7	33985	1	PIN
8	33986	1	PIN
9	21688	1	CAPSCREW,7/16" X 3-1/4",NC
10	21677	1	NYLOCK NUT,7/16",NC
11	21635	3	CAPSCREW,3/8" X 2-1/4",NC
12	6T3207	3	GREASE ZERK
13	21627	3	NYLOCK NUT,3/8",NC
14	TB3010	3	BUSHING
15	-----	-	SECONDARY BOOM *REFER TO BOOM ARM ASSY
16	-----	-	CYLINDER *REFER TO BOOM ARM ASSY
17	-----	-	ROTARY MOWER HEAD *REFER TO ROTARY DECK

50IN FLAIL DRIVE ASSEMBLY



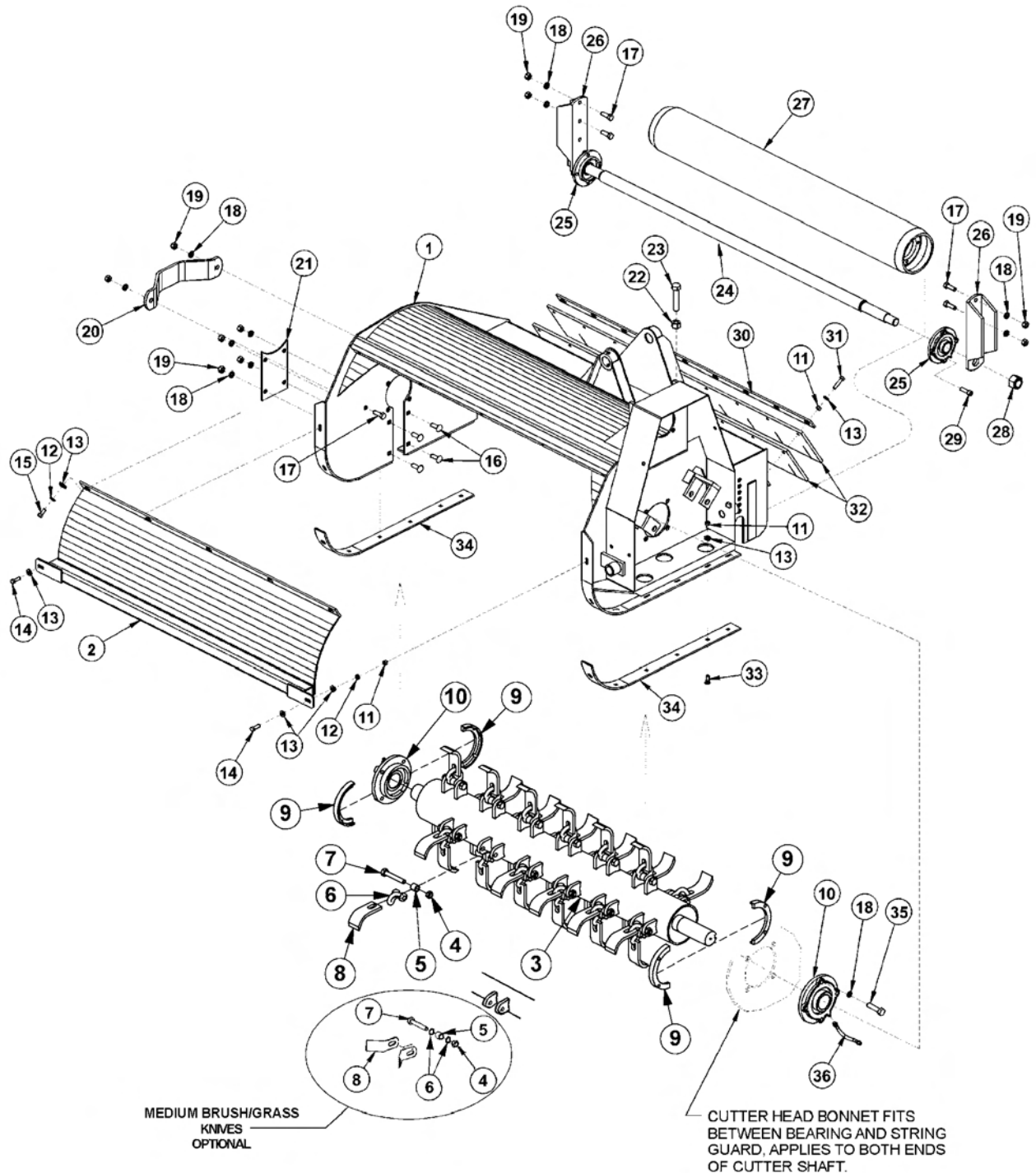
50IN FLAIL DRIVE ASSEMBLY

Continued...

ITEM	PART NO.	QTY.	DESCRIPTION
1	06504013	1	MOTOR
2	TF3006	1	BELT GUARD
3	TF3043	2	SHEAVE
4	TF3013	1	BUSHING
5	TF3011	1	BUSHING
6	TF3034	1	IDLER PULLEY
7	TF3205	1	IDLER ARM
8	TF3206	2	IDLER PULLEY SPACER
9	TF3605	1	IDLER ARM PIN WITH ZERK
10	6T3004	1	R - CLIP
11	PT3611A	1	CLEVIS
12	32481	1	THREADED ROD
13	TF3620	1	COMPRESSION SPRING
14	21789	1	CAPSCREW,5/8" X 3-1/2",NC
15	21992	1	LOCKWASHER,5/8"
16	21775	1	HEX NUT,5/8",NC
17	21732	5	CAPSCREW,1/2" X 1-3/4",NC
18	21990	4	LOCKWASHER,1/2"
19	21725	4	HEX NUT,1/2",NC
20	6T2418	1	LOCK NUT,1/2"
21	21630	4	CAPSCREW,3/8" X 1",NC
22	21988	4	LOCKWASHER,3/8"
23	22016	4	FLATWASHER,3/8"
24	21584	6	CAPSCREW,5/16" X 2",NC
25	21987	6	LOCKWASHER,5/16"
26	27938	1	FLATWASHER,1/2"
27	21700	2	HEX NUT,1/2",NF
28	TF3021	2	BELT
29	TF1125	1	SQUARE KEY
30	TF1025	1	SQUARE KEY MOTOR
31	TF4852	2	FLANGE KIT
32	34227	1	PREFORMED TUBE
33	31218	1	HOSE - RETURN
34	34331	1	HOSE - PRESSURE
35	24724	2	SWIVEL FITTING
36	-----	-	CUTTER HEAD

COMMON LYNX

50IN FLAIL MOWER ASSEMBLY



ITEM	PART NO.	QTY.	DESCRIPTION
---	34787	1	FLAIL,BOOM,50,BRUSH,CPLT ASSY (LIGHT BRUSH/GRASS)
----	06742133	1	FLAIL,BOOM,50,MD GRASS,CPLT ASSY (MEDIUM BRUSH/GRASS)
1	TF3003F	1	CUTTER HEAD BONNET
2	TF3004	1	FRONT SHIELD

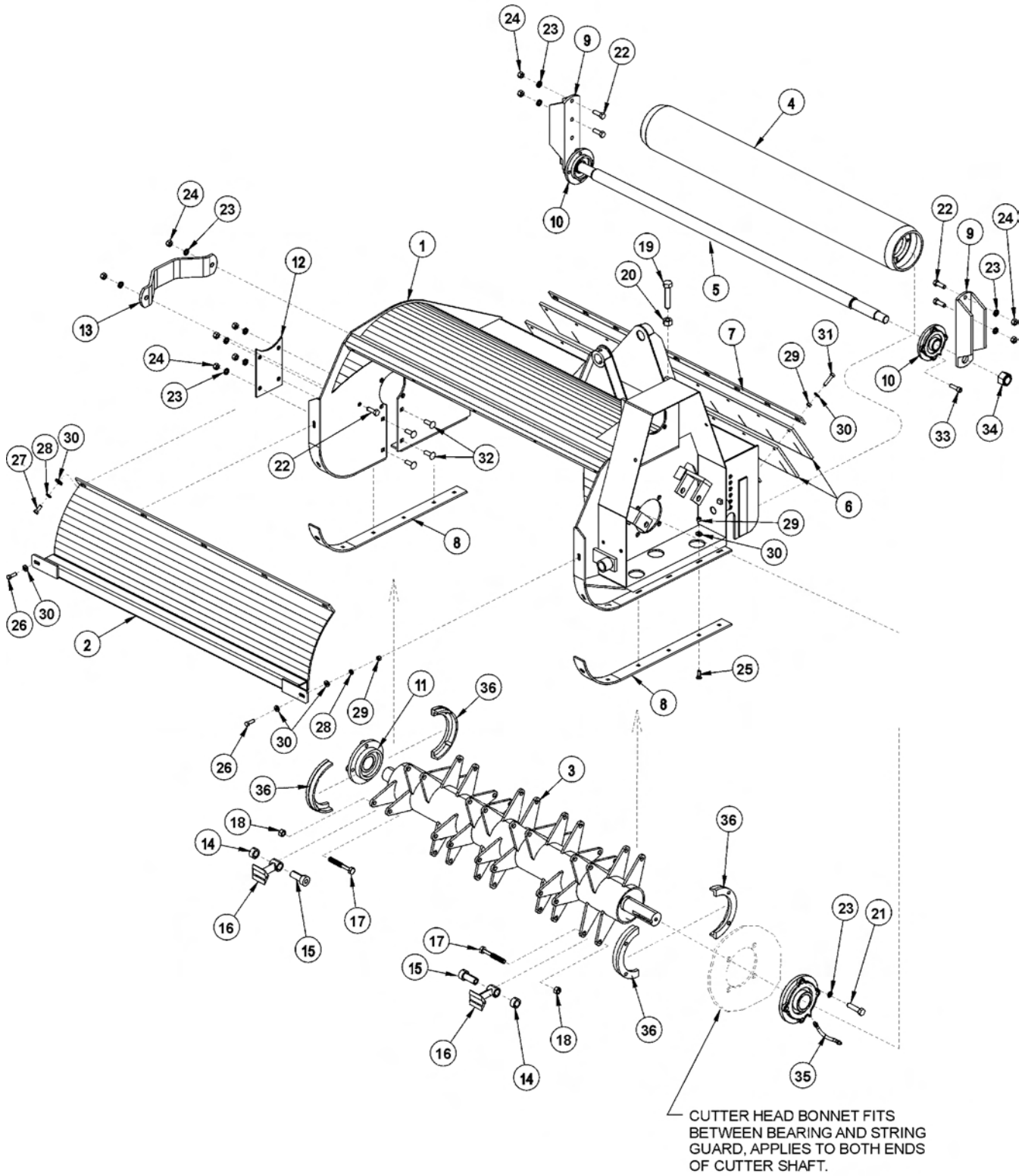
50IN FLAIL MOWER ASSEMBLY

Continued...

ITEM	PART NO.	QTY.	DESCRIPTION
3	34783	1	TBF50 (LIGHT BRUSH/GRASS KNIFE ASSY)
---	06700115	1	TBF50 (MEDIUM BRUSH/GRASS KNIFE ASSY)
4	6T2419	24	HEX NUT,9/16",NC,STOVER
5	41725.01HT	24	BUSHING,1"OD X 5/8"ID
6	34782	24	CLEVIS (LIGHT BRUSH/GRASS KNIVES)
---	06430122	48	SPACER (MEDIUM BRUSH/GRASS KNIVES)
7	34786	24	CAPSCREW,9/16" X 3-1/2",NC
8	34780	24	KNIFE (LIGHT BRUSH/GRASS CUTTING)
---	06521007	48	KNIFE (MEDIUM BRUSH/GRASS CUTTING)
9	31204	2	STRING GUARD SET (2 PIECES PER SET)
10	TF1018	2	FLANGE BEARING,2-3/16"
11	21625	23	HEX NUT,3/8",NC
12	21988	7	LOCKWASHER,3/8"
13	22016	30	FLATWASHER,3/8"
14	21631	2	CAPSCREW,3/8" X 1-1/4",NC
15	21630	5	CAPSCREW,3/8" X 1",NC
16	6T7031D	4	PLOW BOLT,1/2" X 1-1/2",NC
17	21731	6	CAPSCREW,1/2" X 1-1/2",NC
18	21990	18	LOCKWASHER,1/2"
19	21725	10	HEX NUT,1/2",NC
20	TF1040	1	CUTTER SHAFT GUARD
21	TF3007A	1	COVER PLATE
22	21825	1	HEX NUT,5/8",NC
23	21838	1	CAPSCREW,3/4" X 3-1/2",NC
24	TF3406	1	GROUND ROLLER TIE ROD
25	TF1022	2	FLANGE BEARING,1-3/8"
26	TF3407	2	GROUND ROLLER ADJUSTMENT BRACKET
27	TF3405	1	GROUND ROLLER
28	6T1023R	2	NYLOCK NUT,1-1/8",NF
29	6T2330	8	CAPSCREW,7/16" X 1-1/2",SOCKET HEAD
30	TB1008	1	FLAP RETAINING BAR
31	21633	9	CAPSCREW,3/8" X 1-3/4",NC
32	TB1006A	2	DEFLECTOR FLAP
33	6T2270	12	PLOWBOLT,3/8" X 1",NC
34	TF3001	2	SKID SHOE
35	06530218	8	CAPSCREW,1/2" X 1-3/4",NC
36	TF1032	1	FLANGE BEARING GREASE HOSE

COMMON LYNX

50IN FLAIL MOWER ASSEMBLY, PASS THRU KNIVES



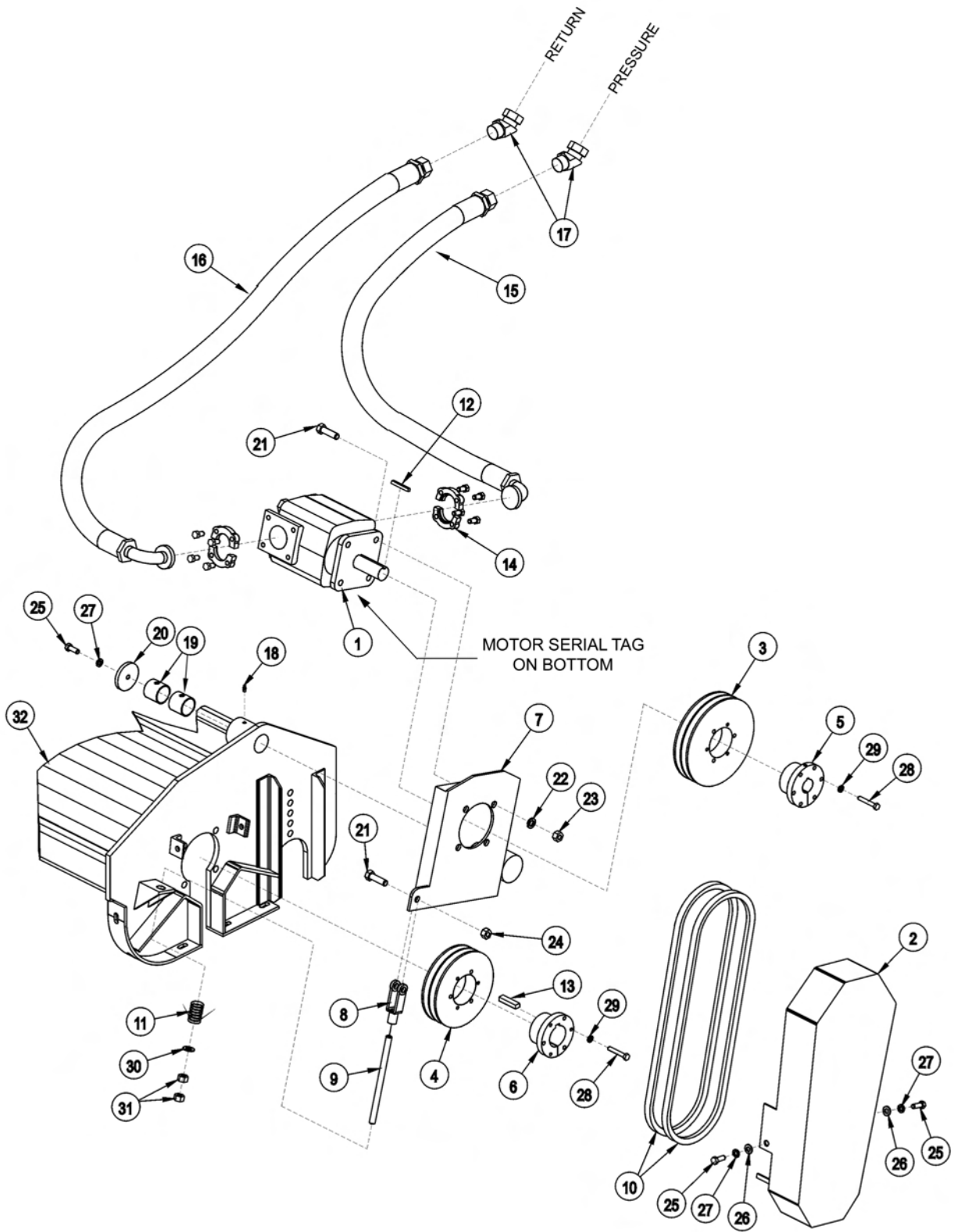
50IN FLAIL MOWER ASSEMBLY, PASS THRU KNIVES

Continued...

ITEM	PART NO.	QTY.	DESCRIPTION
---	33065	-	FLAIL,BOOM,50,CPLT ASSY
1	TF3003F	1	CUTTER HEAD BONNET
2	TF3004	1	FRONT SHIELD
3	33717	1	TBF50
4	TF3405	1	GROUND ROLLER
5	TF3406	1	GROUND ROLLER TIE ROD
6	TB1006A	2	DEFLECTOR FLAP
7	TB1008	1	FLAP RETAINING BAR
8	TF3001	2	SKID SHOE
9	TF3407	2	GROUND ROLLER ADJUSTMENT BRACKET
10	TF1022	2	FLANGE BEARING,1-3/8"
11	TF1018	2	FLANGE BEARING,2-3/16"
12	TF3007A	1	COVER PLATE
13	TF1040	1	CUTTER SHAFT GUARD
14	33858	24	SPACER,COLLAR
15	33857	24	SHOULDER,BUSHING
16	46399.01	24	KNIFE,FLAIL,FORGED
17	33854	24	CAPSCREW,5/8" X 4-1/2",NC
18	32674	24	HEX NUT,5/8",NC
19	21838	1	CAPSCREW,3/4" X 3-1/2",NC
20	21825	1	HEX NUT,5/8",NC
21	21732	8	CAPSCREW,1/2" X 1-3/4",NC
22	21731	6	CAPSCREW,1/2" X 1-1/2",NC
23	21990	18	LOCKWASHER,1/2"
24	21725	10	HEX NUT,1/2",NC
25	6T2270	12	PLOWBOLT,3/8" X 1",NC
26	21631	2	CAPSCREW,3/8" X 1-1/4",NC
27	21630	5	CAPSCREW,3/8" X 1",NC
28	21988	7	LOCKWASHER,3/8"
29	21625	23	HEX NUT,3/8",NC
30	22016	30	FLATWASHER,3/8"
31	21633	9	CAPSCREW,3/8" X 1-3/4",NC
32	6T7031D	4	PLOW BOLT,1/2" X 1-1/2",NC
33	6T2330	8	CAPSCREW,7/16" X 1-1/2",NC,SCKT HD
34	6T1023R	2	NYLOCK NUT,1-1/8",NF
35	TF1032	1	FLANGE BEARING GREASE HOSE
36	31204	2	STRING GUARD SET (2 PIECES PER SET)

COMMON LYNX

63IN FLAIL DRIVE ASSEMBLY

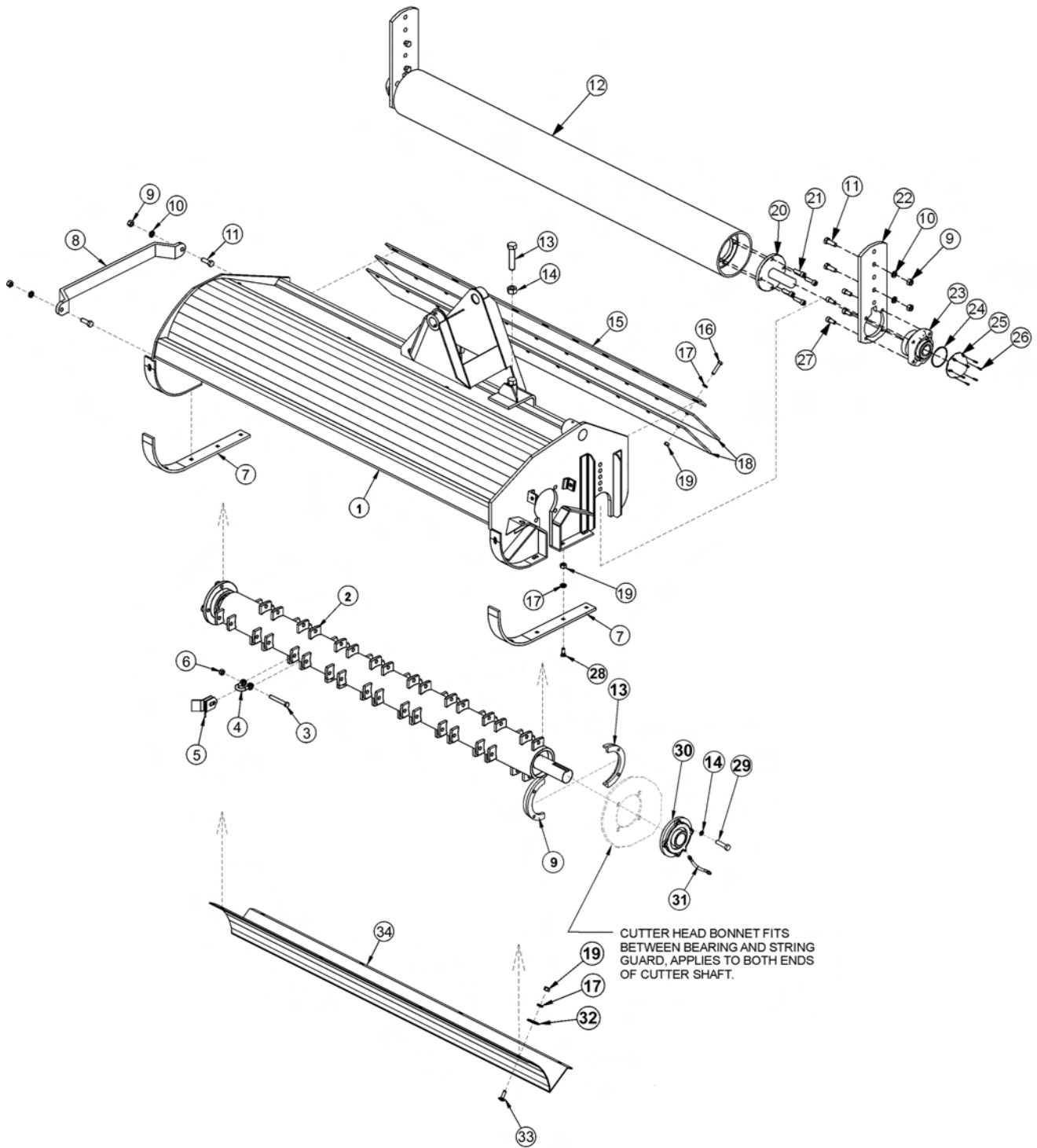


63IN FLAIL DRIVE ASSEMBLY

Continued...

ITEM	PART NO.	QTY.	DESCRIPTION
1	06504013	1	MOTOR
2	28703B	1	BELT GUARD
3	TF3044	1	UPPER SHEAVE
4	TF3040	1	LOWER SHEAVE
5	TF3013	1	BUSHING
6	28723	1	BUSHING
7	28679B	1	MOTOR CHANNEL
8	PT3611A	1	CLEVIS
9	40496	1	THREADED ROD
10	28702	2	BELT
11	TF3620A	1	TENSIONER SPRING
12	28572	1	SQUARE KEY
13	TF1025	1	SQUARE KEY
14	TF4852	2	FLANGE KIT
15	30308	1	HOSE,1" X 69" - PRESSURE
16	30309	1	HOSE,1" X 78" - RETURN
17	24724	2	SWIVEL FITTING
18	TF1033	1	GREASE ZERK
19	27580	1	BUSHING
20	28682	1	MOTOR CHANNEL WASHER
21	21732	5	CAPSCREW,1/2" X 1-3/4"
22	21990	5	LOCKWASHER,1/2"
23	21725	4	HEX NUT,1/2"
24	21727	1	NYLOCK NUT,1/2"
25	21630	3	CAPSCREW,3/8" X 1",NC
26	22016	2	FLATWASHER,3/8"
27	21988	3	LOCKWASHER,3/8"
28	21584	6	CAPSCREW,5/16" X 2",NC
29	21987	6	LOCKWASHER,5/16"
30	27938	1	FLATWASHER,1/2"
31	21700	2	HEX NUT,1/2",NF
32	-----	-	CUTTER HEAD *REFER TO MOWER ASSY

63IN FLAIL MOWER ASSEMBLY



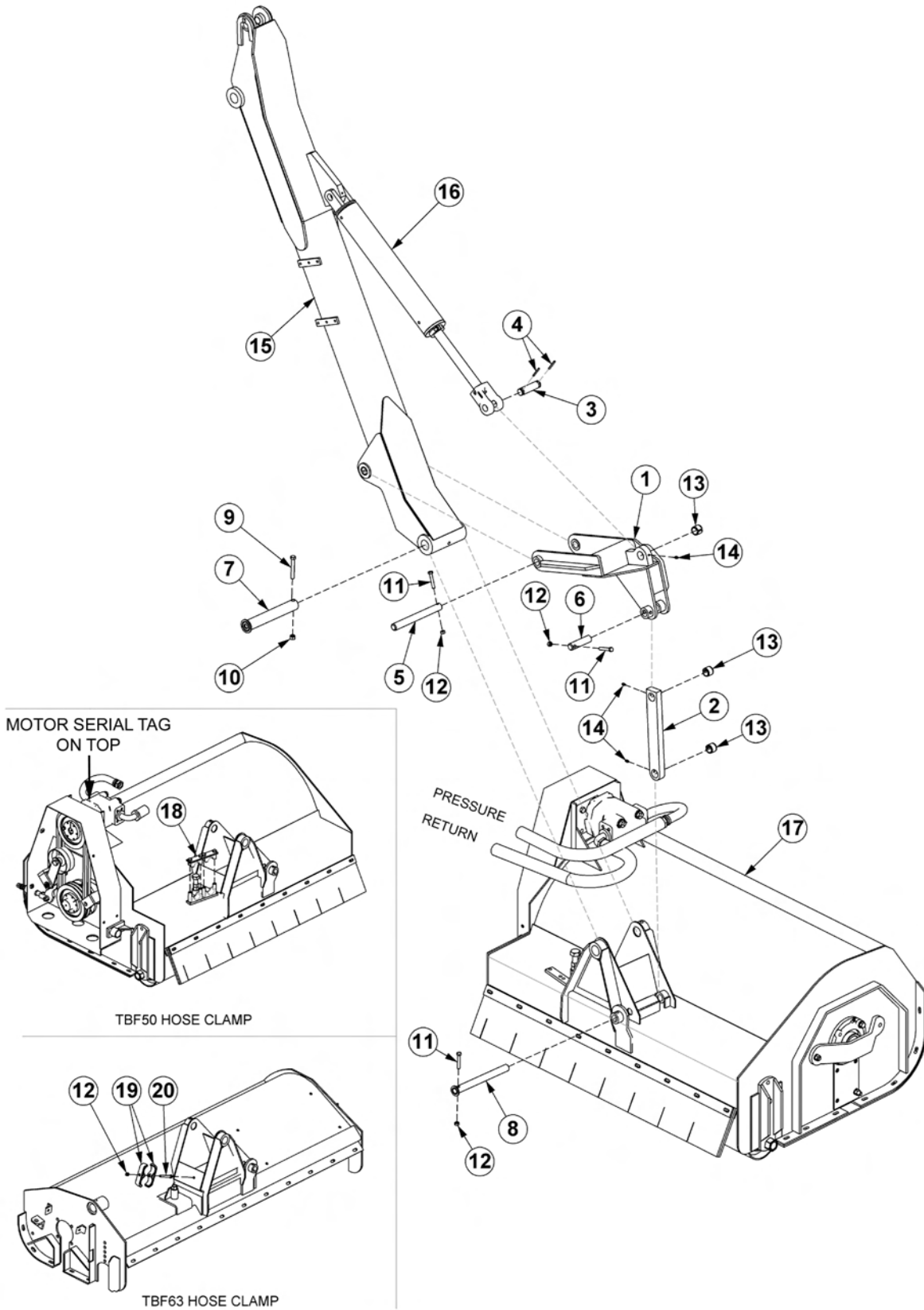
63IN FLAIL MOWER ASSEMBLY

Continued...

ITEM	PART NO.	QTY.	DESCRIPTION
-----	06200271	-	FLAIL,BOOM,63,GRASS,CPLT ASSY
1	28659H	1	CUTTER HEAD BONNET
2	28743	-	CUTTER SHAFT / KNIFE ASSY STANDARD GRASS
-----	28642C	1	CUTTER SHAFT,63,STD
3	34011	36	FLAIL KNIFE MOUNTING BOLT
4	TF1020	36	FLAIL KNIFE MOUNTING CLEVIS
5	33713	72	FLAIL KNIFE - STANDARD
6	21677	36	NYLOCK NUT
7	28086A	2	SKID SHOE
8	27975A	1	CUTTER SHAFT GUARD
9	21725	14	HEX NUT 1/2"
10	21990	14	LOCKWASHER 1/2"
11	21731	6	CAPSCREW 1/2" X 1 1/2"
12	28650A	1	GROUND ROLLER
13	33863	2	STRING GUARD,STD
14	06533006	8	FLATWASHER,1/2",SAE,L9
15	28700	1	FLAP RETAINING BAR
16	21633	11	CAPSCREW 3/8" X 1 3/4"
17	21988	28	LOCKWASHER 3/8"
18	28701	2	DEFLECTOR FLAP
19	21625	28	HEX NUT 3/8"
20	TF1045B	2	GROUND ROLLER STUB SHAFT
21	6T2330	8	CAPSCREW 7/16" X 1 1/2" SOCKET HEAD
22	28735	2	ADJUSTABLE ROLLER BRACKET
23	06520028	2	BEARING,FLANGE,1-3/8,GRNDRLLR
24	06520029	2	O-RING
25	06520027	2	CAP,BEARING,GROUNDROLLER
26	06530001	12	CAPSCREW,SKT HD,8-32 X 1/2,SS
27	6T2331	8	CAPSCREW 7/16" X 1" SOCKET HEAD
28	6T2270	10	PLOW BOLT 3/8" X 1 1/4"
29	06530217	8	CAPSCREW 1/2" X 2",L9
30	28683	2	FLANGE BEARING
31	TF1032	1	FLANGE BEARING GREASE HOSE
32	6T2615	7	FENDER WASHER 3/8"
33	6T2283	7	CARRIAGE BOLT 3/8" X 1"
34	28665A	1	BAFFLE (INSIDE UPPER REAR OF CUTTER HEAD)

COMMON LYNX

BOOM FLAIL PIVOT ASSEMBLY



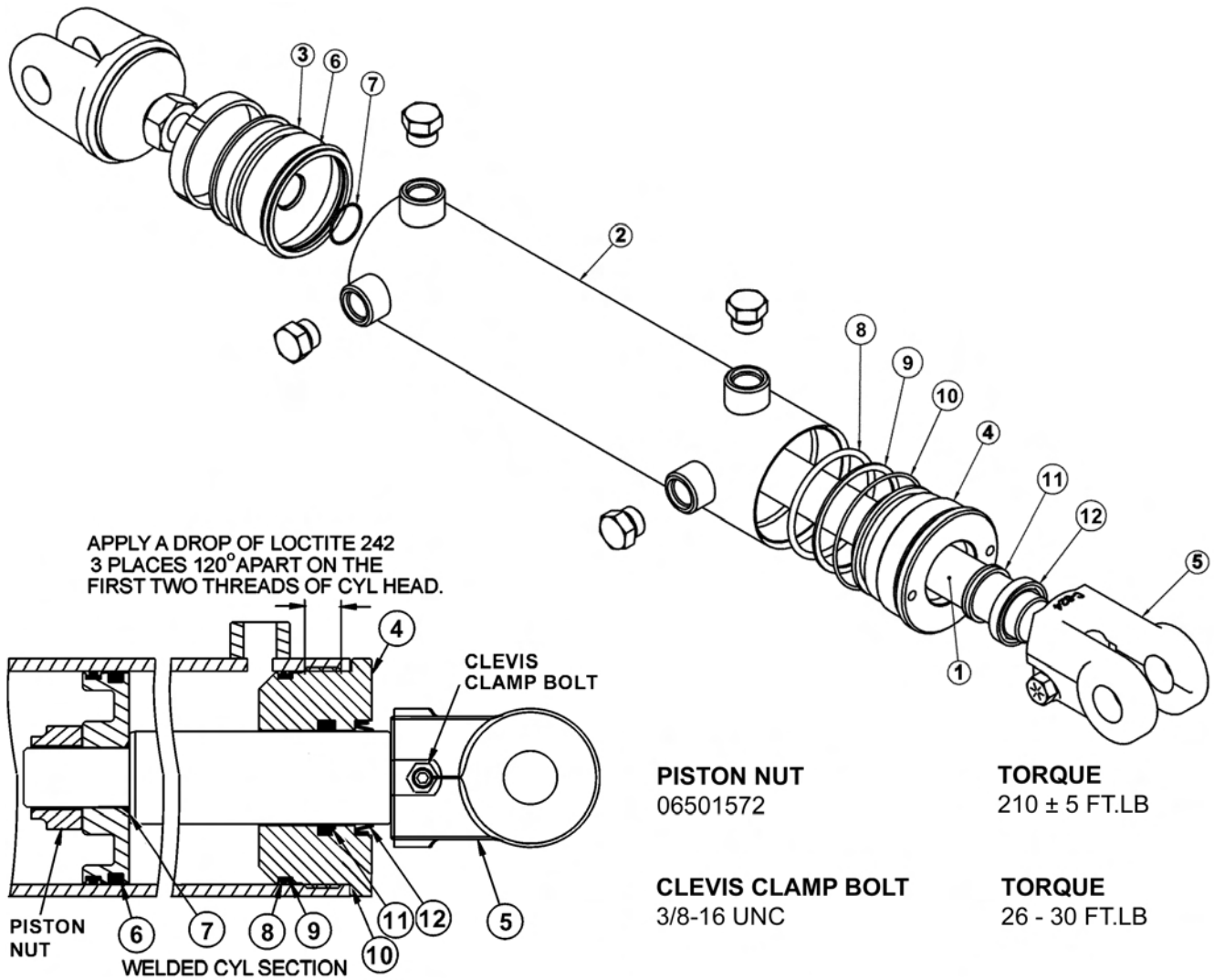
BOOM FLAIL PIVOT ASSEMBLY

Continued...

ITEM	PART NO.	QTY.	DESCRIPTION
1	TF3015	1	FLAIL PIVOT ASSY
2	TB1028	1	PIVOT ARM ASSY
3	TB1033	1	PIN CLEVIS
4	06537021	2	ROLL PIN
5	TF3097	1	PIN
6	TF3090	1	PIN
7	TB1024	1	PIN
8	TB1027	1	PIN
9	21688	1	CAPSCREW,7/16" X 3-1/4",NC
10	21677	1	NYLOCK NUT,7/16",NC
11	21635	3	CAPSCREW,3/8" X 2-1/4",NC
12	21627	4	NYLOCK NUT,3/8",NC
13	TB3010	3	BUSHING
14	6T3207	3	GREASE ZERK
15	-----	-	SECONDARY BOOM *REFER TO BOOM ARM ASSY
16	-----	-	CYLINDER *REFER TO BOOM ARM ASSY
17	-----	-	FLAIL MOWER HEAD *REFER TO FLAIL ASSY
18	31723	1	CLAMP KIT,TBF50 (USED ON 50" FLAIL)
19	TB3031	2	DOUBLE HOSE CLAMP (USED ON THE 63" FLAIL)
20	21638	1	CAPSCREW,3/8" X 3",NC

COMMON LYNX

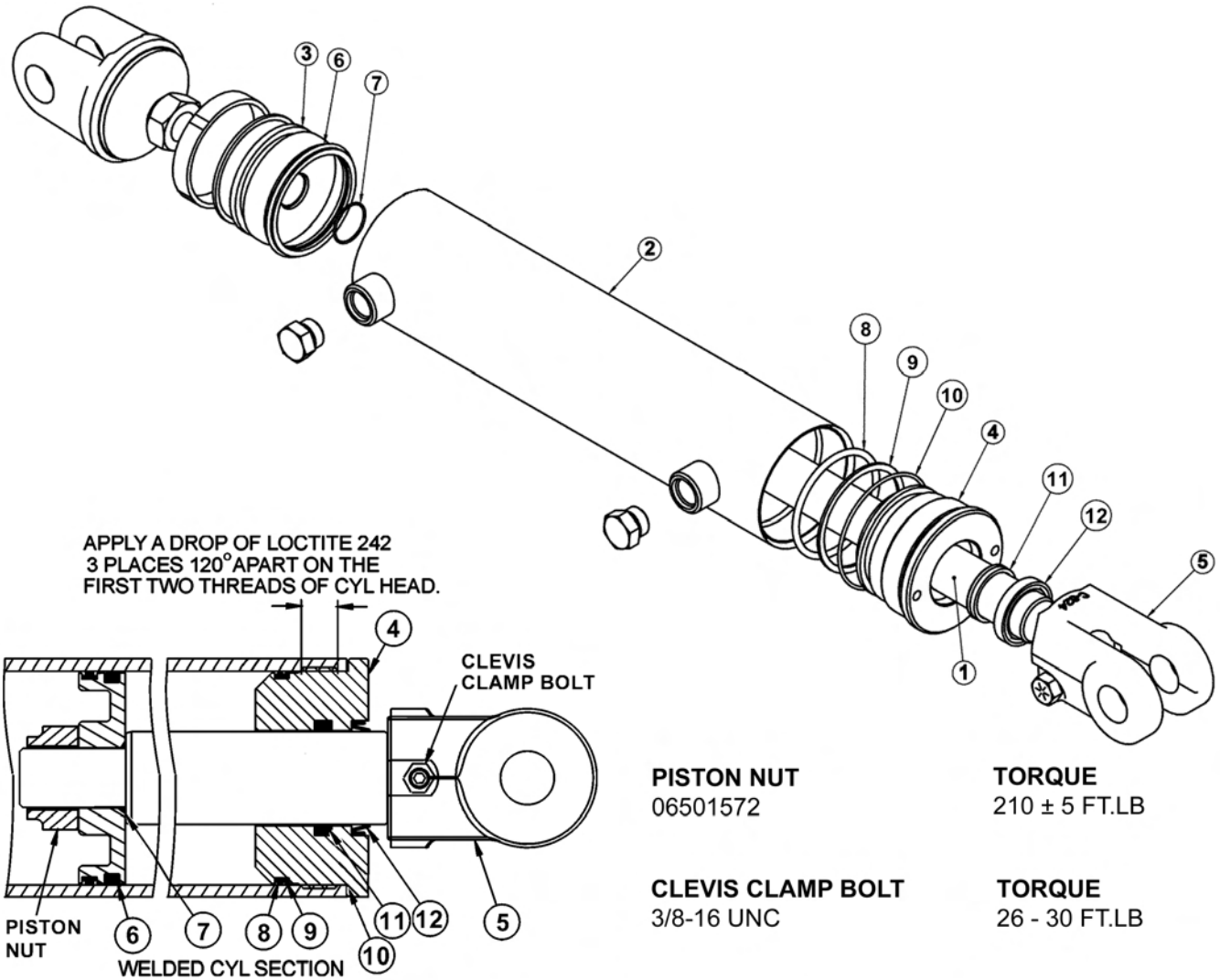
3IN X 10IN WELDED CYLINDER BREAKDOWN



WARNING - MECHANICAL FASTENERS MUST BE TORQUED TO RECOMMENDED SPECIFICATIONS DURING REPAIR TO PREVENT PERSONAL INJURY OR EQUIPMENT DAMAGE.

ITEM	PART NO.	QTY.	DESCRIPTION
-----	06501021	-	HYDRAULIC CYLINDER COMPLETE
1	06501550	1	ROD
2	06501551	1	TUBE WELDMENT
3	06501552	1	PISTON
4	06501553	1	CYLINDER HEAD
5	06501554	1	CLEVIS
-----	06501555	-	SEAL REPAIR KIT (ITEMS 6 THROUGH 12)

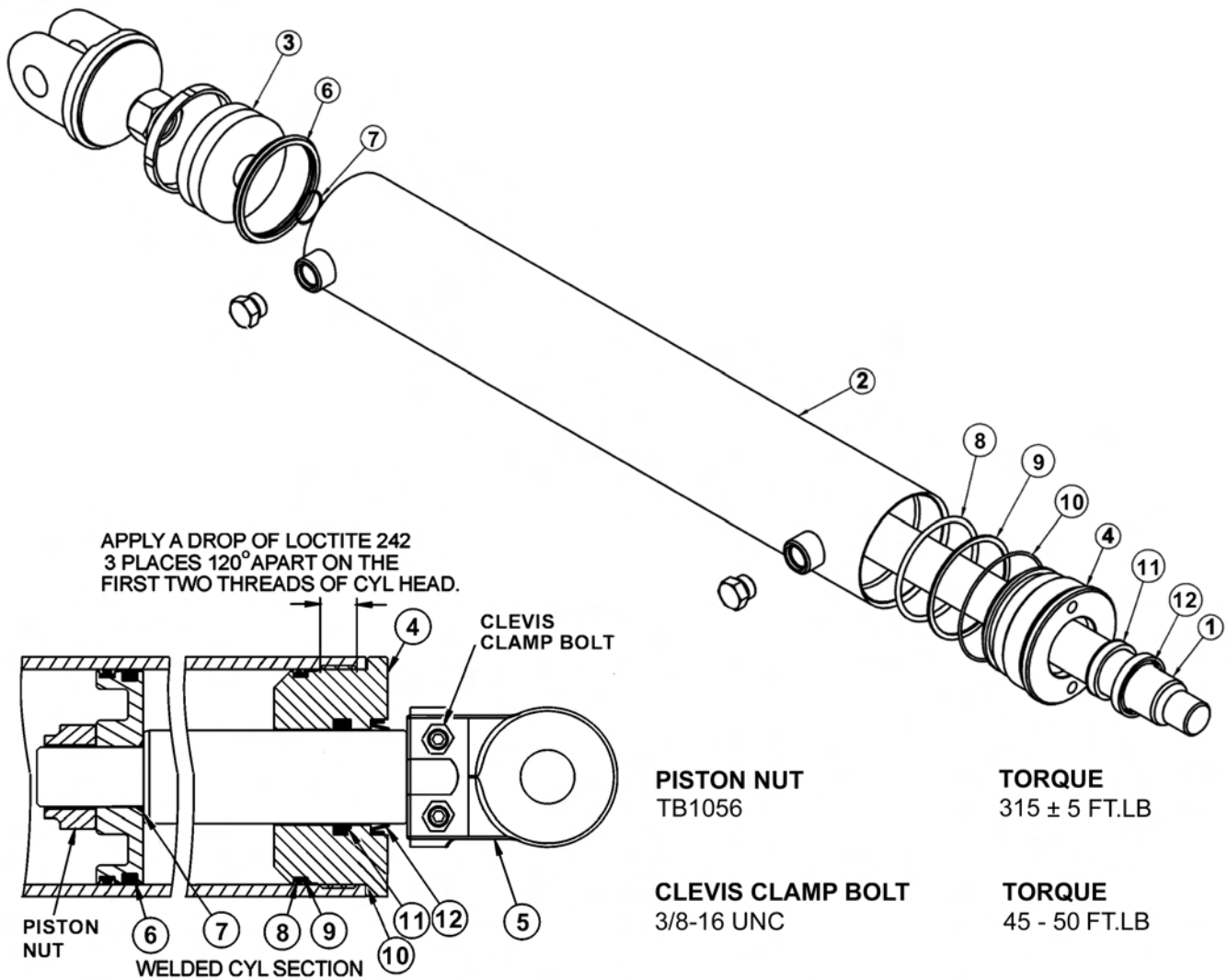
3IN X 18IN WELDED CYLINDER BREAKDOWN



WARNING - MECHANICAL FASTENERS MUST BE TORQUED TO RECOMMENDED SPECIFICATIONS DURING REPAIR TO PREVENT PERSONAL INJURY OR EQUIPMENT DAMAGE.

ITEM	PART NO.	QTY.	DESCRIPTION
-----	06501023	-	HYDRAULIC CYLINDER COMPLETE
1	06501561	1	ROD
2	06501562	1	TUBE WELDMENT
3	06501552	1	PISTON
4	06501563	1	CYLINDER HEAD
5	06501554	1	CLEVIS
-----	06501564	-	SEAL REPAIR KIT (ITEMS 6 THROUGH 12)

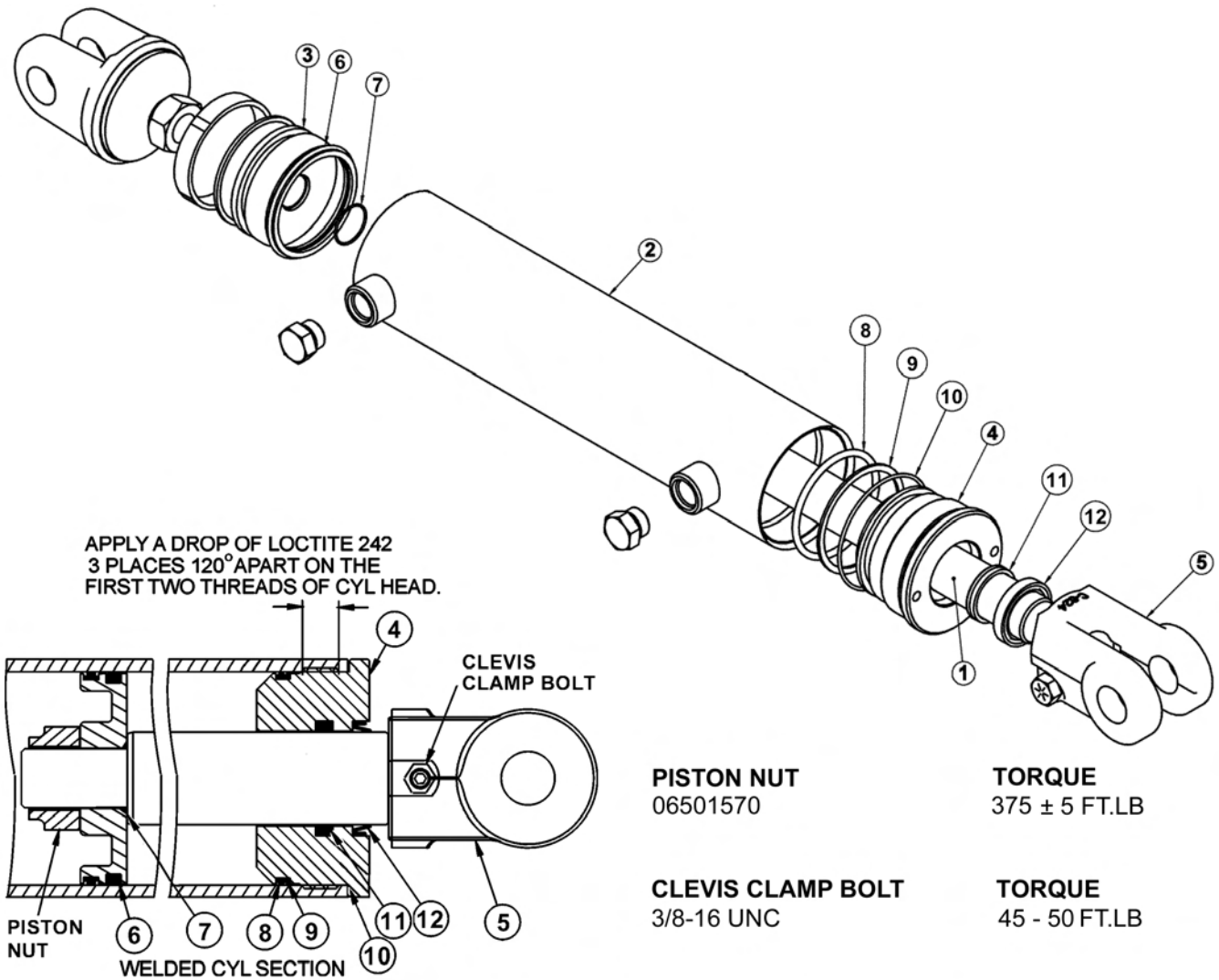
3-1/2IN X 20IN WELDED CYLINDER BREAKDOWN



WARNING - MECHANICAL FASTENERS MUST BE TORQUED TO RECOMMENDED SPECIFICATIONS DURING REPAIR TO PREVENT PERSONAL INJURY OR EQUIPMENT DAMAGE.

ITEM	PART NO.	QTY.	DESCRIPTION
-----	06501024	-	HYDRAULIC CYLINDER COMPLETE
1	06501565	1	ROD
2	06501566	1	TUBE WELDMENT
3	06501567	1	PISTON
4	06501568	1	CYLINDER HEAD
5	TB3033	-	CLEVIS
-----	06501569	-	SEAL REPAIR KIT (ITEMS 6 THROUGH 12)

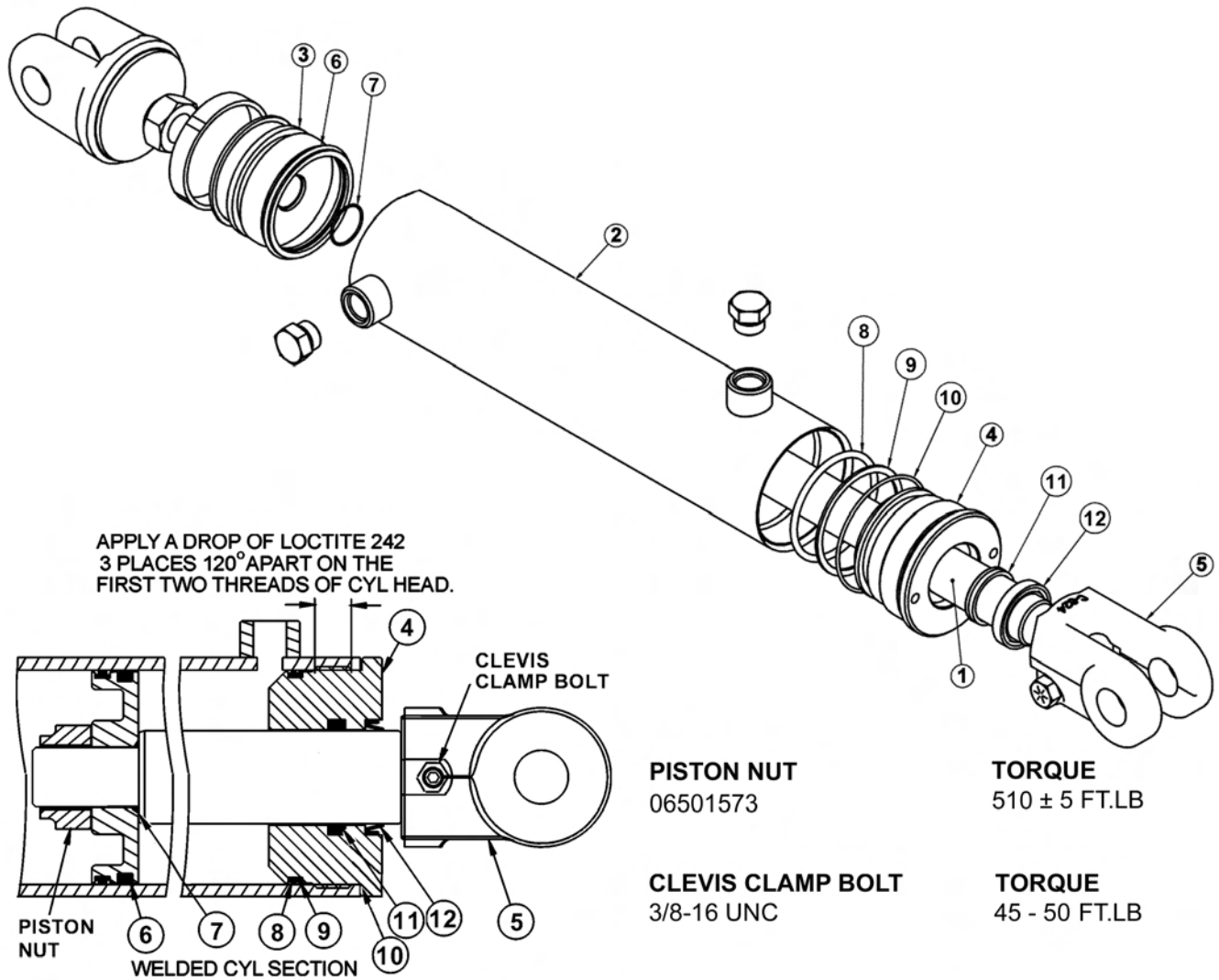
4IN X 9IN WELDED CYLINDER BREAKDOWN



WARNING - MECHANICAL FASTENERS MUST BE TORQUED TO RECOMMENDED SPECIFICATIONS DURING REPAIR TO PREVENT PERSONAL INJURY OR EQUIPMENT DAMAGE.

ITEM	PART NO.	QTY.	DESCRIPTION
-----	06501019	-	HYDRAULIC CYLINDER COMPLETE
1	06501538	1	ROD
2	06501539	1	TUBE WELDMENT
3	06501540	1	PISTON
4	06501541	1	CYLINDER HEAD
5	06501542	1	CLEVIS
-----	06501543	-	SEAL REPAIR KIT (ITEMS 6 THROUGH 12)

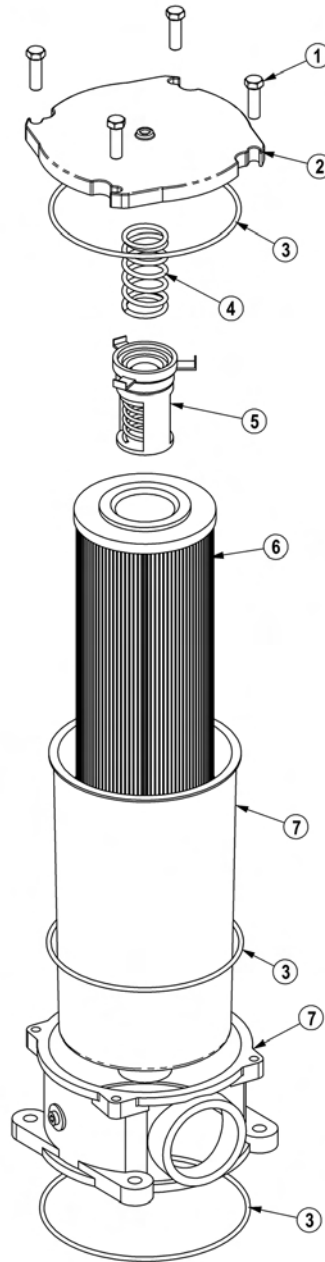
4IN X 20IN WELDED CYLINDER BREAKDOWN



WARNING - MECHANICAL FASTENERS MUST BE TORQUED TO RECOMMENDED SPECIFICATIONS DURING REPAIR TO PREVENT PERSONAL INJURY OR EQUIPMENT DAMAGE.

ITEM	PART NO.	QTY.	DESCRIPTION
-----	06501022	-	HYDRAULIC CYLINDER COMPLETE
1	06501556	1	ROD
2	06501557	1	TUBE WELDMENT
3	06501558	1	PISTON
4	06501559	1	CYLINDER HEAD
5	6T0172	1	CLEVIS
-----	30172	-	CLEVIS (FOR EXTENDED BOOM)
	06501560	-	SEAL REPAIR KIT (ITEMS 6 THROUGH 12)

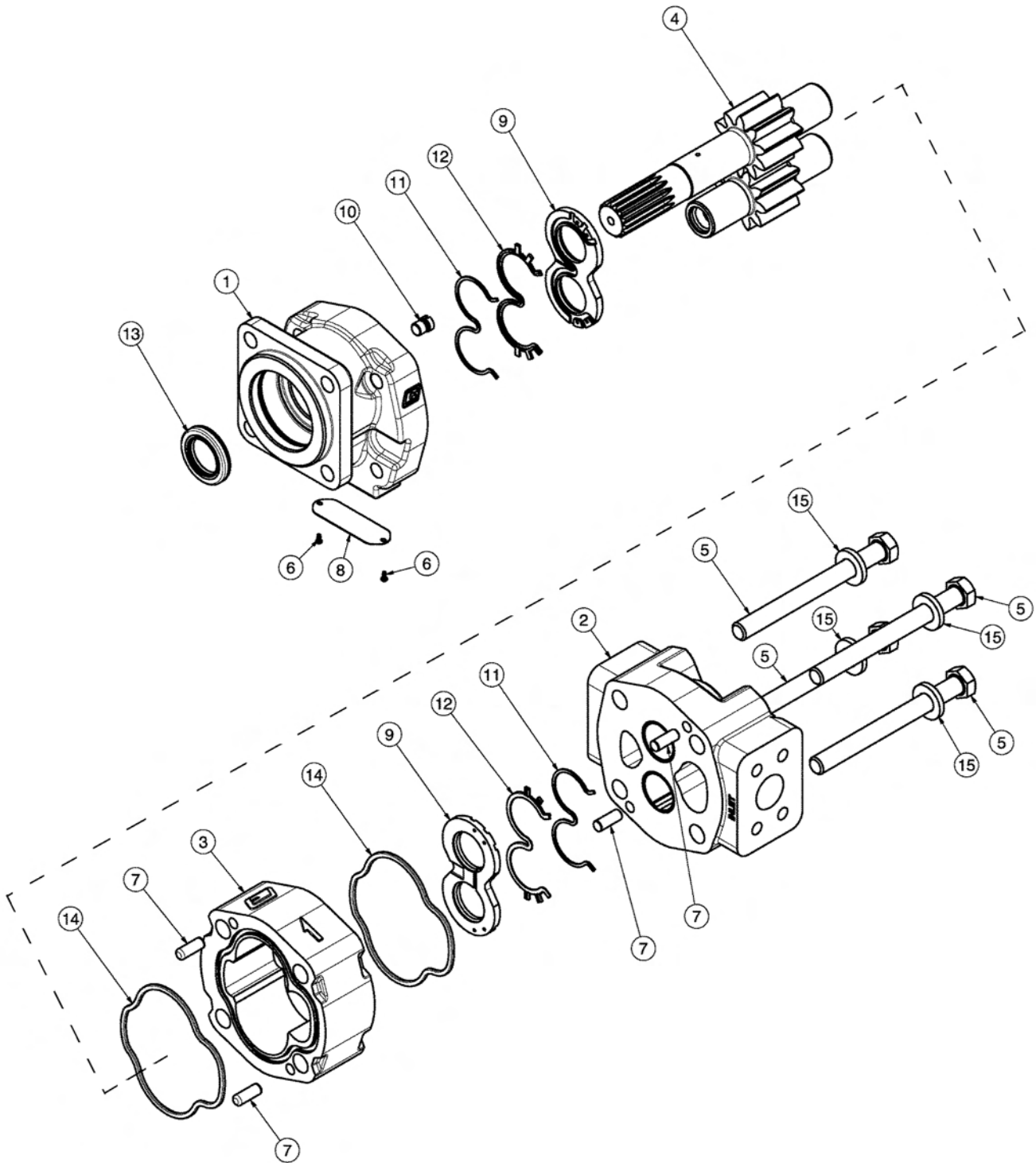
RESERVOIR TANK FILTER ASSEMBLY



ITEM	PART NO.	QTY.	DESCRIPTION
-----	06505044	-	FILTER ASSY SAE 10 MICRON
1	28583	4	CAPSCREW,8MM X 25MM(1.25 PITCH)
2	06505045	1	COVER
3	06505046	1	SEAL KIT
4	06505047	1	SPRING
5	06505048	1	BYPASS
6	35259	1	FILTER,10 MIC,RETURN LINE
7	06505049	1	CAN/BODY

COMMON LYNX

FRONT HYDRAULIC PUMP



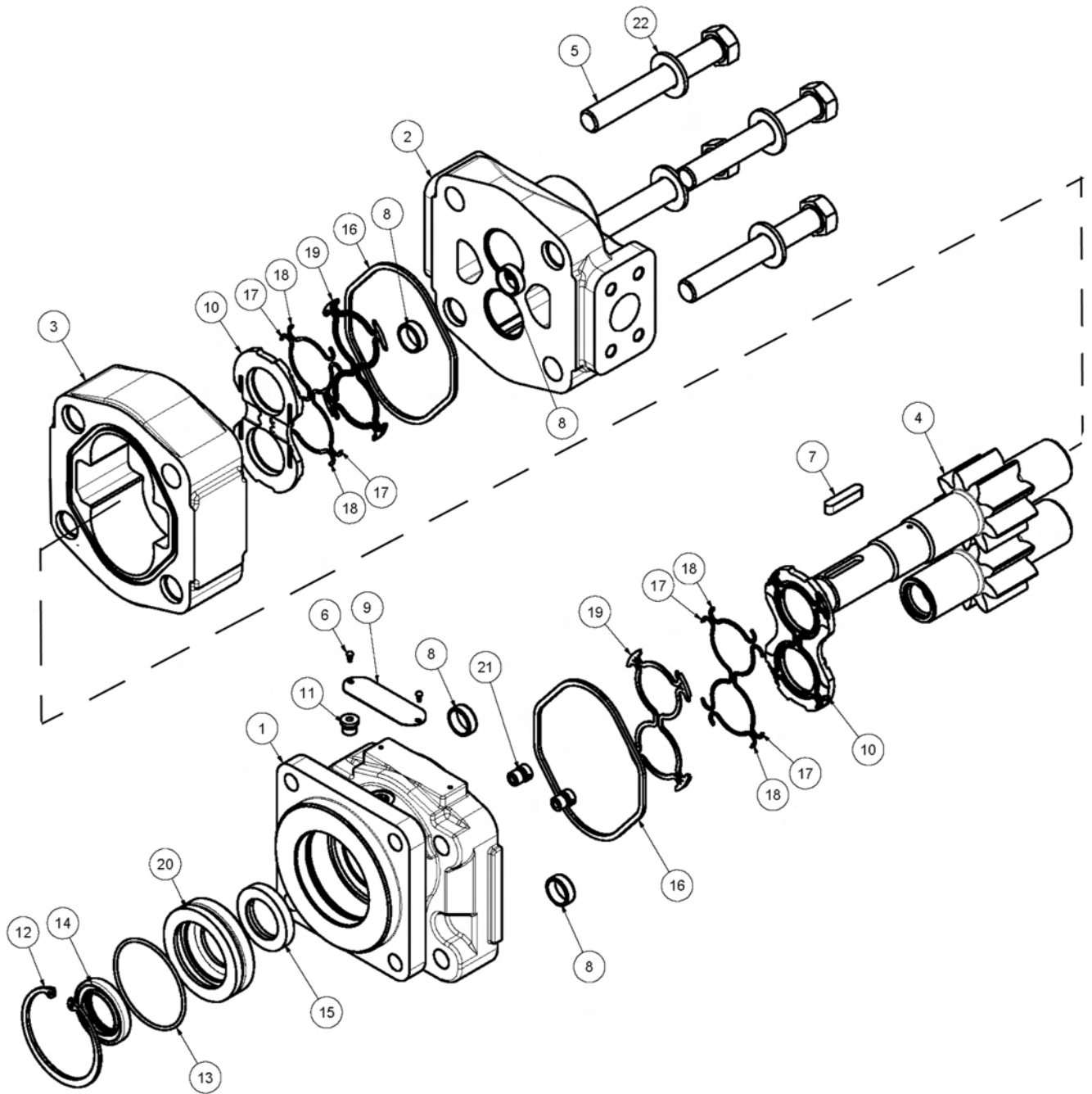
FRONT HYDRAULIC PUMP

Continued...

ITEM	PART NO.	QTY.	DESCRIPTION
---	23152	1	PUMP ASSEMBLY,1-3/4",COMPLETE
1	22766	1	SHAFT END COVER
2	22779	1	PORT END COVER
3	22774	1	GEAR HOUSING,1-3/4"
4	22771	1	GEAR SET
5	23824	4	CAPSCREW
6	06504078	2	SCREW,DRIVE
7	22773	4	DOWEL PINS
8	06504077	1	NAMEPLATE
9	22770	2	THRUST PLATE
10	22767	1	PLUG
11	06504075	2	SEAL,BK-UP
12	06504074	2	SEAL,CHAN
13	22765	1	SEAL,LIP
14	06504076	2	SEAL,SQ-R
15	02961917	4	WASHER
---	24150	1	SEAL KIT (INCLUDES 11, 12, 13 AND 14)

COMMON LYNX

50IN AND 60IN ROTARY MOTOR BREAKDOWN

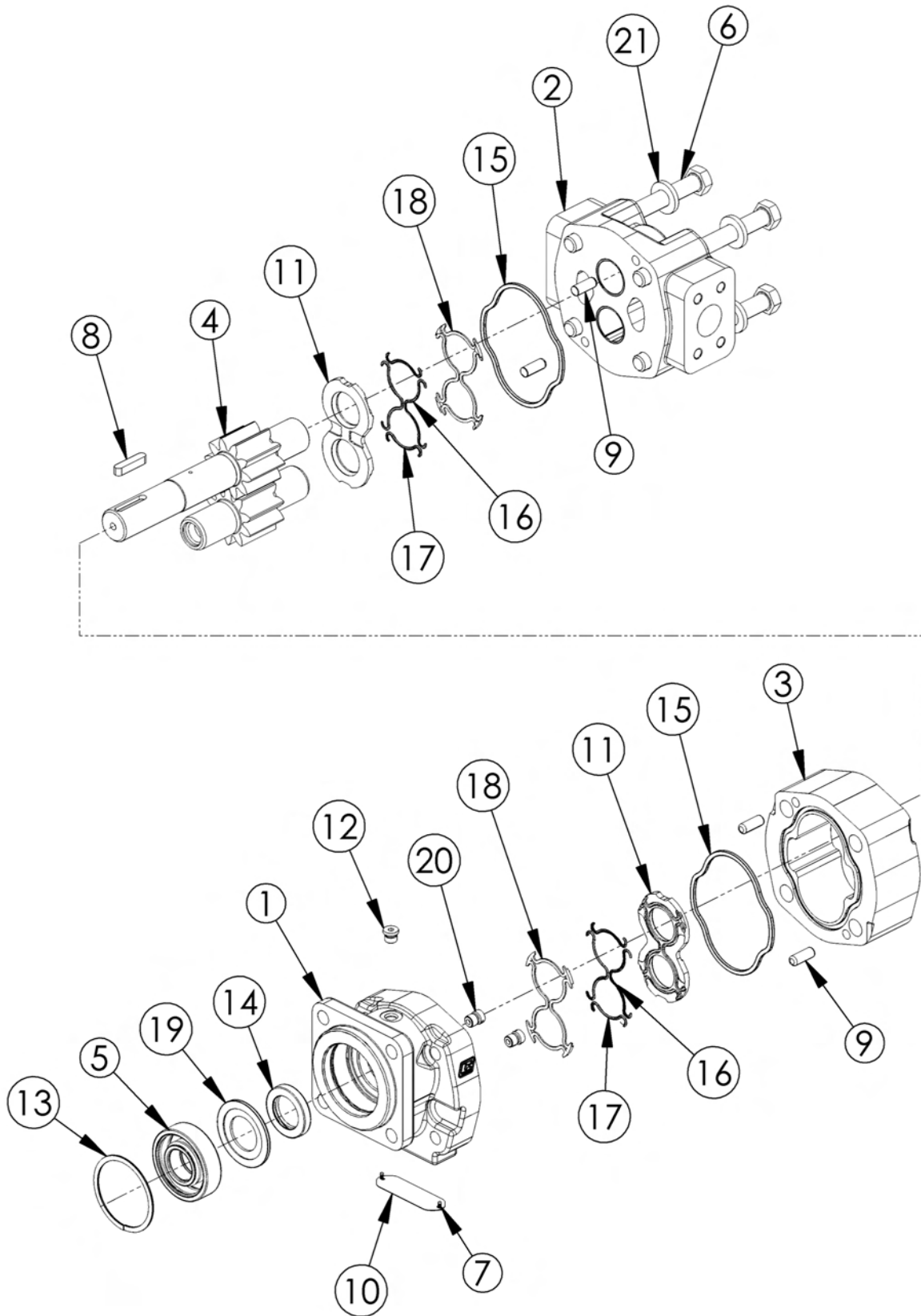


50IN AND 60IN ROTARY MOTOR BREAKDOWN

Continued...

ITEM	PART NO.	QTY.	DESCRIPTION
	06504011	-	MOTOR ASSEMBLY,TRB60
	06504012	-	MOTOR ASSEMBLY,TRB50
1	22790	1	HOUSING, SEC
2	06504088	1	HOUSING, PEC
3	06504062	1	HOUSING, GEAR,TRB60
-----	06504089	-	HOUSING, GEAR,TRB50
4	06504090	1	SET, GEAR SHAFT
5	06504104	4	CAP SCREW,TRB60
-----	06504091	-	CAP SCREW,TRB50
6	06504078	2	SCREW, DRIVE
7	06504092	1	KEY
8	06504093	4	PIN, DOWEL
9	06504094	1	NAME PLATE
10	06504095	2	THRPL
11	2961940	1	PLUG, ODT
12	2962200	1	RING, SNAP
13	06504096	1	O RING
14	6T5101	1	SEAL, LIP
15	06504097	1	SEAL, LIP
16	22797	2	SEAL, SQ-R
17	06504098	4	SEAL, SIDE CHAN
18	06504099	4	SEAL, END CHAN
19	06504100	2	SEAL, BK-UP
20	06504101	1	RTNR, SEAL
21	6T5809	2	CHECK ASS'Y
22	06504102	4	WASHER
-----	06504103	-	SEAL KIT

50IN AND 63IN FLAIL MOTOR BREAKDOWN

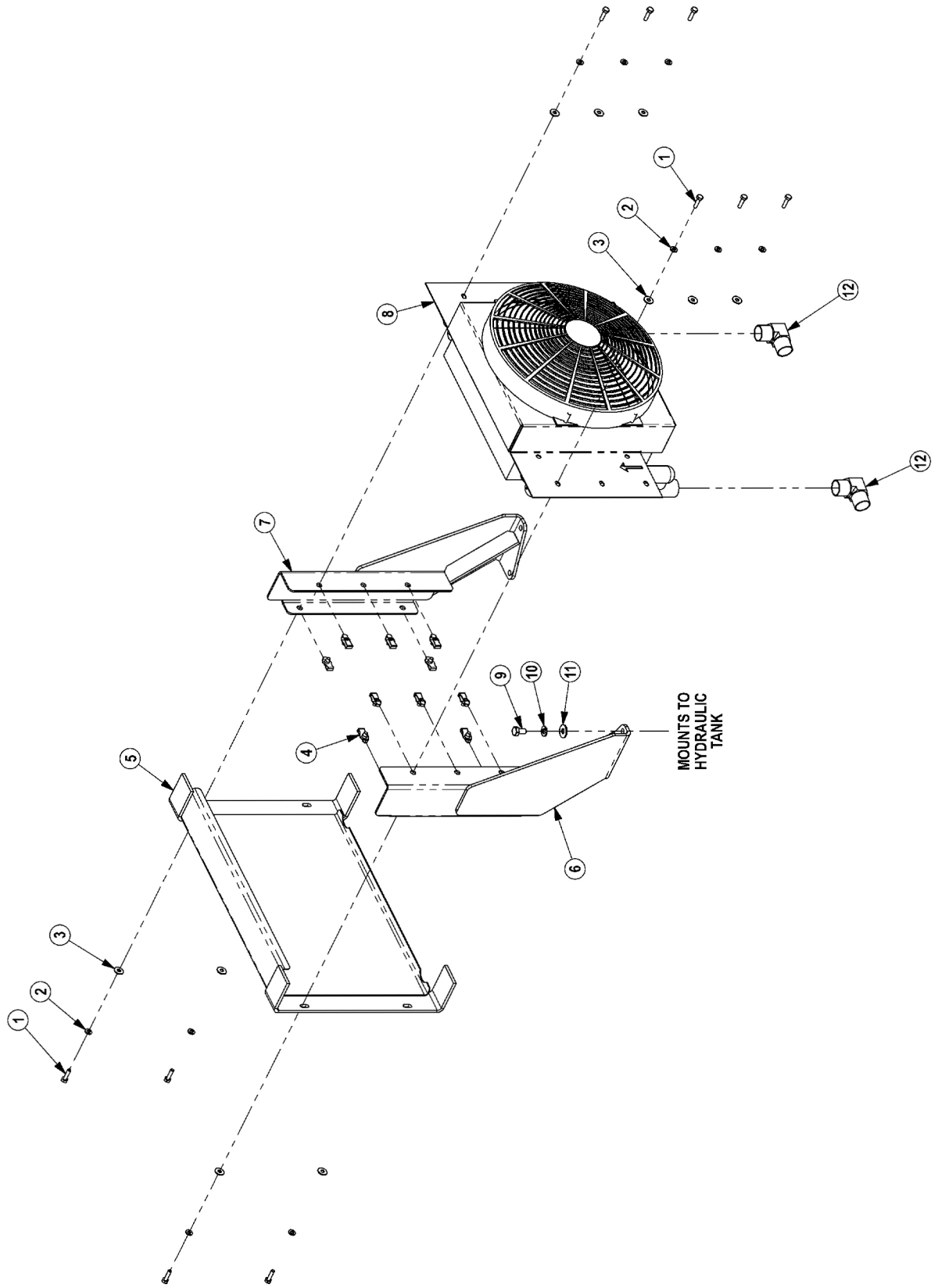


50IN AND 63IN FLAIL MOTOR BREAKDOWN

Continued...

ITEM	PART NO.	QTY.	DESCRIPTION
-----	06504354	-	MOTOR ASSEMBLY 350 - TBF50, TBF63
1	06504039	1	SHAFT END COVER
2	06504040	1	PORT END COVER
3	06504041	1	GEAR HOUSING
4	06504042	1	MATCHED GEAR SET
5	TF4402	1	BALL BEARING
6	06504043	4	CAP SCREW
7	06504044	2	SET SCREW
8	06504028	1	KEY
9	06504045	4	DOWEL PIN
10	-----	1	NAMEPLATE
11	763759	2	THRUSTPLATE
12	02961940	1	HEX PLUG
13	TF4401	1	SNAP RING
14	06504049	1	LIP SEAL
15	TF4410	2	GASKET SEAL
16	06504046	4	SIDE SEAL
17	06504047	4	END SEAL
18	TF4407	2	BACK-UP SEAL
19	06504048	1	SEAL RETAINER
20	6T5809	2	CHECK ASSEMBLY
21	02961917	4	WASHER
-----	06504023	-	SEAL KIT (INCLUDES 14, 15, 16, 17, AND 18)

COOLER OPTION



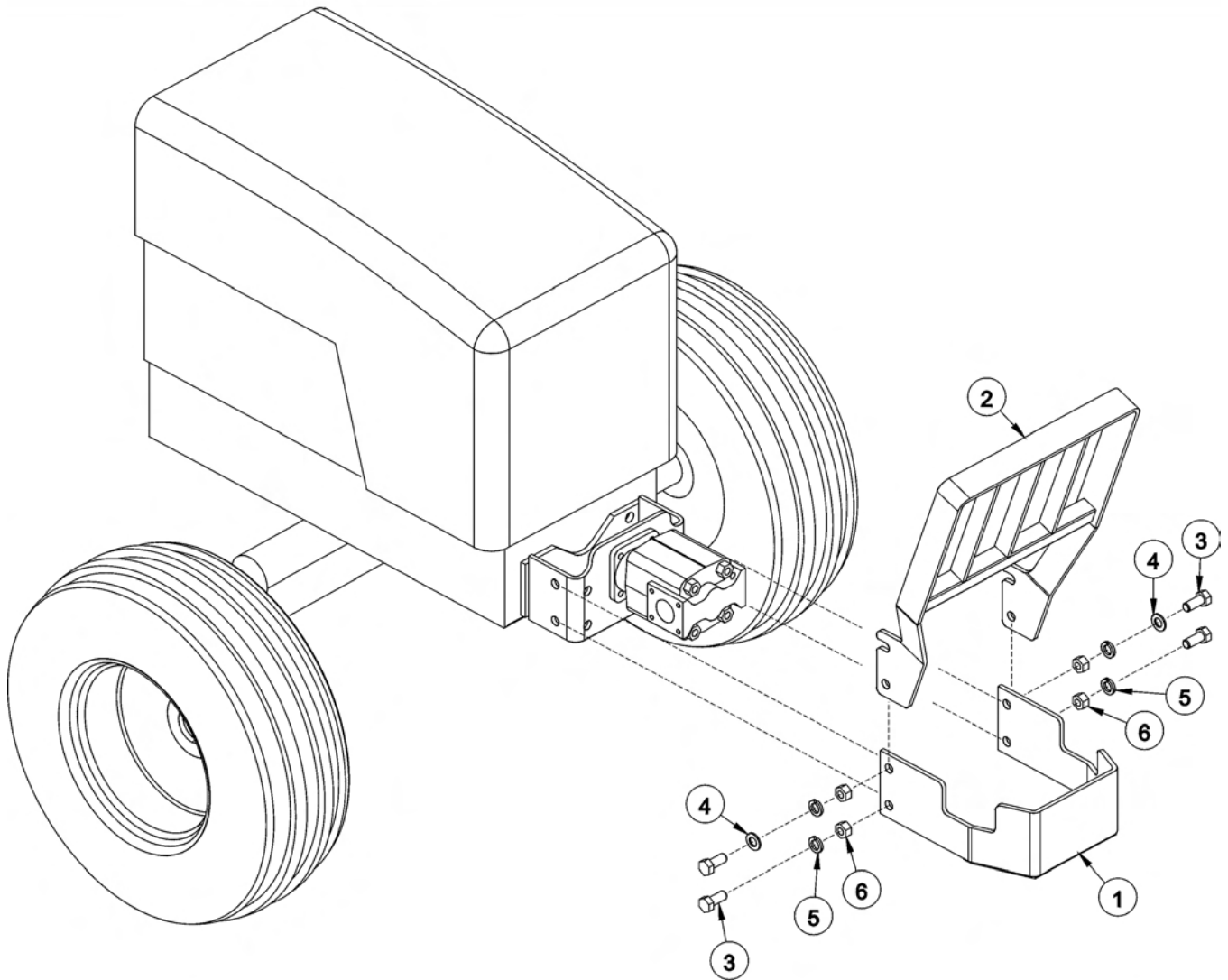
COOLER OPTION

Continued...

ITEM	PART NO.	QTY.	DESCRIPTION
1	21530	10	CAPSCREW,1/4 X1 NC
2	21986	10	LOCKWASHER,1/4
3	22014	10	FLATWASHER,1/4
4	35176	10	1/4 U-NUT
5	06370015	1	SCREEN,COOLER,FRNT
6	06380006	1	MNT,COOLER,BUMPER TANK,RH
7	06380007	1	MNT,COOLER,BUMPER TANK,LH
8	06510026	1	COOLER,FRONT MNT
---	06510029	1	FAN ASSY, ONLY
9	21629	4	CAPSCREW,3/8 X 3/4 NC
10	21988	4	LOCKWASHER,3/8
11	22016	4	FLATWASHER,3/8
12	34117	2	ELBOW,1MOR X 1MJ90,FORGED

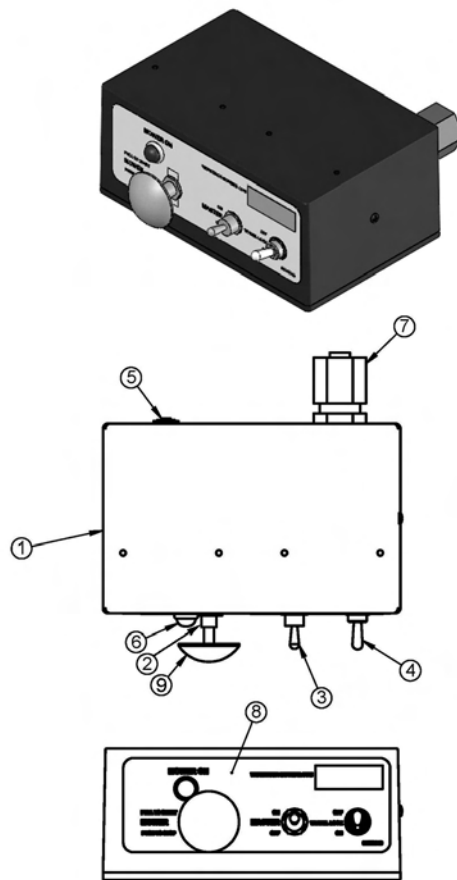
COMMON LYNX

PUMP AND GRILL GUARD OPTIONS



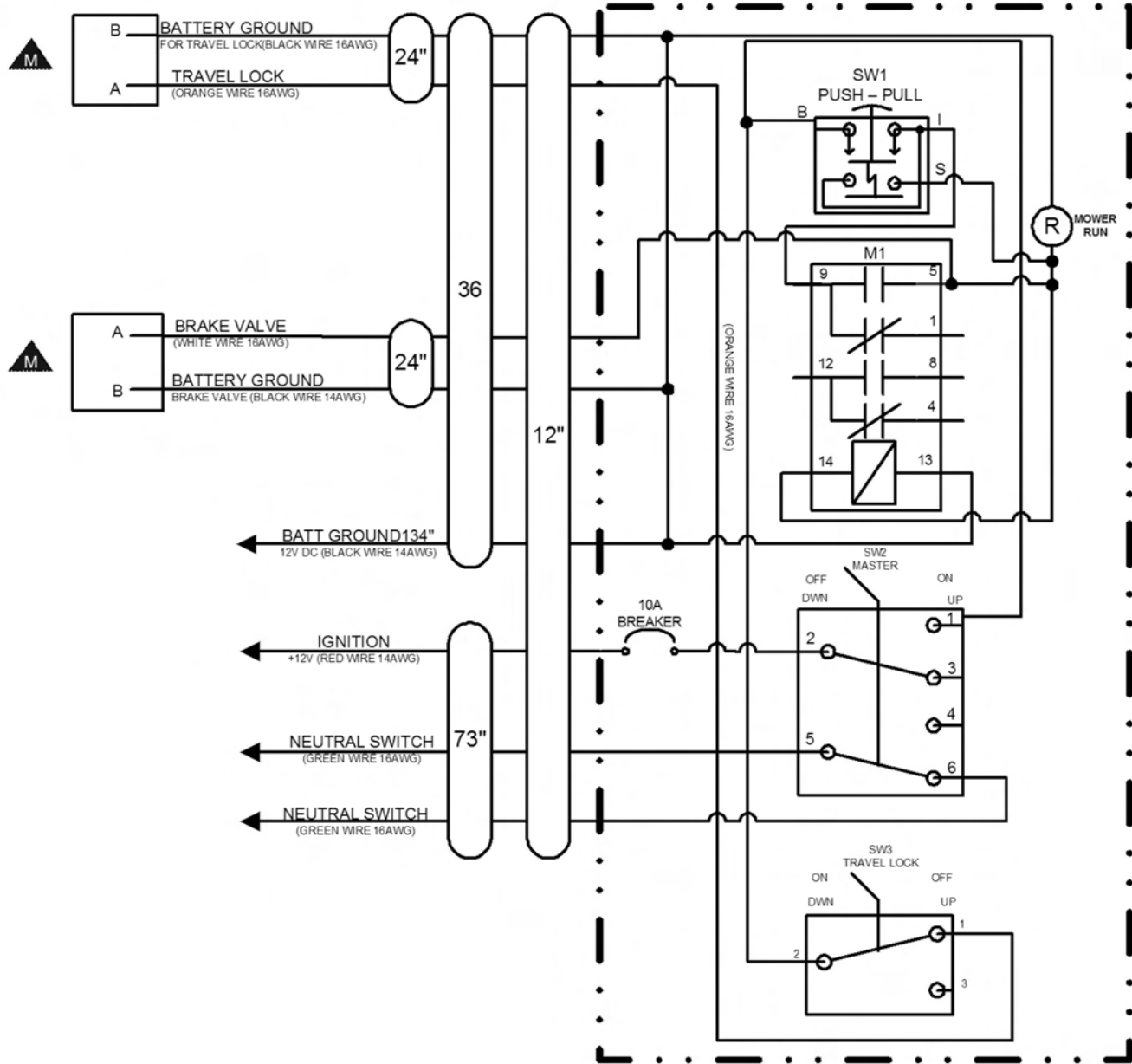
ITEM	PART NO.	QTY.	DESCRIPTION
1	32430	1	UNIVERSAL PUMP GUARD
2	32737	1	UNIVERSAL GRILL GUARD
3	21833	4	CAPSCREW,3/4" X 2-1/4",NC
4	22021	2	FLATWASHER,3/4"
5	21993	4	LOCKWASHER,3/4"
6	21825	4	HEX NUT,3/4",NC

MANUAL LIFT VALVE SWITCH BOX

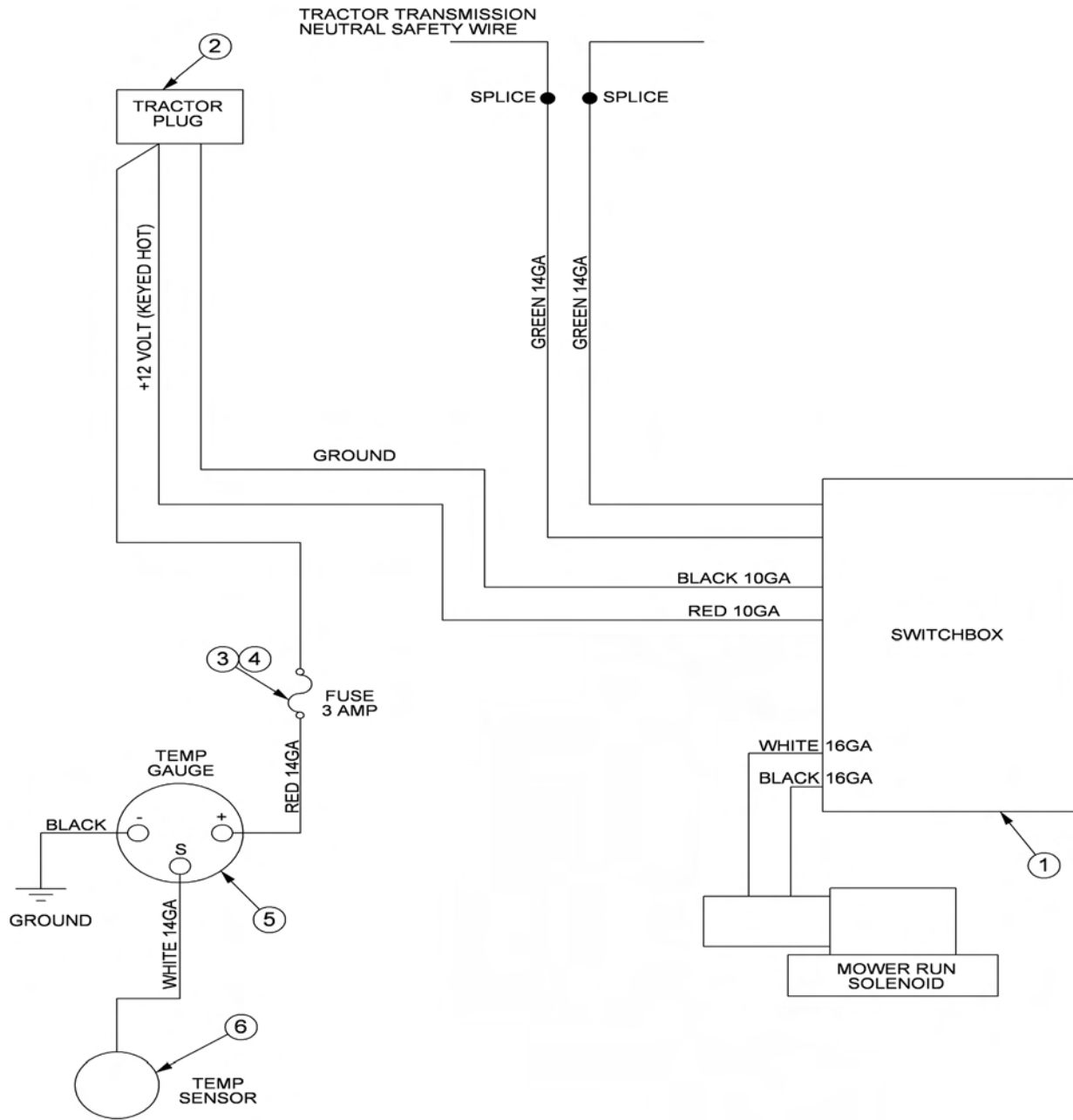


ITEM	PART NO.	QTY.	DESCRIPTION
1	06514012	1	SWBX,ALUM,BLK,06510100
2	35226	1	SWITCH,MOWER,COLEHERSEE
3	33811	1	SWITCH,MASTER/DECK FLOAT
4	34532	1	SWITCH,TRVL LCK
5	06514014	1	BREAKER,10A,SWBX
6	6T3923	1	INDICTATOR LIGHT,ON,RED
7	34540	1	STRAIN RELIEF,3/4,BLACK,NYLON
8	06550019	1	DECAL,SWTCHBX,BOOM,CG
9	02964063	1	KNOB,RED
10	35227	1	RELAY,DP,DT,12V,LY2F,35226

MANUAL LIFT VALVE SCHEMATIC

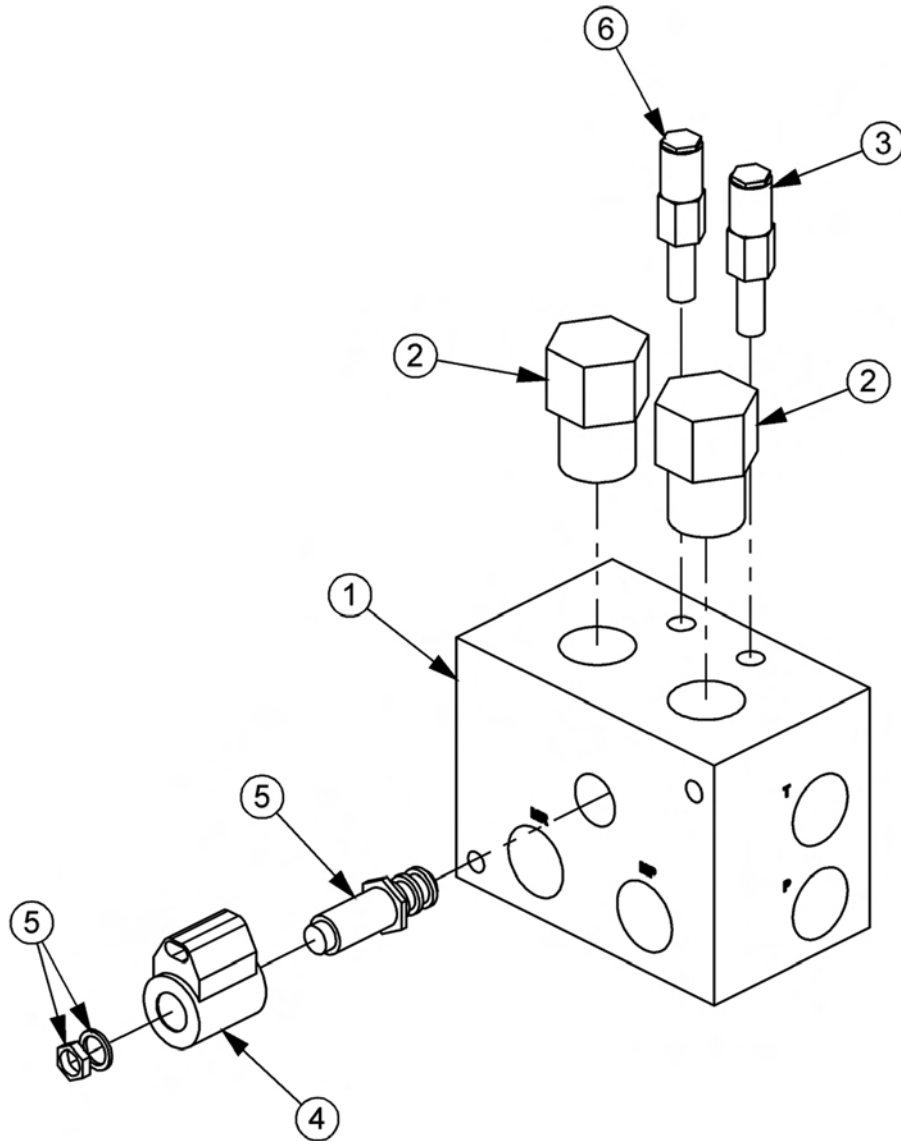


SOLENOID SWITCH BOX AND WIRING



ITEM	PART NO.	QTY.	DESCRIPTION
1	-----	-	SWITCH BOX
2	RE37651	1	PLUG,AUX PWR
3	24204	-	FUSE HOLDER,IN-LINE (OPTION)
4	6T3965	-	FUSE,3AMP (OPTION)
5	6T3934	-	TEMPERATURE GAUGE (OPTION)
6	6T3931	-	TEMPERATURE SENSOR (OPTION)

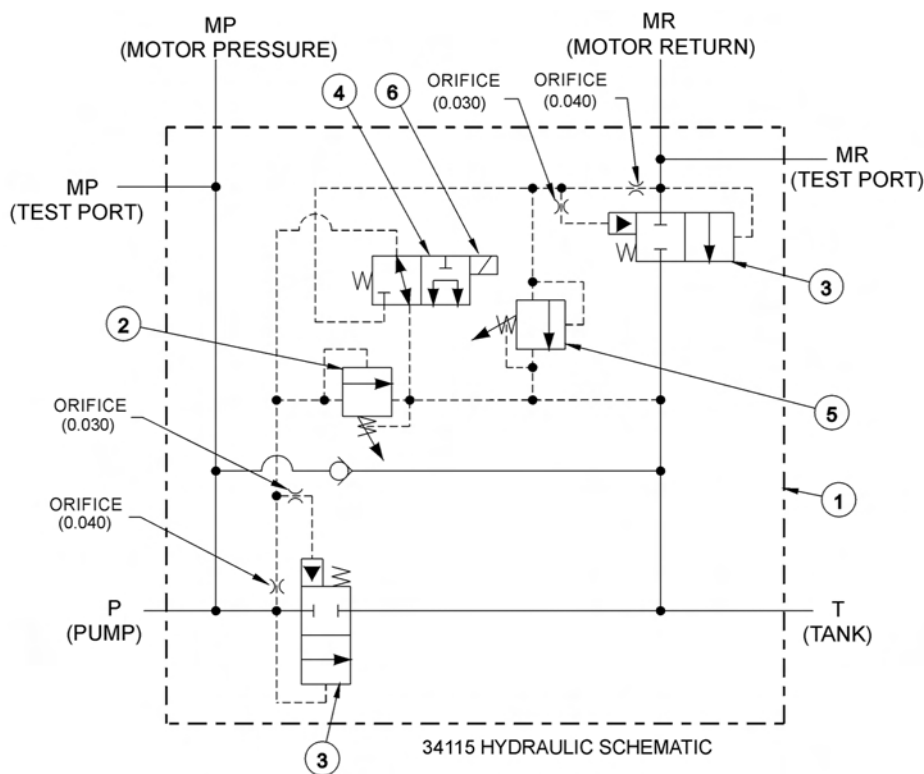
BRAKE VALVE ASSEMBLY



ITEM	PART NO.	QTY.	DESCRIPTION
---	06510083	1	BRAKE VALVE, ASSY
1	34092	1	BRAKE VALVE, BLANK
2	34094	2	LOGIC ELEMENT
3	34095	1	RELIEF VALVE, 3000 PSI
4	06510095	1	METRI PAK COIL
5	34093	1	CARTRIDGE, 2 POSITION, 3 WAY (WITH NUT & WASHER)
6	34091	1	RELIEF VALVE, 2600 PSI
---	34096	2	RELIEF SEAL KIT
----	34097	1	SOLENOID SEAL KIT
---	34098	2	ELEMENT SEAL KIT

COMMON LYNX

BRAKE VALVE HYDRAULIC SCHEMATIC



BRAKE VALVE TROUBLESHOOTING

FAILURE MODE:

- MOWER WILL NOT START - system pressure is low (engine not lugging).
- MOWER WILL NOT START - system pressure is high (engine lugging). "MR" port will be high pressure.
- MOWER WILL NOT ROTATE AT FULL SPEED - limited power.
- MOWER BLADE WILL NOT STOP - blade will not stop in proper time.

CHECK STEPS

- 1 thru 6
- 7
- 3 thru 5
- 7 thru 9

CORRECTIVE STEPS:

1. Check for voltage at solenoid (item 6), voltage must be between 10.2 volts and 13.8 volts.
2. Remove, inspect solenoid and cartridge (items 4, 6) for wear or contamination.
3. Remove, inspect logic elements near "P" port (item 3) for wear or contamination.
4. Remove, inspect 3000 psi relief valve (item 2) for wear or contamination.
5. Remove and inspect orifices near "P" port for contamination.
6. Remove "P" port hose and fitting, visually inspect for contamination, check ball for movement.
7. Remove and inspect orifices near "MR" port for contamination.
8. Remove, inspect 2600 psi relief valve (item 5) for wear of contamination.
9. Remove, inspect logic element near "MR" port (item 3) for wear or contamination.

NOTES

CLEAN CUTTER HEAD

**CLEAN CUTTER
SECTION**

CLEAN CUTTER ASSEMBLY

CAUTION!



Failure to follow the following warnings and instructions may result in serious injury or damage to the equipment or property!

CAUTION!



WARNING: The blade alone weighs approximately 145 lbs. Be sure its weight can be supported before attempting to replace. The use of a lift mechanism will ease replacement.

CLEAN CUTTER BLADE MOUNTING

The CLEAN CUTTER blade was designed for installation onto a standard TRB50 spindle. It is equipped with replaceable carbide tipped teeth. Carbide is very hard, it will chip or break on impact. Handle the saw blade with care. **DO NOT** roll saw on any hard surface or allow it to strike a hard object. Set it down on a piece of belting or wood to avoid damaging carbide tips. Install two temporary(2) threaded studs into (2) opposite holes in the spindle. Align the bolt holes in adapter (part number 33875) with the studs and slide adapter over studs, be sure to index adapter so as the protruding 2 7/8" diameter pilot on the adapter faces outward away from spindle. Then slide the saw blade (part number 33874) over the studs and onto the 2 7/8" diameter pilot of the adapter. **NOTE:** Orient blade for clockwise rotation (blade rotates clockwise when looking down on top of mower deck). Then slide the collar (part number 33876) over the studs with the chamfered edge of collar to the outside, be sure the counterbore bolt holes face outward. Apply Loctite "271" to the threads of the 5/8-18 x 3" UNF Grade 8 bolts (part number 33877), and install lock washers (part number 21992) onto the bolts, then install bolts through collar, blade, and adapter into the spindle. Remove the threaded studs, and replace with bolts and lockwashers. Torque bolts in an alternating pattern to 184 Ft-lbs.

DANGER!



Never work under the Implement, the framework, or any lifted component unless the Implement is securely supported or blocked up to prevent sudden or inadvertent falling which could cause serious injury or even death.



CLEAN CUTTER OPERATION

DANGER!



Never operate the Tractor or Implement until you have read and completely understand this Manual, the Tractor Operator's Manual, and each of the Safety Messages found in the Manual or on the Tractor and Implement. Learn how to stop the tractor engine suddenly in an emergency. Never allow inexperienced or untrained personnel to operate the Tractor and Implement without supervision. Make sure the operator has fully read and understood the manuals prior to operation.



OPERATING INSTRUCTIONS

Inspect clean cutter saw before each use. Re-torque spindle bolts to 204 Ft-lbs. Inspect blade around collar and near the teeth for bends and cracks. Check for loose, broken, chipped, dull or missing teeth. Tighten all loose teeth by hammering and or replacing rivets. If teeth are broken, chipped, or missing or if blade is cracked or becomes bent remove blade and have it repaired at an approved service center. Call Tiger Service Department for replacement parts and service.

The TRB50 Clean Cutter is intended for clean cutting trees and brush up to six (6) inches in diameter maximum. Turn mower "ON" while tractor is running at idle RPM. Then increase tractor speed to 1,950 RPM maximum. Note, this tractor engine speed produces a mower speed of 1,500 RPM. **DO NOT operate the clean cutter mower at speeds in excess of 1,500 RPM.** If saw blade wobbles in excess of two (2) inches while tractor is idling, **STOP**, remove the blade and have it repaired in an approved service center. Call Tiger Service Department for replacement parts and service.

Allow saw to accelerate to maximum speed before moving into foliage. Advance mower head smoothly in foliage. Allow saw to cut through material, do not force or over feed. If saw slows excessively, move the head out of the foliage, and allow the saw to achieve maximum speed. **DO NOT** move up or down or roll mower head while cutting through heavy foliage. **DO NOT** use clean cutter mower on the ground. The saw blade is equipped with carbide tips, which are very hard. Striking rocks, steel, concrete, or other similar debris will break these tips.

Badly worn teeth increase stress to the saw blade and require more horsepower to cut than sharp teeth. Set-up a scheduled maintenance program for the saw before the teeth are dull. The saw will last longer, product a better cut, cut large diameter foliage without binding, and will cost less to operate.

Check adapter and collar every time saw is changed, maintain the .004 inch taper on face (surface against the saw blade) of these two (2) items. Always clean adapter and collar before mounting the blade. If adapter or collars are worn or damaged, they must be replaced.

Familiarize yourself with the machines operation and correct operating safety precautions.

CLEAN CUTTER OPERATION - CONTINUED

WARNING!



Excessive wobble will generate heat in the blade, rapidly accelerating the loss of tension. The overheated blade will then rub against the foliage as it is cutting, again increasing the heat in the blade and intensifying the wobble. The blade may then weaken, crack and eventually fail. **NEVER RUN A BLADE THAT IS CRACKED OF BENT.**

DANGER!



Always keep a careful lookout and use extreme care when working around overhead obstructions. Never allow the Mower head or boom within 10 feet of any power line. When working close to overhead power lines consult your electric company for a safe code of operation.



WARNING!



Do not put hands or feet under mower decks. Blade Contact can result serious injury or even death. Stay away until all motion has stopped and the decks are securely blocked up.



DANGER!



Never operate the Tractor and Mower Unit without an OPS (Operators Protective Structure) or Cab to prevent injury from objects thrown from ground or from overhead trimming. Stop mowing if workers or passersby are within 100 yards.



WARNING!



CAUTION: Never leave the key in the ignition switch. Also personal injury or death can occur from sudden dropping or inadvertent operation of the controls. Make certain the area is clear before lowering or raising the deck.

MAINTENANCE INSTRUCTIONS

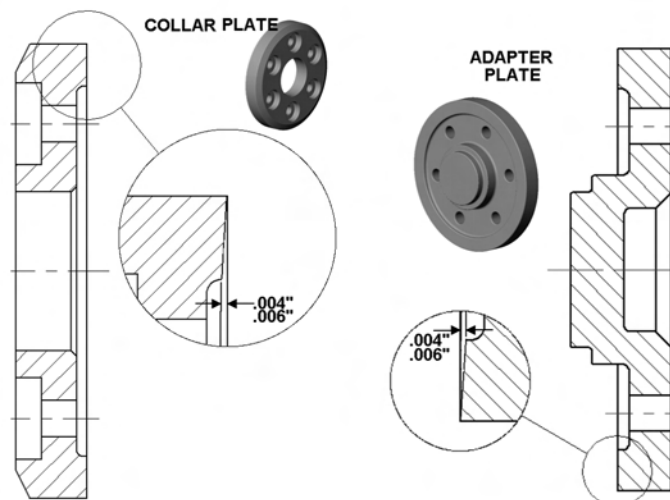
Inspect clean cutter saw before each use. Re-torque spindle bolts in an alternating pattern to 204 ft-lbs. Check for loose, broken, chipped, dull or missing teeth. Tighten all loose tooth assemblies by hammer and or replacing rivets. If teeth tips are broken, chipped, or missing, replace tip or replace entire tooth assembly. **NEVER RUN SAW BLADE WITH MISSING TOOTH ASSEMBLY.** If saw blade is cracked, becomes bent or wobbles in excess of two (2) inches while the tractor is idling, **STOP**, remove blade and have it repaired at an approved service center. Call Tiger Service Department for replacement parts and service.

These saw blades are pre-tensioned after the tooth assemblies are riveted in place. This pre-tensioning ensures that the blade runs true and remains true under normal cutting load. Removal of more than one or two complete tooth assemblies at a time may effect the tensioning of the blade. Before cutting always check for wobble while machine is running at idle. If blade wobbles in excess of two (2) inches, **STOP**, remove blade and have it repaired at an approved service center. The teeth tips can be replaced without removing the tooth bodies from the saw blade (see TIP REPLACEMENT PROCEDURE). This method is preferred over the entire removal of tooth assemblies.

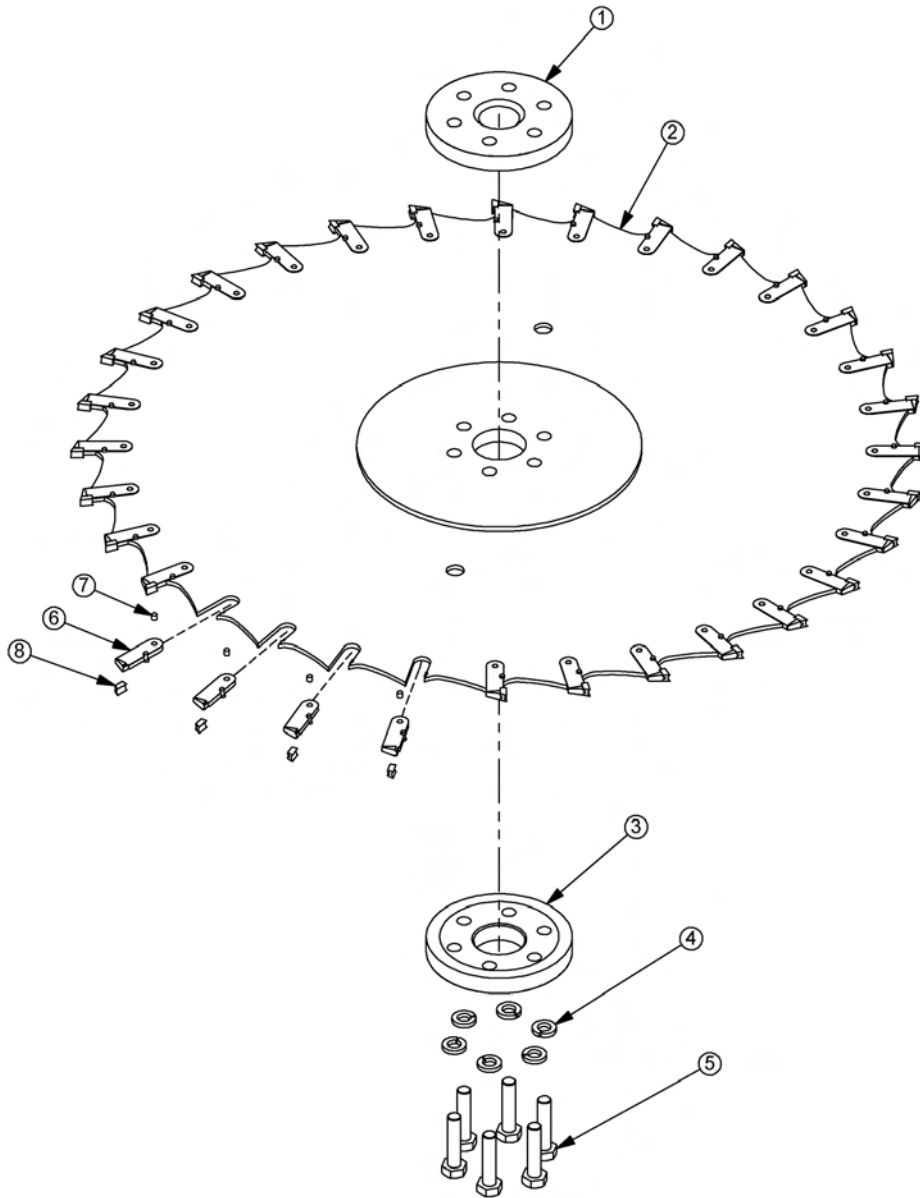
Check adapter and collar every time saw is changed, maintain the .004 to .006 inch taper (see figure below) on inside face (surface against saw blade) of these two (2) items. Always clean inside face of adapter and collar before mounting the blade. If adapter or collars are worn, chipped, or damaged, they must be replaced.

Any saw blade (regardless of condition) that has seen regular use should be serviced at least once a year at an approved service center.

Spare saw blades should be stored in a dry environment and transported only on the wooden crates that are supplied with the saw blade.



CLEAN CUTTER BLADE AND TEETH PARTS

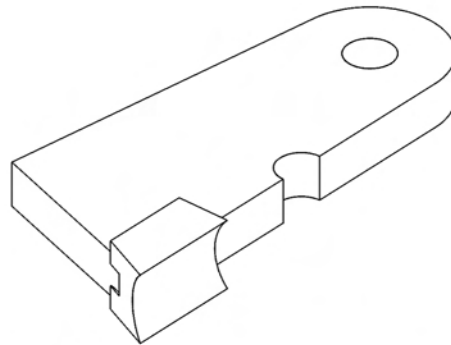


ITEM	PART NO.	QTY.	DESCRIPTION
1	06420024	1	ADAPTER,SAW,TRB50,RNFRCD
2	06520224	1	BLADE, 48" SAW WITH TEETH
3	06420037	1	COLLAR,SAW,TRB50,RNFRCD
4	33764	6	FLATWASHER,5/8,GR 8,SAE
5	06530209	6	CAPSCREW,5/8 X 3 3/4 NF, GR 8
6	06520225	30	TOOTH WITH RIVET, SAW BLADE
7	34703	30	TOOTH RIVET, SAW BLADE
-----	34704	-	RIVET REMOVER TOOL (NOT SHOWN)
8	34702	30	TOOTH TIP, SAW, CARBIDE
-----	34705	-	SHARPENING TOOL (NOT SHOWN)

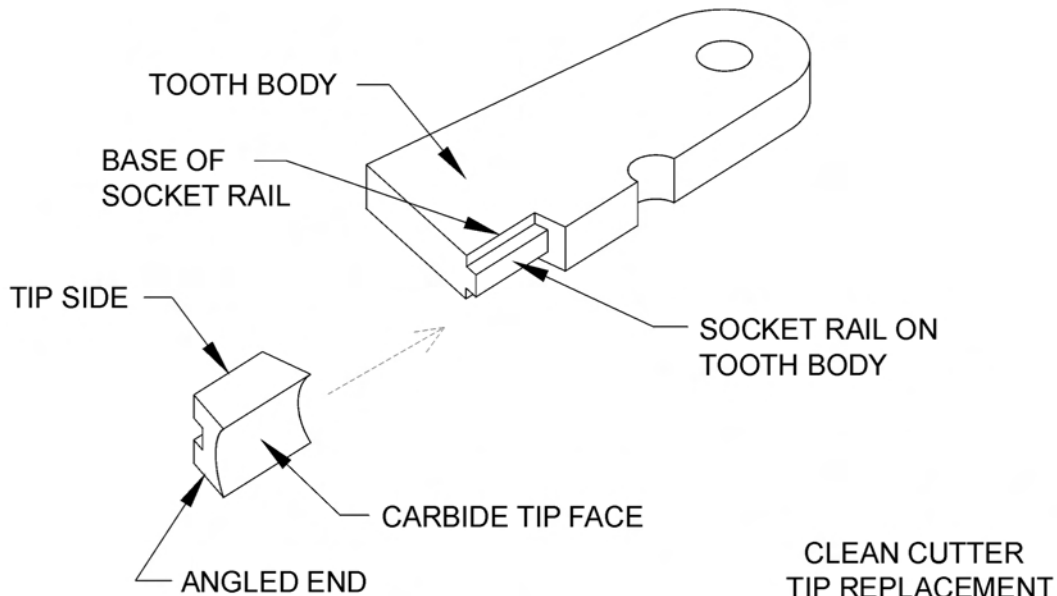
COMMON LYNX

CARBIDE TIP REPLACEMENT

1. Heat face of tip to dull orange, remove tip, then brush tooth body clean of all debris (carbon).
2. Apply acetone to socket rail on tooth body and allow it to evaporate. Dab on soldering paste (black flux) to socket rail of tooth body and slide pre-tinned tip into place.
3. Then heat tip sides and base of socket rail to ensure silver solder flows completely around base of tip. Grasp tip with tweezers and gently twist tip back and forth to ensure complete bonding of silver solder.
4. Discontinue heat, and allow to cool. Then check braze by gently tapping tip with rubber mallet.



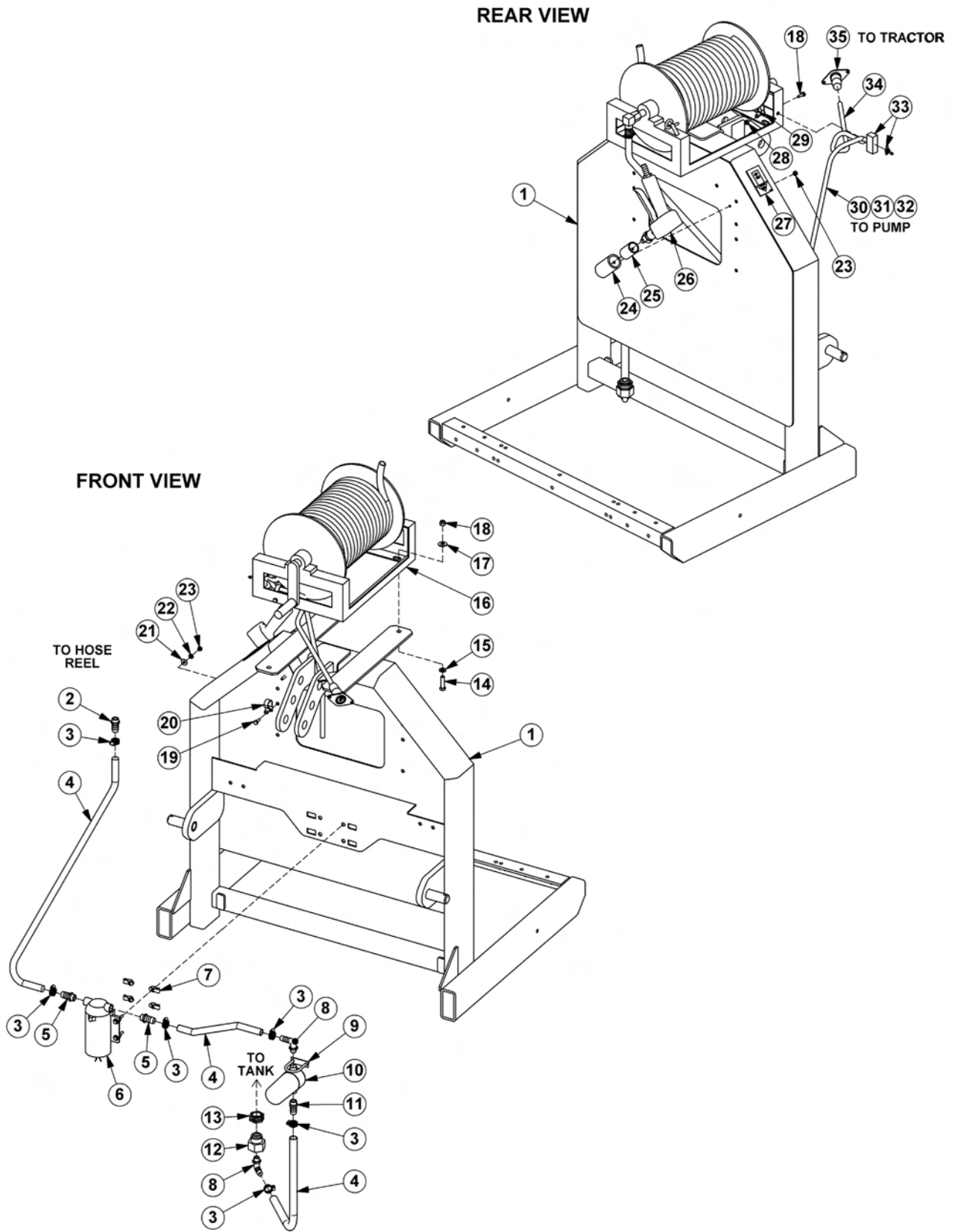
VIEW OF ASSEMBLED TOOTH



NOTES

**FIRE SUPPRESSION SYSTEM
SECTION**

FIRE SUPPRESSION 3-POINT MOUNT



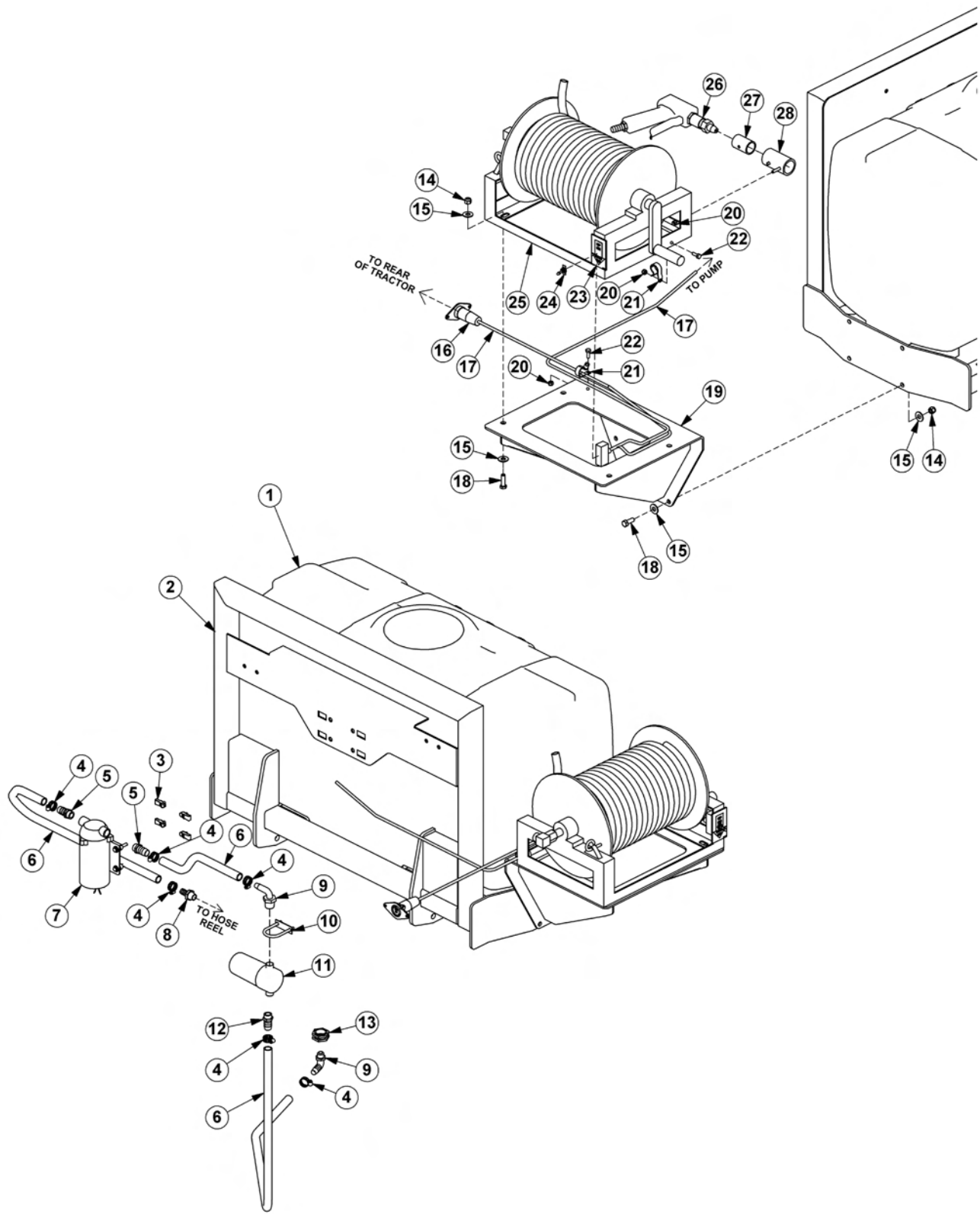
FIRE SUPPRESSION 3-POINT MOUNT

Continued...

ITEM	PART NO.	QTY.	DESCRIPTION
1	06370137	1	MOUNT,3PNT,FIRE SYS
2	06503108	1	FITTING,1/2"BARB X 1/2"MP
3	35091	6	CLAMP,HOSE,#6
4	06520469	5	HOSE,1/2",BULK (FEET)
5	06503168	2	SWIVEL,1/2"STR,POLY
6	06520359	1	PUMP,LARGE
7	35176	4	U-NUT,1/4"
8	06520367	2	ELBOW,1/2"BARB X 1/2"MP,POLY
9	27329	1	U-BOLT,1/4"
10	06520361	1	FILTER
---	06520351	1	ELEMENT,FILTER
11	06520349	1	FITTING,BARB,HOSE
12	06503169	1	REDUCER,BUSHING (100 & 150 GALLON TANKS ONLY)
13	06520346	1	FITTING,BULKHEAD (50 GALLON TANKS ONLY)
14	21632	4	CAPSCREW,3/8" X 1-1/2",NC
15	21988	4	LOCKWASHER,3/8"
16	06520360	1	HOSE REEL
17	22016	4	FLATWASHER,3/8"
18	21627	4	NYLOCK NUT,3/8",NC
19	21529	2	CAPSCREW,1/4" X 3/4",NC
20	06510258	1	CLAMP,3/4"
21	22014	1	FLATWASHER,1/4"
22	21986	1	LOCKWASHER,1/4"
23	21525	2	HEX NUT,1/4",NC
24	06370121	1	HOLSTER
25	06430090	1	SLEEVE
26	06520366	1	GUN,FIRE SYS
27	6T3222	1	DECAL
28	21527	1	NYLOCK NUT,1/4",NC
29	06510257	1	CLAMP,3/8"
30	28055	5	WIRE,BLACK,14GA (FEET)
31	24200	5	WIRE,RED,14GA (FEET)
32	22802	5	WIRE WRAP (FEET)
33	PT3905A	1	SWITCH
34	06510256	4	CABLE,14GA,4WIRE (FEET)
35	06510255	1	PLUG,7PIN,TRCTR

COMMON LYNX

FIRE SUPPRESSION FRONT MOUNT



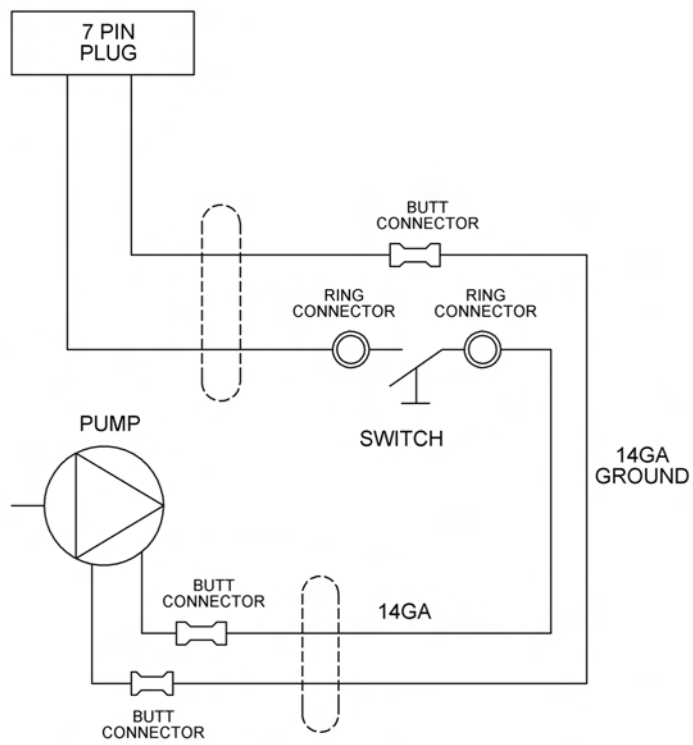
FIRE SUPPRESSION FRONT MOUNT

Continued...

ITEM	PART NO.	QTY.	DESCRIPTION
1	06520342	1	TANK,50 GALLON
2	06370204	1	MNT,TANK,FRNT,50 GALLON
3	35176	4	U-NUT,1/4,3/4 TO CENTER
4	35091	6	CLAMP,HOSE,#6
5	06503168	2	SWIVEL,1/2 STR,POLY
6	06520469	8	HOSE,1/2,SPRAYER
7	06520359	1	PUMP,FIRE KIT
8	06503108	1	FITTING,1/2" BARB X 1/2"MP
9	06520367	2	ELBOW,1/2MPX1/2BARB,POLY
10	27329	1	U-BOLT,1/4X2X1
11	06520361	1	FILTER,FIRE KIT,RAILKUT
---	06520351	1	STRAINER,40 MESH
12	06520349	1	FITTING,BARB,HOSE,WETCUT
13	06520346	1	FITTING,BULKHEAD
14	21627	8	NYLOCK NUT,3/8 NC
15	22016	16	FLATWASHER,3/8,GR8
16	06510255	1	PLUG,7PIN,TRCTR
17	06510256	22	WIRE,14GA,4WIRE (FEET)
18	21631	8	CAPSCREW,3/8X1 1/4, NC,GR8
19	06370207	1	MNT,FIRE SUPPRESSION
20	21527	3	NYLOCK NUT,1/4 NC
21	06510257	2	CLAMP,3/8X1/4,INS
22	21529	2	CAPSCREW,1/4 X 3/4 NC
23	6T3222	1	DECAL,CONTROL,ON-OFF SWITCH
24	PT3905A	1	SWITCH,MOWER
25	06520360	1	HOSE REEL,FIRE KIT,RAILKUT
26	06520366	1	GUN,FIRE KIT,RAILKUT
27	06430090	1	SLEEVE,GUN,FIRE SYS
28	06370121	1	HOLSTER,FIRESYS,RAILKUT

COMMON LYNX

FIRE SUPPRESSION SYSTEM ELECTRICAL SCHEMATIC

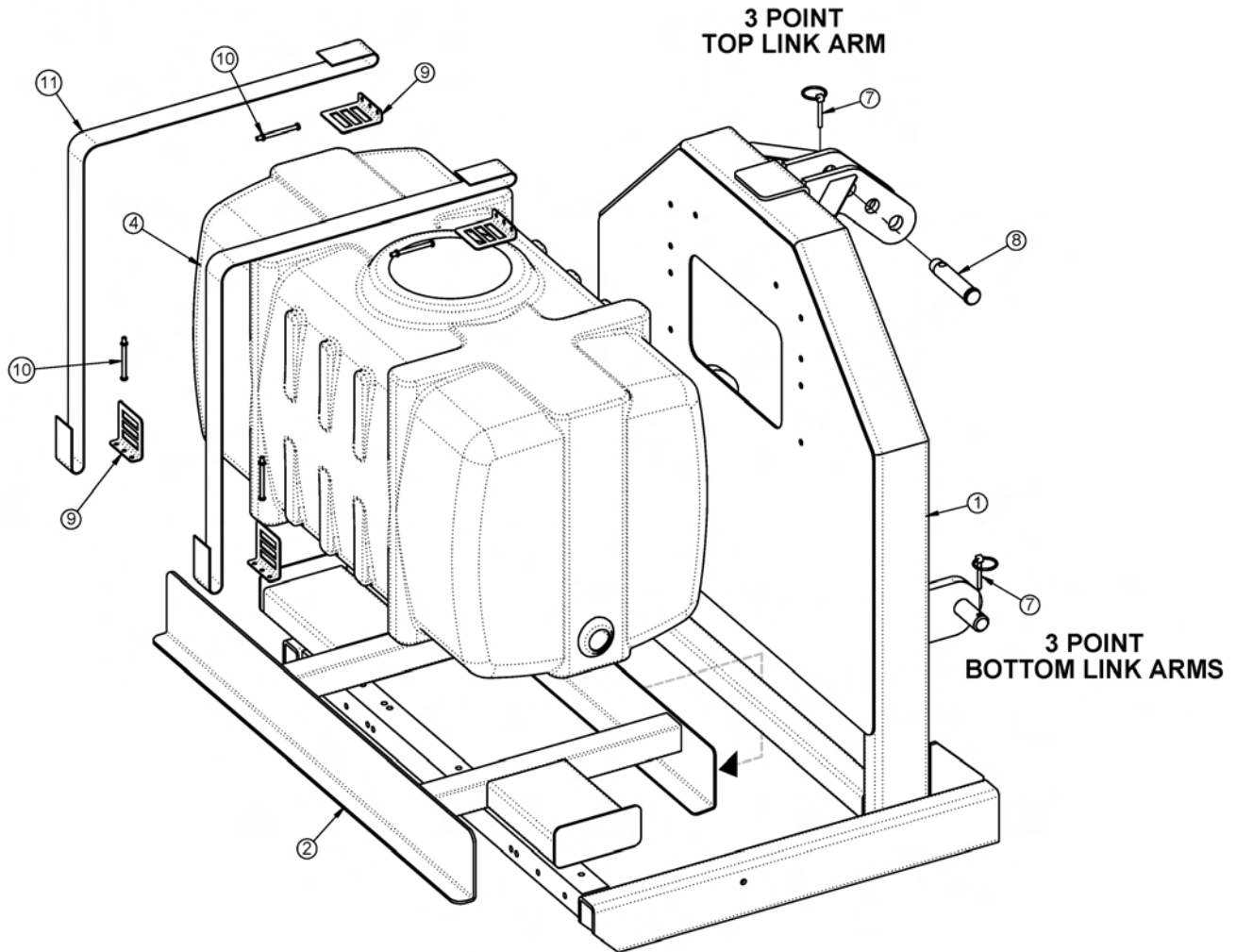


WETCUT

**WETCUT
SECTION**

WETCUT 50 GALLON TANK - 3PNT MOUNT

INSTALL ITEM 2 INTO ITEM 1 FIRST

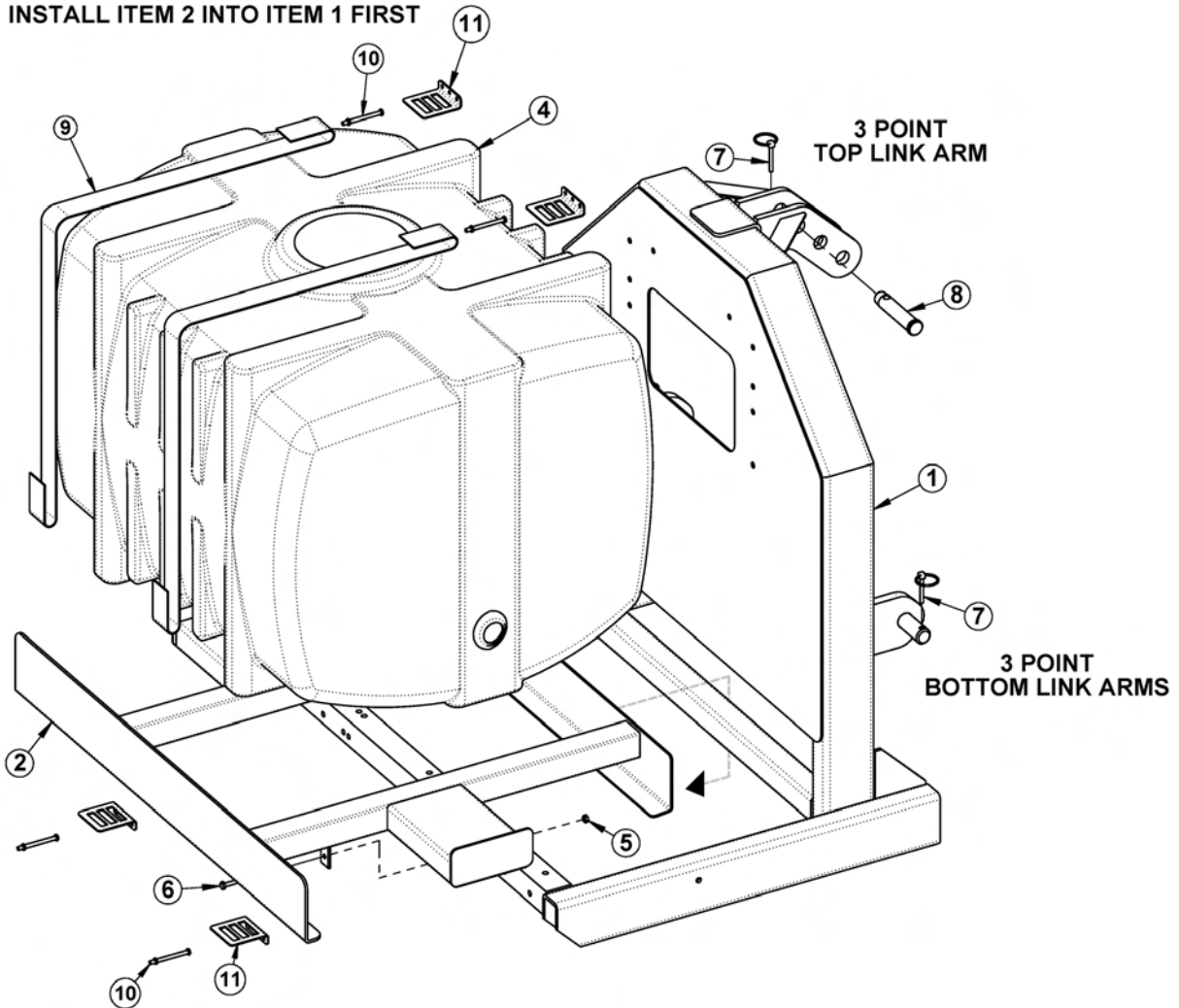


ITEM	PART NO.	QTY.	DESCRIPTION
1	06370128	1	MNT,3PNT,UNI
2	06370136	1	MNT,TANK,50GAL,WETCUT
4	06520342	1	TANK,50GA.,WETCUT
7	RD1032	3	PIN,LYNCH 1/4" X 2"
8	TB1036	1	PIN,SEC BOOM SWIV 1X4-11/16"
9	06520343	4	ANCHOR,STRAP,WETCUT
10	06520344	4	BOLT,STRAP,TANK,WETCUT
11	06520345	2	STRAP,TANK,WETCUT

COMMON LYNX

WETCUT 100 OR 150 GALLON TANK - 3PNT MOUNT

INSTALL ITEM 2 INTO ITEM 1 FIRST

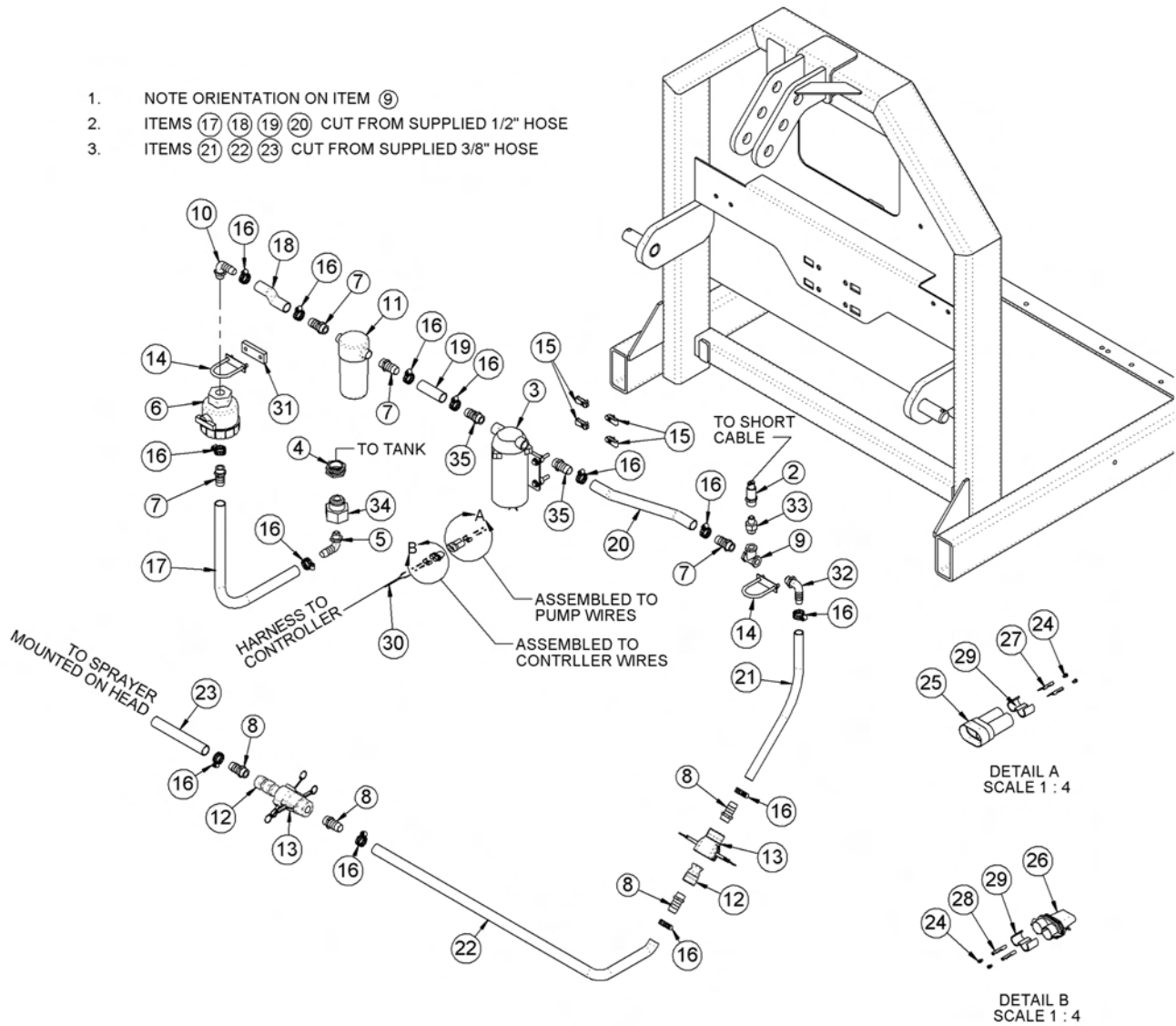


ITEM	PART NO.	QTY.	DESCRIPTION
1	06370128	1	MNT,3PNT,UNI
2	06370138	1	MNT,TANK,100GAL,WETCUT
-----	06370139	-	MNT,TANK,150GAL,WETCUT
4	06520372	1	TANK,100GA.,WETCUT
-----	06520373	-	TANK,150GA.,WETCUT
5	21527	2	HEX NUT,NYLOCK,1/4" NC
6	21530	2	CAPSCREW,1/4" X 1" NC
7	RD1032	3	PIN,LYNCH 1/4" X 2"
8	TB1036	1	PIN,SEC BOOM SWIV 1X4-11/16"
9	06520345	2	STRAP,TANK,WETCUT
10	06520344	4	BOLT,STRAP,TANK,WETCUT
11	06520343	4	ANCHOR,STRAP,WETCUT

COMMON LYNX

WETCUT 3PNT PLUMBING - 50IN MOWERS

1. NOTE ORIENTATION ON ITEM ⑨
2. ITEMS ⑰ ⑱ ⑲ ⑳ CUT FROM SUPPLIED 1/2" HOSE
3. ITEMS ㉑ ㉒ ㉓ CUT FROM SUPPLIED 3/8" HOSE



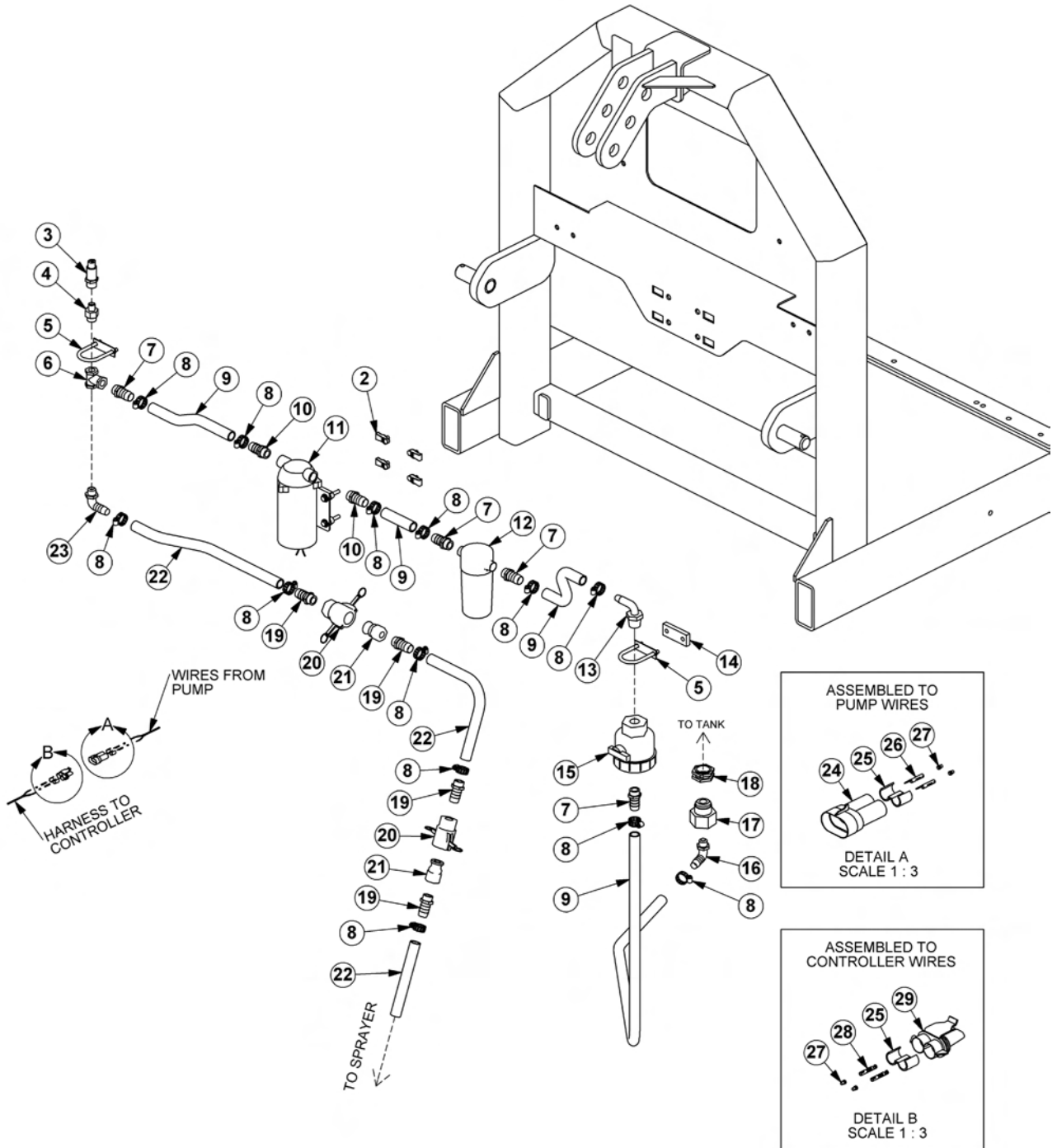
WETCUT 3PNT PLUMBING - 50IN MOWERS

Continued...

ITEM	PART NO.	QTY.	DESCRIPTION
1	06370128	1	MNT,3PNT,UNI
2	06520336	1	CNTRLR,SENSOR,06520333
3	06520341	1	PUMP,WETCUT
4	06520346	1	FITTING,BULKHEAD,WETCUT (50 GALLON TANKS ONLY)
5	06520347	1	FITTING,ELBOW,WETCUT
6	06520348	1	VLV,BALL,WETCUT
7	06520349	4	FITTING,BARB,HOSE,WETCUT
8	06503173	4	FITTING,1/2MP X 3/8" BARB
9	06520353	1	FITTING,TEE,WETCUT
10	06520367	1	ELBOW,1/2" X 1/2" BARB,POLY
11	06520361	1	FILTER,FIRE KIT,RAILKUT
12	06520400	2	QUIK CPLR,MALE,1/2",WETCUT
13	06520401	2	QUIK CPLR,FEM,1/2",WETCUT
14	27329	2	U-BOLT,1/4" X 1" X 2"
15	35176	4	U-NUT,1/4",3/4" TO CENTER
16	35091	13	CLAMP, HOSE #6
17 - 20	06520469	5	1/2" HOSE (FEET)
21 - 23	06520316	-	3/8" HOSE (INCLUDED WITH SPRAYER)
24	06510051	4	SEAL,16-18GA,METPAK
25	06510052	1	CONN.,BODY,MALE,METRIPACK 150
26	06510053	1	CONN.,BODY,FEM,METRIPACK 150
27	06510054	2	TERMINAL,MALE,16/18GA.METPAK
28	06510055	2	TERMINAL,FEM,16/18GA.METPAK
29	06510056	2	TPA
30	06520337	1	INCLUDED WITH CONTROLLER
31	06401133	1	SPACER,Ø.31" X 1.75" X .38"
32	06503165	1	ELBOW,1/2"MP X 3/8" BARB
33	06520354	1	BUSHING,REDUCER,WETCUT
34	06503169	1	BUSHING,1"MP X 1/2"FP (100 & 150 GALLON TANKS ONLY)
35	06503176	2	FITTING,BARB,3/8"MP X 1/2" BARB

COMMON LYNX

WETCUT 3PNT PLUMBING - LARGE MOWERS



WETCUT 3PNT PLUMBING - LARGE MOWERS

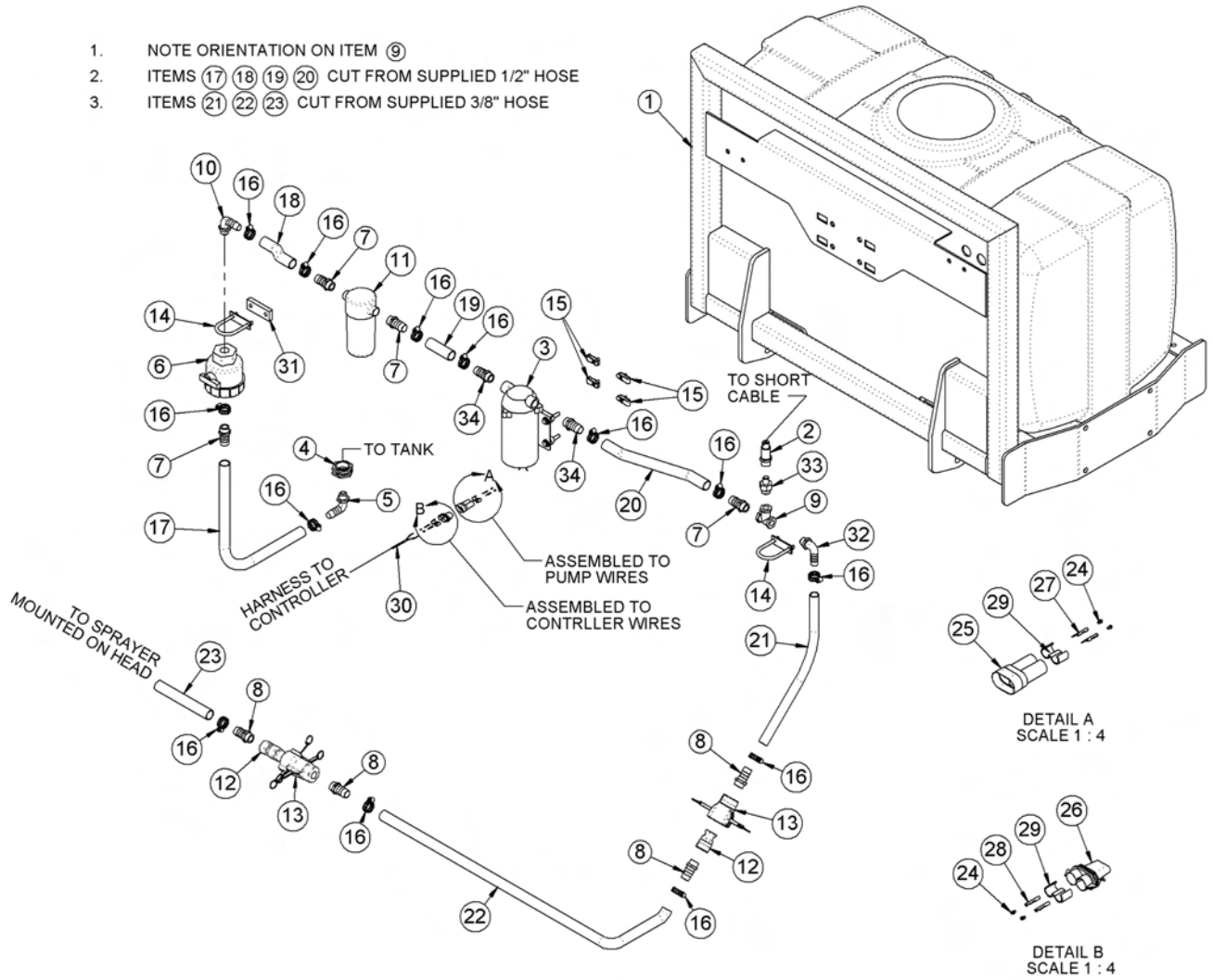
Continued...

ITEM	PART NO.	QTY.	DESCRIPTION
1	06370128	1	MNT,3PNT,UNI
2	35176	4	U-NUT,1/4,3/4 TO CENTER
3	06520336	1	CNTRLR,SENSOR,06520333
4	06520354	1	BUSHING,REDUCER,WETCUT
5	27329	2	U-BOLT,1/4" X 1" X 2"
6	06520353	1	FITTING,TEE,WETCUT
7	06520349	4	FITTING,BARB,HOSE,WETCUT
8	35091	13	CLAMP, HOSE #6
9	06520469	5	1/2" HOSE (FEET)
10	06503168	2	SWIVEL,1/2" STR
11	06520359	1	PUMP,LARGE
12	06520361	1	FILTER,FIRE KIT,RAILKUT
---	06520351	1	STRAINER,40MESH
13	06520367	1	ELBOW,1/2X1/2BARB,POLY
14	06401133	1	SPACER,Ø.31X1.75X.38
15	06520348	1	VLV,BALL,WETCUT
16	06520347	1	FITTING,ELBOW,WETCUT
17	06503169	1	BUSHING,1MPX1/2FP (100 & 150 GALLON TANKS ONLY)
18	06520346	1	FITTING,BULKHEAD,WETCUT (50 GALLON TANKS ONLY)
19	06503173	4	FITTING,BARB,1/2X3/8,WETCUT
20	06520401	2	QUIK CPLR,FEM,1/2,WETCUT
21	06520400	2	QUIK CPLR,MALE,1/2,WETCUT
22	06520316	-	3/8" HOSE (INCLUDED WITH SPRAYER)
23	06503165	1	ELBOW,1/2X3/8BARB,POLY
24	06510052	1	CONN.,BODY,MALE,METRIPACK 150
25	06510056	2	TPA
26	06510054	2	TERMINAL,MALE,16/18GA.METPAK
27	06510051	4	SEAL,16-18GA,METPAK
28	06510055	2	TERMINAL,FEM,16/18GA.METPAK
29	06510053	1	CONN.,BODY,FEM,METRIPACK 150

COMMON LYNX

WETCUT FRONT PLUMBING - 50IN MOWERS

1. NOTE ORIENTATION ON ITEM ⑨
2. ITEMS ⑰ ⑱ ⑲ ⑳ CUT FROM SUPPLIED 1/2" HOSE
3. ITEMS ㉑ ㉒ ㉓ CUT FROM SUPPLIED 3/8" HOSE



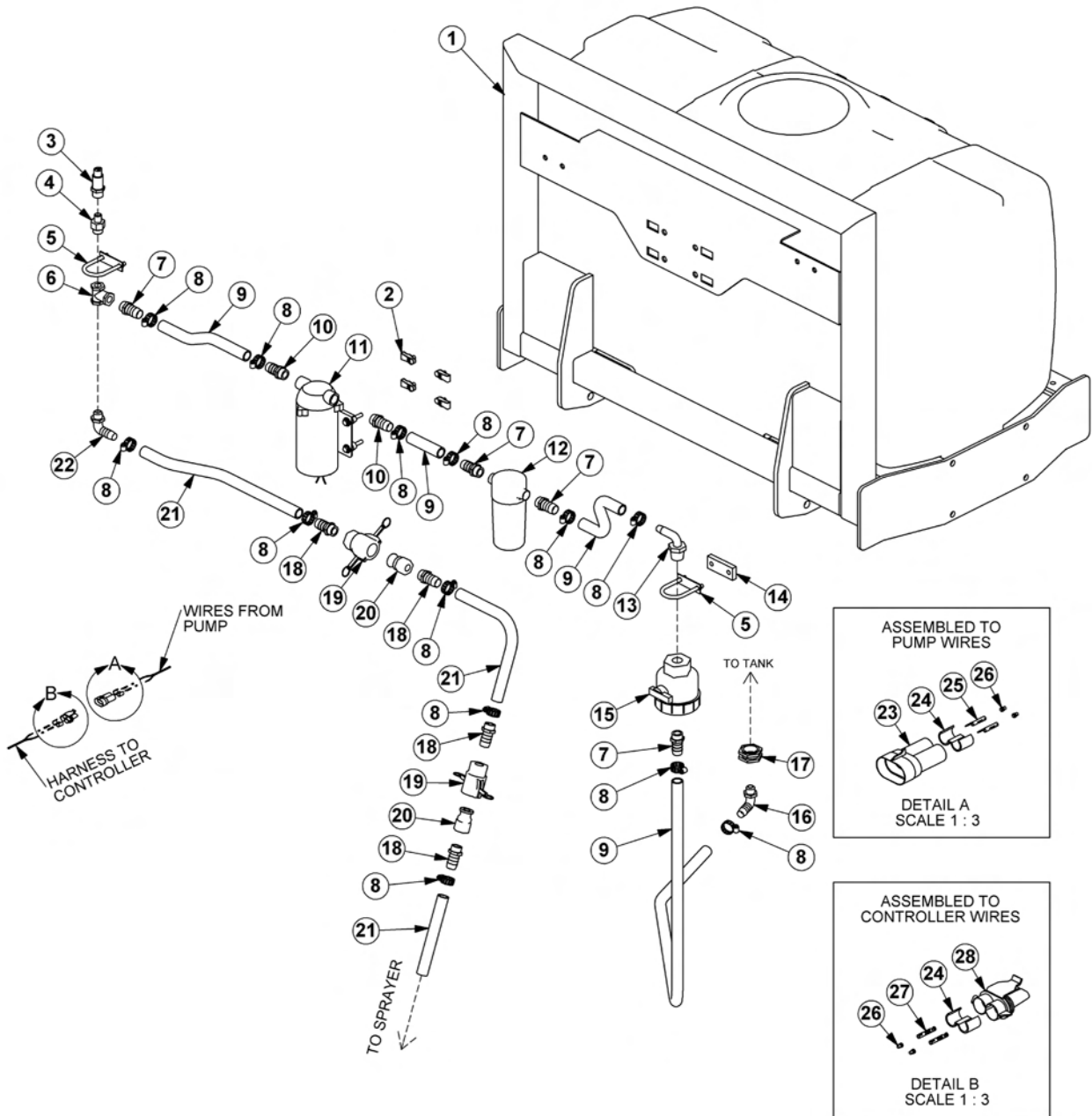
WETCUT FRONT PLUMBING - 50IN MOWERS

Continued...

ITEM	PART NO.	QTY.	DESCRIPTION
1	06370204	1	MNT,FRONT,UNI
2	06520336	1	CNTRLR,SENSOR,06520333
3	06520341	1	PUMP,WETCUT
4	06520346	1	FITTING,BULKHEAD,WETCUT
5	06520347	1	FITTING,ELBOW,WETCUT
6	06520348	1	VLV,BALL,WETCUT
7	06520349	4	FITTING,BARB,HOSE,WETCUT
8	06503173	4	FITTING,1/2"MP X 3/8"BARB
9	06520353	1	FITTING,TEE,WETCUT
10	06520367	1	ELBOW,1/2"MP X 1/2"BARB,POLY
11	06520361	1	FILTER,FIRE KIT,RAILKUT
---	06520351	1	STRAINER,40MESH
12	06520400	2	QUIK CPLR,MALE,1/2",WETCUT
13	06520401	2	QUIK CPLR,FEM,1/2",WETCUT
14	27329	2	U-BOLT,1/4" X 1" X 2"
15	35176	4	U-NUT,1/4",3/4" TO CENTER
16	35091	13	CLAMP,HOSE #6
17 - 20	06520469	5	1/2" HOSE (FEET)
21 - 23	06520316	-	3/8" HOSE (INCLUDED WITH SPRAYER)
24	06510051	4	SEAL,16-18GA,METPAK
25	06510052	1	CONN.,BODY,MALE,METRIPACK 150
26	06510053	1	CONN.,BODY,FEM,METRIPACK 150
27	06510054	2	TERMINAL,MALE,16/18GA.METPAK
28	06510055	2	TERMINAL,FEM,16/18GA.METPAK
29	06510056	2	TPA
30	06520337	1	INCLUDED WITH CONTROLLER
31	06401133	1	SPACER,Ø.31" X 1.75" X .38"
32	06503165	1	ELBOW,1/2"MP X 3/8"BARB,POLY
33	06520354	1	BUSHING,REDUCER,WETCUT
34	06503176	2	FITTING,3/8"MP X 1/2"BARB

COMMON LYNX

WETCUT FRONT PLUMBING - LARGE MOWERS



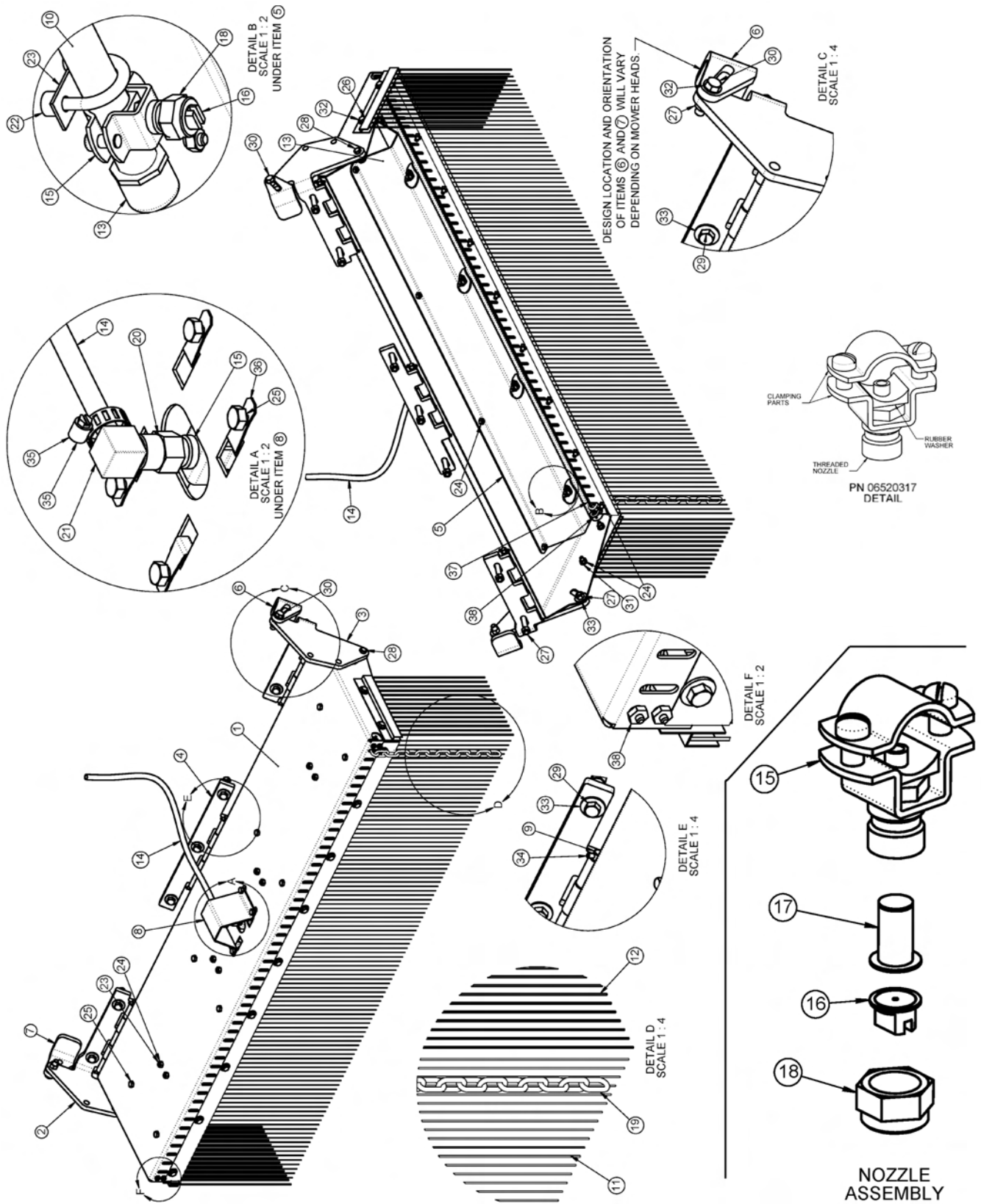
WETCUT FRONT PLUMBING - LARGE MOWERS

Continued...

ITEM	PART NO.	QTY.	DESCRIPTION
1	06370204	1	MNT,FRONT,UNIV
2	35176	4	U-NUT,1/4,3/4 TO CENTER
3	06520336	1	CNTRLR,SENSOR,06520333
4	06520354	1	BUSHING,REDUCER,WETCUT
5	27329	2	U-BOLT,1/4" X 1" X 2"
6	06520353	1	FITTING,TEE,WETCUT
7	06520349	4	FITTING,BARB,HOSE,WETCUT
8	35091	13	CLAMP, HOSE #6
9	06520469	5	1/2" HOSE (FEET)
10	06503168	2	SWIVEL,1/2" STR
11	06520359	1	PUMP,LARGE
12	06520361	1	FILTER,FIRE KIT,RAILKUT
---	06520351	1	STRAINER,40MESH
13	06520367	1	ELBOW,1/2X1/2BARB,POLY
14	06401133	1	SPACER,Ø.31X1.75X.38
15	06520348	1	VLV,BALL,WETCUT
16	06520347	1	FITTING,ELBOW,WETCUT
17	06520346	1	FITTING,BULKHEAD,WETCUT
18	06503173	4	FITTING,BARB,1/2X3/8,WETCUT
19	06520401	2	QUIK CPLR,FEM,1/2,WETCUT
20	06520400	2	QUIK CPLR,MALE,1/2,WETCUT
21	06520316	-	3/8" HOSE (INCLUDED WITH SPRAYER)
22	06503165	1	ELBOW,1/2X3/8BARB,POLY
23	06510052	1	CONN.,BODY,MALE,METRIPACK 150
24	06510056	2	TPA
25	06510054	2	TERMINAL,MALE,16/18GA.METPAK
26	06510051	4	SEAL,16-18GA,METPAK
27	06510055	2	TERMINAL,FEM,16/18GA.METPAK
28	06510053	1	CONN.,BODY,FEM,METRIPACK 150

COMMON LYNX

WETCUT 50IN SPRAYER HEAD ASSEMBLY



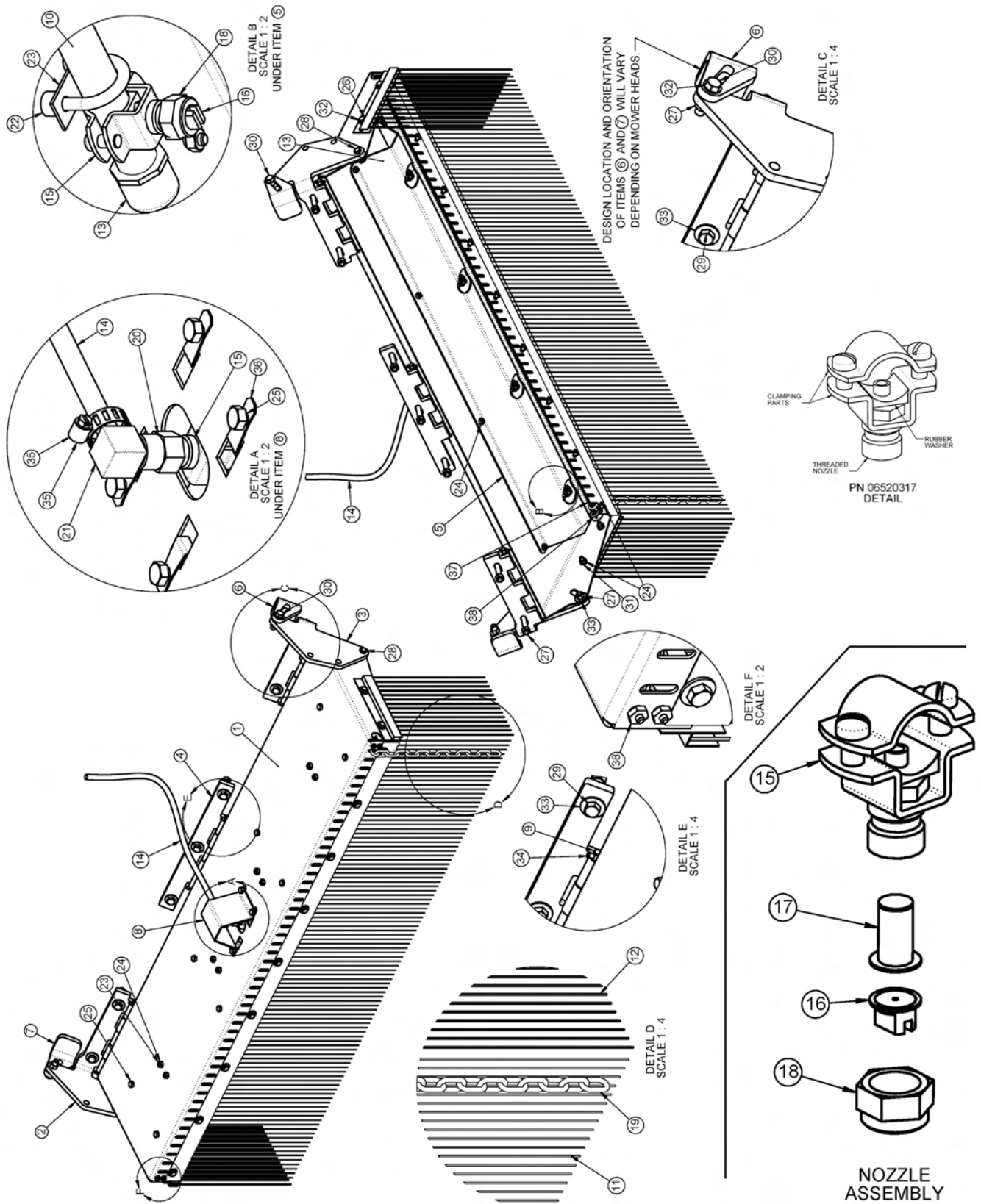
WETCUT 50IN SPRAYER HEAD ASSEMBLY

Continued...

ITEM	PART NO.	QTY.	DESCRIPTION
1	06370105	1	HOOD,SPRAYER
2	06370106	1	HINGE,LH,SPRAYER
3	06370107	1	HINGE,RH,SPRAYER
4	06370108	1	HINGE,CNTR,SPRAYER
5	06410668	1	GUARD,SPRAYER,WETCUT
6	06410753	1	MNT,RH,WET CUT (FLAIL)
---	06410942	1	MNT,RH,WET CUT (ROTARY)
7	06410754	1	MNT,LH,WET CUT (FLAIL)
---	06410943	1	MNT,LH,WET CUT (ROTARY)
8	06410796	1	GUARD,HOSE,WETCUT
9	06420069	3	PIN,HINGE,WET CUT
10	06497003	1	TUBE,LG,SPRAYER
11	06499012	1	SKIRT,ANTI SPRAY,50
12	06499013	2	SKIRT,ANTI SPRAY,7
13	06520314	2	TUBE,CAP,SPRAYER
14	06520316	15	HOSE,SPRAYER (FEET)
15	06520317	5	NOZZLE,SPRAYER
16	06520319	4	TIP,NOZZLE,SPRAYER
17	06520320	4	FILTER,NOZZLE,SPRAYER
18	06520321	4	NUT,NOZZLE,SPRAYER
19	06520322	49	CHAIN,.18" X 1.31" X 13LINKS
20	06520381	1	ADAPTER,1/4"NPT,WETCUT
21	06520382	1	ELBOW,BARB,3/8" X 1/4"NPT
22	06520383	8	SPACER,.50"O.D. X .252"I.D. X .38",NYLON
23	32550	4	U-BOLT,1/4" X 1" X 1" X 1-3/4"
24	21527	29	HEX NUT,NYLOCK,1/4",NC
25	21528	12	CAPSCREW,1/4" X 1/2",NC
26	21529	13	CAPSCREW,1/4" X 3/4",NC
27	21625	11	HEX NUT,3/8",NC
28	21630	2	CAPSCREW,3/8" X 1",NC
29	21634	7	CAPSCREW,3/8" X 2",NC
30	21632	2	CAPSCREW,3/8" X 1-1/2",NC
31	21986	4	LOCKWASHER,1/4"
32	22014	15	FLATWASHER,1/4"
33	22016	9	FLATWASHER,3/8",GR8
34	34698	6	ROLL PIN, PLAIN, 3/16" X 7/8"
35	35091	1	CLAMP,HOSE #6
36	35176	4	U-NUT,1/4",3/4" TO CENTER
37	06520376	5	CABLE,3/16"
38	06537022	2	U-BOLT,CABLE,3/16"

COMMON LYNX

WETCUT 60IN SPRAYER HEAD ASSEMBLY



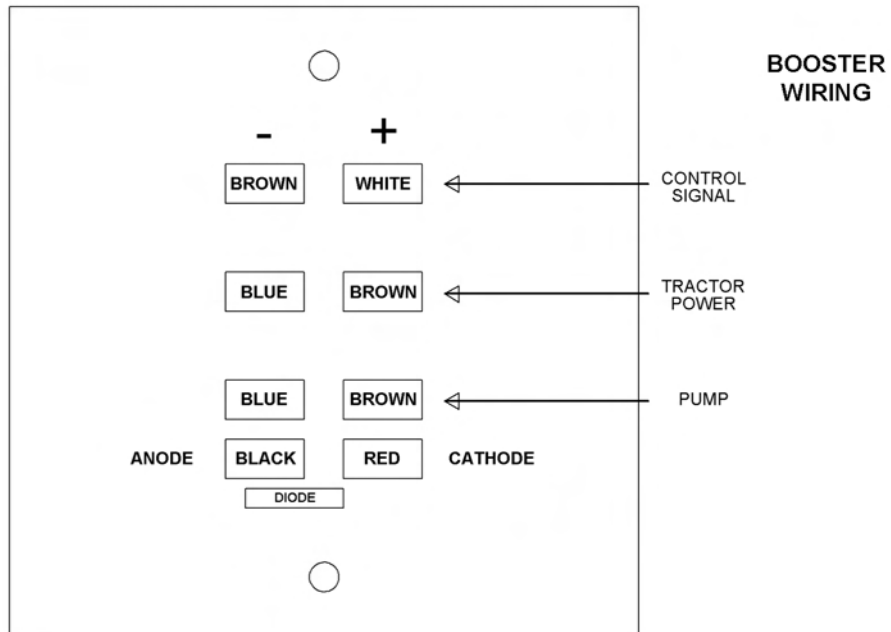
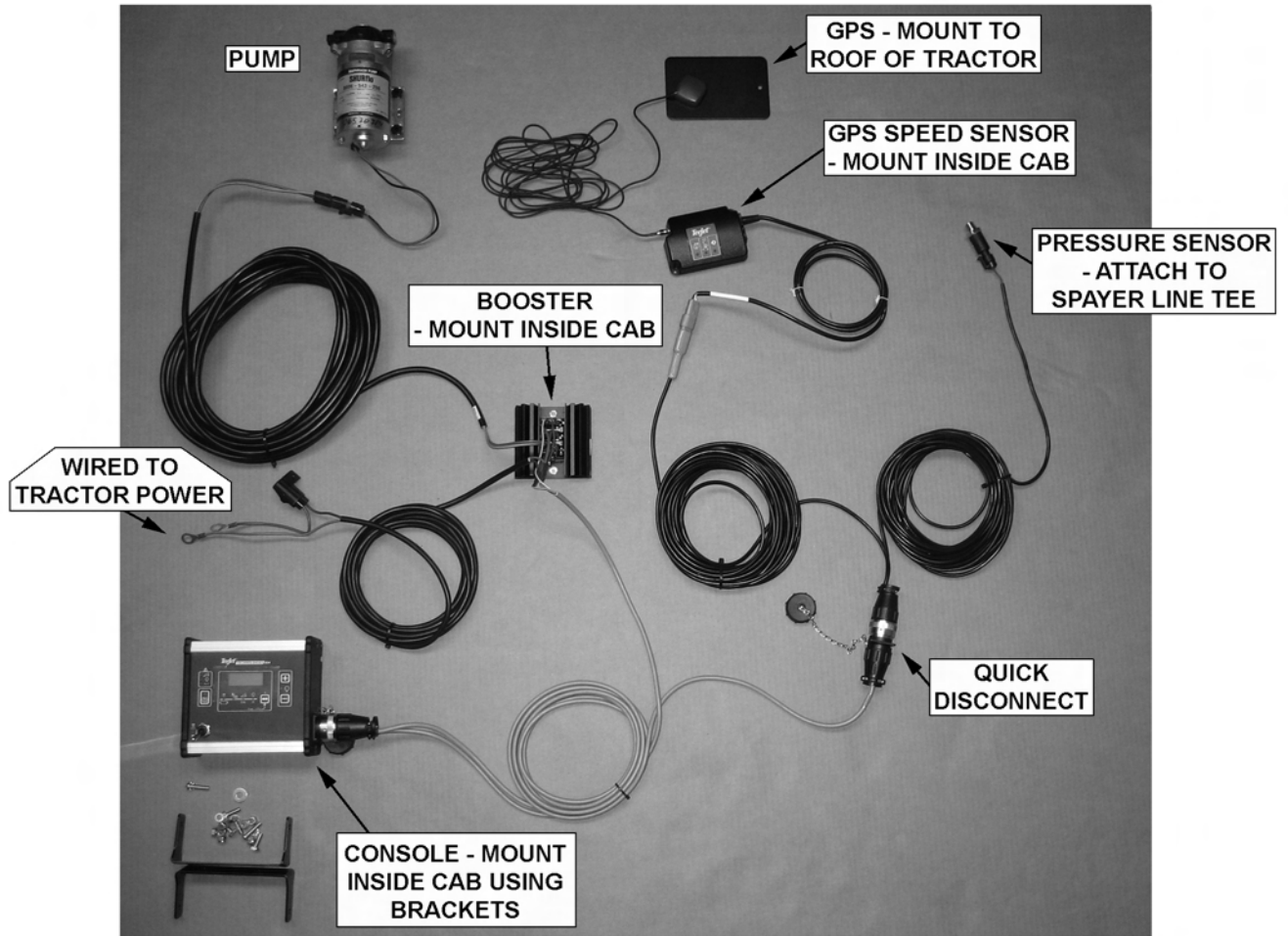
WETCUT 60IN SPRAYER HEAD ASSEMBLY

Continued...

ITEM	PART NO.	QTY.	DESCRIPTION
1	06370210	1	HOOD,SPRAYER
2	06370106	1	HINGE,LH,SPRAYER
3	06370107	1	HINGE,RH,SPRAYER
4	06370108	1	HINGE,CNTR,SPRAYER
5	06411234	1	GUARD,SPRAYER,WETCUT
6	06410753	1	MNT,RH,WET CUT (FLAIL)
---	06410942	1	MNT,RH,WET CUT (ROTARY)
7	06410754	1	MNT,LH,WET CUT (FLAIL)
---	06410943	1	MNT,LH,WET CUT (ROTARY)
8	06410796	1	GUARD,HOSE,WETCUT
9	06420069	3	PIN,HINGE,WET CUT
10	06497009	1	TUBE,LG,SPRAYER
11	06499018	1	SKIRT,ANTI SPRAY,60
12	06499013	2	SKIRT,ANTI SPRAY,7
13	06520314	2	TUBE,CAP,SPRAYER
14	06520316	15	HOSE,SPRAYER (FEET)
15	06520317	6	NOZZLE,SPRAYER
16	06520319	5	TIP,NOZZLE,SPRAYER
17	06520320	5	FILTER,NOZZLE,SPRAYER
18	06520321	5	NUT,NOZZLE,SPRAYER
19	06520322	61	CHAIN,.18" X 1.31" X 13LINKS
20	06520381	1	ADAPTER,1/4"NPT,WETCUT
21	06520382	1	ELBOW,BARB,3/8" X 1/4"NPT
22	06520383	10	SPACER,.50"O.D. X .252" I.D. X .38",NYLON
23	32550	5	U-BOLT,1/4" X 1" X 1" X 1-3/4"
24	21527	33	HEX NUT,NYLOCK,1/4",NC
25	21528	15	CAPSCREW,1/4" X 1/2",NC
26	21529	13	CAPSCREW,1/4" X 3/4",NC
27	21625	13	HEX NUT,3/8",NC
28	21630	2	CAPSCREW,3/8" X 1",NC
29	21634	7	CAPSCREW,3/8" X 2",NC
30	21632	4	CAPSCREW,3/8" X 1-1/2",NC
31	21986	4	LOCKWASHER,1/4"
32	22014	33	FLATWASHER,1/4"
33	22016	11	FLATWASHER,3/8",GR8
34	34698	6	ROLL PIN, PLAIN, 3/16" X 7/8"
35	35091	1	CLAMP,HOSE #6
36	35176	4	U-NUT,1/4",3/4" TO CENTER
37	06520376	6	CABLE,3/16" (FEET)
38	06537022	2	U-BOLT,CABLE,3/16"

COMMON LYNX

WETCUT CABLES



**WARRANTY
SECTION**

WARRANTY INFORMATION

Tiger Corporation, 3301 N. Louise, Sioux Falls, South Dakota, warrants to the original Retail Customer, the new Tiger equipment is free of defects in material and workmanship. Any part of equipment that in Tiger's judgement, show evidence of such defects will be repaired or replaced without charge, provided that the failure of part(s) shall have occurred within twelve (12) months from the date of delivery of said equipment to the Retail Customer. Expendable components such as knives, oil, chain sprockets, skid shoes, knife mounting disks and the like are excluded but not limited to this warranty.

The Retail Customer must pay the transportation cost to and from the Tiger Dealer's service shop for warranty service. Warranty service will be performed by the Tiger Dealer from whom the equipment was purchased, during service shop regularly scheduled days and hours of operation.

All Tiger obligation under this warranty shall be terminated if the equipment is modified or altered in ways not approved in writing by Tiger, if repair parts other than genuine Tiger repair parts have been used, or if the equipment has been subject to misuse, neglect, accident, improper maintenance or improper operation.

Tiger Corporation reserves the right to make improvements in design or changes in specification at any time without incurring any obligation to owners of equipment previously sold.

No agent or person has authority to alter, add to or waive the above warranties which are agreed to be in the only warranties, representations or promises, expressed or implied, as to the quality or performance of the products covered and which do not include any implied warranty of merchantability or fitness. In no event will Tiger be liable for incidental or consequential damages or injuries, including, but not limited to, loss of profits, rental or substitute equipment or other commercial loss.

THERE ARE NO WARRANTIES WHICH EXTEND BEYOND THOSE EXPRESSED HEREIN.

It is the Purchasers obligation to sign the warranty registration form **AFTER** he / she has Read and Understands the Operation and Safety Instructions stated within this manual.

ONE LAST WORD

This manual cannot possibly cover all of the potentially hazardous situations you will encounter. By being familiar with the safety rules, operating and maintenance instructions in this manual you can help prevent accidents. The objective of this manual is to help make you a better operator. Remember, **SAFETY IS YOU!**



1012

Your safety and the safety of those around you depends on **YOU**. Common sense should play a large role in the operation of this machine.

Since we at Tiger Corporation are constantly striving to improve our products, we reserve the right to change specifications or design at any time.

TO THE OWNER / OPERATOR / DEALER



To keep your implement running efficiently and safely, read your manual thoroughly and follow these directions and the Safety Messages in this manual and on the machine. The table of contents clearly identifies each section where you can easily find the information you need.

The Occupational Safety and Health Act (OSHA 1928.51 subpart C) makes the following minimum requirements for tractor operators.

OWNER REQUIREMENTS:

1. Provide a Roll-Over-Protective Structure that meets the requirements of this Standard; and
2. Provide Seatbelts that meet the requirements of this Standard and SAE J3C; and
3. Ensure that each employee uses such Seatbelt while the tractor is moving; and
4. Ensure that each employee tightens the Seatbelt sufficiently to confine the employee to the protected area provided by the ROPS.

OPERATOR REQUIREMENTS:

1. Securely fasten seatbelt if the tractor has a ROPS.
2. Where possible, avoid operating the tractor near steep ditches, embankments, and holes.
3. Reduce speed when turning, crossing slopes, and on rough, slick, or muddy surfaces.
4. Stay off slopes too steep for safe operation.
5. Watch where you are going – especially at row ends, on roads, and around trees.
6. Do Not permit others to ride.
7. Operate the tractor smoothly – no jerky turns, starts, or stops.
8. Hitch only to the draw-bar and hitch points recommended by the tractor manufacturer.
9. When the tractor is stopped, set brakes securely and use park lock, if available



Printed in USA
© Tiger Corporation