



TRIPLE FLAIL ASSEMBLIES

NEW HOLLAND TS6.110
CAB / WOC

Current as of GFİ 2011



PARTS LISTING WITH MOUNTING AND OPERATING INSTRUCTIONS

Tiger Corporation
3301 N. Louise Ave.
Sioux Falls, SD 57107
1-800-843-6849
1-605-336-7900
www.tiger-mowers.com

06020021

TO THE OWNER / OPERATOR / DEALER

All implements with moving parts are potentially hazardous. There is no substitute for a cautious, safe-minded operator who recognizes the potential hazards and follows reasonable safety practices. The manufacturer has designed this implement to be used with all its safety equipment properly attached to minimize the chance of accidents.

BEFORE YOU START!! Read the safety messages on the implement and shown in this manual. Observe the rules of safety and use common sense!

READ AND UNDERSTAND THIS MANUAL! Non-English speaking operators will need to GET THE MANUAL TRANSLATED as needed!



DANGER

FAILING TO FOLLOW SAFETY MESSAGES AND OPERATING INSTRUCTIONS CAN CAUSE SERIOUS BODILY INJURY OR EVEN DEATH TO OPERATOR AND OTHERS IN THE AREA.



1. Study and understand Operator's Manuals, Safety Decals, and Instructional Decals for tractor and implement to prevent misuse, abuse, and accidents. Practice before operating in a confined area or near passersby.

● Learn how to stop engine suddenly in an emergency. Be alert for passersby and especially children

2. Allow no children on or near folding mower or tractor. Allow no riders on tractor or implement. Falling off may cause serious injury or death from being run over by tractor or mower or contact with rotating blades.

3. Operate only with tractor having Roll-Over Protective Structure (ROPS) and with seat belt securely fastened to prevent injury and possible death from falling off or tractor overturn.

● Personal Protective Equipment such as Hard Hat, Safety Glasses, Safety Shoes, & Ear Plugs are recommended.

4. Block up or support raised machine and all lifted components securely before putting hands or feet under or working underneath any lifted component to prevent crushing injury or death from sudden dropping or inadvertent operation of controls. Make certain area is clear before lowering or folding

5. Before transporting, put Lift Lever in detent or full-lift position. Install Transport Safety Devices securely on folding mowers. Put Booms securely in Transport Rest.

● Folding and Boom Mowers have raised center of gravity. Slow down when turning and on hillsides.

6. Make certain that SMV sign, warning lights, and reflectors are clearly visible. Follow local traffic codes.

7. Never operate with Cutting Head or Folding Section raised if passersby, bystanders, or traffic are in the area to reduce possibility of injury or death from objects thrown by Blades under Guards or mower structure.

8. Before dismounting, secure implement in transport position or lower to ground.

● Put tractor in park or set brake, disengage PTO, stop engine, remove key, and wait until noise of rotation has ceased to prevent crushing by entanglement in rotating parts which could cause injury or death.

● Never mount or dismount a moving vehicle. Crushing from rollover may cause serious injury or death.



02967827

Warranty Information: Read and understand the complete Warranty Statement found in this manual. Fill out the Warranty Registration form in full and return it within 90 days. Make certain the Serial Number of the machine is recorded on the Warranty Card, and form that you retain.

FORWARD

This manual contains information about many features of the Tiger mowing and roadside maintenance equipment. Some of these include: Safety precautions, Assembly instructions, Operations, Maintenance and Parts. This manual will also assist you in the proper break-in, daily care, and troubleshooting of your new mower.

We recommend that you read carefully the entire manual before operating the unit. Also, time spent in becoming fully acquainted with its performance features, adjustments, and maintenance schedules will be repaid in a long and satisfactory life of the equipment.

Troubleshooting - Please, before you call, help us to help you!

Please look at the equipment to observe what is happening, then:

- Classify the problem
 - Hydraulic, electrical or mechanical - Read the trouble shooting section
 - Tractor or Truck chassis - Contact vehicle dealer

- If unable to correct the problem yourself, contact your local Tiger Dealer after gathering:
 - Machine model _____
 - Serial number _____
 - Dealer name _____
 - Detailed information about the problem including results of troubleshooting

Attention Owner / Operator / Dealer: It is your obligation to read, and understand, the warranty information section located at the back of this manual denoting that the purchaser understands the safety issues relating to this machine and has received and will read a copy of this manual.

If at any time, you have a service problem with your Tiger mower, Contact your local dealer for service and parts needed.

MANUFACTURED BY:

Tiger Corporation

3301 N. Louise Ave.

Sioux Falls, SD 57107

1-800-843-6849

1-605-336-7900

www.tiger-mowers.com

DISTRIBUTED BY:

1- _____ - _____ - _____

1- _____ - _____ - _____

TABLE OF CONTENTS

SAFETY SECTION_____	1
ASSEMBLY / MOUNTING SECTION_____	2
OPERATION SECTION_____	3
MAINTENANCE SECTION_____	4
PARTS SECTION_____	5
COMMON PARTS SECTION_____	6
WARRANTY INFORMATION_____	7



1012

This symbol means:

CAUTION – YOUR SAFETY IS AT RISK!

When you see this symbol, read and follow the associated instructions carefully or personal injury or damage may result.

Tiger is a registered trademark.



SAFETY

SAFETY SECTION

SAFETY

General Safety Instructions and Practices

A safe and careful operator is the best operator. Safety is of primary importance to the manufacturer and should be to the owner / operator. Most accidents can be avoided by being aware of your equipment, your surroundings, and observing certain precautions. The first section of this manual includes a list of Safety Messages that, if followed, will help protect the operator and bystanders from injury or death. Read and understand these Safety Messages before assembling, operating or servicing this mower. This equipment should only be operated by those persons who have read the Manual, who are responsible and trained, and who know how to do so safely and responsibly.



1000

The Safety Alert Symbol combined with a Signal Word, as seen below, is used throughout this manual and on decals which are attached to the equipment. The Safety Alert Symbol means: “**ATTENTION! BECOME ALERT! YOUR SAFETY IS INVOLVED!**” The symbol and signal word are intended to warn the owner / operator of impending hazards and the degree of possible injury when operating this equipment.

Practice all usual and customary safe working precautions and above all -- remember safety is up to YOU! Only YOU can prevent serious injury or death from unsafe practices.

DANGER!



Indicates an imminently hazardous situation that, if not avoided, WILL result in DEATH OR VERY SERIOUS INJURY.

WARNING!



Indicates an imminently hazardous situation that, if not avoided, COULD result in DEATH OR SERIOUS INJURY.

CAUTION!



Indicates an imminently hazardous situation that, if not avoided, MAY result in MINOR INJURY.

IMPORTANT!

Identifies special instructions or procedures that, if not strictly observed, could result in damage to, or destruction of the machine, attachments or the environment.

NOTE: *Identifies points of particular interest for more efficient or convenient operation or repair.* (SG-1)

READ, UNDERSTAND, and FOLLOW the following Safety Messages. Serious injury or death may occur unless care is taken to follow the warnings and instructions stated in the Safety Messages. Always use good common sense to avoid hazards. (SG-2)

SAFETY INSTRUCTIONS



SAFETY

PELIGRO!



Si no lee Ingles, pida ayuda a alguien que si lo lea para que le traduzca las medidas de seguridad. (SG-3)

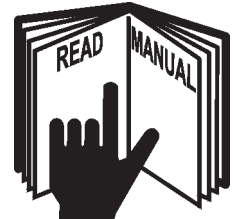


¡ LEA EL INSTRUCTIVO!

DANGER!



Never operate the Tractor or Implement until you have read and completely understand this Manual, the Tractor Operator's Manual, and each of the Safety Messages found in the Manual or on the Tractor and Implement. Learn how to stop the tractor engine suddenly in an emergency. Never allow inexperienced or untrained personnel to operate the Tractor and Implement without supervision. Make sure the operator has fully read and understands the manuals prior to operation. (SG-4)



WARNING!



Always maintain the safety decals in good readable condition. If the decals are missing, damaged, or unreadable, obtain and install replacement decals immediately. (SG-5)

WARNING!



Make certain that the "Slow Moving Vehicle" (SMV) sign is installed in such a way as to be clearly visible and legible. When transporting the Equipment use the Tractor flashing warning lights and follow all local traffic regulations. (SG-6)



WARNING!



Operate this Equipment only with a Tractor equipped with an approved roll-over-protective system (ROPS). Always wear seat belts. Serious injury or even death could result from falling off the tractor--particularly during a turnover when the operator could be pinned under the ROPS. (SG-7)



WARNING!

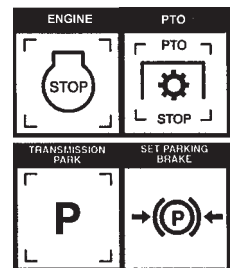


Do not modify or alter this Implement. Do not permit anyone to modify or alter this Implement, any of its components or any Implement function. (SG-8)

DANGER!



BEFORE leaving the tractor seat, always engage the brake and/or set the tractor transmission in parking gear, disengage the PTO, stop the engine, remove the key, and wait for all moving parts to stop. Place the tractor shift lever into a low range or parking gear to prevent the tractor from rolling. Never dismount a Tractor that is moving or while the engine is running. Operate the Tractor controls from the tractor seat only. (SG-9)



SAFETY

DANGER!



Never allow children or other persons to ride on the Tractor or Implement. Falling off can result in serious injury or death.

(SG-10)



DANGER!



Never allow children to operate or ride on the Tractor or Implement.

(SG-11)



WARNING!



Do not mount the tractor while the tractor is moving. Mount the tractor only when the tractor and all moving parts are completely stopped.

(SG-12)



DANGER!



Start tractor only when properly seated in the tractor seat. Starting a tractor in gear can result in injury or death. Read the tractor operators manual for proper starting instructions.

(SG-13)



DANGER!



Never work under the Implement, the framework, or any lifted component unless the Implement is securely supported or blocked up to prevent sudden or inadvertent falling which could cause serious injury or even death.

(SG-14)



DANGER!



Do not operate this Equipment with hydraulic oil leaking. Oil is expensive and its presence could present a hazard. Do not check for leaks with your hand! Use a piece of heavy paper or cardboard. High-pressure oil streams from breaks in the line could penetrate the skin and cause tissue damage including gangrene. If oil does penetrate the skin, have the injury treated immediately by a physician knowledgeable and skilled in this procedure.

(SG-15)

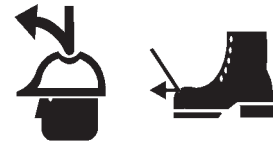


SAFETY

WARNING!



The operator and all support personnel should wear hard hats, safety shoes, safety glasses, and proper hearing protection at all times for protection from injury including injury from items thrown by the equipment. (SG-16)



CAUTION!



PROLONGED EXPOSURE TO LOUD NOISE MAY CAUSE PERMANENT HEARING LOSS! Tractors with or without an Implement attached can often be noisy enough to cause permanent hearing loss. We recommend that you always wear hearing protection if the noise in the operator's position exceeds 80db. Noise over 85db over an extended period of time will cause severe hearing loss. Noise over 90db adjacent to the operator over an extended period of time will cause permanent or total hearing loss. *Note:* Hearing loss from loud noise [from tractors, chain saws, radios, and other such sources close to the ear] is cumulative over a lifetime without hope of natural recovery. (SG-17)



WARNING!



Transport only at safe speeds. Serious accidents and injuries can result from operating this equipment at unsafe speeds. Understand the Tractor and Implement and how it handles before transporting on streets and highways. Make sure the Tractor steering and brakes are in good condition and operate properly.



Before transporting the Tractor and Implement, determine the safe transport speeds for you and the equipment. Make sure you abide by the following rules:

1. Test the tractor at a slow speed and increase the speed slowly. Apply the brakes smoothly to determine the stopping characteristics of the Tractor and Implement. As you increase the speed of the Tractor the stopping distance increases. Determine the maximum safe transport speed for you and this equipment.
2. Test the equipment at a slow speed in turns. Increase the speed through the turn only after you determine that it is safe to operate at a higher speed. Use extreme care and reduce your speed when turning sharply to prevent the tractor and implement from turning over. Determine the maximum safe turning speed for you and this equipment before operating on roads or uneven ground.
3. Only transport the Tractor and Implement at the speeds that you have determined are safe and which allow you to properly control the equipment.



Be aware of the operating conditions. Do not operate the Tractor with weak or faulty brakes. When operating down a hill or on wet or rain slick roads, the braking distance increases: use extreme care and reduce your speed. When operating in traffic always use the Tractor's flashing warning lights and reduce your speed. Be aware of traffic around you and watch out for the other guy. (SG-19)

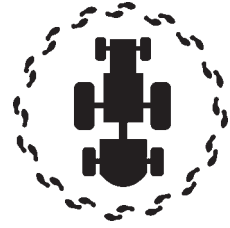
SAFETY

WARNING!



Never attempt to lubricate, adjust, or remove material from the Implement while it is in motion or while tractor engine is running. Make sure the tractor engine is **OFF** before working on the Implement.

(SG-20)



WARNING!



Periodically inspect all moving parts for wear and replace when necessary with authorized service parts. Look for loose fasteners, worn or broken parts, and leaky or loose fittings. Make sure all pins are properly secured. Serious injury may occur from not maintaining this machine in good working order. (SG-21)



WARNING!



Always read carefully and comply fully with the manufacturers instructions when handling oil, solvents, cleansers, and any other chemical agent. (SG-22)



DANGER!



Never run the tractor engine in a closed building or without adequate ventilation. The exhaust fumes can be hazardous to your health.

(SG-23)

DANGER!



KEEP AWAY FROM ROTATING ELEMENTS to prevent entanglement and possible serious injury or death.

(SG-24)



DANGER!



Never allow children to play on or around Tractor or Implement. Children can slip or fall off the Equipment and be injured or killed. Children can cause the Implement to shift or fall crushing themselves or others. (SG-25)

WARNING!



Do not exceed the rated PTO speed for the Implement. Excessive PTO speeds can cause Implement driveline or blade failures resulting in serious injury or death. (SG-26)

SAFETY

DANGER!



NEVER use drugs or alcohol immediately before or while operating the Tractor and Implement. Drugs and alcohol will affect an operator's alertness and coordination and therefore affect the operator's ability to operate the equipment safely. Before operating the Tractor or Implement, an operator on prescription or over-the-counter medication must consult a medical professional regarding any side effects of the medication that would hinder their ability to operate the Equipment safely. **NEVER** knowingly allow anyone to operate this equipment when their alertness or coordination is impaired. Serious injury or death to the operator or others could result if the operator is under the influence of drugs or alcohol. (SG-27)



DANGER!



Operate the Tractor and/or Implement controls only while properly seated in the Tractor seat with the seat belt securely fastened around you. Inadvertent movement of the Tractor or Implement may cause serious injury or death. (SG-29)

WARNING!



Mow only in conditions where you have clear visibility in daylight or with adequate artificial lighting. Never mow in darkness or foggy conditions where you cannot clearly see at least 100 yards in front and to the sides of the tractor and mower. Make sure that you can clearly see and identify passersby, steep slopes, ditches, drop-offs, overhead obstructions, power lines, debris and foreign objects. If you are unable to clearly see this type of items discontinue mowing. (SGM-1)

DANGER!



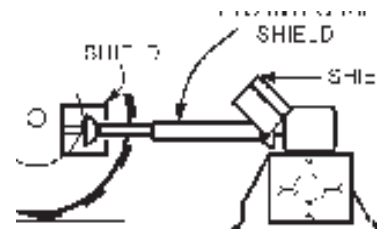
There are obvious and hidden potential hazards in the operation of this Mower. **REMEMBER!** This machine is often operated in heavy brush and in heavy weeds. The Blades of this Mower can throw objects if shields are not properly installed and maintained. Serious injury or even death may occur unless care is taken to insure the safety of the operator, bystanders, or passersby in the area. Do not operate this machine with anyone in the immediate area. Stop mowing if anyone is within 100 yards of mower. (SFL-1)



DANGER!



All Safety Shields, Guards and Safety devices including (but not limited to) - the Deflectors, Steel Guards, Gearbox Shields, PTO integral shields, and Retractable Door Shields should be used and maintained in good working condition. All safety devices should be inspected carefully at least daily for missing or broken components. Missing, broken, or worn items must be replaced at once to reduce the possibility of injury or death from thrown objects, entanglement, or blade contact. (SFL-5)



SAFETY

DANGER!



The rotating parts of this machine have been designed and tested for rugged use. However, the blades could fail upon impact with heavy, solid objects such as metal guard rails and concrete structures. Such impact could cause the broken objects to be thrown outward at very high velocities. To reduce the possibility of property damage, serious injury, or even death, never allow the cutting blades to contact such obstacles. (SGM-4)

WARNING!



Extreme care should be taken when operating near loose objects such as gravel, rocks, wire, and other debris. Inspect the area before mowing. Foreign objects should be removed from the site to prevent machine damage and/or bodily injury or even death. Any objects that cannot be removed must be clearly marked and carefully avoided by the operator. Stop mowing immediately if blades strike a foreign object. Repair all damage and make certain rotor or blade carrier is balanced before resuming mowing. (SGM-5)



WARNING!



Many varied objects, such as wire, cable, rope, or chains, can become entangled in the operating parts of the mower head. These items could then swing outside the housing at greater velocities than the blades. Such a situation is extremely hazardous and could result in serious injury or even death. Inspect the cutting area for such objects before mowing. Remove any like object from the site. Never allow the cutting blades to contact such items. (SGM-6)

WARNING!



Mow at the speed that you can safely operate and control the tractor and mower. Safe mowing speed depends on terrain condition and grass type, density, and height of cut. Normal ground speed range is from 0 to 5 mph. Use slow mowing speeds when operating on or near steep slopes, ditches, drop-offs, overhead obstructions, power lines, or when debris and foreign objects are to be avoided. (SGM-7)

WARNING!



Avoid mowing in reverse direction when possible. Check to make sure there are no persons behind the mower and use extreme care when mowing in reverse. Mow only at a slow ground speed where you can safely operate and control the tractor and mower. Never mow an area that you have not inspected and removed debris or foreign material. (SGM-8)

DANGER!



Replace bent or broken blade with new blades. NEVER ATTEMPT TO STRAIGHTEN OR WELD ON BLADES SINCE THIS WILL LIKELY CRACK OR OTHERWISE DAMAGE THE BLADE WITH SUBSEQUENT FAILURE AND POSSIBLE SERIOUS INJURY FROM THROWN BLADES. (SGM-10)

WARNING!



Do not mow with two machines in the same area except with Cab tractors with the windows closed. (SGM-11)

SAFETY

DANGER!



Flail Mowers are capable under adverse conditions of throwing objects for great distances (100 yards or more) and causing serious injury or death. Follow safety messages carefully.

STOP MOWING IF PASSERSBY ARE WITHIN 100 YARDS UNLESS:

- Front and Rear Deflectors are installed and in good, working condition;
- Mower Head is running close to and parallel to the ground without exposed Blades;
- Passersby are outside the existing thrown-object zone;
- All areas have been thoroughly inspected and all foreign material such as rocks, cans, glass, and general debris has been removed.

NOTE: Where there are grass and weeds high enough to hide debris that could be struck by the blades, the area should be: inspected and large debris removed, mowed at an intermediate height, inspected closely with any remaining debris being removed, and mowed again at desired final height. (SFL-6)



DANGER!



Do not put hands or feet under mower decks. Blade Contact can result in serious injury or even death. Stay away until all motion has stopped and the decks are securely blocked up. (SFL-2)



WARNING!



Each Rear Wheel must have a minimum of 1,000 pounds contact with the surface to prevent lateral instability and possible tip-over which could result in serious bodily injury or even death. Widen the wheel tread and add weights if needed. Refer to the mounting instructions or call Customer Service if you need assistance with Counterweight Procedure. (SFL-3)



WARNING!



Do not operate Mower if excessive vibration exists. Shut down PTO and the Tractor engine. Inspect the Mower to determine the source of the vibration. If Mower blades are missing or damaged replace them immediately. Do not operate the mower until the blades have been replaced and the Mower operates smoothly. Operating the Mower with excessive vibration can result in component failure and broken objects to be thrown outward at very high velocities. To reduce the possibility of property damage, serious injury, or even death, never allow the Mower to be operated with blades missing. (SFL-4)

WARNING!



Be particularly careful when transporting the Implement with the Tractor. Turn curves or go up hills only at a low speed and using a gradual steering angle. Rear mounted implements move the center of gravity to the rear and remove weight from the front wheels. Make certain, by adding front ballast, that at least 20% of the tractor's weight is on the front wheels to prevent rearing up, loss of steering control or Tractor tip-over. Slow down on rough or uneven surfaces to prevent loss of steering control which could result in property damage or possible injury. Do not transport unless 3-Point lift lever is fully raised and in the latched transport position. Dropping implement in transport can cause serious damage to the tractor and/or Implement and possibly cause the operator or others to be injured or killed. (S3PT-2)

SAFETY

DANGER!



Always disconnect the main PTO Driveline from the Tractor before performing service on the Mower. Never work on the Mower with the tractor PTO driveline connected and running. Blades or Drivelines could turn without warning and cause immediate entanglement, injury or death.

(SRM-3)

WARNING!



Do not let the Blades turn when the Mower Deck is raised for any reason, including clearance or for turning. Raising the Mower deck exposes the Cutting Blades which creates a potentially serious hazard and could cause serious injury or even death from objects thrown from the Blades. (SRM-7)



WARNING!



Never leave Tractor and Implement unattended while the implement is in the lifted position. Accidental operation of lifting lever or a hydraulic failure may cause sudden drop of unit with injury or death by crushing. To properly park the implement when disconnecting it from the tractor, lower the stand and put the retaining pin securely in place, or put a secure support under the A-Frame. Lower the implement carefully to the ground. Do not put hands or feet under lifted components. (SPT-1)

DANGER!



Make sure the PTO shield, integral driveline shields, and input shields are installed when using PTO-driven equipment. Always replace any shield if it is damaged or missing. (S3PT-8)



WARNING!



Relieve hydraulic pressure prior to doing any maintenance or repair work on the Implement. Place the Implement on the ground or securely blocked up, disengage the PTO, and turn off the tractor engine. Push and pull the Remote Cylinder lever in and out several times prior to starting any maintenance or repair work. (S3PT-9)



WARNING!



Use extreme care when lowering or unfolding the implement's wings. Make sure no bystanders are close by or underneath the wings. Allow ample clearance around the implement when folding or unfolding the wings. Use extreme caution around buildings or overhead power lines.

(S3PT-5)

DANGER!



When the Wings are folded for transport, the center of gravity is raised and the possibility of overturn is increased. Drive slowly and use extreme caution when turning on hillsides. Overturning the Implement could cause the Implement to overturn the Tractor and vice versa resulting in serious injury or even death. Never fold wings on a hillside...the Implement may overturn. (STI-2)

DANGER!



DO NOT allow any person under a folded wing unless wing is securely locked up or supported. **DO NOT** approach the Implement unless the Tractor is turned off and all motion has ceased. Never work under the frame work, or any lifted component unless the implement is securely supported or blocked up. A sudden or inadvertent fall by any of these components could cause serious injury or even death. (STI-3)

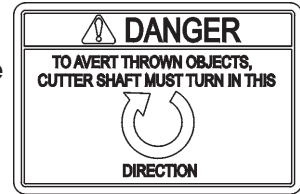


SAFETY

DANGER!



The flail cutter shaft is designed for standard rotation (same rotation as the tractor wheels during forward travel). **Never operate the cutter shaft in the reverse rotation.** Operating this mower in reverse rotation may cause objects to be thrown out the front of the mower head.



WARNING!



The rotating parts of this machine continue to rotate even after the PTO has been turned off. The operator should remain in his seat for 60 seconds after the brake has been set, the PTO disengaged, the tractor turned off, and all evidence of rotation has ceased.

(3PT-10)

“Wait a minute...Save a life!”

WARNING!



Engine Exhaust, some of its constituents, and certain components contain or emit chemicals known to the state of California to cause cancer and birth or other reproductive harm.

WARNING!



Battery posts, terminals and related accessories contain lead and lead compounds, chemicals known to the state of California to cause cancer and birth or other reproductive harm. **Wash hands after handling!**

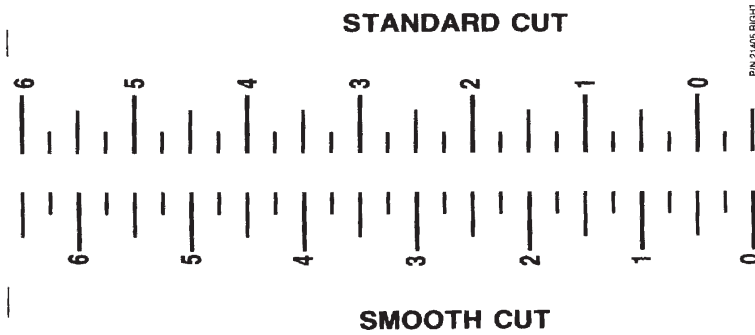
Tiger mowers use balanced and matched system components for blade carriers, blades, cutter-shafts, knives, knife hangers, rollers, drive-train components and bearings. These parts are made and tested to Tiger specifications. Non-genuine “will fit” parts do not consistently meet these specifications. The use of “will fit” parts MAY reduce mower performance, void mower warranties and present a safety hazard. Use genuine Tiger mower parts for economy and safety.

SEE YOUR  DEALER

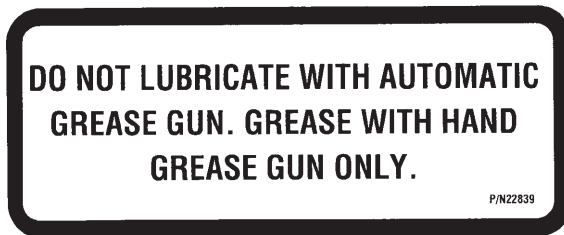
In addition to the design and configuration of this Implement, including Safety Signs and Safety Equipment, hazard control and accident prevention are dependent upon the awareness, concern, prudence, and proper training of personnel involved in the operation, transport, maintenance, and storage of the machine. Refer also to Safety Messages and operation instruction in each of the appropriate sections of the Tractor and Equipment Manuals. Pay close attention to the Safety Signs affixed to the Tractor and Equipment. (SG-18)

SAFETY

PART NO.
LOCATION



06550095
MOWER DECK



P/N22839

22839
MOWER DECK



22840
INSIDE OF CAB

NO STEP

22865
MOWER DECK

SAFETY



WARNING

INSPECT REAR FLAP FREQUENTLY TO BE SURE IT IS IN SAFE WORKING CONDITION. DO NOT OPERATE MOWER WITH FLAP REMOVED OR WORN.

24028

PART NO.
LOCATION

24028
MOWER DECK



10" x 5.5" 31522
MOWER DECK
18" x 10" 31523
HYDRAULIC TANK

MOWING SAFETY TIPS

- Read & understand the Operators Manual.
- Wear Your Seat Belt.
- Keep all shields and guards in place.
- Make sure equipment is in proper working condition.

- Never attempt to get off or on a moving tractor.

- Never allow riders on tractor or equipment.
- Only start the tractor from the seat with the key.

- Always inspect the area before mowing. Remove all foreign debris.

- Always keep bystanders and coworkers a minimum of 300 feet away.

- Never allow the mower blades to contact solid objects or foreign material.

- Never approach rotating elements.
- Disengage the PTO, place transmission in "Park", set parking brake, shut off engine, and remove key and wait until all rotating motion has stopped before leaving seat.

Tiger

33743

33743
INSIDE OF CAB



DANGER

TO AVERT THROWN OBJECTS,
CUTTER SHAFT MUST TURN IN THIS



DIRECTION

42360

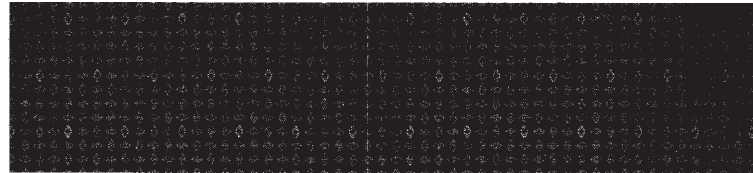
42350
MOWER DECK

SAFETY

PART NO.
LOCATION



42399
MOWER DECK



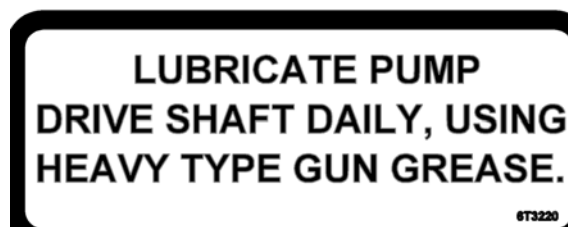
42400
MOWER DECK



6T3217
MOWER DECK



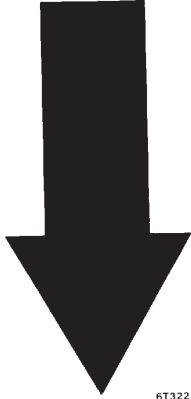
6T3219
INSIDE OF CAB



6T3220
FRONT PUMP MOUNT

SAFETY

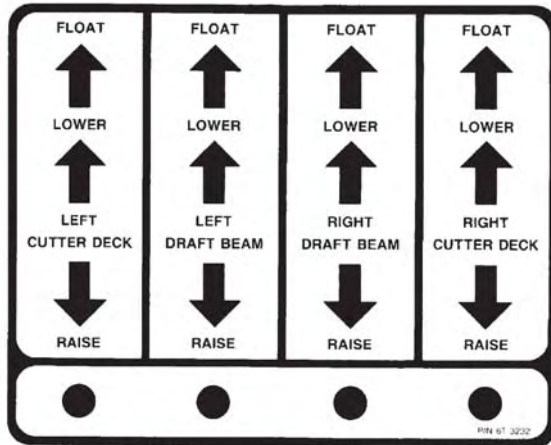
NOTICE:
Engine will not
start when mower
is engaged.



6T3222

PART NO.
LOCATION

6T3222
INSIDE OF CAB

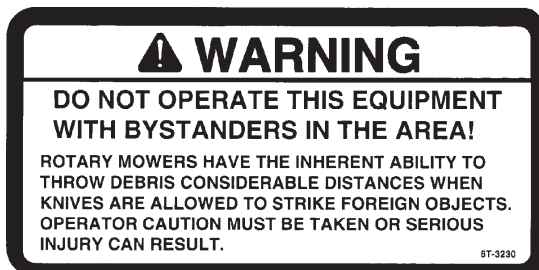


6T3232

6T3232
INSIDE OF CAB



6T3224
MOWER DECK



6T3230
INSIDE OF CAB

SAFETY

PART NO.
LOCATION



6T3233
HYDRAULIC TANK



6T3234
INSIDE OF CAB



6T3236
MOWER DECK
HYDRAULIC TANK



6T3242
INSIDE OF CAB

6T3242

SAFETY



Tiger Corporation

800-843-6849

www.tiger-mowers.com

Description	Application	General Specification	Recommended Lubricant
Tractor Hydraulics	Reservoir	JD-20C	Mobilfluid® 424
Mower Hydraulics Cold Temperatures 0°F Start-up Normal Temperatures 10°F Start-up Normal Temperatures 15°F Start-up High Operating Temperatures Above 90°F Ambient	Reservoir	ISO 46 Anti-Wear/ Low Temp JD-20C ISO 46 Anti-Wear ISO 100 Anti-Wear	Mobil DTE® 15M Mobilfluid® 424 Mobil DTE® 25 Mobil DTE® 18M
Flail Rear Gearbox	Reservoir	PAO Synthetic Extreme Pressure Gear Lube	Mobilube SHC® 75W-90, Mobil 1 Synthetic Gear Lubricant
Cutter Shaft and Ground Roller Shaft (Flail)	Grease Gun	Lithium Complex, NLGI 2 ISO 320	Mobilgrease® CM-S
Drive Shaft Coupler (Rotary and Flail)	Grease Gun	Lithium Complex, NLGI 2 ISO 320	Mobilgrease® CM-S
Boom Swivel, Boom Cylinder Pivots (Rotary and Flail Boom Type)	Grease Gun	Lithium Complex, NLGI 2 ISO 320	Mobilgrease® CM-S
Deck Boom Pivot & Deck Stop Adjustment (Rotary and Flail)	Grease Gun	Lithium Complex, NLGI 2 ISO 320	Mobilgrease® CM-S
Deck Spindle (Rotary)	Grease Gun	Tiger Spindle Lubricant	Mobilith SHC 220

For Mobil product information, availability, or technical information, call 1-800-662-4525.

Tiger PN 34852

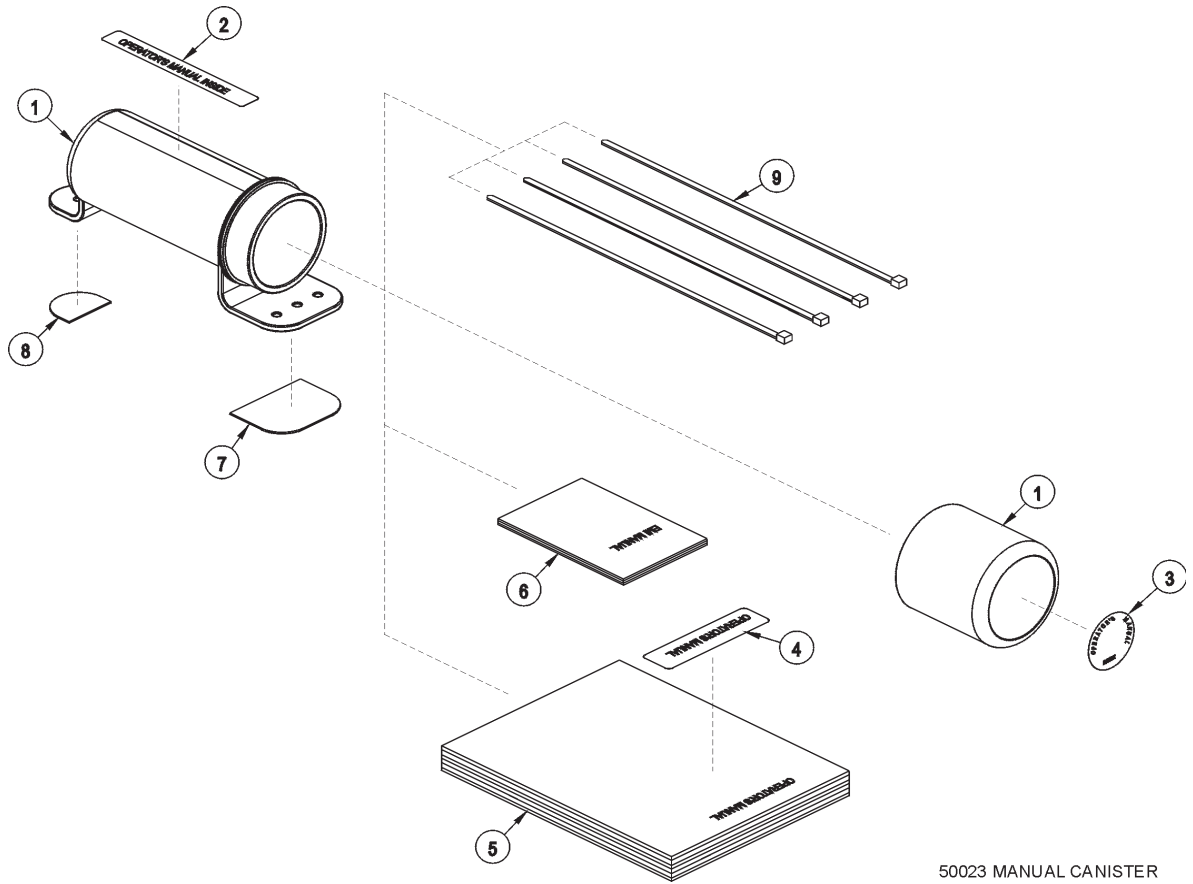
34852

HYDRAULIC TANK

DANGER		PELIGRO
THROWN OBJECT HAZARD		RIESGO DE OBJETO LANZADO
<p>Do not operate mower when cutter shaft is in reverse rotation unless:</p> <ul style="list-style-type: none"> • Reverse Rotation Front Guard is in place, and • Guard is in good condition 		<p>No funcione el cortacésped cuando el eje de cortador esta en rotación inverso al menos que:</p> <ul style="list-style-type: none"> • El Guardia Delantero de Rotación Inversa esta en su lugar y • El guardia esta en buenas condiciones
<p>Reverse Rotation Front Guard</p>	<p>06550054</p>	<p>Guardia Delantero De Rotación Inverso</p>

D538
ON MOWER HEAD

SAFETY



ITEM	PART NO.	QTY.	DESCRIPTION
	50023	AVAIL	MANUAL CANISTER COMPLETE
1	00776031	1	ROUND MANUAL CANISTER
	33997	1	DECAL, SHEET, MANUAL CANISTER
2		*	DECAL
3		*	DECAL
4		*	DECAL
5	*	AVAIL	SPECIFIC PRODUCT MANUAL
6	33753	1	E M I SAFETY MANUAL
7	34296	1	FRONT ADHESIVE PAD
8	34297	1	REAR ADHESIVE PAD
9	6T1823	4	ZIP TIE 14" LONG

NOTE:

The manual canister can be bolted, zip tied or adhered to a variety of surfaces. Locate a protected area within the view of the operator. Then select an installation method and attach the canister. **CAUTION - AVOID DRILLING HOLES INTO UNKNOWN AREAS**, wires and other parts may be located behind these areas. When adhering the canister to a surface, thoroughly clean that surface before installing the canister.

SAFETY

FEDERAL LAWS AND REGULATIONS

This section is intended to explain in broad terms the concept and effect of federal laws and regulations concerning employer and employee equipment operators. This section is not intended as a legal interpretation of the law and should not be considered as such.

Employer-Employee Operator Regulations

U.S. Public Law 91-596 (The Williams-Steiger Occupational and Health Act of 1970) OSHA

This Act Seeks:

“...to assure so far as possible every working man and woman in the nation safe and healthful working conditions and to preserve our human resources...”

DUTIES

Sec. 5 (a) Each employer-

(1) shall furnish to each of his employees employment and a place of employment which are free from recognized hazards that are causing or are likely to cause death or serious physical harm to his employees;

(2) shall comply with occupational safety and health standards promulgated under this Act.

(b) Each employee shall comply with occupational safety and health standards and all rules, regulations and orders issued pursuant to this Act which are applicable to his own actions and conduct.

OSHA Regulations

OSHA regulations state in part: “At the time of initial assignment and at least annually thereafter, the employer shall instruct every employee in the safe operation and servicing of all equipment with which the employee is, or will be involved.”

Employer Responsibilities:

To ensure employee safety during Tractor and Implement operation, it is the employer’s responsibility to:

1. Train the employee in the proper and safe operation of the Tractor and Implement.
2. Require that the employee read and fully understand the Tractor and Implement Operator’s manual.
3. Permit only qualified and properly trained employees to operate the Tractor and Implement.
4. Maintain the Tractor and Implement in a safe operational condition and maintain all shields and guards on the equipment.
5. Ensure the Tractor is equipped with a functional ROPS and seat belt and require that the employee operator securely fasten the safety belt and operate with the ROPS in the raised position at all times.
6. Forbid the employee operator to carry additional riders on the Tractor or Implement.
7. Provide the required tools to maintain the Tractor and Implement in a good safe working condition and provide the necessary support devices to secure the equipment safely while performing repairs and service.

Child Labor Under 16 Years of Age

Some regulations specify that no one under the age of 16 may operate power machinery. It is your responsibility to know what these regulations are in your own area or situation. (Refer to U.S. Dept. of Labor, Employment Standard Administration, Wage & Home Division, Child Labor Bulletin #102.)

SAFETY

7 B< 'HG* '%\$!'HF=D@

5 GG9 A 6 @MG97 HCB

5 GG9 A 6 @M

6 YZ:fY' UH'Ya dh]b['hc'a ci bhnci f' H][Yf'a ck Yfz'h]g'ja dcfhUbh
hc'fYUX'UbX'i bXYfghUbX' U''cZ H Y' gUZYmia YggU[Yg']b'h Y'GUZYm
GYW]cb'cZH]g'a Ubi U"

Ô@& Å []|^c'Á @ { ^ } o'ã o'ã æ æ • o'ã @ Á æ æ ã * Å o'ã Å æ ^ Á ~ !^Á @ !^Á æ ^ Á [Å
• @ ! æ æ ^ • ÈÅT æ ^ Å & ! æ æ Å @ Á æ æ d ! Á [ã ^ / Å @ Å] ! [] ! æ æ Å } ^ Á ! Å @ Á [, ^ ! Å & Å æ ^ ã Å



OE, æ • Á • ^ Á Å [[! Å & È @ ã o'ã ! Á ! ! Å o'ã Å o'ã) ã Å æ ^ Á @ æ ^ Á æ o'È

Ü^æåÅæ) åÁ } å^! • æ) åÁ @ Á } cã^Á @ È • ^ { à | Å Ü^ & ç } Å ç • d ~ & ç } • Å ^ - | ! Å æ æ {] ç * Å Å Å [~ } c
^ [~ ! Å Å ^ ! Å [, ^ ! È Å Ü^ - ! Å Å @ Å æ o' Å Ü^ & ç } Å - Å @ Å æ ~ æ Å ! Å ^ æ æ ^ ã Å [] • d æ æ } • Å Å Å & æ ^ Å ç
] æ o' È (ASM-C-0001)

HF 57 HCF 'DF 9 D5 F 5 HCB

OE Ü^ { [ç^ Å ã @ Å) å Å - Å @) å Å c' } • È

OE Öã & } } ^ & Å æ æ ! ^ Å æ æ ^ • Å [{ Å [c Å æ æ ! ã • È

OE Ü^ { [ç^ Å } * ã ^ Å ã ^ Å æ ^ ! • È ! Å æ æ ^ Å @ [å Å Å & Å • Å [] o' ~ || ^ È

OE Ü^ { [ç^ Å] * • Å [{ Å æ æ d ! Å æ ç * Å @ ! Å æ æ ÷ æ ^ Å æ) å Å ^ {] Å [~ } o' ç] Å ^ Å æ æ @ ã È

OE Ü^ { [ç^ Å) ^ Å [] } o' Å ã @ Å) å Å ã @ Å ^ }] ! o' È

OE Üæ ^ Å @ Å æ d ! Å } ç Å & È ç) å • Å) å Å ^ { [ç^ Å @ Å ã @ Å) å Å - Å ^ æ Å @ ^ ! È

(ASM-C-0024)

7 F5 B? G<5: H'5 85 DH9F

G Å ^ & Å • • æ ^ Å ^ { [ç^ Å @ Å ~ ! Å ç } & Å ^ , • Å [{ Å @ Å ç } \ • @ æ o' ~ || ^ È Å @) Å ç • ç) Å @ Å ç } \ È
• @ æ o' Å ç c' ! Å Å @ Å ~ || ^ Å æ @ Å ç } & Å ^ , • Å) å Å Å , æ @ ! • Å Å @ , } Å Å @ Å æ o' Å ^ & ç } È

(ASM-NH-0050)

58 > I GH B; 'F95 F 'K < 99 @G

Üæ ^ Å ^ æ Å - Å æ d ! Å } ç Å & È ç) å • È Å c' c' k ' h Y] b g f i W] c b g] b ' h Y ' h U W c f ' c k b Y f g
a Ubi U'Z:f'UX' gh]b['h'f'Yg'UbX'f]a g' d' Å G Å & } c' ! Å ! Å ã ^ Å [~ } c' å Å [, ^ ! • Å) å Å J È - Å [! Å [[{
{ [, ^ ! • È Å U V O K W @ Å æ Å ^ ~ ã ^ Å , æ @ * Å @ Å @ ^ ! Å Å]] [• æ ^ Å ã ^ Å - Å æ d ! È Å Ç [Å æ ^
} [c' Å - Å) Å ã @ Å - d æ ç } • Å @) Å ç }] ! [ç * Å ^ Å ç ! È Å Ç ! Å æ ^ Å - Å • ç) Å æ } È Å Å ^ • Å
! æ ^ Å @ Å æ Å @ ^ ! Å ^ { [ç^ Å Å ^ ! ã * Å • ç) Å } Å - Å @ Å [, ^ ! È (ASM-NH-0051)



5 GG9 A 6 @M

: FCBH'DI AD'ACI BHB;

Q•cəh@Á {] Á [~ } ç * Áiæi ^oÁ } Á@Á [} oÁ Á@Áæç ;Á æÇæç •&^, •Áç áÁ æ @!•Áe Á
•@, } Á Á@Ájæo Áj&ç } Áj •dæç } ÉÛOÁ UVÁç @ } Áæç } ^!•Áæ@Áç ^É
V@^æá@Á {] Áiç^ •æoç ç Á@Áç } •æoçç ç ÉÛV@Á } áÁ æÇ@Á } jã^•Á@~]áÁ
{ æçÁ } Á æÇ@Á }] ÁÉ
Üjã^Á@Á } jã^Áiç^Á @oç] Áj } ç Á@Á {] Áiç^Á @oçÉÛQ•cəh@Á {] Á } ç Á@Á
{ [~ } ç * Áiæi ^oÁ UVÁç@Á @oçç Á ^oÁç Á } ^Áç&ç } Éç@Á {] Á@~]áÁç •cəh^áÁ æÇ@
@Á ^oÁç^Áç } Á } ÉÛQ•cəh@Á, æ^Áç Á^& jã^•Á {] Á Á@Á {] Á [~ } ÉÛOÁ UVÁç @ } É
Oç } Á {] Á [Áç@Á } jã^Áç } jã^Áç Á [ç^áÁç Áç áÁç] oÁ^Áç áÉÛV@Á } Á {] Á
{ [~ } ç * Áiç] oÁç Á^&•ç } Á^&ç Áç *Áç Á] jã^Áç } jã^Áç [ç^ { ^ } ÉÛV [ç^Á@Á {] Á
{ [~ } ç * Áiæi ^oÁ [oÁ] ^Áç^Áç ^Áç áÁç }] Áç@Áç Áç & ç *Áç^ } ÉÛV@Á } Á@•Áç] oÁç Á
•&•ç } Éç çç Áç & ç *Áç Á^Áç [ç^ { ^ } çç Á@Áç^ •æoçÉÛOç^Áç] oÁç Áç i~^áÉç@Á
^ } áÁçç } Á@Áç^ •æoç@~]áÁç^ çç Áç çç çç áÁç@Á }] Á@~]áÁç [ç^Á^] Á æÇ@ç áÁ
] Á••^ÉÛQ } áÁ çç Áç •Áçç çç Áç çç Áç áÁç@Á } áÁ Á@Á @oç Áçç ç^Á@Á [] Á } áÁ çç ÉÛ
Qç@Áç Áç [] Áçç çç Áç } áÁ çç Áç } Á@Á @oç æÇ@Á ^&ççç } Áç Áç } *ÁÁ @oçÉ
751 HCB. 8 C BCH GH5 FH H< 9 HF57 HCF I BH@5 @@< CG9 G5 F9 5H57 <98 ŽH5 B?
G: =@@8 K H< DFCD9 F C=@5 B8 65 @@J5 @9 G5 F9 CD9B "" GH5 FH B; 5H H< G HA9
K =@@751 G9 G9 F-CI G85 A5; 9 HC H< 9 DI AD" ÁASM-NH-0024)

A5-B: F5 A9 B-GH5 @GHCB

Y æçç Á ç^! @æçç ç çç áÁç Áç É çç á•Éçç^Á } ^Áçç^Á Á@Áç^Á } Áç Áç] Áç^Á
{ æçç * Á [~ } ç * Áç] Áç ÉÛQ•cəh@Áç •&^, •Áç áÁçç @!Áçç, æ^Áç Á@, } Áç çç çç^Áçç Á
U^&ç } Áç Á^&^Áç@Áç^Á Á@Á çç çç^Áç Á@Áæçç ;Áç çç *ÉÛOÁ UVÁç @ } Áçç@Áç ^ÉÁ
Ü^ [ç^Á@Áçç •&^, •Á } ^Áç^Áç ^Áç áÁç }] Áç@Áç Áç & ç *Áç^ } ÉÛV@Áç •Áç@Áçç •&^, •Á
çç áÁç @ } Áç i~^Áç çç^Áç [ç^áÁç Áç i~^Áççç çç^Áç Áç Áç çç] çç & Áj&ç } Áç Áç Á
{ çç çç (ASM-C-0003)

H: F5 A9 A9A69F

Ü^ [ç^Á@Áçç Áçç Áç] Áç^çç & Áç Á@Áççççç áÁÉçç ^ÉÛVjã^Áçç^Áç } áÁç@Á
dæçç ;Áç *Áç [] Áçç •ÉÛV@Áç [} oÁ Á@ÁÉçç^Áç^Áçç^Áçç } áÁç@Á çç çç^Áçç^Áç
@ÁÉçç^Áç ççç@Á } Áç Áç] Áç { Áç Áççççç^É
Üæ^Áç@ÁÉçç^Áç } Áç Áççç^Áç^Áç •ç *ÉÛQ•cəh@Áçç •&^, •Éç çç@!•Áç áÁç •Éç Á
•@, } Áç Á@Ájæo Áj&ç } Éçç Áç^Áç^Áçç^Áç } Áç Áççççç^Áç^Áç •ç *É
Q•cəh@Áçç^Áççç •&^, •Éç çç@!•Áç áÁç •Áç } Áç@Áç [} oÁ Á@ÁÉçç^Áççç [* çç@Áç] Áç
çç Áçç çç^Áççç } Áç Áççççç^Áççç } ÉÛV (ASM-NH-0143)



5 GG9 A 6 @M

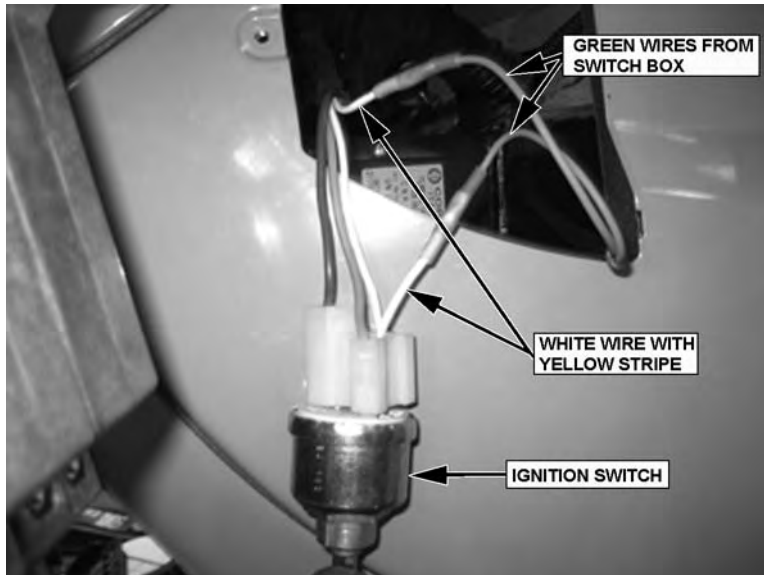
GK #7 < 6 CL 'K # B;

Ü[~ c'Á@Á!^^} Á a^Á[{ Á@Á, æ&@[c'Á Á@Á[c' { Áá @& } ^!Á -Á@Á • d { ^ } d' æ ^!Á } ^æÁ a'á[, ÉXO[c'Á!Á@Á a^Á[{ Á@Á, æ&@[c'Á æ@Á! [c'æ^áÁ|æ c'Á a^Á |æ ÉXO[&æ^Á @Á^ d'æÁæ^c'Á, æ&@[a^Ác' @Á^ æ@Á^|| , Á d'á^D'Á Á@Á *æ } Á, æ&@[} a^!Á@Á, |Á æ ^!Á æ^Á@, } Á^|| , ÉXO[c'Á!Á@Á^ d'æÁæ^c'Á, æ&@[a^Áæ a^Á } } ^&Á@Á!^^} Á a^Á[{ Á@Á, æ&@[à[c'É

BCH9. "CB@M: CF'9 @7 HFCB#7 J5 @9. 'Z%&JC @HG'9 @7 HF#75 @DCK9F'AI GH'69'H5?9B': FCA'5'GCI F79' @C75HCB'K <9F9'H'G' @J9'CB@MK <9B'H'K'9' # B#CB'GK #7 <'G'B'H'K'9'Í CBÍ 'DCG#CB" 'H'K'G'K'F9'AI GH'69': I G98'5H' H'K'9'GCI F79' @C75HCB"

Ü[~ c'Á@Á!^^} Á a^Á[{ Á@Á, æ&@[c'Á Á@Á[c' { Áá @& } ^!Á -Á@Á • d { ^ } d' æ ^!Á } ^æÁ a'á[, ÉXO[c'Á!Á@Á a^Á[{ Á@Á, æ&@[c'Á æ@Á! [c'æ^áÁ|æ c'Á a^Á |æ ÉXO[&æ^Á @Á^ d'æÁæ^c'Á, æ&@[a^Ác' @Á^ æ@Á^|| , Á d'á^D'Á Á@Á *æ } Á, æ&@[} a^!Á@Á, |Á æ ^!Á æ^Á@, } Á^|| , ÉXO[c'Á!Á@Á^ d'æÁæ^c'Á, æ&@[a^Áæ a^Á } } ^&Á@Á!^^} Á a^Á[{ Á@Á, æ&@[à[c'É

ÁASM-NH-0121)



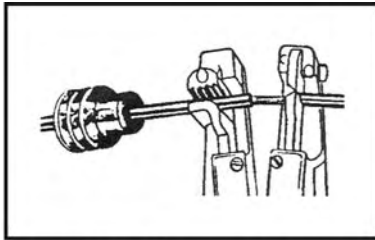
5 GG9 A 6 @M

K 95H<9F!D57 ? #A 9 HF =D57 ? '5 GG9 A 6 @M

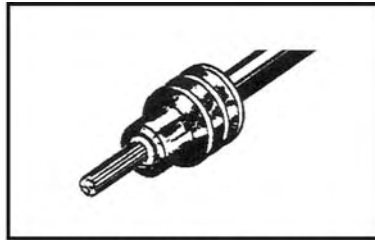
V@•^Á•d~ &ç }•Áç }| ^ Á Á[c@Y ^æ@!ËúæÁ Áç áÁ ^d ÆúæÁ Áç } } ^ &ç !•É

BCH9.1 gY'h YgdYWZWCc`Zf'h YmdYcZVcbbYWcf'nci 'UfYUggYa V]b["

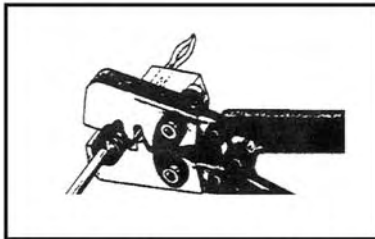
(ASM-C-0009)



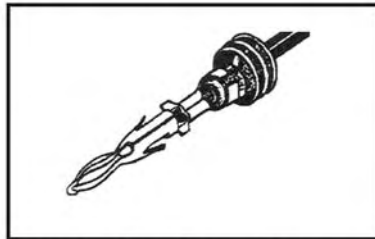
1. Apply seal to cable, before stripping insulation.



2. Align seal with cable insulation.



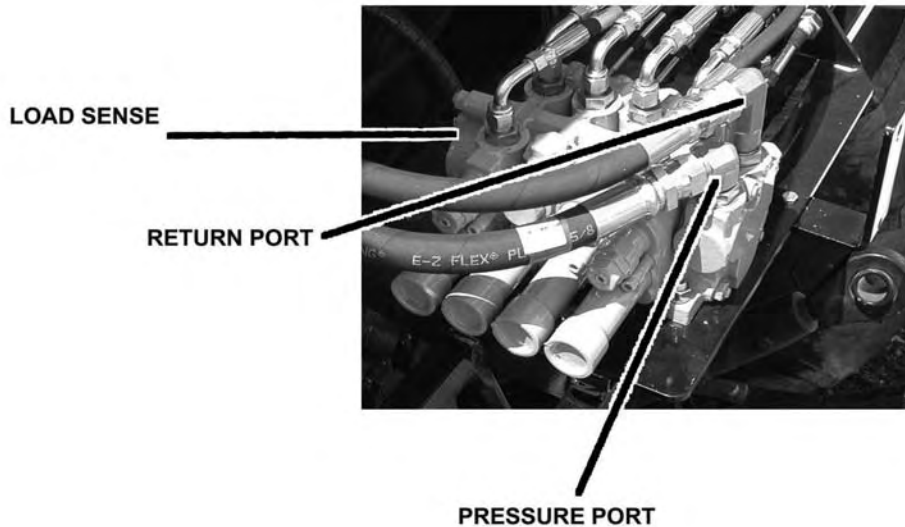
3. Put terminal in crimping tool, then position wire and seal in place.



4. Crimp and visually inspect for a good crimp before installing in connector body.

A5 BI 5 @@ H'J5 @9 'DCF HG

Á



(ASM-C-0057)

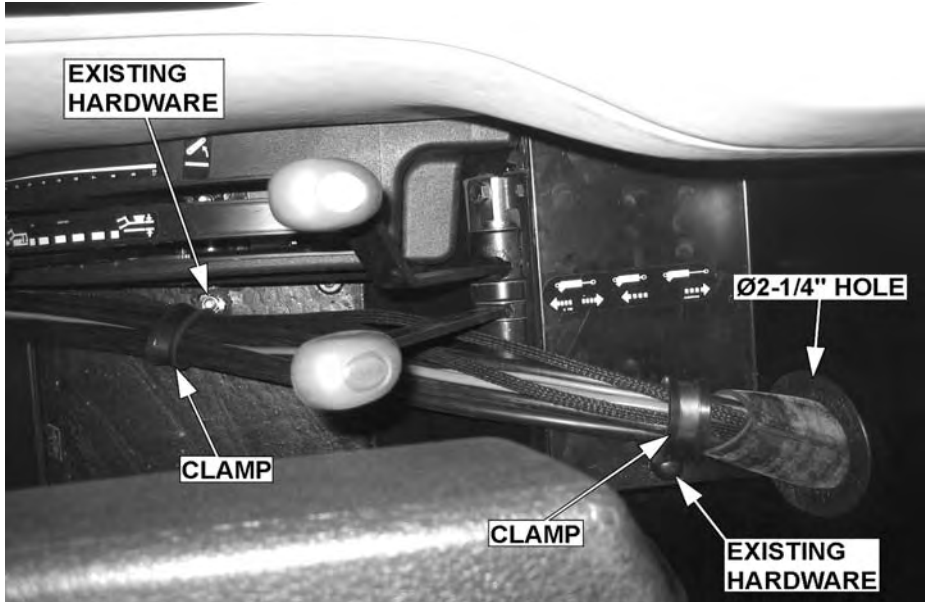


5 GG9 A6 @M

@# H'J5 @9`756 @#K =F9`FCI H=B;

0` aA GEFD +@ |^/ A@ AaA A A@ AaAq ; SaAe A@ , } A^| , E@. caAaA A | & Aa[~ } aA@
 ^a*^* A A@ A@ |^E@U [~ c^A@ AaA^* A [{ A@ A a ~ caAa^* E@ | A a^* A [{ A@ A ^* ca E@ } * A @
 @ A a^* A [{ A@ A , a@a [cAa } * A@ A [| A ~ c^A@ AaA A A@ AaAq A@ AaAcaA^ E@A : a A@
 aA |^* A aA a^* A @* | a@Q *^AaA@ A [a A @|^A@^ A a * A@ ~ * @A@ AaAq ; A caA aA a A
 @ A | a@Q *^A^&' |^E

W^A@ Aca a * Aca , a^/ A@ A [caa } * A@ , } A^| , A / A. caA@ A|a } * A@ A A | GEEFHE



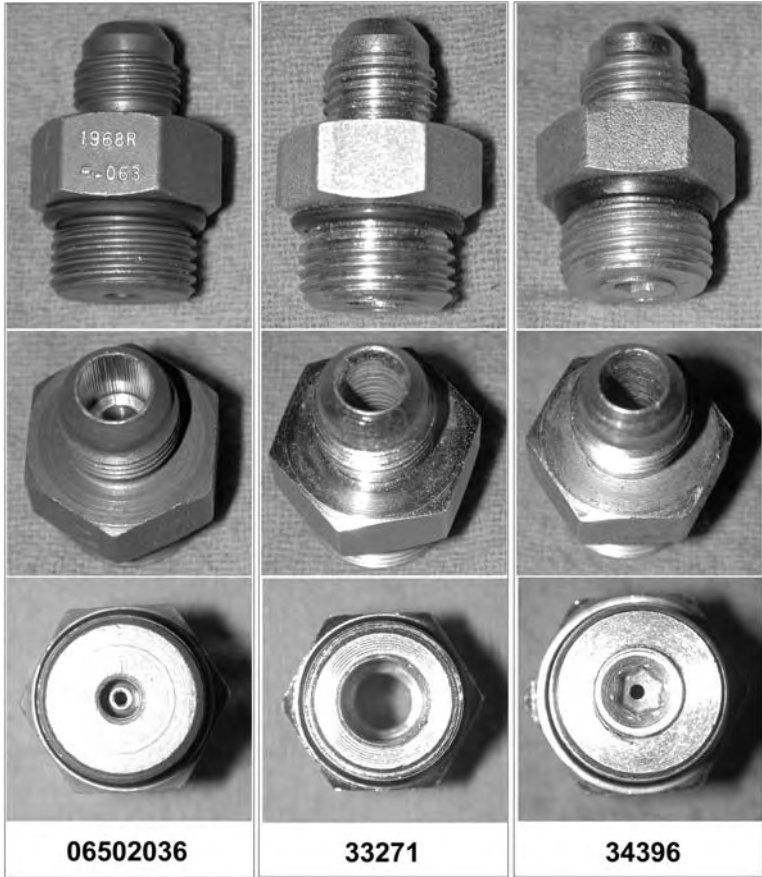
W^AUVXA A^A@ A@ |^Aca , a & a A@ AaA A A@ AaAq ; SaA E@ (ASAM-NH-0109)



5 GG9 A 6 @M

†BCH9`CB`<I G7C`7CBHFC@J5@9G†

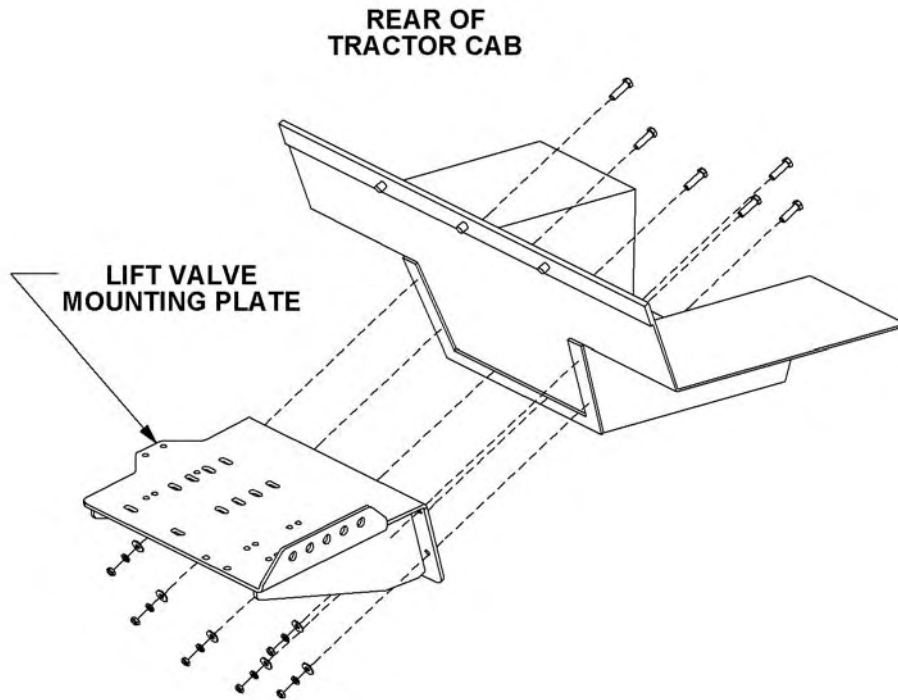
T æ ~ æ†æ†|^Å† } d[||^âAP`•&† Å† } d[|çæç^Dâ[[{ Å [, ^i•Å~`a^Å&@&† çæç^•Å æ@â c`È
*!æ†^•d&ç† * Å |æâ^Å† È | €GÈ† Dâ • ç†|â^Å Å@Å† } d[|çæç^Å† [|\Å† |o•Å@æâ^Å† } ^&c^â† Å
o@Å† æ† â† } â•Å -Å@Å† æ† Å† æ† â† ^&† } âæ^ Å[[{ &† |â† â^i•ÈV@&@&† çæç^Å† | , • Å† Å† Å^Å
†| , Å† ç Å@Å† æ† â† } â† -Å@Å† æ† Å† æ† â† ^&† } âæ^ Å[[{ &† |â† â^i•ÈV`ç^â^•d&ç@Å† , Å† ç† -Å@Å
&† |â† â^i•ÈV@&@&† Å† | çæç† * Å† |] ^i•Å[[{ &† } d[ÈV@&@&† çæç^ÈVÈ† | €GÈ† Ç^† } â† | Å† J† | ÛÈ
È† H† Å† Å† çæç† Å† } ^æç† &† Å† Å† •^âæç† ç† | Å† H† G† F† Å† â† Ç† æç† ç† | Å† H† H† | È† æ@È† Å† | æâ^È†
V@•^Å† { |]] ^† } o•Åç† Å^Å^† } çâ† â† Å† Å† | | , • È† æ† â† Å† Å^Å† } ç†|â^Å† Å† Å† çâ^•Å^&ç† } Å† | Å@Å
|æçæç^È† (ASM-HUSCO-0001)



5 GG9 A 6 @M

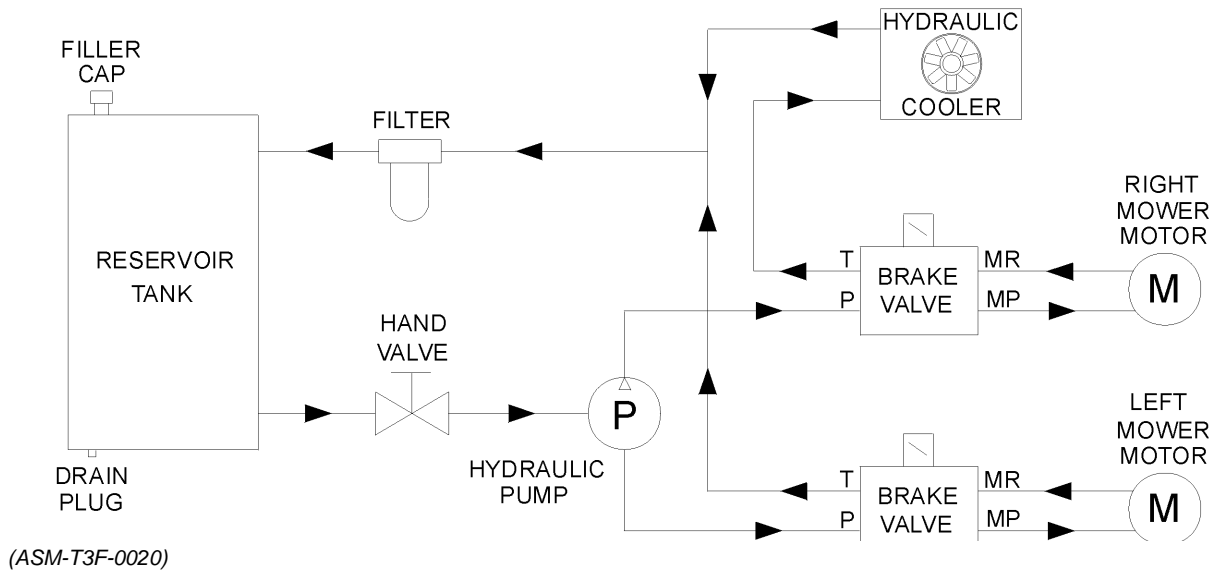
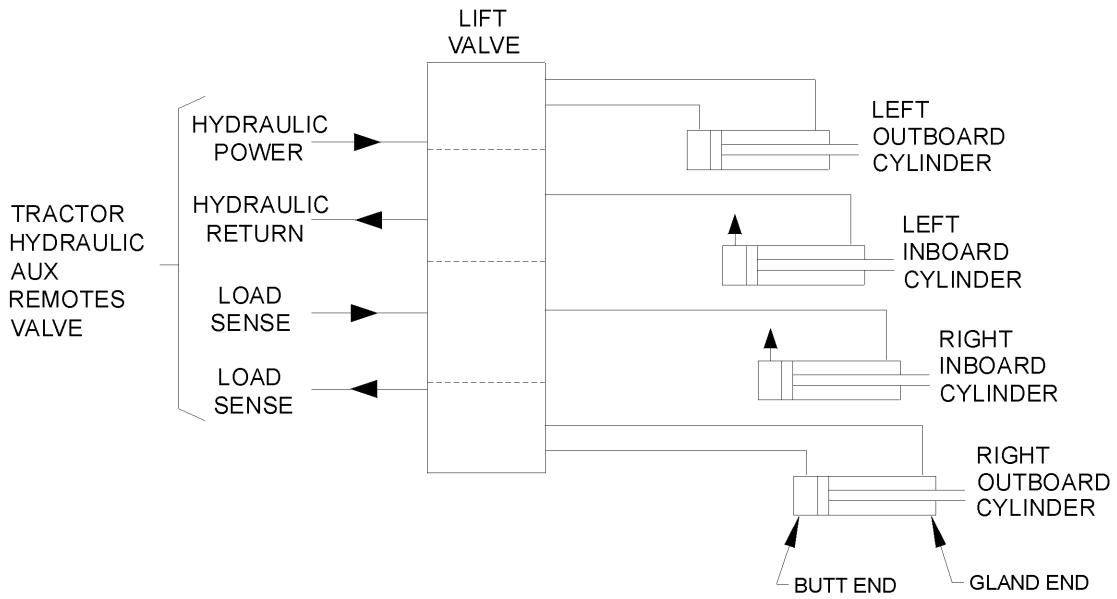
@ H'J5 @J9'ACI BHB;

Ó†!^Á [~} ç* Á@ Ááoç^É [~ Á ç!Á ^^áÁ Á [~} ó@ Ááoç^Á [~} ç* Á|æ^Á Á@Á
dæç /ÁæÉÁÁ dÁ^ [ç^Á@Áç •&^, •Á [Á@Áæç /ÁæÁ@Á ç, } Á^ [, ÉÁ^çÉÁ^ |æ^Á@Á
&ç •&^, •Áç á/ç •ç/Á@ Ááoç^Á [~} ç* Á|æ^Á@Á ç, } Á^ [, ÉÁ^çÉÁ^ Á@Áæç Á^É
ç } Á |Á^ç ç áÁç, æ^Á ^^ááÉ (ASM-NH-0104)



5 GG9 A 6 @M

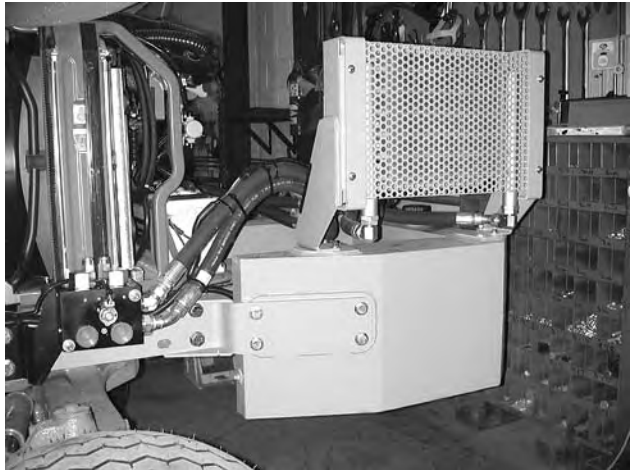
HF-D@': @5=@<MBF5I @7'8-5; F5A



5 GG9 A6 @M

7 CC@F'ACI BHB; '!'6I AD9F'H5 B?

T [~ } oAc@A& [|'A [~ } q * A|ae&^oA } A@ Aq] Aa @A a^A ~Ac@A { } |'A@^ a|ae |Aa } \ E
S [&ae^A [|o' |ae^A } A@ Aq] A ~Ac@A } \ Aa a^A &^ |'A@ Aq] | [] |ae^A [|'A|ae&^oA } A@ Aq } \
, a@A@A@a, ae^A | [ca^a^A@ae&^oA } Aa a& [|'Aq A@ A|ae&^o A^U^~|Aq A@ AÚaeo
U^&q } Aq Aq } } ^&oe@Aq^A^Aq A@ A& [|'A^AASM-C-0073)



F9D@7-B; '@: H'G-89': I 9 @H5 B?

O:ae A@ A^ oAa a^~|Aa } E^U^ { [c^A@A@^Aq^A^Aa a^A@A a^Aq } } ^&q } Aq A@
~|A^ ae^A E^U^ { [c^Aa a^A^~^A@A^ |A^ ae^A E^U^ A^ ae^A oAa, ae^E^V@A ae^A oAe
ae^A } a^~Aq |'A^ ae^A } Aa a^A A^ ae^A a^Aq A^ ae^A A@A^ |A^ ae^A E^V @ } Aa a^A^ oA^A ae^A E
] ~ |A], ae^A } q^A@A [ae^A ae^A^A@A^ A@ Aq] A ~Ac@A } \ E^Vq A@ A^ ae^A Aq, ae^A@Aq] [• a^
^ } a^A ~Ac@A } \ Aa a^A^ [c^A@A^ ae^A E^U^ ae^A A@ A^ ae^A Aq |A^ ae^A E^U^ { [c^A@Aq } \ A d aq^
ae^A A@ Aq, |'Aq [• A^ ae^A a^A^ &ae^A E

V | Aa a^A@Aq } \ A^ ae^A Aq A@ A^ a^~|Aa } \ E^A^ o' |ae^A@A^ ae^A oAe [~ A^ { [c^A^Aq [{
o@Aq | a^ a^Aq } \ A } A@ A^ |A^ ae^A Aa a^A ae^A q } A@ Aq | • E^Q^ |'o@Aq | ae^A^&q } A ~Ac@
* ae^A^ q A@ Aq] Aq |'E^V@ } Aa A@ A^ ae^A^ [A@ Aq] * A } a^A ~Ac@A^ ae^A Aa^ q A@ Aq] *
^ } a^A ~Ac@A } \ E^U^ &^ |'A@ A^ ae^A^ a@A@A^ q a^ q * A@a, ae^E

Oa a^A@Aq |a|, Aq A@ Aq] A ~Ac@A } \ E^Q^ ae^A A@ A^ |'Aq } \ A^ ae^A^ oAq A@ A^ a^Aq A@
d ae^A |'A^ ae^A A^ q, } Aa A@ AÚaeo A^ &q } E^U^ |ae^A A@ A^ a^~|Aa } \ A } A@ A^ |'Aq } \ A^ ae^A^ c
ae^A A@ A^ E^ ae^A a^Aq^A] A a@A@A [~ } q * Aq | • E^U^ &^ |'A@ Aq } \ A^ q * A@ A@a, ae^
] | [ca^a^A^ A^ q, } Aa A@ AÚaeo A^ &q } E

Oq ae^A E^ae&^oA^ | [] |'Aq^A^Aq A@ A& [|'A^] [] aq * Aq | • Aa a^Aa a^A@A^ a^A^ |'A@ A^ |
* ae^A E^U^ ~|A^ Aq A@ AÚaeo A^ &q } Aq |'A@a, ae^A^A^ a^Aa a^Aq^A } q } • E^U^ (ASM-NH0144)



5 GG9 A 6 @M

HF5J9 @C7 ? -BGH5 @HCB

ÿ[~ ! Á ã ^ Á ã Á [} } ^ G D Á æ Á @ æ ^ Á & { ^ Á ã Q ~ Á @ Á æ ^ Á & Á Q [\ Á ^ Á ã Á } É Á V @
 ã Á Á [} ^ Á æ Á @ Á æ ^ Á { à | Á Á } • ! ^ Á Á [] ^ Á Á Á Á [~ ! Á ~ ã] { ^ } É Á V [] | | , Á @ Á Á | | , ã *
 • c] • Á d Á æ & Á @ Á æ ^ Á & É Á Á æ ^ Á • ! ^ Á d Á ^ æ Á @ Á] [] ^ Á Á ^ ! [] æ Á [c & c]
 ^ ~ ã { ^ } É

FÈ T [~ } Á @ Á - Á ã á d | Á ã @ Á æ ^ Á & Á ã æ ^ Á [• ^ | Á Á æ & Á ã ^ Á - Á @ Á æ Á æ ^ Á É
 Ü ^ Á | Á Á @ Á Á æ Á ^ & c] Á Á @ Á æ ~ æ Á | Á æ Á { | { æ Á } É

GÈ Ü æ ^ Á ã Á [} } ^ Á Á Á Á @ Á Á @ • Á [• ã] É

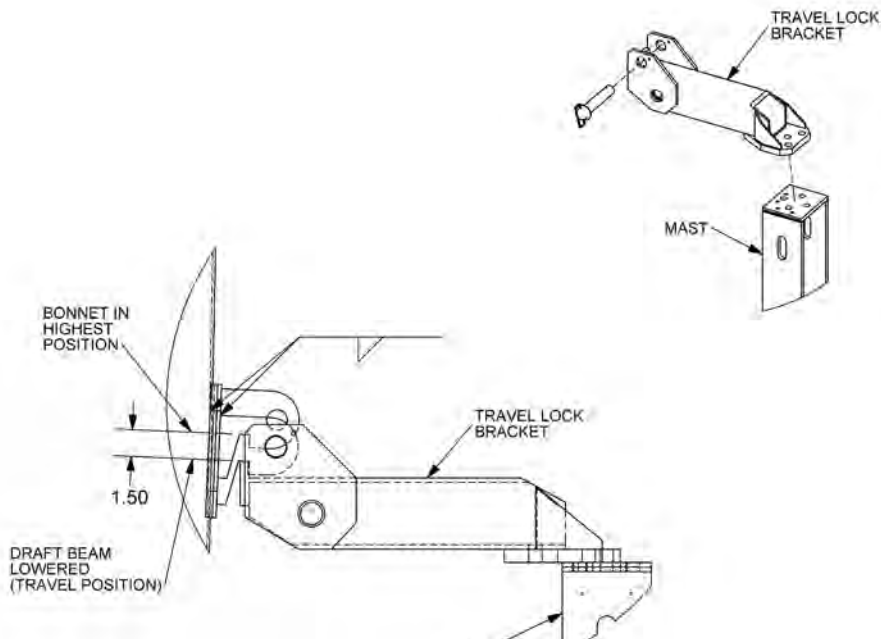
HÈ Š , ^ | Á ã æ Á æ & | ã á ! • Á É É Á & @ Á | Á æ ^ Á & Á Q [\ Á ^ Á æ & É

I È T [~ } Á @ Á Q [\ Á Á @ Á æ ^ Á & Á ã æ ^ Á ã Á @ Á æ ^ Á & Á ã Á Á Á æ É

I È Š ã ^ Á] Á @ Á æ ^ Á & Á | æ Á [Á æ Á & } c | ^ á Á ã @ Á æ ^ Á & Á Q [\ Á } Á æ @
 • ã ^ É

Î È Y ^ | á Á @ Á | æ • Á Á @ Á [} } ^ Á É

Ï È Y ^ | á Á @ Á Q [\ Á Á @ Á | æ • È (ASM-T3F-0025)



-BGH5 @HCB'C: 'HF5J9 @C7 ? G/ 'D-BG

Q • æ Á & Á ã Á ã Á @ Á æ ^ Á } d Á æ Á ã Á ^ Á - Á æ ^ Á & Á ã æ ^ Á • Á • ã * Á @ Á æ á , æ Á | [ç ã ^ á É
 Q • æ Á @ Á - Á æ ^ Á & Á ã á ã æ ^ Á } Á @ Á æ Á æ ^ Á Á @ , É Q • æ Á @ Á ã @ Á æ ^ Á & Á ã á
 à | æ ^ Á @ , } Á ã á Á & ^ á Á @ Á æ ^ Á æ á Á | Á [] É Á Á } É (ASM-T3F-0001)

8F5: H'695A 'ACI BH-B;

Û ~ | | Á @ Á ã [æ á & | ã á ! Á ã d } Á [á Á [, } Á Á @ Á d ^ { ^ Á d } á ^ á Á [• ã] É Á V | ã ^ Á @ Á ã æ
 á ^ æ Á } á ! Á @ Á | ã á ! É Á á Á } Á ^ ç á Á Q | Á ã Á æ Á æ ^ Á Á Q | Á ^ æ • Á Á @ Á æ d | É Á Q • æ
] ã Á ã ^ & ! ^ Á ã Á [] | ã • É

W ã * Á ã [æ á & | ã á ! Á æ Á ã [Á [ã d | ã ^ Á æ Á æ Á } á ! Á æ d | Á ã á Á • æ Á æ Á æ
] ã É Á Á } Á Q | Á Á ã æ Á æ Á ã Á ã @ Á | • Á Á æ Á æ ^ Á [• Á ã • æ Á æ & ^ , É | & É
 , æ @ | Á ã á @ Á ã É (ASM-DB-0001)



5 GG9 A6 @M

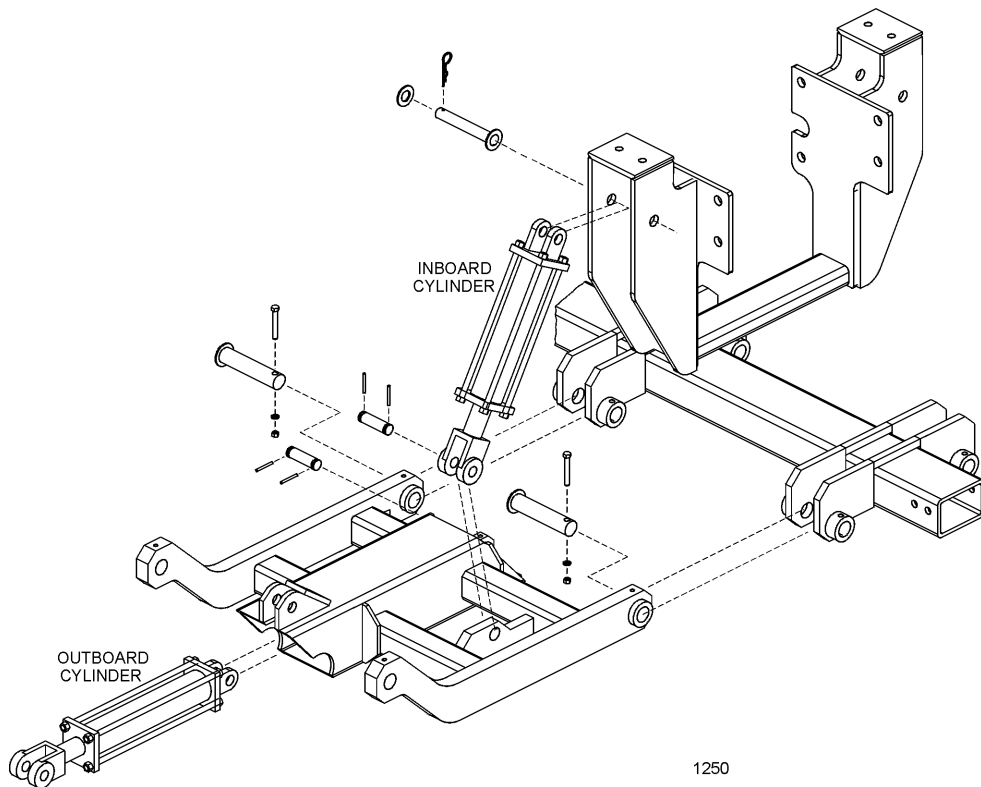
7 CA6 C' @: H'8 F5: H'6 95 A' -BGH5 @@HCB

Q•cajÁ +ÁËä * Ái^æ@i/ q Á~ c[i o[Á q à[æá& jã à^i ËWQ•cajÁãã * Á Á@Á[áÁ} áÁ -Á@Á & jã à^i Á& jã * Á Á@Áãã i æ Á Á@Á [{ [] • Á^&çã } ËV@•^Áãã * Á Q' jã Á^Á [• çã } ^áÁ Á -æ^Á@Á~ c[} áÁ -Á@Á jã à^i Ë

P^c[i } Á@Á^çã Á [q Á@Á[áÁ -Á@Á jã à^i Á } q Á Á Á @Á æ çã • o[Á Q' jã Á^Á áÁ & Á q q Á jã Á ã@Á & q * Á [i o[} Á^çã Ë

V@Á à[æá& jã à^i Á çã Á [, Á^Á • cajÁáÁ q Á@Á çã -æ ^Á æ o[çã Á q Ë çã æ @i • Á çã áÁË jã • Á Á Q' } Á^ [, ËWV^Á- [] Á çã ^Á } Á çã Áãã * Á çã áÁQ • ^Á [} ^&çã } • Ë

Q•cajÁãã * Á Á@Á~ c[æá& jã à^i Á çã áÁãã • o[Á [q o[, æá • Á@Á~ c[} áÁ -Á@Á & jã à^i ËWV çã o[Á Q' • Á Á Á ^&çã áÁ Á@Á çã o[Á [] ËWV çã Á@Á jã à^i Á q Á@Á i æá& çã Á - [{ Á@Á~ c[çã Á -Á@Á i æá& çã Á çã Áãã&çã jã à^i Á Á@Á i æá& çã Á çã Á^çã Á q Á çã áÁ i [] q • Ë



1250

ÁASM-T3F-0004)

@: H'7 CBHF C@: 998 @B9 G

P [• Á^ } * c[Á çã Á^çã ^ } Á çã q [Á] jã çã } • Á & çã Á çã çã áÁ [] Ë çã Á } ã ËWV^Á@ Úæ • Á^&çã } Á@Á^ i çã } Á Á [^ i Á çã q [Á [Á Q' • ^Á] jã çã } • Ë

Q•cajÁãã * Á Á@Á [{ Á@Á [çã { Á Á q } ^ Á çã çã Á [i o[Á Á } áÁ Á ^ Á [Á çã Á } ã Ë } Á çã áÁ [] } Ë çã Á } ã Ë Á@Á • d çã i Á } Á@Á à[æá& jã à^i Á çã áÁ Ë

Q•cajÁãã * Á Á@Á [] ^ Á i Á ^ çã Á çã çã Á [i o[Á@Á • d çã i Á } Á@Á~ c[æá& jã à^i Á~ c[W^Á- [] Á çã ^Á } Á çã Áãã * Á çã áÁQ • ^Á [} ^&çã } • Ë ASM-T3F-0005)



897?`#ACHCF`: 998 @B9

Q•œ|Á@Á-ÁQ•^•Á|{ Á@Á [d |Á Á@Á [| } [ãÁçç^ÉÜ^~^!Á Á@ÁÚæ•Á^&ç } Á | Á
á^æ|áÁ { | { æ } Áæ[~ óQ•^•Áæ áÁãç *•Á | Á@Á } |ææ } É

Q•œ|Á |ÁQ•^•Áæ[~ } áÁ@áæ |æÁQ•^•Á @^Á@^Á } æóÁ @æ } Áá^•É |Áæ ^ Á @ | Á
^á^•Á@ææ æ Á^ áAQ•^•É

Ó^Á~!^Á@æ|Á!^æ^Á^! \ •Á^Á •œ|áÁ Á@Á!æóÁ^æ Á ç Á [•••ÉÜ^!^æ^Áæ|Áæ^Á -Á
@Á!æóÁ^æ Áæ& |áç * Á Á@Á •d~ &ç } •Á@Á Á æ ç } æ & Á^&ç } ÉÜ^É@& Áç|Áãç *•Á | Á
ç @ ^•É

Q|Á@áæ |æÁç | Á æ|Á æÁæ Á&ç { { ^ } á^áÁ Á@Á æ ç } æ & Á^&ç } ÉÜ^9`GI F9`HC`
CD9B`H<9`65 @J5 @9G`ÁæóÁ@Áæç |Áç áÁ | ^!æ^Á@Á ç [æá&ç |ç á^!Á@ [~ * @Á@Á } ç^Á
•d [\ ^Áç áÁ@Á^ ç [æá&ç |ç á^!Á@ [~ * @Á@Á ç { Á Ád [\ ^Á^ } ^æá | Á Á^æÁ@Áç ^•Á -ÁæÉ
8C`BCH`fi b`ci HcUfX`Wn]bXY`ci hlc`Z ``glfc`Yi blj`glcd`Vc`h\ Ug VYyb`UX1`ghY`

Ó@& Á | Á ç|Á æ •Áæ|Áãç *•Áç áÁ } } ^&ç } •Á •ç *Áç ç&Á -Á ç | Á | Áæáà [æáÉÜ^Á
|^æ Á Á^ } áÉ [~ Á ~ •ó @ ó [, } Á@Áæç |Áç áÁ^ó@Á^ ç | Á@æ|Á } Á@Á [~ } áÉÜ^!^Á
æç {] ç * Á Áç|Á@Á æ É [~ Á ~ •óç æ Á@Áæçç^Áç ç | Á^Áç^!ç|Á ^•Á Á | ç^Á ç ^ Á
] | ^•~ | ^Á Á@Áç ^•É **8C`BCH`I G9`<5B8G`HC`7<97?`: CF`: @`8`@5?G`**

Üæ^Á@Á^Á [ç óç&ç ç á&ç& Á@Áæç |Áç ç } çÁ@áæ |æ Éç|Áç Á | [] ^!Áç^!Á
} ^á^ÁÉ (ASM-C-0079)

GHCD`6 C @H`58>I GHA9BH

Óç } áÁ@Á^ ç [æá&ç |ç á^!Áç|Á ç Á^ ç ~ ÉÜ^Áç •ó@Áç] Áæç •ç ^ } ó [|ó [çæ^áÁ } Á@
ç] Á Á@Á!æóÁ^æ É [~ ó] ç|Áç Á | Áæ ç •ó@Á [] } ^ÉÜ^ & Á@Á [|ó [, } Á æó@Á +@ç
} ~ É

PUVÖKÁ @ } Á@Á^ ç [æá&ç |ç á^!Áç | Á ç | Á ç } á^áÉ@Á [] } ^ó | Á&& Á ç | áÁæ|Á^Á]
æ ç •ó@Áç] Á | Áç|Áç | Á & Á^Á •œ|áÁ Á@Á ç | áÁ^Á] Áæ ç •ó@Áç|Á & ÉÜ^Á ç Á^
} ^&••æ Á Á^Áæ|Áç } ç|Áç } ç|Á^ *•Á } Á@Áç |ç á^!Áç Á^ó@Áç | Á&ó d [\ ^ÉÜ^Á@
& ç | Á@æ|Á ç ç •ó@Áç] Áç áÁ@Áç |ç á^!Áç Á ç | \ ^Á^ { ç ç * É^!ç ~ •Áæ ç Á ç | Á & ; É
Ú [&^áÁ ç ç | Á] ç ç } Á | Á] ^!æ } Á •d~ &ç } •Á } Á@Á^ç ç ^É (ASM-T3F-0006)

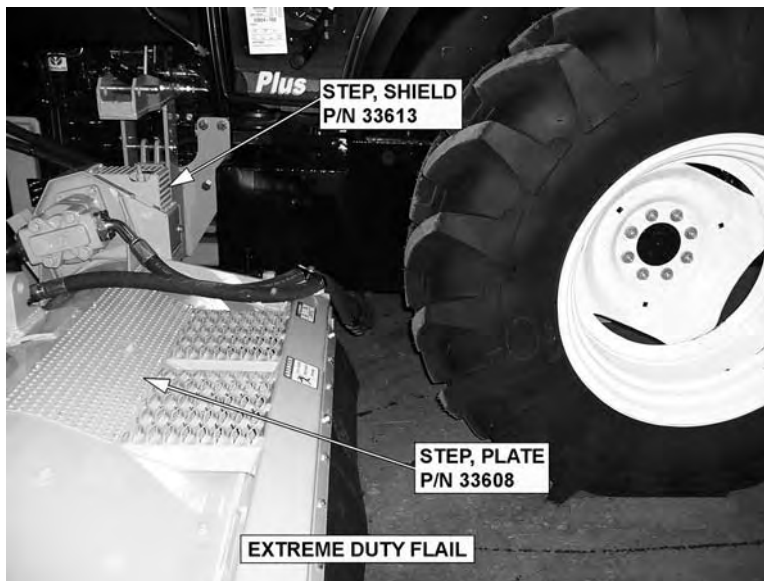
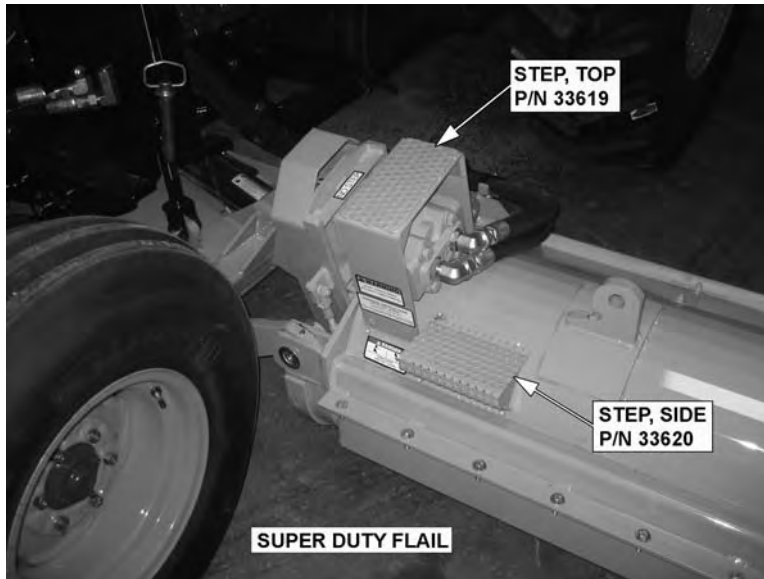


5 GG9 A 6 @M

@: H'G-8 9': @ =@GH9 DG

V[Á | ^ ç ^ } ó á æ æ ð * Á ~ ¯ á { ^ } ó á æ á Á | ^ ç ^ } ó Á] [• • á | Á á b i ' Á @ Á Á [~] á * Á @ Á á æ d | È
• c] • Á ^ ^ á Á | Á ^ á • æ | ^ á Á } Á @ Á - ó á á Á á á Á V @ Á c] • Á ^ ^ á Á | Á ^ á | á á á á @ , } Á ^ | , Á á á
• ^ & ! ^ á Á | Á @ Á á Á • á * Á @ Á ~]] | á á Á Á + Á Á Á - Á ^ | - á á] á * Á á æ @ ^ Á & ^ , • Á Ú Á Á G H Í È

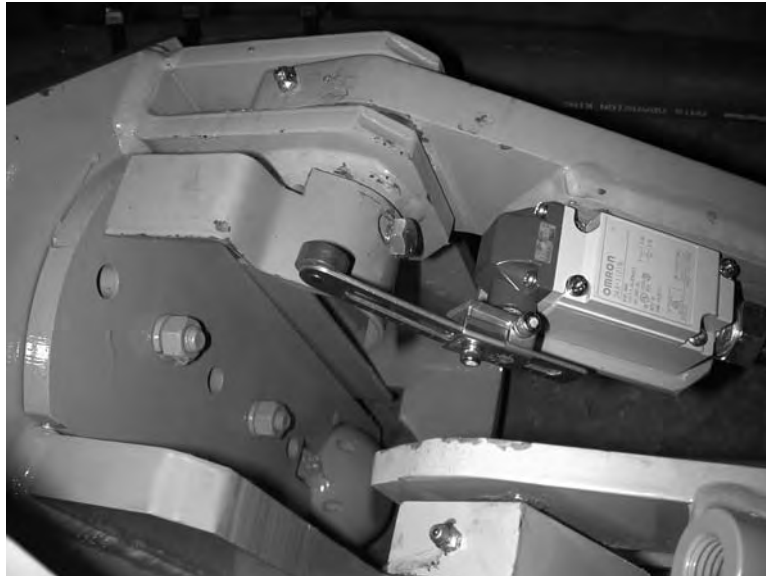
(ASM-T3F-0024)



5 GG9 A 6 @M

@A #I'GK #H7 <

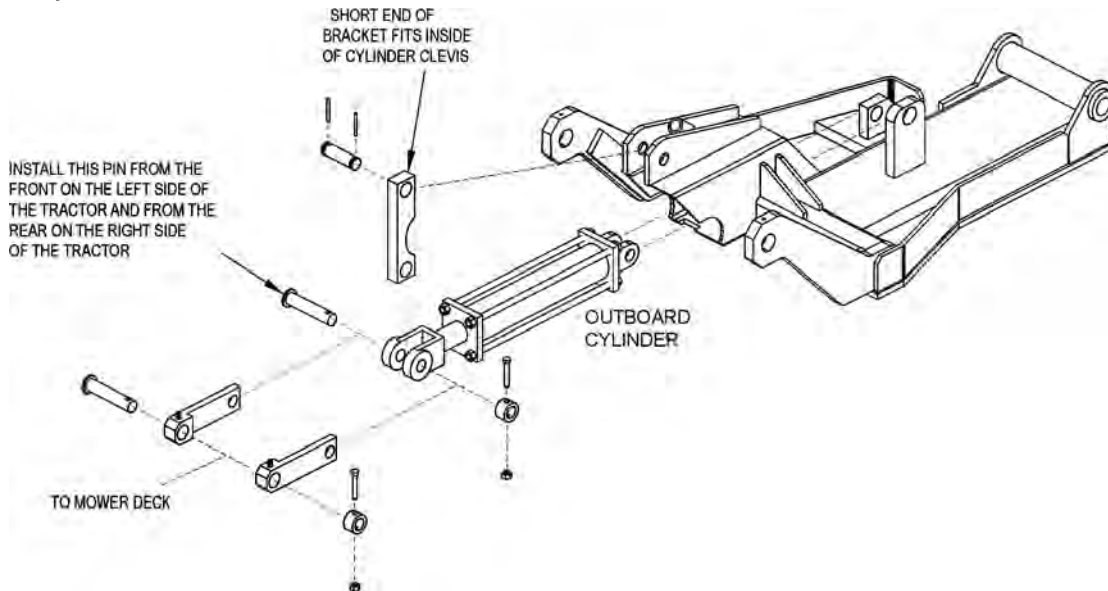
(ASM-C-0029)



ACK 9F`ACI BHB;

Ô@& Á@æ|Á\^æ^Á\·Á@æ^Á^} Æ·æ|áÆ Á@Á:æóÁæ ·Á æ[óæ{ Ê\^ó\æ^Áæ{ ÊÁ
 !ã @Á\æ^Áæ{ Êæ á&|æ|á^Á []} ç*Áæ·È

Wá *Á&|çã Á á Áæ|Á á·È} }^&ó@Á æ[óæ{ Á Á\çã Á }Á:æóÁæ ÈUVÒK æ^Á
 ·\^Á@Á }*^Áææ &Áæç ^} Á@æ ç ~ óæ á@Á} áÁ Á@Á æ[óæ{ Á Á·^·ó Á@Á:æóÁ
 àæ Á æ[óæ·Á }Á@æ} ç\Á à^Áæ Á @, } Æ Á@Áæ:æ Á Á|, ÈUVÒK [Á æ^Á\^Á@æ ç ~ ó
 [] Á@Á æ[óæ{ Áæ·Æ ç Á à^Á Á:æóÁæ È(ASM-C-0077)



Ùæ^Á ç\Á} áÁ Á æ[óæ{ Á æ@ ç\óææ &Áæç ^} Á@æ ç ~ óæ á@Á} áÁ Á@Á æ[óæ
 æ{ Ê ç Á@æ|æ|á^Áçã ÈUVÒK ÈÁ^Á} Á@Á ç\·Á Á@Á^·óæ áÁæ @Áó\æ^Áæ{ ·Á ~ ç^Á
 [Á@æ|æ|á^Áçã Á ç\·ÈUVÒK] }^&ó æ@Á\æ^Á á È ç ·Áæ Á~ á^áÈÁ [·Èæç·&^, ÈÁ
 || &, æ@:Áæ á@çÁ ~ óæ Á @, } È

V Á } }^&ó@Á } }^·ó Á@Á:æóÁæ È|æ^Á@Á ç}·á }æ{ ·Á Á@Á:æóÁæ Áæç ^} Á
 ç@Á []} ç*Áæ·Á }Á@æ}^Á} áÁ Á@Á } }^ÈUVÒK Á} Á@Á ç\·Áæ|á^Á æ\^Á æ@, æ^Á á È
 &ç·&^, ÈÁ &, æ@:Èæ á@çÁ ~ óæ[çÁæ·ÈUVÒK^ÁæóÁ^æ} Á|·çææ } È

È^çÈ|æ^Á@Á^·óæ áÁæ @Á\æ^Áæ{ ·Á} Á Á@Á [ç^áæÁ} Á@Á æ^Á Á@Á& ÈUVÒK
 Ù& \^Á æ@Á\æ^Á á È ç ·ÈÁ [·Èæç·&^, ÈÁ &, æ@:Áæ á@çÁ ~ ÈUVÒK^Á|·çææ } Æ Á
 ÚæóÁ^æ} È



5 GG9 A 6 @M

: B5 @DF 9 D5 F 5 HCB: CF CD9 F 5 HCB

Ujæ^Á] ^iæ[i q Áæc Áæ áÁ] ^iæ[Áæ&æp Á} Á@Ác^i q * Á[] { } Áæ áÁæ^Á[] • [Á] @ Á c@ Áæ^Á[] æ[Áæ æi^Á[] Á@ Á] ^iæ[ÉWV@ • ^Áæ&æp Á @ ~ |áÁ^Á} áÁi q [áÁ^ Áæ&æp] ^iæ[Á ~ c@ Á æ&æp Á[] b } &æ[] Á æ@Á@Áæc Áæ áÁ] ^iæ[Á] &æ[] • Á Á@ Á[\ ÉWV@ Áæ&æp Áæ d Á^Á æ æ ^áÁ Á^ [[áÁ[] áæ[] Áæ Áæ^ { q áÁi Ác Ác@ Á] ^iæ[Éæ[] áÁ @ ~ |áÁ^Á^] |æ^áÁæ áæ æ^áÉ

ÇÁ[••^ Éi q • Áæ áÁ æ[] o[] q • Á qÁ ^áÁ Á^Á! ^æ^áÁæ Áæ • d ~ &c áÁ Ác@ ÁT æ[] æ & Á &æ[] Á Ác@ Á æ ~ æÉV@ Á @ áæ |æÁ^Ác[] áÁæ Áæ [Á^Á] ^áÁ æ@Á@ Á^Á[] { } ^ á^áÁ] æ Ç^ÁT æ[] æ & Á] &æ[] Dæ[] áÁ@ Ác Á[] Áæ ^áÁ Ác@ Á[] Á Ác@ Áæ \ ÉWV [~ á] Á&@ & Áæ Áæ * • æ áÁæ c[] ^i • ÁÓÓUÜÓÁ ææ * Áææd |ÉWV [Á^Á & ^Áæ[] Á [• Áq • Áæ * ^c@ Á] æ@ Á Áæ Áæ á , |æ Á æ[] |áÁ @ Á^Áæ[] Á æ Á & Á] Ác@ Áq • ÁÉ



ÓÓUÜÓÁ ææ * Á] Á] ^iæ[Ác@ Áææd | Á [~ Á ~ • Áææ Áæ áÁ} áÁi • æ[] áÁc@ Á Üæc Áæ áÁ] ^iæ[Á] &æ[] • Á Ác@ Á æ ~ æ[] { } | Ác | É

69 GI F9 H<9 65 @J5 @9G 5 F9 CD9B Üæc Áææd | Áæ áÁæ[] , Áæ • d { } • Á Áææáá ^É W q * Áæ áÁ Á^ Á æ ^i Á] Áæ áá[] æáÁæ Á [c^Á Ác@ Áæc Áæ áÁT æ[] æ & Á] &æ[] • Éæ@ & Áæ ææ * • Áæ áÁ[] ^ &æ[] • Á] Á@ áæ |æÁ æ • É

QæÁ æ Áæ Á] } áÉ [~ Á ~ • Á @ Á[] , } Ác@ Áææd | Áæ áÁ^Ác@ Áæ c[] Á] Ác@ Á [~] áÉWV [~] ^ æ { } ç * Á] Áæ Ác@ Á^ áÉ [~ Á ~ • Áæc æ Ác@ Áæc ç ç Ác@ á] • Á^Ác^ Áæ Á^ Ác Á] ç Áæ ^ | Á • • ^ Á Ác@ Áq • ÁÉ

6 YZfYcdYUj] b [H Ya ck YÉ@ & c^ Ác@ Áææd | Áæ [[Á @ ~ |áÁ^Á] , | Á [ç^áÁc@] * @ ~ c c@ Á] | Áæ * ^ Á Á [ç] ÉWV æ&æp Áæ ^ Á[] áæ[] Ác@ Á [~ |áÁæ^ Á q &æ * Á] Ác@ Á • Ác@ Á • Á } c@ Áq • Á ÉV@ Ác^i q * Áæ áÁ[] cæp Áæ æ^ Á @ [~ |áÁæ [Á^ Áæ^ ~ | Á [ç^áÁc@] * @c@ áÁ] |æ * ^ Á Á [ç] ÉWV æ ^ Á[] áæ[] Á & • Á Á @æ@ Áq • Á [] æ&æ@ Áæ Áæ Éc@ Ác^i q * Áæ áÁ [Á] } cæp Áæ æ Á^áÁ Á^ Áæ æ^áÁæ Áæ • & æ^áÁ Ác@ Áææd | Á] ^iæ[i q Á æ ~ æÉV@ Á • @ ~ |áÁæ [Á^ Á] } Á Ác@ Á^ Á^ áÉ | Áæ Ác^Á ^i Á [~ Á Áæ Á] c@ Á æc Ác@ Á [, ^i É ~ &@ æ Ác@ Á @ áæ |æÁ æ Á] Áæ æ Áæ ÉV@ Á æ Á & ^ áÁæáá * Á @ • Á] Áæ b • ç * Á d] Á [| • Ác@ dææd | Á [] Á] Á [ç^Ác@ Á] | á] { ÉV @ Á&@ & q * Á [ç] É [~ Á @ ~ |áÁæ [Á&@ & Ác@ Ác@ Á] d | &æ æ Áæ Á[] ^ &c áÁæ & | áá * Á] Ác@ Á] ^iæ[i q Áæ &æp Á] Ác@ Ác^Ác@ Áæ á] • É

ACK 9F H9GHB;

Væ^Ác@ Áææd | Á] Áæ |æ^Á^Á Á [• Á áb & Á} Ác@ Á [~] áÉWV] ^iæ Ác@ Áæ | q áÁi • Ác@ [~ * @ c@ áÁ] | Áæ * ^ Á Á [ç] Áæ æ Éi Áæ Ác@ Áq • Á Áæ ÉWV [] , Ác@ Áæ • d } &æ[] • Á Ác@ Á] ^iæ[] Á &æ[] Á] Á] ^iæ Ác@ Á [, ^i ÉWV æiæ[] Á Ác@ Á [, ^i Á @ ~ |áÁ^Á q q æ Áæ Áæ Áæ Áæ ÉWV c^ Áæ { q ~ c^ Ác@ Á } Éc@ Á] áÁ [| • Á @ ~ |áÁ^Á^ d | ~ ^áÉæ áÁ^ d | ~ ^áÁ } & Áæ æ Áæ c^ Ác@ Áá • Á , @ ~ | • Á Á] ^iæ[] É

ZUbmidiUfHg'cZH jg'5 ggYa V miGYW]cbžcf' Ubmich Yf'gYW]cb'cZH jg'a Ubi U'UFY bchWYUf' mi bXYfglccX'nci 'a i ghVébhLW'nci f'XYU Yf'cf' h Y'UXXfYgg'cb'h Y'ZcbhcZ h jg'a Ubi U'Zcf'Ugg]ghLbWV' (ASM-C-0010)



5 GG9 A 6 @M



CD9 F5 HCB'G97 HCB

UJ^!aa } A^&a } A-E

CD9F5HCB

%CD9F5HCF F9EI F9A9BHG

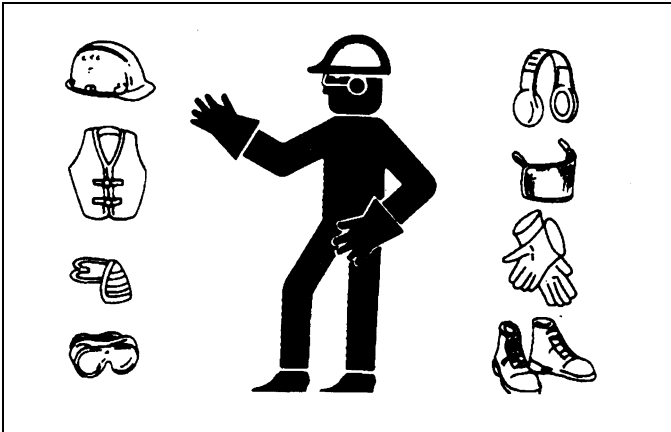
Úæ^Á] ^íææ } Á -Á@Á } ææ Á@Á] ^• } • æææ Á -Áæ~ æææ áÁ] ^íææ | ÉÁÓÁ~ æææ áÁ] ^íææ | Á@Á ^ææÁæ } á
 ~ } á^• ææ } á• Á@ÁÁ] | ^ { ^ } óææ } áÁæææ | ÁU] ^íææ | q ÁT æ } æ Áææ áÁæ Á@Á] ^íææ } & áÁæ Áæ] | ^ { ^ } óææ } áÁæææ |
 [] ^íææ } Áæ } áÁæÁæ • [&ææ áÁæ ææ Á] æææ • ÉÁÓÁææáææ } Áq Á@Áææ Á ^•• æ^• Áæ } ææ áÁæ Á@Á } æ } ææ
 • ææ Áæ } • Áæ^Áæææ áÁq Á@ÁÁ] | ^ { ^ } óææ } áÁæææ | ÉÁÓÁææ } Á æóÁ -Á@Á] ^íææ } Áæ } áÁææÁ • ^Á -Á@Á
 ^~ æ } { ^ } óææ } Áæ } {] | ^ { ^ } } á^• q [áÉæ] • | óææ Áæ c@ | á^• áÁæææáÁæ } Áææ } {] | ^ { ^ } } æææ } É

QÁ@Á] ^íææ | Áæ } [óÁææÁ@Á } æ } æ Áq | Á@Á } • ^ | ç^• Á | Áæ [^• Á [óæ } {] | ^ { ^ } } á^• } ææ } áÁ@Á] ^íææ } Á -Á@Á
 ^~ æ } { ^ } óææ } Á@Á • [] • æææ Á -Á@Á } ^ | çæ [| Áq Á^æææ } áÁæ } ææ Á@Á } æ } æ Éæææ Á] æææ • Éææ } á
 [] ^íææ } Áæ • d } &æ } • Áq Á@Á] ^íææ | É

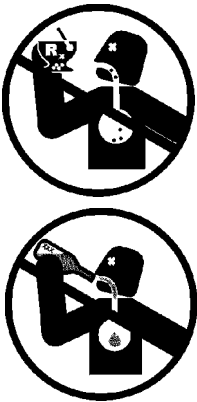
Úæ^Á] ^íææ } Á -Á~ æ } { ^ } óÁ~ æ^• Á@Á@Á] ^íææ | Á^æææ } | [ç^• áÁ^• [] æÁU | [ç&æ^• Á~ æ } { ^ } óÁUÓÚ
 - | Á@ÁÁ } áÁæ } • Á @ } Áææææ } • ÉÁ] ^íææ } ÉÁ ^ | çææ } • Éææ } áÁ^• } æææ } Á@Á~ æ } { ^ } óÁUÓÚÁæ } • á } ^áÁæ
] | [çæ^• Á] ^íææ | Á | [ç&æ } Áæ } áÁæ } & } á^• Á@ÁÁ] | , } • Áææ Á ^æK

D9FGCB5 @DFCH97HJ9'9EI -DA9BHfDD9L

- ~ Óæ æ^• Á ^æÁæææ Á@Áæ^•
- ~ PæáÁææ
- ~ Úæ^Á] ^íæææ Áq [ç ^æ
- ~ Ó | ç^•
- ~ P^æææ } ÁU | [ç&æ }
- ~ Ó | ^• Á@Áæ } • Á@Á } c@ }
- ~ Ú^• } áææ | Á [| Á qæ^• Á T æ^• Áq } á^• } á^• Á []
 [] ^íææ } Áæ } áÁæ } • DÁ OPS-U-0002



POXOUA^• Áæi^• • Á | Áææ } @ | Áæ } { ^áææ^• Áæ^• | ^Á | Á @^• Á] ^íææ } Á@Á
 V | æææ | Áææ } áÁq] | ^ { ^ } óÁO:~ • Áæ } áÁæ } ææ } @ | Á, } | Áææ^• & Áææ } Á] ^íææ | q
 æ^• q ^•• Áæ } áÁæ [| áææææ } Áæ } áÁ@Á^• | ^Áææ^• & Á@Á] ^íææ | q Áææææ Áæ
 [] ^íææ Á@Á~ æ } { ^ } óÁææ^• ÉÁO^• | ^Á] ^íææ } • Á@Á^• æææ | Áq | Áq] | ^ { ^ } óÁ
 æ } Á] ^íææ | Á } Á | ^• & } áæ } Á | Áq | ç^• | É@Éæ } } ç^• Áq } áÁæææ } Á^• • óæ } • | ç
 ææ } áÁæææ } | ^•• æ } æÁ^• æææ } Áæ } Áæ^• Áæ^• & Á -Á@Á ^áæææ } Á@Á
 , [^ | áÁ@Á } áÁq } áÁææææ } Áq }] ^íææ Á@Á~ æ } { ^ } óÁææ^• ÉÁPOXOU
 \ } , } • Áq | Áæ } , Áæ } [] ^Áq } Á] ^íææ Á@Á~ æ } { ^ } óÁ @ } Á@Áææ^• q^• • Áq |
 & [| áææææ } Áæ }] ææ^• ÉÁU^• } • Áq b | ^Á | Áææææ } Á@Á] ^íææ | Áq | Áq | ç^•
 & } | áÁ^• | óÁ@Á] ^íææ | Áq } áÁq } áÁæ } ^• } & Áæi^• • Á | Áææ } @ | ÉÁUÓÉæ } D



CD9F5HCB

CD9F5HCB

CD9F5HCB



8 C` BCHA` ^`AUV U *[A large block of text in a non-ASCII script, possibly a mix of Chinese and other characters, following the DANGER icon.]*



[A large block of text in a non-ASCII script, following the WARNING icon.]

' " : 9 HH B : ' CB ' 5 B 8 ' C : : ' H < 9 ' HF 5 7 HCF

[A paragraph of text in a non-ASCII script.]



[A paragraph of text in a non-ASCII script, following the WARNING icon.]



' % 6 c UFX|b ' H Y HF U Wcf

[A paragraph of text in a non-ASCII script.]

[A paragraph of text in a non-ASCII script.]



[A large block of text in a non-ASCII script, following the DANGER icon.]



CD9F5HCB

DANGER

... ..



WARNING

... ..



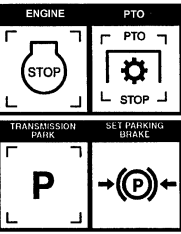
"&8]ga ci bh[b['h Y'HFUWcf

... ..

W^Acq aAcq Acq aAcqAcq] • Acq @] Acq Acq * Acq Acq d... ..

DANGER

... ..



CD9F5HCB

CD9F5HCB

CD9F5HCB

("GH5FHCB; 'H<9'HF57HCF

V@Á] ^iæ |Á ~•Á@æ^Áæ& {] |^Á } á^i•æ ää * Á -Á@Á]æ&{ ^ } dÄ~ } &ç } Éæ äÁ] ^iææ } æÁ • ^Á -Áæ
dæç |Á& } d | • Á^~ | ^Á çæç * Á@Áæç |ÉÁU^ç ä, Á@Áæç |Á] ^iæ | qÁ æ ~ æÁæ äÁ& } • |oæ Áæ ç | ä ^ ä
á^æ^Á |Á |Áæç |Á] ^iææ } Á • d ~ &ç } • Á^ ^ ä ä É

Ö•^} æÁ |Áæç |Á] ^iæ } d | • K

- ~ Š |æ Á@Á } æ } Á ^ É, æ&@
- ~ Š |æ Á@Á } * ä ^ Á @ ç -Á& } d | |
- ~ Š |æ Á@Á @ äiæ |æ& } d | |Áç^i•Á
- ~ Š |æ Á@Á @ Á& } d | |Áç^i
- ~ Š |æ Á@Á |æ ^ Á ^ äæ Áæ äÁ& ~ ç&@
- ~ Š |æ Á@Á VUÁ& } d | |Á
- ~ Š |æ Á@Á |Á [ä ç&@ } d | |Áç^i
- ~ Š |æ Á@Á] ^iææ * Á& } d | |

Ö~ | ^Á çæç * Á@Áæç |Á } • | ^ Á @ Á& || | , ä * Á&

- ~ Ö | } ä ~ &ç |Á | ^É çæç |Á] ^iææ } Á •] ^ &ç } Áæ äÁ | çæ& Á& | ää * Á | Á@Áæç |Á] ^iæ | qÁ æ ~ æÁ
- ~ T æ ^ Á | ^Á | ^ Á çæç * Á @ | ä • Éæ äÁ ç | Á çæç Á çæç • Áæ ^ Á ^ & | ^ | Á | æ É
- ~ V @ Á æ | ä * Á | æ ^ Á | É
- ~ V @ Áæç |Á æ } { ä • ä } Áç^i • Áæ Á | æ | Á | Á ^ dæÉ
- ~ V @ Á [, | ^Á] ^iææ * Á& } d | | Áæ Á | Á ^ dæÁæ äÁ -Á [• æ } É
- ~ V @ Á VUÁ& } d | |Áç^i | Á Á ^ } * æ ^ ä É
- ~ V @ Á @ äiæ |æ& { [ç& } d | |Áç^i • Áæ Á | Á ^ dæÁ [• æ } É

Ü~ ^ |Á | Á @ Áæç |Á] ^i qÁ æ ~ æÁ |Áæç |Á çæç * Á | | & ä ~ | ^ ÉÁU | ^ Á çæç Á @ Áæç |Á | Á ^ Á æ ä Áæ ä
ä | ç ä Á | Á @ Áæç |Á] ^iæ | qÁ æ É Á çæç | Á ^ } æ • Á @ Á } æ } Á, æ&@ Á @ | oæ & æ * Á @ Á çæç |Á | [æ É
Öæ | Á @ Áæç |Á } * ä ^ Á ^ } } ä * Éæç | Áæ & ä ^ } ç& } çæç, ä @ Á @ Áæç |Á æ } { ä • ä } Á | Á | ç^i } ç ~ ä ä }
æ ä Á } ^ ç | ^ & ç ä Áæç |Á [ç { ^ } dÄOPS-B-0003_A



Þ^ç^iÁ~ } Á@Á |Áæç |Á } * ä ^ Áæ Á& | • ^ ä ä ~ ää * Á | Á | ä ç ~ çæç ~ æ^ç^i } çæç } ÉÁV @
^ ç ç • ç { ^ • Áæ Á ^ Á çæç ä ä | ~ Á | Á | ^ Á @ Áæç |Á] ^iææ



Üçæç |Á | Á | Á @ } Á | | | | | ^ | ^ Á ^ æ ä Á | Á @ Á |Áæç |Á ^ æ ÉÁU çæç * Áæ
dæç |Á | Á ^ æ Áæ Á ^ • | ç | Á | Á ^ æ ÉÁU æ Á @ Á |Áæç |Á] ^iæ | •
{ æ ~ æÁ |Á | | ^iæ çæç * Á • d ~ &ç } • ÉÁU



)"7CBB97HB; 'H<9'ACK9F'HC'H<9'HF57HCF

W~ ^ Á ç d ^ ^ Á ç ç } Á | Á& } ^ &ç * Á @ Á [, | ^ Á | Á @ Áæç |ÉÁV @ Á [, | ^ Á | Á @ | ä Á ^ Á ^ & | ^ | Á ^ • ç * Áæ
* | | } ä Á ç ^ | Á | Á ^ çæç * Á | Á | | & • ÉÁU Á ç ä • Áæ ä Á ^ Á | { Á } ä | Á @ Á [, | ^ Á ^ & | Áæ ä Á | ä & @ | ä •
ä ^ ç ^ } Á @ Áæç |Á ç & @ } • Áæ ä Á [, | ^ Á | Á | ÉÁOPS-R-0001

VÜÖŠÖŠÖŠ

U] ^iææ } Á ^ &ç } Á É

CD9F5HCB



CD9F5HCB
 DANGER
 This tractor is equipped with a 3-point hitch. When attaching a mower, the lift arms must be adjusted to maintain a constant height. See the tractor Operator's Manual for correct settings when attaching 3-point equipment.

CD9F5HCB

3-Point Hitch Adjustment

1. Turn the tractor off and lower the lift arms to the ground. The tractor must be on a level surface.

2. Adjust the lift arms so that they are parallel to the ground. The distance between the lift arms should be 48 inches (1219 mm). See the tractor Operator's Manual for correct settings when attaching 3-point equipment.



Op-64

3. Adjust the lift arms so that they are parallel to the ground. The distance between the lift arms should be 48 inches (1219 mm). See the tractor Operator's Manual for correct settings when attaching 3-point equipment.



Op - 128

4. Turn the tractor off and lower the lift arms to the ground. The tractor must be on a level surface.

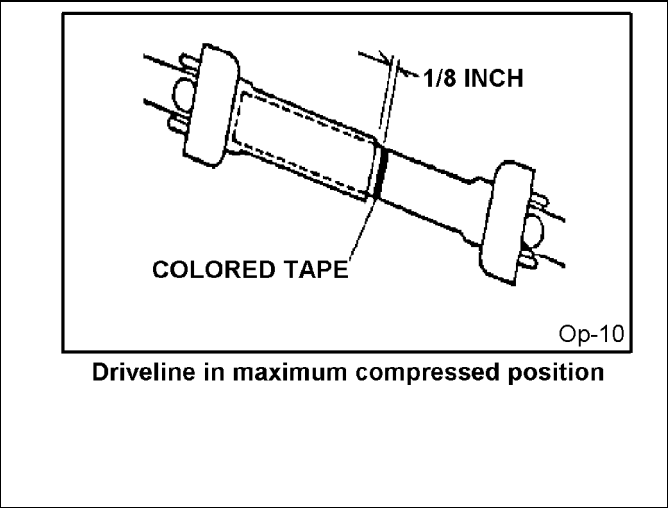
CD9F5HCB

CD9F5HCB

Y @} Áãã * Á@Á [, ^!Á Á@Áã&ç |É@Á^&ç |] ã * Á!ã^ã^Á ~ • Á^Áã •] ^&ç áÁ Á) • !^Á@Áãã Á [• ç &ç {] !^••^áÁ [• ãã } É@Á [-Á • Á[Á [^Á [ç [ç { Á ~ çÉã áÁ @ } ÁãÁ Áãç@ • Áçç) ááÁ [• ãã } É@!^Áã • ~ãã) ç) * æ^ { ^ } Áçç ^) Á@Á [-Á • Á[Á] ^!æÁ æ^ | É@Á Á @ | ç • ç) * ç@!^Á ~ • Á^ÁãÁã ç ÁãÁ + &^æã &^Áçç ^) Áãçç | [-Á) áãã áÁ] [• ãÁ [-Á) ã^! • çÁ ã ç@Á Áãç@ • ç] ^!æã * Áçç) • ã } Éã { ãã ~ { Á [-Á) * æ^ { ^ } ç ÁçÁ ~ • Á^Áã çã çã áÉ

Í 6 çttca |b| `Ci Hí `7\ YW `DfcWXi fY

- " Öã & } ^&ç Á!ã^ã^Á [{ Á@Áã&ç |!ã áÁ |ã^ ç@Á [-Á • Á [^ç@!Á) çÁ | Áç {] !^••^áÁ
 - " Ú|æ^Áã çã Á) Á@Á } ^!Á @ |áÁç + Á [{ Á@ ^) áÁ [-Á ç@Á [~ ç!Á • @ |áÁ ç áÁ!^æãç@ ç á!ã^ã^Á Á@Á VUÁ @çÉ
 - " Y ç@ç@ **PTO NOT TURNING** É [, | Á!ã^Á@ ç&ç | Á , ç@ { [, ^!Á çãç@ áÁ ç@ [~ ç@ ç@ • ç] ^•ç ç!) Á] [• ã^Á ç áÁ , ç&ç • çç { [ç^ { ^ } ç Y ç@ç@ **PTO NOT TURNING** • [, | Á!ã^Á@ ç&ç | Á ç@ç@ Á [, ^!Á çãç@ á ç@ [~ ç@ ç@ [• ç • ç^!^Á ç! | çã Á&ç } áãã } • ^ç] ^&ç áÁ çã çã ç@ ç@ [ç^ { ^ } ç
 - " Ç@Áã çã &^Áçç ^) Á@Á çã çã á@Á ~ ç! • @ |áÁ &ç { ^Á^••Áçç ÁçÁã ç Á [ç ç@!^ áÁ çã [ç] çã | [à^ { Á à [ç { ã * Á [~ ç@ ç á!ã^ã^Á çã á@Á!ã^ã^Á @ ~ |áÁ^Á @ | ç] ^áÉ
- OPS-F-0001



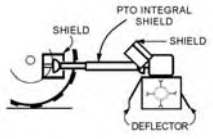
CD9F5HCB

"&A cK Yf 'Df Y|Cd Yf U|Hcb #bgd YW|cb#GYf j |WV

Ó-†|ˆÁæ@ [, ˆ|Áˆ•ˆÉæ []|ˆcÁ•]ˆ&ç } Áæ áÁˆ|çæˆÁˆ ˆ~áˆáÁˆ Á } ˆ|ˆÁ@Á [, ˆ|ˆÁ/Á Áæ [[áÁæ } áæÁ [|ˆá *Á [] áá } ÉÖæ æˆáÁæ áá|Áˆ|ˆ| Á æ•Á @ ˆ|áˆÁÁˆ } æˆáÁæ áá|Áˆ| } æˆáÁ [{ ˆáæˆ| ÉÁ [ˆ] ˆ|ˆÁ@Á [, ˆ|ˆÁˆæá Áˆ|Áˆ| ˆ|æ } Éæ } á &Á@Á [| | , á * ÉOPS-R-007



Uˆ] |æˆÁˆ^ } ˆ|ˆ| [\ ^ } Ááæˆˆ Á } ááˆˆ Á } Ááæˆˆ ÉÁ P O X O U A C E V O T U V A U A U V U C E P V O P E Y Ó S Ö É U Ü Á Y Ó S Ö Á P C E Ü Ö Ø Ö Ö Á U P Á Ó S Ö Ö Ö U Á Ö Ö Ö Á V P W Á Y Ó S Á S Ö S Ö S Y Á Ö Ü C Ö S Á U Ü U V P Ö Ü Y W Ö Á Ö C E C Ö Ö Á V P Ö Á Ó S Ö Ö Ö Á Y Q P Á U W Ö Ü Ö Ü W Ö P V Á Z Ö S W Ü Ö Á C P Ö Á U U Ü Ü Ö S Y Ö C E W Ü Ö Á Ö Ü Ö W Ü Á Ö R M Ü Y Á Ö U T Á P Ü U Y P Á Ó S Ö Ö Ö Ü É



Uˆ] |æˆÁˆ^ } ˆ|ˆ| [\ ^ } Ááæˆˆ Á } ááˆˆ Á } Ááæˆˆ ÉÁ P O X O U A C E V O T U V A U A U V U C E P V O P E Y Ó S Ö É U Ü Á Y Ó S Ö Á P C E Ü Ö Ø Ö Ö Á U P Á Ó S Ö Ö Ö U Á Ö Ö Ö Á V P W Á Y Ó S Á S Ö S Ö S Y Á Ö Ü C Ö S Á U Ü U V P Ö Ü Y W Ö Á Ö C E C Ö Ö Á V P Ö Á Ó S Ö Ö Ö Á Y Q P Á U W Ö Ü Ö Ü W Ö P V Á Z Ö S W Ü Ö Á C P Ö Á U U Ü Ü Ö S Y Ö C E W Ü Ö Á Ö Ü Ö W Ü Á Ö R M Ü Y Á Ö U T Á P Ü U Y P Á Ó S Ö Ö Ö Ü É

V@Á] ˆ|æ [|çÁ æ ˆ } æÁæ áÁææc Á á } • Áæ-áˆáÁ } c@Á } áÁ [] |æ [] | | : çá çá • d ˆ &ç } • Á } Ác@Áæ æ } áÁ | [] ˆ|ˆÁˆ•ˆÁˆ -Ác@Áˆ ˆ } á { \ } cÉÁT ææ Ác@•ˆ á [] | : çá çá ææc Áæˆˆ ˆ•Á } Ác@Á [] | \ ^ } çá Á [[á &] áá } Áç Á } ˆ|ˆÁc@Á [] | { æ } Á ÁææææáÁç c@Á] ˆ|æ | ÁæáÁˆ Áˆ É



Op-14

ˆ } ˆ|ˆÁ/Áæc Á á } • ÁæˆÁ/Á |æˆÁæ } áÁˆˆ áá|É Üˆ] |æˆÁ { á•á *É ááæ æˆáÁæ æ } áÁˆˆ áá| áá&æ ÉOPS-U-0011_A

U@&A c@æA c@A { æ } A ááæˆˆ Áˆ Áˆ•ˆ& |ˆ| æææc@áÁ Ác@Áæç | Áæ áÁc@Á [& á *Á [| | æÁ •ˆæˆá/Á Ác@Á [[çˆÁ -Ác@ÁUÜÁæcÉ ˆ } ˆ|ˆÁˆ ááÁ [, ˆ|ˆÁ@ááæ | æ• ÁæáÁˆ•ˆ ˆ|ˆÁæ æ [c@Á] á • ÉOPS-F-0003_A



Op-254

VÜÖŠÖÁÖŠÖŠ

U] ˆ|æ } Áˆ&ç } ÁÉÍ

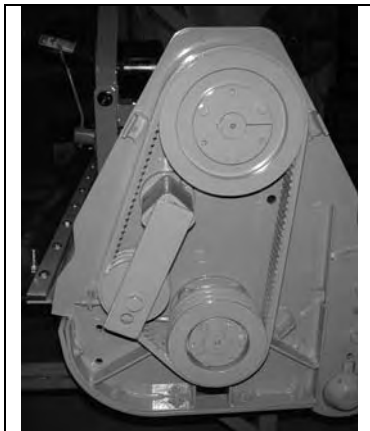
CD9F5HCB

- 1. 检查并调整履带张紧度。如果履带过松，会导致行走时打滑或脱轨。按照操作手册中的说明进行调整。
- 2. 检查履带衬垫的磨损情况。如果衬垫磨损严重，会影响牵引力。应及时更换。
- 3. 检查履带链节之间的连接是否牢固。如果发现松动，应立即紧固。
- 4. 检查履带清扫器是否正常工作，以确保履带表面清洁，减少磨损。

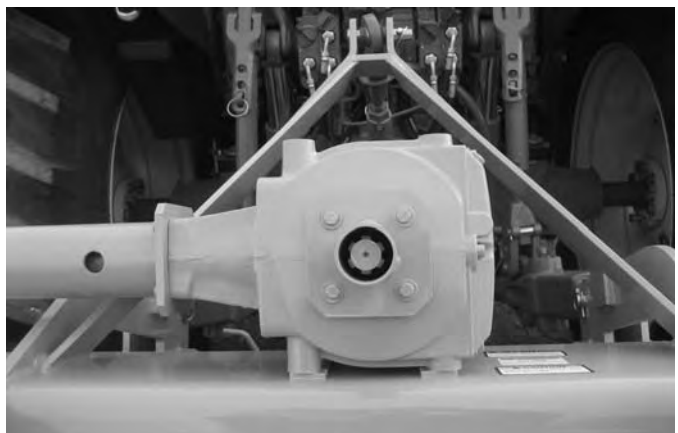


Op-255

- 5. 检查履带系统的润滑情况。定期加注润滑油可以减少摩擦，延长使用寿命。
- 6. 检查履带系统的电气连接是否正常。确保所有传感器和开关都能正常工作。
- 7. 检查履带系统的机械部件是否有异常噪音。如果有噪音，可能是部件松动或损坏。
- 8. 检查履带系统的结构件是否有裂纹或变形。如果发现损坏，应立即更换。



- 9. 检查履带系统的排水系统是否畅通。防止积水可以防止生锈和腐蚀。
- 10. 检查履带系统的密封件是否完好。密封件可以防止灰尘和杂质进入内部。
- 11. 检查履带系统的紧固件是否拧紧。松动的紧固件会影响结构的稳定性。
- 12. 检查履带系统的运动部件是否有足够的润滑。定期润滑是维护的关键。



CD9F5HCB

- " Q·] ^&Á &` ıÁ\} ă^·Á ăđ áÁ \} ă^Á] đ·Á fı | | [·^} ^··Áăđ áÁ &··ă^Á} ^ăđĤT ă^Á·|^Á@ { [, ^|Á^Á^&` |^|^Áà[&^áÁ] Á^ fı|^Á&ăđ |đ * á^} ^ăđ@Ü^] |ăđ^Áăđ ăđ^áĤ [|] Ĥăđ áÁ ă·đ * \} ă^·Áăđ Áđ { |]^Á^Á^·Áđ Áđ ăđ ăđ Áđ ı·@ăăđ áăđăđ &^Ĥ
- " Ü^ { [ı^Áăđ ^Á |ă·Á |Á @|^Á^á|ăđ @ăđăđ ăđ áÁ |ăđ] ^áăđ [~ } áÁ@ &` ı·@ăăđ Ĥ
- " Q·] ^&Á@Á& [áăđ] Áđ -Áă&Á\ăđÁ @^·Áăđ áăđăđ , ăđ^ĤOPS-F- 0007



CD9F5HCB

CD9F5HCB

Tractor PRE-OPERATION Inspection



Mower ID# _____ Make _____

Date: _____ Shift _____



WARNING Read the operator's manual for the tractor and any attachments. Do not operate the tractor until you are familiar with the controls and safety features. Always use proper operating techniques. Do not drink alcohol or use drugs before operating the tractor. Always wear your seat belt and use proper tie-down techniques when loading or unloading equipment. Do not operate the tractor on a slope unless you are trained to do so. Do not operate the tractor in adverse weather conditions. Do not operate the tractor near children or bystanders. Do not operate the tractor near power lines. Do not operate the tractor near water. Do not operate the tractor near traffic. Do not operate the tractor near structures. Do not operate the tractor near overhead power lines. Do not operate the tractor near trees or other obstacles. Do not operate the tractor near steep slopes. Do not operate the tractor near ditches or other deep areas. Do not operate the tractor near cliffs or other high places. Do not operate the tractor near bridges or other structures. Do not operate the tractor near roads or highways. Do not operate the tractor near airports or other busy areas. Do not operate the tractor near schools or other public places. Do not operate the tractor near churches or other religious buildings. Do not operate the tractor near government buildings or other official structures. Do not operate the tractor near military bases or other government facilities. Do not operate the tractor near nuclear power plants or other radioactive facilities. Do not operate the tractor near chemical plants or other hazardous facilities. Do not operate the tractor near oil refineries or other industrial facilities. Do not operate the tractor near power plants or other energy facilities. Do not operate the tractor near dams or other large structures. Do not operate the tractor near bridges or other structures. Do not operate the tractor near roads or highways. Do not operate the tractor near airports or other busy areas. Do not operate the tractor near schools or other public places. Do not operate the tractor near churches or other religious buildings. Do not operate the tractor near government buildings or other official structures. Do not operate the tractor near military bases or other government facilities. Do not operate the tractor near nuclear power plants or other radioactive facilities. Do not operate the tractor near chemical plants or other hazardous facilities. Do not operate the tractor near oil refineries or other industrial facilities. Do not operate the tractor near power plants or other energy facilities. Do not operate the tractor near dams or other large structures.

CD9F5HCB

Item	Condition at Start of Shift	Specific Comments if not O.K.
The flashing lights function properly		
The SMV Sign is clean and visible		
The tires are in good condition with proper pressure		
The wheel lug bolts are tight		
The tractor brakes are in good condition		
The steering linkage is in good condition		
There are no visible oil leaks		
The hydraulic controls function properly		
The ROPS or ROBS Cab is in good condition		
The seatbelt is in place and in good condition		
The 3-point hitch is in good condition		
The drawbar pins are securely in place		
The PTO master shield is in place		
The engine oil level is full		
The brake fluid level is full		
The power steering fluid level is full		
The fuel level is adequate		
The engine coolant fluid level is full		
The radiator is free of debris		
The air filter is in good condition		

Operator's Signature: _____

DO NOT OPERATE an UNSAFE TRACTOR or MOWER

If you are unsure of any of the items on this list, please consult your operator's manual for more information.

Ug'grcddYX'UbX'H Y'fUWcf'jg'b'dUf_k jH 'H Y'dUf_b['VfU_Y Yb[U[YX" AU_Y'gi fY H Y' a ck Yf' jg' fYghj b[' cb' H Y' [fci bX' cf' gYW fYm V'cW_YX' i d'UbX' U'' \ mXfU']W dfYggi fY\ Ug' VYYb' fY' jY X"

CD9F5HCB

Flail Mower PRE-OPERATION Inspection



Mower ID# _____ Make _____

Date: _____ Shift _____



WARNING Read the operator's manual before operating the tractor. The operator must be trained and qualified to operate the tractor. The tractor must be inspected before each use. The operator must wear seatbelts and safety harnesses. The operator must not drink alcohol or use drugs before operating the tractor. The operator must not operate the tractor if they are tired or under the influence of alcohol or drugs. The operator must not operate the tractor if they are ill or injured. The operator must not operate the tractor if they are wearing headphones or other equipment that could distract them. The operator must not operate the tractor if they are wearing loose clothing or jewelry. The operator must not operate the tractor if they are wearing high heels or flip-flops. The operator must not operate the tractor if they are wearing sandals or bare feet. The operator must not operate the tractor if they are wearing shorts or skirts. The operator must not operate the tractor if they are wearing a tank top or singlet. The operator must not operate the tractor if they are wearing a hat or sunglasses. The operator must not operate the tractor if they are wearing a watch or bracelet. The operator must not operate the tractor if they are wearing a ring or necklace. The operator must not operate the tractor if they are wearing a tie or scarf. The operator must not operate the tractor if they are wearing a coat or jacket. The operator must not operate the tractor if they are wearing a hat or sunglasses. The operator must not operate the tractor if they are wearing a watch or bracelet. The operator must not operate the tractor if they are wearing a ring or necklace. The operator must not operate the tractor if they are wearing a tie or scarf. The operator must not operate the tractor if they are wearing a coat or jacket.

Item	Condition at Start of Shift	Specific Comments if not O.K.
The Operator's Manual is in the canister		
All safety decals are in place and legible		
The Mounting frame bolts are in place and tight		
The connection bolts & pins are tight		
There are no cracks in mower		
The Hydraulic Cylinders pins are tight		
The Hydraulic Pump hose connections are tight		
The Hydraulic Valve hose connections are tight		
The Hydraulic Valve controls function properly		
There are no leaking or damaged hoses		
The Hydraulic Oil level is full		
There is no evidence of Hydraulic leaks		
The Blades are not chipped, cracked or bent		
The Blade bolts are tight		
The Deflectors are in place and in good condition		
The shields are in place and in good condition		
The Skid shoes are in good condition & tight		
The Hyd. motor mounting bolts are tight		

Operator's Signature: _____

DO NOT OPERATE an UNSAFE TRACTOR or MOWER

CD9F5HCB

CD9F5HCB

- "8 F=J-B: 'H<9 'HF57HCF '5 B8 =AD@A9BH

Uæ^Átædq |Átæq •] | |oÁ^~ a^Áo@Á |^æ |Á [••^• Áæ@ | ~ * @Á] [, |á^Á Áo@Á [á^ |Á^á * Á] ^æ áÁæ á] |^ææ ç | •Á Áæ Á^ Á @Á Átæq * Á æÁæ Áæææ@áÁ] |^ (^) dE) • |^Áo@Átædq |Áo@Áo@Áæææ Át Átæq á^Áo@Á , ^á @Á Áo@Á] |^ (^) oÁæ áÁo@Átædq |Á] ^ææ * Á& } d [| • Áæ^Á^Á | Áæ^Átæq •] [| dÁM Á) • |^Áæc Á @Á á:áq * Áo@Átædq |Á æÁæ Áæææ@áÁ] |^ (^) dE^çá, Áo@Á || , á * EOPS-U-0012



V@ÁQ] |^ (^) oÁ æ Á^Á æÁÁo@Á Áo@Átædq |EÁO^Áæ^~ |Á @) Á |^ææ * Á |Átæq •] [|ç * çÁ ~ á { ^ } oÁ Á |Áç^) o@ÁQ] |^ (^) oÁ { Á^ } } á * Á ç Á |Á d á á * Á á } Á [• o EÁ ~ æáÁææ É & } &^Áææ d ^) o Á |Á ç |Á [|æÁ àb &o EÁU ~ &@Á Á] æoÁ |áÁææ • Áo@ÁQ] |^ (^) oÁæ á Vtædq |Á Á ç |çá |^ d Á^ ~ |ç * Á Á • Á Á ç^ |á * Á& } d [|EÁ |á ~ Á b | EÁ |Áç^) ÁææçE P^çÁ Á&] , Áo@ÁQ] |^ (^) oÁ Á& } æoÁ à çæÁ • EÁUHUVEGD



Viæq •] [|oÁ] | ÁæÁ • ^á • Á , @ | Á^ | ~ Áæá Á { ææ æá Á& } d [|Á |Áç@ ^ ~ á { ^ } dEÁ |á ~ Áæææ^) o Áæ áÁ b | á • Áæá Á^ • |oÁ { Á |^ææ * Áo@Á ^ ~ á { ^ } oÁæ@Á @Á ^á • EÁM áÁ • çá áÁo@Átædq |Áæ áÁQ] |^ (^) oÁæ á @ , Áo@Á á^Á^Á |Átæq •] [|ç * Á } Á d^Á o Áæ áÁo@Á @ æ • EÁ æ Á^ |Áo@Átædq |Á ç^ |á * æ áÁtææ • Áæ^Á Á [| áÁ& } ááá } Áæ áÁ] ^æÁ | | | ^ | E



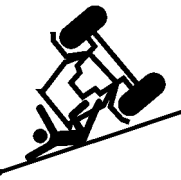
Ó^ |Átæq •] [|ç * Áo@Átædq |Áæ áÁQ] |^ (^) dEÁç | á ^ Áo@Á | | | ^ |Átæq •] [|ç * Á ^á • Á | ^ | Áæ áÁo@Á ^ ~ á { ^ } dEÁ æ Á^ |Á^ | ~ Áææ^Á Áo@Á || , á * Á^ |P-K

V • o@Átædq |ÁæÁ || , Á] ^áÁæ áÁ & ^æ^Áo@Á ^áÁ || , |EÁç | Áo@Á |áæ • Á { [| ç ç Áæç | á ^ Áo@Á d]] á * Áæææç | á çÁ Áo@Átædq |Áæ áÁQ] |^ (^) dEÁç Á | Á & ^æ^ ç@Á •] ^áÁ |Áç@Átædq |ÁçÁ ç]] á * Ááæ çæ & Áá & ^æ^Áo@Áç | { á ^ Áo@Á tæá ~ { çæ •] [|ç * Á ^áÁ [oÁ Á ç & ^áÁçÁ] @ÁçÁ | @Á |Átæq •] [|ç * Áo@Á ^ ~ á { ^ } çE

V • o@Á ^ ~ á { ^ } oÁæÁ || , Á] ^áÁ Áç | • EÁQ & ^æ^Áo@Á ^áÁo@Á [~ * @Áç | } Á | Áæç | ^ | Áæç | á ^ Áo@Áo@Á ^ ~ á { ^ } oÁæ Á^Á | ^æ áÁæÁæ@ | Á] ^áÁEÁM^Á çd^ { ^Áææ æ áÁá^ & Á^ | Á^ ^áÁ @ } Áç | } á * Á çæ | Áç Á |Áç^) o@Átædq |Áæ áÁQ] |^ (^) oÁ { ç | } á * Á çÁ |EÁç | á ^ Áo@Á tæá ~ { Áç | } á * Á ^áÁ |Á | Á^ Áæ áÁo@Á ^ ~ á { ^ } oÁç | ^ | | ^ææ * Á } Á | æ • Á | Á^ç^) Á | | } áE

U] | Átæq •] [|o@Átædq |Áæ áÁQ] |^ (^) oÁæ@Á ^á • Á ç @Á | , Á | Áç | | | ^ | Á& } d [| ç@Á ^ ~ á { ^ } çE

ÓÁææ æÁ^ Áo@Á | ^ææ * Á& } ááá • EÁ | Á [oÁ | ^æ Áo@Átædq |Á æÁ ^æ Á | Áæ | ç Átææ • [| Á |] Áæ^ÁEÁ @ } Á | ^ææ * Á | , Áæç | Á | Á } Á ^ oÁ | Áææ Á | Á | æ • EÁç Átææ á * Áæ çæ & á & ^æ^Áç ^áÁ^ & Á^ | Á^ ^áÁEÁ @ } Á | ^ææ * Á | ÁtæææÁæ , æ • Á • ^ ç@Átædq | çÁæ @ * Á æ } á * Á ç @ Áæ áÁá^ & Á^ | Á^ ^áÁEÁ Áæ æÁ^ ÁtæææÁæ | } áÁ | ^ æ áÁæ æçÁ ~ oÁ | Áo@Á ç@Á ^ Á^ÁEÁUJED

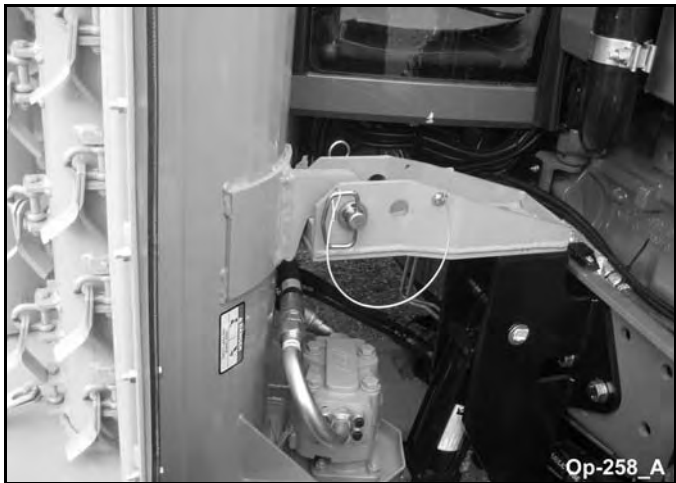


CD9F5HCB

CD9F5HCB

CD9F5HCB

FÈ Y ã@Ádæd |Á^} *ã^Ái^}}ã *ÉÁ |æ^ÁUPW00
 •, æ&@DÁ ã Á ÁU00ÁÁ [|•ã] }Á æ}áÁ, æãÁ + |
 & æ!•@æQDÁ Ád |Á |ææ *É
 GÈ Ú ||ÁŠVÁ& |d |Á^ç^!Á^æ, æãÁ} çÁãó!æ ^
 ã Áæ Á@ @æ Áã ã!Á |É
 HÈ Ú ||ÁŠVÁ& |d |Á^ç^!Á^æ, æãÁ} çÁã!ææ ^ó! }
 ã Áæ Áæ |ç^!ææ^!Á | & Áã!ææ ^ó! } Áãó& |ã á!
 • } [| |dæQæ^ Á | { ^Á- |óç Á } ||ÁŠVÁ^ç^!
 + | { ÁŠUCVÁ |•ã } É
 Í È Ú • @ÁŠVÁ& |d |Á^ç^!Á^! , æãÁ^} [~ * @Áç
 || , ^!Á } ãÁ | , | ÉQ • çÁ@Áçæ^!Á | & Á ã ÉÁQ
 { ~ •ó æ •Á@ | ~ * @ã!ææ ^ó! } Á } ãæ Á @ , } Á
 : || i fYCd!& , S5 "
 Í È T æ ^Á&^!æ Áç@æ^!Á& |d |Á^ç^!Á^æ^!Á
 ÁPUSÖÁ |•ã } Á @ } Áæ } [| |ç *Á } ãÉ



Op-258_A

V@Á | , ^!ç&^} ç!Á -Á |ææ Áæ Áææ^!Á æã *Áç
 { | , ^!Á | |^!Á | } ^!Á Áã } ã *Á @ } ÁçÁæ^!Á | , ^!
 æ^!Áç Áç@Á!ææ^!Á | •ã } ÉW^!Áçd^! ^Áææ ç }
 , @ } Áç Áç@Áçæ } [| |ç | •ã } Áæ áÁæç [ãÁ } ^ç^!
 ç! |æã Á @æ^!Á } ^!Á } ^!Á @ Á | , ^!É



Op-259_A



Y @ } Áç@Áæ^!Á | , ^!•ææ^!Á |á^!Á |Áçæ } [| |ç@Á&^} ç!Á -Á |ææ Áæ Áææ^!Áæ áÁç
 [| •ãæç Á -Á ç^!ç | } Áæ & ^!ææ^!Áç@Á | , | Áæ áÁ^!Áçd^! ^Áææ ç } Á @ } Áç | } ã *Á }
 @ • ã^!ÉÁUç^!ç | } ã *Áç@ÁQ | |ç ^ } óç |áÁææ^!Áç@ÁQ | |ç ^ } óç Á ç^!ç | } Áç@Á!æç!
 æ} áÁçæ^!Áç^!æ^!Áç |ç *Áç Á^!ç ~ Áç b!^!Á |Á^ç^! Ááææ@Á^!Á |áÁæ^!Á | , ^!Á } Áæ
 @ • ã^!É@ÁQ | |ç ^ } óç |Á } ãÁ æ Á ç^!ç | } ÉÁ

VÜŮŠÒÁŠÖŠ

U |ææ } Á^!&ç } ÁÉCG

CD9F5HCB

CD9F5HCB

- ' ('CdYfUjbj 'Dcgljcb

Ò) • ^ Á @ Á U Ð U Ð Á , ã & @ • D Á Á e Á D Á Á U Ð Á
] [• ã] È Ü ^ { [ç ^ Á d æ ^ Á | & Á] ã È Á Á ã @ Á d æ d |
 ^ } ã ^ Á ^ } } ã * È] ~ || Á S O V Á } d [| Á ^ ç ^ Á ^ á æ , æ á
 ~ } ç Á à æ ^ Á ^ Á } Á & ^ ç ^ Á ^ } ã Á & ^ ç ^ Á ^ Á ^ Á | &
 à : æ ^ Á ^ Á } Á á Á & | ã á ^ Á ^ }] [| d È Ü • @ Á S V Á } d [|
 | ç ^ Á ^ Á | , æ á Á } ç Á & ^ ç ^ Á ^ } ã Á Á ^ ç ^ Á ^ Á | [~ } á È
 U • @ S O V Á ^ ç ^ Á ^ Á | , æ á Á } [~ * @ Á Á | , | Á , ^ Á } æ
 ~ } ç Á á Á ^ } & @ • Á ^ | [~ } á È @ } Á ^ } @ Á à [@ Á ^ ç ^ Á ^
 | , æ á Á Á S U C V Á } [• ã] È



NOTE: For best mowing results and longer roller life, both LIFT and TILT levers should be in "FLOAT" position while mowing.

Q á e ^ Á { ^ Á - | : á Á ~ || Á S V Á ^ ç ^ Á ^ Á | { Á S U C V Á
] [• ã] Á ^ á e ^ Á ^ Á ^ Á } á } | ã * È

V @ Á [, ^ Á ^ } • á Á] ^ | æ á Á ã @ Á & ^ ç ^ Á ^ Á ^ Á & ç } • Á ~ | Á | , ^ | á Á ã á @ Á à : æ | æ Á } d [| Á ^ ç ^ Á ^ Á ^ Á | æ
 á á ^ } á Á ^ } • ^ Á @ Á [, ^ Á Á | | , • Á @ Á & } ç ~ | Á - Á @ Á ^ | [~ } á Á æ á Á d Á | ^ ç ^ } á ^ á & ç } • Á | { Á & ^ Á } ã * Á } È
 Ð Ö Ü Á æ ^ { } á Á á æ ^ Á @ Á [, ^ Á @ Á @ Á [, ^ | Á Á] ^ | æ á * È

VÜŮŠÒÁŠÖŠŠ

U] ^ | æ á } Á ^ á & ç } Á È Ç

CD9F5HCB

CD9F5HCB

- ') ' 8 f] i] b] ' H Y H f U W c f ' U b X ' a d ` Ya Y b l g

ÙæðÁ [-Áá]æð * ÁæðÁæ [, Á] ^áÁæð áÁ * |æð æ] ð & ^æ^Á [^ Á] ^áÁ @ Á æ æ æ ð * Á & [] ^æ &] d [|Á [-Á@Áæð |Áæð áÁ] æ ÉÁ [çð * Á] [, | Áæð -á * Á æ] Á ^ç^) á@Áæð |Á [{ Á^æð * Á] æð áÁ [• Á Á æ^á * Á &] d [|ÉV@Áæð |Á @ |á] ^ç^ |Á^Á [] ^æ^áÁæð * Á ^á * Á @æÁæð [| Á^æð * æ^Á Áæð á^áÁ |Á @æ^á |Á ^ç^) á@Á | ^æ | - [{ Á ç]] ð * Á æ | Á ^á * Áæ Á { | ^ * ^ } & ÉÁ @ [] , | Á æ^á * Á | Á } * á ^ Áæ^ * Á | ^æð * ÉÁ ç] @Áæð |Á { ^áæ^ | Áæ^ Áæð |Á æ] Á^á ááæ |Á &] d [|É



Öá^Á@Áæð |Á æ@ÁÉÜ | ð ááæð (• Áæ Á@ |æ^áÁ [• æð] Áæð áÁ [& Á@Á &] d [|Á^ç^ |Áæ^ Á@ dæ] [| Á^áæ] á [• æð] Á ç | ^ç^) Áæð æ^Á ç @Á [, | Áæ]æ^á Á @ } Áæ | } ð * É

Ú^ | { Áç | } • Á æ@Áæð |Áæð áÁ } æ Áæ^ [, •] ^á * Á ç Á æ | { ð ^ Á @ , Á@Áæð |Á , æ^áæ æ@áÁ [, | Áæð á^ * Áæç | } ÉÖ^ | { ð ^ Á@ • æ^Á } ^áÁ ç Á { æ æ Á | [] | Á &] d [|Á [-Á@ dæð |Á @ } Á æ ð * Áç | } • É



V | Áæ [æ] ç^ | ç | } • Éá | æ^ Á@ Áæð |Á æ^áæ^ áæ^ æ^Á ^á * ÉÁ • ^áæ] Á @ } Á | ^æð * Á ç^ | | * @^ | [^] áÉ & [• ð * Ááæ@ • Á | Á [] ^ • Éá á ç | } ð * Á & | } | • ÉV | æð |Á , @^ | Á ç^ æ^Á * • @ ^ | áÁ^æ & ^æ^á @ } Á [| ð * Á } æ ð * Á | | * @^ | [^] áÁ Á^á & Á@ Á [• æð Á Áæ] ð * É

W^ Á ç^ ^ Áæ ç] Á @ } Á | ^æð * Á { Á ç^ | • [] ^ • ÉÁ Á@ Áæð |Á æ] , Á^æð @ } Á [ð * á [, } @ | ÉÖUÁUVÁæ æ^ | Á^É @^ | Á [, } @ | É OPS-F- 0009_A

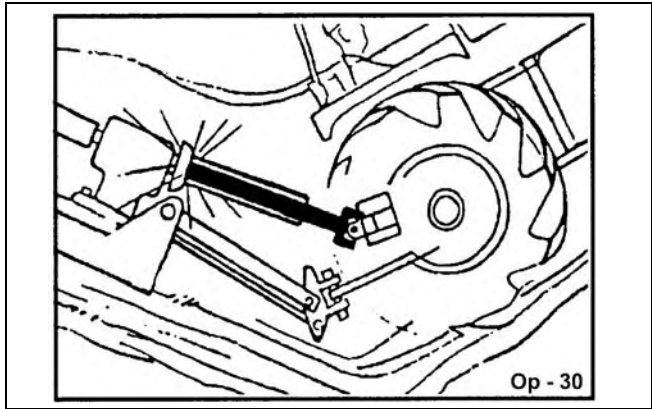
- ' * ' 7 f c g] b] ' 8] W Y g ' U b X ' G H Y d ' ð W] b Y g

VÜÖŠÖŠÖŠÖŠ U] ^æð } Á^ & ç] ÁÉ

CD9F5HCB

CD9F5HCB

Y @} Á&[••ã * Áã&@•Á ã@Á c^] Áã } \•Á |Á [ã * Á]
 • @} Áã &ã ^• Áã Á [••ã |^Á @ã@Á |ã ã Áã |ã ^ã
 } ^Á | | -ã Á |Á ^} ^dã Áã d Á@Á ~ c |Á @ ~ •ã * Áã Áã
 { ãã ~ { Áã ^} c@Á } dÁ@Á Áã • ^ { à | Áã ^ & { ^• Á | |ã
 Gã |ã ^ã ^ Áã Áã Áã Áã c d ^ { ^ Á @ | c • o Á } * @ Á V @ Á } ^
 [Áã ~ •ã ^ Á] | Áã } Áã Áã Áã • ^ Áã ^ã ~ Áã ã ã ^ Áã
 c @ Áã d | Áã á Á [, ^ Áã |ã ^ Áã Áã ~ • @ * Áã Áã V U Áã d
 c @ Áã d | Áã á Á @ [~ * @ @ Áã ~] | | c Áã ããã * Áã |
 á [, , ãã Áã] d Áã Áã V U Áã @ã Áã ^ãã ã * Áã Áã -É

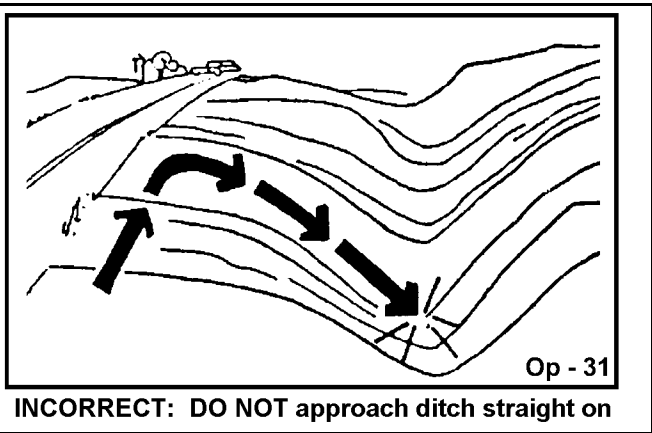


WARNING

Öã ã ^ Áã ~ |ã * Áã [{ Áã c | Áã | |ã • ^ Áã Áã Áã |ã ^ã Áã } ^ Áã | | -ã Áã á Áã Áã ~ c | Áã @ ~ •ã *
 { ãã Áã | , Áã Áã |ã ^ã Áã Áã { ^ Áã [• ^ Áã [{ Áã Áã Áã d | Áã @ã @ã |ã Áã ãã • Áã | áã Áã Áã Áã Áã
] | Áã | Áã | Áã ~ ãã áã | Áã áã Áã Áã c • Áã Áã ãã ã ^ Áã Áã Áã Áã d | Áã Áã | | { ^ } Áã OPS-R-0020

Y @} Á&[••ã * Áã ~ &@Áã | |ã ã @ Áã] | { ^ } c Á @ ~ |ã
 á Áã ~ | | Áã [, ^ Áã á Áã | Áã Áã [, ^ Áã ^ } c | Áã - Áã |ã ãã Áã ãã
 • dãã @ Áã } Áã Áã ãã ã ^ á Áã Áã Áã c | Áã Áã | |ã • ^ Áã - Áã @
 áã |ã ^ã |ã ^ã ãã Áã && | É

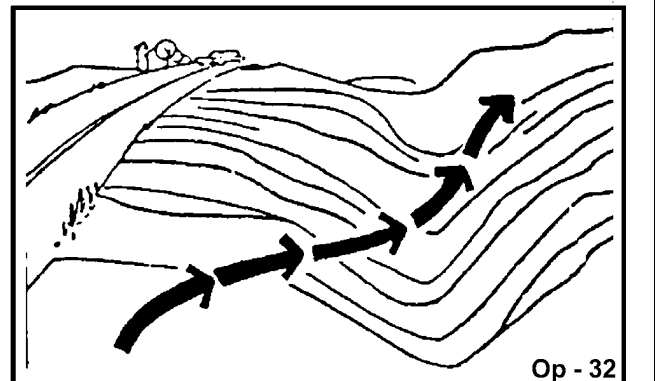
Y @} Á&[••ã * Áã ~ &@Áã | |ã ã @ Áã] | { ^ } c Á @ ~ |ã
 á Áã ~ | | Áã [, ^ Áã á Áã | Áã Áã [, ^ Áã ^ } c | Áã - Áã |ã ãã Áã ãã
 ãã áã áã ãã ãã Áã OPS-R-0021



CD9F5HCB

CD9F5HCB

Q&ja^•Ae aAa&@•A Q |aA^Aae } | | ae@aAae } * Ae
 jA^A @A@A AaeAe Ae * |^Ae A Q,) EA V@A C]^A~
] ae@a jA^A^• & A@A] •• ae@aA A A c^A E j | | ae@aA~
 @Aa: q^ | j^ Aae aA^• | q * Aae ae ^ EA Q A | ae@a } c
 a A [A c^ A] A c^ A^ & Qae Aae] | | ae@aA &^ ae^• A c
] | •• ae@aA A Aae aae q | A | | | q^ A E A^ A^ & Aae Aae } | | ae
 & [•• q * A ae@a



CORRECT: Approach ditch at an angle

Y @) A [] | | ae@a * A c^ A c^ aae q | Aae aA [[, ^ A ae [••
 • [] ^• Aae aAa q j^• EA c [] * @Aa&@• EAae aA [c@:
 ~ ^ c^ A A | | ae@a A [] aae } • EA A A] | | ae@a A A ae ae
 • ~ ae@a } oA^ & A A A [] ~ } aA^ aae q & EA Q ae@a A } ae@c
 , ae@a c^ A [] ~ } aA ae Aae ^• A [q EA [& • Aae aA [c@:
 a^ a: a A q A A c@ [,] A [~ c^ A [] A] a^ A c^ A [[, ^ A
 | ^• | q * A j^• •• ae@a A B | ^ Aae aae q | | | ^ c^ A ae ae ^ E
 O [] ~ } aA } ae@aA [A] | | a^ & • Aae A c^ A^ A Q & A A ae
 [] A c^ A [[, ^ A Aa: q^ Aae aA q A c^ A [[, ^ A a: ae^•
 | ^• | q * A j^• •• ae@a Aae ae^ Aae aA | ^ c^ A^ A^ ae^ E
 OPS-R-0022

!\$ " CD9F5HB: 'H<9' HF57 HCF '5 B8' -AD@A9BH

H<9' CD9F5HCF' AI GH' 7CAD@H9 @M I B89FGH5B8' <CK' HC' CD9F5H9' H<9' HF5 7 HCF '5 B8
 -AD@A9BH'5B8' 5 @7CBHFC @G69: CF9'5HH9ADH-B; 'HC' CD9F5H9" A^@A] | | ae@a | A ~ • oA^ ae@a } a
 ~ } a^• ae@a A c^ A Aae c^ Aae aA j^• A | | ae@a } A^ A q } • A [A c^ A [] | | ^ } oAe aA c^ aae q | A] | | ae@a | q A ae^ ae EA V@• A
 { ae^ ae^ A ~ oA^ A^ ae@a aA c^ | | ae@a aA Aae ^ A] | | ae@a | A Q Aae } [oA^ ae@a EA^ c^ A^ Aae [, A [{ ^ [] ^ A A] | | ae@a A c^
 a [] | | ^ } oAe aA c^ aae q | A ae^ oA [] | | c^ A] | | ae@a * A • d^ & q } • E

O^ | | ^ A c^ aae q * Aae ^ A] | | ae@a } EA c^ A] | | ae@a | A ~ • oA^ & [^ Aae ae@a A ae@a A ae@a q A aA [] | | ^ aA Aae aAae
 [a^ ae@a^• Aae aA c^ ae@a^• A] ae@a aA aae Aae A } • | ^ A ae@c A A c^ A] | | ae@a | EA^ • ae@a a^• EAae aA^ ~ q { ^ } EA j^• Aae
 ae@a } q } A Q | | aA^ A ae@a A A | | a } A^ a: a EA [] * @A | | ae@a EA c^ A] | | ^ • EAae aA ae^• a^ Aae aAae q ae^ A c^ A ae^ ae
 OPS-U-0015



O c^ A^ ^ Aae^ A c^ | | aA^ Aae^ A] A @ } A] | | ae@a * A^ ae@a [• ^ A ab & O A^ & @
 ae A^ | ae^ | EA [& • EA, a^ EAae aA [c@: A^ a: a EA Q •] ^ & A c^ A ae^ ae^ a^ | | ^ A
 { [, q * EA Q | | a } A ab & O A^ Q | | aA^ A^ [c^ aA: { A c^ A ae^ A] | | c^ A } c
 { ae@a ^ Aae ae^ Aae aae | A aae Aae B | ^ A | A c^ A] A^ ae@a A^ ^ A ab & O A c^ A
 & q } [oA^ A^ [c^ aA^ ~ oA^ A^ ae^ | A ae^ aAae aAae^ ~ | | Aae [ae^ aA^ A c^
 [] | | ae@a | EA Q] A [, q * Aae { ^ aae | A A ae^• A c^ aA^ Aae | | a } A ab & c^
 U] ae@a Aae ae^ Aae aA ae^ Aae ae^ A [q | A | A | ae^ Aae^ a: A A ae^ q & a
 a^ | | ^ A^• { q * A [, q * EA OT H D



CD9F5HCB

CD9F5HCB



Q[aaAT [, ^!•Aaa^A&aa^A~ } a^!Aaaq^!•AA& } aaq } •A[-Ac@ [, q* [ab&oa Aq !A^!^aa^aa ca &•AQ-EEA^A^oA !A [!^Daa aa&aa •q * A^!q~ • q b !^ A !A^aa@AAQ ||| , A aa^c A^ ••aa^•Aaa^~||^E



GHCD'ACK-B; = 'D5GG9FG6M5F9'K+k-B''\$\$: 99HI B@GG.

E[[] o[q] aa^U^aa^O^~^!&q !•E[O@aa^O~ aa^•E[!Oaa^ aa^•Aaa^A~ •aa^!Aaa^ aa^A A [[aE[[!\ aa^! & } aaq } L

E[[, ^!A^&aa } •Aaa^A~ } } q * Aq [•^Aq Aaa^ aa^ aa^aa^!Aq A^oA^! [~ } aa^ aa^~ oA^c [•^aa^O|aa^•L

E[] Aaa^aa^ A^aa^A^aa^ } A^q [[~ * @ Aq •] ^&c^aa^aa^ aa^Aq !a^ } A^ aa^!aa^• &@aa^ A [& !E[aa^ • E * |aa^•E[aa^ aa^A^ } ^!aa^!aa^!aa^ A^aa^A^aa^ } A^ [[q^aa^E

NOTE: Where there are grass and weeds high enough to hide debris that could be struck by the blades, the area should be: inspected and large debris removed, mowed at an intermediate height, inspected closely with any remaining debris being removed, and mowed again at desired final height. (This will also reduce power required to mow, reduce wear and tear on the Mower drivetrain, spread cut material better, eliminate streaking, and make the final cut more uniform.)

%" '9b[U] [b['k Y'Dck Yf 'HU Y'CZzfDHCl

O^~!^A^ } * aa^ q * A^oA^U^U^E[aa^A^!aa^ A^aa^A^ aa^A^aa^ A^aa^A^ A^aa^•aa^ aa^!•Aaa^ aa^A^ aa^•!•a^ EAA^@Aq] |^ { ^ } c { ~ oA^A^ [[] |^c^!A^ [, ^!aa^aa^ aa^oA^A^ & A [• aa^] ^aa^aa^ aa^A^ |^aa^ * A^aa^ @EAA^OXOÜA^ } * aa^ A^oA^U^U^A^ aa^ oA^ [] |^ { ^ } oA^ A^oA^A^aa^aa^A [• aa^] E

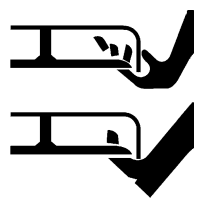
U^oA^A^aa^q !A^ } * q^ A^ } ^aa^Aaa^aa^] | [q^ aa^!^ A^EEAA^U^T A^~!^A^ } * aa^ q * A^oA^U^U^E[] aa^oA^oA^U^U^A^q] d [|A^ oA^ A^ } A [• aa^] Eaa^ aa^A [[, | Aq &^aa^ A^oA^A^ } * q^ A^ } ^aa^A^ } q^ A^oA^U^U^A^ A^ A^ } |^aa^ * Aaa^oA^Aaa^aa^A^] ^aa^EAA^A [~ @aa^A^ } •~ aa^A [aa^•A^!A^•^aa^A^!A^aa^A^aa^] | [aa^Aaa^!aa^ } •Eaa^a^ } * aa^ A^oA^U^U^A^q { ^aa^aa^!^ EAA^Q •] ^&oA^oA^ q] |^ { ^ } oA^ A^c^! [q^ A^oA^A^aa^•aa^ A^oA^A^ [aa^A^!A^aa^!aa^ } Aaa^aa^A^ aa^A^aa^] | [aa^ EAA^OPS-U-0027



O[A^ [oA^oA^oA^oA^aa^•Ac^! } A^ @ } A^oA^AT [, ^!A^O^& Aaa^A^ aa^aa^A^!Aaa^~ !^aa^ } Eaa^ &~ aa^ * Aq^aa^aa^ aa^A^!A^!Ac^! } q^ EAA^aa^ q^ * A^oA^ T [, ^!Aaa^& ^c [•^•A^oA^O^ aa^ * A^oA^aa^•A^ @EAA^aa^•Aaa^ [c^] aa^! A^!q~ •A^oA^ aa^aa^ aa^aa^A^ |^aa^aa^•aa^•A^!q~ •Aq b !^ A^!A^c^ } A^aa^oA^ [[A^ ab&oa A^oA^ [, } A^! [{ oA^oA^aa^•EAA^U^T E[D



O [A^ [oA^~ oA^aa^ aa^ A^!A^aa^ } aa^!A^ [, ^!Aaa^& !EAA^aa^A^oA^] aa^oA^aa^ A^•~ |c q^ A^!q~ •Aq b !^ A^!A^c^ } A^aa^oA^U^aa^ Aaa^ aa^A^ } q^aa^A^ [q^] A^oA^ A^q]] ^aa^ aa^aa^oA^A^& !A^!A^& !^! A^! [& ^aa^A^] EAA^O^T E[D



VÜŮŠÒÁŮŠŮŠŮ U] |^aa^ } A^!&aa^ } A^E[

CD9F5HCB

CD9F5HCB

!\$'('DHC'FDA 'UbX'; fci bX'GdYYX

Ō:[~}áÁ•]^^áÁf|Á [, q*Á , q|Áá^|)áÁ^][]Ác@Á@ã @Œ^] ^ ÉÁq áÁ^). Œ Á[-Áç^*^cæq }Áç Áá^Á& ĉ Ü&{ { ^}ááÁ]^^áÁf|Á-Œ)Ō [, ^|Á^|f|{ q&ŒÁ^ç ^] Áç q áÁ Á] @-Ē Á] @ŒÁ] ^æ^Á@Á [, ^| ŒÁ Á ||Áæ^áÁUVUÁ]^^áÁf|Á qæ qæ Á|æ^Á]^^áÁf|ÁŒ|æq Œ ĉÁU^|Áf|Ác@Ácæq|Á] ^æ |qÁ q~ qÁ | c@Ácæq|Á q•d { ^}Ō q q|Áf|Ác@Á) * q^Á]^^áÁ q áÁ^æÁf|Á |ç qæ^Ác@Á^~ ááÁUVUÁ q áÁ^•ááÁ|{~}á •]^^áÁŒ Œ^Á~|Ác@Á@Á [, ^|ŒÁ] ^æq * ŒÁ Á ||Áæ^áÁ]^^áÁf|Á) c|q * Ác@Á^*^cæq }Áf|ÁŒ ĉ GŒÁ& { ^•Á^&••æ^ÁŒ []|æq Á^~|æ^Á) * q^Á]^^áÁ q&Œ^Á|ŒÁ&Œ^Ác@Á@] c^Á|æ~ q^É

Ō:[~}áÁ•]^^áÁ Áæ@ç^áÁ^Ác q •{ Œ•q } Á^æ^Á^|& q } Áq áÁ [c^Á^ Ác@Á] * q^Á] ^æq * Á]^^áÁŒ @ [] ^æ |Á ŒÁ^Á^~ ááÁf|Á q|q ^} Ō q ŒÁ^ç^|q^Á^æÁ q ^Á [áq qæ] •Áf|Á c^|{ q^Ác@Á^•Á^æÁ q á |æ * Á @Œ| |ç qæ^Ác@Á [•Œ^æq^|f|{ q&Œ|{ Œc@Á [, ^|Œ q áÁ [•c^Œ} Ō cæq|Á] ^æq } ÉŒŒ Ác •^ç^|ç Á Œ qæ * Á |} á q } •Á q&Œ^Éc@Á|{~}áÁ]^^áÁ @~|áÁ^Á&Œ^áÁ^Á^|& q * Á | , ^|Á^æÁf| { qæ qæ Ác@Á|] ^|Á] ^æq * ÁUVUÁ]^^áÁOPS-R-0025



Ō [Á [c^ç^áÁc@Áæ^áUVUÁ]^^áÁf|Ác@Á] |^ { ^} ĉŒc&••q^UVUÁ]^^áÁŒ qæ•Á q |^ { ^} Ō q|q^|q^Á|Œ|æ^Á q |^•Á^~|c q * q^Á|q~•q Œ^Á|ŒÁc@Á q Œ



T [, Ác@Á^]^^áÁc@Á^~ Á q q^Á^|f| ^| ^æ^Á q áÁ [d [|Ac@Ácæq|Á q áÁ [, ^|ŒV@ & ||^& q [, q * Á]^^áÁ^|)áÁ^} Á^|æ q |} á q } Á q áÁ^æ^Á^É^} •Œ É q áÁc@Á @Á - & ĉÁ [{ q^Á|{~}áÁ]^^áÁ q^Á^|{ { Ác@Á Á Á] @-Ē Á] @ŒÁ •^Á [, Á [, q * Á]^^áÁ • @ } Á] ^æq * Á } Á |Á^æ^Á c^|Á [] ^•É Œc@Á-Éá|] Ē - É ç^|cæq á•d~& q } •É [, ^| q^Á-É |Á @} ŒÁ^|q q áÁf|Á q } Á ab&c ŒÁ^Áf|ÁŒ q [q^áÁ q Œ

VHŒŒŒŒŒŒ

VÜŌŠŌŒŒŒŒ

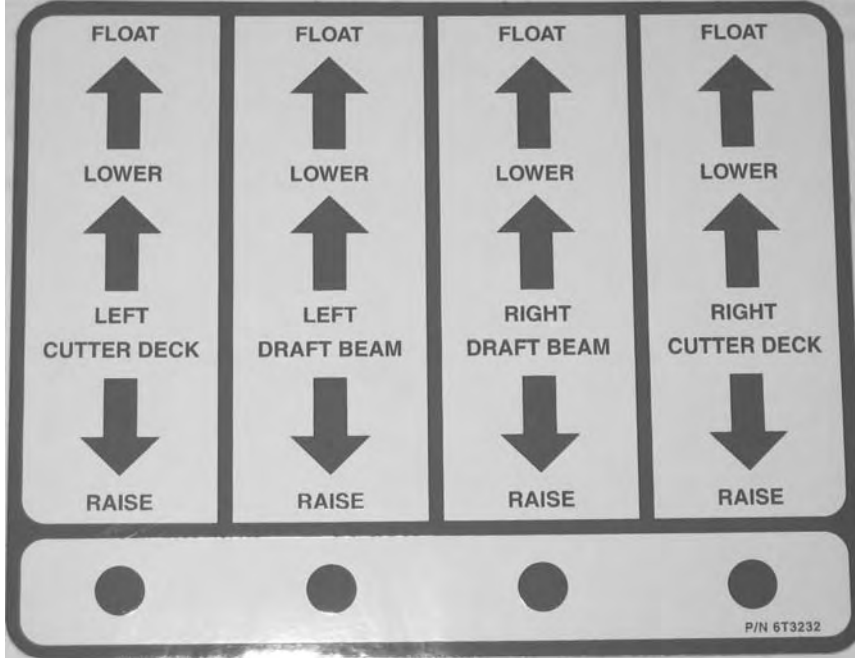
U] ^æq } Á^&q } ÁÉŒ

CD9F5HCB

CD9F5HCB

7 CBHFC @ C75HCB 5 B8 : I B7HCBG

V@A^a@aAa @A [, ^!A@a @A A& }d[|AaA a@aA~!A] [[|AaA^Aa@aA A& [|aa ae@aA @, }Aa^|, E
 O, ae•A [, A a@aA& }d[|A A@aA[aA[•aa] EOA ^!A A•caA@aA^A A& A a•A @}^c^!A@aA [, ^!A
 d A^Aa } [|c^!A^ A^ & Aa@aA^!E



V@A^a@aA [, ^!A@a @A A& }d[|AaA a@aA^!A] [[|AaA^Aa@aA A& [|aa ae@aA @, }Aa^|, E
 O, ae•A [, A a@aA& }d[|A A@aA[aA[•aa] EOA ^!A A•caA@aA^A A& A a•A @}^c^!A@aA [, ^!A
 d A^Aa } [|c^!A^ A^ & Aa@aA^!E

V@A^a@aA @A [, ^!AUBUZA, a&@Aa^A [] c^!A A@aA^!A] [[|AaA^Aa@aA A& [|aa ae@aA @, }Aa^|, E
 O, ae•A [, A a@aA& }d[|A A@aA[aA[•aa] EOA ^!A A•caA@aA^A A& A a•A @}^c^!A@aA [, ^!A
 d A^Aa } [|c^!A^ A^ & Aa@aA^!E

V@A^a@aA @A [, ^!AUBUZA, a&@Aa^A [] c^!A A@aA^!A] [[|AaA^Aa@aA A& [|aa ae@aA @, }Aa^|, E
 O, ae•A [, A a@aA& }d[|A A@aA[aA[•aa] EOA ^!A A•caA@aA^A A& A a•A @}^c^!A@aA [, ^!A
 d A^Aa } [|c^!A^ A^ & Aa@aA^!E

V@A^a@aA @A [, ^!AUBUZA, a&@Aa^A [] c^!A A@aA^!A] [[|AaA^Aa@aA A& [|aa ae@aA @, }Aa^|, E
 O, ae•A [, A a@aA& }d[|A A@aA[aA[•aa] EOA ^!A A•caA@aA^A A& A a•A @}^c^!A@aA [, ^!A
 d A^Aa } [|c^!A^ A^ & Aa@aA^!E

CD9F5HCB

Oe^!Áá & } ^&ç * Á@A-Áá@ [á o È^ [ç^Á@
 { [, ^!Áá!á^!á ^Á! [{ Á@Á!ááç; ÁUVUÁ @eçSæ
 c@Áá!á^!á ^Á! [, } Áæ^~ || Áç Áæ [áÁáá ç á *
 c@Áá!á^!á ^Á! [Á@Á@!áZÖ [Á [Á^Á@Áá!á^!á ^
 -æ!Á ç Á ~ áÁ! Áááç Á @&@&ç Á& } ç á æ Á@
 à^æá * Áá áÁ • @ :ç) Á@Á!á^!á Á@ ^Áá!á^!á ^È
 OPS-F-0013



⚠ DANGER

Þ^ç^!Á, [\A^ } á!Ác@AQ] | ^ } çÁc@Á ç ^, [\È [:Áæ^ Áá ç á
 & { [] ^ } ç } | • • Á@ÁQ] | ^ ^ } ç Á^&^!^ Á ~] [:çáÁ! Á! & ^ á Á]
 ç Á! ^ç^ } ç ~ áá^ } Á! Áá çç^!ç) ç-æ!á * Á @&@&ç ~!á&æ • ^ Á! á ~ •
 á b! ^ Á! Áç^ } Á^æ@Á çÖÈ! D



CD9F5HCB

CD9F5HCB

CD9F5HCB

HF5BGDCFHB; H<9 HF57HCF 5B8 AD@A9BH

Q @!^} d@e adá Á Á] l'ææ * Á@Ái æ&I Áæ) áÁæ] l{ ^} dæ) áÁ@Á [• • æææc Á Áæ&ææ^ } o Áæ^Á [oÁ~oÁ^@ á
 , @) Á [~ Áæ æ @ [l l æ * Áæ Áæ Áæ^ææV@!^f!^æ@Á] l'ææ l'Á ~ oÁ {] l ^ Á [[áÁ á * ^ { ^ } dæ) áÁæ^Á] l'ææ }
] l'æææ^ Á @ } Áæææ •] [l æ * Á@Ái æ&I Áæ) áÁæ] l{ ^} dæ) áÁæ^ Á [æææ } • ÉÁÓ Á • æ * Á * [[áÁ á * ^ { ^ } dæ) á
 { l l , æ * Áæ æ^Áææ •] [l oÁ l [& á ~ l • Éæ@Á [• • æææc Á Áæ&ææ^ } o Á @ Á [çæ * Áæ^ç ^ } Á l [æææ } • Áææ Áæ
 • ~ á • ææ ææ l' Á æ æ á ^ á ÉOPS-U-0017



l'ç l'Áæ [, & @ á l' } Á l' Á c@! Á l' •] • Áæ Áæ^Á } Á@Ái æ&I Á l' ÁQ] l{ ^} d
 æææ * Á ~ Áææ Á • ~ l oÁ Á l' á ~ • Áæ b i' Á l' Áæ æ@Á



Ó~f!^Áææ •] [l æ * Á@Ái æ&I Áæ) áÁæ [, l'Éæ l'Ác@
 dæ&I Á } * æ ^ Éææ^ } * æ ^ Á@Ái VUÁæ) áÁæ ææ l' Áæ
 { [, l'Á [çæ * Áæ o Áæ Áæ { ^ Áæ Áæ l' }] l' o Áæ d] É
 Úæ^Ác@Á [, l'Á^æ&æ } • Áæ) áÁæ } • l'Áææ l'Á l [&
 ^ } * æ ^ Áæ) áÁæ • æ l' Ác@Áæ l'Á l [& Á æ • É



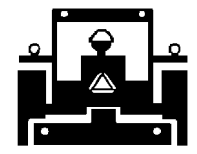
VÜŮŠÒÁŠÖŠŠ

U] l'ææ } Á l' & æ } Á É Í

CD9F5HCB

WARNING

T æ^A&^i cæ A cæ@ A w||, AT [çã * AX^ @&^+ACJT XDã } A& A • cæ^Aã }
 • &@æã æ Áæ Áã Á&^æã^ Áçã æ^Áæ åÁ^* æ^Áã @ } Áçã • [| çã * Áç@
 Ö~ã { ^ } ó^• Áç@ ÁV:æçq | Áãæ @ * Á æ } çã * Áã @ Áæ åÁã |||, Áçã|Á| &æ
 çæ-æÁ^*~ |æã } • Áãöæ,



CD9F5HCB

V@Á ÚT XÁ ÇU||, È [çã * A X^ @&^+Dã ^| à^ Á á
 ~ } æ^i • æÁ^* { à | Á^ • Áã Áç^ | óã á|æ^i • Á | Áç@
 | Á^• } & Á^ Á^ ~ çã { ^ } óã æ^|çã * Á } Á| æã, æ • ÁæÁæ
 • ||, Á • Áã Áã ÚT XÁã } • Áæ^ÁæÁçã æ^* |æÁã|ã @
 [| çã * Á çã æ^+^ & çã^Áã áÁçã Áã | Áã | çã æ^ Áã æ
 çã áÁã çã @ Á çã æã çã ÁÁT æ^ Á^ • Áã @ ÚT XÁã } Á
 &^ çã Áæ åÁçã æ^ Áã | { Áç@ Áã æÁ^ Áç@ Á^ } æ^ Á^ | Á
 çã } [| çã * Áç@ Áçæçq | Áæ åÁã] | ^ } óã } Áæ^ à|æ
 | | æã, æ Áã Áã^ | æ^ Áç@ ÁÚT XÁ^ | à^ Áã Áã-æã^ÁÈ
 åæ æ^ áÁã | Á | Á } * Á^ Áã^+^ & çã^ È OPS-U- 0020



T æ^A^* | Áç@ Áã | Áçæçq | Áãæ @ * Á, æ } çã * Áã @ È
 @ æã|ã @ È çã åÁ à|æ^ Áã |ã @ Á æ^ Á ~ } & çã } çã *
 | | | | Á^+ | Á^ | | & Áã çã * Á } çã * à|æÁ [æã • ÈÁY @^
 } ^, Á^ | [á^ Áçæçq | Á çã Á^] | ^ çã | Áã | çã * Áçq
 | | çã^Áã æ } çã * Áã } çã Áæ åÁã | Áæ çã * Áã çã * È [ç
 | | á^ Á^ | á^ • Áæ^ Á^] | Á^ ~ çã | á^ Áã æ^ Á^ | Áæ çã * Áã @ È
 Ö| } • | óã Áæ çã | á^ áÁçæçq | Áã æ^ Áã | Áã çã * Á çã
 çã áÁã | áã æã } • Áæ çã çã | Á^ Á^ } * Áæ^ Áç@ Áã çã * Á }
 [| á^ Áã æçq | Á | á^ • È OPS-U- 0021



Y @} A [] | Áæã * A [] A] ~ à|æA | | æã • ÈA @ çã^
 & } • æ^i • æã } Áã | Á çã Áã • Á^ • ÈÚ~ || Áã Áç@ Áã æ^
 [Áç@ Áã | æã Áã & æ çã } æ^ Áã Áã | |, Áçã | Áã | |, çã * Áçæ-æç
 çã çã • ÈÁY Ö| Á [óã çã^ áÁç@ Á^ çã } ^ áÁã æ^ Á^ óã
 ^ [~ | Á&^ ~ } çã Áã | Áæ^ | çã | çã Áçæçq | Áã çã, æ • Áæ æ
 æ^i óã @ } Áçã çã • [| çã * Áç@ Áçæçq | Áæ åÁã] | ^ } óã
 [] Á^ ~ à|æÁ [æã • ÈÁV^ Áæ çã } Áæ åÁã^ & Á^] ^ áÁã-
 [çã | Á^ @&^+ Á^ | Á^ á^ • çã çã } Áæ^ Áã Áç@ Áæ^ æ OPS-
 U- 0022



CD9F5HCB

CD9F5HCB

U^a~ &^A] ^^aA^+|^A^ }a *A|Aq] |a *A@A|a^•E
 O}•~|^A^@A[c@A| a^A^ a^A^ &^A^ *^@|
 , @}A|^|a^ *A}A^ à|A[a^•E OPS-U- 0023



Op-25

% "<U `|b| `h YHFUWcf`UbX`a d`Ya Ybh

O^+|^A^a^•| |c^ *A^A| a^A^A^ a^A^ |A^ a^A^]|^ (^) d^
 { ^a^|^A^@A^ a^ @A^ a^A^ a^A^ ^)•a^}•A^ a^A^|••
 , ^a^ @A^ A^@A^ {]|^A^| a^A^A^ } a^A^}•|^A^@A^@
 [| a^A^ a^A^A^ A^ {]|^a^ &^A^ a^A^@A^ * a^A^ a^A^A^|
 @A^A^ a^A^A^ a^A^A^ a^|^A^A^|~ * @A^ OPS-U- 0024



Op - 46

W^A a^~ a^|^A •a^A^ a^ a^ |a^A^ d^a^|^A a^ a^
 ^~ a^ { ^} o^A^ A^a^} | |o^A^@A^ a^A^ |A^ a^A^]|^ (^) d^
 O|}•~|^A^ a^ c@|^A^A^A^|^A^ |A^A^|{ a^A^@A^| ||^
 ^~ a^ { ^} o^A^~ a^A^A^ a^ *A^a^~ a^|^A^ a^A^&@a^•E
 @a^ A^ c^A^ d^a^•E a^A^•A^ a^A^ |A^ a^|^E^&|^|^A^
 a^| , } A^| c@A^A^| } o^A^ a^A^ a^A^ A^@A^ a^A^ |A^ a^ a^ *A^@
]| ||^|^A^A^| , } A^| &a^a^}•A^ A^|^A^ a^A^ A^@A^ a^A^|
 { a^~ a^c|^|^E OPS-U- 0025



Op-47

CD9F5HCB

CD9F5HCB

% "HFCI 6 @G<CCHB; ; | #9

DFC6 @A

DCGG-6 @ 75I G9

F9A98M

Ôç&••ç^Á(â|æä }•

Ô@&Á^æà[çÁ[|çÈ
 Ô@&Áç|Á ç•ç*Á} ç^•Á}
 & ç^Á çæÈ
 Ô@&Áç Á^^Á} ç^•Áæ^
 ç^Á, ç*ç*È
 Ôæ^Á[\^} Á|Á^} çÈ
 Ô ç^• çæ^Á} çÈ
 Ôç^|ç^•Á[ç ç^•áÁ[||^&çÈ
 Q]|^ ^} ç^Á|æç |Á|\^•
 { ç^• ç^Á ç^Á çÈ

Vá @} Á[[•^È
 Ü^] |æ^Á ç•ç*Á} ç^•È
 ç^Á} ç^•Á [Á@^Á, ç*È
 Ü^] |æ^Á|æ^•È
 Ü^] |æ^Á ç^• çæÈ
 Ü^] |æ^Á|ç^|ç^È

Ôæà[çÁç^| çæç*

Š[, Á} Á à|æçÈ
 Q]|^ |^|Áç| Á^ à|æçÈ
 Ôç&••ç^Á çæ ç^ ç^•áÈ
 æ[ç^] á^æà[çÈ
 Ôæç*Á|Á^æ^Á^ç
 ç]|^ |^|È

ç|Áç^Áç^|ç^*È
 Ü^] |æ^Á ç^ç^| | | |^| à|æçÈ
 Ü^] [ç^Á çæÈ
 Ô[]• |ç^| ç^• ç^•È

Ôæà[çÁ[ç^

Ü[ç^• ç^• çæÈ
 Y [|] Á^ çæç*È

Ü[ç^] ç^Á|ç^ ç^• çæÈ
 Ü^] |æ^Á çæç*È

ç[ç^

Ôç ç^áÁç|ç^ç^|ç^
 ç^ ç^• ç^• ç^• ç^• ç^• ç^• ç^•
 Y [|] Á^ çæç*Á|ç^ çæÈ

Üç çæ ç^} Á|Á^] |æ^Á ç^ ç^•È

Ôæà[çÁ çæç*

Ôç ç^Á ç^Á çæÈ
 Ó^} ç^ çæÈ
 Ü çæç^| ç^• ç^• ç^• çæç^ çæÈ
 Ü ç^Á çæç^• ç^• ç^• | | }*È
 Ü ç^Á çæç^| ç^Á çæç* ç^ çæ
 ç^• ç^• ç^• È
 Ü ç^Á çæç^| ç^ çæÈ
 Ü ç^ áÁç|^ ç^ çæç*È
 Ô ç^ çæç ç^ çæÈ
 Ó |ç^Á [•^È

Ü^] |æ^Á çæÈ
 Ü^] |æ^Á ç^Á çæç^ ç^ çæÈ
 Ü^] |æ^Á |Á^] çæç çæÈ
 Ü^] |æ^Á çæÈ
 Ü^] |æ^Á çæç^| ç^Á çæç^ ç^ ç^} Á
 Ü ç^Á ç^Á çæÈ
 Ô çæç^ ç^Á | | | |^| ç^Á|È
 Ü^] |æ^Á çæç*Á|Á^æà[çÈ
 Ü^] |æ^Á çæ^È
 Vá @} Á[|çÈ

VÜŮŠÒÀŮŠŮŠ

U]|^ çæç } Á^ çæç } Á ç^U

CD9F5HCB

CD9F5HCB

Wj ^ç^} Å~ c

Viaç^|Á] ^^ãÁ [Áæ dÈ
 T [, ^!Á^&Á [ó^ç^|È
 Ó|æ^•Á~ ||Á |Á } àææ &^àÈ
 Ô^&Á } à^!•æ^Á | ~**^àÈ
 Õ!æ•Á [Áæ @È

W^ÁÁ [, ^!Á] ^^ãÈ
 Š^ç^|Á@Á [, ã *Á^&È
 Û@æ] ^ } Á | Áææ &^Á|æ^•È
 Ô|^æ Á } à^!•æ^Á -Á^&È
 T [, ÁæÁÈ@Áæ } àÁ^È~ ó [, ^!È

Õ!æ•Á|á] ã *•Á ã à [,
 [|Á| {]

Õ!æ•Á [Á ^È
 Õ!æ•Á [Áæ @È
 P [~•ã *Á | ~**^àÈ

Y æÁ | Á | æ • Á | Á | È
 T [, ÁæÁÈ@Áæ } àÁ^È~ ó [, ^!È
 Ô|^æ Á } à^!•æ^Á -Á^&È

Õ!æ•Á [ó^ç^ * Å~ c
 Òç^ | ~

Ó|^ó [|] Á | Á | á] ã * È
 Û | ã * Á | [\ ^ Áæ } àÁ^|ó | -Á^| È
 P [~•ã *Á | ~**^àÈ
 Ô^à!ã Áæ [~ } àÁ | ~|^•È
 Õ!æ•Á [Áæ @È

Û^] |æ^Á | Áæb • ó^|È
 Û^] |æ^Á | ã * Á | Áæb • ó^|È
 Ô|^æ Á } à^!•æ^Á -Áç ~•ã * È
 Û^ [ç^Á^&Á^|ó @ | á Áæ } à
 &^æ Á ~ ó^à!ã È
 T [, ÁæÁÈ@Áæ } àÁ^È~ ó [, ^!È

CD9F5HCB

CD9F5HCB

vÜ@ŠÒÀŠÖŠ

U] ^!æĭ } Á^&ĭ } ÁĚ G

A 5 =BH9 B5 B7 9 'G9 7 H=C B

T aq c} a} &^Á^&c} Á E

A5-BH9B5B79

A5-BH9B5B79

#9A`	G9FJ=79	7CAA9BHG
S) ã^•	Ô@&Á	Q.] ^&A¡Áã•ã*Á¡Áæ æ^aÁ} ã^•É &@ã*^ÁæÁ^^ã^a
Ù] ã ã^Á [] } ã * Á [ø	Ô@&Á	Ù] ã ã^Á [] } ã * Á [ø
S) ã^Á [] } ã * Á [ø	Ô@&	Ú!^Ë àíææÁ@^æ•Ë@} Á¡ ì~^Á¡ Á ìææÁ•ËÚæã^!Á¡[ì~^ÁËÐ+Á} ã^Á [ø ç í~^Á¡ ÁHFÁã^•É
Öã \ Á [] } ã * Á [ø	Ô@&	í Ð +Á Ë Ð +Á !Á Ð +Á G/Á [ø Æ ç í~^Á¡ Áæí Á Ì Á ¡ ã^aÁã^•É
Ó\ø	Ô@& Ðãb•c	Ô@& Á¡ [\ ^ } Ëã @ } æ Á ~ ^ãÉ
T æ Á ç ^Áã ã^Ó^&	Ô@&Á	Üç í~^Á [ø Á¡ í~^Á ¡ ^ããæã } • ã Åæ Á ^ãç }
P^ á!æ æ\ã ã^ç^	Ô@&	ÖããÁ^~ ã^ãÁ^!Á^ ã^Á& [{ } ^ } áæã } •
Ü^æÁ æ Ö!ã^Á} æè^Ð	Š~ à!ææ	Ö!^æ^æ ã • ç & ç á ã^æ^ã { æ ç } æ & Á ^ãç }
Ö^ ç!ÁÚ@æÁ	Š~ à!ææ	Ö!^æ^æ ã • ç & ç á ã^æ^ã { æ ç } æ & Á ^ãç }
Ö! [] } áÚ [^! Ó^æã * •	Š~ à!ææ	Ö!^æ^æ ã • ç & ç á ã^æ^ã { æ ç } æ & Á ^ãç }
VÜŮŠÒ&ŠÖŠŠ	T æ ç } æ & Á ^ãç } Á Ë	

MAINTENANCE

WEEKLY OR EVERY 50 HOURS

ITEM	SERVICE	COMMENTS
In Tank Hyd. Fluid Filter (10 micron filter)	Change	Change after first 50 hours only, then every 500 hours or yearly
In-Line High Pressure Filter (10 micron filter)	Change	Change after first 50 hours only then every 500 hours or yearly

MONTHLY OR EVERY 150 HOURS

ITEM	SERVICE	COMMENTS
Hydraulic Fluid Level	Check	Add as needed
Hyd. Tank Breather	Clean/Check/Replace	Clean or replace Element as required
Rear Tire Type		Max P.S.I.
480/80R38		29
18.4-34		26
18.4-38		26

YEARLY OR EVERY 500 HOURS

ITEM	SERVICE	COMMENTS
Hydraulic Tank Fluid	Change	
In Tank Hyd. Fluid Filter (10 micron filter)	Change	
In-Line High Pressure Filter (10 micron filter)	Change or	Change when indicated by restriction indicator.
Hyd. Tank Breather	Change	
Motor to Cuttershaft Spline Connection	Change	
TRIPLE FLAIL	Maintenance Section 4-5	

MAINTENANCE

A5-BH9 B5 B7 9

A5-BH9 B5 B7 9

HFCI 6 @G<CCHB;

GMA DHCA G

75 I G9

F9A98 M

Xāi|æā }

Š[[•^ÁÓ |o

Ô@& Á|Á| |o Á| áÁ@ } Á|
!^& { { ^} áÁÁ| !~^Á] ^& É

Ô` ȩ|Áe•^ { à|`
Wj àæā } &^á

Ô@& Á| Á|æ æ^áÁ|æá• Éā &
[|Á~ ȩ|• @æÁ^] |æ^Á^ ^áÁÉ
Ô@& Á| Á| áÁ| [] ^É^æÉ^ } æ * |^áÁ| Ác@
&` ȩ|Áe•^ { à|`

T [, ^!Á |Á| [óāc

P` á|æ |áÁ| áÁ| ,
Š` æ• Á| Á^

Ô@& Á| áÁ| |Á| á|æ |áÁ| á
Vā @} Á| Á^] |æ^Á| * • Á| áÁ| •^•

Qæ |c Á| |á| á|c^

Ô@& Á| !••~ !^Á| Á| ^Éā Á| !••~ !^
• Q~ |áÁ^ Á| á|c @Á| ÉÁ| ÚQ

Sā \^áÁ| Á| [& \^á
Qæ |c Á| |á| á|

Ô|^æ Á| Á^] |æ^Á| ^•
Q•] ^&É^] áÁ| Á^] |æ^Á| |á| á|

Uā{ [] ^!æ |^Áā^•
æā [ç^Á|ÉÉ×Ø

Š| , Á| áÁ| ç|
Sā \^áÁ| [& \^áÁ| •^•
Y [] Á| { [] É [ç|

Ó|ā * Á| áÁ| Á| [] ^!Á| ç|
Q•] ^&É^] áÁ| Á^] |æ^
Ôā æ|^Á| áÁ^] æ

T [, ^!Á |Á| [óāc
[!Á^ }

Ó [, } Á^ •^
Ó|á|ç|ç^• Á| [•^á
Š| , Á| áÁ| ç|
Š| ^Á| æ

Ô@& Á| •^Á|ç^ ^) Á| [, ^!Á, æ@
æ| áÁ| } æ| } É^] |æ^
T æ^Á~ !^Á|ç|ç^• Á| Á^] ^
Ô@& Á| á|æ |áÁ| \ Á| áÁ|
Ô@& Á| Á| * • Á| áÁ| ^• É
!^Éā @} Á| Á^] |æ^

Ô|^& [] æ
• [] [áÁ|æ|ç

K]H ci h@Á|æç| Á^ } ā * Éā } Á
c@Á [, ^!Á, æ@Á| Á| É|É| , Á| áÁ|^Á|
• Q~ |áÁ^ Á| æ|áÁ|c@Á [] [áÁ| Á^ } æ ā *
c@Á [] [áÁ| [] [É|É| Á| Á| c@æ|É^æ^
• , æ@Á| Á| Á| [• ā] Á| áÁ| æ|áÁ| &^ , á|ā|
[!Á| c@Á|ç^|Á| á| &É^ ~ &@c@Á| ç|Á| ó| }
c@Á| áÁ| -c@Á [] [áÁ|c@Á| ^ç|áÁ| á| &c
ā| [áÁ|æç^ áÁ| Á| Á| c@Á| & Á| Á| •^Á| á
 , ā| * Á| !Á| Á| [] ^] Á| &ā| áÁ|c@Á| á| &Á|
æ|æç^ áÁ| ó| [Á| Á| Á| c@æ|É^] |æ^Á|c@
• [] [áÁ| É

VÜŮŠÒÁŠÖŠ

T æ| ç| } æ & Á| ^&ç| } Á| É

A5-BH9B5 B7 9

A5-BH9B5 B7 9

Ü^ [ç^Á@Á~!Áà | Á@ |áá * Á@Á• { æ
 à [& Áç Á@Á æá Áà [& Æã-óæ áÁ!^ [ç^
 • { æÁà [& Ááá * Áæ~ |Á [óæ Áæ æ^ÁÜÈ
 |á * • Æáç!ÈÖ^æ Áç!Áæ áÁ^È • æÈ

Ü^ [ç^Á|æ*^Á) ~ ó } Á• æ^Á | - |æ*^Áçæç^
 à [& ÆÜ^ [ç^Á] |á * Ææ áÁ•^Á^á|Á [•^
 çã^Á* |á Áç Á] ||Á• [|Á- | { Áà [& ÆÖ@&
 à [& Á æ áÁ •] [|Á - |Á &] æ á æ • Á æ á
 • & æ@ • Æ Ö^æ Á] æ • Á [|Á ^] æ^Á æ
 • & æ@ áÈ

T [ç!Á~ } • Á~ ó á]
 } | ó & È

Ó^ |
 V } • á } ^ |

Q • ^ & ó^ | • Áæ áÁ~ ||^ • ÆÜ^ | æ^
 à | • Áæ áÁ^ | æ^ Á ^ á^ áÈ
 Öãb • ó } • á } ^ | Á ~ ó } çÁæ, æ @!
 æ Á ~ • @ } æ } | Á - Á ~ æ^È

T [ç!Á~ } • Á~ |
 | | Á [óæÈ

Ö [] æ á æ • Á^ d æ ç *
 • [| Á [ç^ ^] óæ
 çæç^Á [á

Ü ~ & ç } Áá ^ • Á à • d ~ & ç á

Š | , Á á Á ç |

Ü^ [ç^Áæ*^Á) ~ ó } Á• æ^Á - |æ*^
 çæç^Á [& ÆÜ^ [ç^Á] |á * Ææ áÁ•^
 } ^ á | Á [• ^ çã^Á* |á Áç Á] ||Á [| |
 - | { Á à [& Æ Ö@& Á à [& Á æ áÁ •] [| Á - |
 &] æ á æ • Áæ áÁ & æ@ • ÆÖ^æ Á æ • Á!
 | ^ | æ^Á & æ@ áÈ

Ö @ & Áç | Á á | • Á | Á à • d ~ & ç } Á
 • ~ & ç } Á ç • ^ È

Ö @ & Á ç ~ á : æ | æ ç | Á ç ^ | Áæ áÁçÈ

Ü { } | Á á | Á | ó [| \

Ö & • • ç^ Á ^ æ
 [] Á ç | } æ Á æ • È

Ö æ • ^ { à | Áæ áÁ^ | æÈ

T [ç!Á~ } • Á~ |
 | | Á [óæÈ

Ö & • • ç^ Á ^ æ
 [] Á ç | } æ Á æ •

Ö æ • ^ { à | Áæ áÁ^ | æÈ

NOTE: If flow meter is available, check pressure and flow volume for all suspected hydraulic problems.

≠ R Y gc`i hcb` lc` nci f` dfcV`Ya ` WUbbch VY` Zi bX`]b`h]g` gYW]cbz` WU` h Y` HYW b]WU` GYf]WY
 fYdfYgYb]U]j Y`Uh` Y`bi a VYf`g] ck b`cb`h` Y`ZcbhW`j Yf`cZh]g`a Ubi U"

VÜÖŠÖÄÖŠÖŠ

T æ ç } æ & Á^ & ç } Á È

A5-BH9B5B79

@ 6F75HCB'F97CAA9B85HCBG

8 YgW]d]jcb	5 dd`jWU]cb	; YbYfU`GdYW]Z]WU]cb	F YWt a YbXYX AcVJ`@ Vf]WU]bh
Viædq Á^ á!æ æ	Ü^•^!ç[ä	RÖEÖ T ØÁ FFHÍ ÈÁ FFI F ØPPT GÓFHI Ö	T [àq~ äÁ G
T [, ^!Á^ á!æ æ Ô [áÁ^ {] ^!æ ^•Á »ØÁæ dM] Á P [{ æÁ^ {] ^!æ ^•Á »ØÁæ dM]	Ü^•^!ç[ä	ØUÁÍ ÁÇ æY ^æÈ [, Á^ {] RÖEÖ T ØÁ FFHÍ ÈÁ FFI F ØPÁT GÓFHI ÖÁØP PGEFD	T [àqÖVÒÁÍ T T [àq~ äÁ G T [àqÖVÒÁÍ T [àqÖVÒÁÍ T
ØæÁÜ^æÁÖ^æà[ç	Ü^•^!ç[ä	ÚØEÁÜ^ } @æÁÖçd^ { ^ Ú!^••~ ^ÁÖ^æÁÖ^ à^	T [àqÁÜPÖÁÍ Y ÈÈ T [àqÁÜ^ } @æÁÖ^æ
Ô~ æ^ÁÜ@æÁÖ! [~ } áÁÁÁ Ü [^ÁÜ@æÁÖ! [æD	Ö!^æ^ÁÖ~ }	Šæ { ÈÖ [{] ^ç Öçd^ { ^ÁÜ!^••~ ^ PŠÖÇÁÜUÁGE	T [àq~ ^æ^ÁÖT ÈÜ
Ö!q^ÁÜ@æÁÖ! [~] ^! ØæÁÜ^ áÁÜ [æ^ D	Ö!^æ^ÁÖ~ }	Šæ { ÈÖ [{] ^ç Öçd^ { ^ÁÜ!^••~ ^ PŠÖÇÁÜUÁGE	T [àq~ ^æ^ÁÖT ÈÜ

A5-BH9B5B79

VÜÖŠÖÄÖŠÖŠ

T æ ç } æ & ÁÜ^æç } Á È

A5-BH9 B5 B7 9

A5-BH9 B5 B7 9

DC @M7 5 F6 CB5H9 `75 F9 / `A5-BH9 B5 B7 9

V@Á:[]|!á c ÁVXÁæ áÁOa:æ q } ÁÜ^•ã çæ ó^!-æÁ&æ æá * Á } ÁÜPÖSÖÜi ÁÜWÜÖÜÖUÖVÖÖi Á [| &æà[] } æ
•ã } æææ q^ Á } [| ç^•Á^!+[] { æ &ÁÜ^!q áæÁ&æ æ á * Á •á * Á [| ^!Á [| &^!^•Áæ áÁ& { } ææ|^Á&^æ ^!•Áæ^
!^& { { ^ } á^áÁ Á [| [] } * Á^!çæ^ÁæÁVá^!ÁÖ [|] É [| &æà[] } æ^Á ÁÜWÜÖÜÖUÖVÖÖi Á } Á [| ç^•Áæ^É

7 @5 B-B; `H<9 `GI D9F7 C5H: `<5 F8!7 C5H

FÈ Y æ @ Á æOá qáÁ [| ç] Á -Á [æ Á /Á^ç!^*^) çæ áÁ^ \ , æ { Á æ^È

GÈ W q * ÁÁ [- & [| ç^!Á [|] *^È^) ç^ Á æ @Á @^ç Á [| (•) Ááçæ áÁ!q ^Áæ áÁá •^Á ^||Á æOá^æ Á
, æ^È

HÈ V Á!^ç^) çæ^Á [| çæ * Éç [| ~ * ç Á!^Á æOáç [á Á /Á^|| [•^Á] [] *^È

I È Çç [áÁ @Á •^Á -Áæ!æ q^Á&^æ ^!•É ~ ^^*^^•Áæ áÁÁ @Á /Á^æ q * Á } | ^ (^) •Áçæ æ Á æÁ:Á [~^Á @
ç^Á æá * È

7 @5 B-B; `5; 9 BHG`K <7 <`<5 J9 `699B: CI B8 `HC `69 `7 CAD5H6 @ `I B89F `@6 CF5HCFM 7 CB8 #CBG.

“ ÇE ~ ^ [~ •ÁÜ [| ç] • Á -Á [æ • Áæ áÁÖ^ç!^*^) ç

Y q á^ç
Oæ çæ ç

V [| Á q à
Q | { ~ | æ Á É

R ^
Ü { æá @ÖFG

T | ÉÖ|^æ
Ó~ & á^&á

“ U! * æ áÁ [| ç^) ç

Ó ç | Á^|| [• [| ç^
P^!^& É||æ^!

S^! [•^) ^
V ! & Á É G

P^ç^!ÉÜÉ | |

Pæ @ç^XT BÚÁ!æ^D

“ Ç& @ | •

T ^ ç [|]

Q [|] [] ^

ÇÁ^•ã æá^! * æ áÁ [| ç^) ç Á @ ~ | áÁ^Á^ { [| ç^áÁ æOá^& } áæ^ Áá •^È

; F5 : : #F9 ACJ5 @

Ó ç | &^|| [• [| ç^Á q | Á^ { [| çæ^ Á -áæ • É æ á q * Á^) Á \ • É q • çá É çÉV @ Á •^Á -Á æ á q * Áæ^ Éæ @ • q^Áæ^ Á
[| Á q \ Á^ { [| çæ^ Á [| • Á] \ • Á ^|| Á | Áæ * Á -Á | áÁ^ áæ @ | ^áÁ æá • È

V Á^ { [| ç^Áæ^ Á • É çá ^! • É^çÉç @ Á •^Á -Á^! [•^) ^Á | ÁXT BÚÁ æ @ç^æ^Á^) ^!æ^ Á -^&ç^ÉY @ } Áç
• [| ç^) çá q | Á [ç^) ^ çæ^ Á çá ^! Á æ^!æÉ] | Á çæ^Á^!^!Dq Á [-) Á @ Áæ @ • q^Áæ^ áÁ [| { [ç^Á^ { [| çæ^

Çá^ æ^!æá Á^ } áÁ^ Á^ & { } ææ|^Á Áæ @ | ç^! { Á • çÉÁ q | Á^ ~ æ^ Á^ Á^ } áÁ^ Á^ & { } ææ|^Á Áç
- | áÉV @ & } ç^! •^Éç , ^ç^!ÉÁ Á [çæ , æ • Á^ ~ Éç [æ|^Á^!+[] { æ &^Á Á [Á^ ææ ç^Áç^Áç ç^Á } áÈ •^
& { } áá } • Á ç^Á^Á^) Áá } | ææ^ áÉV @ | ^+ | ^Éç @ •^Á!^ • | ç Á • @ ~ | áÁ^Á^ •^áÁæ Áæ Á^ ~ æ^É } | Éæ^ áÁá
!^& { { ^ } á^áÁçæ @ Á •^! Á • Á @ Á [| á^ & ç Á } áÁ^ & ç^Á } áÈ •^& { } áá } • È

VÜÖŠÖÁÖŠÖŠ

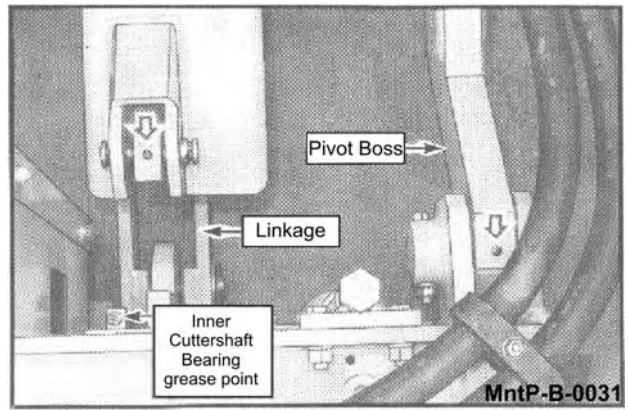
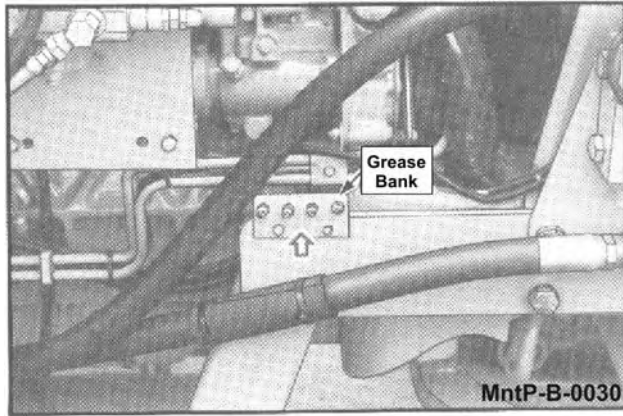
T æ ç) æ & Á^&ç } Á È €

A5-BH9B5B79

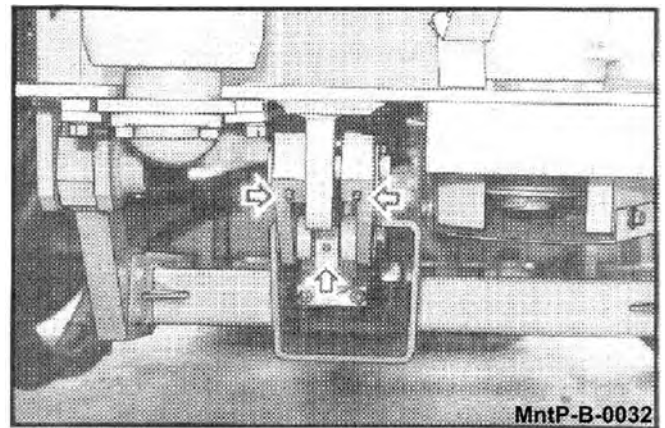
A5-BH9B5B79

; F95G-B; -BB9F`5B8`CI H9F`8F5: H'695A`D-JCH'DC-BHG

Š[&æ^Á@Á*!^æ^Á\|•Á] Á@Á] ^!Áæ] áÁ ~ c!Áá!æó^æ Á æ[óà[••^•ÉQb&óŠæ { É[{] |^cÁÓcd^ ^
 Ú!••^!^Á!^æ^Á} |!{ } *Á Á ŠÖFGÉUÁHGEÁ ^&æææ } •Á c Áæ&Á\|Á } cÁ!^æ^Á! | d`á^•Á! { Á } •É
 Ö!^æ^Á!Á æ[óà[} •Áæ Á!Áç!`ÁÁQ`!•Á-Á!çæÉ



Y ã@Á@Á&~ c!Á@æá[, ^!^áÉ[&æ^Á@Á*!^æ^
 :^|\•Á] Á@Á] æ^Áæ] áÁ] æ[óà[••^•ÉQb&óŠæ { É[{] |^cÁ Ócd^ ^Á Ú!••^!^Á!^æ^
 & } |!{ } *Á Á ŠÖFGÉUÁHGEÁ ^&æææ } •Á } cÁ
] | d`á^•Á! { Á@Á } •ÉY æó^æ c!Á@æá Á@
] [•æ] Éæ Áæ [Á] ••æ^Á Á!^æ^Á@Á!æó^æ
 & |æ] á!Áæ] &@!Áæ] áÁ] •Éb[, É!æ^Á@Á&~ c!
 @æá Áç[•^Á@Á^ } æ] *Á\|•Á } Á@Á&ÁÁç
 |æ] ^•Áæ] áÁ } Á@Á@!Á } áÁ-Á@& } æ] á!É



VÜŮŠÖÁŠÖŠŠ

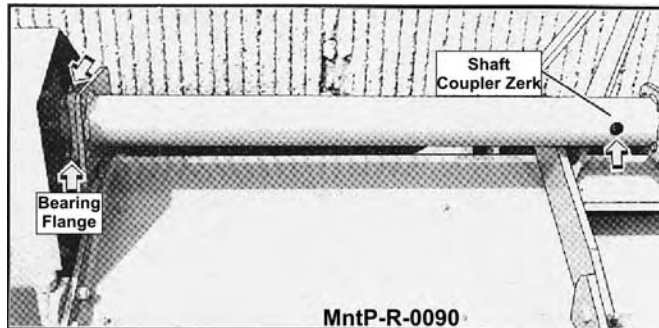
T æ] c } æ &^Á^&æ } Á ÉH

A5-BH9B5B79

A5-BH9B5B79

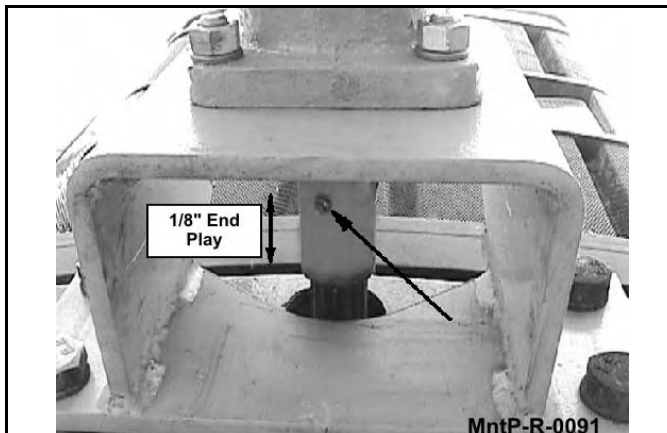
; F95GB; 'H<9'F95F'8F=J9'695F-B; '5B8'9LH9BG-CB'7CI D@F' G<5: H

Š Ĩ &æ Ác@Á*!^æ^Á: ^||•Á†|Ác@ Á!^æÁ-æÁá!q^ ^cc).•q }Á• @ccÁT æ^Á~ !^Ác@Á: ^||•Áæ^Á&|æš à^†|Áq b &cš *Á!^æ^ÉU}^Á~ {]Á -Á!^æ^Áq †æš *^Á^|| Áš áÁ @cc&|~]|Á†} &^Áç!^ Áæš Á!Á†| ^ç!^ ÁÁq~!•Á -Á!çæÈ



; F95GB; 'DI AD'8F=J9'G<5: H'7CI D@F

Y æ@^}*q^Á†]]^áÈ^}~!^Áá!q^Á @cc&š { ^}c à^Á!æ]q*Á&|~]|Áæš áÁ• |æq *Áææš Áæš áÁ†|cÈ Ô|~]|Á@~ |áÁ|æ^Á^†|Á æ@š]|cš æ^†F†+ [-Á}áÁ|æÈQ&|~]|ÁÁ|^•Á [cš |æ^Á^†|Èš •]^&c †|Á[|^•Á~]Á [~] óÁ|cÈ |Áæš æ^áÁ!Á[|^• &|æš \Á • @ccÁ ææš c!È Qb &Èš@ { Á Ô[]|^ç Óçd^ { ^ÁU!^•~!^Á*!^æ^Á&|} †|{ q*Áq ÁbŠÖÈ ÒUÁHçÁ•]^&ææš •Áq †Á&|~]|Á^} qÁ*!^æ^ à^*q•Áq Á!|d~ áÁ†| { Á^} á• ÈÓ!^æ^Áæš Á!|^ç!^ ÁÁq~!•ÈÖ| Á [cš!Á!^æ^È

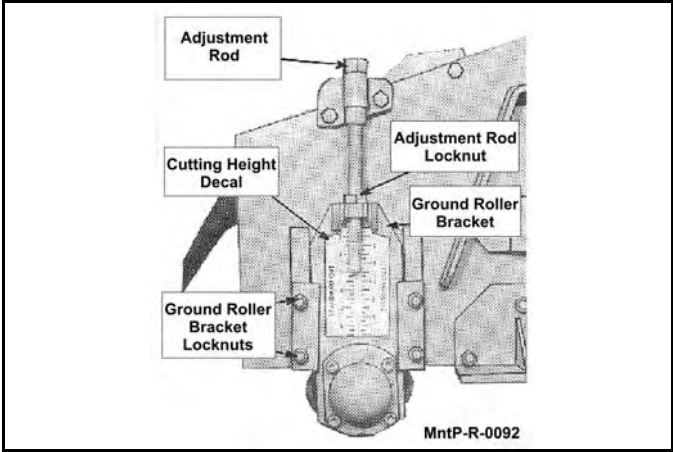


A5-BH9B5B79

A5-BH9B5B79

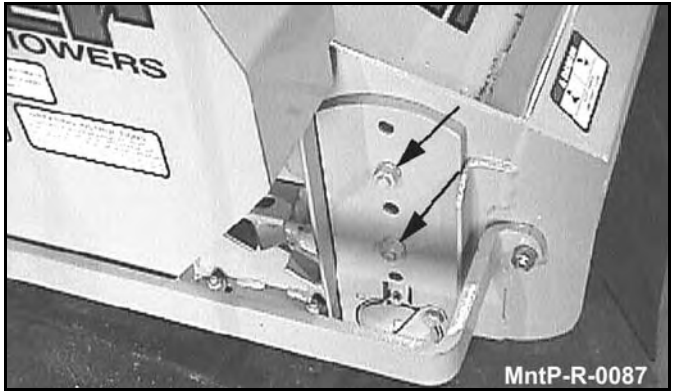
58>I GHB; 'H<9'7I HHB; ' <9= <H

Š [•^] Ác@Á-~!Á*! [~] áÁ! [||^!Áà!æ^!Á [&] ~ °É
 Š [•^] Ác@Áæb•q ^) oÁ [áÁ [&] ~ °Áæ áÁc !} Ác@
 æb•q ^) oÁ [áÁq Áæb•Ác@Á& æ * Ác@á @FV@
 & æ * Ác@á @Áá Áá áææ^áÁ^ Ác@Á^} áÁ [-Ác@
 æb•q ^) oÁ [áÁ] Ác@Á& æ * Ác@á @Á^&æFÁ @ }
 & æ * Ác@á @Á @Áá^} Áæ@ç^áÉá @ } Ác@
 *! [~] áÁ [||^!Áà!æ^!Á [&] ~ °Áæ áÁc@Áæb•q ^) c
 ! [áÁ [&] ~ °Á& !^ ÉO^Á ^!Á [c@æ^Á -Ác@Áæ
 æ^Áæb•c^áÁc@Áæ ^É



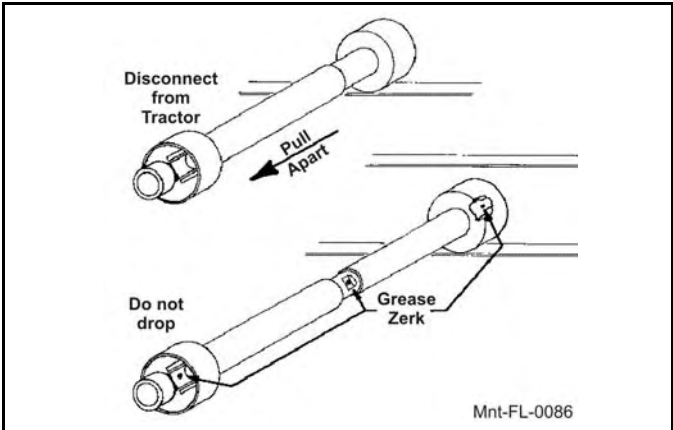
58>I GHB; 'GH5B85F8'8I HM7I H' <9= <H

V [Áæb•c^Ác@Á& æ * Ác@á @Á -Ác@Áæ áæáÁ~ c Áæ
 @æÁc@Á [Á ~ °Á] Ác@Á [||^!Á @æá!æ^!Á ~ °c
 á^Áæ^} Á [-Áæ áÁ [ç^áÁq Ác@Áá^ááÁ [&æ] É
 @á @ÉO^Á ^!Ác@æ [c@æ^Á -Ác@Á @æá^
 æb•c^áÁq Á& !^] [] áæ * Ác@Á^ Ác@Á^ @æ
 !^ æ^Áç^!É



; F95GB; 'D'HC" G<5: HG

Oæ!Ááá *á *Ác@Áæq !Á Áæ [] |c^Áq] É @ oÁ ~
 c@Á^} *á^Áæ áÁ!^ [ç^Ác@ÁUVUÁ @æÁ+ [{ Ác@
 dæq !ÉU|æ^Ác@Á @æáæ æÁq Ác [•^Ác@Á^!æ^
 : ^! ÉO!æ^Ác@Á @æá æÁ Á [] •Á -Á!æ^áæ á
 c@ÁWæ á oÁ } cÁ^!æ^Á! [d^á^Á+ [{ Á&æ •Á! ^!
 c@Á&@á^!Á çáçá Ác@Á æc } æ^Á&æ] É



VÜŮŠÒÁŠŮŠŠ

T æc } æ^Á^&æ } Á É!

A5-BH9 B5 B7 9

A5-BH9 B5 B7 9

65 @J5 @9G

V@Àaà|Àççç^Àaà@À@ ^ àiæ |BÁ^•^iç[aÁ æ Á^ÀÁç Áa^Á&| •^à
 à`iã *Á^iæá Á æ ç } æ &Á^Á^} æ Á^i| &á^i^•ÈK9`65 @J5 @9
 AI GH69`CD9B`fl UbX`YdUFU`Y`k`jH`j Uj YLk <9B`HF57 HCF`G
 F9!GH5 FH98`CF`DI AD`G7 CI D@8`HC`ACHCF`CF`D`HC`P
 Çæ`i^Áç Á[Á[Á çÁ^•`|ç Á&| { }] ^ } Çæ`i^Á

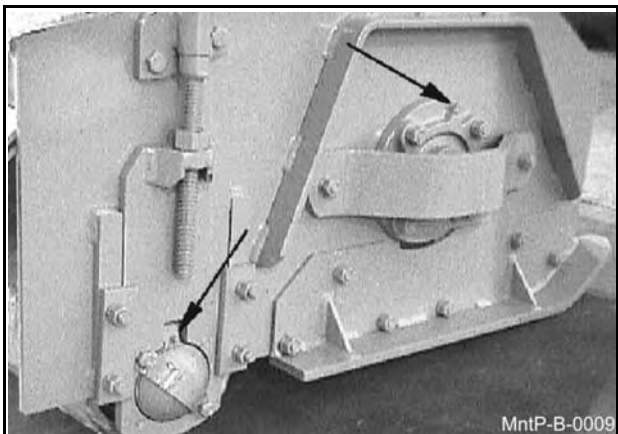
00ŠŠÁ0ŠX0



MntP-R-200

; F95 G-B; `7I HH9F`G<5: H: @=@ACK 9FG

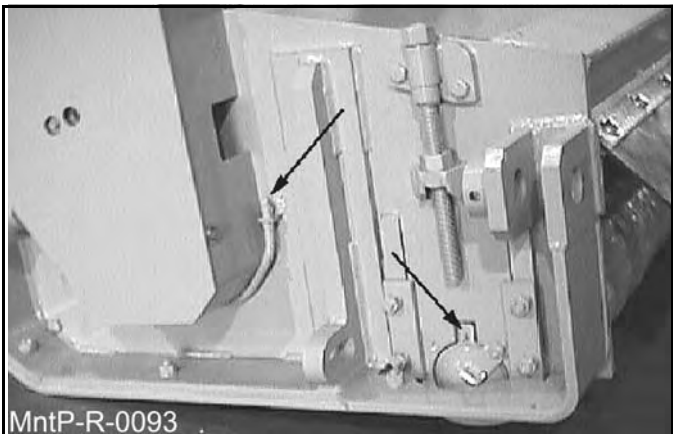
Š| &æ^Á^i^æ^Á^i^•^Á^i^} Á^æ^@^Á^} áÁ^ -Á^ |Á^i^Á^ à^Á^æ
 V@•^Á^æ^Á^i^} &æ^á^Á^i^} Á^@ Á^à^æá^* Á^ç^i^È^P^i^|{ æ
 &|} ááá^} •Á^~`á^Á^i^} ^Á^i^Á^ç [Á^~`{ } •Á^ç Á^æ^@^Á^æá^* È
 ~`ã^* Á^ Šá@ { ÈÖ[{ }] ^ç^Á^ Öç^Á^ { ^Á^ Ú^i^••^i^Á^* |Á^æ^Á^
 &|} +i|{ ç^* Á^ç Á^p^SÖÖÈU^Á^HÇÉ^Á^] ^&ááæá^} •ÈV@ç Á^ç Á^
 à^Á^i^} ^Á^ á^ç^á^ç^ ç^á^æ^á^i^} ^æ^Á^i^} } Á^æá^ Á^i^Á^æ^Á^` \ ci f
]bHfj Ug" 75I HCB. Cj Yf [fYUg]b[` a Uni WUj gY
 dfYa Ui fY gYU`ZU]i fY"



MntP-B-0009

; F95 G-B; ; FCI B8`FC@@F`G<5: H: @=@

Š| &æ^Á^i^æ^Á^i^•^Á^i^} Á^æ^@^Á^} áÁ^ -Á^ |Á^i^Á^ à^Á^æ
 [|, ^i^Á^æ^Á^i^} -Á^@æÈ^P^i^|{ æ&|} ááá^} •Á^~`á^Á^i^} ^
 [i^Á^ç [Á^~`{ } •Á^ç Á^æ^@^Á^æá^* È~`ã^* Á^ Šá@ { È
 Ö[{ }] ^ç^Á^ Öç^Á^ { ^Á^ Ú^i^••^i^Á^* |Á^æ^Á^&|} +i|{ ç^* Á^ç
 p^SÖÖÈU^Á^HÇÉ^Á^] ^&ááæá^} •ÈV@ç Á^ç Á^i^Á^i^} ^
 , á^ç^á^ç^ ç^á^æ^á^i^} ^æ^Á^i^} } Á^æá^ Á^i^Á^æ^Á^` \ ci fg
]bHfj Ug" CAUTION: Over greasing may cause
 premature seal failure.



MntP-R-0093

VÜŮŠÖÁŠÖŠŠ

T æ ç } æ &Á^Á^ç } Á Èí

A5-BH9B5B79

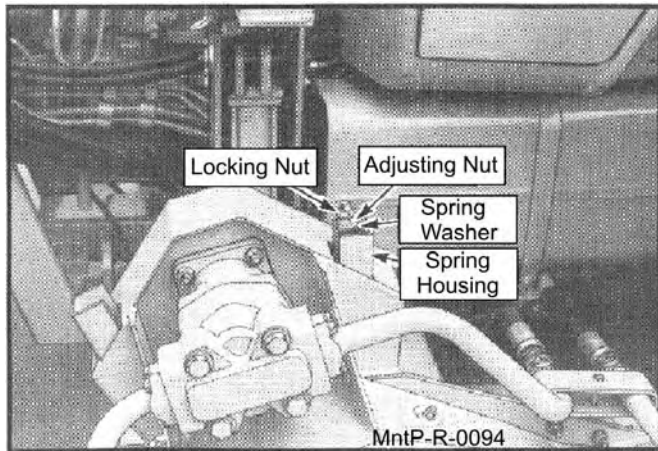
A5-BH9B5B79

; F95G-B; H<9-B @F`H9BG-CB`5FAG

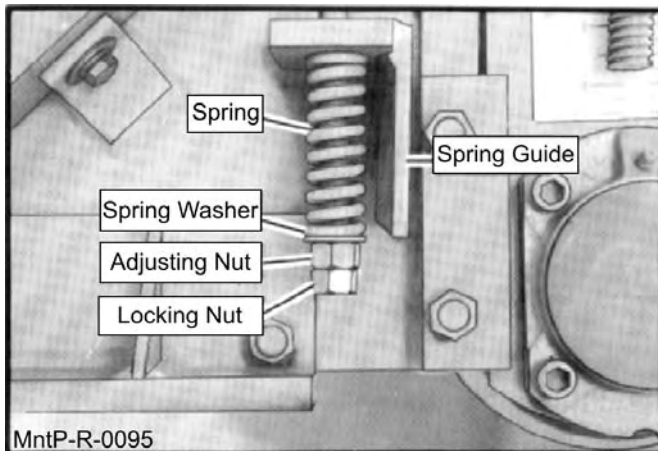
Š[&æ^Á@Áæ&••Á@ |•Áæ áÁ^æ^Á\|•Áæ Á@Á^|Á @|á•Á Á@Á æ^Áæ áÁ^æÁ|æ•ÉP[{| æ^Á} ááá}•
 !^~ á^Á}^Á~{] Áææ^ Á^Áç^!^ÁÁ@~!•Á Á^Áçæ^Á} æ^Á~|ç^~|] [•^Á^æ^É

-B @F`H9BG-CB

Š[&æ^Á@Áæ|Á^Á}•á } á*Á[áÁ^Áæ&ÁæÉŠ[(.^)
 @Á[& á*Á} çÁV^!; Á@Áææ•ç*Á} ç^} çÁ@
 , æ@Á^Áç ^} Á@Á[]á*Áæ áÁ^•Áæ^Á^•@} æ@
 @Á[]á*Á@~•á*Á[Á^æ^ÁV@}Á[& á*Á}c
 •^&^|ÉÉ[]Áæ ááá&^} } Áæ^Áæ^Áææ•^} ç
 @Á[]á*Á æ@Á^Á^•@} æ@Á[]Á Á@Á[]á*
 @~•á*ÉÁ W^Á @Á•æ ^Á { ^@áá ç Áææ•c
 @á:æ|æç^ Á^Á} Á^æÁæ• ÉÁ bIDIF!\$\$- (



Q[]Áæ ááá&^} } Á@Á^ ^&@æ çÁ^ Áá^} Á^æ
 çÁ[, ^Éææ•ç[Á@Á@Á[]á*Á æ@Á^Á^•@
 , æ@Á[]á*Á æ^Á bIDIF!\$\$-)



VÜŮŠÒÁŠÖŠŠ

T æç } æ &^Á^&ç } Á Èí

A5-BH9 B5 B7 9

FCG15 H9 BG-CB9 F

STANDARD DUTY REAR FLAILS

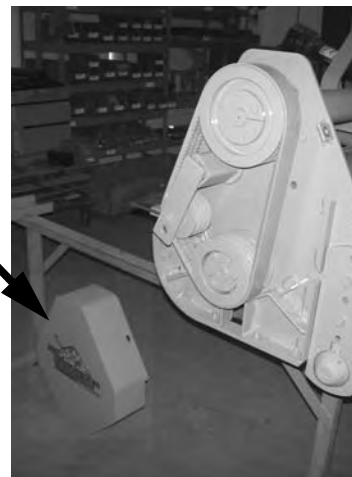
Ü^ [ç^Á@Á @|áÁ ~ æáÁ ç^!Á@Á^|óÁ @|áÁ^æÁ [ç^Á@Á^|óÁ @|áÁ@æÁ ç^!Á@Á) • ä } ^!É à^|óÁ áÁ @æ^•É

A5-BH9 B5 B7 9

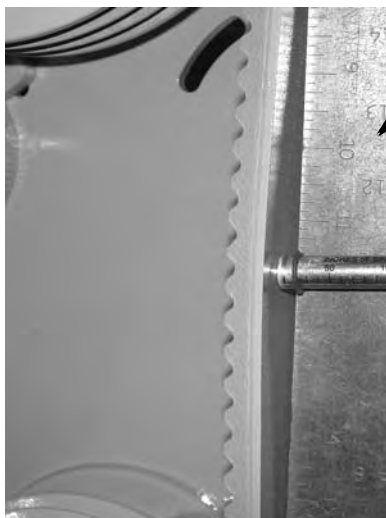


ÓÒŠVÙPÒŠÖ

ÙPÒŠÖ
ÖWÖÜÖ



ÚæÁÁd æ @Áá*^Á [ç^!Á@Á @|áÁ @æ^•Áæ áÁ { ^æ ~ !^Á@Á^|óÁ) • ä } ÁÇ^ÁVÒPÙWÞÖÜ
T ÓÈJWÜÖT ÒP VÁÜÜÖÖWÜÖDÁM Áæb • ó@ÁÜ [• æÁ^) • ä } ^!ÉÁæ ÇÁ [• ^) Á@ÁÜ [• æÁÜq] Áæ áÁÜ [• æÁÜ [c
@æ^Á & !^ Á@ÁÜ [• æÁÜ Á@ÁæÁ^æÁ^æÁ^Á@Á^ !^) &@ÇD ÁÉ | ΕΕGHÁæææ^DÁ Áæb • ó@Á) • ä } Á Á@
à^|óÁ ç^!Á@Á) • ä } Á@Á^ Á^æÁ & !^ Á@ÁÜ [• æÁÜq] Áæ áÁÉq !^ ~ ^Á@ÁÜ [• æÁÜ [óÁ Á] ^&É



ÙVÜÖÞPVÁÖÖÖ

ÜÜÜVÖÁ ÜÖPÖP



ÜÜÜVÖÁVÜÜ



ÜÜÜVÖ
VÖPÙWÞÖÜ

VÜÜŠÖÁŠÖŠ

T æ ç } æ & Á^ & ç } Á È |

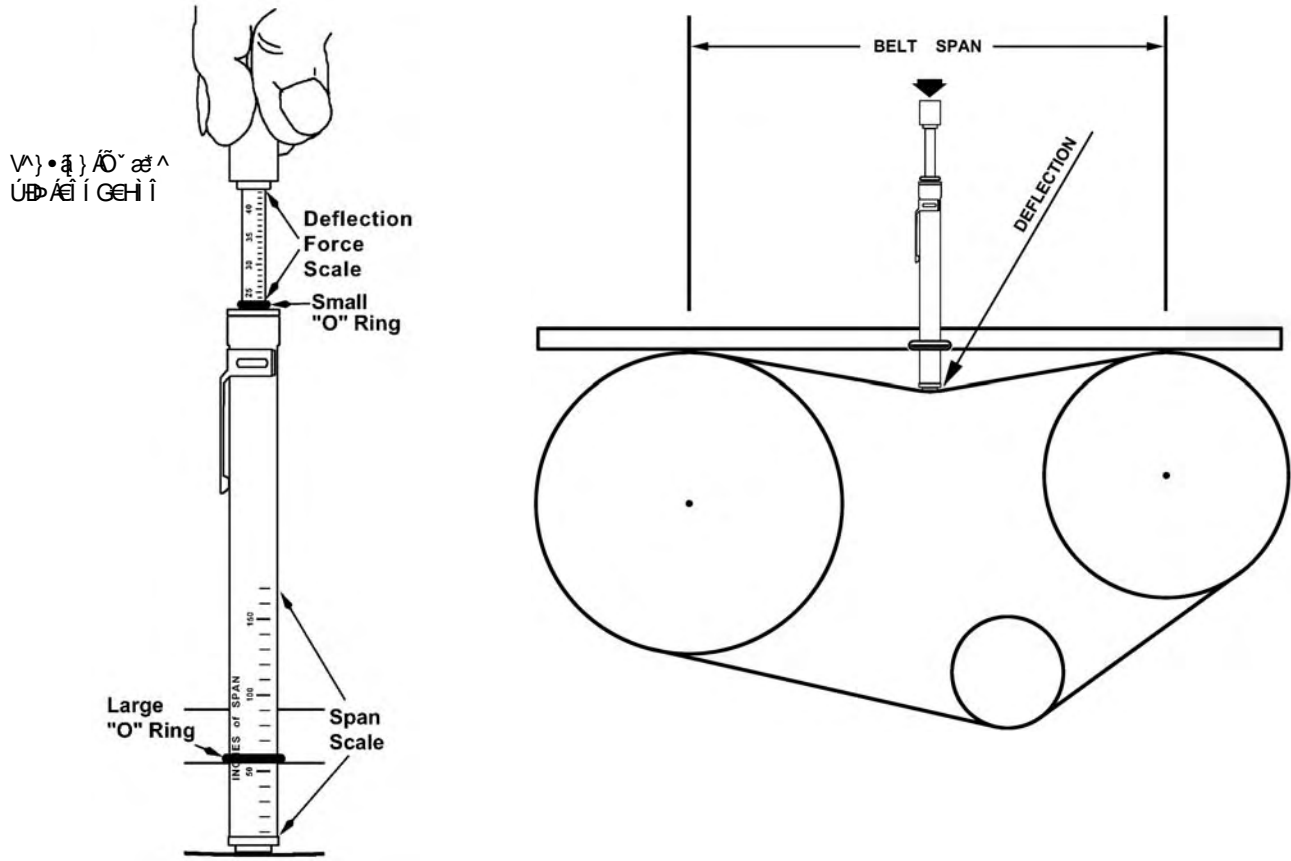
A5-BH9B5B79

A5-BH9B5B79

H9BG-CB9F`A95GI F9A9BH'DFC798I F9

FÈ T^æ~!^Á@Á\|Á] æ ÁÇÛÒÁÛSÒVÔPÈ
GÈ Ú[•ã} Á@Á[ç { Á-Á@Áæ^ÁÁ+Á] *Á} Á@Á] æ ÁÛæ^Á@Á Á æ~!^ÁÁ\|Á] æ È
HÈ Û^Á@Á] æÁÁ+Á] *Á} Á@Á-Á-Á} ÁÇ!&ÁÛæ^Á ÁÆ!È
IÈ Úæ^Á@Á}•ã} Áæ^Á~ æ^Á} Á@Á\|Á@Á} Ç!Á-Á@Á\|Á] æ ÈÇ] | ÁÁ!&Á} Á@Á
|] *^ÁÁ!^} áæ |æÁ Á@Á\|Á] æ Á} ÇÁ@Á[ç { Á-Á@Áæ^ÁÁ+Á] *Á ÁÇ} Á æ@Á[ç { Á-Á
æÁææ @Áá^ÁæÁæ[••Á@Á@æ^E
ÍÈ Û^ [ÇÁ@Á}•ã} Áæ^Á} áÁæ@Á!&Á} |áÁ[{ Á@Á[ç { Á-Á@Á] æÁÁ+Á] *Á} Á@Á
Ô-Á-Á} ÁÇ!&ÁÛæ^E
ÎÈ Ô[{ } æ^Á@Á!&Á} [ÇÁÁ-Á@Á] æÁÁ+Á] *Á æ@Áæ^Á@, } ÈÁ@Á!&Á@~ |áÁ^Á
áÇ ^^} Á@Áæ^Á@ Á} Áæ@Á, Á\|Á!Á^ÁÁ\|È
ÏÈ T æ^Á~!^Á Á-Á@Á!&Áæ^Á@Á] á Á[~} á Á@Á] æ Á æ~!^Á Á@Á &@ÈÁ^ÁÁ! *!æ •Á-Á!&Á
á@Á] æ Á æ~!^Á Á@Á] Ç ^Ç!È
PUVÒÁ@Áæ Á-Á@Á-Á-Á} Á Á\|Á] æ Á Á! Á@Á] æ Á-Á æ~!^Á } È

Deflection Force Values - Standard Duty
New Belt: 20 to 25 pounds
Used Belt: 12 to 20 pounds

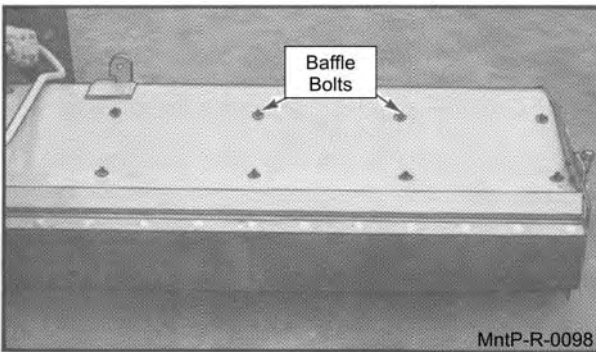
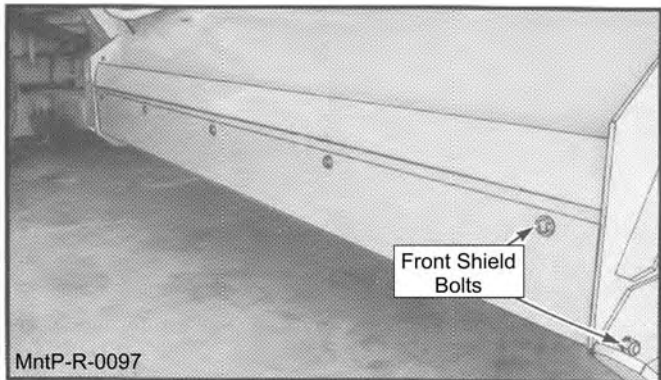


VÜŮŠÒÁŠÖŠŠ T æ Ç } æ &^Á-Á-Á} Á ÈJ

A5-BH9B5B79

A5-BH9B5B79

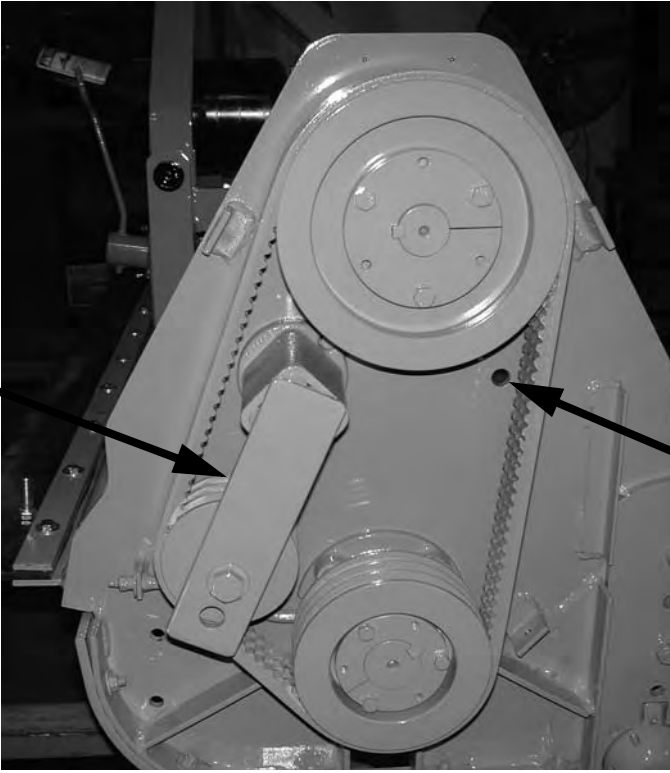
Y @} A] ^iææ * Å Á ææ åæåÁ[æææ } Ê@Á[] oÁ @|åÁ ~ •oÁ^Á^ [ç^åÁæ åÁ@Áæ-^Å •æ^åÉY @} A] ^iææ *
 å Á^ç^i^Á[æææ } ÊÁ^ [ç^Á@Áæ-^Å åÁ •æ^å@Á[] oÁ @|åÉæ æ^ÊÁ [•ææ } Å@Á ^æÁ æå• Á } Å@Á@ •^
 æ åÁ^ |æ^Á@Á åÁ •æ Á ^å^åÁÁ Á ^ç^ } oÁ@Á åæ |æÁ@ •^Á [{ Á^ ååå * Á |Áææ * É



F9J9FG-B; 'ACK9F'FCH5HCB'C: 'G8'F95F': @=@ACK9FG

Ü^ [ç^Á@Á @|åÁ ~ æåÁæ åÁ^i|oÁ @|å ÉÁ^ çÉÁ^ [ç^Á@ÁÜ [•æ^ ç] Áæ åÁ [[•^ } Å@ÁÜ [•æ^Á } •å } ^i
 Ç 5 I HCBÁ@ÁÜ [•æ^Á } •å } ^iÁ Á } åÁ^Á^i| :^•• ^ÉÁÜ åå^ Á^æ^Á^ Á@Á |^•• ^Á^ æ Áææ •^Á^å ~
 å B i^ ÉÁÜ^ [ç^Á@ÁÜ [•æ^Á } •å } ^iÁæ åÁ^i |æ Á^ Á@ÁÜ^ç^i • ^ÁÜ [æææ } Á^ } •å } ^iÁ [æææ } ÉÁÁ å * Á@
 Ü [•æ^ i^ } &@Á } ç } Á@Á^i|æ@ } Áæ @ } Á@ÁÜ [•æ^i |çÁ@ & Á@Á } •å } Áæ åÁæB •oÁ Á ^å^åÉY @}
 o@Á |^Á&oÁ } •å } Á Áæ@ç^åÁ •æ^Á@ÁÜ [•æ^ ç] Áæ åÁ |^ ^Á@Á |oÁ } | [] |æ^ |

Ü [•æ
 V } •å } ^i



Ü^ç^i^ÁÜ [æææ }
 V } •å } ^iÁ [æææ }

VÜŮŠÒÁŠÖŠŠ

T æ ç } æ & Á^ & ç } Á É Ç

A5-BH9B5B79

A5-BH9B5B79

GH5B85F8`CF`<95JM8I HMG=89`CF`F95F` : @=@?B= 9` F9D@79A9BH

FÈ GÁ } ã^•Áæ^Áæ æ^áÁ!Áæá!Á [] È@^ Á ã!Á^áÁ Á^Á^ |æ^áÁæ Áæ^ÁæÜ^ |æã * Áæã * |Á } á^Áæ
 &æ^•Á^Áç!Áç!æá } Áæ áÁ [••æ!Áææ æ^ÁÁ Á@Á [, ^È
 GÈ G•^ { à!Á } ã^•È!Áçá È! | Áæ áÁ~ ÁæÁ@ , } Áæ áÁæ æ^ æÈ
 HÈ Q•æ!Á &ã * Á@çÁ~ Á [ÁæÁ@ÁæÁæ Á-Á~ Áæ Á , æá•Á@Á } áÈ
 I È G] | Á &æ^Áç F-Á!Á~ ãæ^ } Á Á@^æ•È
 Í È V |~ Á~ Á~ Á GÁVÈSÓUÈS } áÁ~ •Á , ã * Á^Á~ È

WARNING ÖÚÁUVÁÈ•Á@Á &ã * Á@çÁ~ Á!Á [~ } ç * Á@Á } ã^•ÈQ@çÁ~ Áæ^ { ^Á [•^È! :
 |Á~ á^Á^ [çæ!Á!Á } á^Á^ |æ^ { ^ } Á!Áæ Á @!Á^æ [È@^ Á ~ •Áæ^Áæ &æá^áÁæ }
 |^ |æ^áÁ æ@^ , Á~ ÁÈ

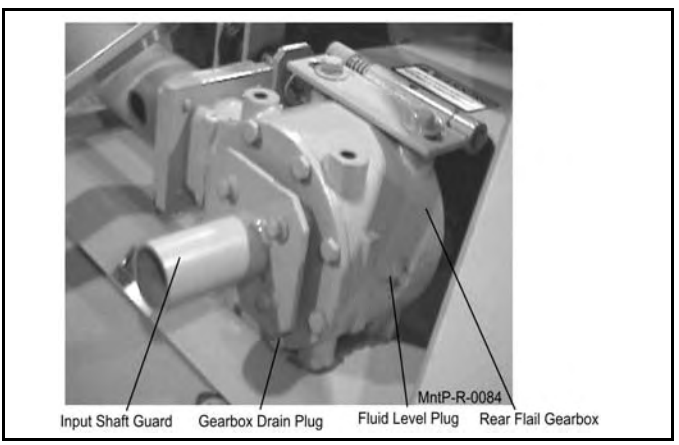
WARNING S) ã^•Á@~ |áÁ [ÁÁ^ Á!ááÁ } Á!Áæ^ Á^æ [] È

F97CAA9B898` : =@@B; `BGHF I 7HCBG` : CF`F95F` : @=@; 95F6CL

Y @ } Á-ãã * Á!Á &ã * Á@çÁ~ áÁ!Áç!È@Á~ } æ
 •Q~ |áÁ^Áæ á^áÁ } Áæ!Áç!Á~ |æ^ Á æ@^áæ!æá
 á[, } Á } Á~ |æ^È@Áç : : Í Èá áÁ |áÁæáæ áá } c
 ç [] Áæ!ÁÈ

Ü^ [ç^Á@çÁ~ áÁ!Áç!Á] * Á! &æ^áÁ } Á@Á æ^Á~
 @Á^æÁ [çÈV@Á^æÁ! çÁ@~ |áÁ^Áç!áÁ Á@
 à [ç { Á-Á@çÁ~ áÁ!Áç!Á@ |ÈQÁ^&••æ^È^ÁÍ È
 JÈÁ çÁUÇÁÚ } @æÁç^ { Á!Á~ •^ |Á^ÁæÁ~ á^
 ç Áæ^Áç!Á!Á ç { Á-Á@çÁ~ |È

**8c`bchcj YF!Z`"ÁÖc&••ã^•Á^æÁ!áÁ } Áæ **
 [~ Á! -Á@Á@ |ÈÜ^ã •æ!Á~ áÁ ç!Á] * Áã ç
 * Áæà |ÈQÁ^æà |Á@Á^ } Á ç!Èã!á@Áç&••
 { æ^Á^Áç } |Á^Á@ [* @@Á!Á~ •^ |áÁ^Á^æ@!È



VÜŮŠÒÁŠÖŠŠ T æ ç } æ & Á^Áç } Á È

A5-BH9B5B79

A5-BH9B5B79

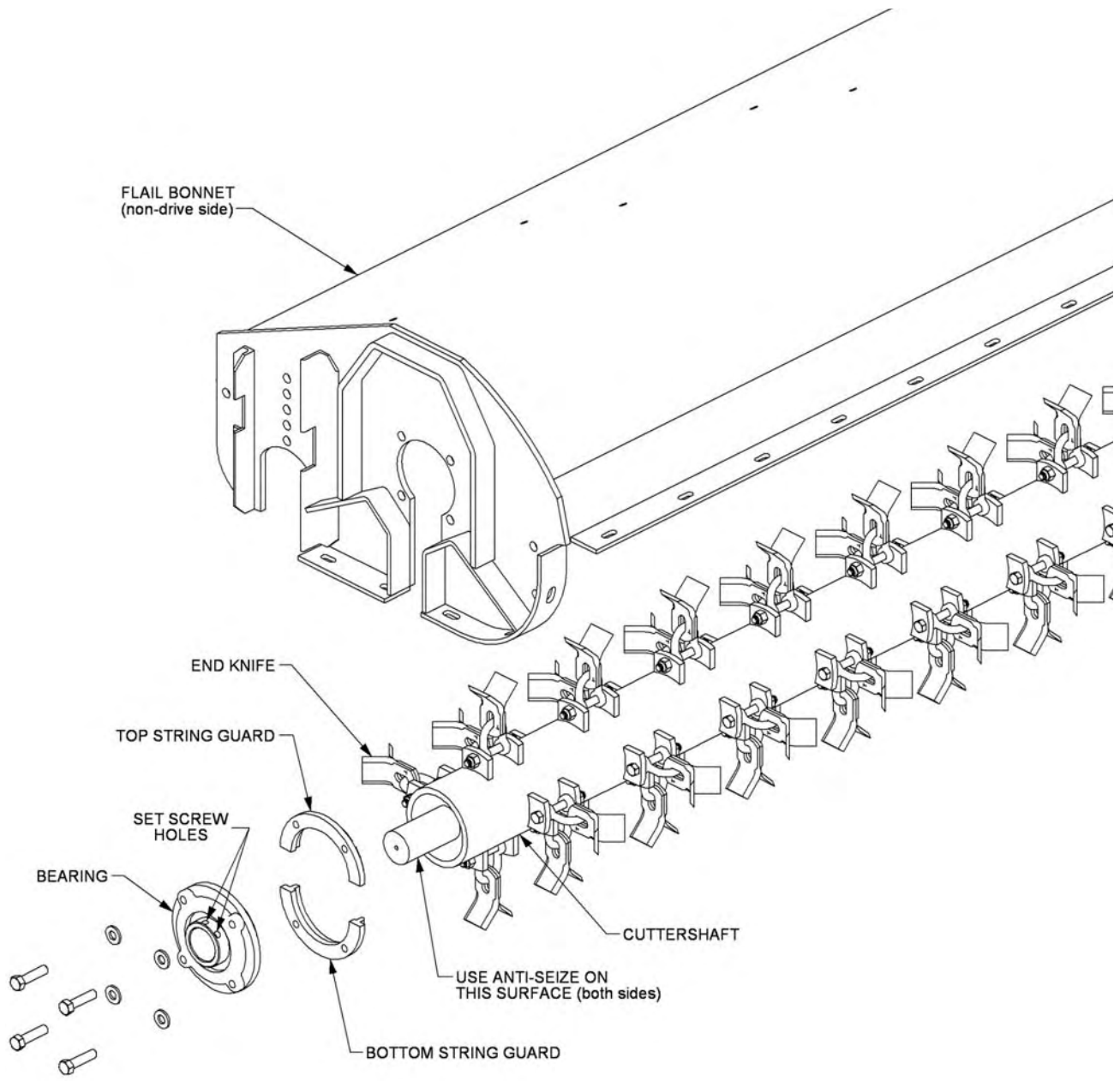
7I HH9FG<5: H'695F-B; 'F9D@579A9BH

- FÈ Ü^ { [ç^Ácãç * &~ ㄹ!• @edã^æã *• Åç åÁdã * Å~ æå• È
- ŒÈ T æ^Á^!^Á@æ@Á} åÁ} ã^•Á} Áæ&Á} åÁ-Á@&~ ㄹ!• @ææ^Á!;ã} ㄹåæ Å@, } È
- HÈ 0H] |^ Åç cã^ã^Á} &~ ㄹ!• @ææ Å@, } Á} Á^çóæ^È
- IÈ Q•æ|Á[] Èã!ã^Áã^Áã^æã * Áã•È
- íÈ Q•æ|Á@Á[] Á-Á@Ádã * Å~ æåÁ} Á@Á[]; Èã!ã^Áã^Áã• dãM^Á[] &æ^ÈÇ FÁ!Á~ ãæ^} ㄹåç å ç!~^ÁÇ! Áã!Á!ÆÈ-çã!Á[] ~ Á•^Áç Áçç}• ç} È
- îÈ Q•æ|Á@Á^æã * Åç åÁ[] Ádã * Å~ æåÁ} Á@Á!ã^Áã^È
- ïÈ Ô} ㄹ!Á@&~ ㄹ!• @ææ^ç ^} Á@Ádã * Å~ æå• ÈãM^Á[] &æ^ÈÇ FÁ!Á~ ãæ^} ㄹåç åÁ!~^Á Ç!-çã!Á!ÆÈ-çã!Á[] ~ Á•^Áç Áçç}• ç} D@Á[] Ádã * Å~ æåÁ} Á@Á!ã^Áã^È
- ìÈ Q•æ|È•^Á[] &æ^ÈÇ FÁ!Á~ ãæ^} dãç åÁ!~^ÁÇ!-çã!Á!ÆÈ-çã!Á[] ~ Á•^Áç Áçç}• ç} D @Á[] ç { Ádã * Å~ æåÁ} Á@Áã^È
- JÈ T æ^Á^!^Á@&~ ㄹ!• @ææ^&} ㄹ!åãÈU} Á@Á[]; Èã!ã^Áã^Èæ @} Á} ^Á^ç&^, Åç Á@Á^æã * Á} ç @&~ ㄹ!• @æÈ
- FÈÈ Ü^ { [ç^Ácãç ç@!Á^ç&^, Åç åÁ!ã!æã È^!+ÁÇ |^ Åç ç Á@&~ ㄹ!• @ææÈ^!+Á^! Á@[] * @ç@ÁÇ |^ Åç ç@Á^æã * ÈXÓÓÓÇÛÓÇMSÁUVÁUÁÇÈ ÇÓÓÁ/PÓÁ/PÚÓÇÛÁÇÁ/PÓÁÓÇÛÇÓÁ/PÚÓÈ
- FFÈ Ü^ |æ^Á@Á^ç&^, Åç Á@Á^æã * È•^Á[] &æ^ÈÇ FÁ!Á~ ãæ^} dãç åÁç @} Á} ç Á@&~ ㄹ!• @æ ç@[] * @ç@Á^, ÁÇ|^È
- FGÈ Ü^ { [ç^Ácãç ç@!Á^ç&^, Åç åÁ^] ^æå@Á!ã!ç * Á[] &ã~!^ÁÇ!ç] Á-ÈãU^ |æ^Á@Á^ç&^, Åç •æã!ç Áç] ÁFE
- FHÈ Ü^ ^æÁç}• ÁÁ@[] * @FGÁ} Á@Á!ã^Áã^È
- FIÈ Ö!^æ^Á[] ç@Á^æã *• Á![]^!|^È

GYT`i gfhU|cb`cb`bYl hidU| Y

A5-BH9B5B79

A5-BH9B5B79



1000000000

1000000000

A5-BH9B5 B7 9

A5-BH9B5 B7 9

85=QMA5-BH9B5 B7 9`G7 <98I @

V@Á-[] , ã * Á • Á ç ß Á • Á • @ ~ | á À á Á] ^ í í { ^ á Á X U] m Á [! Á ^ ç ^ í ^ Á , ` \ ci fg Á [- Á ^ í ç ß Á É Á]] , ã * Á @ Á ^ ç ß Á á

..... Ú { } | Á Ö í ã ^ Á Ú @ æ K Ö @ & Á : Á } á Á | æ Á Á Á í ã ^ • @ æ Á Á ~] | Á Á á Á à í ß æ Á Á Á \ • É

..... Ö í ç \ • @ æ Á á ç ç í K Á ~ ã] ^ á Á á ç á à à Á Á [{ { ^ Ö & @ & Á } á á } É Á] | æ Á Á Á á • ã * Á | Á á á ç æ ^ á É

..... Ú ã [í] [ã Ö K Ö & Á : ^ æ Á Á } ç Á Á] ^ ç • Á Á } á • É

..... P ^ á í æ | æ Á á ç • K Ö @ & Á : Á | ç • Á , á ç ç ç ç í Á [! Á & á á [ç á É V á @) Á á ç • Á [! Á ^] | æ Á Á @ • ^ á { ^ á á æ ^ É

..... S) ç ^ Á Ö] ^ & Á : Á á • ã * Á | Á ç æ æ ^ á Á } ç ^ Á É @ ç * ^ Á ç] | Á { } | Á Á Á Ö Á Á ^ á á É

..... Ö í ç Ö K Ö @ & Á É Á @) É Á] | æ Á Á Á Ö Á Á ^ á á É

..... T ç Á ç Á ç ^ É Á & Á V] | • • Á @ í , á Á Á] ^ á á á á á ç í ~ ^ Á [| Ö Á ç & | á ç * Á ç Á ç í ~ ^ Á] ^ á á ç ç } • Á ç Ö Á ^ á ç } É

..... P ^ á í æ | æ Á ç ç Á ç ^ í K Ö á á É Á ~ á á á É | Á Á ç Á Á & { { ^ } á á } • É

..... Ú ^ á ç Á ç Á Ö í ã ^ Á Ö í ç ç á Á ç ç ^ Á ç á Á Ú @ æ Á Ö [~] | Á • Á ç Á ç] | æ Á ^ Ö K Ö ^ æ ^ Á ç Á ç • ç ^ ç á Á ç Á ç á ^ ç ç á Á ç ç ç } ç & Á Á & ç } É

..... Ö í ç Á Ú @ æ Á á Á Ö [~] á Á Ú [| Á í K Ö : ^ æ Á ç Á ç • ç ^ ç á Á ç Ö Á ç ç á Á ç ç ç } ç & Á Á & ç } É

Ú Á ç ç Á Á í í { ^ á Á K Á ç ç K ' ' É ' ' É ' ' Á [~]

T ^ Á K

T ç ç } ç & Á Á & ç }

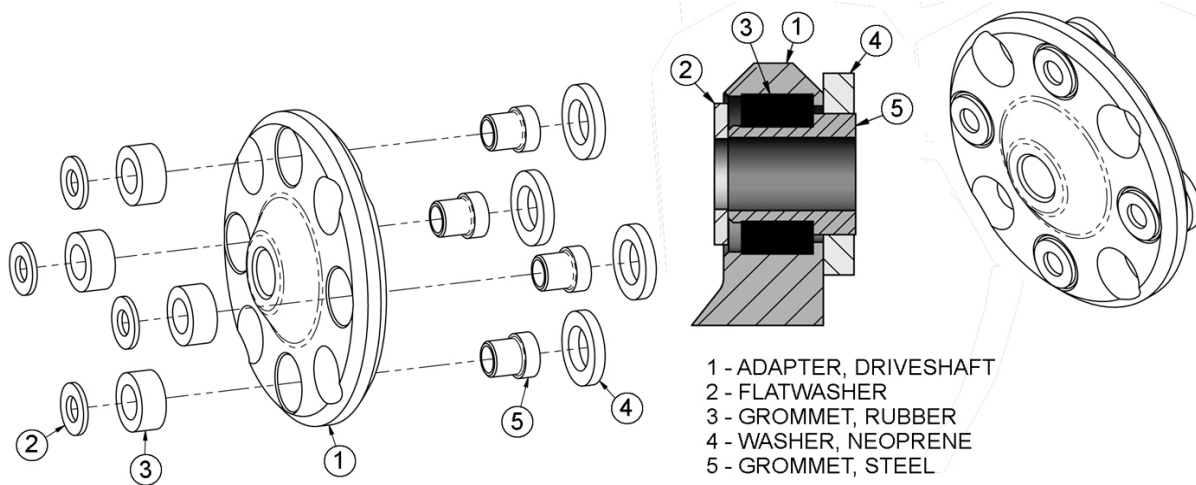
É É @ Á ç ^ Á ç Á Á &] á á á ç á Á • ^ á Á ç ç Á ç ç Á ç ç Á ç ç } ç & Á [~ ç ^ É

MAINTENANCE

MAINTENANCE OF CRANKSHAFT ADAPTER ASSEMBLY (RIGID ENGINE MOUNT TRACTORS ONLY)

If replacement of components of the crankshaft adapter assembly is required, follow the assembly procedures shown below. Seat rubber grommet completely into counterbore, then seat steel grommet completely into rubber grommet while rubber grommet is supported.

(ASM-JD-0051 CRANKSHAFT ADAPTER MAINTENANCE)



MAINTENANCE

MAINTENANCE

MAINTENANCE

TRIPLE FLAIL

Maintenance Section 4-32

PARTS SECTION

PART NAME INDEX

RCTVUQTF GT&I 'I W&G	5
VTCEVQT'O QWP V'MK	6
VTCEVQT'O QWP V'MK/'J [FTCWN&U	8
J [FTCWN&"VCP M'CPF 'RWO R'O QWP V	:
EQQNGT'CUUGO DN[32
6"URQQN'ECDNG'EQP VTQN'O QWP V	34
ECDNG'"O CP WCN+'N&H"XCNXG'O QWP V	36
GZJ CWUV'O QF H&E C V&Q P	38
HNCR'F GHNGEVQT	3:
GI TGUU	3;
GI TGUU'O QWP V&I	42
GI TGUU'O QWP V&I "'EQP V& WGF	43
GI TGUU'QRGT C V&Q P	44
GI TGUU'VTQWDNGUJ QQV&I	45
GI TGUU'RWO R'O QWP V&I	46
GI TGUU'RWO R'DTGCMF QY P	48
GI TGUU'UY K&EJ 'DQZ	4:
GI TGUU'UEJ GO C V&E	4;
P QVGU	52

PARTS ORDERING GUIDE

The following instructions are offered to help eliminate needless delay and error in processing purchase orders for the equipment in this manual.

1. The Parts Section is prepared in logical sequence and grouping of parts that belong to the basic machine featured in this manual. Part Numbers and Descriptions are given to help locate the parts and quantities required.
2. The Purchase Order must indicate the **Name and Address** of the person or organization ordering the parts, **who should be charged**, and if possible, the **serial number of the machine** for which the parts are being ordered.
3. The purchase order must clearly list the **quantity of each part**, the complete and correct **part number**, and the basic **name of the part**.
4. The manufacturer reserves the right to substitute parts where applicable.
5. Some parts may be unlisted items which are special production items not normally stocked and are subject to special handling. Request a quotation for such parts before sending a purchase order.
6. The manufacturer reserves the right to change prices without prior notice.

NOTE: When ordering replacement decals, refer to the part numbers and descriptions listed in the safety section in the front of this manual.

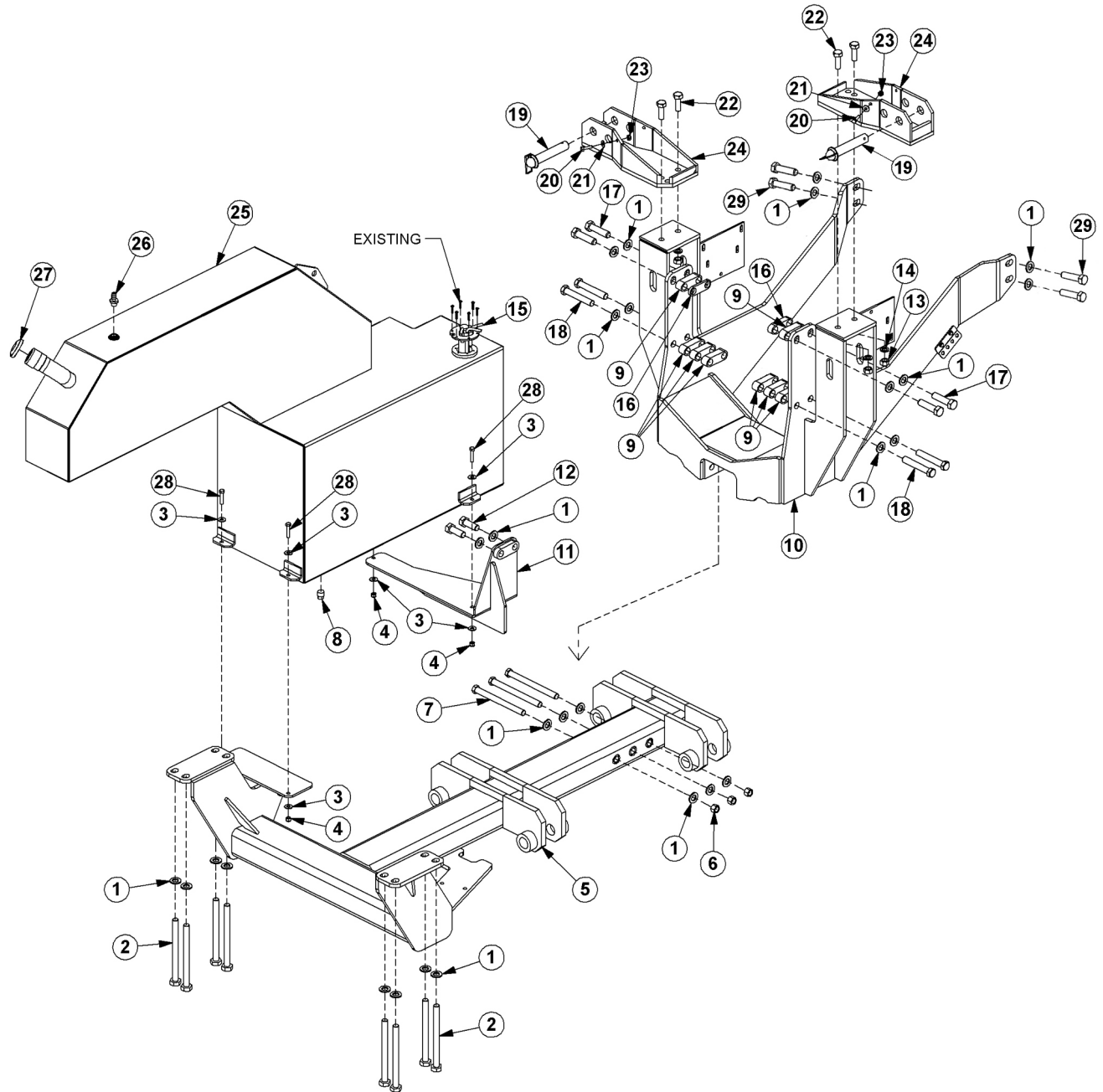


For maximum safety and to guarantee optimum product reliability, always use genuine **Tiger** replacement parts. The use of inferior replacement parts may cause premature or catastrophic failure which could result in serious injury or death.

Direct any questions regarding parts to:

Tiger Corporation
3301 N. Louise Ave.
Sioux Falls, SD 57107
1-800-843-6849
1-605-336-7900

TRACTOR MOUNT KIT

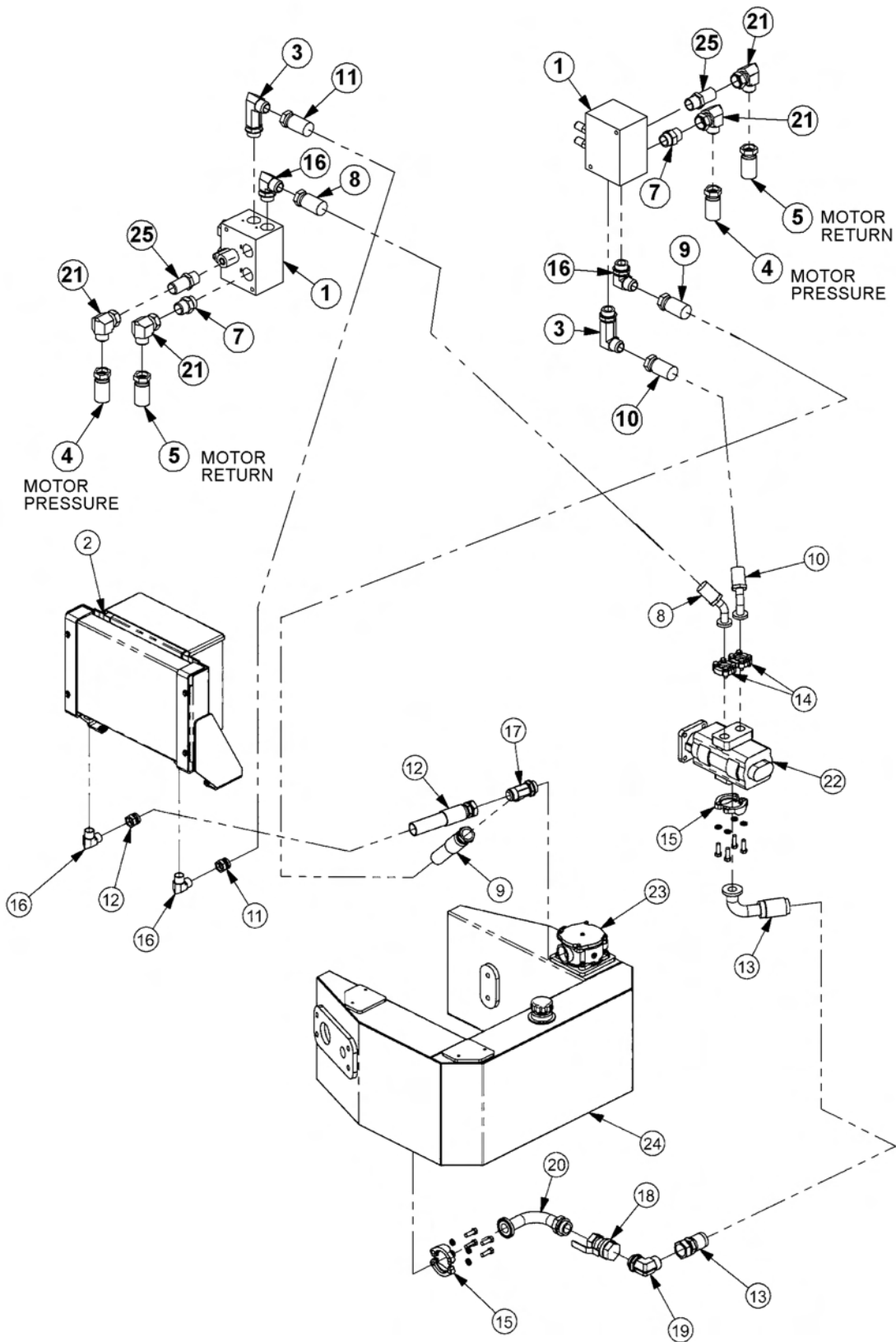


TRACTOR MOUNT KIT

Continued...

ITEM	PART NO.	QTY.	DESCRIPTION
3	55: 2	4:	HNCVY CUI GT.516\$.UCG
4	43: 68	:	ECRUETGY .516\$Z"; \$.PE
5	44238	:	HNCVY CUI GT.51: \$
6	43849	6	P [NQEMP WW.51: \$.PE
7	285224: 3	3	V/HTCOG
8	43: 47	5	J GZ'P WW.516\$.PE
9	28752448	5	ECRUETGY .516\$Z"/314\$.PE
:	8V6423	3	RNW .314\$PRV
;	28623849	:	URCEGT.3\$
32	285224: 4	3	OCR'HTCOG
33	28592447	3	DTCEMGV.HWGN'VCP M
34	494: 4	4	ECRUETGY .420 O 'Z'770 O .40R
35	43997	6	J GZ'P WW.71: \$.PE
36	43: ; 4	6	NQEMY CUI GT.71: \$
37	/////	/	HWGN'UGPUQT
38	28623852	4	URCEGT.71B8\$
39	544: 7	6	ECRUETGY .420 O 'Z'970 O .40R
3:	28752759	6	ECRUETGY .420 O 'Z'3420 O .40R
3:	VH6472	4	R'R .VTCXGN'NQEM
42	437: 3	4	ECRUETGY .71B8\$Z"3/314\$.PE
43	44237	4	HNCVY CUI GT.71B8\$
44	439: 5	6	ECRUETGY .71: \$Z"4b
45	43799	4	P [NQEMP WW.71B8\$.PE
46	4: 498	4	DTCEMGV.VTCXGN'NQEM
47	28592446	3	HWGN'VCP M
48	28725383	3	HK/V'R I .51: \$O R'Z"51: \$DCTD
49	475: 3	3	ECR.HWGN'VCP M
4:	43855	6	ECRUETGY .51: \$Z"3/516\$.PE
4: 2	43: 53	6	ECRUETGY "516\$Z"3/516\$.PE

TRACTOR MOUNT KIT - HYDRAULICS

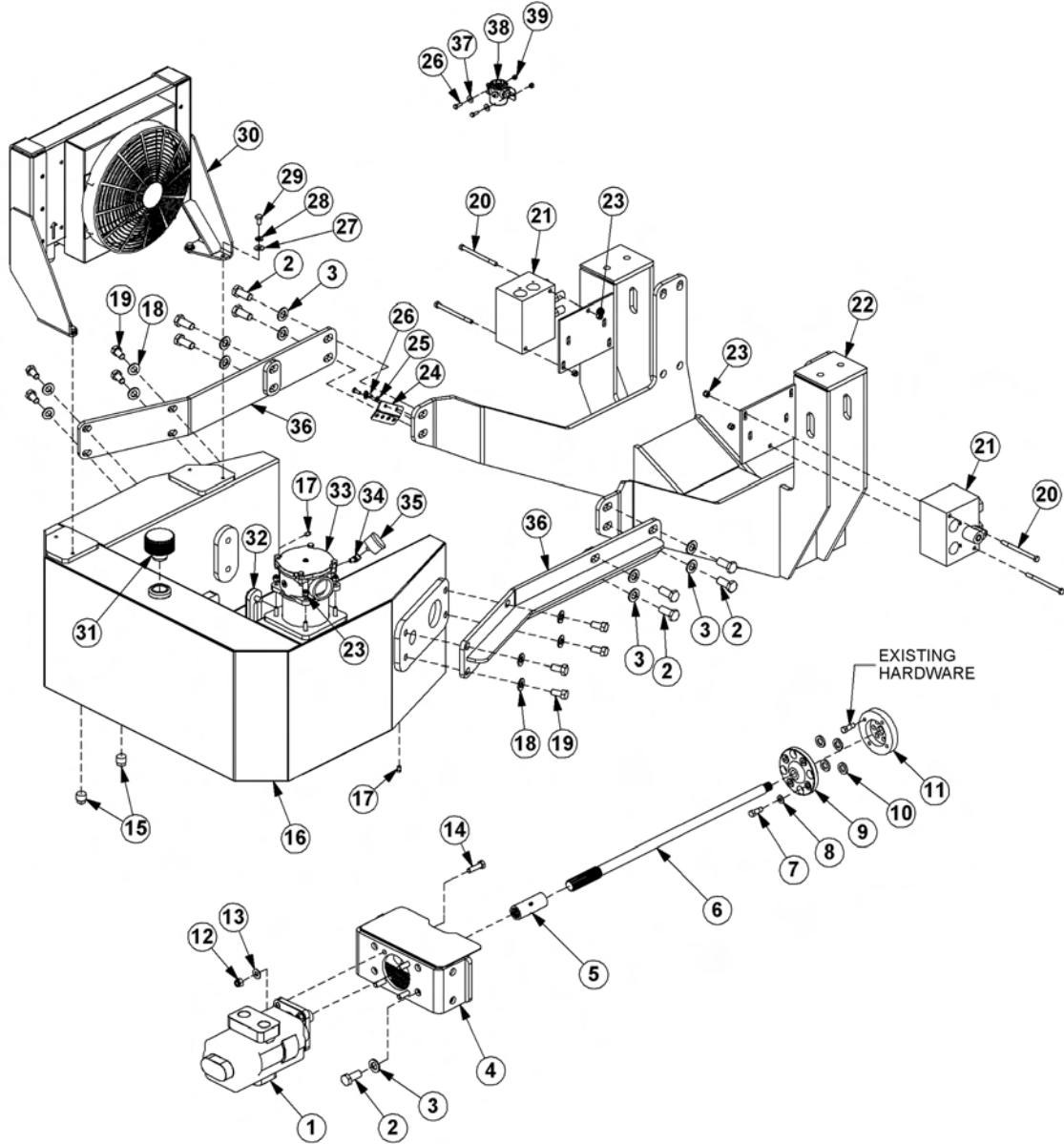


TRACTOR MOUNT KIT - HYDRAULICS

Continued...

ITEM	PART NO.	QTY.	DESCRIPTION
3	287322; 5	4	XCNXG.DTCMG
4	28732350	3	EQQNGT.HIQP V'O P V
5	2872536;	4	GNDQY .3\$O QT"Z"3\$O LNQPI
6	28722933	4	J QUG.3\$Z"339\$*GZ VTGO G'F W +
7	28722772	4	J QUG.3\$Z"345\$*GZ VTGO G'F W +
9	55777	4	CF CRVGT.3\$O QT"Z"3\$O L
:	28722734	3	J QUG.3\$Z"92\$*38HLZ"Z"42HN67+
;	28722934	3	J QUG.3\$Z"92\$*38HLZ"Z"42HLZ+
32	28722734	3	J QUG.3\$Z"92\$*38HLZ"Z"42HN67+
33	2872268;	3	J QUG.3\$Z": 3\$
34	28722482	3	J QUG.3\$Z"53\$
35	2872233;	3	J QUG.3/34\$Z"4: \$
36	VH6: 74	4	MKV.HNCPI G.%2
37	VH6653	4	MKV.HNCPI G.%4
38	56339	6	GNDQY .3\$O QT"Z"3\$O LHQTI GF
39	56878	3	VGG.TWP .3/316\$O QT"Z"3/316\$O L"Z"3/316\$O L
3:	5652;	3	3/34\$DCNN"XCNXG
3;	56877	3	GNDQY .3/34\$Z"; 2a
42	565: ;	3	GNDQY .3/34\$O QT"Z"54HNI ; 2a
43	5547;	6	GNDQY .3\$O L"Z"3\$HLZ
44	VH6672	3	RWO R.VCP F GO
45	28727266	3	HKNVGT"CUUJ .ERNV
46	//////	3	VCP M", TGHGT"VQ"VTCEVQT"O QWP V"MKV
47	54: 8;	4	P RRRNG.O CNG.NQPI

HYDRAULIC TANK AND PUMP MOUNT



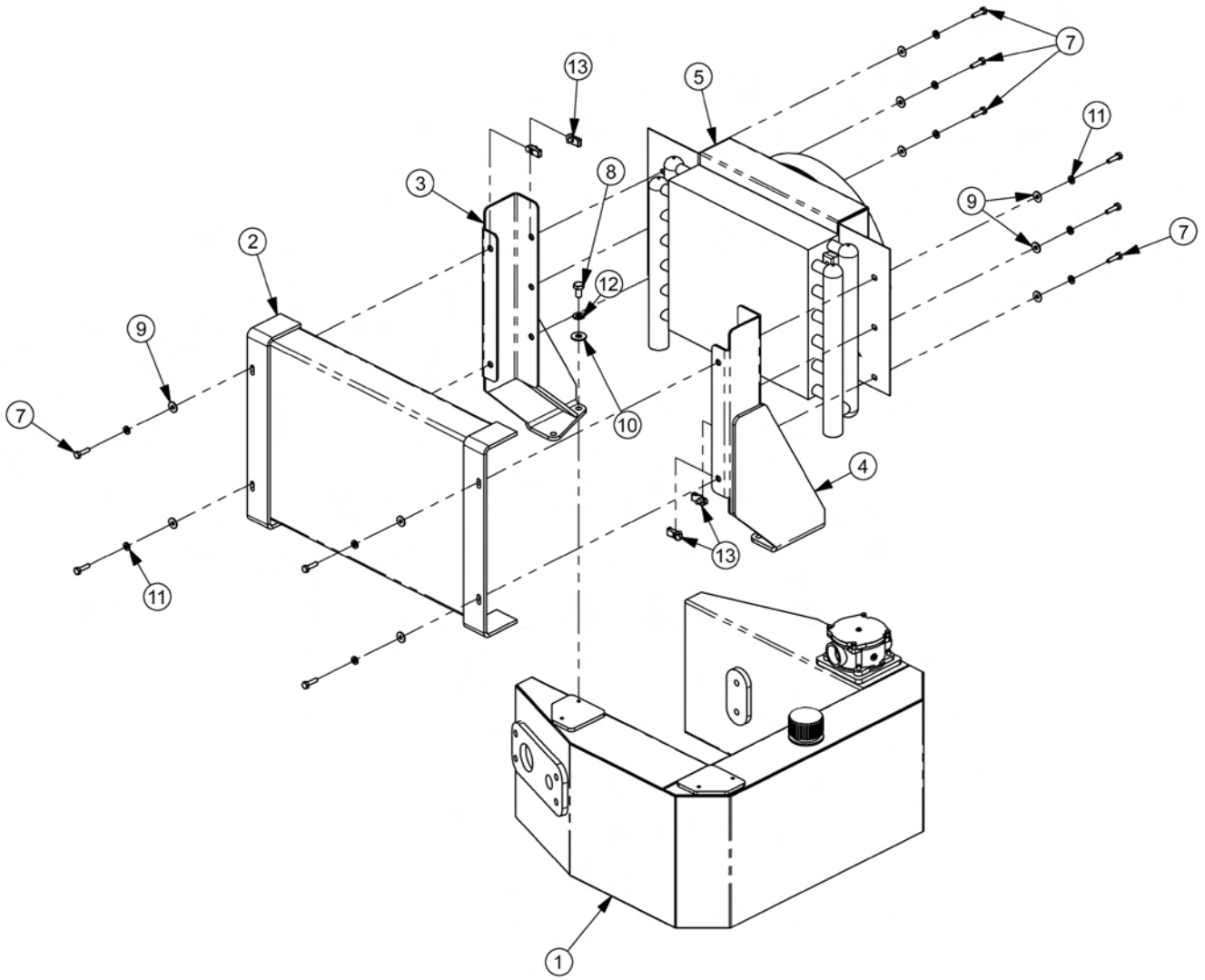
ITEM	PART NO.	QTY.	DESCRIPTION
1	TF4450	1	TANDUM PUMP
2	21831	12	CAPSCREW, 3/4" X 1-3/4", NC

HYDRAULIC TANK AND PUMP MOUNT

Continued...

ITEM	PART NO.	QTY.	DESCRIPTION
3	33880	12	FLATWASHER,3/4",SAE
4	06380042	1	MOUNT,PUMP
5	6T0375B	1	COUPLER
6	06420153	1	DRIVE SHAFT
7	06535000	4	CAPSCREW,7/16" X 1-1/4",NC,CUTOFF
8	24937	4	FLATWASHER,7/16",SAE
9	6T0389	1	KIT,ADAPTER,DRIVE SHAFT
---	31675	1	CRANKSHAFT ADAPTER,W/O WASHER
10	06537004	4	WASHER,NEOPRENE
11	06420144	1	SPACER,DRIVE SHAFT
12	21727	4	HEXNUT,1/2",NC
13	06533004	4	FLATWASHER,1/2",SAE
14	21732	4	CAPSCREW,1/2" X 1-3/4",NC
15	6T4200	2	PLUG,PIPE,3/4"
16	34666	1	RESERVOIR TANK ASSY
---	33695	1	RESERVOIR TANK WELDMENT
17	6T4197	2	PLUG,PIPE,1/8"
18	33764	8	FLATWASHER,5/8",SAE
19	21780	8	CAPSCREW,5/8" X 1-1/4",NC
20	21644	4	CAPSCREW,3/8" X 5",NC
21	06510083	2	BRAKE VALVE
22	06300282	1	MAIN FRAME
23	21627	4	NYLOCK NUT,3/8",NC
24	22625	1	BRACKET,GREASE HOSE
25	21986	2	LOCKWASHER,1/4"
26	21529	4	CAPSCREW,1/4" X 3/4",NC
27	22016	4	FLATWASHER,3/8"
28	21988	4	LOCKWASHER,3/8"
29	21629	4	CAPSCREW,3/8" X 3/4",NC
30	-----	-	COOLER ASSEMBLY *REFER TO COOLER MOUNT PAGE
31	06505077	1	CAP,BREATHER,O-RING
32	06505067	1	SIGHT GAUGE
---	06503175	1	KIT,SEAL,SIGHT GAUGE
33	06505044	1	FILTER,RETURN,IN-TANK
34	TF4887	1	ELBOW,STREET,45°
35	6T0649	1	FILTER GAUGE
36	06380059	2	TANK MOUNT BRACKET
37	22014	2	FLATWASHER,1/4"
38	6T3927	1	CONTINUOUS DUTY SOLENOID
39	21527	2	NYLOCK NUT,1/4",NC

COOLER ASSEMBLY

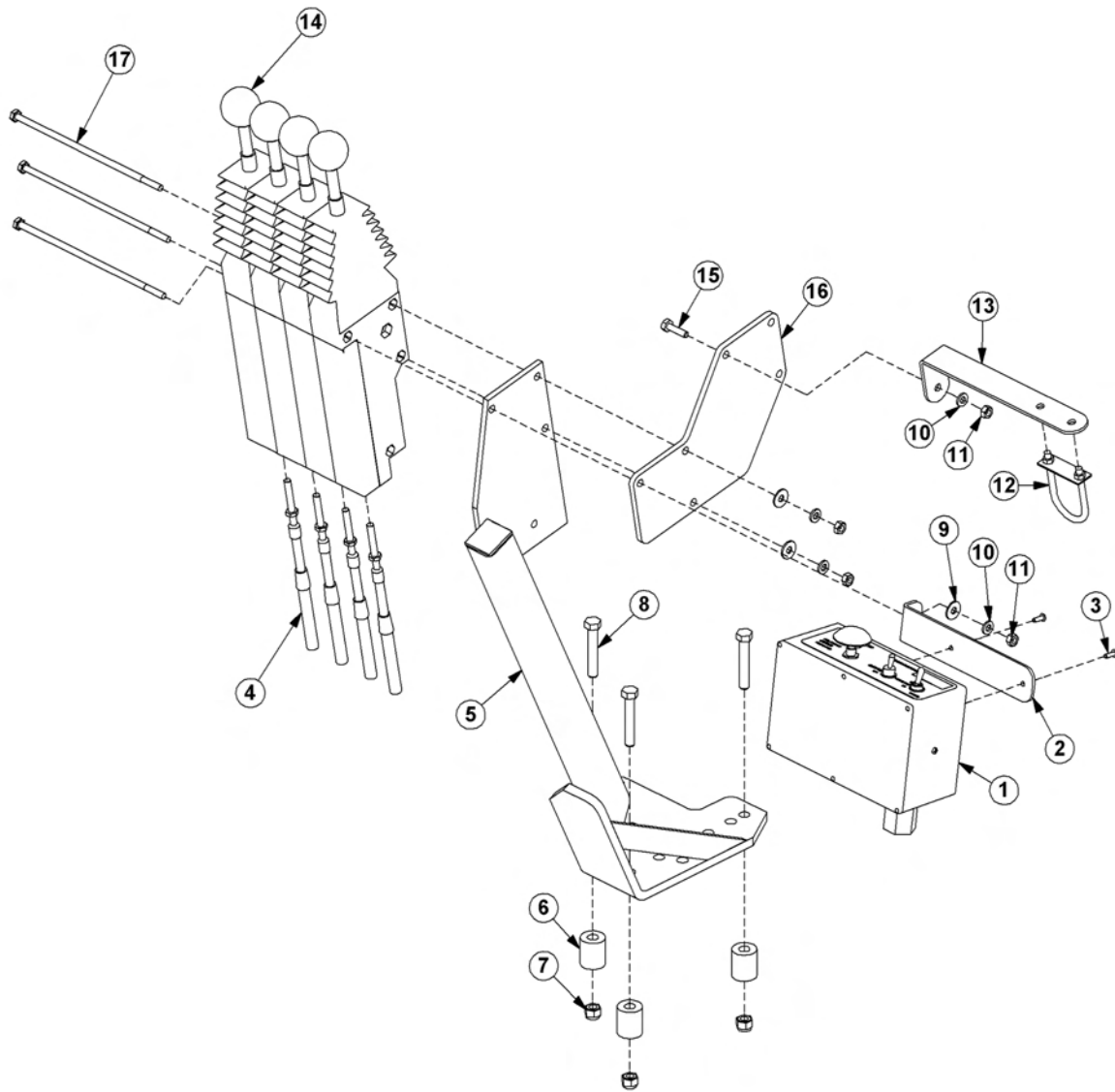


COOLER ASSEMBLY

Continued...

ITEM	PART NO.	QTY.	DESCRIPTION
1	34666	1	TANK,RES,BUMPER,ASSY
2	06370015	1	SCREEN,COOLER,FRNT
3	06380007	1	MNT,COOLER,BUMPER TANK,LH
4	06380006	1	MNT,COOLER,BUMPER TANK,RH
5	06510350	1	COOLER,FRONT MNT
7	21530	10	CAPSCREW,1/4" X 1",NC
8	21629	4	CAPSCREW,3/8" X 3/4",NC
9	22014	10	FLATWASHER,1/4"
10	22016	4	FLATWASHER,3/8"
11	21986	10	LOCKWASHER,1/4"
12	21988	4	LOCKWASHER,3/8"
13	35176	10	U-NUT,1/4",NC

4 SPOOL CABLE CONTROL MOUNT

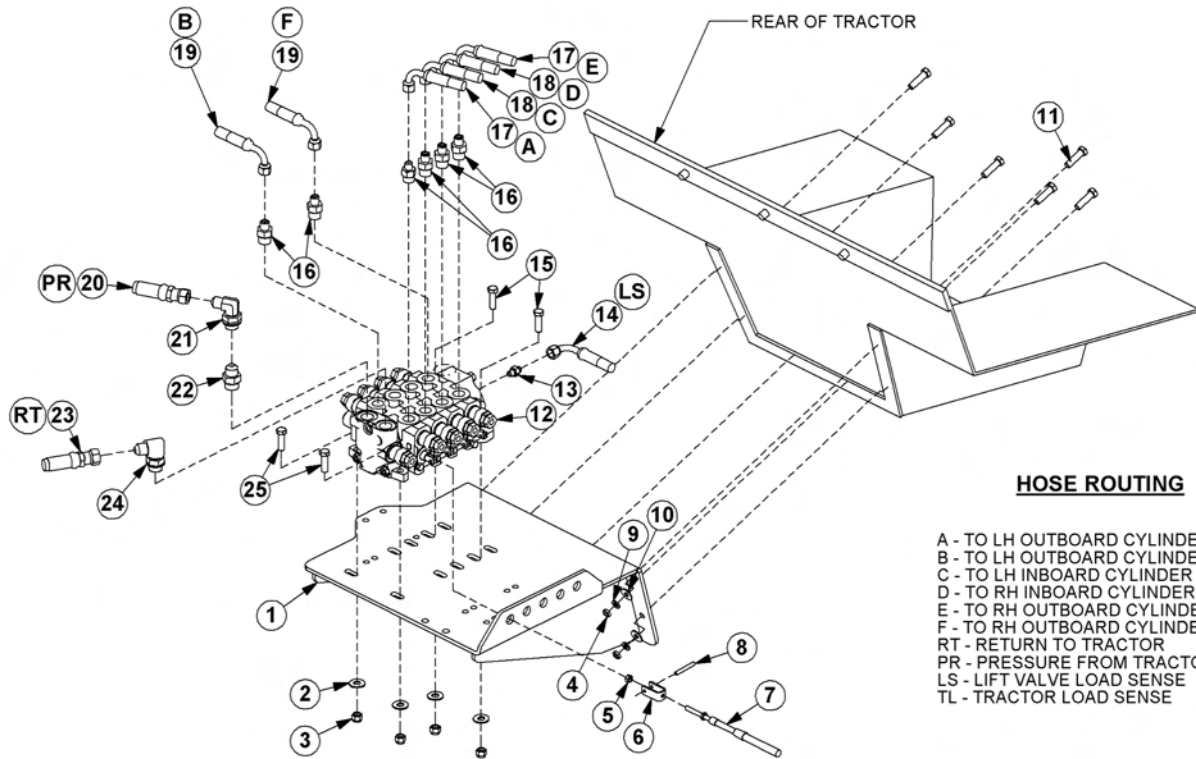


4 SPOOL CABLE CONTROL MOUNT

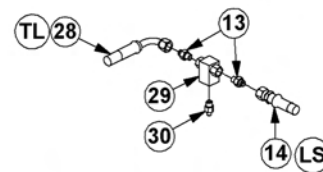
Continued...

ITEM	PART NO.	QTY.	DESCRIPTION
1	06510100	1	SWITCH BOX
2	34496	1	BRACKET,SWITCH BOX,UNIV
3	6T3951	2	SCREW,MACH,8-32 X 1/2"
4	06505100	4	CBL CNTRL,108"
5	23865B	1	STAND,CBL CNTRL
6	27082B	3	SPACER
7	21627	3	NYLOCK NUT,3/8",NC
8	21636	3	CAPSCREW,3/8" X 2-1/2",NC
9	22014	3	FLATWASHER,1/4"
10	21986	4	LOCKWASHER,1/4"
11	21525	4	HEX NUT,1/4",NC
12	06537039	1	U-BOLT,ASSY
13	06411376	1	BRACKET,CBL CNTRL
14	6T1251	4	CBL CNTRL BOX,180 DEG
15	21530	1	CAPSCREW,1/4" X 1",NC
16	06400179	1	MNT,ADAPTER,CBL CNTRL
17	21547	3	CAPSCREW,1/4" X 8",NC

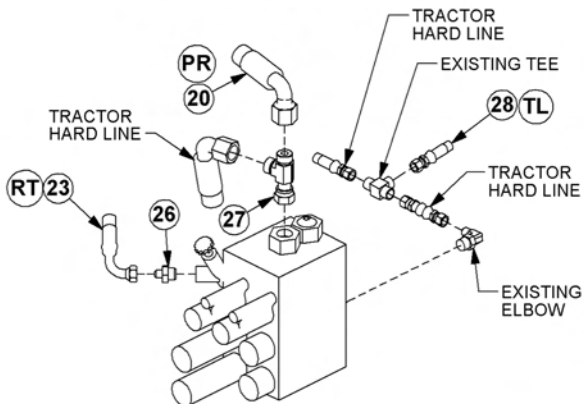
CABLE (MANUAL) LIFT VALVE MOUNT



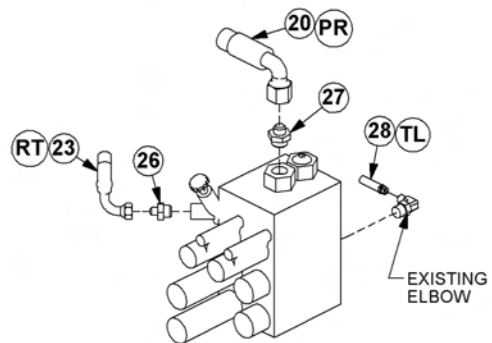
LOAD SENSE UNDER CAB



FOUR REMOTE STACKS BELOW VALVE PLATE



TWO REMOTE STACKS BELOW VALVE PLATE

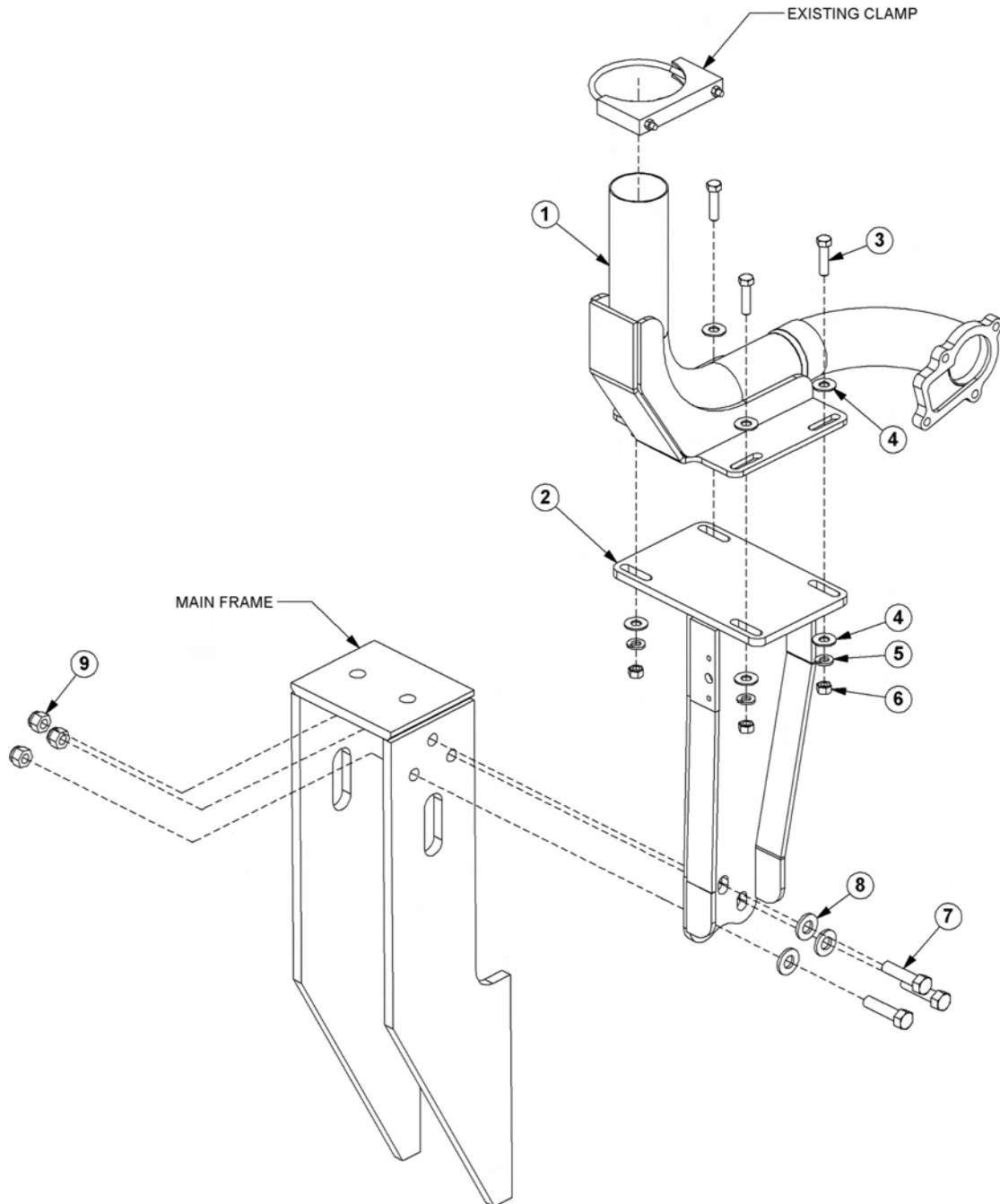


CABLE (MANUAL) LIFT VALVE MOUNT

Continued...

ITEM	PART NO.	QTY.	DESCRIPTION
1	06340039	1	MOUNT, VALVE
2	22016	4	FLATWASHER, 3/8"
3	21627	4	NYLOCK NUT, 3/8", NC
4	22151	6	HEX NUT, 8MM, 1.25P
5	21500	4	HEX NUT, 1/4", NF
6	6T4411	4	CLEVIS, CBL CNTRL
7	06505100	4	CBL CNTRL, 108"
8	6T3017	4	ROLL PIN, CBL CNTRL
9	6T2619	6	LOCKWASHER, 8MM
10	22015	6	FLATWASHER, 5/16"
11	6T2492	6	CAPSCREW, 8MM X 35MM, 1.25P
12	06502046	1	VALVE, 4 SPOOL, LS
13	32901	3	ADAPTER, 3/8" MOR X 3/8" MJ
14	06500450	1	HOSE, 1/4" X 42" (LOAD SENSE)
15	21632	2	CAPSCREW, 3/8" X 1-1/2", NC
16	33271	6	ADAPTER, 1/2" MOR X 3/8" MJ
17	06500139	2	HOSE, 1/4" X 122"
18	06500311	2	HOSE, 1/4" X 156"
19	33492	2	HOSE, 1/4" X 138"
20	06500339	1	HOSE, 1/2" X 35" (PRESSURE) (TWO REMOTE STACKS)
---	34355	1	HOSE, 1/2" X 34" (PRESSURE) (FOUR REMOTE STACKS)
21	06503022	1	ELBOW, 1/2" MJ X 1/2" FJX
22	06503011	1	ADAPTER, 5/8" MOR X 1/2" MJ
23	33410	1	HOSE, 1/2" X 48" (RETURN)
24	33383	1	ELBOW, 5/8" MOR X 1/2" MJ
25	21633	2	CAPSCREW, 3/8" X 1-3/4", NC
26	06503059	1	ADAPTER, 5/8" MJ X 3/4" BSPP
27	06503167	1	ADAPTER, BANJO (TWO REMOTE STACKS)
---	32872	1	TEE, RUN, 5/8" FF X 5/8" MF X 5/8" MF (FOUR REMOTE STACKS)
28	06500594	1	HOSE, 1/4" X 28" (TWO REMOTE STACKS)
---	06500648	1	HOSE, 1/4" X 30" (FOUR REMOTE STACKS)
29	3338806	1	TEE, SHUTTLE, 3/8" FOR
30	06503166	1	ADAPTER, 3/8" MOR X 1/4" FJX

EXHAUST MODIFICATION

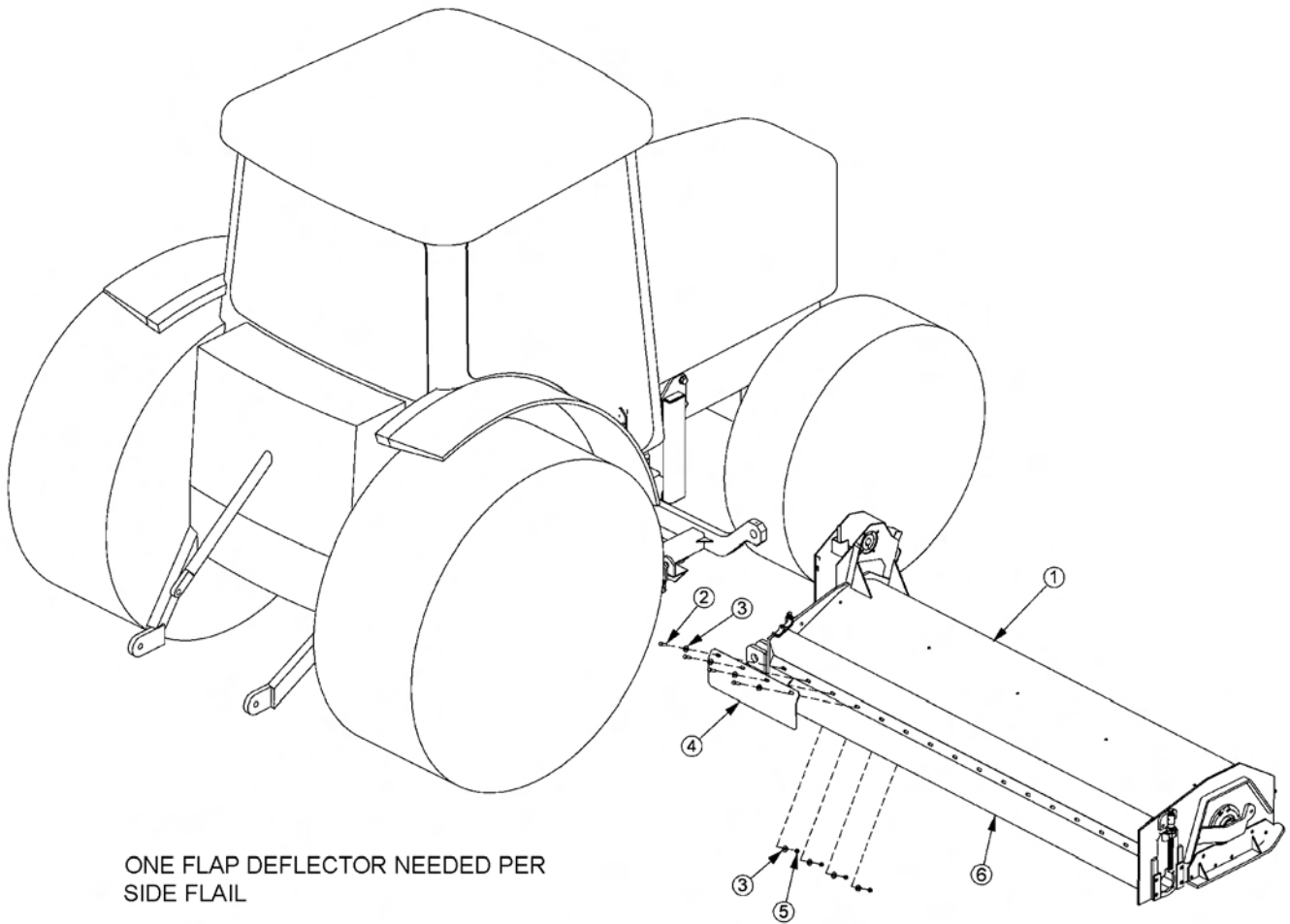


EXHAUST MODIFICATION

Continued...

ITEM	PART NO.	QTY.	DESCRIPTION
1	06370226	1	TUBE,EXHAUST,WLDMNT
2	06370227	1	SUPPORT,EXHAUST
3	21632	4	CAPSCREW,3/8" X 1-1/2",NC
4	22016	8	FLATWASHER,3/8"
5	21988	4	LOCKWASHER,3/8"
6	21625	4	HEX NUT,3/8",NC
7	21733	3	CAPSCREW,1/2" X 2",NC
8	06533004	3	FLATWASHER,1/2",SAE
9	21727	3	NYLOCK NUT,1/2",NC

FLAP DEFLECTOR



ITEM	PART NO.	QTY.	DESCRIPTION
1	-----	-	FLAIL *REFER TO COMMON PARTS SECTION
2	21632	4	CAPSCREW,3/8" X 1-1/2",NC
3	22016	8	FLATWASHER,3/8"
4	06410877	1	DEFLECTOR,FLAP
5	21625	4	HEX NUT,3/8",NC
6	-----	-	FLAP *REFER TO COMMON PARTS SECTION

EGRESS

**EGRESS
SECTION**

TRIPLE EGRESS MOUNTING

Park the tractor on a flat, hard, level surface. Lower both side decks down onto the hard surface. Make sure the engine is off and the park brake has been set. Operate the lift controls several times to release any pressure contained in the hydraulic lift system. Disconnect the positive battery cable from the battery. Then remove the right rear wheel from the tractor. Next remove the left side deck lift hoses from the lift valve and both lift cylinders, mark or label valve ports and cylinders as hoses are removed.

Install the egress switch box brackets on the left side of the mower pump mounting bracket, using hardware supplied. See pictures on next page. After the bracket is secured, then remove the front cover from the switch box, and install the switch box back half to the switch box bracket with (4) 8/32 x 1/2" machine screws. Reinstall the front cover onto the switch box.

Install the egress pump mounting bracket onto the right side of the tractor located under the cab in front of the right rear axle using hardware provided. Next preassemble the rear half of the pump cover onto the egress pump with the hardware provided, do not tighten bolt at this time. Connect the hoses for the C1 port to the egress pump port only. Do not tighten hoses at this time. The pump is now ready to be mounted to the pump mounting bracket. Secure egress pump to the bracket with the hardware provided.

Locate the ports on the egress pump labeled "A1", "A2", "B1", "B2", "C1" and "C2", these ports will be the connection points for the hydraulic lift lines.

- A1 port - to lift valve -- left hand outboard cylinder butt
- A2 port - to cylinder -- left hand outboard cylinder butt
- B1 port - to lift valve -- left hand outboard cylinder gland
- B2 port - to cylinder -- left hand outboard cylinder gland
- C1 port - to lift valve -- left hand inboard cylinder gland
- C2 port - to cylinder -- left hand inboard cylinder gland

Route the hoses to the lift valve and or cylinder as specified above, tighten all hose fittings. Refer to the Parts section for the location of hose connections on the lift valve.

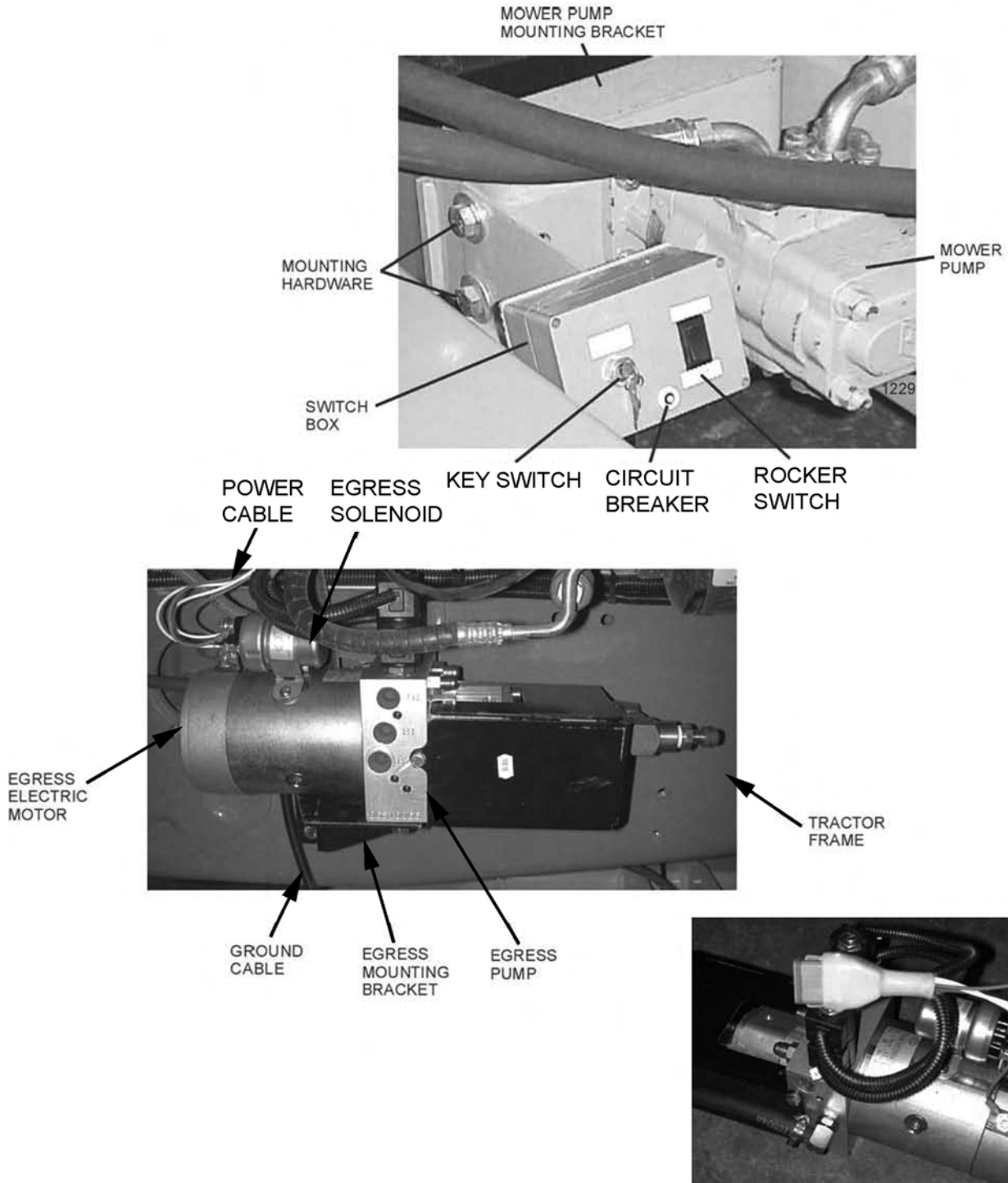
Now that the hydraulic lines are installed, connect the power cable from the positive post of the egress pump solenoid to the tractor starter solenoid positive post. Also connect the ground cable from the negative post on the egress pump electric motor to a bracket mounting bolt on the frame. Then route the cable from the switch box along the tractor to the egress pump and connect the male to the female plug. Secure cable with cable tie.

Next remove the drain plug on the bottom of the tractors transmission, **CAUTION** hydraulic oil will come out and maybe hot. Oil loss can be reduced by attaching a shop vacuum to the tractor transmission fill neck. Install fittings into the transmission drain hole, refer to part section for parts and illustrations. Connect the suction hose from the filter to the fittings on the tractor transmission, cut the hose to the required length. Install a hose clamp both end of the hose.

Install the front half of the cover onto the egress pump with provided hardware. Make sure all mounting hardware and hose connections are tight. Check hydraulic oil level and add if required. Reinstall the right rear wheel and reconnect the positive battery cable to the battery.

TRIPLE EGRESS MOUNTING CONTINUED

NOTE: Use the egress pump **ONLY** to lifting or lowering the head for storage, or transportation by trailer. When the egress pump is not in use make sure the switch box key is in the "off" position and key has been removed.



EGRESS OPERATION

EGRESS OPERATION

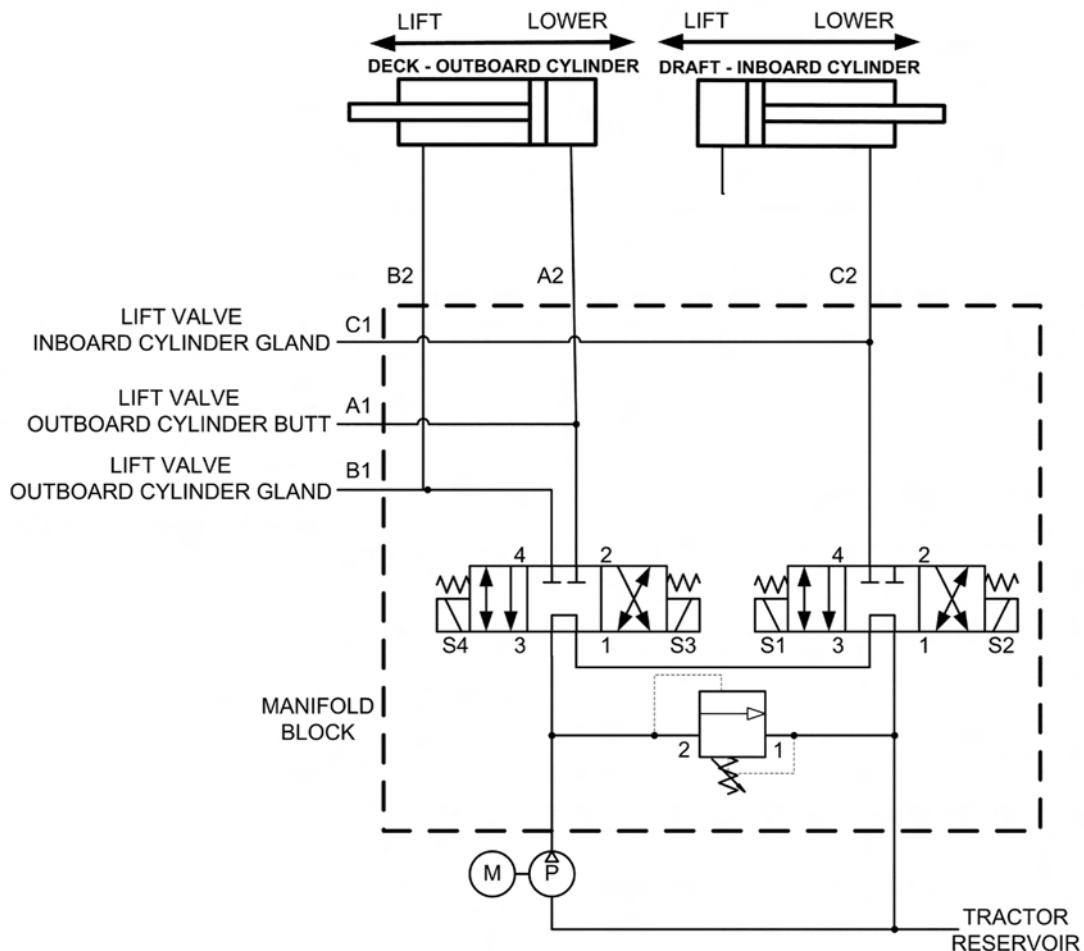
When operating the egress system to lift the deck, turn the key to the "DRAFT" position and push the rocker switch to the "LIFT" position and it will lift the draft beam. Once the draft beam is lifted to the highest position, then turn the key to the "DECK" position and push the rocker switch to the "LIFT" position, and that will raise the deck up to the travel lock. To seat the deck into the travel lock turn the key back to the "DRAFT" position and push the rocker switch to the "LOWER" position, until the deck is fully seated into the travel lock. Turn the key to the "OFF" position and remove the key. To lower the deck in sert key and reverse the steps that were done to raise the deck.

WARNING!



CAUTION: Never leave the key in the egress switch box. Field conditions can shake the key out of the switch box and become lost. Also personal injury or death can occur from sudden dropping or inadvertent operation of the controls. Make certain the area is clear before lowering or raising the deck.

TRIPLE EGRESS HYDRAULIC DIAGRAM



EGRESS TROUBLESHOOTING

FAILURE MODE:

- DECK OR DRAFT CYLINDER ONLY GOES ONE WAY.
- DECK OR DRAFT CYLINDER WILL NOT STAY IN POSITION.
- WILL OPERATE WITH LIFT VALVE, BUT NOT WITH EGRESS.
- EGRESS DOES NOT OPERATE AS FAST AS IT USED TO.

CHECK STEPS

- 1 and 2
- 1 and 2
- 3 and 5
- 3 and 4

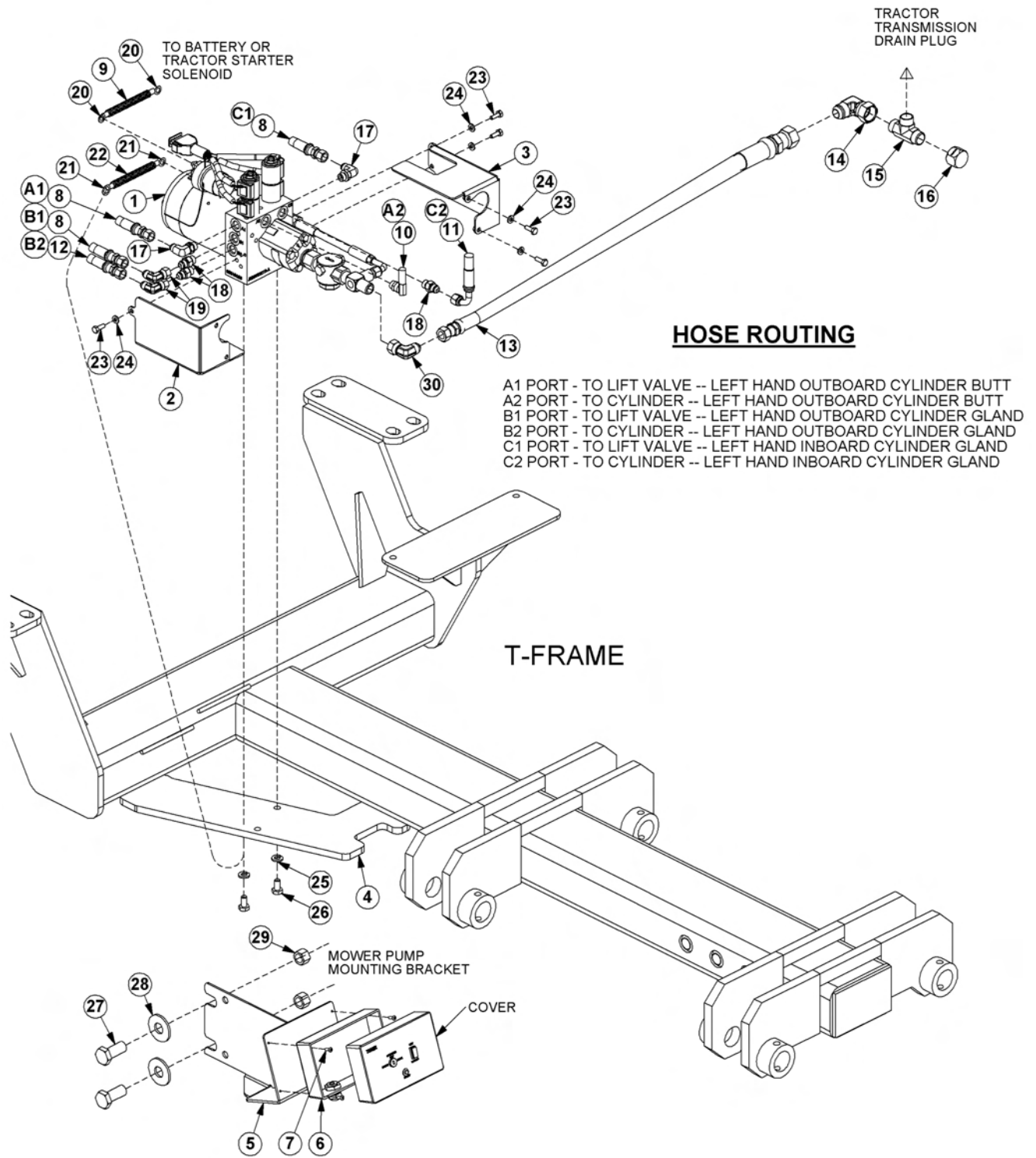
CORRECTIVE STEPS:

1. Remove relief valve installed on tractor lift valve. Visually inspect for contamination.
2. Remove solenoid valve (S1, S2, S3, S4) from egress unit and verify spool shift.
3. Remove relief valve from egress unit and visually inspect for contamination.
4. Inspect suction strainer for contamination.
- 5a. Verify supply voltage at pump motor posts on egress.
- 5b. Verify voltage at pump motor relay while switches are activated.
- 5c. Verify voltage at solenoid valve (S1, S2, S3, S4) on egress unit.
- 5d. Check or reset circuit breaker.

NOTE:

1. All voltage readings must be between 10.2 volts and 13.8 volts.

EGRESS PUMP MOUNTING

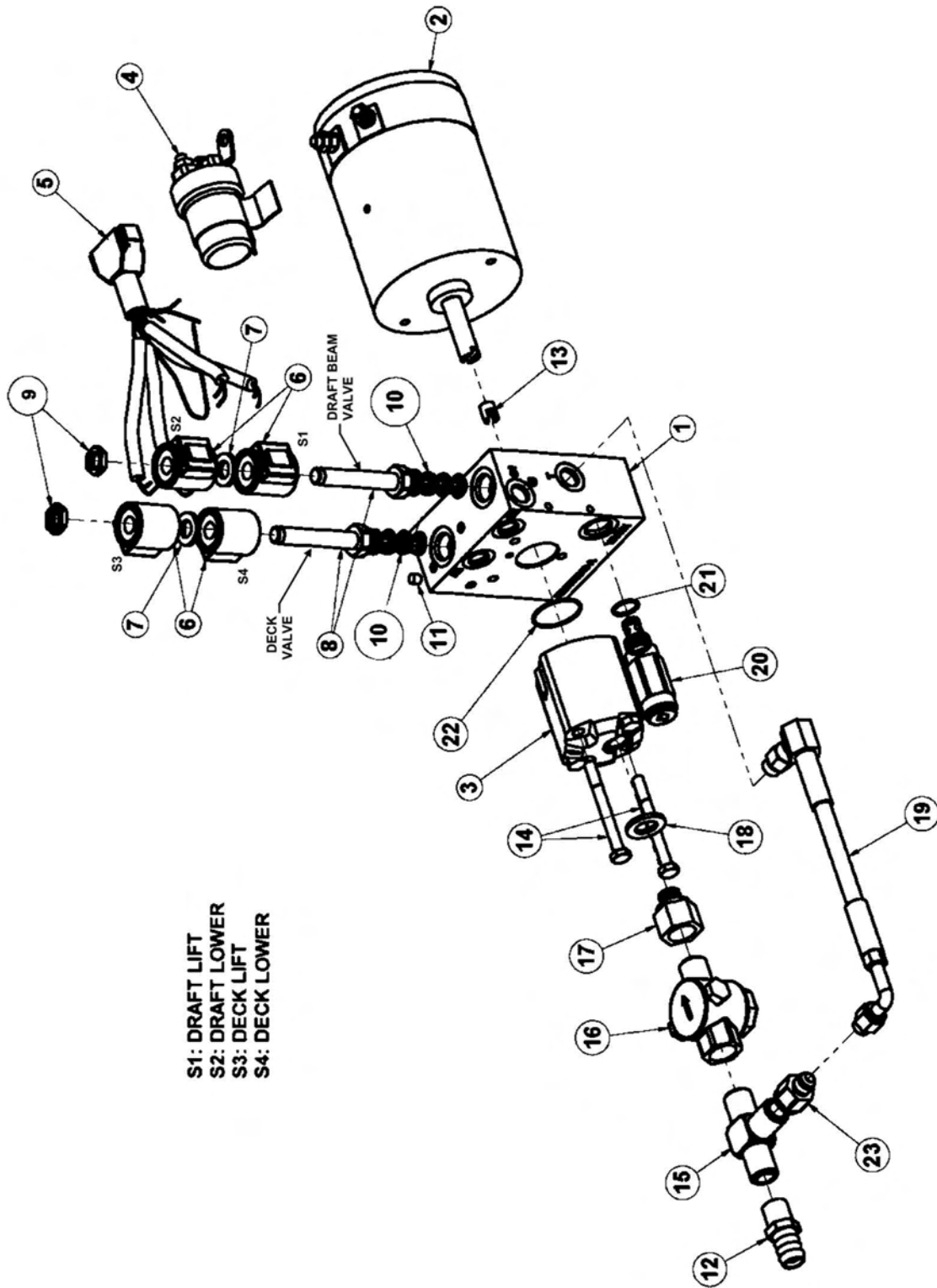


EGRESS PUMP MOUNTING

Continued...

ITEM	PART NO.	QTY.	DESCRIPTION
1	06510066	1	EGRESS PUMP
2	34306	1	COVER,FRONT HALF
3	34307	1	COVER,REAR HALF
4	-----	-	T-FRAME *REFER TO TRACTOR MOUNT KIT
5	34124	1	BRACKET,MOUNTING,SWITCH BOX
6	34123	1	SWITCH BOX,EGRESS
7	6T3951	4	SCREW,MACHINE,8-32UNC X 1"
8	32907	3	HOSE,1/4" X 81"
9	24201	7	WIRE,RED,#6 (IN FEET)
10	06500286	1	HOSE,1/4" X 51"
11	33460	1	HOSE,1/4" X 70"
12	33496	1	HOSE,1/4" X 58"
13	06500287	1	HOSE,1/2" X 26"
14	35281	1	ELBOW,3/4"MJ X 3/4"FJX
15	06503178	1	TEE,BRANCH,3/4"MJ X 3/4"MP X 3/4"MJ
16	06503179	1	CAP,3/4"FJ
17	32902	2	ELBOW,3/8"MOR X 3/8"MJ
18	32901	3	ADAPTER,3/8"MOR X 3/8"MJ
19	06503030	2	ELBOW,3/8"FJX X 3/8"MJ
20	23572	2	RING,CONN,3/8" X #6GA
21	06512000	2	RING,CONN,3/8" X #4GA
22	06511001	6	WIRE,BLACK,#4 (IN FEET)
23	21529	5	CAPSCREW,1/4" X 3/4",NC
24	21986	5	LOCKWASHER,1/4"
25	21988	2	LOCKWASHER,3/8"
26	21929	2	CAPSCREW,3/8" X 3/4",NC
27	21831	2	CAPSCREW,3/4" X 1-3/4",NC
28	22021	2	FLATWASHER,3/4"
29	21825	2	HEX NUT,3/4",NC
30	06503022	1	ELBOW,1/2"FJX X 1/2"MJ

EGRESS PUMP BREAKDOWN



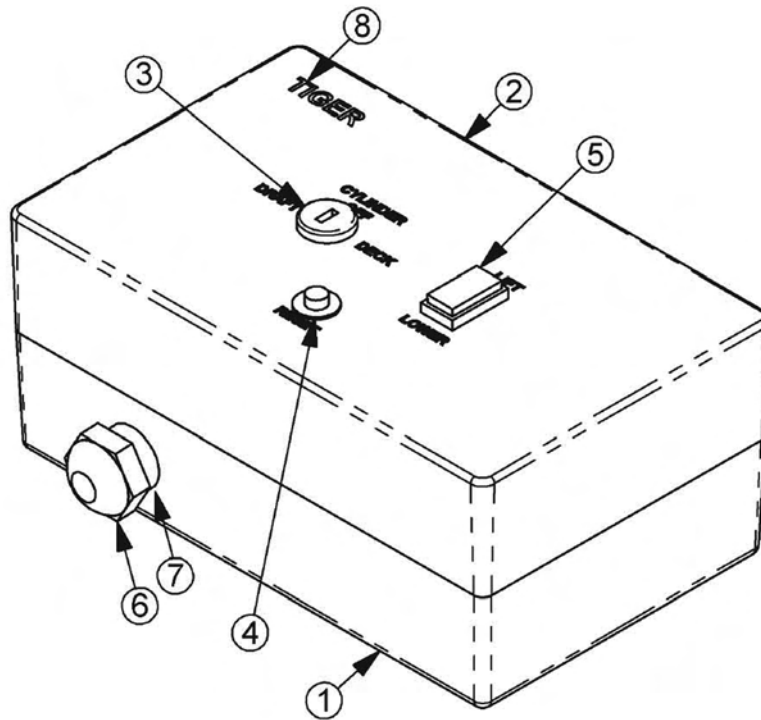
S1: DRAFT LIFT
S2: DRAFT LOWER
S3: DECK LIFT
S4: DECK LOWER

EGRESS PUMP BREAKDOWN

Continued...

ITEM	PART NO.	QTY.	DESCRIPTION
---	06510066	1	PUMP,ASSY,EGRESS
1	06510067	1	MANIFOLD
2	06510068	1	MOTOR
3	06510070	1	PUMP
4	06510170	1	RELAY
5	06510171	1	HARNESS
6	06510172	4	COIL
7	06510173	2	SPACER
8	06510174	2	SPOOL
9	06510175	2	NUT
10	06510176	6	SEAL KIT,06510174
11	06510177	1	PLUG
12	06510179	1	ADAPTER,BARB
13	06510180	1	COUPLING
14	06510181	2	BOLT
15	06510182	1	TEE
16	06510183	1	FILTER
17	06510184	1	ADAPTER,BARB
18	06510185	1	WASHER
19	06510186	1	HOSE
20	06510187	1	RELIEF
21	06510188	1	SEAL
22	06510189	1	SEAL KIT,06510066
---	06510178	1	O-RING
23	33380	1	ADAPTER,3/8"MOR X 1/2"FOR

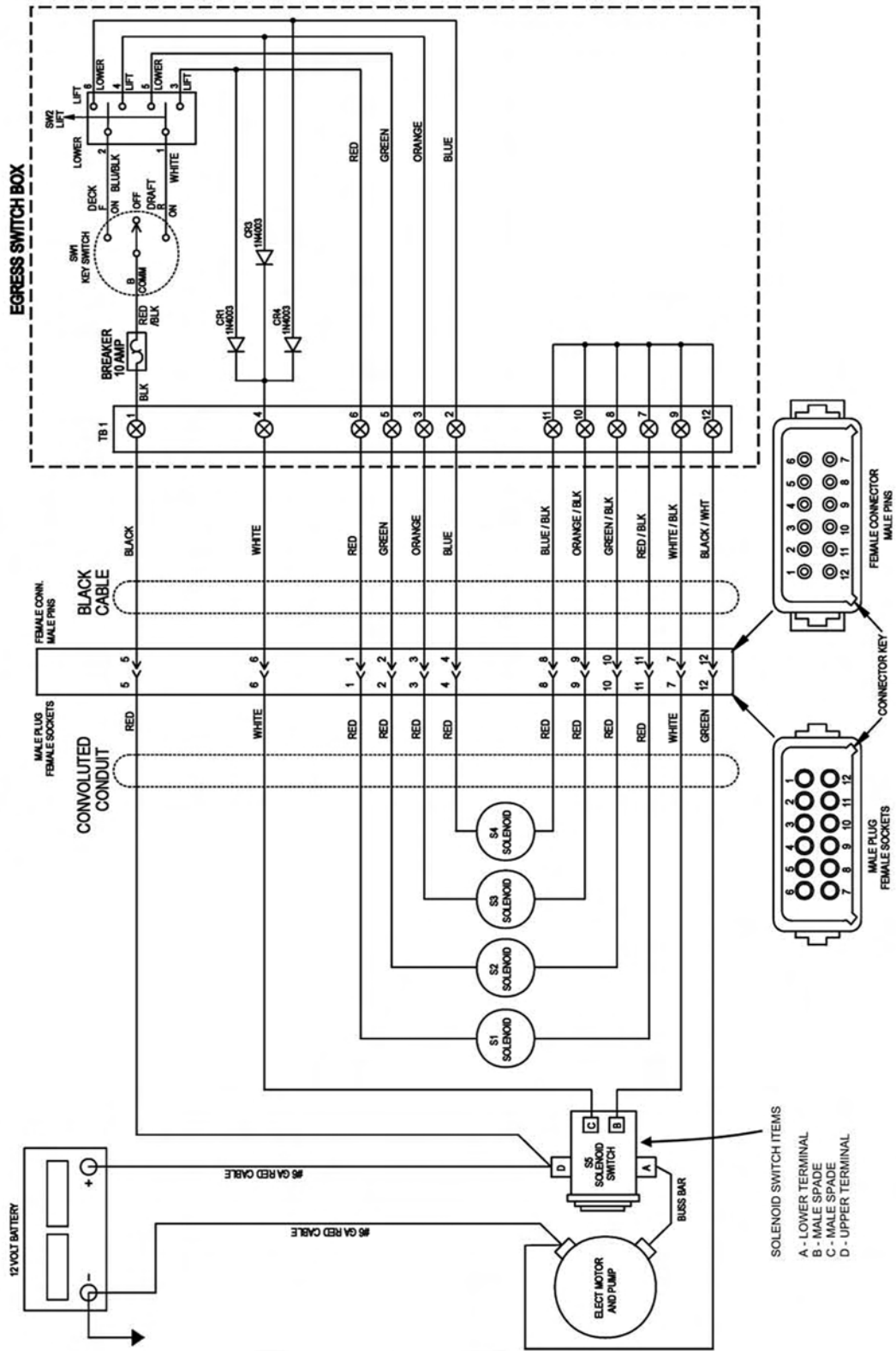
EGRESS SWITCH BOX



ITEM	PART NO.	QTY.	DESCRIPTION
1	34934	1	BOTTOM,EGRESS SWITCH BOX
2	34933	1	TOP,EGRESS SWITCH BOX
3	34937	1	KEY,SWITCH
4	34936	1	CIRCUIT BREAKER,10AMP
5	34935	1	ROCKER SWITCH
6	34938	1	STRAIN RELIEF
7	34939	1	LOCK NUT,3/4"
8	34940	1	DECAL,TIGER

EGRESS SCHEMATIC

TRIPLE EGRESS SCHEMATIC



NOTES

NOTES

COMMON TRIPLE

PARTS SECTION

NOTES



PART NAME INDEX

PARTS ORDERING GUIDE.....	5
DRAFT BEAM - RIGHT HAND.....	6
DRAFT BEAM - LEFT HAND.....	8
SUPER DUTY 63IN SIDE FLAIL - STD ROT.....	10
SUPER DUTY 63IN SIDE FLAIL - REV ROT.....	12
SUPER DUTY 75IN SIDE FLAIL - STD ROT.....	14
SUPER DUTY 75IN SIDE FLAIL - REV ROT.....	16
SUPER DUTY SIDE FLAIL DRIVE ASSY.....	18
SUPER DUTY SIDE FLAIL MOTOR BREAKDOWN.....	20
EXTREME DUTY 60IN SIDE FLAIL - STD ROT.....	22
EXTREME DUTY 60IN SIDE FLAIL - REV ROT.....	24
EXTREME DUTY 75IN SIDE FLAIL - STD ROT.....	26
EXTREME DUTY 75IN SIDE FLAIL - REV ROT.....	28
EXTREME DUTY 90IN SIDE FLAIL - STD ROT.....	30
EXTREME DUTY 90IN SIDE FLAIL - REV ROT.....	32
FRONT FLAPS, XD FLAIL - STANDARD ROTATION.....	34
EXTREME DUTY SIDE FLAIL DRIVE ASSY.....	36
EXTREME DUTY SIDE FLAIL MOTOR BREAKDOWN.....	38
SUPER DUTY 75IN REAR FLAIL - STD ROT.....	40
SUPER DUTY 75IN REAR FLAIL - REV ROT.....	42
SUPER DUTY 90IN REAR FLAIL - STD ROT.....	44
SUPER DUTY 90IN REAR FLAIL - REV ROT.....	46
SUPER DUTY REAR FLAIL DRIVE ASSY.....	48
SUPER DUTY PTO DRIVE ASSY.....	50
SUPER DUTY REAR GEAR BOX ASSY.....	52
EXTREME DUTY 75IN REAR FLAIL - STD ROT.....	54
EXTREME DUTY 75IN REAR FLAIL - REV ROT.....	56
EXTREME DUTY 75IN REAR FLAIL DRIVE ASSY.....	58
EXTREME DUTY 90IN REAR FLAIL - STD ROT.....	60
EXTREME DUTY 90IN REAR FLAIL - REV ROT.....	62
EXTREME DUTY 90IN REAR FLAIL DRIVE ASSY.....	64
EXTREME DUTY 96IN REAR FLAIL - STD ROT.....	66
EXTREME DUTY 96IN REAR FLAIL - REV ROT.....	68
EXTREME DUTY 96IN REAR FLAIL DRIVE ASSY.....	70
EXTREME DUTY 102IN REAR FLAIL - STD ROT.....	72
EXTREME DUTY 102IN REAR FLAIL - REV ROT.....	74
EXTREME DUTY 102IN REAR FLAIL DRIVE ASSY.....	76
EXTREME DUTY REAR GEAR BOX ASSY.....	78
PTO SHAFT ASSEMBLY.....	80
PTO SHAFT ASSEMBLY WITH CLUTCH.....	81

COMMON TRIPLE

PART NAME INDEX

CLUTCH ASSEMBLY.....	82
NOTES 1.....	83
RESERVOIR TANK FILTER ASSEMBLY.....	84
FRONT HYDRAULIC PUMP BREAKDOWN.....	86
3IN X 8IN TIE-ROD CYLINDER - 31211.....	88
3IN X 12IN TIE-ROD CYLINDER - 25343.....	90
3IN X 12IN TIE-ROD CYLINDER - 32215.....	92
4 SPOOL CABLE (MANUAL) LIFT VALVE - 31190.....	94
4 SPOOL CABLE (MANUAL) LIFT VALVE - 06502046.....	96
COOLER ASSEMBLY.....	98
CASTER WHEEL ASSEMBLY.....	100
SIDE FLAIL TRAVEL LOCK.....	102
BRAKE VALVE ASSEMBLY.....	103
BRAKE VALVE HYDRAULIC SCHEMATIC.....	104
SWITCHBOX SERVICE PARTS.....	105
SWITCHBOX SCHEMATIC.....	106
PTO STAND.....	107
NOTES 2.....	108

PARTS ORDERING GUIDE

The following instructions are offered to help eliminate needless delay and error in processing purchase orders for the equipment in this manual.

1. The Parts Section is prepared in logical sequence and grouping of parts that belong to the basic machine featured in this manual. Part Numbers and Descriptions are given to help locate the parts and quantities required.
2. The Purchase Order must indicate the **Name and Address** of the person or organization ordering the parts, **who should be charged**, and if possible, the **serial number of the machine** for which the parts are being ordered.
3. The purchase order must clearly list the **quantity of each part**, the complete and correct **part number**, and the basic **name of the part**.
4. The manufacturer reserves the right to substitute parts where applicable.
5. Some parts may be unlisted items which are special production items not normally stocked and are subject to special handling. Request a quotation for such parts before sending a purchase order.
6. The manufacturer reserves the right to change prices without prior notice.

NOTE: When ordering replacement decals, refer to the part numbers and descriptions listed in the safety section in the front of this manual.

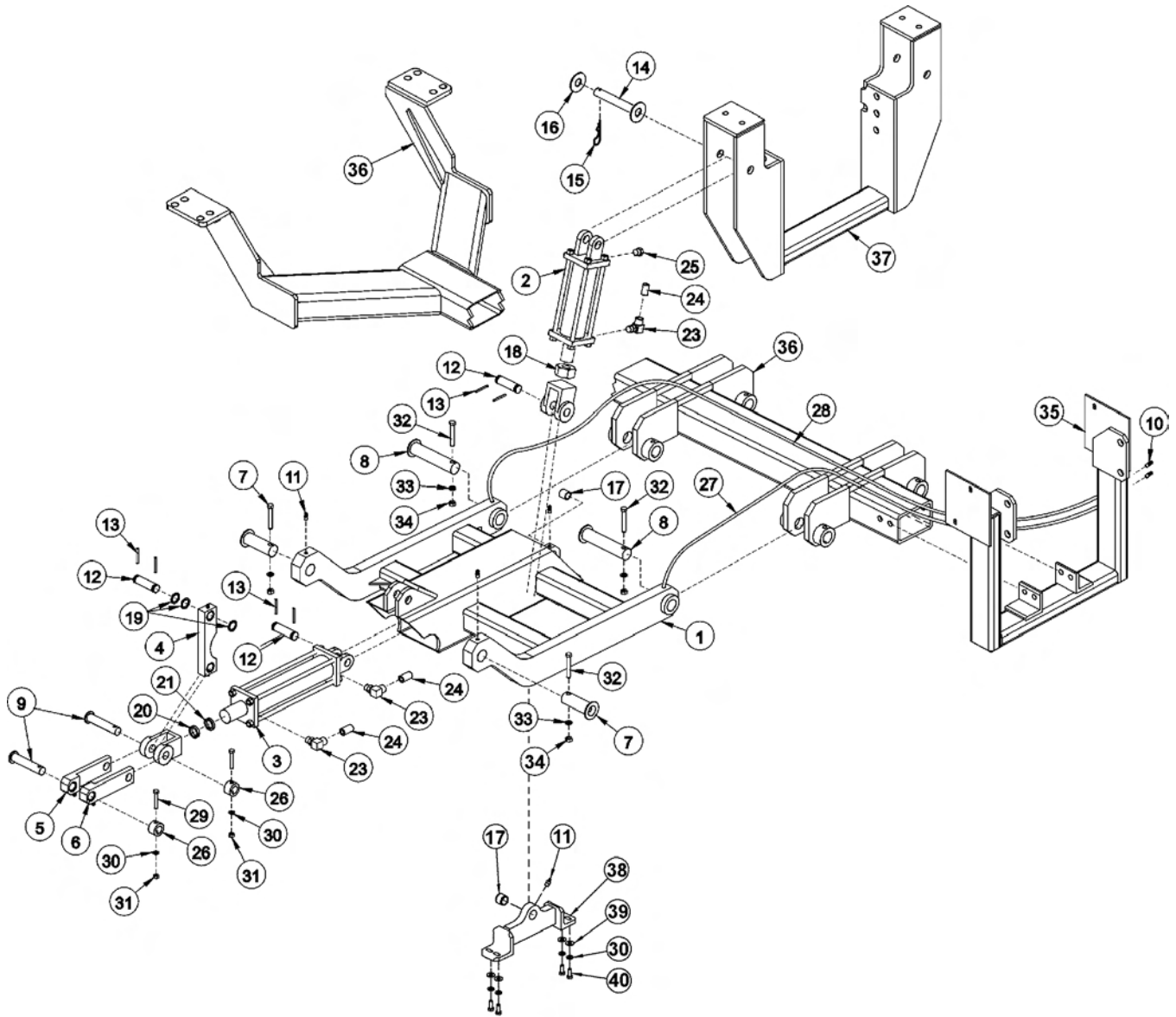


For maximum safety and to guarantee optimum product reliability, always use genuine **Tiger** replacement parts. The use of inferior replacement parts may cause premature or catastrophic failure which could result in serious injury or death.

Direct any questions regarding parts to:

Tiger Corporation
3301 N. Louise Ave.
Sioux Falls, SD 57107
1-800-843-6849
1-605-336-7900

DRAFT BEAM - RIGHT HAND



ITEM	PART NO.	QTY.	DESCRIPTION
1	-----	-	DRAFT BEAM - REFER TO TRACTOR PARTS SECTION
2	31211	1	INBOARD CYLINDER
3	25343	1	OUTBOARD CYLINDER - XD
---	32215	1	OUTBOARD CYLINDER - SD
4	TF4500A	1	PIVOT ARM
5	TF4506B	1	LIFT ARM - LH

COMMON TRIPLE

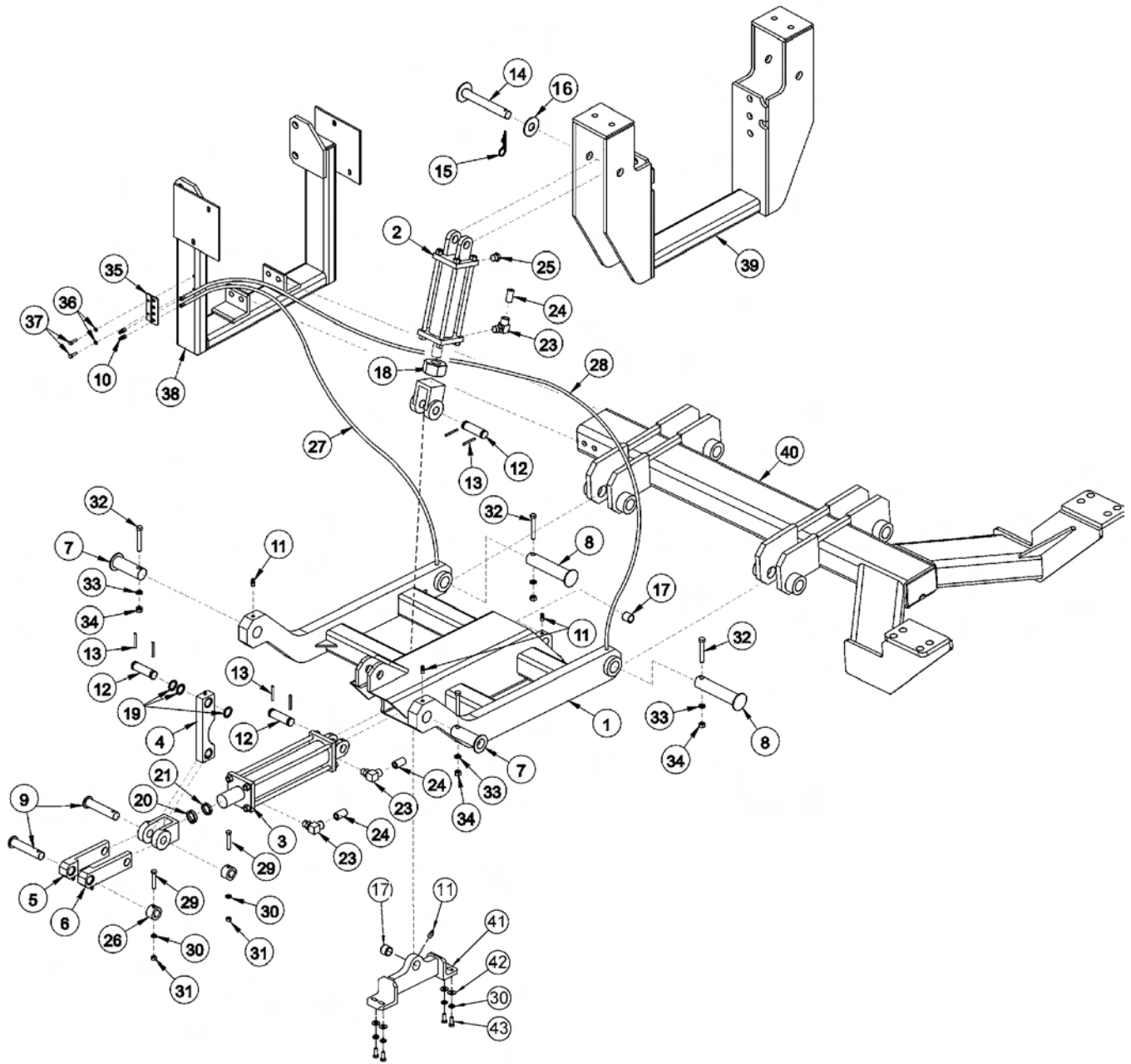
DRAFT BEAM - RIGHT HAND

Continued...

ITEM	PART NO.	QTY.	DESCRIPTION
6	TF4507B	1	LIFT ARM - RH
7	TF4514A	2	PIN
8	TF4515	2	PIN,1-1/2" X 6-3/4"
9	TF4519	2	PIN
10	TF1033	2	GREASE ZERK,1/8"
11	6T3207	4	GREASE ZERK,1/4"
12	TB1033	3	CLEVIS PIN
13	06537021	6	ROLL PIN
14	6T3005	1	CYLINDER PIN
15	6T3004	1	R-CLIP
16	22023	1	FLATWASHER
17	TB3010	2	BUSHING
18	31208	1	SPACER
19	23724	3	SHIM
20	22076	1	SPACER (AS REQUIRED)
21	22077	1	SPACER (AS REQUIRED)
23	34244	3	FITTING
24	34396	3	RESTRICTOR
25	6T4258	1	BREATHER
26	22847A	2	BOSS
27	22851	1	HOSE,3/16" X 37"
28	22860	1	HOSE,3/16" X 70"
29	21635	2	CAPSCREW,3/8" X 2-1/4",NC
30	21988	6	LOCKWASHER,3/8"
31	21625	2	HEX NUT,3/8",NC
32	21688	4	CAPSCREW,7/16" X 3-1/4",NC
33	21989	4	LOCKWASHER,7/16"
34	21675	4	HEX NUT,7/16",NC
35	-----	-	HANGER - REFER TO TRACTOR PARTS SECTION
36	-----	-	FRAME - REFER TO TRACTOR PARTS SECTION
37	-----	-	MAST - REFER TO TRACTOR PARTS SECTION
38	06350000	1	CYLINDER ANCHOR
39	22016	4	FLATWASHER,3/8"
40	21630	4	CAPSCREW,3/8" X 1",NC

COMMON TRIPLE

DRAFT BEAM - LEFT HAND



ITEM	PART NO.	QTY.	DESCRIPTION
1	-----	-	DRAFT BEAM - REFER TO TRACTOR PARTS SECTION
2	31211	1	INBOARD CYLINDER
3	25343	1	OUTBOARD CYLINDER - XD
---	32215	1	OUTBOARD CYLINDER - SD
4	TF4500A	1	PIVOT ARM
5	TF4506B	1	LIFT ARM - LH

COMMON TRIPLE

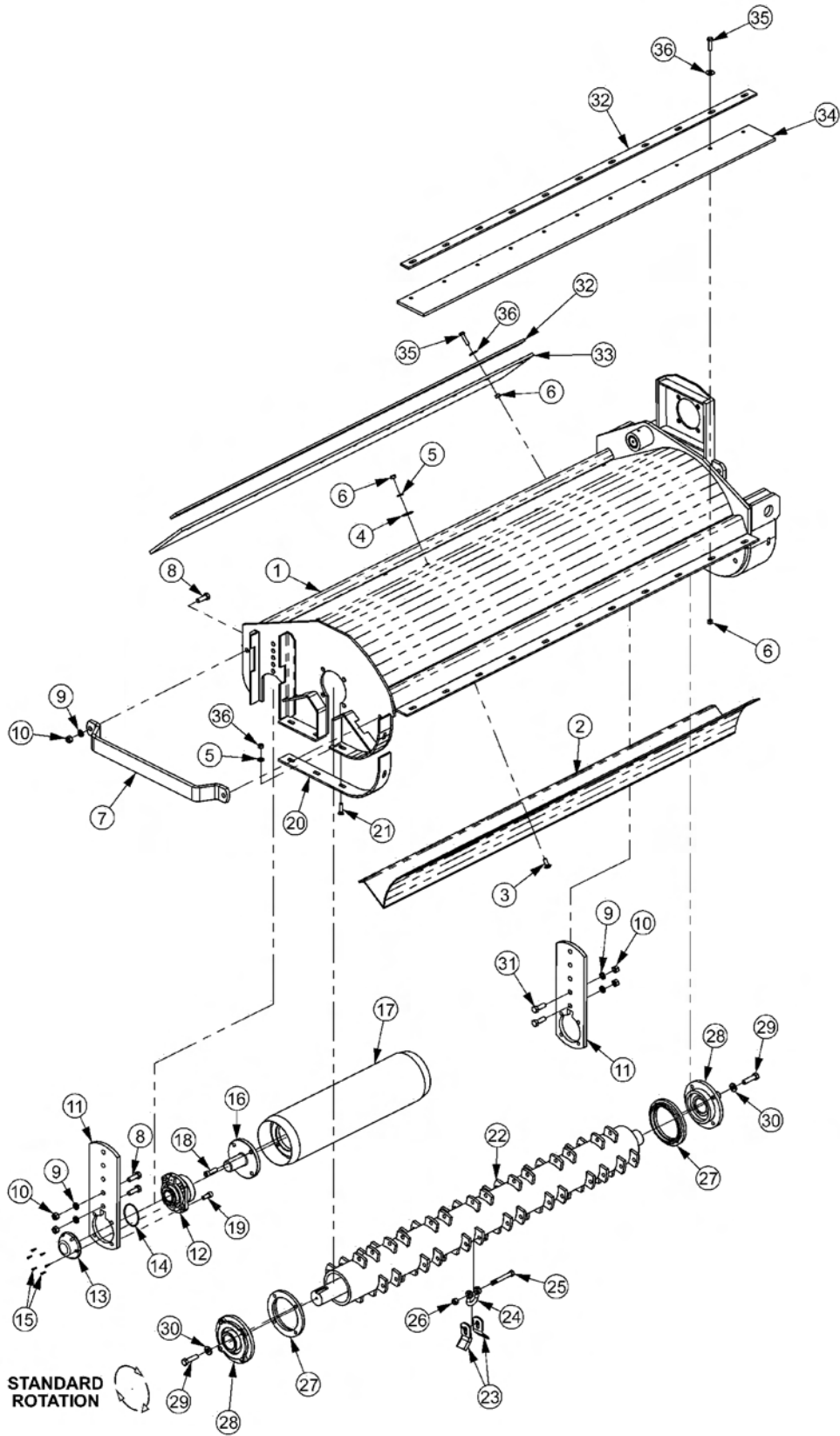
DRAFT BEAM - LEFT HAND

Continued...

ITEM	PART NO.	QTY.	DESCRIPTION
6	TF4507B	1	LIFT ARM - RH
7	TF4514A	2	PIN
8	TF4515	2	PIN,1-1/2" X 6-3/4"
9	TF4519	2	PIN
10	TF1033	2	GREASE ZERK,1/8"
11	6T3207	4	GREASE ZERK,1/4"
12	TB1033	3	CLEVIS PIN
13	06537021	6	ROLL PIN
14	6T3005	1	CYLINDER PIN
15	6T3004	1	R-CLIP
16	22023	1	FLATWASHER
17	TB3010	2	BUSHING
18	31208	1	SPACER
19	23724	3	SHIM
20	22076	1	SPACER (AS REQUIRED)
21	22077	1	SPACER (AS REQUIRED)
23	34244	3	FITTING
24	34396	3	RESTRICTOR
25	6T4258	1	BREATHER
26	22847A	2	BOSS
27	22851	1	HOSE,3/16" X 37"
28	22660	1	HOSE,3/16" X 70"
29	21635	2	CAPSCREW,3/8" X 2-1/4",NC
30	21988	6	LOCKWASHER,3/8"
31	21625	2	HEX NUT,3/8",NC
32	21688	4	CAPSCREW,7/16" X 3-3/4",NC
33	21989	4	LOCKWASHER,7/16"
34	21675	4	HEX NUT,7/16",NC
35	22625	1	GREASE HOSE BRACKET
36	21986	2	LOCKWASHER,1/4"
37	21529	2	CAPSCREW,1/4" X 3/4",NC
38	-----	-	HANGER - REFER TO TRACTOR PARTS SECTION
39	-----	-	MAST - REFER TO TRACTOR PARTS SECTION
40	-----	-	FRAME - REFER TO TRACTOR PARTS SECTION
41	06350000	1	CYLINDER ANCHOR
42	22016	4	FLATWASHER,3/8"
43	21630	4	CAPSCREW,3/8" X 1",NC

COMMON TRIPLE

SUPER DUTY 63IN SIDE FLAIL - STD ROT



COMMON TRIPLE

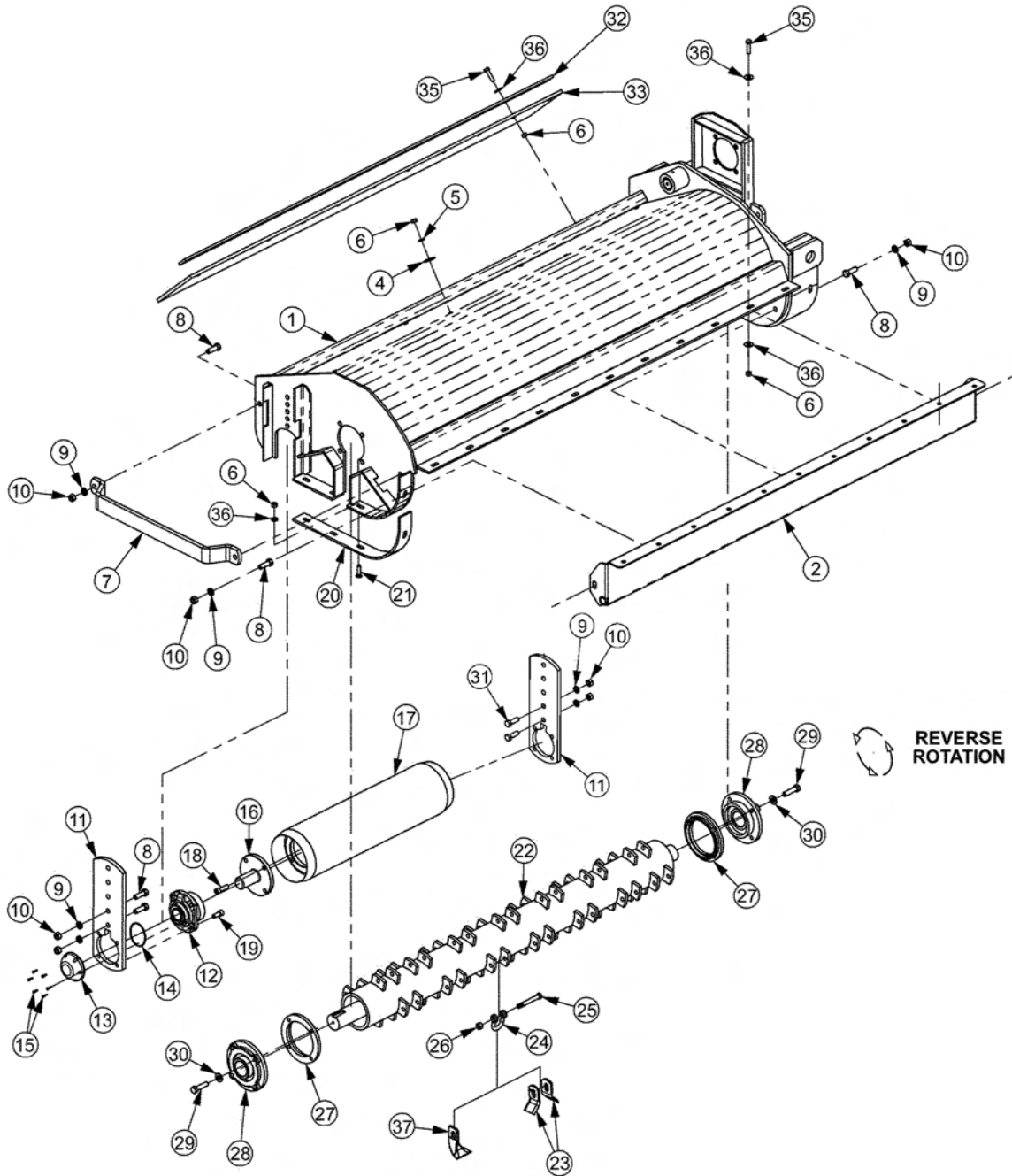
SUPER DUTY 63IN SIDE FLAIL - STD ROT

Continued...

ITEM	PART NO.	QTY.	DESCRIPTION
1	32433	1	BONNET,63",STD,T3F (RIGHT FLAIL)
---	32224	1	BONNET,63",STD,T3F (LEFT FLAIL)
2	28665A	1	BAFFLE,63",STD ROT
3	6T2283	8	CARRIAGE BOLT,3/8" X 1",NC
4	6T2615	8	WASHER,FENDER 3/8"
5	21988	8	LOCKWASHER,3/8"
6	21625	40	HEX NUT,3/8",NC
7	27975A	1	GUARD,CUTTERSHAFT
8	21731	4	CAPSCREW,1/2" X 1-1/2",NC
9	21990	6	LOCKWASHER,1/2"
10	21725	6	HEX NUT,1/2",NC
11	28735	2	GROUND ROLLER ADJ BRKT,STD DTY
12	06520028	2	BEARING,FLANGE,1-3/8",GRNDRLR
13	06520027	2	CAP,BEARING,GRNDRLR
14	06520029	2	O-RING,2-3/4" X 3/32",AS568A-148
15	06530001	12	CAPSCREW,SKT HD,8-32 X 1/2",SS
16	TF1045B	2	STUB SHAFT,GROUND ROLLER
17	28650A	1	GROUND ROLLER,63"
18	6T2330	8	CAPSCREW,SKT HD,7/16" X 1-1/2",NC
19	6T2331	8	CAPSCREW,SKT HD,7/16" X 1",NC
20	28086A	2	SKID SHOE,STD DUTY REAR FLAIL
21	30013	10	PLOW BOLT,3/8" X 1-1/4",NC,GR5
---	28743	-	CUTTERSHAFT ASSY,STANDARD
22	28642C	1	CUTTERSHAFT,63"
23	33713	64	KNIFE,FLAIL,SHORT,FORGES GORCE
24	TF1020	32	KNIFE MTG CLEVIS,FLAIL
25	34011	32	CAPSCREW,7/16" X 3-7/16",NC,GR8
26	21677	32	NYLOCK NUT,7/16",NC
27	33863	2	STRING GUARD,STD
28	28683	2	BEARING,FLANGE,1-15/16",STD,TSF
29	06530217	8	CAPSCREW,1/2" X 2",NC,L9
30	06533006	8	FLATWASHER,1/2",SAE,L9
31	21732	2	CAPSCREW,1/2" X 1-3/4",NC
32	28700	2	BAR,FLAP,TSF/TBF,63"
33	28701	1	FLAP,DEFLECTOR,TSF,63"
34	06520241	1	FLAP,63",FRONT
35	21632	22	CAPSCREW,3/8" X 1-1/2",NC
36	22016	32	FLATWASHER,3/8"

COMMON TRIPLE

SUPER DUTY 63IN SIDE FLAIL - REV ROT



COMMON TRIPLE

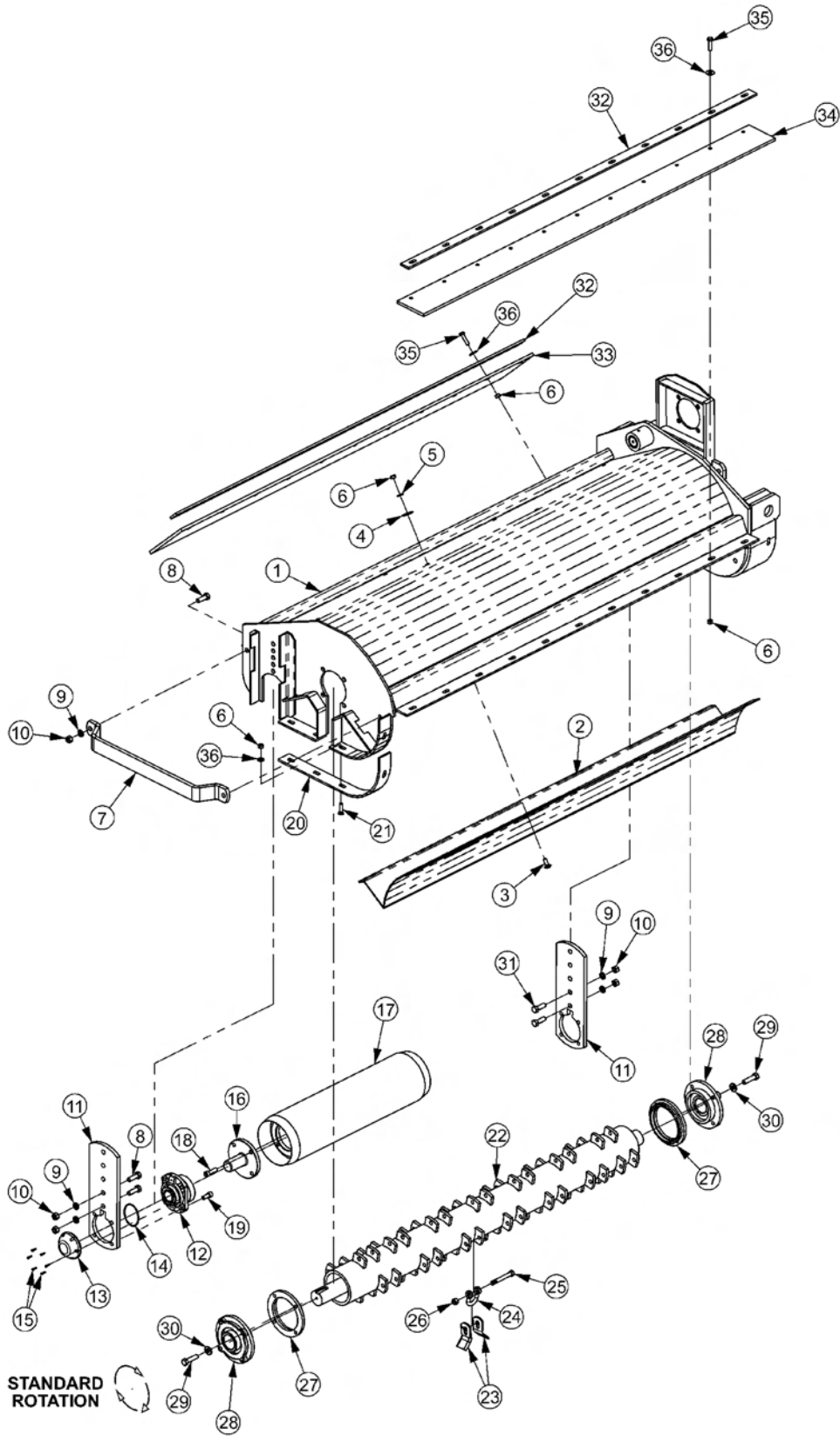
SUPER DUTY 63IN SIDE FLAIL - REV ROT

Continued...

ITEM	PART NO.	QTY.	DESCRIPTION
1	32433	1	BONNET,63",STD,T3F (RIGHT FLAIL)
---	32224	1	BONNET,63",STD,T3F (LEFT FLAIL)
2	28969A	1	TRASH GUARD,63",REV ROT
3	6T2283	8	CARRIAGE BOLT,3/8" X 1",NC
4	6T2615	8	WASHER,FENDER,3/8"
5	21988	8	LOCKWASHER,3/8"
6	21625	40	HEX NUT,3/8",NC
7	27975A	1	GUARD,CUTTERSHAFT
8	21731	6	CAPSCREW,1/2" X 1-1/2",NC
9	21990	8	LOCKWASHER,1/2"
10	21725	8	HEX NUT,1/2",NC
11	28735	2	GROUND ROLLER ADJ BRKT,STD DTY
12	06520028	2	BEARING,FLANGE,1-3/8",GRNDRLR
13	06520027	2	CAP,BEARING,GRNDRLR
14	06520029	2	O-RING,2-3/4" X 3/32",AS568A-148
15	06530001	12	CAPSCREW,SKT HD,8-32 X 1/2",SS
16	TF1045B	2	STUB SHAFT,GROUND ROLLER
17	28650A	1	GROUND ROLLER,63"
18	6T2330	8	CAPSCREW,SKT HD,7/16" X 1-1/2",NC
19	6T2331	8	CAPSCREW,SKT HD,7/16" X 1",NC
20	28086A	2	SKID SHOE,STD DUTY REAR FLAIL
21	30013	10	PLOW BOLT,3/8" X 1-1/4",NC,GR5
---	28743	-	CUTTERSHAFT ASSY,STANDARD CUT
----	28744	-	CUTTERSHAFT ASSY,SMOOTH CUT
22	28642C	1	CUTTERSHAFT,63"
23	33713	64	FLAIL KNIVES (STANDARD CUT)
24	TF1020	32	KNIFE MTG CLEVIS,FLAIL
25	34011	32	CAPSCREW,7/16" X 3-7/16",NC,GR8
26	21677	32	NYLOCK NUT,7/16",NC
27	33863	2	STRING GUARD,STD
28	28683	2	BEARING,FLANGE,1-15/16",STD,TSF
29	06530217	8	CAPSCREW,1/2" X 2",NC,L9
30	06533006	8	FLATWASHER,1/2",SAE,L9
31	21732	2	CAPSCREW,1/2" X 1-3/4",NC
32	28700	1	BAR,FLAP,TSF/TBF,63"
33	28701	1	FLAP,DEFLECTOR,TSF,63"
35	21632	22	CAPSCREW,3/8" X 1-1/2",NC
36	22016	43	FLATWASHER,3/8"
37	28184A	32	FLAIL KNIVES (SMOOTH CUT)

COMMON TRIPLE

SUPER DUTY 75IN SIDE FLAIL - STD ROT



COMMON TRIPLE

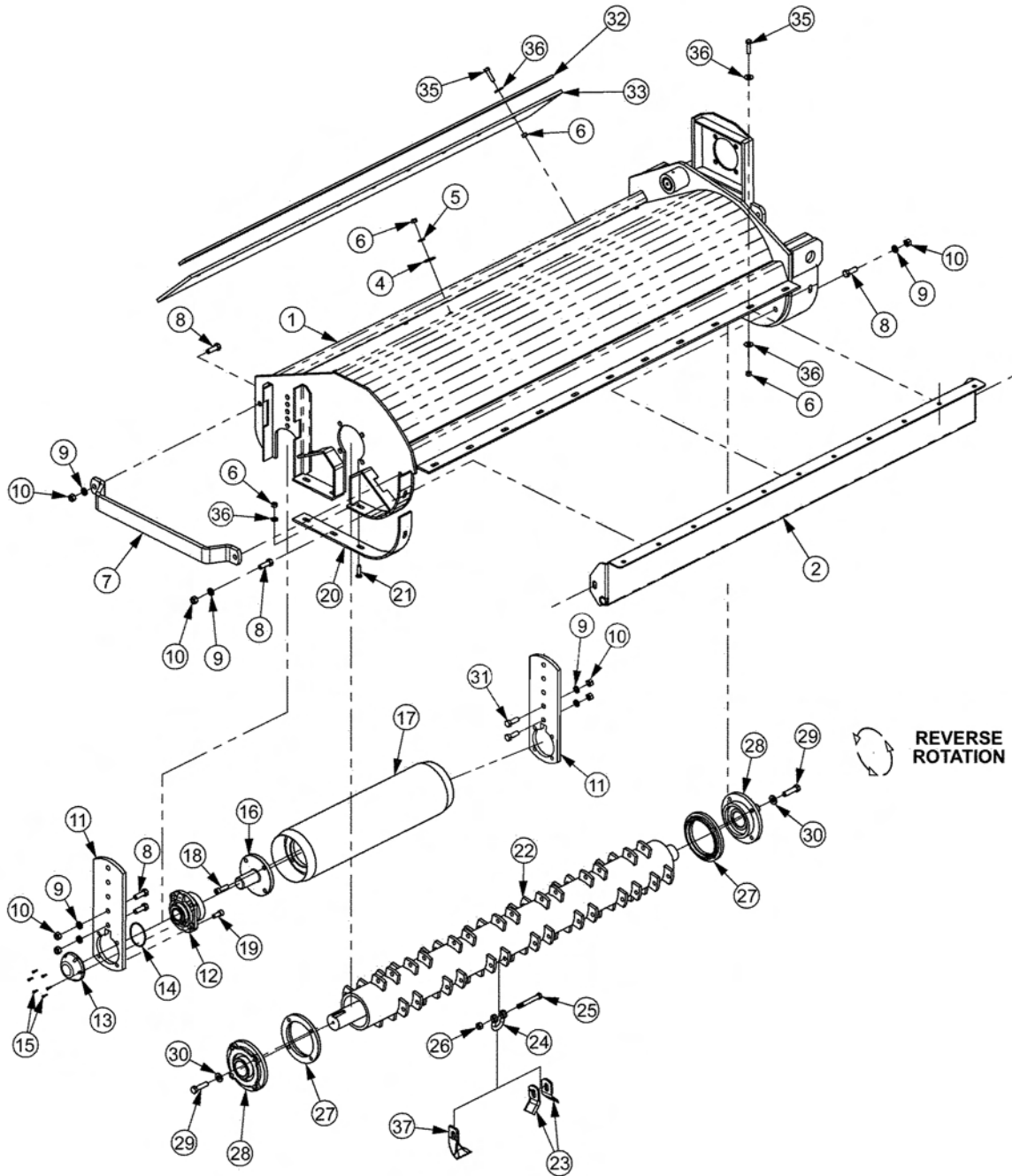
SUPER DUTY 75IN SIDE FLAIL - STD ROT

Continued...

ITEM	PART NO.	QTY.	DESCRIPTION
1	06320109	1	BONNET,75",STD,T3F (RIGHT FLAIL)
---	06320108	1	BONNET,75",STD,T3F (LEFT FLAIL)
2	28737	1	BAFFLE,75",STD ROT-STD
3	6T2283	10	CARRIAGE BOLT,3/8" X 1",NC
4	6T2615	10	WASHER,FENDER,3/8"
5	21988	10	LOCKWASHER,3/8"
6	21625	46	HEX NUT,3/8",NC
7	27975A	1	GUARD,CUTTERSHAFT
8	21731	4	CAPSCREW,1/2" X 1-1/2",NC
9	21990	6	LOCKWASHER,1/2"
10	21725	6	HEX NUT,1/2",NC
11	28735	2	GROUND ROLLER ADJ BRKT,STD DTY
12	06520028	2	BEARING,FLANGE,1-3/8,GRNDRLR
13	06520027	2	CAP,BEARING,GRNDRLR
14	06520029	2	O-RING,2-3/4 X 3/32",AS568A-148
15	06530001	12	CAPSCREW,SKT HD,8-32 X 1/2",SS
16	TF1045B	2	STUB SHAFT,GROUND ROLLER
17	28738	1	GROUND ROLLER,75"
18	6T2330	8	CAPSCREW,SKT HD,7/16" X 1-1/2",NC
19	6T2331	8	CAPSCREW,SKT HD,7/16" X 1",NC
20	28086A	2	SKID SHOE,STD DUTY REAR FLAIL
21	30013	10	PLOW BOLT,3/8" X 1-1/4",NC,GR5
---	28747	-	CUTTERSHAFT ASSY,STANDARD
22	28643B	1	CUTTERSHAFT,75"
23	33713	80	KNIFE,FLAIL,SHORT,FORGES GORCE
24	TF1020	40	KNIFE MTG CLEVIS,FLAIL
25	34011	40	CAPSCREW,7/16" X 3-7/16",NC,GR8
26	21677	40	NYLOCK NUT,7/16",NC
---	06200639	-	STRING GUARD KIT,SD (ITEMS 27,29,30)
27	33863	2	STRING GUARD,STD
28	28683	2	BEARING,FLANGE,1-15/16",STD,TSF
29	06530217	8	CAPSCREW,1/2" X 2",NC,L9
30	06533006	8	FLATWASHER,1/2",SAE,L9
31	21732	2	CAPSCREW,1/2" X 1-3/4",NC
32	TF1029	2	BAR,FLAP,TSF/TBF,75"
33	TF1016	1	FLAP,DEFLECTOR,TSF,75"
34	06520242	1	FLAP,75",FRONT
35	21632	26	CAPSCREW,3/8" X 1-1/2",NC
36	22016	36	FLATWASHER,3/8"

COMMON TRIPLE

SUPER DUTY 75IN SIDE FLAIL - REV ROT



COMMON TRIPLE

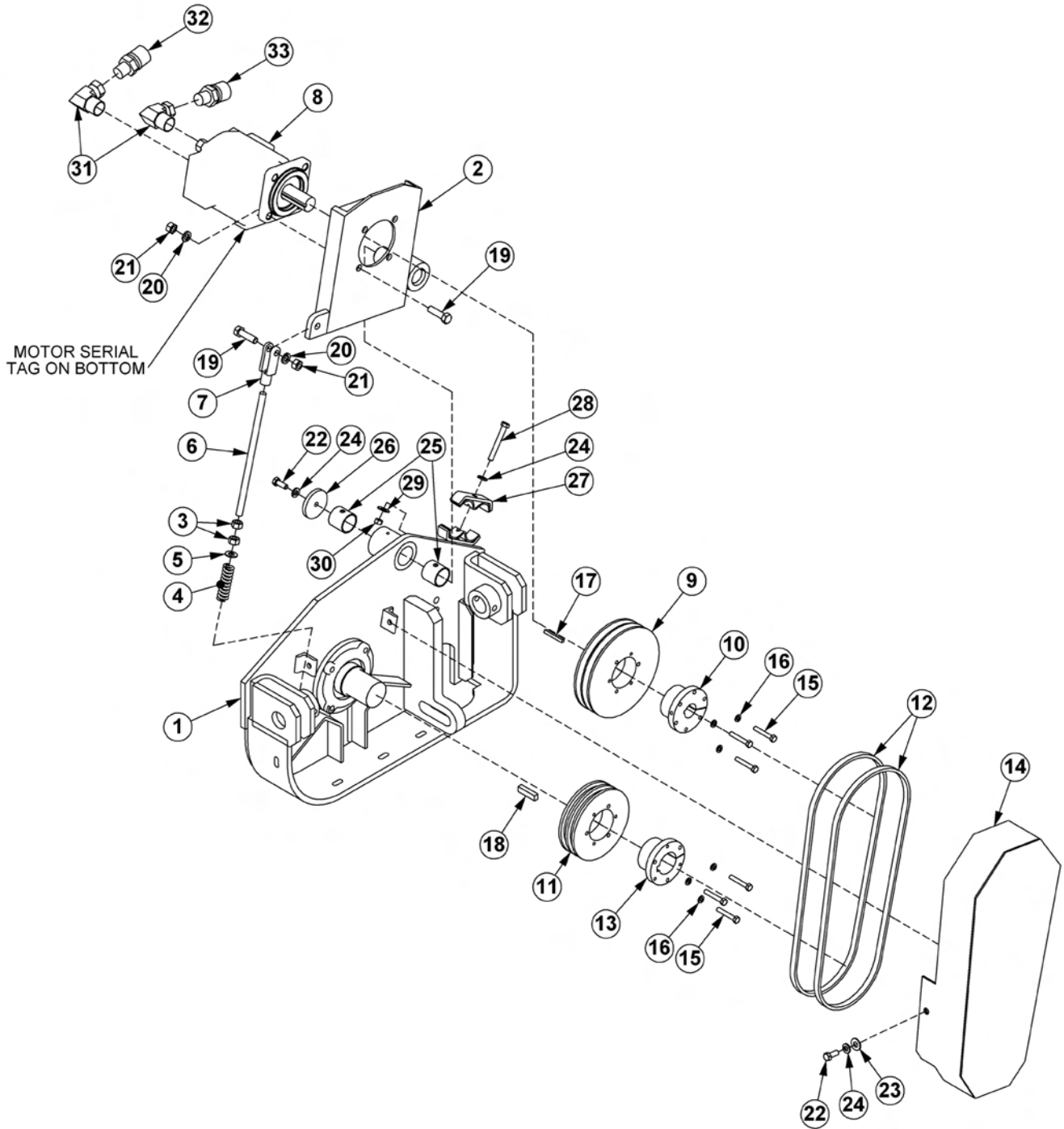
SUPER DUTY 75IN SIDE FLAIL - REV ROT

Continued...

ITEM	PART NO.	QTY.	DESCRIPTION
1	06320109	1	BONNET,75,STD,T3F (RIGHT FLAIL)
---	06320108	1	BONNET,75,STD,T3F (LEFT FLAIL)
2	28968A	1	TRASH GUARD,75"
3	6T2283	10	CARRIAGE BOLT,3/8" X 1",NC
4	6T2615	10	WASHER,FENDER,3/8"
5	21988	10	LOCKWASHER,3/8"
6	21625	36	HEX NUT,3/8",NC
7	27975A	1	GUARD,CUTTERSHAFT
8	21731	6	CAPSCREW,1/2" X 1-1/2",NC
9	21990	8	LOCKWASHER,1/2"
10	21725	8	HEX NUT,1/2",NC
11	28735	2	GROUND ROLLER ADJ BRKT,STD DTY
12	06520028	2	BEARING,FLANGE,1-3/8",GRNDRLR
13	06520027	2	CAP,BEARING,GRNDRLR
14	06520029	2	O-RING,2-3/4" X 3/32",AS568A-148
15	06530001	12	CAPSCREW,SKT HD,8-32 X 1/2",SS
16	TF1045B	2	STUB SHAFT,GROUND ROLLER
17	28738	1	GROUND ROLLER,75"
18	6T2330	8	CAPSCREW,SKT HD,7/16" X 1-1/2",NC
19	6T2331	8	CAPSCREW,SKT HD,7/16" X 1",NC
20	28086A	2	SKID SHOE,STD DUTY REAR FLAIL
21	30013	10	PLOW BOLT,3/8" X 1-1/4",NC,GR5
---	28747	-	CUTTERSHAFT ASSY,STANDARD (22, 23, 24, 25 & 26)
----	28748	-	CUTTERSHAFT ASSY,SMOOTH (22, 23, 24, 25 & 37)
22	28643B	1	CUTTERSHAFT,75"
23	33713	80	FLAIL KNIVES (STANDARD CUT)
24	TF1020	40	KNIFE MTG CLEVIS,FLAIL
25	34011	40	CAPSCREW,7/16" X 3-7/16",NC,GR8
26	21677	40	NYLOCK NUT,7/16",NC
---	06200639	-	STRING GUARD KIT, SD (ITEMS 27,29,30)
27	33863	2	STRING GUARD,STD
28	28683	2	BEARING,FLANGE,1-15/16",STD,TSF
29	06530217	8	CAPSCREW,1/2" X 2",NC,L9
30	06533006	8	FLATWASHER,1/2",SAE,L9
31	21732	2	CAPSCREW,1/2" X 1-3/4",NC
32	TF1029	1	BAR,FLAP,TSF/TBF,75"
33	TF1016	1	FLAP,DEFLECTOR,TSF,75"
35	21632	22	CAPSCREW,3/8" X 1-1/2",NC
36	22016	46	FLATWASHER,3/8"
37	28184A	40	FLAIL KNIVES (SMOOTH CUT)

COMMON TRIPLE

SUPER DUTY SIDE FLAIL DRIVE ASSY



COMMON TRIPLE

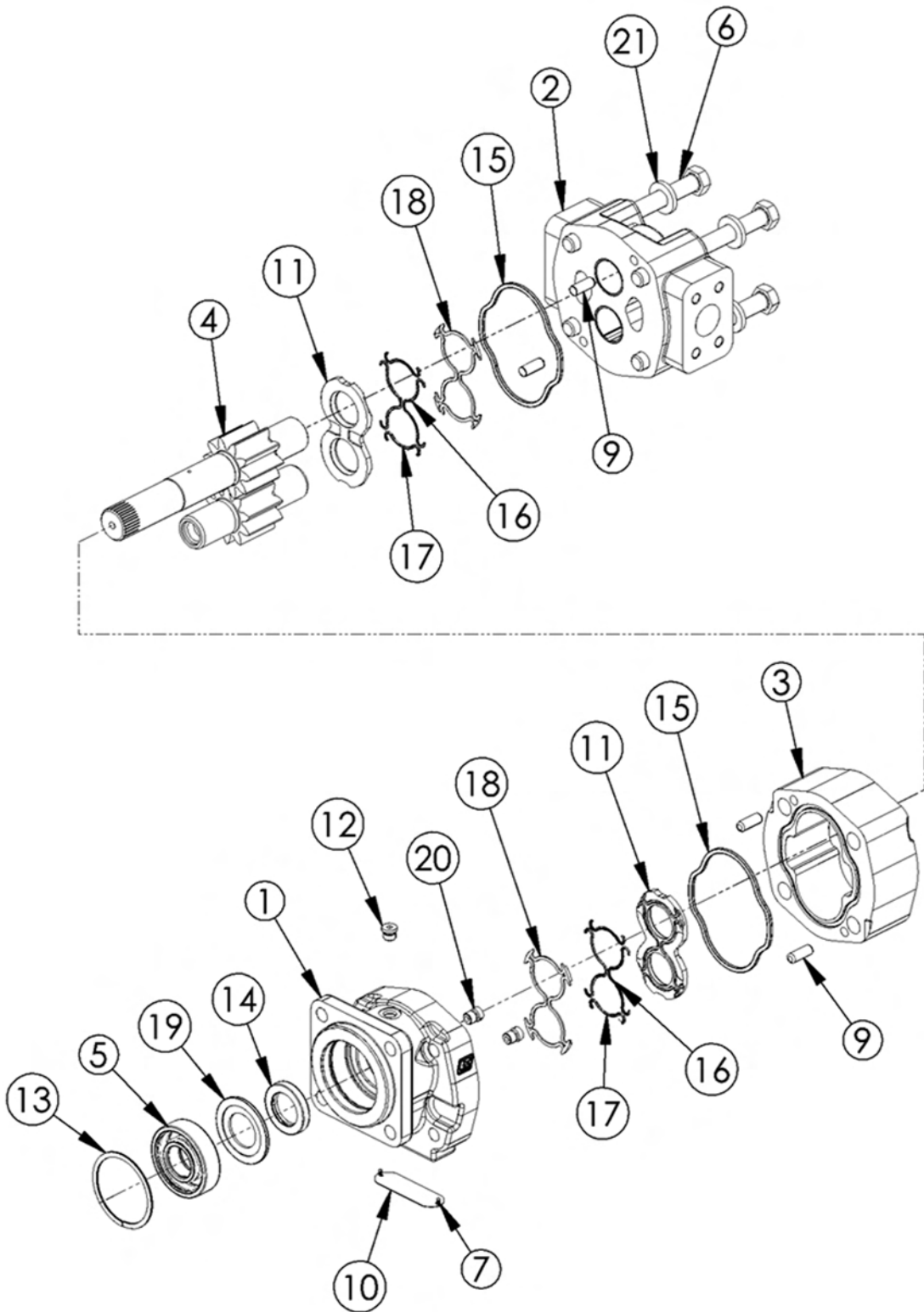
SUPER DUTY SIDE FLAIL DRIVE ASSY

Continued...

ITEM	PART NO.	QTY.	DESCRIPTION
1	-----	-	BONNET *REFER TO HEAD PARTS
2	32287	1	MOTOR CHANNEL (RIGHT FLAIL)
---	32286	1	MOTOR CHANNEL (LEFT FLAIL)
3	21700	2	HEX NUT, 1/2", NF
4	TF3620A	1	SPRING,TENSIONER
5	27938	1	BUSHING,MACH,1ODX1/2IDX14GA.
6	40496	1	ROD,THREADED,1/2NFX8
7	PT3611A	1	CLEVIS,6"
8	06504065	1	MOTOR, M350-1 GEAR
9	TF3041	1	SHEAVE,6.7
10	TF3013	1	BUSHING,QD,SK 1-1/4,1/4 KEY
11	TF3040	1	SHEAVE,6.3
12	32252	2	V-BELT,(470)
13	28723	1	BUSHING,QD,SK 1-15/16
14	32569	1	GUARD,BELT, RH
---	32568	1	GUARD, BELT, LH
15	21584	6	CAPSCREW, 5/16 X 2,NC
16	21987	6	LOCKWASHER, 5/16"
17	06504028	1	KEY (KEY FROM MOTOR)
18	26142A	1	KEY,1/2 X 1/2 X 2
19	21732	5	CAPSCREW, 1/2 X 1 3/4,NC
20	21990	5	LOCKWASHER, 1/2"
21	21725	5	HEX NUT,1/2 NC
22	21630	3	CAPSCREW, 3/8 X 1,NC
23	22016	2	FLATWASHER,3/8"
24	21988	4	LOCKWASHER, 3/8"
25	27580	2	BEARING,DX,1-1/2",GRM
26	28682	1	RETAINING,WASHER 2-1/2 X 5/16
27	TB3031	1	CLAMP,TUBE
28	21638	1	CAPSCREW,3/8" X 3",NC
29	22016	1	FLATWASHER,3/8",GR8
30	21625	1	HEX NUT,3/8",NC
31	34117	2	ELBOW,1MOR X 1MJIC
32	-----	-	HOSE (RETURN FOR STANDARD ROTATION)
33	-----	-	HOSE (PRESSURE OF STANDARD ROTATION)

COMMON TRIPLE

SUPER DUTY SIDE FLAIL MOTOR BREAKDOWN



COMMON TRIPLE

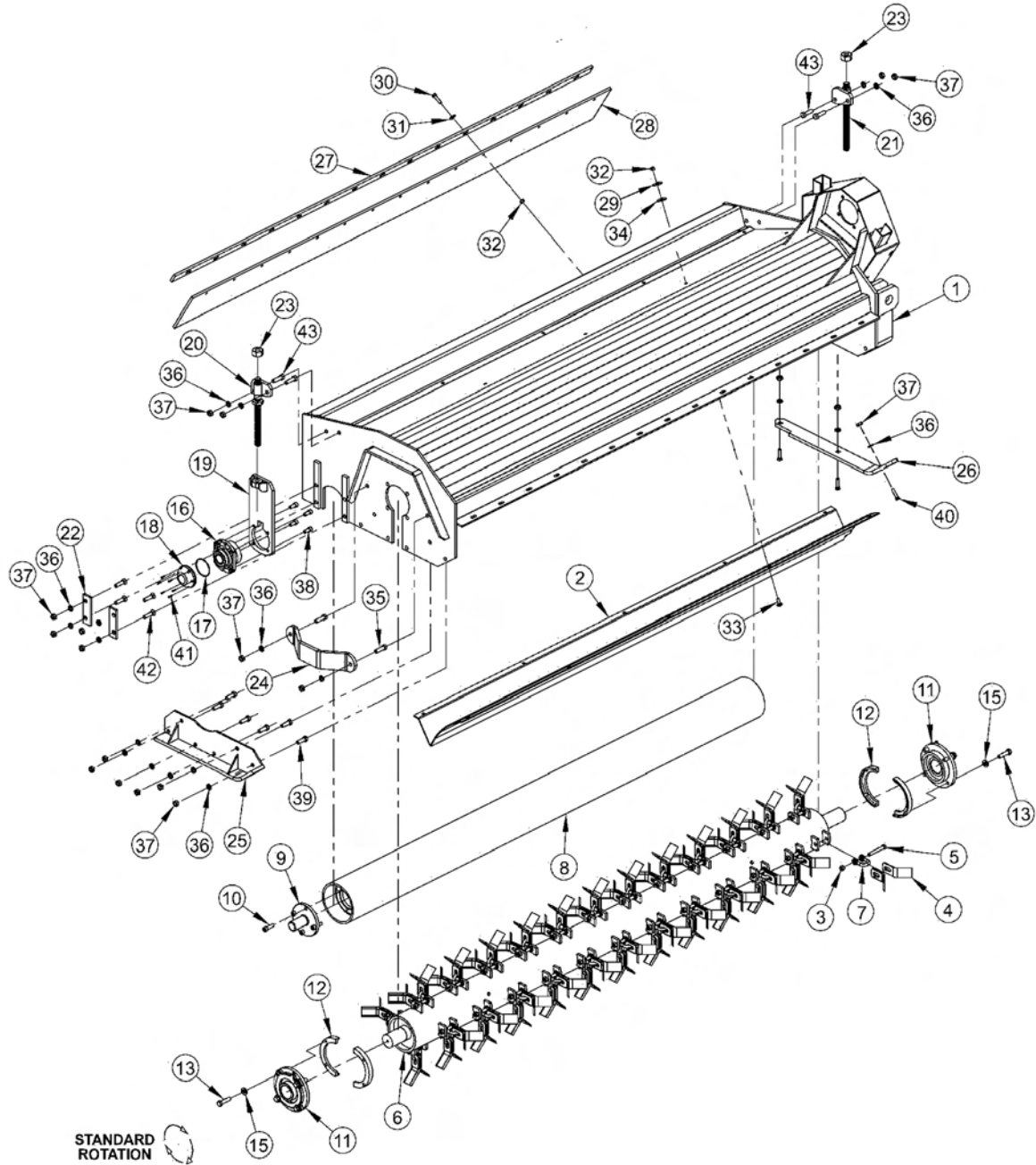
SUPER DUTY SIDE FLAIL MOTOR BREAKDOWN

Continued...

ITEM	PART NO.	QTY.	DESCRIPTION
---	06504065	-	MOTOR ASSEMBLY 350 - TSF
1	06504039	1	SHAFT END COVER
2	06504060	1	PORT END COVER
3	06504055	1	GEAR HOUSING
4	06504056	1	MATCHED GEAR SET
5	TF4402	1	BALL BEARING
6	06504057	4	CAP SCREW
7	06504044	2	SET SCREW
9	06504045	4	DOWEL PIN
10	-----	1	NAMEPLATE
11	763759	2	THRUSTPLATE
12	02961940	1	HEX PLUG
13	TF4401	1	SNAP RING
14	06504049	1	LIP SEAL (INCLUDED IN SEAL KIT)
15	TF4410	2	GASKET SEAL (INCLUDED IN SEAL KIT)
16	06504046	4	SIDE SEAL (INCLUDED IN SEAL KIT)
17	06504047	4	END SEAL (INCLUDED IN SEAL KIT)
18	TF4407	2	BACK-UP SEAL (INCLUDED IN SEAL KIT)
19	029661932	1	SEAL RETAINER
20	6T5809	2	CHECK ASSEMBLY
21	02961917	4	WASHER
---	06504023	-	SEAL KIT (INCLUDES 14, 15, 16, 17, AND 18)

COMMON TRIPLE

EXTREME DUTY 60IN SIDE FLAIL - STD ROT



ITEM	PART NO.	QTY.	DESCRIPTION
1	33913	1	BONNET,60,HD,T3F (RIGHT FLAIL)
---	06320015	1	BONNET,60,HD,T3F (LEFT FLAIL)
2	TF1802A	1	BAFFLE,FLAIL,60HD,STD ROT
---	TF1807A	-	CUTSHT ASSY,60HD,STD KNIVES (ITEMS 3, 4, 5, 6 & 7)
3	21677	32	NYLOCK NUT,7/16 NC
4	33714	64	KNIFE,FLAIL,STANDARD

COMMON TRIPLE

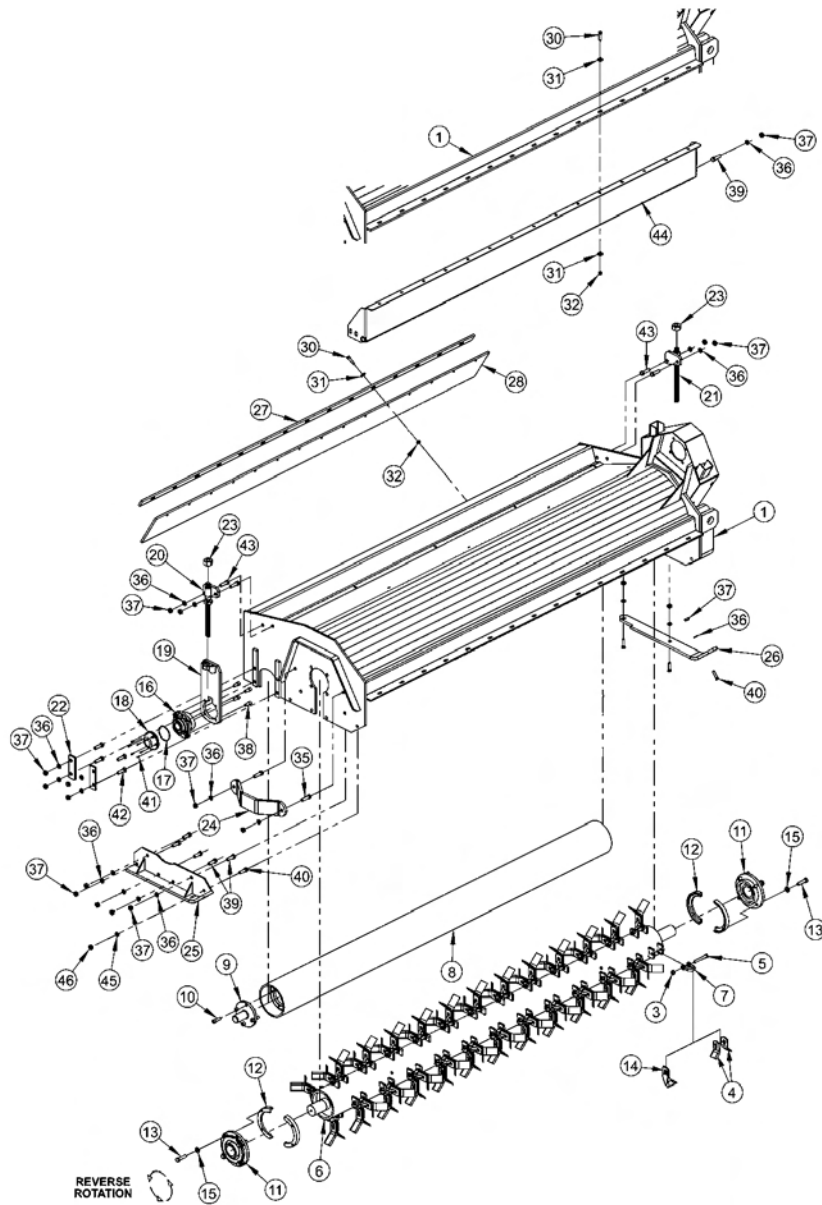
EXTREME DUTY 60IN SIDE FLAIL - STD ROT

Continued...

ITEM	PART NO.	QTY.	DESCRIPTION
5	34011	32	CAPSCREW,7/16X3 7/16,NC GR8
6	TF1807	1	CUTTERSHAFT,60,HD
7	TF1020	32	KNIFE MTG CLEVIS,FLAIL
8	30277	1	GROUND ROLLER,60
9	TF1045B	2	STUB SHAFT,GROUND ROLLER
10	6T2330	8	CAPSCREW,SKT HD,7/16X1-1/2NC
11	TF1018	2	BEARING,FLANGE,2-3/16
---	06200347	-	STRING GUARD,KIT,HD(ITEMS 12,13,15)
12	31204	2	STRING GUARD, HD
13	06530217	8	CAPSCREW,1/2 X 2,NC,L9
15	06533006	8	FLATWASHER,1/2,SAE,L9
16	06520028	2	BEARING,FLANGE,1 3/8,GRNDRLR
17	06520029	2	O-RING,2 3/4X3/32,AS568A-148
18	06520027	2	CAP,BEARING,GRNDRLR
19	TF4333A	2	GROUND ROLLER ADJ,BRKT
20	TF4334	1	ROD,GROUND ROLLER ADJ,RT
21	TF4335	1	ROD,GROUND ROLLER ADJ,LF
22	TF4336	4	PLATE,GROUND ROLLER LOCK
23	21399	2	HEX NUT,3/4 (ACME) BULK
24	TF1040	1	GUARD,CUTTER SHAFT
25	TF4371	1	SKID SHOE,OUTER (RIGHT FLAIL)
---	TF4370	1	SKID SHOE,OUTER (LEFT FLAIL)
26	23272A	1	SKID SHOE,INNER (RIGHT FLAIL)
---	27526	1	SKID SHOE,INNER (LEFT FLAIL)
27	TF1803	1	BAR,FLAP,TSF/TRF 60
28	TF1804	1	FLAP,DEFLECTOR,TSF/TRF 60
29	21988	10	LOCKWASHER,3/8
30	21632	10	CAPSCREW,3/8 X 1-1/2 NC
31	22016	10	FLATWASHER,3/8
32	21625	18	HEX NUT,3/8 NC
33	6T2283	8	CARRIAGE BOLT,3/8 X 1 NC
34	6T2615	8	WASHER,FENDER 3/8
35	21732	2	CAPSCREW,1/2 X 1-3/4 NC
36	21990	23	LOCKWASHER,1/2
37	21725	23	HEX NUT,1/2 NC
38	6T2331	8	CAPSCREW,SKT HD,7/16 X 1 NC
39	21730	6	CAPSCREW,1/2 X 1-1/4 NC
40	23293	3	PLOW,BOLT,1/2 X 1-3/4 NC
41	06530001	12	CAPSCREW,SKT HD,8-32X1/2,SS
42	6T2291	8	PLOW BOLT,1/2 X 2 NC GR5
43	21731	4	CAPSCREW,1/2 X 1-1/2 NC

COMMON TRIPLE

EXTREME DUTY 60IN SIDE FLAIL - REV ROT



ITEM	PART NO.	QTY.	DESCRIPTION
1	33913	1	BONNET,60,HD,T3F (RIGHT FLAIL)
---	06320015	1	BONNET,60,HD,T3F (LEFT FLAIL)
2	TF1807A	-	CUTSHFT ASSY,60HD (STANDARD CUT) (ITEMS 3, 4, 5, 6 & 7)
---	TF1807B	-	CUTSHFT ASSY,60HD (SMOOTH CUT) (ITEMS 3, 5, 6, 7 & 14)
3	21677	32	NYLOCK NUT,7/16 NC
4	33714	64	KNIFE,FLAIL (STANDARD CUT)
5	34011	32	CAPSCREW,7/16X3 7/16,NC GR8
6	TF1807	1	CUTTERSHAFT,60,HD
7	TF1020	32	KNIFE MTG CLEVIS,FLAIL
8	30277	1	GROUND ROLLER,60

COMMON TRIPLE

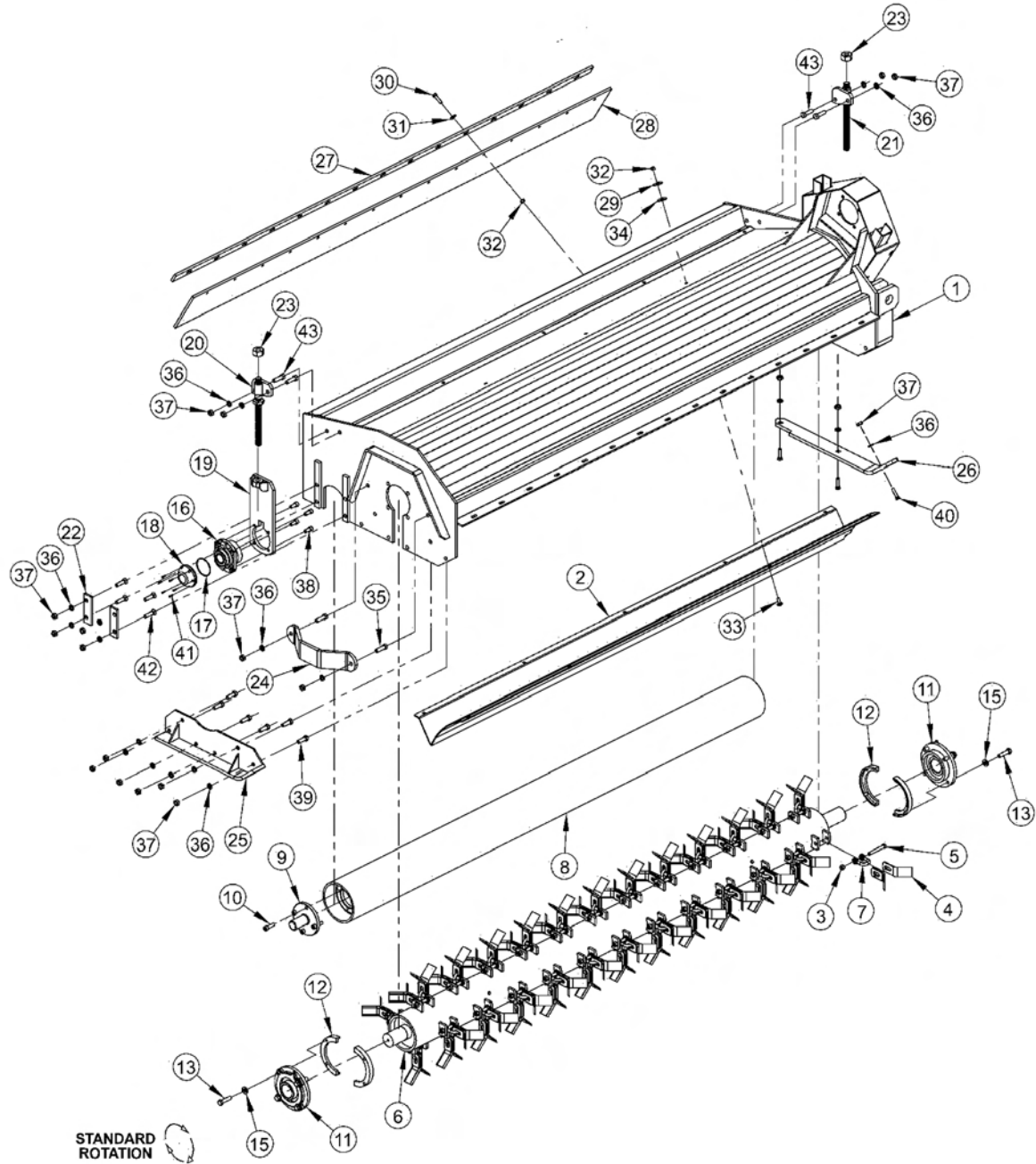
EXTREME DUTY 60IN SIDE FLAIL - REV ROT

Continued...

ITEM	PART NO.	QTY.	DESCRIPTION
9	TF1045B	2	STUB SHAFT,GROUND ROLLER
10	6T2330	8	CAPSCREW,SKT HD,7/16X1-1/2NC
11	TF1018	2	BEARING,FLANGE,2-3/16
---	06200347	-	STRING GUARD,KIT,HD(ITEMS 12,13,15)
12	31204	2	STRING GUARD, HD
13	06530217	8	CAPSCREW,1/2 X 2,NC,L9
14	TF1019F	32	KNIFE,FLAIL (SMOOTH CUT)
15	06533006	12	FLATWASHER,1/2,SAE,L9
16	06520028	2	BEARING,FLANGE,1 3/8,GRNDRLR
17	06520029	2	O-RING,2 3/4X3/32,AS568A-148
18	06520027	2	CAP,BEARING,GRNDRLR
19	TF4333A	2	GROUND ROLLER ADJ,BRKT
20	TF4334	1	ROD,GROUND ROLLER ADJ,RT
21	TF4335	1	ROD,GROUND ROLLER ADJ,LF
22	TF4336	4	PLATE,GROUND ROLLER LOCK
23	21399	2	HEX NUT,3/4 (ACME) BULK
24	TF1040	1	GUARD,CUTTER SHAFT
25	TF4371	1	SKID SHOE, OUTER (RIGHT FLAIL)
---	TF4370	1	SKID SHOE, OUTER (LEFT FLAIL)
26	23272A	1	SKID SHOE, INNER (RIGHT FLAIL)
---	27526	1	SKID SHOE, INNER (LEFT FLAIL)
27	TF1803	1	BAR,FLAP,TSF/TRF 60
28	TF1804	1	FLAP,DEFLECTOR,TSF/TRF 60
30	21632	20	CAPSCREW,3/8 X 1-1/2 NC
31	22016	30	FLATWASHER,3/8
32	21625	20	HEX NUT,3/8 NC
35	21732	2	CAPSCREW,1/2 X 1-3/4 NC
36	21990	23	LOCKWASHER,1/2
37	21725	23	HEX NUT,1/2 NC
38	6T2331	8	CAPSCREW,SKT HD,7/16 X 1 NC
39	21730	6	CAPSCREW,1/2 X 1-1/4 NC
40	23293	3	PLOW,BOLT,1/2 X 1-3/4 NC
41	06530001	12	CAPSCREW,SKT HD,8-32X1/2,SS
42	6T2291	8	PLOW BOLT,1/2 X 2 NC GR5
43	21731	4	CAPSCREW,1/2 X 1-1/2 NC
44	TF1801	1	TRASH GUARD,60REV ROT-HD
45	22018	1	FLATWASHER,1/2,WIDE
46	21727	1	NYLOCK NUT,1/2 NC

COMMON TRIPLE

EXTREME DUTY 75IN SIDE FLAIL - STD ROT



ITEM	PART NO.	QTY.	DESCRIPTION
1	21499A	1	BONNET,75,HD,T3F (RIGHT FLAIL)
---	21478A	1	BONNET,75,HD,T3F (LEFT FLAIL)
2	TF1402A	1	BAFFLE,FLAIL,75HD,STD ROT
---	TF1002A	-	CUTSHFT ASSY,75HD,STD KNIVES (ITEMS 3, 4, 5, 6 & 7)
3	21677	40	NYLOCK NUT,7/16 NC
4	33714	80	KNIFE,FLAIL,STANDARD

COMMON TRIPLE

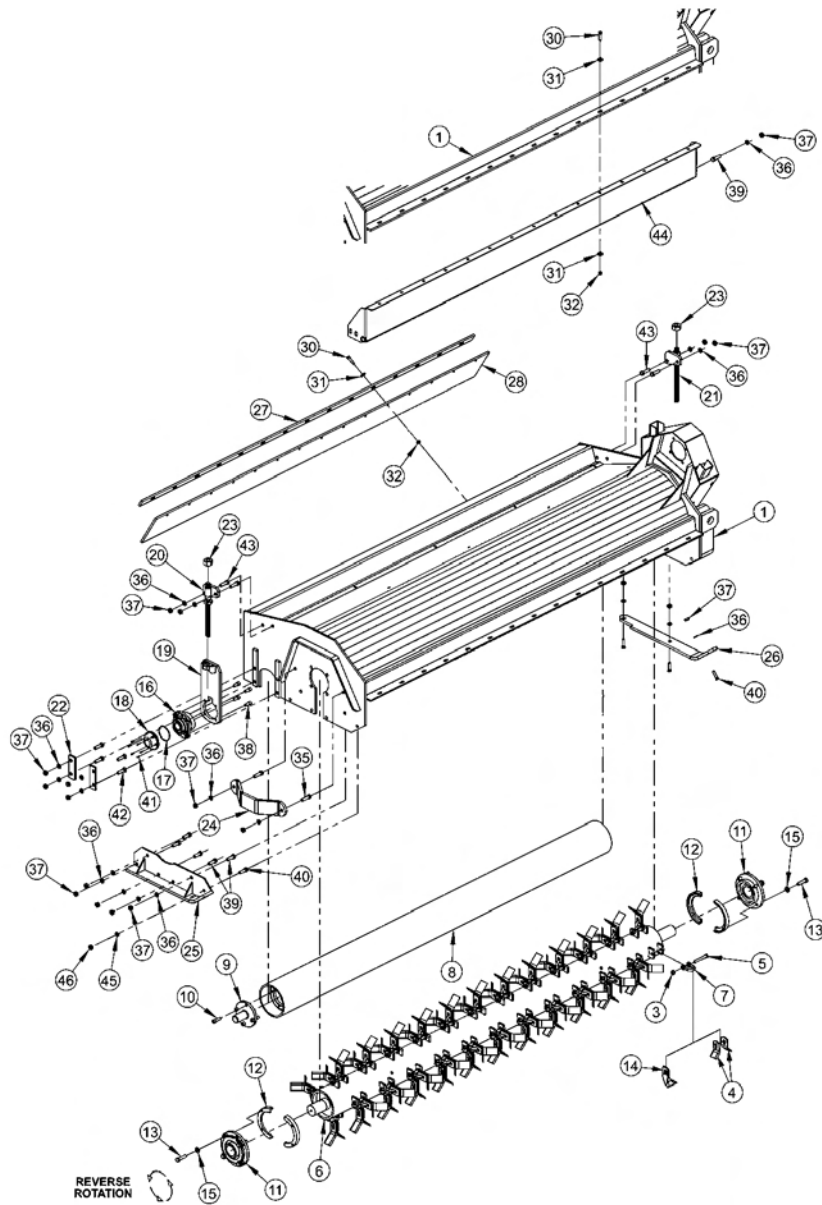
EXTREME DUTY 75IN SIDE FLAIL - STD ROT

Continued...

ITEM	PART NO.	QTY.	DESCRIPTION
5	34011	40	CAPSCREW,7/16X3 7/16,NC GR8
6	TF1002	1	CUTTERSHAFT,75,HD
7	TF1020	40	KNIFE MTG CLEVIS,FLAIL
8	28738	1	GROUND ROLLER,75
9	TF1045B	2	STUB SHAFT,GROUND ROLLER
10	6T2330	8	CAPSCREW,SKT HD,7/16X1-1/2NC
11	TF1018	2	BEARING,FLANGE,2-3/16
---	06200347	-	STRING GUARD,KIT,HD(ITEMS 12,13,15)
12	31204	2	STRING GUARD, HD
13	06530217	8	CAPSCREW,1/2 X 2,NC,L9
15	06533006	8	FLATWASHER,1/2,SAE,L9
16	06520028	2	BEARING,FLANGE,1 3/8,GRNDRLR
17	06520029	2	O-RING,2 3/4X3/32,AS568A-148
18	06520027	2	CAP,BEARING,GRNDRLR
19	TF4333A	2	GROUND ROLLER ADJ,BRKT
20	TF4334	1	ROD,GROUND ROLLER ADJ,RT
21	TF4335	1	ROD,GROUND ROLLER ADJ,LF
22	TF4336	4	PLATE,GROUND ROLLER LOCK
23	21399	2	HEX NUT,3/4 (ACME) BULK
24	TF1040	1	GUARD,CUTTER SHAFT
25	TF4371	1	SKID SHOE,OUTER (RIGHT FLAIL)
---	TF4370	1	SKID SHOE,OUTER (LEFT FLAIL)
26	23272A	1	SKID SHOE,INNER (RIGHT FLAIL)
---	27526	1	SKID SHOE,INNER (LEFT FLAIL)
27	TF1029	1	BAR,FLAP,TSF/TRF 75
28	TF1016	1	FLAP,DEFLECTOR,TSF/TRF 75
29	21988	10	LOCKWASHER,3/8
30	21632	13	CAPSCREW,3/8 X 1-1/2 NC
31	22016	13	FLATWASHER,3/8
32	21625	23	HEX NUT,3/8 NC
33	6T2283	10	CARRIAGE BOLT,3/8 X 1 NC
34	6T2615	10	WASHER,FENDER 3/8
35	21732	2	CAPSCREW,1/2 X 1-3/4 NC
36	21990	23	LOCKWASHER,1/2
37	21725	23	HEX NUT,1/2 NC
38	6T2331	8	CAPSCREW,SKT HD,7/16 X 1 NC
39	21730	6	CAPSCREW,1/2 X 1-1/4 NC
40	23293	3	PLOW,BOLT,1/2 X 1-3/4 NC
41	06530001	12	CAPSCREW,SKT HD,8-32X1/2,SS
42	6T2291	8	PLOW BOLT,1/2 X 2 NC GR5
43	21731	4	CAPSCREW,1/2 X 1-1/2 NC

COMMON TRIPLE

EXTREME DUTY 75IN SIDE FLAIL - REV ROT



ITEM	PART NO.	QTY.	DESCRIPTION
1	21499A	1	BONNET,75,HD,T3F (RIGHT FLAIL)
---	21478A	1	BONNET,75,HD,T3F (LEFT FLAIL)
2	TF1002A	-	CUTSHFT ASSY,75HD (STANDARD CUT) (ITEMS 3, 4, 5, 6 & 7)
---	TF1002B	-	CUTSHFT ASSY,75HD (SMOOTH CUT) (ITEMS 3, 5, 6, 7 & 14)
3	21677	40	NYLOCK NUT,7/16 NC
4	33714	80	KNIFE,FLAIL (STANDARD CUT)
5	34011	40	CAPSCREW,7/16X3 7/16,NC GR8
6	TF1002	1	CUTTERSHAFT,75,HD
7	TF1020	40	KNIFE MTG CLEVIS,FLAIL
8	28738	1	GROUND ROLLER,75

COMMON TRIPLE

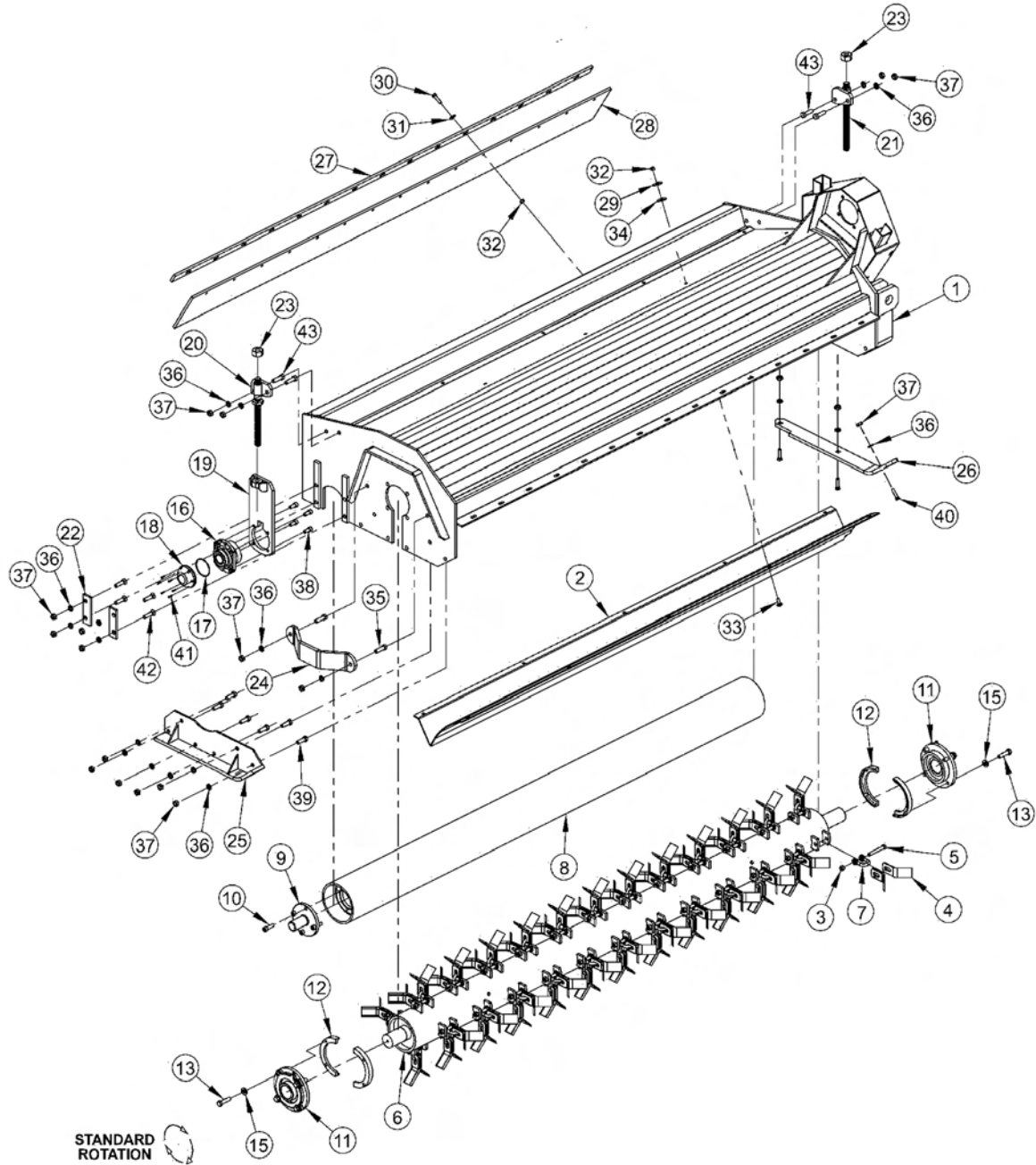
EXTREME DUTY 75IN SIDE FLAIL - REV ROT

Continued...

ITEM	PART NO.	QTY.	DESCRIPTION
9	TF1045B	2	STUB SHAFT,GROUND ROLLER
10	6T2330	8	CAPSCREW,SKT HD,7/16X1-1/2NC
11	TF1018	2	BEARING,FLANGE,2-3/16
---	06200347	-	STRING GUARD,KIT,HD(ITEMS 12,13,15)
12	31204	2	STRING GUARD, HD
13	06530217	8	CAPSCREW,1/2 X 2,NC,L9
14	TF1019F	40	KNIFE,FLAIL (SMOOTH CUT)
15	06533006	8	FLATWASHER,1/2,SAE,L9
16	06520028	2	BEARING,FLANGE,1 3/8,GRNDRLR
17	06520029	2	O-RING,2 3/4X3/32,AS568A-148
18	06520027	2	CAP,BEARING,GRNDRLR
19	TF4333A	2	GROUND ROLLER ADJ,BRKT
20	TF4334	1	ROD,GROUND ROLLER ADJ,RT
21	TF4335	1	ROD,GROUND ROLLER ADJ,LF
22	TF4336	4	PLATE,GROUND ROLLER LOCK
23	21399	2	HEX NUT,3/4 (ACME) BULK
24	TF1040	1	GUARD,CUTTER SHAFT
25	TF4371	1	SKID SHOE, OUTER (RIGHT FLAIL)
---	TF4370	1	SKID SHOE, OUTER (LEFT FLAIL)
26	23272A	1	SKID SHOE, INNER (RIGHT FLAIL)
---	27526	1	SKID SHOE, INNER (LEFT FLAIL)
27	TF1029	1	BAR,FLAP,TSF/TRF 75
28	TF1016	1	FLAP,DEFLECTOR,TSF/TRF 75
30	21632	26	CAPSCREW,3/8 X 1-1/2 NC
31	22016	39	FLATWASHER,3/8
32	21625	26	HEX NUT,3/8 NC
35	21732	2	CAPSCREW,1/2 X 1-3/4 NC
36	21990	23	LOCKWASHER,1/2
37	21725	23	HEX NUT,1/2 NC
39	21730	6	CAPSCREW,1/2 X 1-1/4 NC
40	23293	3	PLOW,BOLT,1/2 X 1-3/4 NC
41	06530001	12	CAPSCREW,SKT HD,8-32X1/2,SS
42	6T2291	8	PLOW BOLT,1/2 X 2 NC GR5
43	21731	4	CAPSCREW,1/2 X 1-1/2 NC
44	TF1403	1	TRASH GUARD,75REV ROT-HD
45	22018	1	FLATWASHER,1/2,WIDE
46	21727	1	NYLOCK NUT,1/2 NC

COMMON TRIPLE

EXTREME DUTY 90IN SIDE FLAIL - STD ROT



ITEM	PART NO.	QTY.	DESCRIPTION
1	22083A	1	BONNET,90,HD,T3F (RIGHT FLAIL)
---	22084A	1	BONNET,90,HD,T3F (LEFT FLAIL)
2	TF1502A	1	BAFFLE,FLAIL,90HD,STD ROT
---	TF1102A	-	CUTSHFT ASSY,90HD,STD KNIVES (ITEMS 3, 4, 5, 6 & 7)
3	21677	48	NYLOCK NUT,7/16 NC
4	33714	96	KNIFE,FLAIL,STANDARD

COMMON TRIPLE

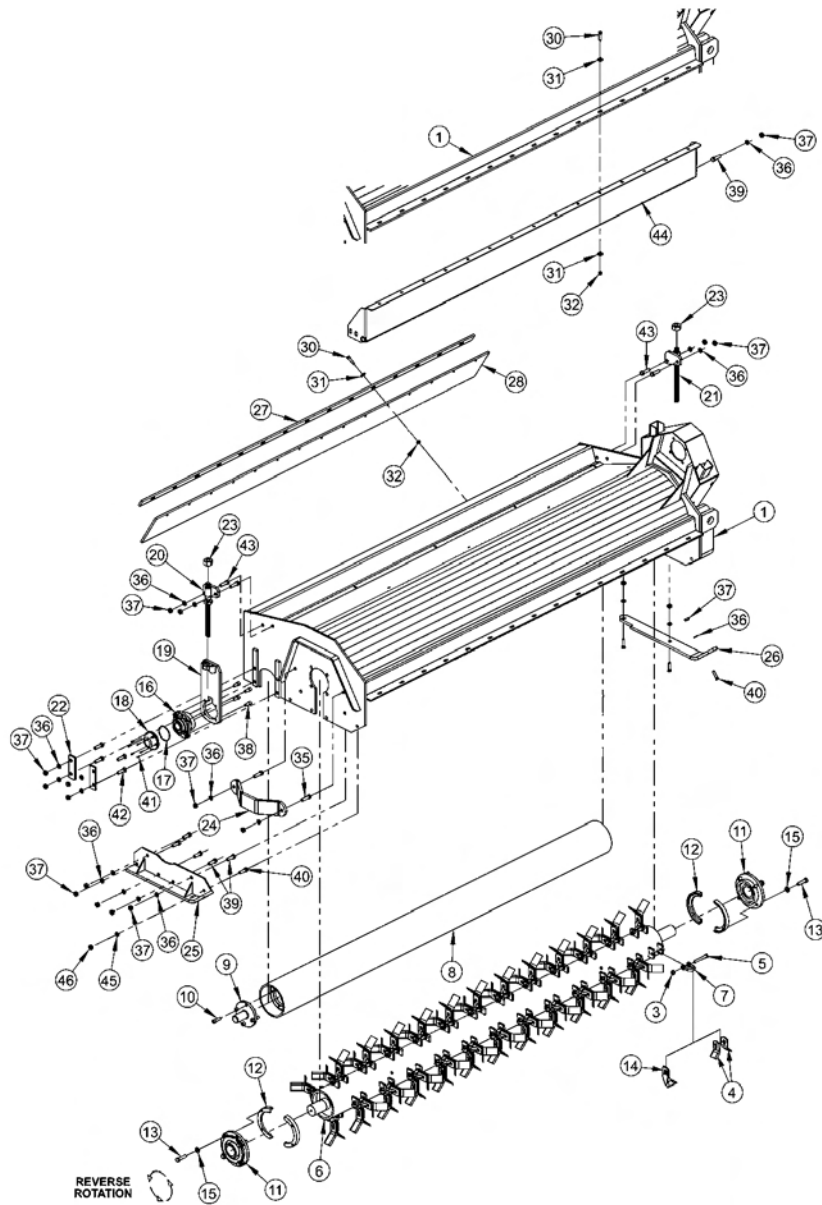
EXTREME DUTY 90IN SIDE FLAIL - STD ROT

Continued...

ITEM	PART NO.	QTY.	DESCRIPTION
5	34011	48	CAPSCREW,7/16X3 7/16,NC GR8
6	TF1102	1	CUTTERSHAFT,90,HD
7	TF1020	48	KNIFE MTG CLEVIS,FLAIL
8	27972A	1	GROUND ROLLER,90
9	TF1045B	2	STUB SHAFT,GROUND ROLLER
10	6T2330	8	CAPSCREW,SKT HD,7/16X1-1/2NC
11	TF1018	2	BEARING,FLANGE,2-3/16
---	06200347	-	STRING GUARD,KIT,HD(ITEMS 12,13,15)
12	31204	2	STRING GUARD, HD
13	06530217	8	CAPSCREW,1/2 X 2,NC,L9
15	06533006	8	FLATWASHER,1/2,SAE,L9
16	06520028	2	BEARING,FLANGE,1 3/8,GRNDRLR
17	06520029	2	O-RING,2 3/4X3/32,AS568A-148
18	06520027	2	CAP,BEARING,GRNDRLR
19	TF4333A	2	GROUND ROLLER ADJ,BRKT
20	TF4334	1	ROD,GROUND ROLLER ADJ,RT
21	TF4335	1	ROD,GROUND ROLLER ADJ,LF
22	TF4336	4	PLATE,GROUND ROLLER LOCK
23	21399	2	HEX NUT,3/4 (ACME) BULK
24	TF1040	1	GUARD,CUTTER SHAFT
25	TF4371	1	SKID SHOE, OUTER (RIGHT FLAIL)
---	TF4370	1	SKID SHOE, OUTER (LEFT FLAIL)
26	23272A	1	SKID SHOE, INNER (RIGHT FLAIL)
---	27526	1	SKID SHOE, INNER (LEFT FLAIL)
27	TF1135	1	BAR,FLAP,TSF/TRF 90
28	TF1116	1	FLAP,DEFLECTOR,TSF/TRF 90
29	21988	10	LOCKWASHER,3/8
30	21632	15	CAPSCREW,3/8 X 1-1/2 NC
31	22016	15	FLATWASHER,3/8
32	21625	25	HEX NUT,3/8 NC
33	6T2283	10	CARRIAGE BOLT,3/8 X 1 NC
34	6T2615	10	WASHER,FENDER 3/8
35	21732	2	CAPSCREW,1/2 X 1-3/4 NC
36	21990	23	LOCKWASHER,1/2
37	21725	23	HEX NUT,1/2 NC
38	6T2331	8	CAPSCREW,SKT HD,7/16 X 1 NC
39	21730	6	CAPSCREW,1/2 X 1-1/4 NC
40	23293	3	PLOW,BOLT,1/2 X 1-3/4 NC
41	06530001	12	CAPSCREW,SKT HD,8-32X1/2,SS
42	6T2291	8	PLOW BOLT,1/2 X 2 NC GR5
43	21731	4	CAPSCREW,1/2 X 1-1/2 NC

COMMON TRIPLE

EXTREME DUTY 90IN SIDE FLAIL - REV ROT



ITEM	PART NO.	QTY.	DESCRIPTION
1	22083A	1	BONNET,90,HD,ASSY (RIGHT FLAIL)
---	22084A	1	BONNET,90,HD,ASSY (LEFT FLAIL)
2	TF1102A	-	CUTSHFT ASSY,90HD (STANDARD CUT) (ITEMS 3, 4, 5, 6 & 7)
---	TF1102B	-	CUTSHFT ASSY,90HD (SMOOTH CUT) (ITEMS 3, 5, 6, 7 & 14)
3	21677	48	NYLOCK NUT,7/16 NC
4	33714	96	KNIFE,FLAIL (STANDARD CUT)
5	34011	48	CAPSCREW,7/16X3 7/16,NC GR8
6	TF1102	1	CUTTERSHAFT,90,HD
7	TF1020	48	KNIFE MTG CLEVIS,FLAIL
8	27972A	1	GROUND ROLLER,90

COMMON TRIPLE

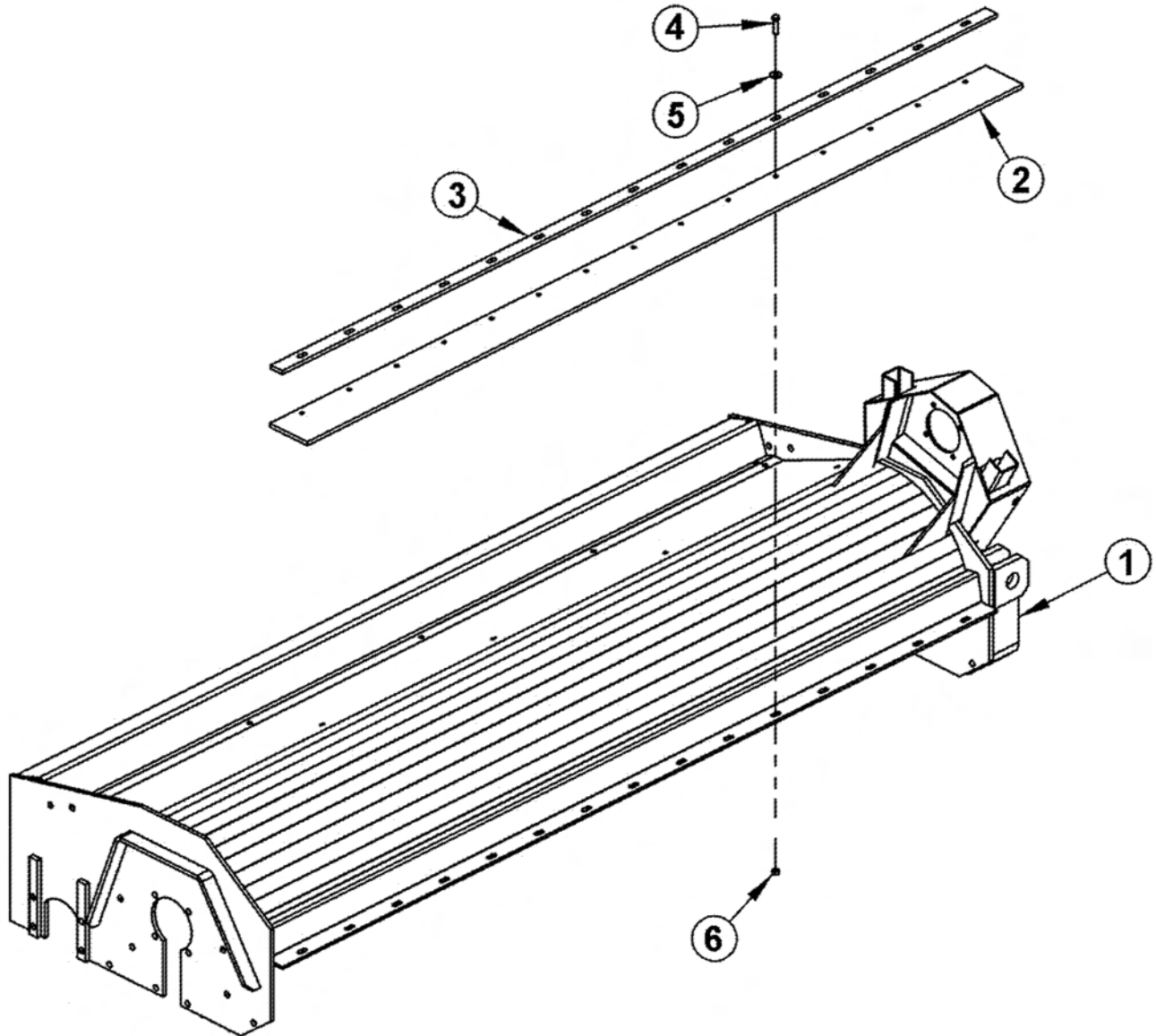
EXTREME DUTY 90IN SIDE FLAIL - REV ROT

Continued...

ITEM	PART NO.	QTY.	DESCRIPTION
9	TF1045B	2	STUB SHAFT,GROUND ROLLER
10	6T2330	8	CAPSCREW,SKT HD,7/16X1-1/2NC
11	TF1018	2	BEARING,FLANGE,2-3/16
---	06200347	-	STRING GUARD,KIT,HD(ITEMS 12,13,15)
12	31204	2	STRING GUARD, HD
13	06530217	8	CAPSCREW,1/2 X 2,NC,L9
14	TF1019F	48	KNIFE,FLAIL (SMOOTH CUT)
15	06533006	8	FLATWASHER,1/2,SAE,L9
16	06520028	2	BEARING,FLANGE,1 3/8,GRNDRLR
17	06520029	2	O-RING,2 3/4X3/32,AS568A-148
18	06520027	2	CAP,BEARING,GRNDRLR
19	TF4333A	2	GROUND ROLLER ADJ,BRKT
20	TF4334	1	ROD,GROUND ROLLER ADJ,RT
21	TF4335	1	ROD,GROUND ROLLER ADJ,LF
22	TF4336	4	PLATE,GROUND ROLLER LOCK
23	21399	2	HEX NUT,3/4 (ACME) BULK
24	TF1040	1	GUARD,CUTTER SHAFT
25	TF4371	1	SKID SHOE, OUTER (RIGHT FLAIL)
---	TF4370	1	SKID SHOE, OUTER (LEFT FLAIL)
26	23272A	1	SKID SHOE, INNER (RIGHT FLAIL)
---	27526	1	SKID SHOE, INNER (LEFT FLAIL)
27	TF1135	1	BAR,FLAP,TSF/TRF 90
28	TF1116	1	FLAP,DEFLECTOR,TSF/TRF 90
30	21632	30	CAPSCREW,3/8 X 1-1/2 NC
31	22016	45	FLATWASHER,3/8
32	21625	30	HEX NUT,3/8 NC
35	21732	2	CAPSCREW,1/2 X 1-3/4 NC
36	21990	23	LOCKWASHER,1/2
37	21725	23	HEX NUT,1/2 NC
38	6T2331	8	CAPSCREW,SKT HD,7/16 X 1 NC
39	21730	6	CAPSCREW,1/2 X 1-1/4 NC
40	23293	3	PLOW,BOLT,1/2 X 1-3/4 NC
41	06530001	12	CAPSCREW,SKT HD,8-32X1/2,SS
42	6T2291	8	PLOW BOLT,1/2 X 2 NC GR5
43	21731	4	CAPSCREW,1/2 X 1-1/2 NC
44	TF1503	1	TRASH GUARD,90REV ROT-HD
45	22018	1	FLATWASHER,1/2,WIDE
46	21727	1	NYLOCK NUT,1/2 NC

COMMON TRIPLE

FRONT FLAPS, XD FLAIL - STANDARD ROTATION



COMMON TRIPLE

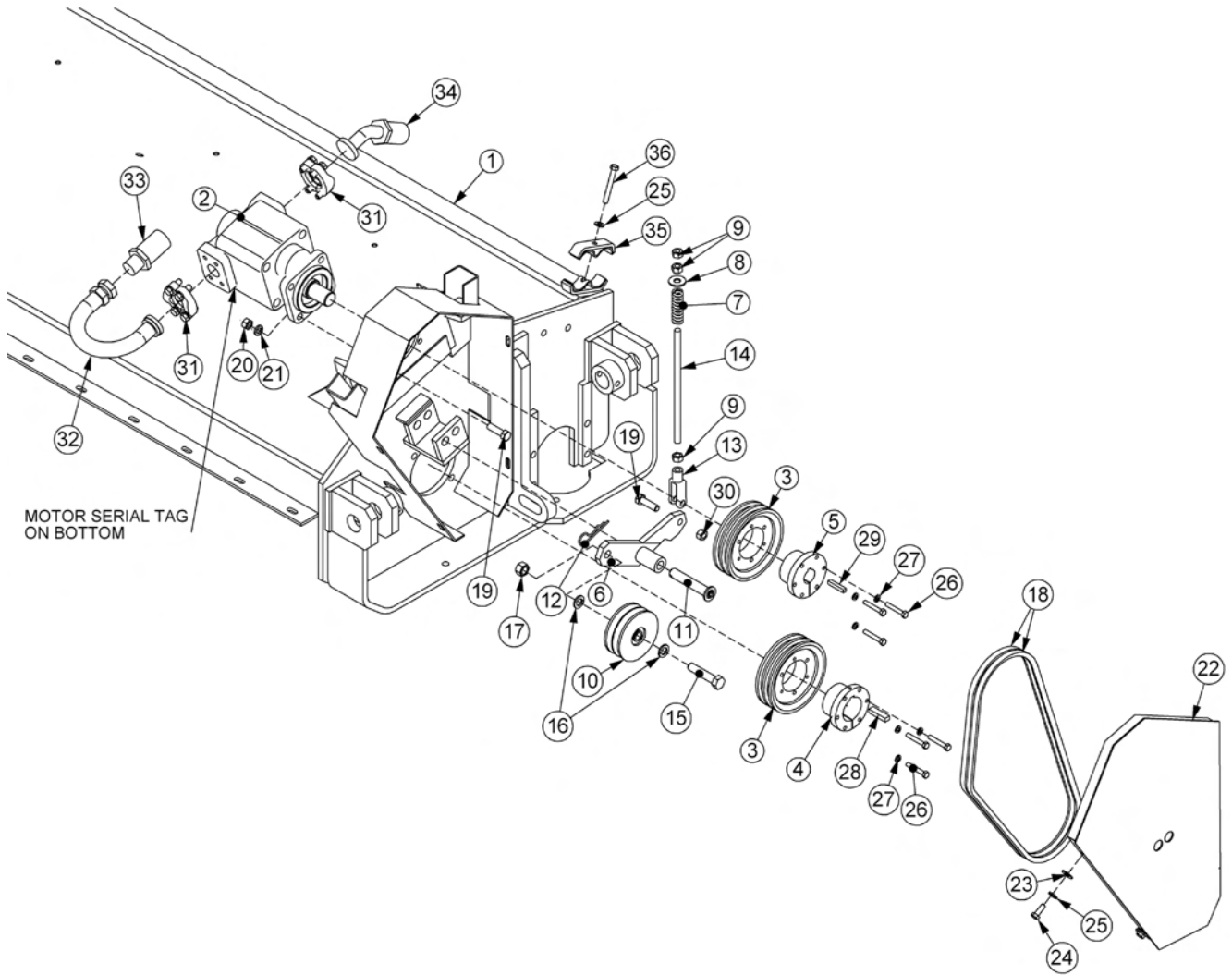
FRONT FLAPS, XD FLAIL - STANDARD ROTATION

Continued...

ITEM	PART NO.	QTY.	DESCRIPTION
1	-----	-	BONNET *REFER TO HEAD ASSEMBLY
2	06520240	1	FLAP,FRONT,60IN
---	06520242	1	FLAP,FRONT,75IN
----	06520243	1	FLAP,FRONT,90IN
3	TF1803	1	BAR,FLAP,60IN
---	TF1029	1	BAR,FLAP,75IN
----	TF1135	1	BAR,FLAP,90IN
4	21632	10	CAPSCREW,3/8" X 1-1/2",NC (60IN FLAIL)
---	-----	13	CAPSCREW,3/8" X 1-1/2",NC (75IN FLAIL)
	-----	15	CAPSCREW,3/8" X 1-1/2",NC (90IN FLAIL)
5	22016	20	FLATWASHER,3/8" (60IN FLAIL)
---	-----	26	FLATWASHER,3/8" (75IN FLAIL)
----	-----	30	FLATWASHER,3/8" (90IN FLAIL)
6	21625	10	HEX NUT,3/8",NC (60IN FLAIL)
---	-----	13	HEX NUT,3/8",NC (75IN FLAIL)
----	-----	15	HEX NUT,3/8",NC (90IN FLAIL)

COMMON TRIPLE

EXTREME DUTY SIDE FLAIL DRIVE ASSY



COMMON TRIPLE

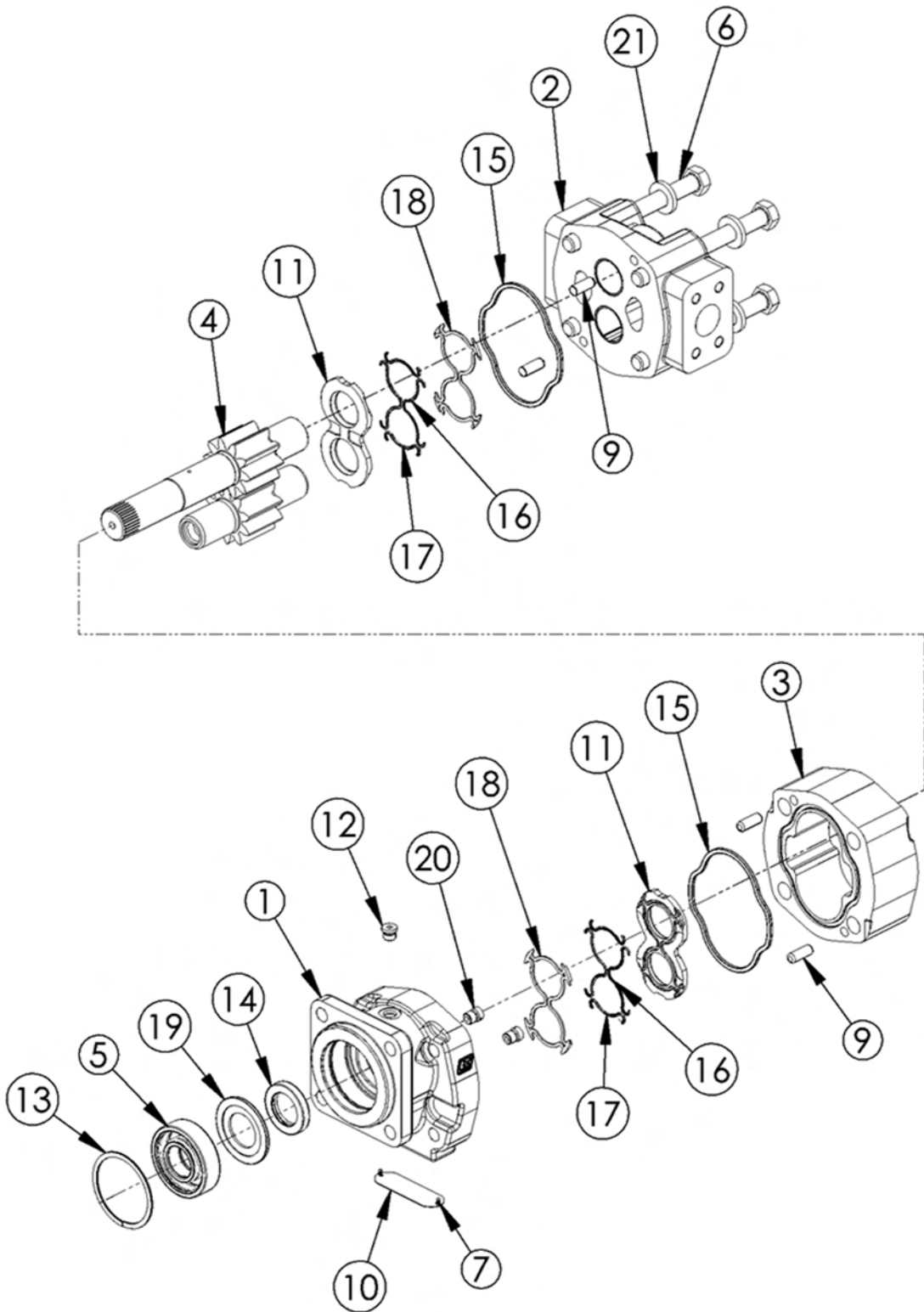
EXTREME DUTY SIDE FLAIL DRIVE ASSY

Continued...

ITEM	PART NO.	QTY.	DESCRIPTION
1	-----	-	BONNET *REFER TO FLAIL PARTS
2	06504066	1	MOTOR,T3F
3	TF3040	2	SHEAVE,6.3
4	TF3011	1	BUSHING,QD,SK,2-3/16"
5	TF3013	1	BUSHING,QD,SK 1-1/4"
6	TF4346	1	IDLER ARM (RIGHT FLAIL - STD ROT / LEFT FLAIL - REV ROT)
---	TF4345	-	IDLER ARM (RIGHT FLAIL - REV ROT / LEFT FLAIL - STD ROT)
7	TF3620A	1	SPRING,TENSIONER
8	22018	1	FLATWASHER,1/2",WIDE
9	21700	3	HEX NUT, 1/2", NF
10	31293	1	SHEAVE,IDLER ASSY, 4.4 O.D.
11	TF3605	1	PIN,IDLER ARM 3/4"X4-1/4"
12	6T3004	1	R-CLIP (HAIRPIN COTTER, 3/16")
13	PT3611A	1	CLEVIS,6"
14	32494	1	ROD, THREADED, 1/2-20NF
15	21787	1	CAPSCREW,5/8" X 3", NC
16	21992	2	LOCKWASHER, 5/8
17	21775	1	HEX NUT, 5/8
18	TF3020	2	V-BELT, (530)
19	21732	5	CAPSCREW, 1/2 X 1 3/4,NC
20	21725	4	HEX NUT, 1/2" NC
21	21990	4	LOCKWASHER, 1/2"
22	TF4564	1	BELT SHEILD (RIGHT)
---	TF4565	1	BELT SHEILD (LEFT)
23	22016	4	FLATWASHER,3/8"
24	21630	4	CAPSCREW, 3/8 X 1,NC
25	21988	5	LOCKWASHER, 3/8"
26	21584	6	CAPSCREW, 5/16 X 2,NC
27	21987	6	LOCKWASHER, 5/16"
28	TF1025	1	KEY,1/4" X 1/2" X 1-7/8" SQ
29	TF1125	1	KEY,3/8" X 1/2" X 1-7/8" SQ
30	21727	1	NYLOCK NUT, 1/2
31	TF4853	2	KIT,FLANGE,#16
32	32920	1	PREFORMED TUBE
33	-----	-	HOSE (RETURN FOR STANDARD ROTATION)
34	-----	-	HOSE (PRESSURE FOR STANDARD ROTATION)
35	TB3031	1	CLAMP,HOSE
36	21638	1	CAPSCREW,3/8 X 3,NC

COMMON TRIPLE

EXTREME DUTY SIDE FLAIL MOTOR BREAKDOWN



COMMON TRIPLE

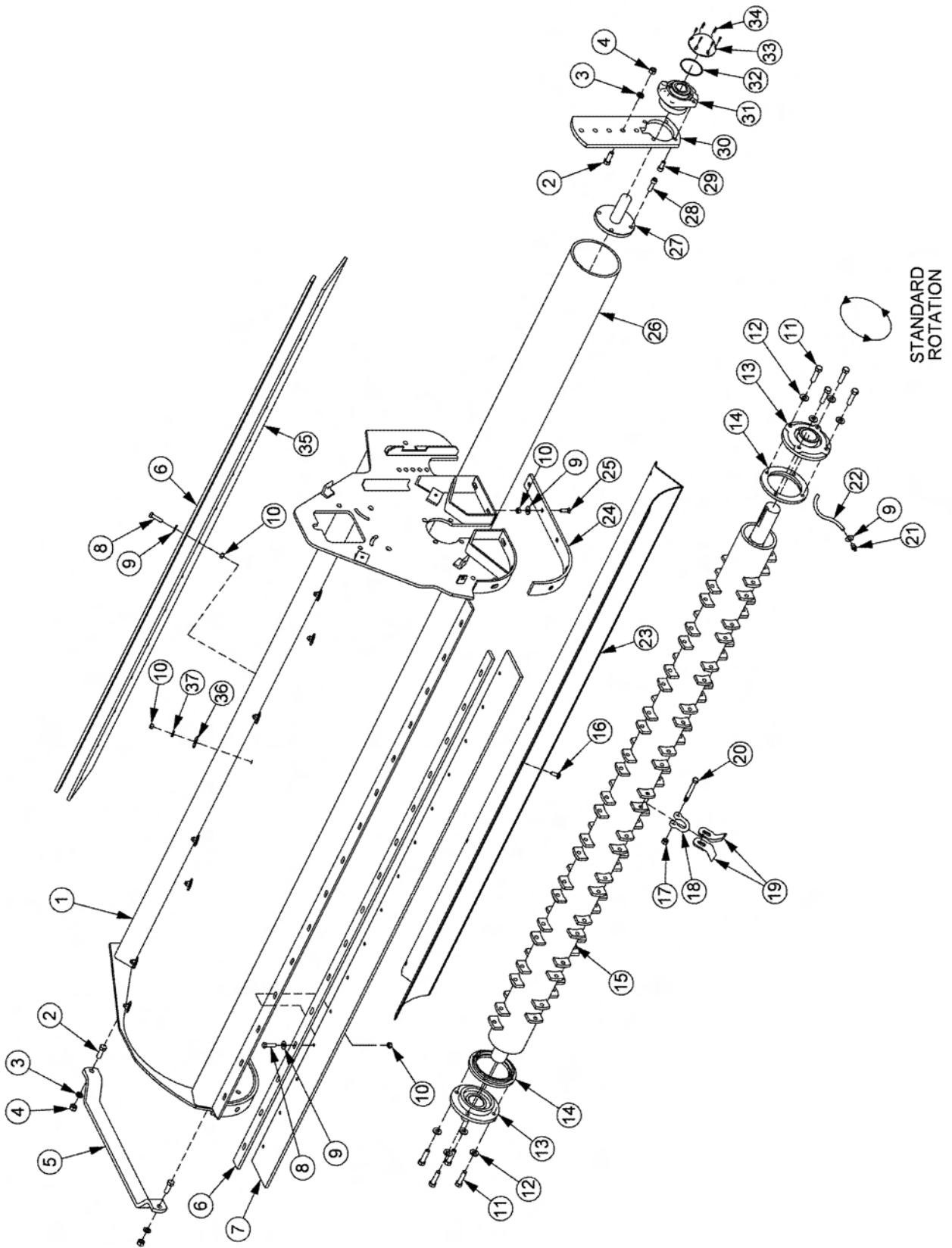
EXTREME DUTY SIDE FLAIL MOTOR BREAKDOWN

Continued...

ITEM	PART NO.	QTY.	DESCRIPTION
---	06504066	-	MOTOR ASSEMBLY 350 - TSF
1	06504039	1	SHAFT END COVER
2	06504054	1	PORT END COVER
3	06504055	1	GEAR HOUSING
4	06504056	1	MATCHED GEAR SET
5	TF4402	1	BALL BEARING
6	06504057	4	CAP SCREW
7	06504044	2	SET SCREW
9	06504045	4	DOWEL PIN
10	-----	1	NAMEPLATE
11	22763759	2	THRUSTPLATE
12	02961940	1	HEX PLUG
13	TF4401	1	SNAP RING
14	06504049	1	LIP SEAL (INCLUDED IN SEAL KIT)
15	TF4410	2	GASKET SEAL (INCLUDED IN SEAL KIT)
16	06504046	4	SIDE SEAL (INCLUDED IN SEAL KIT)
17	06504047	4	END SEAL (INCLUDED IN SEAL KIT)
18	TF4407	2	BACK-UP SEAL (INCLUDED IN SEAL KIT)
19	02961932	1	SEAL RETAINER
20	6T5809	2	CHECK ASSEMBLY
21	02961917	4	WASHER
---	06504023	-	SEAL KIT (INCLUDES 14, 15, 16, 17, AND 18)

COMMON TRIPLE

SUPER DUTY 75IN REAR FLAIL - STD ROT



COMMON TRIPLE

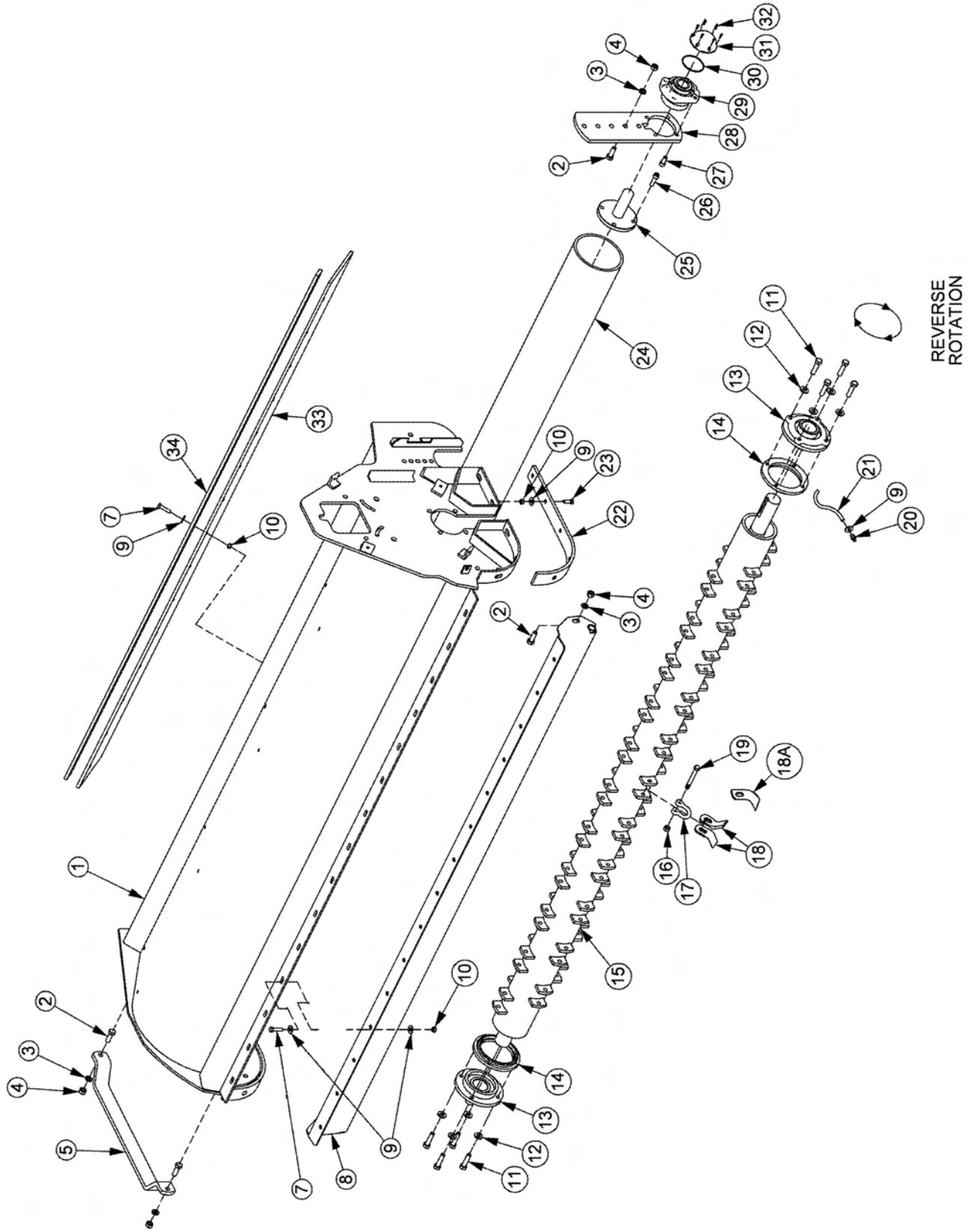
SUPER DUTY 75IN REAR FLAIL - STD ROT

Continued...

ITEM	PART NO.	QTY.	DESCRIPTION
---	06742090	-	75" REAR FLAIL,SD,STD ROT
1	06320134	1	BONNET,75",STD,ROSTA
2	21731	6	CAPSCREW,1/2" X 1-1/2",NC
3	21990	6	LOCKWASHER,1/2"
4	21725	6	HEX NUT,1/2",NC
5	27975A	1	GUARD,CUTTERSHAFT
6	TF1029	2	BAR,FLAP,TSF/TRF 75"
7	06520242	1	FLAP,75",FRONT
8	21632	20	CAPSCREW,3/8" X 1-1/2",NC
9	22016	37	FLATWASHER,3/8",GR8
10	21625	46	HEX NUT,3/8",NC
---	06200639	-	KIT,STRING GUARD (ITEMS 11, 12 & 14)
11	06530217	8	CAPSCREW,3/4" X 2-1/2",GR8,NC
12	06533006	8	FLATWASHER,1/2",SAE,L9
13	28683	2	BEARING,FLANGE,1-15/16",STD
14	33863	2	STRING GUARD,STD
---	28747	-	CUTTERSHAFT ASSY (STANDARD CUT) (ITEMS 15, 17, 18, 19 & 20)
15	28643B	1	CUTTERSHAFT,75"STD,W/EARS
16	6T2283	10	CARRIAGE BOLT,3/8" X 1",NC
17	21677	40	NYLOCK NUT,7/16",NC
18	TF1020	40	KNIFE MTG CLEVIS,FLAIL
19	33713	80	KNIFE,FLAIL (STANDARD CUT)
20	34011	40	CAPSCREW,7/16" X 3-7/16",GR8,NC
21	TF1033	1	GREASE ZERK,1/8" FPT
22	TF1032	1	GRS HOSE,3/16" X 8"
23	28737	1	BAFFLE,75",STD ROT-STD
24	28086A	2	SKID SHOE,STD DUTY,REAR FLAIL
25	30013	10	PLOW BOLT,3/8" X 1-1/4",GR5,NC
26	28738	1	GROUND ROLLER,75"
27	TF1045B	2	STUB SHAFT,GROUND ROLLER
28	6T2330	8	CAPSCREW,SKT HD,7/16" X 1-1/2",NC
29	6T2331	4	CAPSCREW,SKT HD,7/16" X 1",NC
30	28735	2	GROUND ROLLER ADJ BRKT,STD DTY
31	06520028	2	BEARING,FLANGE,1-3/8",GRNDRLLR
32	06520029	2	O-RING,2-3/4" X 3/32"
33	06520027	2	CAP,BEARING,GRNDRLLR
34	06530001	12	CAPSCREW,SKT HD,8-32 X 1/2",SS
35	TF1016	1	FLAP,DEFLECTOR,75"
36	6T2615	10	WASHER,FENDER,3/8"
37	21988	10	LOCKWASHER,3/8"

COMMON TRIPLE

SUPER DUTY 75IN REAR FLAIL - REV ROT



COMMON TRIPLE

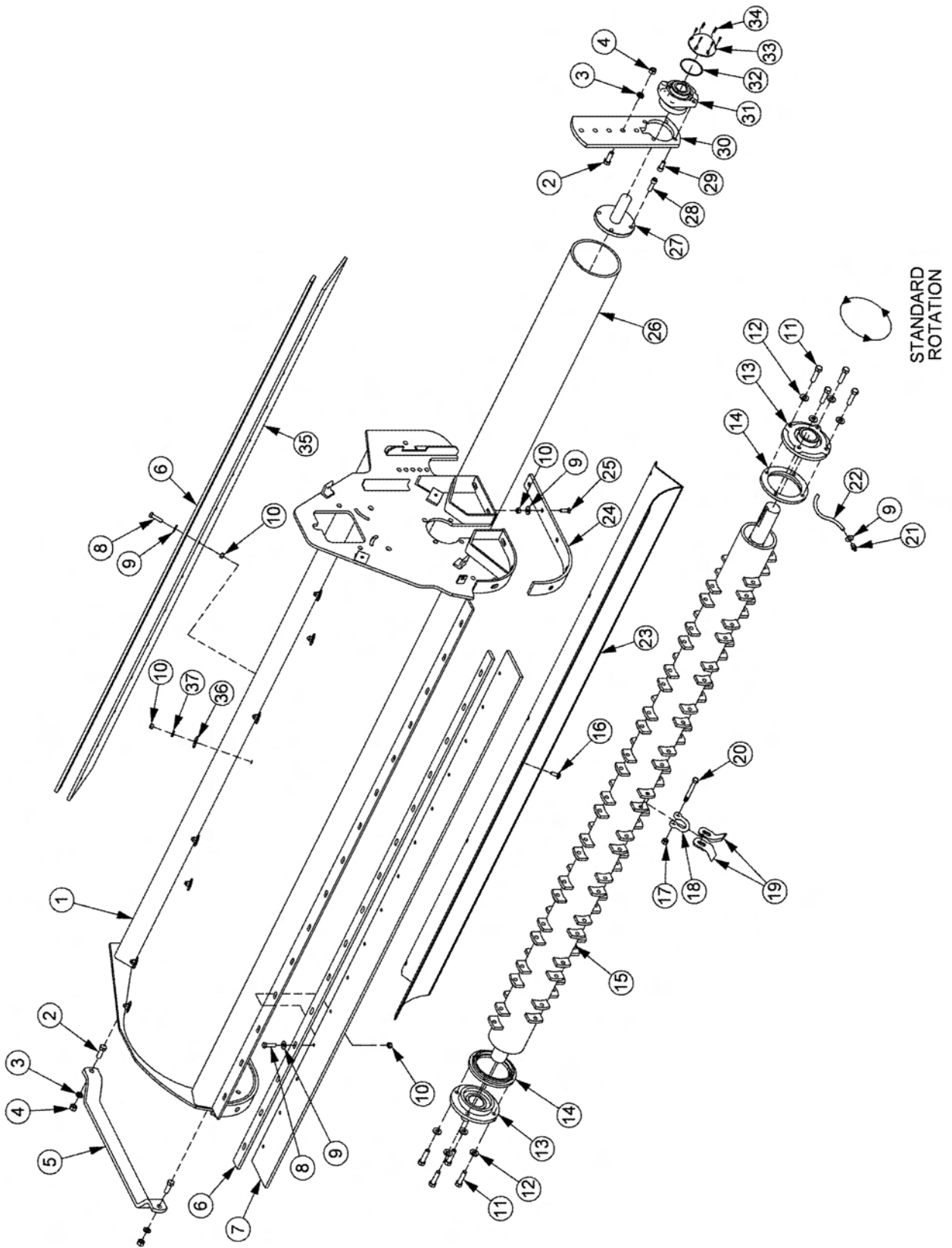
SUPER DUTY 75IN REAR FLAIL - REV ROT

Continued...

ITEM	PART NO.	QTY.	DESCRIPTION
---	06742091	-	75IN REAR FLAIL,SD,RR (STANDARD CUT)
----	06742092	-	75IN REAR FLAIL,SD,RR (SMOOTH CUT)
1	06320134	1	BONNET,75",STD,ROSTA
2	21731	8	CAPSCREW,1/2" X 1-1/2",NC
3	21990	8	LOCKWASHER,1/2"
4	21725	8	HEX NUT,1/2",NC
5	27975A	1	GUARD,CUTTERSHAFT
7	21632	20	CAPSCREW,3/8" X 1-1/2",NC
8	28968A	1	TRASH GUARD,75"
9	22016	50	FLATWASHER,3/8",GR8
10	21625	40	HEX NUT,3/8",NC
---	06200639	-	KIT,STRING GUARD (ITEMS 11, 12 & 14)
11	06530217	8	CAPSCREW,3/4" X 2-1/2",GR8,NC
12	06533006	8	FLATWASHER,1/2",SAE,L9
13	28683	2	BEARING,FLANGE,1-15/16",STD
14	33863	2	STRING GUARD,STD
---	28747	-	CUTTERSHAFT,ASSY (STANDARD CUT) (ITEMS 15, 16, 17, 18 & 19)
----	28748	-	CUTTERSHAFT,ASSY (SMOOTH CUT) (ITEMS 15, 16, 17, 18A & 19)
15	28643B	1	CUTTERSHAFT,75"STD,W/EARS
16	21677	40	NYLOCK NUT,7/16",NC
17	TF1020	40	KNIFE MTG CLEVIS,FLAIL
18	33713	80	KNIFE,FLAIL (STANDARD CUT)
18A	28184A	40	KNIFE,FLAIL (SMOOTH CUT)
19	34011	40	CAPSCREW,7/16" X 3-7/16",GR8,NC
20	TF1033	1	GREASE ZERK,1/8" FPT
21	TF1032	1	GRS HOSE,3/16" X 8"
22	28086A	2	SKID SHOE,STD DUTY,REAR FLAIL
23	30013	10	PLOW BOLT,3/8" X 1-1/4",GR5,NC
24	28738	1	GROUND ROLLER,75"
25	TF1045B	2	STUB SHAFT,GROUND ROLLER
26	6T2330	8	CAPSCREW,SKT HD,7/16" X 1-1/2",NC
27	6T2331	4	CAPSCREW,SKT HD,7/16" X 1",NC
28	28735	2	GROUND ROLLER ADJ BRKT,STD DTY
29	06520028	2	BEARING,FLANGE,1-3/8",GRNDRLLR
30	06520029	2	O-RING,2-3/4" X 3/32"
31	06520027	2	CAP,BEARING,GRNDRLLR
32	06530001	12	CAPSCREW,SKT HD,8-32 X 1/2",SS
33	TF1016	1	FLAP,DEFLECTOR,75"
34	TF1029	1	BAR,FLAP,TSF/TRF,75"

COMMON TRIPLE

SUPER DUTY 90IN REAR FLAIL - STD ROT



COMMON TRIPLE

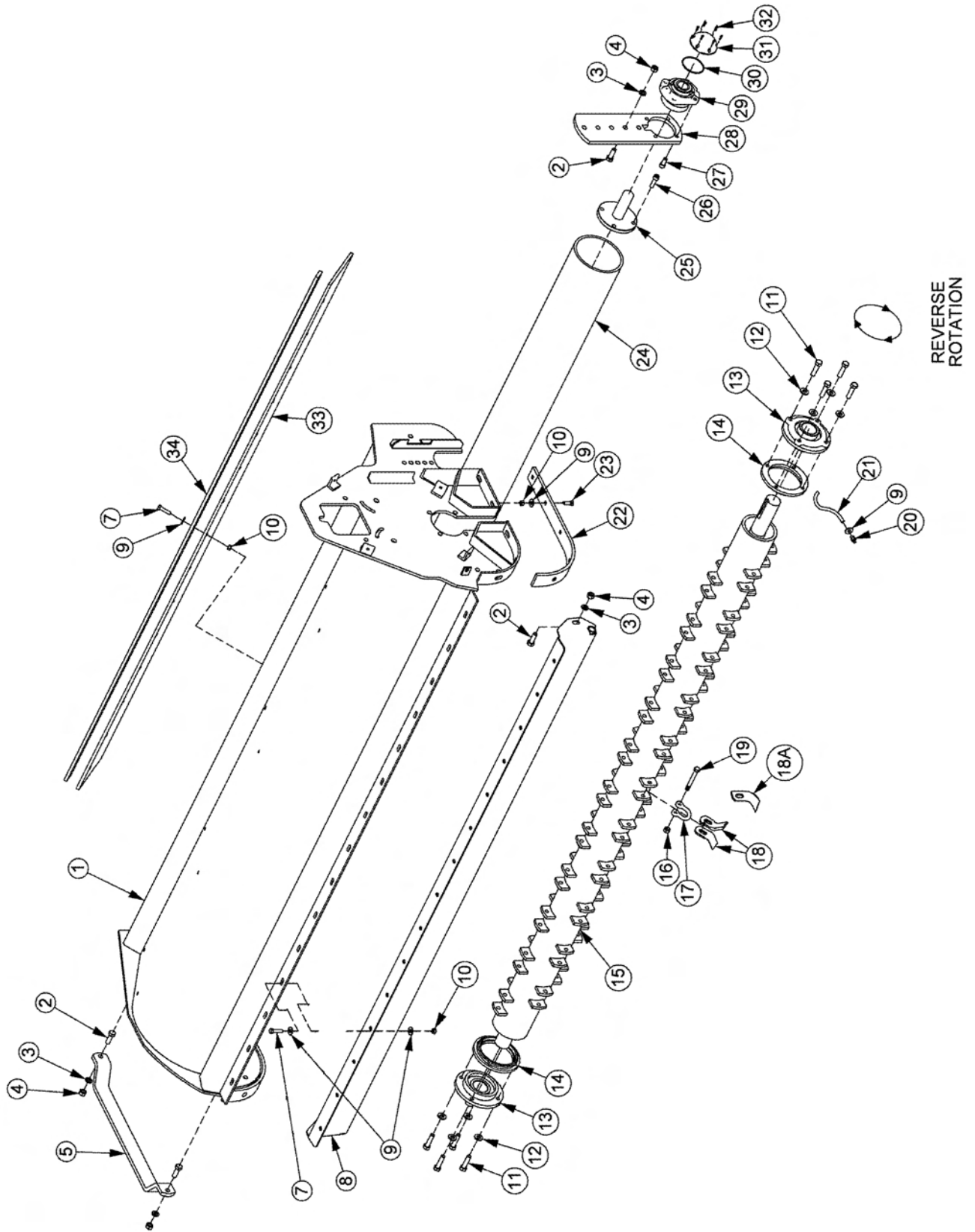
SUPER DUTY 90IN REAR FLAIL - STD ROT

Continued...

ITEM	PART NO.	QTY.	DESCRIPTION
---	06742080	-	90" REAR FLAIL,SD,STD ROT
1	06320115	1	BONNET,90",STD,ROSTA
2	21731	6	CAPSCREW,1/2" X 1-1/2",NC
3	21990	6	LOCKWASHER,1/2"
4	21725	6	HEX NUT,1/2",NC
5	27975A	1	GUARD,CUTTERSHAFT
6	TF1135	2	BAR,FLAP,TSF/TRF 90"
7	06520243	1	FLAP,90",FRONT
8	21632	20	CAPSCREW,3/8" X 1-1/2",NC
9	22016	41	FLATWASHER,3/8",GR8
10	21625	50	HEX NUT,3/8",NC
---	06200639	-	KIT,STRING GUARD (ITEMS 11, 12 & 14)
11	06530217	8	CAPSCREW,3/4" X 2-1/2",GR8,NC
12	06533006	8	FLATWASHER,1/2",SAE,L9
13	28683	2	BEARING,FLANGE,1-15/16",STD
14	33863	2	STRING GUARD,STD
---	28745	-	CUTTERSHAFT ASSY (ITEMS 15, 17, 18, 19 & 20)
15	27964C	1	CUTTERSHAFT,90"STD,W/EARS
16	6T2283	10	CARRIAGE BOLT,3/8" X 1",NC
17	21677	48	NYLOCK NUT,7/16",NC
18	TF1020	48	KNIFE MTG CLEVIS,FLAIL
19	33713	96	KNIFE,FLAIL,SHORT
20	34011	48	CAPSCREW,7/16" X 3-7/16",GR8,NC
21	TF1033	1	GREASE ZERK,1/8" FPT
22	TF1032	1	GRS HOSE,3/16" X 8"
23	27971	1	BAFFLE,90",STD ROT-STD
24	28086A	2	SKID SHOE,STD DUTY,REAR FLAIL
25	30013	10	PLOW BOLT,3/8" X 1-1/4",GR5,NC
26	27972A	1	GROUND ROLLER,90"
27	TF1045B	2	STUB SHAFT,GROUND ROLLER
28	6T2330	8	CAPSCREW,SKT HD,7/16" X 1-1/2",NC
29	6T2331	4	CAPSCREW,SKT HD,7/16" X 1",NC
30	28735	2	GROUND ROLLER ADJ BRKT,STD DTY
31	06520028	2	BEARING,FLANGE,1-3/8",GRNDRLLR
32	06520029	2	O-RING,2-3/4" X 3/32"
33	06520027	2	CAP,BEARING,GRNDRLLR
34	06530001	12	CAPSCREW,SKT HD,8-32 X 1/2",SS
35	TF1116	1	FLAP,DEFLECTOR,90"
36	6T2615	10	WASHER,FENDER,3/8"
37	21988	10	LOCKWASHER,3/8"

COMMON TRIPLE

SUPER DUTY 90IN REAR FLAIL - REV ROT



COMMON TRIPLE

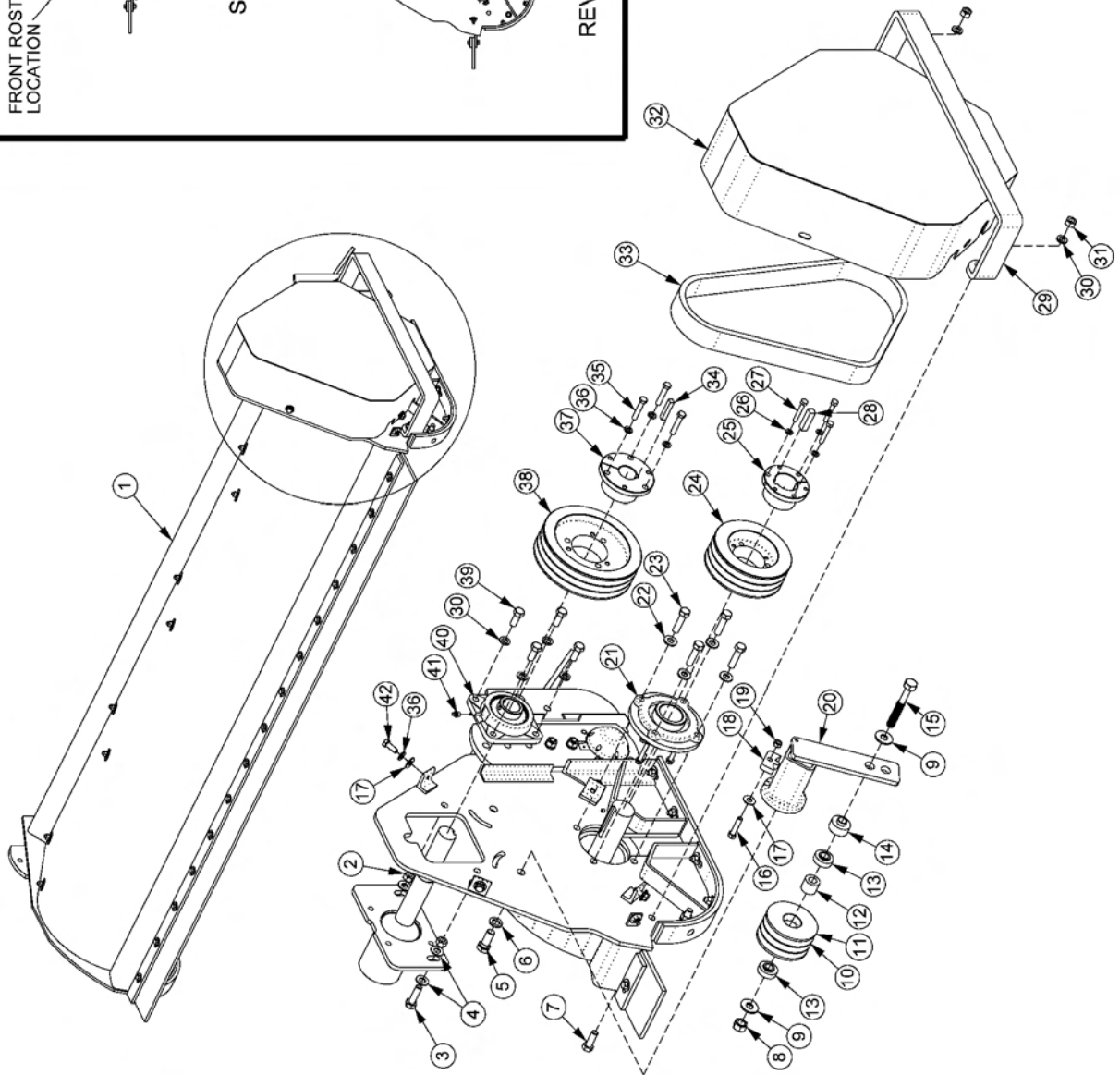
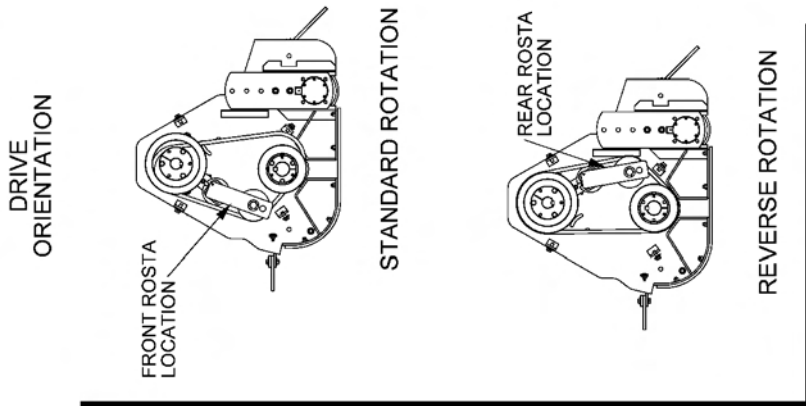
SUPER DUTY 90IN REAR FLAIL - REV ROT

Continued...

ITEM	PART NO.	QTY.	DESCRIPTION
---	06742083	-	90" REAR FLAIL,SD (STANDARD CUT)
----	06742084	-	90" REAR FLAIL,SD (SMOOTH CUT)
1	06320115	1	BONNET,90",STD,ROSTA
2	21731	8	CAPSCREW,1/2" X 1-1/2",NC
3	21990	8	LOCKWASHER,1/2"
4	21725	8	HEX NUT,1/2",NC
5	27975A	1	GUARD,CUTTERSCHAFT
7	21632	20	CAPSCREW,3/8" X 1-1/2",NC
8	28967A	1	TRASH GUARD,90"
9	22016	56	FLATWASHER,3/8",GR8
10	21625	40	HEX NUT,3/8",NC
---	06200639	-	KIT,STRING GUARD (ITEMS 11, 12 & 14)
11	06530217	8	CAPSCREW,3/4" X 2-1/2",GR8,NC
12	06533006	8	FLATWASHER,1/2",SAE,L9
13	28683	2	BEARING,FLANGE,1-15/16",STD
14	33863	2	STRING GUARD,STD
---	28745	-	CUTTERSCHAFT ASSY (STANDARD CUT) (ITEMS 15, 16, 17, 18 & 19)
----	28746	-	CUTTERSCHAFT ASSY (SMOOTH CUT) (ITEMS 15, 16, 17, 18A & 19)
15	27964C	1	CUTTERSCHAFT,90"STD,W/EARS
16	21677	48	NYLOCK NUT,7/16",NC
17	TF1020	48	KNIFE MTG CLEVIS,FLAIL
18	33713	96	KNIFE,FLAIL (STANDARD CUT)
18A	28184A	48	KNIFE,FLAIL (SMOOTH CUT)
19	34011	48	CAPSCREW,7/16" X 3-7/16",GR8,NC
20	TF1033	1	GREASE ZERK,1/8" FPT
21	TF1032	1	GRS HOSE,3/16" X 8"
22	28086A	2	SKID SHOE,STD DUTY,REAR FLAIL
23	30013	10	PLOW BOLT,3/8" X 1-1/4",GR5,NC
24	27972A	1	GROUND ROLLER,90"
25	TF1045B	2	STUB SHAFT,GROUND ROLLER
26	6T2330	8	CAPSCREW,SKT HD,7/16" X 1-1/2",NC
27	6T2331	4	CAPSCREW,SKT HD,7/16" X 1",NC
28	28735	2	GROUND ROLLER ADJ BRKT,STD DTY
29	06520028	2	BEARING,FLANGE,1-3/8",GRNDRLLR
30	06520029	2	O-RING,2-3/4" X 3/32"
31	06520027	2	CAP,BEARING,GRNDRLLR
32	06530001	12	CAPSCREW,SKT HD,8-32 X 1/2",SS
33	TF1116	1	FLAP,DEFLECTOR,90"
34	TF1035	1	BAR,FLAP,TSF/TRF,90"

COMMON TRIPLE

SUPER DUTY REAR FLAIL DRIVE ASSY



ITEM	PART NO.	QTY.	DESCRIPTION
1	-----	-	BONNET *REFER TO CUTTER ASSEMBLY
2	21727	2	NYLOCK NUT,1/2",NC
3	21732	2	CAPSCREW,1/2" X 1-3/4",NC
4	22018	4	FLATWASHER,1/2",WIDE

COMMON TRIPLE

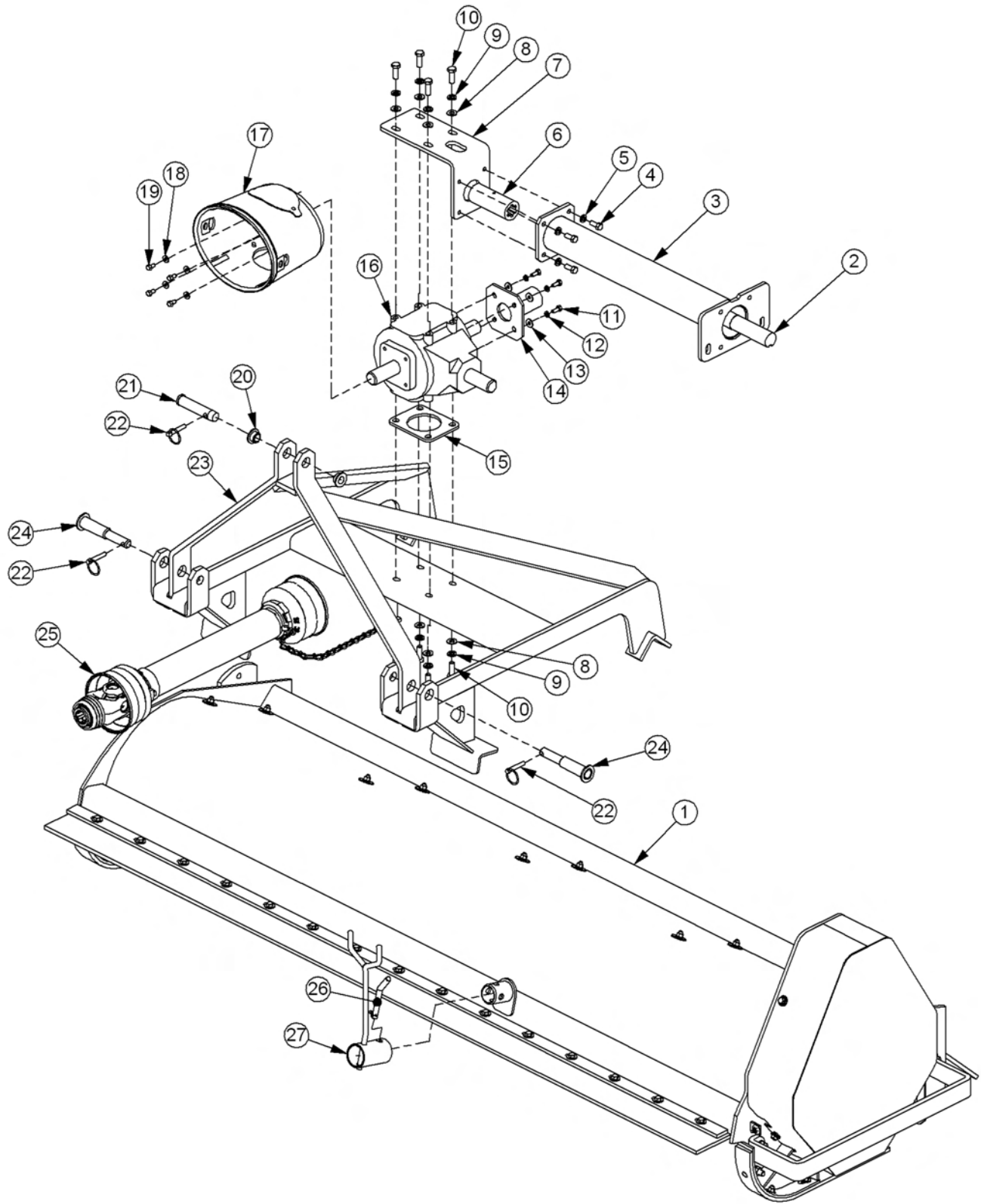
SUPER DUTY REAR FLAIL DRIVE ASSY

Continued...

ITEM	PART NO.	QTY.	DESCRIPTION
5	22421	-	CAPSCREW,16MM X 40MM(2.0P)
6	31956	-	FLATWASHER,16MM,HARDENED
7	21731	2	CAPSCREW,1/2" X 1-1/2",NC
8	32838	1	HEX NUT,5/8-11 UNC,GR8
9	25270	2	FLATWASHER,5/8",GR8,USS
10	06700092	-	ASSY,SHEAVE,IDLER,3 GRV
11	06420072	1	SHEAVE,IDLER,3 GRV
12	31298	2	BRG,FAFNIR,203KRR2
13	06430072	1	SPACER,1.25" X .69" X 1.03"
14	06420094	1	SPACER,1.00" X 1.63" X .64"
15	33854	1	CAPSCREW,5/8" X 4-1/2",GR8,NC
16	21632	1	CAPSCREW,3/8" X 1-1/2",NC
17	22016	5	FLATWASHER,3/8",GR8
18	06400717	1	STOP,ROSTA
19	21627	1	NYLOCK NUT,3/8",NC
20	06520306	1	TNSNR,ROSTA,SE38,W/MTG BOLT
21	28683	2	BEARING,FLANGE,1-15/16",STD
22	06533006	8	FLATWASHER,1/2",L9,SAE
23	06530217	8	CAPSCREW,1/2" X 2",L9,NC
24	06520218	1	SHEAVE,6.7",3G5V,QD,SK
25	28723	1	BUSHING,QD,SK 1-15/16"
26	21987	3	LOCKWASHER,5/16"
27	21584	3	CAPSCREW,5/16" X 2",NC
28	26142A	1	KEY,1/2"SQ X 2"
29	06410723	1	BAR,RUB
30	21990	6	LOCKWASHER,1/2"
31	21725	2	HEX NUT,1/2",NC
32	06320114	1	SHIELD,BELT,WLDMNT,STD
33	06520312	1	BELT,BANDED,3/5VX560
34	28224	1	KEY,3/8"SQ X 2"
35	21634	3	CAPSCREW,3/8" X 2",NC
36	21988	3	LOCKWASHER,3/8"
37	06520304	1	BUSHING,QD,SF 1-1/2",3/8" KEY
38	02967325	1	SHEAVE,8.5",3G5V
39	21730	4	CAPSCREW,1/2" X 1-1/4",NC
40	06520308	1	BRNG,FLNG,1-1/2",GRIP-TIGHT
41	6T3208	1	ZERK,1/8" X 45°
42	21630	4	CAPSCREW,3/8" X 1",NC
43	06520386	-	GAGE,TENSION,PLUNGER (NOT SHOWN)
44	06401023	-	WRENCH,ROSTA

COMMON TRIPLE

SUPER DUTY PTO DRIVE ASSY



COMMON TRIPLE

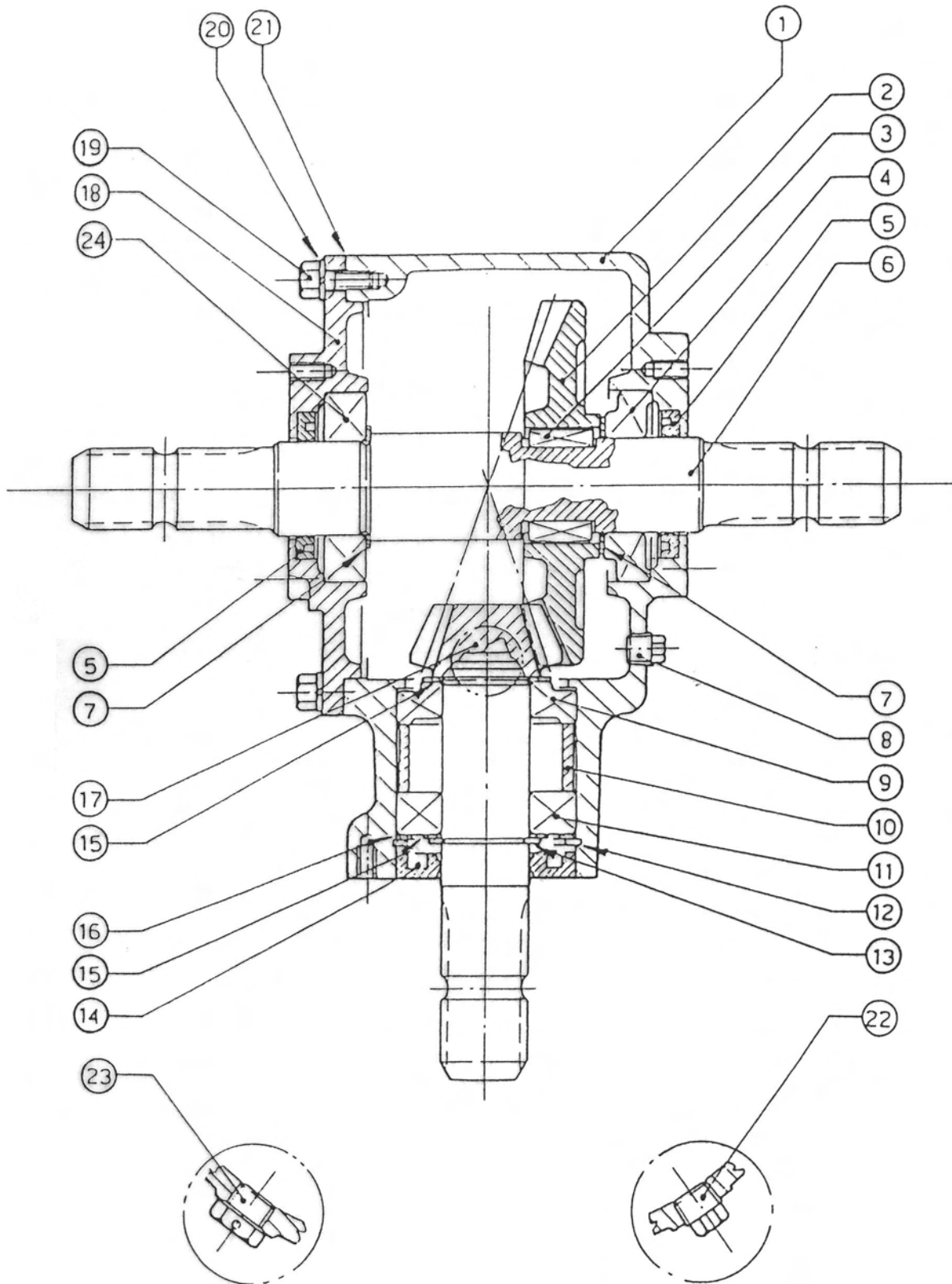
SUPER DUTY PTO DRIVE ASSY

Continued...

ITEM	PART NO.	QTY.	DESCRIPTION
1	06320134	1	BONNET,75,STD,ROSTA
---	06320115	-	BONNET,90,STD,ROSTA
2	06420110	1	SHAFT,OUTPUT,TRF75
----	06420109	-	SHAFT,OUTPUT,TRF75 (OFFSET)
---	06420092	-	SHAFT,OUTPUT,TRF90
----	06420109	-	SHAFT,OUTPUT,TRF90 (OFFSET)
3	06320133	1	TUBE,SAFETY,75,SD
----	06320119	1	TUBE,SAFETY,75 (OFFSET)
---	06320117	-	TUBE,SAFETY,90,SD
----	06320119	-	TUBE,SAFETY,90 (OFFSET)
4	21679	4	CAPSCREW,7/16 X 1,NC
5	21989	4	LOCKWASHER,7/16
6	28914	1	COUPLING,6 SPLINE W/ZERK
7	33204	1	PLATE,MNT,GUARD
8	27724	8	LOCKWASHER,12MM
9	22017	4	FLATWASHER,7/16
10	34890	8	CAPSCREW,12MM X 35MM(1.75P)
11	27508	4	CAPSCREW,8MM X 20MM(1.25P)
12	6T2619	4	LOCKWASHER,8MM
13	22015	4	FLATWASHER,5/16
14	28447E	1	GUARD,TRF,OUTPUT SHAFT
15	06400018	1	SPACER,REAR FLAIL (IF NECESSARY)
16	28950	1	GEAR BOX,540 RPM
17	06520181	1	SHIELD,PTO
18	34948	4	FLATWASHER,3/8
19	27507	4	CAPSCREW,8MM X 15MM(1.25P)
20	28235A	2	BUSHING,3PT,CAT II TO CAT I
21	TB1036	1	PIN,SEC BOOM SWIV 1 X 4-11/16
22	TF1143	3	PIN,LYNCH,7/16 X 2
23	06370154	1	FRM,3PT,STD
24	28234B	2	PIN,3PT,TRF,STD
25	06520414	1	PTO,DRV SHFT,TRF
---	06520415	-	PTO,DRV SHFT,TRF,W/ CLUTCH
26	06520048	1	PIN,.5 X 2.5,BENT,W/R-CLIP
27	06370022	1	SUPPORT,PTO

COMMON TRIPLE

SUPER DUTY REAR GEAR BOX ASSY



COMMON TRIPLE

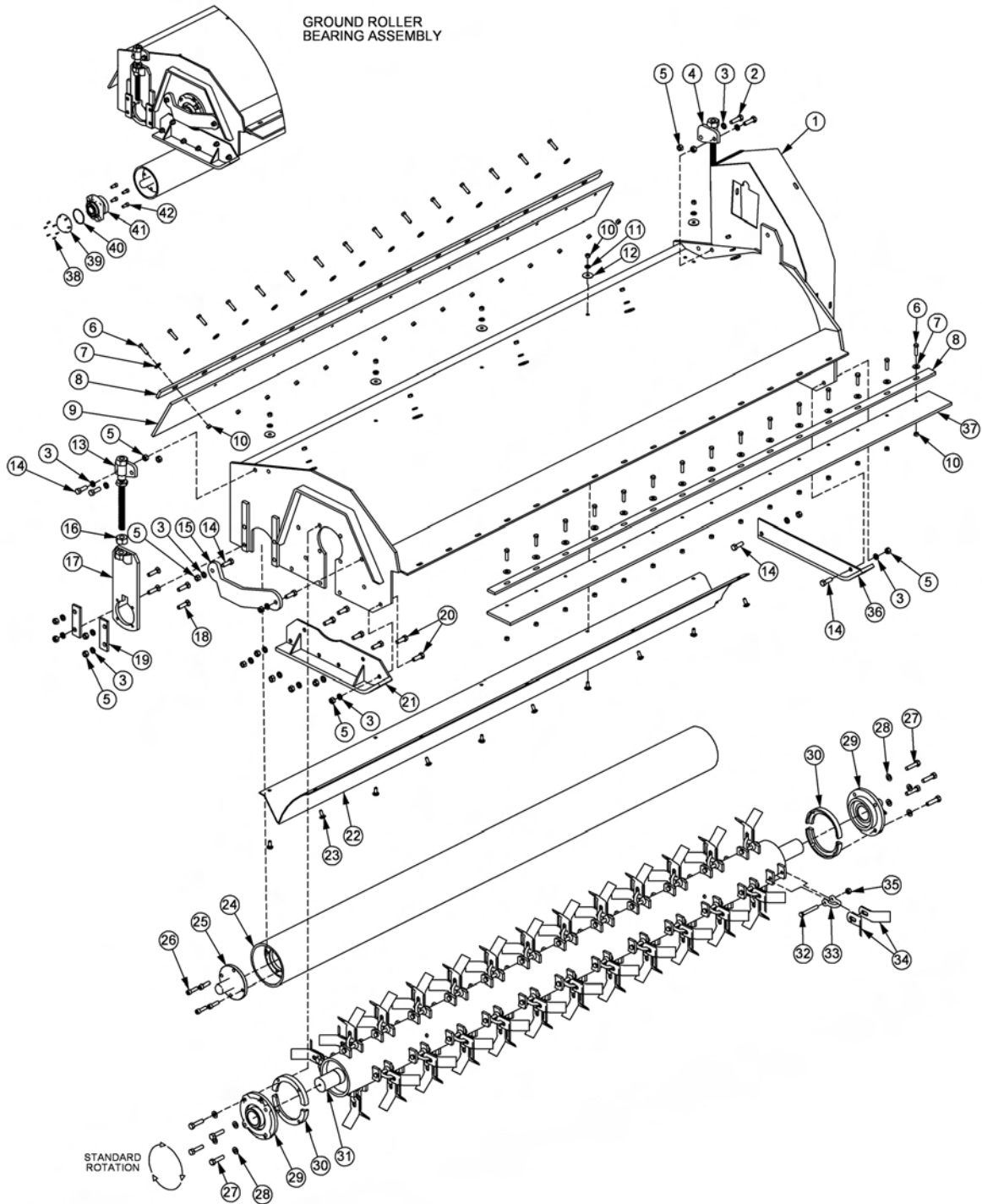
SUPER DUTY REAR GEAR BOX ASSY

Continued...

ITEM	PART NO.	QTY.	DESCRIPTION
1	30133	1	CASING
2	30134	1	CROWNWHEEL Z30
3	30135	2	PARALLEL KEY
4	28604	1	BEARING 30208
5	30136	2	OIL SEAL 40 X 62 X 7
6	30137	1	SHAFT
7	28603	2	SHIM
8	30138	1	PLUG
9	30139	1	BEARING 30207
10	30140	1	SPACER
11	30141	1	BEARING 6207
12	30142	1	INTERNAL CIRCLIP 72
13	30143	1	EXTERNAL CIRCLIP 35
14	30144	2	OIL SEAL 35 X 72 X 10
15	30145	1	SHIM
16	30146	1	SHIM
17	30147	1	PINION Z10
18	30148	1	COVER
19	30149	6	HEX BOLT M8 X 22
20	30150	6	WASHER
21	30151	1	SEAL
22	30152	1	PLUG
23	30153	1	OIL FILLER PLUG
24	30154	1	BEARING 6208

COMMON TRIPLE

EXTREME DUTY 75IN REAR FLAIL - STD ROT



ITEM	PART NO.	QTY.	DESCRIPTION
---	33036	-	75" REAR FLAIL ASSY,HD,STD ROT
1	22043J	1	BONNET,75",HD
2	21732	2	CAPSCREW,1/2" X 1-3/4",NC
3	21990	22	LOCKWASHER,1/2"

COMMON TRIPLE

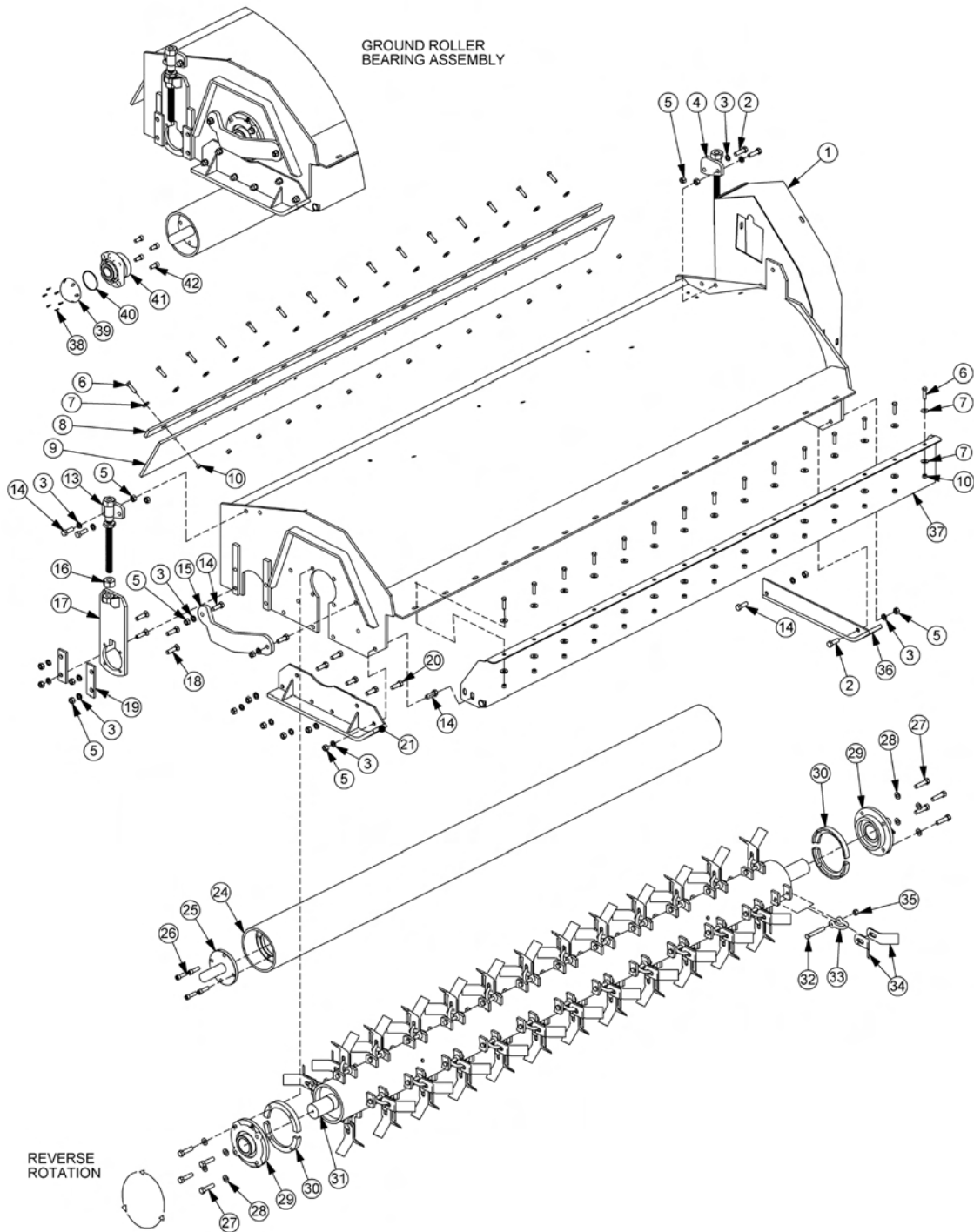
EXTREME DUTY 75IN REAR FLAIL - STD ROT

Continued...

ITEM	PART NO.	QTY.	DESCRIPTION
4	TF4335	1	ROD,GROUND ROLLER ADJ,LF
5	21725	22	HEX NUT,1/2",NC
6	21632	26	CAPSCREW,3/8" X 1-1/2",NC
7	22016	26	FLATWASHER,3/8"
8	TF1029	2	BAR,FLAP,TSF/TRF,75"
9	TF1016	1	FLAP,DEFLECTOR,TSF/TRF,75"
10	21625	36	HEX NUT,3/8",NC
11	21988	10	LOCKWASHER,3/8"
12	6T2615	10	WASHER,FENDER,3/8"
13	TF4334	1	ROD,GROUND ROLLER ADJ,RT
14	21731	6	CAPSCREW, 1/2" X 1-1/2",NC
15	TF1040	1	GUARD,CUTTERSHAFT
16	21399	2	HEX NUT,3/4",ACME THRD
17	TF4333A	2	GROUND ROLLER ADJ BRKT
18	6T2294	8	PLOW BOLT,1/2" X 2",NC
19	TF4336	4	PLATE,GROUND ROLLER LOCK
20	21730	6	CAPSCREW,1/2" X 1-1/4",NC
21	TF4371	1	SKID SHOE,L/PROFILE-OUTER
22	TF1402A	1	BAFFLE,FLAIL,75",HD
23	6T2283	10	CARRIAGE BOLT,3/8" X 1",NC
24	28738	1	GROUND ROLLER,75"
25	TF1045B	2	GRND ROLLER STUB SHAFT
26	6T2330	8	CAPSCREW, 7/16" X 1-1/2", SKT HD
---	06200347	-	KIT,STRING GUARD (ITEMS 27, 28 & 30)
27	06530217	8	CAPSCREW,1/2" X 2",NC,L9
28	06533006	8	FLATWASHER,1/2",SAE,L9
29	TF1018	2	BEARING,FLANGE,2-3/16"
30	31204	2	STRING GUARD,HD
---	TF1002A	-	CUTTERSHAFT ASSY,75IN
31	TF1002	1	CUTTERSHAFT,75IN
32	30411	40	KNIFE MOUNTING BOLT,FLAIL
33	TF1020	40	KNIFE MTG CLEVIS,FLAIL
34	33714	80	KNIFE,FLAIL,STANDARD CUT
35	21677	40	NYLOCK NUT,7/16",NC
36	TF4365	1	SKID SHOE,L/PROFILE-INNER
37	06520242	1	FLAP,FRONT,75"
38	06530001	12	CAPSCREW,SKT HD
39	06520027	2	CAP,BEARING
40	06520029	2	O-RING,2-3/4" X 3/32"
41	06520028	2	BEARING,FLANGE,1-3/8"
42	6T2331	8	CAPSCREW,7/16" X 1",SKT HD

COMMON TRIPLE

EXTREME DUTY 75IN REAR FLAIL - REV ROT



ITEM	PART NO.	QTY.	DESCRIPTION
---	33038	-	REAR FLAIL,75IN,ASSY (STANDARD CUT)
----	33040	-	REAR FLAIL,75IN,ASSY (SMOOTH CUT)
1	22043J	1	BONNET,75",HD
2	21732	3	CAPSCREW,1/2" X 1-3/4",NC

COMMON TRIPLE

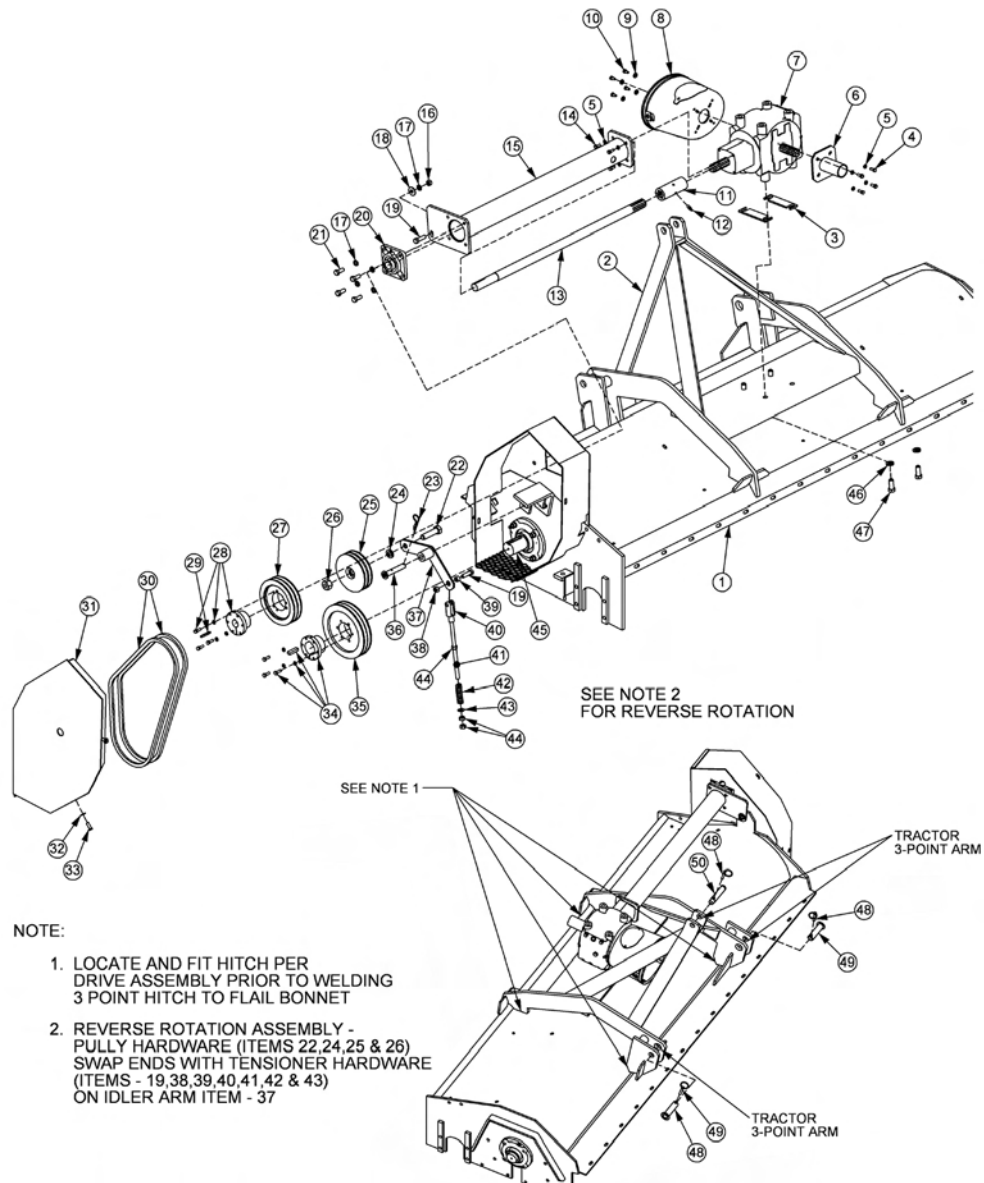
EXTREME DUTY 75IN REAR FLAIL - REV ROT

Continued...

ITEM	PART NO.	QTY.	DESCRIPTION
3	21990	22	LOCKWASHER,1/2"
4	TF4335	1	ROD,GROUND ROLLER ADJ,LF
5	21725	22	HEX NUT,1/2",NC
6	21632	26	CAPSCREW,3/8" X 1-1/2",NC
7	22016	39	FLATWASHER,3/8"
8	TF1029	1	BAR,FLAP,TSF/TRF,75"
9	TF1016	1	FLAP,DEFLECTOR,TSF/TRF,75"
10	21625	36	HEX NUT,3/8",NC
13	TF4334	1	ROD,GROUND ROLLER ADJ,RT
14	21731	6	CAPSCREW, 1/2" X 1-1/2",NC
15	TF1040	1	GUARD,CUTTERSHAFT
16	21399	2	HEX NUT,3/4",ACME THRD
17	TF4333A	2	GROUND ROLLER ADJ BRKT
18	6T2294	8	PLOW BOLT,1/2" X 2",NC
19	TF4336	4	PLATE,GROUND ROLLER LOCK
20	21730	5	CAPSCREW,1/2" X 1-1/4",NC
21	TF4371	1	SKID SHOE,L/PROFILE-OUTER
24	28738	1	GROUND ROLLER,75"
25	TF1045B	2	GRND ROLLER STUB SHAFT
26	6T2330	8	CAPSCREW, 7/16" X 1-1/2", SKT HD
---	06200347	-	KIT,STRING GUARD (ITEMS 27, 28 & 30)
27	06530217	8	CAPSCREW,1/2" X 2",NC,L9
28	06533006	8	FLATWASHER,1/2",SAE,L9
29	TF1018	2	BEARING,FLANGE,2-3/16"
30	31204	2	STRING GUARD,HD
---	TF1002A	-	CUTTERSHAFT,ASSY,75IN (STANDARD CUT) (ITEMS 31, 32, 33, 34 & 35)
----	TF1002B	-	CUTTERSHAFT,ASSY,75IN (SMOOTH CUT) (ITEMS 31, 32, 33, 34 & 35)
31	TF1002	1	CUTTERSHAFT,75",HD
32	30411	40	KNIFE MOUNTING BOLT,FLAIL
33	TF1020	40	KNIFE MTG CLEVIS,FLAIL
34	33714	80	KNIFE,FLAIL,STANDARD CUT
34A	TF1019F	40	KNIFE,FLAIL,SMOOTH CUT (NOT SHOWN)
35	21677	40	NYLOCK NUT,7/16",NC
36	TF4365	1	SKID SHOE,L/PROFILE-INNER
37	TF1403	1	FRONT TRASH GUARD
38	06530001	12	CAPSCREW,SKT HD
39	06520027	2	CAP,BEARING
40	06520029	2	O-RING,2-3/4" X 3/32"
41	06520028	2	BEARING,FLANGE,1-3/8"
42	6T2331	8	CAPSCREW,7/16" X 1",SKT HD

COMMON TRIPLE

EXTREME DUTY 75IN REAR FLAIL DRIVE ASSY



NOTE:

1. LOCATE AND FIT HITCH PER DRIVE ASSEMBLY PRIOR TO WELDING 3 POINT HITCH TO FLAIL BONNET
2. REVERSE ROTATION ASSEMBLY - PULLY HARDWARE (ITEMS 22,24,25 & 26) SWAP ENDS WITH TENSIONER HARDWARE (ITEMS - 19,38,39,40,41,42 & 43) ON IDLER ARM ITEM - 37

ITEM	PART NO.	QTY.	DESCRIPTION
1	-----	1	BONNET *REFER TO CUTTER ASSY
2	31279A	1	HITCH,3-POINT
3	40454	2	SPACER
4	27508	4	CAPSCREW,8MM X 20MM(1.25)
5	6T2619	8	LOCKWASHER,8MM
6	28447E	1	GUARD,OUTPUT SHAFT
7	28505	1	GEARBOX,REAR FLAIL,COMER T22A
8	06520181	1	GUARD,PTO,GRBX
9	34948	4	FLATWASHER,8MM
10	27507	4	CAPSCREW,8MM X 15MM(1.25)
11	28914	1	COUPLING,6 SPLINE

COMMON TRIPLE

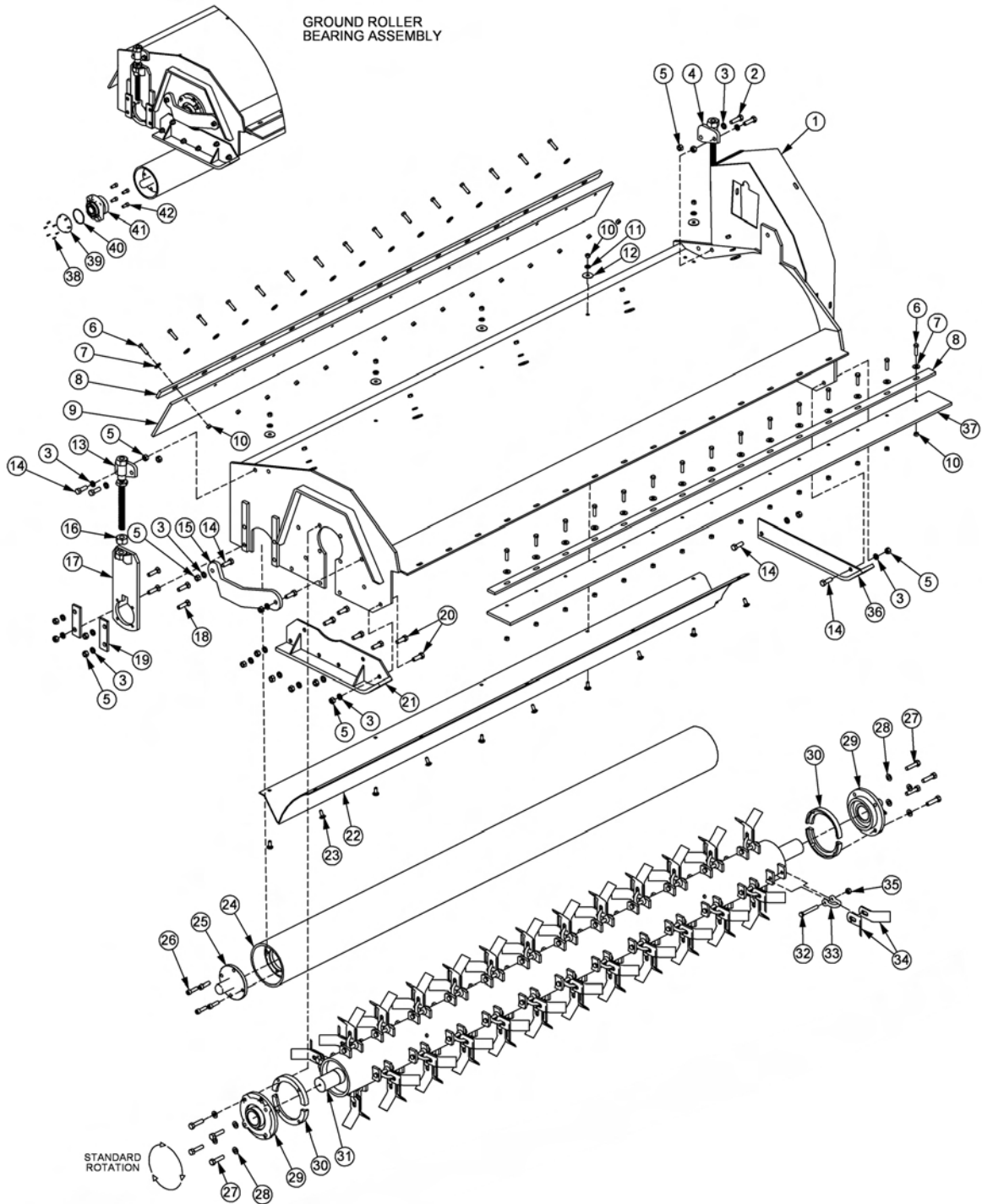
EXTREME DUTY 75IN REAR FLAIL DRIVE ASSY

Continued...

ITEM	PART NO.	QTY.	DESCRIPTION
12	6T3209	1	GREASE ZERK,1/4" DRIVE
13	28414A	1	OUTPUT EXTENSION SHAFT,75"RCM
---	28416B	-	OUTPUT EXTENSION SHAFT,75"OFF
14	30162	4	CAPSCREW,SKT HD,8MM X 20MM(1.25)
15	28422A	1	SHAFT GRD,HD,75"RCM
---	28424B	-	SHAFT GRD,HD,75"OFF
16	21725	1	HEX NUT,1/2",NC
17	21990	5	LOCKWASHER,1/2"
18	22018	1	FLATWASHER,1/2",WIDE
19	21732	2	CAPSCREW,1/2" X 1-3/4",NC
20	28571	1	BEARING,FLANGE,1-1/4"
21	21730	4	CAPSCREW,1/2" X 1-1/4",NC
22	28399	1	CAPSCREW,20MM X 80MM(2.5),GR10.9
23	6T3004	1	R-CLIP,HAIRPIN COTTER,3/16"
24	24881	1	LOCKWASHER,20MM
25	31295	1	SHEAVE,IDLER ASSY,6.3"
26	31740	1	NYLOCK NUT,20MM(2.5)
27	TF3043	1	SHEAVE,7.5"
28	30049	2	BUSHING,QD,SK 1-1/4",1/4" KEY
29	28572	1	KEY,1/4"SQ X 2"
30	TF3023	2	V-BELT(630)
31	31286A	1	SHIELD,BELT
32	21988	4	LOCKWASHER,3/8"
33	21630	4	CAPSCREW,3/8" X 1",NC
34	TF3011	1	BUSHING,QD,SK 2-3/16"
35	28570	1	SHEAVE,9.0"
36	TF3605	1	PIN,IDLER ARM
37	TF1180	1	IDLER ARM
38	6T2418	1	HEX NUT,1/2",NC,GR8(STOVER)
39	TF3610	1	BUSHING,IDLER
40	PT3611A	1	CLEVIS
41	32482	1	ROD,THREADED,1/2-20,NF,12-1/2"
42	TF3620A	1	SPRING,TENSIONER
43	27938	1	BUSHING,MACH,14GA
44	21700	3	HEX NUT,1/2",NF
45	-----	1	CUTTERSHAFT *REFER TO CUTTER ASSY
46	6T2625	4	LOCKWASHER,16MM
47	22421	4	CAPSCREW,16MM X 40MM(2.0),GR10.9
48	TF1143	3	LYNCH PIN
49	TF1120	2	PIN,CAPPED
50	TB1036	1	PIN

COMMON TRIPLE

EXTREME DUTY 90IN REAR FLAIL - STD ROT



ITEM	PART NO.	QTY.	DESCRIPTION
---	33002	-	REAR FLAIL ASSY,90IN
1	22044J	1	BONNET,90",HD
2	21732	2	CAPSCREW,1/2" X 1-3/4",NC
3	21990	22	LOCKWASHER,1/2"

COMMON TRIPLE

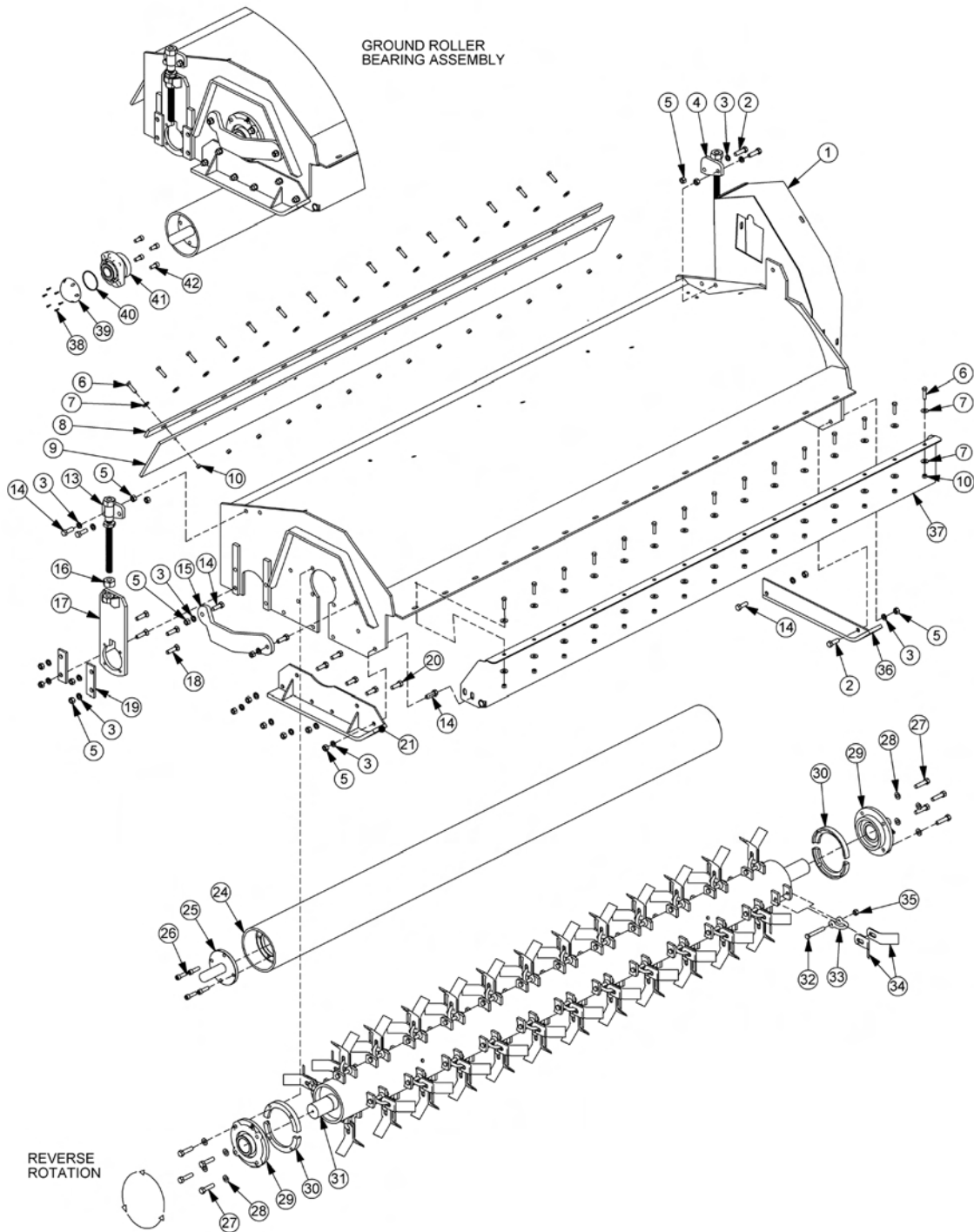
EXTREME DUTY 90IN REAR FLAIL - STD ROT

Continued...

ITEM	PART NO.	QTY.	DESCRIPTION
4	TF4335	1	ROD,GROUND ROLLER ADJ,LF
5	21725	22	HEX NUT,1/2",NC
6	21632	30	CAPSCREW,3/8" X 1-1/2",NC
7	22016	30	FLATWASHER,3/8"
8	TF1135	2	BAR,FLAP,TSF/TRF,90"
9	TF1116	1	FLAP,DEFLECTOR,TSF/TRF,90"
10	21625	40	HEX NUT,3/8",NC
11	21988	10	LOCKWASHER,3/8"
12	6T2615	10	WASHER,FENDER,3/8"
13	TF4334	1	ROD,GROUND ROLLER ADJ,RT
14	21731	6	CAPSCREW,1/2" X 1-1/2",NC
15	TF1040	1	GUARD,CUTTERSHAFT
16	21399	2	HEX NUT,3/4",ACME THRD
17	TF4333A	2	GROUND ROLLER ADJ BRKT
18	6T2294	8	PLOW BOLT,1/2" X 2",NC
19	TF4336	4	PLATE,GROUND ROLLER LOCK
20	21730	6	CAPSCREW,1/2" X 1-1/4",NC
21	TF4371	1	SKID SHOE,L/PROFILE-OUTER
22	TF1502A	1	BAFFLE,FLAIL,90",HD
23	6T2283	10	CARRIAGE BOLT,3/8" X 1",NC
24	27972A	1	GROUND ROLLER,90"
25	TF1045B	2	GRND ROLLER STUB SHAFT
26	6T2330	8	CAPSCREW, 7/16" X 1-1/2", SKT HD
---	06200347	-	KIT,STRING GUARD (ITEMS 27, 28 & 30)
27	06530217	8	CAPSCREW,1/2" X 2",NC,L9
28	06533006	8	FLATWASHER,1/2",SAE,L9
29	TF1018	2	BEARING,FLANGE,2-3/16"
30	31204	2	STRING GUARD,HD
---	TF1102A	-	CUTTERSHAFT ASSY,90IN
31	TF1102	1	CUTTERSHAFT,90"
32	30411	48	KNIFE MOUNTING BOLT,FLAIL
33	TF1020	48	KNIFE MTG CLEVIS,FLAIL
34	33714	96	KNIFE,FLAIL,STANDARD CUT
35	21677	48	NYLOCK NUT,7/16",NC
36	TF4365	1	SKID SHOE,L/PROFILE-INNER
37	06520243	1	FLAP,FRONT,90"
38	06530001	12	CAPSCREW,SKT HD
39	06520027	2	CAP,BEARING
40	06520029	2	O-RING,2-3/4" X 3/32"
41	06520028	2	BEARING,FLANGE,1-3/8"
42	6T2331	8	CAPSCREW,7/16" X 1",SKT HD

COMMON TRIPLE

EXTREME DUTY 90IN REAR FLAIL - REV ROT



ITEM	PART NO.	QTY.	DESCRIPTION
---	33009	-	90IN REAR FLAIL ASSY (STANDARD CUT)
----	33011	-	90IN REAR FLAIL ASSY (SMOOTH CUT)
1	22044J	1	BONNET,90"
2	21732	3	CAPSCREW,1/2" X 1-3/4",NC

COMMON TRIPLE

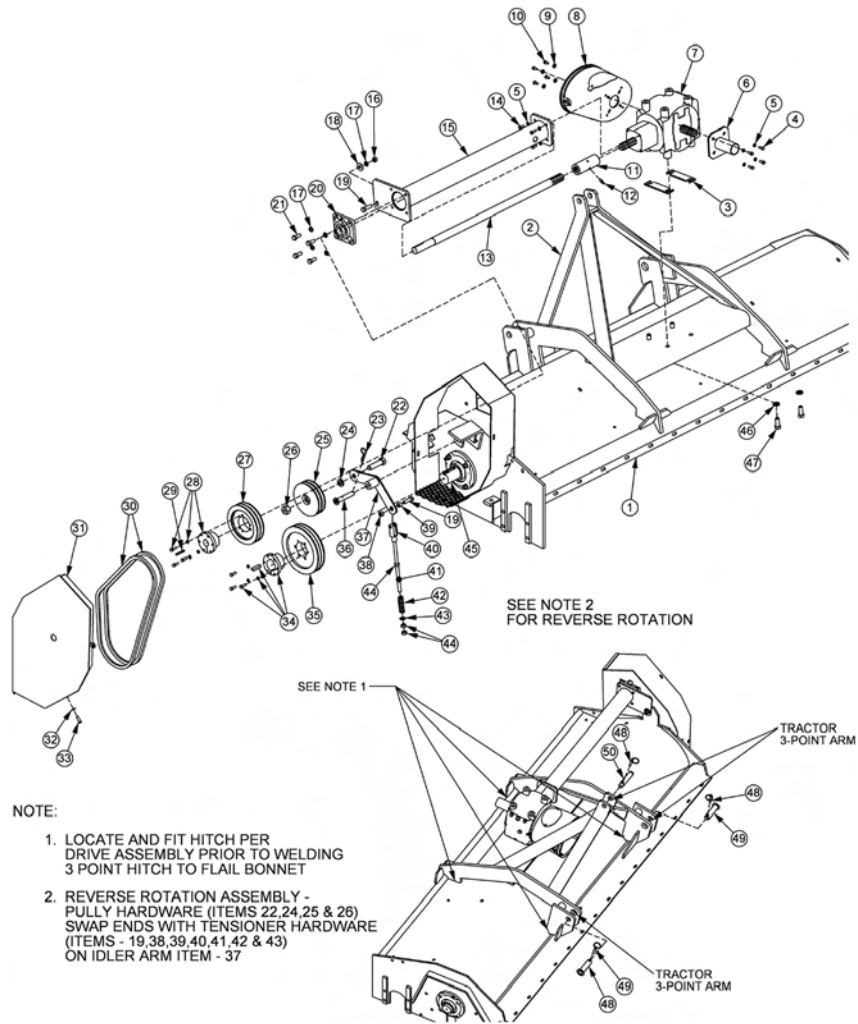
EXTREME DUTY 90IN REAR FLAIL - REV ROT

Continued...

ITEM	PART NO.	QTY.	DESCRIPTION
3	21990	22	LOCKWASHER,1/2"
4	TF4335	1	ROD,GROUND ROLLER ADJ,LF
5	21725	22	HEX NUT,1/2",NC
6	21632	30	CAPSCREW,3/8" X 1-1/2",NC
7	22016	45	FLATWASHER,3/8"
8	TF1135	1	BAR,FLAP,TSF/TRF,90"
9	TF1116	1	FLAP,DEFLECTOR,TSF/TRF,90"
10	21625	40	HEX NUT,3/8",NC
13	TF4334	1	ROD,GROUND ROLLER ADJ,RT
14	21731	6	CAPSCREW,1/2" X 1-1/2",NC
15	TF1040	1	GUARD,CUTTERSHAFT
16	21399	2	HEX NUT,3/4",ACME THRD
17	TF4333A	2	GROUND ROLLER ADJ BRKT
18	6T2294	8	PLOW BOLT,1/2" X 2",NC
19	TF4336	4	PLATE,GROUND ROLLER LOCK
20	21730	5	CAPSCREW,1/2" X 1-1/4",NC
21	TF4371	1	SKID SHOE,L/PROFILE-OUTER
24	27972A	1	GROUND ROLLER,90"
25	TF1045B	2	GRND ROLLER STUB SHAFT
26	6T2330	8	CAPSCREW,7/16" X 1-1/2", SKT HD
---	06200347	-	KIT,STRING GUARD (ITEMS 27, 28 & 30)
27	06530217	8	CAPSCREW,1/2" X 2",NC,L9
28	06533006	8	FLATWASHER,1/2",SAE,L9
29	TF1018	2	BEARING,FLANGE,2-3/16"
30	31204	2	STRING GUARD
---	TF1102A	-	CUTTERSHAFT ASSY (STANDARD CUT) (ITEMS 31, 32, 33, 34 & 35)
----	TF1102B	-	CUTTERSHAFT ASSY (SMOOTH CUT) (ITEMS 31, 32, 33, 34A & 35)
31	TF1102	1	CUTTERSHAFT,90"
32	30411	48	KNIFE MOUNTING BOLT,FLAIL
33	TF1020	48	KNIFE MTG CLEVIS,FLAIL
34	33714	96	KNIFE,FLAIL,STANDARD CUT
34A	TF1019F	48	KNIFE,FLAIL,SMOOTH CUT (NOT SHOWN)
35	21677	48	NYLOCK NUT,7/16",NC
36	TF4365	1	SKID SHOE,L/PROFILE-INNER
37	TF1503	1	FRONT TRASH GUARD
38	06530001	12	CAPSCREW,SKT HD
39	06520027	2	CAP,BEARING
40	06520029	2	O-RING,2-3/4" X 3/32"
41	06520028	2	BEARING,FLANGE,1-3/8"
42	6T2331	8	CAPSCREW,7/16" X 1",SKT HD

COMMON TRIPLE

EXTREME DUTY 90IN REAR FLAIL DRIVE ASSY



NOTE:

1. LOCATE AND FIT HITCH PER DRIVE ASSEMBLY PRIOR TO WELDING 3 POINT HITCH TO FLAIL BONNET
2. REVERSE ROTATION ASSEMBLY - PULLY HARDWARE (ITEMS 22,24,25 & 26) SWAP ENDS WITH TENSIONER HARDWARE (ITEMS - 19,38,39,40,41,42 & 43) ON IDLER ARM ITEM - 37

ITEM	PART NO.	QTY.	DESCRIPTION
1	-----	1	BONNET *REFER TO CUTTER ASSY
2	31279A	1	HITCH,3-POINT
3	40454	2	SPACER
4	27508	4	CAPSCREW,8MM X 20MM(1.25)
5	6T2619	8	LOCKWASHER,8MM
6	28447E	1	GUARD,OUTPUT SHAFT
7	28505	1	GEARBOX,REAR FLAIL,COMER T22A
8	06520181	1	GUARD,PTO,GRBX
9	34948	4	FLATWASHER,8MM
10	27507	4	CAPSCREW,8MM X 15MM(1.25)
11	28914	1	COUPLING,6 SPLINE
12	6T3209	1	GREASE ZERK,1/4" DRIVE
13	28415A	1	OUTPUT EXTENSION SHAFT,90"RCM
---	28416B	-	OUTPUT EXTENSION SHAFT,90"R6F
----	28420B	-	OUTPUT EXTENSION SHAFT,90"OFF

COMMON TRIPLE

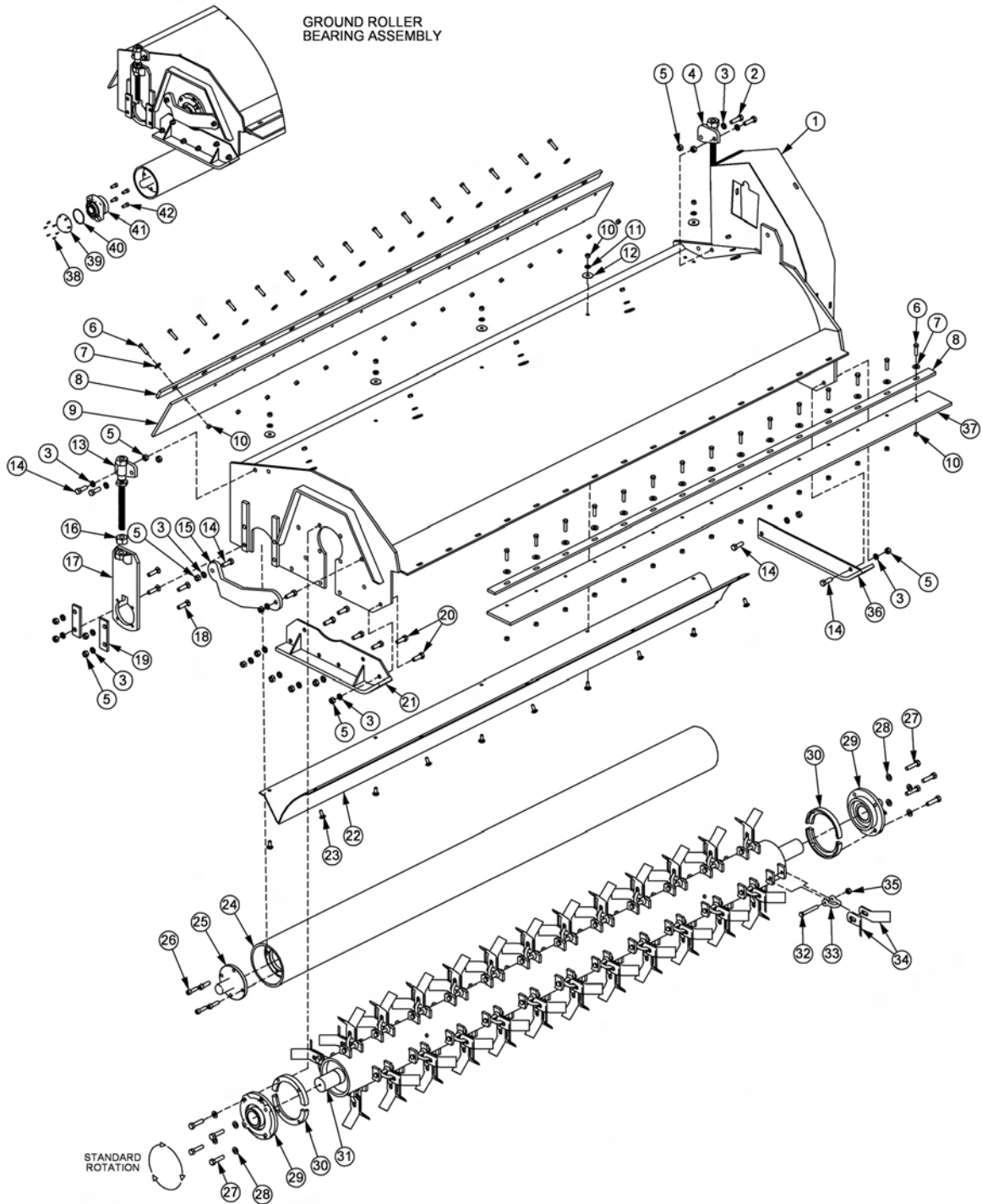
EXTREME DUTY 90IN REAR FLAIL DRIVE ASSY

Continued...

ITEM	PART NO.	QTY.	DESCRIPTION
14	30162	4	CAPSCREW,SKT HD,8MM X 20MM(1.25)
15	28423A	1	SHAFT GRD,HD,90"RCM
---	28424B	-	SHAFT GRD,HD,90"R6F
----	28428B	-	SHAFT GRD,HD,90"OFF
16	21725	1	HEX NUT,1/2",NC
17	21990	5	LOCKWASHER,1/2"
18	22018	1	FLATWASHER,1/2",WIDE
19	21732	2	CAPSCREW,1/2" X 1-3/4",NC
20	28571	1	BEARING,FLANGE,1-1/4"
21	21730	4	CAPSCREW,1/2" X 1-1/4",NC
22	28399	1	CAPSCREW,20MM X 80MM(2.5),GR10.9
23	6T3004	1	R-CLIP,HAIRPIN COTTER,3/16"
24	24881	1	LOCKWASHER,20MM
25	31295	1	SHEAVE,IDLER ASSY,6.3"
26	31740	1	NYLOCK NUT,20MM(2.5)
27	TF3043	1	SHEAVE,7.5"
28	30049	2	BUSHING,QD,SK 1-1/4",1/4" KEY
29	28572	1	KEY,1/4"SQ X 2"
30	TF3023	2	V-BELT(630)
31	31286A	1	SHIELD,BELT
32	21988	4	LOCKWASHER,3/8"
33	21630	4	CAPSCREW,3/8" X 1",NC
34	TF3011	1	BUSHING,QD,SK 2-3/16"
35	28570	1	SHEAVE,9.0"
36	TF3605	1	PIN,IDLER ARM
37	TF1180	1	IDLER ARM
38	6T2418	1	HEX NUT,1/2",NC,GR8(STOVER)
39	TF3610	1	BUSHING,IDLER
40	PT3611A	1	CLEVIS
41	32482	1	ROD,THREADED,1/2-20,NF,12-1/2"
42	TF3620A	1	SPRING,TENSIONER
43	27938	1	BUSHING,MACH,14GA
44	21700	3	HEX NUT,1/2",NF
45	-----	1	CUTTERSHAFT *REFER TO CUTTER ASSY
46	6T2625	4	LOCKWASHER,16MM
47	22421	4	CAPSCREW,16MM X 40MM(2.0),GR10.9
48	TF1143	3	LYNCH PIN
49	TF1120	2	PIN,CAPPED
50	TB1036	1	PIN

COMMON TRIPLE

EXTREME DUTY 96IN REAR FLAIL - STD ROT



ITEM	PART NO.	QTY.	DESCRIPTION
---	33005	-	REAR FLAIL ASSY,96IN
1	22045J	1	BONNET,96"
2	21732	2	CAPSCREW,1/2" X 1-3/4",NC
3	21990	22	LOCKWASHER,1/2"

COMMON TRIPLE

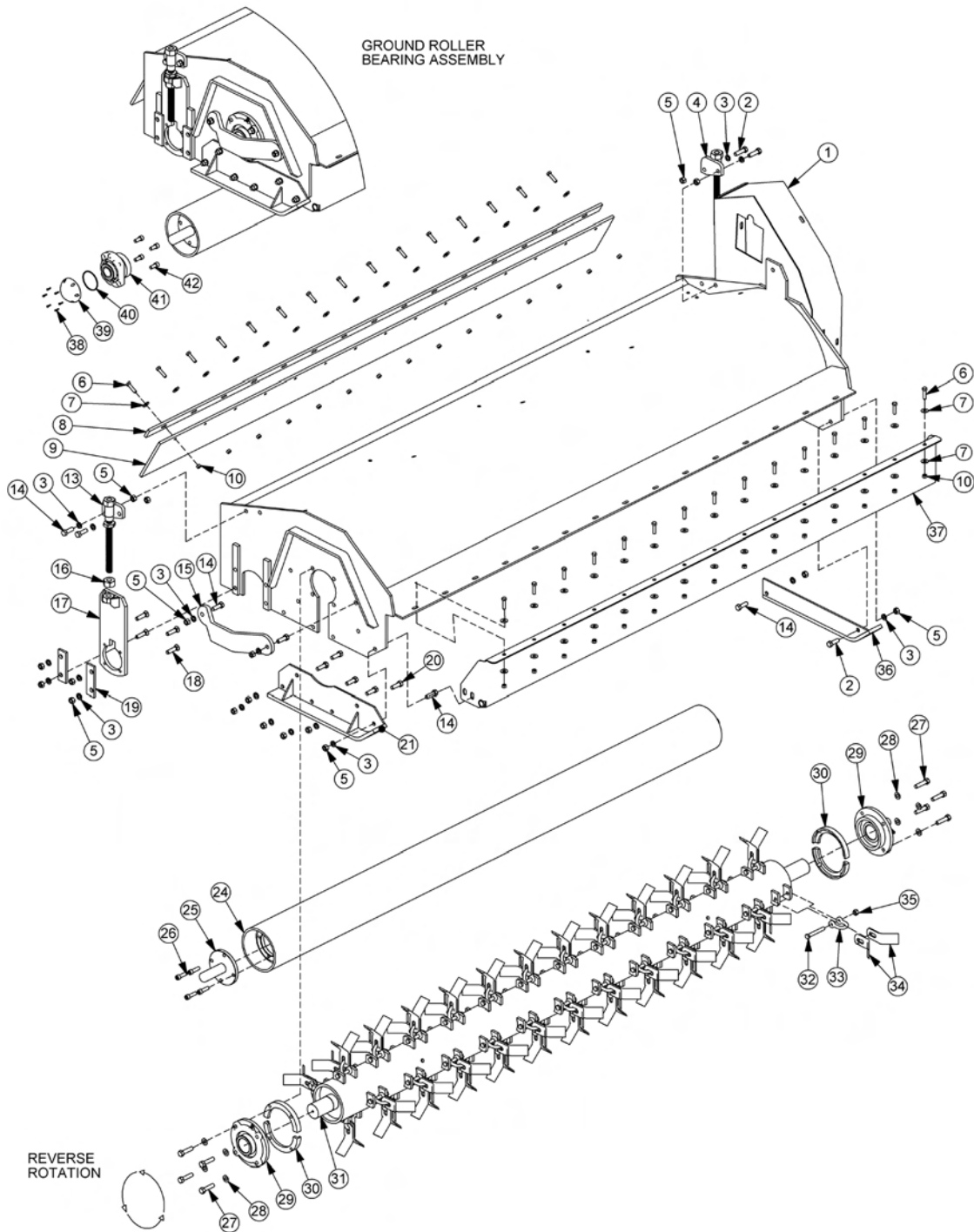
EXTREME DUTY 96IN REAR FLAIL - STD ROT

Continued...

ITEM	PART NO.	QTY.	DESCRIPTION
4	TF4335	1	ROD,GROUND ROLLER ADJ,LF
5	21725	22	HEX NUT,1/2",NC
6	21632	34	CAPSCREW,3/8" X 1-1/2",NC
7	22016	34	FLATWASHER,3/8"
8	TF1606	2	BAR,FLAP,TSF/TRF,96"
9	TF1605	1	FLAP,DEFLECTOR,TSF/TRF,96"
10	21625	44	HEX NUT,3/8",NC
11	21988	10	LOCKWASHER,3/8"
12	6T2615	10	WASHER,FENDER,3/8"
13	TF4334	1	ROD,GROUND ROLLER ADJ,RT
14	21731	6	CAPSCREW,1/2" X 1-1/2",NC
15	TF1040	1	GUARD,CUTTERSHAFT
16	21399	2	HEX NUT,3/4",ACME THRD
17	TF4333A	2	GROUND ROLLER ADJ BRKT
18	6T2294	8	PLOW BOLT,1/2" X 2",NC
19	TF4336	4	PLATE,GROUND ROLLER LOCK
20	21730	6	CAPSCREW,1/2" X 1-1/4",NC
21	TF4371	1	SKID SHOE,L/PROFILE-OUTER
22	TF1607	1	BAFFLE,FLAIL,96",HD
23	6T2283	10	CARRIAGE BOLT,3/8" X 1",NC
24	52222	1	GROUND ROLLER,96"
25	TF1045B	2	GRND ROLLER STUB SHAFT
26	6T2330	8	CAPSCREW,7/16" X 1-1/2", SKT HD
---	06200347	-	KIT,STRING GUARD (ITEMS 27, 28 & 30)
27	06530217	8	CAPSCREW,1/2" X 2",NC,L9
28	06533006	8	FLATWASHER,1/2",SAE,L9
29	TF1018	2	BEARING,FLANGE,2-3/16"
30	31204	2	STRING GUARD,HD
---	TF1602A	-	CUTTERSHAFT ASSY,96IN
31	TF1602B	1	CUTTERSHAFT,96"
32	30411	52	KNIFE MOUNTING BOLT,FLAIL
33	TF1020	52	KNIFE MTG CLEVIS,FLAIL
34	33714	104	KNIFE,FLAIL,STANDARD CUT
35	21677	52	NYLOCK NUT,7/16",NC
36	TF4365	1	SKID SHOE,L/PROFILE-INNER
37	06520244	1	FLAP,FRONT,96"
38	06530001	12	CAPSCREW,SKT HD
39	06520027	2	CAP,BEARING
40	06520029	2	O-RING,2-3/4" X 3/32"
41	06520028	2	BEARING,FLANGE,1-3/8"
42	6T2331	8	CAPSCREW,7/16" X 1",SKT HD

COMMON TRIPLE

EXTREME DUTY 96IN REAR FLAIL - REV ROT



ITEM	PART NO.	QTY.	DESCRIPTION
---	33007	-	96IN REAR FLAIL ASSY (STANDARD CUT)
----	33013	-	96IN REAR FLAIL ASSY (SMOOTH CUT)
1	22045J	1	BONNET,96"
2	21732	3	CAPSCREW,1/2" X 1-3/4",NC

COMMON TRIPLE

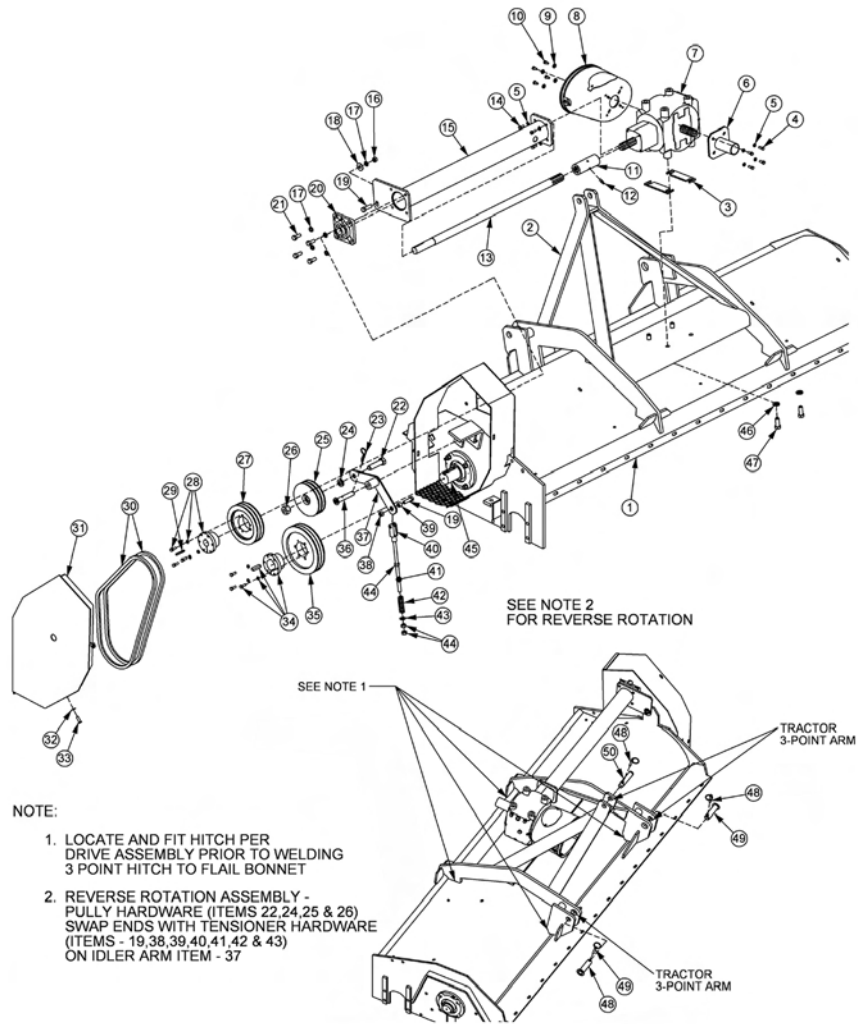
EXTREME DUTY 96IN REAR FLAIL - REV ROT

Continued...

ITEM	PART NO.	QTY.	DESCRIPTION
3	21990	22	LOCKWASHER,1/2"
4	TF4335	1	ROD,GROUND ROLLER ADJ,LF
5	21725	22	HEX NUT,1/2",NC
6	21632	34	CAPSCREW,3/8" X 1-1/2",NC
7	22016	51	FLATWASHER,3/8"
8	TF1606	1	BAR,FLAP,TSF/TRF,96"
9	TF1605	1	FLAP,DEFLECTOR,TSF/TRF,96"
10	21625	44	HEX NUT,3/8",NC
13	TF4334	1	ROD,GROUND ROLLER ADJ,RT
14	21731	6	CAPSCREW,1/2" X 1-1/2",NC
15	TF1040	1	GUARD,CUTTERSHAFT
16	21399	2	HEX NUT,3/4",ACME THRD
17	TF4333A	2	GROUND ROLLER ADJ BRKT
18	6T2294	8	PLOW BOLT,1/2" X 2",NC
19	TF4336	4	PLATE,GROUND ROLLER LOCK
20	21730	5	CAPSCREW,1/2" X 1-1/4",NC
21	TF4371	1	SKID SHOE,L/PROFILE-OUTER
24	52222	1	GROUND ROLLER,96"
25	TF1045B	2	GRND ROLLER STUB SHAFT
26	6T2330	8	CAPSCREW,7/16" X 1-1/2", SKT HD
---	06200347	-	KIT,STRING GUARD (ITEMS 37, 38 & 30)
27	06530217	8	CAPSCREW,1/2" X 2",NC,L9
28	06533006	8	FLATWASHER,1/2",SAE,L9
29	TF1018	2	BEARING,FLANGE,2-3/16"
30	31204	2	STRING GUARD,HD
---	TF1602A	-	CUTTERSHAFT ASSY (STANDARD CUT) (ITEMS 31, 32, 33, 34 & 35)
----	TF1602B	-	CUTTERSHAFT ASSY (SMOOTH CUT) (ITEMS 31, 32, 33, 34A & 35)
31	TF1602B	1	CUTTERSHAFT,96"
32	30411	52	KNIFE MOUNTING BOLT,FLAIL
33	TF1020	52	KNIFE MTG CLEVIS,FLAIL
34	33714	104	KNIFE,FLAIL,STANDARD CUT
34A	TF1019F	52	KNIFE,FLAIL,SMOOTH CUT (NOT SHOWN)
35	21677	52	NYLOCK NUT,7/16",NC
36	TF4365	1	SKID SHOE,L/PROFILE-INNER
37	TF1608	1	FLAP TRASH GUARD
38	06530001	12	CAPSCREW,SKT HD
39	06520027	2	CAP,BEARING
40	06520029	2	O-RING,2-3/4" X 3/32"
41	06520028	2	BEARING,FLANGE,1-3/8"
42	6T2331	8	CAPSCREW,7/16" X 1",SKT HD

COMMON TRIPLE

EXTREME DUTY 96IN REAR FLAIL DRIVE ASSY



NOTE:

1. LOCATE AND FIT HITCH PER DRIVE ASSEMBLY PRIOR TO WELDING 3 POINT HITCH TO FLAIL BONNET
2. REVERSE ROTATION ASSEMBLY - PULLY HARDWARE (ITEMS 22,24,25 & 26) SWAP ENDS WITH TENSIONER HARDWARE (ITEMS - 19,38,39,40,41,42 & 43) ON IDLER ARM ITEM - 37

ITEM	PART NO.	QTY.	DESCRIPTION
1	-----	1	BONNET *REFER TO CUTTER ASSY
2	31279A	1	HITCH,3-POINT
3	40454	2	SPACER
4	27508	4	CAPSCREW,8MM X 20MM(1.25)
5	6T2619	8	LOCKWASHER,8MM
6	28447E	1	GUARD,OUTPUT SHAFT
7	28505	1	GEARBOX,REAR FLAIL,COMER T22A
8	06520181	1	GUARD,PTO,GRBX
9	34948	4	FLATWASHER,8MM
10	27507	4	CAPSCREW,8MM X 15MM(1.25)
11	28914	1	COUPLING,6 SPLINE
12	6T3209	1	GREASE ZERK,1/4" DRIVE
13	28418A	1	OUTPUT EXTENSION SHAFT,96"RCM
---	28420B	-	OUTPUT EXTENSION SHAFT,96"R6F
	28416B	-	OUTPUT EXTENSION SHAFT,96"RXF

COMMON TRIPLE

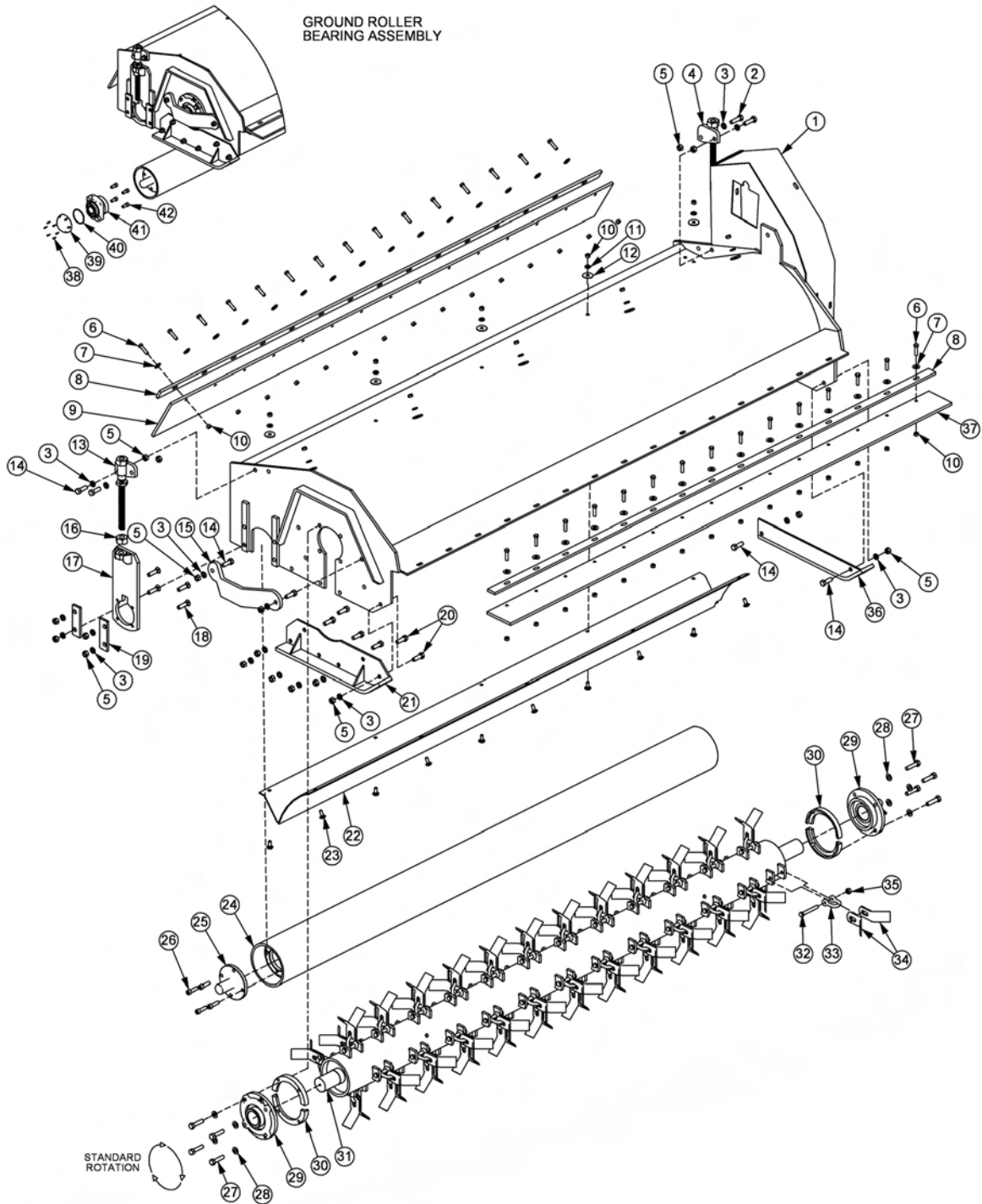
EXTREME DUTY 96IN REAR FLAIL DRIVE ASSY

Continued...

ITEM	PART NO.	QTY.	DESCRIPTION
	28419B	-	OUTPUT EXTENSION SHAFT,96"OFF
14	30162	4	CAPSCREW,SKT HD,8MMX20MM(1.25)
15	28426A	1	SHAFT GRD,HD,96"RCM
---	28428B	-	SHAFT GRD,HD,96"R6F
	28424B	-	SHAFT GRD,HD,96"RXF
	28427B	-	SHAFT GRD,HD,96"OFF
16	21725	1	HEX NUT,1/2",NC
17	21990	5	LOCKWASHER,1/2"
18	22018	1	FLATWASHER,1/2",WIDE
19	21732	2	CAPSCREW,1/2" X 1-3/4",NC
20	28571	1	BEARING,FLANGE,1-1/4"
21	21730	4	CAPSCREW,1/2" X 1-1/4",NC
22	28399	1	CAPSCREW,20MM X 80MM(2.5),GR10.9
23	6T3004	1	R-CLIP,HAIRPIN COTTER,3/16"
24	24881	1	LOCKWASHER,20MM
25	31295	1	SHEAVE,IDLER ASSY,6.3"
26	31740	1	NYLOCK NUT,20MM(2.5)
27	TF3043	1	SHEAVE,7.5"
28	30049	2	BUSHING,QD,SK 1-1/4",1/4" KEY
29	28572	1	KEY,1/4"SQ X 2"
30	TF3023	2	V-BELT(630)
31	31286A	1	SHIELD,BELT
32	21988	4	LOCKWASHER,3/8"
33	21630	4	CAPSCREW,3/8" X 1",NC
34	TF3011	1	BUSHING,QD,SK 2-3/16"
35	28570	1	SHEAVE,9.0"
36	TF3605	1	PIN,IDLER ARM
37	TF1180	1	IDLER ARM
38	6T2418	1	HEX NUT,1/2",NC,GR8(STOVER)
39	TF3610	1	BUSHING,IDLER
40	PT3611A	1	CLEVIS
41	32482	1	ROD,THREADED,1/2-20,NF,12-1/2"
42	TF3620A	1	SPRING,TENSIONER
43	27938	1	BUSHING,MACH,14GA
44	21700	3	HEX NUT,1/2",NF
45	-----	1	CUTTERSHAFT *REFER TO CUTTER ASSY
46	6T2625	4	LOCKWASHER,16MM
47	22421	4	CAPSCREW,16MM X 40MM(2.0),GR10.9
48	TF1143	3	LYNCH PIN
49	TF1120	2	PIN,CAPPED
50	TB1036	1	PIN

COMMON TRIPLE

EXTREME DUTY 102IN REAR FLAIL - STD ROT



ITEM	PART NO.	QTY.	DESCRIPTION
---	33027	-	REAR FLAIL ASSY,102IN
1	22046J	1	BONNET,102"
2	21732	2	CAPSCREW,1/2" X 1-3/4",NC
3	21990	22	LOCKWASHER,1/2"

COMMON TRIPLE

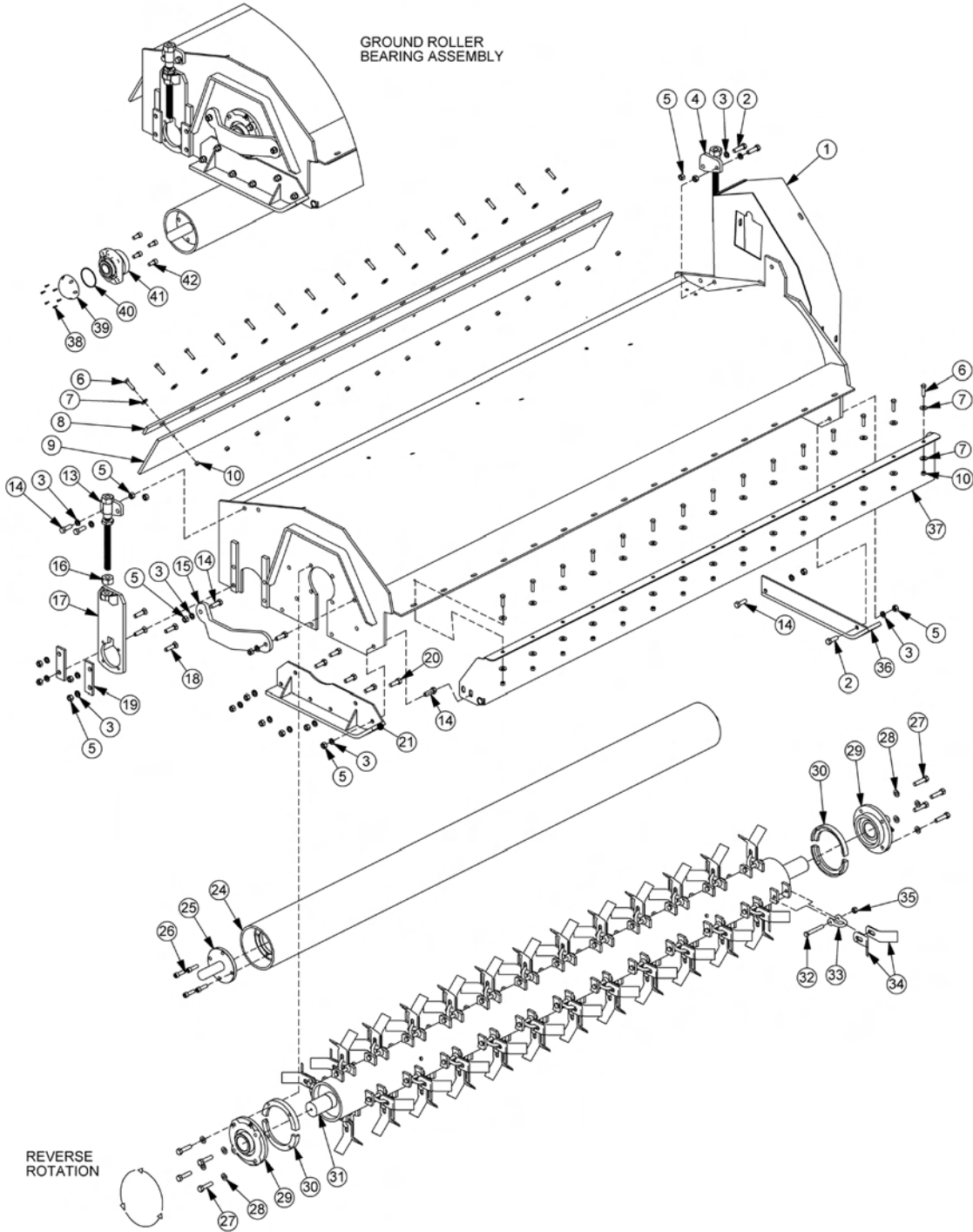
EXTREME DUTY 102IN REAR FLAIL - STD ROT

Continued...

ITEM	PART NO.	QTY.	DESCRIPTION
4	TF4335	1	ROD,GROUND ROLLER ADJ,LF
5	21725	22	HEX NUT,1/2",NC
6	21632	36	CAPSCREW,3/8" X 1-1/2",NC
7	22016	36	FLATWASHER,3/8"
8	TF1703	2	BAR,FLAP,TSF/TRF,102"
9	TF1704A	1	FLAP,DEFLECTOR,TSF/TRF,102"
10	21625	46	HEX NUT,3/8",NC
11	21988	10	LOCKWASHER,3/8"
12	6T2615	10	WASHER,FENDER,3/8"
13	TF4334	1	ROD,GROUND ROLLER ADJ,RT
14	21731	6	CAPSCREW,1/2" X 1-1/2",NC
15	TF1040	1	GUARD,CUTTERSCHAFT
16	21399	2	HEX NUT,3/4",ACME THRD
17	TF4333A	2	GROUND ROLLER ADJ BRKT
18	6T2294	8	PLOW BOLT,1/2" X 2",NC
19	TF4336	4	PLATE,GROUND ROLLER LOCK
20	21730	6	CAPSCREW,1/2" X 1-1/4",NC
21	TF4371	1	SKID SHOE,L/PROFILE-OUTER
22	TF1702	1	BAFFLE,FLAIL,102",HD
23	6T2283	10	CARRIAGE BOLT,3/8" X 1",NC
24	28999	1	GROUND ROLLER,102"
25	TF1045B	2	GRND ROLLER STUB SHAFT
26	6T2330	8	CAPSCREW,7/16" X 1-1/2", SKT HD
---	06200347	-	KIT,STRING GUARD
27	06530217	8	CAPSCREW,1/2" X 2",NC,L9
28	06533006	8	FLATWASHER,1/2",SAE,L9
29	TF1018	2	BEARING,FLANGE,2-3/16"
30	31204	2	STRING GUARD,HD
---	TF1707A	-	CUTTERSCHAFT ASSY,102"
31	TF1707	1	CUTTERSCHAFT,102"
32	30411	56	KNIFE MOUNTING BOLT,FLAIL
33	TF1020	56	KNIFE MTG CLEVIS,FLAIL
34	33714	112	KNIFE,FLAIL,STANDARD CUT
35	21677	56	NYLOCK NUT,7/16",NC
36	TF4365	1	SKID SHOE,L/PROFILE-INNER
37	06520245	1	FLAP,FRONT,102"
38	06530001	12	CAPSCREW,SKT HD
39	06520027	2	CAP,BEARING
40	06520029	2	O-RING,2-3/4" X 3/32"
41	06520028	2	BEARING,FLANGE,1-3/8"
42	6T2331	8	CAPSCREW,7/16" X 1",SKT HD

COMMON TRIPLE

EXTREME DUTY 102IN REAR FLAIL - REV ROT



ITEM	PART NO.	QTY.	DESCRIPTION
---	33030	-	102IN REAR FLAIL ASSY (STANDARD CUT)
----	33033	-	102IN REAR FLAIL ASSY (SMOOTH CUT)
1	22046J	1	BONNET,102"
2	21732	3	CAPSCREW,1/2" X 1-3/4",NC

COMMON TRIPLE

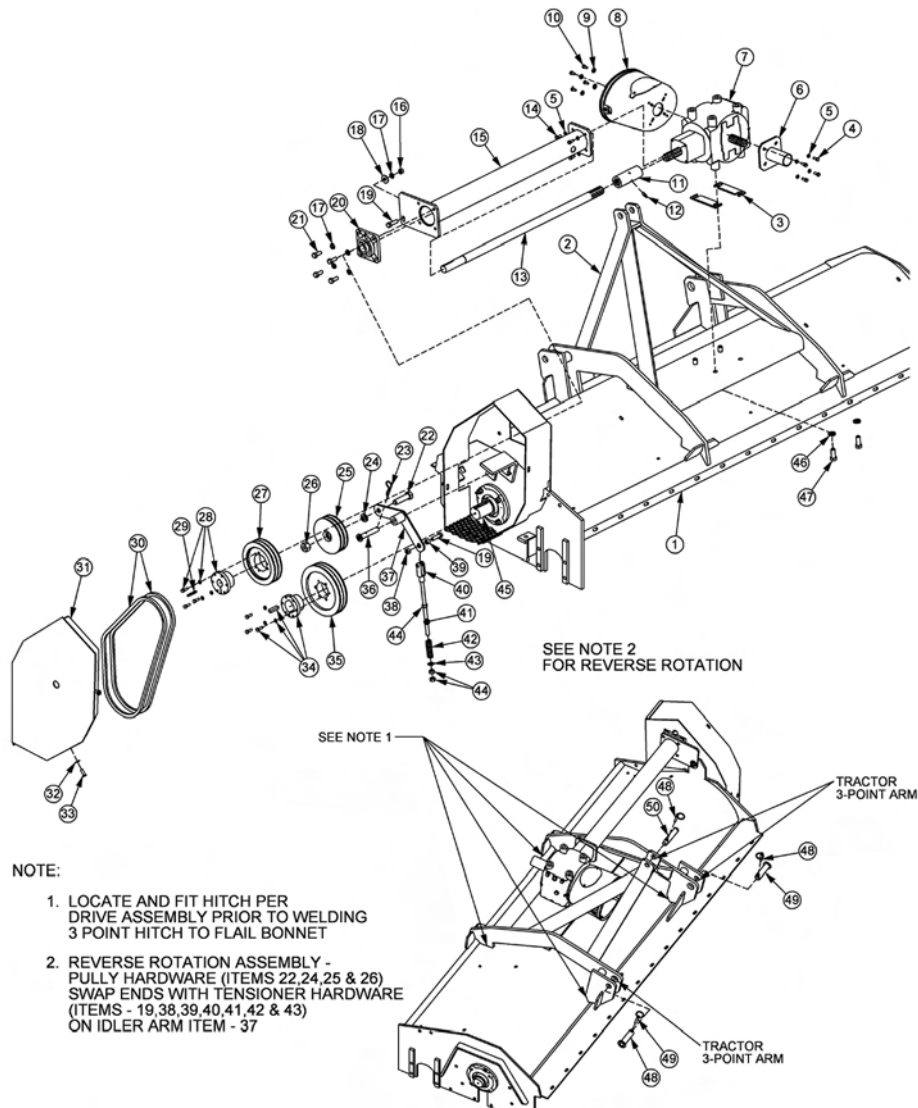
EXTREME DUTY 102IN REAR FLAIL - REV ROT

Continued...

ITEM	PART NO.	QTY.	DESCRIPTION
3	21990	22	LOCKWASHER,1/2"
4	TF4335	1	ROD,GROUND ROLLER ADJ,LF
5	21725	22	HEX NUT,1/2",NC
6	21632	36	CAPSCREW,3/8" X 1-1/2",NC
7	22016	51	FLATWASHER,3/8"
8	TF1703	1	BAR,FLAP,TSF/TRF,102"
9	TF1704A	1	FLAP,DEFLECTOR,TSF/TRF,102"
10	21625	46	HEX NUT,3/8",NC
13	TF4334	1	ROD,GROUND ROLLER ADJ,RT
14	21731	6	CAPSCREW,1/2" X 1-1/2",NC
15	TF1040	1	GUARD,CUTTERSHAFT
16	21399	2	HEX NUT,3/4",ACME THRD
17	TF4333A	2	GROUND ROLLER ADJ BRKT
18	6T2294	8	PLOW BOLT,1/2" X 2",NC
19	TF4336	4	PLATE,GROUND ROLLER LOCK
20	21730	5	CAPSCREW,1/2" X 1-1/4",NC
21	TF4371	1	SKID SHOE,L/PROFILE-OUTER
24	28999	1	GROUND ROLLER,102"
25	TF1045B	2	GRND ROLLER STUB SHAFT
26	6T2330	8	CAPSCREW,7/16" X 1-1/2", SKT HD
---	06200347	-	KIT,STRING GUARD (ITEMS 27, 28 & 30)
27	06530217	8	CAPSCREW,1/2" X 2",NC,L9
28	06533006	8	FLATWASHER,1/2",SAE,L9
29	TF1018	2	BEARING,FLANGE,2-3/16"
30	31204	2	STRING GUARD
---	TF1707A	-	CUTTERSHAFT ASSY (STANDARD CUT) (ITEMS 31, 32, 33, 34 & 35)
----	TF1707B	-	CUTTERSHAFT ASSY (SMOOTH CUT) (ITEMS 31, 32, 33, 34A & 35)
31	TF1707	1	CUTTERSHAFT,102"
32	30411	56	KNIFE MOUNTING BOLT,FLAIL
33	TF1020	56	KNIFE MTG CLEVIS,FLAIL
34	33714	112	KNIFE,FLAIL,STANDARD CUT
34A	TF1019F	56	KNIFE,FLAIL,SMOOTH CUT (NOT SHOWN)
35	21677	56	NYLOCK NUT,7/16",NC
36	TF4365	1	SKID SHOE,L/PROFILE-INNER
37	TF1701	1	FRONT TRASH GUARD
38	06530001	12	CAPSCREW,SKT HD
39	06520027	2	CAP,BEARING
40	06520029	2	O-RING,2-3/4" X 3/32"
41	06520028	2	BEARING,FLANGE,1-3/8"
42	6T2331	8	CAPSCREW,7/16" X 1",SKT HD

COMMON TRIPLE

EXTREME DUTY 102IN REAR FLAIL DRIVE ASSY



NOTE:

1. LOCATE AND FIT HITCH PER DRIVE ASSEMBLY PRIOR TO WELDING 3 POINT HITCH TO FLAIL BONNET
2. REVERSE ROTATION ASSEMBLY - PULLY HARDWARE (ITEMS 22,24,25 & 26) SWAP ENDS WITH TENSIONER HARDWARE (ITEMS - 19,38,39,40,41,42 & 43) ON IDLER ARM ITEM - 37

ITEM	PART NO.	QTY.	DESCRIPTION
1	-----	1	BONNET *REFER TO CUTTER ASSY
2	31279A	1	HITCH,3-POINT
3	40454	2	SPACER
4	27508	4	CAPSCREW,8MM X 20MM(1.25)
5	6T2619	8	LOCKWASHER,8MM
6	28447E	1	GUARD,OUTPUT SHAFT
7	28505	1	GEARBOX,REAR FLAIL,COMER T22A
8	06520181	1	GUARD,PTO,GRBX
9	34948	4	FLATWASHER,8MM
10	27507	4	CAPSCREW,8MM X 15MM(1.25)
11	28914	1	COUPLING,6 SPLINE
12	6T3209	1	GREASE ZERK,1/4" DRIVE
13	28421A	1	OUTPUT EXTENSION SHAFT,102"RCM

COMMON TRIPLE

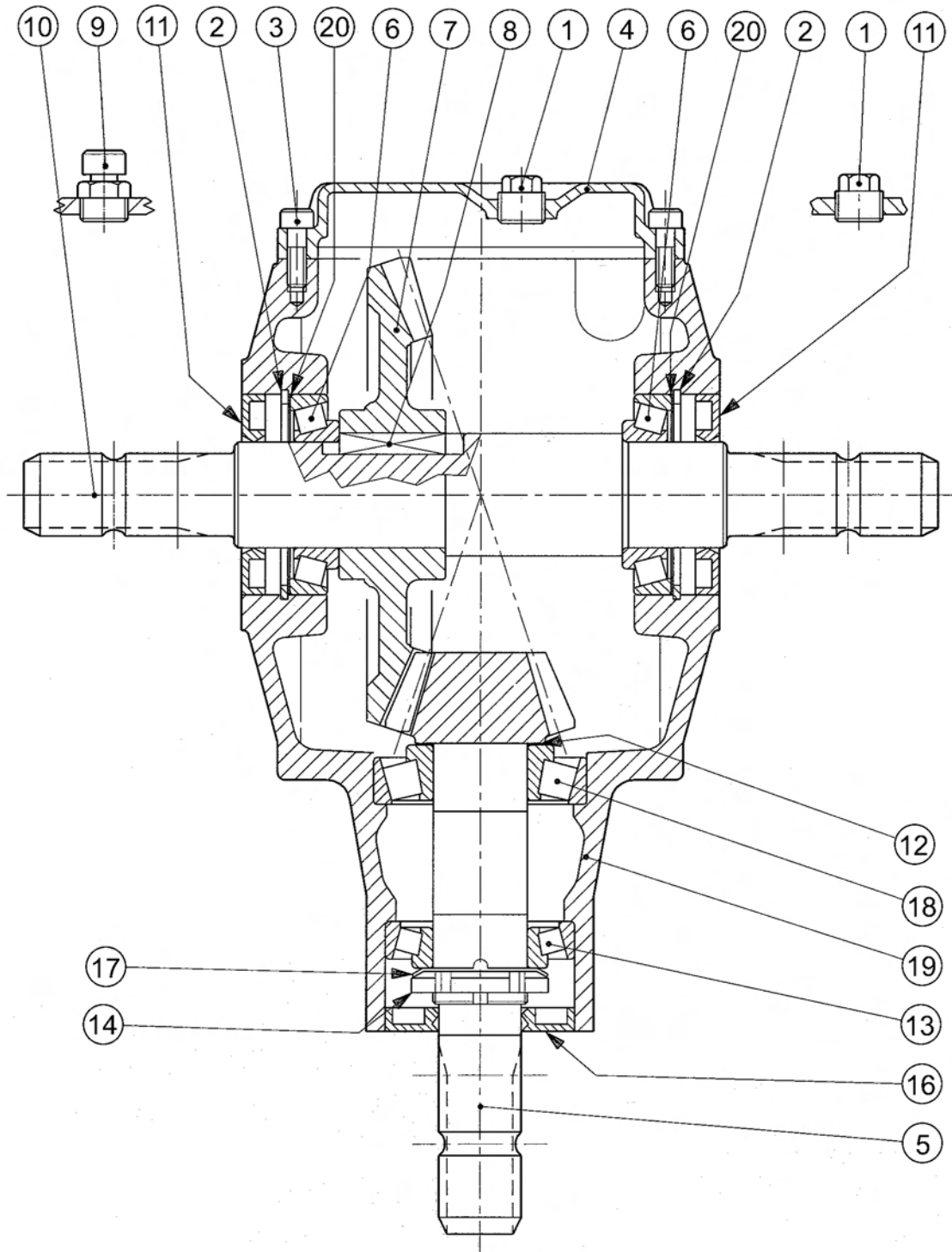
EXTREME DUTY 102IN REAR FLAIL DRIVE ASSY

Continued...

ITEM	PART NO.	QTY.	DESCRIPTION
---	28417B	-	OUTPUT EXTENSION SHAFT,102"R6F
----	28419B	-	OUTPUT EXTENSION SHAFT,102"OFF
14	30162	4	CAPSCREW,SKT HD,8MM X 20MM(1.25)
15	28429A	1	SHAFT GRD,HD,102"RCM
---	28425B	-	SHAFT GRD,HD,102"R6F
----	28427B	-	SHAFT GRD,HD,102"ROFF
16	21725	1	HEX NUT,1/2",NC
17	21990	5	LOCKWASHER,1/2"
18	22018	1	FLATWASHER,1/2",WIDE
19	21732	2	CAPSCREW,1/2" X 1-3/4",NC
20	28571	1	BEARING,FLANGE,1-1/4"
21	21730	4	CAPSCREW,1/2" X 1-1/4",NC
22	28399	1	CAPSCREW,20MM X 80MM(2.5),GR10.9
23	6T3004	1	R-CLIP,HAIRPIN COTTER,3/16"
24	24881	1	LOCKWASHER,20MM
25	31295	1	SHEAVE,IDLER ASSY,6.3"
26	31740	1	NYLOCK NUT,20MM(2.5)
27	TF3043	1	SHEAVE,7.5"
28	30049	2	BUSHING,QD,SK 1-1/4",1/4" KEY
29	28572	1	KEY,1/4"SQ X 2"
30	TF3023	2	V-BELT(630)
31	31286A	1	SHIELD,BELT
32	21988	4	LOCKWASHER,3/8"
33	21630	4	CAPSCREW,3/8" X 1",NC
34	TF3011	1	BUSHING,QD,SK 2-3/16"
35	28570	1	SHEAVE,9.0"
36	TF3605	1	PIN,IDLER ARM
37	TF1180	1	IDLER ARM
38	6T2418	1	HEX NUT,1/2",NC,GR8(STOVER)
39	TF3610	1	BUSHING,IDLER
40	PT3611A	1	CLEVIS
41	32482	1	ROD,THREADED,1/2-20,NF,12-1/2"
42	TF3620A	1	SPRING,TENSIONER
43	27938	1	BUSHING,MACH,14GA
44	21700	3	HEX NUT,1/2",NF
45	-----	1	CUTTERSHAFT *REFER TO CUTTER ASSY
46	6T2625	4	LOCKWASHER,16MM
47	22421	4	CAPSCREW,16MM X 40MM(2.0),GR10.9
48	TF1143	3	LYNCH PIN
49	TF1120	2	PIN,CAPPED
50	TB1036	1	PIN

COMMON TRIPLE

EXTREME DUTY REAR GEAR BOX ASSY



COMMON TRIPLE

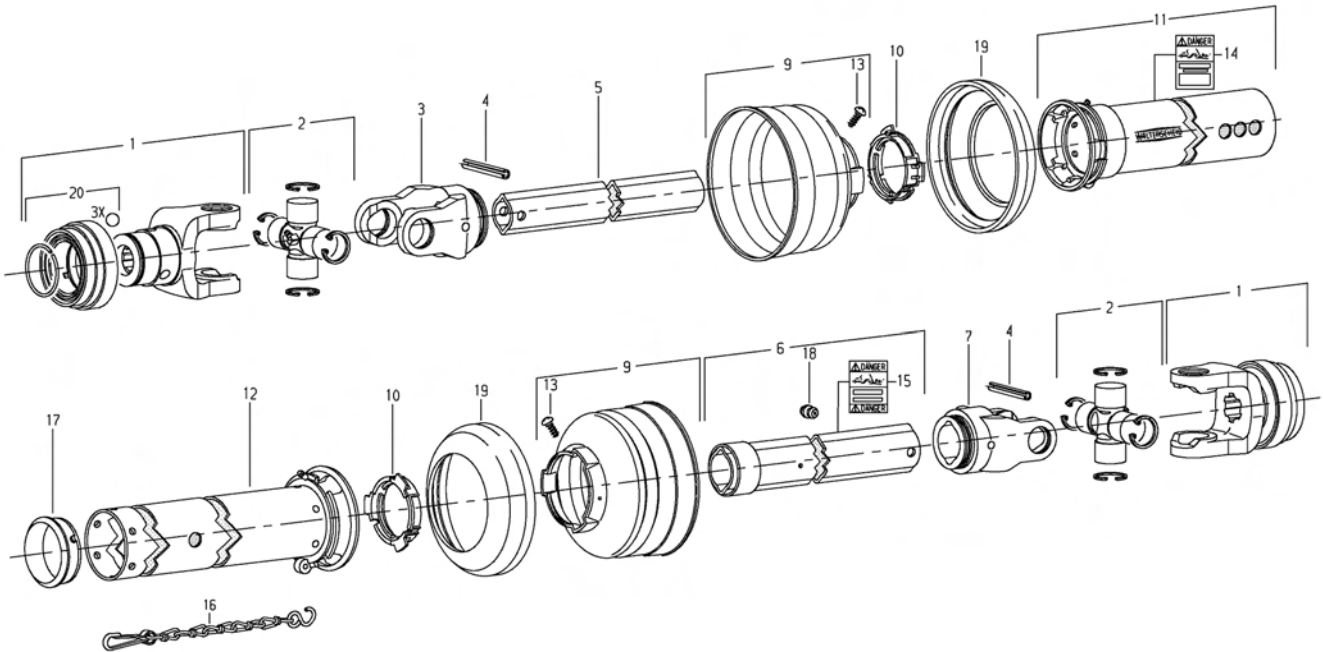
EXTREME DUTY REAR GEAR BOX ASSY

Continued...

ITEM	PART NO.	QTY.	DESCRIPTION
---	28505	-	GEAR BOX,REAR FLAIL,HD
1	28592	2	PLUG,1/2",GAS
2	28593	2	SNAP RING
3	28594	6	CAPSCREW,8MM X 25MM
4	28595	1	SHIM
6	28597	2	BEARING
7	28598	1	GEAR
8	28599	1	PARALLEL KEY
9	28600	1	OIL FILLER PLUG
10	28601	1	SHAFT
11	28602	2	OIL SEAL
12	28603	1	SHIM
13	28604	1	BEARING
14	28605	1	LOCK NUT
15	28606	1	PINION
16	28607	1	DOUBLE LIP SEAL
17	28608	1	SPRING WASHER
18	28609	1	BEARING
19	28591	1	CASTING
20	28596	2	SHIM

COMMON TRIPLE

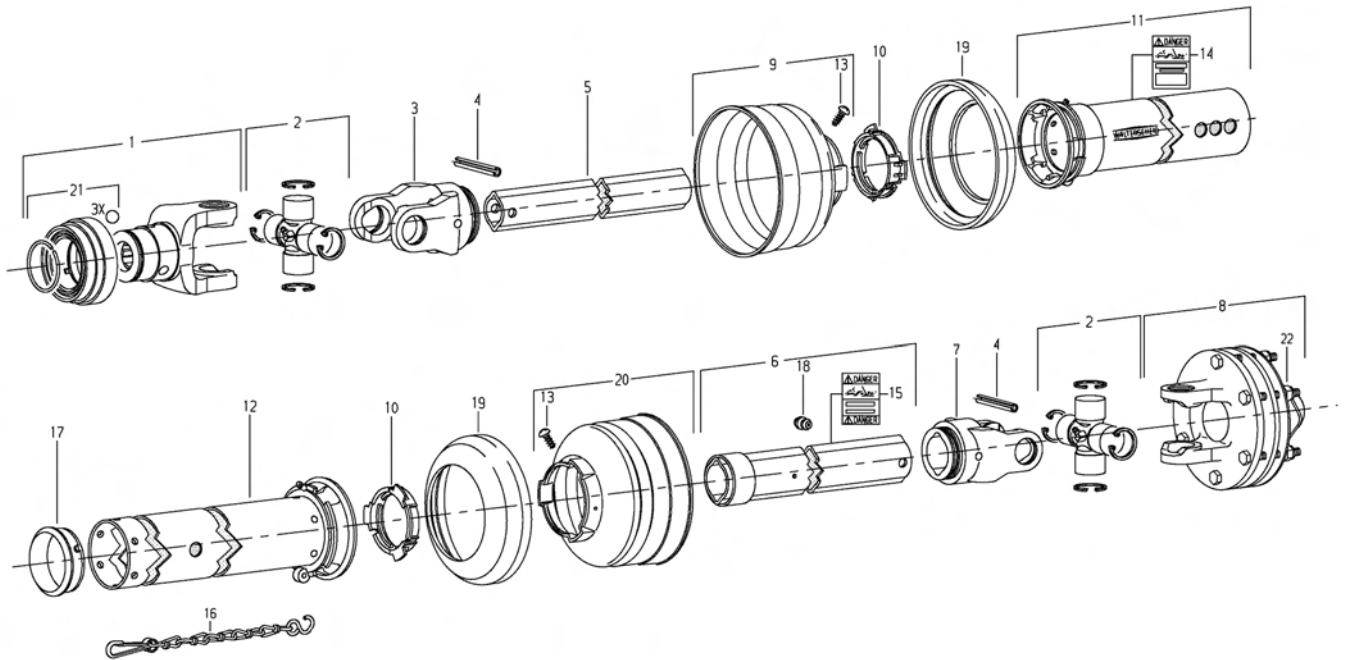
PTO SHAFT ASSEMBLY



ITEM	PART NO.	QTY.	DESCRIPTION
---	06520414	-	PTO.DRV SHFT,TRF
1	00775353	2	YOKE 1-3/8"-6 SPL.
2	00189700	2	CROSS & BEARING KIT
3	00775317	1	INBOARD YOKE 1B
4	00756934	2	SPRING PIN
5	-----	1	INNER PROFILE 1B
6	-----	1	PROFILE & SLEEVE
7	00775318	1	INBOARD YOKE 2A
9	06505010	2	GUARD CONE
10	8393	2	BEARING RING
11	-----	1	GUARD TUBE,OUTER
12	-----	1	GUARD TUBE,INNER
13	00759217	2	SCREW (ITEM 9)
14	00756005	1	DECAL,OUTER (ITEM 11)
15	00756004	1	DECAL,INNER (ITEM 6)
16	1416412	1	RESTRAINT CHAIN
17	-----	1	SUPPORT BEARING
18	-----	1	ZERK (ITEM 6)
19	-----	2	REINFORCING COLLAR
20	00767954	-	KIT,COLLAR (ITEM 1)

COMMON TRIPLE

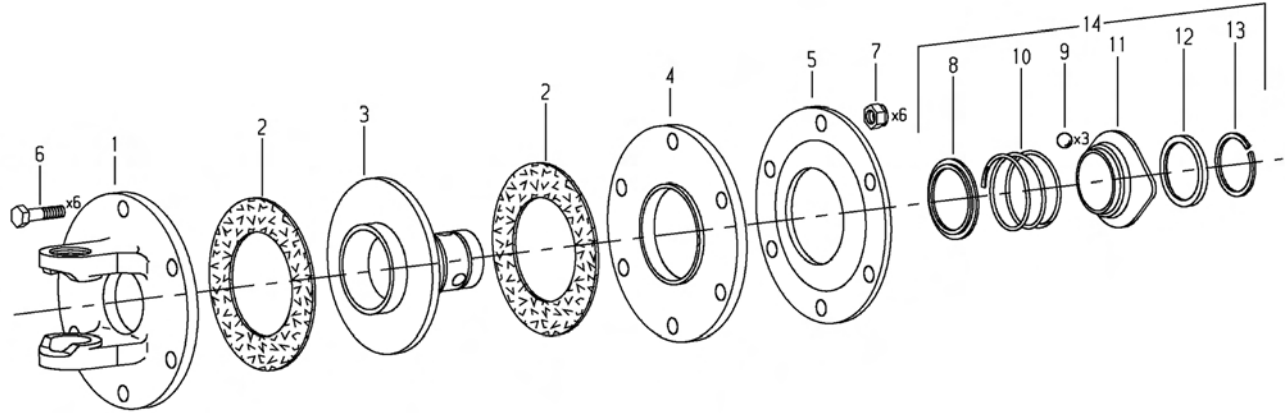
PTO SHAFT ASSEMBLY WITH CLUTCH



ITEM	PART NO.	QTY.	DESCRIPTION
---	06520415	-	PTO,DRV SHFT,TRF,CLUTCH
1	00775353	1	YOKE 1-3/8"-6 SPL.
2	00189700	2	CROSS & BEARING KIT
3	00775317	1	INBOARD YOKE 1B
4	00756934	2	SPRING PIN
5	-----	1	INNER PROFILE 1B
6	-----	1	PROFILE & SLEEVE
7	00775318	1	INBOARD YOKE 2A
8	00775365	1	FRICITION CLUTCH
9	06505010	2	GUARD CONE
10	8393	2	BEARING RING
11	-----	1	GUARD TUBE,OUTER
12	-----	1	GUARD TUBE,INNER
13	00759217	2	SCREW (ITEM 9)
14	00756005	1	DECAL,OUTER (ITEM 11)
15	00756004	1	DECAL,INNER (ITEM 6)
16	1416412	1	RESTRAINT CHAIN
17	-----	1	SUPPORT BEARING
18	-----	1	ZERK (ITEM 6)
19	-----	2	REINFORCING COLLAR
20	-----	1	GUARD CONE
21	00767954	-	KIT,COLLAR (ITEM 1)
22	0921000470	-	KIT,FLANGE (ITEM 8)

COMMON TRIPLE

CLUTCH ASSEMBLY

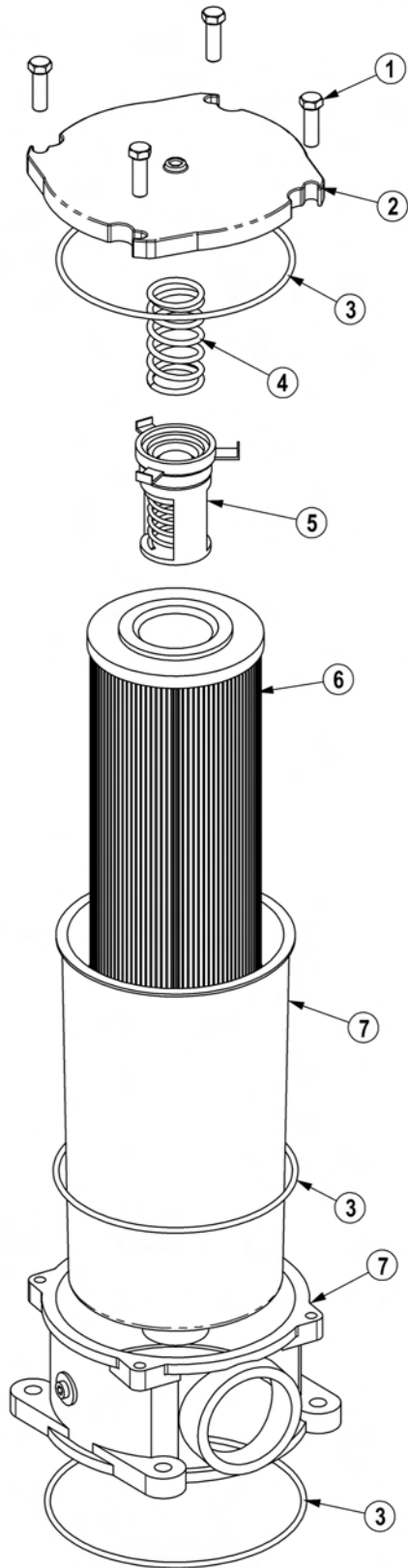


ITEM	PART NO.	QTY.	DESCRIPTION
---	00775365	-	CLUTCH ASSY
1	-----	1	FLANGE YOKE
2	-----	2	FRICTION DISC
3	-----	1	HUB
4	-----	1	THRUST PLATE
5	-----	1	BELLE VILLE SPRING
6	-----	6	HEX BOLT
7	-----	6	HEX LOCKNUT
8	-----	1	BACK-UP RING
9	-----	3	BALL
10	-----	1	COMPRESSION SPRING
11	-----	1	LOCK COLLAR
12	-----	1	BACK-UP RING
13	-----	1	SNAP RING
14	0921000470	-	KIT(ITEMS 8 THRU 13)

COMMON TRIPLE

NOTES

RESERVOIR TANK FILTER ASSEMBLY



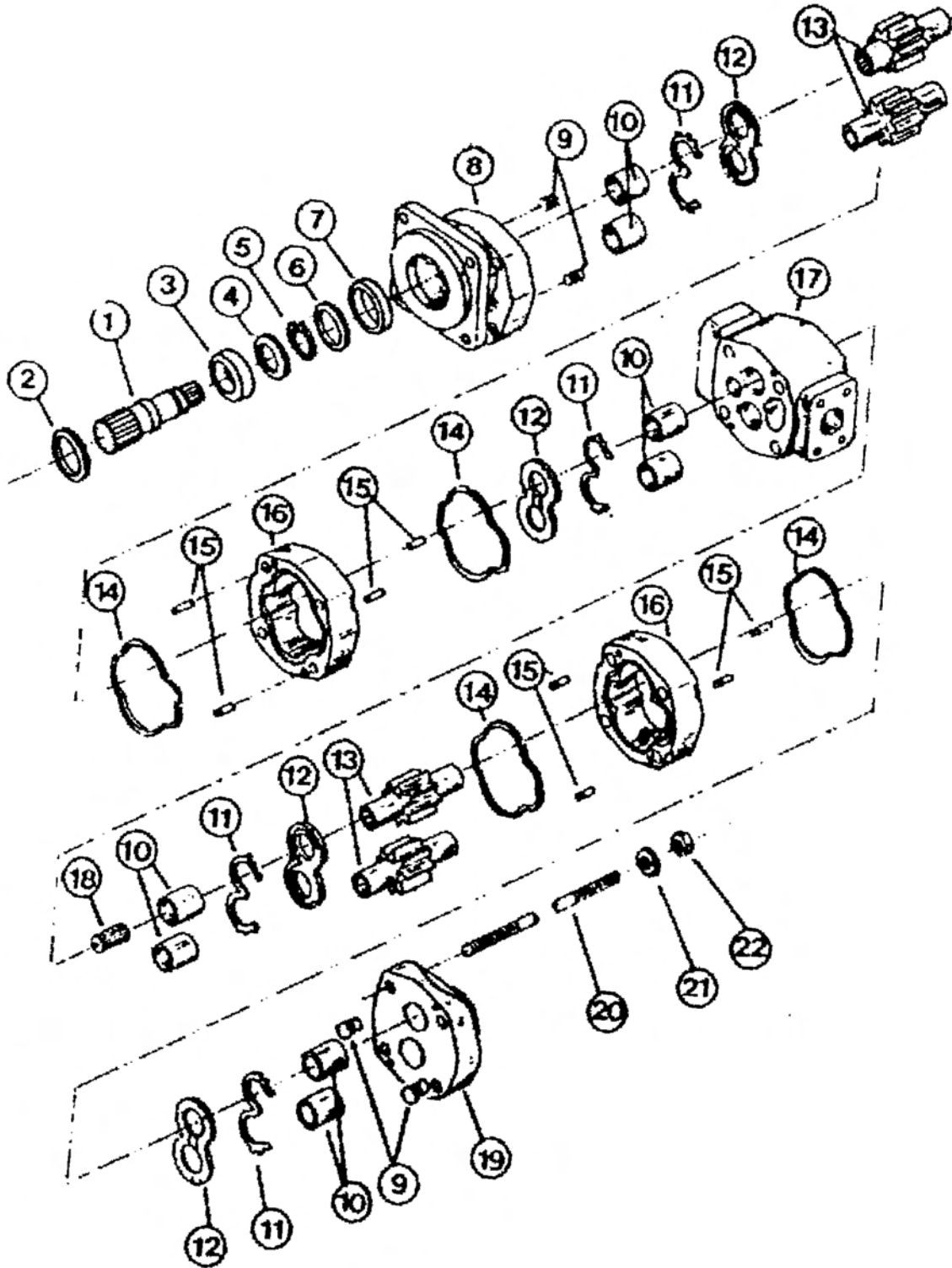
RESERVOIR TANK FILTER ASSEMBLY

Continued...

ITEM	PART NO.	QTY.	DESCRIPTION
---	06505044	-	FILTER ASSY SAE 10 MICRON
1	28583	4	CAPSCREW,8MM X 25MM(1.25 PITCH)
2	06505045	1	COVER
3	06505046	1	SEAL KIT
4	06505047	1	SPRING
5	06505048	1	BYPASS
6	35259	1	FILTER,10 MIC,RETURN LINE
7	06505049	1	CAN/BODY

COMMON TRIPLE

FRONT HYDRAULIC PUMP BREAKDOWN



COMMON TRIPLE

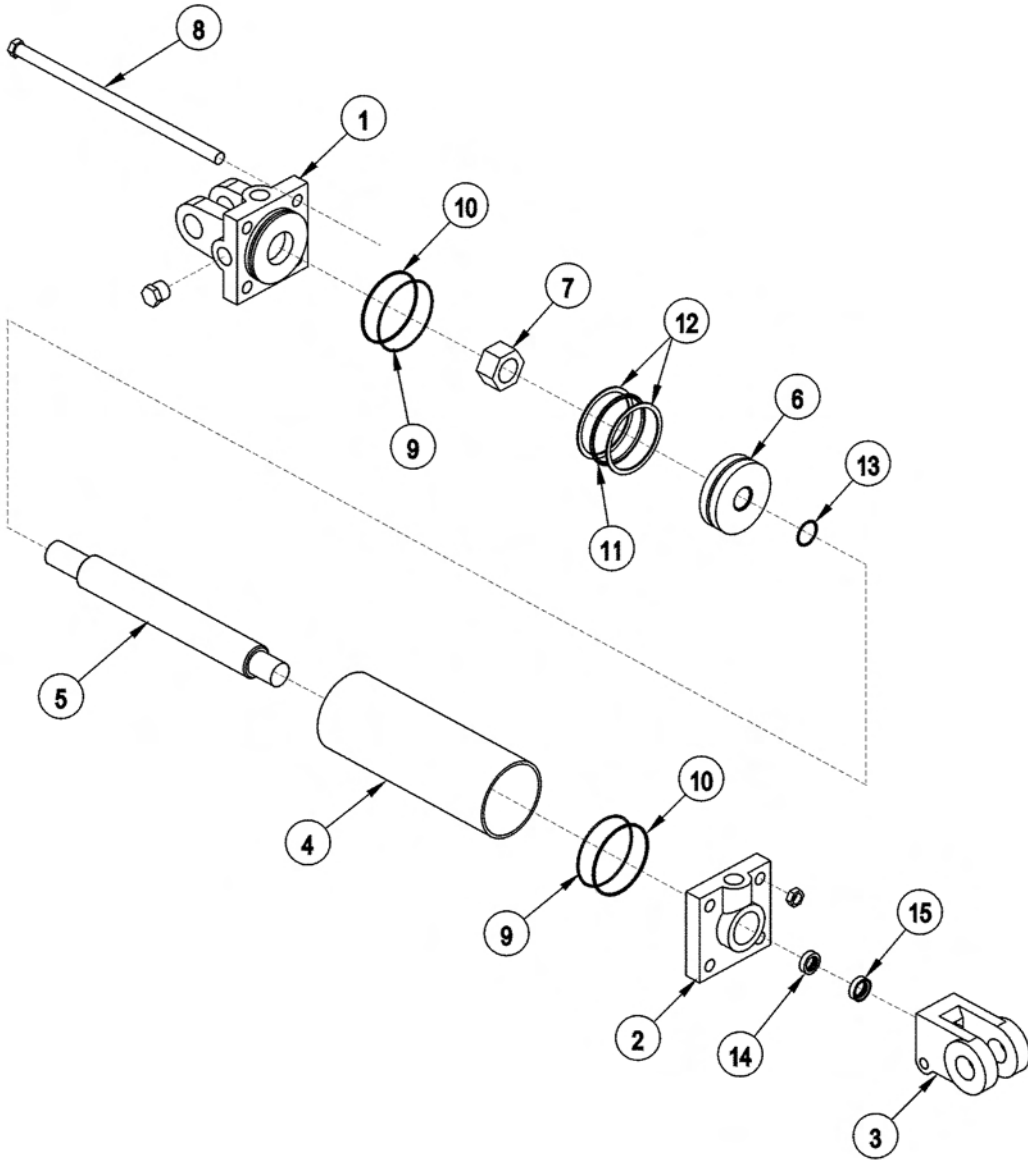
FRONT HYDRAULIC PUMP BREAKDOWN

Continued...

ITEM	PART NO.	QTY.	DESCRIPTION
*	TF4450	-	FRONT MOUNTED PUMP P330
1	TF4459	1	CONTINENTAL SHAFT
2	TF4451	1	SNAP RING
3	TF4452	1	OUTBOARD BEARING
4	TF4467	1	BEARING RETAINER RING
5	TF4472	1	RETAINING RING
6	TF4473	1	SPACER
7	TF4453	1	LIP SEAL
8	TF4454	1	SHAFT END COVER
9	TF4455	4	PLUG
10	TF4456	8	BUSHING
11	TF4457	4	CHANNEL SEAL
12	TF4458	4	THRUST PLATE
13	TF4466	-	MATCHED GEAR SET
14	TF4460	4	GASKET SEAL
15	TF4461	8	DOWEL PINS
16	TF4462	2	GEAR HOUSING (FOR 1-1/2" GEARS)
17	TF4463	1	BEARING CARRIER
18	TF4465	1	CONNECTING SHAFT
19	TF4468	1	PORT END COVER
20	TF4469	4	STUD
21	TF4415	4	WASHER
22	TF4471	4	NUT
*	TF4474	-	SEAL KIT (INCLUDES ITEM 7, 11, AND 14)

COMMON TRIPLE

3IN X 8IN TIE-ROD CYLINDER - 31211



COMMON TRIPLE

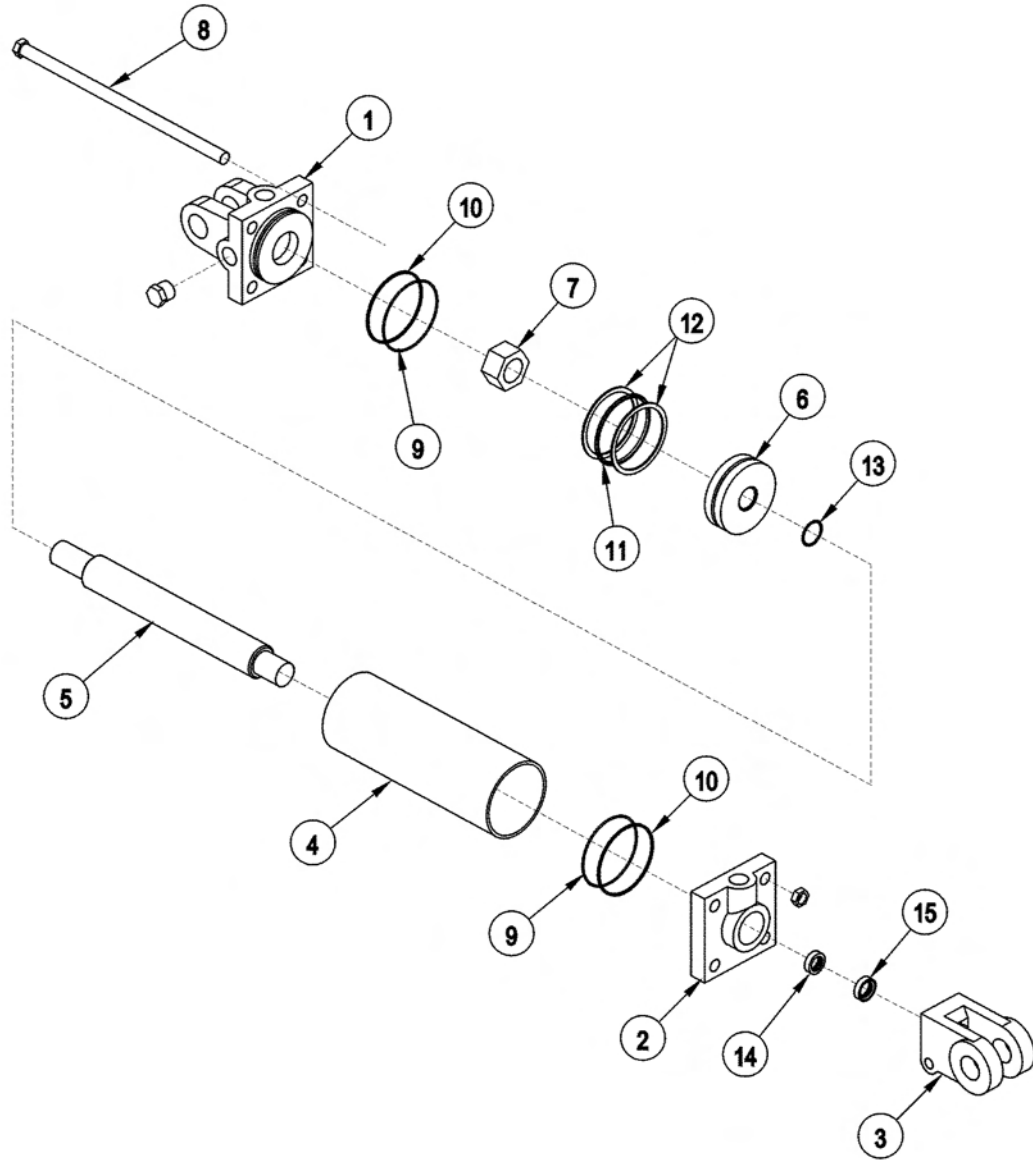
3IN X 8IN TIE-ROD CYLINDER - 31211

Continued...

ITEM	PART NO.	QTY.	DESCRIPTION
---	31211	-	CYLINDER 3" X 8"
1	6T0167	1	CYLINDER BUTT
2	6T0170	1	CYLINDER GLAND
3	6T0178	1	CLEVIS END
4	23870	1	CYLINDER TUBE
5	23869	1	PISTON ROD
6	6T0173	1	PISTON
7	6T0179	1	LOCKNUT
8	21749	4	TIE ROD ASY
---	06501579	-	SEAL KIT
9	-----	2	O - RING
10	-----	2	BACK - UP WASHER
11	-----	1	O - RING
12	-----	2	BACK - UP WASHER
13	-----	1	O - RING
14	-----	1	U - CUP
15	-----	1	WIPER

COMMON TRIPLE

3IN X 12IN TIE-ROD CYLINDER - 25343



COMMON TRIPLE

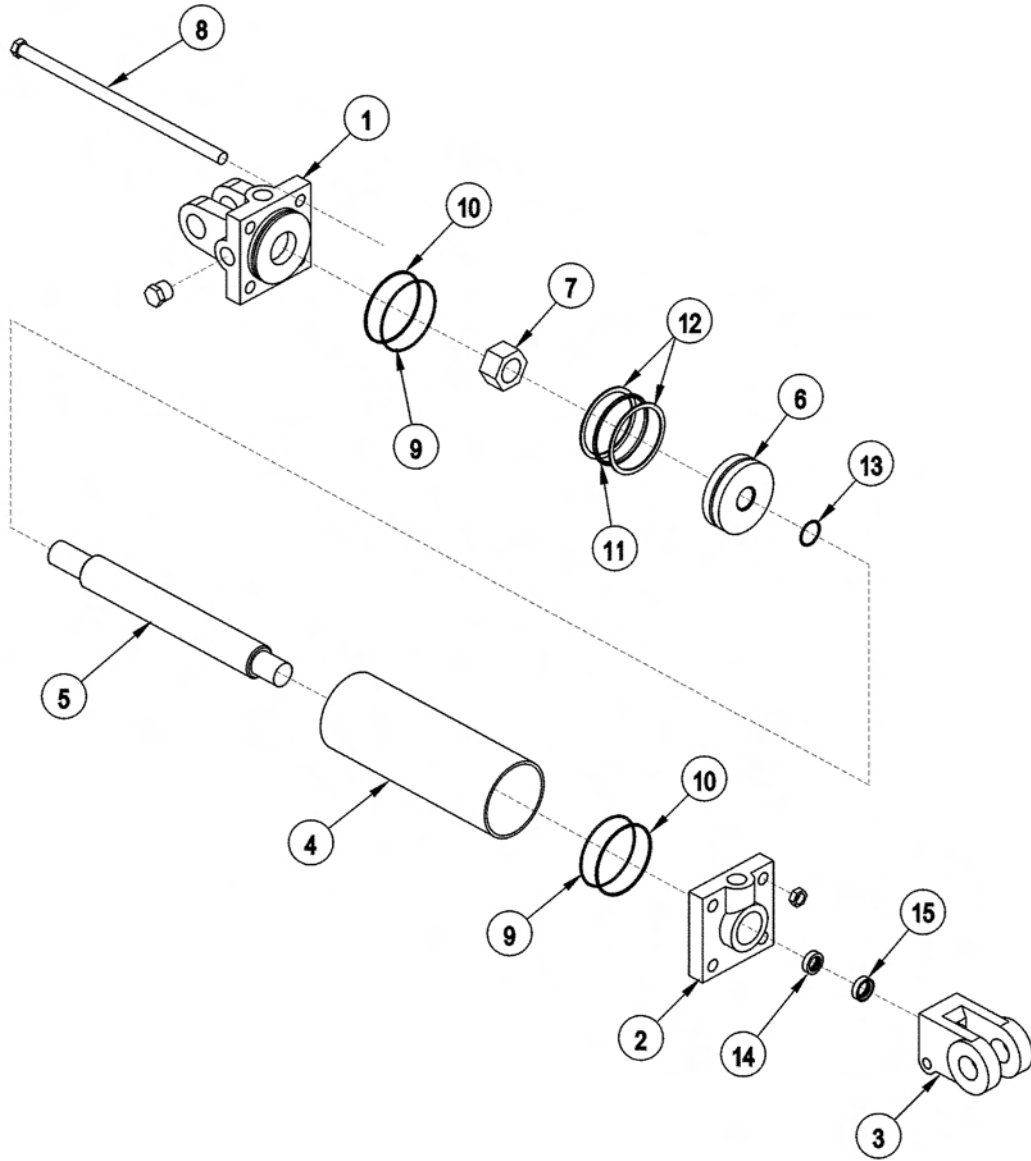
3IN X 12IN TIE-ROD CYLINDER - 25343

Continued...

ITEM	PART NO.	QTY.	DESCRIPTION
---	25343	-	CYLINDER 3" X 12"
1	6T0167	1	CYLINDER BUTT
2	6T0170	1	CYLINDER GLAND
3	6T0178	1	CLEVIS END
4	23870	1	CYLINDER TUBE
5	23869	1	PISTON ROD
6	6T0173	1	PISTON
7	6T0179	1	LOCKNUT
8	21749	4	TIE ROD ASY
---	6T0187	-	SEAL KIT
9	-----	2	O - RING
10	-----	2	BACK - UP WASHER
11	-----	1	O - RING
12	-----	2	BACK - UP WASHER
13	-----	1	O - RING
14	-----	1	U - CUP
15	-----	1	WIPER

COMMON TRIPLE

3IN X 12IN TIE-ROD CYLINDER - 32215



COMMON TRIPLE

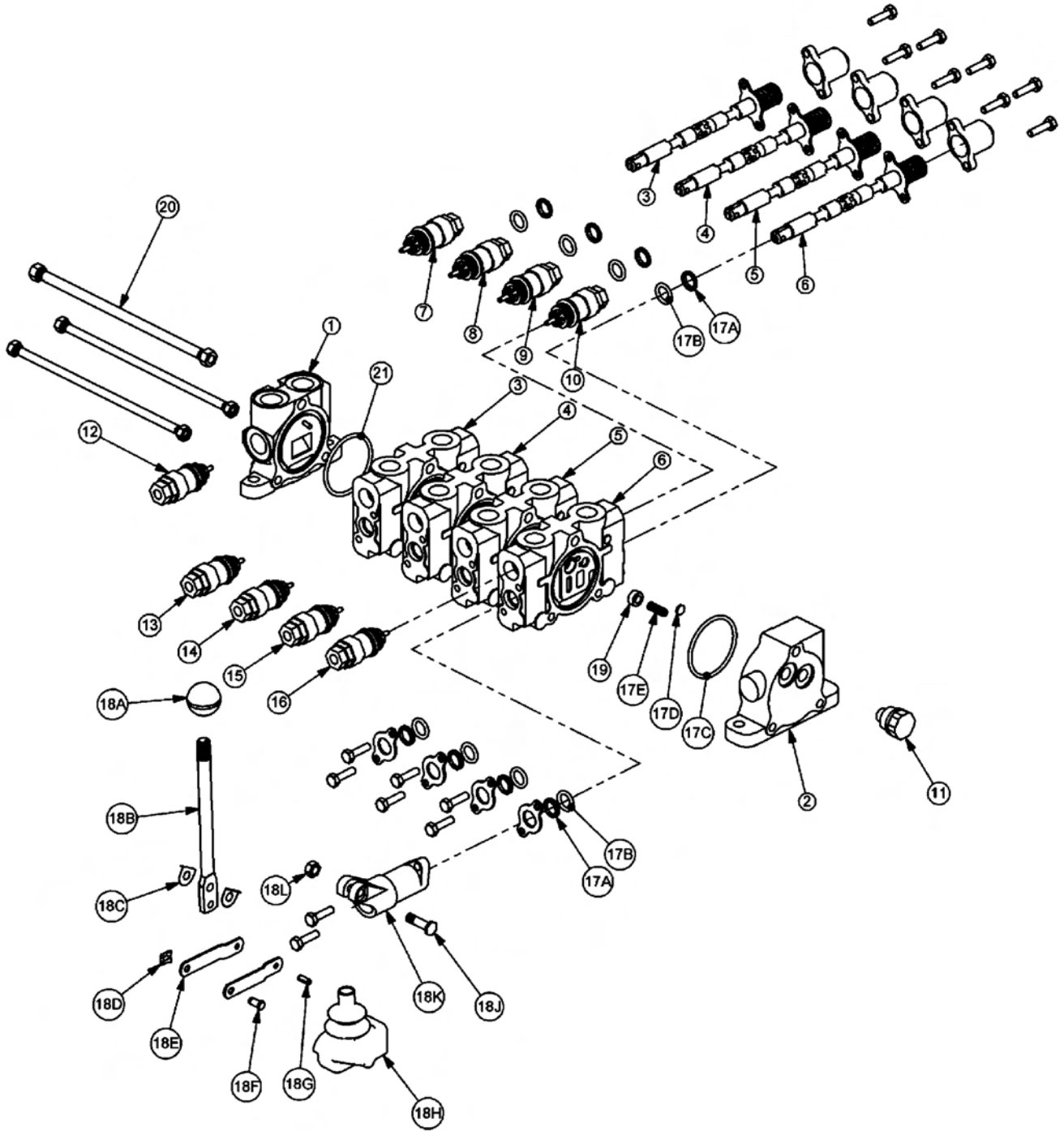
3IN X 12IN TIE-ROD CYLINDER - 32215

Continued...

ITEM	PART NO.	QTY.	DESCRIPTION
---	32215	-	CYLINDER 3" X 12"
1	6T0167	1	CYLINDER BUTT
2	6T0170	1	CYLINDER GLAND
3	6T0178	1	CLEVIS END
4	6T0204	1	CYLINDER TUBE
5	6T0203	1	PISTON ROD
6	6T0173	1	PISTON
7	6T0179	1	LOCKNUT
8	6T0205	4	TIE ROD ASY
---	6T0187	-	SEAL KIT
9	-----	2	O - RING
10	-----	2	BACK - UP WASHER
11	-----	1	O - RING
12	-----	2	BACK - UP WASHER
13	-----	1	O - RING
14	-----	1	U - CUP
15	-----	1	WIPER

COMMON TRIPLE

4 SPOOL CABLE (MANUAL) LIFT VALVE - 31190



COMMON TRIPLE

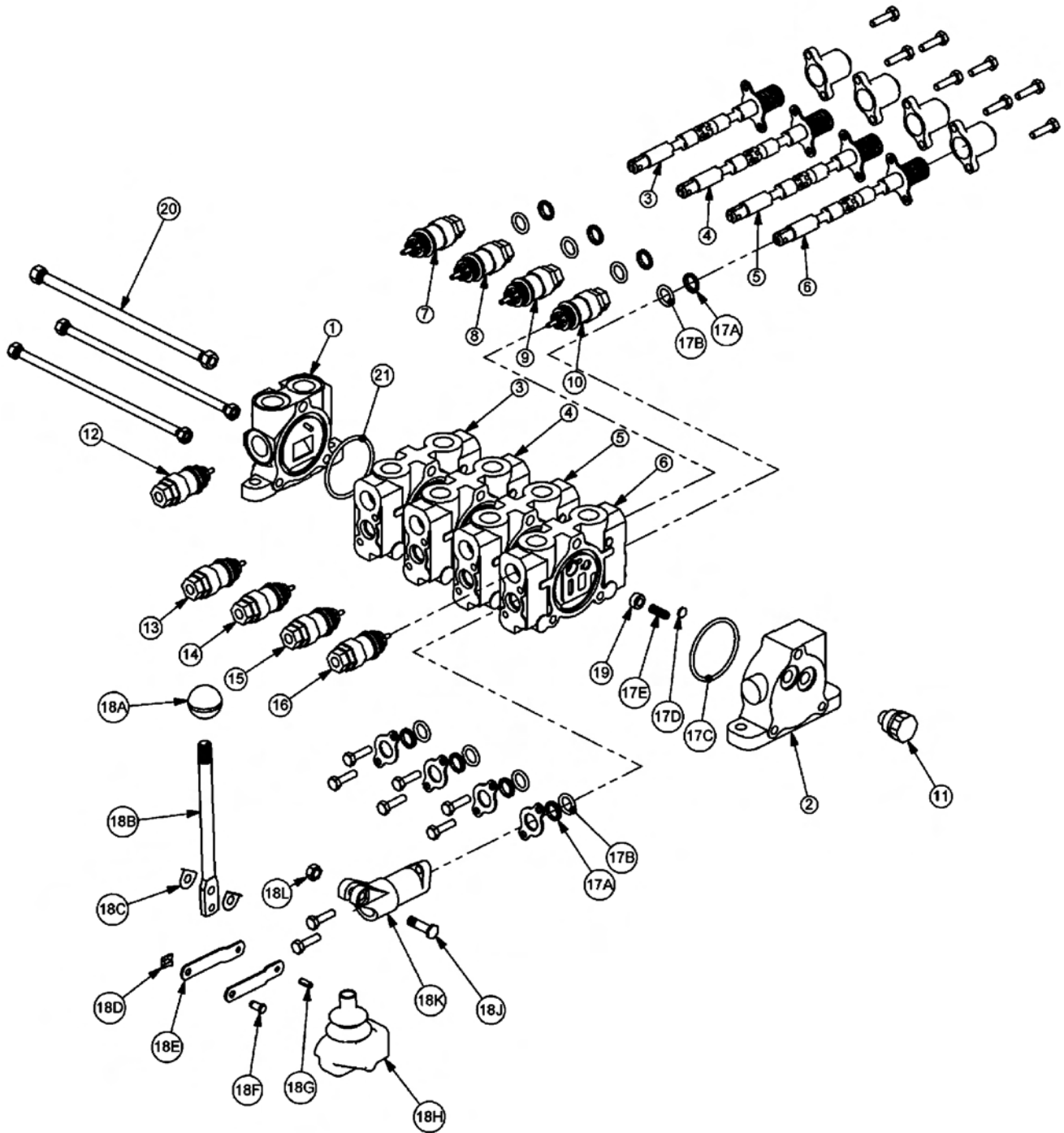
4 SPOOL CABLE (MANUAL) LIFT VALVE - 31190

Continued...

ITEM	PART NO.	QTY.	DESCRIPTION
---	31190	-	VALVE,4 SPOOL,LOAD SENSE
1	31595	1	INLET END COVER
2	31594	1	END COVER, LOAD SENSE
3	31600	1	VALVE SECTION (DOUBLE ACTING, DETENT - FLOAT)
4	31600	1	VALVE SECTION (DOUBLE ACTING, DETENT - FLOAT)
5	31600	1	VALVE SECTION (DOUBLE ACTING, DETENT - FLOAT)
6	31600	1	VALVE SECTION (DOUBLE ACTING, DETENT - FLOAT)
7	31861	1	RELIEF VALVE, 360 PSI
8	06503067	1	#10 O-RING PLUG
9	06503067	1	#10 O-RING PLUG
10	31861	1	RELIEF VALVE, 360 PSI
11	06503068	1	#6 O-RING PLUG
12	6T4209	1	#10 O-RING PLUG
13	31862	1	RELIEF VALVE, 2175 PSI
14	31862	1	RELIEF VALVE, 2175 PSI
15	31862	1	RELIEF VALVE, 2175 PSI
16	31862	1	RELIEF VALVE, 2175 PSI
17	31593	4	VALVE SEAL KIT (FOR ONE SECTION)
17A	-----	2	WIPER
17B	-----	2	O-RING SMALL
17C	-----	1	O-RING LARGE
17D	-----	1	SHUTTLE DISC
17E	-----	1	SPRING
18	TB1017L	4	LEVER KIT (FOR ONE SECTION)
18A	-----	1	LEVER KNOB
18B	-----	1	LEVER
18C	-----	2	LEVER WASHER
18D	-----	1	LEVER CLIP
18E	-----	2	LINKAGE
18F	-----	1	LEVER PIN
18G	-----	1	ROLL PIN
18H	-----	1	LEVER BOOT
18J	-----	1	LEVER BOLT
18K	-----	1	LEVER DUST COVER
18L	-----	1	LEVER NUT
19	31603	4	COMPENSATOR
20	TB1017U	1	TIE ROD KIT
21	24214	1	O-RING, LARGE

COMMON TRIPLE

4 SPOOL CABLE (MANUAL) LIFT VALVE - 06502046



COMMON TRIPLE

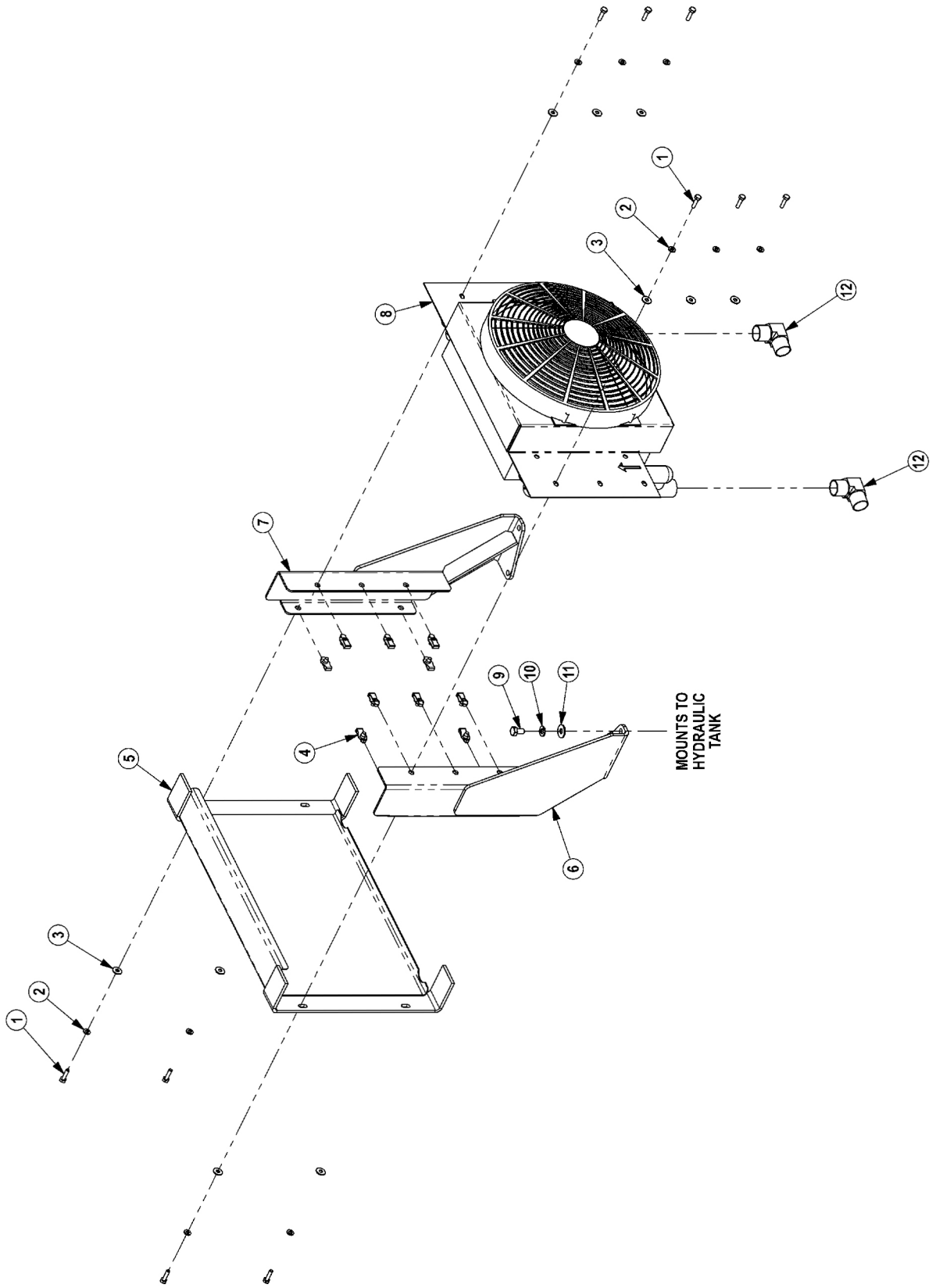
4 SPOOL CABLE (MANUAL) LIFT VALVE - 06502046

Continued...

ITEM	PART NO.	QTY.	DESCRIPTION
---	06502046	-	VALVE,4 SPOOL,LOAD SENSE
1	31595	1	INLET END COVER
2	31594	1	END COVER, LOAD SENSE
3	31600	1	VALVE SECTION (DOUBLE ACTING, DETENT - FLOAT)
4	31600	1	VALVE SECTION (DOUBLE ACTING, DETENT - FLOAT)
5	31600	1	VALVE SECTION (DOUBLE ACTING, DETENT - FLOAT)
6	31600	1	VALVE SECTION (DOUBLE ACTING, DETENT - FLOAT)
7	31861	1	RELIEF VALVE, 360 PSI
8	06503067	1	#10 O-RING PLUG
9	06503067	1	#10 O-RING PLUG
10	31861	1	RELIEF VALVE, 360 PSI
11	06503068	1	#6 O-RING PLUG
12	6T4209	1	#10 O-RING PLUG
13	31862	1	RELIEF VALVE, 2175 PSI
14	31862	1	RELIEF VALVE, 2175 PSI
15	31862	1	RELIEF VALVE, 2175 PSI
16	31862	1	RELIEF VALVE, 2175 PSI
17	31593	4	VALVE SEAL KIT (FOR ONE SECTION)
17A	-----	2	WIPER
17B	-----	2	O-RING SMALL
17C	-----	1	O-RING LARGE
17D	-----	1	SHUTTLE DISC
17E	-----	1	SPRING
18	TB1017L	4	LEVER KIT (FOR ONE SECTION)
18A	-----	1	LEVER KNOB
18B	-----	1	LEVER
18C	-----	2	LEVER WASHER
18D	-----	1	LEVER CLIP
18E	-----	2	LINKAGE
18F	-----	1	LEVER PIN
18G	-----	1	ROLL PIN
18H	-----	1	LEVER BOOT
18J	-----	1	LEVER BOLT
18K	-----	1	LEVER DUST COVER
18L	-----	1	LEVER NUT
19	31603	4	COMPENSATOR
20	TB1017U	1	TIE ROD KIT
21	24214	1	O-RING, LARGE

COMMON TRIPLE

COOLER ASSEMBLY



COMMON TRIPLE

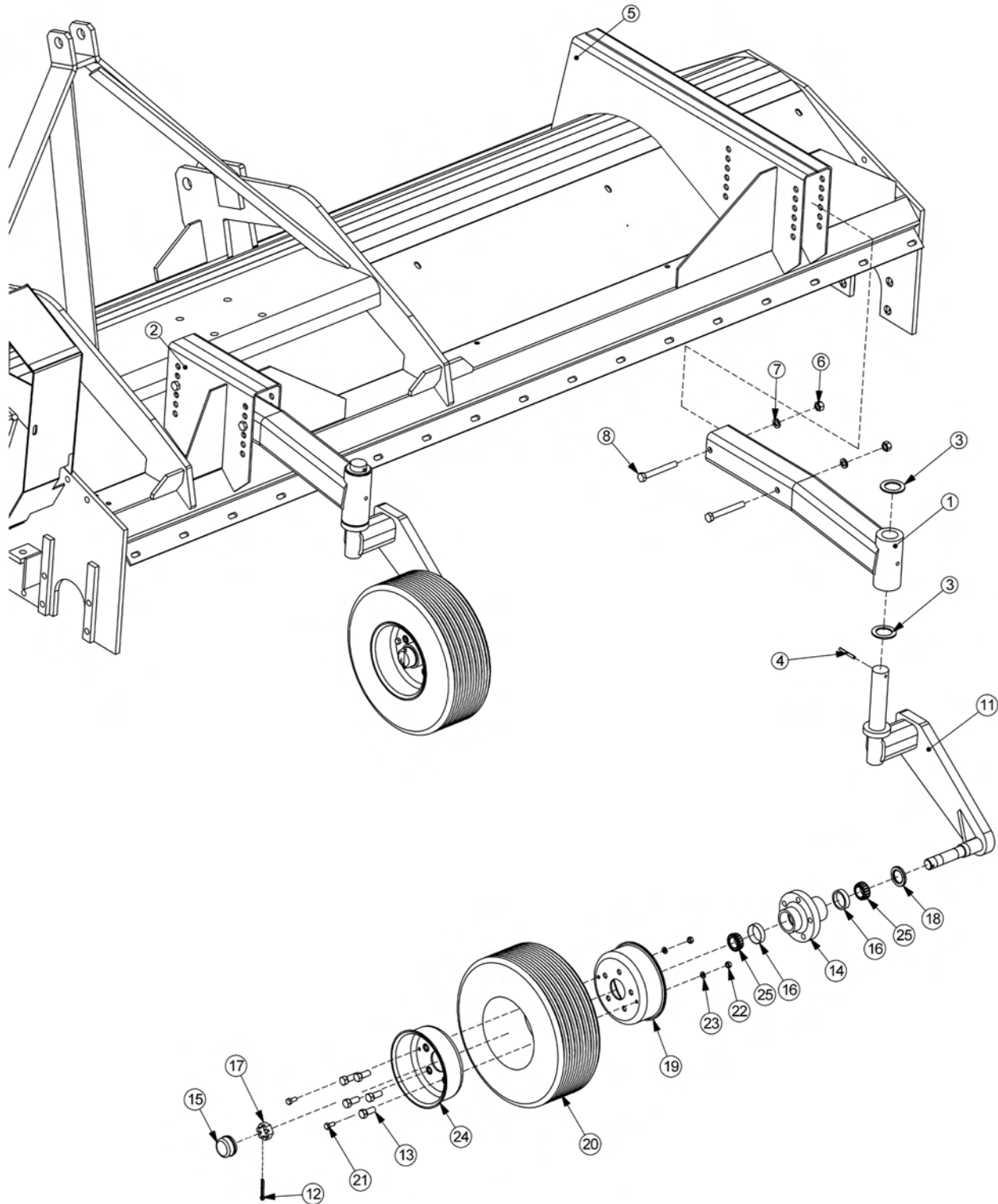
COOLER ASSEMBLY

Continued...

ITEM	PART NO.	QTY.	DESCRIPTION
1	21530	10	CAPSCREW,1/4 X1 NC
2	21986	10	LOCKWASHER,1/4
3	22014	10	FLATWASHER,1/4
4	35176	10	1/4 U-NUT
5	06370015	1	SCREEN,COOLER,FRNT
6	06380006	1	MNT,COOLER,BUMPER TANK,RH
7	06380007	1	MNT,COOLER,BUMPER TANK,LH
8	06510026	1	COOLER,FRONT MNT
---	06510029	1	FAN ASSY ONLY
9	21629	4	CAPSCREW,3/8 X 3/4 NC
10	21988	4	LOCKWASHER,3/8
11	22016	4	FLATWASHER,3/8
12	34117	2	ELBOW,1MOR X 1MJ90,FORGED

COMMON TRIPLE

CASTER WHEEL ASSEMBLY



COMMON TRIPLE

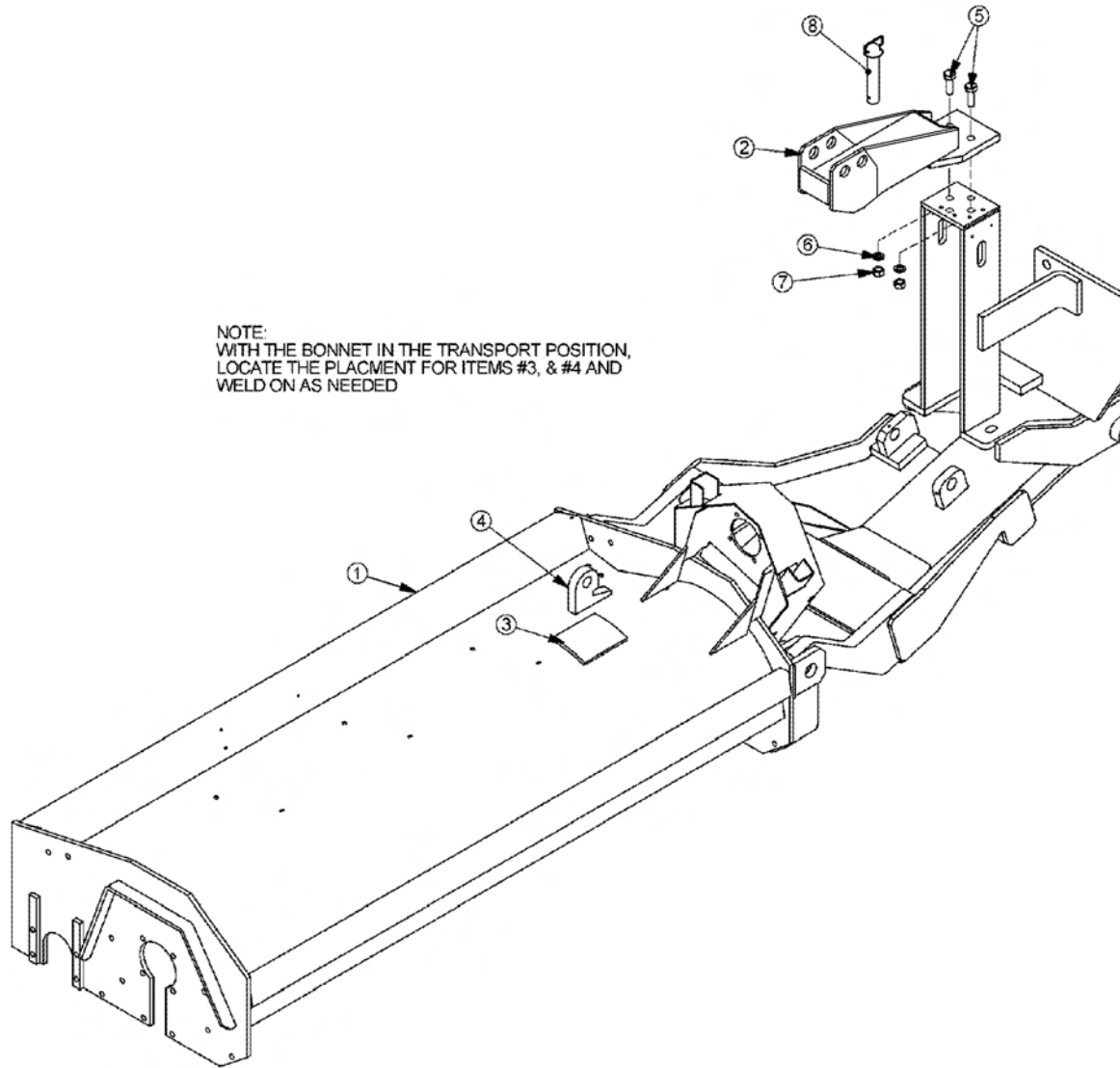
CASTER WHEEL ASSEMBLY

Continued...

ITEM	PART NO.	QTY.	DESCRIPTION
1	TF3060	2	CASTER WHL ARM,FLAIL
2	TF3052A	1	BRKT,REAR CASTER ADJ,LF
3	6T2617	4	BUSHING,MACH,1-1/2"ID X 2-1/4"OD
4	6T3014	2	ROLL PIN,1/4" X 2"
5	TF3053	1	BRKT,REAR CASTER ADJ,RT
6	21725	4	HEX NUT,1/2",NC
7	21990	4	LOCKWASHER,1/2"
8	21741	4	CAPSCREW,1/2" X 5",NC
11	22057	2	SPINDLE,CASTER AXLE,ASSY
12	22533	2	COTTER PIN,3/16" X 2"
13	22071	10	HUB STUD
14	22066	2	HUB,CASTER
15	22070	2	DUST CAP
16	6T0836	4	CUP,CASTER WHEEL
17	22073	2	HEX NUT,1",NF(SLOTTED JAM NUT)
18	6T0838	2	SEAL
19	22696	2	RIM,REAR ROTARY CASTER
20	21416	2	TIRE,SOLID,RR-RTRY
21	21579	4	CAPSCREW,5/16" X 3/4",NC
22	21575	4	HEX NUT,5/16",NC
23	21987	4	LOCKWASHER,5/16"
24	22697	2	RIM,OUTER/RR RTRY CASTER ASSY
25	6T0830	4	BEARING,CONE,CASTER WHEEL

COMMON TRIPLE

SIDE FLAIL TRAVEL LOCK

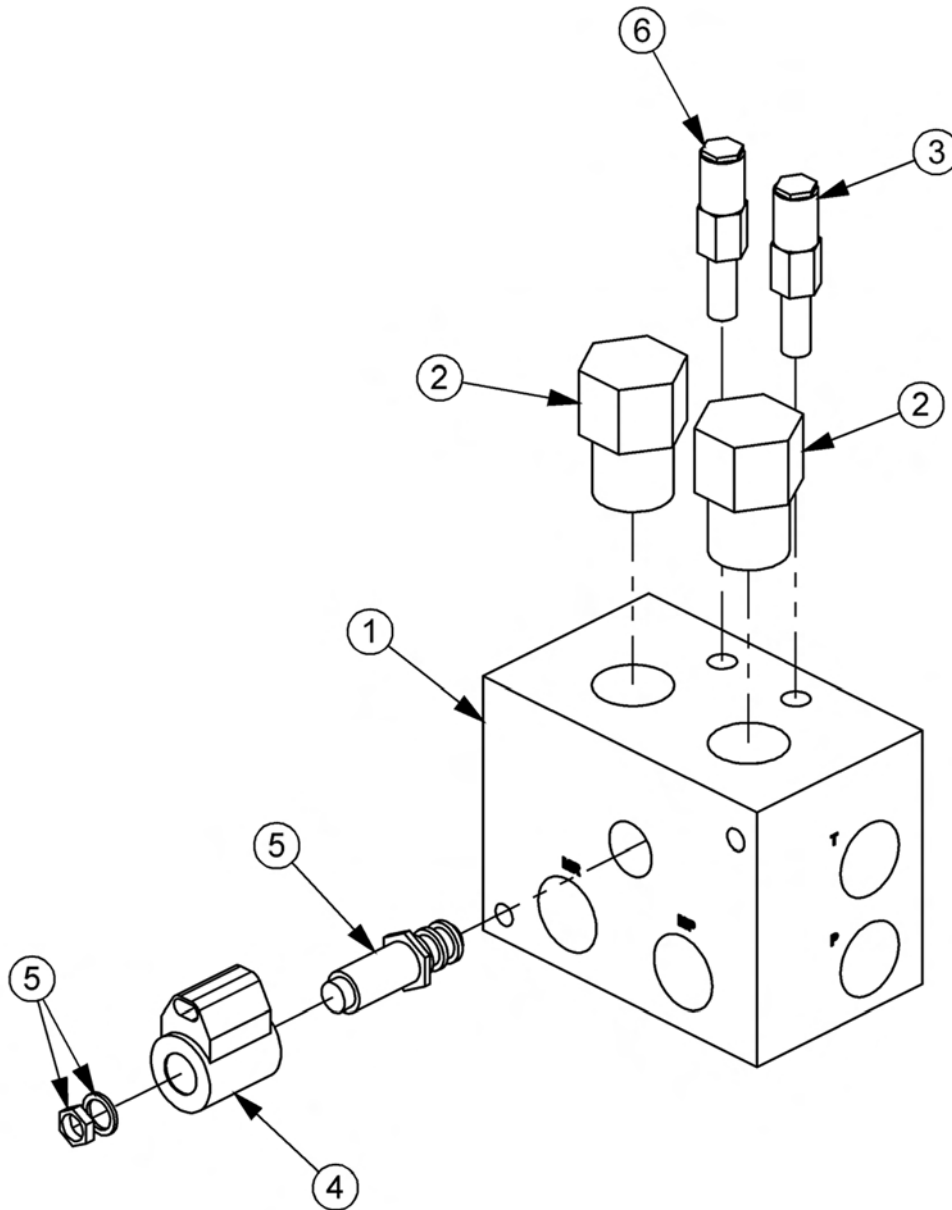


NOTE:
WITH THE BONNET IN THE TRANSPORT POSITION,
LOCATE THE PLACEMENT FOR ITEMS #3, & #4 AND
WELD ON AS NEEDED

ITEM	PART NO.	QTY.	DESCRIPTION
1	-----	-	BONNET *REFER TO FLAIL ASSEMBLY
2	28276	1	BRACKET, TRAVEL LOCK, TRIPLE
3	TF4248	1	PLATE, TRAVEL LOCK
4	23745	1	TRAVEL LOCK HOOK
5	21783	2	CAPSCREW, 5/8" X 2" NC
6	21992	2	LOCKWASHER, 5/8"
7	21775	2	HEX NUT, 5/8" NC
8	TF4250	1	PIN, TRAVEL LOCK

COMMON TRIPLE

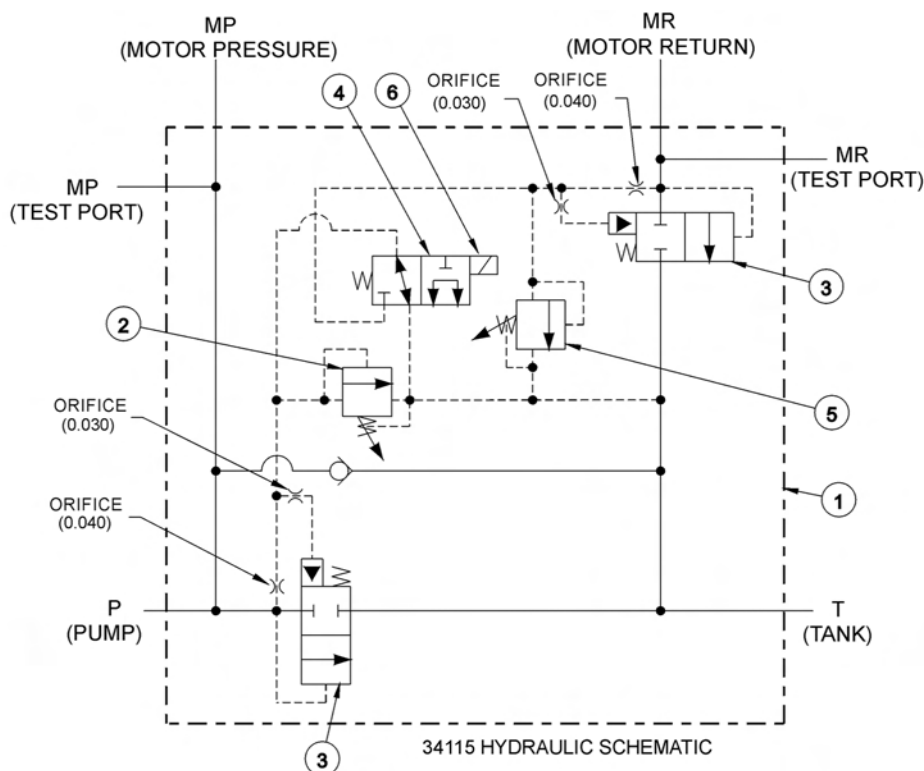
BRAKE VALVE ASSEMBLY



ITEM	PART NO.	QTY.	DESCRIPTION
---	06510083	-	BRAKE VALVE, ASSY
1	34092	1	BRAKE VALVE, BLANK
2	34094	2	LOGIC ELEMENT
3	34095	1	RELIEF VALVE, 3000 PSI
4	06510095	1	METRI PAK COIL
5	34093	1	CARTRIDGE, 2 POSITION, 3 WAY (WITH NUT & WASHER)
6	34091	1	RELIEF VALVE, 2600 PSI

COMMON TRIPLE

BRAKE VALVE HYDRAULIC SCHEMATIC



BRAKE VALVE TROUBLESHOOTING

FAILURE MODE:

- MOWER WILL NOT START - system pressure is low (engine not lugging).
- MOWER WILL NOT START - system pressure is high (engine lugging). "MR" port will be high pressure.
- MOWER WILL NOT ROTATE AT FULL SPEED - limited power.
- MOWER BLADE WILL NOT STOP - blade will not stop in proper time.

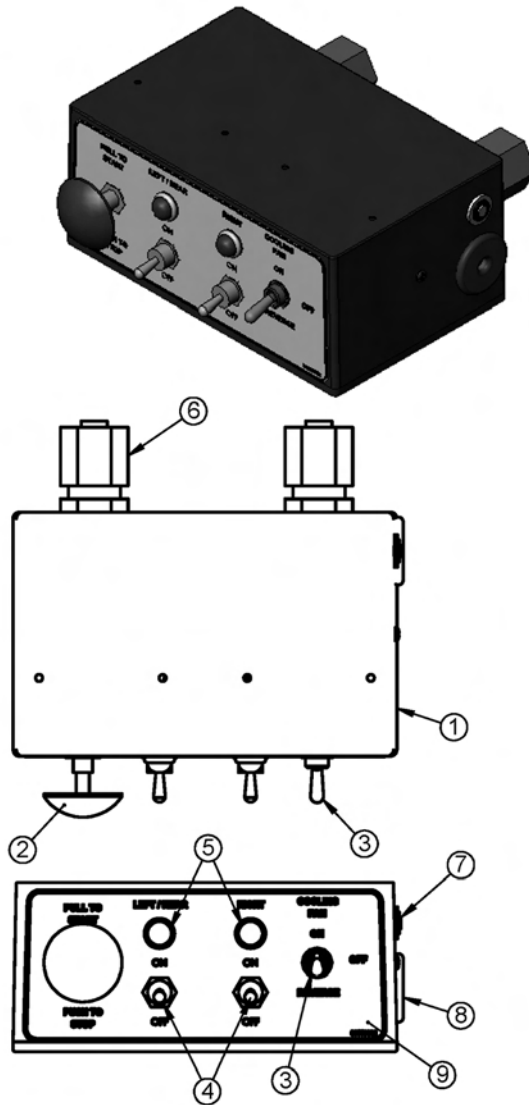
CHECK STEPS

- 1 thru 6
- 7
- 3 thru 5
- 7 thru 9

CORRECTIVE STEPS:

1. Check for voltage at solenoid (item 6), voltage must be between 10.2 volts and 13.8 volts.
2. Remove, inspect solenoid and cartridge (items 4, 6) for wear or contamination.
3. Remove, inspect logic elements near "P" port (item 3) for wear or contamination.
4. Remove, inspect 3000 psi relief valve (item 2) for wear or contamination.
5. Remove and inspect orifices near "P" port for contamination.
6. Remove "P" port hose and fitting, visually inspect for contamination, check ball for movement.
7. Remove and inspect orifices near "MR" port for contamination.
8. Remove, inspect 2600 psi relief valve (item 5) for wear of contamination.
9. Remove, inspect logic element near "MR" port (item 3) for wear or contamination.

SWITCHBOX SERVICE PARTS

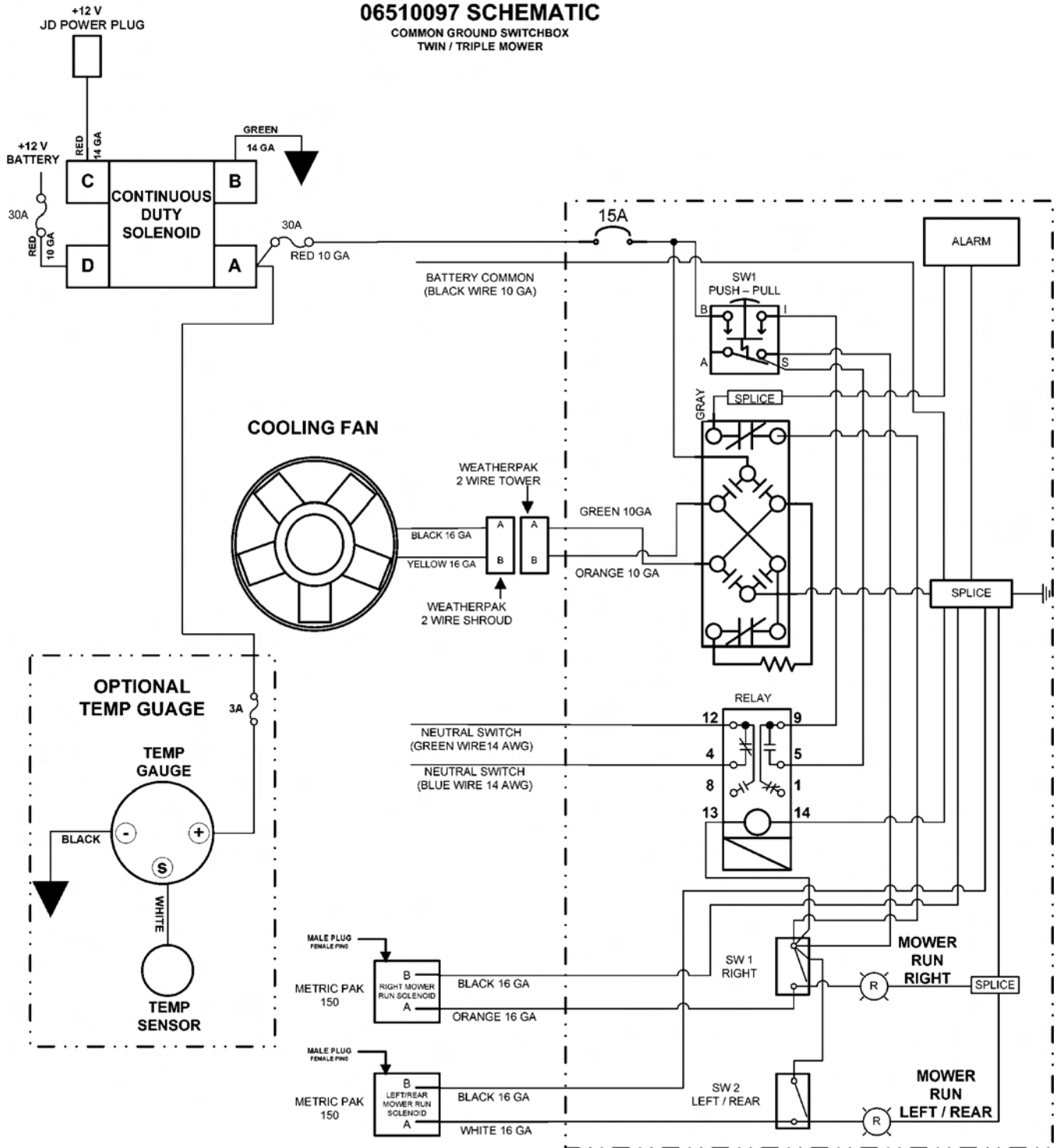


ITEM	PART NO.	QTY.	DESCRIPTION
---	06510097	-	SWITCHBOX ASSEMBLY
1	06514011	1	SWBX,ALUM,BLK
2	35226	1	SWITCH,MOWER,COLEHERSEE
3	06510028	1	SWITCH,FORWARD/BRAKE/REV
4	33811	2	SWITCH,MASTER/DECK FLOAT
5	6T3923	2	INDICTATOR LIGHT,ON,RED
6	34540	2	STRAIN RELIEF,3/4,BLACK,NYLON
7	06514006	1	BREAKER,15A,SWBX
8	06514015	1	ALARM,SWBX,REVERSER
9	06550002	1	DECAL,SWTCHBX,TWIN/T3F,REV FAN
10	35227	1	RELAY,DP,DT,12V,LY2F,35226

COMMON TRIPLE

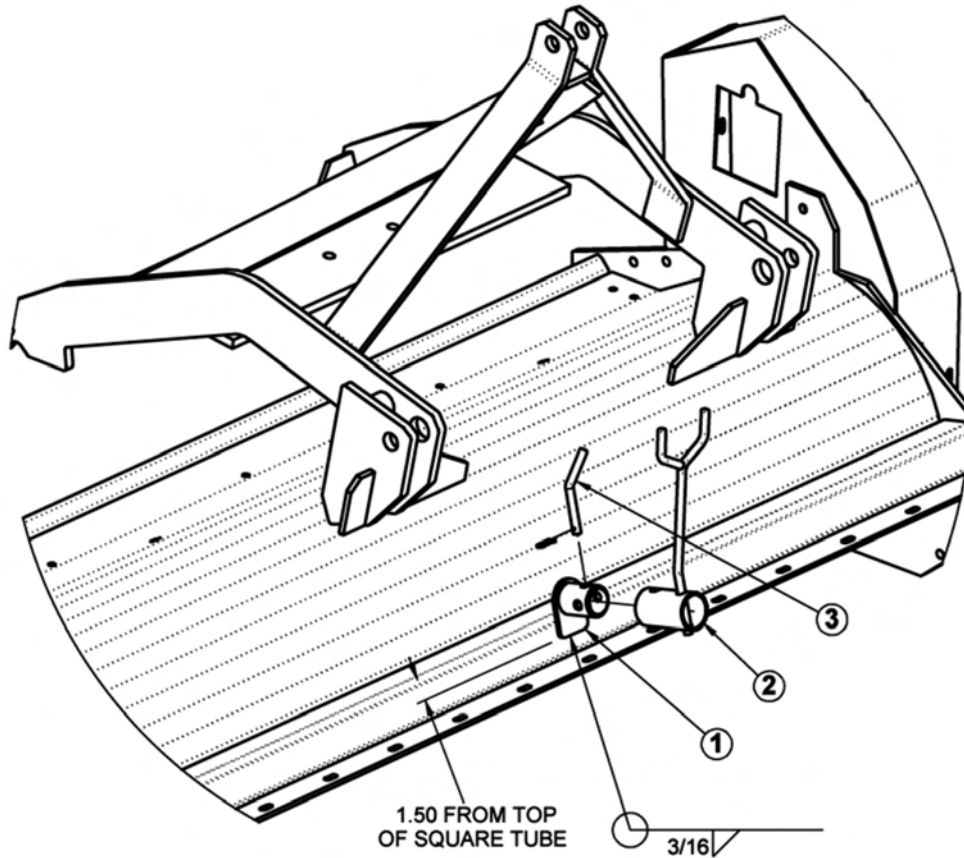
SWITCHBOX SCHEMATIC

06510097 SCHEMATIC COMMON GROUND SWITCHBOX TWIN / TRIPLE MOWER



COMMON TRIPLE

PTO STAND



NOTES:

1. LOCATE ITEM 1 ON TUBE AS SHOWN, CENTER ON GEAR BOX SHAFT.
2. WELD ITEM 1 AS SHOWN AFTER LOCATING
3. AFTER WELDING, PIN ITEM 2 IN PLACE WITH ITEM 3.

ITEM	PART NO.	QTY.	DESCRIPTION
1	06370080	1	BRACKET,SUPPORT
2	06370022	1	SUPPORT,PTO
3	06520048	1	PIN,BENT,W/ R-CLIP

NOTES

WARRANTY SECTION

WARRANTY INFORMATION

Tiger Corporation, 3301 N. Louise, Sioux Falls, South Dakota, warrants to the original Retail Customer, the new Tiger equipment is free of defects in material and workmanship. Any part of equipment that in Tiger's judgement, show evidence of such defects will be repaired or replaced without charge, provided that the failure of part(s) shall have occurred within twelve (12) months from the date of delivery of said equipment to the Retail Customer. Expendable components such as knives, oil, chain sprockets, skid shoes, knife mounting disks and the like are excluded but not limited to this warranty.

The Retail Customer must pay the transportation cost to and from the Tiger Dealer's service shop for warranty service. Warranty service will be performed by the Tiger Dealer from whom the equipment was purchased, during service shop regularly scheduled days and hours of operation.

All Tiger obligation under this warranty shall be terminated if the equipment is modified or altered in ways not approved in writing by Tiger, if repair parts other than genuine Tiger repair parts have been used, or if the equipment has been subject to misuse, neglect, accident, improper maintenance or improper operation.

Tiger Corporation reserves the right to make improvements in design or changes in specification at any time without incurring any obligation to owners of equipment previously sold.

No agent or person has authority to alter, add to or waive the above warranties which are agreed to be in the only warranties, representations or promises, expressed or implied, as to the quality or performance of the products covered and which do not include any implied warranty of merchantability or fitness. In no event will Tiger be liable for incidental or consequential damages or injuries, including, but not limited to, loss of profits, rental or substitute equipment or other commercial loss.

**THERE ARE NO WARRANTIES WHICH EXTEND
BEYOND THOSE EXPRESSED HEREIN.**

It is the Purchasers obligation to sign the warranty registration form **AFTER** he / she has Read and Understands the Operation and Safety Instructions stated within this manual.

ONE LAST WORD

This manual cannot possibly cover all of the potentially hazardous situations you will encounter. By being familiar with the safety rules, operating and maintenance instructions in this manual you can help prevent accidents. The objective of this manual is to help make you a better operator. Remember, **SAFETY IS YOU!**



1012

Your safety and the safety of those around you depends on **YOU**. Common sense should play a large role in the operation of this machine.

Since we at Tiger Corporation are constantly striving to improve our products, we reserve the right to change specifications or design at any time.

TO THE OWNER / OPERATOR / DEALER



To keep your implement running efficiently and safely, read your manual thoroughly and follow these directions and the Safety Messages in this manual and on the machine. The table of contents clearly identifies each section where you can easily find the information you need.

The Occupational Safety and Health Act (OSHA 1928.51 subpart C) makes the following minimum requirements for tractor operators.

OWNER REQUIREMENTS:

1. Provide a Roll-Over-Protective Structure that meets the requirements of this Standard; and
2. Provide Seatbelts that meet the requirements of this Standard and SAE J3C; and
3. Ensure that each employee uses such Seatbelt while the tractor is moving; and
4. Ensure that each employee tightens the Seatbelt sufficiently to confine the employee to the protected area provided by the ROPS.

OPERATOR REQUIREMENTS:

1. Securely fasten seatbelt if the tractor has a ROPS.
2. Where possible, avoid operating the tractor near steep ditches, embankments, and holes.
3. Reduce speed when turning, crossing slopes, and on rough, slick, or muddy surfaces.
4. Stay off slopes too steep for safe operation.
5. Watch where you are going – especially at row ends, on roads, and around trees.
6. Do Not permit others to ride.
7. Operate the tractor smoothly – no jerky turns, starts, or stops.
8. Hitch only to the draw-bar and hitch points recommended by the tractor manufacturer.
9. When the tractor is stopped, set brakes securely and use park lock, if available



Printed in USA
© Tiger Corporation