



Parts Manual

Model: SP-52

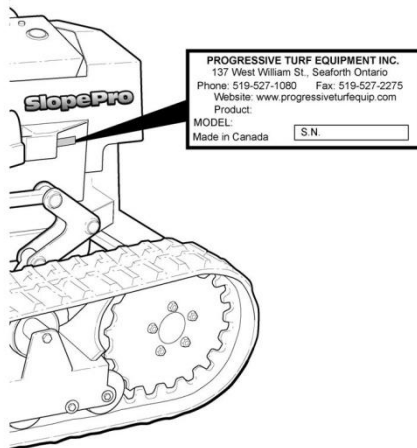
Part Number: PT120532

Effective serial number: 1152101 - 1252136

9/30/2013

 **DANGER!**

Si No Lee Ingles, Pida Ayuda a Alguien Que Se Lo Lea
Para Que le Traduzca Las Medidas de Seguridad



Serial Number Location

The serial number plate for the machine is located on the left-hand rear frame.

For quick reference, record the following information:

Model: _____

Serial Number: _____

Date purchased: _____

Always state this information when contacting your selling dealer and when ordering spare parts.

Parts Information

Use only Genuine Original Equipment Manufacturers (O.E.M.) replacement parts. The use of "will fit" parts may reduce machine performance, void machine warranties and present a safety hazard. Use Genuine OEM parts.

Tiger Corporation
3301 N Louise Ave
Sioux Falls, SD
57107

Phone: 800-843-6849
Fax: 800-716-7620

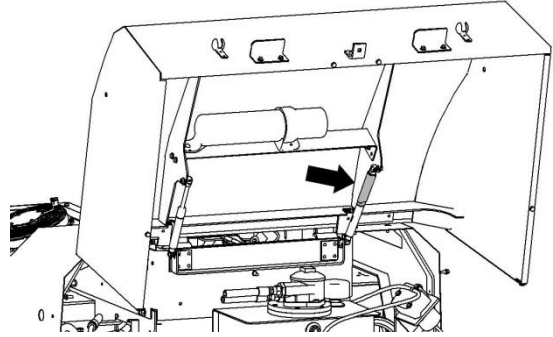
www.tigermowers.com



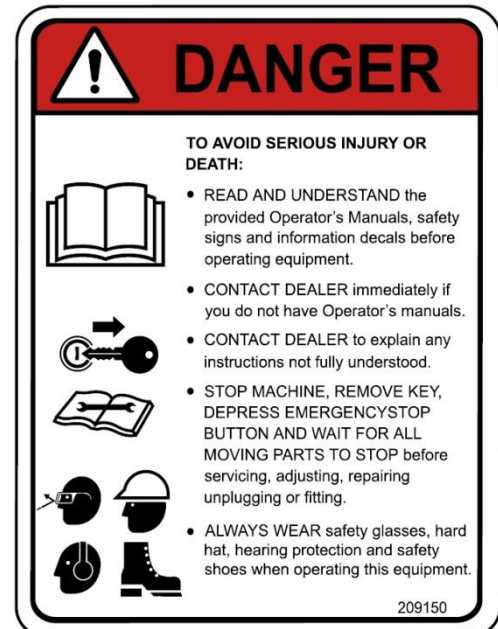
Maintenance

Maintenance should always be performed by a qualified service technician familiar with servicing similar equipment, using good safety and workmanship practices.

Always observe proper lock-out procedures when performing any maintenance work. Always remove and retain the ignition key, block and or support machine using equipment designed for the task. Always turn the main power disconnect switch to the “Off” position. Be aware of hot areas and ensure the hood strut lock is functioning properly and can adequately hold open the hood.



It is imperative that the operator or qualified service technician reads and understands all the safety information in the Operator's Manual before proceeding. Failure to follow the instructions or heed the warnings could result in injury or death. **Proper care is your responsibility.**



WARNING!

Machine is operated by remote control and can remain functional beyond the recommended maximum 300 foot operating range. It is the Operator's responsibility to control the machine in a safe manner.

Always know and observe the local regulations and or restrictions pertaining to the operation of remote controlled equipment.



PARTS ORDERING GUIDE

The following instructions are offered to help eliminate needless delay and error in processing purchase orders for the equipment in this manual.

1. The Parts Section is prepared in logical sequence and grouping of parts that belong to the basic machine featured in this manual. Part Numbers and Descriptions are given to help locate the parts and quantities required.
2. The Purchase Order must indicate the Name and Address of the person or organization ordering the parts, who should be charged, and if possible the serial number of the machine for which the parts are being ordered.
3. The purchase order must clearly list the quantity of each part, the complete and correct part number, and the basic name of the part.
4. The manufacturer reserves the right to substitute parts where applicable.
5. Some parts may be unlisted items which are special production items not normally stocked and are subject to special handling. Request a quotation for such parts before sending purchase order.
6. The manufacturer reserves the right to change prices without notice.



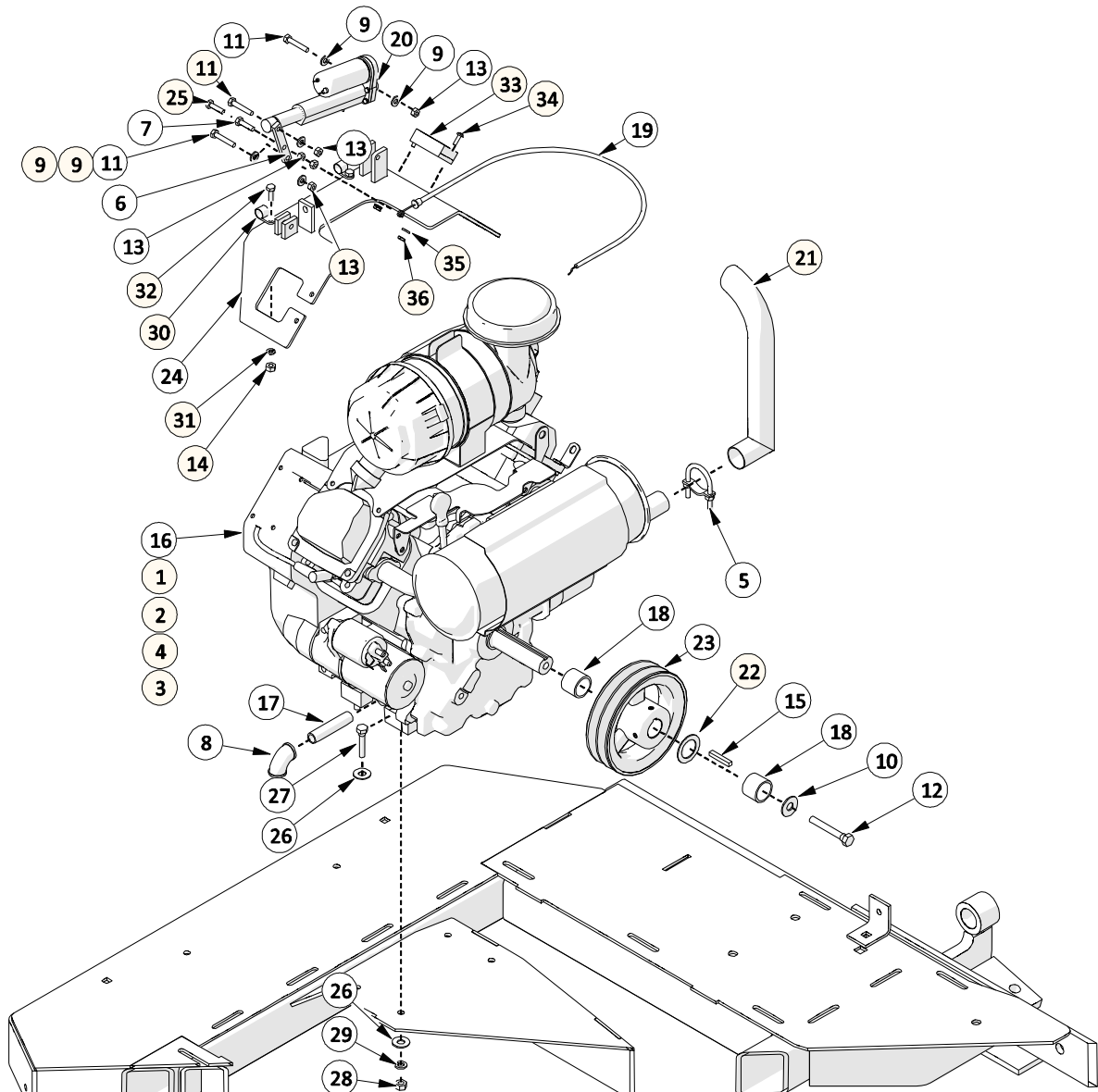
Since we at Tiger Corporation are constantly striving to improve our products, we reserve the right to change specifications or design at any time.

Table of Contents

SERIAL NUMBER LOCATION.....	III
1 ENGINE	1
1.1 ENGINE ACCESSORIES	1
1.2 FUEL SYSTEM	2
1.3 FUEL TANK ASSEMBLY	3
1.4 EVAPORATIVE EMISSION SYSTEM (CALIFORNIA)	4
2 HYDRAULIC SYSTEM.....	5
2.1 HYDRAULIC PUMP ASSEMBLY	5
2.2 HYDRAULIC PUMP AND FITTINGS	6
2.3 HYDRAULIC TANK AND FITTINGS	7
2.4 HYDRAULIC COOLER AND BRAKE VALVE	8
3 ELECTRICAL SYSTEM.....	9
3.1 CONTROL PANEL.....	9
3.2 TRANSMITTER / RECEIVER UNIT.....	10
3.3 HORN.....	11
3.4 BATTERY AND CABLES	12
4 PTO / MOWER DECK	13
4.1 JACK SHAFT / CLUTCH.....	13
4.2 MOWER DECK FASTENING.....	14
4.3 MOWER DECK ASSEMBLY.....	15
4.4 THROWN OBJECT DEFLECTORS	16
4.5 BLADE SPINDLE	17
4.6 MOWER BLADES.....	18
5 LIFT LINKAGE / TRACK FRAMES	19
5.1 LIFT LINKAGE	19
5.2 LINK ARM ASSEMBLY.....	20
5.3 TRACK FRAME	21
5.4 R.H. TRACK ASSEMBLY	22
5.5 L.H. TRACK ASSEMBLY.....	23
5.6 IDLER ASSEMBLY.....	24
5.7 ROLLER PIVOT ASSEMBLY	25
5.8 UPPER TRACK ROLLER ASSEMBLY.....	26
6 COWLING / COVERS	27
6.1 COWLING ASSEMBLY	27
6.2 AIR INLET BOX.....	28
6.3 REAR DEFLECTOR.....	29
6.4 LIFT SUPPORTS	30
7 SPECIAL TOOLS.....	31
7.1 SPECIAL TOOLS.....	31
8 DECALS	32
8.1 SAFETY	32
8.2 GENERAL INFO	34

1 ENGINE

1.1 Engine Accessories

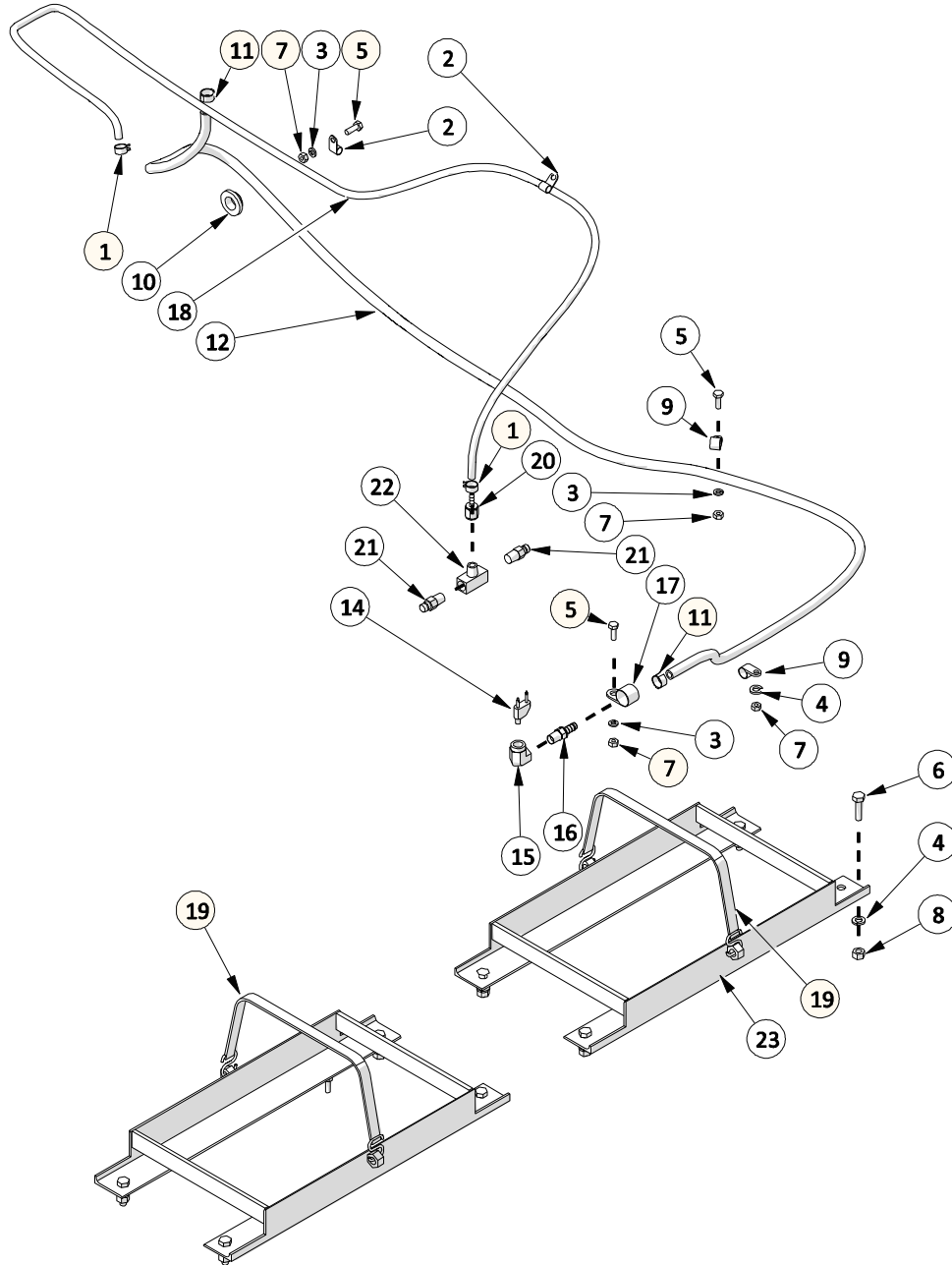


ITEM	PART #	DESCRIPTION	QTY
1	PT605487	ENGINE AIR FILTER - MAIN	1
2	PT605489	ENGINE AIR FILTER - SAFETY	1
3	PT605485	ENGINE OIL FILTER	1
4	PT605491	FUEL FILTER	1
5	PT605031	1 1/2" EXHAUST CLAMP	1
6	PT604599	ARM-THROTTLE BODY	1
7	O.L.	HEX BOLT - 1/4 x 1.0 NC GR5 PL	1
8	PT605501	ELBOW - 3/8 X 90° GALV.	1
9	O.L.	FLAT WASHER- 1/4 PL	5
10	O.L.	HARDENED WASHER- 7/16; USS YEL	1
11	O.L.	HEX BOLT - 1/4 x 1.5 NC GR5 PL	3
12	O.L.	HEX BOLT- 7/16 X 1.5 UNF GR5 PL	1
13	O.L.	HEX LOCK NUT - 1/4NC GR5 PL	5
14	O.L.	HEX NUT - 1/4NC GR5 PL	2
15	PT302301	KEY - SPINDLE - 1/4" X 1-9/16"	1
16	PT604106	KOHLER ENGINE	1
17	PT605499	PIPE NIPPLE - 3/8 NPT X 3 GALV	1
18	PT605467	SPACER 1 3/8OD X 1.14ID X 1 1/8LG	2
19	PT605809	THROTTLE CABLE	1

ITEM	PART #	DESCRIPTION	QTY
20	PT604881	ACTUATOR-THROTTLE	1
21	PT604580	EXHAUST STACK - W.A.	1
22	O.L.	WASHER - 1.125" SHIM	1
23	PT604118	MAIN DRIVE PULLEY	1
24	PT604336	MTG PLATE - THROTTLE	1
25	PT605521	BOLT - THROTTLE CABLE (UP TO SN12521)	1
26	O.L.	FLAT WASHER- 3/8 PL	8
27	O.L.	HEX BOLT- 3/8 X 1.75 NC GR5 PL	4
28	O.L.	HEX NUT - 3/8NC GR5 PL	4
29	O.L.	LOCK WASHER, SPLIT- 3/8 PL	4
30	O.L.	9/16 P CLIP	1
31	O.L.	LOCK WASHER- 1/4 PL	2
32	O.L.	HEX BOLT - 1/4 X 0.75 NC GR5 PL	2
33	PT605375	TACHOMETER / HOURMETER	1
34	O.L.	MACHINE SCREW - #10-24 X 0.75	2
35	O.L.	LOCK WASHER- #10 PL	2
36	O.L.	HEX NUT - #10-24 GR2 PL	2

O.L. - OBTAIN LOCALLY

1.2 Fuel System

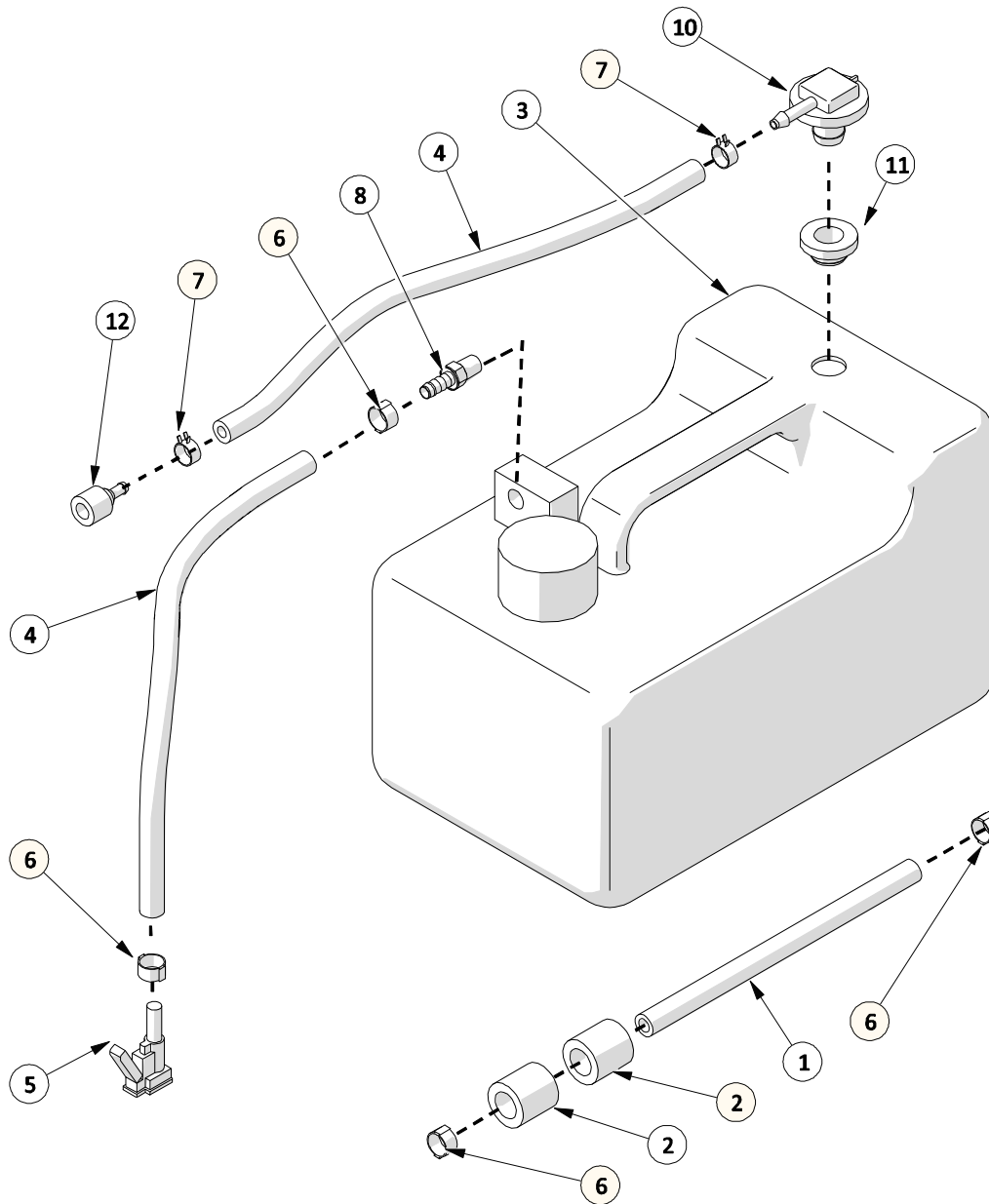


ITEM	PART #	DESCRIPTION	QTY
1	O.L.	7/16 SPRING HOSE CLAMP	2
2	PT229013	5/8 P CLIP	2
3	O.L.	LOCK WASHER, SPLIT- 1/4 PL	3
4	O.L.	LOCK WASHER - SPLIT - 3/8 PL	8
5	O.L.	HEX BOLT - 1/4 x .75 NC GR5 PL	3
6	O.L.	HEX BOLT - 3/8 x 1.25 NC GR5 PL	8
7	O.L.	HEX NUT - 1/4NC GR5 PL	4
8	O.L.	HEX NUT - 3/8NC GR5 PL	8
9	PT229010	9/16 P CLIP	2
10	PT605203	GROMMET	1
11	PT605209	EAR CLAMP - 9/16	2
12	PT605213	FUEL HOSE - TANK TO FILTER	1

ITEM	PART #	DESCRIPTION	QTY
14	PT605219	MALE FUEL QUICK CONNECT	1
15	PT605301	1/4 NPTF FEMALE ELBOW	1
16	PT605305	5/16 MALE HOSE BARB	1
17	PT229011	3/4" P CLAMP	1
18	PT605415	3/16 FUEL LINE- TEE TO ENGINE	1
19	PT605319	15" BLACK RUBBER STRAP	2
20	PT605413	3/16" BARB X 1/4 NPTF	1
21	PT605379	MALE QUICK CONNECT	2
22	PT605405	1/4 NPT TEE - FXMXF	1
23	PT604288	FUEL TANK MOUNT	2
24	PT604636	HOSE CLAMP KIT - COMPLETE	1

O.L. - OBTAIN LOCALLY

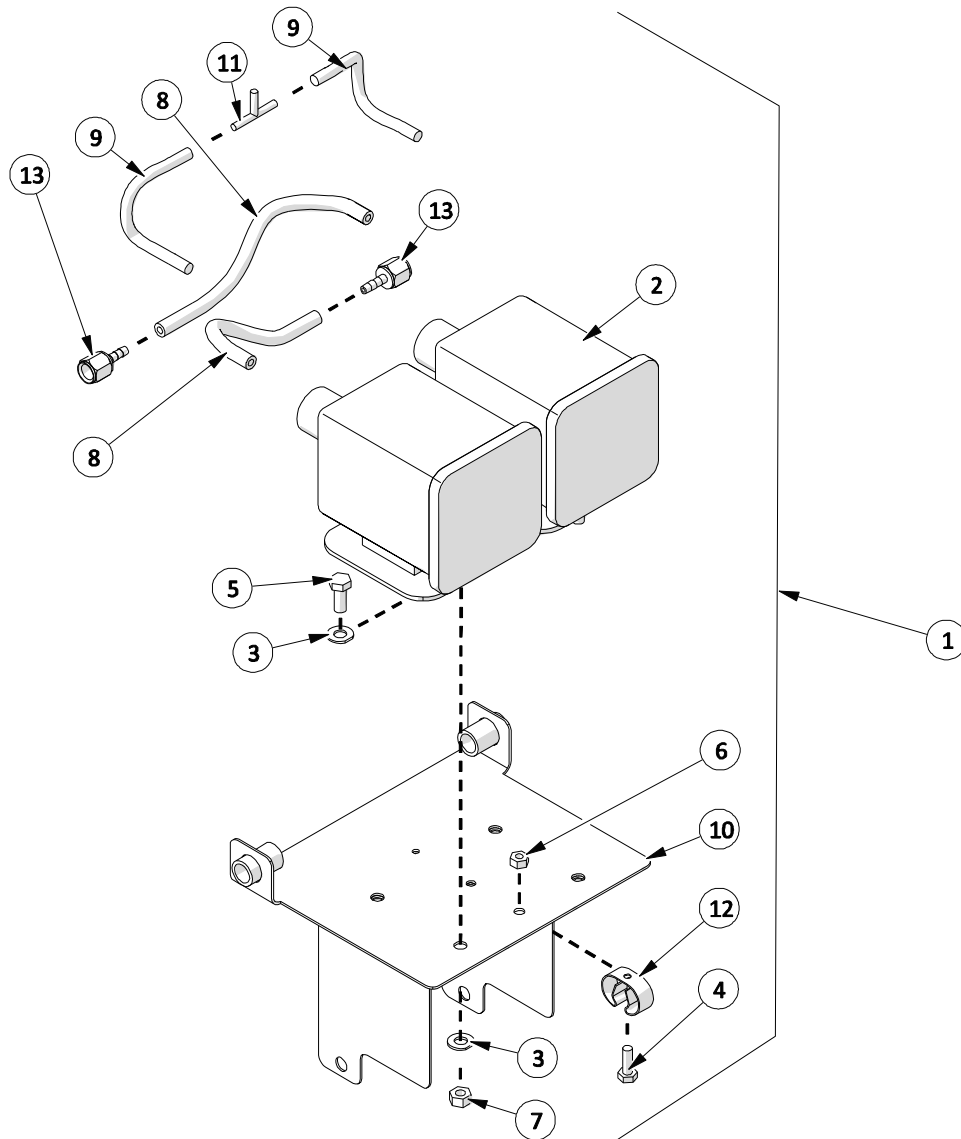
1.3 Fuel Tank Assembly



ITEM	PART #	DESCRIPTION	QTY
1	PT605587	DROP HOSE - FUEL TANK	1
2	PT604099	WEIGHT - DROP HOSE	2
3	PT605377	FUEL TANK	1
4	PT605309	5/16 FUEL LINE 15.5" LONG	2
5	PT605207	FEMALE FUEL QUICK CONNECT	1
6	PT605029	EAR CLAMP - 9/16	4
7	O.L.	9/16 SPRING HOSE CLAMP	2
8	PT605305	5/16 MALE HOSE BARB	1
9	PT604636	HOSE CLAMP KIT - COMPLETE	1
10	PT605349	FUEL VENT	1
11	PT605351	FUEL VENT GROMMET	1
12	PT605381	FEMALE QUICK CONNECT	1
13	PT604476	FUEL TANK ASSEMBLY	1

O.L. - OBTAIN LOCALLY

1.4 Evaporative Emission System (California)

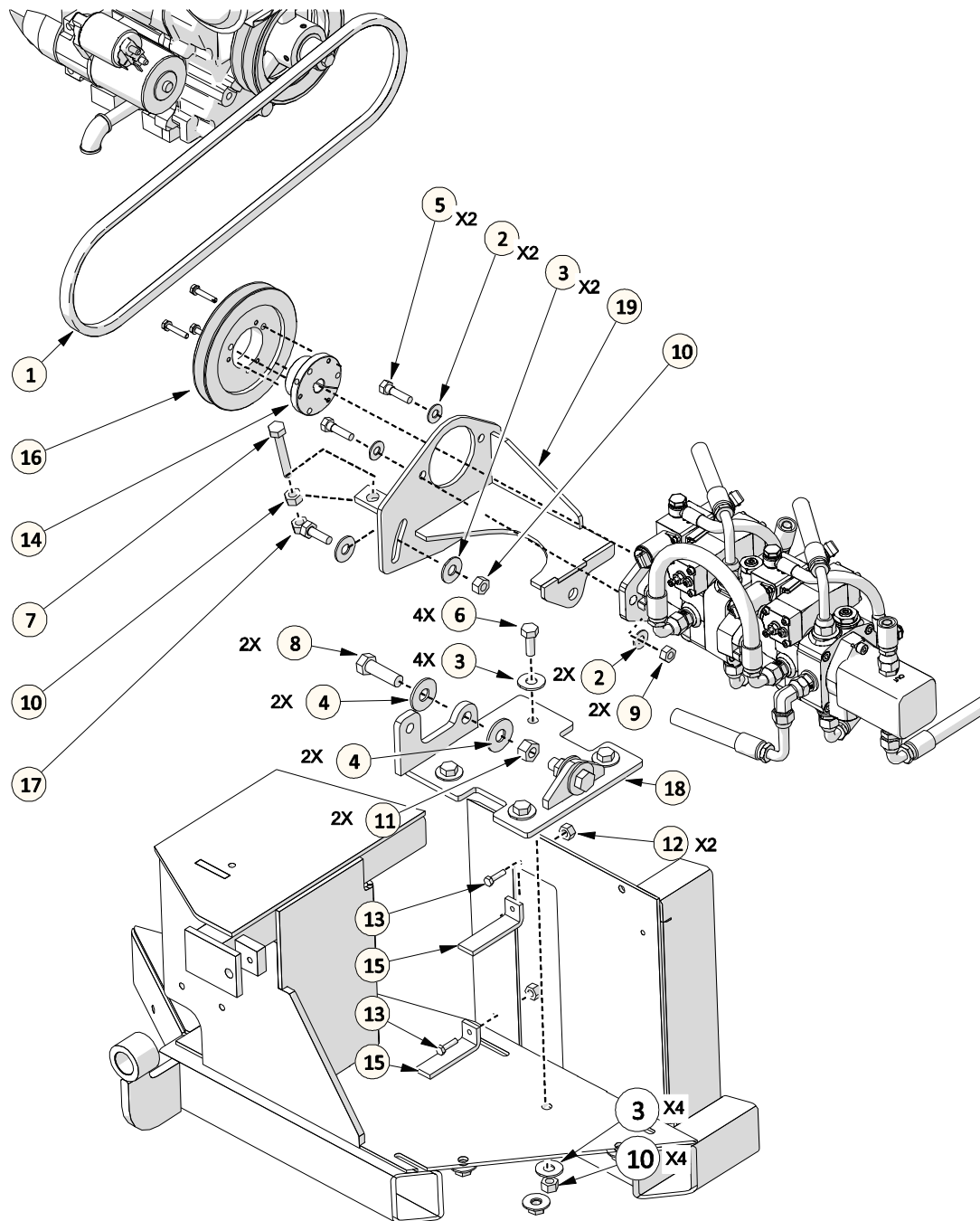


ITEM	PART #	DESCRIPTION	QTY
1	PT604548	COMPLETE CARBON CANISTER KIT (10PCS)	1
2	PT605581	CARBON CANNISTER	2
3	O.L.	FLAT WASHER- 5/16 PL	8
4	O.L.	HEX BOLT - 1/4 x .75 NC GR5 PL	1
5	O.L.	HEX BOLT- 5/16 X .75 NC GR5 PL	4
6	O.L.	HEX NUT - 1/4NC GR5 PL	1
7	O.L.	HEX NUT - 5/16NC GR5 PL	4
8	PT605627	HOSE - CANISTER INLET (TANK)	2
9	PT605629	HOSE - CANISTER OUTLET (PURGE)	2
10	PT604536	MTG PLATE - CARBON CANNISTER	1
11	PT605631	TEE FITTING	1
12	PT605503	HOSE CLIP	1
13	PT605413	3/16" BARB X 1/4 NPTF	2

O.L. - OBTAIN LOCALLY

2 Hydraulic System

2.1 Hydraulic Pump Assembly

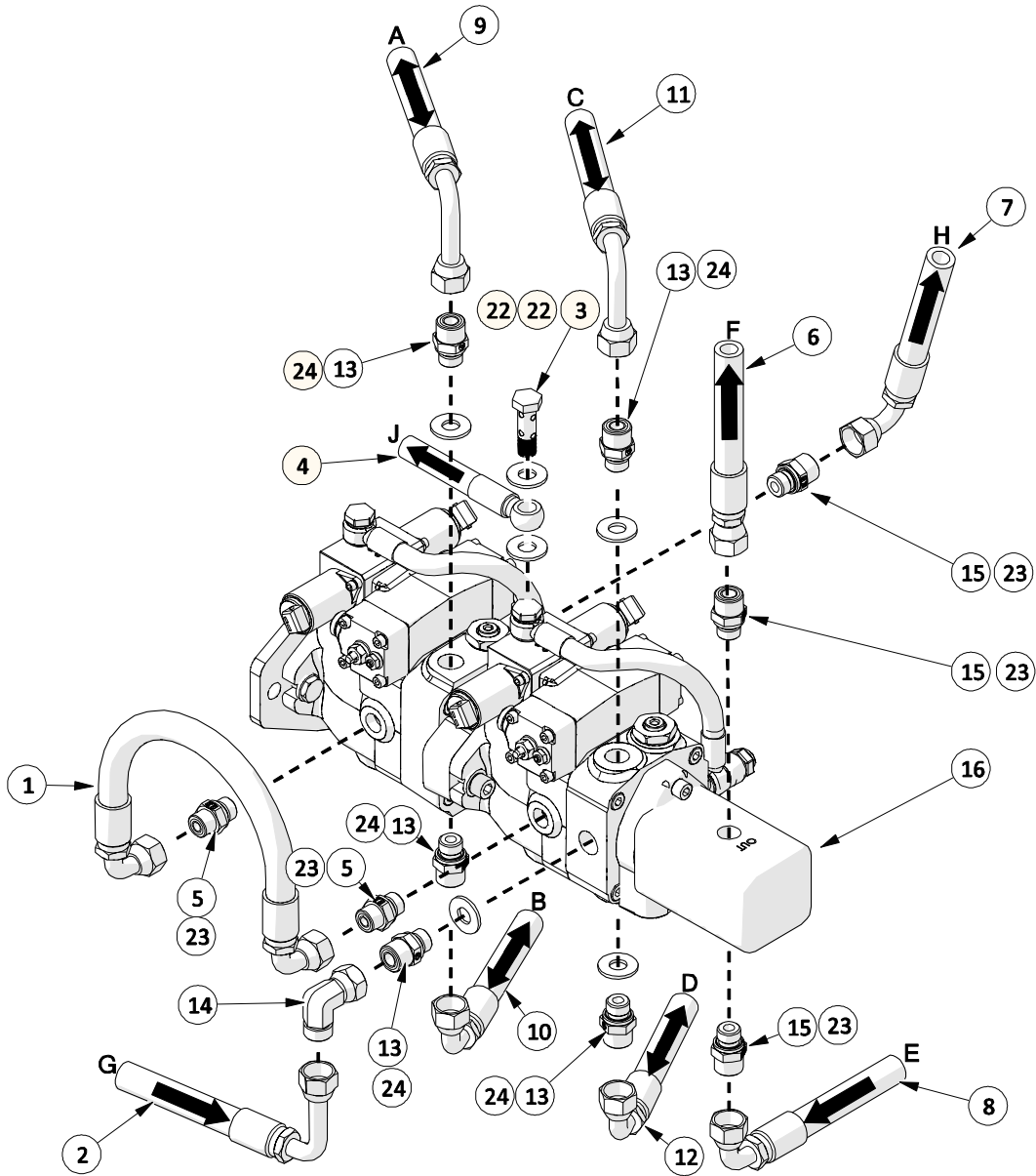


ITEM	PART #	DESCRIPTION	QTY
1	PT604959	BELT - B53	1
2	O.L.	FLAT WASHER- 3/8 PL	4
3	O.L.	FLAT WASHER- 1/2 PL	10
4	O.L.	FLAT WASHER- 5/8 PL	4
5	O.L.	HEX BOLT- 3/8 X 1.5 NC GR5 PL	2
6	O.L.	HEX BOLT- 1/2 X 1.25 NC GR5 PL	4
7	O.L.	HEX BOLT- 1/2 X 3.5 NC GR5 PL	1
8	O.L.	HEX BOLT- 5/8 X 2 NC GR5 PL	2
9	O.L.	HEX NUT - 3/8NC GR5 PL	2
10	O.L.	HEX NUT - 1/2NC GR5 PL	6

ITEM	PART #	DESCRIPTION	QTY
11	O.L.	HEX NUT - 5/8NC GR5 PL	2
12	O.L.	HEX NUT - 1/4NC GR5 PL	2
13	O.L.	HEX BOLT - 1/4 X 1 NC GR5 PL	2
14	PT605773	SHEAVE BUSHING KIT-INCL BOLTS	1
15	PT605595	HOSE HOLD DOWN	2
16	PT605775	SHEAVE PULLEY - 6.45"	1
17	PT604326	TENSIONER BOLT	1
18	PT604318	HYD PUMP MOUNT	1
19	PT604320	HYD. PUMP MOUNT	1

O.L. - OBTAIN LOCALLY

2.2 Hydraulic Pump and Fittings

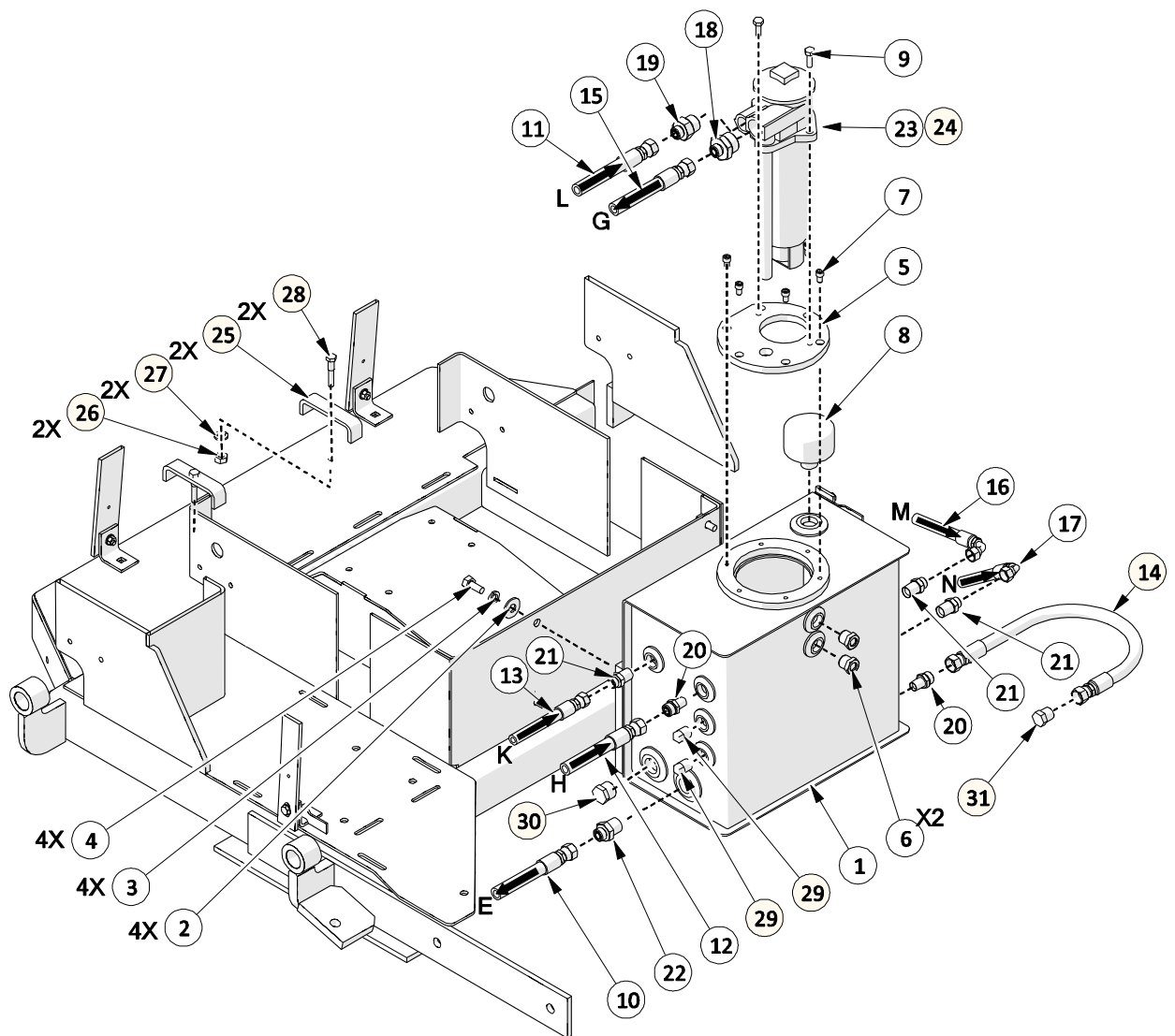


ITEM	PART #	DESCRIPTION	QTY
1	PT605001	HOSE ASSY - PUMP CASE DRAIN	1
2	PT604989	HYDRAULIC HOSE - 29.5"	1
3	PT604855	HOLLOW SCREW - DOUBLE G1/4	1
4	PT604719	HYDRAULIC HOSE - 26"	1
5	PT605007	STR. ADAPTER - -6 BSPP X -6 ORFS	2
6	PT604703	HYDRAULIC HOSE - 26.5"	1
7	PT604709	HYDRAULIC HOSE - 18.5"	1
8	PT604701	HYDRAULIC HOSE - 13"	1
9	PT604711	HYDRAULIC HOSE - 42"	1
10	PT604713	HYDRAULIC HOSE - 42"	1
11	PT604715	HYDRAULIC HOSE - 80"	1
12	PT604717	HYDRAULIC HOSE - 80"	1
13	PT604737	STR. ADAPTER - -8 BSPP X -8 ORFS	5

ITEM	PART #	DESCRIPTION	QTY
14	PT604741	SWIVEL ELBOW - -8 ORFS	1
15	PT604751	STR. ADAPTER - -6 BSPP X -8 ORFS	3
16	PT604831	HYDRAULIC PUMP - DRIVE ASSY	1
17	PT605683	HYD. ADAPTER SEAL - 6 ORB (5PCS)	1
18	PT605685	HYD. ADAPTER SEAL - 8 ORB (5PCS)	1
19	PT605687	HYD. ADAPTER SEAL - 16 ORB (5PCS)	1
20	PT605679	HYD. ADAPTER SEAL - 6 ORFS (5PCS)	1
21	PT605681	HYD. ADAPTER SEAL - 8 ORFS (5PCS)	1
22	PT605673	HYD. ADAPTER SEAL - 4BSPP (5PCS)	1
23	PT605675	HYD. ADAPTER SEAL - 6BSPP (5PCS)	5
24	PT605677	HYD. ADAPTER SEAL - 8BSPP (5PCS)	5

O.L. - OBTAIN LOCALLY

2.3 Hydraulic Tank and Fittings

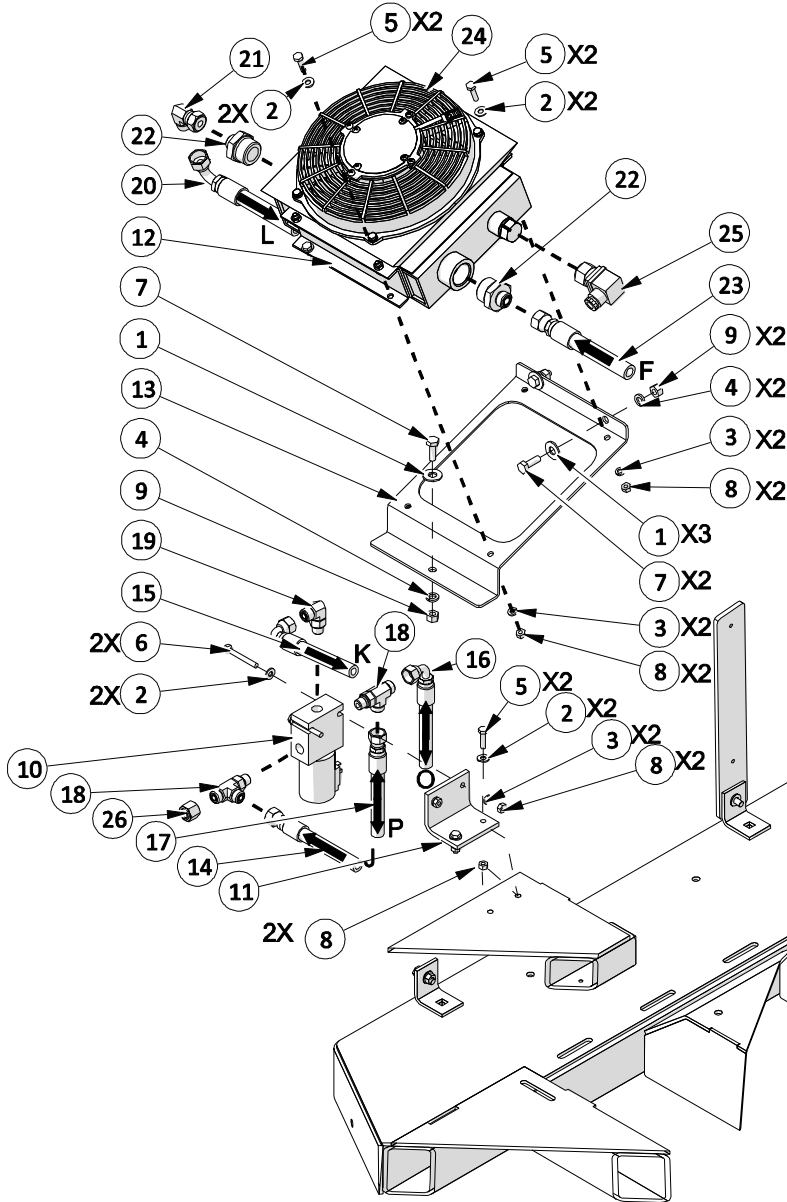


ITEM	PART #	DESCRIPTION	QTY
1	PT604236	HYDRAULIC TANK	1
2	O.L.	FLAT WASHER- 1/2 PL	4
3	O.L.	LOCK WASHER, SPLIT- 1/2 PL	4
4	O.L.	HEX BOLT- 1/2 X 1 NC GR5 PL	4
5	PT604815	COVER PLATE - HYD TANK	1
6	PT604325	1/2 NPT SIGHT GLASS	2
7	PT305812	SOC HD SCREW - 5/16NC X 1/2 PL	6
8	PT604611	HYDRAULIC VENT. FILTER	1
9	O.L.	HEX BOLT- 3/8 X 1 NC GR5 PL	2
10	PT604701	HYDRAULIC HOSE - 13"	1
11	PT604705	HYDRAULIC HOSE - 45"	1
12	PT604709	HYDRAULIC HOSE - 18.5"	1
13	PT604721	HYDRAULIC HOSE - 39.5"	1
14	PT604731	HYDRAULIC HOSE - 27"	1
15	PT604989	HYDRAULIC HOSE - 17.5"	1
16	PT604991	HYDRAULIC HOSE - 85"	1

ITEM	PART #	DESCRIPTION	QTY
17	PT604993	HYDRAULIC HOSE - 50"	1
18	PT604743	STR ADAPTER -8 ORFS X -16 ORB	1
19	PT604997	STR ADAPTER -12 ORB X -8 ORFS	1
20	PT604735	1/2 NPT X -8 ORFS STRAIGHT	2
21	PT604747	1/2 NPT X -6 ORFS STR.	3
22	PT604753	3/4 NPT X -8 ORFS STR	1
23	PT604841	HYD. FILTER - SUCTION AND RETURN	1
24	PT605483	HYD. FILTER CARTRIDGE	1
25	PT605615	HOSE HOLD DOWN CLAMP	2
26	O.L.	HEX NUT - 3/8NC GR5 PL	2
27	O.L.	LOCK WASHER - 3/8 PL	2
28	O.L.	HEX BOLT - 3/8 X 2 NC GR5 PL	2
29	O.L.	1/2" NPT PIPE PLUG	2
30	O.L.	3/4" NPT PIPE PLUG	1
31	PT604749	PLUG -8 ORFS	1

O.L. - OBTAIN LOCALLY

2.4 Hydraulic Cooler and Brake Valve



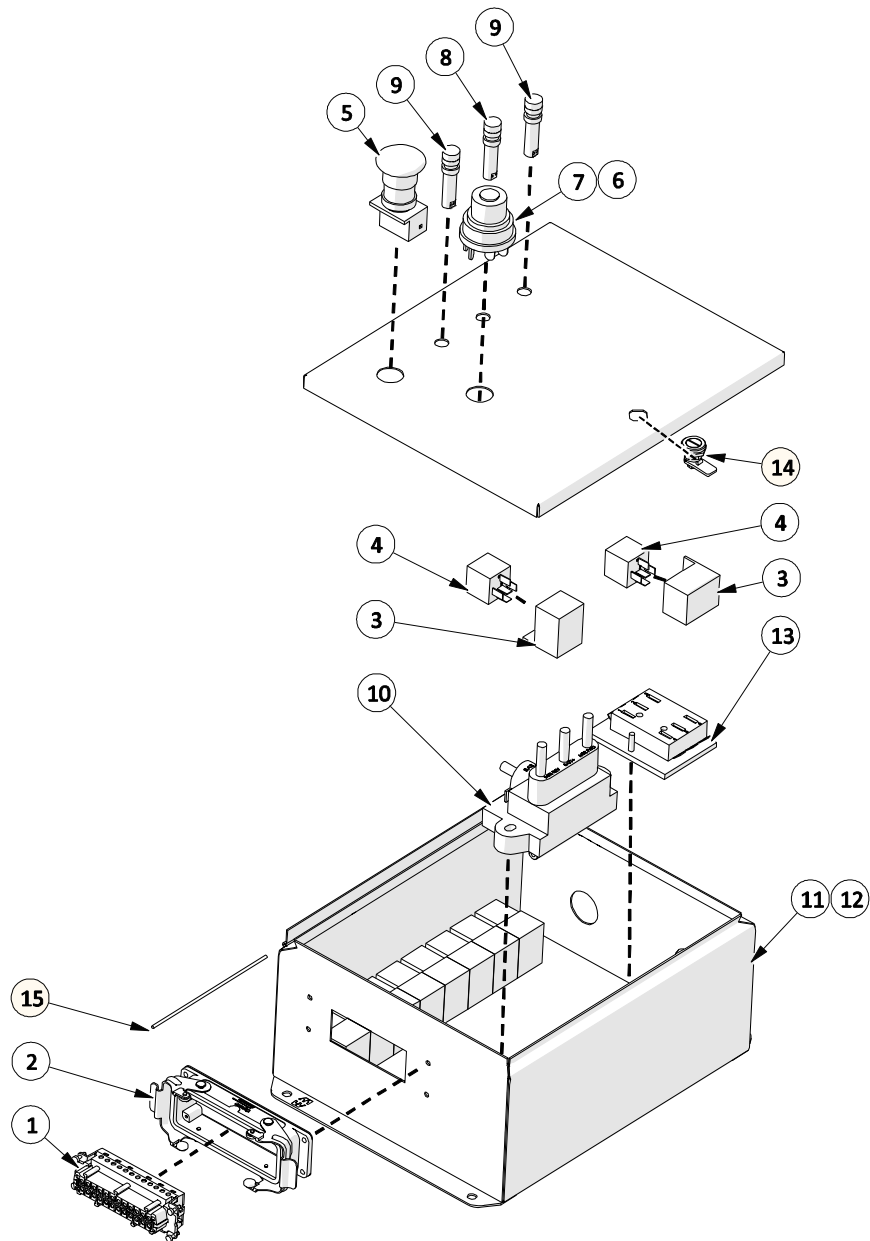
ITEM	PART #	DESCRIPTION	QTY
1	O.L.	FLAT WASHER- 5/16 PL	3
2	O.L.	FLAT WASHER- 1/4 PL	8
3	O.L.	LOCK WASHER, SPLIT- 1/4 PL	8
4	O.L.	LOCK WASHER, SPLIT- 5/16 PL	3
5	O.L.	HEX BOLT - 1/4 x 1.0 NC GR5 PL	6
6	O.L.	HEX BOLT - 1/4 X 2.0 NC GR5 PL	2
7	O.L.	HEX BOLT- 5/16 X 1 NC GR5 PL	3
8	O.L.	HEX NUT - 1/4NC GR5 PL	8
9	O.L.	HEX NUT - 5/16NC GR5 PL	3
10	PT604317	SOLENOID VALVE-SLOPE PRO	1
11	PT605113	HYDRAULIC BRAKE MOUNT	1
12	PT605123	OIL COOLER INCL FAN, TEMP SW.	1
13	PT605183	MTG BRACKET - HYD COOLER	1
14	PT604719	HYDRAULIC HOSE - 26"	1

ITEM	PART #	DESCRIPTION	QTY
15	PT604721	HYDRAULIC HOSE - 39.5"	1
16	PT605731	HYDRAULIC HOSE - 50"	1
17	PT605719	HYDRAULIC HOSE - 32"	1
18	PT604739	RUN TEE -6 ORB X - 6ORFS	2
19	PT604861	ELBOW - -6 ORFS X -6 ORB	1
20	PT604703	HYDRAULIC HOSE - 26.5"	1
21	PT604741	SWIVEL ELBOW - -8 ORFS	1
22	PT604743	-8 ORFS X -16 ORB ADAPTER	2
23	PT604705	HYDRAULIC HOSE - 45"	1
24	PT605645	FAN ASSY - HYD COOLER	1
25	PT605639	TEMPERATURE SWITCH	1
26	PT605179	CAP -6 ORFS	1

O.L. - OBTAIN LOCALLY

3 Electrical System

3.1 Control Panel

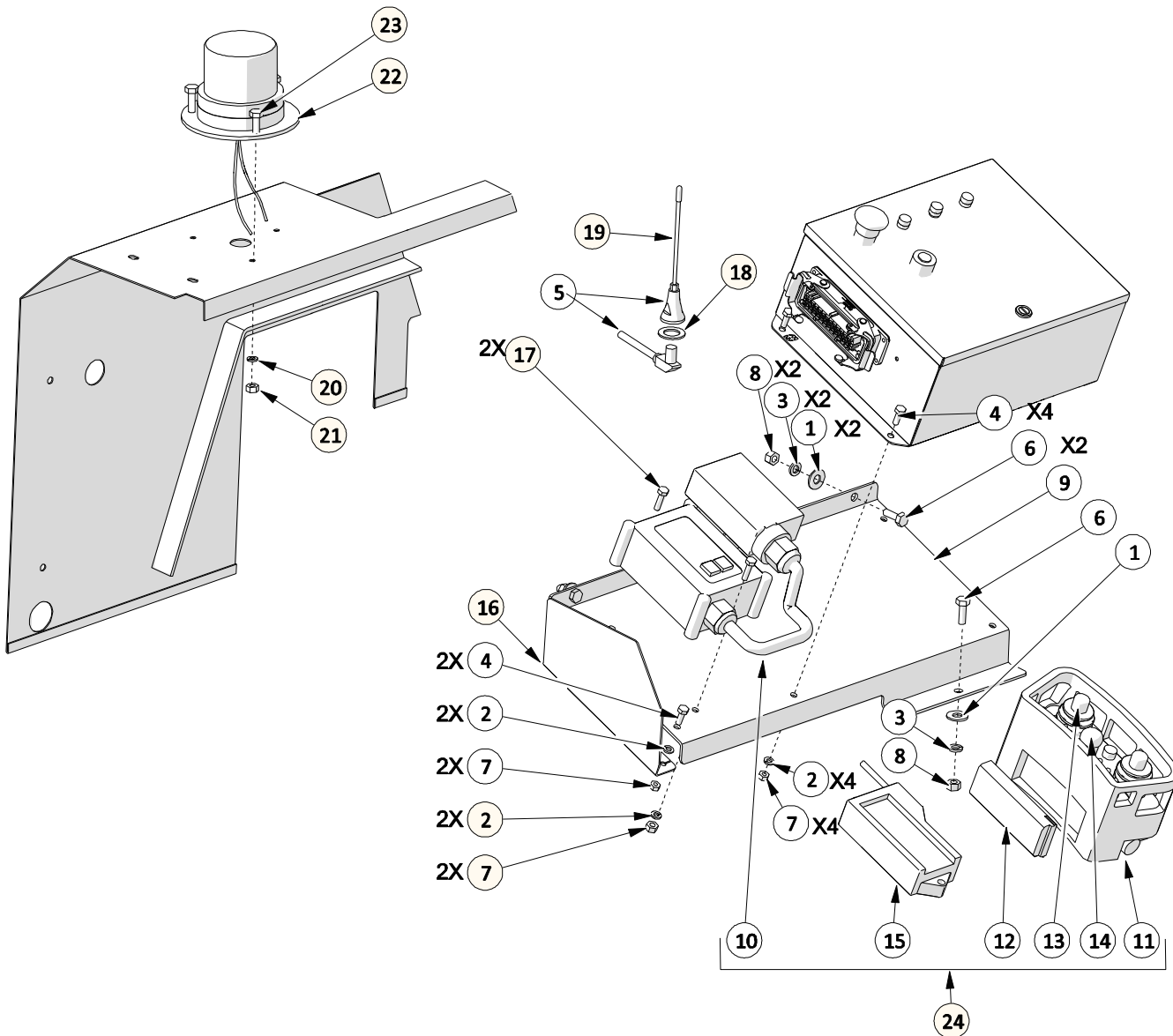


ITEM	PART #	DESCRIPTION	QTY
1	PT605715	24 PIN FEMALE INSERT	1
2	PT605713	24 PIN PANEL MOUNT	1
3	PT605711	RELAY SOCKET	10
4	PT604187	CUBE RELAY - 40A	10
5	PT605161	EMERGENCY STOP	1
6	PT605657	KEY SET - IGNITION - SPARE	1
7	PT605151	IGNITION SWITCH	1
8	PT605159	AMBER LIGHT	1

ITEM	PART #	DESCRIPTION	QTY
9	PT605155	RED LIGHT	2
10	PT604333	REVERSING RELAY	1
11	PT604285	CONTROL PANEL - PAINTED	1
12	PT604572	KIT - FUSE ASSORTMENT	1
13	PT605167	FUSE PANEL - 6 ATC	1
14	PT604091	LATCH - CONTROL PANEL	1
15	PT605787	HINGE PIN	2

O.L. - OBTAIN LOCALLY

3.2 Transmitter / Receiver Unit

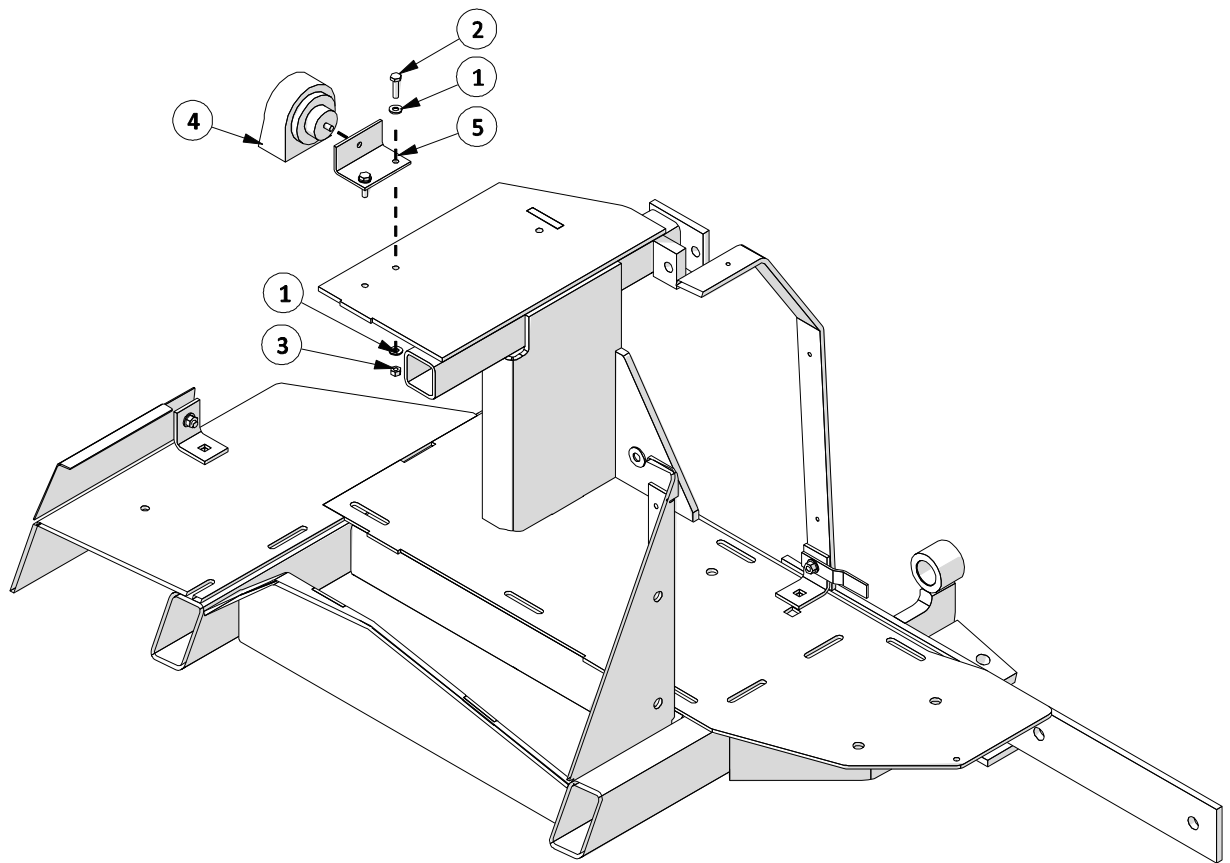


ITEM	PART #	DESCRIPTION	QTY
1	O.L.	FLAT WASHER- 5/16 PL	3
2	O.L.	LOCK WASHER - 1/4"	8
3	O.L.	LOCK WASHER, SPLIT- 5/16 PL	3
4	O.L.	HEX BOLT - 1/4 x .75 NC GR5 PL	6
5	PT605663	ANTENNA KIT	1
6	O.L.	HEX BOLT- 5/16 X 1 NC GR5 PL	3
7	O.L.	HEX NUT - 1/4NC GR5 PL	8
8	O.L.	HEX NUT - 5/16NC GR5 PL	3
9	PT605757	MTG BRACKET - CONTROL PANEL	1
10	-	TRANSMITTER RECIEVER	1
11	PT605659	TRANSMITTER UNIT (LESS BATTERY)	1
12	PT605665	BATTERY - TRANSMITTER UNIT	1
13	PT605661	JOYSTICK - TRANSMITTER UNIT	2

ITEM	PART #	DESCRIPTION	QTY
14	PT605671	KEY SWITCH/E- STOP	1
15	PT605667	CHARGING UNIT - TRANSMITTER	1
16	PT605759	SPLASH GUARD	1
17	O.L.	HEX BOLT - 1/4 x 1 NC GR5 PL	2
18	PT605751	NYLON WASHER	1
19	PT605917	ANTENNA MAST	1
20	O.L.	LOCKWASHER - #10	3
21	O.L.	HEX NUT - #10-24	3
22	PT605423	BEACON	1
23	O.L.	MACHINE SCREW - #10-24 X 0.75	3
24	PT604843	RADIO KIT	1

O.L. - OBTAIN LOCALLY

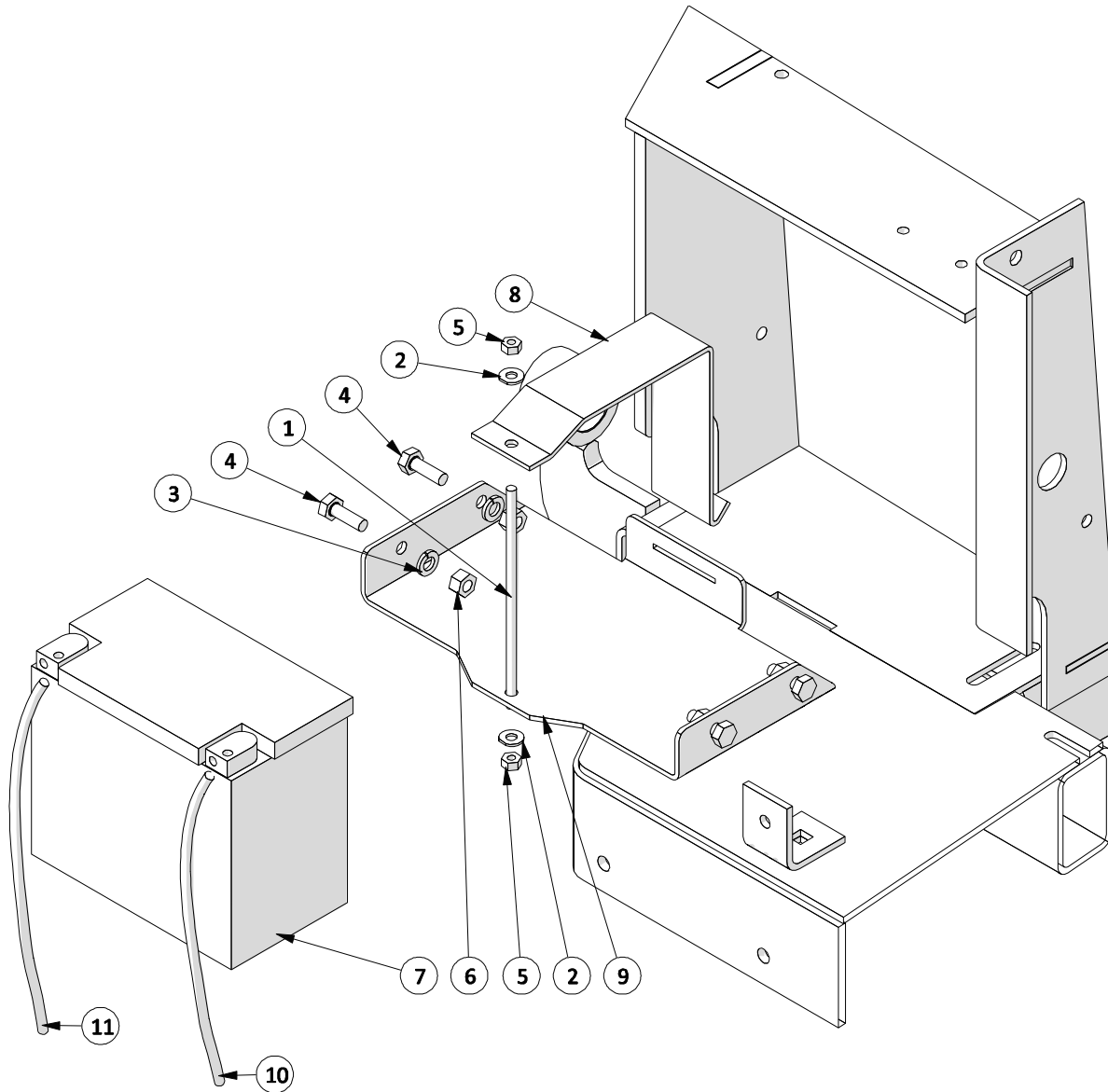
3.3 Horn



ITEM	PART #	DESCRIPTION	QTY
1	O.L.	FLAT WASHER- 1/4 PL	4
2	O.L.	HEX BOLT - 1/4 x 1.0 NC GR5 PL	2
3	O.L.	HEX NUT - 1/4NC GR5 PL	2
4	PT605619	HORN - 12V	1
5	PT605625	MTG PLATE - HORN	1

O.L. - OBTAIN LOCALLY

3.4 Battery and Cables

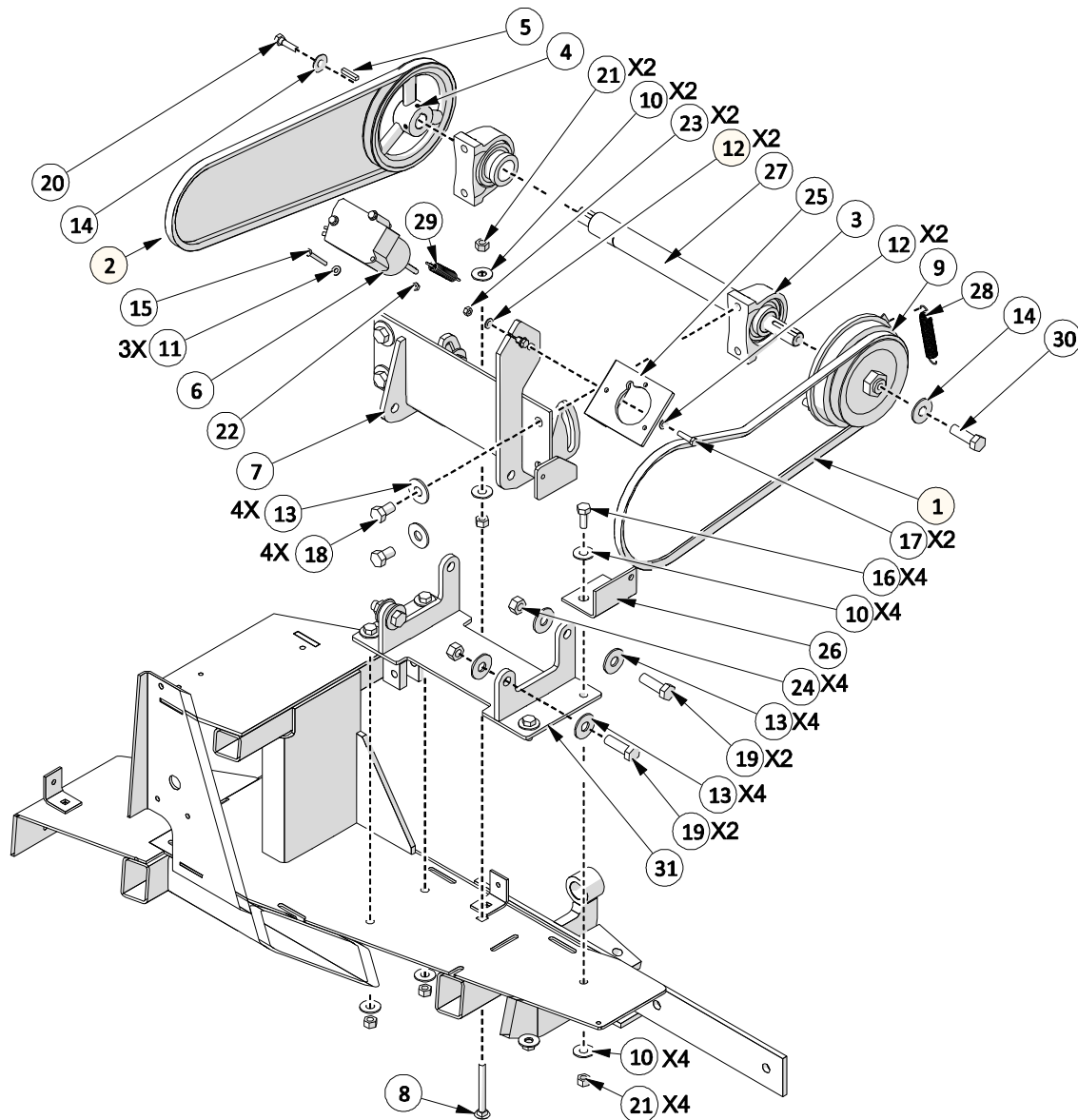


ITEM	PART #	DESCRIPTION	QTY
1	PT605003	BATTERY MOUNT ROD	1
2	O.L.	FLAT WASHER- 1/4 PL	2
3	O.L.	LOCK WASHER, SPLIT- 3/8 PL	4
4	O.L.	HEX BOLT- 3/8 X 1 NC GR5 PL	4
5	O.L.	HEX NUT - 1/4NC GR5 PL	2
6	O.L.	HEX NUT - 3/8NC GR5 PL	4
7	PT604181	BATTERY - EXT16	1
8	PT604811	STRAP - BATTERY MOUNT	1
9	PT604805	PLATE - BATTERY MOUNT	1
10	PT605019	BATTERY CABLE - POSITIVE	1
11	PT605021	BATTERY CABLE - NEGATIVE	1

O.L. - OBTAIN LOCALLY

4 PTO / Mower Deck

4.1 Jack Shaft / Clutch

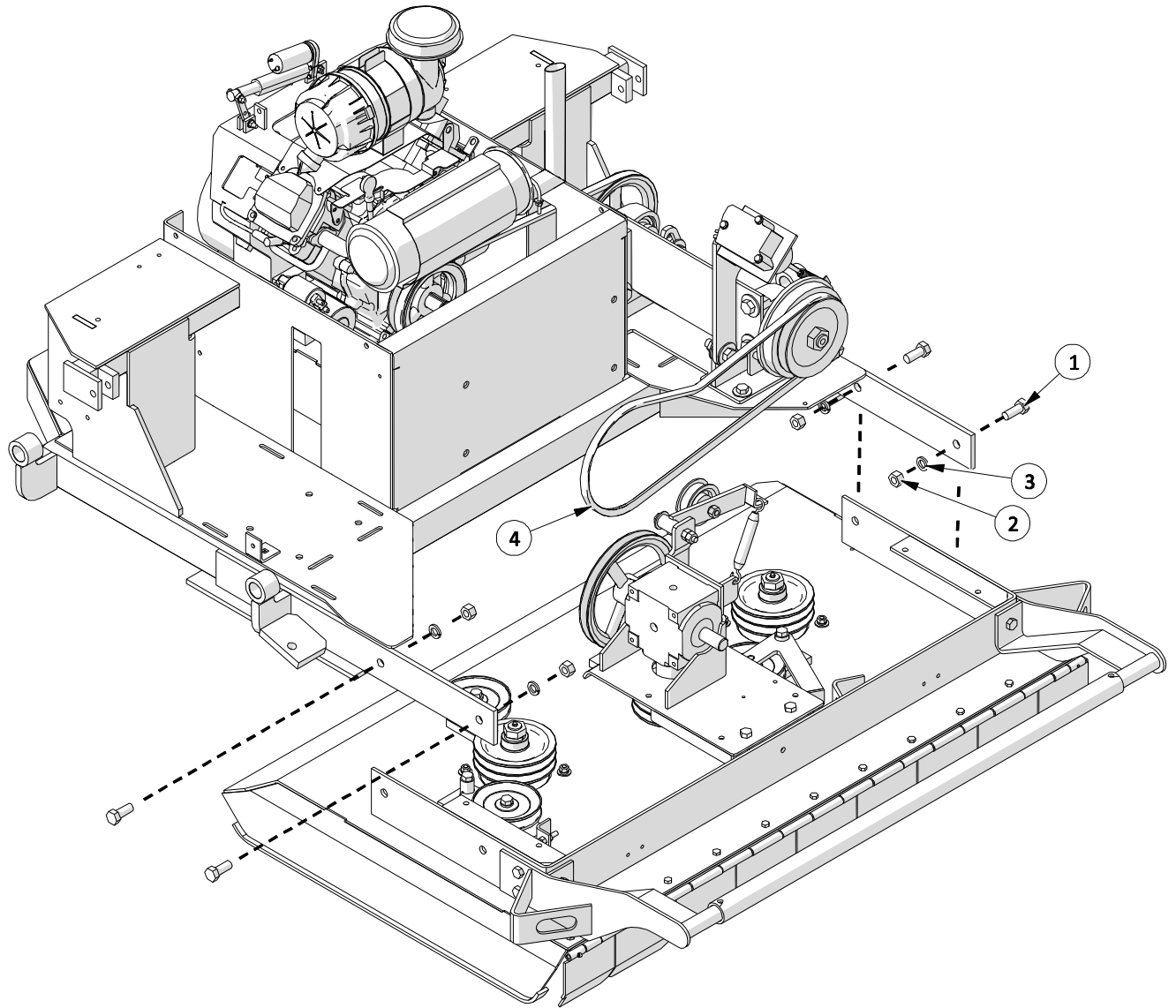


ITEM	PART #	DESCRIPTION	QTY
1	PT604963	BELT - B59	1
2	PT604961	BELT - B57	1
3	PT604273	BEARING	2
4	PT604829	PULLEY - MB78 X 1" BORE	1
5	O.L.	1/4" KEY STOCK	1
6	PT604277	ACTUATOR - PTO CLUTCH	1
7	PT604344	PTO MOUNT	1
8	O.L.	CARR. BOLT- 1/2 X 4 NC GR5 PL	1
9	PT604169	CLUTCH - CB183 - SLOPE PRO	1
10	O.L.	FLAT WASHER- 1/2 PL	10
11	O.L.	FLAT WASHER- 1/4 PL	3
12	O.L.	FLAT WASHER- 5/16 PL	4
13	O.L.	FLAT WASHER- 5/8 PL	12
14	O.L.	FLAT WASHER- 7/16 PL HARDENED	2
15	O.L.	HEX BOLT - 1/4 x 2.5 NC GR5 PL	3
16	O.L.	HEX BOLT- 1/2 X 1.25 NC GR5 PL	4

ITEM	PART #	DESCRIPTION	QTY
17	O.L.	HEX BOLT- 5/16 X 1.25 NC GR5 PL	2
18	O.L.	HEX BOLT- 5/8 X 1 NC GR5 PL	4
19	O.L.	HEX BOLT- 5/8 X 2 NC GR5 PL	4
20	O.L.	HEX BOLT- 7/16 X 1.5 NC GR5 PL	1
21	O.L.	HEX NUT - 1/2NC GR5 PL	6
22	O.L.	HEX NUT - 1/4NC GR5 PL	3
23	O.L.	HEX NUT - 5/16NC GR5 PL	2
24	O.L.	HEX NUT - 5/8NC GR5 PL	4
25	PT604617	MTG PLATE - CLUTCH ACTUATOR	1
26	PT605117	PLATE - CLUTCH RETURN SPRING	1
27	PT604171	SHAFT - PTO	1
28	PT605115	SPRING - CLUTCH RETURN	1
29	PT604387	SPRING - PTO CLUTCH	1
30	O.L.	HEX BOLT- 7/16 X 2-1/4 NC GR5 PL	1
31	PT604342	BASE PLATE - PTO MOUNT	1

O.L. - OBTAIN LOCALLY

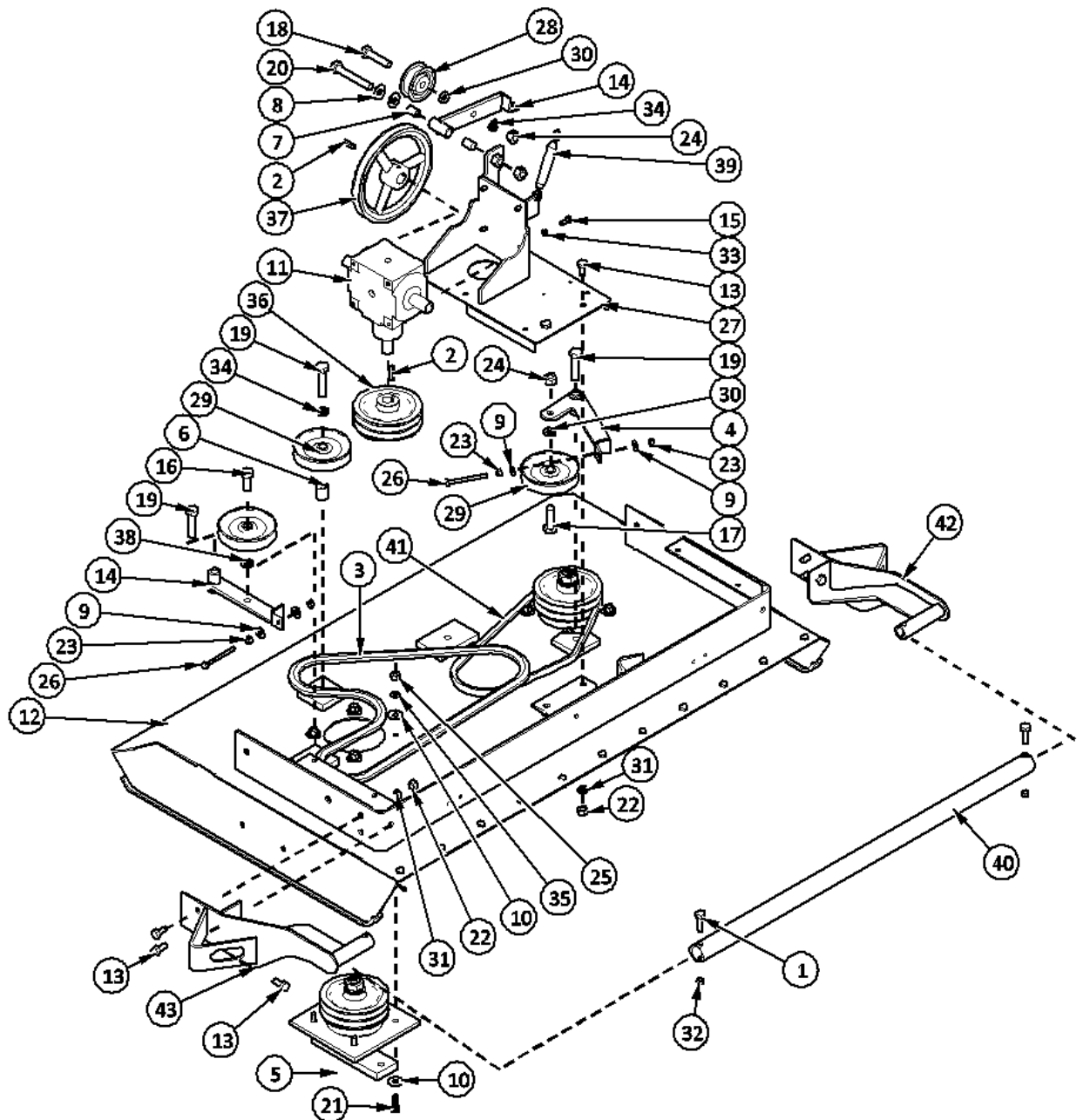
4.2 Mower Deck Fastening



ITEM	PART #	DESCRIPTION	QTY
1	O.L.	HEX BOLT- 5/8 X 1.75 NC GR5 PL	4
2	O.L.	HEX NUT - 5/8NC GR5 PL	4
3	O.L.	LOCK WASHER, SPLIT- 5/8 PL	4
4	PT604963	BELT - B59	1

O.L. - OBTAIN LOCALLY

4.3 Mower Deck Assembly



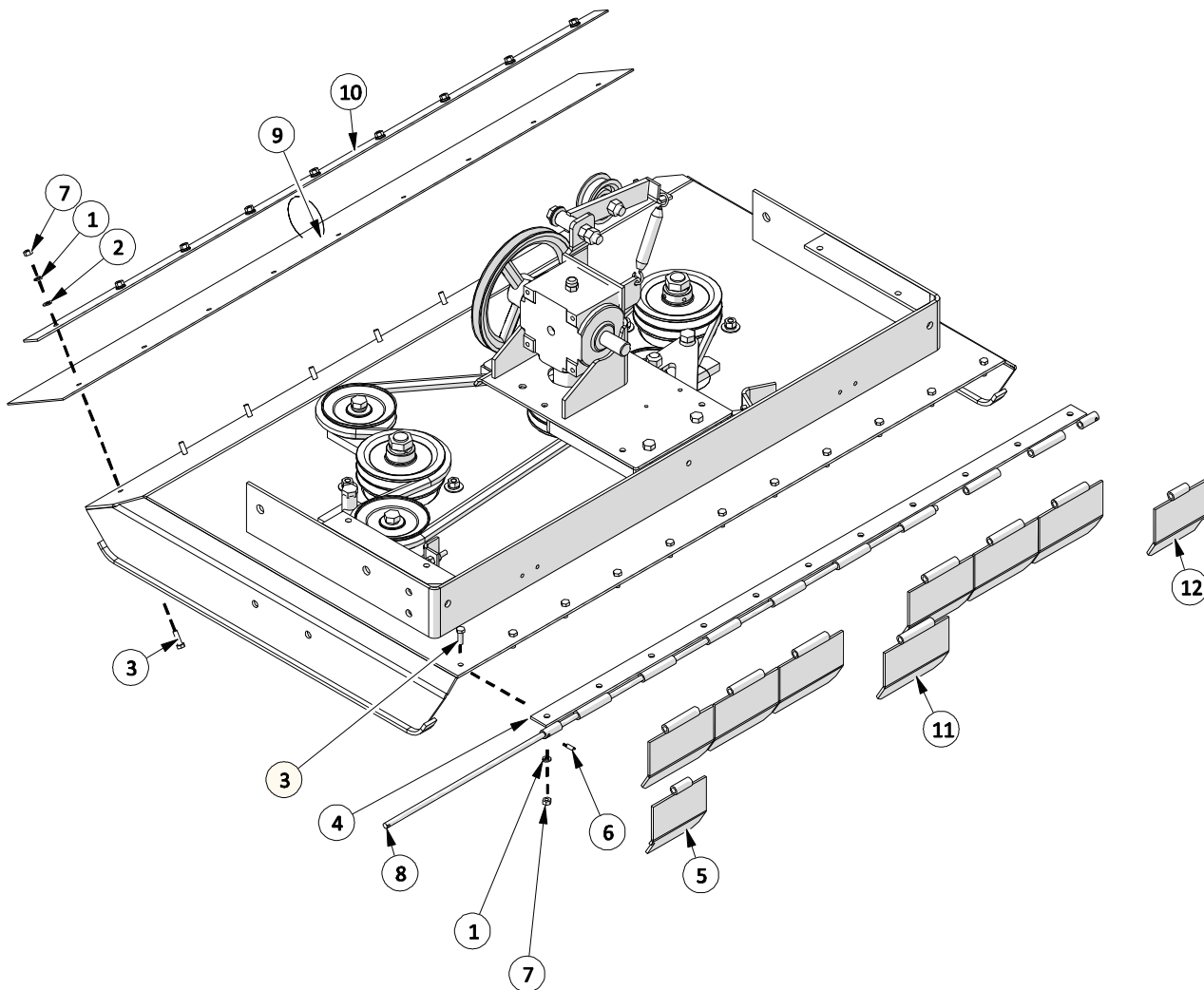
ITEM	PART #	DESCRIPTION	QTY
1	PT305120	HEX BOLT- 3/8 x 2-1/4 NC GR5 PL	2
2	PT302300	GEAR BOX 1/4" KEY	2
3	PT604965	BELT - BB68	1
4	PT604376	TENSIONER ARM	1
5	PT604125	BLADE SPINDLE ASSEMBLY	2
6	PT604899	BUSHING SPACER	1
7	PT606187	SLEEVE BEARING - 5/8" I.D.	2
8	O.L.	FLAT WASHER- 1/2 PL	3
9	O.L.	FLAT WASHER- 3/8 PL	4
10	O.L.	FLAT WASHER- 7/16 PL	16
11	PT604180	GEAR BOX	1
12	PT604105	MOWER DECK - 54"	1
13	O.L.	HEX BOLT- 1/2 X 1 NC GR5 PL	9
14	PT604378	TENSIONER ARM	2
15	O.L.	HEX BOLT- 5/16 X .75 NC GR5 PL	4

ITEM	PART #	DESCRIPTION	QTY
16	O.L.	HEX BOLT- 5/8 X 1.5 NC GR5 PL	1
17	O.L.	HEX BOLT- 5/8 X 2 NC GR5 PL	1
18	O.L.	HEX BOLT- 5/8 X 2.5 NC GR5 PL	1
19	O.L.	HEX BOLT- 5/8 X 2.5 NC GR5 PL	3
20	O.L.	HEX BOLT- 5/8 X 4 NC GR5 UPL	1
21	O.L.	HEX BOLT- 7/16 X 1.25 NC GR5 PL	8
22	O.L.	HEX NUT - 1/2NC GR5 PL	12
23	O.L.	HEX NUT - 3/8NC GR5 PL	4
24	O.L.	HEX NUT - 5/8NC GR5 PL	3
25	O.L.	HEX NUT - 7/16NC GR5 PL	8
28	O.L.	HEX BOLT- 3/8 X 3.5 NC GR5 PL	2
27	PT604322	GEAR BOX MOUNT	1
28	PT212000	IDLER PULLEY	1
29	PT212009	IDLER PULLEY 5"	3
30	PT600141	IDLER PULLEY BUSHING SHORT	2

ITEM	PART #	DESCRIPTION	QTY
31	O.L.	LOCK WASHER- 1/2 PL	12
32	O.L.	3/8" NC CTR LOCK NUT GR5 PL	2
33	O.L.	LOCK WASHER, SPLIT- 5/16 PL	4
34	O.L.	LOCK WASHER, SPLIT- 5/8 PL	2
35	O.L.	LOCK WASHER, SPLIT- 7/16 PL	8
36	PT604182	PULLEY - 2MB59 X 1	1
37	PT604879	PULLEY - MB90 X 1" BORE	1
38	PT605421	PULLEY SPACER	1
39	PT214007	SPRING	1
40	PT604497	TUBE - PUSH BAR	1
41	PT604957	V-BELT- B44	1
42	PT604302	BRACKET - PUSH BAR - LH	1
43	PT604300	BRACKET - PUSH BAR - RH	1

O.L. - OBTAIN LOCALLY

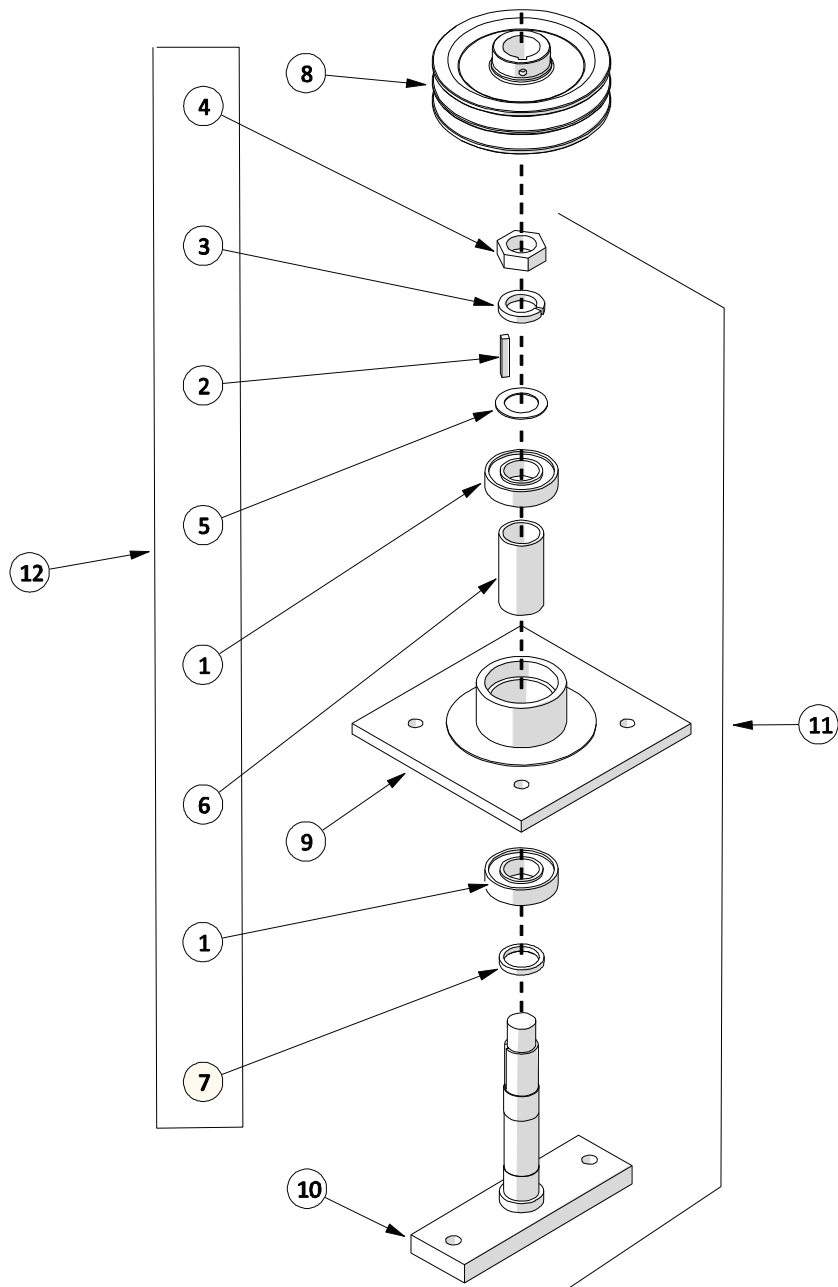
4.4 Thrown Object Deflectors



ITEM	PART #	DESCRIPTION	QTY
1	O.L.	LOCK WASHER, SPLIT- 5/16 PL	20
2	O.L.	FLAT WASHER- 5/16 PL	9
3	O.L.	HEX BOLT- 5/16 X 1 NC GR5 PL	20
4	PT604468	HINGE	1
5	PT604464	L.H. DEFLECTOR	1
6	PT521437	1/4" X 5/8" ROLL PIN	1
7	O.L.	HEX NUT - 5/16NC GR5 PL	20
8	PT605273	HINGE PIN	1
9	PT605837	DEFLECTOR - DECK REAR	1
10	PT605835	RETAINER - REAR DEFLECTOR	1
11	PT604462	FRONT DEFLECTOR	7
12	PT604466	R.H. DEFLECTOR	1

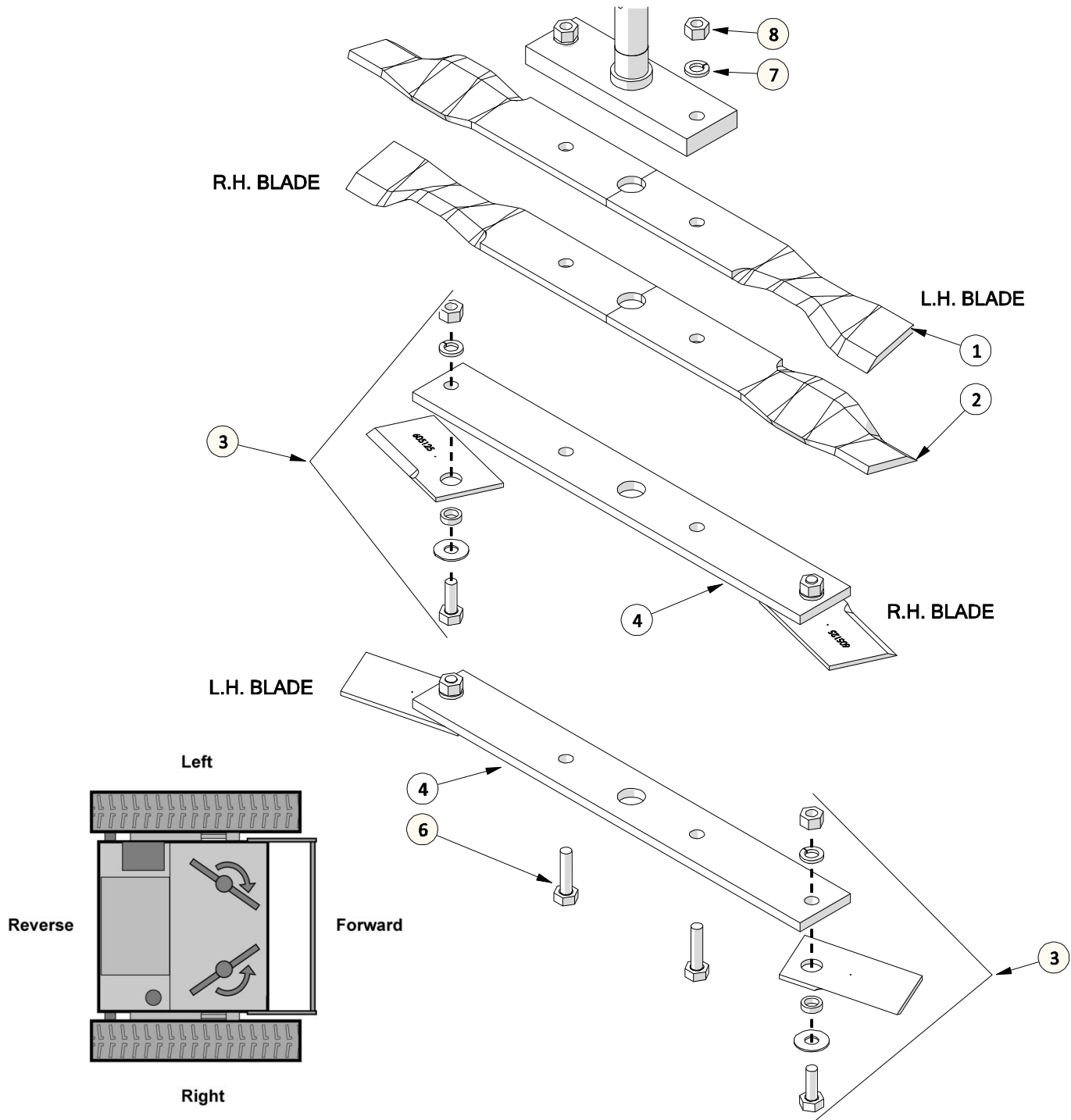
O.L. - OBTAIN LOCALLY

4.5 Blade Spindle



ITEM	PART #	DESCRIPTION	QTY
1	----	BEARING - 6206	2
2	----	KEY - SPINDLE - 1/4" X 1-9/16"	1
3	----	L.H. BLADE SPINDLE LOCKWASHER	1
4	----	HEX NUT- L.H.	1
5	----	1.125" SHIM WASHER	1
6	----	SPACER TUBE	1
7	-	SPACER - BLADE SPINDLE	1
8	PT521790	5.9" BLADE SPINDLE PULLEY	1
9	----	SPINDLE HOUSING	1
10	PT521307	BLADE SPINDLE	1
11	PT604125	BLADE SPINDLE ASSEMBLY	1
12	PT604568	REBUILD KIT - 6206 BLADE SPINDLE	1

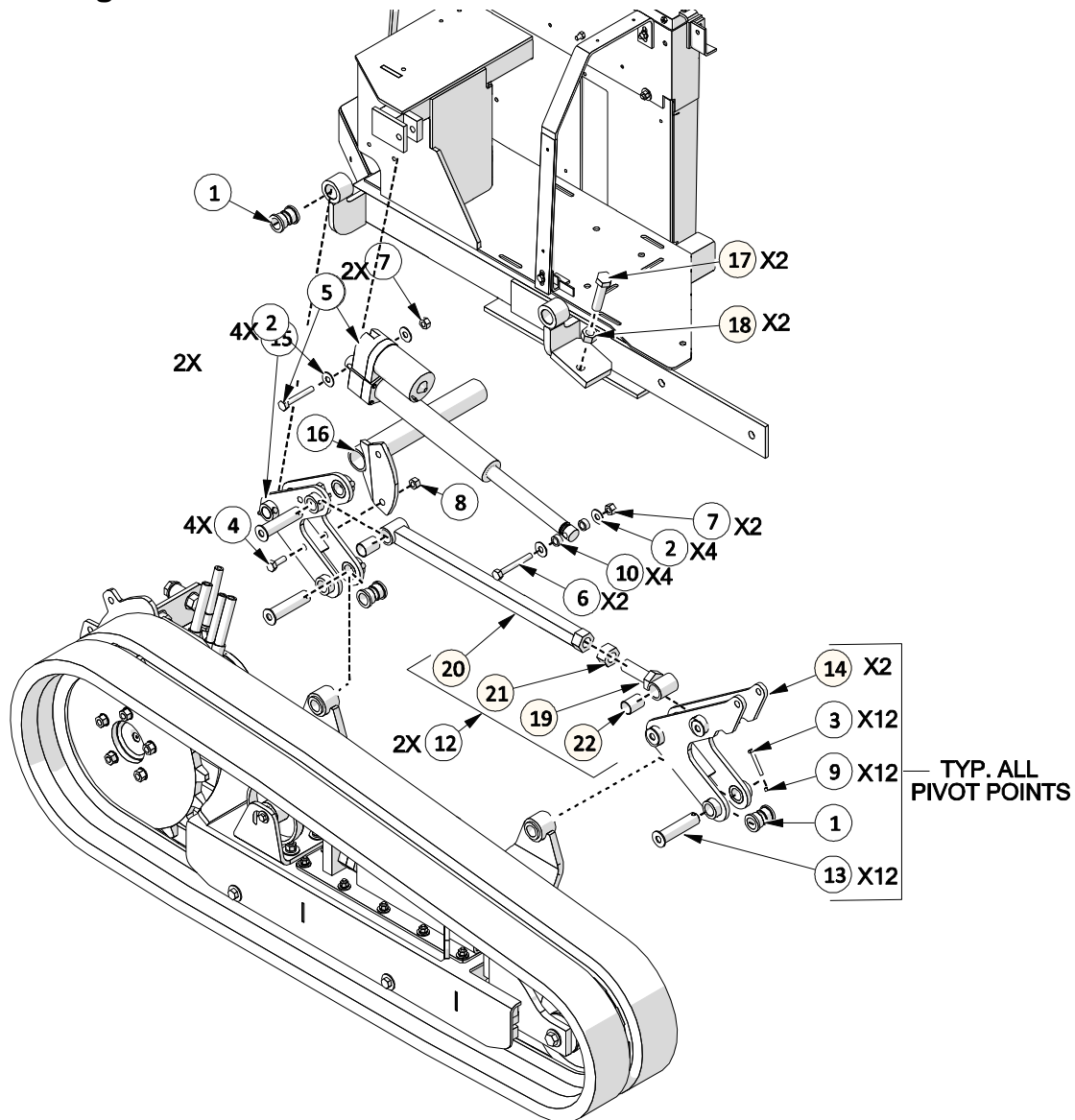
4.6 Mower Blades



ITEM	PART #	DESCRIPTION	QTY
1	PT604383	BLADE 26" - CW ROTATION	1
2	PT604381	BLADE 26" - CCW ROTATION	1
3	PT604566	BLADE TIP KIT, 12 TIPS + HARDWARE, ITEMS 3 - 8	1
4	PT605127	BLADE BAR - 19"	2
5	PT604540	SWING BLADE KIT, 1 MOWER SET, ITEMS 3-8, 10	1
6	305121	HEX BOLT- 1/2 X 1.75 NC GR5 PL	2
7	301304	LOCK WASHER- 1/2 PL	2
8	305604	HEX NUT - 1/2NC GR5 PL	2

5 Lift Linkage / Track Frames

5.1 Lift Linkage

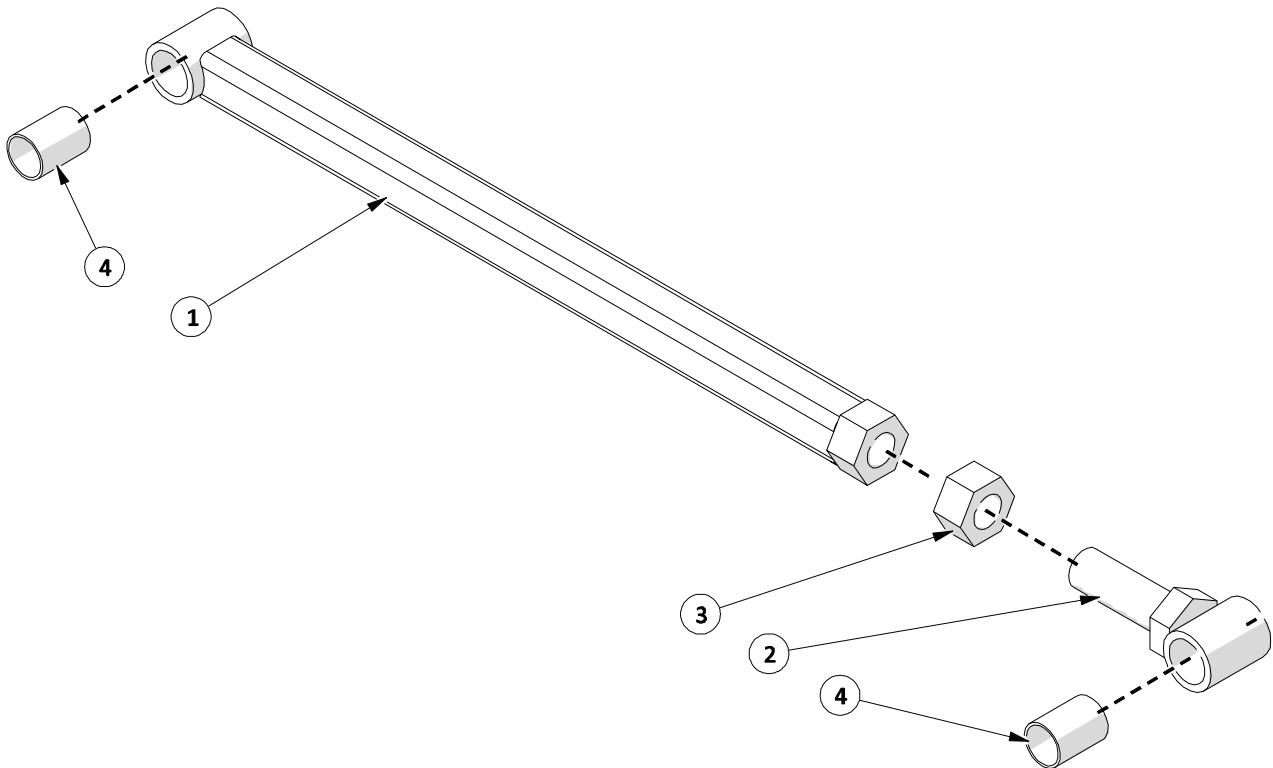


ITEM	PART #	DESCRIPTION	QTY
1	PT604552	FLANGE BSHG - 1.00ID X 0.75OD (4PCS)	16
2	O.L.	FLAT WASHER- 7/16 PL HARDENED	8
3	O.L.	HEX BOLT - 1/4 X 2.0 NC GR5 PL	12
4	O.L.	HEX BOLT- 1/2 X 1.25 NC GR5 PL	4
5	O.L.	HEX BOLT- 1/2 X 3 NC GR5 PL	2
6	O.L.	HEX BOLT- 1/2 X 3.5 NC GR5 PL	2
7	O.L.	HEX LOCK NUT - 1/2NC GR5 PL	4
8	O.L.	HEX NUT - 1/2NC GR5 PL	4
9	O.L.	HEX NUT - 1/4NC GR5 PL	12
10	PT604564	SPACER - 1/2 X 0.424 (4 PC KIT)	4
11	PT604251	ACTUATOR - LIFT	2
12	PT604349	LINK ARM ASSEMBLY	2

ITEM	PART #	DESCRIPTION	QTY
13	PT604432	PIN - QUADRANT	12
14	PT604616	QUADRANT	1
15	PT604352	QUADRANT - REAR	2
16	PT604350	ROCK SHAFT	1
17	O.L.	HEX BOLT- 3/4 X 3.5 NC GR5 PL	1
18	O.L.	HEX NUT - 3/4NC GR5 PL	1
19	PT604392	ADJUSTER	1
20	PT604390	LINK ARM	1
21	O.L.	HEX NUT - 1NC GR8 PL	1
22	529240	SLEEVE BEARING 1" - 12 PCS	2

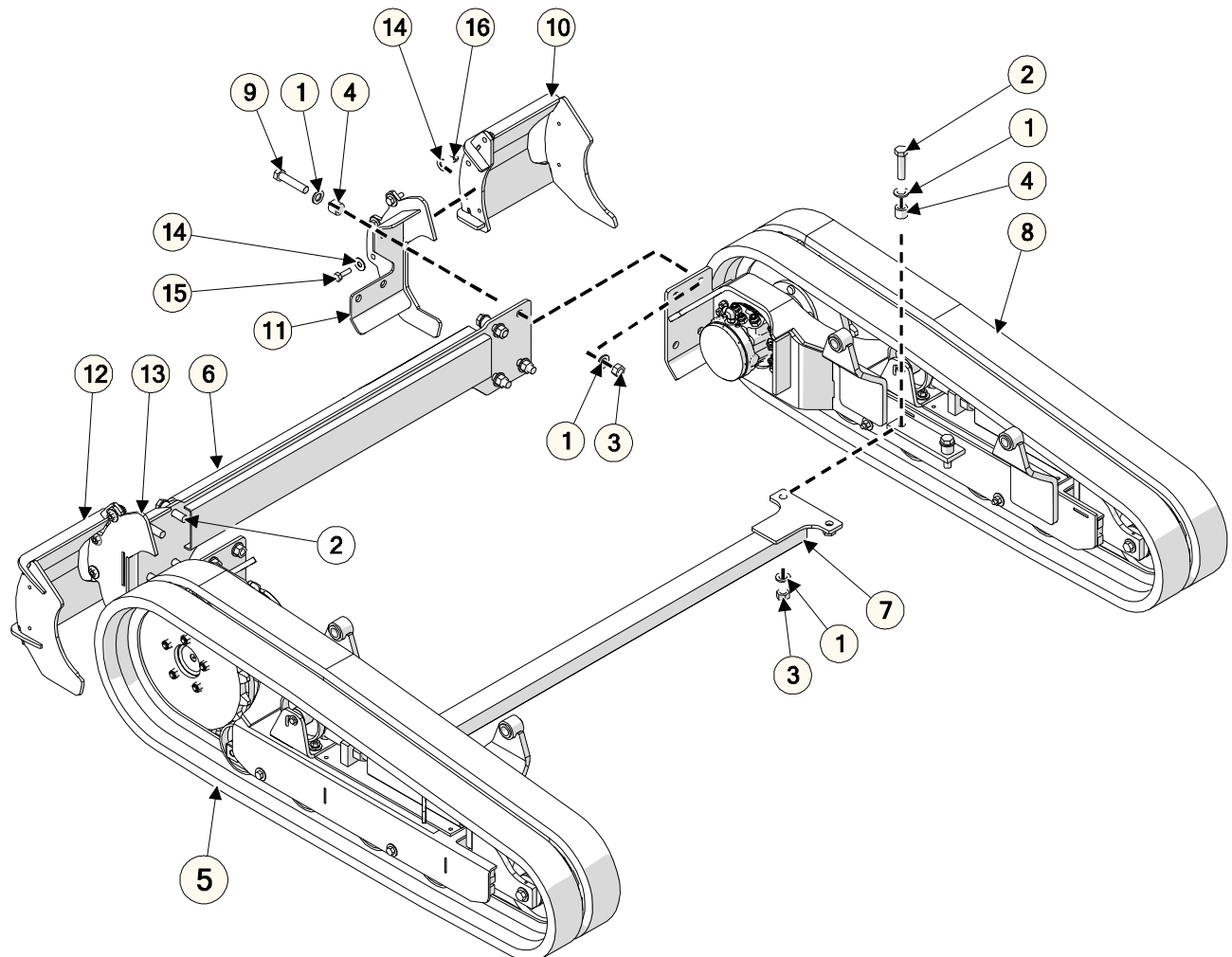
O.L. - OBTAIN LOCALLY

5.2 Link Arm Assembly



ITEM	PART #	DESCRIPTION	QTY
1	PT604390	LINK ARM	1
2	PT604392	ADJUSTER	1
3	PT308608	HEX NUT - 1"NC GR2 PL	1
4	PT529240	SLEEVE BEARING 1" - 12PCS	2

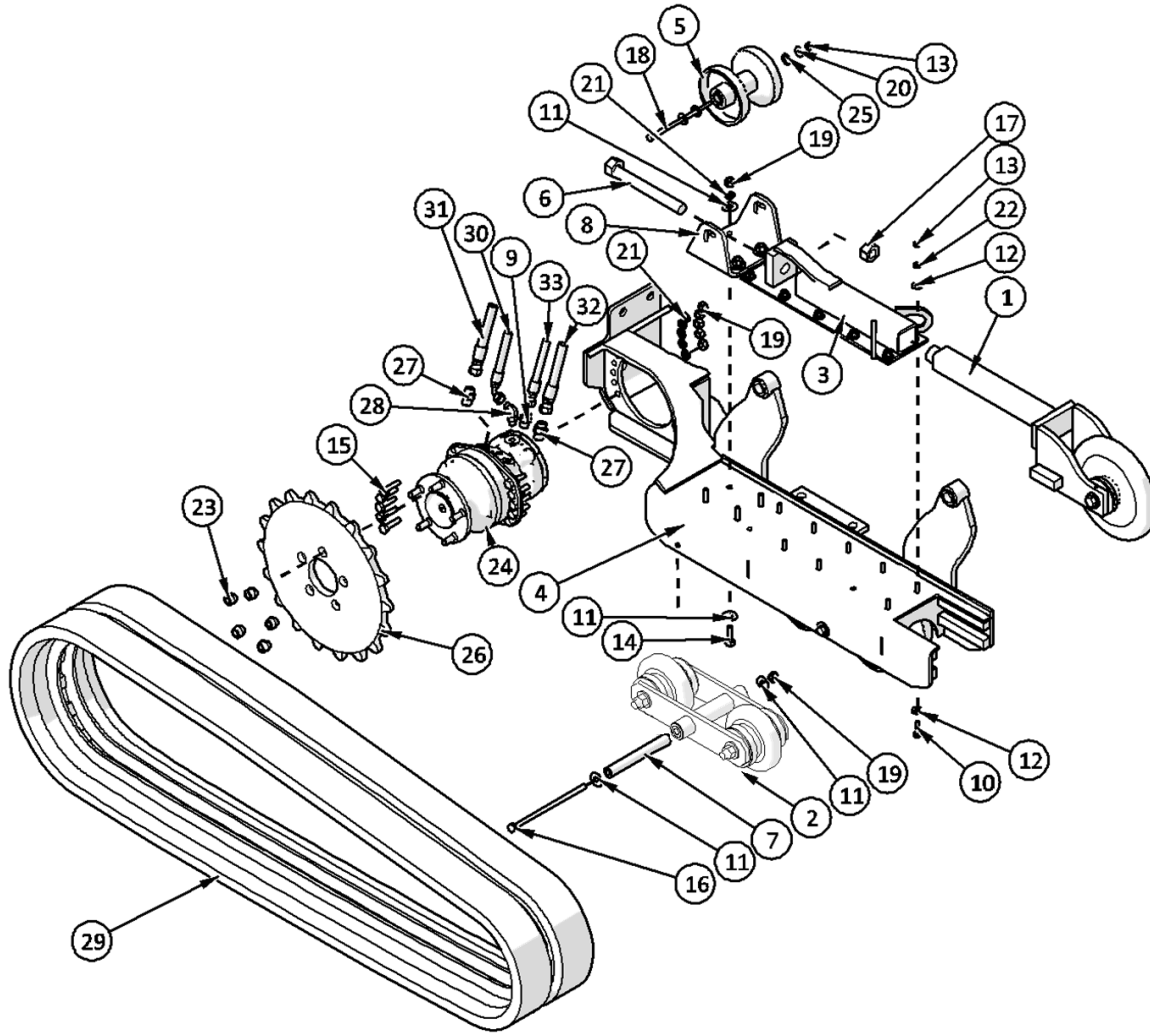
5.3 Track Frame



ITEM	PART #	DESCRIPTION	QTY
1	O.L.	FLAT WASHER - 3/4 HARDENED USS YEL	24
2	O.L.	HEX BOLT- 3/4 X 3 NC GR5 PL	6
3	O.L.	HEX NUT - 3/4 NC GR5 PL	12
4	PT604943	SPACER - 3/4 X 1	12
5	PT604222	TRACK ASSEMBLY - RHS - 10"	1
6	PT604304	CROSS MEMBER - TRACK	1
7	PT604310	CROSS MEMBER - TRACK	1
8	PT604312	TRACK ASSY - LH	1
9	O.L.	HEX BOLT- 3/4 X 3.5 NC GR5 PL	6
10	PT604610	OUTER TRACK RETAINER - LH	1
11	PT604612	TRACK GUIDE - LH INNER	1
12	PT604608	OUTER TRACK RETAINER - RH	1
13	PT604606	TRACK GUIDE - RH INNER	1
14	O.L.	FLAT WASHER - 7/16 PL HARDENED	12
15	O.L.	HEX BOLT- 1/2 X 1.5 NC GR5 PL	6
16	O.L.	HEX NUT - 1/2 NC GR5 PL	6

O.L. - OBTAIN LOCALLY

5.4 R.H. Track Assembly

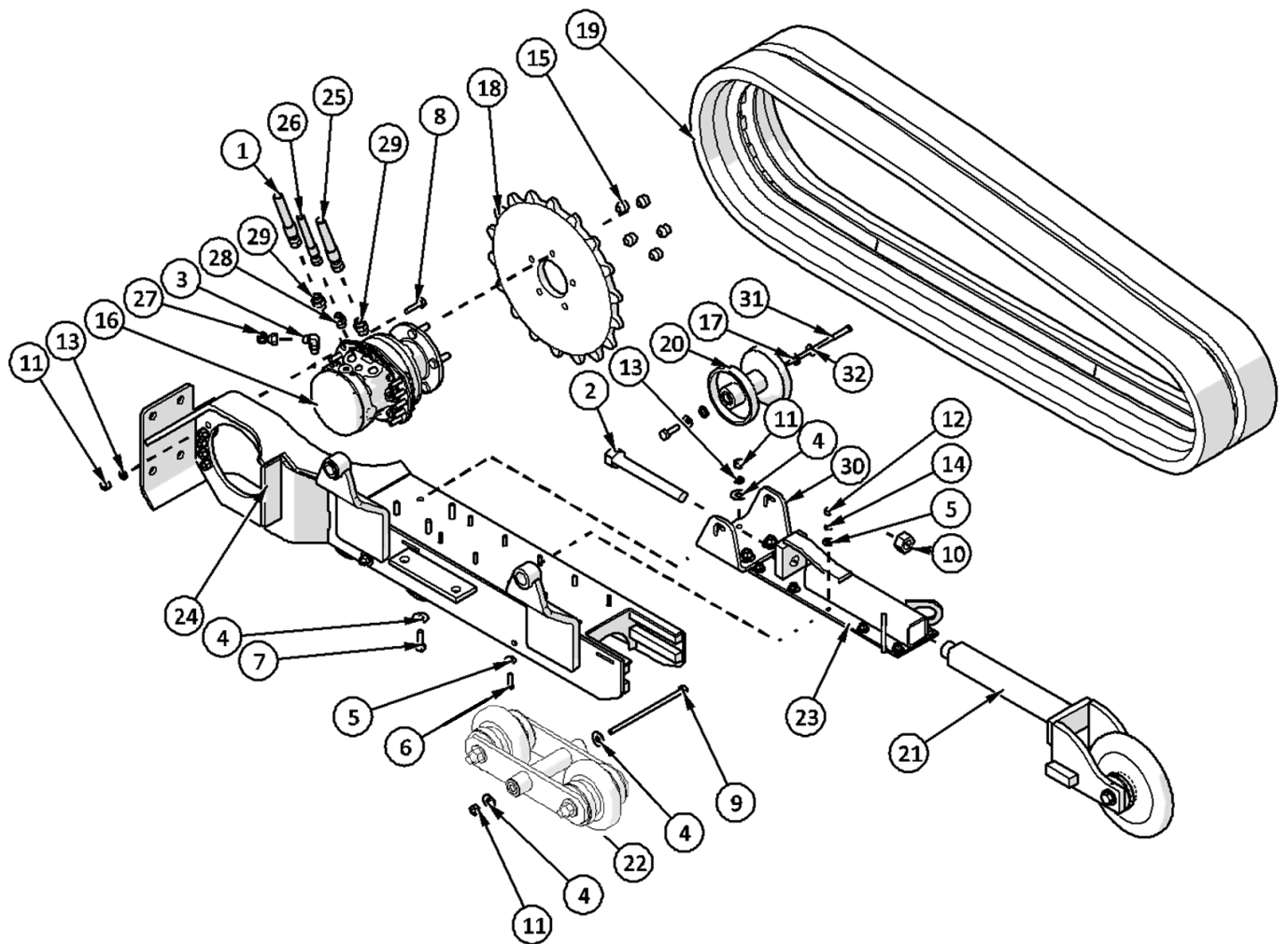


ITEM	PART #	DESCRIPTION	QTY
1	PT604238	IDLER ASSEMBLY	1
2	PT604668	ROLLER PIVOT ASSY	2
3	PT604424	TENSIONER GUIDE	1
4	PT604422	TRACK FRAME - RH	1
5	PT604334	TRACK ROLLER ASSY	1
6	PT604386	TRACK TENSIONER ROD	1
7	PT604573	AXLE - ROLLER PIVOT	2
8	PT605097	BRACKET - TOP ROLLER	1
9	PT604857	STR. ADAPTER - -6 ORFS X -8 ORB	1
10	O.L.	HEX BOLT - 3/8 x 1.25 NC GR5 PL	9
11	O.L.	FLAT WASHER- 1/2 PL	12
12	O.L.	FLAT WASHER- 3/8 PL	20
13	O.L.	HEX NUT - 3/8NC GR5 PL	11
14	O.L.	HEX BOLT- 1/2 X 1.5 NC GR5 PL	4
15	O.L.	HEX BOLT- 1/2 X 1.75 NC GR5 PL	10
16	O.L.	HEX BOLT- 1/2 X 9 NC GR5 PL	2
17	O.L.	HEX NUT - 1NC GR8 PL	2

ITEM	PART #	DESCRIPTION	QTY
18	O.L.	HEX BOLT- 3/8 X 7 1/2 NC GR5 PL	1
19	O.L.	HEX NUT - 1/2NC GR5 PL	16
20	O.L.	FLAT WASHER -3/8 USS HARDENED	2
21	O.L.	LOCK WASHER, SPLIT- 1/2 PL	14
22	O.L.	LOCK WASHER, SPLIT- 3/8 PL	10
23	PT604556	LUG NUT KIT - M14 (5PCS)	5
24	PT604140	RADIAL PISTON HYD. MOTOR	1
25	PT604583	SPACER - ROLLER AXLE	2
26	PT604867	SPROCKET - 18T	1
27	PT604859	STR. ADAPTER - -8 ORFS X -10 ORB	2
28	PT604861	ELBOW - -6 ORFS X -6 ORB	1
29	PT604108	TRACK	1
30	PT605461	HYDRAULIC HOSE - 32"	1
31	PT604711	HYDRAULIC HOSE - 42"	1
32	PT604713	HYDRAULIC HOSE - 42"	1
33	PT604991	HYDRAULIC HOSE - 85"	1

O.L. - OBTAIN LOCALLY

5.5 L.H. Track Assembly

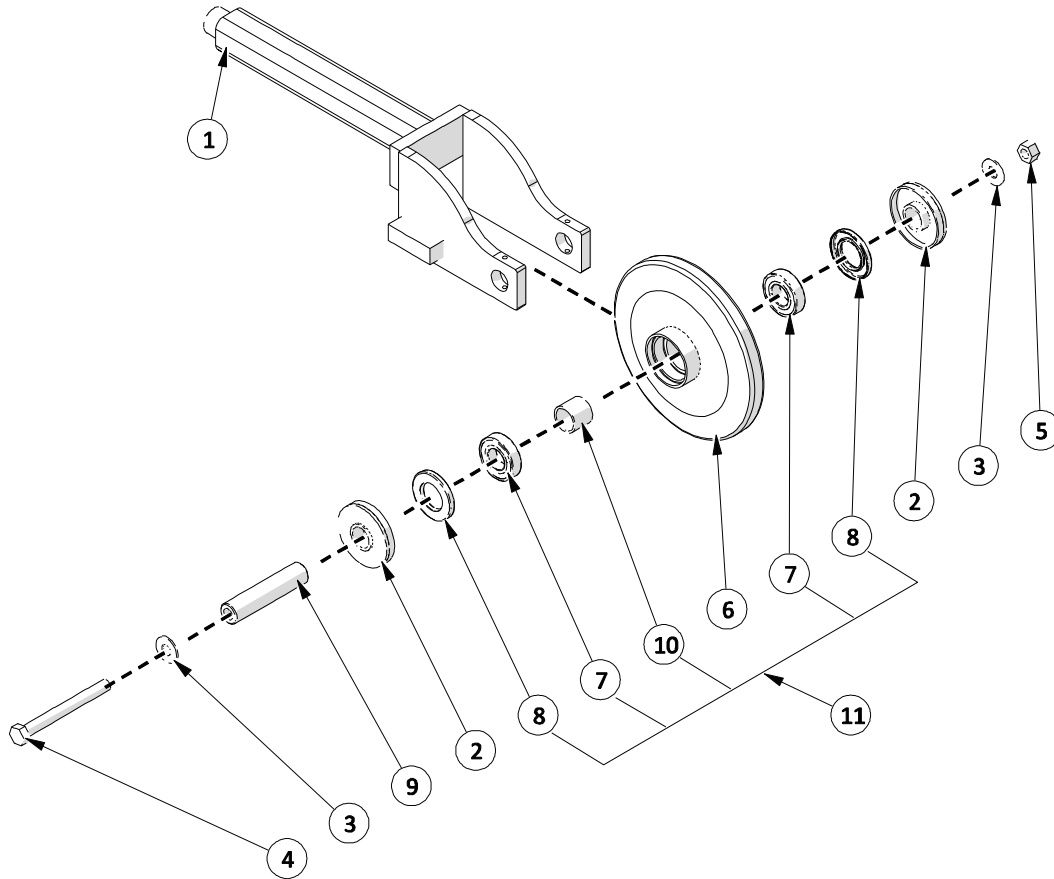


ITEM	PART #	DESCRIPTION	QTY
1	PT604717	HYDRAULIC HOSE - 80"	1
2	PT604386	TRACK TENSIONER ROD	1
3	PT604861	ELBOW	1
4	O.L.	FLAT WASHER- 1/2 PL	12
5	O.L.	FLAT WASHER- 3/8 PL	20
6	O.L.	HEX BOLT - 3/8 x 1.25 NC GR5 PL	9
7	O.L.	HEX BOLT- 1/2 X 1.5 NC GR5 PL	5
8	O.L.	HEX BOLT- 1/2 X 1.75 NC GR5 PL	10
9	O.L.	HEX BOLT- 1/2 X 9 NC GR5 PL	2
10	O.L.	HEX NUT - 1NC GR8 PL	2
11	O.L.	HEX NUT - 1/2NC GR5 PL	16
12	O.L.	HEX NUT - 3/8NC GR5 PL	10
13	O.L.	LOCK WASHER, SPLIT- 1/2 PL	14
14	O.L.	LOCK WASHER, SPLIT- 3/8 PL	10
15	PT604556	LUG NUT KIT - M14 (5PCS)	5
16	PT604140	RADIAL PISTON HYD. MOTOR	1
17	PT604583	SPACER - ROLLER AXLE	2

ITEM	PART #	DESCRIPTION	QTY
18	PT604867	SPROCKET - 18T	1
19	PT604108	TRACK - 230mm	1
20	PT604334	TRACK ROLLER ASSY	1
21	PT604238	IDLER ASSEMBLY	1
22	PT604668	ROLLER PIVOT ASSY	2
23	PT604424	TENSIONER GUIDE	1
24	PT604426	TRACK FRAME - L.H.	1
25	PT604715	HYDRAULIC HOSE - 80"	1
26	PT604993	HYDRAULIC HOSE - 50"	1
27	PT604725	HYDRAULIC HOSE - 50"	1
28	PT604857	STR. ADAPTER	1
29	PT604859	STR. ADAPTER	2
30	PT605097	BRACKET - TOP ROLLER - PAINTED	1
31	O.L.	HEX BOLT- 3/8 X 7 1/2 NC GR5 PL	1
32	O.L.	FLAT WASHER - 3/8 HARDENED USS YEL	2

O.L. - OBTAIN LOCALLY

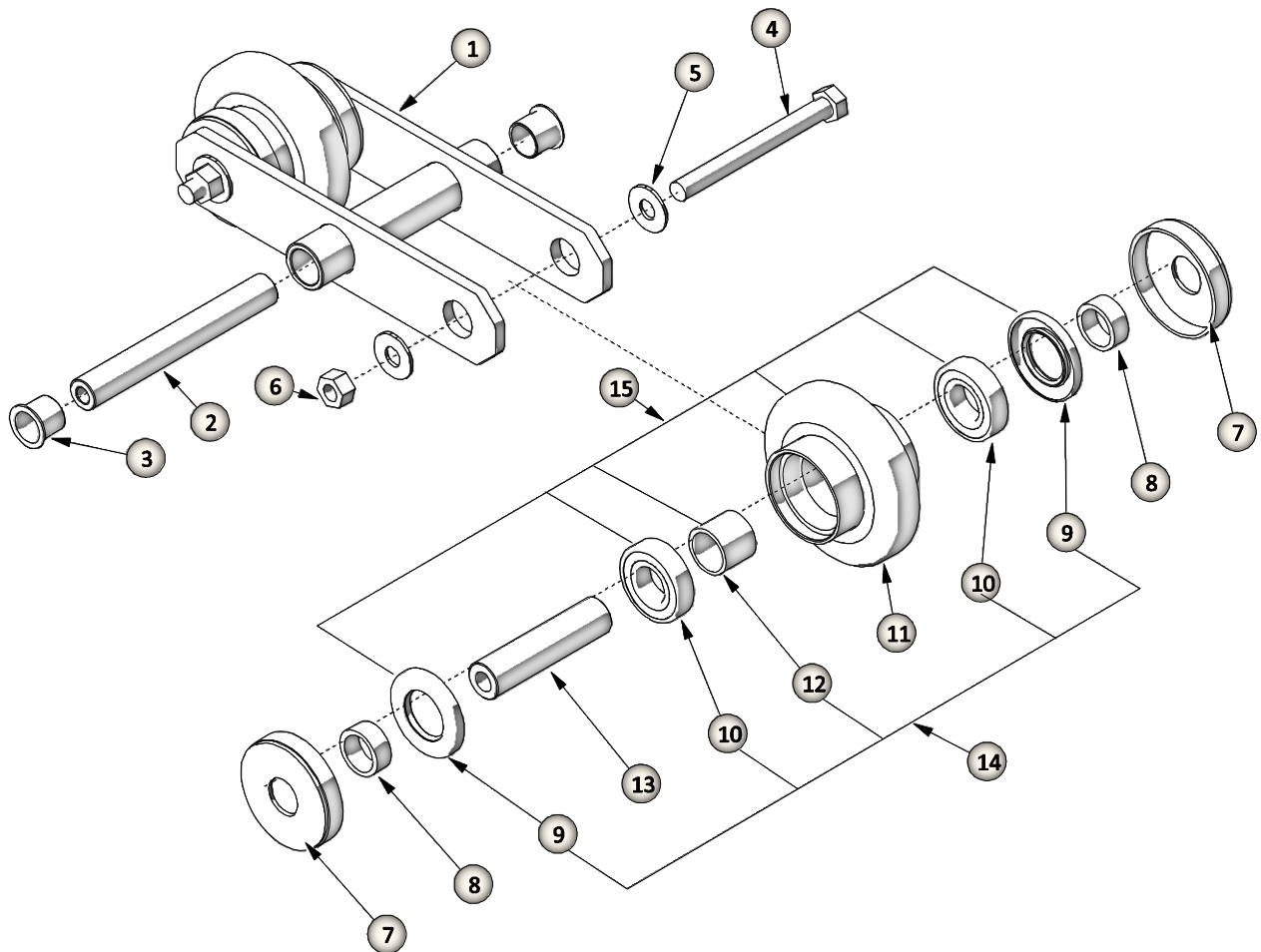
5.6 Idler Assembly



ITEM	PART #	DESCRIPTION	QTY
1	PT604384	TENSIONER ARM	1
2	PT604244	DUST CAP - IDLER	2
3	O.L.	FLAT WASHER - 5/8 USS HARDENED	2
4	O.L.	HEX BOLT - 5/8 X 6 NC GR5 UPL	1
5	O.L.	HEX NUT - 5/8 NC GR5 PL	1
6	PT604242	TRACK IDLER	1
7	PT604291	BEARING - IDLER	2
8	PT605095	SEAL - IDLER	2
9	PT605091	PIN - IDLER	1
10	PT605089	SPACER - IDLER BEARING	1
11	PT604558	REBUILD KIT - IDLER	1

O.L. - OBTAIN LOCALLY

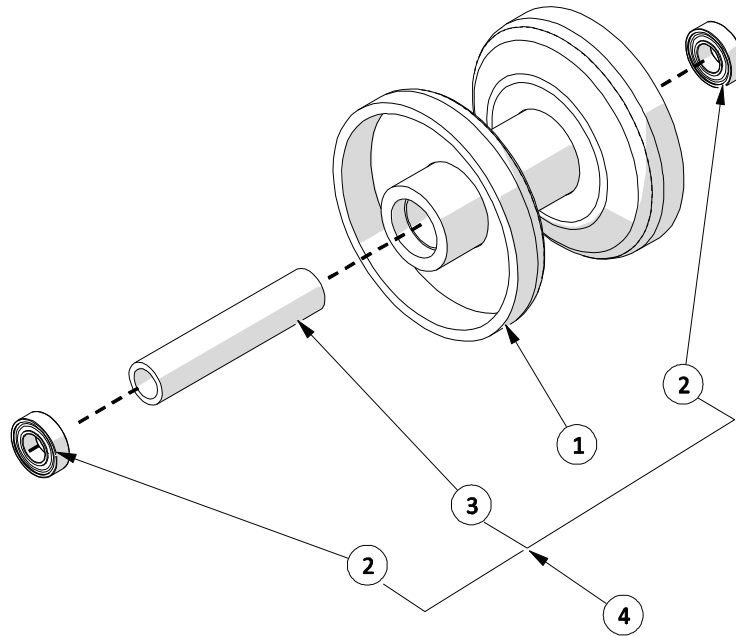
5.7 Roller Pivot Assembly



ITEM	PART #	DESCRIPTION	QTY
1	PT604328	ROLLER PIVOT	1
2	PT604573	AXLE - ROLLER PIVOT	1
3	PT604694	BUSHING - 1" ID X 1.5" - 4 PCS	1
4	O.L.	HEX BOLT - 5/8 X 6 NC GR5 UPL	2
5	O.L.	FLAT WASHER - 5/8 USS HARDENED	4
6	O.L.	HEX NUT - 5/8NC GR5 PL	2
7	PT604686	DIRT SHIELD	4
8	PT604023	SPACER - TRACK ROLLER	4
9	-	SEAL - IDLER	4
10	-	BEARING	4
11	-	ROLLER	2
12	-	SPACER - IDLER BEARING	2
13	PT605993	PIN - ROLLER	2
14	PT604558	REBUILD KIT - ROLLER	1
15	PT604672	TRACK ROLLER ASSEMBLY	1

O.L. - OBTAIN LOCALLY

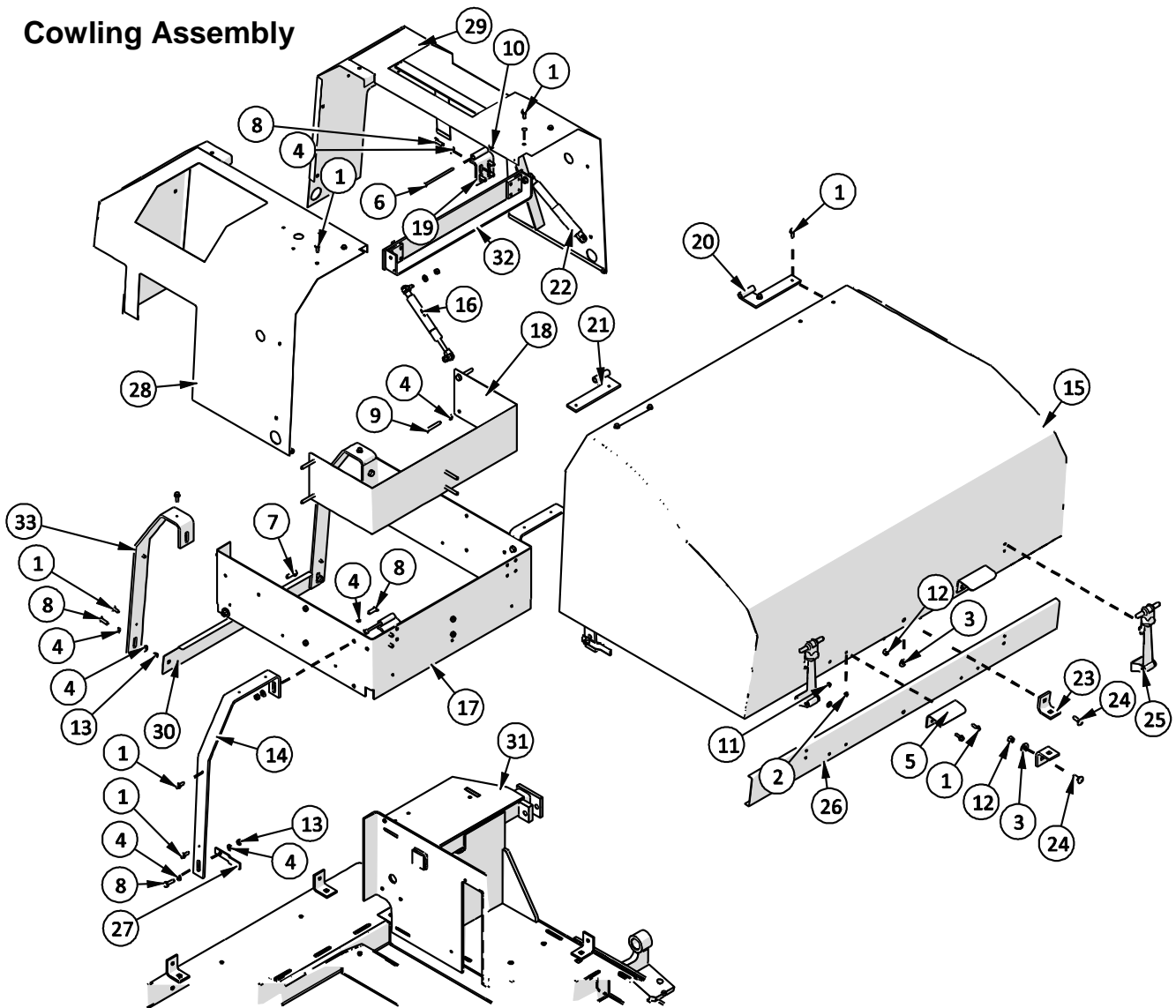
5.8 Upper Track Roller Assembly



ITEM	PART #	DESCRIPTION	QTY
1	PT604330	ROLLER WELDMENT - MACHINED	1
2	PT604293	BEARING - TRACK ROLLER	2
3	PT604581	SPACER - ROLLER AXLE	1
4	PT604570	REBUILD KIT - TRACK ROLLER	1

6 Cowling / Covers

6.1 Cowling Assembly

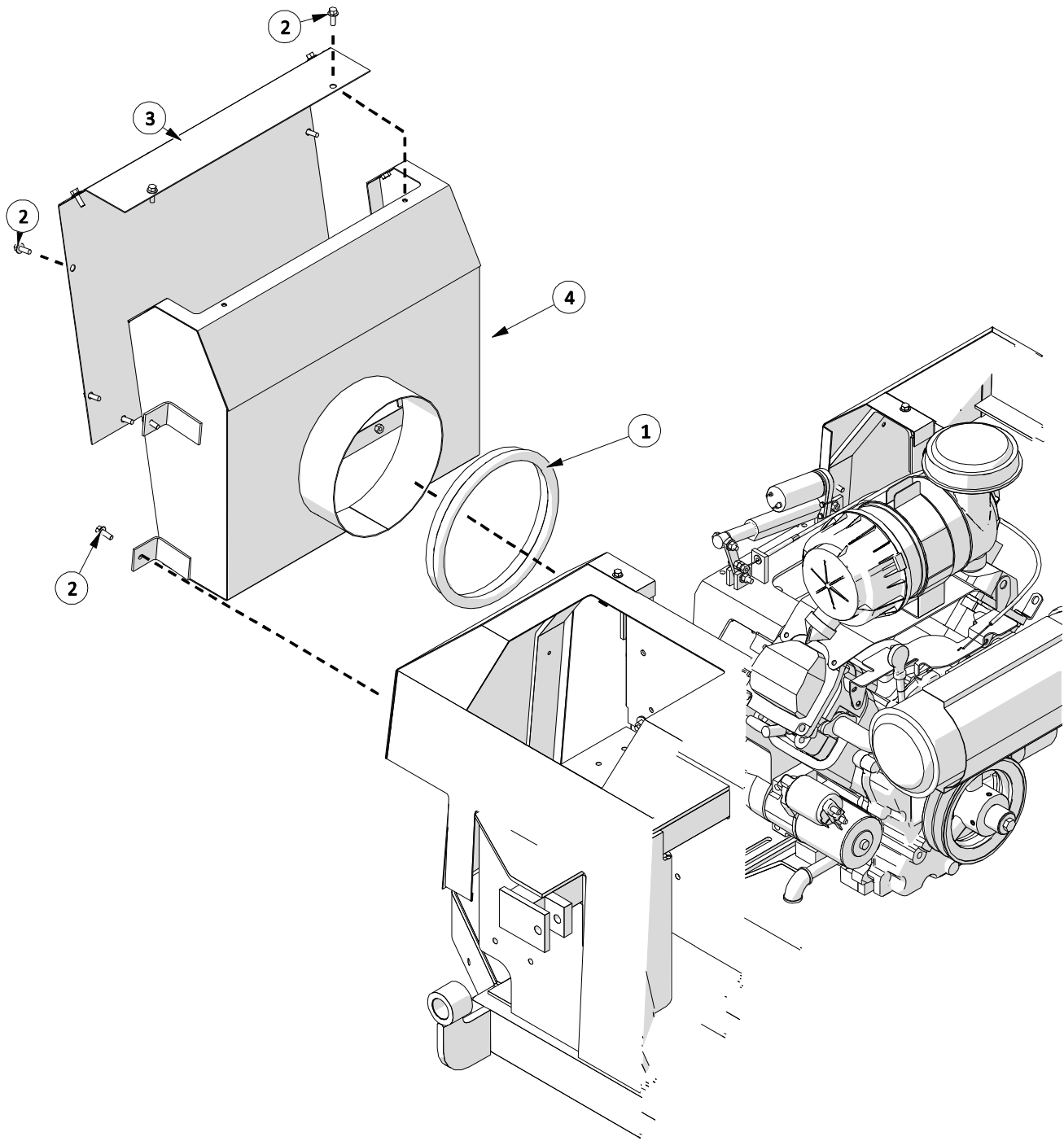


ITEM	PART #	DESCRIPTION	QTY
1	O.L.	FLANGE BOLT - 1/4 X 3/4	22
2	O.L.	FLAT WASHER- 1/4 PL	4
3	O.L.	FLAT WASHER- 3/8 PL	6
4	O.L.	FLAT WASHER- 5/16 PL	34
5	PT605445	HANDLE - COWL	2
6	O.L.	HEX BOLT - 1/4 x 4.5 NC GR5 PL	2
7	O.L.	HEX BOLT - 3/8 X 1 NC GR5 PL	2
8	O.L.	HEX BOLT - 5/16 X 1 NC GR5 PL	16
9	O.L.	HEX BOLT - 5/16 X 2 NC GR5 PL	6
10	O.L.	HEX LOCK NUT - 1/4NC GR5 PL	2
11	O.L.	HEX NUT - 1/4NC GR5 PL	4
12	O.L.	HEX NUT - 3/8NC GR5 PL	4
13	O.L.	HEX NUT - 5/16NC GR5 PL	12
14	PT604761	MTG BAR - COWL	2
15	PT604356	COWL - FRONT	1
16	PT604465	GAS SPRING - COWL	1
17	PT604446	HEAT SHEILD MOUNT	1

ITEM	PART #	DESCRIPTION	QTY
18	PT604516	HEAT SHIELD	1
19	PT604368	HINGE	2
20	PT604480	HINGE HALF - LH	1
21	PT604474	HINGE HALF - RH	1
22	PT605635	LH GAS SPRING W/LOCK	1
23	PT605411	LOCKING PLATE	2
24	O.L.	CARR. BOLT - 3/8" X 1" GR5 PL	2
25	PT604929	HOOD LATCH ASSM.	1
26	PT605621	HOOD STIFFENER	1
27	PT605277	GUIDE PLATE - HOOD	3
28	PT604454	QUARTER PANEL - RH	1
29	PT604456	QUARTER PANEL - LH	1
30	PT605525	FILLER PLATE - REAR COWL	1
31	PT604346	MAIN FRAME	1
32	PT604522	STRUT MOUNT	1
33	PT604775	MTG BAR - COWL	2

O.L. - OBTAIN LOCALLY

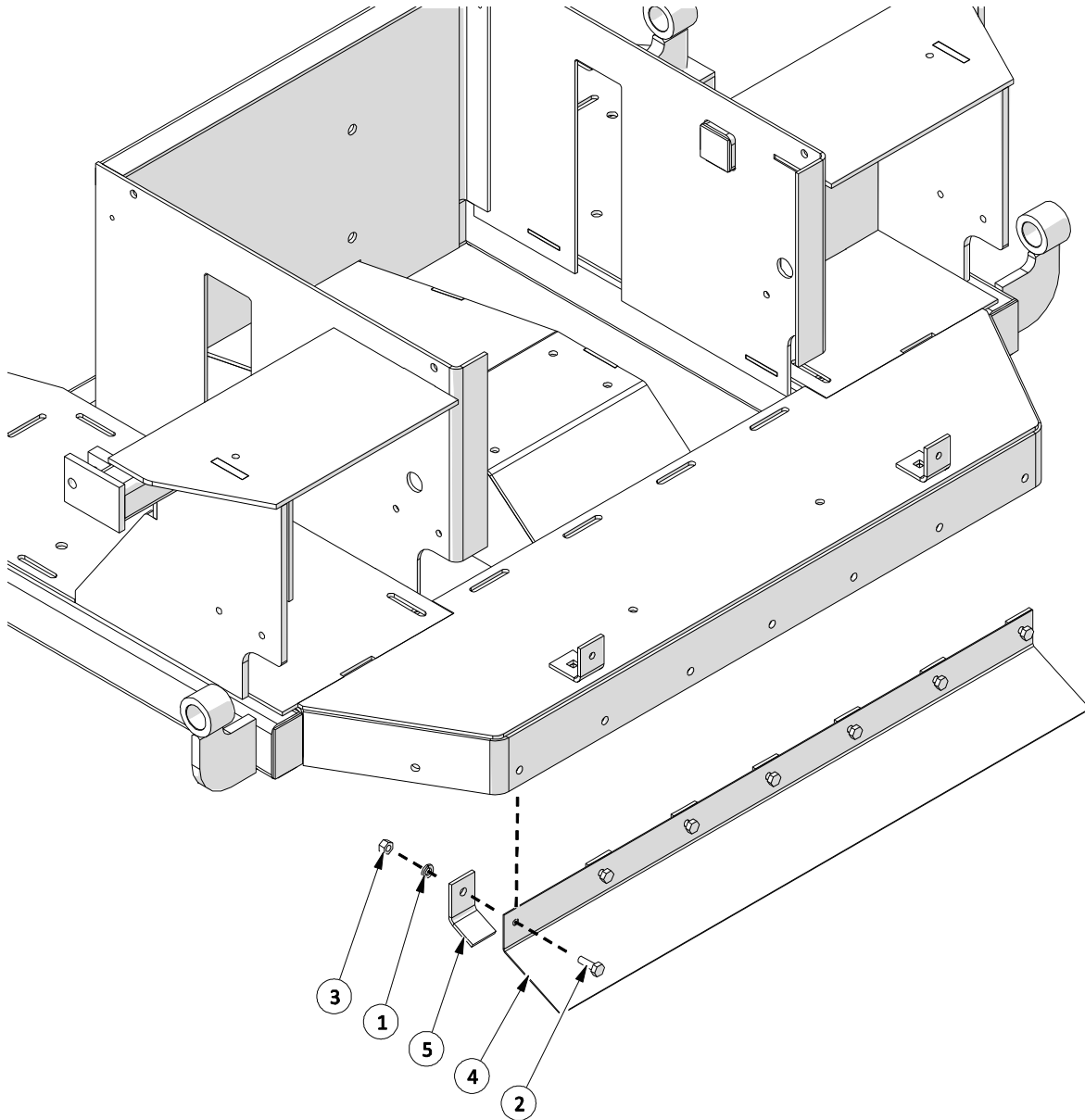
6.2 Air Inlet Box



ITEM	PART #	DESCRIPTION	QTY
1	PT605523	BULB SEAL	1
2	O.L.	FLANGE BOLT - 1/4 X 3/4	14
3	PT605495	SCREEN - AIR INLET	1
4	PT604576	AIR INLET BOX	1

O.L. - OBTAIN LOCALLY

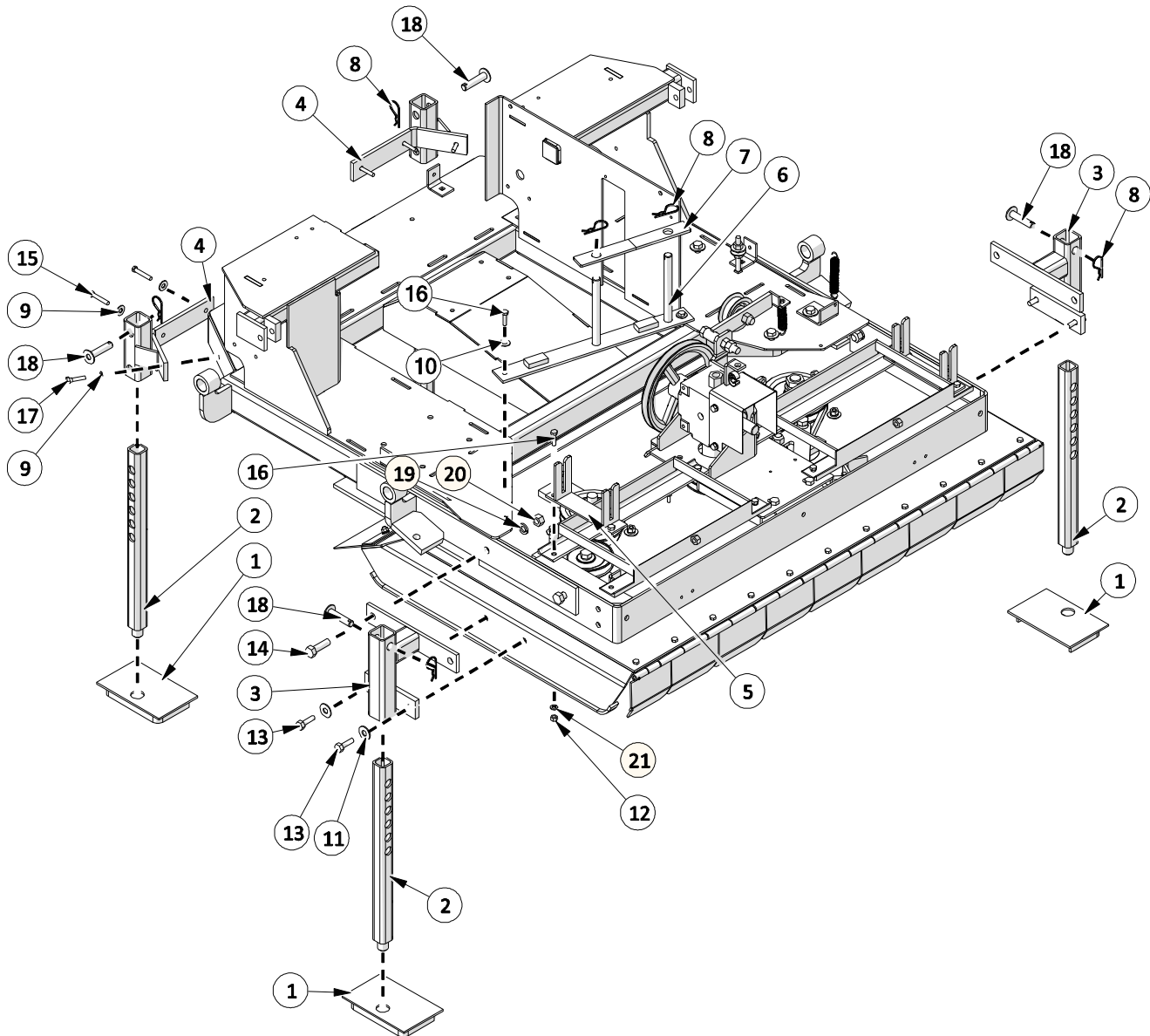
6.3 Rear Deflector



ITEM	PART #	DESCRIPTION	QTY
1	O.L.	LOCK WASHER, SPLIT - 5/16 PL	7
2	O.L.	HEX BOLT- 5/16 X 1 NC GR5 PL	7
3	O.L.	HEX NUT - 5/16NC GR5 PL	7
4	PT605067	REAR SEALER	1
5	PT605069	BRACKET	7

O.L. - OBTAIN LOCALLY

6.4 Lift Supports



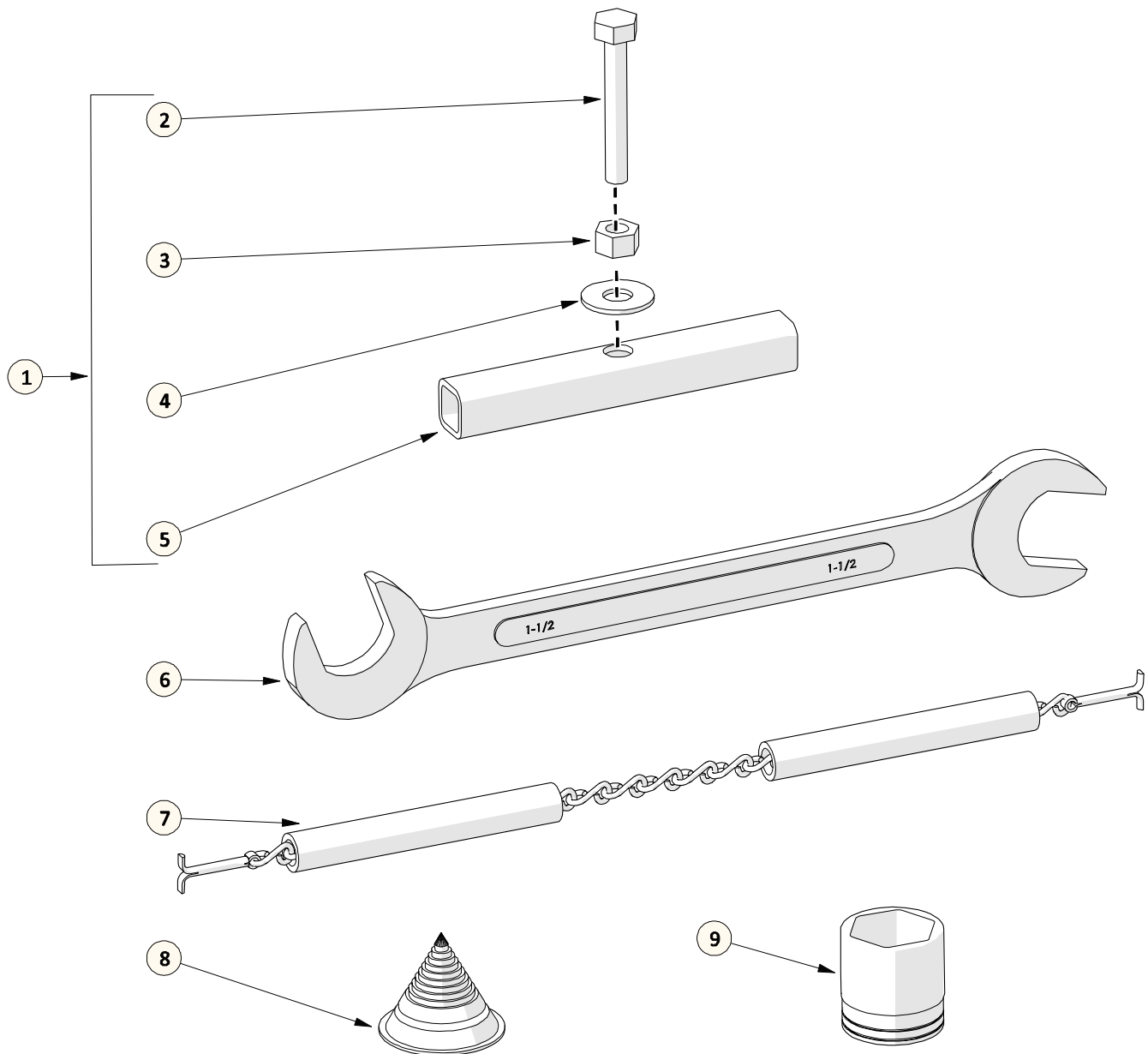
ITEM	PART #	DESCRIPTION	QTY
1	PT604494	FOOT PLATE	4
2	PT604492	LEG	4
3	PT604488	SUPPORT - FRONT	2
4	PT604582	SUPPORT BRACKET - REAR	2
5	PT604524	FOOT PLATE STORAGE BRACKET	2
6	PT604504	JACK MOUNT	1
7	PT605513	CLAMP PLATE	1
8	O.L.	HAIR PIN - 5/32" X 2-15/16"	6
9	O.L.	FLAT WASHER- 5/16 PL	12
10	O.L.	FLAT WASHER- 3/8 PL	4
11	O.L.	FLAT WASHER- 1/2 PL	6

ITEM	PART #	DESCRIPTION	QTY
12	O.L.	HEX NUT - 3/8NC GR5 PL	10
13	O.L.	HEX BOLT- 1/2 X 1.5 NC GR5 PL	4
14	PT305180	HEX BOLT- 5/8 X 2 NC GR5 PL	4
15	O.L.	HEX BOLT- 5/16 X 2 NC GR5 PL	4
16	O.L.	HEX BOLT - 3/8 x 1.25 NC GR5 PL	10
17	O.L.	HEX BOLT- 3/8 X 1.5 NC GR5 PL	2
18	PT604586	PIN	4
19	O.L.	LOCK WASHER- 5/8 PL	4
20	O.L.	HEX NUT - 5/8NC GR5 PL	4
21	O.L.	LOCK WASHER- 3/8 PL	1

O.L. - OBTAIN LOCALLY

7 Special Tools

7.1 Special Tools



ITEM	PART #	DESCRIPTION	QTY
1	PT604654	KIT - BRAKE RELEASE TOOL (8 PCS)	1
2	O.L.	HEX BOLT - M12 X 75	1
3	O.L.	HEX NUT - M12 PL	1
4	O.L.	HARDENED WASHER - 7/16 USS	1
5	-	RELEASE BAR - BRAKE	1
6	PT605833	1 1/2" 15/60 DEG OPEN END WRENCH	1
7	PT604710	GAUGE - TRACK TENSIONER	1
8	PT209000	BLADE BALANCER	1
9	PT605643	SOCKET - 1 1/2" X 1/2" DRIVE	1

O.L. - OBTAIN LOCALLY

8 Decals

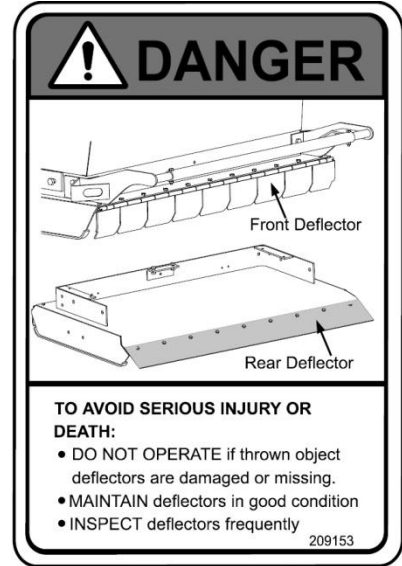
8.1 Safety



PT209150
DECAL – GENERAL DANGER



PT209151
DECAL – DANGER ROTATING BLADE



PT209153
DECAL – THROWN OBJ DEFLECTOR



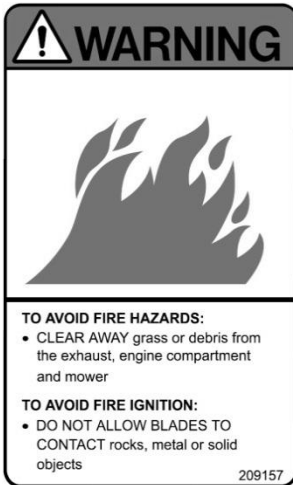
PT209154
DECAL – PINCH POINT HAZARD



PT209155
DECAL – AIR BOX IN PLACE



PT209156
DECAL – COVERS REMOVED



PT209157
DECAL – FIRE HAZARD



PT209158
DECAL – HOT SURFACE



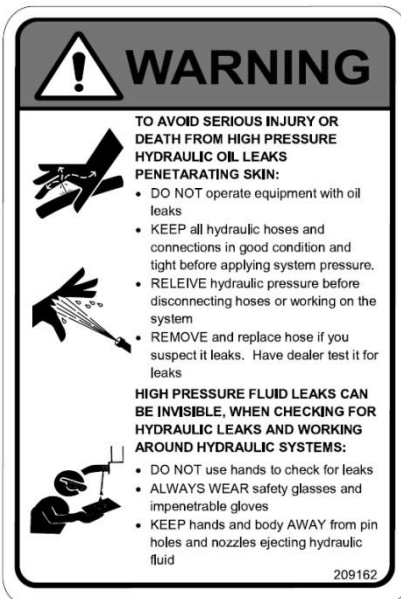
PT209161
DECAL – REMOTE CONTROLLED MACHINE



PT209160
DECAL – NO RIDERS / RUN OVER



PT209115
DECAL – OEM PARTS

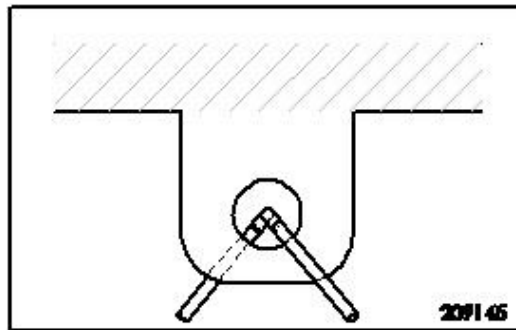


PT209162
DECAL – HYD PRESSURE HAZARD



PT209164
DECAL – COMPOSITE DANGER

8.2 General Info



PT209145
DECAL – TIE DOWN

ID	FUSE	FUNCTION	LOCATION
1	10A	ENGINE START	FUSE BLOCK
2	10A	THROTTLE CONTROL	FUSE BLOCK
3	15A	RADIO/CONTROL UNIT	FUSE BLOCK
4	10A	HYD. COOLER FAN	FUSE BLOCK
5	10A	BRAKE VALV E	FUSE BLOCK
6	10A	PTO CLUTCH	FUSE BLOCK
7	20A	IGN POWER	IN-LINE
8	40A	MAIN POWER	IN-LINE
9	20A	LH LIFT - LOWER	IN-LINE
10	20A	RH LIFT - LOWER	IN-LINE
11	20A	LH LIFT - RAISE	IN-LINE
12	20A	RH LIFT - RAISE	IN-LINE

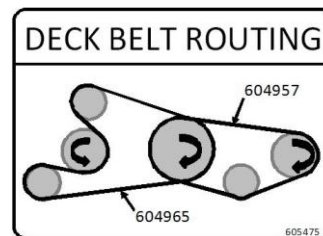
*NOTE - ADDITIONAL FUSES LOCATED ON ENGINE, CONSULT ENGINE OWNER'S MANUAL FOR INFO.

209146

PT209146
DECAL – FUSE IDENTIFICATION



PT209163
DECAL – OFF / ON



PT605475
DECAL – BELT ROUTING



06550046
DECAL – TIGER CORP. LOGO



06550068
DECAL – PROWLER LOGO



06550069
DECAL – SLOPEPRO LOGO