



COMMERCIAL SERIES TG 2661 Zero Turn Riding Mower

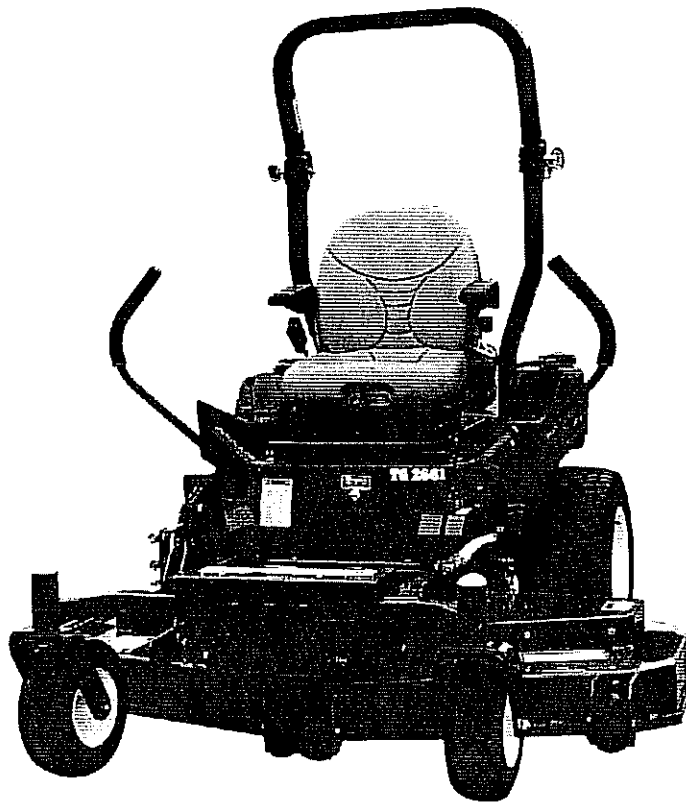
Published 09/11

50069890

OPERATORS MANUAL



This Operator's Manual is an integral part of the safe operation of this machine and must be maintained with the unit at all times. READ, UNDERSTAND, and FOLLOW the Safety and Operation Instructions contained in this manual before operating the equipment. *C01-Cover*




FC-Z-0005

Tiger Corporation

3301 N. Louise Ave.
Sioux Falls, SD 57107
1-800-843-6849
1-605-336-7900
www.tiger-mowers.com

¡ATENCIÓN!
LEA EL INSTRUCTIVO



Si No Lee Ingles, Pida
Ayuda a Alguien
Que Se Lo Lea Para Que le
Traduzca Las
Medidas de Seguridad



CONGRATULATIONS!

You have invested in the best implement of its type on the market today.

The care you give your TIGER implement will greatly determine your satisfaction with its performance and its service life. We urge a careful study of this manual to provide you with a thorough understanding of your new implement before operating, as well as suggestions for operation and maintenance.

If your manual should become lost or destroyed, TIGER will be glad to provide you with a new copy. Order from TIGER CORPORATION, 3301 N. Louise Ave. Sioux Falls, SD 57107. Most of our manuals can also be downloaded from our website at www.tiger-mowers.com.

As an authorized TIGER dealer, we stock genuine TIGER parts which are manufactured with the same precision and skill as our original equipment. Our trained service personnel are well informed on methods required to service TIGER equipment, and are ready and able to help you.

Should you require additional information or assistance, please contact us.

YOUR AUTHORIZED TIGER DEALER

BECAUSE TIGER MAINTAINS AN ONGOING PROGRAM OF PRODUCT IMPROVEMENT, WE RESERVE THE RIGHT TO MAKE IMPROVEMENTS IN DESIGN OR CHANGES IN SPECIFICATIONS WITH OUT INCURRING ANY OBLIGATION TO INSTALL THEM ON UNITS PREVIOUSLY SOLD.

BECAUSE OF THE POSSIBILITY THAT SOME PHOTOGRAPHS IN THIS MANUAL WERE TAKEN OF PROTOTYPE MODELS, PRODUCTION MODELS MAY VARY IN SOME DETAIL. IN ADDITION, SOME PHOTOGRAPHS MAY SHOW SHIELDS REMOVED FOR PURPOSES OF CLARITY. NEVER OPERATE THIS IMPLMENT WITHOUT ALL SHIELDS IN PLACE.

COMMERCIAL SERIES ZERO TURN RIDING MOWER

TABLE OF CONTENTS

SECTION	PAGE	SECTION	PAGE
Warranty.....	2	Tires	16
Dealer Preparation Check List.....	3	Mower Blades	16
Safety Alert Symbols	4	Cleaning Grass Buildup	16
Safety Precautions	5	Motion Control Adjustment	17
Federal Laws and Regulations.....	8	Drive Adjustments	17
I INTRODUCTION AND DESCRIPTION ..	9	Test Drive Operations	17
Introduction.....	9	Leveling The Deck and Setting the Counter Balance Spring Tension ...	18
Description	9	Deck Belt Adjustment	18
Specifications	10	Deck Belt Replacement	18
II OPERATION	11	Start Up Maintenance	19
General Safety	11	Parking Brake Adjustment	19
Pre-Operation Checklist.....	11	Parking Brake Cable Replacement ...	20
Operation	12	Troubleshooting	21
Mowing Recommendations	14	IV ASSEMBLY	22
III MAINTENANCE.....	15	Wiring Schematics	24
Maintenance Schedule.....	15	Safety Decals	25
Engine	16	Torque Specifications	27
Tachometer / Hour Meter	16	Optional Equipment List	28
Battery	16	Slope Angle Guide	29

RETAIL CUSTOMER'S RESPONSIBILITY UNDER THE TIGER WARRANTY

It is the Retail Customer and/or Operator's responsibility to read the Operator's Manual, to operate, lubricate, maintain and store the product in accordance with all instructions and safety procedures. Failure of the operator to read the Operator's Manual is a misuse of this equipment.

It is the Retail Customer and/or Operator's responsibility to inspect the product and to have any part(s) repaired or replaced when continued operation would cause damage or excessive wear to other parts or cause a safety hazard.

It is the Retail Customer's responsibility to deliver the product to the authorized Tiger Dealer, from whom he purchased it, for service or replacement of defective parts which are covered by warranty. Repairs to be submitted for warranty consideration must be made within forty-five (45) days of failure.

It is the Retail Customer's responsibility for any cost incurred by the Dealer for traveling to or hauling of the product for the purpose of performing a warranty obligation or inspection.

ZERO TURN RIDING (ZTR) MOWER LIMITED WARRANTY



Tiger Corporation warrants to the original purchaser of this new Zero Turn Riding Mower, purchased from an authorized Tiger Corporation dealer, that the equipment be free from defects in material and workmanship as follows (see dealer for complete details):

- for a period of three (3) years from the date of the retail sale to the original purchaser (the "Three Year Warranty"), but only as to the drive train, electromagnetic clutch, deck and cutter spindles; and
- for the entire length of ownership by the original purchaser ("Limited Lifetime Warranty"), but only as to the deck weldment which results in the deck not performing its function, in the sole opinion of Tiger Corporation. Malfunctions caused by corrosion are not covered by the Limited Lifetime Warranty.

For the Three Year Warranty and the Limited Lifetime Warranty, the obligation of Tiger Corporation to the purchaser is limited to the repair or replacement of defective parts, at the sole option of Tiger Corporation. NOTE: The Three Year Warranty covers parts and labor for the first two years and parts only during the third year.

The Three Year Warranty and the Limited Lifetime Warranty are referred to collectively in this document as the "limited warranty".

Replacement or repair parts installed in the equipment covered by this limited warranty are warranted for ninety (90) days from the date of purchase of such part or to the expiration of the applicable new equipment warranty period, whichever occurs later. Warranted parts shall be provided at no cost to the user at an authorized Tiger Corporation dealer during regular working hours. Tiger Corporation reserves the right to inspect any equipment or parts which are claimed to have been defective in material or workmanship.

DISCLAIMER OF IMPLIED WARRANTIES & CONSEQUENTIAL DAMAGES

Tiger Corporation's obligation under this limited warranty, to the extent allowed by law, is in lieu of all warranties, implied or expressed, INCLUDING IMPLIED WARRANTIES OF MERCHANTABILITY AND FITNESS FOR A PARTICULAR PURPOSE and any liability for incidental and consequential damages with respect to the sale or use of the items warranted. Such incidental and consequential damages shall include but not be limited to: transportation charges other than normal freight charges; cost of installation other than cost approved by Tiger Corporation; duty; taxes; charges for normal service or adjustment; loss of crops or any other loss of income; rental of substitute equipment, expenses due to loss, damage, detention or delay in the delivery of equipment or parts resulting from acts beyond the control of Tiger Corporation.

THIS LIMITED WARRANTY SHALL NOT APPLY:

1. To vendor items which carry their own warranties, such as engines, batteries, tires, and tubes.
2. If the unit has been subjected to misapplication, abuse, misuse, negligence, fire or other accident.
3. If parts not made or supplied by Tiger Corporation have been used in connection with the unit, if, in the sole judgement of Tiger Corporation such use affects its performance, stability or reliability.
4. If the unit has been altered or repaired outside of an authorized Tiger Corporation dealership in a manner which, in the sole judgment of Tiger Corporation, affects its performance, stability or reliability.
5. To normal maintenance service and normal replacement items such as gearbox lubricant, hydraulic fluid, worn blades, or to normal deterioration of such things as belts and exterior finishes due to use or exposure.
6. To expendable or wear items such as blades, chains, sprockets, belts, springs and any other items that in the company's sole judgment is a wear item.

NO EMPLOYEE OR REPRESENTATIVE OF TIGER CORPORATION IS AUTHORIZED TO CHANGE THIS LIMITED WARRANTY IN ANY WAY OR GRANT ANY OTHER WARRANTY UNLESS SUCH CHANGE IS MADE IN WRITING AND SIGNED BY TIGER CORPORATION'S SERVICE MANAGER, 3301 NORTH LOUISE AVE., SIOUX FALLS, SD, 57107



Record the model number, serial number and date purchased. This information will be helpful to your dealer if parts or service are required.
MAKE CERTAIN THE WARRANTY REGISTRATION CARD HAS BEEN FILED WITH TIGER CORPORATION, 3301 NORTH LOUISE AVE., SIOUX FALLS, SD 57107

MODEL NUMBER _____
SERIAL NUMBER _____
DATE OF RETAIL SALE _____

DEALER PREPARATION CHECK LIST

COMMERCIAL ZERO TURN RIDING MOWER

BEFORE DELIVERING MACHINE — The following check list should be completed.
Use the Operator's Manual as a guide.

- 1. Engine has been serviced.
- 2. Battery fluid level is checked.
- 3. Low oil pressure light checked for operation.
- 4. Operator interlock switches checked for operation.
- 5. Assembly completed.
- 6. All fittings lubricated.
- 7. Hydraulic Reservoir filled to appropriate level with oil.
- 8. All shields in place and in good condition.
- 9. Roll-over Protective Structure is installed and retractable seat belt functions properly.
- 10. All fasteners torqued to specifications given in Torque Chart.
- 11. All decals in place and readable. (See decal page.)
- 12. Overall condition good (i.e. paint, welds)
- 13. Parking brake checked and adjusted, if necessary.
- 14. Steering checked and adjusted, if necessary.
- 15. Check tire pressure.
- 16. Warranty information has been registered on line with Tiger Corporation.
- 17. Operator's manual has been delivered to owner and he has been instructed on the safe and proper use of the cutter.

Dealer's Signature _____

Purchaser's Signature _____

THIS CHECKLIST TO REMAIN IN OWNER'S MANUAL

It is the responsibility of the dealer to complete the procedures listed above before delivery of this implement to the customer.

Safety Alert Symbol

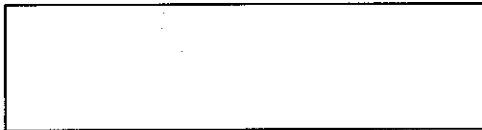


This Safety Alert Symbol means: "ATTENTION! BECOME ALERT! YOUR SAFETY IS INVOLVED!"

This symbol is used to call attention to safety precautions that should be followed by the operator to avoid accidents. When you see this symbol, carefully read the message that follows and heed its advice. Failure to comply with safety precautions could result in death or serious bodily injury.

Safety Signs *Signal Words*

The signal words **DANGER, WARNING, AND CAUTION** are used on the equipment safety signs. These words are intended to alert the viewer to the existence and the degree of hazard seriousness.



White letters on RED

This signal word indicates a potentially hazardous situation which, if not avoided, will result in death or serious injury.



Black letters on ORANGE

This signal word indicates a potentially hazardous situation which, if not avoided, could result in death or serious injury

It may also be used to alert against unsafe practices.



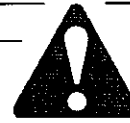
Black letters on YELLOW

This signal word indicates a potentially hazardous situation exist which, if not avoided, may result in minor or moderate injury.

It may also be used to alert against unsafe practices.

IMPORTANT SAFETY PRECAUTIONS

This symbol is used to call attention to safety precautions that should be followed by the operator to avoid accidents. When you see this symbol, carefully read the message that follows and heed its advice. Failure to comply with safety precautions could result in serious bodily injury.



In addition to the design and configuration of equipment, hazard control and accident prevention are dependent upon the awareness, concern, prudence and proper training of personnel in the operation, transport, maintenance and storage of equipment. Lack of attention to safety can result in accident, personal injury, reduction of efficiency and worst of all—loss of life. Watch for safety hazards and correct deficiencies promptly. Use the following safety precautions as a general guide to safe operations when using this machine. Additional safety precautions are used throughout this manual for specific operating and maintenance procedures. Read this manual and review the safety precautions often until you know the limitations.

ACCIDENT PATTERNS TO AVOID

1. **CONTACT WITH THE ROTATING BLADE** - This accident usually happens when the operator is clearing the discharge chute of grass, (especially when the grass is wet), or when the operator adjusts the machine without turning it off and waiting for the blades to completely stop.
2. **PROPELLED OBJECTS** - Sticks, rocks, wires, and other objects can be propelled out through the discharge chute or from under the mower housing. Bystanders are particularly vulnerable.
3. **GRASS DISCHARGE CHUTE** - The mower shall not be operated without the grass discharge chute in its lowered position.
4. **OVERTURNING** - This happens when riding mowers are used on steep slopes, embankments or hills. The operator in these cases can come in contact with blades or sustain injuries during a fall.
5. **MOWER RUNNING OVER THE VICTIM** - This usually happens when a riding mower is driven in reverse. The accident victims are most often young children whom, unseen by the operator of the mower, were in the area being mowed.

WE SHARE YOUR DESIRE TO PROTECT YOURSELF, YOUR FAMILY, YOUR FRIENDS AND YOUR NEIGHBORS FROM ACCIDENTAL INJURY. OBSERVING AND ENFORCING THE FOLLOWING GUIDE LINES WILL HELP TO INSURE THE SAFETY OF EVERYONE.

SAFETY INSTRUCTIONS AND RECOMMENDATIONS

1. **PEOPLE WHO OPERATE, SERVICE, OR ARE OTHERWISE ASSOCIATED** with the Zero Turning Riding Mower should be trained in its proper use and warned of its dangers. Before operating, adjusting, or servicing the Zero Turning Riding Mower they should read and understand this entire manual and the engine manual.
2. **AVOID CONTACT WITH MOVING PARTS.** Keep hands and feet from under mowing deck and away from blades at all times. Turn engine (motor) off if you must unplug the chute.
3. **AVOID HILLS AND SLOPES.** Use **EXTREME** caution when mowing and/or turning on slopes as loss of traction and/or tip-over could occur. Drive slower on slopes. **DO NOT** mow slopes greater than 15 degrees. Watch for ditches, holes, rocks, dips and rises, which change the operating angle. Keep away from drop-offs and steep banks. Avoid sudden starts when mowing uphill - mower may tip backwards. Loss of traction may occur going downhill - weight transfer to the front wheels may cause drive wheels to slip and cause loss of braking. **DO NOT** mow slopes when grass is wet - slippery conditions affect steering and reduce traction and braking. The operator is responsible for safe operation on slopes.
4. **DISENGAGE POWER TO MOWER BEFORE BACKING UP.** Do not mow in reverse unless absolutely necessary and then only after turning around and observing the entire area behind the mower. Go slowly. Most "running over victim" accidents occur in reverse.
5. **BEGINNING OPERATORS SHOULD LEARN HOW TO STEER** the Zero Turning Riding Mower before attempting to mow. Start with slow engine speed and drive without the blades engaged in open area until comfortable with the machine.

SAFETY CONTINUED

6. **KNOW HOW TO STOP QUICKLY.** Know the location and operation of every control, especially how to brake and how to disengage the mower blades.
7. **DO NOT MOVE THE CONTROL LEVERS** from forward position to reverse position rapidly. The speed and/or direction of travel is affected instantly by movement of the Control Levers.
8. **DO NOT ALLOW CHILDREN TO OPERATE MOWER.** Do not allow others who have not had instructions to operate mower. Do not operate the mower when children or others are in the area.
9. **ALWAYS TURN ENGINE OFF AND REMOVE KEY** before leaving mower to prevent children and inexperienced operators from starting the engine. Never leave the mower unattended with engine running. Always wait for all moving parts and all sounds to stop before leaving operator's seat. Always set the parking brake on an unattended mower.
10. **WEAR STURDY, ROUGH-SOLED WORK SHOES AND CLOSE-FITTING TROUSERS AND SHIRTS.** Never operate mower in bare feet, sandals or sneakers.
11. **WEAR PERSONAL PROTECTIVE EQUIPMENT** such as, but not limited to, protection for eyes, ears, feet, hands and head when operating or repairing equipment. Do not wear loose clothing or jewelry that may catch on equipment moving parts.
12. **NEVER CARRY PASSENGERS.**
13. **KNOW THE AREA YOU ARE TO MOW.** Watch for hidden dangers such as rocks, roots, sticks, holes, bumps, and drop-offs, etc. Before mowing, pick up all debris in area to be mowed. Sharp and hard objects can be propelled at a high speed and can act like shrapnel. Walk through tall grass **BEFORE MOWING** to make sure there are no hidden dangers. Mow higher than desired in tall grass to expose any hidden objects and/or obstacles, clean the area, and then mow to the desired height.
14. **BE SURE THE AREA IS CLEAR** of other people before mowing. Stop machine if anyone enters the area.
15. **NEVER REFUEL A MOWER INDOORS.** Allow the engine time to cool before refueling. Unseen vapors may be ignited by a spark. Always clean up spilled gasoline. Never run the engine indoors in a garage or any other closed building. Allow engine to cool before storing in any enclosure. The engine exhaust and gasoline fumes are dangerous.
16. **NEVER REMOVE THE FUEL CAP** or add gasoline to a running or hot engine or an engine that has not been allowed to cool for several minutes after running. Always make sure the gas cap is in place.
17. **DO NOT SMOKE AROUND THE MOWER** or the gasoline storage container. Gasoline fumes can easily ignite.
18. **KEEP GASOLINE IN A WELL-VENTILATED AREA** away from your living quarters and in tightly capped safety cans. Never store mower with gasoline in the tank inside a building where fumes may reach open flame or spark.
19. **DISENGAGE BLADES, STOP ENGINE, ENGAGE PARKING BRAKE AND REMOVE IGNITION KEY** before any servicing. Be sure all moving parts and all sounds have stopped. Let engine cool and disconnect the spark plugs so the engine cannot start by accident.
20. **KEEP ALL NUTS, BOLTS, AND SCREWS TIGHT** to be sure equipment is in safe working condition, especially blade bolts.
21. **VEHICLE SHOULD BE STOPPED AND INSPECTED FOR DAMAGE** after striking a foreign object and the damage should be repaired before restarting and operating the equipment. Stop immediately and check for damage or loose parts if mower should start vibrating.
22. **DISENGAGE BLADES BEFORE DRIVING ACROSS WALKS** or projecting objects or transporting.
23. **KEEP SAFETY DEVICES AND GUARDS IN PLACE.** If any of the safety switches become inoperable, have them repaired immediately.
24. **DO NOT STEP OR STAND ON THE MOWER HOUSING.** Step or stand only on the tread areas on the deck.
25. **WATCH OUT FOR TRAFFIC** near roadways and when crossing roads.
26. **THIS MACHINE IS NOT MEANT FOR HIGHWAY OR STREET USE.** It is not a recreational vehicle and it should not be operated as such.
27. **WHEN FEASIBLE, DO NOT USE MOWER WHEN GRASS IS WET OR SLIPPERY.**
28. **MOW ONLY IN DAYLIGHT OR GOOD ARTIFICIAL LIGHT.**

SAFETY CONTINUED

29. ALWAYS DISENGAGE THE MOWER BLADE CLUTCH when transporting.
30. Do not operate the mower under influence of drugs or alcohol.
31. Do not change the engine governor settings or overspeed the engine. Operating an engine at excessive speed may increase the hazard of personal injury.

TOWING

1. Use for towing only if equipped with a hitch kit. Do not attach towed equipment except at the hitch point.
2. Never allow children or others in or on towed equipment.
3. On slopes, the weight of the towed equipment may cause loss of traction and loss of control.
4. Travel slowly and allow extra distance to stop.

SLOPE OPERATION

DANGER

POTENTIAL HAZARD

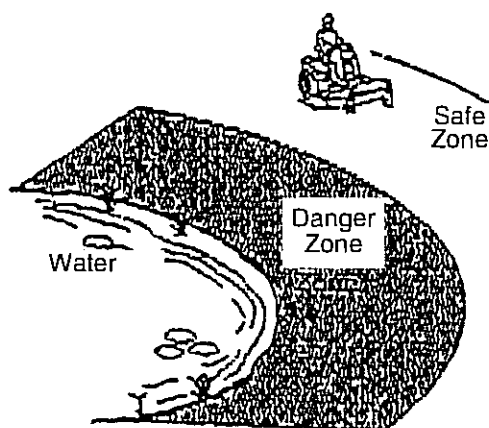
Mowing on wet grass or steep slopes can cause sliding and loss of control.

WHAT CAN HAPPEN

Wheels dropping over edges, ditches, steep banks, or water can cause injury, or death by drowning.

HOW TO AVOID THE HAZARD

Do not mow slopes when grass is wet.
Do not mow near drop-offs or near water.
Do not mow slopes greater than 15 degrees.
Reduce speed and use extreme caution on slopes.
Avoid sudden turns or rapid speed changes.
Do not ride or operate the ZTR if the mower head has been removed.



1. Use EXTREME caution when mowing and/or turning on slopes as loss of traction and/or tip-over could occur. The operator is responsible for safe operation.
2. See inside of the back cover to determine the approximate slope angle of the area to be mowed.
3. Use a walk behind mower and/or a hand trimmer near drop-offs, ditches, steep banks or water. This area can be dangerous.
4. Progressively greater care is needed as the slope increases.
5. Always avoid sudden starting or stopping on a slope. If tires lose traction, disengage the blades and proceed slowly down the slope.
6. Avoid sudden starts when mowing uphill. Mower may tip backwards.
7. Be aware that loss of traction may occur going downhill. Weight transfer to the front wheels may cause drive wheels to slip and cause loss of braking and steering.
8. Watch for ditches, holes, rocks, dips, and rises that change the operating angle, as rough terrain could overturn the machine. Tall grass can hide obstacles.
9. Remove or mark obstacles such as rocks, tree limbs, etc. from the mowing area. Tall grass can hide obstacles.
10. Use extreme care with grass catches or attachments. These can change the stability of the machine and cause loss of control.
11. Follow the manufacturer's recommendations for counterweights to improve stability.
12. Check carefully for overhead clearances (ie. branches, doorways, and electrical wires) before driving under objects and do not contact them.

SLOPE ANGLE GUIDE LOCATED INSIDE REAR COVER

IMPORTANT FEDERAL LAWS AND REGULATIONS* CONCERNING EMPLOYERS, EMPLOYEES AND OPERATIONS.

*(This section is intended to explain in broad terms the concept and effect of the following federal laws and regulations. It is not intended as a legal interpretation of the laws and should not be considered as such).

U.S. Public Law 91-596 (The Williams-Steiger Occupational and Health Act of 1970) OSHA

This Act Seeks:

"...to assure so far as possible every working man and woman in the nation safe and healthful working conditions and to preserve our human resources..."

DUTIES

Sec. 5 (a) Each employer—

- (1) shall furnish to each of his employees employment and a place of employment which are free from recognized hazards that are causing or are likely to cause death or serious physical harm to his employees;
- (2) shall comply with occupational safety and health standards promulgated under this Act.
 - (b) Each employee shall comply with occupational safety and health standards and all rules, regulations and orders issued pursuant to this Act which are applicable to his own actions and conduct.

OSHA Regulations

Current OSHA regulations state in part: "At the time of initial assignment and at least annually thereafter, the employer shall instruct every employee in the safe operation and servicing of all equipment with which the employee is, or will be involved." These will include (but are not limited to) instructions to:

Keep all guards in place when the machine is in operation;

Permit no riders on equipment;

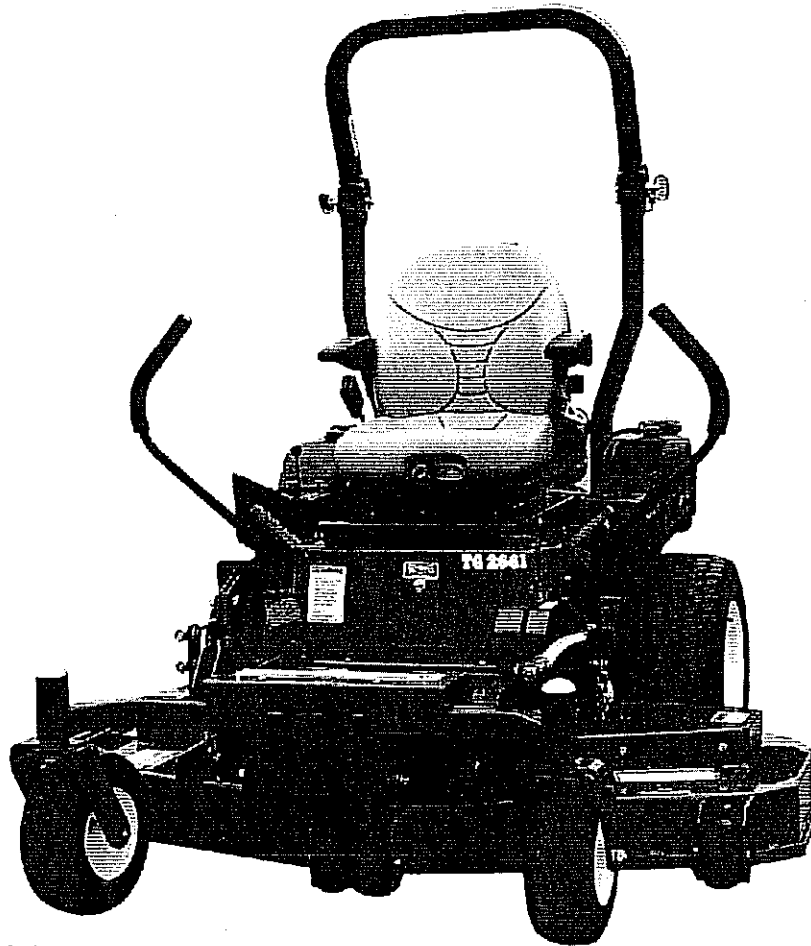
Stop engine, disconnect the power source, and wait for all machine movement to stop before servicing, adjusting, cleaning or unclogging the equipment, except where the machine must be running to be properly serviced or maintained, in which case the employer shall instruct employees as to all steps and procedures which are necessary to safely service or maintain the equipment.

Make sure everyone is clear of machinery before starting the engine, engaging power, or operating the machine.

Child Labor Under 16 Years Old

Some regulations specify that no one under the age of 16 may operate power machinery. It is your responsibility to know what these regulations are in your own area or situation. (Refer to U.S. Dept. of Labor, Employment Standard Administration, Wage & Home Division, Child Labor Bulletin #102.)

SECTION I INTRODUCTION AND DESCRIPTION



FC-Z-0005

INTRODUCTION

We are pleased to have you as a TIGER customer. Your TIGER Zero Turn Riding Mower has been carefully designed to give maximum service with minimum down time. This manual is provided to give you the necessary operating and maintenance instructions for keeping your mower in top operating condition. Please read this manual thoroughly. Understand what each control is for and how to use it. Observe all safety precautions decalated on the machine and noted throughout the manual for safe operation of the implement. If any assistance or additional information is needed, contact your authorized TIGER dealer.

NOTE:

All references made to right, left, front, rear, top or bottom is as viewed facing the direction of forward travel

DESCRIPTION

The Zero Turn riding mower is intended for use on

lawns and other frequently maintained areas where a smooth, even cut is desired and superior maneuverability is needed. The tractor unit consist of a 26 hp Kawasaki twin cylinder engine. The engine has a pressurized oil lubrication system with spin-on type filter, fused electronic ignition, electric start and an 8 gallon fuel system.

Two hydrostatic transaxles are used for propelling and steering. The pumps are belt driven by the engine output shaft. One lever for each drive controls both speed and direction. This independent control of each drive wheel coupled with continuously variable speed selection gives the Zero Turn mower exceptional maneuverability.

The mower attachment is available in 61" cutting width. The mower has three cutting blades, driven by an electromagnetic clutch through a single v-belt.

CONTROLS

OPERATOR INTERLOCK SYSTEM

Your TIGER Zero Turn Riding Mower is equipped with an Operator Interlock System that is designed to help prevent possible serious injuries. Understanding and maintaining this system is vital for safe operation.

To Start Engine:

1. Blades (PTO) must be disengaged.
2. Control levers in neutral (swung out).
3. Parking brake set.

The Engine Will Stop If:

1. The operator leaves the seat with:
 - a. The control levers out of neutral (swung in).
 - b. The blades are engaged.
 - c. The parking brake is off.
 - d. All of the above.
2. The park brake is on before the control levers are swung out.

DO NOT OPERATE MOWER IF SAFETY SWITCHES ARE NOT OPERATING PROPERLY.

WARNING

DO NOT OPERATE MACHINE UNLESS INTERLOCK SYSTEM FUNCTIONS PROPERLY. FAILURE TO HEED THIS WARNING MAY RESULT IN SERIOUS INJURY, DEATH OR EQUIPMENT DAMAGE.

EC ZERO TURN SPECIFICATIONS

Tread Width - (Outside Tires) 49"

Height - To top of seat back (Suspension Seat)51"

Fuel Capacity (In Twin Tanks) 8 gallons

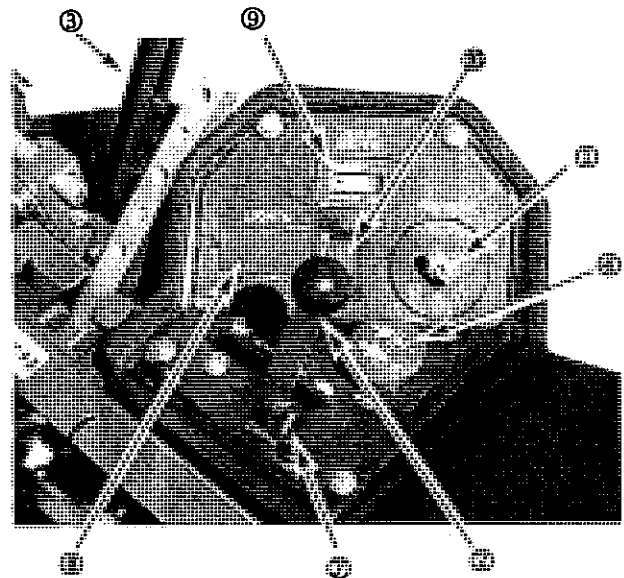
Hydrostatic Transaxles - All Models (2) Hydro- Gear ZT3400

Engines - 26 hp Kawasaki FX Twin

Tires - All Models - Front 13 x 5.0 - 6
 Drive 22 x 10.5 - 12
 23 x 10.5 -12 Bar Tire - Optional

CONTROL LOCATIONS

- ① Ignition Key -Starts and stops engine.
- ② Engine Throttle - Controls engine speed.
- ③ Two Steering/Speed Control Levers - In front of seat at side.
- ④ PTO Switch - Engages electric clutch which engages mower blades.
- ⑤ Parking Brake Lever - Engages parking brake. (See page 22)
- ⑥ Cutting Height Adjust Pin - Sets cutting height to desired position. (See page 12)
- ⑦ Choke - Aids in starting engine.
- ⑧ Light Switch (Optional)
- ⑨ Hour Meter / Tachometer
- ⑩ Warning Light for oil pressure.



DECK SPECIFICATIONS

ITEM

Cutting width 61"

Cutting Height — 1-1/2" to 4-1/2" in 1/4" increments

Blades 21"

Overall width
 with chute down 75"

Material thickness - Deck -----10 GA.-----

Spindle bearings -----25 mm-----

SECTION II OPERATION

GENERAL SAFETY

Only qualified people familiar with this operator's manual should operate this machine. Operator should wear hard hat, safety glasses, and safety shoes. Avoid loose fitting clothing or jewelry. The operator should read, understand and practice all safety messages shown on the caution, warning and danger decals affixed to the machine to avoid serious injury or death. Before beginning operation, clear work area of any objects that may be picked up and thrown by mower. Check for ditches, stumps, holes or other obstacles that could upset power unit or damage mower. Tall grass can hide obstacles. Always push steering levers apart, set parking brake, disengage PTO, turn off engine, and allow blades to come to a complete stop before leaving operator's seat. Do not operate without all shields in place and in good condition.

PRE-OPERATION CHECKLIST

1. Make sure fuel tank is full. Use regular unleaded gasoline. See engine manual for more details.

WARNING

**AVOID SERIOUS INJURY OR DEATH:
GASOLINE IS EXTREMELY FLAMMABLE AND EXPLOSIVE UNDER CERTAIN CONDITIONS.**

- REFUEL IN A WELL VENTILATED AREA WITH ENGINE STOPPED.
 - DO NOT SMOKE OR ALLOW FLAMES OR SPARKS IN THE REFUELING AREA OR WHERE GASOLINE IS BEING STORED.
 - DO NOT OVERFILL FUEL TANK. AFTER REFUELING, MAKE CERTAIN THE TANK CAP IS CLOSED PROPERLY AND SECURELY.
 - BE CAREFUL NOT TO SPILL FUEL WHEN REFUELING. FUEL VAPOR OR SPILLED FUEL MAY IGNITE. IF ANY FUEL IS SPILLED, MAKE SURE THE AREA IS DRY BEFORE STARTING THE ENGINE.
 - KEEP OUT OF REACH OF CHILDREN
2. Make sure dirt and foreign matter are kept out of fuel tank. Use a clean funnel and fuel can.
 3. Do not mix oil with gasoline.
 4. Do not use white, high test or premium gasoline. Do not use de-icers, carburetor cleaners or other such additives.
 5. Check the crankcase oil level. Make sure the engine is off. The mower should be parked on a level area. Do not overfill. (See your engine manual for more detailed instructions.)
 6. Check the hydrostatic transaxle oil level. (See "Maintenance" section of this manual.)

7. Check battery fluid level.
8. Inspect V-belts
9. **Check tire pressure (Use low pressure gauge): Front & Drive Tires -15 psi. (Rear tires may be inflated to 12 psi if additional ride comfort is desired.)**
10. Make sure underside of mower deck is free of grass.
11. Make sure mower blades are sharp and secured tightly.
12. Clean the air intake screen on the engine if necessary.
13. Perform any other maintenance as it becomes necessary. (See "Maintenance" section)
14. Check parking brake operation by disengaging hydrostatic transaxles (freewheeling position), and placing the brake lever in the "on" position. Attempt to rock tractor by hand. Both drive wheels should be locked. When the brake handle is in the "off" position, both drive wheels should turn freely. If there is a problem in either position, refer to adjustment procedure in the maintenance section.
15. Seat Adjustments: The high-back full suspension seat has a variable rate suspension system, adjustable lumbar support and sliding seat to accommodate different operators.

Operator Weight Adjustment Knob - Turn the knob until the indicator position closely matches your weight to give the most comfortable ride.

Adjustable Lumbar Knob (Under left arm rest) - Turn knob clockwise or counter-clockwise to achieve desired support.

Back Angle Adjustment Knob (Under right arm rest) - Turn knob clockwise or counter-clockwise to achieve desired support.

Lever Release Seat Slides - Pull the lever outward to release the latch. Slide the seat forward or rearward to your most comfortable position and release the lever.

WARNING

**ENGINE EXHAUST GASES CONTAIN
POISONOUS CARBON MONOXIDE.**

- NEVER RUN ENGINE IN A CLOSED BUILDING OR CONFINED AREA.
- AVOID INHALING EXHAUST GASES.

OPERATION

1. OPEN FUEL TANK SELECTOR VALVE left or right tank.
2. MOVE CONTROL LEVERS TO neutral "OUT" position by pushing each one straight sideways.
3. SET PARKING BRAKE. Pull rearward to set.
4. DISENGAGE MOWER BLADE CLUTCH by moving clutch switch to "OFF" (down) position.
5. SET ENGINE CHOKE CONTROL for cold starts to full position.
6. SET ENGINE THROTTLE TO 1/2 throttle.
7. TURN IGNITION KEY to "START" position and release to "RUN" as soon as engine starts. NOTE: Prolonged cranking will damage starter motor and shorten the battery life.
8. ADJUST ENGINE THROTTLE AND CHOKE for desired engine smoothness and speed. NOTE: When mowing, always run engine at full throttle.
9. RELEASE PARKING BRAKE. Push brake lever forward to release.

⚠ CAUTION

If the operator is inexperienced with the zero turn mower lever steering/speed control, he/she should follow these recommendations: Disengage the mower blades. Go very slowly until thoroughly familiar with the machine. Keep away from fences, buildings, and other obstructions. While becoming familiar with the machine, move the Control Levers smoothly and slowly. Practice until operation is smooth and efficient.

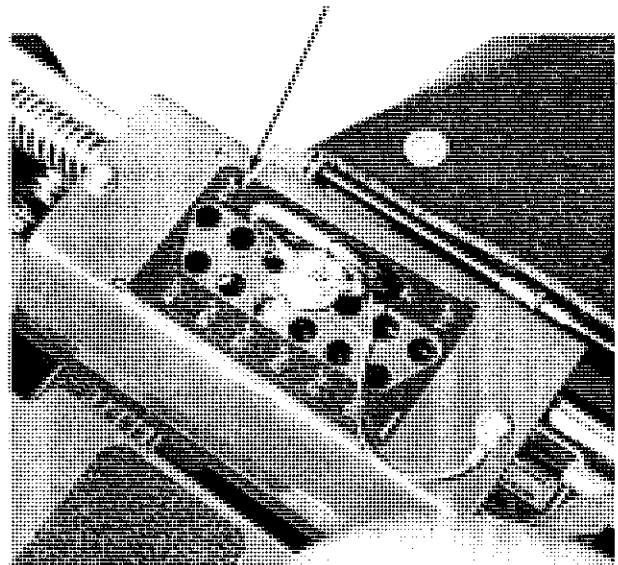
10. TO DRIVE: Adjust seat forward or backward for operator comfort. Move the Control Levers to the "IN" position. Move Control Levers forward to move forward. Move levers slowly forward to increase speed. To reverse direction, move the Control Lever on the side to which you want to turn slightly rearward of the other Control Lever. To turn on a zero radius axis, go slowly and pull one Control Lever back and push the other Control Lever forward, depending on which direction you wish to turn.

⚠ WARNING

**AVOID SERIOUS INJURY OR DEATH:
DO NOT MOVE STEERING LEVERS FROM FORWARD TO REVERSE OR REVERSE TO FORWARD POSITION RAPIDLY. A SUDDEN CHANGE IN DIRECTION MAY CAUSE LOSS OF CONTROL AND/OR DAMAGE TO EQUIPMENT. FOR SMOOTH, SAFE OPERATION, MOVE THE CONTROL LEVERS IN A GENTLE, SLOW MOTION, ESPECIALLY ON GRADES.**

11. BRAKING: To brake mower, gently move Control Levers in the direction opposite to travel. If the parking brake is engaged with the Control Levers in the "IN" position the engine will stop.
12. CUTTING HEIGHT ADJUSTMENT:
 1. Stop engine and move the control levers to the neutral position and engage the parking brake.
 2. Disengage the blades.
 3. Depress the deck lift foot pedal raising the deck to the transport position and place the pedal in the locked position.
 4. Insert height adjustment pin into the hole corresponding to the desired cutting height. See decal on the top of the deck lift plate.
 5. Depress the deck lift pedal and lower the deck to the selected mowing height.
 6. To transport, depress the lift foot pedal and lock in position, then move the height adjustment pin to the 4-1/2" position.
 7. The cutting height adjustment is only a recommended guide. During normal mowing cut only 1/3 of the grass blade. Set cutting height to achieve your desired results.

CUTTING HEIGHT ADJUSTMENT DECAL



ANTI-SCALP ROLLER OR CASTER ADJUSTMENT:

1. Stop engine and move the control levers to the neutral position and engage the parking brake.

2. Disengage the blades.

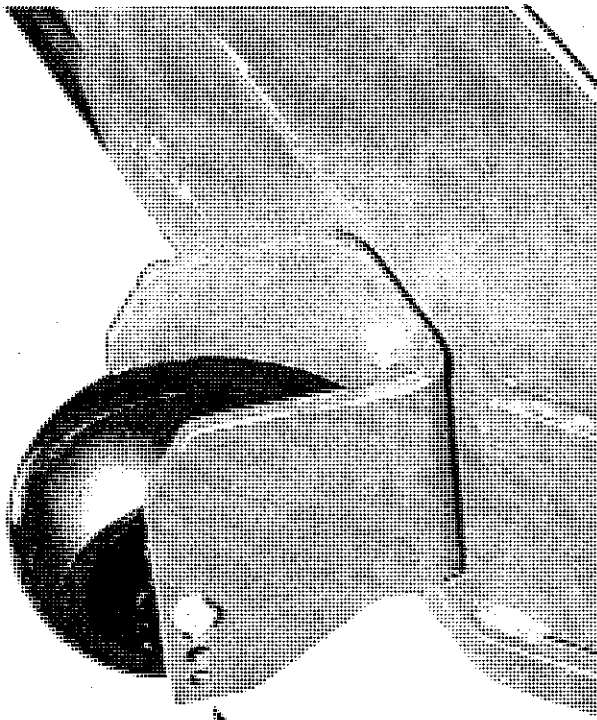
3. The Anti-Scalp deck rollers are adjustable up and down to provide improved deck flotation and scalping protection at various cutting heights. They are not intended to ride continuously on the ground. Rollers should maintain .375" minimum clearance to ground. DO NOT adjust rollers to support deck. (Refer to photographs)

14. ENGAGE MOWER BLADES by pulling up on the PTO clutch switch. The engine will not start if the PTO switch is engaged. If the engine is running while the PTO clutch is engaged and the operator leaves the seat, the engine will stop.

15. TO STOP:

- A. Slow engine speed with throttle to slowest position
- B. Disengage the mower blade clutch by moving the PTO clutch switch to the "OFF" position.
- C. Move Control Levers to neutral position and then to the "OUT" position.
- D. Set the parking brake.
- E. Turn ignition key to "OFF" position.
- F. Remove the key and wait for all movement and sound to cease before dismounting.

ANTI-SCALP ROLLER

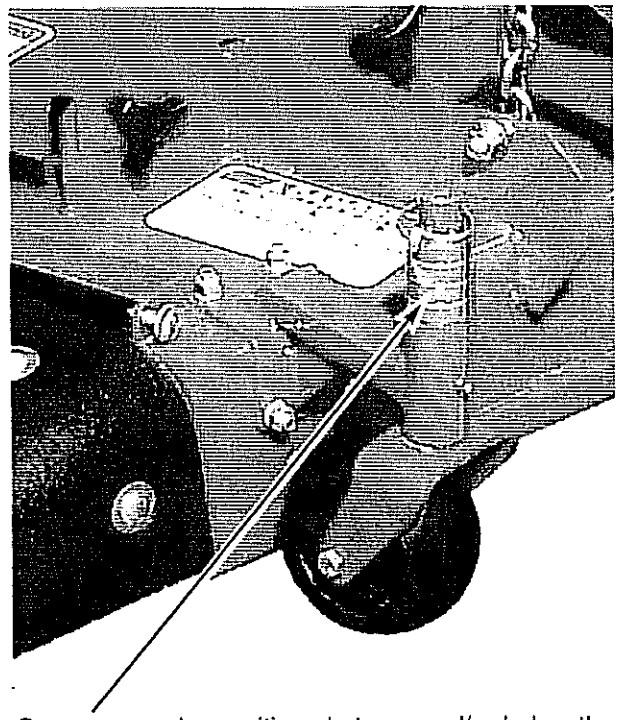


Roller Height Adjustment Holes

⚠ WARNING

Use **EXTREME** caution when mowing and/or turning on slopes as loss of traction and/or tip-over could occur. Drive slower on slopes. **DO NOT** mow slopes greater than 15 degrees. Watch for ditches, holes, rocks, dips and rises, which change the operating angle. Keep away from drop-offs and steep banks. Avoid sudden starts when mowing uphill - mower may tip backwards. Loss of traction may occur going downhill - weight transfer to the front wheels may cause drive wheels to slip and cause loss of braking. **DO NOT** mow slopes when grass is wet - slippery conditions affect steering and reduce traction and braking. The operator is responsible for safe **OPERATION ON SLOPES.**

CASTER ASSEMBLY (Optional on 61" Decks Only)

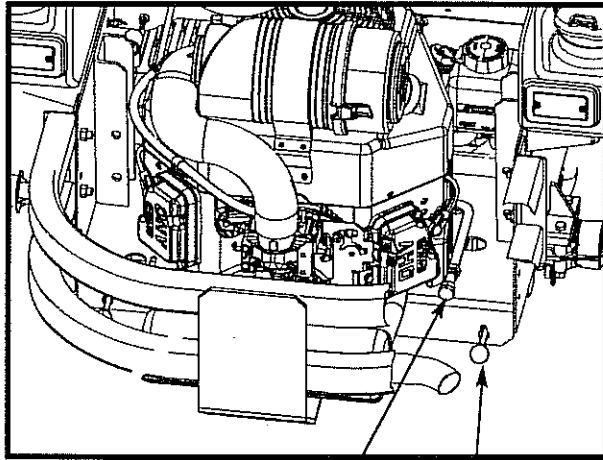


Spacers may be positioned above and/or below the caster arm to adjust position.

⚠ WARNING

AVOID SERIOUS INJURIES TO OTHERS:
ALWAYS REMOVE THE KEY FROM THE IGNITION SWITCH WHENEVER THE MOWER IS UNATTENDED TO PREVENT CHILDREN OR UNAUTHORIZED PERSONS FROM STARTING THE ENGINE.

15. HYDRAULIC COMPONENTS BYPASS-TO MOVE THE TRACTOR WITHOUT POWER: The bypass levers are located on the rear of the engine plate. NOTE: Exhaust muffler can be extremely hot. Use extreme caution when engaging or disengaging bypass levers to prevent severe burns. Pull both the RH & LH levers to the rear and lock out in the keyway slot to disengage for freewheeling. Reverse this procedure for operation.



Oil Drain RH side (Kawasaki) Bypass Lever (RH Shown)

NOTE: To move the tractor without power, the pumps must be unlocked and in the free wheel position. Failure to do so could possibly damage the hydraulic components. Never pull at more than 2 MPH.

16. FUEL SHUT-OFF VALVE: Located on the front panel below the operator is the fuel directional valve. This valve has three positions for operations and each position is made in 1/4 turn increments. This directional valve has a shut off position and can be used when the machine will not be used for a few days or when the unit is transported to and from a work site.

<u>Fuel Flow</u>	<u>Valve Position</u>
Off	Down
Right Tank	Right
Left Tank	Left

MOWING RECOMMENDATIONS

1. Keep mower blades sharp.
2. Make sure deck and discharge chute are clean.

⚠ WARNING

TO AVOID SERIOUS INJURY FROM BLADE CONTACT, POWER MUST BE OFF TO CLEAN DISCHARGE CHUTE

⚠ DANGER

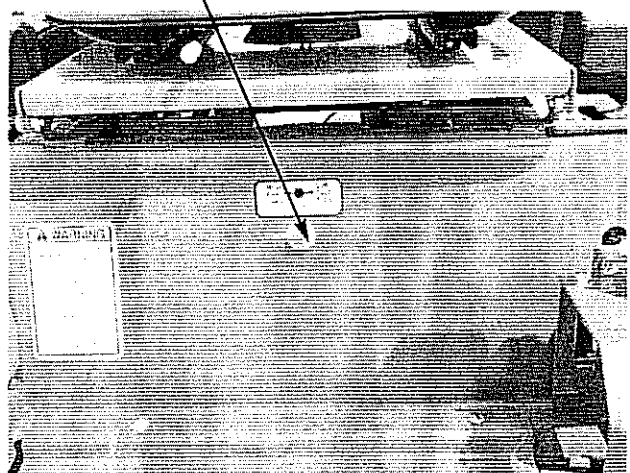
KEEP HANDS AND FEET AWAY FROM UNDERNEATH MOWER TO AVOID SERIOUS INJURY OR DEATH.

⚠ WARNING

ROTARY MOWERS CAN DISCHARGE OBJECTS AT HIGH SPEEDS. TO AVOID SERIOUS INJURIES OR DEATH:

- OPERATE ONLY WITH SIDE BANDS IN GOOD REPAIR AND CHUTE OR GRASS CATCHER ATTACHMENT INSTALLED.
- KEEP CHILDREN, PETS, AND BYSTANDERS AWAY FROM THE WORK AREA.
- DO NOT OPERATE MOWER IN THE VICINITY OF OTHER PERSONS.
- DISCHARGE AWAY FROM BUILDINGS, WALLS OR OTHER STRUCTURES.

Fuel Shut-Off Handle



SECTION III MAINTENANCE

CAUTION

BEFORE PERFORMING ANY MAINTENANCE, TURN OFF ENGINE, REMOVE KEY AND DISCONNECT SPARK PLUGS. USE EXTREME CARE WHEN WORKING ON MACHINERY. DO NOT WEAR WATCH OR JEWELRY. DO NOT WEAR LOOSE FITTING CLOTHES, AND OBSERVE ALL COMMON SAFETY PRACTICES WITH TOOLS.

IMPORTANT:

BEFORE PERFORMING ANY SERVICE, MAINTENANCE OR REPAIR ON THE ENGINE, REFER TO THE RESPECTIVE ENGINE MANUFACTURERS' MANUAL FOR SPECIFIC INFORMATION CONCERNING YOUR PARTICULAR BRAND OF ENGINE.

MAINTENANCE SCHEDULE

<i>SERVICE</i>	<i>WHEN</i>
Check crankcase oil level _____	before each use
Check air intake screen _____	after each use
Clean grass from under deck _____	after each use
Check tire pressure _____	every 10 hours
Sharpen mower blades _____	every 10 hours
Clean air filter element _____	every 8 hours
Check 20W50 motor oil in hydrostatic system _____	every 10 hours
Check drive belts _____	every 50 hours (20 hr break-in)
Grease blade spindles _____	every 50 hours
Grease front wheels _____	every 50 hours
Change engine crankcase oil and filter _____	every 50 hours (5 hrs break-in)
Change hydrostatic oil filter (See your Tiger Dealer) Important: Substitution of an improper filter will cause hydrostatic failure which will not be covered under warranty _____	every 500 hours (50 hrs break-in)
Replace air filter element _____	annually or 500 hours
Check spark plugs _____	annually or 100 hours
Service battery _____	annually or 500 hours

Perform these maintenance procedures more frequently under extremely dusty, dirty conditions.

Replace decals when illegible. Write parts dept. for free replacement.

WARNING: Your mower is equipped with a ROPS, make sure seat frame retention click-pins are in place after lifting seat pan for service.

1. ENGINE:

For complete maintenance and operating information for your engine, please refer to your engine operating and maintenance instructions furnished by the engine manufacturer and included in your Zero Turn mower information packet.

NOTE

Air intake screen must be kept clean. If plugged, engine may be seriously damaged by over heating.

2. TACHOMETER / HOURMETER

The tachometer / hourmeter includes a Flash Alert feature to remind you to change engine oil and filter at recommended intervals. The tachometer displays engine rpm when the engine is running and elapsed time in hours when the engine is turned off.

Oil Change Flash Alert - Break-in interval at 5 hours with 1 hour before and after flash. Normal interval at 50 hours with 2 hour before and after flash.

3. BATTERY:

When taking the battery out of the mower for servicing, make sure to reconnect the cables to the battery exactly as they were prior to removal.

Keep the battery clean. Remove the corrosion around the battery terminals by applying a solution of one part baking soda to four parts water. Coat all exposed terminal surfaces with a light layer of grease or petroleum jelly to prevent corrosion.

NOTE

At temperatures below 32 degrees F (0 deg C) the full charge state must be maintained to prevent cell electrolyte from freezing and causing permanent battery damage.

WARNING

AVOID SERIOUS INJURY OR DEATH:

- THE BATTERY CONTAINS SULFURIC ACID. AVOID CONTACT WITH SKIN, EYES OR CLOTHING. EYES - FLUSH WITH WATER AND GET PROMPT MEDICAL ATTENTION. ANTIDOTE: INTERNAL - DRINK LARGE QUANTITIES OF WATER OR MILK. FOLLOW WITH MILK OF MAGNESIA, BEATEN EGG OR VEGETABLE OIL. CALL A PHYSICIAN IMMEDIATELY.
- BATTERIES PRODUCE EXPLOSIVE GASES. KEEP SPARKS, FLAMES AND SMOKING MATERIALS AWAY. VENTILATE WHEN CHARGING IN AN ENCLOSED SPACE. WEAR EYE PROTECTION WHEN WORKING NEAR BATTERIES.
- KEEP OUT OF REACH OF CHILDREN.

4. TIRES:

Correct tire pressure is essential for efficient operation of the mower. Check tire air pressure periodically. Inflate front and rear tires to 15 psi. (Rear tires may be inflated to 12 psi if additional ride comfort is desired)

Lug bolts should be checked regularly for tightness. Torque lug bolts to 59 ft./lbs.

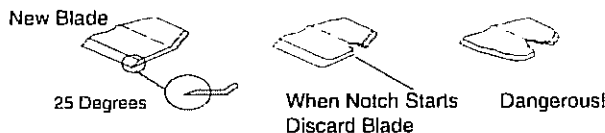
5. MOWER BLADES:

Check sharpness of mower blades after every 10 hours of operation. To sharpen blades proceed as follows:

WARNING

WHEN IT IS NECESSARY TO RAISE THE DECK OR MOWER FOR SERVICE OR MAINTENANCE, TO AVOID SERIOUS INJURY OR DEATH, STOP ENGINE, SET PARKING BRAKE, REMOVE IGNITION KEY AND SPARK PLUG WIRES AND SECURELY SUPPORT THE DECK OR MOWER BEFORE WORKING UNDERNEATH.

- A. Lift deck and secure in raised position.
- B. Remove bolt, cup washer, and blade from shaft.



C Blades should be discarded when worn excessively. See sketch.

D. Sharpen blade with a hand file, electric grinder or blade sharpener. Wear gloves and eye protection when sharpening. Grind blade at original bevel.

E. Check balance of blade by positioning the blade on a nail or blade balance pedestal. Grind the blade on the end that is heavier until both sides balance.

F. Install blades with the concave side of the cup washer against blade. Be sure blades are installed with uplifts and cutting edges in the proper directions. **Tighten retaining bolt to 76 ft./lbs.**

WARNING

WHEN IT IS NECESSARY TO RAISE THE DECK OR MOWER FOR SERVICE OR MAINTENANCE, TO AVOID SERIOUS INJURY OR DEATH, STOP ENGINE, SET PARKING BRAKE, REMOVE IGNITION KEY AND SPARK PLUG WIRES AND SECURELY SUPPORT THE DECK OR MOWER BEFORE WORKING UNDERNEATH.

6. CLEANING GRASS BUILD UP UNDER DECK

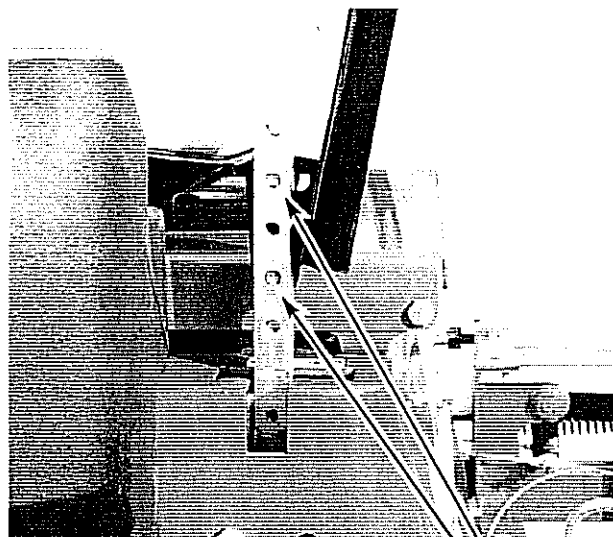
Depress the deck lift foot pedal and lock in position, then move the height adjustment pin to the 4-1/2" position.

Lift the front of the unit and support unit securely.

Clean out any grass build up from underside of deck and in deck discharge chute.

MOTION CONTROL LEVER ADJUSTMENT

1. There are three lever height positions available. Place the levers in the position that provides the most comfortable operating position for you.
2. Align the levers front/rear position. With the levers in the neutral position, loosen the hardware and adjust the levers by tilting forward or backward until properly aligned. Tighten hardware.



Lever Position Adjustment Bolts

MOTION CONTROL STEERING ADJUSTMENT

1. Raise the drive wheels of the Zero Turn off of the ground. Safely block the frame in this position so it is secure. This adjustment must be made with the drive wheels turning.
2. Remove the electrical connection from the seat switch and temporarily install a jumper wire across the terminals of the wiring harness.
3. Loosen the jamnuts on the hex turnbuckle, which connects the lever control arm to the pump control arm. Note: The nuts to the front of the hex turnbuckle have left-handed threads.
4. Start the engine. Run the engine at full throttle and release brake.
5. Position the control levers in the neutral position. If the drive wheels creep (rotate) in the neutral position then lengthen or shorten the turnbuckle assembly. Make the adjustment to stop the wheel from rotating.

6. Re-tighten the nuts at the end of the hex turnbuckles and repeat the procedure for the opposite side of the unit.
7. Shut the unit off. Remove the jumper wire from the wiring harness and replace the connectors into the seat switch. Never operate the mower unless all safety switches are operating properly.

DRIVE ADJUSTMENTS

Steering and motion controls should be uniform in all forward and reverse speeds. From the reverse position the levers should automatically return to neutral when released.

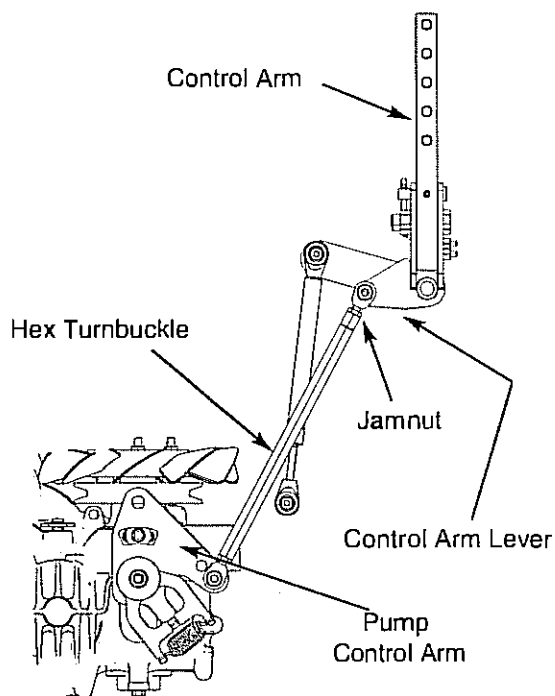
⚠ CAUTION

STOP THE ENGINE BEFORE MAKING ADJUSTMENTS.

TEST DRIVE OPERATIONS

Check air pressure in tires. Equal tire pressure is critical for proper drive operation.

1. Raise drive wheels off ground. Safely block the frame in this position.
2. Put control levers in neutral lock position (control levers swung outward).
3. Start engine. Wheels should not rotate. If one or both drive wheels are turning, perform procedures under "Motion Control Adjustment" for side(s) that wheel turns.

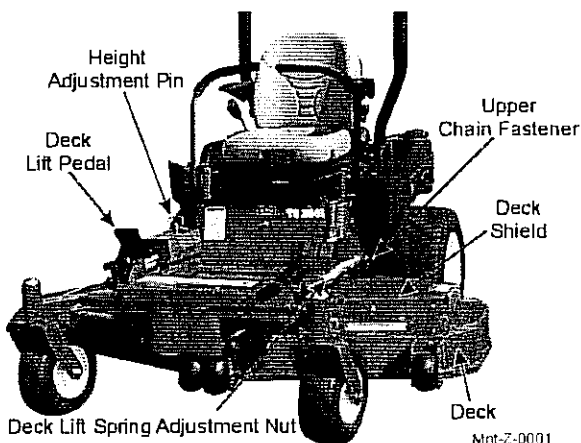
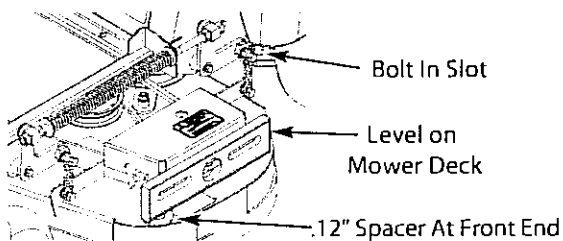


LEVELING THE DECK AND SETTING THE COUNTERBALANCE SPRING TENSION

⚠ CAUTION

STOP THE ENGINE, SET PARKING BRAKE, REMOVE IGNITION KEY AND SPARK PLUG WIRES FOR SAFETY.

1. Set all tire pressures to the correct specifications.
2. Rest machine on a level slab of concrete.
3. Depress the deck lift pedal to raise the deck to the full lift height position and move the height adjust pin to the 4.5" position.
4. Take all the force off the two deck lift springs by loosening the nut at the front of each spring.
5. Place a level on the deck, from front to rear. If the level is too short to reach all the way from front to rear, lay a straight edge on the deck first, then place the level on the straight edge.
6. Lay a .12" spacer beneath the front level. this will automatically set the rear of the deck higher than the front.
7. Adjust the bolts in the slot to raise the rear of the deck (Shown below) until the level's bubble is centered. Repeat for the other side.
8. Check to verify the deck is leveled side-to-side. To do this, lay a 2" x 4" x 30" piece of wood under each side of the deck and lower the deck to rest freely on the top of these boards. Inspect the (4) lift chains to see if tension is on each of them. If any of the chains appear slack, adjust the bolt in the slot to remove the slack from the chain.
9. Raise the deck up to the transport position and lock in place.
10. Remove the 2" x 4"s from under the deck.
11. Tighten each of the counterbalance spring nuts until springs are to the following lengths:



61" Deck Spring length of 15-1/2" for 3" cutting height. For lower cutting heights loosen springs at 1/4" intervals until stop hits adjusting pin in correct height location. If deck floats, loosen springs at 1/4" intervals until deck stops floating. (Measure from back of flatwasher to back of flatwasher)

DECK BELT ADJUSTMENT

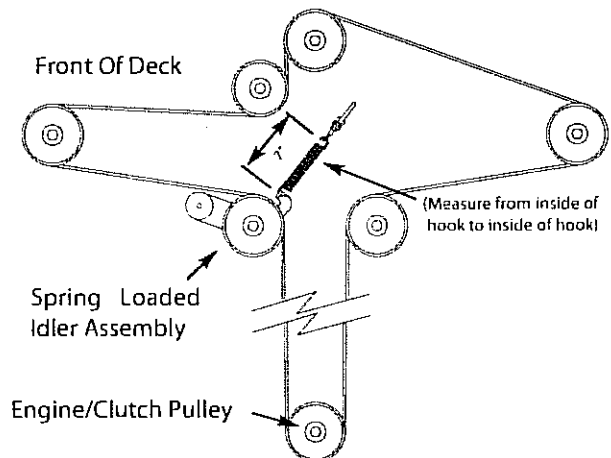
Belt adjustment should be checked every 50 hours to get maximum life and cutting performance from the mower. Belt tension is adjusted by increasing or decreasing the length of the spring on the movable idler. For proper belt tension on the 61" mowers, the spring length should be set to 7" inside hook to inside hook with the deck in 3" cutting height position. To adjust the spring length, loosen or tighten the 3/8" hex nuts on the eye bolt until the correct spring length is reached.

DECK BELT REPLACEMENT

USE ONLY GENUINE TIGER CORPORATION REPLACEMENT PARTS

- A. Remove the deck shield assembly.
- B. Relieve the spring tension by loosening the two 3/8" hex nuts on the eye bolt.
- C. Remove old belt.
- D. Install new belt. Be sure that the belt is properly positioned in all sheave grooves.
- E. Adjust tension on the belt by adjusting the length of the spring on the moveable idler. The correct spring length is 7" for the 61" decks.
- F. Replace the deck shield assembly.

DECK SPINDLE BELT ROUTING DIAGRAM



⚠ WARNING

TO AVOID SERIOUS BURN INJURIES:

- ALLOW ENGINE, OIL AND HYDRAULIC FLUIDS TO COOL BEFORE SERVICING TRANSMISSION OR ENGINE SYSTEM

⚠ CAUTION

TO AVOID CLEANING SOLVENT FIRES:

- AVOID USING FLAMMABLE SOLVENTS.
- AVOID AREAS WITH IGNITION SOURCES WHEN USING FLAMMABLE SOLVENTS.

⚠ WARNING

HIGH PRESSURE HYDRAULIC FLUID LEAKS CAN PENETRATE SKIN CAUSING SERIOUS INJURY AND GANGRENE.

INJECTED FLUID MUST BE SURGICALLY REMOVED WITHIN A FEW HOURS BY A DOCTOR FAMILIAR WITH THIS TYPE OF INJURY.

TO AVOID SERIOUS INJURY FROM PRESSURE LEAKS:

- **USE CARDBOARD AND NOT HANDS TO SEARCH FOR LEAKS.**
- **RELIEVE HYDRAULIC PRESSURE BEFORE WORKING ON SYSTEM.**
- **CHECK HYDRAULIC HOSES, LINES, AND CONNECTIONS FOR TIGHTNESS AND GOOD CONDITION BEFORE APPLYING SYSTEM PRESSURE.**

START-UP MAINTENANCE

HYDROSTATIC FLUID

Tiger recommends the use of 20W50 motor oil in the hydrostatic reservoir.

START-UP PROCEDURE

⚠ WARNING

TO AVOID INJURY FROM EQUIPMENT GROUND TRAVEL AND MOVEMENT DURING START-UP PROCEDURE:

DO NOT START OR JOG ENGINE UNTIL:

- **PUMP IS IN NEUTRAL POSITION**
- **DRIVE WHEELS ARE RAISED OFF THE GROUND.**
- **EQUIPMENT IS SECURELY BLOCKED-UP TO KEEP WHEELS FROM GROUND CONTACT.**
- **PTO AND OTHER WORK FUNCTIONS ARE DISCONNECTED.**
- **KEEP HANDS, HAIR AND CLOTHING AWAY FROM ROTATING BLADES.**

The following start-up procedure should always be followed when starting a new installation or when restarting an installation in which the transaxle has been removed from the system or when oil has been changed in the transaxle.

Prior to starting the transaxle, make certain all system components (reservoir, fittings, etc.) are clean prior to filling with fluid.

Fill the reservoir with recommended fluid which should be filtered prior to entering the reservoir.

Start the engine and idle at the lowest possible RPM.

With the bypass valve closed, slowly move the displacement control in both the forward and reverse directions. As air is purged from the unit, the oil level in the reservoir will drop and bubbles may appear in the fluid. Refill the reservoir as necessary.

Place the steering levers in the neutral position and open the bypass valve. Slowly move the steering levers in both the forward and reverse directions to purge the air from the closed circuit.

Close the bypass valve and run the unit in both directions for several minutes until any remaining air is purged from the unit. Refill the reservoir as necessary.

Stop the engine, check for and correct any fluid leaks, and check the reservoir level. Add fluid if necessary. The transmission is now ready for operation.

HYDROSTATIC MAINTENANCE

Check the reservoir daily for proper fluid level. Oil level should be to the cold fill line on the reservoir baffle.

The hydrostatic transaxle units normally do not require regular fluid changes. The system filter should be changed after the first 50 hours of break-in, then every 500 hours thereafter. The fluid and filter should be changed and the system cleaned if the fluid becomes contaminated with foreign matter (water, dirt, etc.) .Refer to illustration on page 20.

PARKING BRAKE ADJUSTMENT

(Refer to next page for illustration and instructions for Parking Brake Cable Replacement / Installation)

Check to make sure brake is adjusted properly.

Force on the brake handle to lock the brake in place should be 15 pounds. To adjust the brake tension, shorten or lengthen the brake cable linkage.

If further adjustment is needed at each individual wheel brake:

1. Engage the brake lever (lever up).
2. Remove the wheel from the side needing adjusting. Loosen brake adjusting nuts, remove excess slack from cable and retighten nuts.
3. Reinstall the wheel and torque the lug nuts.

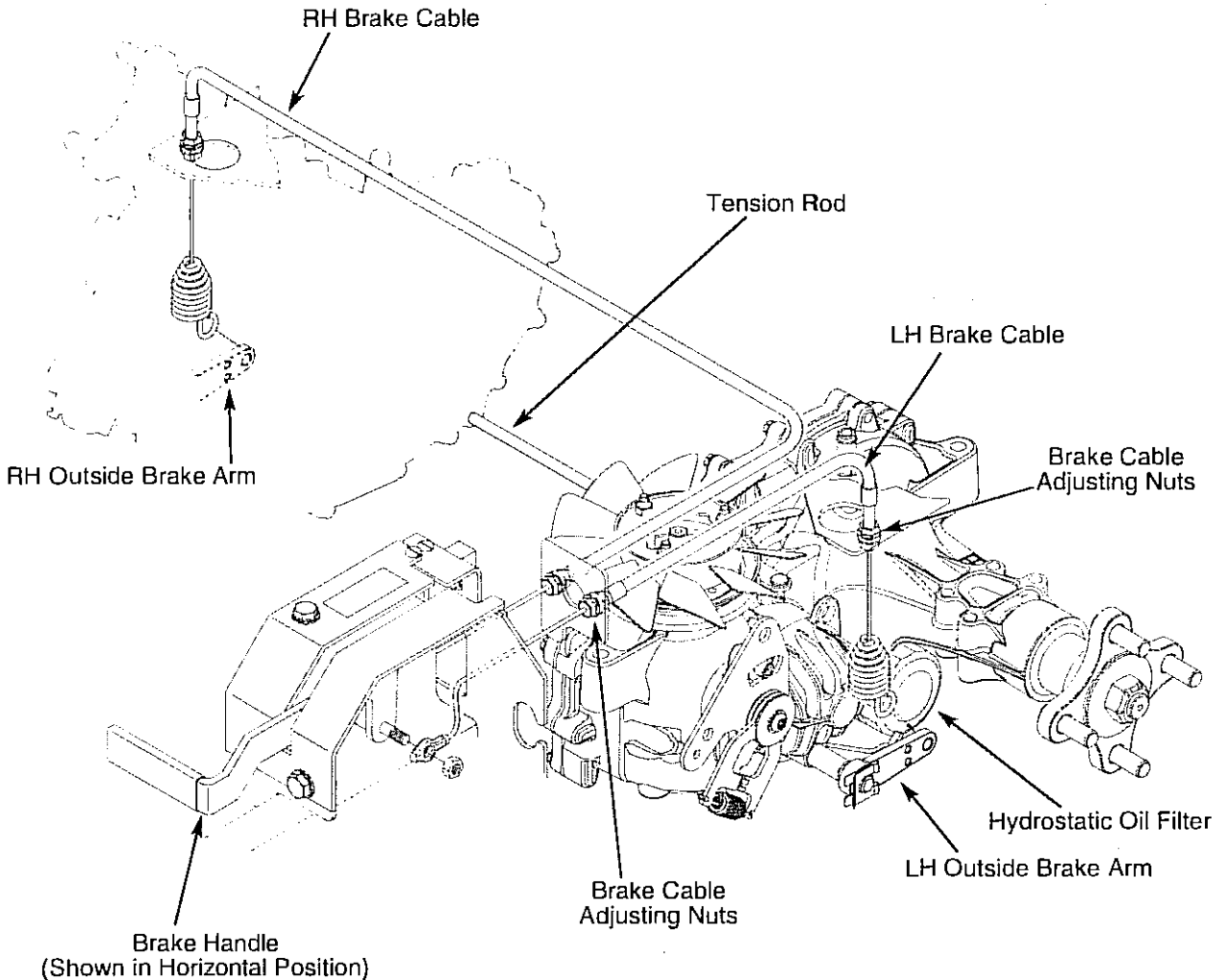
Pump Drive Belt Tension Adjustment

1. Stop engine and remove key.
2. The pump drive belt tension is adjusted through a spring loaded idler pulley.
3. Adjust the eye bolt so the spring length is 7" (measured to the inside of the spring loops).

PARKING BRAKE CABLE REPLACEMENT / INSTALLATION

OUTSIDE BRAKE ARMS

1. The outside brake arms are to remain in the position as received from the factory. (Horizontal and rearward)
2. Install brake cables finger tight and position the brake handle in the "vertical" position.
3. Open left and right relief valves on the pumps by pulling the RH and LH levers to the rear and lock out in the keyway slot to disengage for free wheeling. (See photo on page 14)
4. Install the brake cable spring onto the brake arm. (Note: the spring should be positioned to the outside of the brake arm.)



TROUBLESHOOTING CHECK LIST

1. ENGINE IDLES POORLY:

Carburetor maladjustment _____ readjust carburetor
Improper spark plug gap _____ check and re-gap plug

2. ENGINE BACKFIRES:

Carburetor maladjustment _____ readjust carburetor

3. ENGINE RUNS BUT POWER UNIT WON'T MOVE FORWARD

Drive belt loose or broken _____ re-tension or replace
Pump shift arm disconnected _____ reconnect
Hydrostatic reservoir oil low _____ add oil
Pump bypass valve open _____ put in closed position
Hydrostatic oil filter plugged _____ replace filter
Bad transaxle _____ consult dealer

4. POWER UNIT LOSES POWER OR HYDROSTAT SYSTEM OVERHEATS

Hydrostatic oil reservoir too low _____ add oil
Transaxle damaged _____ consult dealer
Hydrostatic oil reservoir blowing oil out cap _____ overfilled or water contaminated

5. ENGINE STALLS WHEN BLADES ARE ENGAGED

Operator not on seat _____ sit on seat
Faulty interlock system _____ consult dealer
Bad blade spindle bearing _____ consult dealer
Deck drive belt not properly routed _____ reroute
Blades blocked by foreign material _____ clean under deck

•See engine manual for engine adjustments

ENGINE ELECTRICAL TROUBLE

1. ENGINE WILL NOT TURN OVER:

Dead battery
Bad ground connection
Bad terminal connection at battery
Wiring harness plugs are not attached properly at
the key switch or the PTO switch
Bad parking brake switch
Bad PTO switch

2. ENGINE WILL TURN OVER, BUT WILL NOT START:

A. If there is spark at the plug:

No fuel
Bad fuel solenoid in engine

B. If there is no spark at the plug:

Make sure safety interlock system is sequenced:

PTO switch is off
Control levers in neutral position
Parking brake is on
Operator in seat

Check safety interlock switches:

Seat switch
Neutral switch
Bad ignition module on engine

POOR CUTTING PERFORMANCE

*

ENGINE SPEED IS TOO SLOW:

Always mow at full throttle.

*

BELT SLIPPAGE:

Tighten deck adjusting spring on the 61"
deck to 7".

*

DECK IS PLUGGED WITH GRASS:

Clean underneath the mower.

*

BLADES ARE NOT SHARP:

Sharpen the blades or replace.

*

CUTTING HEIGHT:

Normal mowing - cut only 1/3 of the grass blade.

*

FINISHED CUT IS UNEVEN:

Groundspeed is too fast.

*

BLADES ARE WORN DOWN TOO FAR:

Replace your blades.

SECTION IV ASSEMBLY

MOUNTING THE REAR TIRES

Position the rear tire rims over the axle hubs and fasten with the 1/2" lug nuts. Torque to 59 ft. lbs.

MOUNTING THE CONTROL LEVERS

Mount the control levers to the 3/4" x 3/4" square bars positioning the control levers to the preferred height and mount with 3/8" x 1" fasteners, lock washers, and flat washers. Move the control levers forward or rearward for operator comfort.

ROPS

Insert the ROPS frame into the channels of the ZT frame and attach with the 1/2" x 3-1/4" fasteners and 1/2" locknuts.

NOTE: The top loop of the ROPS is to angle toward the front of the unit when in the upright position. When ROPS is folded, the top loop will be above the engine.

BATTERY

Attach the positive lead to the battery. Additional wire tie straps are shipped to secure the wiring harness as needed.

MOUNTING THE SEAT

Mount seat and mounting plate assembly to the mainframe using the fasteners installed in the seat mount lugs on the mainframe. Attach the seat limit rod to the left side of the seat mounting plate, use the cotter pin and flatwasher supplied.

Attach the seat safety wires to the seat switch.

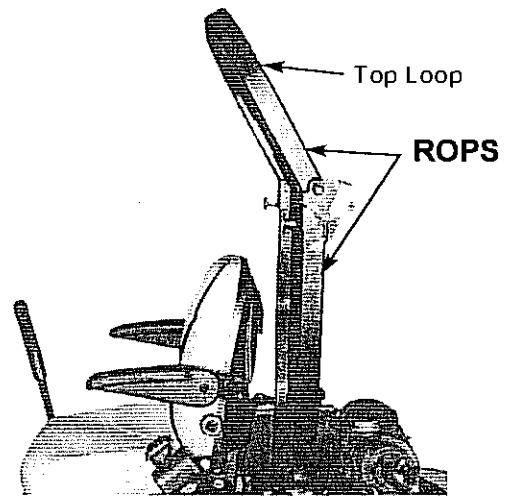
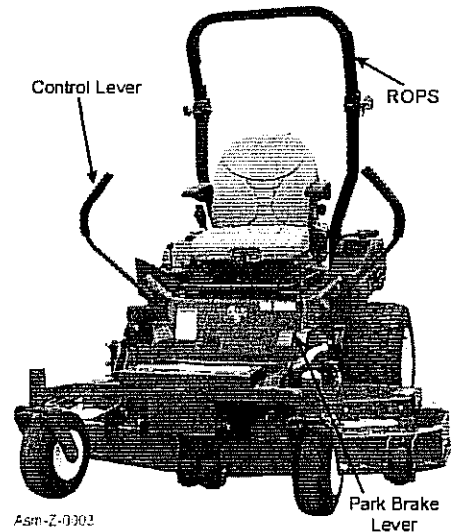
ITEMS TO CHECK:

Check oil level in the engine (see engine manual)

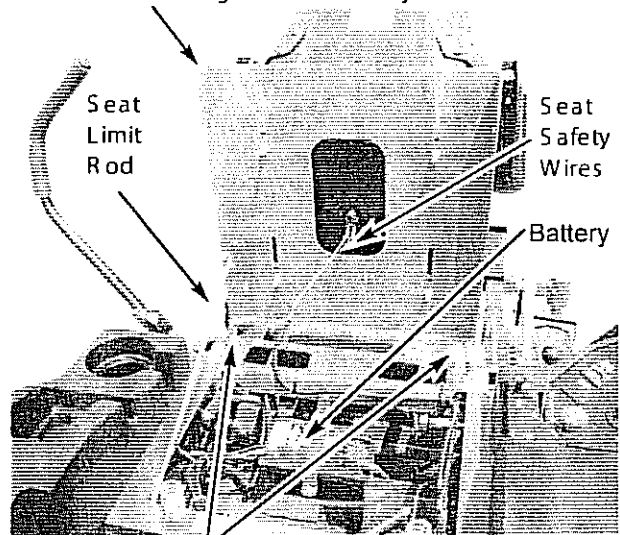
Check the fluid level in the hydrostatic oil reservoir.

Check tightness of all fasteners, including bolts, lug nuts, and setscrews.

Check tire pressure.



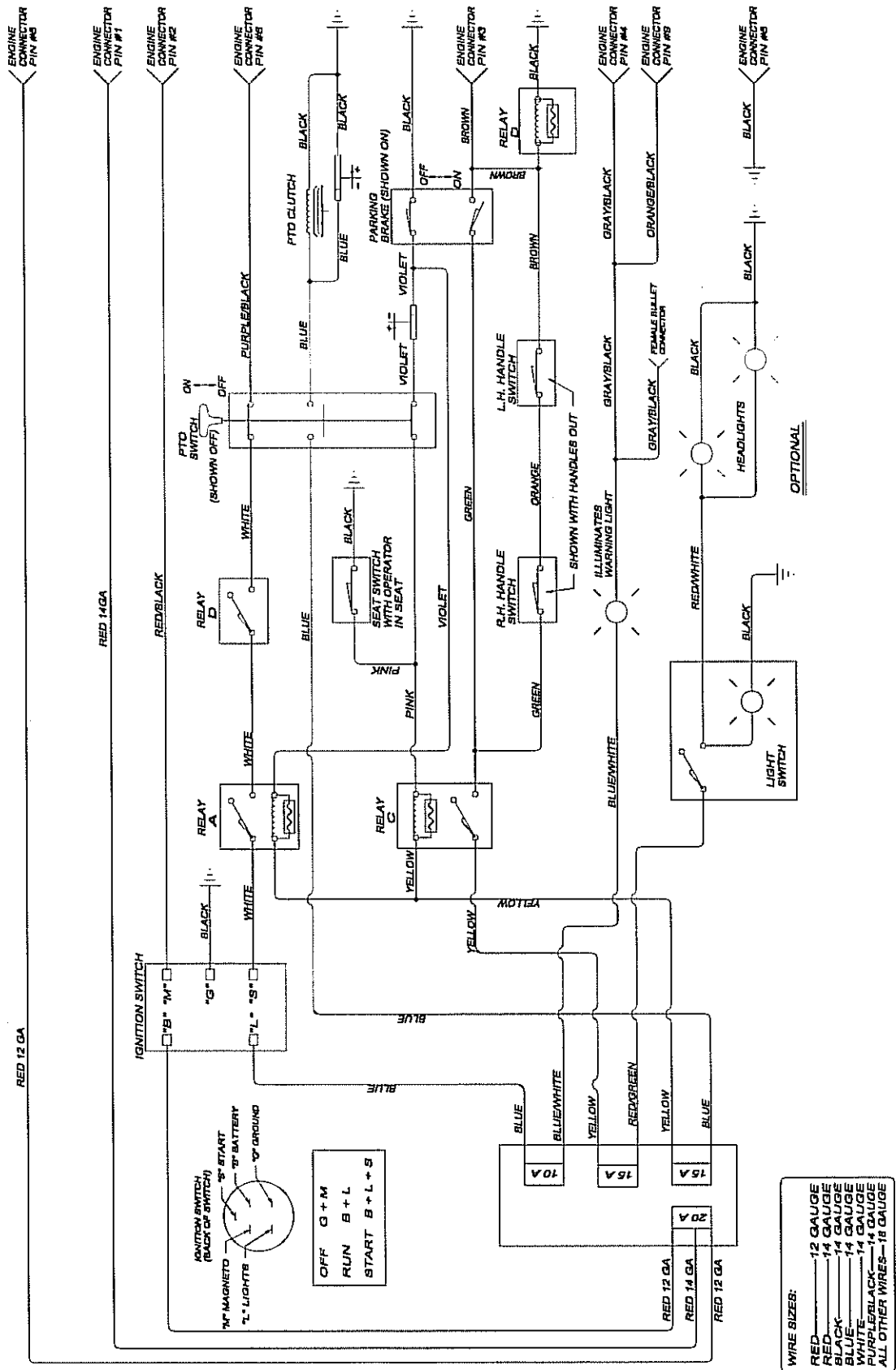
Seat and Mounting Plate Assembly



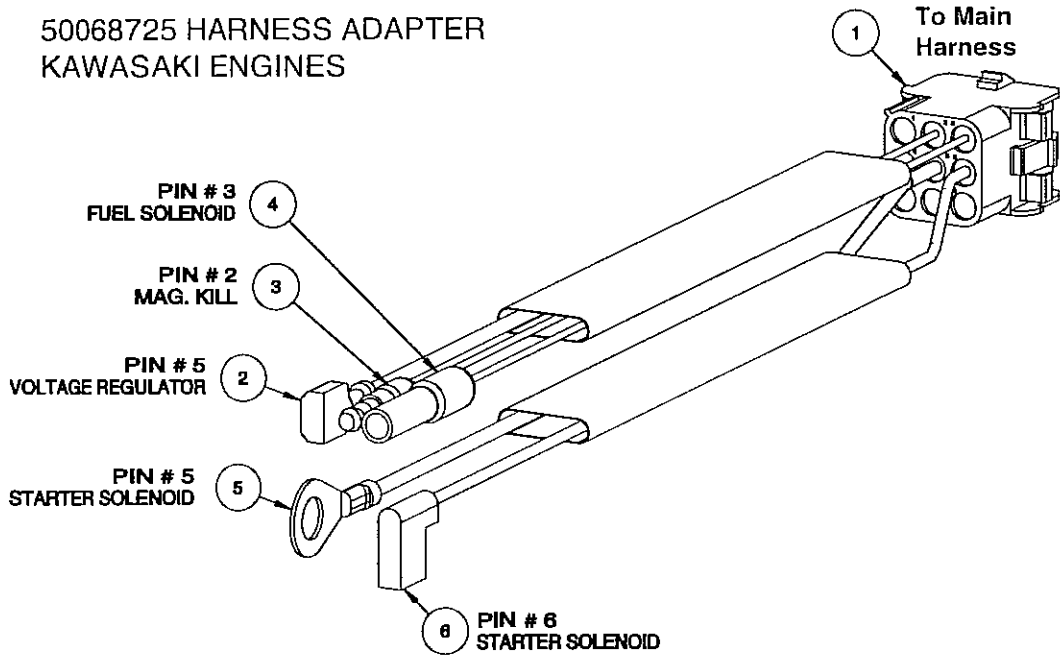
Seat Mount Lugs and Fasteners

WIRING DIAGRAM FOR COMMERCIAL SERIES ZERO TURN MOWERS

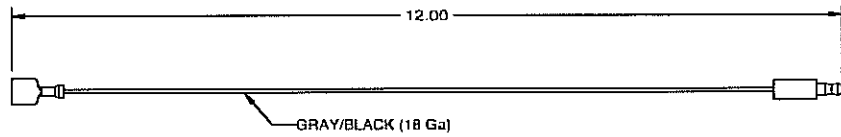
Note: Models with Kawasaki Engines require Harness adapter 50068725



50068725 HARNESS ADAPTER
KAWASAKI ENGINES



50068133 Oil Pressure Lead for Kawasaki Engines

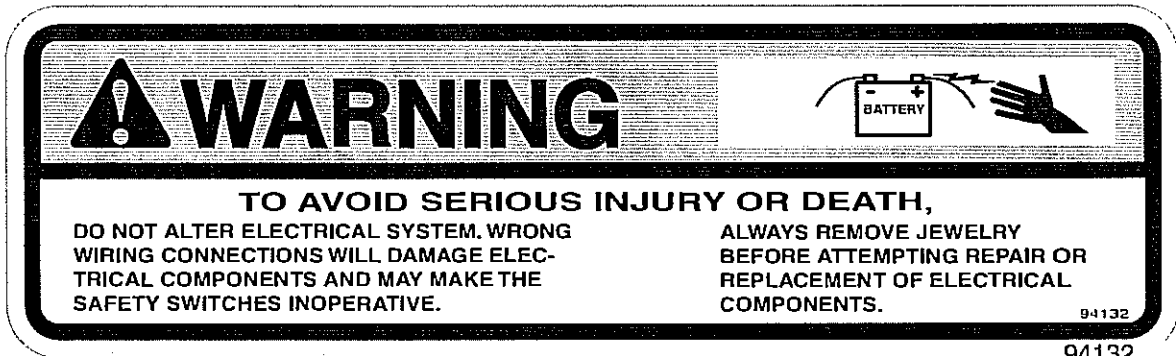


SAFETY DECALS

To promote safe operation, Tiger supplies safety decals on all products manufactured. Because damage can occur to safety decals either through shipment, use or reconditioning, Tiger will, upon request, provide safety decals for any of our products in the field at no charge. Contact your authorized Tiger dealer for more information.



83056



94132



50043277



50012615



⚠ WARNING

- OPERATE CONTROLS SMOOTHLY AND SLOWLY, ESPECIALLY ON SLOPES.
- DO NOT OPERATE ON STEEP SLOPES: SEE OPERATORS MANUAL FOR DETAILS.
- DO NOT MOW WHERE MACHINE COULD SLIP OR TIP.
- MOVE VERY SLOWLY WHEN ATTACHMENT IS REMOVED.
- ALWAYS LOOK BEHIND MACHINE BEFORE BACKING.
- BACK UP SLOPES. GO FORWARD DOWN SLOPES.

50029501

50029501

⚠ WARNING

TO AVOID SERIOUS INJURY OR DEATH

- READ OPERATORS MANUAL BEFORE OPERATING & FOLLOW ALL PRECAUTIONS. (CONTACT DEALER FOR MANUAL)
- LOWER IMPLEMENT, STOP ENGINE AND REMOVE KEY BEFORE DISMOUNTING.
- NO RIDERS. DO NOT OPERATE MOWER IN VICINITY OF OTHER PERSONS.
- ALLOW NO CHILDREN OR UNQUALIFIED PERSONS TO OPERATE EQUIPMENT.
- CLEAR MOWING AREA OF DEBRIS.
- KEEP SHIELDS AND GUARDS IN PLACE. KEEP CLEAR OF DRIVES AND BELTS
- SECURELY SUPPORT MOWER & REMOVE KEY BEFORE WORKING UNDERNEATH.
- KNOW HOW TO STOP TRACTOR AND EQUIPMENT QUICKLY IN AN EMERGENCY.
- BE CAREFUL ON UNEVEN TERRAIN DECREASE SPEED WHEN TURNING.

50043279

50043279

⚠ DANGER



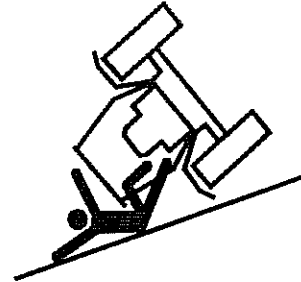
KEEP AWAY - ROTATING BLADES SERIOUS INJURY OR DEATH CAN RESULT FROM THROWN OBJECTS OR BLADE CONTACT

- DO NOT STAND ON OR NEAR MACHINE WHEN IN OPERATION.
- KEEP HANDS AND FEET AWAY FROM UNDERNEATH CUTTER TO AVOID SERIOUS INJURY.
- NEVER OPERATE WITHOUT DISCHARGE CHUTE OR VACUUM BLOWER ASSEMBLY IN PLACE.

50043280

50043280

⚠ WARNING



SERIOUS INJURY OR DEATH MAY RESULT FROM MACHINE ROLLOVER

- ✘ Failure to follow these instructions could result in serious injury or death.
- ✘ Do not operate machine on steep slopes or near drop offs.
- ✘ Avoid sharp and/or quick turns.
- ✘ Do not exceed the machine weight rating of the rops.
- ✘ Always use seat belt.
- ✘ Do not jump if machine tips.
- ✘ If ROPS is foldable
 - Always keep the ROPS fully extended.
 - WHEN ROPS MUST BE DOWN
 - Do not use seat belt.
 - Drive with extra care.
- ✘ If equipped with seat platform, Do not operate machine without seat platform pins in place.

50048632

50048632

⚠ WARNING

TO AVOID SERIOUS INJURY OR DEATH

- READ OPERATORS MANUAL BEFORE OPERATING & FOLLOW ALL PRECAUTIONS. (CONTACT DEALER FOR MANUAL)
- KEEP SHIELDS AND GUARDS IN PLACE. KEEP CLEAR OF DRIVES AND BELTS
- LOWER IMPLEMENT, STOP ENGINE AND REMOVE KEY BEFORE DISMOUNTING.
- SECURELY SUPPORT MOWER & REMOVE KEY BEFORE WORKING UNDERNEATH.
- NO RIDERS. DO NOT OPERATE MOWER IN VICINITY OF OTHER PERSONS.
- KNOW HOW TO STOP TRACTOR AND EQUIPMENT QUICKLY IN AN EMERGENCY.
- ALLOW NO CHILDREN OR UNQUALIFIED PERSONS TO OPERATE EQUIPMENT.
- BE CAREFUL ON UNEVEN TERRAIN DECREASE SPEED WHEN TURNING.
- CLEAR MOWING AREA OF DEBRIS.

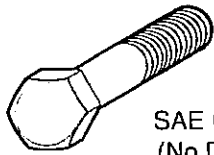
94134

94134

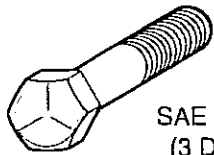
TORQUE SPECIFICATIONS

Proper torque for American fasteners used on TIGER equipment.
Recommended Torque in Foot Pounds (Newton Meters).*

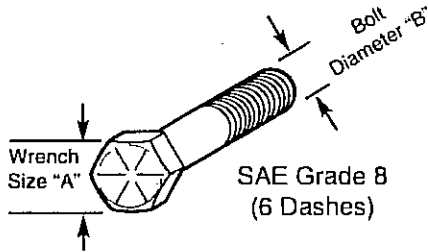
AMERICAN Bolt Head Markings



SAE Grade 2
(No Dashes)



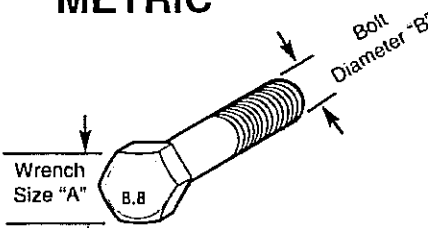
SAE Grade 5
(3 Dashes)



SAE Grade 8
(6 Dashes)

WRENCH SIZE (IN.) "A"	BOLT DIAMETER (IN.) "B" AND THREAD SIZE	SAE GRADE 2	SAE GRADE 5	SAE GRADE 8
7/16	1/4 - 20 UNC	6 (7)	8 (11)	12 (16)
7/16	1/4 - 28 UNF	6 (8)	10 (13)	14 (18)
1/2	5/16 - 18 UNC	11 (15)	17 (23)	25 (33)
1/2	5/16 - 24 UNF	13 (17)	19 (26)	27 (37)
9/16	3/8 - 16 UNC	20 (27)	31 (42)	44 (60)
9/16	3/8 - 24 UNF	23 (31)	35 (47)	49 (66)
5/8	7/16 - 14 UNC	32 (43)	49 (66)	70 (95)
5/8	7/16 - 20 UNF	36 (49)	55 (75)	78 (106)
3/4	1/2 - 13 UNC	49 (66)	76 (103)	106 (144)
3/4	1/2 - 20 UNF	55 (75)	85 (115)	120 (163)
7/8	9/16 - 12 UNC	70 (95)	109 (148)	153 (207)
7/8	9/16 - 18 UNF	79 (107)	122 (165)	172 (233)
15/16	5/8 - 11 UNC	97 (131)	150 (203)	212 (287)
15/16	5/8 - 18 UNF	110 (149)	170 (230)	240 (325)
1-1/8	3/4 - 10 UNC	144 (195)	266 (360)	376 (509)
1-1/8	3/4 - 16 UNF	192 (260)	297 (402)	420 (569)
1-5/16	7/8 - 9 UNC	166 (225)	430 (583)	606 (821)
1-5/16	7/8 - 14 UNF	184 (249)	474 (642)	668 (905)
1-1/2	1 - 8 UNC	250 (339)	644 (873)	909 (1232)
1-1/2	1 - 12 UNF	274 (371)	705 (955)	995 (1348)
1-1/2	1 - 14 UNF	280 (379)	721 (977)	1019 (1381)
1-11/16	1-1/8 - 7 UNC	354 (480)	795 (1077)	1288(1745)
1-11/16	1-1/8 - 12 UNF	397 (538)	890 (1206)	1444 (1957)
1-7/8	1-1/4 - 7 UNC	500 (678)	1120 (1518)	1817 (2462)
1-7/8	1-1/4 - 12 UNF	553 (749)	1241 (1682)	2013 (2728)
2-1/16	1-3/8 - 6 UNC	655 (887)	1470 (1992)	2382 (3228)
2-1/16	1-3/8 - 12 UNF	746 (1011)	1672 (2266)	2712 (3675)
2-1/4	1-1/2 - 6 UNC	870 (1179)	1950 (2642)	3161 (4283)
2-1/4	1-1/2 - 12 UNF	979 (1327)	2194 (2973)	3557 (4820)

METRIC



Numbers appearing on bolt heads indicate ASTM class.

Proper torque for metric fasteners used on TIGER equipment.
Recommended torque in foot pounds (Newton Meters).*

WRENCH SIZE (mm) "A"	BOLT DIA. (mm) "B"	ASTM 4.6	ASTM 8.8	ASTM 9.8	ASTM 10.9
8	5	1.8 (2.4)		5.1 (6.9)	6.5 (8.8)
10	6	3 (4)		8.7 (12)	11.1 (15)
13	8	7.3 (10)		21.1 (29)	27 (37)
16	10	14.5 (20)		42 (57)	53 (72)
18	12	25 (34)	74 (100)	73 (99)	93 (126)
21	14	40 (54)	118 (160)	116 (157)	148 (201)
24	16	62 (84)	167 (226)	181 (245)	230 (312)
30	20	122 (165)	325 (440)		449 (608)
33	22		443 (600)		611 (828)
36	24	211 (286)	563 (763)		778 (1054)
41	27		821 (1112)		1138 (1542)
46	30	418 (566)	1119 (1516)		1547 (2096)

*Use 75% of the specified torque value for plated fasteners. Use 85% of the specified torque values for lubricated fasteners.

COMMERCIAL SERIES
ZERO TURN RIDING MOWERS

Optional Equipment:

Light Kit

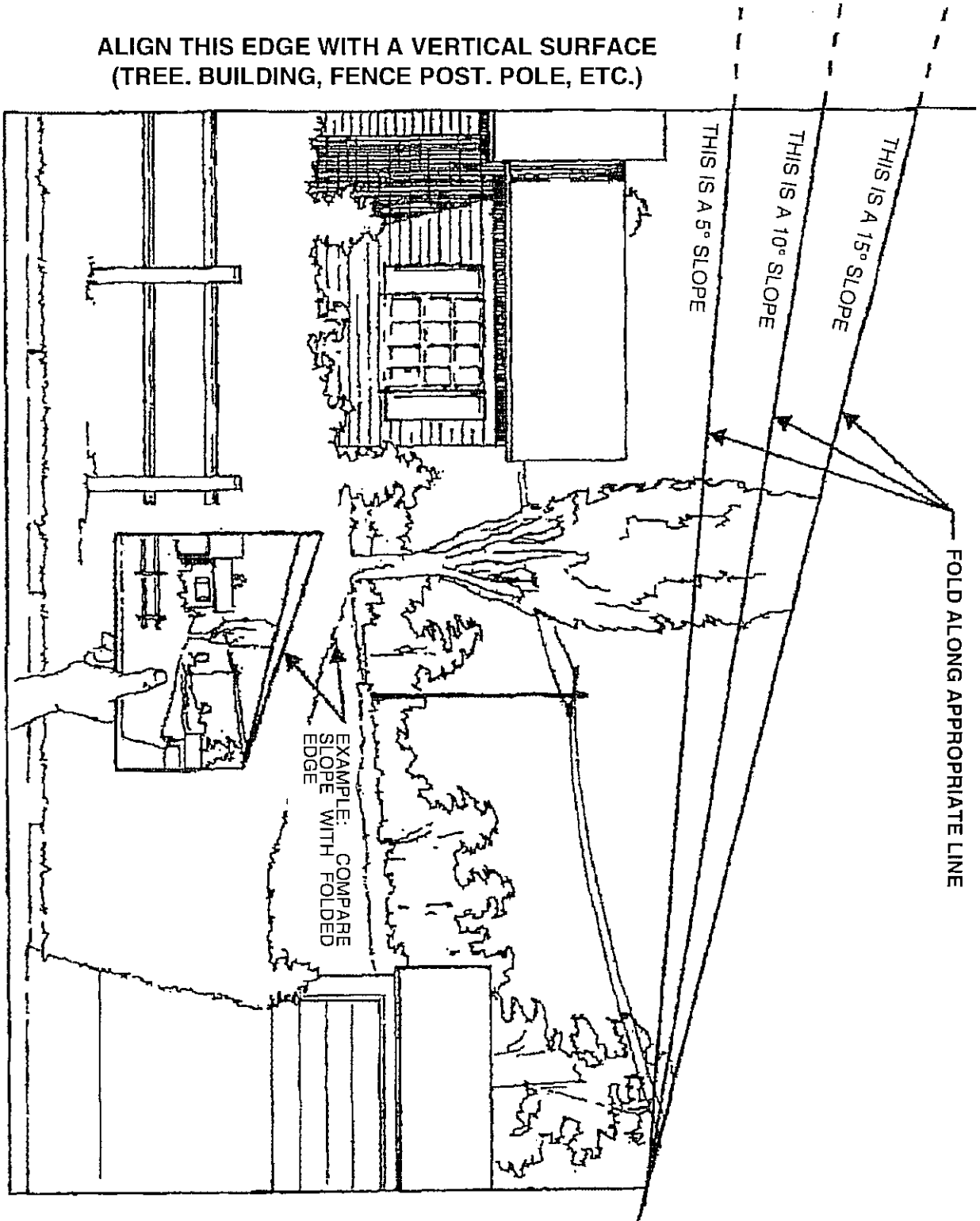
Rear Hitch Kit

Mulching Kit 61"

Deck Caster Wheel Kit (61" Deck)

SLOPE ANGLE GUIDE

ALIGN THIS EDGE WITH A VERTICAL SURFACE
(TREE, BUILDING, FENCE POST, POLE, ETC.)



(

(

(



TO THE OWNER/OPERATOR/DEALER

To keep your implement running efficiently and safely, read your manual thoroughly and follow these directions and the Safety Messages in this Manual. The Table of Contents clearly identifies each section where you can easily find the information you need.

The OCCUPATIONAL SAFETY AND HEALTH ACT (1928.51 Subpart C) makes these minimum safety requirements of tractor operators:

REQUIRED OF THE OWNER:

1. Provide a Roll-Over-Protective Structure that meets the requirements of this Standard; and
2. Provide Seat belts that meet the requirements of this paragraph of this Standard and SAE J4C; and
3. Ensure that each employee uses such Seat belt while the tractor is moving; and
4. Ensure that each employee tightens the Seat belt sufficiently to confine the employee to the protected area provided by the ROPS

REQUIRED OF THE OPERATOR:

1. Securely fasten seat belt if the tractor has a ROPS.
2. Where possible, avoid operating the tractor near ditches, embankments, and holes.
3. Reduce speed when turning, crossing slopes, and on rough, slick, or muddy surfaces.
4. Stay off slopes too steep for safe operation.
5. Watch where you are going - especially at row ends, on roads, and around trees.
6. Do not permit others to ride.
7. Operate the tractor smoothly - no jerky turns, starts, or stops.
8. Hitch only to the drawbar and hitch points recommended by the tractor manufacturer.
9. When the tractor is stopped, set brakes securely and use park lock, if available.

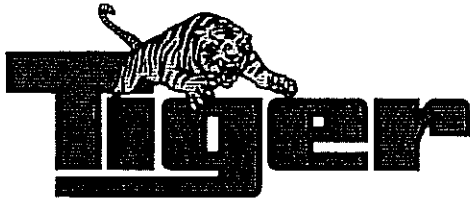
-
- x Keep children away from danger all day, every day...
 - x Equip tractors with rollover protection (ROPS) and keep all machinery guards in place...
 - x Please work, drive, play and live each day with care and concern for your safety and that of your family and fellow citizens.



**COMMERCIAL SERIES
ZEROTURN RIDING MOWER**

TG-2661 -SOM - 09/11
Printed U.S.A

P/N 50069890



ESTATE COMMERCIAL ZERO TURN MOWER

TG 2661
ZERO TURN MOWERS

Published 10/2011

PART'S MANUAL



An Operator's Manual was shipped with the equipment. The Operator's Manual is an integral part of the safe operation of this machine and must be maintained with the unit at all times. **READ, UNDERSTAND, and FOLLOW** the Safety and Operation Instructions contained in this manual before operating the equipment. If the Operator's Manual is not with the equipment, contact your dealer or Tiger Corporation to obtain a Free copy before operating the equipment. *C01a-Cover*



Tiger Corporation

3301 N. Louise Ave.
Sioux Falls, SD 57107
1-800-843-6849
1-605-336-7900
www.tiger-mowers.com

©2011 Alamo Group Inc.

\$0.00

TG 2661
ESTATE COMMERCIAL ZERO TURN MOWERS

TABLE OF CONTENTS

MOWER DECK & RELATED PARTS

Deck Shielding and Related Parts	1-1
Blades, Belts & Pulleys	1-2
Deck Lift Repair Parts	1-4
Spindle Assy.....	1-6
Roller Assy	1-7
Roller Assy with Casters	1-8

FRAME & SEATING

Seats, Operator	2-1
Mainframe and Related Parts	2-2

STEERING & PARKING BRAKE CONTROLS

Parking Brake and Related Parts.....	3-1
Steering Controls.....	3-2

WHEELS

Front Caster Wheels	4-1
Tires and Wheels, Drive.....	4-2

ENGINE

Clutch, Pulleys and Pump Belts - Kawasaki Engine	5-1
Kawasaki Engine Service Parts	5-2

TRANSAXLE

Transaxle Mount and Related Parts.....	6-1
Transaxle Assy RH	6-2
Transaxle Assy LH	6-3
Hydraulic Tank and Hoses - Transaxle.....	6-4

FUEL SYSTEM

Fuel System and Related Parts	7-1
-------------------------------------	-----

CONTROL PANEL & WIRING

Control Panel and Related Parts.....	8-1
Electrical Wiring and Related Parts.....	8-2

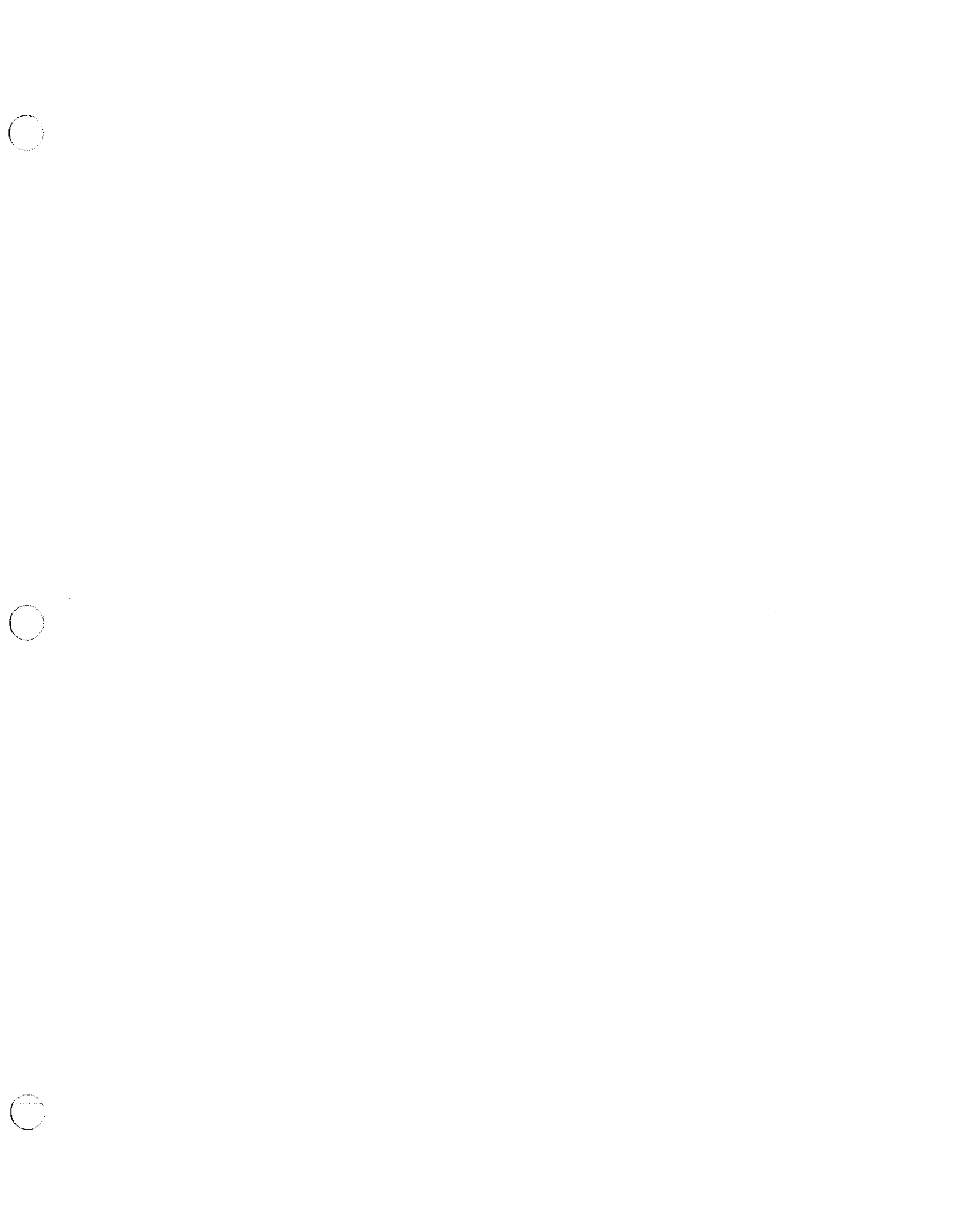
OPTIONS

Mulching Kits	9-1
Light Kit	9-2
Hitch, Rear	9-3

DECALS

Decal Kit.....	10-1
----------------	------

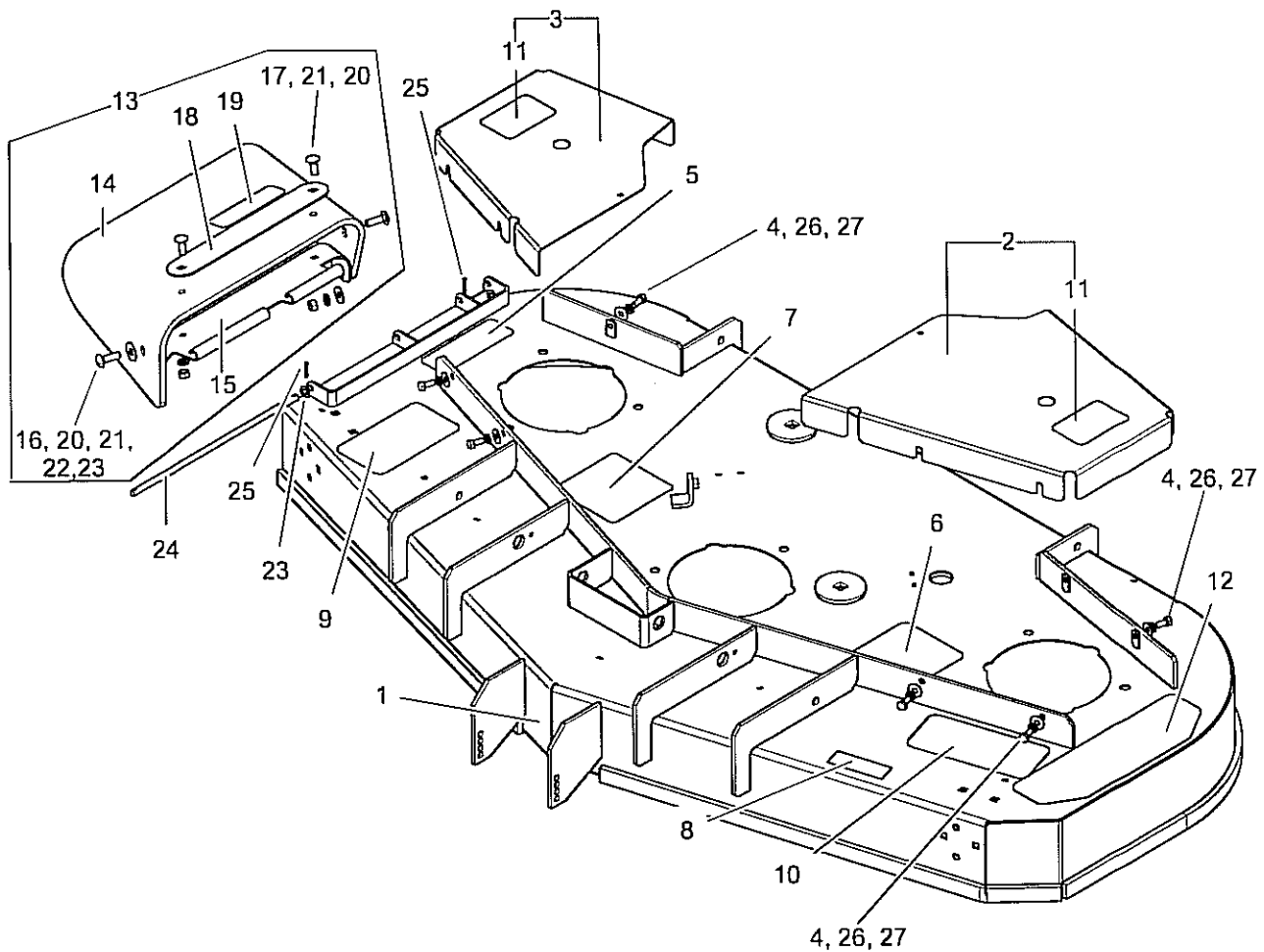
(PTS-BH-0002)



TG 2661

**MOWER DECK &
RELATED PARTS**

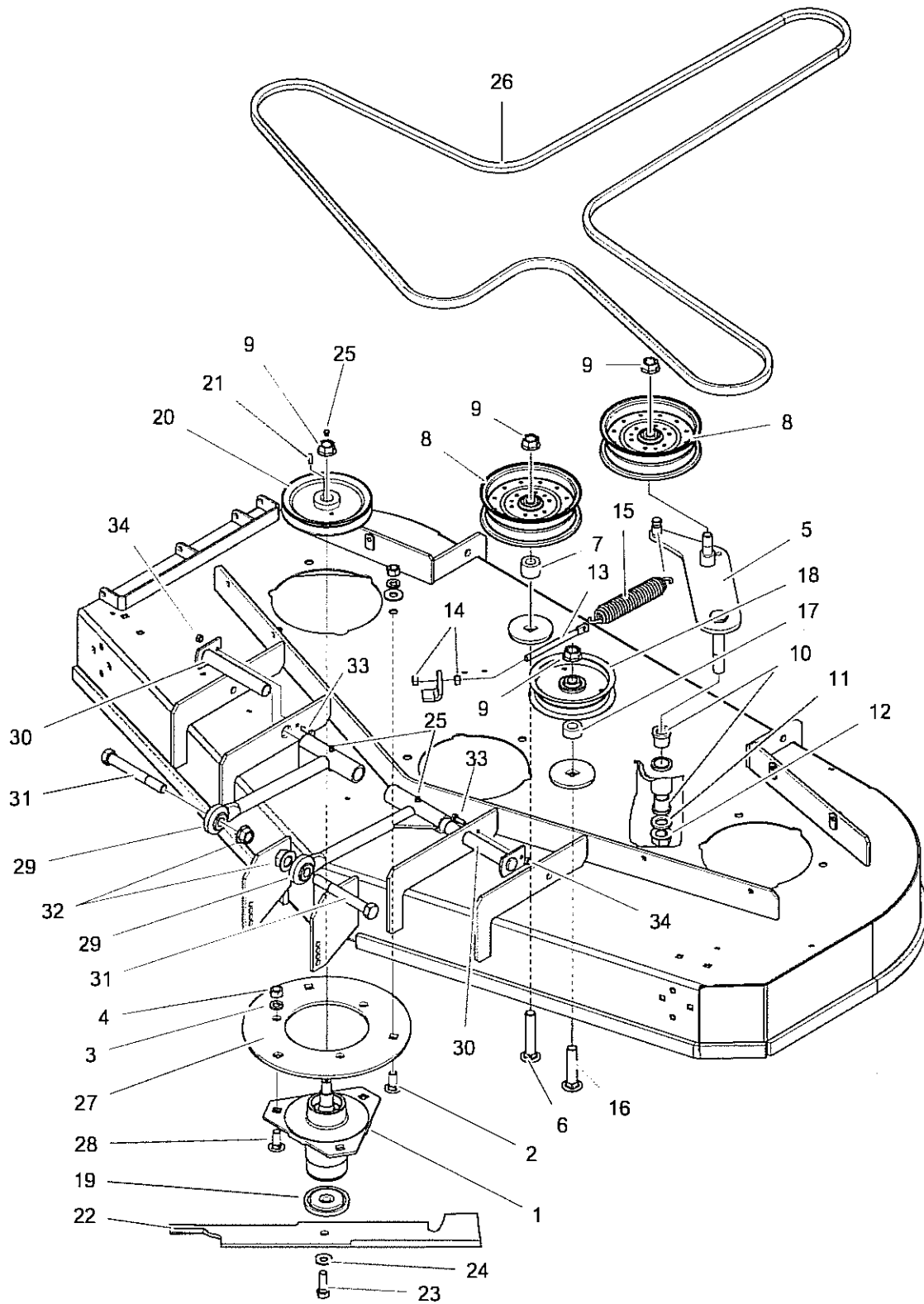
EC SERIES ZERO TURN MOWER DECK SHIELDING and DECALS for 55" and 61" DECKS



REF. NO.	PART NO.	QTY.	DESCRIPTION
1	50068093	1	Deck Weldment 55" w/ Decals
	50068094-26	1	Deck Weldment 61" w/ Decals
2	50068096	1	Deck Shield, L.H. 55" Deck
	50068098-26	1	Deck Shield, L.H. 61" Deck
3	50068095	1	Deck Shield, R.H. 55" Deck
	50068097-26	1	Deck Shield, R.H. 61" Deck
4	45094BH	7	Capscrew 5/16" x 3/4" Gr.5
5	83056	1	Decal, Warning
6	50012616	1	Decal, Danger
7	50029499	1	Decal, Belt Installation
8	50035658	1	Model Decal, 55" Deck
	50035659	1	Model Decal, 61" Deck
9	85020	1	Decal, Danger
10	94134	1	Decal, Warning
11	50012615	2	Decal, Warning
12	50029106	1	Non-Skid Surface

REF. NO.	PART NO.	QTY.	DESCRIPTION
13	50060788	1	Discharge Chute Assembly
14	50060786	1	Discharge Chute
15	50060784	1	Inner Band
16	45067BH	4	Flatwasher 7/16"
17	45119BH	2	Carriage Bolt 3/8" x 1"
18	50060787	1	Outer Band
19	50063815	1	Decal, Danger Discharge Chute
20	45113	4	Lockwasher 3/8"
21	45073	4	Hex Nut 3/8"
22	45174BH	2	Carriage Bolt 3/8" x 1-1/4"
23	45063	3	Flatwasher 3/8"
24	50047125	1	Pin Weldment
25	45206	1	Cotter Pin 1/8" x 1"
26	45065BH	9	Flatwasher 5/16"
27	45114	7	Lockwasher 5/16"

EC SERIES ZERO TURN MOWER BELTS, BLADES, PULLEYS and PULLER BARS FOR 55" and 61" DECKS

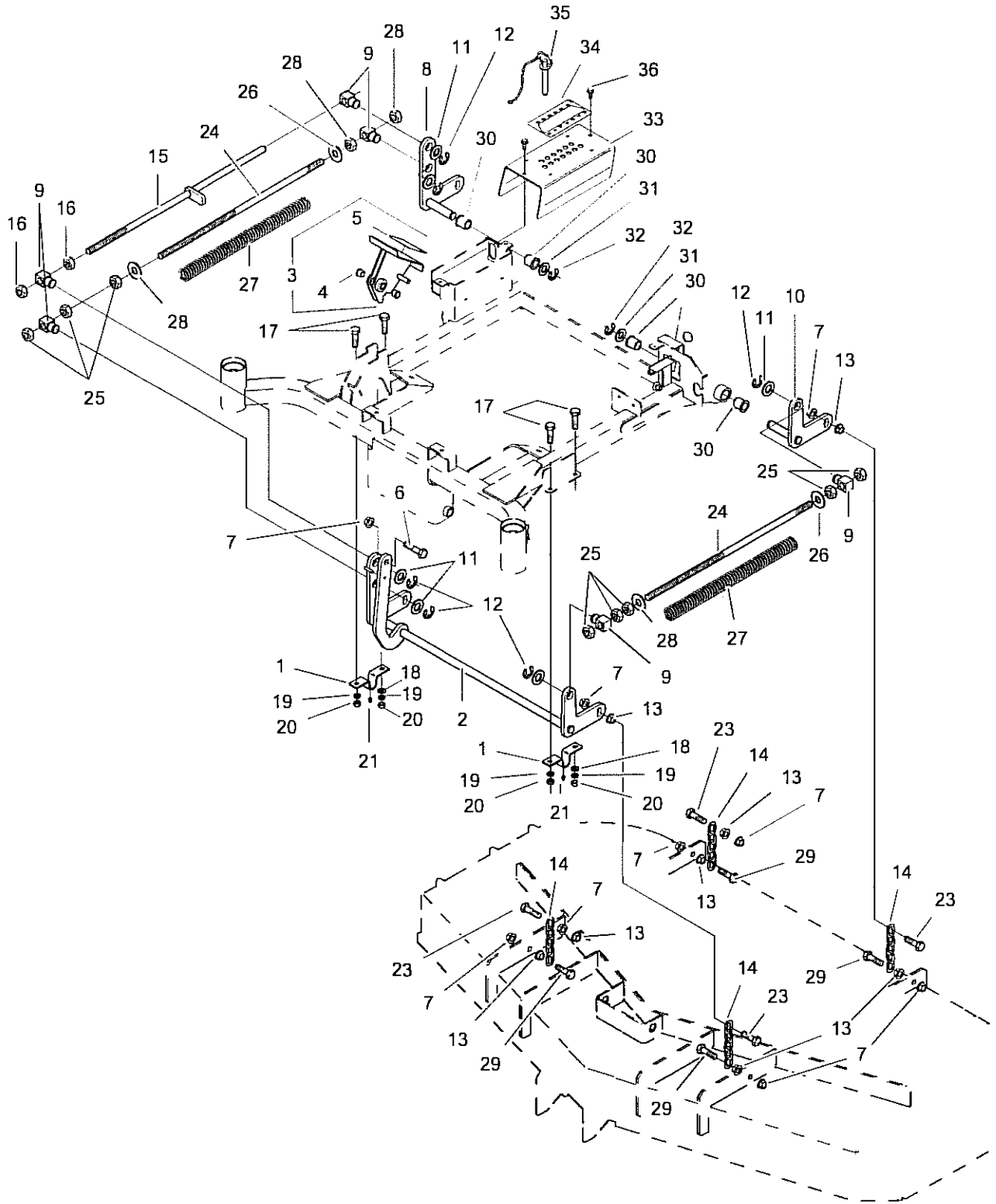


EC SERIES ZERO TURN MOWER

BELTS, BLADES, PULLEYS and PULLER BARS FOR 55" and 61" DECKS

REF. NO.	PART NO.	QTY.	DESCRIPTION
1	50048640	3	Spindle Assembly
2	45048BH	9	Carriage Bolt 1/2" x 1" Gr. 5 YZ
3	45111BH	18	Lockwasher 1/2"
4	45070BH	18	Hex Nut 1/2"
5	50068552	1	Idler Weldment
6	45120BH	1	Carriage Bolt 5/8" x 3-1/2"
7	50027490	1	Spacer Idler
8	50053434	2	Deck Idler Pulley
9	45109BH	6	Lock Nut 5/8" Flanged
10	50055032	2	Flanged Bushing
11	45061BH	1	Flatwasher 3/4" YZ
12	45189BH	1	Lock Nut 3/4" NF YZ
13	50054988	1	Tension Rod
14	45073	2	Hex Nut 3/8"
15	50055028	1	Spring, Extension
16	45051BH	1	Carriage Bolt 5/8" x 3" Gr. 5 YZ
17	94997	1	Spacer
18	88663	1	Idler
19	88754	3	Blade Washer
20	50045472	3	Sheave, 6.00" for 61" Mower Deck
	50047114	3	Sheave, 5.50" for 55" Mower Deck
21	88753	3	Woodruff Key
22	Blades for 55" Deck		
	50056494	3	Blade, 19" CW Parallel Uplift w/ Cut-out for 55" Mower Deck
	97235	3	Blade, 19" CW Parallel Uplift (Opt.) for 55" Mower Deck
	50029158	3	Blade, 19" CW Mulching (Opt.) for 55" Mower Deck
	50025382	3	Blade, 19" Corner Uplift (Opt.) for 55" Mower Deck
	50034298	3	Blade, 19" Hi-Corner Uplift (Opt.) for 55" Deck
	Blades for 61" Deck		
	50056493	3	Blade, 21" CW Parallel Uplift w/ Cut-out for 61" Mower Deck
	82324	3	Blade, 21" CW Parallel Uplift (Opt.) for 61" Mower Deck
	50029159	3	Blade, 21" CW Mulching (Opt.) for 61" Mower Deck
	95754	3	Blade, 21" Corner Uplift (Opt.) for 61" Mower Deck
	50034299	3	Blade, 21" Hi-Corner Uplift (Opt.) for 61" Mower Deck
23	44508	3	Capscrew 1/2" x 1-1/2" Gr. NF
24	44040	3	Safety Washer
25	449BH	3	Grease Fitting
26	1550111	1	Drive Belt, for 55" Mower Deck
	94898	1	Drive Belt, for 61" Mower Deck
27	50027254	3	Mounting Plate
28	45048BH	3	Carriage Bolt 1/2" x 1-1/4"
29	50064796	2	Puller Bar Assy.
30	50064794	2	Pivot Weldment
31	45222BH	2	Capscrew 5/8" x 5" Gr.5 YZ
32	45154BH	2	Locknut, Flanged 5/8" YZ
33	45127BH	2	Capscrew 1/4" x 7/8" Gr.5 yz
34	45153BH	2	Locknut 1/4" YZ

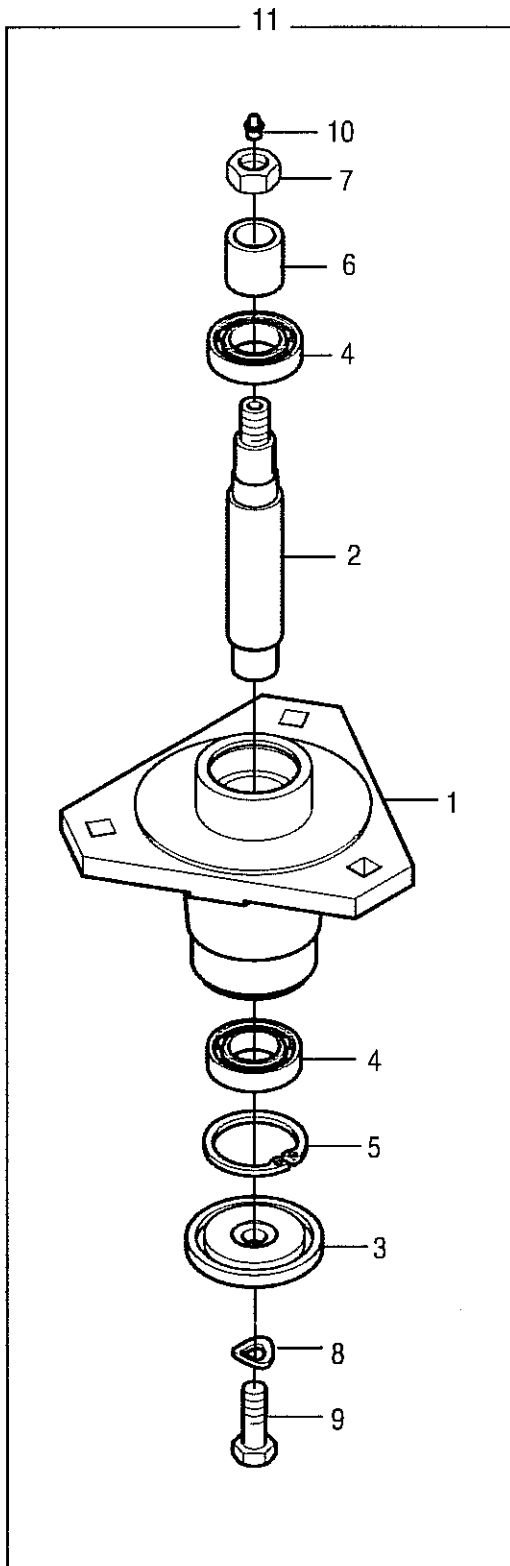
EC SERIES ZERO TURN MOWER DECK LIFT REPAIR PARTS



EC SERIES ZERO TURN MOWER DECK LIFT REPAIR PARTS

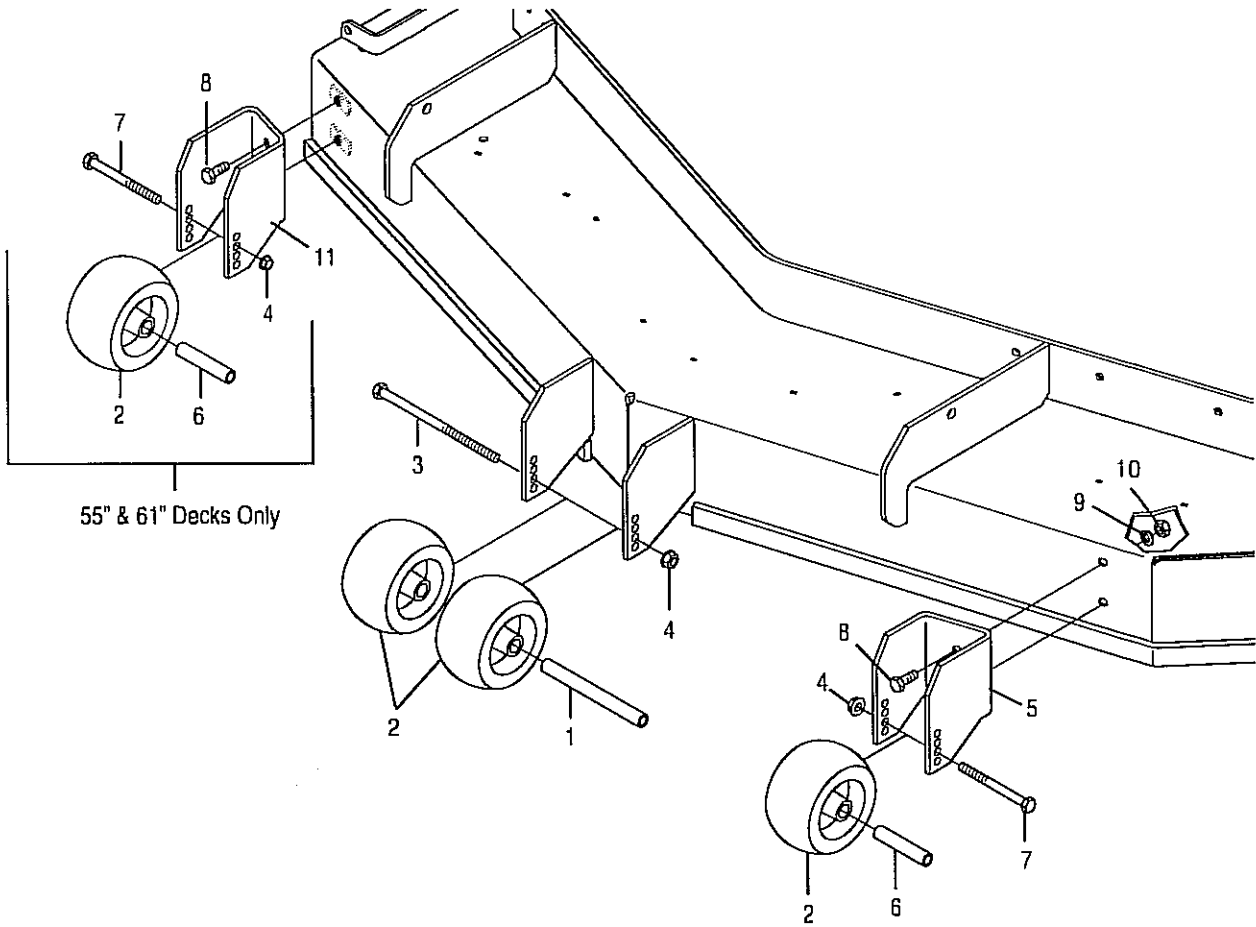
REF. NO.	PART NO.	QTY.	DESCRIPTION
1	50049598	2	Mounting Bracket, Pivot Rod
2	50049594	1	Front Deck Lift Weldment
3	50049623	1	Foot Pedal Assembly
4	50040334	2	Flange Bushing
5	50028246	1	Non Skid Surface
6	45132BH	1	Capscrew 1/2" x 2-1/4" YZ
7	45103	8	Locknut 1/2" Flanged YZ
8	50049621	1	Deck Lift Weldment, Rear R.H.
9	50027554	6	Rod Mounting Boss
10	50049624	1	Deck Lift Weldment, Rear L.H.
11	45077BH	6	Flatwasher 7/8"
12	50027534	6	E-Ring
13	45077	8	Hex Nut 1/2" Flanged
14	50027532	4	Deck Lift Chain, 5 Links
15	50049735	1	Height Adjustment Stop Weldment
16	45075BH	2	Hex Nut 5/8" YZ
17	45086BH	4	Capscrew 3/8" x 1" YZ
18	45063	2	Flatwasher 3/8" YZ
19	45113	4	Lockwasher 3/8" YZ
20	45107	4	Locknut 3/8"
21	449BH	4	Grease Fitting
22	15389	1	Roll Pin 1/4" x 1"
23	45080BH	4	Capscrew 1/2" x 2"
24	50047631	2	Rod, Deck Lift Assist
25	45075BH	10	Hex Nut 5/8" YZ
26	50029431	2	Oil Filled Washer
27	50027491	2	Spring, Deck Lift Assist
28	45066BH	2	Flatwasher 5/8" YZ
29	45078	4	Capscrew 1/2" x 1-1/2" YZ
30	50040329	4	Bushing, Flanged
31	45061BH	2	Flatwasher 3/4" YZ
32	99050	2	E-Ring 3/4"
33	50042669-26	1	Bracket, Height Adjustment
34	50043244	1	Decal, Height Adjustment
35	50047473	1	Pin, Height Adjustment
36	50043225	2	Capscrew 5/16" x 3/4", Washer Hd. YZ

EC SERIES ZERO TURN MOWER 50048640 SPINDLE ASSEMBLY



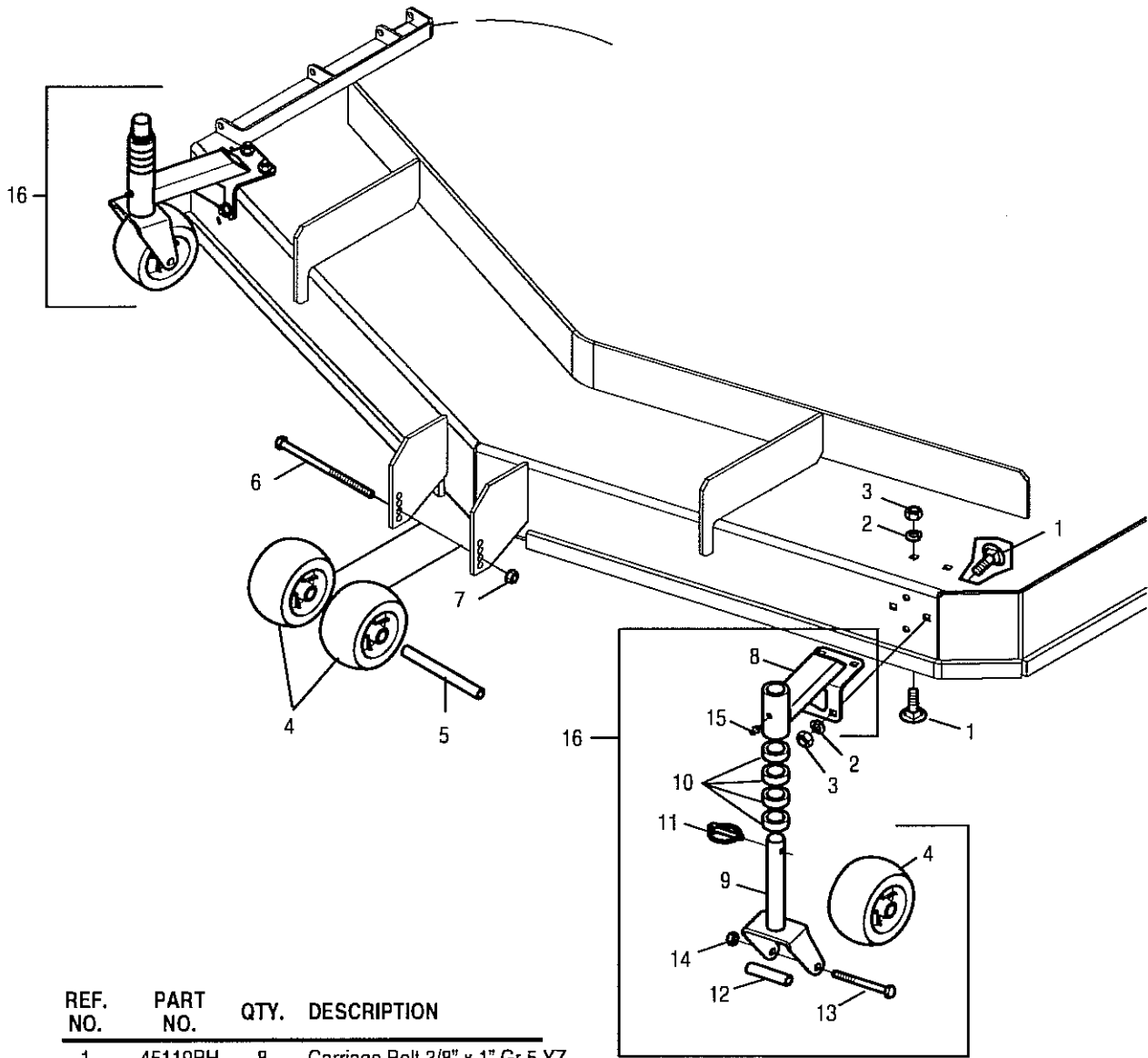
REF. NO.	PART NO.	QTY.	DESCRIPTION
1	50045471	1	Spindle Housing
2	50045469	1	Greasable Shaft
3	88754	1	Blade Washer
4	95764	2	Bearing
5	97685	1	Retaining Ring
6	96647	1	Pivot Tube
7	45075BH	1	Hex Nut 5/8" YZ
8	44040BH	1	Safety Washer, Heavy Duty
9	44508BH	1	Capscrew 1/2" x 1-1/2" Gr.8 NF
10	449BH	1	Grease Fitting
11	50048640	1	Spindle Assy

EC SERIES ZERO TURN MOWER FRONT ROLLER ASSEMBLY

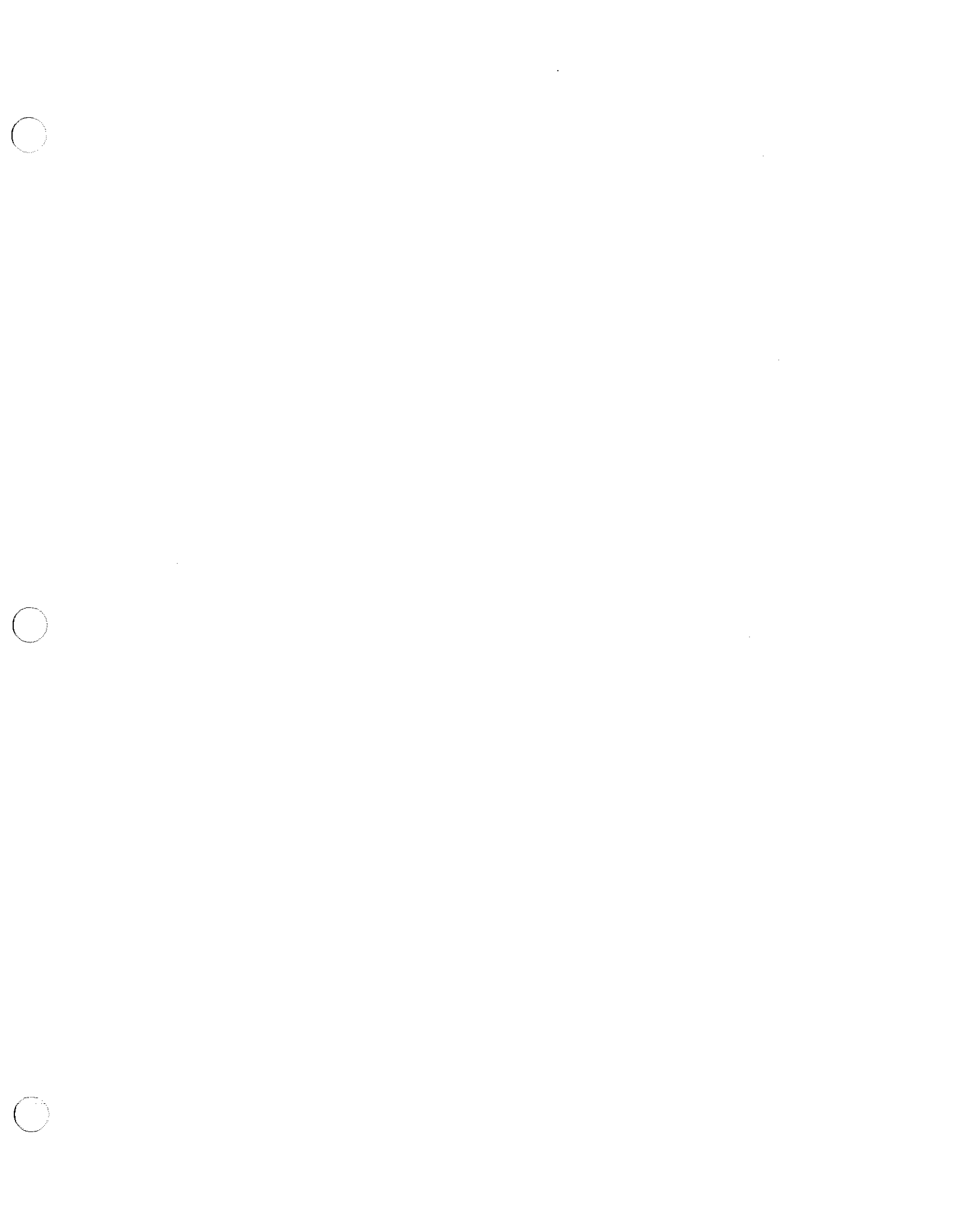


REF. NO.	PART NO.	QTY.	DESCRIPTION
1	50029093	1	Bushing
2	50025511	A/R	Roller, Anti-Scalp
3	45089BH	1	Cap Screw 3/8" x 7"
4	45180BH	2	Lock Nut 3/8" Flanged YZ
5	50034695	1	Front Roller Bracket, L.H.
6	50027488	A/R	Bushing
7	—	1	Capscrew 3/8" x 4"
8	—	A/R	Capscrew 3/8" x 1"
9	—	2	Lockwasher 3/8"
10	45107BH	2	Locknut 3/8"
11	50034694-26	1	Front Roller Bracket, R.H. (Used on 55" & 61" Decks only.)

EC SERIES ZERO TURN MOWER FRONT ROLLER ASSEMBLY WITH CASTERS 61" DECK ONLY



REF. NO.	PART NO.	QTY.	DESCRIPTION
1	45119BH	8	Carriage Bolt 3/8" x 1" Gr.5 YZ
2	45113	8	Lockwasher 3/8" YZ
3	45119BH	8	Hex Nut 3/8" YZ
4	50025511	4	Roller, Anti-Scalp
5	50029093	1	Bushing, Anti-Scalp
6	45089BH	1	Capscrew 3/8" x 7" Gr.5 YZ
7	45180BH	1	Locknut 3/8" Flanged YZ
8	50045524	1	Caster Arm Weldment
9	50045487	1	Caster Fork Weldment
10	84612	4	Tailwheel Spacer, Short
11	50022926	1	Lynch Pin 1/4" x 1-3/4"
12	50027488	1	Bushing, Anti-Scalp Roller
13	45131BH	1	Capscrew 3/8" x 4" Gr.5 YZ
14	45105BH	1	Locknut 3/8" YZ
15	449BH	2	Grease Fitting
16	50045525	2	Caster Assembly

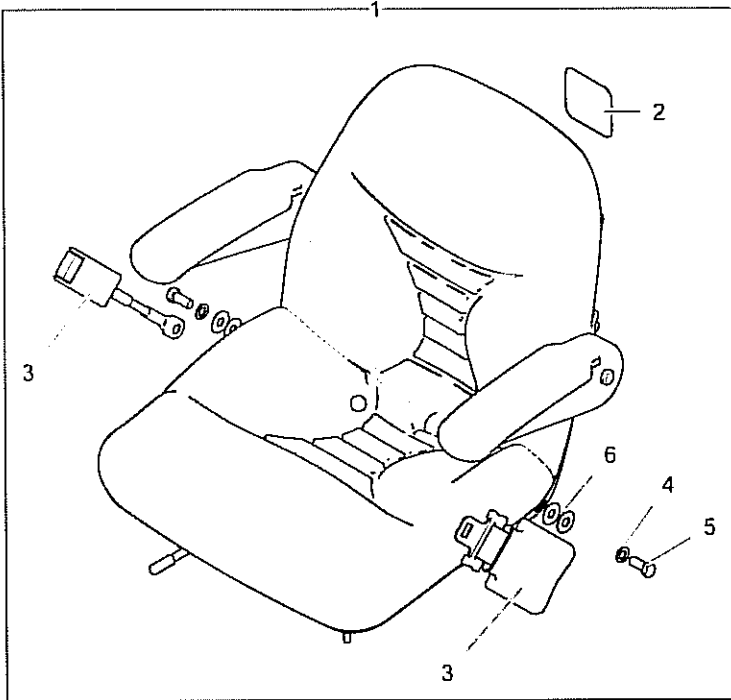


TG 2661

FRAME & SEATING

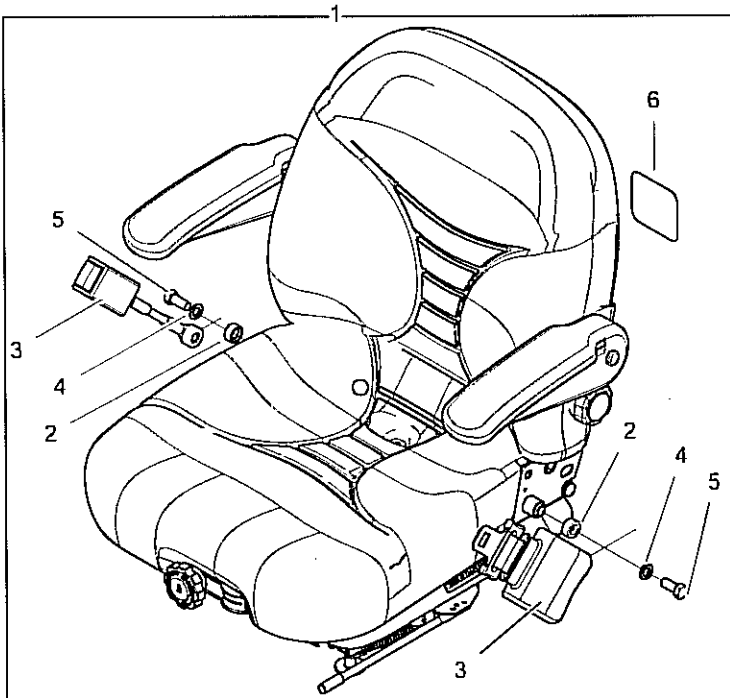
EC SERIES ZERO TURN MOWER SEATS

NON SUSPENSION SEAT



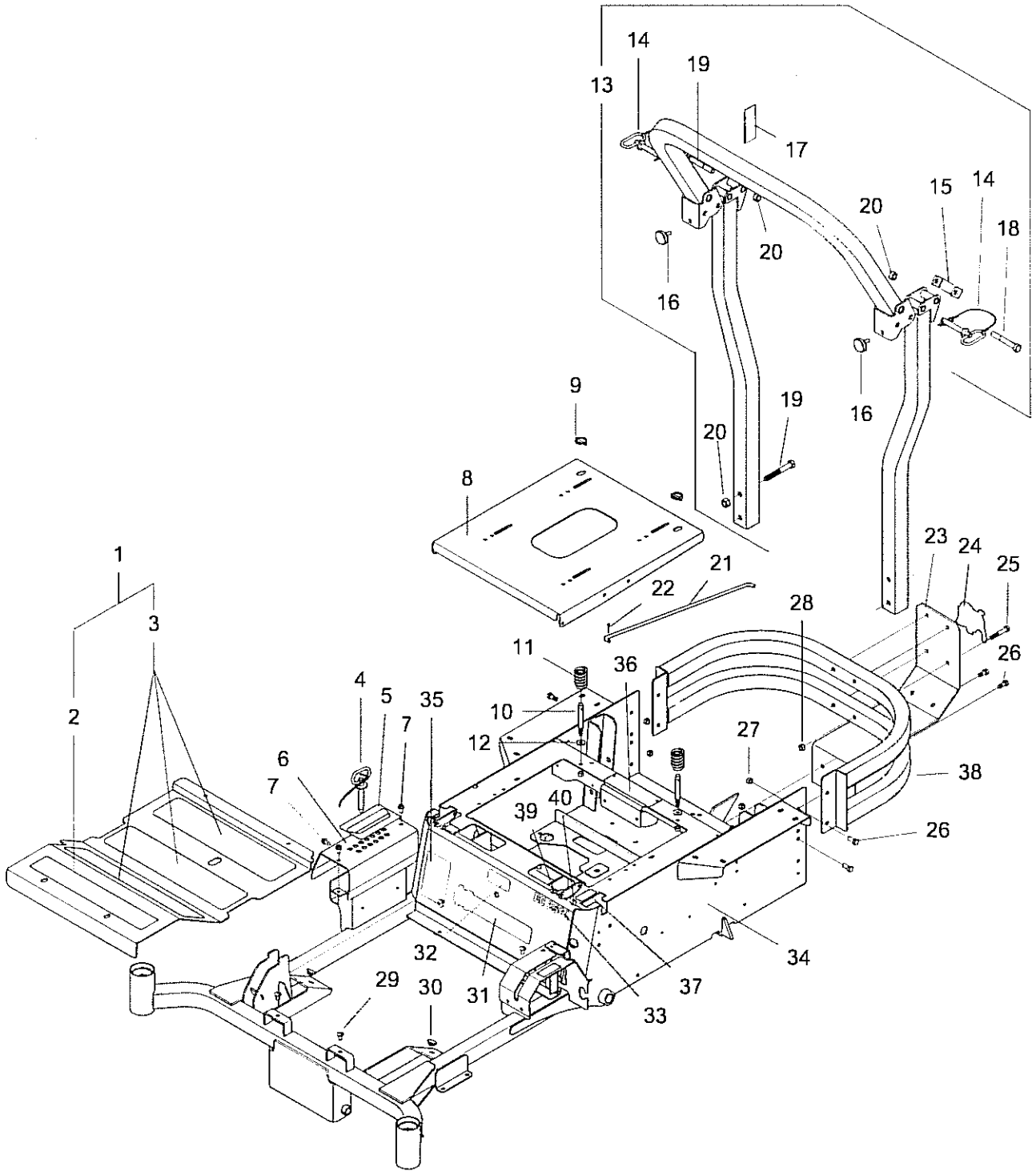
REF. NO.	PART NO.	QTY.	DESCRIPTION
1	50068557	1	Seat Assy. Non-Suspension
2	94131	1	Caution Decal
3	50041283	1	Seat Belt & Strap Assy.
4	45159BH	2	Lockwasher 7/16" YZ
5	45138BH	2	Capscrew 7/16" x 1" YZ
6	45067BH	4	Flatwasher 7/16" YZ

FULL SUSPENSION SEAT



REF. NO.	PART NO.	QTY.	DESCRIPTION
1	50068794	1	Seat Assy. Full-Suspension
2	50047160	1	Seat Bushing
3	50041283	1	Seat Belt & Strap Assy.
4	45159BH	2	Lockwasher 7/16" YZ
5	45138BH	2	Capscrew 7/16" x 1" YZ
6	94131	1	Caution Decal

EC SERIES ZERO TURN MOWER MAINFRAME and RELATED PARTS



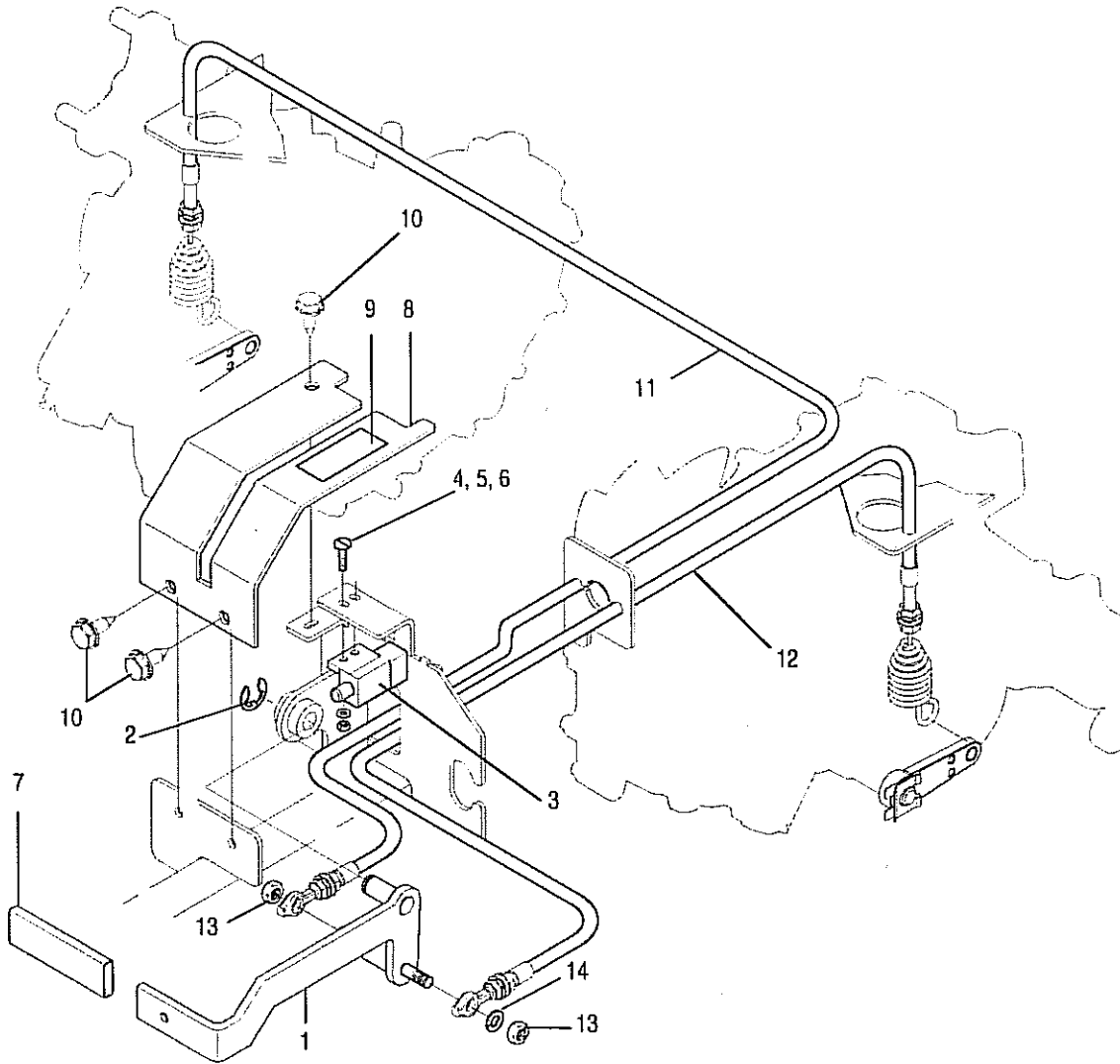
EC SERIES ZERO TURN MOWER MAINFRAME and RELATED PARTS

Ref. No.	Part No.	Qty.	Description
1	50064791	1	Platform, Assy.
2	50029501	1	Decal, Warning
3	50028120	3	Non Skid Surface
4	50047473	1	Pin, Height Adjust.
5	50043244	1	Decal, Height Adjust.
6	50042669	1	Bracket, Height Adjust
7	50043225	3	Capscrew, Washerhead 5/16"-18 x 3/4"
8	50040895	1	Seat Platform
9	69391	2	Lynch Pin
10	50047153	2	Seat Lock Pin
11	98558	2	Seat Spring
12	45056BH	2	Flatwasher 5/16"
13	-----	1	ROPS Bundle (Order 50068106 through Wholegoods)
14	50046900	2	Hitch Pin Assy.
15	50055030	1	Stop
16	50055029	2	Knob
17	50048632	1	Decal Warning
18	45187BH	1	Capscrew 1/2" x 3-1/2" Gr.5
19	45163BH	5	Capscrew 1/2" x 3-1/4" Gr.5
20	45151BH	6	Locknut 1/2"
21	50049713	1	Seat Stop Rod
22	-----	1	Cotter Pin 1/16" x 1/2"
23	50068690-26	1	Rear Support
24	50058250	1	Decal
25	45135BH	4	Capscrew 3/8" x 2-1/4" Gr.5
26	45090BH	6	Capscrew 3/8" x 7/8" Gr.5
27	45105BH	4	Locknut 3/8"
28	45107BH	6	Locknut 3/8" Gr.C
29	45118BH	4	Truss Head Screw 5/16" x 5/8"
30	50027622	2	Grommet
31	50058089	1	Decal
32	50029421	1	Fuel Valve Decal
33	50068042	1	Model Decal EC2561
	50068043	1	Model Decal EC2655
	50068050	1	Model Decal EC2661
34	50068092-26	1	Frame Weldment w/Safety Decal
35	50043279	1	Decal, Warning
36	94132	1	Decal, Warning Battery
37	50043276	2	Control Decal
38	50068033-26	1	Rear Tube Weldment
39	45108BH	2	Locknut 5/16"
40	45094BH	2	Capscrew 5/16" x 3/4" G.5

TG 2661

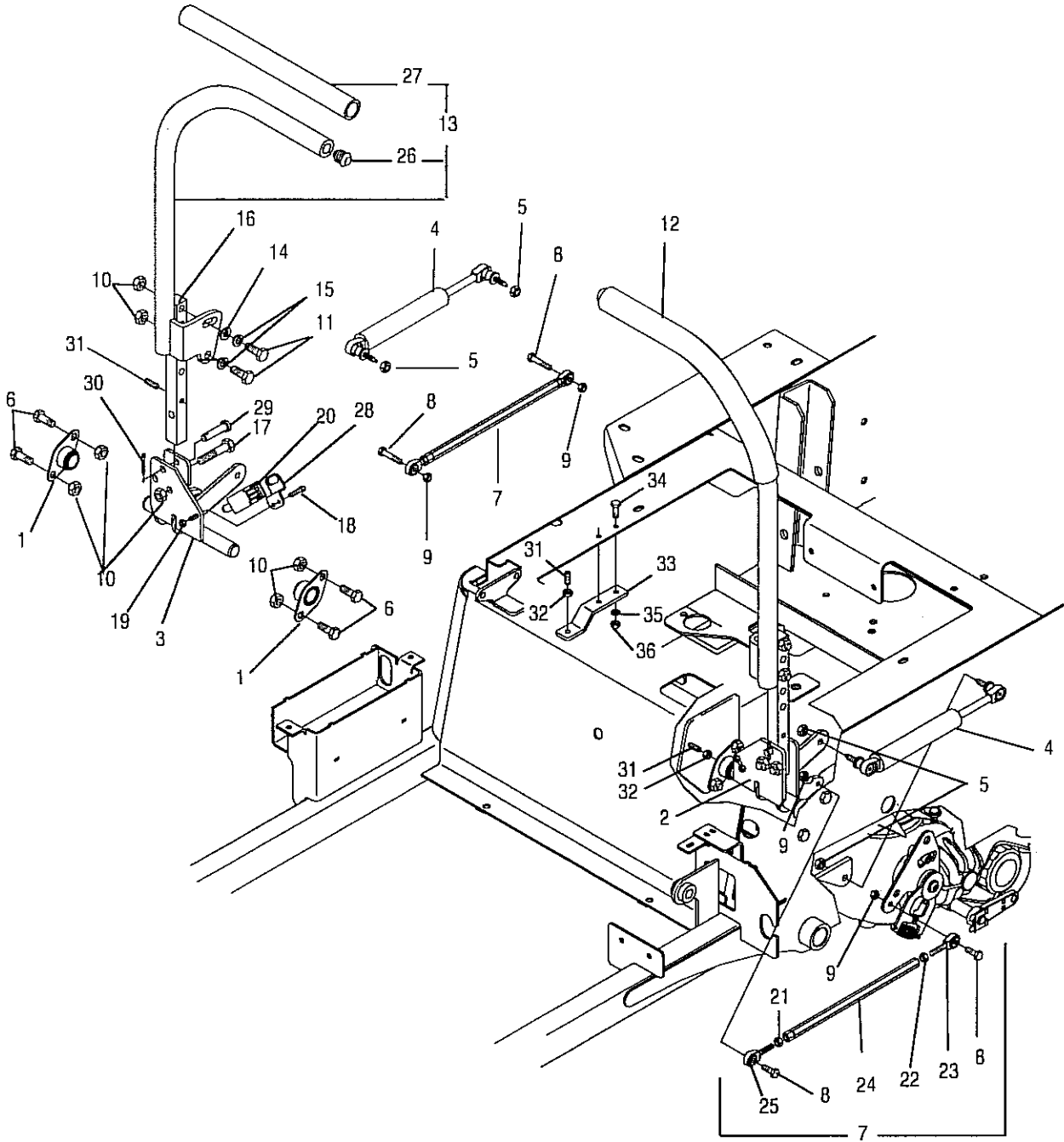
**STEERING &
PARKING BRAKE CONTROLS**

EC SERIES ZERO TURN MOWER PARKING BRAKE and RELATED PARTS



REF. NO.	PART NO.	QTY.	DESCRIPTION
1	50055024	1	Brake Lever Weldment
2	50027543	1	Retaining Ring
3	99073	1	Double Pole Switch
4	45117BH	4	Slit Pn Hd Machine Screw #10 x 3/4"
5	45069	2	Flatwasher #10
6	45101	4	Locknut #10
7	50027533	1	Handle Grip
8	50052036-26	1	Brake Cover
9	50043246	1	Decal, Parking Brake
10	50043225	3	Capscrew 5/16" x 3/4" Washer Head
11	50052862	1	Brake Cable, R.H. (Long)
12	50052863	1	Brake Cable, L.H. (Short)
13	45108BH	3	Locknut 5/16"
14	45065BH	1	Flatwasher 5/16"

EC SERIES ZERO TURN MOWER
STEERING CONTROLS



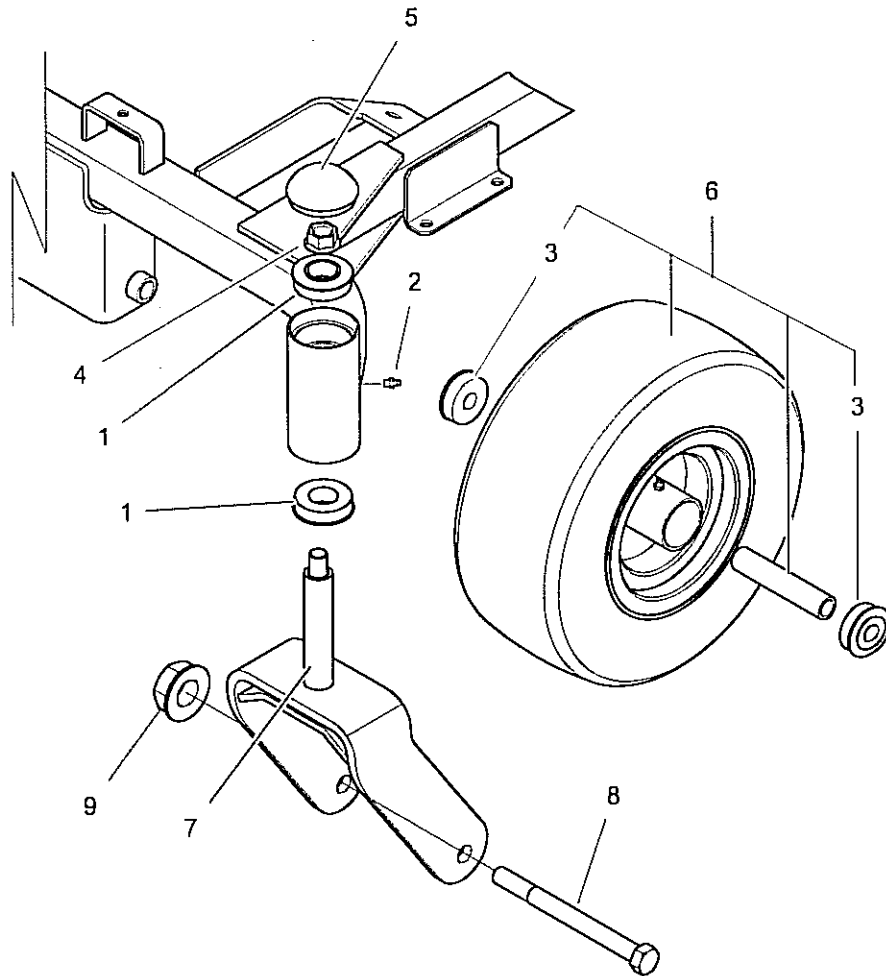
EC SERIES ZERO TURN MOWER STEERING CONTROLS

REF. NO.	PART NO.	QTY.	DESCRIPTION
1	50035351	4	Flanged Mounting Bearing
2	50049634	1	L.H. Pivot Weldment
3	50049633	1	R.H. Pivot Weldment
4	50027495	2	Damper
5	45110BH	4	Lock Nut MB YZ
6	45088BH	4	Capscrew 3/8" x 3/4" YZ
7	50049721	2	Handle Linkage
8	45164BH	4	Capscrew 1/4" x 1-1/4"
9	9161000	4	Lock Nut 1/4"
10	45107BH	16	Lock Nut 3/8"
11	45086BH	4	Capscrew 3/8" x 1"
12	50049699	1	Handle Assembly, L.H.
13	50049700	1	Handle Assembly, R.H.
14	45063	2	Flatwasher 3/8" YZ
15	45113	4	Lockwasher 3/8" YZ
16	50045497	2	Lever
17	45087BH	4	Capscrew 3/8" x 1-3/4" YZ
18	45018BH	4	Capscrew #10 Hex Soc. Hd.
19	45101	4	Lock Nut #10
20	50045504	2	Double Pole Switch
21	45098BH	2	Jam Nut 1/4" L.H. NF
22	45099BH	2	Jam Nut 1/4" NF
23	50049690	2	Spherical Rod End, R.H.
24	-----	2	Linkage Rod (Order Item 7 Handle Linkage Assy.)
25	50049691	2	Spherical Rod End, L.H.
26	98539	2	Handle Plug
27	50045536	2	Handle Grip
28	50045510	2	Switch Mount
29	50045286	2	Clevis Pin
30	45206	2	Cotter Pin 1/8" x 3/4"
31	44996BH	4	Setscrew 1/4" x 3/4"
32	45071BH	4	Hex Nut 1/4"
33	50060252	2	Handle Bracket
34	45083BH	2	Capscrew 1/4" x 3/4" YZ
35	45112BH	2	Lockwasher 1/4" YZ
36	45071BH	2	Hex Nut 1/4" YZ

TG 2661

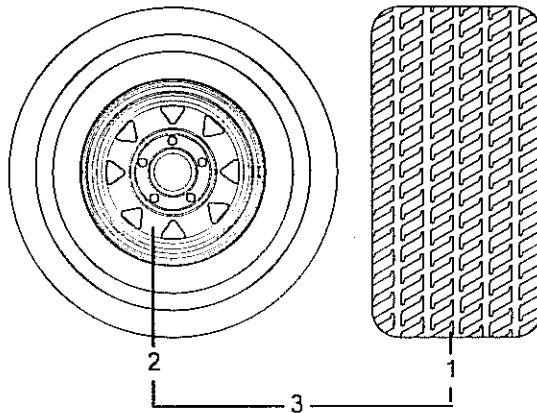
WHEELS

EC SERIES ZERO TURN MOWER FRONT CASTER WHEEL and REALTED PARTS



REF. NO.	PART NO.	QTY.	DESCRIPTION
1	99093	4	Ball Bearing, Flanged Radial, 2.00"
2	449BH	2	Grease Fitting
3	97389	4	Sealed Ball Bearing
4	45154BH	2	Locknut 5/8" Flanged
5	50027240	2	Grease Cap
6	50047051	1	Wheel & Tire Assembly
7	50047048	1	Caster Fork Weldment
8	45145BH	1	Capscrew 5/8" x 7" Gr. 5 YZ
9	45157BH	1	Locknut 5/8" YZ

EC SERIES ZERO TURN MOWER TIRE and WHEEL ASSEMBLIES

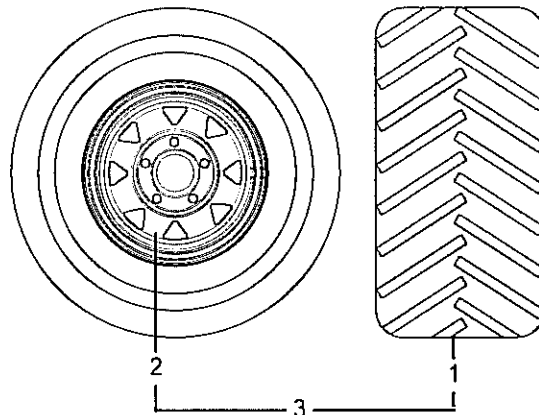


TURF TIRE ASSEMBLIES

REF. NO.	PART NO.	QTY.	DESCRIPTION
1	50064785	1	Turf Tire 22 x 10.5 x 12
2	50044026	1	Wheel
3	50068035	1	Tire and Wheel Assy.

BAR TIRE ASSEMBLIES

REF. NO.	PART NO.	QTY.	DESCRIPTION
1	50068837	1	Bar Tire 23 x 10.5 x 12
2	50044026	1	Wheel
3	50068839	1	Bar Tire Assy. L.H.
	50068838	1	Bar Tire Assy. R.H.





TG 2661

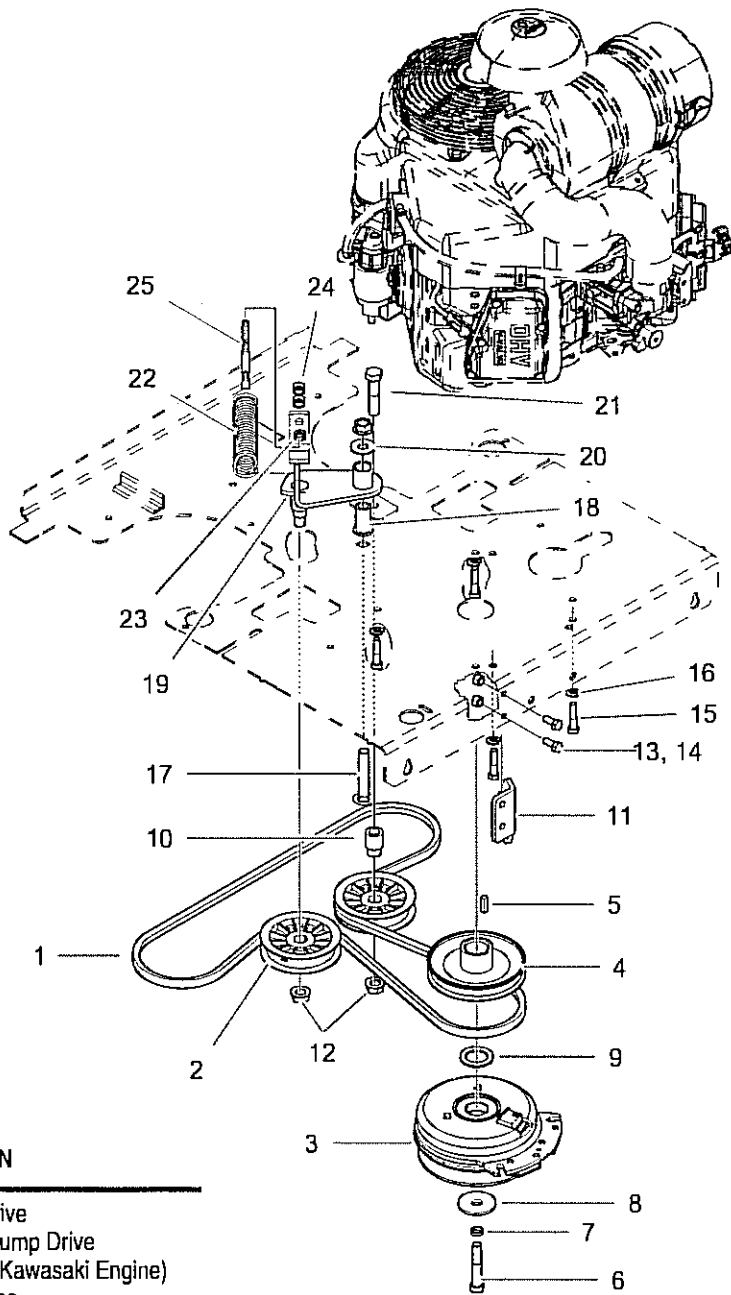
(

ENGINE

(

(

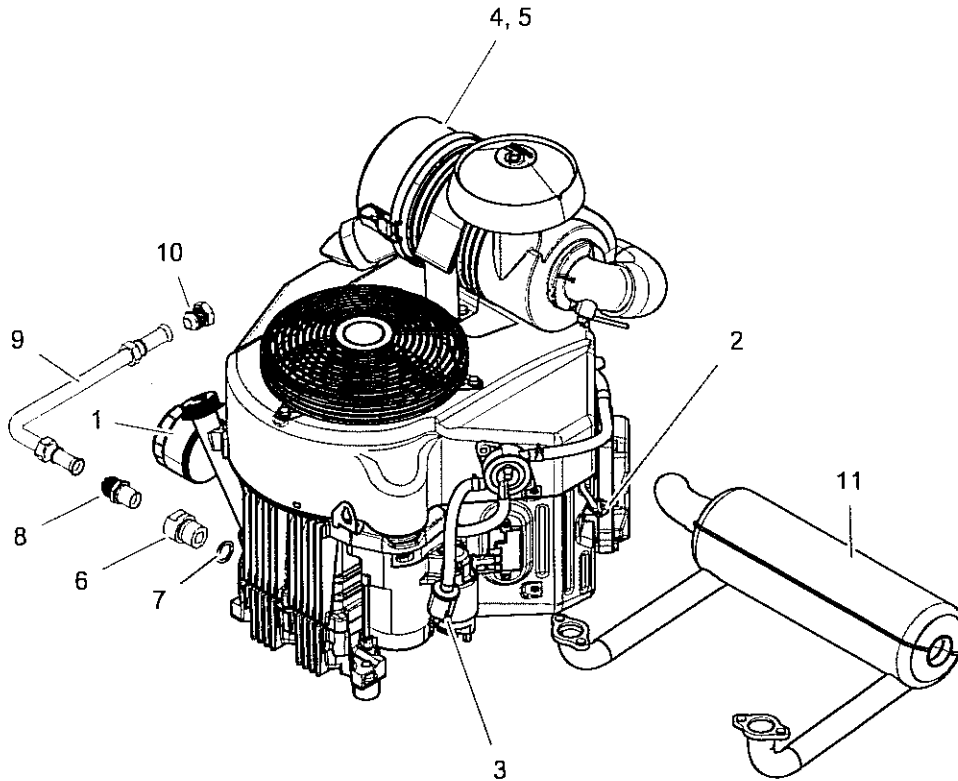
EC SERIES ZERO TURN MOWER KAWASAKI ENGINE CLUTCH, PULLEYS, and PUMP BELT



REF. NO.	PART NO.	QTY.	DESCRIPTION
1	50068022	1	Belt, Pump Drive
2	50049649	2	Idler Pulley, Pump Drive
3	50068674	1	Clutch Assy. (Kawasaki Engine)
4	50068021	1	Sheave, Engine
5	19455	1	Key .25 x .25 x .875
6	50037070	1	Bolt, Clutch Locking $\frac{7}{16}$ " x $2\frac{1}{4}$ " Gr.5
7	50034847	1	Lockwasher $\frac{7}{16}$ " Hi Collar
8	50068835	1	Clutch Washer
9	50029504	1	Spacer Washer
10	50068526	1	Spacer, Idler
11	50065858	1	Clutch Stop
12	45103	3	Locknut $\frac{1}{2}$ "Gr. C Flanged YZ
13	45094BH	2	Capscrew $\frac{3}{16}$ " x $\frac{3}{4}$ " Gr.5 YZ
14	45108BH	2	Locknut $\frac{3}{16}$ " YZ
15	44181BH	4	Capscrew $\frac{3}{8}$ " x $1\frac{1}{2}$ " Gr.8 YZ
16	45113	4	Lockwasher $\frac{3}{8}$ " YZ

REF. NO.	PART NO.	QTY.	DESCRIPTION
17	45181BH	1	Carriage Bolt $\frac{1}{2}$ " x 3" Gr.5 YZ
18	50053459	1	Bushing, Flanged $\frac{1}{2}$ " x $\frac{3}{4}$ " x $1\frac{1}{2}$ "
19	50068486	1	Arm Weldment, Pump Idler
20	45059BH	1	Flatwasher $\frac{1}{2}$ " YZ
21	45132BH	1	Capscrew $\frac{1}{2}$ " x $2\frac{1}{4}$ " Gr.5 YZ
22	90391	1	Tension Spring
23	45073	2	Hex Nut $\frac{3}{8}$ " YZ
24	45146BH	1	Jamnut $\frac{3}{8}$ " YZ
25	50054988	1	Tension Rod

EC SERIES ZERO TURN MOWER 26 HP KAWASAKI ENGINE SERVICE PARTS



NOTE: Tiger Corp. does not supply Engine Service Parts. For service on the Kawasaki Engine or parts not listed, see an authorized Kawasaki Engine Service Dealer.

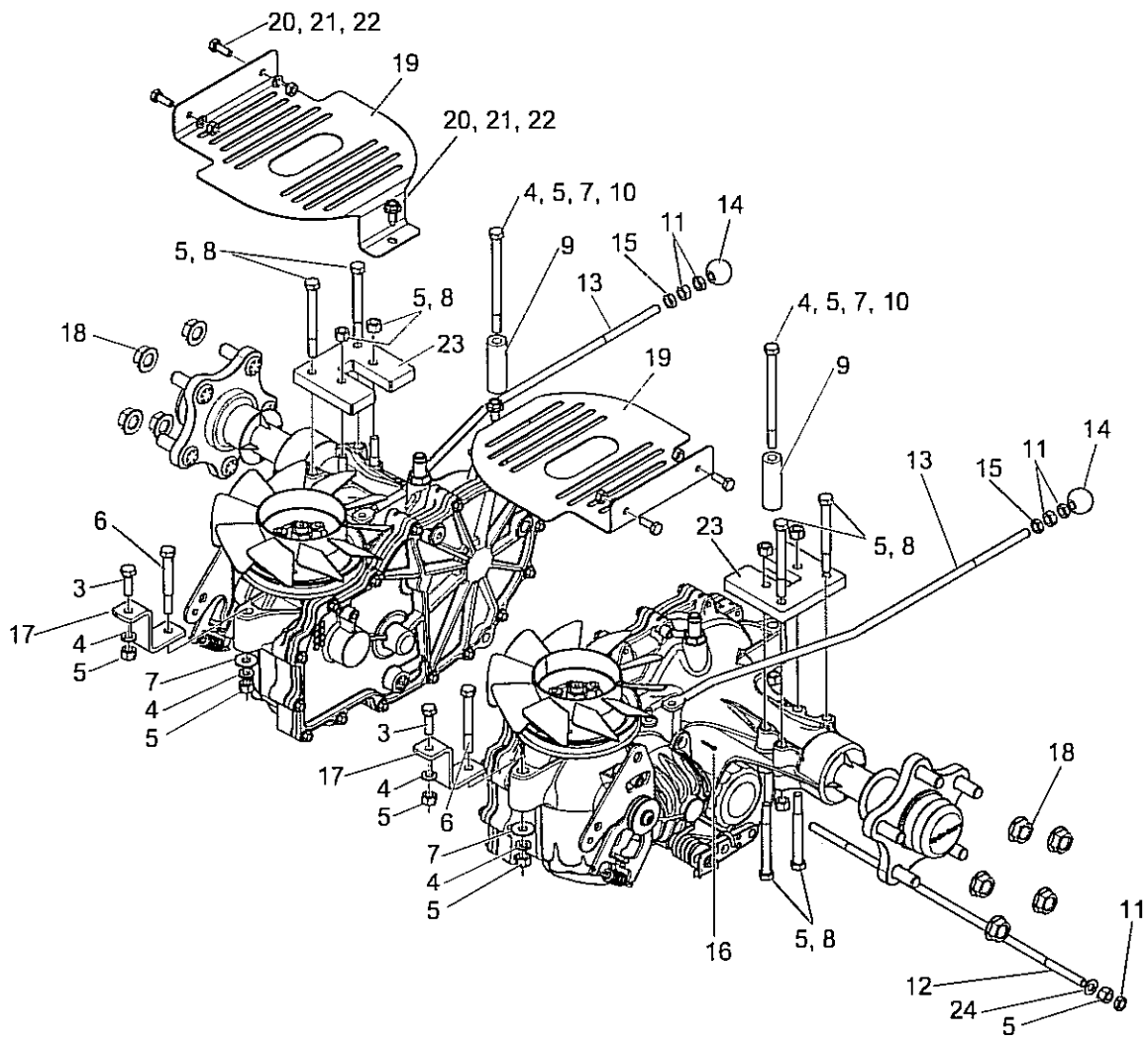
REF. NO.	PART NO.	QTY.	DESCRIPTION
	N/A	1	Kawasaki 26 HP Engine FX730V-AS14-R
1	50068730	1	Oil Filter
2	50042063	2	Spark Plug
3	50042062	1	Fuel Filter
4	50042061	1	Pre Filter (Outer)
5	50042060	1	Primary Filter (Inner)
6	N/A	1	Oil Drain Adaptor (See Kawasaki Dealer)
7	N/A	1	O-Ring (See Kawasaki Dealer)
8	97343	1	Connector, Male
9	50029002	1	Drain Tube Assy.
10	97342	1	Plug
11	50068681	1	Muffler Assy.



TG 2661

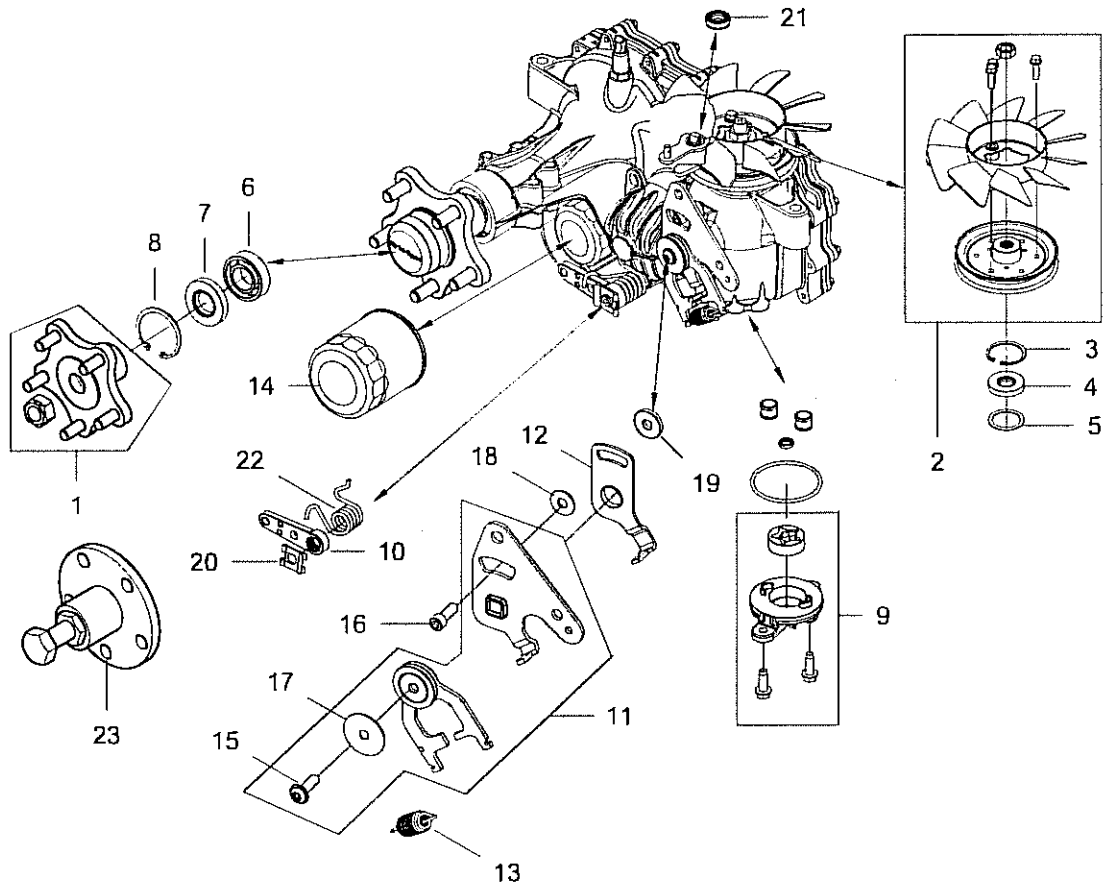
TRANSAXLE

EC SERIES ZERO TURN MOWER TRANSAXLE MOUNT and RELATED PARTS



REF. NO.	PART NO.	QTY.	DESCRIPTION	REF. NO.	PART NO.	QTY.	DESCRIPTION
1	50068053	1	L.H. Transaxle Assy,	13	50049677	2	Transaxle Release Rod
2	50068052	1	R.H. Transaxle Assy.	14	50019445	2	Knob
3	45128BH	2	Capscrew 5/16" x 1" YZ	15	45108BH	2	Locknut 5/16" YZ
4	45114	16	Lockwasher 5/16" YZ	16	45055BH	2	Cotter Pin 3/32 x 1/2" YZ
5	45108BH	6	Locknut 5/16" YZ	17	50064832	2	Transaxle Support Weldment
6	45093BH	2	Capscrew 5/16" x 2-3/4" GB YZ	18	45076BH	10	Hex Nut, Beveled
7	45065BH	7	Flatwasher 5/16" YZ	19	50055815	2	Fan Shield
8	45221BH	8	Capscrew 5/16" x 2-3/4" YZ	20	45083BH	6	Capscrew 5/16" x 3/4" YZ
9	50064828	2	Transaxle Spacer, Short	21	45153	4	Locknut 1/4" YZ
10	45220BH	2	Capscrew 5/16" x 4-1/4" YZ	22	45112BH	8	Lockwasher 1/4" YZ
11	45100	6	Jam Nut 5/16" YZ	23	50064820	2	Mounting Plate
12	50049720	1	Torsion Rod	24	45064	2	Flatwasher 5/16" SAE YZ

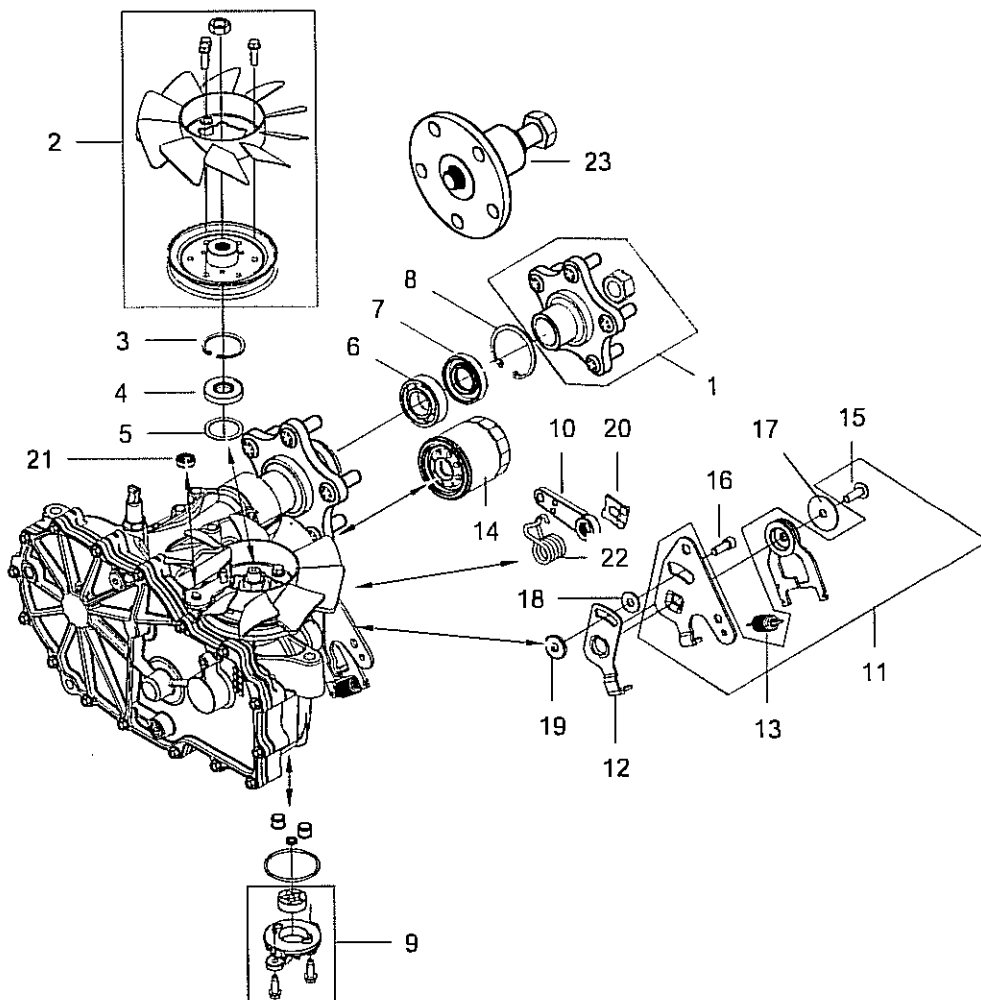
EC SERIES ZERO TURN MOWER TRANSAXLE ASSEMBLY R.H.



REF. NO.	PART NO.	QTY.	DESCRIPTION
	50068052	1	Transaxle Assembly R.H.
1	50068916	1	Hub Kit (Hub & 5 Bolts)
2	50068917	1	Fan Kit (Fan & Pulley)
3	50058289	1	Retaining Ring
4	50058290	1	Seal, Lip 17 x 40 x 17
5	50058291	1	Washer
6	50068918	1	Bearing, Ball
7	50068919	1	Seal, Lip TC4, 1 x 2.06 x .38
8	50058294	1	Retaining Ring
9	50068920	1	Kit, Charge Pump
10	50068921	1	Handle, Actuating
11	50067860	1	Kit, Rotation, CW

REF. NO.	PART NO.	QTY.	DESCRIPTION
12	50058307	1	Arm, Neutral Right
13	50045883	1	Spring, Extension
14	50058299	1	Filter, Oil
15	50058300	1	Capscrew 5/16" x 1" TW (Patch)
16	50058301	1	Capscrew 5/16" x 1" SH (Patch)
17	50058302	1	Washer .343 x 1.5 x .062
18	50044513	1	Washer .34 x .85 x .06
19	50058304	1	Spacer
20	50052121	1	Clip, Retaining
21	50058305	1	Seal, Lip .375 x .75 x .25
22	50067862	1	Spring, Torsion
23	50068922	1	Hub Puller

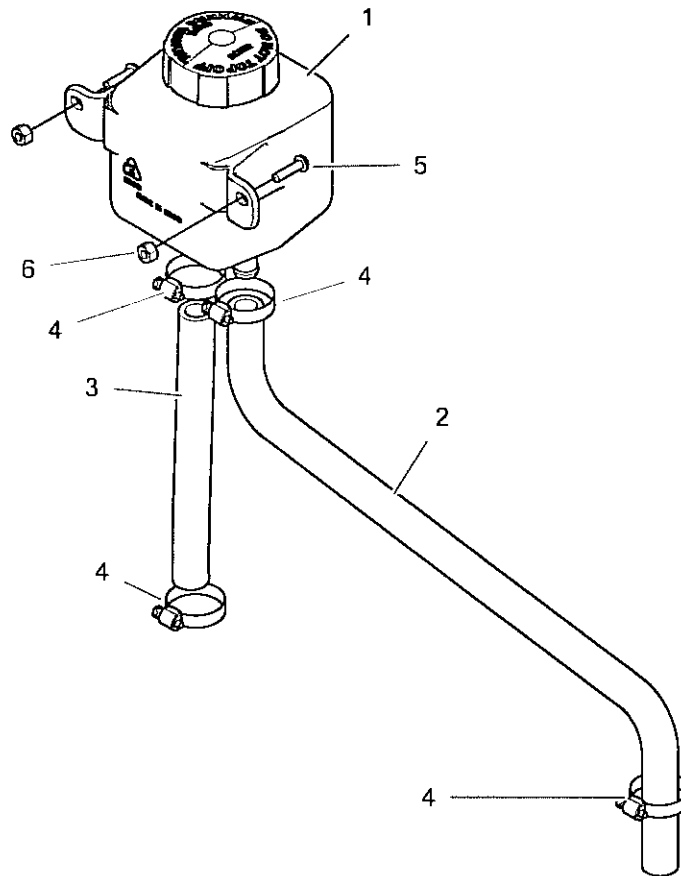
EC SERIES ZERO TURN MOWER TRANSAXLE ASSEMBLY L.H



REF. NO.	PART NO.	QTY.	DESCRIPTION
	50068053	1	Transaxle Assembly L.H.
1	50068916	1	Hub Kit (Hub & 5 Bolts)
2	50068917	1	Fan Kit (Fan & Pulley)
3	50058289	1	Retaining Ring
4	50058290	1	Seal, Lip 17 x 40 x 17
5	50058291	1	Washer
6	50068918	1	Bearing, Ball
7	50068919	1	Seal, Lip TC4, 1 x 2.06 x .38
8	50058294	1	Retaining Ring
9	50068920	1	Kit, Charge Pump
10	50068930	1	Handle, Actuating
11	50067861	1	Kit, Rotation, CW

REF. NO.	PART NO.	QTY.	DESCRIPTION
12	50058297	1	Arm, Neutral Left
13	50045883	1	Spring, Extension
14	50058299	1	Filter, Oil
15	50058300	1	Capscrew 5/16" x 1" TW (Patch)
16	50058301	1	Capscrew 5/16" x 1" SH (Patch)
17	50058302	1	Washer .343 x 1.5 x .062
18	50044513	1	Washer .34 x .85 x .06
19	50058304	1	Spacer
20	50052121	1	Clip, Retaining
21	50058305	1	Seal, Lip .375 x .75 x .25
22	50067863	1	Spring, Torsion
23	50068922	1	Hub Puller

EC SERIES ZERO TURN MOWER HYDRAULIC TANK and HOSES



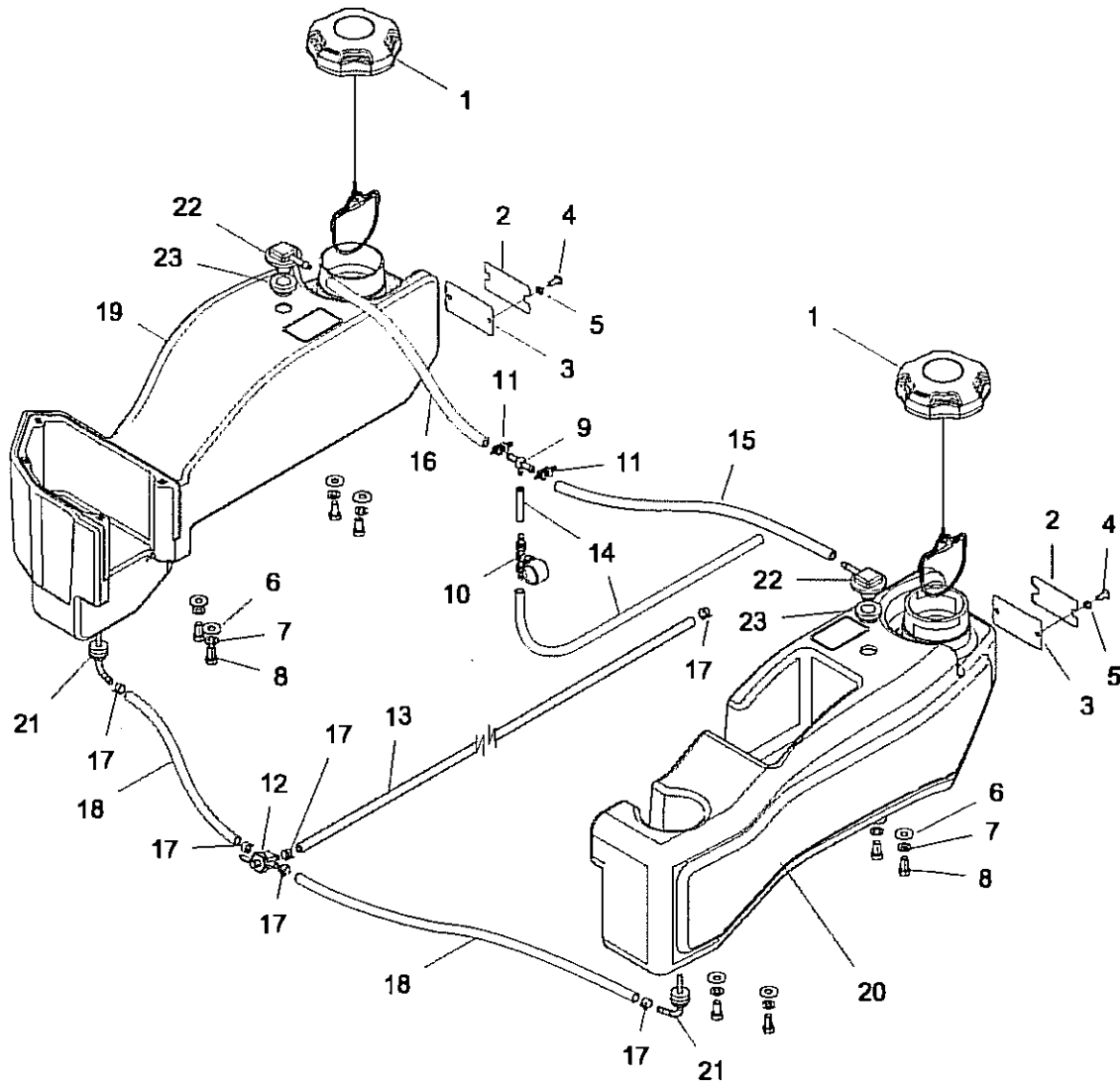
REF. NO.	PART NO.	QTY.	DESCRIPTION
1	50052094	1	Tank Assy.
2	50052901	1	Hydraulic Hose Long
3	50068733	1	Hydraulic Hose Short
4	50005657	4	Hose Clamp
5	45117BH	2	Pan Hd. Screw #10 x 3/4" YZ
6	45101	2	Locknut #10 YZ



TG 2661

FUEL SYSTEM

EC SERIES ZERO TURN MOWER FUEL SYSTEM

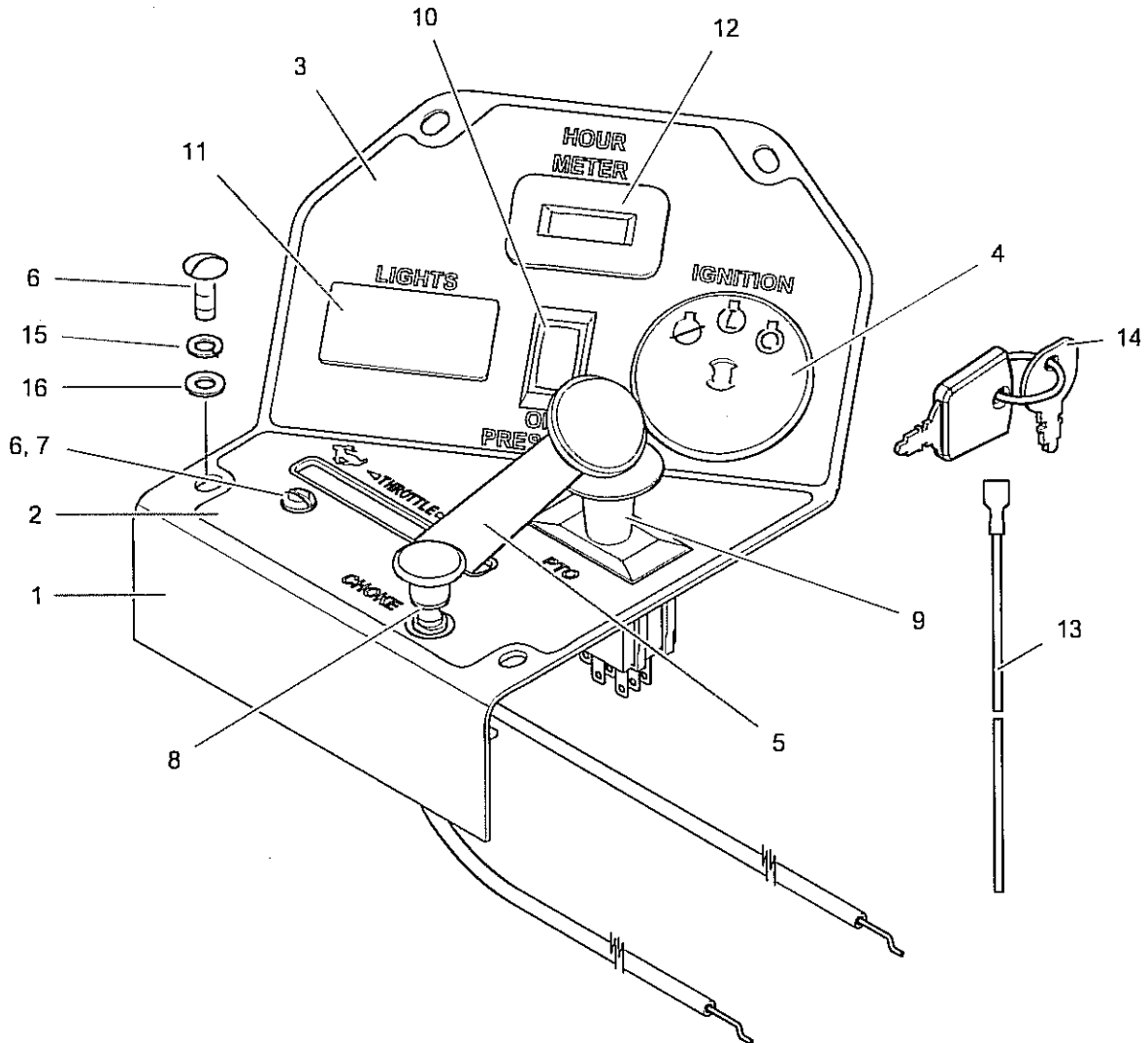


REF. NO.	PART NO.	QTY.	DESCRIPTION	REF. NO.	PART NO.	QTY.	DESCRIPTION
1	50068383	2	Fuel Cap, Tethered and Ratcheted	12	50028138	1	Valve, 3 Way
2	50047067	2	Reflector	13	50043332	1	Fuel Line to Engine 1/4" x 40"
3	50047066	2	Reflector Mount Plate	14	50068695	1	Vent Line, Fuel 3/16" x 30"
4	45116BH	4	Pan Hd. Screw #10 x 1/2"	15	50068687	1	Vent Line, Fuel 3/16" x 24"
5	45115	4	Locwasher #10	16	50068689	1	Vent Line, Fuel 3/16" x 36"
6	45063	8	Flatwasher 3/8" YZ	17	50047915	6	Hose Clamp .50
7	45113	8	Lockwasher 3/8" YZ	18	50029410	2	Fuel Line 1/4" x 22"
8	45088BH	8	Capscrew 3/8" x 3/4" Gr.5 YZ	19	50069872	1	Fuel Tank Assy. R.H. w/ Fittings
9	50068678	1	"T" Fitting	20	50069873	1	Fuel Tank Assy. L.H. w/ Fittings
10	50068959	1	Vacuum Break w/Filter	21	50052910	2	Fitting w/ Screen
11	50068704	6	Fir Tree Mount	22	50068371	2	Vent Plug Assy.
				23	50068372	2	Grommet

TG 2661

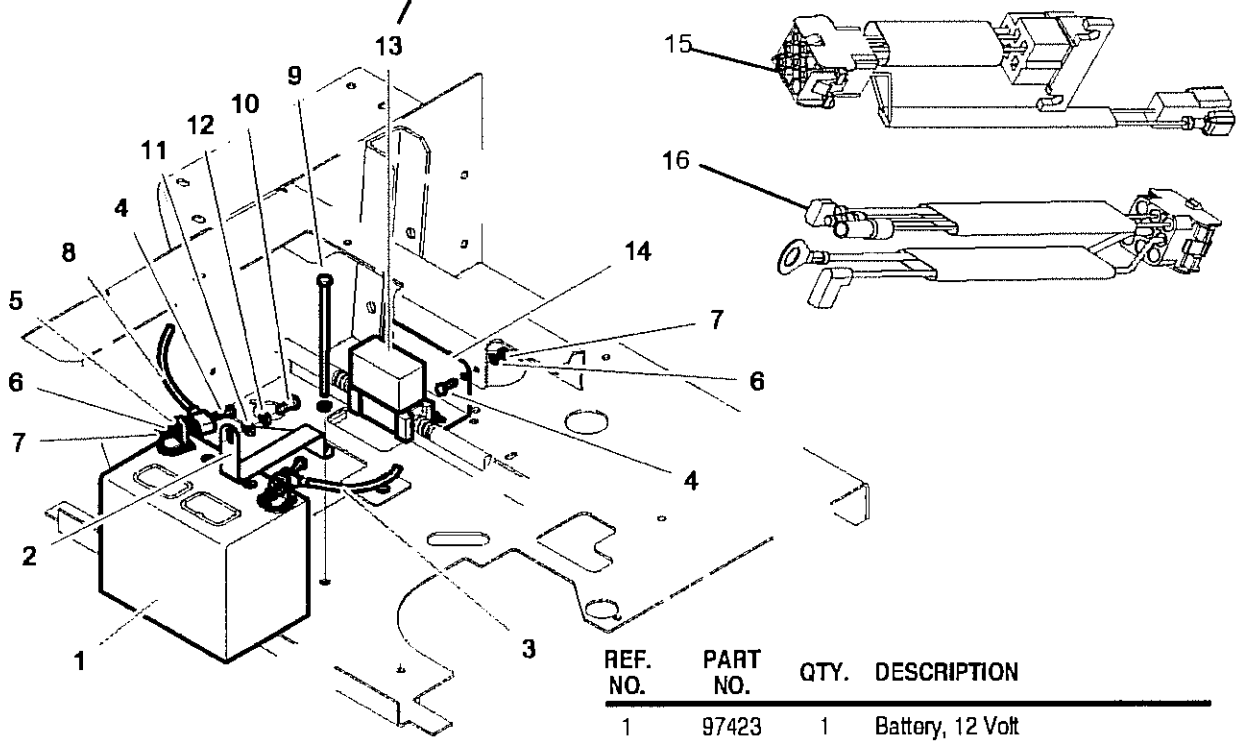
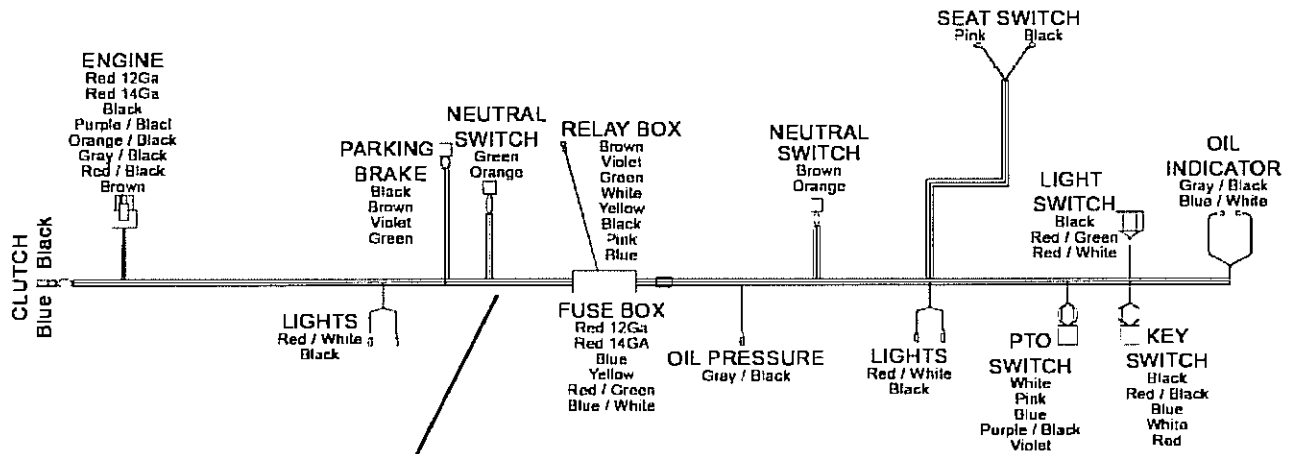
**CONTROL PANEL
& WIRING**

EC SERIES ZERO TURN MOWER CONTROL PANEL



REF. NO.	PART NO.	QTY.	DESCRIPTION
1	50055555	1	Control Panel Plate
2	50055570	1	Decal, Lower Control Panel
3	50055569	1	Decal, Upper Control Panel
4	50047912	1	Ignition Switch
5	50047122	1	Throttle Control Assy.
6	45116BH	6	Pan Hd. Screw #10 x 1/2" YZ
7	45101	2	Locknut #10 YZ
8	50047123	1	Choke Control 55" (For Kohler Engines)
	50056477	1	Choke Control 49" (For Kawasaki Engines)
9	50018299	1	PTO Switch
10	50029016	1	Warning Light, Oil Pressure
11	50042043	1	Plastic Plug
12	50045366	1	Hourmeter
13	50048583	1	Lead, Hour Meter
14	50047913	1	Key Set
15	45115	4	Lockwasher #10 YZ
16	45069	4	Flatwasher #10 YZ

EC SERIES ZERO TURN MOWER ELECTRICAL WIRING



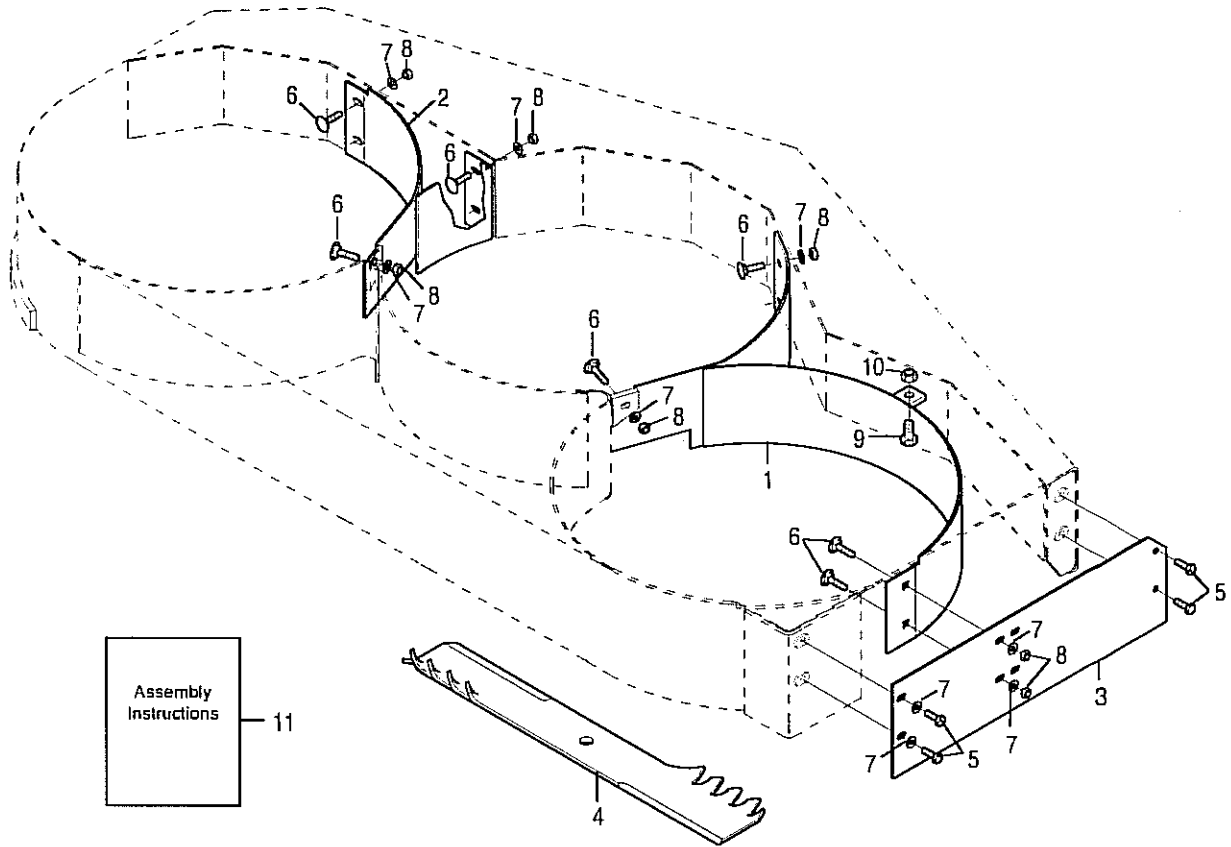
REF. NO.	PART NO.	QTY.	DESCRIPTION
1	97423	1	Battery, 12 Volt
2	50049705	1	Battery Hold Down
3	50043250	1	Battery Ground Cable
4	45083BH	4	Capscrew 1/4" x 3/4" YZ
5	45060	4	Flatwasher 1/4" YZ
6	45112BH	4	Lockwasher 1/4" YZ
7	45071BH	2	Hex Nut 1/4" YZ
8	50043251	1	Battery/Solenoid Cable
9	45142BH	1	Capscrew 5/16" x 5-1/2" YZ
10	45094BH	1	Capscrew 5/16" x 3/4" YZ
11	45065BH	1	Flatwasher 5/16" YZ
12	45114	2	Lockwasher 5/16" YZ
13	50068126	1	Wiring Harness Assembly
14	50041347	1	Fuse Holder Bracket
15	50068131	1	Adaptor, Harness for Kohler Engine
16	50068725	1	Adaptor, Harness for Kawasaki Engine



TG 2661

OPTIONS

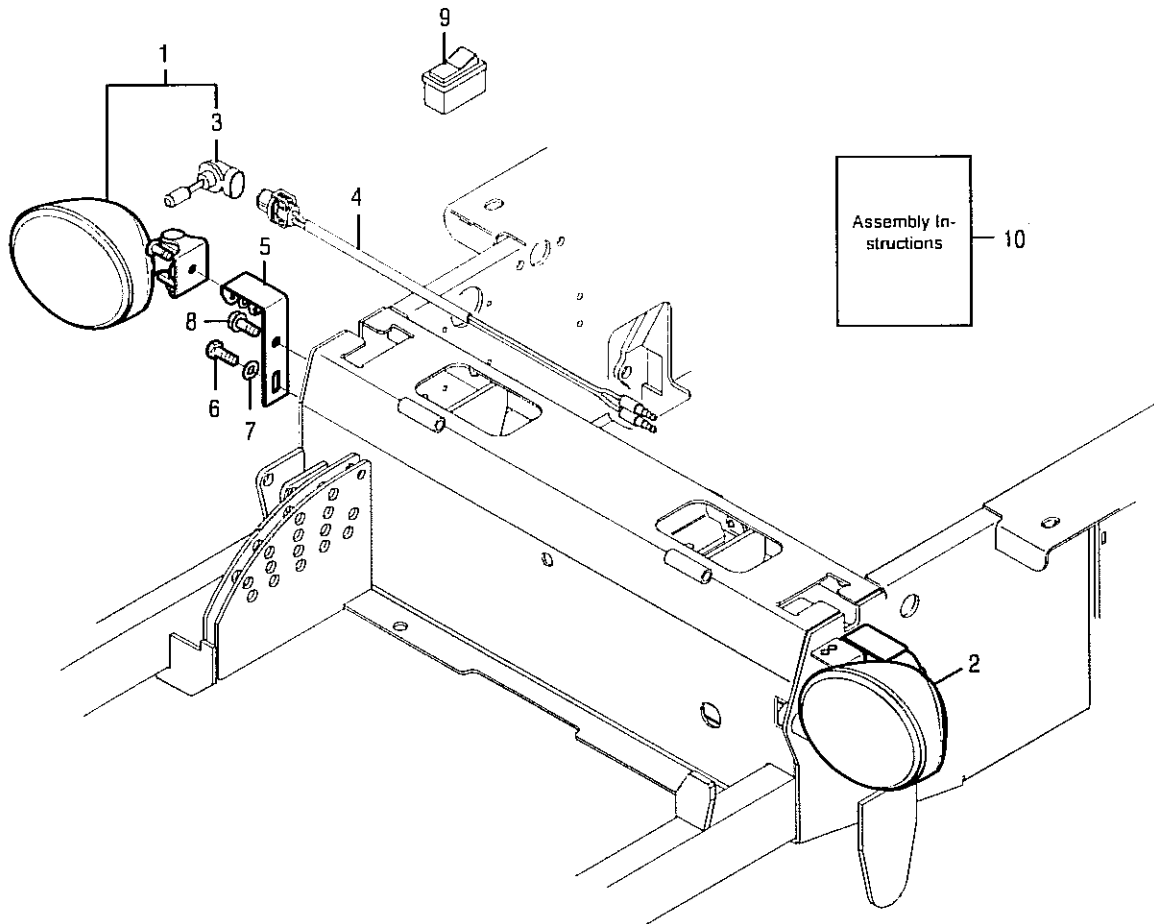
EC SERIES ZERO TURN MOWER MULCHING KIT



50048625 MULCHING KIT FOR 55" DECK 50048626 MULCHING KIT FOR 61" DECK

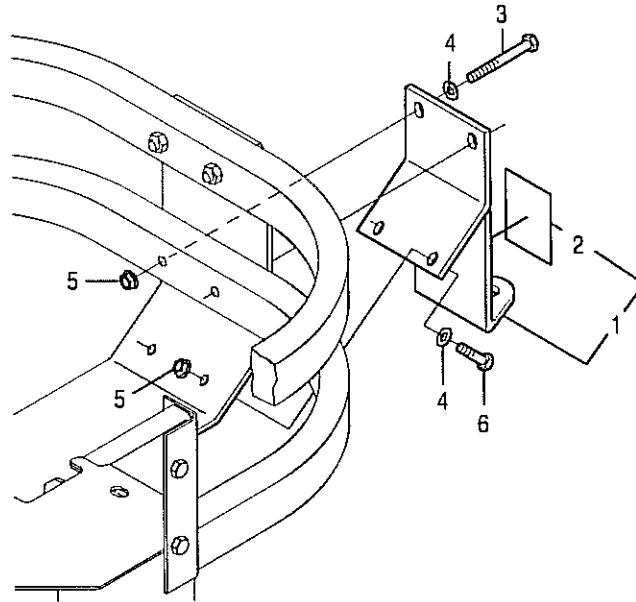
REF. NO.	PART NO.	QTY.	DESCRIPTION
1	50045274	1	Baffle Weldment, R.H., 55" Deck
	50045266	1	Baffle Weldment, R.H., 61" Deck
2	50045277	1	Baffle Weldment, L.H., 55" Deck
	50045265	1	Baffle Weldment, L.H., 61" Deck
3	50047228	1	Side Plate
4	50029158	3	Blade, 19" CW Mulching, 55" Deck
	50029159	3	Blade, 21" CW Mulching, 61" Deck
5	45083BH	4	Capscrew 1/4" x 3/4" YZ
	45165	10	Carriage Bolt 1/4" x 3/4" YZ
7	45060	12	Flatwasher 1/4" YZ
8	45153	10	Locknut 1/4" YZ
9	45094BH	1	Capscrew 5/16" x 3/4" YZ
10	45156BH	1	Locknut 5/16" YZ
11	50048623	1	Instruction Sheet

EC SERIES ZERO TURN MOWER 50052102 Light Kit



REF. NO.	PART NO.	QTY.	DESCRIPTION
1	50044461	1	Oval Working Lamp Assembly, R.H.
2	50044462	1	Oval Working Lamp Assembly, L.H.
3	50044468	1	Bulb, Halogen 12V
4	50044466	2	Jumper Cord
5	50052103	2	Light Mounting Bracket
6	45086BH	2	Capscrew 3/8" x 1"
7	45063	2	Flatwasher 3/8"
8	50043225	2	Capscrew 5/16" x 3/4" Washer Head
9	99065	1	Rocker Switch
10	50052104	1	Instruction Sheet

EC SERIES ZERO TURN MOWER REAR HITCH ASSEMBLY



REF. NO.	PART NO.	QTY.	DESCRIPTION
1	50048997	1	Rear Hitch Assy.
2	50048575	1	Warning Decal
3	45171	2	Capscrew 3/8" x 2-3/4" Gr. 5 YZ
4	45063	4	Flatwasher 3/8" YZ
5	45015BH	4	Lock Nut 3/8" YZ
6	45120BH	2	Capscrew 3/8" x 1-1/4" Gr.5 YZ

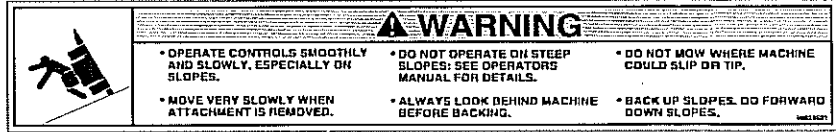
TG 2661

DECALS

EC SERIES ZERO TURN MOWER 50068099 DECAL KIT SAFETY DECALS



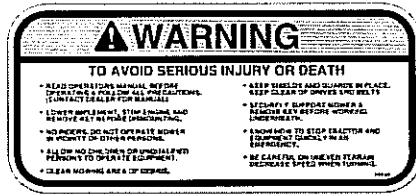
1



2



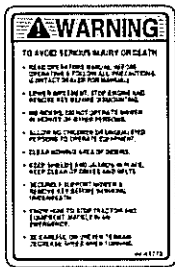
3



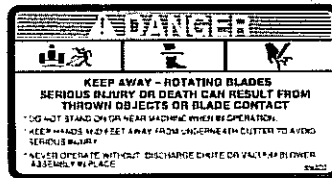
4



5



6



7



8



9



10



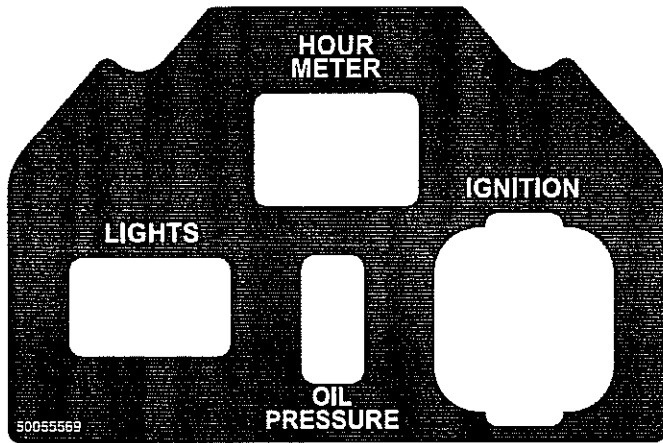
11



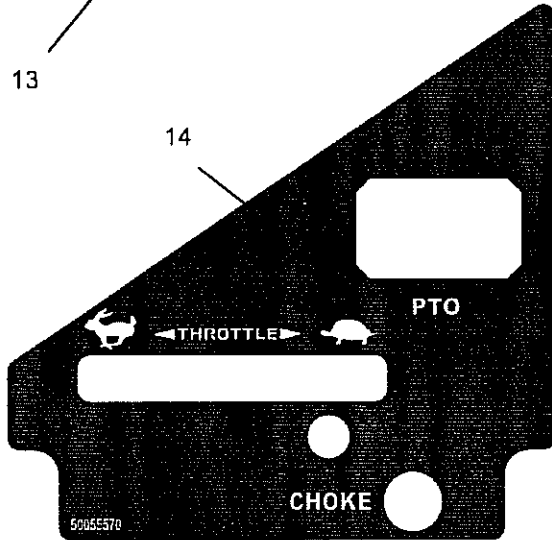
12

50068099 Decal Kit continued on next Page.

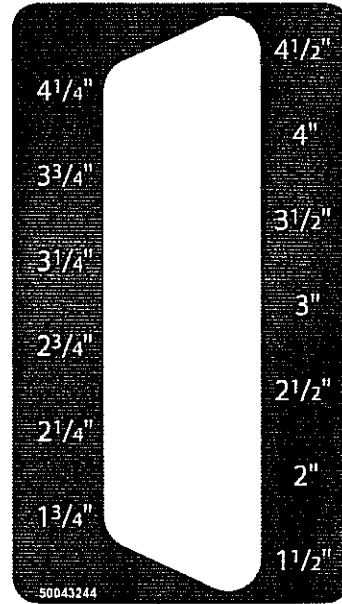
**EC SERIES ZERO TURN MOWER
50068099 DECAL KIT (CONTINUED)
OPERATION AND INSTRUCTION DECALS**



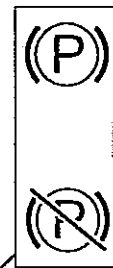
13



14



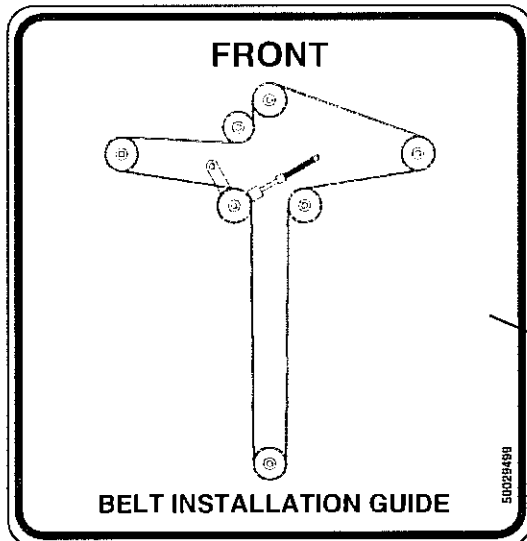
15



16



17



18



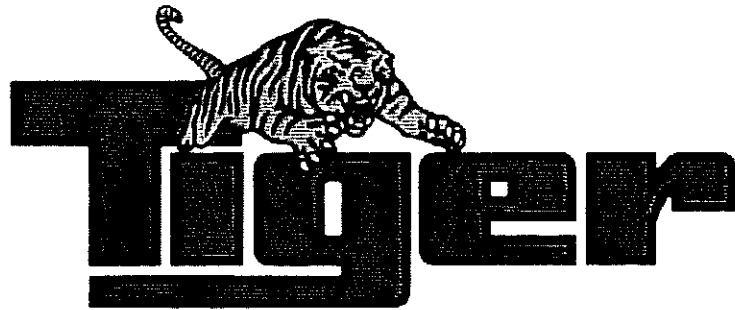
19

50068099 Decal Kit continued on next Page.

**EC SERIES ZERO TURN MOWER
50069915 DECAL KIT (CONTINUED)**

PARTS LISTING

REF. NO.	PART NO.	QTY.	DESCRIPTION
SAFETY DECALS			
1	94131	1	Caution Decal
2	50029501	1	Warning Decal
3	50012616	1	Danger Decal
4	94134	1	Warning Decal
5	50012615	2	Warning Decal
6	50043279	1	Warning Decal
7	85020	1	Danger Decal
8	83056	1	Warning Decal
9	50063815	1	Discharge Chute Decal
10	94132	1	Warning Decal
11	50047067	2	Amber Reflector
12	50048632	1	Warning Decal
CONTROL and INSTRUCTION DECALS			
13	50055569	1	Upper Control Panel Decal
14	50055570	1	Lower Control Panel Decal
15	50043244	1	Cutting Height Adjust Decal
16	50043246	1	Parking Brake Decal
17	50043276	2	Speed Control Decal
18	50029499	1	Belt Installation Decal
19	50029421	1	Fuel Control Decal



Printed in USA
© Tiger Corporation