

COMMERCIAL SERIES TG3061/TG3073 Zero Turn Riding Mower

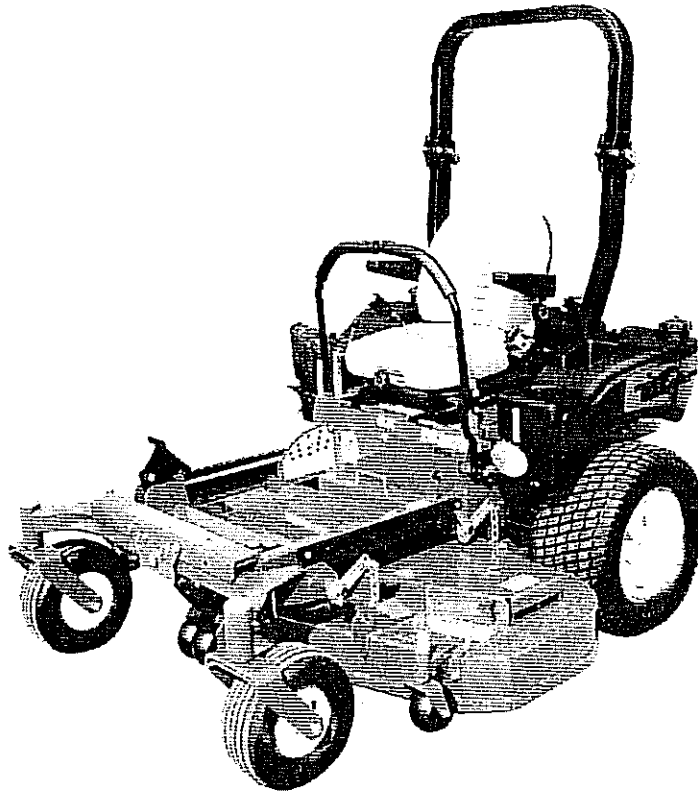
Published 09/11

50069889

OPERATORS MANUAL



This Operator's Manual is an integral part of the safe operation of this machine and must be maintained with the unit at all times. READ, UNDERSTAND, and FOLLOW the Safety and Operation Instructions contained in this manual before operating the equipment. C01-Cover



Tiger Corporation

3301 N. Louise Ave.
Sioux Falls, SD 57107
1-800-843-6849
1-605-336-7900
www.tiger-mowers.com

¡ATENCIÓN!
LEA EL INSTRUCTIVO



Si No Lee Ingles, Pida
Ayuda a Alguien
Que Se Lo Lea Para Que le
Traduzca Las
Medidas de Seguridad

A MEMBER OF THE
ALAMO GROUP
ALWAYS ON THE CUTTING EDGE[®]

CONGRATULATIONS!

You have invested in the best implement of its type on the market today.

The care you give your TIGER implement will greatly determine your satisfaction with its performance and its service life. We urge a careful study of this manual to provide you with a thorough understanding of your new implement before operating, as well as suggestions for operation and maintenance.

If your manual should become lost or destroyed, TIGER will be glad to provide you with a new copy. Order from TIGER CORPORATION, 3301 N. Louise Ave. Sioux Falls, SD 57107. Most of our manuals can also be downloaded from our website at www.tiger-mowers.com.

As an authorized TIGER dealer, we stock genuine TIGER parts which are manufactured with the same precision and skill as our original equipment. Our trained service personnel are well informed on methods required to service TIGER equipment, and are ready and able to help you.

Should you require additional information or assistance, please contact us.

YOUR AUTHORIZED TIGER DEALER

BECAUSE TIGER MAINTAINS AN ONGOING PROGRAM OF PRODUCT IMPROVEMENT, WE RESERVE THE RIGHT TO MAKE IMPROVEMENTS IN DESIGN OR CHANGES IN SPECIFICATIONS WITH OUT INCURRING ANY OBLIGATION TO INSTALL THEM ON UNITS PREVIOUSLY SOLD.

BECAUSE OF THE POSSIBILITY THAT SOME PHOTOGRAPHS IN THIS MANUAL WERE TAKEN OF PROTOTYPE MODELS, PRODUCTION MODELS MAY VARY IN SOME DETAIL. IN ADDITION, SOME PHOTOGRAPHS MAY SHOW SHIELDS REMOVED FOR PURPOSES OF CLARITY. NEVER OPERATE THIS IMPLMENT WITHOUT ALL SHIELDS IN PLACE.

COMMERCIAL SERIES ZERO TURN RIDING MOWER

TABLE OF CONTENTS

SECTION	PAGE	SECTION	PAGE
Warranty	2	Battery	16
Dealer Preparation Check List	3	Tires	16
Safety Alert Symbols	4	Mower Blades	16
Safety Precautions	5	Motion Control Adjustment	17
Federal Laws and Regulations	8	Drive Adjustments	17
I INTRODUCTION AND DESCRIPTION	9	Test Drive Operations	17
Introduction	9	Leveling The Deck	18
Description	9	Counterbalance Spring	18
Specifications	10	Deck Belt Adjustment	18
II OPERATION	11	Deck Belt Replacement	18
General Safety	11	Start Up Maintenance	19
Pre-Operation Checklist	11	Troubleshooting	20
Operation	12		
Mowing Recommendations	14	IV ASSEMBLY	21
		Wiring Schematics	22
III MAINTENANCE	15	Safety Decals	23
Maintenance Schedule	15	Torque Specifications	25
Engine	16	Optional Equipment List	26
		Slope Angle Guide	27

RETAIL CUSTOMER'S RESPONSIBILITY UNDER THE TIGER WARRANTY

It is the Retail Customer and/or Operator's responsibility to read the Operator's Manual, to operate, lubricate, maintain and store the product in accordance with all instructions and safety procedures. Failure of the operator to read the Operator's Manual is a misuse of this equipment.

It is the Retail Customer and/or Operator's responsibility to inspect the product and to have any part(s) repaired or replaced when continued operation would cause damage or excessive wear to other parts or cause a safety hazard.

It is the Retail Customer's responsibility to deliver the product to the authorized Tiger Dealer, from whom he purchased it, for service or replacement of defective parts which are covered by warranty. Repairs to be submitted for warranty consideration must be made within forty-five (45) days of failure.

It is the Retail Customer's responsibility for any cost incurred by the Dealer for traveling to or hauling of the product for the purpose of performing a warranty obligation or inspection.

ZERO TURN RIDING (ZTR) MOWER LIMITED WARRANTY



Tiger Corporation warrants to the original purchaser of this new Zero Turn Riding Mower, purchased from an authorized Tiger Corporation dealer, that the equipment be free from defects in material and workmanship as follows (see dealer for complete details):

- for a period of three (3) years from the date of the retail sale to the original purchaser (the "Three Year Warranty"), but only as to the drive train, electromagnetic clutch, deck and cutter spindles; and
- for the entire length of ownership by the original purchaser ("Limited Lifetime Warranty"), but only as to the deck weldment which results in the deck not performing its function, in the sole opinion of Tiger Corporation. Malfunctions caused by corrosion are not covered by the Limited Lifetime Warranty.

For the Three Year Warranty and the Limited Lifetime Warranty, the obligation of Tiger Corporation to the purchaser is limited to the repair or replacement of defective parts, at the sole option of Tiger Corporation. NOTE: The Three Year Warranty covers parts and labor for the first two years and parts only during the third year.

The Three Year Warranty and the Limited Lifetime Warranty are referred to collectively in this document as the "limited warranty".

Replacement or repair parts installed in the equipment covered by this limited warranty are warranted for ninety (90) days from the date of purchase of such part or to the expiration of the applicable new equipment warranty period, whichever occurs later. Warranted parts shall be provided at no cost to the user at an authorized Tiger Corporation dealer during regular working hours. Tiger Corporation reserves the right to inspect any equipment or parts which are claimed to have been defective in material or workmanship.

DISCLAIMER OF IMPLIED WARRANTIES & CONSEQUENTIAL DAMAGES

Tiger Corporation's obligation under this limited warranty, to the extent allowed by law, is in lieu of all warranties, implied or expressed, INCLUDING IMPLIED WARRANTIES OF MERCHANTABILITY AND FITNESS FOR A PARTICULAR PURPOSE and any liability for incidental and consequential damages with respect to the sale or use of the items warranted. Such incidental and consequential damages shall include but not be limited to: transportation charges other than normal freight charges; cost of installation other than cost approved by Tiger Corporation; duty; taxes; charges for normal service or adjustment; loss of crops or any other loss of income; rental of substitute equipment, expenses due to loss, damage, detention or delay in the delivery of equipment or parts resulting from acts beyond the control of Tiger Corporation.

THIS LIMITED WARRANTY SHALL NOT APPLY:

1. To vendor items which carry their own warranties, such as engines, batteries, tires, and tubes.
2. If the unit has been subjected to misapplication, abuse, misuse, negligence, fire or other accident.
3. If parts not made or supplied by Tiger Corporation have been used in connection with the unit, if, in the sole judgement of Tiger Corporation such use affects its performance, stability or reliability.
4. If the unit has been altered or repaired outside of an authorized Tiger Corporation dealership in a manner which, in the sole judgment of Tiger Corporation, affects its performance, stability or reliability.
5. To normal maintenance service and normal replacement items such as gearbox lubricant, hydraulic fluid, worn blades, or to normal deterioration of such things as belts and exterior finishes due to use or exposure.
6. To expendable or wear items such as blades, chains, sprockets, belts, springs and any other items that in the company's sole judgment is a wear item.

NO EMPLOYEE OR REPRESENTATIVE OF TIGER CORPORATION IS AUTHORIZED TO CHANGE THIS LIMITED WARRANTY IN ANY WAY OR GRANT ANY OTHER WARRANTY UNLESS SUCH CHANGE IS MADE IN WRITING AND SIGNED BY TIGER CORPORATION'S SERVICE MANAGER, 3301 NORTH LOUISE AVE., SIOUX FALLS, SD, 57107



Record the model number, serial number and date purchased. This information will be helpful to your dealer if parts or service are required.

MAKE CERTAIN THE WARRANTY REGISTRATION CARD HAS BEEN FILED WITH TIGER CORPORATION, 3301 NORTH LOUISE AVE., SIOUX FALLS, SD 57107

MODEL NUMBER _____

SERIAL NUMBER _____

DATE OF RETAIL SALE _____

DEALER PREPARATION CHECK LIST COMMERCIAL ZERO TURN RIDING MOWER

BEFORE DELIVERING MACHINE — The following check list should be completed.
Use the Operator's Manual as a guide.

- 1. Engine has been serviced.
- 2. Battery fluid level is checked.
- 3. Low oil pressure warning buzzer checked for operation.
- 4. Operator interlock switches checked for operation.
- 5. Assembly completed.
- 6. All fittings lubricated.
- 7. Hydraulic Reservoir filled with oil.
- 8. All shields in place and in good condition.
- 9. Roll-over protective structure is installed and retractable seat belt functions properly.
- 10. All fasteners torqued to specifications given in Torque Chart.
- 11. All decals in place and readable. (See decal page.)
- 12. Overall condition good. (i.e. paint, welds)
- 13. Parking brake checked and adjusted, if necessary.
- 14. Steering checked and adjusted, if necessary.
- 15. Check tire pressure.
- 16. Operators manual has been delivered to owner and he has been instructed on the safe and proper use of the cutter.

Dealer's Signature _____

Purchaser's Signature _____

THIS CHECKLIST TO REMAIN IN OWNER'S MANUAL

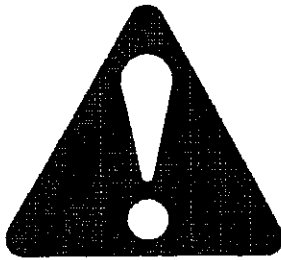
It is the responsibility of the dealer to complete the procedures listed above before delivery of this implement to the customer.

WARRANTY REGISTRATION AND DELIVERY REPORT

It is the responsibility of the Dealer to do the following:

- Complete the Warranty Registration and Delivery Report Online

Safety Alert Symbol



This Safety Alert Symbol means: "ATTENTION! BECOME ALERT! YOUR SAFETY IS INVOLVED!"

This symbol is used to call attention to safety precautions that should be followed by the operator to avoid accidents. When you see this symbol, carefully read the message that follows and heed its advice. Failure to comply with safety precautions could result in death or serious bodily injury.

Safety Signs *Signal Words*

The signal words **DANGER**, **WARNING**, AND **CAUTION** are used on the equipment safety signs. These words are intended to alert the viewer to the existence and the degree of hazard seriousness.



White letters on Red

This signal word indicates a potentially hazardous situation which, if not avoided, will result in death or serious injury.



Black letters on ORANGE

This signal word indicates a potentially hazardous situation which, if not avoided, could result in death or serious injury

It may also be used to alert against unsafe practices.



Black letters on YELLOW

This signal word indicates a potentially hazardous situation exist which, if not avoided, may result in minor or moderate injury.

It may also be used to alert against unsafe practices.

IMPORTANT SAFETY PRECAUTIONS

This symbol is used to call attention to safety precautions that should be followed by the operator to avoid accidents. When you see this symbol, carefully read the message that follows and heed its advice. Failure to comply with safety precautions could result in serious bodily injury.



In addition to the design and configuration of equipment, hazard control and accident prevention are dependent upon the awareness, concern, prudence and proper training of personnel in the operation, transport, maintenance and storage of equipment. Lack of attention to safety can result in accident, personal injury, reduction of efficiency and worst of all—loss of life. Watch for safety hazards and correct deficiencies promptly. Use the following safety precautions as a general guide to safe operations when using this machine. Additional safety precautions are used throughout this manual for specific operating and maintenance procedures. Read this manual and review the safety precautions often until you know the limitations.

ACCIDENT PATTERNS TO AVOID

1. **CONTACT WITH THE ROTATING BLADE** - This accident usually happens when the operator is clearing the discharge chute of grass, (especially when the grass is wet), or when the operator adjusts the machine without turning it off and waiting for the blades to completely stop.
2. **PROPELLED OBJECTS** - Sticks, rocks, wires, and other objects can be propelled out through the discharge chute or from under the mower housing. Bystanders are particularly vulnerable.
3. **GRASS DISCHARGE CHUTE** - The mower shall not be operated without the grass discharge chute in its lowered position.
4. **OVERTURNING** - This happens when riding mowers are used on steep slopes, embankments or hills. The operator in these cases can come in contact with blades or sustain injuries during a fall.
5. **MOWER RUNNING OVER THE VICTIM** - This usually happens when a riding mower is driven in reverse. The accident victims are most often young children whom, unseen by the operator of the mower, were in the area being mowed.

WE SHARE YOUR DESIRE TO PROTECT YOURSELF, YOUR FAMILY, YOUR FRIENDS AND YOUR NEIGHBORS FROM ACCIDENTAL INJURY. OBSERVING AND ENFORCING THE FOLLOWING GUIDE LINES WILL HELP TO INSURE THE SAFETY OF EVERYONE.

SAFETY INSTRUCTIONS AND RECOMMENDATIONS

1. **PEOPLE WHO OPERATE, SERVICE, OR ARE OTHERWISE ASSOCIATED** with the Zero Turn Riding Mower should be trained in its proper use and warned of its dangers. Before operating, adjusting, or servicing the Zero Turn Riding Mower they should read and understand this entire manual and the engine manual.
2. **AVOID CONTACT WITH MOVING PARTS.** Keep hands and feet from under mowing deck and away from blades at all times. Turn engine (motor) off if you must unclog the discharge chute.
3. **AVOID HILLS AND SLOPES.** Use **EXTREME** caution when mowing and/or turning on slopes as loss of traction and/or tip-over could occur. Drive slower on slopes. **DO NOT** mow slopes greater than 15 degrees. Watch for ditches, holes, rocks, dips and rises, which change the operating angle. Keep away from drop-offs and steep banks. Avoid sudden starts when mowing uphill - mower may tip backwards. Loss of traction may occur going downhill - weight transfer to the front wheels may cause drive wheels to slip and cause loss of braking. **DO NOT** mow slopes when grass is wet - slippery conditions affect steering and reduce traction and braking. The operator is responsible for safe operation on slopes.
4. **DISENGAGE POWER TO MOWER BEFORE BACKING UP.** Do not mow in reverse unless absolutely necessary and then only after turning around and observing the entire area behind the mower. Go slowly. Most "running over victim" accidents occur in reverse.
5. **BEGINNING OPERATORS SHOULD LEARN HOW TO STEER** the Zero Turn Riding Mower before attempting to mow. Start with slow engine speed and drive without the blades engaged in open area until comfortable with the machine.

SAFETY CONTINUED

6. **KNOW HOW TO STOP QUICKLY.** Know the location and operation of every control, especially how to brake and how to disengage the mower blades.
7. **DO NOT MOVE THE CONTROL LEVERS** from forward position to reverse position rapidly. The speed and/or direction of travel is affected instantly by movement of the Control Levers.
8. **DO NOT ALLOW CHILDREN TO OPERATE MOWER.** Do not allow others who have not had instructions to operate mower. Do not operate the mower when children or others are in the area.
9. **ALWAYS TURN ENGINE OFF AND REMOVE KEY** before leaving mower to prevent children and inexperienced operators from starting the engine. Never leave the mower unattended with engine running. Always wait for all moving parts and all sounds to stop before leaving operator's seat. Always set the parking brake on an unattended mower.
10. **WEAR STURDY, ROUGH-SOLED WORK SHOES AND CLOSE-FITTING TROUSERS AND SHIRTS.** Never operate mower in bare feet, sandals or sneakers.
11. **WEAR PERSONAL PROTECTIVE EQUIPMENT** such as, but not limited to, protection for eyes, ears, feet, hands and head when operating or repairing equipment. Do not wear loose clothing or jewelry that may catch on equipment moving parts.
12. **NEVER CARRY PASSENGERS.**
13. **KNOW THE AREA YOU ARE TO MOW.** Watch for hidden dangers such as rocks, roots, sticks, holes, bumps, and drop-offs, etc. Before mowing, pick up all debris in area to be mowed. Sharp and hard objects can be propelled at a high speed and can act like shrapnel. Walk through tall grass **BEFORE MOWING** to make sure there are no hidden dangers. Mow higher than desired in tall grass to expose any hidden objects and/or obstacles, clean the area, and then mow to the desired height.
14. **BE SURE THE AREA IS CLEAR** of other people before mowing. Stop machine if anyone enters the area.
15. **NEVER REFUEL A MOWER INDOORS.** Allow the engine time to cool before refueling. Unseen vapors may be ignited by a spark. Always clean up spilled gasoline. Never run the engine indoors in a garage or any other closed building. Allow engine to cool before storing in any enclosure. The engine exhaust and gasoline fumes are dangerous.
16. **NEVER REMOVE THE FUEL CAP** or add gasoline to a running or hot engine or an engine that has not been allowed to cool for several minutes after running. Always make sure the gas cap is in place.
17. **DO NOT SMOKE AROUND THE MOWER** or the gasoline storage container. Gasoline fumes can easily ignite.
18. **KEEP GASOLINE IN A WELL-VENTILATED AREA** away from your living quarters and in tightly capped safety cans. Never store mower with gasoline in the tank inside a building where fumes may reach open flame or spark.
19. **DISENGAGE BLADES, STOP ENGINE, ENGAGE PARKING BRAKE AND REMOVE IGNITION KEY** before any servicing. Be sure all moving parts and all sounds have stopped. Let engine cool and disconnect the spark plugs so the engine cannot start by accident.
20. **KEEP ALL NUTS, BOLTS, AND SCREWS TIGHT** to be sure equipment is in safe working condition, especially blade bolts.
21. **VEHICLE SHOULD BE STOPPED AND INSPECTED FOR DAMAGE** after striking a foreign object and the damage should be repaired before restarting and operating the equipment. Stop immediately and check for damage or loose parts if mower should start vibrating.
22. **DISENGAGE BLADES BEFORE DRIVING ACROSS WALKS** or projecting objects or transporting.
23. **KEEP SAFETY DEVICES AND GUARDS IN PLACE.** If any of the safety switches become inoperable, have them repaired immediately.
24. **DO NOT STEP OR STAND ON THE MOWER HOUSING.** Step or stand only on the tread areas on the deck.
25. **WATCH OUT FOR TRAFFIC** near roadways and when crossing roads.
26. **THIS MACHINE IS NOT MEANT FOR HIGHWAY OR STREET USE.** It is not a recreational vehicle and it should not be operated as such.
27. **WHEN FEASIBLE, DO NOT USE MOWER WHEN GRASS IS WET OR SLIPPERY.**
28. **MOW ONLY IN DAYLIGHT OR GOOD ARTIFICIAL LIGHT.**

SAFETY CONTINUED

29. ALWAYS DISENGAGE THE MOWER BLADE CLUTCH when transporting.
30. Do not operate the mower under influence of drugs or alcohol.
31. Do not change the engine governor settings or overspeed the engine. Operating an engine at excessive speed may increase the hazard of personal injury.

TOWING

1. Use for towing only if equipped with a Tiger hitch kit. Do not attach towed equipment except at the hitch point.
2. Never allow children or others in or on towed equipment.
3. On slopes, the weight of the towed equipment may cause loss of traction and loss of control.
4. Travel slowly and allow extra distance to stop.

SLOPE OPERATION

DANGER

POTENTIAL HAZARD

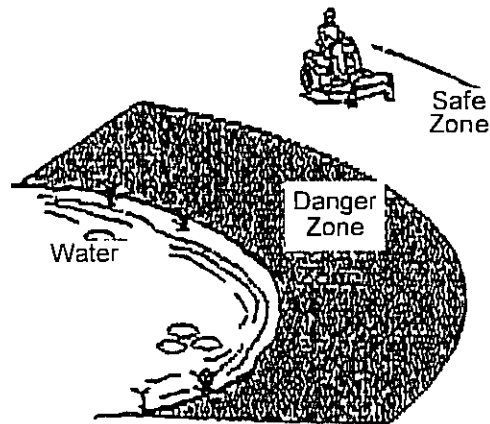
Mowing on wet grass or steep slopes can cause sliding and loss of control.

WHAT CAN HAPPEN

Wheels dropping over edges, ditches, steep banks, or water can cause injury, or death by drowning.

HOW TO AVOID THE HAZARD

Do not mow slopes when grass is wet.
Do not mow near drop-offs or near water.
Do not mow slopes greater than 15 degrees.
Reduce speed and use extreme caution on slopes.
Avoid sudden turns or rapid speed changes.
Do not ride or operate the ZTR if the mower head has been removed.



1. Use EXTREME caution when mowing and/or turning on slopes as loss of traction and/or tip-over could occur. The operator is responsible for safe operation.
2. See inside of the back cover to determine the approximate slope angle of the area to be mowed.
3. Use a walk behind mower and/or a hand trimmer near drop-offs, ditches, steep banks or water. This area can be dangerous.
4. Progressively greater care is needed as the slope increases.
5. Always avoid sudden starting or stopping on a slope. If tires lose traction, disengage the blades and proceed slowly down the slope.
6. Avoid sudden starts when mowing uphill. Mower may tip backwards.
7. Be aware that loss of traction may occur going downhill. Weight transfer to the front wheels may cause drive wheels to slip and cause loss of braking and steering.
8. Watch for ditches, holes, rocks, dips, and rises that change the operating angle, as rough terrain could overturn the machine. Tall grass can hide obstacles.
9. Remove or mark obstacles such as rocks, tree limbs, etc. from the mowing area. Tall grass can hide obstacles.
10. Use extreme care with grass catches or attachments. These can change the stability of the machine and cause loss of control.
11. Follow the manufacturer's recommendations for counterweights to improve stability.
12. Check carefully for overhead clearances (ie. branches, doorways, and electrical wires) before driving under objects and do not contact them.

SLOPE ANGLE GUIDE LOCATED INSIDE REAR COVER

IMPORTANT FEDERAL LAWS AND REGULATIONS* CONCERNING EMPLOYERS, EMPLOYEES AND OPERATIONS.

*(This section is intended to explain in broad terms the concept and effect of the following federal laws and regulations. It is not intended as a legal interpretation of the laws and should not be considered as such).

U.S. Public Law 91-596 (The Williams-Steiger Occupational and Health Act of 1970) OSHA

This Act Seeks:

"...to assure so far as possible every working man and woman in the nation safe and healthful working conditions and to preserve our human resources..."

DUTIES

Sec. 5 (a) Each employer—

(1) shall furnish to each of his employees employment and a place of employment which are free from recognized hazards that are causing or are likely to cause death or serious physical harm to his employees;

(2) shall comply with occupational safety and health standards promulgated under this Act.

(b) Each employee shall comply with occupational safety and health standards and all rules, regulations and orders issued pursuant to this Act which are applicable to his own actions and conduct.

OSHA Regulations

Current OSHA regulations state in part: "At the time of initial assignment and at least annually thereafter, the employer shall instruct every employee in the safe operation and servicing of all equipment with which the employee is, or will be involved." These will include (but are not limited to) instructions to:

Keep all guards in place when the machine is in operation;

Permit no riders on equipment;

Stop engine, disconnect the power source, and wait for all machine movement to stop before servicing, adjusting, cleaning or unclogging the equipment, except where the machine must be running to be properly serviced or maintained, in which case the employer shall instruct employees as to all steps and procedures which are necessary to safely service or maintain the equipment.

Make sure everyone is clear of machinery before starting the engine, engaging power, or operating the machine.

Child Labor Under 16 Years Old

Some regulations specify that no one under the age of 16 may operate power machinery. It is your responsibility to know what these regulations are in your own area or situation. (Refer to U.S. Dept. of Labor, Employment Standard Administration, Wage & Home Division, Child Labor Bulletin #102.)

SECTION I INTRODUCTION AND DESCRIPTION



Intro-Z-0001

INTRODUCTION

We are pleased to have you as a Tiger customer. Your Tiger Zero Turn Riding Mower has been carefully designed to give maximum service with minimum down time. This manual is provided to give you the necessary operating and maintenance instructions for keeping your mower in top operating condition. Please read this manual thoroughly. Understand what each control is for and how to use it. Observe all safety precautions decaled on the machine and noted throughout the manual for safe operation of the implement. If any assistance or additional information is needed, contact your authorized Tiger dealer.

NOTE:

All references made to right, left, front, rear, top or bottom is as viewed facing the direction off orward travel.

DESCRIPTION

The Zero Turn Riding Mower is intended for use on lawns and other frequently maintained areas where a

smooth , even cuts is desired and superior maneuverability is needed. The tractor unit consist of a 30 hp Kohler twin cylinder engine. The engine has a pressurized oil lubrication system with spin-on type filter, fused electronic ignition, electric start and a 12.5 gallon fuel system.

Two hydrostatic pumps and two wheel motors are used for propelling and steering. The pumps are belt driven by the engine output shaft. One lever for each drive controls both speed and direction. This independent control of each drive wheel coupled with continuously variable speed selection gives the Zero Turn mower exceptional maneuverability.

The mower attachment is available in 61" or 73" cutting widths. The mower has three cutting blades driven by an electromagnetic clutch through a single V-belt

CONTROLS

OPERATOR INTERLOCK SYSTEM

Your Tiger Zero Turn Riding Mower is equipped with an Operator Interlock System that is designed to help prevent possible serious injuries. Understanding and maintaining this system is vital for safe operation.

To Start Engine:

1. Blades (PTO) must be disengaged.
2. Control levers in neutral (swung out).
3. Parking brake set.

The Engine Will Stop if:

1. The operator leaves the seat with:
 - a. The control levers out of neutral (swung in).
 - b. The blades are engaged.
 - c. The parking brake is off.
 - d. All of the above.
2. The park brake is on before the control levers are swung in.

DO NOT OPERATE MOWER IF SAFETY SWITCHES ARE NOT OPERATING PROPERLY.
OPERATOR CONTROLS



WARNING

DO NOT OPERATE MACHINE UNLESS INTERLOCK SYSTEM FUNCTIONS PROPERLY. FAILURE TO HEED THIS WARNING MAY RESULT IN SERIOUS INJURY, DEATH OR EQUIPMENT DAMAGE.

TRACTOR SPECIFICATIONS

Tread Width - 61" Deck models - Outside Tires 55"
 73" Deck models - Outside Tires 59"

Height - To top of seat back 51"

Fuel Tank 12.5 gallons

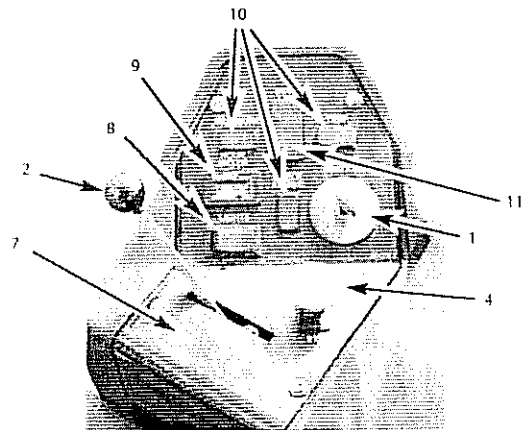
Hydrostatic Fluid Reservoir Approx. 1 gallon

Hydrostatic Pumps- All Models .. (2) Hydro-Gear pumps

Engines - 30 h.p. Kohler Command Pro

Tires - Front (All models) 13 x 6.5 - 6
 Drive - 61" & 73" decks 24 x 12.0 - 12

- 1 Ignition Key - Starts and stops engine.
- 2 Engine Throttle - Controls engine speed.
- 3 Two Steering/Speed Control Levers - In front of seat at side. (See page 21)
- 4 PTO Switch - Engages electric clutch which engages mower blades.
- 5 Parking Brake Lever- Engages parking brake. (See page 14)
- 6 Cutting Height Adjust Pin - Sets cutting height to desired position. (See page 12)
- 7 Choke Location- Aids in starting engine.
- 8 Light Switch (Optional)
- 9 Hour Meter / Tachometer (see Instruction, page 16)
- 10 Warning Lights / Audible Alert for high engine temperature (Kohler models only) and oil pressure.
- 11 Deck Lift Switch (Optional) - For raising and lowering deck.
- 12 DC Power Outlet (See page 14)



DECK SPECIFICATIONS

ITEM		
Cutting width	61"	73"
Cutting Height	1-1/2" to 5" in 1/4" increments	
Blades	21"	25"
Overall width including chute	73"	85"
Material thickness - Deck	7 GA.	
Spindle bearings	25 mm	

SECTION II OPERATION

GENERAL SAFETY

Only qualified people familiar with this operator's manual should operate this machine. Operator should wear hard hat, safety glasses, and safety shoes. Avoid loose fitting clothing or jewelry. The operator should read, understand and practice all safety messages shown on the caution, warning and danger decals affixed to the machine to avoid serious injury or death. Before beginning operation, clear work area of any objects that may be picked up and thrown by mower. Check for ditches, stumps, holes or other obstacles that could upset power unit or damage mower. Tall grass can hide obstacles. Always push steering levers apart, set parking brake, disengage PTO, turn off engine, and allow blades to come to a complete stop before leaving operator's seat. Do not operate without all shields in place and in good condition.

PRE-OPERATION CHECKLIST

1. Make sure fuel tank is full. Use regular unleaded gasoline. See engine manual for more details.

WARNING

AVOID SERIOUS INJURY OR DEATH: GASOLINE IS EXTREMELY FLAMMABLE AND EXPLOSIVE UNDER CERTAIN CONDITIONS.

- REFUEL IN A WELL VENTILATED AREA WITH ENGINE STOPPED.
- DO NOT SMOKE OR ALLOW FLAMES OR SPARKS IN THE REFUELING AREA OR WHERE GASOLINE IS BEING STORED.
- DO NOT OVERFILL FUEL TANK. AFTER REFUELING, MAKE CERTAIN THE TANK CAP IS CLOSED PROPERLY AND SECURELY.
- BE CAREFUL NOT TO SPILL FUEL WHEN REFUELING. FUEL VAPOR OR SPILLED FUEL MAY IGNITE. IF ANY FUEL IS SPILLED, MAKE SURE THE AREA IS DRY BEFORE STARTING THE ENGINE.
- KEEP OUT OF REACH OF CHILDREN

2. Make sure dirt and foreign matter are kept out of fuel tank. Use a clean funnel and fuel can.
3. Do not mix oil with gasoline.
4. Do not use white, high test or premium gasoline. Do not use de-icers, carburetor cleaners or other such additives.
5. Check the crankcase oil level. Make sure the engine is off. The mower should be parked on a level area. Do not overfill. (See your engine manual for more detailed instructions.)
6. Check the hydrostatic transmission oil level. (See "Maintenance" section of this manual.)
7. Check battery fluid level.

8. Inspect V-belts
9. Check tire pressure (Use low pressure gauge):
Front Tires - 15 psi, Drive Tires - 15 psi
10. Make sure underside of mower deck is free of grass.
11. Make sure mower blades are sharp and secured tightly.
12. Clean the air intake screen on the engine if necessary.
13. Perform any other maintenance as it becomes necessary. (See "Maintenance" section)
14. Check low oil pressure warning buzzer for operation. (It should "sound-off" whenever ignition key is in the "on" position, but engine is not running.)
15. Check parking brake operation by disengaging hydrostatic pumps (freewheeling position), and placing the brake lever in the "on" position. Attempt to rock tractor by hand. Both drive wheels should be locked. When the brake handle is in the "off" position, both drive wheels should turn freely. If there is a problem in either position, refer to adjustment procedure in the maintenance section.
16. Seat Adjustments: The high-back full suspension seat has a variable rate suspension system, adjustable lumbar support and sliding seat to accommodate different operators.

Operator Weight Adjustment Knob - Turn the knob until the indicator position closely matches your weight to give the most comfortable ride.

Adjustable Lumbar Knob (Under left arm rest) - Turn knob clockwise or counter-clockwise to achieve desired support.

Back Angle Adjustment Knob (Under right arm rest) - Turn knob clockwise or counter-clockwise to achieve desired support.

Lever Release Seat Slides - Pull the lever outward to release the latch. Slide the seat forward or rearward to your most comfortable position and release the lever.

WARNING

**ENGINE EXHAUST GASES CONTAIN
POISONOUS CARBON MONOXIDE.**

- NEVER RUN ENGINE IN A CLOSED BUILDING OR CONFINED AREA.
- AVOID INHALING EXHAUST GASES.

OPERATION

1. OPEN FUEL TANK SELECTOR VALVE left or right tank.
2. MOVE CONTROL LEVERS TO neutral "OUT" position by pushing each one straight sideways.
3. SET PARKING BRAKE. Pull rearward to set.
4. DISENGAGE MOWER BLADE CLUTCH by moving clutch switch to "OFF" (down) position.
5. SET ENGINE CHOKE CONTROL for cold starts to full position.
6. SET ENGINE THROTTLE TO 1/2 throttle.
7. TURN IGNITION KEY to "START" position and release to "RUN" as soon as engine starts. NOTE: Prolonged cranking will damage starter motor and shorten the battery life.
8. ADJUST ENGINE THROTTLE AND CHOKE for desired engine smoothness and speed. NOTE: When mowing, always run engine at full throttle.
9. RELEASE PARKING BRAKE. Push brake lever forward to release.

CAUTION

If the operator is inexperienced with the zero turn mower lever steering/speed control, he/she should follow these recommendations: Disengage the mower blades. Go very slowly until thoroughly familiar with the machine. Keep away from fences, buildings, and other obstructions. While becoming familiar with the machine, move the Control Levers smoothly and slowly. Practice until operation is smooth and efficient.

10. A roll-over protection system (ROPS) is installed on your machine. Operate unit with the ROPS in the raised and locked position and use seat belt. There is no roll-over protection when the ROPS is down. If it is necessary to lower the ROPS, do not wear seat belt. Raise the ROPS as soon as clearance permits.

WARNING

MAKE SURE SEAT FRAME RETENTION CLICK-PINS ARE IN PLACE AFTER LIFTING SEAT PAN FOR SERVICE.

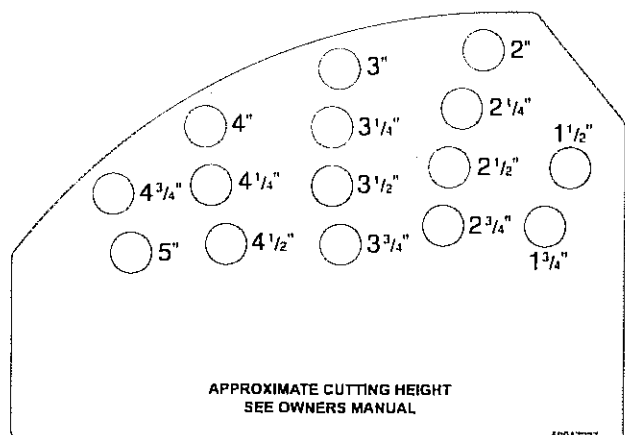
11. TO DRIVE: Adjust seat forward or backward for operator comfort. Move the Control Levers to the "IN" position. Move Control Levers forward to move forward. Move levers slowly forward to increase speed. To reverse direction, move the Control Lever on the side to which you want to turn slightly rearward of the other Control Lever. To turn on a zero radius axis, go slowly and pull one Control Lever back and push the other Control Lever forward, depending on which direction you wish to turn.

WARNING

AVOID SERIOUS INJURY OR DEATH: DO NOT MOVE STEERING LEVERS FROM FORWARD TO REVERSE OR REVERSE TO FORWARD POSITION RAPIDLY. A SUDDEN CHANGE IN DIRECTION MAY CAUSE LOSS OF CONTROL AND/OR DAMAGE TO EQUIPMENT. FOR SMOOTH, SAFE OPERATION, MOVE THE CONTROL LEVERS IN A GENTLE, SLOW MOTION, ESPECIALLY ON GRADES.

12. BRAKING: To brake mower, gently move Control Levers in the direction opposite to travel. If the parking brake is engaged with the Control Levers in the "IN" position the engine will stop.
13. CUTTING HEIGHT ADJUSTMENT:
 1. Stop engine and move the control levers to the neutral position and engage the parking brake.
 2. Disengage the blades.
 3. Depress the deck lift foot pedal raising the deck to the transport position and place the pedal in the locked position.
 4. Insert height adjustment pin into the hole corresponding to the desired cutting height. See decal on the side of the deck lift plate.
 5. Depress the deck lift pedal and lower the deck to the selected mowing height.
 6. To transport, depress the lift foot pedal and lock in position, then move the height adjustment pin to the 5" position.
 7. The cutting height adjustment is only a recommended guide. During normal mowing cut only 1/3 of the grass blade. Set cutting height to achieve your desired results.

CUTTING HEIGHT ADJUSTMENT DECAL



ANTI-SCALP ROLLER OR CASTER ADJUSTMENT:

1. Stop engine and move the control levers to the neutral position and engage the parking brake.

2. Disengage the blades.

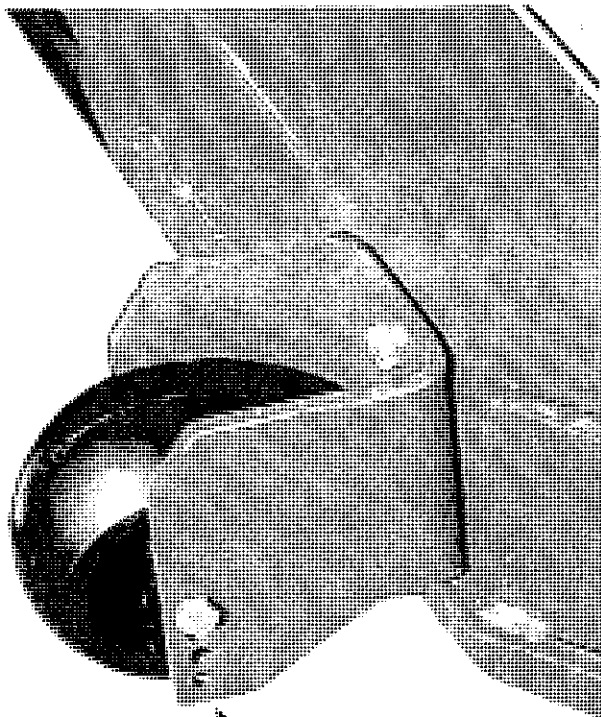
3. The Anti-Scalp deck rollers are adjustable up and down to provide improved deck flotation and scalping protection at various cutting heights. They are not intended to ride continuously on the ground. Rollers should maintain .375" minimum clearance to ground. DO NOT adjust rollers to support deck. (Refer to photographs)

14. ENGAGE MOWER BLADES by pulling up on the PTO clutch switch. The engine will not start if the PTO switch is engaged. If the engine is running while the PTO clutch is engaged and the operator leaves the seat, the engine will stop.

15. TO STOP:

- A. Slow engine speed with throttle to slowest position
- B. Disengage the mower blade clutch by moving the PTO clutch switch to the "OFF" position.
- C. Move Control Levers to neutral position and then to the "OUT" position.
- D. Set the parking brake.
- E. Turn ignition key to "OFF" position.
- F. Remove the key and wait for all movement and sound to cease before dismounting.

ANTI-SCALP ROLLER



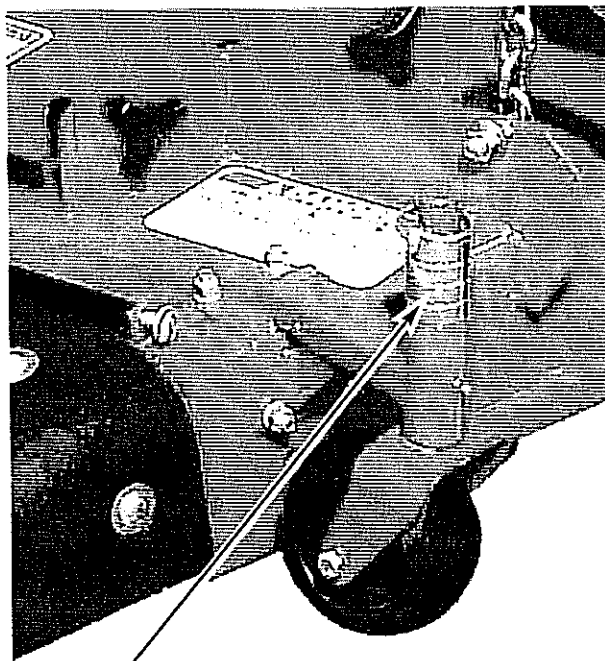
Roller Height Adjustment Holes

⚠ WARNING

Use **EXTREME** caution when mowing and/or turning on slopes as loss of traction and/or tip-over could occur. Drive slower on slopes. **DO NOT** mow slopes greater than 15 degrees. Watch for ditches, holes, rocks, dips and rises, which change the operating angle. Keep away from drop-offs and steep banks. Avoid sudden starts when mowing uphill - mower may tip backwards. Loss of traction may occur going downhill - weight transfer to the front wheels may cause drive wheels to slip and cause loss of braking. **DO NOT** mow slopes when grass is wet - slippery conditions affect steering and reduce traction and braking. The operator is responsible for safe **OPERATION ON SLOPES**.

CASTER ASSEMBLY

(Standard on 73" decks, optional on 61" decks)



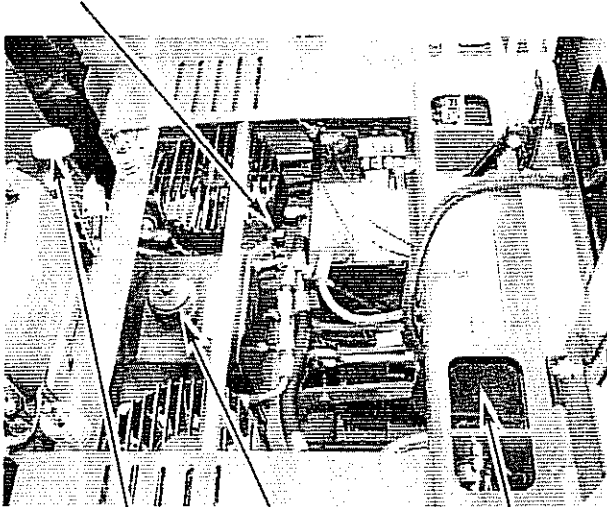
Spacers may be positioned above and/or below the caster arm to adjust position.

⚠ WARNING

AVOID SERIOUS INJURIES TO OTHERS: ALWAYS REMOVE THE KEY FROM THE IGNITION SWITCH WHENEVER THE MOWER IS UNATTENDED TO PREVENT CHILDREN OR UNAUTHORIZED PERSONS FROM STARTING THE ENGINE.

16. PUMP BYPASS-TO MOVE THE TRACTOR WITHOUT POWER: The pump bypass valves are located on the forward sides of each pump. Turn the control clockwise two complete turns to release the pump for free wheeling; turn them counter-clockwise to resume operation.

Pumps as seen from above. Use a rod through the hex head, or a 5/8" wrench to open or close the valve.



Engine Oil Filler Cap

Hydrostatic Fluid Reservoir

Electrical Fuses

NOTE: To move the tractor without power, the pumps must be unlocked and in the free wheel position. Failure to do so could possibly damage the hydraulic motors. Never pull at more than 2 MPH.

17. FUEL TANK SELECTOR VALVE: Located on the front panel below the operator is the fuel directional valve. This valve has three positions for operations and each position is made in 1/4 turn increments. This directional valve has a shut off position and can be used when the machine will not be used for a few days or when the unit is transported to and from a work site.

Fuel Flow	Valve Position
Off	Down
Right Tank	Right
Left Tank	Left

MOWING RECOMMENDATIONS

1. Keep mower blades sharp.
2. Make sure deck and discharge chute are clean.
3. Pivoting Front Axle Settings - The Commercial Series pivoting front axle increases operator comfort, traction, mower life and improves quality of cut. In some conditions stopping the front axle from pivoting will improve the evenness of the cut. It can also reduce scuffing of the anti-scalp rollers when mowing on uneven terrain. To set the front axle in a fixed position, move the locking pins to the outer positions. (See page 21)

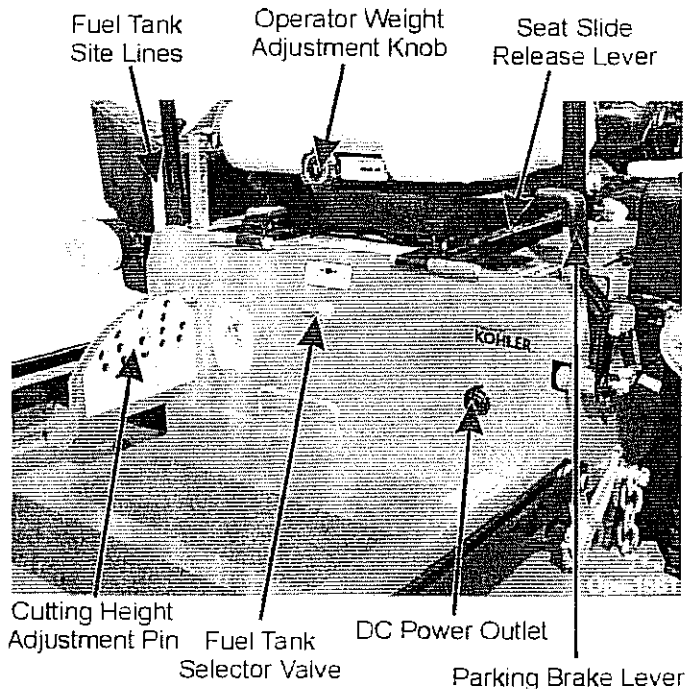
⚠ DANGER

TO AVOID SERIOUS INJURY FROM BLADE CONTACT, POWER MUST BE OFF TO CLEAN DISCHARGE CHUTE. KEEP HANDS AND FEET AWAY FROM UNDERNEATH MOWER TO AVOID SERIOUS INJURY OR DEATH.

⚠ WARNING

ROTARY MOWERS CAN DISCHARGE OBJECTS AT HIGH SPEEDS. TO AVOID SERIOUS INJURIES OR DEATH:

- OPERATE ONLY WITH SIDE BANDS IN GOOD REPAIR AND CHUTE OR GRASS CATCHER ATTACHMENT INSTALLED.
- KEEP CHILDREN, PETS, AND BYSTANDERS AWAY FROM THE WORK AREA.
- DO NOT OPERATE MOWER IN THE VICINITY OF OTHER PERSONS.
- DISCHARGE AWAY FROM BUILDINGS, WALLS OR OTHER STRUCTURES.



SECTION III MAINTENANCE

⚠ CAUTION

BEFORE PERFORMING ANY MAINTENANCE, TURN OFF ENGINE, REMOVE KEY AND DISCONNECT SPARK PLUGS. USE EXTREME CARE WHEN WORKING ON MACHINERY. DO NOT WEAR WATCH OR JEWELRY. DO NOT WEAR LOOSE FITTING CLOTHES, AND OBSERVE ALL COMMON SAFETY PRACTICES WITH TOOLS.

IMPORTANT:

BEFORE PERFORMING ANY SERVICE, MAINTENANCE OR REPAIR ON THE ENGINE, REFER TO THE RESPECTIVE ENGINE MANUFACTURERS' MANUAL FOR SPECIFIC INFORMATION CONCERNING YOUR PARTICULAR BRAND OF ENGINE.

MAINTENANCE SCHEDULE

SERVICE	WHEN
Check crankcase oil level	before each use
Check air intake screen	after each use
Clean grass from under deck	after each use
Check tire pressure	every 10 hours
Sharpen mower blades	every 10 hours
Clean air filter element	every 8 hours
Check 20W50 motor oil in hydrostatic system	every 10 hours
Check drive belts	every 50 hours (20 hr break-in)
Grease blade spindles	every 50 hours
Grease front wheels	every 50 hours
Grease caster wheel pivots	every 50 hours
Grease pusher bar pivots	every 50 hours
Change engine crankcase oil and filter	every 50 hours (5 hrs break-in)
Change hydrostatic oil and filter (See your Tiger Dealer)	every 500 hours
Important: Substitution of an improper filter will cause hydrostatic failure which will not be covered under warranty	(50 hrs break-in)
Replace air filter element	annually or 500 hours
Check spark plugs	annually or 100 hours
Service battery	annually or 500 hours

Perform these maintenance procedures more frequently under extremely dusty, dirty conditions.

Replace decals when illegible. Write parts dept. for free replacement.

WARNING: Make sure seat frame retention click-pins are in place after lifting seat pan for service.

1. ENGINE:

For complete maintenance and operating information for your engine, please refer to your engine operating and maintenance instructions furnished by the engine manufacturer and included in your Zero Turn mower information packet.

NOTE

Air intake screen must be kept clean. If plugged, engine may be seriously damaged by over heating.

2. TACHOMETER / HOURMETER

The tachometer / hourmeter includes a FlashAlert feature to remind you to change engine oil and filter at recommended intervals. The tachometer displays engine rpm when the engine is running and elapsed time in hours when the engine is turned off.

Oil Change Flash Alert - Break-in interval at 5 hours with 1 hour before and after flash. Normal interval at 50 hours with 2 hour before and after flash.

3. BATTERY:

When taking the battery out of the mower for servicing, make sure to reconnect the cables to the battery exactly as they were prior to removal.

Keep the battery clean. Remove the corrosion around the battery terminals by applying a solution of one part baking soda to four parts water. Coat all exposed terminal surfaces with a light layer of grease or petroleum jelly to prevent corrosion.

NOTE

At temperatures below 32 degrees F (0 deg C) the full charge state must be maintained to prevent cell electrolyte from freezing and causing permanent battery damage.

WARNING

AVOID SERIOUS INJURY OR DEATH:

- THE BATTERY CONTAINS SULFURIC ACID. AVOID CONTACT WITH SKIN, EYES OR CLOTHING. EYES - FLUSH WITH WATER AND GET PROMPT MEDICAL ATTENTION. ANTIDOTE: INTERNAL - DRINK LARGE QUANTITIES OF WATER OR MILK. FOLLOW WITH MILK OF MAGNESIA, BEATEN EGG OR VEGETABLE OIL. CALL A PHYSICIAN IMMEDIATELY.
- BATTERIES PRODUCE EXPLOSIVE GASES. KEEP SPARKS, FLAMES AND SMOKING MATERIALS AWAY. VENTILATE WHEN CHARGING IN AN ENCLOSED SPACE. WEAR EYE PROTECTION WHEN WORKING NEAR BATTERIES.
- KEEP OUT OF REACH OF CHILDREN.

4. TIRES:

Correct tire pressure is essential for efficient operation of the mower. Check tire air pressure periodically. Inflate front and rear tires to 15 psi.

Lug bolts should be checked regularly for tightness. Torque lug bolts to 50 ft./lbs. The center hub nut should be torqued to 175 - 200 ft./lbs. and cotter key installed.

5. MOWER BLADES:

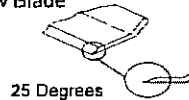
Check sharpness of mower blades after every 10 hours of operation. To sharpen blades proceed as follows:

WARNING

WHEN IT IS NECESSARY TO RAISE THE DECK OR MOWER FOR SERVICE OR MAINTENANCE, TO AVOID SERIOUS INJURY OR DEATH, STOP ENGINE, SET PARKING BRAKE, REMOVE IGNITION KEY AND SPARK PLUG WIRES AND SECURELY SUPPORT THE DECK OR MOWER BEFORE WORKING UNDERNEATH.

- A. Lift deck and secure in raised position.
- B. Remove bolt, cup washer, and blade from shaft.
- C. Blades should be discarded when worn excessively. See sketch.
- D. Sharpen blade with a hand file, electric grinder

New Blade



25 Degrees



When Notch Starts Discard Blade



Dangerous!

or blade sharpener. Wear gloves and eye protection when sharpening. Grind blade at original bevel.

E. Check balance of blade by positioning the blade on a nail or blade balance pedestal. Grind the blade on the end that is heavier until both sides balance.

F. Install blades with the concave side of the cup washer against blade. Be sure blades are installed with uplifts and cutting edges in the proper directions. Tighten retaining bolt to 76 ft./lbs.

WARNING

WHEN IT IS NECESSARY TO RAISE THE DECK OR MOWER FOR SERVICE OR MAINTENANCE, TO AVOID SERIOUS INJURY OR DEATH, STOP ENGINE, SET PARKING BRAKE, REMOVE IGNITION KEY AND SPARK PLUG WIRES AND SECURELY SUPPORT THE DECK OR MOWER BEFORE WORKING UNDERNEATH.

6. CLEANING GRASS BUILD UP UNDER DECK

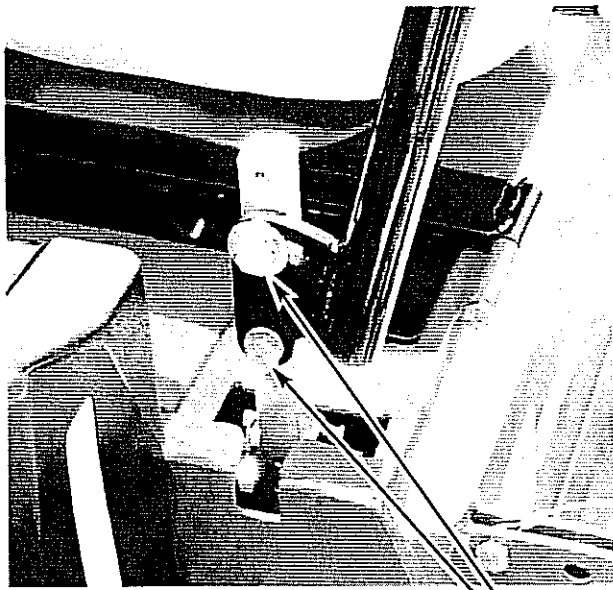
Depress the deck lift foot pedal and lock in position, then move the height adjustment pin to the 5" position.

Lift the front of the unit and support unit securely.

Clean out any grass build up from underside of deck and in deck discharge chute.

MOTION CONTROL LEVER ADJUSTMENT

1. There are three lever height positions available. Place the levers in the position that provides the most comfortable operating position for you.
2. Align the levers front/rear position. With the levers in the neutral position, loosen the hardware and adjust the levers by tilting forward or backward until properly aligned. Tighten hardware.



Lever Position Adjustment Bolts

MOTION CONTROL STEERING ADJUSTMENT

1. Raise the drive wheels of the Zero Turn off of the ground. Safely block the frame in this position so it is secure. This adjustment must be made with the drive wheels turning.
2. Remove the electrical connection from the seat switch and temporarily install a jumper wire across the terminals of the wiring harness.
3. Loosen the jamnuts on the hex turnbuckle, which connects the lever control arm to the pump control arm. Note: the nuts to the front of the hex turnbuckle have left-handed threads.
4. Start the engine. Run the engine at full throttle and release brake.
5. Position the control levers in the neutral position. If the drive wheels creep (rotate) in the neutral position then lengthen or shorten the turnbuckle assembly. Make the adjustment to stop the wheel from rotating.

6. Re-tighten the nuts at the end of the hex turnbuckles and repeat the procedure for the opposite side of the unit.
7. Shut the unit off. Remove the jumper wire from the wiring harness and replace the connectors into the seat switch. Never operate the mower unless all safety switches are operating properly.

DRIVE ADJUSTMENTS

Steering and motion controls should be uniform in all forward and reverse speeds. From the reverse position the levers should automatically return to neutral when released.

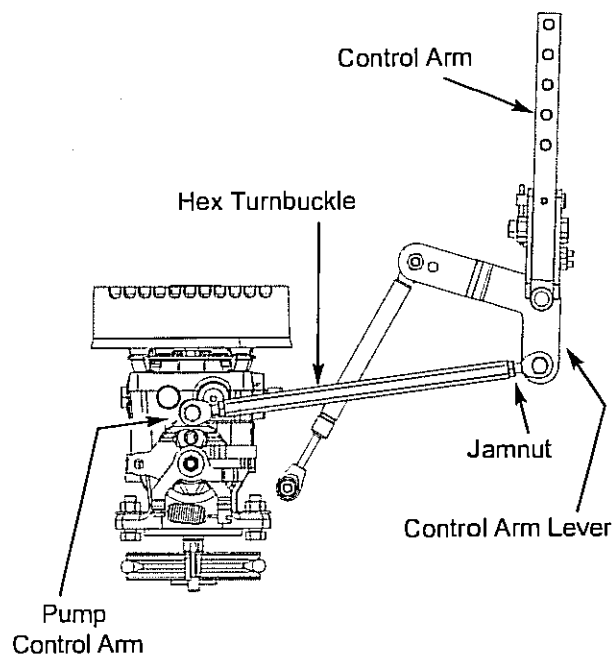
⚠ CAUTION

STOP THE ENGINE BEFORE MAKING ADJUSTMENTS.

TEST DRIVE OPERATIONS

Check air pressure in tires. Equal tire pressure is critical for proper drive operation.

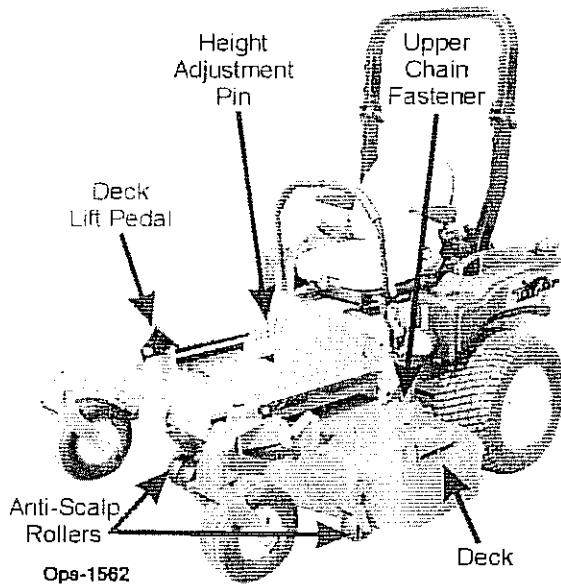
1. Raise drive wheels off ground. Safely block the frame in this position.
2. Put control levers in neutral lock position (control levers swung outward).
3. Start engine. Wheels should not rotate. If one or both drive wheels are turning, perform procedures under "Motion Control Adjustment" for side(s) that wheel turns.



LEVELING THE DECK

⚠ CAUTION

STOP THE ENGINE, SET PARKING BRAKE, REMOVE IGNITION KEY AND SPARK PLUG WIRES FOR SAFETY.



1. Set all tire pressures to the correct specifications.
2. Place machine on a level slab of concrete.
3. Depress the deck lift pedal raising the deck to the full lift height position and move the height adjustment pin to the 5" position.
4. Place a level on the deck, from front to rear. If the level is too short to reach all the way from front to rear, lay a straight edge on the deck first, then place the level on the straight edge.
5. Lay a .125" spacer beneath the front of the level.
6. Adjustment may be made by loosening the upper chain fasteners and moving the fasteners in the provided slot. Adjust fasteners until the level's bubble is centered. Repeat for the other side.

COUNTERBALANCE SPRING

Raise the cutter deck to the transport position. Adjust the spring length with the nuts on the eye-bolt, located under the seat, to the following lengths for 3" cutting Heights:

61" Deck - Spring Length of 11"

73" Deck - Spring Length of 11"

For lower cutting height, loosen spring at 1/4" intervals until stop hits adjusting pin in correct height location. If deck floats, loosen spring at 1/4" interval until deck stops floating. (Measure from inside of hook to inside of hook)

DECK BELT REPLACEMENT

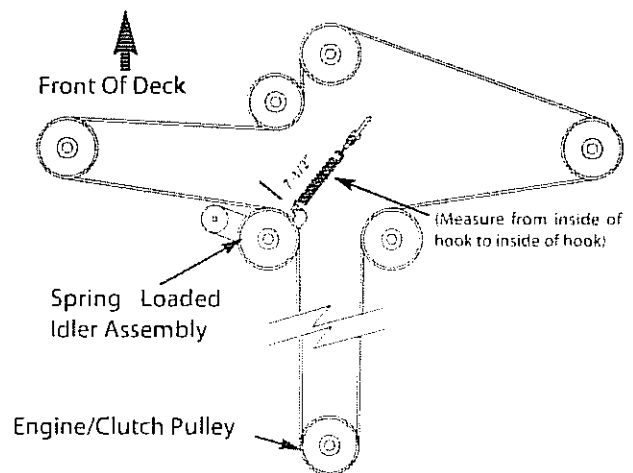
Belt adjustment should be checked every 50 hours to get maximum life and cutting performance from the mower. Belt tension is adjusted by increasing or decreasing the length of the spring on the movable idler. For proper belt tension on the 61" and 73" mowers, the spring length should be set to 7-1/2" inside hook to inside hook with the deck in 3" cutting height position. To adjust the spring length, loosen or tighten the 3/8" hex nuts on the eye bolt until the correct spring length is reached.

DECK BELT REPLACEMENT

USE ONLY GENUINE TIGER REPLACEMENT PARTS

- A. Remove the deck shield assembly.
- B. Relieve the spring tension by loosening the two 3/8" hex nuts on the eye bolt.
- C. Remove old belt.
- D. Install new belt. Be sure that the belt is properly positioned in all sheave grooves.
- E. Adjust tension on the belt by adjusting the length of the spring on the moveable idler. The correct spring length is 7-1/2" for the 61" and 73" decks.
- F. Replace the deck shield assembly.

DECK SPINDLE BELT ROUTING DIAGRAM



⚠ WARNING

TO AVOID SERIOUS BURN INJURIES:

- ALLOW ENGINE, OIL AND HYDRAULIC FLUIDS TO COOL BEFORE SERVICING TRANSMISSION OR ENGINE SYSTEM

⚠ CAUTION

TO AVOID CLEANING SOLVENT FIRES:

- AVOID USING FLAMMABLE SOLVENTS.
- AVOID AREAS WITH IGNITION SOURCES WHEN USING FLAMMABLE SOLVENTS.

⚠ WARNING

HIGH PRESSURE HYDRAULIC FLUID LEAKS CAN PENETRATE SKIN CAUSING SERIOUS INJURY AND GANGRENE.

INJECTED FLUID MUST BE SURGICALLY REMOVED WITHIN A FEW HOURS BY A DOCTOR FAMILIAR WITH THIS TYPE OF INJURY.

TO AVOID SERIOUS INJURY FROM PRESSURE LEAKS:

- USE CARDBOARD AND NOT HANDS TO SEARCH FOR LEAKS.
- RELIEVE HYDRAULIC PRESSURE BEFORE WORKING ON SYSTEM.
- CHECK HYDRAULIC HOSES, LINES, AND CONNECTIONS FOR TIGHTNESS AND GOOD CONDITION BEFORE APPLYING SYSTEM PRESSURE.

START-UP MAINTENANCE

HYDROSTATIC FLUID

Tiger recommends the use of 20W50 motor oil in the hydrostatic reservoir.

START-UP PROCEDURE

⚠ WARNING

TO AVOID INJURY FROM EQUIPMENT GROUND TRAVEL AND MOVEMENT DURING START-UP PROCEDURE:

DO NOT START OR JOG ENGINE UNTIL:

- PUMP IS IN NEUTRAL POSITION
- DRIVE WHEELS ARE RAISED OFF THE GROUND.
- EQUIPMENT IS SECURELY BLOCKED-UP TO KEEP WHEELS FROM GROUND CONTACT.
- PTO AND OTHER WORK FUNCTIONS ARE DISCONNECTED.
- KEEP HANDS, HAIR AND CLOTHING AWAY FROM ROTATING BLADES.

The following start-up procedure should always be followed when starting a new installation or when restarting and installation in which the pump or motor has been removed from the system.

Prior to starting the pump, make certain all system components (reservoir, fittings, etc.) are clean prior to filling with fluid.

Fill the reservoir with recommended fluid which should be filtered prior to entering the reservoir.

Start the engine and idle at the lowest possible RPM.

With the bypass valve closed, slowly move the displacement control in both the forward and reverse directions. As air is purged from the unit, the oil level in

the reservoir will drop and bubbles may appear in the fluid. Refill the reservoir as necessary.

Place the steering levers in the neutral position and open the bypass valve. Slowly move the steering levers in both the forward and reverse directions to purge the air from the closed circuit.

Close the bypass valve and run the unit in both directions for several minutes until any remaining air is purged from the unit. Refill the reservoir as necessary.

Stop the engine, check for and correct any fluid leaks, and check the reservoir level. Add fluid if necessary. The transmission is now ready for operation.

HYDROSTATIC MAINTENANCE

Check the reservoir daily for proper fluid level. Oil level should be to the bottom of the slot on the reservoir baffle.

The pump and motor units normally do not require regular fluid changes. The system filter should be changed after the first 50 hours of break-in, then every 500 hours thereafter. The fluid and filter should be changed and the system cleaned if the fluid becomes contaminated with foreign matter (water, dirt, etc.).

PARKING BRAKE ADJUSTMENT

Check to make sure brake is adjusted properly. Force on the brake handle to lock the brake in place should be 30 pounds. To adjust the brake tension, shorten or lengthen the horizontal brake linkage.

If further adjustment is needed at each individual wheel brake:

1. Engage the brake lever (lever up).
2. Remove the wheel from the side needing adjusting.
3. With the brake engaged the spring length should be 3-1/2" (measured to the inside of the spring loops).
4. If the spring length is different, shorten or lengthen the vertical brake linkage.
5. Reinstall the wheel and torque the lug nuts.

Pump Drive Belt Tension Adjustment

1. Stop engine and remove key.
2. The pump drive belt tension is adjusted through a spring loaded idler pulley.
3. Adjust the eye bolt so the spring length is 6" (measured to the inside of the spring loops).

TROUBLESHOOTING CHECK LIST

- | | |
|-----------------------------------------------------------------------------------------------------------------------------------------------------------------------------------------------------------------------------------------------------------------------------------------------------------|----------------------------------------------------------------------------------------------------------------------------------------------------------------------|
| <p>1. ENGINE IDLES POORLY:
 Carburetor maladjustment
 Improper spark plug gap</p> | <p>readjust carburetor
 check and re-gap plug</p> |
| <p>2. ENGINE BACKFIRES:
 Carburetor maladjustment</p> | <p>readjust carburetor</p> |
| <p>3. ENGINE RUNS BUT POWER UNIT WON'T MOVE FORWARD
 Drive belt loose or broken
 Pump shift arm disconnected
 Hydrostatic reservoir oil low
 Pump bypass valve open
 Hydrostatic oil filter plugged
 Bad pump or motor</p> | <p>re-tension or replace
 reconnect
 add oil
 put in closed position
 replace filter
 consult dealer</p> |
| <p>4. POWER UNIT LOSES POWER OR HYDROSTAT SYSTEM OVERHEATS
 Hydrostatic oil reservoir too low
 Pump or motor damaged
 Hydrostatic oil reservoir blowing oil out cap</p> | <p>add oil
 consult dealer
 overfilled or water contaminated</p> |
| <p>5. ENGINE STALLS WHEN BLADES ARE ENGAGED
 Operator not on seat
 Faulty interlock system
 Bad blade spindle bearing
 Deck drive belt not properly routed
 Blades blocked by foreign material</p> | <p>sit on seat
 consult dealer
 consult dealer
 reroute
 clean under deck</p> |

•See engine manual for engine adjustments

ENGINE ELECTRICAL TROUBLE

- 1. ENGINE WILL NOT TURN OVER:**
 - Dead battery
 - Bad ground connection
 - Bad terminal connection at battery
 - Wiring harness plugs are not attached properly at the key switch or the PTO switch
 - Bad parking brake switch
 - Bad PTO switch
- 2. ENGINE WILL TURN OVER, BUT WILL NOT START:**
 - A. If there is spark at the plug:**
 - No fuel
 - Bad fuel solenoid in engine
 - B. If there is no spark at the plug:**
 - Make sure safety interlock system is sequenced:
 - PTO switch is off
 - Control levers in neutral position
 - Parking brake is on
 - Operator in seat
 - Check safety interlock switches:
 - Seat switch
 - Neutral switch
 - Bad ignition module on engine

POOR CUTTING PERFORMANCE

- * **ENGINE SPEED IS TOO SLOW:**
 - Always mow at full throttle.
- * **BELT SLIPPAGE:**
 - Tighten deck adjusting spring to 7-1/2".
- * **DECK IS PLUGGED WITH GRASS:**
 - Clean underneath the mower.
- * **BLADES ARE NOT SHARP:**
 - Sharpen the blades or replace.
- * **CUTTING HEIGHT:**
 - Normal mowing - cut only 1/3 of the grass blade.
- * **FINISHED CUT IS UNEVEN:**
 - Groundspeed is too fast.
- * **BLADES ARE WORN DOWN TOO FAR:**
 - Replace your blades.

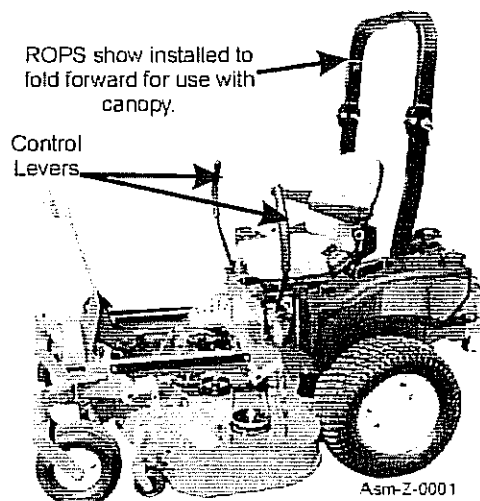
SECTION IV ASSEMBLY

MOUNTING THE CONTROL LEVERS

Mount the control levers to the 3/4" x 3/4" square bars positioning the control levers to the preferred height and mount with 3/8" x 1" fasteners, lock washers, and flat washers. Move the control levers forward or rearward for operator comfort.

ROPS

Mount the ROPS frame to the formed channels with the 1/2" x 4-1/4" fasteners and locknuts. NOTE: If mounting a canopy position the upper structure to fold to the front. If a canopy will not be mounted position the upper structure to fold toward the rear.



MOUNTING THE SEAT

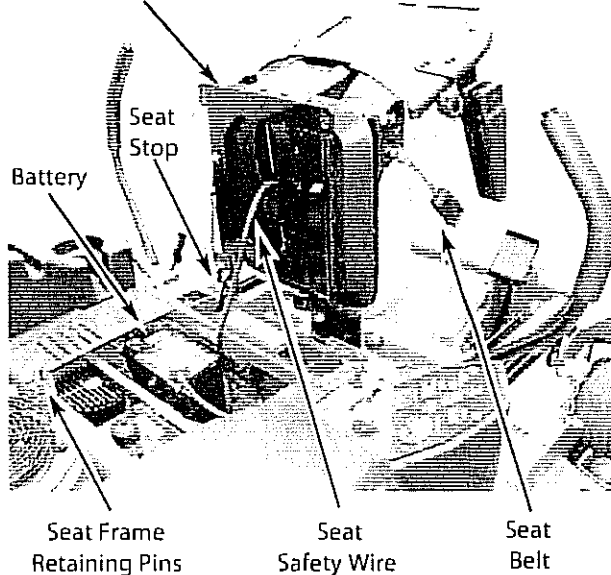
Mount the seat and seat frame assembly to the main-frame using the capscrew and nut installed in the seat hinge tubes. Attach the seat stop to the seat. Attach seat safety wire to switch under the seat.

BATTERY

Attach the positive lead to the battery.

Additional wire tie straps are shipped to secure the wiring harness as needed.

Seat and Seat Frame Assembly



PIVOTING FRONT AXLE SETTINGS

The pivoting front axle increases operator comfort, traction, mower life and improves the quality of cut. In conditions where the terrain is extremely uneven, better cutting performance may be achieved by locking the axle in a fixed position. This is easily done by moving the locking pins to the outer positions.

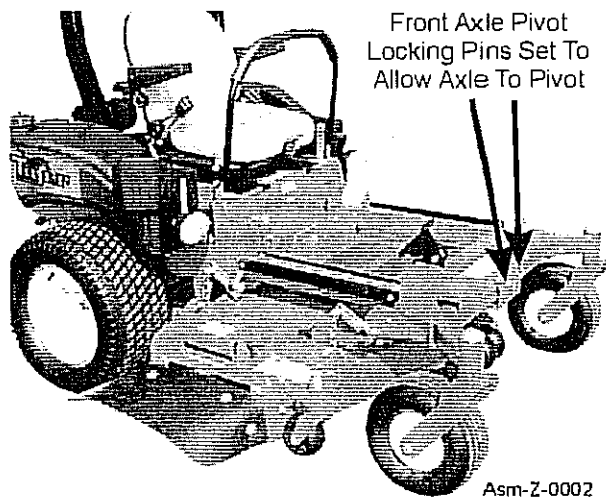
ITEMS TO CHECK:

Check oil level in the engine (see engine manual)

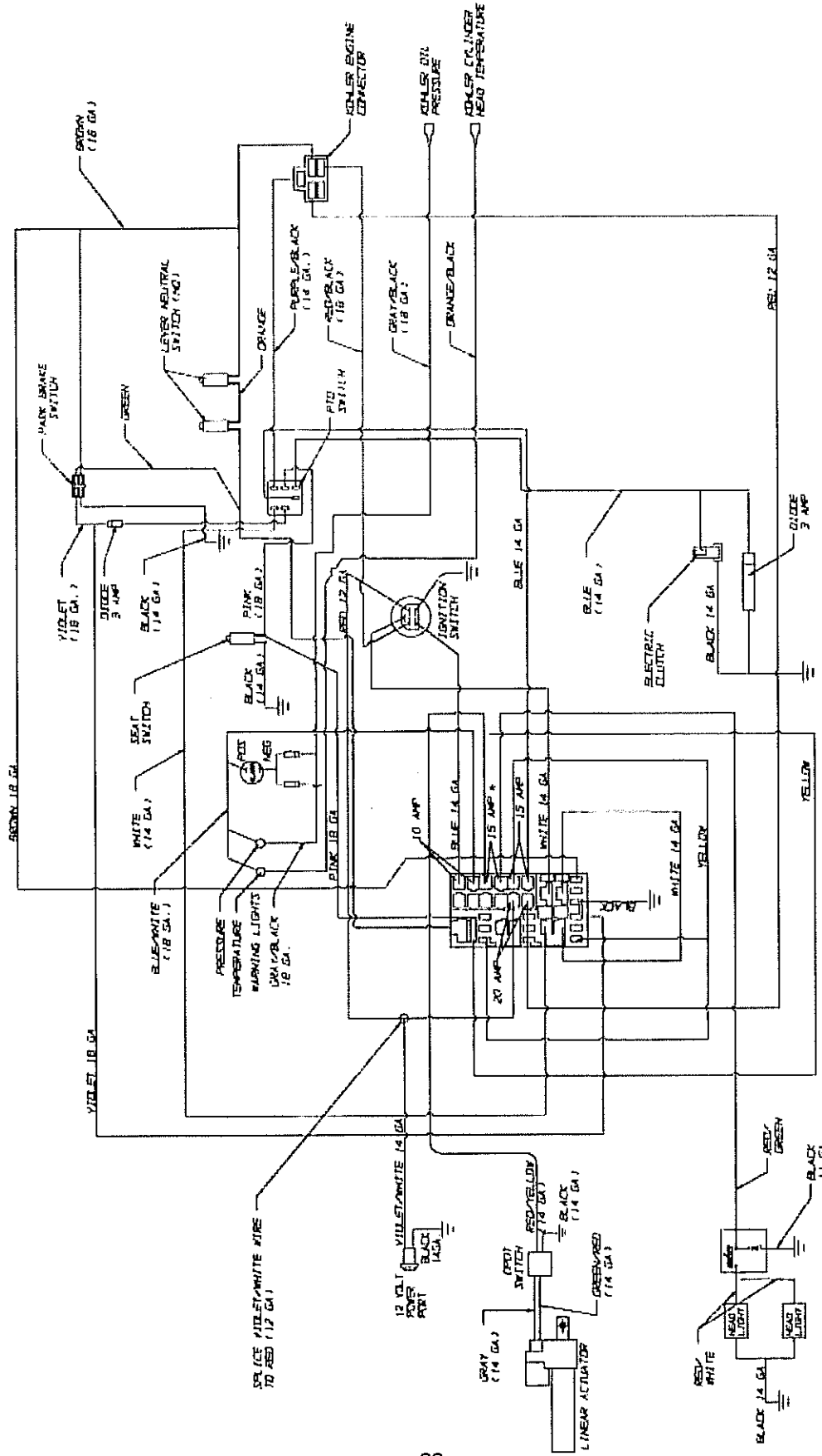
Check the fluid level in the hydrostatic oil reservoir.

Check tightness of all fasteners, including bolts, lug nuts, and setscrews.

Check tire pressure.



KOHLER ENGINE WIRING HARNESS 30HP MODELS



* NOTE: Use a 30 Amp fuse with linear actuator.

SAFETY DECALS

To promote safe operation, Tiger supplies safety decals on all products manufactured. Because damage can occur to safety decals either through shipment, use or reconditioning, Tiger will, upon request, provide safety decals for any of our products in the field at no charge. Contact your authorized Tiger dealer for more information.

CAUTION

- ★ SHUT OFF ENGINE BEFORE REFUELING
- ★ NEVER FILL FUEL TANK INDOORS OR WHEN ENGINE IS HOT.
- ★ WIPE UP ALL SPILLED GASOLINE BEFORE STARTING ENGINE.
- ★ DO NOT SMOKE WHILE REFUELING.

94131

DANGER

KEEP AWAY!

SHIELD MISSING FROM THIS AREA
TO AVOID SERIOUS INJURY OR DEATH, DO NOT OPERATE WITHOUT THIS AND ALL OTHER SHIELDS IN PLACE AND IN GOOD CONDITION.

823324

WARNING

ROTATING DRIVE PARTS BENEATH

- ENTANGLEMENT WITH ROTATING DRIVE PARTS CAN CAUSE INJURY OR DEATH.
- DO NOT OPERATE WITHOUT THIS AND ALL OTHER SHIELDS IN PLACE AND IN GOOD CONDITION.

50012615

DANGER

**KEEP AWAY - ROTATING BLADES
SERIOUS INJURY OR DEATH CAN RESULT FROM
THROWN OBJECTS OR BLADE CONTACT**

- DO NOT STAND ON OR NEAR MACHINE WHEN IN OPERATION.
- KEEP HANDS AND FEET AWAY FROM UNDERNEATH CUTTER TO AVOID SERIOUS INJURY.
- NEVER OPERATE WITHOUT DISCHARGE CHUTE OR VACUUM BLOWER ASSEMBLY IN PLACE.

85020

WARNING

SERIOUS INJURY OR DEATH MAY RESULT FROM MACHINE ROLLOVER

- ✘ Failure to follow these instructions could result in serious injury or death.
- ✘ Do not operate machine on steep slopes or near drop offs.
- ✘ Avoid sharp and/or quick turns.
- ✘ Do not exceed the machine weight rating of the rope.
- ✘ Always use seat belt.
- ✘ Do not jump if machine tips.
- ✘ If ROPS is foldable
 - Always keep the ROPS fully extended.
 - WHEN ROPS MUST BE DOWN
 - Do not use seat belt.
 - Drive with extra care.
- ✘ If equipped with seat platform, do not operate machine without seat platform pins in place.

50029501

WARNING

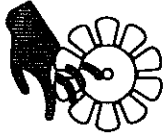
- OPERATE CONTROLS SMOOTHLY AND SLOWLY, ESPECIALLY ON SLOPES.
- MOVE VERY SLOWLY WHEN ATTACHMENT IS REMOVED.

- DO NOT OPERATE ON STEEP SLOPES: SEE OPERATORS MANUAL FOR DETAILS.
- ALWAYS LOOK BEHIND MACHINE BEFORE BACKING.

- DO NOT MOW WHERE MACHINE COULD SLIP OR TIP.
- BACK UP SLOPES. GO FORWARD DOWN SLOPES.

50029501

! DANGER



ROTATING BLADES-KEEP AWAY

- **KEEP HANDS, HAIR AND CLOTHING AWAY FROM ROTATING BLADES.**

50031003

! WARNING

TO AVOID SERIOUS INJURY OR DEATH

DO NOT OPERATE MOWER WITHOUT DISCHARGE SHIELD OR DEFLECTOR IN PLACE AND GOOD REPAIR.


83056

! WARNING

TO AVOID SERIOUS INJURY OR DEATH,

- ★ DO NOT ALTER ELECTRICAL SYSTEM. WRONG WIRING CONNECTIONS WILL DAMAGE ELECTRICAL COMPONENTS AND MAY MAKE THE SAFETY SWITCHES INOPERATIVE.

- ★ ALWAYS REMOVE JEWELRY BEFORE ATTEMPTING REPAIR OR REPLACEMENT OF ELECTRICAL COMPONENTS.



94132

! WARNING

TO AVOID SERIOUS INJURY OR DEATH,

- ★ READ OPERATOR'S MANUAL BEFORE OPERATING & FOLLOW ALL PRECAUTIONS. (CONTACT DEALER FOR MANUALS)
- ★ LOWER IMPLEMENT, STOP ENGINE AND REMOVE KEY BEFORE DISMOUNTING.
- ★ NO RIDERS. DO NOT OPERATE MOWER IN VICINITY OF OTHER PERSONS.
- ★ ALLOW NO CHILDREN OR UNQUALIFIED PERSONS TO OPERATE EQUIPMENT.
- ★ CLEAR MOWING AREA OF DEBRIS.

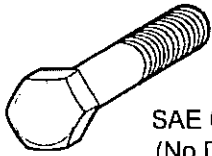
- ★ KEEP SHIELDS AND GUARDS IN PLACE. KEEP CLEAR OF DRIVES AND BELTS.
- ★ SECURELY SUPPORT MOWER & REMOVE KEY BEFORE WORKING UNDERNEATH.
- ★ KNOW HOW TO STOP TRACTOR AND EQUIPMENT QUICKLY IN AN EMERGENCY.
- ★ BE CAREFUL ON UNEVEN TERRAIN. DECREASE SPEED WHEN TURNING.

94134

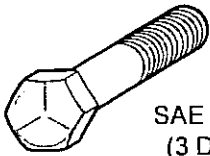
TORQUE SPECIFICATIONS

Proper torque for American fasteners used on Tiger equipment.
Recommended Torque in Foot Pounds (Newton Meters).*

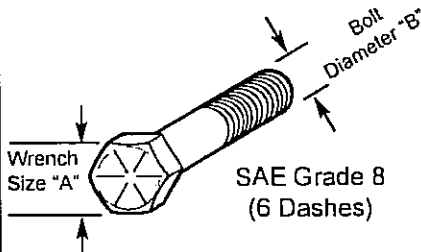
AMERICAN Bolt Head Markings



SAE Grade 2
(No Dashes)



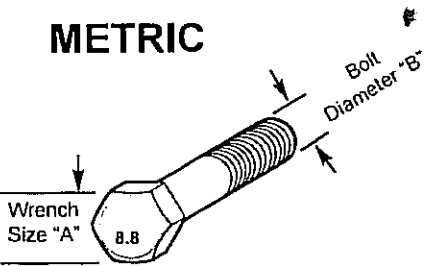
SAE Grade 5
(3 Dashes)



SAE Grade 8
(6 Dashes)

WRENCH SIZE (IN.) "A"	BOLT DIAMETER (IN.) "B" AND THREAD SIZE	SAE GRADE 2	SAE GRADE 5	SAE GRADE 8
7/16	1/4 20 UNC	6 (7)	8 (11)	12 (16)
7/16	1/4 28 UNF	6 (8)	10 (13)	14 (18)
1/2	5/16 18 UNC	11 (15)	17 (23)	25 (33)
1/2	5/16 24 UNF	13 (17)	19 (26)	27 (37)
9/16	3/8 16 UNC	20 (27)	31 (42)	44 (60)
9/16	3/8 24 UNF	23 (31)	35 (47)	49 (66)
5/8	7/16 14 UNC	32 (43)	49 (66)	70 (95)
5/8	7/16 20 UNF	36 (49)	55 (75)	78 (106)
3/4	1/2 13 UNC	49 (66)	76 (103)	106 (144)
3/4	1/2 20 UNF	55 (75)	85 (115)	120 (163)
7/8	9/16 12 UNC	70 (95)	109 (148)	153 (207)
7/8	9/16 18 UNF	79 (107)	122 (165)	172 (233)
15/16	5/8 11 UNC	97 (131)	150 (203)	212 (287)
15/16	5/8 18 UNF	110 (149)	170 (230)	240 (325)
1 1/8	3/4 10 UNC	144 (195)	266 (360)	376 (509)
1 1/8	3/4 16 UNF	192 (260)	297 (402)	420 (569)
1 5/16	7/8 9 UNC	166 (225)	430 (583)	606 (821)
1 5/16	7/8 14 UNF	184 (249)	474 (642)	668 (905)
1 1/2	1 8 UNC	250 (339)	644 (873)	909 (1232)
1 1/2	1 12 UNF	274 (371)	705 (955)	995 (1348)
1 1/2	1 14 UNF	280 (379)	721 (977)	1019 (1381)
1 11/16	1 1/8 7 UNC	354 (480)	795 (1077)	1288(1745)
1 11/16	1 1/8 12 UNF	397 (538)	890 (1206)	1444 (1957)
1 7/8	1 1/4 7 UNC	500 (678)	1120 (1518)	1817 (2462)
1 7/8	1 1/4 12 UNF	553 (749)	1241 (1682)	2013 (2728)
2 1/16	1 3/8 6 UNC	655 (887)	1470 (1992)	2382 (3228)
2 1/16	1 3/8 12 UNF	746 (1011)	1672 (2266)	2712 (3675)
2 1/4	1 1/2 6 UNC	870 (1179)	1950 (2642)	3161 (4283)
2 1/4	1 1/2 12 UNF	979 (1327)	2194 (2973)	3557 (4820)

METRIC



Numbers appearing on bolt heads indicate ASTM class.

Proper torque for metric fasteners used on Tiger equipment.
Recommended torque in foot pounds (newton Meters).*

WRENCH SIZE (mm) "A"	BOLT DIA. (mm) "B"	ASTM 4.6	ASTM 8.8	ASTM 9.8	ASTM 10.9
8	5	1.8 (2.4)		5.1 (6.9)	6.5 (8.8)
10	6	3 (4)		8.7 (12)	11.1 (15)
13	8	7.3 (10)		21.1 (29)	27 (37)
16	10	14.5 (20)		42 (57)	53 (72)
18	12	25 (34)	74 (100)	73 (99)	93 (126)
21	14	40 (54)	118 (160)	116 (157)	148 (201)
24	16	62 (84)	167 (226)	161 (245)	230 (312)
30	20	122 (165)	325 (440)		449 (608)
33	22		443 (600)		611 (828)
36	24	211 (286)	563 (763)		778 (1054)
41	27		821 (1112)		1138 (1542)
46	30	418 (566)	1119 (1516)		1547 (2096)

*Use 75% of the specified torque value for plated fasteners. Use 85% of the specified torque values for lubricated fasteners.

COMMERCIAL SERIES ZERO TURN RIDING MOWERS

Optional Equipment:

Caster Bundle (Available for 61" deck only)

Canopy Kit

Light Kit

Electric Actuator Bundle

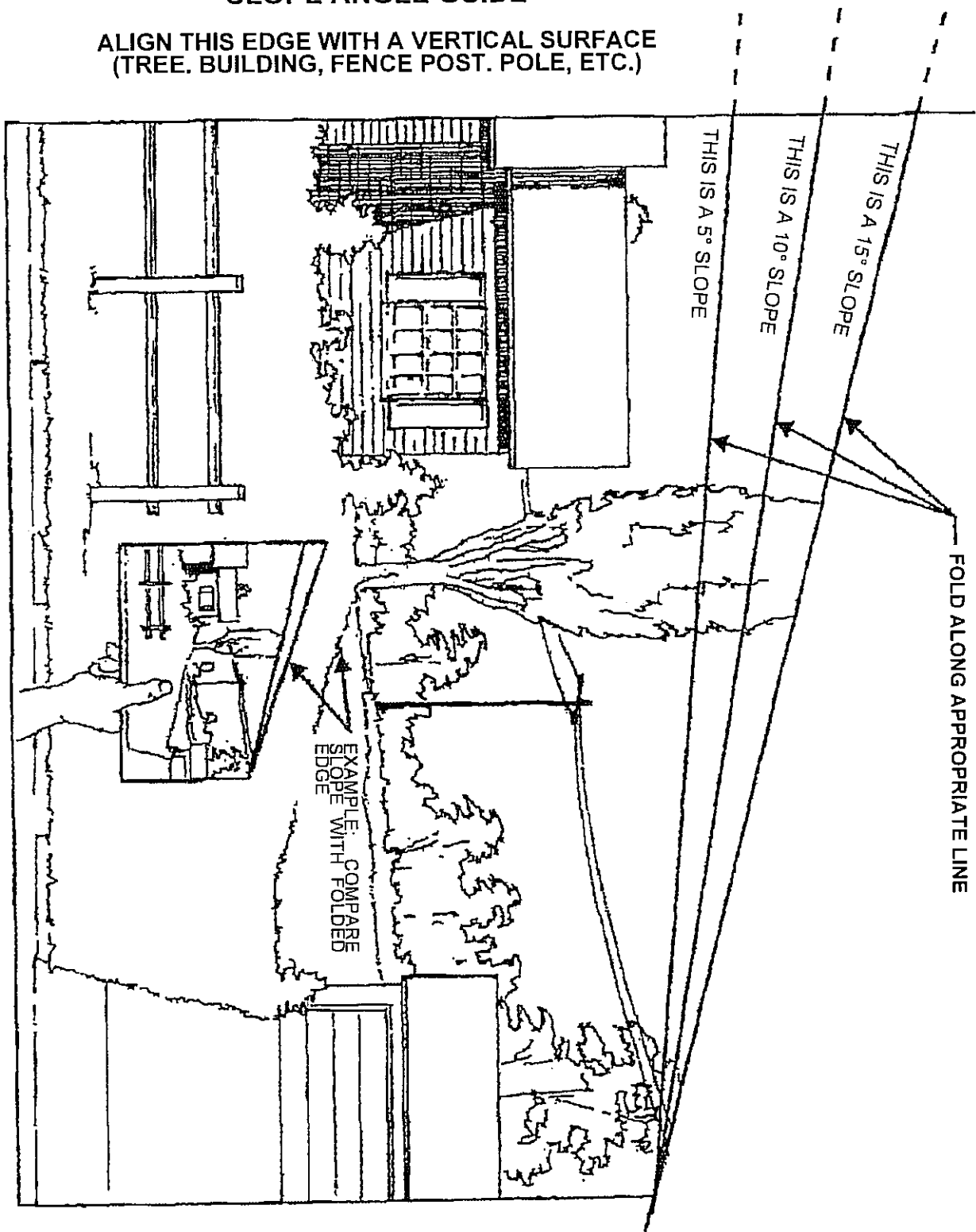
Rear Hitch Kit

Mulching Kit 61"

Striping Kit

SLOPE ANGLE GUIDE

ALIGN THIS EDGE WITH A VERTICAL SURFACE
(TREE, BUILDING, FENCE POST, POLE, ETC.)



(

(

(



TO THE OWNER/OPERATOR/DEALER

To keep your implement running efficiently and safely, read your manual thoroughly and follow these directions and the Safety Messages in this Manual. The Table of Contents clearly identifies each section where you can easily find the information you need.

The OCCUPATIONAL SAFETY AND HEALTH ACT (1928.51 Subpart C) makes these minimum safety requirements of tractor operators:

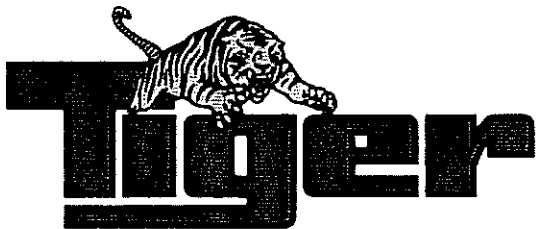
REQUIRED OF THE OWNER:

1. Provide a Roll-Over-Protective Structure that meets the requirements of this Standard; and
2. Provide Seat belts that meet the requirements of this paragraph of this Standard and SAE J4C; and
3. Ensure that each employee uses such Seat belt while the tractor is moving; and
4. Ensure that each employee tightens the Seat belt sufficiently to confine the employee to the protected area provided by the ROPS

REQUIRED OF THE OPERATOR:

1. Securely fasten seat belt if the tractor has a ROPS.
2. Where possible, avoid operating the tractor near ditches, embankments, and holes.
3. Reduce speed when turning, crossing slopes, and on rough, slick, or muddy surfaces.
4. Stay off slopes too steep for safe operation.
5. Watch where you are going - especially at row ends, on roads, and around trees.
6. Do not permit others to ride.
7. Operate the tractor smoothly - no jerky turns, starts, or stops.
8. Hitch only to the drawbar and hitch points recommended by the tractor manufacturer.
9. When the tractor is stopped, set brakes securely and use park lock, if available.

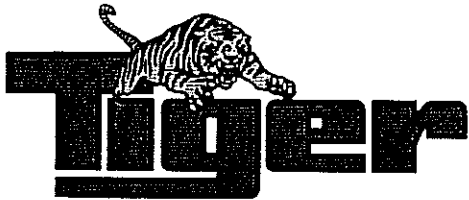
-
- x Keep children away from danger all day, every day...
 - x Equip tractors with rollover protection (ROPS) and keep all machinery guards in place...
 - x Please work, drive, play and live each day with care and concern for your safety and that of your family and fellow citizens.



**COMMERCIAL SERIES
ZEROTURN RIDING MOWER**

TG-3061/3073 -SOM - 09/11
Printed U.S.A

P/N 50069889



PROFESSIONAL SERIES ZERO TURN MOWER

TG 3061 & TG 3073
ZERO TURN MOWERS

Published 10/2011

PART'S MANUAL



An Operator's Manual was shipped with the equipment. The Operator's Manual is an integral part of the safe operation of this machine and must be maintained with the unit at all times. **READ, UNDERSTAND, and FOLLOW** the Safety and Operation Instructions contained in this manual before operating the equipment. If the Operator's Manual is not with the equipment, contact your dealer or Tiger Corporation to obtain a Free copy before operating the equipment. *C01a-Cover*



Tiger Corporation

3301 N. Louise Ave.
Sioux Falls, SD 57107
1-800-843-6849
1-605-336-7900
www.tiger-mowers.com

©2011 Alamo Group Inc.

\$0.00

TG 3061 & TG 3073

PROFESSIONAL SERIES ZERO TURN MOWERS

TABLE OF CONTENTS

MOWER DECK & RELATED PARTS

Deck & Shields, 61"	1-1
Blades, Belts & Pulleys, 61" Deck	1-2
Deck & Shields, 73"	1-3
Blades, Belts & Pulleys, 73"	1-4
Blade Spindle Assy	1-5
Roller Assy	1-6
Roller Assy with Casters	1-7
Pusher Bar Assy	1-8
Deck Lift Assy	1-9

FRAME & SEATING

Frame & Related Parts	2-1
Seat, Full Suspension	2-2
R.O.P.S. (Roll Over Protection System)	2-3

SUSPENSION, STEERING & PARKING BRAKE CONTROLS

Steering Assy	3-1
Brake Assy	3-2
Front Caster Wheels & Related Parts	3-3
Rear Drive Wheels & Related Parts	3-4

POWER SUPPLY - ENGINES, TRANSMISSIONS & BELTS

Clutch, Drive Belts & Pulleys	4-1
Pumps, Wheel Motors, & Oil Tank	4-2
Pump Assy	4-3
Hydraulic Hoses & Fittings	4-4
Engine & Rear Support, Kohler	4-5
Engine Service Parts	4-6

FUEL, ELECTRICAL & CONTROL PANEL

Fuel Supply	5-1
Control Panel	5-2
Battery & Wiring, Kohler	5-3

OPTIONS

Striping Kit	6-1
Rear Hitch	6-1
Light Kit	6-2
Mulching Kit	6-3
Electric Actuator	6-4
Canopy Kit	6-5
Rear Weight Kit	6-6

GRASS CATCHER

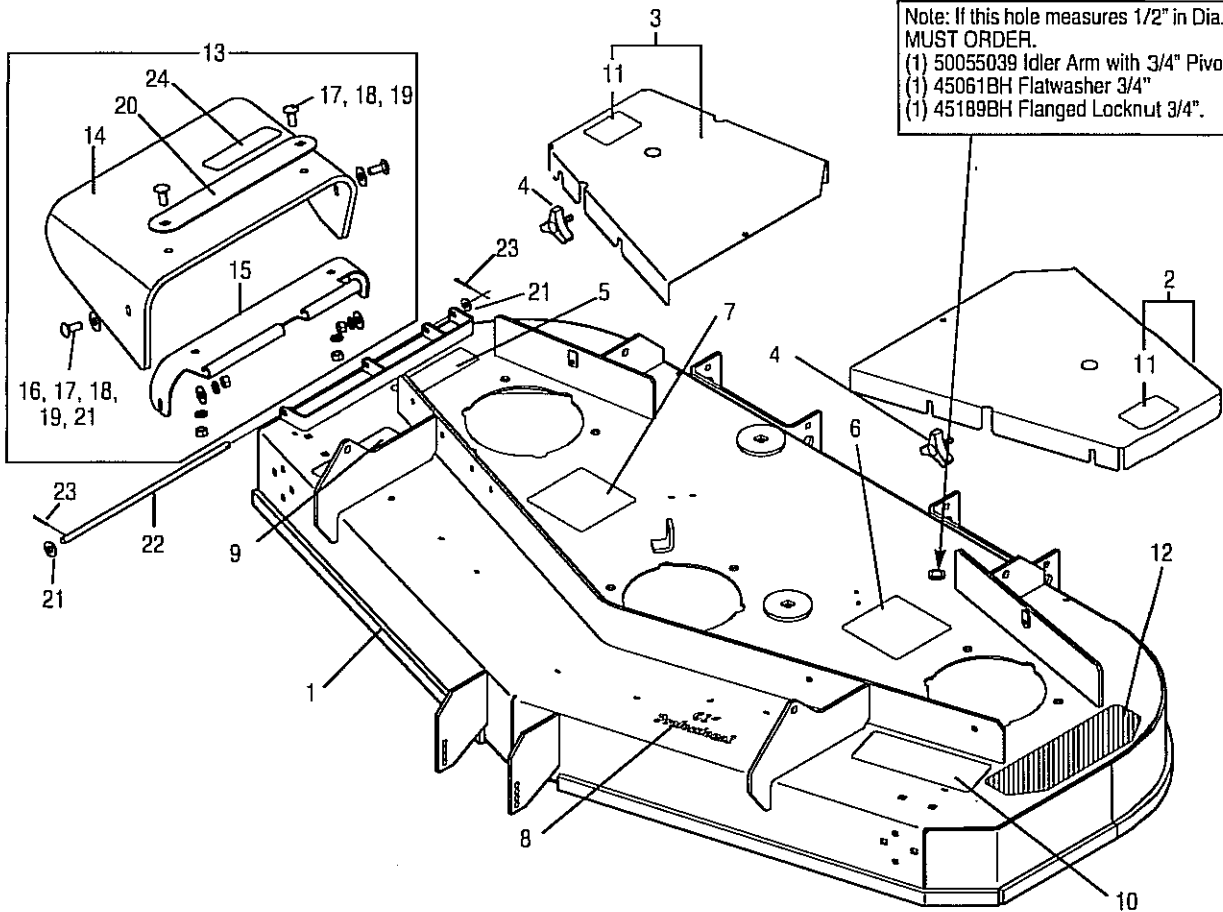
Grass Catcher GC-350 & GC351DFS	7-1
---------------------------------------	-----

(PTS-BH-0001)



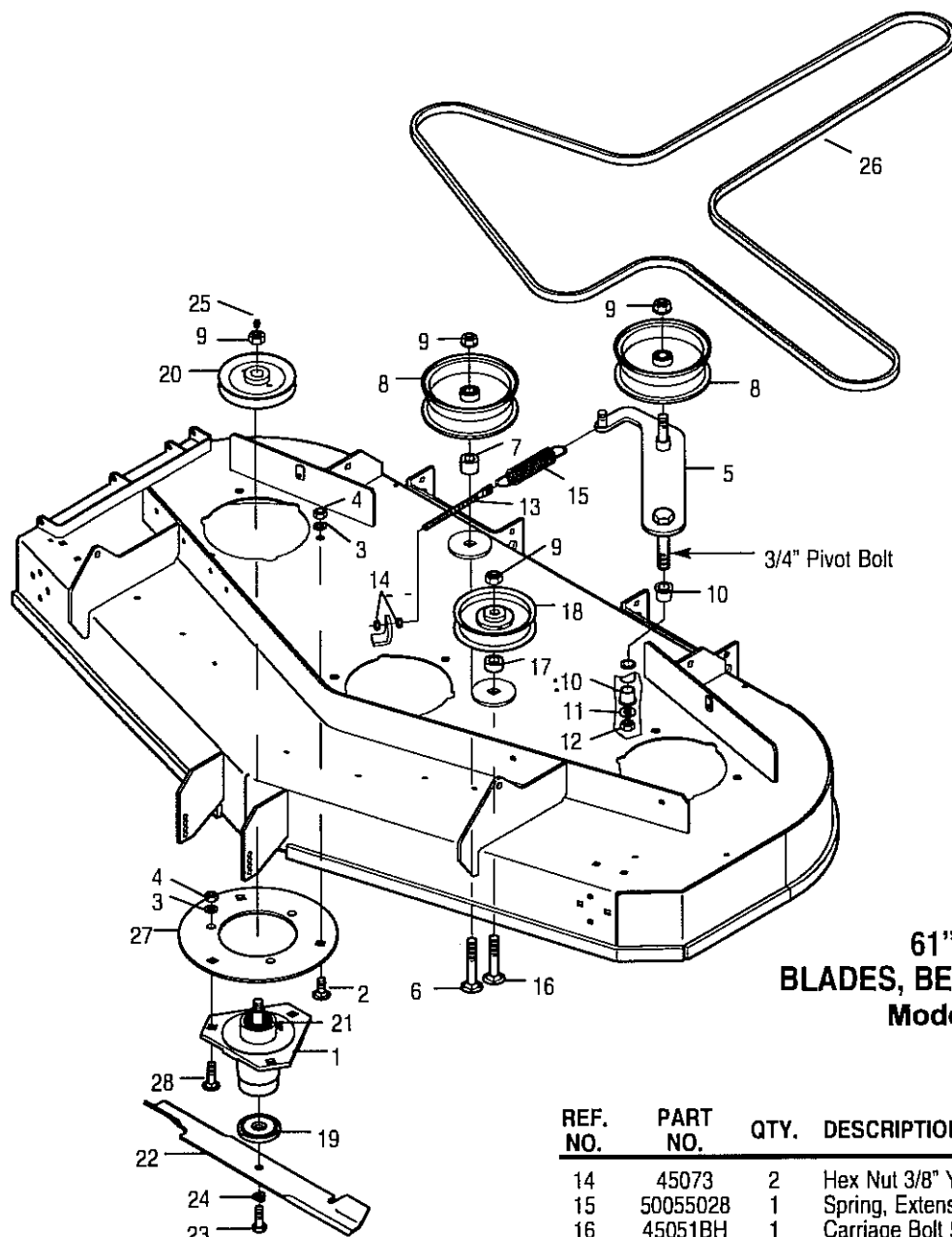
TG 3061 & TG 3073

**MOWER DECK &
RELATED PARTS**



**61" DECK
 DECK & SHIELDS
 Models: TG 3061 & TG 3073**

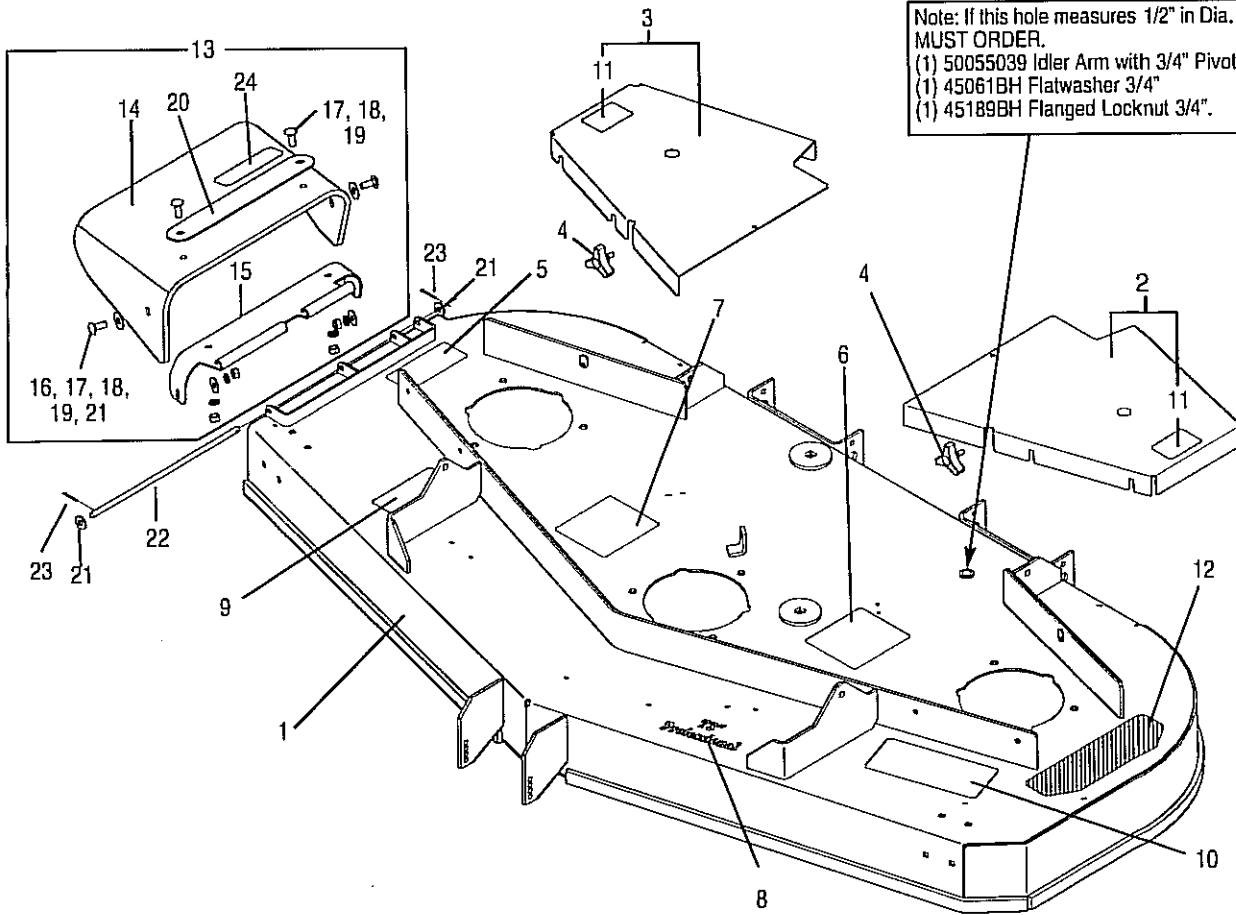
REF. NO.	PART NO.	QTY.	DESCRIPTION
1	50056877-26	1	Deck Weldment w/ Decals (See Note on Illustration)
2	50047197-26	1	Deck Shield, L.H.
3	50047196-26	1	Deck Shield, R.H.
4	50045533	8	Knob
5	83056	1	Decal, Warning
6	50012616	1	Decal, Danger
7	50029499	1	Decal, Belt Installation
8	50058270	1	Model Decal, 61" Deck
9	85020	1	Decal, Danger
10	94134	1	Decal, Warning
11	50012615	2	Decal, Warning
12	50029106	1	Non-Skid Surface
13	50060788	1	Discharge Chute Assembly
14	50060786	1	Discharge Chute
15	50060784	1	Inner Band
16	45067BH	2	Flatwasher 7/16" YZ
17	45119BH	4	Carriage Bolt 3/8" x 1" YZ
18	45113	4	Lockwasher 3/8" YZ
19	45073	4	Hex Nut 3/8" YZ
20	50060787	1	Outer Band
21	45063	4	Flatwasher 3/8" YZ
22	50064108	1	Pin Weldment
23	45054BH	2	Cotter Pin 1/8" x 1" YZ
24	50063815	1	Decal, Discharge Chute



**61" DECK
BLADES, BELTS & PULLEYS
Model: TG 3061**

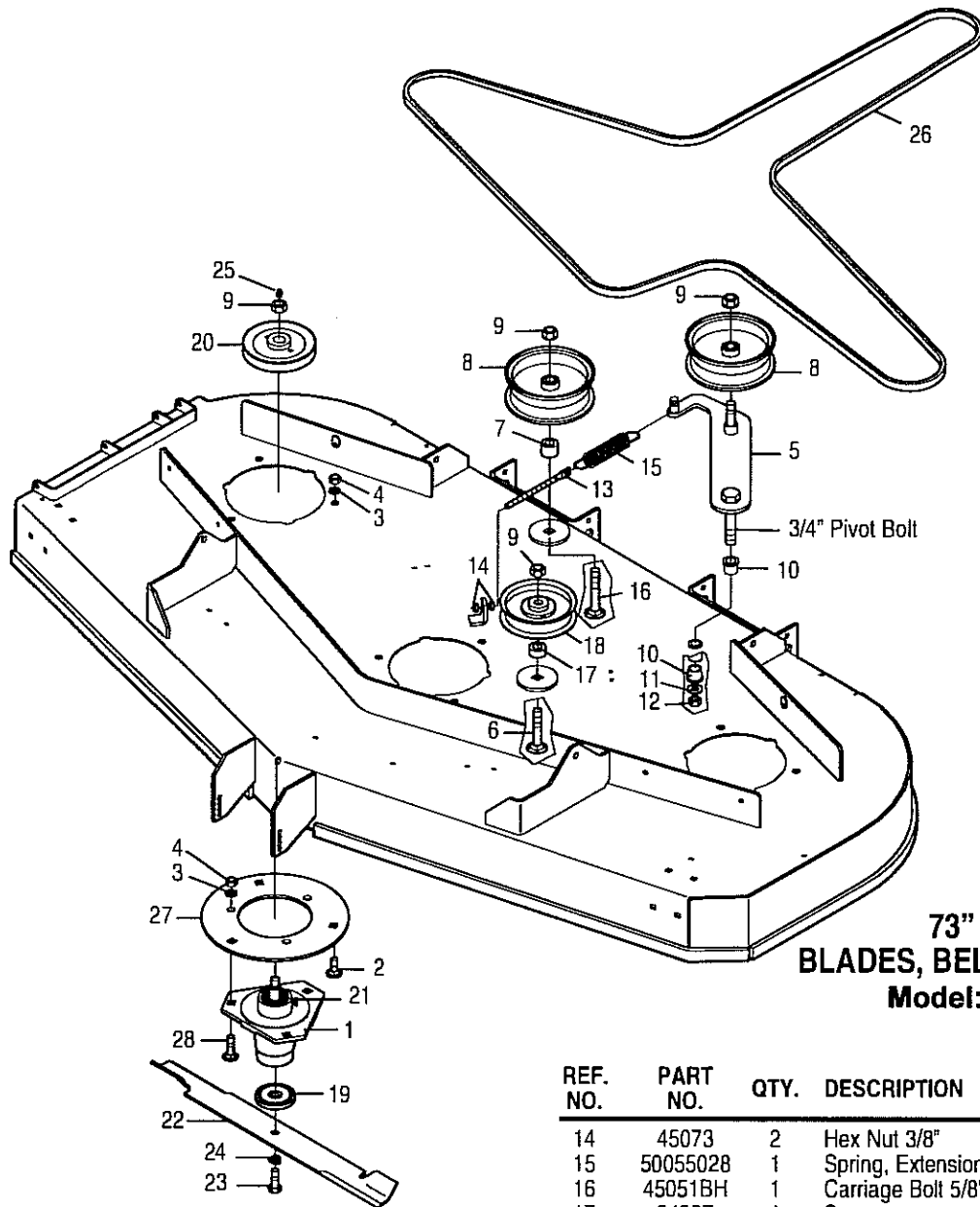
REF. NO.	PART NO.	QTY.	DESCRIPTION
1	50048640	3	Spindle Assembly
2	45122BH	9	Carriage Bolt 1/2" x 1"
3	45111BH	18	Lockwasher 1/2" YZ
4	45070BH	18	Hex Nut 1/2" YZ
5	50055039	1	Idler Weldment
6	45120BH	1	Carriage Bolt 5/8" x 3-1/2" YZ
7	50027490	1	Spacer Idler
8	50027489	2	Deck Idler Pulley
9	45109BH	6	Lock Nut 5/8" Flanged YZ
10	50055032	2	Flanged Bushing
11	45061BH	1	Flatwasher 3/4" YZ
12	45189BH	1	Lock Nut 3/4" YZ
13	50054988	1	Tension Rod

REF. NO.	PART NO.	QTY.	DESCRIPTION
14	45073	2	Hex Nut 3/8" YZ
15	50055028	1	Spring, Extension
16	45051BH	1	Carriage Bolt 5/8" x 3" YZ
17	94997	1	Spacer
18	88663	1	Idler
19	88754	3	Blade Washer
20	50045472	3	Sheave, 6.00"
21	88753	3	Woodruff Key
22	50056493	3	Blade, 21" CW Parallel Uplift w/ Cut-out
	82324	3	Blade, 21" CW Parallel Uplift (Opt.)
	50029159	3	Blade, 21" CW Mulching (Opt.)
	95754	3	Blade, 21" Corner Uplift (Opt.)
	50034299	3	Blade, 21" Hi-Corner Uplift (Opt.)
23	44508BH	3	Capscrew 1/2" x 1-1/2" Gr. 8 NF
24	44040BH	3	Safety Washer
25	449BH	3	Grease Fitting
26	50047108	1	Drive Belt, 61"
27	50027254	3	Mounting Plate
28	45048BH	3	Carriage Bolt 1/2" x 1-1/4"



**73" DECK
DECK & SHIELDS
Model: TG 3073**

REF. NO.	PART NO.	QTY.	DESCRIPTION
1	50056878-26	1	Deck Weldment w/ Decals (See Note on Illustration)
2	50047203-26	1	Deck Shield, L.H.
3	50047202-26	1	Deck Shield, R.H.
4	50045533	8	Knob
5	83056	1	Decal, Warning
6	50012616	1	Decal, Danger
7	50029499	1	Decal, Belt Installation
8	50058271	1	Model Decal, 73" Deck
9	85020	1	Decal, Danger
10	94134	1	Decal, Warning
11	50012615	2	Decal, Warning
12	50029106	1	Non-Skid Surface
13	50060788	1	Discharge Chute Assembly
14	50060786	1	Discharge Chute
15	50060784	1	Inner Band
16	450678H	2	Flatwasher 7/16" YZ
17	45119BH	4	Carriage Bolt 3/8" x 1"
18	45113BH	4	Lockwasher 3/8" YZ
19	45073	4	Hex Nut 3/8" YZ
20	50060787	1	Outer Band
21	45063	4	Flatwasher 3/8" YZ
22	50064108	1	Pin Weldment
23	45054BH	2	Cotter Pin 1/8" x 1" YZ
24	50063815	1	Decal, Discharge Chute



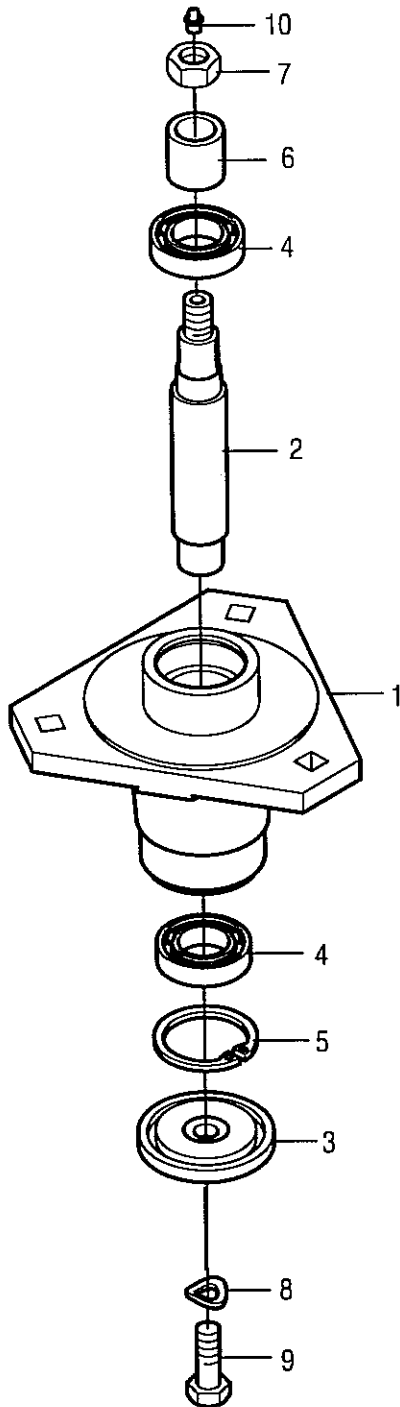
**73" DECK
BLADES, BELTS & PULLEYS
Model: TG 3073**

REF. NO.	PART NO.	QTY.	DESCRIPTION
1	50048640	3	Spindle Assembly
2	45122BH	9	Carriage Bolt 1/2" x 1"
3	45111BH	18	Lockwasher 1/2"
4	45070BH	18	Hex Nut 1/2"
5	50055039	1	Idler Weldment
6	45120BH	1	Carriage Bolt 5/8" x 3-1/2"
7	50027490	1	Spacer Idler
8	50027489	2	Deck Idler Pulley
9	45109BH	6	Lock Nut 5/8" Flanged
10	50055032	2	Flanged Bushing
11	45061BH	1	Flatwasher 3/4" YZ
12	45189BH	1	Lock Nut 3/4" YZ
13	50054988	1	Tension Rod

REF. NO.	PART NO.	QTY.	DESCRIPTION
14	45073	2	Hex Nut 3/8"
15	50055028	1	Spring, Extension
16	45051BH	1	Carriage Bolt 5/8" x 3"
17	94997	1	Spacer
18	88663	1	Idler
19	88754	3	Blade Washer
20	50047115	3	Sheave, 7.25"
21	88753	3	Woodruff Key
22	50056495	3	Blade, 25" CW Parallel Uplift w/ Cut-out
	82325	3	Blade, 25" CW Parallel Uplift (Opt.)
	50029160	3	Blade, 25" CW Mulching (Opt.)
	95755	3	Blade, 25" Corner Uplift (Opt.)
	50034300	3	Blade, 25" Hi-Corner Uplift (Opt.)
23	44508BH	3	Capscrew 1/2" x 1-1/2" Gr. 8 NF
24	44040BH	3	Safety Washer
25	449BH	3	Grease Fitting
26	50047109	1	Drive Belt, 73"
27	50027254	3	Mounting Plate
28	45048BH	3	Carriage Bolt 1/2" x 1-1/4"

50048640 SPINDLE ASSEMBLY

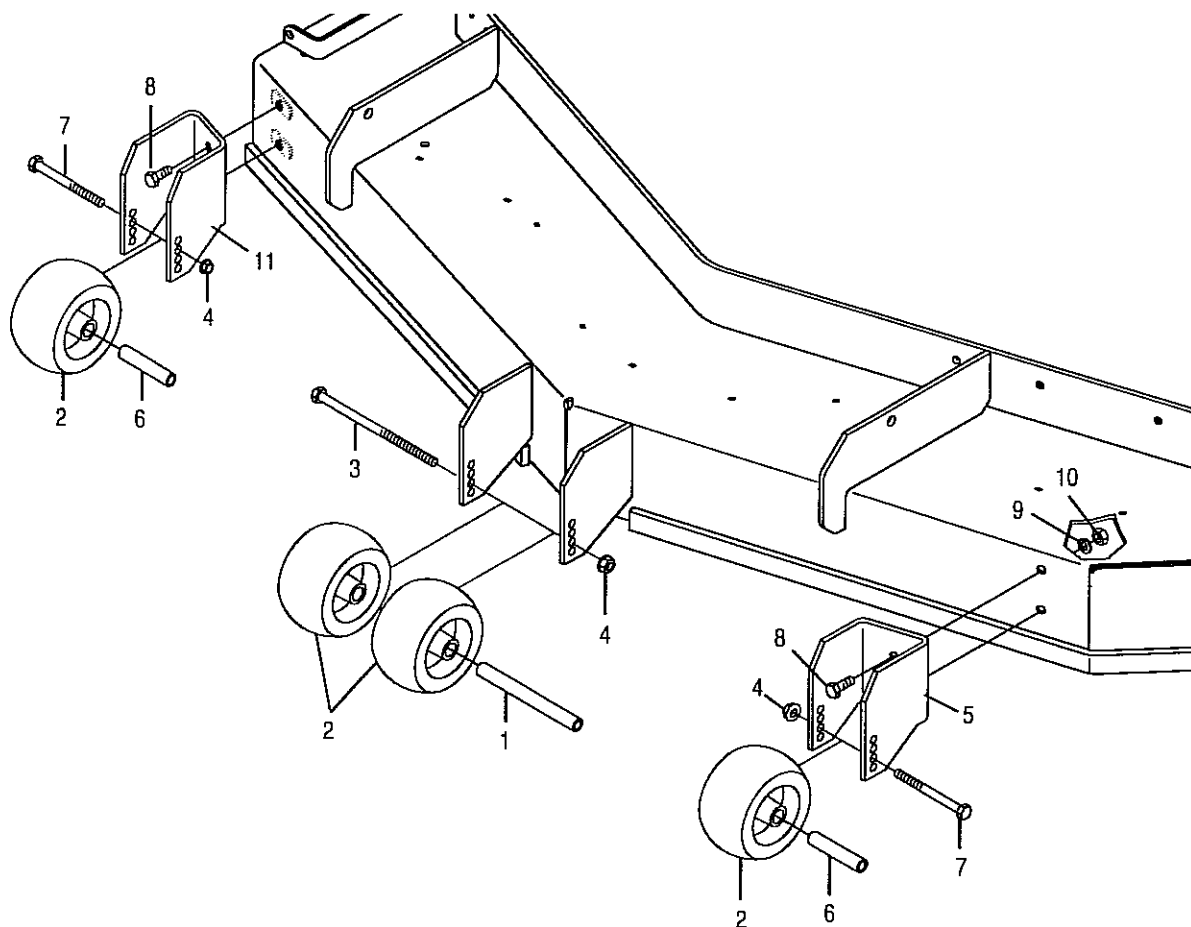
Models: TG 3061 & TG 3073



REF. NO.	PART NO.	QTY.	DESCRIPTION
1	50045471	1	Spindle Housing
2	50045469	1	Greasable Shaft
3	88754	1	Blade Washer
4	88749	2	Bearing
5	97685	1	Retaining Ring
6	96647	1	Pivot Tube
7	45075BH	1	Hex Nut 5/8"
8	44040BH	1	Safety Washer, Heavy Duty
9	44508BH	1	Capscrew 1/2" x 1-1/2" Gr.8 NF
10	449BH	1	Grease Fitting

ROLLER ASSEMBLY

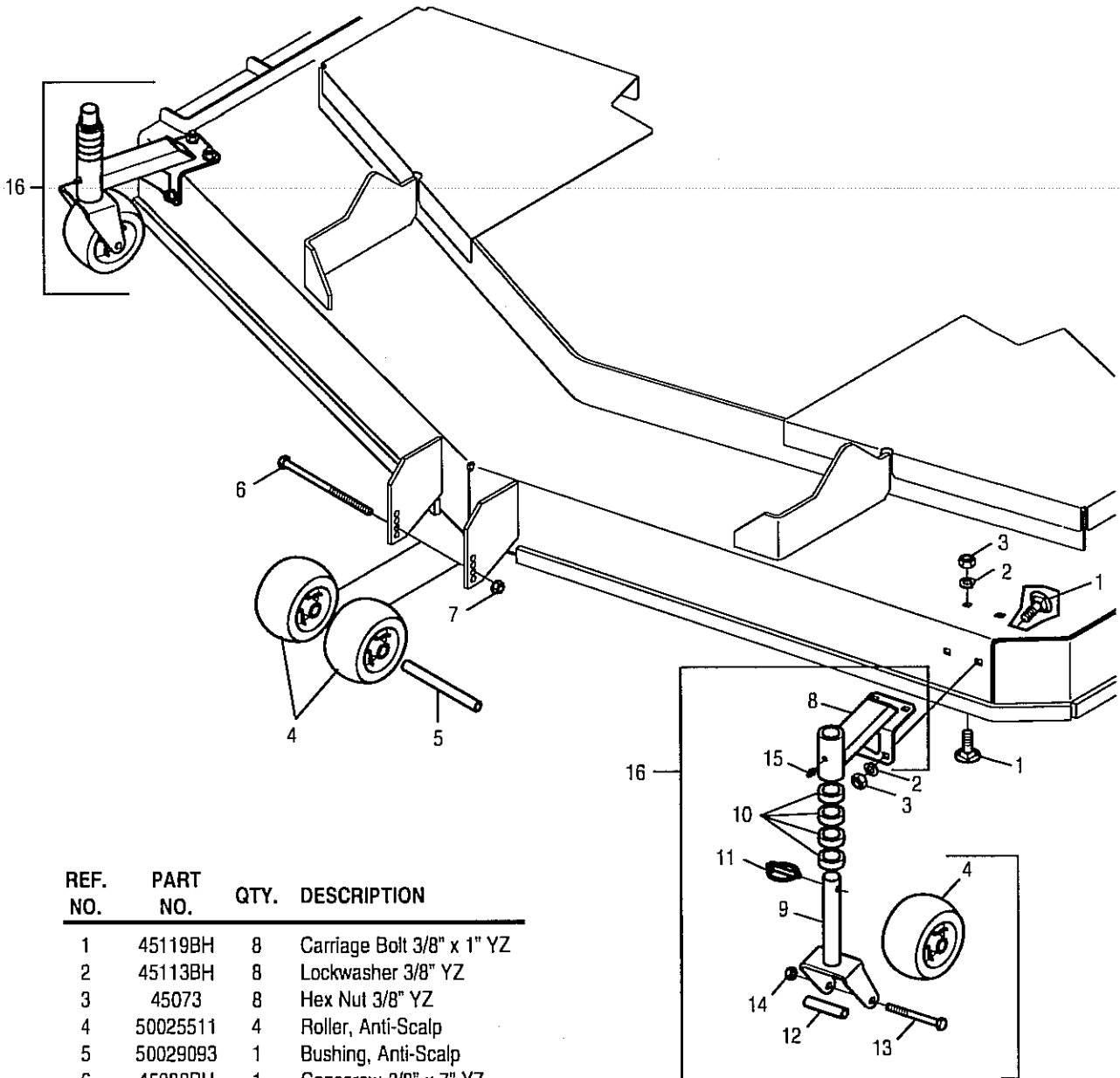
Models: TG 3061



REF. NO.	PART NO.	QTY.	DESCRIPTION
1	50029093	1	Bushing
2	50025511	4	Roller, Anti-Scalp
3	45089BH	1	Cap Screw 3/8" x 7" YZ
4	45106H	3	Lock Nut 3/8" Flanged YZ
5	50034695-26	1	Front Roller Bracket, L.H.
6	50027488	2	Bushing
7	45131BH	2	Cap Screw 3/8" x 4" YZ
8	45086BH	4	Cap Screw 3/8" x 1" YZ
9	45113	2	Lock Washer 3/8" YZ
10	45107BH	2	Lock Nut 3/8" YZ
11	50034694-26	1	Front Roller Bracket, R.H.

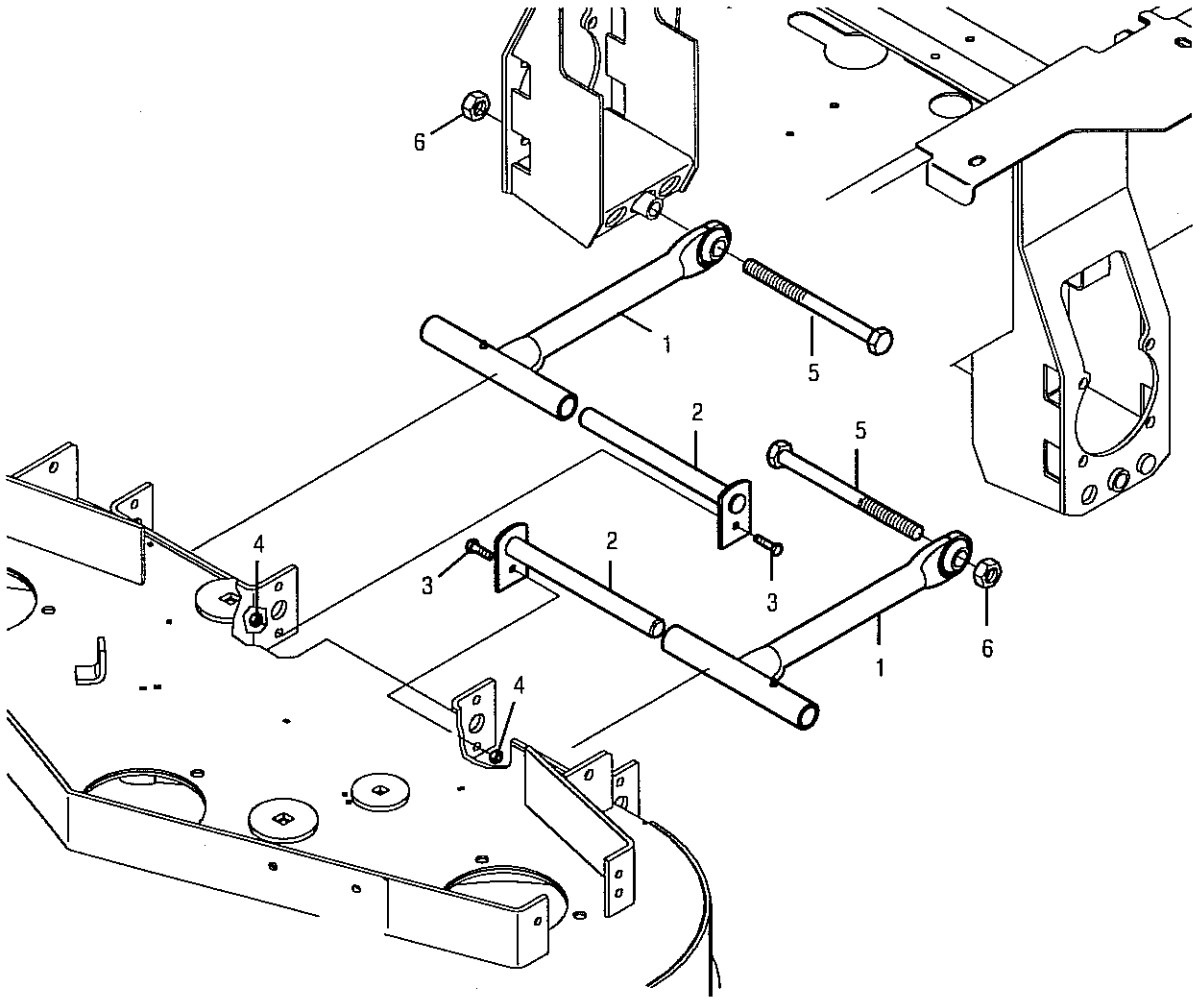
ROLLER ASSEMBLY WITH CASTERS

Models: TG 3061 & TG 3073



REF. NO.	PART NO.	QTY.	DESCRIPTION
1	45119BH	8	Carriage Bolt 3/8" x 1" YZ
2	45113BH	8	Lockwasher 3/8" YZ
3	45073	8	Hex Nut 3/8" YZ
4	50025511	4	Roller, Anti-Scalp
5	50029093	1	Bushing, Anti-Scalp
6	45089BH	1	Capscrew 3/8" x 7" YZ
7	45106H	1	Locknut 3/8" Flanged
8	50045524	1	Caster Arm Weldment
9	50045487	1	Caster Fork Weldment
10	84612	4	Tailwheel Spacer, Short
11	50022926	1	Lynch Pin 1/4" x 1-3/4"
12	50027488	1	Bushing, Anti-Scalp Roller
13	45121BH	1	Capscrew 3/8" x 4" YZ
14	45105H	1	Locknut 3/8"
15	449BH	2	Grease Fitting
16	50045525	2	Caster Assembly

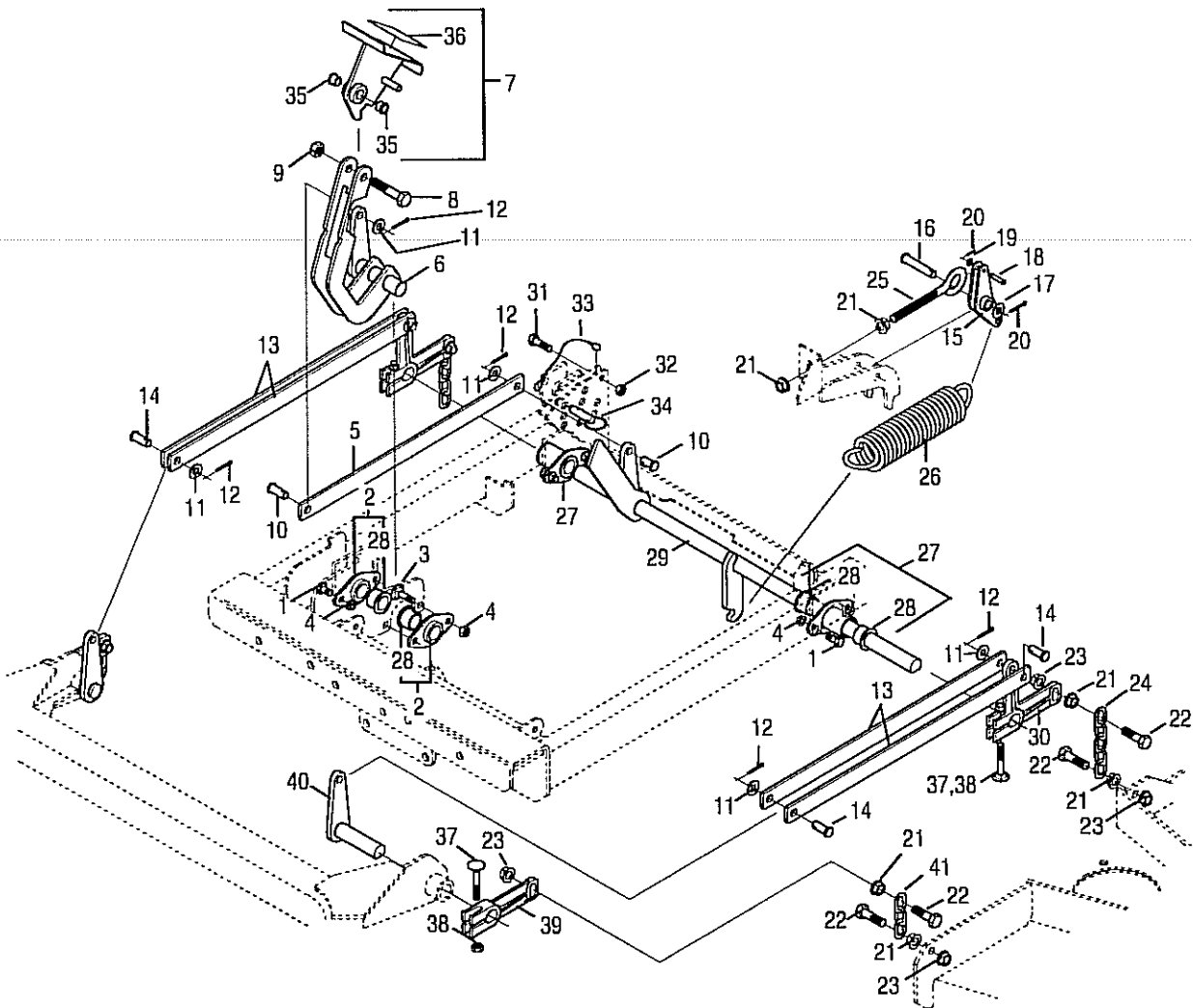
PUSHER BAR ASSEMBLY
Models: TG 3061 & TG 3073



REF. NO.	PART NO.	QTY.	DESCRIPTION
1	50047218	2	Pusher Bar, 55", 61", 73" Decks
2	50045547	2	Pivot Rod Weldment
3	45090BH	2	Capscrew 3/8" x 7/8"
4	45105BH	2	Lock Nut 3/8"
5	45143BH	2	Capscrew 5/8" x 8-1/2"
6	45157BH	2	Lock Nut 5/8"

DECK LIFT ASSEMBLY

Models: TG 3061 & TG 3073



REF. NO.	PART NO.	QTY.	DESCRIPTION
1	45090BH	6	Capscrew 3/8" x 7/8" YZ
2	50045449	2	Foot Pivot Bearing Assembly
3	45119BH	2	Carriage Bolt 3/8" x 1" YZ
4	45105BH	8	Lock Nut 3/8" YZ
5	50045462	1	Pedal Lift Linkage
6	50045460	1	Foot Pedal Pivot
7	50047167	1	Pedal Assembly
8	45132BH	1	Capscrew 1/2" x 2-1/4" YZ
9	45104	1	Locknut 1/2" YZ
10	50045529	2	Clevis Pin 1/2" x 1" YZ
11	45058BH	6	Flatwasher 1/2" YZ
12	45054BH	8	Cotter Pin 1/8" x 1" YZ
13	50045466	4	Deck Lift Linkage
14	50045530	4	Clevis Pin 1/2" x 1-1/4" YZ
15	50045455	1	Deck Assist Pivot
16	50049844	1	Clevis Pin 1/2" x 2-5/8" YZ
17	45059BH	1	Flatwasher 1/2" YZ
18	50045535	2	Clevis Pin YZ
19	45060	6	Flatwasher 1/4" YZ
20	45052BH	2	Cotter Pin 1/16" x 1/2" BH
21	45077BH	10	Hex Nut 1/2" Gr.G Flanged YZ

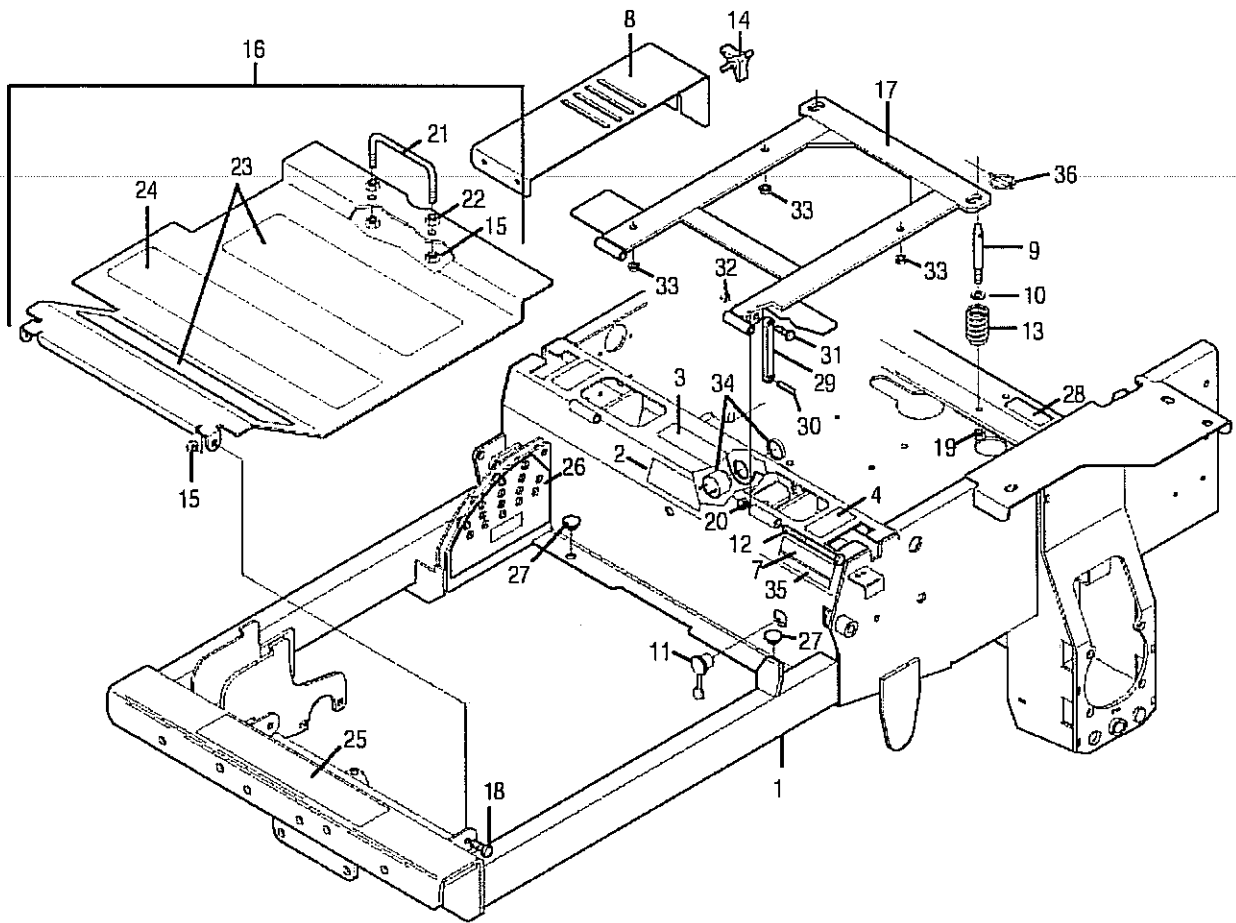
REF. NO.	PART NO.	QTY.	DESCRIPTION
22	45080BH	8	Capscrew 1/2" x 2" YZ
23	45103	8	Locknut 1/2" Gr.G Flanged YZ
24	50027532	2	Deck Lift Chain, 5 Links
25	50045411	1	Eye Bolt 1/2" x 5"
26	50048568	1	Extension Spring (55" & 61" Decks)
	50048569	1	Extension Spring (73" Deck)
27	50045488	2	Deck Pivot Bearing Assembly
28	50049026	2	Bushing, Bronze
29	50045478	1	Deck Lift Pivot
30	50045513	2	Deck Lift Arm
31	45129BH	5	Capscrew 3/8" x 1-1/4" YZ
32	45107BH	19	Locknut 3/8" YZ
33	50027572	1	Pin, Lanyard
34	50027571	1	Faspin
35	50040334	2	Flanged Bushing
36	50028246	1	Non-Skid Surface
37	45121BH	4	Carriage Bolt 3/8" x 2-1/4" YZ
38	45106BH	4	Locknut 3/8" Flanged YZ
39	50045516	2	Axle Lift Arm
40	50045495	2	Axle Pivot Weldment
41	50053422	2	Deck Lift Chain, 3 Links

TG 3061 & TG 3073

FRAME & SEATING

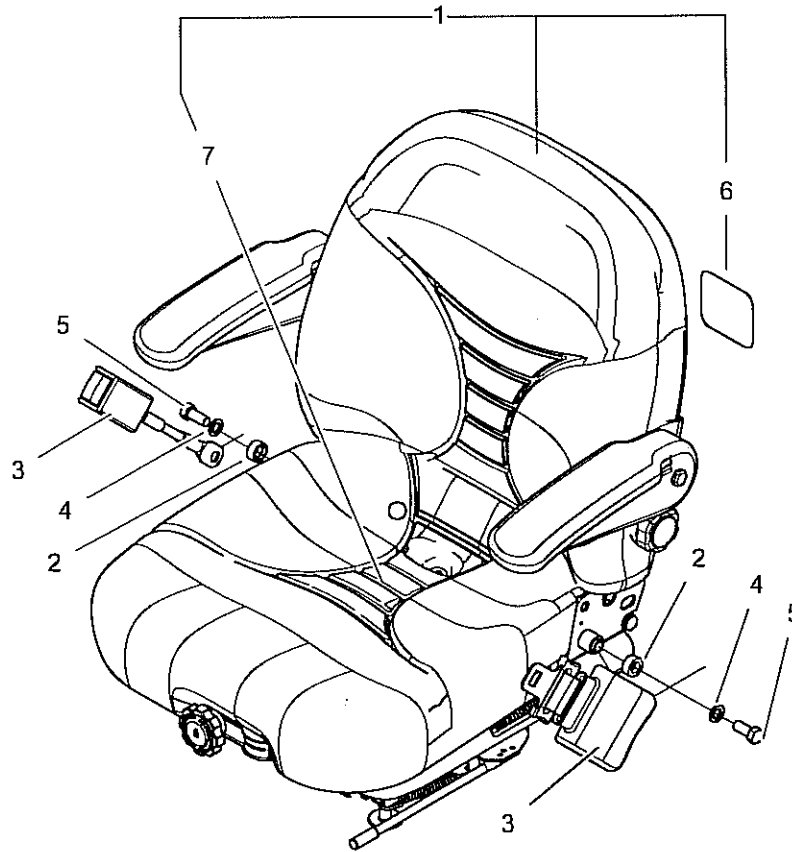
FRAME ASSEMBLY

Models: TG 3061 & TG 3073



REF. NO.	PART NO.	QTY.	DESCRIPTION	REF. NO.	PART NO.	QTY.	DESCRIPTION
1	50047206-26	1	Frame Assembly	14	50045533	8	Knob
2	50029421	1	Decal, Fuel Valve	15	45105H	4	Lock Nut 3/8" YZ
3	94132	1	Decal, Battery Warning	16	50045398	1	Foot Platform Assembly
4	50029502	2	Decal, Speed Control	17	50047140	1	Seat Mount Weldment
5	50029500	1	Decal, Parking Brake	18	45086BH	2	Capscrew 3/8" x 1" YZ
7	50069869	1	Decal, Model TG 3061	19	45108H	2	Lock Nut 5/16" YZ
	50069870	1	Decal, Model TG 3073	20	9131200	9	Lock Nut 3/8" GrC YZ
8	50047124	2	Fan Shield	21	50027637	1	U-Bolt
9	50047153	2	Seat Lock Pin	22	45073	2	Hex Nut 3/8" YZ
10	450654BH	2	Flatwasher 5/16" YZ	23	50030019	2	Non-Skid Surface
11	50041469	1	Receptacle, 12 Volt	24	50028119	1	Non-Skid Surface
12	45141BH	2	Capscrew 3/8" x 4-1/2" YZ	25	50029501	1	Decal, Warning
13	98558	2	Seat Spring	26	50047227	1	Height Adjustment Decal
				27	50027622	2	Grommet
				28	50031003	2	Danger, Rotating Blades
				29	50049025	1	Seat Stop
				30	45026BH	1	Spiral Pin 5/16" x 1-1/4" YZ
				31	45180 BH	1	Capscrew 5/16" x 1" YZ
				32	15602	1	Lock Nut 5/16" YZ
				33	44521	4	Lock Nut 5/16" Gr.G Flanged YZ
				34	99111	1	Sound Alert
				35	50049813	1	Kohler Decal
				36	69391	2	Lynch Pin

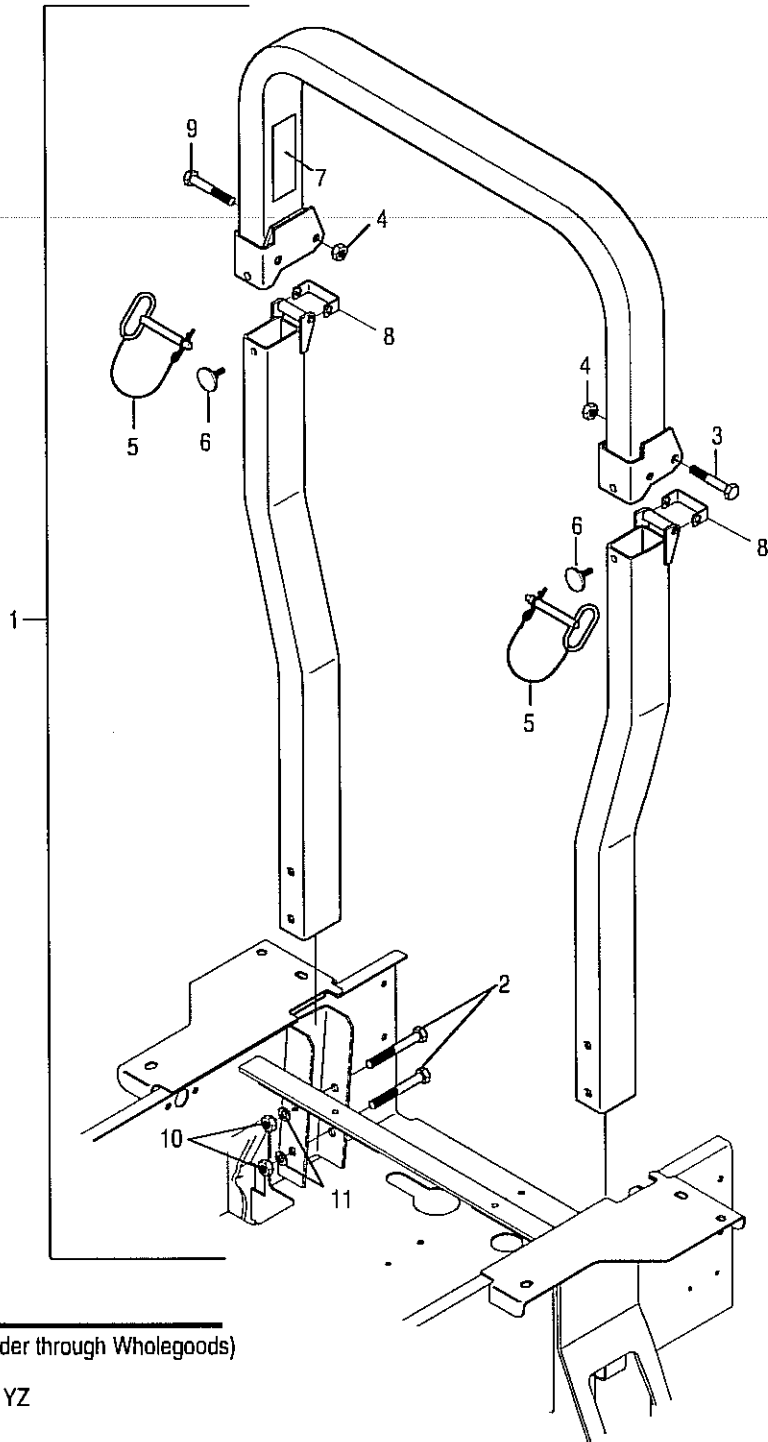
FULL SUSPENSION SEAT
Models: TG 3061 & TG 3073



REF. NO.	PART NO.	QTY.	DESCRIPTION
1	50068683	1	Seat Assy, Full-Suspension
2	50047160	1	Seat Bushing
3	50041283	1	Seat Belt & Strap Assy.
4	45159BH	2	Lockwasher 7/16" YZ
5	45138BH	2	Capscrew 7/16" x 1" YZ
6	94131	1	Caution Decal
7	50048610	1	Delta Switch

ROLL OVER PROTECTION SYSTEM (R.O.P.S.)

Models: TG 3061 & TG 3073



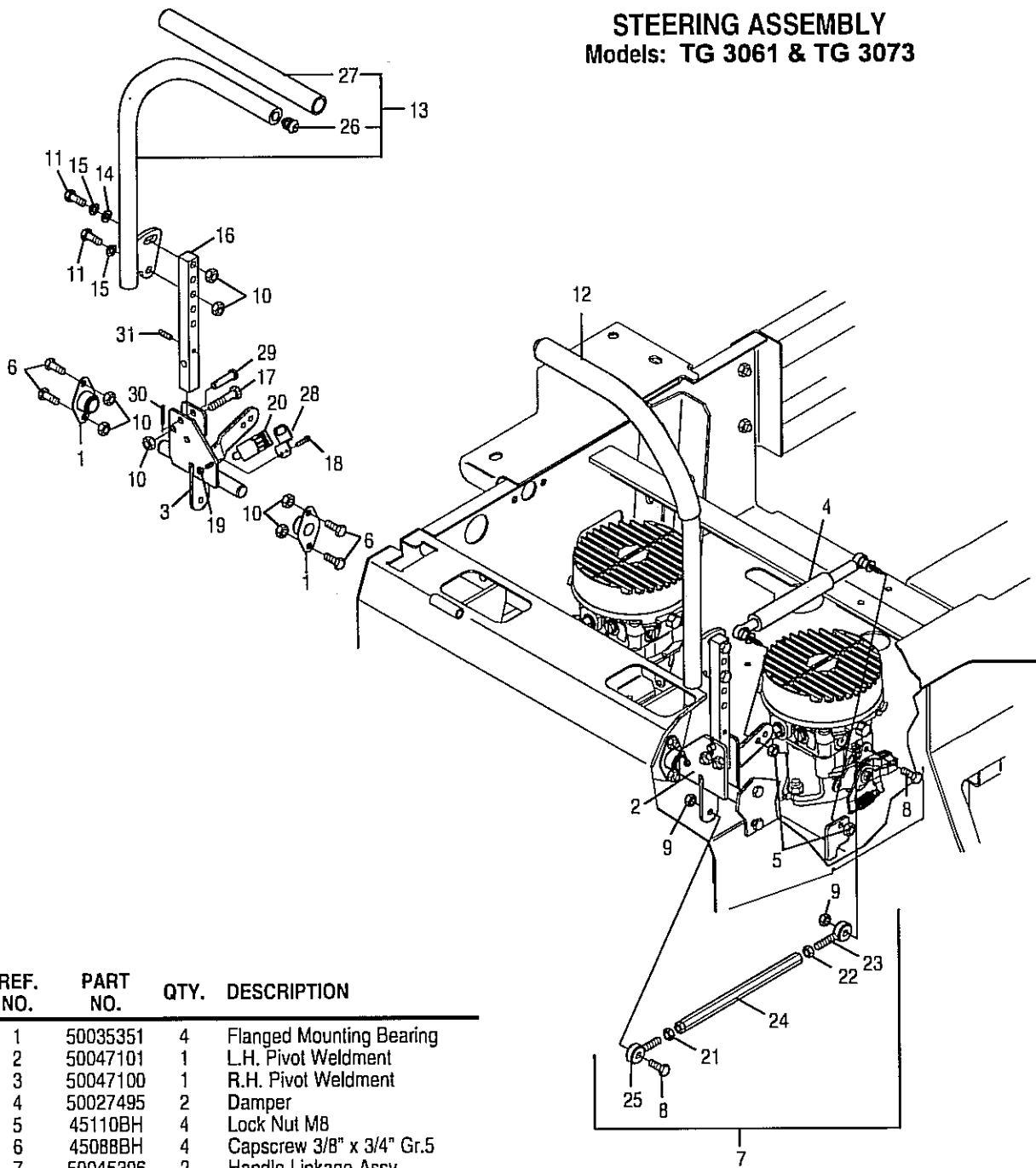
REF. NO.	PART NO.	QTY.	DESCRIPTION
1	50048642	1	R.O.P.S. Assembly (Order through Wholegoods)
2	45196BH	4	Capscrew 1/2" x 4" YZ
3	45163BH	2	Capscrew 1/2" x 3-1/4" YZ
4	45151BH	2	Locknut 1/2" YZ
5	50046900	2	Hitch Pin Assembly
6	50055029	2	Round Knob
7	50048632	1	Warning Decal
8	50055030	1	Stop
9	45187BH	1	Capscrew 1/2" x 3-1/2" YZ
10	45070BH	4	Hex Nut 1/2" YZ
11	45111BH	4	Lockwasher 1/2" YZ

TG 3061 & TG 3073

**SUSPENSION, STEERING &
PARKING BRAKE CONTROLS**

STEERING ASSEMBLY

Models: TG 3061 & TG 3073

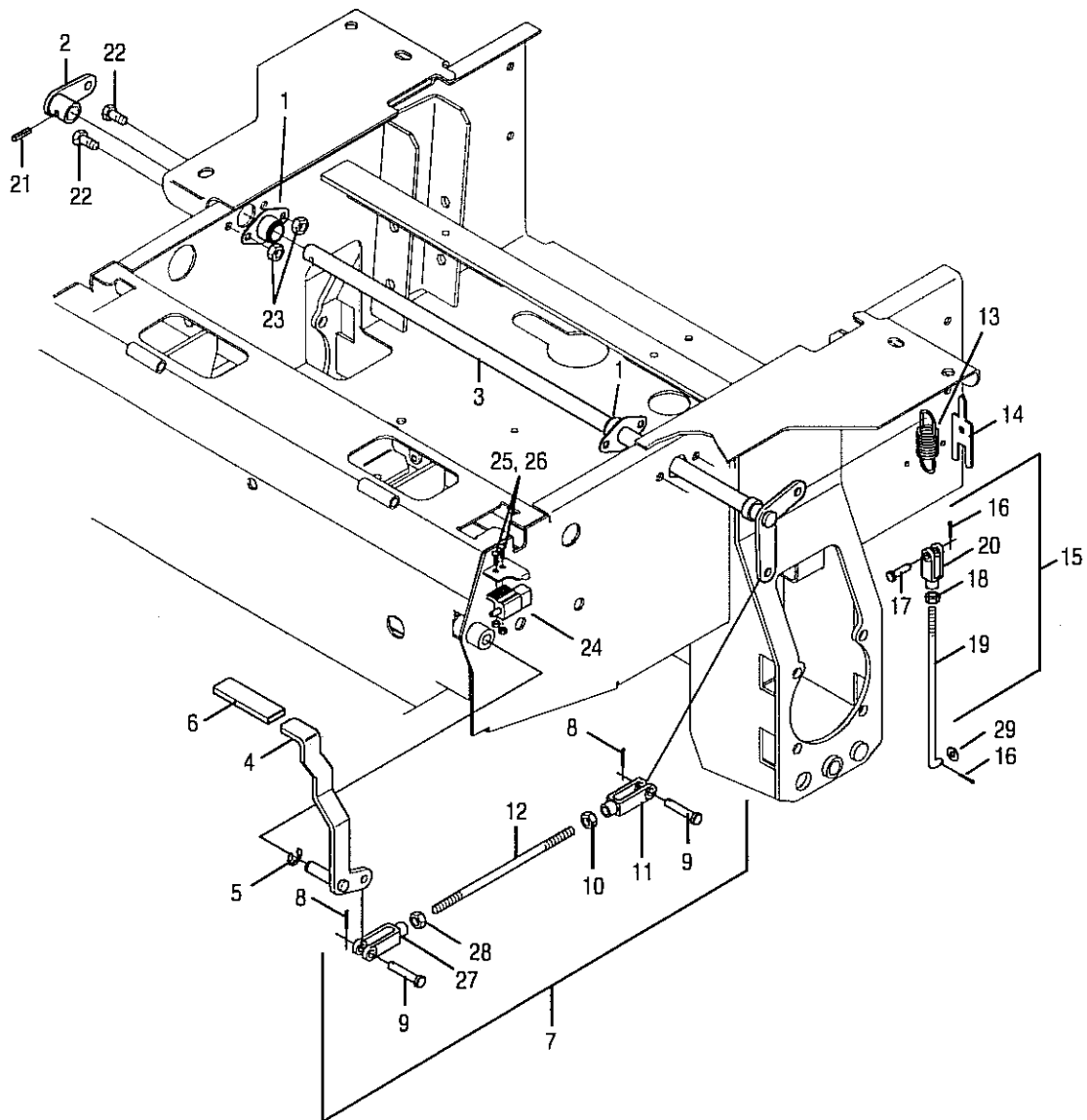


REF. NO.	PART NO.	QTY.	DESCRIPTION
1	50035351	4	Flanged Mounting Bearing
2	50047101	1	L.H. Pivot Weldment
3	50047100	1	R.H. Pivot Weldment
4	50027495	2	Damper
5	45110BH	4	Lock Nut M8
6	45088BH	4	Capscrew 3/8" x 3/4" Gr.5
7	50045396	2	Handle Linkage Assy
8	45128BH	4	Capscrew 5/16" x 1" Gr.5
9	45156BH	4	Lock Nut 5/16"
10	45107BH	16	Lock Nut 3/8"
11	45086BH	4	Capscrew 3/8" x 1"
12	50047121	1	Handle Assembly, L.H.
13	50047120	1	Handle Assembly, R.H.
14	45063	2	Flatwasher 3/8"
15	45113	4	Lockwasher 3/8"
16	50045497	2	Lever
17	45087BH	4	Capscrew 3/8" x 1-3/4" Gr.5
18	45018BH	4	Capscrew #10 Hex Soc. Hd.
19	45101	4	Lock Nut #10
20	50045504	2	Double Pole Switch
21	45148BH	2	Jam Nut 5/16" L.H. NF

REF. NO.	PART NO.	QTY.	DESCRIPTION
22	45147BH	2	Jam Nut 5/16" NF
23	97308	2	Spherical Rod End, R.H.
24	-----	2	Linkage Rod (Order Item 7)
25	50027457	2	Spherical Rod End, L.H.
26	98539	2	Handle Plug
27	50045536	2	Handle Grip
28	50045510	2	Switch Mount
29	50045286	2	Clevis Pin
30	45206	2	Cotter Pin
31	44996BH	2	Setscrew 1/4"-20 x 3/4"

BRAKE ASSEMBLY

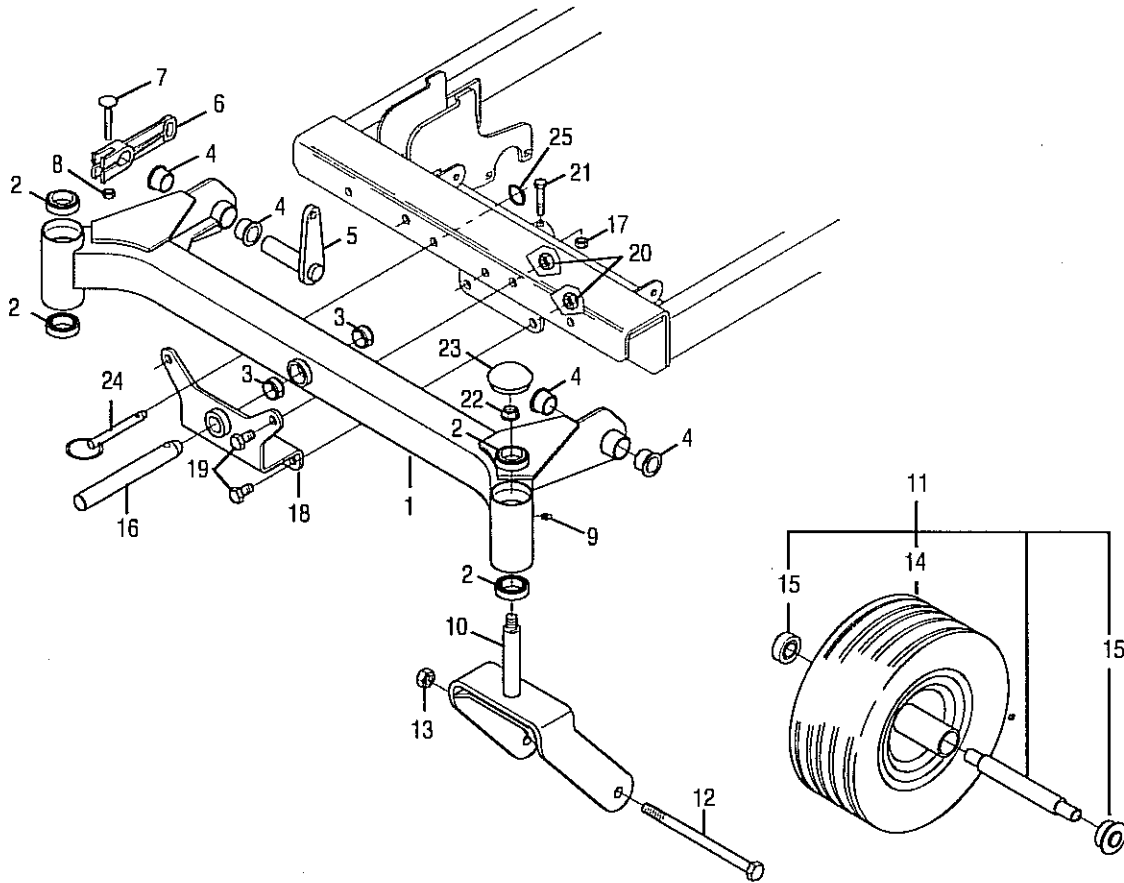
Models: TG 3061 & TG 3073



REF. NO.	PART NO.	QTY.	DESCRIPTION	REF. NO.	PART NO.	QTY.	DESCRIPTION
1	50035351	2	Flange Mounting Bearing	16	15468	4	Cotter Pin 3/32" x 1/2" YZ
2	50027477	1	Brake Pivot Arm Weldment	17	50027458	2	Clevis Pin 5/16" x 1"
3	50045452	1	Brake Pivot Rod Weldment	18	44890	2	Jam Nut 5/16" NF YZ
4	50045500	1	Brake Lever Weldment	19	-----	2	Brake Linkage (Order Item 15)
5	50027543	1	Retaining Ring	20	50027463	2	Yoke End
6	50027533	1	Handle Grip	21	15389	1	Roll Pin 1/4" x 1"
7	50045392	1	Horizontal Brake Linkage Assy.	22	45088BH	4	Capscrew 3/8" x 3/4" YZ
8	21020310	2	Cotter Pin 3/32" x 1" YZ	23	9131200	4	Locknut 3/8" YZ
9	50005640	2	Clevis Pin 3/8" x 1" YZ	24	99073	1	Double Pole Switch
10	45146BH	1	Jam Nut 3/8"-24 YZ	25	45117BH	2	Sl. Pn. Hd. Mach. Screw #10
11	50027462	1	Yoke End	26	45101	2	Locknut #10 YZ
12	-----	1	Brake Link (Order Item 7)	27	50048600	1	Yoke End 3/8" L.H. NF
13	50027464	2	Brake Spring, Extension	28	45025BH	1	Jam Nut 3/8" L.H. YZ
14	50027465	2	Brake Spring Stay	29	45125BH	2	Flatwasher 1/4" YZ
15	50045385	2	Vertical Brake Line				

CASTER WHEEL ASSEMBLY

Models: TG 3061 & TG 3073



REF. NO.	PART NO.	QTY.	DESCRIPTION
1	50047050	1	Axle Weld, For 55" Deck
	50045426-26	1	Axle Weld, For 61" Deck
	50047069-26	1	Axle Weld, For 73" Deck
2	99093	4	Ball Bearing
3	50013350	2	Bushing, Spring
4	50049026	4	Bushing, Oil Filled Bronze
5	50045495	2	Axle Pivot Weldment
6	50045516	2	Axle Lift Arm
7	45121BH	2	Carriage Bolt 3/8" x 2-1/4" YZ
8	45106BH	2	Locknut 3/8" Flanged YZ
9	449BH	2	Grease Fitting
10	50045481	1	Caster Fork Weldment
11	98809	1	Tire & Wheel Assembly
12	45143	1	Capscrew 5/8" x 8-1/2" Gr.5 YZ

REF. NO.	PART NO.	QTY.	DESCRIPTION
13	45154BH	1	Locknut 5/8" YZ
14	50050313	1	Tire 13 x 6.5 - 6, 4 Ply, Rib
15	97389	2	Sealed Ball Bearing
16	50045474	1	Pivot Pin
17	45105BH	1	Locknut 3/8" YZ
18	50048567-26	1	Pivot Bracket
19	45136BH	4	Capscrew 1/2" x 1" YZ
20	45151BH	4	Locknut 1/2" YZ
21	45103BH	1	Capscrew 3/8" x 2" YZ
22	45154BH	2	Locknut 5/8" Gr.G Flanged YZ
23	50027240	2	Grease Cap
24	50058532	2	Ring Pin 1/2" x 3-5/8"
25	50055010	2	Circle Cotter Pin

50045365 TURF TIRE ASSEMBLY (55" DECKS)

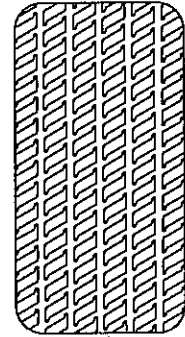
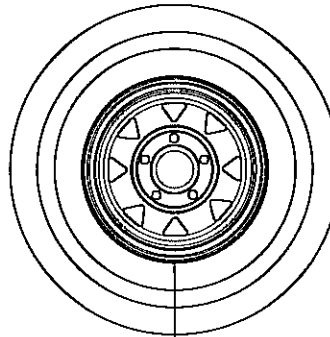
Models: PZ 2555, PZ 2555K, PZ 2755

REF. NO.	PART NO.	QTY.	DESCRIPTION
1	50045364	1	Turf Tire 24 x 9.5 x 12
2	50045363	1	Wheel

**50035850 TURF TIRE ASSEMBLY
(55", 61" & 73" DECKS)**

Models: PZ2555, PZ 2555K, PZ 2755, PZ 2561, PZ2661,
PZ 2861, TG 3061, PZ 2873 & TG 3073

REF. NO.	PART NO.	QTY.	DESCRIPTION
1	50027493	1	Turf Tire 24 x 12 x 12
2	50044026	1	Wheel



2

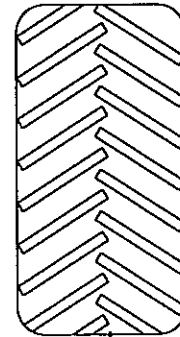
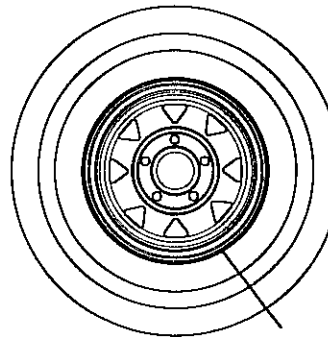
1

50044027 BAR TIRE ASSEMBLY, LEFT

50044028 BAR TIRE ASSEMBLY, RIGHT

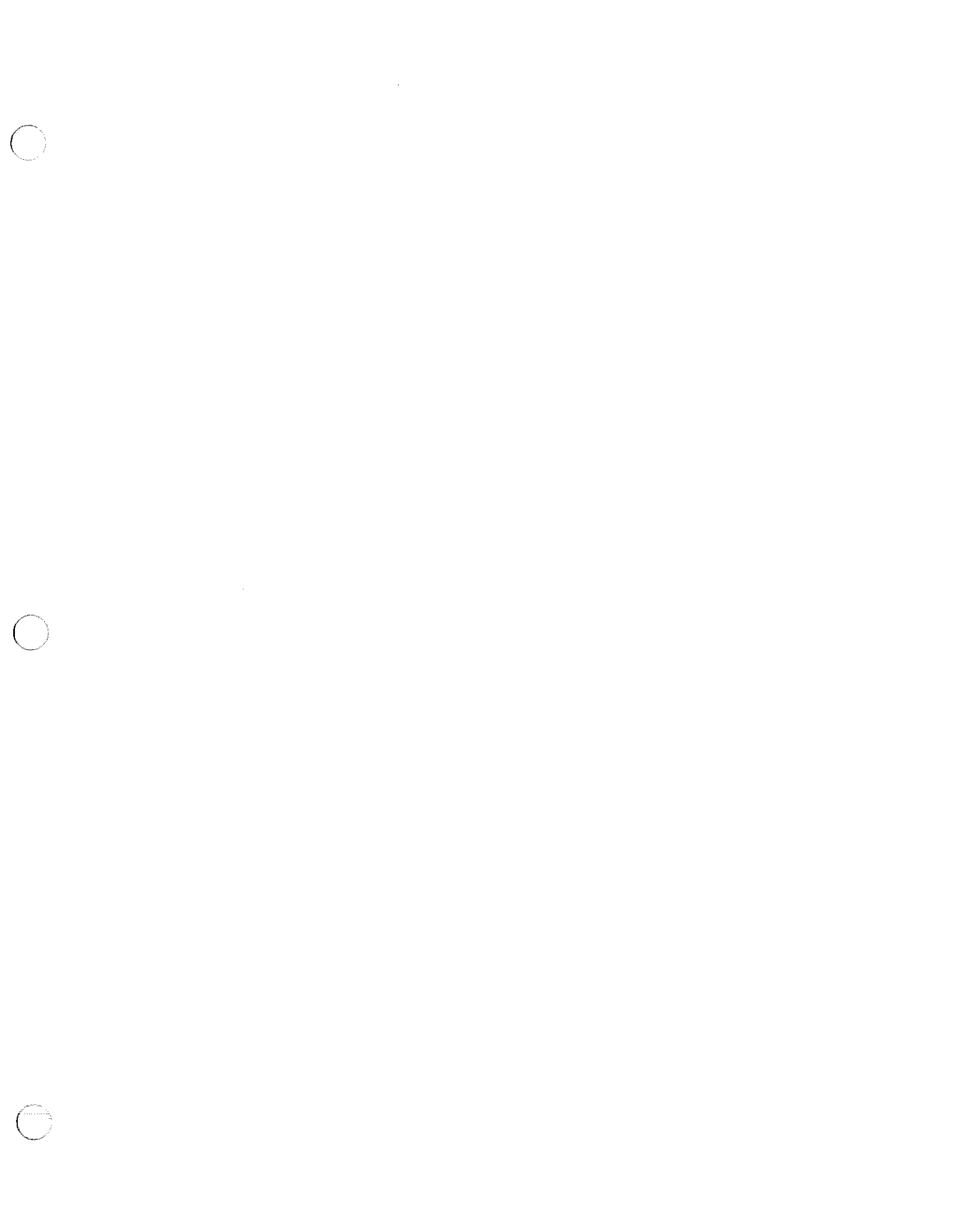
Models: PZ 2555, PZ 2555K, PZ 2755, PZ 2561,
PZ2661, PZ 2861, TG 3061, PZ 2873, TG 3073

REF. NO.	PART NO.	QTY.	DESCRIPTION
1	50044025	1	Bar Tire 24 x 12 x 12
2	50044026	1	Wheel



2

1

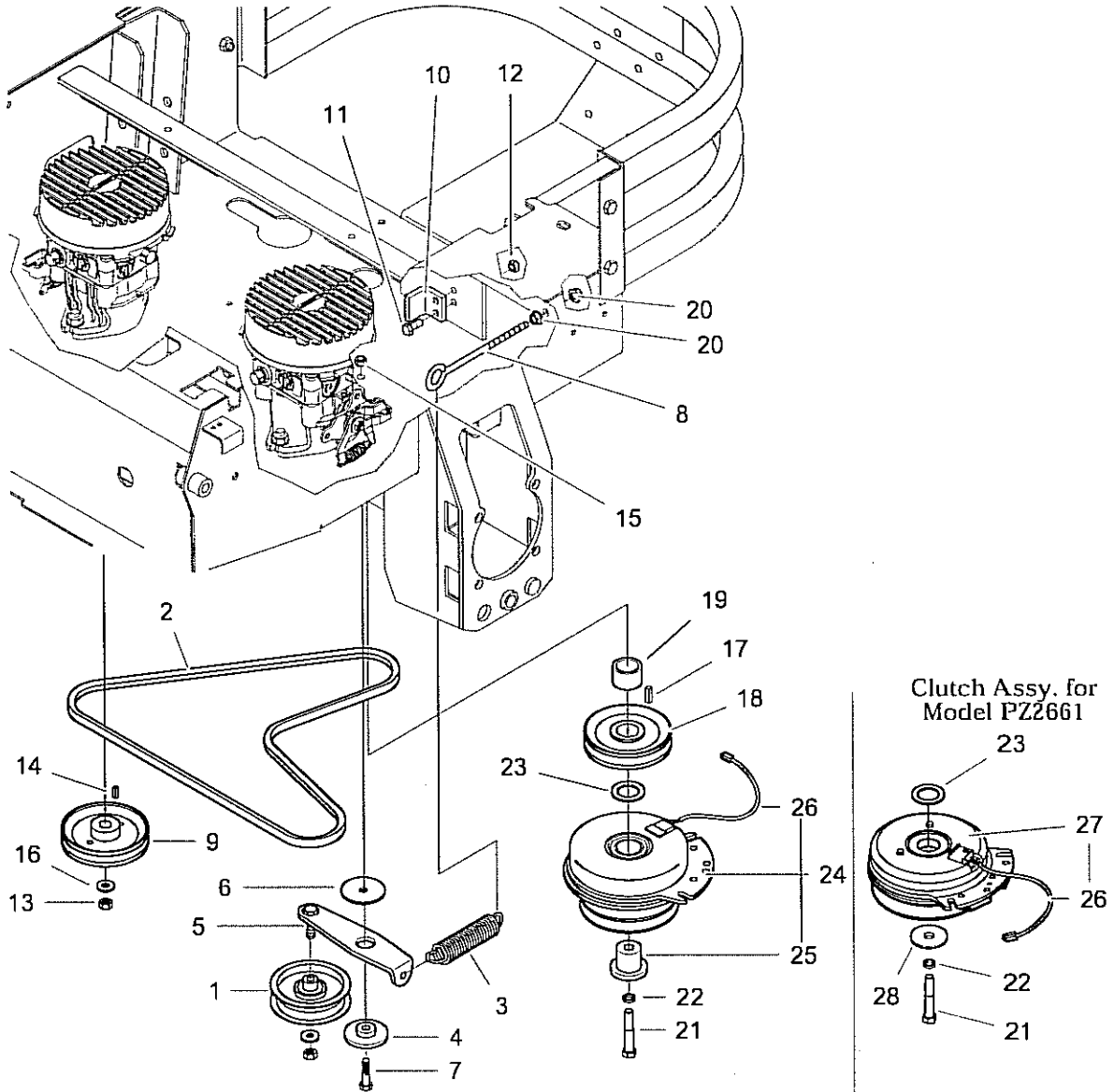


TG 3061 & TG 3073

**POWER SUPPLY -
ENGINES, TRANSMISSIONS & BELTS**

CLUTCH, BELT & PULLEYS

Models: TG 3061 & TG 3073

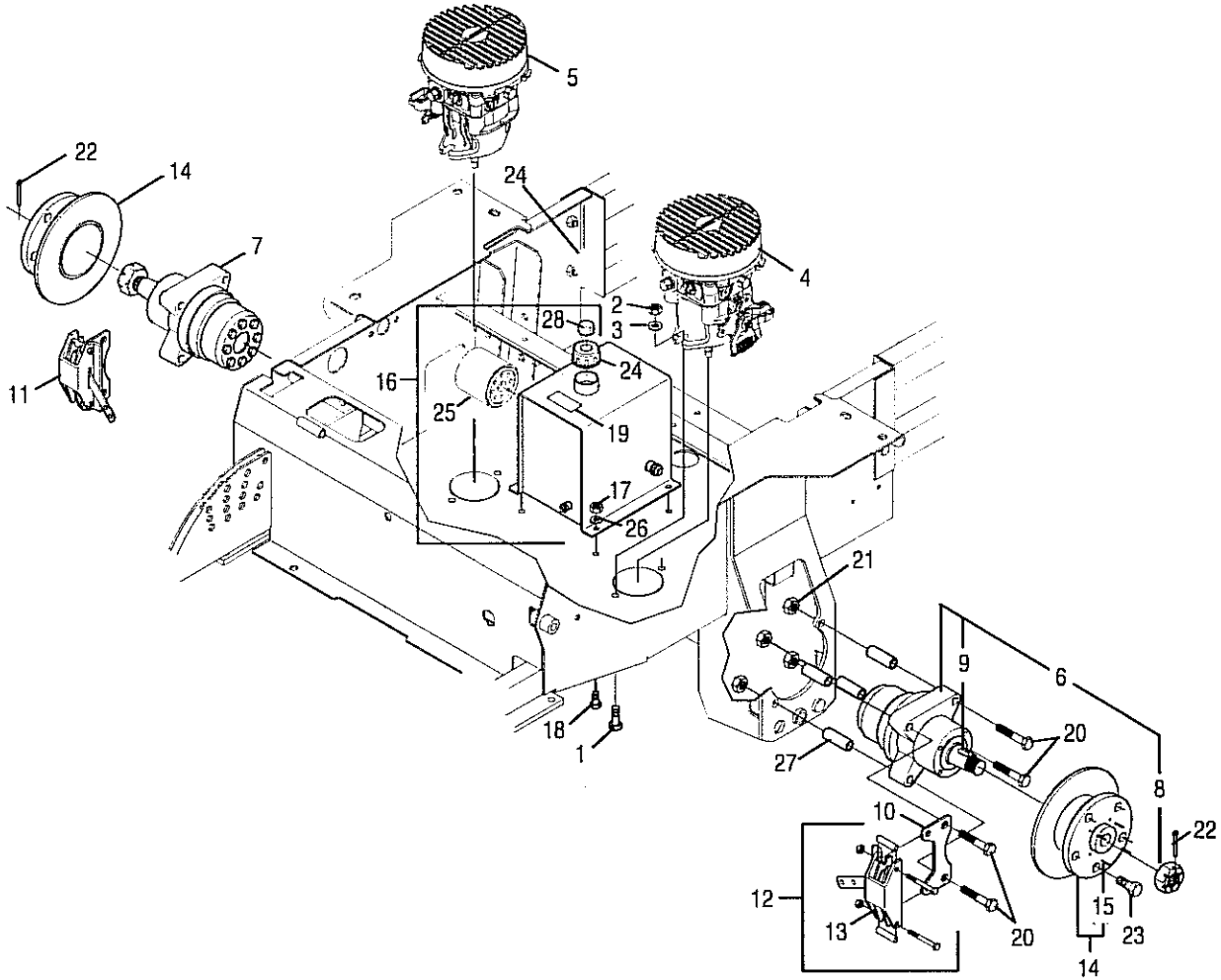


REF. NO.	PART NO.	QTY.	DESCRIPTION
1	97312	1	Pump Idler
2	50027563	1	Pump Drive Belt
3	50008038	1	Spring, Extension
4	50027367	1	Bushing, 10 Ga.
5	50056886	1	Idler Arm Weldment
6	50027366	1	Washer
7	45139BH	1	Capscrew 3/8" x 1-1/2" YZ
8	50028262	1	Turned Eye Bolt YZ
9	50045537	2	Pump Sheave
10	50049028	1	Clutch Stop
11	45128BH	2	Capscrew 5/16" x 1" YZ
12	45108BH	2	Lock Nut 5/16" YZ
13	45150BH	1	Jam Nut 7/16"-UNF YZ
14	50045494	2	Key .187" x .125" x .75"
15	45107BH	2	Lock Nut 3/8" YZ

REF. NO.	PART NO.	QTY.	DESCRIPTION
16	45067BH	2	Flatwasher 7/16" YZ
17	19455	1	Engine Key 1/4" x 1/4" x 7/8"
18	50045544	1	Engine Sheave
19	50028131	1	Engine Shaft Spacer
20	45074BH	2	Hexnut 5/16" YZ
21	50049029	1	Locking Bolt 7/16" x 2-1/2" YZ
22	50034847	1	Lockwasher 7/16" Hi-Collar YZ
23	50029504	1	Spacer Washer
24	50049812	1	Clutch Assy. for all except PZ2661 with Kawasaki Engine
25	50030109	1	Bushing
26	50030223	1	Pig Tail
27	50068675	1	Clutch Assy. for PZ2661 Models with Kawasaki Engine
28	50068835	1	Clutch Washer YZ

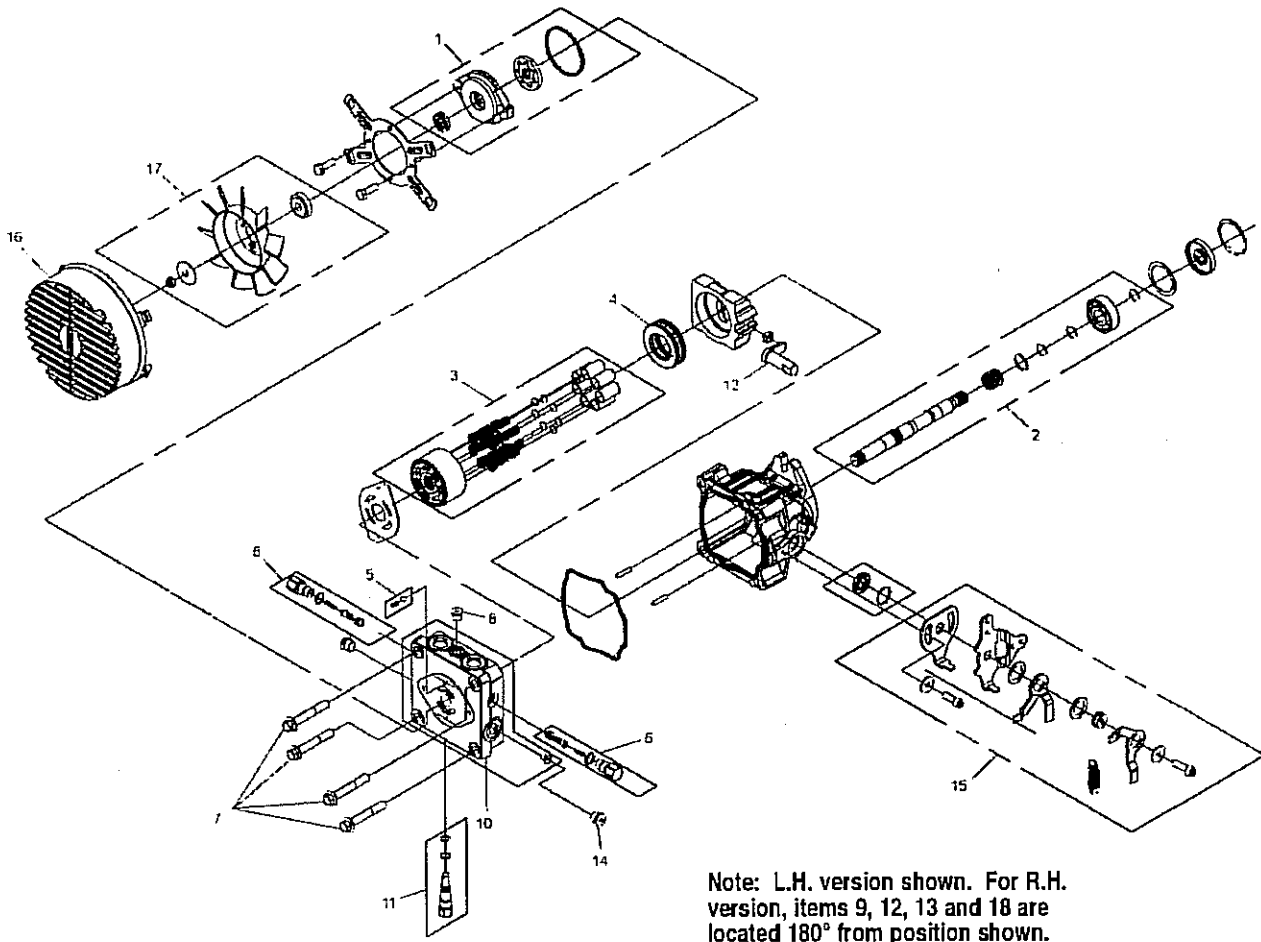
PUMPS, OIL TANK & WHEEL MOTORS

Models: TG 3061 & TG 3073



REF. NO.	PART NO.	QTY.	DESCRIPTION	REF. NO.	PART NO.	QTY.	DESCRIPTION
1	45129BH	4	Capscrew 3/8" x 1-1/4" Gr.5 YZ	16	50052928	1	Oil Tank Assembly
2	45107BH	4	Locknut 3/8" YZ	17	15608	4	Locknut 1/4" YZ
3	45063	4	Flatwasher 3/8" YZ	18	45083BH	4	Capscrew 1/4" x 3/4" YZ
4	50045353	1	Pump Assembly, L.H.	19	50024562	1	Decal, Oil
5	50045354	1	Pump Assembly, R.H.	20	45133BH	8	Capscrew 1/2" x 2-1/2", (PZ 2555, PZ 2755, PZ 2661, PZ 2861, TG 3061)
6	50045355	1	Wheel Motor L.H.		45173BH	8	Capscrew 1/2" x 4-1/2" (PZ 2873 & TG 3073)
7	50045356	1	Wheel Motor R.H.	21	9161600	8	Locknut 1/2"
8	50021176	1	Castle Nut	22	21020416	2	Cotter Pin 1/8" x 1-3/4" YZ
9	272	1	Woodruff Key	23	50045543	10	Lug Bolt 1/2" - 20 UNF
10	50021005	2	Brake Mount	24	50052930	1	Cap
11	97419	1	Disc Brake Assembly, R.H.	25	50052929	1	Filter, Hydrostat
12	97420	1	Disc Brake Assembly, L.H.	26	45125BH	4	Flatwasher 1/4" YZ
13	97393	2	Brake Pad	27	50047072	8	Wheel Motor Spacer (PZ 2873, TG 3073)
14	50047095	2	Hub Assembly	28	50053445	1	Cap Nut
15	50008593	8	Roll Pin 1/8" x 3/4"				

50045353 PUMP ASSEMBLY, L.H.
 50045354 PUMP ASSEMBLY, R.H.
 Manufactured by Hydro-Gear
 Models: TG 3061 & TG 3073

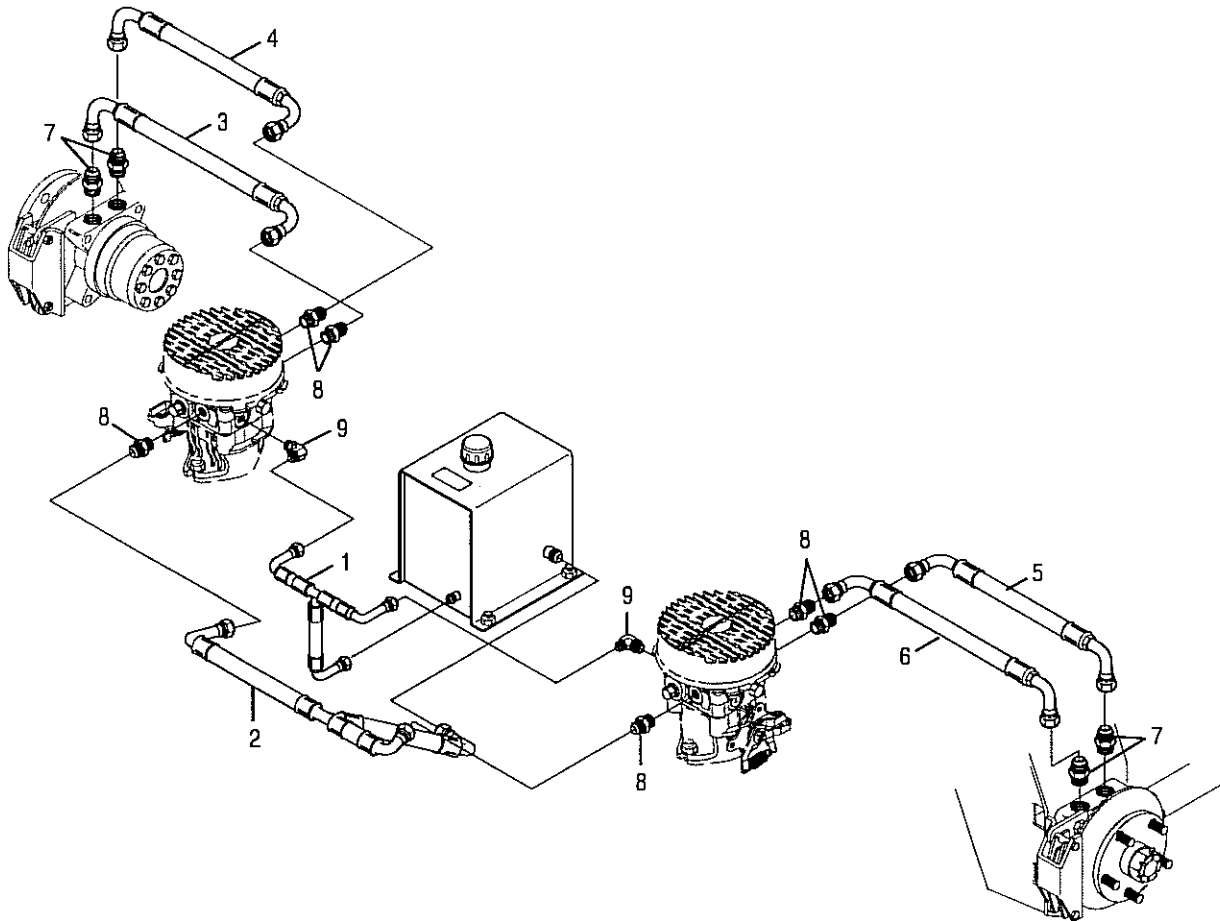


Note: L.H. version shown. For R.H. version, items 9, 12, 13 and 18 are located 180° from position shown.

REF. NO.	PART NO.	QTY.	DESCRIPTION
*	50048592	1	Overhaul Seal Kit for Complete Pump
1	50048585	1	Charge Pump Kit
2	50048586	1	Pump Shaft Kit
3	50048587	1	Cylinder Block Kit
4	50048588	1	Ball Thrust Bearing
5	50048589	1	Charge Relief Kit
6	50035859	2	Shock Valve Kit
7	50048591	4	Hex Flange Bolt M10 -1.25 x 65mm
8	—	1	Plug 7/16" SAE w/ O-Ring
9	—	1	Housing Kit
10	—	1	End Cap Kit
11	50026064	2	Bypass Valve Kit
12	—	1	Trunion Arm
13	—	1	Trunion Seal / Retainer Kit
14	—	1	Plug, 9/16" - 18 SAE w/ O-Ring
15	—	1	Return Kit
16	50048593	1	Shroud
17	50048594	1	Fan Kit, 6" CW

HYDRAULIC HOSES & FITTINGS

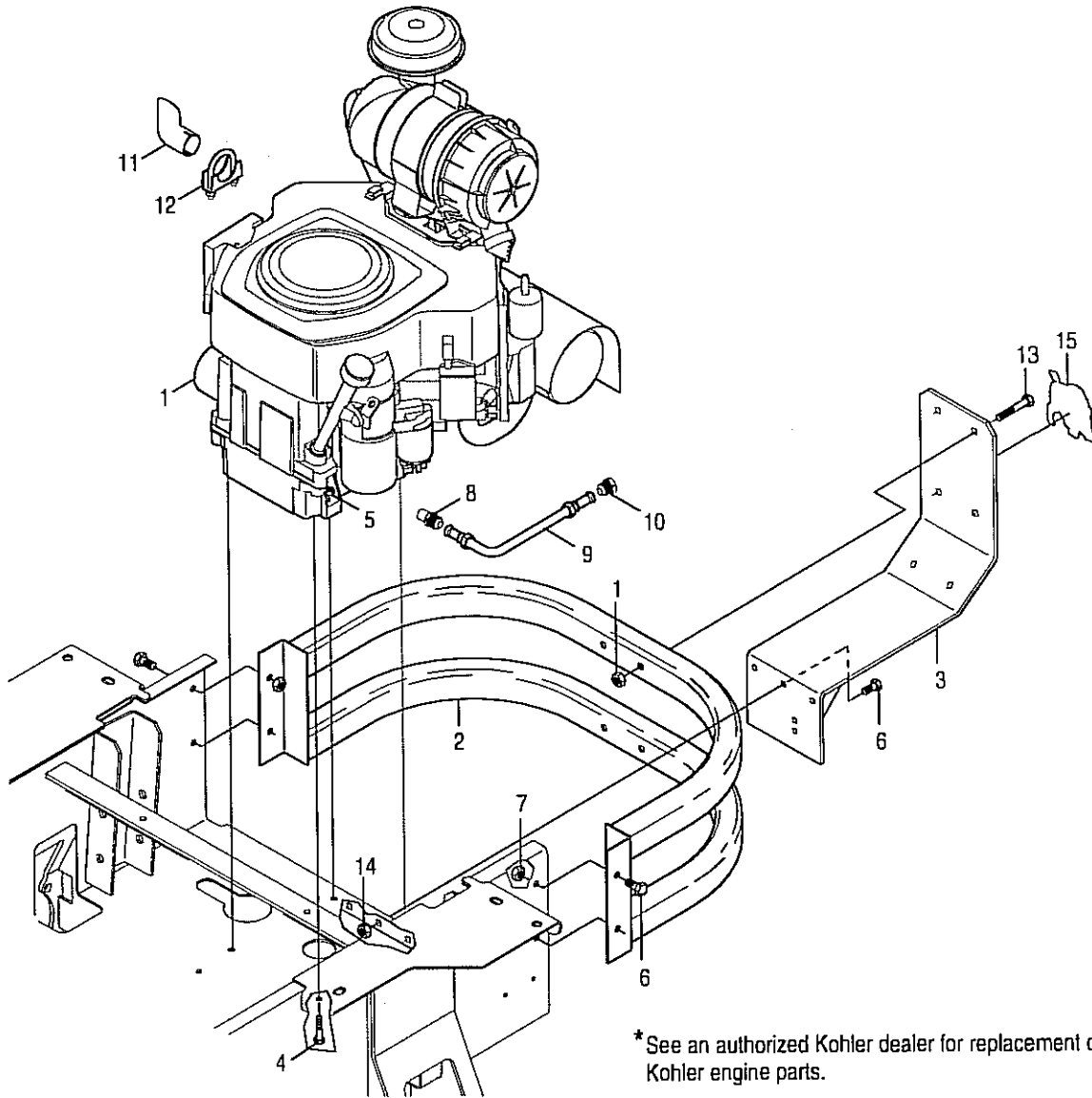
Models: TG 3061 & TG 3073



REF. NO.	PART NO.	QTY.	DESCRIPTION
1	50053213	1	Hose Assembly, Return
2	50053212	1	Hose Assembly, Suction
3	50053223	1	Pressure Hose Assembly TG 3061
	50053227	1	Pressure Hose Assembly TG 3073
4	50053222	1	Pressure Hose Assembly TG 3061
	50053226	1	Pressure Hose Assembly TG 3073
5	50053224	1	Pressure Hose Assembly TG 3061
	50053229	1	Pressure Hose Assembly TG 3073
6	50053225	1	Pressure Hose Assembly TG 3061
	50053228	1	Pressure Hose Assembly TG 3073
7	50052935	4	Hydraulic Fitting, Straight Adaptor 7/8" - 14SAE male x 3/4" -16 JIC male
8	50052937	6	Hydraulic Fitting, Straight Adaptor 3/4"-16SAE male x 3/4"-16 JIC male
9	50052938	2	Hydraulic Fitting, 90° Elbow 9/16"-18 SAE / ORB x 9/16" JIC male

ENGINE & REAR SUPPORT (KOHLER ENGINE)

Models: TG 3061 & TG 3073



REF. NO.	PART NO.	QTY.	DESCRIPTION
1	*	1	Engine, 25 HP, Kohler Model No. CV730S, (PZ 2555K)
	*	1	Engine, 27 HP, Kohler Model No. CV740S, (PZ 2755)
	*	1	Engine, 30 HP, Kohler Model No. CV750S, (TG 3061, TG 3073)
2	50045457-26	1	Rear Tube Weldment
3	50045406-26	1	Rear Vertical Support Weldment
4	45134BH	4	Capscrew 5/16" x 1-1/2" YZ
5	45156BH	4	Lock Nut 5/16" YZ
6	45090BH	7	Capscrew 3/8" x 7/8" YZ
7	45105BH	4	Lock Nut 3/8" YZ
8	97343	1	Connector, Male
9	50029002	1	Drain Tube, Engine Oil
10	97342	1	Plug
11	50030659	1	Deflector, Exhaust
12	50021049	1	Clamp
13	45135BH	4	Capscrew 3/8" x 2-1/4" YZ
14	45107BH	7	Lock Nut 3/8" Gr. C YZ
15	50058250	1	Decal

KOHLER ENGINE SERVICE PARTS For Kohler Vertical Shaft Engines

Model	Kohler Engine Model	Engine Specifications	HD Primary A/C	HD Safety Element	Oil Filter	Fuel Filter	Spark Plugs
PZ2555K	CV730S	PS-CZ730-3116	500040640	50040641	50040642	50040643	50040645
PZ 2755	CV740S	PS-CV740-3116	50040640	50040641	50040642	50040643	50040645
PZ 2861, PZ 2873	CV745S EFI	PS-CV745-3010	50040640	50040641	50040642	50017956	50040645
TG3061, TG3073	CV750S	PS-CV750-0018	50040640	50040641	50040642	50040643	50040645

Note: For service for your Kohler engine or replacement of parts not listed, see an authorized Kohler dealer.

KAWASAKI ENGINE SERVICE PARTS For Kawasaki Vertical Shaft Engine

Model	Kawasaki Engine Model	Primary Air Filter	Pre-Filter	Heavy Duty Safety Filter	Heavy Duty Main Filter	Fuel Filter	Oil Filter	Spark Plug	Air Filter Internal Vent Carb	Air Filter External Vent Carb
PZ 2555, PZ 2561	FH721VCS31R	50042060	50042061	50042332	50042333	50042062	50042056	50042063	50047917	50047918
PZ 2661	FX730VAS14R	50042060	50042061	50042332	50042333	50042062	50068730	50042063	50047917	50047918

Note: For service for your Kawasaki engine or replacement of parts not listed, see an authorized Kawasaki dealer.

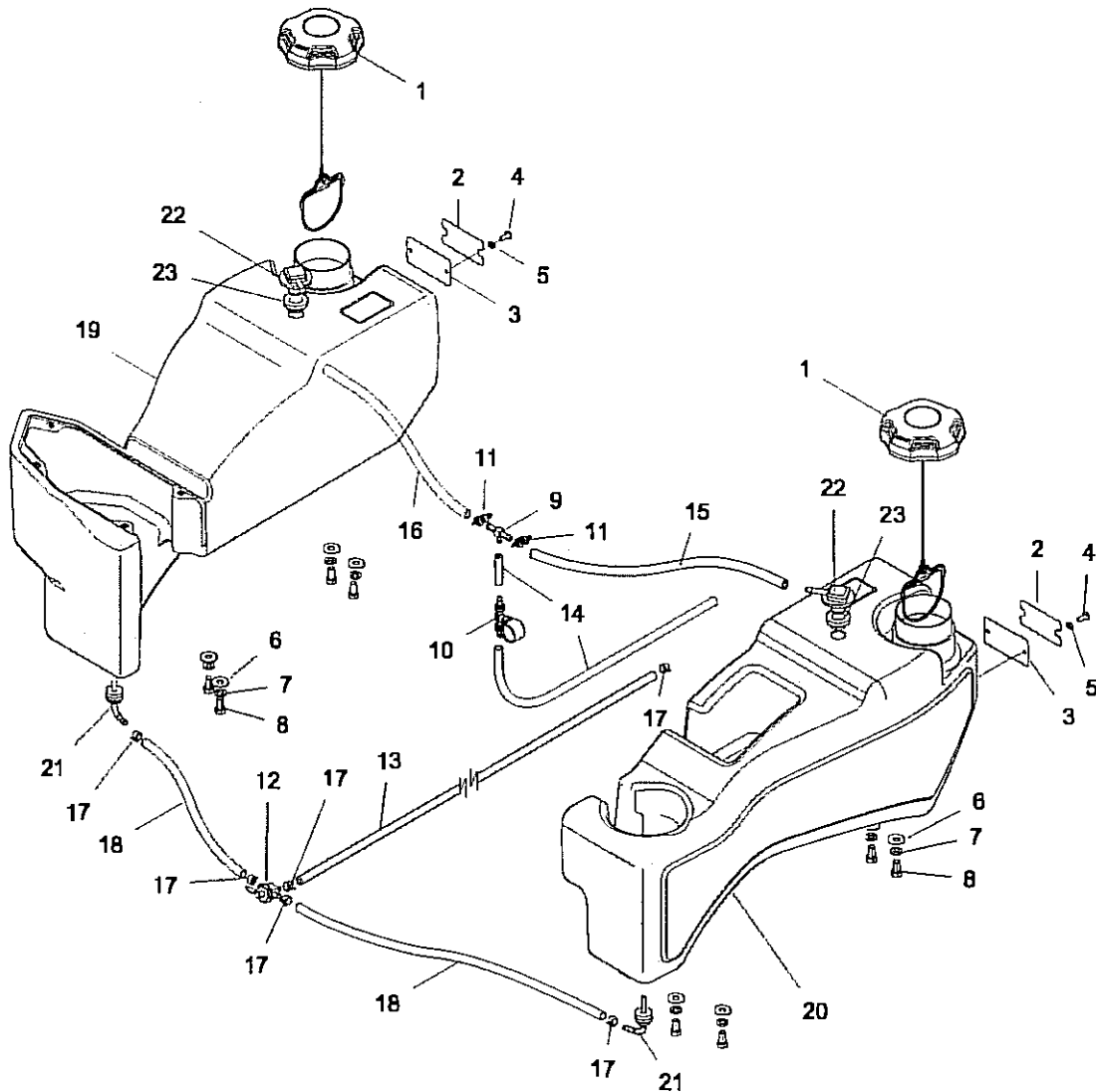


TG 3061 & TG 3073

**FUEL, ELECTRICAL &
CONTROL PANEL**

FUEL SUPPLY ASSEMBLY

Models: TG 3061 & TG 3073

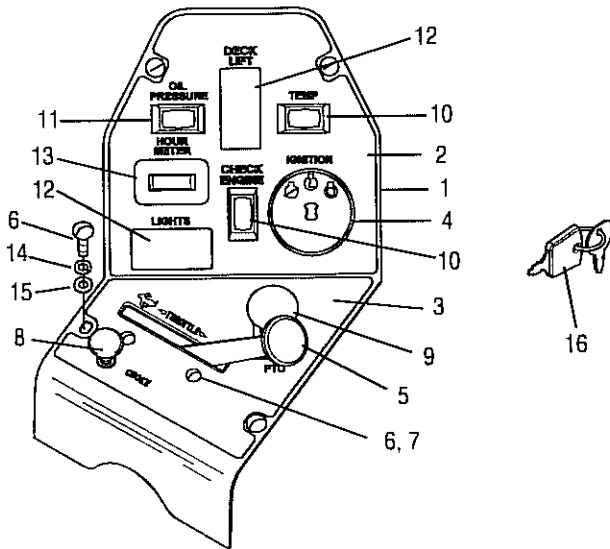


REF. NO.	PART NO.	QTY.	DESCRIPTION
1	50068383	2	Fuel Cap, Tethered and Ratcheted
2	50047067	2	Reflector
3	50047066	2	Reflector Mount Plate
4	45116BH	4	Pan Hd. Screw #10 x 1/2"
5	45115	4	Lockwasher #10
6	45063	8	Flatwasher 3/8" YZ
7	45113	8	Lockwasher 3/8" YZ
8	45088BH	8	Capscrew 3/8" x 3/4" Gr.5 YZ
9	50068678	1	"T" Fitting
10	50068959	1	Vacuum Break w/Filter
11	50068704	6	Fir Tree Mount

REF. NO.	PART NO.	QTY.	DESCRIPTION
12	50028138	1	Valve, 3 Way
13	50028352	1	Fuel Line to Engine 1/4" x 45"
14	50068696	1	Vent Line, Fuel 3/16" x 32"
15	50068688	1	Vent Line, Fuel 3/16" x 30"
16	50068689	1	Vent Line, Fuel 3/16" x 36"
17	50047915	6	Hose Clamp .50
18	50029410	2	Fuel Line 1/4" x 22"
19	50069874	1	Fuel Tank Assy. R.H. w/ Fittings
20	50069875	1	Fuel Tank Assy. L.H. w/ Fittings
21	50052910	2	Fitting w/ Screen
22	50068371	2	Vent Plug Assy.
23	50068372	2	Grommet

CONTROL PANEL ASSEMBLY, KAWASAKI

Models: PZ 2555, PZ 2561, PZ2661

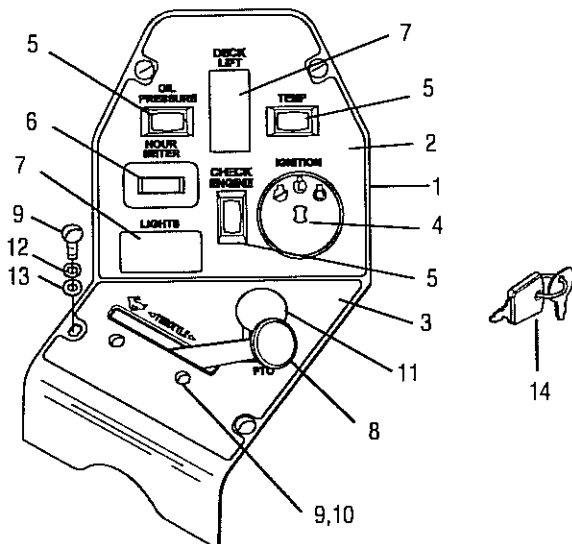
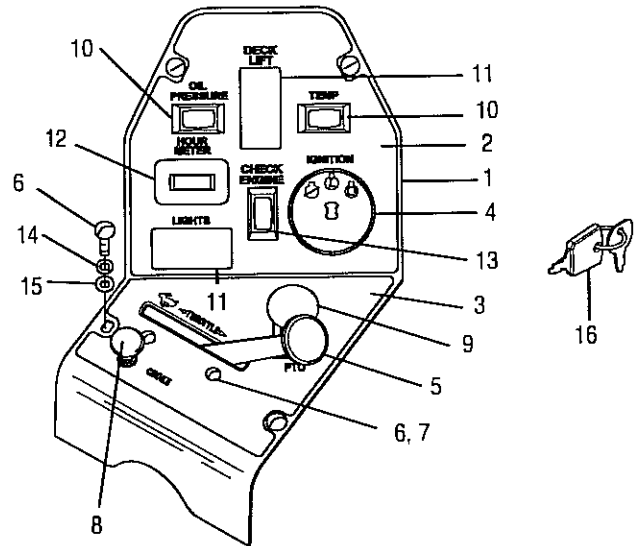


REF. NO.	PART NO.	QTY.	DESCRIPTION
1	50045399	1	Control Panel
2	50047219	1	Control Panel Decal, Upper
3	50047220	1	Control Panel Decal, Lower
4	50047912	1	Ignition Switch
5	50047122	1	Control Assembly
6	45116BH	4	Slt. Pn. Hd. Mach. Screw #10 x 1/2"
7	45101	2	Lock Nut #10
8	50056477	1	Push-Pull Control
9	50018299	1	PTO Switch
10	50041470	2	Hole Plug
11	50029016	1	Warning Light
12	50042043	1	Plastic Plug
13	50045366	1	Hour Meter
14	45115	4	Lockwasher #10
15	45069	4	Flatwasher #10
16	50047913	1	Key Set

CONTROL PANEL ASSEMBLY, KOHLER

Models: TG 3061 & TG 3073

REF. NO.	PART NO.	QTY.	DESCRIPTION
1	50045399	1	Control Panel
2	50047219	1	Control Panel Decal, Upper
3	50047220	1	Control Panel Decal, Lower
4	50047912	1	Ignition Switch
5	50047122	1	Control Assembly
6	45116BH	4	Slt. Pn. Hd. Mach. Screw #10 x 1/2"
7	45101	2	Lock Nut #10
8	50047123	1	Push-Pull Control
9	50018299	1	PTO Switch
10	50029016	2	Warning Light
11	50042043	2	Plastic Plug
12	50045366	1	Hour Meter
13	50041470	1	Hole Plug
14	45115	4	Lockwasher #10
15	45069	4	Flatwasher #10
16	50047913	1	Key Set

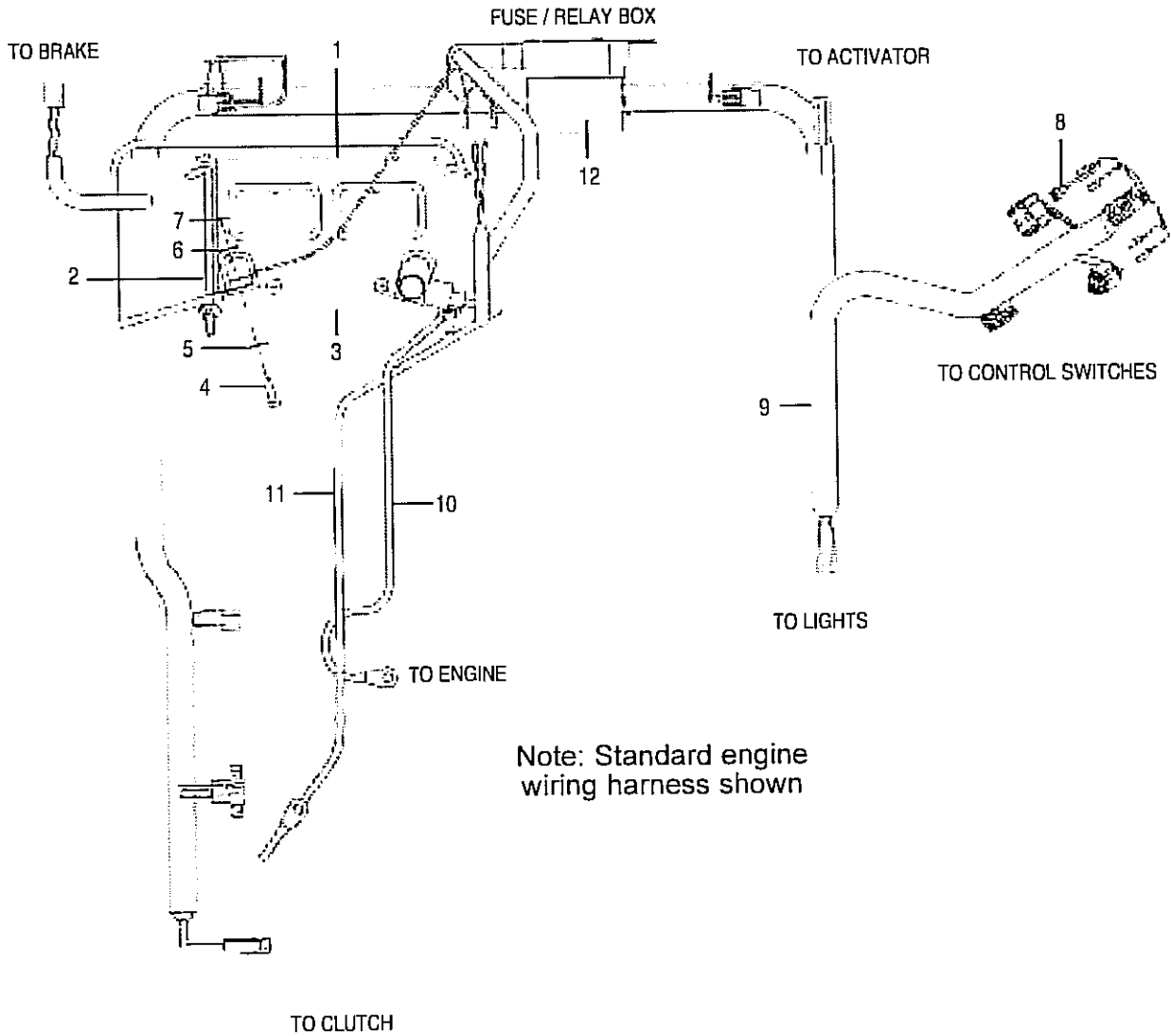


CONTROL PANEL ASSEMBLY, KOHLER EFI

Models: PZ 2861, PZ 2873

REF. NO.	PART NO.	QTY.	DESCRIPTION
1	50045399	1	Control Panel
2	50047219	1	Control Panel Decal, Upper
3	50048599	1	Control Panel Decal, Lower
4	50047912	1	Ignition Switch
5	50029016	3	Warning Light
6	50045366	1	Hour Meter
7	50042043	2	Plastic Plug
8	50047122	1	Control Assembly
9	45116BH	4	Slt. Pn. Hd. Mach. Screw #10 x 1/2"
10	45101	2	Lock Nut #10
11	50018299	1	PTO Switch
12	45115	4	Lockwasher #10
13	45069	4	Flatwasher #10
14	50047913	1	Key Set

BATTERY & WIRING ASSEMBLY (KOHLER ENGINES) Models: TG 3061 & TG 3073



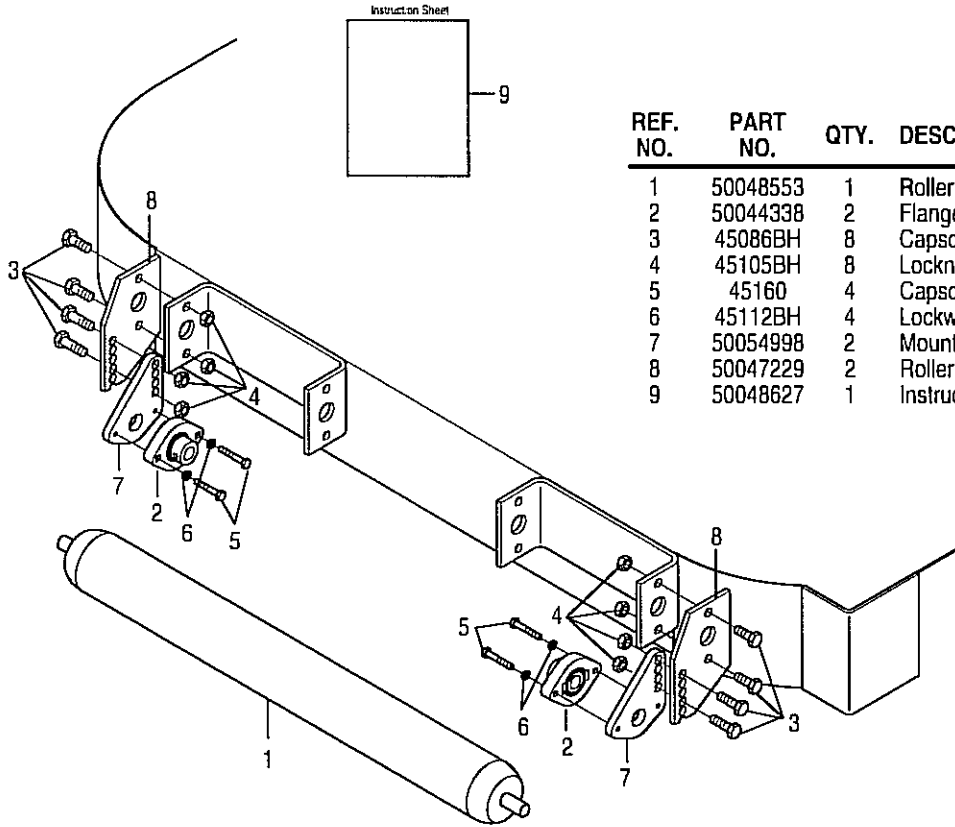
Note: Standard engine wiring harness shown

REF. NO.	PART NO.	QTY.	DESCRIPTION
1	—	1	Battery, 12 Volt (Purchase Locally)
2	50052953	1	Battery Hold Down
3	98966	1	Battery Clamp
4	45127BH	1	Capscrew 1/4" x 7/8" YZ
5	45060	1	Flatwasher 1/4" YZ
6	45112BH	2	Lockwasher 1/4" YZ
7	45707BH	1	Hex Nut 1/4" YZ
8	50048583	1	Hour Meter Lead, Black
9	50047907	1	Wiring Harness, TG 3061, TG 3073
	50047906	1	Wiring Harness, PZ 2861, PZ 2873
10	99037	1	Battery Ground Cable
11	50028238	1	Battery/Solenoid Cable
12	50047279	A/R	Micro Relay CMI-12V

TG 3061 & TG 3073

OPTIONS

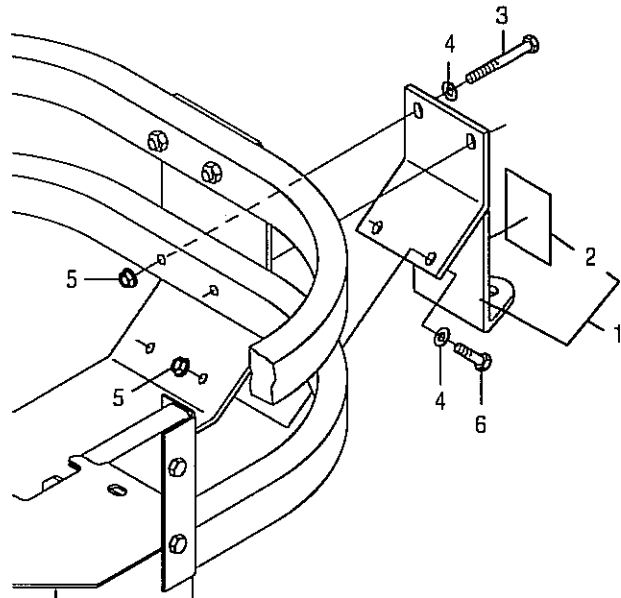
50048629 STRIPING KIT
Models: TG 3061 & TG 3073



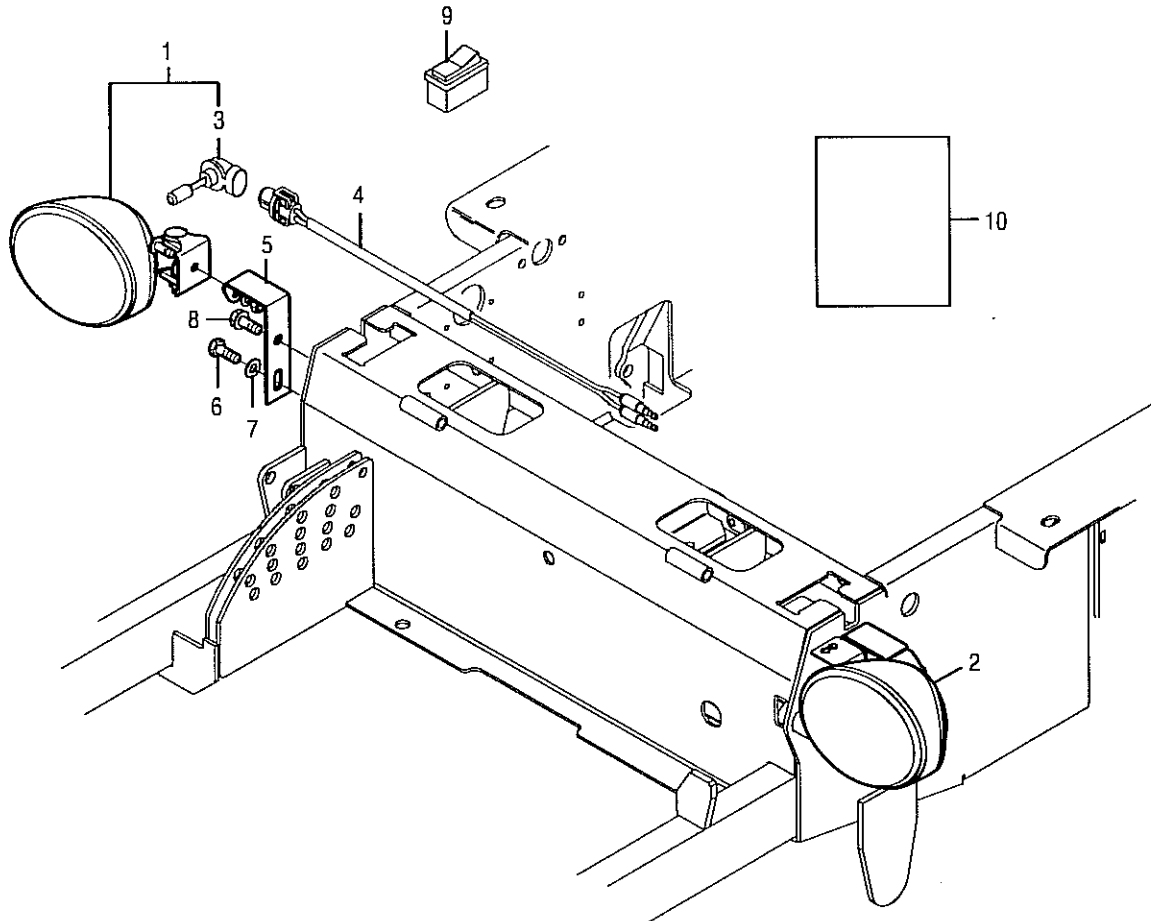
REF. NO.	PART NO.	QTY.	DESCRIPTION
1	50048553	1	Roller Tube Weldment
2	50044338	2	Flanged Bearing Assembly
3	45086BH	8	Capscrew 3/8" x 1" YZ
4	45105BH	8	Locknut 3/8" YZ
5	45160	4	Capscrew 1/4" x 1" YZ
6	45112BH	4	Lockwasher 1/4" YZ
7	50054998	2	Mounting Plate
8	50047229	2	Roller Mounting Bracket
9	50048627	1	Instruction Sheet

REAR HITCH ASSEMBLY
Models: TG 3061 & TG 3073

REF. NO.	PART NO.	QTY.	DESCRIPTION
1	50048630	1	Rear Hitch Bundle
2	50048575	1	Warning Decal
3	45171	2	Capscrew 3/8" x 2-3/4" YZ
4	45063	4	Flatwasher 3/8" YZ
5	45105BH	4	Lock Nut 3/8" YZ
6	45129BH	2	Capscrew 3/8" x 1-1/4" YZ



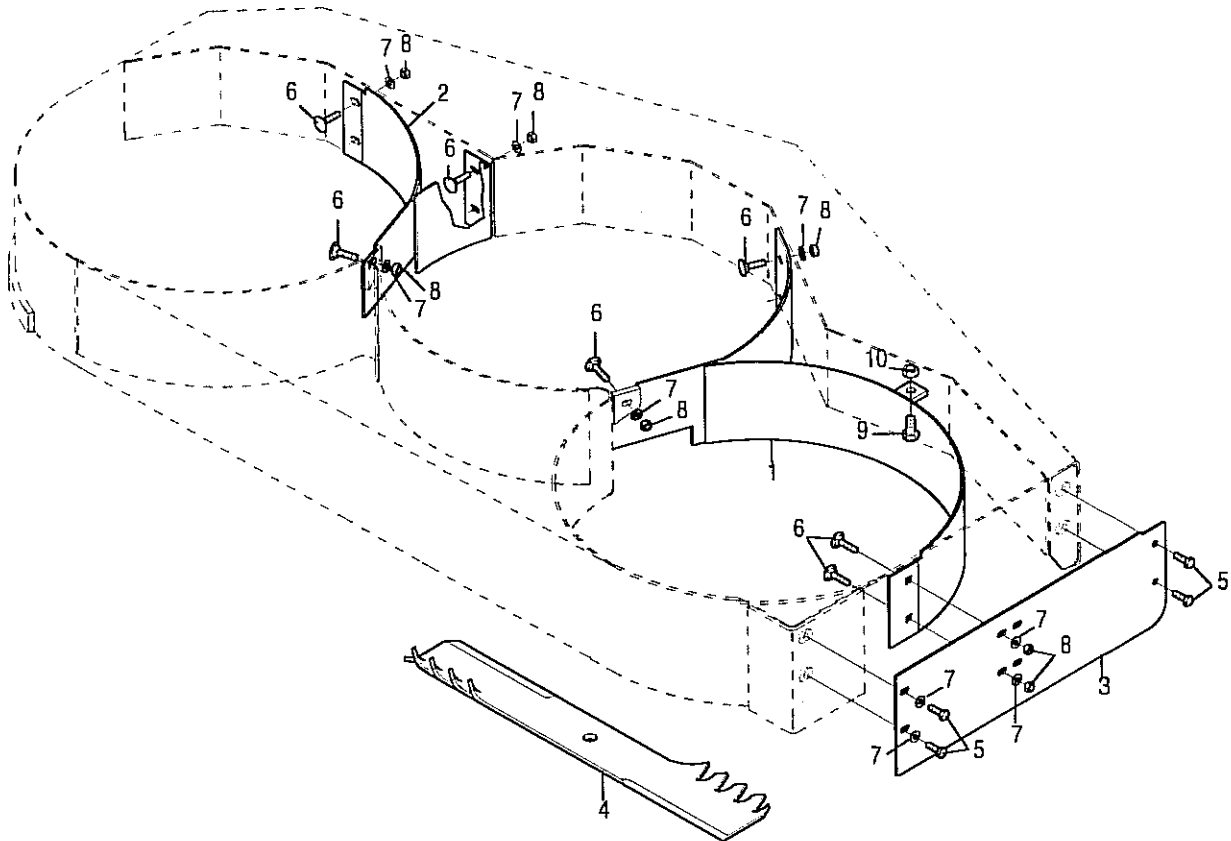
50052102 LIGHT KIT
Models: TG 3061 & TG 3073



REF. NO.	PART NO.	QTY.	DESCRIPTION
1	50044461	1	Oval Working Lamp Assembly, R.H.
2	50044462	1	Oval Working Lamp Assembly, L.H.
3	50044468	1	Bulb, Halogen 12V
4	50044466	2	Jumper Cord
5	50052103	2	Light Mounting Bracket
6	45086BH	2	Capscrew 3/8" x 1" YZ
7	45063	2	Flatwasher 3/8" YZ
8	50043225	2	Capscrew 5/16" x 3/4" Washer Head
9	99065	1	Rocker Switch
10	50052104	1	Instruction Sheet

50048626 MULCHING KIT FOR 61" DECK

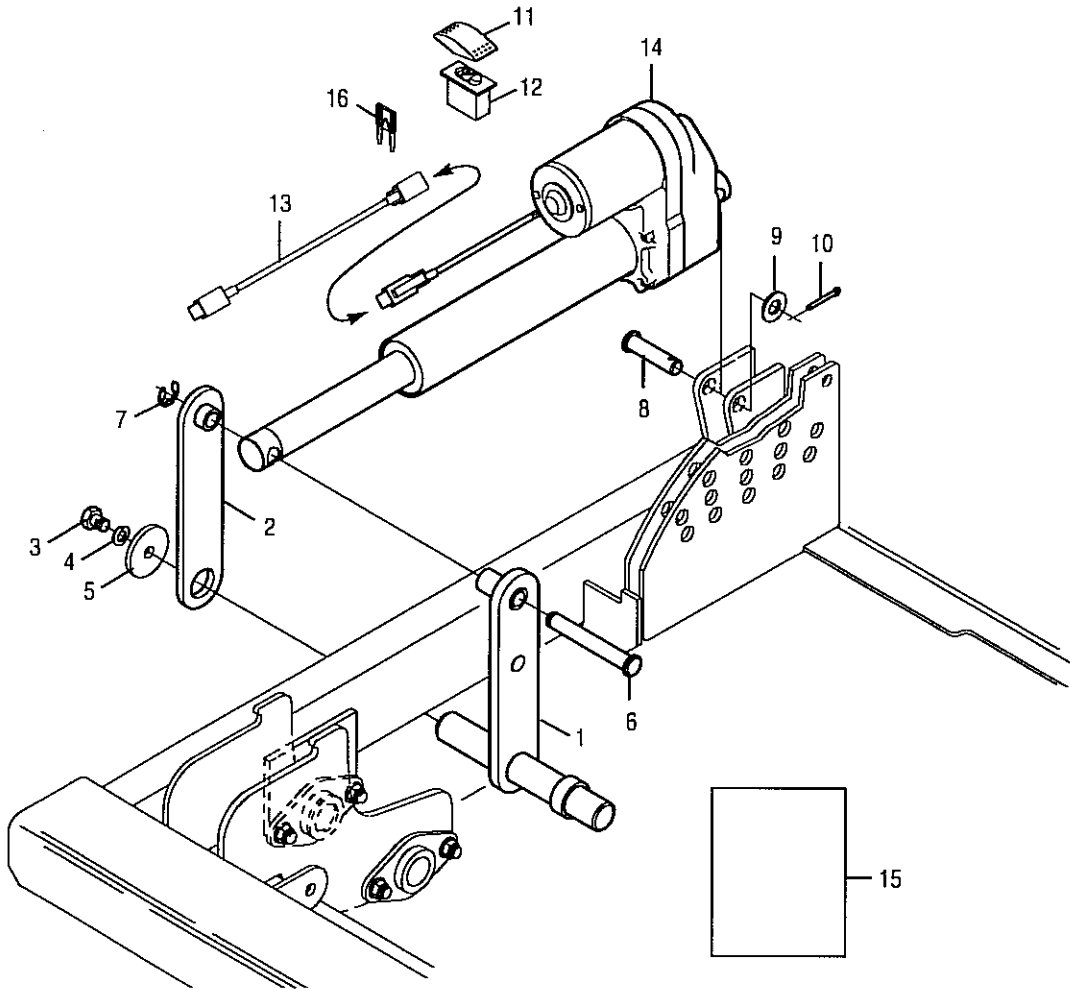
Model: TG 3061



REF. NO.	PART NO.	QTY.	DESCRIPTION
1	50045274	1	Baffle Weldment, R.H., 55" Deck
	50045266	1	Baffle Weldment, R.H., 61" Deck
2	50045277	1	Baffle Weldment, L.H., 55" Deck
	50045265	1	Baffle Weldment, L.H., 61" Deck
3	50063808	1	Side Plate
4	50029158	3	Blade, 19" CW Mulching, 55" Deck
	50029159	3	Blade, 21" CW Mulching, 61" Deck
5	45083BH	4	Cap screw 1/4" x 3/4" YZ
6	45165	10	Carriage Bolt 1/4" x 3/4"
7	45060	12	Flatwasher 1/4"
8	45153	10	Locknut 1/4" YZ
9	45094BH	1	Cap screw 5/16" x 3/4"
10	45156BH	1	Locknut 5/16"
	50048623	1	Instruction Sheet

ELECTRIC ACTUATOR

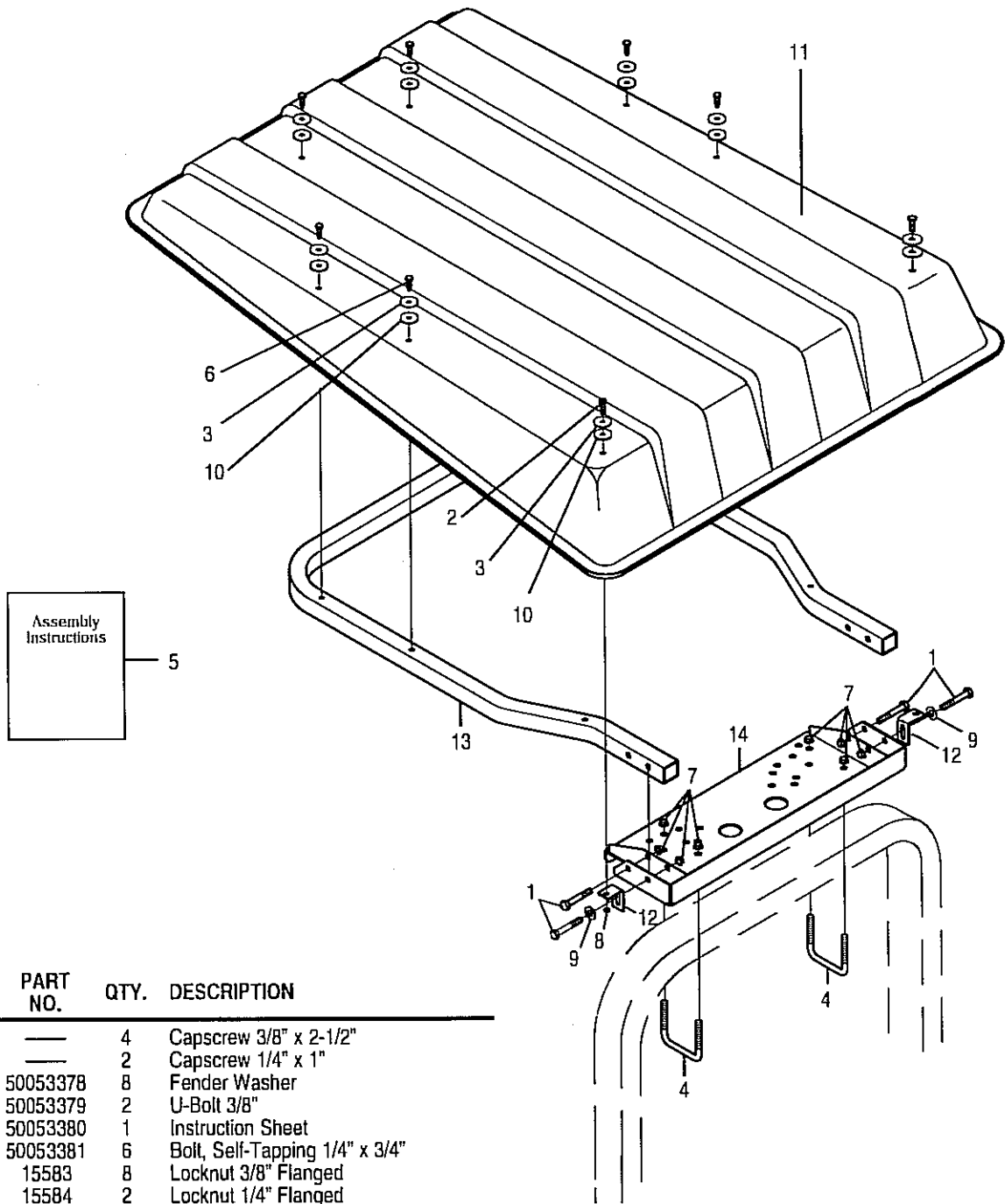
Models: TG 3061 & TG 3073



REF. NO.	PART NO.	QTY.	DESCRIPTION
1	50048990	1	Actuator Pivot Weldment
2	50048994	1	Actuator Arm Weldment
3	—	1	Capscrew 3/8" x 1/2"
4	—	1	Lockwasher 3/8"
5	50021283	1	Washer
6	50048581	1	Grooved Clevis Pin
7	50027543	1	Retaining Ring
8	50045531	1	Clevis Pin 1/2" x 2"
9	—	1	Flatwasher 1/2"
10	15662	1	Cotter Pin 1/8" x 1"
11	50042045	1	Switch Cover
12	50042044	1	Switch
13	50048996	1	Actuator Lead
14	50048995	1	Actuator
15	50048998	1	Instruction Sheet
16	50054946	1	Fuse

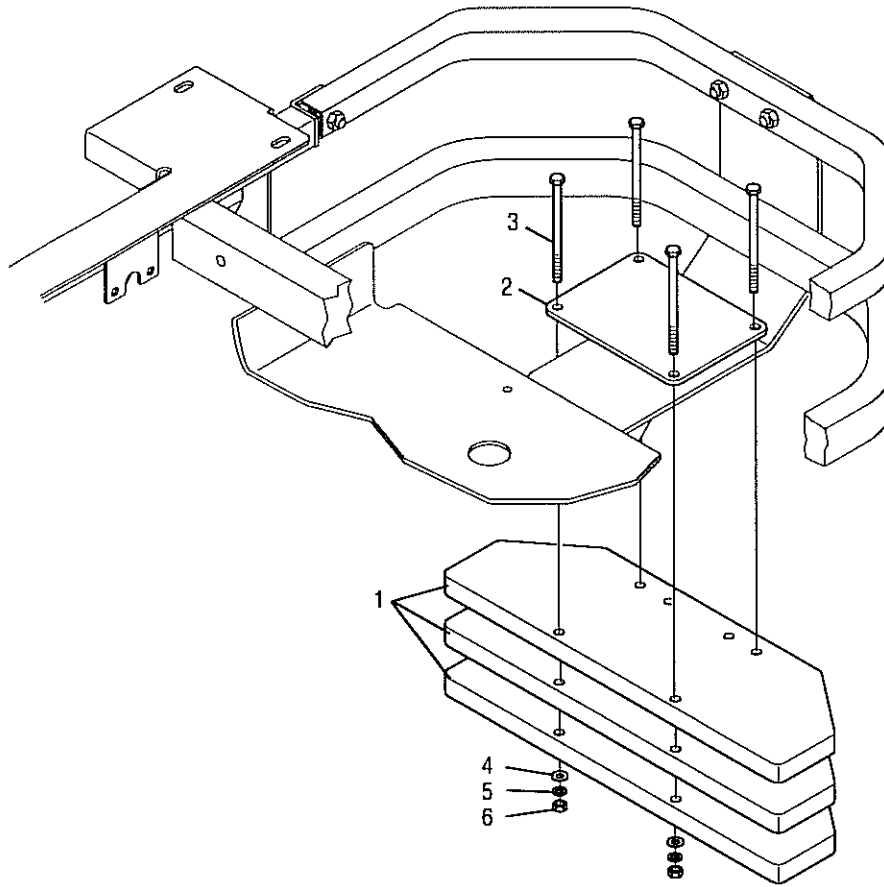
50053377 CANOPY KIT

Models: TG 3061 & TG 3073

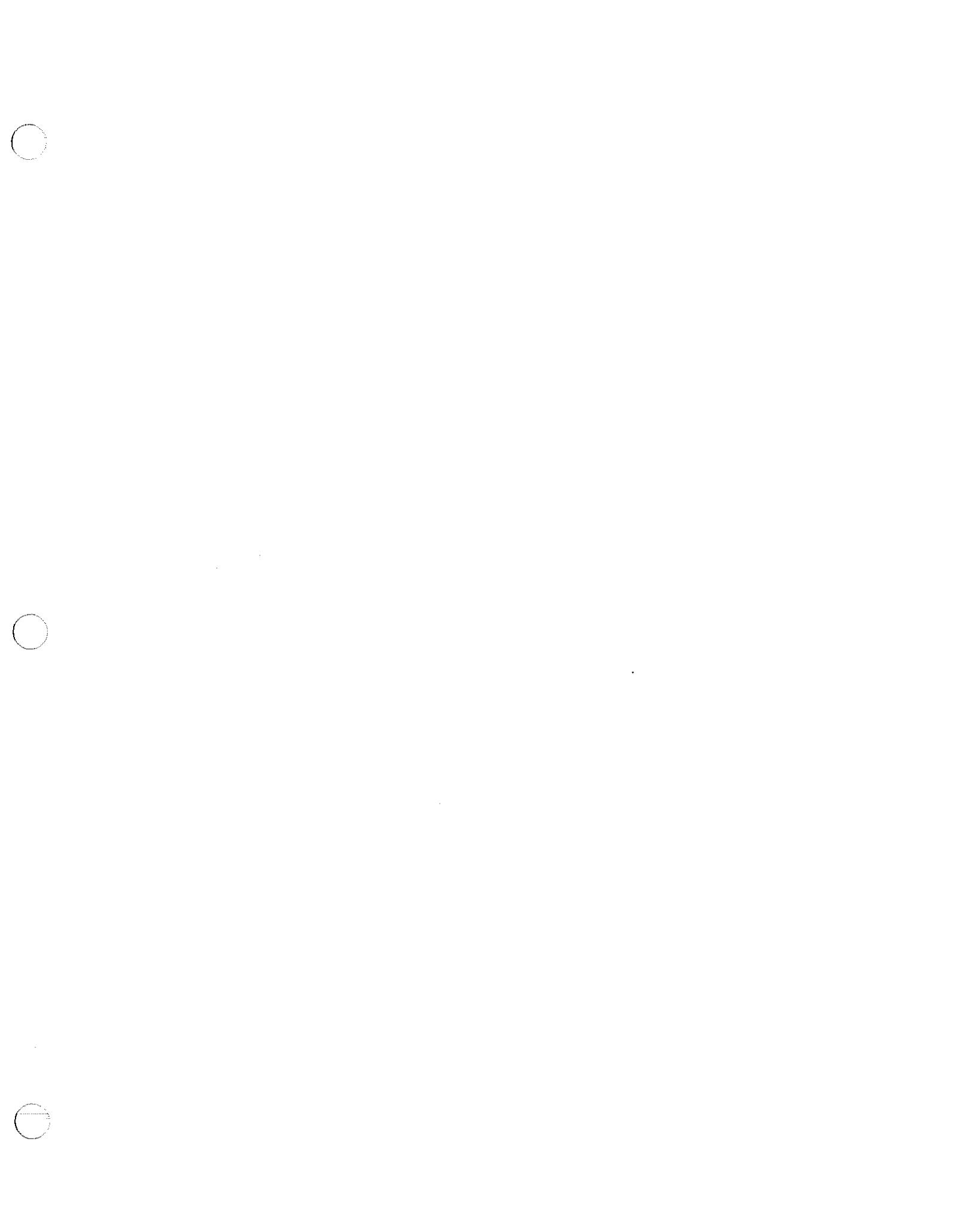


REF. NO.	PART NO.	QTY.	DESCRIPTION
1	—	4	Capscrew 3/8" x 2-1/2"
2	—	2	Capscrew 1/4" x 1"
3	50053378	8	Fender Washer
4	50053379	2	U-Bolt 3/8"
5	50053380	1	Instruction Sheet
6	50053381	6	Bolt, Self-Tapping 1/4" x 3/4"
7	15583	8	Locknut 3/8" Flanged
8	15584	2	Locknut 1/4" Flanged
9	—	2	Flatwasher 3/8"
10	50053384	8	Rubber Washer
11	50053388	1	Canopy
12	50053389	2	Canopy Bracket
13	—	1	Tube Support (Order 50053377 Kit)
14	—	1	Mount Weldment (Order 50053377 Kit)

99263 REAR WEIGHT KIT
Models: TG 3061 & TG 3073



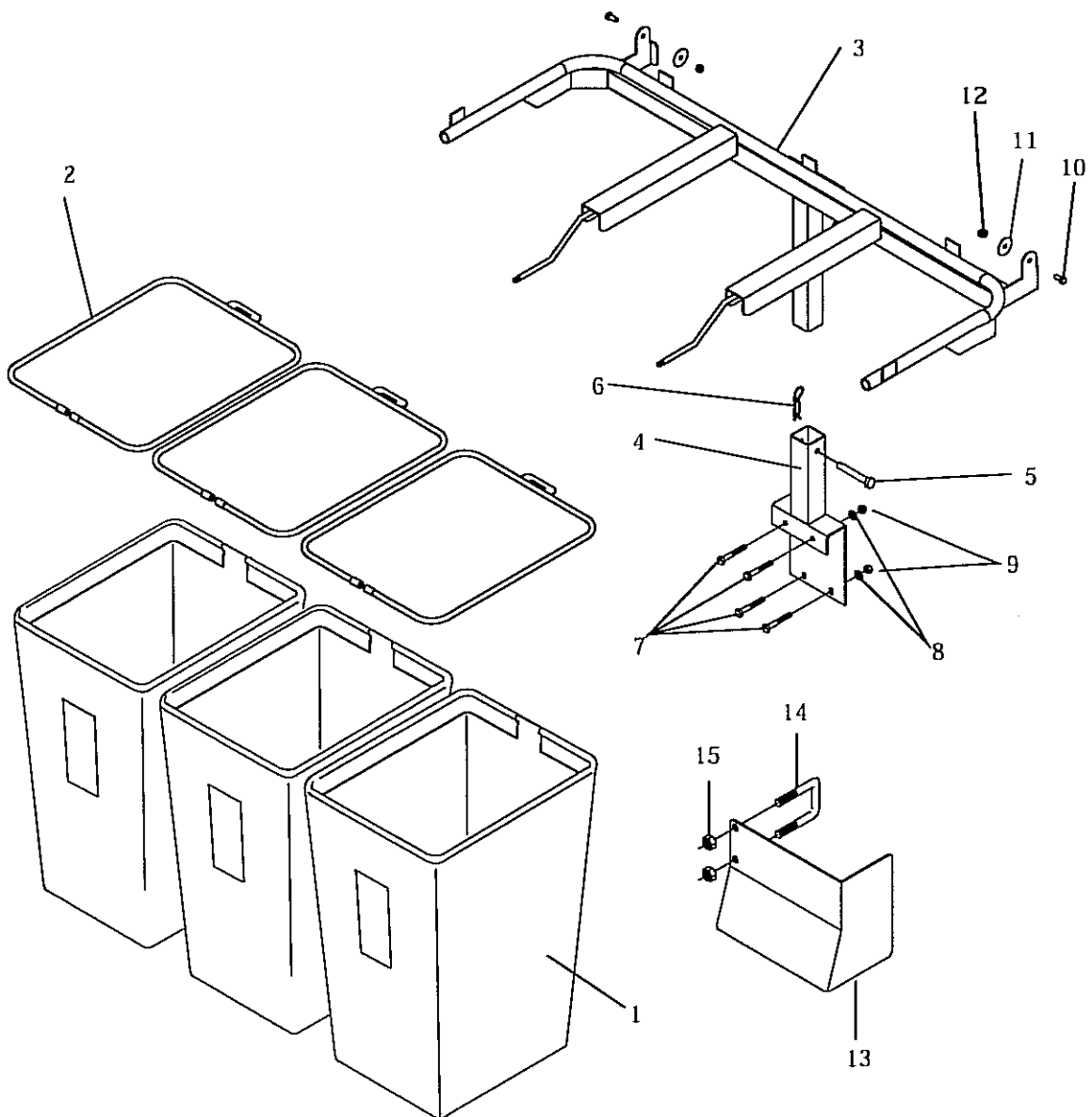
REF. NO.	PART NO.	QTY.	DESCRIPTION
1	99240	3	Weight
2	50035873	1	Mounting Plate
3	—	4	Capscrew 5/16" x 4-1/2"
4	—	4	Flatwasher 5/16"
5	—	4	Lockwasher 5/16"
6	—	4	Hex Nut 5/16"



TG 3061 & TG 3073

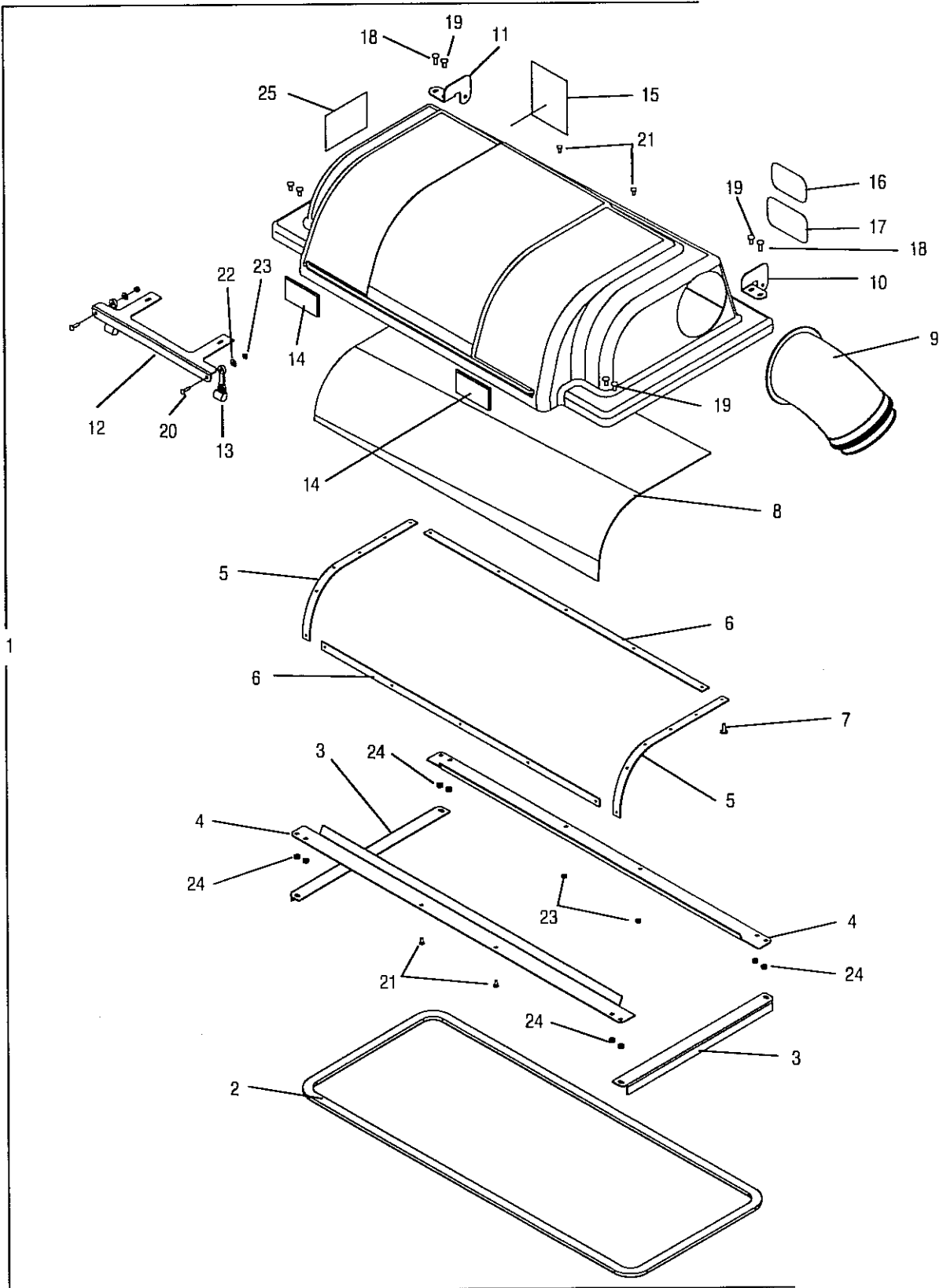
GRASS CATCHER

**FRAME AND BAGS
GC-350 GRASS CATCHER**



REF. NO.	PART NO.	QTY.	DESCRIPTION
1	50054961	3	Collection Bag 4.0Cu. Ft.
2	50052885	3	Bag Ring Weldment
3	50052917	1	Top Frame Weldment
4	50053446	1	Lower Mount Weldment
5	50025501	1	Clevis Pin
6	50005860	1	Hair Pin
7	—	4	Capscrew 3/8" x 3" Gr.5
8	—	4	Flatwasher 3/8"
9	—	4	Locknut 3/8" Nylon Insert
10	—	2	Capscrew 5/16" x 3/4" Gr.5
11	—	2	Fender Washer 5/16"
12	—	2	Hex Nut 5/16 Nylock
13	50056482	1	Aluminum Deflector
14	50054967	1	U-Bolt
15	44601	2	Hex Nut 3/8" Nylon Insert

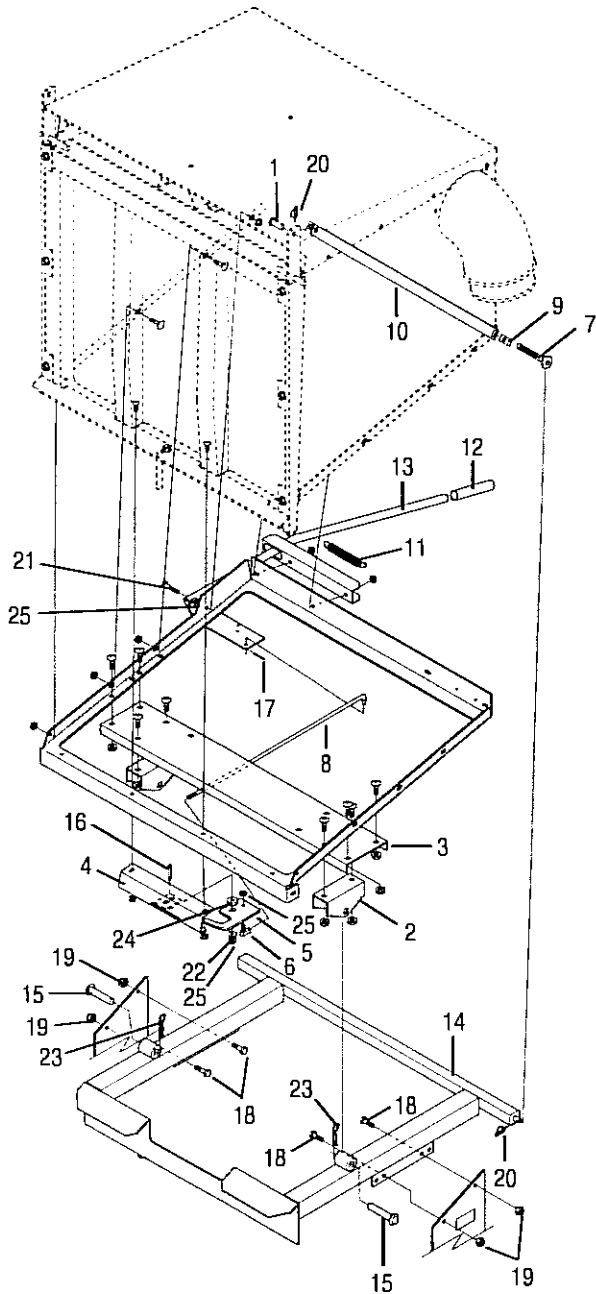
TOP ASSEMBLY
GC-350 GRASS CATCHER



**TOP ASSEMBLY
GC-350 GRASS CATCHER**

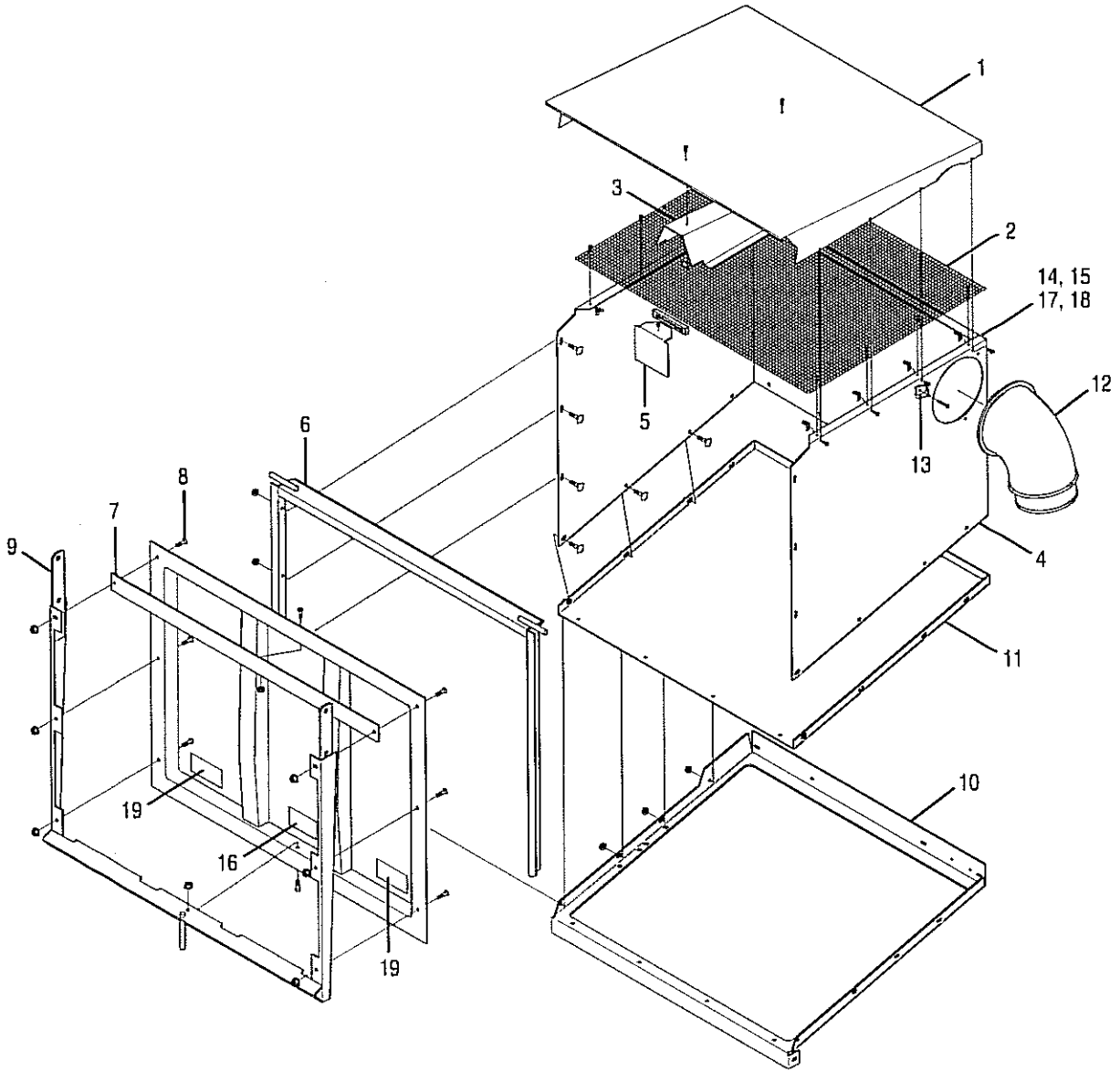
REF. NO.	PART NO.	QTY.	DESCRIPTION
1	50053233	1	Top Assembly w/ Decals
2	50052878	1	Seal, Bag Ring
3	50052881	2	Brace, Side
4	50052880	2	Brace, Front & Rear
5	50052899	2	Short Mount Strip
6	50052898	2	Long Mount Strip
7	_____	3	Rivet
	50052891	11	Rivet 5mm
	_____	2	Rivet 3/16" (.25" to .50")
8	50052879	1	Screen
9	50031182	1	Inlet
10	50052884	1	Pivot Bracket R.H.
11	50052883	1	Pivot Bracket L.H.
12	50052882	1	Latch Mount
13	50052877	2	Draw Latch
14	50031213	2	Red Reflector
15	50031301	1	Warning Decal
16	50031302	1	Warning Decal
17	50031305	1	Tube Wear Decal
18	44319	2	Carriage Bolt 5/16" x 1"
19	05161006	6	Carriage Bolt 5/16" x 3/4"
20	44422	2	Carriage Bolt 1/4" x 1"
21	05160806	4	Carriage Bolt 1/4" x 3/4"
22	_____	2	Flatwasher 1/4"
23	44626	6	Locknut, 1/4" Flanged
24	50005770	8	Locknut, 5/16" Serrated Flange
25	50052861	1	Made in America Decal

**GC351DFS GRASS CATCHER
TANK FRAME ASSEMBLY**
For 55" & 61" Decks



REF. NO.	PART NO.	QTY.	DESCRIPTION
1	50031164	2	Linkage Pin
2	50031168	2	Pivot Bracket
3	50031169	1	Base Frame Pivot Mount
4	50031172	1	Super Latch Hook Pivot Plate
5	50031173	1	Super Latch Hook
6	50031174	1	Super Latch Adj. Ball Joint
7	50031175	2	Adjusting Screw
8	50031176	1	Super Latch Rod
9	50031177	2	Adjusting Nut
10	50031178	2	Linkage Spring
11	50031179	1	Latch Spring
12	50031180	1	Handle Grip
13	50031181	1	Box Handle
14	50064460	1	Mainframe Assembly
15	50031503	2	Box Clevis Pin 5/8" x 3"
16	-----	A/R	Capscrew 3/8" x 1-1/4"
17	21020310	A/R	Cotter Pin 3/32" x 1"
18	-----	A/R	Capscrew 3/8" x 1"
19	44601	A/R	Locknut 3/8" Nyloc
20	50031506	A/R	Rue-Ring Cotter Pin
21	-----	A/R	Hex Bolt 3/8" x 2"
22	-----	A/R	Flatwasher 3/8"
23	50031508	A/R	Cotter Pin
24	50031509	1	Super Latch Hook Hub
25	44621	A/R	Serrated Flanged Hex Nut 3/8"

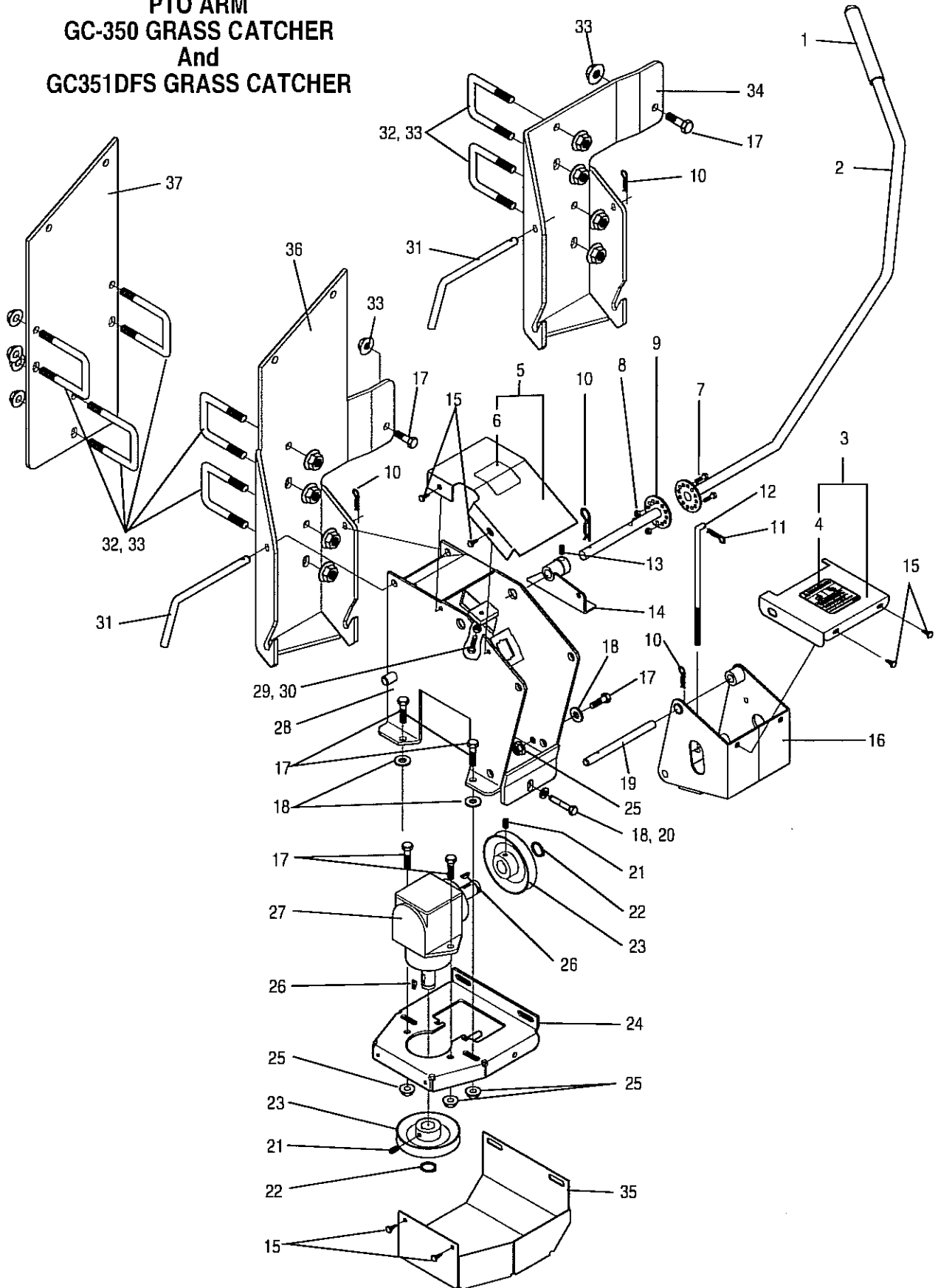
**GC351DFS GRASS CATCHER
BOX ASSEMBLY**
For 55" & 61" Decks



REF. NO.	PART NO.	QTY.	DESCRIPTION
1	50031158	1	Box Top
2	50031159	1	Screen
3	50031160	1	Screen Support
4	50031161	1	Box Back and Sides
5	50031162	1	Fill Gauge
6	50031163	1	Box/Door Frame
7	50031165	1	Upper Door Member
8	50031166	1	Door
9	50031167	1	Door Frame Assembly
10	50031170	1	Base Frame

REF. NO.	PART NO.	QTY.	DESCRIPTION
11	50031171	1	Box Bottom
12	50031182	1	Inlet
13	50031183	3	Inlet Clamp
14	50031301	1	Warning Decal
15	50031302	1	Warning Decal
16	50031303	1	Caution Decal
17	50031305	1	Decal, Tube Wear
18	50031306	1	Decal, Dump Grass
19	50031213	2	Red Reflector

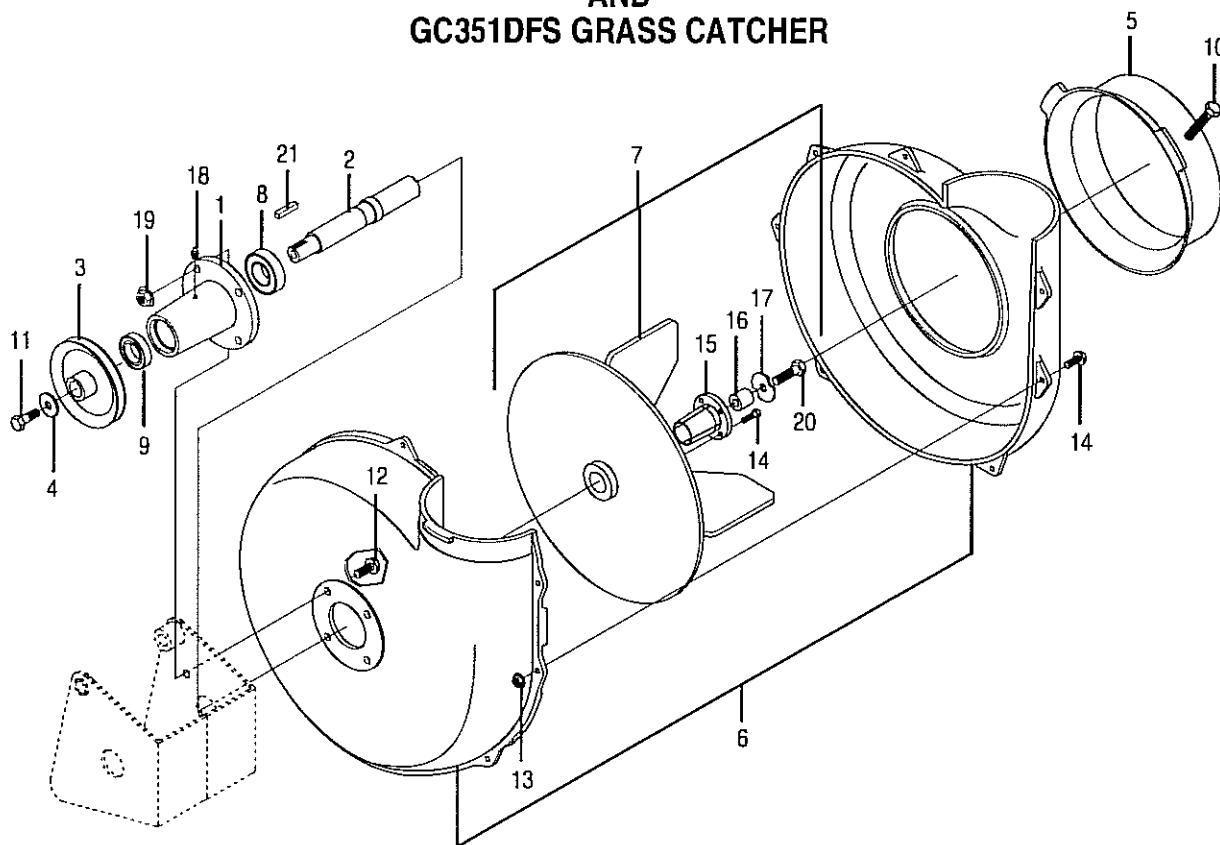
**PTO ARM
GC-350 GRASS CATCHER
And
GC351DFS GRASS CATCHER**



**PTO ARM
GC-350 GRASS CATCHER
And
GC351DFS GRASS CATCHER**

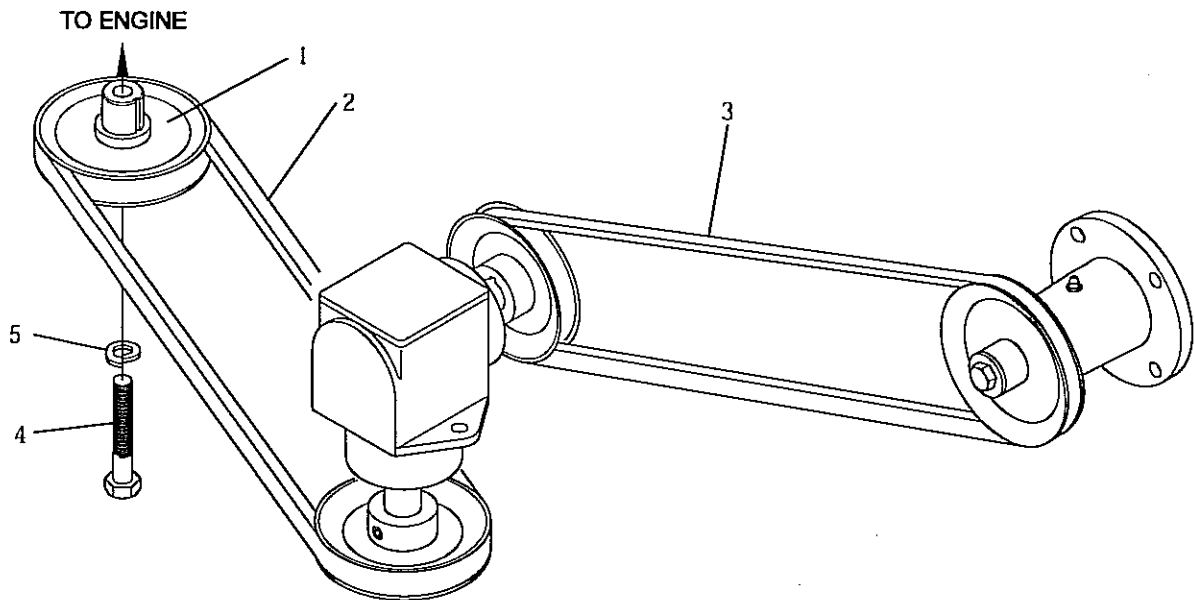
REF. NO.	PART NO.	QTY.		DESCRIPTION
		GC-350	GC351DFS	
1	50031180	1	1	Handle Grip (Yellow)
2	50053447	1	1	Handle Weldment, PTO
3	50052865	1	1	Belt Guard w/Decal
4	50031304	1	1	Warning Decal
5	50053456	1	1	Arm Shield w/Decal
6	50052860	1	1	Decal, Engage / Disengage
7	————	3	3	Capscrew 1/4" x 3/4" Gr.5
8	————	3	3	Locknut 1/4" Nylock
9	50052866	1	1	Handle Mount, PTO
10	50005861	3	3	Pin .12" x 2-3/8"
11	0950013	1	1	Pin 3/32" x 1-5/8"
12	50037686	1	1	Belt Tension Rod
13	50052909	1	1	Set Screw 3/8" -16 Special
14	50052867	1	1	Cam Bracket Weldment
15	————	6	6	Self Tapping Screw 1/4" x 3/4"
16	50037694	1	1	Blower Mount Bracket Assembly
17	————	7	7	Capscrew 3/4" x 1-1/4"
18	————	14	14	Flatwasher 3/8"
19	50031196	1	1	Pivot Rod, Blower
20	50038100	1	1	Capscrew, All thread 3/8" x 2"
21	19541002	2	2	Set Screw, 5/16" x 1/4" Cup Point
22	50052872	2	2	Snap Ring 7/8"
23	50052871	2	2	Pulley, Gearbox
24	50053458	1	1	Base Plate Weldment
25	44621	16	16	Hex Nut, Serrated Flange 3/8"
26	20593	2	2	Woodruff Key 3/16" x 3/4"
27	50052870	1	1	Gearbox Assembly
28	50053457	1	1	PTO Arm Assembly
29	50031500	1	1	Capscrew All thread, 5/16" x 2"
30	50005770	1	1	Hex Nut, Serrated Flange 5/16"
31	50054962	1	1	Pin, Mount PTO Assy.
32	50054967	2	5	U-Bolt 3/8" x 2-1/4" Long x2-1/8" Wide
33	44601	9	14	Hex Nut 3/8" Nylock
34	50053448	1		Mount Plate R.H. PTO for GC-350
35	50053455	1		Guard, Gearbox Pulley
36	50064463		1	Mount Plate R.H. PTO for GC351DFS
37	50064461		1	Mount Plate L.H. for GC351DFS

**IMPELLER ASSEMBLY
GC-350 GRASS CATCHER
AND
GC351DFS GRASS CATCHER**



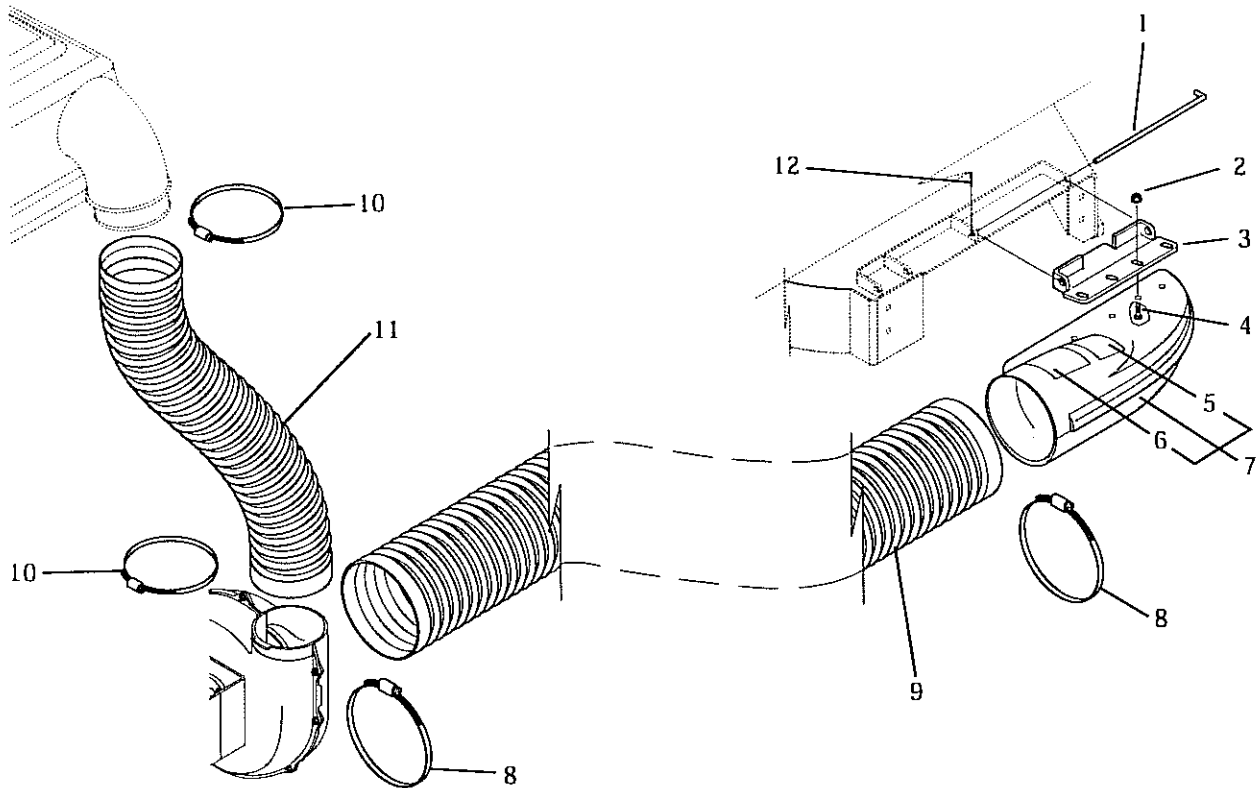
REF. NO.	PART NO.	QTY.	DESCRIPTION
1	50031204	1	PTO Housing
2	50031192	1	PTO Shaft
3	50031193	1	"A" Pulley, Blower
4	50031198	2	PTO Housing Washer
5	50031493	1	Blower Cone, 8"
6	50031495	1	Blower Housing
7	50038197	1	Impeller Blade Assembly (14-17, 20, 22)
8	50031497	1	Bearing
9	50031498	3	Bearing
10	50052889	3	Bolt 5/16" - 18 x 2-1/2" All Thread
11	—	1	Capscrew 3/8" x 3/4" Gr. 5
12	—	4	Capscrew 3/8" x 1-1/2" Gr.2
13	15584	7	Locknut 1/4" Narrow Flanged
14	—	11	Capscrew 1/4" x 1"
15	50031510	1	Taper Lock Hub
16	50031511	1	Bushing
17	50031512	1	Washer, Double Indent
18	449BH	1	Grease Fitting
19	44621	4	Hex Nut 3/8" Serrated Flanged
20	44181	1	Capscrew 3/8" x 1-1/2" Gr. 8"
21	50038198	1	Key 3/16" x 3/4"

**BELTS
GC-350 GRASS CATCHER
AND
GC351DFS GRASS CATCHER**



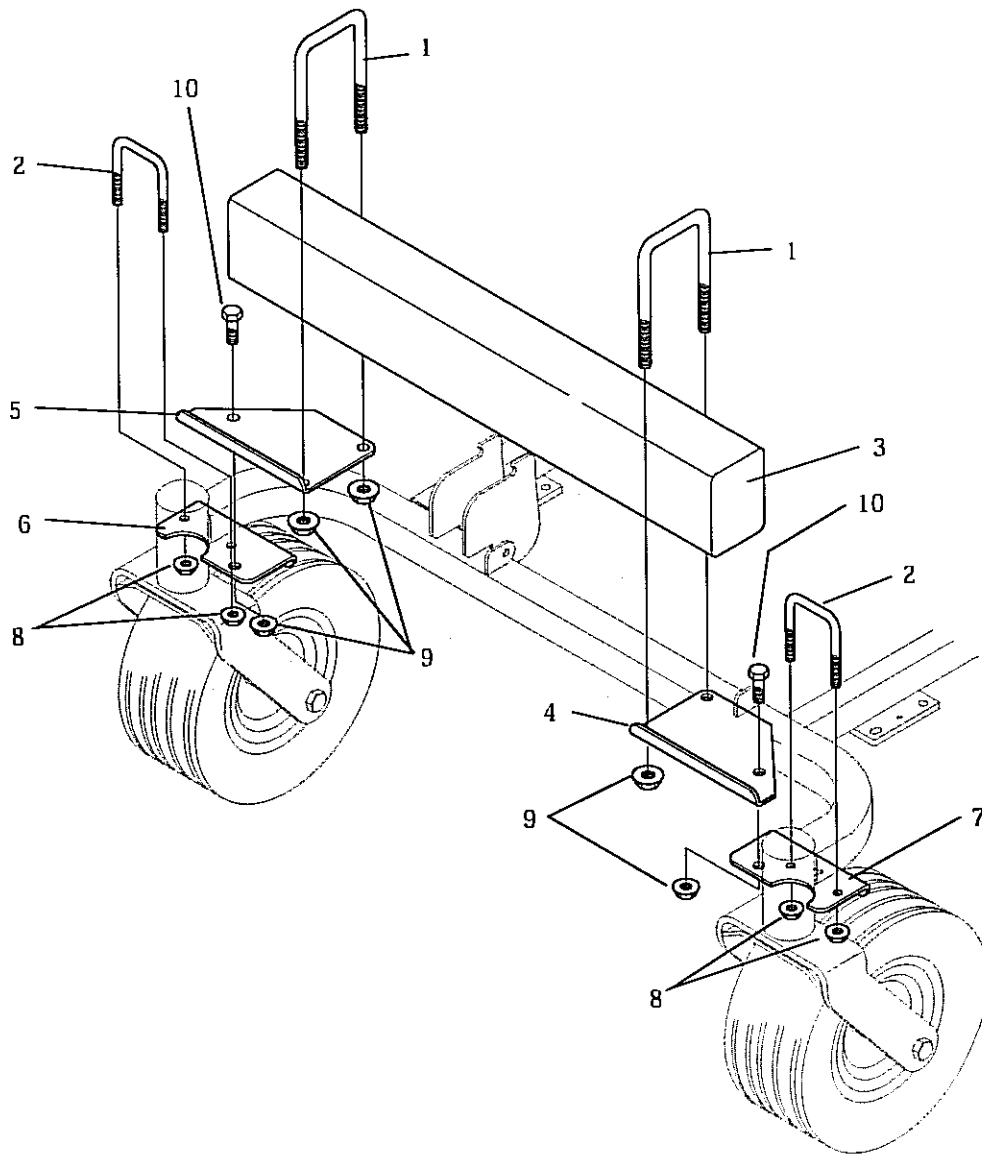
REF. NO.	PART NO.	QTY.	DESCRIPTION
1	50037691	1	Engine Pulley
2	50064462	1	Belt, Engine to Gearbox
3	50054964	1	Belt, Gearbox to Impeller
4	50038094	1	Clutch Locking Bolt (Special)
5	50034847	1	Lockwasher 7/16" , Hi-Collar

**BOOT & HOSE ASSEMBLY
GC-350 GRASS CATCHER
AND
GC351DFS GRASS CATCHER**

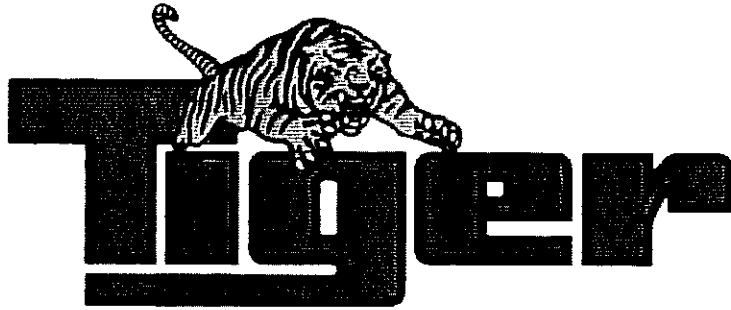


REF. NO.	PART NO.	QTY.	DESCRIPTION
1	50054960	1	Boot Rod
2	44621	2	Locknut, 3/8" Flanged
3	50054959	1	Boot Mount Plate
4	44109	2	Carriage Bolt 3/8" x 1" Gr.5
5	50052916	1	Caution Decal
6	50052915	1	Danger Decal
7	50038401	1	Boot w/ Decals
8	50031203	2	Hose Clamp 7" - 8"
9	50054965	1	Lower Hose 6" x 39"
10	50031494	2	Hose Clamp 6"
11	50054966	1	Upper Hose 6" x 25" for GC-350
	50057688	1	Upper Hose 6" x 32" for GC351DFS
12	0950013	1	Cotter Pin 3/32' x 1-7/8"

**FRONT WEIGHT ASSEMBLY
GC-350 GRASS CATCHER
AND
GC351DFS GRASS CATCHER**



REF. NO.	PART NO.	QTY.	DESCRIPTION
1	50054969	2	U-Bolt 1/2" x 5-1/4"L x 3-5/16"W
2	50054970	2	U-Bolt 3/8" x 3-1/2"L x 2-9/16"W
3	50052125	1	Weight Bar 3" x 4" x 27"
4	50053453	1	Mount Bracket L.H.
5	50053452	1	Mount Bracket R.H.
6	50053450	1	Mount Bracket - Caster R.H.
7	50053451	1	Mount Bracket - Caster L.H.
8	44621	4	Hex Nut 3/8" Serrated Flange
9	44615	6	Hex Nut 1/2" Serrated Flange
10	—	2	Capscrew 1/2" x 1" Gr.5



Printed in USA
© Tiger Corporation