



**TRAILKAT  
TK10 & TK15  
REAR ROTARY MOWERS**

Current as of 07/16/2012

---

**PARTS LISTING**

---

**Tiger Corporation**  
3301 N. Louise Ave.  
Sioux Falls, SD 57107  
1-800-843-6849  
1-605-336-7900  
[www.tiger-mowers.com](http://www.tiger-mowers.com)

**06090010**

# TO THE OWNER / OPERATOR / DEALER

All implements with moving parts are potentially hazardous. There is no substitute for a cautious, safe-minded operator who recognizes the potential hazards and follows reasonable safety practices. The manufacturer has designed this implement to be used with all its safety equipment properly attached to minimize the chance of accidents.

**BEFORE YOU START!!** Read the safety messages on the implement and shown in this manual. Observe the rules of safety and use common sense!

**READ AND UNDERSTAND THIS MANUAL! Non-English speaking operators will need to GET THE MANUAL TRANSLATED as needed!**



# DANGER

**FAILING TO FOLLOW SAFETY MESSAGES AND OPERATING INSTRUCTIONS CAN CAUSE SERIOUS BODILY INJURY OR EVEN DEATH TO OPERATOR AND OTHERS IN THE AREA.**



1. Study and understand Operator's Manuals, Safety Decals, and Instructional Decals for tractor and implement to prevent misuse, abuse, and accidents. Practice before operating in a confined area or near passersby.

- Learn how to stop engine suddenly in an emergency. Be alert for passersby and especially children

2. Allow no children on or near folding mower or tractor. Allow no riders on tractor or implement. Falling off may cause serious injury or death from being run over by tractor or mower or contact with rotating blades.

3. Operate only with tractor having Roll-Over Protective Structure (ROPS) and with seat belt securely fastened to prevent injury and possible death from falling off or tractor overturn.

- Personal Protective Equipment such as Hard Hat, Safety Glasses, Safety Shoes, & Ear Plugs are recommended.

4. Block up or support raised machine and all lifted components securely before putting hands or feet under or working underneath any lifted component to prevent crushing injury or death from sudden dropping or inadvertent operation of controls. Make certain area is clear before lowering or folding

5. Before transporting, put Lift Lever in detent or full-lift position. Install Transport Safety Devices securely on folding mowers. Put Booms securely in Transport Rest.

- Folding and Boom Mowers have raised center of gravity. Slow down when turning and on hillsides.

6. Make certain that SMV sign, warning lights, and reflectors are clearly visible. Follow local traffic codes.

7. Never operate with Cutting Head or Folding Section raised if passersby, bystanders, or traffic are in the area to reduce possibility of injury or death from objects thrown by Blades under Guards or mower structure.

8. Before dismounting, secure implement in transport position or lower to ground.

- Put tractor in park or set brake, disengage PTO, stop engine, remove key, and wait until noise of rotation has ceased to prevent crushing by entanglement in rotating parts which could cause injury or death.

- Never mount or dismount a moving vehicle. Crushing from rollover may cause serious injury or death.



02967827

Warranty Information: Read and understand the complete Warranty Statement found in this manual. Fill out the Warranty Registration form in full and return it within 90 days. Make certain the Serial Number of the machine is recorded on the Warranty Card, and form that you retain.

The following instructions are offered to help eliminate needless delay and error in processing purchase orders for the equipment in this manual.

1. The Parts Section is prepared in logical sequence and grouping of parts that belong to the basic machine featured in this manual. Part Numbers and Descriptions are given to help locate the parts and quantities required.
2. The Purchase Order must indicate the **Name and Address** of the person or organization ordering the parts, **who should be charged**, and if possible, the **serial number of the machine** for which the parts are being ordered.
3. The purchase order must clearly list the **quantity of each part**, the complete and correct **part number**, and the basic **name of the part**.
4. The manufacturer reserves the right to substitute parts where applicable.
5. Some parts may be unlisted items which are special production items not normally stocked and are subject to special handling. Request a quotation for such parts before sending a purchase order.
6. The manufacturer reserves the right to change prices without prior notice.

NOTE: When ordering replacement decals, refer to the part numbers and descriptions listed in the safety section in the front of this manual.



1000

For maximum safety and to guarantee optimum product reliability, always use genuine **Tiger** replacement parts. The use of inferior replacement parts may cause premature or catastrophic failure which could result in serious injury or death.

Direct any questions regarding parts to:

**Tiger Corporation**  
3301 N. Louise Ave.  
Sioux Falls, SD 57107  
1-800-843-6849  
1-605-336-7900

# NOTES



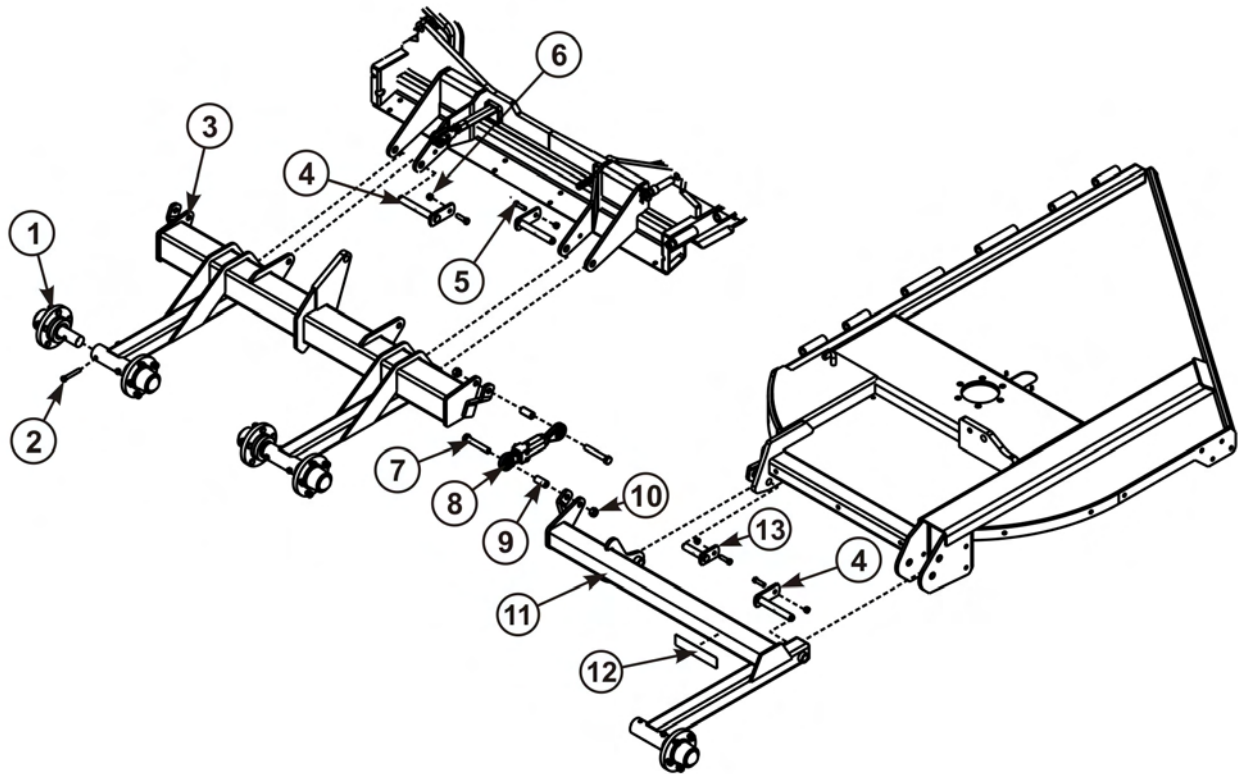
# **PARTS SECTION**

## PART NAME INDEX

AXLE ASSEMBLY.....	4
AXLE TURNBUCKLE ASSEMBLY.....	5
BLADE PANS.....	6
CENTER SECTION ASSEMBLY.....	7
CHAINGUARD - FRONT DOUBLE TK15.....	9
CHAINGUARD - FRONT DOUBLE TK10.....	10
CHAINGUARD - FRONT SINGLE TK10.....	11
CHAINGUARD - FRONT SINGLE TK15.....	12
CHAINGUARD - REAR DOUBLE TK10.....	13
CHAINGUARD - REAR DOUBLE TK15.....	14
CHAINGUARD - REAR SINGLE TK10.....	15
CHAINGUARD - REAR SINGLE TK15.....	16
CYLINDER ASSEMBLY - CENTER.....	17
CYLINDER ASSEMBLY - WING.....	18
DRIVELINE - 1000 1-3/4 20SPL.....	19
DRIVELINE - 1000 1-3/8 21SPL.....	20
DRIVELINE - 540.....	21
DRIVELINE - INTERMEDIATE.....	22
DRIVELINE - SLIP CLUTCH.....	23
DRIVELINE - WING.....	24
GEARBOX 1000 DIVIDER.....	25
GEARBOX 1000 LH (TK15).....	27
GEARBOX 1000 RH.....	29
GEARBOX 1000-CENTER.....	31
GEARBOX 540 DIVIDER.....	33
GEARBOX 540 RH.....	35
GEARBOX 540-CENTER (TK10)-LH, CTR (TK15).....	37
HUB ASSEMBLY.....	39
HUB ASSEMBLY - S/N 10233-10237 AND 10275-10291.....	40
HYDRAULIC SCHEMATIC - JIC THREADS.....	41
HYDRAULIC SCHEMATIC - PIPE THREADS.....	42
LEVEL ROD ASSEMBLY.....	43
SHIELD ASSEMBLY.....	45
SIDE SKIRTS AND SKID SHOES.....	46
SMV ASSEMBLY.....	47
SPRING POD ASSEMBLY.....	48
TIRE AND WHEEL ASSEMBLY.....	49
TONGUE ASSEMBLY.....	51
WEIGHTBOX ASSEMBLY.....	53

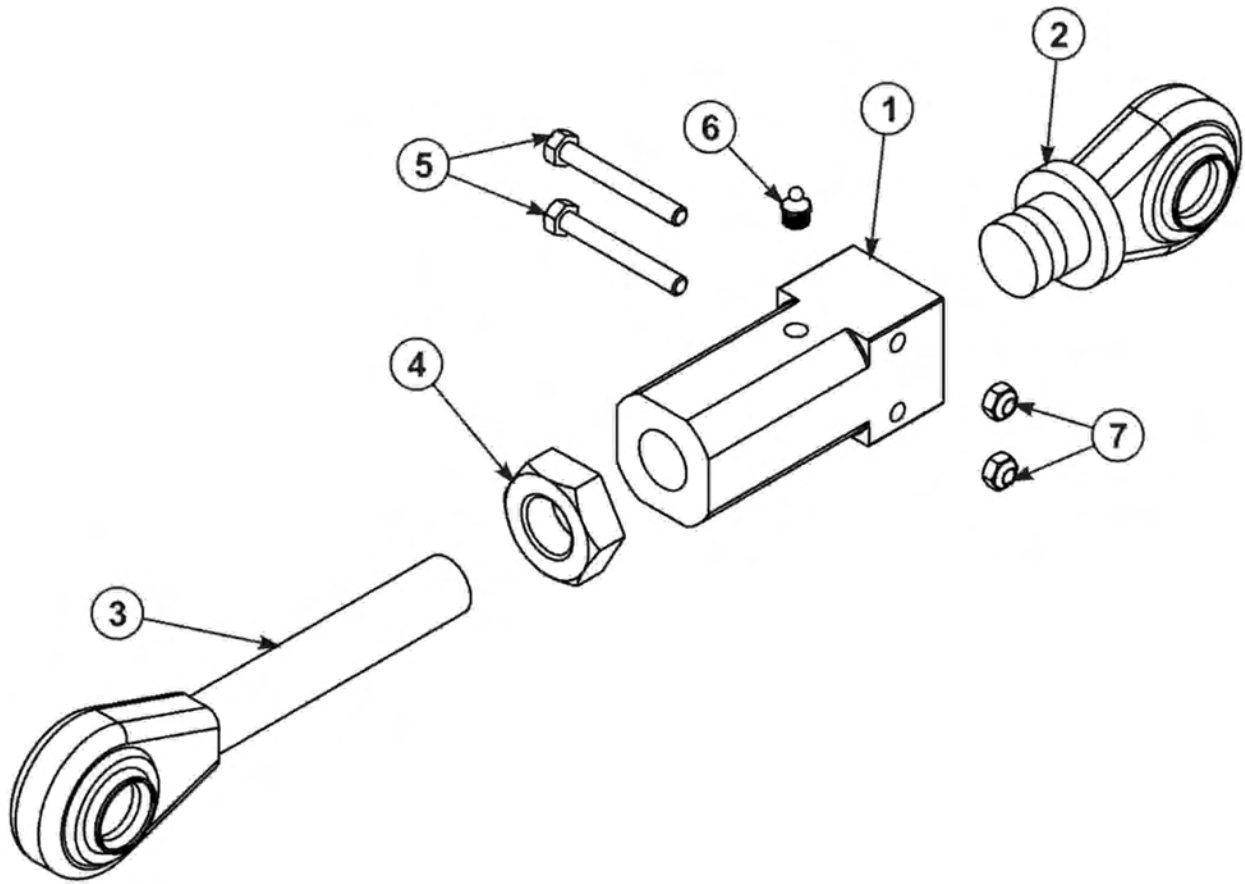
TK10 TK15

## AXLE ASSEMBLY



ITEM	PART NO.	QTY.	DESCRIPTION
1	00776306	5	ASY, HUB AND SPINDLE
2	00605600	5	HHCS 1/2 NC 3-1/4 PL
3	00778962	1	WLDMT, CENTER AXLE
4	00764990	3	LONG PIN WELDMENT
5	00749130	4	HHCS 1/2-13UNC 1-3/4 PL5
6	00001800	4	TOPLOCKNUT, 1/2-13 NC PL
7	00009500	2	BOLT-HEX 3/4 NC 4-1/2 PL5
8	00763449	1	ASY,SWIVEL TURNBUCKLE
9	00751584	2	SPACER, TUBE
10	00037200	2	LOCKNUT 3/4-NC TLM PLC
11	00777830	1	WLDMT, RH WING AXLE
12	1458392	1	DECAL, RED REFLECTOR
13	00786342	1	SHORT PIN WELDMENT

## AXLE TURNBUCKLE ASSEMBLY

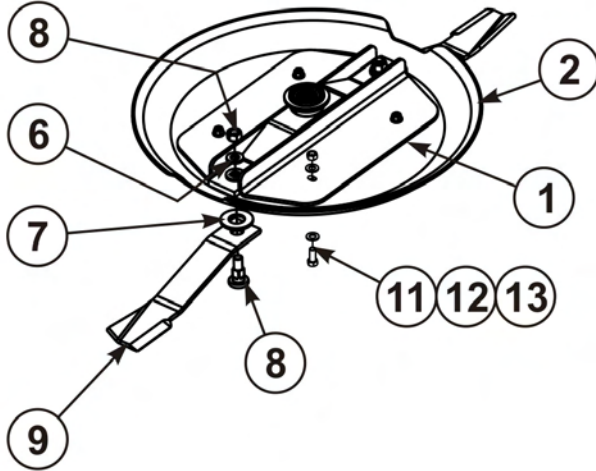


ITEM	PART NO.	QTY.	DESCRIPTION
	00763449	1	ASY,SWIVEL TURNBUCKLE
1	00763450A	1	TURNBUCKLE,1-1/8NC THRD 2 HOLE
2	00763962	1	WLDMT-TOP LINK
3	00763447	1	TOP LINK,THREADED
4	02012200	1	NUT HEX 1-1/8 NC PL
5	02152800	2	HEXB 5/16 NC 2-1/2PL
6	00780848	1	GREASE FITTING
7	00750940	2	NUT TOPLOCK 5/16 NC PLB

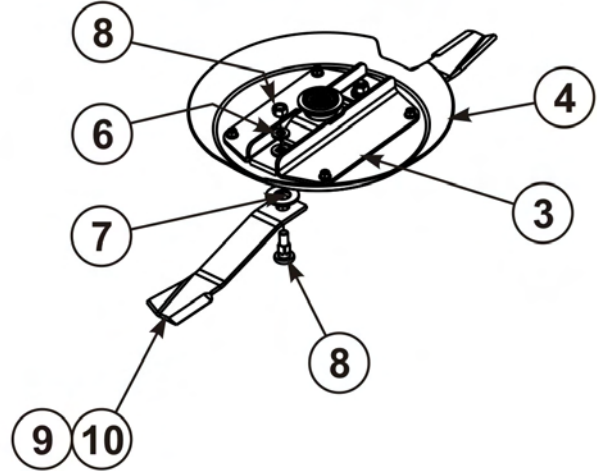


## BLADE PANS

### Center Blade Pan

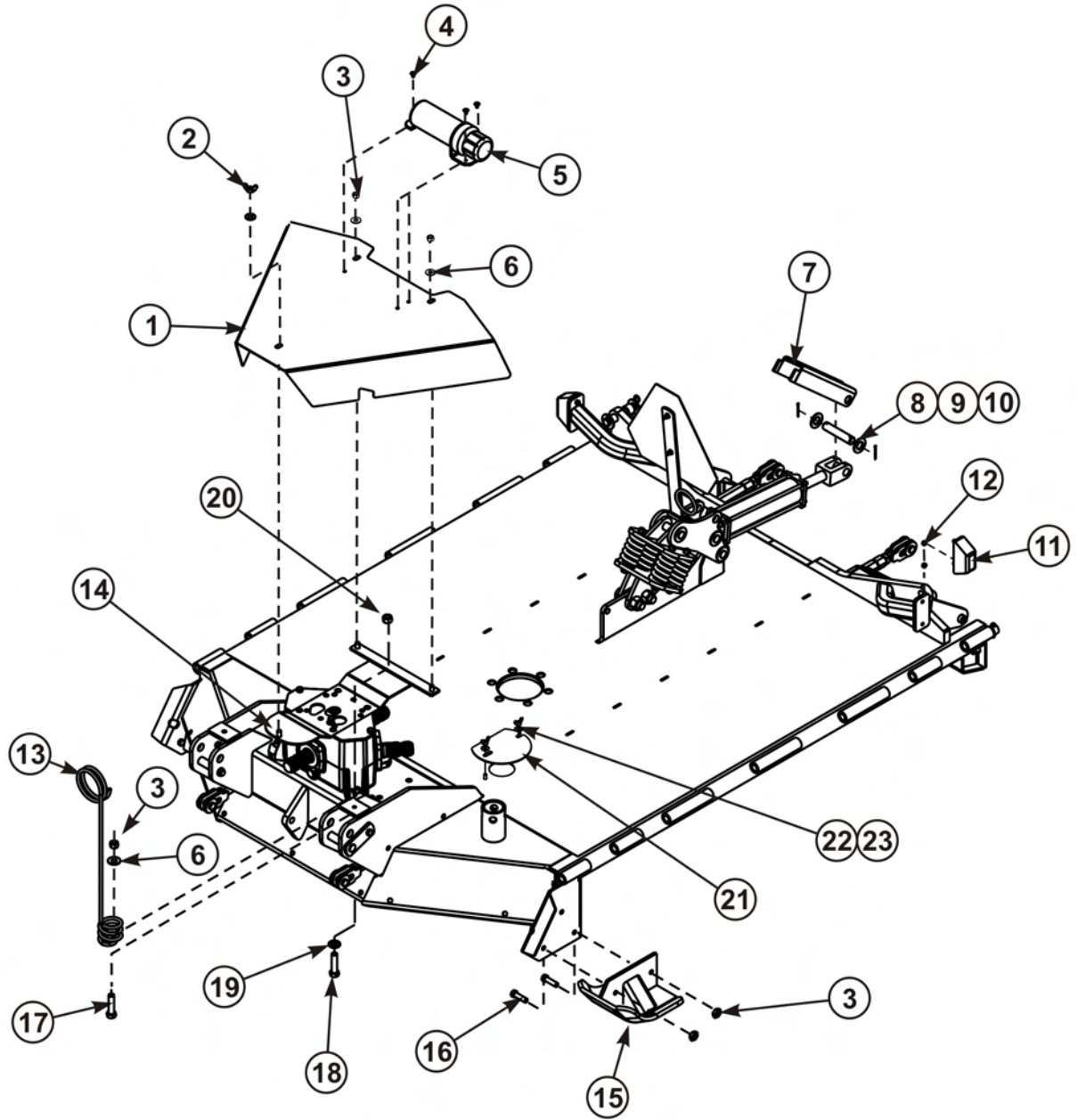


### Wing Blade Pan



ITEM	PART NO.	QTY.	DESCRIPTION
1	00786456	1	WLDMT, CNTR BLADE PAN-INCLUDES PAN ASSEMBLY
2	00786462	1	PAN, CNTR BLADE
3	00786457	2	WLDMT, WING BLADE PAN-INCLUDES PAN ASSEMBLY
4	00786463	2	PAN, WING BLADE
6	571045	6	SHOULDER BOLT WASHER
7	00779283	6	WASHER, HARDENED BLADE WEAR
8	B571044	6	KIT, BLADE BOLT AND NUT
9	0622010330	4	BLADE, CCW FAN 22-1/4" CTR-TIP (CENTER AND RIGHT WING)
10	0652010330	2	BLADE CW FAN (LEFT WING)
11	02675800	8	BOLT 5/8" NC 1-1/2" PL5
12	00756077	16	5/8" HARDENED WASHER
13	00695100	8	NUT, 5/8" NC TOPLOCK

# CENTER SECTION ASSEMBLY

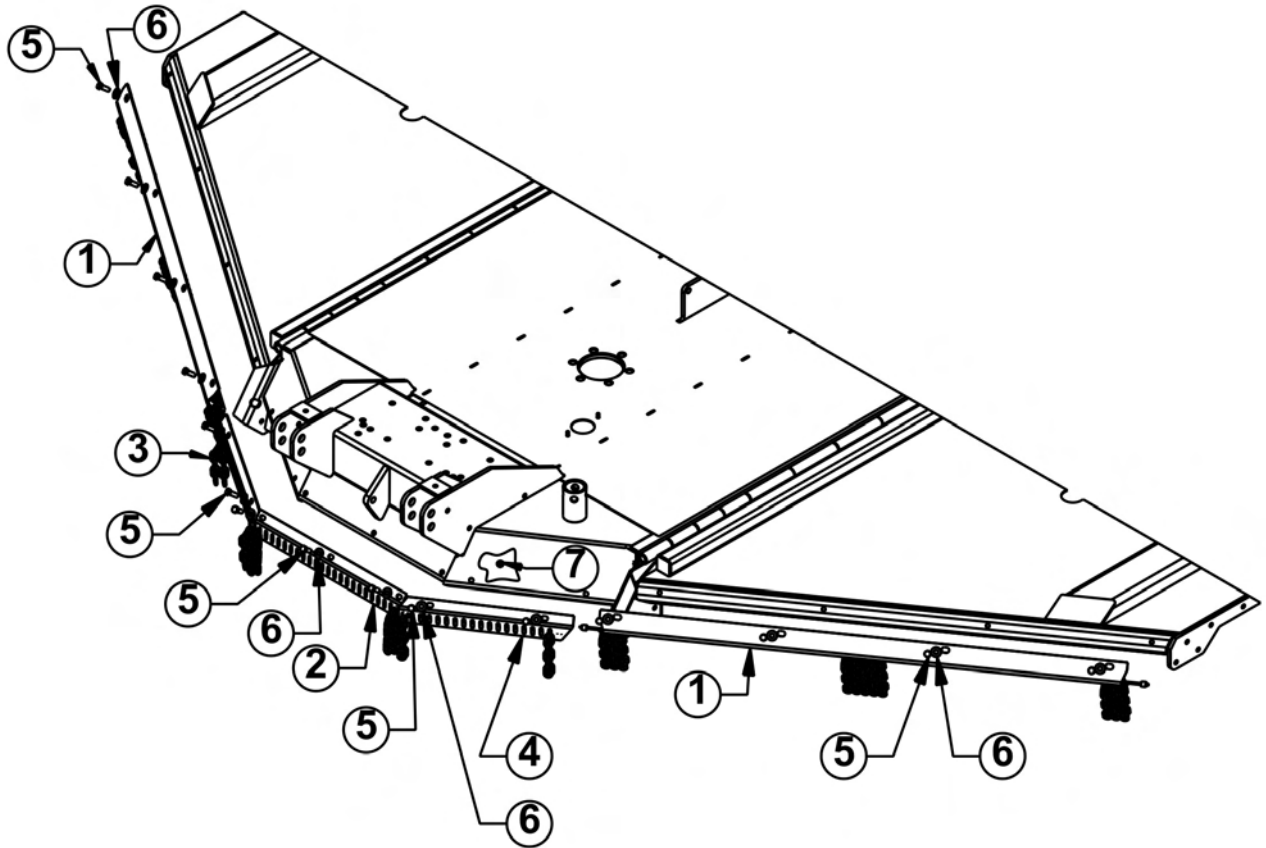


## CENTER SECTION ASSEMBLY

Continued...

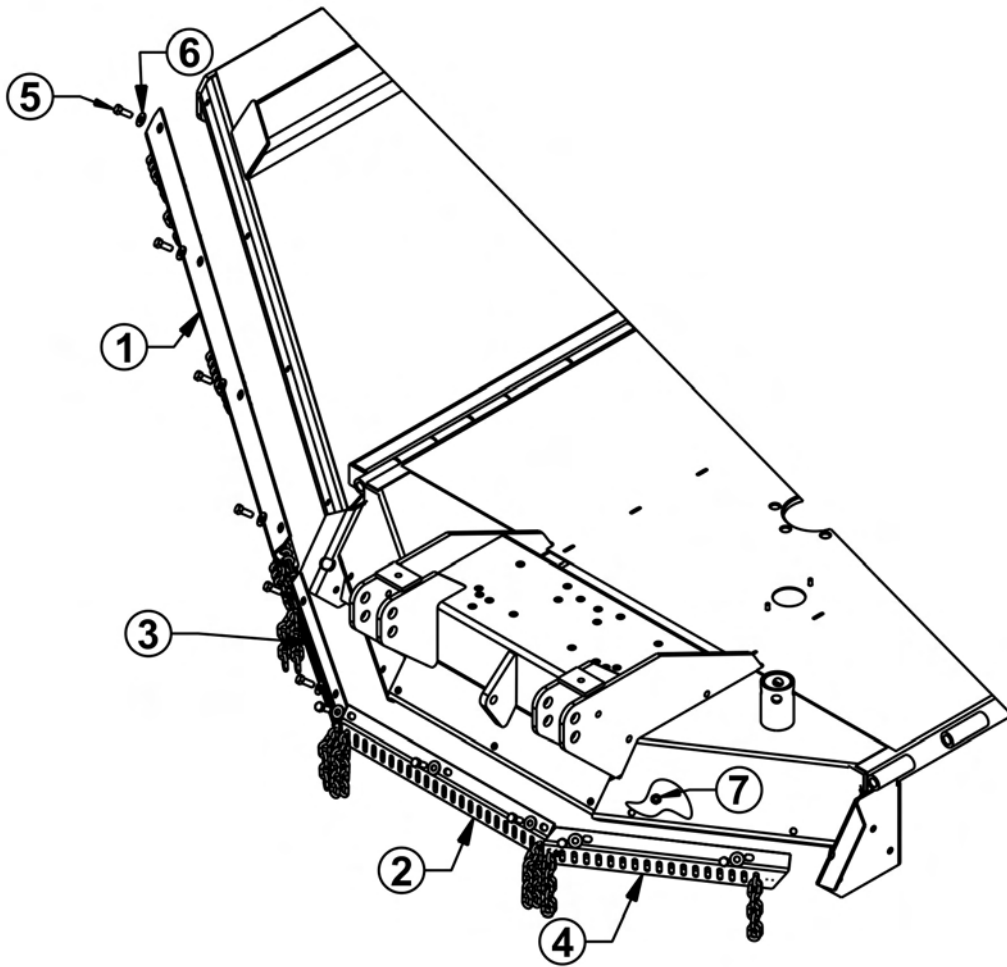
ITEM	PART NO.	QTY.	DESCRIPTION
1	00775191	1	SHIELD, DIVIDER BOX
2	5F8130	4	WINGNUT 1/2NC
3	00001800	40	TOPLOCKNUT, 1/2-13 NC PL
4	00780878	3	RIVET, 3/16 POP X 15/32" G.R.
5	00776031	1	CANISTER, OPERATORS MANUAL
6	00002700	25	FLATWASHER 1/2
7	00777963	1	TRANSPORT LOCK
8	103266	1	CYLINDER PIN
9	02822500	12	FLATWASHER 1 PL STD
10	00606000	10	COTTER PIN 3/16 X 2"
11	00776591	2	WING BUMPER
12	00755934	4	HEX NUT, METRIC 8MM - P 1.25
13	02965484	1	HOSE BRACKET, SPRING BASE
14	00775192	1	WLDMT, DIVIDER BOX HINGE
15	00764020	1	WLDMT, SKID SHOE LH
	00763996	1	WLDMT, SKID SHOE RH
16	02030700	4	HHCS, 1/2"-13NC X 1-1/4" PL5
17	00749130	1	HHCS 1/2"-13UNC PL5
18	00750952	4	HEXB, 5/8"NC X 2-1/2" ZP GRD5
19	00756077	4	WASHER,5/8 HARDENED
20	00695100	4	LOCKNUT, TOPLOCK 5/8"NC PL8
21	5710121	1	BLADE BOLT HOLE COVER
22	5F5180	2	NUT, 5/16" NC WING
23	00023500	2	FLATWASHER, 5/16" TYPE, AW, ZP

## CHAINGUARD - FRONT DOUBLE TK15



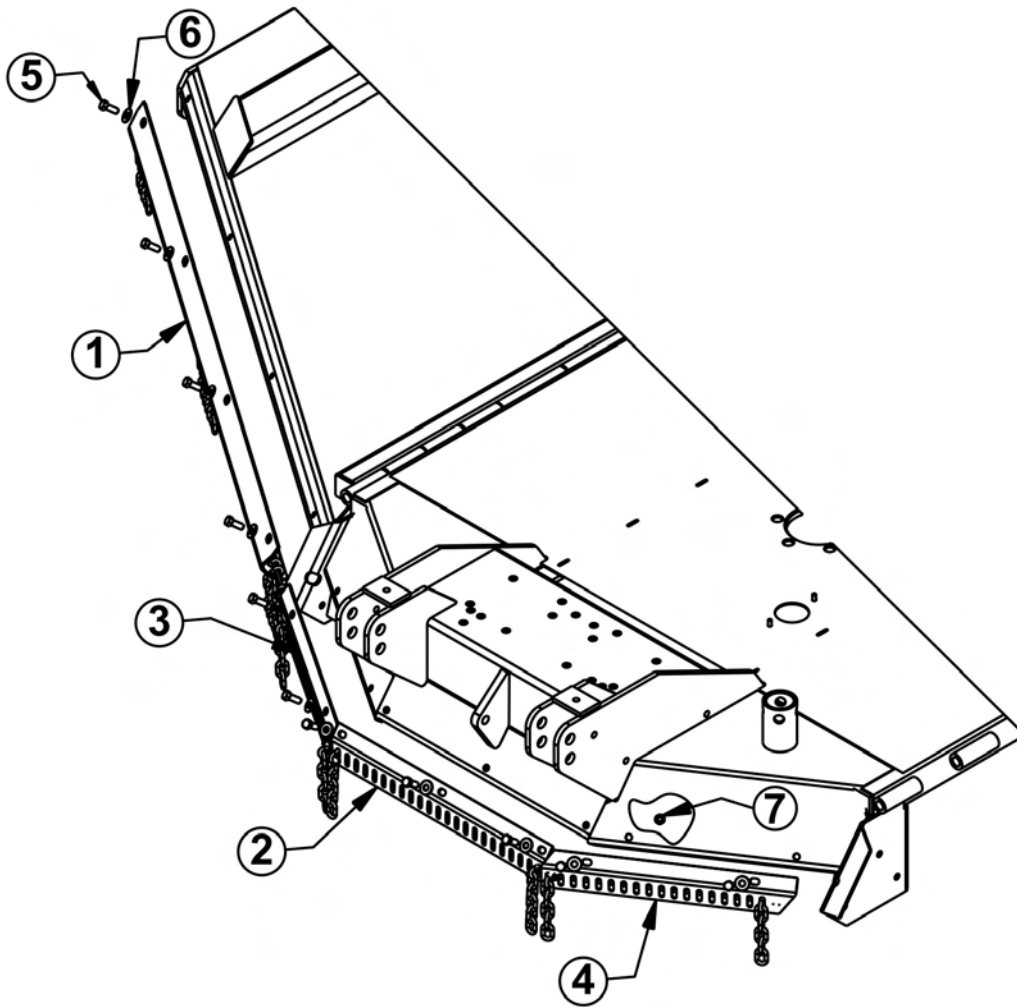
ITEM	PART NO.	QTY.	DESCRIPTION
1	00778141	2	ASSY, FRONT WING DOUBLE CHAIN GUARD
2	00778192	1	CHAINGUARD ASY FRONT CTR
3	00778191	1	CHAINGUARD, ASY, CTR.RH
4	00778190	1	CHAINGUARD, ASY, CTR.LH
5	02030700	15	HHCS, 1/2-13NC X 1-1/4 PL5
6	00002700	15	FLATWASHER 1/2
7	00001800	7	TOPLOCKNUT, 1/2-13 NC PL

## CHAINGUARD - FRONT DOUBLE TK10



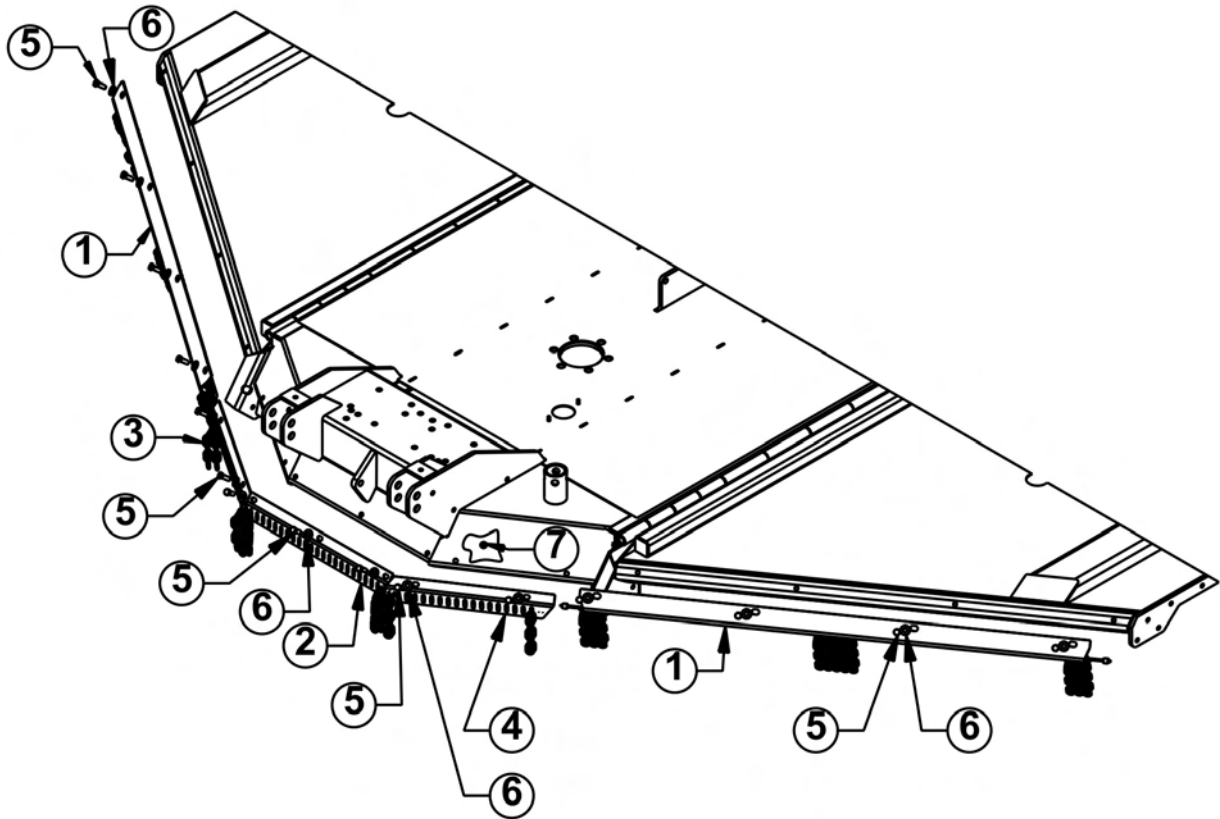
ITEM	PART NO.	QTY.	DESCRIPTION
1	00778141	1	ASSY, FRONT WING DOUBLE CHAIN GUARD
2	00778192	1	CHAINGUARD ASY FRONT CTR
3	00778191	1	CHAINGUARD, ASY, CTR.RH
4	00778190	1	CHAINGUARD, ASY, CTR.LH
5	02030700	11	HHCS, 1/2-13NC X 1-1/4 PL5
6	00002700	11	FLATWASHER 1/2
7	00001800	7	TOPLOCKNUT, 1/2-13 NC PL

## CHAINGUARD - FRONT SINGLE TK10



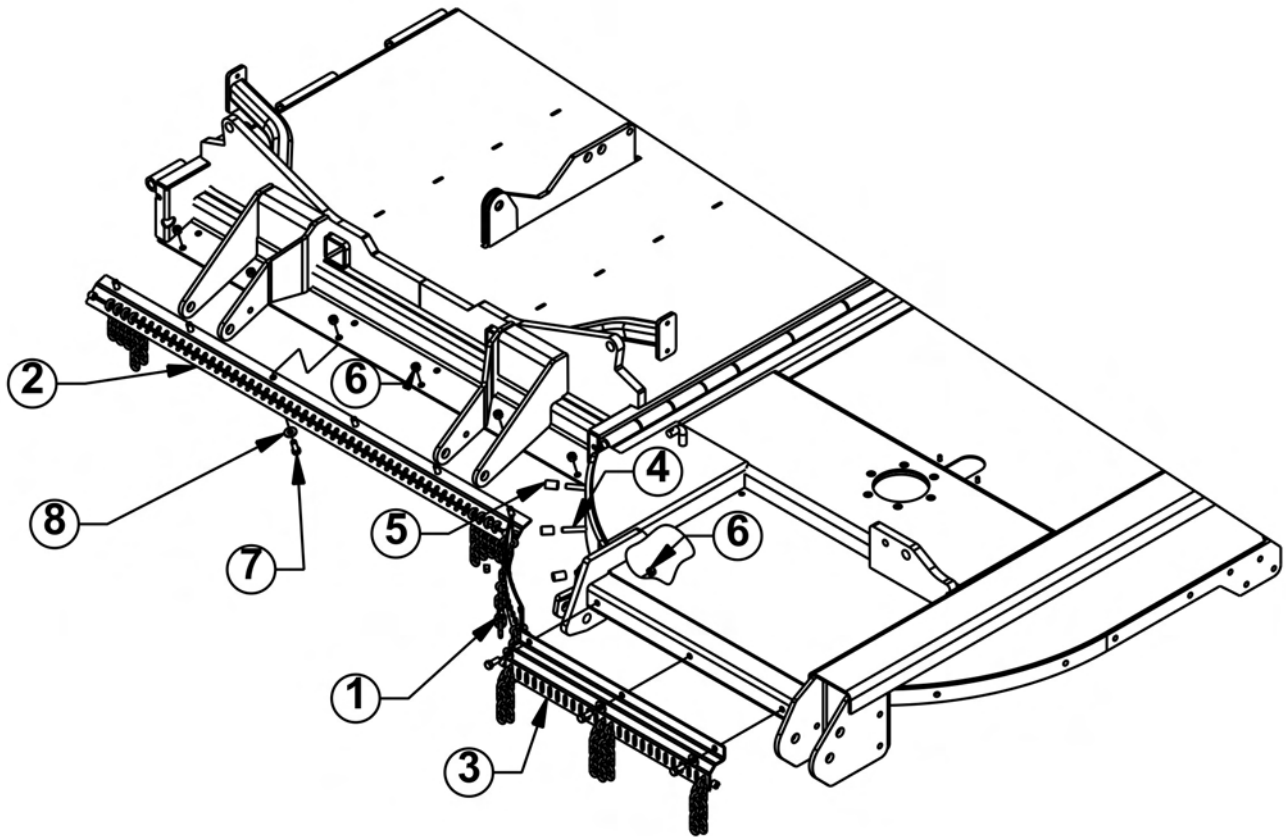
ITEM	PART NO.	QTY.	DESCRIPTION
1	00778140	1	ASSY, FRONT WING SINGLE CHAIN GUARD
2	00761196	1	CHAINGUARD ASY FRONT CTR
3	00761198	1	CHAINGUARD, ASY, CTR.RH
4	00761197	1	CHAINGUARD, ASY, CTR. LH
5	02030700	11	HHCS, 1/2-13NC X 1-1/4 PL5
6	00002700	11	FLATWASHER 1/2
7	00001800	7	TOPLOCKNUT, 1/2-13 NC PL

## CHAINGUARD - FRONT SINGLE TK15



ITEM	PART NO.	QTY.	DESCRIPTION
1	00778140	2	ASSY, FRONT WING SINGLE CHAIN GUARD
2	00761196	1	CHAINGUARD ASY FRONT CTR
3	00761198	1	CHAINGUARD, ASY, CTR.RH
4	00761197	1	CHAINGUARD, ASY, CTR. LH
5	02030700	15	HHCS, 1/2-13NC X 1-1/4 PL5
6	00002700	15	FLATWASHER 1/2
7	00001800	7	TOPLOCKNUT, 1/2-13 NC PL

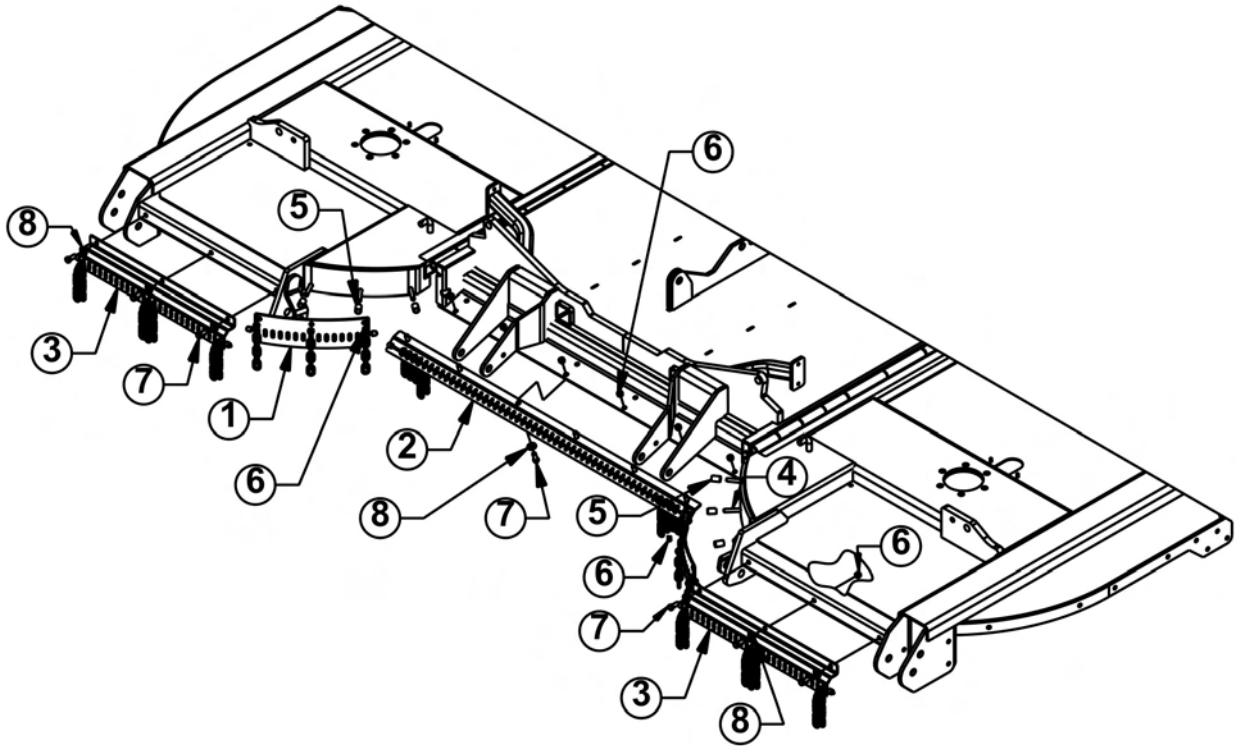
## CHAINGUARD - REAR DOUBLE TK10



ITEM	PART NO.	QTY.	DESCRIPTION
1	00763213	1	ASSY, CHAINGUARD WING
2	00757447	1	ASSY, CHAINGUARD REAR CTR DBL
3	00761275	1	ASSY, DOUBLE CHAIN GUARD REAR WING
4	00753013	3	HHCS 1/2-13 X 3" PL8
5	00761027	3	PIPE, SPACER
6	00001800	12	TOPLOCKNUT, 1/2-13 NC PL
7	02030700	9	HHCS, 1/2-13NC X 1-1/4 PL5
8	00002700	9	FLATWASHER 1/2

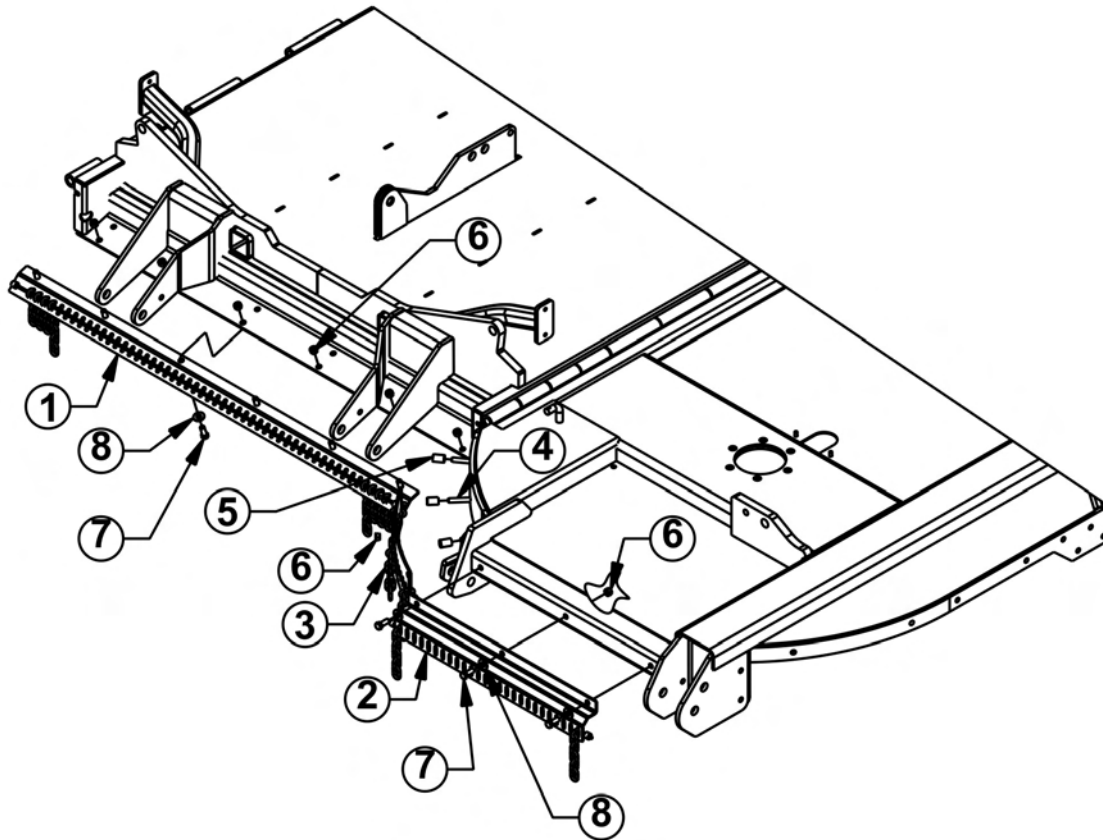


## CHAINGUARD - REAR DOUBLE TK15



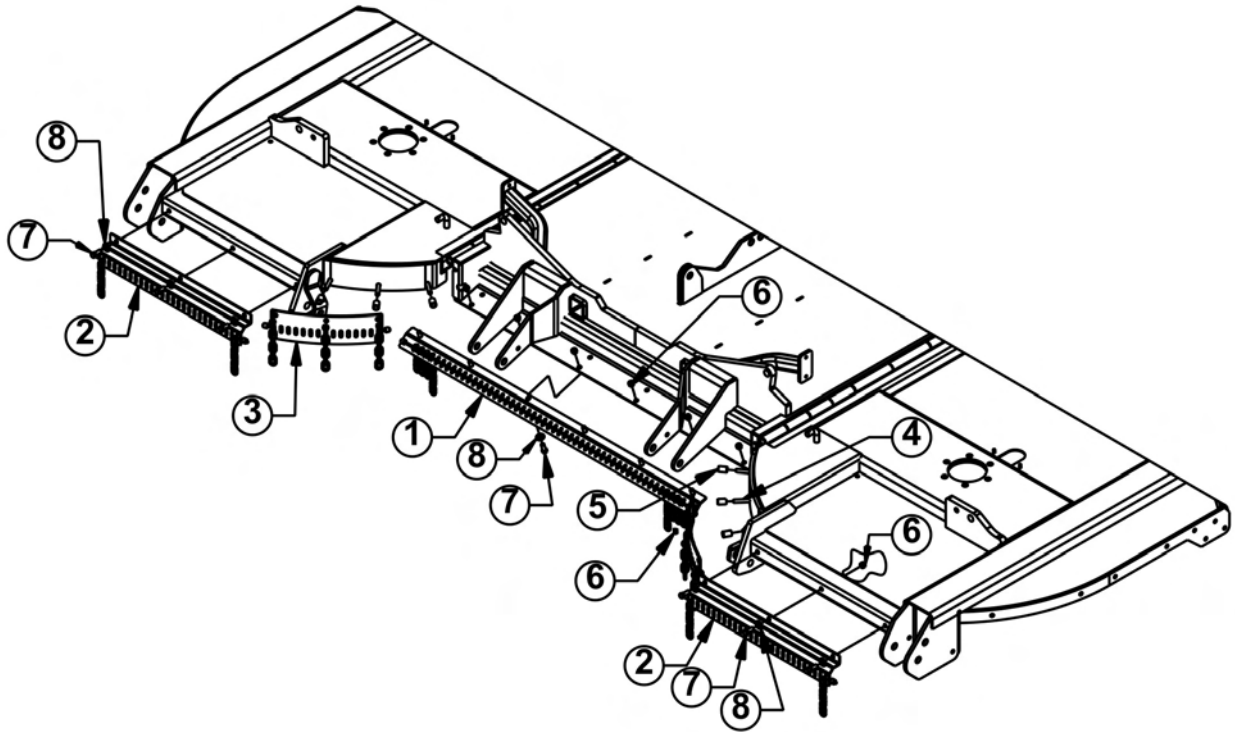
ITEM	PART NO.	QTY.	DESCRIPTION
1	00763213	2	ASSY, CHAINGUARD WING
2	00757447	1	ASSY, CHAINGUARD REAR CTR
3	00761275	2	ASSY, DOUBLE CHAIN GUARD
4	00753013	6	HHCS 1/2-13 X 3" PL8
5	00761027	6	PIPE, SPACER
6	00001800	18	TOPLOCKNUT, 1/2-13 NC PL
7	02030700	12	HHCS, 1/2-13NC X 1-1/4 PL
8	00002700	12	FLATWASHER 1/2

## CHAINGUARD - REAR SINGLE TK10



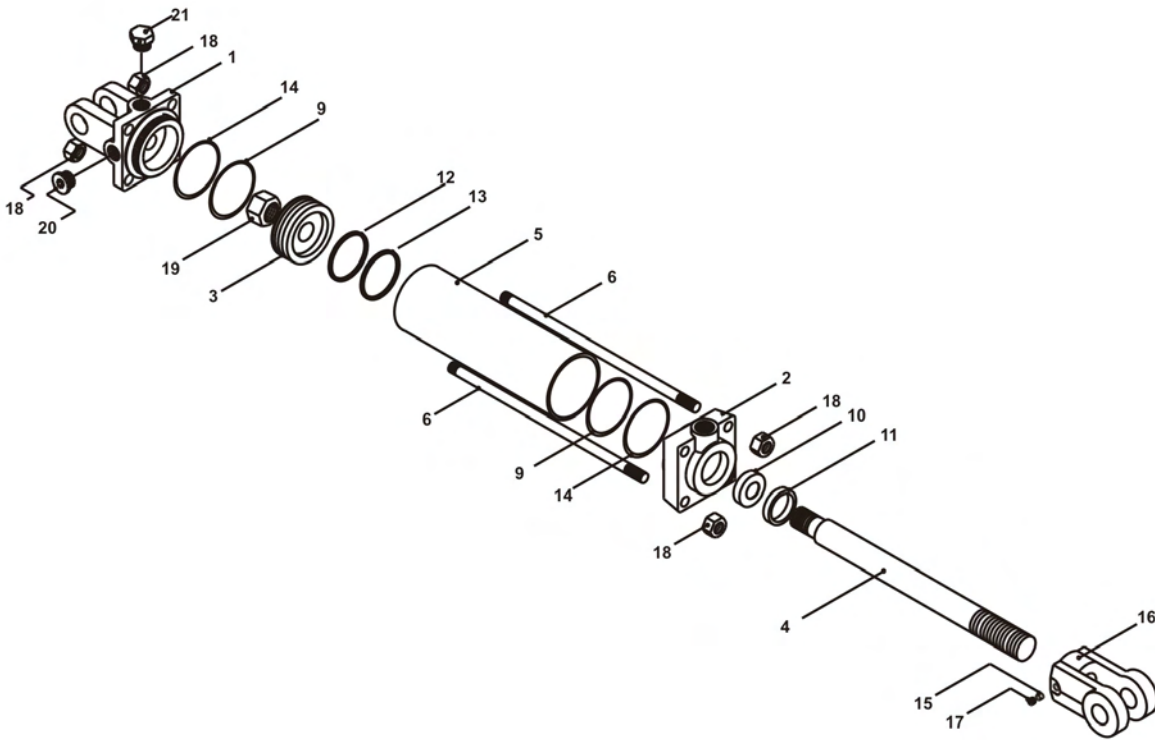
ITEM	PART NO.	QTY.	DESCRIPTION
1	00780494	1	ASSY, CHAINGUARD REAR CTR
2	00759835	1	ASY, CHAINGUARD REAR WING
3	00763213	1	ASSY, CHAINGUARD WING
4	00753013	3	HHCS 1/2-13 X 3" PL8
5	00761027	3	PIPE, SPACER
6	00001800	12	TOPLOCKNUT, 1/2-13 NC PL
7	02030700	9	HHCS, 1/2-13NC X 1-1/4 PL5
8	00002700	9	FLATWASHER 1/2

## CHAINGUARD - REAR SINGLE TK15



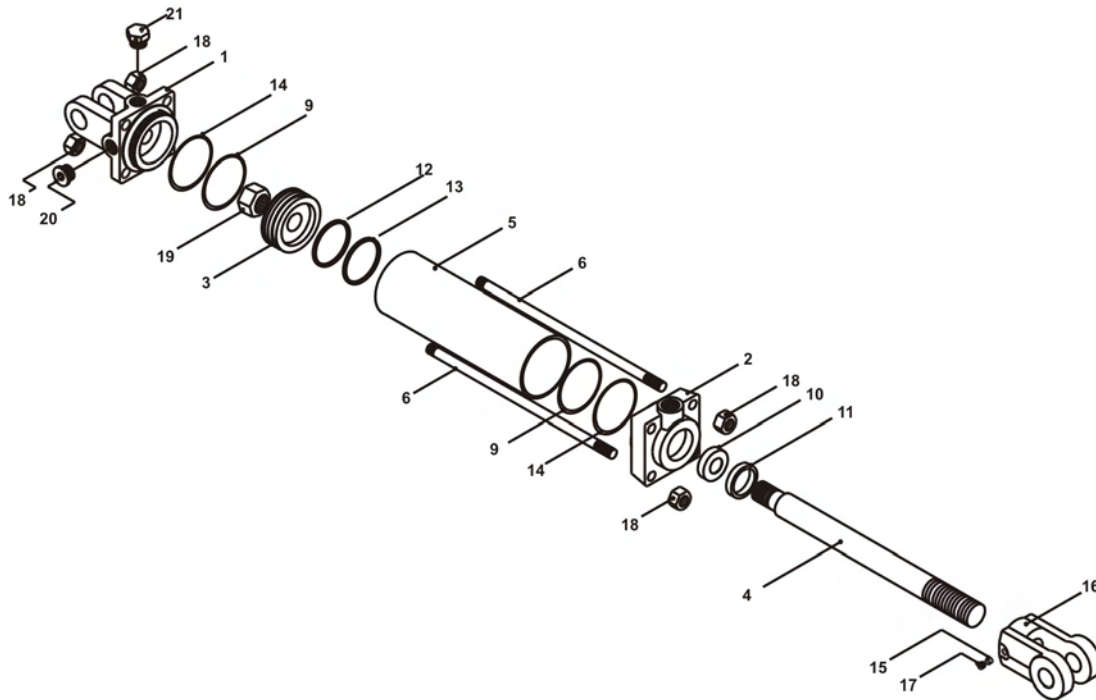
ITEM	PART NO.	QTY.	DESCRIPTION
1	00780494	1	ASSY, CHAINGUARD REAR CTR
2	00759835	2	ASY, CHAINGUARD REAR WING
3	00763213	2	ASSY, CHAINGUARD WING
4	00753013	6	HHCS 1/2-13 X 3" PL8
5	00761027	6	PIPE, SPACER
6	00001800	18	TOPLOCKNUT, 1/2-13 NC PL
7	02030700	12	HHCS, 1/2-13NC X 1-1/4 PL5
8	00002700	12	FLATWASHER 1/2

## CYLINDER ASSEMBLY - CENTER



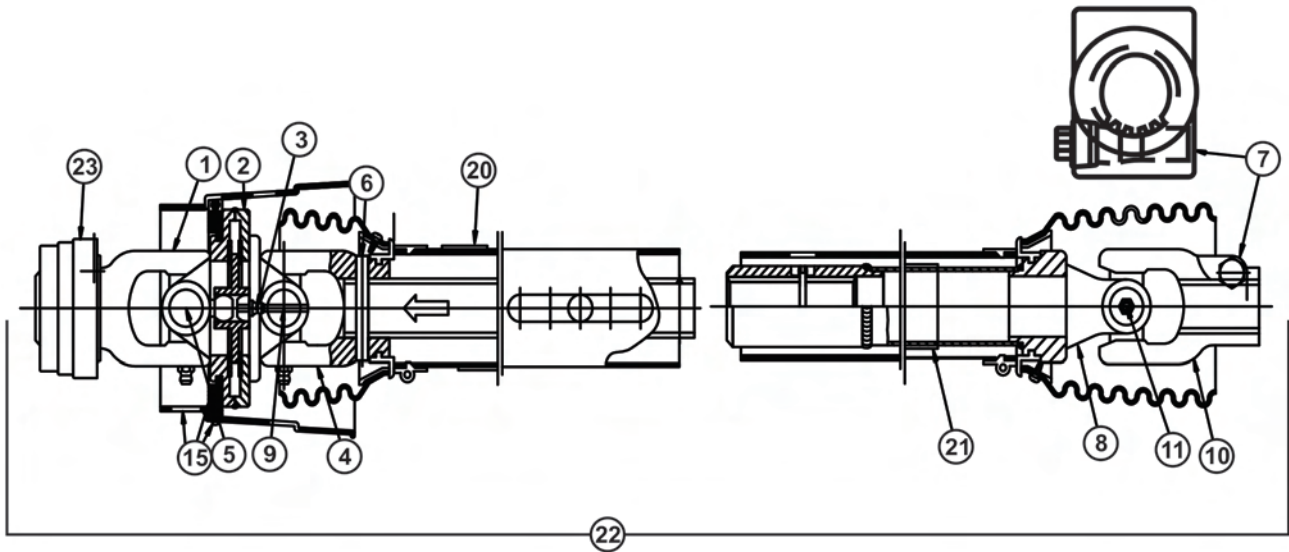
ITEM	PART NO.	QTY.	DESCRIPTION
	00759946A	1	CYLINDER 3 X 14 W/1-1/4 ROD
1	2417158	1	CAP,CYLINDER CLEVIS
2	2417157	1	CAP,CYLINDER ROD
3	00774732	1	PISTON 3.00-1.00-S-HALL W/RING
4	00774738	1	ROD CYL 1.25-14-1.00-1.25TL/TH
5	00774749	1	TUBE CYL 3.00-14.00
6	00774743	4	TIE ROD 1/2-14
9	-----	2	END CAP O-RING
10	-----	1	ROD WIPER SEAL
11	-----	1	ROD DUST SEAL
12	-----	1	PISTON SEAL
13	-----	1	PISTON WEAR RING
14	-----	2	END CAP BACKUP WASHERS
15	3047117	1	THREAD LOCK
16	1917140	1	ROD CLEVIS
17	00774740	1	SC SCKT SET 3/8UNCX1/2 KNUR
18	33005H5C	8	NUT,HEX 1/2-13 UNC GR.5 PLT
19	5JRC16140	1	LOCKNUT 1 -14 TLDT GC ZP
20	1917132	1	SCKT HD O-RNG PLUG,3/4-16 UNF,
21	2417154	1	BREATHER,CYLINDER #8 ORB
22	00774761	1	SEAL KIT (INCLUDES ITEMS 9, 10, 11, 12, 13, 14)

## CYLINDER ASSEMBLY - WING



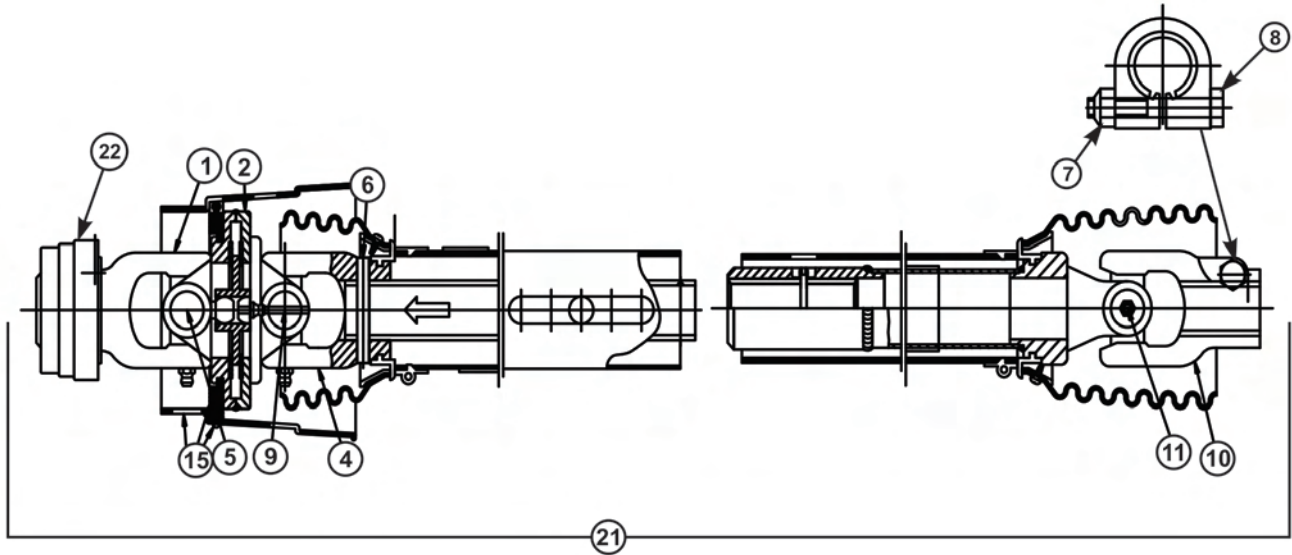
ITEM	PART NO.	QTY.	DESCRIPTION
	00759947A	-	CYLINDER 3 X 14 W/1-1/4 ROD
1	2417158	1	CAP,CYLINDER CLEVIS
2	2417157	1	CAP,CYLINDER ROD
3	00774732	1	PISTON 3.00-1.00-S-HALL W/RING
4	00774738	1	ROD CYL 1.25-14-1.00-1.25TL/TH
5	00774749	1	TUBE CYL 3.00-14.00
6	00774743	4	TIE ROD 1/2-14
9	-----	2	END CAP O-RING
10	-----	1	ROD WIPER SEAL
11	-----	1	ROD DUST SEAL
12	-----	1	PISTON SEAL
13	-----	1	PISTON WEAR RING
14	-----	2	END CAP BACKUP WASHERS
15	3047117	1	THREAD LOCK
16	1917140	1	ROD CLEVIS
17	00774740	1	SC SCKT SET 3/8UNCX1/2 KNUR
18	33005H5C	8	NUT,HEX 1/2-13 UNC GR.5 PLT
19	5JRC16140	1	LOCKNUT 1 -14 TLDT GC ZP
20	1917132	1	SCKT HD O-RNG PLUG,3/4-16 UNF,
21	2417154	1	BREATHER,CYLINDER #8 ORB
22	00774761	1	SEAL KIT, (INCLUDES ITEMS 9, 10, 11, 12, 13, 14)

## DRIVELINE - 1000 1-3/4 20SPL



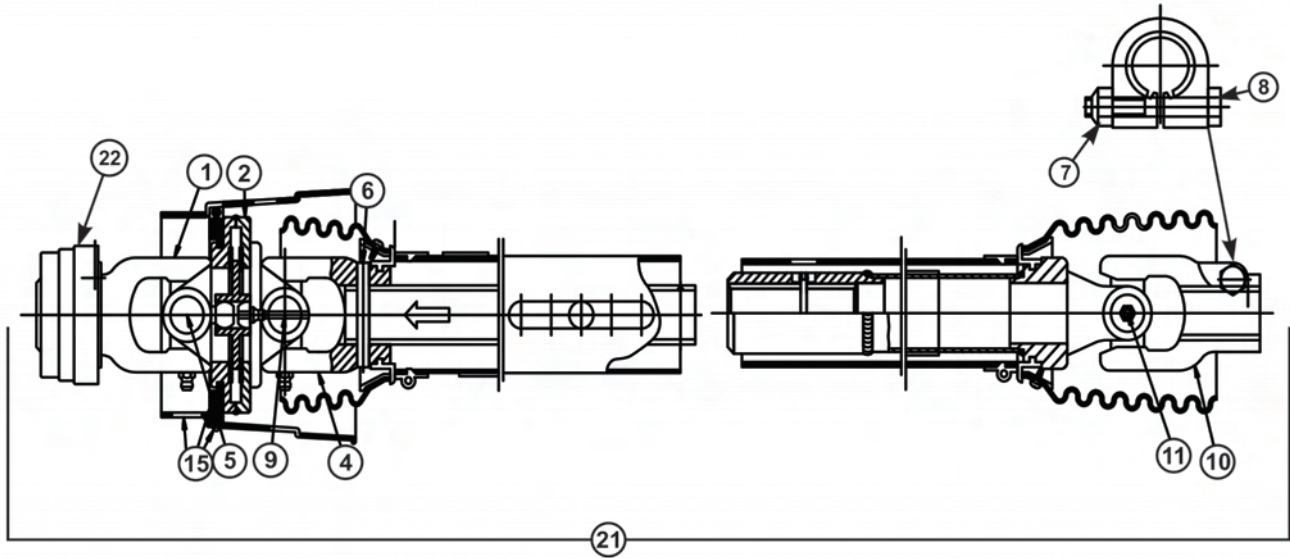
ITEM	PART NO.	QTY.	DESCRIPTION
	00778932	1	COMPLETE DRIVELINE
1	00779128	1	YOKE 1-3/4-20 SPL QS
2	8482	1	DOUBLE YOKE
3	8382	-	GR.ZERK IN ITEM 2
4	00786374	1	YOKE,D/L 1-11/16 - 20 - IB
5	00779119	1	KIT, FRT CV JOINT CROSS & BRG
6	703624W	1	M10 X 75 ROLL PIN
7	00774208	1	CC LOCK ASY
9	00779121	1	KIT, REAR CV JOINT CROSS & BRG
10	00774207	1	YOKE,D/L 1-3/4 - 20 SPL. - IC
11	00779122	1	KIT, CROSS & BEARING
15	00779123	1	ASSY-BEARING & CV CONE
20	00756005	1	DECAL OUT-IN ITEM 13
21	00756004	1	DECAL INN-IN ITEM 8
22	00786375	1	KIT,DRIVELINE SHIELD-COMPLETE
	00786079	1	QS COL KIT-IN ITEM 1
	00779125	1	SHIELD SERVICE KIT
23	00779126	1	COLLAR KIT

## DRIVELINE - 1000 1-3/8 21SPL



ITEM	PART NO.	QTY.	DESCRIPTION
	00786340	1	COMPLETE DRIVELINE
1	00779127	1	YOKE 1-3/8 21 SPL QS
2	8482	1	DOUBLE YOKE
4	00786374	1	YOKE,D/L 1-11/16 - 20 - IB
5	00779119	1	KIT, FRT CV JOINT CROSS & BRG
6	703624W	1	M10 X 75 ROLL PIN
9	00779121	1	KIT, REAR CV JOINT CROSS & BRG
7	00765962	1	NUT MET TLE 16MM-P2.0 PL ELASTIC LOCKNUT CLASS 6
8	00765902	1	HHCS M16-P2.0 X 90MM PL8 UNI 5737, MBS# 850182
10	00786369	1	YOKE,D/L 1-3/4 - 20 SPL. - IC
11	00779122	1	KIT, CROSS & BEARING
15	00779123	1	ASSY-BEARING & CV CONE
21	00786375	1	KIT,DRIVELINE SHIELD-COMPLETE
22	00779126	1	COLLAR KIT

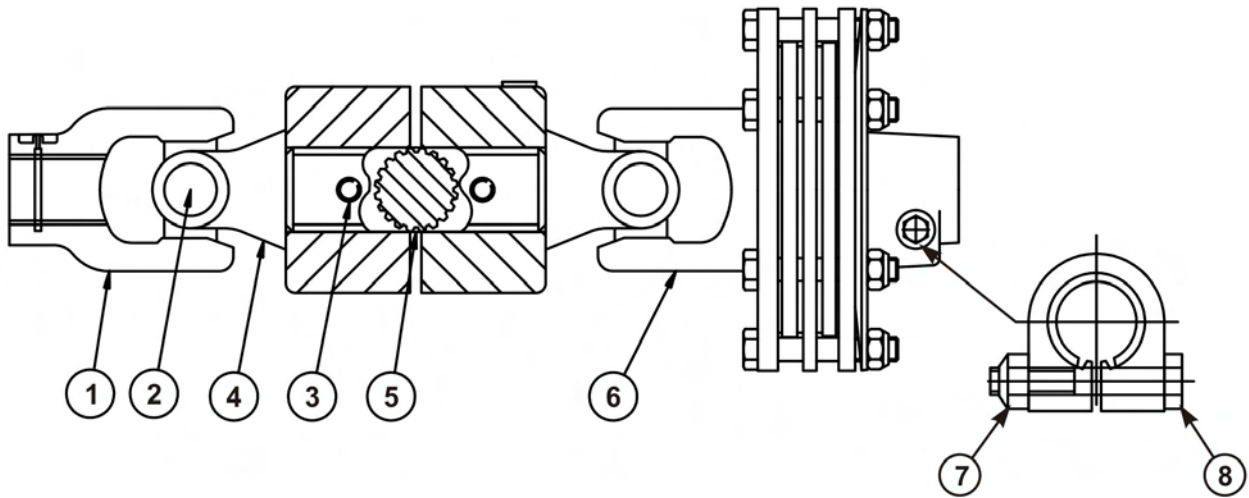
## DRIVELINE - 540



ITEM	PART NO.	QTY.	DESCRIPTION
	00786339	1	ASY,CV,CAT 5 DRIVELINE-540 RPM
1	00779118	1	YOKE SLIDE COLLAR
2	8482	1	DOUBLE YOKE
4	00786374	1	YOKE,D/L 1-11/16 - 20 - IB
5	00779119	1	KIT, FRT CV JOINT CROSS & BRG
6	703624W	1	M10 X 75 ROLL PIN
9	00779121	1	KIT, REAR CV JOINT CROSS & BRG
7	00765962	1	NUT MET TLE 16MM-P2.0 PLE LASTIC LOCKNUT CLASS 6
8	00765902	1	HHCS M16-P2.0 X 90MM PL8UNI 5737, MBS# 850182
10	00786369	1	YOKE,D/L 1-3/4 - 20 SPL. - IC
11	00779122	1	KIT, CROSS & BEARING
15	00779123	1	ASSY-BEARING & CV CONE
21	00786375	1	KIT,DRIVELINE SHIELD-COMPLETE
22	00779126	1	COLLAR KIT

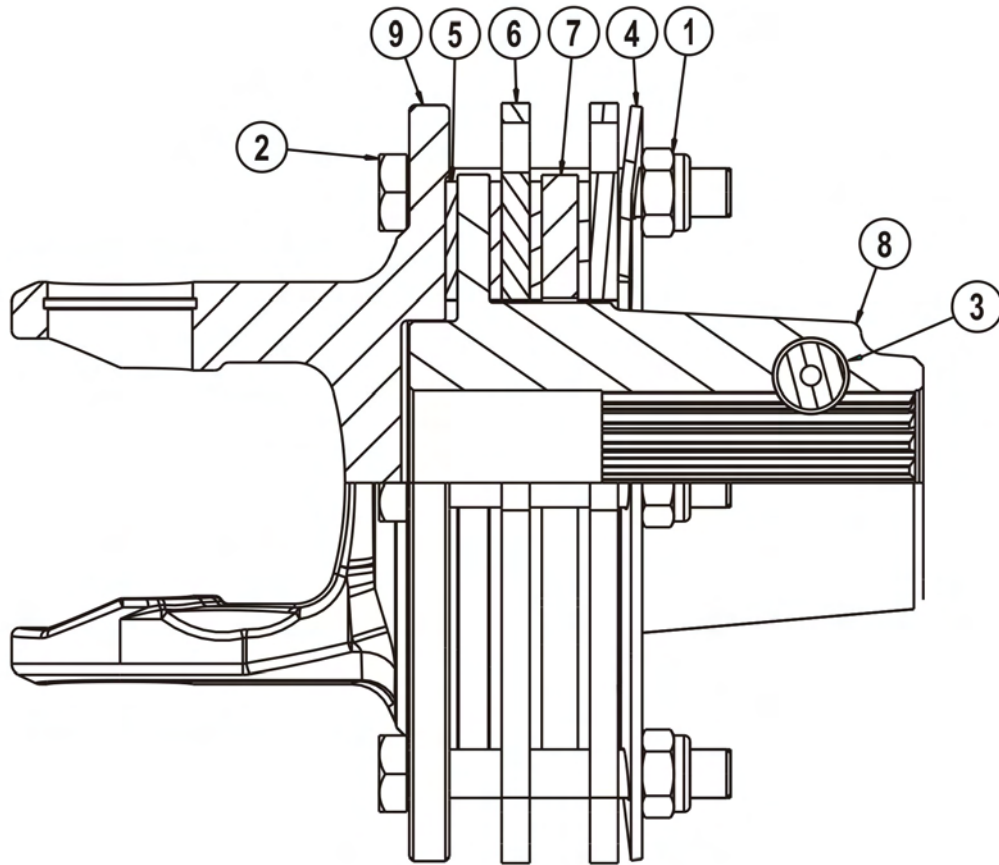


## DRIVELINE - INTERMEDIATE



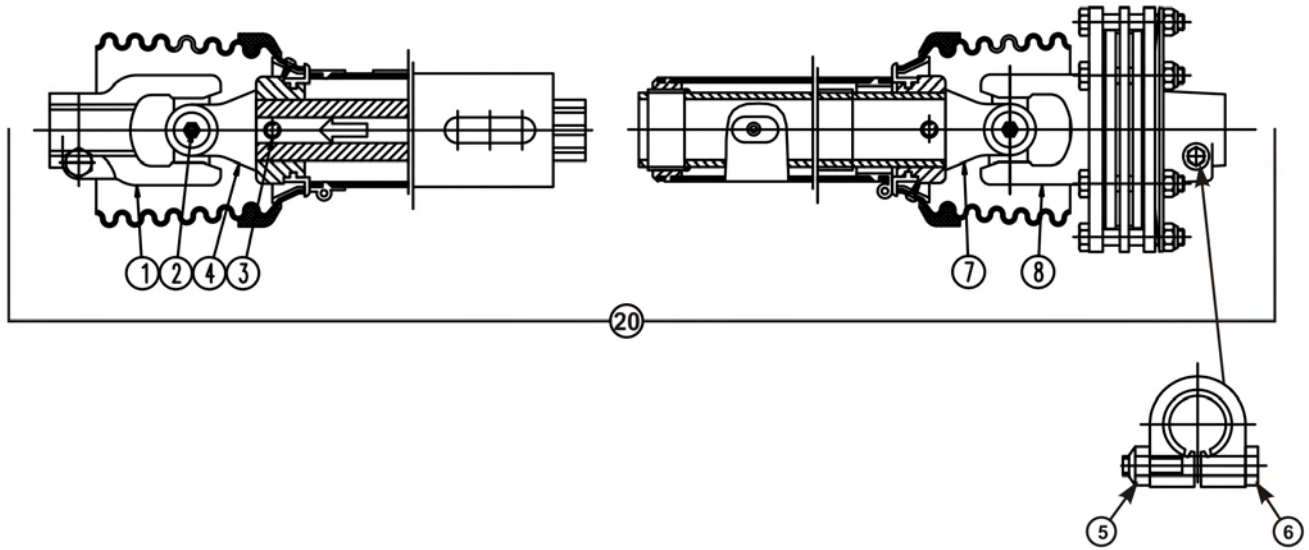
ITEM	PART NO.	QTY.	DESCRIPTION
	00786301	1	COMPLETE DRIVELINE
1	00786371	1	YOKE,D/L 1-3/4 - 20 SPLINE
2	00779122	2	KIT, CROSS & BEARING
3	8384	2	SPRING PIN 10MM X 90MM
4	00786372	2	YOKE,INBOARD
5	00786373	1	PROFILE,INNER
6	00786348	1	ASY, FRICTION CLUTCH
7	00765962	1	NUT MET TLE 16MM-P2.0 PL ELASTIC LOCKNUT CLASS 6
8	00765902	1	HHCS M16-P2.0 X 90MM PL8 UNI 5737, MBS# 850182

## DRIVELINE - SLIP CLUTCH



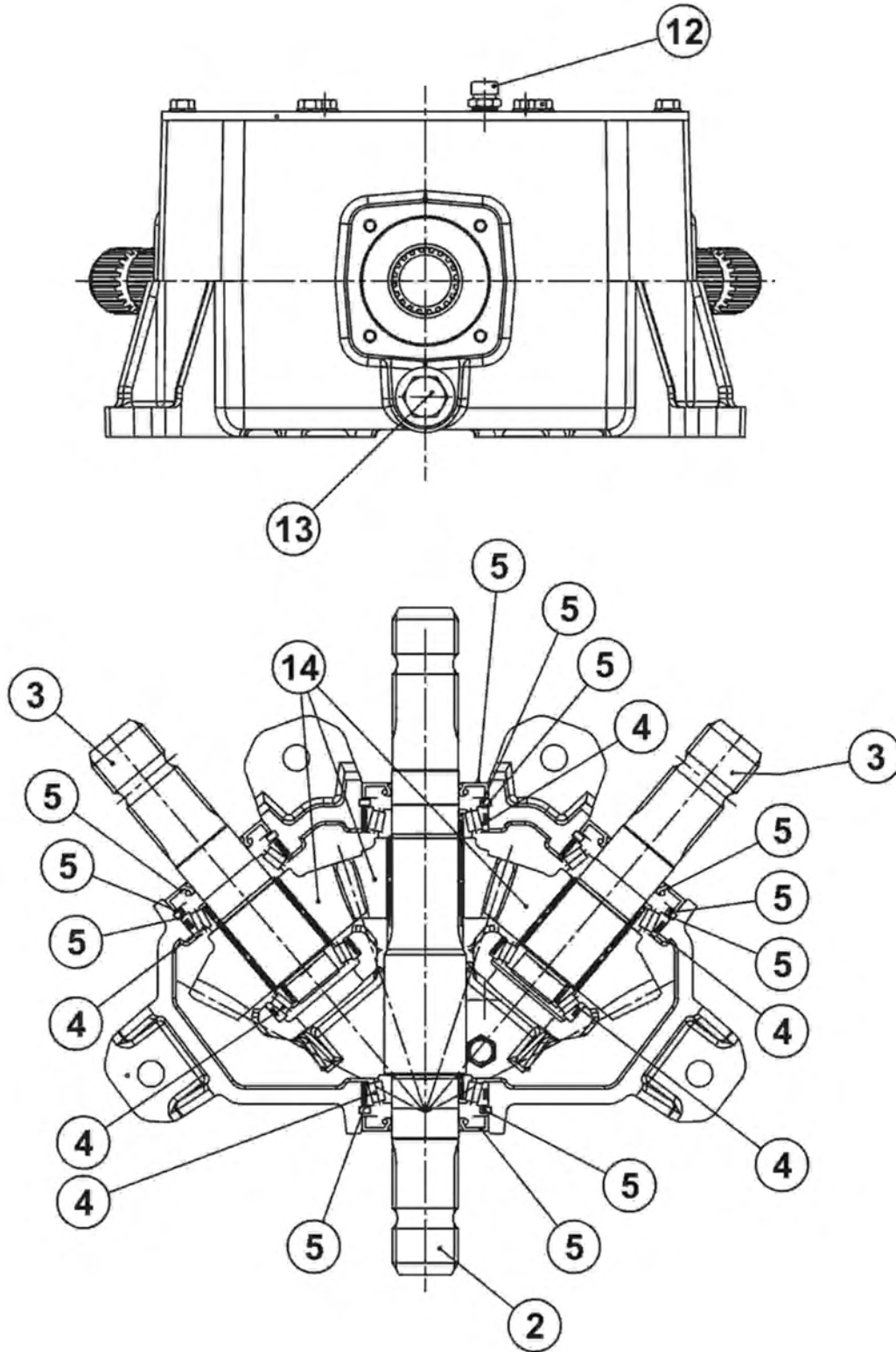
ITEM	PART NO.	QTY.	DESCRIPTION
	00786348	1	COMPLETE CLUTCH
1	00772648	6	NUT,HEX TOP LOCK-M12 X 1.75
3	00774208	1	C.C. LOCK ASSEMBLY-INCLUDED IN ITEM 8
2	02971611	6	HEXB METRIC 12-P1.75- 80MM PL5
4	00786349	1	SPRING,BELLEVILLE CLUTCH
5	00754202	4	CLUTCH LINING FOR 00
6	00775335	2	DRIVE PLATE
7	00779365	1	DRIVE PLATE
8	00779366	1	HUB 1-3/4-20
9	00786350	1	YOKE,FLANGE

## DRIVELINE - WING



ITEM	PART NO.	QTY.	DESCRIPTION
	00786300	1	COMPLETE DRIVELINE
1	00786369	1	YOKE,D/L 1-3/4 - 20 SPL. - IC
2	00779122	2	KIT, CROSS & BEARING
3	8384	2	SPRING PIN 10MM X 90MM
5	00765962	1	NUT MET TLE 16MM-P2.0 PL ELASTIC LOCKNUT CLASS 6
6	00765902	1	HHCS M16-P2.0 X 90MM PL8 UNI 5737, MBS# 850182
4	1416516	1	INBOARD YOKE-S4
7	8489	1	YOKE,INBOARD S5
8	00786348	1	ASY, FRICTION CLUTCH
20	00786370	1	KIT, DRIVELINE SHIELD-COMPLETE

# GEARBOX 1000 DIVIDER

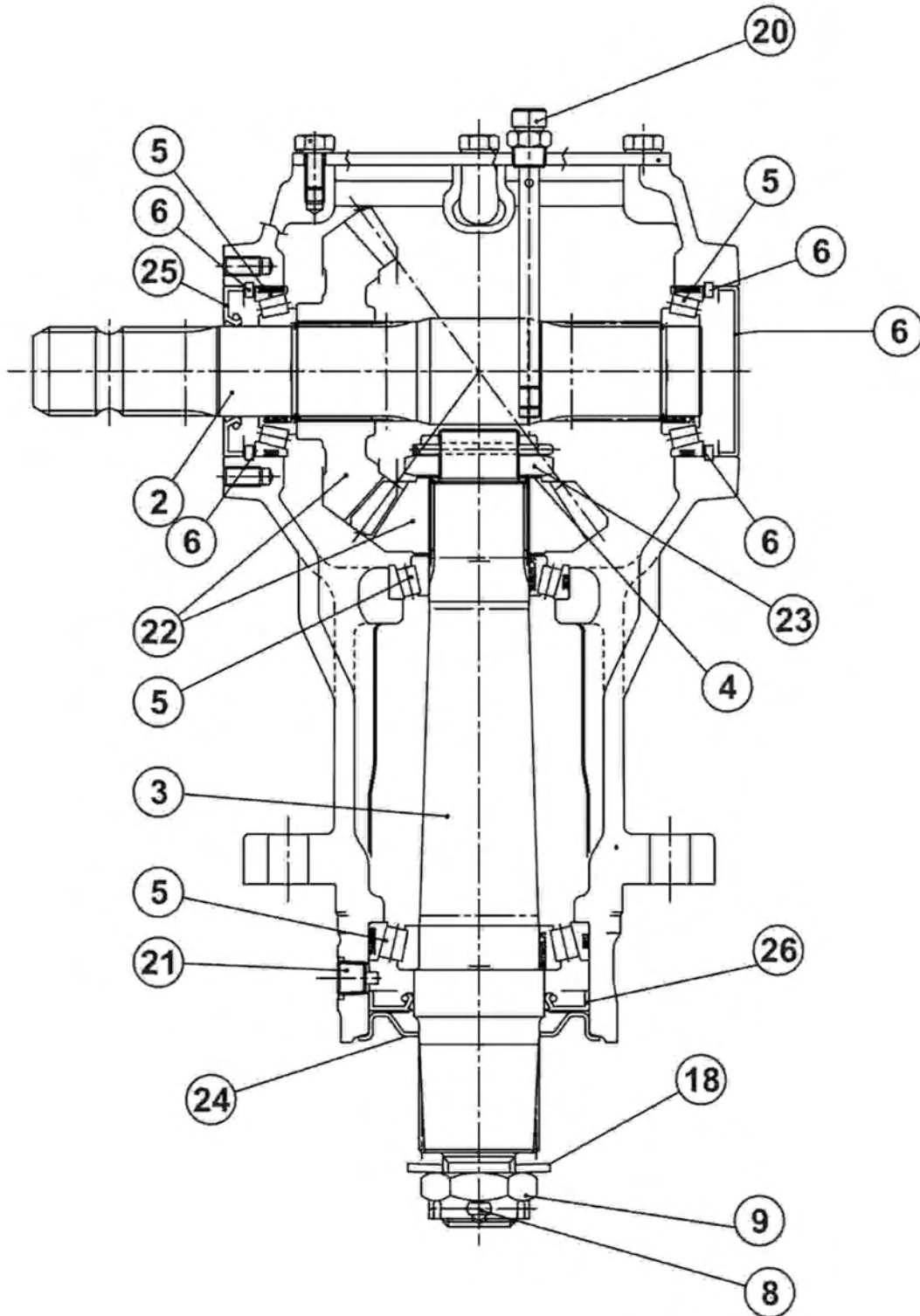


## GEARBOX 1000 DIVIDER

Continued...

ITEM	PART NO.	QTY.	DESCRIPTION
	00786133	1	ASY,DIVIDER GEARBOX 1000 RPM,NON-LUBED,1.21:1 RATIO
2	00786138	1	SHAFT,INPUT THRU - 1-3/4-20 SPL.
3	00786139	2	SHAFT,OUTPUT WING
4	00786140	1	KIT,ROLLER BEARING
5	00786141	1	KIT,SEAL
12	00786142	1	PLUG,VENT W/DIPSTICK
13	00786143	1	PLUG,MAGNETIC DRAIN - 1/2" BSPT
14	00786149	1	SET,BEVEL GEAR - 3 GEARS

# GEARBOX 1000 LH (TK15)

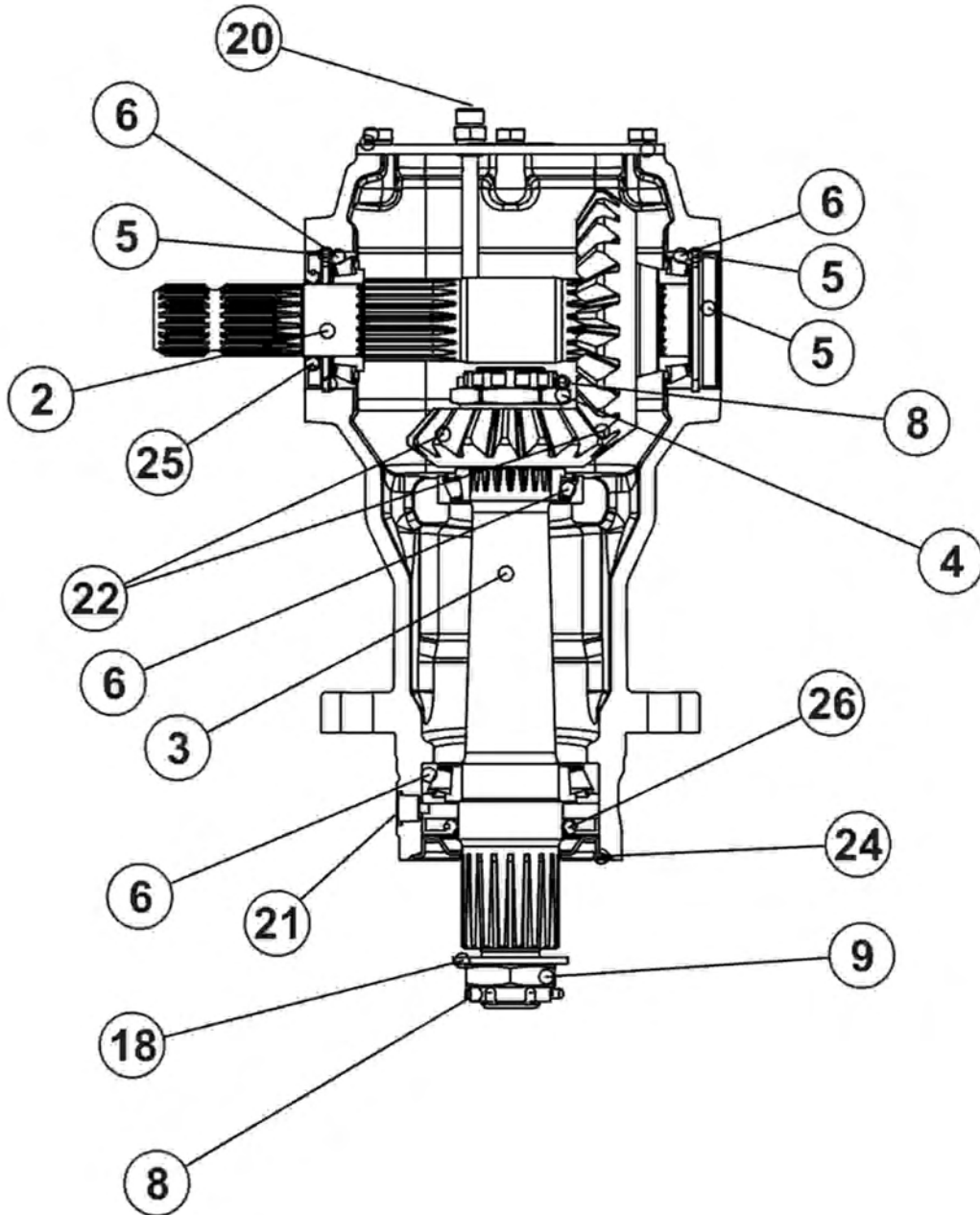


## GEARBOX 1000 LH (TK15)

Continued...

ITEM	PART NO.	QTY.	DESCRIPTION
	00785870	1	ASY,LEFT GEARBOX,GIF 1000 RPM,NON-LUBED,1:1.35 RATIO
2	00786150	1	SHAFT,INPUT - 1-3/4-20 SPL.
3	00786151	1	SHAFT,OUTPUT
4	00786154	1	NUT,CASTLE M42 X 1.5
5	00786152	1	KIT,ROLLER BEARING
6	00786153	1	KIT, SHIM
8	00786155	1	COTTER PIN - 6MM X 65MM
9	00786156	1	NUT,CASTLE - M36 X 3MM UNI5594
18	00786157	1	WASHER,BELLEVILLE - 36MMX71MMX4MM DIN2093
20	00786158	1	PLUG,VENT 3/8" GAS BSPT - L=135MM
21	00786159	1	PLUG,MAGNETIC 3/8" GAS BSPT
22	00786166	1	SET,BEVEL GEAR-TWO GEARS
23	704910	1	COTTER PIN - 5MM X 71MM
24	00786163	1	SEAL PROTECTOR COVER
25	00786147	1	SEAL, OIL 45MM X 85MM X 10MM
26	00786164	1	SEAL, OIL 65MM X 110MM X 10MM

GEARBOX 1000 RH



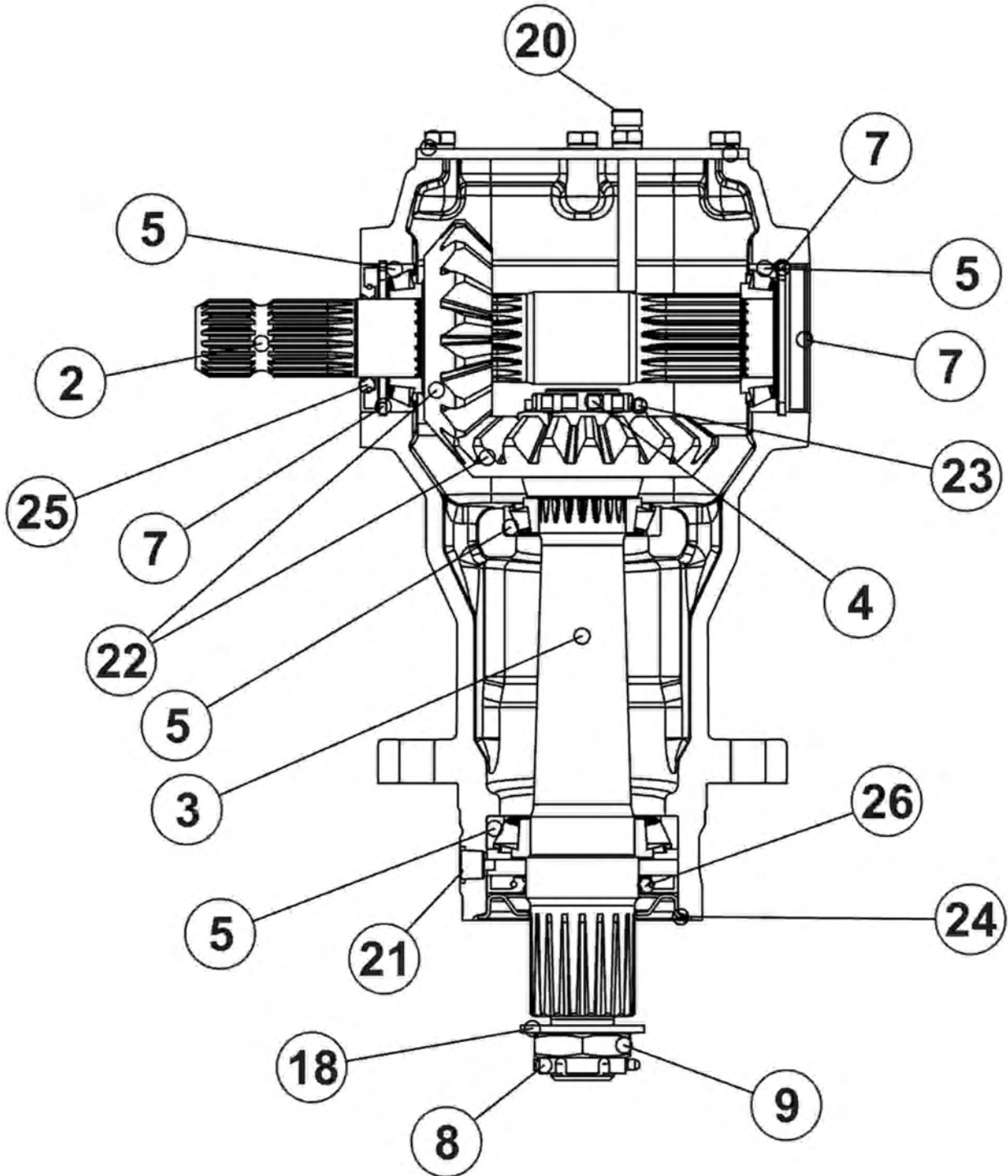


## GEARBOX 1000 RH

Continued...

ITEM	PART NO.	QTY.	DESCRIPTION
	00785869	1	ASY,RIGHT GEARBOX,GIR 1000 RPM,NON-LUBED,1:1.35 RATIO
2	00786150	1	SHAFT,INPUT - 1-3/4-20 SPL.
3	00786151	1	SHAFT,OUTPUT
4	00786154	1	NUT,CASTLE M42 X 1.5
5	00786153	1	KIT, SHIM
6	00786152	1	KIT,ROLLER BEARING
8	00786155	1	COTTER PIN - 6MM X 65MM
9	00786156	1	NUT,CASTLE - 36MM X 3MM UNI5594
18	00786157	1	WASHER,BELLEVILLE - 36MMX71MMX4MM DIN2093
20	00786158	1	PLUG,VENT 3/8" GAS BSPT - L=135MM
21	00786159	1	PLUG,MAGNETIC 3/8" GAS BSPT
22	00786166	1	SET,BEVEL GEAR-TWO GEARS
23	704910	1	COTTER PIN - 5MM X 71MM
24	00786163	1	SEAL PROTECTOR COVER
25	00786147	1	SEAL, OIL 45MM X 85MM X 10MM
26	00786164	1	SEAL, OIL 65MM X 110MM X 10MM

# GEARBOX 1000-CENTER

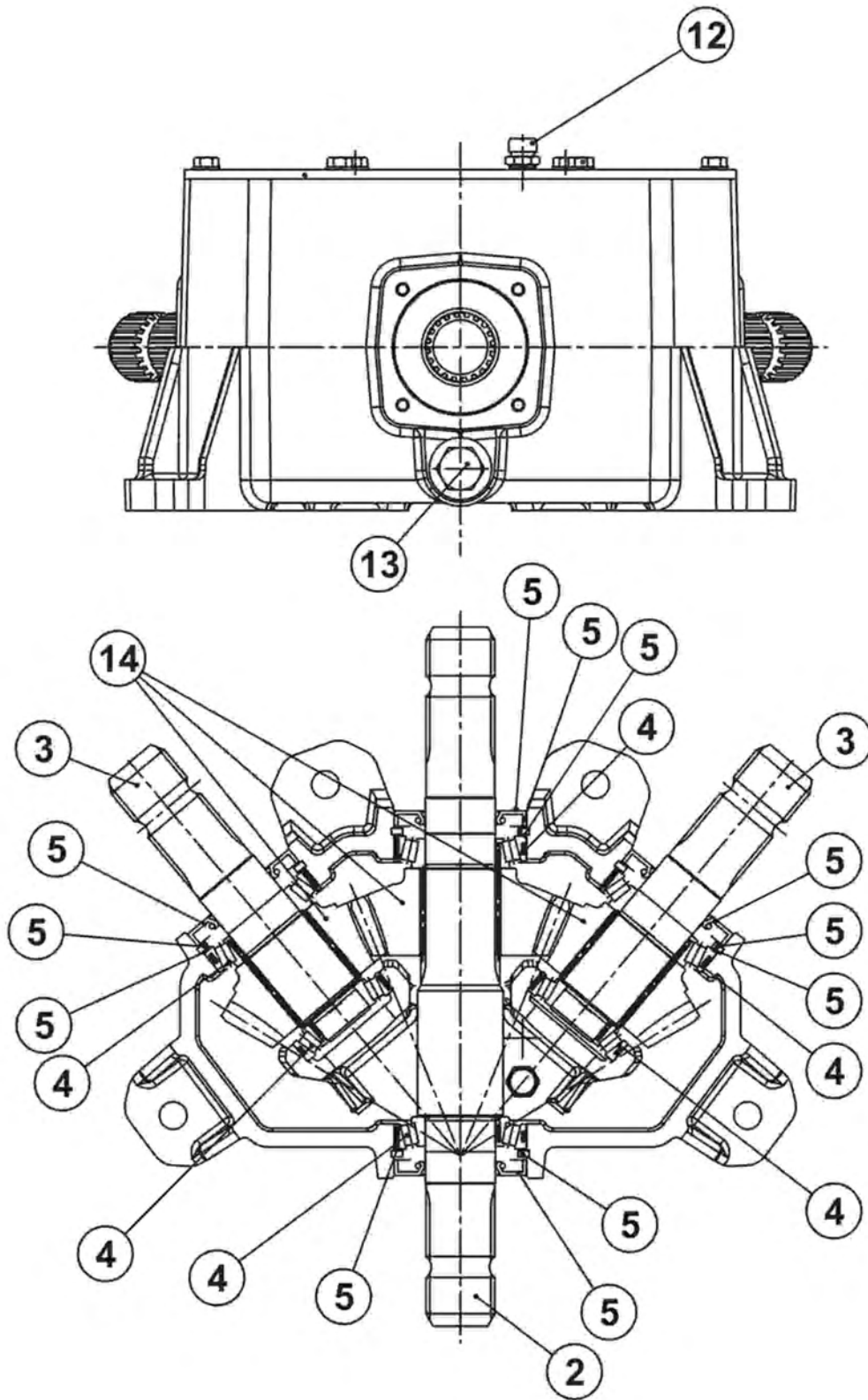


## GEARBOX 1000-CENTER

Continued...

ITEM	PART NO.	QTY.	DESCRIPTION
	00785868	1	ASY,CENTER GEARBOX 1000 RPM,NON-LUBED,1.18:1 RATIO
2	00786150	1	SHAFT,INPUT - 1-3/4-20 SPL.
3	00786151	1	SHAFT,OUTPUT
4	00786154	1	NUT,CASTLE - M42 X 1.5
5	00786152	1	KIT,ROLLER BEARING
7	00786153	1	KIT, SHIM
8	00786155	1	COTTER PIN - 6MM X 65MM
9	00786156	1	NUT,CASTLE - M36 X 3.0 UNI5594
18	00786157	1	WASHER,BELLEVILLE - 36MMX71MMX4MM DIN2093
20	00786158	1	PLUG,VENT 3/8" GAS BSPT - L=135MM
21	00786159	1	PLUG,MAGNETIC 3/8" GAS BSPT
22	00786160	1	SET,BEVEL GEAR -TWO GEARS
23	704910	1	COTTER PIN - M5 X 70
24	00786163	1	SEAL PROTECTOR COVER
25	00786147	1	SEAL, OIL 45MM X 85MM X 10MM
26	00786164	1	SEAL, OIL 65MM X 110MM X 10MM

# GEARBOX 540 DIVIDER

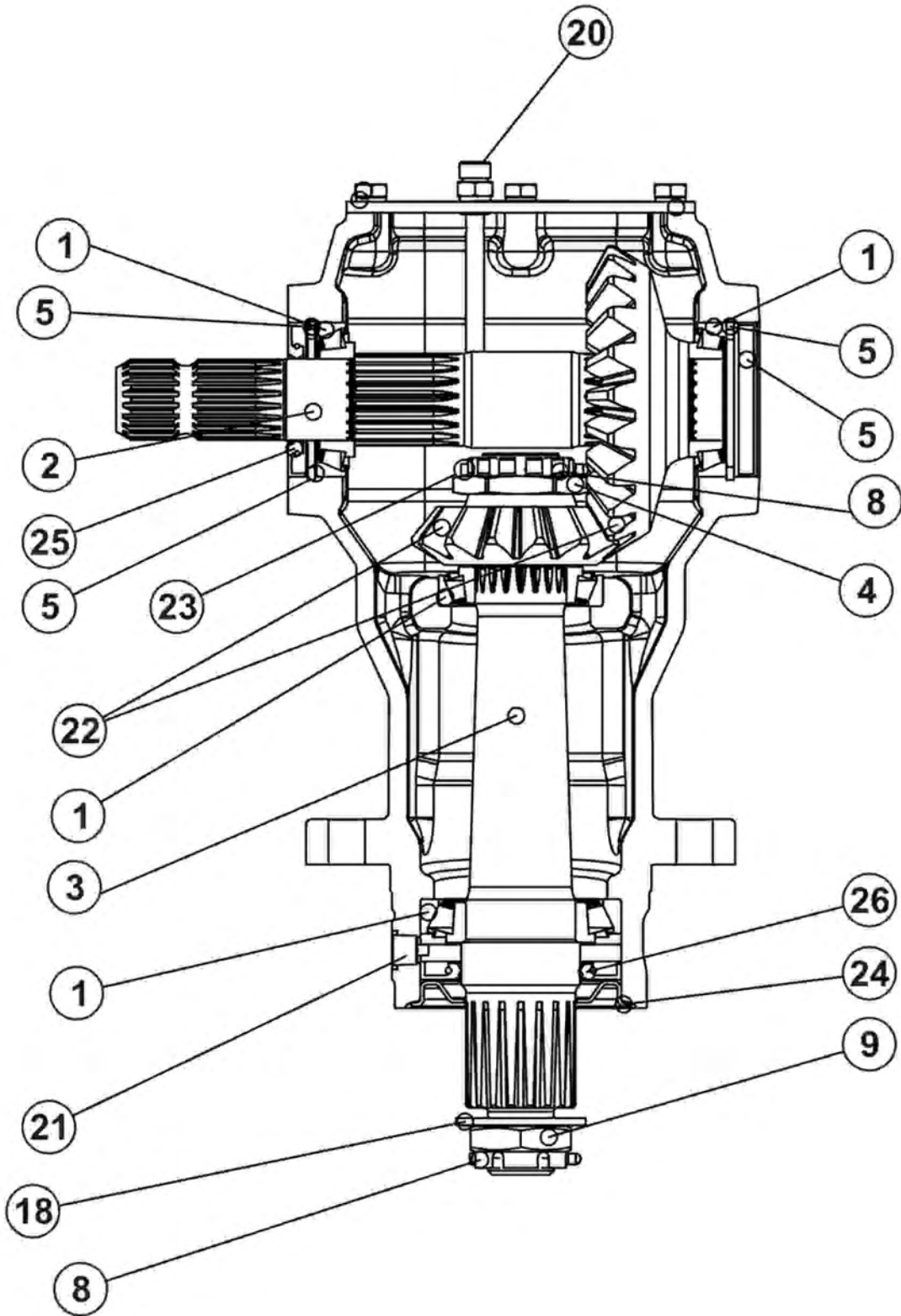


## GEARBOX 540 DIVIDER

Continued...

ITEM	PART NO.	QTY.	DESCRIPTION
	00786132	1	ASY, DIVIDER GEARBOX 540 RPM, NON-LUBED, 1:1.21 RATIO
2	00786138	1	SHAFT,INPUT THRU - 1-3/4-20 SPL.
3	00786139	2	SHAFT,OUTPUT WING
4	00786140	1	KIT,ROLLER BEARING
5	00786141	1	KIT,SEAL
12	00786142	1	PLUG,VENT W/DIPSTICK
13	00786143	1	PLUG,MAGNETIC DRAIN - 1/2"BSPT
14	00786144	1	SET,BEVEL GEAR - 3 GEARS

GEARBOX 540 RH

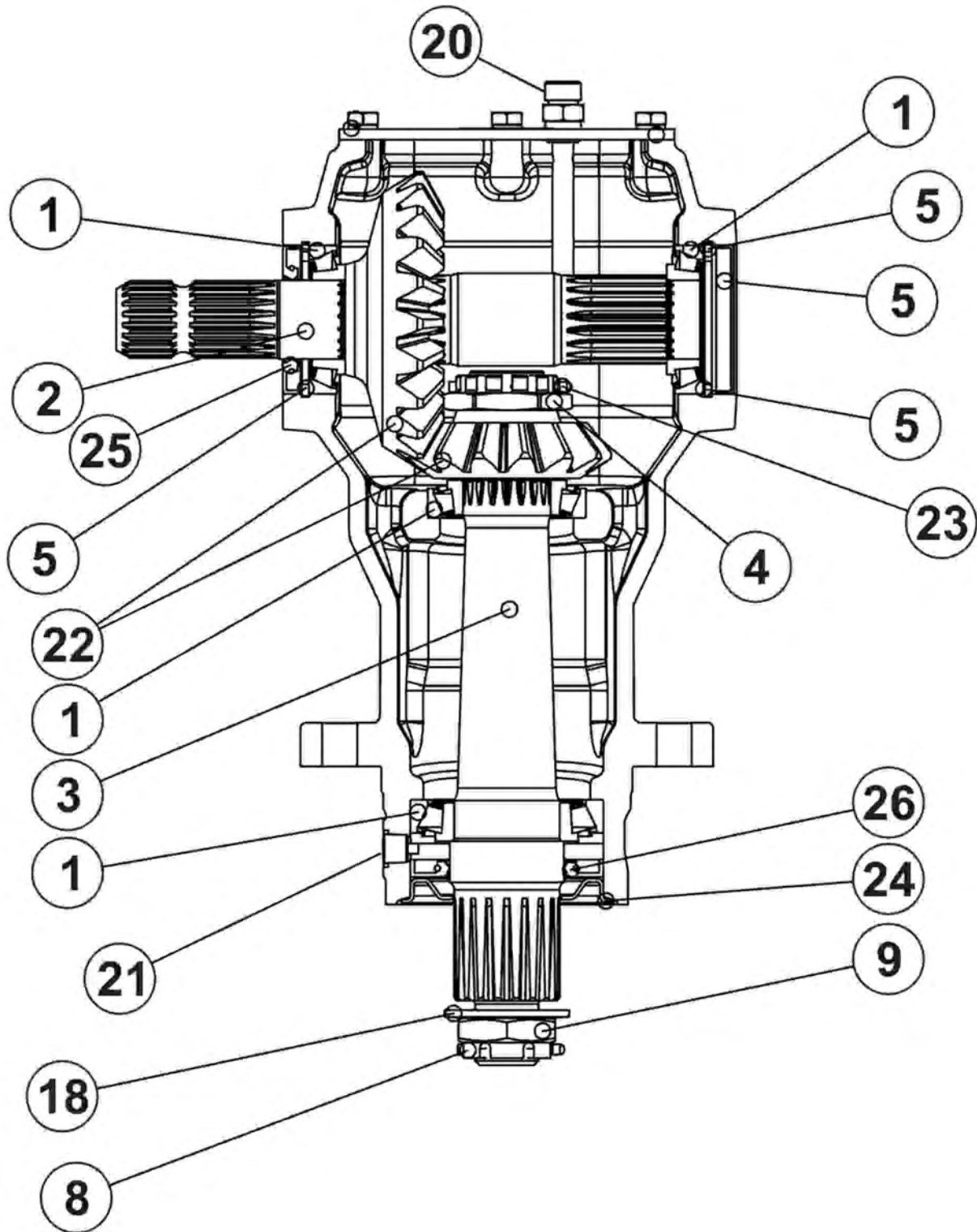


## GEARBOX 540 RH

Continued...

ITEM	PART NO.	QTY.	DESCRIPTION
	00785872	1	ASY,RIGHT GEARBOX,GIR 540 RPM,NON-LUBED,1:1.57 RATIO
1	00786152	1	KIT,ROLLER BEARING
2	00786150	1	SHAFT,INPUT - 1-3/4-20 SPL.
3	00786151	1	SHAFT,OUTPUT
4	00786154	1	NUT,CASTLE M42 X 1.5
5	00786153	1	KIT, SHIM
8	00786155	1	COTTER PIN - 6MM X 65MM
9	00786156	1	NUT,CASTLE - M36 X 3MM UNI5594
18	00786157	1	WASHER,BELLEVILLE - 36MMX71MMX4MM DIN2093
20	00786158	1	PLUG,VENT 3/8" GAS BSPT - L=135MM
21	00786159	1	PLUG,MAGNETIC 3/8" GAS BSPT
22	00786167	1	SET,BEVEL GEAR-TWO GEARS
23	704910	1	COTTER PIN - 5MM X 71MM
24	00786163	1	SEAL PROTECTOR COVER
25	00786147	1	SEAL, OIL 45MM X 85MM X 10MM
26	00786164	1	SEAL, OIL 65MM X 110MM X 10MM

GEARBOX 540-CENTER (TH10)-LH, CTR (TK15)



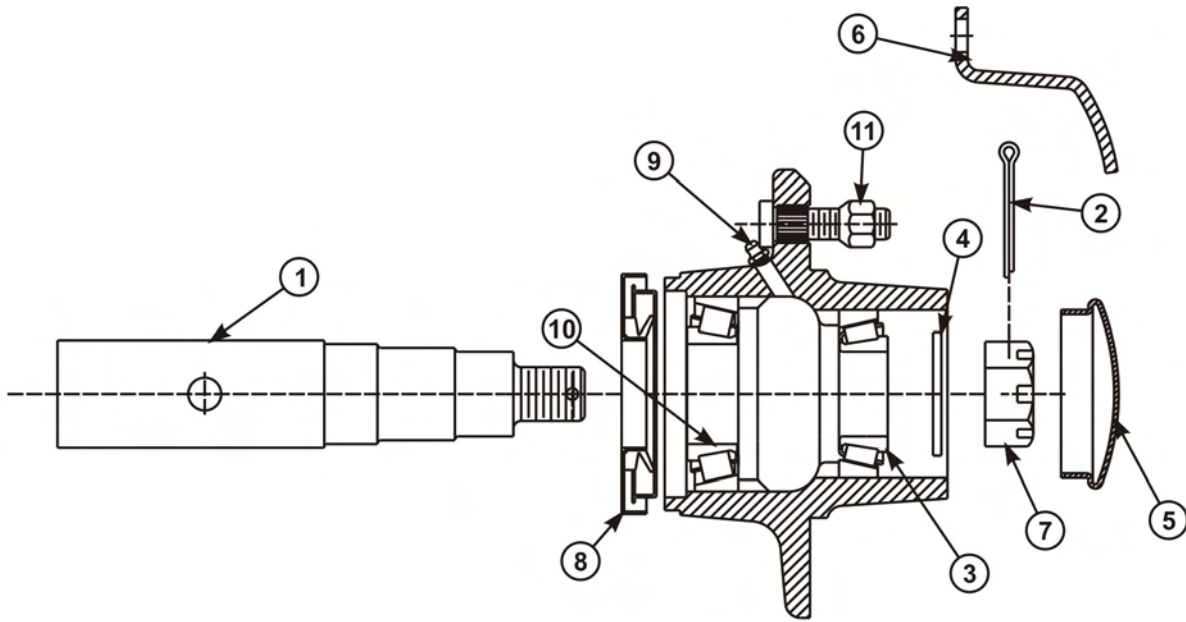


## GEARBOX 540-CENTER (TK10)-LH, CTR (TK15)

Continued...

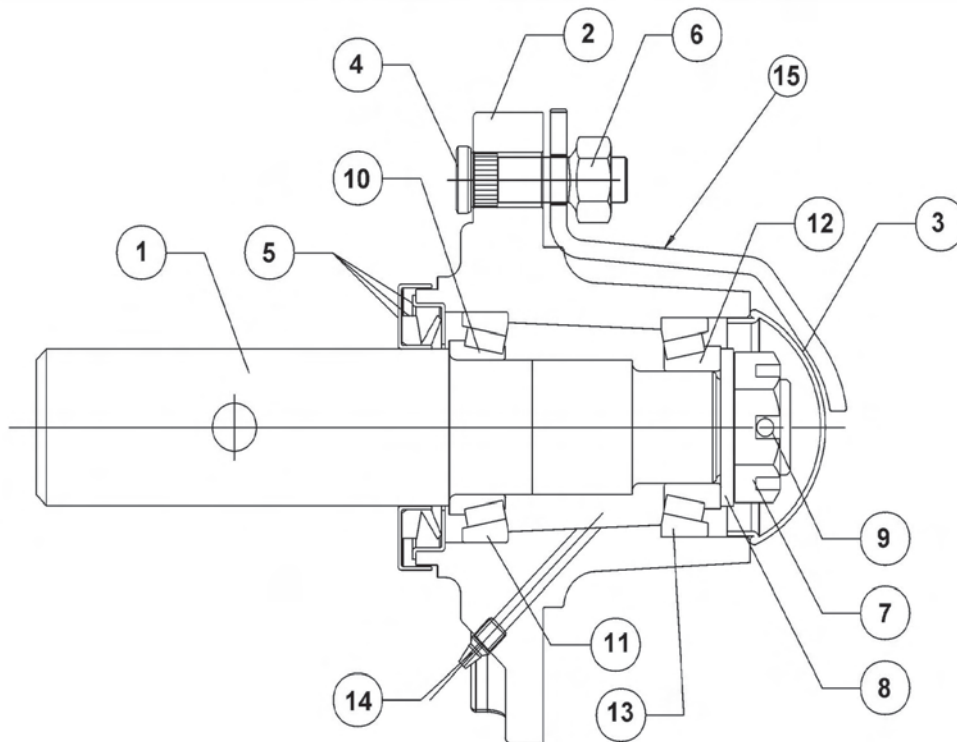
ITEM	PART NO.	QTY.	DESCRIPTION
	00785871	1	ASY,CENTER & LEFT GEARBOX,GIF 540 RPM,NON-LUBED,1:1.57 RATIO
1	00786152	1	KIT,ROLLER BEARING
2	00786150	1	SHAFT,INPUT - 1-3/4-20 SPL.
3	00786151	1	SHAFT,OUTPUT
4	00786154	1	NUT,CASTLE - M42 X 1.5
5	00786153	1	KIT, SHIM
8	00786155	1	COTTER PIN - 6MM X 65MM
9	00786156	1	NUT,CASTLE - M36 X 3.0 UNI5594
18	00786157	1	WASHER,BELLEVILLE - 36MMX71MMX4MM DIN2093
20	00786158	1	PLUG,VENT 3/8" GAS BSPT - L=135MM
21	00786159	1	PLUG,MAGNETIC 3/8" GAS BSPT
22	00786167	1	SET,BEVEL GEAR-TWO GEARS
23	704910	1	COTTER PIN - 5MM X 71MM
24	00786163	1	SEAL PROTECTOR COVER
25	00786147	1	SEAL, OIL 45MM X 85MM X 10MM
26	00786164	1	SEAL, OIL 65MM X 110MM X 10MM

## HUB ASSEMBLY



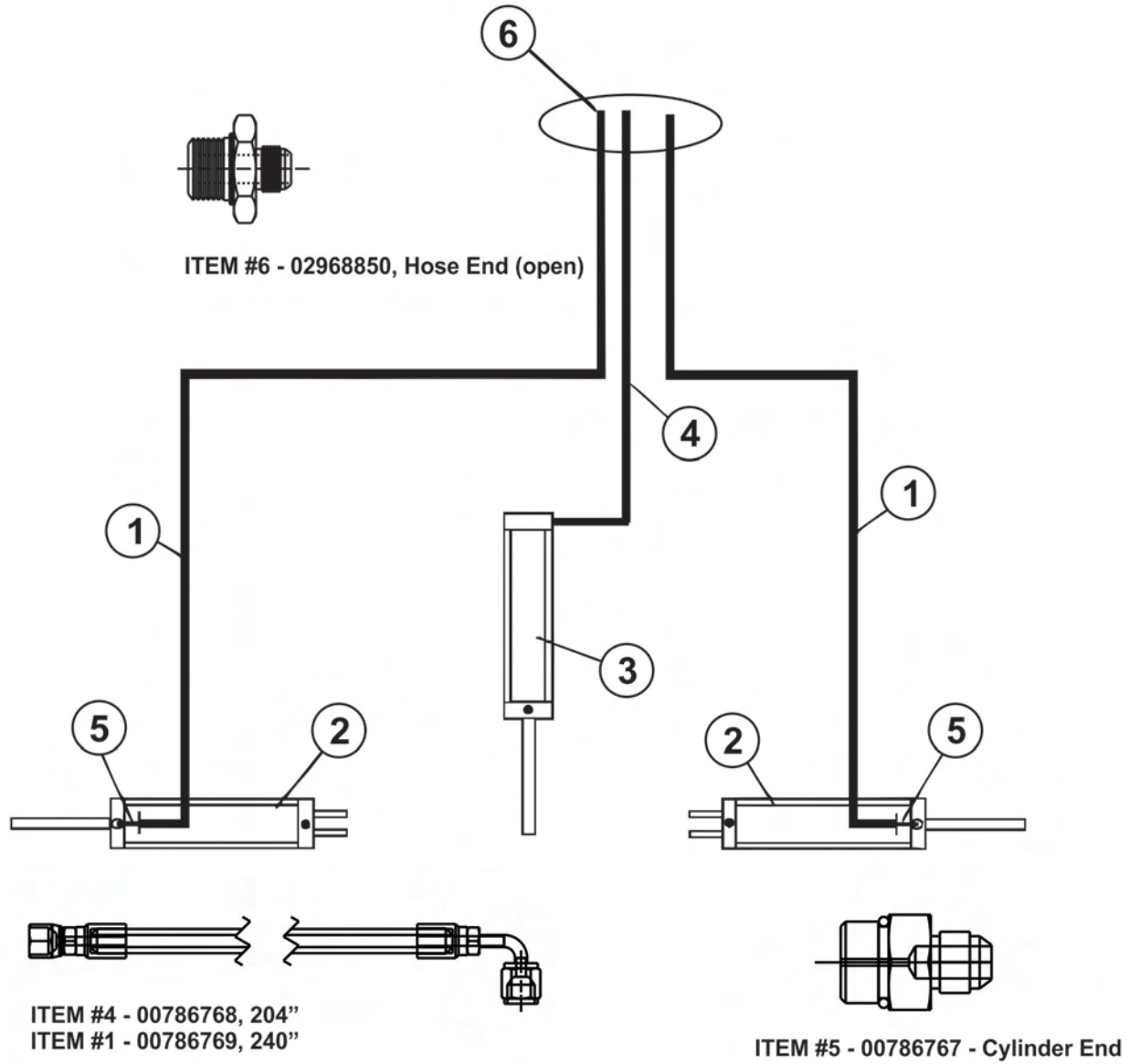
ITEM	PART NO.	QTY.	DESCRIPTION
	00776306	1	ASY, HUB AND SPINDLE
1	00778528	1	AXLE SPINDLE BOLT IN
2	00026200	1	PIN-COTTER 5/32 X 1-1/2
3	02957149	1	BEARING CONE 14137A
4	15B1400	1	WASHER 7/8 SAE P
5	371247G	1	CAP,HUB
6	00779390	1	HUB CAP RETAINER
7	371247J	1	NUT, 7/8-14 UNF STD SLOTTED
8	00778713	1	SEAL KIT
9	00003500	1	ZERK FITTING 1/8 STRAIGHT
10	00778715	1	BEARING CONE (INSIDE)
11	00750614	5	NUT 1/2-20NF 90DEG.CONE LUG PL
	00785914	1	KIT,WHEEL HUB BEARING-INCLUDES ITEMS 3, 4, 5, 7, 8, 10

## HUB ASSEMBLY - S/N 10233-10237 AND 10275-10291



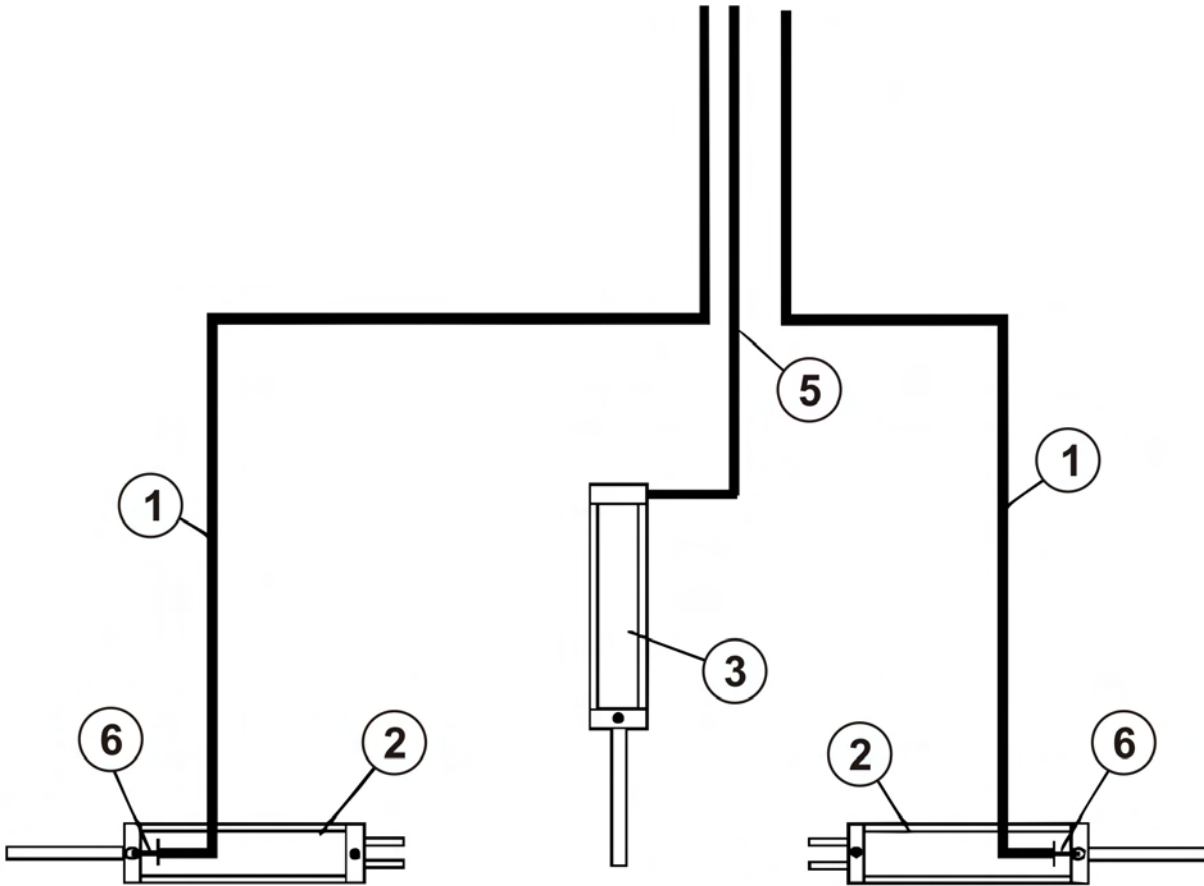
ITEM	PART NO.	QTY.	DESCRIPTION
	00775616A	1	HUB & SPINDLE ASSY
1	00774821	1	SPINDLE SINGLE WHEEL
2	00779456	1	ASY,WHEEL HUB - W/CUPS & STUDS
3	00756492	1	DUST CAP
4	13198	5	BOLT, HUB
5	00778108	1	SEAL PROTECTOR
6	00750614	5	ROTOR
7	00756490	1	NUT SLOTTED THIN 1 NF PLC
8	00756493	1	WASHER
9	00026200	1	PIN,COTTER 5/32 X 1-1/2
10	00750434	1	BEARING CONE INSIDE
11	00756576	1	BEARING CUP OUTSIDE
12	0371242102	1	CONE, BEARING
13	00756577	1	BEARING CUP INSIDE
14	00003500	1	ZERK FITTING 1/8 STRAIGHT
15	00779455	1	RETAINER,HUB CAP

## HYDRAULIC SCHEMATIC - JIC THREADS



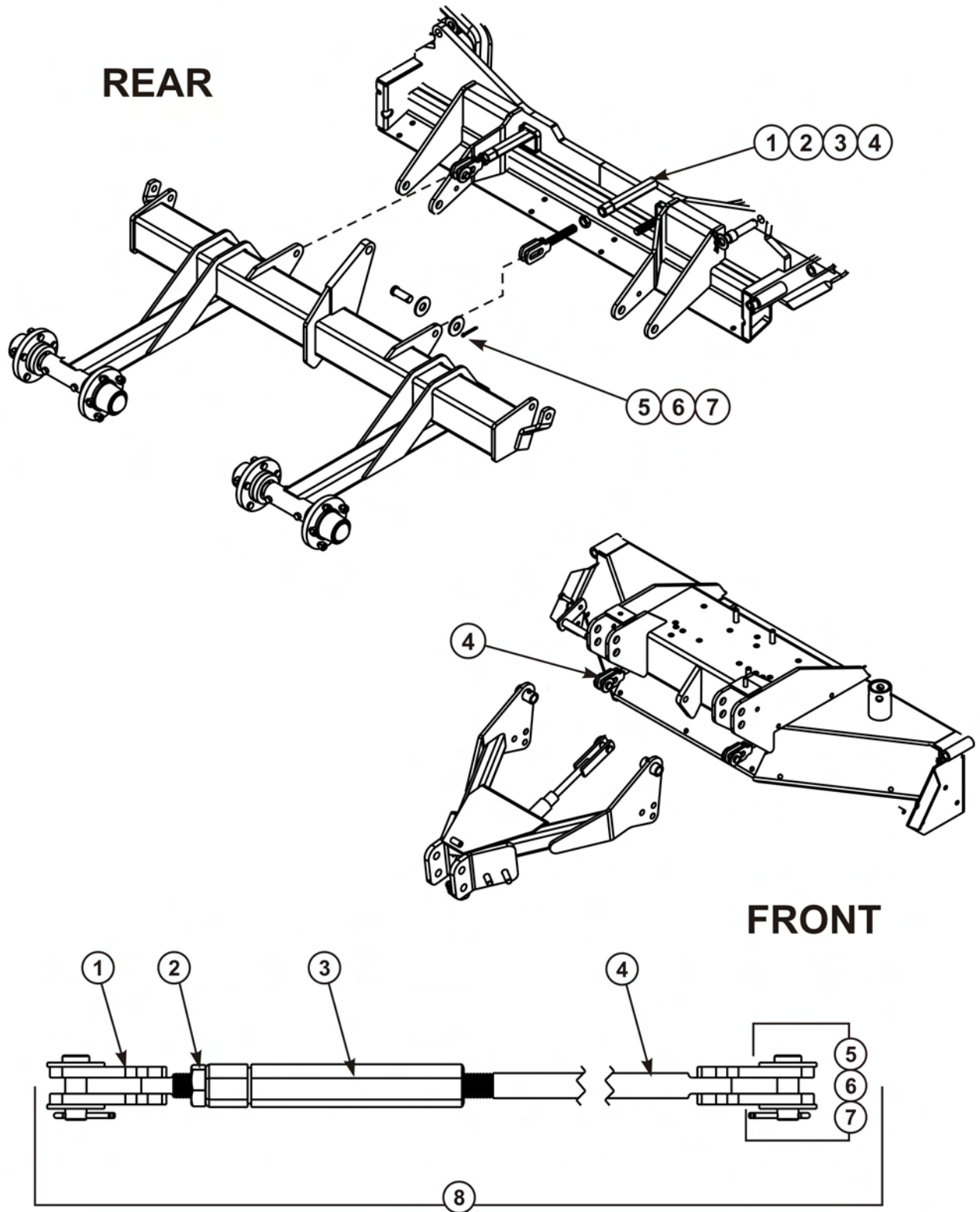
ITEM	PART NO.	QTY.	DESCRIPTION
1	00786769	2	HYDRAULIC HOSE, 240"
2	00759947A	2	HYDRAULIC CYLINDER, WING
3	00759946A	1	HYDRAULIC CYLINDER, CNTR
4	00786768	1	HYDRAULIC HOSE, 204"
5	00786767	3	ADAPTER, 8MB-6MJ W/.062 ORIFICE
6	02968850	3	ADAPTER HYD STRT 8MB-6MJ

## HYDRAULIC SCHEMATIC - PIPE THREADS



ITEM	PART NO.	QTY.	DESCRIPTION
1	00773043	2	HYDRAULIC HOSE
2	00759947A	2	HYDRAULIC CYLINDER WING
3	00759946A	1	HYDRAULIC CYLINDER
5	00774832	1	HYDRAULIC HOSE
6	00774574	2	RESTRICTOR ELBOW 90 DEG.

# LEVEL ROD ASSEMBLY

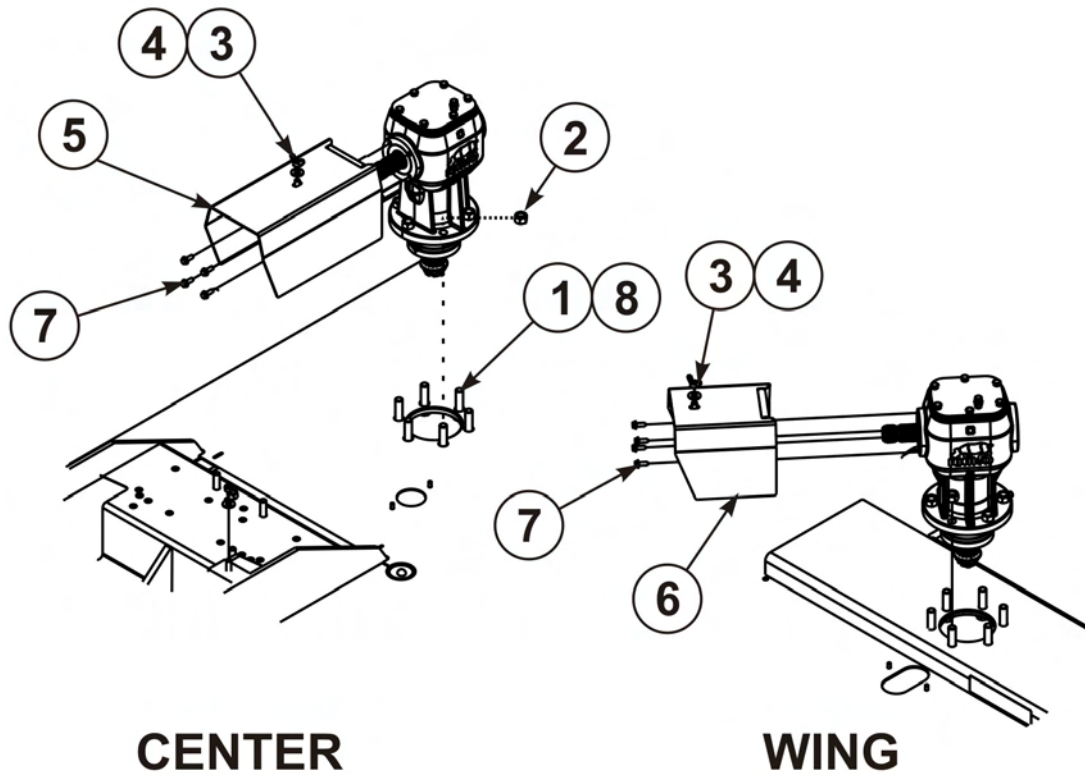


## LEVEL ROD ASSEMBLY

Continued...

ITEM	PART NO.	QTY.	DESCRIPTION
1	00778163	1	WLDMT, SHORT LEVEL ROD
2	00778160	1	HEXNUT 7/8" JAM LH ZP
3	00778159	1	NUT, 9" ADJUSTING
4	00778164	1	WLDMT, LONG LEVEL ROD
5	651102	2	PIN, DRILLED
6	15B1200	4	WASHER 3/4" SAE
7	00755153	2	PIN-COTTER 3/16"X1-1/2" PLATED
8	00778165	1	ASY., LEVEL ROD COMPLETE

## SHIELD ASSEMBLY

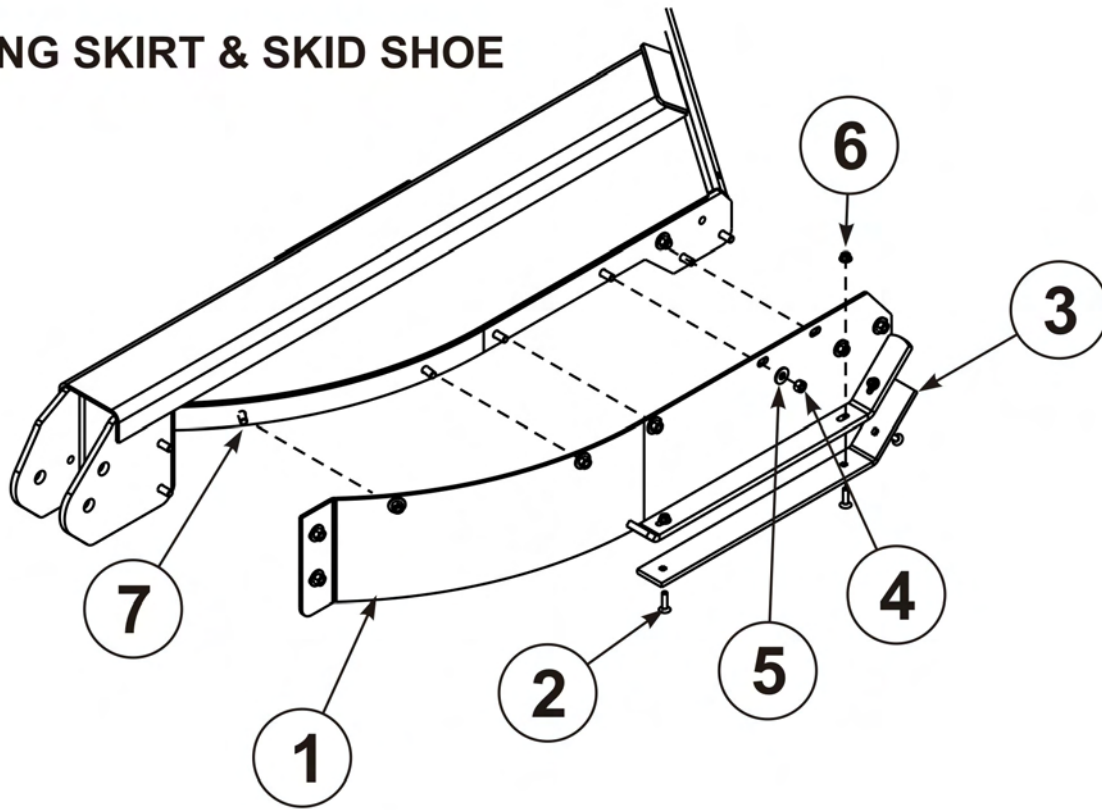


ITEM	PART NO.	QTY.	DESCRIPTION
1	00007800	6	HEXB, 3/4" NC 3 PL5
2	00037200	6	LOCKNUT 3/4"-NC TLM PLC
3	5F8130	3	WINGNUT 1/2NC
4	00002700	3	FLATWASHER 1/2
5	00786467	1	WLDMT, CENTER SHIELD
6	00786482	2	WLDMT, WING SHIELD
7	37776H5C	12	HEX B FLG 3/8-16 X 1 PL5
8	5312316	-	WASHER, 3/4" HARDENED



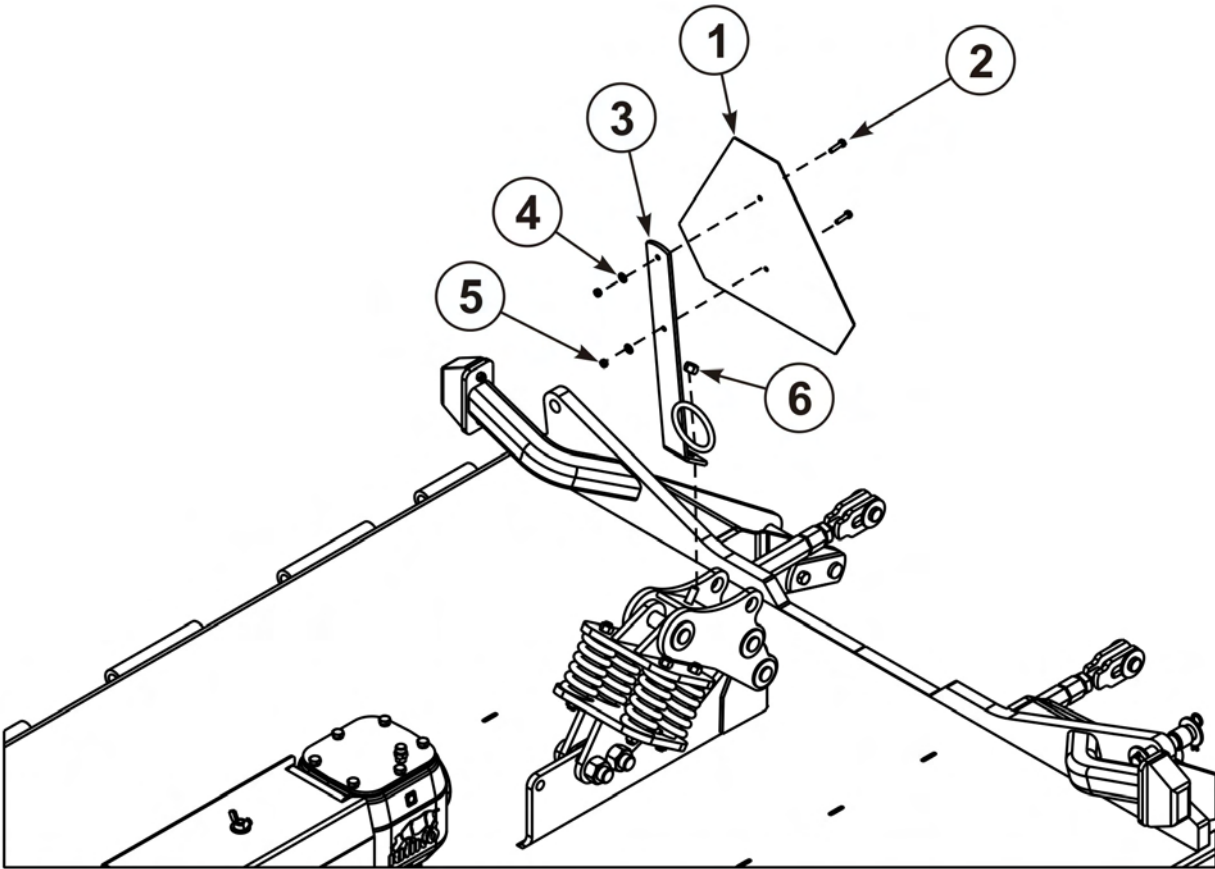
## SIDE SKIRTS AND SKID SHOES

### WING SKIRT & SKID SHOE



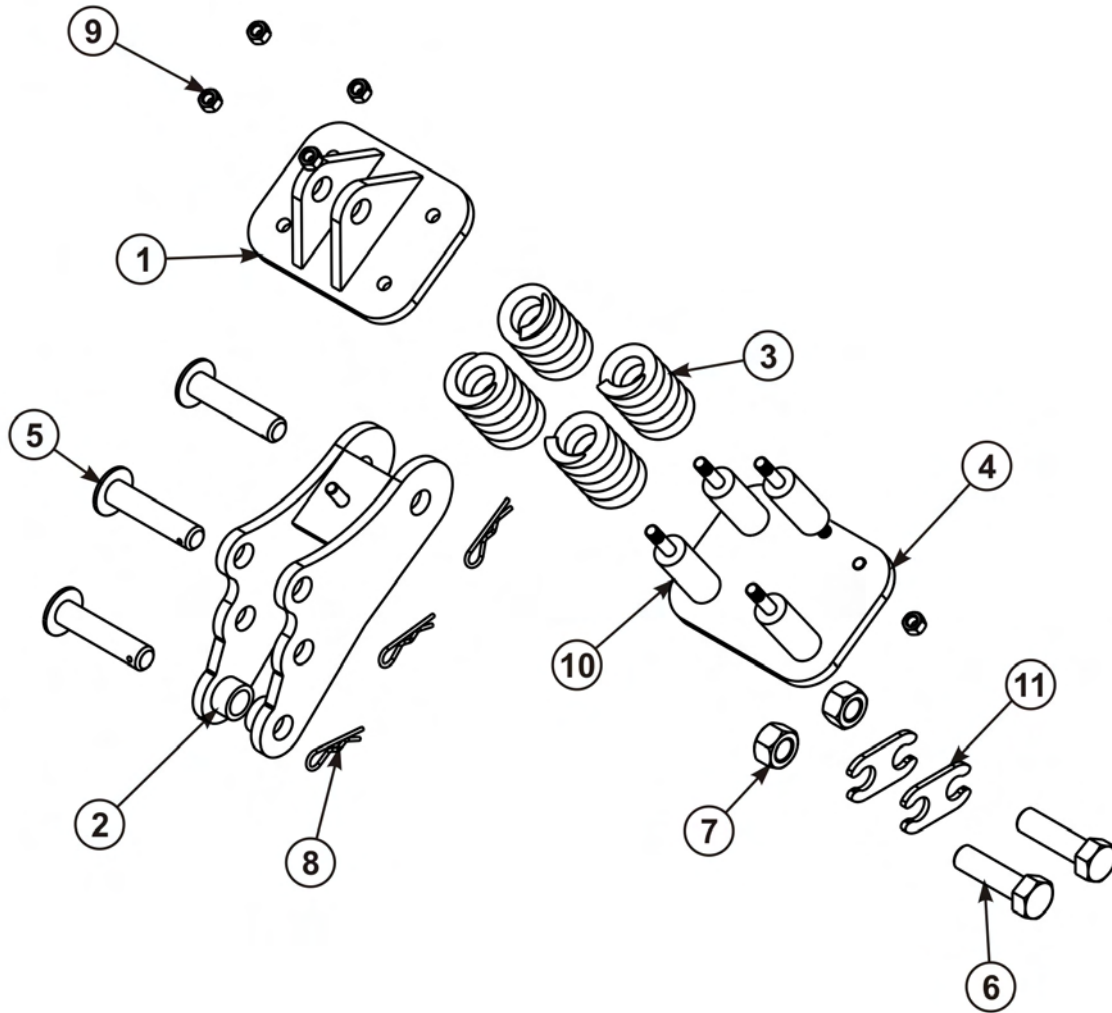
ITEM	PART NO.	QTY.	DESCRIPTION
1	00777736	1	WLDMT, RH SIDE SKIRT
	00777737	1	WLDMT, LH SIDE SKIRT (NOT USED ON 10' UNITS)
2	2A361612	6	BOLT, PLOW 3/8 X 1-1/2
3	00776618	2	SKID SHOE
4	00001800	40	TOPLOCKNUT, 1/2-13 NC PL
5	00002700	25	FLATWASHER 1/2
6	4528	6	NUT, LOCK 3/8-16 FLG WHIZ
7	00748823	18	HHCS, 1/2-13NC X 1-1/2 PL5

## SMV ASSEMBLY



ITEM	PART NO.	QTY.	DESCRIPTION
1	03200347	1	EMBLEM, SMV
2	10058000	2	HHCS 1/4 NC 1 PL5
3	00785558	1	WLDMT, HYD. HOSE/SMV MOUNT
4	00024100	2	1/4" FLAT WASHER
5	02959924	2	NUT, 1/4" NC
6	00001800	1	TOPLOCKNUT, 1/2-13 NC PL

## SPRING POD ASSEMBLY

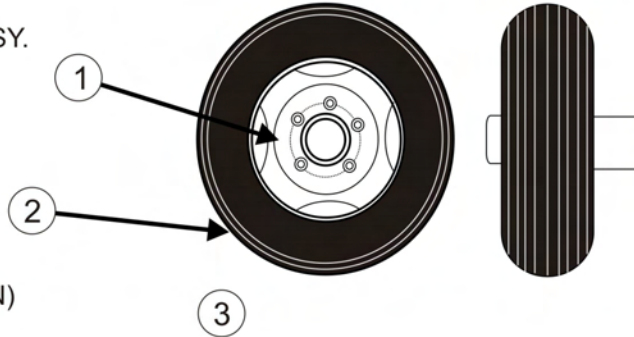


ITEM	PART NO.	QTY.	DESCRIPTION
1	00778939	1	SPRING SUPPORT WELDMENT
2	00778940	1	WLDMT PIVOT ARM
3	371063A	4	SPRING
4	00778933	1	WLDMT BASE SPRING POD
5	656460240	3	PIN WELDMENT
6	00781043	2	HHCS 1 NC 3-1/2 PL5
7	02030300	2	NUT 1" TOPLOCK
8	37107B13	3	PIN HAIR CLIP
9	00001800	8	TOPLOCKNUT 1/2-13 NC PL
10	00779069	4	SPRING GUIDE AND SPACER
11	00779106	2	PLATE SPRING POD SPACER

**TIRE AND WHEEL ASSEMBLY**

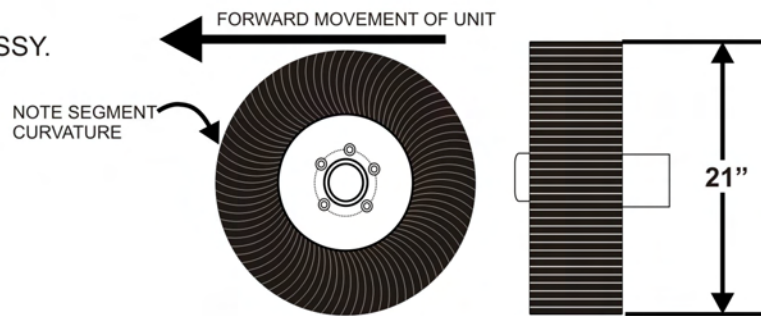
**TIRE AND WHEEL ASSEMBLY Rev 01-09**

00749698 - RIB IMPLEMENT  
TIRE AND WHEEL ASSY.

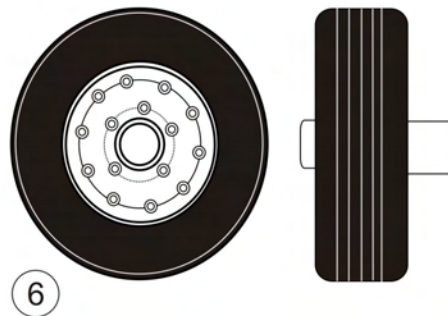


1. WHEEL, 00008700
2. TIRE, 00601700
3. TUBE, 00751994 (NOT SHOWN)

00025200 - LAMINATED (6 X 9)  
TIRE AND WHEEL ASSY.



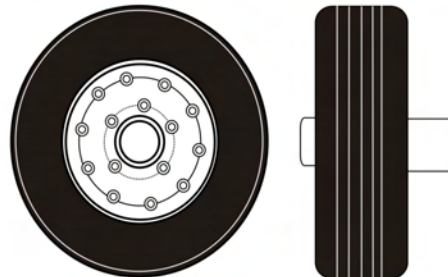
00771461 - PNEUMATIC  
TIRE AND WHEEL ASSY.  
- 27.75 x 8.75 x 14.5



4. WHEEL, (AVAILABLE ONLY IN ASSEMBLY)
5. TIRE, (AVAILABLE ONLY IN ASSEMBLY)
6. TUBE, 00779290 (NOT SHOWN)

FOAM FILLED USED AIRCRAFT  
TIRE AND WHEEL ASSY.

- 00766911 - 22 x 6.6/6.75 x 10
- 00766911A - 24 x 7.7 x 10
- 00749700 - 25.5 x 8 x 14
- 00786014 - 27 x 7.75 x 15

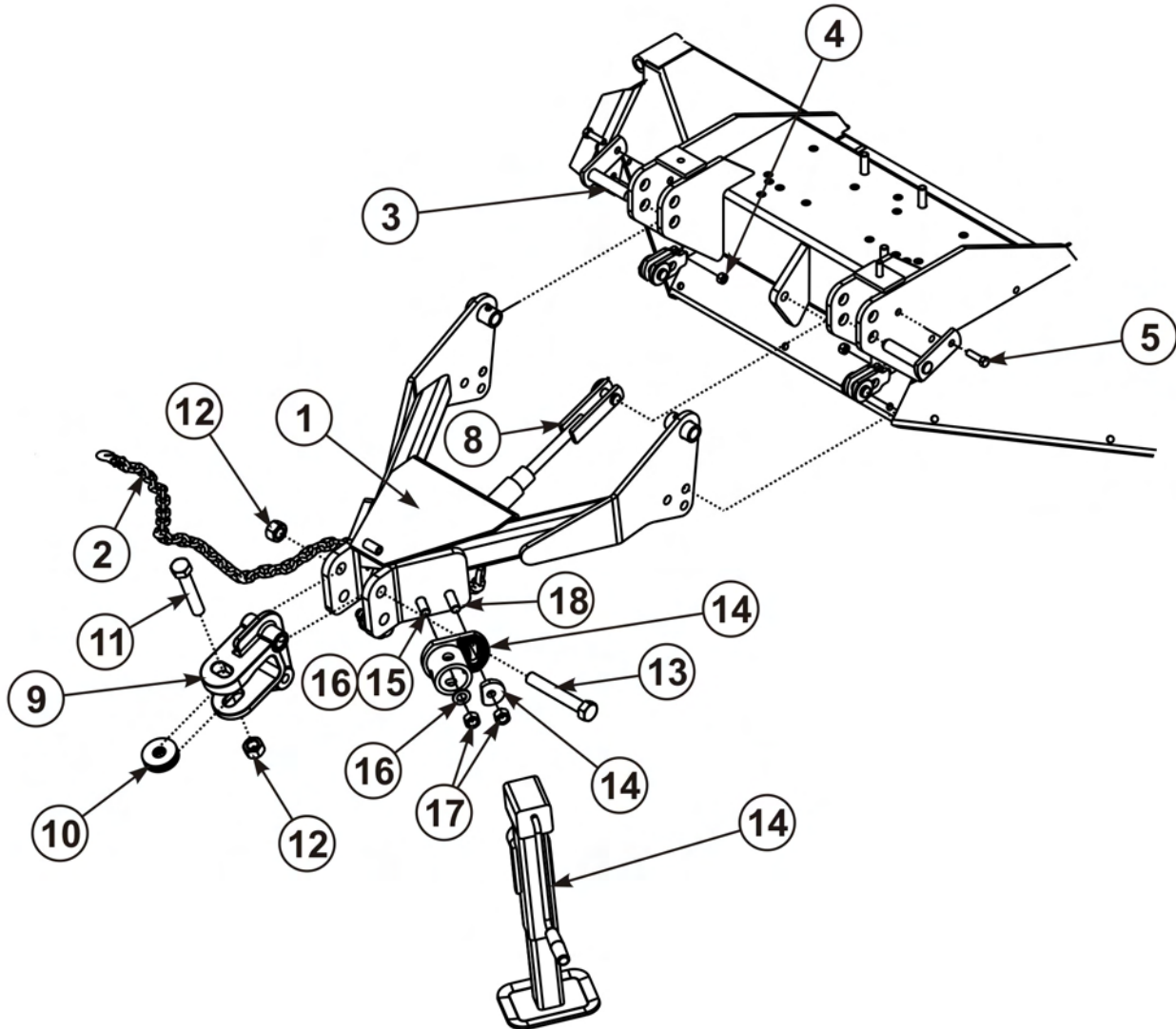


## TIRE AND WHEEL ASSEMBLY

Continued...

ITEM	PART NO.	QTY.	DESCRIPTION
	00749698	1	TIRE AND WHEEL ASSY, RIB IMPLEMENT
1	00008700	1	WHEEL
2	00601700	1	TIRE
3	00751994	1	TUBE, NOT SHOWN
	00025200	1	TIRE AND WHEEL ASSY, LAMINATED (6X9)
	00771461	1	TIRE AND WHEEL ASSY, PNEUMATIC (27.75X8.75X14.5)
4	-----	1	WHEEL, AVAILABLE ONLY IN ASSEMBLY
5	-----	1	TIRE, AVAILABLE ONLY IN ASSEMBLY
6	-----	1	TUBE, NOT SHOWN
	00776911	1	TIRE AND WHEEL ASSY, FOAM FILLED (22X6.6/6.75X10)
	00776911A	1	TIRE AND WHEEL ASSY, FOAM FILLED (24X7.7X10)
	00749700	1	TIRE AND WHEEL ASSY, FOAM FILLED (25.5X8X14)
	00786014	1	TIRE AND WHEEL ASSY, FOAM FILLED (27X7.75X15)

# TONGUE ASSEMBLY

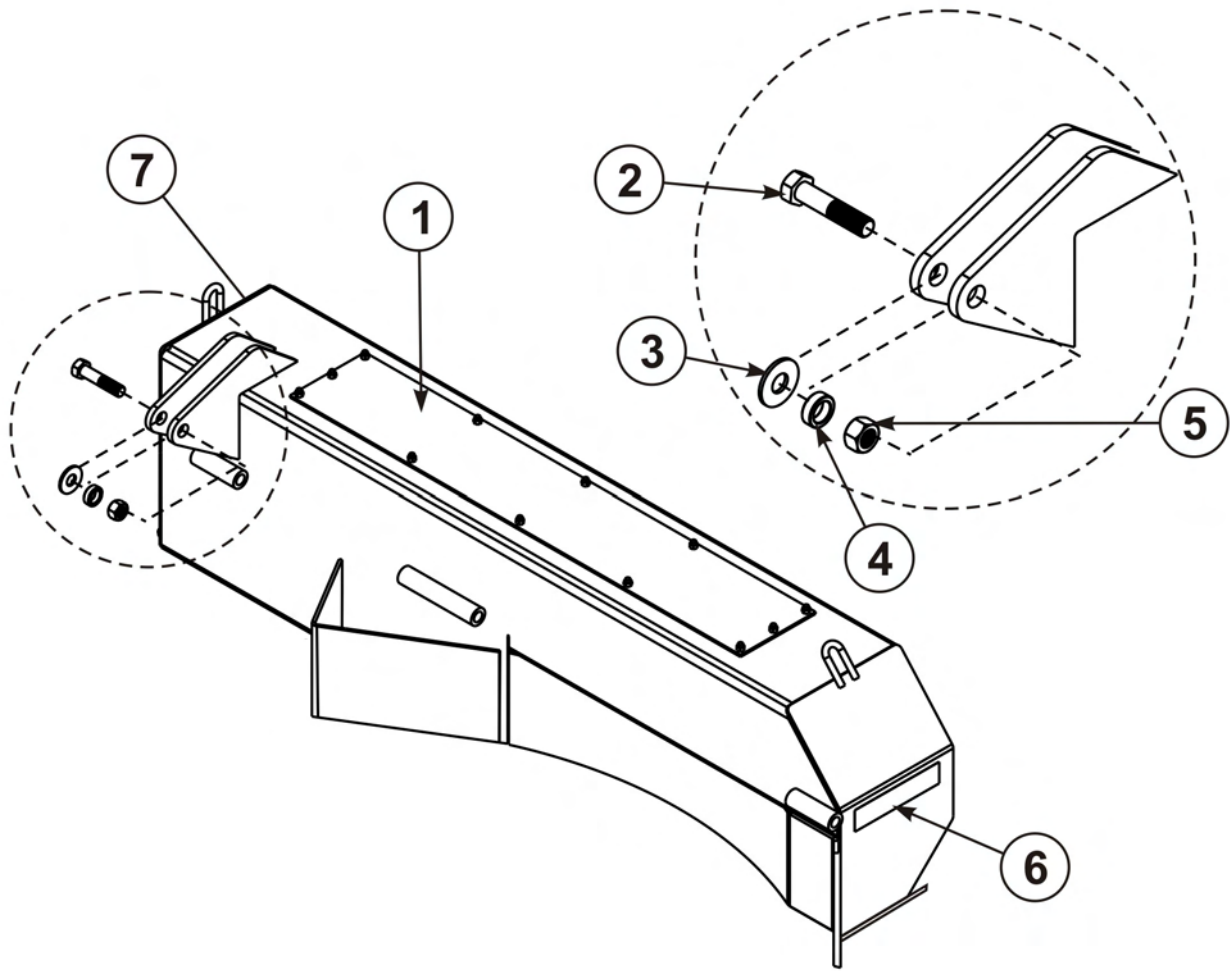


## TONGUE ASSEMBLY

Continued...

ITEM	PART NO.	QTY.	DESCRIPTION
1	00779334	1	WLDMT, TONGUE
2	00764515	1	CHAIN, SAFETY
3	00760895	2	TONGUE PIVOT PIN WLDMT
4	00001800	2	TOPLOCKNUT, 1/2-13 NC PL
5	00749130	9	HHCS 1/2-13UNC 1-3/4 PL5
8	00768497	1	ASSY, CONTROL ROD-SHORT
9	00779468	1	CLEVIS
10	00759275	3	WASHER, CLEVIS
11	00755076	1	BOLT, 1" X 5 1/2 PL8
12	02030300	2	NUT, 1" TOPLOCK
13	00754107	1	BOLT 1 - 8UNC X 6-1/2 PL8
14	00779350	1	PARKING JACK + MOUNT BRKT
15	00037100	1	HEXB 3/4 NC 2-1/2 PL5
16	05312316	2	WASHER, 3/4" HARDENED
17	00037200	2	LOCKNUT 3/4-NC TLM PLC
18	00007800	1	HEXB 3/4 NC 3 PL5

## WEIGHTBOX ASSEMBLY



ITEM	PART NO.	QTY.	DESCRIPTION
	00780279	1	ASSY, WEIGHT BOX L.H.
1	00777999	1	WLDMT, WEIGHT BOX L.H.
2	7A14932	1	HHCS 7/8 NC 4 PL5
3	00761535	1	WASHER-7/8 STR PLAIN
4	00761503	1	SPACER 1-1/2 OD X1ID X 1/2LG
5	00012300	1	NUT, 7/8 NC HEX PL
6	1458393	1	DECAL,YELLOW REFLECTOR
7	1458392	1	DECAL,RED REFLECTOR



**WARRANTY  
SECTION**



## WARRANTY INFORMATION

Tiger Corporation, 3301 N. Louise, Sioux Falls, South Dakota, warrants to the original Retail Customer, the new Tiger equipment is free of defects in material and workmanship. Any part of equipment that in Tiger's judgement, show evidence of such defects will be repaired or replaced without charge, provided that the failure of part(s) shall have occurred within twelve (12) months from the date of delivery of said equipment to the Retail Customer. Expendable components such as knives, oil, chain sprockets, skid shoes, knife mounting disks and the like are excluded but not limited to this warranty.

The Retail Customer must pay the transportation cost to and from the Tiger Dealer's service shop for warranty service. Warranty service will be performed by the Tiger Dealer from whom the equipment was purchased, during service shop regularly scheduled days and hours of operation.

All Tiger obligation under this warranty shall be terminated if the equipment is modified or altered in ways not approved in writing by Tiger, if repair parts other than genuine Tiger repair parts have been used, or if the equipment has been subject to misuse, neglect, accident, improper maintenance or improper operation.

Tiger Corporation reserves the right to make improvements in design or changes in specification at any time without incurring any obligation to owners of equipment previously sold.

No agent or person has authority to alter, add to or waive the above warranties which are agreed to be in the only warranties, representations or promises, expressed or implied, as to the quality or performance of the products covered and which do not include any implied warranty of merchantability or fitness. In no event will Tiger be liable for incidental or consequential damages or injuries, including, but not limited to, loss of profits, rental or substitute equipment or other commercial loss.

**THERE ARE NO WARRANTIES WHICH EXTEND  
BEYOND THOSE EXPRESSED HEREIN.**

It is the Purchasers obligation to sign the warranty registration form **AFTER** he / she has Read and Understands the Operation and Safety Instructions stated within this manual.

## **ONE LAST WORD**

This manual cannot possibly cover all of the potentially hazardous situations you will encounter. By being familiar with the safety rules, operating and maintenance instructions in this manual you can help prevent accidents. The objective of this manual is to help make you a better operator. Remember, **SAFETY IS YOU!**



1012

Your safety and the safety of those around you depends on **YOU**. Common sense should play a large role in the operation of this machine.

Since we at Tiger Corporation are constantly striving to improve our products, we reserve the right to change specifications or design at any time.

## TO THE OWNER / OPERATOR / DEALER



To keep your implement running efficiently and safely, read your manual thoroughly and follow these directions and the Safety Messages in this manual and on the machine. The table of contents clearly identifies each section where you can easily find the information you need.

The Occupational Safety and Health Act (OSHA 1928.51 subpart C) makes the following minimum requirements for tractor operators.

### **OWNER REQUIREMENTS:**

1. Provide a Roll-Over-Protective Structure that meets the requirements of this Standard; and
2. Provide Seatbelts that meet the requirements of this Standard and SAE J3C; and
3. Ensure that each employee uses such Seatbelt while the tractor is moving; and
4. Ensure that each employee tightens the Seatbelt sufficiently to confine the employee to the protected area provided by the ROPS.

### **OPERATOR REQUIREMENTS:**

1. Securely fasten seatbelt if the tractor has a ROPS.
2. Where possible, avoid operating the tractor near steep ditches, embankments, and holes.
3. Reduce speed when turning, crossing slopes, and on rough, slick, or muddy surfaces.
4. Stay off slopes too steep for safe operation.
5. Watch where you are going – especially at row ends, on roads, and around trees.
6. Do Not permit others to ride.
7. Operate the tractor smoothly – no jerky turns, starts, or stops.
8. Hitch only to the draw-bar and hitch points recommended by the tractor manufacturer.
9. When the tractor is stopped, set brakes securely and use park lock, if available



Printed in USA  
© Tiger Corporation