



TRAILKAT
TK5, TK6 & TK7
REAR ROTARY MOWERS

Current as of 07/16/2012

PARTS LISTING

Tiger Corporation
3301 N. Louise Ave.
Sioux Falls, SD 57107
1-800-843-6849
1-605-336-7900
www.tiger-mowers.com

06090009

TO THE OWNER / OPERATOR / DEALER

All implements with moving parts are potentially hazardous. There is no substitute for a cautious, safe-minded operator who recognizes the potential hazards and follows reasonable safety practices. The manufacturer has designed this implement to be used with all its safety equipment properly attached to minimize the chance of accidents.

BEFORE YOU START!! Read the safety messages on the implement and shown in this manual. Observe the rules of safety and use common sense!

READ AND UNDERSTAND THIS MANUAL! Non-English speaking operators will need to GET THE MANUAL TRANSLATED as needed!



DANGER

FAILING TO FOLLOW SAFETY MESSAGES AND OPERATING INSTRUCTIONS CAN CAUSE SERIOUS BODILY INJURY OR EVEN DEATH TO OPERATOR AND OTHERS IN THE AREA.



1. Study and understand Operator's Manuals, Safety Decals, and Instructional Decals for tractor and implement to prevent misuse, abuse, and accidents. Practice before operating in a confined area or near passersby.

● Learn how to stop engine suddenly in an emergency. Be alert for passersby and especially children

2. Allow no children on or near folding mower or tractor. Allow no riders on tractor or implement. Falling off may cause serious injury or death from being run over by tractor or mower or contact with rotating blades.

3. Operate only with tractor having Roll-Over Protective Structure (ROPS) and with seat belt securely fastened to prevent injury and possible death from falling off or tractor overturn.

● Personal Protective Equipment such as Hard Hat, Safety Glasses, Safety Shoes, & Ear Plugs are recommended.

4. Block up or support raised machine and all lifted components securely before putting hands or feet under or working underneath any lifted component to prevent crushing injury or death from sudden dropping or inadvertent operation of controls. Make certain area is clear before lowering or folding

5. Before transporting, put Lift Lever in detent or full-lift position. Install Transport Safety Devices securely on folding mowers. Put Booms securely in Transport Rest.

● Folding and Boom Mowers have raised center of gravity. Slow down when turning and on hillsides.

6. Make certain that SMV sign, warning lights, and reflectors are clearly visible. Follow local traffic codes.

7. Never operate with Cutting Head or Folding Section raised if passersby, bystanders, or traffic are in the area to reduce possibility of injury or death from objects thrown by Blades under Guards or mower structure.

8. Before dismounting, secure implement in transport position or lower to ground.

● Put tractor in park or set brake, disengage PTO, stop engine, remove key, and wait until noise of rotation has ceased to prevent crushing by entanglement in rotating parts which could cause injury or death.

● Never mount or dismount a moving vehicle. Crushing from rollover may cause serious injury or death.



02967827

Warranty Information: Read and understand the complete Warranty Statement found in this manual. Fill out the Warranty Registration form in full and return it within 90 days. Make certain the Serial Number of the machine is recorded on the Warranty Card, and form that you retain.

The following instructions are offered to help eliminate needless delay and error in processing purchase orders for the equipment in this manual.

1. The Parts Section is prepared in logical sequence and grouping of parts that belong to the basic machine featured in this manual. Part Numbers and Descriptions are given to help locate the parts and quantities required.
2. The Purchase Order must indicate the **Name and Address** of the person or organization ordering the parts, **who should be charged**, and if possible, the **serial number of the machine** for which the parts are being ordered.
3. The purchase order must clearly list the **quantity of each part**, the complete and correct **part number**, and the basic **name of the part**.
4. The manufacturer reserves the right to substitute parts where applicable.
5. Some parts may be unlisted items which are special production items not normally stocked and are subject to special handling. Request a quotation for such parts before sending a purchase order.
6. The manufacturer reserves the right to change prices without prior notice.

NOTE: When ordering replacement decals, refer to the part numbers and descriptions listed in the safety section in the front of this manual.



1000

For maximum safety and to guarantee optimum product reliability, always use genuine **Tiger** replacement parts. The use of inferior replacement parts may cause premature or catastrophic failure which could result in serious injury or death.

Direct any questions regarding parts to:

Tiger Corporation
3301 N. Louise Ave.
Sioux Falls, SD 57107
1-800-843-6849
1-605-336-7900

NOTES



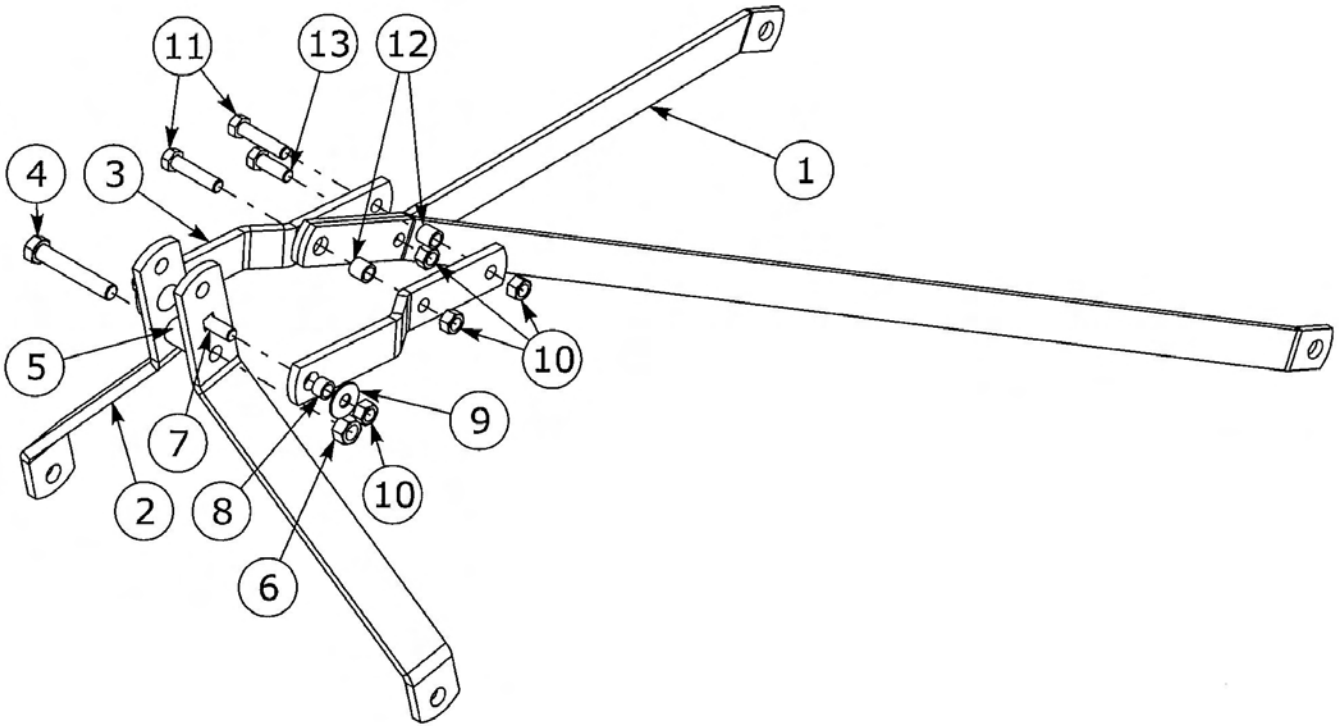
PARTS SECTION

PART NAME INDEX

A-FRAME QUICK HITCH ASSEMBLY TK5/TK6.....	4
A-FRAME QUICK HITCH ASSEMBLY TK7.....	5
A-FRAME QUICK HITCH ATTACHMENT TK7.....	6
AXLE ASSEMBLY PULL TYPE.....	7
BLADE PAN ASSEMBLY TK5.....	9
BLADE PAN ASSEMBLY TK6.....	10
BLADE PAN ASSEMBLY TK7.....	11
CASTER WHEEL AND HUB ASSEMBLY.....	12
CHAINGUARD ASSEMBLY - FRONT.....	13
CHAINGUARD ASSEMBLY - FRONT TK7 (DOUBLE).....	14
CHAINGUARD ASSEMBLY - REAR.....	15
CHAINGUARD ASSEMBLY - REAR TK7 (DOUBLE).....	16
DEFLECTOR ASSEMBLY - FRONT.....	17
DEFLECTOR ASSEMBLY - REAR.....	18
DRIVELINE - 1-3/8 CV - 540.....	19
DRIVELINE ASSEMBLY TK5/TK6/TK7 (LIFT).....	21
DRIVELINE ASSEMBLY CAT-5 TK7 (LIFT).....	22
DRIVELINE ASSEMBLY CV.....	23
DRIVELINE JACKSHAFT ASSEMBLY - TK7.....	24
DRIVELINE SLIP CLUTCH ASSEMBLY TK5/YK6/TK7.....	25
DRIVELINE SLIP CLUTCH ASSEMBLY CAT 5 TK7.....	26
GEARBOX ASSEMBLY TK5 CURRENT & TK6 - SERIAL# 11616-BELOW.....	27
GEARBOX ASSEMBLY TK6 - SERIAL# 11617-CURRENT.....	29
GEARBOX ASSEMBLY TK7 - S/N 10625 AND BELOW.....	31
GEARBOX ASSEMBLY TK7 - S/N 10626 - CURRENT.....	33
GEARBOX ATTACHMENT TK5, TK6 SERIAL# 11616-BELOW, & TK7.....	35
GEARBOX ATTACHMENT TK6 SERIAL# 11617-CURRENT.....	36
HYDRAULIC CYLINDER.....	37
PULL TYPE TONGUE ASSEMBLY TK7.....	38
SKID SHOE ASSEMBLY.....	40
TAILWHEEL ASSEMBLY TK5/TK6.....	41
TAILWHEEL ASSEMBLY TK7.....	42
TAILWHEEL ASSEMBLY TK7 (DUAL).....	43
TIRE AND WHEEL ASSEMBLY.....	44

TK5 TK6 TK7

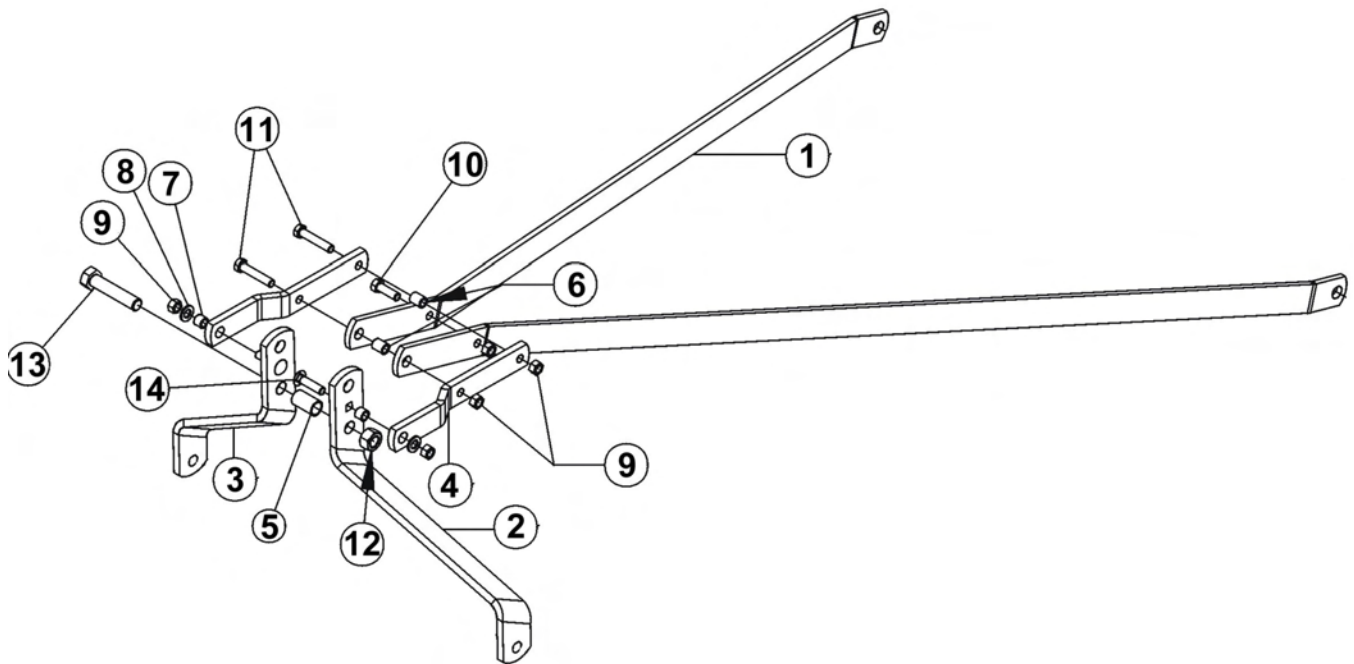
A-FRAME QUICK HITCH ASSEMBLY TK5/TK6



ITEM	PART NO.	QTY.	DESCRIPTION
1	00780585	2	FLAT,REAR BRACE - TK6
	00781038	2	FLAT,REAR BRACE - TK5
2	00780582	2	FLAT, A-FRAME - TK6
	00780563	2	FLAT, A-FRAME, QUICK HITCH - TK5
3	00780549	2	BAR, BRACE - TK6
	00780603	2	BAR, BRACE - TK5
4	00009500	1	BOLT-HEX 3/4 NC 4-1/2 PL5
5	0758550030	1	SPACER
6	00037200	1	NUT TOPLOCK 3/4 NC PLC
7	2101120	2	CARB 5/8 NC X 2-1/2 PL5 - TK6
	4905	2	CARB 5/8-11 NC 2 PL5 - TK5
8	0732020020	2	BUSHING - TK6
	523012	2	BUSHING, ORDER 780 MIN HT - TK5
9	00756077	2	WASHER,5/8 HARDENED
10	00695100	4	NUT, TOPLOCK 5/8 NC PLB
11	02845600	2	HEXB 5/8 NC 3 PL5 - TK6
	00703200	2	HHCS 5/8 NC 2 3/4 PL5 - TK5
12	00780592	2	BUSHING, A-FRAME TOGGLE
13	02845500	1	HEXB 5/8 NC 2 PL5

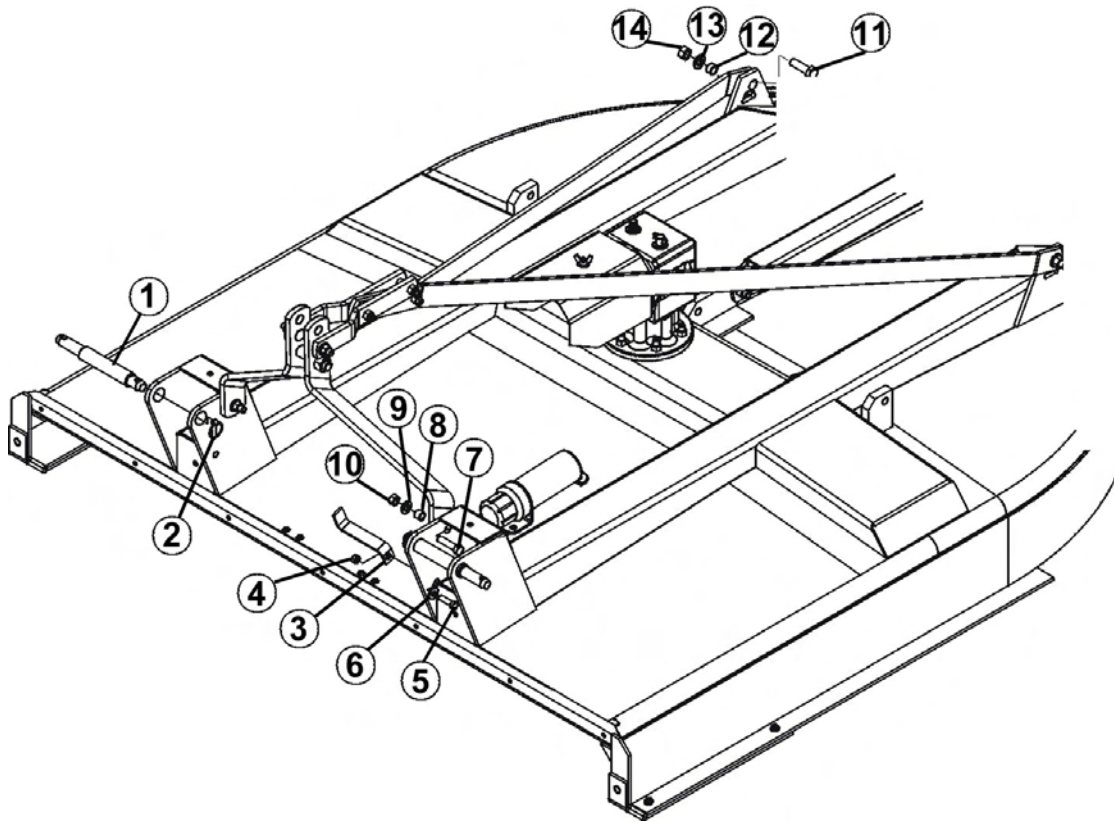
TK5 TK6 TK7

A-FRAME QUICK HITCH ASSEMBLY TK7



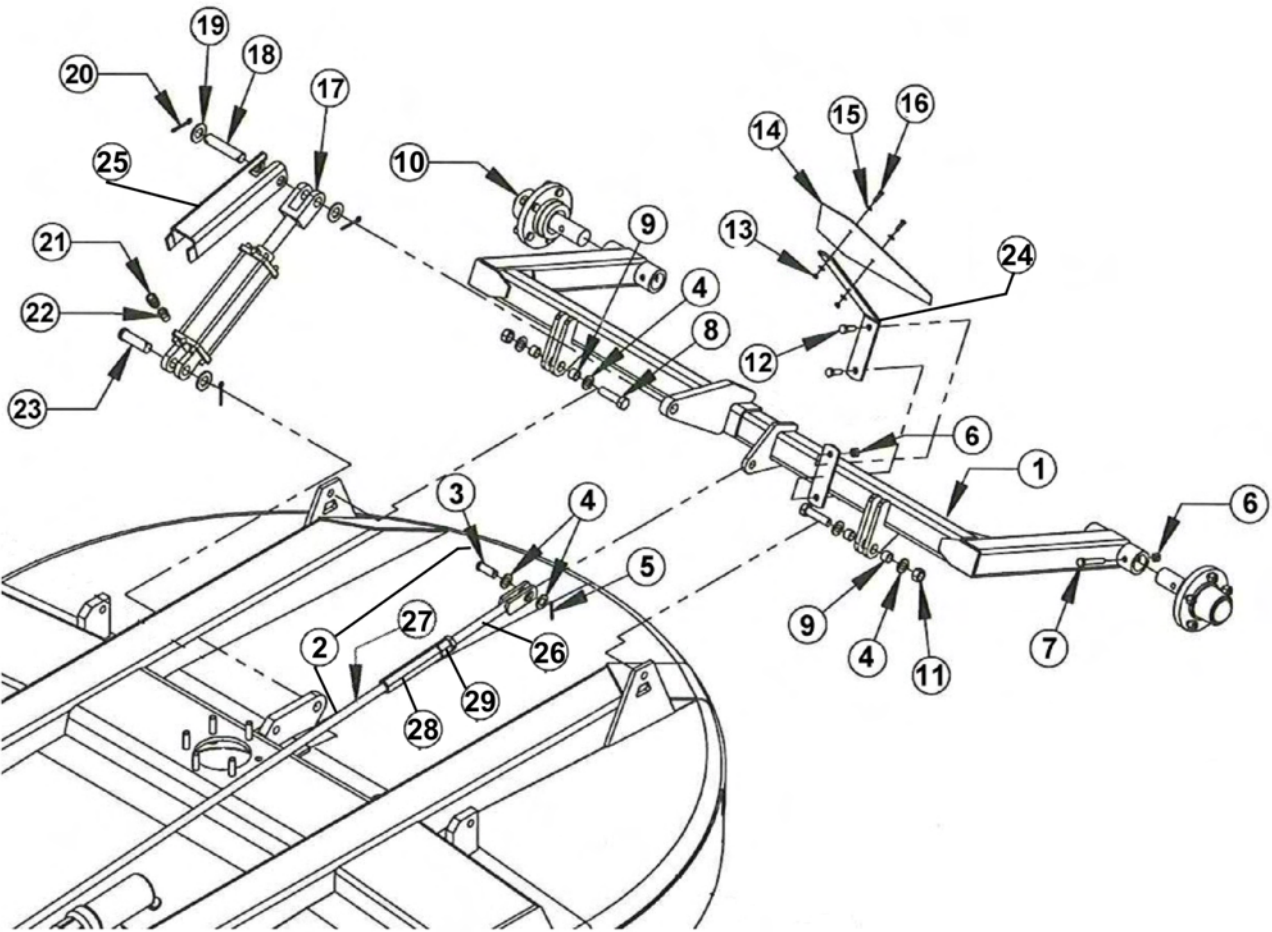
ITEM	PART NO.	QTY.	DESCRIPTION
1	00781069	2	FLAT, REAR BRACE
2	00781411	1	FLAT, A-FRAME LH
3	00781410	1	FLAT, A-FRAME RH
4	00781117	2	FLAT, QUICK HITCH TOGGLE
5	0758550031	1	BUSHING
6	00761199	2	SPACER TUBE
7	0732020020	4	BUSHING
8	00756077	10	5/8 HARDENED WASHER
9	00695100	13	NUT, 5/8 NC TOPLOCKNUT
10	02845500	1	BOLT, 5/8 NC X 2
11	00600700	2	HEXB 5/8 NC 3-1/4 PL5
12	02030300	1	NUT, 1" TOPLOCK
13	00750479	1	HEXB 1" NC 4-3/4 PL5
14	2101120	2	CARB 5/8 X 2-1/2

A-FRAME QUICK HITCH ATTACHMENT TK7



ITEM	PART NO.	QTY.	DESCRIPTION
1	69141	2	PIN, HITCH CAT II & III
2	2196	2	CLIP (LYNCH PIN), 13/32 DIA.
3	00780663	1	FLAT, DRIVELINE STORAGE
4	00001800	1	LOCKNUT TLM 1/2 NC PLB
5	00749130	1	HHCS 1/2-13 UNC 1-3/4 PL5
6	00002700	2	FLATWASHER 1/2 PL STD
7	00750952	2	HEXB, 5/8 NC X 2-1/2, ZP, GRD5
8	0732020020	2	BUSHING
9	00756077	2	WASHER, 5/8 HARDENED
10	00695100	2	LOCKNUT TOPLOCK 5/8 NC PLB
11	00037100	2	HEXB 3/4 NC 2-1/2 PL5
12	511016	2	BUSHING YDP
13	5312316	2	WASHER, 3/4
14	00037200	2	NUT 3/4-NC TOPLOCK GRC PL

AXLE ASSEMBLY PULL TYPE



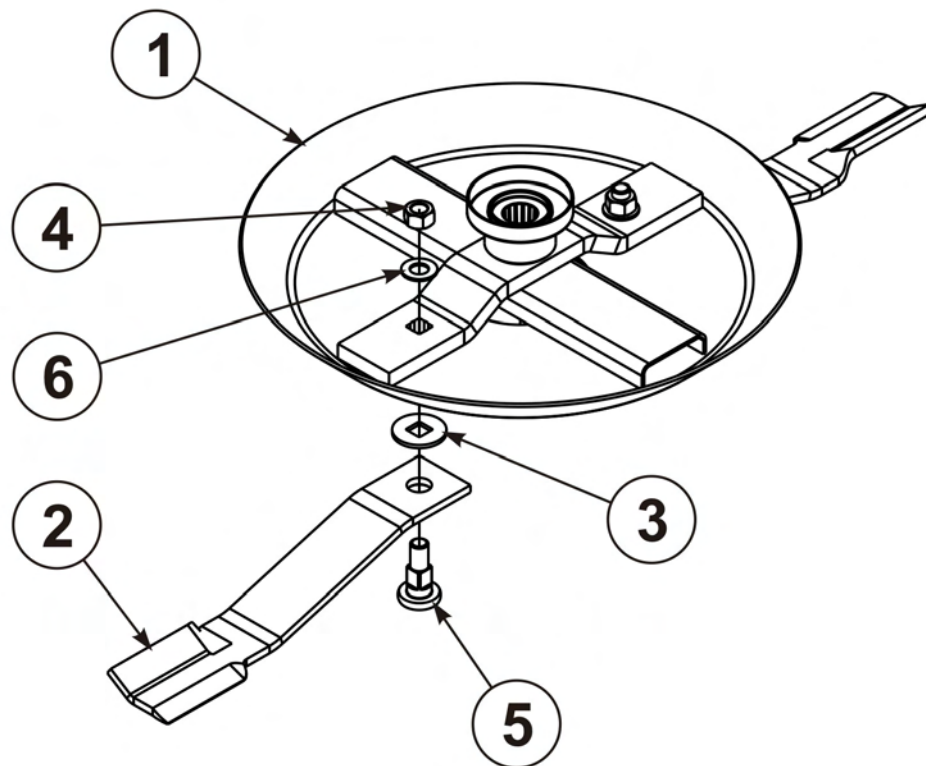
AXLE ASSEMBLY PULL TYPE

Continued...

ITEM	PART NO.	QTY.	DESCRIPTION
1	00781149	1	WDMT, AXLE - TK7
2	00781178	1	ASY, LEVEL ROD - TK7
3	651102	2	PIN, DRILLED
4	00002701	2	FLATWASHER, 3/4, TYPE AW, ZP
5	00755153	2	PIN, COTTER 3/16 X 1-1/2 PLATED
6	00001800	2	LOCKNUT TLM 1/2 NC PLB
7	00764375	2	HHCS 1/2NC X 3-1/4 PL5
8	00007800	2	HEXB 3/4 NC 3 PL5
9	511016	4	BUSHING
10	00775616A	2	ASY,HUB & SPINDLE
11	00037200	2	NUT 3/4-NC TOPLOCK GRC PL
12	00748823	2	HHCS, 1/2 - 13NC X 1-1/2 PL5
13	02959924	2	NUT, 1/4" NC
14	03200347	1	EMBLEM, SMV
15	00024100	4	1/4" FLATWASHER
16	10058000	2	HHCS 1/4 NC 1 PL5
17	8727A	1	HYDRAULIC CYLINDER
18	103266	1	CYLINDER PIN
19	02822500	2	FLATWASHER 1 PL STD
20	00606000	4	PIN, COTTER 3/16 X 2
21	7329	1	ADAPTER, HYD, STGHT
22	0652141311	1	STRAIGHT ADAPTER 8MP-8MJ
23	8354	1	PIN, HYD. CYLINDER
24	00785646	1	SMV BRACKET
25	00777963	1	TRANSPORT LOCK PLATE
26	00758643	1	ROD, CONTROL
27	00781177	1	WELDMENT LONG LEVEL ROD
28	00778159	1	NUT, 9" ADJUSTING
29	5C1490	1	HEXNUT, 7/8 JAM ZP

TK5 TK6 TK7

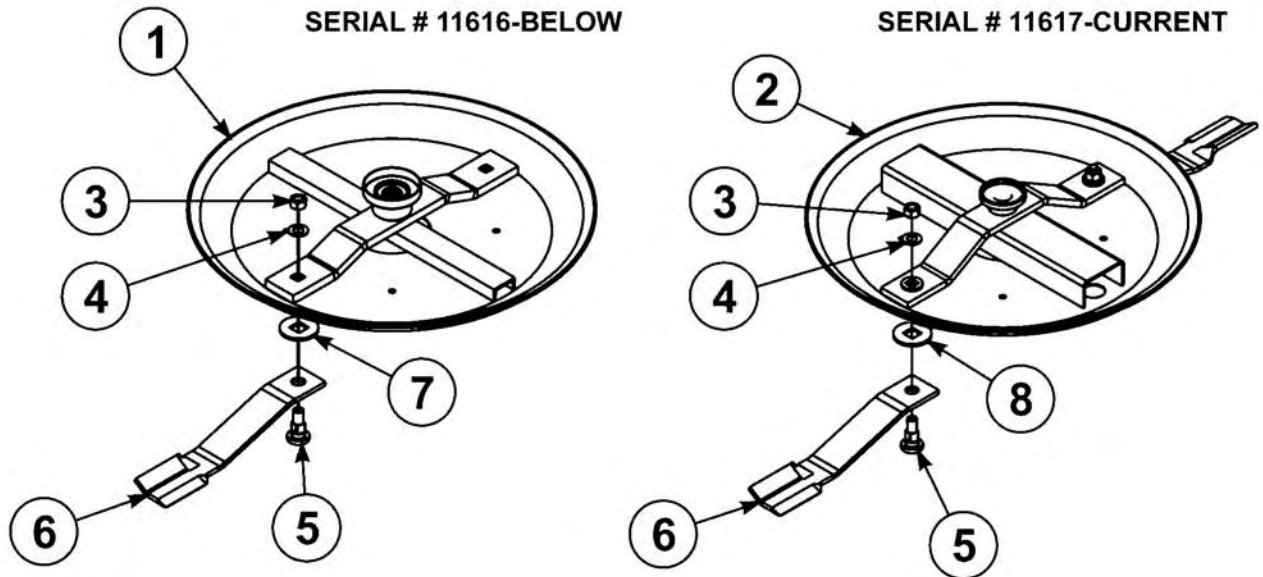
BLADE PAN ASSEMBLY TK5



ITEM	PART NO.	QTY.	DESCRIPTION
1	00781388	1	WDMT,BLADE PAN TK5
2	00780882	2	BLADE, CCW FAN 22-1/2 CTR-TIP TK5 & TK6
	0652010030	2	BLADE, FLAT
	00757830	2	BLADE, HIGH SUCTION TWISTED
3	00780945	2	WASHER 1-5/64 SQ HOLE X 3 OD TK5 & TK6
4	5GL16140	2	LOCKNUT 1 -14 LH TLN PL - TK5 & TK6
5	571044	2	BOLT SHOULDER - TK5 & TK6
6	571045	2	WASHER - HARDENED - TK5 & TK6

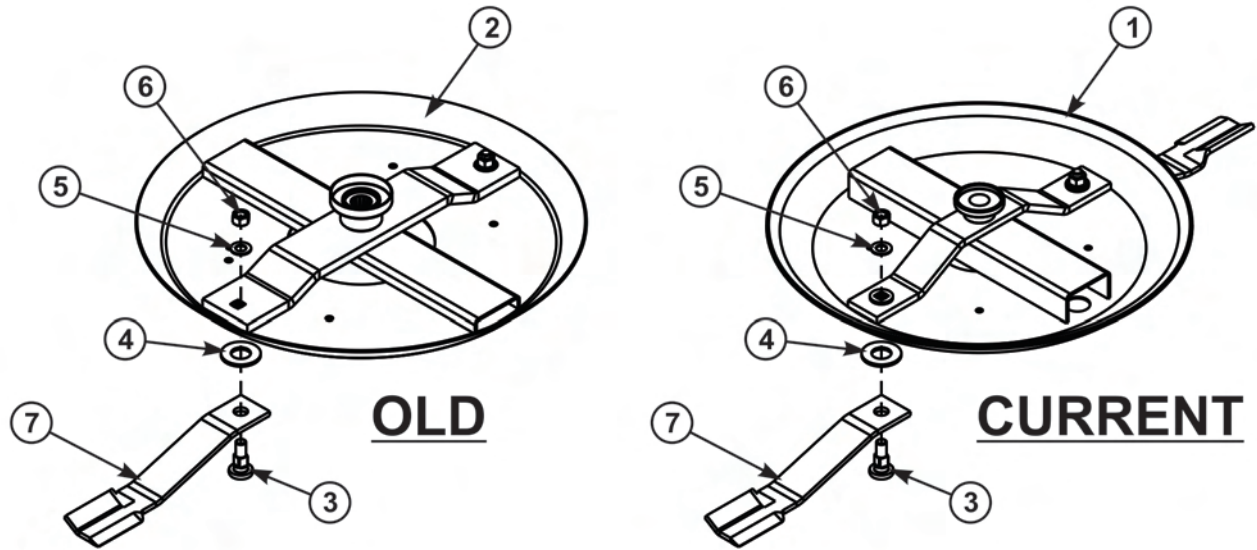
TK5 TK6 TK7

BLADE PAN ASSEMBLY TK6



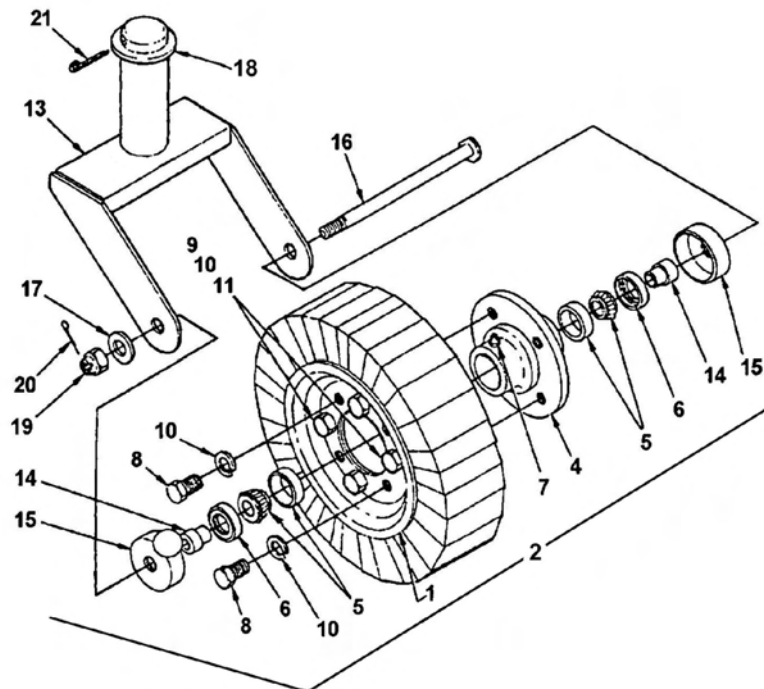
ITEM	PART NO.	QTY.	DESCRIPTION
1	00780622	1	WLDMT, BLADE PAN RX72 (SERIAL# 11616-BELOW)
2	00786485	1	WLDMT, BLADE PAN RX72 (SERIAL# 11617-CURRENT)
3	5GL16140	4	LOCKNUT 1 -14 LH TLN PL
4	571045	4	WASHER, HARDENED
5	571044	4	BOLT SHOULDER
6	00757830	2	BLADE, HIGH SUCTION TWISTED
	0652010030	2	BLADE, FLAT
	00780882	2	BLADE, CCW FAN 22-1/2 CTR-TIP TK6 & TK7
7	00780945	4	WASHER 1-5/64 SQ HOLE X 3 OD
8	00779283	4	WASHER, HARDENED BLADE WEAR

BLADE PAN ASSEMBLY TK7



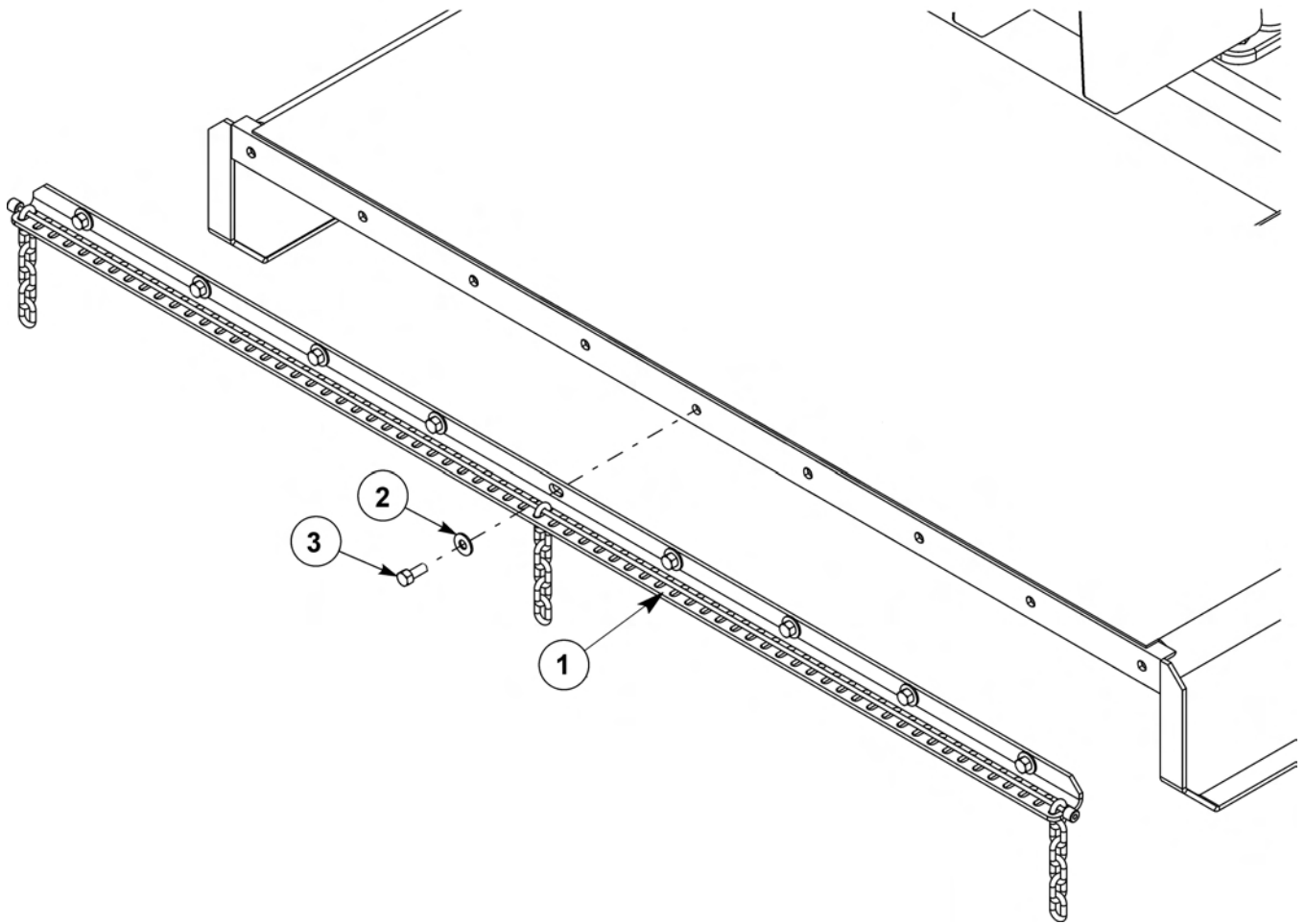
ITEM	PART NO.	QTY.	DESCRIPTION
1	00786649	1	WELDMENT, BLADE CARRIER - SERIAL#10626 TO CURRENT
2	00785581	1	WELDMENT, BLADE CARRIER - SERIAL#10625 AND BELOW
3	571044	2	BOLT, SHOULDER BLADE
4	00778047	2	BLADE WASHER
5	571045	2	WASHER 1 STRUCURAL
6	5GL16140	2	LOCKNUT
7	0582010330	2	BLADE, CCW FAN ROTARY MOWER
	582013A	2	BLADE, FLAT
	00757833	2	BLADE, HIGH SUCTION TWISTED

CASTER WHEEL AND HUB ASSEMBLY



ITEM	PART NO.	QTY.	DESCRIPTION
	00776220	1	CASTER WHEEL AND HUB ASSEMBLY
1	373024H	1	TIRE WHEEL ASSEMBLY
2	00780238	1	TAILWHEEL HUB ASSEMBLY INCLUDES ALL ITEMS EXCEPT 1, 13, 21, & 18
4	00776214	1	HUB
5	00776213	2	BEARING CONE & CUP
6	00776219	2	OIL SEAL
7	00772082	1	GREASE FITTING (THREADED)
8	00776216	4	BOLT
9	7A6166	4	BOLT
10	00776215	4	FLATWASHER
11	00012101	4	LOCKWASHER
12	00013901	4	NUT
13	0585020210A	1	CASTER FORK WELDMENT
14	00772017	2	BUSHING
15	00772018	2	DUST CAP
16	00776211	1	SPINDLE BOLT
17	02822500	1	WASHER
18	15B2400	1	FLATWASHER
19	00776212	1	CASTELLATED NUT
20	00771620	1	COTTER PIN
21	00758899	1	COTTER PIN

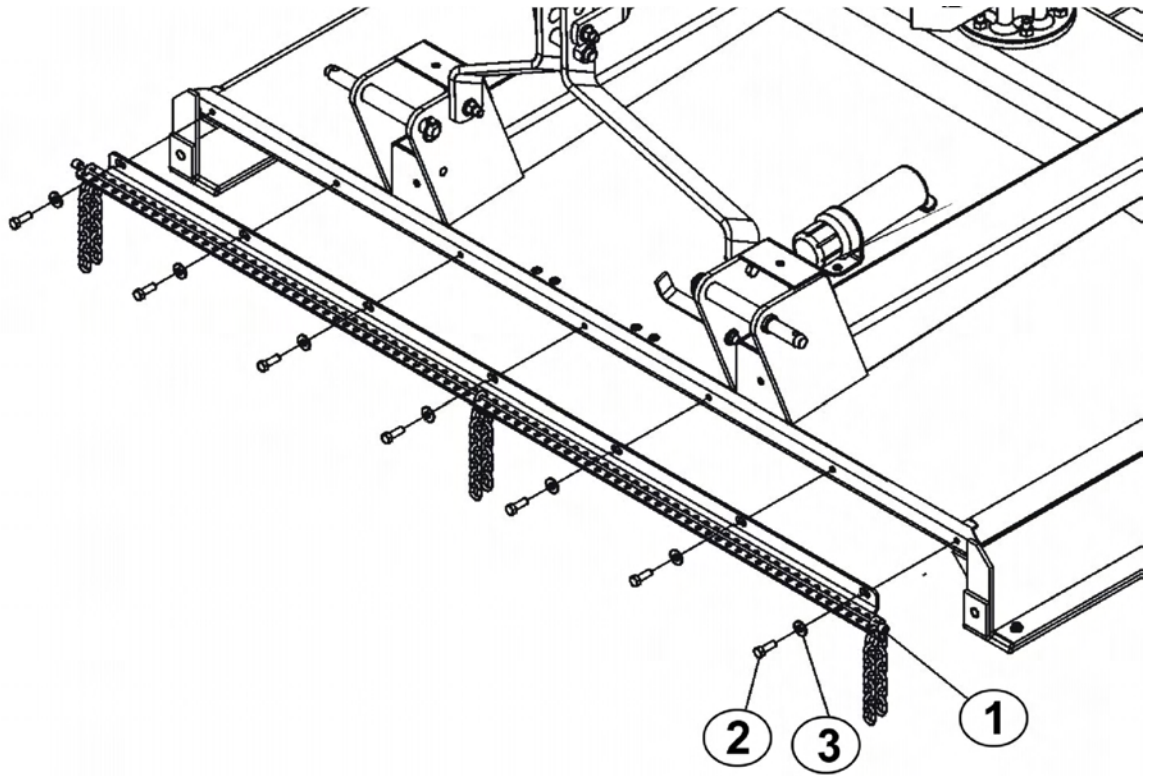
CHAINGUARD ASSEMBLY - FRONT



ITEM	PART NO.	QTY.	DESCRIPTION
1	00781256	1	FLAT, FRONT C.G. BRACKET - TK6
	00781213	1	FLAT, FRONT C.G. BRACKET - TK5
	00785474	1	FLAT, FRONT C.G. BRACKET - TK7
2	00002700	5	FLATWASHER 1/2 PL STD - TK5/TK6
	00002700	7	FLATWASHER 1/2 PL STD TK7
3	00748823	5	HHCS 1/2-13UNC 1-1/2 PL5 - TK5/TK6
	00748823	7	HHCS 1/2-13UNC 1-1/2 PL5 - TK7

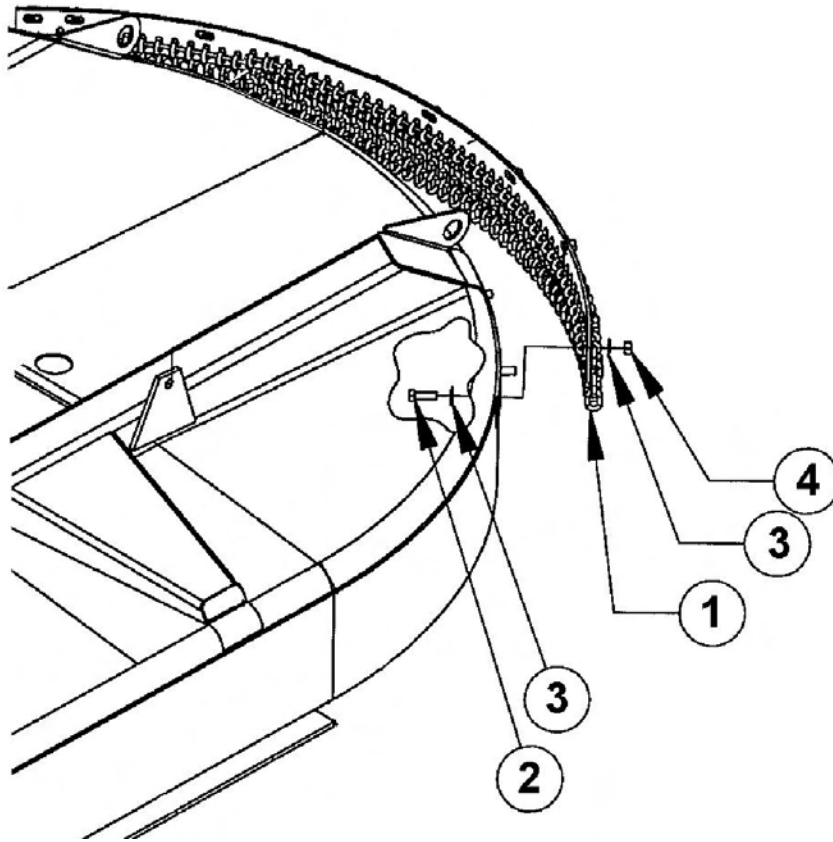
TK5 TK6 TK7

CHAINGUARD ASSEMBLY - FRONT TK7 (DOUBLE)



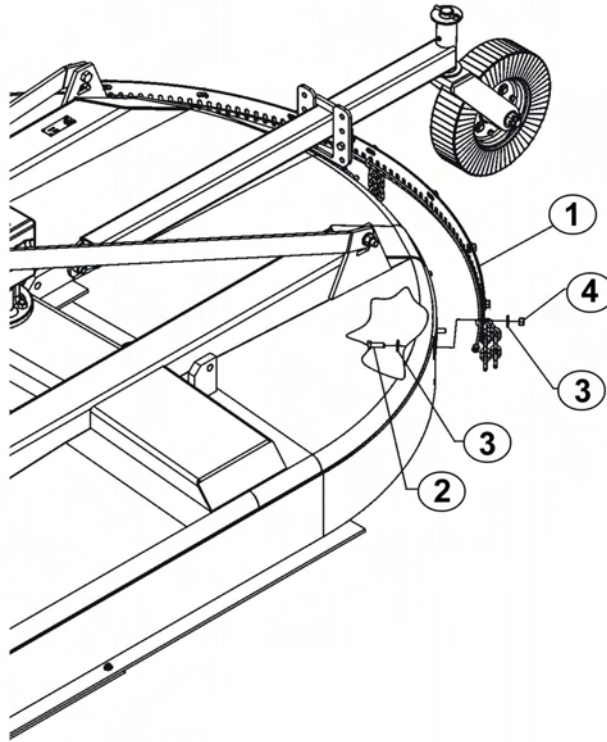
ITEM	PART NO.	QTY.	DESCRIPTION
1	00785248	1	ASY,FRONT DOUBLE CG
2	00748823	7	HHCS 1/2-13UNC 1-1/2 PL5
3	00002700	7	FLATWASHER 1/2 PL STD

CHAINGUARD ASSEMBLY - REAR



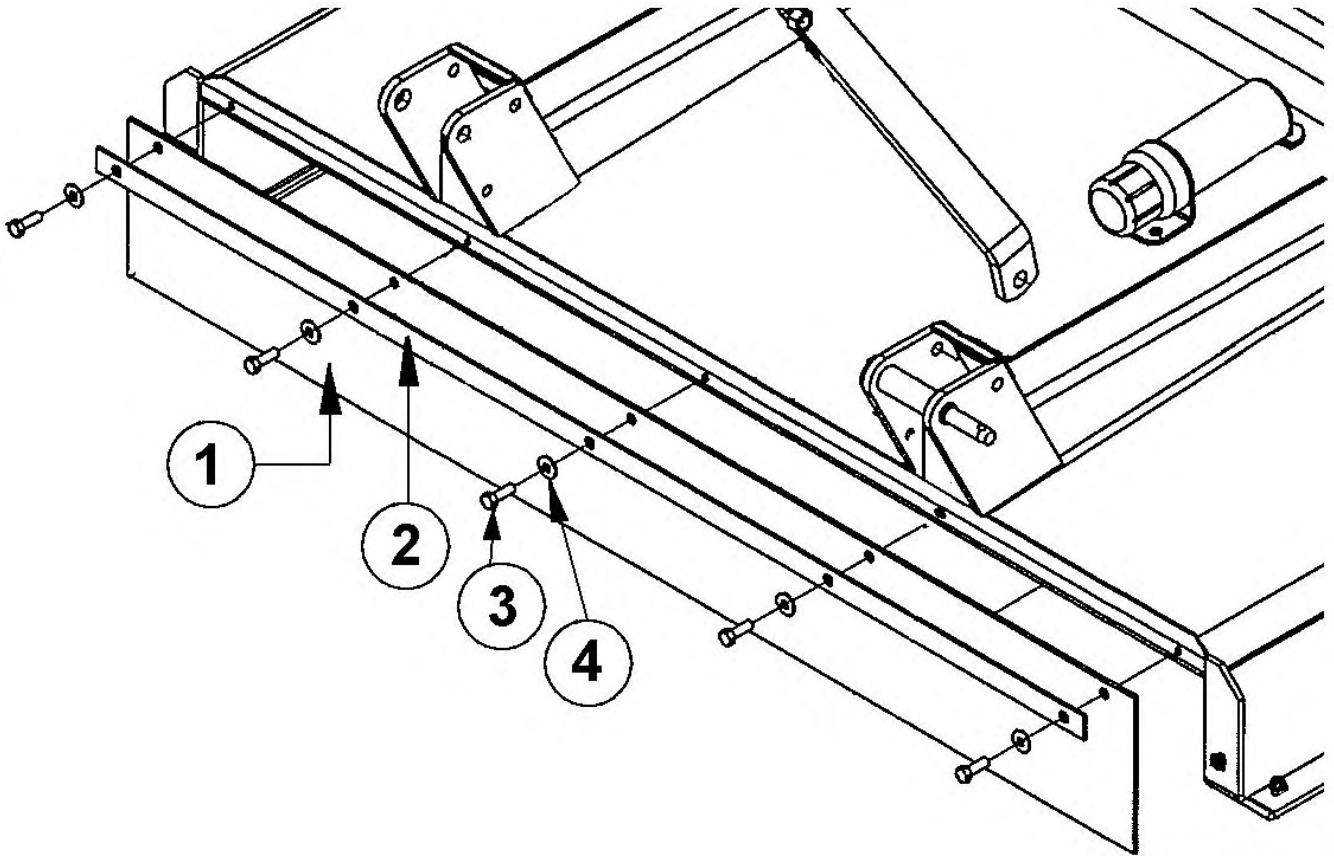
ITEM	PART NO.	QTY.	DESCRIPTION
1	00785950	1	BRACKET,REAR CHAIN GUARD - TK6
	00785230	1	ASY,REAR CHAIN GUARD - TK5
	00781264	1	BRACKET,REAR CHAIN GUARD - TK7
2	00748823	9	HHCS 1/2-13UNC 1-1/2 PL5 - TK6/TK7
	00748823	7	HHCS 1/2-13UNC 1-1/2 PL5 - TK5
3	00002700	18	FLATWASHER 1/2 PL STD - TK6/TK7
	00002700	14	FLATWASHER 1/2 PL STD - TK5
4	00001800	9	LOCKNUT TLM 1/2 NC PLB - TK6/TK7
	00001800	7	LOCKNUT TLM 1/2 NC PLB - TK5

CHAINGUARD ASSEMBLY - REAR TK7 (DOUBLE)



ITEM	PART NO.	QTY.	DESCRIPTION
1	00785249	1	ASY,REAR DOUBLE CG
2	00748823	9	HHCS 1/2-13UNC 1-1/2 PL5
3	00002700	18	FLATWASHER 1/2 PL STD
4	00001800	9	LOCKNUT TLM 1/2 NC PLB

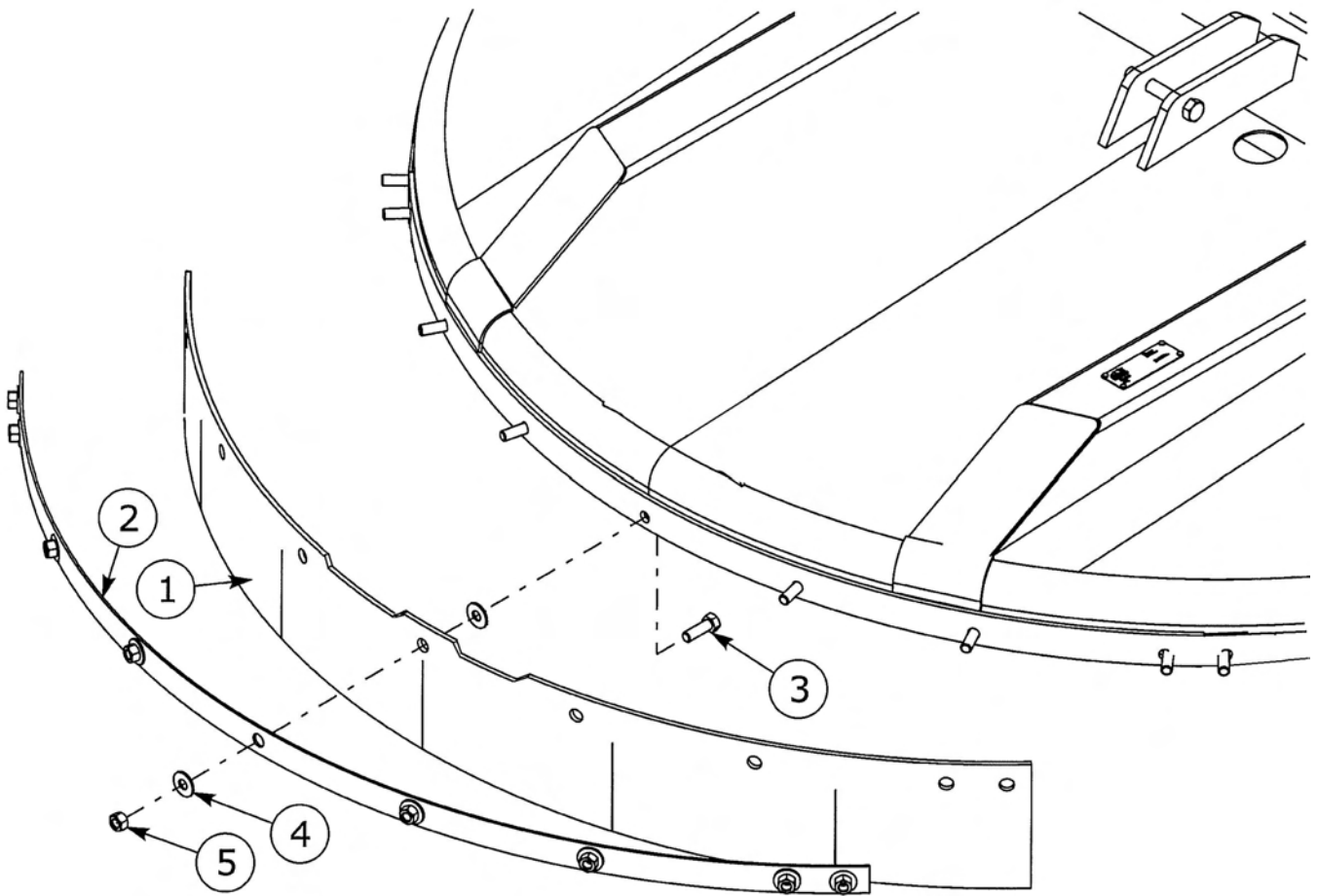
DEFLECTOR ASSEMBLY - FRONT



ITEM	PART NO.	QTY.	DESCRIPTION
1	00780879	1	PANEL, FRONT RUBBER DEFLECTOR - TK6
	00781039	1	PANEL, FRONT RUBBER DEFLECTOR - TK5
	00781119	1	PANEL, FRONT DEFLECTOR - TK7
2	00780881	1	FLAT, DEFLECTOR STRAP - TK6
	00781041	1	FLAT, DEFLECTOR STRAP - TK5
	00781144	1	FLAT, FRONT DEFLECTOR STRAP - TK7
3	00748823	5	HHCS 1/2-13UNC 1-1/2 PL5 - TK5/TK6
	00748823	7	HHCS 1/2-13UNC 1-1/2 PL5 - TK7
4	00002700	5	FLATWASHER 1/2 PL STD - TK5/TK6
	00002700	7	FLATWASHER 1/2 PL STD - TK7

TK5 TK6 TK7

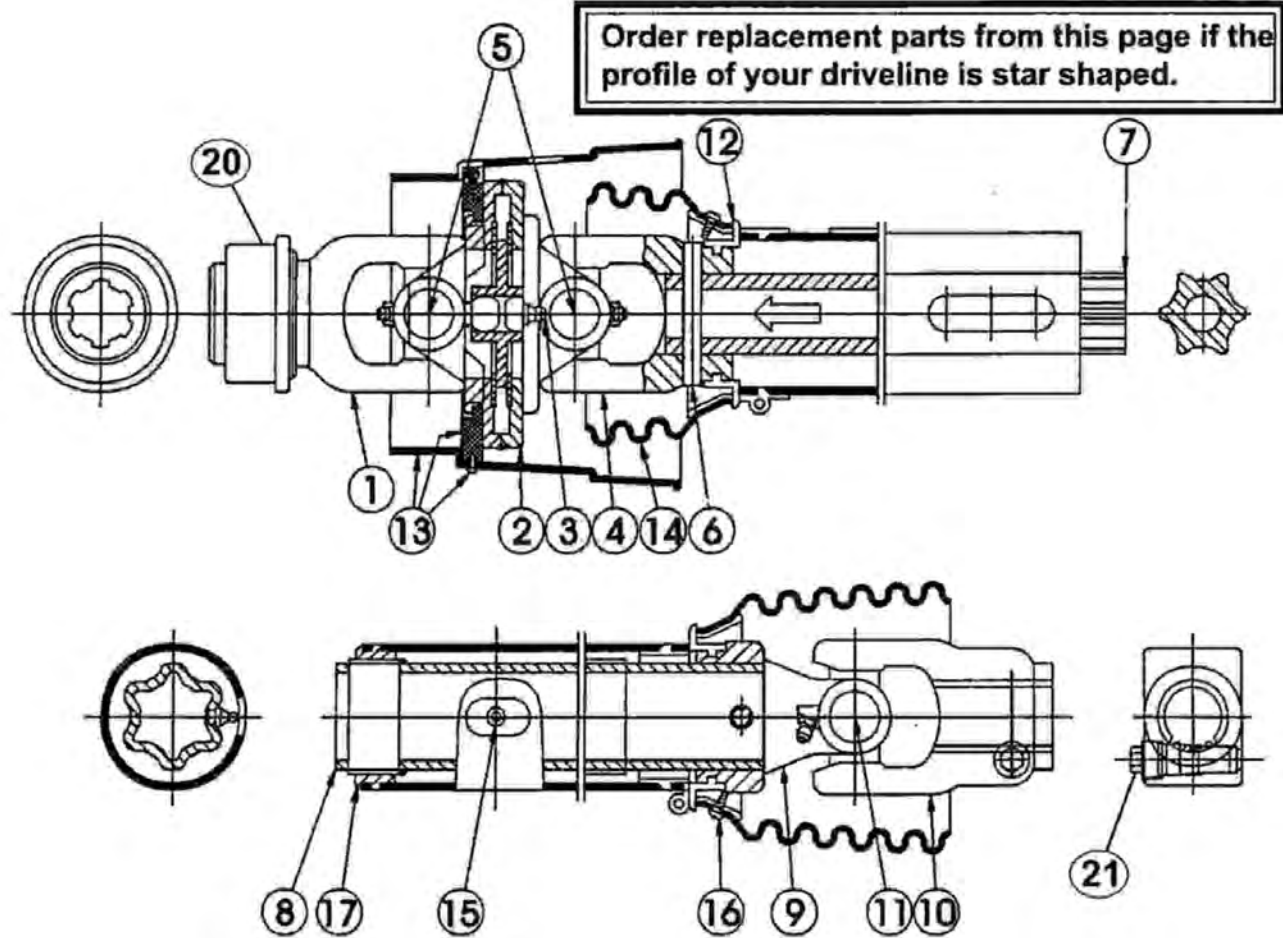
DEFLECTOR ASSEMBLY - REAR



ITEM	PART NO.	QTY.	DESCRIPTION
1	00781231	1	PANEL, REAR RUBBER DEFLECTOR - TK6
	00781229	1	PANEL, REAR RUBBER DEFLECTOR - TK5
	00781079	1	PANEL, REAR DEFLECTOR - TK7
2	00781232	1	FLAT, REAR DEFLECTOR STRAP - TK6
	00781230	1	FLAT, REAR DEFLECTOR STRAP - TK5
	00781131	1	FLAT, REAR DEFLECTOR STRAP - TK7
3	00748823	9	HHCS 1/2-13UNC 1-1/2 PL5 - TK6/TK7
	00748823	7	HHCS 1/2-13UNC 1-1/2 PL5 TK5
4	00002700	18	FLATWASHER 1/2 PL STD - TK6/TK7
	00002700	14	FLATWASHER 1/2 PL STD TK5
5	00001800	9	LOCKNUT TLM 1/2 NC PLB- TK6/TK7
	00001800	7	LOCKNUT TLM 1/2 NC PLB TK5

TK5 TK6 TK7

DRIVELINE - 1-3/8 CV - 540



ITEM	PART NO.	QTY.	DESCRIPTION
	00775301	1	DRIVELINE 540 CV SR5 60 1/3/8
	00775304	1	SHIELD 540 RPM OUTER HALF
	00775305	1	SHIELD 540 RPM INNER HALF
1	8380	1	YOKE 1-3/8 6 SPLING COMP.
2	8381	1	DOUBLE YOKE
3	8382	1	FITTING, GRASE M8 X 1
4	00775309	1	YOKE INBOARD S4
5	8396	2	CROSS & BEARING KIT
6	0921000333	2	PIN-SPRING 10 X 80
7	00775380	1	INNER PROFILE S4GA
8	00775381	1	SLEEVE & PROFILE W.A.
9	00775310	1	YOKE INBOARD S5
10	00775311	1	YOKE 1-3/4-20 SPL CC
11	8388	1	CROSS & BEARING KIT
12	8393	1	BEARING RING
13	00763951	1	DRIVELINE- CV CONE BRG ASY

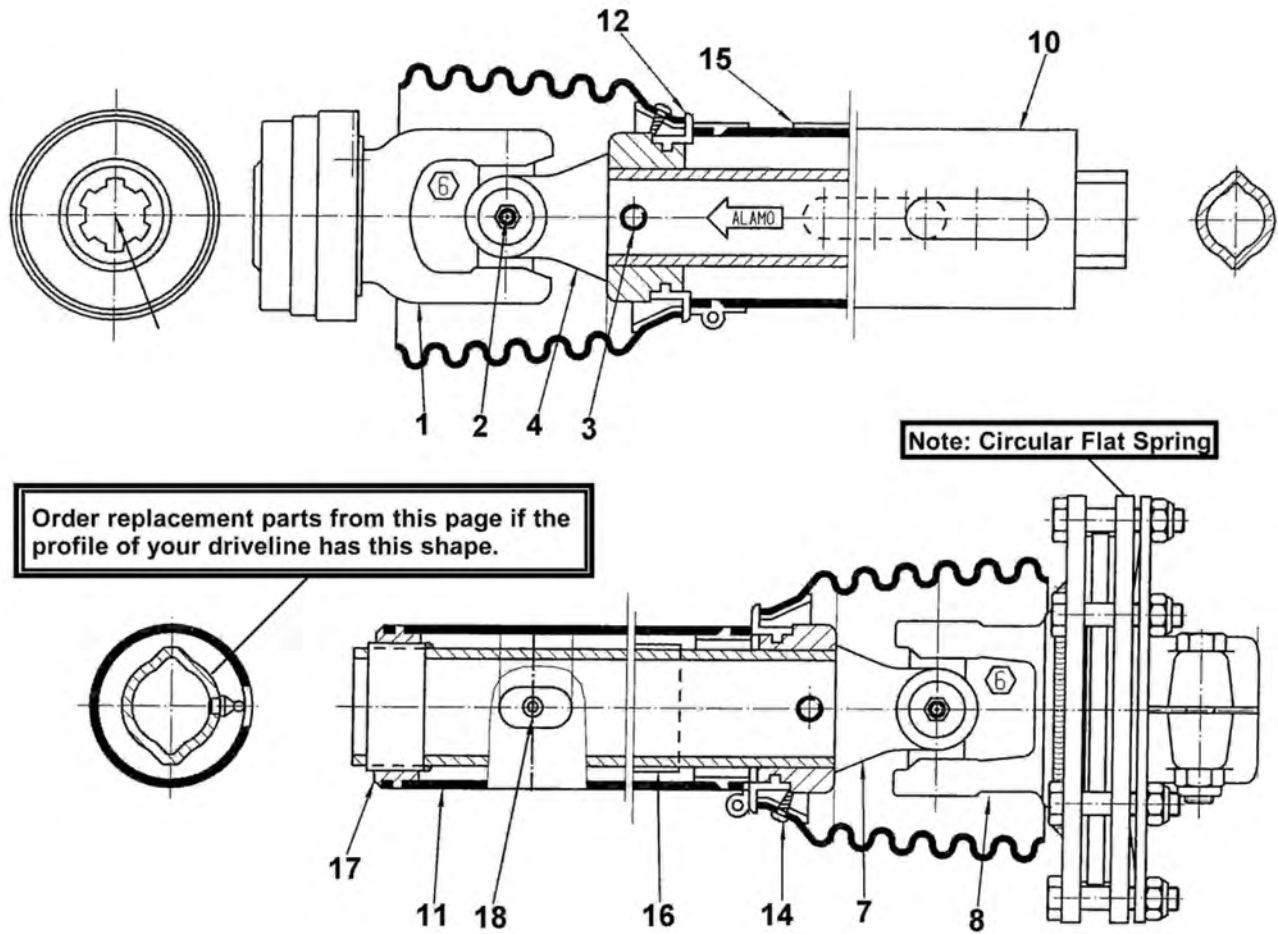
DRIVELINE - 1-3/8 CV - 540

Continued...

ITEM	PART NO.	QTY.	DESCRIPTION
14	8949	1	SHIELD CONE
15	1416601	1	ZERK
16	00759217	8	SCREW 1/2 LG END
17	8974	1	SUPPORT BEARING
18	00775303	1	DRIVELINE IMPLEMENT HALF CV
19	00775302	1	DRIVELINE TRACTOR HALF CV
20	00767953	1	YOKE.Q.D.KIT - METAL
21	00774208	1	LOCK ASY CC YOKE

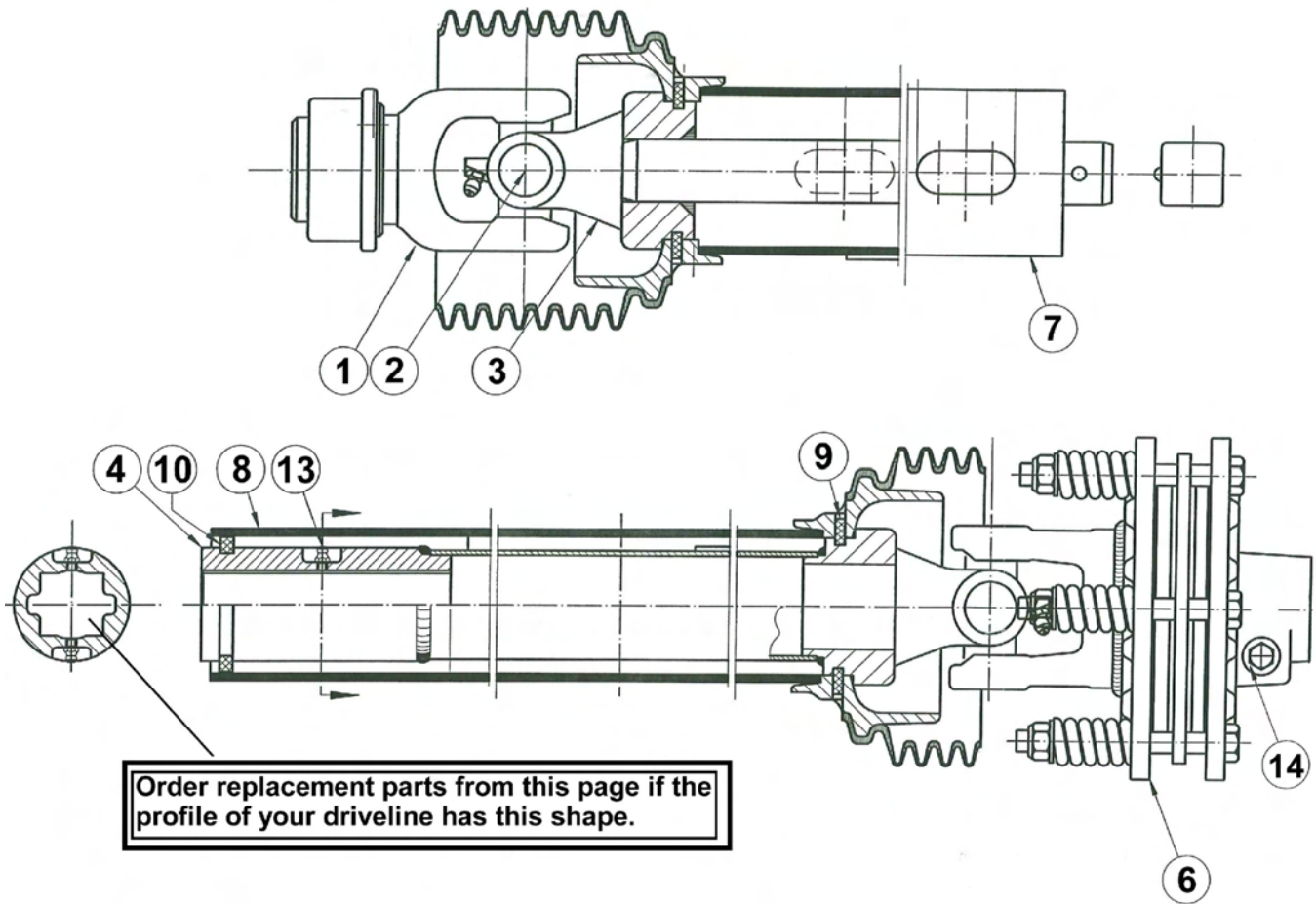
TK5 TK6 TK7

DRIVELINE ASSEMBLY TK5/TK6/TK7 (LIFT)



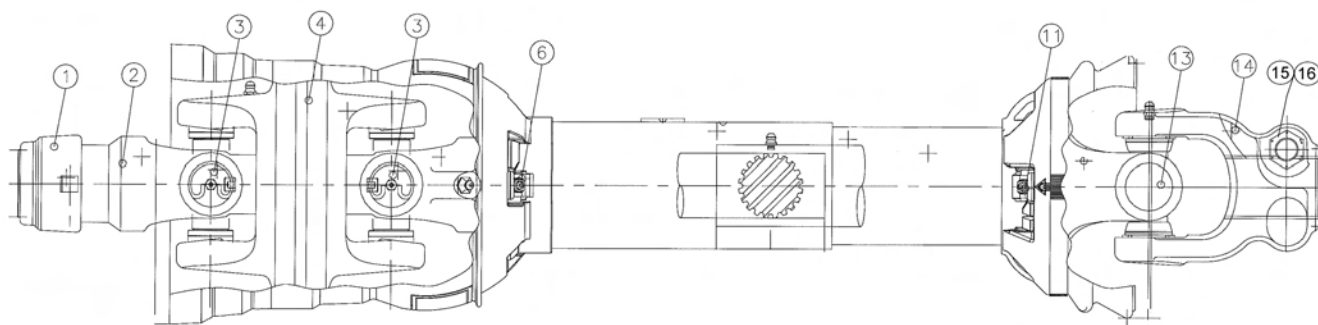
ITEM	PART NO.	QTY.	DESCRIPTION
	00781390	1	DRIVELINE CAT4 1-3/4-20 SPLINE
1	00779516	1	YOKE 1 3/8" -6 SPL
2	00779517	2	CROSS & BEARING KIT
3	00756934	2	PIN, ROLL 10 X 80
4	8982	1	YOKE INBOARD
7	8387	1	INBOARD YOKE
8	00779512	1	FRICITION CLUTCH
12	8393	2	BEARING RING
14	00759217	2	SCREW 1/2 LG # 8 PAN
15	00756005	1	DECAL-ROTATING DRIVELINE
16	00756004	1	DECAL-SHIELD MISSING
17	8974	1	SUPPORT BEARING
18	1416601	1	ZERK
	00779533	1	SHIELD KIT INCLUDES ITEMS 10, 11, 12, 14 & 15

DRIVELINE ASSEMBLY CAT-5 TK7 (LIFT)



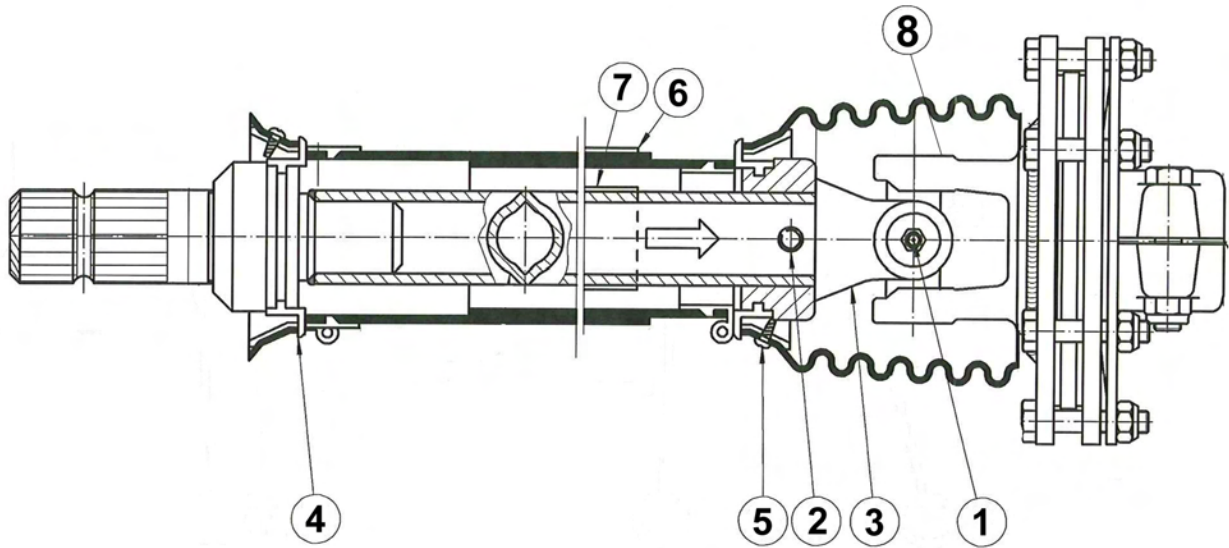
ITEM	PART NO.	QTY.	DESCRIPTION
	00781406	1	DRIVELINE ASSEMBLY
1	W821A	1	YOKE 44 1-3/8-6 SLID
2	W840	2	KIT,CROSS SAME AS P
3	W816F	1	YOKE SHAFT PAINT BLA
4	00775344	1	YOKE, I.B. TUBE & SLEEVE W.A.
6	00779357	1	COMPT. CLUTCH HUB 1440 1350MM
7	00775345	1	OUTER SHIELD TUBE ASSY
8	00775346	1	INNER SHIELD TUBE ASSY
9	00775347	4	SHIELD BEARING
10	00775348	1	SUPPORT BEARING
13	00752670	2	FITTING,GREASE STRAIGHT 1/4-28
14	00774208	1	LOCK ASY CC YOKE
15	8391	1	Q.D. COLLAR KIT W/3

DRIVELINE ASSEMBLY CV



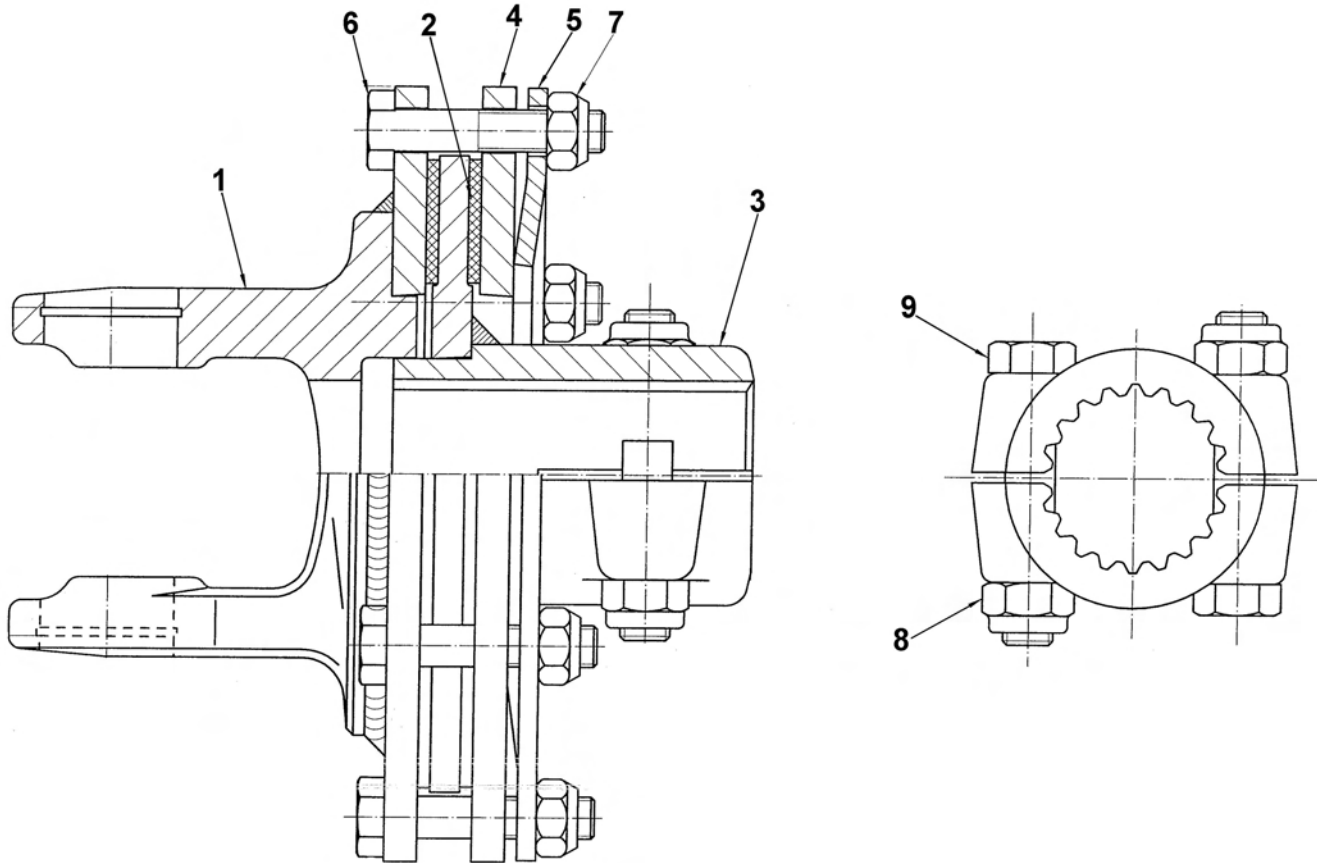
ITEM	PART NO.	QTY.	DESCRIPTION
	00779504	1	DRIVELINE ASSEMBLY CV
1	2716820	1	REPAIR KIT
2	00779522	1	ASY,SAFETY SLIDE LOCK YOKE
3	00779521	2	KIT,CROSS & BEARING
4	00779520	1	HOUSING,CENTER
6	00779051	1	GUARD REPAIR KIT (NOT SHOWN)
11	00780376	1	NYLON BEARING & KEEPER
13	00779519	1	KIT,CROSS & BEARING
14	00779518	1	YOKE
15	02956948	1	LOCKNUT 5/8 NC PLC
16	00765690	1	HHCS 5/8-11UNC 3LG GR8 PL
	00779523	1	ASY,JOINT & TUBE 1/2 W/GUARD
	00779524	1	ASY,JOINT & SHAFT 1/2 W/GUARD
	00779525	1	ASY,GUARD SET

DRIVELINE JACKSHAFT ASSEMBLY - TK7



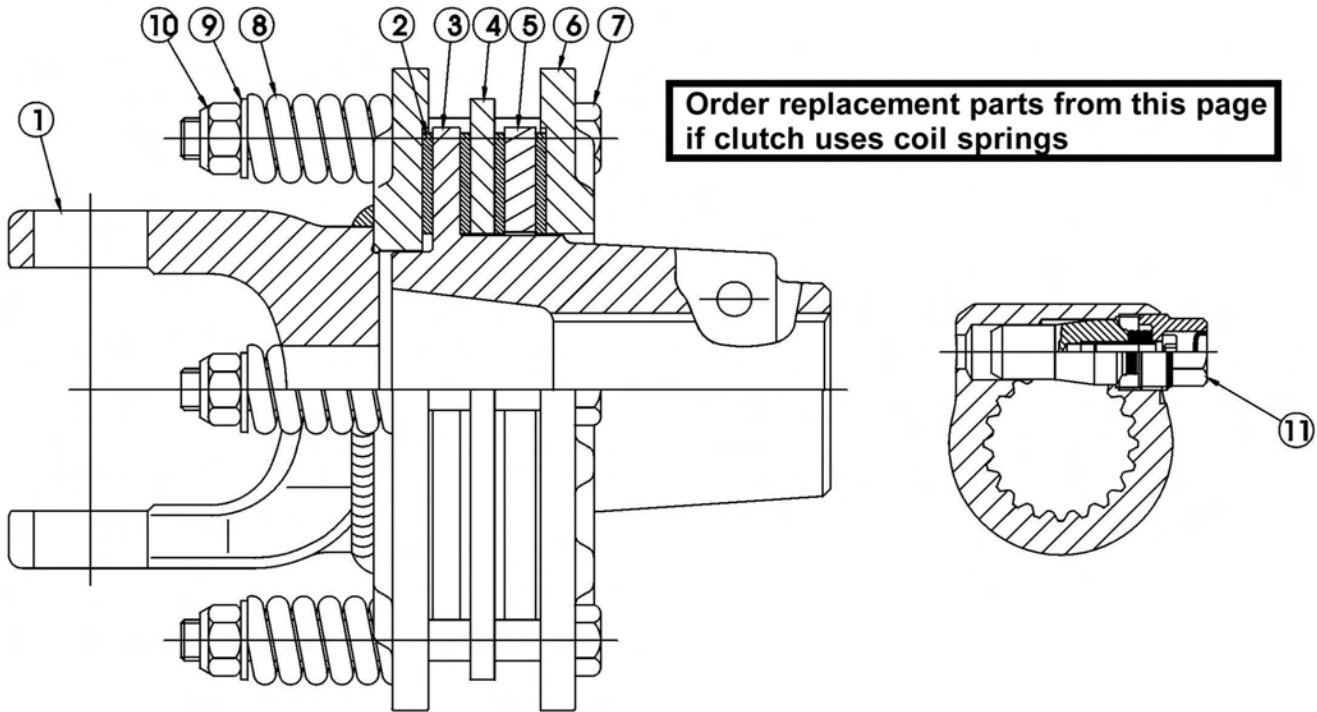
ITEM	PART NO.	QTY.	DESCRIPTION
	00785491	1	JACKSHAFT
1	00779517	1	CROSS & BEARING KIT
2	00756934	1	SPRING PIN 10 X 80
3	8982	1	INBOARD YOKE 1B
4	8393	2	BEARING RING SC25
5	00759217	2	SCREW- IN ITEM 7 & 8
6	00756005	1	DECAL OUT. -IN ITEM 9
7	00756004	1	DECAL INN. -IN ITEM 1
	00774208	1	CC LOCK ASSY - IN ITEM 6
8	00779512	1	CLUTCH

DRIVELINE SLIP CLUTCH ASSEMBLY TK5/TK6/TK7



ITEM	PART NO.	QTY.	DESCRIPTION
	00779512	1	SLIP CLUTCH ASSEMBLY
1	00779511	1	FLANGE YOKE
2	00754202	2	RING,CLUTCH LINING
3	00775322	1	HUB 1 3/4-20 I.C.
4	00775323	1	PLATE, THRUST
5	00775324	1	SPRING, BELLEVILLE
6	61064C8	6	M10X1.5X50 GR.8.8 HEX CAPSCREW
7	00765961	6	NUT MET TLE 10MM-P1.5 PL
8	00772648	2	NUT,HEX TOP LOCK-M12 X 1.75
9	61076C8	2	M12X1.75X65 GR.8.8 HEX CAPSCREW

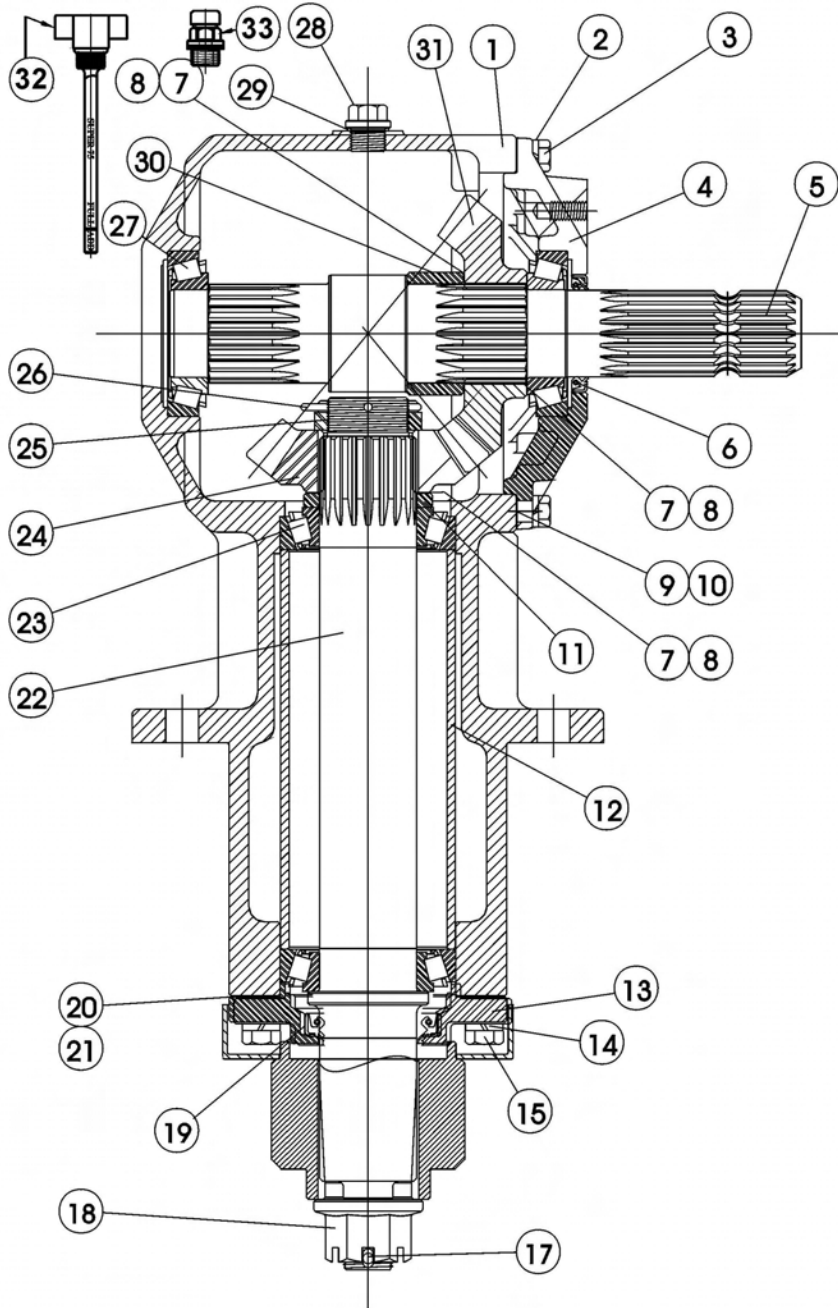
DRIVELINE SLIP CLUTCH ASSEMBLY CAT 5 TK7



Order replacement parts from this page
if clutch uses coil springs

ITEM	PART NO.	QTY.	DESCRIPTION
1	00775383	1	YOKE FLANGE
2	0921000462	4	DISK, CLUTCH 5-15/16X3-19/32X
3	00779366	1	HUB 1-3/4-20
4	00775335	1	DRIVE PLATE
5	00779365	1	DRIVE PLATE
6	00775337	1	THRUST PLATE
7	00775338	6	BOLT HEX M12 X P1.25 X 115M
8	00775339	6	COMPRESSION SPRING
9	00754566	6	LOCKWASHER, 12MM
10	00756164	6	NUT METRIC 12MM-P1.75 GR.8.8
11	00774208	1	LOCK ASY CC YOKE

GEARBOX ASSEMBLY TK5 CURRENT & TK6 - SERIAL# 11616-BELOW



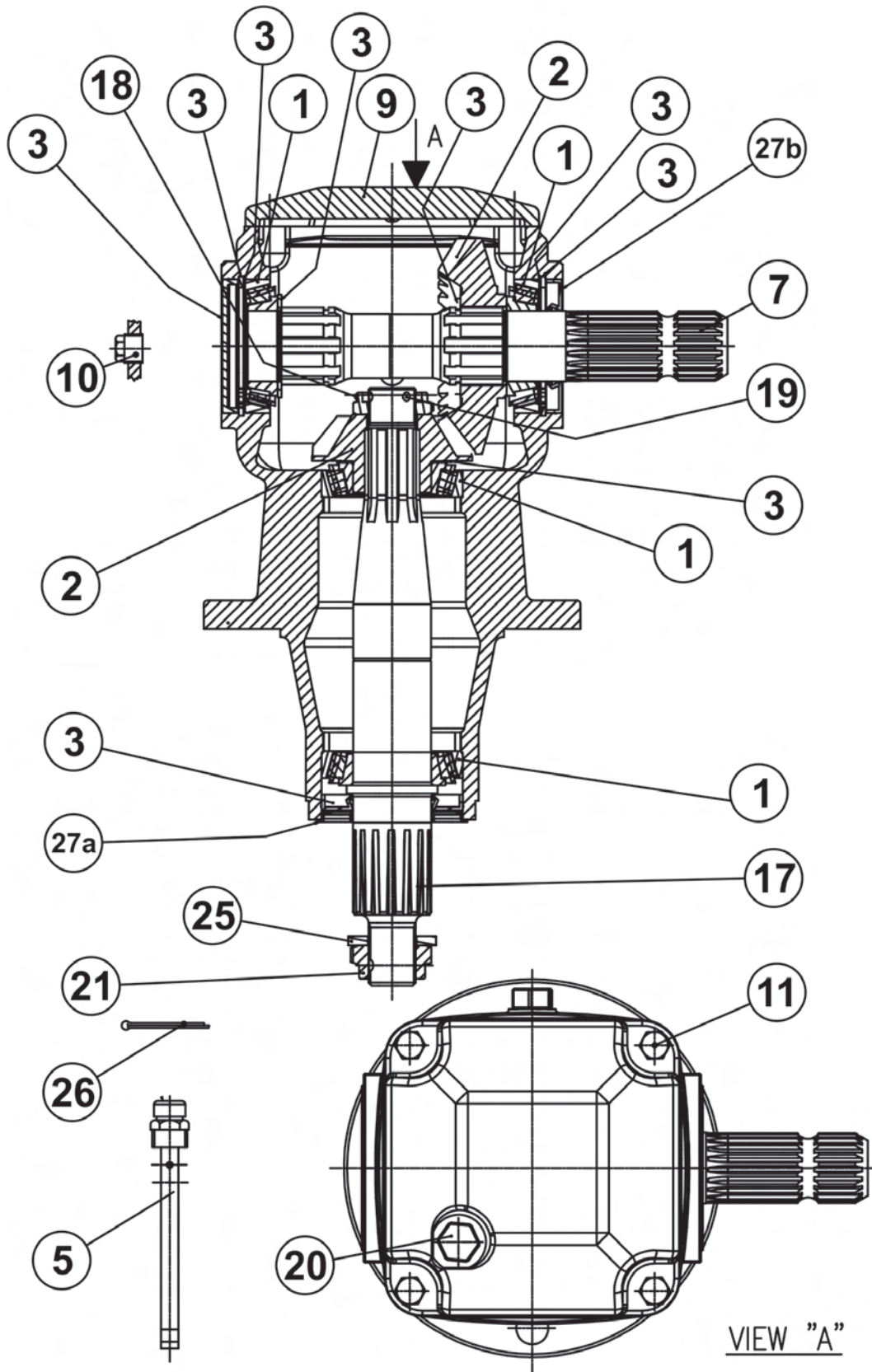
GEARBOX ASSEMBLY TK5 CURRENT & TK6 - SERIAL# 11616-BELOW

Continued...

ITEM	PART NO.	QTY.	DESCRIPTION
	00780880P	1	ASY,GEARBOX, SUPER 75 1:1.6 SU
1	00781380	1	HOUSING 75 SERIES E.O.
2	00755954	8	LOCKWASHER M10
3	00758659	8	HEXB METRIC 10-P1.5 - 32 MM PL5
4	00758664	1	CAP, INPUT IEG 20-001
5	00758689	1	SHAFT, INPUT
6	00758653	1	SEAL 1-3/4ID X 2.378OD
7	00758667	1	SHIM .012 X 2.44 O.D.
8	00758668	1	SHIM,0.020 2.44 O.D.
9	00758646	1	SHIM, ADJUSTMENT - .004"
10	00758647	1	SHIM, ADJUSTMENT - .010"
11	00759977	1	SPACER GEAR MOUNT I
12	00781381	1	OUTPUT SPACER
13	00758663	1	CAP,OUTPUT IEG #20-002
14	00758672	4	LOCKWASHER, M12 IEG 07-002
15	02959661	4	HEXB, M12-P1.75 X 35 MM PL8.8
17	00606000	1	PIN,COTTER 3/16 X 2
18	00758692	1	NUT SLOTTED HEX FLG 1-14 UNS PL
19	00758674	1	SEAL,OUTPUT SHAFT 50
20	00758676	1	GASKET, .004 OR .1M
21	00758677	1	GASKET, .010 OR .25
22	00781382	1	OUTPUT SHAFT
23	00769938	2	BEARING #30210
24	00758698	1	GEAR,15 TOOTH
25	00762121	1	NUT,HEX THIN SLOTTED
26	00026200	1	PIN,COTTER 5/32 X 1-1/2
27	00755615	2	BEARING
28	00770737	2	LEVEL PLUG M18 X 1.5
29	00769321	3	WASHER,SEALING,17.8M
30	00758657	1	SPACER,INPUT SHAFT
31	00758701	1	GEAR,24 TOOTH
32	00778907	1	ASY,DIP STICK
33	00762114	1	PLUG,VENT W/WASHER 18M-P1.5

TK5 TK6 TK7

GEARBOX ASSEMBLY TK6 - SERIAL# 11617-CURRENT



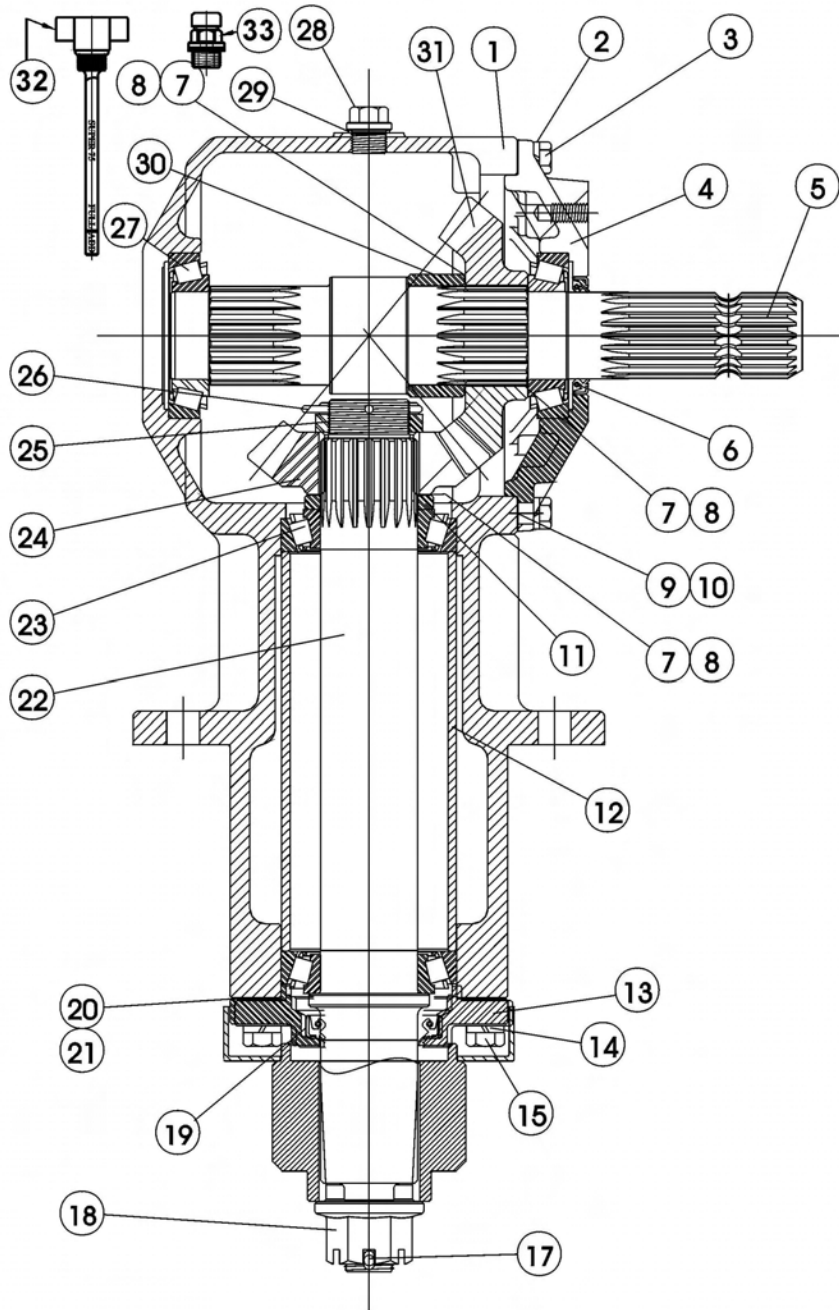
GEARBOX ASSEMBLY TK6 - SERIAL# 11617-CURRENT

Continued...

ITEM	PART NO.	QTY.	DESCRIPTION
	00785788	1	ASY,GEARBOX - NON-LUBED - GIF(GEAR IN FRONT), 1:1.50 RATIO,1-3/4-20 SPLINE
1	00786292	1	KIT,ROLLER BEARING
2	00786293	1	KIT,GEAR SET
3	00786294	1	KIT, SHIM
5	00758484	1	DIPSTICK VENT PLUG 1/2" - FILL
7	00786287	1	SHAFT,INPUT - 1-3/4-20 SPL.
9	00786305	1	COVER,GEAR BOX
10	00755633	1	PLUG,SOLID GAS - 3/8"
11	00754764	4	HEXB M10 X 1.25 X 20 PL.8.8
17	00786288	1	SHAFT,OUTPUT
18	00755621	1	NUT,CASTLE - M30 X 1.5
19	70499	1	PIN,COTTER - B5 X 60
21	00755624	1	NUT,CASTLE - M30 X 2.0
25	00755623	1	WASHER,BOLT - 31 X 56 X 6
26	2716423	1	PIN,COTTER B6 X 60
27A	00755627	1	OUTPUT SEAL
27B	00786291	1	INPUT SEAL

TK5 TK6 TK7

GEARBOX ASSEMBLY TK7 - S/N 10625 AND BELOW

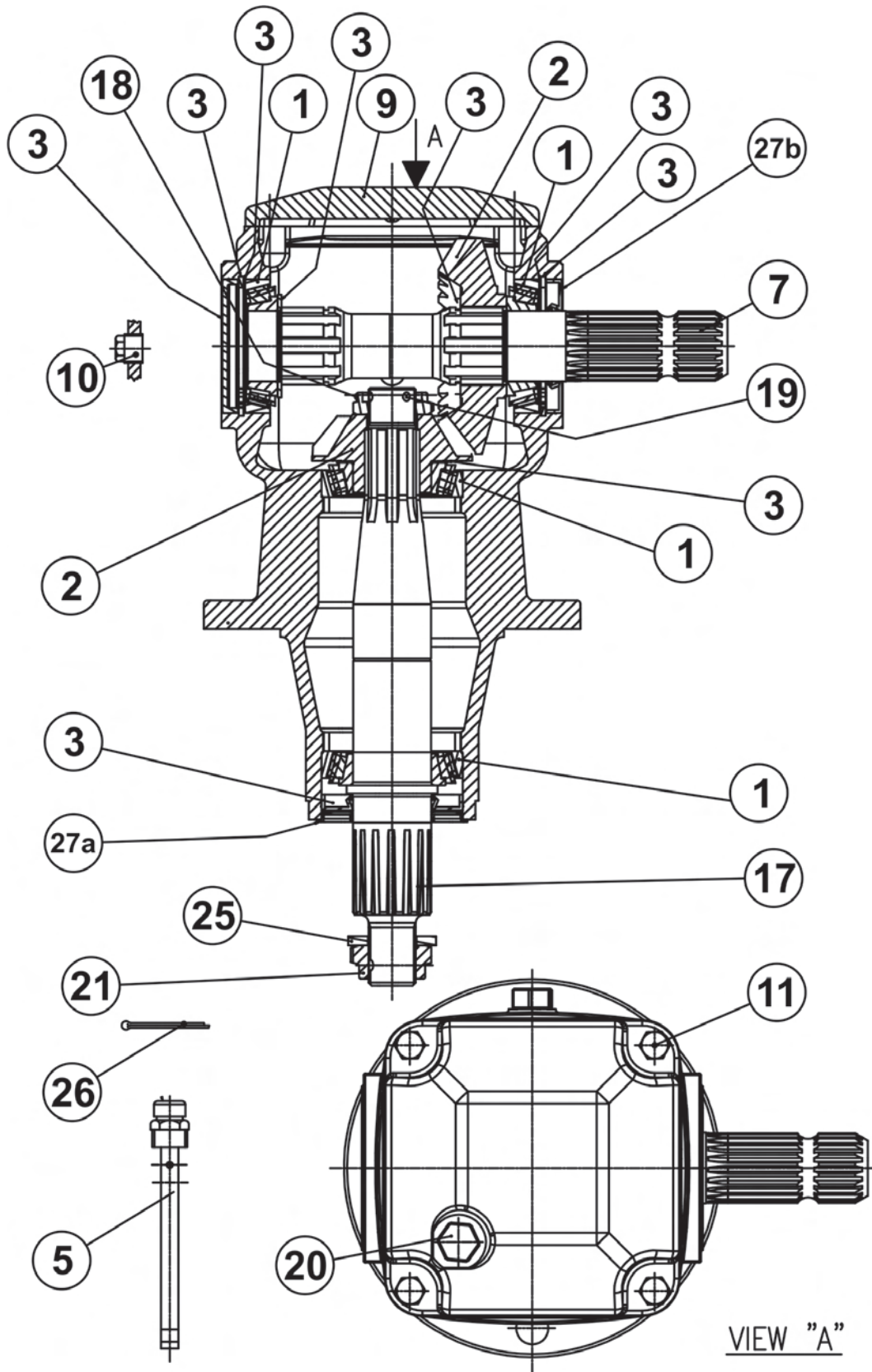


GEARBOX ASSEMBLY TK7 - S/N 10625 AND BELOW

Continued...

ITEM	PART NO.	QTY.	DESCRIPTION
	00781080P	1	GEARBOX ASSEMBLY
1	00781380	1	HOUSING 75 SERIES E.O.
2	00755954	1	LOCKWASHER M10 SPRING
3	00758859	8	M10 X 1.5 X 30 HEX HEAD SCREW
4	00758664	1	CAP, INPUT IEG 20-001
5	00758689	1	SHAFT, INPUT
6	00758653	1	SEAL 1-3/4ID X 2.378OD
7	00758667	1	SHIM .012 2.44 O.D.
8	00758668	1	SHIM,0.020 2.44 O.D.
9	00758646	1	SHIM, ADJUSTMENT - .004
10	00758647	1	SHIM, ADJUSTMENT - .010
11	00759977	1	SPACER GEAR MOUNT I
12	00781381	1	OUTPUT SPACER
13	00758663	1	CAP,OUTPUT IEG #20-002
14	00758672	4	LOCKWASHER, M12 IEG 07-002
15	02959661	4	HEXB, M12-P1.75 X 35 MM PL8.8
17	00606000	1	COTTER PIN 3/16" X 2"
18	00758692	1	NUT SLOTTED HEX FLG 1-14 UNS PL
19	00758674	1	OUTPUT OIL SEAL
20	00758676	1	GASKET, .004 OR .1M
21	00758677	1	GASKET, .010 OR .25
22	00781382	1	OUTPUT SHAFT
23	00769938	1	BEARING #30210
24	00781088	1	GEAR, 16 TOOTH PINION
25	00762121	1	NUT, HEX, THIN SLOTTED
26	00026200	1	PIN,COTTER 5/32 X 1-1/2
27	00755615	1	BEARING #30209
28	00770737	1	LEVEL PLUG M 18 X 1.5
29	00769321	1	WASHER, SEALING
30	00758657	1	SPACER, INPUT SHAFT
31	00781089	1	GEAR, 22 TOOTH
32	00778907	1	ASSY-DIPSTICK FOR SUPER 75 GBS
33	00762114	1	PLUG,VENT, 18M-P1.5 5PSI

GEARBOX ASSEMBLY TK7 - S/N 10626 - CURRENT

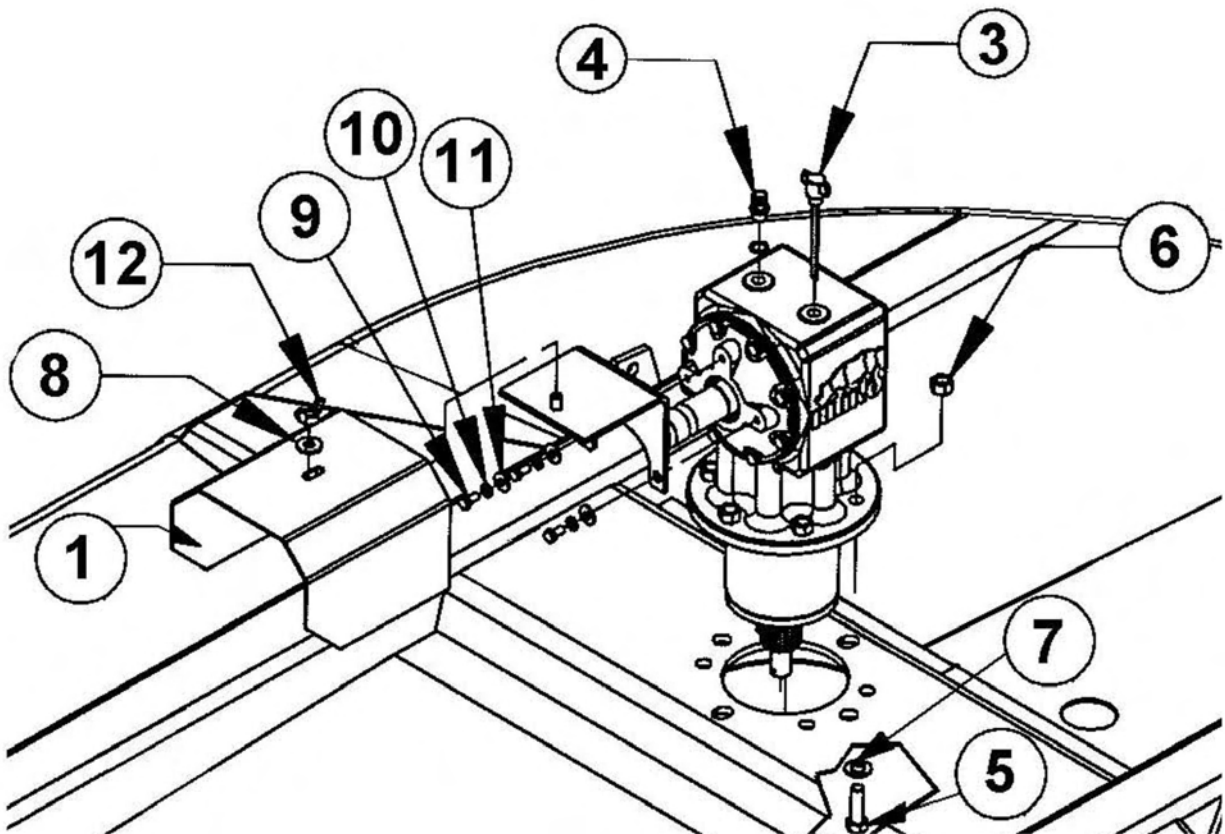


GEARBOX ASSEMBLY TK7 - S/N 10626 - CURRENT

Continued...

ITEM	PART NO.	QTY.	DESCRIPTION
	00785790	1	ASY,GEARBOX - NON-LUBED - GIF(GEAR IN FRONT), 1:1.22 RATIO,1-3/4-20 SPLINE
1	00786292	1	KIT,ROLLER BEARING
2	00786299	1	KIT,GEAR SET
3	00786294	1	KIT, SHIM
7	00786287	1	SHAFT,INPUT - 1-3/4-20 SPL.
9	00786305	1	COVER,GEAR BOX
10	00755633	1	PLUG,SOLID GAS - 3/8"
11	00754764	4	HEXB M10 X 1.25 X 20 PL.8.8
17	00786295	1	SHAFT,OUTPUT
18	00756943	1	NUT,CASTLE - M40 X 1.5
19	70499	1	PIN,COTTER - B5 X 60
20	00758484	1	DIPSTICK VENT PLUG 1/2" - FILL
21	00755624	1	NUT,CASTLE - M30 X 2.0
25	00755623	1	WASHER,BOLT - 31 X 56 X 6
26	2716423	1	PIN,COTTER B6 X 60
27A	00755627	1	OUTPUT SEAL
27B	00786291	1	INPUT SEAL

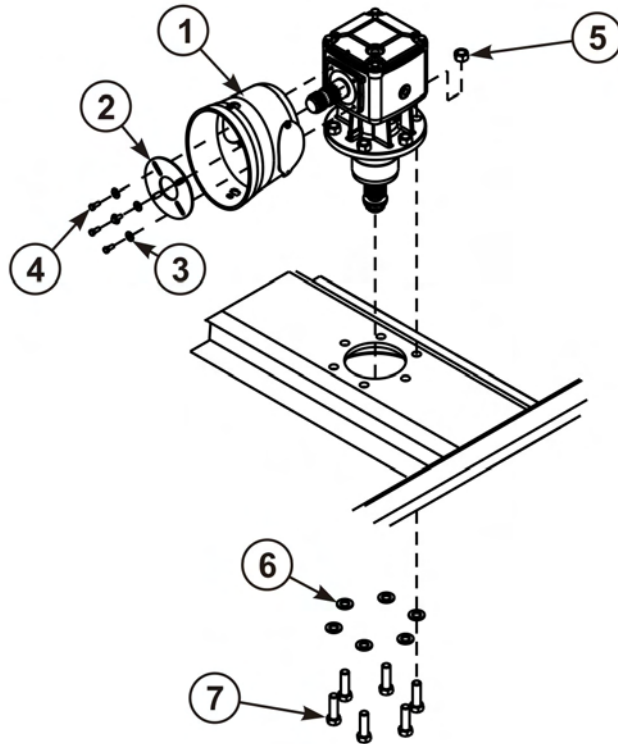
GEARBOX ATTACHMENT TK5/TK6 SERIAL# 11616-BELOW, & TK7



ITEM	PART NO.	QTY.	DESCRIPTION
1	00775571	1	WLDMT SHIELD
2	00780865	1	WLDMT BRKT SHIELD
3	00778907	1	ASSY-DIPSTICK FOR SUPER 75 GBS
4	00762114	1	PLUG,VENT W/WASHER 18M-P1.5
5	02845500	6	HEXB 5/8 NC 2 PL5 TK5/TK6
	00750952	6	5/8 X 2 1/2 HHCS NC GR5 PL TK7
6	00695100	6	LOCKNUT TOPLOCK 5/8 NC PLB
7	00756077	6	WASHER,5/8 HARDENED
8	00002700	1	FLATWASHER 1/2 PL STD
9	00002000	3	HEX CAP 3/8-16 X 3/4 GR.5 ZP
10	00012101	3	LOCKWASHER 3/8 PL
11	00011100	3	FLATWASHER STD 3/8
12	5F8130	1	1/2 NC WING NUT

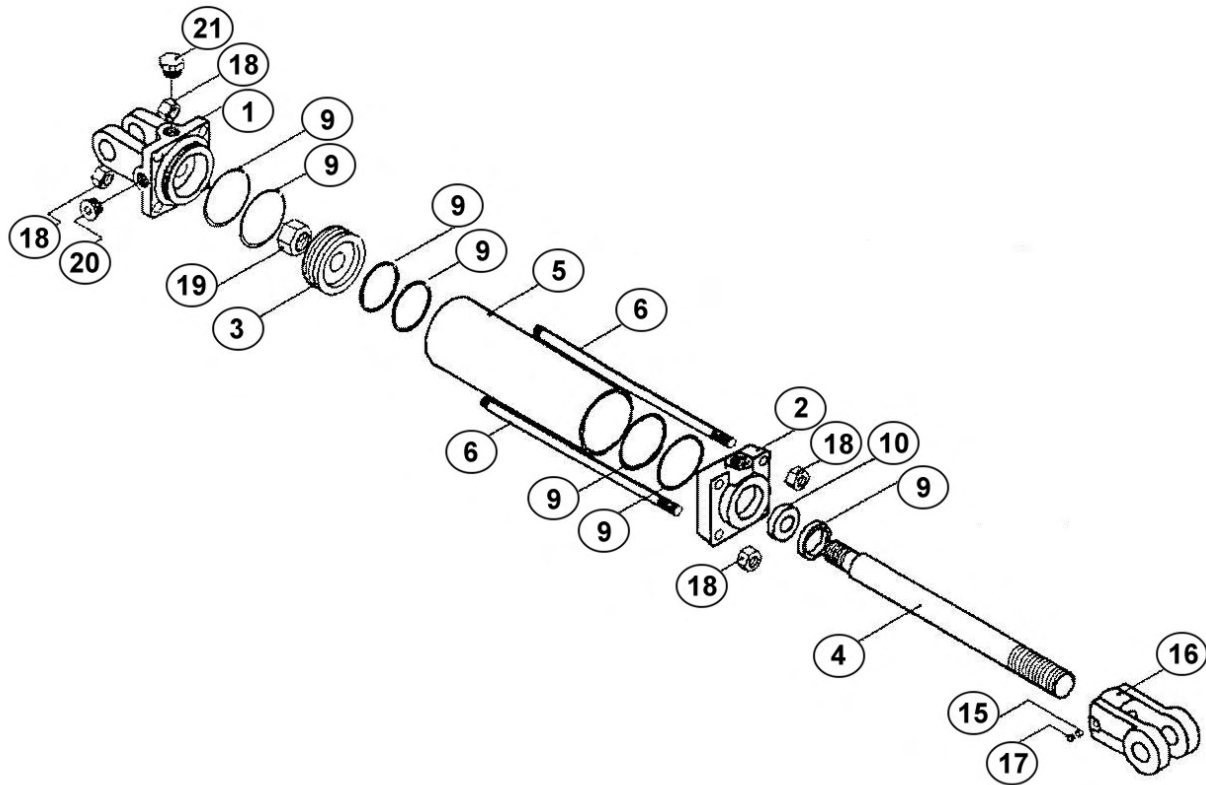
TK5 TK6 TK7

GEARBOX ATTACHMENT TK6 SERIAL# 11617-CURRENT



ITEM	PART NO.	QTY.	DESCRIPTION
1	00785575	1	GEARBOX SCHIELD, 4-1/8"-5" BC
2	00785574	1	RING,GB SHIELD INNER SUPPORT
3	00023500	4	FLATWASHER, 5/16" TYPE AW, ZP
4	02958784	4	BOLT METRIC 8-P1.25-20MM PL8.8
5	00037200	6	LOCKNUT, 3/4"-NC TLM PL C
6	5312316	6	WASHER, 3/4" HARDENED
7	00037100	6	HEXB 3/4" NC 2-1/2" PL5

HYDRAULIC CYLINDER

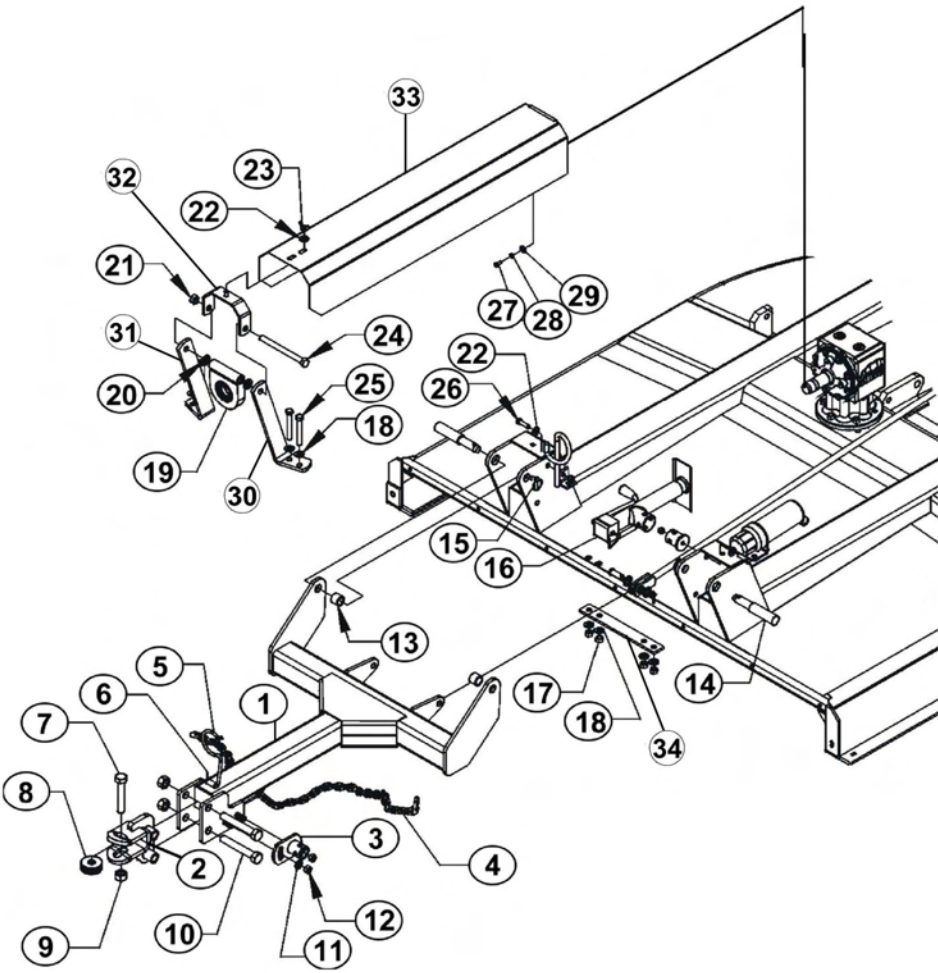


ITEM	PART NO.	QTY.	DESCRIPTION
	8727A	1	HYDRAULIC CYLINDER
1	00774729	1	CLEVIS CAP 2.5-3/4 ORB-1.00
2	00774734	1	ROD CAP 2.50-1.25-3/4 ORB
3	00774730	1	PISTON 2.5-0.75-S HALL W/RING
4	00774753	1	ROD CYL 1.25-08-0.75-1.25-A
5	3047111	1	CYLINDER TUBE
6	3047112	4	TIE ROD
9	00774760	1	SEAL KIT
15	3047117	1	THREAD LOCK
16	1917140	1	ROD CLEVIS
17	00774740	1	SC SCKT SET 3/8UNCX1/2 KNUR
18	33003H5C	8	HEX NUT 3/8-16 GR.5
19	5JRC12160	1	NUT TOPLOCK 3/4 NF PLC
20	1917132	1	SCKT HD O-RNG PLUG,3/4-16 UNF
21	2417154	1	BREATHER,CYLINDER #8 ORB

NOTES



PULL TYPE TONGUE ASSEMBLY TK7



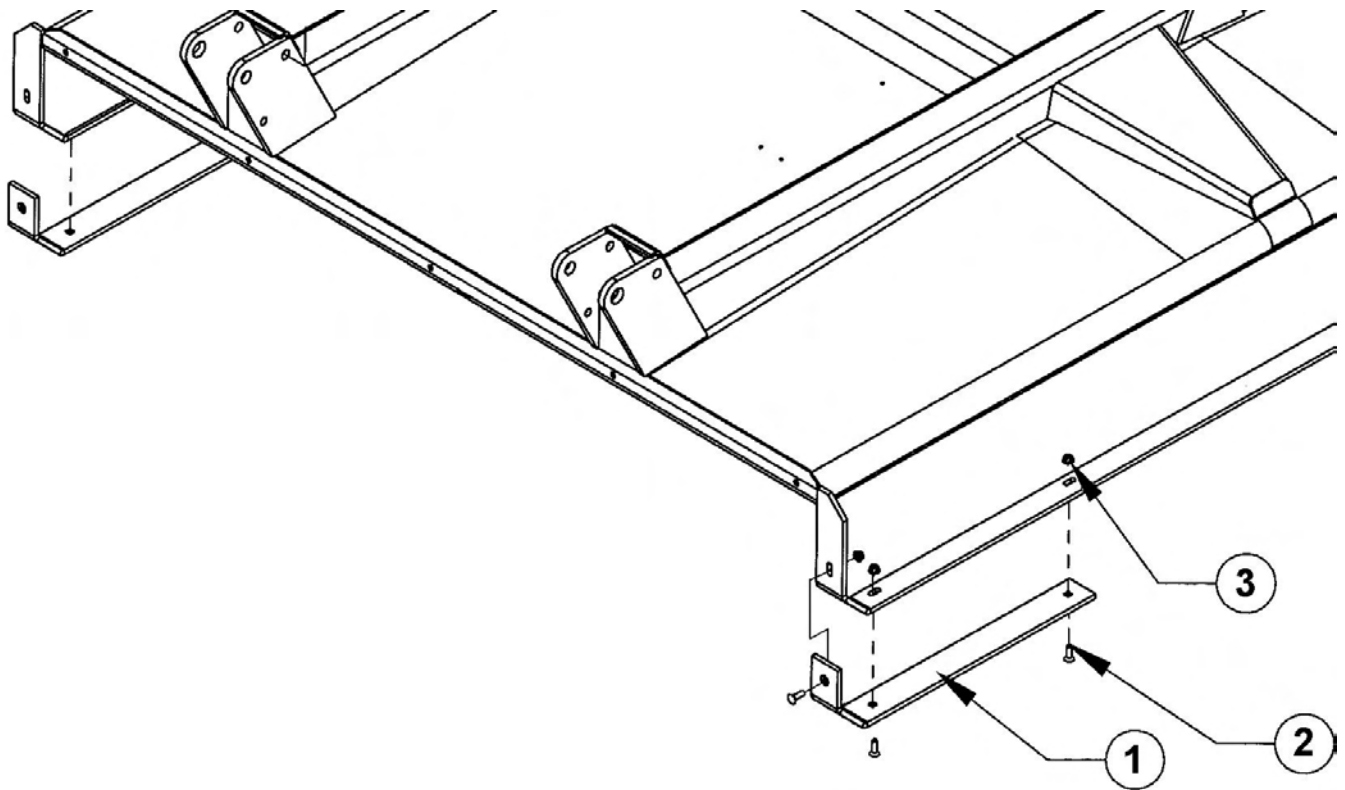
PULL TYPE TONGUE ASSEMBLY TK7

Continued...

ITEM	PART NO.	QTY.	DESCRIPTION
1	00777459	1	WDMT, TONGUE
2	00778053	1	WDMT, CLEVIS
3	00760941	1	WDMT, JACK TUBE MOUNT
4	00764515	1	CHAIN, SAFETY TOW-6000# CAP.
5	1431565	1	SHAFT, PTO IID TRANSPORT SUPPRT
6	40010000	1	PIN, COTTER 1/8 X1
7	00755076	1	HHCS 1 NC 5-1/2 PL8
8	00759275	3	WASHER, HITCH CLEVIS
9	02030300	3	NUT TOPLOCK 1 NC PLB
10	00754107	2	BOLT 1 - 8UNC X 6-1/2 PL8
11	00756077	2	WASHER, 5/8 HARDENED
12	00695100	2	LOCKNUT TOPLOCK 5/8 NC PLB
13	00761890	2	BUSHING 1.5 OD X 1.14 IDX 1-3/16 LG
14	00758146	2	PIN, TONGUE PIVOT
15	2196	2	CLIP (LYNCH PIN), 13/32 DIA.
16	00772391	1	PARKING JACK SIDEWIND
17	00695100	4	NUT, 5/8 NC TOPLOCK
18	00001400	8	FLATWASHER 5/8 PL STD
19	00775006A	1	BEARING ASSEMBLY
20	00002701	2	FLATWASHER, 3/4, TYPE AW, ZP
21	00037200	1	LOCKNUT 3/4-NC TLM PLC
22	00002700	1	FLATWASHER 1/2
23	5F8130	1	WINGNUT 1/2 NC
24	00781172	1	HHCS 3/4 NC 8-1/2 PL5
25	02845800	4	HEXB, 5/8 NC X 4-1/2 GRD5 ZP
26	00749130	2	HHCS 1/2 - 13 UNC 1-3/4 PL5
27	00002000	1	HEX CAP 3/8 - 16 X 3/4 GR.5 ZP
28	00012101	1	LOCKWASHER 3/8 PL
29	00011100	1	FLATWASHER 3/8 PL STD
30	00781166	1	FLAT, LH BEARING PIVOT
31	00781167	1	FLAT, RH BEARING PIVOT
32	00781174	1	WELDMENT, SHIELD BRACKET 4 BOLT COMER GEARBOX
	00781168	1	WELDMENT, SHIELD BRACKET 3 BOLT ITG GEARBOX
33	00786671	1	WLDMT, J/S SHIELD
34	00781175	1	FLAT, REINFORCING STRAP

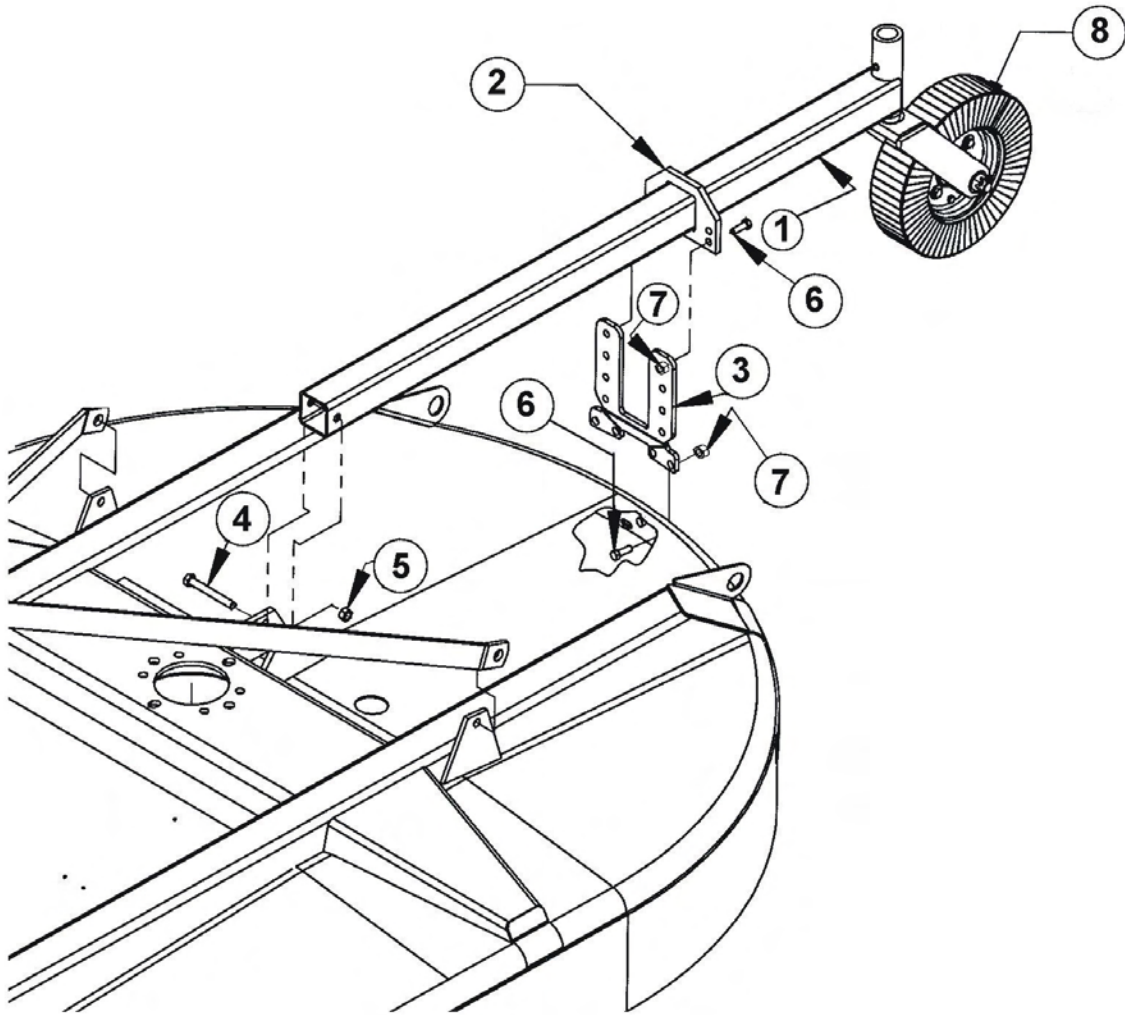
TK5 TK6 TK7

SKID SHOE ASSEMBLY



ITEM	PART NO.	QTY.	DESCRIPTION
1	00778905	2	SKID SHOE BAR
2	8277	6	PLOW BOLT 3/8 NC 1-1/4 #3 PL
3	4528	6	NUT, LOCK 3/8-16 FLG WHIZ

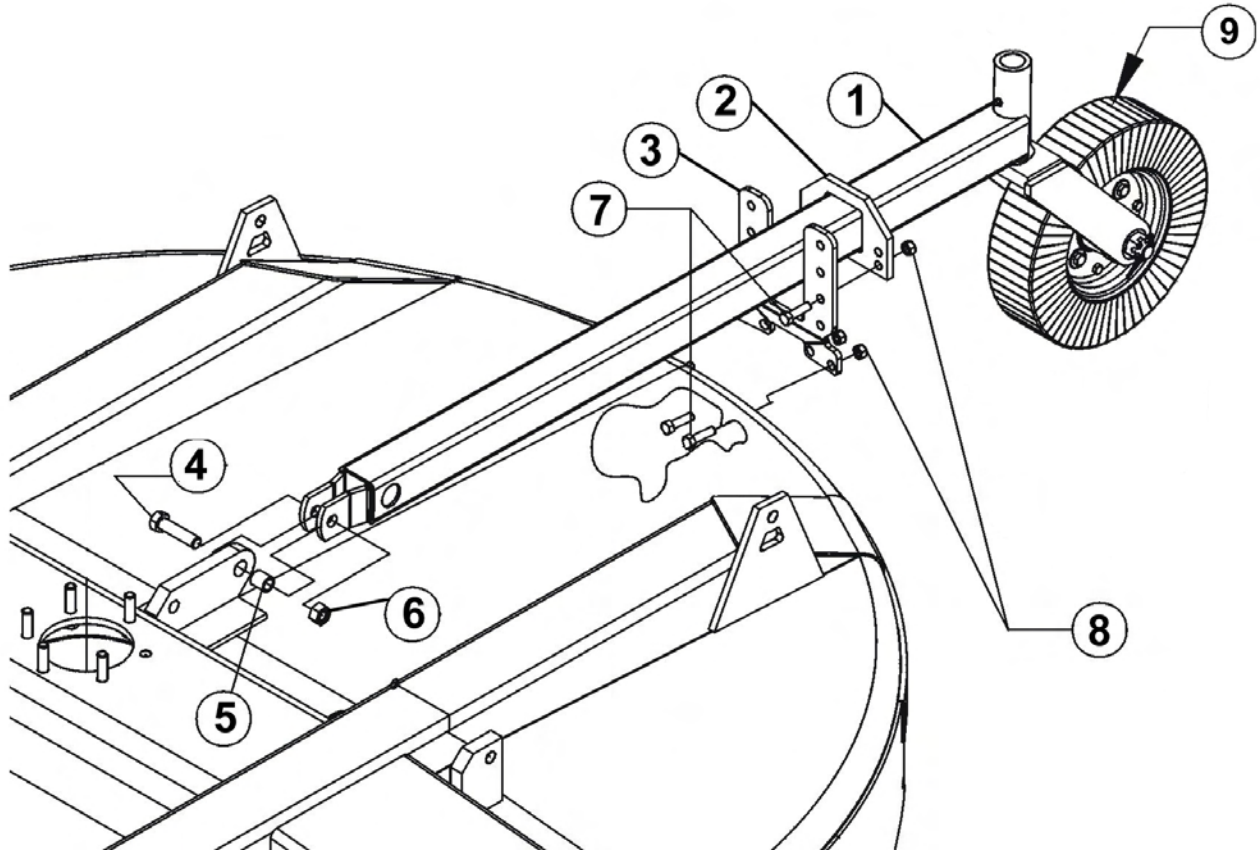
TAILWHEEL ASSEMBLY TK5/TK6



ITEM	PART NO.	QTY.	DESCRIPTION
1	00780876	1	WDMT, T/W BEAM - TK6
	00781036	1	WDMT, T/W BEAM - TK5
2	0585020300	1	BRACKET, POSITION
3	00785239	1	MOUNT, TAILWHEEL BEAM
4	00059000	1	HEXB 5/8 NC X 5 PL5
5	00695100	1	LOCKNUT TOPLOCK 5/8NC PLB
6	00748823	4	HHCS 1/2-13 UNC 1-1/2 PL5
7	00001800	4	LOCKNUT TLM 1/2 NC PLB
8	00776220	1	ASSY CASTER FORK & WHEEL

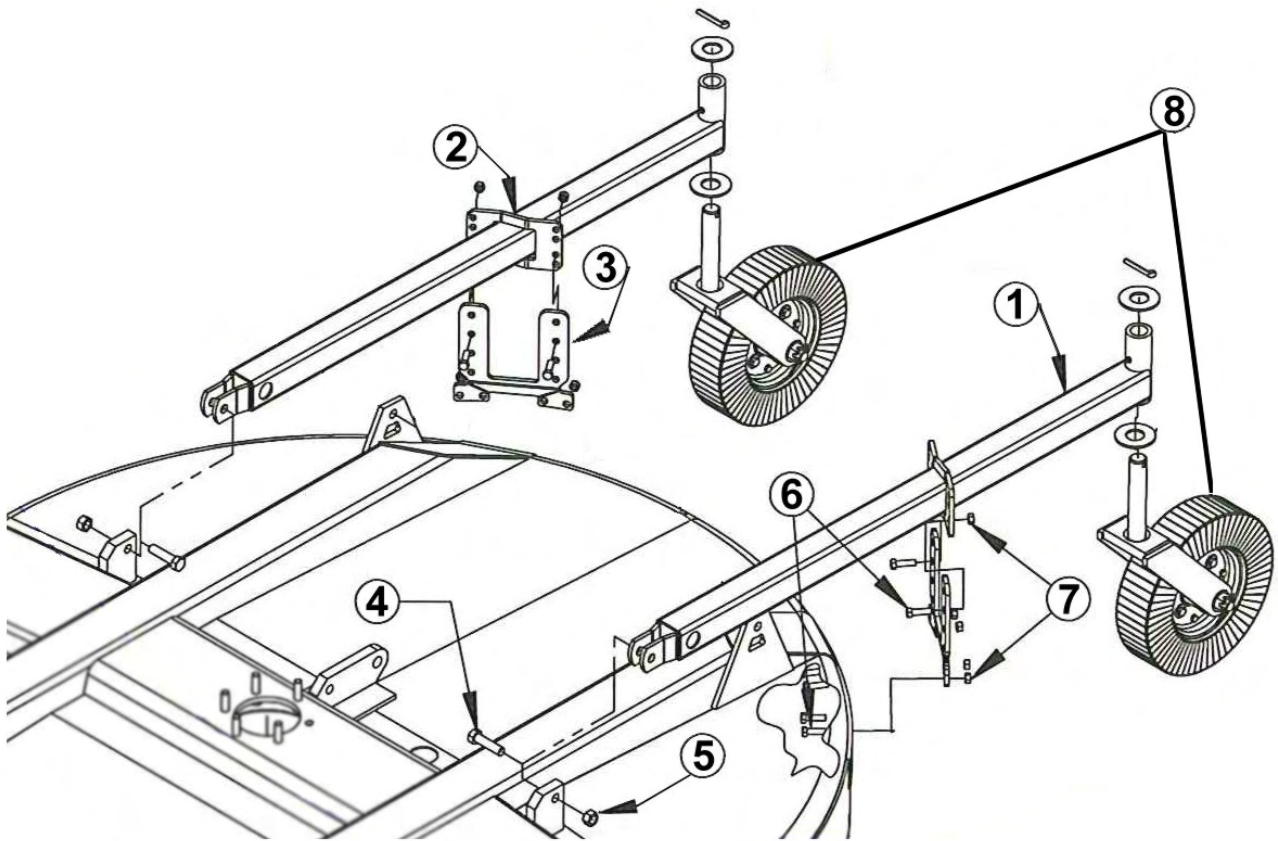
TK5 TK6 TK7

TAILWHEEL ASSEMBLY TK7



ITEM	PART NO.	QTY.	DESCRIPTION
1	00781077	1	WELDMENT, T/W BEAM
2	0585020300	1	BRACKET POSITION
3	00785239	1	MOUNT, T/W BEAM
4	00007800	1	HEXB 3/4 NC X 3 PL5
5	00781367	1	TUBE BUSHING
6	00037200	1	LOCKNUT 3/4 NC TLM PLC
7	00749130	4	HHCS 1/2-13 UNC 1-3/4 PL5
8	00001800	4	TOPLOCKNUT, 1/2-13 NC PL
9	00776220	1	ASY,CASTER FORK & WHEEL

TAILWHEEL ASSEMBLY TK7 (DUAL)

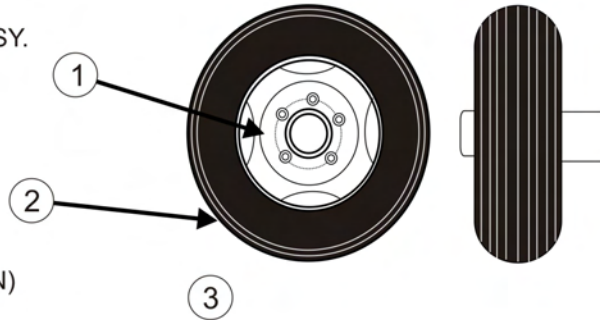


ITEM	PART NO.	QTY.	DESCRIPTION
1	00781077	2	WDMT, T/W BEAM
2	00781071	2	FLAT, POSITION BRACKET
3	00785473	2	MOUNT, DUAL TAILWHEEL BEAM
4	00007800	2	HEXB 3/4 NC 3 PL5
5	00037200	2	LOCKNUT 3/4-NC TLM PLC
6	00749130	8	HHCS 1/2-13 UNC 1-3/4 PL5
7	00001800	8	LOCKNUT TLM 1/2 NC PLB
8	00776220	1	WHEEL & FORK ASSEMBLY

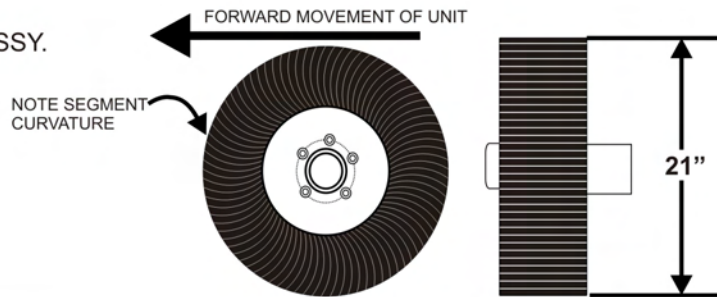
TIRE AND WHEEL ASSEMBLY

00749698 - RIB IMPLEMENT
TIRE AND WHEEL ASSY.

1. WHEEL, 00008700
2. TIRE, 00601700
3. TUBE, 00751994 (NOT SHOWN)

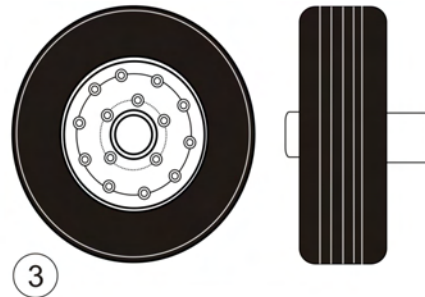


00025200 - LAMINATED (6 X 9)
TIRE AND WHEEL ASSY.



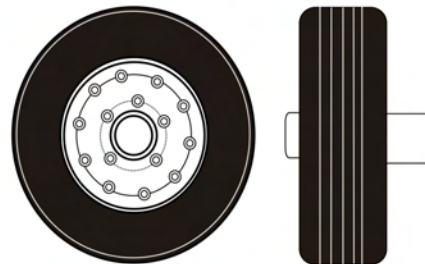
00771461 - PNEUMATIC
TIRE AND WHEEL ASSY.
- 27.75 x 8.75 x 14.5

1. WHEEL, (AVAILABLE ONLY IN ASSEMBLY)
2. TIRE, (AVAILABLE ONLY IN ASSEMBLY)
3. TUBE, 00779290 (NOT SHOWN)



FOAM FILLED USED AIRCRAFT
TIRE AND WHEEL ASSY.

- 00776911 - 22 x 6.6/6.75 x 10
- 00776911A - 24 x 7.7 x 10
- 00749700 - 25.5 x 8 x 14
- 00786014 - 27 x 7.75 x 15



**WARRANTY
SECTION**

WARRANTY INFORMATION

Tiger Corporation, 3301 N. Louise, Sioux Falls, South Dakota, warrants to the original Retail Customer, the new Tiger equipment is free of defects in material and workmanship. Any part of equipment that in Tiger's judgement, show evidence of such defects will be repaired or replaced without charge, provided that the failure of part(s) shall have occurred within twelve (12) months from the date of delivery of said equipment to the Retail Customer. Expendable components such as knives, oil, chain sprockets, skid shoes, knife mounting disks and the like are excluded but not limited to this warranty.

The Retail Customer must pay the transportation cost to and from the Tiger Dealer's service shop for warranty service. Warranty service will be performed by the Tiger Dealer from whom the equipment was purchased, during service shop regularly scheduled days and hours of operation.

All Tiger obligation under this warranty shall be terminated if the equipment is modified or altered in ways not approved in writing by Tiger, if repair parts other than genuine Tiger repair parts have been used, or if the equipment has been subject to misuse, neglect, accident, improper maintenance or improper operation.

Tiger Corporation reserves the right to make improvements in design or changes in specification at any time without incurring any obligation to owners of equipment previously sold.

No agent or person has authority to alter, add to or waive the above warranties which are agreed to be in the only warranties, representations or promises, expressed or implied, as to the quality or performance of the products covered and which do not include any implied warranty of merchantability or fitness. In no event will Tiger be liable for incidental or consequential damages or injuries, including, but not limited to, loss of profits, rental or substitute equipment or other commercial loss.

**THERE ARE NO WARRANTIES WHICH EXTEND
BEYOND THOSE EXPRESSED HEREIN.**

It is the Purchasers obligation to sign the warranty registration form **AFTER** he / she has Read and Understands the Operation and Safety Instructions stated within this manual.

ONE LAST WORD

This manual cannot possibly cover all of the potentially hazardous situations you will encounter. By being familiar with the safety rules, operating and maintenance instructions in this manual you can help prevent accidents. The objective of this manual is to help make you a better operator. Remember, **SAFETY IS YOU!**



1012

Your safety and the safety of those around you depends on **YOU**. Common sense should play a large role in the operation of this machine.

Since we at Tiger Corporation are constantly striving to improve our products, we reserve the right to change specifications or design at any time.

TO THE OWNER / OPERATOR / DEALER



To keep your implement running efficiently and safely, read your manual thoroughly and follow these directions and the Safety Messages in this manual and on the machine. The table of contents clearly identifies each section where you can easily find the information you need.

The Occupational Safety and Health Act (OSHA 1928.51 subpart C) makes the following minimum requirements for tractor operators.

OWNER REQUIREMENTS:

1. Provide a Roll-Over-Protective Structure that meets the requirements of this Standard; and
2. Provide Seatbelts that meet the requirements of this Standard and SAE J3C; and
3. Ensure that each employee uses such Seatbelt while the tractor is moving; and
4. Ensure that each employee tightens the Seatbelt sufficiently to confine the employee to the protected area provided by the ROPS.

OPERATOR REQUIREMENTS:

1. Securely fasten seatbelt if the tractor has a ROPS.
2. Where possible, avoid operating the tractor near steep ditches, embankments, and holes.
3. Reduce speed when turning, crossing slopes, and on rough, slick, or muddy surfaces.
4. Stay off slopes too steep for safe operation.
5. Watch where you are going – especially at row ends, on roads, and around trees.
6. Do Not permit others to ride.
7. Operate the tractor smoothly – no jerky turns, starts, or stops.
8. Hitch only to the draw-bar and hitch points recommended by the tractor manufacturer.
9. When the tractor is stopped, set brakes securely and use park lock, if available



Printed in USA
© Tiger Corporation